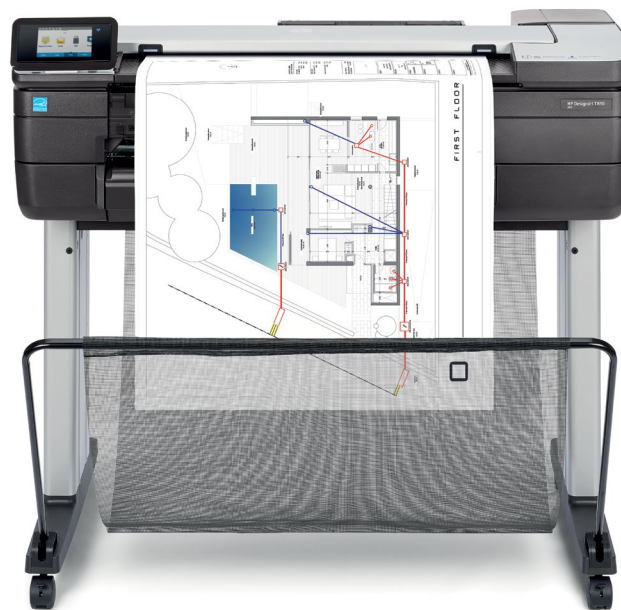




# HP DesignJet T830 24-in Multifunction Printer

The smart choice for architecture and construction offices ready to evolve



## CONVENIENT—Fast, agile, intuitive print/scan/copy

- Print documents fast—up to 26 seconds for A1/D-size prints<sup>1</sup>
- Enjoy easy installation in the office, construction job site with the most compact large-format MFP<sup>2</sup>
- Easily print project sets and PDF documents with HP Click printing software.
- Anyone can print smoothly from a smartphone or tablet with HP Mobile Printing<sup>3</sup>

## TRUSTED—HP DesignJet quality and reliability

- Get HP DesignJet quality also in small-format sizes—print half-size documents with 50-sheet A4/A3 input tray
- Achieve precise lines up to 0.1% line accuracy<sup>4</sup>, up to 2400 dpi, and high contrast—HP Bright Office Inks
- Smart scanning technology protects originals from damage when scanning and obtains precise colors
- Reinforced design and strong legs for easy transport and use at the job site

## COMMUNICATION—Immediately share meeting results

- Use built-in scanner to copy and distribute sketches and hand-annotated drawings to peers/partners right away
- Easily link your computer, smartphone, or tablet to the printer with Wi-Fi Direct
- Share drawings immediately—scan/email from front panel, use HP Smart app<sup>5</sup> to email contacts, post to cloud
- No learning curve—with the intuitive design of a single touchscreen, you can scan, copy, and share instantly

Dynamic security enabled printer. Cartridges using a non-HP chip might not work and those that work today might not work in the future. More at: [hp.com/go/learnaboutesupplies](http://hp.com/go/learnaboutesupplies)

For more information, please visit [hp.com/go/designjetT830](http://hp.com/go/designjetT830)

<sup>1</sup> The HP DesignJet T830 24-in Printer prints documents up to 25% faster compared to the HP DesignJet T520 24-inch Printer. Mechanical printing time, printed in Fast mode with Economode on, using HP Bright White Inkjet Paper (bond) and Original HP Bright Office Inks.

<sup>2</sup> The HP DesignJet T830 24-inch and 36-inch Multifunction Printers are the most compact large-format devices performing print/scan/copy functions based on H x W x L specifications published as of May, 2017.

<sup>3</sup> Local printing requires mobile device and printer to be on the same network (usually Wi-Fi access points bridge wireless to wired connections) or have a direct wireless connection. Wireless performance is dependent on physical environment and distance from access point. Wireless operations are compatible with 2.4 GHz operations only. Remote printing requires an Internet connection to an HP web-connected printer. Wireless broadband use requires separately purchased service contract for mobile devices. Check with service provider for coverage and availability in your area. See <http://www.hp.com/go/designjetmobility> for more details.

<sup>4</sup> +/-0.1% of the specified vector length or +/-0.2 mm (whichever greater) at 23° C (73° F), 50-60% relative humidity, on A1/D HP printing material in Best mode with HP Heavyweight roll feed and Original HP Bright Office Inks.

<sup>5</sup> The HP Smart app is available for Apple® iPad, iPhone, and iPod Touch running iOS v7.0 or later and for Android™ mobile devices running Android™ v4.4 or later. The HP Smart app is available for free from the Apple® App Store for Apple® mobile devices and from the Google Play Store for Android™ mobile devices.

## Technical specifications

<b>Print</b>	Line drawings <sup>6</sup>	26 sec/page on A1/D, 81 A1/D prints per hour	
	Print resolution	Up to 2400 x 1200 optimized dpi	
	Margins (top x bottom x left x right)	Roll: 5 x 5 x 5 x 5 mm (0.2 x 0.2 x 0.2 x 0.2 in) Sheet: 5 x 5 x 5 x 5 mm (0.2 x 0.2 x 0.2 x 0.2 in)	
	Ink types	Dye-based (C, M, Y); pigment-based (mK)	
	Printheads	1 (C, M, Y, mK)	
	Line accuracy	+/- 0.1%	
	Minimum line width	0.02 mm (0.0008 in)	
	Guaranteed minimum line width	0.07 mm (0.0028 in) (ISO/IEC 13660:2001(E)) <sup>8</sup>	
	<b>Media</b>	Handling	Sheet feed, roll feed, input tray, media bin, automatic cutter
		Size	Rolls: 279 to 610 mm (11 to 24 in) Sheets: 210 x 279 to 610 x 1897 mm (8.3 x 11 to 24 x 74.7 in) Standard sheets: A4, A3, A2, A1 (A, B, C, D)
Thickness		Up to 0.3 mm (11.8 mil)	
<b>Scan</b>	Scan speed	Color: up to 3.81 cm/sec (1.5 in/sec) Grayscale: up to 11.43 cm/sec (4.5 in/sec)	
	Scan/copy resolution	600 dpi	
	Maximum scan	Size: 610 mm x 2.77 m (24 x 109 in) Thickness: 0.8 mm (0.03 in)	
<b>Copy</b>	Reduction/enlargement	50 to 400%	
	Maximum copies	Up to 99 copies	
	Copier settings	Content type, Lighter/Darker, Background noise removal, Background color removal, Blue print invert, Translucent media, Color, Scan full width (24-in), Auto De-skew, Resize, Copy Margins, Quality	
<b>Applications</b>	Line drawings, Renderings, Presentations		
<b>Memory</b>	1 GB		
<b>Connectivity</b>	Interfaces (standard)	Gigabit Ethernet (1000Base-T); Wi-Fi 802.11b/g/n; Wi-Fi Direct	
	Print languages (standard)	TIFF, JPEG, CALS G4, HP PCL 3 GUI, HP-GL/2, HP-RTL, URF	
	Printing paths	Windows and Mac printer drivers, Apple AirPrint, HP Print Service Plugin for Android, HP Print for Chrome app for Chrome OS	
	Mobile printing capability features	Direct print for mobile apps for iOS, Android and Chrome OS; email printing with HP ePrint and HP Smart app for iOS and Android	
	Drivers (included)	Raster driver for Windows and macOS; HP-GL/2, HP-RTL drivers for Windows	
<b>Dimensions (w x d x h)</b>	Printer	1098 x 629 x 1155 mm (43.2 x 24.8 x 45.5 in)	
	Shipping	1310 x 570 x 645 mm (51.6 x 22.4 x 25.4 in)	
<b>Weight</b>	Printer	51 kg (112.4 lb)	
	Shipping	70 kg (154.3 lb)	
<b>What's in the box</b>	HP DesignJet T830 24-in MFP, printhead, ink cartridges, printer stand, spindle, quick reference guide, setup poster, power cord, refeed preventers		
<b>Software included</b>	HP Click printing software, HP DesignJet Utility for Mac and Windows		
<b>Environmental ranges</b>	Operating temperature:	5 to 40°C (41 to 104°F)	
	Storage temperature:	-25 to 55°C (-13 to 131°F)	
	Operating humidity:	20 to 80% RH	
<b>Acoustic</b>	Sound pressure:	48 dB(A) (printing); < 16 dB(A) (sleep)	
	Sound power:	6.5 B(A) (printing); < 3.4 B(A) (sleep)	
<b>Power consumption</b>		36 watts (printing), 3.5 watts (sleep), 0.2 watts (standby)	
	Input voltage:	100–240 V, 50/60 Hz, 1.2 A max	
<b>Certification</b>	Safety	USA and Canada (CSA certified), EU (LVD and EN 60950-1 compliant), Russia (EAC), Singapore (PSB), China (CCC), Argentina (IRAM), India (BIS)	
	Electromagnetic	Compliant with Class B requirements, including: USA (FCC rules), Canada (ICES), EU (EMC/R&TTE Directives), Australia (ACMA), New Zealand (RSM), China (CCC), Japan (VCCI); Certified as Class A product: Korea (KCC)	
	Environmental	ENERGY STAR, EPEAT Silver, CE marking (including RoHS, WEEE, REACH). In compliance with WW RoHS materials restriction requirements in China, Korea, India, Vietnam, Turkey, Serbia, and Ukraine	
<b>Warranty</b>	One-year limited warranty. Warranty and support options vary by product, country and local legal requirements.		

## Ordering information

<b>Product</b>	F9A28B	HP DesignJet T830 24-in Multifunction Printer
<b>Accessories</b>	B3Q36A	HP DesignJet 24-in Spindle
	N7P47AA	HP USB 3.0 to Gigabit LAN Adapter
<b>Original HP printhead</b>	F9J81A	HP 729 DesignJet Printhead Replacement Kit
<b>Original HP ink cartridges</b>	F9J61A	HP 728 40-ml Yellow DesignJet Ink Cartridge
	F9J62A	HP 728 40-ml Magenta DesignJet Ink Cartridge
	F9J63A	HP 728 40-ml Cyan DesignJet Ink Cartridge
	F9J64A	HP 728 69-ml Matte Black DesignJet Ink Cartridge
	F9J65A	HP 728 130-ml Yellow DesignJet Ink Cartridge
	F9J66A	HP 728 130-ml Magenta DesignJet Ink Cartridge
	F9J67A	HP 728 130-ml Cyan IDesignJet Ink Cartridge
	F9J68A	HP 728 300-ml Matte Black DesignJet Ink Cartridge
	F9K15A	HP 728 300-ml Yellow DesignJet Ink Cartridge
	F9K16A	HP 728 300-ml Magenta DesignJet Ink Cartridge
F9K17A	HP 728 300-ml Cyan DesignJet Ink Cartridge	
Dynamic security enabled printer. Cartridges using a non-HP chip might not work and those that work today might not work in the future. More at: <a href="http://hp.com/go/learnaboutsupplies">hp.com/go/learnaboutsupplies</a>		
<b>Original HP large format printing materials</b>	C6035A	HP Bright White Inkjet Paper (FSC® certified) <sup>9</sup> 610 mm x 45.7 m (24 in x 150 ft)
	C6019B	HP Coated Paper 610 mm x 45.7 m (24 in x 150 ft)
	C6029C	HP Heavyweight Coated Paper 610 mm x 30.5 m (24 in x 100 ft)
	COF18A	HP Everyday Adhesive Matte Polypropylene, 2 Pack 610 mm x 22.9 m (24 in x 75 ft)
<b>Service and support</b>	UC744E	HP Network Installation Service
	U9RT0E	HP Monthly NBD* Onsite Support
	U9RS8E	HP 2 year NBD* Onsite Support
	U9RS5E	HP 3 year NBD* Onsite Support
	U9RS9E	HP 4 year NBD* Onsite Support
	U9RS6E	HP 5 year NBD* Onsite Support
	U9RS7PE	HP 1 year Post Warranty NBD* Onsite Support
U9RT1PE	HP 2 year Post Warranty NBD* Onsite Support	

\* Next Business Day.

**HP DesignJet Support Services** offer solutions for business critical environments — installation, extended support and maintenance, as well as a variety of value-added services. For more information, please visit [hp.com/go/designjetsupport](http://hp.com/go/designjetsupport).

Use **Original HP inks**, printheads and large format printing materials to experience consistent high quality and reliable performance that enable less downtime. These critical components are designed and engineered together as an optimized printing system to provide precise line accuracy as well as dark blacks. For more information, visit [hp.com/go/OriginalHPInks](http://hp.com/go/OriginalHPInks).

For the entire **HP Large Format Printing Materials** portfolio, please see [HPLFMedia.com](http://HPLFMedia.com).

### Eco Highlights



- ENERGY STAR® certified and EPEAT Silver registered<sup>11</sup>
- Free, convenient HP ink cartridge recycling<sup>12</sup>
- FSC®-certified papers<sup>9</sup> and a range of recyclable HP media with a take back program<sup>12</sup>

**Please recycle large-format printing hardware and printing supplies.**

**Find out how at our website**  
[hp.com/ecosolutions](http://hp.com/ecosolutions)

<sup>6</sup> Mechanical printing time. Printed in Fast mode with Economode on, using HP Bright White Inkjet Paper (bond) and Original HP inks.  
<sup>7</sup> ±0.1% of the specified vector length or ±0.2 mm (whichever greater) at 23°C (73°F), 50–60% relative humidity, on A1/D HP Heavyweight media in Best or Normal mode with Original HP inks  
<sup>8</sup> Measured on HP Matte Film.<sup>11</sup>  
<sup>9</sup> BMG trademark license code FSC®-C115319, see [fsc.org](http://fsc.org). HP trademark license code FSC®-C017543, see [fsc.org](http://fsc.org). Not all FSC®-certified products are available in all regions. For information about HP large format printing materials, please visit [HPLFMedia.com](http://HPLFMedia.com).  
<sup>10</sup> Can be recycled through commonly available recycling programs.  
<sup>11</sup> EPEAT registered where applicable and/or supported. See [epeat.net](http://epeat.net) for registration status by country.  
<sup>12</sup> Program availability varies. Please check [hp.com/recycle](http://hp.com/recycle) for details. Many HP printing materials are recyclable through commonly available recycling programs. For information about HP large format printing materials, please visit [HPLFMedia.com](http://HPLFMedia.com).

