

1 DESCRIPTION.

TRANSFORMER, POWER.

2 ELECTRICAL CHARACTERISTICS.

2.1 INPUT SPECIFICATIONS.

INPUT VOLTS AC

CONNECT TERMINALS

120 V

1 AND 2

2.1.1 INPUT FREQUENCY.

60 Hz.

2.2 OUTPUT SPECIFICATION.

2.2.1 WINDING SUMMARY.

<u>WINDING</u>	<u>TERMINALS</u>	<u>AC VOLTS (NO LOAD)</u>	<u>CURRENT</u>
SECONDARY	3-4-5	9.7 CT	3.2 A

3 MECHANICAL CHARACTERISTICS.

3.1 DIMENSIONS AND TERMINATIONS.

SEE OUTLINE DRAWING.

4 PACKAGING REQUIREMENTS.

EACH SHIPMENT SHALL HAVE SUFFICIENT PROTECTION TO PREVENT DAMAGE DURING TRANSIT AND HANDLING.

5 VENDOR QUALIFICATION.

SAMPLES SUBMITTED FOR APPROVAL PER THIS SPECIFICATION SHALL BE REPRESENTATIVE OF THE MANUFACTURER'S NORMAL PRODUCTION. AFTER APPROVAL OF SUCH SAMPLES, NO CHANGES AFFECTING FORM, FIT, FUNCTION, OR RELIABILITY SHALL BE MADE WITHOUT WRITTEN PERMISSION FROM TEKTRONIX, INC.

6 MARKING REQUIREMENTS.

6.1 TRANSFORMER.

PERMANENTLY AND LEGIBLY MARK WITH THE FOLLOWING INFORMATION:

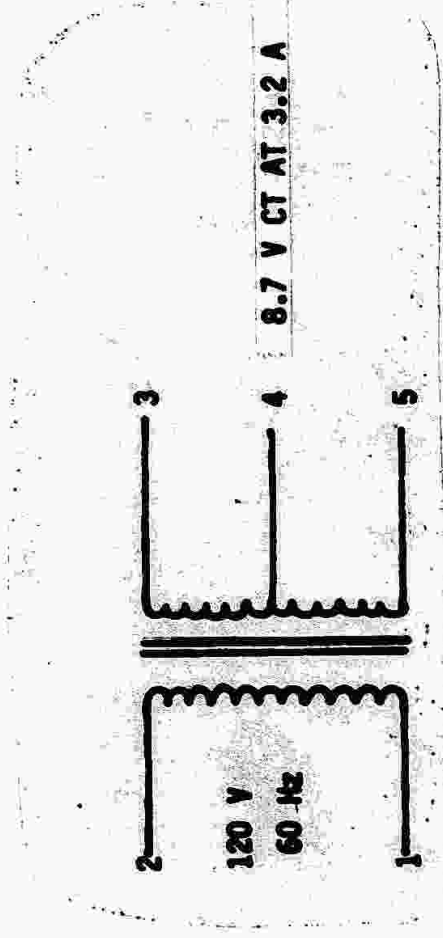
- (A) MANUFACTURER'S NAME AND/OR TRADEMARK (OUTSIDE MANUFACTURER ONLY).
- (B) DATE OF MANUFACTURE OR LOT CODE.

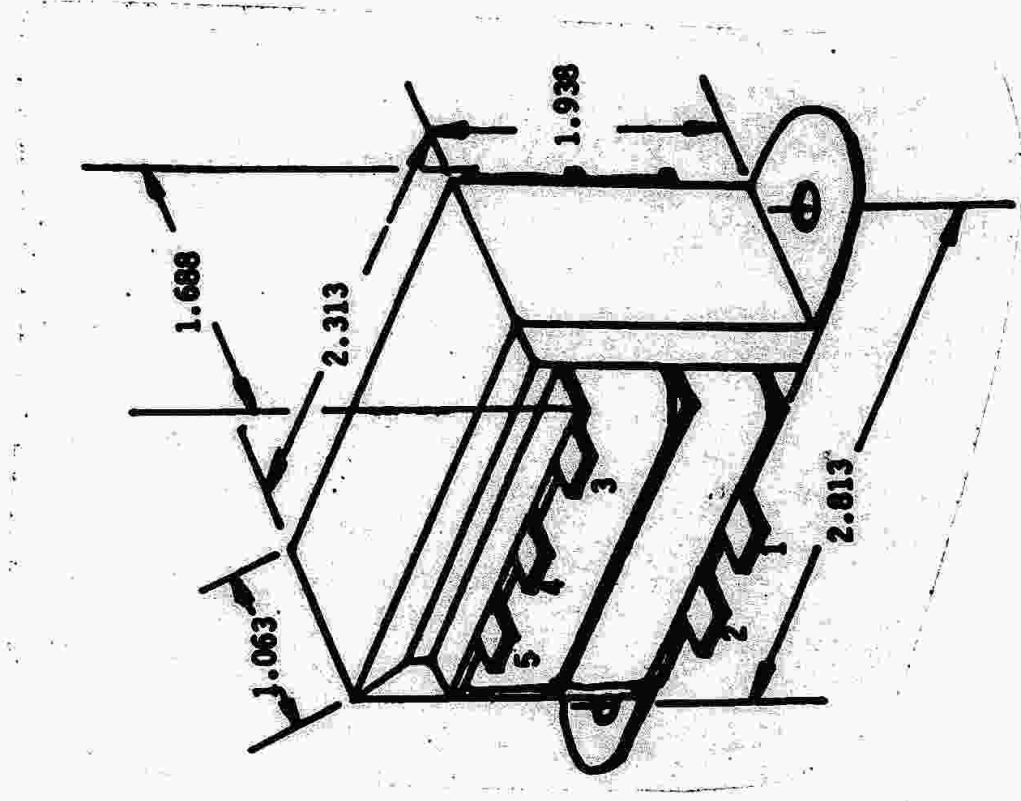
8 DOCUMENTATION CONTROL (INTERNAL USE ONLY).

THIS DOCUMENT SHALL NOT BE CHANGED OR REPLACED WITHOUT WRITTEN AUTHORIZATION FROM THE FOLLOWING:

(A) DESIGNATED COMPONENT EVALUATION ENGINEER.

9 SCHEMATIC.



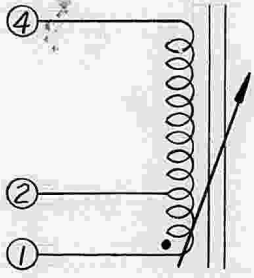
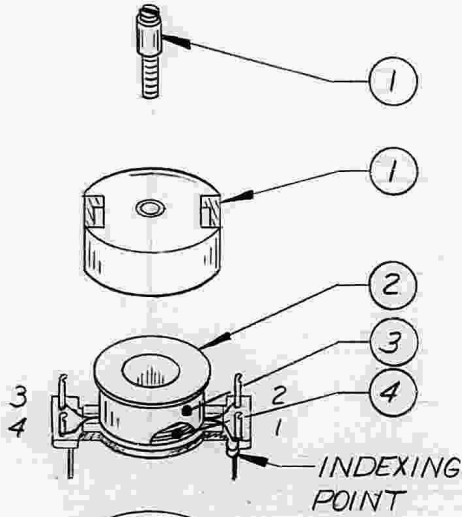
OUTLINE DRAWING.

74-82 B

REV B  
PART NUMBER 120-1008-00

THIS DRAWING WHEN DISTRIBUTED OUTSIDE TEKTRONIX, INC. IS SUPPLIED FOR IDENTIFICATION, ENGINEERING EVALUATION AND/OR INSPECTION PURPOSES ONLY AND MAY NOT BE USED AS A BASIS FOR MANUFACTURE OR SALES OF PRODUCTS WITHOUT WRITTEN PERMISSION FROM TEKTRONIX, INC.  
IF THIS DRAWING IS FURNISHED UNDER ANY UNITED STATES GOVERNMENT CONTRACT, IT SHALL NOT BE EITHER RELEASED OUTSIDE THE GOVERNMENT, OR USED, DUPLICATED, OR DISCLOSED IN WHOLE OR IN PART FOR MANUFACTURE OR PROCUREMENT, WITHOUT THE WRITTEN PERMISSION OF TEKTRONIX, INC., EXCEPT FOR: (1) EMERGENCY REPAIR OR OVERHAUL WORK BY OR FOR THE GOVERNMENT, WHERE THE ITEM OR PROCESS CONCERNED IS NOT OTHERWISE REASONABLY AVAILABLE TO ENABLE TIMELY PERFORMANCE OF THE WORK; OR (2) RELEASE TO A FOREIGN GOVERNMENT AS THE INTERESTS OF THE UNITED STATES MAY REQUIRE; PROVIDED THAT IN EITHER CASE THE RELEASE, USE, DUPLICATION OR DISCLOSURE HEREOF SHALL BE SUBJECT TO THE FOREGOING LIMITATIONS. IF THIS DRAWING IS REPRODUCED IN WHOLE OR IN PART, THIS ENTIRE LEGEND BLOCK MUST APPEAR ON ALL REPRODUCED COPIES.

REV	REF	DESCRIPTION OF CHANGE	CHK BY	DATE
A	49313	UPDATED DWG. & GENERAL NOTE ADDED NOTE 4	DD	8 JUNE 83
B	52104	REVISED DWG.	DD	8 DEC 83



WINDINGS	URNS	SIZE	RESISTANCE
1-2-4	-	Ø-8-40½ #27	±20% AT 20°C .206 Ω

(A) INDUCTANCE: (1-4) 99 TO 110 μH MIN. RANGE  
POLARITY PER SCHEMATIC

- (A) 4. VALUE DETERMINED WITH ESI 252 OR APPROVED EQUIVALENT
- (B) BOBBIN AND CLAMP MUST BE PERPENDICULAR TO EACH OTHER ± 3°
- (C) DATE CODE OPPOSITE SIDE

1. REFERENCE DIMENSIONS: .500 HIGH X .575 WIDE X .875 LONG

NOTES:

<b>TEKTRONIX, INC.</b>		P. O. BOX 500 BEAVERTON, OREGON U.S.A. 97005	
DWN	J. NAGODE	25 MAR 75	DIMENSIONS ARE IN INCHES /MM
ENGR	L. CLAW	21 JAN 76	TOLERANCES: UNLESS OTHERWISE SPECIFIED
CHKR	J. WOODFALL	21 JAN 76	DEC _____ ANLR _____
PROD	T. HART	21 JAN 76	SCALE 2:1 FIRST USED ON 7 L 5

MATERIAL SEE LIST OF MATERIALS			
FINISH _____			
TITLE TRANSFORMER, RF: (VARIABLE, POT CORE)			

6	343-0317-00	1	CLAMP
5	361-0408-00	1	SPACER
4	176-0033-XX	AR	WIRE, ELEC (#27 AWG)
3	253-0151-00	AR	TAPE, POLYESTER (.188 W)
2	276-0134-00	1	FORM, BOBBIN
1	276-0584-00	1	CORE, POT, SET & ADJ (1408)

ITEM	PART NUMBER	QTY	DESCRIPTION
------	-------------	-----	-------------

LIST OF MATERIALS

CODE IDENT NO	SIZE	PART NUMBER	REV
<b>80009</b>	<b>B</b>	<b>120-1008-00</b>	<b>B</b>

DO NOT SCALE DRAWING

(A) PART NUMBER (-1008)

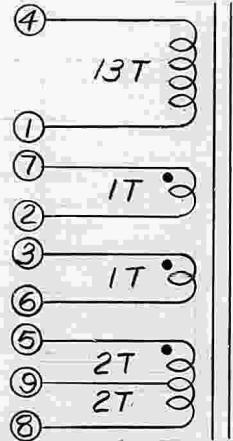
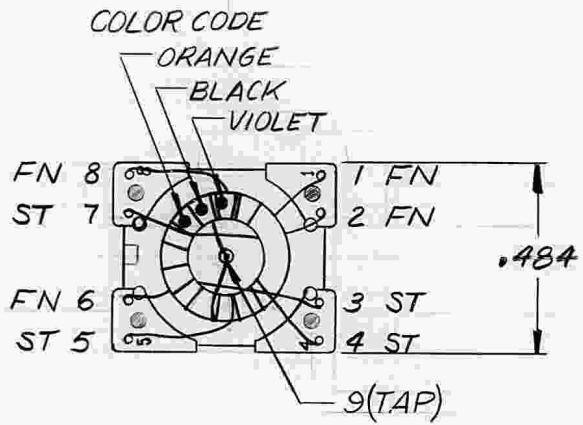
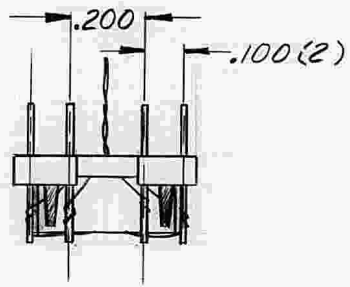
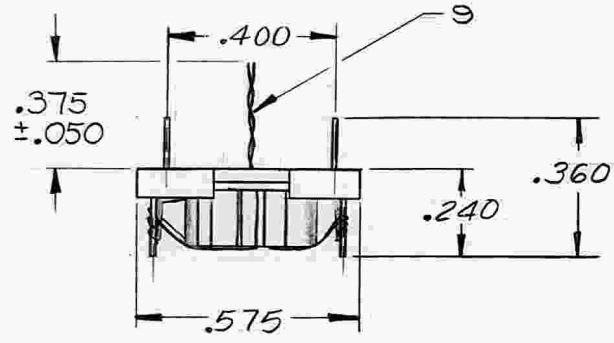
BOTTOM VIEW

72-68 I

REV A  
PART NUMBER 120-1009-00

THIS DRAWING WHEN DISTRIBUTED OUTSIDE TEKTRONIX, INC., IS SUPPLIED FOR IDENTIFICATION, ENGINEERING EVALUATION AND/OR INSPECTION PURPOSES ONLY AND MAY NOT BE USED AS A BASIS FOR MANUFACTURE OR SALES OF PRODUCTS WITHOUT WRITTEN PERMISSION FROM TEKTRONIX, INC.  
IF THIS DRAWING IS FURNISHED UNDER ANY UNITED STATES GOVERNMENT CONTRACT, IT SHALL NOT BE EITHER RELEASED OUTSIDE THE GOVERNMENT, OR USED, DUPLICATED, OR DISCLOSED IN WHOLE OR IN PART FOR MANUFACTURE OR PROCUREMENT, WITHOUT THE WRITTEN PERMISSION OF TEKTRONIX, INC., EXCEPT FOR: (1) EMERGENCY REPAIR OR OVERHAUL WORK BY OR FOR THE GOVERNMENT, WHERE THE ITEM OR PROCESS CONCERNED IS NOT OTHERWISE REASONABLY AVAILABLE TO ENABLE TIMELY PERFORMANCE OF THE WORK; OR (2) RELEASE TO A FOREIGN GOVERNMENT AS THE INTERESTS OF THE UNITED STATES MAY REQUIRE; PROVIDED THAT IN EITHER CASE THE RELEASE, USE, DUPLICATION OR DISCLOSURE HEREOF SHALL BE SUBJECT TO THE FOREGOING LIMITATIONS. IF THIS DRAWING IS REPRODUCED IN WHOLE OR IN PART, THIS ENTIRE LEGEND BLOCK MUST APPEAR ON ALL REPRODUCED COPIES.

REV	REF	DESCRIPTION OF CHANGE	CHK BY	DATE
A	50482	UPDATED NOTES 2, 3 & ADDED NOTE 4	DG	14 DEC 83



INDUCTANCE :  
POLARITY PER SCHEMATIC  
OPERATING FREQUENCY : 14 MHZ

DATA :  
CODE TD-307  
CORE 276-0551-00  
HOLDER NO 352-0401-00

WIRE DATA		
TURNS	AWG	PART NUMBER
13, 1, 1, 4-2-4	27	176-0010-XX

4. TAP MUST BE TINNED TO SURFACE OF HOLDER
3. ADJUST 13T WINDING BY SETTING THE HP 4342 A Q METER OR APPROVED EQUIVALENT AT 12 MHZ, AND CAPACITANCE AT 280 pf. ADJUST WINDING TO ACHIEVE Q OF 103 MINIMUM
2. CORE COATED AND SECURED TO HOLDER WITH 006-1109-00 OR APPROVED EQUIVALENT
1. DIMENSIONS REFERENCE UOS

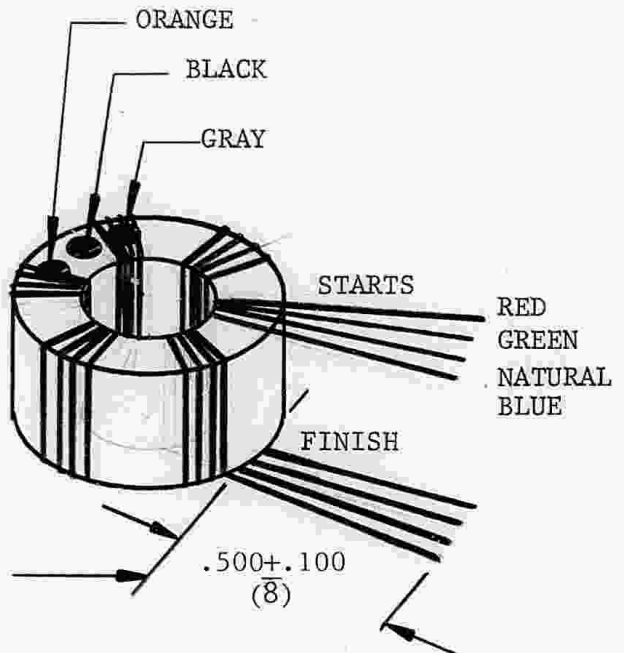
NOTES:

<b>TEKTRONIX, INC.</b>		P. O. BOX 500 BEAVERTON, OREGON U.S.A. 97005	
DWN J. NAGODE	10 MAR 75	DIMENSIONS ARE IN INCHES /MM	
ENGR L. C. Law	16 Dec 75	TOLERANCES: UNLESS OTHERWISE SPECIFIED	
CHKR J. WOODFALL	16 DEC 75	DEC	ANLR
PROD M. Bouscher	16 Dec 75	SCALE 3:1	FIRST USED ON 7LS
MATERIAL LISTED			
FINISH NOTED			
TITLE TRANSFORMER, RF (TOROIDAL)			
CODE IDENT NO	SIZE	PART NUMBER	REV
80009	B	120-1009-00	A

DO NOT SCALE DRAWING

COLOR CODE

5



NOTES:

1. TOROID REFERENCE DIMENSIONS: .230 OD X .125 HIGH
2. INDUCTANCE RANGE PER HP 4275A METER OR APPROVED EQUIVALENT, AT 20 KHZ, .28 mA, SERIES MODE: 27 TO 51 uH ON EACH WINDING.
3. LEADS TINNED TO WITHIN .050 OF MOUNTING PLANE
4. COAT WITH 006-1109-00 OR APPROVED EQUIVALENT
5. PRINTED PART NUMBER (-1010) MAY BE USED INSTEAD OF COLOR CODE.

DATA:

CODE TD-308  
CORE NO. 276-0557-00

WIRE DATA		
TURNS	AWG	PART NUMBER
6*	31	176-0014-XX

\* QUADFILAR

73-141

PART NUMBER

120-1010-00

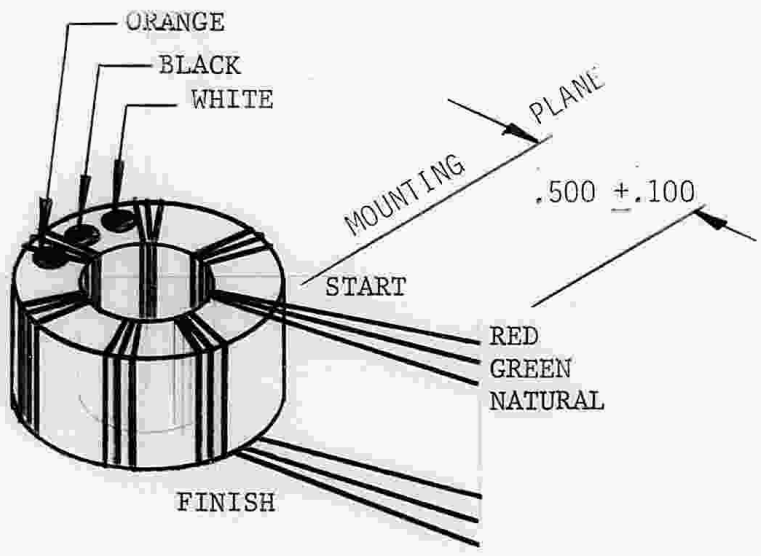
REV B

THIS DRAWING WHEN DISTRIBUTED OUTSIDE TEKTRONIX, INC. IS SUPPLIED FOR IDENTIFICATION, ENGINEERING EVALUATION AND/OR INSPECTION PURPOSES ONLY AND MAY NOT BE USED AS A BASIS FOR MANUFACTURE OR SALES OF PRODUCTS WITHOUT WRITTEN PERMISSION FROM TEKTRONIX, INC. IF THIS DRAWING IS FURNISHED UNDER ANY UNITED STATES GOVERNMENT CONTRACT, IT SHALL NOT BE EITHER RELEASED OUTSIDE THE GOVERNMENT, OR USED, DUPLICATED, OR DISCLOSED IN WHOLE OR IN PART FOR MANUFACTURE OR PROCUREMENT, WITHOUT THE WRITTEN PERMISSION OF TEKTRONIX, INC. EXCEPT FOR: (1) EMERGENCY REPAIR OR OVERHAUL WORK BY OR FOR THE GOVERNMENT, WHERE THE ITEM OR PROCESS CONCERNED IS NOT OTHERWISE REASONABLY AVAILABLE TO ENABLE TIMELY PERFORMANCE OF THE WORK; OR (2) RELEASE TO A FOREIGN GOVERNMENT AS THE INTERESTS OF THE UNITED STATES MAY REQUIRE; PROVIDED THAT IN EITHER CASE THE RELEASE, USE, DUPLICATION OR DISCLOSURE HEREOF SHALL BE SUBJECT TO THE FOREGOING LIMITATIONS. IF THIS DRAWING IS REPRODUCED IN WHOLE OR IN PART, THIS ENTIRE LEGEND BLOCK MUST APPEAR ON ALL REPRODUCED COPIES.

REV	BY	REF	DESCRIPTION OF CHANGE	CHK BY / DATE
A	DD	49718	UPDATED DRAWING	7 MAR 1983
B	DG	50482	.500+.100(8) WAS .500+.100(6)	15SEP83

		P. O. BOX 500 BEAVERTON, OREGON U.S.A. 97077			
DWN	J. NAGODE	3 MAR 75	DIMENSIONS ARE IN INCHES / MM		
ENGR	L. Clem	16 Dec 75	TOLERANCES: UNLESS OTHERWISE SPECIFIED		
CHKR	J. WOODFALL	16 DEC 75	DEC	ANLR	
PROD	J. Bonacker	16 Dec 75	SCALE	FIRST USED ON	
			5:1	7L5	
MATERIAL LISTED					
FINISH NOTED					
TITLE					
TRANSFORMER, RF (TOROIDAL)					
CODE IDENT NO	SIZE	PART NUMBER		REV	
80009	A	120-1010-00		B	

COLOR CODE 5



NOTES :

1. TOROID REFERENCE DIMENSION : .230 OD x .125HIGH
  2. VALUE DETERMINED WITH HP 4275A METER, OR APPROVED EQUIVALENT @ 40 KHz, 0.2mA, SERIES MODE,  $L = 50 \mu H \pm 32\%$  (7 TURN WINDING)
  3. LEADS TINNED TO WITHIN .050 OF MOUNTING PLANE
  4. COATED WITH 006-1109-00 OR APPROVED EQUIVALENT
- 5 PRINTED PART NUMBER (-1011) MAY BE USED INSTEAD OF COLOR CODE

DATA :  
 CODE TD-309  
 CORE NO. 276-0557-00

WIRE DATA		
TURNS	AWG	PART NUMBER
7 TRIFILAR	31	176-0014-00
	31	176-0014-14
	31	176-0014-15

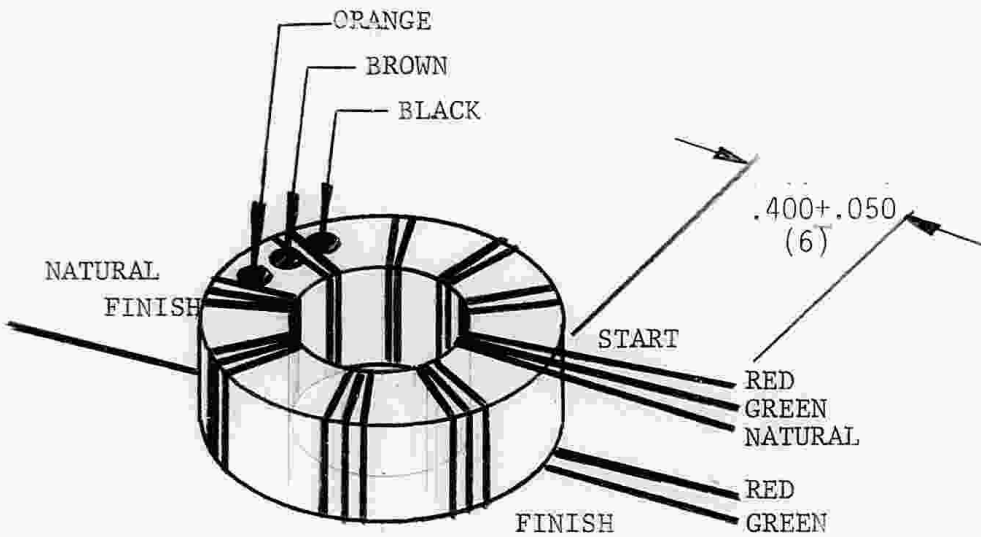
73-143 PART NUMBER **120-1011-00** REV A

THIS DRAWING WHEN DISTRIBUTED OUTSIDE TEKTRONIX, INC. IS SUPPLIED FOR IDENTIFICATION, ENGINEERING EVALUATION AND/OR INSPECTION PURPOSES ONLY AND MAY NOT BE USED AS A BASIS FOR MANUFACTURE OR SALES OF PRODUCTS WITHOUT WRITTEN PERMISSION FROM TEKTRONIX, INC. IF THIS DRAWING IS FURNISHED UNDER ANY UNITED STATES GOVERNMENT CONTRACT, IT SHALL NOT BE EITHER RELEASED OUTSIDE THE GOVERNMENT, OR USED, DUPLICATED, OR DISCLOSED IN WHOLE OR IN PART FOR MANUFACTURE OR PROCUREMENT, WITHOUT THE WRITTEN PERMISSION OF TEKTRONIX, INC. EXCEPT FOR: (1) EMERGENCY REPAIR OR OVERHAUL WORK BY OR FOR THE GOVERNMENT, WHERE THE ITEM OR PROCESS CONCERNED IS NOT OTHERWISE REASONABLY AVAILABLE TO ENABLE TIMELY PERFORMANCE OF THE WORK; OR (2) RELEASE TO A FOREIGN GOVERNMENT AS THE INTERESTS OF THE UNITED STATES MAY REQUIRE; PROVIDED THAT IN EITHER CASE THE RELEASE, USE, DUPLICATION OR DISCLOSURE HEREOF SHALL BE SUBJECT TO THE FOREGOING LIMITATIONS. IF THIS DRAWING IS REPRODUCED IN WHOLE OR IN PART, THIS ENTIRE LEGEND BLOCK MUST APPEAR ON ALL REPRODUCED COPIES.

REV	BY	REF	DESCRIPTION OF CHANGE	CHK BY / DATE
<span style="border: 1px solid black; border-radius: 50%; padding: 2px;">A</span>	DG	50482	REVISED DWG., UPDATED NOTES 2,3, 4 & ADDED NOTE <span style="border: 1px solid black; padding: 2px;">5</span>	13 DEC 83

<b>TEKTRONIX, INC.</b>		P. O. BOX 500 BEAVERTON, OREGON U.S.A. 97077	
DWN	J. NAGODE	3 PARTS	DIMENSIONS ARE IN INCHES / MM TOLERANCES: UNLESS OTHERWISE SPECIFIED
ENGR	L. Clem	16 Dec 75	
CHKR	J. WOODFALL	16 DEC 75	DEC _____ ANLR _____
PROD	A. Bouchon	16 Dec 75	SCALE 5:1 FIRST USED ON 7L5
MATERIAL LISTED			
FINISH NOTED			
TITLE TRANSFORMER, RF (TOROIDAL)			
CODE IDENT NO	SIZE	PART NUMBER	REV
<b>80009</b>	<b>A</b>	<b>120-1011-00</b>	<b>A</b>

COLOR CODE



NOTES :

1. TOROID REFERENCE DIMENSIONS : .375 O.D. x .125 HIGH
2. INDUCTANCE VALUE DETERMINED WITH HP 4275A METER. OR APPROVED EQUIVALENT @ 20 KHz, 0.33 mA, SERIES MODE (9 TURN WINDING) :  $L = 70 \mu\text{H} + 27\%$
3. LEADS TINNED TO WITHIN .050 OF WINDING OR CORE
4. COATED WITH 006-1109-00 OR APPROVED EQUIVALENT

DATA :

CODE TD-310  
CORE NO. 276-0554-00

WIRE DATA		
TURNS	AWG	PART NUMBER
9)	27	176-0010-00
9)TRIFILAR	27	176-0010-14
5)	27	176-0010-15

73-144

PART NUMBER

120-1012-00

REV

A

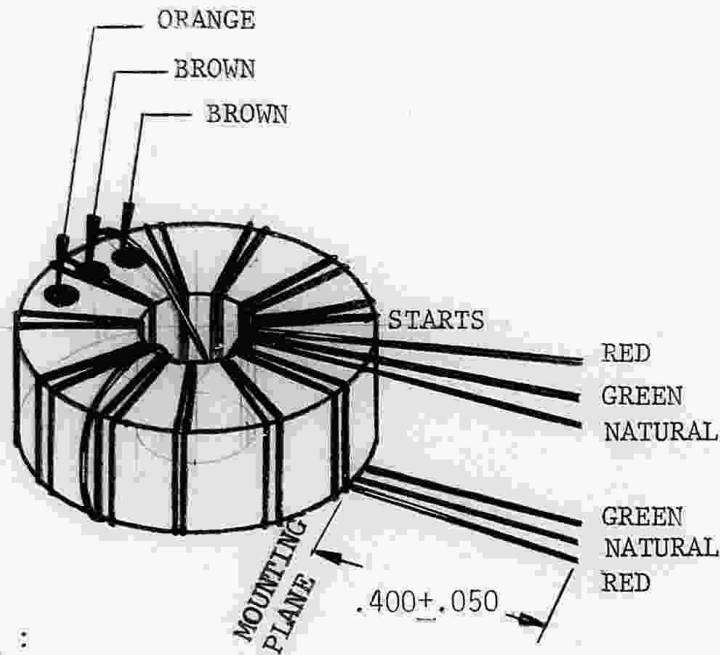
THIS DRAWING WHEN DISTRIBUTED OUTSIDE TEKTRONIX, INC. IS SUPPLIED FOR IDENTIFICATION, ENGINEERING EVALUATION AND/OR INSPECTION PURPOSES ONLY AND MAY NOT BE USED AS A BASIS FOR MANUFACTURE OR SALES OF PRODUCTS WITHOUT WRITTEN PERMISSION FROM TEKTRONIX, INC. IF THIS DRAWING IS FURNISHED UNDER ANY UNITED STATES GOVERNMENT CONTRACT, IT SHALL NOT BE EITHER RELEASED OUTSIDE THE GOVERNMENT, OR USED, DUPLICATED, OR DISCLOSED IN WHOLE OR IN PART FOR MANUFACTURE OR PROCUREMENT WITHOUT THE WRITTEN PERMISSION OF TEKTRONIX, INC. EXCEPT FOR (1) EMERGENCY REPAIR OR OVERHAUL WORK BY OR FOR THE GOVERNMENT, WHERE THE ITEM OR PROCESS CONCERNED IS NOT OTHERWISE REASONABLY AVAILABLE TO ENABLE TIMELY PERFORMANCE OF THE WORK; OR (2) RELEASE TO A FOREIGN GOVERNMENT AS THE INTERESTS OF THE UNITED STATES MAY REQUIRE; PROVIDED THAT IN EITHER CASE THE RELEASE, USE, DUPLICATION OR DISCLOSURE HEREOF SHALL BE SUBJECT TO THE FOREGOING LIMITATIONS. IF THIS DRAWING IS REPRODUCED IN WHOLE OR IN PART, THIS ENTIRE LEGEND BLOCK MUST APPEAR ON ALL REPRODUCED COPIES.

REV	BY	REF	DESCRIPTION OF CHANGE	CHK BY/DATE
(A)	DG	50482	REVISED DWG. UPDATED NOTES 2,3,4	13 DEC 83

		<b>TEKTRONIX, INC.</b>		P. O. BOX 500 BEAVERTON, OREGON U.S.A. 97077			
DWN	J. NAGODE	3 MAR 75	DIMENSIONS ARE IN INCHES / MM				
ENGR	<i>L. C. ...</i>	21 Jan 76	TOLERANCES: UNLESS OTHERWISE SPECIFIED				
CHKR	J. WOODFALL	21 JAN 76	DEC	ANLR			
PROD	<i>A. Bouchon</i>	21 Jan 76	SCALE	FIRST USED ON			
			4:1	7L5			
MATERIAL LISTED							
FINISH NOTED							
TITLE TRANSFORMER, RF (TOROIDAL)							
CODE IDENT NO	SIZE	PART NUMBER			REV		
80009	A	120-1012-00			A		



COLOR CODE



NOTES :

1. WIND BIFILAR WINDINGS, THEN WIND THREE TURN RED WINDING ON TOP AS SHOWN.
2. TOROID REFERENCE DIMENSIONS : .375 O.D. x .125 HIGH.
3. LEADS TINNED WITHIN .050 OF MOUNTING PLANE.
4. VALUE DETERMINED WITH HP 4275A METER, OR APPROVED EQUIVALENT @ 20 KHz, 4.1 mA, SERIES MODE, 79 TO 153  $\mu$ H ON 12 TURN WINDING.
5. COATED WITH 006-1109-00 OR APPROVED EQUIV.

DATA :  
 CODE TD-311  
 CORE NO. 276-0576-00

WIRE DATA		
TURNS	AWG	PART NUMBER
12 GREEN	31	176-0014-15
12 NATURAL	31	176-0014-14
3 RED	31	176-0014-00

\*BIFILAR

73-145

PART NUMBER  
120-1013-00

REV  
A

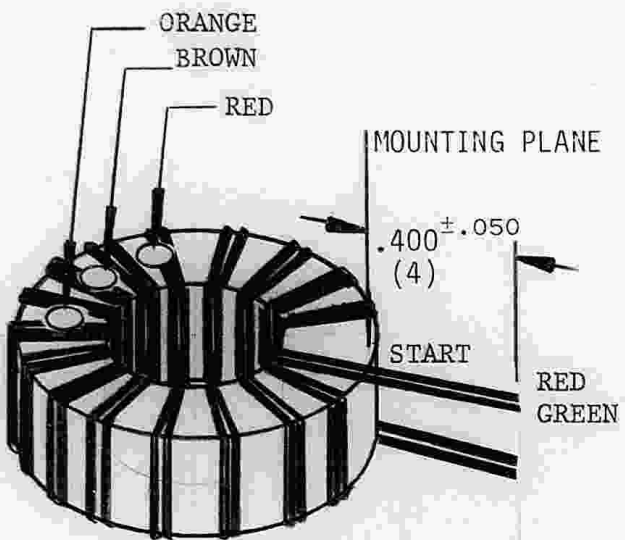
THIS DRAWING WHEN DISTRIBUTED OUTSIDE TEKTRONIX, INC. IS SUPPLIED FOR IDENTIFICATION, ENGINEERING EVALUATION AND/OR INSPECTION PURPOSES ONLY AND MAY NOT BE USED AS A BASIS FOR MANUFACTURE OR SALES OF PRODUCTS WITHOUT WRITTEN PERMISSION FROM TEKTRONIX, INC. IF THIS DRAWING IS FURNISHED UNDER ANY UNITED STATES GOVERNMENT CONTRACT, IT SHALL NOT BE EITHER RELEASED OUTSIDE THE GOVERNMENT OR USED, DUPLICATED OR DISCLOSED IN WHOLE OR IN PART FOR MANUFACTURE OR PROCUREMENT WITHOUT THE WRITTEN PERMISSION OF TEKTRONIX, INC. EXCEPT FOR: (1) EMERGENCY REPAIR OR OVERHAUL WORK BY OR FOR THE GOVERNMENT, WHERE THE ITEM OR PROCESS CONCERNED IS NOT OTHERWISE REASONABLY AVAILABLE TO ENABLE TIMELY PERFORMANCE OF THE WORK, OR (2) RELEASE TO A FOREIGN GOVERNMENT AS THE INTERESTS OF THE UNITED STATES MAY REQUIRE, PROVIDED THAT IN EITHER CASE THE RELEASE, USE, DUPLICATION OR DISCLOSURE HEREOF SHALL BE SUBJECT TO THE FOREGOING LIMITATIONS. IF THIS DRAWING IS REPRODUCED IN WHOLE OR IN PART, THIS ENTIRE LEGEND BLOCK MUST APPEAR ON ALL REPRODUCED COPIES.

REV / BY / REF	DESCRIPTION OF CHANGE	CHK BY / DATE
(A) DG 50482	REVISED NOTES 3,4,5 & DWG.	08 DEC 83

<b>TEKTRONIX, INC.</b>		P. O. BOX 500 BEAVERTON, OREGON U.S.A. 97077	
DWN	J. NAGODE	3 PARTS	DIMENSIONS ARE IN INCHES / MM TOLERANCES: UNLESS OTHERWISE SPECIFIED
ENGR	L. C. [Signature]	16 Dec 75	
CHKR	J. WOODFALL	16 DEC 75	DEC _____ ANLR _____
PROD	A. Boracker	16 Dec 75	SCALE 4:1 FIRST USED ON 7L5
MATERIAL LISTED			
FINISH NOTED			
TITLE TRANSFORMER, RF (TOROIDAL)			
CODE IDENT NO	SIZE	PART NUMBER	REV
80009	A	120-1013-00	A

COLOR CODE

5



NOTES:

1. LEADS TINNED TO WITHIN 0.050 OF MOUNTING PLANE.
2. COATED WITH 006-1109-00 OR APPROVED EQUIVALENT.
3. INDUCTANCE RANGE ON HP4275A METER OR APPROVED EQUIV: 191 TO 319  $\mu$ H ON 17 TURN WINDING AT 100 KHz, 0.250 mA, SERIES MODE.
4. TOROID REFERENCE DIMENSIONS: 0.375 OD X 0.125 HIGH
5. PRINTED PART NUMBER (-1014) MAY BE USED INSTEAD OF COLOR CODE.

WIRE DATA			
TURNS	COLOR	AWG	PART NUMBER
17	RED	31	176-0014-00
17	GREEN	31	176-0014-15

\* BIFILAR

DATA:

CODE TD-312  
 CORE NO. 276-0554-00

73-146

PART NUMBER

120-1014-00

REV

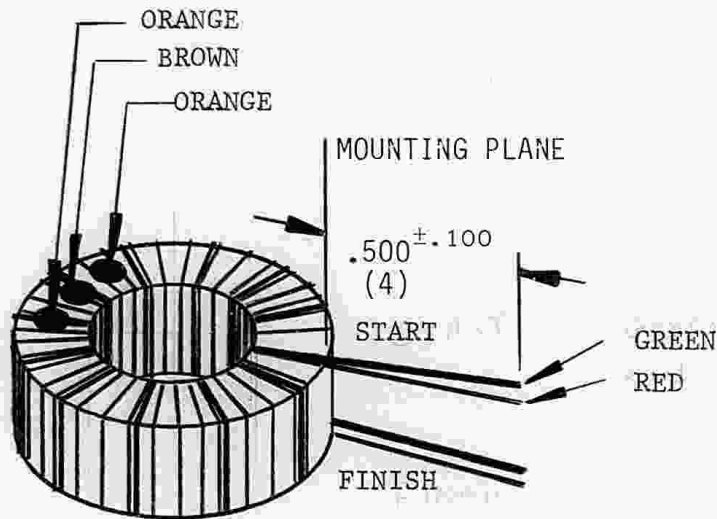
A

THIS DRAWING WHEN DISTRIBUTED OUTSIDE TEKTRONIX, INC. IS SUPPLIED FOR IDENTIFICATION, ENGINEERING EVALUATION AND/OR INSPECTION PURPOSES ONLY AND MAY NOT BE USED AS A BASIS FOR MANUFACTURE OR SALES OF PRODUCTS WITHOUT WRITTEN PERMISSION FROM TEKTRONIX, INC. IF THIS DRAWING IS FURNISHED UNDER ANY UNITED STATES GOVERNMENT CONTRACT, IT SHALL NOT BE EITHER RELEASED OUTSIDE THE GOVERNMENT, OR USED, DUPLICATED, OR DISCLOSED IN WHOLE OR IN PART FOR MANUFACTURE OR PROCUREMENT, WITHOUT THE WRITTEN PERMISSION OF TEKTRONIX, INC. EXCEPT FOR: (1) EMERGENCY REPAIR OR OVERHAUL WORK BY OR FOR THE GOVERNMENT, WHERE THE ITEM OR PROCESS CONCERNED IS NOT OTHERWISE REASONABLY AVAILABLE TO ENABLE TIMELY PERFORMANCE OF THE WORK; OR (2) RELEASE TO A FOREIGN GOVERNMENT AS THE INTERESTS OF THE UNITED STATES MAY REQUIRE; PROVIDED THAT IN EITHER CASE THE RELEASE, USE, DUPLICATION OR DISCLOSURE HEREOF SHALL BE SUBJECT TO THE FOREGOING LIMITATIONS. IF THIS DRAWING IS REPRODUCED IN WHOLE OR IN PART, THIS ENTIRE LEGEND BLOCK MUST APPEAR ON ALL REPRODUCED COPIES.

REV	BY	REF	DESCRIPTION OF CHANGE	CHK BY / DATE
A	DG	50482	GENERAL UPDATE--SEE MOD DOC	15 SEP 83

		P. O. BOX 500 BEAVERTON, OREGON U.S.A. 97077			
DWN	J. NAGODE	4 MAR 75	DIMENSIONS ARE IN INCHES / MM TOLERANCES: UNLESS OTHERWISE SPECIFIED		
ENGR	L. Clem	2 Dec 75	DEC	ANLR	
CHKR	J. WOODFALL	2 DEC 75	SCALE	FIRST USED ON	
PROD	A. Baucher	12-2-75	4:1	7L5	
MATERIAL LISTED					
FINISH NOTED					
TITLE TRANSFORMER, RF (TOROIDAL)					
CODE IDENT NO	SIZE	PART NUMBER		REV	
80009	A	120-1014-00		A	

COLOR CODE



NOTES:

1. LEADS TINNED TO WITHIN 0.050 OF MOUNTING PLANE.
2. COATED WITH 006-1109-00 OR APPROVED EQUIVALENT.
3. INDUCTANCE RANGE ON HP4275A METER OR APPROVED EQUIVALENT, 110 TO 184  $\mu$ H ON 10 TURN WINDING AT 10 kHz, 0.035 mA, SERIES MODE
4. TOROID REFERENCE DIMENSIONS: 0.190 OD X 0.087 HIGH

DATA:

CODE TD-313  
 CORE NO. 276-0596-00

WIRE DATA		
TURNS	AWG	PART NUMBER
32	35	176-0018-00
10	34	176-0017-15

74-96C

PART NUMBER

120-1015-00

REV

A

THIS DRAWING WHEN DISTRIBUTED OUTSIDE TEKTRONIX, INC. IS SUPPLIED FOR IDENTIFICATION, ENGINEERING EVALUATION AND/OR INSPECTION PURPOSES ONLY AND MAY NOT BE USED AS A BASIS FOR MANUFACTURE OR SALES OF PRODUCTS WITHOUT WRITTEN PERMISSION FROM TEKTRONIX, INC. IF THIS DRAWING IS FURNISHED UNDER ANY UNITED STATES GOVERNMENT CONTRACT, IT SHALL NOT BE EITHER RELEASED OUTSIDE THE GOVERNMENT, OR USED, DUPLICATED, OR DISCLOSED IN WHOLE OR IN PART FOR MANUFACTURE OR PROCUREMENT, WITHOUT THE WRITTEN PERMISSION OF TEKTRONIX, INC. EXCEPT FOR: (1) EMERGENCY REPAIR OR OVERHAUL WORK BY OR FOR THE GOVERNMENT, WHERE THE ITEM OR PROCESS CONCERNED IS NOT OTHERWISE REASONABLY AVAILABLE TO ENABLE TIMELY PERFORMANCE OF THE WORK; OR (2) RELEASE TO A FOREIGN GOVERNMENT AS THE INTERESTS OF THE UNITED STATES MAY REQUIRE; PROVIDED THAT IN EITHER CASE THE RELEASE, USE, DUPLICATION OR DISCLOSURE HEREOF SHALL BE SUBJECT TO THE FOREGOING LIMITATIONS. IF THIS DRAWING IS REPRODUCED IN WHOLE OR IN PART, THIS ENTIRE LEGEND BLOCK MUST APPEAR ON ALL REPRODUCED COPIES.

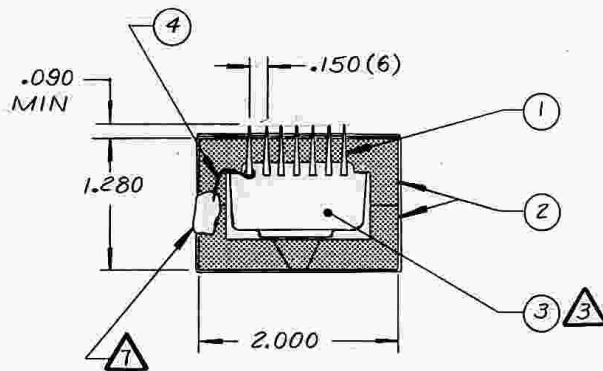
REV / BY / REF	DESCRIPTION OF CHANGE	CHK BY / DATE
A   DG   50482	GENERAL UPDATE--SEE MOD DOC	15SEP83

		P. O. BOX 500 BEAVERTON, OREGON U.S.A. 97077			
DWN	J. NAGODE	4 MAR 75	DIMENSIONS ARE IN INCHES / MM TOLERANCES: UNLESS OTHERWISE SPECIFIED		
ENGR	<i>Alcane</i>	12-2-75	DEC	ANLR	
CHKR	J. WOODFALL	2 DEC 75	SCALE	FIRST USED ON	
PROD	<i>J. Bonacker</i>	12-2-75	6:1	7L5	
MATERIAL LISTED					
FINISH NOTED					
TITLE TRANSFORMER, RF (TOROIDAL)					
CODE IDENT NO	SIZE	PART NUMBER	REV		
80009	A	120-1015-00	A		

74-40 E

THIS DRAWING WHEN DISTRIBUTED OUTSIDE TEKTRONIX, INC. IS SUPPLIED FOR IDENTIFICATION, ENGINEERING EVALUATION AND/OR INSPECTION PURPOSES ONLY AND MAY NOT BE USED AS A BASIS FOR MANUFACTURE OR SALES OF PRODUCTS WITHOUT WRITTEN PERMISSION FROM TEKTRONIX, INC.  
IF THIS DRAWING IS FURNISHED UNDER ANY UNITED STATES GOVERNMENT CONTRACT, IT SHALL NOT BE EITHER RELEASED OUTSIDE THE GOVERNMENT, OR USED, DUPLICATED, OR DISCLOSED IN WHOLE OR IN PART FOR MANUFACTURE OR PROCUREMENT, WITHOUT THE WRITTEN PERMISSION OF TEKTRONIX, INC., EXCEPT FOR: (1) EMERGENCY REPAIR OR OVERHAUL WORK BY OR FOR THE GOVERNMENT, WHERE THE ITEM OR PROCESS CONCERNED IS NOT OTHERWISE REASONABLY AVAILABLE TO ENABLE TIMELY PERFORMANCE OF THE WORK; OR (2) RELEASE TO A FOREIGN GOVERNMENT AS THE INTERESTS OF THE UNITED STATES MAY REQUIRE; PROVIDED THAT IN EITHER CASE THE RELEASE, USE, DUPLICATION OR DISCLOSURE HEREOF SHALL BE SUBJECT TO THE FOREGOING LIMITATIONS. IF THIS DRAWING IS REPRODUCED IN WHOLE OR IN PART, THIS ENTIRE LEGEND BLOCK MUST APPEAR ON ALL REPRODUCED COPIES.

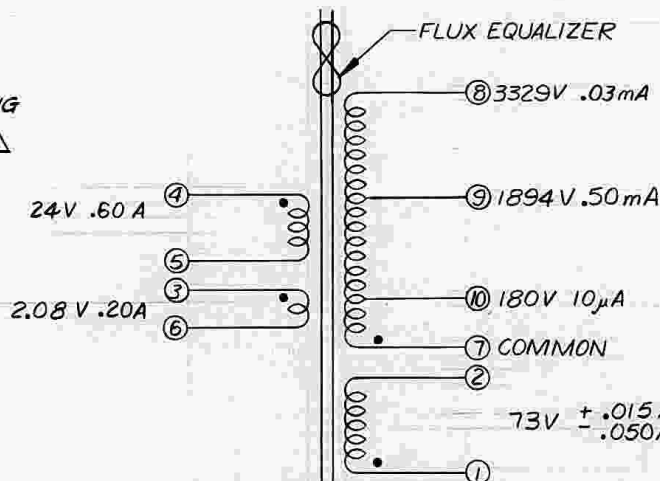
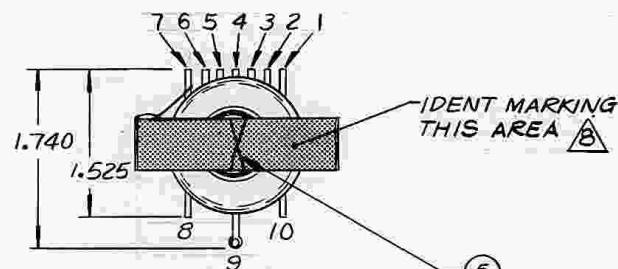
REV	REF	DESCRIPTION OF CHANGE	CHK BY	DATE
A	31136	ADDED 253-0072-00 (ITEM 7); ADD 1/2 T TO SECONDARY WINDING.	CD	13 MAR 76
B	52601	REVISED DWG. & ADDED NOTE A	DD	23 MAR 84



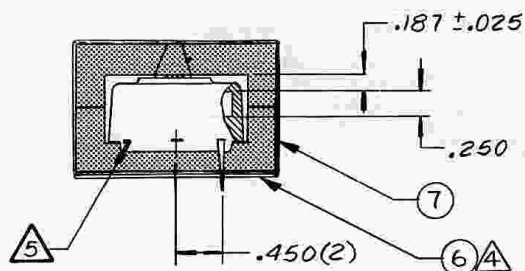
### COIL STRUCTURE OUTSIDE

TYPE WINDING	TERM NO
SEC	7-10-9-8
$\emptyset$ -86 1/2-910 1/2-1600 1/2 T	#38
PRI 4-5	PRI 3-6
11 T (2)#32	1 T #32
SEC	1-2
35 T	#32

### INSIDE



OPERATING FREQUENCY: 40 KHZ



8 LOCATION AND ORIENTATION ON THIS SURFACE NOT CRITICAL. MUST BE LEGIBLE

7 ITEM 4 ATTACHED TO CORES WITH CONDUCTIVE EPOXY, ALLOWING CONDUCTIVE EPOXY TO GO AROUND EDGE OF CORES. \*22 AWG SOLDERED TO LEAD 7

6. VOLTAGE RATINGS ARE PEAK NO LOAD CURRENT RATINGS ARE AMPS DC TYPE

PART NUMBER	REV
120-1016-00	B

5 LEAD 8 CUT OFF AT BEND AS SHOWN

4 ITEM 6 APPLIED TO LEAD SIDE OF CORE ONLY FOR MOUNTING AFTER ITEM 7 IS APPLIED

3 COIL TRANSFER MOLDED WITH EPOXY

2. POLARITY PER SCHEMATIC

1. DIMENSIONS REFERENCE UNLESS OTHERWISE SPECIFIED

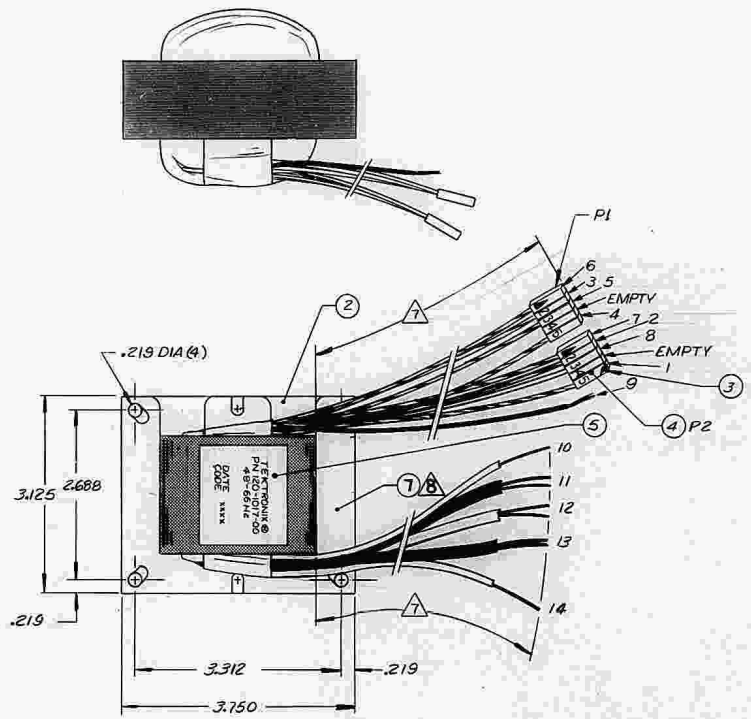
NOTES:

TEKTRONIX, INC.		P. O. BOX 580 BEAVERTON, OREGON U.S.A. 97005	
DWN J. NAGODE	2 JUL 75	DIMENSIONS ARE IN INCHES/MM Tolerances Unless Otherwise Specified	
ENGR <i>Narrel Hillman</i>	12 FEB 76	DEC	ANLR
CHKR J. WOODFALL	12 FEB 76	SCALE	FIRST USED ON
PROD <i>meusey</i>	12 FEB 76	1:1	SC 502
MATERIAL SEE LIST OF MATERIALS			
FINISH NOTED			
TITLE TRANSFORMER, POWER SDN & SU (H V)			
CODE IDENT NO	SIZE	PART NUMBER	REV
80009	C	120-1016-00	B

ITEM	PART NUMBER	QTY	DESCRIPTION
7	253-0072-00	AR	TAPE, PRESS SENS (POLYESTER)
6	253-0174-00	AR	TAPE, POLYESTER, DOUBLE SIDED (.500 WIDE)
5	176-0013-XX	AR	WIRE, ELEC (#30 AWG)
4	176-0005-01	AR	WIRE, ELEC (#22 AWG TINNED COP)
3	255-0479-01	AR	PLASTIC MOLDING MATL, EPOXY
2	276-0544-00	1	CORE "E" FERRITE
	276-0545-00	1	CORE "E" FERRITE
1	195-0140-00	1/2	LEAD SET, HV XFMR

50-43C

REV	REF	DESCRIPTION OF CHANGE	CHK BY	DATE
(A)	41718	ADDED ITEM 7 & NOTE 8	DD	30JAN80
(B)	45018	REMOVED ITEM 1 P.N. 120-1017-50	DD	2FEB80
(C)	49042	UPDATED WINDING CHART	DD	14JAN83
(D)	51689	UPDATED NOTE 3. NOTE G WAS 2KV. REMOVED ITEM G ON LIST OF MAT'L'S ITEM 5 WAS 334-2648-00 ADDED NOTES 9, 10 & 11	DP	26JCT83

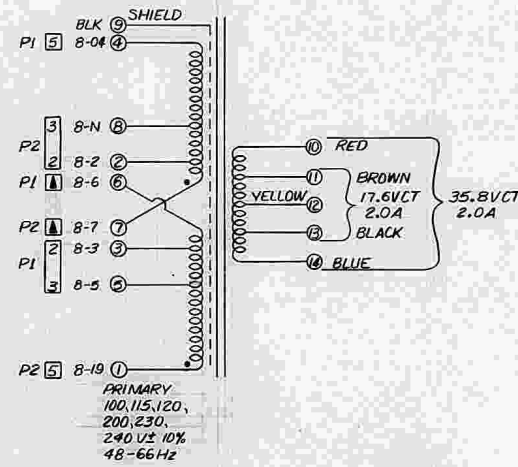


**COIL STRUCTURE OUTSIDE**

TYPE WINDING	LEAD/TERM NO
SEC	11-12-12-13
29T	BIFILAR * 17
SEC	10-13-11-14
30T	BIFILAR * 17
SHIELD	9
PRI	7-2-8-4
0-17-66-396T	*25
PRI	1-5-3-6
0-330-379-396T	*25

**INSIDE**

LINE 1 TO 4	CONNECT
100V	1 TO 8, 4 TO 5
115V	1 TO 2, 4 TO 3
120V	1 TO 7, 4 TO 6
200V	5 TO 8
230V	2 TO 3
240V	6 TO 7



- ⑩ 11. DOUBLE WIRES ON LEADS 11, 12, 13 TINNED TOGETHER OPTIONAL
- ⑩ 10. LEADS NUMBERED IN NUMERICAL ORDER OPTIONAL
- ⑩ 9. SHIMS & SIDEBURNS OPTIONAL
- Ⓜ ⑧ ORIENTATION OF KEEPER IS OPTIONAL

△ LEADS = TO END OF CONNECTOR  
 \*\* LEAD WIRE # INSULATION SLEEVING

LEAD NO	COLOR	PART NUMBER	LENGTH ±.250	STRIP ±.125
** 1	8-19	175-0819-00	6.000	---
** 2	8-2	175-0880-00	---	---
** 3	8-3	175-0881-00	---	---
** 4	8-04	175-0882-00	---	---
** 5	8-5	175-0883-00	---	---
** 6	8-6	175-0884-00	---	---
** 7	8-7	175-0885-00	---	---
** 8	8-N	175-0886-00	---	---
** 9	BLK	175-0820-00	5.000	.500
* 10	RED	162-0588-00	5.500	1.000
* 11	BRN	162-0580-00	---	---
* 12	YEL	162-0512-00	---	---
* 13	BLK	162-0591-00	---	---
* 14	BLU	162-0522-00	---	---

- ⑥ 6. DIELECTRIC WITHSTANDING VOLTAGE: 15 KV RMS, 50 TO 60HZ, 1 MINUTE PRIMARIES TO SECONDARIES, SHIELD, AND CORE

PART NUMBER 120-1017-00 REV D

- 5. VOLTAGE RATINGS ARE RMS NO LOAD CURRENT RATINGS ARE AMPS DC TYP
- 4. WINDINGS INSULATED FOR 600V DC
- ③ ③ TRANSFORMER VACUUM IMPREGNATED WITH VARNISH 252-0082-00 OR APPROVED EQUIVALENT
- 2. POLARITY PER SCHEMATIC
- 1. DIMENSIONS REFERENCE UNLESS OTHERWISE SPECIFIED

**NOTES:**

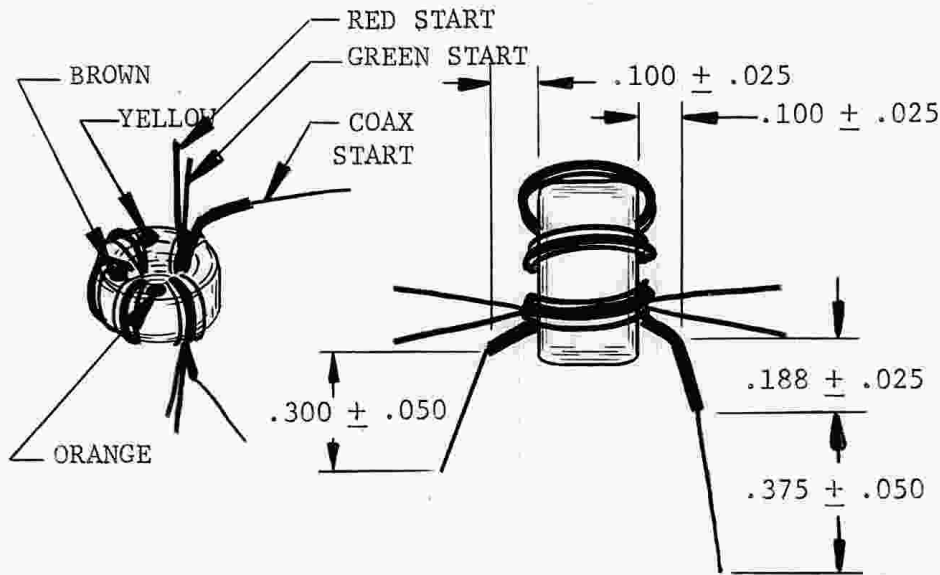
		P. O. BOX 980 BEAVERTON, OREGON U.S.A. 97005	
ENGR J. NAGODE	30 JUL 75	DIMENSIONS ARE IN INCHES UNLESS OTHERWISE SPECIFIED	
ENGR G. M. LILL	22 DEC 76	DEC	SCALE
ENGR J. WOODSTALL	22 DEC 76	1:1	FIRST USED ON 4925
PROD. M. GUSEV	15 DEC 77	MATERIAL SEE LIST OF MATERIALS	

⑦	396-4776-00	2	PLATE, LAMINATION (KEEPER)
⑥			
⑤	334-4645-00	1	MARKER, IDENTIFICATION
④	352-0201-00	2	HOLDER, TERMINAL CONN
③	131-0621-00	8	TERMINAL CONNECTOR
②	396-0024-00	AR	PLATE, LAMINATION (STEEL)

TITLE	NOTED	△
TITLE	TRANSFORMER, POWER, STFDN	
QTY	120-1017-00	REV C

TEKTRONIX SAFETY CONTROLLED PART  
 THIS PART IS CONTROLLED BY SPECIAL PROCEDURES OF QUALITY CONTROL  
 AND IS NOT TO BE USED IN ANY OTHER APPLICATION WITHOUT THE WRITTEN  
 PERMISSION OF THE QUALITY CONTROL DEPARTMENT.

COLOR CODE



PROCEDURE:

1. WIND AS SHOWN, USE COATED CORE
2. MAGNET WIRE LEADS: CUT  $.350 \pm .050$ , TIN  $.150 \pm .050$ .
3. CUT AND BEND COAXIAL CABLE LEADS AS SHOWN. DO NOT TIN
4. COLOR CODE.
5. COAT WITH 006-1109-00.

DATA:

CODE TD-314

① CORE NO. 276-0557-01

WIRE SIZE #31 AWG, 50Ω COAXIAL

WIRE PART NO. 176-0014-XX, 175-1770-00

NO. OF TURNS 6T RED, 6T } TRIFILAR  
6T GREEN }

73-142C

PART NUMBER

120-1019-00

REV

A

THIS DRAWING WHEN DISTRIBUTED OUTSIDE TEKTRONIX, INC. IS SUPPLIED FOR IDENTIFICATION ENGINEERING EVALUATION AND/OR INSPECTION PURPOSES ONLY AND MAY NOT BE USED AS A BASIS FOR MANUFACTURE OR SALES OF PRODUCTS WITHOUT WRITTEN PERMISSION FROM TEKTRONIX, INC. IF THIS DRAWING IS FURNISHED UNDER ANY UNITED STATES GOVERNMENT CONTRACT, IT SHALL NOT BE EITHER RELEASED OUTSIDE THE GOVERNMENT OR USED DUPLICATED OR DISCLOSED IN WHOLE OR IN PART FOR MANUFACTURE OR PROCUREMENT, WITHOUT THE WRITTEN PERMISSION OF TEKTRONIX, INC. EXCEPT FOR: (1) EMERGENCY REPAIR OR OVERHAUL WORK BY OR FOR THE GOVERNMENT, WHERE THE ITEM OR PROCESS CONCERNED IS NOT OTHERWISE REASONABLY AVAILABLE TO ENABLE TIMELY PERFORMANCE OF THE WORK; OR (2) RELEASE TO A FOREIGN GOVERNMENT AS THE INTERESTS OF THE UNITED STATES MAY REQUIRE. PROVIDED THAT IN EITHER CASE THE RELEASE, USE, DUPLICATION OR DISCLOSURE HEREOF SHALL BE SUBJECT TO THE FOREGOING LIMITATIONS. IF THIS DRAWING IS REPRODUCED IN WHOLE OR IN PART, THIS ENTIRE LEGEND BLOCK MUST APPEAR ON ALL REPRODUCED COPIES.

REV	BY	REF	DESCRIPTION OF CHANGE	CHK BY/DATE
①	LF	33132	CORE PN WAS 276-0557-00	8 FEB 78

3. COAXIAL WINDINGS MUST BE SEPARATED FROM EACH OTHER AS SHOWN TO PREVENT SHORTING.
2. INDUCTANCE RANGE PER TEKTRONIX 130 L.C.METER:  
29 TO 45 μH ON 6 TURN WINDING.
1. TOROID REFERENCE DIMENSIONS: .230 O.D. X .125 HIGH.

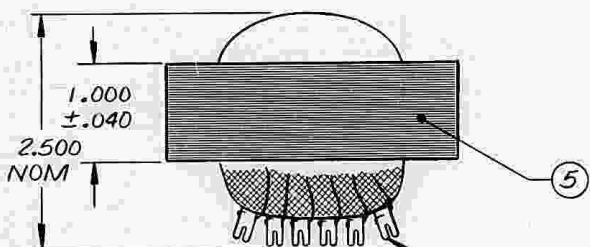
NOTES:

		<b>TEKTRONIX, INC.</b> P. O. BOX 500 BEAVERTON, OREGON U.S.A. 97077			
DWN	J NAGODE	20 JAN 76	TOLERANCES: UNLESS OTHERWISE SPECIFIED		
ENGR	L. Clem	4 Feb 76	DEC	ANLR	
CHKR	J. WOODFALL	4 FEB 76	SCALE	FIRST USED ON	
PROD	A. Boncker	4 Feb 76	NONE	L1	
MATERIAL LISTED					
FINISH NOTED					
TITLE TRANSFORMER, RF (TOROID)					
CODE IDENT NO	SIZE	PART NUMBER	REV		
80009	A	120-1019-00	A		

51-91 B

THIS DRAWING WHEN DISTRIBUTED OUTSIDE TEKTRONIX, INC., IS SUPPLIED FOR IDENTIFICATION, ENGINEERING EVALUATION AND/OR INSPECTION PURPOSES ONLY AND MAY NOT BE USED AS A BASIS FOR MANUFACTURE OR SALES OF PRODUCTS WITHOUT WRITTEN PERMISSION FROM TEKTRONIX, INC.  
 IF THIS DRAWING IS FURNISHED UNDER ANY UNITED STATES GOVERNMENT CONTRACT, IT SHALL NOT BE EITHER RELEASED OUTSIDE THE GOVERNMENT, OR USED, DUPLICATED OR DISCLOSED IN WHOLE OR IN PART FOR MANUFACTURE OR PROCUREMENT, WITHOUT THE WRITTEN PERMISSION OF TEKTRONIX, INC., EXCEPT FOR: (1) EMERGENCY REPAIR OR OVERHAUL WORK BY OR FOR THE GOVERNMENT, WHERE THE ITEM OR PROCESS CONCERNED IS NOT OTHERWISE REASONABLY AVAILABLE TO ENABLE TIMELY PERFORMANCE OF THE WORK; OR (2) RELEASE TO A FOREIGN GOVERNMENT AS THE INTERESTS OF THE UNITED STATES MAY REQUIRE PROVIDED THAT IN EITHER CASE THE RELEASEE, DUPLICATION OR DISCLOSURE HEREOF SHALL BE SUBJECT TO THE FOREGOING LIMITATIONS. IF THIS DRAWING IS REPRODUCED IN WHOLE OR IN PART, THIS ENTIRE LEGEND BLOCK MUST APPEAR ON ALL REPRODUCED COPIES.

REV	REF	DESCRIPTION OF CHANGE	CHK BY	DATE



### COIL STRUCTURE OUTSIDE

TYPE WINDING      TERM NO

SEC	14-15
64 T	*18

SEC	12-13
117 T	*32

SEC	10-11
117 T	*32

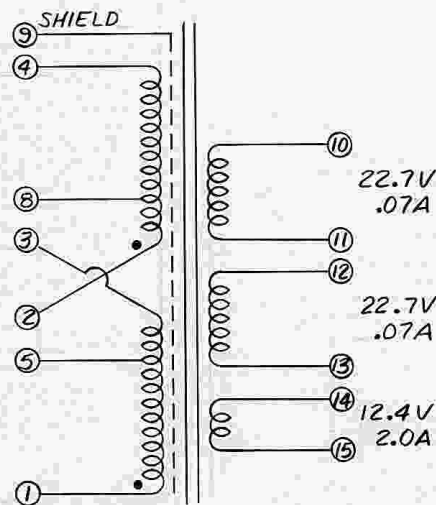
SHIELD	9
--------	---

PRI	2-8-4
Ø-104-619 T	*30

PRI	1-5-3
Ø-515-619 T	*30

### INSIDE

LINE TO 1-4	CONNECT
100 V	1 TO 8, 4 TO 5
120 V	1 TO 2, 3 TO 4
220 V	5 TO 8
240 V	2 TO 3



PRIMARY  
100, 120, 220,  
240 V ± 10%  
50-60 Hz

6. DIELECTRIC WITHSTANDING VOLTAGE:  
2KV RMS, 50 TO 60 Hz, 1 MINUTE,  
PRIMARIES TO SECONDARIES, SHIELD,  
AND CORE

PART NUMBER	REV
120-1020-00	

5. VOLTAGE RATINGS ARE RMS NO LOAD  
CURRENT RATINGS ARE AMPS DC TYP

4. WINDINGS INSULATED FOR 600 VDC

3. TRANSFORMER VACUUM IMPREGNATED  
WITH VARNISH 252-0082-00

2. POLARITY PER SCHEMATIC

1. DIMENSIONS REFERENCE UNLESS  
OTHERWISE SPECIFIED

### NOTES:

<b>TEKTRONIX, INC.</b>		P. O. BOX 500 BEAVERTON, OREGON U.S.A. 97005	
DWN J. NAGODE	30 JUL 75	DIMENSIONS ARE IN INCHES/MM Tolerances Unless Otherwise Specified	
ENGR D. F. Kuehler	11 AUG 77	DEC	ANLR
CHKR J. WOODFALL	11 AUG 77	SCALE	FIRST USED ON
PRD E. P. P. P.	11 AUG 77	1:1	016-0332-00

MATERIAL  
SEE LIST OF MATERIALS

FINISH  
NOTED

TITLE  
TRANSFORMER, POWER,  
STPDN

5	252-0039-00	AR	ENAMEL (BLACK)
4	210-0257-00	13	TERMINAL
3	386-0005-00	AR	PLATE, LAMINATION (STEEL)
2	334-2651-00	1	MARKER, IDENTIFICATION
1	120-1020-50	1	XFMR SUBASSY (COIL ONLY)

ITEM	PART NUMBER	QTY	DESCRIPTION	CODE IDENT NO	SIZE	PART NUMBER	REV
				80009	C	120-1020-00	

NOTES:

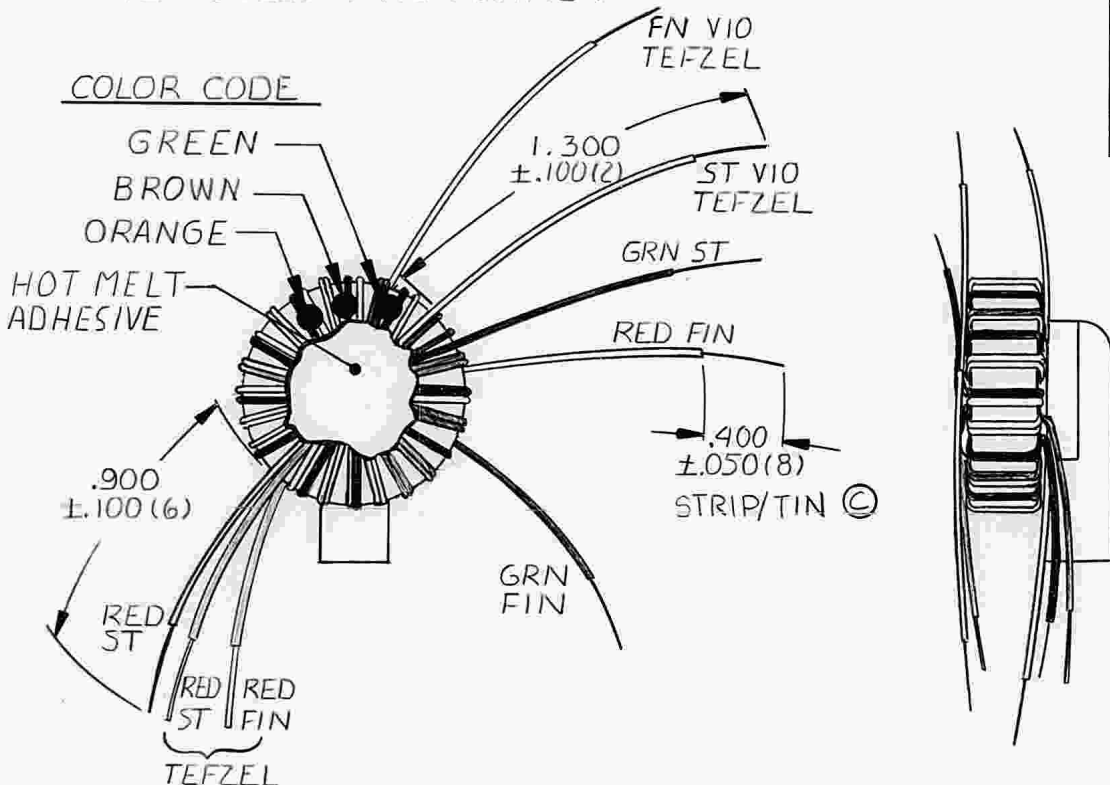
27 95B

1. TOROID REFERENCE DIMENSIONS: .450 OD X .125 HIGH
2. COAT WITH 006-1109-00 OR APPROVED EQUIVALENT
3. VALUE DETERMINED WITH HP 4275A METER OR APPROVED EQUIVALENT (40 KHZ, .4 mA, SERIES MODE) 72 TO 123  $\mu$ H (12 TURNS)

REV. B  
PART NUMBER 120-1022-00

THIS DRAWING WHEN DISTRIBUTED OUTSIDE TEKTRONIX, INC., IS SUPPLIED FOR IDENTIFICATION, ENGINEERING EVALUATION AND/OR INSPECTION PURPOSES ONLY AND MAY NOT BE USED AS A BASIS FOR MANUFACTURE OR SALES OF PRODUCTS WITHOUT WRITTEN PERMISSION FROM TEKTRONIX, INC. IF THIS DRAWING IS FURNISHED UNDER ANY UNITED STATES GOVERNMENT CONTRACT, IT SHALL NOT BE EITHER RELEASED OUTSIDE THE GOVERNMENT, OR USED, DUPLICATED, OR DISCLOSED IN WHOLE OR IN PART FOR MANUFACTURE OR PROCUREMENT, WITHOUT THE WRITTEN PERMISSION OF TEKTRONIX, INC., EXCEPT FOR: (1) EMERGENCY REPAIR OR OVERHAUL WORK BY OR FOR THE GOVERNMENT, WHERE THE ITEM OR PROCESS CONCERNED IS NOT OTHERWISE REASONABLY AVAILABLE TO ENABLE TIMELY PERFORMANCE OF THE WORK, OR (2) RELEASE TO A FOREIGN GOVERNMENT AS THE INTERESTS OF THE UNITED STATES MAY REQUIRE; PROVIDED THAT IN EITHER CASE THE RELEASE, USE, DUPLICATION OR DISCLOSURE HEREOF SHALL BE SUBJECT TO THE FOREGOING LIMITATIONS, IF THIS DRAWING IS REPRODUCED IN WHOLE OR IN PART, THIS ENTIRE LEGEND BLOCK MUST APPEAR ON ALL REPRODUCED COPIES.

REV	REF	DESCRIPTION OF CHANGE	CHK BY	DATE
A	42111	REDRAWN	KM	24 FEB 82
B	50482	REVISED & REISSUED	DD	26 APR 83
C	50482	ADDED 'STRIP/TIN	DD	8 JUN 83



DATA:  
 CODE: TD-315  
 CORE: 276-0525-00  
 HOLDER: 352-0125-00

		WIRE DATA			
		URNS/COLOR	AWG	PART NUMBER	
FIRST LAYER	}	12 RED	27	176-0033-00	
		12 GRN	27	176-0033-15	
BIFILAR WOUND SECOND LAYER	}	12 RED	*30	175-0983-00	
		8 VIO	*30	175-0982-00	

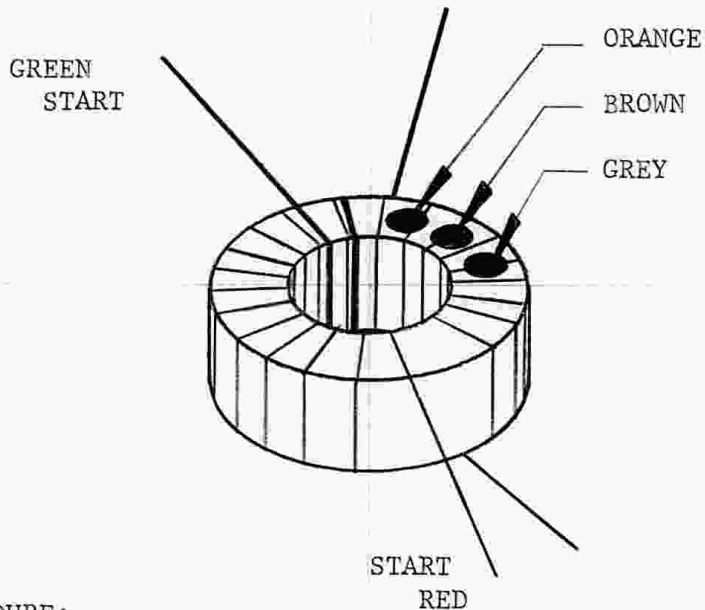
\* TEFZEL INSULATION

TEKTRONIX, INC. PROPRIETARY ITEM DRAWING					
<input checked="" type="checkbox"/> MFD BY TEKTRONIX			<input type="checkbox"/> MFD FOR TEKTRONIX		
		TEKTRONIX, INC.		P. O. BOX 500 BEAVERTON, OREGON U.S.A. 97077	
DWN	JTWINFREY	4 JAN 82	DIMENSIONS ARE IN INCHES / TOLERANCES UNLESS OTHERWISE SPECIFIED		
ENGR	<i>Handwritten</i>	5 FEB 82	DEC	ANLR	
CHKR	Barb STEWART	22 FEB 82	SCALE	FIRST USED ON	
PROD	ROGER NOYES	19 FEB '82	NONE	4012/4013	
MATERIAL LISTED					
FINISH SEE NOTE 2					
TITLE TRANSFORMER, RF (TOROID)					
CODE IDENT NO	SIZE	PART NUMBER		REV	
80009	B	120-1022-00		B	

DO NOT SCALE DRAWING



COLOR CODE



PROCEDURE:

1. WIND AS SHOWN.
2. CUT LEADS  $.500 \pm .050$ .
3. TIN LEADS  $.400 \pm .050$ .
4. COLOR CODE.
5. COAT WITH 006-1109-00.

DATA:

CODE TD-318  
 CORE NO. 276-0672-00  
 WIRE SIZE #22 AWG , #24 AWG  
 WIRE PART NO. 176-0028-XX, 176-0030-XX  
 NO OF TURNS 21 , 2

74-79G

PART NUMBER  
 120-1023-00

REV  
 A

THIS DRAWING WHEN DISTRIBUTED OUTSIDE TEKTRONIX, INC. IS SUPPLIED FOR IDENTIFICATION, ENGINEERING EVALUATION AND/OR INSPECTION PURPOSES ONLY AND MAY NOT BE USED AS A BASIS FOR MANUFACTURE OR SALES OF PRODUCTS WITHOUT WRITTEN PERMISSION FROM TEKTRONIX, INC. IF THIS DRAWING IS FURNISHED UNDER ANY UNITED STATES GOVERNMENT CONTRACT, IT SHALL NOT BE EITHER RELEASED OUTSIDE THE GOVERNMENT, OR USED, DUPLICATED, OR DISCLOSED IN WHOLE OR IN PART FOR MANUFACTURE OR PROCUREMENT, WITHOUT THE WRITTEN PERMISSION OF TEKTRONIX, INC. EXCEPT FOR: (1) EMERGENCY REPAIR OR OVERHAUL WORK BY OR FOR THE GOVERNMENT, WHERE THE ITEM OR PROCESS CONCERNED IS NOT OTHERWISE REASONABLY AVAILABLE TO ENABLE TIMELY PERFORMANCE OF THE WORK; OR (2) RELEASE TO A FOREIGN GOVERNMENT AS THE INTERESTS OF THE UNITED STATES MAY REQUIRE, PROVIDED THAT IN EITHER CASE THE RELEASE, USE, DUPLICATION OR DISCLOSURE HEREOF SHALL BE SUBJECT TO THE FOREGOING LIMITATIONS. IF THIS DRAWING IS REPRODUCED IN WHOLE OR IN PART, THIS ENTIRE LEGEND BLOCK MUST APPEAR ON ALL REPRODUCED COPIES

REV / BY / REF	DESCRIPTION OF CHANGE	CHK BY / DATE
① EA 25012	ADD CS	17 JUN 76



2. INDUCTANCE RANGE PER TEKTRONIX 130 LC METER: 1.7 TO  $2.0\mu\text{H}$  ON 21 TURN WINDING.

1. TOROID REFERENCE DIMENSIONS: .495 O.D. X .214 HIGH.

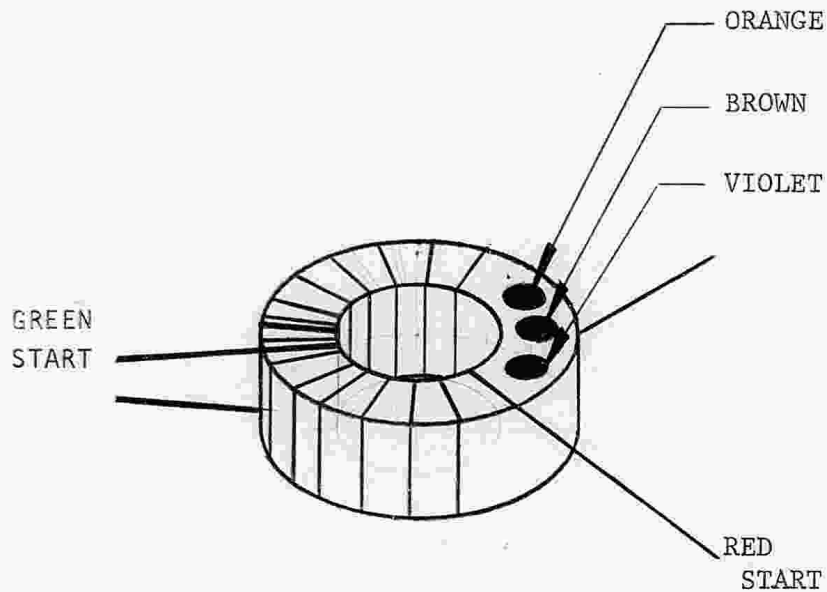
NOTES:

①

CUSTOMER SERVICE

 <b>TEKTRONIX, INC.</b>		P. O. BOX 500 BEAVERTON, OREGON U.S.A. 97077			
DWN	J. NAGODE	19 MAY 75	DIMENSIONS ARE IN INCHES / MM TOLERANCES: UNLESS OTHERWISE SPECIFIED		
ENGR	<i>L. C. ...</i>	16 Dec 75	DEC	ANLR	
CHKR	J. WOODFALL	16 DEC 75	SCALE	FIRST USED ON	
PROD	<i>M. Boucher</i>	16 Dec 75	NONE	7L5	
MATERIAL LISTED					
FINISH -NOTED					
TITLE  TRANSFORMER, RF (TOROID)					
CODE IDENT NO	SIZE	PART NUMBER		REV	
80009	A	120-1023-00		A	

COLOR CODE



**PROCEDURE:**

1. WIND AS SHOWN, APPLY 2T WIND ON TOP OF 15T WIND.
2. CUT LEADS  $.500 \pm .050$ .
3. TIN LEADS  $.400 \pm .025$ .
4. COLOR CODE.
5. COAT WITH 006-1109-00.

**DATA:**

CODE TD 317  
 CORE NO. 276-0672-00  
 WIRE SIZE #22 AWG , #24 AWG  
 WIRE PART NO. 176-0028-XX, 176-0030-XX  
 NO. OF TURNS 15 NOM , 2  
 (ADJUST TO MEET INDUCTANCE)

74-79F

PART NUMBER

120-1024-00



REV

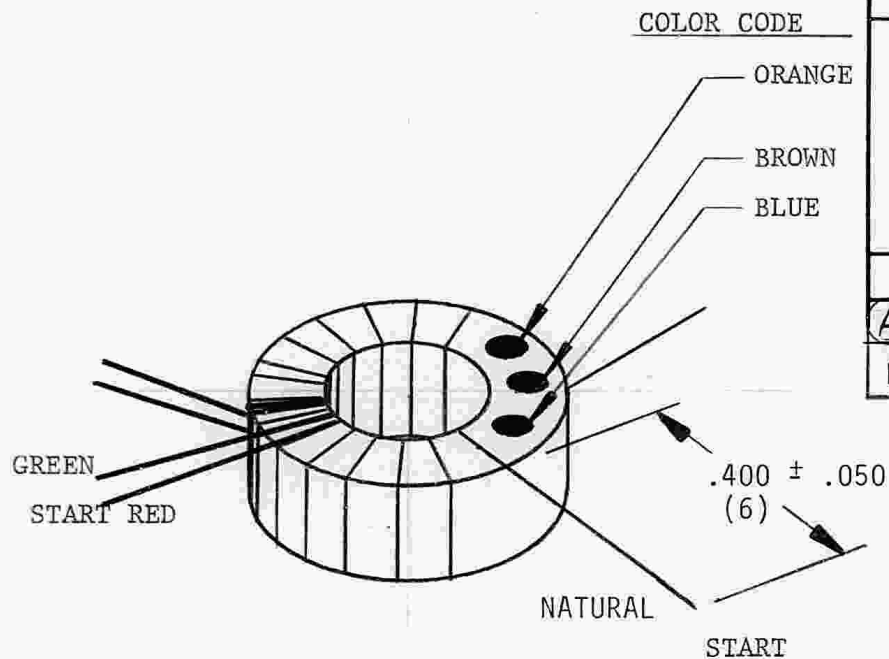
THIS DRAWING WHEN DISTRIBUTED OUTSIDE TEKTRONIX, INC. IS SUPPLIED FOR IDENTIFICATION, ENGINEERING EVALUATION AND/OR INSPECTION PURPOSES ONLY AND MAY NOT BE USED AS A BASIS FOR MANUFACTURE OR SALES OF PRODUCTS WITHOUT WRITTEN PERMISSION FROM TEKTRONIX, INC. IF THIS DRAWING IS FURNISHED UNDER ANY UNITED STATES GOVERNMENT CONTRACT, IT SHALL NOT BE EITHER RELEASED OUTSIDE THE GOVERNMENT, OR USED, DUPLICATED, OR DISCLOSED IN WHOLE OR IN PART FOR MANUFACTURE OR PROCUREMENT, WITHOUT THE WRITTEN PERMISSION OF TEKTRONIX, INC., EXCEPT FOR: (1) EMERGENCY REPAIR OR OVERHAUL WORK BY OR FOR THE GOVERNMENT, WHERE THE ITEM OR PROCESS CONCERNED IS NOT OTHERWISE REASONABLY AVAILABLE TO ENABLE TIMELY PERFORMANCE OF THE WORK; OR (2) RELEASE TO A FOREIGN GOVERNMENT AS THE INTERESTS OF THE UNITED STATES MAY REQUIRE; PROVIDED THAT IN EITHER CASE THE RELEASE, USE, DUPLICATION OR DISCLOSURE HEREOF SHALL BE SUBJECT TO THE FOREGOING LIMITATIONS. IF THIS DRAWING IS REPRODUCED IN WHOLE OR IN PART, THIS ENTIRE LEGEND BLOCK MUST APPEAR ON ALL REPRODUCED COPIES.

REV / BY / REF	DESCRIPTION OF CHANGE	CHK BY / DATE

2. INDUCTANCE RANGE PER BOONTON 260A Q METER AT 7.9MHz;  
 $L = .89$  TO  $1.03\mu H$ ,  $Q = 225$  MIN ON 15 TURN WINDING.
1. TOROID REFERENCE DIMENSIONS:  $.495$  O.D. X  $.214$  HIGH.

**NOTES:**

 <b>TEKTRONIX, INC.</b>		P. O. BOX 500 BEAVERTON, OREGON U.S.A. 97077		
DWN	J. NAGODE	19 MAY 75	DIMENSIONS ARE IN INCHES / MM	
ENGR	<i>L. Clem</i>	16 Dec 75	TOLERANCES: UNLESS OTHERWISE SPECIFIED	
CHKR	J. WOODFALL	16 DEC 75	DEC _____	ANLR _____
PROD	<i>H B Bonacker</i>	16 Dec 75	SCALE	FIRST USED ON
			NONE	7L5
MATERIAL LISTED				
FINISH NOTED				
TITLE				
TRANSFORMER, RF (TOROID)				
CODE IDENT NO	SIZE	PART NUMBER	REV	
<b>80009</b>	<b>A</b>	120-1024-00		



NOTES:

1. 2 TURN BIFILAR WIND IS APPLIED ON TOP OF 14T WIND.
2. LEADS TINNED TO WITHIN 0.050 OF WINDING.
3. COATED WITH 006-1109-00 OR APPROVED EQUIVALENT.
4. INDUCTANCE RANGE PER HP4342A Q METER OR APPROVED EQUIVALENT AT 7.9 MHZ: L = 0.89 TO 1.03  $\mu$ H, Q = 200 MIN ON 14 TURN WINDING.
5. TOROID REFERENCE DIMENSIONS: 0.495 OD X 0.214 HIGH

DATA:

CODE TD 316  
 CORE NO. 276-0672-00

WIRE DATA		
TURNS	AWG	PART NUMBER
14 NOM*	22	176-0028-14
2,2 BIFILAR	24	176-0030-XX

\*TURNS COUNT ADJUSTED TO MEET INDUCTANCE

74-79E

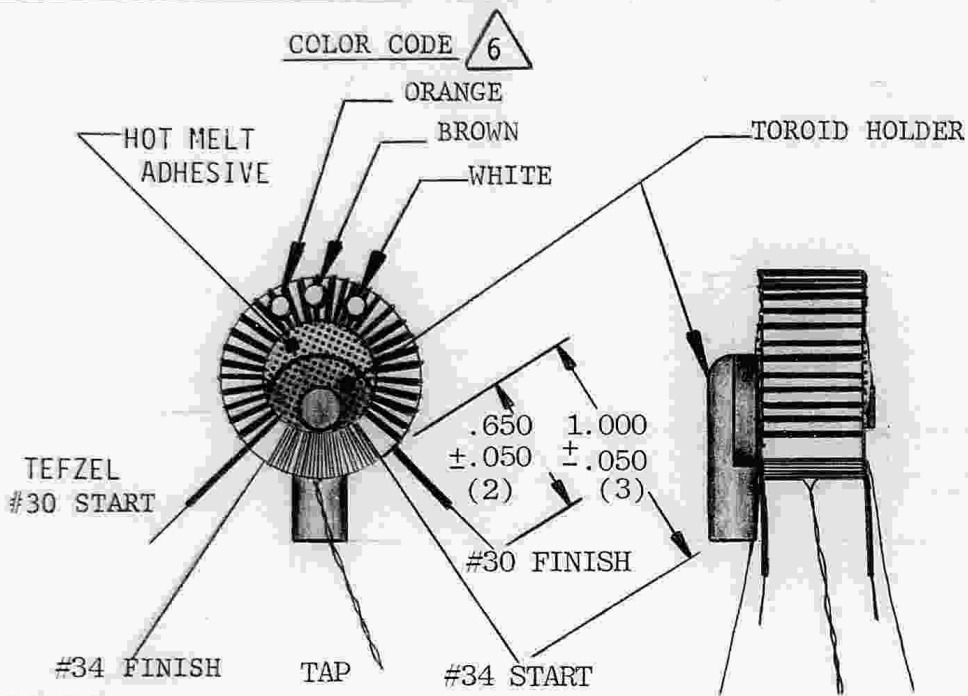
PART NUMBER  
120-1025-00

REV  
B

THIS DRAWING WHEN DISTRIBUTED OUTSIDE TEKTRONIX, INC. IS SUPPLIED FOR IDENTIFICATION, ENGINEERING EVALUATION AND/OR INSPECTION PURPOSES ONLY AND MAY NOT BE USED AS A BASIS FOR MANUFACTURE OR SALES OF PRODUCTS WITHOUT WRITTEN PERMISSION FROM TEKTRONIX, INC. IF THIS DRAWING IS FURNISHED UNDER ANY UNITED STATES GOVERNMENT CONTRACT, IT SHALL NOT BE EITHER RELEASED OUTSIDE THE GOVERNMENT, OR USED, DUPLICATED, OR DISCLOSED IN WHOLE OR IN PART FOR MANUFACTURE OR PROCUREMENT, WITHOUT THE WRITTEN PERMISSION OF TEKTRONIX, INC., EXCEPT FOR: (1) EMERGENCY REPAIR OR OVERHAUL WORK BY OR FOR THE GOVERNMENT, WHERE THE ITEM OR PROCESS CONCERNED IS NOT OTHERWISE REASONABLY AVAILABLE TO ENABLE TIMELY PERFORMANCE OF THE WORK; OR (2) RELEASE TO A FOREIGN GOVERNMENT AS THE INTERESTS OF THE UNITED STATES MAY REQUIRE; PROVIDED THAT IN EITHER CASE THE RELEASE, USE, DUPLICATION OR DISCLOSURE HEREOF SHALL BE SUBJECT TO THE FOREGOING LIMITATIONS. IF THIS DRAWING IS REPRODUCED IN WHOLE OR IN PART, THIS ENTIRE LEGEND BLOCK MUST APPEAR ON ALL REPRODUCED COPIES.

REV / BY / REF	DESCRIPTION OF CHANGE	CHK BY / DATE
A LF 32065	176-0028-14 WAS -XX	5 AUG 77
B DG 50482	GENERAL UPDATE--SEE MOD DOC	15SEP83

<b>TEKTRONIX, INC.</b>		P. O. BOX 500 BEAVERTON, OREGON U.S.A. 97077			
DWN	J. NAGODE	19 MAY 75	DIMENSIONS ARE IN INCHES / $\frac{1}{16}$ " TOLERANCES: UNLESS OTHERWISE SPECIFIED		
ENGR	L. Clark	16 Dec 75	DEC	ANLR	
CHKR	J. WOODFALL	16 DEC 75	SCALE	FIRST USED ON	
PROD	G. B. ...	16 Dec 75	NONE	7L5	
MATERIAL LISTED					
FINISH NOTED					
TITLE					
TRANSFORMER, RF (TOROID)					
CODE IDENT NO	SIZE	PART NUMBER	REV		
80009	A	120-1025-00	B		



NOTES:

1. .063 MIN BETWEEN WINDINGS
2. STRIP AND/OR TIN  $.250 \pm .050$
3. COAT WITH 006-1109-00 OR APPROVED EQUIVALENT
4. INDUCTANCE RANGE PER HP4275A OR APPROVED EQUIVALENT: .7 TO 1.2 mH ON 30 TURN WINDING AT 40 kHz, .1 mA, SERIES MODE
5. REFERENCE DIMENSIONS: .661 HIGH x .500 O.D. x .117 LONG
6. PRINTED PART NUMBER (-1026) MAY BE USED INSTEAD OF COLOR CODE.

WIRE DATA		
TURNS/COLOR	AWG	PART NUMBER
30 RED **	30	175-0982-00
30 RED *	34	176-0017-00

DATA:  
 CODE TD-319  
 CORE NO. 276-0535-00  
 HOLDER NO. 352-0134-00

\* TAPPED AT 15 TURNS  
 \*\* TEFZEL INSULATION

75-45E

PART NUMBER  
 120-1026-00

REV  
 C

THIS DRAWING WHEN DISTRIBUTED OUTSIDE TEKTRONIX, INC., IS SUPPLIED FOR IDENTIFICATION, ENGINEERING EVALUATION AND/OR INSPECTION PURPOSES ONLY AND MAY NOT BE USED AS A BASIS FOR MANUFACTURE OR SALES OF PRODUCTS WITHOUT WRITTEN PERMISSION FROM TEKTRONIX, INC. IF THIS DRAWING IS FURNISHED UNDER ANY UNITED STATES GOVERNMENT CONTRACT, IT SHALL NOT BE EITHER RELEASED OUTSIDE THE GOVERNMENT, OR USED, DUPLICATED, OR DISCLOSED IN WHOLE OR IN PART FOR MANUFACTURE OR PROCUREMENT, WITHOUT THE WRITTEN PERMISSION OF TEKTRONIX, INC. EXCEPT FOR: (1) EMERGENCY REPAIR OR OVERHAUL WORK BY OR FOR THE GOVERNMENT, WHERE THE ITEM OR PROCESS CONCERNED IS NOT OTHERWISE REASONABLY AVAILABLE TO ENABLE TIMELY PERFORMANCE OF THE WORK; OR (2) RELEASE TO A FOREIGN GOVERNMENT AS THE INTERESTS OF THE UNITED STATES MAY REQUIRE; PROVIDED THAT IN EITHER CASE THE RELEASE, USE, DUPLICATION OR DISCLOSURE HEREOF SHALL BE SUBJECT TO THE FOREGOING LIMITATIONS. IF THIS DRAWING IS REPRODUCED IN WHOLE OR IN PART, THIS ENTIRE LEGEND BLOCK MUST APPEAR ON ALL REPRODUCED COPIES.

REV	BY	REF	DESCRIPTION OF CHANGE	CHK BY / DATE
A	LF	36531	UPDATE: LEAD LENGTHS AND FORMAT	29 MAR 79
(B)	LF	36531	175-0982-00 WAS VIOLET	7 JUN 79
C	DG	50482	GENERAL UPDATE--SEE MOD DOC	16 SEP 83

TEKTRONIX, INC. PROPRIETARY ITEM DRAWING

MFD BY TEKTRONIX

MFD FOR TEKTRONIX



TEKTRONIX, INC.

P. O. BOX 500

BEAVERTON, OREGON U.S.A. 97077



DWN	J. NAGODE	1 JUL 75	DIMENSIONS ARE IN INCHES / MM	
ENGR	L. Clem	4 Feb 76	TOLERANCES: UNLESS OTHERWISE SPECIFIED	
CHKR	J. WOODFALL	4 FEB 76	DEC	ANLR
PROD	G. Bonaster	4 Feb 76	SCALE	FIRST USED ON
			NONE	4006-1

MATERIAL LISTED

FINISH NOTED

TITLE  
 TRANSFORMER, RF (TOROIDAL)

CODE IDENT NO	SIZE	PART NUMBER	DDN	REV
80009	A	120-1026-00	1	C

# DRAWING / SPECIFICATION DEVIATION NOTICE

PART NUMBER 120-1026-00

REV.  
C

DATE: SEPT. 12, 1985

DEPT. OF MANUFACTURE TOROIDS

DEVIATION TYPE:

XX

PERMANENT ----- EFFECTIVITY DATE: 9-12-85

DDN NO.

1

CONTROL NO.

P

TEMPORARY ----- EFFECTIVITY DATE: \_\_\_\_\_

EXPIRATION DATE: \_\_\_\_\_

REASON FOR DEVIATION: INCONSISTENCY OF WIRE P/N AND COLOR CALLOUT, WIRE 176-0017-XX,  
30 TURNS, ANY COLOR.

## ORIGINAL REQUIREMENTS

RED #34 AWG 176-0017-00

## DEVIATION

#34 AWG 176-0017-XX

PART INSPECTED BY: \_\_\_\_\_

DATE: \_\_\_\_\_

DDN REQUESTED BY: \_\_\_\_\_

DATE: \_\_\_\_\_

APPROVAL:

MANUFACTURING *Duncanson*

DATE: 9-12-85

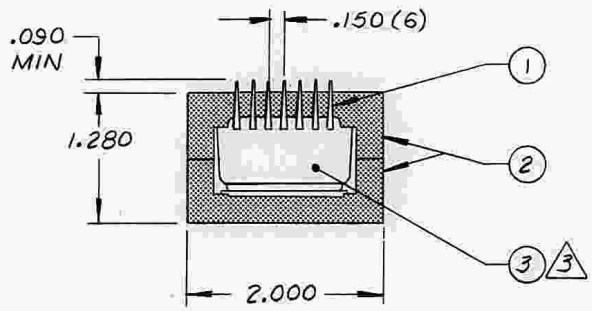
ENGINEERING *Camp Hoag*

DATE: Sept 12 1985

DATE: \_\_\_\_\_

DATE: \_\_\_\_\_

THIS DRAWING WHEN DISTRIBUTED OUTSIDE TEKTRONIX, INC., IS SUPPLIED FOR IDENTIFICATION, ENGINEERING EVALUATION AND/OR INSPECTION PURPOSES ONLY AND MAY NOT BE USED AS A BASIS FOR MANUFACTURE OR SALES OF PRODUCTS WITHOUT WRITTEN PERMISSION FROM TEKTRONIX, INC. IF THIS DRAWING IS FURNISHED UNDER ANY UNITED STATES GOVERNMENT CONTRACT, IT SHALL NOT BE EITHER RELEASED OUTSIDE THE GOVERNMENT, OR USED, DUPLICATED OR DISCLOSED IN WHOLE OR IN PART FOR MANUFACTURE OR PROCUREMENT, WITHOUT THE WRITTEN PERMISSION OF TEKTRONIX, INC., EXCEPT FOR: (1) EMERGENCY REPAIR OR OVERHAUL WORK BY OR FOR THE GOVERNMENT, WHERE THE ITEM OR PROCESS CONCERNED IS NOT OTHERWISE REASONABLY AVAILABLE TO ENABLE TIMELY PERFORMANCE OF THE WORK; OR (2) RELEASE TO A FOREIGN GOVERNMENT AS THE INTERESTS OF THE UNITED STATES MAY REQUIRE PROVIDED THAT IN EITHER CASE THE RELEASE, USE, DUPLICATION OR DISCLOSURE HEREOF SHALL BE SUBJECT TO THE FOREGOING LIMITATIONS. IF THIS DRAWING IS REPRODUCED IN WHOLE OR IN PART, THIS ENTIRE LEGEND BLOCK MUST APPEAR ON ALL REPRODUCED COPIES.

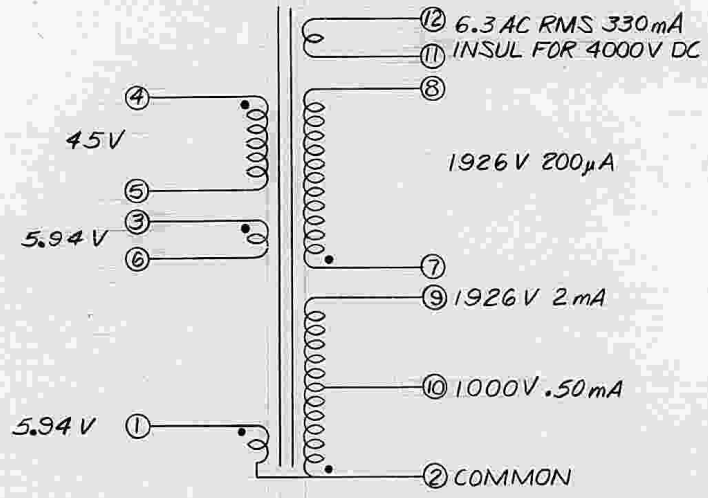
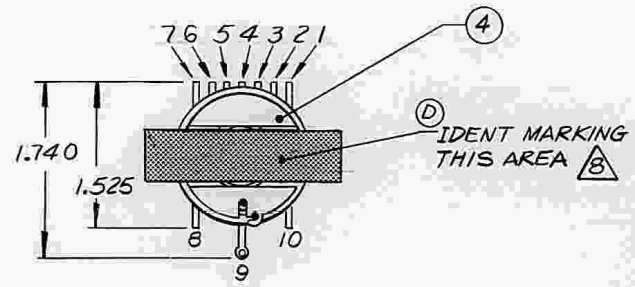


### COIL STRUCTURE OUTSIDE

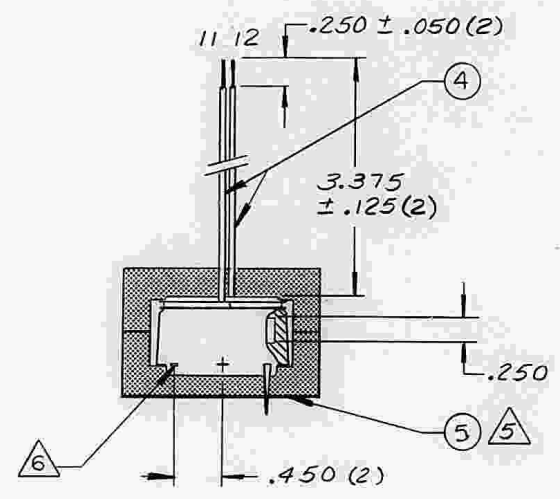
TYPE WINDING	LEAD/TERM NO
SEC 11-12	SEC 7-8
	648 1/2 T #38
	SEC 2-10-9
	Ø-336 1/2-648 1/2 T #38
	PRI 4-5
	PRI 3-6
	PRI 1-2
3T #26	15T #28
	2T #28
	2T #28

BIFILAR (A)  
WOUND

### INSIDE



OPERATING FREQUENCY: 45 KHZ



(B) LOCATION AND ORIENTATION ON THIS SURFACE NOT CRITICAL. MUST BE LEGIBLE

7. VOLTAGE RATINGS ARE PEAK NO LOAD UDS. CURRENT RATINGS ARE AMPS DC TYP

(6) LEAD 8 CUT OFF AT BEND AS SHOWN

PART NUMBER	REV
120-1028-00	D

(5) ITEM 5 APPLIED TO LEAD SIDE OF CORE ONLY FOR MOUNTING

4. COIL SECURED TO CORE

(3) COIL TRANSFER MOLDED WITH EPOXY

2. POLARITY PER SCHEMATIC

1. DIMENSIONS REFERENCE UNLESS OTHERWISE SPECIFIED

#### NOTES:

		P. O. BOX 900 BEAVERTON, OREGON U.S.A. 97005	
DWN	J. NAGODE	15 JUL 75	DIMENSIONS ARE IN INCHES/MM Tolerances Unless Otherwise Specified
ENGR	David Wilkoff	16 DEC 76	
CHKR	J. WOODFALL	16 DEC 76	SCALE 1:1 FIRST USED ON 4006-1
PROD	Imelsoy	16 Dec 76	
MATERIAL SEE LIST OF MATERIALS			
FINISH NOTED			
TITLE TRANSFORMER, POWER, SDN & SU (HIGH VOLTAGE)			

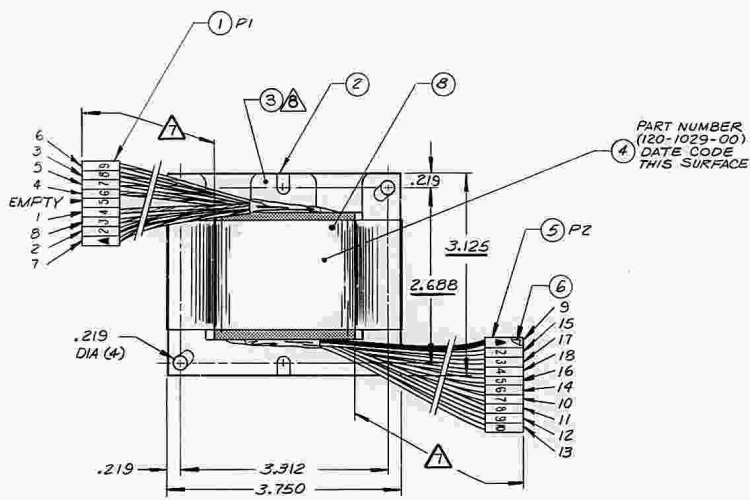
ITEM	PART NUMBER	QTY	DESCRIPTION
(B) 5	253-0174-00	AR	TAPE, POLYESTER, DOUBLE SIDED (.500 WIDE)
4	650-0317-00	1	BOBBIN ASSEMBLY
3	255-0479-01	AR	PLASTIC MOLDING MATL, EPOXY
2	276-0544-00	1	CORE, "E" FERRITE
	276-0545-00	1	CORE, "E" FERRITE
1	195-0140-00	1/2	LEAD SET, HV XFMR

CODE IDENT NO	SIZE	PART NUMBER	REV
80009	C	120-1028-00	D

50-37 H

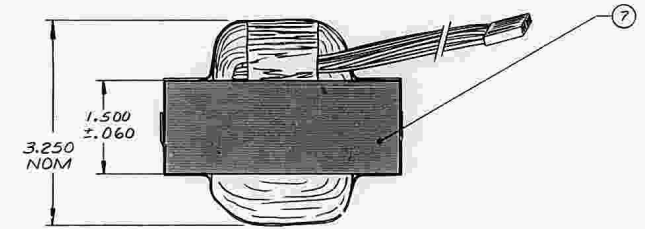
THIS DRAWING WHEN DISTRIBUTED OUTSIDE TEKTRONIX, INC. IS SUPPLIED FOR IDENTIFICATION, ENGINEERING, REPAIR AND SERVICE PURPOSES ONLY AND IS NOT TO BE USED AS A BASIS FOR MANUFACTURE OF COPIES OF PRODUCTS OR FOR REPRODUCTION OF ANY PARTS THEREOF. IT IS THE PROPERTY OF TEKTRONIX, INC. AND IS NOT TO BE REPRODUCED OR TRANSMITTED IN ANY FORM OR BY ANY MEANS, ELECTRONIC OR MECHANICAL, INCLUDING PHOTOCOPYING, RECORDING, OR BY ANY INFORMATION STORAGE AND RETRIEVAL SYSTEM. ANY REPRODUCTION OR TRANSMISSION OF THIS DRAWING WITHOUT THE WRITTEN PERMISSION OF TEKTRONIX, INC. IS STRICTLY PROHIBITED. THE USER ASSUMES ALL LIABILITY FOR ANY DAMAGE OR LOSS OF PROFITS, INCLUDING REASONABLE ATTORNEY'S FEES, ARISING FROM THE USE OF THIS DRAWING. THE NUMBER AND DATE OF REVISIONS TO THIS DRAWING ARE SHOWN IN THE REVISION HISTORY. THIS DRAWING IS SUBJECT TO CHANGE WITHOUT NOTICE.

REV	REF	DESCRIPTION OF CHANGE	CHK BY	DATE
(A)	41718	ADDED ITEM 9 & NOTE 8	DD	30 JAN 81
(B)	41718	CORRECTED DRAFTING ERROR	DD	27 OCT 81
(C)	45018	REMOVED ITEM 3, PN WAS 120-1029-50	DD	22 FEB 82
(D)	49320	ADDED NOTE 9.	DD	31 MAR 82
(E)	51689	REVISED DWG., UPDATED NOTE 8, NOTE 6 WAS 2 KV, REMOVED ITEM 7, ITEM 4 WAS 334-2684-00	DD	27 NOV 83

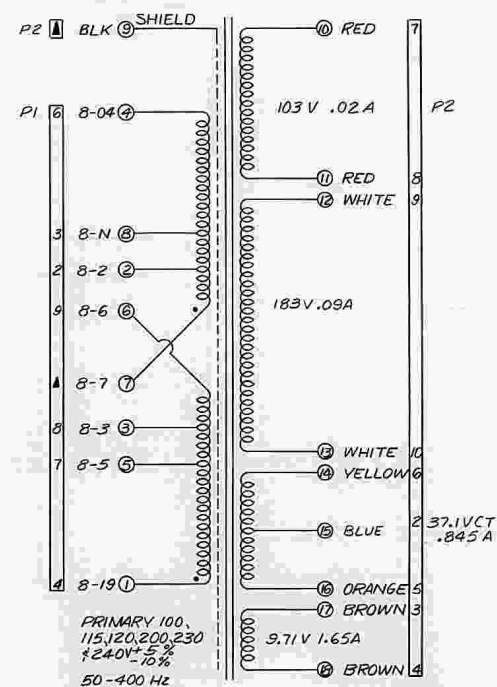


**COIL STRUCTURE OUTSIDE**

TYPE WINDING	LEAD NO
SEC 34 T	17-18 #18
SEC 0-65-130 T	14-15-16 #21
SEC 640 T	12-13 #31
SEC 360 T	10-11 #31
SHIELD	9
PRI 0-17-70-420 T	7-2-8-4 #25
PRI 0-350-403-420 T	1-5-3-6 #25



LINE TO 1-4	CONNECT
100 V	1 TO 8, 4 TO 5
115 V	1 TO 2, 4 TO 3
120 V	1 TO 7, 4 TO 6
200 V	5 TO 8
230 V	2 TO 3
240 V	6 TO 7



- ⑨ EXCITING CURRENT .320 AMPS MAX AT 172 VOLTS, RMS, 60HZ, LEADS 1-3
  - ⑧ ORIENTATION OF KEEPER IS OPTIONAL
  - △ LEAD LENGTHS TO END OF CONNECTORS ±.250
- | LEAD  | COLOR | PART NUMBER | LENGTH |
|-------|-------|-------------|--------|
| 1     | 8-19  | 175-0879-00 | 9.000  |
| 2     | 8-2   | 175-0880-00 |        |
| 3     | 8-3   | 175-0881-00 |        |
| 4     | 8-04  | 175-0882-00 |        |
| 5     | 8-5   | 175-0883-00 |        |
| 6     | 8-6   | 175-0884-00 |        |
| 7     | 8-7   | 175-0885-00 |        |
| 8     | 8-N   | 175-0886-00 |        |
| 9     | BLK   | 175-0920-00 | 5.000  |
| 10,11 | RED   | 175-0922-00 | 6.000  |
| 12,13 | WHT   | 175-0951-00 | 6.000  |
| 14    | YEL   | 175-0963-00 | 5.500  |
| 15    | BLU   | 175-0970-00 | 5.000  |
| 16    | ORN   | 175-0950-00 | 5.500  |
| 17,18 | BRN   | 175-0964-00 | 5.500  |
- ⑥ DIELECTRIC WITHSTANDING VOLTAGE : 1.5KV RMS, 50 TO 60 HZ, 1 MINUTE, PRIMARIES TO SHIELD, SECONDARIES AND CORE

- PART NUMBER 120-1029-00
- 5. WINDINGS INSULATED FOR 600 V DC
  - 4. VOLTAGE RATINGS ARE RMS NO LOAD CURRENT RATINGS ARE AMPS DC TYP
  - ③ TRANSFORMER VACUUM IMPREGNATED WITH VARNISH 252-0082-00 OR APPROVED EQUIVALENT
  - 2. POLARITY PER SCHEMATIC
  - 1. DIMENSIONS REFERENCE UNLESS OTHERWISE SPECIFIED

NOTES :

ITEM	PART NUMBER	QTY	LIST OF MATERIALS	DESCRIPTION
8	176-0306-00	AR	WIRE, ELEC (FLND 1.750W)	
6	131-0621-00	18	CONNECTOR, TERMINAL	
5	352-0206-02	1	HOLDER, TERMINAL CONN	
4	334-4645-00	1	MARKER, IDENTIFICATION	
3	386-4776-00	2	PLATE, LAMINATION (KEEPER)	
2	386-0024-00	AR	PLATE, LAMINATION (STEEL)	
1	352-0205-00	1	HOLDER, TERMINAL CONN	

FINISH NOTED

TITLE TRANSFORMER, POWER, SDN & SU

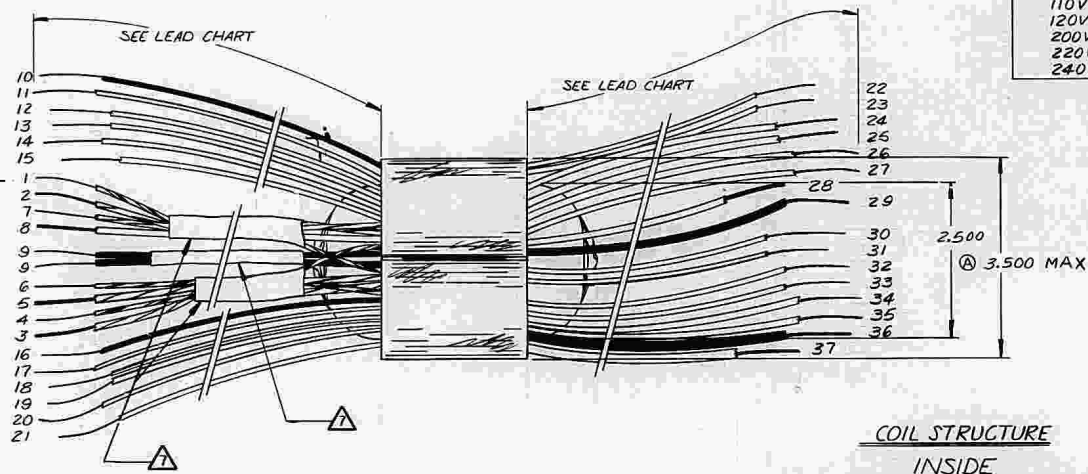
CODE (CONT NO) 80009 D PART NUMBER 120-1029-00

DO NOT SCALE DRAWING

51-75 B

REV	REP	DESCRIPTION OF CHANGE	CHK BY	DATE
A	37408	OUTSIDE DIM 3.500 MAX WAS 3.400	LW	8 JUN 79
B	45018	REMOVED ITEM 4	DD	18 MAR 82
C	50389	REMOVED ITEM 6	DD	27 MAR 83
D	51689	REVISED DWG. UPDATED NOTE A ITEM 5 WAS 394-2705-00	DD	29 NOV 83
E	56319	DELETED LIST OF MATERIALS. BOTTOM CLIP WAS ON LEFT SIDE. 4.175 WAS 4.300. LEAD LENGTHS WERE +.250. LEAD LENGTHS CHANGED. REVISED NOTE A	LG	26 JUN 85
F	MPD 013	ADDED 10,000 TO LEAD CHART LENGTH	SE	16 JAN 89

LINE TO 1-4	CONNECT
100V	170B, 4 T05
110V	1702, 4 T03
120V	1707, 4 T06
200V	5 T08
220V	2 T03
240V	6 T07

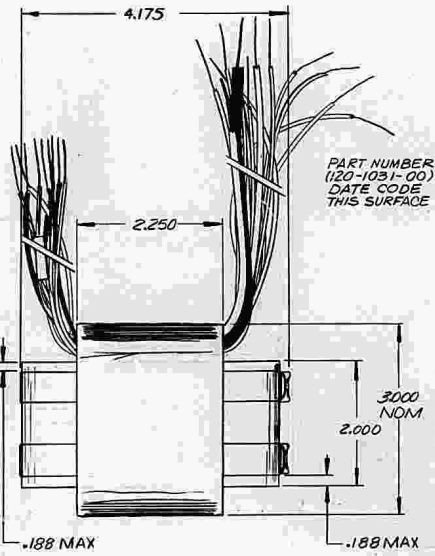


COIL STRUCTURE  
INSIDE

LEAD NO	TURNS	WIRE AWG	** DCR (n) 20°C
1-5-3-6	8-263	24	4.50 (1-6)
	289-315T		
7-2-8-4	8-26	24	4.50 (7-4)
	52-315T		
	9 SHIELD		
36-37	28T	16	.07
28-29	28T	16	.07
34-35	66T	22	.70
26-27	66T	22	.70
20-21	66T	24	1.10
14-15	66T	24	1.10
18-19	66T	24	1.13
12-13	66T	24	1.13
16-17	66T	24	1.16
10-11	66T	24	1.16
30-31	66T	24	1.20
22-23	66T	24	1.20
32-33	66T	24	1.23
24-25	66T	24	1.23

\*\* TYPICAL RATING

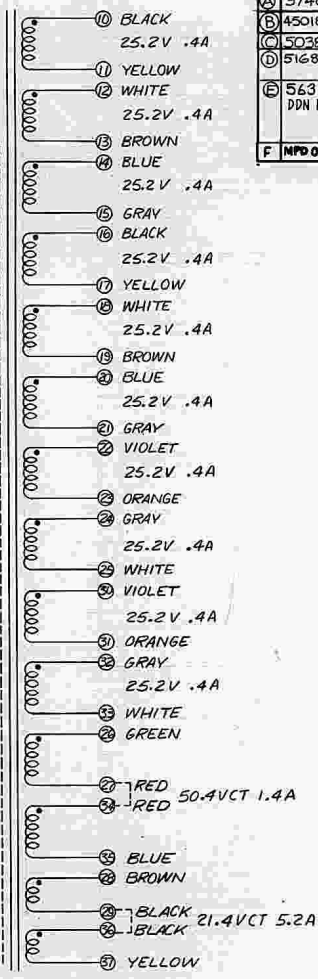
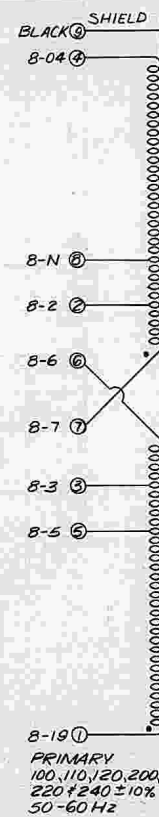
OUTSIDE



LEAD CHART

LEAD LENGTHS:  
INSUL SLVG. ELEC STRIP & TIN .1000 ± .250

LEAD NO	COLOR	PART NUMBER	LENGTH ±.500
1	8-19	162-0649-00	9.000
2	8-2	162-0642-00	
3	8-3	162-0643-00	
4	8-04	162-0644-00	
5	8-5	162-0645-00	
6	8-6	162-0646-00	
7	8-7	162-0647-00	
8	8-N	162-0648-00	
9(2)	BLK	162-0504-00	
10,16	BLK	162-0504-00	
11,17	YEL	162-0516-00	
12,18	WHT	162-0528-00	
13,19	BRN	162-0554-00	
14,20	BLU	162-0524-00	10.000
15,21	GRY	162-0577-00	10.000
22	VIO	162-0578-00	10.000
23	ORN	162-0576-00	10.000
24	GRY	162-0577-00	13.000
25	WHT	162-0528-00	
26	GRN	162-0520-00	
27,34	RED	162-0510-00	9.000
28	BRN	162-0552-00	13.000
29,36	BLK	162-0502-00	
30	VIO	162-0578-00	
31	ORN	162-0576-00	
32	GRY	162-0577-00	
33	WHT	162-0528-00	
35	BLU	162-0524-00	
37	YEL	162-0514-00	9.000



- ALL SECONDARY WINDINGS CANNOT BE LOADED SIMULTANEOUSLY AT THE CURRENTS INDICATED. SEE INSTRUMENT MANUAL FOR POSSIBLE COMBINATIONS
- 24 AWG SINGLE FILM INSULATION. 22 AWG IS HEAVY FILM INSULATION
- INSULATION, SLEEVING INSTALLED OVER LEADS 9, 1-2-7-8, & 3-4-5-6 (ALL 9,000 LONG)
- WINDINGS INSULATED FOR 600 VDC
- TRANSFORMER VACUUM IMPREGNATED WITH VARNISH 252-0082-00 OR APPROVED EQUIVALENT
- DIELECTRIC WITHSTANDING VOLTAGE: 2KV RMS, 50 TO 60 Hz, 1 MINUTE, PRIMARIES TO SECONDARIES, SHIELD AND CORE
- VOLTAGE RATINGS ARE RMS NO LOAD. CURRENT RATINGS ARE AMPS DC MAX
- POLARITY PER SCHEMATIC
- DIMENSIONS REFERENCE UOS

NOTES:

TEKTRONIX, INC. P.O. BOX 99 SEASIDE, OREGON U.S.A. 97138

DATE: 28 SEPT 79 DIMENSIONS ARE IN INCHES UNLESS OTHERWISE SPECIFIED

DESIGNED BY: R. C. COOPER DRAWN BY: J. WOODRUFF CHECKED BY: J. WOODRUFF SCALE: 1:1 PART USED ON: TM 515

MATERIAL: SEE LIST OF MATERIALS

FINISH: NOTED

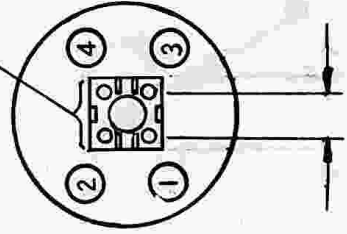
TITLE: TRANSFORMER, POWER, STPDN

CODE IDENT NO: 80009 SIZE: D PART NUMBER: 120-1031-00 REV: F

DO NOT SCALE DRAWING

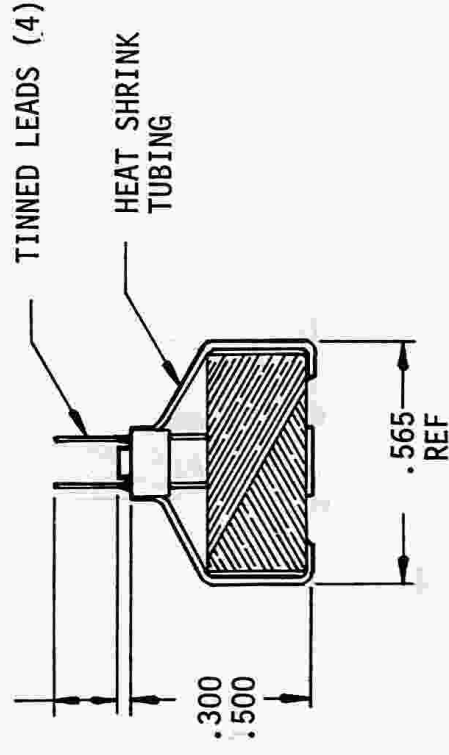
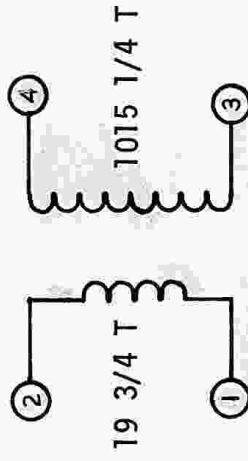


COLORED MARKING



0.170 TYP  
0.180

.100 MIN



NOTES:

- 1 OUTPUT VOLTAGE. 6 KV TO 9 KV (NO LOAD).
- 2 INPUT VOLTAGE. 300 V TO 350 V.
- 3 INPUT CAPACITANCE. 0.2  $\mu$ f (NOMINAL).
- 4 BREAKDOWN VOLTAGE. 500 VDC (MINIMUM).  
(PRIMARY TO SECONDARY).

FOR ALL CHARACTERISTICS NOT SPECIFIED HEREIN, THE MANUFACTURER'S PUBLISHED SPECIFICATIONS IN EFFECT AT DATE OF THIS DRAWING SHALL APPLY.

TEKTRONIX, INC.  
BEAVERTON, OREGON

SHT 2 OF 2

CODE IDENT NO  
**80009**

SIZE  
**A**

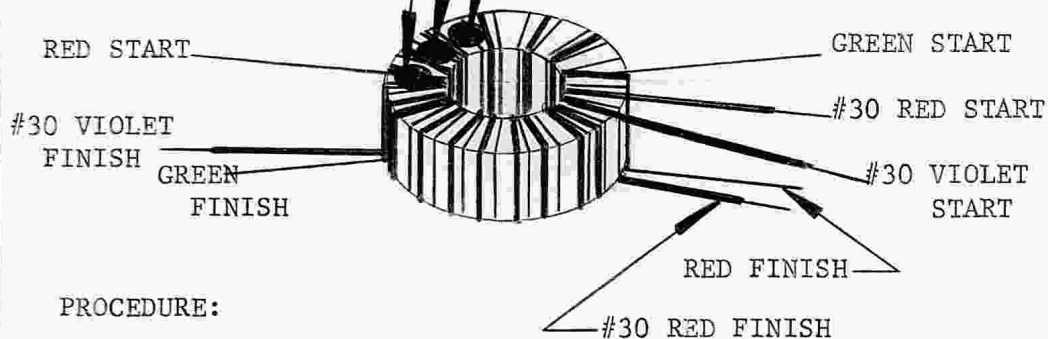
PART NUMBER

120-1032-00

REV  
A

COLOR CODE

ORANGE  
RED  
BLACK



PROCEDURE:

1. WIND AS SHOWN: #27 AWG GREEN ON 1/2 THE CORE  
#27 AWG RED ON THE OTHER 1/2 CORE  
#30 AWG BIFILAR WINDS ON 2ND LAYER
2. CUT LEADS  $1.000 \pm .050$  EXCEPT #30 AWG VIOLET, CUT  $1.400 \pm .050$ .
3. STRIP AND TIN LEADS  $.400 \pm .050$ .
4. COLOR CODE.
5. COAT WITH 006-1109-00.

DATA:

CODE TD-520  
CORE NO. 276-0525-00  
WIRE SIZE #27 AWG , #30 TEFZEL , #30 TEFZEL  
WIRE PART NO. 176-0010-XX, 175-0983-00, 175-0982-00  
NO. OF TURNS 12, 12 , 12 , 5  
RED, GREEN, RED , VIOLET  
BIFILAR WOUND

75-78

PART NUMBER

120-1033-00

REV

THIS DRAWING WHEN DISTRIBUTED OUTSIDE TEKTRONIX, INC., IS SUPPLIED FOR IDENTIFICATION ENGINEERING EVALUATION AND/OR INSPECTION PURPOSES ONLY AND MAY NOT BE USED AS A BASIS FOR MANUFACTURE OR SALES OF PRODUCTS WITHOUT WRITTEN PERMISSION FROM TEKTRONIX, INC. IF THIS DRAWING IS FURNISHED UNDER ANY UNITED STATES GOVERNMENT CONTRACT, IT SHALL NOT BE EITHER RELEASED OUTSIDE THE GOVERNMENT, OR USED, DUPLICATED, OR DISCLOSED IN WHOLE OR IN PART FOR MANUFACTURE OR PROCUREMENT, WITHOUT THE WRITTEN PERMISSION OF TEKTRONIX, INC. EXCEPT FOR: (1) EMERGENCY REPAIR OR OVERHAUL WORK BY OR FOR THE GOVERNMENT, WHERE THE ITEM OR PROCESS CONCERNED IS NOT OTHERWISE REASONABLY AVAILABLE TO ENABLE TIMELY PERFORMANCE OF THE WORK; OR (2) RELEASE TO A FOREIGN GOVERNMENT AS THE INTERESTS OF THE UNITED STATES MAY REQUIRE; PROVIDED THAT IN EITHER CASE THE RELEASE, USE, DUPLICATION OR DISCLOSURE HEREOF SHALL BE SUBJECT TO THE FOREGOING LIMITATIONS. IF THIS DRAWING IS REPRODUCED IN WHOLE OR IN PART, THIS ENTIRE LEGEND BLOCK MUST APPEAR ON ALL REPRODUCED COPIES.

REV / BY / REF

DESCRIPTION OF CHANGE

CHK BY / DATE

3. I.D. MUST PASS #44 (.086) DRILL ROD.
2. TOROID REFERENCE DIMENSIONS: .450 O.D. X .125 HIGH.
1. VALUE DETERMINED WITH TEKTRONIX 130 L.C. METER.  
72 TO 123  $\mu$ H (12 TURNS)

NOTES:

		P. O. BOX 500			
<b>TEKTRONIX, INC.</b>		BEAVERTON, OREGON U.S.A. 97077			
DWN	J. NAGODE	23 JUN 75	DIMENSIONS ARE IN INCHES / MM		
ENGR	L. Clem	4 Feb 76	TOLERANCES: UNLESS OTHERWISE SPECIFIED		
CHKR	J. WOODFALL	4 FEB 76	DEC	ANLR	
PROD	A. Bonacker	4 Feb 76	SCALE	FIRST USED ON	
MATERIAL		LISTED		NONE	
FINISH		NOTED			
TITLE		TRANSFORMER, RF (TOROID)			
CODE IDENT NO	SIZE	PART NUMBER	REV		
80009	A	120-1033-00			

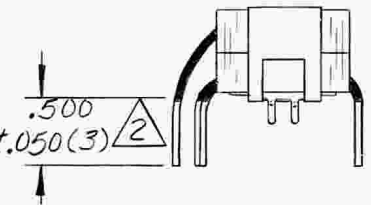
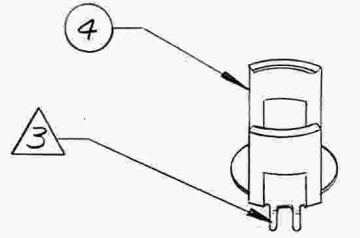
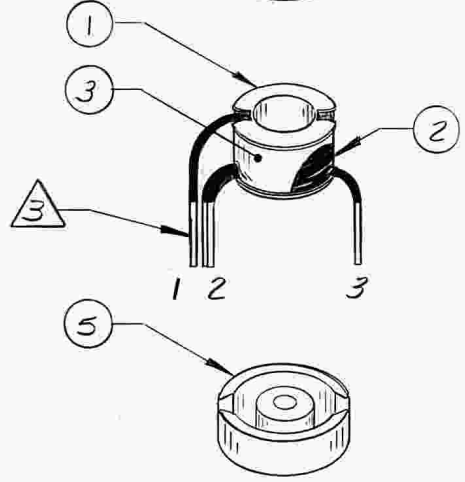
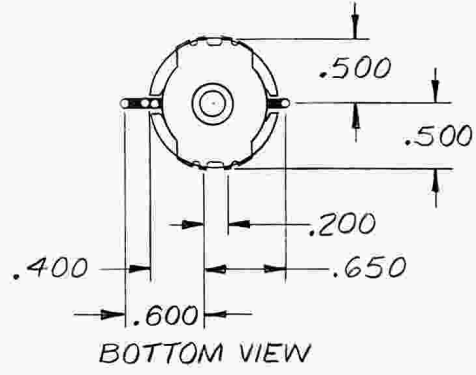
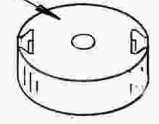
74-99 C

REV  $\Delta$   
PART NUMBER  
120-1034-00

THIS DRAWING WHEN DISTRIBUTED OUTSIDE TEKTRONIX, INC., IS SUPPLIED FOR IDENTIFICATION, ENGINEERING EVALUATION AND/OR INSPECTION PURPOSES ONLY AND MAY NOT BE USED AS A BASIS FOR MANUFACTURE OR SALES OF PRODUCTS WITHOUT WRITTEN PERMISSION FROM TEKTRONIX, INC.  
IF THIS DRAWING IS FURNISHED UNDER ANY UNITED STATES GOVERNMENT CONTRACT, IT SHALL NOT BE EITHER RELEASED OUTSIDE THE GOVERNMENT, OR USED, DUPLICATED, OR DISCLOSED IN WHOLE OR IN PART FOR MANUFACTURE OR PROCUREMENT, WITHOUT THE WRITTEN PERMISSION OF TEKTRONIX, INC., EXCEPT FOR: (1) EMERGENCY REPAIR OR OVERHAUL WORK BY OR FOR THE GOVERNMENT, WHERE THE ITEM OR PROCESS CONCERNED IS NOT OTHERWISE REASONABLY AVAILABLE TO ENABLE TIMELY PERFORMANCE OF THE WORK; OR (2) RELEASE TO A FOREIGN GOVERNMENT AS THE INTERESTS OF THE UNITED STATES MAY REQUIRE; PROVIDED THAT IN EITHER CASE THE RELEASE, USE, DUPLICATION OR DISCLOSURE HEREOF SHALL BE SUBJECT TO THE FOREGOING LIMITATIONS. IF THIS DRAWING IS REPRODUCED IN WHOLE OR IN PART, THIS ENTIRE LEGEND BLOCK MUST APPEAR ON ALL REPRODUCED COPIES.

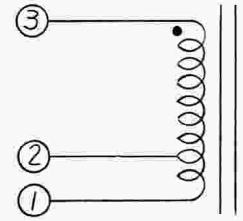
REV	REF	DESCRIPTION OF CHANGE	CHK BY	DATE
$\Delta$	49313	UPDATED DWG., GENERAL NOTE & NOTE 4. ADDED NOTE 5 REMOVED CUSTOMER SERVICE	DD	8 JUNE 73

$\Delta$  PART NUMBER (-1034)  
DATE CODE



WINDINGS	TURNS	WIRE AWG	TYP RATINGS		RESISTANCE $\pm 20\%$ AT $20^\circ\text{C}$
			VOLTS	AMPS	
3-2	$\phi$ -16 $\frac{1}{2}$	17	35	8 MAX	.016 $\Omega$
-1	-18 $\frac{1}{2}$				

$\Delta$  INDUCTANCE:  $55 \pm 2.5 \mu\text{H}$  (1-3)  
POLARITY PER SCHEMATIC  
OPERATING FREQUENCY: 20 TO 70 KHZ  
SWITCHING REGULATOR



- $\Delta$  5. VALUE DETERMINED WITH ESI 252 METER OR APPROVED EQUIVALENT
- $\Delta$  4. TRANSFORMER VACUUM IMPREGNATED WITH VARNISH 252-0082-00 OR APPROVED EQUIVALENT
- $\Delta$  3. LEADS AND MOUNTING TABS TO BE SOLDERABLE
- $\Delta$  2. CUT AND TIN LEADS AS SHOWN

1. REFERENCE DIMENSIONS: .700 HIGH  $\times$  1.035 O.D.  $\times$  1.750 WIDE

NOTES:

5	276-0688-00	1	CORE, EM (POT CORE 2616)
4	343-0423-00	1	CLAMP
3	253-0103-00	AR	TAPE, POLYESTER (.438 W)
2	176-0023-XX	AR	WIRE, ELEC (#17 AWG)
1	276-0216-00	1	FORM, COIL

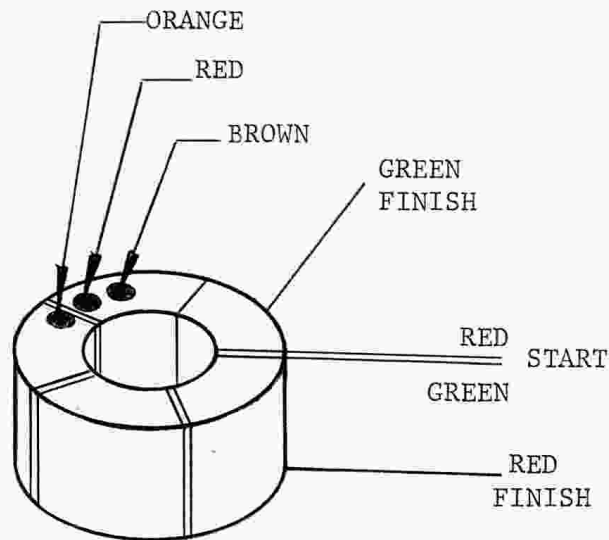
ITEM	PART NUMBER	QTY	DESCRIPTION
------	-------------	-----	-------------

LIST OF MATERIALS

		TEKTRONIX, INC.		P. O. BOX 500 BEAVERTON, OREGON U.S.A. 97005		
DWN	J. NAGODE	25 JUN 75	DIMENSIONS ARE IN INCHES			
ENGR	Z. CLAN	7 Dec 76	TOLERANCES: UNLESS OTHERWISE SPECIFIED			
CHKR	J. WOODFALL	8 DEC 76	DEC	ANLR		
PROD	T. HIATT	8 DEC 76	SCALE	FIRST USED ON		
MATERIAL			NONE	LA 501		
SEE LIST OF MATERIALS						
FINISH						
NOTED						
TITLE						
TRANSFORMER, RF (POT CORE)						
CODE IDENT NO	SIZE	PART NUMBER	REV			
80009	B	120-1034-00	A			

DO NOT SCALE DRAWING

COLOR CODE



PROCEDURE:

1. WIND AS SHOWN.
2. CUT LEADS  $.500 \pm .050$ .
3. TIN LEADS  $.400 \pm .050$ .
4. COLOR CODE.
5. COAT WITH 006-1109-00.

DATA:

CODE	TD-321
CORE NO.	276-0557-00
WIRE SIZE	#27 AWG
WIRE PART NO.	176-0010-XX
NO. OF TURNS	4 } BIFILAR
	5 }

75-92

PART NUMBER

120-1035-00

REV



THIS DRAWING WHEN DISTRIBUTED OUTSIDE TEKTRONIX, INC. IS SUPPLIED FOR IDENTIFICATION ENGINEERING EVALUATION AND/OR INSPECTION PURPOSES ONLY AND MAY NOT BE USED AS A BASIS FOR MANUFACTURE OR SALES OF PRODUCTS WITHOUT WRITTEN PERMISSION FROM TEKTRONIX, INC. IF THIS DRAWING IS FURNISHED UNDER ANY UNITED STATES GOVERNMENT CONTRACT, IT SHALL NOT BE EITHER RELEASED OUTSIDE THE GOVERNMENT OR USED, DUPLICATED, OR DISCLOSED IN WHOLE OR IN PART FOR MANUFACTURE OR PROCUREMENT, WITHOUT THE WRITTEN PERMISSION OF TEKTRONIX, INC., EXCEPT FOR: (1) EMERGENCY REPAIR OR OVERHAUL WORK BY OR FOR THE GOVERNMENT WHERE THE ITEM OR PROCESS CONCERNED IS NOT OTHERWISE REASONABLY AVAILABLE TO ENABLE TIMELY PERFORMANCE OF THE WORK; OR (2) RELEASE TO A FOREIGN GOVERNMENT AS THE INTERESTS OF THE UNITED STATES MAY REQUIRE, PROVIDED THAT IN EITHER CASE THE RELEASE, USE, DUPLICATION OR DISCLOSURE HEREOF SHALL BE SUBJECT TO THE FOREGOING LIMITATIONS. IF THIS DRAWING IS REPRODUCED IN WHOLE OR IN PART, THIS ENTIRE LEGEND BLOCK MUST APPEAR ON ALL REPRODUCED COPIES.

REV / BY / REF	DESCRIPTION OF CHANGE	CHK BY / DATE

2. INDUCTANCE RANGE PER TEKTRONIX 130 L.C. METER:  
20.7 TO 31μH ON 5T WINDING

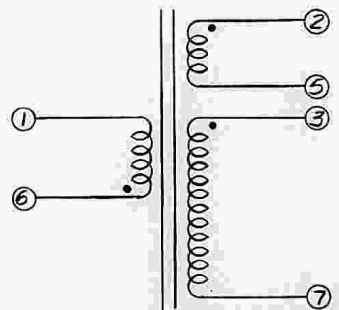
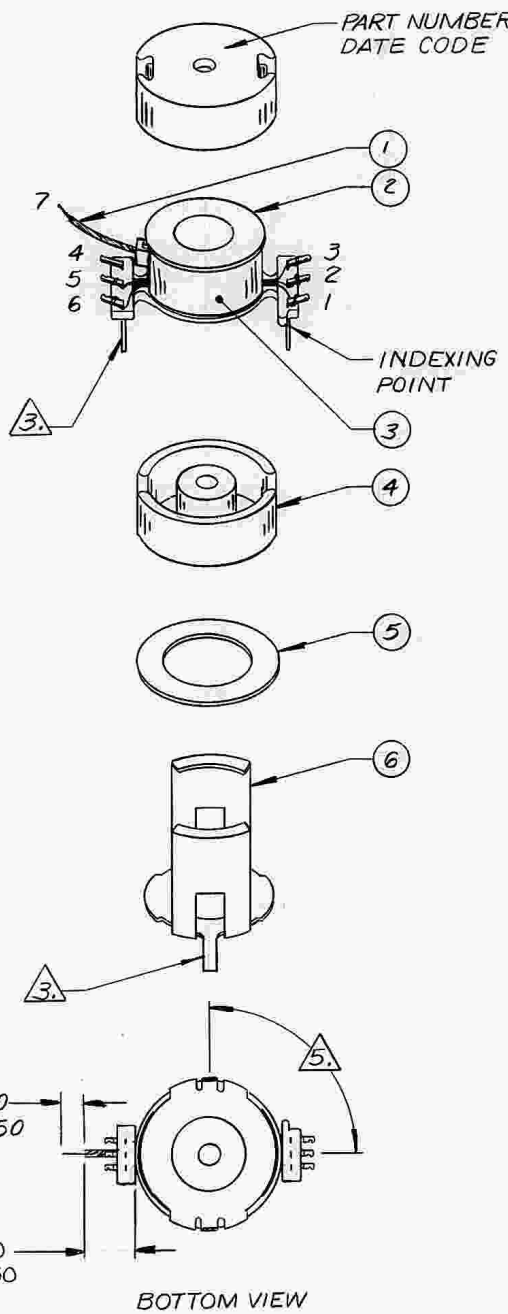
1. TOROID REFERENCE DIMENSIONS: .260 O.D. X .160 HIGH.

NOTES:

 <b>TEKTRONIX, INC.</b>		P. O. BOX 500 BEAVERTON, OREGON U.S.A. 97077		
DWN	J. NAGODE	11 AUG 75	DIMENSIONS ARE IN INCHES / MM	
ENGR	<i>L. Clem</i>	16 Dec 75	TOLERANCES: UNLESS OTHERWISE SPECIFIED	
CHKR	J. WOODFALL	16 DEC 75	DEC —	ANLR —
PROD	<i>J. Bamber</i>	16 Dec 75	SCALE	FIRST USED ON
			NONE	7L5
MATERIAL				
LISTED				
FINISH				
NOTED				
TITLE				
TRANSFORMER, RF (TOROID)				
CODE IDENT NO	SIZE	PART NUMBER	REV	
<b>80009</b>	<b>A</b>	120-1035-00		

THIS DRAWING WHEN DISTRIBUTED OUTSIDE TEKTRONIX, INC. IS SUPPLIED FOR IDENTIFICATION, ENGINEERING EVALUATION AND/OR INSPECTION PURPOSES ONLY AND MAY NOT BE USED AS A BASIS FOR MANUFACTURE OR SALES OF PRODUCTS WITHOUT WRITTEN PERMISSION FROM TEKTRONIX, INC. IF THIS DRAWING IS FURNISHED UNDER ANY UNITED STATES GOVERNMENT CONTRACT, IT SHALL NOT BE EITHER RELEASED OUTSIDE THE GOVERNMENT, OR USED, COPIED, OR DISCLOSED IN WHOLE OR IN PART FOR MANUFACTURE OR PROCUREMENT, WITHOUT THE WRITTEN PERMISSION OF TEKTRONIX, INC. EXCEPT FOR: (1) EMERGENCY REPAIR OR OVERHAUL WORK BY OR FOR THE GOVERNMENT, WHERE THE ITEM OR PROCESS CONCERNED IS NOT OTHERWISE REASONABLY AVAILABLE TO ENABLE TIMELY PERFORMANCE OF THE WORK; OR (2) RELEASE TO A FOREIGN GOVERNMENT AS THE INTERESTS OF THE UNITED STATES MAY REQUIRE PROVIDED THAT IN EITHER CASE THE RELEASE, USE, DUPLICATION OR DISCLOSURE HEREOF SHALL BE SUBJECT TO THE FOREGOING LIMITATIONS. IF THIS DRAWING IS REPRODUCED IN WHOLE OR IN PART, THIS ENTIRE LEGEND BLOCK MUST APPEAR ON ALL REPRODUCED COPIES.

REV	REF	DESCRIPTION OF CHANGE	CHK BY	DATE
A	37606	ITEM 1 P/N WAS 162-0619-00 WIRE DATA P/N WAS 176-0104-00	L. L.	12FEB80
B	49313	.750±.050 WAS 1.000±.050	DD	17 JAN 82
C	49313	UPDATED DRAWING & NOTE 2 INDUCTANCE WAS ± 5% - ADDED NOTE 6	DD	6 JUNE 83
D	49313	CORRECTED .750±.050 DIM	DD	10 JUL 83
E	DDN DI	WIRE WAS SHOWN ON PIN 4	LB	25 MAR 86
F	72415	ITEM 2 REDRAWN	ERS	19 MAR 90



WIRE DATA				TYP RATINGS		RESISTANCE
WINDINGS	TURNS	AWG	PART NUMBER	VOLTS	AMPS	±20% AT 20°C
** 3-7 SEC	313 1/2	40	176-0104-XX	*585	.4 mA	34 Ω
2-5 SEC	19 1/2	36	176-0157-XX	*36	7 mA	0.96 Ω
6-1 PRI	24 1/2	24	176-0030-XX	*46	.249	0.11 Ω

© INDUCTANCE : (1-6) 380<sub>μ</sub>H ±8%  
POLARITY PER SCHEMATIC  
OPERATING FREQUENCY : 20 KHz PULSE  
\* FLYBACK VOLTAGE  
\*\* BANK WOUND

- 6. VALUE DETERMINED WITH ESTI 252 METER OR APPROVED EQUIVALENT
- 5. BOBBIN AND CLAMP MUST BE PERPENDICULAR TO EACH OTHER ± 3°

PART NUMBER	REV
120-1037-00	F

- 4. BOBBIN CEMENTED TO BOTTOM CORE
- 3. TERMINALS AND MOUNTING TABS TO BE VARNISH FREE
- 2. TRANSFORMER VACUUM IMPREGNATED WITH VARNISH 252-0082-00 OR APPROVED EQUIVALENT
- 1. REFERENCE DIMENSIONS : .605 HIGH × .720 OD × 1.125 LONG

NOTES :

		P. O. BOX 500 BEAVERTON, OREGON U.S.A. 97005	
DWN J. NAGODE	22AUG76	DIMENSIONS ARE IN INCHES, Tolerances Unless Otherwise Specified	
ENGR. <i>[Signature]</i>	8 DEC 76	DEC	ANLR
CHKR J. WOODFALL	8 DEC 76	SCALE	FIRST USED ON
PROJ. <i>[Signature]</i>	8 DEC 76	NONE	C 5 A
MATERIAL SEE LIST OF MATERIALS			
FINISH NOTED			
TITLE TRANSFORMER, FLYBACK (POT CORE)			

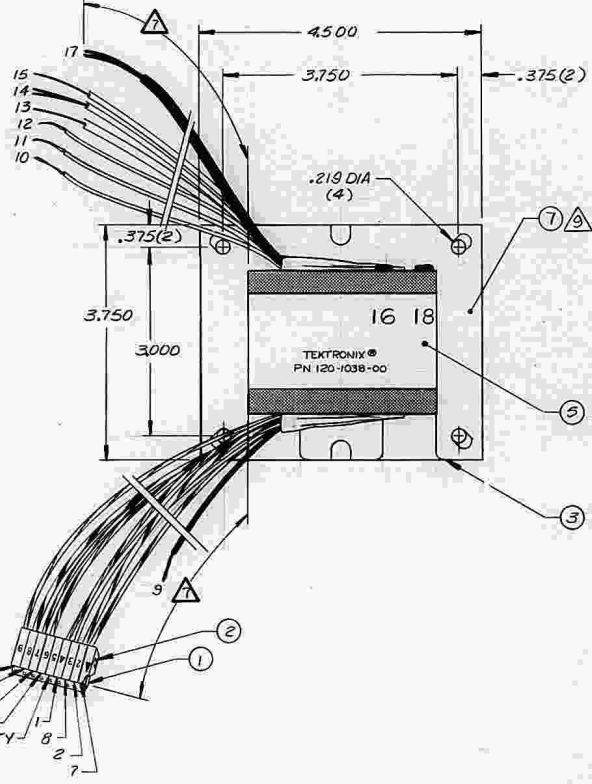
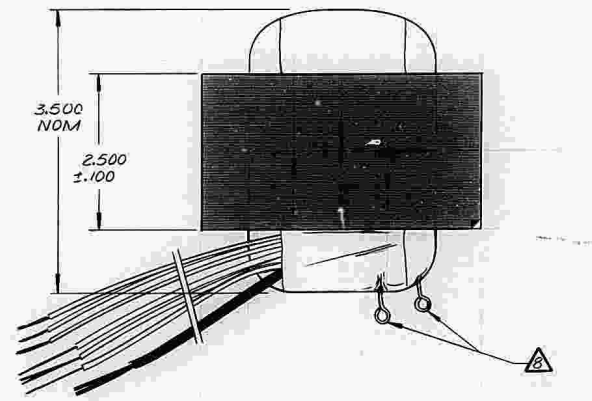
6	343-0312-00	1	CLAMP
5	361-0409-00	1	SPACER
4	276-0628-00	1	CORE, EM (POT CORE 1811)
3	253-0021-00	AR	TAPE, POLYESTER (.250 W)
2	276-0168-00	1	FORM, COIL
1	162-0651-00	AR	INSUL SLEEVING (*24 ORN)

ITEM	PART NUMBER	QTY	DESCRIPTION	CODE IDENT NO	SIZE	PART NUMBER	REV
	80009	C	120-1037-00				F

50-1136

THIS DRAWING WHEN DISTRIBUTED OUTSIDE TEKTRONIX, INC. IS HEREBY IDENTIFIED AS CONFIDENTIAL INFORMATION AND NOT TO BE USED AS A BASIS FOR MANUFACTURE OF SIMILAR PRODUCTS WITHOUT THE WRITTEN PERMISSION OF TEKTRONIX, INC. ANY AGREEMENT CONTRACT, IT BEING NOTED AS SUCH, SHALL BE VOID AND VOIDABLE WITHOUT THE WRITTEN PERMISSION OF TEKTRONIX, INC. THE REPRODUCTION OF THIS DRAWING FOR ANY PURPOSES WITHOUT THE WRITTEN PERMISSION OF TEKTRONIX, INC. IS HEREBY PROHIBITED. THE REPRODUCTION OF THIS DRAWING FOR ANY PURPOSES WITHOUT THE WRITTEN PERMISSION OF TEKTRONIX, INC. IS HEREBY PROHIBITED. THE REPRODUCTION OF THIS DRAWING FOR ANY PURPOSES WITHOUT THE WRITTEN PERMISSION OF TEKTRONIX, INC. IS HEREBY PROHIBITED.

REV	DESCRIPTION OF CHANGE	CHK BY	DATE
23455	INITIATED PART	DO	10 FEB 74
A 41846	ADDED LENGTH TOL ±.500	LL	29 OCT 80
B 41718	ADDED ITEM ⑦ & NOTE A	DD	3 FEB 81
C 45018	REMOVED ITEM 4 RN. 120-1038-50	DD	2 FEB 82
D 51689	REVISED DNG., UPDATED NOTE A, NOTE 5 WAS ZKV. REMOVED ITEM G	DD	22 NOV 83
E 51689	UPDATED GENERAL NOTE	DD	6 APR 84

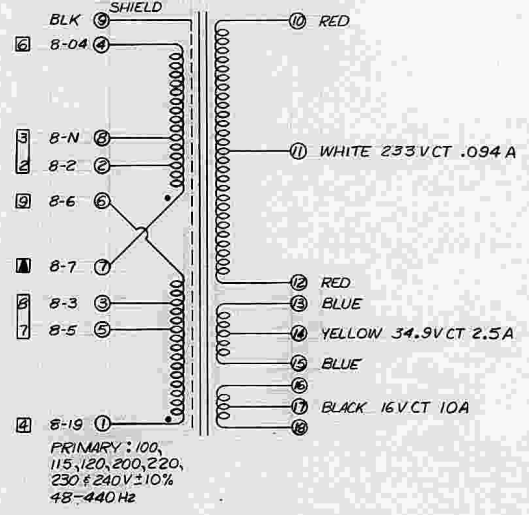


**COIL STRUCTURE OUTSIDE**

TYPE WINDING	LEAD/TERM NO
SEC	16-17-18 *11
0-11-22T	*11
SEC	13-14-15
0-24-48T	*15
SEC	10-11-12
0-160-320T	*29
SHIELD	9
PRI	7-2-8-4
0-7-28-165T	*21
PRI	1-5-3-6
0-137-158-165T	*21

**INSIDE**

LINE 1 TO 4	CONNECT
100V	1 TO 8, 4 TO 5
115V	1 TO 2, 4 TO 3
120V	1 TO 7, 4 TO 6
200V	5 TO 8
220V	5 TO 7
230V	2 TO 3
240V	6 TO 7



- Orientation of keeper is optional.
- Terminals 16\*18 ±.156 inside dia; .375 to .500 above coil.
- Leads ±.250 uos strip ±tin ±.125 connectors on 1-8, length tol ±.500 \*\* lead wire \* insulation sleeving

LEAD NO	COLOR	PART NUMBER	LENGTH	STRIP TIN
1	**	8-19 175-0879-00	7.750	
2	**	8-2 175-0880-00		
3	**	8-3 175-0881-00		
4	**	8-04 175-0882-00		
5	**	8-5 175-0883-00		
6	**	8-6 175-0884-00		
7	**	8-7 175-0885-00		
8	**	8-N 175-0886-00		
9	**	BLK 175-0920-00	5.500	.500
10,12	**	RED 175-0922-00	10.000	.500
11	**	WHT 175-0951-00		.500
13,15	**	BLU 162-0522-00		1.000
14	**	YEL 162-0512-00		1.000
17	**	BLK 162-0621-00	5.500	1.000

- Polarity per schematic.
- Dielectric withstanding voltage: 15 KV RMS, 50 to 60 Hz, 1 minute, primaries to secondaries, shield, and core.

PART NUMBER: 120-1038-00

- Voltage ratings are RMS no load. Current ratings are amps DC typ.
- Windings insulated for 600V DC.
- Transformer vacuum impregnated with varnish 252-0082-00 or approved equivalent.
- Dimensions reference unless otherwise specified.

**NOTES:**

TEKTRONIX, INC. BEAVERTON, OREGON U.S.A. 97005

DR: J. MAGDOE 15 NOV 75 DIMENSIONS ARE IN INCHES  
 ENGR: K. COOPER 9 FEB 76 TOLERANCES UNLESS OTHERWISE SPECIFIED  
 CHW: J. WOODFALL 17 FEB 76 DEC AND  
 PRD: J. M. BULLIS 9 FEB 74 SCALE 1:1 FIRST USED ON 4010

MATERIAL: SEE LIST OF MATERIALS

FINISH: NOTED

TITLE: TRANSFORMER, POWER, SDN & SU

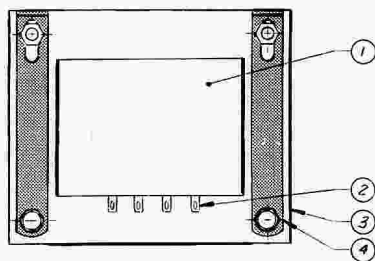
CODE IDENT NO: 80009 SIZE: D PART NUMBER: 120-1038-00 REV: E

DO NOT SCALE DRAWING

REV	PART NUMBER	QTY	DESCRIPTION
7	386-4779-00	2	PLATE, LAMINATION (KEEPER)
6			
5	334-2781-00	1	MARKER, IDENTIFICATION
3	386-0006-00	AR	PLATE, LAMINATION, STEEL
2	352-0205-00	1	HOLDER (CUL MATERIAL)
1	131-0621-00	8	CONNECTOR, TERMINAL

51-23 F

REV	REF	DESCRIPTION OF CHANGE	CHK BY	DATE
A	40732	ADDED NONPROD	CA	30JUL80

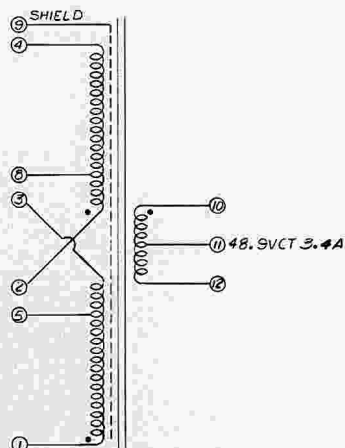
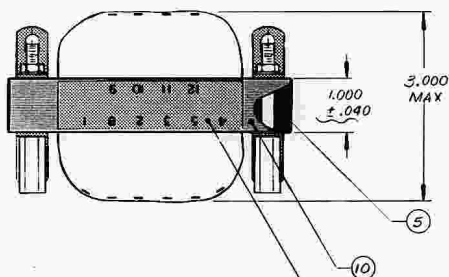


LINE TO 1-4	CONNECT
105V	1 TO 8, 4 TO 5
116V	1 TO 2, 3 TO 4
210V	5 TO 8
232V	2 TO 3

### COIL STRUCTURE OUTSIDE

TYPE WINDING	TERM NO
SEC	10-11-12
Q-87-174T	* 16
SHIELD	9
PRI	2-8-4
Q-39-413T	* 24
PRI	1-5-3
Q-374-413T	* 24

### INSIDE



PRIMARY  
105, 116, 210,  
232V ±14%  
50-60Hz

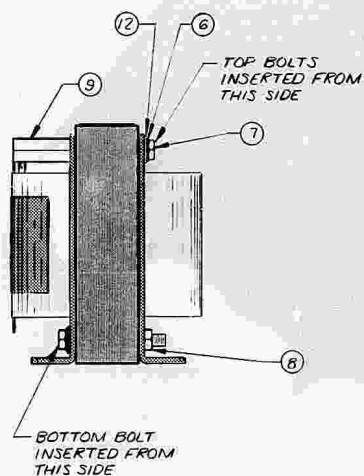
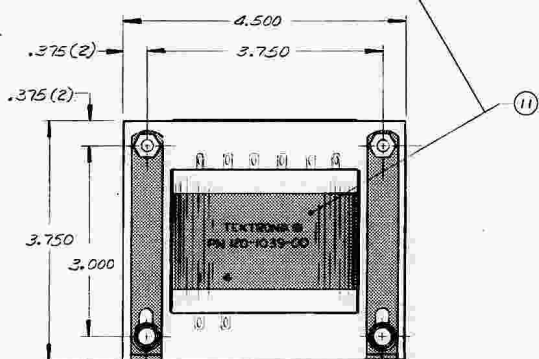
6. DIELECTRIC WITHSTANDING VOLTAGE:  
2KV RMS, 50 TO 60Hz, 1 MINUTE  
PRIMARYS TO SECONDARY, SHIELD  
AND CORE

5. VOLTAGE RATINGS ARE RMS NO LOAD.  
CURRENT RATINGS ARE AMPS DC TYP

PART NUMBER: 120-1039-00 REV: A

- POLARITY PER SCHEMATIC
- WINDINGS INSULATED FOR 600 VDC
- TRANSFORMER VACUUM IMPREGNATED WITH VARNISH 252-0082-00
- DIMENSIONS REFERENCE UNLESS OTHERWISE SPECIFIED

NONPROD



QTY	PART NUMBER	DESCRIPTION	LIST OF MATERIALS
12	210-0805-00	4 WASHER FLAT (#10 STEEL)	
11	334-2782-00	1 MARKER, IDENTIFICATION	
10	252-0039-00	AR ENAMEL (BLACK)	
9	123-0606-00	2 SPACER, THREADED (10-32)	
8	210-0564-00	2 NUT, PLAIN, HEX (10-32)	
7	212-0590-00	4 BOLT, HEX, HEAD (10-32)	
6	210-0812-00	4 WASHER (#10 FIBER)	
5	166-0226-00	4 INSUL, SLEEVING, ELEC	
4	407-1552-00	4 BRACKET, XFMR, MOUNTING, ANGLE	
3	386-0006-00	AR PLATE, LAMINATION (STEEL)	
2	210-0314-00	12 TERMINAL, LUG	
1	120-1039-50	1 XFMR SUBASSY (COIL ONLY)	

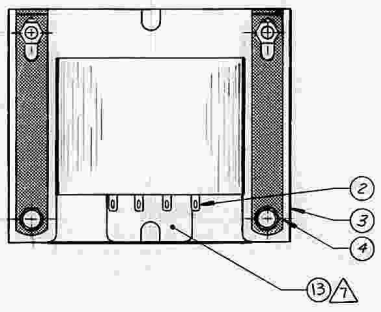
NOTES:

TEKTRONIX, INC.		P.O. BOX 100	
BEAVERTON, OREGON U.S.A. 97004		TEL: 503/638-7000	
DATE: 11/10/77	SCALE: 1:1	DESIGNER: J. B. HALL	4662
SEE LIST OF MATERIALS			
TITLE: TRANSFORMER, POWER, STPDN			
CODE IDENT NO: 80009	SIZE: D	PART NUMBER: 120-1039-00	REV: A

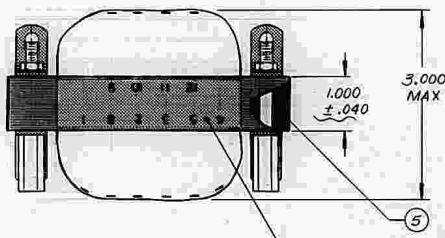
DO NOT SCALE DRAWING.

51-23 F

REV	REF	DESCRIPTION OF CHANGE	CHK BY	DATE
	40732	INITIATED PART	CA	31JUL80
A	41824	NOMENCLATURE PN WAS -00	CA	21OCT80
B	41718	ADDED NOTE $\Delta$ & ITEM (B)	DD	17FEB81
C	45018	REMOVED ITEM 1	DD	18MAR82
D	50496	NOTE 6 WAS 2KV & UPDATED ITEM 10	DD	27JUN83
E	51689	UPDATED NOTE $\Delta$	DD	5JAN84



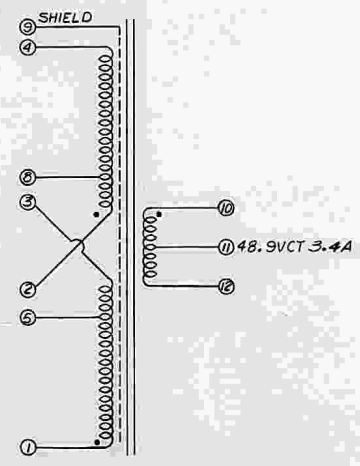
LINE TO 1-4	CONNECT
105V	1 TO 8, 4 TO 5
116V	1 TO 2, 3 TO 4
210V	5 TO 8
232V	2 TO 3



**COIL STRUCTURE OUTSIDE**

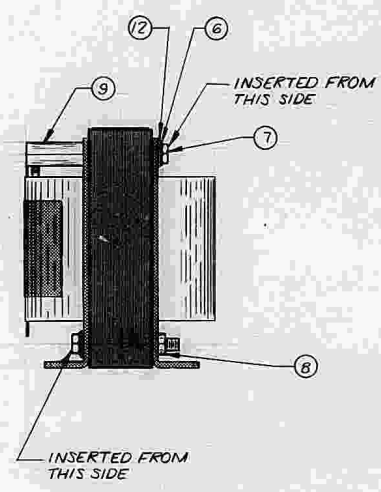
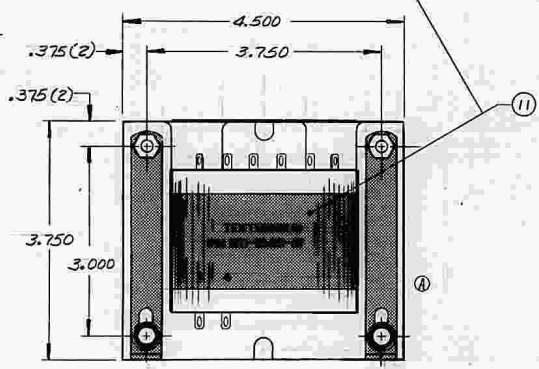
TYPE WINDING	TERM NO
SEC	10-11-12
0-87-174T	* 16
SHIELD	9
PRI	2-8-4
0-39-413T	* 24
PRI	1-5-3
0-374-413T	* 24

**INSIDE**



PRIMARY  
105, 116, 210,  
232V ±14%  
50-60Hz

- $\Delta$  ORIENTATION OF KEEPER IS OPTIONAL
- 6. DIELECTRIC WITHSTANDING VOLTAGE: 15KV RMS, 50 TO 60Hz, 1 MINUTE PRIMARIES TO SECONDARY, SHIELD AND CORE
- 5. VOLTAGE RATINGS ARE RMS NO LOAD. CURRENT RATINGS ARE AMPS DC TYP



- PART NUMBER: 120-1039-01
- 4. POLARITY PER SCHEMATIC
- 3. WINDINGS INSULATED FOR 60 VDC
- $\Delta$  TRANSFORMER VACUUM IMPREGNATED WITH VARNISH 252-0082-00 OR APPROVED EQUIVALENT
- 1. DIMENSIONS REFERENCE U.S. NOTES:

13	386-4179-00	2	PLATE, LAMINATION (KEEPER)
12	210-0805-00	4	WASHER, FLAT (*10 STEEL)
11	334-2782-00	1	MARKER, IDENTIFICATION
10			
9	384-0632-00	2	SPACER, POST (10-32)
8	210-0564-00	2	NUT, FLAIN, HEX (10-32)
7	212-0590-00	4	SCREW, MACHINE (10-32)
6	210-0812-00	4	WASHER, FLAT (*10 FIBER)
5	166-0226-00	4	INSUL, SLEEVING, ELEC
4	407-1552-00	4	BRACKET, XFMR (MOUNTING ANGLE)
3	386-0006-00	AR	PLATE, LAMINATION (STEEL)
2	210-0314-00	12	TERMINAL, LUG
1			

TEKTRONIX, INC. PROPRIETARY ITEM DRAWING  
 MADE BY TEKTRONIX  
 P. O. BOX 100  
 BEAVERTON, OREGON U.S.A. 97004

TEKTRONIX, INC.  
 W. STIPE  
 31 JUL 80  
 DRAWN: J. W. STIPE  
 CHECKED: J. W. STIPE  
 SCALE: 1:1  
 PART NUMBER: 120-1039-01  
 REV: E

SEE LIST OF MATERIALS

TITLE: TRANSFORMER, POWER, STPDN

CODE IDENT NO: 80009  
 SIZE: D  
 PART NUMBER: 120-1039-01  
 REV: E

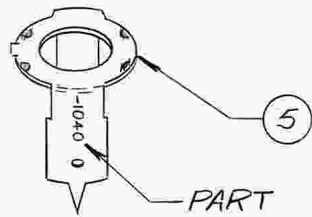
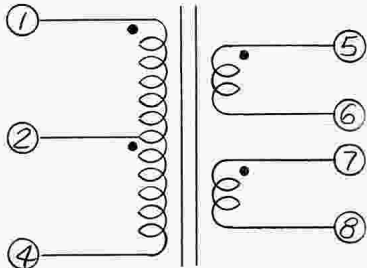


75-68

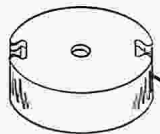
REV A  
PART NUMBER 120-1040-00

THIS DRAWING WHEN DISTRIBUTED OUTSIDE TEKTRONIX, INC. IS SUPPLIED FOR IDENTIFICATION, ENGINEERING EVALUATION AND/OR INSPECTION PURPOSES ONLY AND MAY NOT BE USED AS A BASIS FOR MANUFACTURE OR SALES OF PRODUCTS WITHOUT WRITTEN PERMISSION FROM TEKTRONIX, INC.  
IF THIS DRAWING IS FURNISHED UNDER ANY UNITED STATES GOVERNMENT CONTRACT, IT SHALL NOT BE EITHER RELEASED OUTSIDE THE GOVERNMENT, OR USED, DUPLICATED, OR DISCLOSED IN WHOLE OR IN PART FOR MANUFACTURE OR PROCUREMENT, WITHOUT THE WRITTEN PERMISSION OF TEKTRONIX, INC., EXCEPT FOR: (1) EMERGENCY REPAIR OR OVERHAUL WORK BY OR FOR THE GOVERNMENT, WHERE THE ITEM OR PROCESS CONCERNED IS NOT OTHERWISE REASONABLY AVAILABLE TO ENABLE TIMELY PERFORMANCE OF THE WORK; OR (2) RELEASE TO A FOREIGN GOVERNMENT AS THE INTERESTS OF THE UNITED STATES MAY REQUIRE; PROVIDED THAT IN EITHER CASE THE RELEASE, USE, DUPLICATION OR DISCLOSURE HEREOF SHALL BE SUBJECT TO THE FOREGOING LIMITATIONS. IF THIS DRAWING IS REPRODUCED IN WHOLE OR IN PART, THIS ENTIRE LEGEND BLOCK MUST APPEAR ON ALL REPRODUCED COPIES.

REV	REF	DESCRIPTION OF CHANGE	CHK BY	DATE
A	37088	WIRE DATA P/N'S WAS 176-0058-XX, 176-0104-XX	L.L	22APR80



PART NUMBER  $\Delta$



4

WIRE DATA (A)				VOLTS PK NO LOAD	AMPS	RESISTANCE $\pm 20\%$ AT 20°C
WINDINGS	TURN	AWG	PART NUMBER			
5-6 SEC	10	29	176-0058-00	1.73	.135	.050 $\Omega$
1-2 PRI	*80	40	176-0104-00	13.8		6.51 $\Omega$
2-4 PRI	*80	40	176-0104-15	13.8		6.51 $\Omega$
7-8 SEC	10	29	176-0058-15	1.73	.135	.070 $\Omega$

3. CEMENT COIL TO CORE WITH 006-1109-00

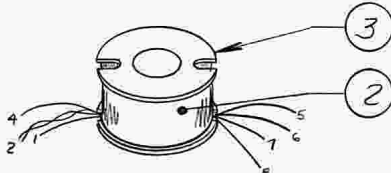
$\Delta$  DATE CODE OPPOSITE SIDE

1. REFERENCE DIMENSIONS: .500 HIGH X .480 WIDE X .480 LONG

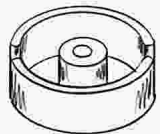
\* BIFILAR WOUND, SERIES CONNECTED  
INDUCTANCE: 79 mH MIN (1-4) PER ESI 250 DA BRIDGE AT 1KHz, 120 mV (100 GAUSS)  
POLARITY PER SCHEMATIC  
OPERATING FREQUENCY: 20KHz PULSE WIDTH MODULATED SQUARE WAVE

NOTES:

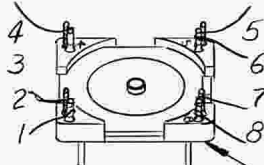
<b>TEKTRONIX, INC.</b>		P. O. BOX 500 BEAVERTON, OREGON U.S.A. 97005	
DR J. NAGODE	23 OCT 75	DIMENSIONS ARE IN INCHES TOLERANCES: UNLESS OTHERWISE SPECIFIED	
ENGR R. Cogon	26 JUL 77	DEC	ANG
CHK J. WOODFALL	2 AUG 77	SCALE	FIRST USED ON
PROD T. HUNT	2 AUG 77	NONE	4662
MATERIAL SEE LIST OF MATERIALS			
FINISH			
TITLE TRANSFORMER, RF (BASE DRIVE POT CORE)			
CODE IDENT NO	SIZE	PART NUMBER	REV
80009	B	120-1040-00	A



2



1



5	343-0510-00	1	CLAMP, POT CORE
4	276-0632-00	1	CORE, EM (POT CORE, 1107)
3	276-0201-00	1	FORM, COIL
2	253-0086-00	AR	TAPE, PRESS SENS (.137 W)
1	352-0401-00	1	HOLDER, ELEC COMP MTG

ITEM	PART NUMBER	QTY	DESCRIPTION
LIST OF MATERIALS			

THIS DRAWING WHEN DISTRIBUTED OUTSIDE TEKTRONIX, INC. IS SUPPLIED FOR IDENTIFICATION, ENGINEERING EVALUATION AND/OR INSPECTION PURPOSES ONLY AND MAY NOT BE USED AS A BASIS FOR MANUFACTURE OR SALES OF PRODUCTS WITHOUT WRITTEN PERMISSION FROM TEKTRONIX, INC.  
 IF THIS DRAWING IS FURNISHED UNDER ANY UNITED STATES GOVERNMENT CONTRACT, IT SHALL NOT BE EITHER RELEASED OUTSIDE THE GOVERNMENT, OR USED, DUPLICATED OR DISCLOSED IN WHOLE OR IN PART FOR MANUFACTURE OR PROCUREMENT, WITHOUT THE WRITTEN PERMISSION OF TEKTRONIX, INC. EXCEPT FOR: (1) EMERGENCY REPAIR OR OVERHAUL WORK BY OR FOR THE GOVERNMENT, WHERE THE ITEM OR PROCESS CONCERNED IS NOT OTHERWISE REASONABLY AVAILABLE TO ENABLE TIMELY PERFORMANCE OF THE WORK; OR (2) RELEASE TO A FOREIGN GOVERNMENT AS THE INTERESTS OF THE UNITED STATES MAY REQUIRE PROVIDED THAT IN EITHER CASE THE RELEASE, USE, DUPLICATION OR DISCLOSURE HEREOF SHALL BE SUBJECT TO THE FOREGOING LIMITATIONS. IF THIS DRAWING IS REPRODUCED IN WHOLE OR IN PART, THIS ENTIRE LEGEND BLOCK MUST APPEAR ON ALL REPRODUCED COPIES.

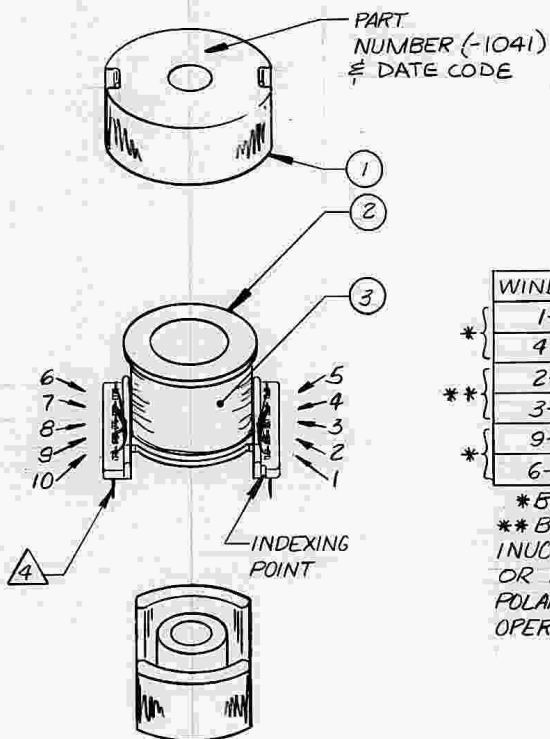
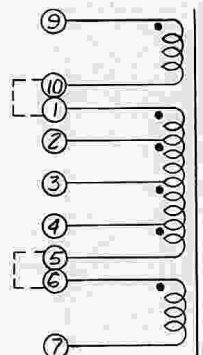
REV	REF	DESCRIPTION OF CHANGE	CHK BY	DATE
(A)	49313	GENERAL UPDATE	DD	11 FEB 83

### AUTO TRANSFORMER CONNECTED

PRIMARY: 7-3-9  
22 TO 37V PEAK (7-3)

SECONDARIES:  
± 12VDC, 1-3-5  
+ 12V, 1ADC  
- 12V, 0.2ADC

± 5VDC, 2-3-4  
+ 5V, 4ADC  
- 5V, 0.4ADC



WINDINGS	TURNS	WIRE DATA		VOLTS PK		RESISTANCE
		AWG	PART NUMBER	NO LOAD	± 20% AT 20°C	
* 1-2	21	26	176-0032-XX	10.5	.139 Ω	
* 4-5	21	26	176-0032-XX	10.5	.139 Ω	
** 2-3	12	21	176-0027-XX	6.0	.028 Ω	
** 3-4	12	21	176-0027-XX	6.0	.028 Ω	
* 9-10	12	21	176-0027-XX	6.0	.037 Ω	
* 6-7	12	21	176-0027-XX	6.0	.037 Ω	

\* BIFILAR WOUND

\*\* BIFILAR WOUND, SERIES CONNECTED

INUCTANCE: (1-5) 18.3mH MIN PER ES1 252 METER  
OR APPROVED EQUIV.

POLARITY PER SCHEMATIC

OPERATING FREQUENCY: 20KHz PULSE WIDTH MODULATED  
SQUARE WAVE

PART NUMBER	REV
120-1041-00	A

△ TERMINALS TO BE VARNISH FREE

3. TRANSFORMER VACUUM IMPREGNATED WITH VARNISH 252-0082-00 OR APPROVED EQUIVALENT

2. COIL CEMENTED TO BOTTOM CORE AND CORES CEMENTED TOGETHER

1. REFERENCE DIMENSIONS: .927 HIGH X 1.200 WIDE X 1.690 LONG

NOTES:

TEKTRONIX, INC.		P. O. BOX 500 BEAVERTON, OREGON U.S.A. 97005	
DWN J. NAGODE	21 OCT 75	DIMENSIONS ARE IN INCHES/MM Tolerances Unless Otherwise Specified	
ENGR R. Cogan	26 JUL 77	DEC	ANLR
CHKR J. WOODFALL	2 AUG 77	SCALE	FIRST USED ON
PRG T. HITT	2 AUG 77	NONE	4662
MATERIAL SEE LIST OF MATERIALS			
FINISH			
TITLE TRANSFORMER, POWER, FIXED AUTO TRANSFORMER (STPDN, POT CORE)			
CODE IDENT NO	SIZE	PART NUMBER	REV
80009	C	120-1041-00	A

3	253-0103-00	AR	TAPE, PRESS SENS (.438 W)
2	276-0219-00	1	FORM, COIL
1	276-0690-00	1	CORE, EM (POT CORE, 3019)
ITEM	PART NUMBER	QTY	DESCRIPTION

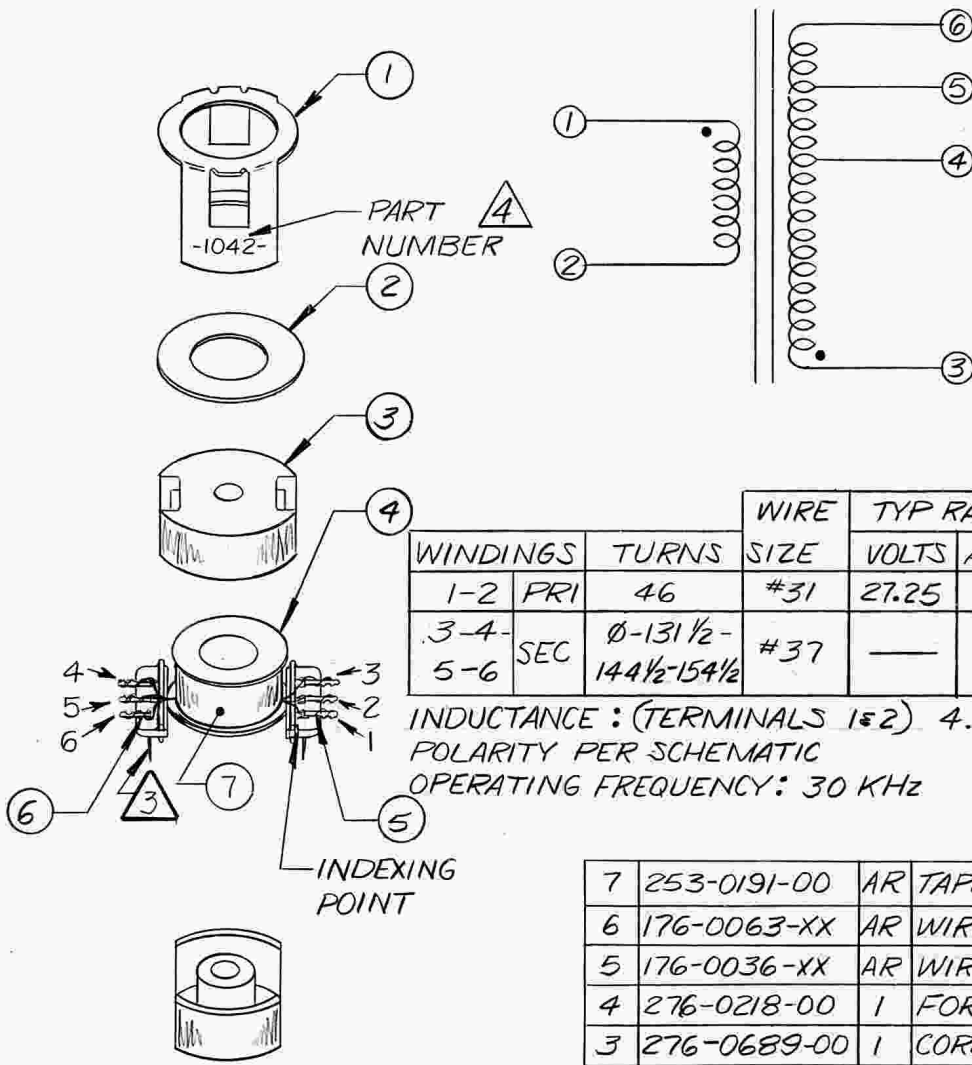
75-51 F

REV

PART NUMBER  
120-1042-00

THIS DRAWING WHEN DISTRIBUTED OUTSIDE TEKTRONIX, INC., IS SUPPLIED FOR IDENTIFICATION, ENGINEERING EVALUATION AND/OR INSPECTION PURPOSES ONLY AND MAY NOT BE USED AS A BASIS FOR MANUFACTURE OR SALES OF PRODUCTS WITHOUT WRITTEN PERMISSION FROM TEKTRONIX, INC.  
IF THIS DRAWING IS FURNISHED UNDER ANY UNITED STATES GOVERNMENT CONTRACT, IT SHALL NOT BE EITHER RELEASED OUTSIDE THE GOVERNMENT, OR USED, DUPLICATED, OR DISCLOSED IN WHOLE OR IN PART FOR MANUFACTURE OR PROCUREMENT, WITHOUT THE WRITTEN PERMISSION OF TEKTRONIX, INC., EXCEPT FOR: (1) EMERGENCY REPAIR OR OVERHAUL WORK BY OR FOR THE GOVERNMENT, WHERE THE ITEM OR PROCESS CONCERNED IS NOT OTHERWISE REASONABLY AVAILABLE TO ENABLE TIMELY PERFORMANCE OF THE WORK; OR (2) RELEASE TO A FOREIGN GOVERNMENT AS THE INTERESTS OF THE UNITED STATES MAY REQUIRE; PROVIDED THAT IN EITHER CASE, THE RELEASE, USE, DUPLICATION OR DISCLOSURE HEREOF SHALL BE SUBJECT TO THE FOREGOING LIMITATIONS. IF THIS DRAWING IS REPRODUCED IN WHOLE OR IN PART, THIS ENTIRE LEGEND BLOCK MUST APPEAR ON ALL REPRODUCED COPIES.

REV	REF	DESCRIPTION OF CHANGE	CHK BY	DATE
-----	-----	-----------------------	--------	------



PART NUMBER  
-1042-  
4

WINDINGS	TURN	WIRE SIZE	TYP RATINGS		RESISTANCE ±20% AT 20°C
			VOLTS	AMPS	
1-2 PRI	46	#31	27.25	36mA	.51 Ω
3-4 SEC	Ø-131½-	#37	—	—	8.34 Ω
5-6	144½-154½				

INDUCTANCE : (TERMINALS 1 & 2) 4.28 mH MIN  
POLARITY PER SCHEMATIC  
OPERATING FREQUENCY: 30 KHZ

7	253-0191-00	AR	TAPE, POLYESTER (.150 W)
6	176-0063-XX	AR	WIRE, ELEC (#37 AWG)
5	176-0036-XX	AR	WIRE, ELEC (#31 AWG)
4	276-0218-00	1	FORM, COIL
3	276-0689-00	1	CORE, POT, SET (1408)
2	361-0408-00	1	SPACER
1	343-0317-00	1	CLAMP

ITEM	PART NUMBER	QTY	DESCRIPTION
------	-------------	-----	-------------

LIST OF MATERIALS

- 5. BOBBIN CEMENTED TO BOTTOM CORE
- 4 DATE CODE OPPOSITE SIDE
- 3 TERMINALS TO BE VARNISH FREE
- 2. TRANSFORMER VACUUM IMPREGNATED WITH VARNISH 252-0082-00
- 1. REFERENCE DIMENSIONS: .540 HIGH X .570 WIDE X .935 LONG

NOTES:

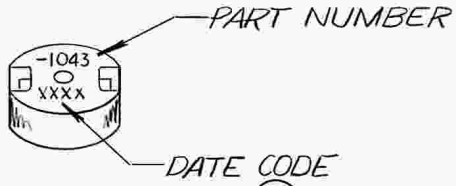
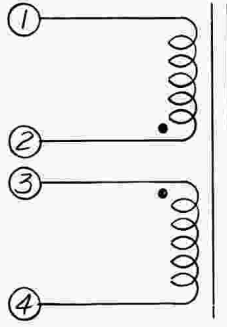
		P. O. BOX 500 BEAVERTON, OREGON U.S.A. 97005	
DWN J. NAGODE	16 OCT 75	DIMENSIONS ARE IN INCHES /MM	
ENGR Clem	1 DEC 76	TOLERANCES: UNLESS OTHERWISE SPECIFIED	
CHKR J. WOODFALL	1 DEC 76	DEC	ANLR
PROB T. HIATT	12-1-76	SCALE	FIRST USED ON
MATERIAL		NONE	414
SEE LIST OF MATERIALS			
FINISH NOTED			
TITLE TRANSFORMER, PWR, STU (READOUT, POT CORE)			
CODE IDENT NO	SIZE	PART NUMBER	REV
80009	B	120-1042-00	

75-53

REV A  
PART NUMBER 120-1043-00

THIS DRAWING WHEN DISTRIBUTED OUTSIDE TEKTRONIX, INC., IS SUPPLIED FOR IDENTIFICATION, ENGINEERING EVALUATION AND/OR INSPECTION PURPOSES ONLY AND MAY NOT BE USED AS A BASIS FOR MANUFACTURE OR SALES OF PRODUCTS WITHOUT WRITTEN PERMISSION FROM TEKTRONIX, INC.  
IF THIS DRAWING IS FURNISHED UNDER ANY UNITED STATES GOVERNMENT CONTRACT, IT SHALL NOT BE EITHER RELEASED OUTSIDE THE GOVERNMENT, OR USED, DUPLICATED, OR DISCLOSED IN WHOLE OR IN PART FOR MANUFACTURE OR PROCUREMENT, WITHOUT THE WRITTEN PERMISSION OF TEKTRONIX, INC., EXCEPT FOR: (1) EMERGENCY REPAIR OR OVERHAUL WORK BY OR FOR THE GOVERNMENT, WHERE THE ITEM OR PROCESS CONCERNED IS NOT OTHERWISE REASONABLY AVAILABLE TO ENABLE TIMELY PERFORMANCE OF THE WORK; OR (2) RELEASE TO A FOREIGN GOVERNMENT AS THE INTERESTS OF THE UNITED STATES MAY REQUIRE; PROVIDED THAT IN EITHER CASE THE RELEASE, USE, DUPLICATION OR DISCLOSURE HEREOF SHALL BE SUBJECT TO THE FOREGOING LIMITATIONS. IF THIS DRAWING IS REPRODUCED IN WHOLE OR IN PART, THIS ENTIRE LEGEND BLOCK MUST APPEAR ON ALL REPRODUCED COPIES.

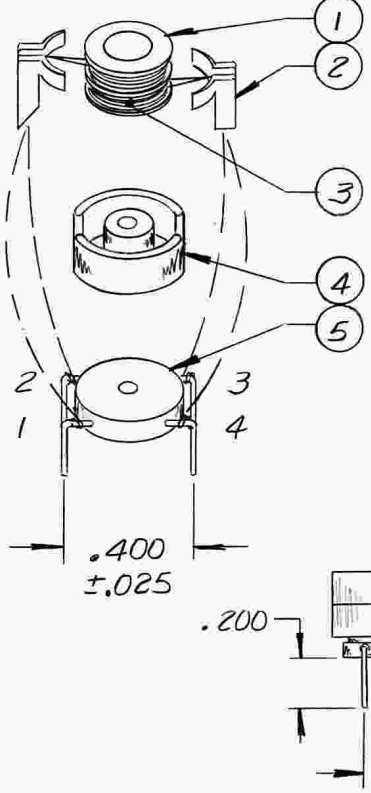
REV	REF	DESCRIPTION OF CHANGE	CHK BY	DATE
	23805	INITIATED PART	CD	12 NOV 75
(A)	30826	ADDED NON PROD	NS	10 MAR 77



WINDINGS	URNS	WIRE SIZE	AMPS(RMS) TYPICAL	RESISTANCE DC ±15%
2-1	56	#35	.282	1.35 Ω
3-4	56	#35	.282	1.35 Ω

INDUCTANCE: (2-1), (3-4)  $13 \pm 4$  mH PER ESI  
250 DA BRIDGE AT 1 KHZ  
DIELECTRIC WITHSTANDING VOLTAGE: (2-1) TO (3-4),  
1500V RMS, 60HZ, 1 MINUTE  
POLARITY PER SCHEMATIC  
TEMPERATURE RISE: 21°C TYPICAL AT 282 mA RMS

2. CEMENT CORES TOGETHER AND CEMENT HOLDER TO BOTTOM CORE  
1. REFERENCE DIMENSIONS: .530 HIGH x .430 WIDE x .500 LONG



NOTES: (A) NONPROD

<b>TEKTRONIX, INC.</b>		P. O. BOX 500 BEAVERTON, OREGON U.S.A. 97005	
DR J. NAGODE	22 OCT 75	DIMENSIONS ARE IN INCHES	
ENGR R. COGAN	5 NOV 75	TOLERANCES: UNLESS OTHERWISE SPECIFIED	
CHK J. WOODFALL	5 NOV 75	DEC	ANG
PROD T. HART	6 NOV 75	SCALE	FIRST USED ON
		NONE	211/212/213

MATERIAL: SEE LIST OF MATERIALS  
FINISH: \_\_\_\_\_  
TITLE: TRANSFORMER, RF: (POT CORE)  
COMMON MODE REJECTION

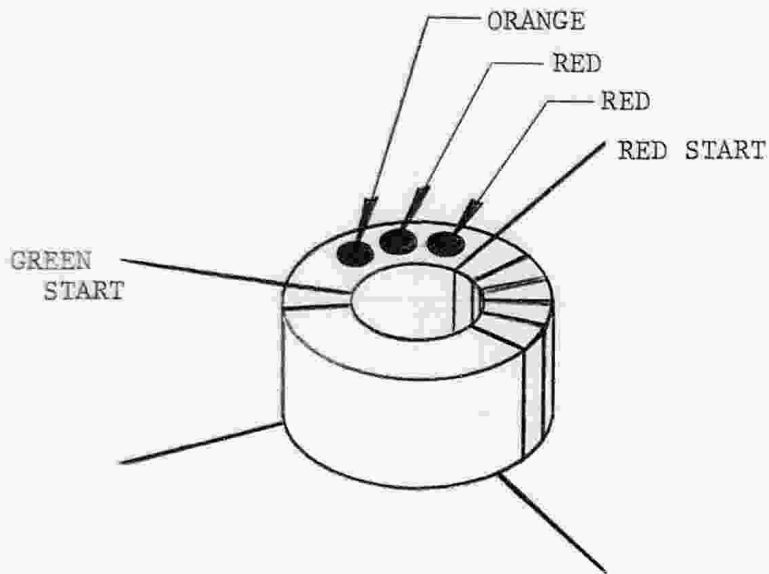
ITEM	PART NUMBER	QTY	DESCRIPTION
5	352-0137-00	1	HOLDER, ELEC COMPONENT
4	276-0632-00	1	CORE, POT, SET (1107)
3	176-0039-XX	AR	WIRE, ELEC #35 AWG
2	342-0119-00	2	INSULATOR, WIRE
1	276-0183-00	1	FORM, BOBBIN

ITEM	PART NUMBER	QTY	DESCRIPTION
LIST OF MATERIALS			

CODE IDENT NO	SIZE	PART NUMBER	REV
80009	B	120-1043-00	A

DO NOT SCALE DRAWING

COLOR CODE



PROCEDURE:

1. WIND AS SHOWN, 2 TURN WINDING REVERSE WOUND.
2. CUT LEADS  $.400 \pm .050$ .
3. TIN LEADS  $.250 \pm .050$ .
4. COLOR CODE.
5. COAT WITH C06-1109-00.

DATA:

CODE TD - 322  
 CORE NO. 276-0557-00  
 WIRE SIZE #27 AWG  
 WIRE PART NO. 176-0010-XX  
 NO. OF TURNS 2, 6

75 - 71

PART NUMBER

120-1045-00

REV

A



THIS DRAWING WHEN DISTRIBUTED OUTSIDE TEKTRONIX, INC. IS SUPPLIED FOR IDENTIFICATION, ENGINEERING EVALUATION AND/OR INSPECTION PURPOSES ONLY AND MAY NOT BE USED AS A BASIS FOR MANUFACTURE OR SALES OF PRODUCTS WITHOUT WRITTEN PERMISSION FROM TEKTRONIX, INC. IF THIS DRAWING IS FURNISHED UNDER ANY UNITED STATES GOVERNMENT CONTRACT, IT SHALL NOT BE EITHER RELEASED OUTSIDE THE GOVERNMENT OR USED, DUPLICATED, OR DISCLOSED IN WHOLE OR IN PART FOR MANUFACTURE OR PROCUREMENT, WITHOUT THE WRITTEN PERMISSION OF TEKTRONIX, INC. EXCEPT FOR: (1) EMERGENCY REPAIR OR OVERHAUL WORK BY OR FOR THE GOVERNMENT WHERE THE ITEM OR PROCESS CONCERNED IS NOT OTHERWISE REASONABLY AVAILABLE TO ENABLE TIMELY PERFORMANCE OF THE WORK; OR (2) RELEASE TO A FOREIGN GOVERNMENT AS THE INTERESTS OF THE UNITED STATES MAY REQUIRE, PROVIDED THAT IN EITHER CASE THE RELEASE, USE, DUPLICATION OR DISCLOSURE HEREOF SHALL BE SUBJECT TO THE FOREGOING LIMITATIONS. IF THIS DRAWING IS REPRODUCED IN WHOLE OR IN PART, THIS ENTIRE LEGEND BLOCK MUST APPEAR ON ALL REPRODUCED COPIES.

REV / BY / REF	DESCRIPTION OF CHANGE	CHK BY / DATE
NS 24003	INITIATED PART	21 JAN 76
A NS 30190	ADD CS	30 JUN 76

2. TOROID REFERENCE DIMENSIONS: .262 O.D. X .157 HIGH.

1. VALUE DETERMINED WITH TEKTRONIX 130 L.C. METER.

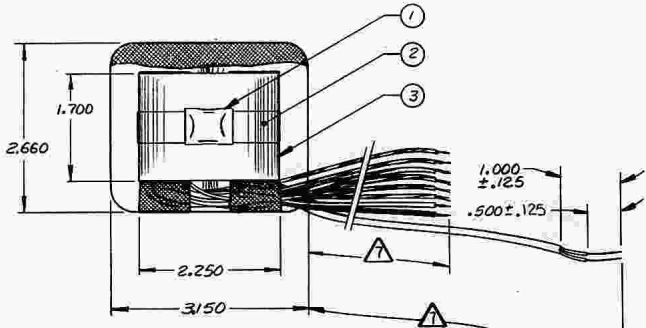
NOTES:

 <b>TEKTRONIX, INC.</b>		P. O. BOX 500 BEAVERTON, OREGON U.S.A. 97077			
DWN	J. NAGODE	16 OCT 75	DIMENSIONS ARE IN INCHES / MM TOLERANCES: UNLESS OTHERWISE SPECIFIED		
ENGR	L. Clem	29 Oct 75	DEC	ANLR	
CHKR	J. WOODFALL	5 Nov 75	SCALE	FIRST USED ON	
PROD	M. B. Boucher	5 Nov 75	NONE	434	
MATERIAL LISTED					
FINISH NOTED					
TITLE TRANSFORMER, RF (TOROID)					
CODE IDENT NO	SIZE	PART NUMBER	REV		
80009	A	120-1045-00	A		

51-37 D

REV	REF	DESCRIPTION OF CHANGE	CHK BY	DATE
A	33873	NOTE 9 WAS 2000V	RR	26 APR 78
B	34807	NOTE A: STRIP OR TIN .500 WAS .250; LENGTH 5.000 WAS 4.000	INC	31 AUG 78
C	40338	NOTE A WAS .500 ± .062	LL	19 AUG 80
D	45018	REMOVED ITEM 4 P.N. 120-1038-50	DD	2 FEB 82
E	50389	ITEM 8 WAS ENAMEL (BLACK)	DD	2 MAR 82
F	51689	UPDATED NOTE A, REMOVED ITEM 8 ITEM 9 WAS 334-2785-00	DD	28 NOV 83
G	DeCamp	RMV TEK P/N FROM DWG		18 AUG 87

LINE TO 1-4	CONNECT
100V	1 TO 8, 4 TO 5
110V	1 TO 2, 4 TO 3
120V	1 TO 7, 4 TO 6
200V	5 TO 8
220V	2 TO 3
240V	6 TO 7



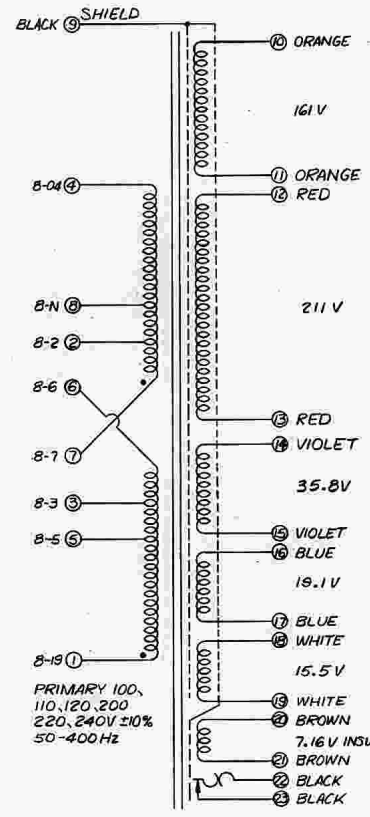
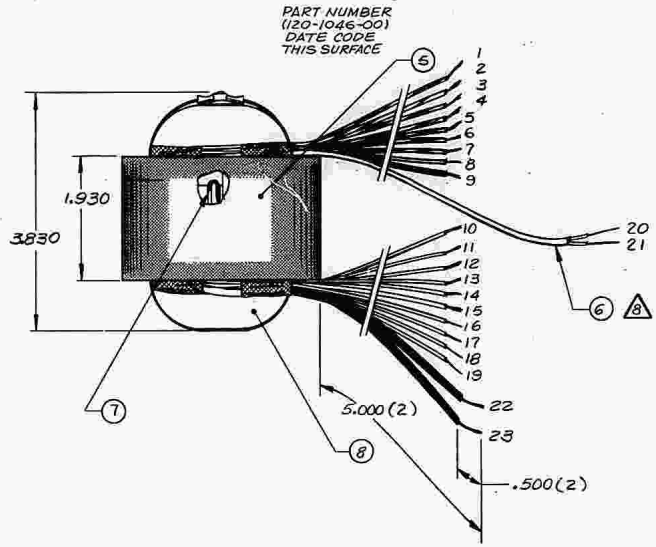
**COIL STRUCTURE INSIDE**

LEAD NO	TURNS	WIRE AWG	TYPICAL RATINGS		△
			DCR (Ω) 20°C	CURRENT (A RMS)	
1-5	0-335	#26	.85		
3-6	368-402	#26	.85		
7-2	0-34	#26	.85		
8-4	67-402	#26	.85		
9	SHIELD				
10-11	540	#37	155	.05	S
14-15	120	2#30	3.5	.40	P
12-13	708	#32	65	.18	S
16-17	64	#23	.80	1.0	S
18-19	52	#23	.65	.75	S
9	SHIELD				
20-21	24	#26	.80	.63	S
22-23	*				

BIFILAR

\* THERMAL PROTECTOR

**OUTSIDE**



3. DIELECTRIC WITHSTANDING VOLTAGE: 1500V AC RMS, 50 OR 60 Hz, 1 MINUTE. PRIMARIES AND THERMAL PROTECTOR TO SECONDARIES, SHIELDS AND CORE

△ ITEM 6 INSTALLED OVER LEADS 20 AND 21

△ LEADS \*INSULATION SLEEVING; LEAD WIRE STRIP OR TIN .500 ± .125 UOS

LEAD NO	COLOR	LENGTH ±.250
1	8-19	5.000
2	8-2	
3	8-3	
4	8-04	
5	8-5	
6	8-6	
7	8-7	
8	8-N	
9	BLK	
10-11	ORN	
12-13	RED	
14-15	VIO	
16-17	BLU *	
18-19	WHT *	
20-21	BRN	

6. WINDINGS INSULATED FOR 600 V DC UOS

5. POLARITY PER SCHEMATIC

PART NUMBER 120-1046-00 REV 6

4. VOLTAGE RATINGS ARE RMS NO LOAD

△ (S) SERIES CONNECTED WINDING (P) PARALLEL CONNECTED WINDING

△ TRANSFORMER VACUUM VARNISH IMPREGNATED WITH SENECHADRY ISOMEL 31 OR APPROVED EQUIVALENT

1. DIMENSIONS REFERENCE UNLESS OTHERWISE SPECIFIED

NOTES:

DR. J. NAGODE	15 NOV 78	DIMENSIONS ARE IN INCHES
ENGR. R. COOPER	11 AUG 77	TOLERANCES UNLESS OTHERWISE SPECIFIED
CHK. J. WOODS/ALL	11 AUG 77	SCALE AND FIRST USED ON
APPD. S. P. ...	11 AUG 77	1:1 603 OPT 6

QTY	PART NUMBER	DESCRIPTION
8		
7	1	PROTECTOR, THERMAL OVLD
6	AR	INSUL., SLEEVING, ELEC (BRN)
5	1	MARKER, IDENTIFICATION
3	1	CORE, EM(C" CORE)
2	1	STRAPPING
1	1	CLIP, SEAL

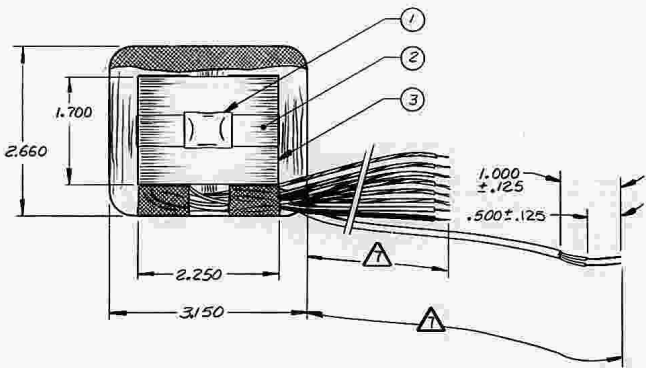
MATERIAL SEE LIST OF MATERIALS	
FINISH NOTED △	
TITLE TRANSFORMER, POWER SDN * SU	
CODE IDENT NO 80009	PART NUMBER 120-1046-00
SIZE	REV 6

TEKTRONIX SAFETY CONTROLLED PART  
THIS PART IS CONTROLLED TO INSURE MAINTENANCE OF SAFETY CHARACTERISTICS  
SPECIFICATIONS TO PRODUCT. TOLERANCE VARIATIONS AND DIMENSIONAL  
SPECIFICATIONS, MINORS OR TOLERANCE VARIATIONS MUST BE AS SPECIFIED AND  
PROTECTED BY THE LINE DRAWING FOR EACH PRODUCT IN WHICH IT IS CONTROLLED  
PART.

51-149E

REV	REF	DESCRIPTION OF CHANGE	CHK BY	DATE
		30963 INITIATED PART	CB	4 FEB 77
(A)	33573	NOTE 9 WAS 2000V	RR	26 APR 78
(B)	34807	NOTE A: STRIP OR TIN .500 WAS .250; LENGTH 5.000 WAS 4.000	INC	31 AUG 78
(C)	40338	NOTE A WAS .500 ± .062	LL	19 AUG 80
(D)	45018	REMOVED ITEM 4	DP	18 MAR 82
(E)	50389	ITEM 8 WAS ENAMEL (BLACK)	DD	2 MAR 83
(F)	51689	REVISED DWG., UPDATED NOTE A, ITEM 5 W/9 334-2825-00, REMOVED ITEM 8	DD	29 NOV 83

LINE TO 1-4	CONNECT
100V	1 TO 8, 4 TO 5
110V	1 TO 2, 4 TO 3
120V	1 TO 7, 4 TO 6
200V	5 TO 8
220V	2 TO 3
240V	6 TO 7

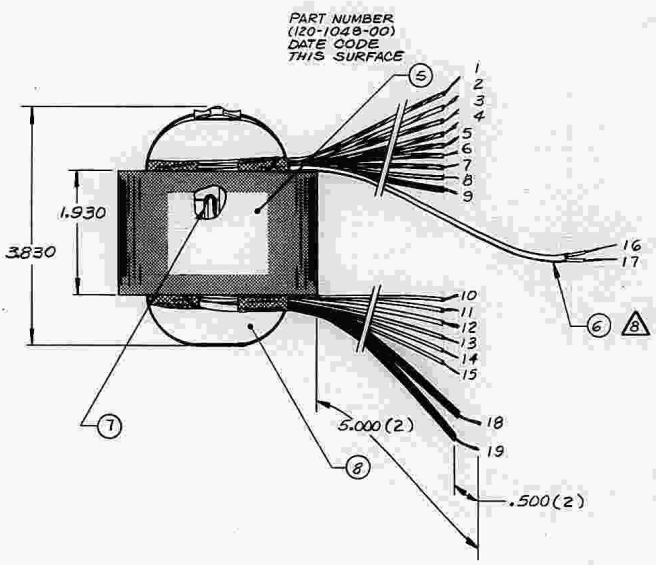


**COIL STRUCTURE INSIDE**

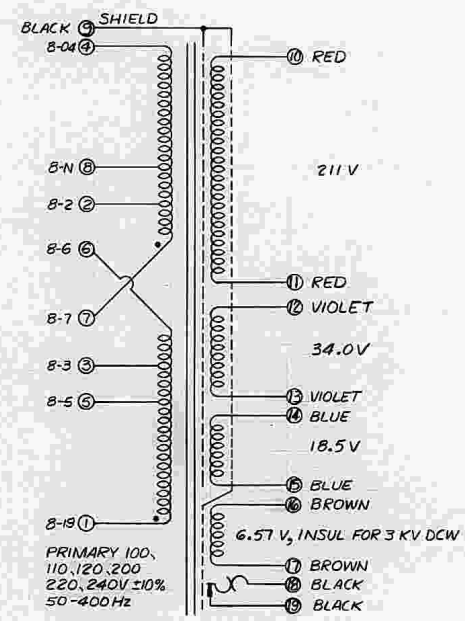
LEAD NO	TURNS	WIRE AWG	TYPICAL RATINGS		△
			DCR (Ω) 20°C	CURRENT (A RMS)	
1-5	0-335	#26	.85		
3-6	368-402	#26	.85		
7-2	0-34	#26	.85		
8-4	67-402	#26	.85		
9	SHIELD				
10-11	708	#34	105	.13	S
12-13	114	2*30	3.3	.35	P
14-15	62	2*25	.60	1.0	S
9	SHIELD				
16-17	22	#26	.78	.63	S
18-19	*				

\* THERMAL PROTECTOR

**OUTSIDE**



PART NUMBER (120-1048-00)  
DATE CODE THIS SURFACE



3. DIELECTRIC WITHSTANDING VOLTAGE : 15.00V AC RMS, 50 OR 60 HZ, 1 MINUTE, PRIMARIES AND THERMAL PROTECTOR TO SECONDARIES, SHIELDS AND CORE

△ ITEM 6 SLIPPED OVER LEADS 16 AND 17

△ LEADS \*INSULATION SLEEVING ; LEAD WIRE STRIP OR TIN .500 ± .125

LEAD NO	COLOR	PART NUMBER	LENGTH ±.250
1	8-19	175-0879-00	5.000
2	8-2	175-0880-00	
3	8-3	175-0881-00	
4	8-04	175-0882-00	
5	8-5	175-0883-00	
6	8-6	175-0884-00	
7	8-7	175-0885-00	
8	8-N	175-0886-00	
9	BLK	175-0920-00	
10-11	RED	175-0922-00	
12-13	VIO	175-0949-00	
14-15	BLU	162-0523-00	
16-17	BRN	175-0918-00	9.500

6. WINDINGS INSULATED FOR 600 V DC U.O.S  
5. POLARITY PER SCHEMATIC

4. VOLTAGE RATINGS ARE RMS NO LOAD

△ (S) SERIES CONNECTED WINDING  
(P) PARALLEL CONNECTED WINDING

△ TRANSFORMER VACUUM VARNISH IMPREGATED WITH 252-0082-00 OR APPROVED EQUIVALENT  
1. DIMENSIONS REFERENCE UNLESS OTHERWISE SPECIFIED

NOTES :

TEKTRONIX, INC.		# 0, 905 108	
DR J. MASODE		28 JAN 77	
ENGR R. C. COHEN		3 FEB 77	
CHK J. J. GOOD PALL		8 FEB 77	
PHYS E. ROSS		3 FEB 77	
MATERIAL		SEE LIST OF MATERIALS	
FINISH		NOTED △	
TITLE		TRANSFORMER, POWER SDN & SU	
CODE IDENT NO	SIZE	PART NUMBER	REV
80009	D	120-1048-00	F

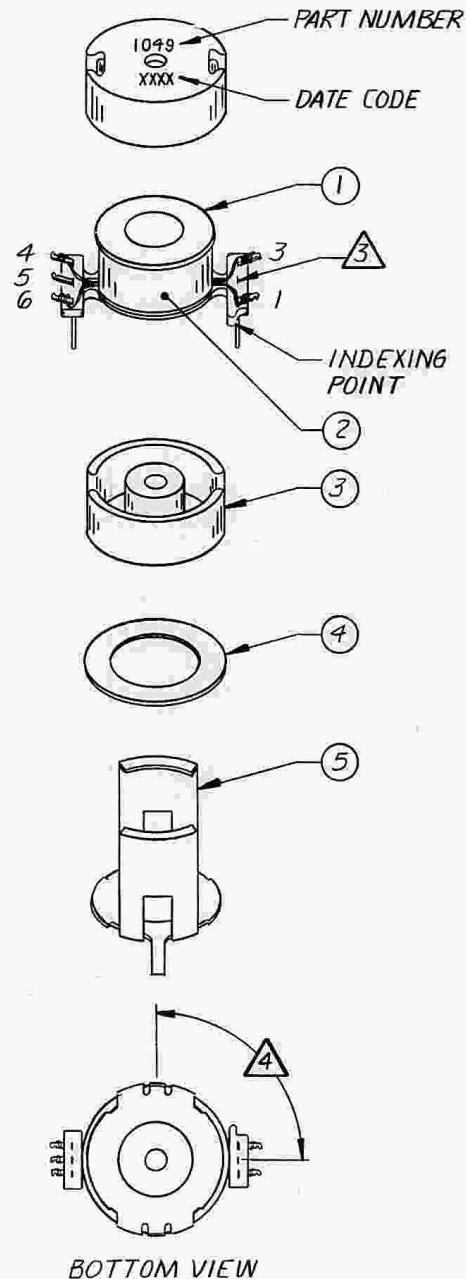
NO	PART NUMBER	QTY	DESCRIPTION
8			
7	260-1810-00	1	PROTECTOR, THERMAL OVL D
6	162-0550-00	AR	INSUL SLEEVING, ELEC (BRN)
5	334-4645-00	1	MARKER, IDENTIFICATION
4			
3	276-0602-00	1	CORE, EM(C) CORE
2	346-0074-00	AR	STRAPPING (.500 WIDE)
1	344-0197-00	1	CLIP, SEAL (.750 LONG)

75-61 F

THIS DRAWING WHEN DISTRIBUTED OUTSIDE TEKTRONIX, INC. IS SUPPLIED FOR IDENTIFICATION, ENGINEERING EVALUATION AND/OR INSPECTION PURPOSES ONLY AND MAY NOT BE USED AS A BASIS FOR MANUFACTURE OR SALES OF PRODUCTS WITHOUT WRITTEN PERMISSION FROM TEKTRONIX, INC.

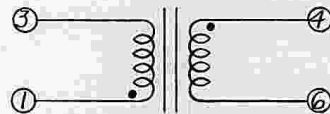
IF THIS DRAWING IS FURNISHED UNDER ANY UNITED STATES GOVERNMENT CONTRACT, IT SHALL NOT BE EITHER RELEASED OUTSIDE THE GOVERNMENT, OR USED, DUPLICATED, OR DISCLOSED IN WHOLE OR IN PART FOR MANUFACTURE OR PROCUREMENT, WITHOUT THE WRITTEN PERMISSION OF TEKTRONIX, INC. EXCEPT FOR: (1) EMERGENCY REPAIR OR OVERHAUL WORK BY OR FOR THE GOVERNMENT, WHERE THE ITEM OR PROCESS CONCERNED IS NOT OTHERWISE REASONABLY AVAILABLE TO ENABLE TIMELY PERFORMANCE OF THE WORK; OR (2) RELEASE TO A FOREIGN GOVERNMENT AS THE INTERESTS OF THE UNITED STATES MAY REQUIRE, PROVIDED THAT IN EITHER CASE THE RELEASE, USE, DUPLICATION OR DISCLOSURE HEREOF SHALL BE SUBJECT TO THE FOREGOING LIMITATIONS. IF THIS DRAWING IS REPRODUCED IN WHOLE OR IN PART, THIS ENTIRE LEGEND BLOCK MUST APPEAR ON ALL REPRODUCED COPIES.

REV	REF	DESCRIPTION OF CHANGE	CHK BY	DATE
(A)	42154	INDUCTANCE WAS 3.7 mH MIN	DD	DEC 80



WIRE DATA				TYP RATNGS		RESISTANCE
WINDINGS	URNS	AWG	PART NUMBER	VOLTS	AMPS	±20% AT 20°C
1-3	PRI	36	2/42 176-0105-XX	10	.08	1.42 Ω
4-6	SEC	36	2/42 176-0105-XX	10	.08	2.83 Ω
1-3	PRI	36	2/42 176-0105-XX	—	—	—

(A) INDUCTANCE: 3.5 mH MIN  
POLARITY PER SCHEMATIC  
OPERATING FREQUENCY: 2 KHz TO 70 MHz



PART NUMBER	REV
120-1049-00	A

- 4 BOBBIN AND CLAMP MUST BE PERPENDICULAR TO EACH OTHER ±3°
- 3 REMOVE PIN 2 FROM BOBBIN FORM
2. BOBBIN CEMENTED TO BOTTOM CORE
1. REFERENCE DIMENSIONS: .605 HIGH × .720 O.D. × 1.125 LONG

## NOTES:

TEKTRONIX, INC.		P. O. BOX 500 BEAVERTON, OREGON U.S.A. 97005	
DWN J. NAGODE	17 JUN 76	DIMENSIONS ARE IN INCHES/ Tolerances Unless Otherwise Specified	
ENGR L. C. KENN	22 DEC 76	DEC	ANLR
CHKR J. WOODFALL	22 DEC 71	SCALE	FIRST USED ON
PROD T. HAST	22 DEC 76	2:1	1503
MATERIAL SEE LIST OF MATERIALS			
FINISH NOTED			
TITLE TRANSFORMER, RF (WIDE BANDPASS, POT CORE)			
CODE IDENT NO	SIZE	PART NUMBER	REV
80009	C	120-1049-00	A

5	343-0312-00	1	CLAMP
4	361-0409-00	1	SPACER
3	276-0617-00	1	CORE EM (POT CORE 1811)
2	253-0021-00	AR	TAPE, POLYESTER (.250 W)
1	276-0168-00	1	FORM, BOBBIN

ITEM	PART NUMBER	QTY	DESCRIPTION
------	-------------	-----	-------------



75-143C

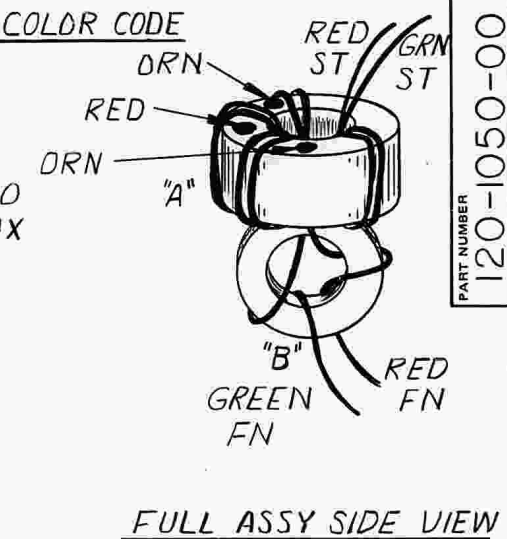
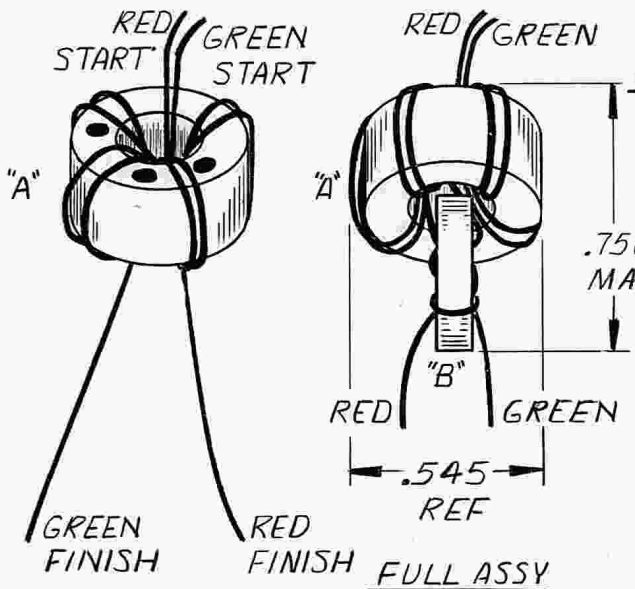
REV

THIS DRAWING WHEN DISTRIBUTED OUTSIDE TEKTRONIX, INC., IS SUPPLIED FOR IDENTIFICATION, ENGINEERING EVALUATION AND/OR INSPECTION PURPOSES ONLY AND MAY NOT BE USED AS A BASIS FOR MANUFACTURE OR SALES OF PRODUCTS WITHOUT WRITTEN PERMISSION FROM TEKTRONIX, INC.

IF THIS DRAWING IS FURNISHED UNDER ANY UNITED STATES GOVERNMENT CONTRACT, IT SHALL NOT BE EITHER RELEASED OUTSIDE THE GOVERNMENT, OR USED, DUPLICATED, OR DISCLOSED IN WHOLE OR IN PART FOR MANUFACTURE OR PROCUREMENT, WITHOUT THE WRITTEN PERMISSION OF TEKTRONIX, INC., EXCEPT FOR: (1) EMERGENCY REPAIR OR OVERHAUL WORK BY OR FOR THE GOVERNMENT, WHERE THE ITEM OR PROCESS CONCERNED IS NOT OTHERWISE REASONABLY AVAILABLE TO ENABLE TIMELY PERFORMANCE OF THE WORK; OR (2) RELEASE TO A FOREIGN GOVERNMENT AS THE INTERESTS OF THE UNITED STATES MAY REQUIRE; PROVIDED THAT IN EITHER CASE THE RELEASE, USE, DUPLICATION OR DISCLOSURE HEREOF SHALL BE SUBJECT TO THE FOREGOING LIMITATIONS. IF THIS DRAWING IS REPRODUCED IN WHOLE OR IN PART, THIS ENTIRE LEGEND BLOCK MUST APPEAR ON ALL REPRODUCED COPIES.

REV	REF	DESCRIPTION OF CHANGE	CHK BY	DATE
-----	-----	-----------------------	--------	------

PART NUMBER  
120-1050-00



PROCEDURE:

1. WIND "A" TOROID AS SHOWN.  
WIND "B" TOROID AS SHOWN WITH FINISH LEADS (EACH WINDING HAS A DIFFERENT WIND DIRECTION)
2. CUT LEADS .400 ± .050
3. TIN LEADS .200 ± .050
4. COLOR CODE
5. COAT WITH 006-1109-00

DATA:

	"A" TOROID	"B" TOROID
CODE	TD-323	276-0525-00
CORE NO	276-0535-00	(USE TOROID "A" WIRES)
WIRE SIZE	24 AWG	
WIRE PART NO	176-0030-XX	
NO. OF TURNS	5 } BIFILAR	2 } WOUND IN OPPOSITE DIRECTION
	5 }	

1. INDUCTANCE RANGE PER TEKTRONIX 130 L.C. METER: 21.2 TO 36.4 μH ON EACH WINDING

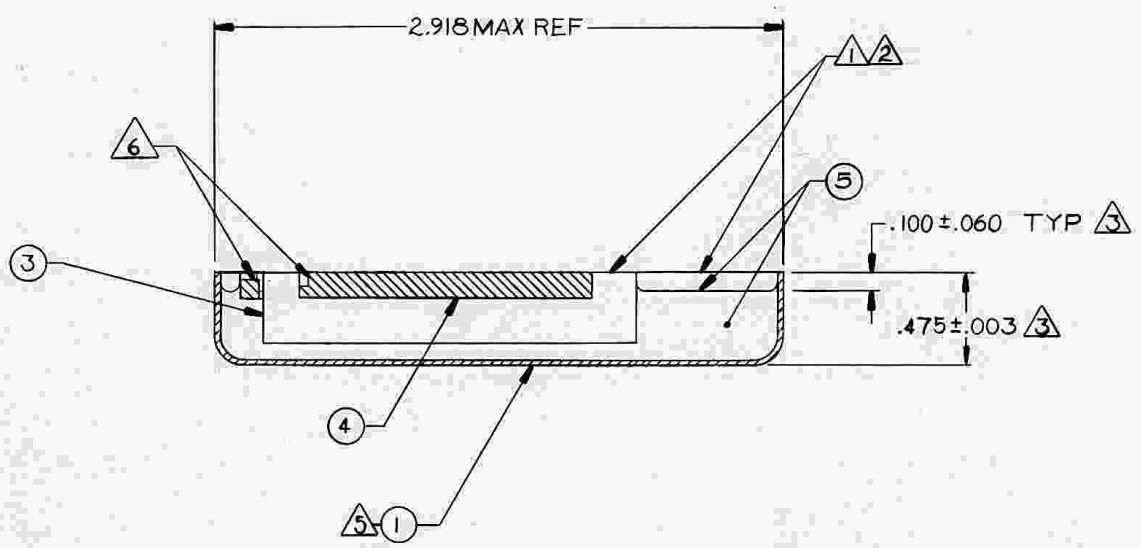
NOTES:

<b>TEKTRONIX, INC.</b>		P. O. BOX 500 BEAVERTON, OREGON U.S.A. 97005	
DWN	J. NAGODE	27 JAN 76	DIMENSIONS ARE IN INCHES TOLERANCES: UNLESS OTHERWISE SPECIFIED DEC — ANLR —
ENGR	L. CLEM	22 DEC 76	
CHKR	J. WOODFALL	22 DEC 76	SCALE
PROD	Homer Hamlett	12-22-76	FIRST USED ON
MATERIAL LISTED			
FINISH NOTED			
TITLE TRANSFORMER, RF (TOROID)			
CODE IDENT NO	SIZE	PART NUMBER	REV
80009	B	120-1050-00	

DO NOT SCALE DRAWING

THIS DRAWING WHEN DISTRIBUTED OUTSIDE TEKTRONIX, INC. IS SUPPLIED FOR IDENTIFICATION, ENGINEERING EVALUATION AND/OR INSPECTION PURPOSES ONLY AND MAY NOT BE USED AS A BASIS FOR MANUFACTURE OR SALES OF PRODUCTS WITHOUT WRITTEN PERMISSION FROM TEKTRONIX, INC. IF THIS DRAWING IS FURNISHED UNDER ANY UNITED STATES GOVERNMENT CONTRACT, IT SHALL NOT BE EITHER RELEASED OUTSIDE THE GOVERNMENT, OR USED, DUPLICATED, OR DISCLOSED IN WHOLE OR IN PART FOR MANUFACTURE OR PROCUREMENT, WITHOUT THE WRITTEN PERMISSION OF TEKTRONIX, INC. EXCEPT FOR: (1) EMERGENCY REPAIR OR OVERHAUL WORK BY OR FOR THE GOVERNMENT, WHERE THE ITEM OF PROCESS CONCERNED IS NOT OTHERWISE REASONABLY AVAILABLE TO ENABLE TIMELY PERFORMANCE OF THE WORK; OR (2) RELEASE TO A FOREIGN GOVERNMENT AS THE INTERESTS OF THE UNITED STATES MAY REQUIRE, PROVIDED THAT IN EITHER CASE THE RELEASE, USE, DUPLICATION OR DISCLOSURE HEREOF SHALL BE SUBJECT TO THE FOREGOING LIMITATIONS. IF THIS DRAWING IS REPRODUCED IN WHOLE OR IN PART, THIS ENTIRE LEGEND BLOCK MUST APPEAR ON ALL REPRODUCED COPIES.

REV	REP	DESCRIPTION OF CHANGE	CHK BY	DATE



- ⑥ ALL CAVITIES IN ITEM 4 SHALL BE CLEAR OF EPOXY & FOREIGN MATERIALS AFTER POTTING & LAPPING
- ⑤ APPLY VARNISH (ITEM 2) TO INSIDE SURFACE OF ITEM 1 BEFORE POTTING
- 4. ASSEMBLE & TEST PER MFG PROCEDURE, SPEC AND/OR SAMPLE
- ③ AFTER POTTING & LAPPING
- ④ LAP SURFACES FLAT WITHIN 3 LIGHT BANDS (11.6 μ IN PER LIGHT BAND) HELIUM LIGHT SOURCE

PART NUMBER 120-1051-00 REV. 1

④ NOTED SURFACES OF ITEMS ① & ③ TO BE POSITIONED COPLANER PRIOR TO POTTING

NOTES :UOS

P6303

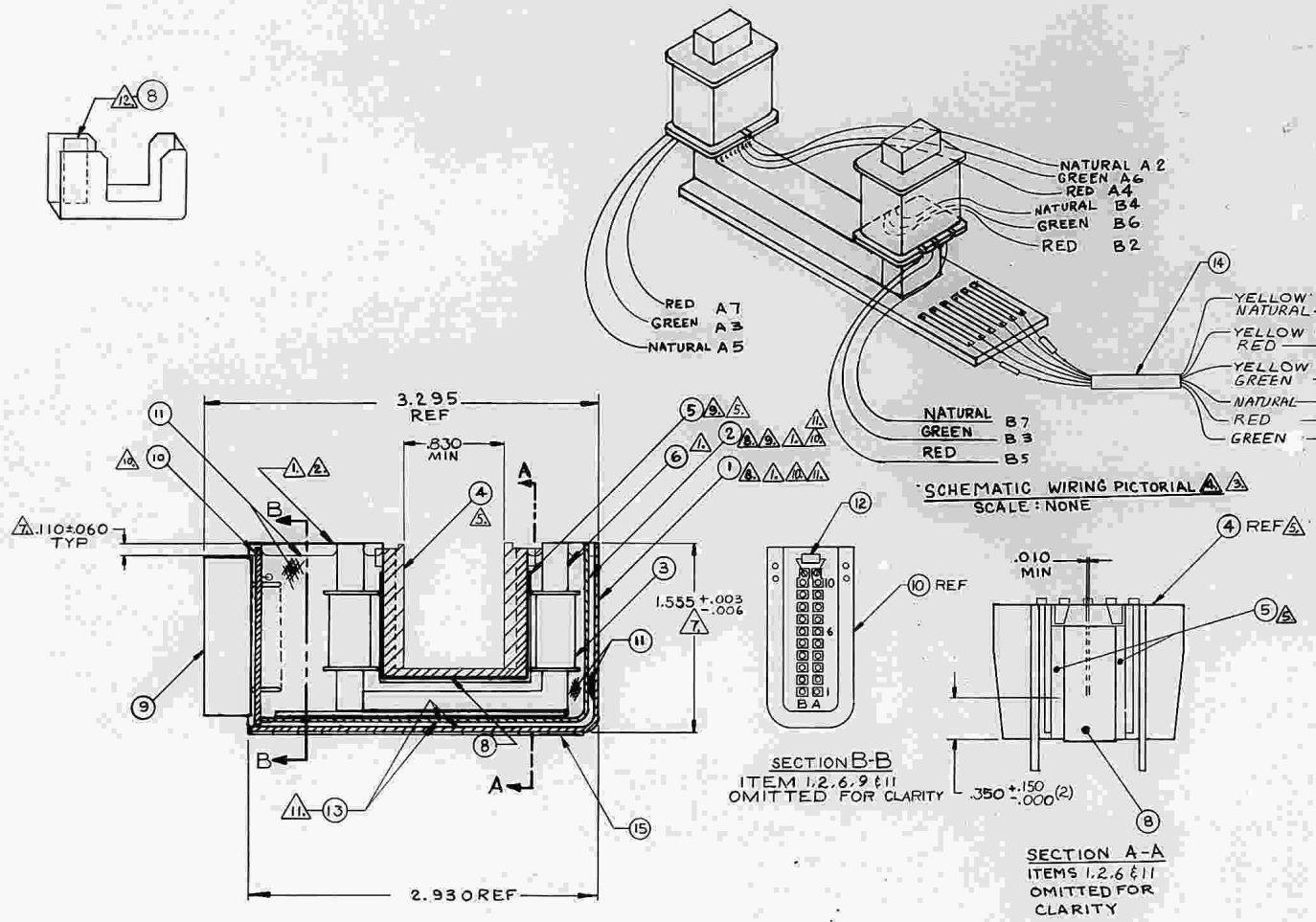
5	252-0210-00	AR	RESIN, EPOXY
4	342-0334-00	1	INSULATOR, PLATE
3	276-0686-00	1	CORE, XFMR(TOP)
2	252-0082-00	AR	VARNISH
1	202-0217-01	1	CAN, TRANSFORMER, PLATED
ITEM	PART NUMBER	QTY	DESCRIPTION

TEKTRONIX, INC. PROPRIETARY ITEM DRAWING			
<input checked="" type="checkbox"/> MFD BY TEKTRONIX		<input type="checkbox"/> MFD FOR TEKTRONIX	
<b>TEKTRONIX, INC.</b> BEAVERTON, OREGON U.S.A. 97077			
P. O. BOX 500			
DWN	D NODURFT	5OCT76	DIMENSIONS ARE IN INCHES / TOLERANCES UNLESS OTHERWISE SPECIFIED
ENGR	H. Mathur	30MAR78	DEC JANLR
CHKR	R. GIBSON	3 APR 78	SCALE
PROD	D Parry	9 APR 78	FIRST USED ON 010-6303-00
MATERIAL			
SEE LIST OF MATERIAL			
FINISH			
TITLE			
TRANSFORMER SUB-ASSY, CURRENT(TOP HALF)			
CODE IDENT NO	SIZE	PART NUMBER	REV
80009	1/8	120-1051-00	

THIS DRAWING WHEN OBTAINED OUTSIDE TEXTRONIX, INC. IS UNCLASSIFIED. IDENTIFICATION, REPRODUCTION, AND/OR DISTRIBUTION OF THIS DRAWING IS PROHIBITED WITHOUT THE WRITTEN PERMISSION OF TEXTRONIX, INC.

IF THIS DRAWING IS OBTAINED UNDER ANY UNITED STATES GOVERNMENT CONTRACT, IT SHALL NOT BE EITHER REPRODUCED OR TRANSMITTED IN ANY FORM OR BY ANY MEANS, ELECTRONIC OR MECHANICAL, INCLUDING PHOTOCOPYING, RECORDING, OR BY ANY INFORMATION STORAGE AND RETRIEVAL SYSTEM, WITHOUT THE WRITTEN PERMISSION OF THE GOVERNMENT. THE USE OF THIS DRAWING FOR THE DESIGN, CONSTRUCTION, OR OPERATION OF ANY EQUIPMENT IS PROHIBITED WITHOUT THE WRITTEN PERMISSION OF TEXTRONIX, INC.

REV	REF	DESCRIPTION OF CHANGE	CHK BY	DATE
A	53737	ADDED NOTE 12, ITEMS 15 & 16	AA	9 JUL 54
B	56608	1.555 ± .003 WAS 1.555 ± .003	AA	16 JAN 55
C	57610	UPDATED NOTE 7	ES	22 APR 55
D	65118	UPDATED DRAWING & ADDED SHTS 243	AA	JAN 57
E	67028	ITEM 5 WAS 337-2316-00, ITEM 7 WAS 002-2314-00 5 WAS BOND ITEM 4 TO ITEMS USING ITEM 7	AA	JUN 58
F	68996	ITEM 24 WAS 176-0022-00	ERS	15 FEB 59
G	79889	PN 276-0687-02 WAS 276-0687-00	MD	16 JUN 59
H	82374	RESISTOR CHANGE ITEM 12	BP	17 APR 59



- 12 APPLY 1.375" LONG TAPE (2 PLACES) ON INNER CAN AS SHOWN. TAPE TO BE FLUSH WITH BOTTOM OF CAN.
  - 13 APPLY ITEM 13 TO INSIDE SURFACE OF ITEM 1 & BOTH SURFACES OF ITEM 2 BEFORE POTTING.
  - 10 SOLDER ITEM 10 IN PLACE TO ITEMS 1 & 2 WITH NOMENCLATURE SIDE OF ITEM 10 FACING INSIDE.
  - 2 & 5 ITEMS 2 & 5 SHALL MAKE ELECTRICAL CONTACT.
  - 1 & 2 ITEMS 1 & 2 SHALL MAKE ELECTRICAL CONTACT.
  - 6 AFTER POTTING, LAPPING & TAPE IF REQ 6 ASSEMBLE & TEST PER MFG PROCEDURE SPEC AND/OR SAMPLE.
  - 5 APPLY ITEM 5 2 PLACES AS SHOWN.
  - WIRE Wires should be dressed to left or right of core as shown.
  - 3 NUMBER INDICATES PIN ON ITEM 9 TO WHICH WIRE IS SOLDERED.
  - 12 LAP SURFACES FLAT WITHIN 3 LIGHT BANDS (11.6 μ IN PER LIGHT BAND) HELIUM LIGHT SOURCE.
  - 1 NOTED SURFACES OF ITEMS 1 2 & 6 TO BE POSITIONED. COPLANAR PRIOR TO POTTING.
- NOTES:

REV: 120-1052-00 SH1 DF3 H

ITEM	PART NUMBER	QTY	DESCRIPTION
15	253-0021-00	AR	TAPE, PRESSURE SENS.
14	162-0589-00	1	INSULATION SLEEVING, ELEC (.750L APPROX)
13	252-0082-00	AR	VARNISH
12	308-0679-00	1	RESISTOR (.051Ω)

ITEM	PART NUMBER	QTY	DESCRIPTION
11	252-0210-00	AR	RESIN, EPOXY
10	388-4823-00	1	CKT BOARD, ATTENUATOR
9	131-1876-00	1	CONNECTOR, RECP, ELEC
8	253-0019-00	AR	TAPE, ADHESIVE .001 x .500 (10.000)
7			
6		1	SEE SHEET 3
5		2	COPPER FOIL TAPE (3.000 x .295) LG
4	342-0333-00	1	INSULATOR, BUSHING (XFMR LOWER)
3		2	SEE SHEET 2
2	202-0215-01	1	CAN, TRANSFORMER, PLATED
1	202-0218-01	1	CAN, TRANSFORMER, PLATED

TEXTRONIX, INC. PROPRIETARY ITEM DRAWING

MAFD BY TEXTRONIX MFD FOR TEXTRONIX

TEXTRONIX, INC. 40 BOX 180 REVENUE, OREGON U.S.A. 97061

DESIGNED BY LAURA GAINER 21 NOV 54  
CHECKED BY R. GIBSON 14 APR 56  
DRAWN BY D. BUDY 15 APR 56

SCALE: 2:1 AG303

MATERIAL: SEE LIST OF MATERIALS

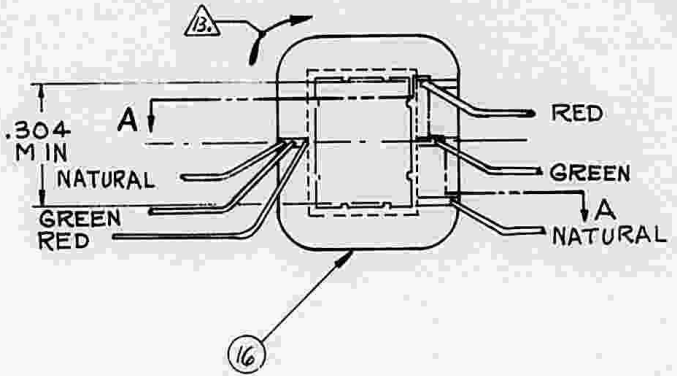
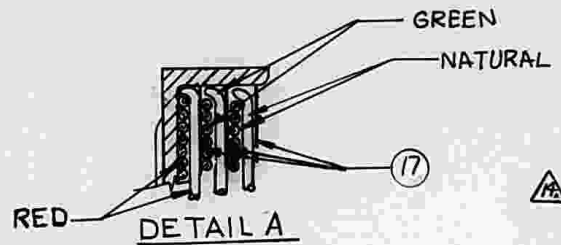
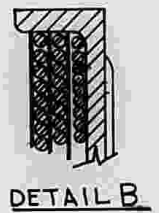
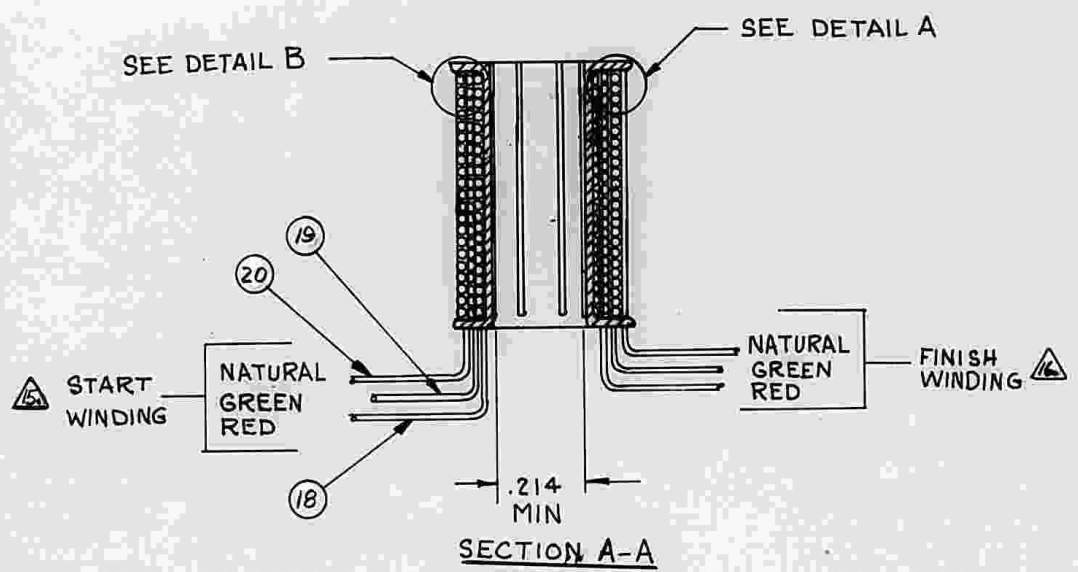
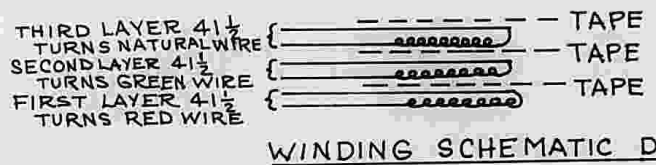
TRANSFORMER SUB-ASSY, CURRENT (LOWER HALF)

80009 D 120-1052-00 SH1 DF3 H

THIS DRAWING WHEN DISTRIBUTED OUTSIDE TEKTRONIX, INC. IS SUPPLIED FOR IDENTIFICATION, ENGINEERING EVALUATION AND INSPECTION PURPOSES ONLY AND MAY NOT BE USED AS A BASIS FOR MANUFACTURE OR SALES OF PRODUCTS WITHOUT WRITTEN PERMISSION FROM TEKTRONIX, INC.

IF THIS DRAWING IS FURNISHED UNDER ANY UNITED STATES GOVERNMENT CONTRACT, IT SHALL NOT BE EITHER RELEASED OUTSIDE THE GOVERNMENT OR USED, DUPLICATED OR DISCLOSED IN WHOLE OR IN PART FOR MANUFACTURE OR PROCUREMENT, WITHOUT THE WRITTEN PERMISSION OF TEKTRONIX, INC. EXCEPT FOR (1) EMERGENCY REPAIR OR OVERHAUL WORK BY OR FOR THE GOVERNMENT WHERE THE ITEM OR PROCESS CONCERNED IS NOT OTHERWISE REASONABLY AVAILABLE TO ENABLE TIMELY PERFORMANCE OF THE WORK; OR (2) RELEASE TO A FOREIGN GOVERNMENT AS THE INTERESTS OF THE UNITED STATES MAY REQUIRE PROVIDED THAT IN EITHER CASE THE RELEASE, USE, DUPLICATION OR DISCLOSURE HEREOF SHALL BE SUBJECT TO THE FOREGOING LIMITATIONS. IF THIS DRAWING IS REPRODUCED IN WHOLE OR IN PART, THIS ENTIRE LEGEND BLOCK MUST APPEAR ON ALL REPRODUCED COPIES.

REV	REF	DESCRIPTION OF CHANGE	CHK BY	DATE
-	-	SEE SHEET 1	-	-



- △ LENGTH AFTER TRIMMING 3.250 MIN.
- △ LENGTH AFTER TRIMMING 3.000 MIN.

- △ TRIM TO .630 WIDTH BEFORE ASSEMBLY
  - △ ALL WINDINGS ARE CLOCKWISE AS SHOWN
- NOTES:

PART NUMBER	SH2	REV
120-1052-00	0F3	H

20	176-0034-14	AR	WIRE, ELEC NO 28AWG NATURAL
19	176-0034-15	AR	WIRE, ELEC NO 28 AWG GREEN
18	176-0034-00	AR	WIRE, ELEC NO 28AWG RED
17	253-0065-00	AR	TAPE, PRESS. SENS. .001 X.688
16	276-0217-00	1	FORM, COIL

TEKTRONIX, INC. PROPRIETARY ITEM DRAWING

MFD BY TEKTRONIX  MFD FOR TEKTRONIX

TEKTRONIX, INC. P.O. BOX 500 BEAVERTON, OREGON U.S.A. 97005

DRAWN R. KAINZ 3 NOV 87  
 ENGR W. ROY 3 NOV 87  
 CHKR THADDAK 3 NOV 87  
 PRDD Randy Jones 3 Nov 87

TOLERANCES UNLESS OTHERWISE SPECIFIED  
 DIMENSIONS ARE IN INCHES  
 SCALE 4:1 FIRST USED ON A6303

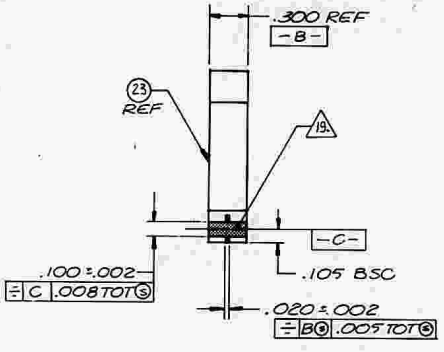
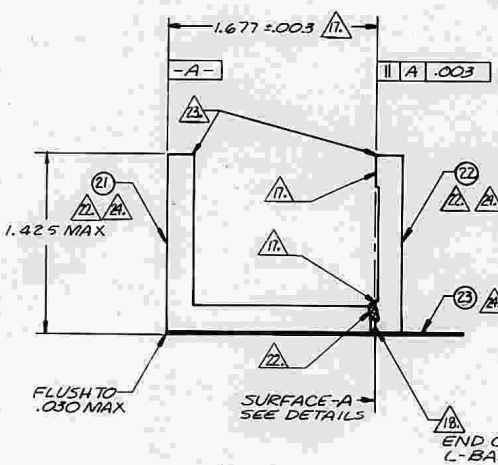
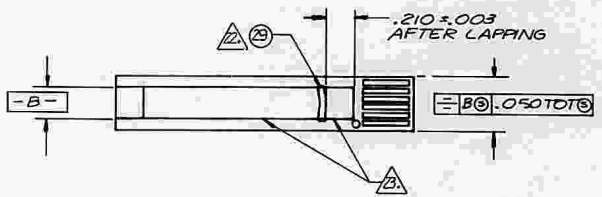
SEE LIST OF MATERIALS

TITLE TRANSFORMER SUB ASSY, CURRENT (LOWER HALF)

CODE IDENT NO	SIZE	PART NUMBER	SH2	REV
80009	C	120-1052-00	0F3	H

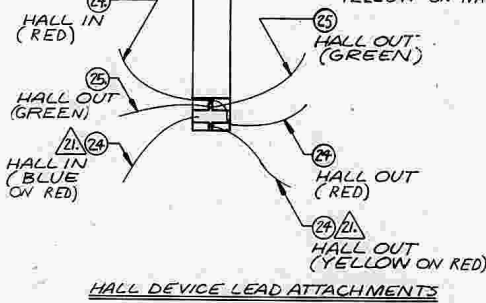
THIS DRAWING IS THE PROPERTY OF TEKTRONIX, INC. IT IS LOANED TO YOU FOR IDENTIFICATION PURPOSES ONLY. IT IS NOT TO BE REPRODUCED OR TRANSMITTED IN ANY FORM OR BY ANY MEANS, ELECTRONIC OR MECHANICAL, INCLUDING PHOTOCOPYING, RECORDING, OR BY ANY INFORMATION STORAGE AND RETRIEVAL SYSTEM. ANY UNAUTHORIZED REPRODUCTION OR TRANSMISSION OF THIS DRAWING IS STRICTLY PROHIBITED. THE GOVERNMENT HAS CERTIFIED THAT THIS DRAWING IS NOT CONTAINING INFORMATION OF A NATURE WHICH IS UNLAWFULLY OBTAINABLE BY AN INDIVIDUAL OR ENTITY OTHER THAN THE GOVERNMENT. THE GOVERNMENT HAS CERTIFIED THAT THIS DRAWING IS NOT CONTAINING INFORMATION OF A NATURE WHICH IS UNLAWFULLY OBTAINABLE BY AN INDIVIDUAL OR ENTITY OTHER THAN THE GOVERNMENT. THE GOVERNMENT HAS CERTIFIED THAT THIS DRAWING IS NOT CONTAINING INFORMATION OF A NATURE WHICH IS UNLAWFULLY OBTAINABLE BY AN INDIVIDUAL OR ENTITY OTHER THAN THE GOVERNMENT. THE GOVERNMENT HAS CERTIFIED THAT THIS DRAWING IS NOT CONTAINING INFORMATION OF A NATURE WHICH IS UNLAWFULLY OBTAINABLE BY AN INDIVIDUAL OR ENTITY OTHER THAN THE GOVERNMENT.

REV	REF	DESCRIPTION OF CHANGE	CHK BY	DATE
---	---	SEE SHEET 1	---	---

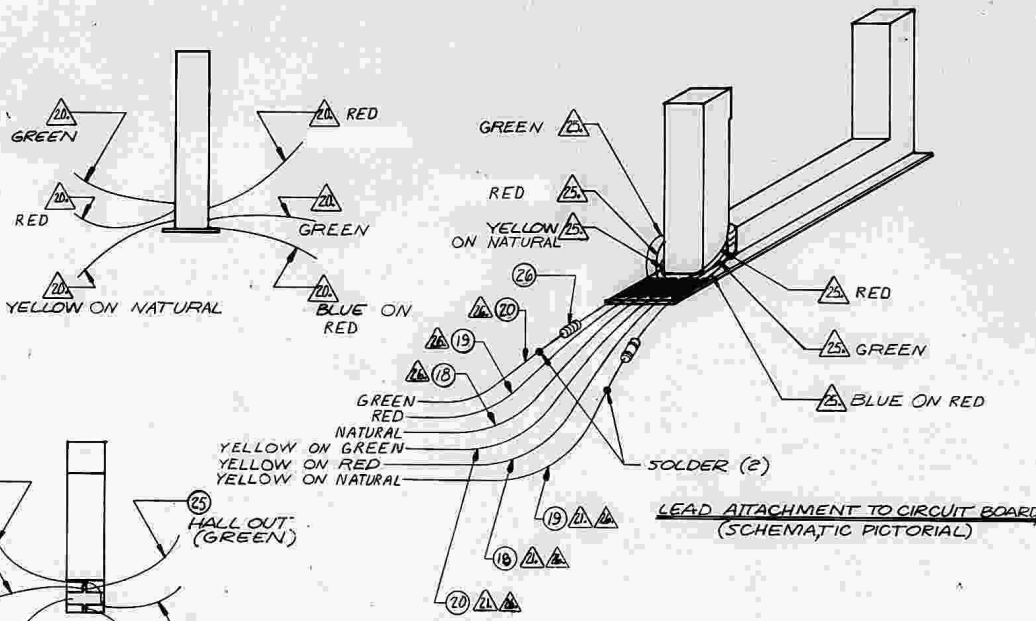


HALL DEVICE DETAIL

SURFACE -A- DETAILS



HALL DEVICE LEAD ATTACHMENTS



- ▲ MIN FREE LENGTH 1.500.
- ▲ ENCAPSULATE WIRES WITH ITEM 27, SILICONE ADHESIVE AFTER SOLDERING. SILICONE ADHESIVE MUST NOT EXCEED EDGES OF ITEM 23.
- ▲ BOND ITEM 23 TO ITEMS 21 AND 22 WITH ITEM 28.
- ▲ THESE SURFACES TO BE ALIGNED WITHIN .003.
- ▲ ASSEMBLE ITEMS 21 AND 22 WITH ITEM 29, ADHESIVE MAY EXCEED ADJACENT SURF OF L-BAR .030 MAX.
- ▲ LEAD IS PAINTED APPROPRIATE COLOR AT ASSEMBLY PER MANUFACTURING OPNL RCD.
- ▲ MIN FREE LENGTH .500.
- ▲ 60. IN (REF) IN S6 N-TYPE RH = 340/RT.
- ▲ THIS SURFACE TO BE LAPPED FLAT WITHIN 4 LIGHT BANDS HELIUM LIGHT SOURCE (I.E., IN PER LIGHT BAND) AND INSULATED WITH 000 A LAYER OF SILICONE DIOXIDE.
- ▲ THIS DIMENSION PERTAINS AFTER LAPPING THESE SURFACES.

NOTES : UDS

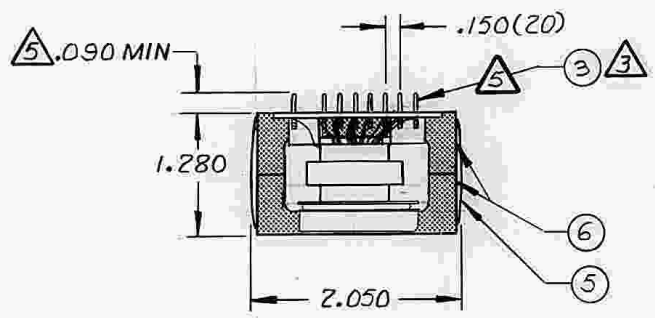
ITEM	PART NUMBER	QTY	DESCRIPTION
▲ 25	006-1757-00	AR	ADHESIVE, EPOXY
▲ 28	006-2314-00	AR	ADHESIVE, CONTACT CEMENT (NOT SHOWN)
▲ 27	006-1171-00	AR	ADHESIVE, SILICONE (NOT SHOWN)
▲ 26	317-0100-00	2	RES 10.2, 125W CARBON
▲ 25	176-0188-00	AR	WIRE, ELEC #41AWG
▲ 24	176-0192-00	AR	WIRE, ELEC #40AWG RED
▲ 23	388-482300	1	CIRCUIT BOARD
▲ 22	276-068702	1	CORE, XFMR (1-BAR)
▲ 21	276-068500	1	CORE, XFMR (L-BAR)

TEKTRONIX, INC. PROPRIETARY ITEM DRAWING  
 MKD BY TEKTRONIX MKD FOR TEKTRONIX  
 TEKTRONIX, INC. P. O. BOX 240 SEASIDE, OREGON U.S.A. 97138  
 R. KAINZ 3/AVB/87  
 DATE 7/18/87  
 DRAWN BY 2/1  
 CHECKED BY 3/NOV/87  
 MATERIALS SEE LIST OF MATERIALS  
 TITLE TRANSFORMER SUB ASSY CURRENT (LOWER HALF)  
 DRAWING NO. 80009 D 120-1052-00 5H3 OF3 H  
 (NOT SCALE DRAWING)

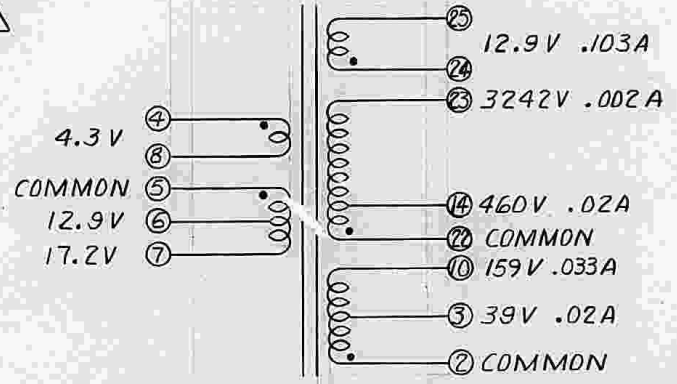
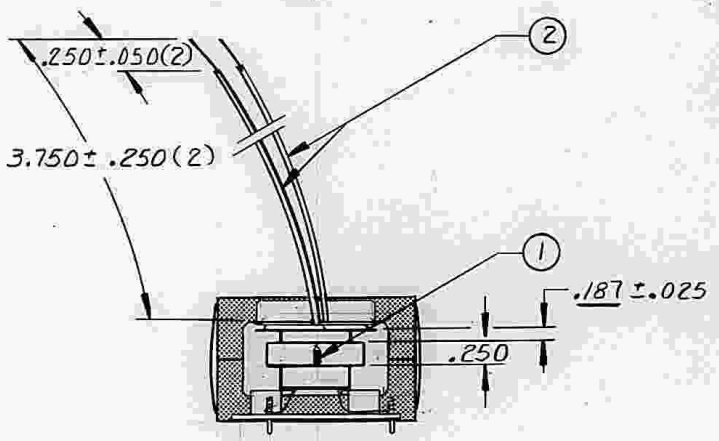
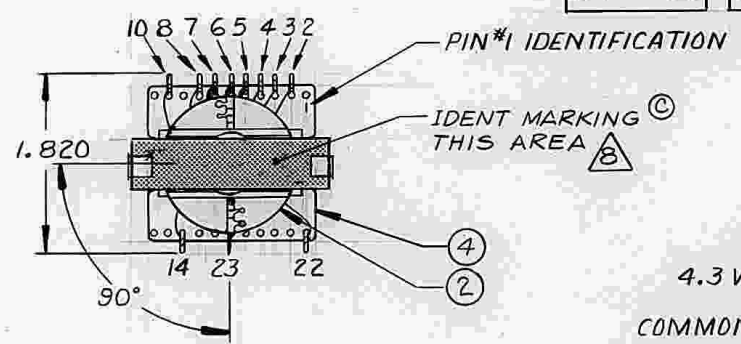
THIS DRAWING WHEN DISTRIBUTED OUTSIDE TEKTRONIX, INC. IS SUPPLIED FOR IDENTIFICATION, ENGINEERING EVALUATION AND/OR INSPECTION PURPOSES ONLY AND MAY NOT BE USED AS A BASIS FOR MANUFACTURE OR SALES OF PRODUCTS WITHOUT WRITTEN PERMISSION FROM TEKTRONIX, INC.  
 IF THIS DRAWING IS FURNISHED UNDER ANY UNITED STATES GOVERNMENT CONTRACT, IT SHALL NOT BE EITHER RELEASED OUTSIDE THE GOVERNMENT, OR USED, DUPLICATED, OR DISCLOSED IN WHOLE OR IN PART FOR MANUFACTURE OR PROCUREMENT, WITHOUT THE WRITTEN PERMISSION OF TEKTRONIX, INC. EXCEPT FOR: (1) EMERGENCY REPAIR OR MAINTENANCE WORK BY OR FOR THE GOVERNMENT, WHERE THE ITEM OR PROCESS CONCERNED IS NOT OTHERWISE REASONABLY AVAILABLE TO ENABLE TIMELY PERFORMANCE OF THE WORK; OR (2) RELEASE TO A FOREIGN GOVERNMENT AS THE INTERESTS OF THE UNITED STATES MAY REQUIRE PROVIDED THAT IN EITHER CASE THE RELEASE, USE, DUPLICATION OR DISCLOSURE HEREOF SHALL BE SUBJECT TO THE FOREGOING LIMITATIONS. IF THIS DRAWING IS REPRODUCED IN WHOLE OR IN PART, THIS ENTIRE LEGEND BLOCK MUST APPEAR ON ALL REPRODUCED COPIES.

REV	REF	DESCRIPTION OF CHANGE	CHK BY	DATE
④	33141	UPDATED DRAWING	SJT	17/1/78
⑤	41258	ITEM ② P/N WAS 175-0918-00 ITEM ③ P/N WAS 276-0225-00 MOVED ITEM ① TO ITEM ③	DD	15 JUN 81
⑥	52601	REVISED DWG. & ADDED NOTE ⑧	DD	3 APR 84

### COIL STRUCTURE OUTSIDE



TYPE WINDING		TERM NO
SEC 24-25	SEC Ø-107-754 T	22-14-23 #36
	PRI 5-6-7 BIFILAR Ø-3-4 T #26	PRI 4-8 1 T #26
3T #26	SEC Ø-9-37 T	2-3-10 #32



OPERATING FREQUENCY: 60 KHZ

⑧ LOCATION AND ORIENTATION ON THIS SURFACE NOT CRITICAL. MUST BE LEGIBLE

⑥ 7. 650-0312-00 CONSISTS OF:  
276-0225-00 FORM, COIL  
175-0918-00 WIRE, #26 AWG  
TEF, CORONA RES BRN

6. VOLTAGE RATINGS ARE PEAK NO LOAD  
CURRENT RATINGS ARE AMPS DC TYP

PART NUMBER	REV
120-1053-00	C

⑤ PINS MUST BE VARNISH FREE

4. TRANSFORMER VACUUM IMPREGNATED  
IN SILICONE VARNISH, 252-0169-00

③ BEND TERMINALS 2 THRU 22  
2. POLARITY PER SCHEMATIC

1. DIMENSIONS REFERENCE UOS

NOTES:

TEKTRONIX, INC.		P. O. BOX 500 BEAVERTON, OREGON U.S.A. 97005	
DWN J. NAGODE	22 JAN 76	DIMENSIONS ARE IN INCHES/MILL Tolerances Unless Otherwise Specified	
ENGR S. WOODFALL	17 FEB 77	SCALE	FIRST USED ON
CHKR S. WOODFALL	7 FEB 77	1:1	606
PROD J. MUSEY	17 FEB 77	MATERIAL SEE LIST OF MATERIALS	
FINISH			
TITLE TRANSFORMER, POWER, SDN & SU (HIGH VOLTAGE)			
CODE IDENT NO	SIZE	PART NUMBER	REV
80009	C	120-1053-00	C

ITEM	PART NUMBER	QTY	DESCRIPTION
6	276-0696-00	1	CORE, EM("E" FERRITE)
	276-0697-00	1	CORE, EM("E" FERRITE)
5	343-0682-01	2	CLAMP, TRANSFORMER
4	392-0228-00	1	TERMINAL, BOARD
3	131-0827-00	10	CONTACT, ELECTRICAL
2	650-0312-00		BOBBIN ASSEMBLY
1	210-0296-00	1	LUG, TERMINAL

TEKTRONIX SAFETY CONTROLLED PART  
 THIS PART IS CONTROLLED TO INSURE MAINTENANCE OF SAFETY CHARACTERISTICS  
 DESIGNED INTO A TEK PRODUCT. TO CONTINUE MAINTENANCE ANY CHANGES IN MATERIALS,  
 SPECIFICATIONS, VENDORS, QTY VENDORS, PART NUMBERS, MUST BE EVALUATED, AND  
 APPROVED BY THE LINE MANAGER FOR EACH PRODUCT IN WHICH THIS IS A CONTROLLED  
 PART.

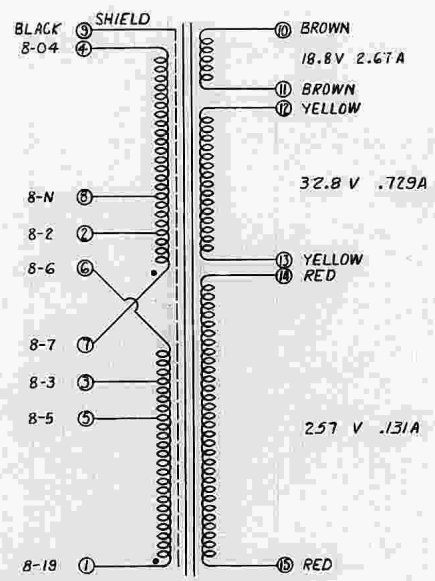
52-39 D

THIS DRAWING WHEN DISTRIBUTED OUTSIDE TERRYTRON, INC. IS EMPLOYED FOR IDENTIFICATION, ENGINEERING, REPRODUCTION PURPOSES. IT IS NOT TO BE USED AS A BASIS FOR MANUFACTURE OF SALES OR REPAIR PARTS UNLESS THE PURCHASER HAS A WRITTEN AGREEMENT WITH TERRYTRON, INC. FOR SUCH PURPOSES. THIS DRAWING IS THE PROPERTY OF TERRYTRON, INC. AND IS NOT TO BE REPRODUCED OR TRANSMITTED IN ANY FORM OR BY ANY MEANS, ELECTRONIC OR MECHANICAL, INCLUDING PHOTOCOPYING, RECORDING, OR BY ANY INFORMATION STORAGE AND RETRIEVAL SYSTEM, WITHOUT THE WRITTEN PERMISSION OF TERRYTRON, INC. A PERSON WHO TRANSMITS OR RECEIVES THIS DRAWING IN VIOLATION OF THE ABOVE CONDITIONS OF USE SHALL BE LIABLE TO TERRYTRON, INC. FOR DAMAGES INCURRED BY IT AS A RESULT OF SUCH VIOLATION. THIS DRAWING IS THE PROPERTY OF TERRYTRON, INC. AND IS NOT TO BE REPRODUCED OR TRANSMITTED IN ANY FORM OR BY ANY MEANS, ELECTRONIC OR MECHANICAL, INCLUDING PHOTOCOPYING, RECORDING, OR BY ANY INFORMATION STORAGE AND RETRIEVAL SYSTEM, WITHOUT THE WRITTEN PERMISSION OF TERRYTRON, INC. A PERSON WHO TRANSMITS OR RECEIVES THIS DRAWING IN VIOLATION OF THE ABOVE CONDITIONS OF USE SHALL BE LIABLE TO TERRYTRON, INC. FOR DAMAGES INCURRED BY IT AS A RESULT OF SUCH VIOLATION.

REV	REP	DESCRIPTION OF CHANGE	CHK BY	DATE
A	37083	5.5 WAS 6.0 & 3.0 WAS 3.5	LF	23JUL79
B	40699	MOVED ITEM 4 TO OTHER SIDE	KE	29SEP80
C	42385	CORRECTED VIEW (ITEM 4)	DD	11APR81
D	45018	REMOVED ITEM 1	DD	18MAR82
E	50389	ITEM 6 WAS ENAMEL (BLACK)	DD	2MAR83
F	51689	REVISED DWG., UPDATED NOTE $\Delta$ ITEM 5 WAS 334-2832-00. REMOVED ITEM G	DD	29NOV83
G	DeCamp	RMV TEK P/N'S FROM DWG		19AUG87

PART NUMBER  
(120-1054-00)  
DATE CODE  
THIS SURFACE

LINE TO 1-4	CONNECT
100V	1 TO 8, 4 TO 5
110V	1 TO 2, 4 TO 3
120V	1 TO 7, 4 TO 6
200V	5 TO 8
220V	2 TO 3
240V	6 TO 7



PRIMARY  
100, 110, 120,  
200, 220, &  
240V ± 10%,  
50-400 HZ

COIL STRUCTURE  
INSIDE

LEAD NO	TURNS	AWG	DCR(Ω) 20°C TYP
1-5-3	0-335-368	27	9.9
-6	-402		(1-6)
7-2-8	0-34-67	27	9.9
-4	-402		(7-4)
9	SHIELD		
* 14-15	860	32	7.4
* 10-11	64	20	.383
* 12-13	110	23	1.31

\* SERIES CONNECTED

LEADS  
\* LEAD WIRE \*\* INSULATION SLEEVING

LEAD NO	COLOR	STRIP & TIN ±.125
* 1	8-19	.500
* 2	8-2	
* 3	8-3	
* 4	8-04	
* 5	8-5	
* 6	8-6	
* 7	8-7	
* 8	8-N	
* 9	BLK	
** 10-11	BRN	1.000
** 12-13	YEL	1.000
* 14-15	RED	1.000

6. DIELECTRIC WITHSTANDING VOLTAGE:  
2KV RMS, 50 TO 60 Hz, 1 MINUTE,  
PRIMARIES TO SECONDARIES, SHIELD,  
AND CORE

PART NUMBER 120-1054-00 REV G

- WINDINGS INSULATED FOR 600 V DC
- TRANSFORMER VACUUM IMPREGNATED WITH VARNISH SCHENECTADY ISONEL 31 OR APPROVED EQUIVALENT
- VOLTAGE RATINGS ARE RMS NO LOAD. CURRENT RATINGS ARE AMPS DC TYP
- POLARITY PER SCHEMATIC
- DIMENSIONS REFERENCE U O S

NOTES:

TEKTRONIX, INC. P. O. BOX 199 SEASIDE, OREGON U.S.A. 97138

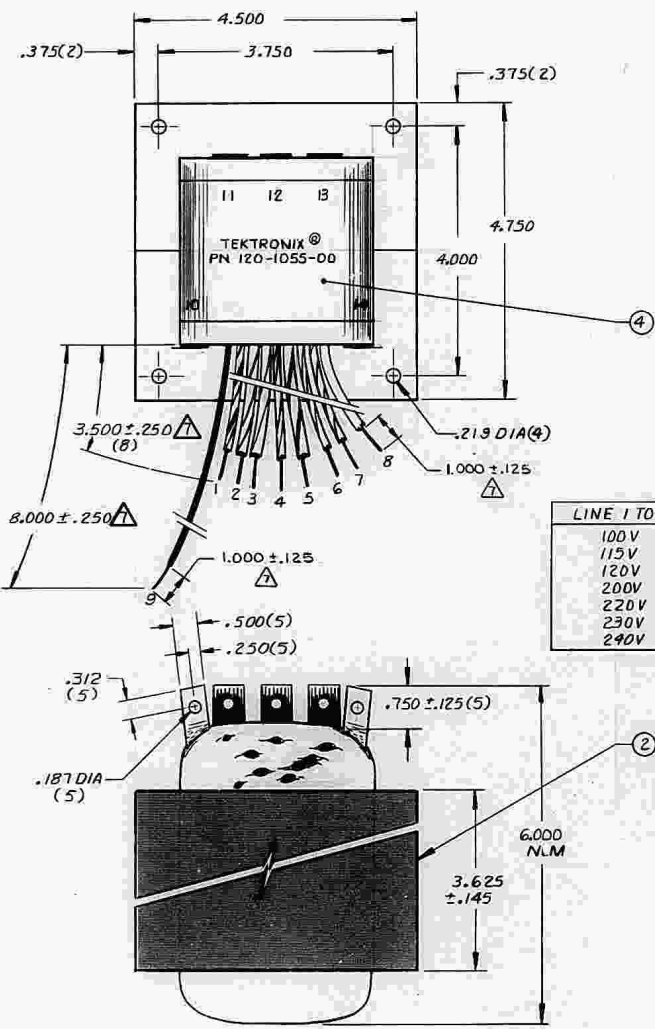
DWG. NO. 120-1054-00 4 FEB 76 DIMENSIONS ARE IN INCHES  
TOLERANCES UNLESS OTHERWISE SPECIFIED  
DIM. 3 1/2 300 0.010 17 FEB 77 DEC. 1/16 1/16  
MFG. T. MALISEY 17 FEB 77 SCALE 1:1 PART NUMBER 606  
MATERIAL  
SEE LIST OF MATERIALS  
FINISH NOTED  $\Delta$   
TITLE TRANSFORMER, POWER, SDN & SU  
CODE (DATE) NO. SIZE PART NUMBER 80009 D 120-1054-00 REV G  
DO NOT SCALE DRAWING

ITEM	PART NUMBER	QTY	DESCRIPTION
7		2	PLATE, INSULATOR
6			
5		1	MARKER, IDENTIFICATION
4		1	CLIP, SEAL
3		AR	STRAPPING
2		1	CORE, EM (C CORE)
1			

TERRYTRON SAFETY CONTROLLED PART  
THIS PART IS CONTROLLED BY TERRYTRON, INC. AND IS NOT TO BE REPRODUCED OR TRANSMITTED IN ANY FORM OR BY ANY MEANS, ELECTRONIC OR MECHANICAL, INCLUDING PHOTOCOPYING, RECORDING, OR BY ANY INFORMATION STORAGE AND RETRIEVAL SYSTEM, WITHOUT THE WRITTEN PERMISSION OF TERRYTRON, INC. A PERSON WHO TRANSMITS OR RECEIVES THIS DRAWING IN VIOLATION OF THE ABOVE CONDITIONS OF USE SHALL BE LIABLE TO TERRYTRON, INC. FOR DAMAGES INCURRED BY IT AS A RESULT OF SUCH VIOLATION.

50-81 I

REV	REF	DESCRIPTION OF CHANGE	CHK BY	DATE
A	39451	NOTE A WAS TIN ±.125	LL	26 FEB 80
B	4501B	REMOVED ITEM 1	DD	18 MAR 82
C	50496	NOTE 5 WAS 2KV & UPDATED ITEM ⑤	DD	22 JUN 83
D	51689	LEAD NO.9 OF NOTE A WAS 162-0504-00 REVISED DWG., UPDATED NOTE A & REMOVED ITEM 3	DD	3 FEB 84

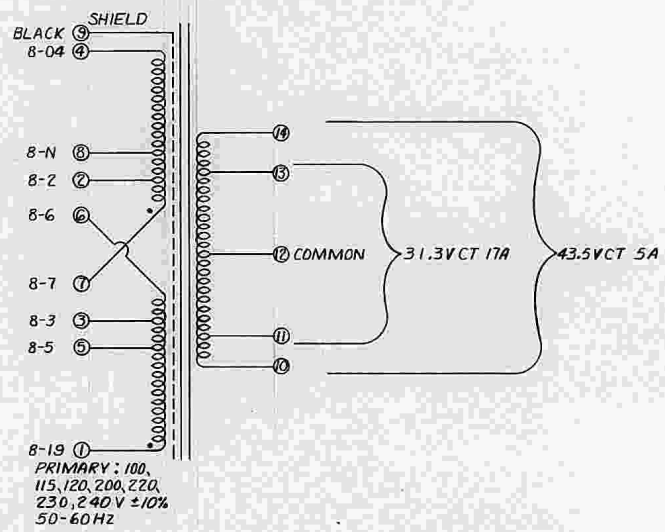


**COIL STRUCTURE**  
OUTSIDE

TYPE	WINDING	LEAD NO
SEC	10-11	SEC 13-14
GT	*	GT *
SEC	12-13	SEC 11-12
16T	*	16T *
SHIELD		9
PRI	7-2-8-4	
0-5-20-122T	*16	
PRI	1-5-3-6	
0-102-117-122T	*16	

\* COPPER STRIP 1.250 x .0108  
INSIDE

LINE 1 TO 4	CONNECT
100V	1 TO 8, 7 TO 5
115V	1 TO 2, 4 TO 3
120V	1 TO 7, 4 TO 6
200V	5 TO 8
220V	6 TO 8
230V	2 TO 3
240V	6 TO 7



① LEADS INSULATION SLEEVING

LEAD NO	COLOR	PART NUMBER	STRIP/TIN ±.125
1	8-19	162-0660-00	1.000
2	8-2	162-0680-00	
3	8-3	162-0683-00	
4	8-04	162-0664-00	
5	8-5	162-0682-00	
6	8-6	162-0666-00	
7	8-7	162-0667-00	
8	8-N	162-0681-00	
9	BLACK	162-0503-00	

- 6. POLARITY PER SCHEMATIC
- ⑤ 5. DIELECTRIC WITHSTANDING VOLTAGE : 1.5KV RMS 50 TO 60HZ 1 MINUTE PRIMARIES TO SECONDARIES SHIELD AND CORE

PART NUMBER	REV
120-1055-00	D

- 4. VOLTAGE RATINGS ARE RMS NO LOAD. CURRENT RATINGS ARE AMPS DC TYP
- 3. WINDINGS INSULATED FOR 600 V DC
- ② TRANSFORMER VACUUM IMPREGNATED WITH VARNISH 252-0082-00 OR APPROVED EQUIVALENT
- 1. DIMENSIONS REFERENCE UNLESS OTHERWISE SPECIFIED

NOTES :

TEKTRONIX, INC.		D. O. BOX 988 BEAVERTON, OREGON U.S.A. 97005	
DR. J. NAGODE	1 FEB 76	DIMENSIONS ARE IN INCHES TOLERANCES UNLESS OTHERWISE SPECIFIED	
ENGR. R. COGAN	25 MAR 77	SCALE	FIRST USED ON
CHK. J. WOODSALL	25 APR 77	1:1	4081
PROD. E. HANE	25 MAR 77	MATERIAL	
SEE LIST OF MATERIALS			

4	334-2849-00	1	MARKER IDENTIFICATION
3			
2	386-0015-00	AR	PLATE LAMINATION (STEEL)
1			
REV	PART NUMBER	REV	DESCRIPTION

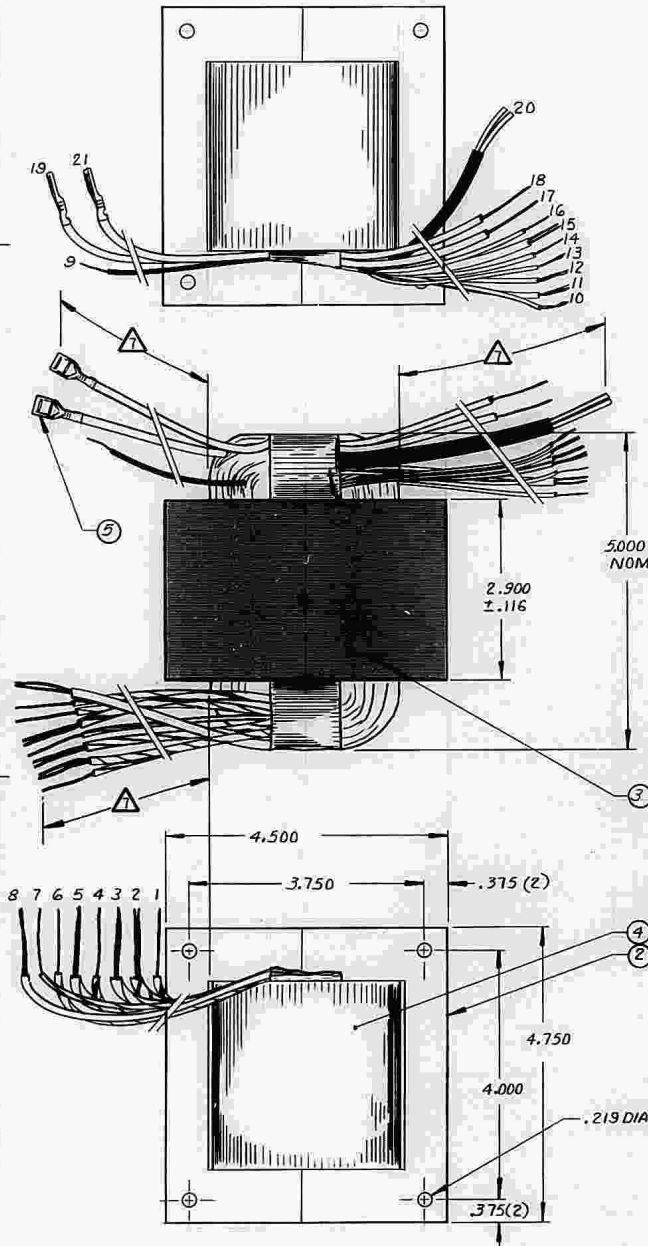
TEKTRONIX SAFETY CONTROLLED PART  
THIS PART IS CONTROLLED BY THE DEPARTMENT OF SAFETY CHARACTERISTICS  
REVISIONS WILL BE MADE BY THE DEPARTMENT OF SAFETY CHARACTERISTICS  
APPROVED BY THE LINE MANAGER FOR EACH PRODUCT IN WHICH THIS IS CONTROLLED  
PART

FINISH	NOTED A
TITLE	TRANSFORMER, POWER, STPDN
DATE ORDERED	REV
80099 D	D
PART NUMBER	REV
120-1055-00	D
DO NOT SCALE OR WRITE	



50-123 E

REV	REV	DESCRIPTION OF CHANGE	CHK BY	DATE
(A)	4-1843	ADDED $\blacklozenge$ LENGTH TOL $\pm .500$	LL	29 OCT 80
(B)	4-5018	REMOVED ITEM 1	DD	18 MAR 82
(C)	50496	NOTE 5 WAS 2KV & UPDATED ITEM (3)	DD	22 JUN 83
(D)	51689	REVISED DWG., UPDATED NOTE (A) REMOVED ITEM 3	DD	22 NOV 83



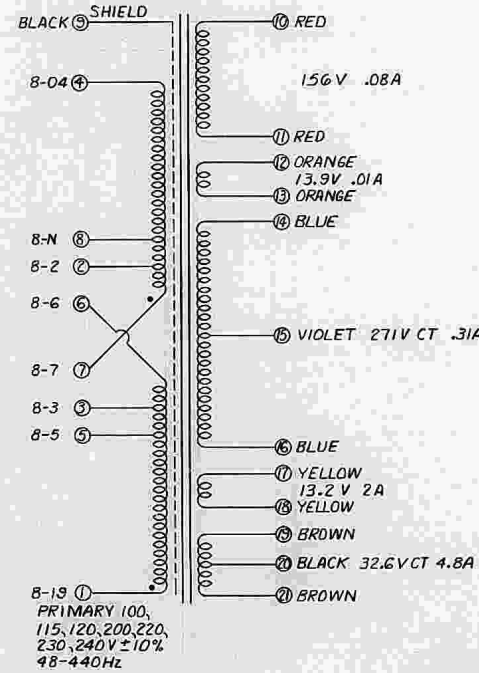
## COIL STRUCTURE

## OUTSIDE

TYPE WINDING	LEAD NO
SEC	19-20-21
$\emptyset$ -21-42T	*12
SEC	17-18
17T	*16
SEC	14-15-16
$\emptyset$ -175-350T	*24
SEC	12-13
18T	*29
SEC	10-11
201T	*29
SHIELD	9
PRI	7-2-8-4
$\emptyset$ -6-26-155T	*17
PRI	1-5-3-6
$\emptyset$ -129-149-155T	*17

## INSIDE

LINE TO 1-4	CONNECT
100V	1 TO 8, 4 TO 5
115V	1 TO 2, 4 TO 3
120V	1 TO 7, 4 TO 6
200V	5 TO 8
220V	5 TO 7
230V	2 TO 3
240V	6 TO 7



(A)  $\blacklozenge$  LEAD LENGTHS: STRIP  $\pm .125$   
INSUL. SLVG. ELEC. \* WIRE ELEC. (INSULATED)  
CONNECTOR.  $\blacklozenge$  LENGTH TOL  $\pm .500$

LEAD NO	COLOR	PART NUMBER	LENGTH $\pm .250$ U.S.	STRIP $\pm .125$ U.S.
1	8-19	162-0660-00	9.000	1.000
2	8-2	162-0680-00	11.000	1.000
3	8-3	162-0683-00		
4	8-04	162-0654-00		
5	8-5	162-0682-00		
6	8-6	162-0666-00	5.500	.500
7	8-7	162-0667-00		
8	8-N	162-0681-00	12.500	.500
9	BLK	162-0504-00		
* 10,11	RED	175-0922-00	12.500	.500
* 12,13	ORN	175-0950-00		
14,16	BLU	162-0524-00	9.500	1.000
15	VID	162-0684-00		
17,18	YEL	162-0514-00	9.500	1.000
▲ 19	BRN	162-0550-00		
20	BLK	162-0621-00	15.000	1.000
▲ 21	BRN	162-0550-00	10.500	—

6. POLARITY PER SCHEMATIC

(C) 5. DIELECTRIC WITHSTANDING VOLTAGE:  
1.5KV RMS, 50 TO 60 Hz, 1 MINUTE,  
PRIMARYS TO SECONDARIES, SHIELD,  
AND CORE

4. VOLTAGE RATINGS ARE RMS NO LOAD.  
CURRENT RATINGS ARE AMPS DC TYP

3. WINDINGS INSULATED FOR 600 V DC

(D) 2. TRANSFORMER VACUUM IMPREGNATED  
WITH VARNISH 252-0082-00 OR  
APPROVED EQUIVALENT

1. DIMENSIONS REFERENCE UNLESS  
OTHERWISE SPECIFIED

NOTES:

TEKTRONIX, INC.		P. O. BOX 508 BEAVERTON, OREGON U.S.A. 97005	
DR. J. NAGODE	18 FEB 76	DESIGNED BY	CHKD
ENGR. R. COOPER	20 MAR 77	TRANSFORMER LAYOUT	DESIGNED BY
DR. J. WINDSPALL	05 AUG 77	SCALE	ANG
PROG. & DRAWING	8-22-77	SCALE	ANG
MATERIAL		SCALE	ANG

SEE LIST OF MATERIALS

NOTED  $\blacklozenge$ TITLE: TRANSFORMER POWER,  
SDN & SU (DISPLAY)

CODE IDENT NO: 80009 D PART NUMBER: 120-1056-00 REV: D

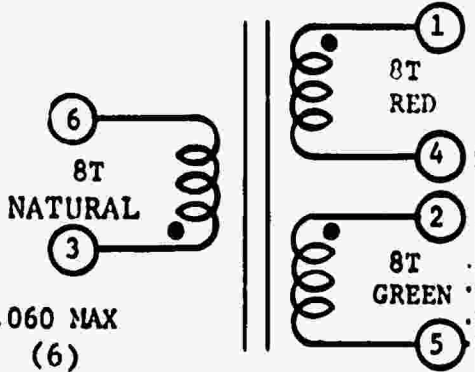
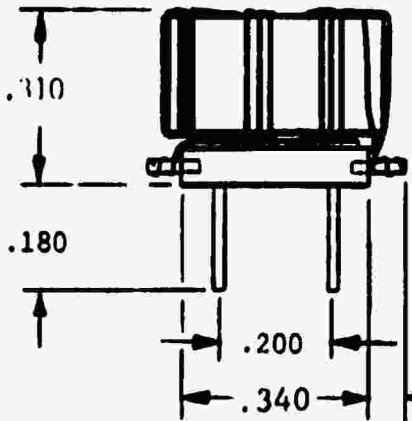
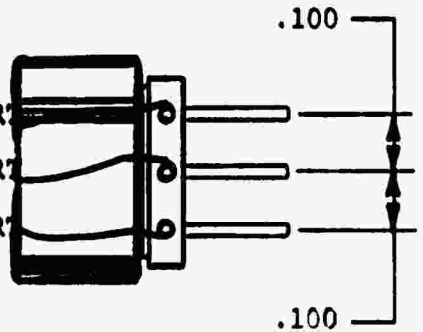
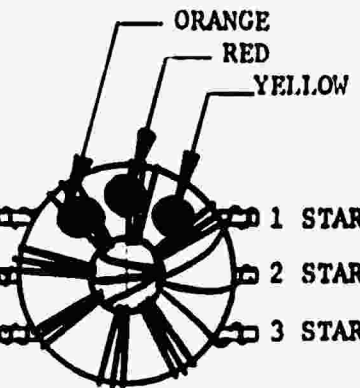
5	131-1159-00	2	CONNECTOR, RECP, ELEC
4	334-4645-00	1	MARKER, IDENTIFICATION
3	—	—	—
2	386-0015-00	RR	PLATE, LAMINATION (STEEL)
1	—	—	—

TEKTRONIX SAFETY CONTROLLED PART  
THIS PART IS CONTROLLED TO MAINTAIN THE SAFETY OF THE USER. IT IS THE RESPONSIBILITY OF THE USER TO FOLLOW THE INSTRUCTIONS AND PRECAUTIONS FOR THE USE OF THIS PRODUCT. IT IS THE RESPONSIBILITY OF THE USER TO FOLLOW THE INSTRUCTIONS AND PRECAUTIONS FOR THE USE OF THIS PRODUCT. IT IS THE RESPONSIBILITY OF THE USER TO FOLLOW THE INSTRUCTIONS AND PRECAUTIONS FOR THE USE OF THIS PRODUCT.

ITEM	PART NUMBER	QTY	DESCRIPTION
1			

DO NOT SCALE DRAWING

COLOR CODE



DATA:  
 CODE TD-324  
 CORE 276-0614-00  
 HOLDER 352-0138-00

WIRE DATA		
TURNS	AWG	PART NUMBER
8 )	31	176-0014-00
8 ) TRIFILAR	31	176-0014-15
8 )	31	176-0014-14

75-94B

PART NUMBER  
**120-1057-00**

REV  
**A**

THIS DRAWING WHEN DISTRIBUTED OUTSIDE TEKTRONIX INC IS SUPPLIED FOR IDENTIFICATION ENGINEERING EVALUATION AND/OR INSPECTION PURPOSES ONLY AND MAY NOT BE USED AS A BASIS FOR MANUFACTURE OR SALES OF PRODUCTS WITHOUT WRITTEN PERMISSION FROM TEKTRONIX INC IF THIS DRAWING IS FURNISHED UNDER ANY UNITED STATES GOVERNMENT CONTRACT IT SHALL NOT BE EITHER RELEASED OUTSIDE THE GOVERNMENT OR USED, DUPLICATED OR DISCLOSED IN WHOLE OR IN PART FOR MANUFACTURE OR PROCUREMENT WITHOUT THE WRITTEN PERMISSION OF TEKTRONIX INC EXCEPT FOR (1) EMERGENCY REPAIR OR OVERHAUL WORK BY OR FOR THE GOVERNMENT WHERE THE ITEM OR PROCESS CONCERNED IS NOT OTHERWISE REASONABLY AVAILABLE TO ENABLE TIMELY PERFORMANCE OF THE WORK OR (2) RELEASE TO A FOREIGN GOVERNMENT AS THE INTERESTS OF THE UNITED STATES MAY REQUIRE PROVIDED THAT IN EITHER CASE THE RELEASE USE, DUPLICATION OR DISCLOSURE HEREOF SHALL BE SUBJECT TO THE FOREGOING LIMITATIONS IF THIS DRAWING IS REPRODUCED IN WHOLE OR IN PART THIS ENTIRE LEGEND BLOCK MUST APPEAR ON ALL REPRODUCED COPIES

REV / BY / REF	DESCRIPTION OF CHANGE	CHK BY / DATE
(A) DG 50482	REVISED DWG. UPDATED NOTES 2,4	13 DEC 83

4. PRINTED PART NUMBER (-1057) MAY BE USED INSTEAD OF COLOR CODE
3. TRANSFORMER COATED WITH 006-1109-00, OR APPROVED EQUIVALENT
2. INDUCTANCE RANGE 476 TO 794 μH ON ESI 252 OR APPROVED EQUIVALENT ON 8TURN WINDING
1. DIMENSIONS REFERENCE UNLESS OTHERWISE SPECIFIED.

NOTES:

**TEKTRONIX, INC.** P. O. BOX 800  
 BEAVERTON, OREGON U.S.A. 97077

OWN	J. NAGODE	23 FEB 76	DIMENSIONS ARE IN INCHES	
ENGR	L. Clem	22 Dec 76	TOLERANCES UNLESS OTHERWISE SPECIFIED	
CHKR	J. WOODFALL	22 DEC 76	DEC	ANLR
PROD	James Harwell	12-22-76	SCALE	FIRST USED ON
			3:1	1405 TV SB

MATERIAL LISTED

FINISH NOTED

TITLE

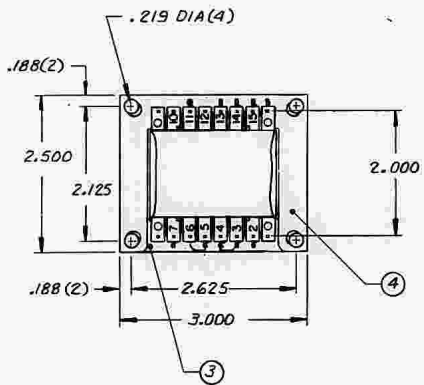
TRANSFORMER, RF (TOROIDAL)

CODE IDENT NO <b>80009</b>	SIZE <b>A</b>	PART NUMBER <b>120-1057-00</b>	REV <b>A</b>
-------------------------------	------------------	-----------------------------------	-----------------

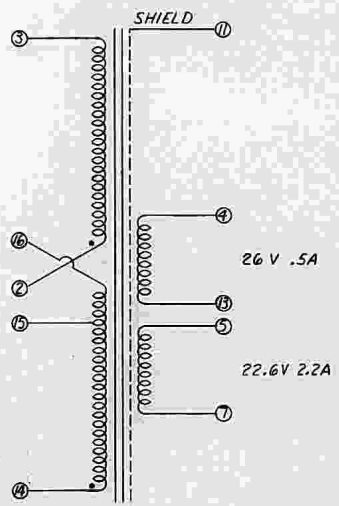
51-111 D

THIS DRAWING WHEN DISTRIBUTED OUTSIDE TEKTRONIX, INC. IS SUPPLIED FOR IDENTIFICATION, ENGINEERING, PRODUCTION, AND MAINTENANCE PURPOSES ONLY. IT IS NOT TO BE USED AS A BASIS FOR THE MANUFACTURE OF REPLICAS OF PRODUCTS OF TEKTRONIX, INC. WITHOUT THE WRITTEN PERMISSION OF TEKTRONIX, INC. IF THIS DRAWING IS USED FOR REPLICAS OF PRODUCTS OF TEKTRONIX, INC. WITHOUT THE WRITTEN PERMISSION OF TEKTRONIX, INC. THE USER ASSUMES ALL LIABILITY FOR ANY DAMAGE OR INJURY TO PERSONS OR PROPERTY THAT MAY BE CAUSED BY THE REPLICAS OF PRODUCTS OF TEKTRONIX, INC. WITHOUT THE WRITTEN PERMISSION OF TEKTRONIX, INC. THE USER ASSUMES ALL LIABILITY FOR ANY DAMAGE OR INJURY TO PERSONS OR PROPERTY THAT MAY BE CAUSED BY THE REPLICAS OF PRODUCTS OF TEKTRONIX, INC. WITHOUT THE WRITTEN PERMISSION OF TEKTRONIX, INC.

REV	REF	DESCRIPTION OF CHANGE	CHK BY	DATE
(A)	39049	DELETED NOTE 7	LL	2 JAN 80
(B)	45018	REMOVED ITEM 2	DD	18 MAR 82
(C)	46227	ADDED SAFETY LABEL	PV	19 APR 82
(D)	50496	NOTE 6 WAS 2 KV ADDED NOTE 8	DD	22 JUN 83
(E)	47612	ITEM 5 WAS 334-2874-00	DD	13 JUL 83
(F)	51689	REVISED DWG. & UPDATED NOTE (A)	DD	5 JAN 84

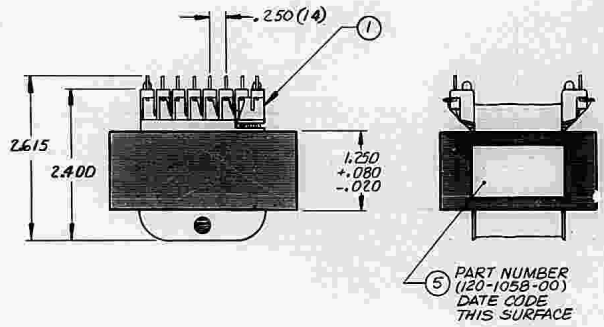


VOLTS	LINE	CONNECT
101	2-15	2 TO 14 3 TO 16
119	2-16	2 TO 14 3 TO 16
220	2-15	3 TO 14
238	2-16	3 TO 14



**COIL STRUCTURE OUTSIDE**

TYPE WINDING	TERM NO
SEC Ø-94T	5-7 #23
SEC 10BT	4-13 #26
SHIELD	11
PRI 495T	2-3 #29
PRI Ø-420-495T	14-15-16 #29



PRIMARY  
101, 119, 220,  
238 V ± 11%  
50-60 Hz

**TEKTRONIX SAFETY CONTROLLED PART**  
THIS PART IS CONTROLLED TO INSURE MAINTENANCE OF SAFETY CHARACTERISTICS DESIGNED INTO A TEK PRODUCT. TO CONTINUE MAINTENANCE, ANY CHANGES IN MATERIALS, SPECIFICATIONS, VENDORS, OR VENDOR PART NUMBERS MUST BE EVALUATED AND APPROVED IN EACH APPLICATION IN WHICH THIS IS A CONTROLLED PART.

- (C) THIS PART IS CONTROLLED TO INSURE MAINTENANCE OF SAFETY CHARACTERISTICS DESIGNED INTO A TEK PRODUCT. TO CONTINUE MAINTENANCE, ANY CHANGES IN MATERIALS, SPECIFICATIONS, VENDORS, OR VENDOR PART NUMBERS MUST BE EVALUATED AND APPROVED IN EACH APPLICATION IN WHICH THIS IS A CONTROLLED PART.
- (D) 8. ORIENTATION OF KEEPER OPTIONAL.
- (A) 7. DELETED

- 6. DIELECTRIC WITHSTANDING VOLTAGE: 1.5 KV RMS, 50 TO 60 Hz 1 MINUTE PRIMARIES TO SECONDARIES, SHIELD, AND CORE
- 5. WINDINGS INSULATED FOR 600 VDC

PART NUMBER	REV
120-1058-00	F

- 4. VOLTAGE RATINGS ARE RMS NO LOAD CURRENT RATINGS ARE AMPS DC TVP
- (E) (A) TRANSFORMER VACUUM IMPREGNATED WITH VARNISH 252-0082-DD OR APPROVED EQUIVALENT
- 2. POLARITY PER SCHEMATIC
- 1. DIMENSIONS REFERENCE UNLESS OTHERWISE SPECIFIED

NOTES:

TEKTRONIX, INC.		P. O. BOX 340 BEAVERTON, OREGON U.S.A. 97005	
DR. J. NACODE	14 APR 78	DIMENSIONS ARE IN INCHES	TOLERANCES UNLESS OTHERWISE SPECIFIED
ENGR. D. W. WILSON	22 FEB 78	DEC	ANG
CHK. S. W. WILSON	22 FEB 78	DEC	ANG
PROD. E. P. WILSON	22 FEB 78	DEC	ANG
MATERIAL	1405	DATE USED ON	

SEE LIST OF MATERIALS

(E)	5	334-4645-00	1	MARKER, IDENTIFICATION
	4	386-0030-00	2	PLATE, LAMINATION (STEEL)
	3	386-0029-00	AR	PLATE, LAMINATION (STEEL)
(B)	2			
	1	276-0214-01	1	FORM, COIL

FINISH	NOTED (A)
TITLE	TRANSFORMER, POWER, STP DN
CODE IDENT NO	80009
SIZE	D
PART NUMBER	120-1058-00
REV	F

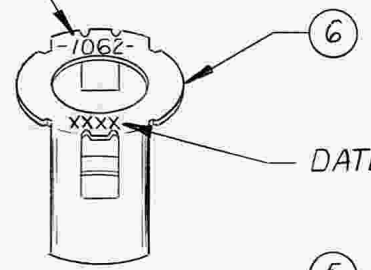
75-64

REV A  
PART NUMBER 120-1062-00

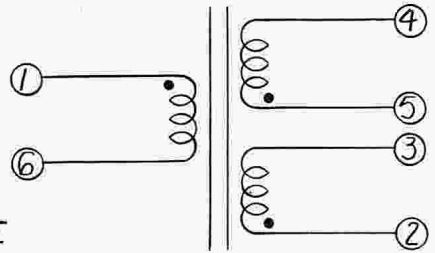
THIS DRAWING WHEN DISTRIBUTED OUTSIDE TEKTRONIX, INC., IS SUPPLIED FOR IDENTIFICATION, ENGINEERING EVALUATION AND/OR INSPECTION PURPOSES ONLY AND MAY NOT BE USED AS A BASIS FOR MANUFACTURE OR SALES OF PRODUCTS WITHOUT WRITTEN PERMISSION FROM TEKTRONIX, INC.  
IF THIS DRAWING IS FURNISHED UNDER ANY UNITED STATES GOVERNMENT CONTRACT, IT SHALL NOT BE EITHER RELEASED OUTSIDE THE GOVERNMENT, OR USED, DUPLICATED, OR DISCLOSED IN WHOLE OR IN PART FOR MANUFACTURE OR PROCUREMENT, WITHOUT THE WRITTEN PERMISSION OF TEKTRONIX, INC., EXCEPT FOR: (1) EMERGENCY REPAIR OR OVERHAUL WORK BY OR FOR THE GOVERNMENT, WHERE THE ITEM OR PROCESS CONCERNED IS NOT OTHERWISE REASONABLY AVAILABLE TO ENABLE TIMELY PERFORMANCE OF THE WORK; OR (2) RELEASE TO A FOREIGN GOVERNMENT AS THE INTERESTS OF THE UNITED STATES MAY REQUIRE; PROVIDED THAT IN EITHER CASE THE RELEASE, USE, DUPLICATION OR DISCLOSURE HEREOF SHALL BE SUBJECT TO THE FOREGOING LIMITATIONS. IF THIS DRAWING IS REPRODUCED IN WHOLE OR IN PART, THIS ENTIRE LEGEND BLOCK MUST APPEAR ON ALL REPRODUCED COPIES.

REV	REF	DESCRIPTION OF CHANGE	CHK BY	DATE
A	42154	CHANGED INDUCTANCE	DD	1 DEC 80

PART NUMBER



DATE CODE



WINDINGS	TURNS	AWG	TYP RATINGS		RESISTANCE ±20% AT 20°C
			* VOLTS	AMPS	
1-6	PRI 40 1/2	28	3.40	—	.260 Ω
2-3	SEC 12	28	1.00	.150	.095 Ω
5-4	SEC 12	28	1.00	.150	.100 Ω

\* VOLTS PEAK NO LOAD  
INDUCTANCE: 4.4mH MIN (1-6) PER ESI  
ⓐ 251 DA BRIDGE AT 1KHz, OR EQUIV.  
POLARITY PER SCHEMATIC  
OPERATING FREQUENCY: 25 TO 27 KHz SQ WAVE

NOTES:

- 3. TRANSFORMER VACUUM IMPREGNATED WITH VARNISH 252-0082-00
- 2. TERMINALS TO BE VARNISH FREE
- 1. REFERENCE DIMENSIONS: .605 HIGH X .720 WIDE X 1.125 LONG

INDEXING POINT

6	343-0312-00	1	CLAMP
5	361-0409-00	1	SPACER
4	276-0617-00	1	CORE, EM (UNGAPPED-1811)
3	253-0021-00	AR	TAPE POLYESTER (.250 W)
2	176-0034-XX	AR	WIRE ELECTRICAL (28 AWG)
1	276-0168-00	1	FORM, BOBBIN

ITEM	PART NUMBER	QTY	DESCRIPTION
------	-------------	-----	-------------

LIST OF MATERIALS

TEKTRONIX, INC. PROPRIETARY ITEM DRAWING

MFD BY TEKTRONIX  MFD FOR TEKTRONIX

TEKTRONIX, INC. P. O. BOX 500 BEAVERTON, OREGON U.S.A. 97005

DWN J. NAGODE	26 MAR 76	DIMENSIONS ARE IN INCHES /MM	
ENGR R. COGAN	8 AUG 76	TOLERANCES: UNLESS OTHERWISE SPECIFIED	
CHKR J. WOODFALL	3 MAY 78	DEC —	ANLR —
PROD T. HIATT	4-5-78	SCALE NONE	FIRST USED ON 7D01

MATERIAL: SEE LIST OF MATERIALS

FINISH: \_\_\_\_\_

TITLE: TRANSFORMER, RF (BASE DRIVE, POT CORE)

CODE IDENT NO	SIZE	PART NUMBER	REV
80009	B	120-1062-00	A

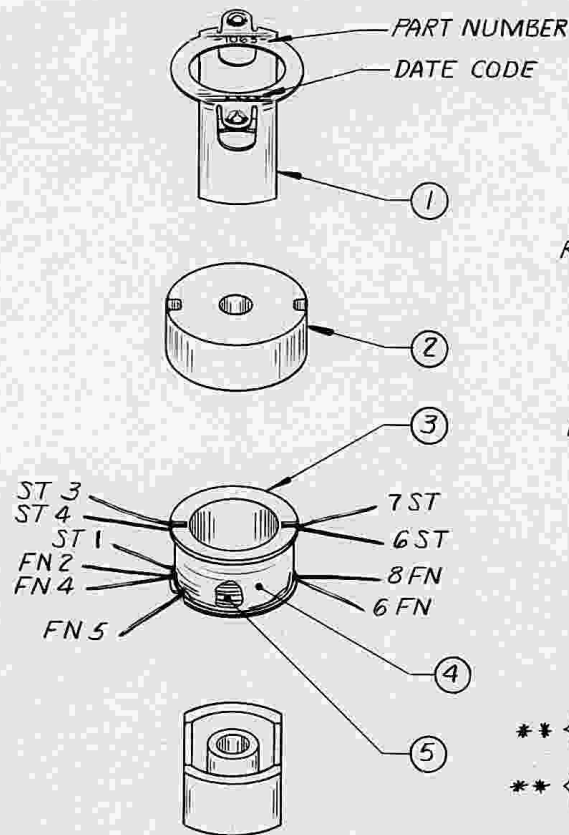
DO NOT SCALE DRAWING

75-98 E

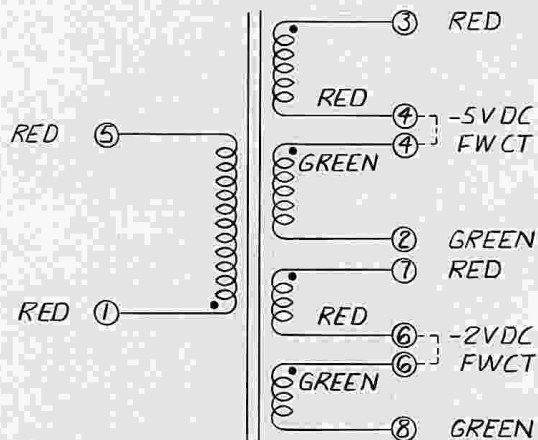
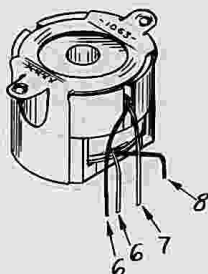
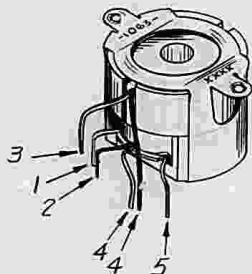
THIS DRAWING WHEN DISTRIBUTED OUTSIDE TEKTRONIX, INC. IS SUPPLIED FOR IDENTIFICATION, ENGINEERING EVALUATION AND/OR INSPECTION PURPOSES ONLY, AND MAY NOT BE USED AS A BASIS FOR MANUFACTURE OR SALES OF PRODUCTS WITHOUT WRITTEN PERMISSION FROM TEKTRONIX, INC.

IF THIS DRAWING IS FURNISHED UNDER ANY UNITED STATES GOVERNMENT CONTRACT, IT SHALL NOT BE EITHER RELEASED OUTSIDE THE GOVERNMENT, OR USED, DUPLICATED, OR DISCLOSED IN WHOLE OR IN PART FOR MANUFACTURE OR PROCUREMENT, WITHOUT THE WRITTEN PERMISSION OF TEKTRONIX, INC., EXCEPT FOR: (1) EMERGENCY REPAIR OR OVERHAUL WORK BY OR FOR THE GOVERNMENT WHERE THE ITEM OR PROCESS CONCERNED IS NOT OTHERWISE REASONABLY AVAILABLE TO ENABLE TIMELY PERFORMANCE OF THE WORK; OR (2) RELEASE TO A FOREIGN GOVERNMENT AS THE INTERESTS OF THE UNITED STATES MAY REQUIRE; PROVIDED THAT IN EITHER CASE THE RELEASE, USE, DUPLICATION OR DISCLOSURE HEREOF SHALL BE SUBJECT TO THE FOREGOING LIMITATIONS. IF THIS DRAWING IS REPRODUCED IN WHOLE OR IN PART, THIS ENTIRE LEGEND BLOCK MUST APPEAR ON ALL REPRODUCED COPIES.

REV	REF	DESCRIPTION OF CHANGE	CHK BY	DATE
	32836	INITIATED PART	CM	5 DEC 77



ASSEMBLED VIEWS



WINDINGS	TURNS	WIRE SIZE	TYP RATINGS		RESISTANCE ±20% AT 20°C
			*VOLTS	AMPS	
** 3-4 SEC	5T	#19	5.38	4ADC	.007 Ω
** 4-2 SEC	5T	#19	5.38	4ADC	.007 Ω
** 7-6 SEC	3T	#19	3.23	2ADC	.005 Ω
** 6-8 SEC	3T	#19	3.23	2ADC	.005 Ω
1-5 PRI	13T	#19	14	—	.020 Ω

INDUCTANCE: .82 mH MIN @ 1KHz, 80 mV, 100G (1-5)

\* VOLTS ARE PEAK NO LOAD

POLARITY PER SCHEMATIC

OPERATING FREQUENCY: 25 TO 27 KHz SQUARE WAVE

\*\* BIFILAR WOUND, SERIES CONNECTED

### LEAD CHART

LEAD	COLOR	LENGTH	LEAD	COLOR	LENGTH
1	RED	.750	6	GRN	1.250
2	GRN	.750	6	RED	.750
3	RED	1.500	7	RED	1.250
4	RED	.750	8	GRN	.750
4	GRN	1.250			
5	RED	.750			

LENGTH ±.062

5	176-0025-XX	AR	WIRE ELEC (#19 AWG)
4	253-0015-00	AR	TAPE (ACETATE, .500 WIDE)
3	276-0189-00	1	FORM, COIL
2	276-0690-00	1	CORE, EM (POT CORE, 3019)
1	343-0386-00	1	CLAMP

ITEM	PART NUMBER	QTY	DESCRIPTION	CODE IDENT NO	SIZE	PART NUMBER	REV
				80009	C	120-1063-00	

4. FORM LEADS INTO GENERAL POSITION AS SHOWN IN ASSEMBLED VIEWS

PART NUMBER  
120-1063-00

3. ALL LEAD LENGTHS MEASURED FROM EDGE OF ITEM #3 BEFORE BENDING. TIN ALL LEADS .250 ±.062

2. TRANSFORMER VACUUM IMPREGNATED WITH VARNISH 252-0082-00

1. REFERENCE DIMENSIONS: 1.215 O.D. × .830 HIGH

### NOTES:

### CUSTOMER SERVICE

TEKTRONIX, INC.		P.O. BOX 508 BEAVERTON, OREGON U.S.A. 97005	
OWN J. NAGODE	7 APR 76	DIMENSIONS ARE IN INCHES Tolerances Unless Otherwise Specified	
ENGR F. COGAN	30 NOV 77	DEC	ANLR
CHKR J. WOODFALL	30 NOV 77	SCALE	FIRST USED ON
PROD T. HATH	30 NOV 77	NONE	7001

MATERIAL  
SEE LIST OF MATERIALS

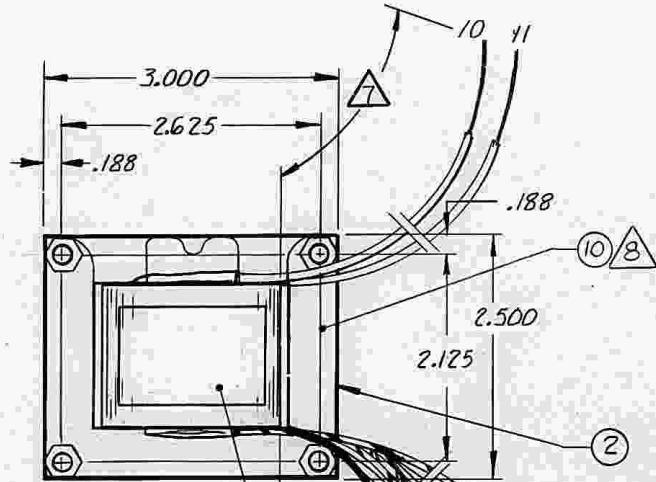
FINISH  
NOTED

TITLE  
TRANSFORMER POWER,  
SDN, RF (POT CORE)

THIS DRAWING WHEN DISTRIBUTED OUTSIDE TEKTRONIX, INC. IS SUPPLIED FOR IDENTIFICATION, ENGINEERING EVALUATION AND/OR INSPECTION PURPOSES ONLY AND MAY NOT BE USED AS A BASIS FOR MANUFACTURE OR SALES OF PRODUCTS WITHOUT WRITTEN PERMISSION FROM TEKTRONIX, INC. IF THIS DRAWING IS FURNISHED UNDER ANY UNITED STATES GOVERNMENT CONTRACT, IT SHALL NOT BE EITHER RELEASED OUTSIDE THE GOVERNMENT, OR USED, DUPLICATED, OR DISCLOSED IN WHOLE OR IN PART FOR MANUFACTURE OR PROCUREMENT WITHOUT THE WRITTEN PERMISSION OF TEKTRONIX, INC. EXCEPT FOR: (1) EMERGENCY REPAIR OR OVERHAUL WORK BY OR FOR THE GOVERNMENT, WHERE THE ITEM OR PROCESS CONCERNED IS NOT OTHERWISE REASONABLY AVAILABLE TO ENABLE TIMELY PERFORMANCE OF THE WORK, OR (2) RELEASE TO A FOREIGN GOVERNMENT AS THE INTERESTS OF THE UNITED STATES MAY REQUIRE; PROVIDED THAT IN EITHER CASE THE RELEASE, USE, DUPLICATION OR DISCLOSURE HEREOF SHALL BE SUBJECT TO THE FOREGOING LIMITATIONS. IF THIS DRAWING IS REPRODUCED IN WHOLE OR IN PART, THIS ENTIRE LEGEND BLOCK MUST APPEAR ON ALL REPRODUCED COPIES.

REV	REF	DESCRIPTION OF CHANGE	CHK BY	DATE
(A)	45018	REMOVED ITEM 1	DD	18MAR82
(B)	51689	UPDATED DWG., ADDED ITEM 10, NOTE 4 WAS 2KV, ITEM 4 WAS 334-2893-00 & REMOVED ITEM 3	DD	11NOV83

COIL STRUCTURE  
OUTSIDE



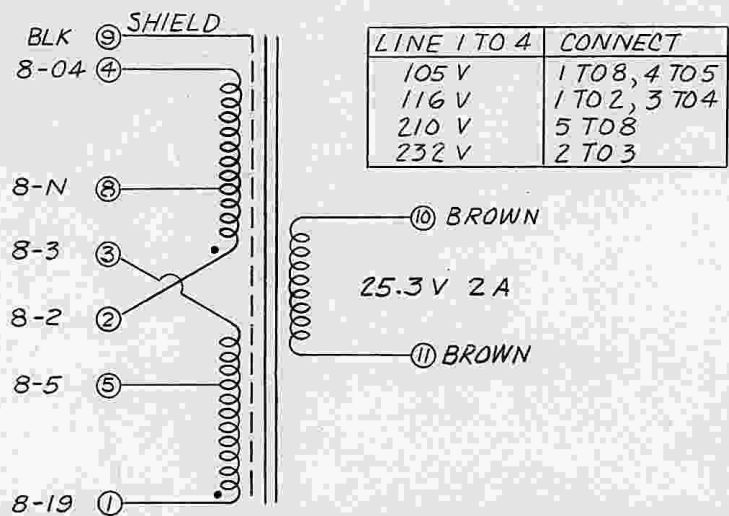
TYPE WINDING                      LEAD NO

SEC 90 T	10-11 #19
SHIELD	9
PRI Ø-39-412 T	2-8-4 #27
PRI Ø-373-412 T	1-5-3 #27

- △ ORIENTATION OF KEEPER OPTIONAL
- △ LEAD LENGTHS: LEAD WIRE AND \* INSULATION SLEEVING

LEAD NO	COLOR	PART NUMBER	LENGTH ±.250	STRIP ±.125
1	8-19	175-0879-00	3.500	.500
2	8-2	175-0880-00	3.500	
3	8-3	175-0881-00	4.500	
4	8-04	175-0882-00	4.500	
5	8-5	175-0883-00	6.000	
8	8-N	175-0886-00	6.000	
9	BLACK	175-0920-00	6.000	
* 10411	BROWN	162-0553-00	6.500	1.000

INSIDE



LINE 1 TO 4	CONNECT
105 V	1 TO 8, 4 TO 5
116 V	1 TO 2, 3 TO 4
210 V	5 TO 8
232 V	2 TO 3

PRIMARY  
105, 116, 210,  
232V ±13.8%  
48-64 Hz

- 6. WINDINGS INSULATED FOR 600V DC
- 5. VOLTAGE RATINGS ARE RMS NO LOAD. CURRENT RATINGS ARE AMPS DC TYPICAL

PART NUMBER	REV
120-1064-00	B

- 4. DIELECTRIC WITHSTANDING VOLTAGE 1.5KV RMS, 50 TO 60 Hz, 1 MINUTE, PRIMARIES TO SECONDARY, SHIELD, AND CORE

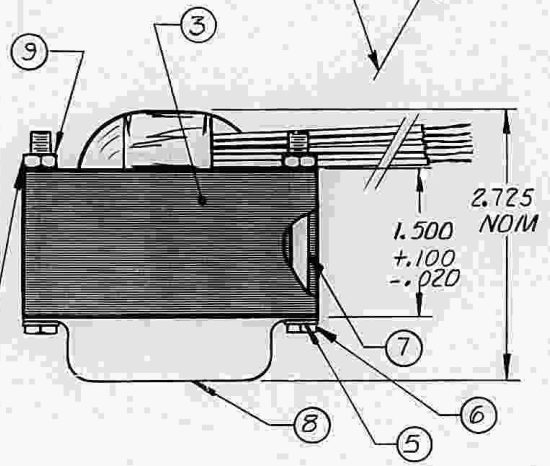
- 3. TRANSFORMER VACUUM IMPREGNATED WITH VARNISH 252-0082-00 OR APPROVED EQUIVALENT
- 2. POLARITY PER SCHEMATIC

- 1. DIMENSIONS REFERENCE UOS

NOTES:

		P.O. BOX 500 BEAVERTON, OREGON U.S.A. 97005	
DWN J. NAGODE ENGR	16 JUN 76 22 Feb 78	DIMENSIONS ARE IN INCHES Tolerances Unless Otherwise Specified	
CHKR J. Woodfall PROD E. Rose	22 FEB 78 22 FEB 78	SCALE 1:1	FIRST USED ON 016-0381-00
MATERIAL SEE LIST OF MATERIALS			
FINISH NOTED △			
TITLE TRANSFORMER, POWER, STPDN			

PART NUMBER  
(120-1064-00)  
DATE  
CODE  
THIS SURFACE



FOR INTERPLANT SHIPMENT  
006-0146-00 (NUT, TEMPORARY,  
#10 PLASTIC) USE 4 IN PLACE  
OF 210-0564-00

TEKTRONIX SAFETY CONTROLLED PART

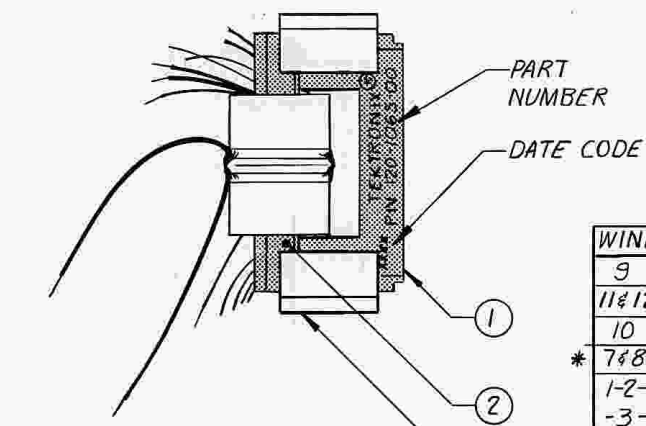
THIS PART IS CONTROLLED TO INSURE MAINTENANCE OF SAFETY CHARACTERISTICS DESIGNED INTO A TEK PRODUCT TO CONTINUE MAINTENANCE. ANY CHANGES IN MATERIALS SPECIFICATIONS, VENDORS, OR VENDORS' PART NUMBERS MUST BE EVALUATED AND APPROVED BY THE LINE MANAGER FOR EACH PRODUCT IN WHICH THIS IS A CONTROLLED PART.

ITEM	PART NUMBER	QTY	DESCRIPTION
10	386-0030-00	2	PLATE, LAMINATION (KEEPER)
9	210-0564-00	4	NUT, PLAIN, HEX
8	200-1544-01	1	COVER, TRANSFORMER
7	166-0227-00	4	INSUL. SLEEVING (1.500LG)
6	212-0516-00	4	SCREW, MACHINE (10-32 x 2.000)
5	210-0812-00	4	WASHER (#10 FIBER)
4	334-4645-00	1	MARKER, IDENTIFICATION
3			
2	386-0029-00	AR	PLATE, LAMINATION (STEEL)
1			

CODING NO	SIZE	PART NUMBER	REV
80009	C	120-1064-00	B

THIS DRAWING WHEN DISTRIBUTED OUTSIDE TEKTRONIX, INC. IS SUPPLIED FOR IDENTIFICATION, ENGINEERING EVALUATION AND/OR INSPECTION PURPOSES ONLY AND MAY NOT BE USED AS A BASIS FOR MANUFACTURE OR SALES OF PRODUCTS WITHOUT WRITTEN PERMISSION FROM TEKTRONIX, INC.  
 IF THIS DRAWING IS FURNISHED UNDER ANY UNITED STATES GOVERNMENT CONTRACT, IT SHALL NOT BE EITHER RELEASED OUTSIDE THE GOVERNMENT, OR USED, DUPLICATED OR DISCLOSED IN WHOLE OR IN PART FOR MANUFACTURE OR PROCUREMENT, WITHOUT THE WRITTEN PERMISSION OF TEKTRONIX, INC., EXCEPT FOR: (1) EMERGENCY REPAIR OR OVERHAUL WORK BY OR FOR THE GOVERNMENT; WHERE THE ITEM OR PROCESS CONCERNED IS NOT OTHERWISE REASONABLY AVAILABLE TO ENABLE TIMELY PERFORMANCE OF THE WORK; OR (2) RELEASE TO A FOREIGN GOVERNMENT AS THE INTERESTS OF THE UNITED STATES MAY REQUIRE; PROVIDED THAT IN EITHER CASE THE RELEASE, USE, DUPLICATION OR DISCLOSURE HEREOF SHALL BE SUBJECT TO THE FOREGOING LIMITATIONS. IF THIS DRAWING IS REPRODUCED IN WHOLE OR IN PART, THIS ENTIRE LEGEND BLOCK MUST APPEAR ON ALL REPRODUCED COPIES.

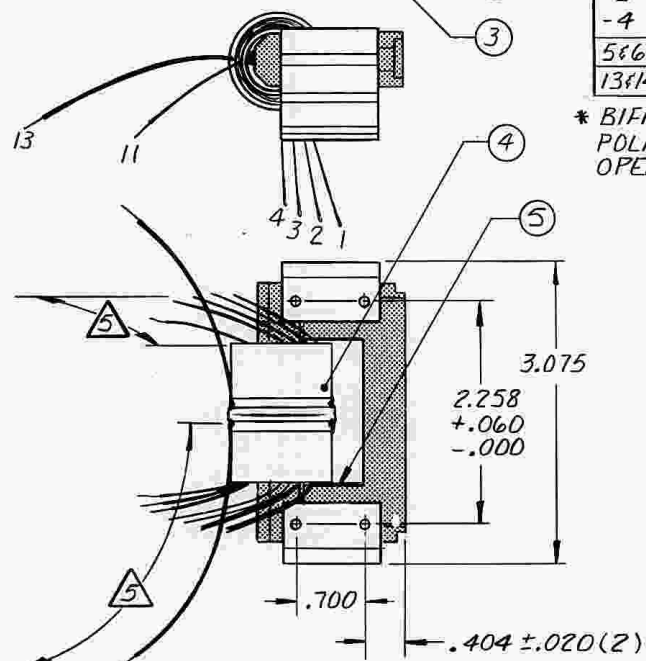
REV	REF	DESCRIPTION OF CHANGE	CHK BY	DATE
①	40174	CORRECTED PHASING DOTS	LL	14APR80



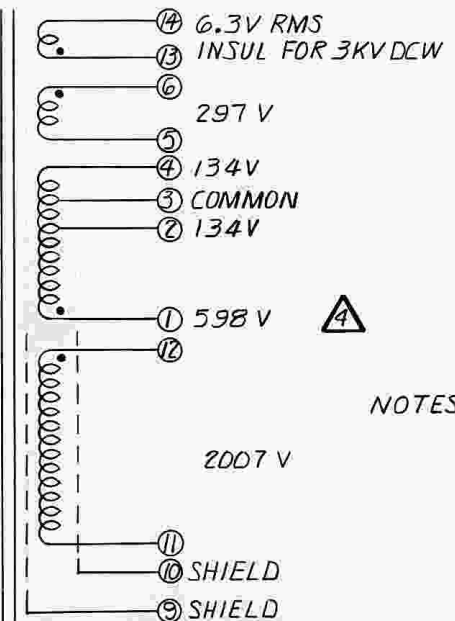
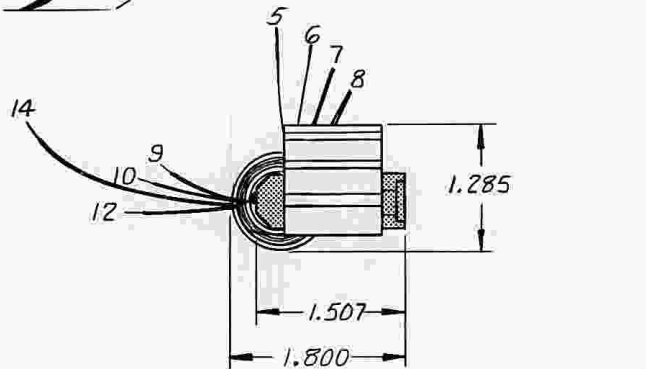
**COIL STRUCTURE INSIDE**

WINDINGS	WIRE DATA		VOLTS PK	AMPS DC	RESISTANCE
	TURNS	AWG	NO LOAD	TYPICAL	± 20% AT 20°C
9 SHLD	—	—	—	—	—
11&12 SEC	610	40	2057V	1mA	130Ω
10 SHLD	—	—	—	—	—
* 7&8 PRI	32	28	108V(P-P)	140mA	.23Ω
1-2 SEC	0-139	34	604V(1-3)	5mA(1-3)	9.2Ω
-3-	179-		135V(2-3)	15mA(2-3)	11.8Ω
-4	-219		135V(3-4)	15mA(3-4)	14.45Ω
5&6 SEC	89	34	300V	2mA	6.15Ω
13&14 SEC	2	26	6.75V	103mA	.04Ω

\* BIFILAR WOUND  
 POLARITY PER SCHEMATIC  
 OPERATING FREQUENCY: 20 KHZ SQUARE WAVE



**OUTSIDE**



- 7. CEMENT "I" CORE, "U" CORE AND SUPPORTS TOGETHER
- 6. COIL PRIMED WITH 252-0215-00 AND VACUUM IMPREGNATED WITH SILICON RESIN 252-0213-00

**LEAD LENGTHS FROM EDGE OF COIL**

LEAD NO	COLOR	PART NUMBER	LENGTH ±.125	STRIP/TIN ±.050
1, 5	—	SELF LEAD	1.375	.250
2, 4, 6	—	SELF LEAD	1.250	.250
3, 7	—	SELF LEAD	1.125	.250
8	—	SELF LEAD	1.000	.250
9, 10, 12	BRN	175-5052-00	1.000	.250
11	BRN	175-5052-00	1.250	.250
* 13&14	BRN	175-0918-00	2.625	.250

\* MEASURE FROM BREAKOUT

PART NUMBER	REV
120-1065-00	A

- △ SECONDARY VOLTAGES ARE FULL LOAD RECTIFIED CIRCUIT VALUES UOS
- 3. DIELECTRIC WITHSTANDING VOLTAGE: 2KV RMS, 50 TO 60 KHZ, 1 MINUTE, PRIMARY (7&8) AND SHIELD (9) TO SECONDARIES, SHIELD (10) AND CORE
- 2. MIN INDUCTANCE (7-8) IS 1.65 mH ON ESI 250 DA BRIDGE OR EQUIV @ 1KHZ

1. DIMENSIONS REFERENCE UOS

NOTES:

TEKTRONIX, INC. PROPRIETARY ITEM DRAWING

MFD BY TEKTRONIX  MFD FOR TEKTRONIX

**TEKTRONIX, INC.** P.O. BOX 500 BEAVERTON, OREGON U.S.A. 97005

DWN J. NAGODE 11 JUN 76 DIMENSIONS ARE IN .INCHES/ Tolerances Unless Otherwise Specified

ENGR L. Olson 23 Aug 78 DEC ANLR

CHKR J. WOODFALL 23 AUG 78 SCALE 1:1 FIRST USED ON 7834

PROD E. Brown 22 Aug 79

MATERIAL SEE LIST OF MATERIALS

FINISH SEE NOTES

TITLE TRANSFORMER, POWER, SDN & SU (HIGH VOLTAGE)

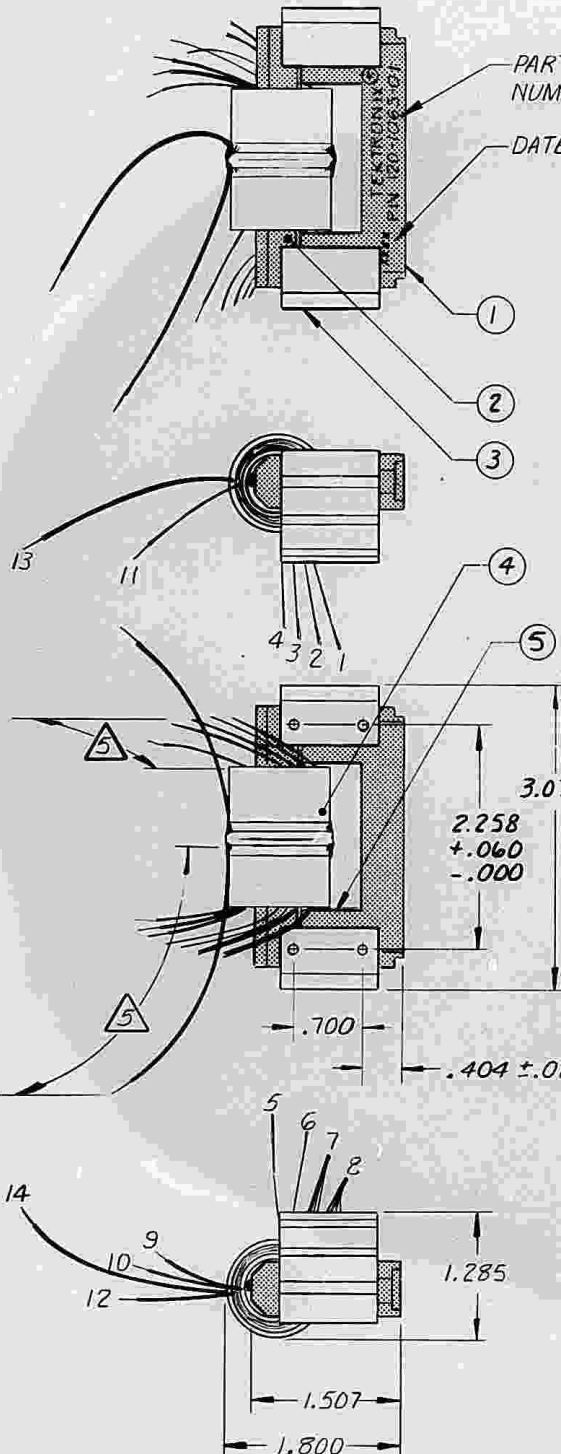
ITEM	PART NUMBER	QTY	DESCRIPTION
5	252-0537-00	AR	PAPER, FISH
4	120-1065-50	1	XFMR SUBASSY (COIL ONLY)
3	386-2041-00	2	SUPPRT, TRANSFORMER
2	276-0639-00	1	CORE, XFMR ("I" CORE)
1	276-0636-00	1	CORE, XFMR ("U" CORE)

CODE IDENT NO 80009 SIZE C PART NUMBER 120-1065-00 REV A

74-65 XB

THIS DRAWING WHEN DISTRIBUTED OUTSIDE TEKTRONIX, INC. IS SUPPLIED FOR IDENTIFICATION, ENGINEERING EVALUATION AND/OR INSPECTION PURPOSES ONLY AND MAY NOT BE USED AS A BASIS FOR MANUFACTURE OR SALES OF PRODUCTS WITHOUT WRITTEN PERMISSION FROM TEKTRONIX, INC. IF THIS DRAWING IS FURNISHED UNDER ANY UNITED STATES GOVERNMENT CONTRACT, IT SHALL NOT BE EITHER RELEASED OUTSIDE THE GOVERNMENT, OR USED, DUPLICATED, OR DISCLOSED IN WHOLE OR IN PART FOR MANUFACTURE OR PROCUREMENT, WITHOUT THE WRITTEN PERMISSION OF TEKTRONIX, INC. EXCEPT FOR: (1) EMERGENCY REPAIR OR OVERHAUL WORK BY OR FOR THE GOVERNMENT, WHERE THE ITEM OR PROCESS CONCERNED IS NOT OTHERWISE REASONABLY AVAILABLE TO ENABLE TIMELY PERFORMANCE OF THE WORK; OR (2) RELEASE TO A FOREIGN GOVERNMENT AS THE INTERESTS OF THE UNITED STATES MAY REQUIRE, PROVIDED THAT IN EITHER CASE THE RELEASE, USE, DUPLICATION OR DISCLOSURE HEREOF SHALL BE SUBJECT TO THE FOREGOING LIMITATIONS. IF THIS DRAWING IS REPRODUCED IN WHOLE OR IN PART, THIS ENTIRE LEGEND BLOCK MUST APPEAR ON ALL REPRODUCED COPIES.

REV	REF	DESCRIPTION OF CHANGE	CHK BY	DATE
	41125	INITIATED PART	GH	11AUG80
Ⓐ	42848	ADDED NONPROD	GH	2JUL81

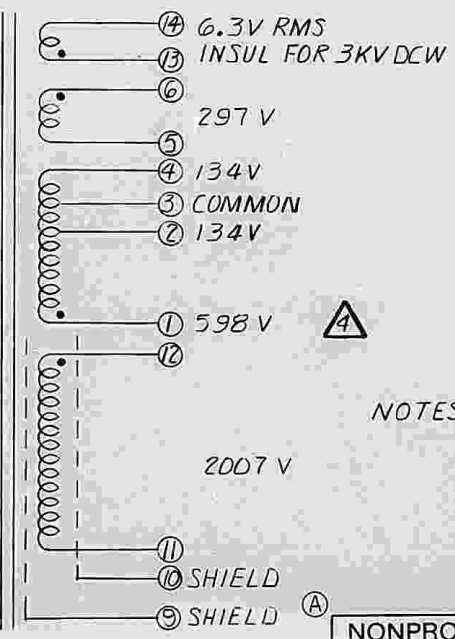


**COIL STRUCTURE INSIDE**

WINDINGS	TURNS	WIRE DATA		VOLTS PK NO LOAD	AMPS DC TYPICAL	RESISTANCE ±20% AT 20°C
		AWG	NO			
* 7&8 PRI #1	32	2#28	108V (P-P)	SEE PRI #2	SEE PRI #2	
9 SHLD						
11&12 SEC	610	40	2057V	1mA	130Ω	
10 SHLD						
* 7&8 PRI #2	32	2#28	108V (P-P)	140mA	.13 Ω	
1-2 SEC	0-139	34	604V (1-3)	5mA (1-3)	9.2 Ω	
-3-	179-		135V (2-3)	15mA (2-3)	11.8 Ω	
-4	-219		135V (3-4)	15mA (3-4)	14.45 Ω	
5&6 SEC	89	34	300V	2mA	6.15 Ω	
13&14 SEC	2	26	6.75 V	103mA	.04 Ω	

\* PRIMARIES #1 & #2 PARALLEL CONNECTED  
POLARITY PER SCHEMATIC  
OPERATING FREQUENCY: 20 KHZ SQUARE WAVE

**OUTSIDE**



- 7. CEMENT "I" CORE, "U" CORE AND SUPPORTS TOGETHER
- 6. COIL PRIMED WITH 252-0215-00 AND VACUUM IMPREGNATED WITH SILICON RESIN 252-0213-00

5. LEAD LENGTHS FROM EDGE OF COIL

LEAD NO	COLOR	PART NUMBER	LENGTH ±.125	STRIP/TIN ±.050
1, 5	—	SELF LEAD	1.375	.250
2, 4, 6	—	SELF LEAD	1.250	.250
3, 7	—	SELF LEAD	1.125	.250
8	—	SELF LEAD	1.000	.250
9, 10, 12	BRN	175-5052-00	1.000	.250
11	BRN	175-5052-00	1.250	.250
* 13 & 14	BRN	175-0918-00	2.625	.250

- \* MEASURE FROM BREAKOUT
- 4. SECONDARY VOLTAGES ARE FULL LOAD RECTIFIED CIRCUIT VALUES UOS
- 3. DIELECTRIC WITHSTANDING VOLTAGE: 2KV RMS, 50 TO 60 KHZ, 1 MINUTE, PRIMARIES (7&8) AND SHIELD (9) TO SECONDARIES, SHIELD (10) AND CORE
- 2. MIN INDUCTANCE (7-8) IS 1.65mH ON ESI 250 DA BRIDGE OR EQUIV @ 1KHZ
- 1. DIMENSIONS REFERENCE UOS

NOTES:

TEKTRONIX, INC. PROPRIETARY ITEM DRAWING

MFD BY TEKTRONIX  MFD FOR TEKTRONIX

**TEKTRONIX, INC.** P.O. BOX 500 BEAVERTON, OREGON U.S.A. 97005

DWN: J. NAGUDE 1AUG80 ENGR: L. Olson 1AUG80 CHKR: E. Stewart 14AUG80 PROD: E. Stewart 15AUG80

DIMENSIONS ARE IN INCHES. Tolerances Unless Otherwise Specified

SCALE: 1:1 FIRST USED ON: 7834

MATERIAL: SEE LIST OF MATERIALS

FINISH: SEE NOTES

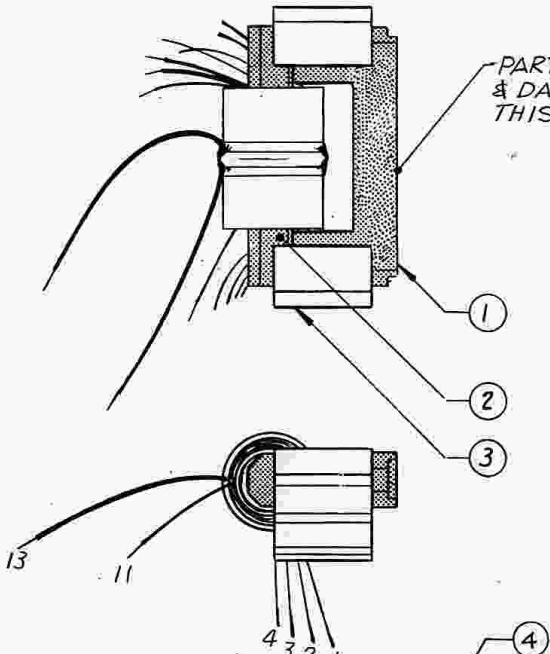
TITLE: TRANSFORMER, POWER, SDN & SU (HIGH VOLTAGE)

ITEM	PART NUMBER	QTY	DESCRIPTION
5	252-0537-00	AR	PAPER, FISH
4	120-1065-51	1	XFMR SUBASSY (COIL ONLY)
3	386-2041-00	2	SUPPORT, TRANSFORMER
2	276-0639-00	1	CORE, XFMR ("I" CORE)
1	276-0636-00	1	CORE, XFMR ("U" CORE)



THIS DRAWING WHEN DISTRIBUTED OUTSIDE TEKTRONIX, INC. IS SUPPLIED FOR IDENTIFICATION, ENGINEERING EVALUATION AND/OR INSPECTION PURPOSES ONLY AND MAY NOT BE USED AS A BASIS FOR MANUFACTURE OR SALES OF PRODUCTS WITHOUT WRITTEN PERMISSION FROM TEKTRONIX, INC.  
 IF THIS DRAWING IS FURNISHED UNDER ANY UNITED STATES GOVERNMENT CONTRACT, IT SHALL NOT BE EITHER RELEASED OUTSIDE THE GOVERNMENT OR USED, DUPLICATED OR DISCLOSED IN WHOLE OR IN PART FOR MANUFACTURE OR PROCUREMENT WITHOUT THE WRITTEN PERMISSION OF TEKTRONIX, INC. EXCEPT FOR: (1) EMERGENCY REPAIR OR OVERHAUL WORK BY OR FOR THE GOVERNMENT WHERE THE ITEM OR PROCESS CONCERNED IS NOT OTHERWISE REASONABLY AVAILABLE TO ENABLE THE PERFORMANCE OF THE WORK; OR (2) RELEASE TO A FOREIGN GOVERNMENT AS THE INTERESTS OF THE UNITED STATES MAY REQUIRE PROVIDED THAT IN EITHER CASE THE RELEASE, USE, DUPLICATION OR DISCLOSURE HEREOF SHALL BE SUBJECT TO THE FOREGOING LIMITATIONS. IF THIS DRAWING IS REPRODUCED IN WHOLE OR IN PART, THIS ENTIRE LEGEND BLOCK MUST APPEAR ON ALL REPRODUCED COPIES.

REV	REF	DESCRIPTION OF CHANGE	CHK BY	DATE
D	67924	COMBINED SPEC. SH. W/ THIS DRAWING	CD	12DEC88



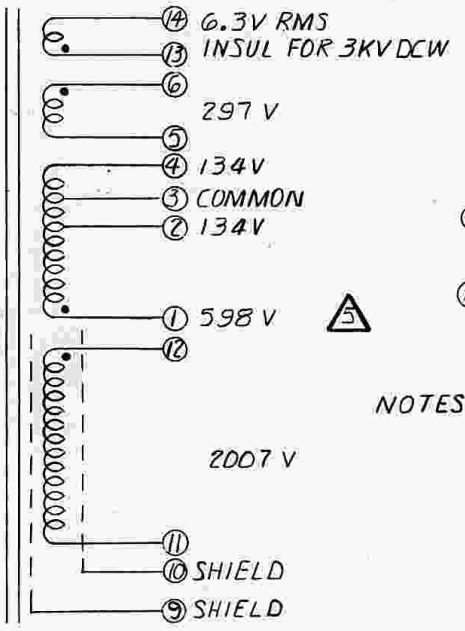
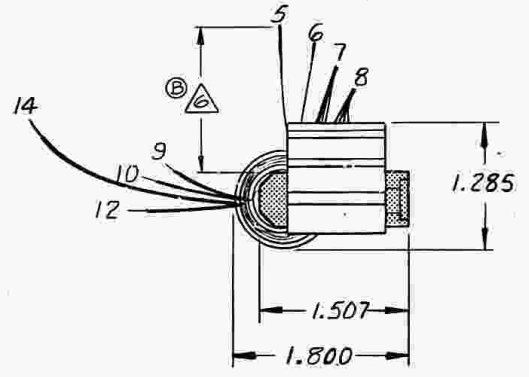
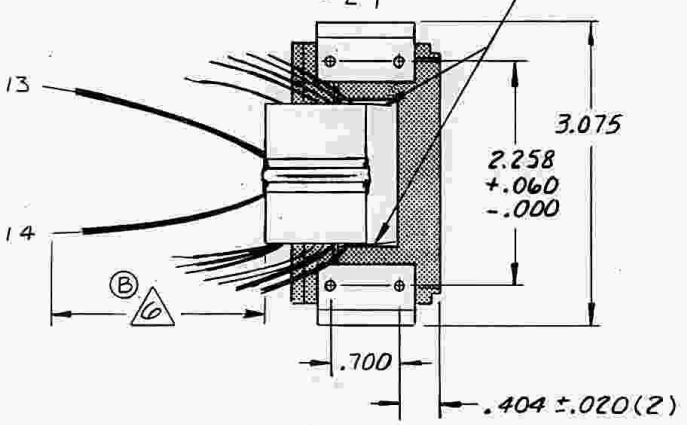
PART NUMBER & DATE CODE THIS AREA

COIL STRUCTURE  
INSIDE

WINDINGS	TURNS	AWG	VOLTS PK		AMPS DC		RESISTANCE ±20% AT 20°C
			NO LOAD	TYPICAL			
9 SHLD							
11&12 SEC	610	40	2057V	1mA		130Ω	
10 SHLD							
7&8 PRIM	32	28	108V(P-P)	140mA		.26Ω	
1-2 SEC	8-139	34	604V(1-3)	5mA(1-3)		9.2Ω	
-3-	179-		135V(2-3)	15mA(2-3)		11.8Ω	
-4	-219		135V(3-4)	15mA(3-4)		14.45Ω	
5&6 SEC	89	34	300V	2mA		6.15Ω	
13&14 SEC	2	26	6.75V	103mA		.04Ω	

POLARITY PER SCHEMATIC  
OPERATING FREQUENCY: 20 KHz SQUARE WAVE

OUTSIDE



- 8. LATEST REV. OF APPLICABLE SAFETY DOC. ARE MADE PART OF THIS SPEC. AS LISTED BELOW.  
LID-002 LAB INST. DIV. QUALITY STD.  
UL-1244 UNDERWRITERS LAB INC.  
CSASS6B CANADIAN STANDARDS ASSOC.
- 7. COIL PRIMED WITH 252-0215-00 AND VACUUM IMPREGNATED WITH SILICON RESIN 252-0213-00

6. LEAD LENGTHS FROM BREAKOUT OF COIL

LEAD NO	COLOR	PART NUMBER	LENGTH ±.125	STRIP/TIN ±.050
1, 5	—	SELF LEAD	1.375	.250
2, 4, 6	—	SELF LEAD	1.250	.250
3, 7	—	SELF LEAD	1.125	.250
8	—	SELF LEAD	1.000	.250
9, 10, 12	BRN	175-5052-00	1.000	.250
11	BRN	175-5052-00	1.250	.250
13 & 14	BRN	175-0918-00	2.625	.250

\*MEASURED FROM COIL SURFACE

PART NUMBER	REV
120-1065-02	D

- △ SECONDARY VOLTAGES ARE FULL LOAD RECTIFIED CIRCUIT VALUES UDS
- 4. COIL SECURED TO CORE
- ③ 3. "I" CORE, "U" CORE AND SUPPORTS SECURED USING ADHESIVE
- ② 2. MIN INDUCTANCE (7-8) 1.65mH ON EST 252 BRIDGE OR APPROV. EQUIV.
- 1. DIMENSIONS REFERENCE UDS

NOTES:

TEKTRONIX, INC. PROPRIETARY ITEM DRAWING		<input checked="" type="checkbox"/> MFD BY TEKTRONIX <input type="checkbox"/> MFD FOR TEKTRONIX	
TEKTRONIX, INC.		P. O. BOX 500 BEAVERTON, OREGON U.S.A. 97005	
DATE	W	STIPE	1 JUL 81
ENGR	C. Dan	6 AUG 81	DIMENSIONS ARE IN INCHES Unless Otherwise Specified
CHKD	Altman	2/11/81	SCALE
PROD	Ophe-Butter	13 AUG 81	FIRST USED ON
MATERIAL		SEE LIST OF MATERIALS	
FINISH		SEE NOTES	
TITLE TRANSFORMER, POWER, SDN & SU (HIGH VOLTAGE)			
CODE IDENT NO	SIZE	PART NUMBER	REV
80009	6	120-1065-02	D

4	252-0537-00	AR	FISH PAPER
3	386-2041-00	2	SUPPORT, TRANSFORMER
2	276-0639-00	1	CORE, XFMR ("I" CORE)
1	276-0636-00	1	CORE, XFMR ("U" CORE)

ITEM	PART NUMBER	QTY	DESCRIPTION
------	-------------	-----	-------------

REV	REF	DESCRIPTION OF CHANGE	CHK BY	DATE
-----	-----	-----------------------	--------	------

A	BH	THIS SPECIFICATION HAS BEEN EXTENSIVELY REVISED: THEREFORE TEKTRONIX, INC. SUGGESTS THAT YOU REVIEW THIS SPECIFICATION IN ITS ENTIRETY.	PRB	23 JAN 84
B	BH	ITEM 2.2; CHANGED FROM 250 VOLTS TO 100 VOLTS MAXIMUM.	JM	18 MAY 84
C	JM	CHANGES DIMENSIONS AND ADDS WIRE LEADS TO OUTLINE DRAWING.	BH	25 JUN 84

120-1066-00

PART NUMBER

THIS DRAWING WHEN DISTRIBUTED OUTSIDE TEKTRONIX, INC. IS SUPPLIED FOR IDENTIFICATION, ENGINEERING EVALUATION AND/OR INSPECTION PURPOSES ONLY AND MAY NOT BE USED AS A BASIS FOR MANUFACTURE OR SALES OF PRODUCTS WITHOUT WRITTEN PERMISSION FROM TEKTRONIX, INC.

IF THIS DRAWING IS FURNISHED UNDER ANY U.S. GOVERNMENT CONTRACT, IT IS FURNISHED AS LIMITED RIGHTS DATA AND SHALL NOT, WITHOUT THE WRITTEN PERMISSION OF TEKTRONIX, INC., BE EITHER (A) USED, RELEASED OR DISCLOSED IN WHOLE OR IN PART OUTSIDE THE GOVERNMENT, (B) USED IN WHOLE OR IN PART BY THE GOVERNMENT FOR MANUFACTURE OR (C) USED BY A PARTY OTHER THAN THE GOVERNMENT, EXCEPT FOR: (1) EMERGENCY REPAIR OR OVERHAUL WORK ONLY, BY OR FOR THE GOVERNMENT, WHERE THE ITEM OR PROCESS CONCERNED IS NOT OTHERWISE REASONABLY AVAILABLE TO ENABLE TIMELY PERFORMANCE OF THE WORK, PROVIDED THAT THE RELEASE OR DISCLOSURE HEREOF OUTSIDE THE GOVERNMENT SHALL BE MADE SUBJECT TO A PROHIBITION AGAINST FURTHER USE, RELEASE, OR DISCLOSURE; OR (2) RELEASE TO A FOREIGN GOVERNMENT, AS THE INTEREST OF THE UNITED STATES MAY REQUIRE, ONLY FOR INFORMATION OR EVALUATION WITHIN SUCH GOVERNMENT OR FOR EMERGENCY REPAIR OR OVERHAUL WORK BY OR FOR SUCH GOVERNMENT UNDER CONDITIONS OF (1) ABOVE. THIS LEGEND SHALL BE INCLUDED ON ANY REPRODUCTION HEREOF.

XXX TEKTRONIX, INC. SAFETY CONTROLLED PART.  
THE DRAWING TYPE DESIGNATION AND APPROVED SOURCES OF SUPPLY FOR THIS ITEM ARE LISTED ON THE PURCHASED ITEM SOURCE LIST (PISL) FOR THIS PART NUMBER.

 **TEKTRONIX, INC.** P. O. BOX 500 BEAVERTON, OREGON U.S.A. 97077 

DWN/ WR	<i>Bachman (Hutchinson) 13 July 83</i>	DIMENSIONS ARE IN INCHES	
COMP		TOLERANCES: UNLESS OTHERWISE SPECIFIED	
ENGR	<i>Phil Lee</i>	DEC	ANLR
TECH		-----	-----
CHKR		SCALE	FIRST USED ON
CHKR/ COORD	<i>Bachman (Hutchinson) 19 July 83</i>	NONE	DAG

MATERIAL -----

FINISH -----

TITLE  
TRANSFORMER, STEPDOWN, POWER: 120 VOLT,  
SECONDARY 24 VOLT, V.A. OUTPUT 100.

REV	REV
SH 1 OF 3	C
CODE IDENT NO <b>80009</b>	REV
SIZE <b>A</b>	REV
PART NUMBER 120-1066-00	REV

**1.0 GENERAL DESCRIPTION.**

TRANSFORMER 120 VOLT PRIMARY AND 24 VOLT SECONDARY.

**2.0 ELECTRICAL CHARACTERISTICS.**

**2.1 OPERATING FREQUENCY.**

50 - 60 Hz.

**2.2 VOLT - AMPERES.**

100 MAXIMUM.

**2.3 INSULATION BREAKDOWN.**

1500 VRMS.

**3.0 THIRD PARTY CERTIFICATION.**

THIS COMPONENT SHALL BE UL LISTED.

**4.0 LEADS.**

ONE BLACK ONE WHITE LEAD SIZE 12 AWG, TWENTY INCHES SHALL BE USED.

**4.1 PRIMARY AND SECONDARY LEADS.**

ONE WHITE LEAD, ONE BLACK LEAD TWENTY INCHES LONG SIZE 20 AWG.

**5.0 CONFORMITY TO REQUIREMENTS OF THIS SPECIFICATION.**

SAMPLES SUBMITTED FOR APPROVAL OF THIS SPECIFICATION SHALL BE REPRESENTATIVE OF THE MANUFACTURERS NORMAL PRODUCTION. AFTER APPROVAL OF SUCH SAMPLES, NO CHANGES AFFECTING FORM, FIT, FUNCTION OR RELIABILITY SHALL BE MADE WITHOUT PRIOR, WRITTEN NOTIFICATION TO TEKTRONIX OF THE INTENDED CHANGES.

**6.0 MARKING REQUIREMENTS.**

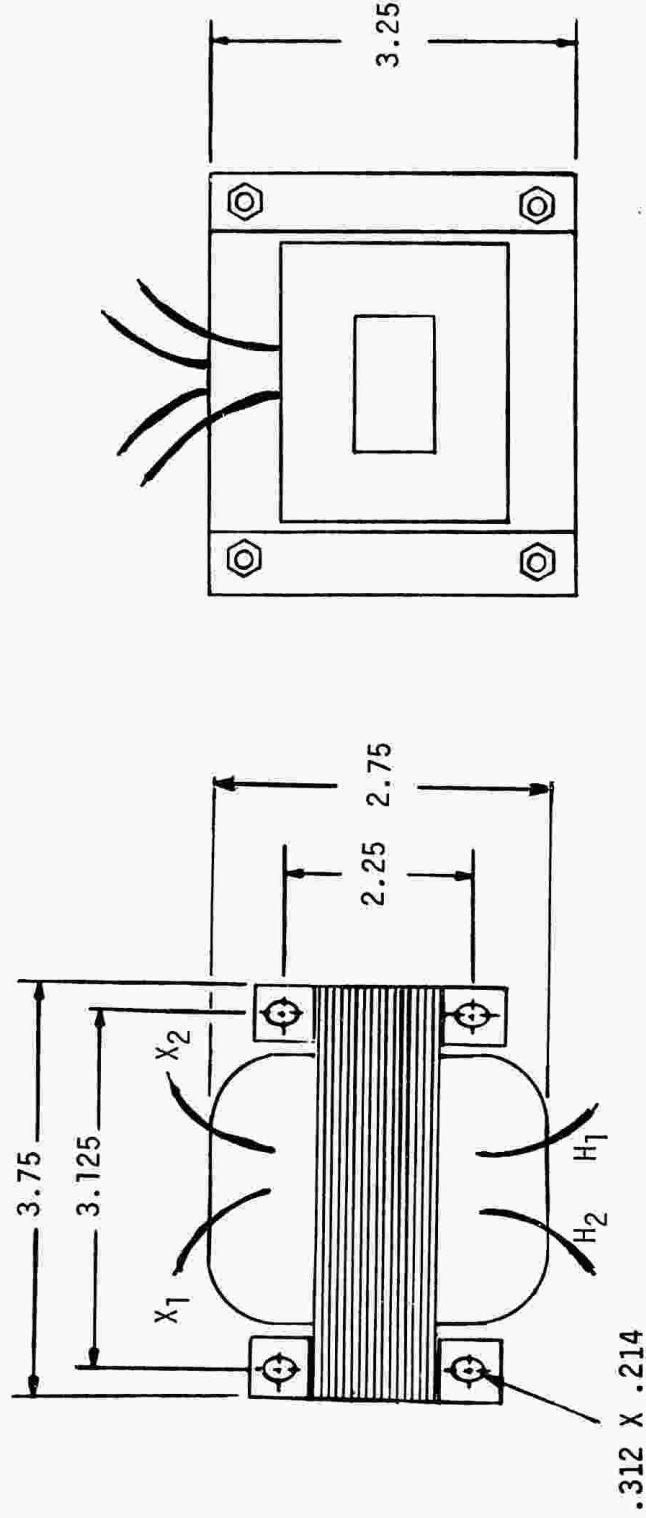
PERMANENTLY AND LEGIBLY MARK EACH TRANSFORMER WITH THE FOLLOWING:

MANUFACTURERS AND/OR TEKTRONIX, INC. PART NUMBER.  
MANUFACTURERS NAME OR TRADEMARK.

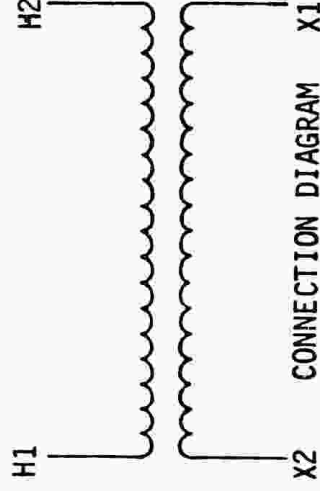
### 7.0 TEKTRONIX, INC. SAFETY REQUIREMENTS.

THIS PART IS CONTROLLED TO PRESERVE SAFETY CHARACTERISTICS DESIGNED INTO A TEKTRONIX, INC. PRODUCT. TO PRESERVE THE SAFETY CHARACTERISTICS OF THIS PRODUCT, NO MATERIAL, FINISH, OR SPECIFICATION CHANGES CAN BE MADE WITHOUT WRITTEN PERMISSION FROM TEKTRONIX, INC. ANY DEVIATIONS TO THIS SPECIFICATION MAY INVALIDATE THESE SAFETY CHARACTERISTICS.

### 8.0 OUTLINE DRAWING.



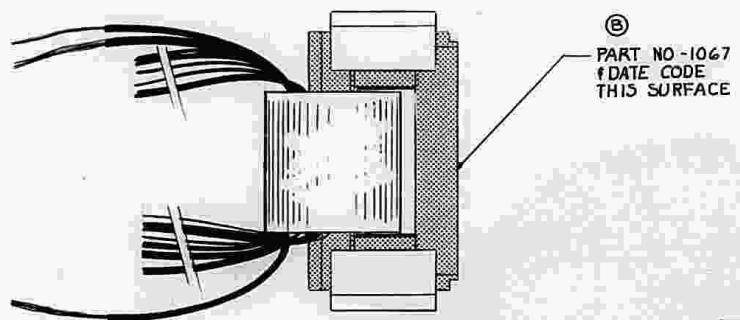
.312 X .214



CONNECTION DIAGRAM X1

74-54E

THIS DRAWING WHEN DISTRIBUTED OUTSIDE TEKTRONIX, INC. IS SUPPLIED FOR IDENTIFICATION, ENGINEERING EVALUATION AND/OR INSPECTION PURPOSES ONLY AND MAY NOT BE USED AS A BASIS FOR MANUFACTURE OR SALES OF PRODUCTS WITHOUT WRITTEN PERMISSION FROM TEKTRONIX, INC. IF THIS DRAWING IS FURNISHED UNDER ANY UNITED STATES GOVERNMENT CONTRACT, IT SHALL NOT BE EITHER RELEASED OUTSIDE THE GOVERNMENT, OR USED, DUPLICATED, OR DISCLOSED IN WHOLE OR IN PART FOR MANUFACTURE OR PROCUREMENT WITHOUT THE WRITTEN PERMISSION OF TEKTRONIX, INC. EXCEPT FOR: (1) EMERGENCY REPAIR OR OVERHAUL WORK BY OR FOR THE GOVERNMENT WHERE THE ITEM OR PROCESS CONCERNED IS NOT OTHERWISE REASONABLY AVAILABLE TO ENABLE TIMELY PERFORMANCE OF THE WORK; OR (2) RELEASE TO A FOREIGN GOVERNMENT AS THE INTERESTS OF THE UNITED STATES MAY REQUIRE PROVIDED THAT IN EITHER CASE THE RELEASE, USE, DUPLICATION OR DISCLOSURE HEREOF SHALL BE SUBJECT TO THE FOREGOING LIMITATIONS. IF THIS DRAWING IS REPRODUCED IN WHOLE OR IN PART, THIS ENTIRE LEGEND BLOCK MUST APPEAR ON ALL REPRODUCED COPIES.

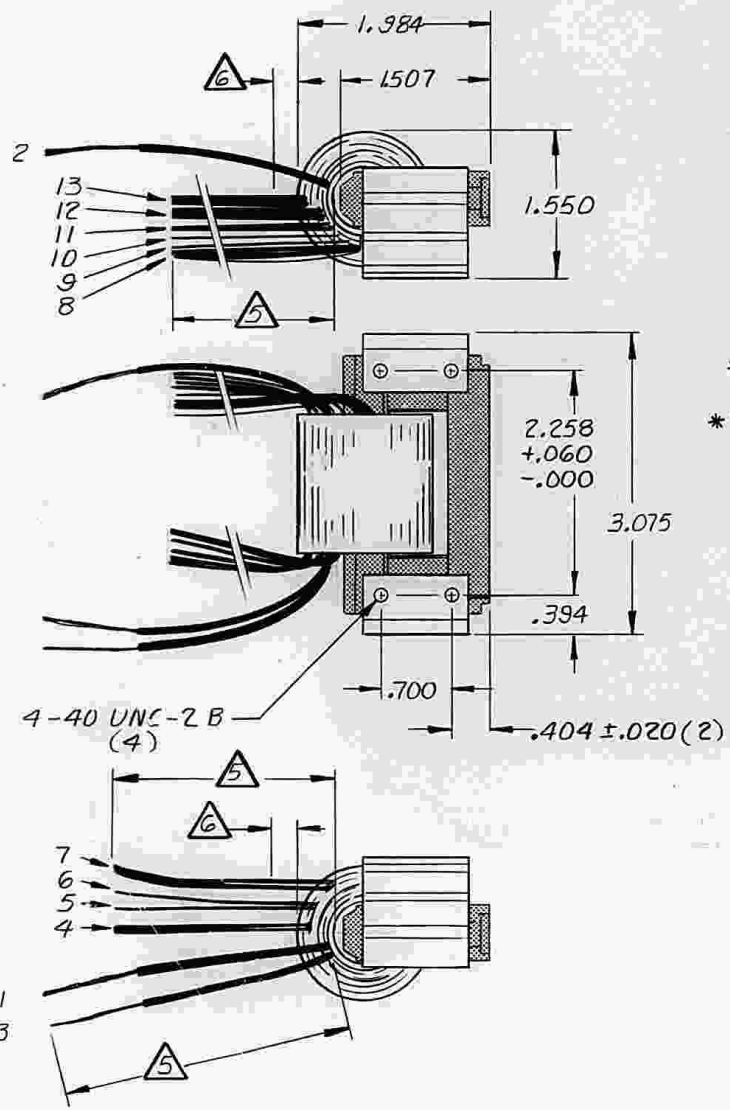
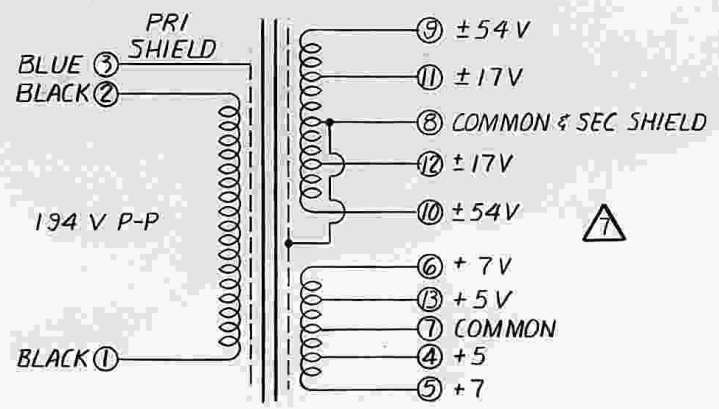


COIL STRUCTURE  
INSIDE

TYPICAL RATINGS					
LEAD NO	TURNS	WIRE AWG	VOLTS *	DC LOAD CURRENT	DCR(Ω) AT 20°C
1-2	35	19/37	97	—	.179
3	SHLD	—	—	—	—
8	SHLD	—	—	—	—
13-7	0-2	17	11.1CT	** 7.5 A	.005 CT
-4	-4	—	—	—	—
6-13	1	20	2.77	** 3.7 A	.003
4-5	1	20	2.77	** 3.7 A	.003
11-8	0-7	17	38.8CT	4.24 A	.018 CT
-12	-14	—	—	—	—
9-11	14	21	38.8	1.06 A	.051
12-10	14	21	38.8	1.06 A	.051

\* VOLTAGES ARE PEAK NO LOAD VALUES @ 25 KHZ SQUARE WAVE  
\*\* 50% DUTY CYCLE

OUTSIDE



REV	REF	DESCRIPTION OF CHANGE	CHK BY	DATE
A	45291	REMOVED ITEM 5 PN. 120-1067-50	DD	21JAN82
B	50392	COMBINED PART NO & DATE CODE	DD	27MAY83
C	52001	UPDATED NOTES 2 & 3	DD	25OCT83
D	54507	UPDATED NOTE 4	DD	5JUL84
E	57037	DELETED LIST OF MATERIALS & ADDED NOTE 9		7MAY85

- NOTES:
- DIMENSIONS REFERENCE UOS
  - COIL VACUUM IMPREGNATED WITH VARNISH 252-0082-00 OR APPROVED EQUIVALENT
  - INDUCTANCE (1-2) 1.88 mH MIN WITH ESI 252 BRIDGE OR APPROVED EQUIVALENT
  - "I" CORE, "U" CORE, AND SUPPORTS SECURED USING ADHESIVE

5 LEAD LENGTHS FROM INSIDE OF COIL FORM : 4 THRU 13, 2.250 ± .375, LEADS 1, 2, & 3 MEASURED FROM EXIT :

LEAD NO	COLOR	PART NUMBER	LENGTH ±.125	STRIP ±.125
1-2	BLK *	162-0503-00	3.000	1.000
3	BLU *	162-0522-00	3.000	1.000

- \* INSULATION SLEEVING
- 6 LEADS 4 THRU 13 TINNED TO WITHIN .250 MAX OF COIL. LEADS 1, 2 & 3 TINNED 1.000 ± .125
- 7 SECONDARY VOLTAGES ARE TYPICAL FULL LOAD RECTIFIED CIRCUIT VALUES
- 8 DIELECTRIC WITHSTANDING VOLTAGE : 2KV AC RMS, 50 TO 60 HZ, 1 MINUTE, 1, 3 TO 4, B & CORE
9. LEADS WITH MULTIPLE WIRES CAN BE GROUPED TOGETHER BY SOLDERING, TWISTING, SLEEVING OR OTHER EQUIVALENT METHOD.

PART NUMBER  
**120-1067-00**

REV  
**E**

TEKTRONIX, INC. PROPRIETARY ITEM DRAWING

MFD BY TEKTRONIX  MFD FOR TEKTRONIX

**TEKTRONIX, INC.** P. O. BOX 380 BEAVERTON, OREGON U.S.A. 97005

OWN **J. NAGODE** 21JUN76 DIMENSIONS ARE IN INCHES Tolerances Unless Otherwise Specified

ENGR **R. COGAN** 29 MAR 78 DEC ANLR

CHKR **J. WOODFALL** 29 MAR 78 SCALE 1:1 FIRST USED ON 7834

PROD **E. ROSS** 29 MAR 78

MATERIAL  
**SEE LIST OF MATERIALS**

FINISH  
**NOTED**

TITLE  
**TRANSFORMER, POWER, STPDN**

CODE IDENT NO **80009** SIZE **C** PART NUMBER **120-1067-00** REV **E**

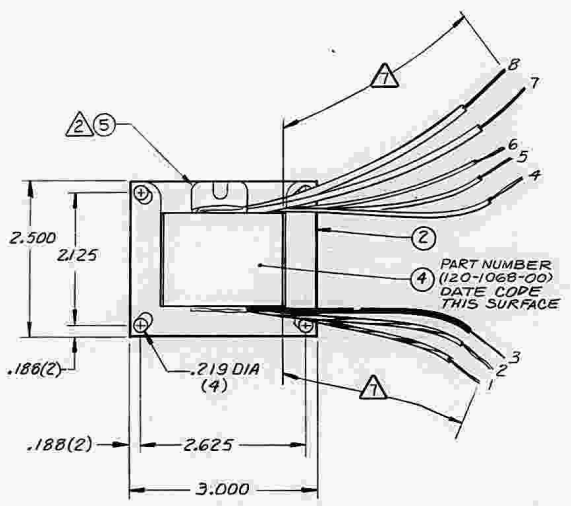
**TEKTRONIX SAFETY CONTROLLED PART**

THIS PART IS CONTROLLED TO INSURE MAINTENANCE OF SAFETY CHARACTERISTICS DESIGNED INTO A TEKTRONIX PRODUCT. TO CONTINUE MAINTENANCE, ANY CHANGES IN MATERIALS, SPECIFICATIONS, VENDORS, OR VENDOR PART NUMBERS MUST BE EVALUATED AND APPROVED IN EACH APPLICATION IN WHICH THIS IS A CONTROLLED PART.

52-55 C

THIS DRAWING WITH DEFINED OUTLINE, VERTICAL LINE IS SUITED FOR IDENTIFICATION, ENGINEERING RECORD FOR COPY, PRINTED, INDEXED, AND MAY BE USED AS A BASIS FOR MANUFACTURE OR SALE OF THE PRODUCT OR COMPONENT THEREOF UNDER ANY GOVERNMENT CONTRACT, IT SHALL NOT BE EITHER REPRODUCED OR TRANSMITTED IN ANY FORM OR BY ANY MEANS, ELECTRONIC OR MECHANICAL, INCLUDING PHOTOCOPYING, RECORDING, OR BY ANY INFORMATION STORAGE AND RETRIEVAL SYSTEM, WITHOUT PERMISSION IN WRITING FROM THE GOVERNMENT CONTRACTING OFFICE. THIS DRAWING IS NOT TO BE USED FOR THE DESIGN OR CONSTRUCTION OF ANY PRODUCT OR SYSTEM, OR FOR THE IDENTIFICATION OF ANY PART OR COMPONENT, UNLESS IT IS SPECIFICALLY IDENTIFIED AS SUCH IN THE DRAWING. THIS DRAWING IS THE PROPERTY OF THE GOVERNMENT AND IS LOANED TO YOU FOR YOUR INFORMATION ONLY. IT IS TO BE RETURNED TO THE GOVERNMENT CONTRACTING OFFICE AT THE END OF THE PROJECT. THIS DRAWING IS NOT TO BE USED FOR THE DESIGN OR CONSTRUCTION OF ANY PRODUCT OR SYSTEM, OR FOR THE IDENTIFICATION OF ANY PART OR COMPONENT, UNLESS IT IS SPECIFICALLY IDENTIFIED AS SUCH IN THE DRAWING. THIS DRAWING IS THE PROPERTY OF THE GOVERNMENT AND IS LOANED TO YOU FOR YOUR INFORMATION ONLY. IT IS TO BE RETURNED TO THE GOVERNMENT CONTRACTING OFFICE AT THE END OF THE PROJECT.

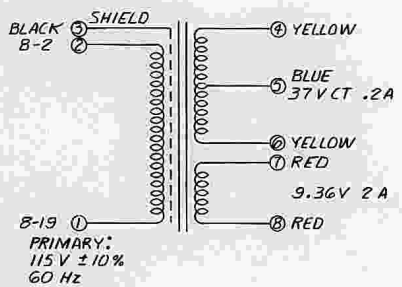
REV	REF	DESCRIPTION OF CHANGE	CHK BY	DATE
(A)	45018	REMOVED ITEM 1	DD	18MAR82
(B)	51689	REVISED DNG, UPDATED NOTE 6, NOTE 3, ITEM 3, ADDED ITEM 5, NOTE 2 WAS POLARITY PER SCHEMATIC DELETED ITEM 3 ON 252-0039-00	DD	22NOV83
(C)	51689	UPDATED GENERAL NOTE	DD	6APR84



**COIL STRUCTURE**  
**OUTSIDE**

TYPE WINDING	LEAD NO
SEC 48 T	7-8 *17
SEC Ø-95-190 T	4-5-6 *27
SHIELD	3
PRI 590 T	1-2 *27

INSIDE



△ LEAD LENGTH FROM EDGE OF COIL :  
LEAD WIRE \* INSULATION SLEEVING

LEAD NO	WIRE	PART NUMBER	LENGTH ±.250	STRIP/TIN ±.125
1	8-19	175-0879-00	5.500	.500
2	8-2	175-0880-00	5.500	.500
3	BLK	175-0920-00	5.000	.500
4, 6	VEL	175-0963-00	5.500	.500
5	BLU	175-0970-00	5.500	.500
* 7-8	RED	162-0689-00	6.000	1.000

6. DIELECTRIC WITHSTANDING VOLTAGE:  
15KV RMS, 50 TO 60 Hz, 1 MINUTE,  
PRIMARY TO SECONDARIES, SHIELD,  
AND CORE

5. WINDINGS INSULATED FOR 600V DC

PART NUMBER 120-1068-00 REV C

4. VOLTAGE RATINGS ARE RMS NO LOAD  
CURRENT RATINGS ARE AMPS DC TYP

③ 3. TRANSFORMER VACUUM IMPREGNATED  
WITH VARNISH 252-0082-00 OR  
APPROVED EQUIVALENT

② 2. ORIENTATION OF KEEPER IS OPTIONAL

1. DIMENSIONS REFERENCE UNLESS  
OTHERWISE SPECIFIED

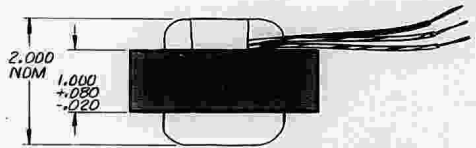
NOTES:  
TEKTRONIX, INC. 15 SEP 76  
DIMENSIONS ARE IN INCHES UNLESS OTHERWISE SPECIFIED  
SCALE 1:1  
DATE 22 FEB 78

MATERIAL SEE LIST OF MATERIALS (A)

FINISH NOTED (A)

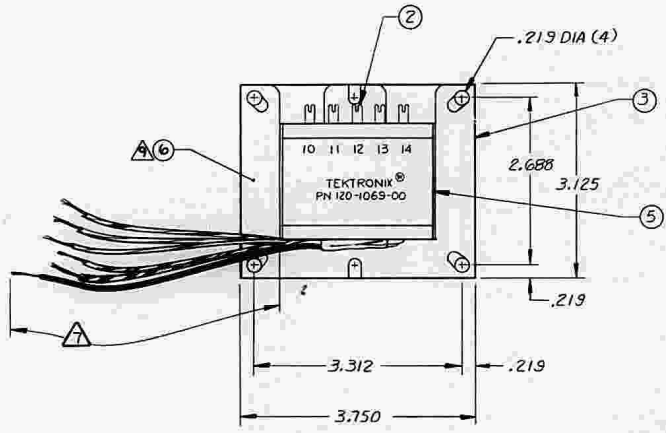
TITLE TRANSFORMER, POWER, STPDN

QTY	PART NUMBER	DESCRIPTION
(B) 5	386-0030-00	2 PLATE LAMINATION KEEPER
(B) 4	334-4645-00	1 MARKER, IDENTIFICATION
(B) 3	-	-
(B) 2	386-0029-00	AR PLATE LAMINATION (STEEL)
(A) 1	-	-



52-11 C

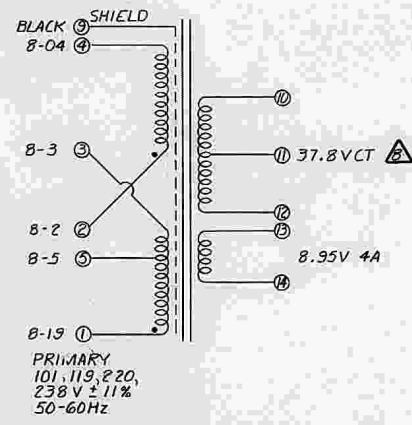
REV	REF	DESCRIPTION OF CHANGE	CHK BY	DATE
(A)	4171B	ADDED ITEM 6 & NOTE 9	DD	30JAN81
(B)	4501B	REMOVED ITEM 1	DD	13MAR82
(C)	51689	ADDED NOTE 10. UPDATED NOTE 2 & NOTE 6 WAS 2KV. REMOVED ITEM 4	DD	27OCT83



**COIL STRUCTURE OUTSIDE**

TYPE WINDING	TERM/LEAD NO
SEC 27T	13-14 #16
SEC 0-57-114T	10-11-12 #19
SHIELD	9
PRI 359T	2-9 #24
PRI 0-305-359T	1-5-3 #24

INSIDE



LINE	VOLTS	CONNECT
1&5	101V	1 TO 2, 3 TO 4
1&4	119V	1 TO 2, 3 TO 4
1&4	220V	2 TO 5
1&4	238V	2 TO 3

- ⑩. SHIMS & SIDEBURNS OPTIONAL
- ⑥. ORIENTATION OF KEEPER IS OPTIONAL
- △ FULL WAVE BRIDGE CENTER TAP- PED CIRCUIT  
+ OUTPUT, 1A  
- OUTPUT, 1.5A

△ LEAD LENGTHS FROM EDGE OF COIL

LEAD NO	COLOR	PART NUMBER	LENGTH ±.250	STRIP ±.125
1	B-19	175-0879-00	6.000	.500
2	B-2	175-0880-00		
3	B-3	175-0881-00		
4	B-04	175-0882-00		
5	B-5	175-0883-00		
9	BLK	175-0920-00	6.500	

- ⑥. DIELECTRIC WITHSTANDING VOLTAGE: 1.5KV RMS, 50 TO 60Hz, 1 MINUTE, PRIMARIES TO SECONDARIES, SHIELD, AND CORE
- 5. POLARITY PER SCHEMATIC

PART NUMBER 120-1069-00 REV C

- 4. VOLTAGE RATINGS ARE RMS NO LOAD. CURRENT RATINGS ARE AMPS DC TYP
- 3. WINDINGS INSULATED FOR 600VDC
- ②. TRANSFORMER VACUUM IMPREGNATED WITH VARNISH 252-0082-00 OR APPROVED EQUIVALENT
- 1. DIMENSIONS REFERENCE UNLESS OTHERWISE SPECIFIED

NOTES:

TEKTRONIX, INC. 2, 0, BOX 900 BEAVERTON, OREGON U.S.A. 97005

DATE: 16 SEP 76  
 ENGR: R. C. ...  
 CHK: E. ...  
 PROD: J. WOODFALL

SCALE: 1:1  
 FIRST USED ON: 1470

(A)	6	386-4776-00	2	PLATE, LAMINATION(KEEPER)
	5	334-2949-00	1	MARKER, IDENTIFICATION
(C)	A			
	3	386-0024-00	AR	PLATE, LAMINATION(STEEL)
	2	E10-0257-00	5	TERMINAL, LUG
(B)	1			

ITEM	PART NUMBER	QTY	DESCRIPTION	BOOK CONT NO	REV	PART NUMBER	REV
	80099	D	120-1069-00		C		

TEKTRONIX SAFETY CONTROLLED PART  
 THIS PART IS CONTROLLED TO ASSURE MAINTENANCE OF SAFETY CHARACTERISTICS OF EQUIPMENT WITH WHICH IT IS USED. TO OBTAIN THE PARTS LIST AND SPECIFICATIONS, CONTACT THE SALES DEPARTMENT OF THE MANUFACTURER. THIS PART IS CONTROLLED TO ASSURE MAINTENANCE OF SAFETY CHARACTERISTICS OF EQUIPMENT WITH WHICH IT IS USED.

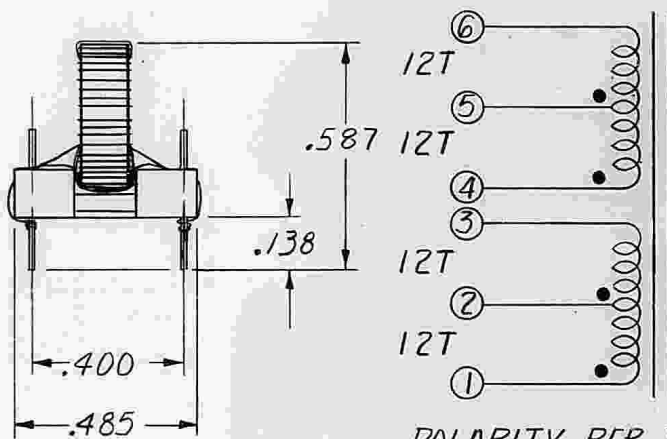
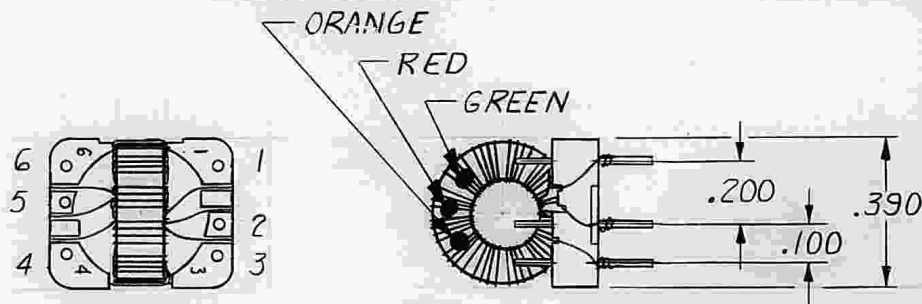
COLOR CODE  $\Delta$

75-40

REV C  
PART NUMBER 120-1070-00

THIS DRAWING WHEN DISTRIBUTED OUTSIDE TEKTRONIX, INC., IS SUPPLIED FOR IDENTIFICATION, ENGINEERING EVALUATION AND/OR INSPECTION PURPOSES ONLY AND MAY NOT BE USED AS A BASIS FOR MANUFACTURE OR SALES OF PRODUCTS WITHOUT WRITTEN PERMISSION FROM TEKTRONIX, INC.  
IF THIS DRAWING IS FURNISHED UNDER ANY UNITED STATES GOVERNMENT CONTRACT, IT SHALL NOT BE EITHER RELEASED OUTSIDE THE GOVERNMENT, OR USED, DUPLICATED, OR DISCLOSED IN WHOLE OR IN PART FOR MANUFACTURE OR PROCUREMENT, WITHOUT THE WRITTEN PERMISSION OF TEKTRONIX, INC., EXCEPT FOR: (1) EMERGENCY REPAIR OR OVERHAUL WORK BY OR FOR THE GOVERNMENT, WHERE THE ITEM OR PROCESS CONCERNED IS NOT OTHERWISE REASONABLY AVAILABLE TO ENABLE TIMELY PERFORMANCE OF THE WORK; OR (2) RELEASE TO A FOREIGN GOVERNMENT AS THE INTERESTS OF THE UNITED STATES MAY REQUIRE; PROVIDED THAT IN EITHER CASE THE RELEASE, USE, DUPLICATION OR DISCLOSURE HEREOF SHALL BE SUBJECT TO THE FOREGOING LIMITATIONS. IF THIS DRAWING IS REPRODUCED IN WHOLE OR IN PART, THIS ENTIRE LEGEND BLOCK MUST APPEAR ON ALL REPRODUCED COPIES.

REV	BY	REF	DESCRIPTION OF CHANGE	CHK BY	DATE
A	DG	50482	GENERAL UPDATE—SEE MOD DOC		16 SEP 83
B		56609	REVISED AND REISSUED		18 APR 85
C	LMC	57978	NOTE 3: "WINDINGS 1 TO 3, 4 TO 6" WAS "12T WINDINGS"		8 NOV 85



POLARITY PER SCHEMATIC

NOTES:

1. DIMENSIONS REFERENCE
2. CORE COATED AND SECURED TO HOLDER WITH 006-1109-00 OR APPROVED EQUIVALENT. NO CORE MOVEMENT WITH RESPECT TO HOLDER.
3. INDUCTANCE RANGE 23.2 TO 38.8  $\mu$ H ON HP4275A METER OR APPROVED EQUIVALENT ON WINDINGS 1 TO 3, 4 TO 6 AT 1 MHz, .3 mA, SERIES MODE
4. PRINTED PART NUMBER (-1070) MAY BE USED INSTEAD OF COLOR CODE.
5. EACH TERMINAL MUST FIT INTO A .050" DIAMETER HOLE.
6. LEADS SOLDERED TO WITHIN .020" OF HOLDER BASE MINIMUM ONE FULL TERMINATION WRAP SOLDERED ON EACH TERMINAL.

**TEKTRONIX, INC.** P. O. BOX 500 BEAVERTON, OREGON U.S.A. 97005

DWN	J. NAGODE	11 MAY 76	DIMENSIONS ARE IN INCHES / TOLERANCES: UNLESS OTHERWISE SPECIFIED	
ENGR	L. CLEM	25 OCT 77	DEC	ANLR
CHKR	J. WOODFALL	25 OCT 77	SCALE	FIRST USED ON
PROD	Howard Horneth	25 OCT 77	3:1	1410

MATERIAL LISTED

FINISH NOTED

TITLE TRANSFORMER, RF (TOROIDAL)

CODE IDENT NO	SIZE	PART NUMBER	REV
80009	B	120-1070-00	C

DATA:

CODE  
CORE PART NO.  
HOLDER PART NO.

TD-325  
276-0573-00  
352-0466-00

WIRE DATA

TURNS	AWG	PART NUMBER
12, 12, 12, 12*	31	176-0014-XX

\* QUADFILAR

TEKTRONIX, INC. PROPRIETARY ITEM DRAWING

MFD BY TEKTRONIX

MFD FOR TEKTRONIX



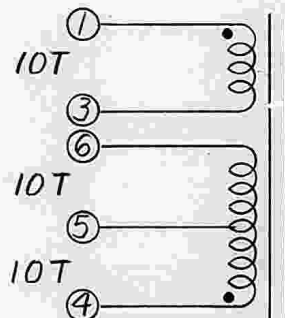
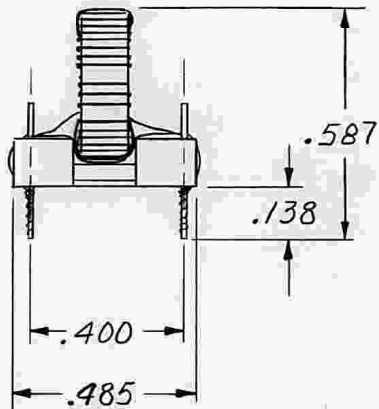
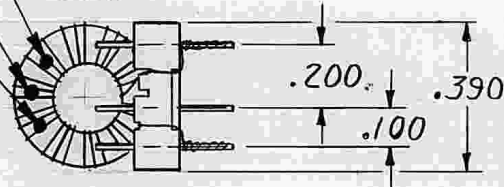
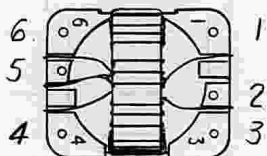
75-85

COLOR CODE  $\Delta$

ORANGE

RED

BLUE



POLARITY PER SCHEMATIC

DATA:

CODE  
CORE PART NO.  
HOLDER PART NO.

TD-326  
276-0554-00  
352-0466-00

WIRE DATA		
TURNS	AWG	PART NUMBER
10) 10) TRIFILAR 10)	31	176-0014-XX

TEKTRONIX, INC. PROPRIETARY ITEM DRAWING

MFD BY TEKTRONIX

MFD FOR TEKTRONIX

REV A

PART NUMBER  
120-1071-00

THIS DRAWING WHEN DISTRIBUTED OUTSIDE TEKTRONIX, INC., IS SUPPLIED FOR IDENTIFICATION, ENGINEERING EVALUATION AND/OR INSPECTION PURPOSES ONLY AND MAY NOT BE USED AS A BASIS FOR MANUFACTURE OR SALES OF PRODUCTS WITHOUT WRITTEN PERMISSION FROM TEKTRONIX, INC.  
IF THIS DRAWING IS FURNISHED UNDER ANY UNITED STATES GOVERNMENT CONTRACT, IT SHALL NOT BE EITHER RELEASED OUTSIDE THE GOVERNMENT, OR USED, DUPLICATED, OR DISCLOSED IN WHOLE OR IN PART FOR MANUFACTURE OR PROCUREMENT, WITHOUT THE WRITTEN PERMISSION OF TEKTRONIX, INC., EXCEPT FOR: (1) EMERGENCY REPAIR OR OVERHAUL WORK BY OR FOR THE GOVERNMENT, WHERE THE ITEM OR PROCESS CONCERNED IS NOT OTHERWISE REASONABLY AVAILABLE TO ENABLE TIMELY PERFORMANCE OF THE WORK; OR (2) RELEASE TO A FOREIGN GOVERNMENT AS THE INTERESTS OF THE UNITED STATES MAY REQUIRE; PROVIDED THAT IN EITHER CASE THE RELEASE, USE, DUPLICATION OR DISCLOSURE HEREOF SHALL BE SUBJECT TO THE FOREGOING LIMITATIONS. IF THIS DRAWING IS REPRODUCED IN WHOLE OR IN PART, THIS ENTIRE LEGEND BLOCK MUST APPEAR ON ALL REPRODUCED COPIES.

REV	REF	DESCRIPTION OF CHANGE	CHK BY	DATE
A	50482	UPDATED NOTES 2, 3 & ADDED NOTE $\Delta$	DG	14 DEC 83

$\Delta$  PRINTED PART NUMBER (-1071) MAY BE USED INSTEAD OF COLOR CODE

3. VALUE DETERMINED WITH HP4275A METER OR APPROVED EQUIV. AT 40 KHZ, 0.3 mA SERIES MODE (10 TURN WINDING PINS 1-3)  $L = 85 \mu H \pm 2\%$
2. CORE COATED AND SECURED TO HOLDER WITH 006-1109-00 OR APPROVED EQUIV.
1. DIMENSIONS REFERENCE

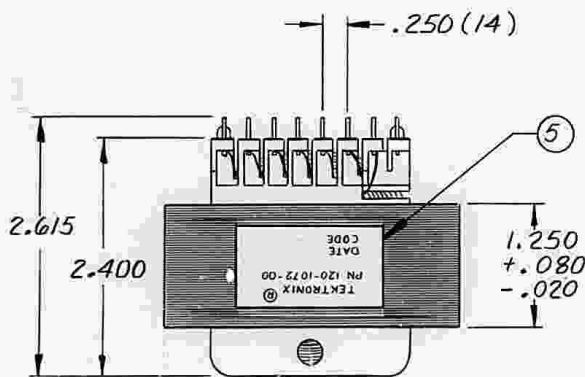
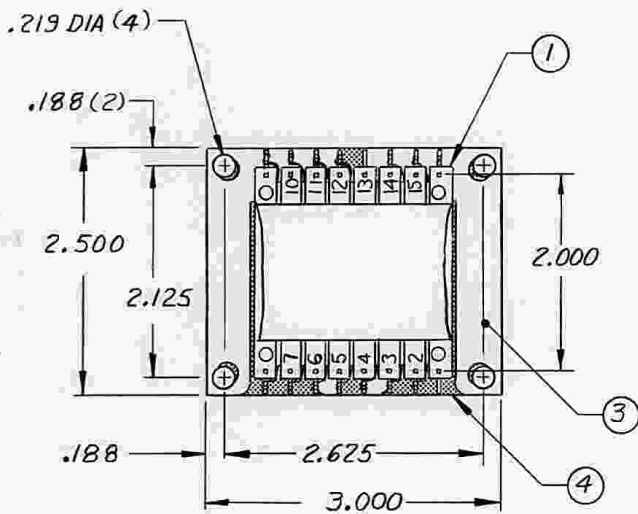
NOTES:

		P. O. BOX 500 BEAVERTON, OREGON U.S.A. 97005			
DWN	J. NAGODE	11 MAY 76	DIMENSIONS ARE IN INCHES		
ENGR	L. CLAM	25 Oct 77	TOLERANCES: UNLESS OTHERWISE SPECIFIED		
CHKR	J. WOODFALL	25 OCT 77	DEC	ANLR	
PROD	Homer Harriott	25 Oct 77	SCALE	FIRST USED ON	
MATERIAL			3:1	1410	
LISTED					
FINISH					
NOTED					
TITLE					
TRANSFORMER, RF (TOROIDAL)					
CODE IDENT NO	SIZE	PART NUMBER		REV	
80009	B	120-1071-00		A	

DO NOT SCALE DRAWING

THIS DRAWING WHEN DISTRIBUTED OUTSIDE TEKTRONIX, INC. IS SUPPLIED FOR IDENTIFICATION, ENGINEERING EVALUATION AND/OR INSPECTION PURPOSES ONLY AND MAY NOT BE USED AS A BASIS FOR MANUFACTURE OR SALES OF PRODUCTS WITHOUT WRITTEN PERMISSION FROM TEKTRONIX, INC. IF THIS DRAWING IS FURNISHED UNDER ANY UNITED STATES GOVERNMENT CONTRACT, IT SHALL NOT BE EITHER RELEASED OUTSIDE THE GOVERNMENT, OR USED, DUPLICATED, OR DISCLOSED IN WHOLE OR IN PART FOR MANUFACTURE OR PROCUREMENT, WITHOUT THE WRITTEN PERMISSION OF TEKTRONIX, INC. EXCEPT FOR: (1) EMERGENCY REPAIR OR OVERHAUL WORK BY OR FOR THE GOVERNMENT, WHERE THE ITEM OR PROCESS CONCERNED IS NOT OTHERWISE REASONABLY AVAILABLE TO ENABLE TIMELY PERFORMANCE OF THE WORK; OR (2) RELEASE TO A FOREIGN GOVERNMENT AS THE INTERESTS OF THE UNITED STATES MAY REQUIRE, PROVIDED THAT IN EITHER CASE THE RELEASE, USE, DUPLICATION OR DISCLOSURE HEREOF SHALL BE SUBJECT TO THE FOREGOING LIMITATIONS. IF THIS DRAWING IS REPRODUCED IN WHOLE OR IN PART, THIS ENTIRE LEGEND BLOCK MUST APPEAR ON ALL REPRODUCED COPIES.

REV	REF	DESCRIPTION OF CHANGE	CHK BY	DATE
(A)	45018	REMOVED ITEM 2	DD	18MAR82
(B)	46227	ADDED SAFETY STICKER	PV	14APR82
(C)	49320	ADDED NOTE 8	DD	31MAR83
(D)	50496	ADDED NOTE 9 NOTE 6 WAS 2KV	DD	21JUN83
(E)	50496	CORRECTED ITEM 5	DD	25AUG83

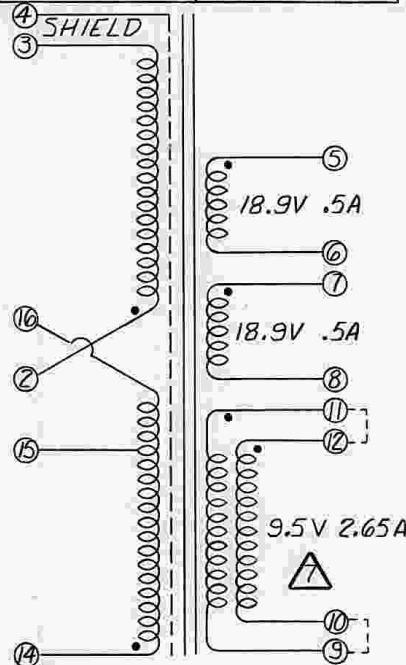


**COIL STRUCTURE**

OUTSIDE	
TYPE WINDING	TERM NO
SEC	12-10
	11-9
39T	BIFILAR #21
SEC	7-8
78T	#25
SEC	5-6
78T	#25
SHIELD	4
PRI	2-3
4.95T	#29
PRI	14-15-16
Ø-412-4.95T	#29

**INSIDE**

LINE TO 3 & 14	CONNECT
100V LINE TO 15 & 14	3 TO 16, 2 TO 14
120V	3 TO 16, 2 TO 14
220V	2 TO 15
240V	2 TO 16



PRIMARY  
100, 120, 220,  
240 V ± 10%  
50 - 60 HZ

- ⑨. ORIENTATION OF KEEPER IS OPTIONAL
- ⑧. EXCITING CURRENT .224 AMPS  
MAX AT 144 VOLTS, RMS, 60 Hz  
TERM 14-16
- ⚠ IN USE, THIS WINDING IS CONNECTED AS SHOWN. IF USED IN A CENTER TAP CONFIGURATION, THE CURRENT RATING IS 1.87 AMPS
- ⑥. DIELECTRIC WITHSTANDING VOLTAGE: 1.5KV RMS, 50 TO 60HZ, 1 MINUTE, PRIMARIES TO SECONDARIES, SHIELD AND CORE
- 5. VOLTAGE RATINGS ARE RMS NO LOAD. CURRENT RATINGS ARE AMPS DC TYP
- 4. WINDINGS INSULATED FOR 600 VDC
- 3. TRANSFORMER VACUUM IMPREGNATED WITH VARNISH 252-0082-00
- 2. POLARITY PER SCHEMATIC
- 1. DIMENSIONS REFERENCE UNLESS OTHERWISE SPECIFIED

PART NUMBER	REV.
120-1072-00	E

**NOTES:**

TEKTRONIX, INC. PROPRIETARY ITEM DRAWING			
<input type="checkbox"/> MFD BY TEKTRONIX		<input type="checkbox"/> MFD FOR TEKTRONIX	
<b>TEKTRONIX, INC.</b> BEAVERTON, OREGON U.S.A. 97077			
DWN J. NAGODE	20 SEP 76	DIMENSIONS ARE IN INCHES / TOLERANCES: UNLESS OTHERWISE SPECIFIED	
ENGR R. COGAN	29 MAR 78	DEC	ANLR
CHKR J. WOODFALL	29 MAR 78	SCALE 1:1	FIRST USED ON 1470
PROD E. ROSE	29 MAR 78	MATERIAL SEE LIST OF MATERIALS	
FINISH NOTED			
TITLE TRANSFORMER, POWER, STPDN			

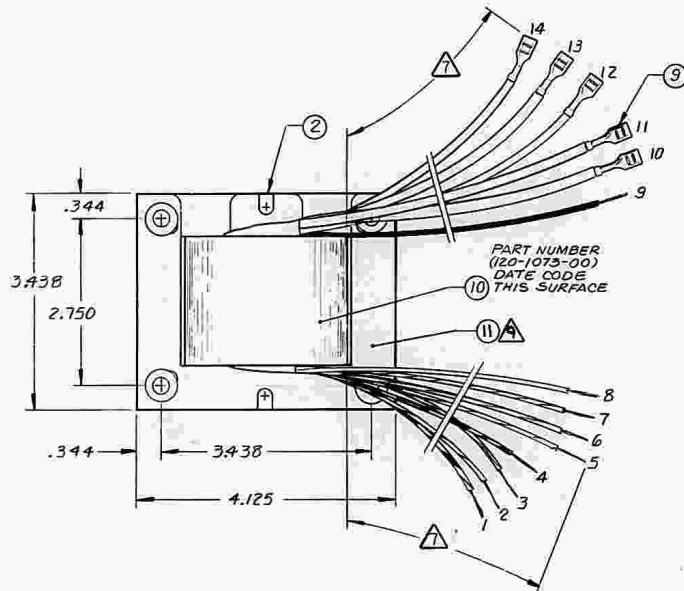
(E)	5	334-4645-00	1	MARKER, IDENTIFICATION
	4	386-0029-00	AR	PLATE, LAMINATION (STEEL)
	3	386-0030-00	2	PLATE, LAMINATION (KEEPER)
(A)	2			
	1	276-0214-01	1	FORM, COIL

ITEM	PART NUMBER	QTY	DESCRIPTION	CODE IDENT NO	SIZE	PART NUMBER	REV
				80009	C	120-1072-00	E

TEKTRONIX SAFETY CONTROLLED PART  
THIS PART IS CONTROLLED TO INSURE MAINTENANCE OF SAFETY CHARACTERISTICS DESIGNED INTO A TEK PRODUCT. TO CONTINUE MAINTENANCE, ANY CHANGES IN MATERIALS, SPECIFICATIONS, VENDORS OR VENDORS PART NUMBERS MUST BE EVALUATED AND APPROVED BY THE LINE MANAGER FOR EACH PRODUCT IN WHICH THIS IS A CONTROLLED PART.

52-107

REV	DESCRIPTION OF CHANGE	DATE
(A) 41718	ADDED ITEM 11 & NOTE A	DD 23JAN68
(B) 45018	REMOVED ITEM 1	DD 18MAR68
(C) 51689	REVISED DWG, REMOVED ITEM 3, UPDATED NOTE A & NOTE 5 WAS 2 KV, ITEM 5 WAS 210-0564-00 & ITEM 10 WAS 354-2961-00.	DD 28OCT69

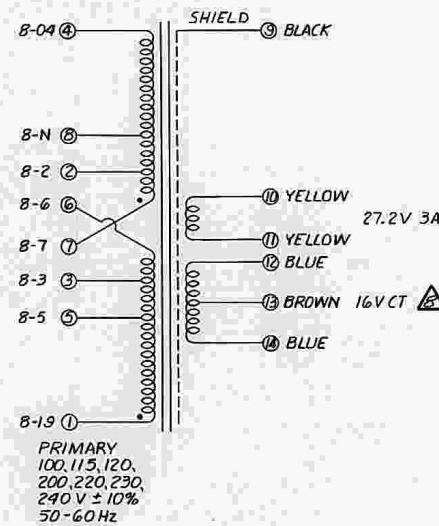


### COIL STRUCTURE OUTSIDE

TYPE WINDING	LEAD NO
SEC 12-13-14	*17
Ø-15-30T	
SEC 10-11	
51T 2	*17
SHIELD 9	
PRI 7-2-8-4	*22
Ø-9-38-225 T	
PRI 1-5-3-6	*22
Ø-187-216-225 T	

INSIDE

LINE 1 TO 4	CONNECT
100V	1 TO 8, 4 TO 5
115V	1 TO 2, 4 TO 3
120V	1 TO 7, 4 TO 6
200V	5 TO 8
220V	5 TO 7
230V	2 TO 3
240V	6 TO 7



- △ ORIENTATION OF KEEPER IS OPTIONAL  
 △ FULL WAVE BRIDGE CENTER TAPPED CIRCUIT, + SUPPLY 2.5A, - SUPPLY 0.3A

- △ LEAD LENGTHS:  
 \* LEAD WIRE \*\* INSULATION SLVG  
 = CONNECTORS

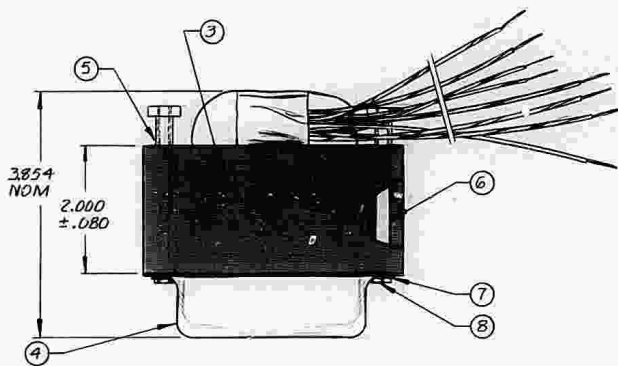
LEAD NO	COLOR	PART NUMBER	LENGTH ±.250	STRIP/TIN ±.125
* 1	8-19	175-0878-00	6.500	.500
* 2	8-2	175-0880-00		
* 3	8-3	175-0881-00		
* 4	8-04	175-0882-00	8.000	
* 5	8-5	175-0883-00		
* 6	8-6	175-0884-00		
* 7	8-7	175-0885-00		
* 8	8-N	175-0886-00		
* 9	BLK	175-0922-00		
** 10, 11	VEL	162-0512-00	9.250	.375
** 12, 14	BLU	162-0522-00		
** 13	BRN	162-0550-00		

PART NUMBER 120-1073-00 REV C

6. POLARITY PER SCHEMATIC  
 5. DIELECTRIC WITHSTANDING VOLTAGE: 15KV RMS, 50 TO 60 Hz, 1 MINUTE, PRIMARIES TO SECONDARIES, SHIELD, AND CORE  
 4. VOLTAGE RATINGS ARE RMS NO LOAD. CURRENT RATINGS ARE AMPS DC TYP  
 3. WINDING INSULATED FOR 600 V DC  
 △ TRANSFORMER VACUUM IMPREGNATED WITH VARNISH 252-0082-00 OR APPROVED EQUIVALENT  
 1. DIMENSIONS REFERENCE UNLESS OTHERWISE SPECIFIED

## NOTES:

TEKTRONIX, INC. PROPRIETARY ITEM DRAWING		MFD BY TEKTRONIX		MFD FOR TEKTRONIX	
TEKTRONIX, INC.		P. O. BOX 900		BEAVERTON, OREGON U.S.A. 97007	
DRN J. NAGODE	28 SEP 76	DIMENSIONS ARE IN INCHES / MM		UNLESS OTHERWISE SPECIFIED	
ENGR R. COOPER	11 APR 78	SCALE		FIRST USED ON 4905	
CHKR J. L. COOPER	12 APR 78	SCALE		FIRST USED ON 4905	
PRD E. HARRIS	12 APR 78	SCALE		FIRST USED ON 4905	
MATERIAL					
SEE LIST OF MATERIALS & 7					
FINISH NOTED △					
TITLE TRANSFORMER, POWER, STP ON					
CODE (REV) NO 80009 D					
PART NUMBER 120-1073-00					
REV C					



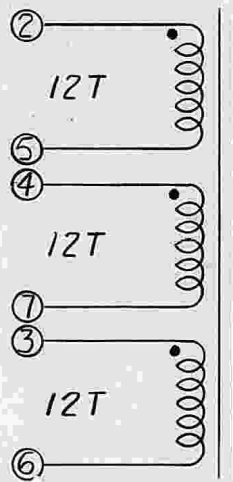
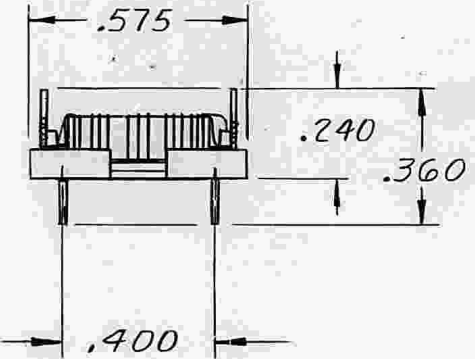
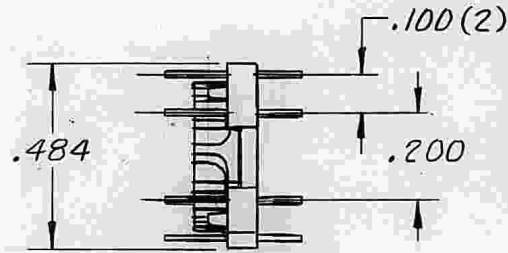
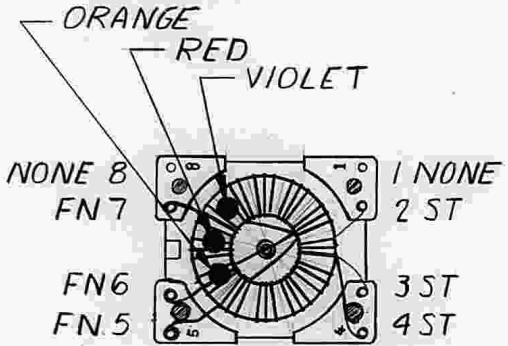
75-166C

REV B  
PART NUMBER 120-1074-00

THIS DRAWING WHEN DISTRIBUTED OUTSIDE TEKTRONIX, INC., IS SUPPLIED FOR IDENTIFICATION, ENGINEERING EVALUATION AND/OR INSPECTION PURPOSES ONLY AND MAY NOT BE USED AS A BASIS FOR MANUFACTURE OR SALES OF PRODUCTS WITHOUT WRITTEN PERMISSION FROM TEKTRONIX, INC.  
IF THIS DRAWING IS FURNISHED UNDER ANY UNITED STATES GOVERNMENT CONTRACT, IT SHALL NOT BE EITHER RELEASED OUTSIDE THE GOVERNMENT, OR USED, DUPLICATED, OR DISCLOSED IN WHOLE OR IN PART FOR MANUFACTURE OR PROCUREMENT, WITHOUT THE WRITTEN PERMISSION OF TEKTRONIX, INC., EXCEPT FOR: (1) EMERGENCY REPAIR OR OVERHAUL WORK BY OR FOR THE GOVERNMENT, WHERE THE ITEM OR PROCESS CONCERNED IS NOT OTHERWISE REASONABLY AVAILABLE TO ENABLE TIMELY PERFORMANCE OF THE WORK; OR (2) RELEASE TO A FOREIGN GOVERNMENT AS THE INTERESTS OF THE UNITED STATES MAY REQUIRE, PROVIDED THAT IN EITHER CASE THE RELEASE, USE, DUPLICATION OR DISCLOSURE HEREOF SHALL BE SUBJECT TO THE FOREGOING LIMITATIONS. IF THIS DRAWING IS REPRODUCED IN WHOLE OR IN PART, THIS ENTIRE LEGEND BLOCK MUST APPEAR ON ALL REPRODUCED COPIES.

REV	REF	DESCRIPTION OF CHANGE	CHK BY	DATE
(A)	46802	UPDATED DWG	DD	28MAY82
(B)	50482	REVISED DWG., UPDATED NOTES 2, 3 & ADDED NOTE 4	DG	14DEC83

COLOR CODE  $\Delta$  4



POLARITY PER SCHEMATIC

DATA:  
 CODE TD 327  
 CORE NO 276-0573-00  
 HOLDER NO 352-0401-00

WIRE DATA		
TURNS	AWG	PART NUMBER
12 12 } TRIFILAR 12 }	29	176-0012-XX

- $\Delta$  4. PRINTED PART NUMBER (1074) MAY BE USED INSTEAD OF COLOR CODE
3. VALUE DETERMINED WITH HP 4275 A METER OR APPROVED EQUIVALENT AT 1MHZ, 4mA, SERIES MODE ON 12T WINDING,  $L = 7.9 \pm 25\%$
2. COAT CORE AND SECURE CORE TO HOLDER WITH 006-1109-00 OR APPROVED EQUIVALENT
1. DIMENSIONS REFERENCE UOS

NOTES:

		P. O. BOX 500 BEAVERTON, OREGON U.S.A. 97005	
DWN J. NAGODE	9 JUN 76	DIMENSIONS ARE IN INCHES /mm	
ENGR L. Clem	22 Dec 76	TOLERANCES: UNLESS OTHERWISE SPECIFIED	
CHKR J. WOODFALL	22 DEC 76	DEC	ANLR
PROD Horro Abnett	12-22-76	SCALE 3:1	FIRST USED ON L3
MATERIAL LISTED			
FINISH NOTED			
TITLE TRANSFORMER, RF (TOROIDAL)			
CODE IDENT NO 80009	SIZE B	PART NUMBER 120-1074-00	REV B

DO NOT SCALE DRAWING

# DRAWING / SPECIFICATION DEVIATION NOTICE

REV. B

PART NUMBER 120-1074-00

DATE: AUG 7 1985

DEPT. OF MANUFACTURE TOROID, TRANSFORMER

DEVIATION TYPE:

PERMANENT ----- EFFECTIVITY DATE: AUG 7 1985

NO. 1

TEMPORARY ----- EFFECTIVITY DATE: \_\_\_\_\_

EXPIRATION DATE: \_\_\_\_\_

REASON FOR DEVIATION: \_\_\_\_\_

## ORIGINAL REQUIREMENTS

L=7.9 +/- 25%

## DEVIATION

L=7.9uH +/- 25%

PART INSPECTED BY: \_\_\_\_\_

DATE: \_\_\_\_\_

DDN REQUESTED BY: Shirley Arendell

DATE: AUG 7 1985

APPROVAL: Juella

MANUFACTURING

DATE: 8-8-85

ENGINEERING W. G. Anton

DATE: 8/8/85

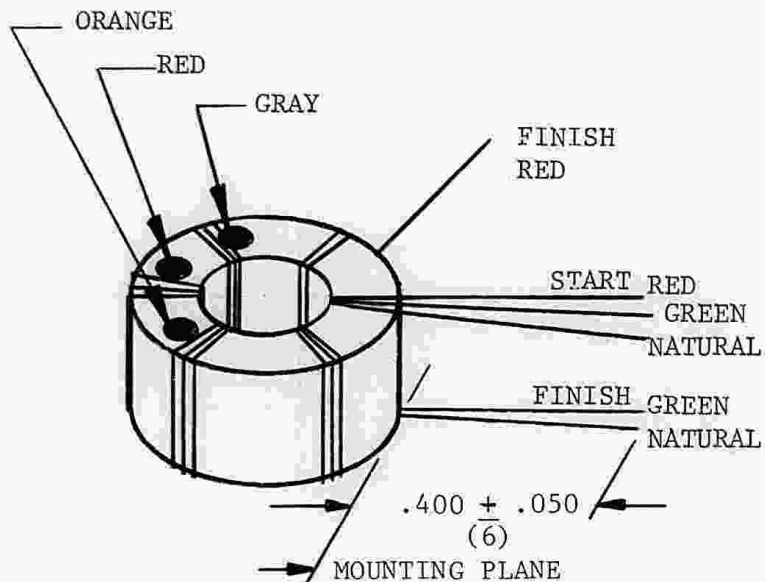
\_\_\_\_\_

DATE: \_\_\_\_\_

\_\_\_\_\_

DATE: \_\_\_\_\_

COLOR CODE



NOTES:

1. LEADS TINNED TO WITHIN .050 OF MOUNTING PLANE
2. COAT WITH 006-1109-00 OR APPROVED EQUIVALENT
3. INDUCTANCE:  $39.5 \mu\text{H} \pm 12.5 \mu\text{H}$  ON HP 4275A METER OR APPROVED EQUIVALENT AT 20 KHZ, .28mA, SERIES MODE (6 TURN WINDING)
4. TOROID REFERENCE DIMENSIONS: .229 OD X .151 HIGH

DATA:

CODE TD-328  
 CORE NO. 276-0557-00

WIRE DATA		
TURNS	AWG	PART NUMBER
* 5 RED	29	176-0012-XX
* 6 GRN		
* 6 NAT		

\* TRIFILAR

75-167B

PART NUMBER

120-1075-00

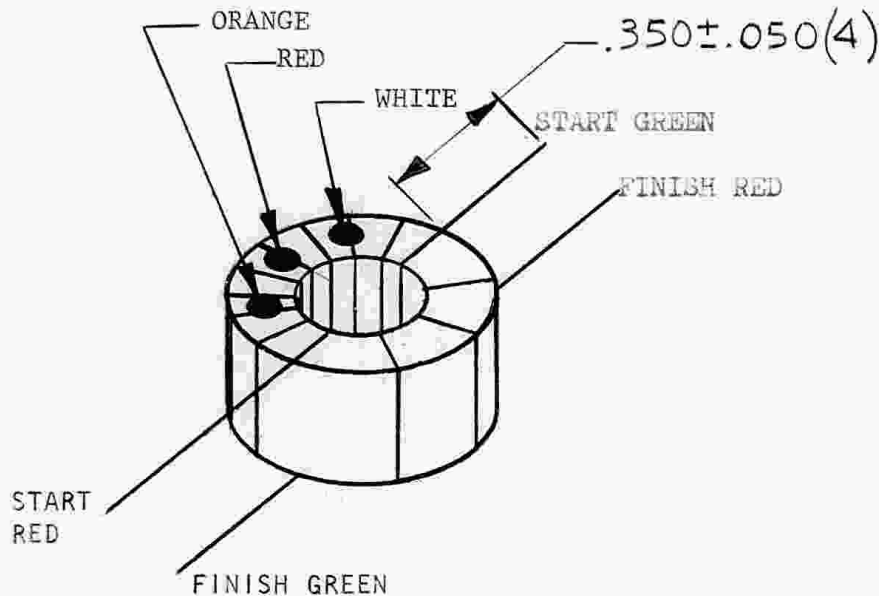
REV  
A

THIS DRAWING WHEN DISTRIBUTED OUTSIDE TEKTRONIX, INC. IS SUPPLIED FOR IDENTIFICATION, ENGINEERING EVALUATION AND/OR INSPECTION PURPOSES ONLY AND MAY NOT BE USED AS A BASIS FOR MANUFACTURE OR SALES OF PRODUCTS WITHOUT WRITTEN PERMISSION FROM TEKTRONIX, INC. IF THIS DRAWING IS FURNISHED UNDER ANY UNITED STATES GOVERNMENT CONTRACT, IT SHALL NOT BE EITHER RELEASED OUTSIDE THE GOVERNMENT, OR USED, DUPLICATED, OR DISCLOSED IN WHOLE OR IN PART FOR MANUFACTURE OR PROCUREMENT, WITHOUT THE WRITTEN PERMISSION OF TEKTRONIX, INC. EXCEPT FOR: (1) EMERGENCY REPAIR OR OVERHAUL WORK BY OR FOR THE GOVERNMENT, WHERE THE ITEM OR PROCESS CONCERNED IS NOT OTHERWISE REASONABLY AVAILABLE TO ENABLE TIMELY PERFORMANCE OF THE WORK; OR (2) RELEASE TO A FOREIGN GOVERNMENT AS THE INTERESTS OF THE UNITED STATES MAY REQUIRE; PROVIDED THAT IN EITHER CASE THE RELEASE, USE, DUPLICATION OR DISCLOSURE HEREOF SHALL BE SUBJECT TO THE FOREGOING LIMITATIONS. IF THIS DRAWING IS REPRODUCED IN WHOLE OR IN PART, THIS ENTIRE LEGEND BLOCK MUST APPEAR ON ALL REPRODUCED COPIES.

REV	BY	REF	DESCRIPTION OF CHANGE	CHK BY / DATE
A	DD	49718	UPDATED DRAWING	3 MAR 1983


		P. O. BOX 500 BEAVERTON, OREGON U.S.A. 97077		
DWN	J. NAGODE	8 JUN 76	DIMENSIONS ARE IN INCHES / mm TOLERANCES: UNLESS OTHERWISE SPECIFIED	
ENGR	L. Olson	22 Dec 76	DEC	ANLR
CHKR	J. WOODFALL	22 DEC 76	SCALE	FIRST USED ON
PROD	Homer Hammett	12-22-76	NONE	L3
MATERIAL LISTED				
FINISH NOTED				
TITLE TRANSFORMER, RF (TOROID)				
CODE IDENT NO	SIZE	PART NUMBER	REV	
80009	A	120-1075-00	A	

COLOR CODE 



NOTES :

1. VALUE DETERMINED WITH HP 4275A METER OR APPROVED EQUIV.  
@ 40 KHz, 0.3mA, SERIES MODE (9T WINDING)  $82 \mu\text{H} \pm 32\%$
2. TOROID REFERENCE DIMENSIONS: .262 O.D. x .157 HIGH
3. EACH WINDING IN 1/2 THE CORE AREA AS SHOWN
4. LEADS TINNED TO WITHIN .050 OF WINDING
5. COATED WITH 006-1109-00 OR APPROVED EQUIVALENT

 PRINTED PART NUMBER (-1076) MAY BE USED INSTEAD OF COLOR CODE

DATA :

CODE TD-329  
CORE NO. 276-0557-00

WIRE DATA		
TURNS	AWG	PART NUMBER
9 RED	27	176-0010-00
4 GREEN	27	176-0010-15


75-168




PART NUMBER

120-1076-00

REV  
B

THIS DRAWING WHEN DISTRIBUTED OUTSIDE TEKTRONIX, INC. IS SUPPLIED FOR IDENTIFICATION, ENGINEERING EVALUATION AND/OR INSPECTION PURPOSES ONLY AND MAY NOT BE USED AS A BASIS FOR MANUFACTURE OR SALES OF PRODUCTS WITHOUT WRITTEN PERMISSION FROM TEKTRONIX, INC. IF THIS DRAWING IS FURNISHED UNDER ANY UNITED STATES GOVERNMENT CONTRACT, IT SHALL NOT BE EITHER RELEASED OUTSIDE THE GOVERNMENT, OR USED, DUPLICATED, OR DISCLOSED IN WHOLE OR IN PART FOR MANUFACTURE OR PROCUREMENT, WITHOUT THE WRITTEN PERMISSION OF TEKTRONIX, INC. EXCEPT FOR: (1) EMERGENCY REPAIR OR OVERHAUL WORK BY OR FOR THE GOVERNMENT, WHERE THE ITEM OR PROCESS CONCERNED IS NOT OTHERWISE REASONABLY AVAILABLE TO ENABLE TIMELY PERFORMANCE OF THE WORK; OR (2) RELEASE TO A FOREIGN GOVERNMENT AS THE INTERESTS OF THE UNITED STATES MAY REQUIRE; PROVIDED THAT IN EITHER CASE THE RELEASE, USE, DUPLICATION OR DISCLOSURE HEREOF SHALL BE SUBJECT TO THE FOREGOING LIMITATIONS. IF THIS DRAWING IS REPRODUCED IN WHOLE OR IN PART, THIS ENTIRE LEGEND BLOCK MUST APPEAR ON ALL REPRODUCED COPIES.

REV / BY / REF	DESCRIPTION OF CHANGE	CHK BY / DATE
(A) RG 37676	.350 ± .050 WAS .400 ± .050	11 FEB 80
(B) DG 50482	UPDATED NOTES 1, 4, 5 & ADDED NOTE 	14 DEC 83

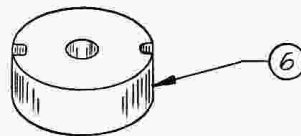
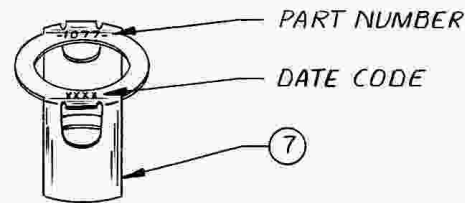
 <b>TEKTRONIX, INC.</b>		P. O. BOX 500		
		BEAVERTON, OREGON U.S.A. 97077		
DWN	J. NAGODE	8 JUN 76	DIMENSIONS ARE IN INCHES / 	
ENGR	L. Cleary	22 Dec 76	TOLERANCES: UNLESS OTHERWISE SPECIFIED	
CHKR	J. WOODFALL	22 DEC 76	DEC	ANLR
PROD	Homer Hammett	12-22-76	SCALE	FIRST USED ON
MATERIAL		NONE	L3	
LISTED				
FINISH				
NOTED				
TITLE				
TRANSFORMER, RF (TOROIDAL)				
CODE IDENT NO	SIZE	PART NUMBER	REV	
80009	A	120-1076-00	B	

76-18C

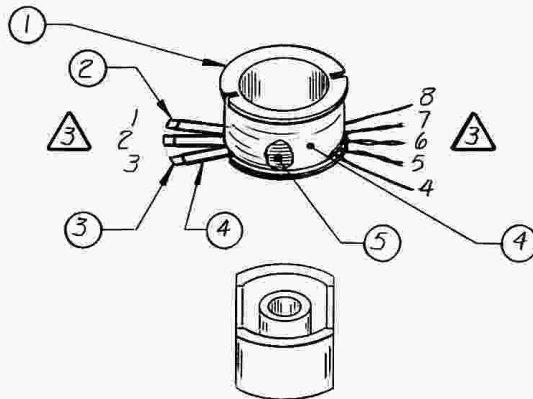
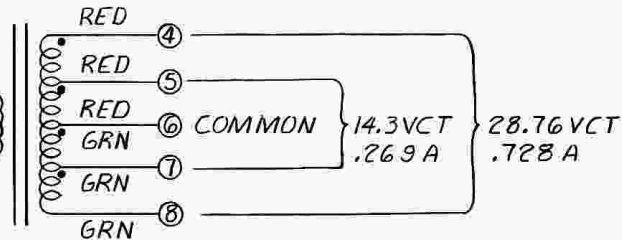
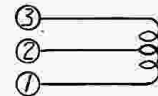
THIS DRAWING WHEN DISTRIBUTED OUTSIDE TEKTRONIX, INC. IS SUPPLIED FOR IDENTIFICATION, ENGINEERING EVALUATION AND/OR INSPECTION PURPOSES ONLY AND MAY NOT BE USED AS A BASIS FOR MANUFACTURE OR SALES OF PRODUCTS WITHOUT WRITTEN PERMISSION FROM TEKTRONIX, INC.

IF THIS DRAWING IS FURNISHED UNDER ANY UNITED STATES GOVERNMENT CONTRACT, IT SHALL NOT BE EITHER RELEASED OUTSIDE THE GOVERNMENT, OR USED, DUPLICATED, OR DISCLOSED IN WHOLE OR IN PART FOR MANUFACTURE OR PROCUREMENT WITHOUT THE WRITTEN PERMISSION OF TEKTRONIX, INC. EXCEPT FOR: (1) EMERGENCY REPAIR OR OVERHAUL WORK BY OR FOR THE GOVERNMENT, WHERE THE ITEM OR PROCESS CONCERNED IS NOT OTHERWISE REASONABLY AVAILABLE TO ENABLE TIMELY PERFORMANCE OF THE WORK OR (2) RELEASE TO A FOREIGN GOVERNMENT AS THE INTERESTS OF THE UNITED STATES MAY REQUIRE, PROVIDED THAT IN EITHER CASE THE RELEASE, USE, DUPLICATION OR DISCLOSURE HEREOF SHALL BE SUBJECT TO THE FOREGOING LIMITATIONS. IF THIS DRAWING IS REPRODUCED IN WHOLE OR IN PART, THIS ENTIRE LEGEND BLOCK MUST APPEAR ON ALL REPRODUCED COPIES.

REV	REF	DESCRIPTION OF CHANGE	CHK BY	DATE
(A)	36603	UPDATED DRAWING SEE MOD DOC FOR DETAILS	LF	1 JUN 79



8.6V CT



WINDINGS	TURNS	WIRE ITEM NO	RESISTANCE ± 20% AT 20°C
1-2 PRI	3	3	.0028
2-3 PRI	3	2	.0028
4-5 SEC	5	5	.0139
7-8 SEC	5		.0139
5-6 SEC	5		.0150
6-7 SEC	5		.0150

\* BIFILAR WOUND  
 INDUCTANCE: 1.95mH MIN (4-8)  
 OPERATING FREQUENCY: 25 KHZ  
 POLARITY PER SCHEMATIC (PRIMARY TO SECONDARY POLARITY NOT NECESSARY)

5. VOLTAGE RATINGS ARE PEAK NO LOAD CURRENT RATINGS ARE RMS

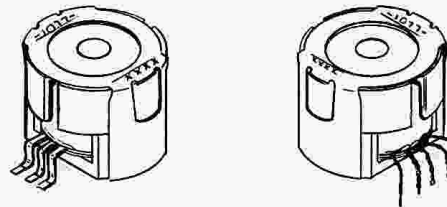
PART NUMBER	REV
120-1077-00	A

4. COIL CEMENTED TO BOTTOM CORE  
 3 ALL LEAD LENGTHS ± .062 MEASURED FROM EDGE OF BOBBIN BEFORE BENDING. TIN LEADS .250 ± .050

2. TRANSFORMER VACUUM IMPREGNATED WITH VARNISH 252-0082-00

1. REFERENCE DIMENSIONS: 1.215 O.D × .830 HIGH

## ASSEMBLED VIEWS



NOTES:

3 LEAD CHART			
LEAD	LENGTH	LEAD	LENGTH
1	.550	5	.700
2	.500	6	.650
3	.550	7	.700
4	.750	8	.750

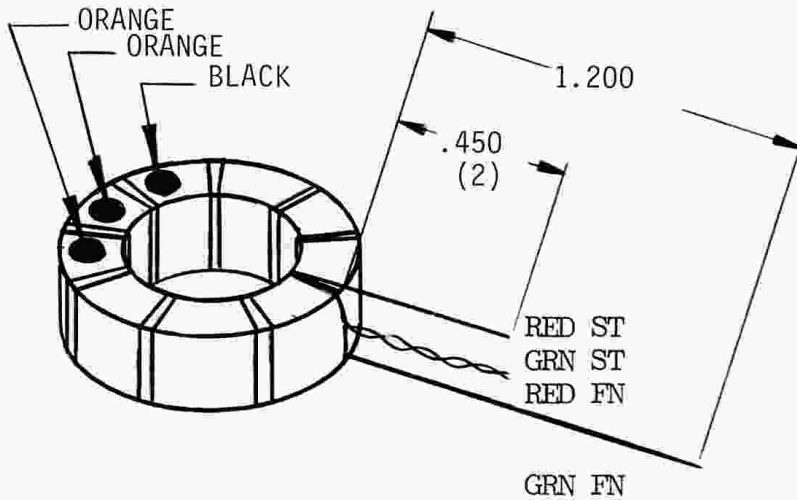
TIN LEADS .250 ± .050

7	343-0386-00	1	CLAMP
6	276-0690-00	1	CORE, EM(UNGAPPED 3019)
5	176-0027-XX	AR	WIRE ELEC (21 AWG)
4	253-0019-00	AR	TAPE, PRESS SENS(.500 W)
3	195-0174-00	1	LEAD, ELECTRICAL
2	195-0175-00	1	LEAD, ELECTRICAL
1	276-0189-00	1	FORM, COIL

TEKTRONIX, INC. PROPRIETARY ITEM DRAWING			
<input checked="" type="checkbox"/> MFD BY TEKTRONIX		<input type="checkbox"/> MFD FOR TEKTRONIX	
<b>TEKTRONIX, INC.</b> BEAVERTON, OREGON U.S.A. 97005		P. O. BOX 508 BEAVERTON, OREGON U.S.A. 97005	
DWN	J. NAGODE	26 JUL 76	DIMENSIONS ARE IN INCHES/TOLERANCES UNLESS OTHERWISE SPECIFIED
ENGR	<i>Frank G. Gills</i>	25 OCT 77	SCALE
CHKR	J. WOODFALL	25 OCT 77	FIRST USED ON
PRDD	T. HATT	25 OCT 77	NONE
MATERIAL			
SEE LIST OF MATERIALS			
FINISH			
NOTED			
TITLE			
TRANSFORMER, CONVERTER (POT CORE)			
CODE IDENT NO	SIZE	PART NUMBER	REV
80009	G	120-1077-00	A



COLOR CODE



76-21 C

PART NUMBER **120-1078-00**

REV

THIS DRAWING WHEN DISTRIBUTED OUTSIDE TEKTRONIX INC IS SUPPLIED FOR IDENTIFICATION ENGINEERING EVALUATION AND/OR INSPECTION PURPOSES ONLY AND MAY NOT BE USED AS A BASIS FOR MANUFACTURE OR SALES OF PRODUCTS WITHOUT WRITTEN PERMISSION FROM TEKTRONIX INC. IF THIS DRAWING IS FURNISHED UNDER ANY UNITED STATES GOVERNMENT CONTRACT IT SHALL NOT BE EITHER RELEASED OUTSIDE THE GOVERNMENT, OR USED, DUPLICATED, OR DISCLOSED IN WHOLE OR IN PART FOR MANUFACTURE OR PROCUREMENT, WITHOUT THE WRITTEN PERMISSION OF TEKTRONIX, INC. EXCEPT FOR: (1) EMERGENCY REPAIR OR OVERHAUL WORK BY OR FOR THE GOVERNMENT, WHERE THE ITEM OR PROCESS CONCERNED IS NOT OTHERWISE REASONABLY AVAILABLE TO ENABLE TIMELY PERFORMANCE OF THE WORK, OR (2) RELEASE TO A FOREIGN GOVERNMENT AS THE INTERESTS OF THE UNITED STATES MAY REQUIRE, PROVIDED THAT IN EITHER CASE THE RELEASE, USE, DUPLICATION OR DISCLOSURE HEREOF SHALL BE SUBJECT TO THE FOREGOING LIMITATIONS. IF THIS DRAWING IS REPRODUCED IN WHOLE OR IN PART, THIS ENTIRE LEGEND BLOCK MUST APPEAR ON ALL REPRODUCED COPIES

REV / BY / REF	DESCRIPTION OF CHANGE	CHK BY / DATE
----------------	-----------------------	---------------

4. COATED WITH 006-1109-00
3. LEADS TINNED .250
2. INDUCTANCE RANGE PER TEKTRONIX 130 L.C. METER: 56 $\mu$ H MIN. TO 87 $\mu$ H MAX ON 9 TURN WINDING
1. TOROID REFERENCE DIMENSIONS: .254 O.D. X .083 HIGH.

NOTES:

DATA:

CODE TD-330  
 CORE NO. 276-0695-00  
 WIRE SIZE 30 AWG  
 WIRE PART NO. 176-0035-XX  
 NO. OF TURNS 9 } BIFILAR  
 9 }

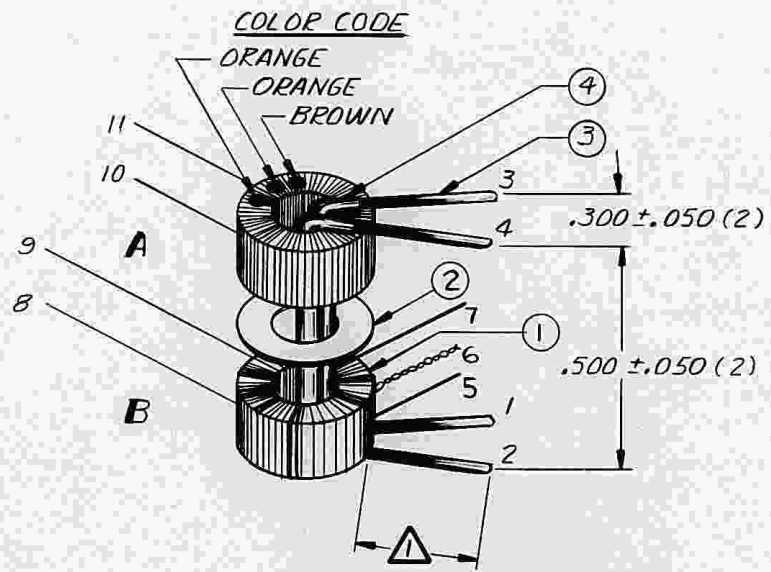
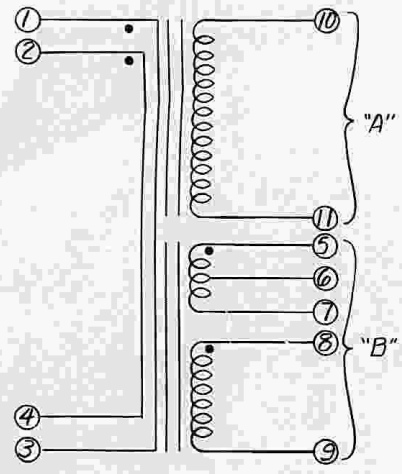
<b>TEKTRONIX, INC.</b>		P. O. BOX 500 BEAVERTON, OREGON U.S.A. 97077	
DWN	J. NAGODE	21 JUL 76	DIMENSIONS ARE IN INCHES / <del>MM</del> TOLERANCES: UNLESS OTHERWISE SPECIFIED
ENGR	<i>J. Gillis</i>	FEB 15, 78	
CHKR	J. WOODFALL	15 FEB 78	
PROD	<i>J. Cooper</i>	FEB 15, 78	
MATERIAL LISTED			
FINISH NOTED			
TITLE TRANSFORMER, RF(TOROID)			
DEC	±.050	ANLR	
SCALE	NONE	FIRST USED ON	400

TEKTRONIX, INC. PROPRIETARY ITEM DRAWING  
 MFD BY TEKTRONIX       MFD FOR TEKTRONIX

CODE IDENT NO **80009**    SIZE **A**    PART NUMBER **120-1078-00**    REV

THIS DRAWING WHEN DISTRIBUTED OUTSIDE TEKTRONIX, INC., IS SUPPLIED FOR IDENTIFICATION, ENGINEERING EVALUATION AND/OR INSPECTION PURPOSES ONLY AND MAY NOT BE USED AS A BASIS FOR MANUFACTURE OR SALES OF PRODUCTS WITHOUT WRITTEN PERMISSION FROM TEKTRONIX, INC. IF THIS DRAWING IS FURNISHED UNDER ANY UNITED STATES GOVERNMENT CONTRACT, IT SHALL NOT BE EITHER RELEASED OUTSIDE THE GOVERNMENT, OR USED, DUPLICATED, OR DISCLOSED IN WHOLE OR IN PART FOR MANUFACTURE OR PROCUREMENT, WITHOUT THE WRITTEN PERMISSION OF TEKTRONIX, INC., EXCEPT FOR: (1) EMERGENCY REPAIR OR OVERHAUL WORK BY OR FOR THE GOVERNMENT, WHERE THE ITEM OR PROCESS CONCERNED IS NOT OTHERWISE REASONABLY AVAILABLE TO ENABLE TIMELY PERFORMANCE OF THE WORK; OR (2) RELEASE TO A FOREIGN GOVERNMENT AS THE INTERESTS OF THE UNITED STATES MAY REQUIRE, PROVIDED THAT IN EITHER CASE THE RELEASE, USE, DUPLICATION OR DISCLOSURE HEREOF SHALL BE SUBJECT TO THE FOREGOING LIMITATIONS. IF THIS DRAWING IS REPRODUCED IN WHOLE OR IN PART, THIS ENTIRE LEGEND BLOCK MUST APPEAR ON ALL REPRODUCED COPIES.

REV	REF	DESCRIPTION OF CHANGE	CHK BY	DATE
(A)	34493	CORRECTED VIEW 5, 6, & 7	LF	1 AUG 78



- 5. REFERENCE DIMENSIONS: .554 LONG  
.725 HIGH x .475 WIDE
- 4. INDUCTANCE RANGE PER ESI 251  
IMPEDANCE BRIDGE OR EQUIVALENT:  
1.4 mH MIN ON 40 TURN WINDING  
5.6 mH MIN ON 80 TURN WINDING
- 3. COAT WITH 006-1109-00
- 2. LEADS 5 THRU 11 TINNED .500 ± .050

PART NUMBER	REV.
120-1079-00	A

△ LEAD LENGTHS ± .050:

"A"	10-11	1.250
"B"	5-6	.750
	7	1.250
	8-9	1.500
	1-2	.250
	3-4	.250

WIRE DATA				
	URNS/COLOR	AWG	PART NUMBER	LEAD NO.
"A"	80 GREEN	34	176-0017-XX	10-11
"B"	10 RED	27	176-0010-XX	5-6
	10 GREEN	27	176-0010-XX	6-7
	40 RED	33	176-0016-XX	8-9

\* BIFILAR

NOTES:

TEKTRONIX, INC. PROPRIETARY ITEM DRAWING			
<input checked="" type="checkbox"/> MFD BY TEKTRONIX	<input type="checkbox"/> MFD FOR TEKTRONIX		
<b>TEKTRONIX, INC.</b>		P. O. BOX 500 BEAVERTON, OREGON U.S.A. 97077	
DWN <i>J. NAGODE</i>	28 OCT 77	DIMENSIONS ARE IN INCHES / TOLERANCES: UNLESS OTHERWISE SPECIFIED	
ENGR <i>J. G. GILLIS</i>	5 APR 78	DEC	ANLR
CHKR <i>J. WOODFALL</i>	5 APR 78	SCALE	FIRST USED ON
PROD <i>J. G. GILLIS</i>	5 APR 78	NONE	400
MATERIAL			
SEE LIST OF MATERIALS			
FINISH			
NOTED			
TITLE			
TRANSFORMER ASSY (TOROID)			
CODE IDENT NO	SIZE	PART NUMBER	REV
80009	G	120-1079-00	A

ITEM	PART NUMBER	QTY	DESCRIPTION
4	162-0601-00	1.70	INSULATION SLVG, ELEC (BLK)
3	176-0002-00	3.20	WIRE, ELEC (16 AWG, TND CU)
2	210-0812-00	1	WASHER, PLAIN
1	276-0694-00	2	CORE, EM (TOROID)

LIST OF MATERIALS

75-61 G

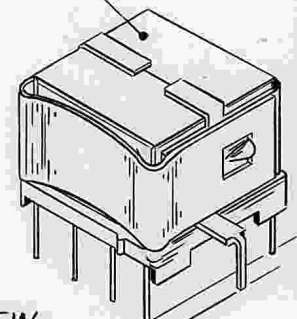
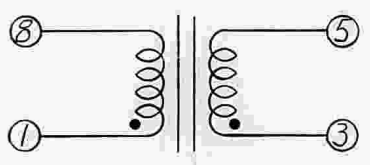
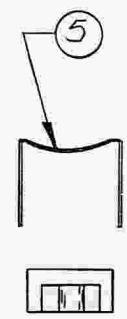
PART NUMBER  
(-1080)  
DATE CODE

THIS DRAWING WHEN DISTRIBUTED OUTSIDE TEKTRONIX, INC., IS SUPPLIED FOR IDENTIFICATION, ENGINEERING EVALUATION AND/OR INSPECTION PURPOSES ONLY AND MAY NOT BE USED AS A BASIS FOR MANUFACTURE OR SALES OF PRODUCTS WITHOUT WRITTEN PERMISSION FROM TEKTRONIX, INC.

IF THIS DRAWING IS FURNISHED UNDER ANY UNITED STATES GOVERNMENT CONTRACT, IT SHALL NOT BE EITHER RELEASED OUTSIDE THE GOVERNMENT, OR USED, DUPLICATED, OR DISCLOSED IN WHOLE OR IN PART FOR MANUFACTURE OR PROCUREMENT, WITHOUT THE WRITTEN PERMISSION OF TEKTRONIX, INC., EXCEPT FOR: (1) EMERGENCY REPAIR OR OVERHAUL WORK BY OR FOR THE GOVERNMENT, WHERE THE ITEM OR PROCESS CONCERNED IS NOT OTHERWISE REASONABLY AVAILABLE TO ENABLE TIMELY PERFORMANCE OF THE WORK; OR (2) RELEASE TO A FOREIGN GOVERNMENT AS THE INTERESTS OF THE UNITED STATES MAY REQUIRE; PROVIDED THAT IN EITHER CASE THE RELEASE, USE, DUPLICATION OR DISCLOSURE HEREOF SHALL BE SUBJECT TO THE FOREGOING LIMITATIONS. IF THIS DRAWING IS REPRODUCED IN WHOLE OR IN PART, THIS ENTIRE LEGEND BLOCK MUST APPEAR ON ALL REPRODUCED COPIES.

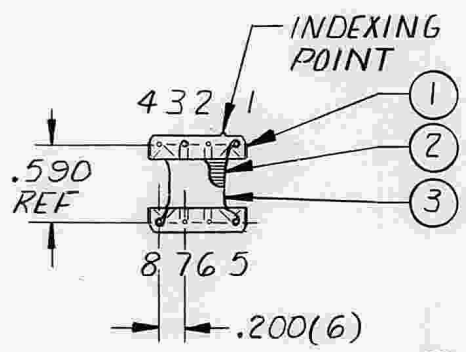
REV	REF	DESCRIPTION OF CHANGE	CHK BY	DATE
A	33926	NOTE 2 WAS BOBIN CEMENTED TO CORE	REP	12 JUN 78
B	53424	REVISED DWG. & UPDATED NOTE 2	DD	9 MAR 84

REV B  
PART NUMBER 120-1080-00



ASSEM VIEW  
SCALE: NONE

.250 REF (2)



INDEXING POINT

WINDINGS	WIRE DATA		TYP RATINGS		RESISTANCE
	TURNS	AWG	VOLTS	AMPS	±20% AT 20°C
* 1-8 PRI	23	2/34	10	.08	.13 Ω
* 3-5 SEC	23	2/34	10	.08	.24 Ω
* 1-8 PRI	23	2/34	—	—	—

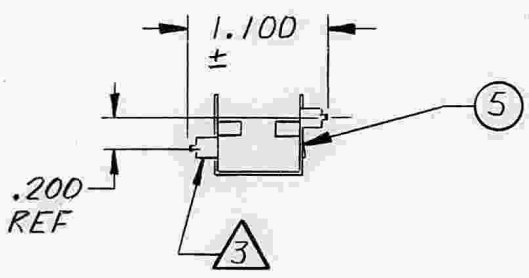
3 BEND TABS (2) OUT AS SHOWN

2. CORES CEMENTED TOGETHER

1. REFERENCE DIMENSIONS: .830 HIGH × .800 WIDE × 1.100 LONG

INDUCTANCE: 4.2 mH MIN (1-8), ESI 252 METER OR APPROVED EQUIVALENT  
POLARITY PER SCHEMATIC  
OPERATING FREQUENCY: 2KHz TO 70 MHz  
\* ONE LAYER PER WINDING

NOTES:



<b>TEKTRONIX, INC.</b>		P. O. BOX 500 BEAVERTON, OREGON U.S.A. 97005	
DWN J. NAGODE	4 JUN 76	DIMENSIONS ARE IN INCHES	
ENGR L. CLEM	22 DEC 76	TOLERANCES: UNLESS OTHERWISE SPECIFIED	
CHKR J. WOODFALL	22 DEC 76	DEC —	ANLR —
PROD T. HIATT	22 DEC 76	SCALE 1:1	FIRST USED ON 013-0169-00

MATERIAL  
SEE LIST OF MATERIALS

FINISH

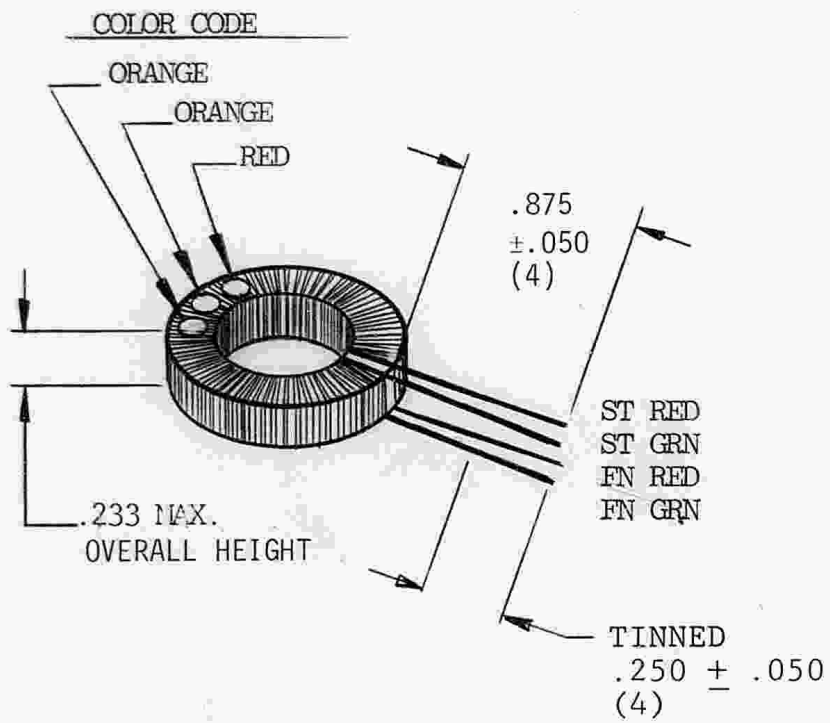
TITLE  
TRANSFORMER RF  
(WIDE BANDPASS)

5	343-0658-00	1	CLAMP, CORE (YOKE & CLAMP)
4	276-0693-00	1	CORE, EM (EP17)
3	253-0125-00	AR	TAPE, PRESS SENS (.375 W)
2	176-0038-XX	AR	WIRE, ELEC (34 AWG)
1	276-0222-00	1	FORM, COIL

ITEM	PART NUMBER	QTY	DESCRIPTION
LIST OF MATERIALS			

CODE IDENT NO	SIZE	PART NUMBER	REV
80009	B	120-1080-00	B

DO NOT SCALE DRAWING



DATA:

CODE  
CORE NO.

TD-332  
276-0692-00

WIRE DATA		
TURNS	AWG	PART NUMBER
80 BIFILAR	36	176-0157-XX

76-57 B PART NUMBER 120-1081-00 REV A

THIS DRAWING WHEN DISTRIBUTED OUTSIDE TEKTRONIX, INC. IS SUPPLIED FOR IDENTIFICATION, ENGINEERING EVALUATION AND/OR INSPECTION PURPOSES ONLY AND MAY NOT BE USED AS A BASIS FOR MANUFACTURE OR SALES OF PRODUCTS WITHOUT WRITTEN PERMISSION FROM TEKTRONIX, INC. IF THIS DRAWING IS FURNISHED UNDER ANY UNITED STATES GOVERNMENT CONTRACT, IT SHALL NOT BE EITHER RELEASED OUTSIDE THE GOVERNMENT, OR USED, DUPLICATED, OR DISCLOSED IN WHOLE OR IN PART FOR MANUFACTURE OR PROCUREMENT, WITHOUT THE WRITTEN PERMISSION OF TEKTRONIX, INC. EXCEPT FOR: (1) EMERGENCY REPAIR OR OVERHAUL WORK BY OR FOR THE GOVERNMENT, WHERE THE ITEM OR PROCESS CONCERNED IS NOT OTHERWISE REASONABLY AVAILABLE TO ENABLE TIMELY PERFORMANCE OF THE WORK; OR (2) RELEASE TO A FOREIGN GOVERNMENT AS THE INTERESTS OF THE UNITED STATES MAY REQUIRE, PROVIDED THAT IN EITHER CASE THE RELEASE, USE, DUPLICATION OR DISCLOSURE HEREOF SHALL BE SUBJECT TO THE FOREGOING LIMITATIONS. IF THIS DRAWING IS REPRODUCED IN WHOLE OR IN PART, THIS ENTIRE LEGEND BLOCK MUST APPEAR ON ALL REPRODUCED COPIES.

REV / BY / REF	DESCRIPTION OF CHANGE	CHK BY / DATE
(A) DD 52616	UPDATED NOTES 2 & 6. REMOVED NOTES 3 & 5	28FEB.84

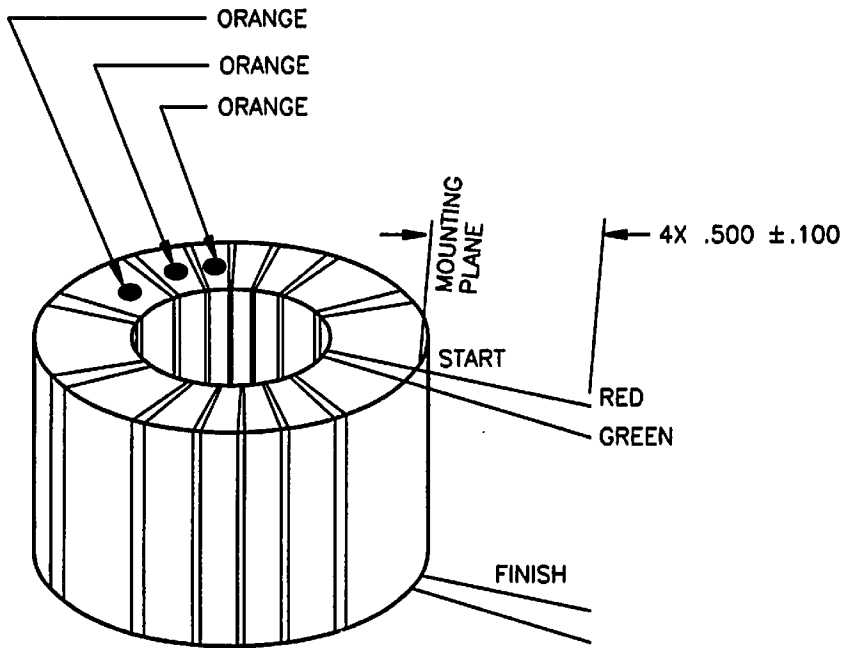
6. COATED WITH 006-1109-00 OR APPROVED EQUIVALENT
5. (DELETED)
4. LEAVE .060 MIN SPACE BETWEEN START AND FINISH
3. (DELETED)
2. INDUCTANCE RANGE PER ESI 252 METER OR APPROVED EQUIVALENT 40 mH MIN ON 80 TURN WINDING
1. TOROID REFERENCE DIMENSIONS: .840 O.D. x .230 HIGH

NOTES:

<b>TEKTRONIX, INC.</b>		P. O. BOX 500 BEAVERTON, OREGON U.S.A. 97077	
DWN	J. NAGODE	10 SEP 76	DIMENSIONS ARE IN INCHES / MM TOLERANCES: UNLESS OTHERWISE SPECIFIED DEC _____ ANLR _____
ENGR	<i>J. Gillis</i>	FEB 15, 78	
CHKR	J. WOODFALL	15 FEB 78	SCALE NONE FIRST USED ON P6303
PROD	<i>J. Cooper</i>	FEB 15 78	
MATERIAL LISTED			
FINISH NOTED			
TITLE TRANSFORMER, RF (TOROIDAL, COMMON MODE FILTER)			

TEKTRONIX, INC. PROPRIETARY ITEM DRAWING  
 MFD BY TEKTRONIX       MFD FOR TEKTRONIX

CODE IDENT NO 80009 SIZE A PART NUMBER 120-1081-00 REV A



WIRE DATA		
URNS/COLOR	AWG	PART NUMBER
14 RD	30	176-0035-00
14 GREEN	30	176-0035-15

\* {

\* BIFILAR

REV C  
PART NUMBER 120-1082-00

THIS DRAWING CONTAINS INFORMATION PROPRIETARY TO TEKTRONIX, INC. AND IS INTENDED FOR DISTRIBUTION ONLY TO PERSONS OR ORGANIZATIONS HAVING A LEGITIMATE NEED FOR THE DRAWING. WHEN DISTRIBUTED OUTSIDE TEKTRONIX, THIS DRAWING IS SUPPLIED FOR INFORMATION, IDENTIFICATION, ENGINEERING, EVALUATION AND/OR INSPECTION PURPOSES ONLY, AND MAY NOT BE USED AS A BASIS FOR THE MANUFACTURE OR SALE OF PRODUCTS OR THE FURNISHING OF SERVICES TO TEKTRONIX OR TO ANY THIRD PARTY UNLESS AUTHORIZED IN WRITING BY TEKTRONIX, INC.

IF THIS DRAWING IS FURNISHED UNDER ANY U.S. GOVERNMENT CONTRACT, IT IS FURNISHED AS LIMITED RIGHTS DATA AND SHALL NOT, WITHOUT THE WRITTEN PERMISSION OF TEKTRONIX, INC. BE EITHER (a) USED, RELEASED OR DISCLOSED IN WHOLE OR IN PART OUTSIDE THE GOVERNMENT, OR USED IN WHOLE OR IN PART BY THE GOVERNMENT FOR MANUFACTURE OR GOVERNMENT USE OTHER THAN THE GOVERNMENT, EXCEPT FOR (i) EMERGENCY REPAIR OR OVERHAUL WORK ONLY BY OR FOR THE GOVERNMENT, WHERE THE ITEM OR PROCESS CONCERNED IS NOT OTHERWISE REASONABLY AVAILABLE TO ENABLE TIMELY PERFORMANCE OF THE WORK, PROVIDED THAT THE RELEASE OR DISCLOSURE HEREOF OUTSIDE THE GOVERNMENT SHALL BE MADE SUBJECT TO A PROHIBITION AGAINST FURTHER USE, RELEASE, OR DISCLOSURE, OR (ii) RELEASE TO A FOREIGN GOVERNMENT AS THE INTEREST OF THE UNITED STATES MAY REQUIRE ONLY FOR INFORMATION OR EVALUATION WITHIN SUCH GOVERNMENT OR FOR EMERGENCY REPAIR OR OVERHAUL WORK BY OR FOR SUCH GOVERNMENT UNDER SUCH CONDITIONS AS (i) ABOVE. THIS LEGEND SHALL BE INCLUDED ON ANY REPRODUCTIONS HEREOF.

THIS DRAWING IS PROTECTED UNDER THE COPYRIGHT LAW AS AN UNPUBLISHED WORK, AND MAY NOT BE PUBLISHED, OR COPIED OR REPRODUCED BY PERSONS OUTSIDE TEKTRONIX, INC. WITHOUT EXPRESS WRITTEN PERMISSION.

REV	REF	DESCRIPTION OF CHANGE	CHK BY	DATE
C	80015	REVISED AND REDRAWN. NOTE #4	ERS	13SEP93

5. TOROID REFERENCE DIMENSIONS: .311 O.D X .199 HIGH
4. INDUCTANCE RANGE PER HP 4275A METER OR APPROVED EQUIVALENT 572 TO 1250 μH ON 14 TURN WINDING @ 100 KHz, 0.07 mA, PARALLEL MODE.
3. COATED WITH 006-1109-00 OR APPROVED EQUIVALENT
2. LEADS TINNED TO WITHIN .050 OF MOUNTING PLANE
1. DIM AND TOL PER ANSI Y14.5

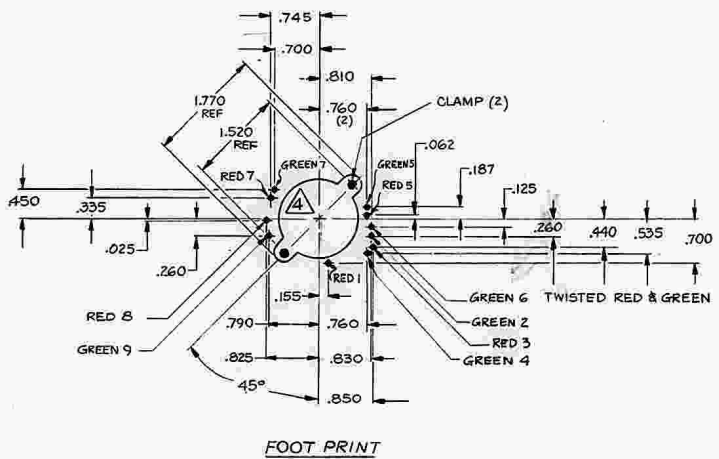
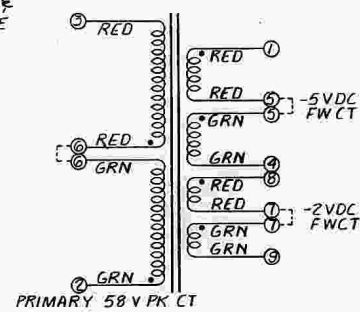
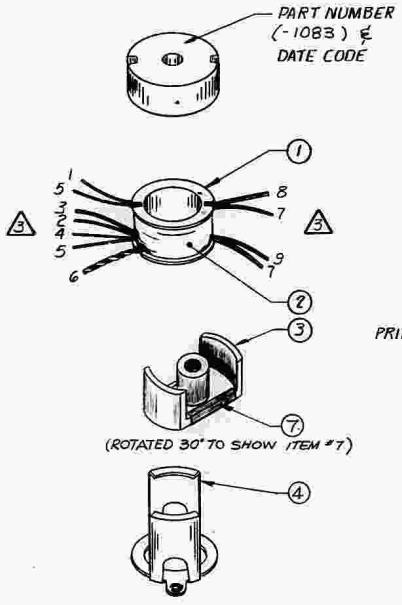
NOTES: UOS

		TEKTRONIX, INC. P. O. BOX 500 BEAVERTON, OREGON 97077	
		SIGNATURE	DATE
RELEASED FOR PRODUCTION TOOLING			
BY <i>Gabe S. Kubichak</i>	13SEP93	DIMENSIONS ARE IN INCHES UNLESS OTHERWISE SPECIFIED	
ENGR <i>Mike Moran</i>	14/25/93	SEC	ANLR
CHKD <i>Mike Moran</i>	14/25/93	SCALE	FIRST USED ON
PROD <i>Mike Moran</i>	14/25/93	NONE	P6303
MATERIAL			
CODE: TD-333 CORE NO: 276-0717-00			
FINISH			
NOTED			
TITLE			
TRANSFORMER, RF (TOROIDAL)			
CODE IDENT NO	SIZE	PART NUMBER	REV
80009	B	120-1082-00	C

DO NOT SCALE DRAWING 120-1082-00/C-ACAD

THIS DRAWING WHEN OBTAINED OUTSIDE TEKTRONIX, INC. IS APPLIED FOR IDENTIFICATION, ENGINEERING EVALUATION AND/OR REPRODUCTION PURPOSES ONLY AND MAY NOT BE USED AS A BASIS FOR MANUFACTURE OR SALE OF PRODUCTS WITHOUT WRITTEN PERMISSION FROM TEKTRONIX, INC. IF THIS DRAWING IS REPRODUCED AND NOT UNDER A WRITTEN REPRODUCTION CONTRACT, IT SHALL NOT BE USED IN ANY MANNER WITHOUT THE CONSENT AND APPROVAL OF TEKTRONIX, INC. ANY REPRODUCTION OF THIS DRAWING WITHOUT THE CONSENT AND APPROVAL OF TEKTRONIX, INC. SHALL BE AT THE REPRODUCER'S RISK. TEKTRONIX, INC. SHALL NOT BE RESPONSIBLE FOR ANY DAMAGES, INCLUDING REASONABLE ATTORNEY'S FEES, INCURRED BY THE REPRODUCER AS A RESULT OF THE REPRODUCTION OF THIS DRAWING. THE REPRODUCER SHALL BE RESPONSIBLE FOR OBTAINING ALL NECESSARY RIGHTS AND PERMISSIONS FROM THE ORIGINAL DRAWING OR THE REPRODUCER'S SOURCE. THE REPRODUCER SHALL BE RESPONSIBLE FOR OBTAINING ALL NECESSARY RIGHTS AND PERMISSIONS FROM THE ORIGINAL DRAWING OR THE REPRODUCER'S SOURCE. THE REPRODUCER SHALL BE RESPONSIBLE FOR OBTAINING ALL NECESSARY RIGHTS AND PERMISSIONS FROM THE ORIGINAL DRAWING OR THE REPRODUCER'S SOURCE.

REV	REF	DESCRIPTION OF CHANGE	CHK BY	DATE
(A)	45796	ADDED ITEM 5 & 6	DD	15MAR82
(B)	45796	ITEM 6 WAS 162-0518-00	DD	18MAY82
(C)	45796	UPDATED ITEM 5 & 6	DD	24AUG82
(D)	49313	GENERAL UPDATE	DD	11FEB83
(E)	53424	TRANSFERRED TO D SIZE. ADDED FOOT PRINT & UPDATED NOTE 4	DD	13APR84
(F)	55417	UPDATED PART NUMBERS IN WIRE DATA BOX	CH	OCT1684



WINDINGS	TURNS	WIRE DATA (C)		TYP RATINGS		RESISTANCE
		AWG	PART NUMBER	VOLTS	AMPS	±20% AT 20°C
6-3 PRI	32	24	176-0030-00	28.7		.142 Ω
2-6 PRI	32	24	176-0030-15	28.7		.142 Ω
1-5 SEC	6	20	176-0026-00	5.38	4	.013 Ω
5-4 SEC	6	20	176-0026-15	5.38	4	.013 Ω
8-7 SEC	3	19	176-0025-00	2.69	2	.006 Ω
7-9 SEC	3	19	176-0025-15	2.69	2	.006 Ω

\* VOLTS ARE PEAK NO LOAD  
 \*\* BIFILAR WOUND, SERIES CONNECTED  
 INDUCTANCE: (2-3) 17.2 mH MIN PER ES1 252 METER OR APPROVED EQUIV.  
 POLARITY PER SCHEMATIC  
 OPERATING FREQUENCY: 25 TO 27 KHZ SQUARE WAVE

LEAD CHART

LEAD	COLOR	LENGTH	LEAD	COLOR	LENGTH
1	RED	1.250	6	RED	.750
2	GRN	1.125	6	GRN	.750
3	RED	1.125	7	RED	.900
4	GRN	.950	7	GRN	1.250
5	RED	1.250	8	RED	1.250
5	GRN	1.500	9	GRN	1.250

PART NUMBER 120-1083-00 REV. F

4 LEADS FORMED INTO GENERAL POSITION AS SHOWN IN ASSEMBLED VIEWS, MUST BE ABLE TO FIT THIS PATTERN.

3 ALL LEAD LENGTHS MEASURED FROM EDGE OF ITEM 1 BEFORE BENDING. ALL LEADS TINNED .250 ± .050

2 BOBBIN CEMENTED TO BOTTOM CORE

1 REFERENCE DIMENSIONS: 1.7"5 O.D X .830 HIGH

NOTES:

7	253-0207-00	AR	TAPE (POLYESTER FILM)
6	162-0519-00	AR	INSUL SLUG # 18 GREEN
5	162-0509-00	AR	INSUL SLUG # 18 RED
4	343-0386-00	I	CLAMP
3	276-0690-00	I	CORE, EM (UNGAPPED-3019)
2	253-0015-00	AR	TAPE (ACETATE, .500 WIDE)
1	276-0189-00	I	FORM, COIL

TEKTRONIX, INC. PROPRIETARY ITEM DRAWING

DESIGNED BY TEKTRONIX

TEKTRONIX, INC. BEAVERTON, OREGON U.S.A. 97005

DATE: J. NAGODE 27 JUL 76

ENGR: E. G. GIBBY 11 MAR 77

CHKD: J. W. GOSWELL 11 MAR 77

PROD: T. W. HART 13 FEB 78

DIMENSIONS ARE IN INCHES UNLESS OTHERWISE SPECIFIED

SCALE: NONE

PROJ: 7701

MATERIAL: SEE LIST OF MATERIALS

FINISH: NOTED

TITLE: TRANSFORMER, POWER, SDN, RF (POT CORE)

CODE IDENT NO: 80009 D SIZE: PART NUMBER: 120-1083-00 REV: F

76-70

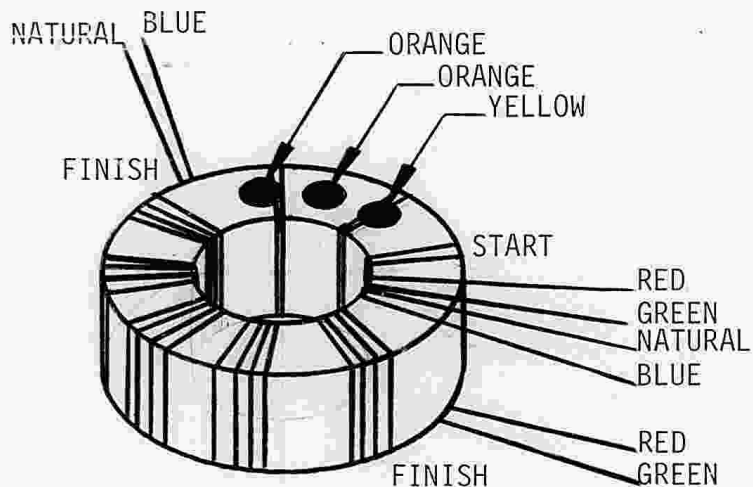
PART NUMBER

120-1084-00

REV

THIS DRAWING WHEN DISTRIBUTED OUTSIDE TEKTRONIX, INC. IS SUPPLIED FOR IDENTIFICATION, ENGINEERING EVALUATION AND/OR INSPECTION PURPOSES ONLY AND MAY NOT BE USED AS A BASIS FOR MANUFACTURE OR SALES OF PRODUCTS WITHOUT WRITTEN PERMISSION FROM TEKTRONIX, INC. IF THIS DRAWING IS FURNISHED UNDER ANY UNITED STATES GOVERNMENT CONTRACT, IT SHALL NOT BE EITHER RELEASED OUTSIDE THE GOVERNMENT OR USED, DUPLICATED OR DISCLOSED IN WHOLE OR IN PART FOR MANUFACTURE OR PROCUREMENT, WITHOUT THE WRITTEN PERMISSION OF TEKTRONIX, INC. EXCEPT FOR: (1) EMERGENCY REPAIR OR OVERHAUL WORK BY OR FOR THE GOVERNMENT, WHERE THE ITEM OR PROCESS CONCERNED IS NOT OTHERWISE REASONABLY AVAILABLE TO ENABLE TIMELY PERFORMANCE OF THE WORK; OR (2) RELEASE TO A FOREIGN GOVERNMENT AS THE INTERESTS OF THE UNITED STATES MAY REQUIRE; PROVIDED THAT IN EITHER CASE THE RELEASE, USE, DUPLICATION OR DISCLOSURE HEREOF SHALL BE SUBJECT TO THE FOREGOING LIMITATIONS. IF THIS DRAWING IS REPRODUCED IN WHOLE OR IN PART, THIS ENTIRE LEGEND BLOCK MUST APPEAR ON ALL REPRODUCED COPIES.

## COLOR CODE



REV / BY / REF

DESCRIPTION OF CHANGE

CHK BY / DATE

## PROCEDURE:

1. WIND AS SHOWN
2. CUT LEADS  $.500 \pm .050$
3. TIN LEADS  $.400 \pm .050$
4. COLOR CODE
5. COAT WITH 006-1109-00

## DATA:

CODE TD-334  
 CORE NO. 276-0554-00  
 WIRE SIZE 31 AWG  
 WIRE PART NO. 176-0014-XX  
 NO. OF TURNS 

6 NAT	}	QUADFILAR
6 BLUE		
9 RED		
9 GRN		

2. INDUCTANCE RANGE PER TEKTRONIX 130 L.C. METER:  
 57 TO  $86\mu\text{H}$  ON 9 TURN WINDING

1. TOROID REFERENCE DIMENSIONS: .396 O.D. X .146 HIGH

## NOTES:

<b>TEKTRONIX, INC.</b>		P. O. BOX 500 BEAVERTON, OREGON U.S.A. 97077		
DWN	J. NAGODE	21 JUL 76	DIMENSIONS ARE IN INCHES $\frac{1}{16}$	
ENGR	L. Clem	25 Oct 77	TOLERANCES: UNLESS OTHERWISE SPECIFIED	
CHKR	J. WOODFALL	25 Oct 77	DEC _____	ANLR _____
PROD	Homer Hammett	25 Oct 77	SCALE	FIRST USED ON
			NONE	7L5 OPT 25
MATERIAL LISTED				
FINISH NOTED				
TITLE TRANSFORMER, RF (TOROID)				
CODE IDENT NO	SIZE	PART NUMBER	REV	
80009	A	120-1084-00		

TEKTRONIX, INC. PROPRIETARY ITEM DRAWING

 MFD BY TEKTRONIX MFD FOR TEKTRONIX

# DRAWING / SPECIFICATION DEVIATION NOTICE

REV. -

PART NUMBER 120-1084-00

DATE: AUG 23 1985

DEPT. OF MANUFACTURE Transformer, RF TOROID

DEVIATION TYPE:

PERMANENT ----- EFFECTIVITY DATE: AUG 23 1985

TEMPORARY ----- EFFECTIVITY DATE: \_\_\_\_\_

DDN NO.  
1

CONTROL NO.

EXPIRATION DATE: \_\_\_\_\_

REASON FOR DEVIATION: \_\_\_\_\_

## ORIGINAL REQUIREMENTS

CUT LEADS .500 +/- .050"

TIN LEADS .400 +/- .050"

INDUCTANCE RANGE PER TEKTRONIX LC METER 57 TO 86 uH ON 9 TURN WINDING.

## DEVIATION

CUT LEADS .400 +/- .050" MEASURED FROM OUTSIDE EDGE OF WINDING.

TIN LEADS WITHIN .050" OF WINDING.

VALUE DETERMINED WITH HP4275A (400kHz, 0.34 mA/series) VALUE 52.20uH - 90.81 uH ON 9 TURN WINDING.

PART INSPECTED BY: \_\_\_\_\_

DATE: \_\_\_\_\_

DDN REQUESTED BY: SHIRLEY ARENDELL

DATE: AUG 23 1985

APPROVAL:

MANUFACTURING *Busey*

DATE: 8-26-85

ENGINEERING *W. Smith*

DATE: 23 AUG 85

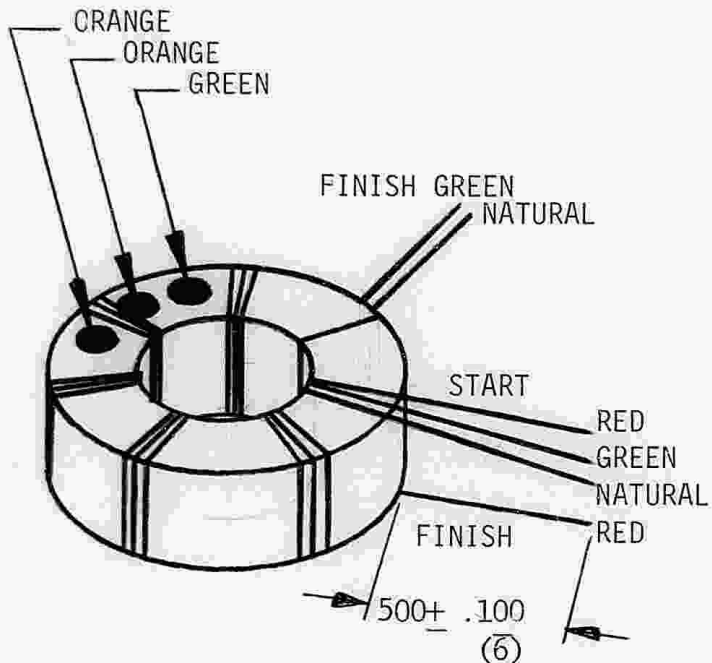
DATE: \_\_\_\_\_

DATE: \_\_\_\_\_

Tektronix 7-11-85



COLOR CODE



NOTES :

1. TOROID REFERENCE DIMENSIONS : .407 O.D. x .157 HIGH
2. INDUCTANCE DETERMINED (6T WINDING : 31.8  $\mu$ H  $\pm$ 27%) WITH HP 4275A METER OR APPROVED EQUIVALENT @ 100 KHz, .53 mA, SERIES MODE.
3. LEADS TINNED TO .050 OF WINDING.
4. COATED WITH 006-1109-00 OR APPROVED EQUIVALENT.

DATA : CODE TD-335  
 CORE NO. 276-0554-00

WIRE		
TURNS	AVG	PART NUMBER
6 )	27	176-0010-XX
6 ) TRIFILAR		
7 )		

76-71C

PART NUMBER 120-1085-00

REV A

THIS DRAWING WHEN DISTRIBUTED OUTSIDE TEKTRONIX, INC. IS SUPPLIED FOR IDENTIFICATION, ENGINEERING EVALUATION AND/OR INSPECTION PURPOSES ONLY AND MAY NOT BE USED AS A BASIS FOR MANUFACTURE OR SALES OF PRODUCTS WITHOUT WRITTEN PERMISSION FROM TEKTRONIX, INC. IF THIS DRAWING IS FURNISHED UNDER ANY UNITED STATES GOVERNMENT CONTRACT, IT SHALL NOT BE EITHER RELEASED OUTSIDE THE GOVERNMENT, OR USED, DUPLICATED, OR DISCLOSED IN WHOLE OR IN PART FOR MANUFACTURE OR PROCUREMENT, WITHOUT THE WRITTEN PERMISSION OF TEKTRONIX, INC. EXCEPT FOR: (1) EMERGENCY REPAIR OR OVERHAUL WORK BY OR FOR THE GOVERNMENT, WHERE THE ITEM OR PROCESS CONCERNED IS NOT OTHERWISE REASONABLY AVAILABLE TO ENABLE TIMELY PERFORMANCE OF THE WORK; OR (2) RELEASE TO A FOREIGN GOVERNMENT AS THE INTERESTS OF THE UNITED STATES MAY REQUIRE; PROVIDED THAT IN EITHER CASE THE RELEASE, USE, DUPLICATION OR DISCLOSURE HEREOF SHALL BE SUBJECT TO THE FOREGOING LIMITATIONS. IF THIS DRAWING IS REPRODUCED IN WHOLE OR IN PART, THIS ENTIRE LEGEND BLOCK MUST APPEAR ON ALL REPRODUCED COPIES.

REV / BY / REF	DESCRIPTION OF CHANGE	CHK BY / DATE
(A) DD 52616	REVISED DWG., UPDATED NOTE 2 ADDED NOTES 3 & 4	12 JAN 84

<b>TEKTRONIX, INC.</b>		P. O. BOX 500 BEAVERTON, OREGON U.S.A. 97077	
DWN	J. NAGODE	21 JUL 76	DIMENSIONS ARE IN INCHES / <del>mm</del> TOLERANCES: UNLESS OTHERWISE SPECIFIED
ENGR	L. Clem	25 Oct 77	
CHKR	J. WOODFALL	25 Oct 77	DEC _____ ANLR _____
PROD	Norman Harnett	25 Oct 77	SCALE NONE FIRST USED ON 7L5 OPT 25
MATERIAL LISTED			
FINISH NOTED			
TITLE TRANSFORMER, RF (TOROIDAL)			
CODE IDENT NO	SIZE	PART NUMBER	REV
80009	A	120-1085-00	A

TEKTRONIX, INC. PROPRIETARY ITEM DRAWING

MFD BY TEKTRONIX

MFD FOR TEKTRONIX

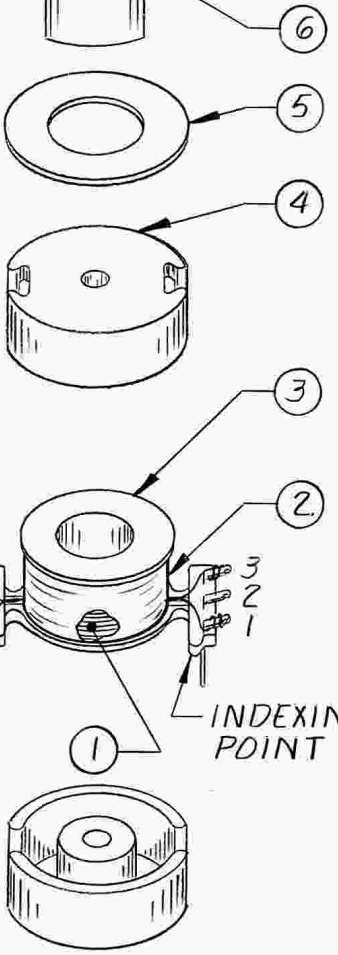
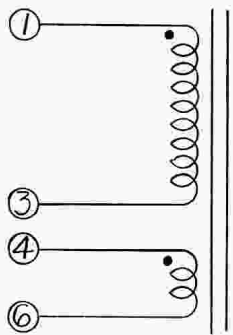
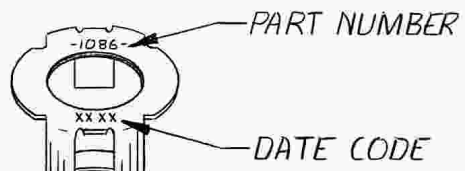
76-65 B

REV  
PART NUMBER  
120-1086-00

THIS DRAWING WHEN DISTRIBUTED OUTSIDE TEKTRONIX, INC. IS SUPPLIED FOR IDENTIFICATION, ENGINEERING EVALUATION AND/OR INSPECTION PURPOSES ONLY AND MAY NOT BE USED AS A BASIS FOR MANUFACTURE OR SALES OF PRODUCTS WITHOUT WRITTEN PERMISSION FROM TEKTRONIX, INC.

IF THIS DRAWING IS FURNISHED UNDER ANY UNITED STATES GOVERNMENT CONTRACT, IT SHALL NOT BE EITHER RELEASED OUTSIDE THE GOVERNMENT, OR USED, DUPLICATED, OR DISCLOSED IN WHOLE OR IN PART FOR MANUFACTURE OR PROCUREMENT, WITHOUT THE WRITTEN PERMISSION OF TEKTRONIX, INC., EXCEPT FOR: (1) EMERGENCY REPAIR OR OVERHAUL WORK BY OR FOR THE GOVERNMENT, WHERE THE ITEM OR PROCESS CONCERNED IS NOT OTHERWISE REASONABLY AVAILABLE TO ENABLE TIMELY PERFORMANCE OF THE WORK; OR (2) RELEASE TO A FOREIGN GOVERNMENT AS THE INTERESTS OF THE UNITED STATES MAY REQUIRE; PROVIDED THAT IN EITHER CASE THE RELEASE, USE, DUPLICATION OR DISCLOSURE HEREOF SHALL BE SUBJECT TO THE FOREGOING LIMITATIONS. IF THIS DRAWING IS REPRODUCED IN WHOLE OR IN PART, THIS ENTIRE LEGEND BLOCK MUST APPEAR ON ALL REPRODUCED COPIES.

REV	REF	DESCRIPTION OF CHANGE	CHK BY	DATE
-----	-----	-----------------------	--------	------



WINDINGS	TURNS	WIRE		TYP RATINGS		RESISTANCE
		AWG	VOLTS	AMPS	±20% AT 20°C	
1-3	17	22	30	3	33.5 mΩ	
4-6	2	22	30	3	8.2 mΩ	

INDUCTANCE:  $46.2 \pm 2.5 \mu\text{H}$  (TERM 1-3)  
POLARITY PER SCHEMATIC  
OPERATING FREQUENCY: 40 KHZ

2. TRANSFORMER VACUUM IMPREGNATED WITH VARNISH 252-0082-00

1. REFERENCE DIMENSIONS: .605 HIGH × .720 WIDE × 1.125 LONG

NOTES:

TEKTRONIX, INC. PROPRIETARY ITEM DRAWING			
<input checked="" type="checkbox"/> MFD BY TEKTRONIX		<input type="checkbox"/> MFD FOR TEKTRONIX	
<b>TEKTRONIX, INC.</b>		P. O. BOX 500 BEAVERTON, OREGON U.S.A. 97005	
DWN	J. NAGODE	28 JUL 76	DIMENSIONS ARE IN INCHES
ENGR	L. Clem	16 Aug 77	TOLERANCES: UNLESS OTHERWISE SPECIFIED.
CHKR	J. WOODFALL	16 Aug 77	DEC — ANLR —
PROD	T. HATT	16 AUG 77	SCALE — FIRST USED ON
MATERIAL		NONE WR-501	
SEE LIST OF MATERIALS			
FINISH			
NOTED			
TITLE			
TRANSFORMER, RF (SW REGULATOR, POT CORE)			
CODE IDENT NO	SIZE	PART NUMBER	REV
80009	B	120-1086-00	

ITEM	PART NUMBER	QTY	DESCRIPTION
6	343-0312-00	1	CLAMP, POT CORE
5	361-0409-00	1	SPACER, DISC
4	276-0677-00	1	CORE, EM (AL 160, 1811)
3	276-0168-00	1	FORM, COIL
2	253-0021-00	AR	TAPE, POLYESTER (.250 WIDE)
1	176-0028-XX	AR	WIRE, ELECTRICAL (22 AWG)

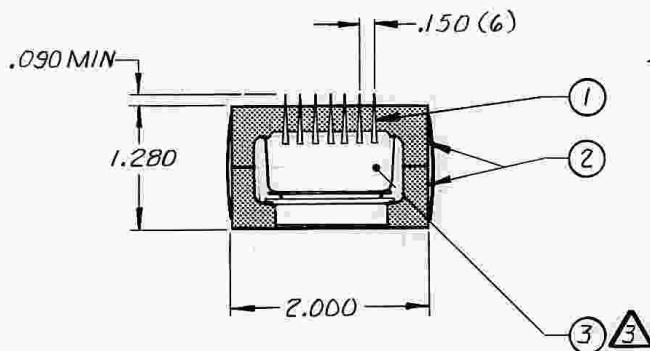
ITEM	PART NUMBER	QTY	DESCRIPTION
------	-------------	-----	-------------

LIST OF MATERIALS

DO NOT SCALE DRAWING

THIS DRAWING WHEN DISTRIBUTED OUTSIDE TEKTRONIX, INC. IS SUPPLIED FOR IDENTIFICATION, ENGINEERING EVALUATION AND/OR INSPECTION PURPOSES ONLY AND MAY NOT BE USED AS A BASIS FOR MANUFACTURE OR SALES OF PRODUCTS WITHOUT WRITTEN PERMISSION FROM TEKTRONIX, INC.  
IF THIS DRAWING IS FURNISHED UNDER ANY UNITED STATES GOVERNMENT CONTRACT, IT SHALL NOT BE EITHER RELEASED OUTSIDE THE GOVERNMENT, OR USED, DUPLICATED, OR DISCLOSED IN WHOLE OR IN PART FOR MANUFACTURE OR PROCUREMENT, WITHOUT THE WRITTEN PERMISSION OF TEKTRONIX, INC. EXCEPT FOR: (1) EMERGENCY REPAIR OR OVERHAUL WORK BY OR FOR THE GOVERNMENT, WHERE THE ITEM OR PROCESS CONCERNED IS NOT OTHERWISE REASONABLY AVAILABLE TO ENABLE TIMELY PERFORMANCE OF THE WORK; OR (2) RELEASE TO A FOREIGN GOVERNMENT AS THE INTERESTS OF THE UNITED STATES MAY REQUIRE PROVIDED THAT IN EITHER CASE, THE RELEASE, USE, DUPLICATION OR DISCLOSURE HEREOF SHALL BE SUBJECT TO THE FOREGOING LIMITATIONS. IF THIS DRAWING IS REPRODUCED IN WHOLE OR IN PART, THIS ENTIRE LEGEND BLOCK MUST APPEAR ON ALL REPRODUCED COPIES.

REV	REF	DESCRIPTION OF CHANGE	CHK BY	DATE
E	67924	COMBINED SPEC. SH. W/ THIS DRAWING	CD	12 DEC 68



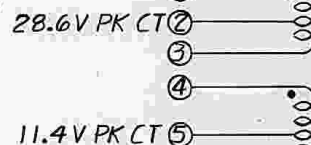
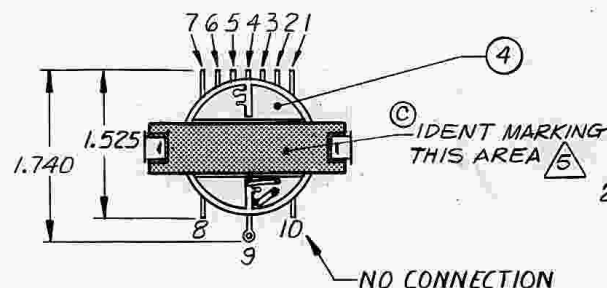
### COIL STRUCTURE

#### OUTSIDE

TYPE WINDING LEAD/TERM NO

SEC 11-12	SEC	7-8-9
	Ø-140 1/2-1048 1/2 T	*36
3T *26	PRI 1-2-3	PRI 4-5-6
	Ø-5-10 T *30	Ø-2-4 T *30

#### INSIDE



OPERATING FREQUENCY: 45 KHZ

6. LATEST REV. OF APPLICABLE SAFETY DOC. ARE MADE A PART OF THIS SPEC. AS LISTED BELOW.  
LID-002 LAB. INST. DIV. QUALITY STD.  
UL-1244 UNDERWRITERS LAB INC.  
CSA556B CANADIAN STANDARDS ASSOC.

5 LOCATION AND ORIENTATION ON THIS SURFACE NOT CRITICAL. MUST BE LEGIBLE

PART NUMBER	REV
120-1087-00	E

4 ITEM 6 APPLIED TO LEAD SIDE OF CORE ONLY FOR MOUNTING

3 COIL TRANSFER MOLDED WITH EPDXY

2. POLARITY PER SCHEMATIC

1. DIMENSIONS REFERENCE UNLESS OTHERWISE SPECIFIED

#### NOTES:

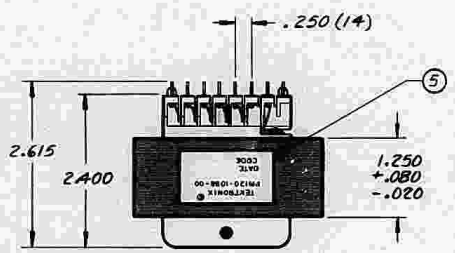
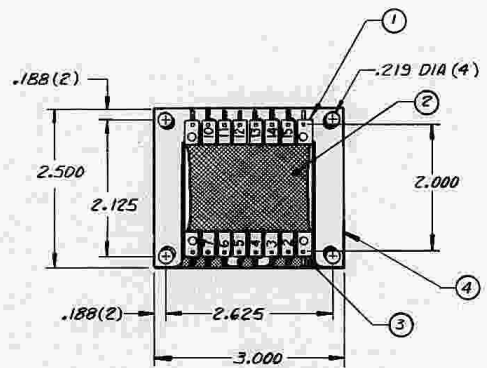
TEKTRONIX, INC.		P. O. BOX 505 BEAVERTON, OREGON U.S.A. 97005	
DWN J. NAGODE	23 JUL 76	DIMENSIONS ARE IN INCHES, UNLESS OTHERWISE SPECIFIED	
ENGR David Wilcox	13 DEC 76	DEC	ANLR
CHKR J. WOODFALL	13 DEC 76	SCALE	FIRST USED ON
PROD J. MEUSEY	13 DEC 76	1:1	7603
MATERIAL			
SEE LIST OF MATERIALS			
FINISH			
NOTED			
TITLE			
TRANSFORMER, POWER, SDN & SU (HIGH VOLTAGE)			
CODE IDENT NO	SIZE	PART NUMBER	REV
80009	C	120-1087-00	E

6	253-0174-00	AR	TAPE, POLYESTER, DOUBLE SIDED (.500 WIDE)
5	343-0682-01	2	CLAMP, XFMR CORE
4	650-0321-00	1	BOBBIN ASSEMBLY
3	255-0479-01	AR	PLASTIC MLDG MATL (EPOXY)
2	276-0696-00	1	CORE, "E" FERRITE
	276-0697-00	1	CORE, "E" FERRITE
1	195-0140-00	1/2	LEAD SET, ELEC (HV XFMR)
ITEM	PART NUMBER	QTY	DESCRIPTION

53-59D

THIS DRAWING WHEN PREPARED BY THE DRAWER, IS SUPPLIED FOR IDENTIFICATION, TRACKING, EVALUATION AND/OR INSPECTION PURPOSES ONLY AND MAY NOT BE USED AS A BASIS FOR MANUFACTURE OR SALES OF PRODUCTS WITHOUT WRITTEN PERMISSION FROM TEKTRONIX, INC. IN THE EVENT OF ANY DISCREPANCY BETWEEN THIS DRAWING AND THE ACTUAL PART, THE ACTUAL PART SHALL PREVAIL. THE DRAWER SHALL BE RESPONSIBLE FOR THE CORRECTNESS OF THIS DRAWING. ANY CHANGES TO THIS DRAWING SHALL BE MADE BY THE DRAWER. ANY CHANGES TO THIS DRAWING SHALL BE MADE BY THE DRAWER. ANY CHANGES TO THIS DRAWING SHALL BE MADE BY THE DRAWER.

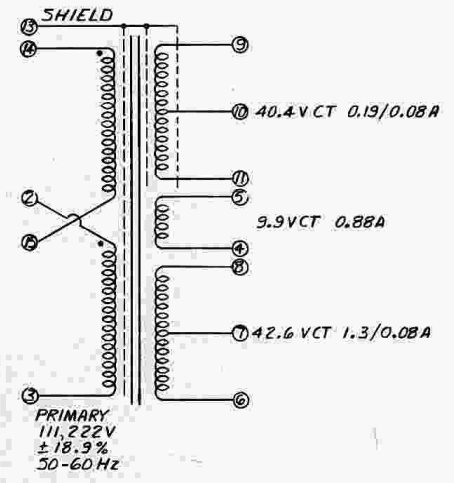
REV. NO. 1  
 DATE 11/10/89  
 BY JUDY ECHO  
 DESCRIPTION OF CHANGE



**COIL STRUCTURE**  
**OUTSIDE**

TYPE WINDING	TERM NO
SHIELD	13
SEC Ø-9B-196T	11-10-9 #30
SHIELD	13
SEC 4.7T	4-5 #23
SEC Ø-100-200T	6-7-8 #23
SHIELD	13
PRI 4.95T	2-3 #29
PRI 4.95T	14-15 #29

**INSIDE**



LINE TO	CONNECT
111V	14 TO 2, 15 TO 3
222V	2 TO 15

PART NUMBER 120-1088-00

6. DIELECTRIC WITHSTANDING VOLTAGE: 2 KV RMS, 50 TO 60 Hz, 1 MINUTE. PRIMARIES TO SECONDARIES, SHIELDS, AND CORE
5. WINDINGS INSULATED FOR 600V DC UBS.
4. VOLTAGE RATINGS ARE RMS NO LOAD. CURRENT RATINGS ARE AMPS DC TYP
3. TRANSFORMER VACUUM IMPREGNATED WITH VARNISH Z52-0082-00
2. POLARITY PER SCHEMATIC
1. DIMENSIONS REFERENCE UNLESS OTHERWISE SPECIFIED

**NOTES:**

QTY	PART NUMBER	DESCRIPTION
1	000-6369-00D	MARKER, IDENTIFICATION
2	386-0030-00	PLATE, LAMINATION (KEEPER)
AR	386-0029-00	PLATE, LAMINATION (STEEL)
1	120-1088-50	XFMR SUBASSY (COIL ONLY)
1	276-0214-01	FORM, COIL

TEKTRONIX, INC. PROPRIETARY ITEM DRAWING

TEKTRONIX, INC. BEAVERTON, OREGON U.S.A. 97171

ENGR J. NAGODE # JAN77

SCALE 1:1

FIRST USED ON 851

MATERIAL SEE LIST OF MATERIALS

FINISH NOTED

TITLE TRANSFORMER, POWER, STPDN

CODE IDENTIFY 80009

SIZE D

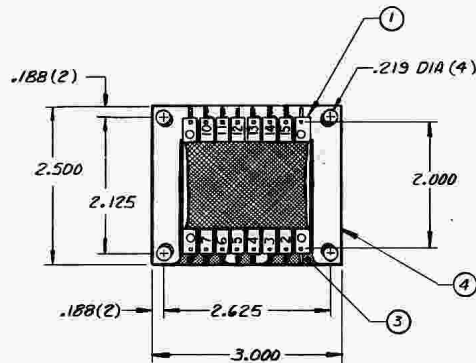
PART NUMBER 120-1088-00

REV

53-59E

THIS DRAWING WHEN REFERENCED OUTSIDE TEKTRONIX, INC. IS SUPPLIED FOR IDENTIFICATION, ENGINEERING EVALUATION AND/OR INSPECTION PURPOSES ONLY AND MUST NOT BE USED AS A BASIS FOR MANUFACTURE OR SALE OF PRODUCTS WITHOUT WRITTEN PERMISSION FROM TEKTRONIX, INC. IF THIS DRAWING IS REFERENCED INSIDE ANOTHER COMPANY'S DRAWING, IT SHALL NOT BE OTHER WISDOMS OVER THE CONSENTMENT OF THE INDICATOR, OR OTHERWISE IN WRITING OR BY E-MAIL FOR MANUFACTURE OR REPRODUCTION, WITHOUT THE WRITTEN PERMISSION OF TEKTRONIX, INC. EXCEPT FOR THE EXCLUSIVE USE OF THE COMPANY, UNDER THE TERMS OF THE AGREEMENT, WHICH THE USER OR REPRODUCER IS NOT CRYSTAL. WHEN NECESSARILY AVAILABLE TO ENSURE PROPER PERFORMANCE OF THE WORK, OR TO RELIANCE TO A FOREIGN GOVERNMENT AS THE INTERESTS OF THE UNITED STATES MAY REQUIRE, PROVIDED THAT NO OTHER CASE OF RELEASE, USE, DISSEMINATION OR DISCLOSURE THEREOF SHALL BE MADE TO THE PUBLIC UNDER ANY CIRCUMSTANCES, IF THIS DRAWING IS REPRODUCED IN WHOLE OR IN PART, THIS NOTICE LEGAL NOTICE MUST APPEAR ON ALL REPRODUCED COPIES.

REV	DESCRIPTION OF CHANGE	DATE
(A) 35828	REVISE NOTE 6	15 JAN 79
(B) 45018	REMOVED ITEM 2	DC 29 MAR 82
(C) 50496	ADDED NOTE 7 NOTE 6 WAS 2KV	DD 22 JUN 83

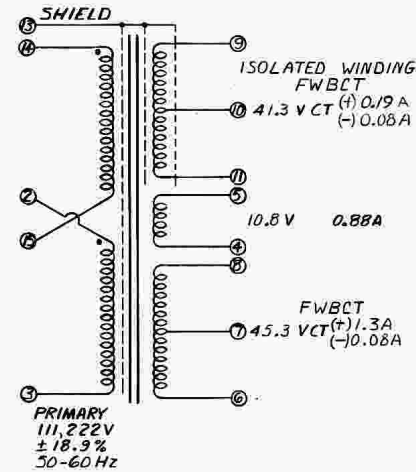
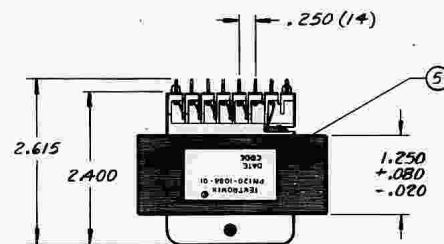


### COIL STRUCTURE OUTSIDE

TYPE WINDING TERM NO

SHIELD		13
SEC	11-10-9	
Ø-92-184T		#30
SHIELD		13
SEC	4-5	
48T		#23
SEC	6-7-8	
Ø-101-202T		#23
SHIELD		13
PRI	2-3	
495T		#29
PRI	14-15	
495T		#29

INSIDE



LINE TO 14-3	CONNECT
111V	14 TO 2, 15 TO 3
222V	2 TO 15

(C) T. ORIENTATION OF KEEPER IS OPTIONAL

PART NUMBER  
120-1088-01 REV. C

- (A) 6. DIELECTRIC WITHSTANDING VOLTAGE: 1.5KV RMS, 50 TO 60HZ, 1 MINUTE.  
(A) PRIMARIES TO SECONDARIES, SHIELDS, AND CORE  
(B) 10 TO 13, CORE  
5. WINDINGS INSULATED FOR 600V DC  
4. VOLTAGE RATINGS ARE RMS NO LOAD. CURRENT RATINGS ARE AMPS DC TYP  
3. TRANSFORMER VACUUM IMPREGNATED WITH VARNISH Z52-00B2-00  
2. POLARITY PER SCHEMATIC  
1. DIMENSIONS REFERENCE UNLESS OTHERWISE SPECIFIED

## NOTES:

TEKTRONIX, INC. PROPRIETARY ITEM DRAWING	
<input checked="" type="checkbox"/> INFO BY TEKTRONIX	<input type="checkbox"/> INFO FOR TEKTRONIX
P. O. BOX 800 BEAVERTON, OREGON U.S.A. 97177	
TEKTRONIX, INC.	
DRW: J. NAGODE	10 OCT 77
ENGR: Bob Casal	27 SEP 78
CHKR: WOODFALL	21 SEP 78
PROD: New	27 JUN 78
MATERIAL:	SCALE: 1:1
SEE LIST OF MATERIALS	
FINISH: NOTED	
TITLE: TRANSFORMER, POWER, STPDN	
BOOK CATEGORY: 80009	SIZE: PART NUMBER: 120-1088-01
REV: C	REV: C

5	334-4645-00	1	MARKER, IDENTIFICATION
4	386-0030-00	2	PLATE, LAMINATION (KEEPER)
3	386-0029-00	AP	PLATE, LAMINATION (STEEL)
2			
(B) 1	276-0214-01	1	FORM, COIL

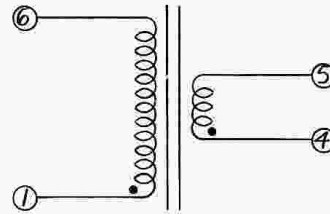
TEKTRONIX SAFETY CONTROLLED PART  
THIS PART IS CONTROLLED TO ASSURE MAINTENANCE OF SAFETY CHARACTERISTICS. DIMENSIONS IN PARENTS TO 100 INCHES MUST BE TOLERANCE AND SPECIFICATIONS UNLESS OTHERWISE SPECIFIED. PRODUCT IN WHICH IT IS CONTROLLED MUST BE IDENTIFIED BY THE LINE NUMBER FOR EACH PRODUCT IN WHICH IT IS CONTROLLED.

ITEM	PART NUMBER	QTY	DESCRIPTION
			LIST OF MATERIALS

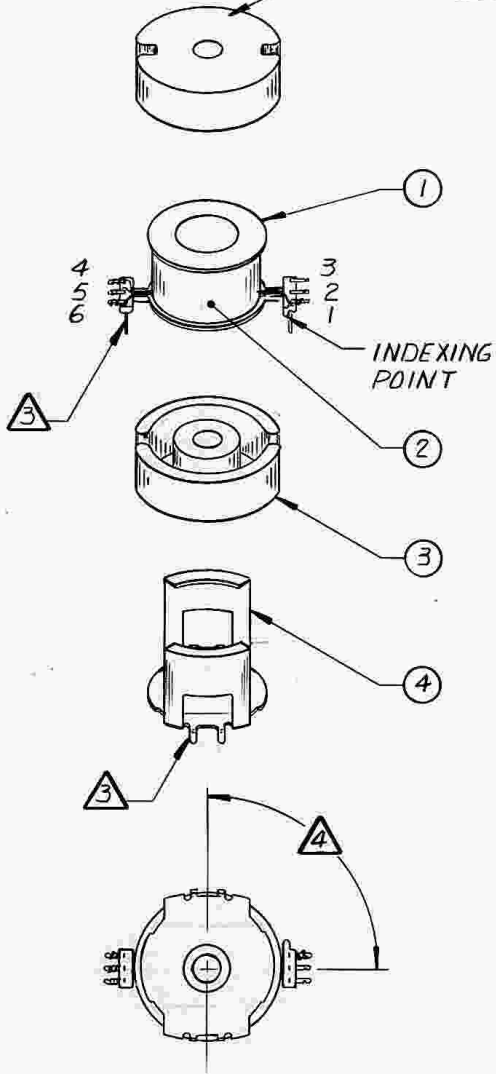
75-162C

THIS DRAWING WHEN DISTRIBUTED OUTSIDE TEKTRONIX, INC. IS SUPPLIED FOR IDENTIFICATION, ENGINEERING EVALUATION AND/OR INSPECTION PURPOSES ONLY AND MAY NOT BE USED AS A BASIS FOR MANUFACTURE OR SALES OF PRODUCTS WITHOUT WRITTEN PERMISSION FROM TEKTRONIX, INC. IF THIS DRAWING IS FURNISHED UNDER ANY UNITED STATES GOVERNMENT CONTRACT, IT SHALL NOT BE EITHER RELEASED OUTSIDE THE GOVERNMENT, OR USED, DUPLICATED, OR DISCLOSED IN WHOLE OR IN PART FOR MANUFACTURE OR PROCUREMENT, WITHOUT THE WRITTEN PERMISSION OF TEKTRONIX, INC., EXCEPT FOR: (1) EMERGENCY REPAIR OR OVERHAUL WORK BY OR FOR THE GOVERNMENT, WHERE THE ITEM OR PROCESS CONCERNED IS NOT OTHERWISE REASONABLY AVAILABLE TO ENABLE TIMELY PERFORMANCE OF THE WORK, OR (2) RELEASE TO A FOREIGN GOVERNMENT AS THE INTERESTS OF THE UNITED STATES MAY REQUIRE, PROVIDED THAT IN EITHER CASE THE RELEASE, USE, DUPLICATION OR DISCLOSURE HEREOF SHALL BE SUBJECT TO THE FOREGOING LIMITATIONS. IF THIS DRAWING IS REPRODUCED IN WHOLE OR IN PART, THIS ENTIRE LEGEND BLOCK MUST APPEAR ON ALL REPRODUCED COPIES.

REV	REP	DESCRIPTION OF CHANGE	CHK BY	DATE
A	50097	UPDATED DWG	DD	9 FEB 83



(-1089)  
PART NUMBER  
DATE CODE



WINDINGS	TURNS	WIRE DATA		TYP RATNGS		RESISTANCE	
		AWG	PART NUMBER	VOLTS	AMPS	±20% AT 20°C	
4-5	SEC	12	32	176-0037-XX	2.3	.2	.28 Ω
1-6	PRI	62½	22	176-0028-XX	12.0	2.0	.17 Ω

INDUCTANCE:  $625 \pm 30 \mu\text{H}$ , TERM (1-6) MEASURED ON AN ES1252 METER OR APPROVED EQUIVALENT

POLARITY PER SCHEMATIC  
OPERATING FREQUENCY: 23 KHZ

4 BOBBIN AND CLAMP MUST BE PERPENDICULAR TO EACH OTHER  $\pm 3^\circ$

PART NUMBER  
120-1089-00

REV.  
A

3 TERMINALS AND MOUNTING TABS TO BE SOLDERABLE BELOW MOUNTING SURFACE

2. TRANSFORMER VACUUM IMPREGNATED WITH VARNISH 252-0082-00

1. REFERENCE DIMENSIONS: .805 HIGH  $\times$  1.035 WIDE  $\times$  1.400 LONG

NOTES:

TEKTRONIX, INC. PROPRIETARY ITEM DRAWING			
<input checked="" type="checkbox"/> MFD BY TEKTRONIX		<input type="checkbox"/> MFD FOR TEKTRONIX	
<b>TEKTRONIX, INC.</b> P. O. BOX 500 BEAVERTON, OREGON U.S.A. 97077			
DWN	J. NAGODE	6 DEC 76	DIMENSIONS ARE IN INCHES / TOLERANCES: UNLESS OTHERWISE SPECIFIED
ENGR	L. Chen	17 AUG 77	DEC ANLR
CHKR	J. WOODFALL	16 AUG 77	SCALE
PROD	L. HATT	6 AUG 77	FIRST USED ON CP 4165
MATERIAL			
SEE LIST OF MATERIALS			
FINISH			
NOTED			
TITLE			
TRANSFORMER, RF (12 V SUPPLY, POT CORE)			
ITEM	PART NUMBER	QTY	DESCRIPTION
4	343-0423-00	1	CLAMP, POT CORE
3	276-0688-00	1	CORE, EM (AL160, 2616)
2	253-0125-00	AR	TAPE, PRESS SENS (375 W)
1	276-0132-00	1	FORM, COIL
CODE IDENT NO	SIZE	PART NUMBER	REV
80009	G	120-1089-00	A

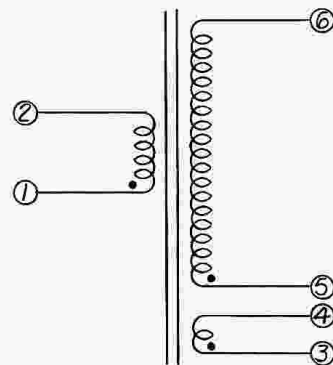
4	343-0423-00	1	CLAMP, POT CORE
3	276-0688-00	1	CORE, EM (AL160, 2616)
2	253-0125-00	AR	TAPE, PRESS SENS (375 W)
1	276-0132-00	1	FORM, COIL

BOTTOM VIEW

75-163 D

THIS DRAWING WHEN DISTRIBUTED OUTSIDE TEKTRONIX, INC., IS SUPPLIED FOR IDENTIFICATION, ENGINEERING EVALUATION, AND/OR INSPECTION PURPOSES ONLY AND MAY NOT BE USED AS A BASIS FOR MANUFACTURE OR SALES OF PRODUCTS WITHOUT WRITTEN PERMISSION FROM TEKTRONIX, INC. IF THIS DRAWING IS FURNISHED UNDER ANY UNITED STATES GOVERNMENT CONTRACT, IT SHALL NOT BE EITHER RELEASED OUTSIDE THE GOVERNMENT, OR USED, DUPLICATED, OR DISCLOSED IN WHOLE OR IN PART FOR MANUFACTURE OR PROCUREMENT, WITHOUT THE WRITTEN PERMISSION OF TEKTRONIX, INC. EXCEPT FOR: (1) EMERGENCY REPAIR OR OVERHAUL WORK BY OR FOR THE GOVERNMENT, WHERE THE ITEM OR PROCESS CONCERNED IS NOT OTHERWISE REASONABLY AVAILABLE TO ENABLE TIMELY PERFORMANCE OF THE WORK, OR (2) RELEASE TO A FOREIGN GOVERNMENT AS THE INTERESTS OF THE UNITED STATES MAY REQUIRE, PROVIDED THAT IN EITHER CASE THE RELEASE, USE, DUPLICATION OR DISCLOSURE HEREOF SHALL BE SUBJECT TO THE FORTHGOING LIMITATIONS. IF THIS DRAWING IS REPRODUCED IN WHOLE OR IN PART, THIS ENTIRE LEGEND BLOCK MUST APPEAR ON ALL REPRODUCED COPIES.

REV	REF	DESCRIPTION OF CHANGE	CHK BY	DATE
(A)	45175	ITEM 4 WAS 253-0013-00, ADDED NOTE 4	DD	16 DEC 81
(B)	49313	UPDATED DRAWING & NOTE 2 ADDED NOTE 5	DD	6 JUNE 83



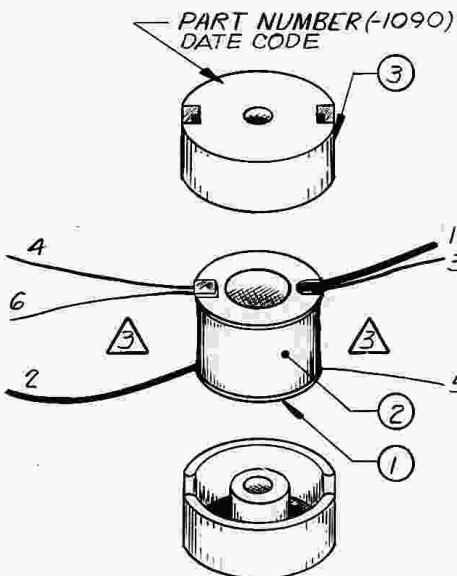
WINDINGS	TURNS	WIRE DATA		TYP RATINGS		RESISTANCE
		AWG	PART NUMBER	VOLTS	AMPS	±20% AT 20°C
3-4	SEC	10 1/2	26 176-0032-XX	5.1	.8	.09 Ω
* 5-6	SEC	17 1/2	30 176-0035-XX	103.1	.2	5.0 Ω
* 1-2	PRI	52 1/2	16 176-0244-XX	26.0	8.0	.057 Ω

INDUCTANCE:  $385 \pm 20 \mu\text{H}$  (LEADS 1-2)

POLARITY PER SCHEMATIC

OPERATING FREQUENCY: 23 KHz

\* BIFILAR WOUND (START LEAD 1 AT 63 TURNS AND FINISH LEAD 2 AT 115 1/2 TURNS)



(B) 5. VALUE DETERMINED WITH ESI 252 METER OR APPROVED EQUIVALENT

(A) 4. CORES CEMENTED TOGETHER WITH EPOXY

(A) 3. LEAD LENGTH FROM OUTSIDE CORE:

LEAD NO	LENGTH ±.100	TIN ±.100
1-3-5	1.750	.500
2-4-6	2.250	.500

PART NUMBER	REV.
120-1090-00	B

(B) 2. TRANSFORMER VACUUM IMPREGNATED WITH VARNISH 252-0082-00 OR APPROVED EQUIVALENT

1. REFERENCE DIMENSIONS: 1.166 HIGH x 1.670 OD

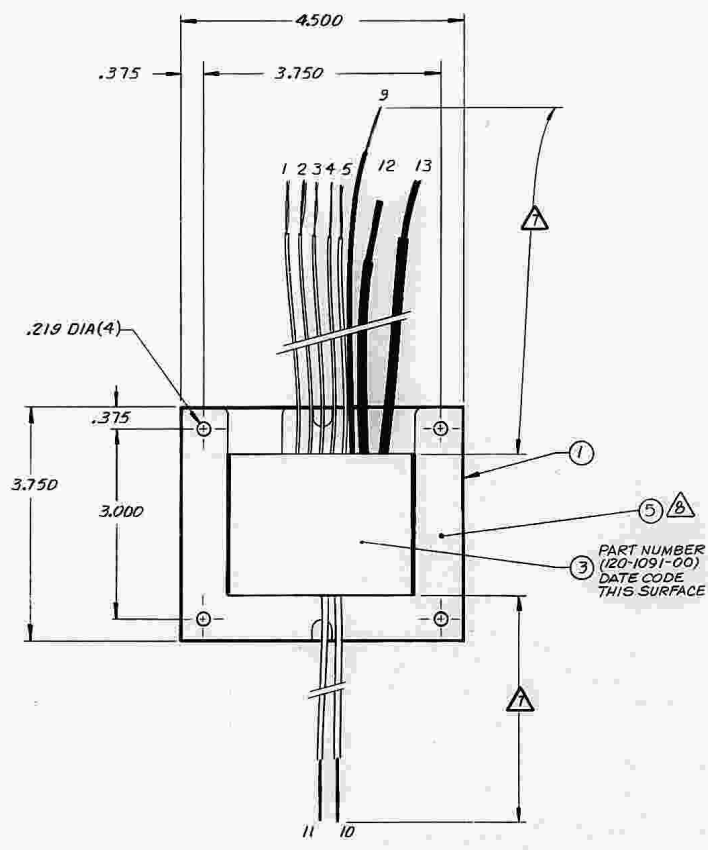
NOTES:

TEKTRONIX, INC. PROPRIETARY ITEM DRAWING			
<input checked="" type="checkbox"/> MFD BY TEKTRONIX		<input type="checkbox"/> MFD FOR TEKTRONIX	
<b>TEKTRONIX, INC.</b>		P. O. BOX 500 BEAVERTON, OREGON U.S.A. 97077	
DWN	J. NAGODE	15 NOV 77	DIMENSIONS ARE IN INCHES / UNLESS OTHERWISE SPECIFIED
ENGR	J. C. ...	16 AUG 77	TOLERANCES: ANLR
CHKR	J. WOODFALL	16 AUG 77	SCALE
PROD	T. HATT	16 AUG 77	NONE
MATERIAL		FIRST USED ON	
SEE LIST OF MATERIALS		CP 4165	
FINISH		NOTED	
TITLE		TRANSFORMER, RF (+5V B SUPPLY, POT CORE)	
CODE IDENT NO	SIZE	PART NUMBER	REV
80009	G	120-1090-00	B

ITEM	PART NUMBER	QTY	DESCRIPTION
(A) 4			
3	276-0660-00	1	CORE, EM (POT CORE, 4229)
2	253-0065-00	AR	TAPE, PRESS SENS (.688W)
1	276-0203-00	1	FORM, COIL

52-67 C

#REV	REF	DESCRIPTION OF CHANGE	CHK BY	DATE
(A)	41718	ADDED ITEM (5) & NOTE 4	DD	3 FEB 81
(B)	45018	REMOVED ITEM 2	DD	23 FEB 82
(C)	50496	NOTE 4 WAS 2 KV	DD	22 JUN 83
(D)	51689	LEAD NO. 1 OF NOTE 4 WAS 162-0569-00, REMOVED ITEM 4. REVISED DWG., & UPDATED NOTE 6	DD	5 FEB 84



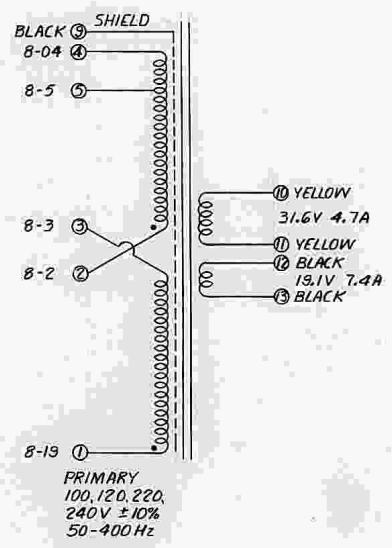
LINE TO 1-4 (UOS)	CONNECT
100V LINE TO 1-5	1702, 3 TO 4
120V	1702, 3 TO 4
220V LINE TO 1-5	2 TO 3
240V	2 TO 3

**COIL STRUCTURE**

OUTSIDE

TYPE WINDING	LEAD NO
SEC	10-11
43T	*13
SEC	12-13
26T	(2) *13
SHIELD	9
PR1	2-5-4
Ø-136-163 T	*20
PR1	1-3
163 T	*20

INSIDE



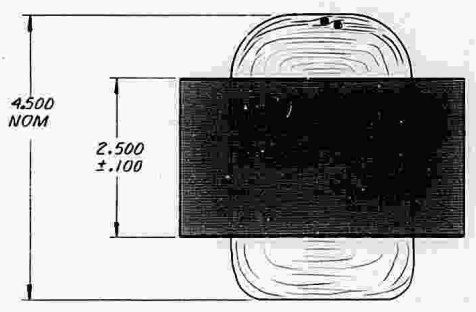
(A) ORIENTATION OF KEEPER IS OPTIONAL

(B) LEAD LENGTH: INSUL SLEEVING

LEAD NO	COLOR	PART NUMBER	LENGTH ±.250	STRIP ±.125	TIN ±.125
1	8-19	162-0659-00	6.000	1.000	---
2	8-2	162-0642-00	---	---	---
3	8-3	162-0643-00	---	---	---
4	8-04	162-0654-00	---	---	---
5	8-5	162-0655-00	---	---	---
9	BLK	162-0504-00	7.000	---	---
10-11	YEL	162-0513-00	4.500	---	1.000
12	BLK	162-0563-00	3.000	---	1.000
13	BLK	162-0563-00	4.500	---	1.000

PART NUMBER 120-1091-00 REV. D

- (A) TRANSFORMER VACUUM IMPREGNATED WITH VARNISH 252-0082-00 OR APPROVED EQUIVALENT
- 5. POLARITY PER SCHEMATIC
- (C) DIELECTRIC WITHSTANDING VOLTAGE: 1.5KV RMS, 50 TO 60Hz, 1 MINUTE, PRIMARIES TO SECONDARIES, SHIELD, AND CORE
- 3. VOLTAGE RATINGS ARE RMS NO LOAD. CURRENT RATINGS ARE AMPS DC TYPICAL
- 2. WINDINGS INSULATED FOR 600 V DC
- 1. DIMENSIONS REFERENCE UOS



NOTES:

TEKTRONIX, INC. PROPRIETARY ITEM DRAWING

TEKTRONIX, INC. BEAVERTON, OREGON U.S.A. 97077

OWN: J. NAGODE  
 ENGR: E. COGAN  
 PROJ: J. WOODFALL

DATE: 27 OCT 78  
 DATE: 28 AUG 78  
 DATE: 28 AUG 78

SCALE: 1:1  
 PART NUMBER: CP4165

QTY	PART NUMBER	DESCRIPTION
5	386-4779-00	PLATE, LAMINATION (KEEPER)
4		
3	334-4645-00	MARKER, IDENTIFICATION
2		
1	386-0006-00	AR PLATE, LAMINATION (STEEL)

SEE LIST OF MATERIALS

FINISH: NOTED

TITLE: TRANSFORMER, POWER, STPDN

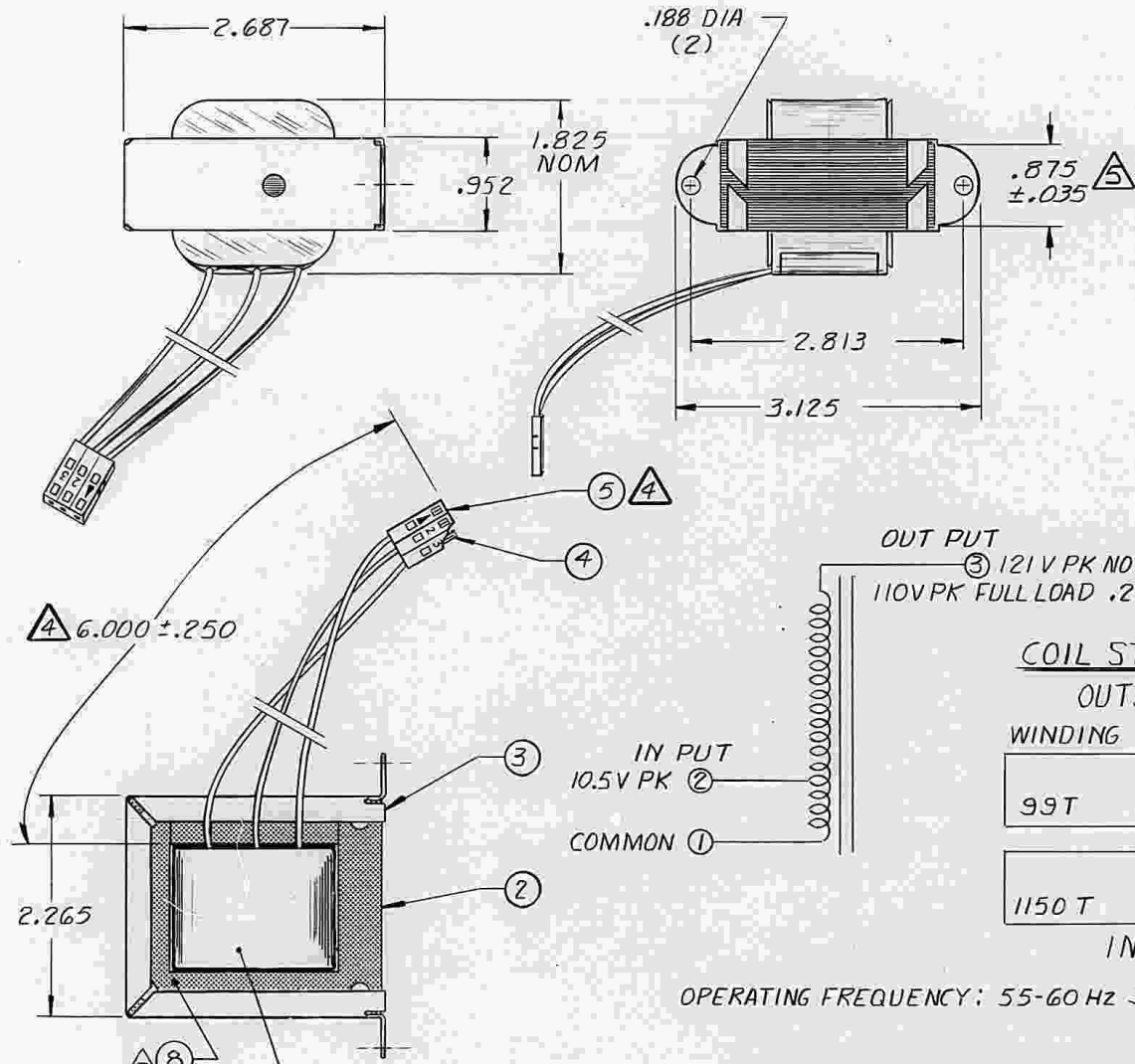
CODE IDENT NO: 80099  
 SIZE: D  
 PART NUMBER: 120-1091-00  
 REV: D



52-117 C

THIS DRAWING WHEN DISTRIBUTED OUTSIDE TEKTRONIX, INC. IS SUPPLIED FOR IDENTIFICATION, ENGINEERING EVALUATION AND/OR INSPECTION PURPOSES ONLY AND MAY NOT BE USED AS A BASIS FOR MANUFACTURE OR SALES OF PRODUCTS WITHOUT WRITTEN PERMISSION FROM TEKTRONIX, INC. IF THIS DRAWING IS FURNISHED UNDER ANY UNITED STATES GOVERNMENT CONTRACT, IT SHALL NOT BE EITHER RELEASED OUTSIDE THE GOVERNMENT, OR USED, DUPLICATED, OR DISCLOSED IN WHOLE OR IN PART FOR MANUFACTURE OR PROCUREMENT, WITHOUT THE WRITTEN PERMISSION OF TEKTRONIX, INC. EXCEPT FOR: (1) EMERGENCY REPAIR OR OVERHAUL WORK BY OR FOR THE GOVERNMENT, WHERE THE ITEM OR PROCESS CONCERNED IS NOT OTHERWISE REASONABLY AVAILABLE TO ENABLE TIMELY PERFORMANCE OF THE WORK; OR (2) RELEASE TO A FOREIGN GOVERNMENT AS THE INTERESTS OF THE UNITED STATES MAY REQUIRE, PROVIDED THAT IN EITHER CASE THE RELEASE, USE, DUPLICATION OR DISCLOSURE HEREOF SHALL BE SUBJECT TO THE FOREGOING LIMITATIONS. IF THIS DRAWING IS REPRODUCED IN WHOLE OR IN PART, THIS ENTIRE LEGEND BLOCK MUST APPEAR ON ALL REPRODUCED COPIES.

REV	REF	DESCRIPTION OF CHANGE	CHK BY	DATE
A	41718	ADDED ITEM ⑧ & NOTE 7	DD	24JAN81
B	45018	REMOVED ITEM 1	DD	18MAR82
C	50496	NOTE 4: LEAD 1 WAS 175-0964-00 LEAD 2 WAS 175-0922-00 & LEAD 3 WAS 175-0950-00. NOTE 6 WAS ZKW	DD	22JUN 83
D	51689	REVISED DWG., UPDATED NOTE 7 REMOVED ITEM 6	DD	20DEC 83



- 7 ORIENTATION OF KEEPER IS OPTIONAL  
6. DIELECTRIC WITHSTANDING VOLTAGE:  
1,500 V AC RMS, 50 TO 60 Hz, 1 MINUTE,  
CORE TO LEAD 2.

5 STACK HEIGHT

4 LEAD WIRE

LEAD NO	COLOR	PART NUMBER
1	BROWN	195-3291-00
2	RED	195-2009-00
3	ORANGE	195-0402-00

PART NUMBER	REV.
120-1092-00	D

### COIL STRUCTURE

#### OUTSIDE

WINDING	LEAD NO
99T	2-1 *18

1150 T	3-2 #29
--------	------------

#### INSIDE

3. WINDINGS INSULATED FOR 600 V DC

2. TRANSFORMER VACUUM IMPREGNATED  
WITH VARNISH 252-0082-00 OR  
APPROVED EQUIVALENT

1. DIMENSIONS REFERENCE UNLESS  
OTHERWISE SPECIFIED

NOTES:

TEKTRONIX, INC. PROPRIETARY ITEM DRAWING		MFD BY TEKTRONIX		MFD FOR TEKTRONIX	
TEKTRONIX, INC.		P. O. BOX 500		BEAVERTON, OREGON U.S.A. 97077	
OWN J. NAGODE	17DEC 76	DIMENSIONS ARE IN INCHES / mm			
ENGR R. COGAN	6 SEPT 78	TOLERANCES UNLESS OTHERWISE SPECIFIED			
CHKR J. WOODFALL	6 SEPT 78	SCALE	FIRST USED ON		
PROD E. WOOD	6 SEPT 78	1:1	CP4165		
MATERIAL					
SEE LIST OF MATERIALS					
FINISH					
NOTED ②					
TITLE					
TRANSFORMER POWER, FIXED, AUTO TRANSFORMER					
CODE IDENT NO	SIZE	PART NUMBER	REV		
80009	C	120-1092-00	D		

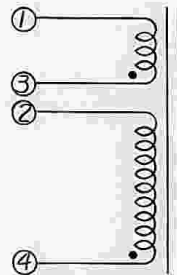
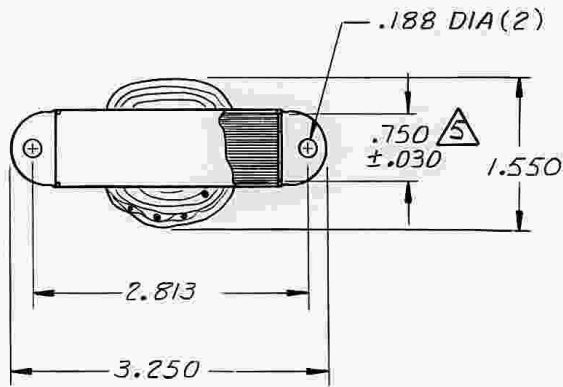
8	386-4780-00	2	PLATE LAMINATION (KEEPER)
7	334-4645-00	1	MARKER, IDENTIFICATION
6			
5	352-0199-06	1	HOLDER, TERM CONN (BLUE)
4	131-0621-00	3	TERMINAL, CONNECTOR
3	407-1932-00	1	BRACKET, TRANSFORMER
2	386-0014-00	AR	PLATE, LAMINATION (STEEL)
1			
ITEM	PART NUMBER	QTY	DESCRIPTION

7 PART NUMBER  
(120-1092-00)  
DATE CODE  
THIS SURFACE

OPERATING FREQUENCY: 55-60 Hz SQUARE WAVE

THIS DRAWING WHEN DISTRIBUTED OUTSIDE TEKTRONIX, INC., IS SUPPLIED FOR IDENTIFICATION, ENGINEERING EVALUATION AND/OR INSPECTION PURPOSES ONLY AND MAY NOT BE USED AS A BASIS FOR MANUFACTURE OR SALES OF PRODUCTS WITHOUT WRITTEN PERMISSION FROM TEKTRONIX, INC. IF THIS DRAWING IS FURNISHED UNDER ANY UNITED STATES GOVERNMENT CONTRACT, IT SHALL NOT BE EITHER RELEASED OUTSIDE THE GOVERNMENT, OR USED, DUPLICATED, OR DISCLOSED IN WHOLE OR IN PART FOR MANUFACTURE OR PROCUREMENT, WITHOUT THE WRITTEN PERMISSION OF TEKTRONIX, INC., EXCEPT FOR: (1) EMERGENCY REPAIR OR OVERHAUL WORK BY OR FOR THE GOVERNMENT, WHERE THE ITEM OR PROCESS CONCERNED IS NOT OTHERWISE REASONABLY AVAILABLE TO ENABLE TIMELY PERFORMANCE OF THE WORK; OR (2) RELEASE TO A FOREIGN GOVERNMENT AS THE INTERESTS OF THE UNITED STATES MAY REQUIRE; PROVIDED THAT IN EITHER CASE THE RELEASE, USE, DUPLICATION OR DISCLOSURE HEREOF SHALL BE SUBJECT TO THE FOREGOING LIMITATIONS. IF THIS DRAWING IS REPRODUCED IN WHOLE OR IN PART, THIS ENTIRE LEGEND BLOCK MUST APPEAR ON ALL REPRODUCED COPIES.

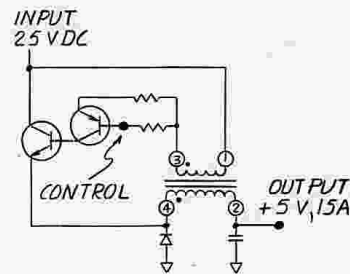
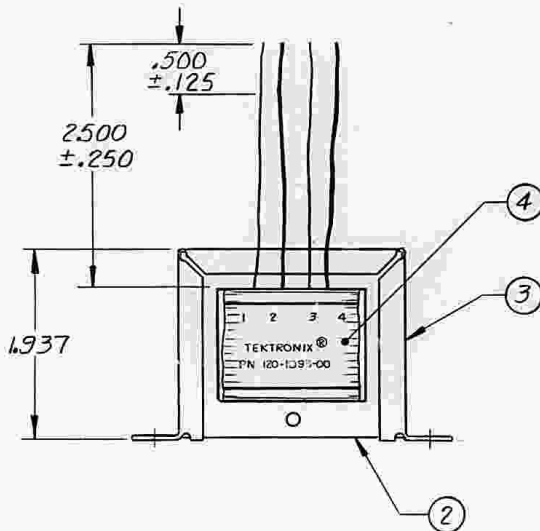
REV	REF	DESCRIPTION OF CHANGE	CHK BY	DATE
A	41718	ADDED ITEM 6 & NOTE $\triangle$	DD	23JAN81
B	45018	REMOVED ITEM 1	DD	17FEB82
C	50496	ADDED NOTE 7, UPDATED ITEM 5 DELETED ITEM 6 & NOTE $\triangle$	DD	22JUN83
D	51689	UPDATED NOTE $\triangle$ & REMOVED ITEM 5	DD	20DEC83



COIL STRUCTURE  
INSIDE

WINDINGS	URNS	WIRE AWG	RESISTANCE ±20% AT 20°C
4-2	18	12	10.8 mΩ
3-1	3	22	22 mΩ

POLARITY: PER SCHEMATIC  
 INDUCTANCE: (2-4) 125 μH MINIMUM AT 15 AMPS.  
 240 TO 325 μH AT 17.7 mV, 1 KHZ PER ESI 250 DA  
 BRIDGE OR EQUIVALENT  
 DIELECTRIC WITHSTANDING VOLTAGE:  
 500V RMS, 50 TO 60 HZ 1 MINUTE,  
 WINDINGS TO CORE  
 PERFORMANCE CHARACTERISTICS (TYPICAL):  
 OPERATING FREQUENCY ----- 23 KHZ  
 DC VOLTAGE (INPUT) ----- 2.5 VOLTS  
 DC VOLTAGE (OUTPUT) ----- 5 VOLTS  
 I OUT ----- 15 AMPS DC  
 I MAX ----- 15.45 AMPS PEAK  
 LI<sup>2</sup> ----- 63.6 mJ  
 BASE DRIVE VOLTAGE ----- 3V PEAK  
 BASE DRIVE CURRENT ----- 1.5A PEAK



TYPICAL CIRCUIT

⑦ 7. POLARITY PER SCHEMATIC

⑥  $\triangle$  (DELETED)

PART NUMBER	REV.
120-1093-00	D

$\triangle$  STACK HEIGHT

4. WINDINGS INSULATED FOR 100V DC

② TRANSFORMER VACUUM IMPREGNATED WITH VARNISH 252-0082-00 OR APPROVED EQUIVALENT

1. DIMENSIONS REFERENCE UNLESS OTHERWISE SPECIFIED

NOTES:

TEKTRONIX, INC. PROPRIETARY ITEM DRAWING			
<input checked="" type="checkbox"/> MFD BY TEKTRONIX		<input type="checkbox"/> MFD FOR TEKTRONIX	
P. O. BOX 500 BEAVERTON, OREGON U.S.A. 97077			
DWN J. NAGODE	31 JAN 77	DIMENSIONS ARE IN INCHES / MM	
ENGR R. COGAN	6 SEPT 78	TOLERANCES: UNLESS OTHERWISE SPECIFIED	
CHKR J. WOODFALL	6 SEPT 78	DEC	ANLR
PROD E. HOWE	6 24 78	SCALE	FIRST USED ON
		1:1	CP4165
MATERIAL			
SEE LIST OF MATERIAL			
FINISH			
NOTED $\triangle$			
TITLE			
TRANSFORMER RF (SWITCHING REG)			
CODE IDENT NO	SIZE	PART NUMBER	REV
80009	G	120-1093-00	D

6			
5			
4	334-0472-00	1	MARKER, IDENTIFICATION
3	407-1852-00	1	BRACKET, TRANSFORMER
2	386-0025-00	AR	PLATE, LAMINATION (STEEL)
1			

ITEM	PART NUMBER	QTY	DESCRIPTION
6			
5			
4	334-0472-00	1	MARKER, IDENTIFICATION
3	407-1852-00	1	BRACKET, TRANSFORMER
2	386-0025-00	AR	PLATE, LAMINATION (STEEL)
1			

75-152

PART NUMBER

120-1094-00

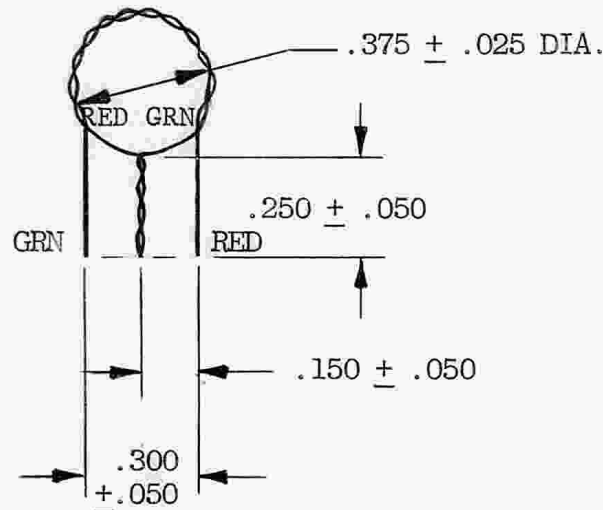
REV

THIS DRAWING WHEN DISTRIBUTED OUTSIDE TEKTRONIX, INC., IS SUPPLIED FOR IDENTIFICATION, ENGINEERING EVALUATION AND/OR INSPECTION PURPOSES ONLY AND MAY NOT BE USED AS A BASIS FOR MANUFACTURE OR SALES OF PRODUCTS WITHOUT WRITTEN PERMISSION FROM TEKTRONIX, INC. IF THIS DRAWING IS FURNISHED UNDER ANY UNITED STATES GOVERNMENT CONTRACT, IT SHALL NOT BE EITHER RELEASED OUTSIDE THE GOVERNMENT, OR USED, DUPLICATED OR DISCLOSED IN WHOLE OR IN PART FOR MANUFACTURE OR PROCUREMENT, WITHOUT THE WRITTEN PERMISSION OF TEKTRONIX, INC. EXCEPT FOR: (1) EMERGENCY REPAIR OR OVERHAUL WORK BY OR FOR THE GOVERNMENT, WHERE THE ITEM OR PROCESS CONCERNED IS NOT OTHERWISE REASONABLY AVAILABLE TO ENABLE TIMELY PERFORMANCE OF THE WORK; OR (2) RELEASE TO A FOREIGN GOVERNMENT AS THE INTERESTS OF THE UNITED STATES MAY REQUIRE, PROVIDED THAT IN EITHER CASE THE RELEASE, USE, DUPLICATION OR DISCLOSURE HEREOF SHALL BE SUBJECT TO THE FOREGOING LIMITATIONS. IF THIS DRAWING IS REPRODUCED IN WHOLE OR IN PART, THIS ENTIRE LEGEND BLOCK MUST APPEAR ON ALL REPRODUCED COPIES.

REV / BY / REF

DESCRIPTION OF CHANGE

CHK BY / DATE



## PROCEDURE:



1. TWIST WIRES 6 TURNS IN 1.000 INCH.
2. FORM ON .375 DIA MANDREL AND TWIST TAP LEADS AS SHOWN.
3. FORM LEADS AS SHOWN.
4. CUT & TIN LEADS AS SHOWN.

## DATA:

WIRE SIZE #27 AWG  
 WIRE PART NO. 176-0010-XX  
 NO. TURNS 2 TAPPED AT 1  
 NO. OF TWISTS 6 ± 0

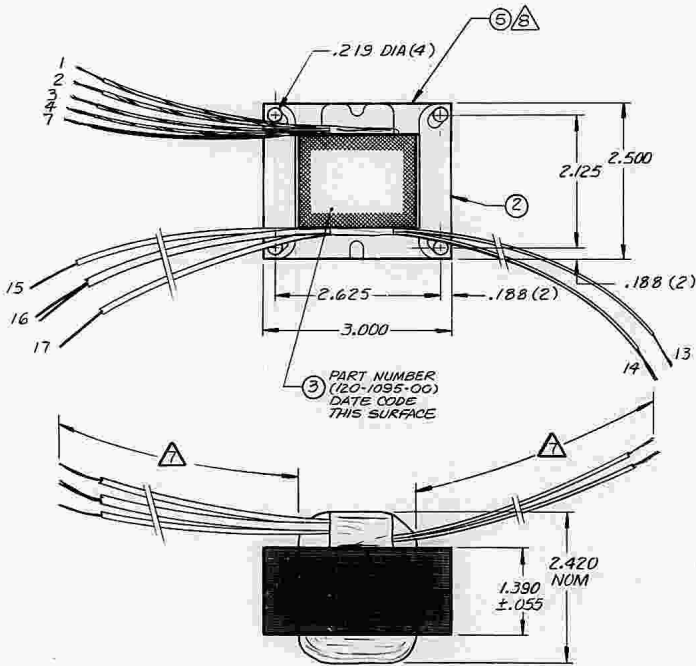
## NOTES:

1. BOONTON 260A Q METER INDICATED VALUES AT 50MHz,  
 Q = 103 NOM, L = 83nH, TRUE L IS 68nH

		P. O. BOX 500			
<b>TEKTRONIX, INC.</b>		BEAVERTON, OREGON U.S.A. 97077			
DWN	J. NAGODE	8 SEP 76	DIMENSIONS ARE IN INCHES / <del>M</del>		
ENGR	L. Clem	11 Mar 77	TOLERANCES: UNLESS OTHERWISE SPECIFIED		
CHKR	J. WOODFALL	11 MAR 77	DEC _____	ANLR _____	
PROD	BOB KAUFMAN	10 MAR 77	SCALE	FIRST USED ON	
			NONE	465M	
MATERIAL LISTED					
FINISH NOTED					
TITLE					
TRANSFORMER, RF (68nH ± 20%)					
CODE IDENT NO	SIZE	PART NUMBER	REV		
80009	A	120-1094-00			

51-113 D

REV	REF	DESCRIPTION OF CHANGE	CHK BY	DATE
(A)	45018	REMOVED ITEM 1	DD	23 FEB 82
(B)	51689	UPDATED DWG. & NOTE A. ADDED ITEM 3 & ITEM 3 WAS 000-6373-00D. DELETED ITEM 4	DD	28 OCT 83

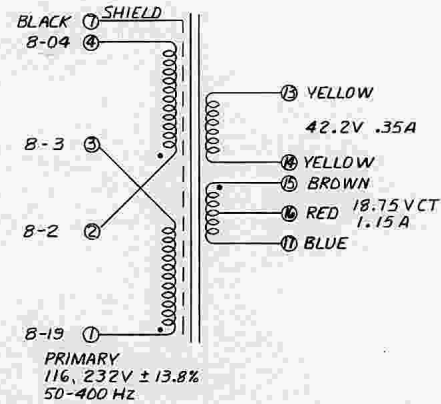


**COIL STRUCTURE**  
**OUTSIDE**

TYPE WINDING	LEAD NO
SEC Ø-48-36 T	15-16-17 * 21
SEC 216 T	13-14 * 26
SHIELD	7
PRI 594 T	2-4 * 30
PRI 594 T	1-3 * 30

**INSIDE**

LINE TO 1-4	CONNECT
116V	1 TO 2, 3 TO 4
232V	2 TO 3



(B) ORIENTATION OF KEEPER IS OPTIONAL  
(A) LEAD LENGTHS: LEAD WIRE AND  
\* INSULATION SLEEVING

LEAD NO	COLOR	PART NUMBER	LENGTH	STRIP
1	8-19	175-0879-00	3.750	.500
2	8-2	175-0880-00		
3	8-3	175-0881-00		
4	8-04	175-0882-00		
7	BLK	175-0920-00		
13,14	YEL	175-0963-00	7.000	
* 15	BRN	162-0554-00	7.500	1.000
* 16	RED	162-0508-00	7.500	1.000
* 17	BLU	162-0524-00	7.500	1.000

6. DIELECTRIC WITHSTANDING VOLTAGE:  
1.5KV RMS, 50 TO 60 HZ, 1 MINUTE,  
PRIMARYS TO SECONDARIES, SHIELD,  
AND CORE

5. WINDINGS INSULATED FOR 600V DC

PART NUMBER  
120-1095-00 (B)

4. VOLTAGE RATINGS ARE RMS NO LOAD.  
CURRENT RATINGS ARE AMPS DC TYP

(3) TRANSFORMER VACUUM IMPREGNATED  
WITH VICKS 252-0082-00 OR  
APPROVED EQUIVALENT  
2. POLARITY PER SCHEMATIC

1. DIMENSIONS REFERENCE UNLESS  
OTHERWISE SPECIFIED

**NOTES:**

TEKTRONIX, INC.		P. O. BOX 198 BEAVERTON, OREGON U.S.A. 97005	
DRW. J. NAGODE	3 SEP 76	DIMENSIONS ARE IN INCHES UNLESS OTHERWISE SPECIFIED	
ENGR. D. WOODRUFF	10 MAR 77	SCALE	FIRST USED ON
CHKD. E. HARRIS	11 MAR 77	1:1	465 M
PRD. E. HARRIS	10 MAR 77	SEE LIST OF MATERIALS & (A)	

ITEM	PART NUMBER	QTY	DESCRIPTION
5	386-0030-00	2	PLATE LAMINATION KEEPER
4	-	-	-
3	334-4645-00	1	MARKER, IDENTIFICATION
2	386-0029-00	AR	PLATE, LAMINATION (STEEL)
1	-	-	-

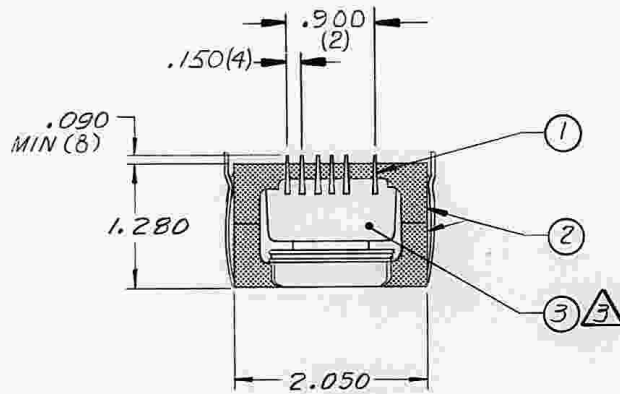
FINISH NOTED (A)  
TITLE TRANSFORMER, POWER, STP DN  
CODE (DRAWING NO) 80009 D  
SIZE T20-1095-00  
PART NUMBER  
REV B

DO NOT SCALE DRAWING

75-156 D

THIS DRAWING WHEN DISTRIBUTED OUTSIDE TEKTRONIX, INC., IS SUPPLIED FOR IDENTIFICATION, ENGINEERING EVALUATION AND/OR INSPECTION PURPOSES ONLY AND MAY NOT BE USED AS A BASIS FOR MANUFACTURE OR SALES OF PRODUCTS WITHOUT WRITTEN PERMISSION FROM TEKTRONIX, INC. IF THIS DRAWING IS FURNISHED UNDER ANY UNITED STATES GOVERNMENT CONTRACT, IT SHALL NOT BE EITHER RELEASED OUTSIDE THE GOVERNMENT, OR USED, DUPLICATED, OR DISCLOSED IN WHOLE OR IN PART FOR MANUFACTURE OR PROCUREMENT, WITHOUT THE WRITTEN PERMISSION OF TEKTRONIX, INC. EXCEPT FOR: (1) EMERGENCY REPAIR OR OVERHAUL WORK BY OR FOR THE GOVERNMENT, WHERE THE ITEM OR PROCESS CONCERNED IS NOT OTHERWISE REASONABLY AVAILABLE TO ENABLE TIMELY PERFORMANCE OF THE WORK; OR (2) RELEASE TO A FOREIGN GOVERNMENT AS THE INTERESTS OF THE UNITED STATES MAY REQUIRE, PROVIDED THAT IN EITHER CASE THE RELEASE, USE, DUPLICATION OR DISCLOSURE HEREOF SHALL BE SUBJECT TO THE FOREGOING LIMITATIONS. IF THIS DRAWING IS REPRODUCED IN WHOLE OR IN PART, THIS ENTIRE LEGEND BLOCK MUST APPEAR ON ALL REPRODUCED COPIES.

REV	REF	DESCRIPTION OF CHANGE	CHK BY	DATE
A	41258	ITEM 4 P/N WAS 276-0225-00 ADDED NOTE 5	DD	16 JUN 81
B	30393	REMOVED NOTE 5.	DD	2 MAR 83
C	52601	REVISED DWG. & ADDED NOTE 5	DD	25 MAR 84

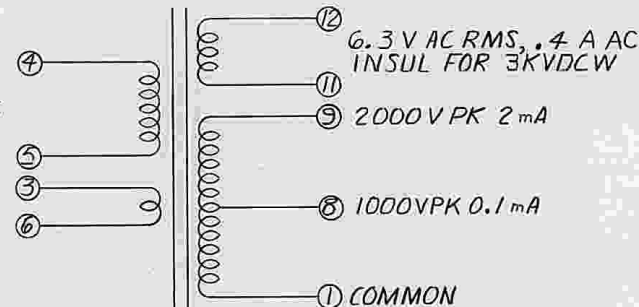
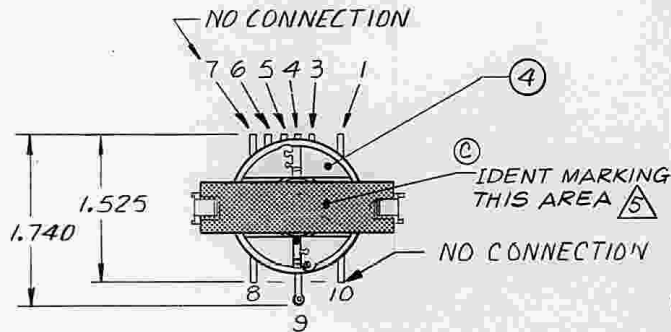


### COIL STRUCTURE OUTSIDE

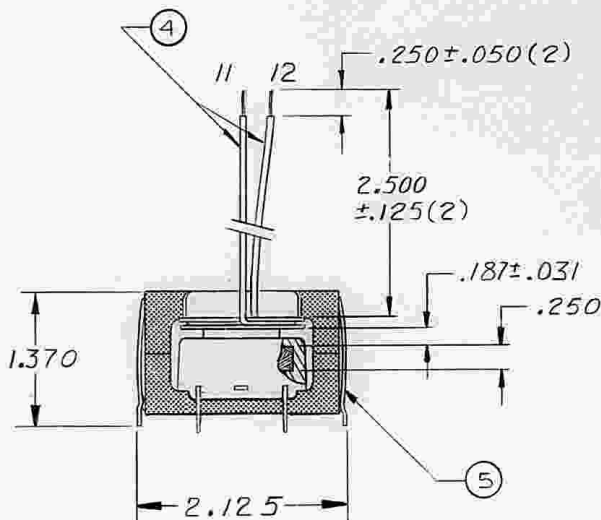
TYPE WINDING      LEAD TERM NO

SEC 11-12	SEC	1-8-9
	Ø - 469½ - 939½ T	*37
4T #26	PRI 4-5	PRI 3-6
	7T #28	1T #28

### INSIDE



OPERATING FREQUENCY: 50 KHZ



5 LOCATION AND ORIENTATION ON THIS SURFACE NOT CRITICAL. MUST BE LEGIBLE

PART NUMBER	REV.
120-1096-00	C

4. VOLTAGE RATINGS ARE PEAK NO LOAD UOS  
CURRENT RATINGS ARE AMPS DC UOS

3 COIL TRANSFER MOLDED WITH EPOXY

2. POLARITY PER SCHEMATIC

1. DIMENSIONS REFERENCE UNLESS OTHERWISE SPECIFIED

#### NOTES:

TEKTRONIX, INC. PROPRIETARY ITEM DRAWING			
<input checked="" type="checkbox"/> MFD BY TEKTRONIX		<input type="checkbox"/> MFD FOR TEKTRONIX	
P. O. BOX 500 BEAVERTON, OREGON U.S.A. 97077			
DWN J. NAGODE	15 DEC 76	DIMENSIONS ARE IN INCHES /	
ENGR Larry C. Brown	27 SEP 78	TOLERANCES: UNLESS OTHERWISE SPECIFIED	
CHKR J. WOODFALL	21 SEP 78	DEC	ANLR
PROD E. Prew	29 SEP 78	SCALE 1:1	FIRST USED ON GMA 101A
MATERIAL			
SEE LIST OF MATERIALS			
FINISH			
NOTED			
TITLE			
TRANSFORMER, POWER, SDN & SU (HIGH VOLTAGE)			
CODE IDENT NO	SIZE	PART NUMBER	REV
80009	C	120-1096-00	C

ITEM	PART NUMBER	QTY	DESCRIPTION
A 5	343-0682-00	2	CLAMP TRANSFORMER CORE
4	650-0324-00	1	BOBBIN ASSEMBLY
3	255-0479-01	AR	PLASTIC MOLDING MATL (EPOXY)
2	276-0696-00	1	CORE, "E" FERRITE
	276-0697-00	1	CORE, "E" FERRITE
1	195-0118-00	½	LEAD SET, HV XFMR

52-81 I

THIS DRAWING WHEN EXEMPTED OUTSIDE TEKTRONIX, INC. IS LIMITED FOR REPRODUCTION, ENGINEERING, REVISION AND/OR MODIFICATION PURPOSES ONLY AND NOT BE USED AS A BASIS FOR MANUFACTURE OR SALE OF PRODUCTS WITHOUT WRITTEN PERMISSION FROM TEKTRONIX, INC. IF THIS DRAWING IS REPRODUCED UNDER ANY OTHER GOVERNMENT CONTRACT, IT SHALL BE IN FULL ACCORDANCE WITH THE GOVERNMENT OF THE U.S.A. POLICY, OR PROVIDED IN ACCORDANCE WITH THE U.S.A. POLICY FOR MANUFACTURE OR REPRODUCTION WITHOUT THE WRITTEN PERMISSION OF TEKTRONIX, INC. EXCEPT FOR THE REPRODUCTION OF THIS DRAWING FOR THE GOVERNMENT, THESE TWO POLICIES CONSTITUTE AN ENTIRE AGREEMENT AND SHALL BE APPLICABLE TO ANY REPRODUCTION OF THIS DRAWING OR ANY PART THEREOF. THE REPRODUCTION OF THIS DRAWING FOR ANY OTHER PURPOSE WITHOUT THE WRITTEN PERMISSION OF TEKTRONIX, INC. IS PROHIBITED. THE REPRODUCTION OF THIS DRAWING SHALL BE LIMITED TO THE ORIGINAL DRAWING AND ANY REVISIONS THEREOF. THE REPRODUCTION OF THIS DRAWING SHALL BE LIMITED TO THE ORIGINAL DRAWING AND ANY REVISIONS THEREOF. THE REPRODUCTION OF THIS DRAWING SHALL BE LIMITED TO THE ORIGINAL DRAWING AND ANY REVISIONS THEREOF.

REV	REF	DESCRIPTION OF CHANGE	CHKD BY	DATE
A	39374	LEAD # 1,2,3,4,5,6 WERE 4.000	KR	26MAR80
B	39824	ITEM 1 WAS 131-1790-00	LU	17JUL80
C	45018	ITEM 6 P.N. WAS 120-1097-50	DD	15FEB82
D	50496	NOTE 5 WAS 2KV & ADDED NOTE A	DD	22JUN83
E	51689	REVISED DWG. & UPDATED NOTE A	DD	5JAN84
F	52616	ADDED SAFETY LABEL	DD	27JAN84
G	56319	UPDATED & MOVED SAFETY LABEL. REMOVED LIST OF MATERIALS.	LG	20JUN85

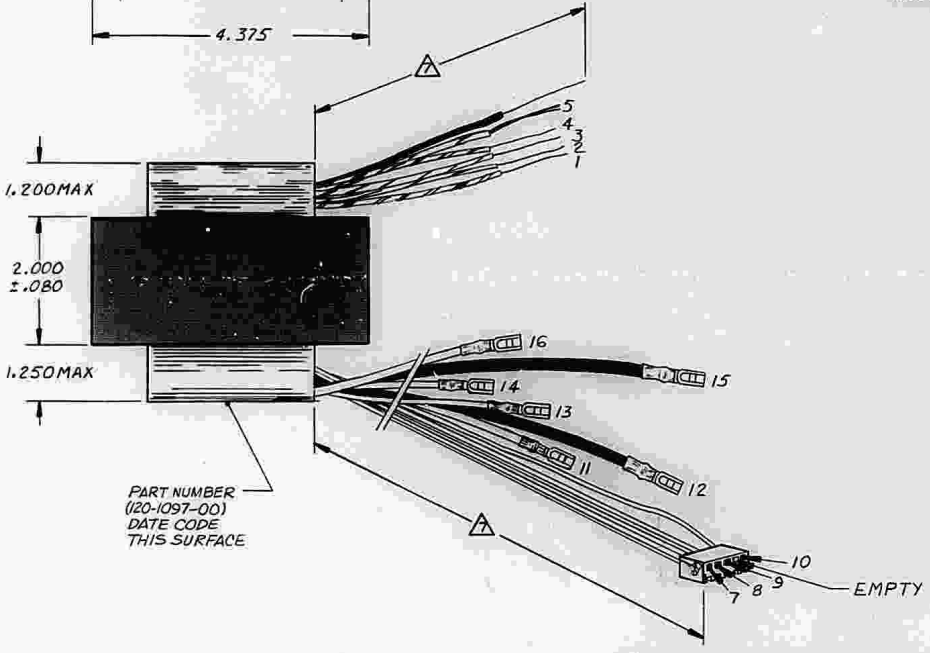
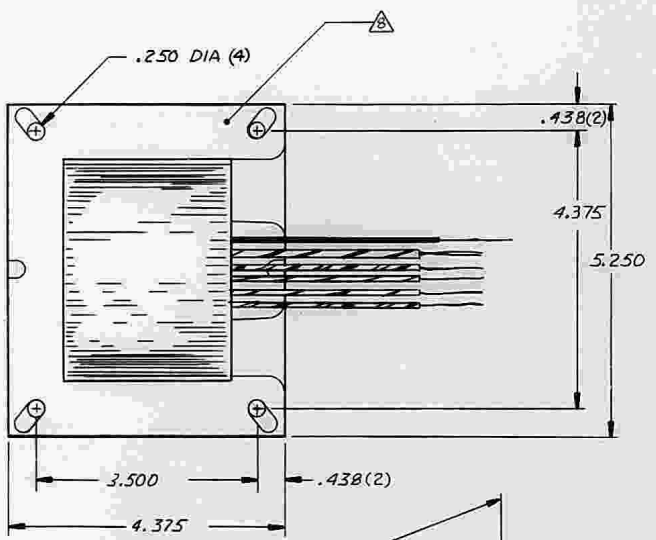
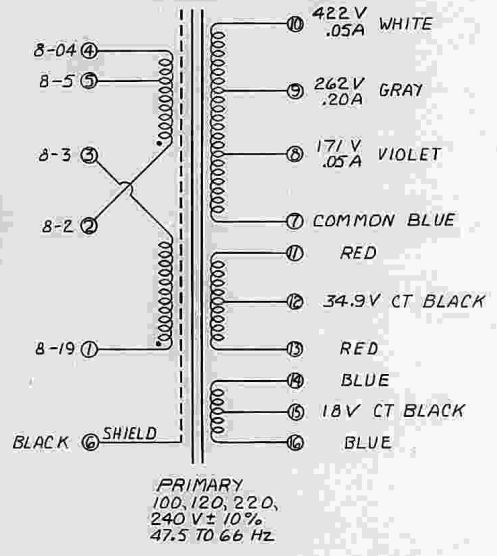
**COIL STRUCTURE OUTSIDE**

TYPE WINDING LEAD NO

SEC	14-15-16
Ø-16-32T	# 15
SEC	11-12-13
Ø-31-62T	# 15
SEC	9-10
285T	# 30
SEC	7-8-9
Ø-303-465T	# 26
SHIELD	6
PRI	1-3
213T	# 20
PRI	2-5-4
Ø-177-213T	# 20

INSIDE

VOLTAGE	LINE TO	CONNECT
100	1 AND 5	1T02,3T04
120	1 AND 4	1T02,3T04
220	1 AND 5	2T03
240	1 AND 4	2T03



ORIENTATION OF KEEPER IS OPTIONAL

LEAD CHART \*\* INSUL SLEEVING

\* LEAD WIRE

LEAD NO	COLOR	PART NUMBER	LENGTH ±.250	STRIP TIN ±.125
1	8-19	162-0659-00	4.500	1.000
2	8-2	162-0642-00		
3	8-3	162-0643-00		
4	8-04	162-0659-00		
5	8-5	162-0655-00		
6	BLK	162-0504-00	5.000	CONNECTORS
7	BLU	175-0970-00	10.000	CONNECTORS
8	VIO	175-0949-00		
9	GRY	175-0886-00		
10	WHT	175-0951-00		
11	RED	162-0508-00	6.500	
12,15	BLK	162-0501-00	9.500	
13	RED	162-0508-00	6.000	
14	BLU	162-0522-00	5.000	
16	BLU	162-0522-00	5.500	

PART NUMBER 120-1097-00 INC. G

- POLARITY PER SCHEMATIC
- DIELECTRIC WITHSTANDING VOLTAGE: 15KV RMS, 50 TO 60 Hz, 1 MINUTE, PRIMARIES TO SECONDARIES, SHIELD AND CORE
- VOLTAGE RATINGS ARE RMS NOLOAD CURRENT RATINGS ARE AMPS DC TYP
- WINDINGS INSULATED FOR 600V DC
- TRANSFORMER VACUUM IMPREGNATED WITH VARNISH 252-0082-00 OR APPROVED EQUIVALENT
- DIMENSIONS REFERENCE UNLESS OTHERWISE SPECIFIED

NOTES:

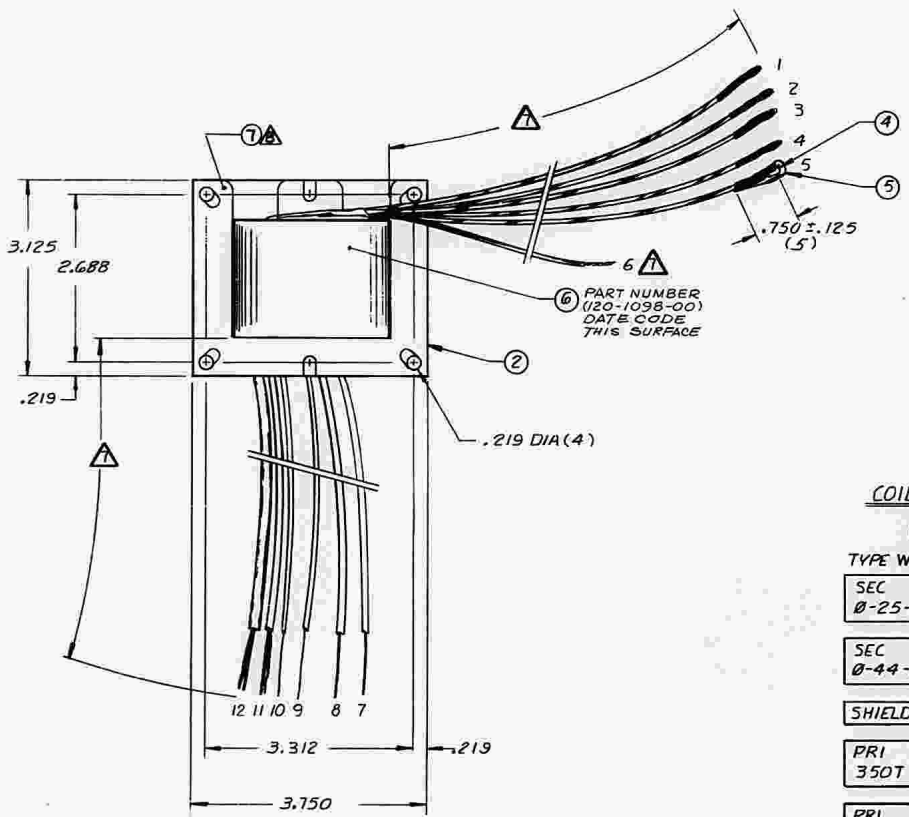
TEKTRONIX, INC. PROPRIETARY ITEM DRAWING	
REP BY TEKTRONIX	MPD FOR TEKTRONIX
TEKTRONIX, INC. BEAVERTON, OREGON U.S.A. 97077	
DRN: J. WINFREY	13 SEP 78
ENGR: J. WINFREY	11 OCT 78
CHKD: S. J. JONES	11 OCT 78
PROD: E. H. HARRIS	11 OCT 78
MATERIAL:	SCALE: 1:1
SEE LIST OF MATERIALS	
FINISH: NOTED	
TITLE: TRANSFORMER, POWER, SDN & SU	
CODE IDENT NO: 80009	SIZE: 1:1
DATE: 120-1097-00	REV: G

**TEKTRONIX SAFETY CONTROLLED PART**

THIS PART IS CONTROLLED TO INSURE MAINTENANCE OF SAFETY CHARACTERISTICS DESIGNED INTO A TEKTRONIX PRODUCT. TO CONTRIBUTE MAINTENANCE, ANY CHANGES IN MATERIALS, SPECIFICATIONS, VENDORS, OR VENDOR PART NUMBERS MUST BE EVALUATED AND APPROVED IN EACH APPLICATION IN WHICH THIS IS A CONTROLLED PART.

52-131E

REV	DESCRIPTION OF CHANGE	DATE
(A) 4171B	ADDED ITEM 7 & NOTE (A)	DD 30JAN81
(B) 4171B	CORRECTED DRAFTING ERROR	DD 2OCT81
(C) 4501B	REMOVED ITEM 1	DD 1APR82
(D) 51689	REVISED DWG. UPDATED NOTES (A) & (B) ITEM 3. ITEM 6 WAS 000-6376-00	DD 6DEC83
(E) 51689	REMOVED ITEM 3	DD 15DEC83



⑥ PART NUMBER  
(120-1098-00)  
DATE CODE  
THIS SURFACE

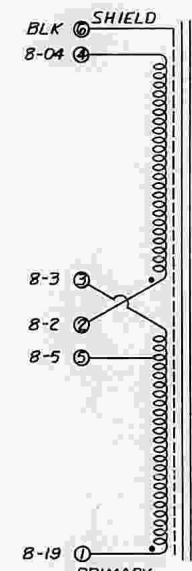
LINE TO 4E1 UDS	CONNECT
100 V LINE TO 1E5	4 TO 3, 2 TO 1
120V	4 TO 3, 2 TO 1
220V	2 TO 5
240V	2 TO 3

**COIL STRUCTURE**

OUTSIDE

TYPE WINDING	LEAD NO
SEC	7-12-8
Ø-25-50T	#16
SEC	9-11-10
Ø-44-88T	#21
SHIELD	6
PRI	2-4
350T	#25
PRI	1-5-3
Ø-292-350T	#25

INSIDE



③ ORIENTATION OF KEEPER IS OPTIONAL

④ LEAD LENGTHS: \* LEAD WIRE  
\*\* INSULATION SLEEVING

LEAD NO	COLOR	PART NUMBER	LENGTH ±.250	STRIP ±.125	TIN ±.125
* 1	B-19	175-0879-00	14.000	—	—
* 2	B-2	175-0880-00	—	—	—
* 3	B-3	175-0881-00	—	—	—
* 4	B-04	175-0882-00	—	—	—
* 5	B-5	175-0883-00	—	—	—
* 6	BLK	175-0920-00	6.500	.500	.500
* 7,8	DRN	162-0673-00	7.250	1.000	1.000
* 9,10	RED	162-0510-00	—	—	—
* 11	YEL	162-0514-00	—	—	—
* 12	BRN	162-0530-00	—	—	—

PART NUMBER 120-1098-00 REV. E

1. DIMENSIONS REFERENCE UNLESS OTHERWISE SPECIFIED
2. POLARITY PER SCHEMATIC
3. TRANSFORMER VACUUM IMPREGNATED WITH VARNISH 252-0082-00 OR APPROVED EQUIVALENT
4. VOLTAGE RATINGS ARE RMS NO LOAD. CURRENT RATINGS ARE AMPS DC TYP
5. WINDINGS INSULATED FOR 600V DC
6. DIELECTRIC WITHSTANDING VOLTAGE: 1.5KV RMS, 50 TO 60Hz, 1 MINUTE. PRIMARIES TO SHIELD, SECONDARIES, AND CORE

NOTES:

DFD BY TETRONIX  DFD FOR TETRONIX  
**TETRONIX, INC.** P. O. BOX 900 BEAVERTON, OREGON U.S.A. 97007  
 DRAWN: J. MAGDOE 24 JAN 78 DIMENSIONS ARE IN INCHES / MM UNLESS OTHERWISE SPECIFIED  
 CHECKED: R. COGAN 11 OCT 78 TOLERANCES: FRACTIONS DECIMALS  
 DESIGNED: J. MAGDOE 11 OCT 78 SCALE: 1:1 FIRST USED ON: PROD. & NAME: V. 0078 4051 E01

7	386-4776-00	2	PLATE, LAMINATION (KEEPER)
6	334-4645-00	1	MARKER, IDENTIFICATION
5	162-0561-00	AR	INSUL. SLVG. ELEC. HEAT SHRINK
4	131-0677-00	5	CONNECTOR, TERMINAL
3			
2	386-0024-00	AR	PLATE, LAMINATION (STEEL)
1			

MATERIAL: SEE LIST OF MATERIALS  
 FINISH: NOTED (A)  
 TITLE: TRANSFORMER, POWER, STPDN  
 CODE 1421 P/N: 80009 D PART NUMBER: 120-1098-00 REV. E

REV	REF	DESCRIPTION OF CHANGE	CHK BY	DATE
A	LL	ADD TERMINAL IDENTIFICATION TO DRAWING ON SHEET 3.	DJP	3DEC76
B	LL	CHANGE PARA 2.1 FROM 1.5 WATTS TO POWER RATING, 0.18 VA; PARA 3.1.2 FROM SOLDER-COATED TO TIN PLATE; DELETE TERMINAL IDENTIFICATION MARKING REQUIREMENT; ADD TOLERANCES TO DIMENSIONS AND DELETE TOLERANCE CALLED ON TITLE BLOCK.	DJP	6APR77
C	BW	SHEET 2; PARA 2.5, CHANGE DIELECTRIC STRENGTH REQUIREMENT.	DJP	13SEP77
D	JG/BS	SHEET 3 - OUTLINE DRAWING REVISED.	DJP	2-OCT78
E	JT	SAFETY CONTROLLED PARA ADDED;	BC	10MAY82

120-1099-00

PART NUMBER

**TEKTRONIX SAFETY CONTROLLED PART**

THIS PART IS CONTROLLED TO INSURE MAINTENANCE OF SAFETY CHARACTERISTICS DESIGNED INTO A TEK PRODUCT TO CONTINUE MAINTENANCE. ANY CHANGES IN MATERIALS, SPECIFICATIONS, OR VENDORS PART NUMBERS MUST BE EVALUATED AND APPROVED THROUGH TEK PURCHASING.

000-5549-00D

**TEKTRONIX, INC.** BEAVERTON, OREGON U.S.A. 97077  
P. O. BOX 500

THE DRAWING TYPE DESIGNATION AND APPROVED SOURCES OF SUPPLY FOR THIS ITEM ARE LISTED ON THE PURCHASED ITEM SOURCE LIST (PISL) FOR THIS PART NUMBER.

DWN	<i>Dean Seigel</i>	23 SEP 76	ANLR	---
ENGR	<i>B. Will</i>	22 Sept. 76	DEC	---
CHKR	<i>D. Peterson</i>	19 Oct 76	SCALE	FIRST USED ON
PROD			NONE	

DIMENSIONS ARE IN INCHES / MM  
TOLERANCES: UNLESS OTHERWISE SPECIFIED

MATERIAL: -----  
FINISH: -----

TITLE: TRANSFORMER, LOW POWER; 60 Hz; 10:1 RATIO; P.C. PIN MOUNTING.

THIS DRAWING WHEN DISTRIBUTED OUTSIDE TEKTRONIX, INC. IS SUPPLIED FOR IDENTIFICATION, ENGINEERING EVALUATION AND/OR INSPECTION PURPOSES ONLY AND MAY NOT BE USED AS A BASIS FOR MANUFACTURE OR SALES OF PRODUCTS WITHOUT WRITTEN PERMISSION FROM TEKTRONIX, INC.

IF THIS DRAWING IS FURNISHED UNDER ANY U.S. GOVERNMENT CONTRACT, IT IS FURNISHED AS LIMITED RIGHTS DATA AND SHALL NOT, WITHOUT THE WRITTEN PERMISSION OF TEKTRONIX, INC., BE EITHER (A) USED, RELEASED OR DISCLOSED IN WHOLE OR IN PART, OUTSIDE THE GOVERNMENT, (B) USED IN WHOLE OR IN PART BY THE GOVERNMENT FOR MANUFACTURE OR (C) USED BY A PARTY OTHER THAN THE GOVERNMENT, EXCEPT FOR: (1) EMERGENCY REPAIR OR OVERHAUL WORK ONLY, (2) REPAIR OR OVERHAUL WORK WHERE THE ITEM IS BEING REPAIRED, (3) REPAIR OR OVERHAUL WORK OR PROCESS CONCERNED IS NOT OTHERWISE REASONABLY AVAILABLE TO ENABLE TIMELY PERFORMANCE OF THE WORK, PROVIDED THAT THE RELEASE OR DISCLOSURE HEREOF OUTSIDE THE GOVERNMENT SHALL BE MADE SUBJECT TO A PROHIBITION AGAINST FURTHER USE, RELEASE, OR DISCLOSURE; OR (11) RELEASE TO A FOREIGN GOVERNMENT, AS THE INTEREST OF THE UNITED STATES MAY REQUIRE. ONLY FOR INFORMATION OR EVALUATION WITHIN SUCH GOVERNMENT OR FOR EMERGENCY REPAIR OR OVERHAUL WORK BY OR FOR SUCH GOVERNMENT UNDER THE CONDITIONS OF (1) ABOVE. THIS LEGEND SHALL BE INCLUDED ON ANY REPRODUCTION HEREOF.

REV	REV
SH 1 OF 3	E
CODE IDENT NO	PART NUMBER
<b>80009</b>	120-1099-00
SIZE	
<b>A</b>	



NOTES:

- 1 DESCRIPTION.  
TRANSFORMER, LOW POWER; 60 Hz; 10:1 RATIO; P.C. PIN MOUNTING.
- 2 ELECTRICAL CHARACTERISTICS.
  - 2.1 POWER RATING:  
0.18 VA.
  - 2.2 INPUT.  
90 TO 250 VRMS, 48 TO 440 Hz.
  - 2.3 OUTPUT.  
1/10 INPUT VOLTAGE  $\pm 0.5\%$  (10:1 VOLTAGE RATIO). LOAD: 1 TO 4 MICROAMPS.
  - 2.4 TEMPERATURE (CLASS B 130°C MAXIMUM).  
OPERATING: -55°C TO +105°C.  
STORAGE: -55°C TO +130°C.
  - 2.5 DIELECTRIC STRENGTH.  
1500 VOLTS, 60 Hz RMS BETWEEN PRIMARY AND CORE. 2000 VOLTS,  
60 Hz RMS BETWEEN SECONDARY AND PRIMARY. 2000 VOLTS 60 Hz  
RMS BETWEEN SECONDARY AND CORE.
- 3 PHYSICAL CHARACTERISTICS.
  - 3.1 CONSTRUCTION.
    - 3.1.1 COIL WINDINGS.  
VACUUM IMPREGNATED.
    - 3.1.2 P.C. TERMINALS.  
BRASS, TIN COATED.
  - 3.2 CERTIFICATION.  
THIS DEVICE SHALL BE CAPABLE OF UNDERWRITER' LABORATORIES  
RECOGNITION AND SHALL MEET U.L. 1244, SECTION 17, PARAGRAPHS  
38.4, 38.5, 43.8 THRU 43.14.
  - 3.3 IDENTIFICATION MARKINGS.  
MARKINGS SHALL BE LEGIBLY AND PERMANENTLY MARKED AND SHALL INCLUDE  
AT LEAST THE FOLLOWING:  
MANUFACTURER'S NAME OR TRADEMARK,  
DATE CODE (WEEK AND YEAR OF MANUFACTURE).

FOR ALL CHARACTERISTICS NOT SPECIFIED HEREIN, THE MANUFACTURER'S PUBLISHED SPECIFICATIONS,  
IN EFFECT AT DATE OF THIS DOCUMENT, SHALL APPLY.

TEKTRONIX, INC.  
BEAVERTON, OREGON

SHT 2 OF 3

CODE IDENT NO  
**80009**

SIZE  
**A**

PART NUMBER

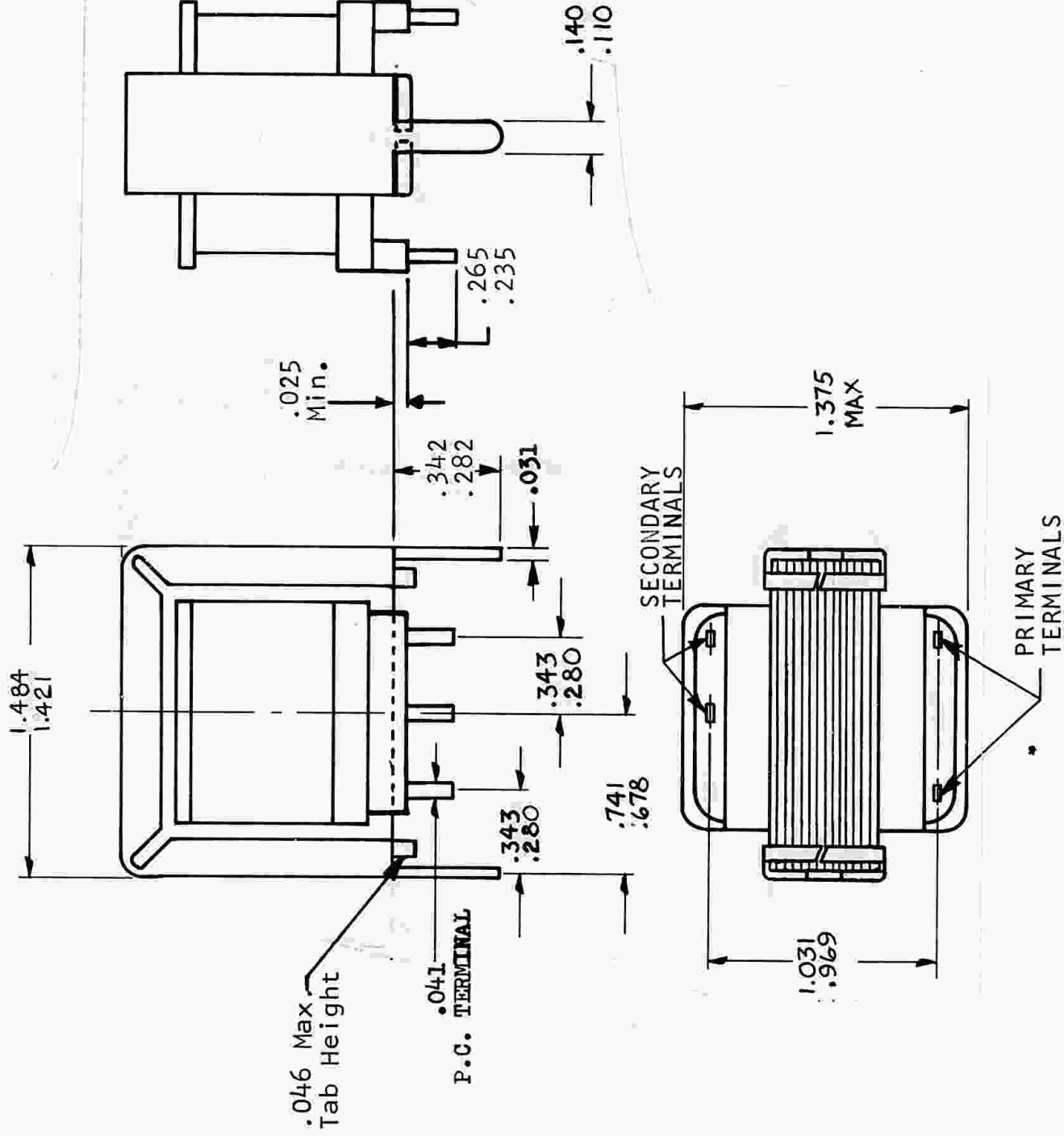
120-1099-00

REV  
E

4 TEKTRONIX, INC. SAFETY CONTROLLED PART.

THIS PART IS CONTROLLED TO INSURE MAINTENANCE OF SAFETY CHARACTERISTICS DESIGNED INTO A TEKTRONIX, INC. PRODUCT. TO CONTINUE MAINTENANCE, ANY CHANGES IN MATERIALS, SPECIFICATIONS, VENDORS, OR VENDOR'S PART NUMBERS MUST BE EVALUATED AND APPROVED IN EACH APPLICATION IN WHICH THIS IS A CONTROLLED PART.

5 OUTLINE DRAWING.

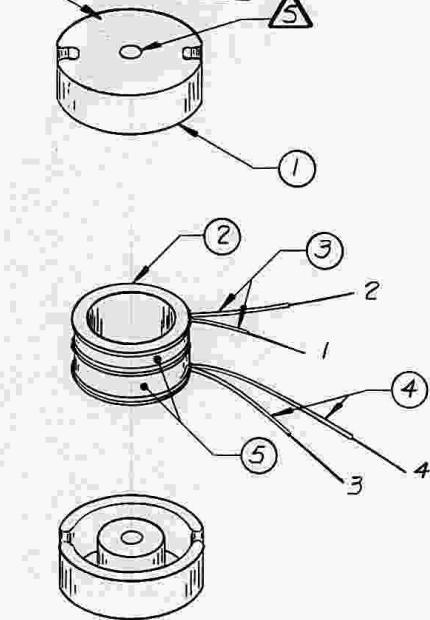


76-167

THIS DRAWING WHEN DISTRIBUTED OUTSIDE TEKTRONIX, INC., IS SUPPLIED FOR IDENTIFICATION, ENGINEERING, EVALUATION AND/OR INSPECTION PURPOSES ONLY AND MAY NOT BE USED AS A BASIS FOR MANUFACTURE OR SALES OF PRODUCTS WITHOUT WRITTEN PERMISSION FROM TEKTRONIX, INC. IF THIS DRAWING IS FURNISHED UNDER ANY UNITED STATES GOVERNMENT CONTRACT, IT SHALL NOT BE EITHER RELEASED OUTSIDE THE GOVERNMENT, OR USED, DUPLICATED, OR DISCLOSED IN WHOLE OR IN PART FOR MANUFACTURE OR PROCUREMENT, WITHOUT THE WRITTEN PERMISSION OF TEKTRONIX, INC., EXCEPT FOR: (1) EMERGENCY REPAIR OR OVERHAUL WORK BY OR FOR THE GOVERNMENT, WHERE THE ITEM OR PROCESS CONCERNED IS NOT OTHERWISE REASONABLY AVAILABLE TO ENABLE TIMELY PERFORMANCE OF THE WORK; OR (2) RELEASE TO A FOREIGN GOVERNMENT AS THE INTERESTS OF THE UNITED STATES MAY REQUIRE, PROVIDED THAT IN EITHER CASE THE RELEASE, USE, DUPLICATION OR DISCLOSURE HEREOF SHALL BE SUBJECT TO THE FOREGOING LIMITATIONS. IF THIS DRAWING IS REPRODUCED IN WHOLE OR IN PART, THIS ENTIRE LEGEND BLOCK MUST APPEAR ON ALL REPRODUCED COPIES.

REV	REP	DESCRIPTION OF CHANGE	CHK BY	DATE
	30733	INITIATE PART	JC	4MAY77
A	49313	GENERAL UPDATE	DD	14FEB83

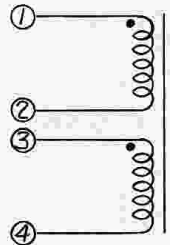
PART NUMBER (-1100)  
& DATE CODE



WINDINGS	TURNS	WIRE AWG		TYP RATNGS		RESISTANCE
		SIZE	PART NUMBER	VOLTS	AMPS	±20% AT 20°C
1-2	65	27	176-0033-XX	—	1.0	.530 Ω
3-4	65	27	176-0033-XX	—	1.0	.530 Ω

INDUCTANCE: 17 mH MIN (EACH WINDING) WITH ESI 252  
OR APPROVED EQUIVALENT

DIELECTRIC WITHSTANDING VOLTAGE: VOLTS RMS, 60Hz, 1 MINUTE;  
WINDING TO WINDING, 1500V; WINDINGS TO CORE, 2000V



△ .125 MIN DIA THRU HOLE AFTER  
VARNISH

4. LEAD LENGTHS FROM OUTSIDE CORE:  
TIN LEADS UP TO INSULATION SLVG

LEAD NO	COLOR	SLVG ±.050	OVERALL ±.250
1	ORN	.500	1.250
2	ORN	.625	1.375
3	NAT	1.125	1.875
4	NAT	1.250	2.000

PART NUMBER	REV.
120-1100-00	A

3. TRANSFORMER VACUUM IMPREGNATED  
WITH VARNISH 252-0082-00 OR  
APPROVED EQUIVALENT

2. CORES CEMENTED TOGETHER ON  
OUTSIDE EDGES ONLY

1. REFERENCE DIMENSIONS: .634 HIGH ×  
1.004 O.D.

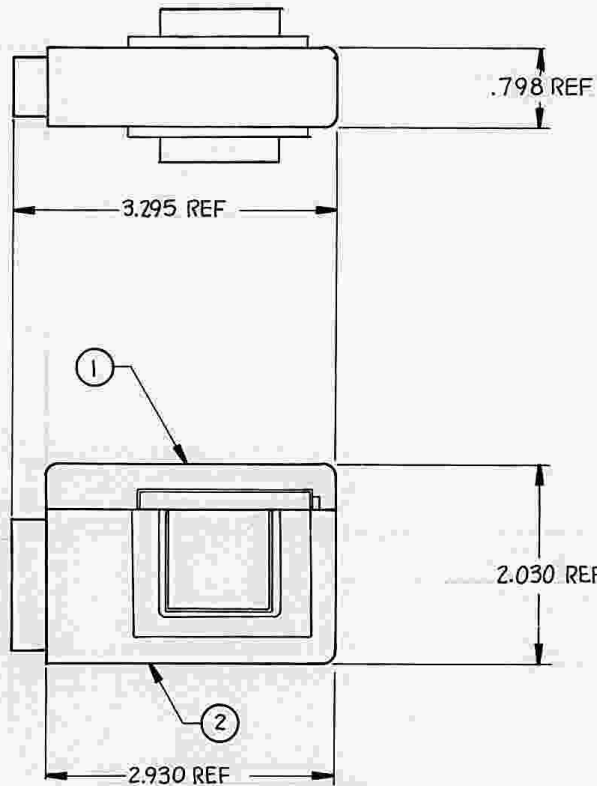
NOTES:

TEKTRONIX, INC. PROPRIETARY ITEM DRAWING			
<input checked="" type="checkbox"/> MFD BY TEKTRONIX		<input type="checkbox"/> MFD FOR TEKTRONIX	
<b>TEKTRONIX, INC.</b> BEAVERTON, OREGON U.S.A. 97077			
OWN J. NAGODE		11 OCT 76	
ENGR R. COGAN		29 APR 77	
CHKR J. WOODFALL		29 APR 77	
PROD C. HANG		29 APR 77	
DIMENSIONS ARE IN INCHES / UNLESS OTHERWISE SPECIFIED		TOLERANCES: ANLR	
SCALE NONE		FIRST USED ON 434	
MATERIAL SEE LIST OF MATERIALS			
FINISH NOTED			
TITLE TRANSFORMER, RF (COMMON MODE REJECTION, POT CORE)			
CODE IDENT NO	SIZE	PART NUMBER	REV
80009	G	120-1100-00	A

ITEM	PART NUMBER	QTY	DESCRIPTION
5	253-0151-00	AR	TAPE, POLYESTER (.188 W)
4	162-0652-00	AR	INSUL, SLEEVING, ELEC (NAT)
3	162-0651-00	AR	INSUL, SLEEVING, ELEC (ORN)
2	276-0224-00	1	FORM, COIL
1	276-0646-00	1	CORE, EM (2616-UNGAPPED)

THIS DRAWING WHEN DISTRIBUTED OUTSIDE TEKTRONIX, INC., IS SUPPLIED FOR IDENTIFICATION, ENGINEERING EVALUATION AND/OR INSPECTION PURPOSES ONLY AND MAY NOT BE USED AS A BASIS FOR MANUFACTURE OR SALES OF PRODUCTS WITHOUT WRITTEN PERMISSION FROM TEKTRONIX, INC. IF THIS DRAWING IS FURNISHED UNDER ANY UNITED STATES GOVERNMENT CONTRACT, IT SHALL NOT BE EITHER RELEASED OUTSIDE THE GOVERNMENT, OR USED, DUPLICATED, OR DISCLOSED IN WHOLE OR IN PART FOR MANUFACTURE OR PROCUREMENT, WITHOUT THE WRITTEN PERMISSION OF TEKTRONIX, INC., EXCEPT FOR: (1) EMERGENCY REPAIR OR OVERHAUL WORK BY OR FOR THE GOVERNMENT, WHERE THE ITEM OR PROCESS CONCERNED IS NOT OTHER- WISE REASONABLY AVAILABLE TO ENABLE TIMELY PERFORMANCE OF THE WORK; OR (2) RELEASE TO A FOREIGN GOVERNMENT AS THE INTERESTS OF THE UNITED STATES MAY REQUIRE, PROVIDED THAT IN EITHER CASE THE RELEASE, USE, DUPLICATION OR DISCLOSURE HEREOF SHALL BE SUBJECT TO THE FORE- GOING LIMITATIONS. IF THIS DRAWING IS REPRODUCED IN WHOLE OR IN PART, THIS ENTIRE LEGEND BLOCK MUST APPEAR ON ALL REPRODUCED COPIES.

REV	REF	DESCRIPTION OF CHANGE	CHK BY	DATE
45942		INITIATED PART	MLM	13 MAY 82



PART NUMBER	REV.
120-1102-00	

2. VALUE TO BE DETERMINED BY TESTING

1. PAIRED FOR MAXIMUM LOW FREQUENCY RESPONSE

NOTES:

CUSTOMER SERVICE P6303

**Tektronix INC.** P. O. BOX 500  
BEAVERTON, OREGON U.S.A. 97077

TEKTRONIX, INC. PROPRIETARY ITEM DRAWING  
 MFD BY TEKTRONIX     MFD FOR TEKTRONIX

RELEASED FOR PRODUCTION TOOLING	SIGNATURE	DATE
	<i>Rob Wilson</i>	2 JUN 82
DWN <b>W. STIPE</b>	12 MAY 82	DIMENSIONS ARE IN INCHES / TOLERANCES UNLESS OTHERWISE SPECIFIED
ENGR <b>R. WILSON</b>	2 JUN 82	DEC _____ ANLR _____
CHKR <b>D. VROMAN</b>	2 JUN 82	SCALE _____ FIRST USED ON _____
PROD <i>St. Cunningham</i>	2 Jun 82	NONE 010-6303-00

SEE LIST OF MATERIALS

FINISH \_\_\_\_\_

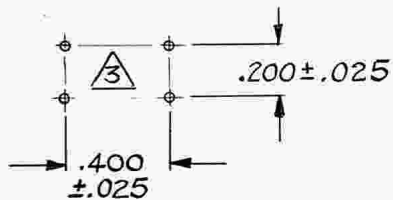
TITLE TRANSFORMER, CURRENT (UPPER & LOWER ASSEMBLIES)

CODE IDENT NO	SIZE	PART NUMBER	REV
80009	C	120-1102-00	

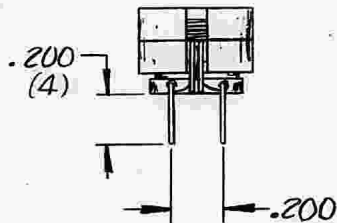
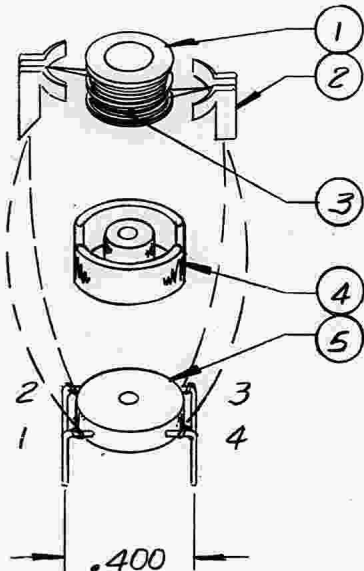
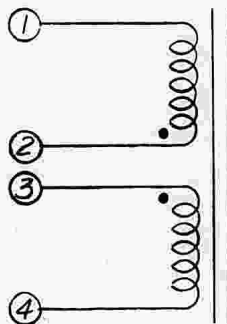
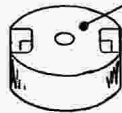
ITEM	PART NUMBER	QTY	DESCRIPTION
4	062-6508-00	1	DATA SHEET (NOT SHOWN)
3	2	1	RESISTOR, 1/8 W (NOT SHOWN)
2	120-1052-00	1	XFMR SUBASSY, CURRENT (LOWER HALF)
1	120-1051-00	1	XFMR SUBASSY, CURRENT (UPPER HALF)

LIST OF MATERIALS

76-136



PART NUMBER (-1103)  
DATE CODE



WINDINGS	WIRE DATA		AMPS (RMS)	RESISTANCE DC
	TURNS	AWG	TYPICAL	±15%
2-1	68	36	.282	2.06 Ω
3-4	68	36	.282	2.06 Ω

INDUCTANCE: (2-1), (3-4) 20 mH MIN PER ES1  
251 OR APPROVED EQUIV  
DIELECTRIC WITHSTANDING VOLTAGE: (2-1) TO (3-4),  
1500V RMS, 60Hz, 1 MINUTE  
POLARITY PER SCHEMATIC  
TEMPERATURE RISE: 30°C TYPICAL AT 282 mARMS

ITEM	PART NUMBER	QTY	DESCRIPTION
5	352-0137-00	1	HOLDER, ELEC COM
4	276-0698-00	1	CORE, EM (POT CORE 1107)
3	176-0157-XX	AR	WIRE, ELEC (36AWG)
2	342-0119-00	2	INSULATOR, WIRE
1	276-0183-00	1	FORM, COIL

LIST OF MATERIALS

THIS DRAWING WHEN DISTRIBUTED OUTSIDE TEKTRONIX, INC. IS SUPPLIED FOR IDENTIFICATION, ENGINEERING EVALUATION AND/OR INSPECTION PURPOSES ONLY AND MAY NOT BE USED AS A BASIS FOR MANUFACTURE OR SALES OF PRODUCTS WITHOUT WRITTEN PERMISSION FROM TEKTRONIX, INC. IF THIS DRAWING IS FURNISHED UNDER ANY UNITED STATES GOVERNMENT CONTRACT, IT SHALL NOT BE EITHER RELEASED OUTSIDE THE GOVERNMENT, OR USED, DUPLICATED, OR DISCLOSED IN WHOLE OR IN PART FOR MANUFACTURE OR PROCUREMENT, WITHOUT THE WRITTEN PERMISSION OF TEKTRONIX, INC. EXCEPT FOR: (1) EMERGENCY REPAIR OR OVERHAUL WORK BY OR FOR THE GOVERNMENT, WHERE THE ITEM OR PROCESS CONCERNED IS NOT OTHERWISE REASONABLY AVAILABLE TO ENABLE TIMELY PERFORMANCE OF THE WORK; OR (2) RELEASE TO A FOREIGN GOVERNMENT AS THE INTERESTS OF THE UNITED STATES MAY REQUIRE; PROVIDED THAT IN EITHER CASE THE RELEASE USE, DUPLICATION OR DISCLOSURE HEREOF SHALL BE SUBJECT TO THE FOREGOING LIMITATIONS. IF THIS DRAWING IS REPRODUCED IN WHOLE OR IN PART, THIS ENTIRE LEGEND BLOCK MUST APPEAR ON ALL REPRODUCED COPIES.

PART NUMBER 120-1103-00

REV	REF	DESCRIPTION OF CHANGE	CHK BY	DATE
	30826	INITIATED PART	NS	11 JAN 77
(A)	49313	UPDATED DRAWING	DD	7 JUL 83
(B)	53424	REVISED DWG. & ADDED NOTE $\Delta$	DD	9 MAR 84

$\Delta$  LEADS ARE TO BE ABLE TO FIT THIS PATTERN

2. CEMENT CORES TOGETHER AND CEMENT HOLDER TO BOTTOM CORE

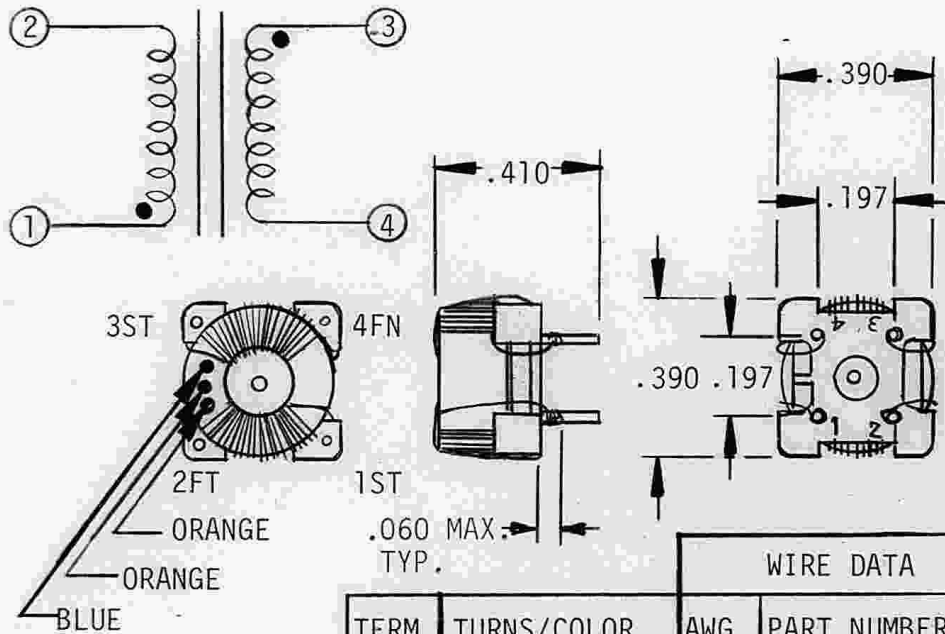
1. REFERENCE DIMENSIONS: .530 HIGH x .430 WIDE x .500 LONG

NOTES:

		TEKTRONIX, INC.		P. O. BOX 500 BEAVERTON, OREGON U.S.A. 97005	
DR	J. NAGODE	15 NOV 76	DIMENSIONS ARE IN INCHES TOLERANCES: UNLESS OTHERWISE SPECIFIED		
ENGR	R. COGAN	22 DEC 76	DEC-REF	ANG	
CHK	J. WOODFALL	22 DEC 76	SCALE	FIRST USED ON	
PROD	T. HIATT	22 DEC 76	NONE	21/212/213	
MATERIAL					
SEE LIST OF MATERIALS					
FINISH					
TITLE TRANSFORMER, RF (COMMON MODE REJECTION, POT CORE)					
CODE IDENT NO	SIZE	PART NUMBER	REV		
80009	B	120-1103-00	B		

NOTES

1. DIMENSIONS REFERENCE, UNLESS OTHERWISE SPECIFIED.
2. WINDINGS IN OPPOSITE 90° SECTIONS.
3. CORE COATED AND SECURED TO HOLDER WITH 006-3397-00 OR EQUIVALENT.
4. INDUCTANCE MEASURED ON HP 4275A METER OR APPROVED EQUIVALENT : 1.10 TO 1.85 mH ON 20 TURN WINDING @ 10 KHz, 0.25 mA, SERIES MODE.



DATA :  
 CODE: TD-336  
 CORE: 276-0640-01  
 HOLDER: 352-0408-00

76-222

PART NUMBER 120-1104-00

REV A

THIS DRAWING WHEN DISTRIBUTED OUTSIDE TEKTRONIX, INC. IS SUPPLIED FOR IDENTIFICATION, ENGINEERING EVALUATION AND/OR INSPECTION PURPOSES ONLY AND MAY NOT BE USED AS A BASIS FOR MANUFACTURE OR SALES OF PRODUCTS WITHOUT WRITTEN PERMISSION FROM TEKTRONIX, INC. IF THIS DRAWING IS FURNISHED UNDER ANY UNITED STATES GOVERNMENT CONTRACT, IT SHALL NOT BE EITHER RELEASED OUTSIDE THE GOVERNMENT, OR USED, DUPLICATED, OR DISCLOSED IN WHOLE OR IN PART FOR MANUFACTURE OR PROCUREMENT, WITHOUT THE WRITTEN PERMISSION OF TEKTRONIX, INC., EXCEPT FOR: (1) EMERGENCY REPAIR OR OVERHAUL WORK BY OR FOR THE GOVERNMENT, WHERE THE ITEM OR PROCESS CONCERNED IS NOT OTHERWISE REASONABLY AVAILABLE TO ENABLE TIMELY PERFORMANCE OF THE WORK; OR (2) RELEASE TO A FOREIGN GOVERNMENT AS THE INTERESTS OF THE UNITED STATES MAY REQUIRE; PROVIDED THAT IN EITHER CASE THE RELEASE, USE, DUPLICATION OR DISCLOSURE HEREOF SHALL BE SUBJECT TO THE FOREGOING LIMITATIONS. IF THIS DRAWING IS REPRODUCED IN WHOLE OR IN PART, THIS ENTIRE LEGEND BLOCK MUST APPEAR ON ALL REPRODUCED COPIES.

REV / BY / REF	DESCRIPTION OF CHANGE	CHK BY / DATE
(A) DG 50482	REVISED DWG., UPDATED NOTES 1,3,4	07DEC 83

TEKTRONIX, INC. PROPRIETARY ITEM DRAWING

MFD BY TEKTRONIX

MFD FOR TEKTRONIX



TEKTRONIX, INC.

P. O. BOX 500  
 BEAVERTON, OREGON U.S.A. 97077



DWN JT WINFREY	30JUL81
ENGR <i>EGG</i>	6 AUG 81
CHKR <i>B. Stewart</i>	5 AUG 81
PROD <i>ROGER NEVES</i>	5 AUG 81

DIMENSIONS ARE IN INCHES /   
 TOLERANCES:  
 UNLESS OTHERWISE SPECIFIED  
 DEC \_\_\_\_\_ ANLR \_\_\_\_\_

SCALE \_\_\_\_\_ FIRST USED ON  
 CG551A

MATERIAL LISTED

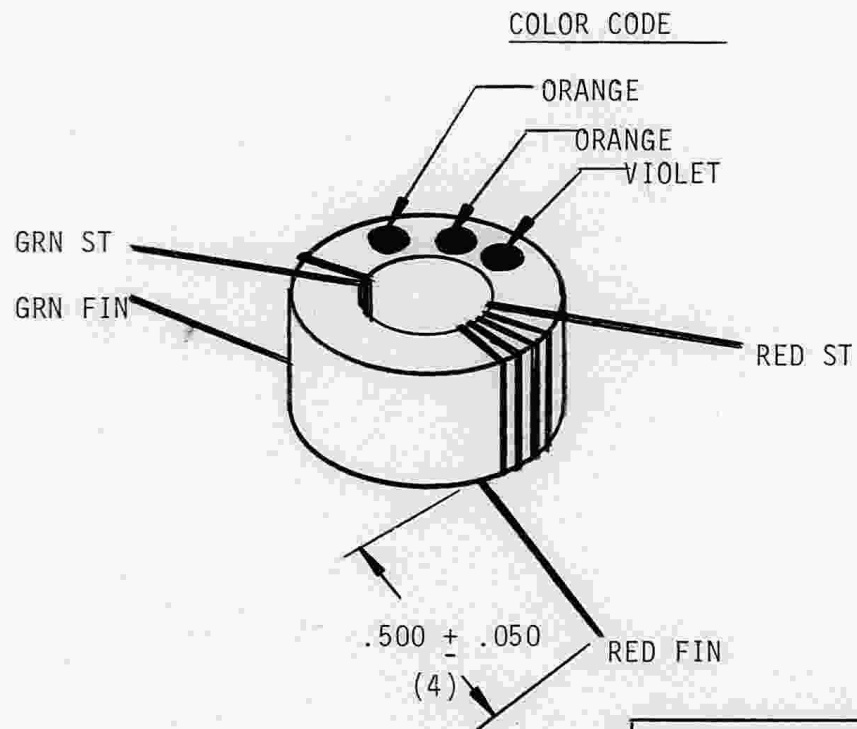
FINISH NOTED

TITLE TRANSFORMER RF (TOROIDAL)

CODE IDENT NO <b>80009</b>	SIZE <b>A</b>	PART NUMBER <b>120-1104-00</b>	REV <b>A</b>
-------------------------------	------------------	-----------------------------------	-----------------

NOTES:

1. TOROID REFERENCE DIMENSIONS: .256 OD x .151 HIGH.
2. TIN LEADS TO WITHIN .100 FROM WINDING.
3. COAT WITH CG6-3397-00 OR EQUIVALENT.
- ④ 4. INDUCTANCE VALUE PER TEKTRONIX 130 L.C. METER:  
7 TO 11  $\mu$ H ON 5 TURN WINDING.



WIRE DATA			
TURNS	AWG	PART NUMBER	
5	RED	29	176-0012-00
2	GRN	29	176-0012-15

DATA  
 CODE TD-337  
 CORE NO 276-0581-00

76-159C

PART NUMBER 120-1105-00

REV A

THIS DRAWING WHEN DISTRIBUTED OUTSIDE TEKTRONIX, INC. IS SUPPLIED FOR IDENTIFICATION, ENGINEERING EVALUATION AND/OR INSPECTION PURPOSES ONLY AND MAY NOT BE USED AS A BASIS FOR MANUFACTURE OR SALES OF PRODUCTS WITHOUT WRITTEN PERMISSION FROM TEKTRONIX, INC. IF THIS DRAWING IS FURNISHED UNDER ANY UNITED STATES GOVERNMENT CONTRACT, IT SHALL NOT BE EITHER RELEASED OUTSIDE THE GOVERNMENT, OR USED, DUPLICATED, OR DISCLOSED IN WHOLE OR IN PART FOR MANUFACTURE OR PROCUREMENT, WITHOUT THE WRITTEN PERMISSION OF TEKTRONIX, INC., EXCEPT FOR (1) EMERGENCY REPAIR OR OVERHAUL WORK BY OR FOR THE GOVERNMENT, WHERE THE ITEM OR PROCESS CONCERNED IS NOT OTHERWISE REASONABLY AVAILABLE TO ENABLE TIMELY PERFORMANCE OF THE WORK; OR (2) RELEASE TO A FOREIGN GOVERNMENT AS THE INTERESTS OF THE UNITED STATES MAY REQUIRE, PROVIDED THAT IN EITHER CASE THE RELEASE, USE, DUPLICATION OR DISCLOSURE HEREOF SHALL BE SUBJECT TO THE FOREGOING LIMITATIONS. IF THIS DRAWING IS REPRODUCED IN WHOLE OR IN PART, THIS ENTIRE LEGEND BLOCK MUST APPEAR ON ALL REPRODUCED COPIES.

REV / BY / REF	DESCRIPTION OF CHANGE	CHK BY / DATE
④ DD 44218	NOTE 4 WAS .95 TO 1.16 $\mu$ H	17SEP81

TEKTRONIX, INC. PROPRIETARY ITEM DRAWING

MFD BY TEKTRONIX

MFD FOR TEKTRONIX



TEKTRONIX, INC. P. O. BOX 500  
 BEAVERTON, OREGON U.S.A. 97077



DWN JT WINFREY	10 JUN 81	DIMENSIONS ARE IN INCHES / TOLERANCES: UNLESS OTHERWISE SPECIFIED	
ENGR <i>[Signature]</i>	10 JULY 81	DEC	ANLR
CHKR <i>B. Stewart</i>	10 JULY 81	SCALE	FIRST USED ON
PROD <i>ROGER NOYES</i>	17 JUL 81	NONE	CG551AP

MATERIAL LISTED

FINISH NOTED

TITLE TRANSFORMER, RF (TOROID)

CODE IDENT NO <b>80009</b>	SIZE <b>A</b>	PART NUMBER 120-1105-00	REV A
-------------------------------	------------------	----------------------------	----------

NOTES:

1. DIMENSIONS REFERENCE UNLESS OTHERWISE SPECIFIED.
2. TIN LEADS TO WITHIN .080 OF WINDING.
3. COAT WITH 006-3397-00 OR EQUIVALENT.

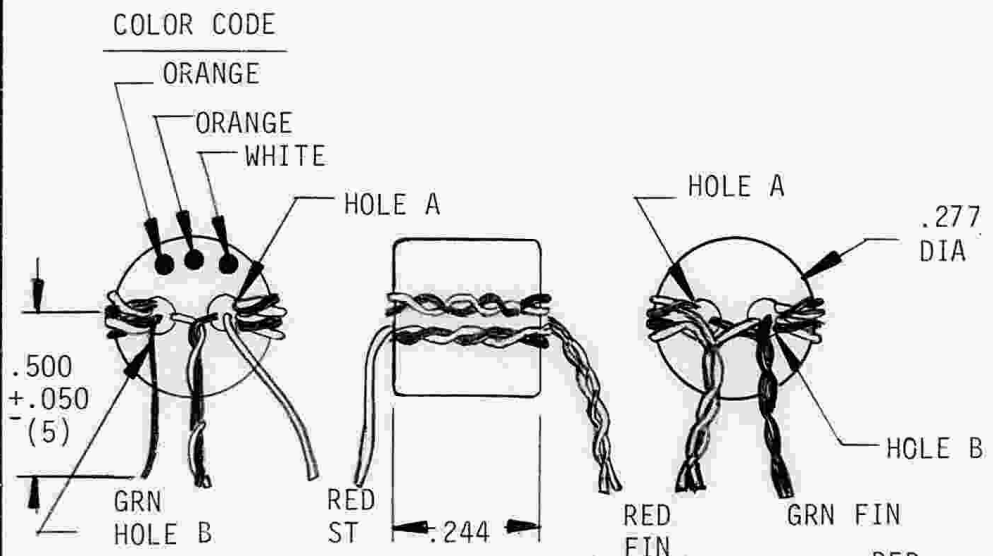
76-43C

PART NUMBER 120-1108-00

REV

THIS DRAWING WHEN DISTRIBUTED OUTSIDE TEKTRONIX, INC. IS SUPPLIED FOR IDENTIFICATION ENGINEERING EVALUATION AND/OR INSPECTION PURPOSES ONLY AND MAY NOT BE USED AS A BASIS FOR MANUFACTURE OR SALES OF PRODUCTS WITHOUT WRITTEN PERMISSION FROM TEKTRONIX, INC. IF THIS DRAWING IS FURNISHED UNDER ANY UNITED STATES GOVERNMENT CONTRACT, IT SHALL NOT BE EITHER RELEASED OUTSIDE THE GOVERNMENT OR USED, DUPLICATED, OR DISCLOSED IN WHOLE OR IN PART FOR MANUFACTURE OR PROCUREMENT, WITHOUT THE WRITTEN PERMISSION OF TEKTRONIX, INC., EXCEPT FOR: (1) EMERGENCY REPAIR OR OVERHAUL WORK BY OR FOR THE GOVERNMENT, WHERE THE ITEM OR PROCESS CONCERNED IS NOT OTHERWISE REASONABLY AVAILABLE TO ENABLE TIMELY PERFORMANCE OF THE WORK; OR (2) RELEASE TO A FOREIGN GOVERNMENT AS THE INTERESTS OF THE UNITED STATES MAY REQUIRE, PROVIDED THAT IN EITHER CASE THE RELEASE, USE, DUPLICATION OR DISCLOSURE HEREOF SHALL BE SUBJECT TO THE FOREGOING LIMITATIONS. IF THIS DRAWING IS REPRODUCED IN WHOLE OR IN PART, THIS ENTIRE LEGEND BLOCK MUST APPEAR ON ALL REPRODUCED COPIES.

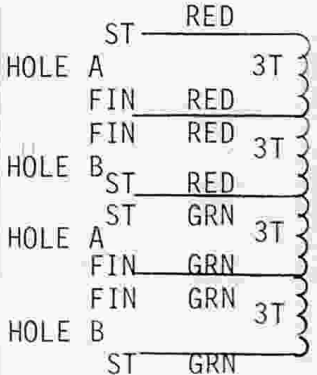
REV / BY / REF	DESCRIPTION OF CHANGE	CHK BY / DATE
----------------	-----------------------	---------------



WIRE DATA		
TURNS	AWG	PART NUMBER
*3 BIFILAR, RED	32	176-0037-00
*3 BIFILAR, GRN	32	176-0037-15

\*HOLES A & B  
TWIST BIFILAR WIRES @7+1 TWIST/INCH  
BEFORE WINDING

DATA:  
CODE : TD-339  
CORE : 276-0756-00



**TEKTRONIX, INC. PROPRIETARY ITEM DRAWING**

MFD BY TEKTRONIX       MFD FOR TEKTRONIX

**TEKTRONIX, INC.** P. O. BOX 500 BEAVERTON, OREGON U.S.A. 97077

DWN JT WINFREY	10 JUN 81	DIMENSIONS ARE IN INCHES / TOLERANCES: UNLESS OTHERWISE SPECIFIED	
ENGR <i>[Signature]</i>	8 AUG 81	DEC	ANLR
CHKR B. STEWART	7 AUG 81	SCALE	FIRST USED ON
PROD ROGER NOYES	30 SEP '81	NONE	CG551AP

MATERIAL LISTED

FINISH NOTED

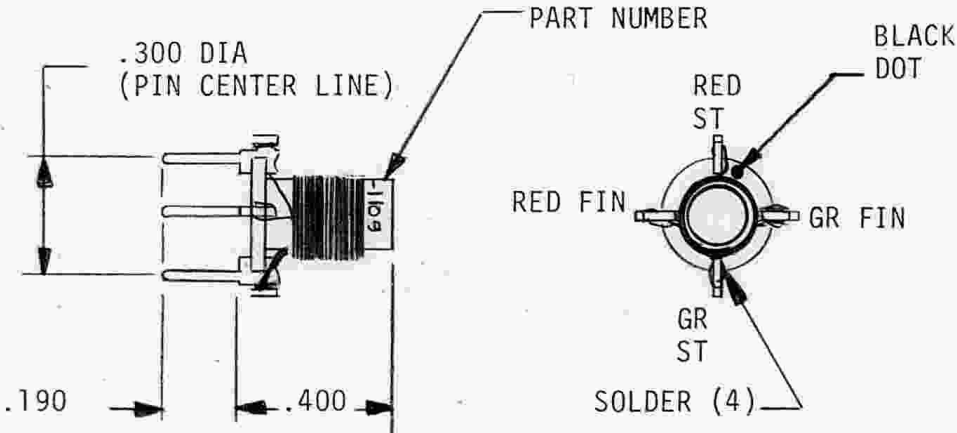
TITLE TRANSFORMER, RF (BALUN)

CODE IDENT NO	SIZE	PART NUMBER	REV
80009	A	120-1108-00	



NOTES:

1. DIMENSIONS REFERENCE.
2. CLOSE WIND PRI (RED) AS SHOWN.
3. COAT WITH 006-3397-00 OR EQUIVALENT.
4. CLOSE WIND SEC (GREEN), CENTERED ON TOP PRI.
5. COAT WITH 006-3397-00 OR EQUIVALENT.



WIRE DATA		
TURNS/COLOR	AWG	PART NUMBER
20 1/4 RED	33	176-0016-00
10 1/4 GREEN	29	176-0012-15

DATA:  
FORM 276-0131-00

76-212 PART NUMBER **120-1109-00** REV

THIS DRAWING WHEN DISTRIBUTED OUTSIDE TEKTRONIX, INC. IS SUPPLIED FOR IDENTIFICATION, ENGINEERING EVALUATION AND/OR INSPECTION PURPOSES ONLY AND MAY NOT BE USED AS A BASIS FOR MANUFACTURE OR SALES OF PRODUCTS WITHOUT WRITTEN PERMISSION FROM TEKTRONIX, INC. IF THIS DRAWING IS FURNISHED UNDER ANY UNITED STATES GOVERNMENT CONTRACT, IT SHALL NOT BE EITHER RELEASED OUTSIDE THE GOVERNMENT, OR USED, DUPLICATED, OR DISCLOSED IN WHOLE OR IN PART FOR MANUFACTURE OR PROCUREMENT, WITHOUT THE WRITTEN PERMISSION OF TEKTRONIX, INC. EXCEPT FOR: (1) EMERGENCY REPAIR OR OVERHAUL WORK BY OR FOR THE GOVERNMENT, WHERE THE ITEM OR PROCESS CONCERNED IS NOT OTHERWISE REASONABLY AVAILABLE TO ENABLE TIMELY PERFORMANCE OF THE WORK; OR (2) RELEASE TO A FOREIGN GOVERNMENT AS THE INTERESTS OF THE UNITED STATES MAY REQUIRE, PROVIDED THAT IN EITHER CASE THE RELEASE, USE, DUPLICATION OR DISCLOSURE HEREOF SHALL BE SUBJECT TO THE FOREGOING LIMITATIONS. IF THIS DRAWING IS REPRODUCED IN WHOLE OR IN PART, THIS ENTIRE LEGEND BLOCK MUST APPEAR ON ALL REPRODUCED COPIES.

REV / BY / REF	DESCRIPTION OF CHANGE	CHK BY / DATE

**TEKTRONIX, INC. PROPRIETARY ITEM DRAWING**  
 MFD BY TEKTRONIX       MFD FOR TEKTRONIX

**TEKTRONIX, INC.** P. O. BOX 500 BEAVERTON, OREGON U.S.A. 97077

DWN JT WINFREY	15 SEPT 80	DIMENSIONS ARE IN INCHES / TOLERANCES: UNLESS OTHERWISE SPECIFIED	
ENGR <i>[Signature]</i>	8 Oct 80	DEC	ANLR
CHKR <i>[Signature]</i>	9 Oct 80	SCALE NONE	FIRST USED ON CG551 AP
PROD <i>[Signature]</i>	9 Oct 80		

MATERIAL LISTED

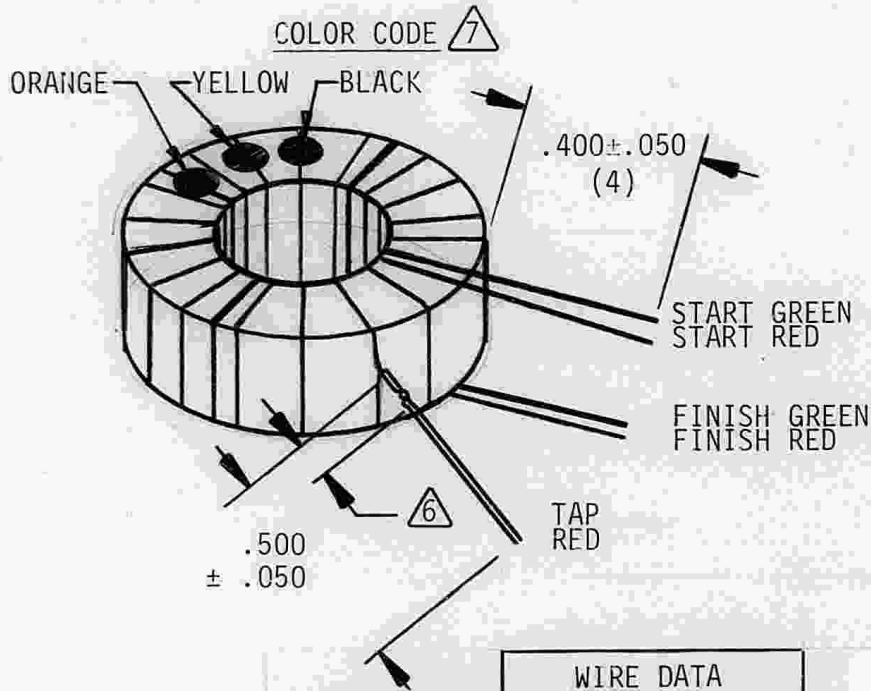
FINISH NOTED

TITLE TRANSFORMER, RF (PULSE)

CODE IDENT NO <b>80009</b>	SIZE <b>A</b>	PART NUMBER <b>120-1109-00</b>	REV
-------------------------------	------------------	-----------------------------------	-----

NOTES:

1. LEADS TINNED TO WITHIN .050 OF CORE WINDING
2. INDUCTANCE RANGE PER TEKTRONIX 130 LC METER:  
1.33 TO 1.47  $\mu$ H ON 18 TURN WINDING
3. TOROID REFERENCE DIMENSIONS: .472 OD X .191 HIGH
4. COATED WITH 006-1109-00 OR APPROVED EQUIVALENT
5. TAP LEADS TINNED .400  $\pm$  .050
6. MINIMUM ONE TWIST WITHIN .100 OF WINDING.  
(NO CLOSER THAN .050 OF WINDING)
7. PRINTED PART NUMBER (-1110) MAY BE USED INSTEAD OF  
COLOR CODE



WIRE DATA		
TURNS/COLOR	AWG	PART NUMBER
0-3-18 *RED	27	176-0010-00
4 GREEN	27	176-0010-15

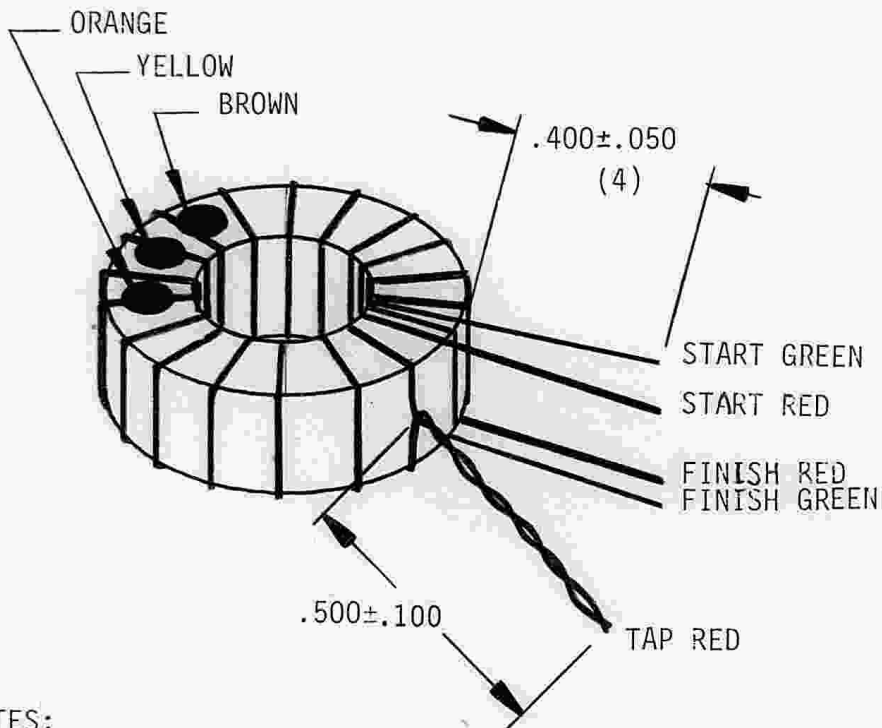
\* ADJUST TURN SPACING TO MEET INDUCTANCE

DATA:  
CODE TD-340  
CORE NO. 276-0672-00

76-5D	PART NUMBER	120-1110-00	REV A
<p>THIS DRAWING WHEN DISTRIBUTED OUTSIDE TEKTRONIX, INC. IS SUPPLIED FOR IDENTIFICATION, ENGINEERING EVALUATION AND/OR INSPECTION PURPOSES ONLY AND MAY NOT BE USED AS A BASIS FOR MANUFACTURE OR SALES OF PRODUCTS WITHOUT WRITTEN PERMISSION FROM TEKTRONIX, INC. IF THIS DRAWING IS FURNISHED UNDER ANY UNITED STATES GOVERNMENT CONTRACT, IT SHALL NOT BE EITHER RELEASED OUTSIDE THE GOVERNMENT OR USED, DUPLICATED, OR DISCLOSED IN WHOLE OR IN PART FOR MANUFACTURE OR PROCUREMENT, WITHOUT THE WRITTEN PERMISSION OF TEKTRONIX, INC., EXCEPT FOR: (1) EMERGENCY REPAIR OR OVERHAUL WORK BY OR FOR THE GOVERNMENT, WHERE THE ITEM OR PROCESS CONCERNED IS NOT OTHERWISE REASONABLY AVAILABLE TO ENABLE TIMELY PERFORMANCE OF THE WORK; OR (2) RELEASE TO A FOREIGN GOVERNMENT AS THE INTERESTS OF THE UNITED STATES MAY REQUIRE, PROVIDED THAT IN EITHER CASE THE RELEASE, USE, DUPLICATION OR DISCLOSURE HEREOF SHALL BE SUBJECT TO THE FOREGOING LIMITATIONS. IF THIS DRAWING IS REPRODUCED IN WHOLE OR IN PART, THIS ENTIRE LEGEND BLOCK MUST APPEAR ON ALL REPRODUCED COPIES.</p>			
REV / BY / REF	DESCRIPTION OF CHANGE		CHK BY / DATE
A LG	ADDED NOTES 4, 5, 6, 7 UPDATED NOTE 1. TITLE WAS (TOROID).		11 APR 86

TEKTRONIX, INC. PROPRIETARY ITEM DRAWING			
<input checked="" type="checkbox"/> MFD BY TEKTRONIX		<input type="checkbox"/> MFD FOR TEKTRONIX	
		P. O. BOX 500 BEAVERTON, OREGON U.S.A. 97077	
DWN	J. NAGODE	22 MAR 78	DIMENSIONS ARE IN INCHES / MM TOLERANCES: UNLESS OTHERWISE SPECIFIED DEC _____ ANLR _____
ENGR	J. GORDON	5 APR 78	
CHKR	J. WOODFALL	3 APR 78	SCALE
PROD	J. Casper	5 APR 78	FIRST USED ON
MATERIAL		LISTED	
FINISH			
TITLE			
TRANSFORMER RF(TOROIDAL)			
CODE IDENT NO	SIZE	PART NUMBER	REV
80009	A	120-1110-00	A

COLOR CODE



NOTES:

1. 2 TURNS GREEN (CLOSE WOUND) AND RED ON REMAINDER OF CORE.
  2. LEADS TINNED TO WITHIN 0.050 OF WINDING.
  3. COATED WITH 006-1109-00 OR APPROVED EQUIVALENT.
  4. INDUCTANCE RANGE PER TEKTRONIX 130 L.C. METER OR APPROVED EQUIVALENT: 1.00 TO 1.66  $\mu$ H ON 18 TURN WNDG.
  5. TOROID REFERENCE DIMENSIONS: 0.569 OD X 0.259 HIGH
- PRINTED PART NUMBER (-1111) MAY BE USED INSTEAD OF COLOR CODE.



WIRE DATA

TURNS / COLOR	AWG	PART NUMBER
2 GREEN	27	176-0033-15
18 TAPPED @ 1, RED	20	176-0026-01

DATA:

CODE TD-341  
CORE NO. 276-0700-00

76-7

PART NUMBER

120-1111-00

REV

A

THIS DRAWING WHEN DISTRIBUTED OUTSIDE TEKTRONIX, INC. IS SUPPLIED FOR IDENTIFICATION, ENGINEERING EVALUATION AND/OR INSPECTION PURPOSES ONLY AND MAY NOT BE USED AS A BASIS FOR MANUFACTURE OR SALES OF PRODUCTS WITHOUT WRITTEN PERMISSION FROM TEKTRONIX, INC. IF THIS DRAWING IS FURNISHED UNDER ANY UNITED STATES GOVERNMENT CONTRACT, IT SHALL NOT BE EITHER RELEASED OUTSIDE THE GOVERNMENT, OR USED, DUPLICATED, OR DISCLOSED IN WHOLE OR IN PART FOR MANUFACTURE OR PROCUREMENT, WITHOUT THE WRITTEN PERMISSION OF TEKTRONIX, INC. EXCEPT FOR: (1) EMERGENCY REPAIR OR OVERHAUL WORK BY OR FOR THE GOVERNMENT, WHERE THE ITEM OR PROCESS CONCERNED IS NOT OTHERWISE REASONABLY AVAILABLE TO ENABLE TIMELY PERFORMANCE OF THE WORK; OR (2) RELEASE TO A FOREIGN GOVERNMENT AS THE INTERESTS OF THE UNITED STATES MAY REQUIRE; PROVIDED THAT IN EITHER CASE THE RELEASE, USE, DUPLICATION OR DISCLOSURE HEREOF SHALL BE SUBJECT TO THE FOREGOING LIMITATIONS. IF THIS DRAWING IS REPRODUCED IN WHOLE OR IN PART, THIS ENTIRE LEGEND BLOCK MUST APPEAR ON ALL REPRODUCED COPIES.

REV / BY / REF	DESCRIPTION OF CHANGE	CHK BY / DATE
A / DG / 50482	GENERAL UPDATE--SEE MOD DOC	16SEP83

TEKTRONIX, INC. PROPRIETARY ITEM DRAWING

MFD BY TEKTRONIX

MFD FOR TEKTRONIX



TEKTRONIX, INC.

P. O. BOX 500

BEAVERTON, OREGON U.S.A. 97077



DWN	J. NAGODE	27 MAR 78	DIMENSIONS ARE IN INCHES / MM	
ENGR	<i>D. GORDON</i>	<i>4-5-78</i>	TOLERANCES: UNLESS OTHERWISE SPECIFIED	
CHKR	J. WOODFALL	7 AUG 78	DEC _____	ANLR _____
PROD	<i>J. Casper</i>	<i>4-5-78</i>	SCALE	FIRST USED ON
			NONE	7L18

MATERIAL LISTED

FINISH

TITLE

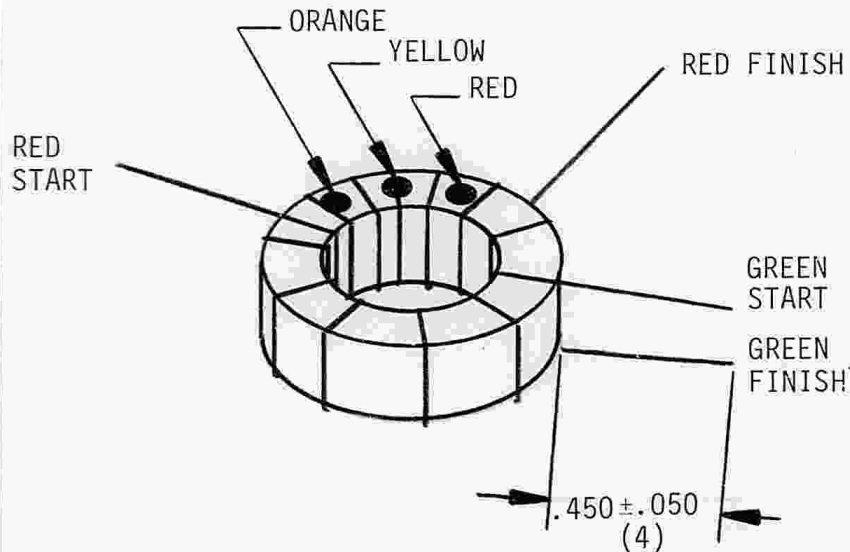
TRANSFORMER, RF(TOROIDAL)

CODE IDENT NO	SIZE	PART NUMBER	REV
80009	A	120-1111-00	A

NOTES:

1. LEADS TINNED TO WITHIN OD & ID OF CORE
2. COAT WITH 006-1109-00
3. INDUCTANCE RANGE PER HP 4342 Q METER AT 25MHZ;  
140 TO 172nH ON 10 TURN WINDING
4. TOROID REFERENCE DIMENSIONS: .287 OD X .129 HIGH

COLOR CODE



WIRE DATA		
TURNS/COLOR	AWG	PART NUMBER
10 GREEN	27	176-0010-15
3 RED	27	176-0010-00

DATA:

CODE TD-342  
CORE NO. 276-0716-00

77-175

PART NUMBER

120-1112-00

REV

THIS DRAWING WHEN DISTRIBUTED OUTSIDE TEKTRONIX, INC. IS SUPPLIED FOR IDENTIFICATION, ENGINEERING EVALUATION AND/OR INSPECTION PURPOSES ONLY AND MAY NOT BE USED AS A BASIS FOR MANUFACTURE OR SALES OF PRODUCTS WITHOUT WRITTEN PERMISSION FROM TEKTRONIX, INC. IF THIS DRAWING IS FURNISHED UNDER ANY UNITED STATES GOVERNMENT CONTRACT, IT SHALL NOT BE EITHER RELEASED OUTSIDE THE GOVERNMENT, OR USED, DUPLICATED, OR DISCLOSED IN WHOLE OR IN PART FOR MANUFACTURE OR PROCUREMENT, WITHOUT THE WRITTEN PERMISSION OF TEKTRONIX, INC. EXCEPT FOR: (1) EMERGENCY REPAIR OR OVERHAUL WORK BY OR FOR THE GOVERNMENT, WHERE THE ITEM OR PROCESS CONCERNED IS NOT OTHERWISE REASONABLY AVAILABLE TO ENABLE TIMELY PERFORMANCE OF THE WORK; OR (2) RELEASE TO A FOREIGN GOVERNMENT AS THE INTERESTS OF THE UNITED STATES MAY REQUIRE; PROVIDED THAT IN EITHER CASE THE RELEASE, USE, DUPLICATION OR DISCLOSURE HEREOF SHALL BE SUBJECT TO THE FOREGOING LIMITATIONS. IF THIS DRAWING IS REPRODUCED IN WHOLE OR IN PART, THIS ENTIRE LEGEND BLOCK MUST APPEAR ON ALL REPRODUCED COPIES.

REV / BY / REF

DESCRIPTION OF CHANGE

CHK BY / DATE

TEKTRONIX, INC. PROPRIETARY ITEM DRAWING

MFD BY TEKTRONIX

MFD FOR TEKTRONIX



TEKTRONIX, INC.

P. O. BOX 500  
BEAVERTON, OREGON U.S.A. 97077



DWN J. NAGODE 13 OCT 77

ENGR D. Gordon 5 APR 78

CHKR J. WOODFALL 7 AUG 78

PROD J. Cooper 5 APR 78

DIMENSIONS ARE IN INCHES / ~~MM~~  
TOLERANCES:  
UNLESS OTHERWISE SPECIFIED  
DEC \_\_\_\_\_ ANLR \_\_\_\_\_

SCALE  
NONE

FIRST USED ON  
7L18

MATERIAL

LISTED

FINISH

NOTED

TITLE

TRANSFORMER, RF(TOROID)

CODE IDENT NO

80009

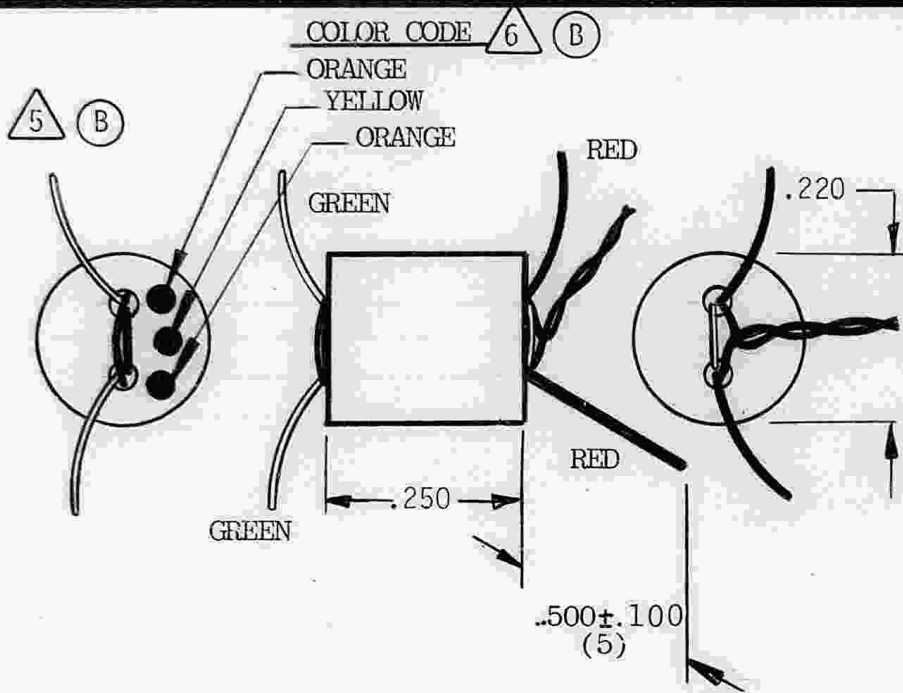
SIZE

A

PART NUMBER

120-1112-00

REV



NOTES:

1. DIMENSIONS REFERENCE UNLESS OTHERWISE SPECIFIED.
2. VALUE DETERMINED WITH HP4275A METER OR APPROVED EQUIVALENT AT 400 KHz, 5 mA, SERIES MODE: 3.6  $\mu$ H REF ON 4T WINDING.
3. LEADS CUT  $.500 \pm .100$  FROM CORE.
4. LEADS TINNED WITHIN  $.075$  FROM WINDING.
5. COATED WITH 006-1109-00 OR APPROVED EQUIVALENT.
6. PRINTED PART NUMBER (-1113) MAY BE USED INSTEAD OF COLOR CODE.

WIRE DATA		
TURNS / COLOR	AWG	PART NUMBER
2 GREEN	30	176-0035-15
4 TAPPED@2 RED	30	176-0035-00

DATA:

CODE TD-343  
CORE NO. 276-0701-00

76-10B

PART NUMBER 120-1113-00

REV B

THIS DRAWING WHEN DISTRIBUTED OUTSIDE TEKTRONIX, INC. IS SUPPLIED FOR IDENTIFICATION, ENGINEERING EVALUATION AND/OR INSPECTION PURPOSES ONLY AND MAY NOT BE USED AS A BASIS FOR MANUFACTURE OR SALES OF PRODUCTS WITHOUT WRITTEN PERMISSION FROM TEKTRONIX, INC. IF THIS DRAWING IS FURNISHED UNDER ANY UNITED STATES GOVERNMENT CONTRACT, IT SHALL NOT BE EITHER RELEASED OUTSIDE THE GOVERNMENT OR USED, DUPLICATED OR DISCLOSED IN WHOLE OR IN PART FOR MANUFACTURE OR PROCUREMENT, WITHOUT THE WRITTEN PERMISSION OF TEKTRONIX, INC. EXCEPT FOR: (1) EMERGENCY REPAIR OR OVERHAUL WORK BY OR FOR THE GOVERNMENT, WHERE THE ITEM OR PROCESS CONCERNED IS NOT OTHERWISE REASONABLY AVAILABLE TO ENABLE TIMELY PERFORMANCE OF THE WORK; OR (2) RELEASE TO A FOREIGN GOVERNMENT AS THE INTERESTS OF THE UNITED STATES MAY REQUIRE. PROVIDED THAT IN EITHER CASE THE RELEASE, USE, DUPLICATION OR DISCLOSURE HEREOF SHALL BE SUBJECT TO THE FOREGOING LIMITATIONS. IF THIS DRAWING IS REPRODUCED IN WHOLE OR IN PART, THIS ENTIRE LEGEND BLOCK MUST APPEAR ON ALL REPRODUCED COPIES.

REV	BY	REF	DESCRIPTION OF CHANGE	CHK BY / DATE
(A)	DG	50482	REVISED DWG. & UPDATED NOTES 3,4,5	08 DEC 83
(B)	LM		REVISED DWG. & NOTES 2, 3, 5, & 6.	20 MAY 86

TEKTRONIX, INC. PROPRIETARY ITEM DRAWING

MFD BY TEKTRONIX

MFD FOR TEKTRONIX



TEKTRONIX, INC.

P. O. BOX 500

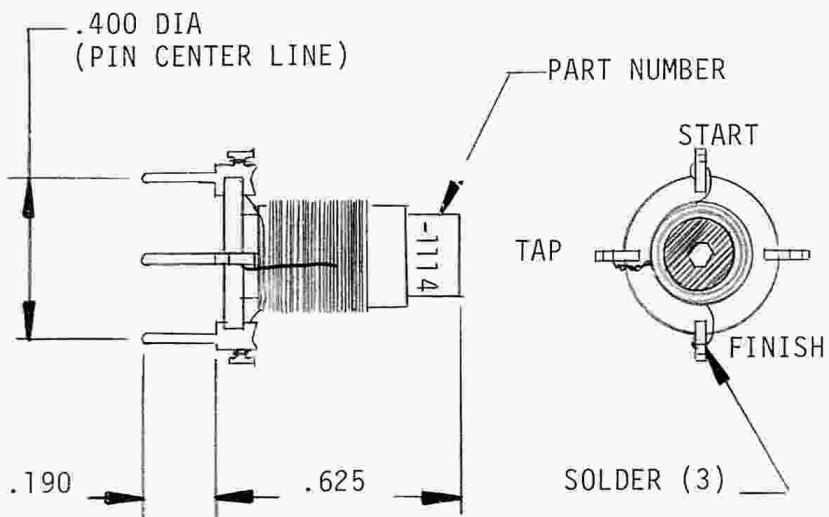
BEAVERTON, OREGON U.S.A. 97077



DWN	J. NAGODE	27 MAR 78	DIMENSIONS ARE IN INCHES / <del>MM</del>	
ENGR	D. GORDON	5 APR 78	TOLERANCES: UNLESS OTHERWISE SPECIFIED	
CHKR	J. WOODFALL	7 AUG. 78	DEC _____	ANLR _____
PROD	S. Casper	5-4-78	SCALE	FIRST USED ON
MATERIAL LISTED			NONE	7L18
FINISH _____				
TITLE				
TRANSFORMER, RF (BALUN)				
CODE IDENT NO	SIZE	PART NUMBER	REV	
80009	A	120-1113-00	B	

NOTES:

1. DIMENSIONS REFERENCE.
2. APPLY 5 LAYERS OF TAPE (253-0125-00 .375 WIDE) IN WINDING AREA.
3. COAT WITH 006-3397-00 OR EQUIVALENT.
4. VALUE DETERMINED WITH HP4342A Q METER AT 2.5mHz  
L = 14 to 38μH MIN RANGE, START-FINISH



WIRE DATA		
TURNS	AWG	PART NUMBER
58 1/2	38	176-0020-XX
TAP AT 34 1/4		

DATA  
FORM 276-0096-00  
SLUG 276-0568-00

76-40D

PART NUMBER **120-1114-00**

REV

THIS DRAWING WHEN DISTRIBUTED OUTSIDE TEKTRONIX, INC. IS SUPPLIED FOR IDENTIFICATION, ENGINEERING EVALUATION AND/OR INSPECTION PURPOSES ONLY AND MAY NOT BE USED AS A BASIS FOR MANUFACTURE OR SALES OF PRODUCTS WITHOUT WRITTEN PERMISSION FROM TEKTRONIX, INC. IF THIS DRAWING IS FURNISHED UNDER ANY UNITED STATES GOVERNMENT CONTRACT, IT SHALL NOT BE EITHER RELEASED OUTSIDE THE GOVERNMENT OR USED, DUPLICATED, OR DISCLOSED IN WHOLE OR IN PART FOR MANUFACTURE OR PROCUREMENT, WITHOUT THE WRITTEN PERMISSION OF TEKTRONIX, INC. EXCEPT FOR: (1) EMERGENCY REPAIR OR OVERHAUL WORK BY OR FOR THE GOVERNMENT WHERE THE ITEM OR PROCESS CONCERNED IS NOT OTHERWISE REASONABLY AVAILABLE TO ENABLE TIMELY PERFORMANCE OF THE WORK; OR (2) RELEASE TO A FOREIGN GOVERNMENT AS THE INTERESTS OF THE UNITED STATES MAY REQUIRE; PROVIDED THAT IN EITHER CASE THE RELEASE, USE, DUPLICATION OR DISCLOSURE HEREOF SHALL BE SUBJECT TO THE FOREGOING LIMITATIONS. IF THIS DRAWING IS REPRODUCED IN WHOLE OR IN PART, THIS ENTIRE LEGEND BLOCK MUST APPEAR ON ALL REPRODUCED COPIES.

REV / BY / REF	DESCRIPTION OF CHANGE	CHK BY / DATE

TEKTRONIX, INC. PROPRIETARY ITEM DRAWING

MFD BY TEKTRONIX

MFD FOR TEKTRONIX



TEKTRONIX, INC.

P. O. BOX 500  
BEAVERTON, OREGON U.S.A. 97077



DWN	JT WINFREY	16 SEPT 80
ENGR	<i>W. Anderson</i>	9 Oct 80
CHKR	<i>B. Stewart</i>	9 Oct 80
PROD	<i>P. Lancaster</i>	9 Oct 80

DIMENSIONS ARE IN INCHES /   
TOLERANCES:  
UNLESS OTHERWISE SPECIFIED  
DEC \_\_\_\_\_ ANLR \_\_\_\_\_

SCALE	FIRST USED ON
NONE	4633A

MATERIAL

LISTED

FINISH

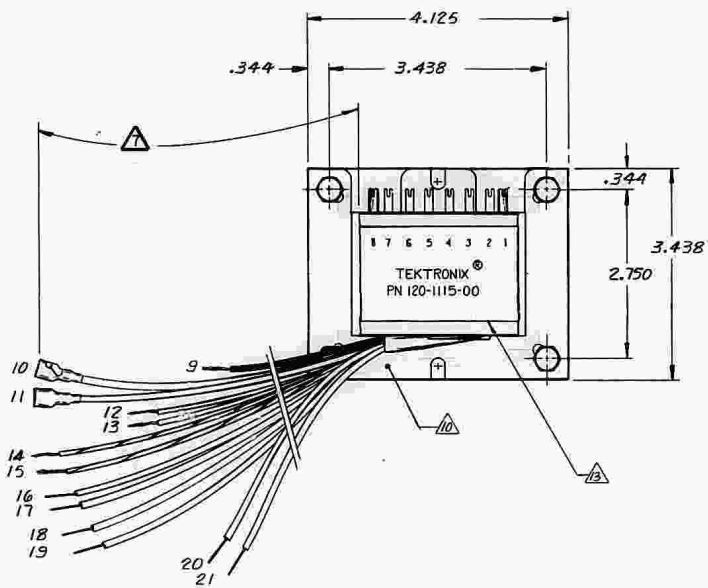
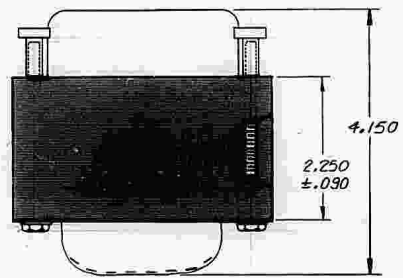
NOTED

TITLE

TRANSFORMER, RF (VARIABLE)

CODE IDENT NO	SIZE	PART NUMBER	REV
<b>80009</b>	<b>A</b>	<b>120-1114-00</b>	

THIS DRAWING WHEN REPRODUCED OUTSIDE TEKTRONIX, INC. IS VALID FOR QUANTIFICATION, ENGINEERING EVALUATION AND/OR INSPECTION PURPOSES ONLY AND MAY NOT BE USED AS A BASIS FOR ASSUMPTION OR BASIS OF PROCEEDS WITHOUT WRITTEN PERMISSION FROM TEKTRONIX, INC. THIS DRAWING IS HEREBY MADE AN UNLIMITED PUBLIC DOCUMENTATION. IF THIS DRAWING IS REPRODUCED OUTSIDE THE COMPANY, THE USER, REPRODUCER OR RECIPIENT IS RESPONSIBLE FOR OBTAINING ALL NECESSARY PERMISSIONS FROM TEKTRONIX, INC. BEFORE REPRODUCTION. TEKTRONIX, INC. DOES NOT ASSUME ANY LIABILITY FOR REPRODUCTION OF THIS DRAWING OR FOR THE ACCURACY OF THE INFORMATION CONTAINED HEREIN. TEKTRONIX, INC. DOES NOT ASSUME ANY LIABILITY FOR REPRODUCTION OF THIS DRAWING OR FOR THE ACCURACY OF THE INFORMATION CONTAINED HEREIN. TEKTRONIX, INC. DOES NOT ASSUME ANY LIABILITY FOR REPRODUCTION OF THIS DRAWING OR FOR THE ACCURACY OF THE INFORMATION CONTAINED HEREIN.

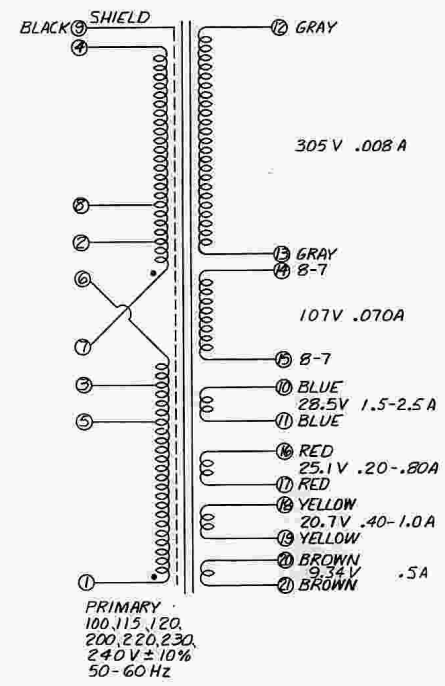


LINE TO 1-4	CONNECT
100V	1 TO 8, 4 TO 5
115V	1 TO 2, 4 TO 3
120V	1 TO 7, 4 TO 6
200V	5 TO 8
220V	5 TO 7
230V	8 TO 3
240V	6 TO 7

**COIL STRUCTURE**  
OUTSIDE

TYPE WINDING	LEAD/TERM NO
SEC	20-21 #20
19T	#20
SEC	18-19 #20
42T	#20
SEC	16-17 #20
51T	#20
SEC	10-11 #16
58T	#16
SEC	14-15 #28
218T	#28
SEC	12-13 #35
620T	#35
SHIELD	9
PRI	7-2-8-4 #23
0-10-41-244T	#23
PRI	1-5-3-6 #23
0-203-234-244T	#23

INSIDE



REV	REF	DESCRIPTION OF CHANGE	CHK BY	DATE
A	41718	ADDED ITEM 13 & NOTE	DD	30 JAN 81
B	44614	ITEM 9 WAS 210-0564-00, AND DELETED	DD	23 JUN 82
C	45018	REMOVED ITEM 7	DD	11 MAR 82
D	51689	UPDATED NOTE A, ADDED NOTES 11, 12 ITEM 10 WAS 000-6436-00 & REMOVED ITEM 3	DD	27 OCT 83
E		UPDATE DRWS, DELETE MISC LIST WA 8-12-85		

- A MARK TRANSFORMER AS SHOWN, LABEL: PN 334-0476-00
- D 12. LEADS NUMBERED IN NUMERICAL ORDER OPTIONAL
- D 11. SHIMS & SIDEBURNS OPTIONAL
- A ORIENTATION OF KEEPER IS OPTIONAL
- 9. XFMR MUST COMPLY TO UL 114 AND CSA 154

(DELETED)

LEAD LENGTH + LEAD WIRE, \*\* INSULATION SLEEVING, CONNECTOR ON LEADS 10 & 11

LEAD NO	COLOR	PART NUMBER	LENGTH ±.250	STRIP/TIN ±.125
9	BLK	175-0920-00	8.000	.500
10, 11	BLU	162-0522-00	12.000	—
12, 13	GRY	175-0886-00	18.000	.500
14, 15	B-T	175-0885-00	20.000	.500
16, 17	RED	162-0509-00	↓	1.000
18, 19	VEL	162-0515-00	↓	↓
20, 21	BRN	162-0553-00	18.000	↓

PART NUMBER 120-1115-00 REV. E

- 6. POLARITY PER SCHEMATIC
- 5. DIELECTRIC WITHSTANDING VOLTAGE: 1.5KV RMS, 50 TO 60HZ, 1 MINUTE, PRIMARIES TO SECONDARIES, SHIELD, AND CORE
- 4. VOLTAGE RATINGS ARE RMS NO LOAD, CURRENT RATINGS ARE AMPS DC TYP
- 3. WINDINGS INSULATED FOR 600V DC
- D 2. TRANSFORMER VACUUM IMPREGNATED WITH VARNISH 252-0082-00 OR APPROVED EQUIVALENT
- 1. DIMENSIONS REFERENCE UNLESS OTHERWISE SPECIFIED

NOTES:

TEKTRONIX, INC. PROPRIETARY ITEM DRAWING

MFD BY TEKTRONIX

TEKTRONIX, INC. P. O. BOX 900 BEAVERTON, OREGON U.S.A. 97007

CHKD: L. MAGDOE 9 FEB 77 DIMENSIONS ARE IN INCHES UNLESS OTHERWISE SPECIFIED

SKDR: R. COGAN 26 OCT 77 UNLESS OTHERWISE SPECIFIED

CHKD: J. WOODSFALL 25 OCT 77 SCALE 1:1

PROD: E. HALL 20 OCT 77

MATERIAL 4633A

**TEKTRONIX SAFETY CONTROLLED PART**

THIS PART IS CONTROLLED TO INSURE MAINTENANCE OF SAFETY CHARACTERISTICS DESIGNED INTO A TEKTRONIX PRODUCT. TO CONTINUE MAINTENANCE, ANY CHANGES IN MATERIALS, SPECIFICATIONS, VENDORS, OR VENDOR PART NUMBERS MUST BE EVALUATED AND APPROVED IN EACH APPLICATION IN WHICH THIS IS A CONTROLLED PART.

FINISH NOTED

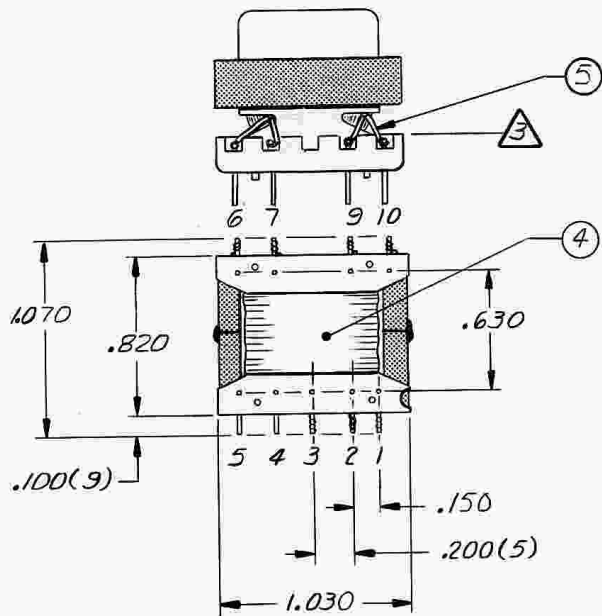
TITLE TRANSFORMER, POWER SDN & SU

CODE IDENT NO 80009 SIZE D PART NUMBER 120-1115-00 REV. E

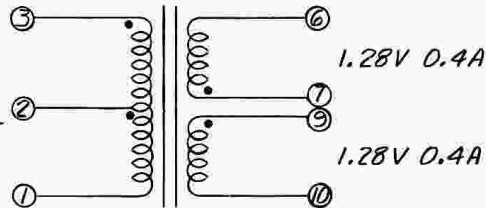
77-62E

THIS DRAWING WHEN DISTRIBUTED OUTSIDE TEKTRONIX, INC., IS SUPPLIED FOR IDENTIFICATION, ENGINEERING EVALUATION AND/OR INSPECTION PURPOSES ONLY AND MAY NOT BE USED AS A BASIS FOR MANUFACTURE OR SALES OF PRODUCTS WITHOUT WRITTEN PERMISSION FROM TEKTRONIX, INC. IF THIS DRAWING IS FURNISHED UNDER ANY UNITED STATES GOVERNMENT CONTRACT, IT SHALL NOT BE EITHER RELEASED OUTSIDE THE GOVERNMENT, OR USED, DUPLICATED, OR DISCLOSED IN WHOLE OR IN PART FOR MANUFACTURE OR PROCUREMENT, WITHOUT THE WRITTEN PERMISSION OF TEKTRONIX, INC. EXCEPT FOR: (1) EMERGENCY REPAIR OR OVERHAUL WORK BY OR FOR THE GOVERNMENT, WHERE THE ITEM OR PROCESS CONCERNED IS NOT OTHERWISE REASONABLY AVAILABLE TO ENABLE TIMELY PERFORMANCE OF THE WORK, OR (2) RELEASE TO A FOREIGN GOVERNMENT AS THE INTERESTS OF THE UNITED STATES MAY REQUIRE, PROVIDED THAT IN EITHER CASE THE RELEASE, USE, DUPLICATION OR DISCLOSURE HEREOF SHALL BE SUBJECT TO THE FOREGOING LIMITATIONS. IF THIS DRAWING IS REPRODUCED IN WHOLE OR IN PART, THIS ENTIRE LEGEND BLOCK MUST APPEAR ON ALL REPRODUCED COPIES.

REV	REF	DESCRIPTION OF CHANGE	CHK BY	DATE
A	37701	ADDED NONPROD	HG	BIMAR80



10.2 VCT  
20 TO 30 KHz  
SQUARE WAVE



7. VOLTAGE RATINGS ARE PEAK NO LOAD.  
CURRENT RATINGS ARE AMPS DC TYP
6. INDUCTANCE (1-3): 7 mH  
MIN AT 1KHz, 142mV (100 GAUSS)  
WITH ESI 251 DA BRIDGE OR EQUIV
5. DIELECTRIC WITHSTANDING VOLTAGE:  
50 TO 60 Hz, 1 MINUTE  
A. 1 TO 6 AND 10, 3000 V AC RMS  
B. 6 TO 10, 2000 V AC RMS
- △ CORES CEMENTED ONLY ON THE  
OUTSIDE EDGES WITH EPOXY

### COIL STRUCTURE OUTSIDE

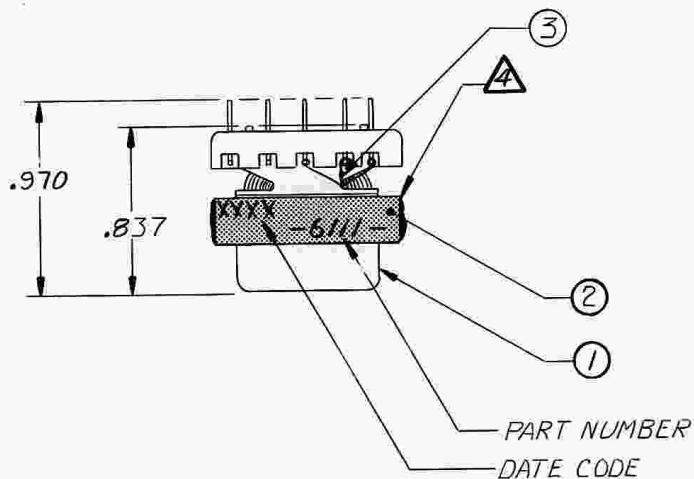
TYPE WINDING TERM NO

SEC	9-10
10T	*30

PRI	3-2-1
Ø-40-80T	*27

SEC	7-6
10T	*30

### INSIDE



PART NUMBER	REV.
120-1119-00	A

- △ THE INSULATION ON LEADS 6, 7, 9, & 10  
MUST EXTEND OUT TO COIL FORM  
EDGE

2. REMOVE PIN 8 BEFORE WINDING

1. DIMENSIONS REFERENCE

NOTES:

TEKTRONIX, INC. PROPRIETARY ITEM DRAWING			
<input checked="" type="checkbox"/> MFD BY TEKTRONIX		<input type="checkbox"/> MFD FOR TEKTRONIX	
P. O. BOX 500 TEKTRONIX, INC. BEAVERTON, OREGON U.S.A. 97077			
OWN J. NAGODE	3AUG77	DIMENSIONS ARE IN INCHES / TOLERANCES: UNLESS OTHERWISE SPECIFIED	
ENGR R. Copon	1 FEB 80	DEC	ANLR
CHKR B. Brandley	4 FEB 80	SCALE	FIRST USED ON
PROD B. Brandley	4 FEB 80	2:1	4663
MATERIAL SEE LIST OF MATERIALS			
FINISH			
TITLE TRANSFORMER, RF (BASE DRIVE)			
CODE IDENT NO	SIZE	PART NUMBER	REV
80009	C	120-1119-00	A

5	175-5089-00	AR	WIRE ELEC, 30 AWG, TEFLON
4	253-0103-00	AR	TAPE PRESS SENS(.438 WIDE)
3	176-0033-XX	AR	WIRE, MAGNET(27AWG-NYLON POLY)
2	276-0704-00	2	CORE, EM("E" CORE)
1	276-0227-00	1	FORM, COIL

NONPROD

ITEM	PART NUMBER	QTY	DESCRIPTION
5	175-5089-00	AR	WIRE ELEC, 30 AWG, TEFLON
4	253-0103-00	AR	TAPE PRESS SENS(.438 WIDE)
3	176-0033-XX	AR	WIRE, MAGNET(27AWG-NYLON POLY)
2	276-0704-00	2	CORE, EM("E" CORE)
1	276-0227-00	1	FORM, COIL

LIST OF MATERIALS

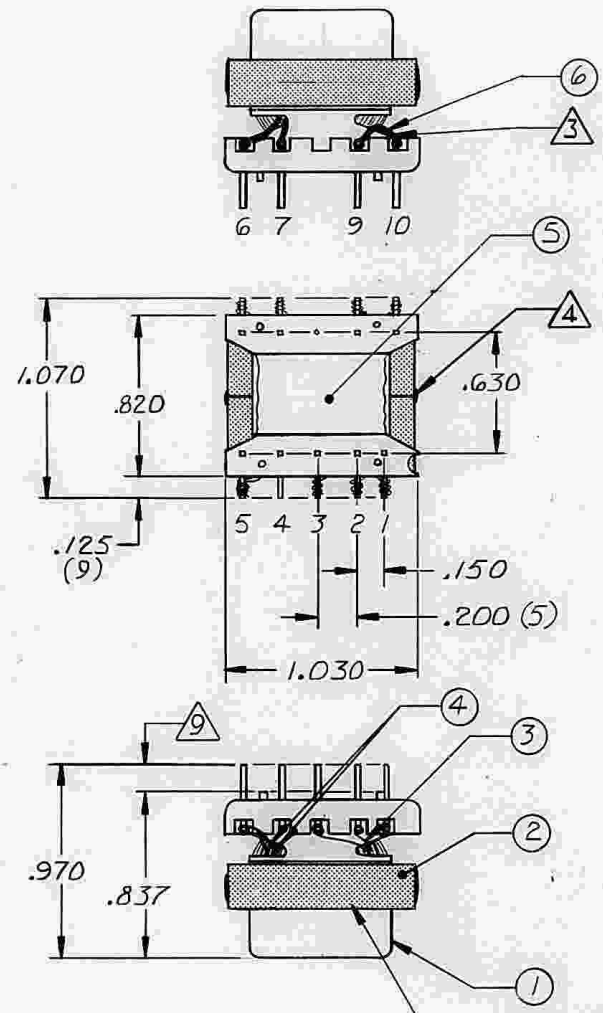
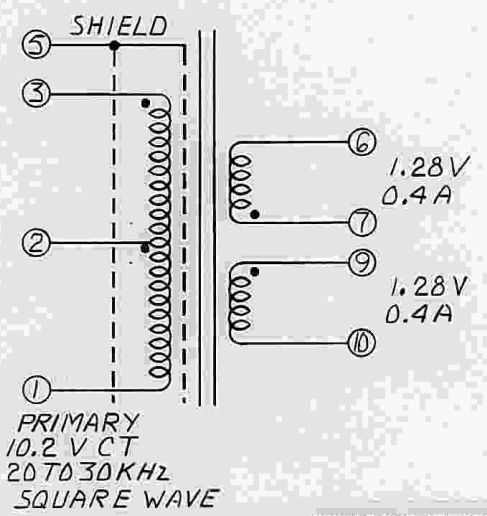


THIS DRAWING WHEN DISTRIBUTED OUTSIDE TEKTRONIX, INC., IS SUPPLIED FOR IDENTIFICATION, ENGINEERING EVALUATION AND/OR INSPECTION PURPOSES ONLY AND MAY NOT BE USED AS A BASIS FOR MANUFACTURE OR SALES OF PRODUCTS WITHOUT WRITTEN PERMISSION FROM TEKTRONIX, INC. IF THIS DRAWING IS FURNISHED UNDER ANY UNITED STATES GOVERNMENT CONTRACT, IT SHALL NOT BE EITHER RELEASED OUTSIDE THE GOVERNMENT, OR USED, DUPLICATED, OR DISCLOSED IN WHOLE OR IN PART FOR MANUFACTURE OR PROCUREMENT, WITHOUT THE WRITTEN PERMISSION OF TEKTRONIX, INC., EXCEPT FOR: (1) EMERGENCY REPAIR OR OVERHAUL WORK BY OR FOR THE GOVERNMENT, WHERE THE ITEM OR PROCESS CONCERNED IS NOT OTHERWISE REASONABLY AVAILABLE TO ENSURE TIMELY PERFORMANCE OF THE WORK; OR (2) RELEASE TO A FOREIGN GOVERNMENT AS THE INTERESTS OF THE UNITED STATES MAY REQUIRE; PROVIDED THAT IN EITHER CASE THE RELEASE, USE, DUPLICATION OR DISCLOSURE HEREOF SHALL BE SUBJECT TO THE FOLLOWING LIMITATIONS, IF THIS DRAWING IS REPRODUCED IN WHOLE OR IN PART, THIS ENTIRE LEGEND BLOCK MUST APPEAR ON ALL REPRODUCED COPIES.

### COIL STRUCTURE OUTSIDE

TYPE WINDING	TERM NO
SEC	9-10
10T	*30
SHIELD	
5	
PRI	
Ø-40-80T	3-2-1
SHIELD	
5	
SEC	
10T	7-6
*30	

### INSIDE



PART NUMBER (1119-01)  
& DATE CODE

TERM NO	VOLTS	TYPICAL RATINGS	
		CURRENT AMPS	DCR ± 15% Ω 20° C
1-2-3	10.2CT	—	0.630
7-6	1.28	0.4	0.123
9-10	1.28	0.4	0.195

REV	REF	DESCRIPTION OF CHANGE	CHK BY	DATE
	37701	INITIATED PART	HG	27 MAR 80
(A)	46227	ADDED SAFETY LABEL	PV	11 APR 83
(B)	50420	GENERAL UPDATE, ITEM 4 WAS 253-0024-00	DD	5 MAY 83
(C)	51620	UPDATED NOTE A	DD	6 JUL 83
(D)	53424	UPDATED NOTE Z	DD	30 JAN 84
(E)	55689	UPDATED NOTE G	CH	11-12-84

- △ 9. SOLDERABILITY REQUIRED IN THIS AREA
- 8. VOLTAGE RATINGS ARE PEAK NO LOAD CURRENT RATINGS ARE AMPS PEAK
- 7. INDUCTANCE (1-3): 7mH MIN AT 1KHZ PER ESI 252 OR APPROVED EQUIVALENT
- ⑥. DIELECTRIC WITHSTANDING VOLTAGE: 2KV RMS, 50 TO 60 HZ, 1 MINUTE
  - A. 3, 5 AND CORE TO 6 AND 10
  - B. 6 TO 10
  - 1000 VAC 1 SEC 5 TO 3 & CORE
  - 500 VAC 1 SEC 3 TO CORE
- 5. TRANSFORMER VACUUM IMPREGNATED WITH VARNISH 252-0082-DD OR APPROVED EQUIVALENT

PART NUMBER	REV.
120-1119-01	E

- △ 4. CORES CEMENTED ONLY ON THE OUTSIDE EDGES WITH EPOXY
- △ 3. THE INSULATION ON LEADS 6, 7, 9 & 10 MUST EXTEND OUT TO COIL FORM EDGE ±.060
- 2. REMOVED PIN 8 BEFORE WINDING
- 1. DIMENSIONS REFERENCE

NOTES:

TEKTRONIX SAFETY CONTROLLED PART

THIS PART IS CONTROLLED TO INSURE MAINTENANCE OF SAFETY CHARACTERISTICS DESIGNED INTO A TEK PRODUCT. TO CONTINUE MAINTENANCE, ANY CHANGES IN MATERIALS, SPECIFICATIONS, VENDORS, OR VENDOR PART NUMBERS MUST BE EVALUATED AND APPROVED IN EACH APPLICATION IN WHICH THIS IS A CONTROLLED PART.

000-5094-00D Rev. May 1982

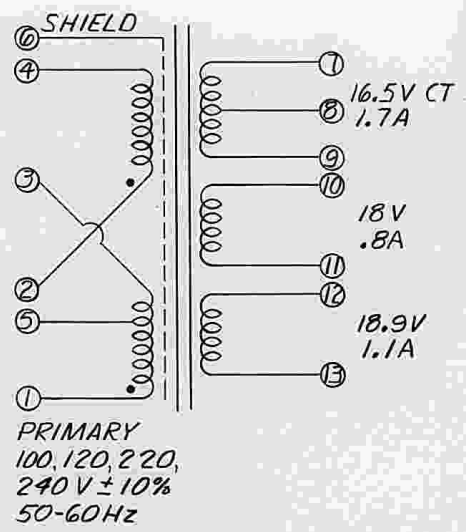
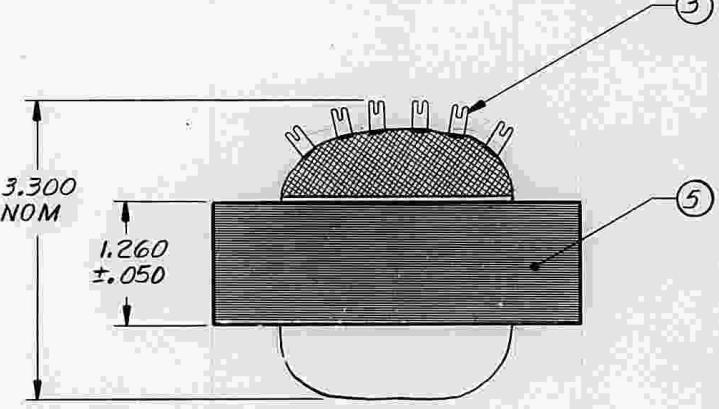
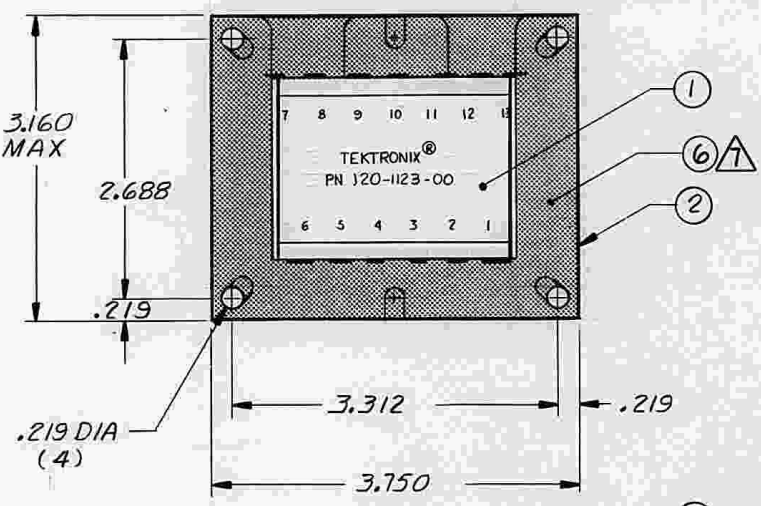
TEKTRONIX, INC. PROPRIETARY ITEM DRAWING			
<input checked="" type="checkbox"/> MFD BY TEKTRONIX	<input type="checkbox"/> MFD FOR TEKTRONIX		
TEKTRONIX, INC.		P. O. BOX 500 BEAVERTON, OREGON U.S.A. 97077	
OWN	JTWINFREY	INDV79	DIMENSIONS ARE IN INCHES / TOLERANCES: UNLESS OTHERWISE SPECIFIED
ENGR	R. Cogan	1 FEB 80	DEC AN/A
CHKR	A. Stewart	6 FEB 80	SCALE
PROD	B. Beardsley	4 FEB 80	FIRST USED ON
			2:1 4663

ITEM	PART NUMBER	QTY	DESCRIPTION
6	175-5089-00	AR	WIRE, ELEC (30AWG TEFLON)
5	253-0103-00	AR	TAPE, PRESS SENS (.438 WIDE)
4	253-0214-00	AR	TAPE, PRESS SENS (COPPER FOIL)
3	176-0.033-XX	AR	WIRE, MAGNET (27AWG NYLON POLY)
2	276-0704-00	2	CORE, EM ("E" FERRITE)
1	276-0227-00	1	FORM, COIL

MATERIAL	SEE LIST OF MATERIALS		
FINISH	NOTED		
TITLE	TRANSFORMER, RF (BASE DRIVE)		
CODE IDENT NO	SIZE	PART NUMBER	REV
80009	C	120-1119-01	E

THIS DRAWING WHEN DISTRIBUTED OUTSIDE TEKTRONIX, INC. IS SUPPLIED FOR IDENTIFICATION, ENGINEERING EVALUATION AND/OR INSPECTION PURPOSES ONLY AND MAY NOT BE USED AS A BASIS FOR MANUFACTURE OR SALES OF PRODUCTS WITHOUT WRITTEN PERMISSION FROM TEKTRONIX, INC. IF THIS DRAWING IS FURNISHED UNDER ANY UNITED STATES GOVERNMENT CONTRACT, IT SHALL NOT BE EITHER RELEASED OUTSIDE THE GOVERNMENT, OR U.S.D. DUPLICATED, OR DISCLOSED IN WHOLE OR IN PART FOR MANUFACTURE OR PROCUREMENT, WITHOUT THE WRITTEN PERMISSION OF TEKTRONIX, INC., EXCEPT FOR: (1) EMERGENCY REPAIR OR OVERHAUL WORK BY OR FOR THE GOVERNMENT, WHERE THE ITEM OR PROCESS CONCERNED IS NOT OTHERWISE REASONABLY AVAILABLE TO ENABLE TIMELY PERFORMANCE OF THE WORK; OR (2) RELEASE TO A FOREIGN GOVERNMENT AS THE INTERESTS OF THE UNITED STATES MAY REQUIRE, PROVIDED THAT IN EITHER CASE THE RELEASE, USE, DUPLICATION OR DISCLOSURE HEREOF SHALL BE SUBJECT TO THE FOREGOING LIMITATIONS, IF THIS DRAWING IS REPRODUCED IN WHOLE OR IN PART, THIS ENTIRE LEGEND BLOCK MUST APPEAR ON ALL REPRODUCED COPIES.

LINE	VOLTS	CONNECT
1 & 5	100	1 TO 2, 3 TO 4
1 & 4	120	1 TO 2, 3 TO 4
1 & 4	220	5 TO 2
1 & 4	240	3 TO 2



PRIMARY  
100, 120, 220,  
240 V ± 10%  
50-60Hz

COIL STRUCTURE  
OUTSIDE

TYPE WINDING	TERM NO
SEC 0-27-54 T	9-8-7 #19
SEC 59 T	11-10 #19
SEC 62 T	13-12 #19
SHIELD	6
PRI 0-327-393 T	1-5-3 #26
PRI 393 T	2-4 #26

REV	REF	DESCRIPTION OF CHANGE	CHK BY	DATE
A	41718	ADDED ITEM 6 & NOTE $\Delta$	DD	30JAN81
B	45018	REMOVED ITEM 4	DD	18MAR82
C	46227	ADDED SAFETY STICKER	PV	14APR82
D	51689	UPDATED ITEM 5 & ITEM 1 ON LIST OF MAT'L'S WAS 000-6515-00. UPDATED NOTE 2, NOTE 6 WAS 2KV. ADDED NOTES 8 & 9	DD	26 OCT 83
E	53439	ITEM 5 WAS 252-0039-00	DD	16MAR84

- ① 9. SLEEVING OPTIONAL ON TERMINAL LEAD
- ① 8. SHIM & SIDEBURNS OPTIONAL
- ①  $\Delta$  ORIENTATION OF KEEPER IS OPTIONAL
- 6. DIELECTRIC WITHSTANDING VOLTAGE: 1.5 KV RMS, 50 TO 60 HZ, 1 MINUTE, PRIMARIES TO SECONDARIES, SHIELD, AND CORE
- 5. POLARITY PER SCHEMATIC
- 4. WINDINGS INSULATED FOR 600 V DC

PART NUMBER	REV.
120-1123-00	E

- 3. VOLTAGE RATINGS ARE RMS NO LOAD. CURRENT RATINGS ARE AMPS DC TYPICAL
- ①  $\Delta$  2. TRANSFORMER VACUUM IMPREGNATED WITH VARNISH 252-0082-00 OR APPROVED EQUIVALENT
- 1. DIMENSIONS REFERENCE UNLESS OTHERWISE SPECIFIED

NOTE:

TEKTRONIX, INC. PROPRIETARY ITEM DRAWING		<input checked="" type="checkbox"/> MFD BY TEKTRONIX <input type="checkbox"/> MFD FOR TEKTRONIX	
P. O. BOX 500 TEKTRONIX, INC. BEAVERTON, OREGON U.S.A. 97077			
OWN	J. NAGODE	1AUG77	DIMENSIONS ARE IN INCHES / MM
ENGR	R. COGAN	25 OCT 78	TOLERANCES: UNLESS OTHERWISE SPECIFIED
CHKR	J. WOODFALL	25 OCT 78	SCALE ANLR
PROD	G. WOOD	25 OCT 78	FIRST USED ON
		1:1	143

ITEM	PART NUMBER	QTY	DESCRIPTION
6	386-4776-00	2	PLATE, LAMINATION (KEEPER)
5			
4			
3	210-0257-00	13	TERMINAL LUG
2	386-0024-00	AR	PLATE, LAMINATION (STEEL)
1	334-0477-00	1	MARKER, IDENTIFICATION

MATERIAL	SEE LIST OF MATERIALS
FINISH	NOTED $\Delta$
TITLE	TRANSFORMER, POWER, STPDN
CODE IDENT NO	80009
SIZE	C
PART NUMBER	120-1123-00
REV	E

© TEKTRONIX SAFETY CONTROLLED PART  
THIS PART IS CONTROLLED TO INSURE MAINTENANCE OF SAFETY CHARACTERISTICS DESIGNED INTO A TEK PRODUCT. TO CONTINUE MAINTENANCE, ANY CHANGES IN MATERIALS, SPECIFICATIONS, VENDORS, OR VENDOR PART NUMBERS MUST BE EVALUATED AND APPROVED IN EACH APPLICATION IN WHICH THIS IS A CONTROLLED PART.

NOTES:

1. TOROID REFERENCE DIMENSIONS: .575 OD x .215 HIGH
2. UNTWIST LEAD ENDS 1.000 + .100
3. STRIP AND TIN LEADS .500 + .050
4. COAT WITH 006-1109-00 OR EQUIVALENT
5. INDUCTANCE RANGE PER 130 L.C. METER 50 TO 86μH ON 10 TURN WINDING.

76-236B

PART NUMBER 120-1124-00

REV

THIS DRAWING WHEN DISTRIBUTED OUTSIDE TEKTRONIX, INC. IS SUPPLIED FOR IDENTIFICATION, ENGINEERING EVALUATION AND/OR INSPECTION PURPOSES ONLY AND MAY NOT BE USED AS A BASIS FOR MANUFACTURE OR SALES OF PRODUCTS WITHOUT WRITTEN PERMISSION FROM TEKTRONIX, INC. IF THIS DRAWING IS FURNISHED UNDER ANY UNITED STATES GOVERNMENT CONTRACT, IT SHALL NOT BE EITHER RELEASED OUTSIDE THE GOVERNMENT OR USED, DUPLICATED, OR DISCLOSED IN WHOLE OR IN PART FOR MANUFACTURE OR PROCUREMENT, WITHOUT THE WRITTEN PERMISSION OF TEKTRONIX, INC., EXCEPT FOR: (1) EMERGENCY REPAIR OR OVERHAUL WORK BY OR FOR THE GOVERNMENT, WHERE THE ITEM OR PROCESS CONCERNED IS NOT OTHERWISE REASONABLY AVAILABLE TO ENABLE TIMELY PERFORMANCE OF THE WORK; OR (2) RELEASE TO A FOREIGN GOVERNMENT AS THE INTERESTS OF THE UNITED STATES MAY REQUIRE; PROVIDED THAT IN EITHER CASE THE RELEASE, USE, DUPLICATION OR DISCLOSURE HEREOF SHALL BE SUBJECT TO THE FOREGOING LIMITATIONS. IF THIS DRAWING IS REPRODUCED IN WHOLE OR IN PART, THIS ENTIRE LEGEND BLOCK MUST APPEAR ON ALL REPRODUCED COPIES.

REV / BY / REF	DESCRIPTION OF CHANGE	CHK BY / DATE
----------------	-----------------------	---------------

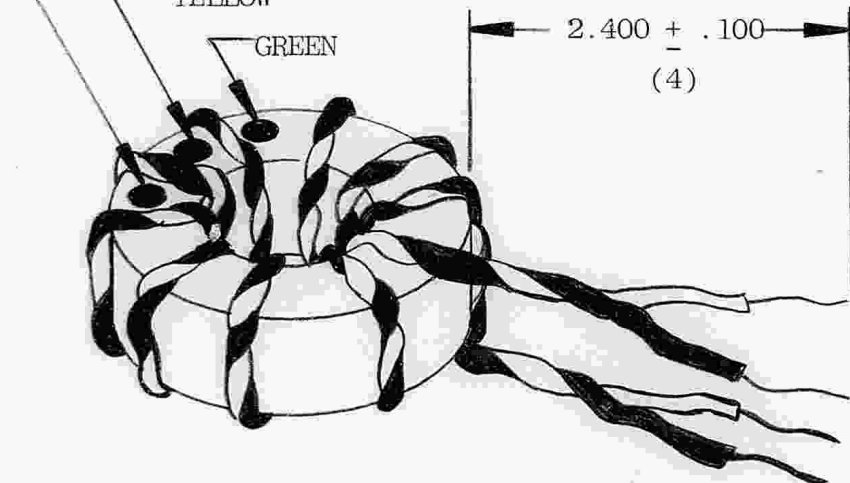
COLOR CODE

ORANGE

YELLOW

GREEN

2.400 + .100  
(4)



TURNS	WIRE DATA	
	AWG	PART NUMBER
10 *	30	175-1732-00

\*TWISTED BIFILAR

DATA:  
CODE TD-345  
CORE NO 276-0525-00

TEKTRONIX, INC. PROPRIETARY ITEM DRAWING

MFD BY TEKTRONIX

MFD FOR TEKTRONIX



TEKTRONIX, INC. P. O. BOX 500  
BEAVERTON, OREGON U.S.A. 97077



DWN J. NAGODE	30MAR 77	DIMENSIONS ARE IN INCHES / TOLERANCES: UNLESS OTHERWISE SPECIFIED	
ENGR <i>M. J. ...</i>	23 JAN 81	DEC	ANLR
CHKR <i>B. Stewart</i>	23 JAN 81	SCALE	FIRST USED ON
PROD <i>D. Holman</i>	26 Jan 81	NONE	015-1043-00

MATERIAL

LISTED

FINISH

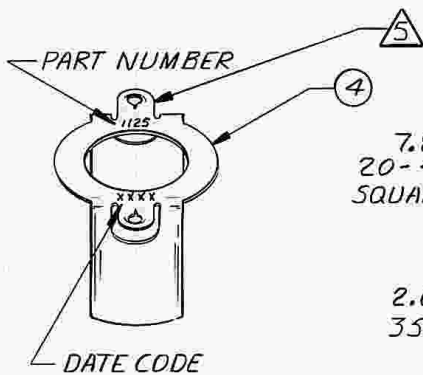
NOTED

TITLE

TRANSFORMER, RF (TOROIDAL)

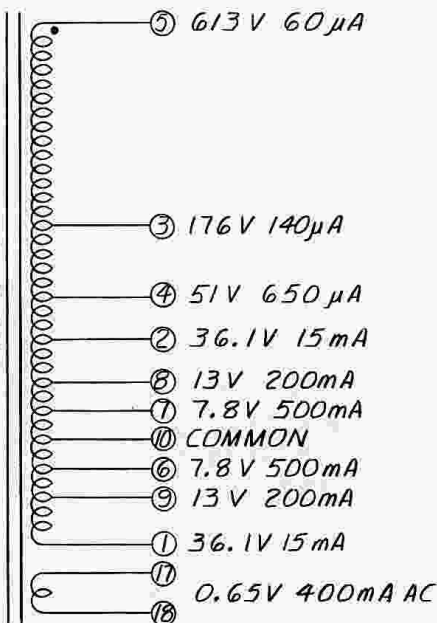
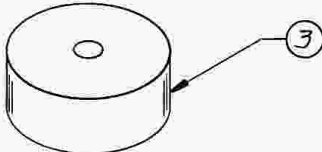
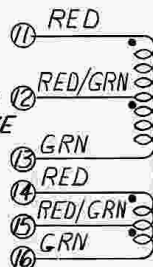
CODE IDENT NO <b>80009</b>	SIZE <b>A</b>	PART NUMBER <b>120-1124-00</b>	REV
-------------------------------	------------------	-----------------------------------	-----

REV	REP	DESCRIPTION OF CHANGE	CHK BY	DATE
(A)		41754 ADDED CS	CLM	14 NOV 80



7.8V CT  
20-40KHZ  
SQUARE WAVE

2.6V CT  
350mA



△ 6 LENGTH FROM OUTSIDE CORE:

LEAD NO.	LENGTH	TIN ± .100
13 & 14	2.500 ± .200	.250
12 & 15	1.500 ± .100	
11 & 16	3.500 ± .200	
17 & 18	2.500 ± .200	

△ 5 TERMINALS AND MOUNTING TAB TO BE FREE OF VARNISH

4. TRANSFORMER VACUUM IMPREGNATED WITH VARNISH 252-0082-00

PART NUMBER  
120-1125-00

REV.  
A

3. VOLTAGE RATINGS ARE PEAK NO LOAD. CURRENT RATINGS ARE AMPS DC TYP UOS

2. POLARITY PER SCHEMATIC

1. REFERENCE DIMENSIONS: .840 HIGH × 1.215 OD × 1.750 WTDE

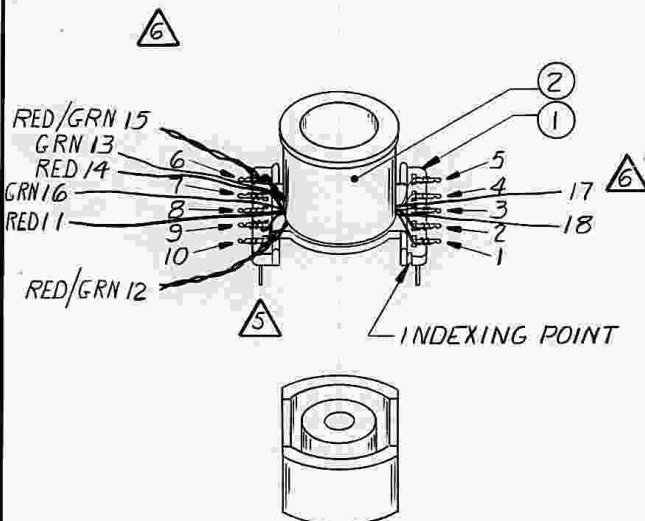
NOTES:

(A) CUSTOMER SERVICE

TEKTRONIX, INC. PROPRIETARY ITEM DRAWING		<input checked="" type="checkbox"/> MFD BY TEKTRONIX		<input type="checkbox"/> MFD FOR TEKTRONIX	
P. O. BOX 500 BEAVERTON, OREGON U.S.A. 97077					
ENGR	J. NAGODE	19 JUN 77	DIMENSIONS ARE IN INCHES / MM		
ENGR	R. COGAN	15 OCT 78	TOLERANCES: UNLESS OTHERWISE SPECIFIED		
CHKR	J. WOODFALL	18 OCT 78	SCALE	ANLR	
PRODR	1/9/106	18 OCT 78	NONE	FIRST USED ON 413	
MATERIAL SEE LIST OF MATERIALS					
FINISH					
TITLE TRANSFORMER SDN & SU (POWER & HV, POT CORE)					
CODE IDENT NO.	SIZE	PART NUMBER		REV	
80009	G	120-1125-00		A	

WINDINGS	TURNS	WIRE DATA		RESISTANCE
		AWG	PART NUMBER	±15% AT 20°C
5-3	673	40	176-0104-XX	116 Ω
3-4	192	40	176-0104-XX	36.6 Ω
4-2	23	38	176-0040-XX	2.62 Ω
2-8	35 1/2	38		4.45 Ω
9-1	35 1/2	38		4.45 Ω
8-7	8	29	176-0058-XX	.128 Ω
6-9	8	29	176-0058-XX	.128 Ω
* 7-10-6	12	27	176-0033-XX	.230 ΩCT
* 11-12-13	6	23	176-0029-XX	.075 ΩCT
* 14-15-16	2	25	176-0031-XX	.053 ΩCT
17-18	1	25	176-0031-XX	.021 Ω

\* BIFILAR WOUND, SERIES CONNECTED  
INDUCTANCE: (4-5) 172 TO 190 mH AT 1KHZ



4	343-0386-00	1	CLAMP
3	276-0703-00	1	CORE, EM (AL250-3019TT)
2	253-0103-00	AR	TAPE, PRESS SENS (.438W)
1	276-0219-00	1	FORM, COIL

ITEM	PART NUMBER	QTY	DESCRIPTION
------	-------------	-----	-------------

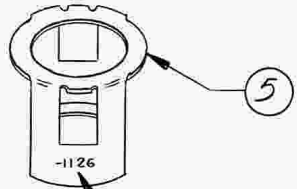
76-119C

REV

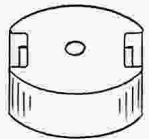
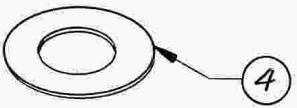
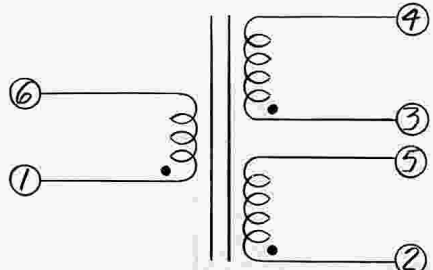
THIS DRAWING WHEN DISTRIBUTED OUTSIDE TEKTRONIX, INC., IS SUPPLIED FOR IDENTIFICATION, ENGINEERING EVALUATION AND/OR INSPECTION PURPOSES ONLY AND MAY NOT BE USED AS A BASIS FOR MANUFACTURE OR SALES OF PRODUCTS WITHOUT WRITTEN PERMISSION FROM TEKTRONIX, INC. IF THIS DRAWING IS FURNISHED UNDER ANY UNITED STATES GOVERNMENT CONTRACT, IT SHALL NOT BE EITHER RELEASED OUTSIDE THE GOVERNMENT, OR USED, DUPLICATED, OR DISCLOSED IN WHOLE OR IN PART FOR MANUFACTURE OR PROCUREMENT, WITHOUT THE WRITTEN PERMISSION OF TEKTRONIX, INC., EXCEPT FOR: (1) EMERGENCY REPAIR OR OVERHAUL WORK BY OR FOR THE GOVERNMENT; WHERE THE ITEM OR PROCESS CONCERNED IS NOT OTHERWISE REASONABLY AVAILABLE TO ENABLE TIMELY PERFORMANCE OF THE WORK; OR (2) RELEASE TO A FOREIGN GOVERNMENT AS THE INTERESTS OF THE UNITED STATES MAY REQUIRE; PROVIDED THAT IN EITHER CASE THE RELEASE, USE, DUPLICATION OR DISCLOSURE HEREOF SHALL BE SUBJECT TO THE FOREGOING LIMITATIONS. IF THIS DRAWING IS REPRODUCED IN WHOLE OR IN PART, THIS ENTIRE LEGEND BLOCK MUST APPEAR ON ALL REPRODUCED COPIES.

PART NUMBER  
120-1126-00

REV	REF	DESCRIPTION OF CHANGE	CHK BY	DATE



PART NUMBER  $\Delta$



WINDINGS	TERMS	URNS	WIRE AWG	PART NUMBER	RESISTANCE $\pm 20\%$ AT $20^\circ\text{C}$
1-6	PRI	25 1/2	36	176-0157-XX	1 $\Omega$
2-5	SEC	127 1/2	38	176-0040-XX	6.35 $\Omega$
3-4	SEC	127 1/2	38	176-0040-XX	6.35 $\Omega$

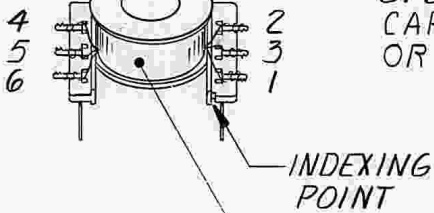
3. TRANSFORMER VACUUM IMPREGNATED WITH VARNISH 252-0082-00

$\Delta$  DATE CODE OPPOSITE SIDE

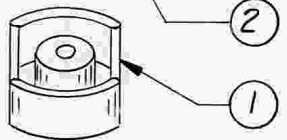
1. REFERENCE DIMENSIONS: .570 HIGH x .540 WIDE x .935 LONG

\* BIFILAR WOUND  
 INDUCTANCE: (TERM 1-6) 1.76  $\pm$  .44 mH  
 POLARITY PER SCHEMATIC  
 OPERATING FREQUENCY: 50 KHZ SINE WAVE  
 CAPAC. TESTS: (1-2) 20 pF MAX (ESI 251 METER OR EQUIVALENT)

NOTES:



INDEXING POINT



5	343-0317-00	1	CLAMP, POT CORE
4	361-0408-00	1	SPACER, DISC
3	276-0218-00	1	FORM, COIL
2	253-0191-00	AR	TAPE, PRESS SENS (.150 WIDE)
1	276-0689-00	1	CORE, EM (UNGAPPED, 1408TT)

ITEM	PART NUMBER	QTY	DESCRIPTION
LIST OF MATERIALS			

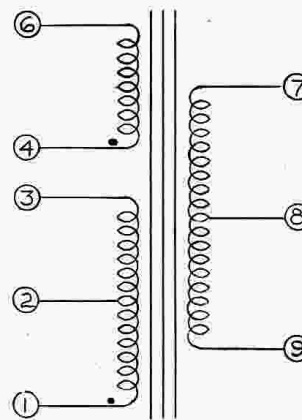
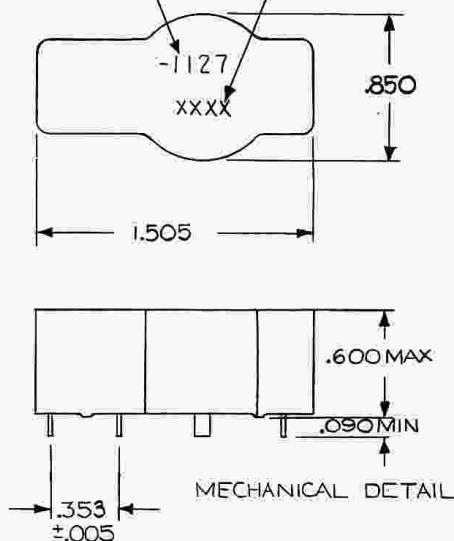
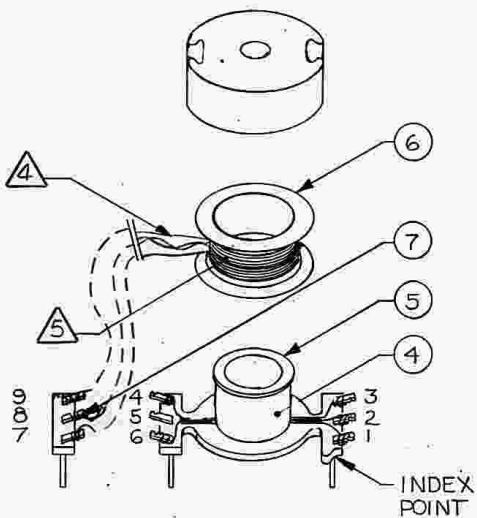
TEKTRONIX, INC. PROPRIETARY ITEM DRAWING			
<input checked="" type="checkbox"/> MFD BY TEKTRONIX		<input type="checkbox"/> MFD FOR TEKTRONIX	
<b>TEKTRONIX, INC.</b>			
P. O. BOX 500 BEAVERTON, OREGON U.S.A. 97005			
DR J. NAGODE		17 AUG 77	
DIMENSIONS ARE IN INCHES TOLERANCES: UNLESS OTHERWISE SPECIFIED			
ENGR <i>J. Nagode</i>	19 OCT 78	DEC	ANG
CHK J. WOODFALL	19 OCT 78	SCALE	FIRST USED ON
PROD <i>J. Nagode</i>	18 OCT 78	NONE	413
MATERIAL SEE LIST OF MATERIALS			
FINISH			
TITLE TRANSFORMER, RF (SIGNAL INPUT, POT CORE)			
CODE IDENT NO	SIZE	PART NUMBER	REV
80009	B	120-1126-00	

DO NOT SCALE DRAWING

THIS DRAWING, WHEN DISTRIBUTED OUTSIDE TEKTRONIX, INC. IS SUPPLIED FOR IDENTIFICATION, ENGINEERING EVALUATION AND/OR INSTRUCTION PURPOSES ONLY AND MAY NOT BE USED AS A BASIS FOR MANUFACTURE OR SALES OF PRODUCTS WITHOUT WRITTEN PERMISSION FROM TEKTRONIX, INC. IF THIS DRAWING IS FURNISHED UNDER ANY UNITED STATES GOVERNMENT CONTRACT, IT SHALL NOT BE EITHER RELEASED OUTSIDE THE GOVERNMENT, OR USED, DUPLICATED, OR DISCLOSED IN WHOLE OR IN PART FOR MANUFACTURE OR PROCUREMENT, WITHOUT THE WRITTEN PERMISSION OF TEKTRONIX, INC. EXCEPT FOR: (1) EMERGENCY REPAIR OR OVERHAUL WORK BY OR FOR THE GOVERNMENT WHERE THE ITEM OF PROCESS CONCERNED IS NOT OTHERWISE REASONABLY AVAILABLE TO ENABLE TIMELY PERFORMANCE OF THE WORK; OR (2) RELEASE TO A FOREIGN GOVERNMENT AS THE INTERESTS OF THE UNITED STATES MAY REQUIRE; PROVIDED THAT IN EITHER CASE THE RELEASE, USE, DUPLICATION OR DISCLOSURE HEREOF SHALL BE SUBJECT TO THE FOREGOING LIMITATIONS. IF THIS DRAWING IS REPRODUCED IN WHOLE OR IN PART, THIS ENTIRE LEGEND BLOCK MUST APPEAR ON ALL REPRODUCED COPIES.

REV	REV	DESCRIPTION OF CHANGE	CHK BY	DATE
-----	-----	-----------------------	--------	------

PART NUMBER DATE CODE



		WIRE DATA		RESISTANCE
WINDINGS	TURNS	AWG	PART NO	±20% AT 20°C
** 1-2-3 PRI I	Ø-100 -200	38	176-0040-XX	13 Ω
4-6 PRI II	20	37	176-0063-XX	1.03 Ω
** 7-8-9 SEC	Ø-10 -20	33	176-0239-XX	.56 Ω

INDUCTANCE: (7-9) .252 ± .013 mH, ESI 250 BRIDGE @ 10 mV, 1 KHz  
 POLARITY PER SCHEMATIC  
 OPERATING FREQUENCY: 50 KHz SINE WAVE  
 DIELECTRIC WITHSTANDING VOLTAGE: 10KV DC, 1 MINUTE;  
 CLAMP, 2, 6 TO 8 CORONA FREE, 1 μA MAX LEAKAGE  
 \*\* BIFILAR WOUND, SERIES CONNECTED

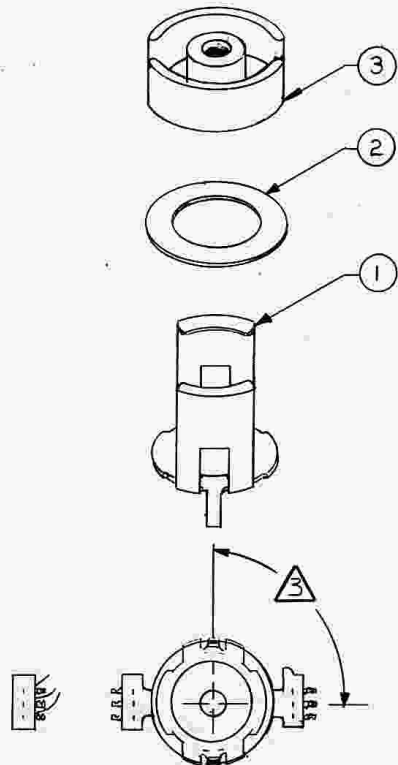
PART NUMBER 120-1127-00 REV

- 5 DO NOT TAPE THIS WINDING
- 4 LEADS 7, 8, 9 ARE DRESSED AWAY FROM 4, 6 & SHOULD NOT TOUCH CORE
- 3 COIL AND CLAMP MUST BE PERPENDICULAR TO EACH OTHER ±3°

2. TRANSFORMER VACUUM CAST WITH EPOXY PN 252-0210-00

1. DIMENSIONS REFERENCE UOS

NOTES:



		P. O. BOX 500 BEAVERTON, OREGON U.S.A. 97005	
DR	J. NAGODE	20 JUN 77	DIMENSIONS ARE IN INCHES
ENGR	<i>W. Jordan</i>	19 OCT 78	TOLERANCES: UNLESS OTHERWISE SPECIFIED
CHK	J. WOODRALL	19 OCT 78	DEC
PROD.	<i>From 175/1ab</i>	18 OCT 78	ANG
MATERIAL		SCALE	FIRST USED ON
SEE LIST OF MATERIALS		2:1	413
TITLE			
TRANSFORMER, RF (ISOLATION, POT CORE)			
CODE IDENT NO	SIZE	PART NUMBER	REV
80009	C	120-1127-00	

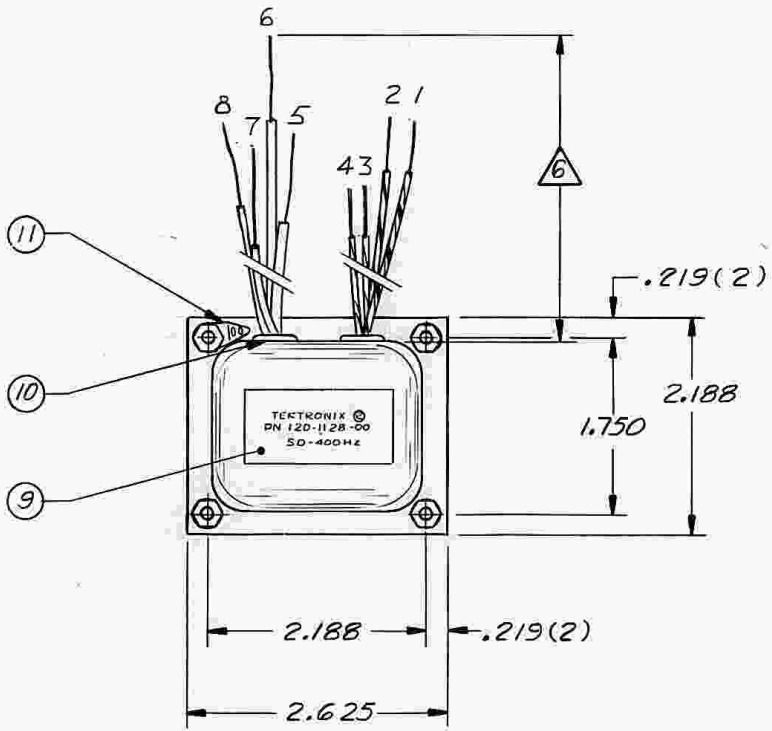
ITEM	PART NUMBER	QTY	DESCRIPTION
7	276-0209-00	1/2	FORM, COIL
6	276-0204-00	1	FORM, COIL
5	276-0209-01	1	FORM, COIL
4	253-0021-00	AR	TAPE, PRESS SENS (.250 WIDE)
3	276-0628-00	1	CORE, EM (AL630-1811)
2	361-0409-00	1	SPACER, DISK
1	343-0312-00	1	CLAMP, TOROID

TEKTRONIX, INC. PROPRIETARY ITEM DRAWING  
 MFD BY TEKTRONIX  MFD FOR TEKTRONIX

8. TRANSFORMER MUST COMPLY WITH CSA C22.2 NO.125

THIS DRAWING WHEN DISTRIBUTED OUTSIDE TEKTRONIX, INC. IS SUPPLIED FOR IDENTIFICATION, ENGINEERING EVALUATION AND/OR INSPECTION PURPOSES ONLY AND MAY NOT BE USED AS A BASIS FOR MANUFACTURE OR SALES OF PRODUCTS WITHOUT WRITTEN PERMISSION FROM TEKTRONIX, INC. IF THIS DRAWING IS FURNISHED UNDER ANY UNITED STATES GOVERNMENT CONTRACT, IT SHALL NOT BE EITHER RELEASED OUTSIDE THE GOVERNMENT, OR USED, DUPLICATED, OR DISCLOSED IN WHOLE OR IN PART FOR MANUFACTURE OR PROCUREMENT, WITHOUT THE WRITTEN PERMISSION OF TEKTRONIX, INC., EXCEPT FOR: (1) EMERGENCY REPAIR OR OVERHAUL WORK BY OR FOR THE GOVERNMENT, WHERE THE ITEM OR PROCESS CONCERNED IS MOST OTHERWISE REASONABLY AVAILABLE TO ENABLE TIMELY PERFORMANCE OF THE WORK; OR (2) RELEASE TO A FOREIGN GOVERNMENT AS THE INTERESTS OF THE UNITED STATES MAY REQUIRE; PROVIDED THAT IN EITHER CASE THE RELEASE, USE, DUPLICATION OR DISCLOSURE HEREOF SHALL BE SUBJECT TO THE FOLLOWING LIMITATIONS, IF THIS DRAWING IS REPRODUCED IN WHOLE OR IN PART, THIS ENTIRE LEGEND BLOCK MUST APPEAR ON ALL REPRODUCED COPIES.

REV	REF	DESCRIPTION OF CHANGE	CHK BY	DATE
A	41718	ADDED ITEM 12 & NOTE B	DD	3FEB81
B	45018	REMOVED ITEM 8	DD	18MAR82

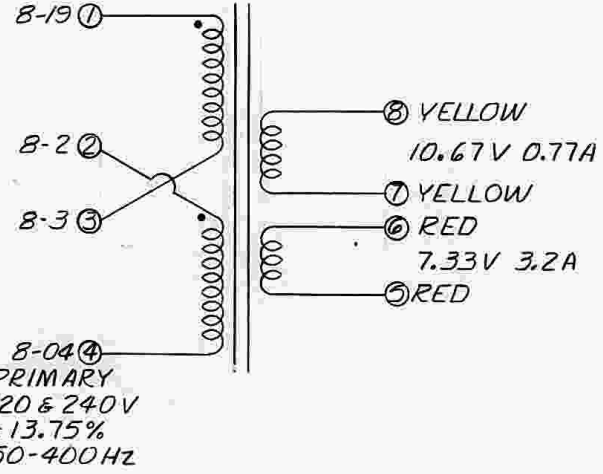
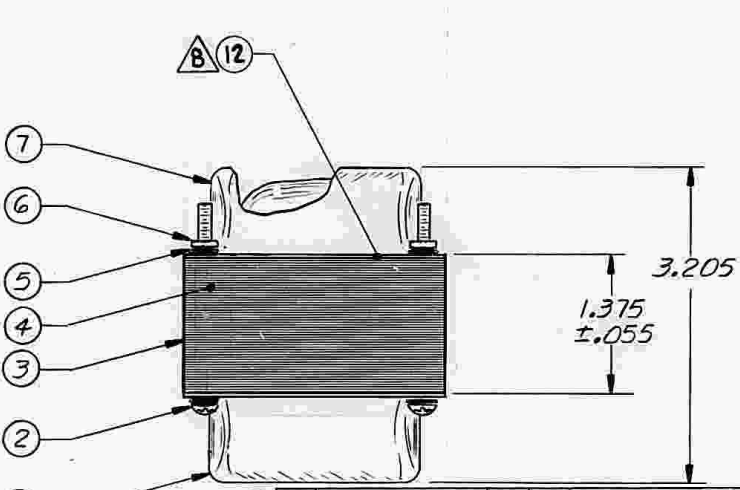


COIL STRUCTURE  
OUTSIDE

TYPE WINDING	LEAD NO
SEC 48T	7-8 2 # 26
SEC 33T	5-6 # 17
PRI 540T	2-4 # 31
PRI 540T	1-3 # 31

INSIDE

LINE TO 1-4	CONNECT
120V	1 TO 2, 3 TO 4
240V	2 TO 3



A B ORIENTATION OF KEEPER IS OPTIONAL  
7. POLARITY PER SCHEMATIC

6 LEAD LENGTHS:  
\* LEAD WIRE \*\* INSULATION SLVG

LEAD NO	COLOR	PART NUMBER	LENGTH ±.250	STRIPTIN ±.125
* 1	8-19	175-0879-00	4.000	.500
* 2	8-2	175-0880-00	4.000	↓
* 3	8-3	175-0881-00	3.000	
* 4	8-04	175-0882-00	3.000	↓
** 5	RED	162-0689-00	4.750	
** 6	RED	162-0689-00	6.250	↓
** 7	YEL	162-0515-00	3.750	
** 8	YEL	162-0515-00	4.750	↓

5. DIELECTRIC WITHSTANDING VOLTAGE:  
2KV RMS, 50 TO 60HZ, 1 MINUTE,  
PRIMARIES TO SECONDARIES AND CORE

**Tektronix**  
SAFETY CONTROLLED PART  
This part is controlled to assure maintenance of safety characteristics throughout its life cycle.  
To continue maintenance, any change in materials, design, or construction must be approved and approved components must be used for the group manager of Transformer Line Product.

PART NUMBER	REV.
120-1128-00	B

- 4. VOLTAGE RATINGS ARE RMS NO LOAD. CURRENT RATINGS ARE AMPS DC TYP
- 3. WINDINGS INSULATED FOR 600V DC
- 2. TRANSFORMER VACUUM IMPREGNATED WITH VARNISH 252-0082-00
- 1. DIMENSIONS REFERENCE U O S  
MDP#40680 16JUN80

NOTES: CUSTOMER SERVICE

TEKTRONIX, INC. PROPRIETARY ITEM DRAWING	
<input checked="" type="checkbox"/> MFD BY TEKTRONIX	<input type="checkbox"/> MFD FOR TEKTRONIX
<b>TEKTRONIX, INC.</b> P. O. BOX 509 BEAVERTON, OREGON U.S.A. 97077	
ENGR J. NAGODE ENGR R. COGAN CHKR B. STEWART PROD G. M...	13 APR 78 21 MAR 79 21 MAR 79 DIMENSIONS ARE IN INCHES / TOLERANCES UNLESS OTHERWISE SPECIFIED SCALE 1:1 FIRST USED ON 413

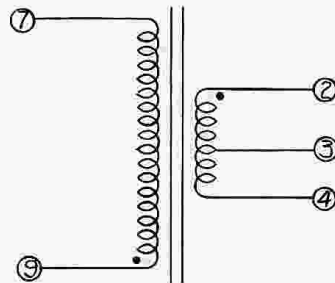
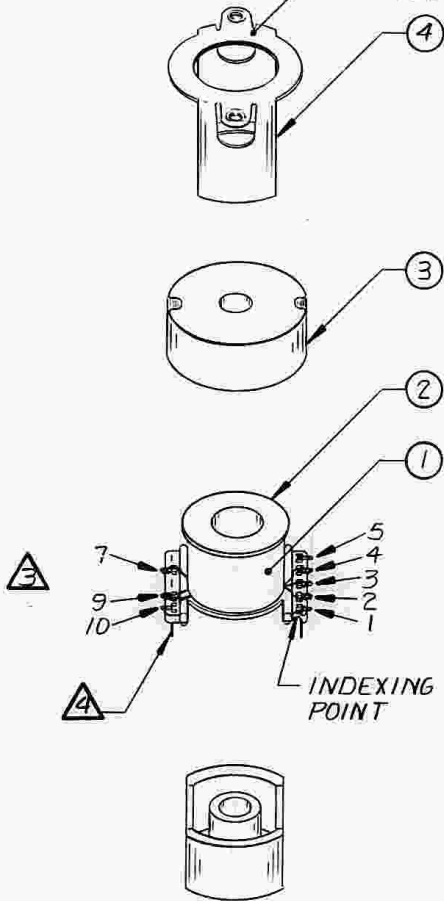
A	12	386-4780-00	2	PLATE, LAMINATION (KEEPER)	6	210-0407-00	4	NUT, HEX (6-32)
	11	210-0202-00	1	TERMINAL, LUG	5	210-0006-00	7	WASHER, LOCK
	10	348-0003-00	2	GROMMET, RUBBER	4	252-0039-00	AR	ENAMEL (BLACK)
	9	000-6529-00	1	MARKER, IDENTIFICATION	3	386-0014-00	AR	PLATE, LAMINATION (STEEL)
B	8				2	211-0552-00	4	SCREW, MACHINE (2.000LG)
	7	200-0105-02	1	COVER, ELEC, TRANSFORMER	1	200-0105-01	1	COVER, ELEC, TRANSFORMER

MATERIAL	SEE LIST OF MATERIALS
FINISH	NOTED
TITLE	TRANSFORMER, POWER, STPDN
CODE IDENT NO	80009
SIZE	C
PART NUMBER	120-1128-00
REV	B

76-166C

THIS DRAWING WHEN DISTRIBUTED OUTSIDE TEKTRONIX, INC., IS SUPPLIED FOR IDENTIFICATION, ENGINEERING EVALUATION AND/OR INSPECTION PURPOSES ONLY AND MAY NOT BE USED AS A BASIS FOR MANUFACTURE OR SALES OF PRODUCTS WITHOUT WRITTEN PERMISSION FROM TEKTRONIX, INC.				
IF THIS DRAWING IS FURNISHED UNDER ANY UNITED STATES GOVERNMENT CONTRACT, IT SHALL NOT BE EITHER RELEASED OUTSIDE THE GOVERNMENT, OR USED, DUPLICATED, OR DISCLOSED IN WHOLE OR IN PART FOR MANUFACTURE OR PROCUREMENT, WITHOUT THE WRITTEN PERMISSION OF TEKTRONIX, INC. EXCEPT FOR: (1) EMERGENCY REPAIR OR OVERHAUL WORK BY OR FOR THE GOVERNMENT, WHERE THE ITEM OR PROCESS CONCERNED IS NOT OTHERWISE REASONABLY AVAILABLE TO ENABLE TIMELY PERFORMANCE OF THE WORK; OR (2) RELEASE TO A FOREIGN GOVERNMENT AS THE INTERESTS OF THE UNITED STATES MAY REQUIRE; PROVIDED THAT IN EITHER CASE THE RELEASE, USE, DUPLICATION OR DISCLOSURE HEREOF SHALL BE SUBJECT TO THE FOREGOING LIMITATIONS. IF THIS DRAWING IS REPRODUCED IN WHOLE OR IN PART, THIS ENTIRE LEGEND BLOCK MUST APPEAR ON ALL REPRODUCED COPIES.				
REV	REF	DESCRIPTION OF CHANGE	CHK BY	DATE
	31156	INITIATED PART	PV	2 JUN 77
Ⓐ	53424	UPDATED DWG., NOTES 2 & Ⓐ	DD	30 JAN 84

PART NUMBER  
(-1129)  
&  
DATE CODE



WINDINGS	TURNS	WIRE DATA		VOLTS PK NO LOAD	AMPS DC	RESISTANCE ±20% AT 20°C
		AWG	PART NUMBER			
9-7 PRI	357	29	176-0058-XX	1000	.150	6.24 Ω
2-3- -4 SEC	0-43 -86	33	176-0239-XX	241 CT	.150	4.25 Ω

INDUCTANCE: 19 TO 21 mH AT 1 KHz (7-9)  
POLARITY PER SCHEMATIC  
OPERATING FREQUENCY: 15.75 KHz FLYBACK

PART NUMBER  
120-1129-00  
REV  
A

- Ⓐ TERMINALS TO BE VARNISH FREE BELOW MOUNTING PLANE
- Ⓑ REMOVED PINS 6 & 8 BEFORE WINDING
2. TRANSFORMER VACUUM IMPREGNATED WITH VARNISH 252-0082-00 OR APPROVED EQUIVALENT
1. REFERENCE DIMENSIONS: .935 HIGH x 1.215 WIDE x 1.690 LONG

## NOTES:

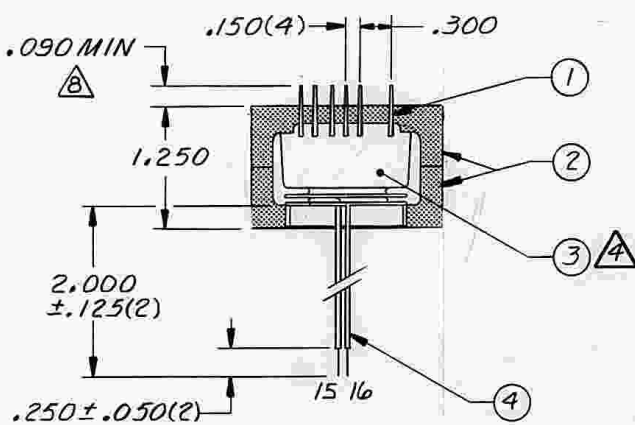
TEKTRONIX, INC.		P. O. BOX 500 BEAVERTON, OREGON U.S.A. 97005	
DR. J. NAGODE	1 APR 77	DIMENSIONS ARE IN INCHES Tolerances Unless Otherwise Specified	
ENGR. R. COGAN	27 MAY 77	DEC	ANG
CHK. J. WOODFALL	27 MAY 77	SCALE	FIRST USED ON
PROD. C. HAAG	27 MAY 77	NONE	650
MATERIAL SEE LIST OF MATERIALS			
FINISH NOTED			
TITLE TRANSFORMER, FLYBACK (POT CORE)			
ITEM	PART NUMBER	QTY	DESCRIPTION
4	343-0386-00	1	CLAMP
3	276-0705-00	1	CORE, EM (3019-AL160)
2	276-0219-00	1	FORM, COIL
1	253-0103-00	AR	TAPE, POLYESTER (.438W)
CODE IDENT NO	SIZE	PART NUMBER	REV
80009	C	120-1129-00	A

4	343-0386-00	1	CLAMP
3	276-0705-00	1	CORE, EM (3019-AL160)
2	276-0219-00	1	FORM, COIL
1	253-0103-00	AR	TAPE, POLYESTER (.438W)



THIS DRAWING WHEN DISTRIBUTED OUTSIDE TEKTRONIX, INC. IS SUPPLIED FOR IDENTIFICATION, ENGINEERING EVALUATION AND/OR INSPECTION PURPOSES ONLY AND MAY NOT BE USED AS A BASIS FOR MANUFACTURE OR SALES OF PRODUCTS WITHOUT WRITTEN PERMISSION FROM TEKTRONIX, INC.  
 IF THIS DRAWING IS FURNISHED UNDER ANY UNITED STATES GOVERNMENT CONTRACT, IT SHALL NOT BE EITHER RELEASED OUTSIDE THE GOVERNMENT, OR USED, DUPLICATED, OR DISCLOSED IN WHOLE OR IN PART FOR MANUFACTURE OR PROCUREMENT, WITHOUT THE WRITTEN PERMISSION OF TEKTRONIX, INC., EXCEPT FOR: (1) EMERGENCY REPAIR OR OVERHAUL WORK BY OR FOR THE GOVERNMENT, WHERE THE ITEM OR PROCESS CONCERNED IS NOT OTHERWISE REASONABLY AVAILABLE TO ENABLE TIMELY PERFORMANCE OF THE WORK; OR (2) RELEASE TO A FOREIGN GOVERNMENT AS THE INTERESTS OF THE UNITED STATES MAY REQUIRE PROVIDED THAT IN EITHER CASE THE RELEASE, USE, DUPLICATION OR DISCLOSURE HEREOF SHALL BE SUBJECT TO THE FOREGOING LIMITATIONS. IF THIS DRAWING IS REPRODUCED IN WHOLE OR IN PART, THIS ENTIRE LEGEND BLOCK MUST APPEAR ON ALL REPRODUCED COPIES.

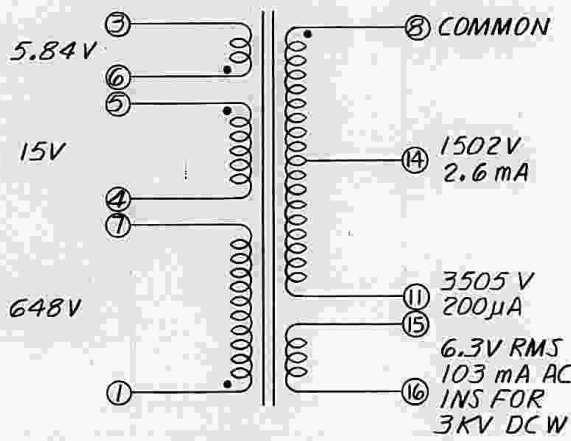
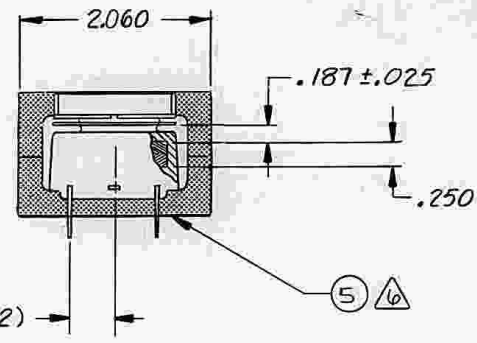
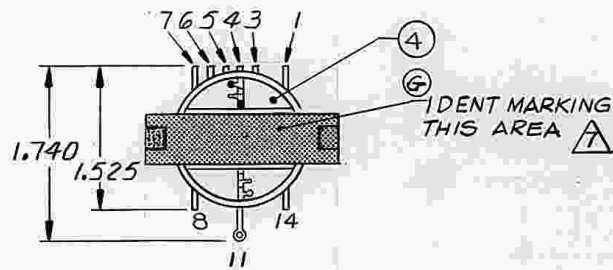
REV	REF	DESCRIPTION OF CHANGE	CHK BY	DATE
J	67924	COMBINED SPEC. SH. W/ THIS DRAWING	CD	13DEC68
K	70664	COIL STRUCTURE WAS: #39 ; IS: #37	AE	29AUG69



### COIL STRUCTURE OUTSIDE

TYPE WINDING	LEAD/TERM NO
SEC 15-16	SEC 8-14-11
	0-514-1200T #37 (A)
	SEC 1-7
	222T #37 (K)
	PRI 5-4
	PRI 6-3
3T #26	5T #30
	2T #30

### INSIDE



OPERATING FREQUENCY: 45 KHZ

10. LATEST REV. OF APPLICABLE SAFETY DOC. ARE MADE A PART OF THIS SPEC. AS LISTED BELOW  
 LID-002 LAB. INST. DIV. QUALITY STD.  
 UL-1244 UNDERWRITERS LAB INC.  
 CSA5668 CANADIAN STANDARDS ASSOC.
9. TURNS TOLERANCE ± 2%
- △ SOLDERABILITY: MUST MEET REQUIREMENTS OF MIL-STD-202F, METHOD 208
- △ LOCATION & ORIENTATION ON THIS SURFACE NOT CRITICAL. MUST BE LEGIBLE
- △ ITEM 5 APPLIED TO LEAD SIDE OF CORE ONLY FOR MOUNTING
5. CORES CEMENTED TOGETHER
- △ COIL TRANSFER MOLDED WITH EPOXY
3. POLARITY PER SCHEMATIC
2. VOLTAGE RATINGS ARE PEAK NO LOAD UDS. CURRENT RATINGS ARE AMPS DC TYPICAL UDS
1. DIMENSIONS REFERENCE UNLESS OTHERWISE SPECIFIED

PART NUMBER	REV
120-1130-00	K

NOTES:

TEKTRONIX, INC. PROPRIETARY ITEM DRAWING	
<input checked="" type="checkbox"/> MFD BY TEKTRONIX	<input type="checkbox"/> MFD FOR TEKTRONIX
P. O. BOX 500 BEAVERTON, OREGON U.S.A. 97005	
DWN: J. NAGODE	8 JUL 77
ENGR: David Wood	2 July 77
CHKR: D. WOOD	2 JUL 77
PROD: Evelyn Lee	8 Jul 77
DIMENSIONS ARE IN INCHES/TOLERANCES UNLESS OTHERWISE SPECIFIED	
SCALE: 1:1	FIRST USED ON: 7623A
MATERIAL: SEE LIST OF MATERIALS	
FINISH: NOTED	
TITLE: TRANSFORMER, POWER, SDN & SU (HIGH VOLTAGE)	
CODE IDENT NO: 80009	SIZE: C
PART NUMBER: 120-1130-00	REV: K

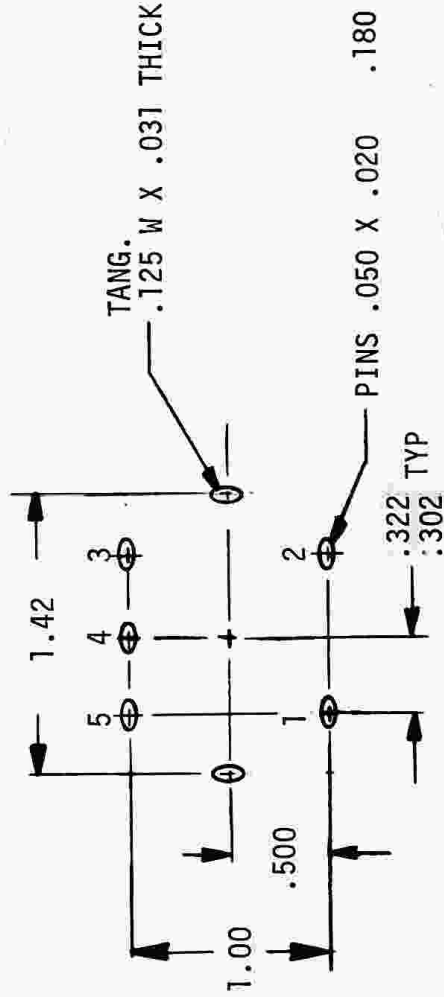
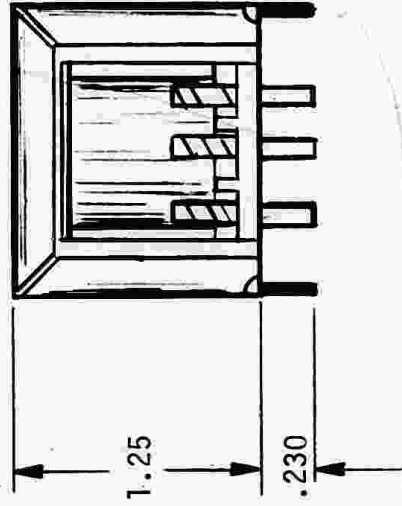
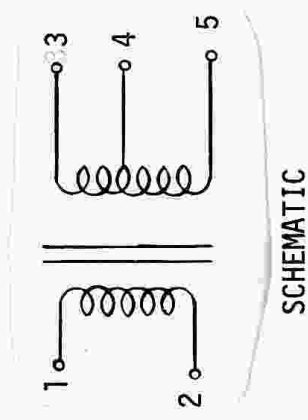
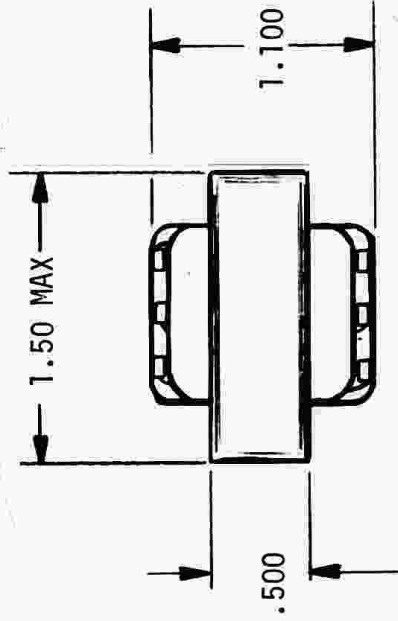
ITEM	PART NUMBER	QTY	DESCRIPTION
5	253-0174-00	AR	TAPE, PRESSURE SENSITIVE (POLYESTER, DS, .500W)
4	650-0321-00	1	BOBBIN ASSEMBLY
3	255-0479-01	AR	PLASTIC MOLDING MATERIAL (EPOXY)
2	276-0696-00	1	CORE, EM ("E" FERRITE)
	276-0697-00	1	CORE, EM ("E" FERRITE)
1	195-0118-00	1/2	LEAD SET, ELECTRICAL

1. DESCRIPTION.  
 TRANSFORMER, AUDIO: BALANCED DRIVE OUTPUT (QUADFILAR).  
 TURNS RATIO, PRIMARY/SECONDARY = 1:2; SECONDARY CENTER TAPPED.
  
2. ELECTRICAL CHARACTERISTICS.
  - 2.1 FREQUENCY RESPONSE.  
 +0.25 dB FROM 30 TO 20,000 Hz.
  - 2.2 IMPEDANCE.  
 600 OHMS.
  - 2.3 OUTPUT POWER.  
 63 MILLIWATTS.
  - 2.4 BREAKDOWN VOLTAGES (MINIMUM).  
 BREAKDOWN VOLTAGE BETWEEN PRIMARY AND SECONDARY OR BETWEEN PRIMARY AND CORE, AND SECONDARY AND CORE, SHALL BE 100 VOLTS MINIMUM.
  
3. PHYSICAL CHARACTERISTICS.
  - 3.1 COIL WINDINGS.  
 VACUUM IMPREGNATED.
  - 3.2 CIRCUIT BOARD TERMINALS.  
 BRASS, TIN COATED.
  - 3.3 MARKING REQUIREMENTS.  
 (A) MANUFACTURER'S NAME OR TRADEMARK.  
 (B) TEKTRONIX, INC. PART NUMBER.  
 (C) FOUR-DIGIT DATE CODE (YEAR AND WEEK OF MANUFACTURE, MIL-STD-1285A).
  
4. ENVIRONMENTAL REQUIREMENTS.
  - 4.1 TEMPERATURE.  
 OPERATING (BODY TEMPERATURE): 0 TO 75°C.  
 STORAGE: -55 TO +130°C.

5. CONFORMITY TO REQUIREMENTS OF THIS SPECIFICATION.

SUPPLIER: YOU NEED NOT INSPECT AND TEST THIS DEVICE AS DESCRIBED IN THIS SPECIFICATION. FURTHERMORE, YOU NEED NOT FURNISH TEKTRONIX, INC. WITH RESULT OF ANY INSPECTIONS AND TESTS YOU MAY PERFORM ON THIS DEVICE; BUT, WHEN TEKTRONIX, INC. INSPECTS AND TEST THIS DEVICE AS DESCRIBED IN THIS SPECIFICATION, THIS DEVICE SHALL MEET ALL REQUIREMENTS STATED.

6. OUTLINE DRAWING.



REV A	REF	DESCRIPTION OF CHANGE	CHK BY	DATE
----------	-----	-----------------------	--------	------

A JG CORRECTED POSITION OF DOT IDENTIFYING PIN 1,  
NOTE 6; OAG 24APR79

PART NUMBER  
120-1131-01

THIS DRAWING WHEN DISTRIBUTED OUTSIDE TEKTRONIX, INC. IS SUPPLIED FOR IDENTIFICATION, ENGINEERING EVALUATION AND/OR INSPECTION PURPOSES ONLY AND MAY NOT BE USED AS A BASIS FOR MANUFACTURE OR SALES OF PRODUCTS WITHOUT WRITTEN PERMISSION FROM TEKTRONIX, INC. IF THIS DRAWING IS FURNISHED UNDER ANY U.S. GOVERNMENT CONTRACT, IT IS FURNISHED AS LIMITED RIGHTS DATA AND SHALL NOT, WITHOUT THE WRITTEN PERMISSION OF TEKTRONIX, INC., BE EITHER (A) USED, RELEASED OR DISCLOSED IN WHOLE OR IN PART OUTSIDE THE GOVERNMENT, (B) USED IN WHOLE OR IN PART BY THE GOVERNMENT FOR MANUFACTURE OR (C) USED BY A PARTY OTHER THAN THE GOVERNMENT, EXCEPT FOR (1) EMERGENCY REPAIR OR OVERHAUL WORK ONLY, (B) OR FOR THE GOVERNMENT, WHERE THE ITEM OR PROCESS CONCERNED IS NOT OTHERWISE REASONABLY AVAILABLE TO ENABLE TIMELY PERFORMANCE OF THE WORK, PROVIDED THAT THE RELEASE OR DISCLOSURE HEREOF OUTSIDE THE GOVERNMENT SHALL BE MADE SUBJECT TO A PROHIBITION AGAINST FURTHER USE, RELEASE, OR DISCLOSURE; OR (1) RELEASE TO A FOREIGN GOVERNMENT AS THE INTEREST OF THE UNITED STATES MAY REQUIRE. ONLY FOR INFORMATION OR EVALUATION WITHIN SUCH GOVERNMENT OR FOR EMERGENCY REPAIR OR OVERHAUL WORK BY OR FOR SUCH GOVERNMENT UNDER THE CONDITIONS OF (1) ABOVE. THIS LEGEND SHALL BE INCLUDED ON ANY REPRODUCTION HEREOF.

THE DRAWING TYPE DESIGNATION AND APPROVED SOURCES OF SUPPLY FOR THIS ITEM ARE LISTED ON THE PURCHASED ITEM SOURCE LIST (PISL) FOR THIS PART NUMBER.

 **TEKTRONIX, INC.** BEAVERTON, OREGON U.S.A. 97077  P. O. BOX 500

DWN/ WR	<i>Joe Spindle</i>	10 Nov 77	DIMENSIONS ARE IN INCHES	
COMP ENGR	<i>B. Witt</i>	10-15-77	DEC	ANLR
CHKR/ COORD	<i>D. Peterson</i>	17 Nov 77	-----	-----
INSTR DSGN			SCALE	FIRST USED ON
			+ .020	-----

MATERIAL -----

FINISH -----

TITLE  
TRANSFORMER, AUDIO FREQUENCY

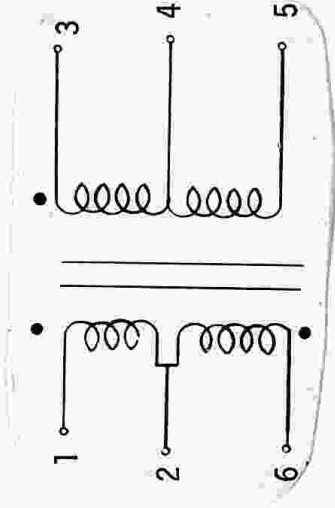
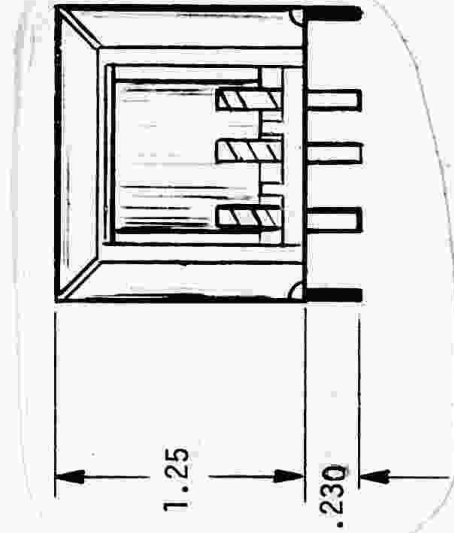
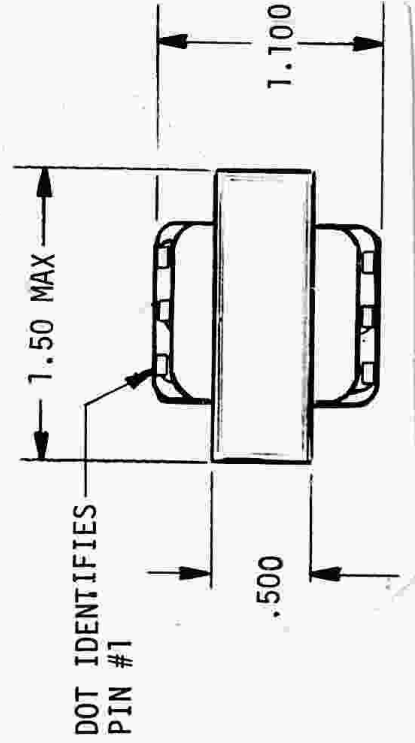
REV	REV	PART NUMBER	REV
A	3	80009 A	A
SH 1 OF 3		120-1131-01	

1. DESCRIPTION.  
TRANSFORMER, AUDIO: BALANCED DRIVE OUTPUT (QUADFILAR).  
TURNS RATIO, PRIMARY/SECONDARY = 1:2; SECONDARY CENTER TAPPED.
2. ELECTRICAL CHARACTERISTICS.
- 2.1 FREQUENCY RESPONSE.  
+0.25 dB FROM 30 TO 20,000 Hz.
- 2.2 IMPEDANCE.  
600 OHMS.
- 2.3 OUTPUT POWER.  
63 MILLIWATTS.
- 2.4 BREAKDOWN VOLTAGES (MINIMUM).  
BREAKDOWN VOLTAGE BETWEEN PRIMARY AND SECONDARY, OR BETWEEN PRIMARY AND CORE  
AND SECONDARY AND CORE, SHALL BE 100 VOLTS MINIMUM.
3. PHYSICAL CHARACTERISTICS.
- 3.1 COIL WINDINGS.  
VACUUM IMPREGNATED.
- 3.2 CIRCUIT BOARD TERMINALS.  
BRASS, TIN COATED.
- 3.3 MARKING REQUIREMENTS.  
(A) MANUFACTURER'S NAME OR TRADEMARK.  
(B) TEKTRONIX, INC. PART NUMBER.  
(C) FOUR-DIGIT DATE CODE (YEAR AND WEEK OF MANUFACTURE, MIL-STD-1285A).
4. ENVIRONMENTAL REQUIREMENTS.
- 4.1 TEMPERATURE.  
OPERATING (BODY TEMPERATURE): 0 TO 75°C.  
STORAGE: -55 TO + 130°C.

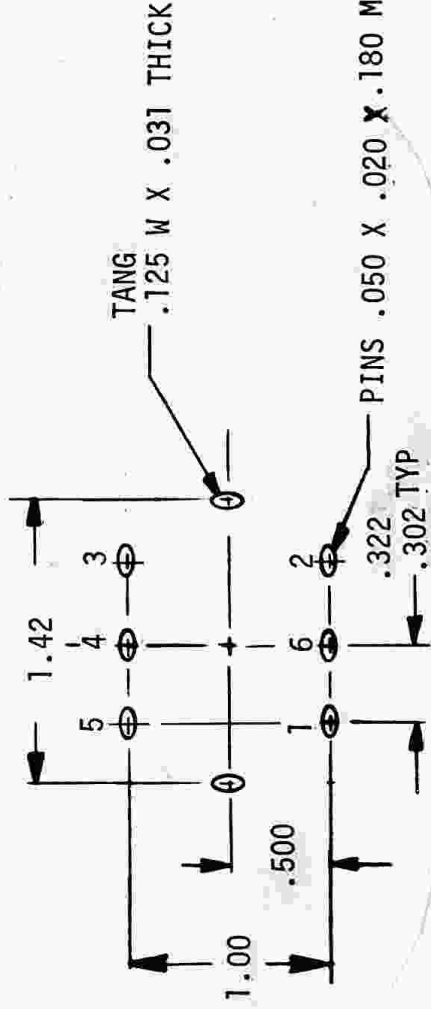
5. CONFORMITY TO REQUIREMENTS OF THIS SPECIFICATION.

SUPPLIER: YOU NEED NOT INSPECT AND TEST THIS DEVICE AS DESCRIBED IN THIS SPECIFICATION. FURTHERMORE, YOU NEED NOT FURNISH TEKTRONIX, INC. WITH RESULT OF ANY INSPECTIONS AND TESTS YOU MAY PERFORM ON THIS DEVICE; BUT WHEN TEKTRONIX, INC. INSPECTS AND TESTS THIS DEVICE AS DESCRIBED IN THIS SPECIFICATION, THIS DEVICE SHALL MEET ALL REQUIREMENTS STATED.

6. OUTLINE DRAWING.



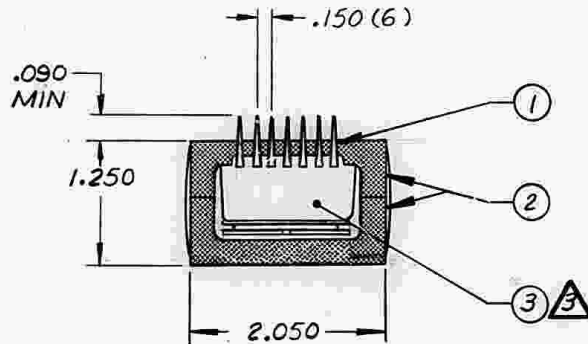
SCHEMATIC



76-249F

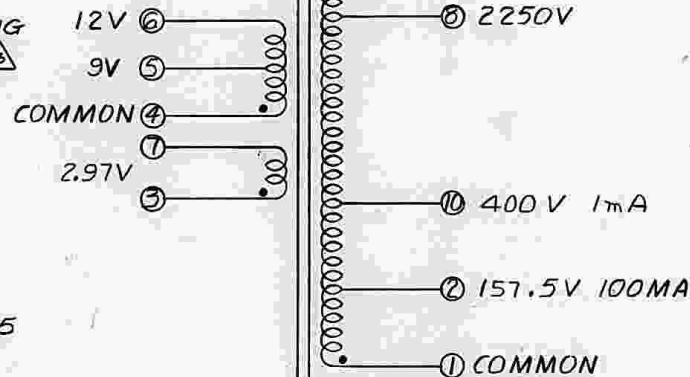
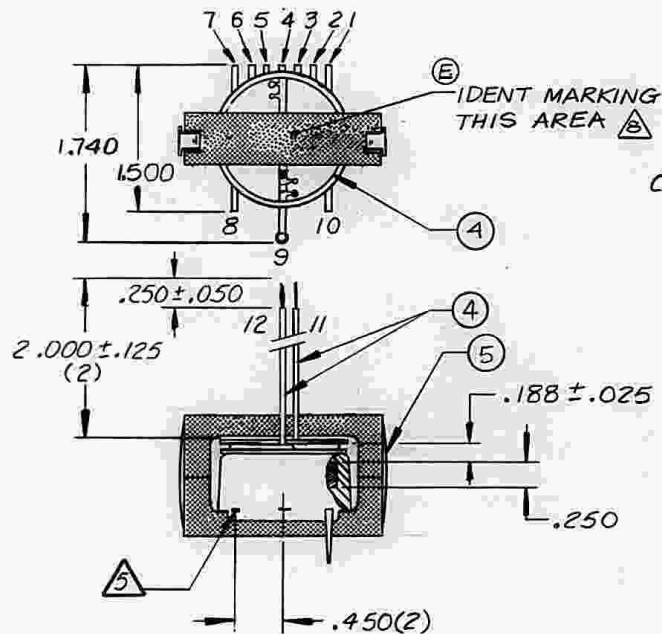
THIS DRAWING WHEN DISTRIBUTED OUTSIDE TEKTRONIX, INC. IS SUPPLIED FOR IDENTIFICATION, ENGINEERING EVALUATION AND/OR INSPECTION PURPOSES ONLY AND MAY NOT BE USED AS A BASIS FOR MANUFACTURE OR SALES OF PRODUCTS WITHOUT WRITTEN PERMISSION FROM TEKTRONIX, INC.  
IF THIS DRAWING IS FURNISHED UNDER ANY UNITED STATES GOVERNMENT CONTRACT, IT SHALL NOT BE EITHER RELEASED OUTSIDE THE GOVERNMENT, OR USED, DUPLICATED, OR DISCLOSED IN WHOLE OR IN PART FOR MANUFACTURE OR PROCUREMENT, WITHOUT THE WRITTEN PERMISSION OF TEKTRONIX, INC. EXCEPT FOR: (1) EMERGENCY REPAIR OR OVERHAUL WORK BY OR FOR THE GOVERNMENT, WHERE THE ITEM OR PROCESS CONCERNED IS NOT OTHERWISE REASONABLY AVAILABLE TO ENABLE TIMELY PERFORMANCE OF THE WORK; OR (2) RELEASE TO A FOREIGN GOVERNMENT AS THE INTERESTS OF THE UNITED STATES MAY REQUIRE PROVIDED THAT IN EITHER CASE THE RELEASE, USE, DUPLICATION OR DISCLOSURE HEREOF SHALL BE SUBJECT TO THE FOREGOING LIMITATIONS. IF THIS DRAWING IS REPRODUCED IN WHOLE OR IN PART, THIS ENTIRE LEGEND BLOCK MUST APPEAR ON ALL REPRODUCED COPIES.

## COIL STRUCTURE OUTSIDE



TYPE WINDING	LEAD/TERM NO
SEC 11-12	SEC 1-2-10-8-9
3T #26	Ø-53-134½-757½-1010½T#37
	PRI 4-5-6    PRI 3-7
	Ø-3-4T(2)#28    1T #28

INSIDE



OPERATING FREQUENCY: 40 KHZ

REV	REF	DESCRIPTION OF CHANGE	CHK BY	DATE
A	36435	CALLOUT 2 WAS 145.5V	INA	3APR79
B	41258	ITEM 4 P/N WAS 276-0225-00 ADDED NOTE 7	DD	16JUN81
C	47980	DELETED NOTE 7 & UPDATED DWG	DD	12OCT82
D	49630	ADDED 650-1298-00 & UPDATED DWG	DD	9FED83
E	52601	REVISED DWG. & ADDED NOTE B	DD	25MAR84
F	D5091	REMOVED MATERIAL BLOCK. CHANGED TITLE BLOCK FROM MFG BY TO MFG FOR		14JAN88

**B** LOCATION AND ORIENTATION ON THIS SURFACE NOT CRITICAL. MUST BE LEGIBLE

**C B** 7. DELETED

**G** COIL CEMENTED TO BOTTOM CORE & CORES TOGETHER

PART NUMBER	REV
120-1132-00	F

**5** PIN 8 CUT OFF AT BEND

**4** VOLTAGE RATINGS ARE PEAK NO LOAD. CURRENT RATINGS ARE AMPS DC TYP

**3** COIL TRANSFER MOLDED WITH EPOXY

**2** POLARITY PER SCHEMATIC

**1** DIMENSIONS REFERENCE UNLESS OTHERWISE SPECIFIED

NOTES:

TEKTRONIX, INC. PROPRIETARY ITEM DRAWING	
<input type="checkbox"/> MFD BY TEKTRONIX	<input checked="" type="checkbox"/> MFD FOR TEKTRONIX
<b>TEKTRONIX, INC.</b>	
P.O. BOX 568 BEAVERTON, OREGON U.S.A. 97005	
DWN J. NAGODE	26MAY77
ENGR C. Chen	23 Mar 79
CHKR B. Stewart	23 MAR 79
PROD G. Noss	22 MAR 79
DIMENSIONS ARE IN INCHES/MIL Tolerances Unless Otherwise Specified	
SCALE 1:1	FIRST USED ON 608
MATERIAL	
FINISH NOTED	
TITLE TRANSFORMER, POWER, SDN & SU (HIGH VOLTAGE)	
CODE IDENT NO 80009	SIZE C
PART NUMBER 120-1132-00	REV F

TEKTRONIX SAFETY CONTROLLED PART  
THIS PART IS CONTROLLED TO INSURE MAINTENANCE OF SAFETY CHARACTERISTICS DESIGNED INTO A TEK PRODUCT. TO CONTINUE MAINTENANCE ANY CHANGES IN MATERIALS, SPECIFICATIONS, WINDINGS OR VENDORS, PART NUMBERS MUST BE EVALUATED AND APPROVED BY THE LINE MANAGER FOR EACH PRODUCT IN WHICH THIS IS A CONTROLLED PART.

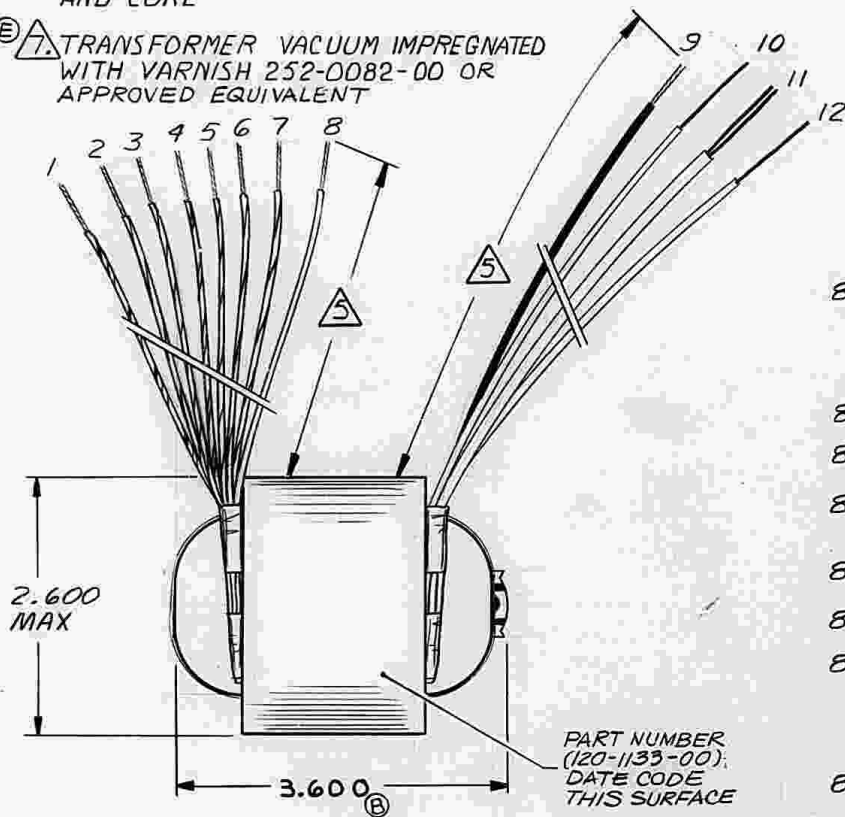
ITEM	PART NUMBER	QTY	DESCRIPTION	REV
				F

6. DIELECTRIC WITHSTANDING VOLTAGE:  
2 KV RMS, 50 TO 60 Hz, 1 MINUTE  
PRIMARYS TO SECONDARIES, SHIELD,  
AND CORE

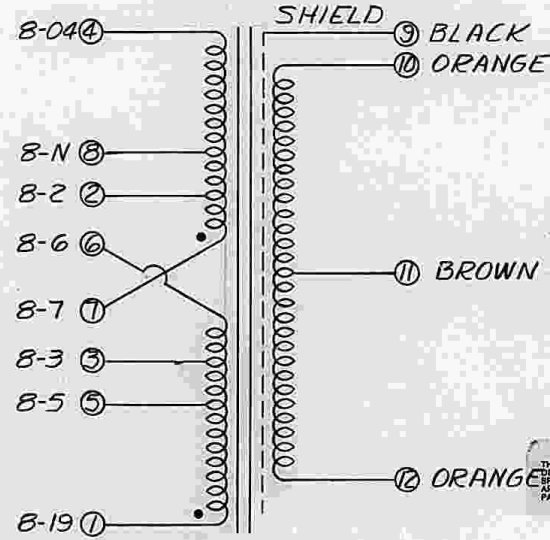
53-61 E

THIS DRAWING WHEN DISTRIBUTED OUTSIDE TEKTRONIX, INC. IS SUPPLIED FOR INFORMATION, ENGINEERING EVALUATION AND/OR INSPECTION PURPOSES ONLY AND MAY NOT BE USED AS A BASIS FOR MANUFACTURE OR SALES OF PRODUCTS WITHOUT WRITTEN PERMISSION FROM TEKTRONIX, INC. IF THIS DRAWING IS FURNISHED UNDER ANY UNITED STATES GOVERNMENT CONTRACT, IT SHALL NOT BE EITHER RELEASED OUTSIDE THE GOVERNMENT, OR USED, DUPLICATED, OR DISCLOSED IN WHOLE OR IN PART FOR MANUFACTURE OR PROCUREMENT, WITHOUT THE WRITTEN PERMISSION OF TEKTRONIX, INC. EXCEPT FOR: (1) EMERGENCY REPAIR OR OVERHAUL WORK BY OR FOR THE GOVERNMENT, WHERE THE ITEM OR PROCESS CONCERNED IS NOT OTHERWISE REASONABLY AVAILABLE TO ENABLE TIMELY PERFORMANCE OF THE WORK; OR (2) RELEASE TO A FOREIGN GOVERNMENT AS THE INTERESTS OF THE UNITED STATES MAY REQUIRE, PROVIDED THAT IN EITHER CASE THE RELEASE, USE, DUPLICATION OR DISCLOSURE HEREOF SHALL BE SUBJECT TO THE FOREGOING LIMITATIONS, IF THIS DRAWING IS REPRODUCED IN WHOLE OR IN PART, THIS ENTIRE LEGEND BLOCK MUST APPEAR ON ALL REPRODUCED COPIES.

⑦ TRANSFORMER VACUUM IMPREGNATED WITH VARNISH 252-0082-00 OR APPROVED EQUIVALENT



LINE 1 TO 4	CONNECT
100V	1 TO 8, 4 TO 5
110V	1 TO 2, 4 TO 3
120V	1 TO 7, 4 TO 6
200V	5 TO 8
220V	2 TO 3
240V	6 TO 7



REV	REF	DESCRIPTION OF CHANGE	CHK BY	DATE
(A)	39536	ADDED 3.344 MAX	SL	4 MAR 80
(B)	40699	3.600 WAS 3.350	KE	29 SEP 80
(C)	45018	REMOVED ITEM 2 RN. 120-1133-50	DD	3 FEB 82
(D)	50389	ITEM 5 WAS ENAMEL (BLACK)	DD	1 MAR 83
(E)	51689	REVISED DWG., REMOVED ITEM 5 UPDATED NOTE ⑦ & ITEM 6 WAS 334-4645-00	DD	28 NOV 83
(F)	63316	CHANGED SEAL CLIP LENGTH (DDO D4391)	—	9 MAR 87
(G)	D5091	REMOVED MATERIAL BLOCK. CHANGED TITLE BLOCK FROM MFG BY TO MFG FOR	—	14 JAN 88

⑤ LEAD LENGTHS:  
\*LEAD WIRE \*\* INSUL SLEEVING

LEAD NO	COLOR	PART NUMBER	LENGTH ±.250	STRIP/TIN ±.250
* 1	8-19	175-0879-00	4.750	.500
* 2	8-2	175-0880-00	↓	↓
* 3	8-3	175-0881-00		
* 4	8-04	175-0882-00	↓	↓
* 5	8-5	175-0883-00		
* 6	8-6	175-0884-00	6.750	↓
* 7	8-7	175-0885-00		
* 8	8 N	175-0886-00	↓	↓
* 9	BLK	175-0920-00		
** 10,12	ORN	162-0623-00	↓	1.000
** 11	BRN	162-0551-00	↓	1.000

TEKTRONIX SAFETY CONTROLLED PART

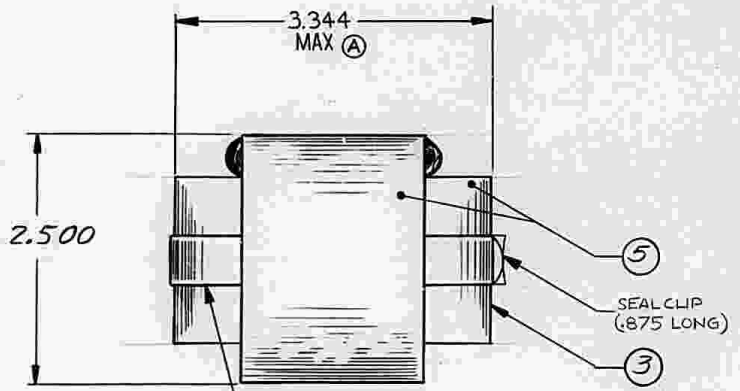
THIS PART IS CONTROLLED TO INSURE MAINTENANCE OF SAFETY CHARACTERISTICS DESIGNED INTO A TEK PRODUCT. TO CONTINUE MAINTENANCE, ANY CHANGES IN MATERIALS, SPECIFICATIONS, VENDORS OR VENDORS' PARTS NUMBERS MUST BE EVALUATED AND APPROVED BY THE LINE MANAGER FOR EACH PRODUCT IN WHICH THIS IS A CONTROLLED PART.

PART NUMBER: 120-1133-00 REV: G

PRIMARY 100,110,120,  
200,220,240 V ±10%  
50-400 Hz

LEAD NO	TURNS	WIRE AWG	DCR ±20% @ 20°C	③
1,5, 3,6	Ø-437- 480-524	29	19 Ω (1-6)	—
7,2, 8,4	Ø-44- 87-524	29	19 Ω (7-4)	—
9	SHIELD	—	—	—
10-11	82	20	.426 Ω	S*
11-12	82	20	.426 Ω	S*

\* S = SERIES CONNECTED WINDING



4. WINDINGS INSULATED FOR 600VDC
3. VOLTAGE RATINGS ARE RMS NO LOAD CURRENT RATINGS ARE AMPS DC TYP
2. TRANSFORMER MUST COMPLY WITH CSA 556 B AND UL 544
1. DIMENSIONS REFERENCE UDS

NOTES:

TEKTRONIX, INC. PROPRIETARY ITEM DRAWING

□ MFD BY TEKTRONIX    □ MFD FOR TEKTRONIX

TEKTRONIX, INC. P. O. BOX 500 BEAVERTON, OREGON U.S.A. 97077

DWN: J. NAGODE 31 MAY 78  
ENGR: R. COGAN 21 MAR 79  
CHKR: B. STEWART 21 MAR 79  
PROD: E. ROSS 23 MAR 79

DIMENSIONS ARE IN INCHES / TOLERANCES UNLESS OTHERWISE SPECIFIED

SCALE: 1:1    FIRST USED ON: 608

MATERIAL:

FINISH: NOTED ⑦

TITLE: TRANSFORMER, POWER, STPDN

④  
⑤  
⑥  
⑦  
⑧

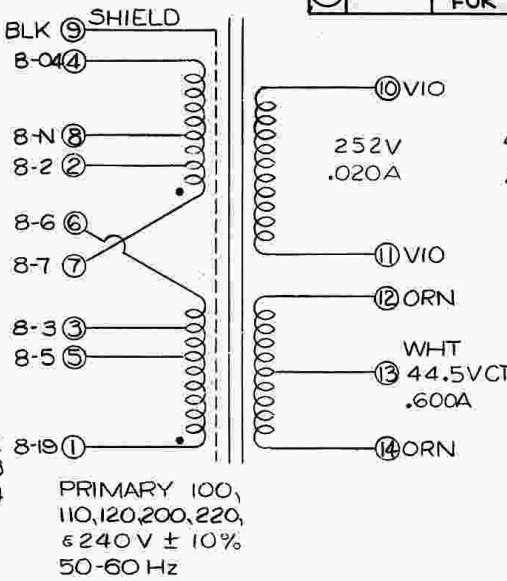
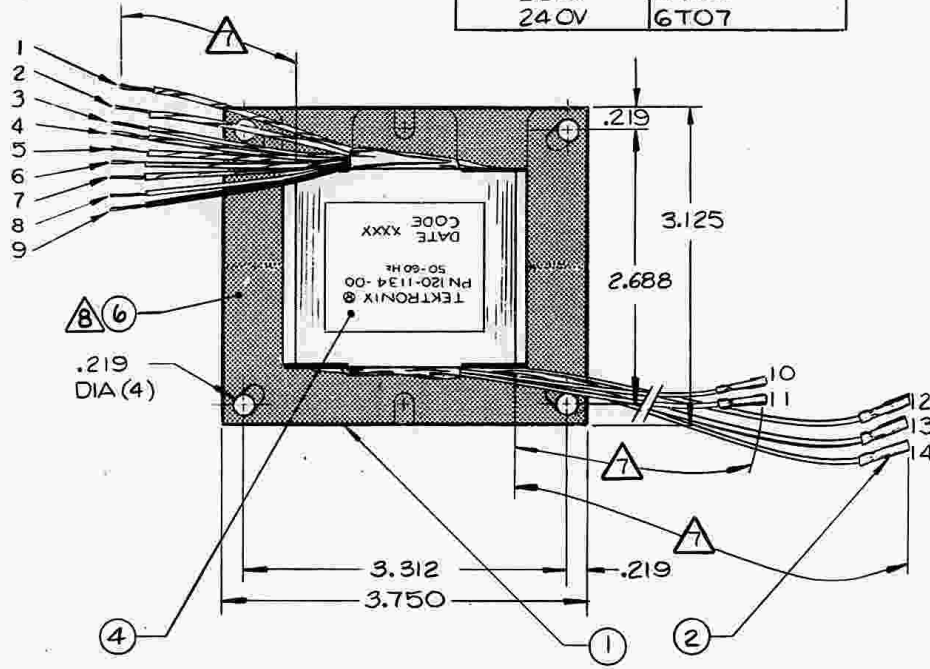
ITEM	PART NUMBER	QTY	DESCRIPTION
80009	G	120-1133-00	REV: G



THIS DRAWING WHEN DISTRIBUTED OUTSIDE TEKTRONIX, INC. IS SUPPLIED FOR IDENTIFICATION, ENGINEERING EVALUATION AND/OR INSPECTION PURPOSES ONLY AND MAY NOT BE USED AS A BASIS FOR MANUFACTURE OR SALES OF PRODUCTS WITHOUT WRITTEN PERMISSION FROM TEKTRONIX, INC.  
 IF THIS DRAWING IS FURNISHED UNDER ANY UNITED STATES GOVERNMENT CONTRACT, IT SHALL NOT BE EITHER RELEASED OUTSIDE THE GOVERNMENT, OR USED, DUPLICATED, OR DISCLOSED IN WHOLE OR IN PART FOR MANUFACTURE OR PROCUREMENT WITHOUT THE WRITTEN PERMISSION OF TEKTRONIX, INC. EXCEPT FOR: (1) EMERGENCY REPAIR OR OVERHAUL WORK BY OR FOR THE GOVERNMENT WHERE THE ITEM OR PROCESS CONCERNED IS NOT OTHERWISE REASONABLY AVAILABLE TO ENABLE TIMELY PERFORMANCE OF THE WORK; OR (2) RELEASE TO A FOREIGN GOVERNMENT AS THE INTERESTS OF THE UNITED STATES MAY REQUIRE; PROVIDED THAT IN EITHER CASE THE RELEASE, USE, DUPLICATION OR DISCLOSURE HEREOF SHALL BE SUBJECT TO THE FOREGOING LIMITATIONS. IF THIS DRAWING IS REPRODUCED IN WHOLE OR IN PART, THIS ENTIRE LEGEND BLOCK MUST APPEAR ON ALL REPRODUCED COPIES.

LINE TO I-4	CONNECT
100V	1TO8, 4 TO5
110V	1TO2, 4 TO3
120V	1TO7, 4 TO6
200V	5TO8
220V	2TO3
240V	6TO7

REV	REF	DESCRIPTION OF CHANGE	CHK BY	DATE
D	47295	ADDED NONPROD SEE MOD DOCUMENT FOR PREVIOUS REVISIONS	PV	16JUL82



ORIENTATION OF KEEPER IS OPTIONAL  
 LEAD LENGTHS

LEAD	COLOR	PART NO	LENGTH ±.250	STRIP ±.125
1	8-19	175-0879-00	2.250	.500
2	8-2	175-0880-00		
3	8-3	175-0881-00		
4	8-04	175-0882-00		
5	8-5	175-0883-00		
6	8-6	175-0884-00		
7	8-7	175-0885-00		
8	8 N	175-0886-00	2.500	
9	BLK	175-0920-00	3.000	
10-11	VIO	175-0949-00	6.500	
12-14	ORN	175-0950-00	19.000	
13	WHT	175-0951-00	19.000	

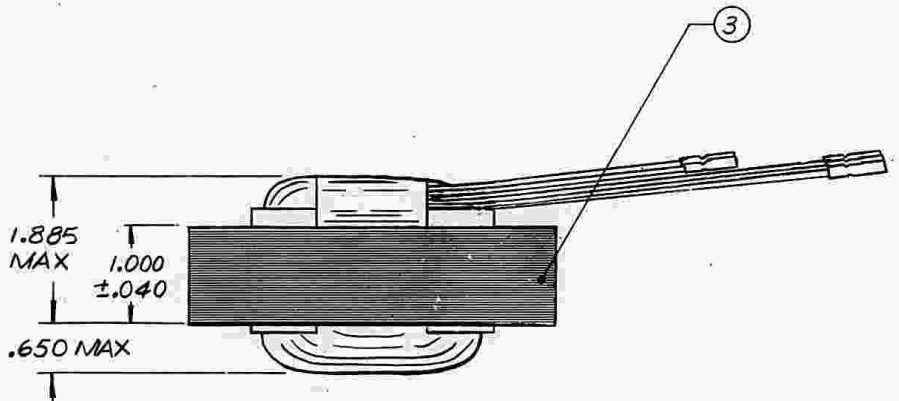
6. DIELECTRIC WITHSTANDING VOLTAGE: 1.5KV RMS, 50 TO 60 HZ, 1 MINUTE, PRIMARIES TO SHIELD, SECONDARIES, AND CORE

PART NUMBER	REV
120-1134-00	D

COIL STRUCTURE

TYPE WINDING	LEAD NO
SEC	12-13-14
Ø-152-304T	*24
SEC	10-11
1725 T	*34
SHIELD	9
PRI	7-2-8-4
Ø-87-170-820T	*30
PRI	1-5-3-6
Ø-650-733-820T	*30

- NOTES:
- DIMENSIONS REFERENCE UNLESS OTHERWISE SPECIFIED
  - POLARITY PER SCHEMATIC
  - TRANSFORMER VACUUM IMPREGNATED WITH VARNISH
  - WINDINGS INSULATED FOR 600 V DC
  - VOLTAGE RATINGS ARE RMS NO LOAD CURRENT RATINGS ARE AMPS DC TYP



INSIDE

ITEM	PART NUMBER	QTY	DESCRIPTION
5			
4	000-6607-00	1	MARKER, IDENTIFICATION
3	252-0039-00	AR	ENAMEL (BLACK)
2	131-0621-00	5	CONNECTOR, TERMINAL
1	386-0024-00	AR	PLATE, LAMINATION (STEEL)

TEKTRONIX, INC. PROPRIETARY ITEM DRAWING  
 MFD BY TEKTRONIX  MFD FOR TEKTRONIX

**TEKTRONIX, INC.** P. O. BOX 580  
 BEAVERTON, OREGON U.S.A. 97005

DR J. NAGODE 28 JUL 77  
 ENGR R. Logan 30 AUG 77  
 CHK J. Woodfall 31 AUG 77  
 PROF P. Woodfall 31 AUG 77

DIMENSIONS ARE IN INCHES  
 Tolerances Unless Otherwise Specified

SCALE 1:1  
 FIRST USED ON 1420

MATERIAL SEE LIST OF MATERIALS

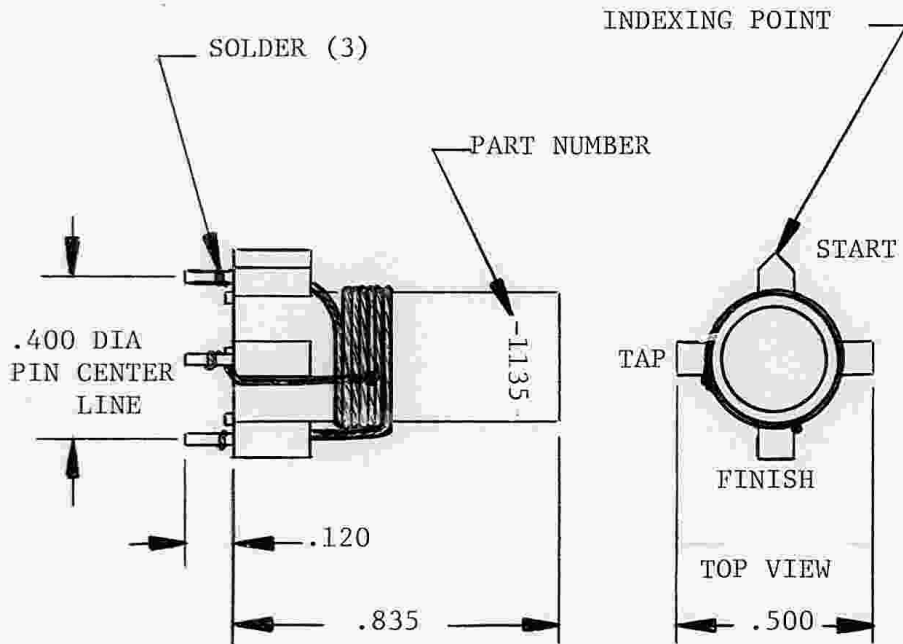
FINISH NOTED

TITLE **TRANSFORMER, POWER, SDN & SU**

CODE IDENT NO	SIZE	PART NUMBER	REV
80009	C	120-1134-00	D

NOTES:

1. DIMENSIONS REFERENCE UNLESS OTHERWISE SPECIFIED
2. VALUE DETERMINED WITH HP 4342A Q METER AT 25 MHZ FROM START TO FINISH  $L = .77 \pm .08 \mu H$ ,  $Q = 60$  NOMINAL
3. COAT WITH 006-1109-00



WIRE DATA		
TURNS	AWG	PART NUMBER
8.5 TAP AT 4.25 *	*	176-0328-00

\* 37/46 LITZ WIRE

DATA:  
FORM 276-0108-01

76-241C

PART NUMBER

120-1135-00

REV

THIS DRAWING WHEN DISTRIBUTED OUTSIDE TEKTRONIX, INC. IS SUPPLIED FOR IDENTIFICATION, ENGINEERING EVALUATION AND/OR INSPECTION PURPOSES ONLY AND MAY NOT BE USED AS A BASIS FOR MANUFACTURE OR SALES OF PRODUCTS WITHOUT WRITTEN PERMISSION FROM TEKTRONIX, INC. IF THIS DRAWING IS FURNISHED UNDER ANY UNITED STATES GOVERNMENT CONTRACT, IT SHALL NOT BE EITHER RELEASED OUTSIDE THE GOVERNMENT, OR USED, DUPLICATED, OR DISCLOSED IN WHOLE OR IN PART FOR MANUFACTURE OR PROCUREMENT, WITHOUT THE WRITTEN PERMISSION OF TEKTRONIX, INC. EXCEPT FOR: (1) EMERGENCY REPAIR OR OVERHAUL WORK BY OR FOR THE GOVERNMENT, WHERE THE ITEM OR PROCESS CONCERNED IS NOT OTHERWISE REASONABLY AVAILABLE TO ENABLE TIMELY PERFORMANCE OF THE WORK; OR (2) RELEASE TO A FOREIGN GOVERNMENT AS THE INTERESTS OF THE UNITED STATES MAY REQUIRE, PROVIDED THAT IN EITHER CASE THE RELEASE, USE, DUPLICATION OR DISCLOSURE HEREOF SHALL BE SUBJECT TO THE FOREGOING LIMITATIONS. IF THIS DRAWING IS REPRODUCED IN WHOLE OR IN PART, THIS ENTIRE LEGEND BLOCK MUST APPEAR ON ALL REPRODUCED COPIES.

REV / BY / REF	DESCRIPTION OF CHANGE	CHK BY / DATE

TEKTRONIX, INC. PROPRIETARY ITEM DRAWING

MFD BY TEKTRONIX

MFD FOR TEKTRONIX



TEKTRONIX, INC.

P. O. BOX 500  
BEAVERTON, OREGON U.S.A. 97077



DWN J. NAGODE	22 JUL 77	DIMENSIONS ARE IN INCHES / <del>MM</del> TOLERANCES: UNLESS OTHERWISE SPECIFIED	
ENGR <i>R.W. Gordon</i>	4-18-79	DEC _____	ANLR _____
CHKR <i>B. Stewart</i>	18 APRIL 79	SCALE	FIRST USED ON
PROD <i>RON FRICKE</i>	4-18 79	NONE	ADC820

MATERIAL

LISTED

FINISH

NOTED

TITLE

TRANSFORMER, RF (MUTUAL INDUCTANCE)

CODE IDENT NO	SIZE	PART NUMBER	REV
80009	A	120-1135-00	

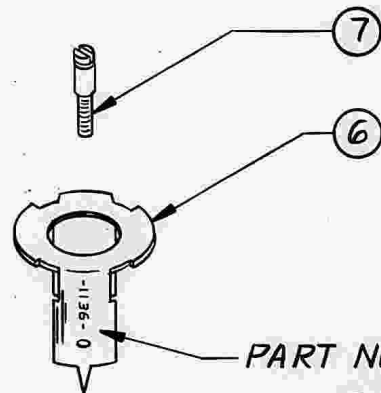
76-183 B

REV.

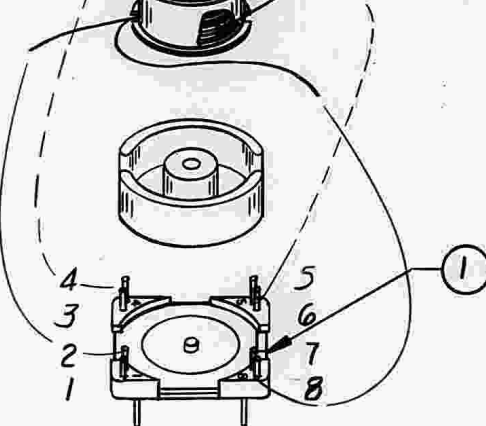
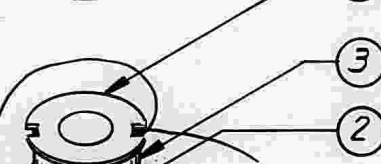
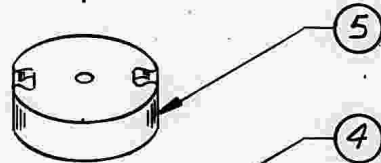
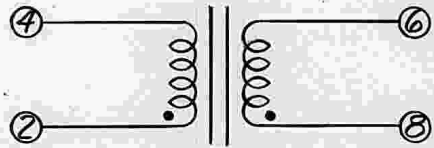
PART NUMBER  
120-1136-00

THIS DRAWING WHEN DISTRIBUTED OUTSIDE TEKTRONIX, INC., IS SUPPLIED FOR IDENTIFICATION, ENGINEERING EVALUATION AND/OR INSPECTION PURPOSES ONLY AND MAY NOT BE USED AS A BASIS FOR MANUFACTURE OR SALES OF PRODUCTS WITHOUT WRITTEN PERMISSION FROM TEKTRONIX, INC. IF THIS DRAWING IS FURNISHED UNDER ANY UNITED STATES GOVERNMENT CONTRACT, IT SHALL NOT BE EITHER RELEASED OUTSIDE THE GOVERNMENT, OR USED, DUPLICATED, OR DISCLOSED IN WHOLE OR IN PART FOR MANUFACTURE OR PROCUREMENT, WITHOUT THE WRITTEN PERMISSION OF TEKTRONIX, INC., EXCEPT FOR: (1) EMERGENCY REPAIR OR OVERHAUL WORK BY OR FOR THE GOVERNMENT, WHERE THE ITEM OR PROCESS CONCERNED IS NOT OTHERWISE REASONABLY AVAILABLE TO ENABLE TIMELY PERFORMANCE OF THE WORK; OR (2) RELEASE TO A FOREIGN GOVERNMENT AS THE INTERESTS OF THE UNITED STATES MAY REQUIRE; PROVIDED THAT IN EITHER CASE THE RELEASE, USE, DUPLICATION OR DISCLOSURE HEREOF SHALL BE SUBJECT TO THE FOREGOING LIMITATIONS, IF THIS DRAWING IS REPRODUCED IN WHOLE OR IN PART, THIS ENTIRE LEGEND BLOCK MUST APPEAR ON ALL REPRODUCED COPIES.

REV	REF	DESCRIPTION OF CHANGE	CHK BY	DATE
-----	-----	-----------------------	--------	------



PART NUMBER  $\Delta$



WINDINGS	TURNS	AWG	WIRE
2-4	8 1/2	35	*
8-6	8 1/2	35	

\* WOUND BIFILAR  
INDUCTANCE: 3.15 TO 3.60  $\mu$ H (2-4 & 8-6)  
PER HP4342 A Q METER  
POLARITY: PER SCHEMATIC

3. COIL CEMENTED TO BOTTOM CORE

$\Delta$  DATE CODE OPPOSITE SIDE

1. REFERENCE DIMENSIONS: .500 HIGH  $\times$  .480 WIDE  $\times$  .480 LONG

NOTES:

7	276-0675 -00	1	CORE, EM (TUNING, BROWN)
6	343-0510-00	1	CLAMP, POT CORE
5	276-0668-00	1	CORE, EM (1107 AL 40)
4	276-0201-00	1	FORM, COIL
3	253-0086-00	AR	TAPE, PRESSURE SENSITIVE (POLYESTER, .137 WIDE)
2	176-0039-XX	AR	WIRE, ELEC (35AWG)
1	352-0401-00	1	HOLDER, ELEC COMPONENT

ITEM	PART NUMBER	QTY	DESCRIPTION
------	-------------	-----	-------------

LIST OF MATERIALS

TEKTRONIX, INC. PROPRIETARY ITEM DRAWING			
<input checked="" type="checkbox"/> MFD BY TEKTRONIX		<input type="checkbox"/> MFD FOR TEKTRONIX	
<b>TEKTRONIX, INC.</b>		P. O. BOX 500 BEAVERTON, OREGON U.S.A. 97077	
DWN <i>J. Nagode</i>	20JUL77	DIMENSIONS ARE IN INCHES / $\frac{1}{16}$ " TOLERANCES: UNLESS OTHERWISE SPECIFIED	
ENGR <i>J. Woodfall</i>	20SEPT78	DEC	ANLR
CHKR <i>J. Woodfall</i>	20SEPT78	SCALE	FIRST USED ON
PROD <i>T. #1177</i>	20SEPT78	NONE	ADC 820T
MATERIAL			
SEE LIST OF MATERIALS			
FINISH			
TITLE TRANSFORMER, RF (VARIABLE, FILTER, POT CORE)			
CODE IDENT NO	SIZE	PART NUMBER	REV
80009	B	120-1136-00	

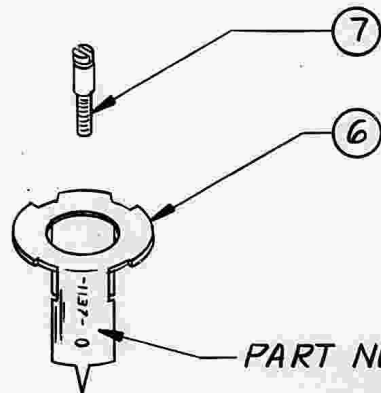
DO NOT SCALE DRAWING

76-182 B

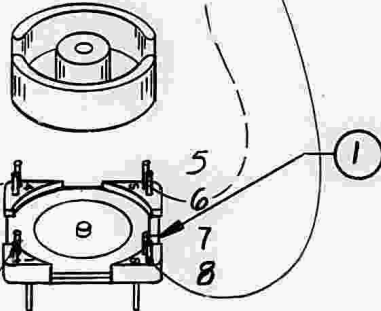
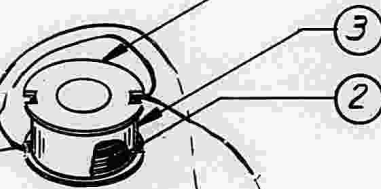
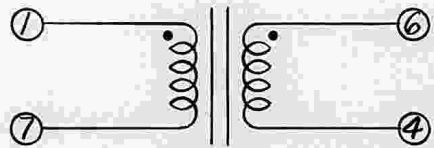
REV. 120-1137-00

THIS DRAWING WHEN DISTRIBUTED OUTSIDE TEKTRONIX, INC., IS SUPPLIED FOR IDENTIFICATION, ENGINEERING EVALUATION AND/OR INSPECTION PURPOSES ONLY AND MAY NOT BE USED AS A BASIS FOR MANUFACTURE OR SALES OF PRODUCTS WITHOUT WRITTEN PERMISSION FROM TEKTRONIX, INC. IF THIS DRAWING IS FURNISHED UNDER ANY UNITED STATES GOVERNMENT CONTRACT, IT SHALL NOT BE EITHER RELEASED OUTSIDE THE GOVERNMENT, OR USED, DUPLICATED, OR DISCLOSED IN WHOLE OR IN PART FOR MANUFACTURE OR PROCUREMENT, WITHOUT THE WRITTEN PERMISSION OF TEKTRONIX, INC., EXCEPT FOR: (1) EMERGENCY REPAIR OR OVERHAUL WORK BY OR FOR THE GOVERNMENT, WHERE THE ITEM OR PROCESS CONCERNED IS NOT OTHERWISE REASONABLY AVAILABLE TO ENABLE TIMELY PERFORMANCE OF THE WORK; OR (2) RELEASE TO A FOREIGN GOVERNMENT AS THE INTERESTS OF THE UNITED STATES MAY REQUIRE; PROVIDED THAT IN EITHER CASE THE RELEASE, USE, DUPLICATION OR DISCLOSURE HEREOF SHALL BE SUBJECT TO THE FOREGOING LIMITATIONS, IF THIS DRAWING IS REPRODUCED IN WHOLE OR IN PART, THIS ENTIRE LEGEND BLOCK MUST APPEAR ON ALL REPRODUCED COPIES.

REV	REF	DESCRIPTION OF CHANGE	CHK BY	DATE
-----	-----	-----------------------	--------	------



PART NUMBER  $\Delta$



	WINDING	TURNS	WIRE AWG
*	1-7	8 1/2	35
	6-4	8 1/2	35

\* BIFILAR WOUND  
 INDUCTANCE: 3.18 TO 3.69  $\mu$ H  
 (1-7 & 6-4) PER HP4342A Q METER  
 POLARITY: PER SCHEMATIC

3. COIL CEMENTED TO BOTTOM CORE

$\Delta$  DATE CODE OPPOSITE SIDE

1. REFERENCE DIMENSIONS: .500 HIGH  $\times$  .480 WIDE  $\times$  .480 LONG

NOTES:

7	276-0675 -00	1	CORE, EM (TUNING, BROWN)
6	343-0510-00	1	CLAMP, POT CORE
5	276-0668-00	1	CORE, EM (1107 AL 40)
4	276-0201-00	1	FORM, COIL
3	253-0086-00	AR	TAPE, PRESSURE SENSITIVE (POLYESTER, .137 WIDE)
2	176-0039-XX	AR	WIRE, ELEC (35 AWG)
1	352-0401-00	1	HOLDER, ELEC COMPONENT

ITEM	PART NUMBER	QTY	DESCRIPTION
------	-------------	-----	-------------

LIST OF MATERIALS

TEKTRONIX, INC. PROPRIETARY ITEM DRAWING			
<input checked="" type="checkbox"/> MFD BY TEKTRONIX		<input type="checkbox"/> MFD FOR TEKTRONIX	
TEKTRONIX, INC.		P. O. BOX 500 BEAVERTON, OREGON U.S.A. 97077	
DWN J. NAGODE ENGR J. G. GILL CHKR J. WOODFALL PROD T. HART	20 JUL 77 20 SEPT 78 20 SEPT 78 20 SEPT 78	DIMENSIONS ARE IN INCHES / $\frac{1}{16}$ " TOLERANCES UNLESS OTHERWISE SPECIFIED DEC _____ ANLR _____ SCALE NONE FIRST USED ON ADC 820 T	
MATERIAL			
SEE LIST OF MATERIALS			
FINISH _____			
TITLE TRANSFORMER, RF (VARIABLE, FILTER, POT CORE)			
CODE IDENT NO	SIZE	PART NUMBER	REV
80009	B	120-1137-00	

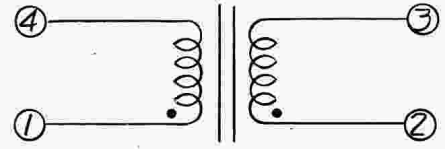
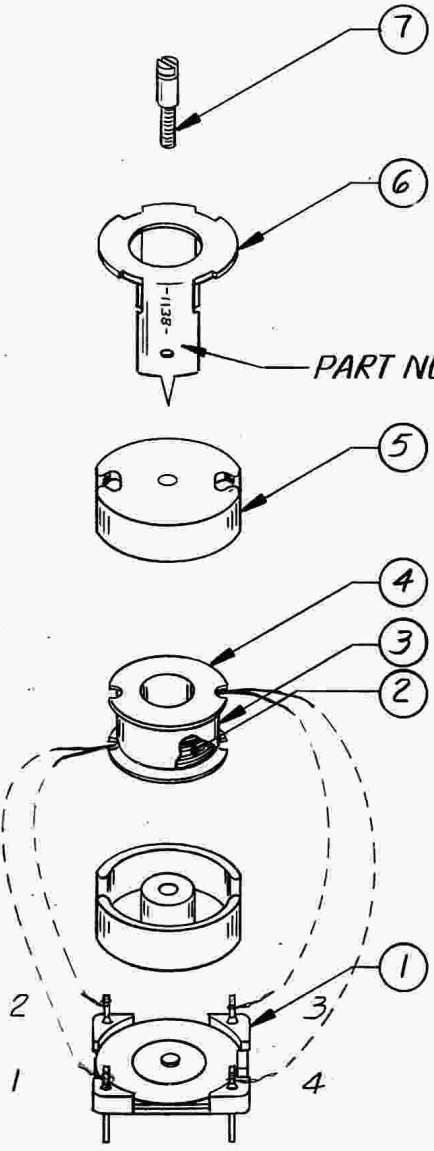
75-112

REV.

PART NUMBER  
120-1138-00

THIS DRAWING WHEN DISTRIBUTED OUTSIDE TEKTRONIX, INC., IS SUPPLIED FOR IDENTIFICATION, ENGINEERING EVALUATION AND/OR INSPECTION PURPOSES ONLY AND MAY NOT BE USED AS A BASIS FOR MANUFACTURE OR SALES OF PRODUCTS WITHOUT WRITTEN PERMISSION FROM TEKTRONIX, INC. IF THIS DRAWING IS FURNISHED UNDER ANY UNITED STATES GOVERNMENT CONTRACT, IT SHALL NOT BE EITHER RELEASED OUTSIDE THE GOVERNMENT, OR USED, DUPLICATED, OR DISCLOSED IN WHOLE OR IN PART FOR MANUFACTURE OR PROCUREMENT, WITHOUT THE WRITTEN PERMISSION OF TEKTRONIX, INC., EXCEPT FOR: (1) EMERGENCY REPAIR OR OVERHAUL WORK BY OR FOR THE GOVERNMENT, WHERE THE ITEM OR PROCESS CONCERNED IS NOT OTHERWISE REASONABLY AVAILABLE TO ENABLE TIMELY PERFORMANCE OF THE WORK; OR (2) RELEASE TO A FOREIGN GOVERNMENT AS THE INTERESTS OF THE UNITED STATES MAY REQUIRE, PROVIDED THAT IN EITHER CASE THE RELEASE, USE, DUPLICATION OR DISCLOSURE HEREOF SHALL BE SUBJECT TO THE FOREGOING LIMITATIONS, IF THIS DRAWING IS REPRODUCED IN WHOLE OR IN PART, THIS ENTIRE LEGEND BLOCK MUST APPEAR ON ALL REPRODUCED COPIES.

REV	REF	DESCRIPTION OF CHANGE	CHK BY	DATE
-----	-----	-----------------------	--------	------



	WIRE	
WINDINGS	TURNS	AWG
1-4	4 1/2	30/46
2-3	4 1/2	30/46

\* WOUND BIFILAR  
 INDUCTANCE: PER HP 4342A Q METER  
 AT 7.9 MHz:  
 \*\* { L (MIN RANGE) 1.02 TO 1.14 μH  
 Q (NOMINAL) 145 & 110  
 POLARITY: PER SCHEMATIC  
 OPERATING FREQUENCY: 7.2 MHz  
 \*\* EACH WINDING

3. COIL CEMENTED TO BOTTOM CORE

△ DATE CODE OPPOSITE SIDE

1. REFERENCE DIMENSIONS: .500 HIGH × .480 WIDE × .480 LONG

NOTES:

7	276-0675-00	1	CORE, EM (TUNING, BROWN)
6	343-0510-00	1	CLAMP, POT CORE
5	276-0668-00	1	CORE, EM (1107-AL 40)
4	276-0213-00	1	FORM, COIL
3	253-0086-00	AR	TAPE, PRESSURE SENSITIVE (POLYESTER, .137 WIDE)
2	176-0326-XX	AR	WIRE, ELEC (30/46 LITZ)
1	352-0402-00	1	HOLDER, ELEC COMPONENT

ITEM	PART NUMBER	QTY	DESCRIPTION
------	-------------	-----	-------------

LIST OF MATERIALS

TEKTRONIX, INC. PROPRIETARY ITEM DRAWING			
<input checked="" type="checkbox"/> MFD BY TEKTRONIX		<input type="checkbox"/> MFD FOR TEKTRONIX	
<b>TEKTRONIX, INC.</b>		P. O. BOX 500 BEAVERTON, OREGON U.S.A. 97077	
DWN <b>J. NAGODE</b>	20 JUL 78	DIMENSIONS ARE IN INCHES	
ENGR <i>J. Woodfall</i>	5 OCT 78	TOLERANCES: UNLESS OTHERWISE SPECIFIED	
CHKR <b>J. WOODFALL</b>	5 OCT 78	DEC _____	ANLR _____
PROD. <i>H. HATT</i>	5 OCT 78	SCALE	FIRST USED ON
MATERIAL		NONE	DAC 850 T
SEE LIST OF MATERIALS			
FINISH _____			
TITLE <b>TRANSFORMER, RF (VARIABLE, POT CORE)</b>			
CODE IDENT NO	SIZE	PART NUMBER	REV
<b>80009</b>	<b>B</b>	<b>120-1138-00</b>	

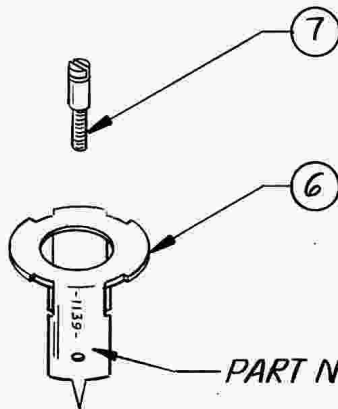
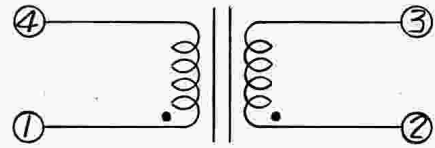
DO NOT SCALE DRAWING

75-113

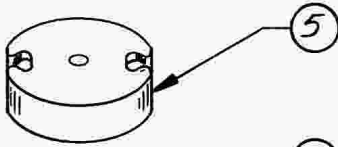
REV. 120-1139-00

THIS DRAWING WHEN DISTRIBUTED OUTSIDE TEKTRONIX, INC., IS SUPPLIED FOR IDENTIFICATION, ENGINEERING EVALUATION AND/OR INSPECTION PURPOSES ONLY AND MAY NOT BE USED AS A BASIS FOR MANUFACTURE OR SALES OF PRODUCTS WITHOUT WRITTEN PERMISSION FROM TEKTRONIX, INC. IF THIS DRAWING IS FURNISHED UNDER ANY UNITED STATES GOVERNMENT CONTRACT, IT SHALL NOT BE EITHER RELEASED OUTSIDE THE GOVERNMENT, OR USED, DUPLICATED, OR DISCLOSED IN WHOLE OR IN PART FOR MANUFACTURE OR PROCUREMENT, WITHOUT THE WRITTEN PERMISSION OF TEKTRONIX, INC., EXCEPT FOR: (1) EMERGENCY REPAIR OR OVERHAUL WORK BY OR FOR THE GOVERNMENT, WHERE THE ITEM OR PROCESS CONCERNED IS NOT OTHERWISE REASONABLY AVAILABLE TO ENABLE TIMELY PERFORMANCE OF THE WORK; OR (2) RELEASE TO A FOREIGN GOVERNMENT AS THE INTERESTS OF THE UNITED STATES MAY REQUIRE; PROVIDED THAT IN EITHER CASE THE RELEASE, USE, DUPLICATION OR DISCLOSURE HEREOF SHALL BE SUBJECT TO THE FOREGOING LIMITATIONS. IF THIS DRAWING IS REPRODUCED IN WHOLE OR IN PART, THIS ENTIRE LEGEND BLOCK MUST APPEAR ON ALL REPRODUCED COPIES.

REV	REF	DESCRIPTION OF CHANGE	CHK BY	DATE
-----	-----	-----------------------	--------	------

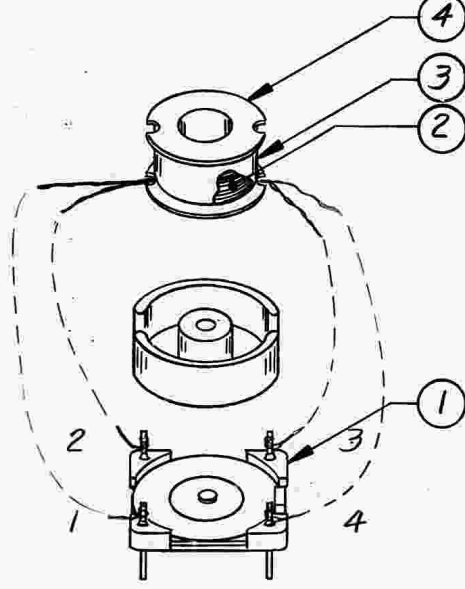


PART NUMBER  $\Delta$



WINDINGS	TURNS	AWG
1-4	8 1/2	30/46
2-3	8 1/2	30/46

\* WOUND BIFILAR  
 INDUCTANCE: PER HP 4342 A Q METER:  
 AT 7.9 MHz  
 \*\* { L (MIN RANGE) 3.6 TO 3.9  $\mu$ H  
 Q (NOMINAL) 115 & 115  
 POLARITY: PER SCHEMATIC  
 OPERATING FREQUENCY: 7.2 MHz  
 \*\* EACH WINDING



3. COIL CEMENTED TO BOTTOM CORE

$\Delta$  DATE CODE OPPOSITE SIDE

1. REFERENCE DIMENSIONS: .500 HIGH  $\times$  .480 WIDE  $\times$  .480 LONG

NOTES:

TEKTRONIX, INC. PROPRIETARY ITEM DRAWING			
<input checked="" type="checkbox"/> MFD BY TEKTRONIX		<input type="checkbox"/> MFD FOR TEKTRONIX	
<b>TEKTRONIX, INC.</b>		P. O. BOX 500 BEAVERTON, OREGON U.S.A. 97077	
DWN <b>J. NAGODE</b>	20 JUL 71	DIMENSIONS ARE IN INCHES / UNLESS OTHERWISE SPECIFIED	
ENGR <i>Walt Jordan</i>	5 OCT 78	DEC	ANLR
CHKR <b>J. WOODFALL</b>	5 OCT 78	SCALE	FIRST USED ON
PROD <i>T. HART</i>	5 OCT 78	NONE	DAC 850T
MATERIAL			
SEE LIST OF MATERIALS			
FINISH			
TITLE <b>TRANSFORMER, RF (VARIABLE, POT CORE)</b>			
CODE IDENT NO	SIZE	PART NUMBER	REV
<b>80009</b>	<b>B</b>	<b>120-1139-00</b>	

ITEM	PART NUMBER	QTY	DESCRIPTION
7	276-0675-00	1	CORE, EM (TUNING, BROWN)
6	343-0510-00	1	CLAMP, POT CORE
5	276-0668-00	1	CORE, EM (1107 - AL 40)
4	276-0213-00	1	FORM, COIL
3	253-0086-00	AR	TAPE, PRESSURE SENSITIVE (POLYESTER, .137 WIDE)
2	176-0326-XX	AR	WIRE, ELEC (30/46 LITZ)
1	352-0402-00	1	HOLDER, ELEC COMPONENT

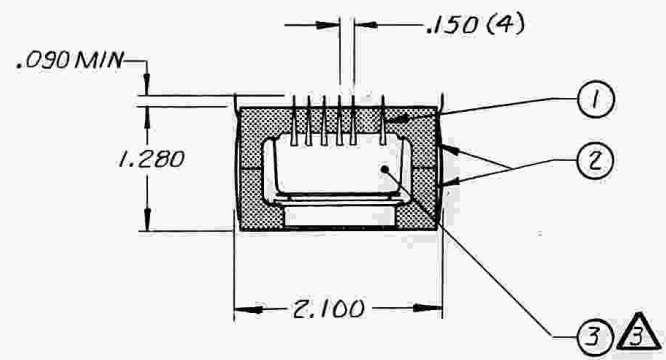
ITEM	PART NUMBER	QTY	DESCRIPTION
------	-------------	-----	-------------

LIST OF MATERIALS

DO NOT SCALE DRAWING

76-61C

THIS DRAWING WHEN DISTRIBUTED OUTSIDE TEKTRONIX, INC. IS SUPPLIED FOR IDENTIFICATION, ENGINEERING EVALUATION AND/OR INSPECTION PURPOSES ONLY AND MAY NOT BE USED AS A BASIS FOR MANUFACTURE OR SALES OF PRODUCTS WITHOUT WRITTEN PERMISSION FROM TEKTRONIX, INC.  
 IF THIS DRAWING IS FURNISHED UNDER ANY UNITED STATES GOVERNMENT CONTRACT, IT SHALL NOT BE EITHER RELEASED OUTSIDE THE GOVERNMENT, OR USED, DUPLICATED, OR DISCLOSED IN WHOLE OR IN PART FOR MANUFACTURE OR PROCUREMENT, WITHOUT THE WRITTEN PERMISSION OF TEKTRONIX, INC., EXCEPT FOR: (1) EMERGENCY REPAIR OR OVERHAUL WORK BY OR FOR THE GOVERNMENT, WHERE THE ITEM OR PROCESS CONCERNED IS NOT OTHERWISE REASONABLY AVAILABLE TO ENABLE TIMELY PERFORMANCE OF THE WORK; OR (2) RELEASE TO A FOREIGN GOVERNMENT AS THE INTERESTS OF THE UNITED STATES MAY REQUIRE PROVIDED THAT IN EITHER CASE THE RELEASE, USE, DUPLICATION OR DISCLOSURE HEREOF SHALL BE SUBJECT TO THE FOREGOING LIMITATIONS. IF THIS DRAWING IS REPRODUCED IN WHOLE OR IN PART, THIS ENTIRE LEGEND BLOCK MUST APPEAR ON ALL REPRODUCED COPIES.

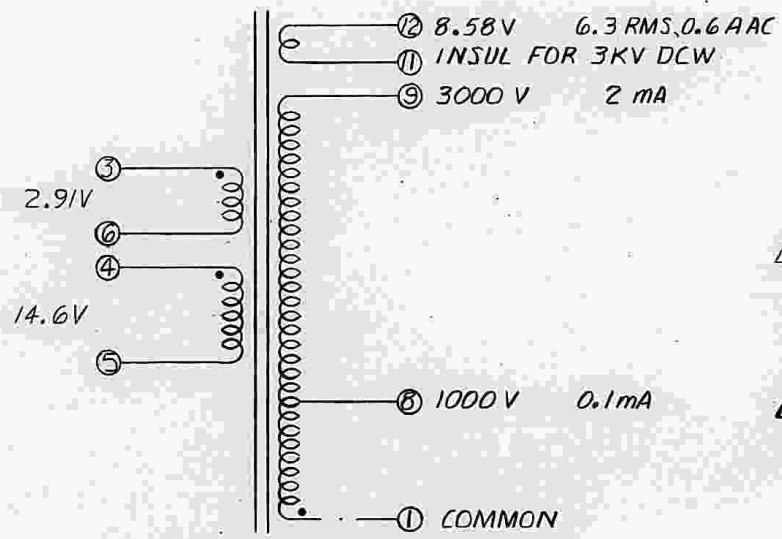
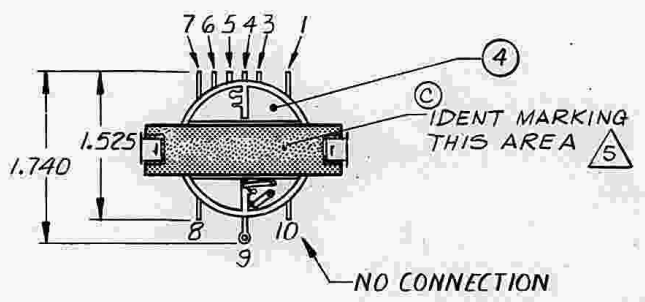


COIL STRUCTURE

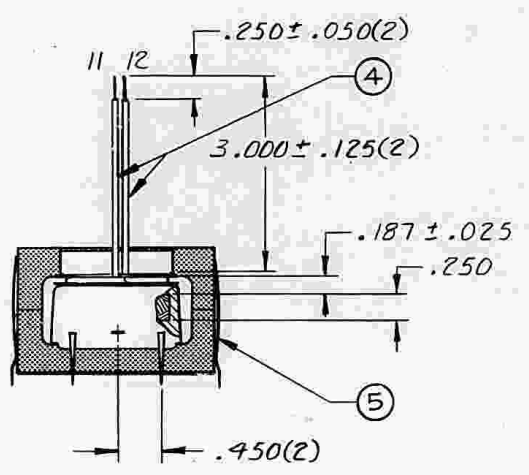
OUTSIDE

TYPE WINDING		LEAD/TERM NO	
SEC 11-12	SEC	1-8-9	
	$\emptyset$ -344 1/2-1031 1/2 T	#37	
3T *26	PRI 4-5	PRI 3-6	
	5T *28	IT *28	

INSIDE



OPERATING FREQUENCY: 50 KHZ



REV	REF	DESCRIPTION OF CHANGE	CHK BY	DATE
A	41258	ITEM 4 P/N WAS 276-0225-00 ADDED NOTE 5	DD	16 JUN 81
B	30393	REMOVED NOTE 5.	DD	2 MAR 83
C	52601	REVISED DWG. & ADDED NOTE 5	DD	26 MAY 84

PART NUMBER	REV
120-1140-00	C

- 5 LOCATION AND ORIENTATION ON THIS SURFACE NOT CRITICAL, MUST BE LEGIBLE
- 4. VOLTAGE RATINGS ARE PEAK NO LOAD UOS. CURRENT RATINGS ARE AMPS DC UOS
- 3 COIL TRANSFER MOLDED WITH EPOXY
- 2. POLARITY PER SCHEMATIC
- 1. DIMENSIONS REFERENCE UNLESS OTHERWISE SPECIFIED

NOTES:

**TEKTRONIX, INC.** P. O. BOX 508 BEAVERTON, OREGON U.S.A. 97005

DWN J. NAGODE 22 AUG 77  
 ENGR R. CLON 25 Apr 79  
 CHKR B. STEPHAN 9 May 79  
 PROD G. HAN 25 Apr 79

DIMENSIONS ARE IN INCHES, UNLESS Tolerances Unless Otherwise Specified

SCALE 1:1 FIRST USED ON GMA 102 A

MATERIAL SEE LIST OF MATERIALS

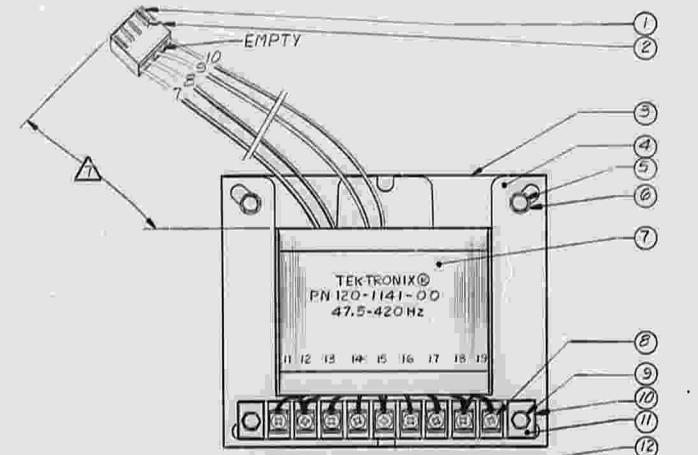
FINISH NOTED

TITLE TRANSFORMER, POWER, SDN & SU (HIGH VOLTAGE)

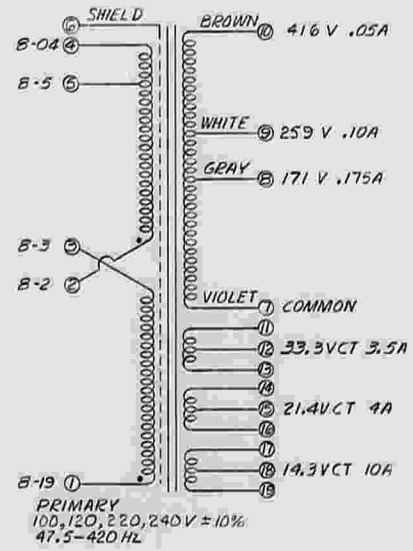
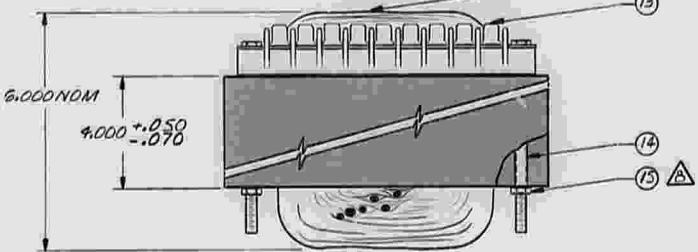
ITEM	PART NUMBER	QTY	DESCRIPTION
A 5	343-0682-00	2	CLAMP, XFMR CORE
4	650-0309-00	1	BOBBIN ASSEMBLY
3	255-0479-01	AR	PLASTIC MLDG MATL (EPOXY)
2	276-0696-00	1	CORE, "E" FERRITE
	276-0697-00	1	CORE, "E" FERRITE
1	195-0118-00	1/2	LEAD SET, ELEC (HV XFMR)

CODE IDENT NO	SIZE	PART NUMBER	REV
80009	C	120-1140-00	C

REV	REF	DESCRIPTION OF CHANGE	CHK BY	DATE
(A)	38636	NOTE 3 WAS 600V DC	LL	25 FEB 78
(B)	38824	ITEM 1 WAS 131-1730-00	LL	3 APR 78



LINE	LINE TO	CONNECT
100V	1-5	1 TO 2, 3 TO 4
120V	1-4	1 TO 2, 3 TO 4
220V	1-5	2 TO 3
240V	1-4	2 TO 3



COIL STRUCTURE

OUTSIDE

TYPE WINDING	TERM/LEAD NO
SEC	17-18-19
8-6-12 T	#10
SEC	14-15-16
8-9-18 T	#12
SEC	11-12-13
8-14-28 T	#13
SEC	9-10
132 T	#28
SEC	8-9
74 T	#26
SEC	7-8
144 T	#22
SHIELD	6
PRI	2-5-4
8-8-101 T	#17
PRI	1-3
101 T	#17

INSIDE

9. TRANSFORMER MUST COMPLY WITH CSA 154 AND UL 478
- ⚠️ NUT TEMPORARY #10 PLASTIC (006-0146-00) USED IN PLACE OF (210-0410-00) FOR INTERPLANT SHIPMENT

⚠️ LEAD LENGTHS: = CONNECTOR \* INSUL SLEEVING \*\* LEAD WIRE

LEAD NO	COLOR	PKT NUMBER	LENGTH	STRIP/TIN
1	B-19	162-0660-00	4.000	1.000
2	B-2	162-0662-00	9.000	□
3	B-3	162-0653-00		
4	B-04	162-0669-00		
5	B-5	162-0665-00		
6	BLK	162-0204-00		
7	VIO	175-0349-00		
8	GRY	175-0286-00		
9	WHT	175-0251-00		
10	BRN	175-0364-00		

**Tektronix**  
SAFETY CONTROLLED PART  
This part contains a laser diode which may be used in applications where eye safety is a concern. Refer to the Laser Safety Manual for more information.

PART NUMBER	REV
120-1141-00	B

6. POLARITY PER SCHEMATIC
5. DIELECTRIC WITHSTANDING VOLTAGES: 2KV RMS, 50 TO 60HZ, 1 MINUTE, PRIMARIES TO SECONDARIES, SHIELD, AND CORE
- ⓐ 3. WINDINGS 1 THRU 10, 11 THRU 18 INSULATED FOR 300V DC
2. TRANSFORMER VACUUM IMPREGNATED WITH VARNISH 252-0082-00
1. DIMENSIONS REFERENCE UNLESS OTHERWISE SPECIFIED

NOTES:

TEKTRONIX, INC. PROPRIETARY ITEM DRAWING

MPD BY TEKTRONIX

TEKTRONIX, INC. BEAVERTON, OREGON U.S.A. 97077

DATE: 5 JUN 78

DESIGNER: J. NAGODE

CHKD BY: J. NAGODE

DATE: 5 JUN 78

SCALE: 1:1

MATERIAL: SEE LIST OF MATERIALS

FINISH: NOTED

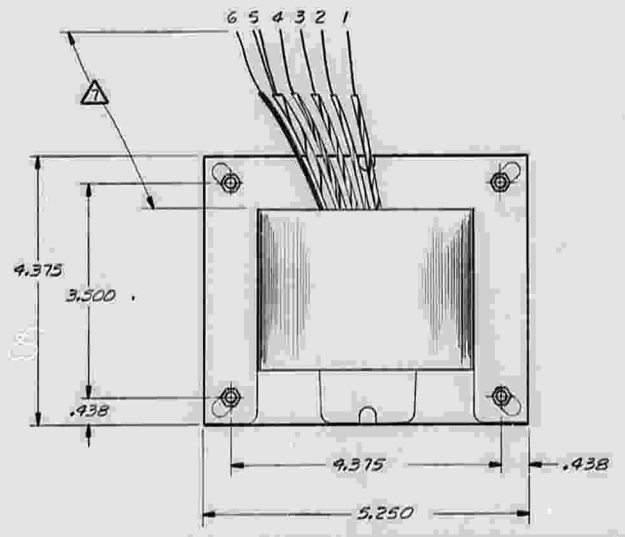
TITLE: TRANSFORMER POWER SDN&SU

GROUP: 80009

DESIGNER: D

PART NUMBER: 120-1141-00

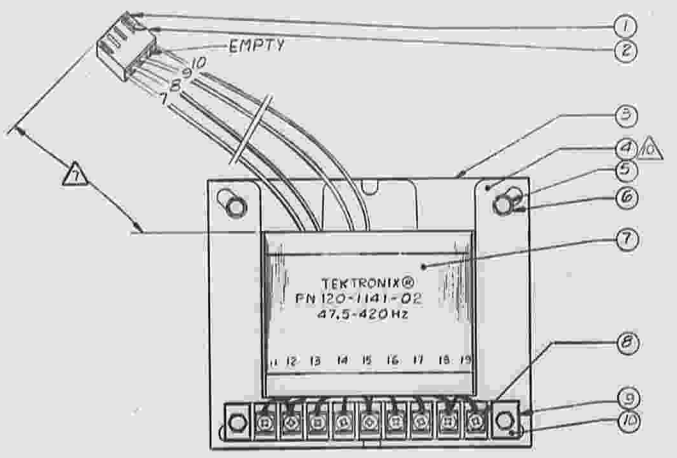
REV: B



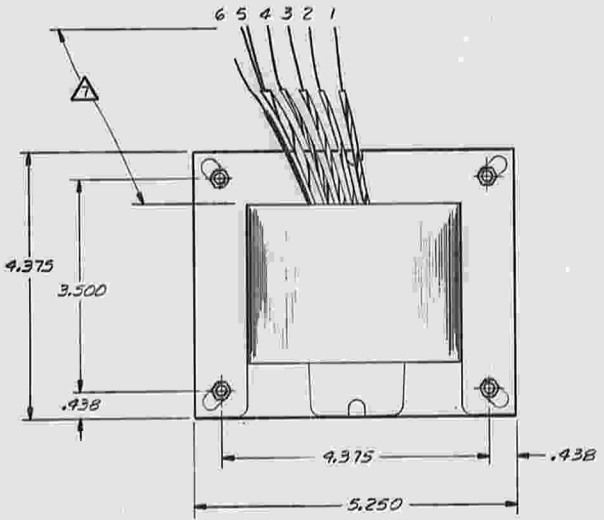
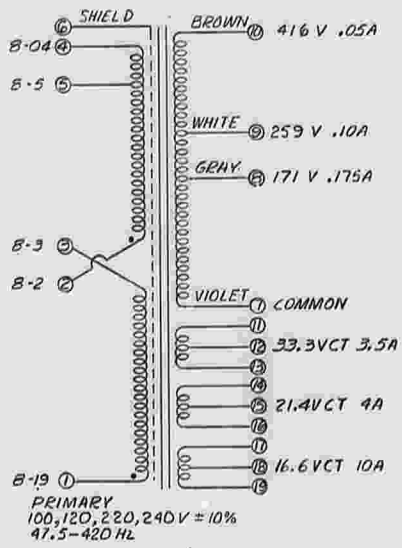
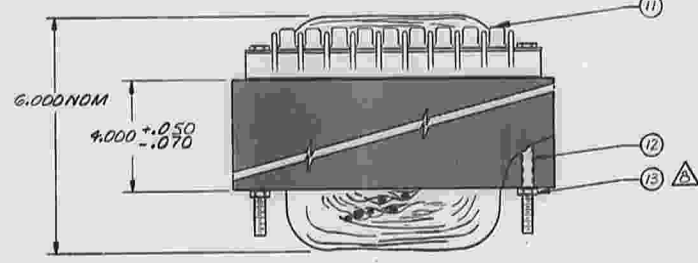
10	124-0349-00	1	TERMINAL BOARD
9	212-0542-00	2	BOLT, HEX (10-32/5.000)
8	211-0590-00	9	SCREW (6-32/.250)
7	000-6676-00	1	MARKER IDENTIFICATION
6	210-0812-00	2	WASHER (FIBER)
5	212-0547-00	2	BOLT, HEX (10-32/4.750 L)
4	386-0082-00	2	PLATE LAMINATION (KEEPER)
3	386-0031-00	AP	PLATE LAMINATION (STEEL)
2	204-0749-00	1	CONNECTOR BODY, PLUG
1	210-1102-00	2	WASHER, FLAT (SQUARE)
1	131-1918-00	4	CONTACT, ELECTRICAL



REV	DESCRIPTION OF CHANGE	CHK BY	DATE
	INITIATED PART	JLD	5 MAY 68
A	37735 CORRECTED MOD NO., ADDED ITEM 15	SD	15 SEP 80
B	42018 REMOVED ITEM 14 RN 120-1102-00	DD	12 FEB 82
C	50496 ADDED NOTE A NOTE 5 WAS 2KV	DD	22 JUN 83
D	51689 UPDATED NOTE A	DD	2 JAN 84
E	53439 ITEM 14 WAS REMOVED	DD	8 FEB 84



LINE	LINE TO	CONNECT
100V	1-5	1 TO 2, 3 TO 4
120V	1-4	1 TO 2, 3 TO 4
220V	1-5	2 TO 3
240V	1-4	2 TO 3



COIL STRUCTURE

OUTSIDE

TYPE WINDING TERM/LEAD NO

SEC	17-18-19
0-7-14T	#10

SEC	14-15-16
0-9-18T	#12

SEC	11-12-13
0-14-28T	#13

SEC	9-10
132T	#28

SEC	8-9
74T	#26

SEC	7-8
144T	#22

SHIELD	6
--------	---

INSIDE

PRI	2-5-4
0-84-101T	#17

PRI	1-3
101T	#17

ORIENTATION OF KEEPER IS OPTIONAL  
 9. TRANSFORMER MUST COMPLY WITH CSA 154 AND UL 478

NUT TEMPORARY; #10 PLASTIC (006-0196-00) USED IN PLACE OF (210-0910-00) FOR INTERPLANT SHIPMENT

LEAD LENGTHS: = CONNECTOR + INSUL SLEEVING \*\* LEAD WIRE

LEAD NO	COLOR	PHRY NUMBER	LENGTH	STRIP/IN
1	B-19	162-0660-00	5.000	1.000
2	B-2	162-0662-00		
3	B-3	162-0653-00		
4	B-04	162-0669-00		
5	B-5	162-0665-00		
6	BLK	162-0504-00	4.000	
7	WHT	175-0949-00	9.000	
8	GRY	175-0886-00		
9	WHT	175-0951-00		
10	BRN	175-0964-00		

**Tektronix**  
 SAFETY CONTROLLED PART  
 Part number: 120-1141-02

6. POLARITY PER SCHEMATIC

5. DIELECTRIC WITHSTANDING VOLTAGE: 1.5KV RMS, 50 TO 60HZ, 1 MINUTE, PRIMARIES TO SECONDARIES, SHIELD, AND CORE

3. WINDINGS 1 THRU 10, 11 THRU 18 INSULATED FOR 300 V DC

2. TRANSFORMER VACUUM IMPREGNATED WITH VARNISH 252-0082-00 OR APPROVED EQUIVALENT  
 1. DIMENSIONS REFERENCE UNLESS OTHERWISE SPECIFIED

NOTES:

TEKTRONIX, INC. PROPRIETARY ITEM DRAWING  
 MFG BY TEKTRONIX  
**TEKTRONIX, INC.** P. O. BOX 800 SEASIDE, OREGON U.S.A. 97137  
 DWG: 120-1141-02  
 ENGR: [Signature]  
 CHAR: [Signature]  
 PROJ: [Signature]  
 MATERIAL: SEE LIST OF MATERIALS  
 FINISH: NOTED  
 TITLE: TRANSFORMER POWER SDN&SU  
 CODE IDENT NO: 80009  
 REV: E

QTY	PART NUMBER	DESCRIPTION	QTY	PART NUMBER	DESCRIPTION
1	124-0349-00	TERMINAL BOARD	1	131-1790-00	CONTACT, ELECTRICAL
8	211-0590-00	SCREW (6-32/.250)	2	212-0547-00	BOLT, HEX (10-32 / 4.750 L)
7	334-0495-00	MARKER IDENTIFICATION	4	386-0032-00	PLATE LAMINATION (KEEPER)
6	210-0812-00	WASHER (FIBER)	3	386-0031-00	AR PLATE LAMINATION (STEEL)
2	212-0542-00	BOLT, HEX (10-32 x 5.000 L)	2	204-0749-00	CONNECTOR BODY, PLUG
13	210-0410-00	NUT, HEX (10-32 / 5.00 L)	1	131-1790-00	CONTACT, ELECTRICAL
12	166-0251-00	INSUL, SLVGS, ELEC (3570L)			
11	131-1816-01	TERM QUICK DISCONNECT			
10	210-1102-00	WASHER, FLAT (SQUARE)			

76-208 D

REV. B  
PART NUMBER 120-1142-00

THIS DRAWING WHEN DISTRIBUTED OUTSIDE TEKTRONIX, INC., IS SUPPLIED FOR IDENTIFICATION, ENGINEERING EVALUATION AND/OR INSPECTION PURPOSES ONLY AND MAY NOT BE USED AS A BASIS FOR MANUFACTURE OR SALES OF PRODUCTS WITHOUT WRITTEN PERMISSION FROM TEKTRONIX, INC. IF THIS DRAWING IS FURNISHED UNDER ANY UNITED STATES GOVERNMENT CONTRACT, IT SHALL NOT BE EITHER RELEASED OUTSIDE THE GOVERNMENT, OR USED, DUPLICATED, OR DISCLOSED IN WHOLE OR IN PART FOR MANUFACTURE OR PROCUREMENT, WITHOUT THE WRITTEN PERMISSION OF TEKTRONIX, INC., EXCEPT FOR: (1) EMERGENCY REPAIR OR OVERHAUL WORK BY OR FOR THE GOVERNMENT, WHERE THE ITEM OR PROCESS CONCERNED IS NOT OTHERWISE REASONABLY AVAILABLE TO ENABLE TIMELY PERFORMANCE OF THE WORK; OR (2) RELEASE TO A FOREIGN GOVERNMENT AS THE INTERESTS OF THE UNITED STATES MAY REQUIRE; PROVIDED THAT IN EITHER CASE THE RELEASE, USE, DUPLICATION OR DISCLOSURE HEREOF SHALL BE SUBJECT TO THE FOREGOING LIMITATIONS, IF THIS DRAWING IS REPRODUCED IN WHOLE OR IN PART, THIS ENTIRE LEGEND BLOCK MUST APPEAR ON ALL REPRODUCED COPIES.

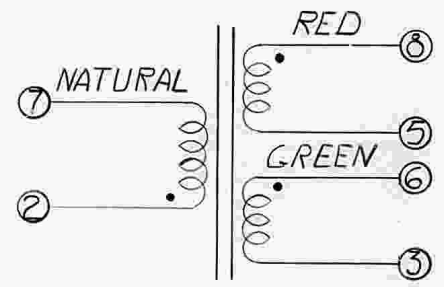
REV	REF	DESCRIPTION OF CHANGE	CHK BY	DATE
(A)	49313	UPDATED DWG., GENERAL NOTE. MT'L ITEM 2 WAS 253-0086-00. ADDED NOTE 4	DD	8 JUNE 83
(B)	DDN A1	UPDATED GENERAL NOTE	LB	28 MAR 86

- (A) 4. WIRE COLORS OPTIONAL WITH SUPPLIER
- 3. COIL CEMENTED TO BOTTOM CORE WITH 006-1109-00 OR APPROVED EQUIV

- (2) DATE CODE OPPOSITE SIDE
- 1. REFERENCE DIMENSIONS: .500 HIGH X .480 WIDE X .480 LONG

NOTES:

TEKTRONIX, INC. PROPRIETARY ITEM DRAWING			
<input checked="" type="checkbox"/> MFD BY TEKTRONIX		<input type="checkbox"/> MFD FOR TEKTRONIX	
		P. O. BOX 500 BEAVERTON, OREGON U.S.A. 97077	
DWN	JTWINFREY	26 JUL 78	DIMENSIONS ARE IN INCHES / TOLERANCES UNLESS OTHERWISE SPECIFIED
ENGR	<i>W. Gordon</i>	14 Nov 79	DEC ANLR
CHKR	<i>B. Stewart</i>	20 Nov 79	SCALE FIRST USED ON
PRDWR	<i>M. Crotty</i>		NONE 1450-1
MATERIAL			
SEE LIST OF MATERIALS			
FINISH			
TITLE TRANSFORMER, RF (INTERCARRIER POT CORE)			
CODE IDENT NO	SIZE	PART NUMBER	REV
80009	B	120-1142-00	B

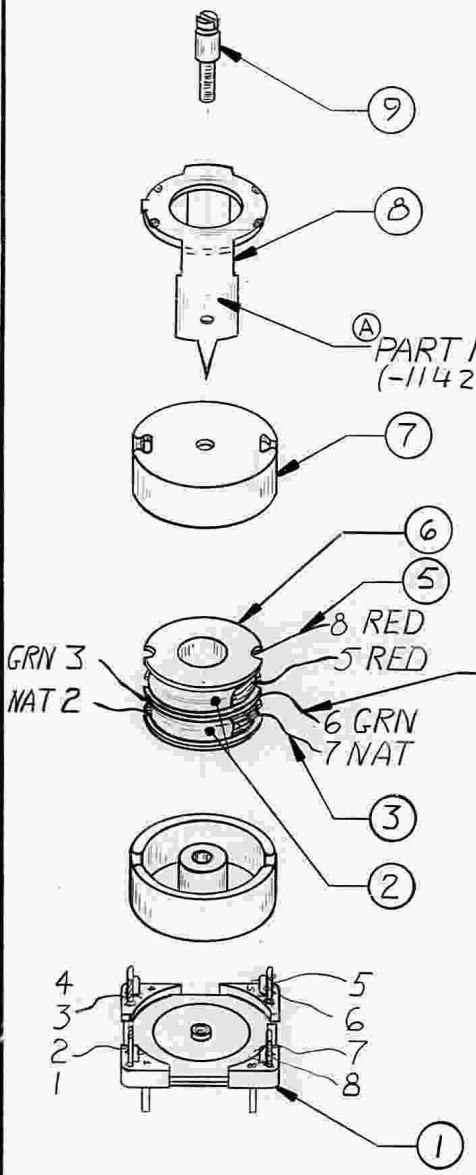


WIRE DATA		RESISTANCE		
WINDINGS	TERMS	AWG	±20% AT 20°C	
8-5 SEC	5	31	63 mΩ	
6-3 PRI	4 1/2	31	58 mΩ	
2-7 SEC	4 1/2	31	61 mΩ	

(B)(A) INDUCTANCE: 1.152 TO 1.280 μH TERM 5-8  
 PER HP 4275A Q METER @ 100 KHz, 5 mA,  
 SERIES MODE OR APPROVED EQUIVALENT  
 POLARITY: PER SCHEMATIC  
 OPERATING FREQUENCY: 4.5 MHz

ITEM	PART NUMBER	QTY	DESCRIPTION
9	276-0675-00	1	CORE, TUNING BROWN
8	343-0510-00	1	CLAMP, POT CORE
7	276-0668-00	1	CORE, EM (A40-1107)
6	276-0232-00	1	FORM, COIL
5	176-0036-00	AR	WIRE ELEC (31 AWG)
4	176-0036-15	AR	WIRE, ELEC (31 AWG)
3	176-0036-14	AR	WIRE, ELEC (31 AWG)
2	253-0281-00	AR	TAPE, PRESS SENS (.062 WIDE)
1	352-0401-00	1	HOLDER, ELEC COMP MTG

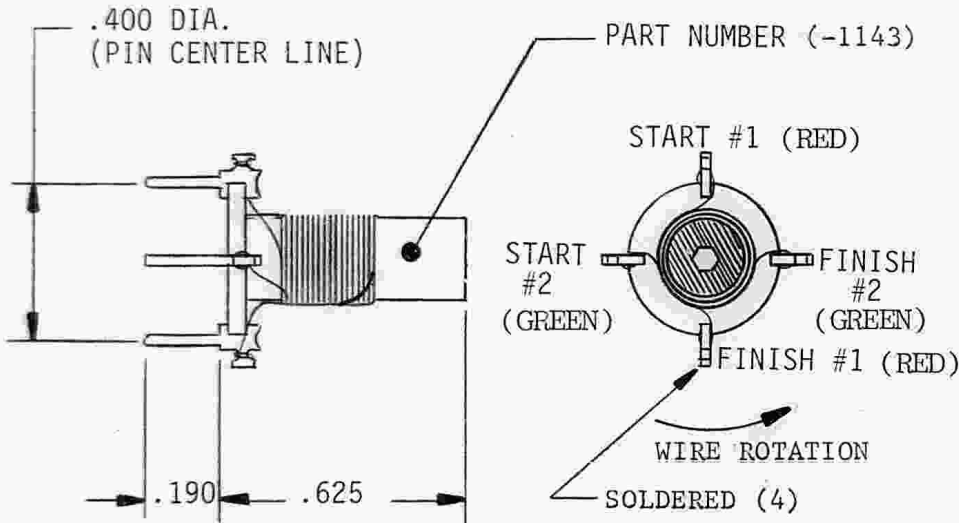
ITEM	PART NUMBER	QTY	DESCRIPTION
LIST OF MATERIALS			



(A) PART NUMBER 2 (-1142)

NOTES:

1. (DELETED)
2. WINDING COATED WITH 006-1109-00 OR APPROVED EQUIVALENT
3. VALUES DETERMINED WITH HP4275A METER OR APPROVED EQUIVALENT AT 10 MHz, 5 mA, SERIES MODE
4. CORE ADJUSTING TORQUE 0.5 TO 4.0 OZ-IN



WIRE DATA		
TURNS	AWG	PART NUMBER
7 1/2	26	176-0032-00
7 1/2	26	176-0032-15

\* BIFILAR

DATA:

FORM 276-0096-00  
TUNING CORE 276-0506-00

76-174

PART NUMBER

120-1143-00

REV

A

THIS DRAWING WHEN DISTRIBUTED OUTSIDE TEKTRONIX, INC. IS SUPPLIED FOR IDENTIFICATION ENGINEERING EVALUATION AND/OR INSPECTION PURPOSES ONLY AND MAY NOT BE USED AS A BASIS FOR MANUFACTURE OR SALES OF PRODUCTS WITHOUT WRITTEN PERMISSION FROM TEKTRONIX, INC. IF THIS DRAWING IS FURNISHED UNDER ANY UNITED STATES GOVERNMENT CONTRACT, IT SHALL NOT BE EITHER RELEASED OUTSIDE THE GOVERNMENT, OR USED, DUPLICATED, OR DISCLOSED IN WHOLE OR IN PART FOR MANUFACTURE OR PROCUREMENT WITHOUT THE WRITTEN PERMISSION OF TEKTRONIX, INC. EXCEPT FOR: (1) EMERGENCY REPAIR OR OVERHAUL WORK BY OR FOR THE GOVERNMENT, WHERE THE ITEM OR PROCESS CONCERNED IS NOT OTHERWISE REASONABLY AVAILABLE TO ENABLE TIMELY PERFORMANCE OF THE WORK; OR (2) RELEASE TO A FOREIGN GOVERNMENT AS THE INTERESTS OF THE UNITED STATES MAY REQUIRE; PROVIDED THAT IN EITHER CASE THE RELEASE, USE, DUPLICATION OR DISCLOSURE HEREOF SHALL BE SUBJECT TO THE FOREGOING LIMITATIONS. IF THIS DRAWING IS REPRODUCED IN WHOLE OR IN PART, THIS ENTIRE LEGEND BLOCK MUST APPEAR ON ALL REPRODUCED COPIES.

REV	BY	REF	DESCRIPTION OF CHANGE	CHK BY / DATE
A	LG	57978	REVISED DRAWING PER MOD DOCUMENT	28 JUN 85

TEKTRONIX, INC. PROPRIETARY ITEM DRAWING

MFD BY TEKTRONIX

MFD FOR TEKTRONIX



TEKTRONIX, INC.

P. O. BOX 500  
BEAVERTON, OREGON U.S.A. 97077



DWN	J. NAGODE	8 DEC 77	DIMENSIONS ARE IN INCHES / TOLERANCES: UNLESS OTHERWISE SPECIFIED	
ENGR	<i>W. S. ...</i>	31 Oct 79	DEC REF	ANLR
CHKR	<i>B. Stewart</i>	1 Nov 79	SCALE	FIRST USED ON
PROD	<i>P. Lancaster</i>	1 Nov 79	NONE	1450-1

MATERIAL LISTED

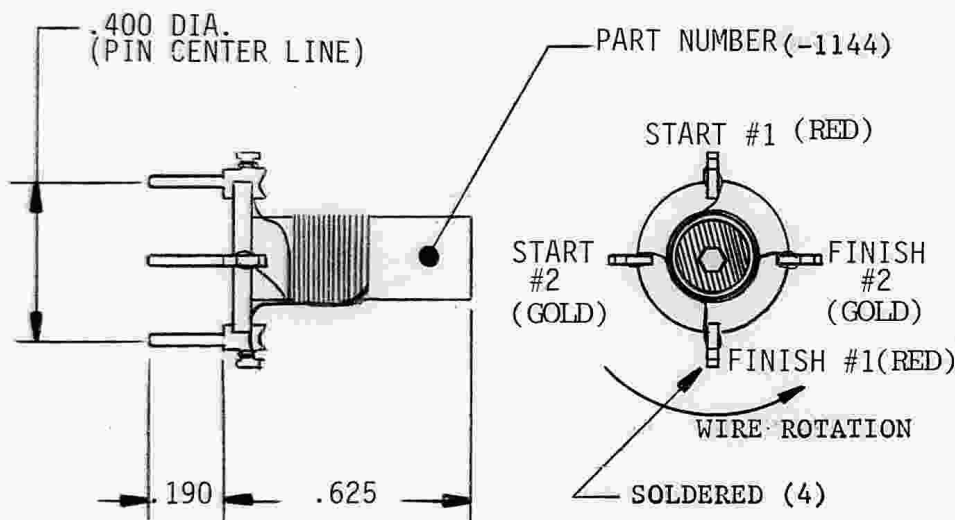
FINISH NOTED

TITLE TRANSFORMER, RF (VARIABLE 250 TO 380 nH MINIMUM RANGE)

CODE IDENT NO	SIZE	PART NUMBER	REV
80009	A	120-1143-00	A

NOTES:

1. (DELETED)
2. WINDING COATED WITH 006-1109-00 OR APPROVED EQUIVALENT
3. VALUES DETERMINED WITH HP4275A METER OR APPROVED EQUIVALENT AT 10 MHz, 5 mA, SERIES MODE
4. CORE ADJUSTING TORQUE 0.5 TO 4.0 OZ-IN



WIRE DATA		
TURNS	AWG	PART NUMBER
11 1/2	32	176-0015-00
11 1/2	32	176-0015-14

\* BIFILAR

DATA:

FORM 276-0096-00  
TUNING CORE 276-0506-00

76-14A

PART NUMBER

120-1144-00

REV

A

THIS DRAWING WHEN DISTRIBUTED OUTSIDE TEKTRONIX, INC. IS SUPPLIED FOR IDENTIFICATION, ENGINEERING EVALUATION AND/OR INSPECTION PURPOSES ONLY AND MAY NOT BE USED AS A BASIS FOR MANUFACTURE OR SALES OF PRODUCTS WITHOUT WRITTEN PERMISSION FROM TEKTRONIX, INC. IF THIS DRAWING IS FURNISHED UNDER ANY UNITED STATES GOVERNMENT CONTRACT, IT SHALL NOT BE EITHER RELEASED OUTSIDE THE GOVERNMENT OR USED, DUPLICATED OR DISCLOSED IN WHOLE OR IN PART FOR MANUFACTURE OR PROCUREMENT, WITHOUT THE WRITTEN PERMISSION OF TEKTRONIX, INC. EXCEPT FOR: (1) EMERGENCY REPAIR OR OVERHAUL WORK BY OR FOR THE GOVERNMENT, WHERE THE ITEM OR PROCESS CONCERNED IS NOT OTHERWISE REASONABLY AVAILABLE TO ENABLE TIMELY PERFORMANCE OF THE WORK; OR (2) RELEASE TO A FOREIGN GOVERNMENT AS THE INTERESTS OF THE UNITED STATES MAY REQUIRE; PROVIDED THAT IN EITHER CASE THE RELEASE, USE, DUPLICATION OR DISCLOSURE HEREOF SHALL BE SUBJECT TO THE FOREGOING LIMITATIONS. IF THIS DRAWING IS REPRODUCED IN WHOLE OR IN PART, THIS ENTIRE LEGEND BLOCK MUST APPEAR ON ALL REPRODUCED COPIES.

REV / BY / REF	DESCRIPTION OF CHANGE	CHK BY / DATE
A LG 57978	REVISED DRAWING, NOIFS & TITLE	8 JUL 85

TEKTRONIX, INC. PROPRIETARY ITEM DRAWING

MFD BY TEKTRONIX

MFD FOR TEKTRONIX



TEKTRONIX, INC.

P. O. BOX 500  
BEAVERTON, OREGON U.S.A. 97077



DWN J. NAGODE	8 DEC 77	DIMENSIONS ARE IN INCHES / TOLERANCES: UNLESS OTHERWISE SPECIFIED	
ENGR <i>K. Graham</i>	31 Dec 79	DEC REF	ANLR
CHKR <i>B. Stewart</i>	1 Nov 79	SCALE	FIRST USED ON
PROD <i>P. Lancaster</i>	1 Nov 79	NONE	1450-1

MATERIAL LISTED

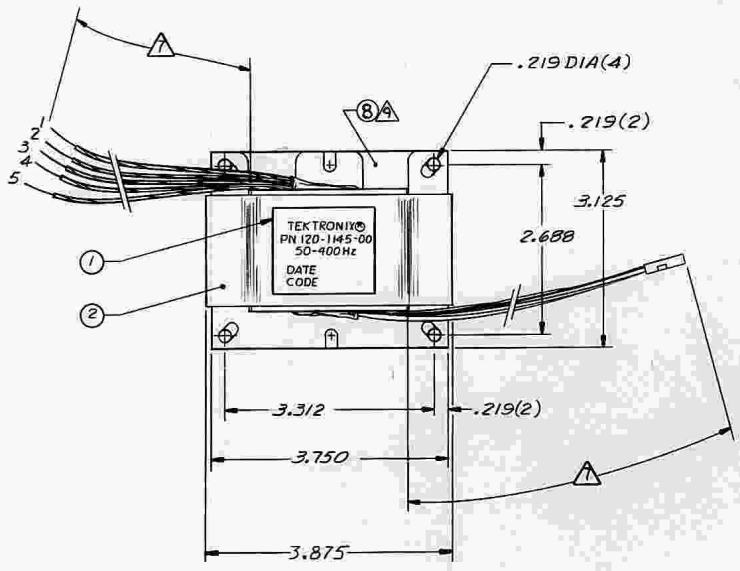
FINISH NOTED

TITLE TRANSFORMER, RF (VARIABLE 600 TO 1000 nH MINIMUM RANGE)

CODE IDENT NO	SIZE	PART NUMBER	REV
80009	A	120-1144-00	A

53-53D

REV	REF	DESCRIPTION OF CHANGE	CHK BY	DATE
(A)	4171B	ADDED ITEM 8 & NOTE A	DD	30 JAN 81
(B)	4351B	6.250 WAS 6.000	DD	29 JUN 81
(C)	4501B	REMOVED ITEM 4	DD	18 MAR 82
(D)	46227	ADDED REVISED SAFETY STICKER	PV	30 MAR 82
(E)	51689	ADDED NOTES 10 & 11. UPDATED NOTE A & G. REMOVED ITEM 5 ITEM 1 WAS 000-6717-00	DD	26 OCT 83
F	80948	ADD: MAX 2.605, MAX 2.650	KM	3 MAR 94

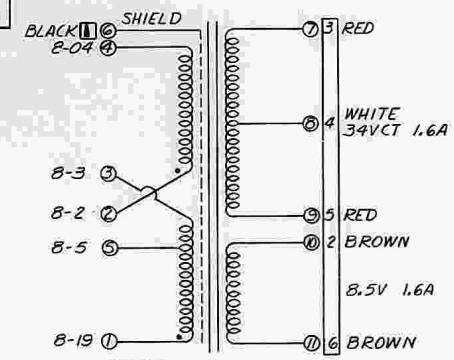


**COIL STRUCTURE OUTSIDE**

TYPE WINDING	LEAD NO
SEC	10-11
Z5T	#18
SEC	7-8-9
B-50-100T	#18
SHIELD	6
PRI	1-5-3
0-297-350T	#25
PRI	2-4
350T	#25

VOLTS	LINE TO	CONNECT
101	2	1702 E 3T04
119	5	1702 E 3T04
220	1	1704
238	2	1704

INSIDE



PRIMARY  
101, 119, 220 &  
238V ±11%

- ⑩. LEADS 1 THRU 5 NUMBERED IN NUMERICAL ORDER OPTIONAL
- ⑩. SHIMS & SIDEBURNS OPTIONAL
- ⓐ. ORIENTATION OF KEEPER IS OPTIONAL
- 8. TRANSFORMER MUST COMPLY WITH UL 1244 AND CSA 556B

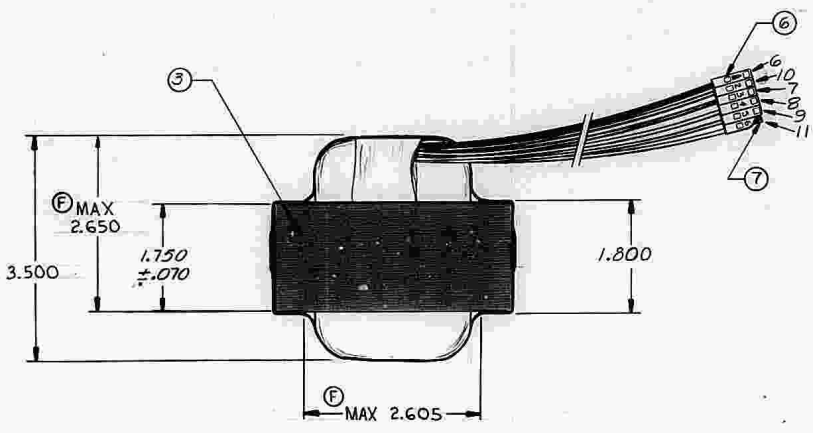
ⓐ. LEAD LENGTHS: ALL LEAD WIRE

LEAD NO	COLOR	PART NUMBER	LENGTH	STRIP/TIM
1	8-19	175-0879-00	5.000	.500
2	8-2	175-0880-00		
3	8-3	175-0881-00		
4	8-04	175-0882-00		
5	8-5	175-0883-00		
6	BLK	175-0920-00	6.250	TERM
7,9	RED	175-0922-00		
8	WHT	175-0951-00		
10,11	BRN	175-0964-00		

PART NUMBER 120-1145-00 REV. F

- ⑥. DIELECTRIC WITHSTANDING VOLTAGE: 1.5KV RMS, 50 TO 60 Hz, 1 MINUTE, PRIMARIES TO SECONDARIES, SHIELD, AND CORE
- 5. WINDINGS INSULATED FOR 600V DC
- 4. VOLTAGE RATINGS ARE RMS NO LOADS CURRENT RATINGS ARE AMPS DC TYP
- ⓐ. TRANSFORMER VACUUM IMPREGNATED WITH VARNISH 252-0082-00 OR APPROVED EQUIVALENT
- 2. POLARITY PER SCHEMATIC
- 1. DIMENSIONS REFERENCE UNLESS OTHERWISE SPECIFIED

NOTES:



TEKTRONIX SAFETY CONTROLLED PART

① 8 386-4716-00 2 PLATE, LAMINATION (KEEPER)

7 131-0621-00 6 CONNECTOR, TERMINAL

6 352-0202-00 1 HOLDER, TERM CONNECTOR

⑤ 5

④ 4

3 386-0024-00 AR PLATE, LAMINATION (STEEL)

2 176-0306-00 AR WIRE, ELEC (FLATTENED)

① 1 354-4645-00 1 IDENTIFICATION, MARKER

TEKTRONIX, INC. P. O. BOX 500 BEAVERTON, OREGON U.S.A. 97007

DESIGNER: J. NAGODE 18 OCT 79 DIMENSIONS ARE IN INCHES / MM

ENGR: R. COLE 16 OCT 79 TOL: UNLESS OTHERWISE SPECIFIED

CHAR: B. ALBERT 16 OCT 79 SCALE: 1:1 PART USED ON: 1450-1

PROD: E. HARR 16 OCT 79

MATERIAL: SEE LIST OF MATERIALS

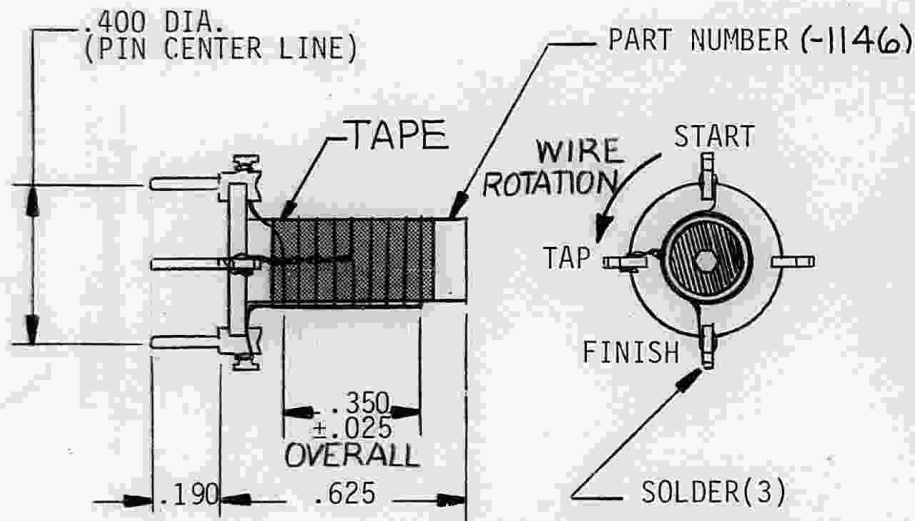
FINISH: NOTED ⓐ

TITLE: TRANSFORMER, POWER, STPDN

CODE IDENT NO: 80009 DATE: 120-1145-00 REV: F

NOTES:

1. DELETED
2. DELETED
3. COATED WITH 006-1109-00 OR APPROVED EQUIV
4. VALUE DETERMINED WITH HP4275A METER OR APPROVED EQUIV AT 10MHz ± 5mA SERIES MODE



WIRE DATA		
TURNS	AWG	PART NUMBER
0-4 1/4 - 8 1/2	29	176-0012-XX

DATA:  
 FORM 276-0096-00  
 SLUG 276-0506-00  
 TAPE 253-0219-00

77-98

PART NUMBER 120-1146-00

REV B

THIS DRAWING WHEN DISTRIBUTED OUTSIDE TEKTRONIX, INC. IS SUPPLIED FOR IDENTIFICATION ENGINEERING EVALUATION AND/OR INSPECTION PURPOSES ONLY AND MAY NOT BE USED AS A BASIS FOR MANUFACTURE OR SALES OF PRODUCTS WITHOUT WRITTEN PERMISSION FROM TEKTRONIX, INC. IF THIS DRAWING IS FURNISHED UNDER ANY UNITED STATES GOVERNMENT CONTRACT, IT SHALL NOT BE EITHER RELEASED OUTSIDE THE GOVERNMENT, OR USED, DUPLICATED, OR DISCLOSED IN WHOLE OR IN PART FOR MANUFACTURE OR PROCUREMENT, WITHOUT THE WRITTEN PERMISSION OF TEKTRONIX, INC. EXCEPT FOR: (1) EMERGENCY REPAIR OR OVERHAUL WORK BY OR FOR THE GOVERNMENT, WHERE THE ITEM OR PROCESS CONCERNED IS NOT OTHERWISE REASONABLY AVAILABLE TO ENABLE TIMELY PERFORMANCE OF THE WORK; OR (2) RELEASE TO A FOREIGN GOVERNMENT AS THE INTERESTS OF THE UNITED STATES MAY REQUIRE; PROVIDED THAT IN EITHER CASE THE RELEASE, USE, DUPLICATION OR DISCLOSURE HEREOF SHALL BE SUBJECT TO THE FOREGOING LIMITATIONS. IF THIS DRAWING IS REPRODUCED IN WHOLE OR IN PART, THIS ENTIRE LEGEND BLOCK MUST APPEAR ON ALL REPRODUCED COPIES.

REV	BY	REF	DESCRIPTION OF CHANGE	CHK BY / DATE
A	DD	48966	GENERAL UPDATE	21 JUL 83
B	LG	56609	REVISED AND REISSUED	5 MAR 85

TEKTRONIX, INC. PROPRIETARY ITEM DRAWING

MFD BY TEKTRONIX

MFD FOR TEKTRONIX



TEKTRONIX, INC.

P. O. BOX 500  
 BEAVERTON, OREGON U.S.A. 97077



DWN	J. NAGODE	8 DEC 77	DIMENSIONS ARE IN INCHES / <del>MM</del>	
ENGR	<i>D. Gordon</i>	31 Dec 79	TOLERANCES: UNLESS OTHERWISE SPECIFIED	
CHKR	<i>B. Stewart</i>	1 Nov 79	DEC REF	ANLR
PROD	<i>P. Lancaster</i>	1 Nov 79	SCALE	FIRST USED ON
			NONE	1450-1

MATERIAL LISTED

FINISH NOTED

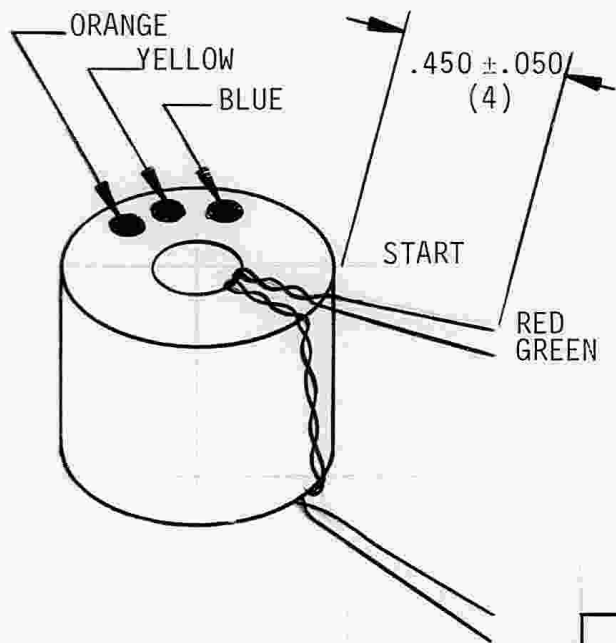
TITLE  
 TRANSFORMER, RF (VARIABLE TAPPED  
 350 TO 440nH MIN RANGE)

CODE IDENT NO	SIZE	PART NUMBER	REV
80009	A	120-1146-00	B

NOTES:

- LEADS TINNED TO WITHIN .050 OF WINDING.
- COAT WITH 006-1109-00
- INDUCTANCE RANGE PER TEKTRONIX 130 L.C. METER:  
.18 TO .28μH ON 2 TURN WINDING
- TOROID REFERENCE DIMENSIONS: .159 O.D. X .139 HIGH

COLOR CODE



WIRE DATA		
TURNS/COLOR	AWG	PART NUMBER
2 RED	31	176-0014-00
2 GREEN	31	176-0014-15

\*BIFILAR (TWISTED) TWIST WIRES  
8±1 TURN/INCH

DATA:

CODE

TD-346

CORE NO.

276-0528-00

76-171

PART NUMBER

120-1147-00

REV

THIS DRAWING WHEN DISTRIBUTED OUTSIDE TEKTRONIX, INC. IS SUPPLIED FOR IDENTIFICATION, ENGINEERING EVALUATION AND/OR INSPECTION PURPOSES ONLY AND MAY NOT BE USED AS A BASIS FOR MANUFACTURE OR SALES OF PRODUCTS WITHOUT WRITTEN PERMISSION FROM TEKTRONIX, INC. IF THIS DRAWING IS FURNISHED UNDER ANY UNITED STATES GOVERNMENT CONTRACT, IT SHALL NOT BE EITHER RELEASED OR OUTSIDE THE GOVERNMENT OR USED, DUPLICATED OR DISCLOSED IN WHOLE OR IN PART FOR MANUFACTURE OR PROCUREMENT, WITHOUT THE WRITTEN PERMISSION OF TEKTRONIX, INC. EXCEPT FOR: (1) EMERGENCY REPAIR OR OVERHAUL WORK BY OR FOR THE GOVERNMENT, WHERE THE ITEM OR PROCESS CONCERNED IS NOT OTHERWISE REASONABLY AVAILABLE TO ENABLE TIMELY PERFORMANCE OF THE WORK, OR (2) RELEASE TO A FOREIGN GOVERNMENT AS THE INTERESTS OF THE UNITED STATES MAY REQUIRE, PROVIDED THAT IN EITHER CASE THE RELEASE, USE, DUPLICATION OR DISCLOSURE HEREOF SHALL BE SUBJECT TO THE FOREGOING LIMITATIONS. IF THIS DRAWING IS REPRODUCED IN WHOLE OR IN PART, THIS ENTIRE LEGEND BLOCK MUST APPEAR ON ALL REPRODUCED COPIES.

REV / BY / REF

DESCRIPTION OF CHANGE

CHK BY / DATE

TEKTRONIX, INC. PROPRIETARY ITEM DRAWING

MFD BY TEKTRONIX

MFD FOR TEKTRONIX



TEKTRONIX, INC.

P. O. BOX 500  
BEAVERTON, OREGON U.S.A. 97077



DWN	J. NAGODE	5 DEC 77
ENGR	<i>W. Gordon</i>	29 Aug 79
CHKR	<i>B. Stewart</i>	29 AUG 79
PROD	<i>Norman Nelson</i>	29 aug 79

DIMENSIONS ARE IN INCHES / ~~MILL~~  
TOLERANCES:  
UNLESS OTHERWISE SPECIFIED  
DEC \_\_\_\_\_ ANLR \_\_\_\_\_

SCALE NONE FIRST USED ON 1450-1

MATERIAL LISTED

FINISH NOTED

TITLE TRANSFORMER, RF(TOROID)

CODE IDENT NO

80009

SIZE

A

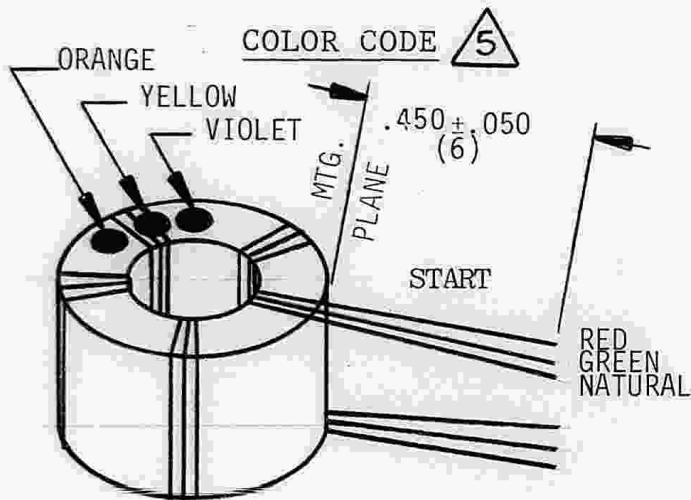
PART NUMBER

120-1147-00

REV

NOTES:

1. LEADS TINNED TO WITHIN .050 OF WINDING.
  2. COATED WITH 006-1109-00 OR APPROVED EQUIV.
  3. VALUE DETERMINED ON HP 4275A METER OR APPROVED EQUIV. @ 40 KHz, 0.42 mA, SERIES MODE (5 TURN WINDING)  $L = 16 \mu H + 30\%$
  4. TOROID REFERENCE DIMENSIONS : .211 O.D. x .146 HIGH
- △ 5 PRINTED PART NUMBER (-1148) MAY BE USED INSTEAD OF COLOR CODE



WIRE DATA		
URNS/COLOR	AWG	PART NUMBER
5 RED	31	176-0014-00
5 GREEN	31	176-0014-15
5 NATURAL	31	176-0014-14

\*

\*TRIFILAR

DATA:

CODE

TD-347

CORE NO.

276-0541-00

76-188

PART NUMBER

120-1148-00

REV

△

THIS DRAWING WHEN DISTRIBUTED OUTSIDE TEKTRONIX, INC. IS SUPPLIED FOR IDENTIFICATION, ENGINEERING EVALUATION AND/OR INSPECTION PURPOSES ONLY AND MAY NOT BE USED AS A BASIS FOR MANUFACTURE OR SALES OF PRODUCTS WITHOUT WRITTEN PERMISSION FROM TEKTRONIX, INC. IF THIS DRAWING IS FURNISHED UNDER ANY UNITED STATES GOVERNMENT CONTRACT, IT SHALL NOT BE EITHER RELEASED OUTSIDE THE GOVERNMENT, OR USED, DUPLICATED, OR DISCLOSED IN WHOLE OR IN PART FOR MANUFACTURE OR PROCUREMENT, WITHOUT THE WRITTEN PERMISSION OF TEKTRONIX, INC. EXCEPT FOR: (1) EMERGENCY REPAIR OR OVERHAUL WORK BY OR FOR THE GOVERNMENT, WHERE THE ITEM OR PROCESS CONCERNED IS NOT OTHERWISE REASONABLY AVAILABLE TO ENABLE TIMELY PERFORMANCE OF THE WORK; OR (2) RELEASE TO A FOREIGN GOVERNMENT AS THE INTERESTS OF THE UNITED STATES MAY REQUIRE; PROVIDED THAT IN EITHER CASE THE RELEASE, USE, DUPLICATION OR DISCLOSURE HEREOF SHALL BE SUBJECT TO THE FOREGOING LIMITATIONS. IF THIS DRAWING IS REPRODUCED IN WHOLE OR IN PART, THIS ENTIRE LEGEND BLOCK MUST APPEAR ON ALL REPRODUCED COPIES.

REV / BY / REF	DESCRIPTION OF CHANGE	CHK BY / DATE
△ A DG 50482	UPDATED NOTES 2,3 & ADDED NOTE △ 5	13 DEC 83

TEKTRONIX, INC. PROPRIETARY ITEM DRAWING

MFD BY TEKTRONIX

MFD FOR TEKTRONIX



TEKTRONIX, INC.

P. O. BOX 500  
BEAVERTON, OREGON U.S.A. 97077



DWN	J. NAGODE	5 DEC 77	DIMENSIONS ARE IN INCHES / <del>MM</del>	
ENGR	<i>Ray Jordan</i>	19 SEPT 79	TOLERANCES: UNLESS OTHERWISE SPECIFIED	
CHKR	<i>B. Stewart</i>	19 SEPT 79	DEC _____	ANLR _____
PROD	<i>D. Helman</i>	19 SEPT 79	SCALE	FIRST USED ON
			NONE	1450-1

MATERIAL

LISTED

FINISH

NOTED

TITLE

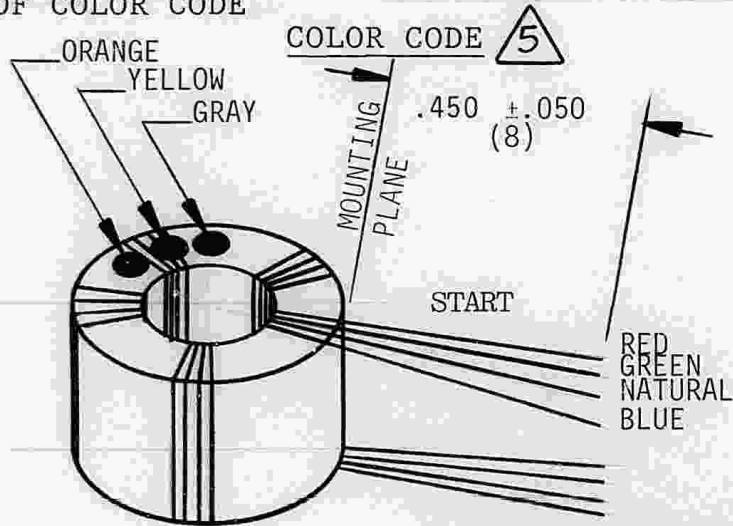
TRANSFORMER, RF (TOROIDAL)

CODE IDENT NO	SIZE	PART NUMBER	REV
80009	A	120-1148-00	△



NOTES:

1. LEADS TINNED TO WITHIN .050 OF MOUNTING PLANE
2. COATED WITH 006-1109-00 OR APPROVED EQUIVALENT
3. VALUE DETERMINED WITH HP4275 A METER OR APPROVED EQUIVALENT @ 40 KHz, 0.42 mA, SERIES MODE (5 TURN WINDING) L = 16 μH + 30%
4. TOROID REFERENCE DIMENSIONS : .211 O.D. x .146 HIGH
5. PRINTED PART NUMBER (-1149) MAY BE USED INSTEAD OF COLOR CODE



WIRE DATA		
TURNS/COLOR	AWG	PART NUMBER
5 RED	31	176-0014-00
5 GREEN	31	176-0014-15
5 NATURAL	31	176-0014-14
5 BLUE	31	176-0014-16

\* QUADFILAR

DATA:

CODE TD-348  
CORE NO. 276-0541-00

76-189

PART NUMBER

120-1149-00

REV

A

THIS DRAWING WHEN DISTRIBUTED OUTSIDE TEKTRONIX, INC. IS SUPPLIED FOR IDENTIFICATION, ENGINEERING EVALUATION AND/OR INSPECTION PURPOSES ONLY AND MAY NOT BE USED AS A BASIS FOR MANUFACTURE OR SALES OF PRODUCTS WITHOUT WRITTEN PERMISSION FROM TEKTRONIX, INC. IF THIS DRAWING IS FURNISHED UNDER ANY UNITED STATES GOVERNMENT CONTRACT, IT SHALL NOT BE EITHER RELEASED OUTSIDE THE GOVERNMENT, OR USED, DUPLICATED, OR DISCLOSED IN WHOLE OR IN PART FOR MANUFACTURE OR PROCUREMENT, WITHOUT THE WRITTEN PERMISSION OF TEKTRONIX, INC., EXCEPT FOR: (1) EMERGENCY REPAIR OR OVERHAUL WORK BY OR FOR THE GOVERNMENT, WHERE THE ITEM OR PROCESS CONCERNED IS NOT OTHERWISE REASONABLY AVAILABLE TO ENABLE TIMELY PERFORMANCE OF THE WORK; OR (2) RELEASE TO A FOREIGN GOVERNMENT AS THE INTERESTS OF THE UNITED STATES MAY REQUIRE, PROVIDED THAT IN EITHER CASE THE RELEASE, USE, DUPLICATION OR DISCLOSURE HEREOF SHALL BE SUBJECT TO THE FOREGOING LIMITATIONS. IF THIS DRAWING IS REPRODUCED IN WHOLE OR IN PART, THIS ENTIRE LEGEND BLOCK MUST APPEAR ON ALL REPRODUCED COPIES.

REV / BY / REF	DESCRIPTION OF CHANGE	CHK BY / DATE
(A) DG 50482	UPDATED NOTES 2,3 & 4	12DEC 83

TEKTRONIX, INC. PROPRIETARY ITEM DRAWING

MFD BY TEKTRONIX

MFD FOR TEKTRONIX



TEKTRONIX, INC.

P. O. BOX 500  
BEAVERTON, OREGON U.S.A. 97077



DWN J. NAGODE	5 DEC 77	DIMENSIONS ARE IN INCHES / <del>mm</del>	
ENGR <i>W. J. Ind...</i>	19 SEPT 79	TOLERANCES: UNLESS OTHERWISE SPECIFIED	
CHKR <i>B. Stewart</i>	19 SEPT 79	DEC _____	ANLR _____
PROD <i>D. Halman</i>	19 Sept 79	SCALE NONE	FIRST USED ON 1450-1

MATERIAL LISTED

FINISH NOTED

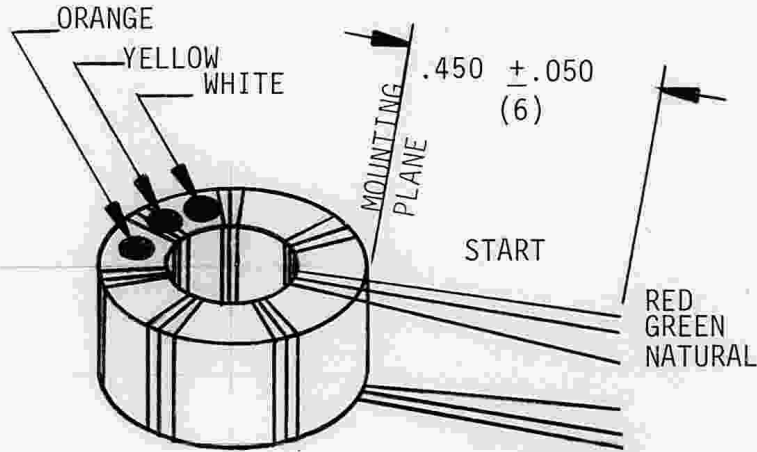
TITLE TRANSFORMER, RF (TOROIDAL)

CODE IDENT NO <b>80009</b>	SIZE <b>A</b>	PART NUMBER <b>120-1149-00</b>	REV <b>A</b>
-------------------------------	------------------	-----------------------------------	-----------------

NOTES:

1. LEADS TINNED TO WITHIN .050 OF MOUNTING PLANE
  2. COATED WITH 006-1109-00 OR APPROVED EQUIVALENT
  3. VALUE DETERMINED WITH HP 4275A METER OR APPROVED EQUIVALENT @ 100 KHz, 0.64mA, SERIES MODE, L= 17  $\mu$ H + 32% ON 7 TURN WINDING
  4. TOROID REFERENCE DIMENSIONS: .250 O.D. X .146 HIGH
5. PRINTED PART NUMBER (-1150) MAY BE USED INSTEAD OF COLOR CODE

COLOR CODE 5



WIRE DATA		
TURNS/COLOR	AWG	PART NUMBER
7 RED	31	176-0014-00
7 GREEN	31	176-0014-15
7 NATURAL	31	176-0014-14

\* TRIFILAR

DATA:

CODE TD-349  
CORE NO. 276-0581-00

76-203

PART NUMBER

120-1150-00

REV

A

THIS DRAWING WHEN DISTRIBUTED OUTSIDE TEKTRONIX, INC. IS SUPPLIED FOR IDENTIFICATION, ENGINEERING EVALUATION AND/OR INSPECTION PURPOSES ONLY AND MAY NOT BE USED AS A BASIS FOR MANUFACTURE OR SALES OF PRODUCTS WITHOUT WRITTEN PERMISSION FROM TEKTRONIX, INC. IF THIS DRAWING IS FURNISHED UNDER ANY UNITED STATES GOVERNMENT CONTRACT, IT SHALL NOT BE EITHER RELEASED OUTSIDE THE GOVERNMENT, OR USED, DUPLICATED, OR DISCLOSED IN WHOLE OR IN PART FOR MANUFACTURE OR PROCUREMENT, WITHOUT THE WRITTEN PERMISSION OF TEKTRONIX, INC. EXCEPT FOR: (1) EMERGENCY REPAIR OR OVERHAUL WORK BY OR FOR THE GOVERNMENT, WHERE THE ITEM OR PROCESS CONCERNED IS NOT OTHERWISE REASONABLY AVAILABLE TO ENABLE TIMELY PERFORMANCE OF THE WORK; OR (2) RELEASE TO A FOREIGN GOVERNMENT AS THE INTERESTS OF THE UNITED STATES MAY REQUIRE; PROVIDED THAT IN EITHER CASE THE RELEASE, USE, DUPLICATION OR DISCLOSURE HEREOF SHALL BE SUBJECT TO THE FOREGOING LIMITATIONS. IF THIS DRAWING IS REPRODUCED IN WHOLE OR IN PART, THIS ENTIRE LEGEND BLOCK MUST APPEAR ON ALL REPRODUCED COPIES.

REV / BY / REF	DESCRIPTION OF CHANGE	CHK BY / DATE
<span style="border: 1px solid black; border-radius: 50%; padding: 2px;">A</span> DG 50482	UPDATED NOTES 2, 3 & ADDED NOTE <span style="border: 1px solid black; padding: 2px;">5</span>	08 DEC 83

TEKTRONIX, INC. PROPRIETARY ITEM DRAWING

MFD BY TEKTRONIX

MFD FOR TEKTRONIX



TEKTRONIX, INC.

P. O. BOX 500  
BEAVERTON, OREGON U.S.A. 97077



DWN J. NAGODE	5 DEC 77	DIMENSIONS ARE IN INCHES / <del>MM</del> TOLERANCES: UNLESS OTHERWISE SPECIFIED	
ENGR <i>W. Gordon</i>	19 SEPT. 79	DEC _____	ANLR _____
CHKR <i>B. Stewart</i>	19 SEPT. 79	SCALE	FIRST USED ON
PROD <i>D. Holman</i>	19 Sept 79	NONE	1450-1

MATERIAL LISTED

FINISH NOTED

TITLE TRANSFORMER, RF (TOROIDAL)

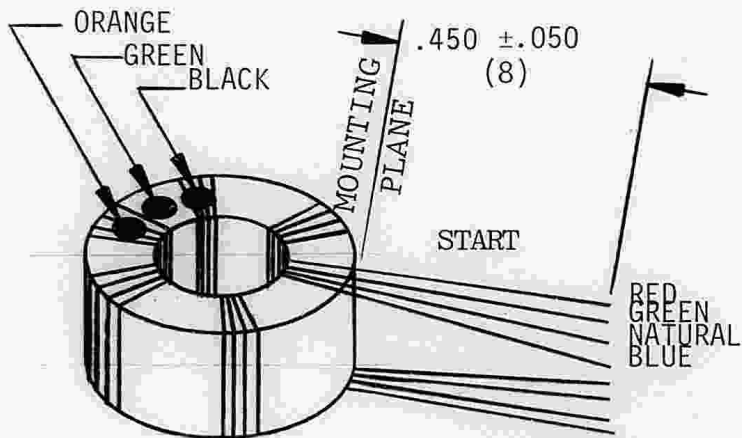
CODE IDENT NO	SIZE	PART NUMBER	REV
80009	A	120-1150-00	A

DO NOT SCALE DRAWING

NOTES:

1. LEADS TINNED TO WITHIN .050 OF MOUNTING PLANE
2. COATED WITH 006-1109-00 OR APPROVED EQUIVALENT
3. VALUE DETERMINED WITH HP 4275A OR APPROVED EQUIVALENT @ 20 KHz, 0.6mA, SERIFS MODE (6 TURN WINDING)  $L = 113 \mu H \pm 22\%$
4. TOROID REFERENCE DIMENSIONS : .396 O.D. x .209 HIGH  
 PRINTED PART NUMBER (-1151) MAY BE USED INSTEAD OF COLOR CODE.

COLOR CODE 5



WIRE DATA		
TURNS/COLOR	AWG	PART NUMBER
6 RED	31	176-0014-00
6 GREEN	31	176-0014-15
6 NATURAL	31	176-0014-14
6 BLUE	31	176-0014-16

\*

\*QUADFILAR

DATA:

CODE TD-350  
 CORE NO. 276-0640-00

76-206

PART NUMBER

120-1151-00

REV  
A

THIS DRAWING WHEN DISTRIBUTED OUTSIDE TEKTRONIX, INC. IS SUPPLIED FOR IDENTIFICATION, ENGINEERING EVALUATION AND/OR INSPECTION PURPOSES ONLY AND MAY NOT BE USED AS A BASIS FOR MANUFACTURE OR SALES OF PRODUCTS WITHOUT WRITTEN PERMISSION FROM TEKTRONIX, INC. IF THIS DRAWING IS FURNISHED UNDER ANY UNITED STATES GOVERNMENT CONTRACT, IT SHALL NOT BE EITHER RELEASED OUTSIDE THE GOVERNMENT, OR USED, DUPLICATED, OR DISCLOSED IN WHOLE OR IN PART FOR MANUFACTURE OR PROCUREMENT, WITHOUT THE WRITTEN PERMISSION OF TEKTRONIX, INC., EXCEPT FOR: (1) EMERGENCY REPAIR OR OVERHAUL WORK BY OR FOR THE GOVERNMENT, WHERE THE ITEM OR PROCESS CONCERNED IS NOT OTHERWISE REASONABLY AVAILABLE TO ENABLE TIMELY PERFORMANCE OF THE WORK; OR (2) RELEASE TO A FOREIGN GOVERNMENT AS THE INTERESTS OF THE UNITED STATES MAY REQUIRE, PROVIDED THAT IN EITHER CASE THE RELEASE, USE, DUPLICATION OR DISCLOSURE HEREOF SHALL BE SUBJECT TO THE FOREGOING LIMITATIONS. IF THIS DRAWING IS REPRODUCED IN WHOLE OR IN PART, THIS ENTIRE LEGEND BLOCK MUST APPEAR ON ALL REPRODUCED COPIES.

REV / BY / REF	DESCRIPTION OF CHANGE	CHK BY / DATE
(A) DG 50482	UPDATED NOTES 2, 3 & ADDED NOTE <span style="border: 1px solid black; padding: 2px;">5</span>	08DEC 83

TEKTRONIX, INC. PROPRIETARY ITEM DRAWING



MFD BY TEKTRONIX



MFD FOR TEKTRONIX



TEKTRONIX, INC.

P. O. BOX 500  
 BEAVERTON, OREGON U.S.A. 97077



DWN	J. NAGODE	5 DEC 77	DIMENSIONS ARE IN INCHES / <del>MM</del>	
ENGR	<i>D. Gordon</i>	19 SEPT 79	TOLERANCES: UNLESS OTHERWISE SPECIFIED	
CHKR	<i>B. Stewart</i>	19 SEPT 79	DEC _____	ANLR _____
PROD	<i>D. Holman</i>	19 SEPT 79	SCALE	FIRST USED ON
			NONE	1450-1

MATERIAL LISTED

FINISH NOTED

TITLE TRANSFORMER, RF (TOROIDAL)

CODE IDENT NO	SIZE	PART NUMBER	REV
80009	A	120-1151-00	A

REV	REF	DESCRIPTION OF CHANGE	CHK BY	DATE

PART NUMBER  
120-1151-01

TEKTRONIX, INC. SAFETY CONTROLLED PART.  
THE DRAWING TYPE DESIGNATION AND APPROVED SOURCES OF SUPPLY FOR THIS ITEM ARE LISTED ON THE PURCHASED ITEM SOURCE LIST (PISL) FOR THIS PART NUMBER.

 **TEKTRONIX, INC.** P. O. BOX 500  
BEAVERTON, OREGON U.S.A. 97077

DWN/ WR	<i>John R. Davis 23 Oct 89</i>	DIMENSIONS ARE IN INCHES / MM	
COMP ENGR	<i>Steve Drobot 24 Oct 89</i>	DEC	ANLR
TECH CHKR		---	---
CHKR/ COORD	<i>Leslie b. Barnard 24 Oct 89</i>	SCALE	FIRST USED ON
MATERIAL		NONE	T.V. PRODUCTS
FINISH		-----	
TITLE		-----	

TOLERANCES: UNLESS OTHERWISE SPECIFIED  
SCALE: NONE  
FIRST USED ON: T.V. PRODUCTS

THIS DRAWING WHEN DISTRIBUTED OUTSIDE TEKTRONIX, INC. IS SUPPLIED FOR IDENTIFICATION, ENGINEERING EVALUATION AND/OR INSPECTION PURPOSES ONLY AND MAY NOT BE USED AS A BASIS FOR MANUFACTURE OR SALES OF PRODUCTS WITHOUT WRITTEN PERMISSION FROM TEKTRONIX, INC.

IF THIS DRAWING IS FURNISHED UNDER ANY U.S. GOVERNMENT CONTRACT, IT IS FURNISHED AS LIMITED RIGHTS DATA AND SHALL NOT, WITHOUT THE WRITTEN PERMISSION OF TEKTRONIX, INC., BE EITHER (A) USED, RELEASED OR DISCLOSED IN WHOLE OR IN PART OUTSIDE THE GOVERNMENT, (B) USED IN WHOLE OR IN PART BY THE GOVERNMENT FOR MANUFACTURE OR (C) USED BY A PARTY OTHER THAN THE GOVERNMENT, EXCEPT FOR: (I) EMERGENCY REPAIR OR OVERHAUL WORK ONLY, BY OR FOR THE GOVERNMENT, WHERE THE ITEM OR PROCESS CONCERNED IS NOT OTHERWISE REASONABLY AVAILABLE TO ENABLE TIMELY PERFORMANCE OF THE WORK PROVIDED THAT THE RELEASE OR DISCLOSURE HEREOF OUTSIDE THE GOVERNMENT SHALL BE MADE SUBJECT TO A PROHIBITION AGAINST FURTHER USE, RELEASE, OR DISCLOSURE; OR (II) RELEASE TO A FOREIGN GOVERNMENT, AS THE INTEREST OF THE UNITED STATES MAY REQUIRE, ONLY FOR INFORMATION OR EVALUATION WITHIN SUCH GOVERNMENT OR FOR EMERGENCY REPAIR OR OVERHAUL WORK BY OR FOR SUCH GOVERNMENT UNDER CONDITIONS OF (I) ABOVE. THIS LEGEND SHALL BE INCLUDED ON ANY REPRODUCTION HEREOF.

TRANSFORMER, RF: TOROID, 113  $\mu$ H  $\pm$ 22%, 6 TURNS, QUADFILAR, 276-0640-00 WITH BASE

REV	SH	1	OF	3	CODE IDENT NO	SIZE	PART NUMBER	REV
					<b>80009</b>	<b>A</b>	120-1151-01	

**1.0** GENERAL DESCRIPTION.

TRANSFORMER, TOROID, 113  $\mu$ H  $\pm$ 22%, 6 TURN, QUADFILAR, 276-0640-00 WITH BASE.

**2.0** ELECTRICAL CHARACTERISTICS.

**2.1** INDUCTANCE AND TOLERANCE.

113  $\mu$ H  $\pm$ 22% MEASURED WITH HP 4275A METER OR TEKTRONIX, INC., APPROVED EQUIVALENT ON THE 6 TURN WINDING PIN 1 TO 8 AT 1 MHz, 0.3 mA, SERIES MODE.

**3.0** WINDING.

4 WINDINGS: 6 TURNS  $\pm$ 0.

**4.0** MATERIAL LIST.

**4.1** TOROID CORE.

TOROID, FERRITE, 0.375 OD X 0.187 ID X 0.188 H. OR TEKTRONIX INC., APPROVED EQUIVALENT, TEKTRONIX, INC., PART NUMBER 276-0640-00 OR TEKTRONIX, INC., APPROVED EQUIVALENT.

**4.2** WIRE.

4 WINDINGS: WIRE, ELECTRICAL, MAGNET, 31 AWG, HEAVY POLYURETHANE WITH NYLON OVERCOAT.

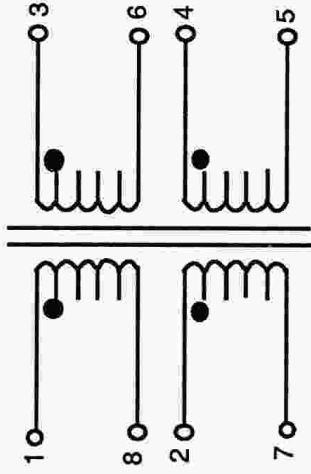
**5.0** MARKING REQUIREMENTS.

SMALLEST CONTAINER MUST BE PERMANENTLY AND LEGIBLY MARKED WITH THE FOLLOWING INFORMATION:

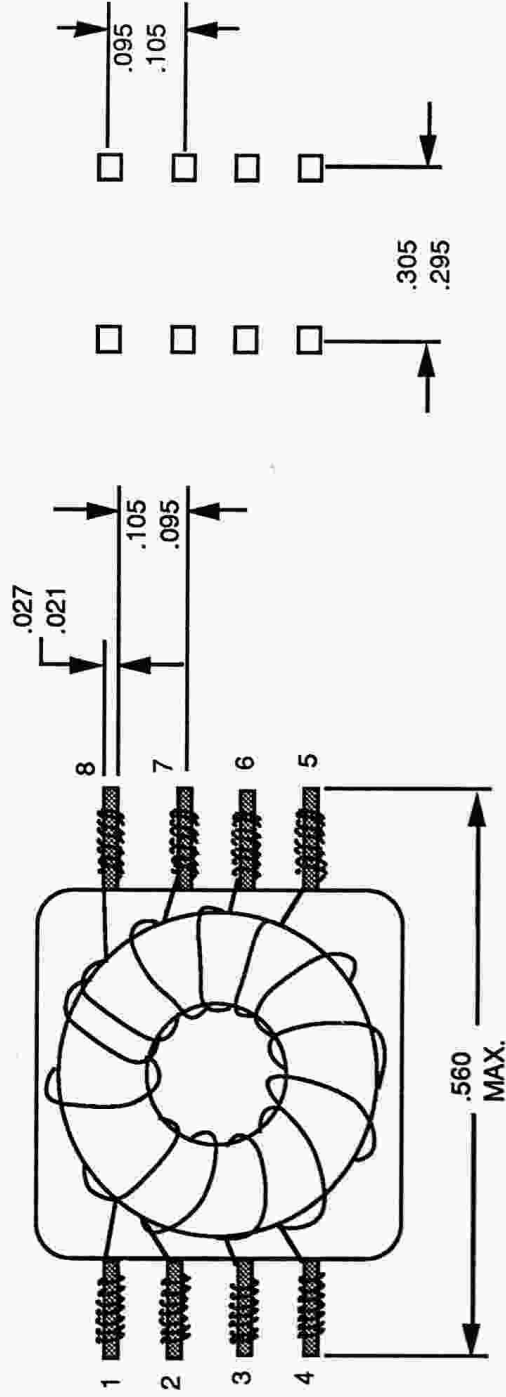
- (A) TEKTRONIX, INC., PART NUMBER OR MANUFACTURER'S PART NUMBER.
- (B) MANUFACTURER'S NAME OR TRADEMARK.
- (C) MANUFACTURER'S DATE CODE.
- (D) QUANTITY IN CONTAINER.

6.0 OUTLINE DRAWING.

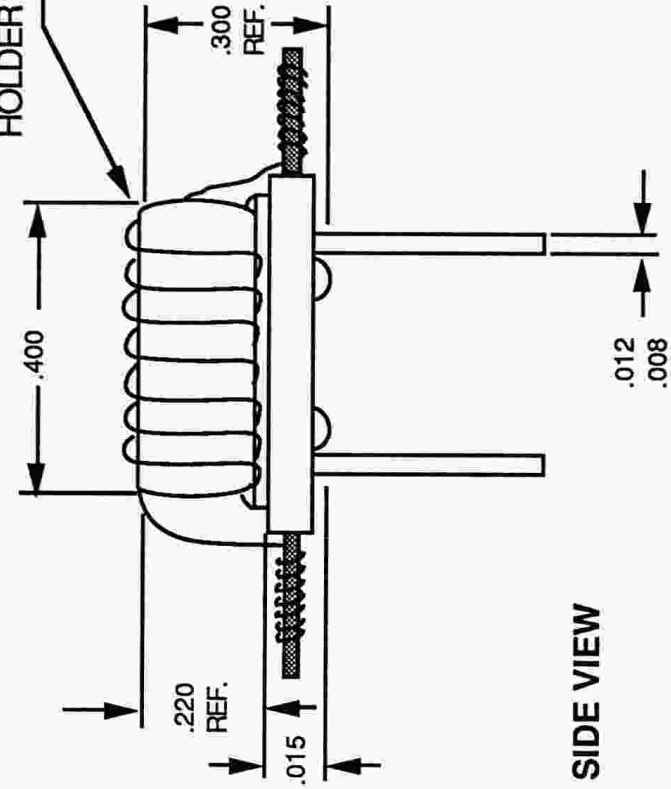
**SCHEMATIC**



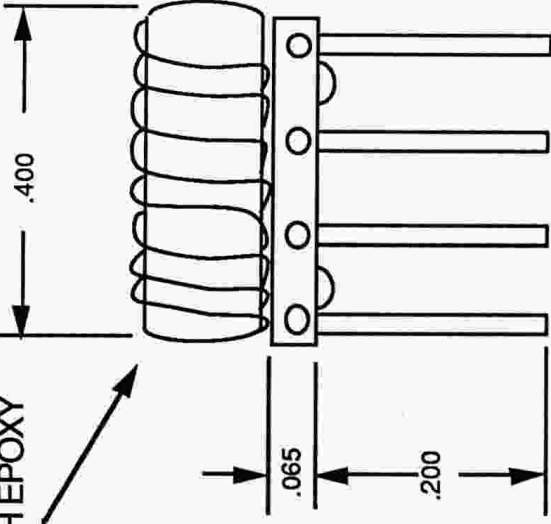
**TOP VIEW**



NOTE: COIL SECURED TO  
HOLDER WITH EPOXY



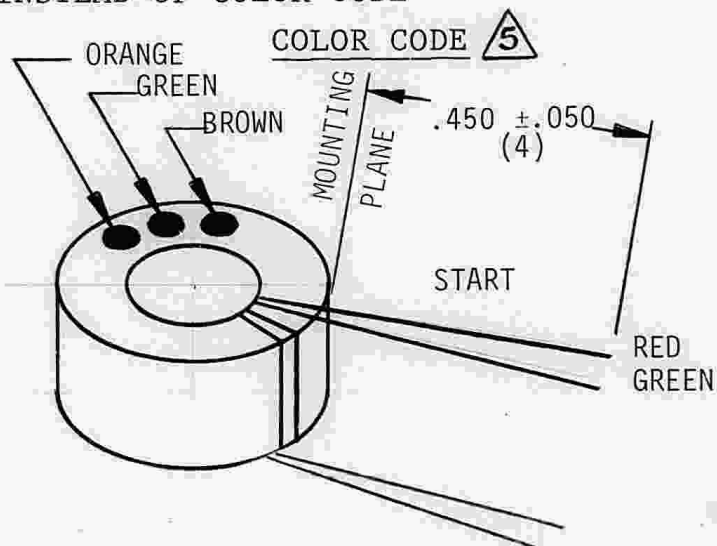
**SIDE VIEW**



**END VIEW**

NOTES:

1. LEADS TINNED TO WITHIN .050 OF MOUNTING PLANE
2. COATED WITH 006-1109-00 OR APPROVED EQUIVALENT
3. INDUCTANCE VALUE DETERMINED WITH HP4275 A METER OR APPROVED EQUIVALENT @ 40.KHz, 2.3 mA, SERIES MODE (2 TURN WINDING) :  $L = 1.4 \mu H \pm 32\%$
4. TOROID REFERENCE DIMENSIONS : .262 O.D. x .157 HIGH
5. PRINTED PART NUMBER (-1152) MAY BE USED INSTEAD OF COLOR CODE



WIRE DATA		
URNS/COLOR	AWG	PART NUMBER
2 RED	27	176-0010-00
2 GREEN	27	176-0010-15

\* BIFILAR

DATA:

CODE TD-351  
CORE NO. 276-0581-00

76-230

PART NUMBER

120-1152-00

REV  
A

THIS DRAWING WHEN DISTRIBUTED OUTSIDE TEKTRONIX, INC. IS SUPPLIED FOR IDENTIFICATION ENGINEERING EVALUATION AND/OR INSPECTION PURPOSES ONLY AND MAY NOT BE USED AS A BASIS FOR MANUFACTURE OR SALES OF PRODUCTS WITHOUT WRITTEN PERMISSION FROM TEKTRONIX, INC. IF THIS DRAWING IS FURNISHED UNDER ANY UNITED STATES GOVERNMENT CONTRACT, IT SHALL NOT BE EITHER RELEASED OUTSIDE THE GOVERNMENT, OR USED, DUPLICATED, OR DISCLOSED IN WHOLE OR IN PART FOR MANUFACTURE OR PROCUREMENT, WITHOUT THE WRITTEN PERMISSION OF TEKTRONIX, INC. EXCEPT FOR: (1) EMERGENCY REPAIR OR OVERHAUL WORK BY OR FOR THE GOVERNMENT, WHERE THE ITEM OR PROCESS CONCERNED IS NOT OTHERWISE REASONABLY AVAILABLE TO ENABLE TIMELY PERFORMANCE OF THE WORK, OR (2) RELEASE TO A FOREIGN GOVERNMENT AS THE INTERESTS OF THE UNITED STATES MAY REQUIRE PROVIDED THAT IN EITHER CASE THE RELEASE, USE, DUPLICATION OR DISCLOSURE HEREOF SHALL BE SUBJECT TO THE FOREGOING LIMITATIONS. IF THIS DRAWING IS REPRODUCED IN WHOLE OR IN PART, THIS ENTIRE LEGEND BLOCK MUST APPEAR ON ALL REPRODUCED COPIES.

REV / BY / REF	DESCRIPTION OF CHANGE	CHK BY / DATE
(A) DG 50482	UPDATED NOTE 3	07 DEC 83

TEKTRONIX, INC. PROPRIETARY ITEM DRAWING

MFD BY TEKTRONIX

MFD FOR TEKTRONIX



TEKTRONIX, INC. P. O. BOX 500 BEAVERTON, OREGON U.S.A. 97077



DWN J. NAGODE	5 DEC 77	DIMENSIONS ARE IN INCHES / <del>MM</del> TOLERANCES: UNLESS OTHERWISE SPECIFIED	
ENGR <i>[Signature]</i>	3 OCT 79	DEC _____	ANLR _____
CHKR <i>B. Stewart</i>	3 OCT 79	SCALE NONE	FIRST USED ON 1450-1
PROD <i>D. Holman</i>	3 OCT 79		

MATERIAL LISTED

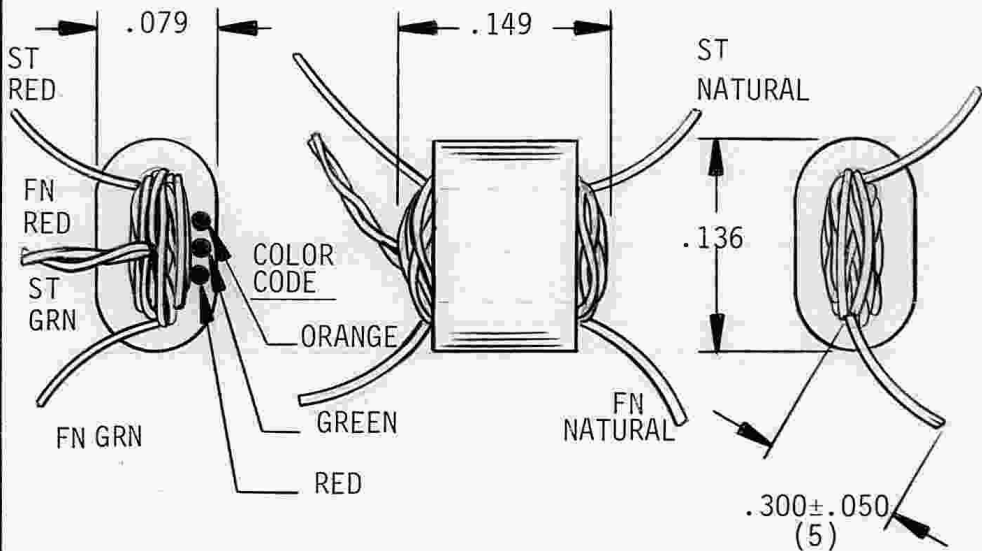
FINISH NOTED

TITLE TRANSFORMER, RF (TOROIDAL)

CODE IDENT NO <b>80009</b>	SIZE <b>A</b>	PART NUMBER <b>120-1152-00</b>	REV <b>A</b>
-------------------------------	------------------	-----------------------------------	-----------------

NOTES:

1. DIMENSIONS REFERENCE UNLESS OTHERWISE SPECIFIED
2. TIN LEADS TO .050 MAX FROM WINDING



WIRE DATA		
TURNS/COLOR	AWG	PART NUMBER
4 RED	34	176-0038-00
4 GREEN	34	176-0038-15
4 NATURAL	34	176-0038-14

\* BIFILAR, TWISTED (8±1 TURN PER IN.)

DATA:

CODE CORE NO.

TD-352  
276-0711-00

77-43

PART NUMBER

120-1153-00

REV

THIS DRAWING WHEN DISTRIBUTED OUTSIDE TEKTRONIX, INC. IS SUPPLIED FOR IDENTIFICATION, ENGINEERING EVALUATION AND/OR INSPECTION PURPOSES ONLY AND MAY NOT BE USED AS A BASIS FOR MANUFACTURE OR SALES OF PRODUCTS WITHOUT WRITTEN PERMISSION FROM TEKTRONIX, INC. IF THIS DRAWING IS FURNISHED UNDER ANY UNITED STATES GOVERNMENT CONTRACT, IT SHALL NOT BE EITHER RELEASED OUTSIDE THE GOVERNMENT, OR USED, DUPLICATED, OR DISCLOSED IN WHOLE OR IN PART FOR MANUFACTURE OR PROCUREMENT, WITHOUT THE WRITTEN PERMISSION OF TEKTRONIX, INC. EXCEPT FOR: (1) EMERGENCY REPAIR OR OVERHAUL WORK BY OR FOR THE GOVERNMENT, WHERE THE ITEM OR PROCESS CONCERNED IS NOT OTHERWISE REASONABLY AVAILABLE TO ENABLE TIMELY PERFORMANCE OF THE WORK; OR (2) RELEASE TO A FOREIGN GOVERNMENT AS THE INTERESTS OF THE UNITED STATES MAY REQUIRE, PROVIDED THAT IN EITHER CASE THE RELEASE, USE, DUPLICATION OR DISCLOSURE HEREOF SHALL BE SUBJECT TO THE FOREGOING LIMITATIONS. IF THIS DRAWING IS REPRODUCED IN WHOLE OR IN PART, THIS ENTIRE LEGEND BLOCK MUST APPEAR ON ALL REPRODUCED COPIES.

REV / BY / REF

DESCRIPTION OF CHANGE

CHK BY / DATE

TEKTRONIX, INC. PROPRIETARY ITEM DRAWING

MFD BY TEKTRONIX

MFD FOR TEKTRONIX



TEKTRONIX, INC.

P. O. BOX 500  
BEAVERTON, OREGON U.S.A. 97077



DWN	J. NAGODE	15 DEC 77
ENGR	<i>D. Halman</i>	3 OCT 79
CHKR	<i>B. Stewart</i>	3 OCT 79
PROD	<i>D. Halman</i>	3 OCT 79

DIMENSIONS ARE IN INCHES / <del>MM</del>	
TOLERANCES: UNLESS OTHERWISE SPECIFIED	
DEC _____	ANLR _____
SCALE	FIRST USED ON
8:1	1450-1

MATERIAL LISTED

FINISH NOTED

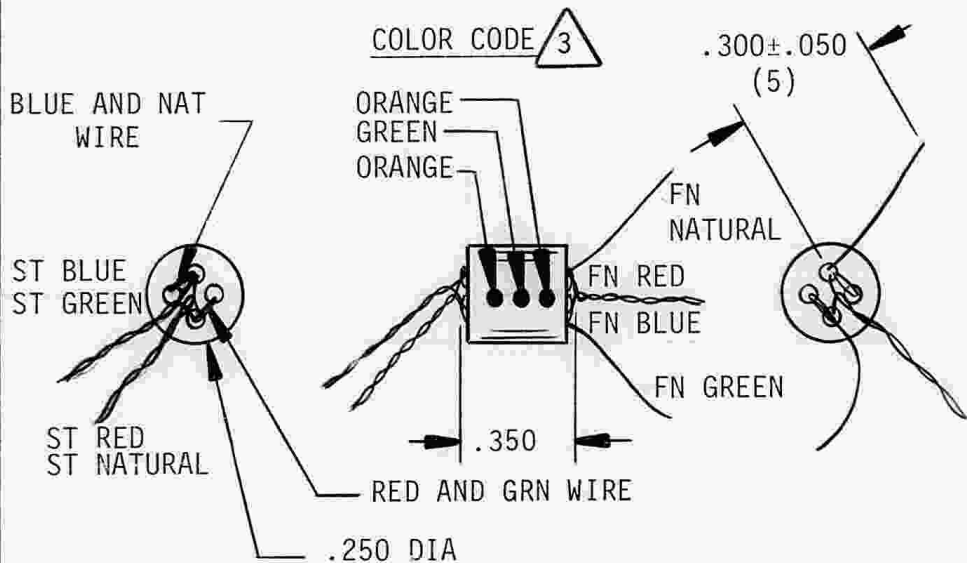
TITLE TRANSFORMER, RF(BALUN)

CODE IDENT NO	SIZE	PART NUMBER	REV
80009	A	120-1153-00	



NOTES:

1. DIMENSIONS REFERENCE UNLESS OTHERWISE SPECIFIED
2. TIN LEADS TO .050/.150 FROM WINDING (A)
3. PRINTED PART NUMBER (-1154) MAY BE USED INSTEAD OF COLOR CODE.



WIRE DATA		
URNS/COLOR	AWG	PART NUMBER
3 RED	31	176-0014-00
3 GREEN	↓	176-0014-15
3 NATURAL	↓	176-0014-14
3 BLUE	↓	176-0014-16

\* BIFILAR TWISTED (8±1 TURN PER INCH)

DATA:

CODE TD-353  
CORE NO. 276-0710-00

77-44

PART NUMBER 120-1154-00

REV B

THIS DRAWING WHEN DISTRIBUTED OUTSIDE TEKTRONIX, INC. IS SUPPLIED FOR IDENTIFICATION, ENGINEERING EVALUATION AND/OR INSPECTION PURPOSES ONLY AND MAY NOT BE USED AS A BASIS FOR MANUFACTURE OR SALES OF PRODUCTS WITHOUT WRITTEN PERMISSION FROM TEKTRONIX, INC. IF THIS DRAWING IS FURNISHED UNDER ANY UNITED STATES GOVERNMENT CONTRACT, IT SHALL NOT BE EITHER RELEASED OUTSIDE THE GOVERNMENT OR USED, DUPLICATED, OR DISCLOSED IN WHOLE OR IN PART FOR MANUFACTURE OR PROCUREMENT, WITHOUT THE WRITTEN PERMISSION OF TEKTRONIX, INC. EXCEPT FOR: (1) EMERGENCY REPAIR OR OVERHAUL WORK BY OR FOR THE GOVERNMENT, WHERE THE ITEM OR PROCESS CONCERNED IS NOT OTHERWISE REASONABLY AVAILABLE TO ENABLE TIMELY PERFORMANCE OF THE WORK; OR (2) RELEASE TO A FOREIGN GOVERNMENT AS THE INTERESTS OF THE UNITED STATES MAY REQUIRE, PROVIDED THAT IN EITHER CASE THE RELEASE, USE, DUPLICATION OR DISCLOSURE HEREOF SHALL BE SUBJECT TO THE FOREGOING LIMITATIONS. IF THIS DRAWING IS REPRODUCED IN WHOLE OR IN PART, THIS ENTIRE LEGEND BLOCK MUST APPEAR ON ALL REPRODUCED COPIES.

REV / BY / REF	DESCRIPTION OF CHANGE	CHK BY / DATE
(A) PV 48660	.050/.150 WAS .050 MAX	7DEC82
B DG 50482	GENERAL UPDATE--SEE MOD DOC	19SEP83

TEKTRONIX, INC. PROPRIETARY ITEM DRAWING

MFD BY TEKTRONIX

MFD FOR TEKTRONIX



TEKTRONIX, INC.

P. O. BOX 500  
BEAVERTON, OREGON U.S.A. 97077



DWN J. NAGODE	15 DEC 77	DIMENSIONS ARE IN INCHES / <del>MM</del> TOLERANCES: UNLESS OTHERWISE SPECIFIED	
ENGR <i>J. Nagode</i>	3 OCT 79	DEC _____	ANLR _____
CHKR <i>B. Stewart</i>	3 OCT 79	SCALE	FIRST USED ON
PROD <i>S. Holman</i>	3 OCT 79	2:1	1450-1

MATERIAL LISTED

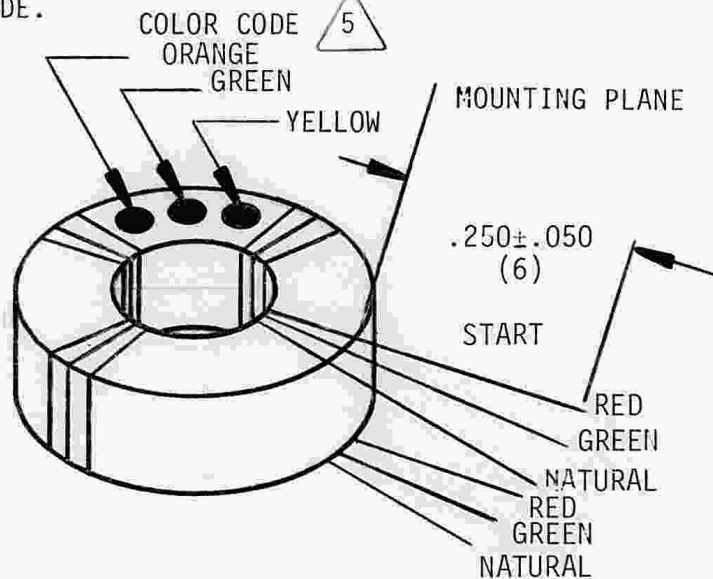
FINISH NOTED

TITLE TRANSFORMER, RF (BALUN)

CODE IDENT NO <b>80009</b>	SIZE <b>A</b>	PART NUMBER <b>120-1154-00</b>	REV <b>B</b>
-------------------------------	------------------	-----------------------------------	-----------------

NOTES:

1. TIN LEADS TO WITHIN .050. OF MOUNTING PLANE.
2. COAT WITH 006-1109-00 OR APPROVED EQUIVALENT.
3. INDUCTANCE PER HP4275A METER OR APPROVED EQUIVALENT: 697-1162 nH ON 4 TURN WINDING AT 1 MHz, 3.3 mA, SERIES MODE.
4. TORCID REFERENCE DIMENSIONS: .410 O.D. X .160 HIGH.
5. PRINTED PART NUMBER (-1155) MAY BE USED INSTEAD OF COLOR CODE.



WIRE DATA		
TURNS/COLOR	AWG	PART NUMBER
4 RED	27	176-0010-00
4 GREEN	27	176-0010-15
4 NATURAL	27	176-0010-14

\* TRIFILAR

DATA:

CODE TD-354  
CORE NO. 276-0573-00

77-76C

PART NUMBER 120-1155-00

REV A

THIS DRAWING WHEN DISTRIBUTED OUTSIDE TEKTRONIX, INC. IS SUPPLIED FOR IDENTIFICATION, ENGINEERING EVALUATION AND/OR INSPECTION PURPOSES ONLY AND MAY NOT BE USED AS A BASIS FOR MANUFACTURE OR SALES OF PRODUCTS WITHOUT WRITTEN PERMISSION FROM TEKTRONIX, INC. IF THIS DRAWING IS FURNISHED UNDER ANY UNITED STATES GOVERNMENT CONTRACT, IT SHALL NOT BE EITHER RELEASED OUTSIDE THE GOVERNMENT, OR USED, DUPLICATED, OR DISCLOSED IN WHOLE OR IN PART FOR MANUFACTURE OR PROCUREMENT, WITHOUT THE WRITTEN PERMISSION OF TEKTRONIX, INC. EXCEPT FOR: (1) EMERGENCY REPAIR OR OVERHAUL WORK BY OR FOR THE GOVERNMENT, WHERE THE ITEM OR PROCESS CONCERNED IS NOT OTHERWISE REASONABLY AVAILABLE TO ENABLE TIMELY PERFORMANCE OF THE WORK; OR (2) RELEASE TO A FOREIGN GOVERNMENT AS THE INTERESTS OF THE UNITED STATES MAY REQUIRE; PROVIDED THAT IN EITHER CASE THE RELEASE, USE, DUPLICATION OR DISCLOSURE HEREOF SHALL BE SUBJECT TO THE FOREGOING LIMITATIONS. IF THIS DRAWING IS REPRODUCED IN WHOLE OR IN PART, THIS ENTIRE LEGEND BLOCK MUST APPEAR ON ALL REPRODUCED COPIES.

REV / BY / REF	DESCRIPTION OF CHANGE	CHK BY / DATE
A / DG / 50482	GENERAL UPDATE--SEE MOD DOC	19SEP83

TEKTRONIX, INC. PROPRIETARY ITEM DRAWING

MFD BY TEKTRONIX

MFD FOR TEKTRONIX



TEKTRONIX, INC.

P. O. BOX 500  
BEAVERTON, OREGON U.S.A. 97077



DWN	J.T. WINFREY	5 MAR 78	DIMENSIONS ARE IN INCHES / <input type="checkbox"/>	
ENGR	<i>W. Jordan</i>	13 JUNE 79	TOLERANCES: UNLESS OTHERWISE SPECIFIED	
CHKR	<i>B. Stewart</i>	13 JUNE 79	DEC _____	ANLR _____
PROD	<i>S. Cooper</i>	13 JUNE 79	SCALE	FIRST USED ON
			NONE	1450 -1

MATERIAL LISTED

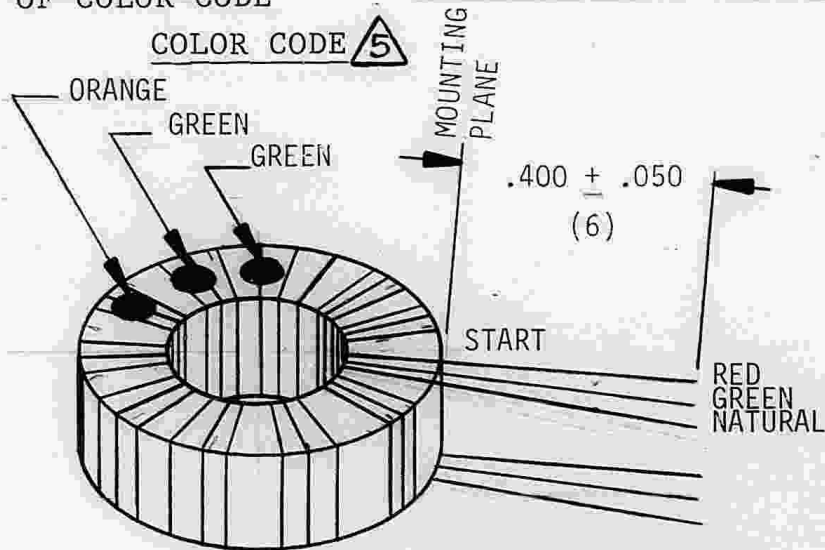
FINISH NOTED

TITLE TRANSFORMER, RF (TOROIDAL)

CODE IDENT NO	SIZE	PART NUMBER	REV
80009	A	120-1155-00	A

NOTES:

1. LEADS TINNED TO WITHIN .050 OF MOUNTING PLANE
2. COATED WITH 006-1109-00 OR APPROVED EQUIVALENT
3. INDUCTANCE VALUE DETERMINED WITH HP 4275A METER OR APPROVED EQUIVALENT @ 1 MHz, 4.5 mA, SERIES MODE (11 TURN WINDING)  $L = 6.5 \mu H \pm 22\%$
4. TOROID REFERENCE DIMENSIONS : .396 O.D. x .166 HIGH
5. PRINTED PART NUMBER (-1156) MAY BE USED INSTEAD OF COLOR CODE



COLOR CODE **5**

WIRE DATA		
URNS/COLOR	AWG	PART NUMBER
11 RED	31	176-0014-00
11 GREEN	31	176-0014-15
11 NATURAL	31	176-0014-14

\* {

\*TRIFILAR

DATA:

CODE TD-355  
CORE NO. 276-0573-00

76-145

PART NUMBER

120-1156-00

REV

A

THIS DRAWING WHEN DISTRIBUTED OUTSIDE TEKTRONIX, INC. IS SUPPLIED FOR IDENTIFICATION ENGINEERING EVALUATION AND/OR INSPECTION PURPOSES ONLY AND MAY NOT BE USED AS A BASIS FOR MANUFACTURE OR SALES OF PRODUCTS WITHOUT WRITTEN PERMISSION FROM TEKTRONIX, INC. IF THIS DRAWING IS FURNISHED UNDER ANY UNITED STATES GOVERNMENT CONTRACT, IT SHALL NOT BE EITHER RELEASED OUTSIDE THE GOVERNMENT OR USED, DUPLICATED OR DISCLOSED IN WHOLE OR IN PART FOR MANUFACTURE OR PROCUREMENT WITHOUT THE WRITTEN PERMISSION OF TEKTRONIX, INC. EXCEPT FOR: (1) EMERGENCY REPAIR OR OVERHAUL WORK BY OR FOR THE GOVERNMENT, WHERE THE ITEM OR PROCESS CONCERNED IS NOT OTHERWISE REASONABLY AVAILABLE TO ENABLE TIMELY PERFORMANCE OF THE WORK; OR (2) RELEASE TO A FOREIGN GOVERNMENT AS THE INTERESTS OF THE UNITED STATES MAY REQUIRE, PROVIDED THAT IN EITHER CASE THE RELEASE, USE, DUPLICATION OR DISCLOSURE HEREOF SHALL BE SUBJECT TO THE FOREGOING LIMITATIONS. IF THIS DRAWING IS REPRODUCED IN WHOLE OR IN PART, THIS ENTIRE LEGEND BLOCK MUST APPEAR ON ALL REPRODUCED COPIES.

REV / BY / REF	DESCRIPTION OF CHANGE	CHK BY / DATE
(A) DG 50482	REVISED DWG. UPDATED NOTES 3	07 DEC.83

TEKTRONIX, INC. PROPRIETARY ITEM DRAWING

MFD BY TEKTRONIX

MFD FOR TEKTRONIX



TEKTRONIX, INC.

P. O. BOX 500  
BEAVERTON, OREGON U.S.A. 97077



DWN J. NAGODE	2 DEC 77	DIMENSIONS ARE IN INCHES / <del>MM</del>	
ENGR <i>K.W. Jordan</i>	3 OCT 79	TOLERANCES: UNLESS OTHERWISE SPECIFIED	
CHKR <i>B. Stewart</i>	3 OCT 79	DEC _____	ANLR _____
PROD <i>D. Holman</i>	3 OCT 79	SCALE NONE	FIRST USED ON 1450-1

MATERIAL LISTED

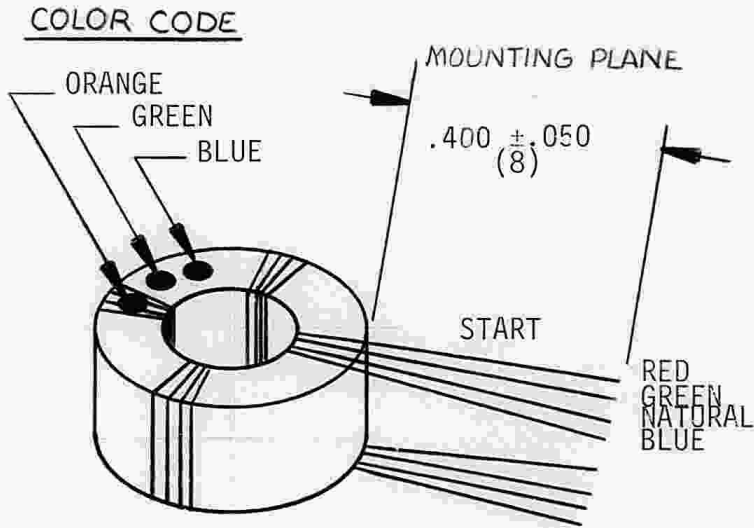
FINISH NOTED

TITLE TRANSFORMER, RF (TOROIDAL)

CODE IDENT NO <b>80009</b>	SIZE <b>A</b>	PART NUMBER <b>120-1156-00</b>	REV <b>A</b>
-------------------------------	------------------	-----------------------------------	-----------------

NOTES:

1. LEADS TINNED TO WITHIN .050 OF MOUNTING PLANE
2. COAT WITH 006-1109-00 OR APPROVED EQUIVALENT
3. INDUCTANCE RANGE PER HP 4275A METER OR APPROVED EQUIVALENT AT 100 KHZ, 1.1 mA, SERIES MODE, 3.88 TO 7.52 μH ON 4 TURN WINDING
4. TOROID REFERENCE DIMENSIONS: .262 OD X .157 HIGH



WIRE DATA		
TURNS/COLOR	AWG	PART NUMBER
4 RED	31	176-0014-00
4 GREEN	31	176-0014-15
4 NATURAL	31	176-0014-14
4 BLUE	31	176-0014-16

\*

\* QUADFILAR

DATA:

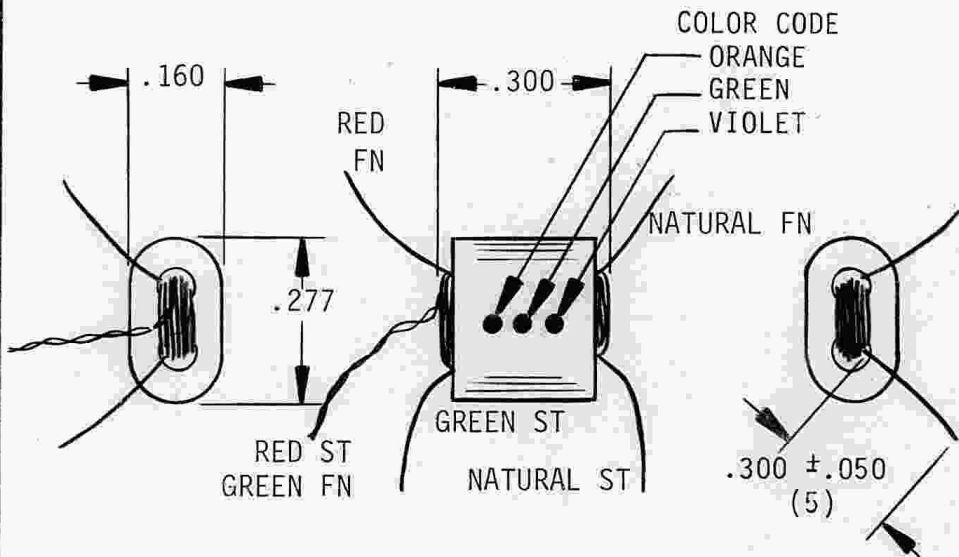
CODE TD-356  
CORE NO. 276-0581-00

77-97	PART NUMBER	120-1157-00	REV	A
<p>THIS DRAWING WHEN DISTRIBUTED OUTSIDE TEKTRONIX, INC. IS SUPPLIED FOR IDENTIFICATION, ENGINEERING EVALUATION AND/OR INSPECTION PURPOSES ONLY AND MAY NOT BE USED AS A BASIS FOR MANUFACTURE OR SALES OF PRODUCTS WITHOUT WRITTEN PERMISSION FROM TEKTRONIX, INC. IF THIS DRAWING IS FURNISHED UNDER ANY UNITED STATES GOVERNMENT CONTRACT, IT SHALL NOT BE EITHER RELEASED OUTSIDE THE GOVERNMENT, OR USED, DUPLICATED, OR DISCLOSED IN WHOLE OR IN PART FOR MANUFACTURE OR PROCUREMENT, WITHOUT THE WRITTEN PERMISSION OF TEKTRONIX, INC. EXCEPT FOR: (1) EMERGENCY REPAIR OR OVERHAUL WORK BY OR FOR THE GOVERNMENT, WHERE THE ITEM OR PROCESS CONCERNED IS NOT OTHERWISE REASONABLY AVAILABLE TO ENABLE TIMELY PERFORMANCE OF THE WORK; OR (2) RELEASE TO A FOREIGN GOVERNMENT AS THE INTERESTS OF THE UNITED STATES MAY REQUIRE, PROVIDED THAT IN EITHER CASE THE RELEASE, USE, DUPLICATION OR DISCLOSURE HEREOF SHALL BE SUBJECT TO THE FOREGOING LIMITATIONS. IF THIS DRAWING IS REPRODUCED IN WHOLE OR IN PART, THIS ENTIRE LEGEND BLOCK MUST APPEAR ON ALL REPRODUCED COPIES.</p>				
REV / BY / REF	DESCRIPTION OF CHANGE		CHK BY / DATE	
A / DD / 49718	REVISED NOTES 2 AND 3		3 MAR 83	

TEKTRONIX, INC. PROPRIETARY ITEM DRAWING				
<input checked="" type="checkbox"/> MFD BY TEKTRONIX		<input type="checkbox"/> MFD FOR TEKTRONIX		
		<b>TEKTRONIX, INC.</b>		P. O. BOX 500 BEAVERTON, OREGON U.S.A. 97077
DWN	J. NAGODE	6 DEC 77	DIMENSIONS ARE IN INCHES / <del>MM</del>	
ENGR	<i>R. Gordon</i>	3 OCT 79	TOLERANCES: UNLESS OTHERWISE SPECIFIED	
CHKR	<i>B. Stewart</i>	3 OCT 79	DEC _____	ANLR _____
PROD	<i>D. Holman</i>	3 OCT 79	SCALE	FIRST USED ON
MATERIAL			NONE	1450-1
LISTED				
FINISH				
NOTED				
TITLE				
TRANSFORMER, RF (TOROID)				
CODE IDENT NO	SIZE	PART NUMBER	REV	
80009	A	120-1157-00	A	

NOTES:

1. DIMENSIONS REFERENCE UNLESS OTHERWISE SPECIFIED
2. TIN LEADS TO .050 MAX FROM WINDING.
- ③ REFERENCE INDUCTANCE  $6T = 12 \mu H$   
 $10T = 34 \mu H$   
 MEASURED ON TEKTRONIX 130 LC METER.



WIRE DATA		
TURNS/COLOR	AWG	PART NUMBER
6 GREEN	31	176-0014-15
10 RED	31	176-0014-00
2 NATURAL	27	176-0010-14

\* BIFILAR  
 RED START AND GREEN FINISH TWISTED,  
 (8±2 TURNS PER INCH)

DATA:

CODE TD-357  
 CORE NO. 276-0712-00

77-90

PART NUMBER

120-1158-00

REV

C

THIS DRAWING WHEN DISTRIBUTED OUTSIDE TEKTRONIX, INC. IS SUPPLIED FOR IDENTIFICATION, ENGINEERING EVALUATION AND/OR INSPECTION PURPOSES ONLY AND MAY NOT BE USED AS A BASIS FOR MANUFACTURE OR SALES OF PRODUCTS WITHOUT WRITTEN PERMISSION FROM TEKTRONIX, INC. IF THIS DRAWING IS FURNISHED UNDER ANY UNITED STATES GOVERNMENT CONTRACT, IT SHALL NOT BE EITHER RELEASED OUTSIDE THE GOVERNMENT OR USED, DUPLICATED OR DISCLOSED IN WHOLE OR IN PART FOR MANUFACTURE OR PROCUREMENT, WITHOUT THE WRITTEN PERMISSION OF TEKTRONIX, INC. EXCEPT FOR: (1) EMERGENCY REPAIR OR OVERHAUL WORK BY OR FOR THE GOVERNMENT, WHERE THE ITEM OR PROCESS CONCERNED IS NOT OTHERWISE REASONABLY AVAILABLE TO ENABLE TIMELY PERFORMANCE OF THE WORK; OR (2) RELEASE TO A FOREIGN GOVERNMENT AS THE INTERESTS OF THE UNITED STATES MAY REQUIRE; PROVIDED THAT IN EITHER CASE THE RELEASE, USE, DUPLICATION OR DISCLOSURE HEREOF SHALL BE SUBJECT TO THE FOREGOING LIMITATIONS. IF THIS DRAWING IS REPRODUCED IN WHOLE OR IN PART, THIS ENTIRE LEGEND BLOCK MUST APPEAR ON ALL REPRODUCED COPIES.

REV / BY / REF	DESCRIPTION OF CHANGE	CHK BY / DATE
① LL 39310	NOTE 3 WAS $6T=47 \mu H, 10T=130 \mu H$	31 JAN 80
② LL 41844	NATURAL WIRE WAS AWG 31	1 DEC 80
C DG 50482	COLOR CODE WAS ON END OF PART	19 SEP 83

TEKTRONIX, INC. PROPRIETARY ITEM DRAWING

MFD BY TEKTRONIX

MFD FOR TEKTRONIX



TEKTRONIX, INC.

P. O. BOX 500  
 BEAVERTON, OREGON U.S.A. 97077



DWN	J. NAGODE	15 DEC 77	DIMENSIONS ARE IN INCHES / <del>MM</del> TOLERANCES: UNLESS OTHERWISE SPECIFIED	
ENGR	<i>J. Nagode</i>	3 OCT 79	DEC	ANLR
CHKR	<i>B Stewart</i>	3 OCT 79	SCALE	FIRST USED ON
PROD	<i>S. Helman</i>	3 OCT 79	NONE	1450-1

MATERIAL LISTED

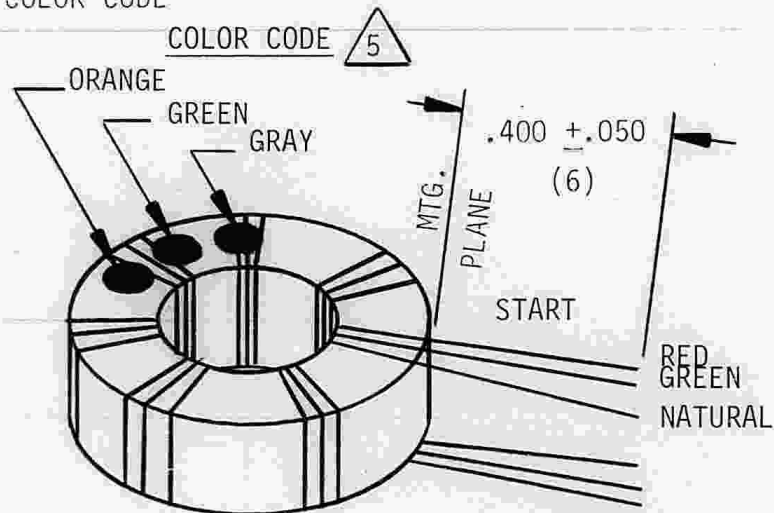
FINISH NOTED

TITLE TRANSFORMER, RF(BALUN)

CODE IDENT NO	SIZE	PART NUMBER	REV
80009	A	120-1158-00	C

NOTES:

1. LEADS TINNED TO WITHIN .050 OF MOUNTING PLANE
  2. COATED WITH 006-1109-00 OR APPROVED EQUIVALENT
  3. INDUCTANCE VALUE DETERMINED WITH HP4275 A METER OR APPROVED EQUIV. @ 1 MHz, 7 mA, SERIES MODE (7 TURNS WINDING)  $2.8 \mu H \pm 22\%$
  4. TOROID REFERENCE DIMENSIONS: .407 O.D. X .157 HIGH
- △ 5 PRINTED PART NUMBER (-1159) MAY BE USED INSTEAD OF COLOR CODE



WIRE DATA		
TURNS/COLOR	AWG	PART NUMBER
7 NATURAL	27	176-0010- 14
7 RED	27	176-0010- 00
7 GREEN	27	176-0010- 15

\* TRIFILAR

DATA:

CODE TD-358  
CORE NO. 276-0573-00

77-110

PART NUMBER

120-1159-00

REV

A

THIS DRAWING WHEN DISTRIBUTED OUTSIDE TEKTRONIX, INC., IS SUPPLIED FOR IDENTIFICATION, ENGINEERING EVALUATION AND/OR INSPECTION PURPOSES ONLY AND MAY NOT BE USED AS A BASIS FOR MANUFACTURE OR SALES OF PRODUCTS WITHOUT WRITTEN PERMISSION FROM TEKTRONIX, INC. IF THIS DRAWING IS FURNISHED UNDER ANY UNITED STATES GOVERNMENT CONTRACT, IT SHALL NOT BE EITHER RELEASED OUTSIDE THE GOVERNMENT, OR USED, DUPLICATED, OR DISCLOSED IN WHOLE OR IN PART FOR MANUFACTURE OR PROCUREMENT, WITHOUT THE WRITTEN PERMISSION OF TEKTRONIX, INC., EXCEPT FOR: (1) EMERGENCY REPAIR OR OVERHAUL WORK BY OR FOR THE GOVERNMENT, WHERE THE ITEM OR PROCESS CONCERNED IS NOT OTHERWISE REASONABLY AVAILABLE TO ENABLE TIMELY PERFORMANCE OF THE WORK, OR (2) RELEASE TO A FOREIGN GOVERNMENT AS THE INTERESTS OF THE UNITED STATES MAY REQUIRE, PROVIDED THAT IN EITHER CASE THE RELEASE, USE, DUPLICATION OR DISCLOSURE HEREOF SHALL BE SUBJECT TO THE FOREGOING LIMITATIONS. IF THIS DRAWING IS REPRODUCED IN WHOLE OR IN PART, THIS ENTIRE LEGEND BLOCK MUST APPEAR ON ALL REPRODUCED COPIES.

REV	BY	REF	DESCRIPTION OF CHANGE	CHK BY/DATE
(A)	DG	50482	UPDATED NOTES 2,3,ADDED NOTE △ 5 REVISED DWG.	13 DEC 83

TEKTRONIX, INC. PROPRIETARY ITEM DRAWING

MFD BY TEKTRONIX

MFD FOR TEKTRONIX



TEKTRONIX, INC.

P. O. BOX 500  
BEAVERTON, OREGON U.S.A. 97077



DWN	J. NAGODE	6 DEC 77	DIMENSIONS ARE IN INCHES / <del>MM</del> TOLERANCES: UNLESS OTHERWISE SPECIFIED	
ENGR	<i>W. Gordon</i>	3 OCT 79	DEC	ANLR
CHKR	<i>B. Stewart</i>	3 OCT 79	SCALE	FIRST USED ON
PROD	<i>D. Helman</i>	3 OCT 79	NONE	1450-1

MATERIAL

LISTED

FINISH

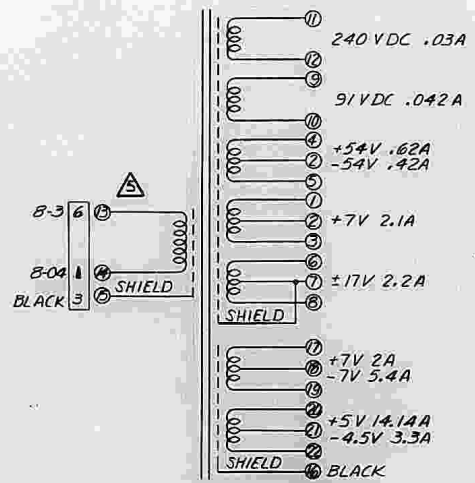
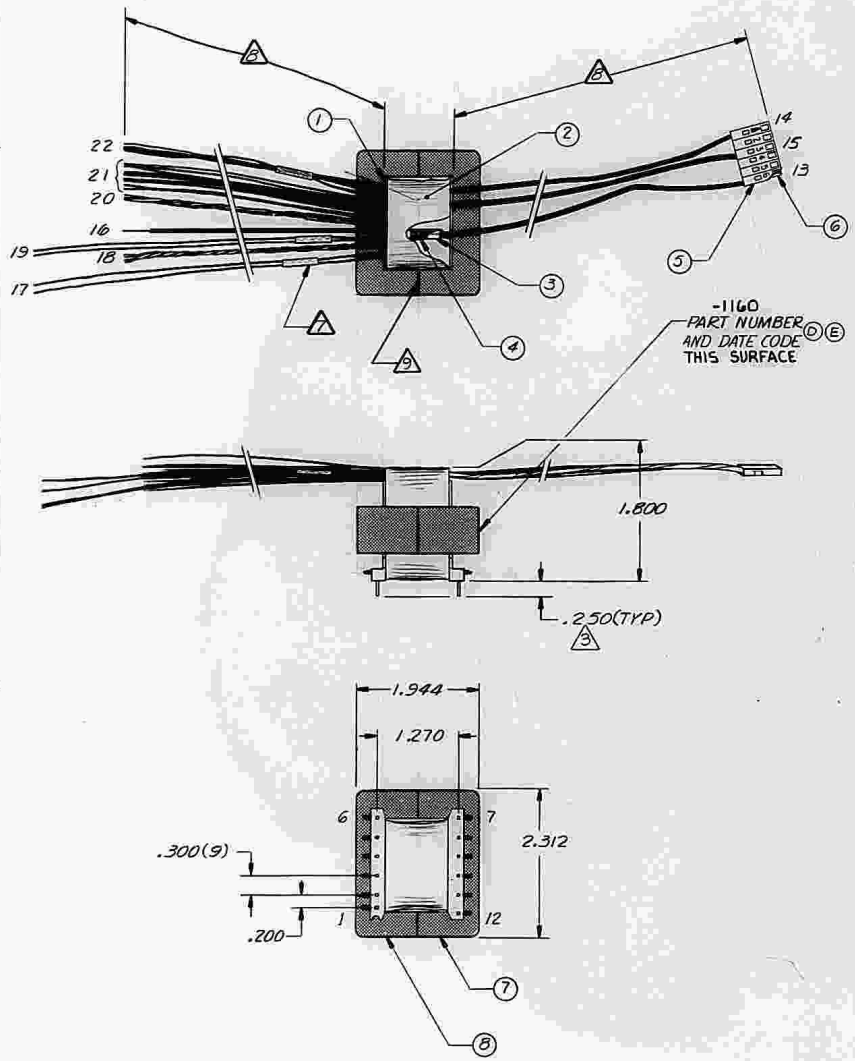
NOTED

TITLE

TRANSFORMER, RF (TOROIDAL)

CODE IDENT NO	SIZE	PART NUMBER	REV
80009	A	120-1159-00	A

77-89 K



COIL STRUCTURE

TYPE WINDING	TERM/LEAD NO
SEC	17-18-19
B-3-6 T	(2) #18
SEC	20-21-22
B-2-4 T	(4) #18
SHIELD	16
SHIELD	15
PRI	13-14
54 T	#22
SHIELD	15
SHIELD	7
SEC	3-2-7
3T	(2)*23
SEC	8-7-6
7T	(2) #20
SEC	4-2-5
19T	(2)*27
SEC	10-9
35 T	#35
SEC	11-12
80T	#35

INSIDE

REV	DESCRIPTION OF CHANGE	DATE
(A)	45291 REMOVED ITEM 2. PN. 120-1160-00	DD 2/JAN/82
(B)	47657 NOTE 8 LEADS 13,14,15 LENGTH WAS 5.750	CP 17/AUG/82
(C)	48291 NOTE 4 1.5KV WAS 2KV	DD 6/DEC/82
(D)	50392 NOTE 8 LEAD 13,14,15 LMS 4.750 COMBINED	DD 13/JUN/83
(E)	52001 UPDATED DWG, NOTES 2, 3 & 6. ADDED ITEM 9 ON LIST OF MATERIALS	DD 25/JAN/84
(F)	54507 REMOVED ITEM 9	DD 5/JULY/84

10. TRANSFORMER MUST COMPLY WITH REQUIREMENTS OF UL 1244

△ CEMENT CORES TOGETHER WITH 006-2954-00 ADHESIVE

Ⓢ LEAD LENGTHS FROM EXIT ±.250 STRIP .500 ±.125

LEAD NO	COLOR	LEAD WIRE	LENGTH	TIN
18	N/A	SELF	4.500	.500
20				
21				
22			4.500	
17			6.250	
19	N/A	SELF	6.250	.500
13	B-3	175-0881-00	6.000	*
14	B-04	175-0882-00	6.000	*
15	BLK	175-0380-00	4.500	*
16	BLK	162-0503-00	4.500	.500

\* ASSEMBLE TO CONNECTOR + SLEEVING

△ SLEEVING IS USED TO KEEP FOUR INDIVIDUAL LEAD GROUPINGS SEPARATE

Ⓢ G. INDUCTANCE 13-14 3.84 mH MIN MEASURED ON AN ESI 252 IMPEDANCE METER OR APPROVED EQUIVALENT

120-1160-00 F

△ VOLTAGE IS PULSE WIDTH REGULATED. SECONDARY VOLTAGES ARE AVERAGE RECTIFIED VALUES AT THE RATED LOADS WITH THE PRIMARY INPUT VOLTAGE AT 180V PEAK AND APPROXIMATELY 80% DUTY CYCLE

Ⓢ 4. DIELECTRIC WITHSTANDING VOLTAGE: 1.5KV RMS 50 TO 60 Hz 1 MINUTE PRIMARY TO SECONDARIES, SHIELDS, AND CORE

Ⓢ △ SOLDER ABILITY REQUIRED TO WITHIN .030 OF MOUNTING SURFACE

Ⓢ 2. TRANSFORMER VACUUM IMPREGNATED WITH VARNISH 252-00B2-00 OR APPROVED EQUIVALENT

1. DIMENSION REFERENCE UOS NOTES:

TEKTRONIX SAFETY CONTROLLED PART  
THIS PART IS CONTROLLED BY THESE CHARACTERISTICS:  
1. SAFETY: TO CONTROL THE HAZARD OF SHOCK AND BURNING.  
2. PERFORMANCE: TO CONTROL THE HAZARD OF OVERHEATING.  
3. RELIABILITY: TO CONTROL THE HAZARD OF FAILURE.  
4. ENVIRONMENTAL: TO CONTROL THE HAZARD OF POLLUTION.  
5. INTERFERENCE: TO CONTROL THE HAZARD OF INTERFERENCE.  
6. COMPATIBILITY: TO CONTROL THE HAZARD OF INCOMPATIBILITY.  
7. SAFETY: TO CONTROL THE HAZARD OF SHOCK AND BURNING.  
8. PERFORMANCE: TO CONTROL THE HAZARD OF OVERHEATING.  
9. RELIABILITY: TO CONTROL THE HAZARD OF FAILURE.  
10. ENVIRONMENTAL: TO CONTROL THE HAZARD OF POLLUTION.  
11. INTERFERENCE: TO CONTROL THE HAZARD OF INTERFERENCE.  
12. COMPATIBILITY: TO CONTROL THE HAZARD OF INCOMPATIBILITY.

TEKTRONIX, INC. PROPRIETARY ITEM DRAWING  
MFD BY TEKTRONIX

TEKTRONIX, INC. BEAVERTON, OREGON U.S.A. 97077  
P. O. BOX 500  
DWN. J. NAGODE 3 NOV 79  
ENGR. P. J. ZEL 6 MAY 79  
CHKD. R. STEWART 16 JUL 79  
PRG. G. H. HARR 6 JUL 79  
SCALE 1:1  
FIRST USED ON 7912AD

QTY	PART NUMBER	DESCRIPTION
9	-	-
8	276-0713-00	1 CORE, EM "E"
7	276-0714-00	1 CORE, EM "E"
6	131-0621-00	3 CONNECTOR, TERMINAL
5	352-0202-04	1 HOLDER, TERMINAL
4	162-0531-00	AR INSUL. SLEEVING, ELEC (BLK)
3	131-2345-00	3 SPLICE, CNDC T
1	276-0235-00	1 FORM, COIL

SEE LIST OF MATERIALS

NOTED

TITLE TRANSFORMER, POWER, SDN & SU

CODE IDENT NO 80009 D REV PART NUMBER 120-1160-00

52-145 D

THIS DRAWING WHEN DISTRIBUTED OUTSIDE TEKTRONIX, INC., IS SUPPLIED FOR IDENTIFICATION, ENGINEERING, EVALUATION AND/OR INSPECTION PURPOSES ONLY AND MAY NOT BE USED AS A BASIS FOR MANUFACTURE OR SALES OF PRODUCTS WITHOUT WRITTEN PERMISSION FROM TEKTRONIX, INC. IF THIS DRAWING IS FURNISHED UNDER ANY UNITED STATES GOVERNMENT CONTRACT, IT SHALL NOT BE EITHER RELEASED OUTSIDE THE GOVERNMENT, OR USED, DUPLICATED, OR DISCLOSED IN WHOLE OR IN PART FOR MANUFACTURE OR PROCUREMENT, WITHOUT THE WRITTEN PERMISSION OF TEKTRONIX, INC., EXCEPT FOR: (1) EMERGENCY REPAIR OR OVERHAUL WORK BY OR FOR THE GOVERNMENT, WHERE THE ITEM OR PROCESS CONCERNED IS NOT OTHERWISE REASONABLY AVAILABLE TO ENABLE TIMELY PERFORMANCE OF THE WORK; OR (2) RELEASE TO A FOREIGN GOVERNMENT AS THE INTERESTS OF THE UNITED STATES MAY REQUIRE, PROVIDED THAT IN EITHER CASE THE RELEASE, USE, DUPLICATION OR DISCLOSURE HEREOF SHALL BE SUBJECT TO THE FOREGOING LIMITATIONS. IF THIS DRAWING IS REPRODUCED IN WHOLE OR IN PART, THIS ENTIRE LEGEND BLOCK MUST APPEAR ON ALL REPRODUCED COPIES.

REV	REF	DESCRIPTION OF CHANGE	CHK BY	DATE
(A)	41718	ADDED ITEM 7 & NOTE 8	DD	23JAN81
(B)	45018	REMOVED ITEM 5	DD	17FEB82
(C)	50496	NOTE 6 WAS 2 KV	DD	22JUN83
(D)	51868	DIMENSION WAS 2.938, UPDATED NOTE 2	DD	1DEC83
E		ADDED PHASING & NOTE 9. UPDATED & MOVED SAFETY LABEL. DELETED LIST OF MATERIALS	LMcC	2 OCT 85

## COIL STRUCTURE OUTSIDE

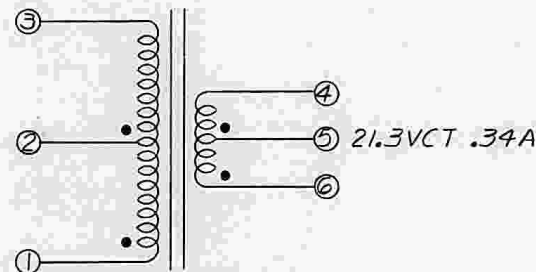
TYPE WINDING      TERM NO

SEC	4-5-6
B-109-218T	#25

PRI	2-1
1137T	#34

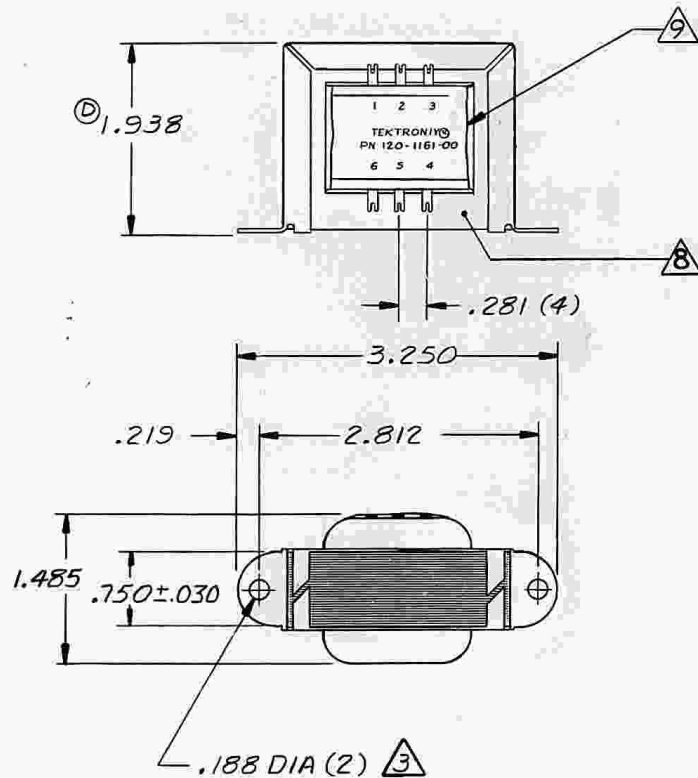
PRI	3-2
1137T	#36

## INSIDE



PRIMARY  
11,220V ± 10%  
47.5 - 420 Hz

LINE	LINE TO
111V	1-2
222V	1-3



9 MARKING AS NOTED :  
TEKTRONIX® P/N 334-0468-00

8 ORIENTATION OF KEEPER IS OPTIONAL  
7. TRANSFORMER MUST COMPLY WITH REQUIREMENTS OF UL 1244

6. DIELECTRIC WITHSTANDING VOLTAGE:  
1.5KV RMS 50 TO 60Hz 1 MINUTE  
PRIMARY TO SECONDARY AND CORE

5. VOLTAGE RATINGS ARE RMS NO LOAD.  
CURRENT RATINGS ARE AMPS DC TYP

4. WINDINGS INSULATED FOR 600V DC

PART NUMBER	REV.
120-1161-00	E

3 MOUNTING HOLES TO BE FREE OF VARNISH

2. TRANSFORMER VACUUM IMPREGNATED WITH VARNISH 252-0082-00 OR APPROVED EQUIVALENT  
1. DIMENSIONS REFERENCE UNLESS OTHERWISE SPECIFIED

### NOTES:

TEKTRONIX, INC. PROPRIETARY ITEM DRAWING			
<input type="checkbox"/> MFD BY TEKTRONIX		<input type="checkbox"/> MFD FOR TEKTRONIX	
<b>TEKTRONIX, INC.</b>		P. O. BOX 500 BEAVERTON, OREGON U.S.A. 97077	
DWN J. NAGODE	13 NOV 78	DIMENSIONS ARE IN INCHES / TOLERANCES: UNLESS OTHERWISE SPECIFIED	
ENGR Eggills	6 JAN 79	DEC	IANLR
CHKR B. Stewart	16 JUL 78	SCALE	FIRST USED ON
PROD G. Rose	20 OCT 79	1:1	7912AD
MATERIAL SEE LIST OF MATERIALS			
FINISH NOTED 2			
TITLE TRANSFORMER, POWER, STPDN			
CODE IDENT NO	SIZE	PART NUMBER	REV
80009	C	120-1161-00	E

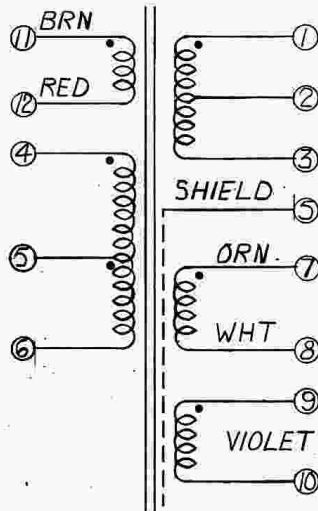
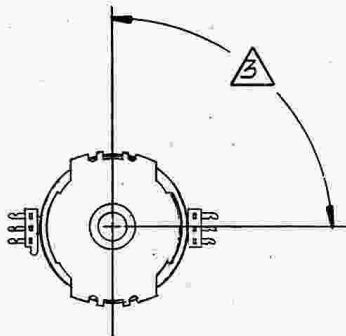
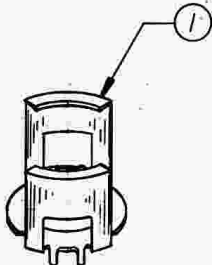
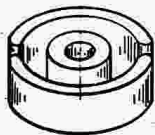
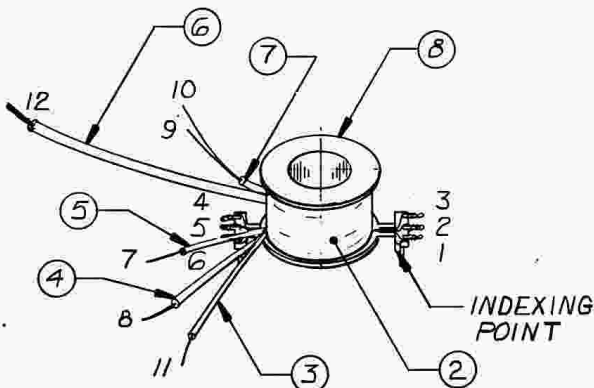
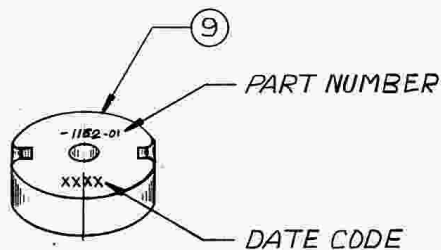
### TEKTRONIX SAFETY CONTROLLED PART

THIS PART IS CONTROLLED TO INSURE MAINTENANCE OF SAFETY CHARACTERISTICS DESIGNED INTO A TEKTRONIX PRODUCT. TO CONTINUE MAINTENANCE, ANY CHANGES IN MATERIALS, SPECIFICATIONS, VENDORS, OR VENDOR PART NUMBERS MUST BE EVALUATED AND APPROVED IN EACH APPLICATION IN WHICH THIS IS A CONTROLLED PART.



THIS DRAWING WHEN DISTRIBUTED OUTSIDE TEKTRONIX, INC. IS SUPPLIED FOR IDENTIFICATION, ENGINEERING EVALUATION AND/OR INSPECTION PURPOSES ONLY AND MAY NOT BE USED AS A BASIS FOR MANUFACTURE OR SALES OF PRODUCTS WITHOUT WRITTEN PERMISSION FROM TEKTRONIX, INC. IF THIS DRAWING IS FURNISHED UNDER ANY UNITED STATES GOVERNMENT CONTRACT, IT SHALL NOT BE EITHER RELEASED OUTSIDE THE GOVERNMENT, OR USED, DUPLICATED, OR DISCLOSED IN WHOLE OR IN PART FOR MANUFACTURE OR PROCUREMENT, WITHOUT THE WRITTEN PERMISSION OF TEKTRONIX, INC. EXCEPT FOR: (1) EMERGENCY REPAIR OR OVERHAUL WORK BY OR FOR THE GOVERNMENT, WHERE THE ITEM OR PROCESS CONCERNED IS NOT OTHERWISE REASONABLY AVAILABLE TO ENABLE TIMELY PERFORMANCE OF THE WORK; OR (2) RELEASE TO A FOREIGN GOVERNMENT AS THE INTERESTS OF THE UNITED STATES MAY REQUIRE, PROVIDED THAT IN EITHER CASE THE RELEASE, USE, DUPLICATION OR DISCLOSURE HEREOF SHALL BE SUBJECT TO THE FOREGOING LIMITATIONS. IF THIS DRAWING IS REPRODUCED IN WHOLE OR IN PART, THIS ENTIRE LEGEND BLOCK MUST APPEAR ON ALL REPRODUCED COPIES.

REV	REF	DESCRIPTION OF CHANGE	CHK BY	DATE
(A)	42788	ADDED NONPROD	CP	16JUL81



4. LEAD AND INSULATION SLEEVING LENGTHS MEASURED FROM OUTSIDE CORE

LEAD NO	COLOR	LEAD ±.125	SLEEVING ±.125	STRIP/TIN ±.050
7	ORN	1.250	.875	.250
8	WHT	1.500	1.125	↓
9	VIOLET	1.000	.250	
10	VIOLET	1.250	.250	
11	BRN	1.500	1.125	
12	RED	3.000	2.625	

WINDINGS	WIRE DATA			TYPRATING		RESISTANCE
	TURNS	AWG	PART NUMBER	VOLTS	AMPS	±20% AT 20°C
4-5-6 SEC	6 BIF	24	176-0030-00 176-0030-15	6/3	1.25A	.050 CT
1-2-3 SEC	12 BIF	30	176-0035-00 176-0035-15	12.6/6.3	.125A	.40 CT
5	SHIELD		253-0024-00			
7-8 SEC	6	24	176-0030-XX	3	1.25A	.033
9-10 SEC	6	24	176-0030-XX	3	1.25A	.033
11-12 PRI	3	20	176-0026-XX	1.5	5A	.010

INDUCTANCE: 240 ± 60 μH (7-8)(9-10) ON ESI 251 OR EQUIV  
POLARITY PER SCHEMATIC  
OPERATING FREQUENCY: 25 KHZ

3. COIL AND CLAMP MUST BE PERPENDICULAR TO EACH OTHER ± 3°

2. COIL CEMENTED TO BOTTOM CORE  
1. REFERENCE DIMENSIONS: .805 HIGH X 1.035 WIDE X 1.400 LONG

NOTES: (A) NONPROD

TEKTRONIX, INC. PROPRIETARY ITEM DRAWING			
<input checked="" type="checkbox"/> MFD BY TEKTRONIX		<input type="checkbox"/> MFD FOR TEKTRONIX	
TEKTRONIX, INC.		P. O. BOX 500 BEAVERTON, OREGON U.S.A. 97077	
ENGR	JTWINFREY	29 AUG 78	DIMENSIONS ARE IN INCHES - TOLERANCES UNLESS OTHERWISE SPECIFIED
CHKD	R. Stewart	23 JUL 80	SCALE
APP'D	M. Catty	17-23-80	FIRST USED ON 7912 AD
MATERIALS: SEE LIST OF MATERIALS			
TITLE: TRANSFORMER, RF (BASE DRIVE, POT CORE)			
CODE IDENT NO	80009	SIZE	PART NUMBER
			120-1162-01
REV			A

9	276-0646-00	1	CORE, EM (2616, UNGAPPED)
8	276-0132-00	1	FORM, COIL
7	162-0578-00	AR	INSUL, SLEEVING, ELEC (VIOLET)
6	162-0510-00	AR	INSUL, SLEEVING, ELEC (RED)
5	162-0651-00	AR	INSUL, SLEEVING, ELEC (ORN)
4	162-0652-00	AR	INSUL, SLEEVING, ELEC (WHT)
3	162-0554-00	AR	INSUL, SLEEVING, ELEC (BRN)
2	253-0125-00	AR	TAPE, PRESS SENS (375 WIDE)
1	343-0423-00	1	CLAMP, POT CORE

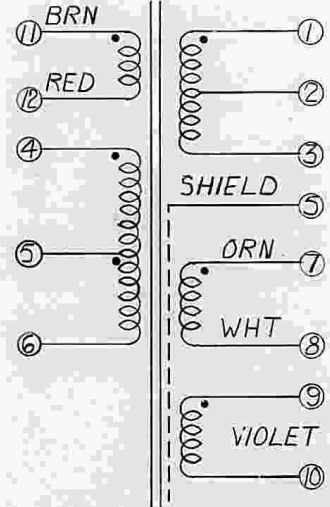
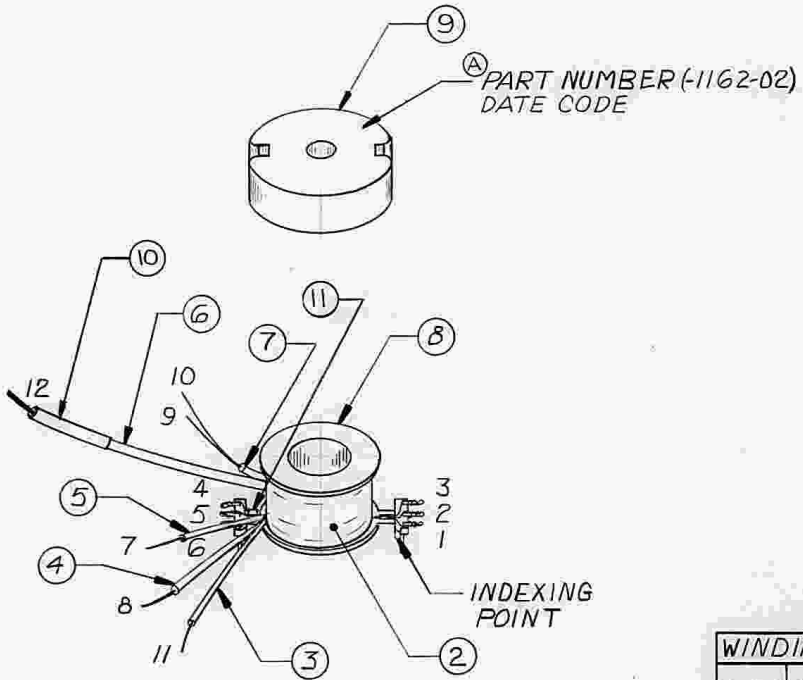
ITEM	PART NUMBER	QTY	DESCRIPTION
------	-------------	-----	-------------

THIS DRAWING WHEN DISTRIBUTED OUTSIDE TEKTRONIX, INC., IS SUPPLIED FOR IDENTIFICATION, ENGINEERING EVALUATION AND/OR INSPECTION PURPOSES ONLY AND MAY NOT BE USED AS A BASIS FOR MANUFACTURE OR SALES OF PRODUCTS WITHOUT WRITTEN PERMISSION FROM TEKTRONIX, INC. IF THIS DRAWING IS FURNISHED UNDER ANY UNITED STATES GOVERNMENT CONTRACT, IT SHALL NOT BE EITHER RELEASED OUTSIDE THE GOVERNMENT, OR USED, COPIED, OR DISCLOSED IN WHOLE OR IN PART FOR MANUFACTURE OR PROCUREMENT, WITHOUT THE WRITTEN PERMISSION OF TEKTRONIX, INC., EXCEPT FOR: (1) EMERGENCY REPAIR OR OVERHAUL WORK BY OR FOR THE GOVERNMENT, WHERE THE ITEM OR PROCESS CONCERNED IS NOT OTHERWISE REASONABLY AVAILABLE TO ENABLE TIMELY PERFORMANCE OF THE WORK; OR (2) RELEASE TO A FOREIGN GOVERNMENT AS THE INTERESTS OF THE UNITED STATES MAY REQUIRE; PROVIDED THAT IN EITHER CASE THE RELEASE, USE, DUPLICATION OR DISCLOSURE HEREOF SHALL BE SUBJECT TO THE FOREGOING LIMITATIONS, IF THIS DRAWING IS REPRODUCED IN WHOLE OR IN PART, THIS ENTIRE LEGEND BLOCK MUST APPEAR ON ALL REPRODUCED COPIES.

REV	REF	DESCRIPTION OF CHANGE	CHK BY	DATE
	42788	INITIATED PART	CP	16 JUL 81
(A)	49313	UPDATED DWG., INDUCTANCE NOTE & NOTE $\Delta$	DD	6 JUNE 83
B	57039	SHIELD WAS 253-0024-00		29 APR 85
(C)	DDN B1	ADDED NOTE $\Delta$ , LEADS 7 & 11 WERE TINNED .250	LB	24 MAR 86

- (C)  $\Delta$  7 TIN TO EDGE OF SLEEVING  $\pm .050$
- (A)  $\Delta$  6 VACUUM VARNISH IMPREGNATED WITH 252-0082-00 OR APPROVED EQUIV.
- 5. DIELECTRIC WITHSTAND TEST 1, 2, 3  $\neq$  BRACKET TO ALL OTHER TERMINATIONS 1500 VRMS 60 HZ 1 MINUTE
- 4. LEAD AND INSULATION SLEEVING LENGTHS MEASURED FROM OUTSIDE CORE

LEAD NO	COLOR	LEAD $\pm .125$	SLEEVING $\pm .125$	TIN
7	ORN	1.250	.875	$\Delta$ (C)
8	WHT	1.500	1.125	$\Delta$ (C)
9	VIOLET	1.000	.250	$\Delta$ (C)
10		1.250	.250	$\Delta$ (C)
11	BRN	1.500	1.125	$\Delta$ (C)
12	RED	3.000	2.625	$\Delta$ (C)

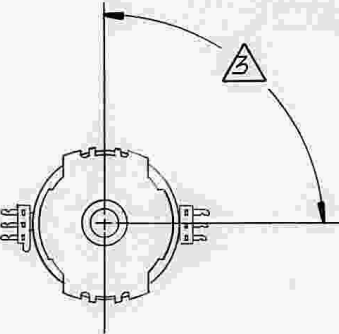
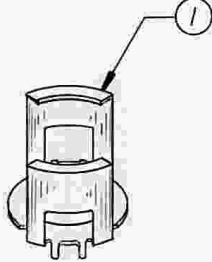
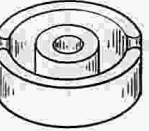


WINDINGS	WIRE DATA		TYP RATING		RESISTANCE
	TURNS	AWG	VOLTS	AMPS	$\pm 20\%$ AT $20^\circ\text{C}$
4-5-6 SEC	6 BIF	24	6/3	1.25A	.050 CT
1-2-3 SEC	12 BIF	30	12.6/6.3	.125A	.40 CT
5	SHIELD	253-0214-00			
7-8 SEC	6	24	3	1.25A	.033
9-10 SEC	6	24	3	1.25A	.033
11-12 PRI	3	20	1.5	5A	.010

(A) INDUCTANCE :  $240 \pm 72 \mu\text{H}$  (7-8) (9-10) ON ESI 252 OR APPROVED EQUIV.  
OPERATING FREQUENCY : 25 KHZ  
POLARITY PER SCHEMATIC

- $\Delta$  3 COIL AND CLAMP MUST BE PERPENDICULAR TO EACH OTHER  $\pm 3^\circ$
- 2. COIL CEMENTED TO BOTTOM CORE
- 1. REFERENCE DIMENSIONS : .805 HIGH X 1.035 WIDE X 1.400 LONG

NOTES:



PART NUMBER 120-1162-02 REV. C

ITEM	PART NUMBER	QTY	DESCRIPTION
11	253-0086-00	AR	TAPE, PRESS SENS (.137 WIDE)
10	162-0561-00	AR	INSUL, SLEEVING, ELEC, HEAT SHRINK
9	276-0646-00	1	CORE, EM (26/6, UNGAPPED)
8	276-0132-00	1	FORM, COIL
7	162-0578-00	AR	INSUL, SLEEVING, ELEC (VIOLET)
6	162-0510-00	AR	INSUL, SLEEVING, ELEC (RED)
5	162-0651-00	AR	INSUL, SLEEVING, ELEC (ORN)
4	162-0652-00	AR	INSUL, SLEEVING, ELEC (WHT)
3	162-0554-00	AR	INSUL, SLEEVING, ELECT (BRN)
2	253-0125-00	AR	TAPE, PRESS SENS (.375 WIDE)
1	343-0423-00	1	CLAMP, POT CORE

TEKTRONIX, INC. PROPRIETARY ITEM DRAWING

MFD BY TEKTRONIX  MFD FOR TEKTRONIX

TEKTRONIX, INC. P. O. BOX 500 BEAVERTON, OREGON U.S.A. 97077

DWN NAM LU 16 JUL 81  
ENGR EAG 17 JUL 81  
CHKR B. Stewart 17 JUL 81  
PROD B. Rasmussen 21 JUL 81

DIMENSIONS ARE IN INCHES UNLESS OTHERWISE SPECIFIED

SCALE NONE FIRST USED ON 7912 AD

MATERIAL SEE LIST OF MATERIALS

FINISH  $\Delta$

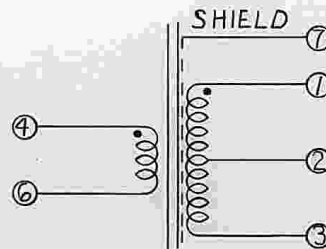
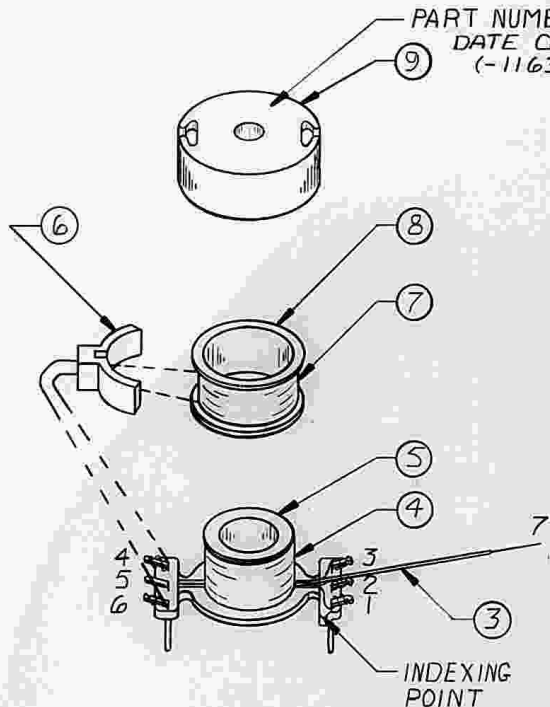
TITLE TRANSFORMER, RF (BASE DRIVE, POT CORE)

CODE IDENT NO 80009 SIZE C PART NUMBER 120-1162-02 REV C

THIS DRAWING WHEN DISTRIBUTED OUTSIDE TEKTRONIX, INC., IS SUPPLIED FOR IDENTIFICATION, ENGINEERING EVALUATION AND/OR INSPECTION PURPOSES ONLY AND MAY NOT BE USED AS A BASIS FOR MANUFACTURE OR SALES OF PRODUCTS WITHOUT WRITTEN PERMISSION FROM TEKTRONIX, INC. IF THIS DRAWING IS FURNISHED UNDER ANY UNITED STATES GOVERNMENT CONTRACT, IT SHALL NOT BE EITHER RELEASED OUTSIDE THE GOVERNMENT, OR USED, DUPLICATED, OR DISCLOSED IN WHOLE OR IN PART FOR MANUFACTURE OR PROCUREMENT, WITHOUT THE WRITTEN PERMISSION OF TEKTRONIX, INC., EXCEPT FOR: (1) EMERGENCY REPAIR OR OVERHAUL WORK BY OR FOR THE GOVERNMENT, WHERE THE ITEM OR PROCESS CONCERNED IS NOT OTHERWISE REASONABLY AVAILABLE TO ENABLE TIMELY PERFORMANCE OF THE WORK; OR (2) RELEASE TO A FOREIGN GOVERNMENT AS THE INTERESTS OF THE UNITED STATES MAY REQUIRE; PROVIDED THAT IN EITHER CASE THE RELEASE, USE, DUPLICATION OR DISCLOSURE HEREOF SHALL BE SUBJECT TO THE FOREGOING LIMITATIONS. IF THIS DRAWING IS REPRODUCED IN WHOLE OR IN PART, THIS ENTIRE LEGEND BLOCK MUST APPEAR ON ALL REPRODUCED COPIES.

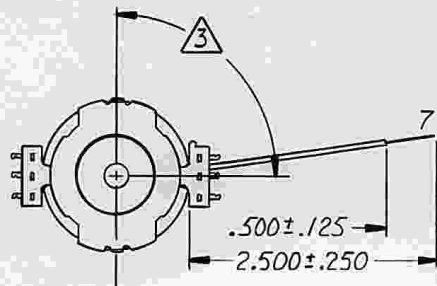
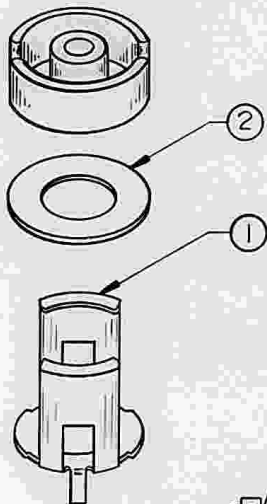
REV	REF	DESCRIPTION OF CHANGE	CHK BY	DATE
A	50097	UPDATED DWG	DD	9 FEB 83
B	57039	SHIELD WAS 253-0093-00		29 APR 85

PART NUMBER &  
DATE CODE  
(-1163-)



WINDINGS	TURNS	WIRE DATA		TYP RATINGS		RESISTANCE
		AWG	PART NUMBER	VOLTS	AMPS	±20% AT 20°C
1-2-3	17BIF	30	176-0035-XX	28CT	.7	.36Ω CT
7	SHIELD		253-0366-00			
4-6	6	22	176-0028-XX	4.2	2	.015Ω

INDUCTANCE: 4.2 mH ±25% (PINS 1-3) ON  
ESI 252 METER OR APPROVED EQUIV  
POLARITY PER SCHEMATIC  
OPERATING FREQUENCY: 50 KHZ



PART NUMBER  
120-1163-00

REV.  
B

1. REFERENCE DIMENSIONS .605 HIGH X .720 WIDE X 1.125 LONG
2. COIL CEMENTED TO BOTTOM CORE
3. COIL AND CLAMP MUST BE PERPENDICULAR TO EACH OTHER ± 3°

NOTES:

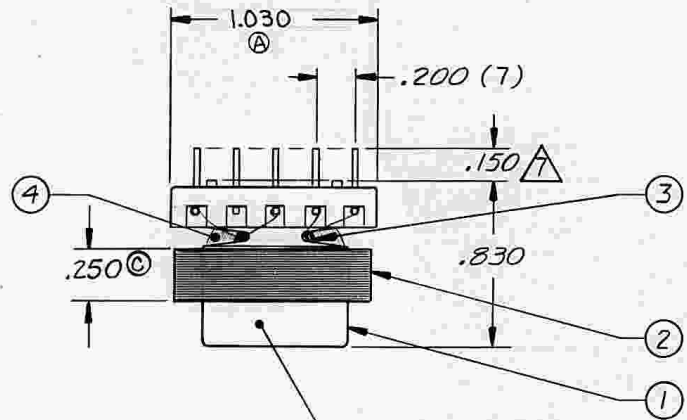
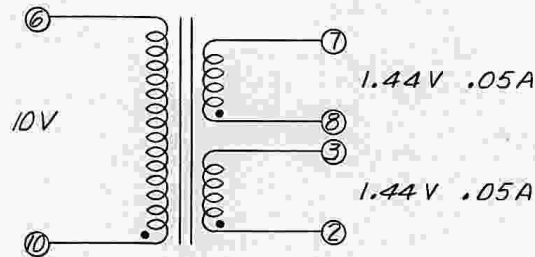
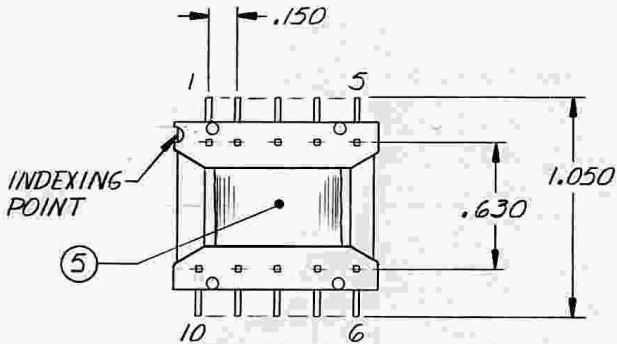
TEKTRONIX, INC. PROPRIETARY ITEM DRAWING			
<input checked="" type="checkbox"/> MFD BY TEKTRONIX		<input type="checkbox"/> MFD FOR TEKTRONIX	
<b>TEKTRONIX, INC.</b> P. O. BOX 500 BEAVERTON, OREGON U.S.A. 97077			
DWN	JTWINFREY	28APR78	DIMENSIONS ARE IN INCHES / TOLERANCES: UNLESS OTHERWISE SPECIFIED
ENGR	Pg. Gills	23JUL80	SCALE FIRST USED ON
CHKR	B. Stewart	23JUL80	NONE 7912 AD
PROD	M. Cratty	7-23-80	
MATERIAL			
SEE LIST OF MATERIALS			
FINISH			
TITLE			
TRANSFORMER, RF (CURRENT, POT CORE)			
CODE IDENT NO	SIZE	PART NUMBER	REV
80009	C	120-1163-00	B

ITEM	PART NUMBER	QTY	DESCRIPTION
9	276-0617-00	1	CORE, EM (UNGAPPED 1811)
8	276-0181-00	1	FORM, COIL
7	253-0151-00	AR	TAPE, PRESS SENS (.188 WIDE)
6	342-0118-00	1	INSULATOR, WIRE
5	276-0168-01	1	FORM, COIL
4	253-0021-00	AR	TAPE, PRESS SENS (.250 WIDE)
3	175-0574-00	AR	WIRE, ELEC (26 AWG BLK)
2	361-0409-00	1	SPACER, DISC
1	343-0312-00	1	CLAMP, POT CORE

LIST OF MATERIALS

THIS DRAWING WHEN DISTRIBUTED OUTSIDE TEKTRONIX, INC., IS SUPPLIED FOR IDENTIFICATION, ENGINEERING EVALUATION AND/OR INSPECTION PURPOSES ONLY AND MAY NOT BE USED AS A BASIS FOR MANUFACTURE OR SALES OF PRODUCTS WITHOUT WRITTEN PERMISSION FROM TEKTRONIX, INC. IF THIS DRAWING IS FURNISHED UNDER ANY UNITED STATES GOVERNMENT CONTRACT, IT SHALL NOT BE EITHER RELEASED OUTSIDE THE GOVERNMENT, OR USED, DUPLICATED, OR DISCLOSED IN WHOLE OR IN PART FOR MANUFACTURE OR PROCUREMENT, WITHOUT THE WRITTEN PERMISSION OF TEKTRONIX, INC., EXCEPT FOR: (1) EMERGENCY REPAIR OR OVERHAUL WORK BY OR FOR THE GOVERNMENT, WHERE THE ITEM OR PROCESS CONCERNED IS NOT OTHERWISE REASONABLY AVAILABLE TO ENABLE TIMELY PERFORMANCE OF THE WORK, OR (2) RELEASE TO A FOREIGN GOVERNMENT AS THE INTERESTS OF THE UNITED STATES MAY REQUIRE; PROVIDED THAT IN EITHER CASE THE RELEASE, USE, DUPLICATION OR DISCLOSURE HEREOF SHALL BE SUBJECT TO THE FOREGOING LIMITATIONS. IF THIS DRAWING IS REPRODUCED IN WHOLE OR IN PART, THIS ENTIRE LEGEND BLOCK MUST APPEAR ON ALL REPRODUCED COPIES.

REV	REF	DESCRIPTION OF CHANGE	CHK BY	DATE
A	43514	1.030 WAS 1.300	DD	25JUN81
B	46227	ADDED SAFETY LABEL	PV	14APR83
C	53424	DIMENSION WAS .250 ± .010, & UPDATED NOTE 2	DD	21FEB84
D	DDN CI	PART NO. & DATE CODE WERE ON COMPONENT TOP	LB	24MAR86



COIL STRUCTURE  
OUTSIDE

TYPE WINDING	TERM NO
PRI 2500T	10-6 #41
SEC 360T	2-3 #36
SEC 360T	8-7 #36

INSIDE

- 7. SOLDERABILITY REQUIRED THIS AREA
- 6. POLARITY PER SCHEMATIC
- 5. DIELECTRIC WITHSTANDING VOLTAGE: 2KV RMS, 50 TO 60 Hz, 1 MINUTE, PRIMARY TO SECONDARIES AND CORE

PART NUMBER	REV.
120-1164-00	D

- 4. VOLTAGE RATINGS ARE RMS NO LOAD. CURRENT RATINGS ARE AMPS DC TYP
- 3. WINDINGS INSULATED FOR 600V DC
- 2. TRANSFORMER VACUUM IMPREGNATED WITH VARNISH 252-0082-00 OR APPROVED EQUIVALENT
- 1. DIMENSIONS REFERENCE UOS

NOTE:

PART NUMBER (-1164)  
DATE CODE  
OPPOSITE SIDE ①

**TEKTRONIX SAFETY CONTROLLED PART**  
THIS PART IS CONTROLLED TO INSURE MAINTENANCE OF SAFETY CHARACTERISTICS DESIGNED INTO A TEK PRODUCT. TO CONTINUE MAINTENANCE, ANY CHANGES IN MATERIALS, SPECIFICATIONS, VENDORS, OR VENDOR PART NUMBERS MUST BE EVALUATED AND APPROVED IN EACH APPLICATION IN WHICH THIS IS A CONTROLLED PART.

000-5094-00 Rev. May 1982

5	253-0103-00	AR	TAPE, PRESS SENS (.438 WIDE)
4	176-0181-XX	AR	WIRE, ELEC (41 AWG)
3	176-0157-XX	AR	WIRE, ELEC (36 AWG)
2	386-0022-00	AR	PLATE, LAMINATION STEEL
1	276-0227-00	I	FORM, COIL

TEKTRONIX, INC. PROPRIETARY ITEM DRAWING			
<input type="checkbox"/> MFD BY TEKTRONIX		<input type="checkbox"/> MFD FOR TEKTRONIX	
P. O. BOX 500 BEAVERTON, OREGON U.S.A. 97077			
DWN J. NAGODE	15 NOV 78	DIMENSIONS ARE IN INCHES UNLESS OTHERWISE SPECIFIED	
ENGR [Signature]	3 SEPT 80	DEC	ANLR
CHKR B. [Signature]	9 SEPT 80	SCALE	FIRST USED ON
PROD [Signature]	5 SEPT 80	2:1	7912 AD
MATERIAL			
SEE LIST OF MATERIALS			
FINISH			
NOTED			
TITLE			
TRANSFORMER, AF (FAN BASE DRIVE)			
CODE IDENT NO	SIZE	PART NUMBER	REV
80009	G	120-1164-00	D

77-11F

③ FIRST TURN AND LAST TURN OF 1-2 TO BE SLEEVED WITH 162-0503-00. LEADS EXTENDING BEYOND SLEEVING MUST BE TINNED

④ LEADS 3&4 TINNED TO  $.300 \pm .050$  FROM EDGE OF WINDING.

5. COAT WITH 006-1109-00

6. TOROID REFERENCE DIMENSIONS:  
.885 OD X .265 HIGH

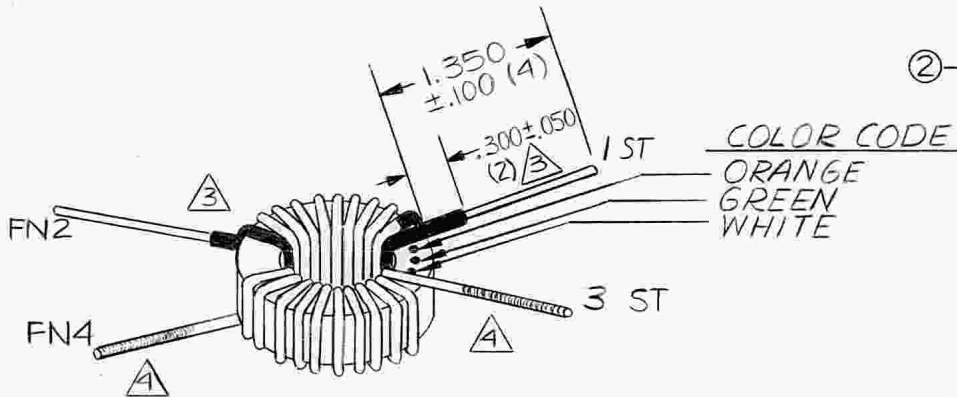
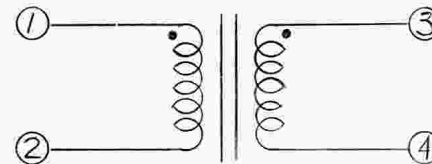
REV. A  
PART NUMBER 120-1165-00

THIS DRAWING WHEN DISTRIBUTED OUTSIDE TEKTRONIX, INC., IS SUPPLIED FOR IDENTIFICATION, ENGINEERING EVALUATION AND/OR INSPECTION PURPOSES ONLY AND MAY NOT BE USED AS A BASIS FOR MANUFACTURE OR SALES OF PRODUCTS WITHOUT WRITTEN PERMISSION FROM TEKTRONIX, INC. IF THIS DRAWING IS FURNISHED UNDER ANY UNITED STATES GOVERNMENT CONTRACT, IT SHALL NOT BE EITHER RELEASED OUTSIDE THE GOVERNMENT, OR USED, DUPLICATED, OR DISCLOSED IN WHOLE OR IN PART FOR MANUFACTURE OR PROCUREMENT, WITHOUT THE WRITTEN PERMISSION OF TEKTRONIX, INC., EXCEPT FOR: (1) EMERGENCY REPAIR OR OVERHAUL WORK BY OR FOR THE GOVERNMENT, WHERE THE ITEM OR PROCESS CONCERNED IS NOT OTHERWISE REASONABLY AVAILABLE TO ENABLE TIMELY PERFORMANCE OF THE WORK; OR (2) RELEASE TO A FOREIGN GOVERNMENT AS THE INTERESTS OF THE UNITED STATES MAY REQUIRE; PROVIDED THAT IN EITHER CASE THE RELEASE, USE, DUPLICATION OR DISCLOSURE HEREOF SHALL BE SUBJECT TO THE FOREGOING LIMITATIONS, IF THIS DRAWING IS REPRODUCED IN WHOLE OR IN PART, THIS ENTIRE LEGEND BLOCK MUST APPEAR ON ALL REPRODUCED COPIES.

REV	REF	DESCRIPTION OF CHANGE	CHK BY	DATE
①	46578	EXTENSIVELY REVISED	DD	12MAY82

2. DIELECTRIC WITHSTANDING VOLTAGE:  
1500 V AC, 50 TO 60 HZ, 1 MINUTE  
LEADS 1 TO 3

1. INDUCTANCE RANGE PER HP 4275A METER OR APPROVED EQUIV: 420 TO 670  $\mu$ H ON 13 TURN WINDING, 10 KHZ, .10 mA, SERIES MODE



NOTES:

WIRE DATA				
WINDINGS	TURNS	SECTION	AWG	PART NUMBER
* 1-2	13	160°	18	176-0024-XX
3-4	13	160°	18	176-0024-XX

\* REVERSE WOUND

DATA:  
CODE: TD-359  
CORE: 276-0776-00  
SLEEVING: 162-0503-00

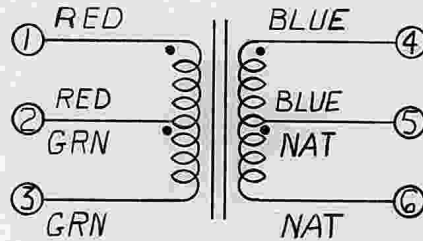
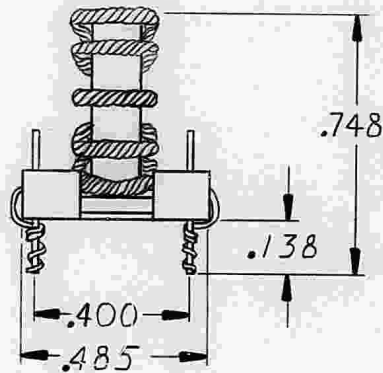
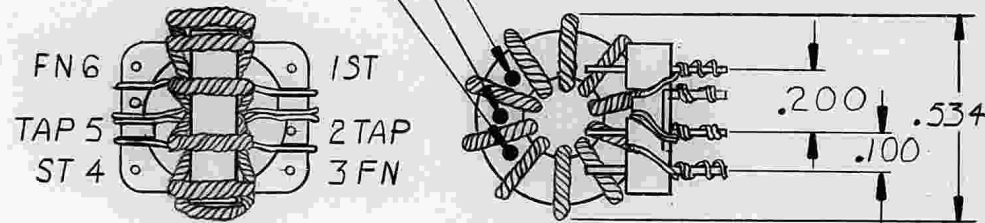
TEKTRONIX, INC. PROPRIETARY ITEM DRAWING			
<input checked="" type="checkbox"/> MFD BY TEKTRONIX		<input type="checkbox"/> MFD FOR TEKTRONIX	
<b>TEKTRONIX, INC.</b>		P. O. BOX 500 BEAVERTON, OREGON U.S.A. 97077	
DWN J. NAGODE	6 DEC 77	DIMENSIONS ARE IN INCHES / MM	
ENGR J. G. J. J.	17 MAR 80	TOLERANCES: UNLESS OTHERWISE SPECIFIED	
CHKR R. Stewart	28 MAR 80	DEC	ANLR
PROD D. Holman	17 MAR 80	SCALE NONE	FIRST USED ON 7912 AD
MATERIAL LISTED			
FINISH NOTED			
TITLE TRANSFORMER, RF (TOROID COMMON MODE REJECTION)			
CODE IDENT NO 80009	SIZE B	PART NUMBER 120-1165-00	REV A

DO NOT SCALE DRAWING

COLOR CODE

76-127 B

ORANGE  
BLUE  
BLACK



POLARITY PER SCHEMATIC

WIRE DATA

TURNS/COLOR	AWG	PART NUMBER
10 RED	31	176-0014-00
10 NATURAL	31	176-0014-14
10 GREEN	31	176-0014-15
10 BLUE	31	176-0014-16

\*

\* QUADFILAR (TWISTED) TWIST WIRE  $5 \pm 1$  TURNS/INCH

DATA:

CODE TD-360  
CORE NO 276-0525-00  
HOLDER NO 352-0466-00

REV.

120-1166-00

THIS DRAWING WHEN DISTRIBUTED OUTSIDE TEKTRONIX, INC., IS SUPPLIED FOR IDENTIFICATION, ENGINEERING EVALUATION AND/OR INSPECTION PURPOSES ONLY AND MAY NOT BE USED AS A BASIS FOR MANUFACTURE OR SALES OF PRODUCTS WITHOUT WRITTEN PERMISSION FROM TEKTRONIX, INC. IF THIS DRAWING IS FURNISHED UNDER ANY UNITED STATES GOVERNMENT CONTRACT, IT SHALL NOT BE EITHER RELEASED OUTSIDE THE GOVERNMENT, OR USED, DUPLICATED, OR DISCLOSED IN WHOLE OR IN PART FOR MANUFACTURE OR PROCUREMENT, WITHOUT THE WRITTEN PERMISSION OF TEKTRONIX, INC., EXCEPT FOR: (1) EMERGENCY REPAIR OR OVERHAUL WORK BY OR FOR THE GOVERNMENT, WHERE THE ITEM OR PROCESS CONCERNED IS NOT OTHERWISE REASONABLY AVAILABLE TO ENABLE TIMELY PERFORMANCE OF THE WORK; OR (2) RELEASE TO A FOREIGN GOVERNMENT AS THE INTERESTS OF THE UNITED STATES MAY REQUIRE, PROVIDED THAT IN EITHER CASE THE RELEASE, USE, DUPLICATION OR DISCLOSURE HEREOF SHALL BE SUBJECT TO THE FOREGOING LIMITATIONS, IF THIS DRAWING IS REPRODUCED IN WHOLE OR IN PART, THIS ENTIRE LEGEND BLOCK MUST APPEAR ON ALL REPRODUCED COPIES.

REV	REF	DESCRIPTION OF CHANGE	CHK BY	DATE
-----	-----	-----------------------	--------	------

3. VALUE DETERMINED WITH TEKTRONIX 130 L.C. METER: TERMINALS 1 TO 2 50μH TO 120μH

2. COAT CORE AND SECURE CORE TO HOLDER WITH 006-1109-00

1. DIMENSIONS REFERENCE UOS

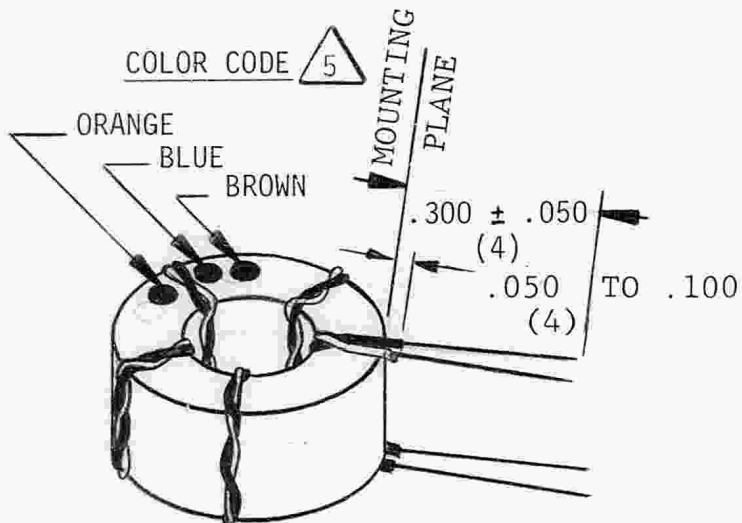
NOTES:

TEKTRONIX, INC. PROPRIETARY ITEM DRAWING			
<input checked="" type="checkbox"/> MFD BY TEKTRONIX		<input type="checkbox"/> MFD FOR TEKTRONIX	
		P. O. BOX 500 BEAVERTON, OREGON U.S.A. 97077	
DWN	JTWINFREY	5MAY78	DIMENSIONS ARE IN INCHES / TOLERANCES UNLESS OTHERWISE SPECIFIED
ENGR	<i>Blagilus</i>	13 June 79	DEC _____ ANLR _____
CHKR	B. Stewart	13 June 79	SCALE 3:1
PROD	<i>W. Cooper</i>	13 June 79	FIRST USED ON 653
MATERIAL LISTED			
FINISH NOTED			
TITLE TRANSFORMER, RF (TOROID)			
CODE IDENT NO	SIZE	PART NUMBER	REV
80009	B	120-1166-00	

DO NOT SCALE DRAWING

NOTES:

1. LEADS STRIPPED PER DRAWING
2. COATED WITH 006-3397-00 OR APPROVED EQUIVALENT
3. INDUCTANCE VALUE DETERMINED WITH HP 4275A METER OR APPROVED EQUIVALENT @ 40 KHz, 0.8 mA, SERIES MODE (5TURN WINDING) L=8.7μH+32%
4. TOROID REFERENCE DIMENSIONS: .325 OD x .220 HIGH  
 PRINTED PART NUMBER (-1167) MAY BE USED INSTEAD OF COLOR CODE



WIRE DATA			
TURNS / COLOR	AWG	PART NUMBER	
5 RED	30	175-0982-00	
5 VIOLET	30	175-0983-00	

\* BIFILAR (TWISTED) WIRES 5±1 TURN/INCH

DATA:

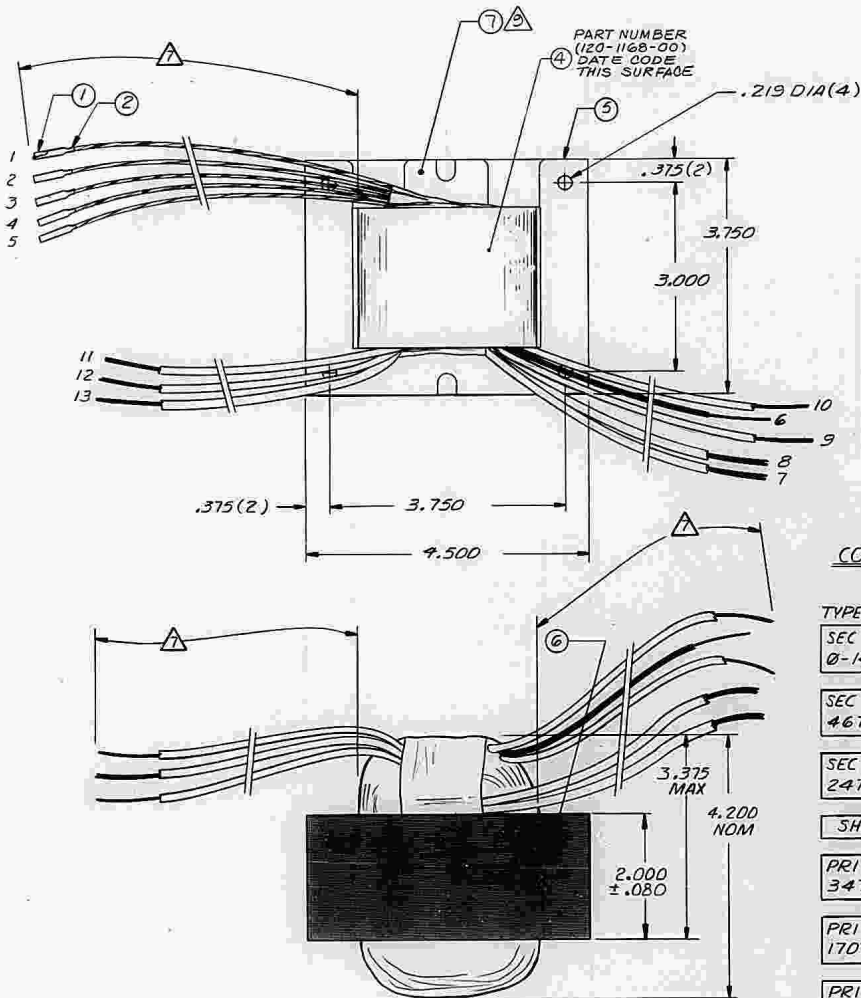
CODE TD-361  
 CORE NO. 276-0581-00

77-107	PART NUMBER	120-1167-00	REV A
THIS DRAWING WHEN DISTRIBUTED OUTSIDE TEKTRONIX, INC. IS SUPPLIED FOR IDENTIFICATION ENGINEERING EVALUATION AND/OR INSPECTION PURPOSES ONLY AND MAY NOT BE USED AS A BASIS FOR MANUFACTURE OR SALES OF PRODUCTS WITHOUT WRITTEN PERMISSION FROM TEKTRONIX, INC. IF THIS DRAWING IS FURNISHED UNDER ANY UNITED STATES GOVERNMENT CONTRACT, IT SHALL NOT BE EITHER RELEASED OUTSIDE THE GOVERNMENT, OR USED, DUPLICATED, OR DISCLOSED IN WHOLE OR IN PART FOR MANUFACTURE OR PROCUREMENT, WITHOUT THE WRITTEN PERMISSION OF TEKTRONIX, INC. EXCEPT FOR: (1) EMERGENCY REPAIR OR OVERHAUL WORK BY OR FOR THE GOVERNMENT, WHERE THE ITEM OR PROCESS CONCERNED IS NOT OTHERWISE REASONABLY AVAILABLE TO ENABLE TIMELY PERFORMANCE OF THE WORK, OR (2) RELEASE TO A FOREIGN GOVERNMENT AS THE INTERESTS OF THE UNITED STATES MAY REQUIRE, PROVIDED THAT IN EITHER CASE THE RELEASE, USE, DUPLICATION OR DISCLOSURE HEREOF SHALL BE SUBJECT TO THE FOREGOING LIMITATIONS. IF THIS DRAWING IS REPRODUCED IN WHOLE OR IN PART, THIS ENTIRE LEGEND BLOCK MUST APPEAR ON ALL REPRODUCED COPIES.			
REV / BY / REF	DESCRIPTION OF CHANGE		CHK BY / DATE
(A) DG 50482	UPDATED NOTES & REVISED DWG.		13 DEC 83

TEKTRONIX, INC. PROPRIETARY ITEM DRAWING			
<input type="checkbox"/> MFD BY TEKTRONIX		<input type="checkbox"/> MFD FOR TEKTRONIX	
TEKTRONIX, INC.		P. O. BOX 500 BEAVERTON, OREGON U.S.A. 97077	
DWN	J. NAGODE	25 OCT 77	DIMENSIONS ARE IN INCHES / <del>MM</del> TOLERANCES: UNLESS OTHERWISE SPECIFIED
ENGR	<i>W. Gordon</i>	<i>6/26/80</i>	
CHKR	<i>B. Stewart</i>	<i>6/27/80</i>	DEC _____ ANLR _____
PROD	<i>Donna M. Holman</i>	<i>6-26-80</i>	SCALE NONE FIRST USED ON SC 504
MATERIAL LISTED			
FINISH NOTED			
TITLE TRANSFORMER, RF (TOROIDAL)			
CODE IDENT NO	SIZE	PART NUMBER	REV
80009	A	120-1167-00	A

53-127 D

REV	DESCRIPTION OF CHANGE	DATE
(A)	37019 162-0696-00 WAS 162-0550-00	LF 03OCT79
(B)	41845 ADDED $\blacklozenge$ LENGTH TOL. $\pm$ .500	LL 29OCT80
(C)	41718 ADDED ITEM (7) & NOTE $\triangle$	DD 3FEB81
(D)	45018 REMOVED ITEM 3	DD 29MAR82
(E)	50496 UPDATED ITEM 6, NOTE 5 WAS 2KV	DD 22JUN83
(F)	51689 REVISED DWG., UPDATED NOTE 2 REMOVED ITEM 6	DD 22NOV83

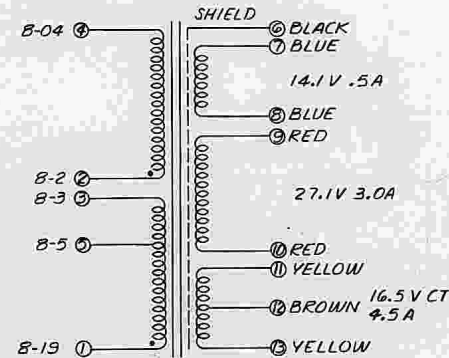


### COIL STRUCTURE OUTSIDE

TYPE WINDING	LEAD NO
SEC	11-12-13
0-14-28T	*15
SEC	9-10
46T	*13
SEC	7-8
24T	2 *21
SHIELD	6
PRI	5-3
34T	*17
PRI	1-5
170T	*21
PRI	2-4
204T	*21

INSIDE

VOLTAGE	LINE TO	CONNECT
100V	1 AND 5	1 TO 2, 3 TO 4
120V	1 AND 3	1 TO 2, 3 TO 4
220V	2 AND 5	1 TO 4
240V	2 AND 3	1 TO 4



PRIMARY  
100, 120, 220,  $\pm$   
240V  $\pm$ 10%  
50-60 Hz

PRIMARY CIRCUIT HAS  
LOAD OF 120V  
1.2A AC RMS (1-3)

(A)  $\triangle$  ORIENTATION OF KEEPER IS OPTIONAL

8. TRANSFORMER MUST COMPLY WITH UL 478 AND CSA 154

(B)  $\blacklozenge$  LEAD LENGTHS:

\* LEAD WIRE, CONNECTORS, AND

\* INSULATION SLEEVING,  $\blacklozenge$  LENGTH TOL.  $\pm$ .500

LEAD NO	COLOR	PART NUMBER	LENGTH $\pm$ .250 UO $\pm$	STRIPPING $\pm$ .125
1	B-19	175-0879-00	3.500	
2	B-2	175-0880-00		
3	B-3	175-0881-00		
4	B-04	175-0882-00		
5	B-5	175-0883-00		
6	BLK	162-0504-00	7.000	1.000
7,8	BLU	162-0522-00	7.000	
9,10	RED	162-0507-00	8.000	
11,13	YEL	162-0514-00	7.000	
12	BRN	162-0696-00	7.000	

**TEKTRONIX**  
SAFETY CERTIFIED PART  
This part is certified to meet the requirements of safety standards for use in equipment used in the home, office, or laboratory.

PART NUMBER  
**120-1168-00**

6. POLARITY PER SCHEMATIC

(E) 5. DIELECTRIC WITHSTANDING VOLTAGE:  
15KV RMS, 50 TO 60HZ, 1 MINUTE,  
PRIMARYS TO SECONDARIES, SHIELD,  
AND CORE

4. VOLTAGE RATINGS ARE RMS NO LOAD.  
CURRENT RATINGS ARE AMPS DC  
TYP UO $\pm$

3. WINDINGS INSULATED FOR 600V DC

(F)  $\blacklozenge$  TRANSFORMER VACUUM IMPREGNATED  
WITH VARNISH 252-0082-00 OR  
APPROVED EQUIVALENT

1. DIMENSIONS REFERENCE UNLESS  
OTHERWISE SPECIFIED

NOTES:

TEKTRONIX, INC. PROPRIETARY ITEM DRAWING  
MFD BY TEKTRONIX

TEKTRONIX, INC. P. O. BOX 800  
BEAVERTON, OREGON U.S.A. 97005

OWN: J. NAGODE  
ENGR: R. Copan  
PRG: B. Steiner  
DATE: 12-30-79  
SCALE: 1:1  
DWG NO: 173JUL79  
REV: 1  
APPROVED BY: 4507

DIMENSIONS ARE IN INCHES UNLESS OTHERWISE SPECIFIED

SCALE: 1:1  
APPROVED BY: 4507

MATERIAL: SEE LIST OF MATERIALS  $\triangle$

FINISH: NOTED  $\triangle$

TITLE: TRANSFORMER, POWER, STPON

CODE IDENT NO: 80009  
SIZE: D  
PART NUMBER: 120-1168-00  
REV: F

(C)	7	386-4779-00	Z	PLATE, LAMINATION (KEEPER)
(B)	6			
	5	386-0006-00	AR	PLATE, LAMINATION (STEEL)
	4	334-4645-00	I	MARKER, IDENTIFICATION
(D)	3			
	2	162-0561-00	AR	INSUL, SLVG, ELEC (BLACK)
	1	131-0677-00	S	CONN, RCPT, ELECTRICAL

DO NOT SCALE DRAWING



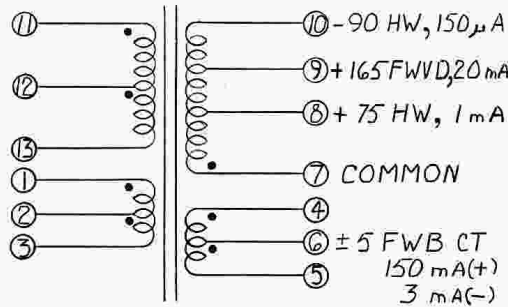
77-145E

THIS DRAWING WHEN DISTRIBUTED OUTSIDE TEKTRONIX, INC., IS SUPPLIED FOR IDENTIFICATION, ENGINEERING, EVALUATION AND/OR INSPECTION PURPOSES ONLY AND MAY NOT BE USED AS A BASIS FOR MANUFACTURE OR SALES OF PRODUCTS WITHOUT WRITTEN PERMISSION FROM TEKTRONIX, INC. IF THIS DRAWING IS FURNISHED UNDER ANY UNITED STATES GOVERNMENT CONTRACT, IT SHALL NOT BE EITHER RELEASED OUTSIDE THE GOVERNMENT, OR USED, DUPLICATED, OR DISCLOSED IN WHOLE OR IN PART FOR MANUFACTURE OR PROCUREMENT, WITHOUT THE WRITTEN PERMISSION OF TEKTRONIX, INC., EXCEPT FOR: (1) EMERGENCY REPAIR OR OVERHAUL WORK BY OR FOR THE GOVERNMENT, WHERE THE ITEM OR PROCESS CONCERNED IS NOT OTHERWISE REASONABLY AVAILABLE TO ENABLE TIMELY PERFORMANCE OF THE WORK; OR (2) RELEASE TO A FOREIGN GOVERNMENT AS THE INTERESTS OF THE UNITED STATES MAY REQUIRE; PROVIDED THAT IN EITHER CASE THE RELEASE, USE, DUPLICATION OR DISCLOSURE HEREOF SHALL BE SUBJECT TO THE FOREGOING LIMITATIONS. IF THIS DRAWING IS REPRODUCED IN WHOLE OR IN PART, THIS ENTIRE LEGEND BLOCK MUST APPEAR ON ALL REPRODUCED COPIES.

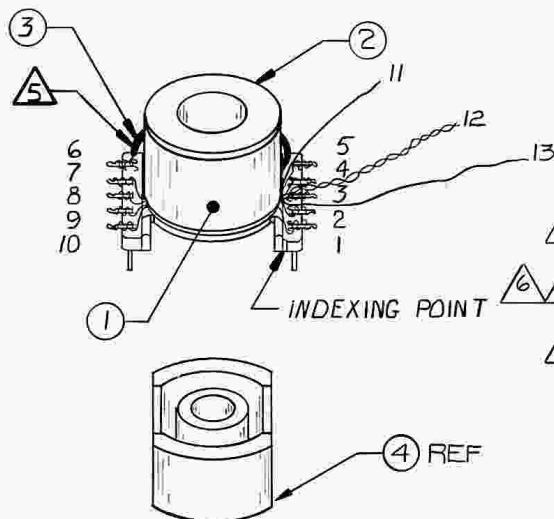
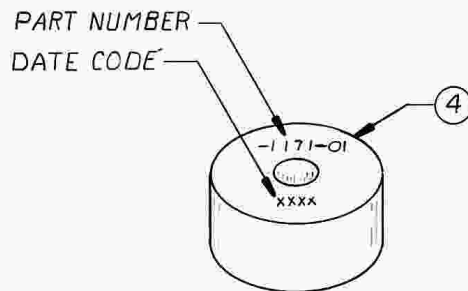
PRIMARY

8.2 VPK CT  
25 TO 30 KHZ  
SQUARE WAVE

BASE WINDING  
2.4 VPK CT  
.07A



REV	REF	DESCRIPTION OF CHANGE	CHK BY	DATE
(A)	40689	WINDINGS 1-2-3 & 11-12-13 WERE REVERSED	LL	3 JUN 80



WINDINGS	TURNS	Ø	WIRE DATA		VOLTS PK NO LOAD	RESISTANCE ±20% AT 20°C
			AWG	PART NUMBER		
7-8-9-10	SEC	Ø-185-198-214	34	176-0038-XX	75.9-81.2-87.8	6.07-6.86-7.13 Ω
4-6-5	SEC	Ø-14-28	29	176-0058-XX	11.5 CT	.342 Ω CT
11-12-13	PRI	Ø-10-20	25	176-0031-XX	8.20 CT	.123 Ω CT
1-2-3	BASE	Ø-3-6	29	176-0058-XX	2.46 CT	.083 Ω CT

INDUCTANCE: 16 TO 18.5 mH (7-10) AT 1 KHZ PER ESI  
251 METER OR EQUIV.

POLARITY PER SCHEMATIC  
OPERATING FREQUENCY: 25 TO 30 KHZ SQUARE WAVE  
B MAX: 645 GAUSS  
TEMPERATURE RISE: 6°C  
TEMPERATURE CLASS: 105°C

- (A) 7 THESE WINDINGS BIFILAR WOUND, SERIES CONNECTED
- (A) 6 WINDING 11-12-13 WOUND IN ONE EVEN LAYER. WINDING 1-2-3 WOUND IN ONE EVENLY SPREAD FULL LAYER

(A) 5 LEAD 6 BROUGHT OUT IN SLEEVING NEAR PIN 5 AND DRESSED AROUND CORE TO PIN 6 WITH ITEM 3 (SLEEVING 1.125 LONG)

## 4. LEAD LENGTH FROM CORE:

LEADS	LENGTH ±.100	TIN ±.100
11	2.000	.250
12	2.250	
13	2.500	

PART NUMBER	REV.
120-1171-01	A

3 TRANSFORMER VACUUM IMPREGNATED WITH VARNISH 252-0082-00

2. CEMENT CORES TOGETHER

1. REFERENCE DIMENSIONS: .897 HIGH X .900 WIDE X 1.000 LONG

## NOTES:

TEKTRONIX, INC. PROPRIETARY ITEM DRAWING		<input checked="" type="checkbox"/> MFD BY TEKTRONIX		<input type="checkbox"/> MFD FOR TEKTRONIX	
TEKTRONIX, INC.		P. O. BOX 500 BEAVERTON, OREGON U.S.A. 97077		DIMENSIONS ARE IN INCHES / TOLERANCES: UNLESS OTHERWISE SPECIFIED	
DWN	JTWINFREY	17 MAY 78	DEC	ANLR	
ENGR	R. Coen	22 MAR 80	SCALE	FIRST USED ON	
CHKR	B. Stewart	22 MAR 80	NONE	401	
PROD	W. Coen	5-23-80	MATERIAL		
SEE LIST OF MATERIALS					
FINISH					
NOTED					
TITLE					
TRANSFORMER, RF (INVERTER, POT CORE)					
CODE IDENT NO	SIZE	PART NUMBER	REV	REV	
80009	G	120-1171-01	A	A	

ITEM	PART NUMBER	QTY	DESCRIPTION
4	276-0657-00	15E	CORE, EM (AL 400, 2318)
3	162-0509-00	AR	INSUL, SLEEVING (18 RED)
2	276-0190-00	1	FORM, COIL
1	253-0019-00	AR	TAPE, PRES SENS (.500 WIDE)

LIST OF MATERIALS

71-87H

THIS DRAWING WHEN DISTRIBUTED OUTSIDE TEKTRONIX, INC., IS SUPPLIED FOR IDENTIFICATION, ENGINEERING EVALUATION, AND/OR INSPECTION PURPOSES ONLY AND MAY NOT BE USED AS A BASIS FOR MANUFACTURE OR SALES OF PRODUCTS WITHOUT WRITTEN PERMISSION FROM TEKTRONIX, INC. IF THIS DRAWING IS FURNISHED UNDER ANY UNITED STATES GOVERNMENT CONTRACT, IT SHALL NOT BE EITHER RELEASED OUTSIDE THE GOVERNMENT, OR USED, DUPLICATED, OR DISCLOSED IN WHOLE OR IN PART FOR MANUFACTURE OR PROCUREMENT, WITHOUT THE WRITTEN PERMISSION OF TEKTRONIX, INC., EXCEPT FOR: (1) EMERGENCY REPAIR OR OVERHAUL WORK BY OR FOR THE GOVERNMENT, WHERE THE ITEM OR PROCESS CONCERNED IS NOT OTHERWISE REASONABLY AVAILABLE TO ENABLE TIMELY PERFORMANCE OF THE WORK; OR (2) RELEASE TO A FOREIGN GOVERNMENT AS THE INTERESTS OF THE UNITED STATES MAY REQUIRE; PROVIDED THAT IN EITHER CASE THE RELEASE, USE, DUPLICATION OR DISCLOSURE HEREOF SHALL BE SUBJECT TO THE FOREGOING LIMITATIONS, IF THIS DRAWING IS REPRODUCED IN WHOLE OR IN PART, THIS ENTIRE LEGEND BLOCK MUST APPEAR ON ALL REPRODUCED COPIES.

## COIL STRUCTURE

## OUTSIDE

REV	REF	DESCRIPTION OF CHANGE	CHK BY	DATE
	32670	INITIATED PART	MW	30 NOV 77
(A)	36457	DELETED	LF	13 MAR 79

TYPE WINDING TERM

SEC	8-12
1200.5 T	#38

SEC	6-13
1157.5 T	#38

SEC	11-9
144T	#38

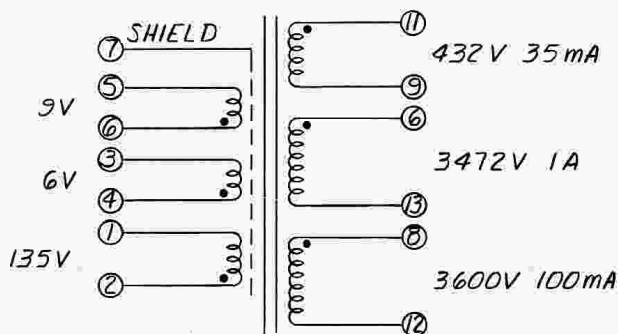
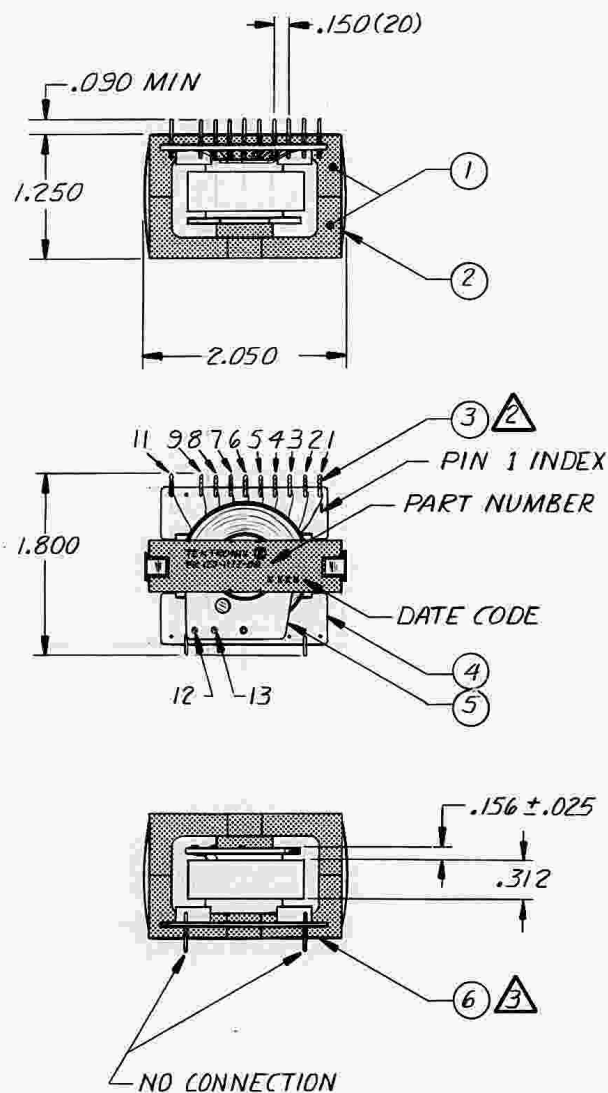
SHIELD	7
--------	---

PRI 4-3	PRI 6-5
2T #34	3T #34

PRI	2-1
45T	2 #34

\* BIFILAR WOUND

## INSIDE



OPERATING FREQUENCY: 35 KHZ

5. RATINGS ARE NOMINAL AND VARY WITH LOAD AND INPUT VOLTAGE

4. COIL VACUUM IMPREGNATED IN SILICONE RESIN 252-0213-00

PART NUMBER	REV.
120-1172-00	A

(B) ITEM 6 APPLIED TO LEAD SIDE OF CORE ONLY, FOR MOUNTING

(A) BEND TERMINALS (12)



1. DIMENSIONS REFERENCE UNLESS OTHERWISE SPECIFIED

NOTES:

(A) DELETED

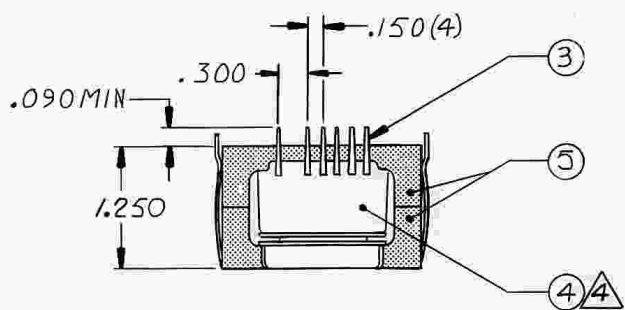
TEKTRONIX, INC. PROPRIETARY ITEM DRAWING			
<input checked="" type="checkbox"/> MFD BY TEKTRONIX	<input type="checkbox"/> MFD FOR TEKTRONIX		
TEKTRONIX, INC.		P. O. BOX 500 BEAVERTON, OREGON U.S.A. 97077	
ENGR J. NAGODE	10 NOV 77	DIMENSIONS ARE IN INCHES / TOLERANCES: UNLESS OTHERWISE SPECIFIED	
ENGR L. Cole	21 Nov 77	DEC	ANLR
CHKR J. WOODFALL	19 Nov 77	SCALE	FIRST USED ON
PROD E. Row	21 Nov 77	1:1	5110S/T
MATERIAL			
SEE LIST OF MATERIALS			
FINISH			
NOTED			
TITLE			
TRANSFORMER, POWER, STU (HIGH VOLTAGE)			
CODE IDENT NO	SIZE	PART NUMBER	REV
80009	G	120-1172-00	A

ITEM	PART NUMBER	QTY	DESCRIPTION
6	253-0174-00	AR	TAPE, POLYESTER DOUBLE SIDED (.500 WIDE)
5	392-0156-00	1	BOARD, TERMINAL
4	392-0228-00	1	BOARD, TERMINAL
3	131-0827-00	12	PIN, TERMINAL
2	343-0682-01	2	CLAMP, XFMR CORE
1	276-0697-00	1	CORE, EM
	276-0696-00	1	CORE, EM

76-62M

THIS DRAWING WHEN DISTRIBUTED OUTSIDE TEKTRONIX, INC. IS SUPPLIED FOR IDENTIFICATION, ENGINEERING EVALUATION AND/OR INSPECTION PURPOSES ONLY AND MAY NOT BE USED AS A BASIS FOR MANUFACTURE OR SALES OF PRODUCTS WITHOUT WRITTEN PERMISSION FROM TEKTRONIX, INC. IF THIS DRAWING IS FURNISHED UNDER ANY UNITED STATES GOVERNMENT CONTRACT, IT SHALL NOT BE EITHER RELEASED OUTSIDE THE GOVERNMENT, OR USED, DUPLICATED, OR DISCLOSED IN WHOLE OR IN PART FOR MANUFACTURE OR PROCUREMENT, WITHOUT THE WRITTEN PERMISSION OF TEKTRONIX, INC. EXCEPT FOR: (1) EMERGENCY REPAIR OR OVERHAUL WORK BY OR FOR THE GOVERNMENT, WHERE THE ITEM OR PROCESS CONCERNED IS NOT OTHERWISE REASONABLY AVAILABLE TO ENABLE TIMELY PERFORMANCE OF THE WORK; OR (2) RELEASE TO A FOREIGN GOVERNMENT AS THE INTERESTS OF THE UNITED STATES MAY REQUIRE, PROVIDED THAT IN EITHER CASE THE RELEASE, USE, DUPLICATION OR DISCLOSURE HEREOF SHALL BE SUBJECT TO THE FOREGOING LIMITATIONS, IF THIS DRAWING IS REPRODUCED IN WHOLE OR IN PART, THIS ENTIRE LEGEND BLOCK MUST APPEAR ON ALL REPRODUCED COPIES.

REV	REF	DESCRIPTION OF CHANGE	CHK BY	DATE
G	67924	COMBINED SPEC. SH. WITH THIS DRAWING	CD	13 DEC 68



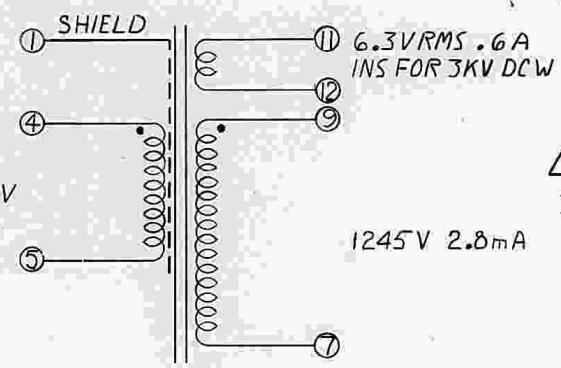
COIL STRUCTURE

OUTSIDE

TYPE WINDING LEAD/TERM NO

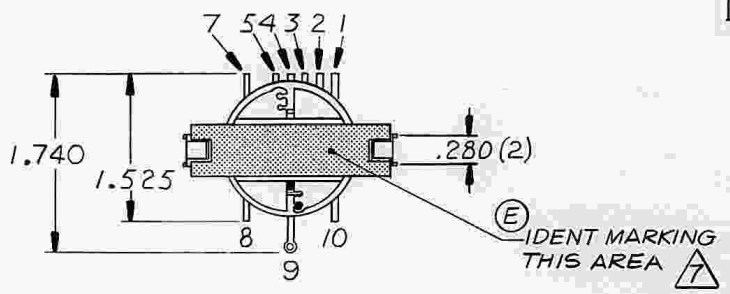
SEC 11-12	PR1	4-5
	33T	*29
	SHIELD	1
2T *26	SEC	7-9
	380.5T 6L BANK WOUND	*39

INSIDE

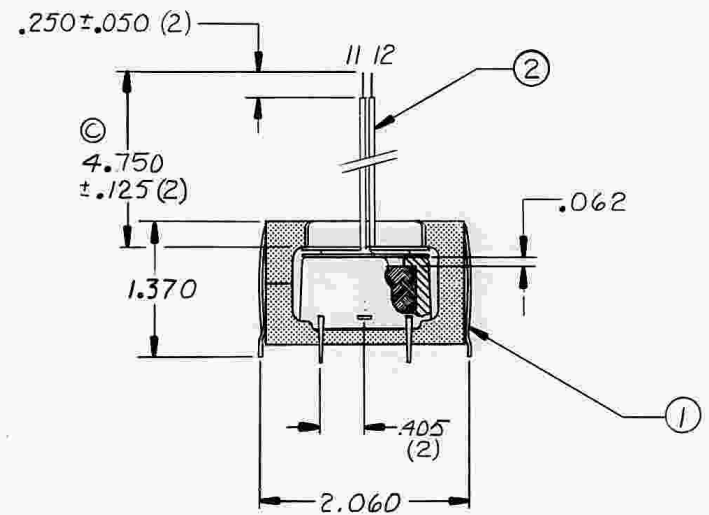


OPERATING FREQUENCY: 20KHZ SQ WAVE

- 8. LATEST REV. OF APPLICABLE SAFETY DOC. ARE MADE PART OF THIS SPEC. AS LISTED BELOW  
LID-002 LAB. INST. DIV. QUALITY STD.  
UL-1244 UNDERWRITERS LAB INC.  
CSA 5566B CANADIAN STANDARDS ASSOC.
- △ LOCATION AND ORIENTATION ON THIS SURFACE NOT CRITICAL. MUST BE LEGIBLE
- ⓐ 6. CORES SECURED TOGETHER WITH ADHESIVE FOR NOISE REDUCTION
- 5. DIELECTRIC WITHSTANDING VOLTAGE 2 KV RMS, 50 TO 60 HZ, 1 MINUTE, PRIMARY TO SECONDARY, SHIELD AND CORE



- | PART NUMBER | REV. |
|-------------|------|
| 120-1173-00 | G    |
- △ 4 COIL TRANSFER MOLDED WITH EPOXY
  - 3. POLARITY PER SCHEMATIC
  - 2. VOLTAGE RATINGS ARE PEAK NO LOAD UOS. CURRENT RATINGS ARE AMPS DC TYPICAL UOS
  - 1. DIMENSIONS REFERENCE UNLESS OTHERWISE SPECIFIED



NOTES:

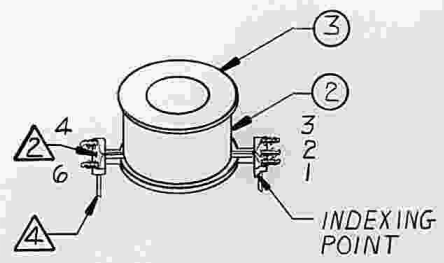
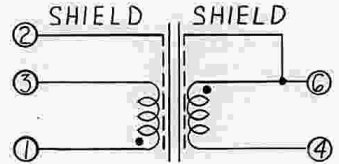
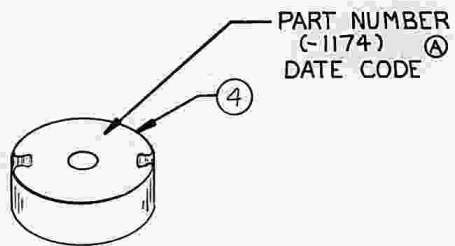
TEKTRONIX, INC. PROPRIETARY ITEM DRAWING			
<input checked="" type="checkbox"/> MFD BY TEKTRONIX	<input type="checkbox"/> MFD FOR TEKTRONIX		
<b>TEKTRONIX, INC.</b> P. O. BOX 500 BEAVERTON, OREGON U.S.A. 97077			
DWN	JT WINFREY	6 JUNE 78	DIMENSIONS ARE IN INCHES / TOLERANCES: UNLESS OTHERWISE SPECIFIED
ENGR	L. Cleon	22 Aug 79	DEC ANLR
CHKR	E. Stewart	28 Aug 78	SCALE FIRST USED ON
PROD	E. P. Row	22 Aug 79	1:1 7104

5	276-0697-00	2	CORE, EM (E" FERRITE)
4	255-0479-01	AR	PLASTIC MOLDING MATERIAL (EPOXY)
3	195-0118-00	1/2	LEAD SET, ELECTRICAL
2	650-0325-00	1	BOBBIN ASSEMBLY
1	343-0682-00	2	CLAMP, TRANSFORMER CORE

MATERIAL	SEE LIST OF MATERIALS
FINISH	NOTED
TITLE	TRANSFORMER, POWER SDN & SU (HIGH VOLTAGE)
CODE IDENT NO	80009
SIZE	1:1
PART NUMBER	120-1173-00
REV	G

THIS DRAWING WHEN DISTRIBUTED OUTSIDE TEKTRONIX, INC. IS SUPPLIED FOR IDENTIFICATION, ENGINEERING EVALUATION AND/OR INSPECTION PURPOSES ONLY AND MAY NOT BE USED AS A BASIS FOR MANUFACTURE OR SALES OF PRODUCTS WITHOUT WRITTEN PERMISSION FROM TEKTRONIX, INC. IF THIS DRAWING IS FURNISHED UNDER ANY UNITED STATES GOVERNMENT CONTRACT, IT SHALL NOT BE EITHER RELEASED OUTSIDE THE GOVERNMENT, OR USED, DUPLICATED, OR DISCLOSED IN WHOLE OR IN PART FOR MANUFACTURE OR PROCUREMENT, WITHOUT THE WRITTEN PERMISSION OF TEKTRONIX, INC. EXCEPT FOR: (1) EMERGENCY REPAIR OR OVERHAUL WORK BY OR FOR THE GOVERNMENT, WHERE THE ITEM OR PROCESS CONCERNED IS NOT OTHERWISE REASONABLY AVAILABLE TO ENABLE TIMELY PERFORMANCE OF THE WORK; OR (2) RELEASE TO A FOREIGN GOVERNMENT AS THE INTERESTS OF THE UNITED STATES MAY REQUIRE, PROVIDED THAT IN EITHER CASE THE RELEASE, USE, DUPLICATION OR DISCLOSURE HEREOF SHALL BE SUBJECT TO THE FOREGOING LIMITATIONS. IF THIS DRAWING IS REPRODUCED IN WHOLE OR IN PART, THIS ENTIRE LEGEND BLOCK MUST APPEAR ON ALL REPRODUCED COPIES.

REV	REF	DESCRIPTION OF CHANGE	CHK BY	DATE
(A)	49313	RELOCATED DATE CODE: INDUCTANCE WAS 10mH MIN (1-3) AT 1 kHz	DD	16MAY83
B	57039	SHIELD 253-0296-00 WAS 253-0024-00	LG	29MAY85



WINDINGS	WIRE DATA		TYP RATING		RESISTANCE	
	URNS	AWG	PART NUMBER	VOLTS	AMPS	± 20% AT 20°C
(A) 4-6 SEC	545	38	176-0040-XX	592	2mA	48 Ω
(B) 6	SHIELD		253-0296-00			
(B) 2	SHIELD		253-0296-00			
3-1 PRI	46	34	176-0038-XX	50		2.33 Ω

\* VOLTS ARE PEAK NO LOAD  
 (A) INDUCTANCE: 9mH MIN (1-3) WITH ESI 252 OR APPROVED EQUIV  
 POLARITY PER SCHEMATIC  
 OPERATING FREQUENCY: 17 TO 25 KHZ SQUARE WAVE  
 B MAX: 1686 GAUSS  
 TEMPERATURE RISE: 12°C

- (A) SECONDARY (4-6) IS BANK WOUND
- (A) COIL AND CLAMP MUST BE PERPENDICULAR TO EACH OTHER ± 3°

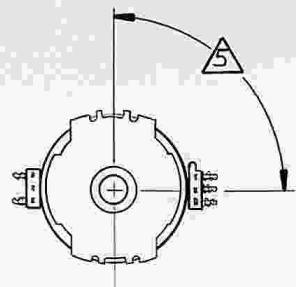
PART NUMBER	REV
120-1174-00	B

- (A) TERMINALS AND MOUNTING TABS TO BE VARNISH FREE
- 3. TRANSFORMER VACUUM IMPREGNATED WITH VARNISH 252-0082-00 OR APPROVED EQUIVALENT
- (A) PIN 5 REMOVED
- 1. REFERENCE DIMENSIONS: .805 HIGH X 1.035 WIDE X 1.400 LONG

NOTES:

TEKTRONIX, INC. PROPRIETARY ITEM DRAWING		<input checked="" type="checkbox"/> MFD BY TEKTRONIX		<input type="checkbox"/> MFD FOR TEKTRONIX	
P. O. BOX 500 BEAVERTON, OREGON U.S.A. 97077					
DWNR	JT WINFREY	1 MAY 78	DIMENSIONS ARE IN INCHES / TOLERANCES UNLESS OTHERWISE SPECIFIED		
ENGR	R. COOPER	8 DEC 80	DEC	ANLR	
CHKR	B. STEWART	8 DEC 80	SCALE	FIRST USED ON	
PROD	m. CHATTY	8 DEC 80	NONE	7104	
MATERIAL					
SEE LIST OF MATERIALS					
FINISH					
NOTED					
TITLE					
TRANSFORMER, POWER, STU (HV, POT CORE)					
CODE IDENT NO	SIZE	PART NUMBER		REV	
80009	1/2	120-1174-00		B	

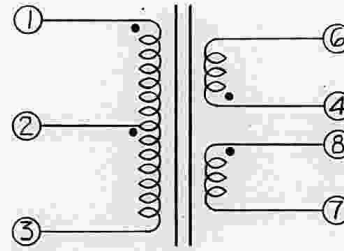
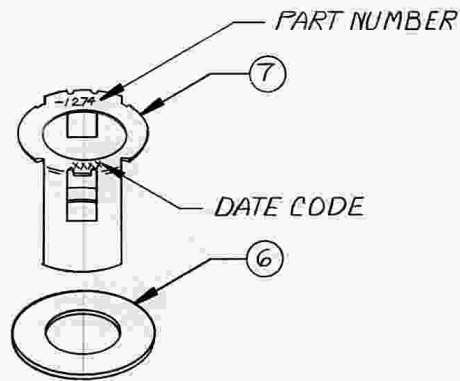
ITEM	PART NUMBER	QTY	DESCRIPTION
4	276-0646-00	1	CORE, EM (UNGAPPED, 2616)
3	276-0132-00	1	FORM, COIL
2	253-0103-00	AR	TAPE, PRES SENS (.438 WIDE)
1	343-0423-00	1	CLAMP, POT CORE



7B-213D

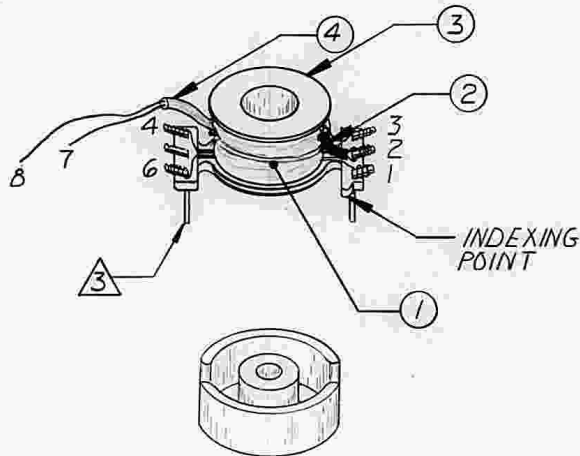
THIS DRAWING WHEN DISTRIBUTED OUTSIDE TEKTRONIX, INC., IS SUPPLIED FOR IDENTIFICATION, ENGINEERING EVALUATION AND/OR INSPECTION PURPOSES ONLY AND MAY NOT BE USED AS A BASIS FOR MANUFACTURE OR SALES OF PRODUCTS WITHOUT WRITTEN PERMISSION FROM TEKTRONIX, INC. IF THIS DRAWING IS FURNISHED UNDER ANY UNITED STATES GOVERNMENT CONTRACT, IT SHALL NOT BE EITHER RELEASED OUTSIDE THE GOVERNMENT, OR USED, DUPLICATED, OR DISCLOSED IN WHOLE OR IN PART FOR MANUFACTURE OR PROCUREMENT, WITHOUT THE WRITTEN PERMISSION OF TEKTRONIX, INC., EXCEPT FOR: (1) EMERGENCY REPAIR OR OVERHAUL WORK BY OR FOR THE GOVERNMENT, WHERE THE ITEM OR PROCESS CONCERNED IS NOT OTHERWISE REASONABLY AVAILABLE TO ENABLE TIMELY PERFORMANCE OF THE WORK; OR (2) RELEASE TO A FOREIGN GOVERNMENT AS THE INTERESTS OF THE UNITED STATES MAY REQUIRE; PROVIDED THAT IN EITHER CASE THE RELEASE, USE, DUPLICATION OR DISCLOSURE HEREOF SHALL BE SUBJECT TO THE FOREGOING LIMITATIONS. IF THIS DRAWING IS REPRODUCED IN WHOLE OR IN PART, THIS ENTIRE LEGEND BLOCK MUST APPEAR ON ALL REPRODUCED COPIES.

REV	REF	DESCRIPTION OF CHANGE	CHK BY	DATE
-----	-----	-----------------------	--------	------



WINDINGS	TURNS	WIRE AWG	PART NUMBER	TYPRATINGS		RESISTANCE ±20% AT 20°C
				VOLTS	AMPS	
1-2	30	29	176-0058-XX	18	.2 PK	.26 Ω
2-3	30	29	176-0058-XX	18	.2 PK	.26 Ω
4-6	5	22	176-0028-XX	3	1 PK	.02 Ω
8-7	5	22	176-0028-XX	3	1 PK	.02 Ω

INDUCTANCE: LEADS 1-3 9.8 mH MIN MEASURED ON ESI 252 OR EQUIV  
POLARITY PER SCHEMATIC  
OPERATING FREQUENCY: 25KHZ



4. LEAD LENGTH FROM OUTSIDE OF CORE

LEAD NO	LENGTH ± .050	STRIPE TIN ± .050
7	2.500	.250
8	3.000	.250

\* INSULATION SLEEVING .500 OUTSIDE CORE

PART NUMBER	REV.
120-1274-00	

3. TERMINALS TO BE VARNISH FREE

2. TRANSFORMER VACUUM IMPREGNATED WITH VARNISH 252-0082-00

1. REFERENCE DIMENSIONS: .605 HIGH X .720 WIDE X 1.125 LONG

NOTES:

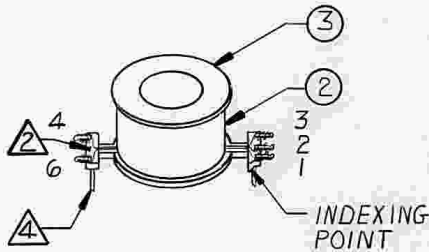
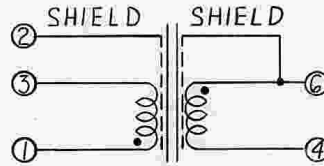
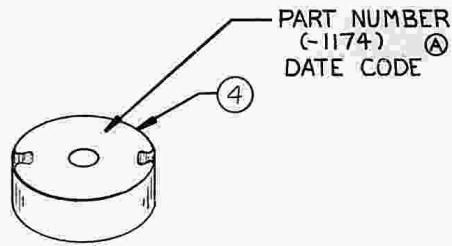
TEKTRONIX, INC. PROPRIETARY ITEM DRAWING			
<input checked="" type="checkbox"/> MFD BY TEKTRONIX	<input type="checkbox"/> MFD FOR TEKTRONIX		
<b>TEKTRONIX, INC.</b>		P. O. BOX 500 BEAVERTON, OREGON U.S.A. 97077	
DWN	J. WINFREY	21 NOV 78	DIMENSIONS ARE IN INCHES / TOLERANCES: UNLESS OTHERWISE SPECIFIED
ENGR	E. G. GILL	10 JUL 81	SCALE
CHKR	B. Stewart	14 JUL 81	FIRST USED ON
PROD	m. Cratty	7-21-81	NONE 606B
MATERIAL			
SEE LIST OF MATERIAL			
FINISH			
NOTED			
TITLE			
TRANSFORMER, RF (BASE DRIVE, POT CORE)			
CODE IDENT NO	SIZE	PART NUMBER	REV
80009	C	120-1274-00	

ITEM	PART NUMBER	QTY	DESCRIPTION
7	343-0312-00	1	CLAMP POT CORE
6	361-0409-00	1	SPACER DISK
5	276-0617-00	1	CORE EM (1811 PLDD C)
4	162-0623-00	AR	INSUL, SLEEVING ELEC (ORANGE)
3	276-0171-00	1	FORM, COIL
2	162-0511-00	AR	INSUL, SLEEVING ELEC (RED)
1	253-0086-00	AR	TAPE, PRESS SENS (.250 WIDE)

LIST OF MATERIALS

THIS DRAWING WHEN DISTRIBUTED OUTSIDE TEKTRONIX, INC., IS SUPPLIED FOR IDENTIFICATION, ENGINEERING EVALUATION AND/OR INSPECTION PURPOSES ONLY AND MAY NOT BE USED AS A BASIS FOR MANUFACTURE OR SALES OF PRODUCTS WITHOUT WRITTEN PERMISSION FROM TEKTRONIX, INC. IF THIS DRAWING IS FURNISHED UNDER ANY UNITED STATES GOVERNMENT CONTRACT, IT SHALL NOT BE EITHER RELEASED OUTSIDE THE GOVERNMENT, OR USED, DUPLICATED, OR DISCLOSED IN WHOLE OR IN PART FOR MANUFACTURE OR PROCUREMENT, WITHOUT THE WRITTEN PERMISSION OF TEKTRONIX, INC., EXCEPT FOR: (1) EMERGENCY REPAIR OR OVERHAUL WORK BY OR FOR THE GOVERNMENT, WHERE THE ITEM OR PROCESS CONCERNED IS NOT OTHERWISE REASONABLY AVAILABLE TO ENABLE TIMELY PERFORMANCE OF THE WORK, OR (2) RELEASE TO A FOREIGN GOVERNMENT AS THE INTERESTS OF THE UNITED STATES MAY REQUIRE; PROVIDED THAT IN EITHER CASE THE RELEASE, USE, DUPLICATION OR DISCLOSURE HEREOF SHALL BE SUBJECT TO THE FOLLOWING LIMITATIONS, IF THIS DRAWING IS REPRODUCED IN WHOLE OR IN PART, THIS ENTIRE LEGEND BLOCK MUST APPEAR ON ALL REPRODUCED COPIES.

REV	REF	DESCRIPTION OF CHANGE	CHK BY	DATE
A	49313	RELOCATED DATE CODE: INDUCTANCE WAS 10mH MIN (1-3) AT 1 kHz	DD	16MAY83
B	57039	SHIELD 253-0296-00 WAS 253-0024-00	LG	29MAY85
C	61370	ROLLED PART NUMBER TO-01, ITEM4 WAS 276-0646-00, INDUCTANCE WAS 9-mH.	MG	2 SEP86



WIRE DATA				TYPRATING		RESISTANCE
WINDINGS	URNS	AWG	PART NUMBER	VOLTS	AMPS	±20% AT 20°C
4-6	SEC	545	38	176-0040-XX	592	2mA 48 Ω
6		SHIELD		253-0296-00		
2		SHIELD		253-0296-00		
3-1	PRI	46	34	176-0038-XX	50	2.33 Ω

\* VOLTS ARE PEAK NO LOAD  
 A INDUCTANCE: 17mH MIN (1-3) WITH ESI 252 OR APPROVED EQUIV  
 POLARITY PER SCHEMATIC  
 OPERATING FREQUENCY: 17 TO 25 KHZ SQUARE WAVE  
 B MAX: 1686 GAUSS  
 TEMPERATURE RISE: 12°C

- 6 SECONDARY (4-6) IS BANK WOUND
- 5 COIL AND CLAMP MUST BE PERPENDICULAR TO EACH OTHER ±3°

PART NUMBER	REV.
120-1174-01	C

- 4 TERMINALS AND MOUNTING-TABS TO BE VARNISH FREE
- 3. TRANSFORMER VACUUM IMPREGNATED WITH VARNISH 252-0082-00 OR APPROVED EQUIVALENT
- 2 PIN 5 REMOVED
- 1. REFERENCE DIMENSIONS: .805 HIGH X 1.035 WIDE X 1.400 LONG

NOTES:

TEKTRONIX, INC. PROPRIETARY ITEM DRAWING			
<input checked="" type="checkbox"/> MFD BY TEKTRONIX		<input type="checkbox"/> MFD FOR TEKTRONIX	
TEKTRONIX, INC.		P. O. BOX 500 BEAVERTON, OREGON U.S.A. 97077	
DWN	JTWINFREY	1MAY78	DIMENSIONS ARE IN INCHES / TOLERANCES UNLESS OTHERWISE SPECIFIED
ENGR	R. COOPER	8 DEC 80	SCALE ANLR
CHKR	B. STEWART	8 DEC 80	FIRST USED ON
PROD	m. CRATTY	8 DEC 80	7104

MATERIAL SEE LIST OF MATERIALS

FINISH	NOTED
--------	-------

TITLE	TRANSFORMER, POWER, STU (HV, POT CORE)
-------	--

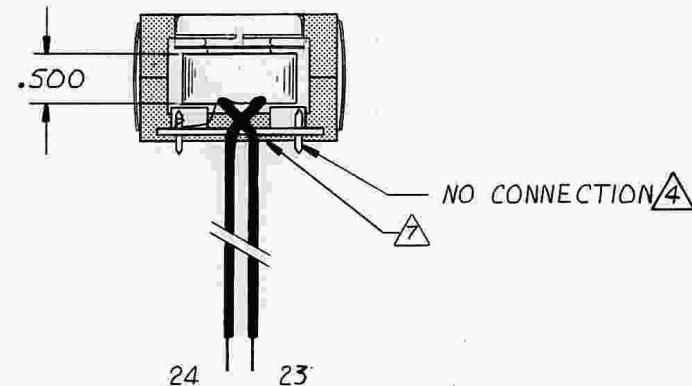
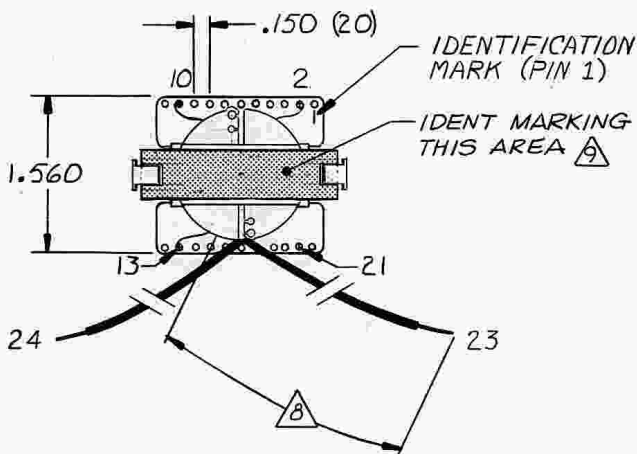
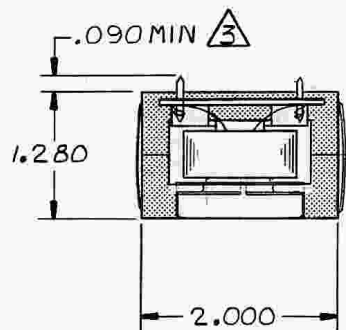
CODE IDENT NO	SIZE	PART NUMBER	REV
80009	C	120-1174-01	C

ITEM	PART NUMBER	QTY	DESCRIPTION
4	276-0812-00	1	CORE, EM (UNGAPPED, 2616)
3	276-0132-00	1	FORM, COIL
2	253-0103-00	AR	TAPE, PRES SENS (.438 WIDE)
1	343-0423-00	1	CLAMP, POT CORE

ITEM	PART NUMBER	QTY	DESCRIPTION
LIST OF MATERIALS			

THIS DRAWING WHEN DISTRIBUTED OUTSIDE TEKTRONIX, INC., IS SUPPLIED FOR IDENTIFICATION, ENGINEERING EVALUATION AND/OR INSPECTION PURPOSES ONLY AND MAY NOT BE USED AS A BASIS FOR MANUFACTURE OR SALES OF PRODUCTS WITHOUT WRITTEN PERMISSION FROM TEKTRONIX, INC. IF THIS DRAWING IS FURNISHED UNDER ANY UNITED STATES GOVERNMENT CONTRACT, IT SHALL NOT BE EITHER RELEASED OUTSIDE THE GOVERNMENT, OR USED, DUPLICATED, OR DISCLOSED IN WHOLE OR IN PART FOR MANUFACTURE OR PROCUREMENT, WITHOUT THE WRITTEN PERMISSION OF TEKTRONIX, INC., EXCEPT FOR: (1) EMERGENCY REPAIR OR OVERHAUL WORK BY OR FOR THE GOVERNMENT, WHERE THE ITEM OR PROCESS CONCERNED IS NOT OTHERWISE REASONABLY AVAILABLE TO ENABLE TIMELY PERFORMANCE OF THE WORK; OR (2) RELEASE TO A FOREIGN GOVERNMENT AS THE INTERESTS OF THE UNITED STATES MAY REQUIRE, PROVIDED THAT IN EITHER CASE THE RELEASE, USE, DUPLICATION OR DISCLOSURE THEREOF SHALL BE SUBJECT TO THE FOREGOING LIMITATIONS. IF THIS DRAWING IS REPRODUCED IN WHOLE OR IN PART, THIS ENTIRE LEGEND BLOCK MUST APPEAR ON ALL REPRODUCED COPIES.

REV	REF	DESCRIPTION OF CHANGE	CHK BY	DATE
(A)	52601	REVISED DWG. & ADDED NOTE 9	DD	3 APR. 84
(B)	59995	REVISED & UPDATED		4-2-86



## COIL STRUCTURE OUTSIDE

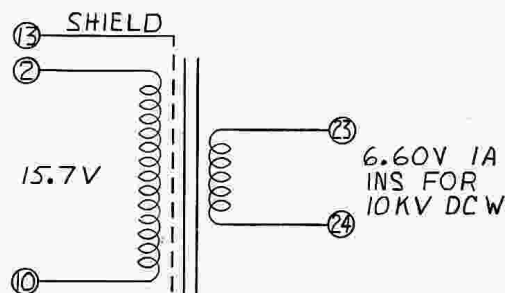
TYPE WINDING LEAD/TERM NO

SEC	23-24
8T	*22

SHIELD	13
--------	----

PRI	2-10
19T	*23

## INSIDE



OPERATING FREQUENCY: 20KHZ SQUARE WAVE  
 INDUCTANCE: 1.2 mH MIN AT 1 KHZ (TERMINALS 2-10)  
 DIELECTRIC WITHSTANDING VOLTAGE:  
 20KVDC, 1 MINUTE, 23 TO 2, 13, & CORE

9 LOCATION AND ORIENTATION ON THIS SURFACE NOT CRITICAL. MUST BE LEGIBLE

8 LEAD LENGTHS MEASURED FROM BREAKOUT POINT

LEAD NO	COLOR	LEAD LENGTH ±.250	STRIP & TIN
23	BRN	14.000	.500±.050
24	BRN	14.000	.500±.050

2 ITEM 2 APPLIED TO THIS EDGE OF CORE FOR MOUNTING

6. (DELETED)

5. VOLTAGE RATINGS ARE PEAK NO LOAD. CURRENT RATING IS AMPS AC TYPICAL

PART NUMBER	REV.
120-1175-00	B

4 DO NOT BEND PINS

3 PINS TO BE RESIN FREE.

2. TRANSFORMER VACUUM IMPREGNATED WITH SILICONE RESIN, 252-0213-00.

1. DIMENSIONS REFERENCE UNLESS OTHERWISE SPECIFIED

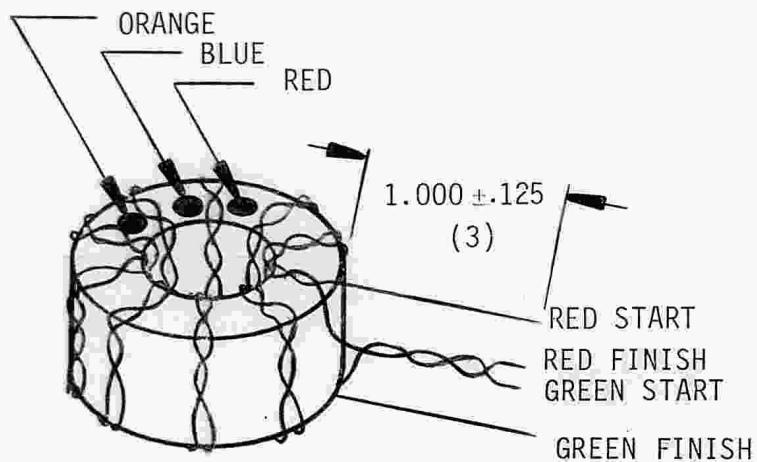
### NOTES:

TEKTRONIX, INC. PROPRIETARY ITEM DRAWING			
<input type="checkbox"/> MFD BY TEKTRONIX	<input type="checkbox"/> MFD FOR TEKTRONIX		
<b>TEKTRONIX, INC.</b>		P. O. BOX 500 BEAVERTON, OREGON U.S.A. 97077	
DWN	JT WINFREY	13 JUN 78	DIMENSIONS ARE IN INCHES / TOLERANCES UNLESS OTHERWISE SPECIFIED
ENGR	R. COGAN	6 JUN 79	DEC ANLR
CHKR	B. STEWART	6 JUN 79	SCALE
PROD	E. HARR	6 JUN 79	FIRST USED ON
MATERIAL		NOTED	
FINISH		NOTED	
TITLE <b>TRANSFORMER, RF:</b> <b>(FILAMENT)</b>			
CODE IDENT NO	SIZE	PART NUMBER	REV
80009	C	120-1175-00	B

NOTES:

- LEADS TINNED TO WITHIN .100 FROM CORE
- COAT WITH 006-1109-00
- INDUCTANCE (START FINISH):  $730\mu\text{H} \pm 30\%$  MEASURED ON LOWEST mH RANGE OF ESI 252 METER
- TORIOD REFERENCE DIMENSIONS: .195 O.D. x .100 HIGH

COLOR CODE



WIRE DATA			
TURNS/COLOR	AWG	PART NUMBER	
10 RED	34	176-0038-00	
10 GREEN	34	176-0038-15	

\* BIFILAR (TWISTED) TWIST WIRES  
5±1 TURNS/INCH

DATA:

CODE TD-362  
CORE NO. 276-0596-00

77-229

PART NUMBER **120-1176-00**

REV

THIS DRAWING WHEN DISTRIBUTED OUTSIDE TEKTRONIX, INC. IS SUPPLIED FOR IDENTIFICATION, ENGINEERING EVALUATION AND/OR INSPECTION PURPOSES ONLY AND MAY NOT BE USED AS A BASIS FOR MANUFACTURE OR SALES OF PRODUCTS WITHOUT WRITTEN PERMISSION FROM TEKTRONIX, INC. IF THIS DRAWING IS FURNISHED UNDER ANY UNITED STATES GOVERNMENT CONTRACT, IT SHALL NOT BE EITHER RELEASED OUTSIDE THE GOVERNMENT, OR USED, DUPLICATED, OR DISCLOSED IN WHOLE OR IN PART FOR MANUFACTURE OR PROCUREMENT, WITHOUT THE WRITTEN PERMISSION OF TEKTRONIX, INC. EXCEPT FOR: (1) EMERGENCY REPAIR OR OVERHAUL WORK BY OR FOR THE GOVERNMENT, WHERE THE ITEM OR PROCESS CONCERNED IS NOT OTHERWISE REASONABLY AVAILABLE TO ENABLE TIMELY PERFORMANCE OF THE WORK; OR (2) RELEASE TO A FOREIGN GOVERNMENT AS THE INTERESTS OF THE UNITED STATES MAY REQUIRE; PROVIDED THAT IN EITHER CASE THE RELEASE, USE, DUPLICATION OR DISCLOSURE HEREOF SHALL BE SUBJECT TO THE FOREGOING LIMITATIONS. IF THIS DRAWING IS REPRODUCED IN WHOLE OR IN PART, THIS ENTIRE LEGEND BLOCK MUST APPEAR ON ALL REPRODUCED COPIES.

REV / BY / REF	DESCRIPTION OF CHANGE	CHK BY / DATE

TEKTRONIX, INC. PROPRIETARY ITEM DRAWING

MFD BY TEKTRONIX

MFD FOR TEKTRONIX



TEKTRONIX, INC.

P. O. BOX 500  
BEAVERTON, OREGON U.S.A. 97077



DWN J.T. WINFREY	5 MAY 78	DIMENSIONS ARE IN INCHES / <input type="checkbox"/>	
ENGR <i>W. Gordon</i>	13 JUNE 79	TOLERANCES: UNLESS OTHERWISE SPECIFIED	
CHKR B. STEWART	13 JUNE 79	DEC _____	ANLR _____
PROD S.S. CASPER	13 JUNE 79	SCALE NONE	FIRST USED ON 1450-1

MATERIAL LISTED

FINISH NOTED

TITLE TRANSFORMER, RF (TOROID)

CODE IDENT NO	SIZE	PART NUMBER	REV
<b>80009</b>	<b>A</b>	<b>120-1176-00</b>	

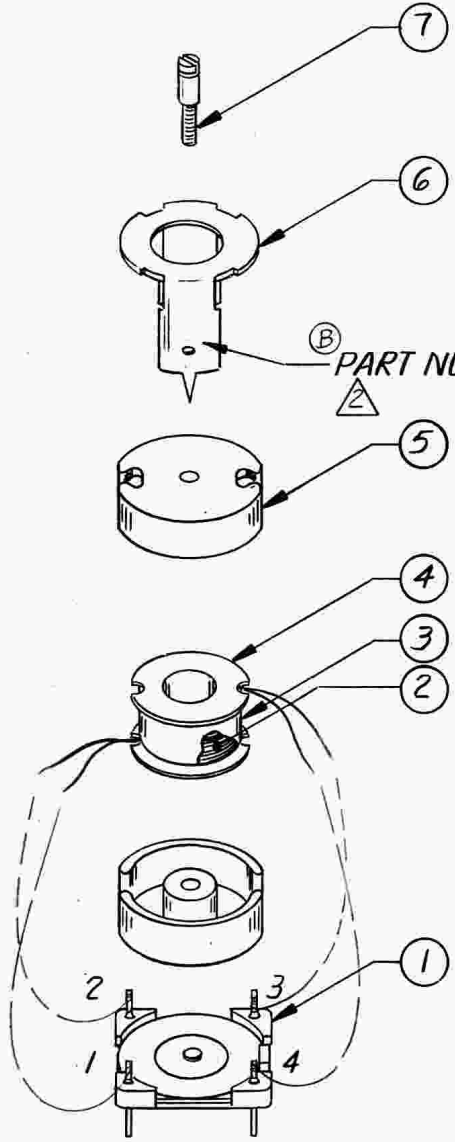
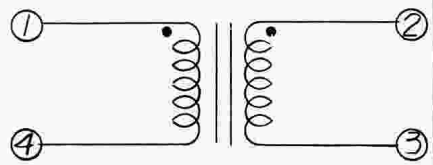


77-118 B

REV. B  
PART NUMBER 120-1178-00

THIS DRAWING WHEN DISTRIBUTED OUTSIDE TEKTRONIX, INC., IS SUPPLIED FOR IDENTIFICATION, ENGINEERING EVALUATION AND/OR INSPECTION PURPOSES ONLY AND MAY NOT BE USED AS A BASIS FOR MANUFACTURE OR SALES OF PRODUCTS WITHOUT WRITTEN PERMISSION FROM TEKTRONIX, INC. IF THIS DRAWING IS FURNISHED UNDER ANY UNITED STATES GOVERNMENT CONTRACT, IT SHALL NOT BE EITHER RELEASED OUTSIDE THE GOVERNMENT, OR USED, DUPLICATED, OR DISCLOSED IN WHOLE OR IN PART FOR MANUFACTURE OR PROCUREMENT, WITHOUT THE WRITTEN PERMISSION OF TEKTRONIX, INC., EXCEPT FOR: (1) EMERGENCY REPAIR OR OVERHAUL WORK BY OR FOR THE GOVERNMENT, WHERE THE ITEM OR PROCESS CONCERNED IS NOT OTHERWISE REASONABLY AVAILABLE TO ENABLE TIMELY PERFORMANCE OF THE WORK; OR (2) RELEASE TO A FOREIGN GOVERNMENT AS THE INTERESTS OF THE UNITED STATES MAY REQUIRE, PROVIDED THAT IN EITHER CASE THE RELEASE, USE, DUPLICATION OR DISCLOSURE HEREOF SHALL BE SUBJECT TO THE FOREGOING LIMITATIONS, IF THIS DRAWING IS REPRODUCED IN WHOLE OR IN PART, THIS ENTIRE LEGEND BLOCK MUST APPEAR ON ALL REPRODUCED COPIES.

REV	REF	DESCRIPTION OF CHANGE	CHK BY	DATE
A	37322	UPDATE TEST DATA	LF	13JUN79
B	49313	UPDATED DWG. & TEST DATA	DD	8JUNE83



ⓑ ⓐ TEST DATA  
VALUE DETERMINED WITH TEK 130 LC METER (EACH WINDING):  
L RANGE (MIN) = .84 μH TO .92 μH  
Q (NOMINAL) @ 7.9 MHZ = 100, 90

WINDINGS	TURNS	WIRE AWG
1-4	4.5	30/46 LITZ
2-3	4.5	30/46 LITZ

\* TWISTED BIFILAR (TWIST WIRES 7 ± 1 TURN PER INCH)

7	276-0675-00	1	CORE, EM (TUNING, BROWN)
6	343-0510-00	1	CLAMP, POT CORE
5	276-0668-00	1	CORE, EM (AL40-1107)
4	276-0201-00	1	FORM, COIL
3	253-0086-00	AR	TAPE, PRESSURE SENSITIVE (POLYESTER, .137 WIDE)
2	176-0326-XX	AR	WIRE, ELEC (30/46 LITZ)
1	352-0402-00	1	HOLDER, ELEC COMPONENT

ITEM	PART NUMBER	QTY	DESCRIPTION
------	-------------	-----	-------------

LIST OF MATERIALS

3. COIL CEMENTED TO BOTTOM CORE

⚠ DATE CODE OPPOSITE SIDE

1. REFERENCE DIMENSIONS: .500 HIGH × .480 WIDE × .480 LONG

NOTES:

TEKTRONIX, INC. PROPRIETARY ITEM DRAWING			
<input checked="" type="checkbox"/> MFD BY TEKTRONIX		<input type="checkbox"/> MFD FOR TEKTRONIX	
<b>TEKTRONIX, INC.</b>		P. O. BOX 500 BEAVERTON, OREGON U.S.A. 97077	
DWN	J. NAGODE	28 FEB 78	DIMENSIONS ARE IN INCHES / TOLERANCES UNLESS OTHERWISE SPECIFIED
ENGR	<i>J. Nagode</i>	19 OCT 78	DEC ANLR
CHKR	J. WOODFALL	19 OCT 78	SCALE FIRST USED ON
PROD	<i>J. Nagode / J. Woodfall</i>	18 OCT 78	NONE DAC 850 E
MATERIAL			
SEE LIST OF MATERIALS			
FINISH			
TITLE TRANSFORMER, RF (VARIABLE, POT CORE)			
CODE IDENT NO	SIZE	PART NUMBER	REV
80009	B	120-1178-00	B

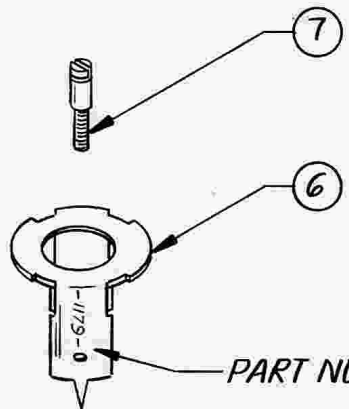
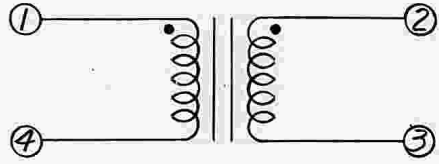
DO NOT SCALE DRAWING

77-119B

REV. 120-1179-00  
PART NUMBER

THIS DRAWING WHEN DISTRIBUTED OUTSIDE TEKTRONIX, INC., IS SUPPLIED FOR IDENTIFICATION, ENGINEERING EVALUATION AND/OR INSPECTION PURPOSES ONLY AND MAY NOT BE USED AS A BASIS FOR MANUFACTURE OR SALES OF PRODUCTS WITHOUT WRITTEN PERMISSION FROM TEKTRONIX, INC. IF THIS DRAWING IS FURNISHED UNDER ANY UNITED STATES GOVERNMENT CONTRACT, IT SHALL NOT BE EITHER RELEASED OUTSIDE THE GOVERNMENT, OR USED, DUPLICATED, OR DISCLOSED IN WHOLE OR IN PART FOR MANUFACTURE OR PROCUREMENT, WITHOUT THE WRITTEN PERMISSION OF TEKTRONIX, INC., EXCEPT FOR: (1) EMERGENCY REPAIR OR OVERHAUL WORK BY OR FOR THE GOVERNMENT, WHERE THE ITEM OR PROCESS CONCERNED IS NOT OTHERWISE REASONABLY AVAILABLE TO ENABLE TIMELY PERFORMANCE OF THE WORK; OR (2) RELEASE TO A FOREIGN GOVERNMENT AS THE INTERESTS OF THE UNITED STATES MAY REQUIRE; PROVIDED THAT IN EITHER CASE THE RELEASE, USE, DUPLICATION OR DISCLOSURE HEREOF SHALL BE SUBJECT TO THE FOREGOING LIMITATIONS, IF THIS DRAWING IS REPRODUCED IN WHOLE OR IN PART, THIS ENTIRE LEGEND BLOCK MUST APPEAR ON ALL REPRODUCED COPIES.

REV	REF	DESCRIPTION OF CHANGE	CHK BY	DATE
-----	-----	-----------------------	--------	------



PART NUMBER  $\Delta$

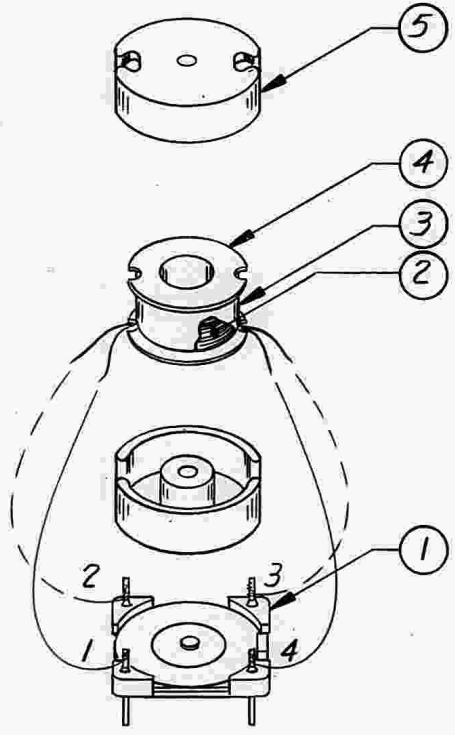
TEST DATA

VALUE DETERMINED WITH HP4342A  
Q METER OR EQUIVALENT (EACH WINDING):  
TEST FREQUENCY = 7.9 MHz  
INDICATED L (MIN) = 1.40  $\mu$ H TO 1.54  $\mu$ H  
CORRECTED L (MIN) = 1.39  $\mu$ H TO 1.53  $\mu$ H  
Q (NOMINAL) = 130 105

WINDINGS	TURNS	WIRE AWG
1-4	5.5	30/46 LITZ
2-3	5.5	30/46 LITZ

\*

\* BIFILAR WOUND



3. COIL CEMENTED TO BOTTOM CORE

$\Delta$  DATE CODE OPPOSITE SIDE

1. REFERENCE DIMENSIONS: .500 HIGH  $\times$  .480 WIDE  $\times$  .480 LONG

NOTES:

TEKTRONIX, INC. PROPRIETARY ITEM DRAWING			
<input checked="" type="checkbox"/> MFD BY TEKTRONIX		<input type="checkbox"/> MFD FOR TEKTRONIX	
		P. O. BOX 500 BEAVERTON, OREGON U.S.A. 97077	
DWN J. NAGODE	2 MAR 78	DIMENSIONS ARE IN INCHES /mm TOLERANCES: UNLESS OTHERWISE SPECIFIED	
ENGR D. S. WOODFALL	19 OCT 78	DEC	ANLR
CHKR S. WOODFALL	19 OCT 78	SCALE	FIRST USED ON
PROD Green Menab	18 OCT 78	NONE	DAC 850 E
MATERIAL			
SEE LIST OF MATERIALS			
FINISH			
TITLE TRANSFORMER, RF (VARIABLE, POT CORE)			
CODE IDENT NO	SIZE	PART NUMBER	REV
80009	B	120-1179-00	

7	276-0675-00	1	CORE, EM (TUNING, BROWN)
6	343-0510-00	1	CLAMP, POT CORE
5	276-0668-00	1	CORE, EM (AL40-1107)
4	276-0213-00	1	FORM, COIL
3	253-0086-00	AR	TAPE, PRESSURE SENSITIVE (POLYESTER, .137 WIDE)
2	176-0326-XX	AR	WIRE, ELEC (30/46 LITZ)
1	352-0402-00	1	HOLDER, ELEC COMPONENT

ITEM	PART NUMBER	QTY	DESCRIPTION
------	-------------	-----	-------------

LIST OF MATERIALS

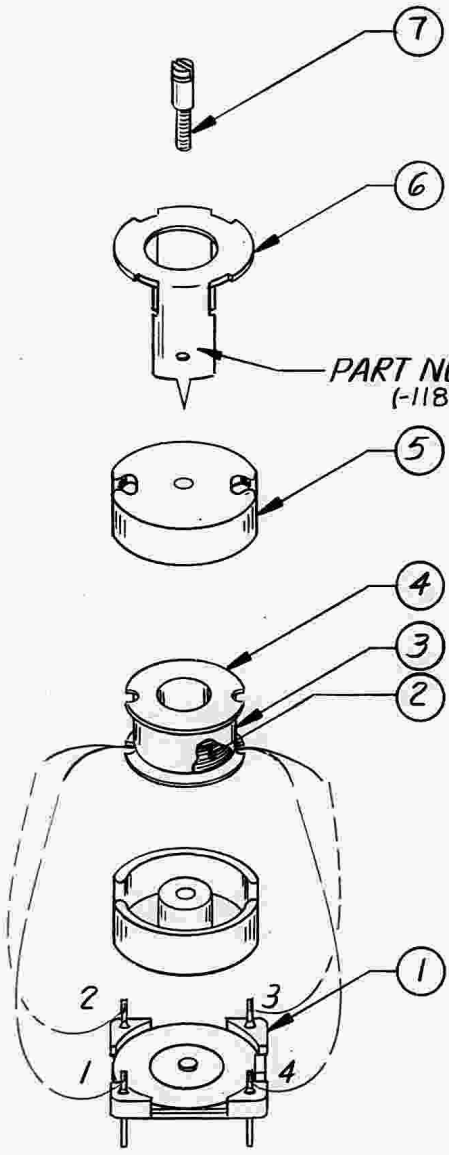
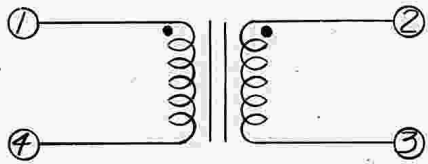
DO NOT SCALE DRAWING

77-120B

REV. **A**  
PART NUMBER 120-1180-00

THIS DRAWING WHEN DISTRIBUTED OUTSIDE TEKTRONIX, INC., IS SUPPLIED FOR IDENTIFICATION, ENGINEERING EVALUATION AND/OR INSPECTION PURPOSES ONLY AND MAY NOT BE USED AS A BASIS FOR MANUFACTURE OR SALES OF PRODUCTS WITHOUT WRITTEN PERMISSION FROM TEKTRONIX, INC. IF THIS DRAWING IS FURNISHED UNDER ANY UNITED STATES GOVERNMENT CONTRACT, IT SHALL NOT BE EITHER RELEASED OUTSIDE THE GOVERNMENT, OR USED, DUPLICATED, OR DISCLOSED IN WHOLE OR IN PART FOR MANUFACTURE OR PROCUREMENT, WITHOUT THE WRITTEN PERMISSION OF TEKTRONIX, INC., EXCEPT FOR: (1) EMERGENCY REPAIR OR OVERHAUL WORK BY OR FOR THE GOVERNMENT, WHERE THE ITEM OR PROCESS CONCERNED IS NOT OTHERWISE REASONABLY AVAILABLE TO ENABLE TIMELY PERFORMANCE OF THE WORK; OR (2) RELEASE TO A FOREIGN GOVERNMENT AS THE INTERESTS OF THE UNITED STATES MAY REQUIRE; PROVIDED THAT IN EITHER CASE THE RELEASE, USE, DUPLICATION OR DISCLOSURE HEREOF SHALL BE SUBJECT TO THE FOREGOING LIMITATIONS. IF THIS DRAWING IS REPRODUCED IN WHOLE OR IN PART, THIS ENTIRE LEGEND BLOCK MUST APPEAR ON ALL REPRODUCED COPIES.

REV	REF	DESCRIPTION OF CHANGE	CHK BY	DATE
(A)	49313	GENERAL UPDATE	DD	7JUL83



PART NUMBER **2**  
(-1180)

TEST DATA

VALUE DETERMINED WITH HP 4275A METER OR APPROVED EQUIV (EACH WINDING):  
AT 4MHZ, 0.5mA, SERIES MODE  
L RANGE (MIN) = 2.62μH TO 2.79μH  
Q (MINIMUM) = 160 AT 2.62μH

WINDINGS	TURNS	WIRE AWG
1-4	7.5	30/46 LITZ
2-3	7.5	30/46 LITZ

\*

\* BIFILAR WOUND

7	276-0762-00	1	CORE, EM (TUNING, BLUE)
6	343-0510-00	1	CLAMP, POT CORE
5	276-0668-00	1	CORE, EM (AL40-1107)
4	276-0213-00	1	FORM, COIL
3	253-0086-00	AR	TAPE, PRESSURE SENSITIVE (POLYESTER, .137 WIDE)
2	176-0326-XX	AR	WIRE, ELEC (30/46 LITZ)
1	352-0402-00	1	HOLDER, ELEC COMPONENT

ITEM	PART NUMBER	QTY	DESCRIPTION
------	-------------	-----	-------------

LIST OF MATERIALS

3. COIL CEMENTED TO BOTTOM CORE

**2** DATE CODE OPPOSITE SIDE

1. REFERENCE DIMENSIONS: .500 HIGH × .480 WIDE × .480 LONG

NOTES:

TEKTRONIX, INC. PROPRIETARY ITEM DRAWING			
<input checked="" type="checkbox"/> MFD BY TEKTRONIX		<input type="checkbox"/> MFD FOR TEKTRONIX	
		P. O. BOX 500 BEAVERTON, OREGON U.S.A. 97077	
DWN	J. NAGODE	1 MAR 78	DIMENSIONS ARE IN INCHES / TOLERANCES: UNLESS OTHERWISE SPECIFIED
ENGR	W. Jordan	19 OCT 78	DEC ANLR
CHKR	J. WOODFALL	19 OCT 78	SCALE FIRST USED ON
PROD	J. Stone 11/1/76	18 OCT 78	NONE DAC 850 E
MATERIAL			
SEE LIST OF MATERIALS			
FINISH			
TITLE TRANSFORMER, RF (VARIABLE, POT CORE)			
CODE IDENT NO	SIZE	PART NUMBER	REV
80009	B	120-1180-00	A

DO NOT SCALE DRAWING

REV	REF	DESCRIPTION OF CHANGE	CHK BY	DATE

120-1180-01

PART NUMBER

THIS DRAWING WHEN DISTRIBUTED OUTSIDE TEKTRONIX, INC. IS SUPPLIED FOR IDENTIFICATION, ENGINEERING EVALUATION AND/OR INSPECTION PURPOSES ONLY AND MAY NOT BE USED AS A BASIS FOR MANUFACTURE OR SALES OF PRODUCTS WITHOUT WRITTEN PERMISSION FROM TEKTRONIX, INC.

IF THIS DRAWING IS FURNISHED UNDER ANY U. S. GOVERNMENT CONTRACT, IT IS FURNISHED AS LIMITED RIGHTS DATA AND SHALL NOT, WITHOUT THE WRITTEN PERMISSION OF TEKTRONIX, INC., BE EITHER (A) USED, RELEASED OR DISCLOSED IN WHOLE OR IN PART OUTSIDE THE GOVERNMENT, (B) USED IN WHOLE OR IN PART BY THE GOVERNMENT FOR MANUFACTURE OR (C) USED BY A PARTY OTHER THAN THE GOVERNMENT, EXCEPT FOR: (I) EMERGENCY REPAIR OR OVERHAUL WORK ONLY, BY OR FOR THE GOVERNMENT, WHERE THE ITEM OR PROCESS CONCERNED IS NOT OTHERWISE REASONABLY AVAILABLE TO ENABLE TIMELY PERFORMANCE OF THE WORK, PROVIDED THAT THE RELEASE OR DISCLOSURE HEREOF OUTSIDE THE GOVERNMENT SHALL BE MADE SUBJECT TO A PROHIBITION AGAINST FURTHER USE, RELEASE, OR DISCLOSURE; OR (II) RELEASE TO A FOREIGN GOVERNMENT AS THE INTEREST OF THE UNITED STATES MAY REQUIRE, ONLY FOR INFORMATION OR EVALUATION WITHIN SUCH GOVERNMENT OR FOR EMERGENCY REPAIR OR OVERHAUL WORK BY OR FOR SUCH GOVERNMENT UNDER CONDITIONS OF (I) ABOVE. THIS LEGEND SHALL BE INCLUDED ON ANY REPRODUCTION HEREOF.

TEKTRONIX, INC. SAFETY CONTROLLED PART.

THE DRAWING TYPE DESIGNATION AND APPROVED SOURCES OF SUPPLY FOR THIS ITEM ARE LISTED ON THE PURCHASED ITEM SOURCE LIST (PISL) FOR THIS PART NUMBER.

**Tektronix**  
COMMITTED TO EXCELLENCE

TEKTRONIX, INC.  
P. O. BOX 500  
BEAVERTON, OREGON U.S.A. 97077

DWN/ WR	<i>Chris R. Coy</i>	<i>11 July 89</i>	DIMENSIONS ARE IN INCHES / MM	
COMP ENGR	<i>Steve Pambert</i>	<i>12 July 89</i>	TOLERANCES: DEC	UNLESS OTHERWISE SPECIFIED ANLR
DESIGN ENGR			DIVISION	
CHKR/ COORD	<i>Salvador Garcia</i>	<i>12 July 89</i>	ITD	
MATERIAL				

FINISH	
TITLE	TRANSFORMER, RF: PRESET/SECURED 2.66μH ±1%, VARIABLE RANGE 2.62 - 2.79μH, POT CORE

TEKTRONIX, INC.  
BEAVERTON, OREGON

SHT 1 OF 3

CODE IDENT NO  
**80009**

SIZE  
**A**

PART NUMBER

120-1180-01

REV

**1** DESCRIPTION.

TRANSFORMER, RF: PRESET/SECURED TO 2.66 $\mu$ H  $\pm$ 1%, VARIABLE RANGE 2.62 TO 2.79 $\mu$ H, POT CORE.

**2** ELECTRICAL CHARACTERISTICS.

**2.1** INDUCTANCE.

COIL IS PRESET AND SECURED AT 2.66 $\mu$ H  $\pm$ 1%. THE INDUCTANCE RANGE OF THE COIL IS 2.62- 2.79 $\mu$ H (REFERENCE ONLY).

**2.2** QUALITY FACTOR.

150 MINIMUM AT 2.66 $\mu$ H (4 MHz AND 0.5 mA).

**2.3** AMBIENT OPERATING TEMPERATURE.

-55 TO +125°C.

**2.4** TRANSFORMER RATIO.

1:1

**3** MARKING REQUIREMENTS.

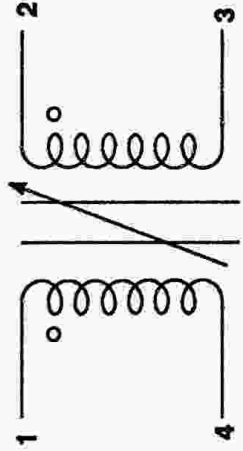
PERMANENTLY AND LEGIBLY MARK WITH THE FOLLOWING:

- (A) TEKTRONIX, INC., IDENTIFICATION NUMBER "1180" OR VENDOR PART NUMBER.
- (B) DATE CODE OR VENDOR LOT CODE.
- (C) VENDOR NAME, LOGO OR TRADEMARK.

**4** CONFORMITY TO REQUIREMENTS OF THIS SPECIFICATION.

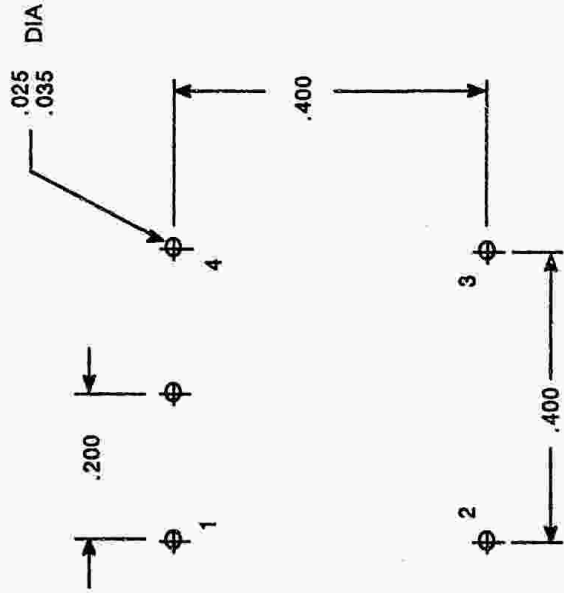
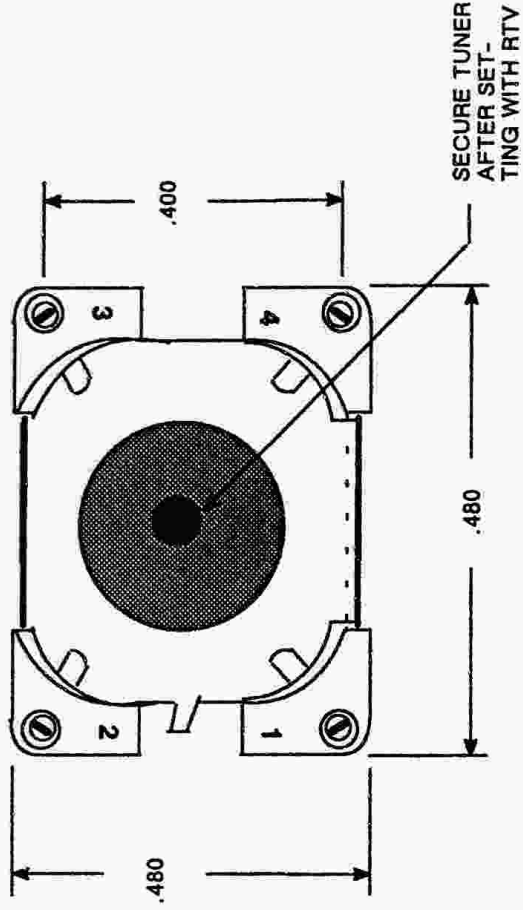
SAMPLES SUBMITTED FOR APPROVAL OF THIS SPECIFICATION SHALL BE REPRESENTATIVE OF THE MANUFACTURER'S NORMAL PRODUCTION. AFTER APPROVAL OF SUCH SAMPLES, NO CHANGES AFFECTING FORM, FIT, FUNCTION OR RELIABILITY SHALL BE MADE WITHOUT PRIOR, WRITTEN NOTIFICATION TO TEKTRONIX, INC., OF THE INTENDED CHANGES.

5 OUTLINE DRAWING.

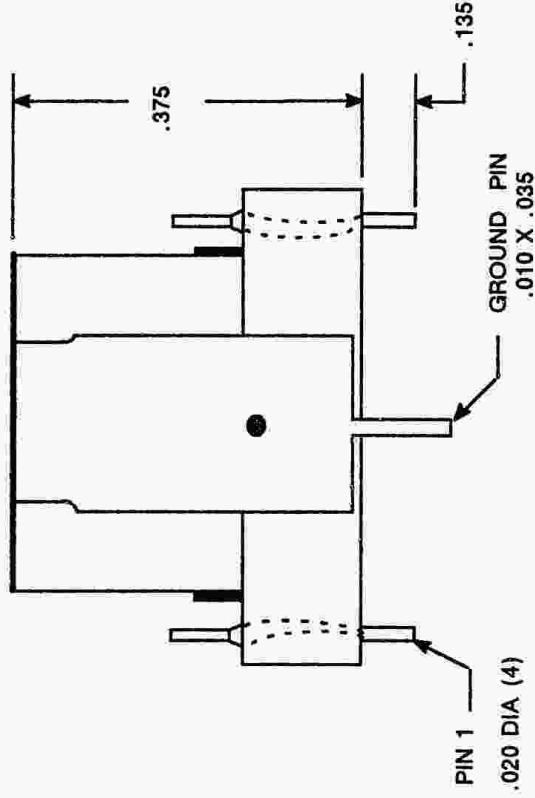


SET TO 2.66μH

SCHEMATIC



ECB PATTERN  
BOTTOM VIEW



REV	REF	DESCRIPTION OF CHANGE	CHK BY	DATE
-----	-----	-----------------------	--------	------

120-1180-02  
PART NUMBER

THIS DRAWING WHEN DISTRIBUTED OUTSIDE TEKTRONIX, INC. IS SUPPLIED FOR IDENTIFICATION, ENGINEERING EVALUATION AND/OR INSPECTION PURPOSES ONLY AND MAY NOT BE USED AS A BASIS FOR MANUFACTURE OR SALES OF PRODUCTS WITHOUT WRITTEN PERMISSION FROM TEKTRONIX, INC.

IF THIS DRAWING IS FURNISHED UNDER ANY U. S. GOVERNMENT CONTRACT, IT IS FURNISHED AS LIMITED RIGHTS DATA AND SHALL NOT, WITHOUT THE WRITTEN PERMISSION OF TEKTRONIX, INC., BE EITHER (A) USED, RELEASED OR DISCLOSED IN WHOLE OR IN PART OUTSIDE THE GOVERNMENT, (B) USED IN WHOLE OR IN PART BY THE GOVERNMENT FOR MANUFACTURE OR (C) USED BY A PARTY OTHER THAN THE GOVERNMENT, EXCEPT FOR: (1) EMERGENCY REPAIR OR OVERHAUL WORK ONLY, BY OR FOR THE GOVERNMENT, WHERE THE ITEM OR PROCESS CONCERNED IS NOT OTHERWISE REASONABLY AVAILABLE TO ENABLE TIMELY PERFORMANCE OF THE WORK, PROVIDED THAT THE RELEASE OR DISCLOSURE HEREOF OUTSIDE THE GOVERNMENT SHALL BE MADE SUBJECT TO A PROHIBITION AGAINST FURTHER USE, RELEASE OR DISCLOSURE; OR (2) RELEASE TO A FOREIGN GOVERNMENT, AS THE INTEREST OF THE UNITED STATES MAY REQUIRE, ONLY FOR INFORMATION OR EVALUATION WITHIN SUCH GOVERNMENT OR FOR EMERGENCY REPAIR OR OVERHAUL WORK BY OR FOR SUCH GOVERNMENT UNDER CONDITIONS OF (1) ABOVE. THIS LEGEND SHALL BE INCLUDED ON ANY REPRODUCTION HEREOF.

TEKTRONIX, INC. SAFETY CONTROLLED PART.

THE DRAWING TYPE DESIGNATION AND APPROVED SOURCES OF SUPPLY FOR THIS ITEM ARE LISTED ON THE PURCHASED ITEM SOURCE LIST (PISL) FOR THIS PART NUMBER.

**Tektronix**  
COMMITTED TO EXCELLENCE

TEKTRONIX, INC.  
P. O. BOX 500  
BEAVERTON, OREGON U.S.A. 97077

DWN/ WR	<i>Chris L. Cox</i>	<i>20 June 89</i>	DIMENSIONS ARE IN INCHES / MM
COMP ENGR	<i>Steven Dambak</i>	<i>20 June 89</i>	TOLERANCES: DEC _____ ANLR _____ UNLESS OTHERWISE SPECIFIED
DESIGN ENGR			DIVISION
CHKR/ COORD	<i>Michael Sanchez</i>	<i>Asksen 89</i>	TV PRODUCTS
MATERIAL			
FINISH			
TITLE	TRANSFORMER, RF: PRESET 2.92 μH ±1%, POT CORE		

TEKTRONIX, INC. BEAVERTON, OREGON	SHT 1 OF 2	CODE IDENT NO <b>80009</b>	SIZE <b>A</b>	PART NUMBER 120-1180-02	REV
--------------------------------------	------------	-------------------------------	------------------	----------------------------	-----

DO NOT SCALE DRAWING

**1** GENERAL REQUIREMENTS.

TRANSFORMER, RF. PRESET TO 2.92  $\mu\text{H} \pm 1\%$ .

**2** ELECTRICAL CHARACTERISTICS.

**2.1** TRANSFORMER RATIO.

1:1

**2.2** INDUCTANCE.

FIXED 2.92  $\mu\text{H} \pm 1\%$ .

**2.3** SET INDUCTANCE.

2.92  $\mu\text{H} \pm 1\%$ .

**2.4** QUALITY FACTOR.

160 MINIMUM AT 2.72  $\mu\text{H}$  (4 MHz AND 0.5 mA). PIN 1-4, PIN 2-3.

**2.5** DC RESISTANCE.

0.10 OHM NOMINAL. PIN 1-4, PIN 2-3.

**3** AMBIENT OPERATING TEMPERATURE.

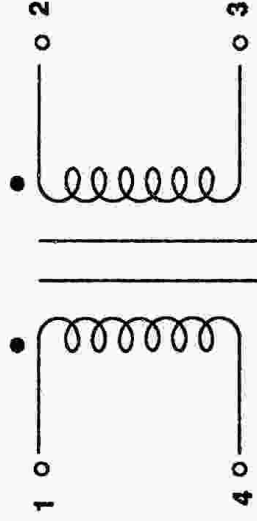
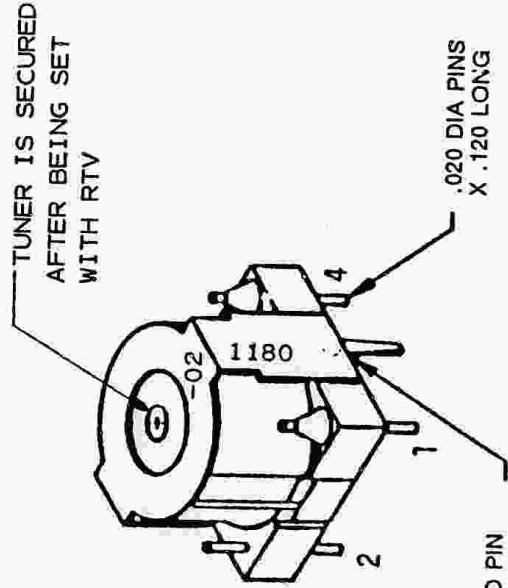
-55 TO +125°C.

**4** MARKING REQUIREMENTS.

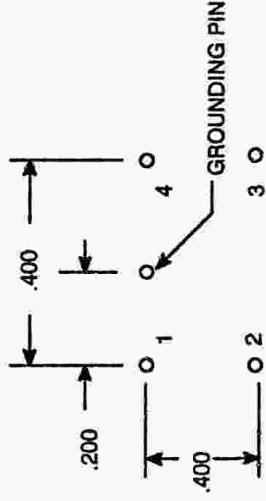
PERMANENTLY AND LEGIBLY MARK AS FOLLOWS:

- (A) TEKTRONIX, INC., IDENTIFICATION NUMBER "1180" OR MANUFACTURER'S PART NUMBER.
- (B) DATE CODE.
- (C) MANUFACTURER'S NAME OR TRADEMARK.

**5** OUTLINE DRAWING.



SCHEMATIC



PIN PATTERN

BOTTOM VIEW

CLAMP GROUND PIN  
.010 X .035 AT  
MOUNTING PLANE

TUNER IS SECURED  
AFTER BEING SET  
WITH RTV

.020 DIA PINS  
X .120 LONG



REV	REF	DESCRIPTION OF CHANGE	CHK BY	DATE

120-1180-03

PART NUMBER

THIS DRAWING WHEN DISTRIBUTED OUTSIDE TEKTRONIX, INC. IS SUPPLIED FOR IDENTIFICATION, ENGINEERING EVALUATION AND/OR INSPECTION PURPOSES ONLY AND MAY NOT BE USED AS A BASIS FOR MANUFACTURE OR SALES OF PRODUCTS WITHOUT WRITTEN PERMISSION FROM TEKTRONIX, INC.

IF THIS DRAWING IS FURNISHED UNDER ANY U. S. GOVERNMENT CONTRACT, IT IS FURNISHED AS LIMITED RIGHTS DATA AND, SHALL NOT, WITHOUT THE WRITTEN PERMISSION OF TEKTRONIX, INC., BE EITHER (A) USED, RELEASED OR DISCLOSED IN WHOLE OR IN PART OUTSIDE THE GOVERNMENT, (B) USED IN WHOLE OR IN PART BY THE GOVERNMENT FOR MANUFACTURE OR (C) USED BY A PARTY OTHER THAN THE GOVERNMENT, EXCEPT FOR: (I) EMERGENCY REPAIR OR OVERHAUL WORK ONLY, BY OR FOR THE GOVERNMENT, WHERE THE ITEM OR PROCESS CONCERNED IS NOT OTHERWISE REASONABLY AVAILABLE TO ENABLE TIMELY PERFORMANCE OF THE WORK, PROVIDED THAT THE RELEASE OR DISCLOSURE HEREOF OUTSIDE THE GOVERNMENT SHALL BE MADE SUBJECT TO A PROHIBITION AGAINST FURTHER USE, RELEASE, OR DISCLOSURE; OR (II) RELEASE TO A FOREIGN GOVERNMENT AS THE INTEREST OF THE UNITED STATES MAY REQUIRE, ONLY FOR INFORMATION OR EVALUATION WITHIN SUCH GOVERNMENT OR FOR EMERGENCY REPAIR OR OVERHAUL WORK BY OR FOR SUCH GOVERNMENT UNDER CONDITIONS OF (I) ABOVE. THIS LEGEND SHALL BE INCLUDED ON ANY REPRODUCTION HEREOF.

TEKTRONIX, INC. SAFETY CONTROLLED PART.

THE DRAWING TYPE DESIGNATION AND APPROVED SOURCES OF SUPPLY FOR THIS ITEM ARE LISTED ON THE PURCHASED ITEM SOURCE LIST (PISL) FOR THIS PART NUMBER.

**Tektronix**  
COMMITTED TO EXCELLENCE

TEKTRONIX, INC.  
P. O. BOX 500  
BEAVERTON, OREGON U.S.A. 97077

DWN/ WR	<i>Daria L. Coy</i>	<i>2 June 89</i>	DIMENSIONS ARE IN INCHES / MM
COMP ENGR	<i>Steve Dumbat</i>	<i>2 June 89</i>	TOLERANCES: UNLESS OTHERWISE SPECIFIED
DESIGN ENGR			DEC _____ ANLR _____
CHKR/ COORD	<i>Joan E. Bellinger</i>	<i>2 Jun 89</i>	DIVISION

TV PRODUCTS

MATERIAL \_\_\_\_\_

FINISH \_\_\_\_\_

TITLE

TRANSFORMER, RF: PRESET/SECURED TO 2.735  $\mu$ H  $\pm$ 1%, POT CORE

TEKTRONIX, INC.  
BEAVERTON, OREGON

SHT 1 OF 2

CODE IDENT NO  
**80009**

SIZE  
**A**

PART NUMBER

120-1180-03

REV

**1 GENERAL REQUIREMENTS.**

TRANSFORMER, RF. PRESET/SECURED TO TO 2.735  $\mu\text{H} \pm 1\%$ , POT CORE.

**2 ELECTRICAL CHARACTERISTICS.**

**2.1 TRANSFORMER RATIO.**

1:1

**2.2 INDUCTANCE.**

TRANSFORMER IS PRESET AND SECURED AT 2.735  $\mu\text{H}$ . THE INDUCTANCE RANGE OF THE TRANSFORMER IS 2.62 - 2.79  $\mu\text{H}$  (REFERENCE ONLY).

**2.3 SET INDUCTANCE.**

2.72  $\mu\text{H} \pm 1\%$ .

**2.4 QUALITY FACTOR.**

160 MINIMUM AT 2.735  $\mu\text{H}$  (4 MHz AND 0.5 mA).

**2.5 DC RESISTANCE.**

0.050 OHM NOMINAL.

**3 AMBIENT OPERATING TEMPERATURE.**

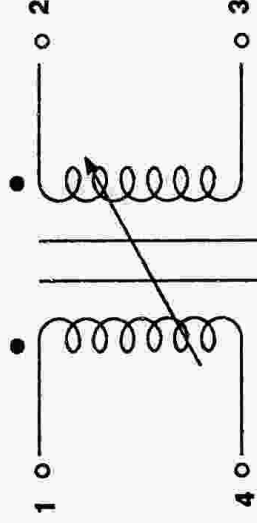
-55 TO +125°C.

**4 MARKING REQUIREMENTS.**

PERMANENTLY AND LEGIBLY MARK AS FOLLOWS:

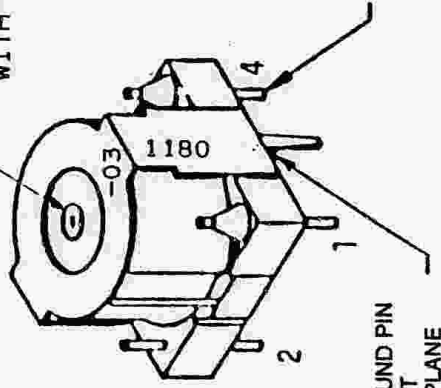
- (A) TEKTRONIX, INC., IDENTIFICATION NUMBER "1180" OR MANUFACTURER'S PART NUMBER.
- (B) DATE CODE.
- (C) MANUFACTURER'S NAME OR TRADEMARK.

**5 OUTLINE DRAWING.**



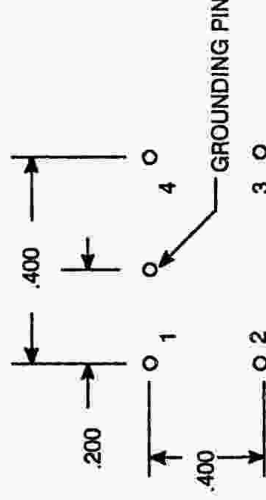
SCHEMATIC

TUNER IS SECURED AFTER BEING SET WITH RTV



CLAMP GROUND PIN  
.010 X .035 AT  
MOUNTING PLANE

.020 DIA PINS  
X .120 LONG



PIN PATTERN

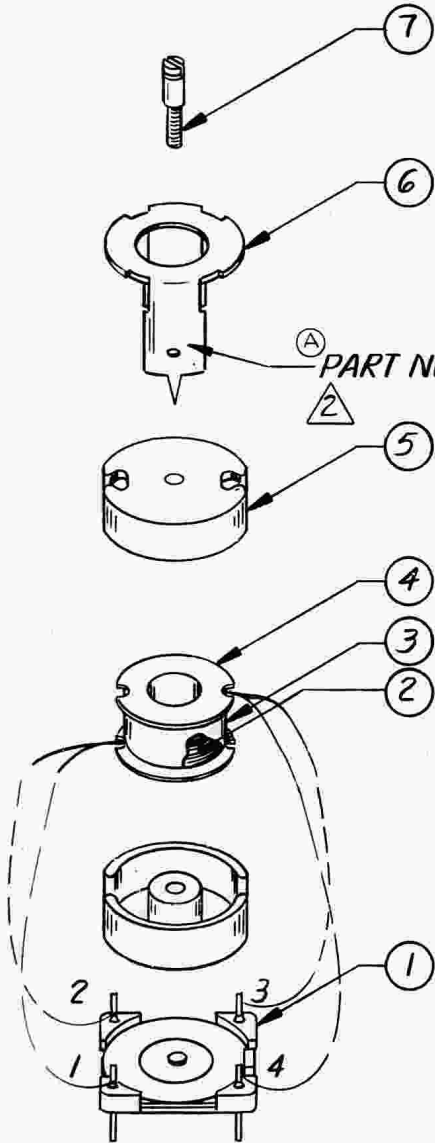
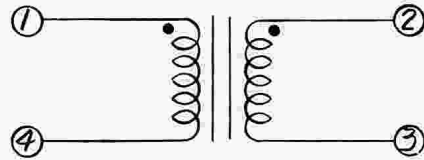
BOTTOM VIEW

77-121 D

REV. A  
PART NUMBER 120-1181-00

THIS DRAWING WHEN DISTRIBUTED OUTSIDE TEKTRONIX, INC., IS SUPPLIED FOR IDENTIFICATION, ENGINEERING EVALUATION AND/OR INSPECTION PURPOSES ONLY AND MAY NOT BE USED AS A BASIS FOR MANUFACTURE OR SALES OF PRODUCTS WITHOUT WRITTEN PERMISSION FROM TEKTRONIX, INC. IF THIS DRAWING IS FURNISHED UNDER ANY UNITED STATES GOVERNMENT CONTRACT, IT SHALL NOT BE EITHER RELEASED OUTSIDE THE GOVERNMENT, OR USED, DUPLICATED, OR DISCLOSED IN WHOLE OR IN PART FOR MANUFACTURE OR PROCUREMENT, WITHOUT THE WRITTEN PERMISSION OF TEKTRONIX, INC., EXCEPT FOR: (1) EMERGENCY REPAIR OR OVERHAUL WORK BY OR FOR THE GOVERNMENT, WHERE THE ITEM OR PROCESS CONCERNED IS NOT OTHERWISE REASONABLY AVAILABLE TO ENABLE TIMELY PERFORMANCE OF THE WORK; OR (2) RELEASE TO A FOREIGN GOVERNMENT AS THE INTERESTS OF THE UNITED STATES MAY REQUIRE, PROVIDED THAT IN EITHER CASE THE RELEASE, USE, DUPLICATION OR DISCLOSURE HEREOF SHALL BE SUBJECT TO THE FOREGOING LIMITATIONS, IF THIS DRAWING IS REPRODUCED IN WHOLE OR IN PART, THIS ENTIRE LEGEND BLOCK MUST APPEAR ON ALL REPRODUCED COPIES.

REV	REF	DESCRIPTION OF CHANGE	CHK BY	DATE
(A)	49313	UPDATED DRAWING	DD	JUNE 83



PART NUMBER (-1181)

TEST DATA

VALUE DETERMINED WITH HP4342 A Q METER OR APPROVED EQUIV (EACH WINDING)

TEST FREQUENCY = 7.9 MHz  
 INDICATED L (MIN) = 4.15 μH TO 4.58 μH  
 CORRECTED L (MIN) = 4.14 μH TO 4.57 μH  
 Q (NOMINAL) = 130 98

WINDINGS	TURNS	WIRE AWG
1-4	9.5	30/46LITZ
2-3	9.5	30/46LITZ

\* BIFILAR WOUND

3. COIL CEMENTED TO BOTTOM CORE

△ DATE CODE OPPOSITE SIDE

1. REFERENCE DIMENSIONS: .500 HIGH × .480 WIDE × .480 LONG

NOTES:

7	276-0675-00	1	CORE, EM (TUNING, BROWN)
6	343-0510-00	1	CLAMP, POT CORE
5	276-0668-00	1	CORE, EM (AL40-1107)
4	276-0213-00	1	FORM, COIL
3	253-0086-00	AR	TAPE, PRESSURE SENSITIVE (POLYESTER, .137 WIDE)
2	176-0326-XX	AR	WIRE, ELEC (30/46 LITZ)
1	352-0402-00	1	HOLDER, ELEC COMPONENT

ITEM	PART NUMBER	QTY	DESCRIPTION
LIST OF MATERIALS			

TEKTRONIX, INC. PROPRIETARY ITEM DRAWING			
<input checked="" type="checkbox"/> MFD BY TEKTRONIX		<input type="checkbox"/> MFD FOR TEKTRONIX	
TEKTRONIX, INC.		P. O. BOX 500 BEAVERTON, OREGON U.S.A. 97077	
DWN	J. NAGODE	28 FEB 78	DIMENSIONS ARE IN INCHES TOLERANCES: UNLESS OTHERWISE SPECIFIED DEC _____ ANLR _____
ENGR	<i>St. Jordan</i>	19 OCT 78	
CHKR	J. WOODFALL	14 OCT 78	SCALE
PROD	<i>J. Woodfall</i>	16 OCT 78	FIRST USED ON
MATERIAL		NONE DAC 850 E	
SEE LIST OF MATERIALS			
FINISH _____			
TITLE TRANSFORMER, RF (VARIABLE, POT CORE)			
CODE IDENT NO	SIZE	PART NUMBER	REV
80009	B	120-1181-00	A

DO NOT SCALE DRAWING

77-171D

REV	REF	DESCRIPTION OF CHANGE	CHK BY	DATE
(A)	45291	REMOVED ITEM 1 PN. 120-1182-50	DD	15JAN82
(B)	50392	COMBINED PART NO & DATE CODE	DD	20JUN83
(C)	54507	UPDATED DWG., NOTES 2 & 7. ITEM 7 WAS 258-0488-00	DD	5JUL84

**COIL STRUCTURE  
OUTSIDE**

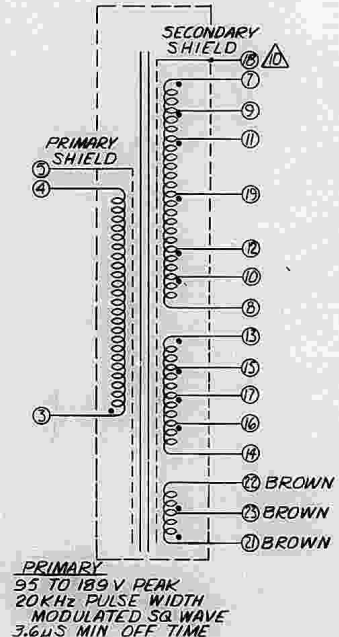
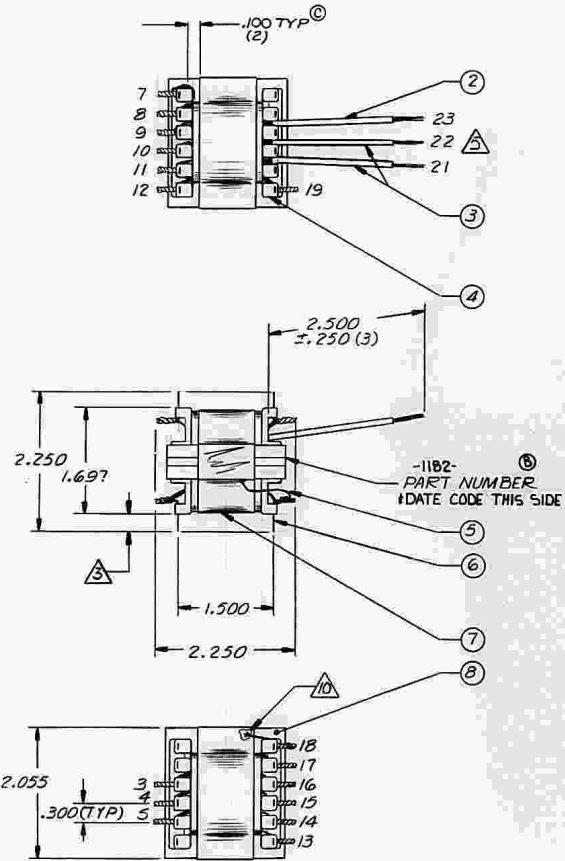
TYPE WINDING	TERM/LEAD NO
SEC 13-15-17-16-14 Ø-4-9-14-18 T	*22
SEC 10-8 4 T 3 *24	SEC 7-9 4 T 3 *24
SEC 12-10 4 T 3 *24	SEC 9-11 4 T 3 *24
SEC Ø-9-18 T	11-19-12 *20
SEC 23-22 3 T 5 *24	
SEC 21-23 3 T 5 *24	
SHIELD	18
SHIELD	5
FRI 3-4 4 T *21	

\* ONE LAYER

**ELECTRICAL DATA**

LEAD NO	** VOLTS	** CURRENT AMPS DC	TYPICAL RATING CURR DCR ± 5% AT 20°C
3-4	95.3		.093
5			
18			
11-19-12	41.9 CT	3.63	.044 CT
9-10	60.5 CT	3.75	.058 CT
7-8	75.1 CT	2.80	.073 CT
15-17-16	23.3 CT	1.00	.048 CT
13-17-14	41.9 CT	3.50	.086 CT
21-23-22	13.9 CT	12.0	.012 CT

\*\*PEAK NO LOAD  
\*\*\*CAN NOT BE SIMULTANEOUSLY LOADED



PRIMARY  
95 TO 189 V PEAK  
20 KHz PULSE WIDTH  
MODULATED SQ WAVE  
3.6µS MIN OFF TIME

- EXTERNAL SHIELD CONNECTED TO PIN 18
- 9. TRANSFORMER MUST COMPLY WITH UL 114, CSA 134, BPO

120-1182-00 C

- 8. POLARITY PER SCHEMATIC
- 7. INDUCTANCE (3-4): 5.9 mH MIN AT 1 KHz PER ESI 252 OR APPR. EQUIV
- 6. DIELECTRIC WITHSTANDING VOLTAGE: 2000V AC, 50 OR 60 Hz, 1 MINUTE, 4 AND 5 TO CORE, 17, 18, 19, AND 23
- LEADS 21-23 TIN .500 ±.125
- 4. CEMENT CORES TOGETHER
- SOLDERABILITY REQUIRED IN THIS AREA .200 MIN (16)
- 2. TRANSFORMER VACUUM IMPREGNATED WITH VARNISH 252-0082-00 OR APPROVED EQUIVALENT
- 1. DIMENSIONS REFERENCE UOS NOTES:

TESTING SAFETY CONTROLLED PART  
THIS PART IS CONTROLLED TO ASSURE PERFORMANCE OF SAFETY CHARACTERISTICS OF THE PRODUCT. IT IS THE RESPONSIBILITY OF THE USER TO EVALUATE AND APPROVE EACH IMPLEMENTATION OF THIS SAFETY CONTROLLED PART.  
800-381-002 Rev. Jan. 1982

TEKTRONIX, INC. PROPRIETARY ITEM DRAWING  
INFO FOR TEKTRONIX  
INFO FOR CUSTOMER

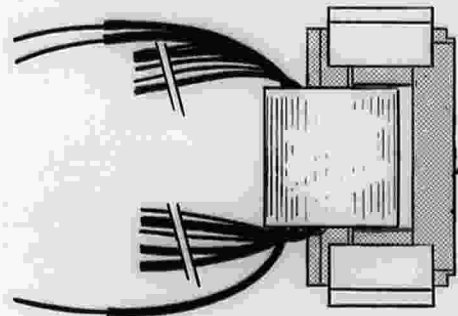
DESIGNER	J. NAGODE	DATE	28NOV78
ENGINEER	R. COGAN	DATE	26SEP79
PROD. C. NO.	1182	SCALE	1:1
PROJ. NO.	262477	PRINT USED ON	4663
MATERIAL	LISTED		
FINISH	NOTED		
TITLE	TRANSFORMER, POWER STPDN, HIGH FREQUENCY		
CORR. NO.	80009	DATE	120-1182-00

QTY	PART NUMBER	REF	DESCRIPTION
8	216-0721-00	2	CORE EM ("E" FERRITE)
7	251-0353-02	AR	COPPER STRIP (.875W)
6	131-2244-00	1/6	TERMINAL PIN
5	176-0002-00	AR	WIRE, ELEC (16 AWG, Tinned)
4	216-0244-00	1	FORM, COIL
3	162-0551-00	AR	INSULATION, SLEEVING, ELEC
2	162-0550-00	AR	INSULATION, SLEEVING, ELEC

10 LATEST REV. OF APPLICABLE SAFETY DOC. ARE MADE A PART OF THIS SPEC. AS LISTED BELOW  
 LID-002 LAB INST. DN. QUALITY STD.  
 UL-1244 UNDERWRITERS LAB INC.  
 CSA556B CANADIAN STANDARDS ASSOC.

THIS DRAWING WHEN DISTRIBUTED OUTSIDE TEKTRONIX, INC. IS SUPPLIED FOR IDENTIFICATION, ENGINEERING EVALUATION AND/OR INSPECTION PURPOSES ONLY AND MAY NOT BE USED AS A BASIS FOR MANUFACTURE OR SALES OF PRODUCTS WITHOUT WRITTEN PERMISSION FROM TEKTRONIX, INC. IF THIS DRAWING IS FURNISHED UNDER ANY UNITED STATES GOVERNMENT CONTRACT, IT SHALL NOT BE EITHER RELEASED OUTSIDE THE GOVERNMENT, OR USED, REPRODUCED, OR DISCLOSED IN WHOLE OR IN PART FOR MANUFACTURE OR PROCUREMENT, WITHOUT THE WRITTEN PERMISSION OF TEKTRONIX, INC. EXCEPT FOR: (1) EMERGENCY REPAIR OR OVERHAUL WORK BY OR FOR THE GOVERNMENT, WHERE THE ITEM OR PROCESS CONCERNED IS NOT OTHERWISE REASONABLY AVAILABLE TO ENABLE TIMELY PERFORMANCE OF THE WORK, OR (2) RELEASE TO A FOREIGN GOVERNMENT AS THE INTERESTS OF THE UNITED STATES MAY REQUIRE, PROVIDED THAT IN EITHER CASE THE RELEASE, USE, REPRODUCTION OR DISCLOSURE HEREOF SHALL BE SUBJECT TO THE FORTHCOMING LIMITATIONS, IF THIS DRAWING IS REPRODUCED IN WHOLE OR IN PART, THIS ENTIRE LEGEND BLOCK MUST APPEAR ON ALL REPRODUCED COPIES.

REV	REP	DESCRIPTION OF CHANGE	CHK BY	DATE
F	67924	COMBINED SPEC. SH. W/THIS DRAWING	CD	13DEC68

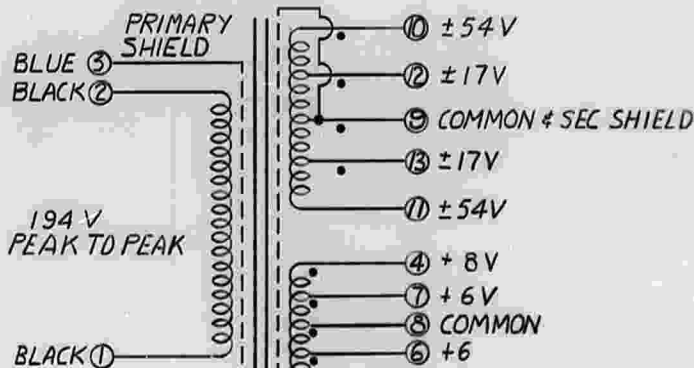
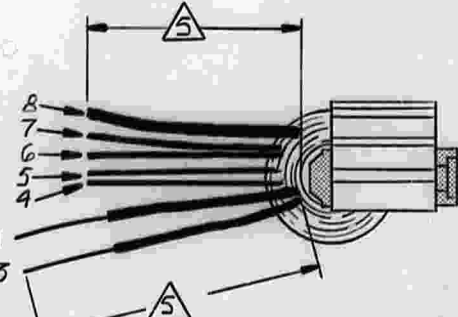
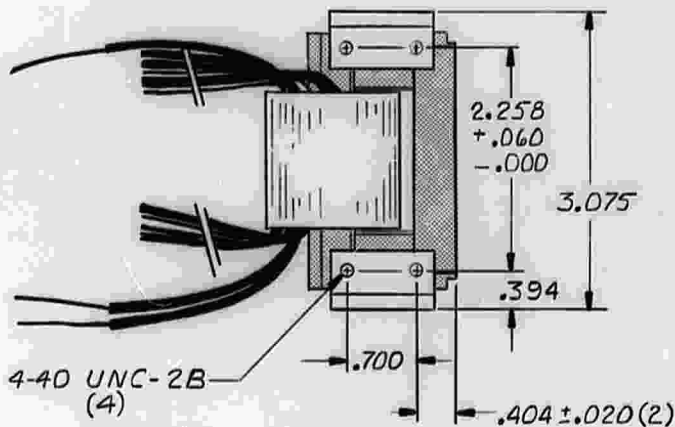
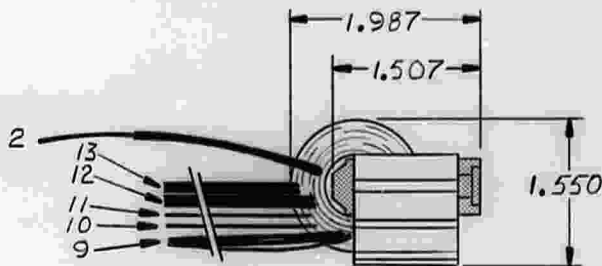


-1183 ⓑ  
 PART NUMBER &  
 DATE CODE THIS  
 SIDE

### COIL STRUCTURE INSIDE

LEAD NO	TURNS	WIRE AWG	VOLTS **	TYPICAL RATINGS	
				DC LOAD CURRENT	DCR $\Omega$ AT 20°C
1-2	41	17	97		.043
3	SHIELD				
9	SHIELD				
7-8 -6	$\emptyset$ -3 -6	(3) 17	14.2CT	8A	.003CT
12-9 -13	$\emptyset$ -8 -16	16	37.9CT	4A (POS) 2A (NEG)	.020CT
10-12	15	22	35.5	.4A	.086
13-11	15	22	35.5	.4A	.086
4-7	1	22	2.37	1.2A	.006
6-5	1	22	2.37	1.2A	.006

\*\* VOLTAGES ARE PEAK NO LOAD  
 VALUES @ 25 KHz SQUARE WAVE  
 OUTSIDE



SECONDARY VOLTAGES ARE TYPICAL  
 FULL LOAD RECTIFIED CIRCUIT VALUES

### NOTES:

- DIMENSIONS REFERENCE UDS
- COIL VACUUM IMPREGNATED WITH VARNISH 252-0082-00 OR APPROVED EQUIVALENT
- INDUCTANCE (1-2) 2.5 mH MIN @ 1 KHz WITH ES1 252 BRIDGE OR APPROVED EQUIVALENT
- \*I\* CORE \*U\* CORE AND SUPPORTS SECURED USING ADHESIVE

△ LEAD LENGTHS: LEADS 1, 2 & 3 MEASURED FROM EXIT (\* INSUL SLEEVING)

LEAD NO	COLOR	PART NUMBER*	LENGTH ±.250	STRIPPING ±.125
1-2	BLK	162-0503-00	3.000	1.000
3	BLU	162-0524-00	3.000	1.000

LEADS 4 THRU 13 MEASURED FROM INSIDE OF COIL FORM 1.600 ±.125 & TIN TO WITHIN .500 MAX OF COIL

PART NUMBER  
**120-1183-00** REV. **F**

- BUNDLE LEAD 8 TO FIT .198 DIA HOLE BUNDLE LEADS 6 & 7 TO FIT .166 DIA HOLE
- TRANSFORMER MUST COMPLY WITH UL-1244, CSA-556B AND IEC-348
- DIELECTRIC WITHSTANDING VOLTAGE: 2KV AC RMS, 50 TO 60 HZ, 1 MIN, 1, 2, & 3 TO CORE, SEC SHIELD AND SECONDARIES
- LEADS WITH MULTIPLE WIRES CAN BE GROUPED TOGETHER BY SOLDERING, TWISTING SLEEVING, OR OTHER EQUIVALENT METHOD

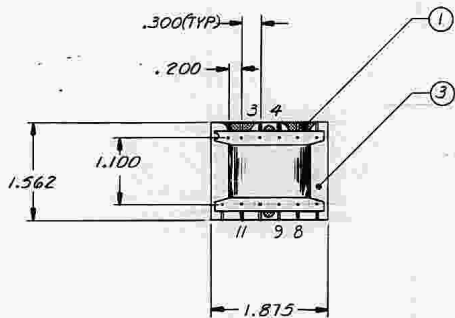
TEKTRONIX, INC. PROPRIETARY ITEM DRAWING			
<input checked="" type="checkbox"/> MFD BY TEKTRONIX	<input type="checkbox"/> MFD FOR TEKTRONIX		
<b>TEKTRONIX, INC.</b> BEAVERTON, OREGON U.S.A. 97077		P. O. BOX 800 TOLERANCES:	
DWN <b>JTWINFREY</b> 16 JUN 78 ENGR <b>R. Cogan</b> 22 AUG 77 CHKR <b>G. Stewart</b> 22 AUG 78 PROD <b>G. Pinner</b> 22 AUG 78	DIMENSIONS ARE IN INCHES / UNLESS OTHERWISE SPECIFIED DEC ANLR	SCALE <b>1:1</b>	FIRST USED ON <b>7104</b>
MATERIAL			
SEE LIST OF MATERIALS			
FINISH			
NOTED			
TITLE <b>TRANSFORMER, POWER, STDN, HF</b>			
CODE IDENT NO	SIZE	PART NUMBER	REV
<b>80009</b>	<b>C</b>	<b>120-1183-00</b>	<b>F</b>

### TEKTRONIX SAFETY CONTROLLED PART

THIS PART IS CONTROLLED TO INSURE MAINTENANCE OF SAFETY CHARACTERISTICS DESIGNED INTO A TEKTRONIX PRODUCT. TO CONTINUE MAINTENANCE, ANY CHANGES IN MATERIALS, SPECIFICATIONS, VENDORS, OR VENDOR PART NUMBERS MUST BE EVALUATED AND APPROVED IN EACH APPLICATION IN WHICH THIS IS A CONTROLLED PART.

53-41E

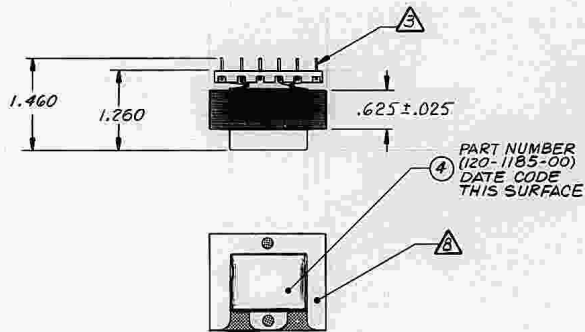
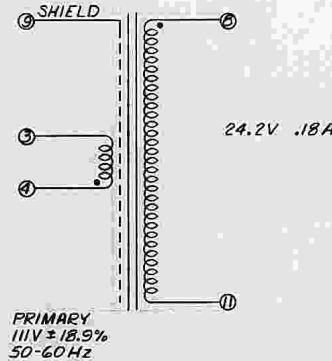
REV	DESCRIPTION OF CHANGE	DATE
(A) 45018	REMOVED ITEM 2	DD 29MARE82
(B) 50496	NOTE 5 WAS 2 KV	DD 22JUN83
(C) 51689	REVISED DWG. & UPDATED NOTE (A)	DD 5JAN84



**COIL STRUCTURE  
OUTSIDE**

TYPE WINDING	TERM NO
SEC	8-11
357 T	# 29
<b>SHIELD</b>	
	9
<b>PRI</b>	
1640 T	4-3
	# 35

**INSIDE**



ORIENTATION OF KEEPERS, ITEM 3, IS OPTIONAL  
7. TRANSFORMER MUST COMPLY WITH UL 114, CSA 154, BRO.

120-1185-00 C

- 6. POLARITY PER SCHEMATIC
- 5. DIELECTRIC WITHSTANDING VOLTAGE: 1.5KV RMS, 50 TO 60Hz, 1 MINUTE, PRIMARY TO SECONDARY, SHIELD, AND CORE
- 4. VOLTAGE RATINGS ARE RMS NO LOAD, CURRENT RATINGS ARE AMPS DC TYP
- 3. TERMINALS TO BE VARNISH FREE (12)
- 2. TRANSFORMER VACUUM IMPREGNATED WITH VARNISH 252-0082-00 OR APPROVED EQUIVALENT
- 1. DIMENSIONS REFERENCE UNLESS OTHERWISE SPECIFIED

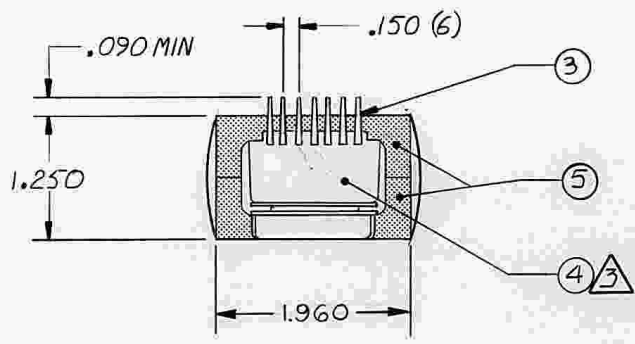
**NOTES:**

<input checked="" type="checkbox"/> INFO BY TEXTBOOK <input type="checkbox"/> INFO FROM DRAWING	
<b>TEKTRONIX, INC.</b> BEAVERTON, OREGON U.S.A. 97007	
J. NICKODE 12/JAN/78 SCALE 25 OF 75 PROD 12/11/78	DIMENSIONS ARE IN INCHES / MM UNLESS OTHERWISE SPECIFIED SCALE 1:1 PART USED ON 4663
SEE LIST OF MATERIALS	

REV	DESCRIPTION	DATE
4	334-4645-00 1 MARKER IDENTIFICATION	
3	386-0034-00 2 PLATE, LAMIN (KEEPER)	
2		
1	386-0033-00 AR PLATE, LAMINATION (STEEL)	

FROM	NOTED (A)
TITLE	TRANSFORMER, POWER, STDIN
CAGE NUMBER	80009 D
PART NUMBER	120-1185-00
REV	C

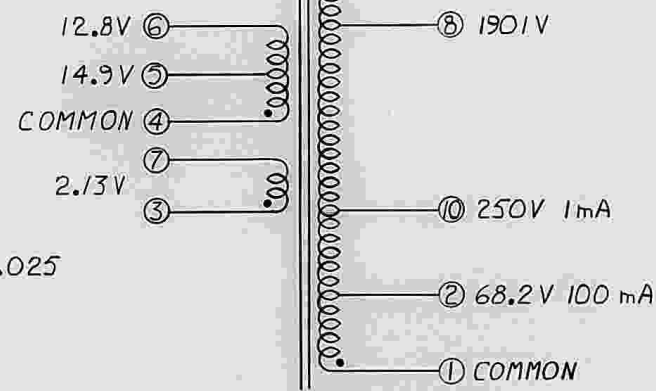
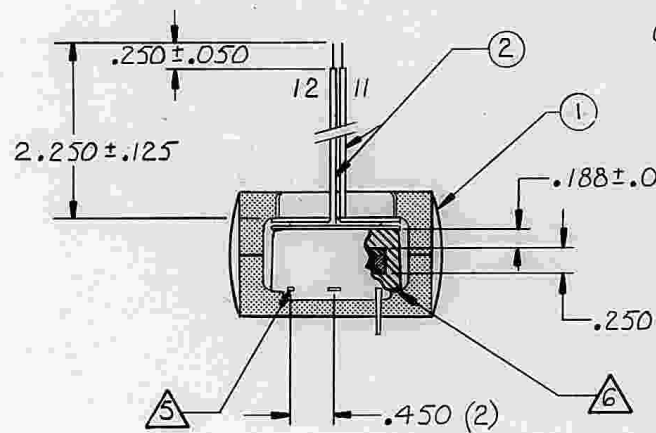
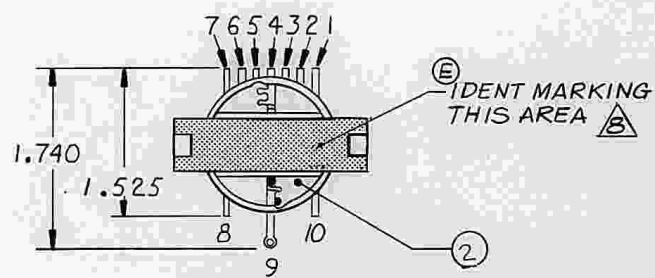
THIS DRAWING WHEN DISTRIBUTED OUTSIDE TEKTRONIX, INC. IS SUPPLIED FOR IDENTIFICATION, ENGINEERING EVALUATION AND/OR INSPECTION PURPOSES ONLY AND MAY NOT BE USED AS A BASIS FOR MANUFACTURE OR SALES OF PRODUCTS WITHOUT WRITTEN PERMISSION FROM TEKTRONIX, INC. IF THIS DRAWING IS FURNISHED UNDER ANY UNITED STATES GOVERNMENT CONTRACT, IT SHALL NOT BE EITHER REPRODUCED OUTSIDE THE GOVERNMENT, OR USED, DUPLICATED, OR DISCLOSED IN WHOLE OR IN PART FOR MANUFACTURE OR PROCUREMENT, WITHOUT THE WRITTEN PERMISSION OF TEKTRONIX, INC., EXCEPT FOR: (1) EMERGENCY REPAIR OR OVERHAUL WORK BY OR FOR THE GOVERNMENT, WHERE THE ITEM OR PROCESS CONCERNED IS NOT OTHERWISE REASONABLY AVAILABLE TO ENABLE TIMELY PERFORMANCE OF THE WORK; OR (2) RELEASE TO A FOREIGN GOVERNMENT AS THE INTERESTS OF THE UNITED STATES MAY REQUIRE, PROVIDED THAT IN EITHER CASE THE RELEASE, USE, DUPLICATION OR DISCLOSURE HEREOF SHALL BE SUBJECT TO THE FOREGOING LIMITATIONS, IF THIS DRAWING IS REPRODUCED IN WHOLE OR IN PART, THIS ENTIRE LEGEND BLOCK MUST APPEAR ON ALL REPRODUCED COPIES.



COIL STRUCTURE  
OUTSIDE

TYPE WINDING	LEAD/TERM NO
SEC 11-12	SEC 1-2-10-8-9
	Ø-32-117.5-892.5-1643.5T *38
PRI 4-5-6	PRI 3-7
Ø-6-7T 2 *31	1T *31
4T *26	

INSIDE



OPERATING FREQUENCY: 50 KHZ

REV	REF	DESCRIPTION OF CHANGE	CHK BY	DATE
A	38114	RMVD ITEM 1 & ADDED NOTE 7	IA	18 SEP 79
B	41258	ITEM 2 P/N WAS 175-0918-00 ADDED NOTE 8	DD	15 JUN 81
C	30393	REMOVED NOTE 8.	DD	2 MAR 83
D	51234	ADDED ITEM 1	DD	6 JUN 83
E	52601	REVISED DWG. & ADDED NOTE 8	DD	27 MAR 84

- ⊠ LOCATION AND ORIENTATION ON THIS SURFACE NOT CRITICAL. MUST BE LEGIBLE
- Ⓐ 7. OUTER + CENTER CORE LEGS SECURED TOGETHER WITH ADHESIVE FOR NOISE REDUCTION

- ⊠ GAP BETWEEN CORE AND COIL FILLED WITH ADHESIVE FOR 1900V BREAK DOWN

- ⊠ PIN 8 CUT OFF AT BEND

PART NUMBER	REV.
120-1187-00	E

- 4. VOLTAGE RATINGS ARE PEAK TO PEAK NO LOAD UOS. CURRENT RATINGS ARE AMPS DC TYPICAL UOS

- ⊠ COIL TRANSFER MOLDED

- 2. POLARITY PER SCHEMATIC

- 1. DIMENSIONS REFERENCE UNLESS OTHERWISE SPECIFIED

NOTES:

TEKTRONIX, INC. PROPRIETARY ITEM DRAWING  
 MFD BY TEKTRONIX     MFD FOR TEKTRONIX

TEKTRONIX, INC. P. O. BOX 500 BEAVERTON, OREGON U.S.A. 97077

DWN	JTWINERY	2 JUN 79	DIMENSIONS ARE IN INCHES / TOLERANCES: UNLESS OTHERWISE SPECIFIED	
ENGR	L. Chen	11 Jul 79	SCALE	FIRST USED ON
CHKR	B. Stewart	11 Jul 79	1:1	624
PROD	G. Brown	11 Jul 79		

MATERIAL SEE LIST OF MATERIAL

FINISH NOTED

TITLE TRANSFORMER, POWER; SDN & SU (HIGH VOLTAGE)

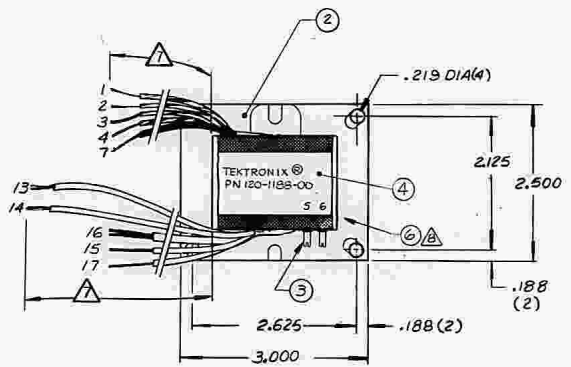
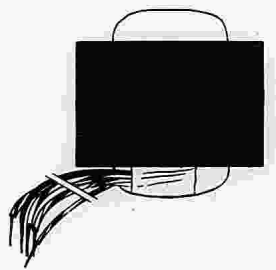
ITEM	PART NUMBER	QTY	DESCRIPTION
5	276-0696-00	1	CORE, EM ("E" FERRITE)
	276-0697-00	1	CORE, EM ("E" FERRITE)
4	255-0479-01	AR	PLASTIC MOLDING MATERIAL (EPOXY)
3	195-0140-00	1/2	LEAD SET, HV TRANSFORMER
2	650-0326-00	1	BOBBIN ASSEMBLY
1	343-0682-01	2	CLAMP, TRANSFORMER

CODE IDENT NO	SIC	PART NUMBER	REV
80009	C	120-1187-00	E

52-77C

THIS DRAWING WHEN DISTRIBUTED OUTSIDE TEKTRONIX, IS TO BE KEPT FOR IDENTIFICATION PURPOSES ONLY. IT IS NOT TO BE REPRODUCED OR TRANSMITTED IN ANY FORM OR BY ANY MEANS, ELECTRONIC OR MECHANICAL, INCLUDING PHOTOCOPYING, RECORDING, OR BY ANY INFORMATION STORAGE AND RETRIEVAL SYSTEM, WITHOUT THE WRITTEN PERMISSION OF TEKTRONIX, INC. THE COMPANY ASSUMES NO LIABILITY FOR ANY ERRORS OR OMISSIONS IN THIS DRAWING. THE COMPANY ASSUMES NO LIABILITY FOR ANY DAMAGE TO PERSONS OR PROPERTY, INCLUDING THE COMPANY'S OWN PROPERTY, ARISING FROM THE USE OF THIS DRAWING FOR ANY PURPOSES OTHER THAN THAT AUTHORIZED BY THE COMPANY.

REV	REF	DESCRIPTION OF CHANGE	CHK BY	DATE
	33113	INITIATED PART	DL	1 MAR 76
(A)	45018	REMOVED ITEM 5	DD	16 MAR 82
(B)	51689	REVISED DWG. ADDED ITEM 6 & NOTE 4. REMOVED ITEM 1, ITEM 4 WAS 000-687600, & NOTE 5 WAS 2KV	DD	5 DEC 83

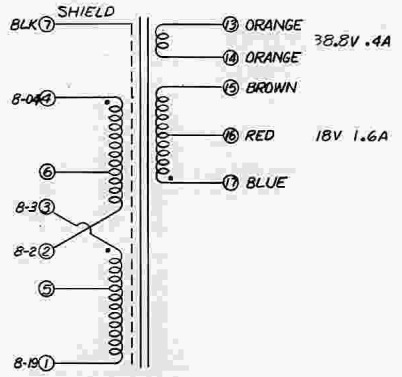


**COIL STRUCTURE  
OUTSIDE**

TYPE WINDING	LEAD/TERM NO
SEC	15-16-17
Ø-32-64T	*20
SEC	13-14
138T	*25
SHIELD	7
PRI	2-6-4
Ø-39-413T	*28
PRI	1-5-3
Ø-374-413T	*28

**INSIDE**

LINE TO 1-4	CONNECT
105	1 TO 6, 4 TO 5
116	1 TO 2, 3 TO 4
210	5 TO 6
232	2 TO 3



△ ORIENTATION OF KEEPER IS OPTIONAL

△ LEAD LENGTHS

LEAD NO	COLOR	PART NUMBER	LENGTH ±.250	STRIP	TIN ±.125
*1	8-19	175-0879-00	5.000	.500	
*2	8-2	175-0880-00			
*3	8-3	175-0881-00			
*4	8-04	175-0882-00			
*7	BLK	175-0920-00			
*13/14	ORN	175-0950-00	9.000		
**15	BRN	162-0553-00	7.000	1.000	1.000
**16	RED	162-0508-00			
**17	BLU	162-0523-00			

6. VOLTAGE RATINGS ARE RMS NO LOAD. CURRENT RATINGS ARE AMPS DC TYP

5. DIELECTRIC WITHSTANDING VOLTAGE: 15KV RMS, 50 TO 60Hz, 1 MINUTE, PRIMARIES TO SECONDARIES, SHIELD, AND CORE

PART NUMBER	REV
120-1188-00	B

- 4. POLARITY PER SCHEMATIC
- 3. WINDINGS ARE INSUL FOR 600V DC
- 2. TRANSFORMER VACUUM IMPREGNATED WITH VARNISH 252-0082-00 OR APPROVED EQUIVALENT
- 1. DIMENSIONS REFERENCE UNLESS OTHERWISE SPECIFIED

**NOTES:**

TEKTRONIX, INC.		P.O. BOX 180	
BEAVERTON, OREGON U.S.A., 97005		TELEPHONE (503) 261-1000	
DESIGNER	DATE	SCALE	FILED USED ON
J. MAGDOE	15 FEB 78	1:1	455
CHKD	DATE	SCALE	FILED USED ON
J. WOODMAN	15 FEB 78	1:1	455
DRG	DATE	SCALE	FILED USED ON
J. WOODMAN	15 FEB 78	1:1	455

MATERIAL SEE LIST OF MATERIALS

ITEM	PART NUMBER	QTY	DESCRIPTION
6	386-0030-00	2	PLATE, LAMINATION KEEPER
5			
4	334-0471-00	1	MARKER, IDENTIFICATION
3	210-0267-00	2	TERMINAL
2	386-0029-00	AR	PLATE, LAMINATION (STEEL)
1			

FINISH NOTED

TITLE TRANSFORMER, POWER, STPDN

CODE IDENT NO	SIZE	PART NUMBER	REV
80009 D		120-1188-00	B

TEKTRONIX SAFETY CONTROLLED PART  
THIS PART IS CONTROLLED IN ORDER TO MAINTAIN THE SAFETY CHARACTERISTICS OF THE PRODUCT. IT IS THE RESPONSIBILITY OF THE USER TO MAINTAIN THE SAFETY CHARACTERISTICS OF THE PRODUCT. THE USER SHALL BE RESPONSIBLE FOR THE SAFETY OF THE PRODUCT. THE USER SHALL BE RESPONSIBLE FOR THE SAFETY OF THE PRODUCT.



52-79 C

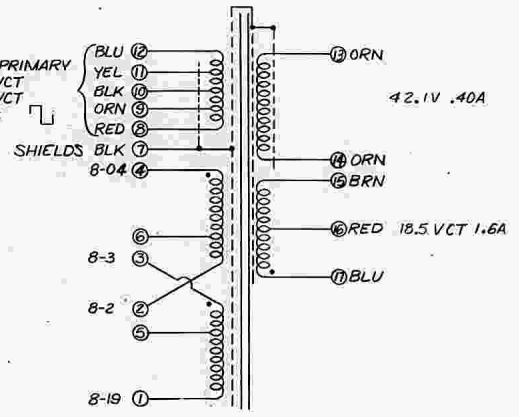
REV	REF	DESCRIPTION OF CHANGE	CHK BY	DATE
		INITIATED PART	DL	1 MAR 75
(A)	45018	REMOVED ITEM 5	DD	12 MAR 75
(B)	51689	REVISED DWG., ADDED ITEM 6 & NOTE (A). REMOVED ITEM 1, UPDATED NOTE (B), NOTE 5 WAS 2 KV, & ITEM 4 WAS 002-6877-00	DD	5 OCT 83

LINE PRIMARY	
LINE TO	CONNECT
105	1 TO 6, 4 TO 5
116	1 TO 2, 3 TO 4
210	5 TO 6
232	2 TO 3

COIL STRUCTURE  
OUTSIDE

TYPE WINDING	LEAD/TERM NO
SEC	15-16-17
0-33-66	*20
SHIELD	7
SEC	8-9, 11-12
42T	*24 (TWO IN HAND)
SEC	9-10, 10-11
33T	*22 (TWO IN HAND)
SHIELD	7
SEC	13-14
150T	*27
SHIELD	7
PRI	2-6-4
0-39-413 T	*30
PRI	1-5-3
0-374-413 T	*30

INVERTER PRIMARY  
9-11, 18.5 VCT  
8-12, 42.1 VCT  
330 TO 440 Hz



ORIENTATION OF KEEPER IS OPTIONAL

LEAD LENGTHS  
\*LEAD WIRE \*\* INSUL SLEEVING

LEAD NO	COLOR	PART NUMBER	LENGTH ±.250	STRIP TIN ±.125 ±.125
*1	8-19	175-0819-00	5.000	.500
*2	8-2	175-0880-00		
*3	8-3	175-0881-00		
*4	8-04	175-0882-00		
*7	BLK	175-0920-00		
*8	RED	162-0510-00	6.500	1.000 1.000
*9	ORN	162-0673-00	6.500	
*10	BLK	162-0502-00	10.000	
*11	YEL	162-0514-00	6.500	
*12	BLU	162-0524-00	6.500	
*13/14	ORN	175-0950-00	9.000	.500
*15	BRN	162-0553-00	7.000	1.000 1.000
*16	RED	162-0508-00		
*17	BLU	162-0523-00		

6. VOLTAGE RATINGS ARE RMS NO LOAD UOS CURRENT RATINGS ARE AMPS DC TYP

5. DIELECTRIC WITHSTANDING VOLTAGE: 1.5KV RMS, 50 OR 60HZ, 1 MINUTE, LINE PRIMARY TO INVERTER, SECONDARIES, SHIELD, AND CORE

PART NUMBER 120-1189-00 REV B

4. POLARITY PER SCHEMATIC

3. WINDINGS ARE INSULATED FOR 600VDC

2. TRANSFORMER VACUUM IMPREGNATED WITH VARNISH 252-0082-00 OR APPROVED EQUIVALENT  
1. DIMENSIONS REFERENCE UNLESS OTHERWISE SPECIFIED

NOTES:

TEKTRONIX, INC. P.O. BOX 588 BEAVERTON, OREGON U.S.A. 97005

DWG. 1189-00 16 FEB 1983 DIMENSIONS ARE IN INCHES UNLESS OTHERWISE SPECIFIED

DESIGNER E. S. GAN 2/16/83

CHECKER W. D. SULLIVAN 2/16/83

PROD. E. P. HAN 2/20/83

SCALE 1:1 455 OPT 7

MATERIALS SEE LIST OF MATERIALS

6	386-0030-00	2	PLATE, LAMINATION KEEPER
5			
4	334-5313-00	1	MARKER, IDENTIFICATION
3	210-0267-00	2	TERMINAL
2	386-0029-00	AR	PLATE, LAMINATION STEEL
1			

FRESH NOTED

TITLE TRANSFORMER, POWER STPDN

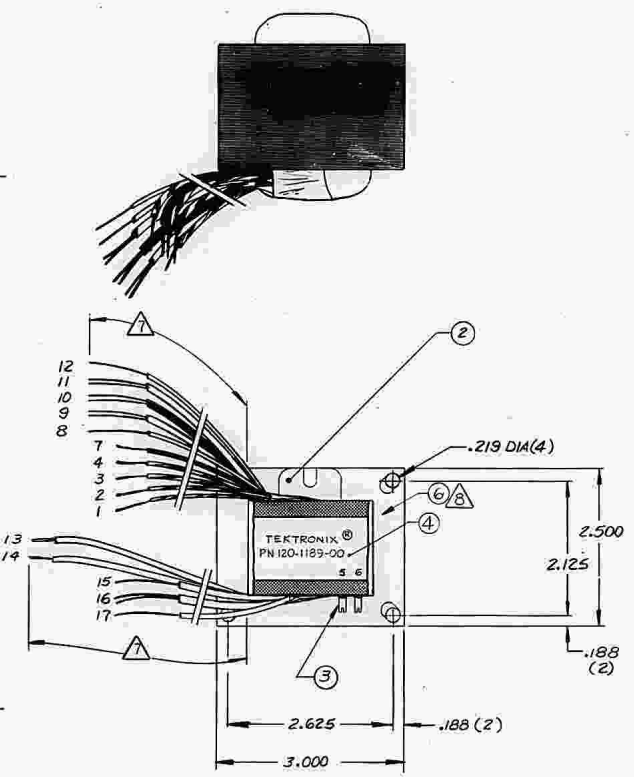
TEKTRONIX SAFETY CONTROLLED PART  
THIS PART IS CONTROLLED TO THE EXTENT OF SAFETY CHARACTERISTICS (SPECIFIED) IN THE BOOK OF TOLERANCES. SAFETY FEATURES MUST BE EVALUATED AND APPROVED BY THE USER BEFORE USE. PRODUCT IS MADE TO A CONTROLLED PART.

TEKTRONIX, INC. PROPRIETARY ITEM DRAWING  
MFD BY TEKTRONIX

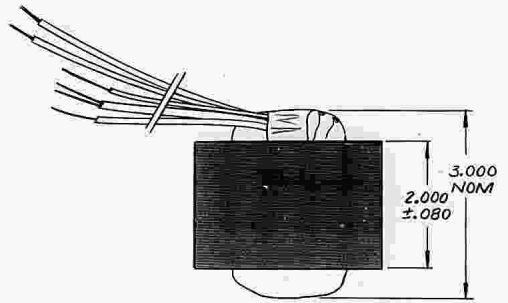
ITEM PART NUMBER QTY REWORKED

CODE IDENT NO 80009 D SIZE PART NUMBER 120-1189-00 REV B

DO NOT SCALE DRAWING

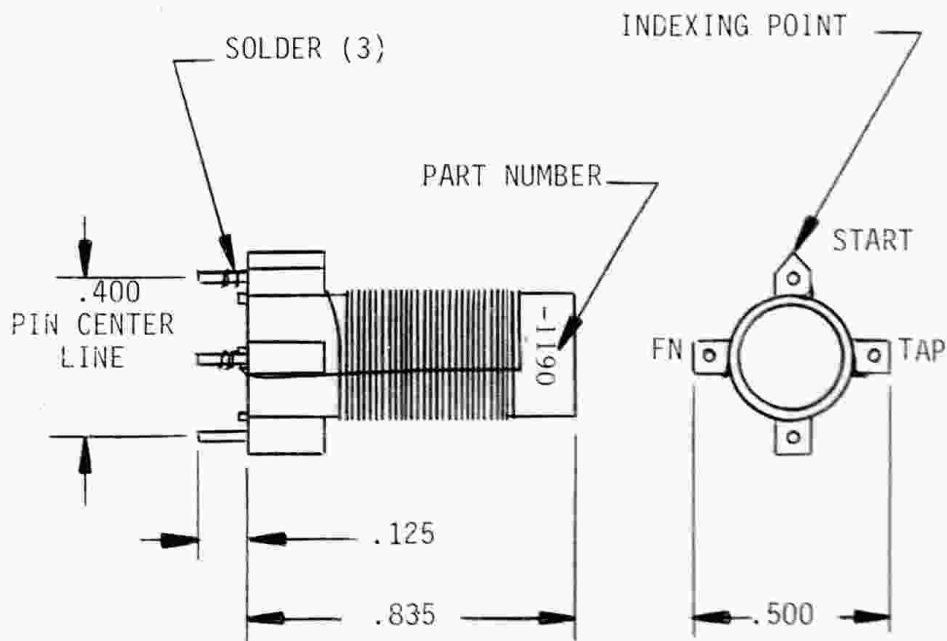


INSIDE



NOTES:

1. DIMENSIONS REFERENCE
2. COAT WITH U06-1109-00
3. VALUE DETERMINED WITH BOONTON 260A Q METER @ 2.5 MHZ  
 $Q = 65$  NOMINAL  $L = 11 \pm 0.2 \mu\text{H}$



DATA:

FORM 276-0108-01  
 WIRE SIZE 32 AWG  
 WIRE PART NO. 176-0015-XX  
 NO. TURNS  $51 \frac{1}{4}$  TAPPED AT  $25 \frac{3}{4}$

77-34C

PART NUMBER

120-1190-00

REV

THIS DRAWING WHEN DISTRIBUTED OUTSIDE TEKTRONIX, INC. IS SUPPLIED FOR IDENTIFICATION ENGINEERING EVALUATION AND/OR INSPECTION PURPOSES ONLY AND MAY NOT BE USED AS A BASIS FOR MANUFACTURE OR SALES OF PRODUCTS WITHOUT WRITTEN PERMISSION FROM TEKTRONIX, INC. IF THIS DRAWING IS FURNISHED UNDER ANY UNITED STATES GOVERNMENT CONTRACT, IT SHALL NOT BE EITHER RELEASED OUTSIDE THE GOVERNMENT, OR USED, DUPLICATED, OR DISCLOSED IN WHOLE OR IN PART FOR MANUFACTURE OR PROCUREMENT, WITHOUT THE WRITTEN PERMISSION OF TEKTRONIX, INC. EXCEPT FOR (1) EMERGENCY REPAIR OR OVERHAUL WORK BY OR FOR THE GOVERNMENT, WHERE THE ITEM OR PROCESS CONCERNED IS NOT OTHERWISE REASONABLY AVAILABLE TO ENABLE TIMELY PERFORMANCE OF THE WORK; OR (2) RELEASE TO A FOREIGN GOVERNMENT AS THE INTERESTS OF THE UNITED STATES MAY REQUIRE PROVIDED THAT IN EITHER CASE THE RELEASE, USE, DUPLICATION OR DISCLOSURE HEREOF SHALL BE SUBJECT TO THE FOREGOING LIMITATIONS. IF THIS DRAWING IS REPRODUCED IN WHOLE OR IN PART THIS ENTIRE LEGEND BLOCK MUST APPEAR ON ALL REPRODUCED COPIES.

REV / BY / REF	DESCRIPTION OF CHANGE	CHK BY / DATE
33239	INITIATE PART	IA 21 AUG 78

TEKTRONIX, INC. PROPRIETARY ITEM DRAWING

MFD BY TEKTRONIX

MFD FOR TEKTRONIX



TEKTRONIX, INC.

P. O. BOX 500  
 BEAVERTON, OREGON U.S.A. 97077



DWN J. NAGODE	6 MAR 78	DIMENSIONS ARE IN INCHES / <del>MM</del> TOLERANCES: UNLESS OTHERWISE SPECIFIED	
ENGR <i>R. Woodfall</i>	7 AUG 78	DEC _____	ANLR _____
CHKR J. WOODFALL	21 AUG 78	SCALE	FIRST USED ON
PROD <i>Ron Fricke</i>	21 AUG 78	NONE	650 HR

MATERIAL LISTED

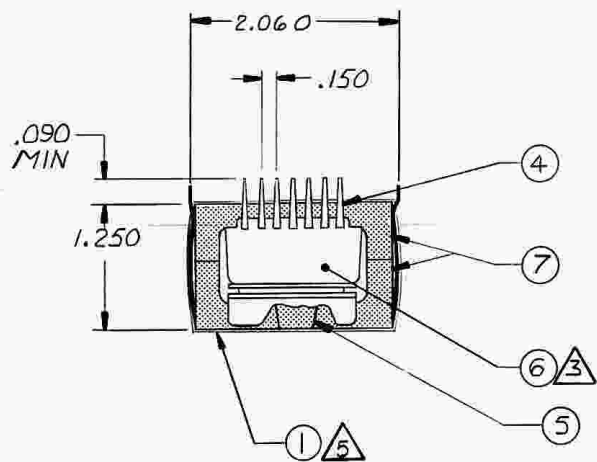
FINISH NOTED

TITLE TRANSFORMER, RF(DELAY LINE)

CODE IDENT NO	SIZE	PART NUMBER	REV
80009	A	120-1190-00	

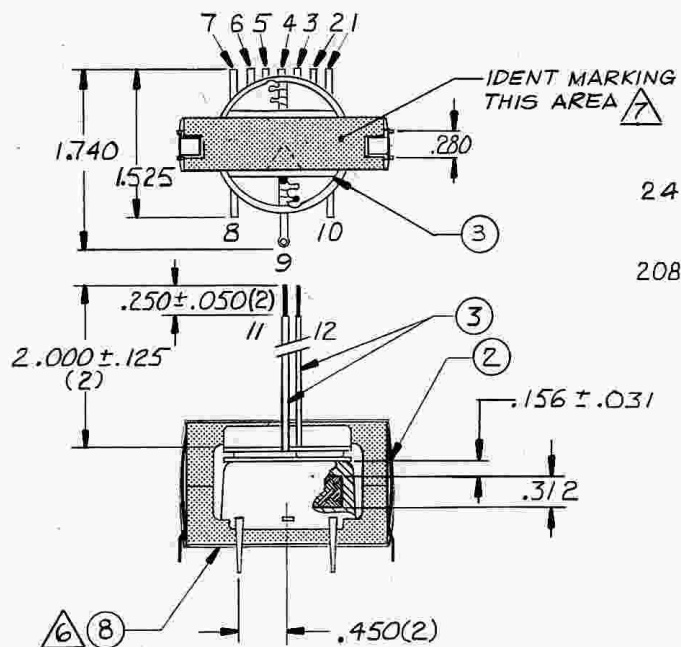
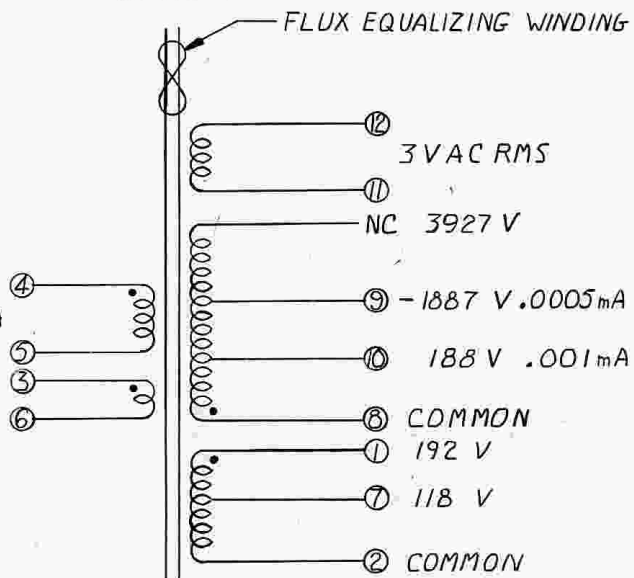
THIS DRAWING WHEN DISTRIBUTED OUTSIDE TEKTRONIX, INC., IS SUPPLIED FOR IDENTIFICATION, ENGINEERING EVALUATION AND/OR INSPECTION PURPOSES ONLY AND MAY NOT BE USED AS A BASIS FOR MANUFACTURE OR SALES OF PRODUCTS WITHOUT WRITTEN PERMISSION FROM TEKTRONIX, INC. IF THIS DRAWING IS FURNISHED UNDER ANY UNITED STATES GOVERNMENT CONTRACT, IT SHALL NOT BE EITHER RELEASED OUTSIDE THE GOVERNMENT, OR USED, DUPLICATED, OR DISCLOSED IN WHOLE OR IN PART FOR MANUFACTURE OR PROCUREMENT, WITHOUT THE WRITTEN PERMISSION OF TEKTRONIX, INC., EXCEPT FOR: (1) EMERGENCY REPAIR OR OVERHAUL WORK BY OR FOR THE GOVERNMENT, WHERE THE ITEM OR PROCESS CONCERNED IS NOT OTHERWISE REASONABLY AVAILABLE TO ENABLE TIMELY PERFORMANCE OF THE WORK; OR (2) RELEASE TO A FOREIGN GOVERNMENT AS THE INTERESTS OF THE UNITED STATES MAY REQUIRE. PROVIDED THAT IN EITHER CASE THE RELEASE, USE, DUPLICATION OR DISCLOSURE HEREOF SHALL BE SUBJECT TO THE FOREGOING LIMITATIONS. IF THIS DRAWING IS REPRODUCED IN WHOLE OR IN PART, THIS ENTIRE LEGEND BLOCK MUST APPEAR ON ALL REPRODUCED COPIES.

COIL STRUCTURE  
OUTSIDE



TYPE WINDING	TERM NO
SEC 11-12	SEC 8-10-9-NC
	Ø-86-865-1800T *39
	PRI 4-5    PRI 3-6
	11T 2 *30    IT *30
	SEC 1-7-2
2T *26CR	Ø-34-88T *35

INSIDE



OPERATING FREQUENCY 40KHZ

ITEM	PART NUMBER	QTY	DESCRIPTION
8	253-0174-00 AR		TAPE, POLYESTER, PRESS. SENS. DBL SIDED (.500 WIDTH)
7	276-0696-00 1		CORE, EM ("E" FERRITE)
	276-0697-00 1		CORE, EM ("E" FERRITE)
6	255-0479-01 AR		PLASTIC MOLDING MATL (EPOXY)
5	176-0035-XX AR		WIRE, ELEC (30AWG)
4	195-0140-00 1/2		LEAD SET, HV TRANSFORMER
3	650-0327-00 1		BOBBIN ASSEMBLY
2	343-0682-00 2		CLAMP, TRANSFORMER CORE
1	253-0072-00 AR		TAPE, PRESS SENS (POLYESTER .562 WIDE)

REV	REF	DESCRIPTION OF CHANGE	CHK BY	DATE
A	4125B	ITEM 3 P/N WAS 175-0918-00 ADDED NOTE 5	DD	16 JUN 81
B	45564	ADDED Δ & Δ	DD	19 FEB 82
C	30393	REMOVED NOTE 5; Δ BECOMES Δ	DD	2 MAR 83
D	52601	REVISED DWG & ADDED NOTE Δ	DD	28 MAR 83

- Δ LOCATION AND ORIENTATION ON THIS SURFACE NOT CRITICAL. MUST BE LEGIBLE
- Δ ITEM 8 APPLIED TO LEAD SIDE OF CORE FOR MOUNTING
- Δ ITEM 1 TO COVER FOUR SIDES OF CORES AND EXTEND .010 MINIMUM PAST EDGES OF CORES BEFORE ITEM 8 IS APPLIED

PART NUMBER	REV.
120-1191-00	D

- 4. VOLTAGE RATINGS ARE PEAK NO LOAD. CURRENT RATINGS ARE AMPS DC TYP
- Δ COIL TRANSFER MOLDED WITH EPOXY
- 2. POLARITY PER SCHEMATIC
- 1. DIMENSIONS REFERENCE UNLESS OTHERWISE SPECIFIED

NOTES:

TEKTRONIX, INC. PROPRIETARY ITEM DRAWING			
<input type="checkbox"/> MFD BY TEKTRONIX	<input type="checkbox"/> MFD FOR TEKTRONIX		
<b>TEKTRONIX, INC.</b>		P. O. BOX 500 BEAVERTON, OREGON U.S.A. 97077	
DWN <i>JTWINFREY</i> ENGR <i>L. C. Khan</i> CHKR <i>G. Row</i> PROD <i>G. Row</i>	24 JUN 78 14 JUN 79 15 AUG 79 15 AUG 79	DIMENSIONS ARE IN INCHES / TOLERANCES: UNLESS OTHERWISE SPECIFIED ANLR	SCALE 1:1 FIRST USED ON SC503
MATERIAL SEE LIST OF MATERIALS			
FINISH NOTED			
TITLE TRANSFORMER, POWER SDN & SU (HIGH VOLTAGE)			
CODE IDENT NO	SIZE	PART NUMBER	REV
80009	C	120-1191-00	D

NOTES:

1 DESCRIPTION.

TRANSFORMER, POWER, STEP-DOWN, 47.5 TO 66 Hz.

2 ELECTRICAL CHARACTERISTICS.

2.1 VOLT AMPERES.

32 VOLT AMPERES (TYPICAL) AT 120V INPUT.

2.2 INPUT.

90 TO 250 VAC RMS, 47.5 TO 66 Hz, SELECTABLE (SEE 3.2)

2.3 OUTPUT.

TWO SECONDARY WINDINGS SUPPLYING A FULL WAVE BRIDGE CENTER TAPPED RECTIFIER CIRCUIT.

3 GENERAL ELECTRICAL INFORMATION.

3.1 COIL ELECTRICAL INFORMATION.

<u>WINDING</u>	<u>TERMINALS</u>	<u>TURNS</u>	<u>WIRE SIZE</u>	<u>DC RESISTANCE</u>	
				<u>OHMS</u>	<u>VOLTS AC RMS NO LOAD</u>
PRIMARY	14-15	531	#29	19.6	111
PRIMARY	2-3	531	#29	20.4	111
SHIELD	5	-	-	-	-
SECONDARY	12-11	86	#22	0.770	18.0
SECONDARY	10-9	86	#22	0.802	18.0

3.2 PRIMARY VOLTAGES AND CONNECTIONS.

LINE TO 3 AND 14

CONNECT

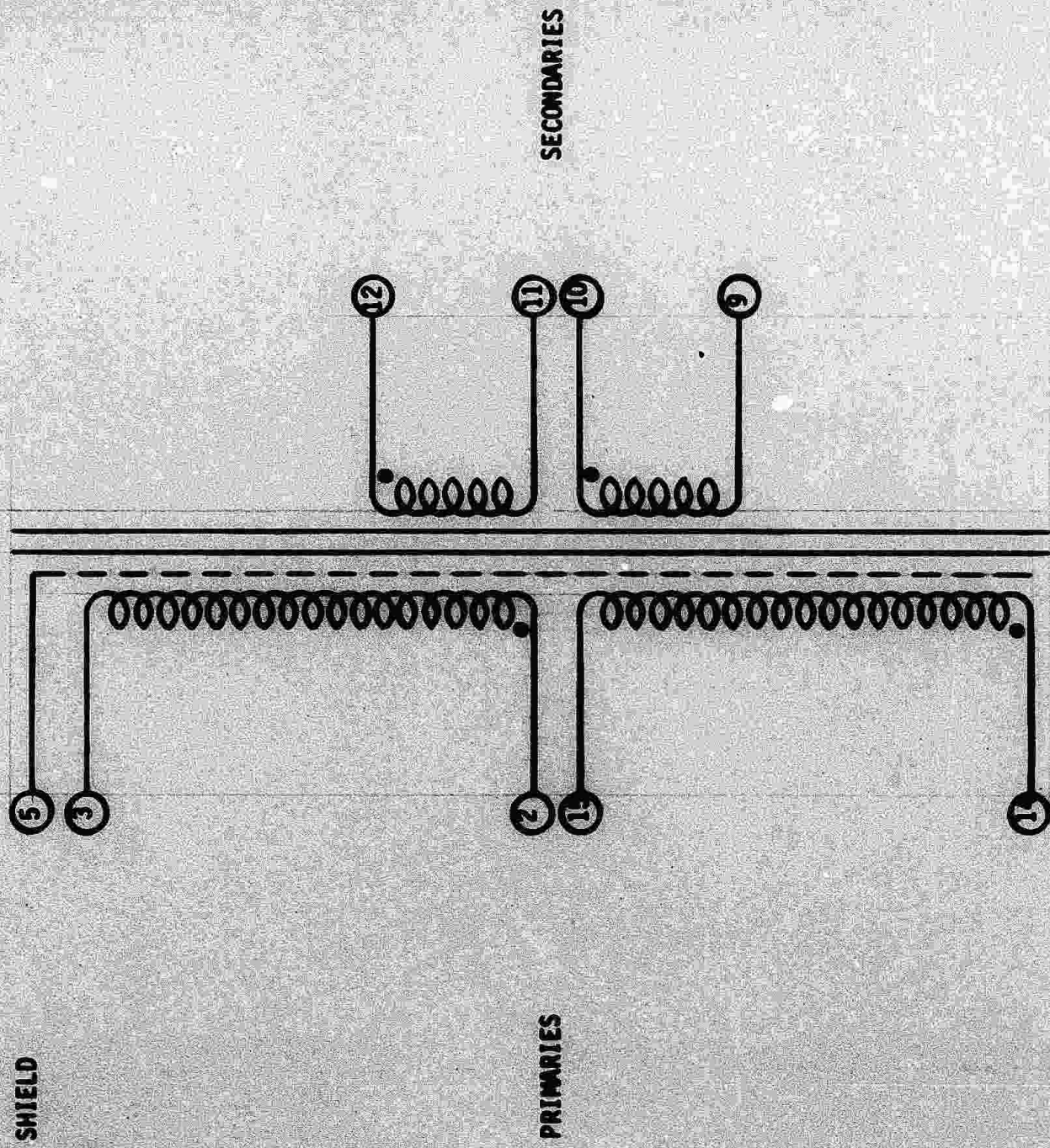
111V

2 TO 14, 3 TO 15

222V

2 TO 15

3.3 SCHEMATIC



SHIELD

PRIMARIES

SECONDARIES

4 SPECIFICATIONS.

4.1 TURNS RATIO ±1%

2-3/14-15	1.000
2-3/9-10	6.174
2-3/11-12	6.174
9-10/11-12	1.000

4.2 EXCITING CURRENT.

155 mA AC RMS MAXIMUM AT 163V AC RMS, 60 Hz, TERMINALS 2-3.

4.3 POLARITY.

PER SCHEMATIC .

4.4 DC RESISTANCE.

±15% AT 20°C, (SEE 3.1).

4.5 ELECTROSTATIC SHIELD FACTOR.

8:1 MINIMUM AT 20kHz WITH A 20KΩ LOAD DETECTOR PER MIL-T-27,  
CORE AND SHIELD CONNECTED.

4.6 PRIMARY VOLTAGE RANGE.

111, 222 VOLTS, ±18.9%

4.7 OPERATING FREQUENCY.

47.5 TO 66 Hz.

4.8 TEMPERATURE RISE.

24°C (TYPICAL) COIL HOT SPOT, TRANSFORMER IN FREE AIR.

4.9 INSULATION RESISTANCE.

10,000 MEG OHMS MINIMUM AT 500 VDC. WINDING TO WINDING, WINDINGS TO  
SHIELD, WINDINGS AND SHIELD TO CORE.

4.10 INSULATION CLASS.

105°C.

4.11 DIELECTRIC WITHSTANDING VOLTAGE.

2000V AC RMS, 50 or 60 Hz, 1 MINUTE, PRIMARIES TO SECONDARIES,  
SHIELD AND CORE.

4.12 OUTPUT VOLTAGE.

THE TRANSFORMER MUST SUPPLY  $\pm 15.1$  VOLTS MINIMUM BOTTOM OF RIPPLE AT MINIMUM LINE AND 47.5 HERTZ. THE SECONDARIES ARE CONNECTED TO A FULL WAVE BRIDGE CENTER TAPPED CIRCUIT, SILICON RECTIFIERS, WITH THESE LOADS AND FILTER CAPACITORS.

POSITIVE SUPPLY, 690 mA DC, 2100 $\mu$ F

NEGATIVE SUPPLY, 70 mA DC, 330 $\mu$ F

4.13 CERTIFICATION.

THIS ITEM SHALL MEET THE REQUIREMENTS OF:

IEC 348

UL 1244

CSA BULLETIN #556B

GPO (BRITISH)

5 PHYSICAL CHARACTERISTICS.

5.1 COIL STRUCTURE.

THE COIL IS RANDOM WOUND IN A CONCENTRIC MANNER WITH THE ORDER PER 3.1, WINDING 14-15 THE BEGINNING WINDING.

5.2 FINISH.

COIL AND CORE VACUUM IMPREGNATED WITH VARNISH OR EQUIVALENT. SEE RESTRICTIONS UNDER 5.5.

5.3 IDENTIFICATION MARKINGS.

MARKINGS SHALL BE LEGIBLE AND PERMANENTLY MARKED AND MUST INCLUDE THE FOLLOWING:

MANUFACTURER'S NAME OR LOGO,

TEKTRONIX INC. PART NUMBER,

EIA DATE CODE (WEEK AND YEAR OF MANUFACTURING).

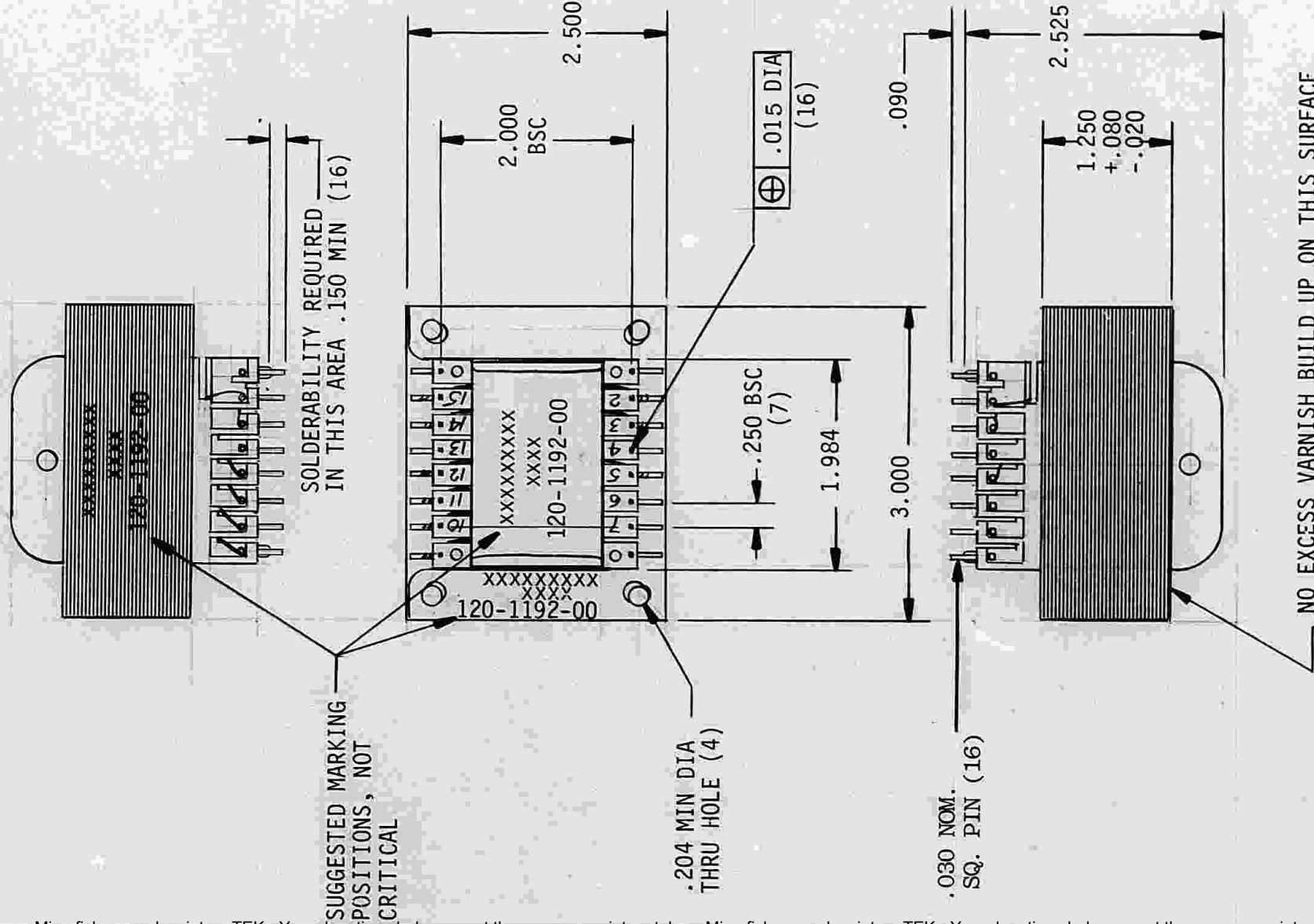
EXACT PLACEMENT OF MARKING NOT CRITICAL, SEE 5.5.

5.4 MATERIAL LIST.

DESCRIPTION	VENDOR	VENDOR P/N	TEKTRONIX P/N
LAMINATION: EI-100, 29 GAUGE, GRADE M-6, MOUNTING DIMENSIONS RETMA/MIL-T-27, NO SLOTS	-	-	386-0029-00
LAMINATION: KEEPER EI-100, 26 GAUGE, GRADE M-27	-	-	386-0030-00
WIRE, MAGNET, #22 AWG HEAVY FILM INSULATION	-	-	176-0028-XX
WIRE, MAGNET, #29 AWG HEAVY FILM INSULATION	-	-	176-0058-XX
FORM, COIL, BOBBIN	COSMO	-	276-0214-01



5.5 OUTLINE DRAWING AND MECHANICAL SPECIFICATIONS.



5.5.1 TOLERANCES.

LAMINATION AND TRANSFORMER STANDARD INDUSTRY PRACTICES APPLY TO DIMENSIONS WHERE NO TOLERANCE IS NOTED.

TEKTRONIX, INC.  
BEAVERTON, OREGON

SHT 7 OF 7

CODE IDENT NO

**80009**

SIZE

**A**

PART NUMBER

120-1192-00

REV

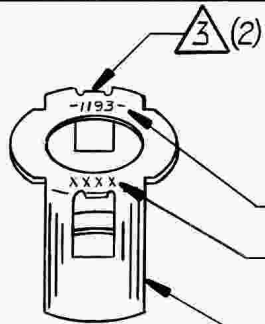
77-172 C

REV.

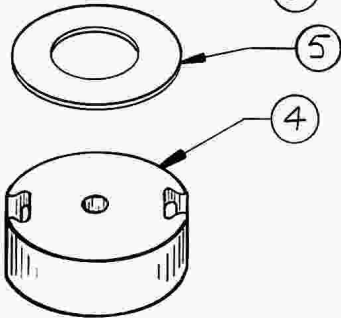
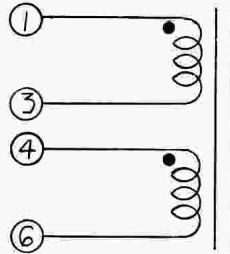
THIS DRAWING WHEN DISTRIBUTED OUTSIDE TEKTRONIX, INC., IS SUPPLIED FOR IDENTIFICATION, ENGINEERING EVALUATION AND/OR INSPECTION PURPOSES ONLY AND MAY NOT BE USED AS A BASIS FOR MANUFACTURE OR SALES OF PRODUCTS WITHOUT WRITTEN PERMISSION FROM TEKTRONIX, INC. IF THIS DRAWING IS FURNISHED UNDER ANY UNITED STATES GOVERNMENT CONTRACT, IT SHALL NOT BE EITHER RELEASED OUTSIDE THE GOVERNMENT, OR USED, DUPLICATED, OR DISCLOSED IN WHOLE OR IN PART FOR MANUFACTURE OR PROCUREMENT, WITHOUT THE WRITTEN PERMISSION OF TEKTRONIX, INC., EXCEPT FOR: (1) EMERGENCY REPAIR OR OVERHAUL WORK BY OR FOR THE GOVERNMENT, WHERE THE ITEM OR PROCESS CONCERNED IS NOT OTHERWISE REASONABLY AVAILABLE TO ENABLE TIMELY PERFORMANCE OF THE WORK; OR (2) RELEASE TO A FOREIGN GOVERNMENT AS THE INTERESTS OF THE UNITED STATES MAY REQUIRE; PROVIDED THAT IN EITHER CASE THE RELEASE, USE, DUPLICATION OR DISCLOSURE HEREOF SHALL BE SUBJECT TO THE FOREGOING LIMITATIONS, IF THIS DRAWING IS REPRODUCED IN WHOLE OR IN PART, THIS ENTIRE LEGEND BLOCK MUST APPEAR ON ALL REPRODUCED COPIES.

PART NUMBER  
120-1193-00

REV	REF	DESCRIPTION OF CHANGE	CHK BY	DATE
-----	-----	-----------------------	--------	------



PART NUMBER  
DATE CODE



WINDINGS	TURNS	WIRE		TYP RATING		RESISTANCE
		AWG	VOLTS	AMPS	±20% AT 20°C	
1-3	38	24	13	1.6	.113 Ω	
4-6	4	24	13	1.6	.019 Ω	

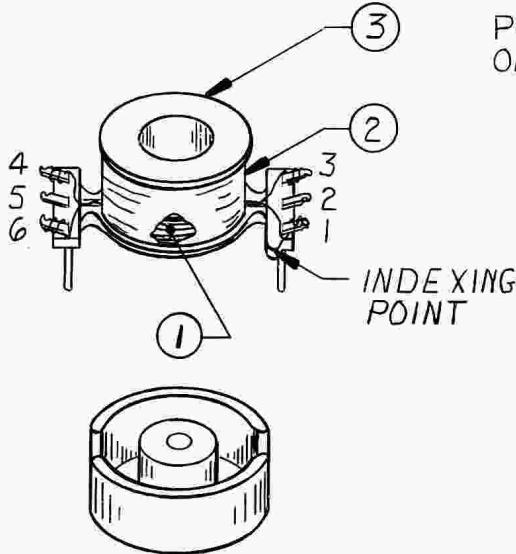
INDUCTANCE : 229 ± 11.5 μH (TERM 1-3) ON  
ESI 251 METER OR EQUIV  
POLARITY PER SCHEMATIC  
OPERATING FREQUENCY : 50 KHZ

3 REMOVE MOUNTING TABS

2. TRANSFORMER VACUUM IMPREGNATED WITH VARNISH 252-0082-00

1. REFERENCE DIMENSIONS : .605 HIGH X .720 WIDE X 1.125 LONG

NOTES :



6	343-0312-00	1	CLAMP POT CORE
5	361-0409-00	1	SPACER DISC
4	276-0677-00	1	CORE, EM (AL160, 1811)
3	276-0168-00	1	FORM, COIL
2	253-0021-00	AR	TAPE, PRESS SENS (.250 WIDE)
1	176-0030-XX	AR	WIRE, ELECTRICAL (24AWG)

ITEM	PART NUMBER	QTY	DESCRIPTION
------	-------------	-----	-------------

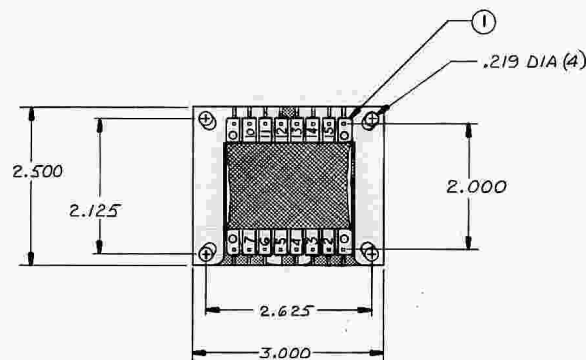
LIST OF MATERIALS

TEKTRONIX, INC. PROPRIETARY ITEM DRAWING			
<input checked="" type="checkbox"/> MFD BY TEKTRONIX		<input type="checkbox"/> MFD FOR TEKTRONIX	
<b>TEKTRONIX, INC.</b>		P. O. BOX 500 BEAVERTON, OREGON U.S.A. 97077	
DWN	JTWINFREY	19 APR 78	DIMENSIONS ARE IN INCHES / TOLERANCES UNLESS OTHERWISE SPECIFIED
ENGR	<i>[Signature]</i>	1 Nov 79	DEC ANLR
CHKR	<i>[Signature]</i>	9 Aug 79	SCALE
PROD	<i>[Signature]</i>	79	FIRST USED ON 832
MATERIAL			
SEE LIST OF MATERIALS			
FINISH			
NOTED			
TITLE			
TRANSFORMER, RF (SWG REGULATOR, POT CORE)			
CODE IDENT NO	SIZE	PART NUMBER	REV
80009	B	120-1193-00	

DO NOT SCALE DRAWING

43-55D THIS DRAWING WHEN APPROVED BY THE DESIGN ENGINEER, IS SUBJECT TO IDENTIFICATION, ENGINEERING EVALUATION AND/OR MODIFICATION. THE BUYER SHALL NOT BE HELD AS A BASIS FOR MANUFACTURE OR SALE OF PRODUCTS WITHOUT WRITTEN PERMISSION FROM TETRONIX, INC. IN THE EVENT OF DISCREPANCY BETWEEN THIS DRAWING AND THE DESIGN ENGINEER'S ORIGINALLY ISSUED DRAWING, THE DRAWING SHALL BE THE BASIS OF CONTRACT. THIS DRAWING IS THE PROPERTY OF TETRONIX, INC. IT IS TO BE USED FOR THE EXCLUSIVE USE OF THE BUYER AND IS NOT TO BE REPRODUCED OR TRANSMITTED IN ANY FORM OR BY ANY MEANS, ELECTRONIC OR MECHANICAL, INCLUDING PHOTOCOPYING, RECORDING, OR BY ANY INFORMATION STORAGE AND RETRIEVAL SYSTEM, WITHOUT THE WRITTEN PERMISSION OF TETRONIX, INC. ANY REVISIONS TO THIS DRAWING SHALL BE APPROVED BY THE DESIGN ENGINEER AND SHALL BE IDENTIFIED BY A REVISED DRAWING NUMBER. THE BUYER SHALL BE RESPONSIBLE FOR VERIFYING THE ACCURACY OF THE DATA, DIMENSIONS AND SPECIFICATIONS SHOWN ON THIS DRAWING. THE BUYER SHALL BE RESPONSIBLE FOR VERIFYING THE ACCURACY OF THE DATA, DIMENSIONS AND SPECIFICATIONS SHOWN ON THIS DRAWING. IF THE BUYER IS UNABLE TO VERIFY THE ACCURACY OF THE DATA, DIMENSIONS AND SPECIFICATIONS SHOWN ON THIS DRAWING, THE BUYER SHALL BE RESPONSIBLE FOR NOTIFYING TETRONIX, INC. IN WRITING AT THE ADDRESS SHOWN BELOW. THE BUYER SHALL BE RESPONSIBLE FOR NOTIFYING TETRONIX, INC. IN WRITING AT THE ADDRESS SHOWN BELOW. IF THE BUYER IS UNABLE TO VERIFY THE ACCURACY OF THE DATA, DIMENSIONS AND SPECIFICATIONS SHOWN ON THIS DRAWING, THE BUYER SHALL BE RESPONSIBLE FOR NOTIFYING TETRONIX, INC. IN WRITING AT THE ADDRESS SHOWN BELOW.

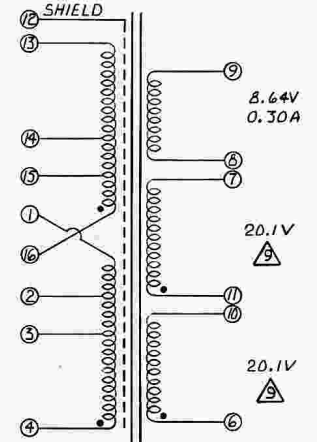
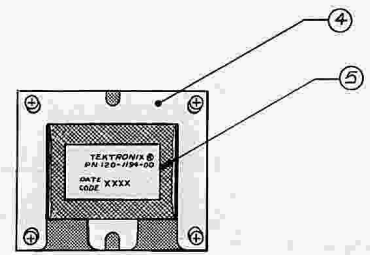
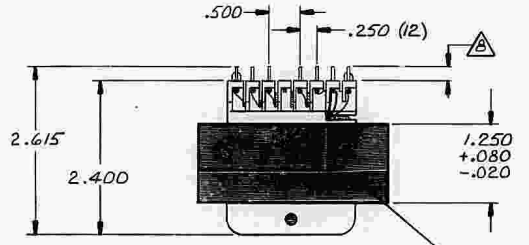
REV (A) 45018 REMOVED ITEM 2 P.N. 120-1194-00 (CD) 3 FEB 82 DATE



**COIL STRUCTURE**  
**OUTSIDE**

TYPE WINDING	TERM NO
SEC	8-9
42 T	*22
SEC	11-7
98 T	*22
SEC	6-10
98 T	*22
SHIELD	12
PRI	16-15-14-13
Ø-49-97-583 T	*29
PRI	4-3-2-1
Ø-486-534-583 T	*29

**INSIDE**



LINE TO 4-13	CONNECT
100 V	4 T O 14, 3 T O 13
110 V	4 T O 15, 2 T O 13
120 V	4 T O 16, 1 T O 13
200 V	3 T O 14
220 V	2 T O 15
240 V	1 T O 16

PRIMARY  
100, 110, 120, 200,  
220, 240 V ± 10%  
50-400 Hz

- △ THESE TWO WINDINGS USED IN A FWBCT CIRCUIT, 1.0A(8), 0.7A(6)  
 △ SOLDERABILITY REQUIRED IN THIS AREA .150 MIN (.15)  
 7. TRANSFORMER MUST COMPLY WITH UL 544 AND CSA C22.2 NO 125

120-1194-00 A

- 6 DIELECTRIC WITHSTANDING VOLTAGE: 2 KV RMS, 50 TO 60 Hz, 1 MINUTE. PRIMARIES TO SECONDARIES, SHIELD, AND CORE  
 5. WINDINGS INSULATED FOR 600V DC  
 4. VOLTAGE RATINGS ARE RMS NO LOAD. CURRENT RATINGS ARE AMPS DC TYP  
 3. TRANSFORMER VACUUM IMPREGNATED WITH VARNISH 252-0082-00  
 2. POLARITY PER SCHEMATIC  
 1. DIMENSIONS REFERENCE UNLESS OTHERWISE SPECIFIED

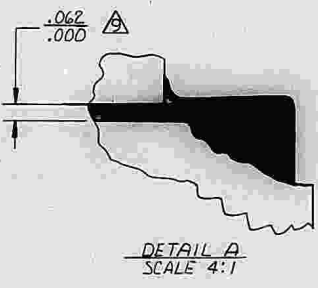
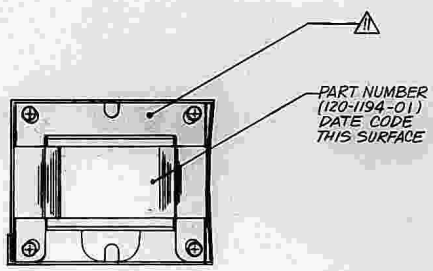
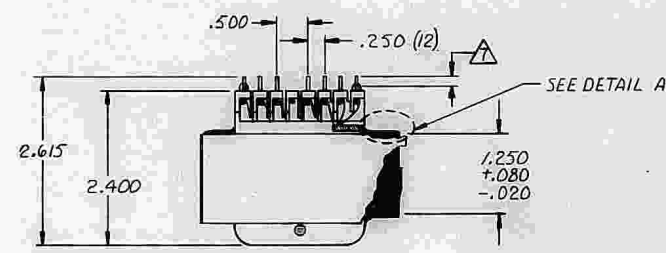
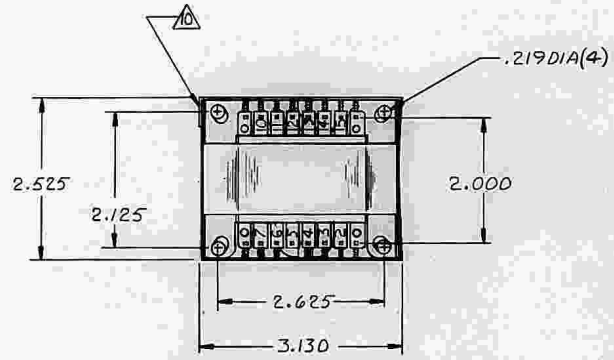
NOTES:

5	000-6904-00	1	MARKER, IDENTIFICATION
4	586-0030-00	2	PLATE, LAMINATION (KEEPER)
3	386-0029-00	AR	PLATE, LAMINATION (STEEL)
1	276-0214-01	1	FORM, COIL

DESIGNED BY	DATE	SCALE	FIRST USED ON
CHKD BY	DATE	SCALE	FIRST USED ON
PROG. CODE	DATE	SCALE	FIRST USED ON
MATERIAL			
SEE LIST OF MATERIALS			
NOTED			
TITLE			
TRANSFORMER, POWER, STPDN			
COUNT	IDENT NO	SZS	PART NUMBER
80009	B		120-1194-00
REV			A

THE DRAWING WHILE REMAINING THE PROPERTY OF TEKTRONIX, INC. IS LOANED TO THE USER FOR INFORMATIONAL PURPOSES ONLY. THE USER SHALL NOT REPRODUCE OR TRANSMIT THIS DRAWING IN ANY MANNER OR FOR ANY PURPOSE WITHOUT THE WRITTEN PERMISSION OF TEKTRONIX, INC. ANY REPRODUCTION OR TRANSMISSION OF THIS DRAWING WITHOUT THE WRITTEN PERMISSION OF TEKTRONIX, INC. IS PROHIBITED. THE USER SHALL BE RESPONSIBLE FOR OBTAINING NECESSARY PERMISSIONS FROM TEKTRONIX, INC. FOR ANY REPRODUCTION OR TRANSMISSION OF THIS DRAWING. THE USER SHALL BE RESPONSIBLE FOR OBTAINING NECESSARY PERMISSIONS FROM TEKTRONIX, INC. FOR ANY REPRODUCTION OR TRANSMISSION OF THIS DRAWING. THE USER SHALL BE RESPONSIBLE FOR OBTAINING NECESSARY PERMISSIONS FROM TEKTRONIX, INC. FOR ANY REPRODUCTION OR TRANSMISSION OF THIS DRAWING.

REV	DATE	DESCRIPTION OF CHANGE	BY	DATE
40645		INITIATED PART	KE	9 OCT 81
(A) 45018		REMOVED ITEM 1	DD	29 MAR 82
(B) 50496		NOTE 5 WAS 2 KV	DD	22 JUN 83
(C) 51689		REVISED DWG. & UPDATED NOTE (A)	DD	5 JAN 84
(D) 56319		REMOVED LIST OF MATERIALS. UPDATED & MOVED SAFETY LABEL.	LB	20 JUN 85

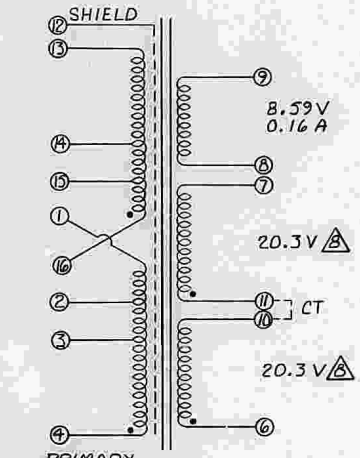


**COIL STRUCTURE**

**OUTSIDE**

TYPE WINDING	TERM NO
SEC	8-9
39T	*25
SEC	11-7
92T	*21
SEC	6-10
92T	*21
SHIELD	*12
PRI	16-15-14-13
D-45-91-545 T	*29
PRI	4-3-2-1
Ø-454-500-545 T	*29

**INSIDE**



PRIMARY  
100, 110, 120, 200  
220 240V ± 10%  
50-400 HZ

LINE TO 4-13	CONNECT
100V	4 T0 14 3 T0 13
110V	4 T0 15 2 T0 13
120V	4 T0 16 1 T0 13
200V	3 T0 14
220V	2 T0 15
240V	1 T0 16

- △ ORIENTATION OF KEEPER OPTIONAL
- △ OVERLAP OF SHIELD POSITIONED AS SHOWN
- △ EDGE OF SHIELD POSITIONED TO THE HIGHEST POINT OF THE LAST LAMINATION AS SHOWN IN DETAIL A
- △ THESE TWO WINDINGS USED IN A PWRBT CIRCUIT 1.52 A(+), 0.51 A(-)

120-1194-01 D

- △ SOLDER ABILITY REQUIRED IN THIS AREA .150 MIN (15)
- 6. TRANSFORMER MUST COMPLY WITH UL 544, UL 1244, AND CSA 556B
- 5. DIELECTRIC WITHSTANDING VOLTAGE 15KV RMS, 50 TO 60 HZ, 1 MINUTE, PRIMARIES TO SECONDARIES, SHIELD, AND CORE
- 4. VOLTAGE RATINGS ARE RMS NO LOAD CURRENT RATINGS ARE AMPS DC TIP
- △ TRANSFORMER VACUUM IMPREGNATED WITH VARNISH 252-0082-00 OR APPROVED EQUIVALENT
- 2. POLARITY PER SCHEMATIC
- 1. DIMENSIONS REFERENCE UDS

NOTES:

TEKTRONIX, INC. PROPRIETARY ITEM DRAWING		INFO FOR TEKTRONIX		INFO FOR CUSTOMER	
<p><b>TEKTRONIX, INC.</b> P. O. BOX 500 BEAVERTON, OREGON U.S.A. 97007</p>					
DRW	J. WINFREY	21 OCT 80	DATE	21 OCT 80	SCALE
ENGR	R. COGAN	15 SEP 81	DATE	15 SEP 81	SCALE
CHKD	B. STEWART	7 OCT 81	DATE	7 OCT 81	SCALE
PROD	P.L. DOUGLAS	15 SEP 81	DATE	15 SEP 81	SCALE
MATERIAL					
SEE LIST OF MATERIALS					
FINISH					
△					
TITLE					
TRANSFORMER, POWER, STPDN					
CODE	10009	REV	D	DATE	120-1194-01

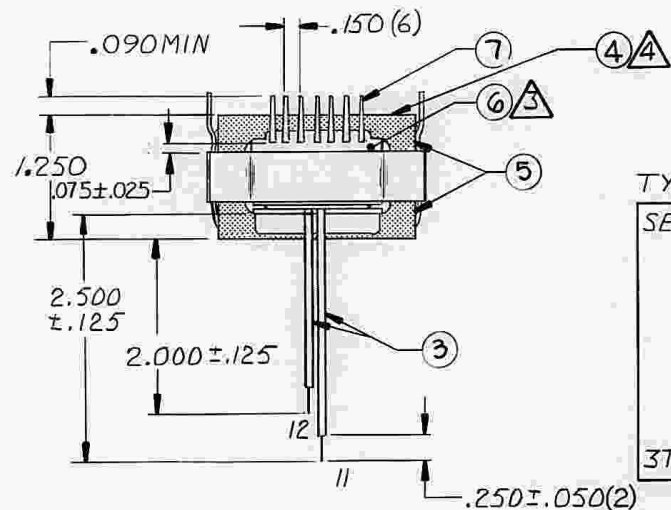
**TEKTRONIX SAFETY CONTROLLED PART**

THIS PART IS CONTROLLED TO INSURE MAINTENANCE OF SAFETY CHARACTERISTICS ASSIGNED INTO A TEKTRONIX PRODUCT. TO CONTINUE MAINTENANCE, ANY CHANGES IN MATERIALS, APPLICATIONS, VENDOR, OR VENDOR PART NUMBERING MUST BE EVALUATED AND APPROVED IN EACH APPLICATION IN WHICH THIS IS A CONTROLLED PART.

76-248 N

THIS DRAWING WHEN DISTRIBUTED OUTSIDE TEKTRONIX, INC. IS SUPPLIED FOR IDENTIFICATION, ENGINEERING EVALUATION AND/OR INSPECTION PURPOSES ONLY AND MAY NOT BE USED AS A BASIS FOR MANUFACTURE OR SALES OF PRODUCTS WITHOUT WRITTEN PERMISSION FROM TEKTRONIX, INC. IF THIS DRAWING IS FURNISHED UNDER ANY UNITED STATES GOVERNMENT CONTRACT, IT SHALL NOT BE EITHER RELEASED OUTSIDE THE GOVERNMENT, OR USED, DUPLICATED, OR DISCLOSED IN WHOLE OR IN PART FOR MANUFACTURE OR PROCUREMENT, WITHOUT THE WRITTEN PERMISSION OF TEKTRONIX, INC. EXCEPT FOR: (1) EMERGENCY REPAIR OR OVERHAUL WORK BY OR FOR THE GOVERNMENT, WHERE THE ITEM OR PROCESS CONCERNED IS NOT OTHERWISE REASONABLY AVAILABLE TO ENABLE TIMELY PERFORMANCE OF THE WORK, OR (2) RELEASE TO A FOREIGN GOVERNMENT AS THE INTERESTS OF THE UNITED STATES MAY REQUIRE, PROVIDED THAT IN EITHER CASE THE RELEASE, USE, DUPLICATION OR DISCLOSURE HEREOF SHALL BE SUBJECT TO THE FOREGOING LIMITATIONS, IF THIS DRAWING IS REPRODUCED IN WHOLE OR IN PART, THIS ENTIRE LEGEND BLOCK MUST APPEAR ON ALL REPRODUCED COPIES.

REV	REF	DESCRIPTION OF CHANGE	CHK BY	DATE
A	39455	ITEM 2 WAS 252-0210-00	LL	18 FEB 80
B	41258	ITEM 4 P/N WAS 276-0225-00 ADDED NOTE 7	DD	17 JUN 81
C	46013	REVISED SEE HISTORY FILE FOR DETAILS	DD	17 MAR 82
D	30393	REMOVED NOTE A, B BECOMES A	DD	2 MAR 83
E	52275	ADDED NONPPD	SS	28 SEP 83



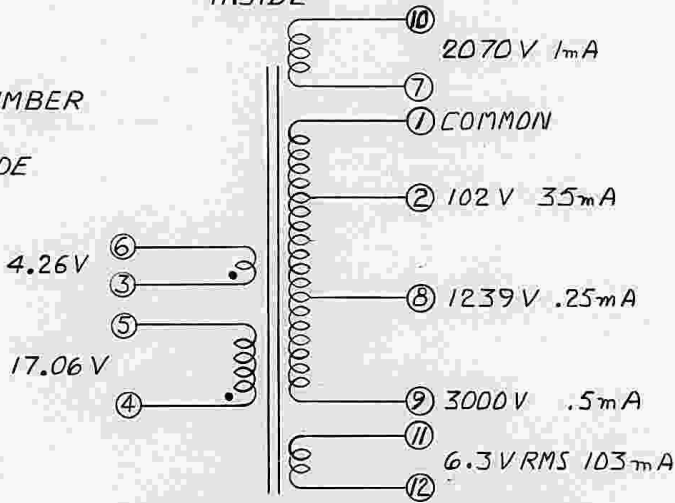
## COIL STRUCTURE OUTSIDE

TYPE WINDING

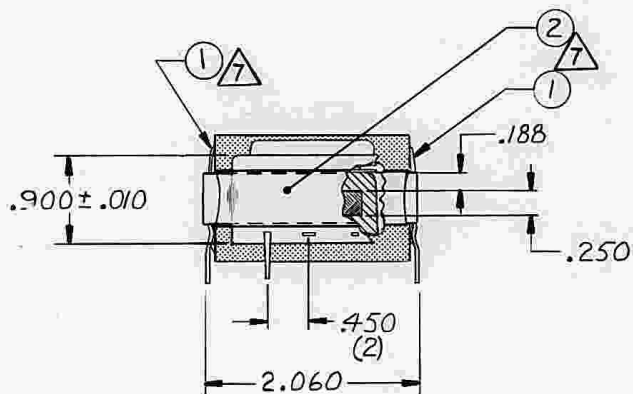
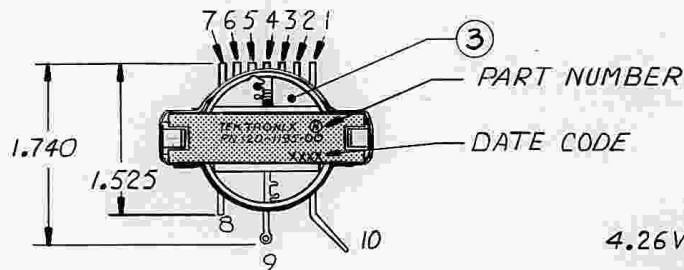
LEAD/TERM NO

SEC 11-12	SEC	1-2-8-9
	0-24-290.5-703.5 T	*36
	PRI 3-6	PRI 4-5
	IT *30	4T *30
	SEC	7-10
3T *24	485.5 T (9 LAYERS BANK WOUND)*40	

INSIDE



OPERATING FREQUENCY: 40 KHZ



- ④ ITEM 2 SOLDERED TO ITEM 1 EITHER SIDE
- ⑥ GAP BETWEEN CORE & COIL BELOW PIN #8 FILLED WITH ADHESIVE FOR 2070V BREAK DOWN
5. VOLTAGE RATINGS ARE PEAK NO LOAD UOS. CURRENT RATINGS ARE AMPS DC TYPICAL

PART NUMBER	REV.
120-1195-00	E

- ④ ITEM 4 APPLIED TO LEAD SIDE OF CORE
- ③ COIL TRANSFER MOLDED WITH EPOXY
2. POLARITY PER SCHEMATIC
1. DIMENSIONS REFERENCE UNLESS OTHERWISE SPECIFIED

NOTES:

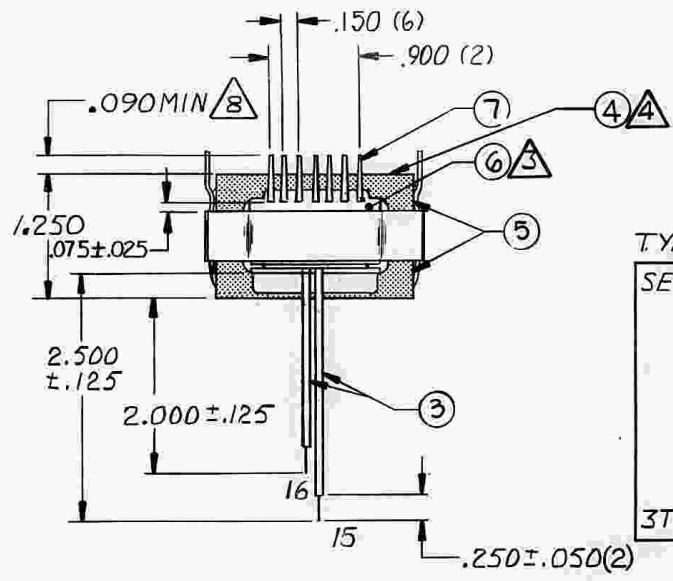
REV.	NONPPD
E	

ITEM	PART NUMBER	QTY	DESCRIPTION
7	195-0140-00	1/2	LEAD SET, HV TRANSFORMER
6	255-0479-01	AR	PLASTIC MOLDING MATERIAL (EPOXY)
5	276-0696-00	1	CORE, EM ("E" FERRITE)
	276-0697-00	1	CORE, EM ("E" FERRITE)
4	253-0176-00	AR	TAPE, PRESS SENS FOAM DOUBLE SIDE
③	650-0328-00	1	BOBBIN ASSEMBLY
②	337-2939-00	1	SHIELD, ELEC.
①	343-0682-00	2	CLAMP, TRANSFORMER CORE

TEKTRONIX, INC. PROPRIETARY ITEM DRAWING			
<input checked="" type="checkbox"/> MFD BY TEKTRONIX	<input type="checkbox"/> MFD FOR TEKTRONIX		
TEKTRONIX, INC.		P. O. BOX 500 BEAVERTON, OREGON U.S.A. 97077	
DWN	JT WINFREY	19 JUL 78	DIMENSIONS ARE IN INCHES / TOLERANCES: UNLESS OTHERWISE SPECIFIED
ENGR	L. C. Klem	25 Jul 79	DEC ANLR
CHKR	B. Stewart		SCALE
PROD & MFG		25 Jul 79	NONE
MATERIAL			
SEE LIST OF MATERIALS			
FINISH			
NOTED			
TITLE			
TRANSFORMER, POWER STPDN & STU (HIGH VOLTAGE)			
CODE IDENT NO	SIZE	PART NUMBER	REV
80009	G	120-1195-00	E

76-248Q

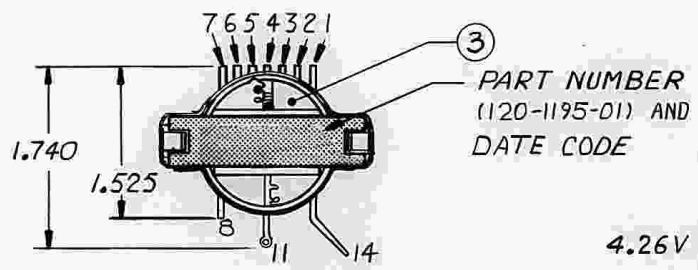
THIS DRAWING WHEN DISTRIBUTED OUTSIDE TEKTRONIX, INC. IS SUPPLIED FOR IDENTIFICATION, ENGINEERING EVALUATION AND/OR INSPECTION PURPOSES ONLY AND MAY NOT BE USED AS A BASIS FOR MANUFACTURE OR SALES OF PRODUCTS WITHOUT WRITTEN PERMISSION FROM TEKTRONIX, INC. IF THIS DRAWING IS FURNISHED UNDER ANY UNITED STATES GOVERNMENT CONTRACT, IT SHALL NOT BE EITHER RELEASED OUTSIDE THE GOVERNMENT, OR USED, DUPLICATED, OR DISCLOSED IN WHOLE OR IN PART FOR MANUFACTURE OR PROCUREMENT, WITHOUT THE WRITTEN PERMISSION OF TEKTRONIX, INC. EXCEPT FOR: (1) EMERGENCY REPAIR OR OVERHAUL WORK BY OR FOR THE GOVERNMENT, WHERE THE ITEM OR PROCESS CONCERNED IS NOT OTHERWISE REASONABLY AVAILABLE TO ENSURE TIMELY PERFORMANCE OF THE WORK; OR (2) RELEASE TO A FOREIGN GOVERNMENT AS THE INTERESTS OF THE UNITED STATES MAY REQUIRE, PROVIDED THAT IN EITHER CASE THE RELEASE, USE, DUPLICATION OR DISCLOSURE HEREOF SHALL BE SUBJECT TO THE FOREGOING LIMITATIONS, IF THIS DRAWING IS REPRODUCED IN WHOLE OR IN PART, THIS ENTIRE LEGEND BLOCK MUST APPEAR ON ALL REPRODUCED COPIES.



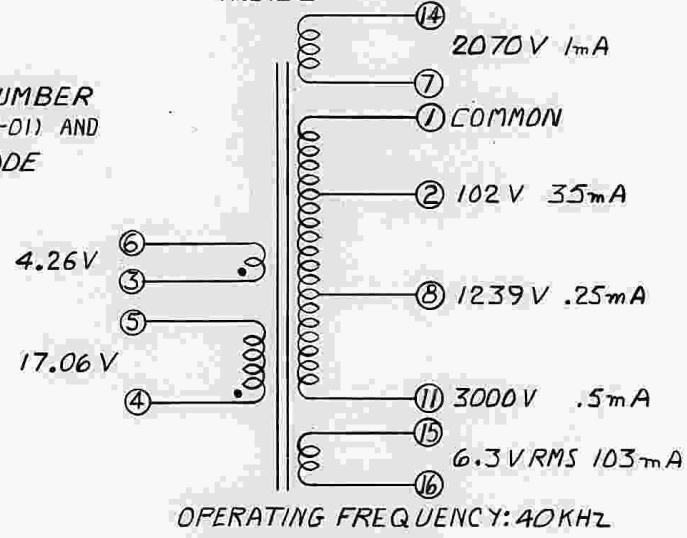
COIL STRUCTURE  
OUTSIDE

TYPE WINDING		LEAD/TERM NO	
SEC 15-16	SEC	1-2-8-11	
	0-24-290.5-708.5T		*36
	PRI 3-6	PRI 4-5	
	IT 2 *30	4T 2 *30	
	SEC	7-14	
	485.5T (9 LAYERS BANK WOUND)*40		
3T *24			

REV	REF	DESCRIPTION OF CHANGE	CHK BY	DATE
	41258	INITIATED PART	DD	3 NOV 83
A		ADDED SAFETY CONTROL LABEL	DD	18 JUL 86
B	D5091	REMOVED MATERIAL BLOCK. CHANGED TITLE BLOCK FROM MEG BY TO MFG FOR		14 JAN 88



INSIDE

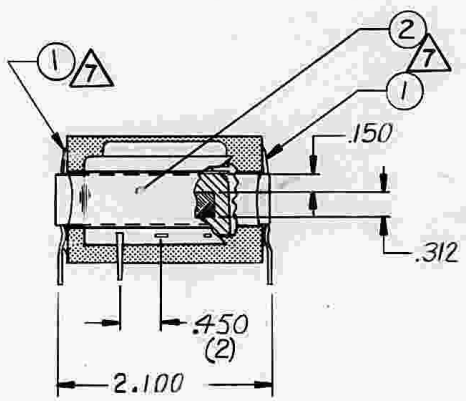


OPERATING FREQUENCY: 40KHZ

- ⑩ LOCATION AND ORIENTATION ON THIS SURFACE NOTE CRITICAL. MUST BE LEGIBLE. 9 TURNS TOLERANCE: .3%.
- ⑧ SOLDERABILITY: MUST MEET REQUIREMENTS OF MIL-STD-202F, METHOD 208.
- ①⑦ ITEM 2 SOLDERED TO ITEM 1 EITHER SIDE.
- ⑥ GAP BETWEEN CORE & COIL BELOW PIN #8 FILLED WITH ADHESIVE FOR 2070V BREAK DOWN.
- ⑤. VOLTAGE RATINGS ARE PEAK NO LOAD UOS. CURRENT RATINGS ARE AMPS DC TYPICAL.

PART NUMBER	REV.
120-1195-01	B

- ④ ITEM 4 APPLIED TO LEAD SIDE OF CORE
- ③ COIL TRANSFER MOLDED WITH EPOXY
- 2. POLARITY PER SCHEMATIC
- 1. DIMENSIONS REFERENCE UNLESS OTHERWISE SPECIFIED



**TEKTRONIX SAFETY CONTROLLED PART**

THIS PART IS CONTROLLED TO INSURE MAINTENANCE OF SAFETY CHARACTERISTICS DESIGNED INTO A TEKTRONIX PRODUCT. TO CONTINUE MAINTENANCE, ANY CHANGES IN MATERIALS, SPECIFICATIONS, VENDORS, OR VENDOR PART NUMBERS MUST BE EVALUATED AND APPROVED IN EACH APPLICATION IN WHICH THIS IS A CONTROLLED PART.

Rev. Sep. 1984

TEKTRONIX, INC. PROPRIETARY ITEM DRAWING			
<input type="checkbox"/> MFD BY TEKTRONIX	<input checked="" type="checkbox"/> MFD FOR TEKTRONIX		
TEKTRONIX, INC.		P. O. BOX 500 BEAVERTON, OREGON U.S.A. 97077	
DWN	C. COYLE	9-13-83	DIMENSIONS ARE IN INCHES / UNLESS OTHERWISE SPECIFIED
ENGR	L. C. Chen	30 Aug 83	TOLERANCES: ANLR
CHKD	W. L. ...	4 Sept 83	SCALE
PROD	...	4 Sept 83	FIRST USED ON 634
MATERIAL			
FINISH			
NOTED			
TITLE TRANSFORMER, POWER STP DN & STU (HIGH VOLTAGE)			
CODE IDENT NO	SIZE	PART NUMBER	REV
80009	C	120-1195-01	B

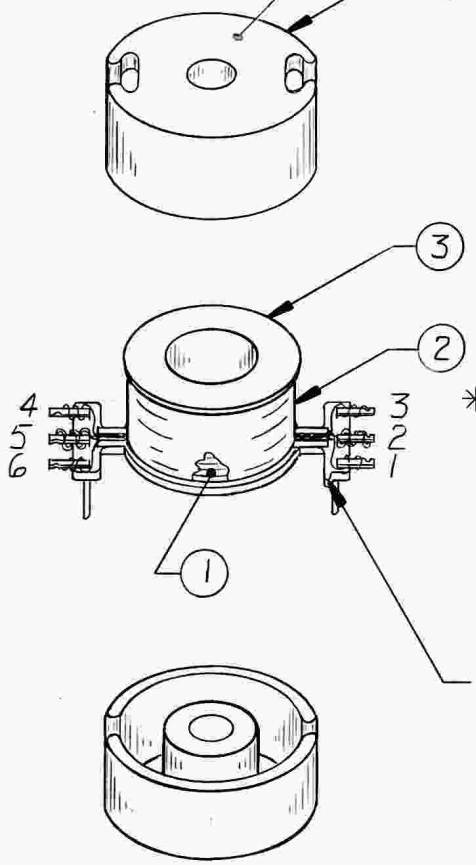
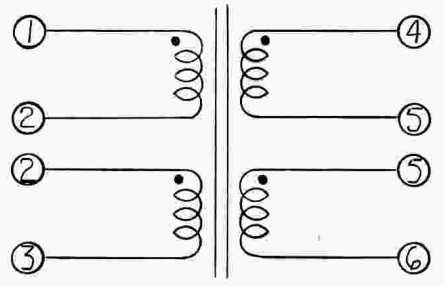
ITEM	PART NUMBER	QTY	DESCRIPTION

77-218 E

REV. 120-1196-00

THIS DRAWING WHEN DISTRIBUTED OUTSIDE TEKTRONIX, INC., IS SUPPLIED FOR IDENTIFICATION, ENGINEERING EVALUATION AND/OR INSPECTION PURPOSES ONLY AND MAY NOT BE USED AS A BASIS FOR MANUFACTURE OR SALES OF PRODUCTS WITHOUT WRITTEN PERMISSION FROM TEKTRONIX, INC. IF THIS DRAWING IS FURNISHED UNDER ANY UNITED STATES GOVERNMENT CONTRACT, IT SHALL NOT BE EITHER RELEASED OUTSIDE THE GOVERNMENT, OR USED, DUPLICATED, OR DISCLOSED IN WHOLE OR IN PART FOR MANUFACTURE OR PROCUREMENT, WITHOUT THE WRITTEN PERMISSION OF TEKTRONIX, INC., EXCEPT FOR: (1) EMERGENCY REPAIR OR OVERHAUL WORK BY OR FOR THE GOVERNMENT, WHERE THE ITEM OR PROCESS CONCERNED IS NOT OTHERWISE REASONABLY AVAILABLE TO ENABLE TIMELY PERFORMANCE OF THE WORK; OR (2) RELEASE TO A FOREIGN GOVERNMENT AS THE INTERESTS OF THE UNITED STATES MAY REQUIRE; PROVIDED THAT IN EITHER CASE THE RELEASE, USE, DUPLICATION OR DISCLOSURE HEREOF SHALL BE SUBJECT TO THE FOREGOING LIMITATIONS, IF THIS DRAWING IS REPRODUCED IN WHOLE OR IN PART, THIS ENTIRE LEGEND BLOCK MUST APPEAR ON ALL REPRODUCED COPIES.

PART NUMBER (-1196) & DATE CODE



WINDINGS	TURNS	WIRE AWG	RESISTANCE ±20% @ 20°C
1-2	28	27	.176 Ω
2-3	82	27	.610 Ω
4-5	4	27	.040 Ω
5-6	4	27	.040 Ω

\* BIFILAR WOUND, SERIES CONNECTED  
 INDUCTANCE: 3.03mH ± 5% (PINS 1-3)  
 ON ESI 252 METER OR APPROVED EQUIVALENT  
 POLARITY PER SCHEMATIC

INDEXING POINT

4. INSULATE 4 TURN WINDINGS FROM 82 TURN WINDINGS
3. TRANSFORMER VACUUM IMPREGNATED WITH VARNISH, 252-0082-00 OR APPROVED EQUIVALENT
2. COIL CEMENTED TO BOTTOM CORE AND CORES CEMENTED TOGETHER
1. REFERENCE DIMENSIONS .714 HIGH X .851 WIDE X 1.260 LONG

NOTES

NONPROD

TEKTRONIX, INC. PROPRIETARY ITEM DRAWING			
<input checked="" type="checkbox"/> MFD BY TEKTRONIX		<input type="checkbox"/> MFD FOR TEKTRONIX	
<b>TEKTRONIX, INC.</b>		P. O. BOX 500 BEAVERTON, OREGON U.S.A. 97077	
DWN	JTWINFREY	24 APR 78	DIMENSIONS ARE IN INCHES / TOLERANCES UNLESS OTHERWISE SPECIFIED
ENGR	<i>W. Gordon</i>	22 Jun 83	DEC _____ ANLR _____
CHKR	<i>B. Stewart</i>	22 Jun 83	SCALE
PROD	<i>Frank Peterson</i>	23 Jun 83	FIRST USED ON
MATERIAL		NONE	634
SEE LIST OF MATERIALS			
FINISH			
NOTED			
TITLE			
TRANSFORMER, RF (FLY BACK, POT CORE)			
CODE IDENT NO	SIZE	PART NUMBER	REV
80009	B	120-1196-00	

4	276-0570-00	1	CORE, EM (AL 250, 2213)
3	276-0119-00	1	FORM, COIL
2	253-0084-00	AR	TAPE, PRESS SENS (.328 WIDE)
1	176-0033-XX	AR	WIRE, ELECTRICAL (27AWG)

ITEM	PART NUMBER	QTY	DESCRIPTION
LIST OF MATERIALS			

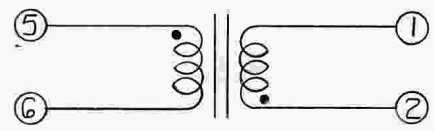
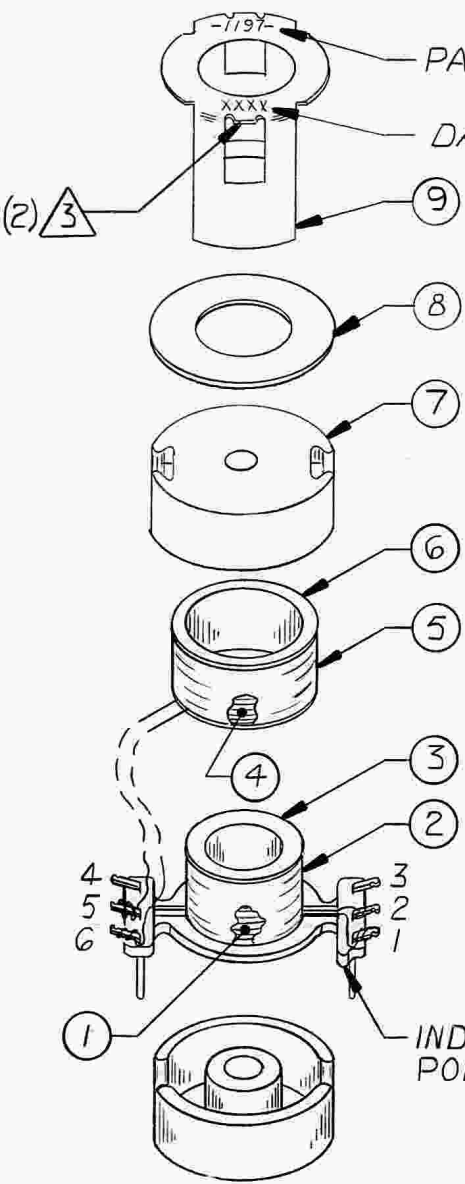
77-217 C

REV.

THIS DRAWING WHEN DISTRIBUTED OUTSIDE TEKTRONIX, INC., IS SUPPLIED FOR IDENTIFICATION, ENGINEERING EVALUATION AND/OR INSPECTION PURPOSES ONLY AND MAY NOT BE USED AS A BASIS FOR MANUFACTURE OR SALES OF PRODUCTS WITHOUT WRITTEN PERMISSION FROM TEKTRONIX, INC. IF THIS DRAWING IS FURNISHED UNDER ANY UNITED STATES GOVERNMENT CONTRACT, IT SHALL NOT BE EITHER RELEASED OUTSIDE THE GOVERNMENT, OR USED, DUPLICATED, OR DISCLOSED IN WHOLE OR IN PART FOR MANUFACTURE OR PROCUREMENT, WITHOUT THE WRITTEN PERMISSION OF TEKTRONIX, INC., EXCEPT FOR: (1) EMERGENCY REPAIR OR OVERHAUL WORK BY OR FOR THE GOVERNMENT, WHERE THE ITEM OR PROCESS CONCERNED IS NOT OTHERWISE REASONABLY AVAILABLE TO ENABLE TIMELY PERFORMANCE OF THE WORK; OR (2) RELEASE TO A FOREIGN GOVERNMENT AS THE INTERESTS OF THE UNITED STATES MAY REQUIRE, PROVIDED THAT IN EITHER CASE THE RELEASE, USE, DUPLICATION OR DISCLOSURE HEREOF SHALL BE SUBJECT TO THE FOREGOING LIMITATIONS, IF THIS DRAWING IS REPRODUCED IN WHOLE OR IN PART, THIS ENTIRE LEGEND BLOCK MUST APPEAR ON ALL REPRODUCED COPIES.

PART NUMBER  
120-1197-00

REV	REF	DESCRIPTION OF CHANGE	CHK BY	DATE
-----	-----	-----------------------	--------	------



WINDINGS	TURNS	WIRE AWG	RESISTANCE ±20% AT 20°C
2-1	26	33	.53 Ω
5-6	286	37	19.9 Ω

INDUCTANCE: 298 ± 25% mH (ON WINDING 5-6)  
 LEAKAGE INDUCTANCE: 10 μH ± 10% (SHORT 5-6)  
 MEASURE 1-2) ON ESI 251 METER OR EQUI  
 POLARITY PER SCHEMATIC  
 OPERATING FREQUENCY: 20 KHZ

- 3 REMOVE MOUNTING TABS
- 2. COIL CEMENTED TO BOTTOM CORE
- 1. REFERENCE DIMENSIONS: .605 HIGH X .720 WIDE X 1.125 LONG

NOTES:

9	343-0312-00	1	CLAMP, POT CORE
8	361-0409-00	1	SPACER, DISC
7	276-0617-00	1	CORE, EM (UNGAPPED, 1811)
6	276-0181-00	1	FORM, COIL
5	253-0151-00	AR	TAPE, PRESS SENS (.188 WIDE)
4	176-0063-00	AR	WIRE, ELECTRICAL (37 AWG)
3	276-0168-01	1	FORM, COIL
2	253-0021-00	AR	TAPE, PRESS SENS (.250 WIDE)
1	176-0239-00	AR	WIRE, ELECTRICAL (33 AWG)

ITEM	PART NUMBER	QTY	DESCRIPTION
------	-------------	-----	-------------

LIST OF MATERIALS

TEKTRONIX, INC. PROPRIETARY ITEM DRAWING			
<input checked="" type="checkbox"/> MFD BY TEKTRONIX		<input type="checkbox"/> MFD FOR TEKTRONIX	
		P. O. BOX 500 BEAVERTON, OREGON U.S.A. 97077	
DWN	JTWINFREY	20APR78	DIMENSIONS ARE IN INCHES / TOLERANCES: UNLESS OTHERWISE SPECIFIED
ENGR	<i>[Signature]</i>	1 AUG 79	DEC _____ ANLR _____
CHKR	<i>[Signature]</i>	15 AUG 79	SCALE NONE FIRST USED ON 634
PROD	<i>[Signature]</i>	Aug 6-79	
MATERIAL			
SEE LIST OF MATERIALS			
FINISH			
TITLE TRANSFORMER, RF (BASE DRIVE, POT CORE)			
CODE IDENT NO	SIZE	PART NUMBER	REV
80009	B	120-1197-00	

DO NOT SCALE DRAWING



54-23

THIS DRAWING WHEN APPROVED OUTSIDE TEKTRONIX, INC., IS VALID FOR REPRODUCTION OR SALE OF PRODUCTS WITHOUT TEKTRONIX, INC. APPROVAL. IT IS THE PROPERTY OF TEKTRONIX, INC. AND IS NOT TO BE REPRODUCED OR TRANSMITTED IN ANY FORM OR BY ANY MEANS, ELECTRONIC OR MECHANICAL, INCLUDING PHOTOCOPYING, RECORDING, OR BY ANY INFORMATION STORAGE AND RETRIEVAL SYSTEM. ANY REPRODUCTION OR TRANSMISSION OF THIS DRAWING WITHOUT THE WRITTEN PERMISSION OF TEKTRONIX, INC. IS STRICTLY PROHIBITED. ANY REPRODUCTION OR TRANSMISSION OF THIS DRAWING WITHOUT THE WRITTEN PERMISSION OF TEKTRONIX, INC. IS STRICTLY PROHIBITED. ANY REPRODUCTION OR TRANSMISSION OF THIS DRAWING WITHOUT THE WRITTEN PERMISSION OF TEKTRONIX, INC. IS STRICTLY PROHIBITED. ANY REPRODUCTION OR TRANSMISSION OF THIS DRAWING WITHOUT THE WRITTEN PERMISSION OF TEKTRONIX, INC. IS STRICTLY PROHIBITED.

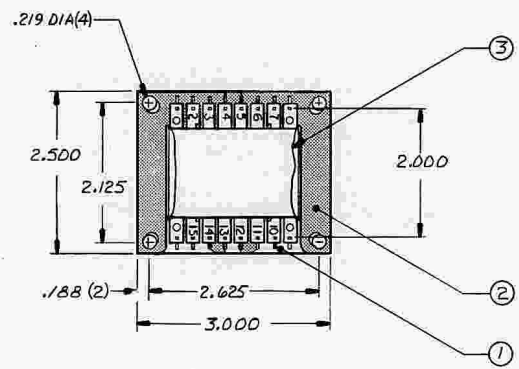
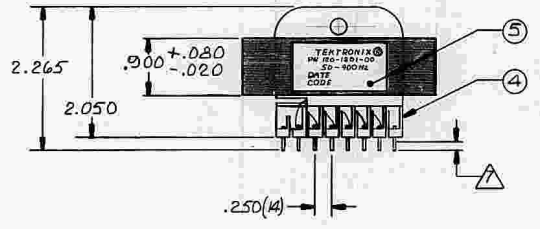
DATE: (A) 42404 ADDED NONPROD

REV: NL 17MAR82

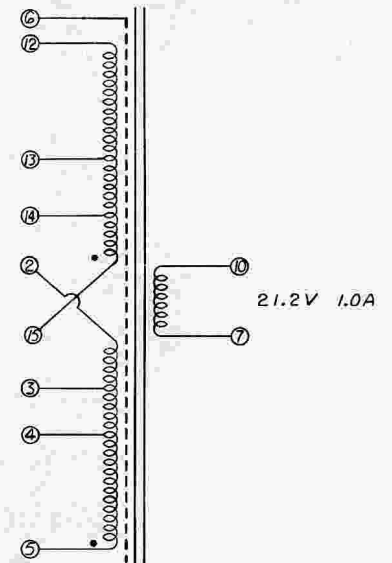
**COIL STRUCTURE**  
**OUTSIDE**

TYPE WINDING	LEAD/TERM NO
SEC 198T	7-10 #21
SHIELD	6
PRI Ø-93-186-1120 T	15-14-13-12 #31
PRI Ø-934-1027-1120 T	5-4-3-2 #31

**INSIDE**



LINE TO 5-12	CONNECT
100 VOLTS	5 TO 13, 4 TO 12
110	5 TO 14, 3 TO 12
120	5 TO 15, 2 TO 12
200	4 TO 13
220	3 TO 14
240	2 TO 15



PRIMARY  
100, 110, 120, 200,  
220, 240 V ± 10%  
50-400 Hz

B. TRANSFORMER MUST COMPLY WITH REQUIREMENTS OF: UL 544  
CSA BULLETIN 556 B  
CSA C22.2 NO125

120-1201-00 A

- Δ SOLDERABILITY REQUIRED IN THIS AREA, 0.150 MIN
- 6. DIELECTRIC WITHSTANDING VOLTAGE: 2KV RMS, 50 TO 60 Hz, 1 MINUTE. PRIMARIES TO SECONDARY, SHIELD, AND CORE
- 4. VOLTAGE RATINGS ARE AC RMS NO LOAD. CURRENT RATINGS ARE AMPS DC TYP
- 3. TRANSFORMER VACUUM IMPREGNATED WITH VARNISH 252-0082-00
- 2. POLARITY PER SCHEMATIC
- 1. DIMENSIONS REFERENCE UNLESS OTHERWISE SPECIFIED

NOTES: (A) NONPROD

5	000-6975-00	1	MARKER, IDENTIFICATION
4	276-0214-00	1	FORM, COIL
3	120-1201-50	1	XFMR SUBASSY(COIL ONLY)
2	386-0030-00	2	PLATE, LAMINATION(KEEPER)
1	386-0025-00	AR	PLATE, LAMINATION(STEEL)

TEKTRONIX, INC. PROPRIETARY ITEM DESIGN

DATE BY: (A) 42404 ADDED NONPROD

DATE BY: (A) 42404 ADDED NONPROD

TEKTRONIX, INC. P. O. BOX 900 BEAVERTON, OREGON, U.S.A. 97007

DESIGNER: JTW/REY DATE: 25APR79

ENGR: E. Pagan DATE: 25JUN79

CHECK: B. Spiller DATE: 26JUN79

PROG: G. Hauer DATE: 26JUN79

TOLERANCES: UNLESS OTHERWISE SPECIFIED

SCALE: 1:1

PAGE USED ON: 620

MATERIAL: SEE LIST OF MATERIALS

REVISION: NOTED

TITLE: TRANSFORMER, POWER, STPDN

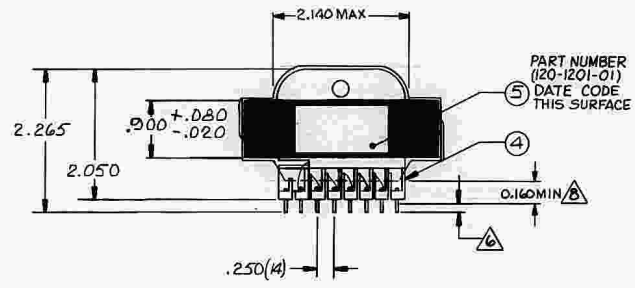
CODE FOR REV: 00009

DATE: 120-1201-00

REV: A

54-23B

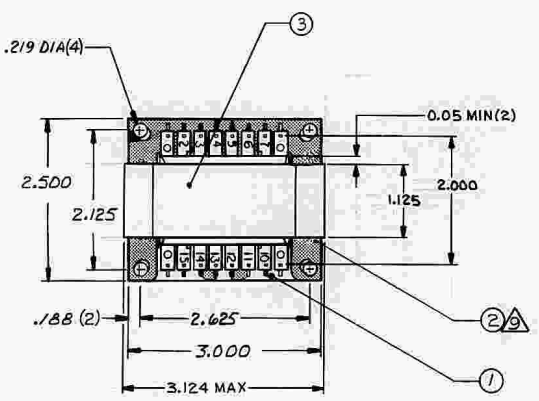
REV	REF	DESCRIPTION OF CHANGE	CHK BY	DATE
	42404	INITIATED PART	NL	18MAR83
(A)	51089	UPDATED DWG & NOTE ITEM 5 WAS 334-5254-00	DD	5JAN84



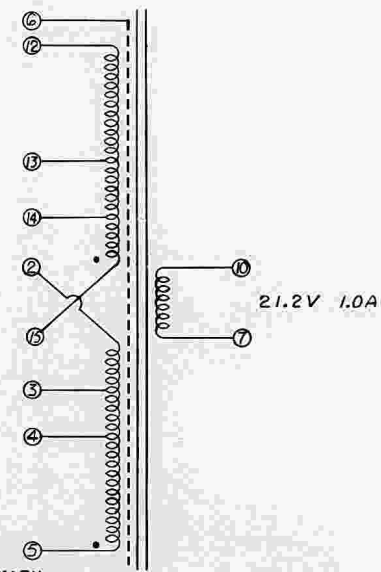
**COIL STRUCTURE  
OUTSIDE**

TYPE WINDING	LEAD/TERM NO
SEC	7-10
198T	*21
<b>SHIELD</b>	
	6
PRI	15-14-13-12
Ø-93-186-1120T	*31
PRI	5-4-3-2
Ø-934-1027-1120T	*31

**INSIDE**



LINE TO 5-12	CONNECT
100 VOLTS	5 TO 13, 4 TO 12
110	5 TO 14, 3 TO 12
120	5 TO 15, 2 TO 12
200	4 TO 13
220	3 TO 14
240	2 TO 15



PRIMARY  
100, 110, 120, 200,  
220, 240 V ± 10%  
50 - 400 Hz

- ORIENTATION OF KEEPER IS OPTIONAL
- THIS DIMENSION MEASURED FROM THE TIPS OF THE STANDOFF BOSSES TO THE OUTSIDE SURFACE OF THE COPPER STRIP

7. TRANSFORMER MUST COMPLY WITH REQUIREMENTS OF: UL 544, CSA BULLETIN 556B, CSA C22.2 NO 125

SOLDERABILITY REQUIRED IN THIS AREA, 0.150 MIN

5. DIELECTRIC WITHSTANDING VOLTAGE: 2KV RMS, 50 TO 60Hz, 1 MINUTE. PRIMARIES TO SECONDARY, SHIELD, & CORE

4. VOLTAGE RATINGS ARE AC RMS NO LOAD, CURRENT RATINGS ARE AMPS DC TYPE

TRANSFORMER VACUUM IMPREGNATED WITH VARNISH 252-0082-00 OR APPROVED EQUIVALENT  
2. POLARITY PER SCHEMATIC

1. DIMENSIONS REFERENCE UNLESS OTHERWISE SPECIFIED

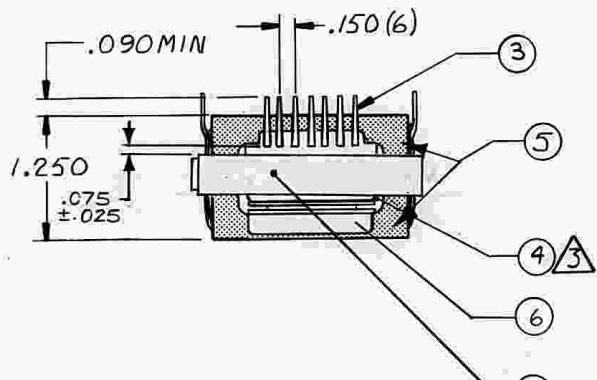
NOTES:

		P. O. BOX 500 BEAVERTON, OREGON U.S.A. 97007	
TEKTRONIX, INC. PROPRIETARY ITEM DRAWING			
MFD BY TEKTRONIX		MFD FOR TEKTRONIX	
RELEASED FOR PRODUCTION TOOLING	DATE	DATE	DATE
DESIGNED BY: BEV BRISTOL	DRAWN BY: R. COGAN	CHECKED BY: J. ADKINS	APPROVED BY: J. ADKINS
PART NUMBER: 120-1201-01	REV: A	SCALE: NONE	FIRST USED ON: 620
SEE LIST OF MATERIALS			

ITEM	PART NUMBER	QTY	DESCRIPTION
5	334-4645-00	1	MARKER, IDENTIFICATION
4	276-0214-00	1	FORM, COIL
3	258-0518-00	1	COPPER, STRIP
2	386-0030-00	2	PLATE, LAMINATION (KEEPER)
1	386-0029-00	AR	PLATE, LAMINATION (STEEL)

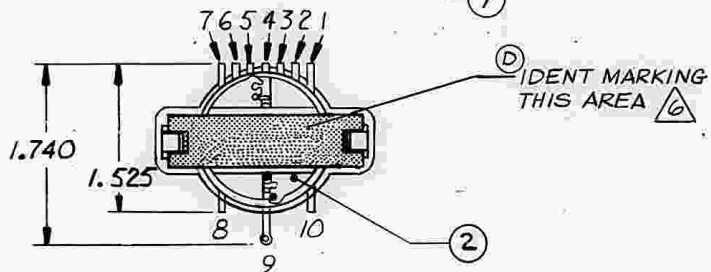
FINISH:	NOTED
TITLE:	TRANSFORMER, POWER, STPDN
CODE (REV) NO:	80009 D
PART NUMBER:	120-1201-01
REV:	A

THIS DRAWING WHEN DISTRIBUTED OUTSIDE TEKTRONIX, INC., IS SUPPLIED FOR IDENTIFICATION, ENGINEERING, EVALUATION AND/OR INSPECTION PURPOSES ONLY AND MAY NOT BE USED AS A BASIS FOR MANUFACTURE OR SALES OF PRODUCTS WITHOUT WRITTEN PERMISSION FROM TEKTRONIX, INC. IF THIS DRAWING IS FURNISHED UNDER ANY UNITED STATES GOVERNMENT CONTRACT, IT SHALL NOT BE EITHER RELEASED OUTSIDE THE GOVERNMENT, OR USED, DUPLICATED, OR DISCLOSED IN WHOLE OR IN PART FOR MANUFACTURE OR PROCUREMENT, WITHOUT THE WRITTEN PERMISSION OF TEKTRONIX, INC., EXCEPT FOR: (1) EMERGENCY REPAIR OR OVERHAUL WORK BY OR FOR THE GOVERNMENT, WHERE THE ITEM OR PROCESS CONCERNED IS NOT OTHERWISE REASONABLY AVAILABLE TO ENABLE TIMELY RESUMPTION OF THE WORK; OR (2) RELEASE TO A FOREIGN GOVERNMENT AS THE INTERESTS OF THE UNITED STATES MAY REQUIRE, PROVIDED THAT IN EITHER CASE THE RELEASE, USE, DUPLICATION OR DISCLOSURE HEREOF SHALL BE SUBJECT TO THE FOREGOING LIMITATIONS. IF THIS DRAWING IS REPRODUCED IN WHOLE OR IN PART, THIS ENTIRE LEGEND BLOCK MUST APPEAR ON ALL REPRODUCED COPIES.

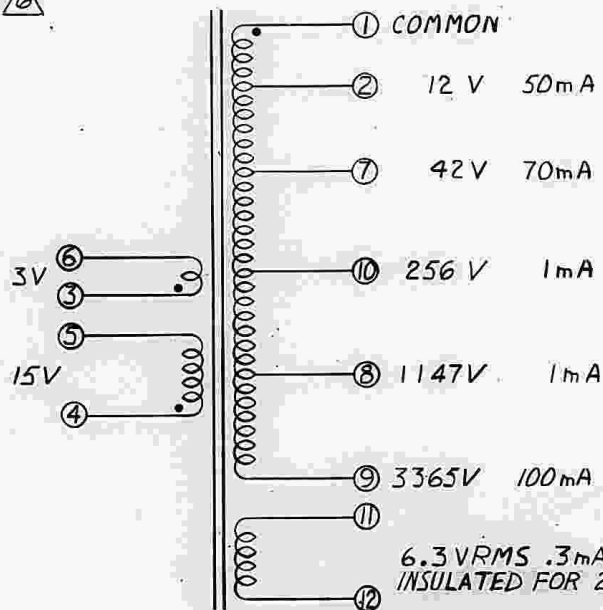


**COIL STRUCTURE  
OUTSIDE**

TYPE WINDING		LEAD/TERM NO	
SEC 11-12	SEC	7-10-8-9	
	∅-71.5-368.5-1108.5 T	*36	
3T *26	PRI 4-5	PRI 3-6	SEC 1-2-7
	5T 2*29	1T *29	∅-4-14T*29



**INSIDE**



OPERATING FREQUENCY : 25KHZ

REV	REF	DESCRIPTION OF CHANGE	CHK BY	DATE
A	41258	ITEM ② P/N WAS 175-0918-00 ADDED NOTE 5	DD	17JUN81
B	40821	UPDATED DRAWING	KE	16OCT81
C	30393	UPDATED DRAWING	DD	2MAR83
D	52601	REVISED DWG. & ADDED NOTE ③	DD	29MAR84
E		ADDED SAFETY CONTROL LABEL	DD	8JUL86
F	D5091	REMOVED MATERIAL BLOCK, CHANGED TITLE BLOCK FROM MFG BY TO MFG FOR		14JAN88

③ LOCATION AND ORIENTATION ON THIS SURFACE NOT CRITICAL. MUST BE LEGIBLE.

⑤ ITEM 7 SOLDERED TO ITEM 1 AT LEAD 7-8 END

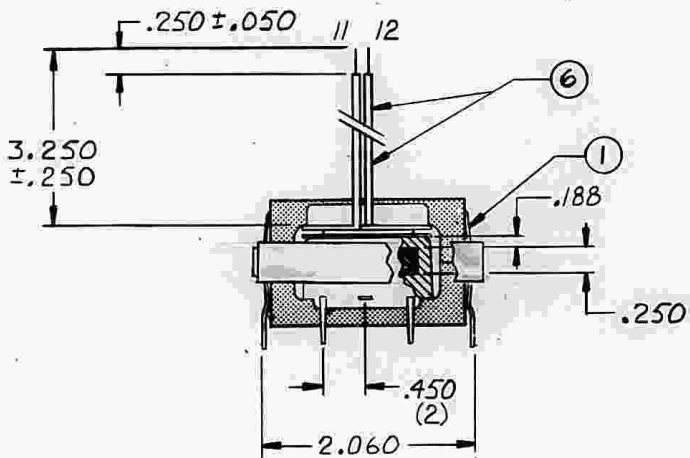
PART NUMBER	REV.
120-1202-00	F

4. VOLTAGE RATINGS ARE PEAK NO LOAD UOS. CURRENT RATINGS ARE AMPS DC TYPICAL

③ COIL TRANSFER MOLDED WITH 4 2. POLARITY PER SCHEMATIC

1. DIMENSIONS REFERENCE UNLESS OTHERWISE SPECIFIED

**NOTES:**



**TEKTRONIX SAFETY CONTROLLED PART**

THIS PART IS CONTROLLED TO INSURE MAINTENANCE OF SAFETY CHARACTERISTICS DESIGNED INTO A TEKTRONIX PRODUCT. TO CONTINUE MAINTENANCE, ANY CHANGES IN MATERIALS, SPECIFICATIONS, VENDORS, OR VENDOR PART NUMBERS MUST BE EVALUATED AND APPROVED IN EACH APPLICATION IN WHICH THIS IS A CONTROLLED PART.

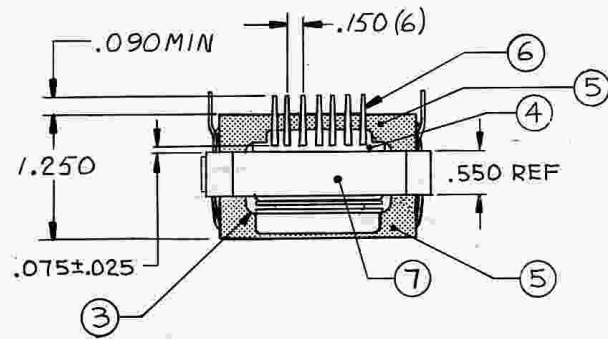
TEKTRONIX, INC. PROPRIETARY ITEM DRAWING		<input type="checkbox"/> MFD BY TEKTRONIX <input checked="" type="checkbox"/> MFD FOR TEKTRONIX	
<b>TEKTRONIX, INC.</b>		P. O. BOX 500 BEAVERTON, OREGON U.S.A. 97077	
OWN	JT WINFREY	6 JUL 78	DIMENSIONS ARE IN INCHES / TOLERANCES, UNLESS OTHERWISE SPECIFIED
ENGR	L. Clem	20 JUN 79	ANLR
CHKR	B. S. T. / T	20 JUN 79	SCALE
PROD	E. Pr.	20 JUN 79	NONE
MATERIAL		FIRST USED ON	
FINISH		620	
TITLE			
TRANSFORMER, POWER SDN & SU (HIGH VOLTAGE)			
CODE IDENT NO	SIZE	PART NUMBER	REV
80009	C	120-1202-00	F

ITEM	PART NUMBER	QTY	DESCRIPTION

77-238 D

THIS DRAWING WHEN DISTRIBUTED OUTSIDE TEKTRONIX, INC. IS SUPPLIED FOR IDENTIFICATION, ENGINEERING EVALUATION AND/OR INSPECTION PURPOSES ONLY AND MAY NOT BE USED AS A BASIS FOR MANUFACTURE OR SALES OF PRODUCTS WITHOUT WRITTEN PERMISSION FROM TEKTRONIX, INC. IF THIS DRAWING IS FURNISHED UNDER ANY UNITED STATES GOVERNMENT CONTRACT, IT SHALL NOT BE EITHER RELEASED OUTSIDE THE GOVERNMENT, OR USED, DUPLICATED, OR DISCLOSED IN WHOLE OR IN PART FOR MANUFACTURE OR PROCUREMENT, WITHOUT THE WRITTEN PERMISSION OF TEKTRONIX, INC., EXCEPT FOR: (1) EMERGENCY REPAIR OR OVERHAUL WORK BY OR FOR THE GOVERNMENT, WHERE THE ITEM OR PROCESS CONCERNED IS NOT OTHERWISE REASONABLY AVAILABLE TO ENABLE TIMELY PERFORMANCE OF THE WORK, OR (2) RELEASE TO A FOREIGN GOVERNMENT AS THE INTERESTS OF THE UNITED STATES MAY REQUIRE PROVIDED THAT IN EITHER CASE THE RELEASE, USE, DUPLICATION OR DISCLOSURE HEREOF SHALL BE SUBJECT TO THE FOLLOWING LIMITATIONS, IF THIS DRAWING IS REPRODUCED IN WHOLE OR IN PART, THIS ENTIRE LEGEND BLOCK MUST APPEAR ON ALL REPRODUCED COPIES.

REV	REP	DESCRIPTION OF CHANGE	CHK BY	DATE
40821		INITIATED PART	KE	2JUN81
(A)	40821	ADDED DELETED	KE	1FEB82



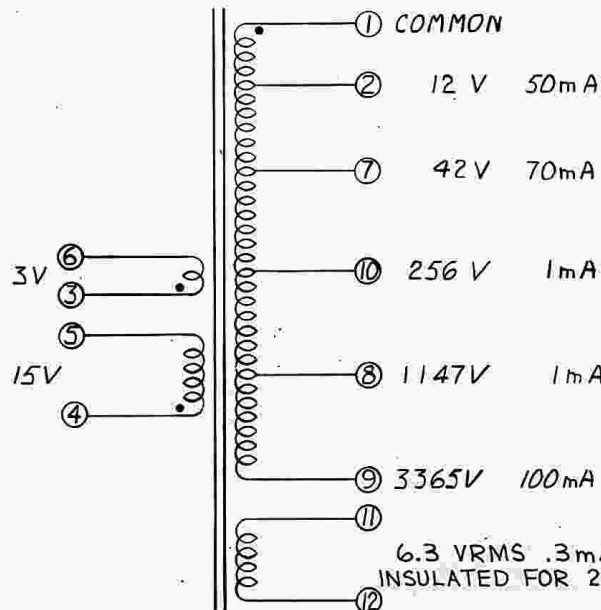
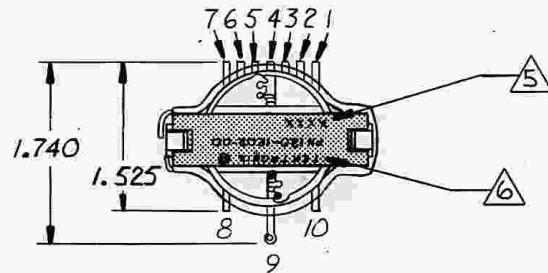
## COIL STRUCTURE OUTSIDE

TYPE WINDING

LEAD/TERM NO

SEC 11-12	SEC	7-10-8-9
	Ø-71.5-368.5-1108.5 T	*36
3T *26	PRI 4-5	PRI 3-6
	5T 2*29	1T *29
	SEC 1-2-7	Ø-4-14T*29

## INSIDE



△ MARKING TEKTRONIX® PN  
120-1202-01

△ DATE CODE

PART NUMBER	REV.
120-1202-01	A

4. VOLTAGE RATINGS ARE PEAK NO LOAD  
CURRENT RATINGS ARE AMPS  
DC TYPICAL

△ COIL TRANSFER MOLDED WITH

2. POLARITY PER SCHEMATIC

1. UNTOLERANCED DIMENSIONS  
ARE REFERENCE

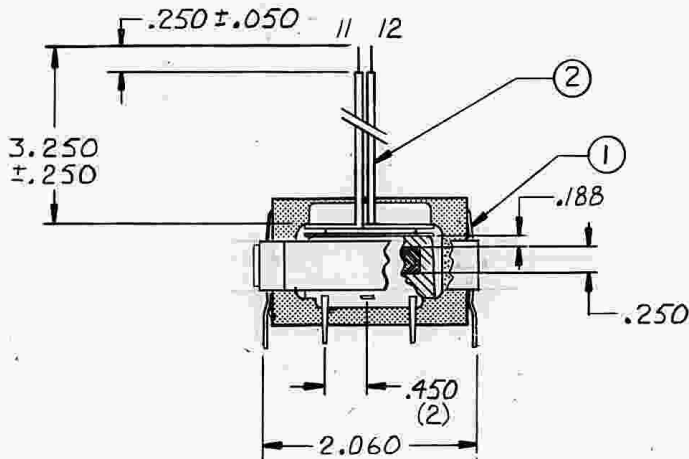
NOTES:

DELETE

OPERATING FREQUENCY : 25KHz

7	337-2939-00	1	SHIELD, ELEC (HV XFMR)
6	195-0140-00	1/2	LEADSET, HV TRANSFORMER
5	276-0696-00	1	CORE, EM ("E" FERRITE)
	276-0697-00	1	CORE, EM ("E" FERRITE)
4	255-0479-01	AR	PLASTIC MOLDING MATERIAL (EPOXY)
3	276-0225-00	1	FORM, COIL
2	175-0918-00	AR	WIRE, ELEC (26AWG, CORONA RES)
1	343-0682-00	2	CLAMP, TRANSFORMER CORE

TEKTRONIX, INC. PROPRIETARY ITEM DRAWING		MFD BY TEKTRONIX		MFD FOR TEKTRONIX	
TEKTRONIX, INC. BEAVERTON, OREGON U.S.A. 97077					
DWN BEV BRISTOL		2JUN81		DIMENSIONS ARE IN INCHES / TOLERANCES: UNLESS OTHERWISE SPECIFIED ANLR	
ENGR Keith Ellingsen		28 JULY 81		SCALE FIRST USED ON	
CHKR LARRY U		28 JULY 81		NONE 620	
MATERIAL SEE LIST OF MATERIALS					
FINISH					
TITLE TRANSFORMER, POWER SDN & SU (HIGH VOLTAGE)					
CODE IDENT NO	SIZE	PART NUMBER	REV		
80009	G	120-1202-01	A		



54-37B

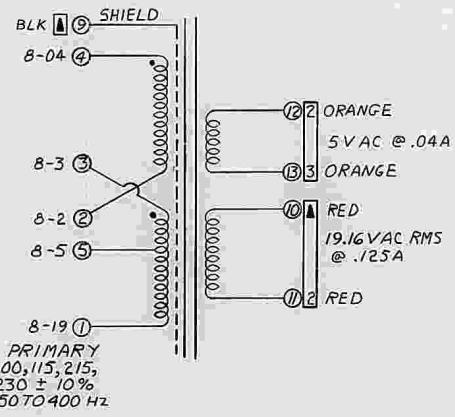
THIS DRAWING WHEN INSTRUMENT OUTLET TECHNOLOGY, INC. IS SUPPLIED FOR REPRODUCTION, ENGINEERING EVALUATION AND/OR REVISION PURPOSES ONLY AND MAY NOT BE USED AS A BASIS FOR MANUFACTURE OR SALES OF PRODUCTS WITHOUT WRITTEN PERMISSION FROM INSTRUMENT OUTLET TECHNOLOGY, INC. IF THIS DRAWING IS REPRODUCED UNDER ANY OTHER BASIS GOVERNMENT CONTRACT, OR SHALL NOT BE OTHER WISELY OBTAIN THE GOVERNMENT OR OTHER REPRODUCTION OR REPRODUCTION RIGHTS OR EXTENDED TERM OF OR FOR THE GOVERNMENT, WITHOUT THE WRITTEN PERMISSION OF INSTRUMENT OUTLET TECHNOLOGY, INC. REPRODUCTION OF THIS DRAWING FOR ANY OTHER PURPOSE IS PROHIBITED. THE USER OF THIS DRAWING SHALL BE RESPONSIBLE FOR OBTAINING THE NECESSARY PERMISSIONS FROM THE APPROPRIATE AGENCIES FOR THE REPRODUCTION OF THIS DRAWING FOR ANY OTHER PURPOSE. THE USER OF THIS DRAWING SHALL BE RESPONSIBLE FOR OBTAINING THE NECESSARY PERMISSIONS FROM THE APPROPRIATE AGENCIES FOR THE REPRODUCTION OF THIS DRAWING FOR ANY OTHER PURPOSE. THE USER OF THIS DRAWING SHALL BE RESPONSIBLE FOR OBTAINING THE NECESSARY PERMISSIONS FROM THE APPROPRIATE AGENCIES FOR THE REPRODUCTION OF THIS DRAWING FOR ANY OTHER PURPOSE.

REV	DATE	DESCRIPTION OF CHANGE	BY	DATE
A	41022	CORRECTE EXIT LEADS	L.L SAUGBO	
B	45018	REMOVED ITEM 5	DD 7MAR82	
C	51689	ADDED NOTES A & ITEM 9. UPDATED DWS, & NOTE A, NOTE 4 WAS 2 KV & ITEM 3 WAS 000-5027-00	DD 3NOV83	

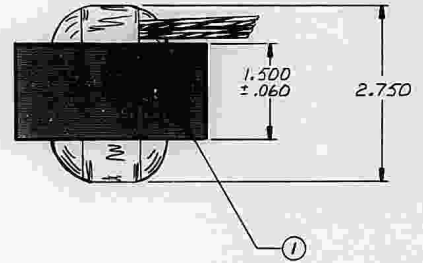
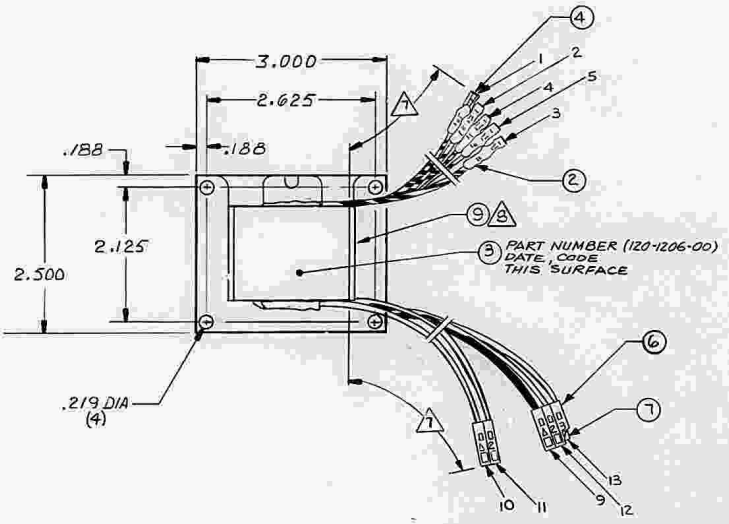
COIL STRUCTURE  
OUTSIDE

TYPE WINDINGS	LEAD NO
SEC	12-13
19T	# 27
SEC	10-11
TOT	#27
SHIELD	9
PRI	2-4
420T	#27
PRI	1-5-3
Ø-365-420T	#27

INSIDE



LINE TO	VOLTS RMS	CONNECT
1-5	100V ± 10%	1 TO 2, 3 TO 4
1-4	115V ± 10%	1 TO 2, 3 TO 4
1-4	215V ± 10%	2 TO 5
1-4	230V ± 10%	2 TO 3



ORIENTATION OF KEEPER IS OPTIONAL  
LEAD LENGTH : LEAD WIRE

LEAD NO	COLOR	PART NUMBER	LENGTH	STRIP
1	8-19	175-0879-00	7.000	.156
2	8-2	175-0880-00	±.250	±.125
3	8-3	175-0881-00		
4	8-04	175-0882-00		
5	8-5	175-0883-00	7.000	
9	BLACK	175-0920-00	7.500	
10 E 11	RED	175-0922-00	7.500	
12 E 13	ORANGE	175-0950-00	7.500	.156

SAFETY CONTROLLED PART

120-1206-00

- 6. TRANSFORMER MUST COMPLY WITH L.L 47B, CSA154
- 5. WINDINGS INSULATED FOR 600V DC
- 4. DIELECTRIC WITHSTANDING VOLTAGE 15KV RMS 50 TO 60 HZ 1 MINUTE PRIMARIES TO SECONDARIES, SHIELD AND CORE
- 3. TRANSFORMER VACUUM IMPREGNATED WITH VARNISH 252-0082-00 OR APPROVAL EQUIVALENT
- 2. POLARITY PER SCHEMATIC
- 1. DIMENSIONS REFERENCE UOS

NOTES:

9	386-0030-00	2	PLATE, LAMINATION KEEPER
8	352-0198-01	1	HOLDER, TERM CONNECTOR
7	131-0621-00	5	CONNECTOR, TERMINAL
6	352-0199-07	1	HOLDER, TERM CONNECTOR
5			
4	131-0677-00	5	CONNECTOR, TERMINAL
3	334-4645-00	1	MARKER, IDENTIFICATION
2	162-0561-00	AR	INSUL, SLEEVING (HEAT SHRINK)
1	386-0029-00	AR	PLATE, LAMINATION (STEEL)

TEKTRONIX, INC. PROPRIETARY ITEM DRAWING

TEKTRONIX, INC.

P. O. BOX 500  
BEAVERTON, OREGON U.S.A. 97077

DATE: 12/11/83  
BY: J. W. WINEY  
CHKD: J. W. WINEY  
APP'D: J. W. WINEY

SCALE: 1:1

REVISED ON: 4027

MATERIAL: SEE LIST OF MATERIALS

TITLE: TRANSFORMER, POWER STPDN

CODE IDENT NO: 80009

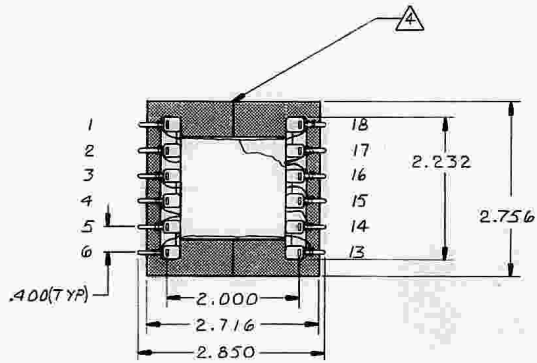
SIZE: D

PART NUMBER: 120-1206-00

REV: C

77-206 H

REV	DESCRIPTION OF CHANGE	CHK BY	DATE
①	39825 ADDED ITEM 10	LL	25MAR80
②	45291 REMOVED ITEM 10 PN. 120-1207-50	DD	15JAN82
③	48291 NOTE 5 WAS '2000 VAC'	DD	6 DEC82
④	54507 REVISED DWG., UPDATED NOTES 6, 8 & 2.	DD	21JUN84



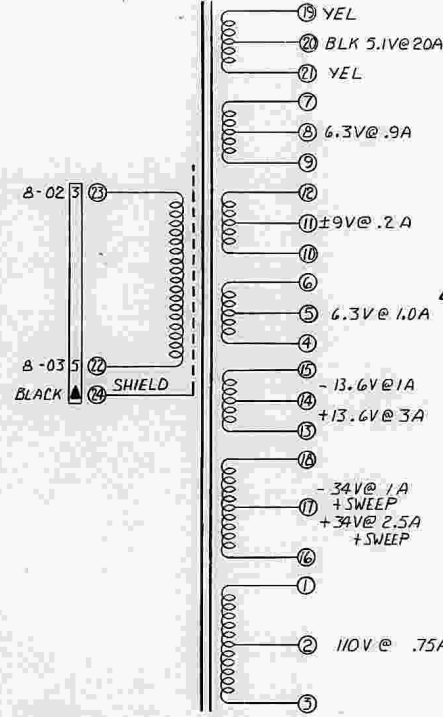
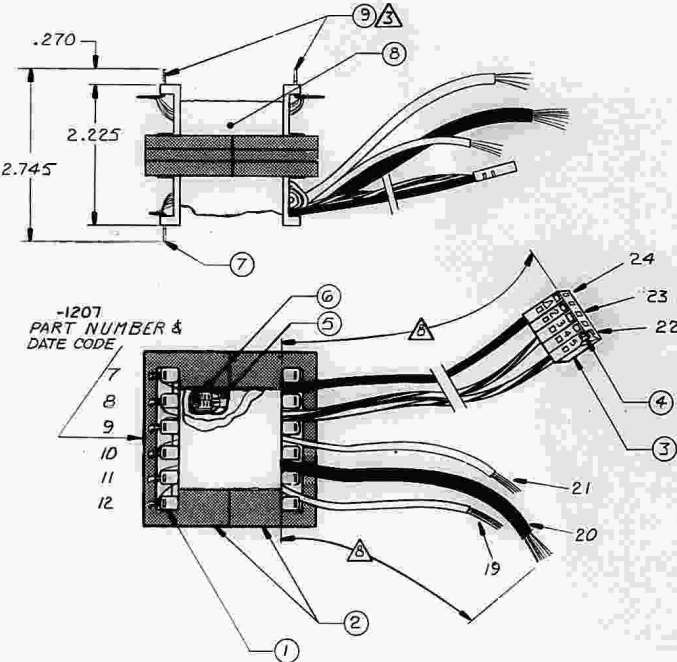
**COIL STRUCTURE**  
**OUTSIDE**

TYPE WINDINGS	LEAD NO
SEC 0-3-6T	21-20-19 4 *17
SEC 10-11-12 5T 2 *26	9-8-7 4T 2 *23
SEC 13-14-15 8T 2 *20	4-5-6 4T 2 *23
SEC 16-17-18 19T	2 *20
SEC 0-5B-116T	3-2-1 *26
SHIELD	24
PRI 42T	22-23 *16

**INSIDE**

LEAD NO	*** VOLTS	CURRENT AMPS RMS	DCR ±15% @ 20°C
22-23	105	4.5 PRI	.045 Ω
1-2-3	290 CT	.53	1.45 CT
16-17-18	95/CT	2.23	.12 CT
13-14-15	40/CT	2.23	.059 CT
4-5-6	20/CT	.71	.052 CT
19-20-21	157/CT	14.14	.003 CT
10-11-12	25/CT	.14	.14 CT
7-8-9	20/CT	.64	.056 CT

\*\*\* PEAK NO LOAD



PRIMARY  
105 TO 187 V PEAK  
25 KHZ  
PULSE WIDTH REGULATED  
SQUARE WAVE OFF TIME 1.5 TO 9 μ SEC

9. TRANSFORMER MUST COMPLY WITH UL 47B CSA 154

LEAD LENGTHS MEASURED FROM EXIT \* INSUL SLEEVING

LEAD NO	COLOR	PART NUMBER	LENGTH ±.250	STRIP ±.125
19	YEL *	162-0512-00	3.000	1.000
20	BLK *	162-0621-00	4.500	1.000
21	YEL *	162-0512-00	3.000	1.000
22	B-03	177-0682-00	9.250	* *
23	B-02	177-0681-00	9.250	* *
24	BLK	175-0675-00	10.250	* *

\* \* ASSEMBLE TO CONNECTOR

VOLTAGE IS PULSE WIDTH REGULATED  
SECONDARY VOLTAGES ARE AVERAGE RECTIFIED VALUES AT THE RATED LOADS WITH THE PRIMARY INPUT VOLTAGE AT 180V PEAK AND APPROX 57% DUTY CYCLE

PART NUMBER	REV.
120-1207-00	D

6. INDUCTANCE 22-23 5.2 mH MIN MEASURED ON AN ESI 252 METER OR APPROVED EQUIVALENT

5. DIELECTRIC WITHSTANDING VOLTAGE: 1500VAC, 50 TO 60 HZ, 1 MINUTE  
22-23 TO CORE, 24, 2, 17, 14, 5, 16, 8, 20

SECURE CORES WITH ADHESIVE

TERMINALS TO BE VARNISH FREE (18)

2. TRANSFORMER VACUUM IMPREGNATED WITH VARNISH 252-0082-00 OR APPROVED EQUIVALENT

1. DIMENSIONS REFERENCE UOS

TEKTRONIX SAFETY CONTROLLED PART  
THIS PART IS CONTROLLED TO PREVENT THE RELEASE OF ANY CHANGES IN MATERIALS, DIMENSIONS, OR DESIGN AND REVISIONS. THIS IS FULFILLED BY PRINTING IN EACH APPLICATION IN WHICH THIS IS A CONTROLLED PART.

TEKTRONIX, INC. PROPRIETARY ITEM DRAWING  
MPD FOR TEKTRONIX

REV	DESCRIPTION	REV	DESCRIPTION
9	131-2244-00	12	TERMINAL, DOUBLE PC
8	253-0241-00	AR	TAPE, PRESS, SENS (1.500 WIDE)
7	131-2297-00	6	TERMINALS, STANDARD
6	131-2299-00	3	CONNECTOR (CRIMP-ON)
5	162-0533-00	AR	INSUL, SLEEVING (HEAT SHRINK)
4	131-0792-00	3	CONNECTOR, TERMINAL
3	352-0201-00	1	HOLDER, TERM CONNECTOR
2	276-0726-00	1	CORE, EM ("E" FERRITE) SET
1	276-0249-00	1	FORM, COIL

DATE	BY	SCALE	FIRST USED ON
11 MAY 79	UTWINFREY	1:1	4027

SEE LIST OF MATERIALS

NOTED

TITLE: TRANSFORMER, POWER SDN & SU (HF CONVERTER)

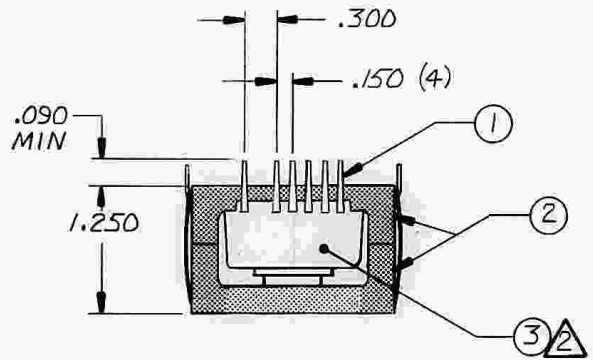
CODE (PART NO) SIZE PART NUMBER REV

80009 D 120-1207-00 D

THIS DRAWING, WHEN DISTRIBUTED OUTSIDE TEKTRONIX, INC., IS SUPPLIED FOR IDENTIFICATION, ENGINEERING EVALUATION AND/OR INSPECTION PURPOSES ONLY AND MAY NOT BE USED AS A BASIS FOR MANUFACTURE OR SALES OF PRODUCTS WITHOUT WRITTEN PERMISSION FROM TEKTRONIX, INC. IF THIS DRAWING IS FURNISHED UNDER ANY UNITED STATES GOVERNMENT CONTRACT, IT SHALL NOT BE EITHER RELEASED OUTSIDE THE GOVERNMENT, OR USED, DUPLICATED, OR DISCLOSED IN WHOLE OR IN PART FOR MANUFACTURE OR PROCUREMENT, WITHOUT THE WRITTEN PERMISSION OF TEKTRONIX, INC., EXCEPT FOR: (1) EMERGENCY REPAIR OR OVERHAUL WORK BY OR FOR THE GOVERNMENT, WHERE THE ITEM OR PROCESS CONCERNED IS NOT OTHERWISE REASONABLY AVAILABLE TO ENABLE TIMELY PERFORMANCE OF THE WORK; OR (2) RELEASE TO A FOREIGN GOVERNMENT AS THE INTERESTS OF THE UNITED STATES MAY REQUIRE, PROVIDED THAT IN EITHER CASE THE RELEASE, USE, OR DUPLICATION OR DISCLOSURE HEREOF SHALL BE SUBJECT TO THE FOLLOWING LIMITATIONS: IF THIS DRAWING IS REPRODUCED IN WHOLE OR IN PART, THIS ENTIRE LEGEND BLOCK MUST APPEAR ON ALL REPRODUCED COPIES.

REV	REF	DESCRIPTION OF CHANGE	CHK BY	DATE
A	52601	ADDED $\Delta$	DD	21MAY84

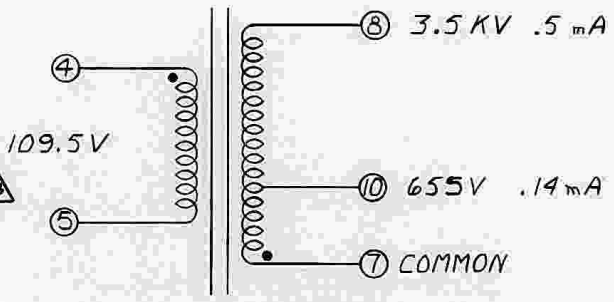
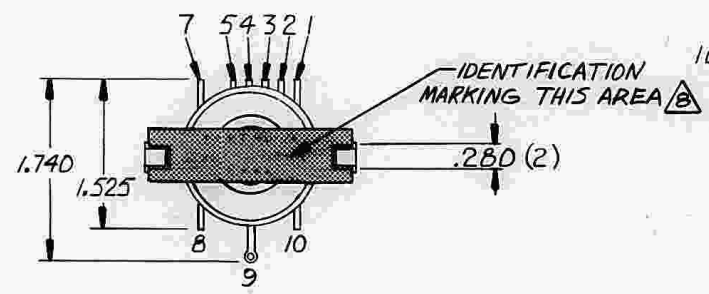
COIL STRUCTURE  
OUTSIDE



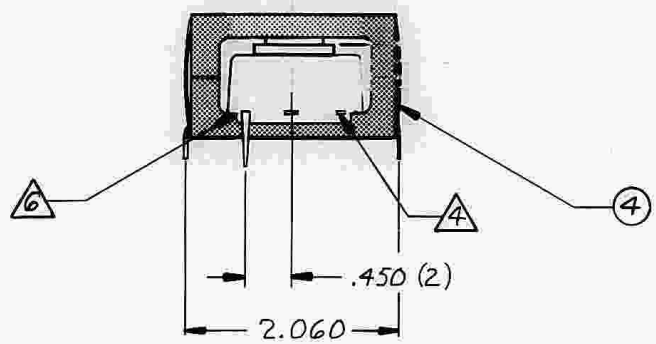
TYPE WINDING	LEAD TERM NO
SEC	7-10-8
$\phi$ -215.5-1150.5 T	*37

PRI	4-5
36T	(2) *31

INSIDE



OPERATING FREQUENCY 31.5 KHZ  
INDUCTANCE (TERMINALS 4-5);  
615 TO 685  $\mu$ H



$\Delta$  LOCATION AND ORIENTATION ON THIS SURFACE NOT CRITICAL MUST BE LEGIBLE

7. OUTER CORE LEGS SECURED TOGETHER WITH ADHESIVE FOR NOISE REDUCTION

$\Delta$  GAP BETWEEN CORE AND COIL FILLED WITH ADHESIVE FOR 3500 V DC BREAKDOWN

5. POLARITY PER SCHEMATIC

PART NUMBER	REV.
120-1208-00	A

$\Delta$  PIN 10 CUT OFF AT BEND

3. VOLTAGE RATINGS ARE PEAK NO LOAD. CURRENT RATINGS ARE AMPS DC TYP

$\Delta$  COIL TRANSFER MOLDED WITH EPDXY

1. DIMENSIONS REFERENCE UNLESS OTHERWISE SPECIFIED

NOTES:

TEKTRONIX, INC. PROPRIETARY ITEM DRAWING	
<input checked="" type="checkbox"/> MFD BY TEKTRONIX	<input type="checkbox"/> MFD FOR TEKTRONIX
<b>TEKTRONIX, INC.</b> P. O. BOX 500 BEAVERTON, OREGON U.S.A. 97077	
DWN <i>JTWINREY</i> 8 FEB 79 ENGR <i>L. C. Low</i> 13 Sept 79 CHKR <i>B. Misset</i> 13 Sept 79 PROD <i>G. Hoad</i> 11 Sept 79	DIMENSIONS ARE IN INCHES / UNLESS OTHERWISE SPECIFIED SCALE 1:1 FIRST USED ON 4027
MATERIAL SEE LIST OF MATERIALS	
FINISH NOTED	
TITLE TRANSFORMER, POWER STU, (HIGH VOLTAGE)	
CODE IDENT NO 80009	SIZE G
PART NUMBER 120-1208-00	REV A

ITEM	PART NUMBER	QTY	DESCRIPTION
4	343-0682-00	1	CLAMP, TRANSFORMER CORE
3	255-0479-01	AR	PLASTIC MOLDING MATL, EPDXY
2	276-0696-01	1	CORE, EM ("E" FERRITE)
	276-0697-00	1	CORE, EM ("E" FERRITE)
1	195-0118-00	1/2	LEAD SET, HV XFMR

78-18

REV.

PART NUMBER  
120-1209-00

THIS DRAWING WHEN DISTRIBUTED OUTSIDE TEKTRONIX, INC., IS SUPPLIED FOR IDENTIFICATION, ENGINEERING EVALUATION AND/OR INSPECTION PURPOSES ONLY AND MAY NOT BE USED AS A BASIS FOR MANUFACTURE OR SALES OF PRODUCTS WITHOUT WRITTEN PERMISSION FROM TEKTRONIX, INC. IF THIS DRAWING IS FURNISHED UNDER ANY UNITED STATES GOVERNMENT CONTRACT, IT SHALL NOT BE EITHER RELEASED OUTSIDE THE GOVERNMENT, OR USED, DUPLICATED, OR DISCLOSED IN WHOLE OR IN PART FOR MANUFACTURE OR PROCUREMENT, WITHOUT THE WRITTEN PERMISSION OF TEKTRONIX, INC., EXCEPT FOR: (1) EMERGENCY REPAIR OR OVERHAUL WORK BY OR FOR THE GOVERNMENT, WHERE THE ITEM OR PROCESS CONCERNED IS NOT OTHERWISE REASONABLY AVAILABLE TO ENABLE TIMELY PERFORMANCE OF THE WORK; OR (2) RELEASE TO A FOREIGN GOVERNMENT AS THE INTERESTS OF THE UNITED STATES MAY REQUIRE; PROVIDED THAT IN EITHER CASE THE RELEASE, USE, DUPLICATION OR DISCLOSURE HEREOF SHALL BE SUBJECT TO THE FOREGOING LIMITATIONS, IF THIS DRAWING IS REPRODUCED IN WHOLE OR IN PART, THIS ENTIRE LEGEND BLOCK MUST APPEAR ON ALL REPRODUCED COPIES.

REV	REF	DESCRIPTION OF CHANGE	CHK BY	DATE
-----	-----	-----------------------	--------	------

- 3. TRANSFORMER VACUUM IMPREGNATED WITH VARNISH 252-0082-00
- 2. COIL CEMENTED TO BOTTOM CORE AND CORES CEMENTED TOGETHER
- 1. REFERENCE DIMENSIONS: .897 HIGH X .900 WIDE X 1.090 LONG

NOTES:

TEKTRONIX, INC. PROPRIETARY ITEM DRAWING			
<input checked="" type="checkbox"/> MFD BY TEKTRONIX		<input type="checkbox"/> MFD FOR TEKTRONIX	
		P. O. BOX 500 BEAVERTON, OREGON U.S.A. 97077	
DWN	JTWINFREY	22 SEP 78	DIMENSIONS ARE IN INCHES / TOLERANCES UNLESS OTHERWISE SPECIFIED
ENGR	<i>W. G. Gillis</i>	3 SEPT 80	DEC ANLR
CHKR	<i>B. Stewart</i>	9 SEPT 80	SCALE
PROD	<i>m. Crutcher</i>	9 SEPT 80	FIRST USED ON 4027

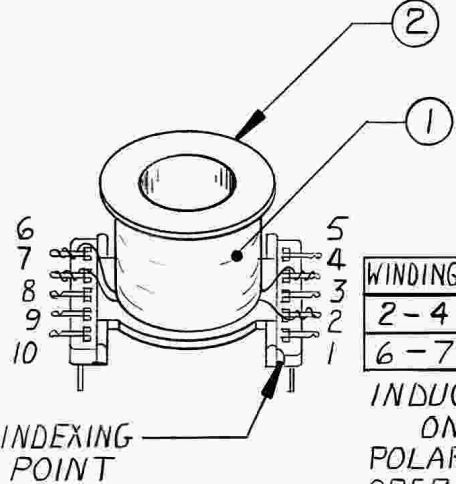
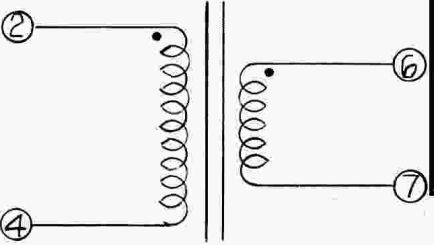
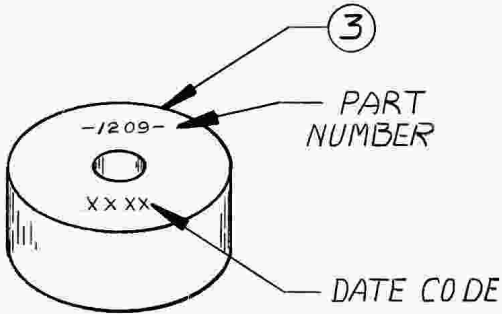
MATERIAL  
SEE LIST OF MATERIALS

FINISH  
NOTED

TITLE  
TRANSFORMER, RF  
(BASE DRIVE, POT CORE)

CODE IDENT NO 80009 SIZE B PART NUMBER 120-1209-00 REV

DO NOT SCALE DRAWING



WINDINGS	TURNS	WIRE		PART NUMBER	TYP RATINGS		RESISTANCE ±20% AT 20°C
		AWG	AWG		VOLTS	AMPS	
2-4	126	30	30	176-0035-XX	15	—	.5
6-7	12	23	23	176-0029-XX	1.5	—	2

INDUCTANCE: 6.0 TO 6.5 MH PINS (2-4)  
ON ESI 251 BRIDGE OR EQUIVALENT  
POLARITY PER SCHEMATIC  
OPERATING FREQUENCY: 15.75 TO 36.8 KHZ

3	276-0657-00	1	CORE, EM (AL400, 2318) 1SET
2	276-0190-00	1	FORM, COIL
1	253-0019-00	AR	TAPE, PRESS SENS (.500 WIDE)

ITEM	PART NUMBER	QTY	DESCRIPTION
------	-------------	-----	-------------

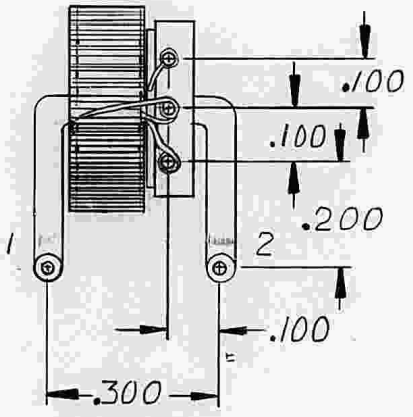
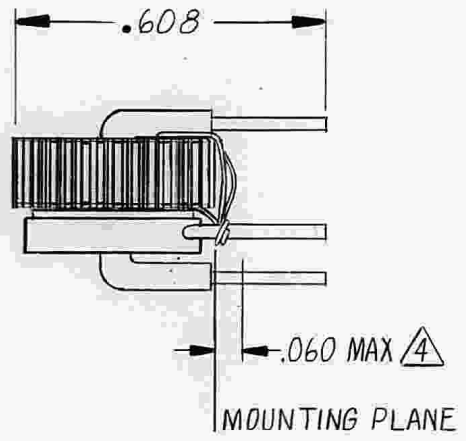
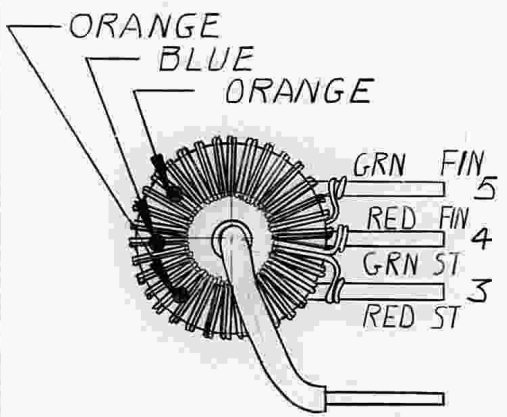
LIST OF MATERIALS



76-33 C

- 5. INDUCTANCE: (3-5) 3.29 mH MIN. ON HP 4275A METER OR APPROVED EQUIVALENT AT 100 kHz, 0.05mA, PARALLEL MODE
- 6. DIELECTRIC WITHSTANDING VOLTAGE: 2 kV RMS, 50-60 Hz, 1 MIN., 1-2 TO 3-4-5

COLOR CODE



WIRE DATA			
WINDINGS	TURNS	AWG	PART NUMBER
3-4-5	35	33	176-0239-00
			176-0239-15
1-2	1	24	175-0895-00

\*

\* BIFILAR WOUND

DATA:  
 CODE TD-363  
 CORE NO 276-0554-00  
 HOLDER NO 352-0538-00

REV. A  
 PART NUMBER 120-1210-00

THIS DRAWING WHEN DISTRIBUTED OUTSIDE TEKTRONIX, INC., IS SUPPLIED FOR IDENTIFICATION, ENGINEERING EVALUATION AND/OR INSPECTION PURPOSES ONLY AND MAY NOT BE USED AS A BASIS FOR MANUFACTURE OR SALES OF PRODUCTS WITHOUT WRITTEN PERMISSION FROM TEKTRONIX, INC. IF THIS DRAWING IS FURNISHED UNDER ANY UNITED STATES GOVERNMENT CONTRACT, IT SHALL NOT BE EITHER RELEASED OUTSIDE THE GOVERNMENT, OR USED, DUPLICATED, OR DISCLOSED IN WHOLE OR IN PART FOR MANUFACTURE OR PROCUREMENT, WITHOUT THE WRITTEN PERMISSION OF TEKTRONIX, INC., EXCEPT FOR: (1) EMERGENCY REPAIR OR OVERHAUL WORK BY OR FOR THE GOVERNMENT, WHERE THE ITEM OR PROCESS CONCERNED IS NOT OTHERWISE REASONABLY AVAILABLE TO ENABLE TIMELY PERFORMANCE OF THE WORK; OR (2) RELEASE TO A FOREIGN GOVERNMENT AS THE INTERESTS OF THE UNITED STATES MAY REQUIRE; PROVIDED THAT IN EITHER CASE THE RELEASE, USE, DUPLICATION OR DISCLOSURE HEREOF SHALL BE SUBJECT TO THE FOREGOING LIMITATIONS, IF THIS DRAWING IS REPRODUCED IN WHOLE OR IN PART, THIS ENTIRE LEGEND BLOCK MUST APPEAR ON ALL REPRODUCED COPIES.

REV	REF	DESCRIPTION OF CHANGE	CHK BY	DATE
A	50482	GENERAL UPDATE—SEE MOD DOC		9-21-83

- 4. MAGNET WIRE WRAPS MUST BE WITHIN DIMENSIONS SHOWN.
- 3. SECURE PRIMARY (1-2) WITH HOT MELT ADHESIVE
- 2. COAT AND SECURE WOUND CORE TO HOLDER WITH 006-1109-00 OR EQUIV
- 1. DIMENSIONS REFERENCE UNLESS OTHERWISE SPECIFIED

NOTES:

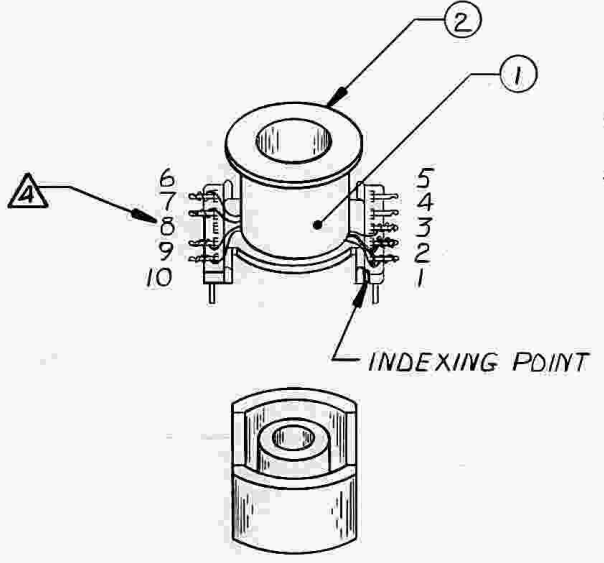
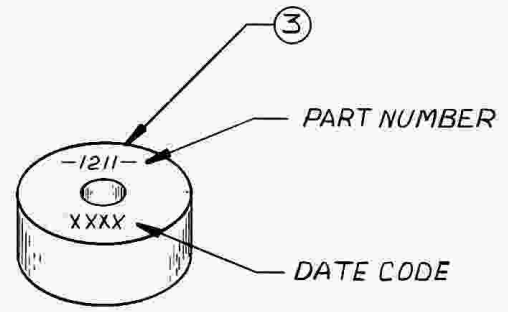
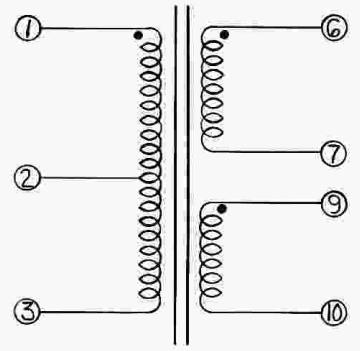
TEKTRONIX, INC. PROPRIETARY ITEM DRAWING			
<input checked="" type="checkbox"/> MFD BY TEKTRONIX		<input type="checkbox"/> MFD FOR TEKTRONIX	
		P. O. BOX 500 BEAVERTON, OREGON U.S.A. 97077	
DWN	JTWINFREY	18SEP78	DIMENSIONS ARE IN INCHES / TOLERANCES UNLESS OTHERWISE SPECIFIED
ENGR	E. G. Gille	26 JUN 81	DEC ANLR
CHKR	B. Stewart	23 Jan 81	SCALE 4:1
PROD	S. Holman	26 Jan 81	FIRST USED ON 4027
MATERIAL LISTED			
FINISH NOTED			
TITLE TRANSFORMER, RF (TOROID, CURRENT)			
CODE IDENT NO	SIZE	PART NUMBER	REV
80009	B	120-1210-00	A

DO NOT SCALE DRAWING

77-124 D

THIS DRAWING WHEN DISTRIBUTED OUTSIDE TEKTRONIX, INC., IS SUPPLIED FOR IDENTIFICATION, ENGINEERING EVALUATION AND/OR INSPECTION PURPOSES ONLY AND MAY NOT BE USED AS A BASIS FOR MANUFACTURE OR SALES OF PRODUCTS WITHOUT WRITTEN PERMISSION FROM TEKTRONIX, INC. IF THIS DRAWING IS FURNISHED UNDER ANY UNITED STATES GOVERNMENT CONTRACT, IT SHALL NOT BE EITHER RELEASED OUTSIDE THE GOVERNMENT, OR USED, DUPLICATED, OR DISCLOSED IN WHOLE OR IN PART FOR MANUFACTURE OR PROCUREMENT, WITHOUT THE WRITTEN PERMISSION OF TEKTRONIX, INC., EXCEPT FOR: (1) EMERGENCY REPAIR OR OVERHAUL WORK BY OR FOR THE GOVERNMENT, WHERE THE ITEM OR PROCESS CONCERNED IS NOT OTHERWISE REASONABLY AVAILABLE TO ENABLE TIMELY PERFORMANCE OF THE WORK; OR (2) RELEASE TO A FOREIGN GOVERNMENT AS THE INTERESTS OF THE UNITED STATES MAY REQUIRE; PROVIDED THAT IN EITHER CASE THE RELEASE, USE, DUPLICATION OR DISCLOSURE HEREOF SHALL BE SUBJECT TO THE FOREGOING LIMITATIONS, IF THIS DRAWING IS REPRODUCED IN WHOLE OR IN PART, THIS ENTIRE LEGEND BLOCK MUST APPEAR ON ALL REPRODUCED COPIES.

REV	REF	DESCRIPTION OF CHANGE	CHK BY	DATE
-----	-----	-----------------------	--------	------



WINDINGS	TURNS	WIRE AWG	PART NUMBER	TYP RATINGS		RESISTANCE ±20% AT 20°C
				VOLTS	AMPS	
1-2	26	27	176-0033-00	39VCT		.32 Ω
2-3	26	27	176-0033-15			
6-7	4	24	175-0577-00	3V PK	2A	.015 Ω
9-10	4	24	175-0576-00	3V PK	2A	.015 Ω

\* BIFILAR WOUND  
 INDUCTANCE: 2.15 MH MIN (2-3) MEASURED ON ESI 251 METER OR EQUIVALENT  
 POLARITY PER SCHEMATIC  
 OPERATING FREQUENCY: 20K HZ

5. DIELECTRIC WITHSTANDING VOLTAGE:  
 1-2-3 TO 6-7-9-10 2KV AC 50 TO 60HZ 1MIN,  
 6-7 TO 9-10 2KV AC 50 TO 60 HZ 1MIN

△ REMOVE PIN 8

PART NUMBER	REV.
120-1211-00	

- 3. TRANSFORMER VACUUM IMPREGNATED WITH VARNISH 252-0082-00
- 2. COIL CEMENTED TO BOTTOM CORE AND CORES CEMENTED TOGETHER
- 1. REFERENCE DIMENSIONS: .897 HIGH X .900 WIDE X 1.090 LONG

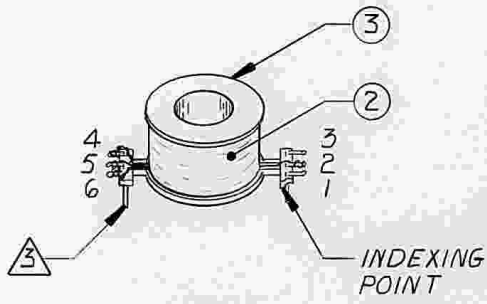
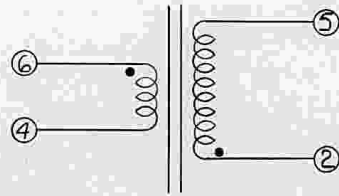
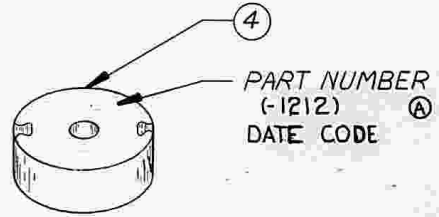
NOTES:

TEKTRONIX, INC. PROPRIETARY ITEM DRAWING			
<input checked="" type="checkbox"/> MFD BY TEKTRONIX	<input type="checkbox"/> MFD FOR TEKTRONIX		
<b>TEKTRONIX, INC.</b> BEAVERTON, OREGON U.S.A. 97077		P. O. BOX 509 BEAVERTON, OREGON U.S.A. 97077	
DWN <i>JTW</i> WINFREY ENGR <i>Egoille</i> CHKR <i>B. B. B...</i> PROD <i>m. C...</i>	27 SEPT 78 3 SEPT 80 7 SEPT 78 9 SEPT 80	DIMENSIONS ARE IN INCHES / TOLERANCES: UNLESS OTHERWISE SPECIFIED ANLR	SCALE NONE FIRST USED ON 4027
MATERIAL SEE LIST OF MATERIALS			
FINISH NOTED			
TITLE TRANSFORMER, RF (DRIVER, POT CORE)			
CODE IDENT NO	SIZE	PART NUMBER	REV
80009	G	120-1211-00	

3	276-0659-00	1	CORE, EM (PL00, 2318) 1 SET
2	276-0190-00	1	FORM, COIL
1	253-0019-00	AR	TAPE, PRESS SENS (.500 WIDE)

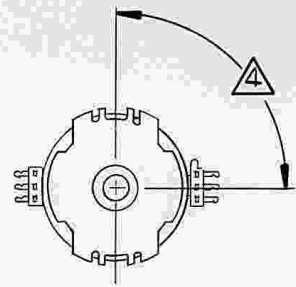
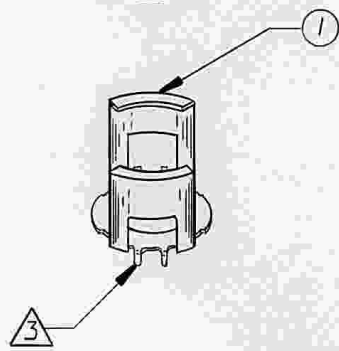
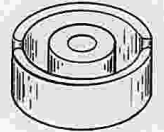
THIS DRAWING WHEN DISTRIBUTED OUTSIDE TEKTRONIX, INC., IS SUPPLIED FOR IDENTIFICATION, ENGINEERING EVALUATION AND/OR INSPECTION PURPOSES ONLY AND MAY NOT BE USED AS A BASIS FOR MANUFACTURE OR SALES OF PRODUCTS WITHOUT WRITTEN PERMISSION FROM TEKTRONIX, INC. IF THIS DRAWING IS FURNISHED UNDER ANY UNITED STATES GOVERNMENT CONTRACT, IT SHALL NOT BE EITHER RELEASED OUTSIDE THE GOVERNMENT, OR USED, DUPLICATED, OR DISCLOSED IN WHOLE OR IN PART FOR MANUFACTURE OR PROCUREMENT, WITHOUT THE WRITTEN PERMISSION OF TEKTRONIX, INC., EXCEPT FOR: (1) EMERGENCY REPAIR OR OVERHAUL WORK BY OR FOR THE GOVERNMENT, WHERE THE ITEM OR PROCESS CONCERNED IS NOT OTHERWISE REASONABLY AVAILABLE TO ENABLE TIMELY PERFORMANCE OF THE WORK, OR (2) RELEASE TO A FOREIGN GOVERNMENT AS THE INTERESTS OF THE UNITED STATES MAY REQUIRE, PROVIDED THAT IN EITHER CASE THE RELEASE, USE, DUPLICATION OR DISCLOSURE HEREOF SHALL BE SUBJECT TO THE FOREGOING LIMITATIONS, IF THIS DRAWING IS REPRODUCED IN WHOLE OR IN PART, THIS ENTIRE LEGEND BLOCK MUST APPEAR ON ALL REPRODUCED COPIES.

REV	REF	DESCRIPTION OF CHANGE	CHK BY	DATE
(A)	49313	RELOCATED DATE CODE: INDUCTANCE WAS 251 METER AT 1 kHz	DD	16 MAY 83



WINDINGS	TURNS	WIRE AWG	PART NUMBER	TYP RATINGS VOLTS	AMPS	RESISTANCE ±20% AT 20°C
2-5	560.5	36	176-0157-XX	16.0	2 mA	34.9 Ω
6-4	14	(2)25	176-0031-XX	4.0	10 mA	.042 Ω

(A) INDUCTANCE: 180 TO 195 mH (2-5) PER ESI 252 OR APPROVED EQUIV  
 POLARITY PER SCHEMATIC  
 OPERATING FREQUENCY: 15.75 KHZ FLYBACK



(A) COIL AND CLAMP MUST BE PERPENDICULAR TO EACH OTHER ± 3°

PART NUMBER	REV.
120-1212-00	A

(3) TERMINALS AND MOUNTING TABS TO BE VARNISH FREE

2 TRANSFORMER VACUUM IMPREGNATED WITH VARNISH 252-0082-00 OR APPROVED EQUIVALENT  
 1. REFERENCE DIMENSIONS: .805 HIGH X 1.035 WIDE X 1.400 LONG

NOTES:

TEKTRONIX, INC. PROPRIETARY ITEM DRAWING			
<input checked="" type="checkbox"/> MFD BY TEKTRONIX		<input type="checkbox"/> MFD FOR TEKTRONIX	
<b>TEKTRONIX, INC.</b> P. O. BOX 500 BEAVERTON, OREGON U.S.A. 97077			
DWN	JTWINFREY	28 SEP 78	DIMENSIONS ARE IN INCHES / TOLERANCES: UNLESS OTHERWISE SPECIFIED
ENGR	R. Coen	11 JUN 80	DEC ANLR
CHKR	B. Stewart	16 JUN 80	SCALE NONE
PROGRAM	Crutty	6-11-80	FIRST USED ON 4027
MATERIAL			
SEE LIST OF MATERIALS			
FINISH			
NOTED			
TITLE			
TRANSFORMER, RF (DYNAMIC FOCUS, POT CORE)			
CODE IDENT NO	SIZE	PART NUMBER	REV
80009	G	120-1212-00	A

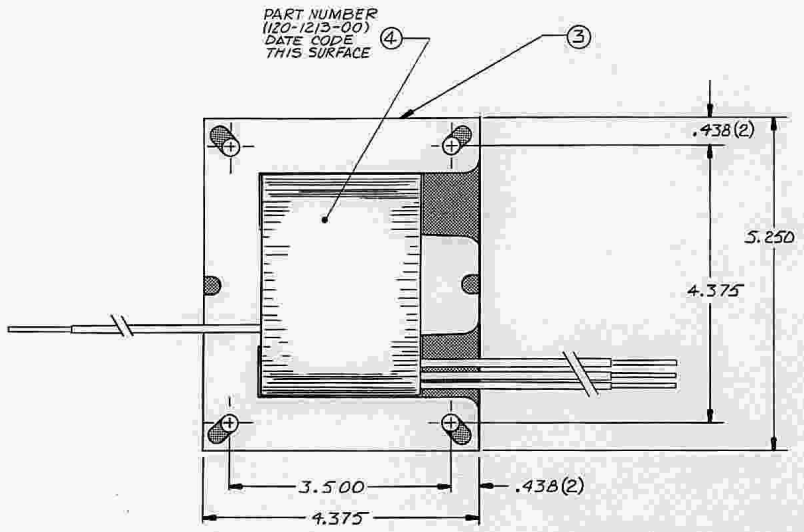
ITEM	PART NUMBER	QTY	DESCRIPTION
4	276-0583-00	1 SET	CORE, EM (AL600 2616)
3	276-0132-00	1	FORM, COIL
2	253-0103-00	AR	TAPE, PRESS SENS (438 WIDE)
1	343-0423-00	1	CLAMP, POT CORE

53-131B

THIS DRAWING WHEN APPLICABLE OUTSIDE TEXTORON, INC. IS SUPPLIED FOR IDENTIFICATION, ENGINEERING EVALUATION AND/OR REPRODUCTION PURPOSES ONLY AND MAY NOT BE USED AS A BASIS FOR ADVANCEMENTS OR SALES OF PRODUCTS WITHOUT WRITTEN PERMISSION FROM TEXTORON, INC. IF THIS DRAWING IS OTHERWISE UNDER ANOTHER GOVERNMENT CONTRACT, IT SHALL NOT BE OTHER THAN AS SHOWN ON THE CONTRACT, OR USED, REPRODUCED, OR DISCLOSED IN WHOLE OR IN PART FOR ADVANCEMENT OR REPRODUCTION, WITHOUT THE WRITTEN PERMISSION OF TEXTORON, INC. EXCEPT FOR (1) REPRODUCTION BY THE GOVERNMENT OR BY THE GOVERNMENT, UNDER THE TERMS OF REPRODUCTION IN SUCH CASES, AND (2) REPRODUCTION BY THE GOVERNMENT OR BY THE GOVERNMENT, UNDER THE TERMS OF REPRODUCTION IN SUCH CASES, AND (3) REPRODUCTION BY THE GOVERNMENT OR BY THE GOVERNMENT, UNDER THE TERMS OF REPRODUCTION IN SUCH CASES.

REV	DATE	DESCRIPTION OF CHANGE	CHKD BY	DATE
(A)	45018	REMOVED ITEM 1 PN. 120-1213-50	DD	27JAN82
(B)	50496	ADDED NOTE 7 & NOTE 5 WAS 2 KY	DD	22JUN83
(C)	51689	UPDATED DWG. & NOTE $\Delta$	DD	5JAN84

PART NUMBER  
120-1213-00  
DATE CODE  
THIS SURFACE

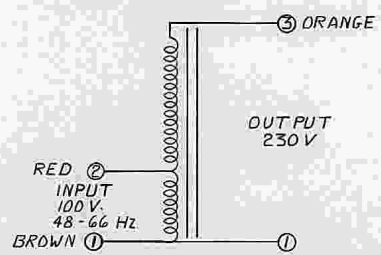


COIL STRUCTURE

OUTSIDE

TYPE WINDING	LEAD NO
SEC	2-3
255 T	# 17
PR1	1-2
190 T	# 16

INSIDE



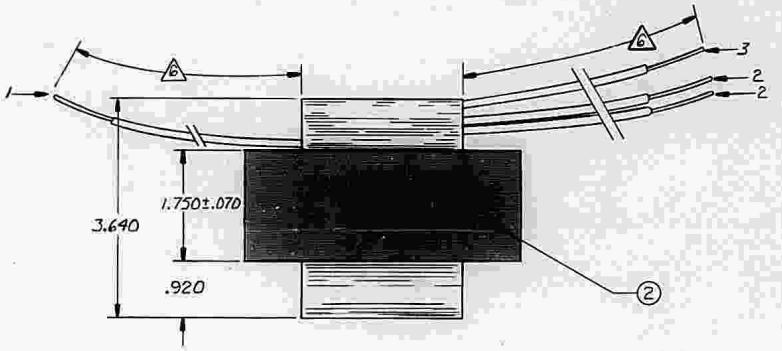
INPUT VOLTAGE TOLERANCE  $\pm 10\%$   
FULL LOAD OUTPUT VOLTAGE  
230V AT 3.5A

7. ORIENTATION OF KEEPER IS  
OPTIONAL

$\Delta$  LEAD AND INSULATION SLEEVING CHART

LEAD NO	COLOR	PART NUMBER	LENGTH STRIP/TIN
1	BRN	162-0552-00	8.000 $\pm .125$
2	RED	162-0508-00	8.000 1.000
3	ORN	162-0673-00	8.000 1.000

PART NUMBER 120-1213-00  
REV. C



5. DIELECTRIC WITHSTANDING VOLTAGE:  
15KV RMS, 50 TO 60 Hz, 1 MINUTE  
LEADS 1,2,3 TO CORE

4. VOLTAGE RATINGS ARE RMS NO LOAD VDS  
CURRENT RATING IS AMPS AC RMS TYP

3. WINDINGS INSULATED FOR 600 VDC

$\Delta$  TRANSFORMER VACUUM IMPREGNATED  
WITH VARNISH 252-0082-00 OR  
APPROVED EQUIVALENT

1. DIMENSIONS REFERENCE UNLESS  
OTHERWISE SPECIFIED

NOTES:

TEXTORON, INC. PROPRIETARY ITEM DRAWING

REP'D BY TEXTORON  MFD FOR TEXTORON

TEXTORON, INC. BEAVERTON, OREGON U.S.A. 97177

DRW: J. WINFREY V. SHAYTS DIMENSIONS ARE IN INCHES / MM  
CHKD: S. STEWART 12 JUL 79 UNLESS OTHERWISE SPECIFIED  
PARD: G. HESS 11 JUL 79 SCALE: 1:1 FIRST USED ON: 016-0406-00

MATERIAL: SEE LIST OF MATERIALS

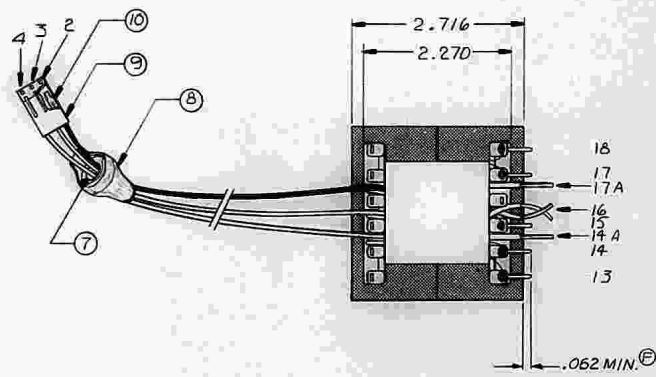
4	334-4645-00	1	MARKER, IDENTIFICATION
3	386-0032-00	2	PLATE, LAMINATION (KEEPER)
2	386-0031-00	AR	PLATE LAMINATION (STEEL)
1			

FINISH: NOTED  $\Delta$

TITLE: TRANSFORMER, POWER, AUTO TRANSFORMER

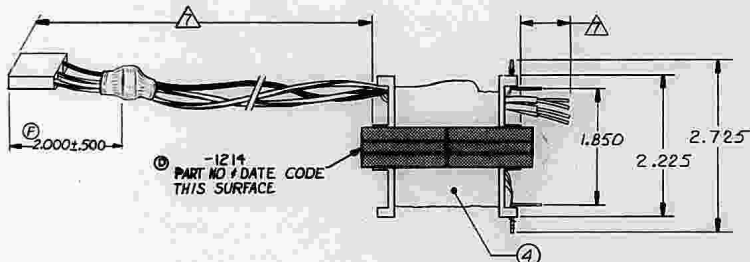
CODE: 80009 D 120-1213-00 REV. C

77-241 D

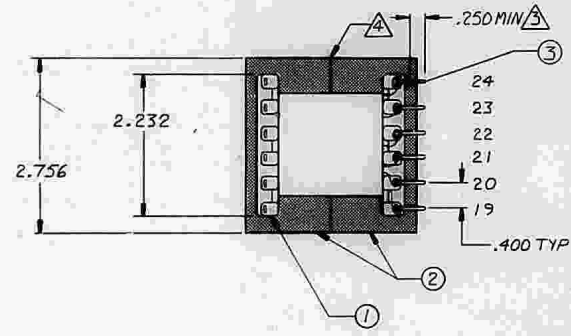
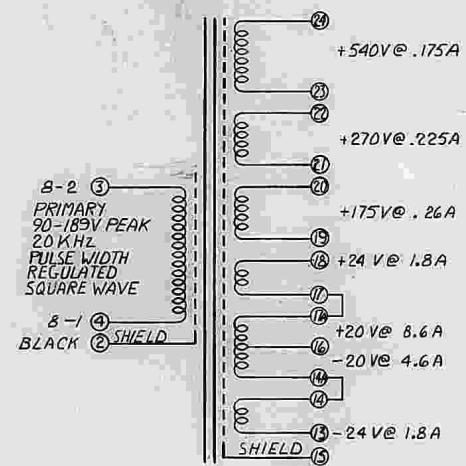


COIL STRUCTURE  
OUTSIDE

TYPE WINDING	TERM NO
PRI	3-4
41T	#16
SHIELD	2
SHIELD	15
SEC 14A-16-17A	SEC 13-14&17-18
10T (2) #15	2T (2) #21
SEC	23-24
128T	# 30
SEC	21-22
46T	# 28
SEC	19-20
83T	# 26



INSIDE



REV	APP	DESCRIPTION OF CHANGE	CHK BY	DATE
A	45291	REMOVED ITEM 5, 6, & 11	DD	18JAN82
B	33962	ADDED CUSTOMER SERVICE	SD	15FEB82
C	48291	NOTE 5 '1500V RMS' WAS '200V'	DD	6 DEC 82
D	50392	UPDATED DRAWING-ADDED PART NO & DATE CODE	DD	20JUN83
E	52616	ADDED SAFETY LABEL	DD	27JAN84
F	54507	UPDATED DWG, NOTES 2, 3, 6 & 7	DD	27JUN84
G	55416	ITEM #1 WAS 276-0249-00	DR	19NOV84

- 9. TRANSFORMER MUST COMPLY WITH UL-478 AND CSA-134
- 8. VOLTAGE IS PULSE WIDTH REGULATED. SECONDARY VOLTAGES ARE AVERAGE RECTIFIED VALUES AT RATED LOADS WITH THE PRIMARY INPUT AT 90VOLTS PEAK AND APPROX 90% DUTY CYCLE

LEAD LENGTHS:

LEAD NO	COLOR	PART NUMBER	LENGTH ±.250	STRIP ±.125
2	BLK	175-0675-00	4.750	*
3	B-2	177-0693-00	4.750	*
4	B-1	177-0685-00	4.750	*
14A	SELF	176-0281-XX	1.000	.500
16	SELF	176-0281-XX	1.000	.500
17A	SELF	176-0281-XX	1.000	.500

\* ASSEMBLE TO CONNECTOR ♦ REF ONLY

120-1214-00 G

- 6. INDUCTANCE (3-4): 4mH MIN MEASURED ON AN EST 252 METER OR APPROVED EQUIVALENT
- 5. DIELECTRIC WITHSTANDING VOLTAGE 1500 V RMS, 50 TO 60HZ, 1 MINUTE PRIMARY TO SECONDARIES, SHIELD AND CORE
- SECURE CORES WITH ADHESIVE
- SOLDERABILITY REQUIRED THIS AREA
- 2. VACUUM IMPREGNATE TRANSFORMER WITH VARNISH 252-0082-00 OR APPROVED EQUIVALENT
- 1. DIMENSIONS REFERENCE UOS

NOTES: CUSTOMER SERVICE

QTY	PART NUMBER	REV	DESCRIPTION
3	131-1790-00		CONNECTOR, TERMINAL
1	204-0671-00		HOLDER, TERM CONNECTOR
1	162-0031-00	AR	INSUL, SLEEVING (HEAT SHRINK)
1	276-0635-00		CORE, TOROID
1	253-0241-00	AR	TAPE, PRESS SENS (1.500 WIDE)
11	131-2302-00		TERMINAL, PC 3
1	276-0726-00		CORE, EM (E FERRITE) SET
1	276-0249-02		FORM, COIL

TEKTRONIX, INC. PROPRIETARY ITEM DRAWING

TEKTRONIX, INC. BEAVERTON, OREGON U.S.A. 97077

SCALE: 1:1 CMA125

SEE LIST OF MATERIALS

FINISH: NOTED

TITLE: TRANSFORMER, POWER (SDN & SU:XF CONVERTER)

CODE IDENT NO: 80009 D

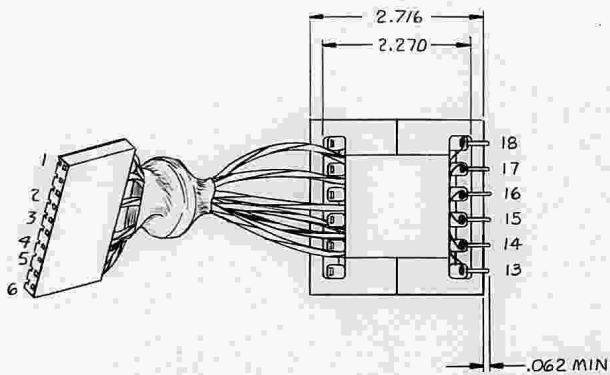
PART NUMBER: 120-1214-00

REV: G

77-241K

THIS DRAWING WHEN APPROVED BY THE CUSTOMER, IS VALID FOR MANUFACTURING, ENGINEERING, QUALIFICATION AND/OR INSPECTION PURPOSES ONLY AND NOT FOR REUSE AS A BASIS FOR MANUFACTURE OR SALES OF PRODUCTS WITHOUT THE WRITTEN PERMISSION OF TEKTRONIX, INC. IF THIS DRAWING IS REPRODUCED, ADAPTED, COPIED, OR TRANSMITTED IN ANY FORM OR BY ANY MEANS, WITHOUT THE WRITTEN PERMISSION OF TEKTRONIX, INC., THIS DRAWING IS UNLAWFUL. THIS DRAWING IS THE PROPERTY OF TEKTRONIX, INC. AND IS TO BE KEPT CONFIDENTIAL. IT SHALL NOT BE LOANED, REPRODUCED, COPIED, OR TRANSMITTED IN ANY FORM OR BY ANY MEANS, WITHOUT THE WRITTEN PERMISSION OF TEKTRONIX, INC. THIS DRAWING IS UNLAWFUL. THIS DRAWING IS THE PROPERTY OF TEKTRONIX, INC. AND IS TO BE KEPT CONFIDENTIAL. IT SHALL NOT BE LOANED, REPRODUCED, COPIED, OR TRANSMITTED IN ANY FORM OR BY ANY MEANS, WITHOUT THE WRITTEN PERMISSION OF TEKTRONIX, INC.

REV	DATE	DESCRIPTION OF CHANGE	DATE	BY
A	26 OCT 83	UPDATED DRAWING ADDED ITEM 9 ON LIST OF MATERIALS	DD	



### COIL STRUCTURE OUTSIDE

TYPE WINDING TERM/LEAD NO

PRI	4-5	PRI	2-3
16T	*27	41T	*27

PRI	6-1
79T	19/33 LITZ

SHIELD PRIMARY 2

SHIELD SECONDARY 15

SEC	13-14-17-18
2T BIFILAR	#21

SEC	14-15-16-17
10T BIFILAR	19/29 LITZ

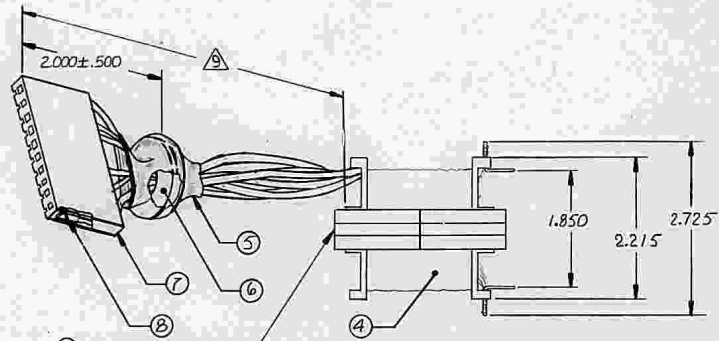
SEC	23-24
-----	-------

128T	*30
------	-----

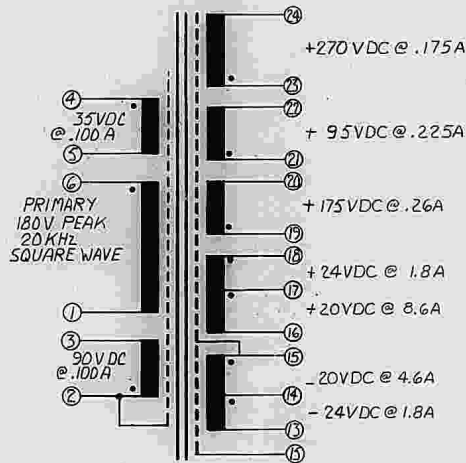
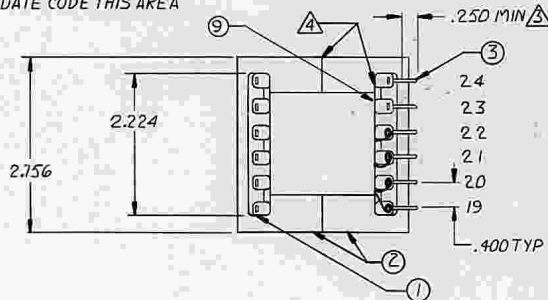
SEC	21-22
46T	*28

SEC	19-20
83T	*26

### INSIDE



A PART NUMBER (1214-01)  
& DATE CODE THIS AREA



TERM NO	PEAK NO LOAD VOLTS (RMS)	AMPS RMS	DCR Ω
6-1	180V	2.4	0.390
15-13	27.3	1.8	0.026
16-18	27.3	1.8	0.026
19-20	189	.510	.74
21-22	105	.355	.70
23-24	281	.175	3.2
2-3	93.4	.100	1.00
4-5	36.5	.100	0.42
15-14	22.8	6.36	0.015
16-17	22.8	6.36	0.015

### NOTES:

- DIMENSIONS REFERENCE UOS
- VACUUM IMPREGNATE COIL ONLY WITH VARNISH 252-0082-00
- SOLDERABILITY REQUIRED THIS AREA (U)
- CORES CEMENTED TOGETHER AND TO COIL FORM.
- DIELECTRIC WITHSTANDING VOLTAGE: 1.5 KV RMS, 50 TO 60HZ, 1 MINUTE, 1 THRU 6 TO 13 THRU 24 AND CORE
- INDUCTANCE (1-6): 197mH MIN, MEASURED ON ESI 252 METER OR APPROVED EQUIVALENT
- SECONDARY VOLTAGES ARE AVERAGE RECTIFIED VALUES AT RATED LOADS WITH THE PRIMARY INPUT AT 180 VOLTS PEAK UOS
- TRANSFORMER MUST COMPLY WITH UL 478, UL 114, CSA 154

SAFETY INFORMATION: THIS PRODUCT IS NOT TO BE USED IN A MANNER NOT SPECIFIED IN THE DRAWING. THE USER SHALL BE RESPONSIBLE FOR THE PROPER USE OF THE PRODUCT.

PART NUMBER 120-1214-01 REV. A

### LEAD LENGTHS MEASURED AS SHOWN

LEAD NO	COLOR	PART NUMBER	LENGTH ±.250	STRIP ±.125
1	B-1	177-0685-00	4.500	*
2	B-2	177-0693-00	4.500	*
3	B-3	177-0699-00	4.500	*
4	B-4	177-0701-00	4.500	*
5	B-5	177-0702-00	4.500	*
6	B-6	177-1252-00	4.500	*

\* ASSEMBLE TO CONNECTOR

RELEASED FOR PRODUCTION TOOLING SIGNATURE DATE

TEKTRONIX, INC. PROPRIETARY FIBER DRAWING

MADE BY TEKTRONIX INC. MADE FOR TEKTRONIX

TEKTRONIX, INC. BEAVERTON, OREGON U.S.A. 97077

DATE: 11/19/83 10/10/83 DIMENSIONS ARE IN INCHES UNLESS OTHERWISE SPECIFIED

ENGR: J. J. J. 23 FEB 83 UNLESS OTHERWISE SPECIFIED

CHK: J. J. J. 23 FEB 83 UNLESS OTHERWISE SPECIFIED

PROD: P. J. J. 23 FEB 83 UNLESS OTHERWISE SPECIFIED

MATERIAL: NONE GMA-125

SEE LIST OF MATERIALS

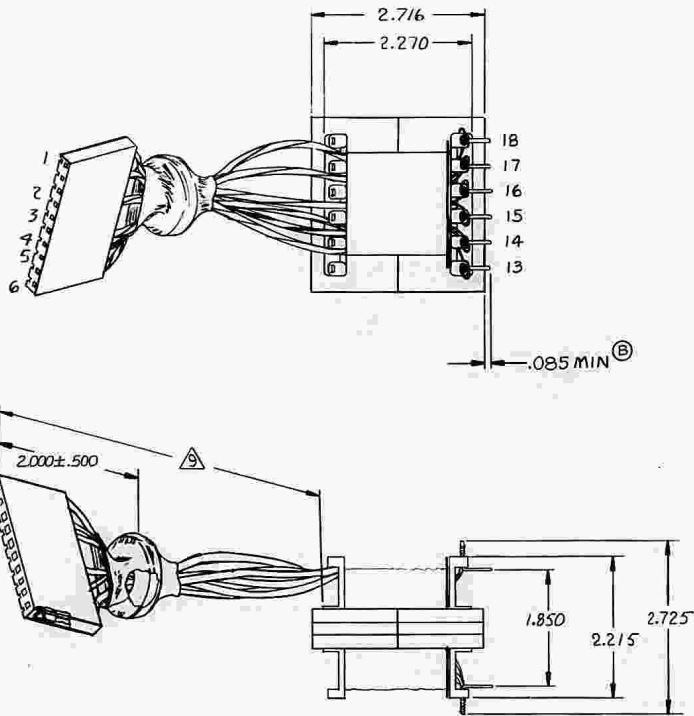
FRSH:

TITLE: TRANSFORMER, POWER (STPDN & STD:XF CONVERTER)

CODE: 80009 D DATE: 120-1214-01 REV: A

ITEM	PART NUMBER	QTY	DESCRIPTION
A 9	162-0619-00	AR	INSULATION, SLEEVING
8	131-1918-00	6	CONNECTOR, TERMINAL
7	352-0462-00	1	HOLDER, TERM CONNECTOR
6	276-0635-00	1	CORE, TOROID
5	162-0031-00	AR	INSUL, SLEEVING (HEAT SHRINK)
4	253-0241-00	AR	TAPE, PRESS SENS (1.500 WIDE)
3	131-2302-00	12	TERMINAL, PC 3
2	276-0726-00	2	CORE, EM (E" FERRITE)
1	276-0249-00	1	FORM, COIL

THIS DRAWING WHEN APPROVED BY TEKTRONIX, INC. IS VALID FOR REPRODUCTION, ENGINEERING TRANSFER AND/OR REVISION PURPOSES ONLY AND MAY NOT BE USED AS A BASIS FOR MANUFACTURE OF PARTS OR PRODUCTS WITHOUT WRITTEN PERMISSION FROM TEKTRONIX, INC. IF THIS DRAWING IS REPRODUCED UNDER ANY OTHER RIGHTS GOVERNMENT CONTRACT, IT SHALL NOT BE USED WITHOUT THE WRITTEN PERMISSION OF TEKTRONIX, INC. NO REPRODUCTION, OR REPRODUCTION IN WHOLE OR IN PART FOR MANUFACTURE OR REPRODUCTION, WITHOUT THE WRITTEN PERMISSION OF TEKTRONIX, INC. EXCEPT FOR THE EXPLICITLY STATED OR IMPLIED PERMISSION OF THE CONTRACTING AGENCY. THE USE OF THIS DRAWING IS NOT GUARANTEED. THE USER ASSUMES ALL LIABILITY ATTACHED TO THE USE OF THIS DRAWING. THE USER SHALL BE RESPONSIBLE FOR THE PROPER USE OF THIS DRAWING. THE USER SHALL BE RESPONSIBLE FOR THE PROPER USE OF THIS DRAWING. THE USER SHALL BE RESPONSIBLE FOR THE PROPER USE OF THIS DRAWING. THE USER SHALL BE RESPONSIBLE FOR THE PROPER USE OF THIS DRAWING.



**COIL STRUCTURE  
OUTSIDE**

TYPE WINDING TERM/LEAD NO

PRI	4-5	PRI	2-3
16T	*27	41T	*27

PRI	6-1
79T	19/33 LITZ

SHIELD PRIMARY	2
----------------	---

SHIELD SECONDARY	15
------------------	----

SEC	13-14, 17-18
2T BIFILAR	#21

SEC	14-15, 16-17
10T BIFILAR	19/29 LITZ

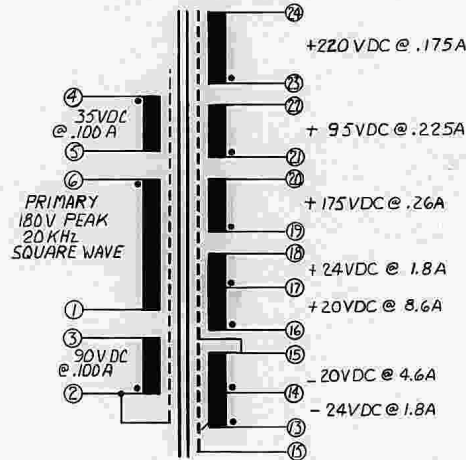
SEC	23-24
-----	-------

104T	*30
------	-----

SEC	21-22
46T	*28

SEC	19-20
83T	*26

**INSIDE**



TERM NO	PEAK NO LOAD VOLTS (FREE)	AMPS RMS	DCR Ω ±20% AT 20°C
6-1	180V	2.4	0.037
15-13	27.3	1.8	0.027
16-18	27.3	1.8	0.027
19-20	189	.510	0.72
21-22	105	.335	.70
23-24	237	.175	3.30
2-3	93.4	.100	0.98
4-5	36.5	.100	0.41
15-14	22.8	6.36	0.015
16-17	22.8	6.36	0.015

- NOTES:
1. DIMENSIONS REFERENCE UOS
  2. VACUUM IMPREGNATE COIL WITH VARNISH 252-0082-00 OR APPROVED EQUIVALENT
  3. SOLDERABILITY REQUIRED THIS AREA (U)
  4. CORES CEMENTED TOGETHER AND TO COIL FORM.
  5. DIELECTRIC WITHSTANDING VOLTAGE: 3.75 KV RM3, 50 TO 60 Hz, 1 MINUTE, 1 THRU 6 TO 13 THRU 24 AND CORE
  6. INDUCTANCE (1-6): 197mH MIN, MEASURED ON ESI 252 METER OR APPROVED EQUIVALENT
  7. SECONDARY VOLTAGES ARE AVERAGE RECTIFIED VALUES AT RATED LOADS WITH THE PRIMARY INPUT AT 180 VOLTS PEAK UOS
  8. TRANSFORMER MUST COMPLY WITH UL 478, UL 114, CSA 154

PART NUMBER 120-1214-02 REV. C

LEAD LENGTHS MEASURED AS SHOWN

LEAD NO	COLOR	PART NUMBER	LENGTH ±.250	STRIP ±.125
1	B-1	177-0685-00	4.500	*
2	B-2	177-0693-00	4.500	*
3	B-3	177-0699-00	4.500	*
4	B-4	177-0701-00	4.500	*
5	B-5	177-0702-00	4.500	*
6	B-6	177-1252-00	4.500	*

\* ASSEMBLE TO CONNECTOR

PART NO. (-1214-02) AND DATE CODE THIS SURFACE

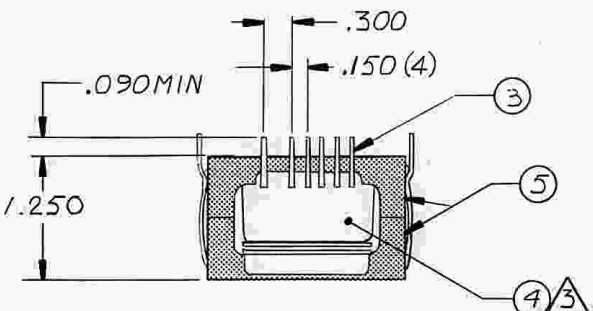
**TEKTRONIX SAFETY CONTROLLED PART**

THIS PART IS CONTROLLED TO INSURE MAINTENANCE OF SAFETY CHARACTERISTICS DESIGNED INTO A TEKTRONIX PRODUCT TO CONTINUE MAINTENANCE. ANY CHANGES IN MATERIALS, SPECIFICATIONS, VERSIONS, OR VERSION PART NUMBERS MUST BE EVALUATED AND APPROVED IN EACH APPLICATION IN WHICH THIS IS A CONTROLLED PART.

RELEASED FOR PRODUCTION TOOLING	SIGNATURE	DATE
TEKTRONIX, INC. PROPRIETARY ITEM DRAWING		
MFD BY TEKTRONIX		MFD FOR TEKTRONIX
P. O. BOX 909 BEAVERTON, OREGON U.S.A. 97007		
Desn. P. MUMAM ENGR. J. J. J. J. CHDR. J. J. J. J. PROD. Ed. L. L. L. L.	2SEP83 14 SEP 83 14 SEP 83	DIMENSIONS ARE IN INCHES UNLESS OTHERWISE SPECIFIED SCALE: NONE FIRST USED ON: GMA-125
SEE LIST OF MATERIALS		
FINISH:		
TITLE: TRANSFORMER, POWER (STPDN & STU:XF CONVERTER) CODE IDENT NO: 80009 B SIZE: 120-1214-02 REV: C		

77-197 D

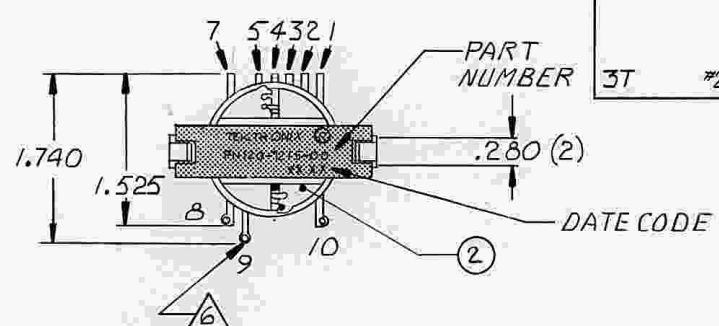
THIS DRAWING WHEN DISTRIBUTED OUTSIDE TEKTRONIX, INC., IS SUPPLIED FOR IDENTIFICATION, ENGINEERING EVALUATION AND/OR INSPECTION PURPOSES ONLY AND MAY NOT BE USED AS A BASIS FOR MANUFACTURE OR SALES OF PRODUCTS WITHOUT WRITTEN PERMISSION FROM TEKTRONIX, INC. IF THIS DRAWING IS FURNISHED UNDER ANY UNITED STATES GOVERNMENT CONTRACT, IT SHALL NOT BE EITHER RELEASED OUTSIDE THE GOVERNMENT, OR USED, DUPLICATED, OR DISCLOSED IN WHOLE OR IN PART FOR MANUFACTURE OR PROCUREMENT, WITHOUT THE WRITTEN PERMISSION OF TEKTRONIX, INC., EXCEPT FOR: (1) EMERGENCY REPAIR OR OVERHAUL WORK BY OR FOR THE GOVERNMENT, WHERE THE ITEM OR PROCESS CONCERNED IS NOT OTHERWISE REASONABLY AVAILABLE TO ENABLE TIMELY PERFORMANCE OF THE WORK, OR (2) RELEASE TO A FOREIGN GOVERNMENT AS THE INTERESTS OF THE UNITED STATES MAY REQUIRE, PROVIDED THAT IN EITHER CASE THE RELEASE, USE, DUPLICATION OR DISCLOSURE HEREOF SHALL BE SUBJECT TO THE FOREGOING LIMITATIONS. IF THIS DRAWING IS REPRODUCED IN WHOLE OR IN PART, THIS ENTIRE LEGEND BLOCK MUST APPEAR ON ALL REPRODUCED COPIES.



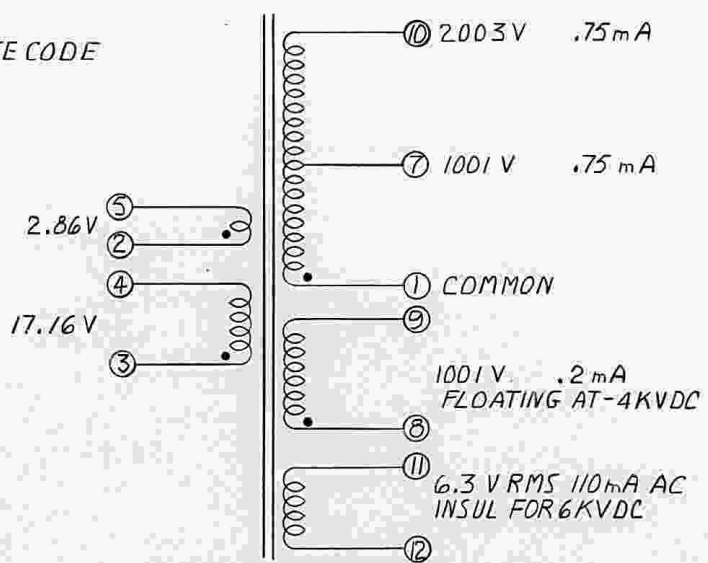
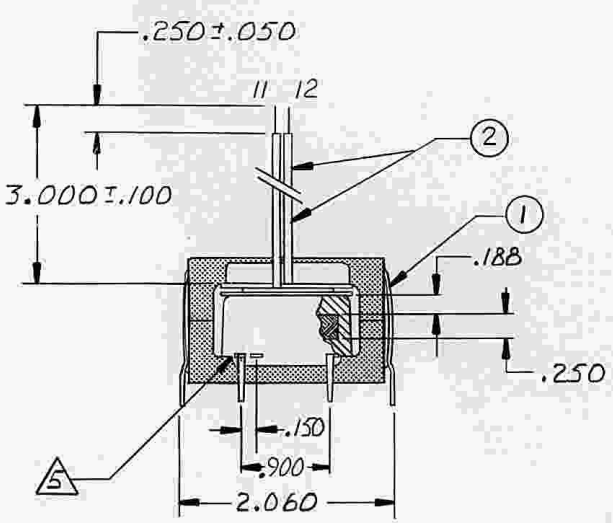
COIL STRUCTURE  
OUTSIDE

REV	REF	DESCRIPTION OF CHANGE	CHK BY	DATE
(A)	41258	ITEM 2 P/N WAS 175-0921-00 ADDED NOTE 7	DD	17 JUN 81

TYPE WINDING	LEAD/TERM NO
SEC 11-12	SEC i-7-10
	0-360-700.5 T #36
PRI 3-4	PRI 2-5
6T #31	1T #31
SEC 3T #24	SEC 8-9
	350T 6 LAYER BANKWOUND #39



INSIDE



OPERATING FREQUENCY 25 KHZ

(A) 7. 650-0310-00 CONSISTS OF  
276-0225-00 FORM, COIL  
175-0921-00 WIRE, # 24 AWG,  
CORONA RES

(A) PIN 9 CUT OFF LEAVING EYELET  
(A) GAP BETWEEN CORE AND COIL  
FILLED WITH ADHESIVE FOR 5400 VDC  
BREAKDOWN

PART NUMBER	REV.
120-1215-00	A

4. VOLTAGE RATINGS ARE PEAK NO LOAD U.S.  
CURRENT RATINGS ARE AMPS DC TYP  
(A) COIL TRANSFER MOLDED WITH EPOXY  
2. POLARITY PER SCHEMATIC  
1. DIMENSIONS REFERENCE UNLESS  
OTHER WISE SPECIFIED

NOTES:

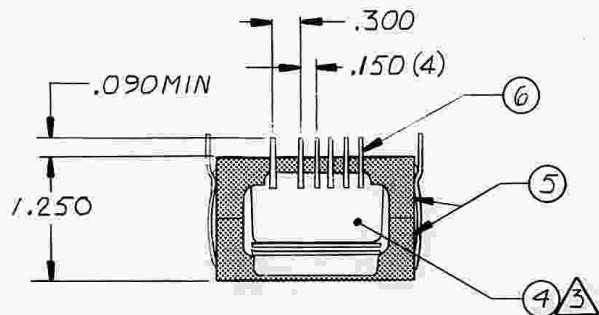
TEKTRONIX, INC. PROPRIETARY ITEM DRAWING			
<input checked="" type="checkbox"/> MFD BY TEKTRONIX	<input type="checkbox"/> MFD FOR TEKTRONIX		
TEKTRONIX, INC.		P. O. BOX 500 BEAVERTON, OREGON U.S.A. 97077	
OWN <i>J. Winfrey</i>	2 JAN 79	DIMENSIONS ARE IN INCHES / TOLERANCES: UNLESS OTHERWISE SPECIFIED	
ENGR <i>L. Chom</i>	13 Sept 79	DEC	ANLR
CHKR <i>B. Stewart</i>	13 Sept 79	SCALE	FIRST USED ON
PROD <i>E. Hous</i>	12 Oct 79	NONE	GMA125
MATERIAL			
SEE LIST OF MATERIALS			
FINISH			
NOTED			
TITLE			
TRANSFORMER, POWER SDNE & SU (HIGH VOLTAGE)			

ITEM	PART NUMBER	QTY	DESCRIPTION
5	276-0696-00	1	CORE, EM ("E" FERRITE)
	276-0697-00	1	CORE, EM ("E" FERRITE)
4	255-0479-01	AR	PLASTIC MOLDING MATERIAL (EPOXY)
(A) 3	195-0235-00	1/2	LEAD SET, HV TRANSFORMER
2	650-0310-00		BOBBIN ASSEMBLY
1	343-0682-00	2	CLAMP, TRANSFORMER CORE

CODE IDENT NO	SIZE	PART NUMBER	REV
80009	C	120-1215-00	A



THIS DRAWING WHEN DISTRIBUTED OUTSIDE TEKTRONIX, INC., IS SUPPLIED FOR IDENTIFICATION, ENGINEERING EVALUATION AND/OR INSPECTION PURPOSES ONLY AND MAY NOT BE USED AS A BASIS FOR MANUFACTURE OR SALES OF PRODUCTS WITHOUT WRITTEN PERMISSION FROM TEKTRONIX, INC. IF THIS DRAWING IS FURNISHED UNDER ANY UNITED STATES GOVERNMENT CONTRACT, IT SHALL NOT BE EITHER RELEASED OUTSIDE THE GOVERNMENT, OR USED, DUPLICATED, OR DISCLOSED IN WHOLE OR IN PART FOR MANUFACTURE OR PROCUREMENT, WITHOUT THE WRITTEN PERMISSION OF TEKTRONIX, INC., EXCEPT FOR: (1) EMERGENCY REPAIR OR OVERHAUL WORK BY OR FOR THE GOVERNMENT, WHERE THE ITEM OR PROCESS CONCERNED IS NOT OTHERWISE REASONABLY AVAILABLE TO ENABLE TIMELY PERFORMANCE OF THE WORK; OR (2) RELEASE TO A FOREIGN GOVERNMENT AS THE INTERESTS OF THE UNITED STATES MAY REQUIRE, PROVIDED THAT IN EITHER CASE THE RELEASE, USE, DUPLICATION OR DISCLOSURE HEREOF SHALL BE SUBJECT TO THE FORTHGOING LIMITATIONS. IF THIS DRAWING IS REPRODUCED IN WHOLE OR IN PART, THIS ENTIRE LEGEND BLOCK MUST APPEAR ON ALL REPRODUCED COPIES.



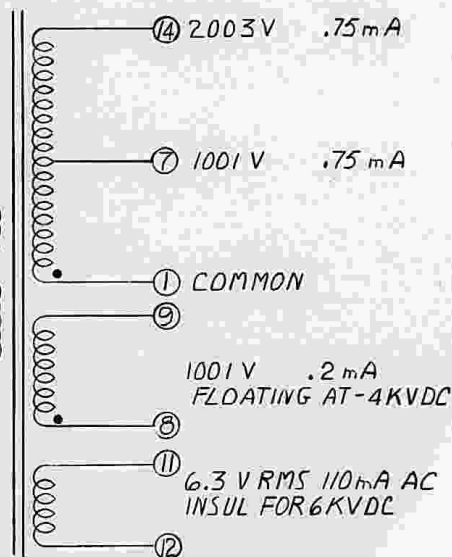
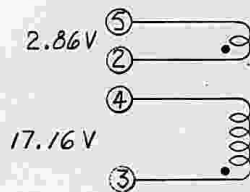
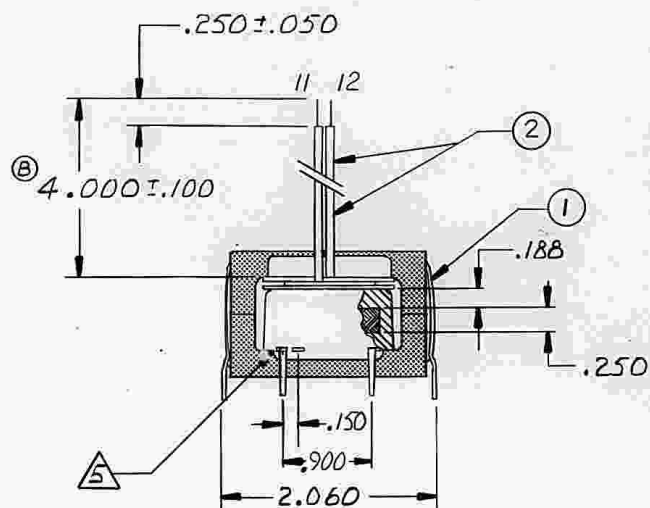
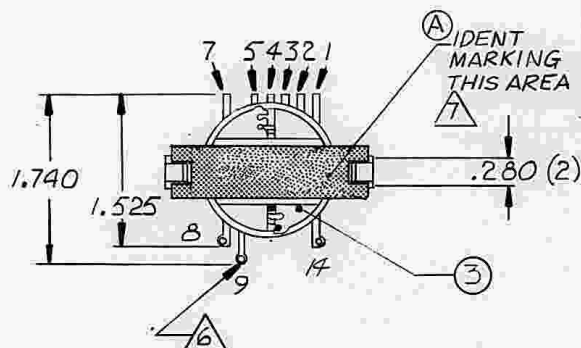
## COIL STRUCTURE OUTSIDE

TYPE WINDING

LEAD/TERM NO

SEC 11-12	SEC 1-7-14
	0-360-700.5 T #36
PRI 3-4	PRI 2-5
6T #31	1T #31
SEC 8-9	
3T #24	350T 8 LAYER BANKWOUND #39

INSIDE



OPERATING FREQUENCY 25 KHZ

REV	REF	DESCRIPTION OF CHANGE	CHK BY	DATE
	48338	INITIATED PART	CA	2 NOV 82
(A)	52601	REVISED DWG. & ADDED NOTE 7	DD	29 MAR 84
(B)	55394	DIMENSION WAS 3.000 ± .100 ITEM 2 WAS 175-0921-00 & ITEM 3 WAS 276-0225-00	DD	27 AUG 84

7 LOCATION AND ORIENTATION ON THIS SURFACE NOT CRITICAL. MUST BE LEGIBLE

6 PIN 9 CUT OFF LEAVING EYELET

5 GAP BETWEEN CORE AND COIL FILLED WITH ADHESIVE FOR 5400 VDC BREAK DOWN

PART NUMBER	REV.
120-1215-01	B

4. VOLTAGE RATINGS ARE PEAK NO LOAD UDS. CURRENT RATINGS ARE AMPS DC TYP

3 COIL TRANSFER MOLDED WITH EPOXY

2. POLARITY PER SCHEMATIC

1. DIMENSIONS REFERENCE UNLESS OTHERWISE SPECIFIED

NOTES:

TEKTRONIX, INC. PROPRIETARY ITEM DRAWING	
<input checked="" type="checkbox"/> MFD BY TEKTRONIX	<input type="checkbox"/> MFD FOR TEKTRONIX
<b>TEKTRONIX, INC.</b> P. O. BOX 500 BEAVERTON, OREGON U.S.A. 97077	
DWN <i>JT WINFREY</i> 26 OCT 82	DIMENSIONS ARE IN INCHES / mm
ENGR <i>Larry C Van</i> 2 Nov 82	TOLERANCES: UNLESS OTHERWISE SPECIFIED
CHKR <i>B.H. Hester</i> 5 Nov 82	ANLR
PROC <i>Robert Hester</i> 2 Nov 82	SCALE FIRST USED ON
	NONE GMA 125
MATERIAL	
SEE LIST OF MATERIALS	
FINISH	
NOTED	
TITLE	
TRANSFORMER, POWER STPDN ESTU (HIGH VOLTAGE)	
CODE IDENT NO	PART NUMBER
80009	120-1215-01
SIZE	REV
	B

6	195-0235-00	1/2	LEAD, SET HV TRANSFORMER
5	276-0696-00	1	CORE, EM ("E" FERRITE)
	276-0697-00	1	CORE, EM ("E" FERRITE)
4	255-0479-01	AR	PLASTIC MOLDING MATERIAL (EPOXY)
(B)	3	650-1301-00	1 FORM, COIL
(B)	2	650-1301-00	AR WIRE, ELEC (*24AWG-CORONA RES)
1	343-0682-00	2	CLAMP, TRANSFORMER CORE
ITEM	PART NUMBER	QTY	DESCRIPTION

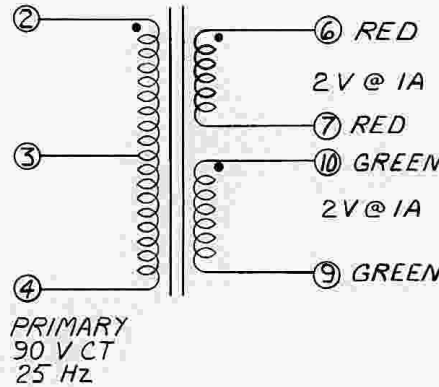
THIS DRAWING WHEN DISTRIBUTED OUTSIDE TEKTRONIX, INC., IS SUPPLIED FOR IDENTIFICATION, ENGINEERING EVALUATION AND/OR INSPECTION PURPOSES ONLY AND MAY NOT BE USED AS A BASIS FOR MANUFACTURE OR SALES OF PRODUCTS WITHOUT WRITTEN PERMISSION FROM TEKTRONIX, INC. IF THIS DRAWING IS FURNISHED UNDER ANY UNITED STATES GOVERNMENT CONTRACT, IT SHALL NOT BE EITHER RELEASED OUTSIDE THE GOVERNMENT, OR USED, DUPLICATED, OR DISCLOSED IN WHOLE OR IN PART FOR MANUFACTURE OR PROCUREMENT, WITHOUT THE WRITTEN PERMISSION OF TEKTRONIX, INC., EXCEPT FOR: (1) EMERGENCY REPAIR OR OVERHAUL WORK BY OR FOR THE GOVERNMENT, WHERE THE ITEM OR PROCESS CONCERNED IS NOT OTHERWISE REASONABLY AVAILABLE TO ENABLE TIMELY PERFORMANCE OF THE WORK, OR (2) RELEASE TO A FOREIGN GOVERNMENT AS THE INTERESTS OF THE UNITED STATES MAY REQUIRE; PROVIDED THAT IN EITHER CASE THE RELEASE, USE, DUPLICATION OR DISCLOSURE HEREOF SHALL BE SUBJECT TO THE FOREGOING LIMITATIONS, IF THIS DRAWING IS REPRODUCED IN WHOLE OR IN PART, THIS ENTIRE LEGEND BLOCK MUST APPEAR ON ALL REPRODUCED COPIES.

REV	REF	DESCRIPTION OF CHANGE	CHK BY	DATE
-----	-----	-----------------------	--------	------

COIL STRUCTURE  
OUTSIDE

TYPE WINDING	TERM NO
PRI	3-2
270T	*36
SEC	7-6-9-10
12T	*24
PRI	4-3
270T	*36

INSIDE



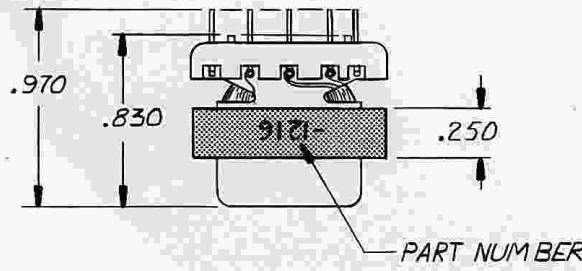
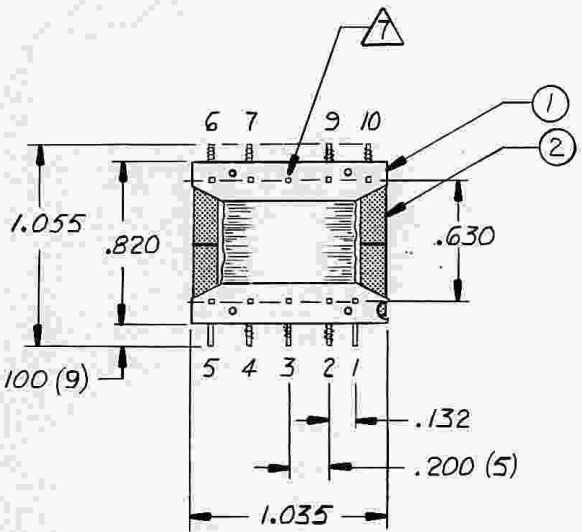
9. INDUCTANCE (2-3): 84 mH MIN @ 1 KHZ  
TESTED ON ESI 252 OR EQUIV
8. CORES CEMENTED TOGETHER  
▲ REMOVE PIN 8 PRIOR TO WINDING
6. POLARITY PER SCHEMATIC
5. DIELECTRIC WITHSTANDING VOLTAGE:  
2 KV RMS, 50 TO 60 HZ, 1 MINUTE  
PRIMARY TO SECONDARIES AND  
CORE

PART NUMBER	REV.
120-1216-00	

4. VOLTAGE RATINGS ARE RMS NO LOAD
3. WINDING INSULATED FOR 600V DC
2. TRANSFORMER VACUUM IMPREGNATED  
WITH VARNISH 252-0082-00
1. DIMENSIONS REFERENCE UNLESS  
OTHERWISE SPECIFIED

NOTES:

TEKTRONIX, INC. PROPRIETARY ITEM DRAWING	
<input checked="" type="checkbox"/> MFD BY TEKTRONIX	<input type="checkbox"/> MFD FOR TEKTRONIX
<b>TEKTRONIX, INC.</b>	
P. O. BOX 500 BEAVERTON, OREGON U.S.A. 97077	
OWN <i>JTWINFREY</i>	DATE <i>14FEB79</i>
ENGR <i>egj/llh</i>	DATE <i>20CT80</i>
CHKR <i>A. Stewart</i>	DATE <i>6 OCT 80</i>
PROD <i>B. Brundage</i>	DATE <i>6 OCT 80</i>
DIMENSIONS ARE IN INCHES / MM TOLERANCES: UNLESS OTHERWISE SPECIFIED	
SCALE <i>2:1</i>	FIRST USED ON <i>GMA125</i>
MATERIAL <b>SEE LIST OF MATERIALS</b>	
FINISH <b>NOTED</b>	



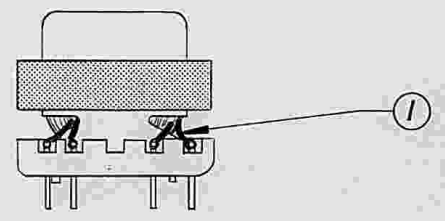
WIRE CHART

WINDING	AWG	PART NUMBER
3-4	36	176-0157-XX
2-3	36	176-0157-XX
6-7	24TEF	175-0577-00
9-10	24TEF	175-0576-00

2	276-0704-00	1	CORE, EM ("E" FERRITE)
1	276-0227-00	1	FORM, COIL

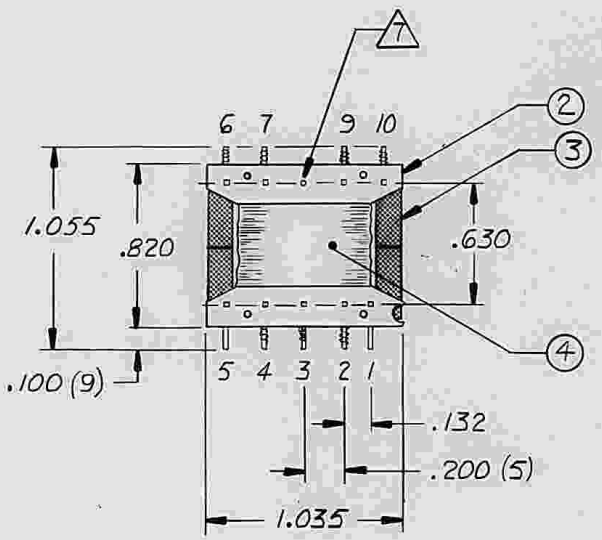
TITLE <b>TRANSFORMER, RF (CONVERTER DRIVER)</b>			
CODE IDENT NO <b>800099</b>	SIZE <b>C</b>	PART NUMBER <b>120-1216-00</b>	REV

THIS DRAWING WHEN DISTRIBUTED OUTSIDE TEKTRONIX, INC., IS SUPPLIED FOR IDENTIFICATION, ENGINEERING, EVALUATION AND/OR INSPECTION PURPOSES ONLY AND MAY NOT BE USED AS A BASIS FOR MANUFACTURE OR SALES OF PRODUCTS WITHOUT WRITTEN PERMISSION FROM TEKTRONIX, INC. IF THIS DRAWING IS FURNISHED UNDER ANY UNITED STATES GOVERNMENT CONTRACT, IT SHALL NOT BE EITHER RELEASED OUTSIDE THE GOVERNMENT, OR USED, DUPLICATED, OR DISCLOSED IN WHOLE OR IN PART FOR MANUFACTURE OR PROCUREMENT, WITHOUT THE WRITTEN PERMISSION OF TEKTRONIX, INC., EXCEPT FOR (1) EMERGENCY REPAIR OR OVERHAUL WORK BY OR FOR THE GOVERNMENT, WHERE THE ITEM OR PROCESS COVERED IS NOT OTHERWISE REASONABLY AVAILABLE TO ENABLE TIMELY PERFORMANCE OF THE WORK, OR (2) RELEASE TO A FOREIGN GOVERNMENT AS THE INTERESTS OF THE UNITED STATES MAY REQUIRE, PROVIDED THAT IN EITHER CASE THE RELEASE, USE, DUPLICATION OR DISCLOSURE HEREOF SHALL BE SUBJECT TO THE FOREGOING LIMITATIONS. IF THIS DRAWING IS REPRODUCED IN WHOLE OR IN PART, THIS ENTIRE LEGEND BLOCK MUST APPEAR ON ALL REPRODUCED COPIES.

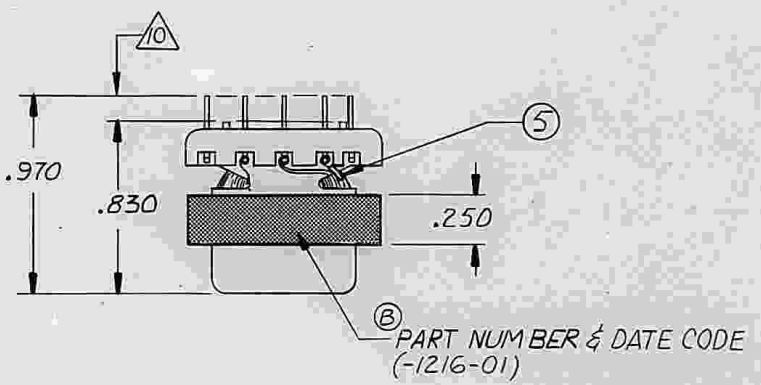
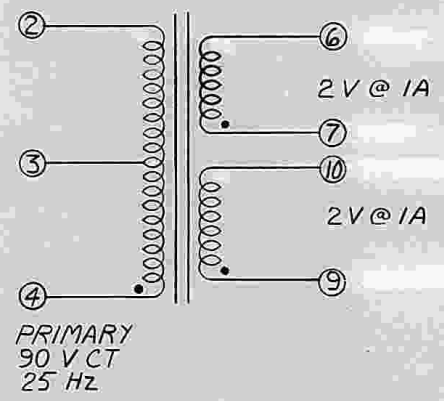


COIL STRUCTURE  
OUTSIDE

TYPE WINDING	TERM NO
SEC	9-10
6T	*22
PRI	4-3-2
0-135-270T	*33
SEC	7-6
6T	*22



INSIDE



WIRE CHART

WINDING	AWG	PART NUMBER
4-3-2	33	176-0239-XX (B)
7-6	22	176-0028-XX (B)
9-10	22	176-0028-XX (B)

5	162-0620-00	AR	INSULATION, SLEEVING
4	253-0103-00	AR	TAPE, PRESS SENS (.438 WIDE)
3	276-0704-00	2	CORE, EM ("E" FERRITE)
2	276-0227-00	1	FORM, COIL
1	162-0503-00	AR	INSULATION, SLEEVING

REV	REF	DESCRIPTION OF CHANGE	CHK BY	DATE
	41576	INITIATED PART	SD	17 NOV 80
(A)	39962	ADDED CS	SD	24 MAR 82
(B)	49313	UPDATED DWG, NOTE 5 & 9 PART NUMBERS WERE 176-0239-00, 176-0028-00 & ADDED NOTE (A)	DD	6 JUNE 83
(C)	49313	CORRECTED NOTES 9, & 2.	DD	19 JUL 83

- (B) (A) TERMINALS TO BE SOLDERABLE BELOW MOUNTING STAND OFFS
- (C) (B) 9. INDUCTANCE (2-3) 21mH MIN @ 1KHZ TESTED ON ESI 252 OR APPROVED EQUIVALENT
- 8. CORES CEMENTED TOGETHER
- (A) REMOVE PIN B PRIOR TO WINDING
- 6. POLARITY PER SCHEMATIC
- (B) 5. DIELECTRIC WITHSTANDING VOLTAGE: 2KV RMS, 50 TO 60 HZ, 1 MINUTE 2-3-4 TO 6-7-9-10 AND CORE. 2KVRMS, 50 TO 60 HZ, 1 MINUTE 9-10 TO 7-6
- 4. VOLTAGE RATINGS ARE RMS NO LOAD
- 3. WINDING INSULATED FOR 600V DC
- (C) 2. TRANSFORMER VACUUM IMPREGNATED WITH VARNISH 252-0082-00 OR APPROVED EQUIV.
- 1. DIMENSIONS REFERENCE UNLESS OTHERWISE SPECIFIED

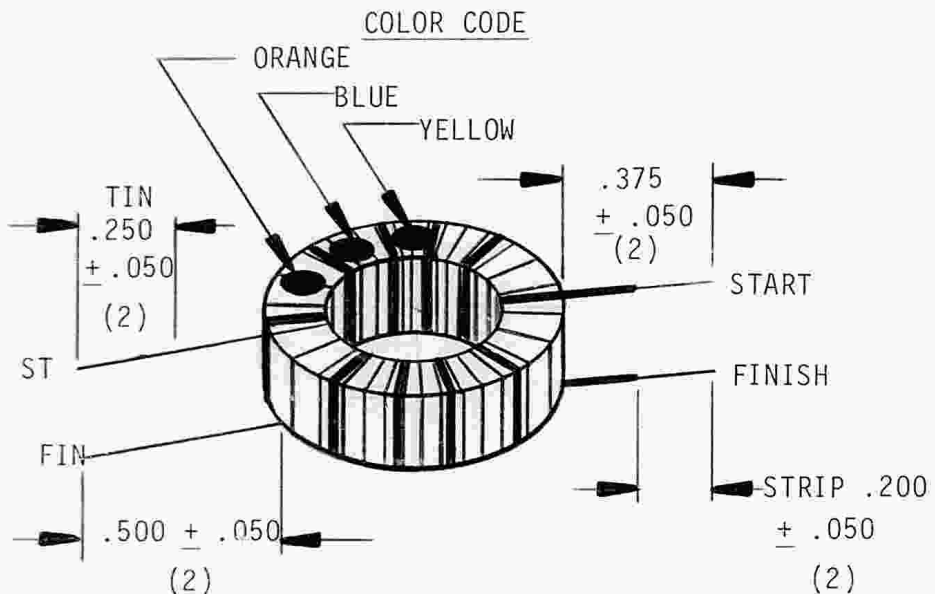
PART NUMBER	REV.
120-1216-01	C

NOTES: (A) CUSTOMER SERVICE

TEKTRONIX, INC. PROPRIETARY ITEM DRAWING	
<input checked="" type="checkbox"/> MFD BY TEKTRONIX	<input type="checkbox"/> MFD FOR TEKTRONIX
<b>TEKTRONIX, INC.</b> P. O. BOX 500 BEAVERTON, OREGON U.S.A. 97077	
DWN <i>JTWINFREY</i> 14 FEB 79	DIMENSIONS ARE IN INCHES / TOLERANCES UNLESS OTHERWISE SPECIFIED
ENGR <i>[Signature]</i> 24 OCT 80	DEC ANLR
CHKR <i>P. Beardsley</i> 13 NOV 81	SCALE 2:1
PROD <i>[Signature]</i> 13 NOV 80	FIRST USED ON GMA 125
MATERIAL SEE LIST OF MATERIALS	
FINISH NOTED	
TITLE TRANSFORMER, RF (CONVERTER DRIVER)	
CODE IDENT NO. 80009	SIZE
PART NUMBER 120-1216-01	
REV C	

NOTES:

1. TOROID REFERENCE DIMENSIONS: .230 OD X .060 HIGH
2. VALUE DETERMINED WITH ESI 252 METER OR EQUIVALENT  
L = 1.00mH ± 25% ON 30 TURN WINDING
3. DIELECTRIC WITHSTANDING VOLTAGE 2 KV RMS @ 1 MIN WINDING TO WINDING
4. COAT WITH 006-3397-00 or EQUIVALENT



WIRE DATA			
TURNS/COLOR	AWG	PART NUMBER	
30 RED	32	176-0037- 00	
10 BROWN	32	175-5052-00	

DATA:

CODE TD-364  
CORE NO. 276-0695-00

77-166E

PART NUMBER **120-1217-00**

REV

THIS DRAWING WHEN DISTRIBUTED OUTSIDE TEKTRONIX, INC. IS SUPPLIED FOR IDENTIFICATION ENGINEERING EVALUATION AND/OR INSPECTION PURPOSES ONLY AND MAY NOT BE USED AS A BASIS FOR MANUFACTURE OR SALES OF PRODUCTS WITHOUT WRITTEN PERMISSION FROM TEKTRONIX, INC. IF THIS DRAWING IS FURNISHED UNDER ANY UNITED STATES GOVERNMENT CONTRACT, IT SHALL NOT BE EITHER RELEASED OUTSIDE THE GOVERNMENT, OR USED, DUPLICATED, OR DISCLOSED IN WHOLE OR IN PART FOR MANUFACTURE OR PROCUREMENT, WITHOUT THE WRITTEN PERMISSION OF TEKTRONIX, INC. EXCEPT FOR: (1) EMERGENCY REPAIR OR OVERHAUL WORK BY OR FOR THE GOVERNMENT, WHERE THE ITEM OR PROCESS CONCERNED IS NOT OTHERWISE REASONABLY AVAILABLE TO ENABLE TIMELY PERFORMANCE OF THE WORK; OR (2) RELEASE TO A FOREIGN GOVERNMENT AS THE INTERESTS OF THE UNITED STATES MAY REQUIRE; PROVIDED THAT IN EITHER CASE THE RELEASE, USE, DUPLICATION OR DISCLOSURE HEREOF SHALL BE SUBJECT TO THE FOREGOING LIMITATIONS. IF THIS DRAWING IS REPRODUCED IN WHOLE OR IN PART, THIS ENTIRE LEGEND BLOCK MUST APPEAR ON ALL REPRODUCED COPIES.

REV / BY / REF	DESCRIPTION OF CHANGE	CHK BY / DATE

TEKTRONIX, INC. PROPRIETARY ITEM DRAWING

MFD BY TEKTRONIX  MFD FOR TEKTRONIX



TEKTRONIX, INC. P. O. BOX 500 BEAVERTON, OREGON U.S.A. 97077



DWN J. WINFREY	26 OCT 78	DIMENSIONS ARE IN INCHES / TOLERANCES: UNLESS OTHERWISE SPECIFIED	
ENGR <i>W. Gordon</i>	6/26/80	DEC	ANLR
CHKR <i>B. Stewart</i>	6/27/80	SCALE	FIRST USED ON
PROD <i>Donna M. Holman</i>	6-26-80	NONE	GMA 125

MATERIAL LISTED

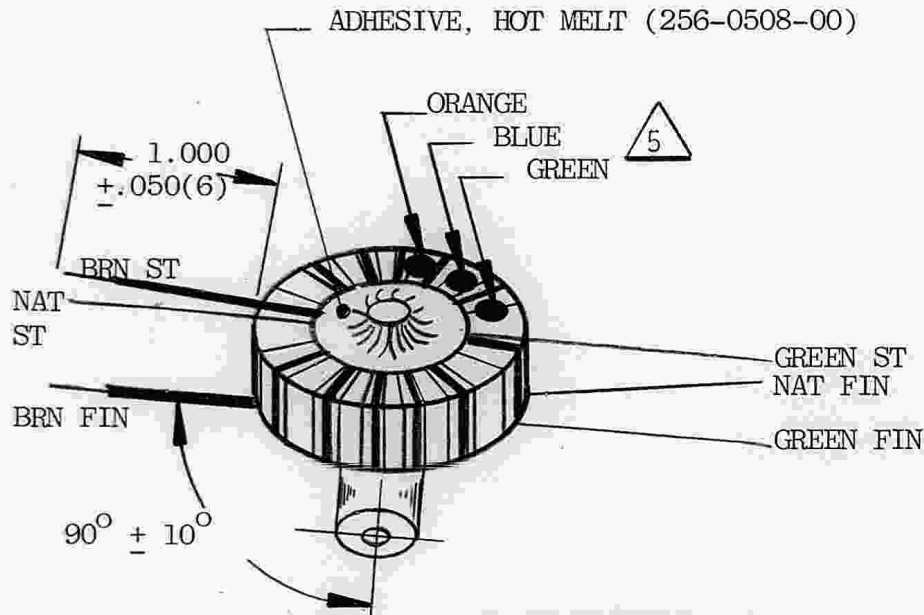
FINISH NOTED

TITLE TRANSFORMER RF(TOROID)

CODE IDENT NO <b>80009</b>	SIZE <b>A</b>	PART NUMBER <b>120-1217-00</b>	REV
-------------------------------	------------------	-----------------------------------	-----

NOTES :

1. TOROID REFERENCE DIMENSIONS: .520 OD x .240HIGH
2. INDUCTANCE VALUE DETERMINED WITH HP 4275A METER OR APPROVED EQUIVALENT AT 10 KHz, 0.4mA, SERIES MODE, 68 TO 131  $\mu$ H (12 TURN WINDING)
3. STRIPPED/TINNED ALL LEADS .400 + .050
4. COATED WITH 006-3397-00 OR APPROVED EQUIVALENT
5. PRINTED PART NUMBER (-1218) MAY BE USED INSTEAD OF COLOR CODE



WIRE DATA

SECTOR	TURNS/COLOR	AWG	PART NUMBER
180°	12 NAT	27	176-0010-14
180°	12 GREEN	27	176-0010-15
360°	12 BROWN	30	175-5089-00

DATA:

CODE TD 365  
CORE NO 276-0525-00  
HOLDER 352-0125-00

78-6D

PART NUMBER 120-1218-00

REV A

THIS DRAWING WHEN DISTRIBUTED OUTSIDE TEKTRONIX, INC., IS SUPPLIED FOR IDENTIFICATION, ENGINEERING EVALUATION AND/OR INSPECTION PURPOSES ONLY AND MAY NOT BE USED AS A BASIS FOR MANUFACTURE OR SALES OF PRODUCTS WITHOUT WRITTEN PERMISSION FROM TEKTRONIX, INC. IF THIS DRAWING IS FURNISHED UNDER ANY UNITED STATES GOVERNMENT CONTRACT, IT SHALL NOT BE EITHER RELEASED OUTSIDE THE GOVERNMENT, OR USED, DUPLICATED, OR DISCLOSED IN WHOLE OR IN PART FOR MANUFACTURE OR PROCUREMENT, WITHOUT THE WRITTEN PERMISSION OF TEKTRONIX, INC., EXCEPT FOR: (1) EMERGENCY REPAIR OR OVERHAUL WORK BY OR FOR THE GOVERNMENT, WHERE THE ITEM OR PROCESS CONCERNED IS NOT OTHERWISE REASONABLY AVAILABLE TO ENABLE TIMELY PERFORMANCE OF THE WORK; OR (2) RELEASE TO A FOREIGN GOVERNMENT AS THE INTERESTS OF THE UNITED STATES MAY REQUIRE; PROVIDED THAT IN EITHER CASE THE RELEASE, USE, DUPLICATION OR DISCLOSURE HEREOF SHALL BE SUBJECT TO THE FOREGOING LIMITATIONS. IF THIS DRAWING IS REPRODUCED IN WHOLE OR IN PART, THIS ENTIRE LEGEND BLOCK MUST APPEAR ON ALL REPRODUCED COPIES.

REV	BY	REF	DESCRIPTION OF CHANGE	CHK BY/DATE
A	DG	50482	UPDATED NOTE 2 & ADDED NOTE 5	08 DEC.83

TEKTRONIX, INC. PROPRIETARY ITEM DRAWING

MFD BY TEKTRONIX

MFD FOR TEKTRONIX



TEKTRONIX, INC.

P. O. BOX 500  
BEAVERTON, OREGON U.S.A. 97077



DWN JT WINFREY	31 OCT 78
ENGR <i>W. Gordon</i>	6/26/80
CHKR <i>B. Stewart</i>	6/27/80
PROD <i>Donna M. Holman</i>	6-26-80

DIMENSIONS ARE IN INCHES /   
TOLERANCES:  
UNLESS OTHERWISE SPECIFIED  
DEC \_\_\_\_\_ ANLR \_\_\_\_\_

SCALE NONE FIRST USED ON GMA 125

MATERIAL

LISTED

FINISH

NOTED

TITLE

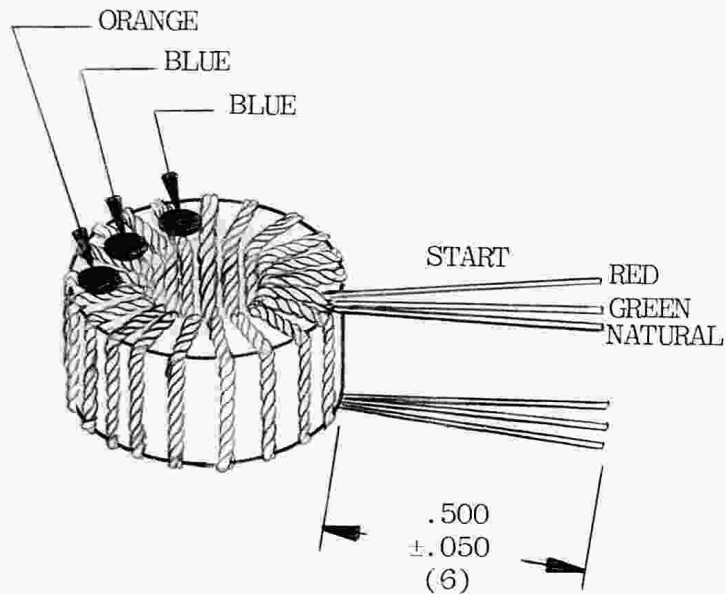
TRANSFORMER, RF (TOROIDAL)

CODE IDENT NO	SIZE	PART NUMBER	REV
80009	A	120-1218-00	A

NOTES:

1. UNTWIST LEADS .450±.050
2. LEADS TINNED TO WITHIN .100 OF CORE
3. COAT WITH 006-3397-00 or EQUIVALENT
4. INDUCTANCE RANGE PER ESI 251 METER: 1.17 TO 1.75mH ON 21 TURN WINDING
5. TOROID REFERENCE DIMENSIONS: .450 OD X .235 HIGH

COLOR CODE



		WIRE DATA	
URNS/COLOR	AWG	PART NUMBER	
21 RED	31	176-0014-00	
21 GREEN	31	176-0014-15	
21 NATURAL	31	176-0014-14	

\*TRIFILAR (TWISTED) TWIST WIRES  
5±1 TURN PER INCH

DATA:

CODE TD-366  
CORE NO. 276-0640-00

77-37

PART NUMBER

120-1219-00

REV

THIS DRAWING WHEN DISTRIBUTED OUTSIDE TEKTRONIX, INC. IS SUPPLIED FOR IDENTIFICATION, ENGINEERING EVALUATION AND/OR INSPECTION PURPOSES ONLY AND MAY NOT BE USED AS A BASIS FOR MANUFACTURE OR SALES OF PRODUCTS WITHOUT WRITTEN PERMISSION FROM TEKTRONIX, INC. IF THIS DRAWING IS FURNISHED UNDER ANY UNITED STATES GOVERNMENT CONTRACT, IT SHALL NOT BE EITHER RELEASED OUTSIDE THE GOVERNMENT, OR USED, DUPLICATED, OR DISCLOSED IN WHOLE OR IN PART FOR MANUFACTURE OR PROCUREMENT, WITHOUT THE WRITTEN PERMISSION OF TEKTRONIX, INC. EXCEPT FOR: (1) EMERGENCY REPAIR OR OVERHAUL WORK BY OR FOR THE GOVERNMENT, WHERE THE ITEM OR PROCESS CONCERNED IS NOT OTHERWISE REASONABLY AVAILABLE TO ENABLE TIMELY PERFORMANCE OF THE WORK; OR (2) RELEASE TO A FOREIGN GOVERNMENT AS THE INTERESTS OF THE UNITED STATES MAY REQUIRE; PROVIDED THAT IN EITHER CASE THE RELEASE, USE, DUPLICATION OR DISCLOSURE HEREOF SHALL BE SUBJECT TO THE FOREGOING LIMITATIONS. IF THIS DRAWING IS REPRODUCED IN WHOLE OR IN PART, THIS ENTIRE LEGEND BLOCK MUST APPEAR ON ALL REPRODUCED COPIES.

REV / BY / REF

DESCRIPTION OF CHANGE

CHK BY / DATE

TEKTRONIX, INC. PROPRIETARY ITEM DRAWING

MFD BY TEKTRONIX

MFD FOR TEKTRONIX



TEKTRONIX, INC.

P. O. BOX 500  
BEAVERTON, OREGON U.S.A. 97077



DWN	J. NAGODE	12 OCT 78	DIMENSIONS ARE IN INCHES / <del>MILL</del> TOLERANCES: UNLESS OTHERWISE SPECIFIED	
ENGR	<i>J. Nagode</i>	6/26/80	DEC	ANLR
CHKR	<i>B. Stewart</i>	6/27/80	SCALE	FIRST USED ON
PROD	<i>Down McHolman</i>	6-26-80	NONE	PA1

MATERIAL LISTED

FINISH NOTED

TITLE TRANSFORMER, RF(TOROID)

CODE IDENT NO	SIZE	PART NUMBER	REV
80009	A	120-1219-00	

1 DESCRIPTION.

SINGLE PHASE DC ISOLATION TRANSFORMER, INDOOR/OUTDOOR ENCLOSURE.

2 ELECTRICAL CHARACTERISTICS.

2.1 RATING.

15 kVA

2.2 VOLTAGE.

INPUT: 220 TO 240 VOLTS, 50 Hz.  
OUTPUT: 220 TO 240 VOLTS, 50 Hz.

2.3 SHIELDING.

ELECTROSTATIC SHIELDING BETWEEN PRIMARY AND SECONDARY WINDINGS.

3 PHYSICAL CHARACTERISTICS.

3.1 DESIGN TEMPERATURE RISE.

115°C

3.2 INSULATION CLASS.

180

3.3 MOUNTING.

WALL OR FLOOR.

3.4 LUGS.

STANDARD BUS STUBS, LUGS NOT FURNISHED.

3.5 MAXIMUM SOUND LEVEL.

45 dB.

4 MARKING REQUIREMENTS.

PERMANENTLY AND LEGIBLY MARK WITH AT LEAST THE FOLLOWING INFORMATION:

(A) MANUFACTURER'S NAME OR TRADEMARK.

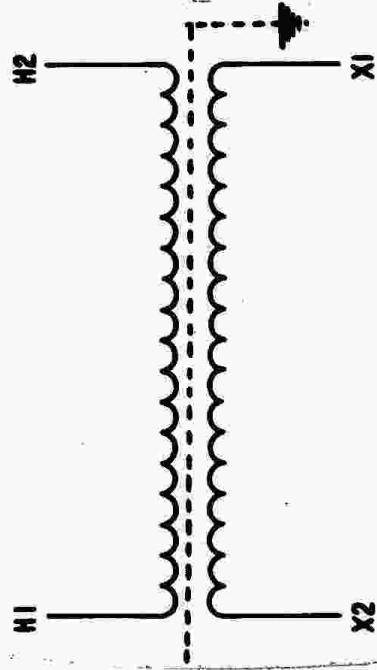
(B) TEKTRONIX, INC. PART NUMBER, OR MANUFACTURER'S PART NUMBER.

5 MANUFACTURING REQUIREMENTS.

SHOULD BE DESIGNED, MANUFACTURED AND TESTED IN ACCORDANCE WITH NEMA AND ASA STANDARDS.

5

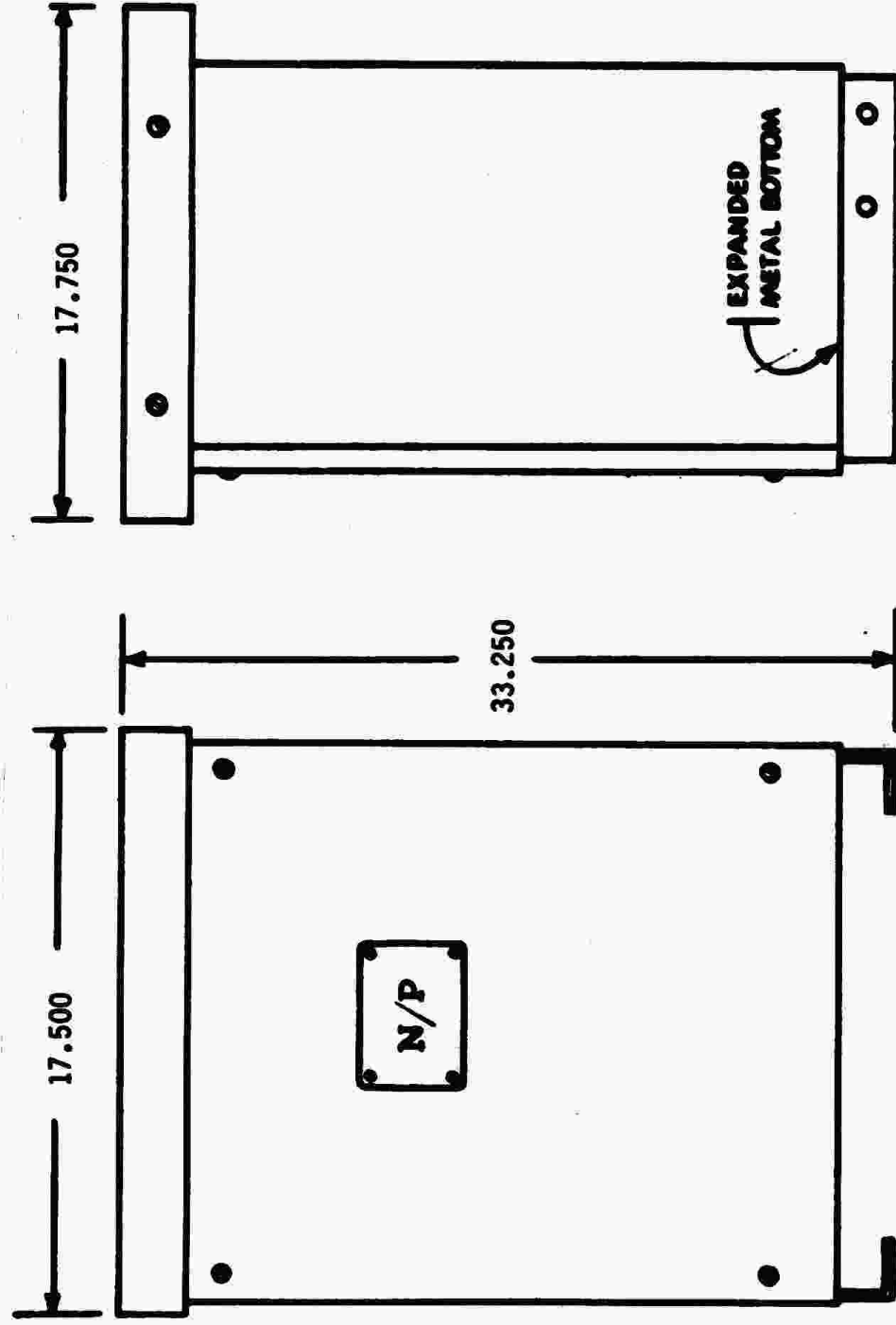
SCHEMATIC.



CONNECTION DRAWING

6

OUTLINE DRAWING.



FRONT

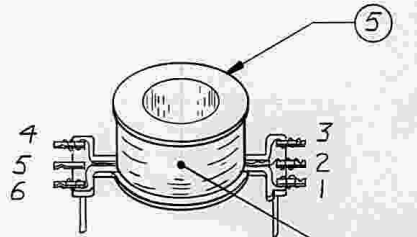
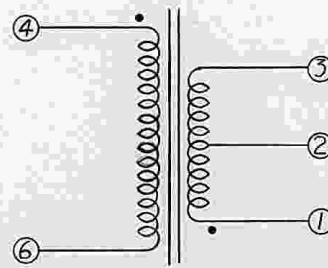
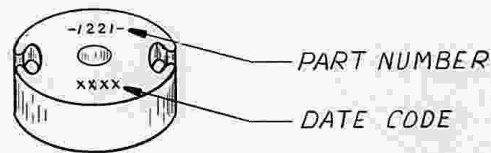
SIDE



78-110 C

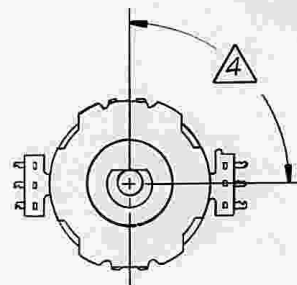
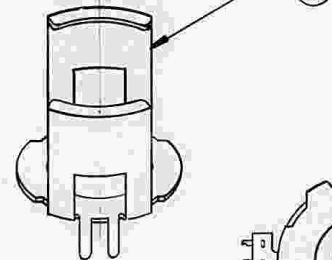
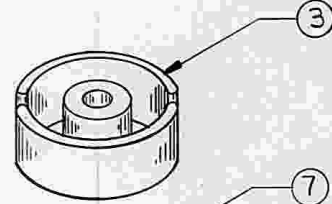
THIS DRAWING WHEN DISTRIBUTED OUTSIDE TEKTRONIX, INC., IS SUPPLIED FOR IDENTIFICATION, ENGINEERING EVALUATION AND/OR INSPECTION PURPOSES ONLY AND MAY NOT BE USED AS A BASIS FOR MANUFACTURE OR SALES OF PRODUCTS WITHOUT WRITTEN PERMISSION FROM TEKTRONIX, INC. IF THIS DRAWING IS FURNISHED UNDER ANY UNITED STATES GOVERNMENT CONTRACT, IT SHALL NOT BE EITHER RELEASED OUTSIDE THE GOVERNMENT, OR USED, DUPLICATED, OR DISCLOSED IN WHOLE OR IN PART FOR MANUFACTURE OR PROCUREMENT, WITHOUT THE WRITTEN PERMISSION OF TEKTRONIX, INC., EXCEPT FOR: (1) EMERGENCY REPAIR OR OVERHAUL WORK BY OR FOR THE GOVERNMENT, WHERE THE ITEM OR PROCESS CONCERNED IS NOT OTHERWISE REASONABLY AVAILABLE TO ENABLE TIMELY PERFORMANCE OF THE WORK, OR (2) RELEASE TO A FOREIGN GOVERNMENT AS THE INTERESTS OF THE UNITED STATES MAY REQUIRE, PROVIDED THAT IN EITHER CASE THE RELEASE, USE, DUPLICATION OR DISCLOSURE HEREOF SHALL BE SUBJECT TO THE FOLLOWING LIMITATIONS, IF THIS DRAWING IS REPRODUCED IN WHOLE OR IN PART, THIS ENTIRE LEGEND BLOCK MUST APPEAR ON ALL REPRODUCED COPIES.

REV	REF	DESCRIPTION OF CHANGE	CHK BY	DATE
	34276	INITIATE PART	LWN	26JUL78
(A)	35834	276-0735-00 WAS 276-0570-00; ADDED 276-0736-00 & 220-0867-00	LF	17APR79



WINDINGS	TURNS	WIRE DATA		AMPS PEAK
		AWG	PART NUMBER	
1-2	0-43	26	176-0032-XX	—
-3	-86			
4-6	225	36	176-0157-XX	1A

INDUCTANCE: 1.9 TO 2.4 mH MIN RANGE  
ON (PINS 1-3) ESI 252 METER OR EQUIV  
POLARITY PER SCHEMATIC  
OPERATING FREQUENCY: 16 KHZ



PART NUMBER  
120-1221-00

REV.  
A

△ COIL AND CLAMP MUST BE PERPENDICULAR TO EACH OTHER  $\pm 3^\circ$

3. EPOXY ADJUSTOR NUT IN LOWER POT CORE

2. COIL CEMENTED TO BOTTOM CORE AND CORE CEMENTED TOGETHER

1. REFERENCE DIMENSIONS: .714 HIGH X .851 WIDE X 1.260 LONG

NOTES:

TEKTRONIX, INC. PROPRIETARY ITEM DRAWING			
<input checked="" type="checkbox"/> MFD BY TEKTRONIX		<input type="checkbox"/> MFD FOR TEKTRONIX	
<b>TEKTRONIX, INC.</b>		P. O. BOX 500 BEAVERTON, OREGON U.S.A. 97077	
DWN	JTWINFREY	29 JUN 78	DIMENSIONS ARE IN INCHES / TOLERANCES: UNLESS OTHERWISE SPECIFIED
ENGR	J. WOODFALL	21 AUG 78	DEC ANLR
CHKR	T. HART	21 AUG 78	SCALE FIRST USED ON
PROD	T. HART	21 AUG 78	2:1 650HR
MATERIAL			
SEE LIST OF MATERIALS			
FINISH			
TITLE TRANSFORMER, RF (VARIABLE, PINCUSHION CORRECTION, POT CORE)			
CODE IDENT NO	SIZE	PART NUMBER	REV
80009	C	120-1221-00	A

(A)	7	220-0867-00	1	ADJUSTOR NUT
(A)	6	276-0736-00	1	ADJUSTING SCREW
	5	276-0119-01	1	FORM, COIL
	4	253-0084-00AR		TAPE, PRESS SENS (.328 WIDE)
(A)	3	276-0735-00	1	CORE, EM (POT CORE SET)
	2	361-0961-00	1	SPACER, DISC
	1	343-0795-00	1	CLAMP, POT CORE
ITEM	PART NUMBER	QTY	DESCRIPTION	

LIST OF MATERIALS

THIS DRAWING WHEN DISTRIBUTED OUTSIDE TEKTRONIX, INC. IS SUPPLIED FOR IDENTIFICATION, ENGINEERING EVALUATION AND/OR INSPECTION PURPOSES ONLY AND MAY NOT BE USED AS A BASIS FOR MANUFACTURE OR SALES OF PRODUCTS WITHOUT WRITTEN PERMISSION FROM TEKTRONIX, INC. IF THIS DRAWING IS FURNISHED UNDER ANY UNITED STATES GOVERNMENT CONTRACT, IT SHALL NOT BE EITHER RELEASED OUTSIDE THE GOVERNMENT, OR USED, DUPLICATED, OR DISCLOSED IN WHOLE OR IN PART FOR MANUFACTURE OR PROCUREMENT, WITHOUT THE WRITTEN PERMISSION OF TEKTRONIX, INC., EXCEPT FOR: (1) EMERGENCY REPAIR OR OVERHAUL WORK BY OR FOR THE GOVERNMENT, WHERE THE ITEM OR PROCESS CONCERNED IS NOT OTHERWISE REASONABLY AVAILABLE TO ENABLE TIMELY PERFORMANCE OF THE WORK; OR (2) RELEASE TO A FOREIGN GOVERNMENT AS THE INTERESTS OF THE UNITED STATES MAY REQUIRE; PROVIDED THAT IN EITHER CASE THE RELEASE, USE, DUPLICATION OR DISCLOSURE HEREOF SHALL BE SUBJECT TO THE FOREGOING LIMITATIONS. IF THIS DRAWING IS REPRODUCED IN WHOLE OR IN PART, THIS ENTIRE LEGEND BLOCK MUST APPEAR ON ALL REPRODUCED COPIES.

REV	REF	DESCRIPTION OF CHANGE	CHK BY	DATE

## COIL STRUCTURE

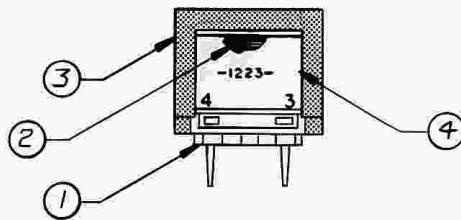
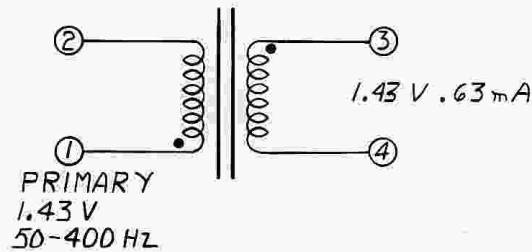
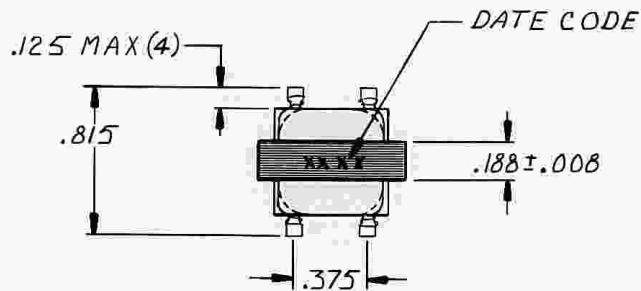
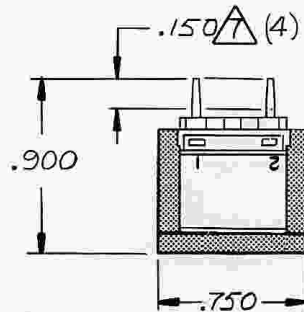
### OUTSIDE

WINDING TYP      TERM NO

PRI	1-2
740 T	*38

SEC	3-4
740T	*38

### INSIDE



7 SOLDERABILITY REQUIRED THIS AREA

3. EXCITING CURRENT: 58 mA MAX AT 0.2 V 60 HZ TERMINALS 1-2

5. DIELECTRIC WITHSTANDING VOLTAGE: 1.5 KV RMS 50 TO 60 HZ, 1 MINUTE PRIMARY TO SECONDARY

PART NUMBER	REV.
120-1223-00	

4. POLARITY PER SCHEMATIC

3. VOLTAGE RATINGS ARE RMS NO LOAD CURRENT RATINGS ARE AMPS AC TYP

2. TRANSFORMER VACUUM IMPREGNATED WITH VARNISH 252-0082-00

1. DIMENSIONS REFERENCE UNLESS OTHERWISE SPECIFIED

### NOTES:

TEKTRONIX, INC. PROPRIETARY ITEM DRAWING			
<input checked="" type="checkbox"/> MFD BY TEKTRONIX	<input type="checkbox"/> MFD FOR TEKTRONIX		
<b>TEKTRONIX, INC.</b>		P. O. BOX 500 BEAVERTON, OREGON U.S.A. 97077	
DWN: JTWINFREY	20FEB79	DIMENSIONS ARE IN INCHES / TOLERANCES: UNLESS OTHERWISE SPECIFIED	
ENGR: R. Cogan	4JUN81	DEC	ANLR
CHKR: B. Almont	18 MAY 81	SCALE	FIRST USED ON
PROD: R. KINES	18 MAY 81	2:1	308

MATERIAL  
SEE LIST OF MATERIALS

FINISH  
NOTED

TITLE  
TRANSFORMER, LF  
(LINE TRIGGER)

4	000-5144-00	1	LABEL (WRAP-AROUND)
3	386-0026-00	AR	LAMINATION
2	176-0040-00	AR	WIRE, ELEC (38 AWG)
1	276-0138-00	1	FORM, COIL

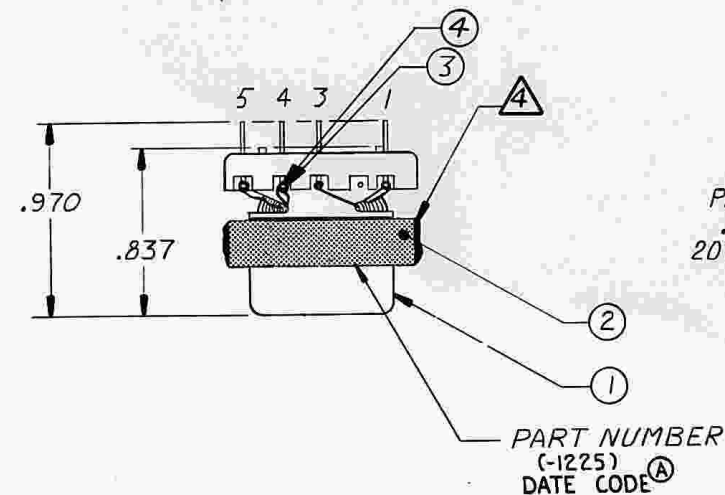
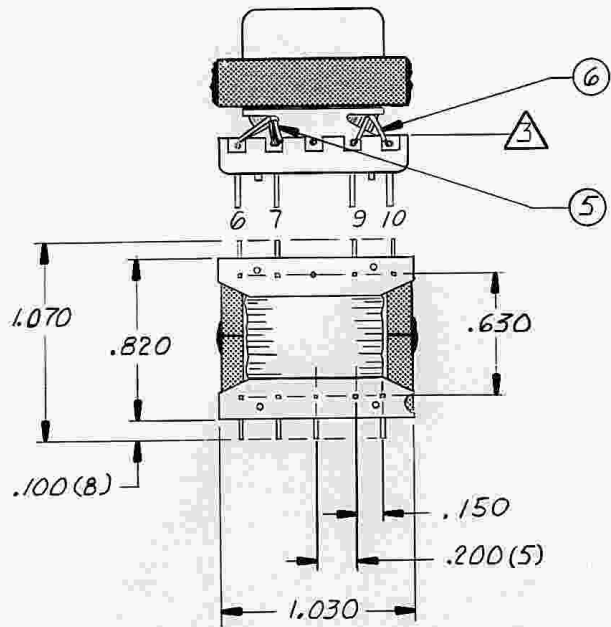
ITEM	PART NUMBER	QTY	DESCRIPTION

CODE IDENT NO	SIZE	PART NUMBER	REV
80009		120-1223-00	

77-70 B

THIS DRAWING WHEN DISTRIBUTED OUTSIDE TEKTRONIX, INC. IS SUPPLIED FOR IDENTIFICATION, ENGINEERING EVALUATION AND/OR INSPECTION PURPOSES ONLY AND MAY NOT BE USED AS A BASIS FOR MANUFACTURE OR SALES OF PRODUCTS WITHOUT WRITTEN PERMISSION FROM TEKTRONIX, INC. IF THIS DRAWING IS FURNISHED UNDER ANY UNITED STATES GOVERNMENT CONTRACT, IT SHALL NOT BE EITHER RELEASED OUTSIDE THE GOVERNMENT, OR USED, DUPLICATED, OR DISCLOSED IN WHOLE OR IN PART FOR MANUFACTURE OR PROCUREMENT, WITHOUT THE WRITTEN PERMISSION OF TEKTRONIX, INC. EXCEPT FOR: (1) EMERGENCY REPAIR OR OVERHAUL WORK BY OR FOR THE GOVERNMENT, WHERE THE ITEM OR PROCESS CONCERNED IS NOT OTHERWISE REASONABLY AVAILABLE TO ENABLE TIMELY PERFORMANCE OF THE WORK, OR (2) RELEASE TO A FOREIGN GOVERNMENT AS THE INTERESTS OF THE UNITED STATES MAY REQUIRE; PROVIDED THAT IN EITHER CASE THE RELEASE, USE, DUPLICATION OR DISCLOSURE HEREOF SHALL BE SUBJECT TO THE FOREGOING LIMITATIONS, IF THIS DRAWING IS REPRODUCED IN WHOLE OR IN PART, THIS ENTIRE LEGEND BLOCK MUST APPEAR ON ALL REPRODUCED COPIES.

REV	REF	DESCRIPTION OF CHANGE	CHK BY	DATE
(A)	49313	RELOCATED DATE CODE: INDUCTANCE WAS 21.0 mH MIN AT 1 kHz	DD	16 MAY 83



### COIL STRUCTURE OUTSIDE

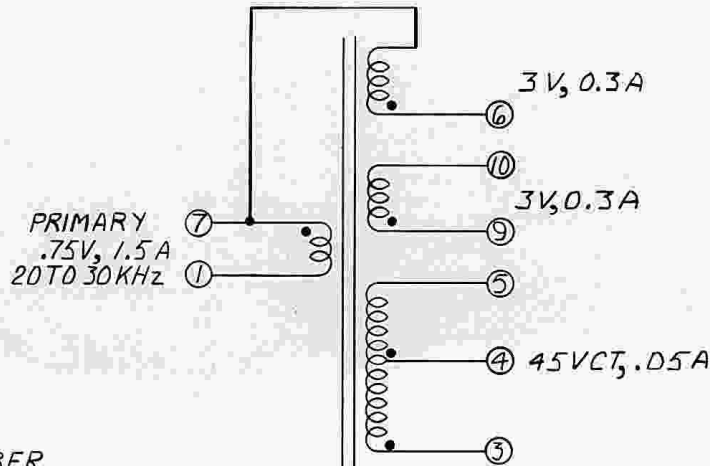
TYPE WINDING TERM NO

SEC	6-7, 9-10
BT	BIFILAR #30

PRI	7-1
2T	#26

SEC	3-4, 4-5
60T	BIFILAR #36

### INSIDE



9. POLARITY PER SCHEMATIC
8. TRANSFORMER VACUUM IMPREGNATED WITH VARNISH 252-0082-00 OR APPROVED EQUIV
7. VOLTAGE RATINGS ARE PEAK NO LOAD CURRENT RATINGS ARE AMPS PEAK
- (A) 6. INDUCTANCE (3-5): 15.7 mH MIN WITH ESI 252 OR APPROVED EQUIV
5. DIELECTRIC WITHSTANDING VOLTAGE: 2000 V AC RMS 50 TO 60 Hz 1 MINUTE
  - A. 7 TO 3, 10
  - B. 3 TO 10

- (A) CORES CEMENTED ONLY ON THE OUTSIDE EDGES WITH EPOXY

PART NUMBER	REV.
120-1225-00	A

- (A) THE INSULATION ON 1, 6, 7, 9 & 10 MUST EXTEND OUT TO COIL FORM EDGE

2. REMOVE PINS 2 & 8 BEFORE WINDING
1. DIMENSIONS REFERENCE

### NOTES:

TEKTRONIX, INC. PROPRIETARY ITEM DRAWING			
<input checked="" type="checkbox"/> MFD BY TEKTRONIX	<input type="checkbox"/> MFD FOR TEKTRONIX		
<b>TEKTRONIX, INC.</b>		P. O. BOX 500 BEAVERTON, OREGON U.S.A. 97077	
OWN: JI WINFREY	16 FEB 79	DIMENSIONS ARE IN INCHES / TOLERANCES: UNLESS OTHERWISE SPECIFIED	
ENGR: R. Cooper	11 JUN 80	DEC	ANLR
CHKR: B. Stewart	12 JUN 80	SCALE	FIRST USED ON
PROD: M. Crutcher	6-11-80	2:1	308

MATERIAL	SEE LIST OF MATERIALS		
FINISH			
TITLE	TRANSFORMER RF (BASE DRIVE)		

ITEM	PART NUMBER	QTY	DESCRIPTION
6	175-5089-00	AR	WIRE, ELEC (30 AWG TEFLON)
5	175-0918-00	AR	WIRE, ELEC (26 AWG TEFLON)
4	176-D157-15	AR	WIRE, MAGNET (36 AWG)
3	176-0157-00	AR	WIRE, MAGNET (36 AWG)
2	276-0704-00	2	CORE, EM ("E" FERRITE)
1	276-0227-00	1	FORM, COIL

CODE IDENT NO	SIZE	PART NUMBER	REV
80009	C	120-1225-00	A

ALL DRAWINGS AND SPECIFICATIONS ARE THE PROPERTY OF TEKTRONIX, INC. AND ARE NOT TO BE REPRODUCED OR TRANSMITTED IN ANY FORM OR BY ANY MEANS, ELECTRONIC OR MECHANICAL, INCLUDING PHOTOCOPYING, RECORDING, OR BY ANY INFORMATION STORAGE AND RETRIEVAL SYSTEM, WITHOUT THE WRITTEN PERMISSION OF TEKTRONIX, INC. THIS DRAWING IS PROVIDED AS A GUIDE FOR MANUFACTURE OR AS A BASIS FOR CONTRACT. IT SHALL NOT BE USED FOR CONTRACTS OR OTHER LEGAL OBLIGATIONS. THE MANUFACTURER SHALL BE RESPONSIBLE FOR THE PERFORMANCE OF THE WORK, OR IN FAILURE TO PERFORM AS A RESULT OF A DESIGN ERROR OR AS A RESULT OF THE WORKER'S NEGLIGENCE. APPROVED FOR THE CUSTOMER BY: DATE: 12/12/81. THIS DRAWING IS APPROVED FOR THE CUSTOMER BY: DATE: 12/12/81. THIS DRAWING IS APPROVED FOR THE CUSTOMER BY: DATE: 12/12/81.

REV	REF	DESCRIPTION OF CHANGE	CHK BY	DATE
A	41718	ADDED ITEM 10 & NOTE 10	DD	3 FEB 81
B	45018	REMOVED ITEM 9	DD	12 FEB 82
C	51689	ITEM 5 WAS 000-524-B-00. UPDATED NOTE 8, NOTE 4 WAS 2 KV.	DD	8 NOV 83

### COIL STRUCTURE OUTSIDE

TYPE WINDINGS LEAD NO

SEC	9-10
123 T	# 24

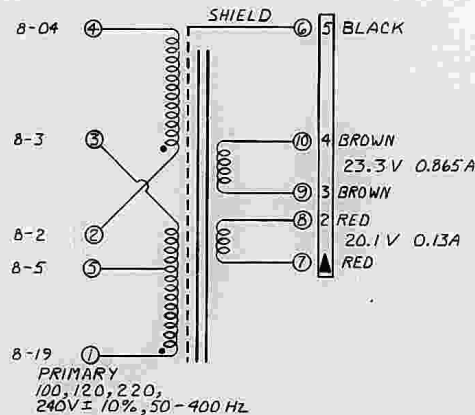
SEC	7-8
106 T	# 26

SHIELD	6
--------	---

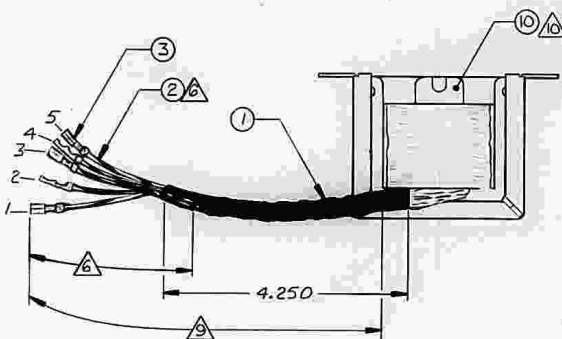
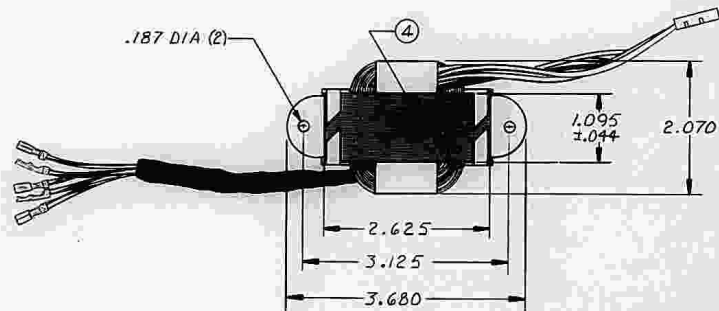
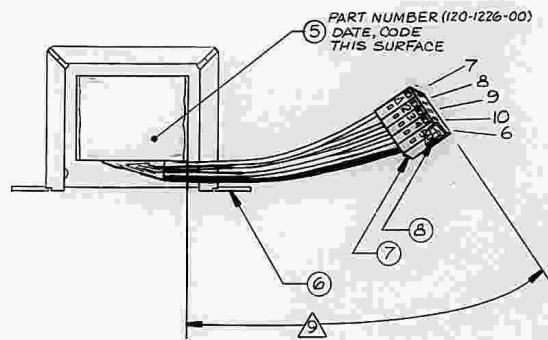
PRI	1-5-3
0-508-634 T	# 32

PRI	2-4
634 T	# 32

### INSIDE



LINE TO	VOLTS RMS	CONNECT
1-5	100 ± 10%	1 TO 2, 3 TO 4
1-4	120 ± 10%	1 TO 2, 3 TO 4
1-4	220 ± 10%	2 TO 5
1-4	240 ± 10%	2 TO 3



ORIENTATION OF KEEPER IS OPTIONAL

LEAD LENGTH: LEAD WIRE

LEAD NO	COLOR	PART NUMBER	LENGTH ±.250
1	8-19	175-0879-00	6.000
2	8-2	175-0880-00	6.000
3	8-3	175-0881-00	6.000
4	8-04	175-0882-00	6.000
5	8-5	175-0883-00	6.000
6	BLACK	175-0920-00	3.875
7-8	RED	175-0922-00	3.875
9-10	BROWN	175-0964-00	3.875

TRANSFORMER MUST COMPLY TO UL-1244 AND CSA-556 B

SAFETY CRITICAL PART  
This part is safety critical. It is not to be replaced by any other part unless it is approved by the manufacturer.

120-1226-00 C

7. VOLTAGE RATINGS ARE AC RMS NO LOAD CURRENT RATINGS ARE AMPS DC TYPICAL

CLEAR INSULATION SLEEVING HEAT SHRINK .125 ID X 2.500 LONG

5. WINDINGS INSULATED FOR 600 V DC

DIELECTRIC WITHSTANDING VOLTAGE 1.5KV RMS 50 TO 60HZ 1 MINUTE PRIMARIES TO SECONDARIES, SHIELD AND CORE

TRANSFORMER VACUUM IMPREGNATED WITH VARNISH 252-0082-00 OR APPROVED EQUIVALENT

2. POLARITY PER SCHEMATIC

1. DIMENSIONS REFERENCE UOS

### NOTES:

TEKTRONIX, INC. PROPRIETARY ITEM DRAWING

MPD BY TEKTRONIX MPD FOR TEKTRONIX

TEKTRONIX, INC. P. O. BOX 800 BEAVERTON, OREGON U.S.A. 97007

DESIGNED BY: DATE: 12/12/81

CHECKED BY: DATE: 12/12/81

PROD BY: DATE: 7 Nov 79

SCALE: 1:1

MATERIAL: SEE LIST OF MATERIALS

FINISH: A

TITLE: TRANSFORMER, POWER (STPDN)

CODE IDENT NO: 80009

SIZE: D

PART NUMBER: 120-1226-00

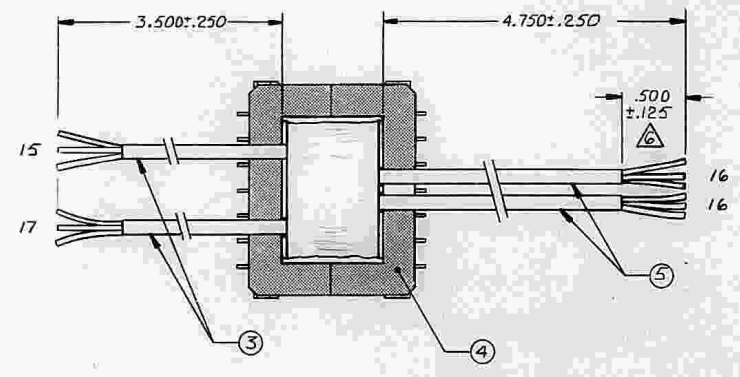
REV: C

DATE BY: 8/2/83

NO NET SCALE DRAWING

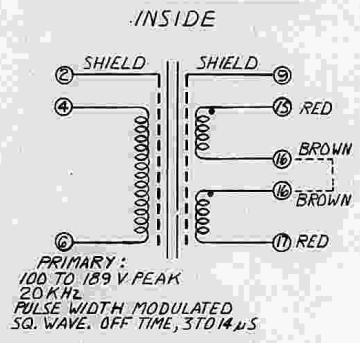
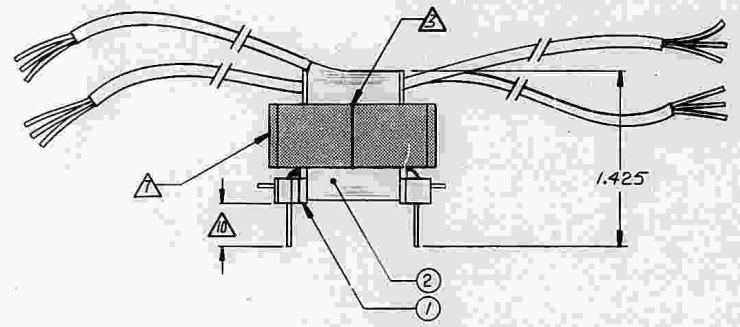
77-103E

REV	DESCRIPTION	DATE
①	45291 REMOVED ITEM 6	DD 18JAN82
②	49485 NOTE 5, 8.50 mH WAS 10 mH	DD 5JAN83
③	54507 UPDATED NOTES 2, ③ & ④ ITEM 3 WAS 162-0506-00 & ITEM 5 WAS 162-0550-00	DD 27JUN84



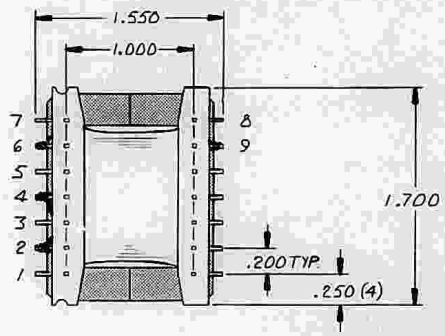
**COIL STRUCTURE**  
**OUTSIDE**

TYPE WINDINGS	TERM/LEAD NO
SEC	16-17
4T	3 # 18
SEC	15-16
4T	3 # 18
SHIELD	9
SHIELD	2
PRI	6-4
52T	# 23



LEAD NO	* VOLTS	CURRENT DC	OCR ± 20%
6-4	100		0.208
2	SHIELD		
9	SHIELD		
15-16-17	15.4 CT	15.0	0.008 CT

\* PEAK NO LOAD



- ⑩ TERMINALS TO BE SOLDERABLE IN THIS AREA (14)
- 9. TRANSFORMER MUST COMPLY WITH UL 114, UL 478, AND CSA 154
- 8. POLARITY PER SCHEMATIC
- ③ PART NUMBER AND DATE CODE THIS AREA
- ③ STRIP AND TIN 4 PLACES
- ⑤ INDUCTANCE (4-6): 8.50 mH MIN AT 1 KHZ MEASURED ON AN ESI 252 METER OR APPROVED EQUIVALENT
- 4. DIELECTRIC WITHSTANDING VOLTAGE: 2KV AC RMS, 50 TO 60 HZ, 1 MINUTE, 2 AND 4 TO 9 AND 16
- ③ CEMENT CORES TOGETHER WITH EPOXY OR APPROVED EQUIVALENT
- ② TRANSFORMER VACUUM IMPREGNATED WITH VARNISH 252-0082-00 OR APPROVED EQUIVALENT
- 1. DIMENSIONS REFERENCE UOS

120-1227-00 C

NOTES:

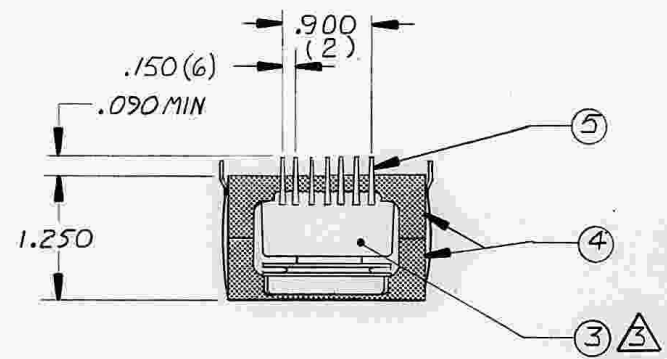
TEKTRONIX, INC. PROPRIETARY ITEM DRAWING	
APPROVED BY: [Signature]	DATE: [Date]
TEKTRONIX, INC. BEAVERTON, OREGON U.S.A. 97077	
DESIGNED BY: [Signature]	DATE: [Date]
CHECKED BY: [Signature]	DATE: [Date]
PROD BY: [Signature]	DATE: [Date]
MATERIAL: SEE LIST OF MATERIALS	
FINISH: NOTED	
TITLE: TRANSFORMER, POWER SDN, HF	
COORDINATOR: [Signature]	DATE: [Date]
80009	120-1227-00 C

REV	DESCRIPTION
⑤	162-0551-00 AR INSUL, SLEEVING (BROWN)
4	276-0729-00 1 CORE, EM (E FERRITE)
③	162-0507-00 AR INSUL, SLEEVING (RED)
2	253-0237-00 AR TAPE, PRESS SENS (.750 WIDE)
1	276-0252-00 1 FORM, COIL

78-63 A

THIS DRAWING WHEN DISTRIBUTED OUTSIDE TEKTRONIX, INC. IS SUPPLIED FOR IDENTIFICATION, ENGINEERING EVALUATION AND/OR INSPECTION PURPOSES ONLY AND MAY NOT BE USED AS A BASIS FOR MANUFACTURE OR SALES OF PRODUCTS WITHOUT WRITTEN PERMISSION FROM TEKTRONIX, INC. IF THIS DRAWING IS FURNISHED UNDER ANY UNITED STATES GOVERNMENT CONTRACT, IT SHALL NOT BE EITHER RELEASED OUTSIDE THE GOVERNMENT, OR USED, DUPLICATED, OR DISCLOSED IN WHOLE OR IN PART FOR MANUFACTURE OR PROCUREMENT, WITHOUT THE WRITTEN PERMISSION OF TEKTRONIX, INC., EXCEPT FOR: (1) EMERGENCY REPAIR OR OVERHAUL WORK BY OR FOR THE GOVERNMENT; WHERE THE ITEM OR PROCESS CONCERNED IS NOT OTHERWISE REASONABLY AVAILABLE TO ENABLE TIMELY PERFORMANCE OF THE WORK; OR (2) RELEASE TO A FOREIGN GOVERNMENT AS THE INTERESTS OF THE UNITED STATES MAY REQUIRE; PROVIDED THAT IN EITHER CASE THE RELEASE, USE, DUPLICATION OR DISCLOSURE HEREOF SHALL BE SUBJECT TO THE FOREGOING LIMITATIONS, IF THIS DRAWING IS REPRODUCED IN WHOLE OR IN PART, THIS ENTIRE LEGEND BLOCK MUST APPEAR ON ALL REPRODUCED COPIES.

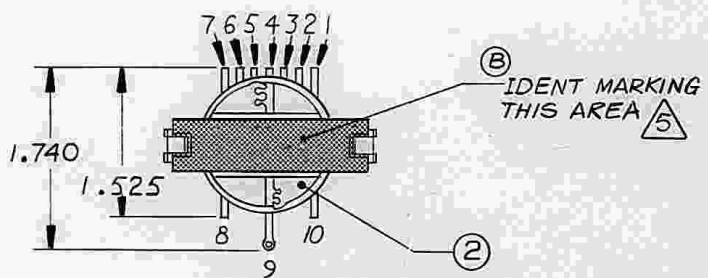
### COIL STRUCTURE



BIFILAR WOUND

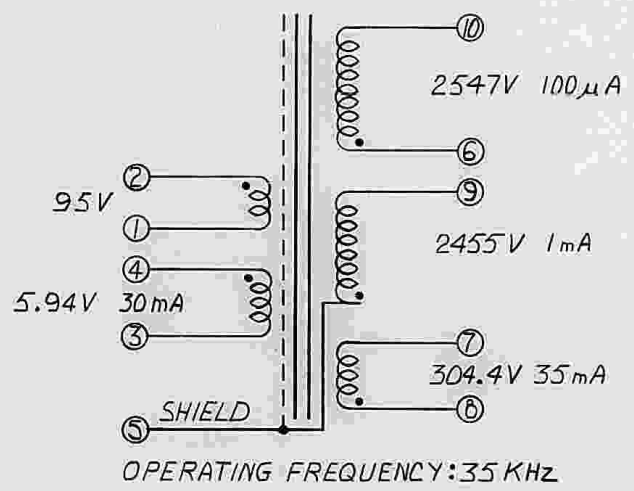
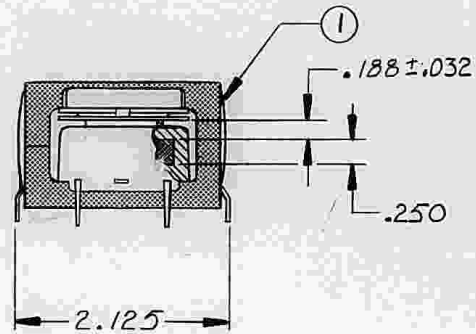
TYPE WINDING	TERM NO
SEC 857.5T	6-10 *38
SEC 826.5T	5-9 *38
SEC 102.5T	8-7 *38
SHIELD	5
PRI 2-1 32T *29	PRI 4-3 2T *29

REV	REF	DESCRIPTION OF CHANGE	CHK BY	DATE
	32762	INITIATED PART	LP	26SEP78
(A)	34591	ADDED NONPROD	AS	17SEP80
(B)	52601	REVISED DWG. & ADDED NOTE 5 & REMOVED NONPROD	DD	29MAR84



INSIDE

5 LOCATION AND ORIENTATION ON THIS SURFACE NOT CRITICAL. MUST BE LEGIBLE



OPERATING FREQUENCY: 35 KHZ

4. VOLTAGE RATINGS ARE PEAK NO LOAD. CURRENT RATINGS ARE AMPS DC TYPICAL

3 COIL TRANSFER MOLDED WITH EPOXY

2. POLARITY PER SCHEMATIC

1. DIMENSIONS REFERENCE UNLESS OTHERWISE SPECIFIED

NOTES:

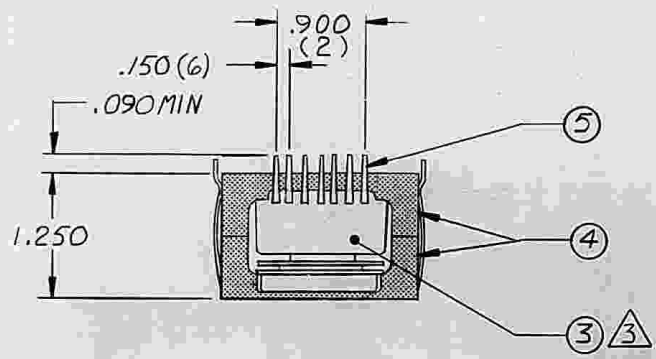
PART NUMBER  
**120-1230-00** REV. B

TEKTRONIX, INC. PROPRIETARY ITEM DRAWING			
<input checked="" type="checkbox"/> MFD BY TEKTRONIX	<input type="checkbox"/> MFD FOR TEKTRONIX		
TEKTRONIX, INC.		P. O. BOX 500 BEAVERTON, OREGON U.S.A. 97077	
DWN	JTW/INREY	20SEP78	DIMENSIONS ARE IN INCHES / TOLERANCES: UNLESS OTHERWISE SPECIFIED
ENGR	Larry Olson	25SEP78	SCALE
CHKR	J. WOODFALL	25SEP78	1:1
PROD	E. Pross	25SEP78	FIRST USED ON D10 & D11
MATERIAL SEE LIST OF MATERIALS			
FINISH NOTED			
TITLE TRANSFORMER, POWER, STU (HIGH VOLTAGE)			
CODE IDENT NO	SIZE	PART NUMBER	REV
80009	G	120-1230-00	B

ITEM	PART NUMBER	QTY	DESCRIPTION
5	195-0140-00	50	LEAD SET, HV TRANSFORMER
4	276-0697-00	1	CORE, EM ("E" FERRITE)
	276-0696-00	1	CORE, EM ("E" FERRITE)
3	255-0479-01	AR	PLASTIC MOLDING MATERIAL (EPOXY)
2	276-0225-00	1	FORM, COIL
1	343-0682-00	2	CLAMP, TRANSFORMER CORE

77-283F

COIL STRUCTURE  
OUTSIDE

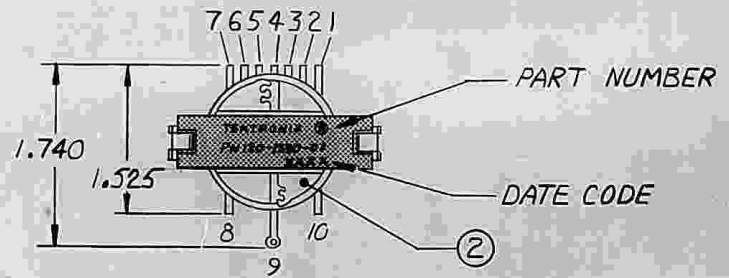


BIFILAR WOUND

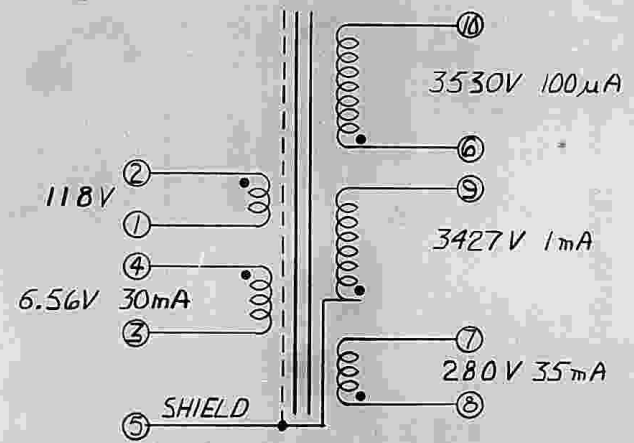
TYPE WINDING	TERM NO
SEC 1076.5T	6-10 *39
SEC 1045.5T	5-9 *39
SEC 85.5T	8-7 *38
SHIELD	5
PRI 2-1 36T *29	PRI 4-3 2T *29

THIS DRAWING WHEN DISTRIBUTED OUTSIDE TEKTRONIX, INC., IS SUPPLIED FOR IDENTIFICATION, ENGINEERING EVALUATION AND/OR INSPECTION PURPOSES ONLY AND MAY NOT BE USED AS A BASIS FOR MANUFACTURE OR SALES OF PRODUCTS WITHOUT WRITTEN PERMISSION FROM TEKTRONIX, INC. IF THIS DRAWING IS FURNISHED UNDER ANY UNITED STATES GOVERNMENT CONTRACT, IT SHALL NOT BE EITHER RELEASED OUTSIDE THE GOVERNMENT, OR USED, DUPLICATED, OR DISCLOSED IN WHOLE OR IN PART FOR MANUFACTURE OR PROCUREMENT, WITHOUT THE WRITTEN PERMISSION OF TEKTRONIX, INC., EXCEPT FOR: (1) EMERGENCY REPAIR OR OVERHAUL WORK BY OR FOR THE GOVERNMENT, WHERE THE ITEM OR PROCESS CONCERNED IS NOT OTHERWISE REASONABLY AVAILABLE TO ENABLE TIMELY PERFORMANCE OF THE WORK, OR (2) RELEASE TO A FOREIGN GOVERNMENT AS THE INTERESTS OF THE UNITED STATES MAY REQUIRE; PROVIDED THAT IN EITHER CASE THE RELEASE, USE, DUPLICATION OR DISCLOSURE HEREOF SHALL BE SUBJECT TO THE FOREGOING LIMITATIONS, IF THIS DRAWING IS REPRODUCED IN WHOLE OR IN PART, THIS ENTIRE LEGEND BLOCK MUST APPEAR ON ALL REPRODUCED COPIES.

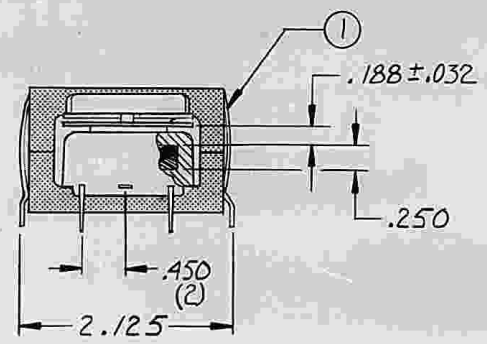
REV	REF	DESCRIPTION OF CHANGE	CHK BY	DATE
	34591	INITIATED PART	AS	17MAY80
A	45315	ADDED NONPROD	ALE	11 JAN 82



INSIDE



4. VOLTAGE RATINGS ARE PEAK NO LOAD. CURRENT RATINGS ARE AMPS DC TYPICAL
- 3 COIL TRANSFER MOLDED WITH EPOXY
2. POLARITY PER SCHEMATIC
1. DIMENSIONS REFERENCE UNLESS OTHERWISE SPECIFIED



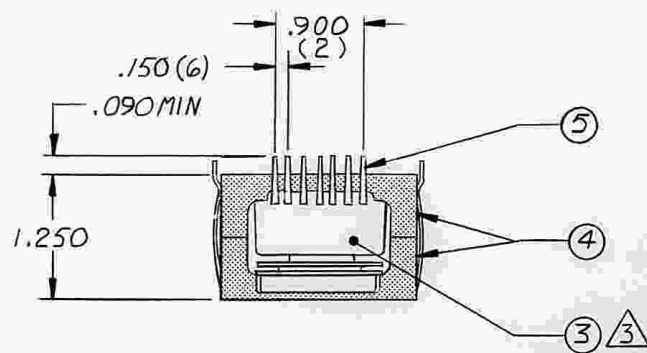
NOTES: NONPROD

TEKTRONIX, INC. PROPRIETARY ITEM DRAWING	
<input checked="" type="checkbox"/> MFD BY TEKTRONIX	<input type="checkbox"/> MFD FOR TEKTRONIX
<b>TEKTRONIX, INC.</b> P. O. BOX 500 BEAVERTON, OREGON U.S.A. 97077	
DWN <i>JTWINERY</i> 9 APR 80	DIMENSIONS ARE IN INCHES / TOLERANCES: UNLESS OTHERWISE SPECIFIED
ENGR <i>Larry C. Low</i> 6 APR 80	DEC ANLR
CHKR <i>P. Stewart</i> 6 MAY 80	SCALE 1:1
PROD <i>E. Rose</i> 6 MAY 80	FIRST USED ON D10 & D11
MATERIAL SEE LIST OF MATERIALS	
FINISH NOTED	
TITLE TRANSFORMER, POWER, STU (HIGH VOLTAGE)	

ITEM	PART NUMBER	QTY	DESCRIPTION
5	195-0140-00	1/2	LEAD SET, HV TRANSFORMER
4	276-0697-00	1	CORE, EM (E" FERRITE)
	276-0696-00	1	CORE, EM (E" FERRITE)
3	255-0479-01	AR	PLASTIC MOLDING MATERIAL (EPOXY)
2	276-0225-00	1	FORM, COIL
1	343-0682-00	2	CLAMP, TRANSFORMER CORE

77-283H

THIS DRAWING WHEN DISTRIBUTED OUTSIDE TEKTRONIX, INC. IS SUPPLIED FOR IDENTIFICATION, ENGINEERING EVALUATION AND/OR INSPECTION PURPOSES ONLY AND MAY NOT BE USED AS A BASIS FOR MANUFACTURE OR SALES OF PRODUCTS WITHOUT WRITTEN PERMISSION FROM TEKTRONIX, INC. IF THIS DRAWING IS FURNISHED UNDER ANY UNITED STATES GOVERNMENT CONTRACT, IT SHALL NOT BE EITHER RELEASED OUTSIDE THE GOVERNMENT, OR USED, DUPLICATED, OR DISCLOSED IN WHOLE OR IN PART FOR MANUFACTURE OR PROCUREMENT, WITHOUT THE WRITTEN PERMISSION OF TEKTRONIX, INC. EXCEPT FOR: (1) EMERGENCY REPAIR OR OVERHAUL WORK BY OR FOR THE GOVERNMENT, WHERE THE ITEM OR PROCESS CONCERNED IS NOT OTHERWISE REASONABLY AVAILABLE TO ENABLE TIMELY PERFORMANCE OF THE WORK, OR (2) RELEASE TO A FOREIGN GOVERNMENT AS THE INTERESTS OF THE UNITED STATES MAY REQUIRE, PROVIDED THAT IN EITHER CASE THE RELEASE, USE, DUPLICATION OR DISCLOSURE HEREOF SHALL BE SUBJECT TO THE FOREGOING LIMITATIONS, IF THIS DRAWING IS REPRODUCED IN WHOLE OR IN PART, THIS ENTIRE LEGEND BLOCK MUST APPEAR ON ALL REPRODUCED COPIES.



## COIL STRUCTURE

## OUTSIDE

TYPE WINDING TERM NO

SEC	6-10
1082.5T	*39

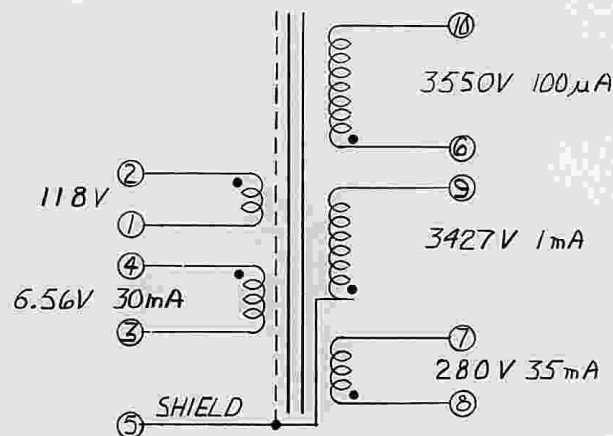
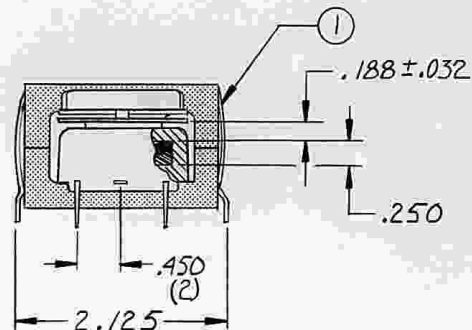
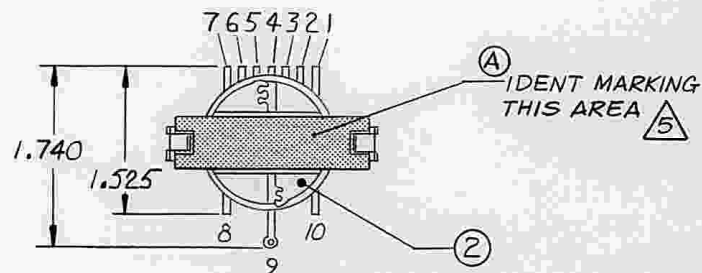
SEC	5-9
1045.5T	*39

SEC	8-7
85.5T	*38

SHIELD	5
--------	---

PRI 2-1	PRI 4-3
36T *29	2T *29

## INSIDE



OPERATING FREQUENCY: 35 KHZ

REV	REF	DESCRIPTION OF CHANGE	CHK BY	DATE
	45315	INITIATED PART	ALE	11 JAN 82
(A)	52601	REVISED DWG. & ADDED NOTE (B)	DD	29 MAR 84

(5) LOCATION AND ORIENTATION ON THIS SURFACE NOT CRITICAL. MUST BE LEGIBLE

(3) COIL TRANSFER MOLDED WITH EPOXY  
 2. POLARITY PER SCHEMATIC  
 1. DIMENSIONS REFERENCE UNLESS OTHERWISE SPECIFIED

## NOTES:

PART NUMBER REV.  
120-1230-02 A

4. VOLTAGE RATINGS ARE PEAK NO LOAD. CURRENT RATINGS ARE AMPS DC TYPICAL

TEKTRONIX, INC. PROPRIETARY ITEM DRAWING  
 MFD BY TEKTRONIX  MFD FOR TEKTRONIX

TEKTRONIX, INC. P. O. BOX 500 BEAVERTON, OREGON U.S.A. 97077

DWN W. STIPE 11 JAN 82 DIMENSIONS ARE IN INCHES / TOLERANCES: UNLESS OTHERWISE SPECIFIED

ENGR Larry Chan 12 Jan 82 DEC ANLR

CHKR Bob Stewart 12 Jan 82 SCALE FIRST USED ON

PROD Paul Johnson 12 Jan 82 1:1 D10 & D11

MATERIAL SEE LIST OF MATERIALS

FINISH NOTED

TITLE TRANSFORMER, POWER, STU (HIGH VOLTAGE)

CODE IDENT NO SIZE PART NUMBER REV  
80009 C 120-1230-02 A

ITEM	PART NUMBER	QTY	DESCRIPTION
5	195-0140-00	1/2	LEAD SET, HV TRANSFORMER
4	276-0697-00	1	CORE, EM ("E" FERRITE)
	276-0696-00	1	CORE, EM ("E" FERRITE)
3	255-0479-01	AR	PLASTIC MOLDING MATERIAL (EPOXY)
2	276-0225-00	1	FORM, COIL
1	343-0682-00	2	CLAMP, TRANSFORMER CORE

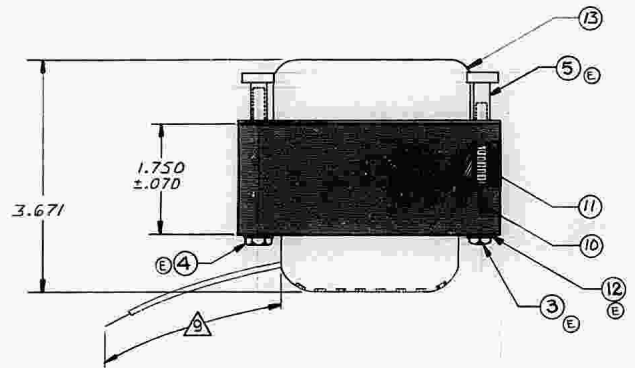


NOTES: (CONTINUED)  
 ⓐ ORIENTATION OF KEEPER OPTIONAL

49-65F

THIS DRAWING WHEN REPRODUCED WITHOUT TEKTRONIX, INC.'S WRITTEN PERMISSION, IS UNLAWFUL. TEKTRONIX, INC. IS NOT RESPONSIBLE FOR REPRODUCTION OF THIS DRAWING WITHOUT WRITTEN PERMISSION FROM TEKTRONIX, INC. IF THIS DRAWING IS REPRODUCED OR TRANSMITTED IN ANY FORM OR BY ANY MEANS, ELECTRONIC OR MECHANICAL, INCLUDING PHOTOCOPYING, RECORDING, OR BY ANY INFORMATION STORAGE AND RETRIEVAL SYSTEM, WITHOUT THE WRITTEN PERMISSION OF TEKTRONIX, INC. THIS DRAWING IS THE PROPERTY OF TEKTRONIX, INC. AND IS TO BE USED ONLY FOR THE PURPOSES SPECIFIED HEREON. IT IS NOT TO BE REPRODUCED OR TRANSMITTED IN ANY FORM OR BY ANY MEANS, ELECTRONIC OR MECHANICAL, INCLUDING PHOTOCOPYING, RECORDING, OR BY ANY INFORMATION STORAGE AND RETRIEVAL SYSTEM, WITHOUT THE WRITTEN PERMISSION OF TEKTRONIX, INC. IF THIS DRAWING IS REPRODUCED IN WHOLE OR IN PART, THIS ENTIRE LEGAL NOTICE MUST APPEAR ON ALL REPRODUCED COPIES.

REV	REF	DESCRIPTION OF CHANGE	CHK BY	DATE
A	41917	LEAD LENGTH 10, 11, 12 WAS 9.000, CORRECTED ITEM ⓐ, ⓑ	LL	28 OCT 80
B	41718	ADDED ITEM 14 & NOTE ⓐ	DD	23 JAN 81
C	41718	ITEM 3 WAS 212-0522-00, ITEM 4 WAS 212-0515-00	DD	12 MAR 81
D	43234	ITEM 11 WAS 166-0457-00	DP	28 FEB 81
E	44614	ITEM 5 WAS 210-0564-00, AND DELETED ⓐ	DD	28 JAN 82
F	45018	REMOVED ITEM 6	DD	11 MAR 82
G	51689	REVISED DWG., UPDATED NOTE ⓐ. REMOVED ITEM 10. ITEM 3 WAS 040-5172-00 & LEAD NO 9, 10, 20 WERE 162-0524-00	DD	2 NOV 83

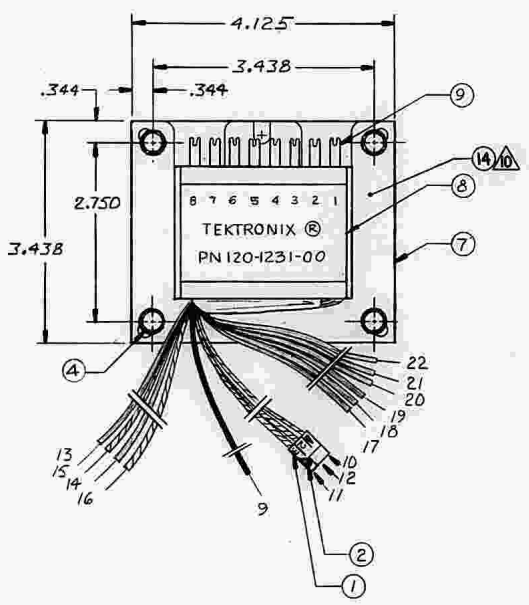


**COIL STRUCTURE OUTSIDE**

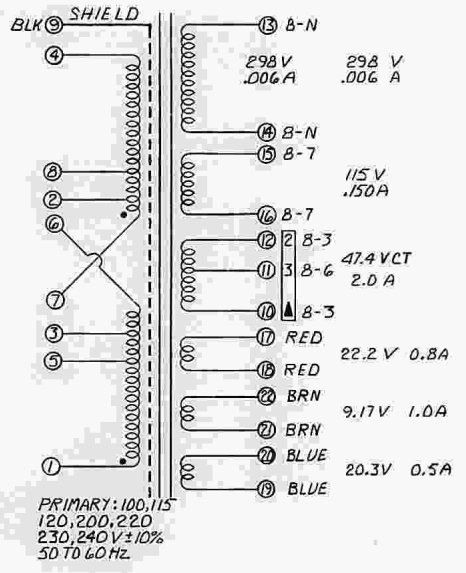
TYPE WINDING TERM/LEAD NO

SEC	19-20
53T	*22
SEC	21-22
24T	#20
SEC	17-18
58T	*20
SEC	10-11-12
0-62-124T	*20
SEC	15-16
300T	*28
SEC	13-14
780T	*35
SHIELD	9
PRI	7-2-8-4
0-13-52-314T	*24
PRI	1-5-3-6
0-262-301-314T	*24

INSIDE



LINE TO 1-4	CONNECT
100 V	170 8, 410 5
115 V	170 2, 470 3
120 V	170 7, 470 6
200 V	570 8
220 V	570 7
230 V	270 3
240 V	670 7



**LEAD LENGTH**

LEAD NO	LENGTH ±.250	STRIP ±.125	COLOR	PART NUMBER
9	8.000	.500	BLK**	75-0920-00
10	9.250	—	8-3**	175-0881-00
11	9.250	—	8-6**	175-0884-00
12	9.250	—	8-3**	175-0881-00
13	17.000	.500	8-N**	175-0886-00
14	17.000	.500	8-N**	175-0886-00
15	19.000	.500	8-7**	175-0885-00
16	19.000	.500	8-7**	175-0885-00
17	18.500	.500	RED*	162-0509-00
18	18.500	.500	RED*	162-0509-00
19	18.500	.500	BLUE*	162-0523-00
20	18.500	.500	BLUE*	162-0523-00
21	17.500	.500	BRN*	162-0553-00
22	17.500	.500	BRN*	162-0553-00

CONNECTOR \* INSULATION SLEEVING  
 \*\* \*22 STRANDED LEAD WIRE

8. TRANSFORMER MUST COMPLY TO UL 478 AND CSA 154

SAFETY CONTROLLED PART	TYPE NUMBER	REV.
120-1231-00	G	

- ⓐ DELETED
- ⓑ DIELECTRIC WITHSTANDING VOLTAGE: 15KV RMS, 50 TO 60 HZ, 1 MINUTE, PRIMARY TO SECONDARIES, SHIELD, AND CORE
- ⓓ VOLTAGE RATINGS ARE RMS NO LOAD CURRENT RATINGS ARE AMPS DC TYPICAL
- ⓔ TRANSFORMER VACUUM IMPREGNATED WITH VARNISH 252-0082-00 OR APPROVED EQUIVALENT
- 3. WINDINGS INSULATED FOR 600 VDC
- 2. POLARITY PER SCHEMATIC
- 1. DIMENSIONS REFERENCE UOS

REV	REF	DESCRIPTION	QTY	UNIT
B	14	386-4781-00	2	PLATE, LAMINATION (KEEPER)
B	13	200-0234-00	1	COVER, FINISH BLUE
B	12	210-0812-00	4	WASHER, *10 FIBER
D	11	166-0227-00	4	TUBE, INSULATION 1.50D
G	10			
G	9	210-0257-00	8	TERMINAL, LARGE
G	8	334-5319-00	1	MARKER, IDENTIFICATION
G	7	386-0021-00	AR	PLATE, LAMINATION (STEEL)
F	6			
E	5	006-0146-00	4	NUT TEMPORARY
E	4	212-0522-00	2	BOLT, HEX HEAD, 10-32, 2.500
E	3	212-0515-00	2	BOLT, HEX HEAD, 10-32, 2.250
C	2	131-0621-00	3	CONNECTOR, TERMINAL
C	1	352-0199-00	1	HOLDER, TERMINAL CONNECTOR

NOTES:  
 TEKTRONIX, INC. PROPRIETARY ITEM DRAWING  
 ⓐ INFO BY TEKTRONIX ⓑ INFO FOR TEKTRONIX  
 TEKTRONIX, INC. BEAVERTON, OREGON U.S.A. 97172  
 DIMENSIONS ARE IN INCHES UNLESS OTHERWISE SPECIFIED  
 UNLESS OTHERWISE SPECIFIED  
 DRAWN BY: J. J. JONES  
 CHECKED BY: J. J. JONES  
 SCALE: 1:1  
 PART NUMBER: 4634  
 MATERIAL: SEE LIST OF MATERIALS  
 FINISH: ⓐ  
 TITLE: TRANSFORMER, POWER SDN & SU  
 CODE IDENT NO: 80009  
 PART NUMBER: 120-1231-00  
 REV: G

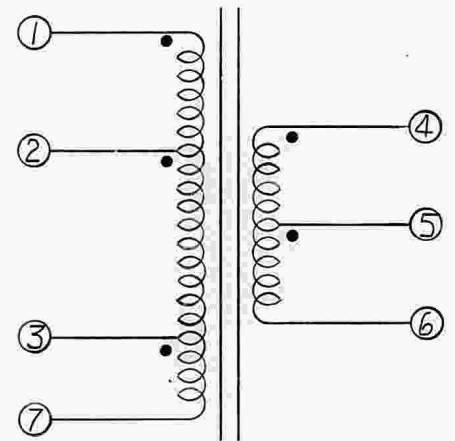
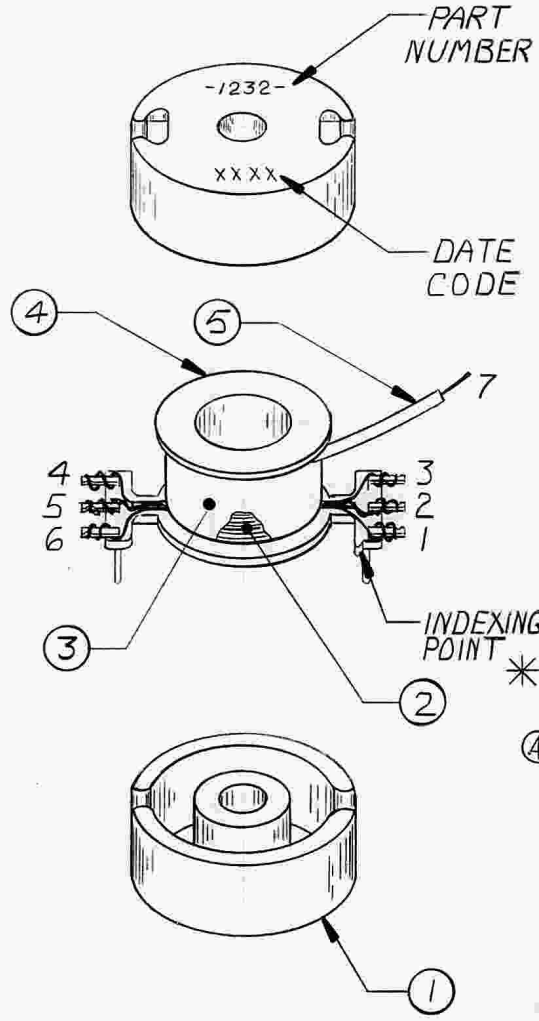
5. LEAD LENGTH FROM OUTSIDE CORE  
 LEAD\*7: 1.250 ± .125, STRIP TIN .250  
 ± .125, INSUL SLEEVING .900 ± .100 (B)

78-187 C

REV. B  
 PART NUMBER 120-1232-00

THIS DRAWING WHEN DISTRIBUTED OUTSIDE TEKTRONIX, INC., IS SUPPLIED FOR IDENTIFICATION, ENGINEERING EVALUATION AND/OR INSPECTION PURPOSES ONLY AND MAY NOT BE USED AS A BASIS FOR MANUFACTURE OF SALES OF PRODUCTS WITHOUT WRITTEN PERMISSION FROM TEKTRONIX, INC. IF THIS DRAWING IS FURNISHED UNDER ANY UNITED STATES GOVERNMENT CONTRACT, IT SHALL NOT BE EITHER RELEASED OUTSIDE THE GOVERNMENT, OR USED, DUPLICATED, OR DISCLOSED IN WHOLE OR IN PART FOR MANUFACTURE OR PROCUREMENT, WITHOUT THE WRITTEN PERMISSION OF TEKTRONIX, INC., EXCEPT FOR: (1) EMERGENCY REPAIR OR OVERHAUL WORK BY OR FOR THE GOVERNMENT, WHERE THE ITEM OR PROCESS CONCERNED IS NOT OTHERWISE REASONABLY AVAILABLE TO ENABLE TIMELY PERFORMANCE OF THE WORK; OR (2) RELEASE TO A FOREIGN GOVERNMENT AS THE INTERESTS OF THE UNITED STATES MAY REQUIRE; PROVIDED THAT IN EITHER CASE THE RELEASE, USE, DUPLICATION OR DISCLOSURE HEREOF SHALL BE SUBJECT TO THE FOREGOING LIMITATIONS, IF THIS DRAWING IS REPRODUCED IN WHOLE OR IN PART, THIS ENTIRE LEGEND BLOCK MUST APPEAR ON ALL REPRODUCED COPIES.

REV	REF	DESCRIPTION OF CHANGE	CHK BY	DATE
A	39017	(PINS 1-3) WAS (PIN 3)	LL	17 DEC 79
B	43517	.900 ± .100 WAS .870	DD	25 JUN 81



4. TRANSFORMER VACUUM IMPREGNATED WITH VARNISH 252-0082-00
3. CEMENT CORES TOGETHER
2. TAPE 2 LAYERS UNDER AND OVER BIFILAR WINDINGS
1. REFERENCE DIMENSIONS: .714 HIGH X .851 WIDE X 1.260 LONG

WINDINGS	TURNS	AWG	WIRE TYP RATINGS		RESISTANCE ±20% AT 20°C
			VOLTS	AMPS	
1-2	28	27	—	—	.176 Ω
2-3	82	27	**	—	.610 Ω
3-7	3	27	—	—	
4-5	4	27	—	—	.040 Ω
5-6	4	27	—	—	.040 Ω

\* BIFILAR WOUND  
 INDUCTANCE: 3.03 mH ± 5% (PINS 1-3) ESI  
 251 OR 252 METER  
 POLARITY PER SCHEMATIC  
 \*\* 500 V PEAK TO PEAK

5	162-0521-00	AR	INSULATING, SLEEVING ELEC
4	276-0119-00	1	FORM, COIL
3	253-0084-00	AR	TAPE, PRESS SENS (.328 WIDE)
2	176-0033-XX	AR	WIRE, ELEC (27 AWG)
1	276-0735-00	1	CORE, EM (AL250 2213)

ITEM	PART NUMBER	QTY	DESCRIPTION
------	-------------	-----	-------------

NOTES:

TEKTRONIX, INC. PROPRIETARY ITEM DRAWING  
 MFD BY TEKTRONIX     MFD FOR TEKTRONIX

**TEKTRONIX, INC.** P. O. BOX 500 BEAVERTON, OREGON U.S.A. 97077

DWN	JTWINFREY	11 OCT 78	DIMENSIONS ARE IN INCHES / TOLERANCES UNLESS OTHERWISE SPECIFIED	
ENGR	<i>Delford</i>	14 Aug 79	DEC	ANLR
CHKR	<i>B. Stewart</i>	9 Aug 79	SCALE	FIRST USED ON
PROD	<i>m. Chatty</i>	Aug 6-79	NONE	634

MATERIAL: SEE LIST OF MATERIALS

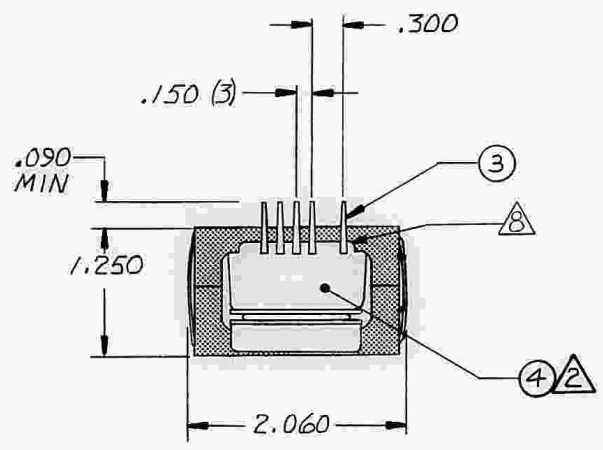
FINISH: NOTED

TITLE: TRANSFORMER, RF (FLYBACK, POT CORE)

CODE IDENT NO	SIZE	PART NUMBER	REV
80009	B	120-1232-00	B

THIS DRAWING WHEN DISTRIBUTED OUTSIDE TEKTRONIX, INC., IS SUPPLIED FOR IDENTIFICATION, ENGINEERING EVALUATION AND/OR INSPECTION PURPOSES ONLY AND MAY NOT BE USED AS A BASIS FOR MANUFACTURE OR SALES OF PRODUCTS WITHOUT WRITTEN PERMISSION FROM TEKTRONIX, INC. IF THIS DRAWING IS FURNISHED UNDER ANY UNITED STATES GOVERNMENT CONTRACT, IT SHALL NOT BE EITHER RELEASED OUTSIDE THE GOVERNMENT, OR USED, DUPLICATED, OR DISCLOSED IN WHOLE OR IN PART FOR MANUFACTURE OR PROCUREMENT, WITHOUT THE WRITTEN PERMISSION OF TEKTRONIX, INC., EXCEPT FOR: (1) EMERGENCY REPAIR OR OVERHAUL WORK BY OR FOR THE GOVERNMENT, WHERE THE ITEM OR PROCESS CONCERNED IS NOT OTHERWISE REASONABLY AVAILABLE TO ENABLE TIMELY PERFORMANCE OF THE WORK, OR (2) RELEASE TO A FOREIGN GOVERNMENT AS THE INTERESTS OF THE UNITED STATES MAY REQUIRE; PROVIDED THAT IN EITHER CASE THE RELEASE, USE, DUPLICATION OR DISCLOSURE HEREOF SHALL BE SUBJECT TO THE FOLLOWING LIMITATIONS, IF THIS DRAWING IS REPRODUCED IN WHOLE OR IN PART, THIS ENTIRE LEGEND BLOCK MUST APPEAR ON ALL REPRODUCED COPIES.

## COIL STRUCTURE OUTSIDE



TYPE WINDING		LEAD TERM NO	
SEC 11-12	SEC	1-10-9	
	$\phi$ -76.5-643.5 T	#36	
3T #26	PRI 4-5	PRI 3-6	
	37T #32	1T #32	
INSIDE			

REV	REF	DESCRIPTION OF CHANGE	CHK BY	DATE
A	41258	ITEM ② P/N WAS 175-0918-00 ADDED NOTE 7	DD	17JUN81
B	30393	REMOVED NOTE 7.	DD	2MAR83
C	52601	REVISED DWG. & ADDED NOTE $\Delta$	DD	29MAR84
D		UPDATED DWG & ADDED NOTE $\Delta$	LB	4SEPT86

$\Delta$  REMOVE EXCESS ADHESIVE FROM BOTTOM EDGE OF COIL, BOTH SIDES OF CORE, FOR MOUNTING PURPOSE'S

$\nabla$  LOCATION AND ORIENTATION ON THIS SURFACE NOT CRITICAL. MUST BE LEGIBLE

6. COIL SECURED TO BOTTOM CORE WITH ADHESIVE

5. VOLTAGE RATINGS ARE PEAK NO LOAD U.S. CURRENT RATINGS ARE AMPS DC TYPICAL

PART NUMBER	REV.
120-1233-00	D

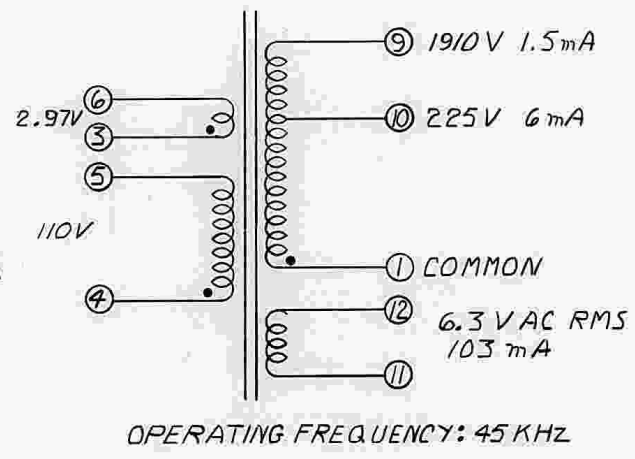
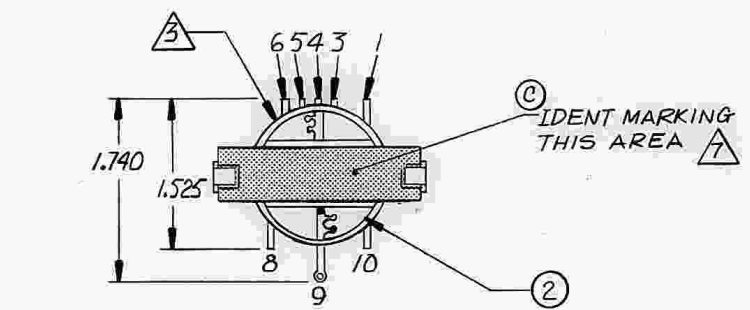
4. POLARITY PER SCHEMATIC

$\Delta$  PIN 7 REMOVED BEFORE MOLDING

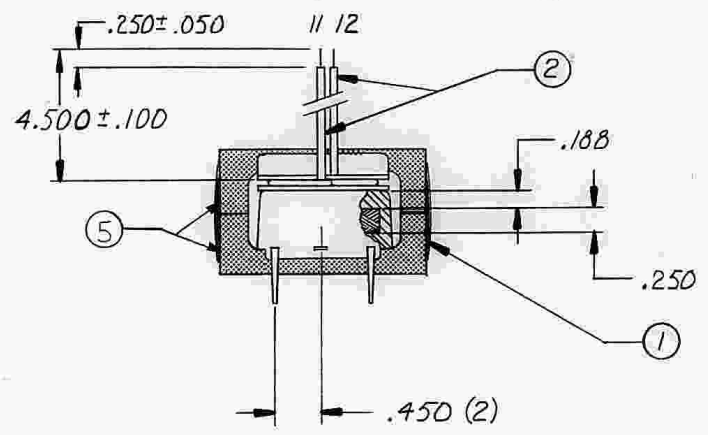
$\Delta$  COIL TRANSFER MOLDED WITH EPOXY

1. DIMENSIONS REFERENCE UNLESS OTHERWISE SPECIFIED

**NOTES:**



OPERATING FREQUENCY: 45 KHZ

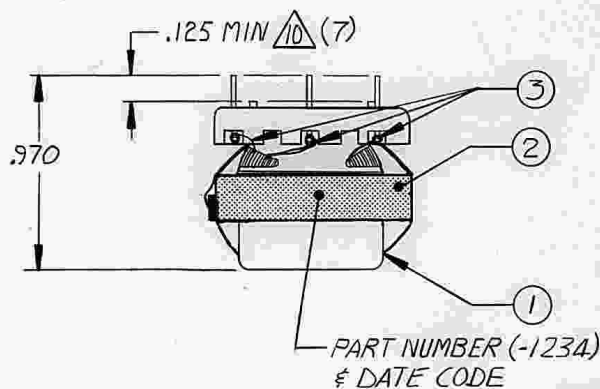
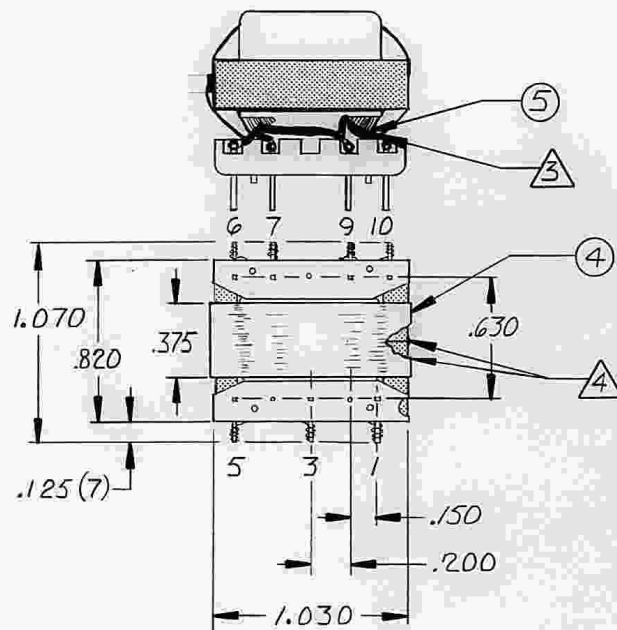


5	276-0696-00	1	CORE, EM ("E" FERRITE)
	276-0697-00	1	CORE, EM ("E" FERRITE)
4	255-0479-01	AR	PLASTIC MOLDING MATERIAL (EPOXY)
3	195-0118-00	1/2	LEAD SET, HV TRANSFORMER
2	650-0330-00	1	BOBBIN ASSEMBLY
1	343-0682-01	2	CLAMP, TRANSFORMER CORE

TEKTRONIX, INC. PROPRIETARY ITEM DRAWING			
<input checked="" type="checkbox"/> MFD BY TEKTRONIX		<input type="checkbox"/> MFD FOR TEKTRONIX	
<b>TEKTRONIX, INC.</b>		P. O. BOX 500 BEAVERTON, OREGON U.S.A. 97077	
OWN	JTW/INREY	6MART80	DIMENSIONS ARE IN INCHES / TOLERANCES: UNLESS OTHERWISE SPECIFIED
ENGR	L. C. Chen	18 June 80	
CHKR	B. Stewart	18 June 80	
PROD	E. Row	18 June 80	SCALE
			NONE
			FIRST USED ON
			492
MATERIAL			
SEE LIST OF MATERIALS			
FINISH			
NOTED			
TITLE			
TRANSFORMER, POWER SDN & SU (HIGH VOLTAGE)			
CODE IDENT NO	SIZE	PART NUMBER	REV
80009	G	120-1233-00	D

THIS DRAWING WHEN DISTRIBUTED OUTSIDE TEKTRONIX, INC. IS SUPPLIED FOR IDENTIFICATION, ENGINEERING EVALUATION AND/OR INSPECTION PURPOSES ONLY AND MAY NOT BE USED AS A BASIS FOR MANUFACTURE OR SALES OF PRODUCTS WITHOUT WRITTEN PERMISSION FROM TEKTRONIX, INC. IF THIS DRAWING IS FURNISHED UNDER ANY UNITED STATES GOVERNMENT CONTRACT, IT SHALL NOT BE EITHER RELEASED OUTSIDE THE GOVERNMENT, OR USED, DUPLICATED, OR DISCLOSED IN WHOLE OR IN PART FOR MANUFACTURE OR PROCUREMENT, WITHOUT THE WRITTEN PERMISSION OF TEKTRONIX, INC., EXCEPT FOR: (1) EMERGENCY REPAIR OR OVERSHOULDER WORK BY OR FOR THE GOVERNMENT, WHERE THE ITEM OR PROCESS CONCERNED IS NOT OTHERWISE REASONABLY AVAILABLE TO ENABLE TIMELY PERFORMANCE OF THE WORK; OR (2) RELEASE TO A FOREIGN GOVERNMENT AS THE INTERESTS OF THE UNITED STATES MAY REQUIRE, PROVIDED THAT IN EITHER CASE THE RELEASE, USE, DUPLICATION OR DISCLOSURE HEREOF SHALL BE SUBJECT TO THE FOREGOING LIMITATIONS. IF THIS DRAWING IS REPRODUCED IN WHOLE OR IN PART, THIS ENTIRE LEGEND BLOCK MUST APPEAR ON ALL REPRODUCED COPIES.

REV	REF	DESCRIPTION OF CHANGE	CHK BY	DATE
(A)	44377	ITEM 4 251-0365-00 WAS 251-0330-00	DD	9 OCT 81
(B)	50420	GENERAL, 253-0214-00 WAS 253-0024-00	DD	26 APR 83
(C)	49313	INDUCTANCE WAS 1.10 H MIN AT 1 KHZ	DD	16 MAY 83
(D)	49313	GENERAL UPDATE	DD	11 JUL 83
(E)	55689	ITEM 4 WAS 251-0365-00	CH	16 NOV 84

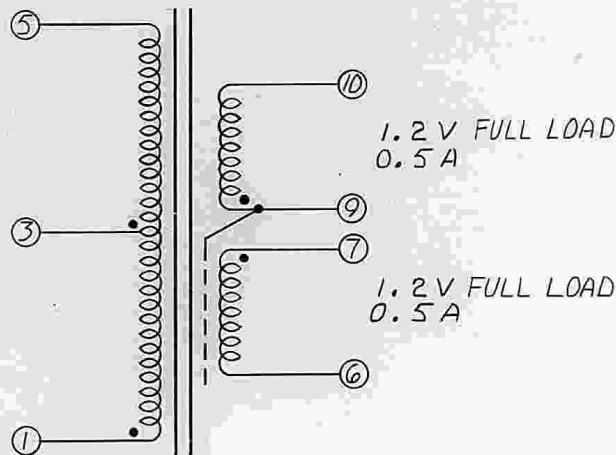


LEAD NO	VOLTS	CURRENT AMPS	DCR ±15% @ 20°C
1-3-5	188 CT		130 CT
6-7	1.316	0.50	0.054
9-10	1.316	0.50	0.035

### COIL STRUCTURE OUTSIDE

TYPE WINDING	TERM NO
SEC	7-6
7 T	*26
(B) SHIELD (253-0214-00)	9
PRI	1-3-5
Ø-500-1000 T	*39
SEC	9-10
7 T	*26

### INSIDE



PRIMARY  
188 V CT  
20 KHZ  
SQUARE WAVE

ITEM	PART NUMBER	QTY	DESCRIPTION
5	175-0918-00	AR	WIRE, ELEC (26 AWG TEFLON)
(A) 4	253-0288-00	AR	COPPER, FOIL .005 THK
3	176-0041-XX	AR	WIRE, ELEC (39 AWG MAGNET)
2	276-0704-00	2	CORE, EM (E" FERRITE)
1	276-0227-00	1	FORM, COIL

- 10 SOLDERABILITY REQUIRED IN THIS AREA
9. VOLTAGE RATINGS ARE PEAK NO LOAD CURRENT RATINGS ARE AMPS PEAK VDS
8. INDUCTANCE (1-5): 1.10 H MIN WITH ESI 252 OR APPROVED EQUIVALENT
7. DIELECTRIC WITHSTANDING VOLTAGE: 2000 VRMS 50 TO 60 HZ 1 MINUTE  
A 170 G 10  
B 6 T D 10
6. POLARITY PER SCHEMATIC
5. TRANSFORMER VACUUM IMPREGNATED WITH VARNISH 252-0082-00 OR APPROVED EQUIVALENT

PART NUMBER	REV
120-1234-00	E

- 4 CORES CEMENTED ONLY ON THE OUTSIDE EDGES WITH EPOXY, EXTERNAL COPPER FOIL SHIELD IS ATTACHED, LAPPED AND SOLDERED
- 3 THE INSULATION ON 6, 7, 9 & 10 MUST EXTEND OUT TO COIL FORM EDGE
2. REMOVE PINS 2, 4 & 8 BEFORE WINDING
1. DIMENSIONS REFERENCE U.O.S.

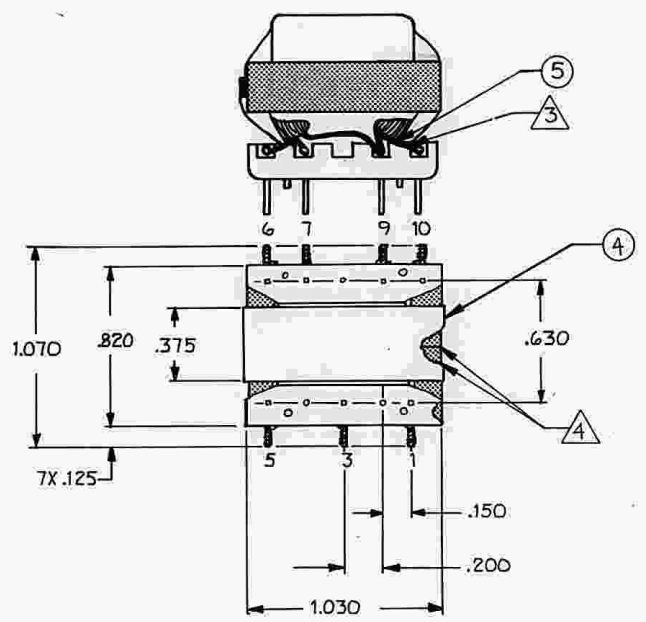
#### NOTES:

TEKTRONIX, INC. PROPRIETARY ITEM DRAWING	
<input checked="" type="checkbox"/> MFD BY TEKTRONIX	<input type="checkbox"/> MFD FOR TEKTRONIX
<b>TEKTRONIX, INC.</b> P. O. BOX 500 BEAVERTON, OREGON U.S.A. 97077	
DWN	JT WINTER 29 OCT 79
ENGR	R. Cogan 5 JUN 81
CHKR	G. Stewart 11 MAR 81
PROD	m. Chetty 13 MAR 81
MATERIAL	SEE LIST OF MATERIALS
FINISH	NOTED
TITLE	TRANSFORMER, H F (BASE DRIVE)
CODE IDENT NO	80009
SIZE	2:1
PART NUMBER	120-1234-00
REV	E

77-421

THIS DRAWING WHEN DISTRIBUTED OUTSIDE TETRONIX, INC., IS SUPPLIED FOR IDENTIFICATION, ENGINEERING EVALUATION AND/OR INSPECTION PURPOSES ONLY AND MAY NOT BE USED AS A BASIS FOR MANUFACTURE OR SALES OF PRODUCTS WITHOUT WRITTEN PERMISSION FROM TETRONIX, INC. IF THIS DRAWING IS FURNISHED UNDER ANY UNITED STATES GOVERNMENT CONTRACT, IT SHALL NOT BE EITHER RELEASED OUTSIDE THE GOVERNMENT, OR USED, DUPLICATED, OR DISCLOSED IN WHOLE OR IN PART FOR MANUFACTURE OR PROCUREMENT, WITHOUT THE WRITTEN PERMISSION OF TETRONIX, INC., EXCEPT FOR: (1) EMERGENCY REPAIR OR OVERHAUL WORK BY OR FOR THE GOVERNMENT, WHERE THE ITEM OR PROCESS CONCERNED IS NOT OTHERWISE REASONABLY AVAILABLE TO ENABLE TIMELY PERFORMANCE OF THE WORK, OR (2) RELEASE TO A FOREIGN GOVERNMENT AS THE INTERESTS OF THE UNITED STATES MAY REQUIRE, PROVIDED THAT IN EITHER CASE THE RELEASE, USE, DUPLICATION OR DISCLOSURE HEREOF SHALL BE SUBJECT TO THE FOREGOING LIMITATIONS. IF THIS DRAWING IS REPRODUCED IN WHOLE OR IN PART, THIS ENTIRE LEGEND BLOCK MUST APPEAR ON ALL REPRODUCED COPIES.

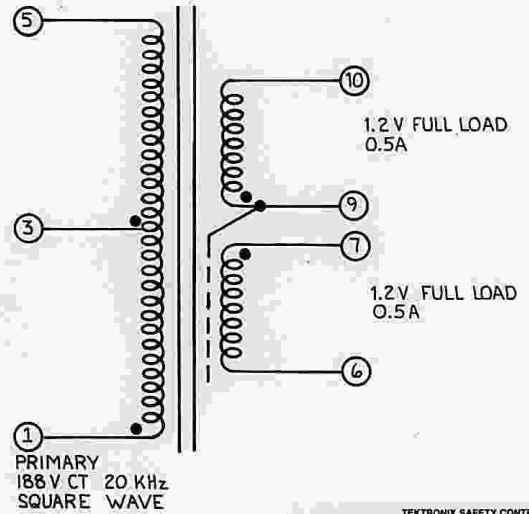
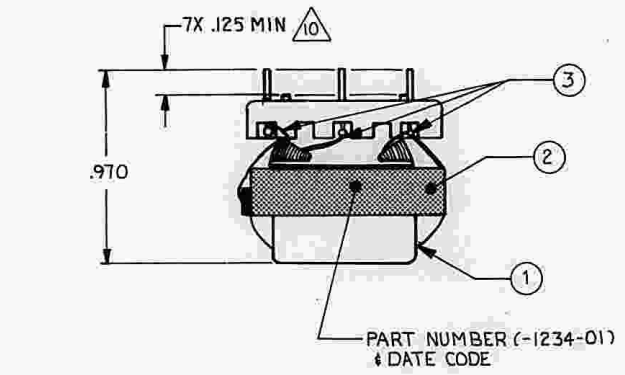
REV	REF	DESCRIPTION OF CHANGE	CHK BY	DATE
	56460	INITIATED PART	CL	4 JAN 85



COIL STRUCTURE  
OUTSIDE

TYPE WINDING	TERM NO
SEC	7-6
BT	#26
SHIELD (253-0214-00)	9
PR1	1-3-5
Ø-500-1000T	#39
SEC	9-10
BT	#26

INSIDE



TYPICAL RATINGS			
LEAD NO	VOLTS	CURRENT AMPS	DCR ±15% Ω 20°C
1-3-5	188 CT	—	130 CT
6-7	1.504	0.50	0.054
9-10	1.504	0.50	0.035

ITEM	PART NUMBER	QTY	DESCRIPTION
5	175-0918-00	AR	WIRE, ELEC (26 AWG TEFLON)
4	253-0288-00	AR	COPPER, FOIL .005 THK
3	176-0041-XX	AR	WIRE, ELEC (39 AWG MAGNET)
2	276-0704-00	2	CORE, EM ("E" FERRITE)
1	276-0227-00	1	FORM, COIL

TETRONIX SAFETY CONTROLLED PART  
THIS PART IS CONTROLLED TO INSURE MAINTENANCE OF SAFETY CHARACTERISTICS DESIGNED INTO A TETRONIX PRODUCT. TO CONTINUE MAINTENANCE ANY CHANGES IN MATERIALS, SPECIFICATIONS, VENDORS OR VENDOR PART NUMBERS MUST BE EVALUATED AND APPROVED IN EACH APPLICATION IN WHICH THIS IS A CONTROLLED PART

- TRANSFORMER MUST CONFORM TO REQUIREMENTS OF UL 1244, CSA 556B, IEC 348.
- SOLDERABILITY REQUIRED IN THIS AREA
- VOLTAGE RATINGS ARE PEAK, NO LOAD. CURRENT RATINGS ARE AMPS PEAK UOS
- INDUCTANCE (1-5): 1.10 H MIN WITH ESI 252 OR APPROVED EQUIVALENT
- DIELECTRIC WITHSTANDING VOLTAGE: 2000 VRMS, 50 TO 60Hz, 1 MINUTE  
A 1 TO 6 10 AND CORE  
B 6 TO 10
- POLARITY PER SCHEMATIC
- TRANSFORMER VACUUM IMPREGNATED WITH VARNISH 252-0082-00 OR TETRONIX ENGINEERING APPROVED EQUIVALENT
- CORES CEMENTED ONLY ON THE OUTSIDE EDGES WITH EPOXY, EXTERNAL COPPER FOIL SHIELD IS ATTACHED, LAPPED AND SOLDERED
- THE INSULATION ON 6,7,9 & 10 MUST EXTEND OUT TO COIL FORM EDGE
- REMOVE PINS 2,4 & 8 BEFORE WINDING
- DIMENSIONS REFERENCE U.O.S.

PART NUMBER  
**120-1234-01**

<b>Tektronix INC.</b> P. O. BOX 500 BEAVERTON, OREGON U.S.A. 97077		DATE 25 JAN 85	
RELEASED FOR PRODUCTION TOOLING	SIGNATURE <i>Tom Duck</i>	DIMENSIONS ARE IN INCHES / MM TOLERANCES UNLESS OTHERWISE SPECIFIED	
ENGR <i>J. E. Bellinger</i>	4 JAN 85	DEC	ANLR
CHKR <i>R. Woods</i>	15 JAN 85	SCALE	FIRST USED ON
PROD <i>T. Duck</i>	25 JAN 85	2:1	492

MATERIAL  
SEE LIST OF MATERIALS

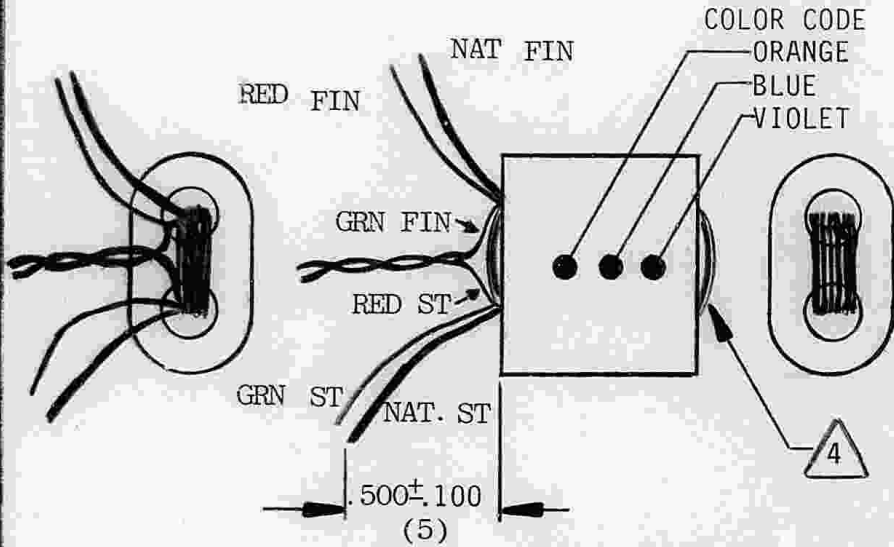
FINISH  
△

TITLE  
TRANSFORMER, HF  
(BASE DRIVE)

CODE IDENT NO	SIZE	PART NUMBER	REV
80009	C	120-1234-01	

NOTES:

1. DIMENSIONS REFERENCE UNLESS OTHERWISE SPECIFIED  
.160 HIGH X .277 WIDE X .280 LONG
2. TIN LEADS TO WITHIN .070 ± .030 FROM CORE
3. TWIST RED START AND GREEN FINISH TOGETHER 8 ± 2 TURNS PER INCH
4. COAT END SHOWN WITH 006-3397-00 OR APPROVED EQUIVALENT



WIRE DATA			
TURNS	COLOR	AWG	PART NUMBER
2	NAT	27	176-0010-14
6	GRN	31	176-0014-15
10	RED	31	176-0014-00

\*BIFILAR WOUND FOR 6 TURNS

DATA:  
CODE TD-367  
CORE NO 276-0712-00

77-195 B

PART NUMBER

120-1235-00

REV

A

THIS DRAWING WHEN DISTRIBUTED OUTSIDE TEKTRONIX, INC. IS SUPPLIED FOR IDENTIFICATION ENGINEERING EVALUATION AND/OR INSPECTION PURPOSES ONLY AND MAY NOT BE USED AS A BASIS FOR MANUFACTURE OR SALES OF PRODUCTS WITHOUT WRITTEN PERMISSION FROM TEKTRONIX, INC. IF THIS DRAWING IS FURNISHED UNDER ANY UNITED STATES GOVERNMENT CONTRACT, IT SHALL NOT BE EITHER RELEASED OUTSIDE THE GOVERNMENT, OR USED, DUPLICATED, OR DISCLOSED IN WHOLE OR IN PART FOR MANUFACTURE OR PROCUREMENT, WITHOUT THE WRITTEN PERMISSION OF TEKTRONIX, INC. EXCEPT FOR: (1) EMERGENCY REPAIR OR OVERHAUL WORK BY OR FOR THE GOVERNMENT, WHERE THE ITEM OR PROCESS CONCERNED IS NOT OTHERWISE REASONABLY AVAILABLE TO ENABLE TIMELY PERFORMANCE OF THE WORK; OR (2) RELEASE TO A FOREIGN GOVERNMENT AS THE INTERESTS OF THE UNITED STATES MAY REQUIRE; PROVIDED THAT IN EITHER CASE THE RELEASE, USE, DUPLICATION OR DISCLOSURE HEREOF SHALL BE SUBJECT TO THE FOREGOING LIMITATIONS. IF THIS DRAWING IS REPRODUCED IN WHOLE OR IN PART, THIS ENTIRE LEGEND BLOCK MUST APPEAR ON ALL REPRODUCED COPIES.

REV / BY / REF	DESCRIPTION OF CHANGE	CHK BY / DATE
A / DG/50482	GENERAL UPDATE--SEE MOD DOC	20SEP83

TEKTRONIX, INC. PROPRIETARY ITEM DRAWING

MFD BY TEKTRONIX

MFD FOR TEKTRONIX



TEKTRONIX, INC.

P. O. BOX 500  
BEAVERTON, OREGON U.S.A. 97077



DWN J T WINFREY	14 NOV 78	DIMENSIONS ARE IN INCHES / TOLERANCES: UNLESS OTHERWISE SPECIFIED	
ENGR <i>W. Gordon</i>	5/22/80	DEC	ANLR
CHKR <i>B. Stewart</i>	5/27/80	SCALE	FIRST USED ON
PROD <i>Donna M. Harman</i>	5/21/80	NONE	492

MATERIAL LISTED

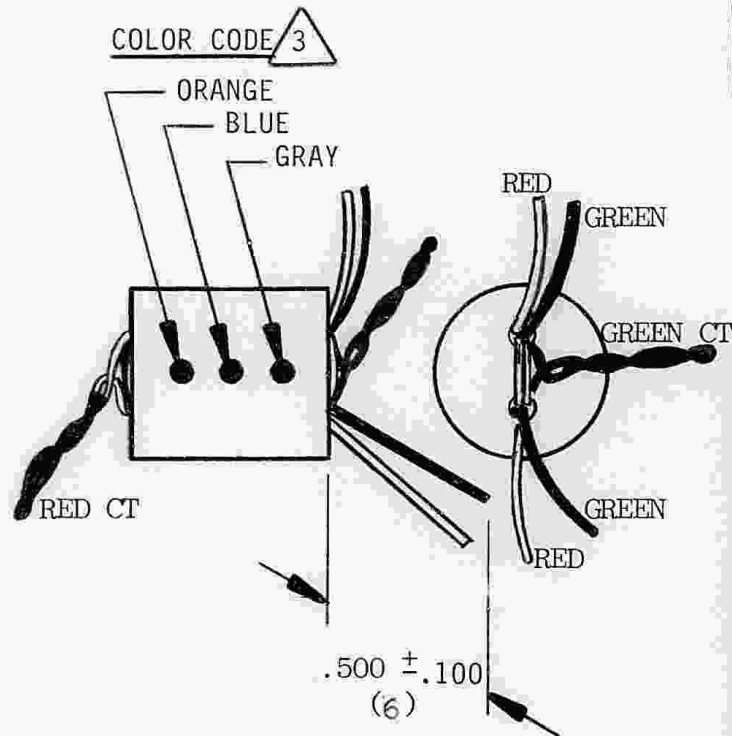
FINISH NOTED

TITLE TRANSFORMER, RF (BALUN)

CODE IDENT NO	SIZE	PART NUMBER	REV
80009	A	120-1235-00	A

NOTES:

1. DIMENSIONS REFERENCE UNLESS OTHERWISE SPECIFIED  
.220 OD X .250 LONG
2. LEADS TINNED TO WITHIN .070 OF CORE.
3. PRINTED PART NUMBER (-1236) MAY BE USED INSTEAD OF  
COLOR CODE.



WIRE DATA		
TURNS/COLOR	AWG	PART NUMBER
4 TAPPED @ 2GRN	33	176-0239-15
6 TAPPED @ 3RED	33	176-0239-00

DATA:  
 CODE TD--368  
 CORE NO 276-0701-00

77-207B

PART NUMBER

120-1236-00

REV

A

THIS DRAWING WHEN DISTRIBUTED OUTSIDE TEKTRONIX, INC. IS SUPPLIED FOR IDENTIFICATION, ENGINEERING EVALUATION AND/OR INSPECTION PURPOSES ONLY AND MAY NOT BE USED AS A BASIS FOR MANUFACTURE OR SALES OF PRODUCTS WITHOUT WRITTEN PERMISSION FROM TEKTRONIX, INC. IF THIS DRAWING IS FURNISHED UNDER ANY UNITED STATES GOVERNMENT CONTRACT, IT SHALL NOT BE EITHER RELEASED OUTSIDE THE GOVERNMENT, OR USED, DUPLICATED, OR DISCLOSED IN WHOLE OR IN PART FOR MANUFACTURE OR PROCUREMENT, WITHOUT THE WRITTEN PERMISSION OF TEKTRONIX, INC. EXCEPT FOR: (1) EMERGENCY REPAIR OR OVERHAUL WORK BY OR FOR THE GOVERNMENT, WHERE THE ITEM OR PROCESS CONCERNED IS NOT OTHERWISE REASONABLY AVAILABLE TO ENABLE TIMELY PERFORMANCE OF THE WORK; OR (2) RELEASE TO A FOREIGN GOVERNMENT AS THE INTERESTS OF THE UNITED STATES MAY REQUIRE; PROVIDED THAT IN EITHER CASE THE RELEASE, USE, DUPLICATION OR DISCLOSURE HEREOF SHALL BE SUBJECT TO THE FOREGOING LIMITATIONS. IF THIS DRAWING IS REPRODUCED IN WHOLE OR IN PART, THIS ENTIRE LEGEND BLOCK MUST APPEAR ON ALL REPRODUCED COPIES.

REV / BY / REF	DESCRIPTION OF CHANGE	CHK BY / DATE
A / DG / 50482	UPDATE--SEE MOD DOC	29SEP83

TEKTRONIX, INC. PROPRIETARY ITEM DRAWING

MFD BY TEKTRONIX

MFD FOR TEKTRONIX



TEKTRONIX, INC.

P. O. BOX 500  
 BEAVERTON, OREGON U.S.A. 97077



DWN J T WINFREY	16 NOV 78	DIMENSIONS ARE IN INCHES / TOLERANCES: UNLESS OTHERWISE SPECIFIED	
ENGR <i>W. Gordon</i>	5/22/80	DEC	ANLR
CHKR <i>B. Stewart</i>	5/27/80	SCALE	FIRST USED ON
PROD <i>Donna M. Halman</i>	5/21/80	NONE	492

MATERIAL LISTED

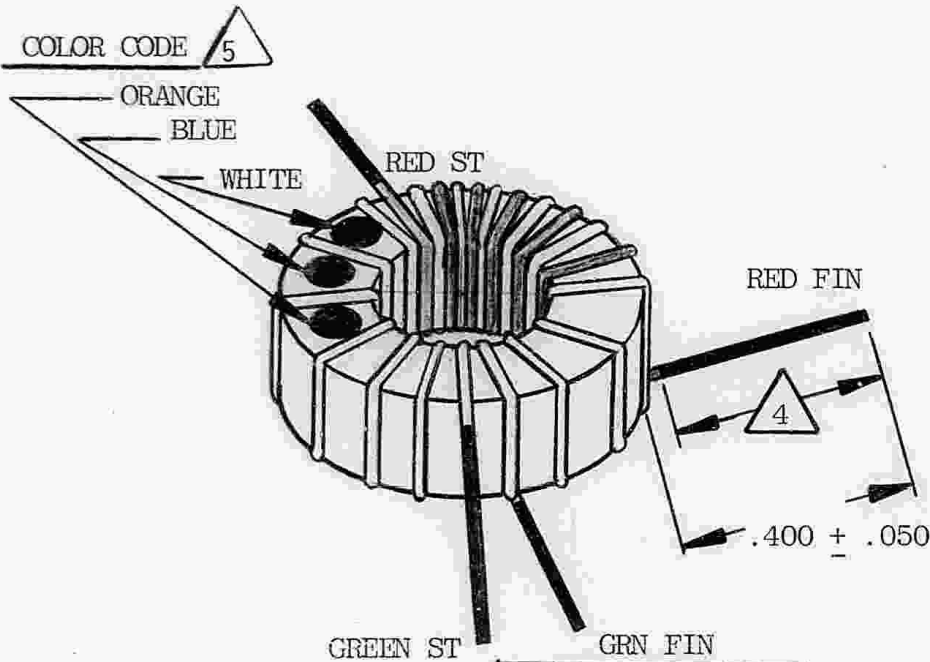
FINISH NOTED

TITLE TRANSFORMER, RF (BALUN)

CODE IDENT NO	SIZE	PART NUMBER	REV
80009	A	120-1236-00	A

NOTES:

1. DIMENSIONS REFERENCE UNLESS OTHERWISE SPECIFIED  
.375 OD X .125 HIGH
2. COAT WITH 006-3397-00 OR APPROVED EQUIVALENT
3. INDUCTANCE PER HP 4275A OR APPROVED EQUIVALENT:  
100-400  $\mu$ H ON 16 TURN WINDING AT 40 kHz, 0.19 mA,  
SERIES MODE
- 4 LEADS TINNED TO WITHIN 0.100 OF WINDING
- 5 PRINTED PART NUMBER (-1237) MAY BE USED INSTEAD OF  
COLOR CODE.



WIRE DATA			
TURNS/COLOR	AWG	PART NUMBER	
6 RED	26	176-0032-01	
16 GREEN	26	176-0032-15	

DATA:  
CODE TD-369  
CORE NO 276-0554-00

77-209C

PART NUMBER 120-1237-00

REV  $\triangle$

THIS DRAWING WHEN DISTRIBUTED OUTSIDE TEKTRONIX, INC. IS SUPPLIED FOR IDENTIFICATION, ENGINEERING EVALUATION AND/OR INSPECTION PURPOSES ONLY AND MAY NOT BE USED AS A BASIS FOR MANUFACTURE OR SALES OF PRODUCTS WITHOUT WRITTEN PERMISSION FROM TEKTRONIX, INC. IF THIS DRAWING IS FURNISHED UNDER ANY UNITED STATES GOVERNMENT CONTRACT, IT SHALL NOT BE EITHER RELEASED OUTSIDE THE GOVERNMENT, OR USED, DUPLICATED, OR DISCLOSED IN WHOLE OR IN PART FOR MANUFACTURE OR PROCUREMENT, WITHOUT THE WRITTEN PERMISSION OF TEKTRONIX, INC., EXCEPT FOR: (1) EMERGENCY REPAIR OR OVERHAUL WORK BY OR FOR THE GOVERNMENT, WHERE THE ITEM OR PROCESS CONCERNED IS NOT OTHERWISE REASONABLY AVAILABLE TO ENABLE TIMELY PERFORMANCE OF THE WORK; OR (2) RELEASE TO A FOREIGN GOVERNMENT AS THE INTERESTS OF THE UNITED STATES MAY REQUIRE; PROVIDED THAT IN EITHER CASE THE RELEASE, USE, DUPLICATION OR DISCLOSURE HEREOF SHALL BE SUBJECT TO THE FOREGOING LIMITATIONS. IF THIS DRAWING IS REPRODUCED IN WHOLE OR IN PART, THIS ENTIRE LEGEND BLOCK MUST APPEAR ON ALL REPRODUCED COPIES.

REV / BY / REF	DESCRIPTION OF CHANGE	CHK BY / DATE
A /DG /50482	UPDATE--SEE MOD DOC	3 OCT 83

TEKTRONIX, INC. PROPRIETARY ITEM DRAWING

MFD BY TEKTRONIX

MFD FOR TEKTRONIX



TEKTRONIX, INC.

P. O. BOX 500  
BEAVERTON, OREGON U.S.A. 97077



DWN J T WINFREY	14 NOV 78	DIMENSIONS ARE IN INCHES / $\square$ TOLERANCES: UNLESS OTHERWISE SPECIFIED	
ENGR <i>W. Jordan</i>	5/22/80	DEC _____	ANLR _____
CHKR <i>B. Stewart</i>	5/27/80	SCALE	FIRST USED ON
PROD <i>Douglas M. Helman</i>	5/21/80	NONE	492

MATERIAL LISTED

FINISH NOTED

TITLE TRANSFORMER, RF (TOROIDAL)

CODE IDENT NO	SIZE	PART NUMBER	REV
80009	A	120-1237-00	$\triangle$

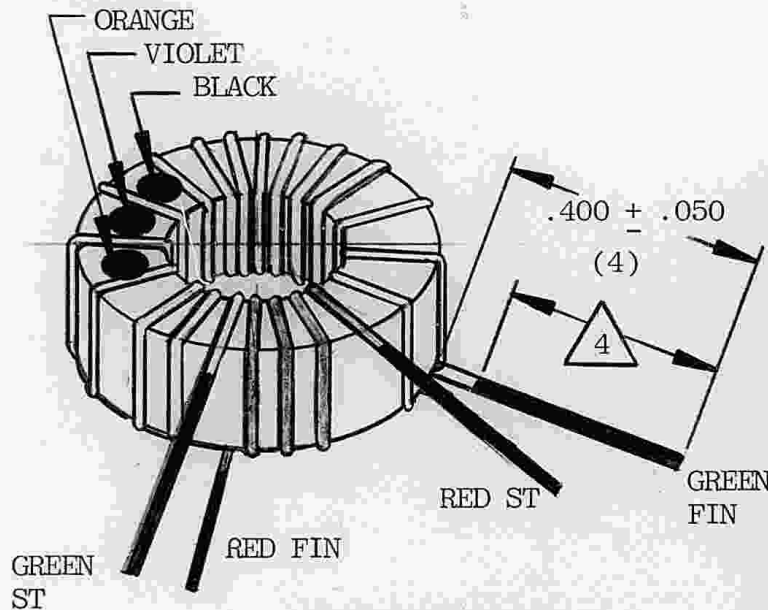


NOTES:

1. DIMENSIONS REFERENCE UNLESS OTHERWISE SPECIFIED  
.375 OD X .125 HIGH
2. COAT WITH 006-3397-00
3. INDUCTANCE RANGE PER TEK 130 L.C. METER 180 to 272 $\mu$ H  
ON 16 TURN WINDING

**4** TIN LEADS TO WITHIN .100 OF WINDING

COLOR CODE



WIRE DATA			
TURNS/COLOR	AWG	PART NUMBER	
4 RED	26	176-0032-01	
16 GREEN	26	176-0032-15	

DATA  
CODE TD-370  
CORE NO 276-0554-00

77-210B

PART NUMBER **120-1238-00**

REV

THIS DRAWING WHEN DISTRIBUTED OUTSIDE TEKTRONIX, INC. IS SUPPLIED FOR IDENTIFICATION, ENGINEERING EVALUATION AND/OR INSPECTION PURPOSES ONLY AND MAY NOT BE USED AS A BASIS FOR MANUFACTURE OR SALES OF PRODUCTS WITHOUT WRITTEN PERMISSION FROM TEKTRONIX, INC. IF THIS DRAWING IS FURNISHED UNDER ANY UNITED STATES GOVERNMENT CONTRACT, IT SHALL NOT BE EITHER RELEASED OUTSIDE THE GOVERNMENT, OR USED, DUPLICATED, OR DISCLOSED IN WHOLE OR IN PART FOR MANUFACTURE OR PROCUREMENT, WITHOUT THE WRITTEN PERMISSION OF TEKTRONIX, INC., EXCEPT FOR: (1) EMERGENCY REPAIR OR OVERHAUL WORK BY OR FOR THE GOVERNMENT, WHERE THE ITEM OR PROCESS CONCERNED IS NOT OTHERWISE REASONABLY AVAILABLE TO ENABLE TIMELY PERFORMANCE OF THE WORK; OR (2) RELEASE TO A FOREIGN GOVERNMENT AS THE INTERESTS OF THE UNITED STATES MAY REQUIRE; PROVIDED THAT IN EITHER CASE THE RELEASE, USE, DUPLICATION OR DISCLOSURE HEREOF SHALL BE SUBJECT TO THE FOREGOING LIMITATIONS. IF THIS DRAWING IS REPRODUCED IN WHOLE OR IN PART, THIS ENTIRE LEGEND BLOCK MUST APPEAR ON ALL REPRODUCED COPIES.

REV / BY / REF

DESCRIPTION OF CHANGE

CHK BY / DATE

TEKTRONIX, INC. PROPRIETARY ITEM DRAWING

MFD BY TEKTRONIX

MFD FOR TEKTRONIX



TEKTRONIX, INC. P. O. BOX 500  
BEAVERTON, OREGON U.S.A. 97077



DWN	JT WINFREY	21 NOV 78	DIMENSIONS ARE IN INCHES / <input type="checkbox"/>	
ENGR	<i>J. Winfrey</i>	5/22/80	TOLERANCES: UNLESS OTHERWISE SPECIFIED	
CHKR	<i>B. Stewart</i>	5/27/80	DEC _____	ANLR _____
PROD	<i>Donna A. Holman</i>	5/21/80	SCALE	FIRST USED ON
			NONE	492

MATERIAL

LISTED

FINISH

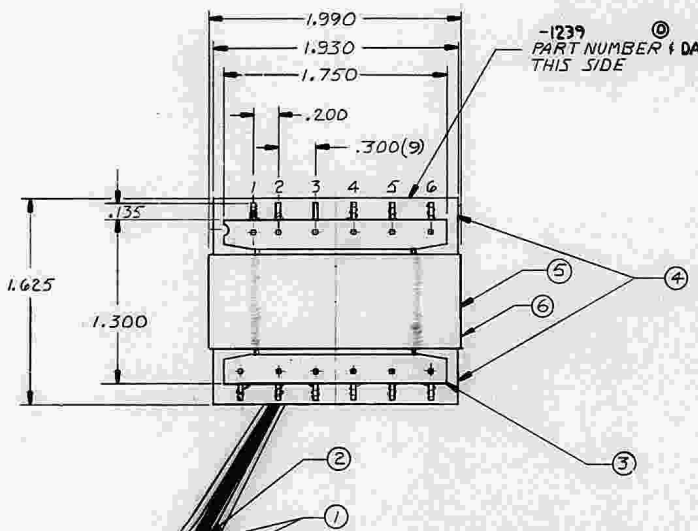
NOTED

TITLE

TRANSFORMER, RF (TOROIDAL)

CODE IDENT NO	SIZE	PART NUMBER	REV
<b>80009</b>	<b>A</b>	<b>120-1238-00</b>	

REV	REP	DESCRIPTION OF CHANGE	CHK BY	DATE
(A)	44217	CORRECTED 13,14,15, 4.2500±.250 TO WAS 3.000±.250	DD	18JUN82
(B)	45291	REMOVED ITEM 6	DD	19APR83
(C)	46227	ADDED SAFETY LABEL	PV	19APR83
(D)	50392	COMBINED AN DATE CODE	DD	21JUN83
(E)	52001	UPDATED DRAWING, NOTES 2, 3, 7. ADDED ITEMS 4,7,8 ON LIST OF MAT'L'S	DD	26OCT83
(F)	54507	UPDATED DWG, ADDED ONE SIDE VIEW. REMOVED ITEM 8	DD	6JUL84

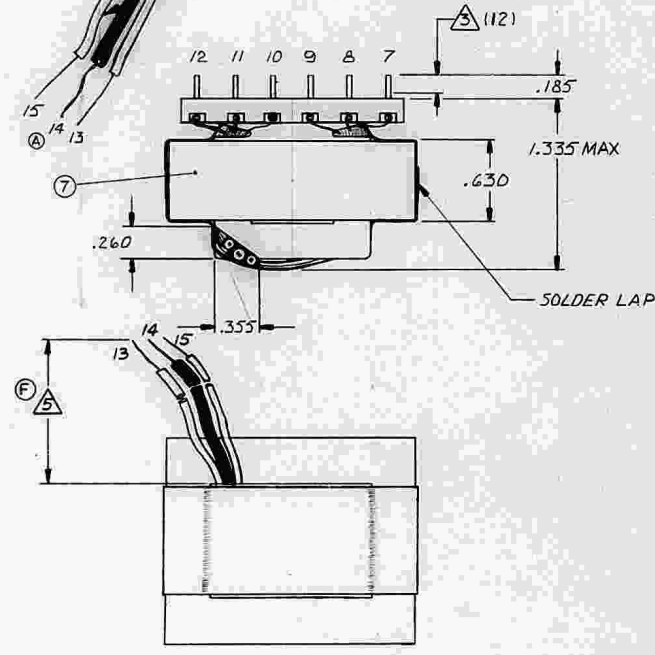
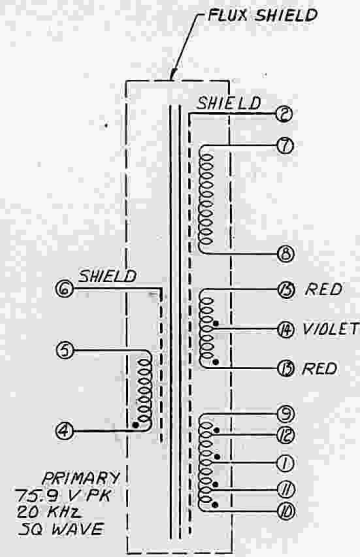


**COIL STRUCTURE**

OUTSIDE

TYPE WINDING	TERM NO
SEC 13-14-15	
Ø-7-14T	#21
SEC 8-7	
3ØT	#26
SEC 10-11-12-9	
Ø-1-4-7-8T	#21
SHIELD	2
SHIELD	6
PRI 4-5	
2ØT	#21

INSIDE



**ELECTRICAL DATA**

LEAD NO	* VOLTS	CURRENT AMPS DC	TYPICAL RATING
4-5	75.9		DCR±5% .093 @ 20°C
6			
2			
9-1-10	21.7CT	2.05	.031CT
11-1-12	16.3CT	4.8	.023CT
7-8	103	.166	.561
13-14-15	37.9CT	2.67	.080CT

\* PEAK NO LOAD

8. POLARITY PER SCHEMATIC
- 120-1239-00**
- 7. INDUCTANCE (4-5): 3.5 mH MIN MEASURED ON AN ESI 252 BRIDGE OR APPROVED EQUIVALENT
  - 6. DIELECTRIC WITHSTANDING VOLTAGE: 1500 V AC, 50 OR 60 Hz, 1 MINUTE, 4-5-6 TO CORE, 1,2,7,14
  - 4. CEMENT CORES TOGETHER
  - 5. SOLDERABILITY REQUIRED TO WITHIN .030 OF MOUNTING PLANE
  - 6. LEAD LENGTHS 13,14,15, 2.500±.250, MEASURED FROM BOBBIN FLANGE STRIP/TIN .625±.125.
  - 7. TRANSFORMER VACUUM IMPREGNATED WITH VARNISH 252-0082-00 OR APPROVED EQUIVALENT
- NOTES:  
1. DIMENSIONS REFERENCE UOS

TEKTRONIX, INC. PROPRIETARY ITEM DRAWING  
FOR PARTS CONTROLLED BY USER, MAINTENANCE OF SAFETY CHARACTERISTICS OF THIS PART IS THE USER'S RESPONSIBILITY. THIS DRAWING IS NOT TO BE USED FOR REPRODUCTION, REVISIONS, OR MODIFICATIONS WITHOUT THE WRITTEN PERMISSION OF TEKTRONIX, INC.

REV	NO	DESCRIPTION	DATE
(E)	8		
(E)	7	253-0059-00 AR TAPE, PRESS SENS	
(E)	6	253-0232-00 AR TAPE, PRESS SENS	
(E)	5	251-3015-00 AR COPPER, WIRE (.750 WIDE)	
	4	276-0732-00 1 CORE, EM('E' FERRITE)	
	3	276-0246-00 1 FORM, COIL	
	2	162-0684-00 AR INSULATION, SLEEVING, ELEC	
	1	162-0510-00 AR INSULATION, SLEEVING, ELEC	

TEKTRONIX, INC. PROPRIETARY ITEM DRAWING  
P. O. BOX 800  
BEAVERTON, OREGON U.S.A. 97077

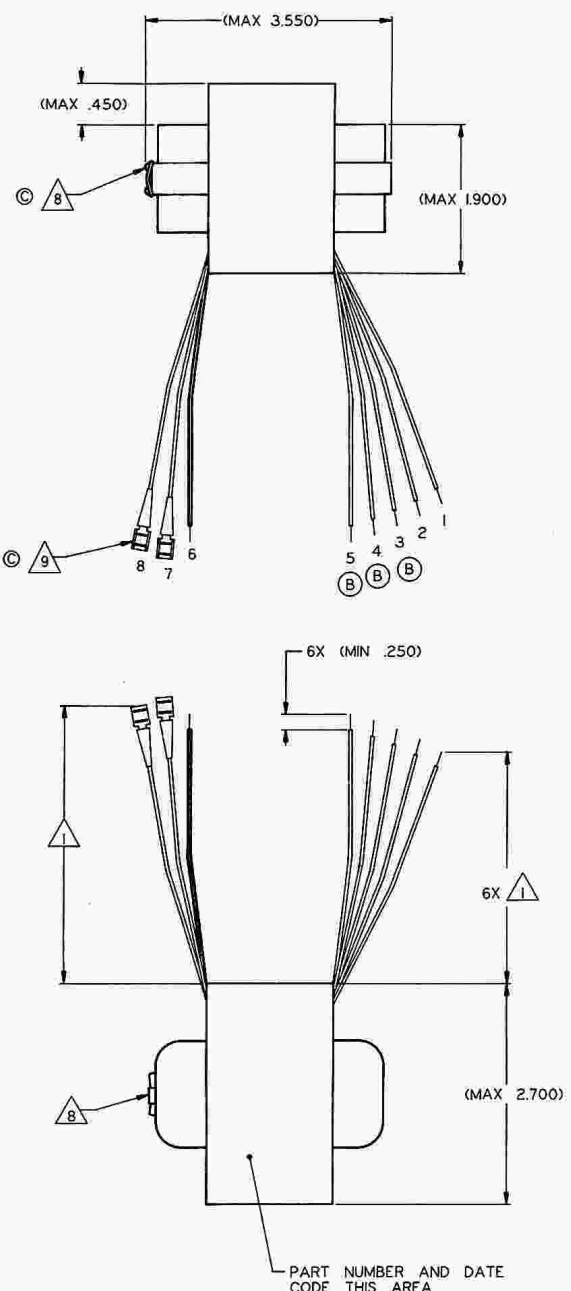
DATE: 11/14/80  
DRAWN BY: J. G. GIBSON  
CHECKED BY: J. G. GIBSON  
PROD. & MFG. BY: J. G. GIBSON

SCALE: 2:1  
FIRST USED ON: 492

MATERIAL: SEE LIST OF MATERIALS

TITLE: TRANSFORMER, POWER (SDN & SU: RF)

CODE (EQUIV. NO): 80009  
REV: 1  
PART NUMBER: 120-1239-00

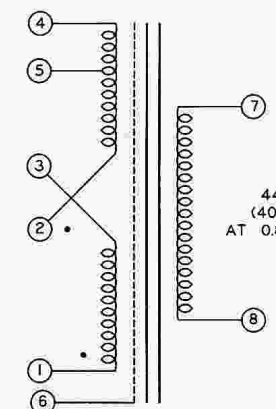


LEAD LENGTH			
LEAD NUMBER	COLOR	PART NUMBER	LEAD LENGTH <sup>ⓐ</sup>
1	8-19	175-0879-00	4.500
2	8-2	175-0880-00	4.500
3	8-3	175-0881-00	5.375
4	8-04	175-0882-00	5.375
5	8-5	175-0883-00	5.375
6	BLACK	175-0920-00	2.750
* 7	RED	162-0510-00	5.310
* 8	RED	162-0510-00	5.310

\* TO END OF CONNECTOR

WINDING DATA			
LEAD NO.	TURNS	AWG	TYP OCR (A.) 20°C
1-3	834	30	37.8
2-5-4	0-660-834	30	37.8
6	SHIELD	-	-
7-8	310	22	1.91

REV	REF	DESCRIPTION OF CHANGE	CHK BY	DATE
B	64643	LEADS #3, #4, & #5 LENGTH WERE: 4.500; UPDATED DRAWING TO CURRENT STANDARDS	LS	28 AUG 87
C	64987	LENGTHS WERE: 4.000, 4.000, 4.875, 4.875, 4.875, 2.250; REMOVED LIST OF MATERIALS & NOTE A; REMOVE (TEK-TRONIX P/N 252-0082-00 OR APPROVED EQUIVALENT) FROM NOTE A; NOTE A WAS ITEM 4 TO BE CENTERED ON CORE ±200; NOTE A WAS: AMP, INC (TEKTRONIX P/N 131-1159-00); WAS: INSULATION LENGTH	LS	13 JAN 88



PRIMARY 95, 120, 240V±10%  
50-60 Hz

- ⓐ INSULATED 250 SPADE FEMALE CONNECTOR (AMP INC, P/N 60384-2 OR TEK-TRONIX APPROVED EQUIVALENT). CONNECTOR SHALL BE APPLIED TO WIRE SUCH THAT TERMINAL TO WIRE CONNECTION INTEGRITY IS MAINTAINED AFTER A 10 POUND PULL FORCE IS APPLIED TO THE TERMINAL PER LATEST REVISION OF ML-STD-202, METHOD 2IIA, TEST CONDITION A
- ⓑ STAMPING CLIP TO BE CENTERED ON CORE ±200 AS SHOWN
- 7. WINDINGS INSULATED FOR 600V DC
- 6. TRANSFORMER MUST COMPLY WITH UL 1244, CSA 556B, IEC 348, AND FACTORY MUTUAL 3820
- 5. DIELECTRIC WITHSTANDING VOLTAGE 15 KV RMS, 50 TO 60 Hz; 1 MINUTE PRIMARIES TO SECONDARY, SHIELD, AND CORE
- Ⓒ 4. TRANSFORMER VACUUM IMPREGNATED W/ VARNISH
- 3. VOLTAGE RATINGS ARE RMS NO LOAD AND CURRENT RATINGS ARE AMPS DC
- 2. POLARITY PER SCHEMATIC
- 1. SEE LEAD LENGTHS TABLE ABOVE

PART NUMBER	REV
120-1240-00	C

PRIMARY VOLTAGE	LINE TO	CONNECT
95	1-5	1-2 & 3-4
120	1-4	1-2 & 3-4
240	1-4	2-3

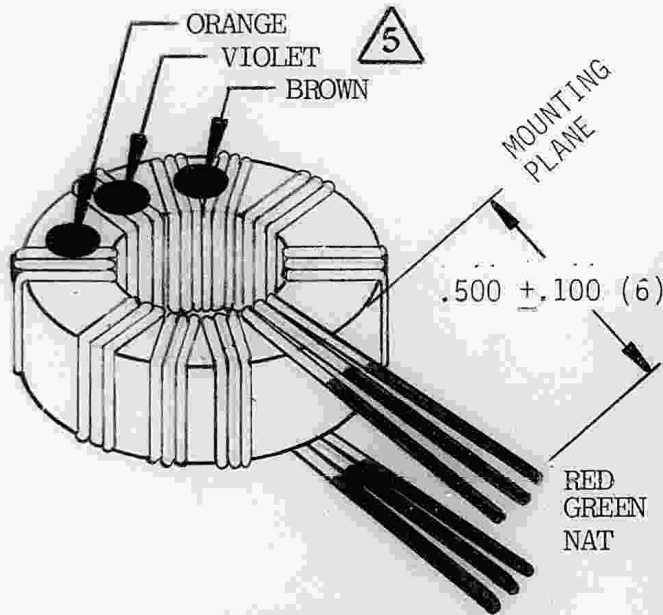
**TEKTRONIX SAFETY CONTROLLED PART**  
THIS PART IS CONTROLLED TO INSURE MAINTENANCE OF SAFETY CHARACTERISTICS DESIGNED INTO A TEKTRONIX PRODUCT. TO CONTINUE MAINTENANCE, ANY CHANGES IN MATERIALS, SPECIFICATIONS, VENDORS, OR VENDOR PART NUMBERS MUST BE EVALUATED AND APPROVED IN EACH APPLICATION IN WHICH THIS IS A CONTROLLED PART.

NOTES: UOS

RELEASED FOR PRODUCTION TOOLING		SIGNATURE		DATE	
DATE		DATE		DATE	
DRN	J. J. JAZOWICKI	26 JAN 83	REVISION	REV	1
CHKD		18 SEP 87	SCALE	±250	1/4" = 1"
OWN	D. J. JAZOWICKI	2 FEB 88	SCALE	NONE	FIRST USED ON 1740
PROD					
MATERIAL					
FROM					
TITLE					
TRANSFORMER, POWER, STEPDOWN					
CODE	80008	REV	D	PART NUMBER	120-1240-00
REV C					

NOTES:

1. DIMENSIONS REFERENCE UNLESS OTHERWISE SPECIFIED  
.375 OD X .125 HIGH
  2. COATED WITH 006-3397-00 OR APPROVED EQUIVALENT
  3. INDUCTANCE VALUE DETERMINED WITH HP4275A METER OR APPROVED EQUIVALENT @ 40 KHz, 0.3mA, SERIES MODE (10 TURN WINDING)  $L = 96 \mu H \pm 27\%$
  4. LEADS TINNED TO WITHIN .050 OF MOUNTING PLANE
- △ 5 PRINTED PART NUMBER (-1241) MAY BE USED INSTEAD OF COLOR CODE



WIRE DATA			
URNS/COLOR	AWG	PART NUMBER	
10 RED	27	176-0010-00	
10 GREEN	27	176-0010-15	
10 NAT	27	176-0010-14	

\*TRIFILAR WOUND

DATA

CODE TD-371  
CORE NO 276-0554-00

78-206

PART NUMBER 120-1241-00

REV A

THIS DRAWING WHEN DISTRIBUTED OUTSIDE TEKTRONIX, INC. IS SUPPLIED FOR IDENTIFICATION, ENGINEERING EVALUATION AND/OR INSPECTION PURPOSES ONLY AND MAY NOT BE USED AS A BASIS FOR MANUFACTURE OR SALES OF PRODUCTS WITHOUT WRITTEN PERMISSION FROM TEKTRONIX, INC. IF THIS DRAWING IS FURNISHED UNDER ANY UNITED STATES GOVERNMENT CONTRACT, IT SHALL NOT BE EITHER RELEASED OUTSIDE THE GOVERNMENT, OR USED, DUPLICATED, OR DISCLOSED IN WHOLE OR IN PART FOR MANUFACTURE OR PROCUREMENT, WITHOUT THE WRITTEN PERMISSION OF TEKTRONIX, INC. EXCEPT FOR: (1) EMERGENCY REPAIR OR OVERHAUL WORK BY OR FOR THE GOVERNMENT, WHERE THE ITEM OR PROCESS CONCERNED IS NOT OTHERWISE REASONABLY AVAILABLE TO ENABLE TIMELY PERFORMANCE OF THE WORK; OR (2) RELEASE TO A FOREIGN GOVERNMENT AS THE INTERESTS OF THE UNITED STATES MAY REQUIRE; PROVIDED THAT IN EITHER CASE THE RELEASE, USE, DUPLICATION OR DISCLOSURE HEREOF SHALL BE SUBJECT TO THE FOREGOING LIMITATIONS. IF THIS DRAWING IS REPRODUCED IN WHOLE OR IN PART, THIS ENTIRE LEGEND BLOCK MUST APPEAR ON ALL REPRODUCED COPIES.

REV	BY	REF	DESCRIPTION OF CHANGE	CHK BY / DATE
△ 5	DG	50482	UPDATED NOTES 2,3,4 & ADDED NOTE △ 5	11 JUN:84

TEKTRONIX, INC. PROPRIETARY ITEM DRAWING

MFD BY TEKTRONIX

MFD FOR TEKTRONIX



TEKTRONIX, INC.

P. O. BOX 500  
BEAVERTON, OREGON U.S.A. 97077



DWN	J T WINFREY	15 NOV 78	DIMENSIONS ARE IN INCHES / TOLERANCES: UNLESS OTHERWISE SPECIFIED	
ENGR	<i>Raymond</i>	5/22/80	DEC	ANLR
CHKR	<i>B. Stewart</i>	5/27/80	SCALE	FIRST USED ON
PROD	<i>Donna M. Holman</i>	5/21/80	NONE	492

MATERIAL LISTED

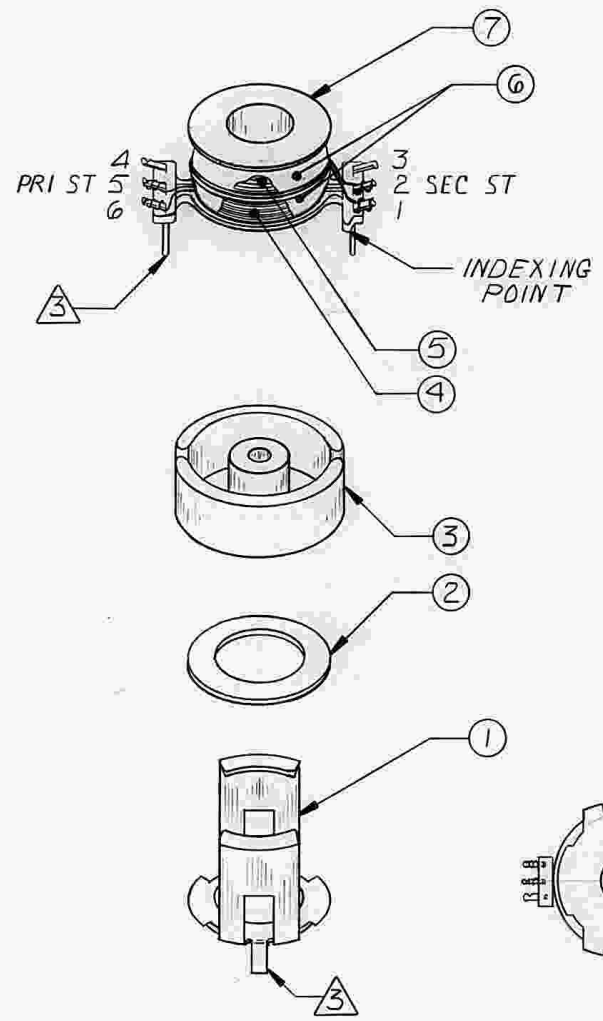
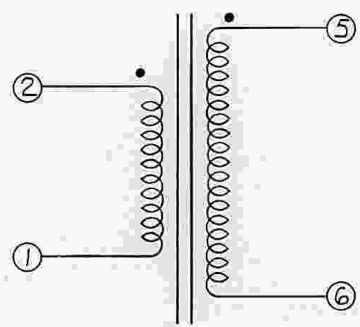
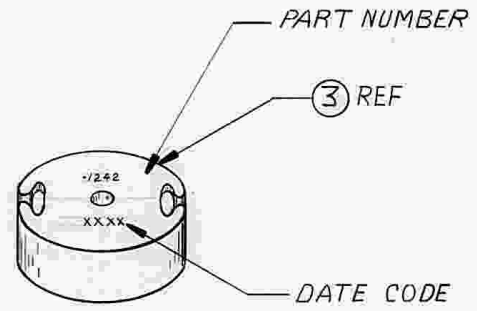
FINISH NOTED

TITLE TRANSFORMER, RF (TOROIDAL)

CODE IDENT NO	SIZE	PART NUMBER	REV
80009	A	120-1241-00	A

THIS DRAWING WHEN DISTRIBUTED OUTSIDE TEKTRONIX, INC. IS SUPPLIED FOR IDENTIFICATION, ENGINEERING, EVALUATION AND/OR INSPECTION PURPOSES ONLY AND MAY NOT BE USED AS A BASIS FOR MANUFACTURE OR SALES OF PRODUCTS WITHOUT WRITTEN PERMISSION FROM TEKTRONIX, INC. IF THIS DRAWING IS FURNISHED UNDER ANY UNITED STATES GOVERNMENT CONTRACT, IT SHALL NOT BE EITHER RELEASED OUTSIDE THE GOVERNMENT, OR USED, DUPLICATED, OR DISCLOSED IN WHOLE OR IN PART FOR MANUFACTURE OR PROCUREMENT, WITHOUT THE WRITTEN PERMISSION OF TEKTRONIX, INC., EXCEPT FOR: (1) EMERGENCY REPAIR OR OVERHAUL WORK BY OR FOR THE GOVERNMENT, WHERE THE ITEM OR PROCESS CONCERNED IS NOT OTHERWISE REASONABLY AVAILABLE TO ENABLE TIMELY PERFORMANCE OF THE WORK, OR (2) RELEASE TO A FOREIGN GOVERNMENT AS THE INTERESTS OF THE UNITED STATES MAY REQUIRE, PROVIDED THAT IN EITHER CASE THE RELEASE, USE, DUPLICATION OR DISCLOSURE HEREOF SHALL BE SUBJECT TO THE FOREGOING LIMITATIONS, IF THIS DRAWING IS REPRODUCED IN WHOLE OR IN PART, THIS ENTIRE LEGEND BLOCK MUST APPEAR ON ALL REPRODUCED COPIES.

REV	REF	DESCRIPTION OF CHANGE	CHK BY	DATE
-----	-----	-----------------------	--------	------



WINDINGS	URNS	WIRE AWG	
5-6 PRI	180	34	LOWER SECTION
2-1 SEC	20	24	UPPER SECTION

LEAKAGE INDUCTANCE:  $11\mu H \pm 10\%$   
(SHORT 5-6 MEASURE 1-2) VALUE DETERMINE WITH ESI 252METER OR EQUIVALENT  
POLARITY PER SCHEMATIC  
OPERATING FREQUENCY: 20 KHZ

5. TAPE SLOTS IN CENTER FLANGE WITH 253-0191-00 BEFORE WINDING

4. COIL AND CLAMP MUST BE PERPENDICULAR TO EACH OTHER  $\pm 3^\circ$

PART NUMBER	REV.
120-1242-00	

3. TERMINALS AND MOUNTING TABS TO BE VARNISH FREE

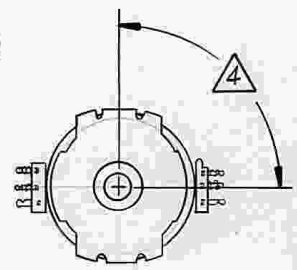
2. TRANSFORMER VACUUM IMPREGNATED WITH VARNISH 252-0082-00

1. REFERENCE DIMENSIONS: .602 HIGH X .720 WIDE X 1.125 LONG

NOTES:

TEKTRONIX, INC. PROPRIETARY ITEM DRAWING			
<input checked="" type="checkbox"/> MFD BY TEKTRONIX	<input type="checkbox"/> MFD FOR TEKTRONIX		
<b>TEKTRONIX, INC.</b>		P. O. BOX 500 BEAVERTON, OREGON U.S.A. 97077	
DWN	JT WINFREY	12 JAN 79	DIMENSIONS ARE IN INCHES / UNLESS OTHERWISE SPECIFIED
ENGR	<i>John</i>	24 Oct 78	TOLERANCES: ANLR
CHKR	<i>B. Stewart</i>	31 Oct 78	SCALE
PROD	<i>m. Chatter</i>	10-28-80	FIRST USED ON
MATERIAL		NONE 634 OPT 15	
SEE LIST OF MATERIALS			
FINISH			
NOTED			
TITLE			
TRANSFORMER, RF (BASE DRIVE, POT CORE)			
CODE IDENT NO	SIZE	PART NUMBER	REV
80009	G	120-1242-00	

ITEM	PART NUMBER	QTY	DESCRIPTION
7	276-0171-00	1	FORM, COIL
6	253-0086-00	AR	TAPE, PRESS SENS (137 WIDE)
5	176-0030-XX	AR	WIRE, ELEC (24 AWG)
4	176-0038-XX	AR	WIRE, ELEC (34 AWG)
3	276-0617-00	1	CORE, EM (UNGAPPED 1811) SET
2	361-0409-00	1	SPACER, DISC
1	343-0312-00	1	CLAMP, POT CORE



THIS DRAWING IS THE PROPERTY OF TETRONIX, INC. IT IS LOANED TO YOU BY TETRONIX, INC. FOR YOUR INFORMATION OR USE IN CONNECTION WITH THE EQUIPMENT OR SYSTEMS WHICH TETRONIX, INC. HAS SUPPLIED TO YOU. IT IS NOT TO BE REPRODUCED OR TRANSMITTED IN ANY FORM OR BY ANY MEANS, ELECTRONIC OR MECHANICAL, INCLUDING PHOTOCOPYING, RECORDING, OR BY ANY INFORMATION STORAGE AND RETRIEVAL SYSTEM, WITHOUT THE WRITTEN PERMISSION OF TETRONIX, INC. EXCEPT FOR THE LIMITED RIGHTS AND OBLIGATIONS SET FORTH IN THE LICENSE AGREEMENT WHICH ACCOMPANIES THIS DRAWING. ANY UNAUTHORIZED REPRODUCTION OR TRANSMISSION OF THIS DRAWING IS STRICTLY PROHIBITED. TETRONIX, INC. SHALL NOT BE LIABLE FOR ANY DAMAGES, INCLUDING CONSEQUENTIAL DAMAGES, ARISING FROM THE USE OF THIS DRAWING. ANY CHANGES TO THIS DRAWING SHALL BE MADE BY TETRONIX, INC. AND SHALL BE INDICATED BY A REVISION SYMBOL ON THIS DRAWING.

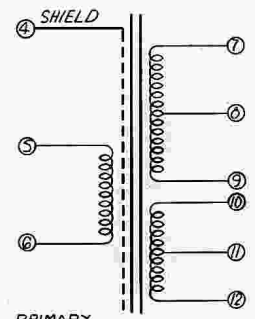
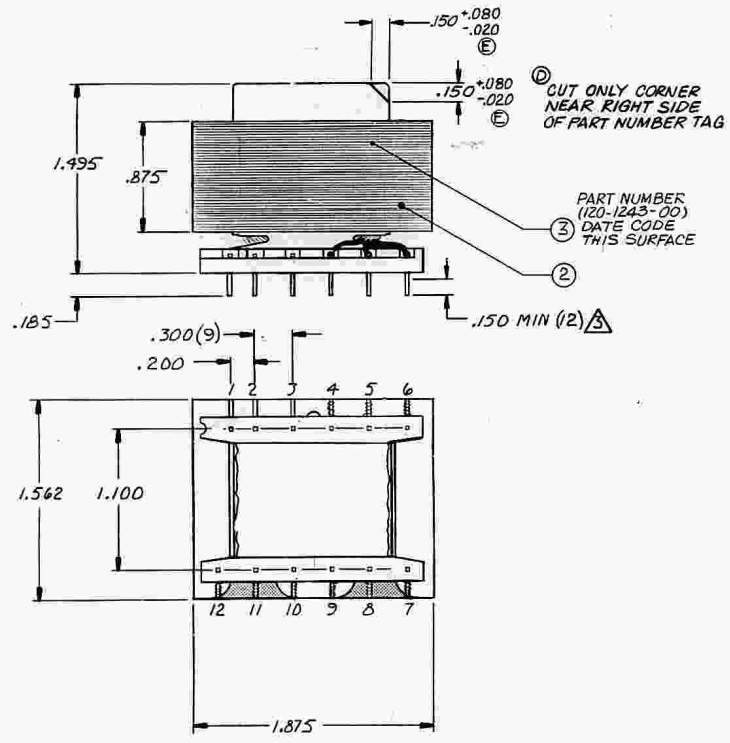
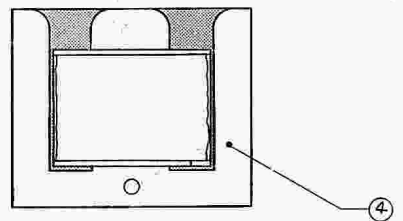
REV	DATE	DESCRIPTION OF CHANGE	CHK BY	DATE
A	45018	REMOVED ITEM 1	DD	12 FEB 82
B	50496	ADDED NOTE 6	DD	22 JUN 83
C	51689	UPDATED DWG. & NOTE $\Delta$	DD	5 JAN 84
D	53439	REVISED DRAWING	DD	20 MAR 84
E	NONE	.150 $\pm$ .080 WAS .150 $\pm$ .020 (2 PLACES)	LG	26 JUL 85
F		REVISED & UPDATE DWG.	WA	11 MAR 86

**COIL STRUCTURE**

**OUTSIDE**

TYPE WINDING	TERM NO
PRI	5-6
224T	*28
SHIELD	4
SEC	10-11-12
$\emptyset$ -123-24G.T	*30
SEC	9-8-7
$\emptyset$ -220-44OT	*33

**INSIDE**



PRIMARY  
24 V  $\pm$  15%  
50-400 Hz

TERM NO	* VOLTS	TYPICAL RATINGS	
		CURRENT AMPS DC	DCR @ 152 $\pm$ 20 $^{\circ}$ C
7-8-9	47.1 CT	.078	27.2 CT
10-11-12	26.4 CT	.250	8.6 CT
4			
5-6	24		5.78

\* AC RMS NO LOAD

120-1243-00 F

- (D)  $\Delta$  ORIENTATION OF KEEPER IS OPTIONAL
- 5. TRANSFORMER MUST COMPLY WITH UL 1244, CSA 556, AND IEC 348
- 4. DIELECTRIC WITHSTANDING VOLTAGE : 2414 V AC RMS, 50 TO 60 Hz, 1 MINUTE, SECONDARIES TO PRIMARY AND SHIELD
- $\Delta$  SOLDERABILITY REQUIRED IN THIS AREA
- $\Delta$  TRANSFORMER VACUUM IMPREGNATED WITH VARNISH 252-00B2-00 OR APPROVED EQUIVALENT
- 1. DIMENSIONS REFERENCE UOS NOTES:

TEKTRONIX, INC. PROPRIETARY ITEM DRAWING

DESIGNED BY: WINFREY, J. I. / IJSEPT  
 CHECKED BY: R. C. / 10 DEC 79  
 PROD BY: G. H. / 15 DEC 79

SCALE: 2:1  
 PART NUMBER: 01501A1302A

MATERIAL: SEE LIST OF MATERIALS

**TEKTRONIX SAFETY CONTROLLED PART**

THIS PART IS CONTROLLED TO INSURE MAINTENANCE OF SAFETY CHARACTERISTICS DESIGNED INTO A TEKTRONIX PRODUCT. TO CONTINUE MAINTENANCE, ANY CHANGES IN MATERIALS, SPECIFICATIONS, VENDORS, OR VENDOR PART NUMBERS MUST BE EVALUATED AND APPROVED IN EACH APPLICATION IN WHICH THIS IS A CONTROLLED PART.

FINISH: NOTED  $\Delta$

TITLE: TRANSFORMER, POWER (SU)

QUANTITY: 80009  
 PART NUMBER: 120-1243-00  
 REV: F

REV	REF	DESCRIPTION OF CHANGE	CHK BY	DATE
A	SC	REMOVED VOLTAGE ISOLATION BETWEEN WINDINGS NOTE. CHANGED NOTE 1.7 FROM 800 VOLTS. ADDED OR MANUFACTURER'S PART NUMBER TO NOTE 2.3 NEW SHEETS 1 AND 2.	H. S.	23 APR 84

REV	REF	DESCRIPTION OF CHANGE	CHK BY	DATE
A	SC	REMOVED VOLTAGE ISOLATION BETWEEN WINDINGS NOTE. CHANGED NOTE 1.7 FROM 800 VOLTS. ADDED OR MANUFACTURER'S PART NUMBER TO NOTE 2.3 NEW SHEETS 1 AND 2.	H. S.	23 APR 84

PART NUMBER 120-1244-00	
----------------------------	--

<p><input type="checkbox"/> TEKTRONIX, INC. SAFETY CONTROLLED PART.</p> <p>THE DRAWING TYPE DESIGNATION AND APPROVED SOURCES OF SUPPLY FOR THIS ITEM ARE LISTED ON THE PURCHASED ITEM SOURCE LIST (PISL) FOR THIS PART NUMBER.</p>	
<p><b>TEKTRONIX, INC.</b> P. O. BOX 500 BEAVERTON, OREGON U.S.A. 97077</p>	
DWN/WR	SUSAN CONRAD 19 APR 84
COMP ENGR	Chris Gadke APR 20 1984
TECH CHKR	
CHKR/COORD	Hildred Savin 23 APR 84
MATERIAL	-----
FINISH	-----
TITLE	TRANSFORMER, COMMON MODE: 13.1 mH, 500 mA

THIS DRAWING WHEN DISTRIBUTED OUTSIDE TEKTRONIX, INC. IS SUPPLIED FOR IDENTIFICATION, ENGINEERING EVALUATION AND/OR INSPECTION PURPOSES ONLY AND MAY NOT BE USED AS A BASIS FOR MANUFACTURE OR SALES OF PRODUCTS WITHOUT WRITTEN PERMISSION FROM TEKTRONIX, INC.

IF THIS DRAWING IS FURNISHED UNDER ANY U.S. GOVERNMENT CONTRACT, IT IS FURNISHED AS LIMITED RIGHTS DATA AND SHALL NOT, WITHOUT THE WRITTEN PERMISSION OF TEKTRONIX, INC., BE EITHER (A) USED, RELEASED OR DISCLOSED IN WHOLE OR IN PART OUTSIDE THE GOVERNMENT, (B) USED IN WHOLE OR IN PART BY THE GOVERNMENT FOR MANUFACTURE OR (C) USED BY A PARTY OTHER THAN THE GOVERNMENT, EXCEPT FOR: (1) EMERGENCY REPAIR OR OVERHAUL WORK ONLY, BY OR FOR THE GOVERNMENT, WHERE THE ITEM OR PROCESS CONCERNED IS NOT OTHERWISE REASONABLY AVAILABLE TO ENABLE TIMELY PERFORMANCE OF THE WORK, PROVIDED THAT THE RELEASE OR DISCLOSURE HEREOF OUTSIDE THE GOVERNMENT SHALL BE MADE SUBJECT TO A PROHIBITION AGAINST FURTHER USE, RELEASE OR DISCLOSURE; OR (2) RELEASE TO A FOREIGN GOVERNMENT, AS THE INTEREST OF THE UNITED STATES MAY REQUIRE, ONLY FOR INFORMATION OR EVALUATION WITHIN SUCH GOVERNMENT OR FOR EMERGENCY REPAIR OR OVERHAUL WORK BY OR FOR SUCH GOVERNMENT UNDER CONDITIONS OF (1) ABOVE. THIS LEGEND SHALL BE INCLUDED ON ANY REPRODUCTION HEREOF.

REV	REV
A	A

CODE IDENT NO	SIZE	PART NUMBER
80009	A	120-1244-00

1 ELECTRICAL.

1.1 INDUCTANCE (1 kHz AT 25°C, 100 mA TYPICAL).

(A) TERMINALS ONE AND TWO OR THREE AND FOUR: 13.1 mH MINIMUM.

(B) TERMINALS ONE AND FOUR WITH TWO AND THREE CONNECTED: 500  $\mu$ H MAXIMUM.

(C) TERMINALS ONE AND THREE WITH TWO AND FOUR CONNECTED: 52 mH MINIMUM.

1.2 WINDING IMBALANCE.

LESS THAN 1 PERCENT.

1.3 DC RESISTANCE.

1.0 OHM MAXIMUM, EACH WINDING.

1.4 INTERWINDING CAPACITANCE.

7 pF REFERENCE.

1.5 CURRENT LIMITS.

500 mA DC MAXIMUM, 500 mA MAXIMUM.

1.6 DIELECTRIC WITHSTAND TESTING.

ALL WINDINGS TESTED TO EACH OTHER AND CORE. NO FLASHOVER NOR BREAKDOWN SHALL OCCUR DURING TEST. CORONA EFFECTS AND OTHER SUCH PHENOMENA SHALL BE DISREGARDED. LENGTH OF TIME VOLTAGE SHALL BE APPLIED SHALL BE AT LEAST ONE MINUTE PER TEST.

1500 VOLTS AC rms., 50 TO 60 Hz.

2 MECHANICAL.

2.1 CORE MATERIAL.

FERRITE.

2.2 LEADS.

WIRE, SOLDER COATED OR TINNED. SHALL MEET SOLDERABILITY REQUIREMENTS OF LATEST EIA RS-186, WITH NO MORE THAN 5 PERCENT DEFECTS.

2.3 IDENTIFICATION MARKINGS (ITEM AND ALL CONTAINERS).

TEKTRONIX, INC., PART NUMBER OR MANUFACTURER'S PART NUMBER AND EIA DATE CODE.



2.4 CLEANING WITHSTAND.

COMPONENT SHALL WITHSTAND FLOW SOLDER AND CIRCUIT BOARD WASH PROCESSES WITH AQUEOUS WASH.

2.4.1 CLEANING SOLUTION.

INDUSCO #1000 WL AQUA FLUX STRIP CONCENTRATE <sup>(R)</sup>, 6-10 PERCENT IN TAP WATER.

2.4.2 WASH TEMPERATURE.

150° TO 160°F (66° TO 71°C).

2.4.3 TIME OF WASH.

3 MINUTES MAXIMUM, PRESSURE SPRAY WITH STOELTING IN-LINE OR ELECTROVERT IN-LINE WASHING PROCESSES.

2.4.4 RINSE.

TWO TAP WATER SPRAY RINSE OPERATIONS OF 5 MINUTES EACH, MAXIMUM TEMPERATURE 155°F (68°C).

2.4.5 DRYING.

FORCED AIR DRYING FOR 2 MINUTES. AIR TEMPERATURE 235° TO 275°F (113° TO 135°C).

2.5 TESTING FOR WASHABILITY.

2.5.1 TEMPERATURE CYCLING.

BEFORE WASHING, ITEM IS SUBJECTED TO 5 CYCLES, -62° TO 85°C ENVIRONMENT, HOLDING 2 HOURS AT EACH TEMPERATURE EXTREME.

2.5.2 WASHING CYCLE.

ITEM IS THEN WASHED AND DRIED PER SECTION 2.4.

2.5.3 INSPECTION AFTER WASHING.

THERE SHALL BE NO VISIBLE DETERIORATION CAUSED BY THE WASHING PROCESS. ALL MARKINGS SHALL BE INTACT AND LEGIBLE.

2.5.4 DIELECTRIC WITHSTAND TESTING (AFTER WASHING).

AFTER THE WASH CYCLE AND A 2-HOUR WAIT AT 55° TO 75°F (13° TO 24°C), AND 70 PERCENT RELATIVE HUMIDITY MAXIMUM, ITEM SHALL WITHSTAND DIELECTRIC TESTING PER PARA. 1.7.

(R) REGISTERED TRADENAME OF INDUSCO CHEMICAL PRODUCTS, 1806 S. E. HOLGATE BLVD., PORTLAND, OREGON 97202.

### 2.5.5

#### HUMIDITY.

PART IS THEN SUBJECTED TO A 10-DAY HUMIDITY CYCLE PER MIL-STD-202F, METHOD 106E, LESS FREEZING AND VIBRATION, (STEPS 7A AND 7B).

### 2.5.6

#### ELECTRICAL TESTS.

IMMEDIATELY FOLLOWING THE 10-DAY HUMIDITY CYCLE, PART SHALL MEET ALL ELECTRICAL SPECIFICATIONS OF SECTION 2, WITH DIELECTRIC WITHSTAND TEST (PARA. 1.7) BEING PERFORMED FIRST.

### 2.5.7

#### INSPECTION AFTER HUMIDITY.

FOLLOWING THE TESTS OF PARA. 2.5.6, ITEM SHALL SHOW NO SIGNS OF DETERIORATION.

### 3

#### SAFETY.

### 3.1

#### STANDARDS.

THE PRODUCT UTILIZING THIS TRANSFORMER SHALL MEET THE REQUIREMENTS OF THE FOLLOWING STANDARDS:

IEC 348  
UL 1244  
CSA BULLETIN 556B

### 3.2

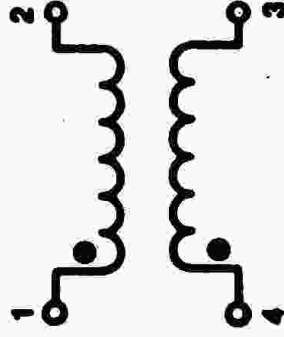
#### ISOLATION.

THE WINDINGS ON THIS TRANSFORMER ARE NOT REQUIRED TO PROVIDE SAFETY ISOLATION. THEY ARE ALL POWER LINE (MAINS) CIRCUIT CONNECTED.

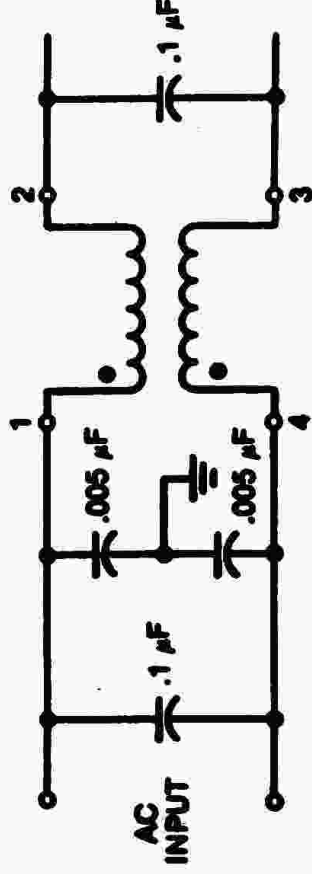
### 4

#### SCHEMATIC.

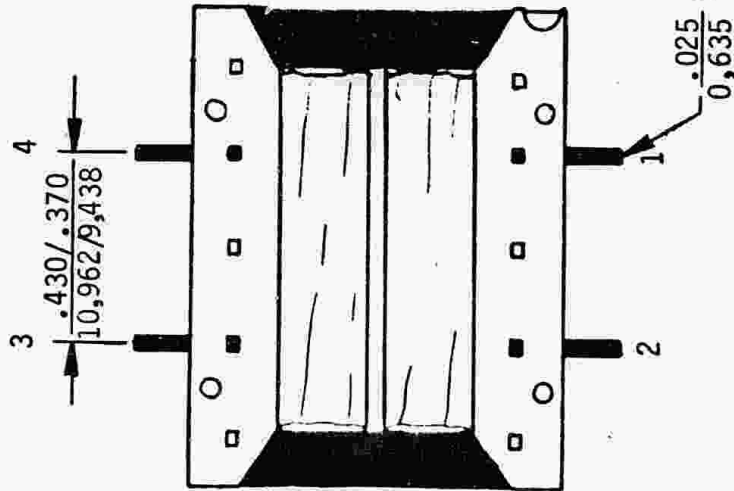
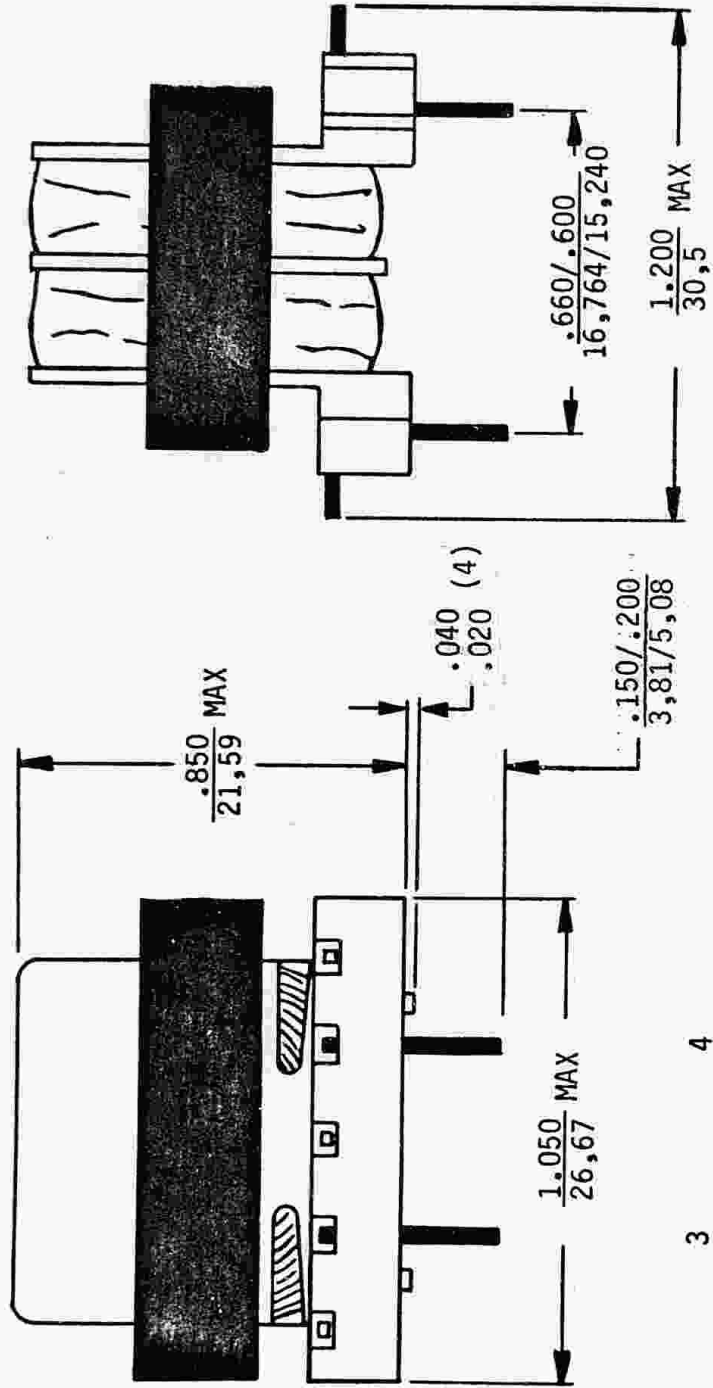
## SCHEMATIC



## TYPICAL APPLICATION



5 OUTLINE DRAWING.



.025  
0,635 SQUARE TINNED COPPER TERMINALS

NOTE: INCHES  
MILLIMETERS

TEKTRONIX, INC. BEAVERTON, OREGON	SHT 5 OF 5	CODE IDENT NO <b>80009</b>	SIZE <b>A</b>	PART NUMBER 120-1244-00	REV A
--------------------------------------	------------	-------------------------------	------------------	----------------------------	----------

53-107D

THIS DRAWING SHOWS PARTS FROM TESTRONIX, INC. IS SUPPLIED FOR REPRODUCTION, REPRODUCTION THROUGH AND/OR REPRODUCTION WITHOUT COST AND MAY NOT BE USED AS A BASIS FOR REPRODUCTION OR SALES OF PRODUCTS WITHOUT WRITTEN PERMISSION FROM TESTRONIX, INC. IF THE DRAWING IS REPRODUCED USING THE UNITED STATES GOVERNMENT CONTRACT, IT SHALL NOT BE ENTERED INTO THE GOVERNMENT OR OTHER ARCHIVES, OR REPRODUCED IN WHOLE OR IN PART FOR ANY PURPOSES, WITHOUT THE WRITTEN PERMISSION OF TESTRONIX, INC. EXCEPT FOR THE LIMITED RIGHTS OR OTHERS, NONE OF WHICH THE GOVERNMENT, THROUGH THE USE OF FEDERAL CONTRACTS AND OTHER AGREEMENTS, SHALL BE ABLE TO OBTAIN. THE GOVERNMENT SHALL NOT BE ABLE TO OBTAIN THE RIGHTS OR OTHERS, NONE OF WHICH THE GOVERNMENT, THROUGH THE USE OF FEDERAL CONTRACTS AND OTHER AGREEMENTS, SHALL BE ABLE TO OBTAIN. THE GOVERNMENT SHALL NOT BE ABLE TO OBTAIN THE RIGHTS OR OTHERS, NONE OF WHICH THE GOVERNMENT, THROUGH THE USE OF FEDERAL CONTRACTS AND OTHER AGREEMENTS, SHALL BE ABLE TO OBTAIN.

REV	DATE	DESCRIPTION OF CHANGE	APP'D	DATE
A	45018	REMOVED ITEM 1	DD	17MAR82
B	50496	ADDED NOTE 6	DD	22JUN83
C	51689	UPDATED DWG. & NOTE A	DD	4JAN84

### COIL STRUCTURE

#### OUTSIDE

TYPE WINDING TERM NO

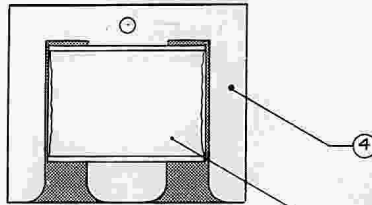
PRI	5-6
313 T	#31

SHIELD	4
--------	---

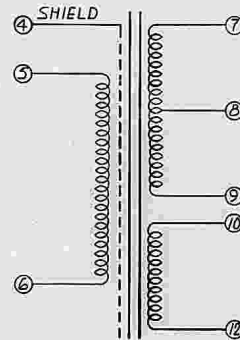
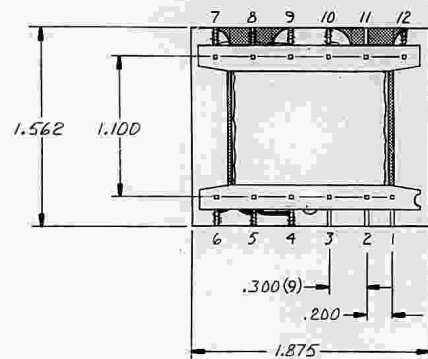
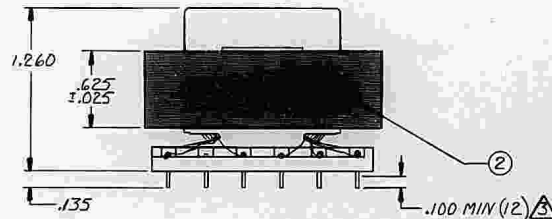
SEC	10-12
225 T	#29

SEC	9-8-7
Ø-390-780T	#35

#### INSIDE



PART NUMBER  
(120-1245-00)  
DATE CODE  
THIS SURFACE



PRIMARY  
24 V ± 15%  
50-400 Hz

#### TYPICAL RATING

LEAD NO.	* VOLTS	CURRENT AMPS DC	DCR ± 15% Ω @ 20°C
7-8-9	59.8CT	.045	66.95CT
10-12	17.25	.210	5.46
4			
5-6	24		14.38

\* AC RMS NO LOAD

**Testronix**  
SAFETY CONTROLLED PART  
The part may contain lead or other hazardous materials. Use only as directed in the assembly instructions. Do not use for other applications.

PART NUMBER  
120-1245-00

REV.  
C

6. ORIENTATION OF KEEPER IS OPTIONAL

5. TRANSFORMER MUST COMPLY WITH UL 1244, CSA 556 B AND IEC 348

4. DIELECTRIC WITHSTANDING VOLTAGE: 2414 V AC RMS, 50 TO 60 Hz, 1 MINUTE, 4 AND 5 TO 9 AND 10

3. SOLDERABILITY REQUIRED IN THIS AREA

2. TRANSFORMER VACUUM IMPREGNATED WITH VARNISH 252-0062-00 OR APPROVED EQUIVALENT

1. DIMENSIONS REFERENCE UOS NOTES:

TESTRONIX, INC. PROPRIETARY ITEM DRAWING

MPD BY TESTRONIX

TESTRONIX, INC. P. O. BOX 900 BEAVERTON, OREGON U.S.A. 97077

DATE: 2AUG79 DIMENSIONS ARE IN INCHES / MM

ENGR: R. C. G. UNLESS OTHERWISE SPECIFIED

CHKD: A. M. T. TOLERANCE: FRACTIONAL

PROD: G. W. W. SCALE: 2:1 FIRST USED ON: DM 505

MATERIAL: SEE LIST OF MATERIALS

FINISH: NOTED

TITLE: TRANSFORMER, POWER (SDN & SU)

COURT DRAWING: 80009

SIZE: D

PART NUMBER: 120-1245-00

REV: C

4	386-0034-00	2	PLATE, LAMINATION (KEEPER)
3	334-4645-00	1	MARKER, IDENTIFICATION
2	386-0033-00	AR	PLATE, LAMINATION (STEEL)
1			
REV	PART NUMBER	QTY	DESCRIPTION

DATE: 120-1245-00

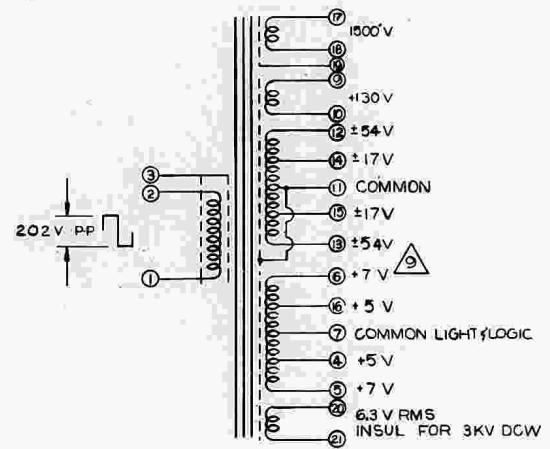
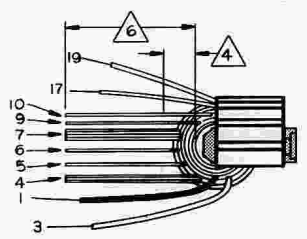
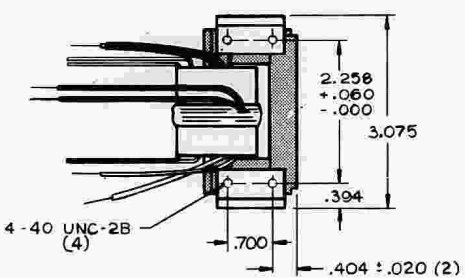
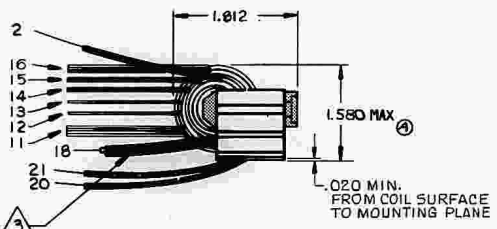
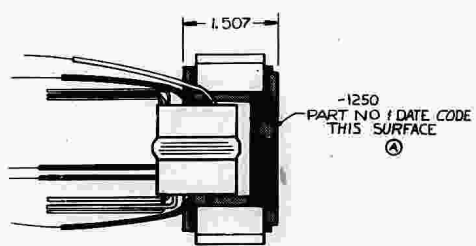
REV: C

78-117B

REV	APP	DESCRIPTION OF CHANGE	CHK BY	DATE
F	67924	COMBINED SPEC. SH. W/ THIS DRAWING	CD	13 DEC 78

LEAD NO	TURNS	WIRE SIZE	* VOLTS	TYP RATING	
				CURRENT (LOAD-A)	DCR @ 20°C
17-18	538	*30	1513	1.5 mA	64.0
19	SHIELD				
10-9	46	*24	129	.042	.294
3	SHIELD				
1-2	36	*21	101		.138
3	SHIELD				
11	SHIELD				
14-11-15	0-7-14	*16	39.4CT	3.75	.018 CT
16-7-4	0-2-4	*17	11.2CT	7.5**	.004 CT
6-16	1	*17	2.81	3.7**	.003
4-5	1	*17	2.81	3.7**	.003
12-14	14	*23	39.4	0.58	.111
15-13	14	*23	39.4	0.58	.111
20-21	3	*24TEF	6.44	.11	.050

\* VOLTAGES ARE PK NO LOAD VALUES @ 25 KHz SQUARE WAVE  
 \*\* 50% DUTY CYCLE



11. LATEST REV. OF APPLICABLE SAFETY DOC. ARE MADE A PART OF THIS SPEC. AS LISTED BELOW  
 UL-1002 LAB INST. DIV. QUALITY STD.  
 UL-1244 UNDERWRITERS LAB. INC.  
 CSA546 CANADIAN STANDARDS ASSOC.

10. IT IS OPTIONAL TO TWIST TOGETHER THE WIRES THAT MAKE UP LEADS NOS. 4, 7, 11, 14, 15 & 16.

9. SECONDARY VOLTAGES ARE FULL LOAD RECTIFIED CIRCUIT VALUES UOS

8. MIN INDUCTANCE (1-2) IS 1.9 mH ON ESI 252 BRIDGE OR APPROVED EQUIV.

7. 'I' CORE, 'U' CORE AND SUPPORTS SECURED USING ADHESIVE

6. LEAD LENGTHS 4 THRU 10, 1.400 ±.125 (11 THRU 16, 1.600 ±.125 MEASURED FROM INSIDE OF COIL FORM EXCEPT

LEAD NO	COLOR	PART NUMBER	LENGTH	STRIP
17-18	ORN	162-0651-00*	2.500	.562
19	BRN	162-0555-00*	3.000	1.000
3	BLU	162-0524-00*	3.000	1.000
1-2	BLK	162-0504-00*	3.000	1.000
20-21	BRN	175-0895-00**	3.000	.500

\* SLEEVING \*\* TEFLON WIRE  
 \* MEASURED FROM EDGE OF COIL

5. DIELECTRIC WITHSTANDING VOLTAGE: 2KV RMS, 50 TO 60 Hz, 1 MINUTE. PRIMARY (1&2) AND SHIELD (3) TO SECONDARIES, SHIELD (11) AND CORE.

120-1250-00 F

4. TIN MAGNET WIRE LEADS TO WITHIN .500 MAX

3. 162-0572-00, #14 BLACK SILICONE TUBING, 1.875 LONG, PLACE OVER LEAD #18 AFTER ASSEMBLY

2. COIL VACUUM IMPREGNATED WITH VARNISH, 252-0082-00 OR APPROVED EQUIVALENT. DIMENSIONS REFERENCE UOS

NOTES:

TEKTRONIX, INC. BEAVERTON, OREGON U.S.A. 97005

APPROVED BY: J. WILFREY 19 DEC 78

DATE: 30 DEC 78

SCALE: 1:1

7844

LISTED

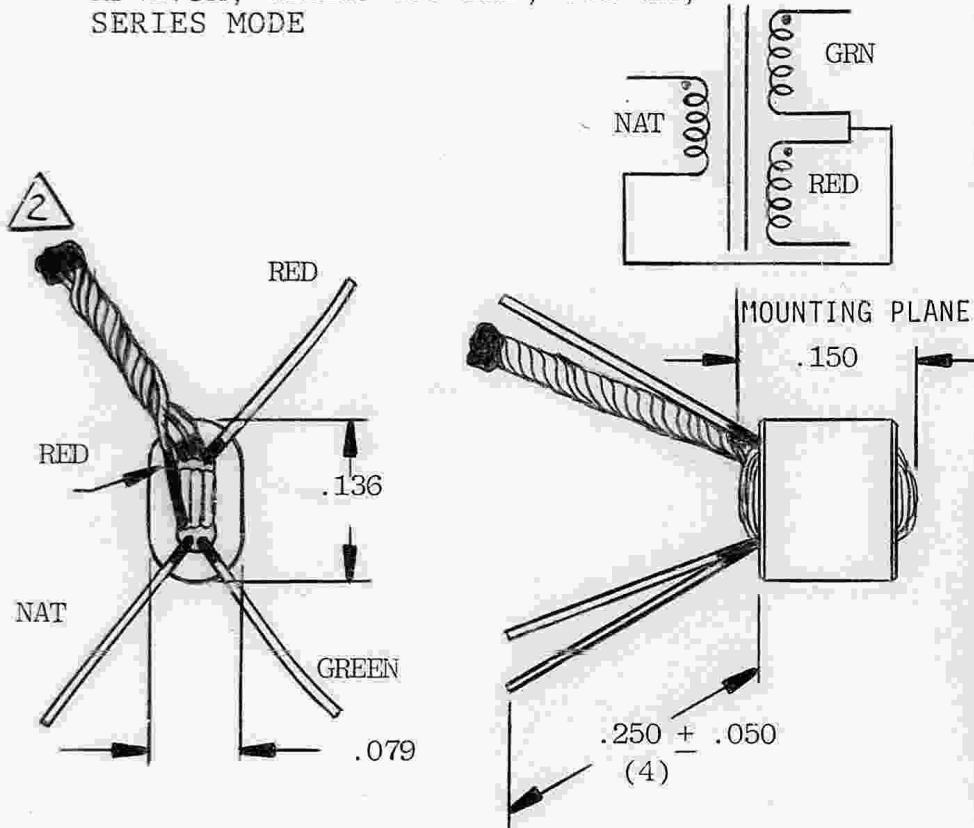
NOTED

TRANSFORMER, POWER STEP DOWN & STEP UP

80009 D 120-1250-00 F

NOTES:

1. DIMENSIONS REFERENCE UNLESS OTHERWISE SPECIFIED
2. THREE LEADS TWISTED TOGETHER
3. LEADS TINNED TO WITHIN .050 OF MOUNTING PLANE
4. ELECTRICAL SPEC. 2.5μH REF ON 4T WINDING  
HP4275A, METER 400 KHz, 0.2 mA,  
SERIES MODE



WIRE DATA			
TURNS	COLOR	AWG	PART NUMBER
4	RED	34	176-0038-00
4	NAT	34	176-0038-14
4	GREEN	34	176-0038-15

DATA: \*TRIFILAR WOUND

CODE TD-373  
CORE NO. 276-0711-00

78 - 224 B

PART NUMBER 120-1251-00

REV C

THIS DRAWING WHEN DISTRIBUTED OUTSIDE TEKTRONIX, INC., IS SUPPLIED FOR IDENTIFICATION, ENGINEERING EVALUATION AND/OR INSPECTION PURPOSES ONLY AND MAY NOT BE USED AS A BASIS FOR MANUFACTURE OR SALES OF PRODUCTS WITHOUT WRITTEN PERMISSION FROM TEKTRONIX, INC. IF THIS DRAWING IS FURNISHED UNDER ANY UNITED STATES GOVERNMENT CONTRACT, IT SHALL NOT BE EITHER RELEASED OUTSIDE THE GOVERNMENT, OR USED, DUPLICATED, OR DISCLOSED IN WHOLE OR IN PART FOR MANUFACTURE OR PROCUREMENT, WITHOUT THE WRITTEN PERMISSION OF TEKTRONIX, INC. EXCEPT FOR: (1) EMERGENCY REPAIR OR OVERHAUL WORK BY OR FOR THE GOVERNMENT, WHERE THE ITEM OR PROCESS CONCERNED IS NOT OTHERWISE REASONABLY AVAILABLE TO ENABLE TIMELY PERFORMANCE OF THE WORK; OR (2) RELEASE TO A FOREIGN GOVERNMENT AS THE INTERESTS OF THE UNITED STATES MAY REQUIRE, PROVIDED THAT IN EITHER CASE THE RELEASE, USE, DUPLICATION OR DISCLOSURE HEREOF SHALL BE SUBJECT TO THE FOREGOING LIMITATIONS. IF THIS DRAWING IS REPRODUCED IN WHOLE OR IN PART, THIS ENTIRE LEGEND BLOCK MUST APPEAR ON ALL REPRODUCED COPIES.

REV / BY / REF	DESCRIPTION OF CHANGE	CHK BY / DATE
(A) DD 46116	ADDED NOTE 4	8 APR 82
B DG 50482	UPDATE--SEE MOD DOC	3 OCT 83
C DD 53704	UPDATED NOTES 2 & 4	10 APR. 84

TEKTRONIX, INC. PROPRIETARY ITEM DRAWING

MFD BY TEKTRONIX

MFD FOR TEKTRONIX



TEKTRONIX, INC.

P. O. BOX 500  
BEAVERTON, OREGON U.S.A. 97077



DWN	J.T. WINFREY	7 JUN 79	DIMENSIONS ARE IN INCHES / TOLERANCES: UNLESS OTHERWISE SPECIFIED	
ENGR	<i>W. J. ...</i>	5/22/80	DEC	ANLR
CHKR	<i>B. Stewart</i>	5/27/80	SCALE	FIRST USED ON
PROD	<i>Donna M. Holman</i>	5/21/80	NONE	492

MATERIAL LISTED

FINISH NOTED

TITLE TRANSFORMER, RF (BALUN)

CODE IDENT NO	SIZE	PART NUMBER	REV
80009	A	120-1251-00	C

54-71

THIS DRAWING WHEN REPRODUCED WITHOUT TEKTRONIX, INC. IS SUBJECT TO INTERNATIONAL INTELLECTUAL PROTECTION AND THE REPRODUCTION OF THIS DRAWING WITHOUT THE WRITTEN PERMISSION OF TEKTRONIX, INC. IS PROHIBITED. THIS DRAWING IS THE PROPERTY OF TEKTRONIX, INC. AND IS NOT TO BE REPRODUCED OR TRANSMITTED IN ANY FORM OR BY ANY MEANS, ELECTRONIC OR MECHANICAL, INCLUDING PHOTOCOPYING, RECORDING, OR BY ANY INFORMATION STORAGE AND RETRIEVAL SYSTEM, WITHOUT THE WRITTEN PERMISSION OF TEKTRONIX, INC. EXCEPT FOR ITS LIMITED REPRODUCTION OR OTHER USES BY OR FOR THE GOVERNMENT, WHERE THE RIGHT OR PERMISSION CONCERNED IS NOT COVERED BY THIS STATEMENT. THIS DRAWING IS THE PROPERTY OF TEKTRONIX, INC. AND IS NOT TO BE REPRODUCED OR TRANSMITTED IN ANY FORM OR BY ANY MEANS, ELECTRONIC OR MECHANICAL, INCLUDING PHOTOCOPYING, RECORDING, OR BY ANY INFORMATION STORAGE AND RETRIEVAL SYSTEM, WITHOUT THE WRITTEN PERMISSION OF TEKTRONIX, INC. EXCEPT FOR ITS LIMITED REPRODUCTION OR OTHER USES BY OR FOR THE GOVERNMENT, WHERE THE RIGHT OR PERMISSION CONCERNED IS NOT COVERED BY THIS STATEMENT. IF THIS DRAWING IS REPRODUCED IN WHOLE OR IN PART, THIS NOTICE SHOULD BE PRINTED ON ALL REPRODUCTION COPIES.

REV	REV	DESCRIPTION OF CHANGE	CHK BY	DATE
A	45018	REMOVED ITEM 1	DD	17MAR82
B	50496	ADDED NOTES 6 & 7	DD	22JUN83
C	51689	UPDATED DWG. & NOTE A	DD	3JAN84
D	56319	REMOVED LIST OF MATERIALS. UPDATED & MOVED SAFETY LABEL. .625x.060 WAS -.042x.042	LG	20JUN85
E		MOVED PART NUMBER FROM COIL TO CORE	LM-C	30SEP85

### COIL STRUCTURE

OUTSIDE

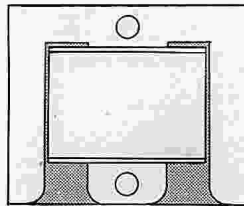
TYPE WINDING	LEAD NO
SEC	8-11
357T	#29

SHIELD	9
--------	---

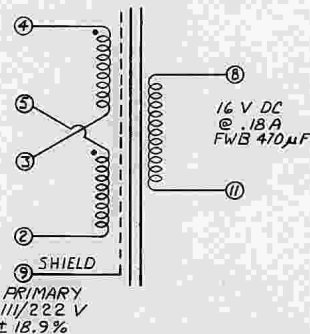
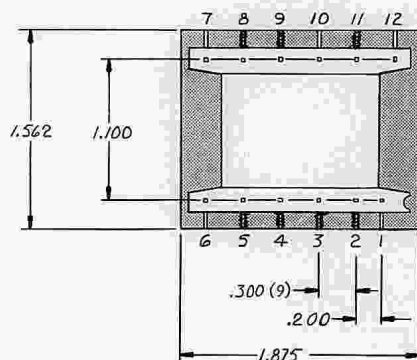
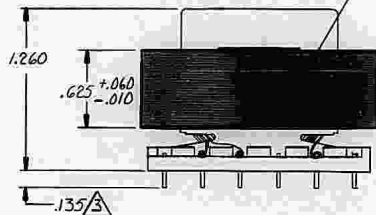
PRI	5-2
1640T	#38

PRI	4-3
1640T	#38

INSIDE



PART NUMBER  
(120-1252-00)  
DATE CODE  
THIS SURFACE



LINE TO	VOLTS RMS	CONNECT
2-4	111	2 TO 3 5 TO 4
2-4	222	3 TO 5

PART NUMBER  
120-1252-00

REV.  
E

- ⑦. POLARITY PER SCHEMATIC
  - ⑥. ORIENTATION OF KEEPER IS OPTIONAL
  - 5. TRANSFORMER MUST COMPLY TO UL-114, UL-478, UL-1244, CSA-154, CSA-556 B AND B.P.O.
  - 4. DIELECTRIC WITHSTANDING VOLTAGE: 1500V AC RMS, 50 TO 60 HZ, 1 MINUTE, PRIMARY TO SECONDARY, SHIELD AND CORE
  - △ TERMINALS TO BE VARNISH FREE
  - △ TRANSFORMER VACUUM IMPREGNATED WITH VARNISH 252-0082-00 OR APPROVED EQUIVALENT
  - 1. DIMENSIONS REFERENCE UOS
- NOTES:

TEKTRONIX, INC. PROPRIETARY ITEM DRAWING		MPD FOR TEKTRONIX	
MPD BY TEKTRONIX		P. O. BOX 909 BEAVERTON, OREGON U.S.A. 97077	
<b>TEKTRONIX, INC.</b> Desn. <b>J. J. JEFFREY</b> / <b>G. ALLEN</b> ENGR. <b>[Signature]</b> CHKR. <b>[Signature]</b> PROD. <b>[Signature]</b>		DIMENSIONS ARE IN INCHES / MM UNLESS OTHERWISE SPECIFIED UNLESS OTHERWISE SPECIFIED SCALE: 2:1 PART USED ON: 4663	
MATERIAL			
SEE LIST OF MATERIALS			
FINISH: NOTED △			
TITLE: TRANSFORMER, POWER STPDN			
CODE IDENT NO:	SHEET:	PART NUMBER:	REV:
80009 D	1	120-1252-00	E

#### TEKTRONIX SAFETY CONTROLLED PART

THIS PART IS CONTROLLED TO INSURE MAINTENANCE OF SAFETY CHARACTERISTICS DESIGNED INTO A TEKTRONIX PRODUCT. TO CONTINUE MAINTENANCE, ANY CHANGES IN MATERIALS, SPECIFICATIONS, VENDORS, OR VENDOR PART NUMBERS MUST BE EVALUATED AND APPROVED IN EACH APPLICATION IN WHICH THIS IS A CONTROLLED PART.

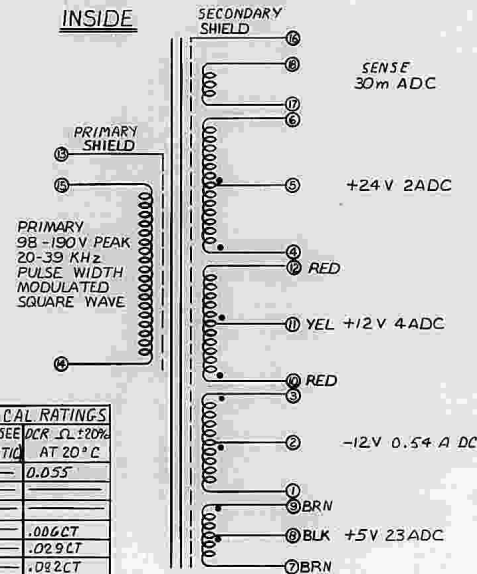
78-105 E

REV	REF	DESCRIPTION OF CHANGE	CHK BY	DATE
A	50392	ADDED PART NUMBER & DATE CODE	DD	23 JUN 83
C	52001	UPDATED DWG. NOTES $\Delta$ & $\Delta$ G. DD ADDED ITEM 4 ON LIST OF MATERIALS	DD	26 OCT 83
C	54507	UPDATED NOTE $\Delta$ & ADDED NOTE $\Delta$	DD	26 JUN 84

### COIL STRUCTURE OUTSIDE

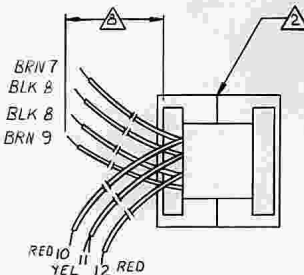
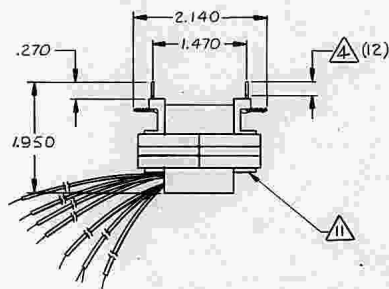
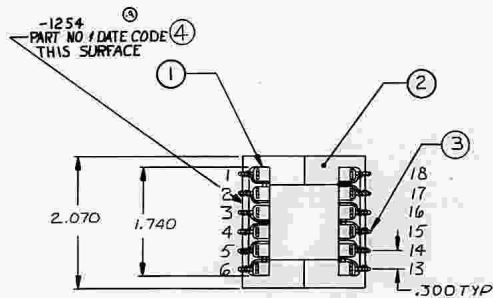
TYPE WINDING	
SEC	3-2-1
$\phi$ -5-10 T	# 23
SEC	17-18
3 T	# 23
SEC	5-6
12 T	2 # 23
SEC	4-5
12 T	2 # 23
SEC	10-11-12
$\phi$ -6-12 T	2 # 21
SEC	8-7
2 T	5 # 21
SEC	9-8
2 T	5 # 21
SEC SHIELD	16
PRI SHIELD	13
PRI	14-15
28 T	2 # 23

### INSIDE



TERM NO	* VOLTS	TYPICAL RATINGS	
		AMPS (SEE SCHEMATIC)	DCR $\pm$ 10% AT 20°C
14-15	9B		0.055
13	SHIELD		
16	SHIELD		
7-8-9	14.0 CT	.006 CT	
10-11-12	42.0 CT	.029 CT	
4-5-6	84.0 CT	.082 CT	
1-2-3	35.0 CT	.075 CT	
17-18	10.5	.025	

\* PEAK NO LOAD



- $\Delta$  TERM POSTS REMOVED THIS SIDE (12)
- $\Delta$  7-8 AND 8-9 ARE WOUND IN ONE LAYER, SIMULATED BIFILAR
9. POLARITY PER SCHEMATIC
- $\Delta$  LEAD LENGTH MEASURED AS SHOWN

LEAD NO.	COLOR	PART NUMBER	LENGTH $\pm$ .250 $\pm$ .125	STRIP/TIN
7	BRN	162-0550-00	3.187	.500
8	BLK	162-0501-00	3.187	.500
9	BRN	162-0550-00	3.187	.500
10	RED	162-0508-00	4.687	.500
11	YEL	162-0513-00	4.687	.500
12	RED	162-0508-00	4.687	.500

PART NUMBER  
120-1254-00REV.  
C

7. TRANSFORMER MUST COMPLY WITH UL 1244, CSA 556 B, AND IEC 348
- $\Delta$  6. INDUCTANCE 14-15 : 2.7 mH MIN MEASURED ON AN EST 252 BRIDGE OR APPROVED EQUIVALENT
5. DIELECTRIC WITHSTANDING VOLTAGE : 1500 VRMS, 50-60 Hz, 1 MINUTE, 13, 14 TO 16, CORE, ALL SECONDARIES

- $\Delta$  SOLDERABILITY REQUIRED TO WITHIN .030 OF MOUNTING PLANE
- $\Delta$  TRANSFORMER VACUUM IMPREGNATED WITH VARNISH 252-0082-00 OR APPROVED EQUIVALENT
- $\Delta$  CEMENT CORES TOGETHER
1. DIMENSIONS REFERENCE UDS

## NOTES:

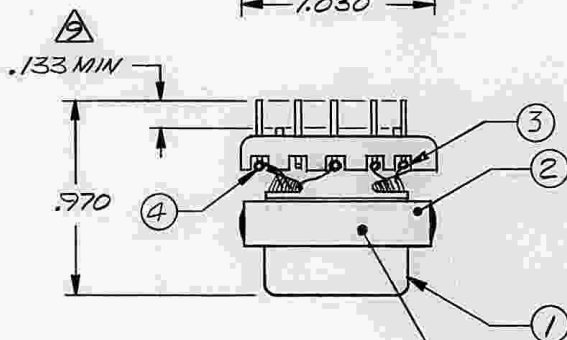
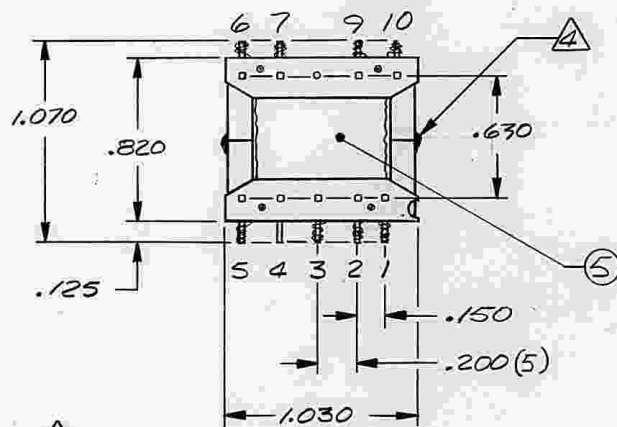
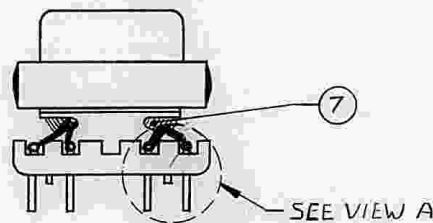
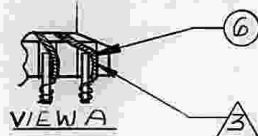
TEKTRONIX, INC. PROPRIETARY ITEM DRAWING	
MPD BY TEKTRONIX	MPD FOR TEKTRONIX
P. O. BOX 900 SEASIDE, OREGON U.S.A. 97137	
DESIGNED BY: JEANNE JUDAH	DATE: 24 FEB 81
CHKD BY: R. COG	DATE: 20 OCT 81
CHKD BY: R. COG	DATE: 20 OCT 81
PROD BY: D. DOUGLAS	DATE: 25 SEP 81
SCALE: 1:1	
FIRST USED ON: 8501	
MATERIAL:	
SEE LIST OF MATERIALS	

4	334-4645-00	1	LABEL, IDENTIFICATION
3	131-2244-00	12	TERMINAL, PIN
2	276-0721-00	2	CORE, EM (EC-52)
1	276-0244-00	1	FORM, COIL

ITEM	PART NUMBER	QTY	LIST OF MATERIALS	DESCRIPTION
FINISH				
TITLE				TRANSFORMER, POWER HF (STDN CONVERTER)
DOC CONTROL NO	80009	REV		
DATE		PART NUMBER	120-1254-00	
BY		REV		



THIS DRAWING WHEN DISTRIBUTED OUTSIDE TEKTRONIX, INC., IS SUPPLIED FOR IDENTIFICATION, ENGINEERING EVALUATION AND/OR INSPECTION PURPOSES ONLY AND MAY NOT BE USED AS A BASIS FOR MANUFACTURE OR SALES OF PRODUCTS WITHOUT WRITTEN PERMISSION FROM TEKTRONIX, INC. IF THIS DRAWING IS FURNISHED UNDER ANY UNITED STATES GOVERNMENT CONTRACT, IT SHALL NOT BE EITHER RELEASED OUTSIDE THE GOVERNMENT, OR USED, DUPLICATED, OR DISCLOSED IN WHOLE OR IN PART FOR MANUFACTURE OR PROCUREMENT, WITHOUT THE WRITTEN PERMISSION OF TEKTRONIX, INC., EXCEPT FOR: (1) EMERGENCY REPAIR OR OVERHAUL WORK BY OR FOR THE GOVERNMENT, WHERE THE ITEM OR PROCESS CONCERNED IS NOT OTHERWISE REASONABLY AVAILABLE TO ENABLE TIMELY PERFORMANCE OF THE WORK, OR (2) RELEASE TO A FOREIGN GOVERNMENT, AS THE INTERESTS OF THE UNITED STATES MAY REQUIRE, PROVIDED THAT IN EITHER CASE THE RELEASE, USE, DUPLICATION OR DISCLOSURE HEREOF SHALL BE SUBJECT TO THE FOREGOING LIMITATIONS. IF THIS DRAWING IS REPRODUCED IN WHOLE OR IN PART, THIS ENTIRE LEGEND BLOCK MUST APPEAR ON ALL REPRODUCED COPIES.



PART NUMBER (-1255)  
& DATE CODE

TYPICAL RATINGS			
LEAD NO	VOLTS	CURRENT AMPS	DCR, Ω, ±15% AT 20°C
1-2-3	50.0CT	—	0.890 CT
6-7	5.0	0.90	0.045
9-10	5.0	0.90	0.065

## COIL STRUCTURE OUTSIDE

TYPE WINDING      TERM NO

SEC	7-6
BT	#26 TEF

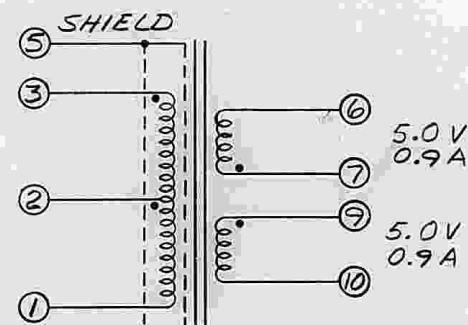
SHIELD	5
--------	---

PRI	3-2-1
1-40-80T	#28

SHIELD	5
--------	---

SEC	9-10
BT	#26 TEF

INSIDE



PRIMARY      SECONDARIES  
50V CT      4.9V PEAK  
20 TO 39 KHZ SQUARE WAVE      FULL LOAD  
PULSE WIDTH MODULATED

REV	REF	DESCRIPTION OF CHANGE	CHK BY	DATE
(A)	50420	GENERAL, ADDED ITEM (4)	DD	26 APR 83
(B)	52616	ADDED SAFETY LABEL	DD	27 JAN 84
(C)	61877	ADDED UL AND CSA SPECIFICATIONS	NF	25 MAR 87

11. THIS COMPONENT SHALL BE RECOGNIZED BY UL AND MARKED *RU* PER UL RECOGNIZED COMPONENT MARKING SPECIFICATIONS. EACH TRANSFORMER SHALL BE HI-POT TESTED PER CSA SPECIFICATIONS AND MARKED ACCORDINGLY.

10. POLARITY PER SCHEMATIC

△ SOLDERABILITY REQUIRED THIS AREA

8. VOLTAGE RATINGS ARE PEAK NO LOAD UDS, CURRENT RATINGS ARE AMPS PEAK

7. INDUCTANCE: (1-3) 7 mH MIN AT 1 KHZ WITH EST 252 METER OR APPROVED EQUIVALENT

6. DIELECTRIC WITHSTANDING VOLTAGE: 2000 V AC RMS, 50-60HZ FOR 1 MIN.  
A. 3 AND 5 TO 6 AND 10  
B. 6 TO 10

5. TRANSFORMER VACUUM IMPREGUATED WITH VARNISH 252-0082-00 OR APPROVED EQUIVALENT

PART NUMBER	REV.
120-1255-00	C

△ CORES CEMENTED ONLY ON THE OUTSIDE EDGES WITH EPOXY

△ THE INSULATION ON LEADS 6, 7, 9 & 10 MUST EXTEND OUT TO COIL FORM EDGE

2. REMOVE PIN B BEFORE WINDING

1. DIMENSIONS REFERENCE UDS.

NOTES:

### TEKTRONIX SAFETY CONTROLLED PART

THIS PART IS CONTROLLED TO INSURE MAINTENANCE OF SAFETY CHARACTERISTICS DESIGNED INTO A TEK PRODUCT. TO CONTINUE MAINTENANCE, ANY CHANGES IN MATERIALS, SPECIFICATIONS, VENDORS, OR VENDOR PART NUMBERS MUST BE EVALUATED AND APPROVED IN EACH APPLICATION IN WHICH THIS IS A CONTROLLED PART.

000-5094-00D Rev. May 1982

### TEKTRONIX, INC. PROPRIETARY ITEM DRAWING

MFD BY TEKTRONIX       MFD FOR TEKTRONIX

TEKTRONIX, INC.      P. O. BOX 500  
BEAVERTON, OREGON U.S.A. 97077

DWN	D. MERCUR	3-27-81	DIMENSIONS ARE IN INCHES / MM	
ENGR	R. Cogan	3 AUG 81	TOLERANCES: UNLESS OTHERWISE SPECIFIED	
CHKR	B. STEWART	31 JUL 81	SCALE	ANLR
PRODM	D. DUTY	29 SEP 81	2:1	8501

MATERIAL      SEE LIST OF MATERIALS

FINISH      NOTED

TITLE      TRANSFORMER, HF  
(BASE DRIVE)

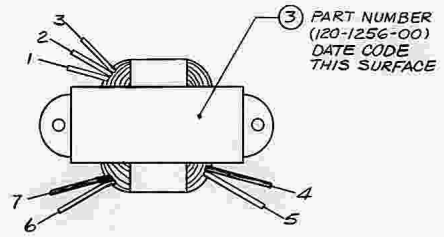
CODE IDENT NO	SIZE	PART NUMBER	REV
80009	C	120-1255-00	C

ITEM	PART NUMBER	QTY	DESCRIPTION
(A) 7	253-0214-00	AR	TAPE PRESS SENS (COPPER FOIL)
6	175-0918-00	AR	WIRE, ELEC (26 AWG TEFLON)
5	253-0103-00	AR	TAPE PRESS SENS (.437 WIDE)
4	176-0033-00	AR	WIRE, MAGNET #27 AWG
3	176-0034-XX	AR	WIRE MAGNET #28 AWG
2	276-0704-00	2	CORE, EM (E" FERRITE)
1	276-0227-00	1	FORM, COIL

54-1019

THIS DRAWING AND ALL INFORMATION CONTAINED HEREIN, IS SUPPLIED FOR IDENTIFICATION, REPRODUCTION AND/OR REPRODUCTION ONLY AND MAY NOT BE USED AS A BASIS FOR MANUFACTURE OF SUCH PRODUCTS WITHOUT WRITTEN PERMISSION FROM TETRONIX, INC. IF THIS DRAWING IS REPRODUCED WITHOUT WRITTEN PERMISSION FROM TETRONIX, INC. IT SHALL BE AT THE REPRODUCER'S RISK AND WITHOUT LIABILITY TO TETRONIX, INC. FOR ANY DAMAGES, INCLUDING REASONABLE ATTORNEY'S FEES, ARISING FROM SUCH REPRODUCTION OR USE. TETRONIX, INC. MAKES NO WARRANTY, REPRESENTATION OR GUARANTEE, EXPRESS OR IMPLIED, REGARDING THE ACCURACY, COMPLETENESS OR FITNESS FOR ANY PARTICULAR PURPOSE OF THIS DRAWING OR INFORMATION CONTAINED HEREIN. THE USER OF THIS DRAWING SHALL BE RESPONSIBLE FOR OBTAINING ALL NECESSARY INFORMATION TO MANUFACTURE SUCH PRODUCTS. TETRONIX, INC. SHALL NOT BE LIABLE FOR ANY DAMAGES, INCLUDING REASONABLE ATTORNEY'S FEES, ARISING FROM SUCH REPRODUCTION OR USE. TETRONIX, INC. SHALL NOT BE LIABLE FOR ANY DAMAGES, INCLUDING REASONABLE ATTORNEY'S FEES, ARISING FROM SUCH REPRODUCTION OR USE.

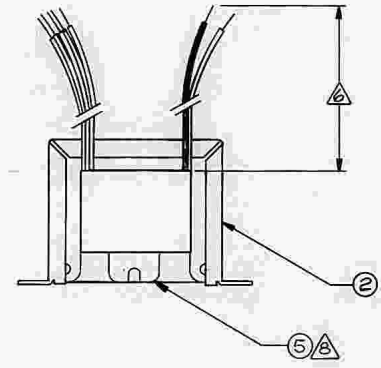
REV	APP	DESCRIPTION OF CHANGE	CHK BY	DATE
(A)	45018	REMOVED ITEM 4. RN. 120-1256-50	DD	27JAN82
(B)	51689	ADDED NOTE A AND ITEM 5. UPDATED DIMS. A NOTE 3. ITEM 3 WAS 000-5682-00	DD	8NOV83



**COIL STRUCTURE**  
OUTSIDE

TYPE WINDINGS	LEAD NO
SEC	7-6-5
Ø-131-262T	#27
SHIELD	4
PRI	1-2-3
Ø-625-1300T	#30

INSIDE



△ ORIENTATION OF KEEPER IS OPTIONAL  
7. VOLTAGE RATINGS ARE AC RMS NO LOAD. CURRENT RATINGS ARE AMPS DC TYP U.O.S.

△ LEAD LENGTH: STRIP  
0.500 ± .250 EACH LEAD

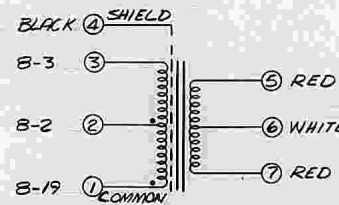
LEAD NO	COLOR	PART NUMBER	LENGTH I.250
1	B-19	175-0879-00	9.500
2	B-2	175-0880-00	9.500
3	B-3	175-0881-00	9.500
4	BLACK	175-0920-00	10.000
5	RED	175-0922-00	10.000
6	WHITE	175-0951-00	9.000
7	RED	175-0922-00	9.000

Part Number	120-1256-00	REV	B
-------------	-------------	-----	---

5. TRANSFORMER MUST COMPLY TO UL 1244, CSA 556B AND IEC 348

4. DIELECTRIC WITHSTANDING VOLTAGE 15KV RMS, 50 TO 60HZ FOR 1 MINUTE, PRIMARY TO SECONDARY, SHIELD AND CORE

△ TRANSFORMER VACUUM IMPREGNATED WITH VARNISH 252-0082-00 OR APPROVED EQUIVALENT  
2. POLARITY PER SCHEMATIC  
1. DIMENSIONS REFERENCE U.O.S.



±15VDC REGULATED SUPPLIES  
FWBCT CIRCUIT  
0.4 AMPS EA.

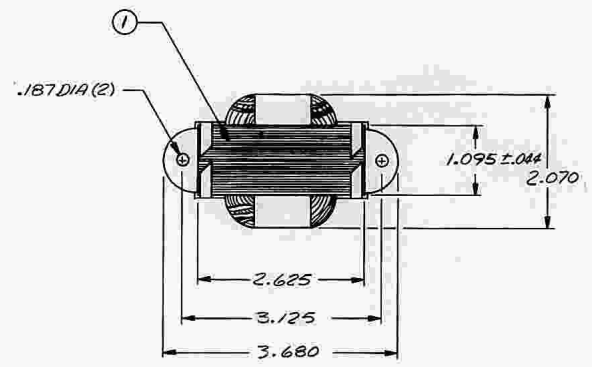
PRIMARY  
111/222 VAC ± 18.9%  
@ 50-400 HZ

PRIMARY CONNECTIONS

VOLTS AC	LINE TO
111	1-2
222	1-3

VOLTS AC RMS NO LOAD

LEADS	VOLTS	LEADS	VOLTS
1-2	111	5-7	46.5CT
1-3	222	5-7	44.7CT



NOTES:

TETRONIX, INC. PROPRIETARY ITEM DRAWING

DESIGNED BY TETRONIX  NEW FOR TETRONIX

TETRONIX, INC. BEAVERTON, OREGON U.S.A. 97007

D. MERCIL SUMNER  
E. COLE VICTOR  
CHAP. B. THOMAS S. GELB  
PROD. PL. DOUGLAS P. S. SMITH

P. O. BOX 899  
UNLESS OTHERWISE SPECIFIED  
UNLESS OTHERWISE SPECIFIED  
SCALE FIRST USED ON  
1:1 8501

MATERIAL  
SEE LIST OF MATERIALS

FINISH

△

TITLE TRANSFORMER, POWER (STEPDOWN)

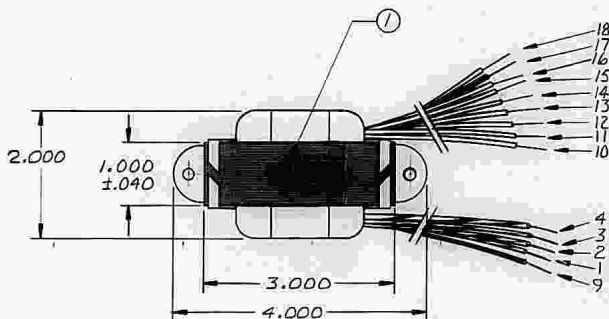
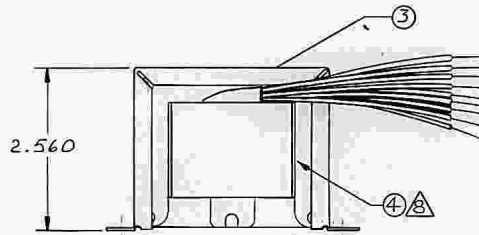
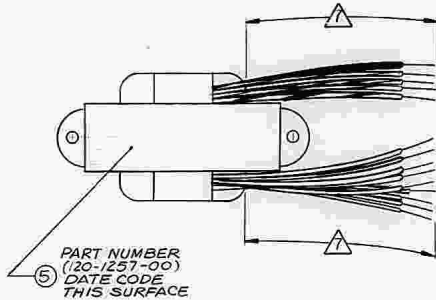
CODE IDENT NO. 80009  
REV B

ITEM	PART NUMBER	QTY	DESCRIPTION
5	386-4780-00	2	PLATE, LAMINATION KEEPER
4			
3	334-4645-00	1	MARKER, IDENTIFICATION
2	407-2330-00	1	BRACKET, TRANSFORMER
1	386-0014-00	VAR	PLATE, LAMINATION (STEEL)

54-47E

THIS DRAWING WHEN ASSUMED OUTSIDE TOLERANCES, IS SUPPLIED FOR IDENTIFICATION, ENGINEERING EVALUATION AND/OR INSPECTION PURPOSES ONLY AND MAY NOT BE USED AS A BASIS FOR DIMENSIONING OR BASIS OF PRODUCTS WITHOUT WRITTEN PERMISSION FROM TEKTRONIX, INC. IF THIS DRAWING IS FURNISHED UNDER ANY UNITED STATES GOVERNMENT CONTRACT, IT SHALL NOT BE REPRODUCED OR DISSEMINATED, IN WHOLE OR IN PART, WITHOUT THE WRITTEN PERMISSION OF TEKTRONIX, INC. EXCEPT FOR THE EMERGENCY REPAIR OR CORRECTIVE WORK BY OR FOR THE GOVERNMENT, WHILE THE ITEM OR PROCESS CONCERNED IS NOT OTHERWISE RELIABLY AVAILABLE OR THROUGH THE PERFORMANCE OF THE WORK, OR TO RELEASE TO THE PUBLIC OR TO OTHERS AT THE OFFICE OF THE UNITED STATES AIR FORCE, PROVIDED THAT IN EVERY CASE THE RELEASE, USE, DISPOSITION OR DISSEMINATION SHALL BE SUBJECT TO THE COORDINATING AGENCIES, IF THIS DRAWING IS REPRODUCED IN WHOLE OR IN PART, THE SOURCE THEREOF SHALL APPEAR ON ALL REPRODUCTION COPIES.

REV	REF	DESCRIPTION OF CHANGE	CHK BY	DATE
(A)	45018	REMOVED ITEM 2	DD	17MAR82
(B)	51689	REVISED DIMS, UPDATED NOTE 3, ADDED ITEMS 4 & 5, NOTE 5 WAS 2KV	DD	2DEC83

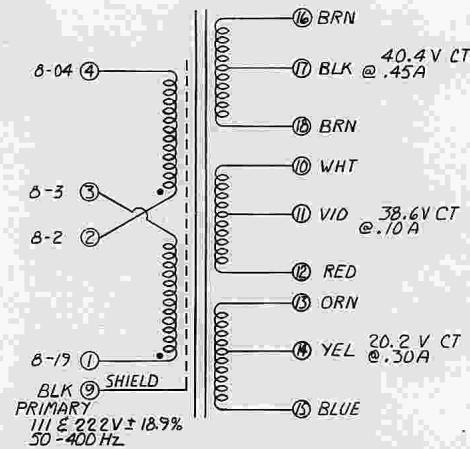


### COIL STRUCTURE OUT SIDE

TYPE WINDING	LEAD NO
SEC	10-11-12
Ø-111-222	*31
SEC	13-14-15
Ø-58-116	*27
SEC	16-17-18
Ø-116-232	*25
SHIELD	9
PRI	2-4
638T	*32
PRI	1-3
638T	*32

LEAD WIRE CHART				
LEAD NO	COLOR	PART NUMBER	LENGTH ±.250	STRIP THIN ±.250
1	B-19	175-0879-00	7.75 0	.250
2	B-2	175-0880-00		
3	B-3	175-0881-00		
4	B-04	175-0882-00		
9	BLK	175-0920-00	4.500	.500
10	WHT	175-0951-00	7.750	.250
11	VID	175-0949-00		
12	RED	175-0922-00		
13	ORN	175-0950-00	6.250	
14	YEL	175-0963-00		
15	BLU	175-0970-00		
16-18	BRN	175-0964-00	7.750	
17	BLK	175-0920-00	7.750	

INSIDE



LINE TO 1-4	CONNECT
111 V	1 TO 2 3 TO 4
222V	2 TO 3

△ ORIENTATION OF KEEPERS IS OPTIONAL

PART NUMBER  
120-1257-00

7 SEE LEAD WIRE CHART

G. POLARITY PER SCHEMATIC

5 DIELECTRIC WITHSTANDING VOLTAGE:  
1.5 KV RMS, 50 TO 60 HZ, 1 MINUTE  
PRIMARYS TO SHIELD, SECONDARIES  
AND CORE

4. VOLTAGE RATINGS ARE RMS NO LOAD.  
CURRENT RATINGS ARE AMPS DC TYP.

3. WINDINGS INSULATED FOR 600V DC

△ TRANSFORMER VACUUM IMPREGNATED  
WITH VARNISH 252-0082-00  
OR APPROVED EQUIVALENT

1. DIMENSIONS REFERENCE UOS  
NOTES:

TEKTRONIX, INC. PROPRIETARY ITEM DRAWING			
DESIGNED BY	DATE	DRAWN BY	DATE
CHKD BY	DATE	ENG BY	DATE
PROD BY	DATE	SCALE	1:1
MATERIAL			
SEE LIST OF MATERIALS			

5	334-4645-00	1	MARKER, IDENT
4	386-0030-00	2	PLATE, LAMINATION (KEEPER)
3	407-2443-00	1	BRACKET TRANSFORMER
2			
1	386-0029-00	AR	PLATE, LAMINATION (STEEL)

FINISH	TITLE	CODE	REV
NOTED	TRANSFORMER, POWER, STP DN	80009	B
		120-1257-00	B

80009 120-1257-00 B

BY NET SCALE DRAWING

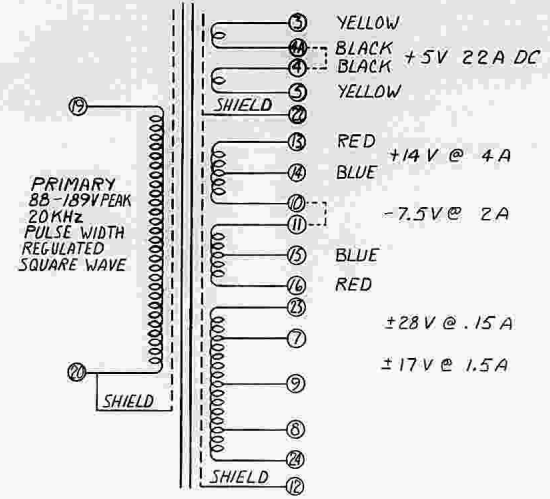
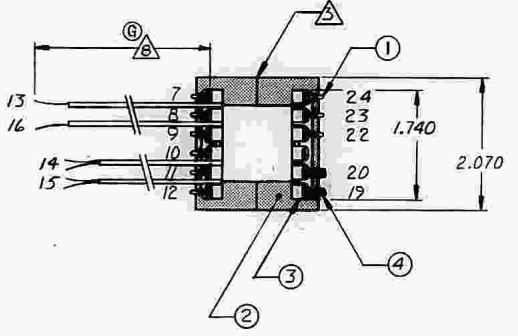
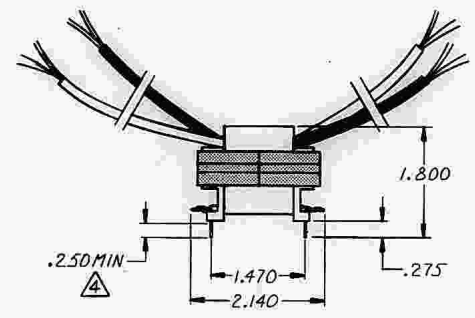
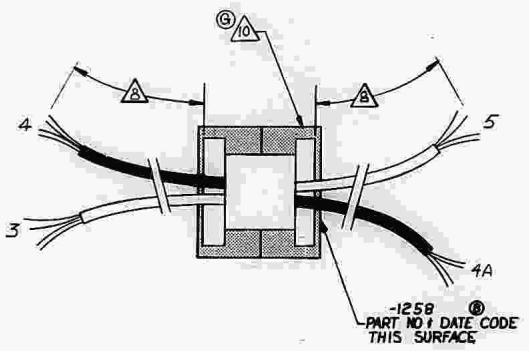
76-221K

REV	REP	DESCRIPTION OF CHANGE	CHK BY	DATE
(A)	45291	EXT REV SEE MOD DOC DETAIL	DD	18 JUN 82
(B)	50992	ADDED PART NO & DATE CODE	DD	23 JUN 83
(C)	54507	UPDATED DWG, NOTES 2 & 6 ADDED NOTE 10, ITEM 4 WAS 162-0589-00 & ITEM 2 WAS 2	DD	26 JUN 84

**COIL STRUCTURE**  
**OUTSIDE**

TYPE WINDINGS		LEAD NO
SEC 10-14, 15-11	SEC 14-13, 16-15	SEC 23-2, 8-24 3T BIF *32
3T BIF *18	3T BIF *20	SEC 7-9, 9-8 7T BIF *23
SEC SHIELD		12
PRI SHIELD		20
PRI		20-19 29T *18
PRI SHIELD		20
SEC SHIELD		22
SEC		3-4, 4A-5
2T BIF		(4) *18

**INSIDE**



PRIMARY  
88-189V PEAK  
20KHZ  
PULSE WIDTH  
REGULATED  
SQUARE WAVE

- 10. TERM POSTS REMOVED THIS SIDE (12)
- 9. VOLTAGE IS PULSE WIDTH REGULATED SECONDARY VOLTAGES ARE AVERAGE RECTIFIED VALUES AT RATED LOADS WITH THE PRIMARY INPUT VOLTAGE AT 88 VOLTS PEAK AND APPROX 88% DUTY CYCLE

8. LEAD LENGTH: \* INSULATION SLEEVING

LEAD NO	COLOR	* PART NUMBER	LENGTH	STRIP & TIN
			±.250	±.125
3	YEL	162-0572-00	3.250	.500
4	BLK	162-0501-00	6.000	
4A	BLK	162-0501-00	8.000	
5	YEL	162-0572-00	6.000	
14-15	BLU	162-0522-00	4.000	
13-16	RED	162-0509-00	5.000	

120-1258-00

- 7. TRANSFORMER MUST COMPLY WITH UL 478 AND CSA 154
- 6. INDUCTANCE 19-20:2.0 MH MIN MEASURED ON EST 252 METER OR APPROVED EQUIVALENT
- 5. DIELECTRIC WITHSTANDING VOLTAGE 1.5K VRMS, 60HZ, 1 MINUTE, PRIMARY (13-20) AND SECONDARIES, SHIELDS (12-22) AND CORE.
- 4. SOLDERABILITY REQUIRED THIS AREA
- 3. SECURE CORES TOGETHER
- 2. TRANSFORMER VACUUM IMPREGNATED WITH VARNISH 252-0082-00 OR APPROVED EQUIVALENT
- 1. DIMENSIONS REFERENCE UOS

NOTES:

TEKTRONIX, INC. PROPRIETARY ITEM DRAWING	MFD FOR TEKTRONIX
TEKTRONIX SAFETY CONTROLLED PART	
TEKTRONIX, INC. SEABEVTON OREGON U.S.A. 97277	
DATE: 07/19/84	SCALE: 1:1
PROD: E.P.	1980

SEE LIST OF MATERIALS

ITEM	PART NUMBER	QTY	DESCRIPTION	CODE	QTY	NO	REV
(C)	4	162-0533-00	AR INSUL SLEEVING (HEAT SHRINK)				
	3	276-0244-00	1 FORM, COIL				
(C)	2	276-0721-00	1 CORE, EM SET				
	1	131-2244-00	11 TERMINALS (PC-2)				

FINISH	NOTED
TITLE	TRANSFORMER, POWER HF (STDN CONVERTER)
CODE	80009
SIZE	D
PART NUMBER	120-1258-00
REV	C

NOTES

1. DIMENSIONS REFERENCE UNLESS OTHERWISE SPECIFIED
2. TWIST LEADS TOGETHER AS SHOWN
3. TIN LEADS TO WITHIN  $.100 \pm .050$  FROM CORE

78-163

PART NUMBER

120-1260-00

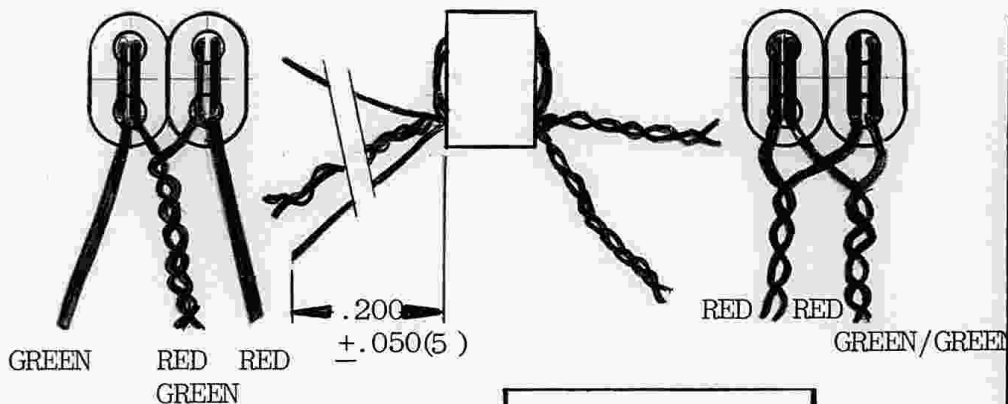
REV

THIS DRAWING WHEN DISTRIBUTED OUTSIDE TEKTRONIX, INC., IS SUPPLIED FOR IDENTIFICATION, ENGINEERING EVALUATION AND/OR INSPECTION PURPOSES ONLY AND MAY NOT BE USED AS A BASIS FOR MANUFACTURE OR SALES OF PRODUCTS WITHOUT WRITTEN PERMISSION FROM TEKTRONIX, INC. IF THIS DRAWING IS FURNISHED UNDER ANY UNITED STATES GOVERNMENT CONTRACT, IT SHALL NOT BE EITHER RELEASED OUTSIDE THE GOVERNMENT, OR USED, DUPLICATED, OR DISCLOSED IN WHOLE OR IN PART FOR MANUFACTURE OR PROCUREMENT, WITHOUT THE WRITTEN PERMISSION OF TEKTRONIX, INC., EXCEPT FOR: (1) EMERGENCY REPAIR OR OVERHAUL WORK BY OR FOR THE GOVERNMENT, WHERE THE ITEM OR PROCESS CONCERNED IS NOT OTHERWISE REASONABLY AVAILABLE TO ENABLE TIMELY PERFORMANCE OF THE WORK; OR (2) RELEASE TO A FOREIGN GOVERNMENT AS THE INTERESTS OF THE UNITED STATES MAY REQUIRE; PROVIDED THAT IN EITHER CASE THE RELEASE, USE, DUPLICATION OR DISCLOSURE HEREOF SHALL BE SUBJECT TO THE FOREGOING LIMITATIONS. IF THIS DRAWING IS REPRODUCED IN WHOLE OR IN PART, THIS ENTIRE LEGEND BLOCK MUST APPEAR ON ALL REPRODUCED COPIES.

REV / BY / REF

DESCRIPTION OF CHANGE

CHK BY / DATE



WIRE DATA

TURNS	COLOR	AWG	PART NUMBER
3	RED	32	176-0037-00
3	GREEN	32	176-0037-15

\* BIFILAR WOUND

(NOTE: ABOVE DATA APPLIES TO EACH CORE)

DATA

CODE TD-374  
CORE NO 276-0711-00 (2)

TEKTRONIX, INC. PROPRIETARY ITEM DRAWING

MFD BY TEKTRONIX

MFD FOR TEKTRONIX



TEKTRONIX, INC.

P. O. BOX 500  
BEAVERTON, OREGON U.S.A. 97077



DWN J. WINFREY

11/19/79

DIMENSIONS ARE IN INCHES / TOLERANCES: UNLESS OTHERWISE SPECIFIED

ENGR *Al Jordan*

6/24/81

DEC

ANLR

CHKR *B. Stewart*

6/27/80

SCALE NONE

FIRST USED ON TDC 1-2

PROD *Donna M. Holman*

4/26/80

MATERIAL

LISTED

FINISH

TITLE

TRANSFORMER, BALUN

CODE IDENT NO

SIZE

PART NUMBER

REV

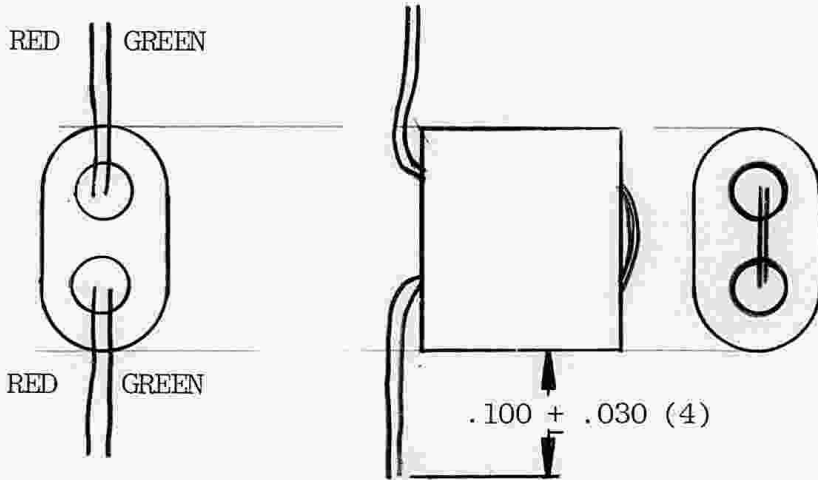
80009

A

120-1260-00

NOTES

1. DIMENSIONS REFERENCE UNLESS OTHERWISE SPECIFIED  
.093 HIGH x .079 WIDE x .136 LONG
2. TIN LEADS TO WITHIN .050 OF CORE
3. VALUE DETERMINED ON TEK 130 L C METER  
 $L = .63 \mu\text{H REF.}$



WIRE DATA			
TURNS	COLOR	AWG	PART NUMBER
2	RED	32	176-0037-00
2	GRN	32	176-0037-15

DATA  
 CODE TD-375  
 CORE NO 276-0711-00

78-164

PART NUMBER **120-1261-00**

REV

THIS DRAWING WHEN DISTRIBUTED OUTSIDE TEKTRONIX, INC., IS SUPPLIED FOR IDENTIFICATION, ENGINEERING EVALUATION AND/OR INSPECTION PURPOSES ONLY AND MAY NOT BE USED AS A BASIS FOR MANUFACTURE OR SALES OF PRODUCTS WITHOUT WRITTEN PERMISSION FROM TEKTRONIX, INC. IF THIS DRAWING IS FURNISHED UNDER ANY UNITED STATES GOVERNMENT CONTRACT, IT SHALL NOT BE EITHER RELEASED OUTSIDE THE GOVERNMENT OR USED, DUPLICATED, OR DISCLOSED IN WHOLE OR IN PART FOR MANUFACTURE OR PROCUREMENT, WITHOUT THE WRITTEN PERMISSION OF TEKTRONIX, INC. EXCEPT FOR: (1) EMERGENCY REPAIR OR OVERHAUL WORK BY OR FOR THE GOVERNMENT, WHERE THE ITEM OR PROCESS CONCERNED IS NOT OTHERWISE REASONABLY AVAILABLE TO ENABLE TIMELY PERFORMANCE OF THE WORK; OR (2) RELEASE TO A FOREIGN GOVERNMENT AS THE INTERESTS OF THE UNITED STATES MAY REQUIRE; PROVIDED THAT IN EITHER CASE THE RELEASE, USE, DUPLICATION OR DISCLOSURE HEREOF SHALL BE SUBJECT TO THE FOREGOING LIMITATIONS. IF THIS DRAWING IS REPRODUCED IN WHOLE OR IN PART, THIS ENTIRE LEGEND BLOCK MUST APPEAR ON ALL REPRODUCED COPIES.

REV / BY / REF	DESCRIPTION OF CHANGE	CHK BY / DATE

TEKTRONIX, INC. PROPRIETARY ITEM DRAWING

MFD BY TEKTRONIX

MFD FOR TEKTRONIX



TEKTRONIX, INC.

P. O. BOX 500  
 BEAVERTON, OREGON U.S.A. 97077



DWN	J. WINFREY	11/19/79	DIMENSIONS ARE IN INCHES / TOLERANCES: UNLESS OTHERWISE SPECIFIED	
ENGR	<i>W. Gordon</i>	6/26/80	DEC	ANLR
CHKR	<i>B. Stewart</i>	6/27/80	SCALE	FIRST USED ON
PROD	<i>Donna M. Holman</i>	6/26/80	NONE	TDC 1-2

MATERIAL  
 LISTED

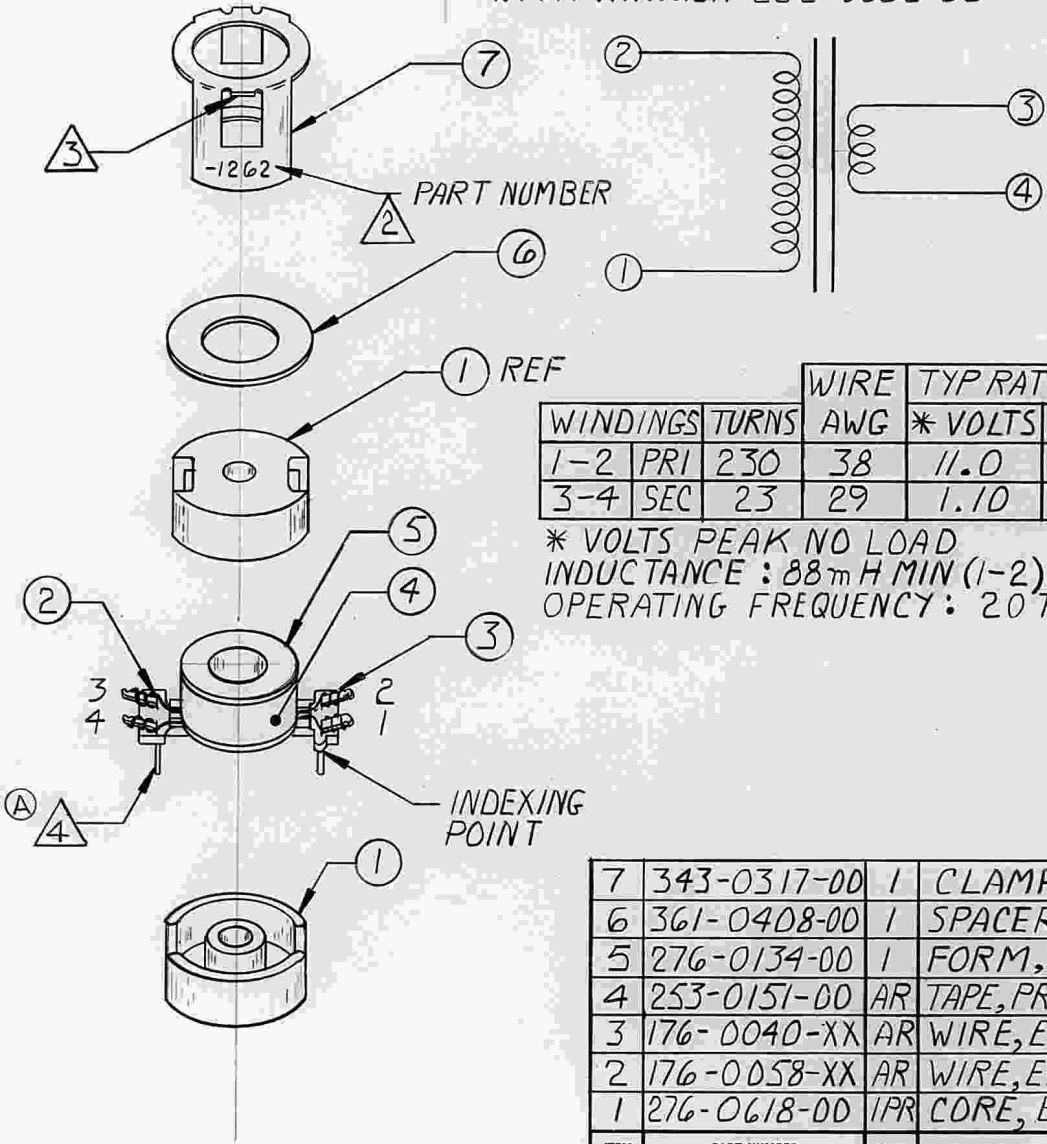
FINISH

TITLE  
 TRANSFORMER, 1:1, (BALUN)

CODE IDENT NO	SIZE	PART NUMBER	REV
<b>80009</b>	<b>A</b>	<b>120-1261-00</b>	

78-84 B

**4** TERMINALS TO BE VARNISH FREE  
 5. TRANSFORMER VACUUM IMPREGNATED WITH VARNISH 252-0082-00



WINDINGS	URNS	WIRE AWG	TYP RINGS	RATINGS	RESISTANCE
			* VOLTS	AMPS	±20% AT 20°C
1-2	PRI	230	38	11.0	— 12.0 Ω
3-4	SEC	23	29	1.10	0.35 0.185 Ω

\* VOLTS PEAK NO LOAD  
 INDUCTANCE : 88mH MIN (1-2) AT 1KHZ  
 OPERATING FREQUENCY : 20 TO 30 KHZ

7	343-0317-00	1	CLAMP
6	361-0408-00	1	SPACER
5	276-0134-00	1	FORM, COIL
4	253-0151-00	AR	TAPE, PRESS SENS (.188 WIDE)
3	176-0040-XX	AR	WIRE, ELEC (38 AWG)
2	176-0058-XX	AR	WIRE, ELEC (29 AWG)
1	276-0618-00	1PR	CORE, EM (POT SET 1408)

ITEM	PART NUMBER	QTY	DESCRIPTION
------	-------------	-----	-------------

LIST OF MATERIALS

REV. A  
 PART NUMBER 120-1262-00

THIS DRAWING WHEN DISTRIBUTED OUTSIDE TEKTRONIX, INC., IS SUPPLIED FOR IDENTIFICATION, ENGINEERING EVALUATION AND/OR INSPECTION PURPOSES ONLY AND MAY NOT BE USED AS A BASIS FOR MANUFACTURE OR SALES OF PRODUCTS WITHOUT WRITTEN PERMISSION FROM TEKTRONIX, INC. IF THIS DRAWING IS FURNISHED UNDER ANY UNITED STATES GOVERNMENT CONTRACT, IT SHALL NOT BE EITHER RELEASED OUTSIDE THE GOVERNMENT, OR USED, DUPLICATED, OR DISCLOSED IN WHOLE OR IN PART FOR MANUFACTURE OR PROCUREMENT, WITHOUT THE WRITTEN PERMISSION OF TEKTRONIX, INC., EXCEPT FOR: (1) EMERGENCY REPAIR OR OVERHAUL WORK BY OR FOR THE GOVERNMENT, WHERE THE ITEM OR PROCESS CONCERNED IS NOT OTHERWISE REASONABLY AVAILABLE TO ENABLE TIMELY PERFORMANCE OF THE WORK; OR (2) RELEASE TO A FOREIGN GOVERNMENT AS THE INTERESTS OF THE UNITED STATES MAY REQUIRE, PROVIDED THAT IN EITHER CASE THE RELEASE, USE, DUPLICATION OR DISCLOSURE HEREOF SHALL BE SUBJECT TO THE FOREGOING LIMITATIONS, IF THIS DRAWING IS REPRODUCED IN WHOLE OR IN PART, THIS ENTIRE LEGEND BLOCK MUST APPEAR ON ALL REPRODUCED COPIES.

REV	REF	DESCRIPTION OF CHANGE	CHK BY	DATE
A	42452	CORRECTED NOTE 4 WAS CALLED OUT AS NOTE 5 ON DRAWING	DD	17 FEB 81

**3** REMOVE MOUNTING TABS  
**2** DATE CODE OPPOSITE SIDE  
 1. REFERENCE DIMENSIONS : .516 HIGH X .553 WIDE X .935 LONG

NOTES:

TEKTRONIX, INC. PROPRIETARY ITEM DRAWING			
<input checked="" type="checkbox"/> MFD BY TEKTRONIX		<input type="checkbox"/> MFD FOR TEKTRONIX	
<b>TEKTRONIX, INC.</b>		P. O. BOX 500 BEAVERTON, OREGON U.S.A. 97077	
DWN	JTWINFREY	18 SEPT 80	DIMENSIONS ARE IN INCHES / TOLERANCES UNLESS OTHERWISE SPECIFIED
ENGR	R. Coger	8 DEC 80	DEC _____ ANLR _____
CHKR	B. STEWART	8 DEC 80	SCALE
PROD	m. Chetty	8 DEC 80	FIRST USED ON
MATERIAL		2:1 7D02	
SEE LIST OF MATERIALS			
FINISH NOTED			
TITLE TRANSFORMER, RF (BASE DRIVE, POT CORE)			
CODE IDENT NO	SIZE	PART NUMBER	REV
80009	B	120-1262-00	A

DO NOT SCALE DRAWING

THIS DRAWING WHEN DISTRIBUTED OUTSIDE TEKTRONIX, INC., IS SUPPLIED FOR IDENTIFICATION, ENGINEERING EVALUATION AND/OR INSPECTION PURPOSES ONLY AND MAY NOT BE USED AS A BASIS FOR MANUFACTURE OR SALES OF PRODUCTS WITHOUT WRITTEN PERMISSION FROM TEKTRONIX, INC. IF THIS DRAWING IS FURNISHED UNDER ANY UNITED STATES GOVERNMENT CONTRACT, IT SHALL NOT BE EITHER RELEASED OUTSIDE THE GOVERNMENT, OR USED, DUPLICATED, OR DISCLOSED IN WHOLE OR IN PART FOR MANUFACTURE OR PROCUREMENT, WITHOUT THE WRITTEN PERMISSION OF TEKTRONIX, INC. EXCEPT FOR: (1) EMERGENCY REPAIR OR OVERHAUL WORK BY OR FOR THE GOVERNMENT, WHERE THE ITEM OR PROCESS CONCERNED IS NOT OTHERWISE REASONABLY AVAILABLE TO ENABLE TIMELY PERFORMANCE OF THE WORK, OR (2) RELEASE TO A FOREIGN GOVERNMENT AS THE INTERESTS OF THE UNITED STATES MAY REQUIRE, PROVIDED THAT IN EITHER CASE THE RELEASE, USE, DUPLICATION OR DISCLOSURE HEREOF SHALL BE SUBJECT TO THE FOLLOWING LIMITATIONS, IF THIS DRAWING IS REPRODUCED IN WHOLE OR IN PART, THIS ENTIRE LEGEND BLOCK MUST APPEAR ON ALL REPRODUCED COPIES.

REV	REF	DESCRIPTION OF CHANGE	CHK BY	DATE
(A)	49315	RELOCATED DATE CODE: INDUCTANCE WAS 8.5mH MIN AT 1kHz	DD	16MAY83

COIL STRUCTURE

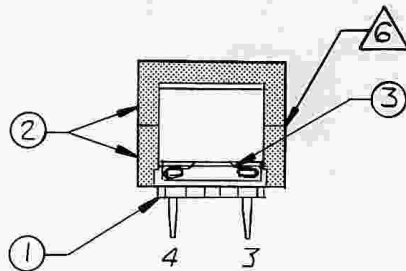
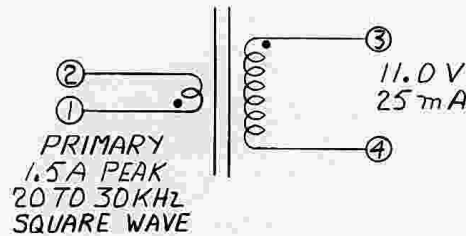
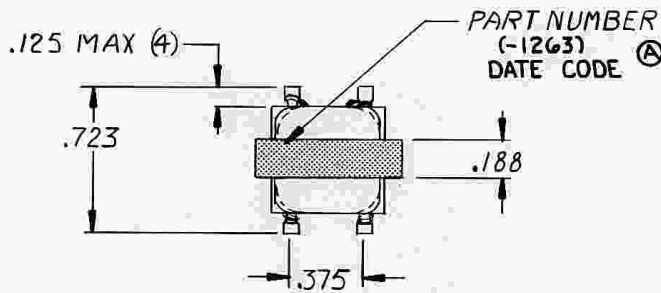
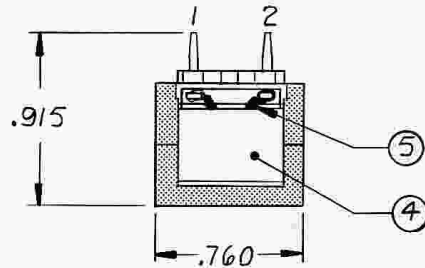
OUTSIDE

WINDING TYPE TERM NO

PRI 1-2  
2T # 26

SEC 3-4  
110T #30

INSIDE



- △ 6 CORES CEMENTED TOGETHER
- Ⓐ 5. INDUCTANCE (3-4): 8.4 mH MIN WITH ESI 252 OR APPROVED EQUIVALENT

PART NUMBER 120-1263-00 REV. A

- 4. DIELECTRIC WITHSTANDING VOLTAGE: 2KV AC RMS, 50 TO 60 Hz, 1MIN, PRIMARY TO SECONDARY
- 3. POLARITY PER SCHEMATIC
- 2. VOLTAGE RATINGS ARE PEAK NO LOAD CURRENT RATINGS ARE AMPS PEAK
- 1. DIMENSIONS REFERENCE UNLESS OTHERWISE SPECIFIED

NOTES:

TEKTRONIX, INC. PROPRIETARY ITEM DRAWING  
 MFD BY TEKTRONIX  MFD FOR TEKTRONIX

TEKTRONIX, INC. P. O. BOX 500 BEAVERTON, OREGON U.S.A. 97077

DWN	JTWINFREY	24SEP80	DIMENSIONS ARE IN INCHES / UNLESS OTHERWISE SPECIFIED	
ENGR	R. Cope	8DEC80	DEC	ANLR
CHKR	B. STEWART	8DEC80	SCALE	FIRST USED ON
PROD	M. Cantley	8DEC80	2:1	7002

MATERIAL SEE LIST OF MATERIALS

ITEM	PART NUMBER	QTY	DESCRIPTION
5	175-0918-00	AR	WIRE, ELEC (26 AWG TEFLON)
4	253-0125-00	AR	TAPE, PRESS SENS (.375 WIDE)
3	176-0035-XX	AR	WIRE, ELEC (30 AWG)
2	276-0730-00	2	CORE, "E" (FERRITE)
1	276-0138-00	1	FORM, COIL

FINISH \_\_\_\_\_  
 TITLE TRANSFORMER, RF (CURRENT)

CODE IDENT NO	SIZE	PART NUMBER	REV
80009	C	120-1263-00	A



THIS DRAWING WHEN DISTRIBUTED OUTSIDE TEKTRONIX, INC. IS SUPPLIED FOR IDENTIFICATION, ENGINEERING EVALUATION AND/OR INSPECTION PURPOSES ONLY AND MAY NOT BE USED AS A BASIS FOR MANUFACTURE OR SALES OF PRODUCTS WITHOUT WRITTEN PERMISSION FROM TEKTRONIX, INC. IF THIS DRAWING IS FURNISHED UNDER ANY UNITED STATES GOVERNMENT CONTRACT, IT SHALL NOT BE EITHER RELEASED OUTSIDE THE GOVERNMENT, OR USED, DUPLICATED, OR DISCLOSED IN WHOLE OR IN PART FOR MANUFACTURE OR PROCUREMENT, WITHOUT THE WRITTEN PERMISSION OF TEKTRONIX, INC., EXCEPT FOR: (1) EMERGENCY REPAIR OR OVERHAUL WORK BY OR FOR THE GOVERNMENT, WHERE THE ITEM OR PROCESS CONCERNED IS NOT OTHERWISE REASONABLY AVAILABLE TO ENSURE TIMELY PERFORMANCE OF THE WORK; OR (2) RELEASE TO A FOREIGN GOVERNMENT AS THE INTERESTS OF THE UNITED STATES MAY REQUIRE, PROVIDED THAT IN EITHER CASE THE RELEASE, USE, DUPLICATION OR DISCLOSURE HEREOF SHALL BE SUBJECT TO THE FOREGOING LIMITATIONS. IF THIS DRAWING IS REPRODUCED IN WHOLE OR IN PART, THIS ENTIRE LEGEND BLOCK MUST APPEAR ON ALL REPRODUCED COPIES.

COIL STRUCTURE

OUTSIDE

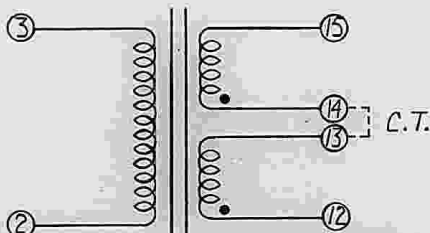
WINDING TYP LEAD NO

SEC	14-15
BT	2*20

SEC	12-13
BT	2*20

PRI	2-3
17T	2*22

INSIDE



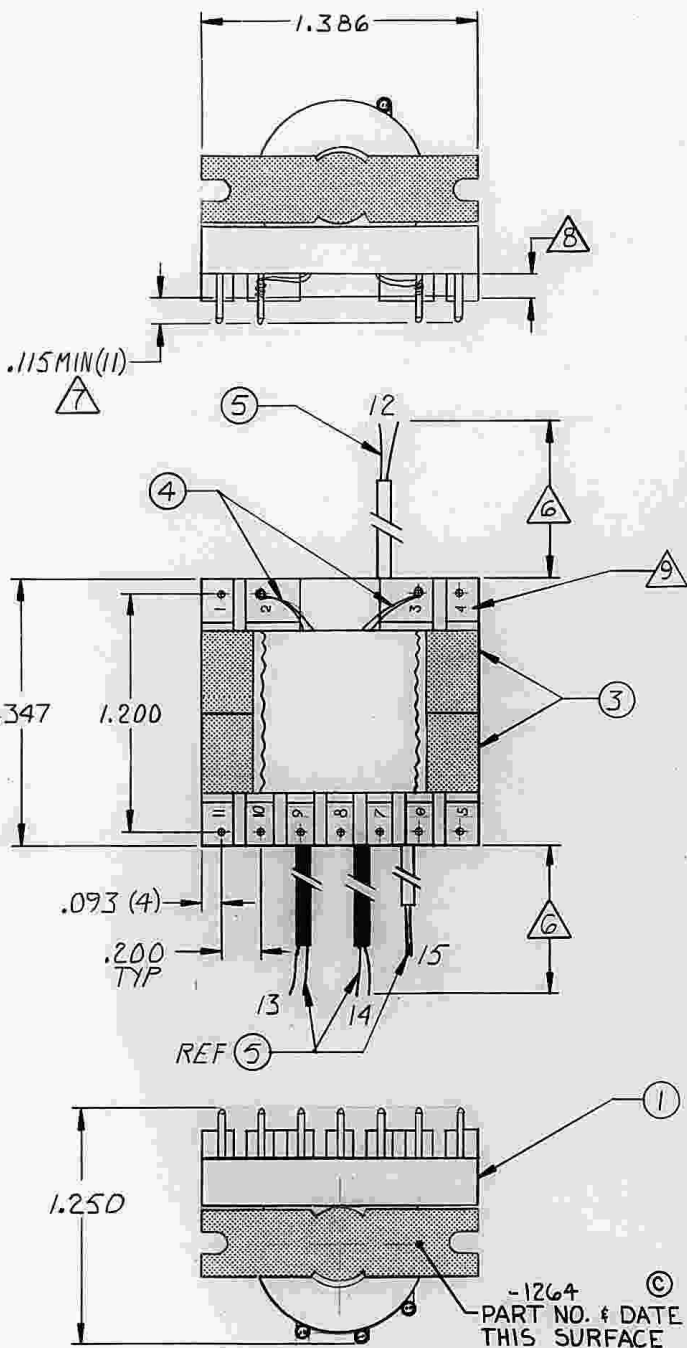
PRIMARY  
14.8V PK  
20 TO 30 KHZ  
SQUARE WAVE PULSE  
WIDTH MODULATED

SECONDARY  
SUPPLIES +5V CIRCUIT,  
FW CT, BA DC

ELECTRICAL DATA

LEAD NO	VOLTS *	CURRENT DC TYP	DCR ±20% AT 20°C
2-3	14.8		.020Ω
12-13	13.9CT	8 A	.019Ω CT
14-15			

\* PEAK NO LOAD



REV	REF	DESCRIPTION OF CHANGE	CHK BY	DATE
A	44833	△ WAS △	DD	11 NOV 81
B	45291	REMOVED ITEM 2 PN. 120-1264-50	DD	15 JAN 82
C	50392	ADDED P/N & DATE CODE	DD	23 JUN 83
D	54507	UPDATED NOTES 4 & 5	DD	5 JUL 84

- ⑨ FORM COIL PIN NUMBERS REFERENCE ONLY
- ⑧ WIRES TO 2-3 .125 MAX FROM BASE OF PINS
- ⑦ SOLDERABILITY REQUIRED THIS AREA
- ⑥ LEAD CHART

LEAD NO	COLOR	SLEEVING PART NUMBER	LEAD LENGTH ±.125	STRIP TYP ±.125
12-15	RED	162-0508-00	1.062	.500
13-14	BLK	162-0502-00	1.687	.500

- ⑤ TRANSFORMER VACUUM IMPREGNATED WITH VARNISH 252-0082-00 OR APPR. EQUIV.

PART NUMBER	REV.
120-1264-00	D

- ④ 4. INDUCTANCE (2-3): 0.64 mH MINIMUM AT 1 KHz PER ESI 252 OR APPR. EQUIV.

3. DIELECTRIC WITHSTANDING VOLTAGE: 500 VAC RMS, 50 TO 60 Hz, 1 MIN, 2 TO 13, 14

2. POLARITY PER SCHEMATIC

1. DIMENSIONS REFERENCE UOS

NOTES:

TEKTRONIX, INC. PROPRIETARY ITEM DRAWING

MFD BY TEKTRONIX       MFD FOR TEKTRONIX

TEKTRONIX, INC. BEAVERTON, OREGON U.S.A. 97077

P. O. BOX 500

OWN	JT WINFREY	10 OCT 80	DIMENSIONS ARE IN INCHES / TOLERANCES: UNLESS OTHERWISE SPECIFIED	
ENGR	R. Cogan	1 OCT 81	DEC	ANLR
CHKR	B. Bennett	2 OCT 81	SCALE	FIRST USED ON
PROD	P.L. DOUGLAS	24 SEPT 81	2:1	7D02

MATERIAL: SEE LIST OF MATERIALS

FINISH: △

TITLE: TRANSFORMER, POWER (STPDN)

CODE IDENT NO	SIZE	PART NUMBER	REV
800009	G	120-1264-00	D

ITEM	PART NUMBER	QTY	DESCRIPTION
5	176-0026-XX AR	1	WIRE, ELEC (20 AWG)
4	176-0028-XX AR	1	WIRE, ELEC (22 AWG)
3	276-0739-00 2	2	CORE, EM ("E" FERRITE)
1	276-0258-00 1	1	FORM, COIL

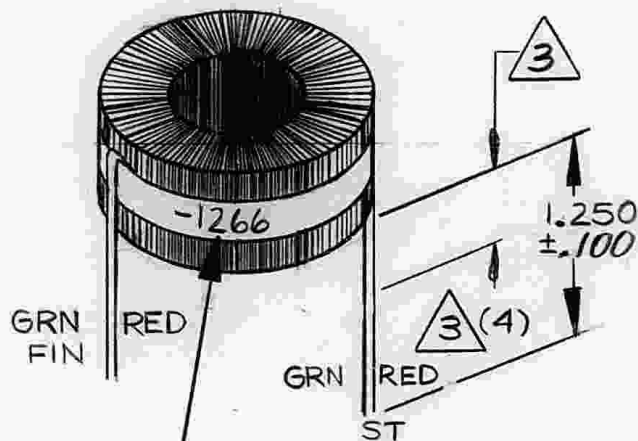
NOTES:

1. TOROID REFERENCE DIMENSIONS: 1.120 OD X .500 HIGH.
2. INDUCTANCE RANGE PER HP 4275 A METER OR APPROVED EQUIVALENT 145 TO 178  $\mu$ H ON EACH WINDING 40KHZ, 5MA, SERIES

3. TIN LEADS: WIRE INSULATION MUST EXTEND .500  $\pm$  .050 BEYOND MOUNTING PLANE.

4. IDC MAX: 2.65A

5. RDC = 122 m  $\Omega$  (EACH WINDING)



PART NUMBER

WIRE DATA			
TURN(S)/COLOR	AWG	PART NUMBER	
62 RED	22	176-0028-00	
62 GREEN	22	176-0028-15	

\*BIFILAR WOUND, 2 1/2 LAYERS REF

DATA

CORE NO 276-0719-00

TAPE 253-0071-00, .250 WIDE GLASS CLOTH

78-69B

PART NUMBER 120-1266-00

REV B

THIS DRAWING WHEN DISTRIBUTED OUTSIDE TEKTRONIX, INC. IS SUPPLIED FOR IDENTIFICATION, ENGINEERING EVALUATION AND/OR INSPECTION PURPOSES ONLY AND MAY NOT BE USED AS A BASIS FOR MANUFACTURE OR SALES OF PRODUCTS WITHOUT WRITTEN PERMISSION FROM TEKTRONIX, INC. IF THIS DRAWING IS FURNISHED UNDER ANY UNITED STATES GOVERNMENT CONTRACT, IT SHALL NOT BE EITHER RELEASED OUTSIDE THE GOVERNMENT, OR USED, DUPLICATED, OR DISCLOSED IN WHOLE OR IN PART FOR MANUFACTURE OR PROCUREMENT, WITHOUT THE WRITTEN PERMISSION OF TEKTRONIX, INC. EXCEPT FOR: (1) EMERGENCY REPAIR OR OVERHAUL WORK BY OR FOR THE GOVERNMENT, WHERE THE ITEM OR PROCESS CONCERNED IS NOT OTHERWISE REASONABLY AVAILABLE TO ENABLE TIMELY PERFORMANCE OF THE WORK; OR (2) RELEASE TO A FOREIGN GOVERNMENT AS THE INTERESTS OF THE UNITED STATES MAY REQUIRE; PROVIDED THAT IN EITHER CASE THE RELEASE, USE, DUPLICATION OR DISCLOSURE HEREOF SHALL BE SUBJECT TO THE FOREGOING LIMITATIONS. IF THIS DRAWING IS REPRODUCED IN WHOLE OR IN PART, THIS ENTIRE LEGEND BLOCK MUST APPEAR ON ALL REPRODUCED COPIES.

REV	BY	REF	DESCRIPTION OF CHANGE	CHK BY/DATE
(A)	DD	46482	UPDATED DWG	11MAY82
(B)			UPDATED DWG.	20MAR86

TEKTRONIX, INC. PROPRIETARY ITEM DRAWING

MFD BY TEKTRONIX

MFD FOR TEKTRONIX



TEKTRONIX, INC.

P. O. BOX 500  
BEAVERTON, OREGON U.S.A. 97077



DWN	JT WINFREY	12 JUNE 80	DIMENSIONS ARE IN INCHES / TOLERANCES: UNLESS OTHERWISE SPECIFIED	
ENGR	<i>W. Gordon</i>	11 SEP 80	DEC	ANLR
CHKR	<i>B. Stewart</i>	11 SEP 80	SCALE	FIRST USED ON
PROD	<i>P. Holman</i>	12 SEP 80	NONE	7612D

MATERIAL LISTED

FINISH NOTED

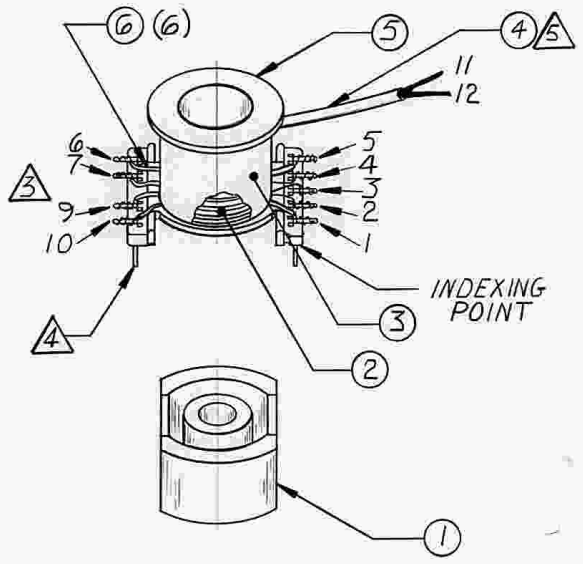
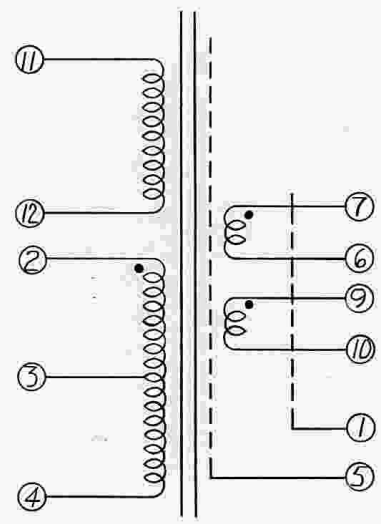
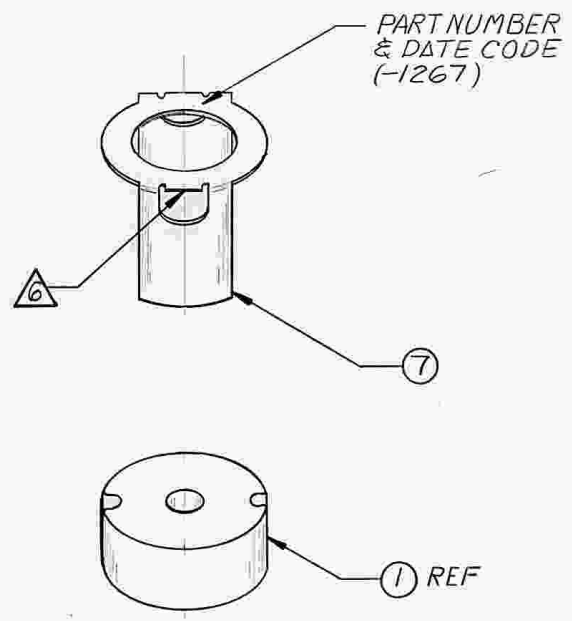
TITLE TRANSFORMER, RF (TOROIDAL)

CODE IDENT NO	SIZE	PART NUMBER	REV
80009	A	120-1266-00	B

78-65B

THIS DRAWING WHEN DISTRIBUTED OUTSIDE TEKTRONIX, INC., IS SUPPLIED FOR IDENTIFICATION, ENGINEERING EVALUATION AND/OR INSPECTION PURPOSES ONLY AND MAY NOT BE USED AS A BASIS FOR MANUFACTURE OR SALES OF PRODUCTS WITHOUT WRITTEN PERMISSION FROM TEKTRONIX, INC. IF THIS DRAWING IS FURNISHED UNDER ANY UNITED STATES GOVERNMENT CONTRACT, IT SHALL NOT BE EITHER RELEASED OUTSIDE THE GOVERNMENT, OR USED, DUPLICATED, OR DISCLOSED IN WHOLE OR IN PART FOR MANUFACTURE OR PROCUREMENT, WITHOUT THE WRITTEN PERMISSION OF TEKTRONIX, INC. EXCEPT FOR: (1) EMERGENCY REPAIR OR OVERHAUL WORK BY OR FOR THE GOVERNMENT, WHERE THE ITEM OR PROCESS CONCERNED IS NOT OTHERWISE REASONABLY AVAILABLE TO ENABLE TIMELY PERFORMANCE OF THE WORK; OR (2) RELEASE TO A FOREIGN GOVERNMENT AS THE INTERESTS OF THE UNITED STATES MAY REQUIRE, PROVIDED THAT IN EITHER CASE THE RELEASE, USE, DUPLICATION OR DISCLOSURE HEREOF SHALL BE SUBJECT TO THE FOLLOWING LIMITATIONS, IF THIS DRAWING IS REPRODUCED IN WHOLE OR IN PART, THIS ENTIRE LEGEND BLOCK MUST APPEAR ON ALL REPRODUCED COPIES.

REV	REF	DESCRIPTION OF CHANGE	CHK BY	DATE
(A)	49313	UPDATED DWG, NOTE 2 & NOTE 3 INDUCTANCE WAS 2.1 mH	DD	6 JUNE 83
(B)	55417	LEAD LENGTH ±.100 WAS ±.050	PM	14 FEB 86



WINDINGS	TURNS	AWG	TYP RATING		RESISTANCE ±20% AT 20°C
			VOLTS	AMPS	
1	SHIELD				
7-6	5	24	3	1.0	.027 Ω
9-10	5	24	3	1.0	.027 Ω
5	SHIELD				
11-12	20	24	12 VPK	.50	.113 Ω
2-3-4	0-5-10	24	6 VCT	1.0	.062 Ω

INDUCTANCE : 11-12 1.70 mH MIN MEASURED ON ESI 252 OR APPROVED EQUIV.  
POLARITY PER SCHEMATIC  
OPERATING FREQUENCY : 20 KHZ

△ REMOVE MOUNTING TABS AS SHOWN  
△ LEAD LENGTH FROM OUT SIDE OF CORE  
LEADS    LENGTH ±.100 \*  
11-12    1.500    TIN .500 ±.050  
\* INSULATION SLEEVING, ITEM 4, IS .875 OUTSIDE CORE

PART NUMBER	REV.
120-1267-00	B

△ SOLDERABILITY REQUIRED BELOW MOUNTING SURFACE  
△ REMOVE PIN 8 BEFORE WINDING  
2. TRANSFORMER VACUUM IMPREGNATED WITH VARNISH 252-0082-00 OR APPROVED EQUIVALENT  
1. REFERENCE DIMENSIONS : 91.0 HIGH X 1.230 WIDE X 1.300 LONG

NOTES:

TEKTRONIX, INC. PROPRIETARY ITEM DRAWING	
<input type="checkbox"/> MFD BY TEKTRONIX	<input type="checkbox"/> MFD FOR TEKTRONIX
<b>TEKTRONIX, INC.</b> P. O. BOX 500 BEAVERTON, OREGON U.S.A. 97077	
DWN <i>JTW</i>	9 JUNE 80
ENGR <i>EQA</i>	23 JULY 81
CHKR <i>B. B.</i>	30 SEP 81
PROD <i>M. C.</i>	09 SEP 81
MATERIAL	SCALE NONE
SEE LIST OF MATERIALS	
FINISH	NOTED
TITLE	TRANSFORMER, RF BASE DRIVE (POT CORE)
CODE IDENT NO	SIZE
80009	C 120-1267-00
REV	B

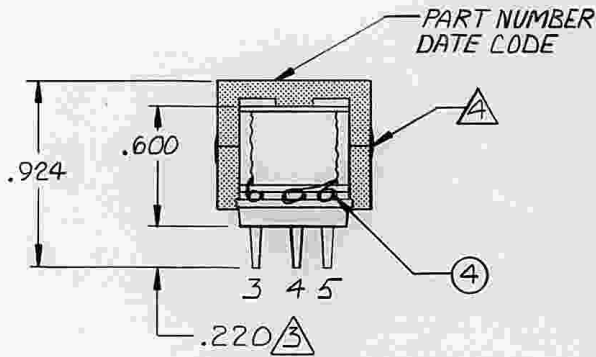
ITEM	PART NUMBER	QTY	DESCRIPTION
7	343-0386-00	1	CLAMP, POT CORE
6	162-0620-00	AR	INSULATION, SLEEVING ELEC (NAT)
5	276-0219-00	1	FORM, COIL
4	162-0648-00	AR	INSULATION, SLEEVING ELEC (GRAY)
3	253-0103-00	AR	TAPE, PRESS SENS (.438 WIDE)
2	176-0030-XX	AR	WIRE, ELEC (24 AWG)
1	276-0690-00	IPR	CORE, EM (3019 TT UNGAPPED)

THIS DRAWING WHEN DISTRIBUTED OUTSIDE TEKTRONIX, INC., IS SUPPLIED FOR IDENTIFICATION, ENGINEERING EVALUATION AND/OR INSPECTION PURPOSES ONLY AND MAY NOT BE USED AS A BASIS FOR MANUFACTURE OR SALES OF PRODUCTS WITHOUT WRITTEN PERMISSION FROM TEKTRONIX, INC. IF THIS DRAWING IS FURNISHED UNDER ANY UNITED STATES GOVERNMENT CONTRACT, IT SHALL NOT BE EITHER RELEASED OUTSIDE THE GOVERNMENT, OR USED, DUPLICATED, OR DISCLOSED IN WHOLE OR IN PART, FOR MANUFACTURE OR PROCUREMENT, WITHOUT THE WRITTEN PERMISSION OF TEKTRONIX, INC., EXCEPT FOR: (1) EMERGENCY REPAIR OR OVERHAUL WORK BY OR FOR THE GOVERNMENT, WHERE THE ITEM OR PROCESS CONCERNED IS NOT OTHERWISE REASONABLY AVAILABLE TO ENABLE TIMELY PERFORMANCE OF THE WORK; OR (2) RELEASE TO A FOREIGN GOVERNMENT AS THE INTERESTS OF THE UNITED STATES MAY REQUIRE, PROVIDED THAT IN EITHER CASE THE RELEASE, USE, DUPLICATION OR DISCLOSURE HEREOF SHALL BE SUBJECT TO THE FOREGOING LIMITATIONS. IF THIS DRAWING IS REPRODUCED IN WHOLE OR IN PART, THIS ENTIRE LEGEND BLOCK MUST APPEAR ON ALL REPRODUCED COPIES.

REV	REF	DESCRIPTION OF CHANGE	CHK BY	DATE
(A)	49313	UPDATED NOTE 6	DD	6JUL83
B	57039	SHIELD WAS 253-0033-00		29APR85

## COIL STRUCTURE

### OUTSIDE



PART NUMBER DATE CODE TYPE WINDING LEAD NO

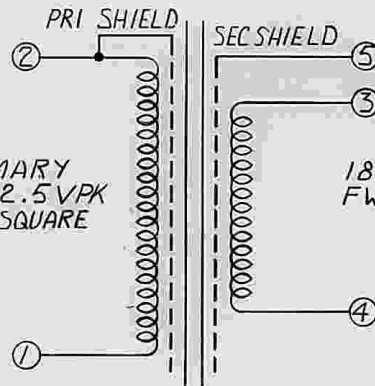
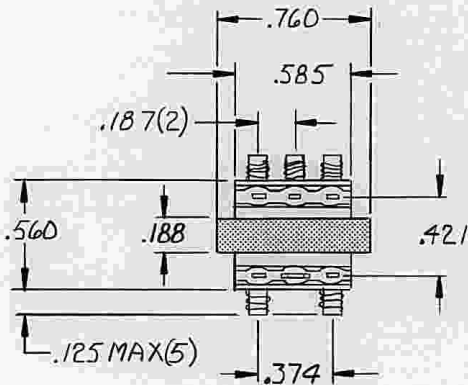
SEC	4-3
238T	*34

SEC SHIELD	5
------------	---

PRI SHIELD	2
------------	---

PRI	2-1
630T	*38

### INSIDE



⑥ INDUCTANCE (1-2) 277 mH MIN AT 1KHZ MEASURED ON ESI 252 METER OR APPROVED EQUIV

5. DIELECTRIC WITHSTANDING VOLTAGE: 1500 V AC, 50 TO 60 HZ, 1 MINUTE, 1 AND 2 TO 4 AND 5

PART NUMBER 120-1268-00 REV. B

④ CEMENT CORES TOGETHER ON OUTSIDE ONLY

③ SOLDERABILITY REQUIRED THIS AREA

2. TRANSFORMER VACUUM IMPREGNATED WITH VARNISH 252-0082-00

1. DIMENSIONS REFERENCE UDS

### NOTES:

TEKTRONIX, INC. PROPRIETARY ITEM DRAWING			
<input checked="" type="checkbox"/> MFD BY TEKTRONIX	<input type="checkbox"/> MFD FOR TEKTRONIX		
TEKTRONIX, INC.		P. O. BOX 500 BEAVERTON, OREGON U.S.A. 97077	
DWN JT WINFREY	26 FEB 80	DIMENSIONS ARE IN INCHES / MM TOLERANCES: UNLESS OTHERWISE SPECIFIED	
ENGR R. COGAN	8 DEC 80	DEC	ANLR
CHKR B. BLUNT	8 DEC 80	SCALE	FIRST USED ON
PROD M. CRATER	8 DEC 80	2:1	7612 D
MATERIAL			
SEE LIST OF MATERIALS			

FINISH NOTED

TITLE TRANSFORMER, POWER STPDIV HF (BASE DRIVE)

CODE IDENT NO 80009 C PART NUMBER 120-1268-00 REV B

WIRE DATA		TYPICAL RATINGS			
LEAD NO	AWG	PART NUMBER	VOLTS *	CURRENT AMPS DC	DCR ±20% Ω AT 20°C
1-2	38	176-0040-XX	92.5		38.4
2		253-0364-00	SHIELD		
5		253-0364-00	SHIELD		
3-4	34	176-0038-XX	34.9	0.02	8.1

\* PEAK NO LOAD

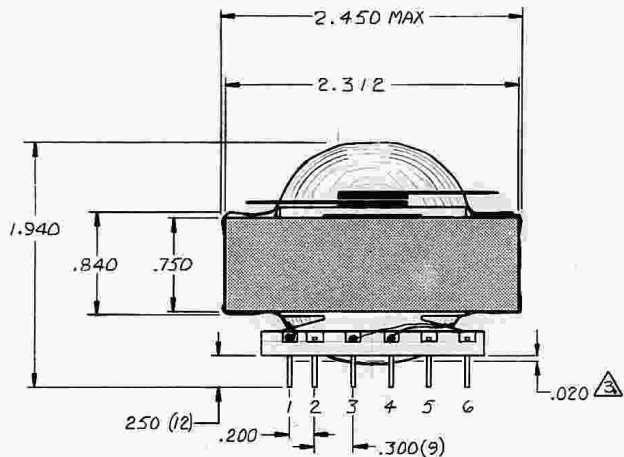
4	176-0008-00	AR	WIRE, MAGNET (BARE 28 AWG)
3	276-0257-00	1	FORM, COIL
2	276-0730-00	2	CORE, EM ("E" FERRITE)
1	253-0125-00	AR	TAPE, PRESS SENSE (.375 WIDE)

ITEM	PART NUMBER	QTY	DESCRIPTION

LIST OF MATERIALS

77-226J

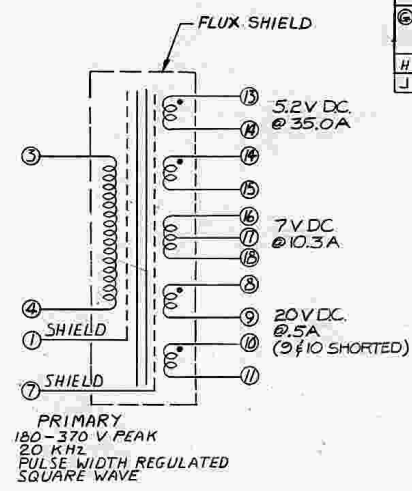
THIS DRAWING IS THE PROPERTY OF TETRIX, INC. IT IS TO BE USED FOR IDENTIFICATION PURPOSES ONLY AND NOT FOR REPRODUCTION OR DISTRIBUTION. ANY REPRODUCTION OR DISTRIBUTION OF THIS DRAWING WITHOUT THE WRITTEN PERMISSION OF TETRIX, INC. IS PROHIBITED. THIS DRAWING IS THE PROPERTY OF TETRIX, INC. IT IS TO BE USED FOR IDENTIFICATION PURPOSES ONLY AND NOT FOR REPRODUCTION OR DISTRIBUTION. ANY REPRODUCTION OR DISTRIBUTION OF THIS DRAWING WITHOUT THE WRITTEN PERMISSION OF TETRIX, INC. IS PROHIBITED.



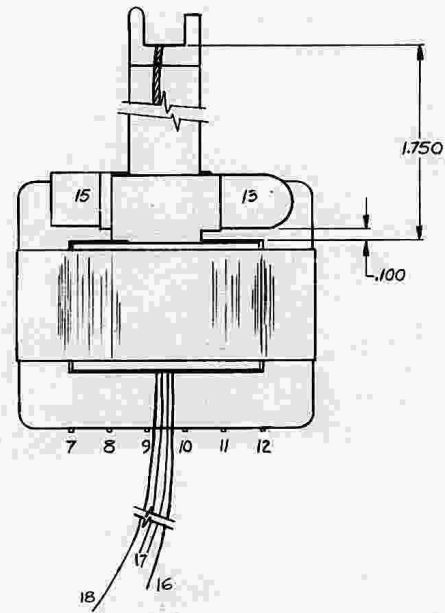
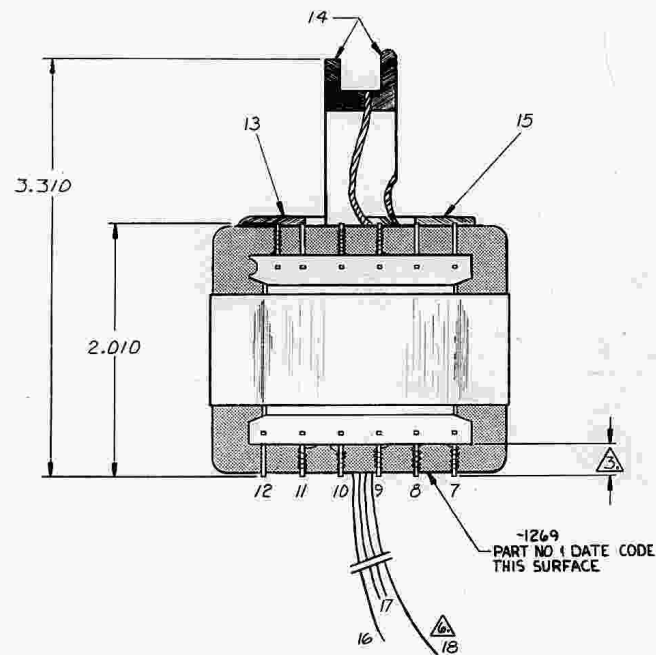
**COIL STRUCTURE**  
**OUTSIDE**

TYPE WINDING	TERM NO
PRI	3-4
45T	*19
SHIELD	1
SHIELD	7
SEC	16-17-18
3T	*16
SEC	8-10, 9-11
5T BIFILAR	*23
SEC	14-15-13
2T BIFILAR	(4) (5)

**INSIDE**



REV	DESCRIPTION OF CHANGE	DATE
A	REMOVED ITEM 6 RN: 120-1269-50	DD 21JAN82
B	ITEM 5 RN: 195-0491-D1 WAS 195-0491-00 & ITEM 4 RN: 195-0491-D1 WAS 195-0491-00	DD 15AUG82
C	CORRECTED DRAFTING ERROR	DD 30NOV82
D	13 WAS 15 ; 15 WAS 13	DD 26APR83
E	UPDATED DRAWINGS	DD 23JUN83
F	UPDATED DWG., NOTES 2, 3 & 5 ADDED ITEM 6 ON LIST OF MATLS	DD 26OCT83
G	UPDATED NOTE 7. ADDED ONE MORE SIDE VIEW & FLUX SHIELD AREA. REMOVED ITEM 6	DD 4JUL84
H	PICTORIALLY UNTWISTED WIRE	DD 10MAY85
J	INCORPORATED DDN	DD 22JUL89



8. VOLTAGE IS PULSE WIDTH REGULATED. SECONDARY VOLTAGES ARE AVERAGE RECTIFIED VALUES AT THE RATED LOADS WITH THE PRIMARY INPUT VOLTAGE AT 180 PEAK AND APPROXIMATELY 80% DUTY CYCLE.
7. CEMENT CORE TOGETHER.

120-1269-00 J

- LEAD LENGTHS MEASURED FROM EDGE OF COIL ±.250, STRIP AND TIN .500 ±.125 (16) 4.000, (17) 3.500, (18) 5.000.
5. MIN INDUCTANCE (3-4) IS 9.5 mH ON EST 252 BRIDGE OR APPROVED EQUIV.
4. DIELECTRIC WITHSTANDING VOLTAGE: 2000 VAC RMS 50 TO 60 HZ 1 MINUTE, SECONDARIES, PRIMARY AND SHIELDS.
- SOLDERABILITY REQUIRED TO WITHIN .030 OF BOBBIN.
2. TRANSFORMER VACUUM IMPREGNATED WITH VARNISH 252-0082-00 OR APPROVED EQUIVALENT.
1. DIMENSIONS REFERENCE UOS.

NOTES:

TETRIX, INC. PROPRIETARY ITEM DRAWING

SPD BY TETRIX INC. MPD FOR TETRIX INC.

TETRIX, INC. BEAVERTON, OREGON U.S.A. 97007

DATE: 11/19/89

SCALE: 2:1

7612D

NOTED

TITLE: TRANSFORMER, POWER HF (STPDN LOGIC)

80009 D 120-1269-00 J

TETRIX SAFETY CONTROLLED PART

THIS PART IS CONTROLLED TO INSURE UNIFORMITY OF SAFETY CHARACTERISTICS. IT IS TO BE USED FOR IDENTIFICATION PURPOSES ONLY AND NOT FOR REPRODUCTION OR DISTRIBUTION. ANY REPRODUCTION OR DISTRIBUTION OF THIS DRAWING WITHOUT THE WRITTEN PERMISSION OF TETRIX, INC. IS PROHIBITED.

77-225 G

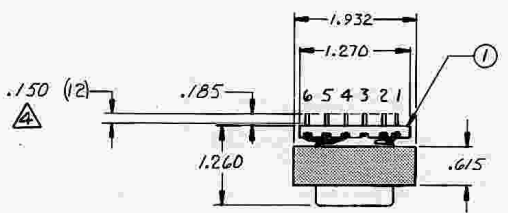
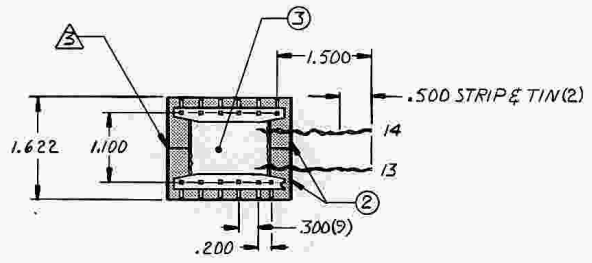
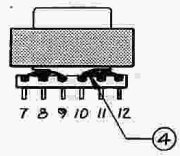
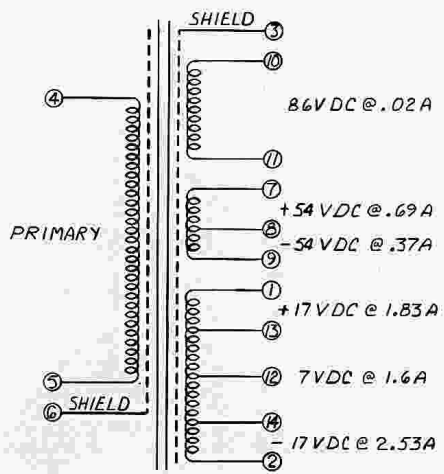
THIS DRAWING WHEN REFERRED TO BY OTHER DRAWINGS, IS SUPPLIED FOR INFORMATION, ENGINEERING EVALUATION AND/OR REVISION PURPOSES ONLY AND MAY NOT BE USED AS A BASIS FOR MANUFACTURE OF SALES OR PRODUCTS WITHOUT WRITTEN PERMISSION FROM TETRONIX, INC. OR THE MANUFACTURER OF THE PARTS AND MATERIALS SPECIFIED THEREIN. IT SHALL NOT BE USED WITHOUT THE CONSENT OF THE MANUFACTURER OF THE PARTS AND MATERIALS SPECIFIED THEREIN. THE USER SHALL BE RESPONSIBLE FOR THE PROPER USE OF THE PARTS AND MATERIALS SPECIFIED THEREIN. THE USER SHALL BE RESPONSIBLE FOR THE PROPER USE OF THE PARTS AND MATERIALS SPECIFIED THEREIN. THE USER SHALL BE RESPONSIBLE FOR THE PROPER USE OF THE PARTS AND MATERIALS SPECIFIED THEREIN.

COIL STRUCTURE

OUTSIDE

TYPE WINDINGS	LEAD NO
SEC 2-14-12-13-1	
Ø-4-9-14-18T	*20
SEC 9-8-7	
SEC 10-11	
42T	*35
27T BIFILAR	*26
SHIELD	3
SHIELD	6
PRI 4-5	
67T	*22

INSIDE



120-1270-00

- 6 INDUCTANCE: (4-5) 2.1mH MIN MEASURED ON ESI 251 METER OR EQUIVALENT
- 5. DIELECTRIC WITHSTANDING VOLTAGE: 2KVAC RMS, 60HZ, 1 MINUTE, PRIMARY 4.5 & 6 AND TO 3 SECONDARIES & CORE
- ⚠ SOLDERABILITY REQUIRED THIS AREA
- ⚠ CEMENT CORES TOGETHER WITH 006-2954-00 ALL 3 LEGS
- 2. TRANSFORMER VACUUM IMPREGNATED WITH VARNISH 252-0082-00
- 1. DIMENSIONS REFERENCE UDS

NOTES:

TETRONIX, INC. PROPRIETARY FREE DRAWING

APPROVED BY TETRONIX:  YES BY TETRONIX  NO BY TETRONIX

TETRONIX, INC. BEAVERTON, OREGON U.S.A. 97007

DESIGNED BY: JT WINFREY

DRAWN BY: JT WINFREY

CHECKED BY: JT WINFREY

DATE: 12/14/82

SCALE: 1:1

PAGE: 1 OF 1

MATERIAL: SEE LIST OF MATERIALS

FORM: NOTED

TITLE: TRANSFORMER, POWER HF (STEP-DOWN CONVERTER)

DATE: 12/14/82

REV: 80009 D 120-1270-00

LEAD NO	VOLTS PEAK	CURRENT AMPS RMS	DCR: 150Ω @ 20°C
4-5	180V	1.43	.32
7-8-9	145V/CT	.55	.74/CT
10-11	113V	.022	5.5
13-12-14	20.4V/CT	3.20	.05/CT
1-12-2	48.4V/CT	2.14	.12/CT

4	162-0620-00	AR	INSUL. SLEEVING
3	120-1270-50	1	XFMR. SUBASSY (COIL ONLY)
2	276-0732-00	2	CORE EM CE" FERRITE
1	276-0246-00	1	FORM, COIL

77-225H

THIS DRAWING, WITH EXCEPTED DIMENSIONS, IS SUPPLIED FOR IDENTIFICATION, REPRODUCTION, AND/OR ARCHIVAL PURPOSES ONLY AND MAY NOT BE USED AS A BASIS FOR MANUFACTURE OR SALE OF PRODUCTS WITHOUT WRITTEN PERMISSION FROM EXHIBITOR, INC. IF THIS DRAWING IS FORWARDED UNDER ANY UNITED STATES GOVERNMENT CONTRACT, IT SHALL NOT BE REPRODUCED OR TRANSMITTED IN ANY FORM OR BY ANY MEANS, ELECTRONIC OR MECHANICAL, INCLUDING PHOTOCOPYING, RECORDING, OR BY ANY INFORMATION STORAGE AND RETRIEVAL SYSTEM, WITHOUT PERMISSION IN WRITING FROM EXHIBITOR, INC. EXCEPT FOR THE LIMITED RIGHTS OR OTHER WORKS OF THE GOVERNMENT, WHICH THE FEDERAL ACQUISITION REGULATIONS AUTHORITY (FAR) MAY MAKE AVAILABLE TO MAKE FAIRLY REPRESENTATIVE OF THE MODEL, OR AS ISSUED BY A FEDERAL AGENCY AS THE RESULT OF THE UNITED STATES GOVERNMENT'S RIGHTS, PROVIDED THAT IN EITHER CASE THE ORIGINAL USE, REPRODUCTION OR DISSEMINATION BE LIMITED TO THE FEDERAL GOVERNMENT, IF THIS DRAWING IS REPRODUCED IN WHOLE OR IN PART, THE DRAWING LEGEND SHOULD HAVE BEEN KEPT ON ALL REPRODUCED COPIES.

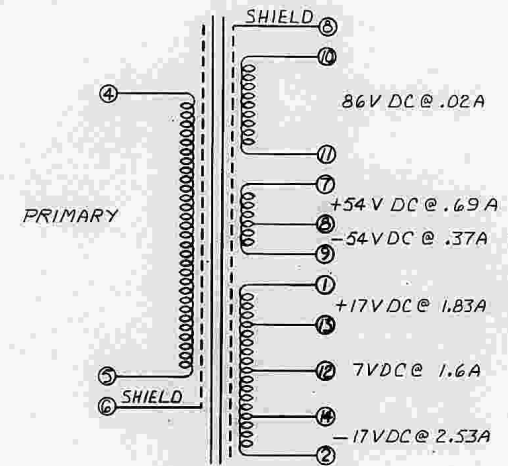
**COIL STRUCTURE**

OUTSIDE

TYPE WINDINGS LEAD NO

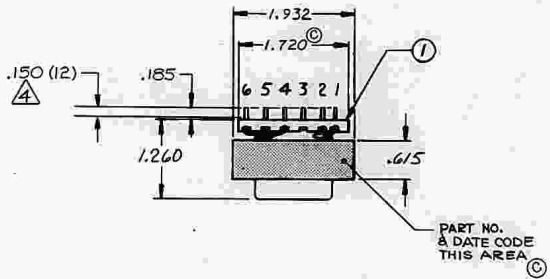
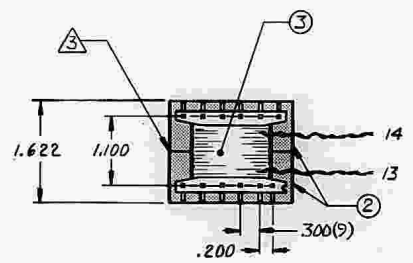
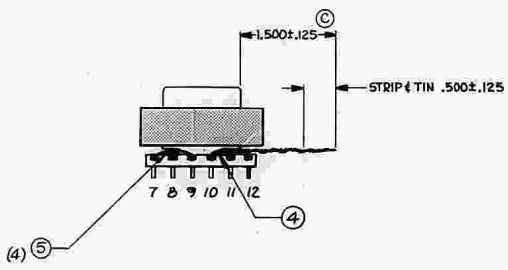
SEC	2-14-12-13-1	LEAD NO	*20
Ø-4-9-14-18T			
SEC	9-8-7	SEC	10-11
		42T	*35
27T BIFILAR			*26
SHIELD			8
SHIELD			6
PRI	4-5		
67T			*22

INSIDE



120-1270-01 C

- 6. INDUCTANCE: (4-5) 21mH MIN MEASURED ON ESI 232 METER OR APPROVED EQUIVALENT
  - 5. DIELECTRIC WITHSTANDING VOLTAGE: 1.5 KV AC RMS, 60HZ, 1 MINUTE PRIMARY 4, 5 & 6 TO SECONDARIES & CORE
  - △ SOLDERABILITY REQUIRED THIS AREA
  - △ CEMENT CORES TOGETHER
  - 2. TRANSFORMER VACUUM IMPREGNATED WITH VARNISH 252-0082-00 OR APPROVED EQUIVALENT
  - 1. DIMENSIONS REFERENCE UOS
- NOTES:



LEAD NO	VOLTS PEAK	CURRENT AMPS	DCR: 15% AT 20°C
4-5	180V	1.43	.32
7-8-9	14.5/CT	.55	.14/CT
10-11	11.3V	.022	5.5
13-12-14	20.4/CT	3.20	.05/CT
1-12-2	48.4/CT	2.14	.12/CT

TEKTRONIX SAFETY CONTROLLED PART  
THIS PART IS CONTROLLED TO INSURE MAINTENANCE OF PART CHARACTERISTICS AS SHOWN AND A DELIBERATE ATTEMPT TO CHANGE ANY OF THESE CHARACTERISTICS WILL BE CONSIDERED A VIOLATION OF THE TERMS OF THE CONTRACT. THE USER SHALL BE RESPONSIBLE FOR THE PROPER USE OF THIS PART IN EACH APPLICATION IN WHICH THIS IS A CONTROLLED PART.

5	162-0504-00	AR	INSUL, SLEEVING
4	162-0651-00	AR	INSUL, SLEEVING, S.R.
2	276-0732-00	2	CORE, EM CE" FERRITE
1	276-0246-00	1	FORM, COIL

TEKTRONIX, INC. PROPRIETARY ITEM DRAWING

TEKTRONIX, INC. BEAVERTON, OREGON U.S.A. 97007

DATE: 11/19/80

DESIGNER: J. WINFREY

DRAWN: J. WINFREY

CHECKED: J. WINFREY

APPROVED: J. WINFREY

SCALE: 1:1

MATERIAL: SEE LIST OF MATERIALS

FINISH: NOTED

TITLE: TRANSFORMER, POWER HF (STDN CONVERTER)

CONTROL NUMBER: 80009

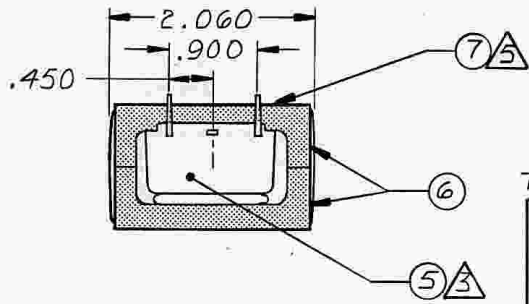
REV: D

DATE: 120-1270-01

REV: C

THIS DRAWING WHEN DISTRIBUTED OUTSIDE TEKTRONIX, INC., IS SUPPLIED FOR IDENTIFICATION, ENGINEERING EVALUATION AND/OR INSPECTION PURPOSES ONLY AND MAY NOT BE USED AS A BASIS FOR MANUFACTURE OR SALES OF PRODUCTS WITHOUT WRITTEN PERMISSION FROM TEKTRONIX, INC. IF THIS DRAWING IS FURNISHED UNDER ANY UNITED STATES GOVERNMENT CONTRACT, IT SHALL NOT BE EITHER RELEASED OUTSIDE THE GOVERNMENT, OR USED, DUPLICATED, OR DISCLOSED IN WHOLE OR IN PART FOR MANUFACTURE OR PROCUREMENT, WITHOUT THE WRITTEN PERMISSION OF TEKTRONIX, INC., EXCEPT FOR: (1) EMERGENCY REPAIR OR OVERHAUL WORK BY OR FOR THE GOVERNMENT, WHERE THE ITEM OR PROCESS CONCERNED IS NOT OTHERWISE REASONABLY AVAILABLE TO ENABLE TIMELY PERFORMANCE OF THE WORK, OR (2) RELEASE TO A FOREIGN GOVERNMENT AS THE INTERESTS OF THE UNITED STATES MAY REQUIRE; PROVIDED THAT IN EITHER CASE THE RELEASE, USE, DUPLICATION OR DISCLOSURE HEREOF SHALL BE SUBJECT TO THE FOREGOING LIMITATIONS, IF THIS DRAWING IS REPRODUCED IN WHOLE OR IN PART, THIS ENTIRE LEGEND BLOCK MUST APPEAR ON ALL REPRODUCED COPIES.

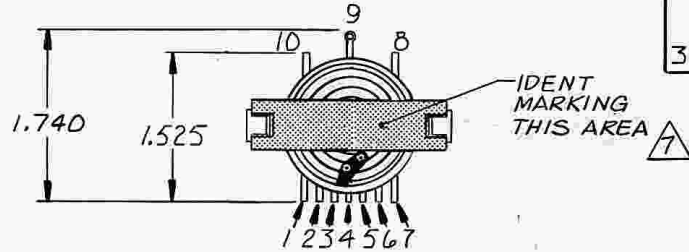
REV	REP	DESCRIPTION OF CHANGE	CHK BY	DATE
(A)	52601	REVISED DWG. & ADDED NOTE $\Delta$	DD	29MAR84



COIL STRUCTURE  
OUTSIDE

TYPE WINDING		LEAD/TERM NO	
SEC	11-12	SEC	1-2-9
		$\phi - 68-850.5T$	# 35
		PRI	3-6 4-5
		2T	#31
3T	#22	34T	2 #31

INSIDE



$\Delta$  LOCATION AND ORIENTATION ON THIS SURFACE NOT CRITICAL. MUST BE LEGIBLE

6. COIL SECURED TO BOTTOM CORE WITH ADHESIVE

$\Delta$  ITEM 7 APPLIED TO LEAD SIDE OF CORE ONLY FOR MOUNTING

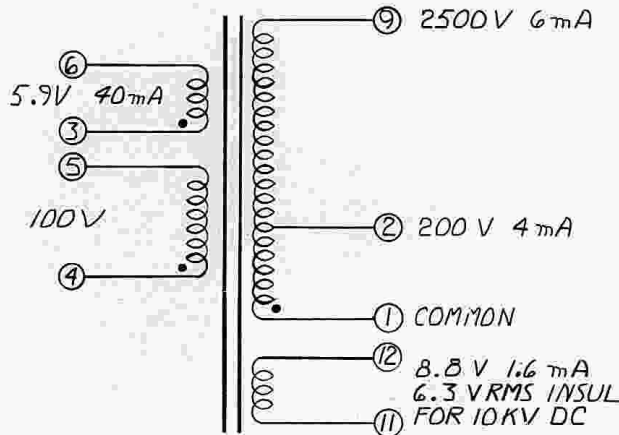
PART NUMBER	REV.
120-1271-00	A

4. VOLTAGE RATINGS ARE PEAK NO LOAD UOS, CURRENT RATINGS ARE AMPS DC TYPICAL

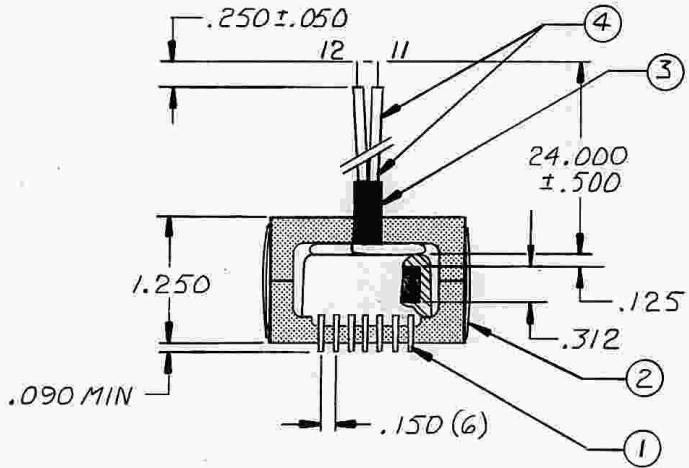
$\Delta$  COIL TRANSFER MOLDED WITH EPOXY

2. POLARITY PER SCHEMATIC

1. DIMENSIONS REFERENCE UNLESS OTHERWISE SPECIFIED



OPERATING FREQUENCY: 40KHZ



NOTES:

TEKTRONIX, INC. PROPRIETARY ITEM DRAWING  
 MFD BY TEKTRONIX     MFD FOR TEKTRONIX

TEKTRONIX, INC.    P. O. BOX 500    BEAVERTON, OREGON U.S.A. 97077

7	253-0174-00	AR	TAPE POLYESTER, DOUBLE SIDED (.500WIDE)
6	276-0696-00	2	CORE, EM("E" FERRITE)
5	255-0479-01	AR	PLASTIC MOLDING MATERIAL, (EPOXY)
4	175-1519-00	AR	WIRE, ELEC 22 AWG (CORONARES)
3	162-0563-00	AR	INSUL, SLEEVING ELECT (BLACK)
2	343-0682-01	2	CLAMP, TRANSFORMER CORE
1	195-0140-00	1/2	LEAD SET, ELECTRICAL

DWN	DATE	SCALE	FIRST USED ON
JT WINFREY	22 AUG 79	1:1	7612 D
ENGR. Clem	18 JUN 80		
CHKR B. Stewart	18 JUN 80		
PROD E. Brown	18 JUN 80		

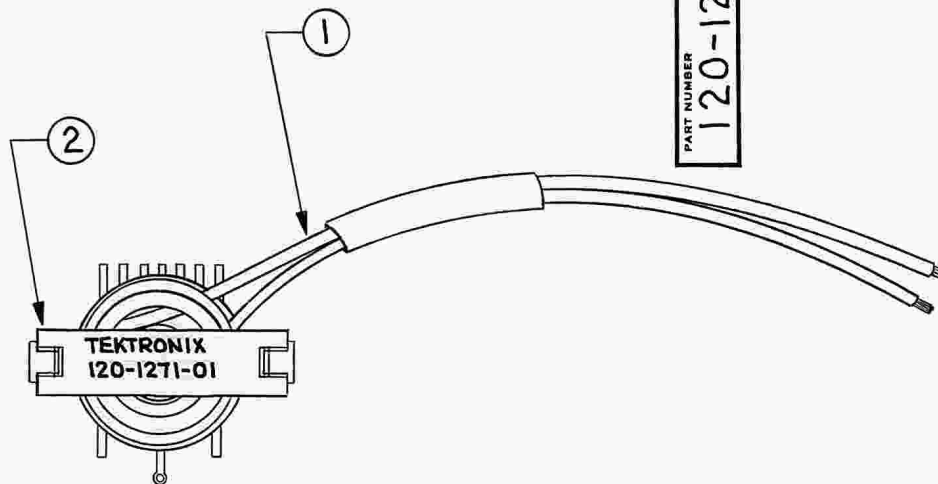
MATERIAL: SEE LIST OF MATERIALS

FINISH: \_\_\_\_\_

TITLE: TRANSFORMER, POWER STU (HIGH VOLTAGE)

ITEM	PART NUMBER	QTY	DESCRIPTION	CODE IDENT NO	SIZE	PART NUMBER	REV
				800099	C	120-1271-00	A





REV. PART NUMBER  
120-1271-01

THIS DRAWING WHEN DISTRIBUTED OUTSIDE TEKTRONIX, INC., IS SUPPLIED FOR IDENTIFICATION, ENGINEERING EVALUATION AND/OR INSPECTION PURPOSES ONLY AND MAY NOT BE USED AS A BASIS FOR MANUFACTURE OF SALES OF PRODUCTS WITHOUT WRITTEN PERMISSION FROM TEKTRONIX, INC. IF THIS DRAWING IS FURNISHED UNDER ANY UNITED STATES GOVERNMENT CONTRACT, IT SHALL NOT BE EITHER RELEASED OUTSIDE THE GOVERNMENT, OR USED, DUPLICATED, OR DISCLOSED IN WHOLE OR IN PART FOR MANUFACTURE OR PROCUREMENT, WITHOUT THE WRITTEN PERMISSION OF TEKTRONIX, INC., EXCEPT FOR: (1) EMERGENCY REPAIR OR OVERHAUL WORK BY OR FOR THE GOVERNMENT, WHERE THE ITEM OR PROCESS CONCERNED IS NOT OTHERWISE REASONABLY AVAILABLE TO ENABLE TIMELY PERFORMANCE OF THE WORK; OR (2) RELEASE TO A FOREIGN GOVERNMENT AS THE INTERESTS OF THE UNITED STATES MAY REQUIRE; PROVIDED THAT IN EITHER CASE THE RELEASE, USE, DUPLICATION OR DISCLOSURE HEREOF SHALL BE SUBJECT TO THE FOREGOING LIMITATIONS, IF THIS DRAWING IS REPRODUCED IN WHOLE OR IN PART, THIS ENTIRE LEGEND BLOCK MUST APPEAR ON ALL REPRODUCED COPIES.

REV	REF	DESCRIPTION OF CHANGE	CHK BY	DATE
-----	-----	-----------------------	--------	------

TEKTRONIX, INC. PROPRIETARY ITEM DRAWING

MFD BY TEKTRONIX  MFD FOR TEKTRONIX

**TEKTRONIX, INC.** P. O. BOX 500  
BEAVERTON, OREGON U.S.A. 97077

DWN	BEV BRISTOL	3DEC80	DIMENSIONS ARE IN INCHES / <del>MILLIMETERS</del>	
ENGR	<i>David Lohr</i>	5 DEC 80	TOLERANCES UNLESS OTHERWISE SPECIFIED	
CHKR	<i>Don Norborn</i>	5 DEC 80	SCALE	FIRST USED ON
PROD			NONE	

MATERIAL  
SEE LIST OF MATERIALS

FINISH

TITLE  
TRANSFORMER, POWER, STU

2	120-1271-00	1	TRANSFORMER, PWR, STU
1	175-0529-00	AR	WIRE, ELEC (1.667 FT)

ITEM	PART NUMBER	QTY	DESCRIPTION
------	-------------	-----	-------------

CODE IDENT NO	SIZE	PART NUMBER	REV
80009	B	120-1271-01	

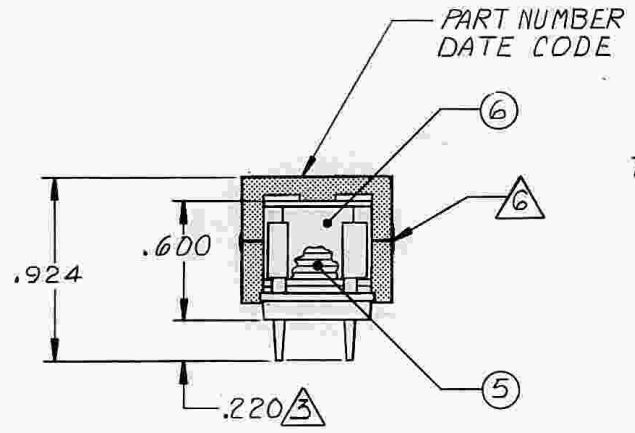
LIST OF MATERIALS

DO NOT SCALE DRAWING

78-99C

THIS DRAWING WHEN DISTRIBUTED OUTSIDE TEKTRONIX, INC. IS SUPPLIED FOR IDENTIFICATION, ENGINEERING EVALUATION AND/OR INSPECTION PURPOSES ONLY AND MAY NOT BE USED AS A BASIS FOR MANUFACTURE OR SALES OF PRODUCTS WITHOUT WRITTEN PERMISSION FROM TEKTRONIX, INC. IF THIS DRAWING IS FURNISHED UNDER ANY UNITED STATES GOVERNMENT CONTRACT, IT SHALL NOT BE EITHER RELEASED OUTSIDE THE GOVERNMENT, OR USED, DUPLICATED, OR DISCLOSED IN WHOLE OR IN PART FOR MANUFACTURE OR PROCUREMENT, WITHOUT THE WRITTEN PERMISSION OF TEKTRONIX, INC. EXCEPT FOR: (1) EMERGENCY REPAIR OR OVERHAUL WORK BY OR FOR THE GOVERNMENT, WHERE THE ITEM OR PROCESS CONCERNED IS NOT OTHERWISE REASONABLY AVAILABLE TO ENABLE TIMELY PERFORMANCE OF THE WORK; OR (2) RELEASE TO A FOREIGN GOVERNMENT AS THE INTERESTS OF THE UNITED STATES MAY REQUIRE, PROVIDED THAT IN EITHER CASE THE RELEASE, USE, DUPLICATION OR DISCLOSURE HEREOF SHALL BE SUBJECT TO THE FOREGOING LIMITATIONS, IF THIS DRAWING IS REPRODUCED IN WHOLE OR IN PART, THIS ENTIRE LEGEND BLOCK MUST APPEAR ON ALL REPRODUCED COPIES.

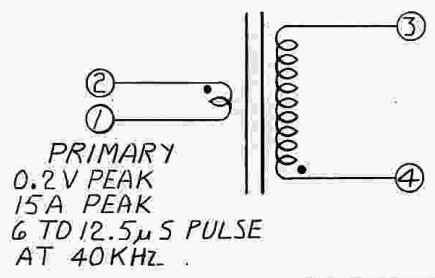
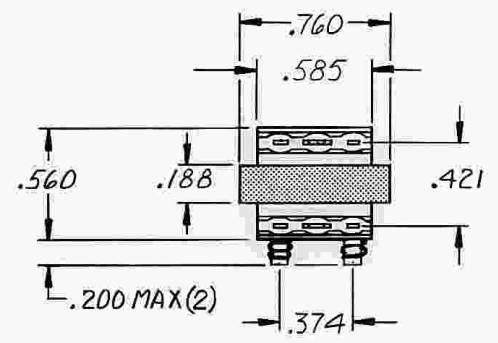
REV	REP	DESCRIPTION OF CHANGE	CHK BY	DATE
-----	-----	-----------------------	--------	------



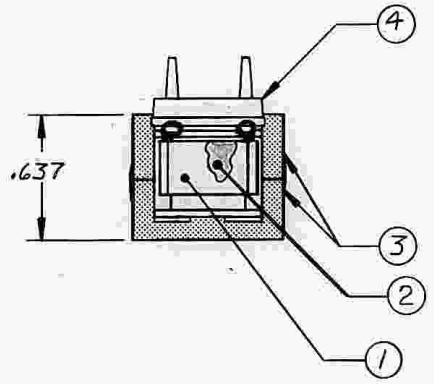
COIL STRUCTURE  
OUTSIDE

TYPE WINDING	LEAD NO
PRI	1-2
IT	△ 6
SEC	3-4
IDT	* 21

INSIDE



TYPICAL RATINGS			
LEAD NO	VOLTS PEAK	CURRENT AMPS PK	DCR ± 20% mΩ AT 20°
1-2	0.2	15.0	1.74
3-4	2.0	1.5	14.0



8. INDUCTANCE (3-4): 70 μH MIN AT 1 KHZ MEASURED ON ESI 251 METER OR EQUIVALENT

7. DIELECTRIC WITHSTANDING VOLTAGE: NOT REQUIRED (PIN 2 CONNECTS TO PIN 3 IN CIRCUIT)

△ CEMENT CORES TOGETHER ON OUTSIDE ONLY

PART NUMBER  
120-1272-00

△ CUT COPPER STRIP ITEM 2 TO 2.000 X .275 ± .025

4. POLARITY PER SCHEMATIC  
△ SOLDERABILITY REQUIRED THIS AREA

2. TRANSFORMER VACUUM IMPREGNATED WITH VARNISH 252-0082-00

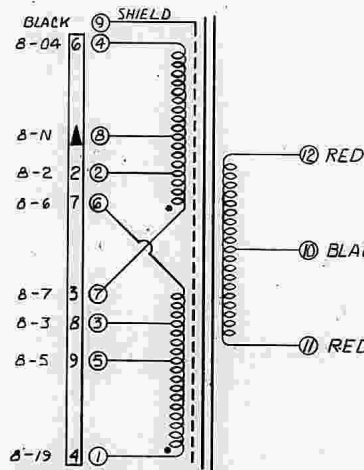
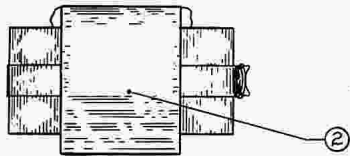
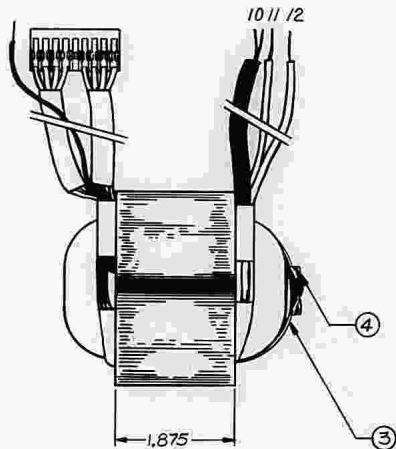
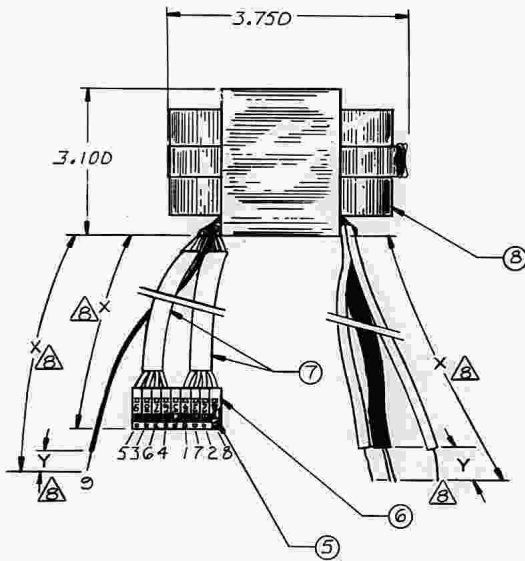
1. DIMENSIONS REFERENCE UOS

NOTES:

TEKTRONIX, INC. PROPRIETARY ITEM DRAWING	
<input type="checkbox"/> MFD BY TEKTRONIX	<input type="checkbox"/> MFD FOR TEKTRONIX
<b>TEKTRONIX, INC.</b> P. O. BOX 500 BEAVERTON, OREGON U.S.A. 97077	
DWN <i>JT WINFREY</i> 8 FEB 80	DIMENSIONS ARE IN INCHES / MM TOLERANCES: UNLESS OTHERWISE SPECIFIED
ENGR <i>R. Cogan</i> 11 JUN 80	SCALE ANLR
CHKR <i>B. Almont</i> 16 JUN 80	SCALE FIRST USED ON
PROD <i>m. Cratty</i> 6-11-80	2:1 7612D
MATERIAL SEE LIST OF MATERIALS	
FINISH NOTED	
TITLE TRANSFORMER, POWER STU HF (BASE BOOST PWR)	

ITEM	PART NUMBER	QTY	DESCRIPTION
6	253-0125-00	AR	TAPE, PRESS SENS.
5	176-0027-XX	AR	WIRE, MAGNET (21 AWG)
4	276-0138-00	1	FORM, COIL
3	276-0730-00	2	CORE, EM ("E" FERRITE)
2	251-0353-00	AR	COPPER, STRIP (.010 THICK)
1	253-0175-00	AR	TAPE, PRESS SENS (.812 WIDE)

CODE IDENT NO	SIZE	PART NUMBER	REV
80009	C	120-1272-00	

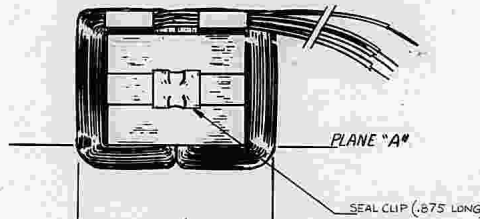


PRIMARY  
100, 110, 120,  
200, 220 &  
240 V ± 10%  
50 - 400 Hz

COIL STRUCTURE  
INSIDE

LEAD NO	TURNS	AWG	DCR(Ω) 20°C TYP
1-5-3-6	0-333-367-400	26	7.9
7-2-8-4	0-33-67-400	26	7.9
9	SHIELD	—	—
11-10-12	120/CT	18	.43/CT

LINE TO 1-4	CONNECT
100V	1 TO 8, 4 TO 5
110V	1 TO 2, 4 TO 3
120V	1 TO 7, 4 TO 6
200V	5 TO 8
220V	2 TO 3
240V	6 TO 7



△ DIMENSION 'W' TO BE 2.950 MAX AT PLANE 'A'

REV	REV	DESCRIPTION OF CHANGE	CHK BY	DATE
(A)	44264	REVISED SEE HISTORY FILE FOR DETAILS	DD	30SEP81
(B)	45018	REMOVED ITEM 1 PN. 120-1273-50	DD	3FEB82
(C)	53439	REVISED DWG., UPDATED NOTE △ ITEM 2 WAS 000-5401-00	DD	2FEB84
(D)	63316	CHANGED SEAL CLIP LENGTH (DD 04391)	—	23MAR87
(E)	D5091	REMOVED MATERIAL BLOCK, CHANGE D TITLE BLOCK FROM MFG BY TO MFG FOR	—	14JAN88

LEADS CHART:  
\* LEAD WIRE \* \* INSULATION SLEEVING

LEAD NO	COLOR	PART NUMBER	LEAD LENGTH X ± .250	STRIP & TIN Y ± .125
* 1	B-19	175-0879-00	3.250	
* 2	B-2	175-0880-00		
* 3	B-3	175-0881-00		
* 4	B-04	175-0882-00		
* 5	B-5	175-0883-00		
* 6	B-6	175-0884-00		
* 7	B-7	175-0885-00		
* 8	B-N	175-0886-00		
* 9	BLK	175-0920-00	5.000	.500
* * 10	BLK	162-0563-00	7.500	.500
* * 11-12	RED	162-0689-00	7.500	.500

♦ STRIPAS REQUIRED TO FIT CONNECTORS

SAFETY CONTROLLED PART  
This part is manufactured under contract to the U.S. Government. It is the property of the U.S. Government and its use is restricted to the specific application for which it was developed. It is not to be distributed, sold, or otherwise disposed of without the express written permission of the U.S. Government.

PART NUMBER	REV.
120-1273-00	E

- TRANSFORMER MUST COMPLY WITH UL 544 AND CSA 536B
- DIELECTRIC WITHSTANDING VOLTAGE: 2 KV RMS 50 TO 60 Hz 1 MINUTE, PRIMARIES TO SECONDARY, SHIELD AND CORE
- WINDINGS INSULATED FOR 600V DC
- TRANSFORMER VACUUM IMPREGNATED WITH VARNISH 252-0082-00 OR APPROVED EQUIVALENT
- VOLTAGE RATINGS ARE RMS NO LOAD CURRENT RATINGS ARE AMPS DC
- POLARITY PER SCHEMATIC
- DIMENSIONS REFERENCE UDS

NOTES:

		P. O. BOX 900 BEAVERTON, OREGON U.S.A. 97077	
TEKTRONIX, INC. PROPRIETARY ITEM DRAWING			
<input type="checkbox"/> MFD BY TEKTRONIX		<input checked="" type="checkbox"/> MFD FOR TEKTRONIX	
RELEASED FOR PRODUCTION TOOLING	SIGNATURE	DATE	
DRN: JTWINE:REY ENGR: [Signature] CHKR: [Signature] PRD: [Signature]	25SEP87 17JUN88 11 JAN 88 12 FEB 88	DIMENSIONS ARE IN INCHES UNLESS OTHERWISE SPECIFIED UNLESS OTHERWISE SPECIFIED SCALE: 2:1 FIRST USED ON: 600B	
FINISH: △			
TITLE: TRANSFORMER, POWER (SDN)			
CODE (REV. NO.)	SIZE	PART NUMBER	REV.
80009	D	120-1273-00	E

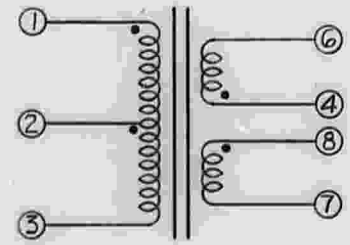
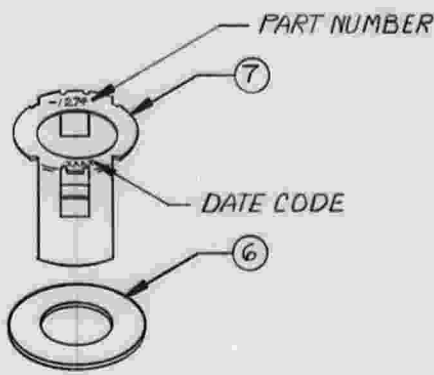
ITEM	PART NUMBER	QTY	DESCRIPTION	REV.

DO NOT SCALE DRAWING 900-9300-000

78-213D

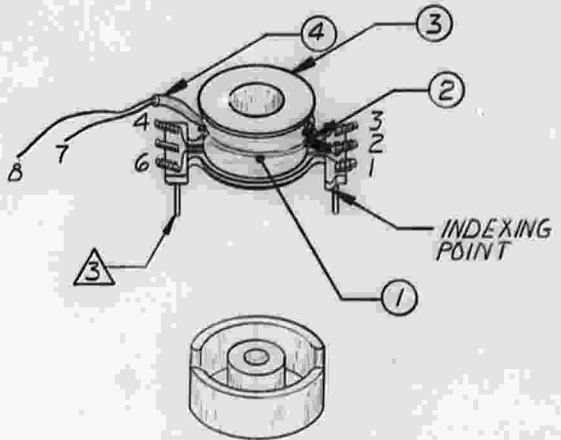
THIS DRAWING WHEN DISTRIBUTED OUTSIDE TEKTRONIX, INC. IS SUPPLIED FOR IDENTIFICATION, ENGINEERING EVALUATION AND/OR INSPECTION PURPOSES ONLY AND MAY NOT BE USED AS A BASIS FOR MANUFACTURE OR SALES OF PRODUCTS WITHOUT WRITTEN PERMISSION FROM TEKTRONIX, INC. IF THIS DRAWING IS FURNISHED UNDER ANY UNITED STATES GOVERNMENT CONTRACT, IT SHALL NOT BE EITHER RELEASED OUTSIDE THE GOVERNMENT, OR USED, DUPLICATED, OR DISCLOSED IN WHOLE OR IN PART FOR MANUFACTURE OR PROCUREMENT, WITHOUT THE WRITTEN PERMISSION OF TEKTRONIX, INC. EXCEPT FOR: (1) EMERGENCY REPAIR OR OVERHAUL WORK BY OR FOR THE GOVERNMENT, WHERE THE ITEM OR PROCESS CONCERNED IS NOT OTHERWISE REASONABLY AVAILABLE TO ENABLE TIMELY PERFORMANCE OF THE WORK; OR (2) RELEASE TO A FOREIGN GOVERNMENT AS THE INTERESTS OF THE UNITED STATES MAY REQUIRE, PROVIDED THAT IN EITHER CASE THE RELEASE, USE, DUPLICATION OR DISCLOSURE HEREOF SHALL BE SUBJECT TO THE FOIA/EO13526 LIMITATIONS. IF THIS DRAWING IS REPRODUCED IN WHOLE OR IN PART, THIS ENTIRE LEGAL BLOCK MUST APPEAR ON ALL REPRODUCED COPIES.

REV	REP	DESCRIPTION OF CHANGE	CHK BY	DATE
-----	-----	-----------------------	--------	------



WINDINGS	TURNS	WIRE AWG	PART NUMBER	TYPRATINGS		RESISTANCE ±20% AT 20° C
				VOLTS	AMPS	
1-2	30	29	176-0058-XX	18	.2 PK	.26 Ω
2-3	30	29	176-0058-XX	18	.2 PK	.26 Ω
4-6	5	22	176-0028-XX	3	1 PK	.02 Ω
8-7	5	22	176-0028-XX	3	1 PK	.02 Ω

INDUCTANCE: LEADS 1-3 9.8 mH MIN MEASURED ON ESI 252 OR EQUIV  
 POLARITY PER SCHEMATIC  
 OPERATING FREQUENCY: 25KHz



LEAD NO	LENGTH ±.050	STRIP TIN ±.050
7	2.500	.250
8	3.000	.250

\* INSULATION SLEEVING .500 OUTSIDE CORE

PART NUMBER: 120-1274-00

- 3. TERMINALS TO BE VARNISH FREE
- 2. TRANSFORMER VACUUM IMPREGNATED WITH VARNISH 252-0082-00
- 1. REFERENCE DIMENSIONS: .605 HIGH X .720 WIDE X 1.125 LONG

NOTES:

TEKTRONIX, INC. PROPRIETARY ITEM DRAWING			
<input checked="" type="checkbox"/> MFD BY TEKTRONIX		<input type="checkbox"/> MFD FOR TEKTRONIX	
TEKTRONIX, INC. BEAVERTON, OREGON U.S.A. 97077		P. O. BOX 500 BEAVERTON, OREGON U.S.A. 97077	
OWN: J. WINFREY	21 NOV 79	DIMENSIONS ARE IN INCHES / TOLERANCES UNLESS OTHERWISE SPECIFIED	
ENGR: J. G. J. GILL	10 JUL 78	SCALE: NONE	
CHKR: B. THURNTON	14 JUL 79	FIRST USED ON: 606B	
PROD: M. CHATFIELD	7-2-81		
MATERIAL: SEE LIST OF MATERIAL			
FINISH: NOTED			
TITLE: TRANSFORMER, RF (BASE DRIVE, POT CORE)			
CODE IDENT NO: 80009	SIZE: C	PART NUMBER: 120-1274-00	REV: 9

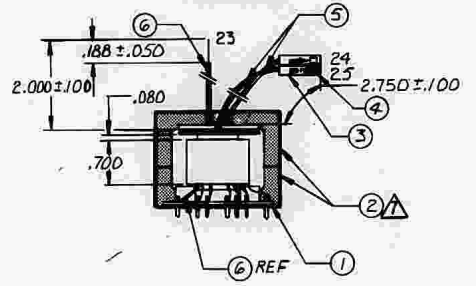
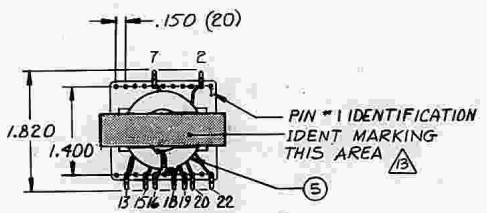
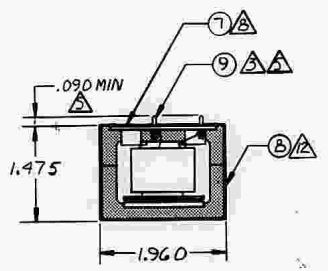
ITEM	PART NUMBER	QTY	DESCRIPTION
7	343-0312-00	1	CLAMP POT CORE
6	361-0409-00	1	SPACER DISK
5	276-0617-00	1	CORE EM (1811 PLOD C)
4	162-0623-00	AR	INSUL, SLEEVING ELEC (ORANGE)
3	276-0171-00	1	FORM, COIL
2	162-0511-00	AR	INSUL, SLEEVING ELEC (RED)
1	253-0086-00	AR	TAPE, PRESS SENS (.250 WIDE)

DRAWING 44131 32992-2

78-135 P

THE DRAWING WHEN APPROVED OUTSIDE TEKTRONIX, INC. IS VALID FOR MANUFACTURE, REPAIRING, RECONSTRUCTION AND/OR REPRODUCTION OF THIS PART AND MAY BE USED AS A BASIS FOR MANUFACTURE OF THIS PRODUCT WITHOUT WRITTEN PERMISSION FROM TEKTRONIX, INC. IF THIS DRAWING IS REPRODUCED WITHOUT WRITTEN PERMISSION FROM TEKTRONIX, INC. IT SHALL NOT BE USED FOR ANY OTHER PURPOSES. THIS DRAWING IS THE PROPERTY OF TEKTRONIX, INC. AND IS NOT TO BE REPRODUCED OR TRANSMITTED IN ANY FORM OR BY ANY MEANS, ELECTRONIC OR MECHANICAL, INCLUDING PHOTOCOPYING, RECORDING, OR BY ANY INFORMATION STORAGE AND RETRIEVAL SYSTEM, WITHOUT THE WRITTEN PERMISSION OF TEKTRONIX, INC. EXCEPT FOR THE LIMITED PURPOSES OF REPAIR, MAINTENANCE, OR REPRODUCTION OF THIS PRODUCT. ANY REPRODUCTION OF THIS DRAWING FOR ANY OTHER PURPOSE IS STRICTLY PROHIBITED. THE USER SHALL BE RESPONSIBLE FOR OBTAINING NECESSARY PERMISSIONS FROM TEKTRONIX, INC. FOR ANY OTHER USE. THE USER SHALL BE RESPONSIBLE FOR OBTAINING NECESSARY PERMISSIONS FROM TEKTRONIX, INC. FOR ANY OTHER USE. THE USER SHALL BE RESPONSIBLE FOR OBTAINING NECESSARY PERMISSIONS FROM TEKTRONIX, INC. FOR ANY OTHER USE.

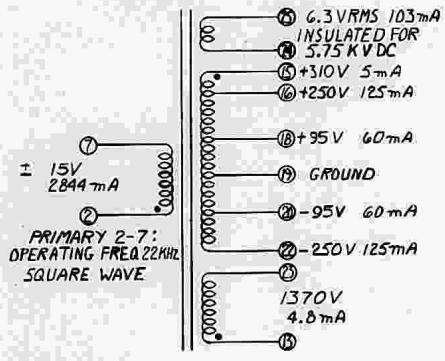
REV	REF	DESCRIPTION OF CHANGE	CHE BY	DATE
D	51523	REVISED & REDRAWN SEE HISTORY FILE FOR PREV REVS	DD	7 JUL 83
E	52601	ADDED NOTE 13 & UPDATED DWG.	DD	18 AUG 84
F	57038	78-135P WAS 78-135N	LG	19 APR 85
G	57038	SEC 8-24-85-124-143-224T WAS 8-24-86-24-142-224T	BP	5 DEC 85
H	D5091	REMOVED MATERIAL BLOCK, CHANGED TITLE BLOCK FROM MFG BY TO MFG FOR		14 JAN 88



**COIL STRUCTURE OUTSIDE**

TYPE WINDING	TERM NO
SEC 24-23	PR1 2-7
	6T 3 * 2.7
SEC	15-16-18-19-20-22
	Ø-24-85-124-143-224T ⑥ * 32
SEC	13-23
3T * 24	548T (5 LAYER BANK WOUND) * 40

**INSIDE**



- ① LOCATION AND ORIENTATION ON THIS SURFACE NOT CRITICAL, MUST BE LEGIBLE.
- ② WRAP 2 LAYERS OF TAPE 253-0072-00 AROUND CORES.
- 11. DELETED
- 10. TRANSFORMER MUST COMPLY WITH UL-544 CSA-556B IEC-601-1
- 9. MIN INDUCTANCE: (2-7) IS .11mH ON EST 251 OR EQUIV
- ③ ITEM 7 APPLIED TO TERMINAL SIDE OF CORE FOR MOUNTING

REV. NUMBER 120-1275-00 H

- ④ CORES SECURED TOGETHER WITH ADHESIVE
  - 6. VOLTAGE RATINGS ARE PEAK NO LOAD UOS CURRENT RATINGS ARE AMPS DC TYP UOS
  - ⑤ SOLDERABILITY REQUIRED IN THIS AREA
  - 4. TRANSFORMER VACUUM IMPREGNATED IN SILICONE 252-0213-00
  - ③ BEND TERMINALS 2 THRU 22
  - 2. POLARITY PER SCHEMATIC 30° ± 10°
  - 1. DIMENSIONS REFERENCE UOS
- NOTES:

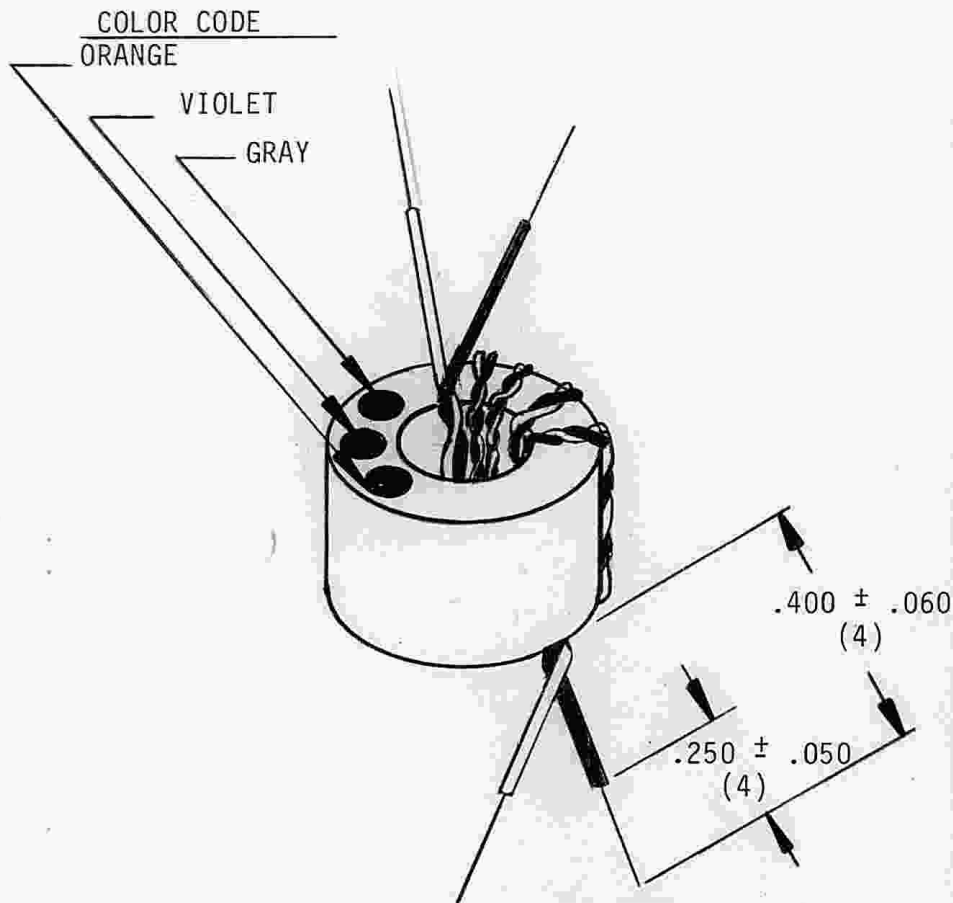
**TEKTRONIX SAFETY CONTROLLED PART**  
 THIS PART IS CONTROLLED TO INSURE MAINTENANCE OF SAFETY CHARACTERISTICS DESIGNED INTO A TEX PRODUCT. TO CONTINUE MAINTENANCE, ANY CHANGES IN MATERIALS, SPECIFICATIONS, VENDORS, OR VENDOR PART NUMBERS MUST BE EVALUATED AND APPROVED IN EACH APPLICATION IN WHICH THIS IS A CONTROLLED PART.

REV	PART NUMBER	QTY	DATE	DESCRIPTION

<b>Tektronix INC.</b> BEAVERTON, OREGON U.S.A. 97077	
TEKTRONIX, INC. PROPRIETARY ITEM DRAWING	
<input type="checkbox"/> MFD BY TEKTRONIX RELEASED FOR PRODUCTION TOOLING	<input checked="" type="checkbox"/> MFD FOR TEKTRONIX MOUNTING DATE
DWG: BEY BRISTOL INDR: C.H. CHK: D. Day PRD: B. Lammert	DATE: 7 JUL 83 5 Aug 83 5 Aug 83 8-5-83
DIMENSIONS ARE IN INCHES UNLESS OTHERWISE SPECIFIED	SCALE: 1:1 FIRST USED ON: 606B
MATERIAL:	
FINISH: NOTED	
TITLE: TRANSFORMER, POWER (STU, STPDN, HIGH VOLTAGE)	
CUST. ORDER NO: 80009	REV: D 120-1275-00 H

NOTES:

1. TOROID REFERENCE DIMENSIONS: .225 O.D.X .185 HIGH
2. WOUND ON APPROXIMATELY 1/3 OF CORE AREA
3. COATED WITH 006-3397-00 OR APPROVED EQUIVALENT



WIRE DATA		
TURNS/COLOR	AWG	PART NUMBER
* 5 RED/WHT	32	175-2181-00

\* TEFLON TWISTED PAIR

DATA CODE TD - 378  
CORE 276-0541-00

79-28

PART NUMBER **120-1276-00**

REV  
B

THIS DRAWING WHEN DISTRIBUTED OUTSIDE TEKTRONIX, INC., IS SUPPLIED FOR IDENTIFICATION, ENGINEERING EVALUATION AND/OR INSPECTION PURPOSES ONLY AND MAY NOT BE USED AS A BASIS FOR MANUFACTURE OR SALES OF PRODUCTS WITHOUT WRITTEN PERMISSION FROM TEKTRONIX, INC. IF THIS DRAWING IS FURNISHED UNDER ANY UNITED STATES GOVERNMENT CONTRACT, IT SHALL NOT BE EITHER RELEASED OUTSIDE THE GOVERNMENT, OR USED, DUPLICATED, OR DISCLOSED IN WHOLE OR IN PART FOR MANUFACTURE OR PROCUREMENT, WITHOUT THE WRITTEN PERMISSION OF TEKTRONIX, INC., EXCEPT FOR: (1) EMERGENCY REPAIR OR OVERHAUL WORK BY OR FOR THE GOVERNMENT, WHERE THE ITEM OR PROCESS CONCERNED IS NOT OTHERWISE REASONABLY AVAILABLE TO ENABLE TIMELY PERFORMANCE OF THE WORK; OR (2) RELEASE TO A FOREIGN GOVERNMENT AS THE INTERESTS OF THE UNITED STATES MAY REQUIRE; PROVIDED THAT IN EITHER CASE THE RELEASE, USE, DUPLICATION OR DISCLOSURE HEREOF SHALL BE SUBJECT TO THE FOREGOING LIMITATIONS. IF THIS DRAWING IS REPRODUCED IN WHOLE OR IN PART, THIS ENTIRE LEGEND BLOCK MUST APPEAR ON ALL REPRODUCED COPIES.

REV / BY / REF	DESCRIPTION OF CHANGE	CHK BY / DATE
(A) DD 45171	175-2205-00 WAS 175-2181-00	12 FEB 82
B DG 50482	GENERAL UPDATE--SEE MOD DOC	4 OCT 83

TEKTRONIX, INC. PROPRIETARY ITEM DRAWING

MFD BY TEKTRONIX

MFD FOR TEKTRONIX



TEKTRONIX, INC.

P. O. BOX 500  
BEAVERTON, OREGON U.S.A. 97077



DWN JT WINFREY	9 JULY 80	DIMENSIONS ARE IN INCHES / TOLERANCES: UNLESS OTHERWISE SPECIFIED	
ENGR <i>[Signature]</i>	11 SEPT 80	DEC _____	ANLR _____
CHKR <i>B. Stewart</i>	11 SEPT 80	SCALE	FIRST USED ON
PROD <i>D. Holman</i>	12 SEPT 80	NONE	067-0883-99

MATERIAL

LISTED

FINISH

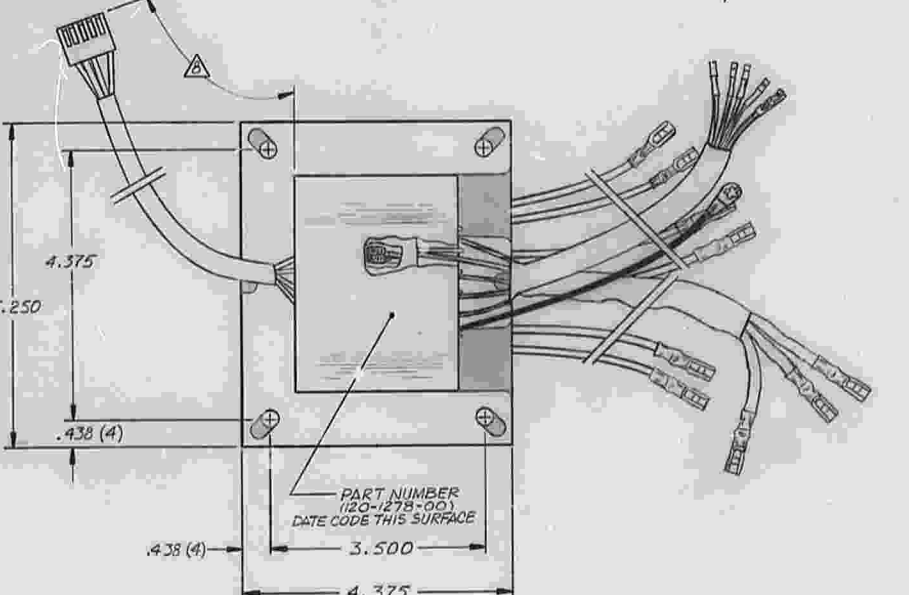
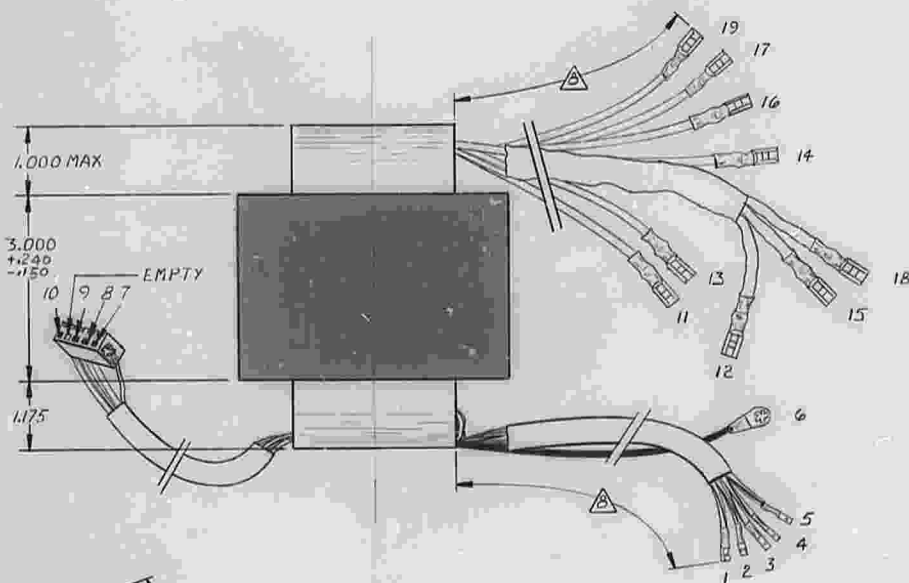
NOTED

TITLE

TRANSFORMER, RF (TOROIDAL)

CODE IDENT NO	SIZE	PART NUMBER	REV
<b>80009</b>	<b>A</b>	<b>120-1276-00</b>	<b>B</b>

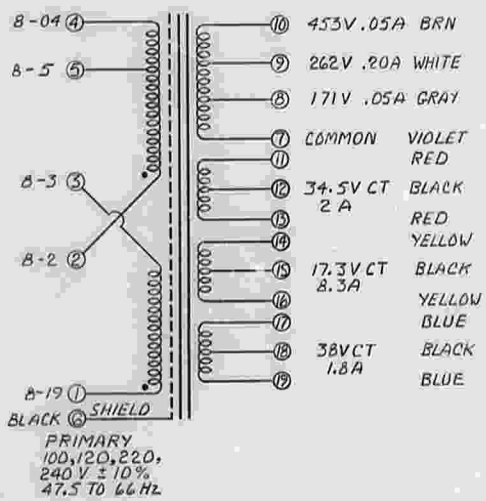
THIS DRAWING IS THE PROPERTY OF TEKTRONIX, INC. IT IS LOANED TO YOU FOR YOUR INFORMATION AND USE ONLY. IT IS NOT TO BE REPRODUCED OR TRANSMITTED IN ANY FORM OR BY ANY MEANS, ELECTRONIC OR MECHANICAL, INCLUDING PHOTOCOPYING, RECORDING, OR BY ANY INFORMATION STORAGE AND RETRIEVAL SYSTEM. ANY UNAUTHORIZED REPRODUCTION OR TRANSMISSION OF THIS DRAWING IS PROHIBITED. TEKTRONIX, INC. IS NOT RESPONSIBLE FOR ANY DAMAGE TO PERSONS OR PROPERTY, OR FOR ANY LOSS OF PROFITS OR BUSINESS, ARISING FROM THE USE OF THIS DRAWING. THE USER OF THIS DRAWING SHALL BE RESPONSIBLE FOR OBTAINING ALL NECESSARY PERMITS AND APPROVALS FROM THE APPROPRIATE AGENCIES AND AUTHORITIES. TEKTRONIX, INC. IS NOT RESPONSIBLE FOR ANY DAMAGE TO PERSONS OR PROPERTY, OR FOR ANY LOSS OF PROFITS OR BUSINESS, ARISING FROM THE USE OF THIS DRAWING. THE USER OF THIS DRAWING SHALL BE RESPONSIBLE FOR OBTAINING ALL NECESSARY PERMITS AND APPROVALS FROM THE APPROPRIATE AGENCIES AND AUTHORITIES.



### COIL STRUCTURE OUTSIDE

TYPE WINDING	LEAD NO
SEC	17-18-19
Ø-22-44T	*17
SEC 11-12-13	SEC 14-15-16
Ø-10-20T	*19
Ø-20-40T	*14
SEC	7-8-9-10
Ø-19B-304-525 T	*25
SHIELD	6
PRI	2-5-4
Ø-116-139 T	*18
PRI	1-3
139 T	*18

### INSIDE



VOLTAGE	LINE TO	CONNECT
100	1 AND 5	1702 3704
120	1 AND 4	1702 3704
220	1 AND 5	2703
240	1 AND 4	2703

REV	APP	DESCRIPTION OF CHANGE	DATE
A	50496	NOTE 5 WAS 2 KV ITEM (9) WAS 131-2299-00, DELETED ITEM 14 & ADDED NOTE 10	DD 22 JUN 83
B	51689	REVISED DWG, UPDATED NOTE (A) ITEM 11 WAS 191-1790-00 & ITEM 14 WAS DELETED	DD 2 FEB 84
C	56319	DELETED LIST OF MATERIALS, UPDATED & MOVED SAFETY LABEL.	LG 19 JUN 85

⑩. ORIENTATION OF KEEPER IS OPTIONAL

△ STRIP AS APPLICABLE FOR CONNECTOR

△ LEAD CHART \* LEAD WIRE \*\* INSUL SLEEVING

LEAD NO	COLOR	PART NUMBER	LENGTH ±.250	△
* 1	8-19	175-0879-00	7.750	CONNECTOR
* 2	8-2	175-0880-00		
* 3	8-3	175-0881-00		
* 4	8-04	175-0882-00		
* 5	8-5	175-0883-00		
* 6	BLK	175-0920-00	6.500	
* 7	VID	175-0949-00	10.312	
* 8	GRAY	175-0884-00		
* 9	WHT	175-0951-00		
* 10	BRN	175-0964-00		
* 11, 13	RED	162-0507-00	7.500	
* 18	BLK	162-0501-00	12.750	
* 12, 15	BLK	162-0563-00	12.750	
* 14, 16	YEL	162-0513-00	5.250	
* 17, 19	BLU	162-0522-00	4.250	

120-1278-00 REV. C

7 TRANSFORMER MUST COMPLY WITH CSA154, UL14, UL478, IEC 380, IEC 435

6. POLARITY PER SCHEMATIC

④ 5. DIELECTRIC WITHSTANDING VOLTAGE: 1.5KV RMS, 50 TO 60 Hz, 1 MINUTE. PRIMARIES TO SECONDARIES, SHIELD AND CORE

4. VOLTAGE RATINGS ARE RMS NO LOAD. CURRENT RATINGS ARE AMPS DC TIP.

3. WINDINGS INSULATED FOR 600VDC TRANSFORMER VACUUM IMPREGNATED WITH VARNISH 252-0082-00 OR APPROVED EQUIVALENT

1. DIMENSIONS REFERENCE UNLESS OTHERWISE SPECIFIED

#### NOTES:

TEKTRONIX, INC. PROPRIETARY ITEM DRAWING  
 MFD BY TEKTRONIX  MFD FOR TEKTRONIX

TEKTRONIX, INC.		P. O. BOX 500	
BEAVERTON, OREGON U.S.A. 97007		TELEPHONE (503) 261-8141	
DATE 02/01/84	BY JI WINFREY	DATE 02/01/84	BY JI WINFREY
CHKD 02/01/84	BY JI WINFREY	DATE 02/01/84	BY JI WINFREY
PROJ 02/01/84	BY JI WINFREY	DATE 02/01/84	BY JI WINFREY

MATERIAL: SEE LIST OF MATERIALS

FINISH: △

TEKTRONIX SAFETY CONTROLLED PART  
 THIS PART IS CONTROLLED TO INSURE MAINTENANCE OF SAFETY CHARACTERISTICS DESIGNED INTO A TEKTRONIX PRODUCT. TO CORRECTIVE MEASURES. ANY CHANGES IN MATERIALS, SPECIFICATIONS, VENDOR, OR VENDOR PART NUMBERS MUST BE EVALUATED AND APPROVED BY EACH APPLICATION IN WHICH THIS IS A CONTROLLED PART.

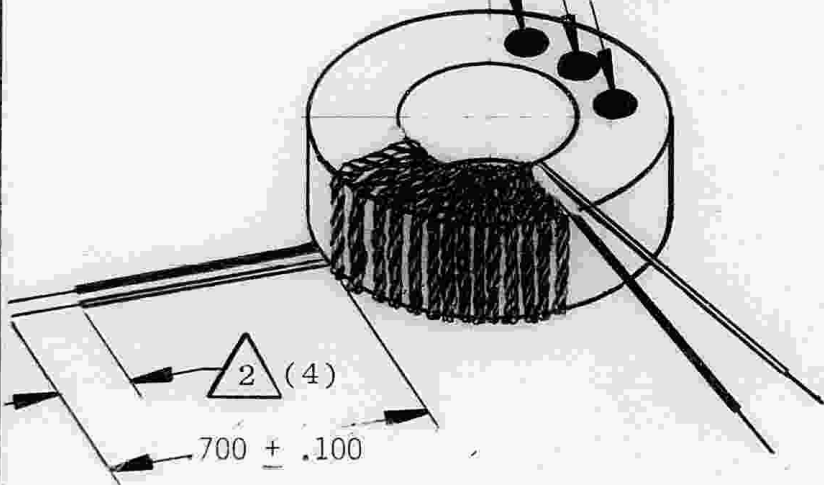
TITLE	TRANSFORMER, POWER (STPDH & STU)
BOOK IDENT NO	80009
SIZE	120-1278-00
PAGE NUMBER	1
REV	C

NOTES:

1. TOROID REFERENCE DIMENSIONS: .415 OD X .190 HIGH
  2. ALL LEADS : STRIP .100 ± .050
  3. INDUCTANCE RANGE PER HP 4275A @ 40 KHz, .2mA (EACH WINDING) L = 200μH ± 27%
- △ 4 PRINTED PART NUMBER (-1279) MAY BE USED INSTEAD OF COLOR CODE

COLOR CODE △ 4

ORANGE  
VIOLET  
WHITE



WIRE DATA		
TURNS / COLOR	AWG	PART NUMBER
15 RED/WHT	32*	175-2181 -00

\*TWISTED PAIR, TEFLON

DATA

CODE TD-379

CORE NO. 276-0554-01

78-123C

PART NUMBER

120-1279-00

REV

D

THIS DRAWING WHEN DISTRIBUTED OUTSIDE TEKTRONIX, INC. IS SUPPLIED FOR IDENTIFICATION, ENGINEERING EVALUATION AND/OR INSPECTION PURPOSES ONLY AND MAY NOT BE USED AS A BASIS FOR MANUFACTURE OR SALES OF PRODUCTS WITHOUT WRITTEN PERMISSION FROM TEKTRONIX, INC. IF THIS DRAWING IS FURNISHED UNDER ANY UNITED STATES GOVERNMENT CONTRACT, IT SHALL NOT BE EITHER RELEASED OUTSIDE THE GOVERNMENT, OR USED, DUPLICATED, OR DISCLOSED IN WHOLE OR IN PART FOR MANUFACTURE OR PROCUREMENT, WITHOUT THE WRITTEN PERMISSION OF TEKTRONIX, INC., EXCEPT FOR: (1) EMERGENCY REPAIR OR OVERHAUL WORK BY OR FOR THE GOVERNMENT, WHERE THE ITEM OR PROCESS CONCERNED IS NOT OTHERWISE REASONABLY AVAILABLE TO ENABLE TIMELY PERFORMANCE OF THE WORK; OR (2) RELEASE TO A FOREIGN GOVERNMENT AS THE INTERESTS OF THE UNITED STATES MAY REQUIRE; PROVIDED THAT IN EITHER CASE THE RELEASE, USE, DUPLICATION OR DISCLOSURE HEREOF SHALL BE SUBJECT TO THE FOREGOING LIMITATIONS. IF THIS DRAWING IS REPRODUCED IN WHOLE OR IN PART, THIS ENTIRE LEGEND BLOCK MUST APPEAR ON ALL REPRODUCED COPIES.

REV / BY / REF	DESCRIPTION OF CHANGE	CHK BY / DATE
(A) DD 45171	175-2205-00 WAS 175-2181-00	12 FEB 82
(B) MK 49043	175-2181-00 WAS 175-2205-00	1 FEB 83
(C) DG 50482	UPDATED NOTES 2, 3 & ADDED NOTE 4	13 DEC 83
D LG 56609	276-0554-01 WAS 276-0554-00 & DDN CI NOTE 3: 200μH ± 27% WAS ± 22%	5 MAR 85

TEKTRONIX, INC. PROPRIETARY ITEM DRAWING

MFD BY TEKTRONIX

MFD FOR TEKTRONIX



TEKTRONIX, INC.

P. O. BOX 500  
BEAVERTON, OREGON U.S.A. 97077



DWN J. T. WINFREY	4 AUG 80	DIMENSIONS ARE IN INCHES / TOLERANCES: UNLESS OTHERWISE SPECIFIED	
ENGR <i>[Signature]</i>	11 SEPT 80	DEC	ANLR
CHKR <i>[Signature]</i>	11 SEPT 80	SCALE	FIRST USED ON
PROD <i>[Signature]</i>	12 SEPT 80	NONE	7854

MATERIAL

LISTED

FINISH

NOTED

TITLE

TRANSFORMER, RF (TOROIDAL)

CODE IDENT NO	SIZE	PART NUMBER	REV
80009	A	120-1279-00	D



NOTES :

1. TOROID REFERENCE DIMENSIONS : .415 OD x .300 HIGH

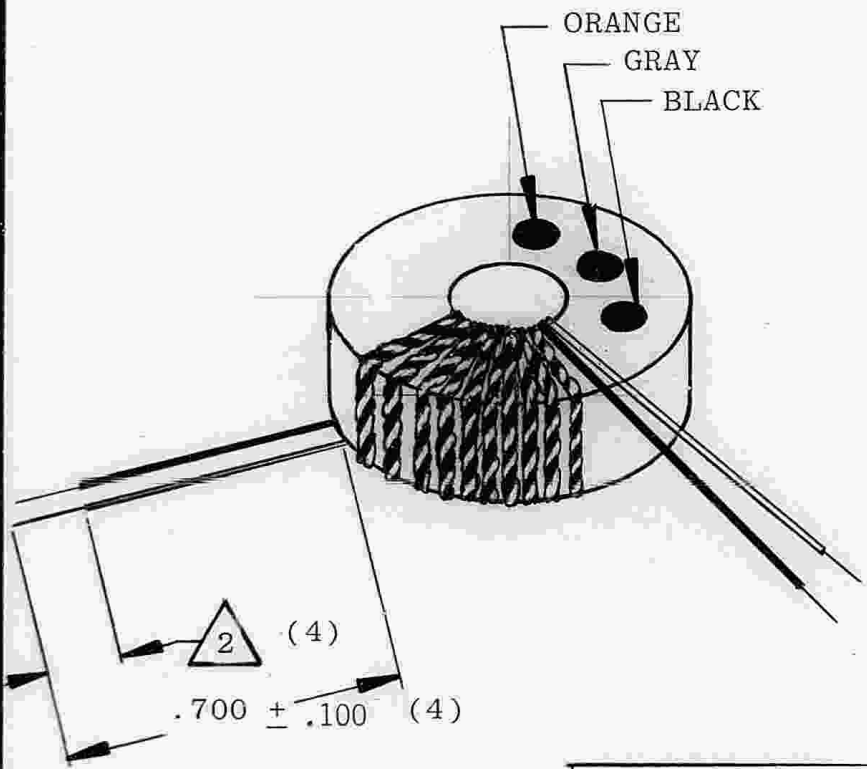
2 ALL LEADS : STRIP .100 + .050

3. INDUCTANCE VALUE PER HP 4275A @ 40 KHz, 4.5 mA SERIES MODE (EACH WINDING) L = 85  $\mu$ H  $\pm$  32%

4 PRINTED PART NUMBER (-1280) MAY BE USED INSTEAD OF COLOR CODE

COLOR CODE  $\triangle$  4

ORANGE  
GRAY  
BLACK



WIRE DATA		
TURNS/COLOR	AWG	PART NUMBER
11 RED/WHT	32*	175-2181-00

\* TWISTED PAIR, TEFLON

DATA

CODE TD-380

CORE NO. 276-0576-00

78-124C

PART NUMBER

120-1280-00

REV

$\triangle$

THIS DRAWING WHEN DISTRIBUTED OUTSIDE TEKTRONIX, INC. IS SUPPLIED FOR IDENTIFICATION, ENGINEERING EVALUATION AND/OR INSPECTION PURPOSES ONLY AND MAY NOT BE USED AS A BASIS FOR MANUFACTURE OR SALES OF PRODUCTS WITHOUT WRITTEN PERMISSION FROM TEKTRONIX, INC. IF THIS DRAWING IS FURNISHED UNDER ANY UNITED STATES GOVERNMENT CONTRACT, IT SHALL NOT BE EITHER RELEASED OUTSIDE THE GOVERNMENT, OR USED, DUPLICATED, OR DISCLOSED IN WHOLE OR IN PART FOR MANUFACTURE OR PROCUREMENT, WITHOUT THE WRITTEN PERMISSION OF TEKTRONIX, INC. EXCEPT FOR: (1) EMERGENCY REPAIR OR OVERHAUL WORK BY OR FOR THE GOVERNMENT, WHERE THE ITEM OR PROCESS CONCERNED IS NOT OTHERWISE REASONABLY AVAILABLE TO ENABLE TIMELY PERFORMANCE OF THE WORK; OR (2) RELEASE TO A FOREIGN GOVERNMENT AS THE INTERESTS OF THE UNITED STATES MAY REQUIRE; PROVIDED THAT IN EITHER CASE THE RELEASE, USE, DUPLICATION OR DISCLOSURE HEREOF SHALL BE SUBJECT TO THE FOREGOING LIMITATIONS. IF THIS DRAWING IS REPRODUCED IN WHOLE OR IN PART, THIS ENTIRE LEGEND BLOCK MUST APPEAR ON ALL REPRODUCED COPIES.

REV / BY / REF	DESCRIPTION OF CHANGE	CHK BY / DATE
(A) DG 50482	UPDATED NOTES 2 , 3 & ADDED NOTE $\triangle$ 4	13 DEC 83

TEKTRONIX, INC. PROPRIETARY ITEM DRAWING

MFD BY TEKTRONIX

MFD FOR TEKTRONIX



TEKTRONIX, INC.

P. O. BOX 500

BEAVERTON, OREGON U.S.A. 97077



DWN J. T. WINFREY	4 AUG 80	DIMENSIONS ARE IN INCHES / TOLERANCES: UNLESS OTHERWISE SPECIFIED	
ENGR <i>[Signature]</i>	11 SEPT 80	DEC _____	ANLR _____
CHKR <i>B. Stewart</i>	11 SEPT 80	SCALE	FIRST USED ON
PROD <i>D. Holman</i>	12 SEPT 80	NONE	7854

MATERIAL

LISTED

FINISH

NOTED

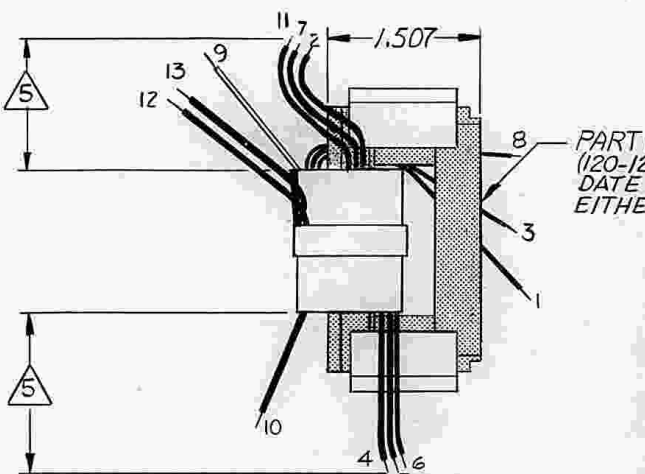
TITLE

TRANSFORMER, RF (TOROIDAL)

CODE IDENT NO	SIZE	PART NUMBER	REV
80009	A	120-1280-00	$\triangle$

THIS DRAWING WHEN DISTRIBUTED OUTSIDE TEKTRONIX, INC. IS SUPPLIED FOR IDENTIFICATION, ENGINEERING, EVALUATION AND/OR INSPECTION PURPOSES ONLY AND MAY NOT BE USED AS A BASIS FOR MANUFACTURE OR SALES OF PRODUCTS WITHOUT WRITTEN PERMISSION FROM TEKTRONIX, INC. IF THIS DRAWING IS FURNISHED UNDER ANY UNITED STATES GOVERNMENT CONTRACT, IT SHALL NOT BE EITHER RELEASED OUTSIDE THE GOVERNMENT, OR USED, DUPLICATED, OR DISCLOSED IN WHOLE OR IN PART FOR MANUFACTURE OR PROCUREMENT, WITHOUT THE WRITTEN PERMISSION OF TEKTRONIX, INC. EXCEPT FOR: (1) EMERGENCY REPAIR OR OVERHAUL WORK BY OR FOR THE GOVERNMENT, WHERE THE ITEM OR PROCESS CONCERNED IS NOT OTHERWISE REASONABLY AVAILABLE TO ENABLE TIMELY PERFORMANCE OF THE WORK; OR (2) RELEASE TO A FOREIGN GOVERNMENT AS THE INTERESTS OF THE UNITED STATES MAY REQUIRE, PROVIDED THAT IN EITHER CASE THE RELEASE, USE, DUPLICATION OR DISCLOSURE HEREOF SHALL BE SUBJECT TO THE FOREGOING LIMITATIONS. IF THIS DRAWING IS REPRODUCED IN WHOLE OR IN PART, THIS ENTIRE LEGEND BLOCK MUST APPEAR ON ALL REPRODUCED COPIES.

REV	REF	DESCRIPTION OF CHANGE	CHK BY	DATE
F	G7924	COMBINED SPEC. SH. W/ THIS DRAWING	CD	13DEC88
G	7119B	MODIFIED LEAD TABLE 8-9-10	MD	02NOV89

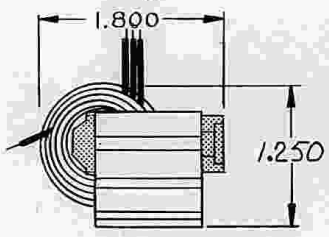


INSIDE

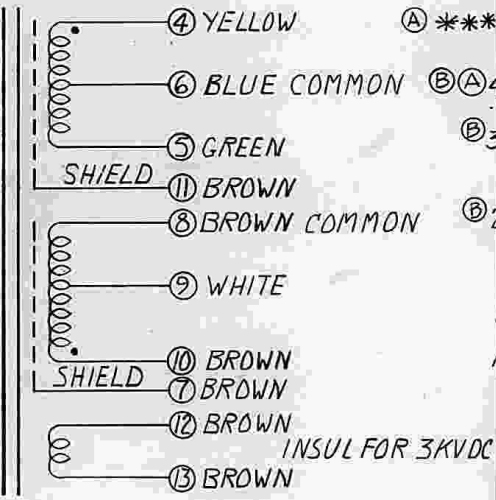
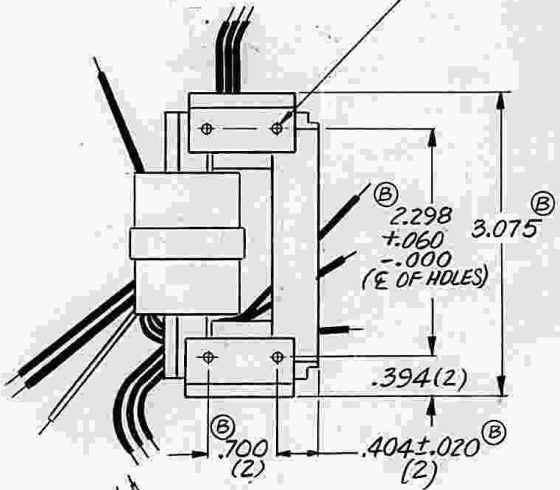
LEAD NO	TURNS	WIRE AWG	VOLTS *	CURRENT mA	DCR Ω <sub>20°C</sub>
2	SHIELD				
8-9-10	∅-120-441.5	*39 BANK WOUND	0-410 -1509	∅-.04 -1.5	∅-20.8 -75.8
7	SHIELD				
1-3	31	2 *28	106		.23
11	SHIELD				
4-6-5	∅-39-78	*31	± 133	100	∅-1.20 -2.40
12-13	2	*26	6.3RMS	320	

\* ALL VOLTAGES ARE PEAK NO LOAD @ 20 TO 25 KHZ SQUARE WAVE UOS

OUTSIDE



4-40 UNC-2B X .350 (4)



6. POLARITY PER SCHEMATIC

△ LEAD LENGTHS MEASURED FROM EDGE OF COIL EXCEPT 12 & 13 MEASURED FROM EDGE OF WINDING

LEAD NO	COLOR	LENGTH ±.250	STRIP & TIN ±.050
1	GRAY	* 2.375	.250
3	ORN	* 1.625	
4	YEL	* 2.375	
5	GRN	*	
6	BLU	*	
8	BRN	** 1.625	
9	WHT	** 1.375	
10	BRN	** 1.250	
2-7-11	BRN	** 2.125	
12-13	BRN	** 1.375	

\* SLEEVING \*\* TEFLON WIRE

Ⓐ \*\*\*

Ⓐ \*\*\* TOLERANCE ±.125 LENGTH

PART NUMBER	REV.
120-1281-00	G

Ⓑ Ⓐ 4. MIN INDUCTANCE 1-3 IS 2.00mH PER ESI BRIDGE OR APPR. EQUIV. @ 1KHZ

Ⓑ 3. "I" CORE, "U" CORE AND SUPPORTS SECURED USING ADHESIVE

Ⓑ 2. COIL ONLY PRIMED WITH 252-0215-00 AND VACUUM IMPREGNATED WITH SILICONE RESIN 252-0213-00

1. DIMENSIONS REFERENCE UOS

NOTES:

TEKTRONIX, INC. PROPRIETARY ITEM DRAWING  
 MFD BY TEKTRONIX     MFD FOR TEKTRONIX

TEKTRONIX, INC. P. O. BOX 500 BEAVERTON, OREGON U.S.A. 97077

DWN	JTWINFREY	17 JULY 80	DIMENSIONS ARE IN INCHES / TOLERANCES: UNLESS OTHERWISE SPECIFIED
ENGR	Larry C. Klein	17 Sept 80	DEC ANLR
CHKR	E. Powell	18 Sept 80	SCALE 1:1
PROD	E. Powell	18 Sept 80	FIRST USED ON 7854

MATERIAL NOTED

FINISH NOTED

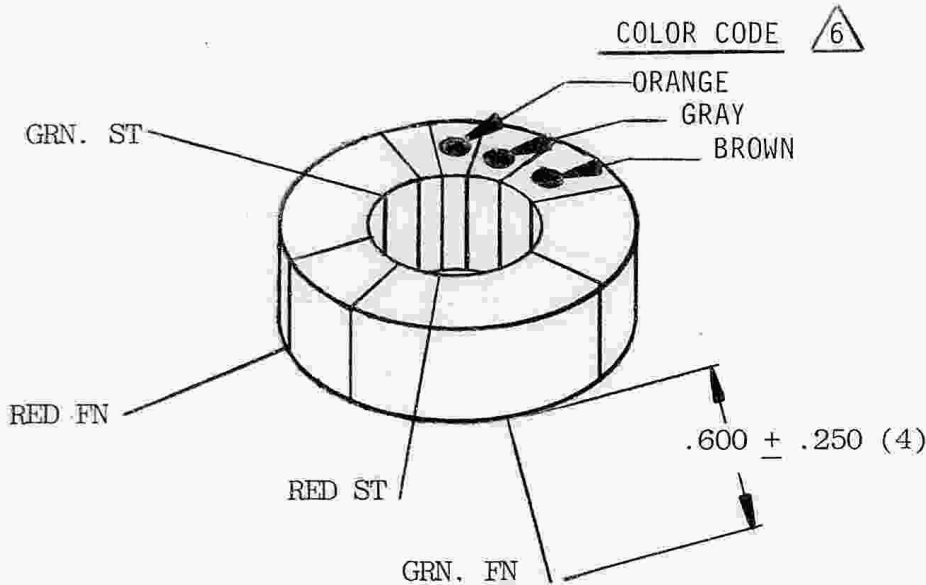
TITLE TRANSFORMER, POWER (STPD & STU)

CODE IDENT NO	SIZE	PART NUMBER	REV
80009	G	120-1281-00	G

7. LATEST REV. OF APPLICABLE SAFETY DOC. ARE MADE A PART OF THIS SPEC AS LISTED BELOW  
 LID-002 LAB INST. DIVISION QUALITY STD.  
 UL-1244 UNDERWRITERS LAB INC.  
 CSA 556 CANADIAN STANDARDS ASSOC.

NOTES:

1. TURNS EVENLY SPACED ON CORE
  2. LEADS TINNED TO WITHIN .100 OF WINDING OD
  3. INDUCTANCE PER HP4275A METER OR APPROVED EQUIVALENT: SHORT RED FINISH TO GREEN START, 3.8 TO 6.8  $\mu$ H ON 10 TURN WINDING AT 1 MHz, 1 mA, SERIES MODE
  4. COATED WITH 006-1109-00 OR APPROVED EQUIVALENT
  5. TOROID REFERENCE DIMENSIONS: 0.465 OD x 0.215 HIGH
- △ 6 PRINTED PART NUMBER (-1282) MAY BE USED INSTEAD OF COLOR CODE.



WIRE DATA			
TURNS / COLOR	AWG	PART NUMBER	
3 RED	24	176-0030-00	
7 GREEN	24	176-0030-15	

DATA:

CODE TD 381  
CORE NO. 276-0573-00

79 - 70 B

PART NUMBER 120-1282-00

REV A

THIS DRAWING WHEN DISTRIBUTED OUTSIDE TEKTRONIX, INC. IS SUPPLIED FOR IDENTIFICATION, ENGINEERING EVALUATION AND/OR INSPECTION PURPOSES ONLY AND MAY NOT BE USED AS A BASIS FOR MANUFACTURE OR SALES OF PRODUCTS WITHOUT WRITTEN PERMISSION FROM TEKTRONIX, INC. IF THIS DRAWING IS FURNISHED UNDER ANY UNITED STATES GOVERNMENT CONTRACT, IT SHALL NOT BE EITHER RELEASED OUTSIDE THE GOVERNMENT, OR USED, DUPLICATED, OR DISCLOSED IN WHOLE OR IN PART FOR MANUFACTURE OR PROCUREMENT, WITHOUT THE WRITTEN PERMISSION OF TEKTRONIX, INC., EXCEPT FOR: (1) EMERGENCY REPAIR OR OVERHAUL WORK BY OR FOR THE GOVERNMENT, WHERE THE ITEM OR PROCESS CONCERNED IS NOT OTHERWISE REASONABLY AVAILABLE TO ENABLE TIMELY PERFORMANCE OF THE WORK; OR (2) RELEASE TO A FOREIGN GOVERNMENT AS THE INTERESTS OF THE UNITED STATES MAY REQUIRE; PROVIDED THAT IN EITHER CASE THE RELEASE, USE, DUPLICATION OR DISCLOSURE HEREOF SHALL BE SUBJECT TO THE FOREGOING LIMITATIONS. IF THIS DRAWING IS REPRODUCED IN WHOLE OR IN PART, THIS ENTIRE LEGEND BLOCK MUST APPEAR ON ALL REPRODUCED COPIES.

REV	BY	REF	DESCRIPTION OF CHANGE	CHK BY / DATE
	36891	EA	INITIATED PART	16 AUG 79
A	DG	50482	GENERAL UPDATE--SEE MOD DOC	4 OCT 83

TEKTRONIX, INC. PROPRIETARY ITEM DRAWING

MFD BY TEKTRONIX

MFD FOR TEKTRONIX



TEKTRONIX, INC.

P. O. BOX 500  
BEAVERTON, OREGON U.S.A. 97077



DWN J. WINFREY	7/30/79	DIMENSIONS ARE IN INCHES / TOLERANCES: UNLESS OTHERWISE SPECIFIED	
ENGR <i>J. Winfrey</i>	14 Aug 79	DEC	ANLR
CHKR <i>B. Stewart</i>	14 Aug 79	SCALE NONE	FIRST USED ON 7L12, 7L13
PROD <i>B. Stewart</i>	14 Aug 79		

MATERIAL LISTED

FINISH NOTED

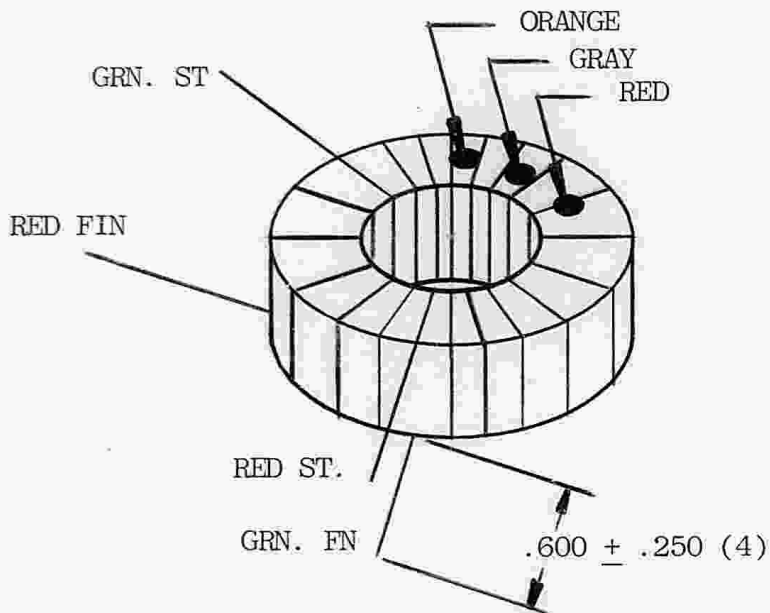
TITLE TRANSFORMER, RF (TOROID)

CODE IDENT NO <b>80009</b>	SIZE <b>A</b>	PART NUMBER <b>120-1282-00</b>	REV <b>A</b>
-------------------------------	------------------	-----------------------------------	-----------------

NOTES:

1. TIN LEADS TO WITHIN .100 OF WINDING OD.
2. INDUCTANCE RANGE PER HP 4342 METER: SHORT RED FINISH TO GREEN START, 1.71 TO 1.89  $\mu$ H ON 20 TURN WINDING.
3. COAT WITH 006-1109-00.
4. TOROID REFERENCE DIMENSIONS .465 OD X .215 HIGH

COLOR CODE



WIRE DATA			
TURNS / COLOR	AWG	PART NUMBER	
6 RED	24	176-0030-00	
14 GREEN	24	176-0030-15	

DATA:

CODE TD-382  
CORE NO. 276-0672-00

79 - 80

PART NUMBER 120-1283-00

REV

THIS DRAWING WHEN DISTRIBUTED OUTSIDE TEKTRONIX, INC., IS SUPPLIED FOR IDENTIFICATION, ENGINEERING EVALUATION AND/OR INSPECTION PURPOSES ONLY AND MAY NOT BE USED AS A BASIS FOR MANUFACTURE OR SALES OF PRODUCTS WITHOUT WRITTEN PERMISSION FROM TEKTRONIX, INC. IF THIS DRAWING IS FURNISHED UNDER ANY UNITED STATES GOVERNMENT CONTRACT, IT SHALL NOT BE EITHER RELEASED OUTSIDE THE GOVERNMENT, OR USED, DUPLICATED, OR DISCLOSED IN WHOLE OR IN PART FOR MANUFACTURE OR PROCUREMENT, WITHOUT THE WRITTEN PERMISSION OF TEKTRONIX, INC., EXCEPT FOR: (1) EMERGENCY REPAIR OR OVERHAUL WORK BY OR FOR THE GOVERNMENT, WHERE THE ITEM OR PROCESS CONCERNED IS NOT OTHERWISE REASONABLY AVAILABLE TO ENABLE TIMELY PERFORMANCE OF THE WORK; OR (2) RELEASE TO A FOREIGN GOVERNMENT AS THE INTERESTS OF THE UNITED STATES MAY REQUIRE; PROVIDED THAT IN EITHER CASE THE RELEASE, USE, DUPLICATION OR DISCLOSURE HEREOF SHALL BE SUBJECT TO THE FOREGOING LIMITATIONS. IF THIS DRAWING IS REPRODUCED IN WHOLE OR IN PART, THIS ENTIRE LEGEND BLOCK MUST APPEAR ON ALL REPRODUCED COPIES.

REV / BY / REF	DESCRIPTION OF CHANGE	CHK BY / DATE
36891 EA	INITIATED PART	16 AUG 79

TEKTRONIX, INC. PROPRIETARY ITEM DRAWING

MFD BY TEKTRONIX

MFD FOR TEKTRONIX



TEKTRONIX, INC.

P. O. BOX 500  
BEAVERTON, OREGON U.S.A. 97077



DWN J. WINFREY	7/30/79	DIMENSIONS ARE IN INCHES / TOLERANCES: UNLESS OTHERWISE SPECIFIED	
ENGR <i>[Signature]</i>	12 Aug 79	DEC	ANLR
CHKR <i>[Signature]</i>	14 Aug 79	SCALE	FIRST USED ON
PROD <i>[Signature]</i>	14 Aug 79	NONE	7L12, 7L13

MATERIAL LISTED

FINISH NOTED

TITLE TRANSFORMER, RF (TOROID)

CODE IDENT NO	SIZE	PART NUMBER	REV
80009	A	120-1283-00	

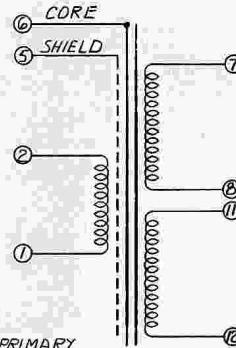
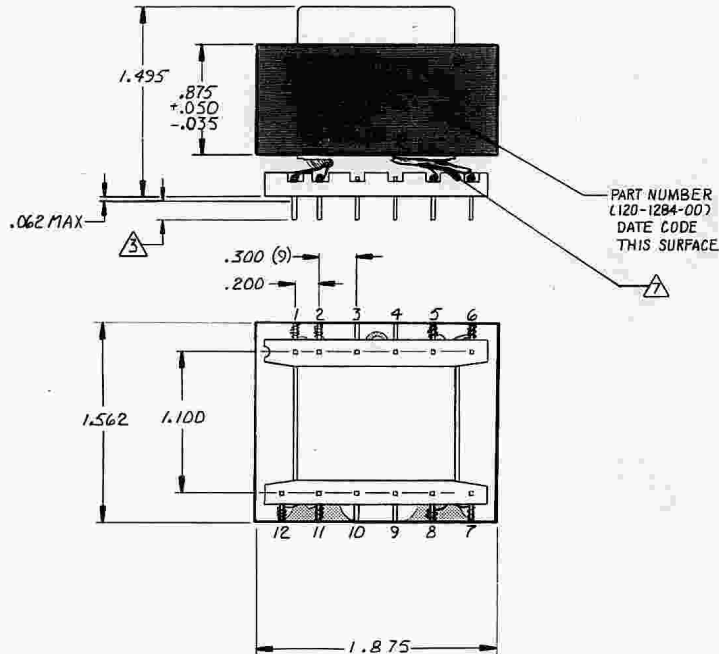
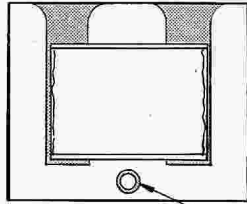
54-115 B

REV	DESCRIPTION OF CHANGE	CHK BY	DATE
A	45018 REMOVE ITEM 1	DD	17MAR82
B	50496 ADDED NOTE 9	DD	22JUN83
C	51689 REVISED DWG. & UPDATED NOTE A	DD	22DEC 83
D	REMOVED LIST OF MATERIALS. UPDATED & MOVED SAFETY LABEL. MOVED PART NUMBER	LMC	27SEP85

COIL STRUCTURE  
OUTSIDE

TYPE WINDING	TERM NO
SEC	11-12
259T	*32
SEC	8-7
259T	*32
SHIELD	5
PRI	2-1
240T	*28

INSIDE



PRIMARY  
24V ± 15%  
50-400HZ

TERM NO	TYPICAL RATINGS		
	VOLTS	CURRENT AMPS DC	DCR ± 15% Ω 20% <sub>20</sub>
1-2	24		4.89
7-8	25.9	0.01	16.1
11-12	25.9	0.01	17.3

⑨ ORIENTATION OF KEEPER IS OPTIONAL

⚠ CORE HOLE NEED NOT BE FREE OF VARNISH

⚠ WIRE CONNECTS CORE TO PIN 6

120-1284-00 D

6. TRANSFORMER MUST COMPLY WITH UL-1244 AND IEC-348

5. VOLTAGE RATINGS ARE AC RMS NO LOAD CURRENT RATINGS ARE AMPS DC TYP

4. DIELECTRIC WITHSTANDING VOLTAGE: 500V AC RMS, 30 TO 60HZ, 1MINUTE. SECONDARIES, CORE AND SHIELD TO PRIMARY

⚠ SOLDERABILITY REQUIRED IN THIS AREA

⚠ TRANSFORMER VACUUM IMPREGNATED WITH VARNISH 252-0082-00 OR APPROVED EQUIVALENT

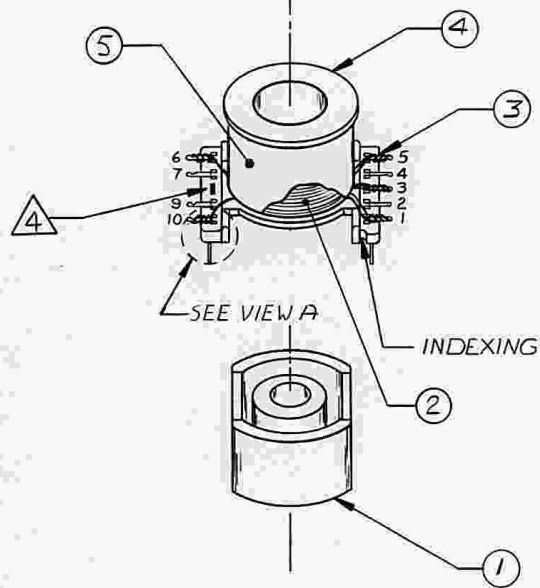
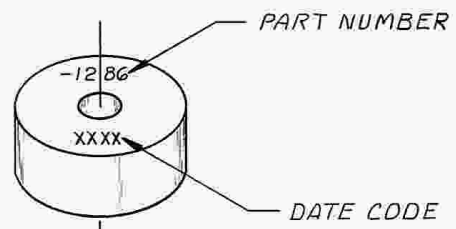
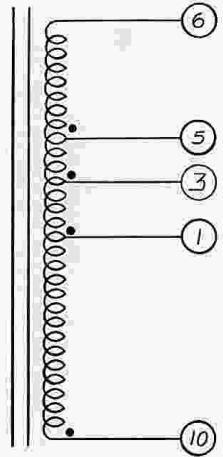
1. DIMENSIONS REFERENCE UOS NOTES:

TEKTRONIX, INC. PROPRIETARY ITEM DRAWING  
 MFD BY TEKTRONIX  MFD FOR TEKTRONIX  
 P. O. BOX 500  
 BEAVERTON, OREGON U.S.A. 97077  
 Tektronix, Inc. 5 NOV 75  
 Des: JTW/JFKREY 5 NOV 75  
 BRDR: R. C. 16 JUN 80  
 CHDR: R. C. 22 JUN 80  
 PROD: E. M. 22 JUN 80  
 DIMENSIONS ARE IN INCHES / MM UNLESS OTHERWISE SPECIFIED  
 UNLESS OTHERWISE SPECIFIED  
 SCALE: 2:1  
 MATERIAL: SEE LIST OF MATERIALS  
 FINISH: NOTED ⚠  
 TITLE: TRANSFORMER, POWER LF (STU)  
 CODE: 80009  
 PART NUMBER: 120-1284-00  
 REV: D

**TEKTRONIX SAFETY CONTROLLED PART**  
 THIS PART IS CONTROLLED TO ENSURE MAINTENANCE OF SAFETY CHARACTERISTICS ASSIGNED WITH A TEKTRONIX PRODUCT. TO CONTINUE MAINTENANCE, ANY CHANGES IN MATERIALS, SPECIFICATIONS, VENDORS, OR VERSION PART NUMBERING MUST BE EVALUATED AND APPROVED IN EACH APPLICATION IN WHICH THIS IS A CONTROLLED PART.

THIS DRAWING WHEN DISTRIBUTED OUTSIDE TEKTRONIX, INC., IS SUPPLIED FOR IDENTIFICATION, ENGINEERING EVALUATION AND/OR INSPECTION PURPOSES ONLY AND MAY NOT BE USED AS A BASIS FOR MANUFACTURE OR SALES OF PRODUCTS WITHOUT WRITTEN PERMISSION FROM TEKTRONIX, INC. IF THIS DRAWING IS FURNISHED UNDER ANY UNITED STATES GOVERNMENT CONTRACT, IT SHALL NOT BE EITHER RELEASED OUTSIDE THE GOVERNMENT, OR USED, DUPLICATED, OR DISCLOSED IN WHOLE OR IN PART FOR MANUFACTURE OR PROCUREMENT, WITHOUT THE WRITTEN PERMISSION OF TEKTRONIX, INC. EXCEPT FOR: (1) EMERGENCY REPAIR OR OVERHAUL WORK BY OR FOR THE GOVERNMENT, WHERE THE ITEM OR PROCESS CONCERNED IS NOT OTHERWISE REASONABLY AVAILABLE TO ENABLE TIMELY PERFORMANCE OF THE WORK; OR (2) RELEASE TO A FOREIGN GOVERNMENT AS THE INTERESTS OF THE UNITED STATES MAY REQUIRE, PROVIDED THAT IN EITHER CASE THE RELEASE, USE, DUPLICATION OR DISCLOSURE HEREOF SHALL BE SUBJECT TO THE FOLLOWING LIMITATIONS, IF THIS DRAWING IS REPRODUCED IN WHOLE OR IN PART, THIS ENTIRE LEGEND BLOCK MUST APPEAR ON ALL REPRODUCED COPIES.

REV	REF	DESCRIPTION OF CHANGE	CHK BY	DATE
-----	-----	-----------------------	--------	------



WINDINGS	TURNS	WIRE SIZE	TYP RATING		RESISTANCE ± 20% AT 20°C
			VOLTS	AMPS	
10-1 SEC	380 1/2	# 37	400	8 mA	24.3 Ω
1-3 PRI	18	# 25	189	—	0.084 Ω
3-5 PRI	1	# 25	105	—	0.0047 Ω
5-6 SEC	219 1/2	# 37	230	0.6 mA	19.1 Ω

INDUCTANCE: (6-10) 59 TO 65.5 mH AT 1 kHz WITH  
ESI 252 METER OR EQUIV  
OPERATING FREQUENCY: 1.4 TO 8 kHz FLYBACK MODE

△ SOLDERABILITY REQUIRED IN THIS AREA AS SHOWN IN VIEW A

5. POLARITY PER SCHEMATIC

PART NUMBER	REV.
120-1286-00	

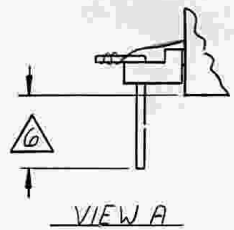
△ REMOVE PIN 8 BEFORE WINDING

3. CORES CEMENTED TOGETHER

△ TRANSFORMER VACUUM IMPREGNATED WITH VARNISH 252-0082-00

1. REFERENCE DIMENSIONS: .897 HIGH X .900 WIDE X 1.090 LONG

NOTES:



5	253-0019-00	AR	TAPE PRESS SENS (.500WIDE)
4	276-0190-00	1	FORM, COIL
3	176-0031-00	AR	WIRE, ELEC (25AWG)
2	176-0063-00	AR	WIRE, ELEC (37AWG)
1	276-0633-00	1	CORE, EM (2318, AL 160) SET
ITEM	PART NUMBER	QTY	DESCRIPTION

LIST OF MATERIALS

TEKTRONIX, INC. PROPRIETARY ITEM DRAWING			
<input checked="" type="checkbox"/> MFD BY TEKTRONIX		<input type="checkbox"/> MFD FOR TEKTRONIX	
<b>TEKTRONIX, INC.</b>		P. O. BOX 500 BEAVERTON, OREGON U.S.A. 97077	
DWN	JEANNE JUDAH	29	JAN 81
ENGR	R. Cogan	17	MAR 82
CHKR	B. Stewart	16	MAR 82
PROD	m. Cutler	3-16-82	
DIMENSIONS ARE IN INCHES / TOLERANCES: UNLESS OTHERWISE SPECIFIED		SCALE	FIRST USED ON
		NONE	4611/4612
MATERIAL SEE LIST OF MATERIALS			
FINISH △			
TITLE TRANSFORMER, RF FLYBACK POT CORE			
CODE IDENT NO	SIZE	PART NUMBER	REV
80009	C	120-1286-00	

REV E	DESCRIPTION OF CHANGE UPDATED TO NEW FORMAT.
REV E	

REV E  
PART NUMBER  
120-1287-00

THIS DRAWING WHEN DISTRIBUTED OUTSIDE TEKTRONIX, INC. IS SUPPLIED FOR IDENTIFICATION, ENGINEERING EVALUATION AND/OR INSPECTION PURPOSES ONLY AND MAY NOT BE USED AS A BASIS FOR MANUFACTURE OR SALES OF PRODUCTS WITHOUT WRITTEN PERMISSION FROM TEKTRONIX, INC.

IF THIS DRAWING IS FURNISHED UNDER ANY U. S. GOVERNMENT CONTRACT, IT IS FURNISHED AS LIMITED RIGHTS DATA AND SHALL NOT, WITHOUT THE WRITTEN PERMISSION OF TEKTRONIX, INC., BE EITHER (A) USED, RELEASED OR DISCLOSED IN WHOLE OR IN PART OUTSIDE THE GOVERNMENT, (B) USED IN WHOLE OR IN PART BY THE GOVERNMENT FOR MANUFACTURE OR (C) USED BY A PARTY OTHER THAN THE GOVERNMENT, EXCEPT FOR: (I) EMERGENCY REPAIR OR OVERHAUL WORK ONLY, BY OR FOR THE GOVERNMENT, WHERE THE ITEM OR PROCESS CONCERNED IS NOT OTHERWISE REASONABLY AVAILABLE TO ENABLE TIMELY PERFORMANCE OF THE WORK, PROVIDED THAT THE RELEASE OR DISCLOSURE HEREOF OUTSIDE THE GOVERNMENT SHALL BE MADE SUBJECT TO A PROHIBITION AGAINST FURTHER USE, RELEASE, OR DISCLOSURE; OR (II) RELEASE TO A FOREIGN GOVERNMENT, AS THE INTEREST OF THE UNITED STATES MAY REQUIRE; ONLY FOR INFORMATION OR EVALUATION WITHIN SUCH GOVERNMENT OR FOR EMERGENCY REPAIR OR OVERHAUL WORK BY OR FOR SUCH GOVERNMENT UNDER CONDITIONS OF (I) ABOVE. THIS LEGEND SHALL BE INCLUDED ON ANY REPRODUCTION HEREOF.

**Tektronix**  
COMMITTED TO EXCELLENCE

TEKTRONIX, INC.  
P. O. BOX 500  
BEAVERTON, OREGON U.S.A. 97077

**TEKTRONIX, INC. SAFETY CONTROLLED PART.**

THE DRAWING TYPE DESIGNATION AND APPROVED SOURCES OF SUPPLY FOR THIS PART NUMBER ARE LISTED ON THE PURCHASED ITEMS SOURCE LIST (PISL).

DWN/ WR	HILDRED GARCIA <i>H. G.</i>	DATE	21 JAN 92
COMP ENGR	JOHN YOUNG <i>JY</i>	DATE	21 Jan 92
CHKR/ COORD	JIM HOOKIE <i>JH</i>	DATE	
DESIGN ENGR		DATE	
MATERIAL			
FINISH			
TITLE			

**TRANSFORMER: RF, TOROID 8.8 mH ± 25%, 2 WND, 276-0554-01**  
**TD-384**

TEKTRONIX, INC. BEAVERTON, OREGON	SHT 1 OF 3	CODE IDENT NO <b>80009</b>	SIZE <b>A</b>	PART NUMBER 120-1287-00	REV <b>E</b>
--------------------------------------	------------	-------------------------------	------------------	----------------------------	-----------------

DO NOT SCALE DRAWING

**1 DESCRIPTION**

Transformer: RF, toroidal 8.8 mH  $\pm$ 25%, 2 windings 276-0554-01 TD-384.

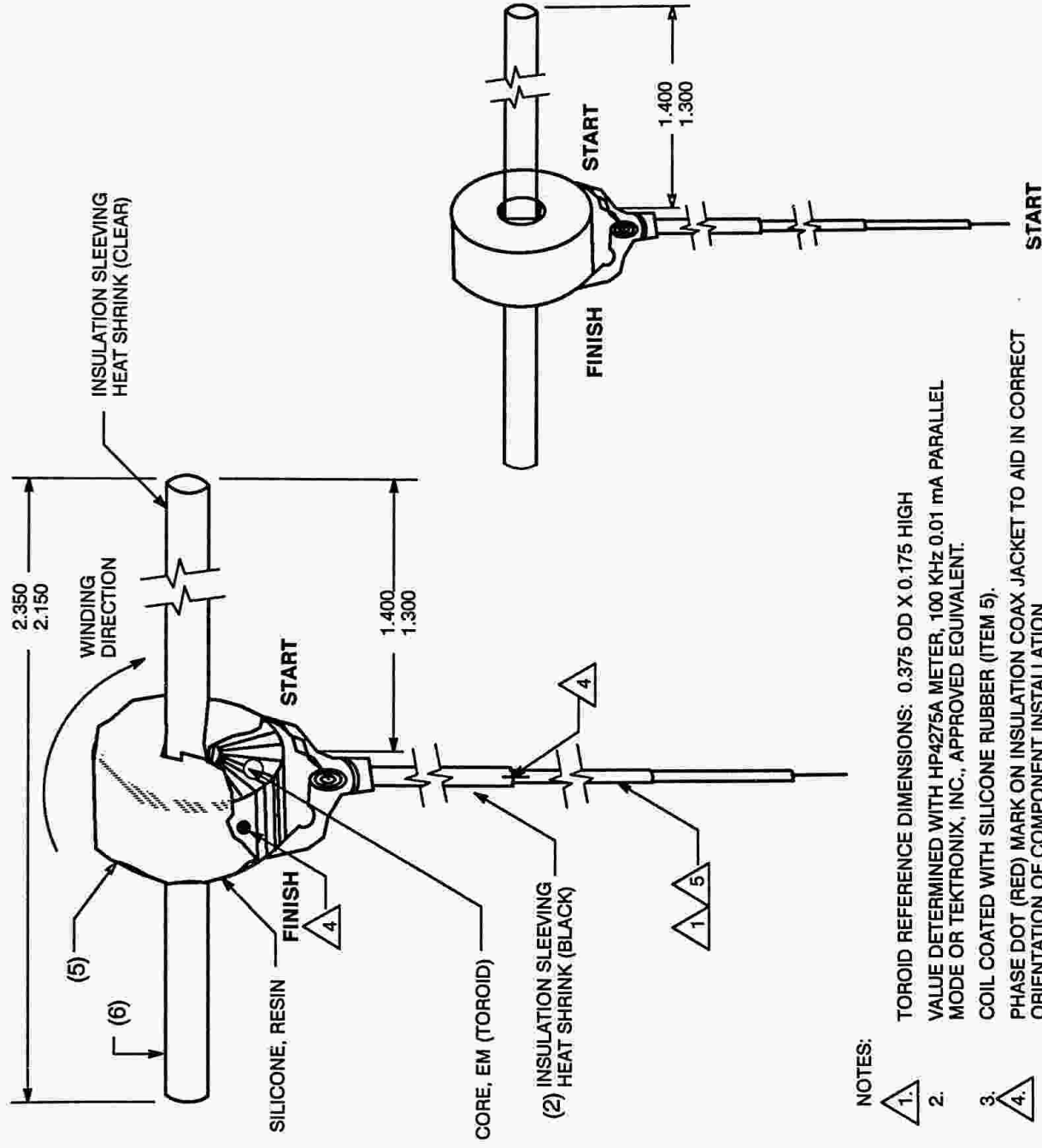
**1.1 MATERIAL COIL**

Material	Part Number	Description	Quantity
Core	276-0554-01		1 each
Wire	176-0038-00	#34 Red	1 spool

**1.2 TURNS**

Turns: 100 34 AWG wire.





## NOTES:

1. TOROID REFERENCE DIMENSIONS: 0.375 OD X 0.175 HIGH
2. VALUE DETERMINED WITH HP4275A METER, 100 KHz 0.01 mA PARALLEL MODE OR TEKTRONIX, INC., APPROVED EQUIVALENT.
3. COIL COATED WITH SILICONE RUBBER (ITEM 5).
4. PHASE DOT (RED) MARK ON INSULATION COAX JACKET TO AID IN CORRECT ORIENTATION OF COMPONENT INSTALLATION.
5. ALTERNATE MATERIAL: SUBMIN COAX, 50 OHM, RG/188, RG/188A, OR RG/316.

Material	Part Number	Description	Quantity
(1) Wire	175-3146-00	Wire Kit (Coax)	1 Spool
(4) Tape	253-0191-00	Polyester .150	1 Roll
(2) Sleeving	162-0531-00	Heat Shrink (Blk)	1 Each
(6)	162-0546-00	Teflon (Clear)	1 Each
Solder	251-0511-00		AR
(5) Coating	252-0718-00	Silicone Rubber	AR

# DRAWING / SPECIFICATION DEVIATION NOTICE

REV.  
D

PART NUMBER 120-1287-00

DATE: 8JUL85

DEPT. OF MANUFACTURE TOROIDS

### DEVIATION TYPE:

NO.

PERMANENT ----- EFFECTIVITY DATE: 8JUL85

TEMPORARY ----- EFFECTIVITY DATE: \_\_\_\_\_

EXPIRATION DATE: \_\_\_\_\_

REASON FOR DEVIATION: Using area (FDI - 49X instrument series) allows for wider

value range than print shows. User has verified performance with wider ranged parts.

### ORIGINAL REQUIREMENTS

VALUE: 8.8mH +/- 25%

### DEVIATION

VALUE: 8.8mH +40% / -25%

PART INSPECTED BY: \_\_\_\_\_

DATE: \_\_\_\_\_

DDN REQUESTED BY: WILL SMITH, S2M Eng

DATE: 8JUL85

### APPROVAL:

MANUFACTURING *[Signature]*

DATE: 7-8-85

ENGINEERING *[Signature]*

DOUG GORDON

DATE: 7/8/85

DATE: \_\_\_\_\_

DATE: \_\_\_\_\_

79-111 B

4. DIELECTRIC WITHSTANDING VOLTAGE :  
2 KV RMS, 50 TO 60 Hz, 1 MIN,  
COIL TO CORE

5. LEAD LENGTHS FROM OUTSIDE CORE:

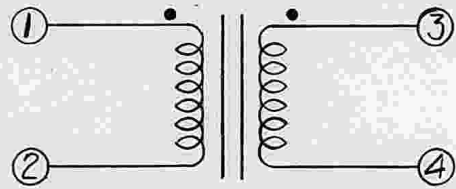
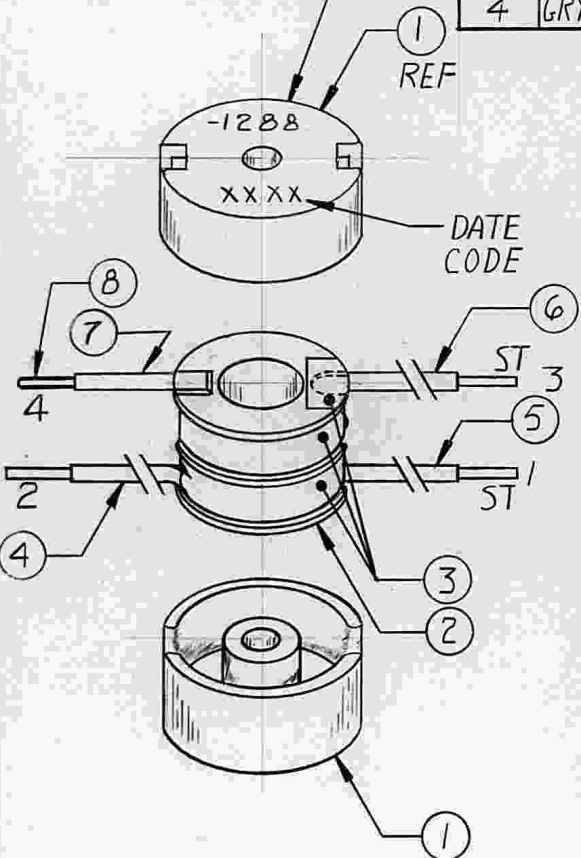
LEAD NO	COLOR	INSUL LENGTH ±.200	WIRE LENGTH ±.100	STRIP/TIN ±.125
1	GRY	4.000	4.500	.350
2	GRY/RED	6.000	6.500	
3	GRY/DRN	3.500	4.000	
4	GRY/GRN	8.000	8.500	

REV M  
PART NUMBER 120-1288-00

THIS DRAWING WHEN DISTRIBUTED OUTSIDE TEKTRONIX, INC., IS SUPPLIED FOR IDENTIFICATION, ENGINEERING EVALUATION AND/OR INSPECTION PURPOSES ONLY AND MAY NOT BE USED AS A BASIS FOR MANUFACTURE OR SALES OF PRODUCTS WITHOUT WRITTEN PERMISSION FROM TEKTRONIX, INC. IF THIS DRAWING IS FURNISHED UNDER ANY UNITED STATES GOVERNMENT CONTRACT, IT SHALL NOT BE EITHER RELEASED OUTSIDE THE GOVERNMENT, OR USED, DUPLICATED, OR DISCLOSED IN WHOLE OR IN PART FOR MANUFACTURE OR PROCUREMENT, WITHOUT THE WRITTEN PERMISSION OF TEKTRONIX, INC., EXCEPT FOR: (1) EMERGENCY REPAIR OR OVERHAUL WORK BY OR FOR THE GOVERNMENT, WHERE THE ITEM OR PROCESS CONCERNED IS NOT OTHERWISE REASONABLY AVAILABLE TO ENABLE TIMELY PERFORMANCE OF THE WORK; OR (2) RELEASE TO A FOREIGN GOVERNMENT AS THE INTERESTS OF THE UNITED STATES MAY REQUIRE, PROVIDED THAT IN EITHER CASE THE RELEASE, USE, DUPLICATION OR DISCLOSURE HEREOF SHALL BE SUBJECT TO THE FOREGOING LIMITATIONS, IF THIS DRAWING IS REPRODUCED IN WHOLE OR IN PART, THIS ENTIRE LEGEND BLOCK MUST APPEAR ON ALL REPRODUCED COPIES.

REV	REF	DESCRIPTION OF CHANGE	CHK BY	DATE
A	41505	CORRECT LOCATION OF LEAD 4	LL	1 DEC 80
B	44078	EXTENSIVELY REVISED SEE MOD DOC FOR DETAILS	DD	16 MAR 82

PART NUMBER



WINDINGS	TURNS	AWG	RESISTANCE ± 20% AT 20°C
1-2	45 1/2	18	88 mΩ
3-4	45 1/2	18	88 mΩ

INDUCTANCE: 33 mH ± 25% EACH WINDING  
ONESI 252 OR EQUIV  
IDC MAX: 8A

8	176-0024-00	AR	WIRE, ELEC (18 AWG MAGNET)
7	162-0716-00	AR	INSULATION, SLEEVING (GRAY/GRN)
6	162-0718-00	AR	INSULATION, SLEEVING (GRAY/DRN)
5	162-0715-00	AR	INSULATION, SLEEVING (GRAY)
4	162-0714-00	AR	INSULATION, SLEEVING (GRAY/RED)
3	253-0125-00	AR	TAPE, PRESS SENS (.375 WIDE)
2	276-0296-00	1	FORM, COIL
1	276-0743-00	1	CORE, EM (4229 UNGAPPED) SET

ITEM	PART NUMBER	QTY	DESCRIPTION
LIST OF MATERIALS			

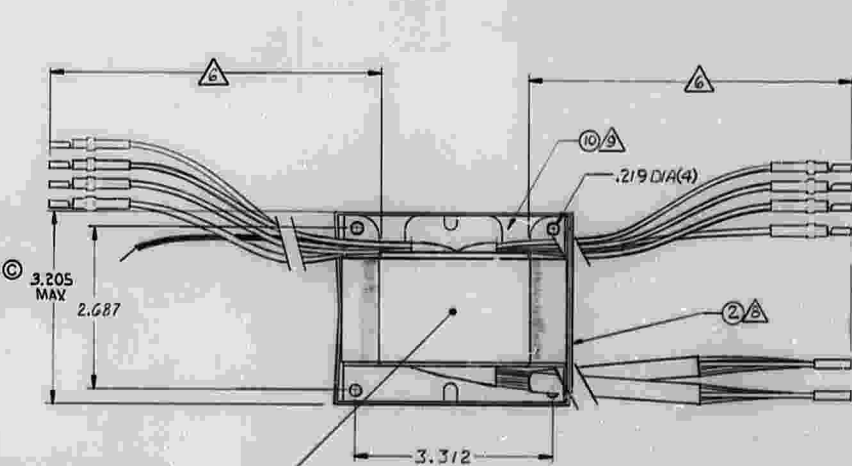
3. TRANSFORMER VACUUM IMPREGNATED WITH VARNISH 252-0082-00
2. COIL CEMENTED TO BOTTOM CORE AND CORES CEMENTED TOGETHER. INSULATE ALL SLOTS WITH TAPE
1. REFERENCE DIMENSIONS 1.166 HIGH X 1.670 OD

NOTES:

TEKTRONIX, INC. PROPRIETARY ITEM DRAWING			
<input checked="" type="checkbox"/> MFD BY TEKTRONIX		<input type="checkbox"/> MFD FOR TEKTRONIX	
<b>TEKTRONIX, INC.</b>		P. O. BOX 500 BEAVERTON, OREGON U.S.A. 97077	
DWN	JTWINFREY	6 OCT 80	DIMENSIONS ARE IN INCHES / TOLERANCES UNLESS OTHERWISE SPECIFIED
ENGR	W. Gordon	24 OCT 80	DEC ANLR
CHKR	B. Stewart	31 OCT 80	SCALE
PROD	M. Crotty	10 28 80	FIRST USED ON 7612 D
MATERIAL			
SEE LIST OF MATERIALS			
FINISH			
NOTED			
TITLE			
TRANSFORMER, RF (POT CORE COMMON MODE)			
CODE IDENT NO	SIZE	PART NUMBER	REV
80009	B	120-1288-00	B

DO NOT SCALE DRAWING

REV	DATE	DESCRIPTION OF CHANGE	DESIGN BY	DATE
A	51689	ADDED NOTE $\Delta$ , & ITEM NO. UPDATED Dwg. & NOTE ITEM 9 WAS 000-8677-00	DD	2 NOV 63
B	56319	REVISED & REDESIGNED		7 MAY 65
C	65075	ADDED NOTE $\Delta$ , DELETED PIN'S FROM NOTE $\Delta$ & LIST OF MATERIALS, WAS: 1900, 3.150	CMH	30 NOV 68

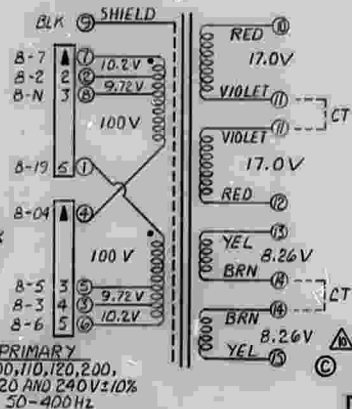


## OUTSIDE

TYPE WINDING	LEAD NO
SEC	14-15
17T	*14
SEC	13-14
17T	*14
SEC	11-12
35T	*19
SEC	10-11
35T	*19
SHIELD	9
PRI	7-2-8-4
$\emptyset$ -21-41-247T	*24
PRI	1-5-3-6
$\emptyset$ -206-226-247T	*24

LINE TO 1-4	CONNECT
100V	1708 & 4705
110V	1702 & 4703
120V	1707 & 4706
200V	5708
220V	2703
240V	6707

## INSIDE



$\pm 15$  V DC  
FWBCT  
0.8A EACH

$\pm 5$  V DC  
FWBCT  
5.1A (+)  
2.2A (-)

$\Delta$  SHIELD MUST NOT EXTEND BEYOND THE SURFACE OF CORE AND MAY HAVE AN OFFSET OF .100 MAX IN THE OPPOSITE DIRECTION

## TEKTRONIX SAFETY CONTROLLED PART

THIS PART IS CONTROLLED TO INSURE MAINTENANCE OF SAFETY CHARACTERISTICS THROUGHOUT A PRODUCT'S LIFE. NO DESIGN MODIFICATIONS, PART CHANGES OR MATERIALS SUBSTITUTIONS, INCLUDING SUBSTITUTIONS, MUST BE EVALUATED AND APPROVED IN EACH APPLICATION IN WHICH THIS IS A CONTROLLED PART.

REV	DATE	DESCRIPTION
A	10	2 PLATE, LAMINATION KEEPER
B	9	AR INSUL SLEEVING (HEAT SHRINK)
B	8	4 TERMINAL QUICK DISCONNECT
7	4	TERMINAL QUICK DISCONNECT
6	8	CONNECTOR, TERMINAL
5	2	HOLDER, TERMINAL CONNECTOR
4	AR	INSUL SLEEVING
3	AR	PLATE, LAMINATION (STEEL)
2	1	SHIELD, ELEC MOUNTING
1	AR	SHIELD, COPPER

- $\Delta$  ORIENTATION OF KEEPER OPTIONAL  
 $\Delta$  LAPPED END OF SHIELD ON END WHERE PRIMARY LEADS (1 THRU 8) EXIT

7. DIELECTRIC WITHSTANDING VOLTAGE: 1500V RMS, 50-60 Hz, 1 MINUTE; PRIMARIES TO SECONDARIES, SHIELD AND CORE

$\Delta$  LEAD LENGTHS MEASURED FROM EDGE OF COIL \* INSULATION SLEEVING

LEAD NO	COLOR	PART NUMBER	LENGTH $\pm 250$	LENGTH $\pm 125$
1	B-19			
2	B-2		6.000	CONN.
3	B-3			
4	B-04			
5	B-5			
6	B-6			
7	B-7			
8	B-N			
9	BLK		4.500	.500
11	*V10		7.000	CONN.
10-12	*RED			
14	*BRN			
13-15	*WEL			

PART NUMBER 120-1289-00 REV. C

5. TRANSFORMER MUST COMPLY TO UL 1244, CSA 536 B, AND IEC 348

4. VOLTAGE RATINGS ARE RMS NO LOAD 10:5 CURRENT RATINGS ARE AMPS DC TYP

$\Delta$  TRANSFORMER VACUUM IMPREGNATED WITH VARNISH 252-0082-00 OR APPROVED EQUIVALENT

2. POLARITY PER SCHEMATIC. 10-11-12 AND 13-14-15 PHASED SEPARATELY FOR PROPER OUTPUT VOLTAGE

1. DIMENSIONS REFERENCE UNLESS OTHERWISE SPECIFIED

NOTES:  $\Delta$

REV	DATE	DESCRIPTION
A	10	2 PLATE, LAMINATION KEEPER
B	9	AR INSUL SLEEVING (HEAT SHRINK)
B	8	4 TERMINAL QUICK DISCONNECT
7	4	TERMINAL QUICK DISCONNECT
6	8	CONNECTOR, TERMINAL
5	2	HOLDER, TERMINAL CONNECTOR
4	AR	INSUL SLEEVING
3	AR	PLATE, LAMINATION (STEEL)
2	1	SHIELD, ELEC MOUNTING
1	AR	SHIELD, COPPER

SEE LIST OF MATERIALS

TITLE TRANSFORMER, POWER

DATE 80009 D PART NUMBER 120-1289-00 REV C

54-51 H

COIL STRUCTURE

THIS DRAWING WHEN REFERRED OUTSIDE TEKTRONIX, INC. IS APPLIED FOR IDENTIFICATION, SPECIFICATION, EVALUATION AND/OR INSPECTION PURPOSES ONLY AND MAY NOT BE USED AS A BASIS FOR MANUFACTURE OR SALES OF PRODUCTS WITHOUT PERMISSION FROM TEKTRONIX, INC. IF THIS DRAWING IS REPRODUCED UNDER ANY OTHER TITLE OR NUMBER, CONTACT THE DRAWING CONTROL OFFICE, 10000 N.W. 41ST AVENUE, BEAVERTON, OREGON 97005. THIS DRAWING IS THE PROPERTY OF TEKTRONIX, INC. AND IS NOT TO BE REPRODUCED OR TRANSMITTED IN ANY FORM OR BY ANY MEANS, ELECTRONIC OR MECHANICAL, INCLUDING PHOTOCOPYING, RECORDING, OR BY ANY INFORMATION STORAGE AND RETRIEVAL SYSTEM, WITHOUT THE WRITTEN PERMISSION OF TEKTRONIX, INC. ANY REUSE OF THIS DRAWING WITHOUT THE WRITTEN PERMISSION OF TEKTRONIX, INC. IS PROHIBITED. THE USER SHALL BE RESPONSIBLE FOR OBTAINING ALL NECESSARY PERMISSIONS FROM THE APPROPRIATE AGENCIES AND AUTHORITIES. THE USER SHALL BE RESPONSIBLE FOR OBTAINING ALL NECESSARY PERMISSIONS FROM THE APPROPRIATE AGENCIES AND AUTHORITIES. THE USER SHALL BE RESPONSIBLE FOR OBTAINING ALL NECESSARY PERMISSIONS FROM THE APPROPRIATE AGENCIES AND AUTHORITIES. THE USER SHALL BE RESPONSIBLE FOR OBTAINING ALL NECESSARY PERMISSIONS FROM THE APPROPRIATE AGENCIES AND AUTHORITIES.

REV	DATE	DESCRIPTION OF CHANGE	CHK BY	DATE
A	5/16/89	UPDATED DRAWING NOTE 3, ITEM 8 WAS 000-5693-00	DD	8/04/83

OUTSIDE

TYPE WINDING	LEAD NO.
SEC 14 T	12-13 #16
SEC 33 T	14-15 #16
SEC 33 T	10-11 #18
SEC 33 T	19 #18
SHIELD	7
PRI	2-6-4
Φ-37-220 T	*22
PRI	1-5-3
Φ-183-220 T	*22

INSIDE

LINE TO 8-10	CONNECT
100 V	1 TO 10, 6 TO 8
120	2 TO 10, 4 TO 8
200	1 TO 6
220	1 TO 4
240	2 TO 4

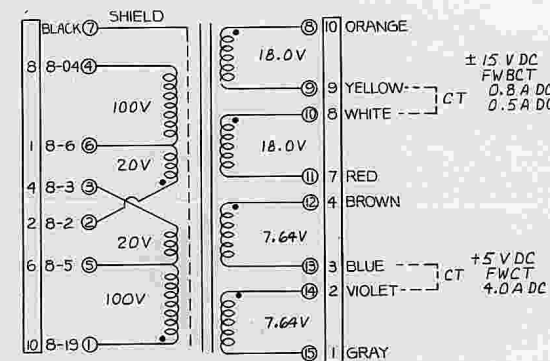
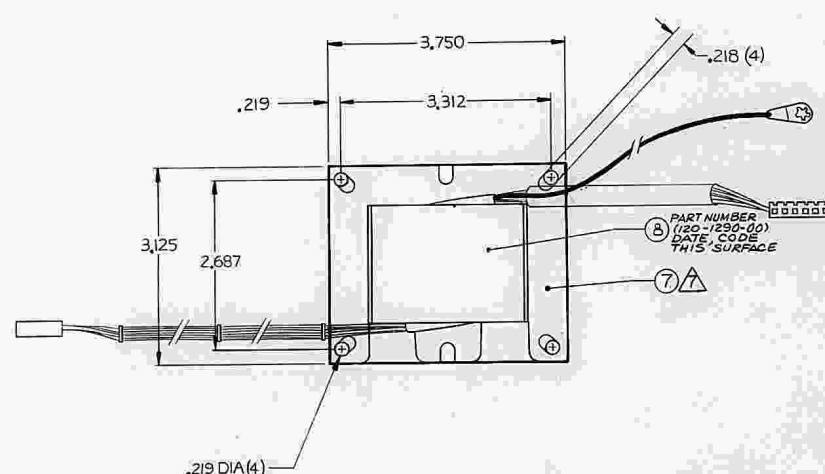
8. TRANSFORMER MUST COMPLY WITH UL 114, UL47B, AND CSA C 22.2 NO 154  
 Δ KEEPER ORIENTATION IS OPTIONAL

6. LEAD CHART: ALL LEAD WIRE

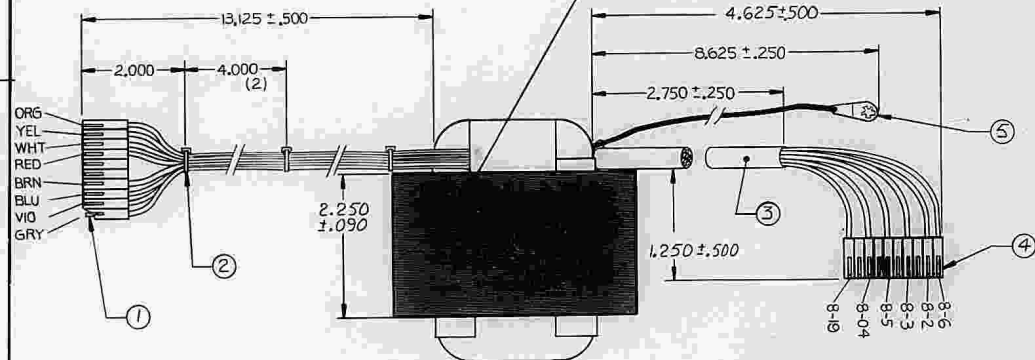
LEAD NO.	COLOR	PART NUMBER
1	8-19	175-0879-00
2	8-2	175-0880-00
3	8-3	175-0881-00
4	8-04	175-0882-00
5	8-5	175-0883-00
6	8-6	175-0884-00
7	BLK	175-0920-00
8	ORG	175-0950-00
9	YEL	175-0963-00
10	WHT	175-0951-00
11	RED	175-0922-00
12	BRN	175-0964-00
13	BLU	175-0970-00
14	VIO	175-0949-00
15	GRY	175-0886-00

SAFETY CLASSIFICATION	PART NUMBER	REV.
CLASSIFIED	120-1290-00	A

5. DIELECTRIC WITHSTANDING VOLTAGE: 1.5 KV RMS, 50 TO 60 Hz, 1 MINUTE, PRIMARIES TO SECONDARIES, SHIELD, AND CORE
4. VOLTAGE RATINGS ARE RMS NO LOAD, CURRENT RATINGS ARE AMPS DC TYP, UOS
- Δ 3. TRANSFORMER VACUUM IMPREGNATED WITH VARNISH 252-0082-00 OR APPROVED EQUIVALENT
2. POLARITY PER SCHEMATIC
1. DIMENSIONS REFERENCE UNLESS OTHERWISE SPECIFIED



PRIMARY  
 100, 120, 200, 220  
 AND 240V ± 10%  
 PRIMARY CIRCUIT HAS  
 ADDITIONAL LOAD OF  
 0.57A RMS ON THE 120V  
 CIRCUIT.



NOTES:

TEKTRONIX, INC. PROPRIETARY ITEM DRAWING

TEKTRONIX, INC. BEAVERTON, OREGON U.S.A. 97077

DRW: T. NGUYEN (MARB) DIMENSIONS ARE IN INCHES UNLESS OTHERWISE SPECIFIED

ENGR: B. STEINHAUT 03/24/81

CHK: B. STEINHAUT 07/14/81

PROD: P. DOUGLAS 09/20/81

SCALE: 1:1

FIRST USED ON: 4611/4612

MATERIAL: SEE LIST OF MATERIALS

FINISH: Δ

TITLE: TRANSFORMER, POWER, L.F., STPDN

CODE IDENT NO: 80009

REV: A

PART NUMBER: 120-1290-00

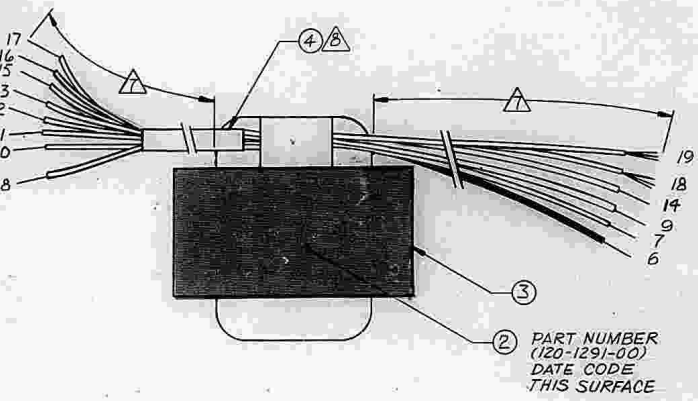
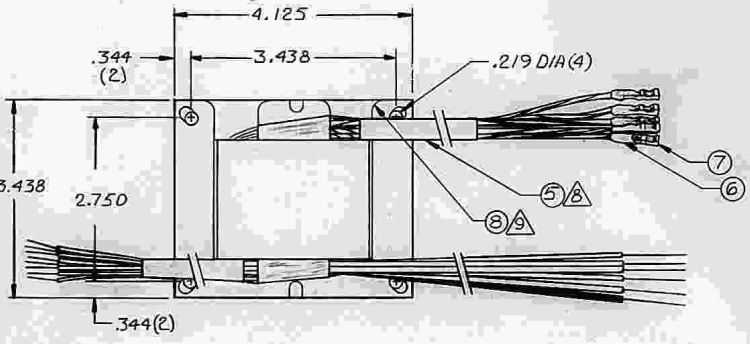
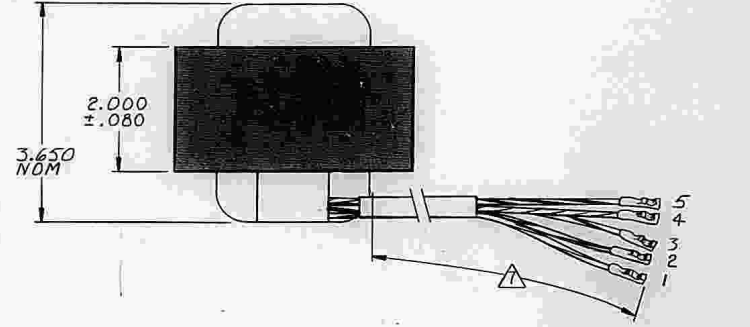
ITEM	PART NUMBER	QTY	DESCRIPTION
A	8 334-4645-00	1	IDENTIFICATION, MARKER
	7 386-4776-00	2	PLATE, LAMINATION (KEEPER)
	6 386-0024-00	AR	PLATE, LAMINATION (STEEL)
	5 210-0202-00	1	LUG, SOLDER
	4 352-0462-00	2	HOLDER, CONN.: 10 POSITION
A	3 162-0625-00	1	SLEEVING, #2 (WHITE)
	2 343-0549-00	3	CABLE TIE
	1 131-1918-00	14	CONNECTOR, TERMINAL

LIST OF MATERIALS

54-27 G

NOTES: (CONTINUED)  
 (B) ORIENTATION OF KEEPER IS OPTIONAL  
 (C) 10. DIELECTRIC WITHSTANDING VOLTAGE: 1.5 KV RMS, 50 TO 60 HZ, 1 MINUTE, PRIMARIES TO SECONDARIES, SHIELD, AND CORE

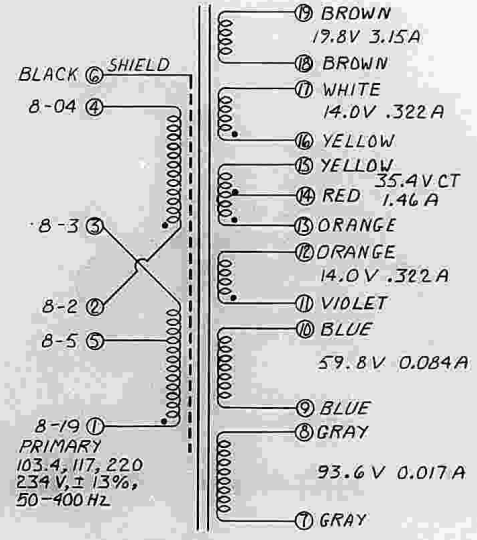
REV	DESCRIPTION OF CHANGE	DATE
(A)	45018 REMOVED ITEM	DD 17 MAR 82
(B)	51689 ADDED NOTES TO ITEM & UPDATED NOTE & DWG. REV. & WAS 000-5416-00	DD 7 NOV 83
(C)	COMBINED C. REV. SPEC W/B REV. DRWG. SHEETS 1-5	DRA 2 DEC 88



**COIL STRUCTURE OUTSIDE**

WINDING TYP	LEAD NO
SEC	18-19
38T	3 * 19
SEC 16-17	SEC 11-12
27T * 22	27T * 22
SEC	13-14-15
Ø-3A-68T	* 18
SEC	9-10
115T	* 29
SEC	7-8
180T	* 33
SHIELD	6
PRI	1-5-3
Ø-199-225 T	* 23
PRI	2-4
225 T	* 23

**INSIDE**



LINE TO	VOLTS RMS	CONNECT
1-5	103.4	1702 3704
1-4	117	1702 3704
1-4	220	2705
1-4	234	2703

INSTALL INSULATION SLEEVING ITEMS 4 AND 5 AFTER VARNISHING

LEAD LENGTH: \* LEAD WIRE, ▲ INSULATION SLVG

LEAD NO	COLOR	PART NUMBER	LENGTH ±.250	STRIP/TIN ±.125
1	B-19	175-0879-00	4.000	*
2	B-2	175-0880-00		*
3	B-3	175-0881-00		*
4	B-04	175-0882-00		*
5	B-5	175-0883-00		*
6	BLK	175-0920-00	5.000	1.000 *
7	GRY	175-0886-00	8.000	*
8	GRY	175-0886-00	7.000	*
9	BLU	175-0970-00	8.000	*
10	BLU	175-0970-00	7.625	*
11	VIO	162-0578-00	9.500	*
12	ORG	162-0576-00	8.875	▲
13	ORG	162-0673-00	8.875	▲
14	RED	162-0507-00	8.000	▲
15	YEL	162-0514-00	8.250	▲
16	YEL	162-0576-00	8.250	▲
17	WHT	162-0528-00	10.125	▲
18-19	BRN	162-0530-00	8.000	▲

INSTALL CONNECTOR 131-0677-00

SAFETY CONTROLLED PART  
 120-1291-00 D

- TRANSFORMER MUST COMPLY WITH UL-1244, CSA-556B, IEC-348
- TERMINALS 11 & 17 MUST PROVIDE 63.4V NO LOAD WHEN 12 IS CONNECTED TO 13 AND 15 IS CONNECTED TO 16
- TRANSFORMER VACUUM IMPREGNATED WITH VARNISH 252-0082-00 OR APPROVED EQUIVALENT
- POLARITY PER SCHEMATIC
- VOLTAGE RATINGS ARE RMS NO LOAD CURRENT RATINGS ARE AMPS DCTIP
- DIMENSIONS REFERENCE UOS

**NOTES:**

TEXTRONIX, INC. PROPRIETARY ITEM DRAWING  
 INFO BY TEXTRONIX INFO FOR TEXTRONIX

TEXTRONIX, INC. P. O. BOX 500 BEAVERTON, OREGON U.S.A. 97077  
 DATE: JTWINFREY 2 SEPT 80 DIMENSIONS ARE IN INCHES / MM  
 TOLERANCE: UNLESS OTHERWISE SPECIFIED  
 DWG: G. H. H. 17 DEC 80  
 CHECK: B. H. H. 15 DEC 80 SCALE: NONE FIRST USED ON: 5223  
 PROG: G. H. H. 15 DEC 80

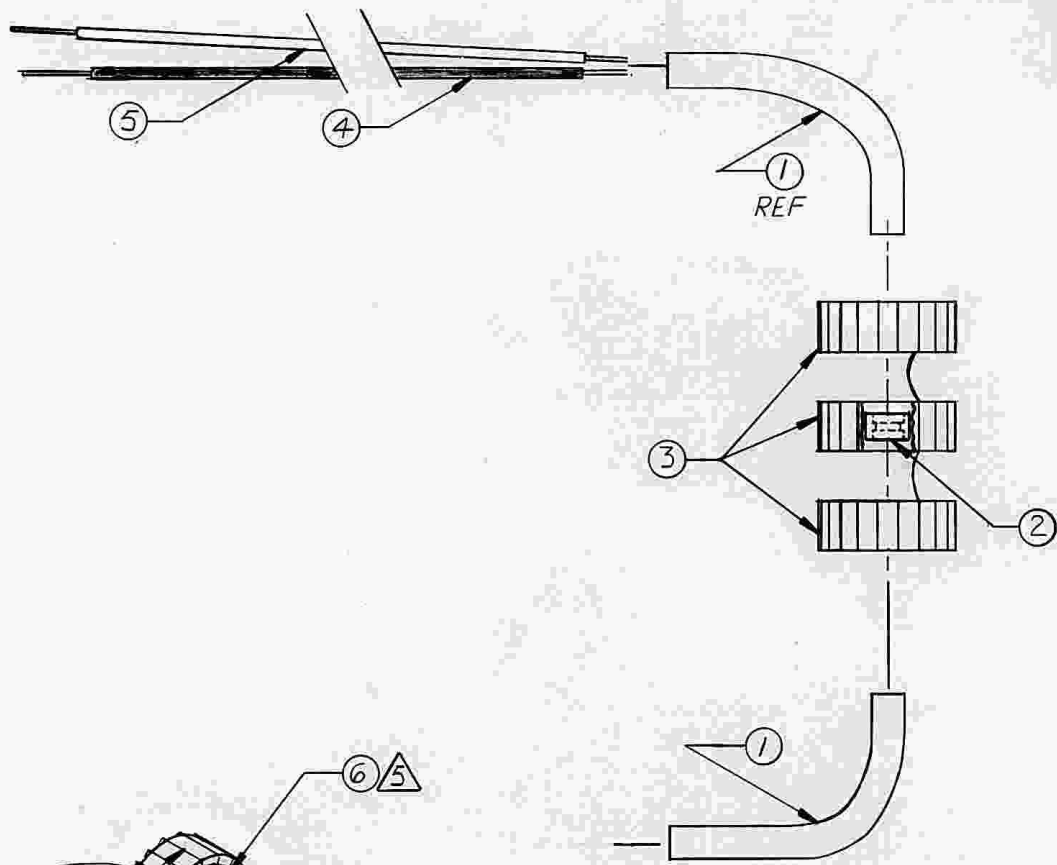
SEE LIST OF MATERIALS

QTY	PART NUMBER	DESCRIPTION
2	386-4781-00	PLATE LAMINATION KEEPER
5	131-0677-00	CONNECTOR, TERMINAL
AR	162-0561-00	INSUL SLEEVING (HEAT SHRINK)
AR	162-0625-00	INSUL SLEEVING ELEC
AR	162-0003-00	INSUL SLEEVING ELEC
AR	386-0021-00	PLATE LAMINATION STEEL
1	334-4645-00	MARKER, IDENTIFICATION

TITLE: TRANSFORMER, POWER (STPDN)  
 CODE IDENT NO: 80009  
 SIZE: 120-1291-00  
 REV: D

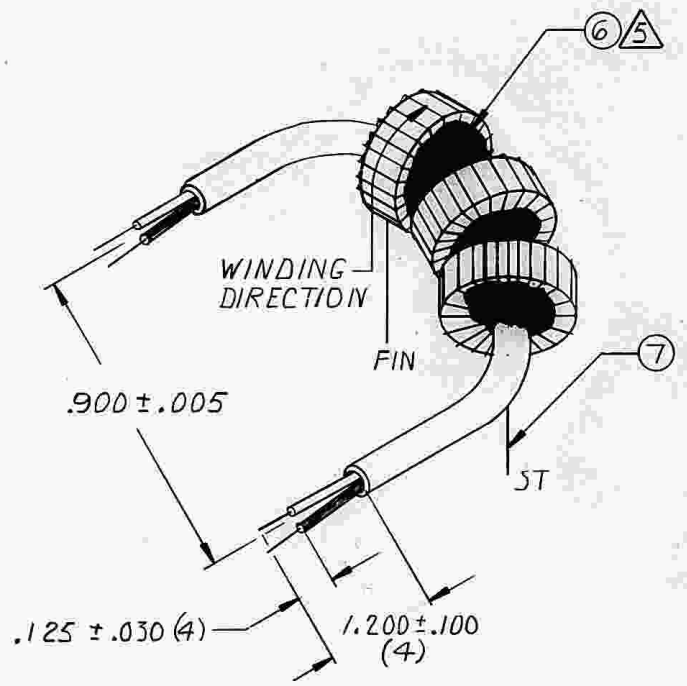
THIS DRAWING WHEN DISTRIBUTED OUTSIDE TEKTRONIX, INC., IS SUPPLIED FOR IDENTIFICATION, ENGINEERING EVALUATION AND/OR INSPECTION PURPOSES ONLY AND MAY NOT BE USED AS A BASIS FOR MANUFACTURE OR SALES OF PRODUCTS WITHOUT WRITTEN PERMISSION FROM TEKTRONIX, INC. IF THIS DRAWING IS FURNISHED UNDER ANY UNITED STATES GOVERNMENT CONTRACT, IT SHALL NOT BE EITHER RELEASED OUTSIDE THE GOVERNMENT, OR USED, DUPLICATED, OR DISCLOSED IN WHOLE OR IN PART FOR MANUFACTURE OR PROCUREMENT, WITHOUT THE WRITTEN PERMISSION OF TEKTRONIX, INC. EXCEPT FOR: (1) EMERGENCY REPAIR OR OVERHAUL WORK BY OR FOR THE GOVERNMENT, WHERE THE ITEM OR PROCESS CONCERNED IS NOT OTHERWISE REASONABLY AVAILABLE TO ENABLE TIMELY PERFORMANCE OF THE WORK, OR (2) RELEASE TO A FOREIGN GOVERNMENT AS THE INTERESTS OF THE UNITED STATES MAY REQUIRE, PROVIDED THAT IN EITHER CASE THE RELEASE, USE, DUPLICATION OR DISCLOSURE HEREOF SHALL BE SUBJECT TO THE FOREGOING LIMITATIONS, IF THIS DRAWING IS REPRODUCED IN WHOLE OR IN PART, THIS ENTIRE LEGEND BLOCK MUST APPEAR ON ALL REPRODUCED COPIES.

REV	REP	DESCRIPTION OF CHANGE	CHK BY	DATE
-----	-----	-----------------------	--------	------



7. ITEM 7, WIRE LEADS TO BE  $2.250 \pm .050(2)$  MEASURED FROM EDGE OF WINDING. LEADS STRIPPED & TINNED  $.250 \pm .050(2)$
6. COAT COILS WITH 006-3397-00 OR APPROVED EQUIVALENT TO PREVENT TURNS FROM MOVING
5. ITEM 6 ADHESIVE MUST HOLD COIL SECURELY TO ITEM 1 BRASS TUBE
4. HIPOT: WHITE-BROWN TO TOROIDAL COIL & BRASS TUBE, 5KV DC 1MINUTE
3. INDUCTANCE VALUE DETERMINE WITH HP4275 A METER OR EQUIV.  $1.45 \text{ mH} \pm 30\%$  ( $40 \text{ KHz}$ ,  $.3 \text{ mA}$ , PARALLEL MODE)
2. ELECTRICAL SPECIFICATION: @  $20^\circ \text{C}$   
RDC  $\pm 10\% = 0.7 \Omega$
1. 3 CORES ARE WOUND IN SERIES, 21T REF PER CORE, MINIMAL SPACING BETWEEN COILS

PART NUMBER	REV.
120-1292-00	



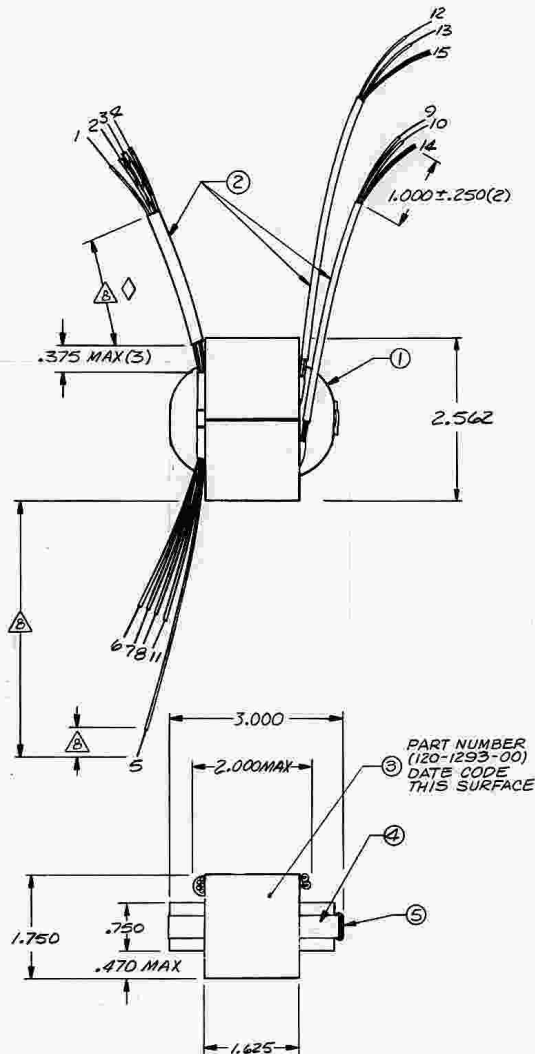
NOTES:

TEKTRONIX, INC. PROPRIETARY ITEM DRAWING			
<input checked="" type="checkbox"/> MFD BY TEKTRONIX		<input type="checkbox"/> MFD FOR TEKTRONIX	
<b>TEKTRONIX, INC.</b>		F. O. BOX 500 BEAVERTON, OREGON U.S.A. 97077	
DWN	JTWINFREY	2APR 81	DIMENSIONS ARE IN INCHES / <input checked="" type="checkbox"/> MILLIMETERS
ENGR	<i>NEVINS</i>	7AUG 81	TOLERANCES: UNLESS OTHERWISE SPECIFIED
CHKR	<i>B. Stewart</i>	2 JULY 81	DEC ANLR
PROD	<i>W. Johnson</i>	4-18-83	SCALE FIRST USED ON
MATERIAL		NONE AG902	
SEE LIST OF MATERIALS			
FINISH			
TITLE			
TRANSFORMER SIGNAL (ASSY)			
CODE IDENT NO	SIZE	PART NUMBER	REV
80009	C	120-1292-00	

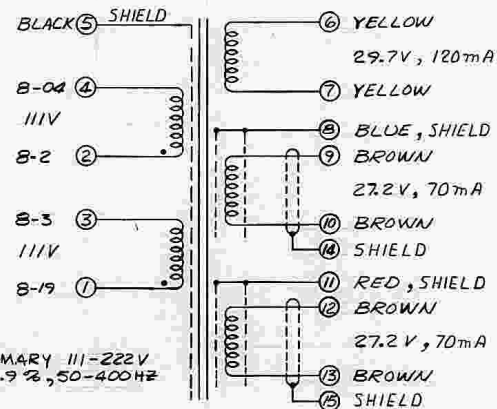
ITEM	PART NUMBER	QTY	DESCRIPTION
7	175-5097-XX	AR	WIRE, ELEC (32AWG TEFLON RED)
6	252-0718-00	AR	RUBBER, ADHESIVE SILICONE
5	175-3149-00	AR	WIRE, ELEC (26AWG TEFLON WHT)
4	175-0952-00	AR	WIRE, ELEC (26AWG TEFLON BRN)
3	276-0535-00	3	CORE, EM
2	342-0499-00	1	INSULATOR, SLEEVE
1	166-0612-01	2	TUBE, BRASS

54-95H

ALL RIGHTS RESERVED. THIS DRAWING IS THE PROPERTY OF THE DRAWING OFFICE AND IS NOT TO BE REPRODUCED OR TRANSMITTED IN ANY FORM OR BY ANY MEANS, ELECTRONIC OR MECHANICAL, INCLUDING PHOTOCOPYING, RECORDING, OR BY ANY INFORMATION STORAGE AND RETRIEVAL SYSTEM, WITHOUT THE WRITTEN PERMISSION OF THE DRAWING OFFICE. THIS DRAWING IS THE PROPERTY OF THE DRAWING OFFICE AND IS NOT TO BE REPRODUCED OR TRANSMITTED IN ANY FORM OR BY ANY MEANS, ELECTRONIC OR MECHANICAL, INCLUDING PHOTOCOPYING, RECORDING, OR BY ANY INFORMATION STORAGE AND RETRIEVAL SYSTEM, WITHOUT THE WRITTEN PERMISSION OF THE DRAWING OFFICE.			
REV	DESCRIPTION OF CHANGE	DATE	BY
A	53439 REVISED DWG., UPDATED NOTE ITEM 3 WAS 000-5064-00	2 FEB 84	DD
B	DE CAMP RMV TEK P/N'S FROM DWG	19 JUN 87	



LINE TO 1-4	CONNECT
111V	1702, 3 TO 4
222V	2 TO 3



LEAD NO	TURNS	AWG	DCR(Ω) TYP 200
1-3	1650	38	295
2-4	1650	38	295
5	SHIELD		
6-7	442	32	22.0
8	SHIELD		
9-10	405	35	48.0
11	SHIELD		
12-13	405	35	48.0
14	SHIELD		

\* SERIES CONNECTED WINDING

ITEM	PART NUMBER	QTY	DESCRIPTION
5		1	CLIP, SEAL
4		AR	STRAPPING
3		1	MARKER, IDENTIFICATION
2		AR	INSULATION, HEAT SHRINK
1		1	CORE 'C'

LEAD NO	COLOR	LEAD LENGTHS	HEAT SHRINK INSULATION LENGTHS
1	B-19		2.000
2	B-2		
3	B-3		
4	B-04		
5	BLK	6.500	
6,7	YEL	3.750	
8	BLU	3.750	
9,10	BRN	3.000	2.500
11	RED	3.750	
12,13	BRN	7.500	5.500
14,15	BARE		

7. CAPACITANCE: 150pF MAX.  
WINDINGS 9-10 AND 12-13 TESTED SEPARATELY TO 1, 2, 5, 6, 8, 11, 14 AND CORE AS A GROUP

6 TRANSFORMER MUST COMPLY TO UL 1244, CSA 536B, IEC 348

120-1293-00 B

5. DIELECTRIC WITHSTANDING VOLTAGE, AC RMS, 50-60 HZ, 1 MINUTE  
A. 2000V: 1, 2, 7 TO CORE, 5, 6, 7, 8, 11, 14, 15  
B. 3122V: 9, 10, 12, 13 TO CORE, 1, 2, 5, 6, 7, 8, 11, 14, 15  
C. 5243V: 9, 10 TO 12, 13

3. VOLTAGE RATINGS ARE RMS NO LOAD CURRENT RATINGS ARE RMS DC TYP

2. DIMENSIONS REFERENCE UDS

1. POLARITY PER SCHEMATIC

NOTES:

ITEM	DESCRIPTION	QTY	REVISION
5	CLIP, SEAL	1	
4	STRAPPING	AR	
3	MARKER, IDENTIFICATION	1	
2	INSULATION, HEAT SHRINK	AR	
1	CORE 'C'	1	

SEE LIST OF MATERIALS

NOTED

TRANSFORMER, POWER

C.F.

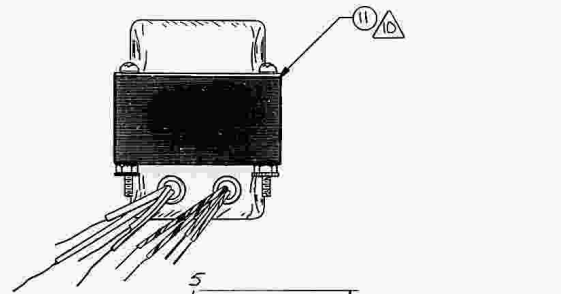
80009 D 120-1293-00 B



55-13 D

REV	REF	DESCRIPTION OF CHANGE	CHK BY	DATE
(A)	41718	ADDED ITEM (1) & NOTE (A)	DD	2FEB81
(B)	45018	REMOVED ITEM 9	DC	2APR82

THIS DRAWING, WHEN SUBMITTED OUTSIDE TEKTRONIX, INC., IS SUBJECT TO IDENTIFICATION, EXCLUDING REPRODUCTION AND/OR REPRODUCTION RIGHTS. IT IS THE PROPERTY OF TEKTRONIX, INC. AND IS NOT TO BE REPRODUCED OR TRANSMITTED IN ANY FORM OR BY ANY MEANS, ELECTRONIC OR MECHANICAL, INCLUDING PHOTOCOPYING, RECORDING, OR BY ANY INFORMATION STORAGE AND RETRIEVAL SYSTEM, WITHOUT THE WRITTEN PERMISSION OF TEKTRONIX, INC. EXCEPT FOR (1) REPRODUCTION FOR OFFICIAL USE OR FOR THE GOVERNMENT, WHEN THE USE OF PROCESS CONTROLS IS NOT OTHER THAN NECESSARY TO MAINTAIN THE PERFORMANCE OF THE WORK, OR (2) RELEASE BY A FEDERAL GOVERNMENT AS A RESULT OF THE RIGHTS OF ACCESS TO INFORMATION ACT. THE USER SHALL BE RESPONSIBLE FOR OBTAINING ALL NECESSARY RIGHTS FROM THE ORIGINAL SOURCE. IF THIS DRAWING IS REPRODUCED IN WHOLE OR IN PART, THE SOURCE CREDIT MUST APPEAR ON ALL REPRODUCED COPIES.

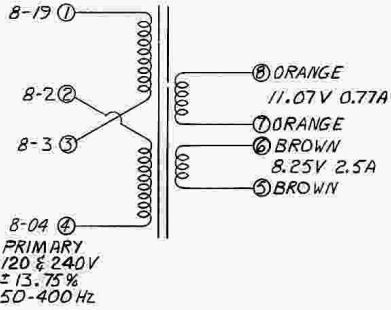
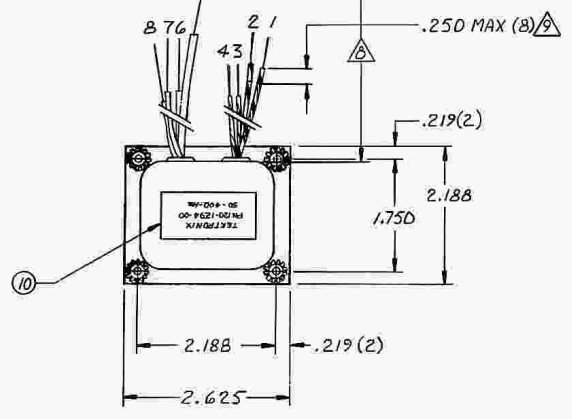


**COIL STRUCTURE  
OUTSIDE**

TYPE WINDING	LEAD NO
SEC	7-8
51T	# 23
SEC	5-6
38T	# 19
PRI	2-4
530T	# 32
PRI	1-3
530T	# 32

**INSIDE**

LINE TO 1-4	CONNECT
120V	1 TO 2, 3 TO 4
240V	2 TO 3



- (A) ORIENTATION OF KEEPER IS OPTIONAL
- (A) INSTALL HEAT SHRINK SLEEVING 1/2" OD 5/16" ID INDIVIDUALLY ON LEADS (THRU) AFTER PRINTING OF CORE. MAXIMUM SHRINKAGE ON BOTH ENDS OF LEADS IS .250 MAX (B)
- (B) LEAD LENGTH: \* LEAD WIRE \* \* INSULATION SLVG

LEAD NO	COLOR	PART NUMBER	LENGTH ±.750-.250	STRIP/TIN ±.125
* 1	8-19	175-0879-00	3.500	.500
* 2	8-2	175-0880-00	3.750	
* 3	8-3	175-0881-00	3.000	
* 4	8-04	175-0882-00	3.000	
* 5	BRN	162-0553-00	5.250	1.000
* 6	BRN	162-0553-00	3.750	
* 7	ORN	162-0576-00	3.750	
* 8	ORN	162-0576-00	2.750	

**SAFETY CONTROLLED PART**  
This part is controlled to ensure proper operation of some equipment. It is not to be replaced with a non-approved part.

PART NUMBER: 120-1294-00  
REV: B

- TRANSFORMER MUST COMPLY WITH UL-544, CSA-125 AND IEC-601
- POLARITY PER SCHEMATIC
- DIELECTRIC WITHSTANDING VOLTAGE: 2.5KV AC RMS, 50 TO 60HZ, 1 MINUTE, PRIMARIES TO SECONDARIES AND CORE
- VOLTAGE RATINGS ARE AC NO LOAD. CURRENT RATINGS ARE AMPS DC TYP
- WINDINGS INSULATED FOR 600V DC
- TRANSFORMER VACUUM IMPREGNATED WITH VARNISH 252-0082-00
- DIMENSIONS REFERENCE UOS

NOTES:

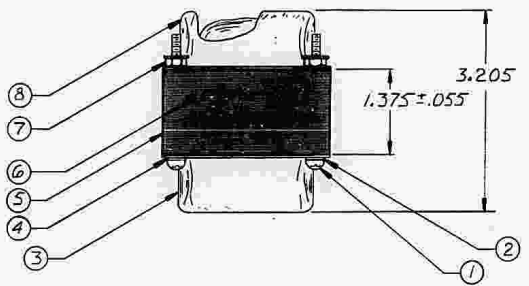
ITEM	PART NUMBER	QTY	DESCRIPTION
(A) 11	386-4780-00	2	PLATE LAMINATION (KEEPER)
10	000-5665-00	1	MARKER, IDENTIFICATION
(B) 9			
8	200-2463-01	1	COVER, ELEC. TRANSFORMER
7	210-0457-00	4	NUT, HEX (6-32 WITH LOCK WA)
6	252-0039-00	4	ENAMEL (BLACK)
5	386-0014-00	4	PLATE, LAMINATION STEEL
4	20-0006-00	2	WASHER, LOCK
3	200-0105-01	1	COVER, ELEC. TRANSFORMER
2	210-0823-00	2	WASHER, FLAT (RED FIBER)
1	211-0552-00	4	SCREW, MACHINE (2.000 LG)

SEE LIST OF MATERIALS

NOTED

TITLE: TRANSFORMER, POWER LF (STPDN)

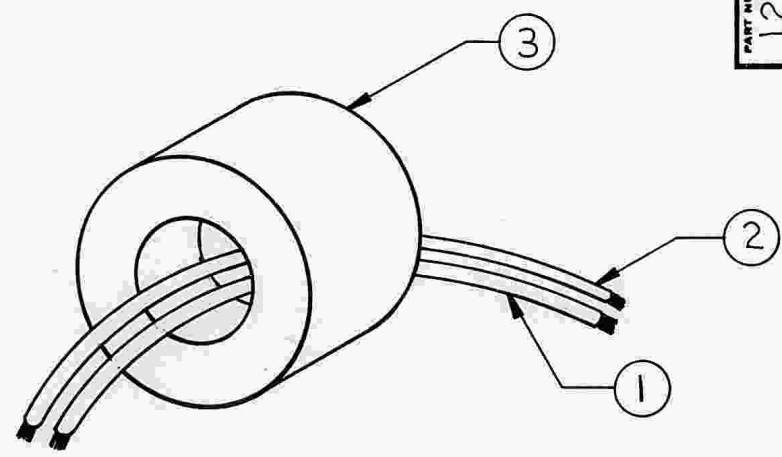
CODE IDENT NO: 80009  
DATE: 120-1294-00  
REV: B



REV.  
PART NUMBER  
120-1295-00

THIS DRAWING WHEN DISTRIBUTED OUTSIDE TEKTRONIX, INC., IS SUPPLIED FOR IDENTIFICATION, ENGINEERING EVALUATION AND/OR INSPECTION PURPOSES ONLY AND MAY NOT BE USED AS A BASIS FOR MANUFACTURE OR SALES OF PRODUCTS WITHOUT WRITTEN PERMISSION FROM TEKTRONIX, INC. IF THIS DRAWING IS FURNISHED UNDER ANY UNITED STATES GOVERNMENT CONTRACT, IT SHALL NOT BE EITHER RELEASED OUTSIDE THE GOVERNMENT, OR USED, DUPLICATED, OR DISCLOSED IN WHOLE OR IN PART FOR MANUFACTURE OR PROCUREMENT, WITHOUT THE WRITTEN PERMISSION OF TEKTRONIX, INC., EXCEPT FOR: (1) EMERGENCY REPAIR OR OVERHAUL WORK BY OR FOR THE GOVERNMENT, WHERE THE ITEM OR PROCESS CONCERNED IS NOT OTHERWISE REASONABLY AVAILABLE TO ENABLE TIMELY PERFORMANCE OF THE WORK; OR (2) RELEASE TO A FOREIGN GOVERNMENT AS THE INTERESTS OF THE UNITED STATES MAY REQUIRE, PROVIDED THAT IN EITHER CASE THE RELEASE, USE, DUPLICATION OR DISCLOSURE HEREOF SHALL BE SUBJECT TO THE FOREGOING LIMITATIONS. IF THIS DRAWING IS REPRODUCED IN WHOLE OR IN PART, THIS ENTIRE LEGEND BLOCK MUST APPEAR ON ALL REPRODUCED COPIES.

REV	REF	DESCRIPTION OF CHANGE	CHK BY	DATE



3	276-0541-00	1	SHLD BEAD, ELEK
2	195-0591-00	1	LEAD, ELEC (26 AWG, 1.5 L, 9-2)
1	195-0592-00	1	LEAD, ELEC (26 AWG, 1.5 L, 9-1)

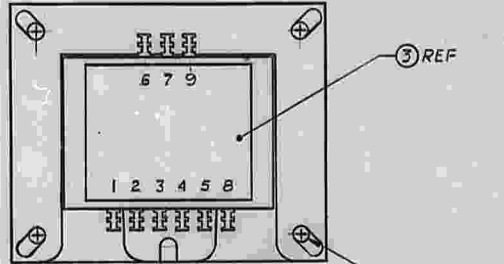
ITEM	PART NUMBER	QTY	DESCRIPTION
------	-------------	-----	-------------

LIST OF MATERIALS

TEKTRONIX, INC. PROPRIETARY ITEM DRAWING			
<input checked="" type="checkbox"/> MFD BY TEKTRONIX		<input type="checkbox"/> MFD FOR TEKTRONIX	
		P. O. BOX 500 BEAVERTON, OREGON U.S.A. 97077	
DWN	BEV BRISTOL	27 JUL 81	DIMENSIONS ARE IN INCHES / TOLERANCES: UNLESS OTHERWISE SPECIFIED
ENGR			DEC _____ ANLR _____
CHKR	LAWRENCE LOWE	30 JULY 81	SCALE _____ FIRST USED ON _____
PROD			NONE
MATERIAL			
SEE LIST OF MATERIALS			
FINISH			
TITLE			
TRANSFORMER, RF			
CODE IDENT NO	SIZE	PART NUMBER	REV
80009	B	120-1295-00	

DO NOT SCALE DRAWING

**COIL STRUCTURE**



**TYP WINDING**

560 16-17-18  
Ø-17-34T #18

SEC 13-14-15  
Ø-17-34T #18

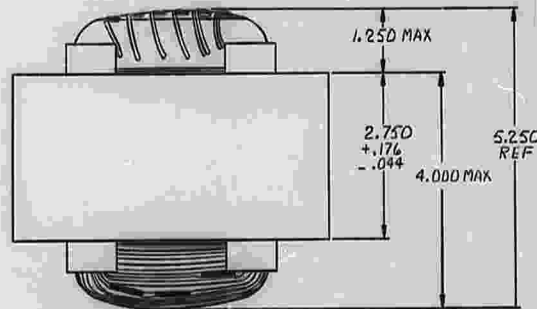
SEC 10-11 SEC 12-11  
9T .023 X 1.125 9T .023 X 1.125

SHIELD 9

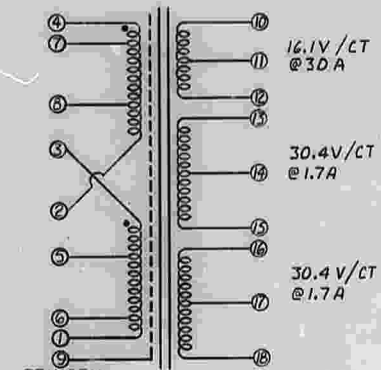
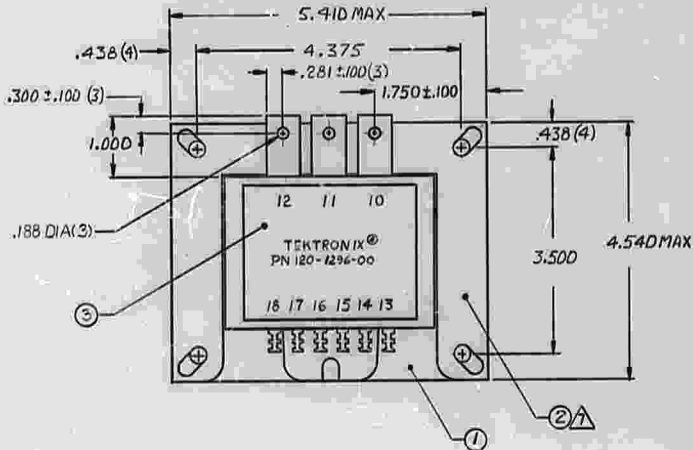
PRI 2-8-7-4  
Ø-22-123-134T #18

PRI 1-6-5-3  
Ø-11-112-134T #18

**INSIDE**



LINE TO 1-4	CONNECT
100V	1703, 4 TO 5
120V	1702 3 TO 4
200V	5 TO 8
220V	2 TO 5
240V	2 TO 3



PRIMARY  
100, 120, 200,  
220, 240 V  
50 - 400 Hz

REV	REF	DESCRIPTION OF CHANGE	CHK BY	DATE
A	50496	ADDED NOTE $\Delta$ 4 GEN UPDATE	DD	25 JUN 92
B	51689	UPDATED NOTE $\Delta$	DD	22 DEC 93
C	56319	ADDED 1.750 ± .100		18 APR 95

- NOTES:**
1. DIMENSIONS REFERENCE UNLESS OTHERWISE SPECIFIED
  2. POLARITY PER SCHEMATIC
  3. TRANSFORMER VACUUM IMPREGNATED WITH VARNISH 252-0082-00 OR APPROVED EQUIVALENT
  4. DIELECTRIC WITHSTANDING VOLTAGE: 2000 VRMS, 50 TO 60 Hz, 1 MINUTE, 1 THRU 8 TO 9 THRU 18 AND CORE
  5. VOLTAGE RATINGS ARE RMS NO LOAD, CURRENT RATINGS ARE AMPS DC TYP USES. PRIMARY TAPS \*6 AND \*7 ARE PROVIDED TO INCREASE THE OUTPUT VOLTAGE BY APPROXIMATELY 10% WITH 100V INPUT AND 8% WITH 120V INPUT. SUBSTITUTE TERM \*7 FOR \*4 AND \*6 FOR \*1.
  6. TRANSFORMER MUST COMPLY TO UL 1244 CSA 556 B AND IEC 348

PART NUMBER 120-1296-00 REV. C

$\Delta$  ORIENTATION OF KEEPER IS OPTIONAL

**TEKTRONIX SAFETY CONTROLLED PART**  
THIS PART IS CONTROLLED TO INSURE MAINTENANCE OF SAFETY CHARACTERISTICS IDENTIFIED IN A TEKTRONIX PRODUCT. TO CONTINUE MAINTAINING ANY CHANGES IN NATIONAL SPECIFICATIONS, VENDOR, OR VENDOR PART NUMBER MUST BE EVALUATED AND APPROVED IN EACH APPLICATION IN WHICH THIS IS A CONTROLLED PART.

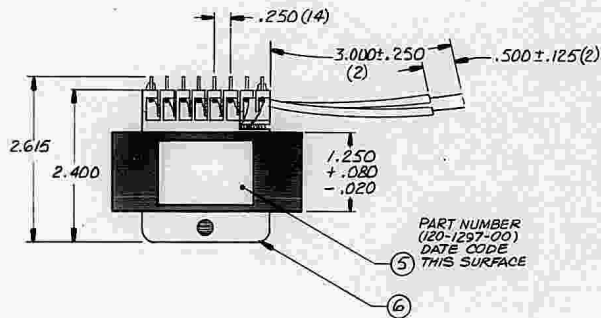
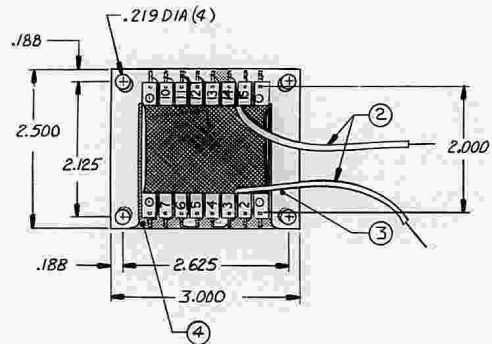
QTY	PART NUMBER	REV.	USE OF MATERIALS	DESCRIPTION
3	334-5300-00	1		MARKER IDENTIFICATION
2	386-0032-00	2		PLATE LAMINATION (KEEPER)
1	386-0031-00	AR		PLATE LAMINATION (STEEL)

TEKTRONIX, INC. PROPRIETARY ITEM DRAWING  
 DIVISION AND TO INVENTORY AND TELEPHONE  
 UNLESS OTHERWISE SPECIFIED  
 DATE: 10/11/92  
 DRAWN BY: J. G. BEE  
 CHECKED BY: J. G. BEE  
 SCALE: 1:1  
 PART NUMBER: 8301  
 MATERIAL: SEE LIST OF MATERIALS  
 PART NUMBER: SEE  $\Delta$   
 TITLE: TRANSFORMER, POWER (STP DN)  
 COOLING TYPE: SEE PART NUMBER  
 PART NUMBER: 80009 15 120-1296-00 REV. C

52-137B

REV	REP	DESCRIPTION OF CHANGE	CHK BY	DATE
	36067	INITIATED PART	NS	6 SEPT 79
A	45018	REMOVED ITEM 1	DD	23 FEB 82
B	50496	ADDED NOTE B, NOTE 6 WAS 2KV	DD	23 JUN 83
C	51689	REVISED DWG., UPDATED NOTE A	DD	22 DEC 83

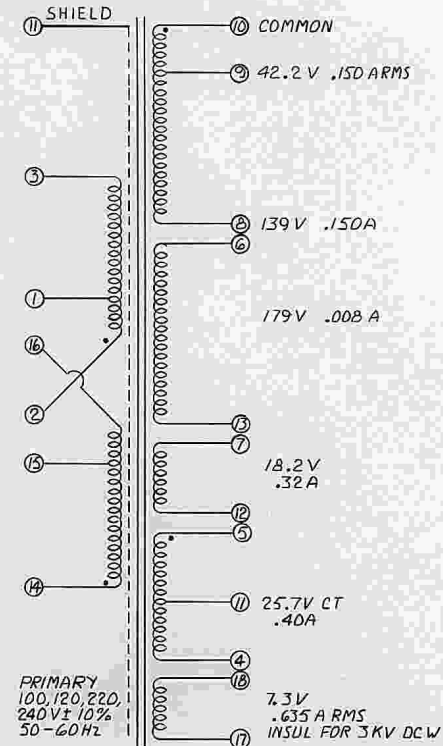
LINE TO 3 & 4	CONNE CT
100V	3 TO 15, 1 TO 14
120V	3 TO 16, 2 TO 14
220V	1 TO 16
240V	2 TO 16



### COIL STRUCTURE OUTSIDE

TYPE WINDING	LEAD TERM NO
SEC	18-17
30T	#26
SEC	5-11-4
0-53-106T	#27
SEC	7-12
75T	#27
SEC	6-13
740T	#34
SEC	10-9-8
0-174-575T	#30
SHIELD	11
PRI	2-1-3
0-83-495T	#30
PRI	14-15-16
0-412-495T	#30

### INSIDE



B. ORIENTATION OF KEEPER IS OPTIONAL

7. TRANSFORMER MUST COMPLY TO UL 1244, CSA 536B, AND IEC 348

**SAFETY CONTROLLED PART**  
This part is controlled as a safety controlled part. The manufacturing process must be controlled to ensure the part meets the required specifications. The manufacturing process must be controlled to ensure the part meets the required specifications.

PART NUMBER  
120-1297-00

6. DIELECTRIC WITHSTANDING VOLTAGE: 15 KV RMS, 50 TO 60HZ, 1 MINUTE, PRIMARIES TO SECONDARIES, SHIELD, AND CORE

5. WINDINGS INSULATED FOR 600V DC UVS

4. VOLTAGE RATINGS ARE RMS NO LOAD CURRENT RATINGS ARE AMPS DC TYP UVS

3. TRANSFORMER VACUUM IMPREGNATED WITH VARNISH 252-0082-00 OR APPROVED EQUIVALENT

2. POLARITY PER SCHEMATIC  
1. DIMENSIONS REFERENCE UNLESS OTHERWISE SPECIFIED

NOTES:

TEKTRONIX, INC. PROPRIETARY ITEM DRAWING  
COPY BY TEKTRONIX

TEKTRONIX, INC. P. O. BOX 900  
BEAVERTON, OREGON U.S.A. 97171

DESIGNER: J. WINFREY  
ENGR: R. COOPER  
CHECKER: B. STEINER  
PROG: G. HAY  
DATE: 8 AUG 79  
SCALE: 1:1  
FIRST USED ON: T 912

MATERIAL: SEE LIST OF MATERIALS

FINISH: NOTED

TITLE: TRANSFORMER POWER SDN & SU

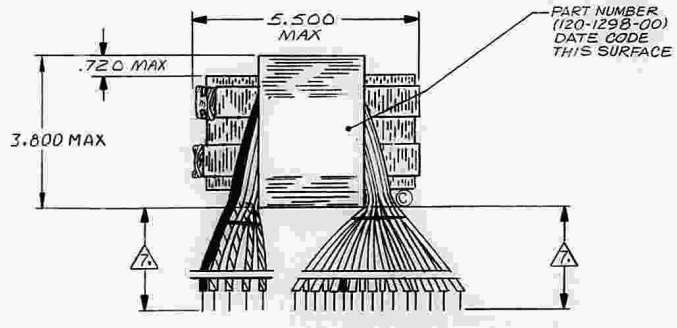
CODE (DEPT NO): 80009  
SIZE: D  
PART NUMBER: 120-1297-00  
REV: C

6	276-0214-01	1	FORM. COIL
5	334-4645-00	1	MARKER, IDENTIFICATION
4	386-0029-00	AR	PLATE, LAMINATION (STEEL)
3	386-0030-00	AR	PLATE, LAMINATION (KEEPER)
2	175-1728-00	AR	WIRE, ELEC (#26 AWG SOLID BROWN, TEF CORONA RES)

REV	DESCRIPTION
A	

54-141 K

COIL STRUCTURE INSIDE

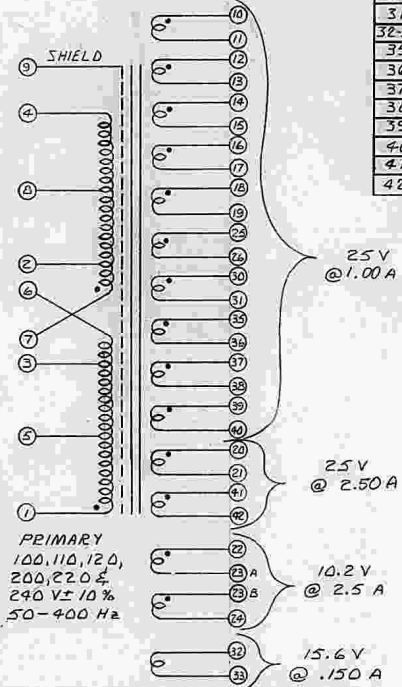
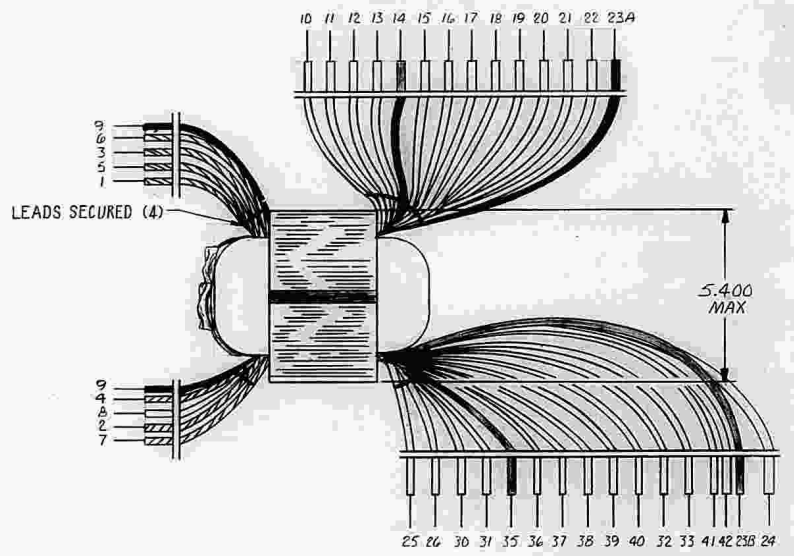


LEAD NUMBER	TURNS	AWG	DCR $\Omega$	20°C TIP
1-5-3-6	0-236 -200 -284	18	1.11	
7-2-8-4	0-24 +8-284	18	1.11	
9	SHIELD			
10-11	62	22	.74	
12-13	62	22	.74	
14-15	62	22	.74	
16-17	62	22	.74	
18-19	62	22	.74	
20-21	62	16	.20	
22-23A	24	16	.08	
25-26	62	22	.74	
30-31	62	22	.74	
35-36	62	22	.74	
37-38	62	22	.74	
39-40	62	22	.74	
32-33	37	22	.48	
41-42	62	16	.20	
23-24	24	16	.08	

LEAD CHART

LEAD NO	COLOR	SLEEVING PART NUMBER	LENGTH $\pm .500$	STRIP $\frac{1}{2}$ TIN $\pm .250$
1	B-19	162-0660-00	10.500	
2	B-2	162-0661-00	10.500	
3	B-3	162-0663-00	10.500	
4	B-04	162-0664-00	10.500	
5	B-5	162-0665-00	10.500	
6	B-6	162-0666-00	10.500	
7	B-7	162-0667-00	10.500	
8	B-N	162-0668-03	10.500	
9	BLK	162-0502-00	4.000	
10	GRY	162-0648-00	17.500	
11	BLU	162-0523-00	14.500	
12	BRN	162-0553-00	14.000	
13	WHT	162-0527-00	12.000	
14	BLK	162-0503-00	11.000	
15	YEL	162-0515-00	9.000	
16	DRN	162-0623-00	9.000	
17	VIO	162-0637-00	7.000	
18	GRN	162-0519-00	6.500	
19	4-2	162-0711-00	7.000	
20	BRN	162-0552-00	6.500	
21	RED	162-0508-00	8.500	
22	YEL	162-0519-00	7.500	.500
23A	BLK	162-0502-00	7.500	
23B	BLK	162-0502-00	12.500	
24	WHT	162-0650-00	12.500	
25	GRY	162-0648-00	19.000	
26	BLU	162-0523-00	19.000	
30	BRN	162-0553-00	16.000	
31	WHT	162-0527-00	16.000	
32-33	RED	162-0509-00	20.000	
35	BLK	162-0503-00	13.500	
36	YEL	162-0515-00	13.500	
37	DRN	162-0623-00	12.000	
38	VIO	162-0637-00	9.500	
39	GRN	162-0519-00	9.000	
40	4-2	162-0711-00	9.000	
41	BRN	162-0552-00	10.000	.500
42	RED	162-0508-00	10.500	.500

OUTSIDE



LINE TO 1-4	CONNECT
100 V	1708, 4705
110 V	1702, 3704
120 V	1707, 4706
200 V	5708
220 V	2703
240 V	6707

REV	DESCRIPTION OF CHANGE	DATE
A	49042 25V @ 1.00A WAS .75A, 25V @ 2.50A WAS 2A	DD 14 JAN 83
B	53439 REVISED DWG, UPDATED NOTE	DD 2 FEB 84
C	DDX B1 UPDATED LEAD LENGTHS, SECURING OF LEADS, REMOVED MATERIAL LIST, MOVED SAFETY CONTROL STICKER	JF 10 JUN 85
D	UPDATED LEAD LENGTHS	MG 1 JAN 86
E	MPD0177 UPDATED LEAD LENGTHS	SE 15 AUG 88
F	MPD 0174 LEAD NO 10 WAS 16.000	SE 29 MAY 89

B. TRANSFORMER MUST COMPLY WITH UL 544 & CSA 556 B.

PART NUMBER 120-1298-00

- SEE LEAD CHART.
- DIELECTRIC WITHSTANDING VOLTAGE: 15KV RMS, 50 TO 60 Hz, 1 MIN, PRIMARIES TO SECONDARIES, SHIELD, AND CORE.
- WINDINGS INSULATED FOR 600 V DC.
- TRANSFORMER VACUUM IMPREGNATED WITH VARNISH 252-0082-00 OR APPROVED EQUIVALENT.
- VOLTAGE RATINGS ARE RMS NO LOAD AND CURRENT RATINGS ARE AMPS RMS UOS.
- POLARITY PER SCHEMATIC.
- DIMENSIONS REFERENCE UOS.

NOTES:

TEKTRONIX, INC. PROPRIETARY ITEM DRAWING

MPD BY TEKTRONIX

TEKTRONIX, INC. BEAVERTON, OREGON U.S.A. #977

DESIGNER: J. SIMMONS

ENGR: S. G. HILL

PROD BY: DOUGLAS ROSEBATH

DATE: 17 FEB 82

SCALE: NONE

FIRST USED ON: TM 5006

MATERIAL: SEE LIST OF MATERIALS

TEKTRONIX SAFETY CONTROLLED PART

THIS PART IS CONTROLLED TO INSURE MAINTENANCE OF SAFETY CHARACTERISTICS DESIGNED INTO A TEKTRONIX PRODUCT. TO CONTINUE MAINTENANCE, ANY CHANGES IN MATERIALS, SPECIFICATIONS, VENDORS, OR VENDOR PART NUMBERS MUST BE EVALUATED AND APPROVED IN EACH APPLICATION IN WHICH THIS IS A CONTROLLED PART.

REV: SEE NOTE A

TITLE: TRANSFORMER, POWER L.F. (CSTPDN)

CODE IDENT NO: 80009

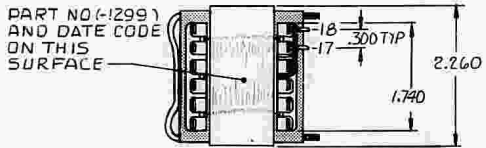
SIZE: D

PART NUMBER: 120-1298-00

REV: F

78-239G

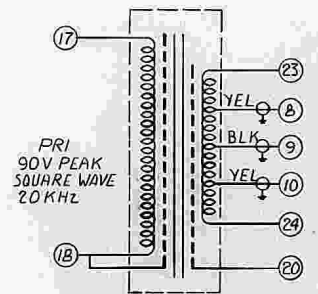
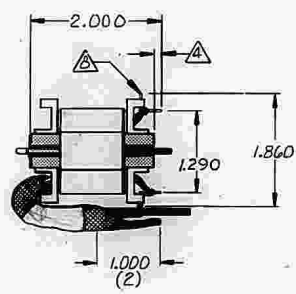
REV	DATE	DESCRIPTION OF CHANGE	APP'D BY	CHECKED BY
A	50393	REVISED DRAWING	DD	2/MAR/83
ⓐ	51635	RMVD CROSS MATCHING	DD	18/OCT/83
ⓑ	52001	ADDED ITEM 11 ON LIST OF MAT'L. DELETED NOTE $\Delta$ . UPDATED DWG NOTES 6 & NOTE $\Delta$	DD	18/OCT/83
Ⓒ	53582	ADDED NOTE $\Delta$	DD	3/MAY/84
Ⓓ	54507	UPDATED DWG., DELETED NOTES $\Delta$ & $\Delta$ . ADDED NOTES $\Delta$ , $\Delta$ & $\Delta$ . ITEM 12. ITEM 9 WAS 131-2302-00	DD	25-7-84
Ⓔ		DELETED LIST OF MAT'L. UPDATED SAFETY LABEL & TITLE BLOCK.	MG	22/OCT/85
Ⓖ	MS145	NOTE $\Delta$ WAS $.375 \pm .030$	SE	17/OCT/92



COIL STRUCTURE  
OUTSIDE

TYPE WINDINGS	LEAD NO
SEC	8-23, 24-10
8T BIFILAR	*18
SEC	10-9-8
4T QUADFILAR	*16
SEC SHIELD	20
PRI SHIELD	18
PRI	17-18
40T	*20

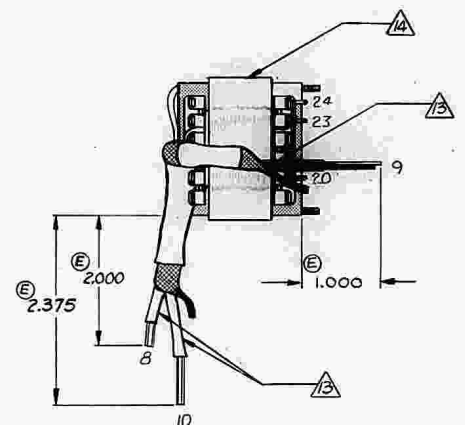
INSIDE



8,9,10: 8V @ 20A  
23,9,24: ±20 V 180 WATT TOTAL

LEAD NO	* VOLTS	CURRENT AMPS RMS	DCR ±20% Ω AT 20°C
17-18	90	4.2	.08
23-9-24	54/CT	4.3	.056/CT
8-9-10	18/CT	14.2	.008/CT

\* VOLTS PEAK NO LOAD



- $\Delta$  FLUX SHIELD MUST BE CENTERED WITH RESPECT TO COIL FORM/COIL AREA
  - $\Delta$  SLEEVING END TO BRAID 0.500 MIN.
  - $\Delta$  (DELETED)
  - $\Delta$  (DELETED)
  - $\Delta$  10 TRANSFORMER MUST COMPLY WITH UL 544 AND CSA 536 B
  - $\Delta$  (DELETED)
  - $\Delta$  TERMINALS 17,18,20,23,AND 24 CUT OFF .090 MAX FROM END OF TERMINAL POST
- PART NUMBER: 120-1299-00
- $\Delta$  STRIP & TIN LEAD 8,9,10  $.675 \pm .030$
  - 6. INDUCTANCE (17-18): 3.8 mH MIN MEASURED ON ESI 252 METER OR APPROVED EQUIVALENT
  - 5. DIELECTRIC WITHSTANDING VOLTAGE: 1.5 KV RMS, 50-60 HZ, 1 MINUTE, PRIMARY 17-18 TO SECONDARIES, SECONDARY SHIELD, CORE, AND BRAIDED SHIELD
  - $\Delta$  SOLDERABILITY REQUIRED BELOW MOUNTING PLANE
  - 3. CORE CEMENTED TOGETHER
  - $\Delta$  TRANSFORMER VACUUM IMPREGNATED WITH VARNISH 252-0082-00 OR APPROVED EQUIVALENT
  - 1. DIMENSIONS REFERENCE UDS

TEXTRONIX, INC. PROPRIETARY ITEM DRAWING  
 MFG BY TEXTRONIX  MFG FOR TEXTRONIX  
 P. O. BOX 500  
 BEAVERTON, OREGON U.S.A. 97007

**TEXTRONIX, INC.**

OWN: JTW/JFREY/VJW/NBL  
 ENGR: JAG/LL VJG/BBZ  
 CHKR: B. Bousset M.F.E.P.  
 PROJ. P.L. DOUGLAS C/MAR/82

DIMENSIONS ARE IN INCHES  
 UNLESS OTHERWISE SPECIFIED  
 DEC. REF. ( ) DIM. A  
 SCALE: PART USED ON: 1:1  
 TMS006

MATERIAL: SEE LIST OF MATERIALS

FINISH: SEE NOTE  $\Delta$

TITLE: TRANSFORMER, POWER (CONVERTER)

CAGE CODE NO. 80009 D PART NO. 120-1299-00 REV. G


**TEXTRONIX SAFETY CONTROLLED PART**

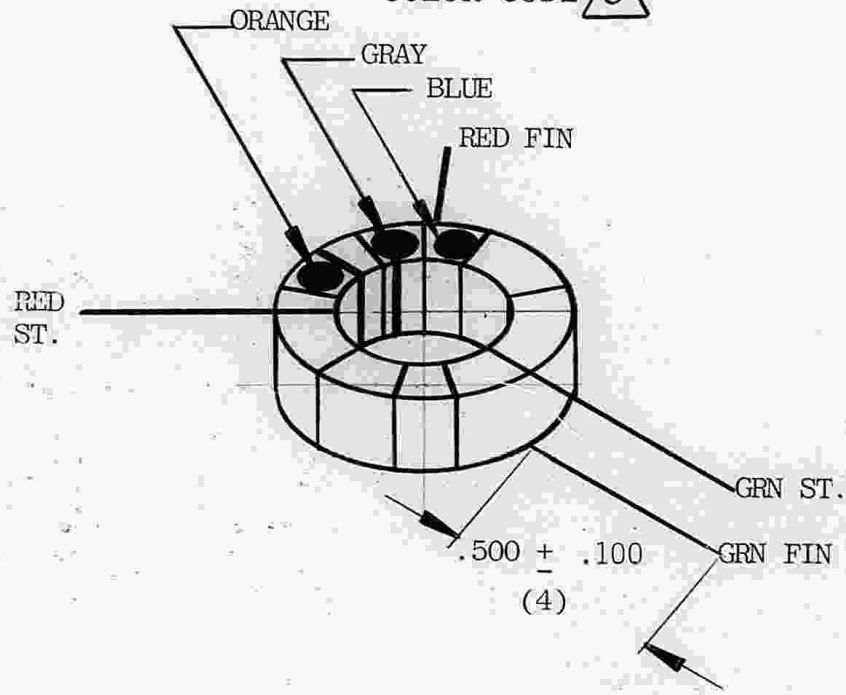
THIS PART IS CONTROLLED TO INSURE MAINTENANCE OF SAFETY CHARACTERISTICS DESIGNED INTO A TEXTRONIX PRODUCT. TO CONTINUE MAINTENANCE, ANY CHANGES IN MATERIAL, SPECIFICATIONS, TOLERANCES, OR VENDOR PART NUMBERS MUST BE EVALUATED AND APPROVED IN EACH APPLICATION IN WHICH THIS IS A CONTROLLED PART.

NOTES:

1. TOROID REFERENCE DIMENSIONS .287 ODX.128 HIGH
2. LEADS TINNED TO WITHIN .050 OF WINDING
3. COATED WITH 006-1109-00 OR 006-3397-00 OR APPROVED EQUIV.
4. INDUCTANCE 120 nH REF. HP 4275A METER OR APPROVED EQUIVALENT @ 1 MHz, 9 mA, SERIES MODE ON 9 TURN WINDING

5. PRINTED PART NUMBER (-1300) MAY BE USED INSTEAD OF COLOR CODE

COLOR CODE 



DATA  
 CODE TD-386  
 CORE NO 276-0716-00

WIRE DATA		
TURNS	AWG	PART NUMBER
3	27	176-0010-00
9	27	176-0010-15

79-148

PART NUMBER **120-1300-00**



REV 

THIS DRAWING WHEN DISTRIBUTED OUTSIDE TEKTRONIX, INC. IS SUPPLIED FOR IDENTIFICATION, ENGINEERING EVALUATION AND/OR INSPECTION PURPOSES ONLY AND MAY NOT BE USED AS A BASIS FOR MANUFACTURE OR SALES OF PRODUCTS WITHOUT WRITTEN PERMISSION FROM TEKTRONIX, INC. IF THIS DRAWING IS FURNISHED UNDER ANY UNITED STATES GOVERNMENT CONTRACT, IT SHALL NOT BE EITHER RELEASED OUTSIDE THE GOVERNMENT, OR USED, DUPLICATED, OR DISCLOSED IN WHOLE OR IN PART FOR MANUFACTURE OR PROCUREMENT, WITHOUT THE WRITTEN PERMISSION OF TEKTRONIX, INC. EXCEPT FOR: (1) EMERGENCY REPAIR OR OVERHAUL WORK BY OR FOR THE GOVERNMENT, WHERE THE ITEM OR PROCESS CONCERNED IS NOT OTHERWISE REASONABLY AVAILABLE TO ENABLE TIMELY PERFORMANCE OF THE WORK; OR (2) RELEASE TO A FOREIGN GOVERNMENT AS THE INTERESTS OF THE UNITED STATES MAY REQUIRE; PROVIDED THAT IN EITHER CASE THE RELEASE, USE, DUPLICATION OR DISCLOSURE HEREOF SHALL BE SUBJECT TO THE FOREGOING LIMITATIONS. IF THIS DRAWING IS REPRODUCED IN WHOLE OR IN PART, THIS ENTIRE LEGEND BLOCK MUST APPEAR ON ALL REPRODUCED COPIES.

REV / BY / REF	DESCRIPTION OF CHANGE	CHK BY / DATE
EA 38598	INITIATED PART	14 APR 80
(A) DG 50482	REVISED DWG. & UPDATED NOTES 3,4	13 DEC 83

**TEKTRONIX, INC. PROPRIETARY ITEM DRAWING**

MFD BY TEKTRONIX       MFD FOR TEKTRONIX

 **TEKTRONIX, INC.** P. O. BOX 500 BEAVERTON, OREGON U.S.A. 97077 

DWN JT WINFREY	1 APR 80	DIMENSIONS ARE IN INCHES / TOLERANCES: UNLESS OTHERWISE SPECIFIED	
ENGR <i>Low Jordan</i>	9 APR 80	DEC _____	ANLR _____
CHKR <i>B Stewart</i>	9 APR 80	SCALE	FIRST USED ON
PROD <i>Donna Helman</i>	9 APR 80	NONE	067-0885-00

MATERIAL LISTED

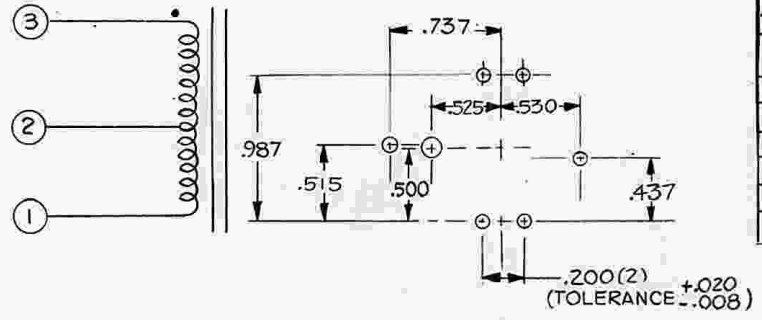
FINISH NOTED

TITLE TRANSFORMER, RF (TOROIDAL)

CODE IDENT NO	SIZE	PART NUMBER	REV
<b>80009</b>	<b>A</b>	<b>120-1300-00</b>	<b>A</b>

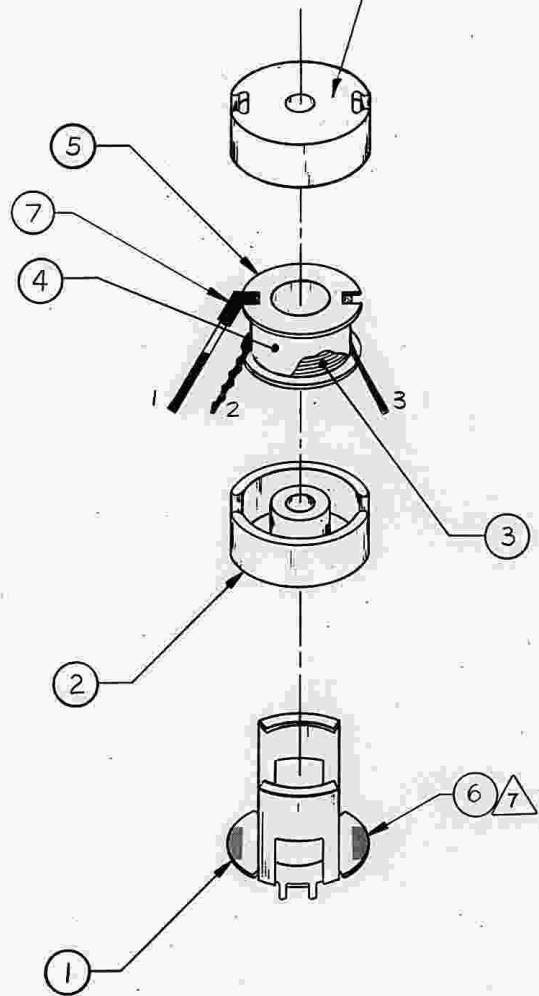
THIS DRAWING WHEN DISTRIBUTED OUTSIDE TETRONIX, INC., IS SUPPLIED FOR IDENTIFICATION, ENGINEERING EVALUATION AND/OR INSPECTION PURPOSES ONLY AND MAY NOT BE USED AS A BASIS FOR MANUFACTURE OR SALES OF PRODUCTS WITHOUT WRITTEN PERMISSION FROM TETRONIX, INC. IF THIS DRAWING IS FURNISHED UNDER ANY UNITED STATES GOVERNMENT CONTRACT, IT SHALL NOT BE EITHER RELEASED OUTSIDE THE GOVERNMENT, OR USED, DUPLICATED, OR DISCLOSED IN WHOLE OR IN PART FOR MANUFACTURE OR PROCUREMENT, WITHOUT THE WRITTEN PERMISSION OF TETRONIX, INC., EXCEPT FOR: (1) EMERGENCY REPAIR OR OVERHAUL WORK BY OR FOR THE GOVERNMENT, WHERE THE ITEM OR PROCESS CONCERNED IS NOT OTHERWISE REASONABLY AVAILABLE TO ENABLE TIMELY PERFORMANCE OF THE WORK; OR (2) RELEASE TO A FOREIGN GOVERNMENT AS THE INTERESTS OF THE UNITED STATES MAY REQUIRE; PROVIDED THAT IN EITHER CASE THE RELEASE, USE, DUPLICATION OR DISCLOSURE HEREOF SHALL BE SUBJECT TO THE FOREGOING LIMITATIONS, IF THIS DRAWING IS REPRODUCED IN WHOLE OR IN PART, THIS ENTIRE LEGEND BLOCK MUST APPEAR ON ALL REPRODUCED COPIES.

ECB PATTERN COMPONENT SIDE



REV	REF	DESCRIPTION OF CHANGE	CHK BY	DATE
(A)	44241	ADDED NOTE 5 & ECB PATTERN CALL-OUT	DD	90CT81
(B)	45752	UPDATED DRAWING	DD	25FEB82
(C)	46290	UPDATED DRAWING	DD	14APR82
(D)	46290	UPDATED DRAWING	DD	19MAY82
(E)	46290	REVISED DRAWING	DD	4AUG82
(F)	48970	GENERAL UPDATE	DD	19 JAN 83
(G)	53424	REVISED DRW. & UPDATED NOTE 2	DD	21 FEB 84

PART NUMBER (1301) & DATE CODE



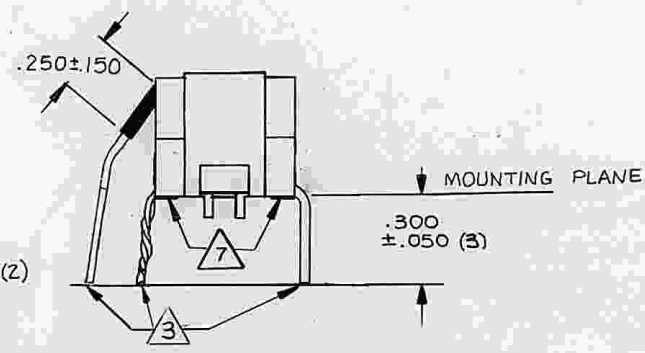
6 HOLES = .058 / .068  
1 HOLE = .105 / .115

WINDINGS	TURNS	WIRE SIZE	TYP RATING CURRENT	RESISTANCE ± 20% AT 20°C
3-2-1	1-23 1/2-26 1/2	19 AWG	4 A MAX	36 mΩ

INDUCTANCE: 110 μH ± 10% PER ESI 252 METER OR APPROVED EQUIVALENT  
POLARITY PER SCHEMATIC LEADS: 1-3

- 7 INSULATE CLAMP FROM COIL WITH TAPE
- 6. HIPOT COIL TO CLAMP/CORE 1.5KV AC RMS, 1 MIN.
- 5 TRANSFORMER MUST BE ABLE TO FIT ECB PATTERN SHOWN
- 4. TINNED LEADS AND MOUNTING TABS TO BE VARNISH FREE
- 3 TIN LEADS FAST MOUNTING PLANE BUT NO MORE THAN .100 ABOVE IT.
- 2 COIL VACUUM IMPREGNATED WITH VARNISH 252-0082-00 OR APPROVED EQUIVALENT
- 1. REFERENCE DIMENSIONS: .805 HIGH x 1.035 WIDE

PART NUMBER	REV.
120-1301-00	G



ASSEMBLED VIEW

7	162-0553-00	AR	INSULATION SLVG (#18 BRN)
6	253-0145-00	AR	TAPE (KAPTON, x.500 WIDE)
5	276-0216-00	1	FORM. COIL
4	253-0103-00	AR	TAPE, PRESS SENS (.438 WIDE)
3	176-0025-XX	AR	WIRE, ELEC (19 AWG MAGNET)
2	276-0688-00	1	CORE, EM (AL160 2616) SET
1	343-0423-00	1	CLAMP, POT CORE
ITEM	PART NUMBER	QTY	DESCRIPTION

LIST OF MATERIALS

TEKTRONIX, INC. PROPRIETARY ITEM DRAWING

MFD BY TEKTRONIX  MFD FOR TEKTRONIX

**TEKTRONIX, INC.** P. O. BOX 500 BEAVERTON, OREGON U.S.A. 97077

OWN JEANNE JUDAH 1 DEC 80  
ENGR *W. Anderson* 18 JUNE 81  
CHKR *C. Stewart* 18 JULY 81  
PROD *M. Cratty* 18 AUG 81

DIMENSIONS ARE IN INCHES / UNLESS OTHERWISE SPECIFIED

SCALE NONE FIRST USED ON 468

MATERIAL SEE LIST OF MATERIALS

FINISH 2

TITLE TRANSFORMER, RF (POT CORE)

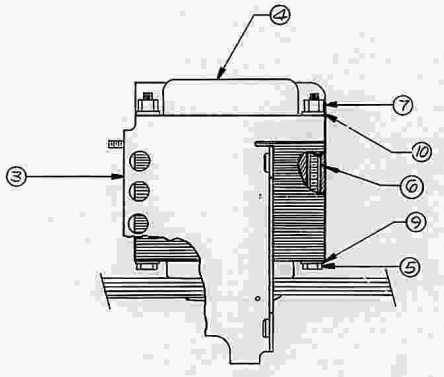
CODE IDENT NO 800099 SIZE C PART NUMBER 120-1301-00 REV G



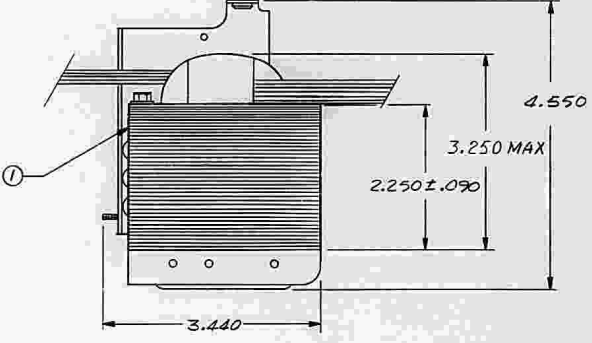
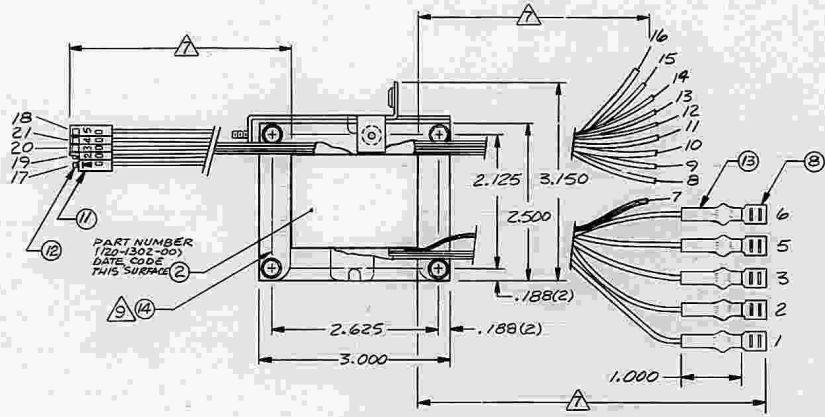
### COIL STRUCTURE OUTSIDE

TYPE WINDING     TERM. NO.

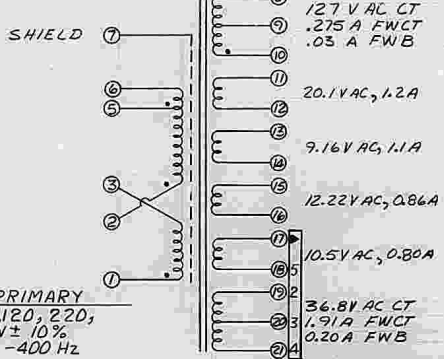
REV	DESCRIPTION OF CHANGE	DATE
(A) 49320	ADDED NOTE B	DD 31 MAR 63
(B) 51689	ADDED NOTES A & ITEM 14, ITEM 2 WAS 000-5700-00, UPDATED DRAWING & NOTE A	DD 5 NOV 63



SEC	19-20-21
0-41-82T	#22
SEC	15-16
28T	#23
SEC	17-18
24T	#23
#23	SEC 13-14
21T	#22
SEC	11-12
46T	#22
SEC	10-9-8
0-146-292T	#30
SHIELD	7
PRI	2-5-6
0-222-275T	#27
PRI	1-3
275T	#27



INSIDE



PRIMARY  
100, 120, 220,  
240V ± 10%  
50-400 Hz

1	127 V AC CT
2	.275 A FWCT
3	.03 A FWB
4	
5	
6	
7	
8	
9	20.1V AC, 1.2 A
10	
11	
12	9.16V AC, 1.1 A
13	
14	
15	12.22V AC, 0.86 A
16	
17	
18	10.5V AC, 0.80 A
19	
20	
21	
22	
23	36.8V AC CT
24	1.91 A FWCT
25	0.20 A FWB
26	
27	

LINE TO	VOLTS, RMS	CONNECT
1-5	100	1702, 3706
1-6	120	1702, 3706
1-5	220	2703
1-6	240	2703

QTY	PART NUMBER	DESCRIPTION
1	386-0030-00	PLATE, LAMINATION, STEEL
2	386-0030-00	PLATE, LAMINATION, STEEL
2	162-0533-00	INSUL, SLEEVING, AT SHRINK
5	131-0621-00	CONNECTOR, TERMINAL
1	352-0201-00	HOLDER, TERMINAL CONV.
4	210-0056-00	LOCKWASHER
9	210-0812-00	WASHER, #10 FIBER
5	131-1159-00	CONTACT, ELECTRIC
4	220-0361-00	NUT, PLAIN, HEX
4	166-0457-00	INSUL, SLEEVING, ELEC
4	212-0523-00	BOLT, HEX HD, 10-32 X 2.750
1	200-1544-01	COVER, TRANSFORMER
1	407-1066-00	BRACKET, TRANSFORMER
1	334-4645-00	MARKER IDENTIFICATION
1	386-0027-00	PLATE, LAMINATION, STEEL

- ① ORIENTATION OF KEEPER OPTIONAL
- ② EXCITING CURRENT .401 AMPS MAX AT 141 VOLTS, RMS, 60 Hz LEAD 1-3
- ③ LEAD WIRE #22 STRANDED
- \* SLEEVING OVER MAGNET WIRE

TERM. NO.	COLOR	PART NUMBER	LENGTH	STRIP
1	B-P	175-0879-00	4.000	
2	B-3	175-0880-00	5.000	
3	B-3	175-0881-00	4.000	
4	B-3	175-0883-00	4.000	
5	B-6	175-0884-00	4.000	
6	BLK	175-0920-00	6.000	0.500
7	WHT	175-0949-00	3.000	0.500
8	WHT	175-0951-00	3.000	0.500
9	GRN	175-0950-00	3.000	0.500
10	GRN	162-0647-00	4.000	1.000
11	BRN	162-0647-00	4.000	1.000
12	BRN	162-0554-00		
13	BRN	162-0554-00		
14	BLU	162-0524-00	4.000	1.000
15	BLU	162-0524-00	4.000	1.000
16	YEL	175-0963-00	3.500	
17	YEL	175-0963-00	3.500	
18	GRY	175-0886-00		
19	GRY	175-0886-00		
20	RED	175-0922-00		
21	GRY	175-0886-00	3.500	

CONNECTORS 120-1302-00 B

- 6. TRANSFORMER MUST COMPLY TO UL 1244, CSA 556B AND IEC 348.
- 5. VOLTAGE RATINGS ARE RMS NO LOAD, CURRENT RATINGS ARE AMPS DCTIF
- 4. DIELECTRIC WITHSTANDING VOLTAGE: 1.5 KV RMS, 50 TO 60 Hz, 1MM, PRI-MARY TO SECONDARIES, SHIELD & CORE.
- 3. POLARITY PER SCHEMATIC
- ② TRANSFORMER VACUUM IMPREG-NATED WITH VARNISH 252-0082-00 OR APPROVED EQUIVALENT
- 1. DIMENSIONS REFERENCE U.S.

NOTES:

TEKTRONIX, INC. PROPRIETARY ITEM DRAWING

SCALE: 1:1

DATE: 12/11/63

DESIGNED BY: D. MERCIL

CHECKED BY: R. COPELAND

APPROVED BY: R. COPELAND

SCALE: 1:1

DATE: 12/11/63

SEE LIST OF MATERIALS

NOTED

TITLE: TRANSFORMER, POWER

COORDINATING NO: 80009

SIZE: D

PART NUMBER: 120-1302-00

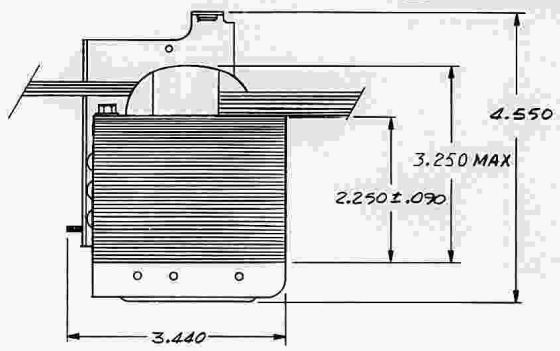
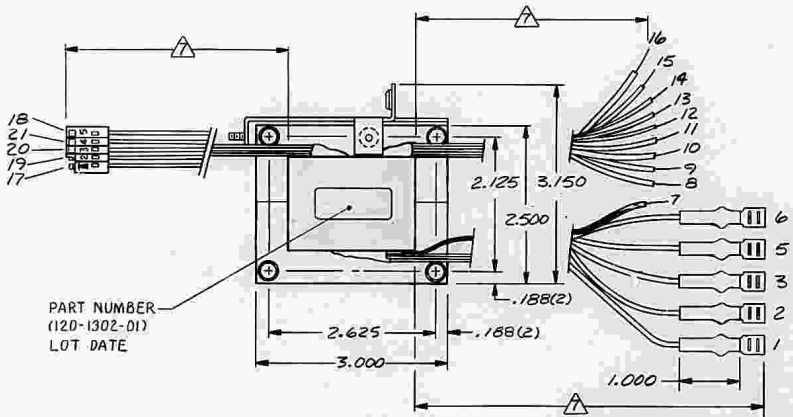
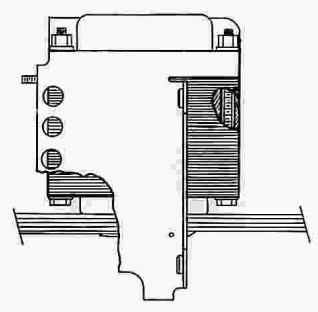
REV: B

54-129 K

COIL STRUCTURE  
OUTSIDE

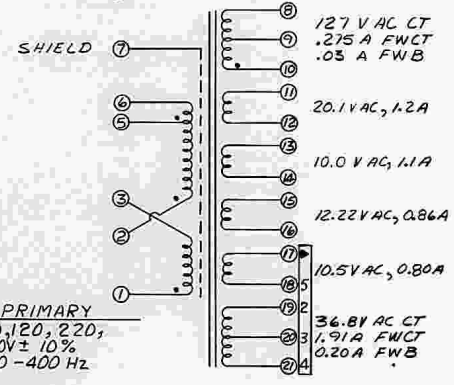
TYPE WINDING TERM. NO

REV	DATE	DESCRIPTION OF CHANGE	CHK. BY	DATE
51306		INITIATE PART	SM	14JUL 83
(A) 51306		RMYD 252-0039-00 FROM FINISH	DD	12SEP83
(B)		MATERIAL LIST REMOVED	WA	8-1-85



SEC	19-20-21
0-41-B2T	#22
SEC 15-16	SEC 17-18
28T	29T #23
#23	SEC 13-14
	23T #22
SEC	11-12
46T	#22
SEC	10-9-8
0-186-292T	#30
SHIELD	7
PRI	2-5-6
0-222-275T	#27
PRI	1-3
275T	#27

INSIDE



8. EXCITING CURRENT .401 AMPS  
MAX AT 141 VOLTS, RMS, 60Hz  
LEADS 1-3

△ LEADWIRE, #22 STRANDED  
\* SLEEVING OVER MAGNET WIRE

TERM. NO	COLOR	PART NUMBER	LENGTH	STRIP
1	B-P	175-0879-00	4.000	±.250 ±.125
2	B-2	175-0880-00	5.000	
3	B-3	175-0881-00	4.000	
5	B-5	175-0883-00	4.000	
6	B-6	175-0884-00	4.000	
7	BLK	175-0920-00	6.000	0.500
8	VIO	175-0949-00	3.000	0.500
9	WHT	175-0951-00	3.000	0.500
10	ORU	175-0950-00	3.000	0.500
11	GRNV	162-0647-00	4.000	1.000
12	GRNV	162-0647-00		
13	BRN	162-0554-00		
14	BRN	162-0554-00		
15	BLU	162-0524-00		
16	BLU	162-0524-00	4.000	1.000
17	YEL	175-0923-00	3.500	
18	YEL	175-0923-00		
19	GRY	175-0886-00		
20	RED	175-0922-00		
21	GRY	175-0886-00	3.500	

CONNECTORS PART NUMBER 120-1302-01 REV. B

- TRANSFORMER MUST COMPLY TO UL 1244, CSA 556B AND IEC 348.
- VOLTAGE RATINGS ARE RMS NO LOAD, CURRENT RATINGS ARE AMPS DCT/F
- DIELECTRIC WITHSTANDING VOLTAGE: 1.5 KV RMS, 50 TO 60 Hz, 1MM, PRIMARY TO SECONDARIES, SHIELD+CORE.
- POLARITY PER SCHEMATIC
- TRANSFORMER VACUUM IMPREGNATED WITH VARNISH, P252-0082-00 OR EQUIVALENT.
- DIMENSIONS REFERENCE UDS.

LINE TO	VOLTS, RMS	CONNECT
1-5	100	1702, 3706
1-6	120	1702, 3706
1-5	220	270 3
1-6	240	270 3

**TEKTRONIX SAFETY CONTROLLED PART**

THIS PART IS CONTROLLED TO INSURE MAINTENANCE OF SAFETY CHARACTERISTICS DESIGNED INTO A TEKTRONIX PRODUCT. TO CONTINUE MAINTENANCE, ANY CHANGES IN MATERIALS, SPECIFICATIONS, VENDORS, OR VENDOR PART NUMBERS MUST BE EVALUATED AND APPROVED IN EACH APPLICATION IN WHICH THIS IS A CONTROLLED PART.

NOTES:

TEKTRONIX, INC. PROPRIETARY ITEM DRAWING

TEKTRONIX, INC. BEAVERTON, OREGON U.S.A. 97077

DESIGNED BY: JUDAH 14 JUL 83

ENGR: R. CAGAN 23 JUL 83

CHK: A. STONER 29 JUL 83

SCALE: 1:1

UNIT USED ON: 4-68

MATERIAL:

NOTED

TITLE: TRANSFORMER, POWER

CODE (IDENT NO): 80009

SHEET: 1

PART NUMBER: 120-1302-01

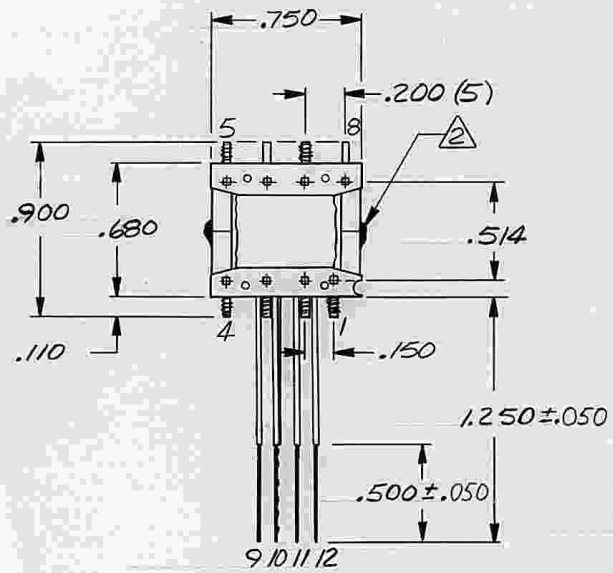
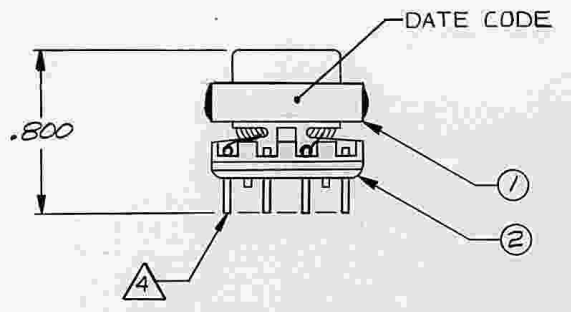
REV: B



77-127E

# COIL STRUCTURE OUTSIDE

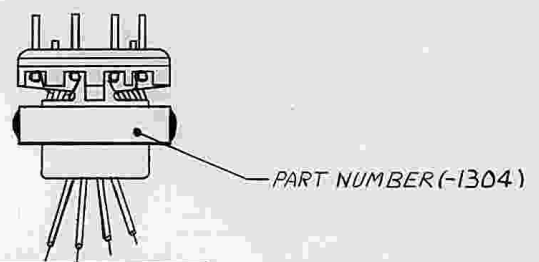
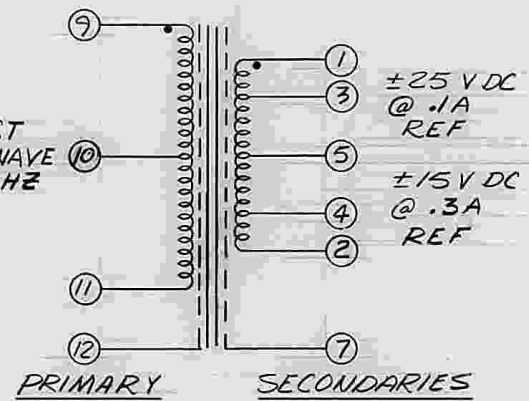
THIS DRAWING WHEN DISTRIBUTED OUTSIDE TEKTRONIX, INC., IS SUPPLIED FOR IDENTIFICATION, ENGINEERING EVALUATION AND/OR INSPECTION PURPOSES ONLY AND MAY NOT BE USED AS A BASIS FOR MANUFACTURE OR SALES OF PRODUCTS WITHOUT WRITTEN PERMISSION FROM TEKTRONIX, INC. IF THIS DRAWING IS FURNISHED UNDER ANY UNITED STATES GOVERNMENT CONTRACT, IT SHALL NOT BE EITHER RELEASED OUTSIDE THE GOVERNMENT, OR USED, DUPLICATED, OR DISCLOSED IN WHOLE OR IN PART FOR MANUFACTURE OR PROCUREMENT, WITHOUT THE WRITTEN PERMISSION OF TEKTRONIX, INC., EXCEPT FOR: (1) EMERGENCY REPAIR OR OVERHAUL WORK BY OR FOR THE GOVERNMENT, WHERE THE ITEM OR PROCESS CONCERNED IS NOT OTHERWISE REASONABLY AVAILABLE TO ENABLE TIMELY PERFORMANCE OF THE WORK; OR (2) RELEASE TO A FOREIGN GOVERNMENT AS THE INTERESTS OF THE UNITED STATES MAY REQUIRE PROVIDED THAT IN EITHER CASE THE RELEASE, USE, DUPLICATION OR DISCLOSURE HEREOF SHALL BE SUBJECT TO THE FORDOING LIMITATIONS, IF THIS DRAWING IS REPRODUCED IN WHOLE OR IN PART, THIS ENTIRE LEGEND BLOCK MUST APPEAR ON ALL REPRODUCED COPIES.



TYPE WINDING	TERM NO
PRI	9-10-11
20T BIF	#26
PRI SHIELD	12
SEC SHIELD	7
SEC	3-5-4 (A)
0-19-38T	#28
SEC	1-3-4-2 (A)
12T BIF	#33

INSIDE

35V CT  
SQUARE WAVE  
50 K HZ



TYPICAL RATINGS		
LEAD NO	VOLTS PK NO LOAD	CURRENT RMS
9-10-11	35.1/CT	0.156
3-5-4	33.4/CT	0.40
1-5-2	54.5/CT	0.10

REV	REF	DESCRIPTION OF CHANGE	CHK BY	DATE
(A)	45174	3-5-4 WAS 3-4-5, 1-3-4-2 WAS 1-2-3-4	DD	16 DEC 81
(B)	48073	UPDATED DWG	MK	27 AUG 82
(C)	49313	UPDATED A #6	DD	11 JUL 83

⑥ INDUCTANCE (9-10): 410 μH MIN MEASURED ON AN ESI 252 METER OR APPROVED EQUIV

5. POLARITY PER SCHEMATIC

PART NUMBER	REV.
120-1304-00	C

④ SOLDERABILITY REQUIRED ALL TERMINALS BELDW MOUNTING STANDOFFS (8)

③ TRANSFORMER VACUUM IMPREGNATED WITH VARNISH 252-0082-00 OR APPROVED EQUIV

② CORES CEMENTED ONLY ON THE OUTSIDE EDGES WITH EPOXY

1. DIMENSIONS REFERENCE U.O.S.

NOTES:

TEKTRONIX, INC. PROPRIETARY ITEM DRAWING

MFD BY TEKTRONIX  MFD FOR TEKTRONIX

**TEKTRONIX, INC.** P. O. BOX 500  
BEAVERTON, OREGON U.S.A. 97077

OWN: D. MERCIL ZAPPA DIMENSIONS ARE IN INCHES / MM  
ENGR: E. G. GIBBS 7.24.81 TOLERANCES:  
DEC ANLR UNLESS OTHERWISE SPECIFIED  
CHKR: B. Blumert 29 Sept 81 SCALE: 2:1 FIRST USED ON:  
PROG: M. Chetty 29 Sept 81 CG551AP

MATERIAL: SEE LIST OF MATERIALS

FINISH: ③

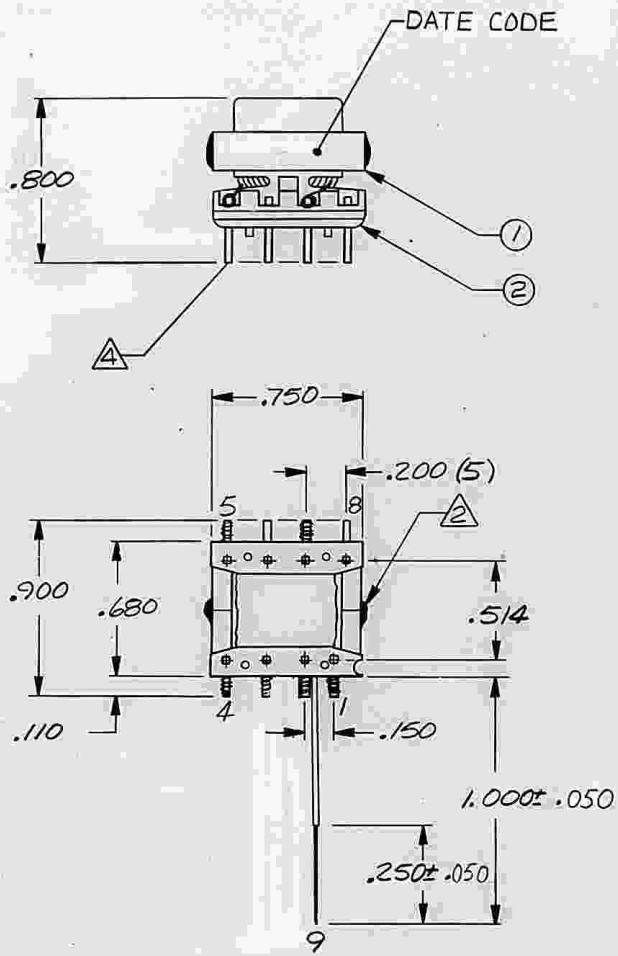
ITEM	PART NUMBER	QTY	DESCRIPTION
2	276-0266-00	1	FORM, COIL
1	276-0730-00	2	CORE, EM (E' FERRITE)

TITLE	TRANSFORMER, HF (CONVERTER)		
CODE NO	80009	SIZE	PART NUMBER
			C 120-1304-00
REV			C

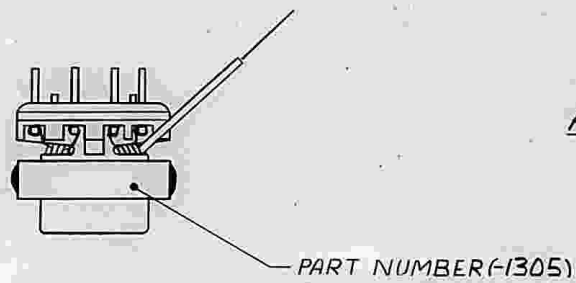
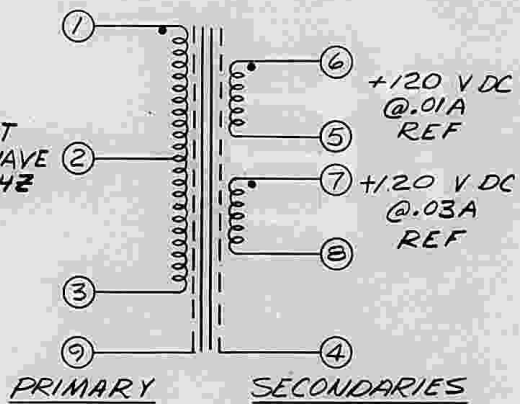
### COIL STRUCTURE OUTSIDE

TYPE WINDING	TERM NO
PRI	1-2-3
24T BIF	#28
PRI SHIELD	9
SEC SHIELD	4
SEC	7-8
147T	#36
SEC	6-5 <sup>Ⓐ</sup>
147T	#36

### INSIDE



40 V CT  
SQUARE WAVE  
75 K HZ



TYPL WINDINGS		
LEAD NO	VOLTS PK NO LOAD	CURRENT RMS
1-2-3	40V/CT	0.173
6-5	122.5/CT	0.01
7-8	122.5/CT	0.03

THIS DRAWING WHEN DISTRIBUTED OUTSIDE TEKTRONIX, INC., IS SUPPLIED FOR IDENTIFICATION, ENGINEERING EVALUATION AND/OR INSPECTION PURPOSES ONLY AND MAY NOT BE USED AS A BASIS FOR MANUFACTURE OR SALES OF PRODUCTS WITHOUT WRITTEN PERMISSION FROM TEKTRONIX, INC. IF THIS DRAWING IS FURNISHED UNDER ANY UNITED STATES GOVERNMENT CONTRACT, IT SHALL NOT BE EITHER RELEASED OUTSIDE THE GOVERNMENT, OR USED, DUPLICATED, OR DISCLOSED IN WHOLE OR IN PART FOR MANUFACTURE OR PROCUREMENT, WITHOUT THE WRITTEN PERMISSION OF TEKTRONIX, INC., EXCEPT FOR: (1) EMERGENCY REPAIR OR OVERHAUL WORK BY OR FOR THE GOVERNMENT, WHERE THE ITEM OR PROCESS CONCERNED IS NOT OTHERWISE REASONABLY AVAILABLE TO ENABLE TIMELY PERFORMANCE OF THE WORK; OR (2) RELEASE TO A FOREIGN GOVERNMENT AS THE INTERESTS OF THE UNITED STATES MAY REQUIRE, PROVIDED THAT IN EITHER CASE THE RELEASE, USE, DUPLICATION OR DISCLOSURE HEREOF SHALL BE SUBJECT TO THE FOREGOING LIMITATIONS. IF THIS DRAWING IS REPRODUCED IN WHOLE OR IN PART, THIS ENTIRE LEGEND BLOCK MUST APPEAR ON ALL REPRODUCED COPIES.

REV	REF	DESCRIPTION OF CHANGE	CHK BY	DATE
Ⓐ	45228	TERM NO 6-5 WAS 5-6	DD	6 JAN 82
Ⓑ	48073	UPDATED DWG	MK	27AUG 82
Ⓒ	49313	UPDATED NOTES <sup>Ⓐ</sup> & 6	DD	11 JUL 82

Ⓒ 6. INDUCTANCE (1-2): 45mH MIN AT 1KHZ  
MEASURED ON ESI 252 METER OR  
APPROVED EQUIV

5. POLARITY PER SCHEMATIC

PART NUMBER	REV.
120-1305-00	C

- Ⓒ Ⓐ SOLDERABILITY REQUIRED  
ALL TERMINALS BELOW MOUNTING  
STANDOFFS (8)
- Ⓐ TRANSFORMER VACUUM IMPREG-  
NATED WITH VARNISH 252-0082-00  
OR APPROVED EQUIV
- Ⓐ CORES CEMENTED ONLY ON THE  
OUTSIDE EDGES WITH EPOXY

1. DIMENSIONS REFERENCE U.O.S.

NOTES:

TEKTRONIX, INC. PROPRIETARY ITEM DRAWING

MFD BY TEKTRONIX       MFD FOR TEKTRONIX

**TEKTRONIX, INC.** P. O. BOX 500  
BEAVERTON, OREGON U.S.A. 97077

DWN: D. MERCIL 2APR81      DIMENSIONS ARE IN INCHES / MM  
ENGR: EQ 7AUG81      TOLERANCES:  
UNLESS OTHERWISE SPECIFIED  
DEC ANLR

CHKR: B. B. B. 29 SEP 81      SCALE:      FIRST USED ON

PROG: m. C. C. 29 SEP 81      2:1 CG55AP

MATERIAL:      SEE LIST OF MATERIALS

FINISH:      <sup>Ⓐ</sup>

TITLE: TRANSFORMER, HF  
(CONVERTER)

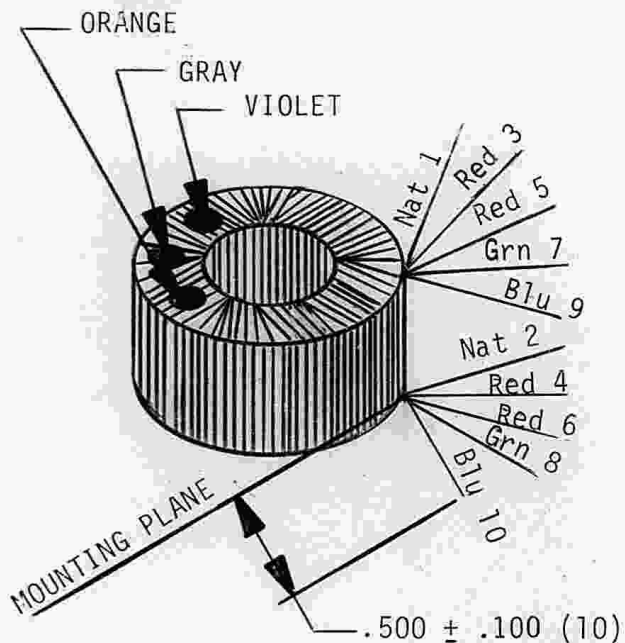
ITEM	PART NUMBER	QTY	USE OF MATERIALS	DESCRIPTION
2	276-0266-00	1		FORM, COIL
1	276-0730-00	2		CORE, EM(E' FERRITE)

CODE IDENT NO.	SIZE	PART NUMBER	REV
80009	G	120-1305-00	C

NOTES:

- TOROID REFERENCE DIMENSIONS: .375 X .188 HIGH.
- COATED WITH 006-3397-00 OR APPROVED EQUIVALENT.
- ALL LEADS TINNED TO WITHIN 0.250 OF COIL.
- INDUCTANCE VALUE PER ESI 252 METER OR APPROVED EQUIV. , 256 TO 475  $\mu$ H (ON 9 TURN WINDING)
- PRINTED PART NUMBER (-1306) MAY BE USED INSTEAD OF COLOR CODE

COLOR CODE 



\*QUINTFILAR

WIRE DATA			
TERM	TURNS	AWG	PART NUMBER
1-2	9*	30	176-0035-14
3-4	9*	30	176-0035-00
5-6	9*	26	176-0032-00
7-8	9*	26	176-0032-15
9-10	9*	26	176-0032-16

DATA :  
 CODE : TD 387  
 CORE : 276-0640-00

78-15B

PART NUMBER

120-1306-00

REV  
B

THIS DRAWING WHEN DISTRIBUTED OUTSIDE TEKTRONIX, INC. IS SUPPLIED FOR IDENTIFICATION, ENGINEERING EVALUATION AND/OR INSPECTION PURPOSES ONLY AND MAY NOT BE USED AS A BASIS FOR MANUFACTURE OR SALES OF PRODUCTS WITHOUT WRITTEN PERMISSION FROM TEKTRONIX, INC. IF THIS DRAWING IS FURNISHED UNDER ANY UNITED STATES GOVERNMENT CONTRACT, IT SHALL NOT BE EITHER RELEASED OUTSIDE THE GOVERNMENT, OR USED, DUPLICATED, OR DISCLOSED IN WHOLE OR IN PART FOR MANUFACTURE OR PROCUREMENT, WITHOUT THE WRITTEN PERMISSION OF TEKTRONIX, INC. EXCEPT FOR: (1) EMERGENCY REPAIR OR OVERHAUL WORK BY OR FOR THE GOVERNMENT, WHERE THE ITEM OR PROCESS CONCERNED IS NOT OTHERWISE REASONABLY AVAILABLE TO ENABLE TIMELY PERFORMANCE OF THE WORK; OR (2) RELEASE TO A FOREIGN GOVERNMENT AS THE INTERESTS OF THE UNITED STATES MAY REQUIRE; PROVIDED THAT IN EITHER CASE THE RELEASE, USE, DUPLICATION OR DISCLOSURE HEREOF SHALL BE SUBJECT TO THE FOREGOING LIMITATIONS. IF THIS DRAWING IS REPRODUCED IN WHOLE OR IN PART, THIS ENTIRE LEGEND BLOCK MUST APPEAR ON ALL REPRODUCED COPIES.

REV / BY / REF	DESCRIPTION OF CHANGE	CHK BY / DATE
A /DG/50482	UPDATE--SEE MOD DOC	12 OCT 83
B DD 53704	UPDATED NOTE 4	10APR.84

TEKTRONIX, INC. PROPRIETARY ITEM DRAWING

MFD BY TEKTRONIX

MFD FOR TEKTRONIX



TEKTRONIX, INC.

P. O. BOX 500

BEAVERTON, OREGON U.S.A. 97077



DWN J. SIMMONS	14 APR 81	DIMENSIONS ARE IN INCHES / <del>MM</del> TOLERANCES: UNLESS OTHERWISE SPECIFIED	
ENGR <i>E. G. Gills</i>	6 AUG 81	DEC _____	ANLR _____
CHKR <i>B. Stewart</i>	5 AUG 81	SCALE	FIRST USED ON
PROD <i>Roger Noyes</i>	5 AUG 81	NONE	CG551AP

MATERIAL LISTED

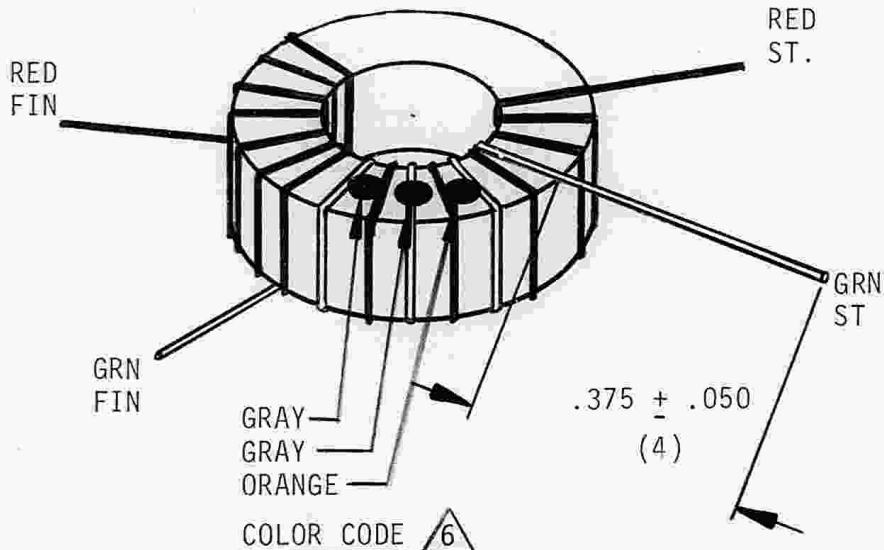
FINISH NOTED

TITLE TRANSFORMER, RF (TOROIDAL)  
COMMON MODE

CODE IDENT NO <b>80009</b>	SIZE <b>A</b>	PART NUMBER 120-1306-00	REV <b>B</b>
-------------------------------	------------------	----------------------------	-----------------

NOTES:

1. TOROID REFERENCE DIMENSIONS: .300 OD x .150 HIGH.
2. 13 TURN WINDING IS WOUND ON 3/4 OF CORE.
3. LEADS TINNED TO WITHIN .100 OF WINDING.
4. INDUCTANCE VALUE PER HP4275A METER OR APPROVED EQUIVALENT: 392 TO 534 nH ON 13 TURN WINDING AT 100 kHz, 10 mA, SERIES MODE.
5. COATED WITH 006-3397-00 OR APPROVED EQUIVALENT.
6. PRINTED PART NUMBER (-1307) MAY BE USED INSTEAD OF COLOR CODE.



WIRE DATA			
TURNS/COLOR	AWG	PART NUMBER	
13 RED	28	176-0034-00	
4 GRN	28	176-0034-15	

DATA:  
 CODE TD-388  
 CORE 276-0731-00

78-175B

PART NUMBER 120-1307-00

REV  
A

THIS DRAWING WHEN DISTRIBUTED OUTSIDE TEKTRONIX, INC., IS SUPPLIED FOR IDENTIFICATION, ENGINEERING EVALUATION AND/OR INSPECTION PURPOSES ONLY AND MAY NOT BE USED AS A BASIS FOR MANUFACTURE OR SALES OF PRODUCTS WITHOUT WRITTEN PERMISSION FROM TEKTRONIX, INC. IF THIS DRAWING IS FURNISHED UNDER ANY UNITED STATES GOVERNMENT CONTRACT, IT SHALL NOT BE EITHER RELEASED OUTSIDE THE GOVERNMENT OR USED, DUPLICATED OR DISCLOSED IN WHOLE OR IN PART FOR MANUFACTURE OR PROCUREMENT, WITHOUT THE WRITTEN PERMISSION OF TEKTRONIX, INC., EXCEPT FOR: (1) EMERGENCY REPAIR OR OVERHAUL WORK BY OR FOR THE GOVERNMENT, WHERE THE ITEM OR PROCESS CONCERNED IS NOT OTHERWISE REASONABLY AVAILABLE TO ENABLE TIMELY PERFORMANCE OF THE WORK; OR (2) RELEASE TO A FOREIGN GOVERNMENT AS THE INTERESTS OF THE UNITED STATES MAY REQUIRE; PROVIDED THAT IN EITHER CASE THE RELEASE, USE, DUPLICATION OR DISCLOSURE HEREOF SHALL BE SUBJECT TO THE FOREGOING LIMITATIONS. IF THIS DRAWING IS REPRODUCED IN WHOLE OR IN PART, THIS ENTIRE LEGEND BLOCK MUST APPEAR ON ALL REPRODUCED COPIES.

REV / BY / REF	DESCRIPTION OF CHANGE	CHK BY / DATE
A /DG/50482	UPDATE--SEE MOD DOC	12 OCT 83

TEKTRONIX, INC. PROPRIETARY ITEM DRAWING

MFD BY TEKTRONIX

MFD FOR TEKTRONIX



TEKTRONIX, INC.

P. O. BOX 500  
 BEAVERTON, OREGON U.S.A. 97077



DWN JEANNE JUDAH	17 JAN 81	DIMENSIONS ARE IN INCHES / TOLERANCES: UNLESS OTHERWISE SPECIFIED	
ENGR <i>W. Gordon</i>	24 MAR 81	DEC _____	ANLR _____
CHKR <i>B. Stewart</i>	25 MAR 81	SCALE	FIRST USED ON
PROD <i>ROGER NOTES</i>	27 MAR 81	NONE	CG551AP

MATERIAL

LISTED

FINISH

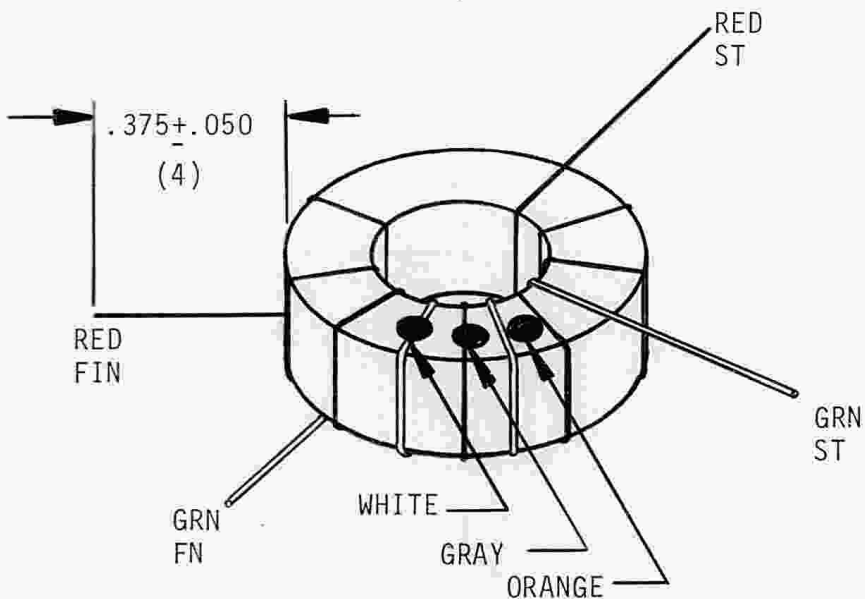
TITLE

TRANSFORMER, RF (TOROIDAL)

CODE IDENT NO <b>80009</b>	SIZE <b>A</b>	PART NUMBER <b>120-1307-00</b>	REV <b>A</b>
-------------------------------	------------------	-----------------------------------	-----------------

NOTES:

1. TOROID REFERENCE DIMENSIONS: .300 OD X .150 HIGH.
2. WIND 8 TURN WINDING ON 3/4 OF CORE.
3. TIN LEADS TO WITHIN .100 OF CORE.
4. INDUCTANCE VALUE PER HP4342AQ METER .103 to .113 $\mu$ H ON 8 TURN WINDING, at 25MHZ.
5. COAT WITH 006-3397-00 OR EQUIVALENT.



COLOR CODE

WIRE DATA			
TURNS/COLOR	AWG	PART NUMBER	
8 RED	28	176-0034-00	
3 GRN	28	176-0034-15	

DATA:

CODE TD-389  
CORE 276-0716-00

78-176B

PART NUMBER

120-1308-00

REV

THIS DRAWING WHEN DISTRIBUTED OUTSIDE TEKTRONIX, INC. IS SUPPLIED FOR IDENTIFICATION, ENGINEERING EVALUATION AND/OR INSPECTION PURPOSES ONLY AND MAY NOT BE USED AS A BASIS FOR MANUFACTURE OR SALES OF PRODUCTS WITHOUT WRITTEN PERMISSION FROM TEKTRONIX, INC. IF THIS DRAWING IS FURNISHED UNDER ANY UNITED STATES GOVERNMENT CONTRACT, IT SHALL NOT BE EITHER RELEASED OUTSIDE THE GOVERNMENT, OR USED, DUPLICATED, OR DISCLOSED IN WHOLE OR IN PART FOR MANUFACTURE OR PROCUREMENT, WITHOUT THE WRITTEN PERMISSION OF TEKTRONIX, INC. EXCEPT FOR: (1) EMERGENCY REPAIR OR OVERHAUL WORK BY OR FOR THE GOVERNMENT, WHERE THE ITEM OR PROCESS CONCERNED IS NOT OTHERWISE REASONABLY AVAILABLE TO ENABLE TIMELY PERFORMANCE OF THE WORK; OR (2) RELEASE TO A FOREIGN GOVERNMENT AS THE INTERESTS OF THE UNITED STATES MAY REQUIRE; PROVIDED THAT IN EITHER CASE THE RELEASE, USE, DUPLICATION OR DISCLOSURE HEREOF SHALL BE SUBJECT TO THE FOREGOING LIMITATIONS. IF THIS DRAWING IS REPRODUCED IN WHOLE OR IN PART, THIS ENTIRE LEGEND BLOCK MUST APPEAR ON ALL REPRODUCED COPIES.

REV / BY / REF	DESCRIPTION OF CHANGE	CHK BY / DATE

TEKTRONIX, INC. PROPRIETARY ITEM DRAWING

MFD BY TEKTRONIX

MFD FOR TEKTRONIX



TEKTRONIX, INC.

P. O. BOX 500  
BEAVERTON, OREGON U.S.A. 97077



DWN	JEANNE JUDAH	17 JAN 81	DIMENSIONS ARE IN INCHES / <input type="checkbox"/>	
ENGR	<i>W. Jordan</i>	24 MAR 81	TOLERANCES: UNLESS OTHERWISE SPECIFIED	
CHKR	<i>B. Stewart</i>	25 MAR 81	DEC	ANLR
PROD	ROSER NOYES	27 MAR 81	SCALE	FIRST USED ON
			NONE	CG551AP

MATERIAL

LISTED

FINISH

TITLE

TRANSFORMER, RF (TOROIDAL)

CODE IDENT NO	SIZE	PART NUMBER	REV
80009	A	120-1308-00	



78-102 F

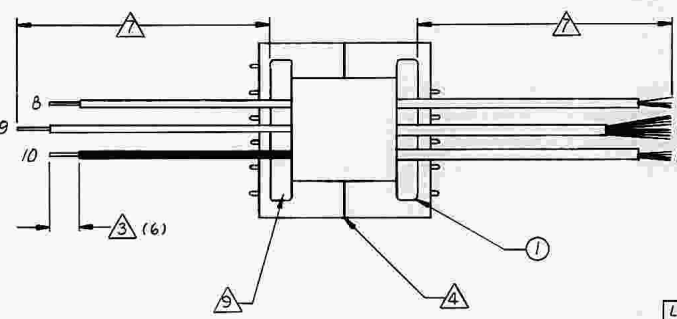
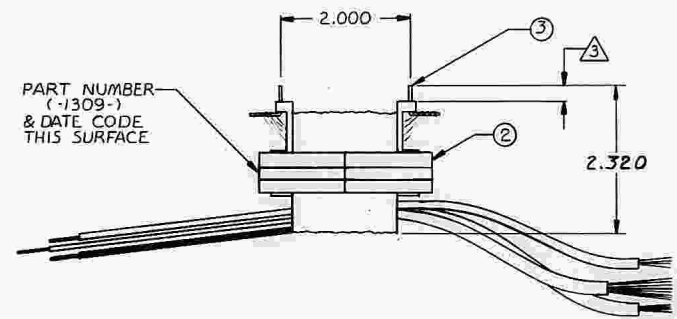
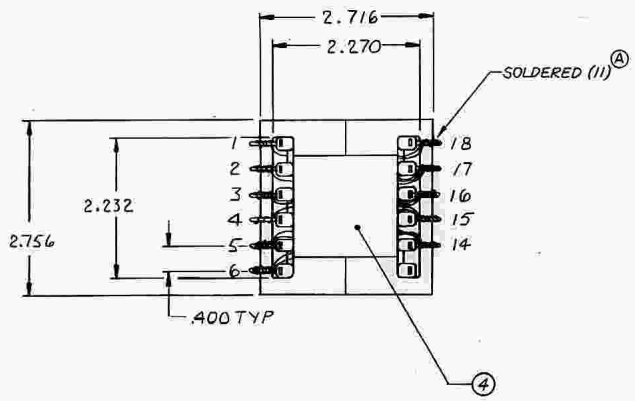
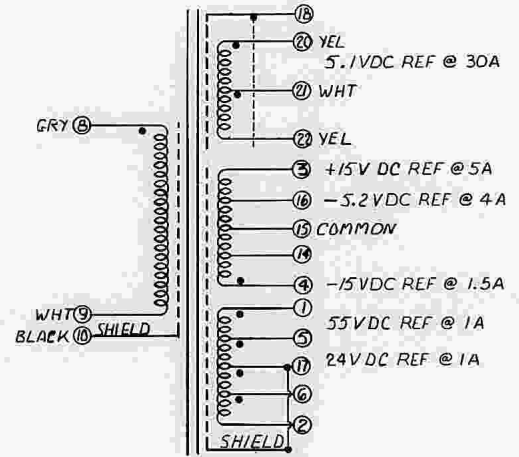
THIS DRAWING UNDER REMAINS THE PROPERTY OF TEKTRONIX, INC. IT IS LOANED TO YOU FOR INFORMATION PURPOSES ONLY AND IS NOT TO BE USED AS A BASIS FOR REPRODUCTION OR SALE OF PRODUCTS WITHOUT WRITTEN PERMISSION FROM TEKTRONIX, INC. IF THIS DRAWING IS REPRODUCED OR TRANSMITTED IN ANY FORM OR BY ANY MEANS, WITHOUT THE WRITTEN PERMISSION OF TEKTRONIX, INC., YOU WILL BE LIABLE FOR DAMAGES. THIS DRAWING IS NOT TO BE USED FOR REPRODUCTION OR TRANSMISSION IN ANY FORM OR BY ANY MEANS, WITHOUT THE WRITTEN PERMISSION OF TEKTRONIX, INC. THIS DRAWING IS NOT TO BE USED FOR REPRODUCTION OR TRANSMISSION IN ANY FORM OR BY ANY MEANS, WITHOUT THE WRITTEN PERMISSION OF TEKTRONIX, INC.

REV	REF	DESCRIPTION OF CHANGE	CHK BY	DATE
A	54507	UPDATE DWG. NOTE 12. ADDED NOTE 1A	DD	10/6/84

**COIL STRUCTURE**  
**OUTSIDE**

TYPE WINDING	TERM. NO
SEC	5-17-6
10T BIFILAR	*21
SEC	1-5, 6-2
12T BIFILAR	*24
SEC	4-14-15-16-3
0-3-6-9-12T	*18
SEC SHIELD	17
SEC SHIELD	18
SEC	20-21-22
2T BIFILAR	4*15
SEC SHIELD	18
PRI SHIELD	10
PRI	8-9
25T	*17

**INSIDE**



△ TERM POSTS REMOVED THIS END (12)

8. POLARITY PER SCHEMATIC

△ LEAD LENGTHS :

LEAD NO	COLOR	PART NUMBER	LENGTH	STRIP & TIN
8	GRY	162-0658-00	3.500	±.125
9	WHT	162-0650-00	4.000	
10	BLK	162-0503-00	3.500	
20	YEL	162-0686-00	4.000	
21	WHT	162-0625-00	4.000	1.000
22	YEL	162-0686-00	4.000	.500

PART NUMBER 120-1309-00 REV. A

6. INDUCTANCE (8-9): 1.8mH MIN MEASURED ON AN ESI 252 METER OR APPROVED EQUIVALENT

5. DIELECTRIC WITHSTANDING VOLTAGE: 2000 V RMS, 50 TO 60HZ, 1 MINUTE, 8.9.10 TO 17THRU 6.14 THRU 18.20, 21, 22 AND CORE

△ CORES CEMENTED TOGETHER  
△ SOLDERABILITY REQUIRED BELOW MOUNTING PLANE AND TO END OF SLEEVING

△ VACUUM IMPREGNATED WITH VARNISH 252-0082-00 OR APPROVED EQUIVALENT

1. DIMENSIONS REFERENCE UDS

NOTES:

TYPICAL RATINGS

LEAD NO	VOLTS	CURRENT AMPS RMS	DCR ± 15% @ 20°C
8-9	88.9	4.39	.03Ω
20-21-22	14.29CT	19.95	.002ΩCT
4-15-3	42.6/CT	3.35	.035ΩCT
6-17-5	51/CT	1.75	.110ΩCT
1-17-2	156/CT	0.88	.360ΩCT
14-15-16	21.3CT	5.25A	.018ΩCT

ITEM	PART NUMBER	QTY	DESCRIPTION
4	253-0239-00	AR	TAPE PRESS SENS (1.656 WIDE)
3	131-2244-00	11	TERMINAL, PC 2
2	276-0726-00	2	CORE, EM(C)E FERRITE
1	276-0249-00	1	FORM. CDIL

TEKTRONIX, INC. PROPRIETARY ITEM DRAWING  
MFD BY TEKTRONIX

TEKTRONIX, INC. BEAVERTON, OREGON U.S.A. 97005

DATE: 8 MAR 83  
SCALE: 1:1  
MATERIAL: 620-0293-00

SEE LIST OF MATERIALS

TRANSFORMER, POWER, H.F. (STU & STPDN. CONVERTER)

80009 D 120-1309-00 A

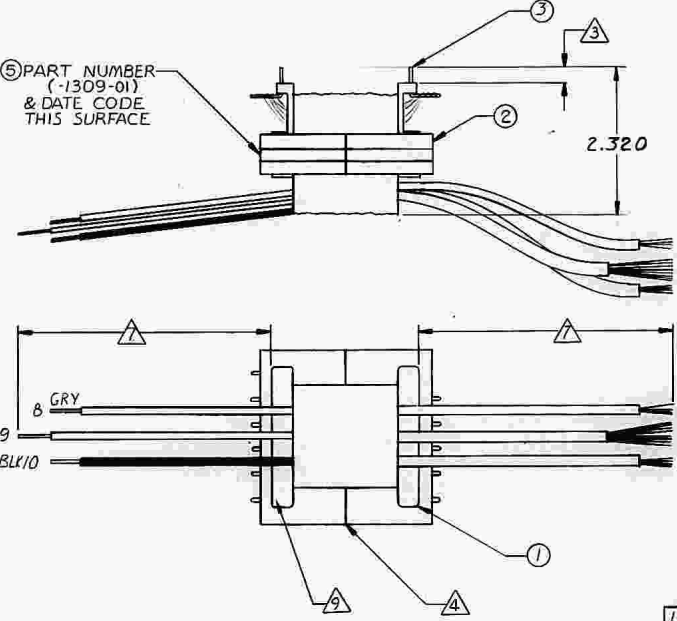
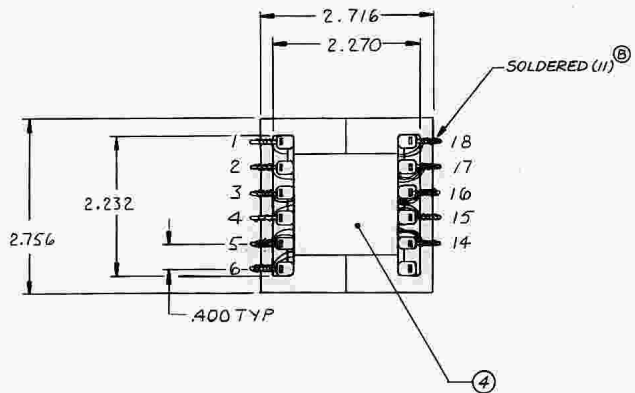
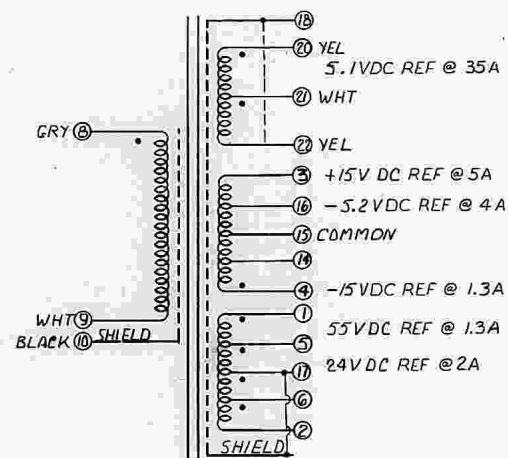
THE DRAWING UNDER DRAWING NUMBER 81-5B, IS A DRAWING FOR IDENTIFICATION PURPOSES ONLY. IT IS NOT TO BE USED FOR MANUFACTURE OR SALES OF PRODUCTS WITHOUT WRITTEN PERMISSION FROM TETRONIX, INC. IF THIS DRAWING IS REPRODUCED, EITHER WHOLLY OR IN PART, FOR ANY PURPOSE, WITHOUT WRITTEN PERMISSION FROM TETRONIX, INC., THE REPRODUCER WILL BE RESPONSIBLE FOR ANY AND ALL DAMAGES, INCLUDING REASONABLE ATTORNEY'S FEES, WHICH MAY BE INCURRED BY TETRONIX, INC. AS A RESULT OF SUCH REPRODUCTION. THIS DRAWING IS THE PROPERTY OF TETRONIX, INC. AND IS TO BE KEPT IN CONFIDENTIALITY TO THE EXTENT OF THE PATENT RIGHTS OF TETRONIX, INC. IN THE UNITED STATES AND IN OTHER COUNTRIES. NO PART OF THIS DRAWING IS TO BE REPRODUCED OR TRANSMITTED IN ANY FORM OR BY ANY MEANS, ELECTRONIC OR MECHANICAL, INCLUDING PHOTOCOPYING, RECORDING, OR BY ANY INFORMATION STORAGE AND RETRIEVAL SYSTEM, WITHOUT THE WRITTEN PERMISSION OF TETRONIX, INC. THIS DRAWING IS TO BE KEPT IN CONFIDENTIALITY TO THE EXTENT OF THE PATENT RIGHTS OF TETRONIX, INC. IN THE UNITED STATES AND IN OTHER COUNTRIES. NO PART OF THIS DRAWING IS TO BE REPRODUCED OR TRANSMITTED IN ANY FORM OR BY ANY MEANS, ELECTRONIC OR MECHANICAL, INCLUDING PHOTOCOPYING, RECORDING, OR BY ANY INFORMATION STORAGE AND RETRIEVAL SYSTEM, WITHOUT THE WRITTEN PERMISSION OF TETRONIX, INC.

REV	DATE	DESCRIPTION	BY	CHKD
(A)	52001	ADDED NOTE B & ITEM 5 ON LIST OF MAT'L. UPDATED DRAWING & NOTE A	DD	10/20/83
(B)	54507	REVISED DWG., ADDED NOTES A, B & 10	DD	22 JUN 84
(C)	DeCamp	7 CHANGED LEAD LENGTHS		18 ALEB

**COIL STRUCTURE  
OUTSIDE**

TYPE WINDING	TERM. NO
SEC	5-17-6
10T BIFILAR	*19
SEC	1-5; 6-2
12T BIFILAR	*20
SEC	4-14-15-16-3
0-3-6-9-12T	*18
SEC SHIELD	17
SEC SHIELD	18
SEC	20-21-22
2T BIFILAR	4 *15
SEC SHIELD	18
PRI SHIELD	10
PRI	8-9
24T	*17

**INSIDE**



**TYPICAL RATINGS**

LEAD NO	VOLTS	CURRENT AMPS RMS	DCR ± 15% @ 20°C
8-9	88.9	6.23	.031Ω
20-21-22	14.8/CT	21.80	.002Ω/CT
4-15-3	44.5/CT	3.25	.035Ω/CT
5-17-6	74.1/CT	2.3	.071Ω/CT
1-17-2	163/CT	.81	.120Ω/CT
14-15-16	22.2/CT	4.73A	.018Ω/CT

10. POLARITY PER SCHEMATIC
- (A) TERM POSTS REMOVED THIS END (12)
- (B) THE PRODUCT UTILIZING THIS TRANSFORMER SHALL MEET THE REQUIREMENTS OF THE FOLLOWING STANDARDS:
- GPO \* TECH. GUIDE #2
  - IEC \* 348
  - UL \* 1244 & CSA \* 566 B
- (A) LEAD LENGTHS:
- | LEAD NO | COLOR | PART NUMBER | LENGTH      | STRIP & TIN |
|---------|-------|-------------|-------------|-------------|
| 8       | GRY   | 162-0658-00 | 3.600 ±.250 | .500 ±.125  |
| 9       | WHT   | 162-0650-00 | 4.100       |             |
| 10      | BLK   | 162-0503-00 | 3.600       |             |
| 20      | YEL   | 162-0686-00 | 4.100       |             |
| 21      | WHT   | 162-0625-00 | 4.100       | 1.000       |
| 22      | YEL   | 162-0686-00 | 4.100       | .500        |

120-1309-01 C

6. INDUCTANCE (8-9): 1.6 mH MIN MEASURED ON AN ESI 252 METER OR APPROVED EQUIVALENT
5. DIELECTRIC WITHSTANDING VOLTAGE: 1500 V RMS, 50 TO 60 Hz, 1 MINUTE; 5.9.10 TO 1 THRU 6.14 THRU 18.20. 21. 22 AND CORE
- (A) CORES CEMENTED TOGETHER
- (B) SOLDERABILITY REQUIRED BELOW MOUNTING PLANE
- (C) VACUUM IMPREGNATE WITH VARNISH 252-0082-00 OR APPROVED EQUIVALENT
1. DIMENSIONS REFERENCE UOS NOTES:

REV	PART NUMBER	QTY	DESCRIPTION
(A)	5 334-4645-00	1	LABEL, IDENTIFICATION
	4 255-0239-00	AR	TAPE, PRESS SENS (1.656 WIDE)
	3 131-2244-00	11	TERMINAL, PC 2
	2 276-0726-00	2	CORE, EMC E FERRITE
	1 276-0249-00	1	FORM, COIL

TETRONIX, INC. PROPRIETARY ITEM DRAWING

TEKTRONIX, INC. BEAVERTON, OREGON U.S.A. 97077

DATE: 11 MAR 83

BY: JEANNE JUDAH

SCALE: 1:1

SEE LIST OF MATERIALS

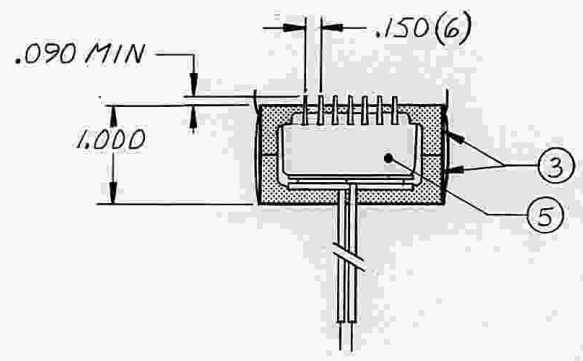
TRANSFORMER, POWER (STU & STPDN, CONVERTER)

80009 D 120-1309-01 C

THIS DRAWING WHEN DISTRIBUTED OUTSIDE TEKTRONIX, INC. IS SUPPLIED FOR IDENTIFICATION, ENGINEERING EVALUATION AND/OR INSPECTION PURPOSES ONLY AND MAY NOT BE USED AS A BASIS FOR MANUFACTURE OR SALES OF PRODUCTS WITHOUT WRITTEN PERMISSION FROM TEKTRONIX, INC. IF THIS DRAWING IS FURNISHED UNDER ANY UNITED STATES GOVERNMENT CONTRACT, IT SHALL NOT BE EITHER RELEASED OUTSIDE THE GOVERNMENT, OR USED, DUPLICATED, OR DISCLOSED IN WHOLE OR IN PART FOR MANUFACTURE OR PROCUREMENT, WITHOUT THE WRITTEN PERMISSION OF TEKTRONIX, INC. EXCEPT FOR: (1) EMERGENCY REPAIR OR OVERHAUL WORK BY OR FOR THE GOVERNMENT, WHERE THE IDEA OR PROCESS CONCERNED IS NOT OTHERWISE REASONABLY AVAILABLE TO ENSURE TIMELY PERFORMANCE OF THE WORK; OR (2) RELEASE TO A FOREIGN GOVERNMENT AS THE INTERESTS OF THE UNITED STATES MAY REQUIRE; PROVIDED THAT IN EITHER CASE THE RELEASE, USE, DUPLICATION OR DISCLOSURE HEREOF SHALL BE SUBJECT TO THE FOREGOING LIMITATIONS; IF THIS DRAWING IS REPRODUCED IN WHOLE OR IN PART, THIS ENTIRE LEGEND BLOCK MUST APPEAR ON ALL REPRODUCED COPIES.

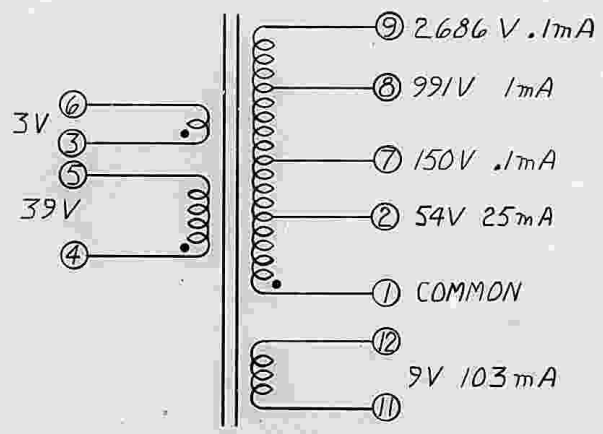
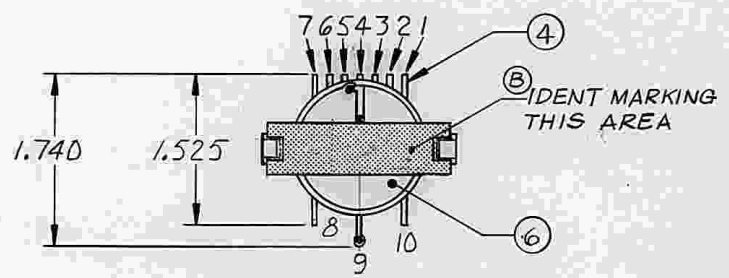
REV	REF	DESCRIPTION OF CHANGE	CHK BY	DATE
A	49630	ADDED 650-1299-00 & UPDATED DWG	DD	9 FEB 83
B	52601	REVISED DWG., & ADDED NOTE	DD	29 MAR 84

### COIL STRUCTURE

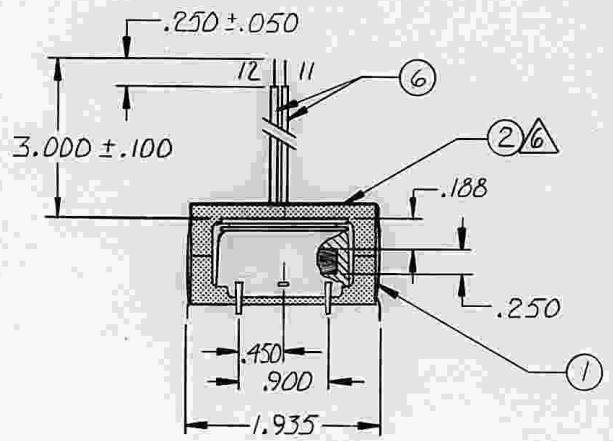


OUTSIDE

TYPE WINDING	SEC	TERM NO
SEC 11-12	SEC	1-7-8-9
	Ø-50-330.5-895.5T	*36
	SEC	1-2
	18T	*30
	PRI 4-5	PRI 3-6
3T *24	13T *26	1T *26



OPERATING FREQUENCY 40 KHZ



- △ LOCATION AND ORIENTATION ON THIS SURFACE NOT CRITICAL. MUST BE LEGIBLE
- △ TAPE TO COVER AND EXTEND .010 PAST TOP EDGE OF CORE
- 5. INDUCTANCE RANGE 4-5: = 126 μH - 156 μH DETERMINED WITH ESI 252 METER OR EQUIVALENT
- 4. VOLTAGE RATINGS ARE PEAK NO LOAD VOS. CURRENT RATINGS ARE AMPS DC TYPICAL
- △ 3 COIL TRANSFER MOLDED WITH EPOXY
- 2. POLARITY PER SCHEMATIC
- 1. DIMENSIONS REFERENCE UNLESS OTHERWISE SPECIFIED

PART NUMBER	REV.
120-1311-00	B

NOTES:

TEKTRONIX, INC. PROPRIETARY ITEM DRAWING	
<input checked="" type="checkbox"/> MFD BY TEKTRONIX	<input type="checkbox"/> MFD FOR TEKTRONIX
<b>TEKTRONIX, INC.</b> P. O. BOX 500 BEAVERTON, OREGON U.S.A. 97077	
DWN <i>JTWINFREY</i> 16 MAY 80 ENGR <i>Z. Chan</i> 16 May 82 CHKR <i>J. Stewart</i> 25 JUL 82 PROD <i>B. Williams</i> 4-28-82	DIMENSIONS ARE IN INCHES / TOLERANCES UNLESS OTHERWISE SPECIFIED DEC ANLR SCALE FIRST USED ON 1:1 2335
MATERIAL SEE LIST OF MATERIALS	
FINISH SEE NOTE 3	
TITLE <b>TRANSFORMER, POWER STU (HIGH VOLTAGE)</b>	

ITEM	PART NUMBER	QTY	DESCRIPTION
A 6	650-1299-00	1	BOBBIN ASSEMBLY
5	255-0479-01	AR	PLASTIC MOLDING MATERIAL (EPOXY)
4	195-0140-00	.5	LEAD SET, HV TRANSFORMER
3	276-0740-01	1	CORE, EM ("E" FERRITE)
	276-0741-00	1	CORE, EM ("E" FERRITE)
2	253-0072-00	AR	TAPE, PRESS SENS (.562 WIDE)
1	343-0873-00	2	CLAMP, TRANSFORMER CORE

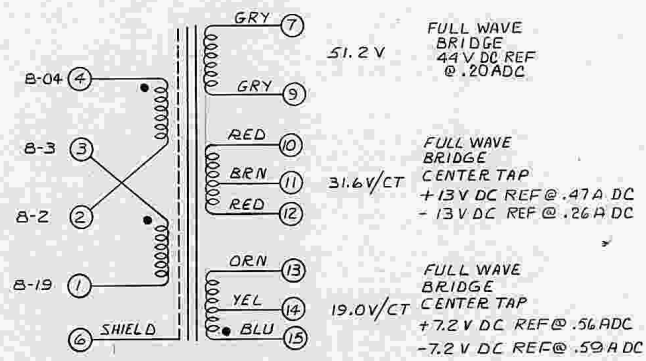
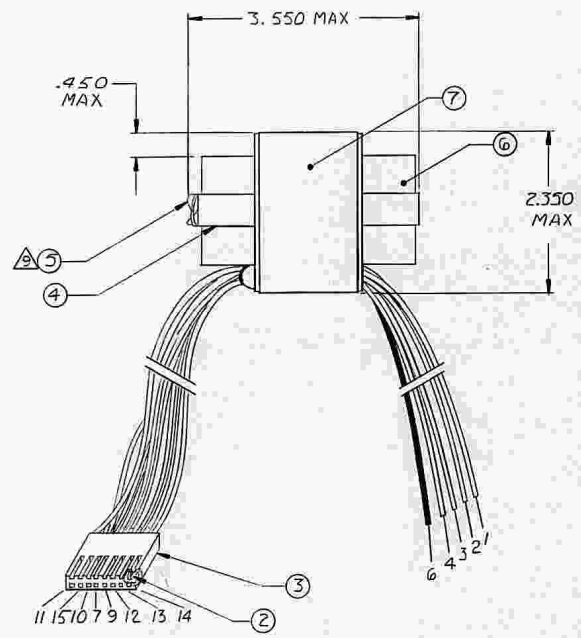
CODE IDENT NO	SIZE	PART NUMBER	REV
80009	C	120-1311-00	B

54-147K

REV	DESCRIPTION OF CHANGE	CHK BY	DATE
A	53439 REVISED DWG, UPDATED NOTE A ITEM 1 WAS 000-5756-00	DD	2 FEB 84
B	63989 REMOVE TEK P/N ON SOME ITEMS ADDED NOTES 10 & 11	DLP	2 JUN 87

COIL STRUCTURE  
INSIDE

LEAD NO	TURNS	AWG	DCR (Ω) 20°C TYP
1-3	633	30	24.5 Ω
2-4	633	30	24.5 Ω
6	SHIELD		
7-9	324	27	7.00 Ω
13-14-15	120 CT	24	1.37 Ω
10-11-12	200 CT	25	3.07 Ω



PRIMARY  
100, 200 V  
50-400 HZ

FULL WAVE  
BRIDGE  
44 V DC REF  
@ .20 ADC

FULL WAVE  
BRIDGE  
CENTER TAP  
+13V DC REF @ .47 A DC  
-13V DC REF @ .26 A DC

FULL WAVE  
BRIDGE  
CENTER TAP  
+7.2 V DC REF @ .56 ADC  
-7.2 V DC REF @ .59 ADC

- 10. SHALL BE UL RECOGNIZED TRANSFORMER CONSTRUCTION (XPTQ2)
- 11. SHALL BE MARKED WITH MANUFACTURER'S NAME, PART NUMBER, HI-POT TEST AND THE UL UR RECOGNIZED COMPONENT MARK

- A. CLIP, ITEM 5, TO BE CENTERED ON CORE ±.125
- B. TRANSFORMER MUST COMPLY WITH UL 1244 & CSA 556B & IEC 34B
- A. LEAD LENGTHS

LEAD NUMBER	COLOR	PART NUMBER	LENGTH ±.250	STRIP ±.125
1	B-19	175-0879-00	5.000	.500
2	B-2	175-0880-00		
3	B-3	175-0881-00		
4	B-04	175-0882-00		
6	BLK	175-0920-00		
7	GRY	175-0886-00	3.125	*
9	GRY	175-0886-00		
10	RED	175-0922-00		
11	BRN	175-0964-00		
12	RED	175-0922-00		
13	ORN	175-0950-00		
14	YEL	175-0963-00		
15	BLU	175-0970-00		

\* STRIP AS REQ'D TO FIT CONNECTORS

120-1312-00 B

- 6. DIELECTRIC WITHSTANDING VOLTAGE: 1.5KV RMS, 50 TO 60 Hz, MIN, PRIMARIES TO SECONDARIES, SHIELD AND CORE
- 5. WINDINGS INSULATED FOR 600V DC. TRANSFORMER VACUUM IMPREGNATED WITH VARNISH 252-0082-00 OR APPROVED EQUIVALENT
- 3. VOLTAGE RATINGS ARE RMS NO LOAD AND CURRENT RATINGS ARE AMPS DC UOS
- 2. POLARITY PER SCHEMATIC
- 1. DIMENSIONS REFERENCE UJOS

NOTES:

TEKTRONIX SAFETY CONTROLLED PART  
THIS PART IS CONTROLLED TO INSURE MAINTENANCE OF SAFETY CHARACTERISTICS DESIGNED INTO A TEKTRONIX INC. PRODUCT. TO CONTINUE MAINTENANCE, ANY CHANGES IN MATERIALS, SPECIFICATIONS, VENDORS, OR VERSION PART NUMBERS MUST BE EVALUATED AND APPROVED BY PRODUCT SAFETY IN EACH APPLICATION IN WHICH THIS IS A CONTROLLED PART.  
000-5094-00 Rev. Nov. 1983

LINE TO I-4	CONNECT
100 V	1 TO 2, 3 TO 4
200 V	2 TO 3

7	AR	COPPER STRIP		
6	I	CORE, EM(C) CORE		
5	I	CLIP, SEAL		
4	AR	STRAPPING		
3	204-0869-00	I HOLDER, CONNECTOR		
2	131-1918-00	B CONNECTOR, TERMINAL		
1	I	MARKER, IDENTIFICATION		
ITEM	PART NUMBER	QTY	UNIT OF MATERIAL	DESCRIPTION

TEKTRONIX, INC. PROPRIETARY ITEM DRAWING  
 BFD BY TEKTRONIX  BFD FOR TEKTRONIX  
 P. O. BOX 999  
 BEAVERTON, OREGON U.S.A. 97077  
 DATE: 13 MAY 82  
 DRAWN BY: J. SIMMONS  
 CHECKED BY: [Signature]  
 PROD BY: P. DOUGLAS  
 SCALE: NONE  
 FIRST USED ON: 2335/2336  
 MATERIAL: SEE LIST OF MATERIALS  
 FINISH: NOTED  
 TITLE: TRANSFORMER, POWER STEP DWG  
 TOOL QUANTY: 10  
 PART NUMBER: 120-1312-00  
 REV: B

PART NUMBER (120-1312-00)  
DATE CODE  
THIS SURFACE

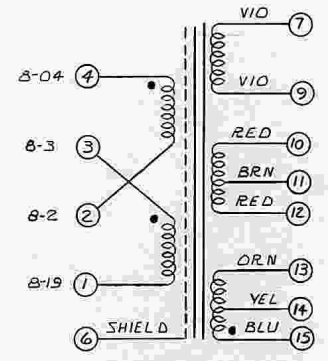
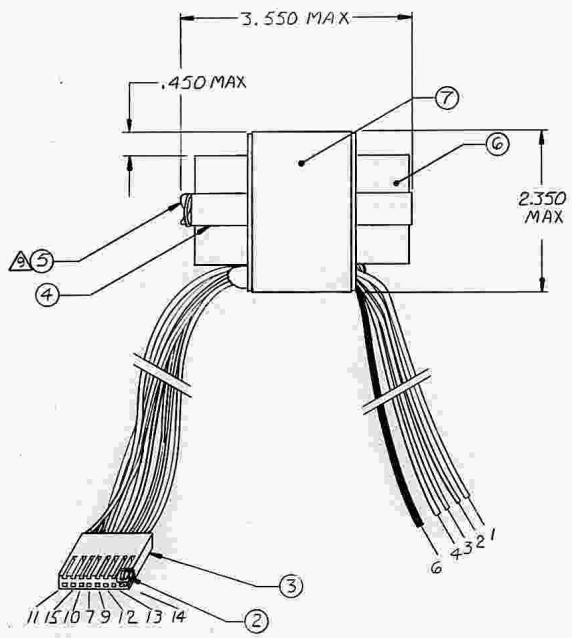
55-41J

THIS DRAWING UNDER THE TRADE NAME OF THE COMPANY IS SUPPLIED FOR INFORMATION, ENGINEERING, PRODUCTION AND/OR INSPECTION PURPOSES ONLY AND MAY BE USED AS A BASIS FOR MANUFACTURE OR SALE OF PRODUCTS WITHOUT WRITTEN PERMISSION FROM THE COMPANY, INC. IF THIS DRAWING IS REPRODUCED OR TRANSMITTED IN ANY FORM OR BY ANY MEANS, ELECTRONIC OR MECHANICAL, INCLUDING PHOTOCOPYING, RECORDING, OR BY ANY INFORMATION STORAGE AND RETRIEVAL SYSTEM, WITHOUT THE WRITTEN PERMISSION OF THE COMPANY, INC. THE COMPANY SHALL NOT BE RESPONSIBLE FOR ANY DAMAGES, INCLUDING REASONABLE ATTORNEY'S FEES, ARISING FROM THE USE OF THIS DRAWING IN ANY MANNER, INCLUDING REPRODUCTION OR TRANSMISSION, WITHOUT THE WRITTEN PERMISSION OF THE COMPANY, INC. THE COMPANY SHALL NOT BE RESPONSIBLE FOR ANY DAMAGES, INCLUDING REASONABLE ATTORNEY'S FEES, ARISING FROM THE USE OF THIS DRAWING IN ANY MANNER, INCLUDING REPRODUCTION OR TRANSMISSION, WITHOUT THE WRITTEN PERMISSION OF THE COMPANY, INC. THE COMPANY SHALL NOT BE RESPONSIBLE FOR ANY DAMAGES, INCLUDING REASONABLE ATTORNEY'S FEES, ARISING FROM THE USE OF THIS DRAWING IN ANY MANNER, INCLUDING REPRODUCTION OR TRANSMISSION, WITHOUT THE WRITTEN PERMISSION OF THE COMPANY, INC.

COIL STRUCTURE

INSIDE

LEAD NO	TURNS	AWG	DCR (Ω) 20°C TYP
1-3	728	30	28.2 Ω
2-4	728	30	28.2 Ω
6	SHIELD		
7-9	324	27	7.00 Ω
13-14-15	120/CT	24	1.37 Ω
10-11-12	200/CT	25	3.07 Ω

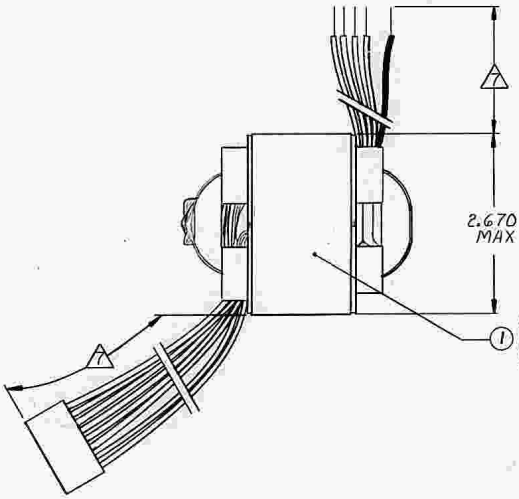


51.2V FULL WAVE BRIDGE 44V DC REF @ .20 A DC

31.6V/CT FULL WAVE BRIDGE CENTER TAP +13V DC REF @ .47 A DC -13V DC REF @ .26 A DC

19.0V/CT FULL WAVE BRIDGE CENTER TAP +7.2V DC REF @ .56 A DC -7.2V DC REF @ .59 A DC

PRIMARY 115, 230 V 50-400 Hz



LINE TO I-4	CONNECT
115 V	1T02, 3T04
230 V	2T03

REV	DESCRIPTION OF CHANGE	DATE	BY
A	53439 REVISED DWG, UPDATED NOTE 11	2FEB84	DD
B	63969 REMOVE TEK P/N ON SOME SUBPARTS ADDED NOTES 10 & 11	2JUN87	DLP

- CLIP ITEM 5 TO BE CENTERED ON CORE ±.125
- TRANSFORMER MUST COMPLY WITH UL1249 & CSA 556B & IEC 34B
- LEAD LENGTHS:

LEAD NUMBER	COLOR	PART NUMBER	LENGTH ±.250	STRIP/TIN ±.125
1	B-19	175-0879-00	5.000	.500
2	B-2	175-0880-00	5.000	.500
3	B-3	175-0881-00	5.000	.500
4	B-04	175-0882-00	5.000	.500
6	BLK	175-0920-00	5.000	.500
7	VIO	175-0949-00	3.125	*
9	VIO	175-0949-00		
10	RED	175-0922-00		
11	BRN	175-0964-00		
12	RED	175-0922-00		
13	ORN	175-0950-00		
14	YEL	175-0963-00		
15	BLU	175-0970-00		

\*STRIP AS REQ'D TO FIT CONNECTORS

120-1314-00 B

- SHALL BE UL RECOGNIZED TRANSFORMER CONSTRUCTION (XPTQ2).
- SHALL BE MARKED WITH MANUFACTURER'S NAME, PART NUMBER, HI-POT TEST AND THE UL UR RECOGNIZED COMPONENT MARK.
- DIELECTRIC W/STANDING VOLTAGE: 1.5 KV RMS 50 TO 60 Hz; MIN PRIMARIES TO SECONDARIES, SHIELD, AND CORE
- WINDINGS INSULATED FOR 600V DC
- TRANSFORMER VACUUM IMPREGNATED WITH VARNISH 252-0032-00 OR APPROVED EQUIVALENT
- VOLTAGE RATINGS ARE RMS NO LOAD AND CURRENT RATINGS ARE AMPS DC UOS
- POLARITY PER SCHEMATIC
- DIMENSIONS REFERENCE UOS

TEXTRONIX SAFETY CONTROLLED PART  
THIS PART IS CONTROLLED TO MAINTAIN SAFETY CHARACTERISTICS DESIGNED INTO A TEXTRONIX INC. PRODUCT. TO CONTINUE MAINTENANCE, ANY CHANGES IN MATERIALS, SPECIFICATIONS, VENDORS, OR OTHER PART NUMBERS MUST BE EVALUATED AND APPROVED BY PRODUCT SAFETY IN EACH APPLICATION IN WHICH THIS IS A CONTROLLED PART.  
500-5264-00 Rev. Nov 1985

NOTES:  
TEXTRONIX, INC. PROPRIETARY ITEM DRAWING  
INFO BY TEXTRONIX INFO FOR TEXTRONIX

TEXTRONIX, INC. BEAVERTON, OREGON U.S.A. 97077  
P. O. BOX 900  
DIMENSIONS ARE IN INCHES UNLESS OTHERWISE SPECIFIED

7	AR	COPPER STRIP
5	I	CORE, EM (C-CORE)
6	I	CLIP, SEAL
4	AR	STRAPPING
3	204-0869-00	HOLDER, CONNECTOR
2	131-1918-00	CONNECTOR, TERMINAL
1	I	MARKER, IDENTIFICATION

SCALE: NONE  
FIRST USED ON: 2335/2336  
MATERIAL: SEE LIST OF MATERIALS  
FINISH: NOTED A  
TITLE: TRANSFORMER, POWER STEPDOWN  
CODE IDENT NO: 80009  
REV: D  
PART NUMBER: 120-1314-00  
REV: B

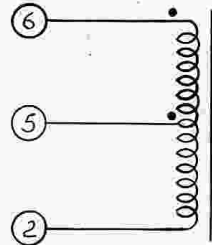
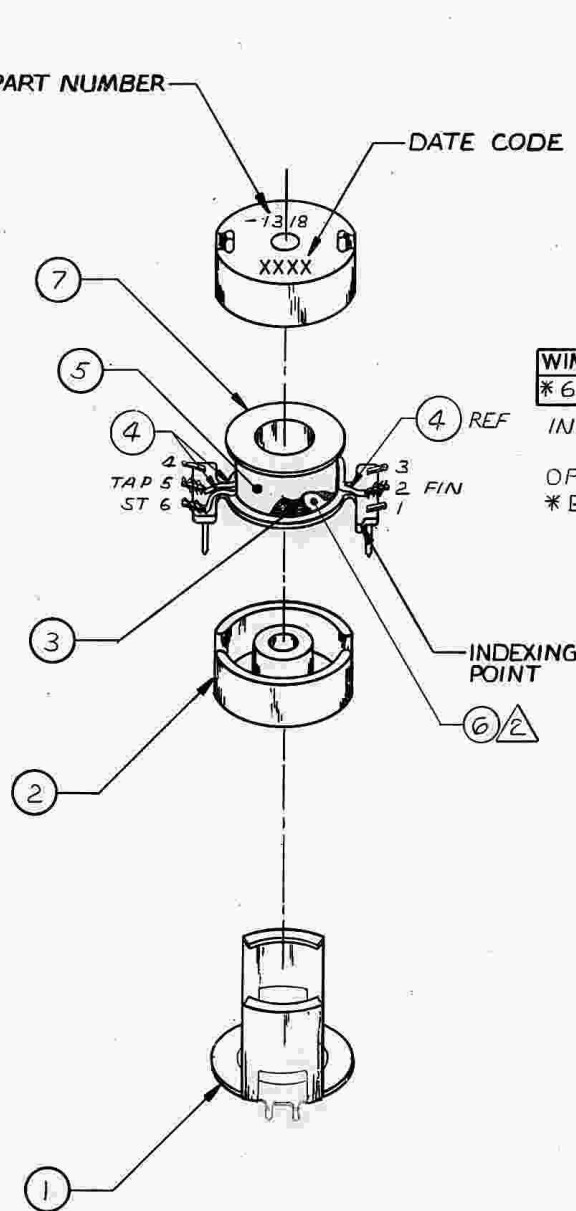
78-82 E

THIS DRAWING WHEN DISTRIBUTED OUTSIDE TEKTRONIX, INC., IS SUPPLIED FOR IDENTIFICATION, ENGINEERING, EVALUATION AND/OR INSPECTION PURPOSES ONLY AND MAY NOT BE USED AS A BASIS FOR MANUFACTURE OR SALES OF PRODUCTS WITHOUT WRITTEN PERMISSION FROM TEKTRONIX, INC. IF THIS DRAWING IS FURNISHED UNDER ANY UNITED STATES GOVERNMENT CONTRACT, IT SHALL NOT BE EITHER RELEASED OUTSIDE THE GOVERNMENT, OR USED, DUPLICATED, OR DISCLOSED IN WHOLE OR IN PART FOR MANUFACTURE OR PROCUREMENT, WITHOUT THE WRITTEN PERMISSION OF TEKTRONIX, INC., EXCEPT FOR: (1) EMERGENCY REPAIR OR OVERHAUL WORK BY OR FOR THE GOVERNMENT, WHERE THE ITEM OR PROCESS CONCERNED IS NOT OTHERWISE REASONABLY AVAILABLE TO ENABLE TIMELY PERFORMANCE OF THE WORK, OR (2) RELEASE TO A FOREIGN GOVERNMENT AS THE INTERESTS OF THE UNITED STATES MAY REQUIRE, PROVIDED THAT IN EITHER CASE THE RELEASE, USE, DUPLICATION OR DISCLOSURE HEREOF SHALL BE SUBJECT TO THE FOREGOING LIMITATIONS. IF THIS DRAWING IS REPRODUCED IN WHOLE OR IN PART, THIS ENTIRE LEGEND BLOCK MUST APPEAR ON ALL REPRODUCED COPIES.

REV	REF	DESCRIPTION OF CHANGE	CHK BY	DATE

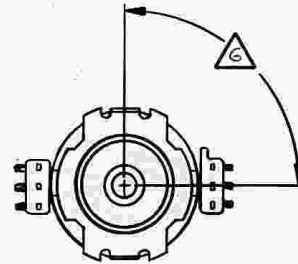
PART NUMBER

DATE CODE



WINDINGS	TURNS	WIRE SIZE AWG	TYP RATINGS		RESISTANCE ±20% AT 20°C
			VOLTS	CURRENT	
* 6-5-2	0-8-3554	34	1500pk	463mAPK	15 Ω

INDUCTANCE: 20.2mH ± 10% (PINS 2-6) MEASURED ON ESI 252 METER OR EQUIV  
 OPERATING FREQUENCY: 15 KHZ  
 \* BANK WOUND



BOTTOM VIEW

10. HI POT COIL - CORE/CLAMP: 225KV-AC 1 MINUTE

9. POLARITY PER SCHEMATIC

8. TERMINALS AND MOUNTING TABS TO BE VARNISH FREE

7. COIL VACUUM IMPREGNATED WITH VARNISH 252-0082-00

6. COIL AND CLAMP MUST BE PERPENDICULAR TO EACH OTHER ± 3°

5. COIL CEMENTED TO BOTTOM CORE

PART NUMBER	REV.
120-1318-00	

4. TRIPLE INSULATE ALL LEADS UP COIL SIDES TO INSULATE FROM COIL &amp; CORE

3. DO NOT DRESS FIN LEAD ACROSS WINDING UNDER TAPE

2. ONE LAYER ITEM 6, TAPE, PRESS SENS INSTALLED ON COIL BEFORE WINDING

1. REFERENCE DIMENSIONS: .740 HIGH X 1.035 WIDE X 1.400 LONG

## NOTES:

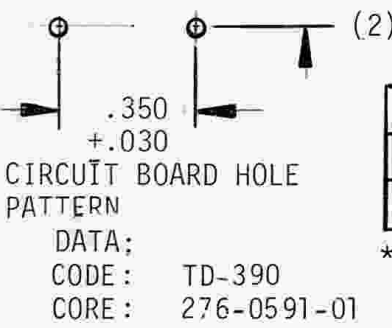
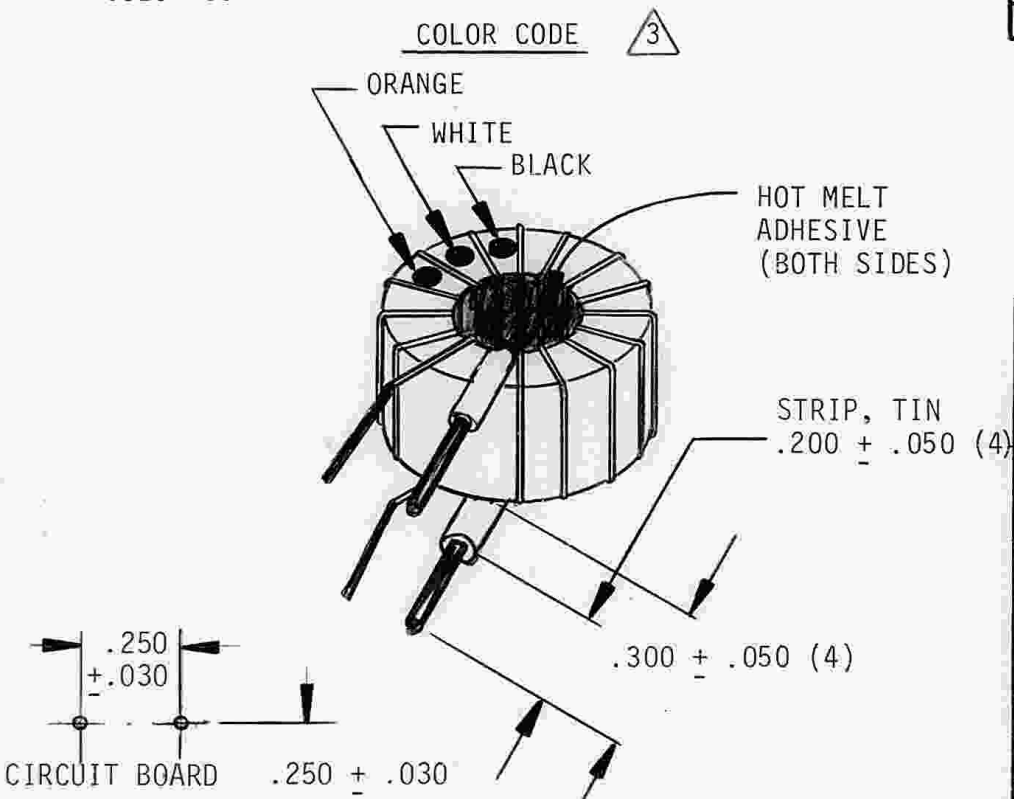
TEKTRONIX, INC. PROPRIETARY ITEM DRAWING			
<input checked="" type="checkbox"/> MFD BY TEKTRONIX		<input type="checkbox"/> MFD FOR TEKTRONIX	
<b>TEKTRONIX, INC.</b> P. O. BOX 500 BEAVERTON, OREGON U.S.A. 97077			
DWN <i>BILL THOMPSON</i>	30 JAN 81	DIMENSIONS ARE IN INCHES / UNLESS OTHERWISE SPECIFIED	
ENGR <i>[Signature]</i>	4 JUN 81	DEC	ANLR
CHKR <i>[Signature]</i>	2 JUN 81	SCALE	FIRST USED ON
PROD <i>[Signature]</i>	3-16-82	NONE	.690 SR
MATERIAL SEE LIST OF MATERIALS			
FINISH			
TITLE TRANSFORMER, RF (HORIZONTAL DEFLECTION, POT CORE)			
CODE IDENT NO	SIZE	PART NUMBER	REV
80009	G	120-1318-00	

7	276-0132-00	1	FORM, COIL
6	253-0219-00	AR	TAPE, PRESS SENS (.375 WIDE)
5	253-0103-00	AR	TAPE, PRESS SENS (.437 WIDE)
4	162-0601-00	AR	INSUL SLVG, ELEC (#24-BLK)
3	176-0366-XX	AR	WIRE, ELEC (34 AWG FRICTION COAT)
2	276-0688-00	1	CORE, EM (2616-A160) SET
1	343-0423-00	1	CLAMP, POT CORE
ITEM	PART NUMBER	QTY	DESCRIPTION

## LIST OF MATERIALS

NOTES:

1. TOROID REFERENCE DIMENSIONS: .425 OD X .360 HIGH
2. INDUCTANCE RANGE PER HP4275A METER OR APPROVED EQUIVALENT: 318 TO 531  $\mu$ H ON 16 TURN WINDING AT 100 kHz, 2.2 mA, SERIES MODE.
3. PRINTED PART NUMBER (-1319) MAY BE USED INSTEAD OF COLOR CODE.



WIRE DATA		
TURNS	AWG	PART NUMBER
16	25	176-0009-XX
1	18*	175-0503-00

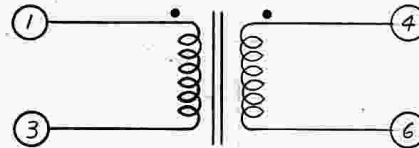
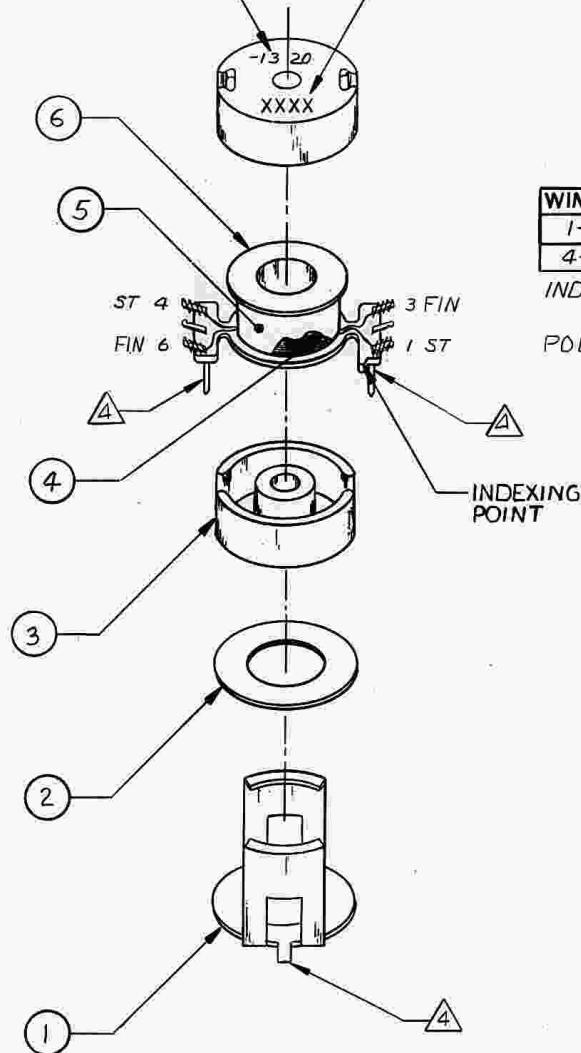
\*PVC, SOLID

79-10C	PART NUMBER	120-1319-00	REV	A
THIS DRAWING WHEN DISTRIBUTED OUTSIDE TEKTRONIX, INC. IS SUPPLIED FOR IDENTIFICATION, ENGINEERING EVALUATION AND/OR INSPECTION PURPOSES ONLY AND MAY NOT BE USED AS A BASIS FOR MANUFACTURE OR SALES OF PRODUCTS WITHOUT WRITTEN PERMISSION FROM TEKTRONIX, INC. IF THIS DRAWING IS FURNISHED UNDER ANY UNITED STATES GOVERNMENT CONTRACT, IT SHALL NOT BE EITHER RELEASED OUTSIDE THE GOVERNMENT, OR USED, DUPLICATED, OR DISCLOSED IN WHOLE OR IN PART FOR MANUFACTURE OR PROCUREMENT, WITHOUT THE WRITTEN PERMISSION OF TEKTRONIX, INC. EXCEPT FOR: (1) EMERGENCY REPAIR OR OVERHAUL WORK BY OR FOR THE GOVERNMENT WHERE THE ITEM OR PROCESS CONCERNED IS NOT OTHERWISE REASONABLY AVAILABLE TO ENABLE TIMELY PERFORMANCE OF THE WORK; OR (2) RELEASE TO A FOREIGN GOVERNMENT AS THE INTERESTS OF THE UNITED STATES MAY REQUIRE; PROVIDED THAT IN EITHER CASE THE RELEASE, USE, DUPLICATION OR DISCLOSURE HEREOF SHALL BE SUBJECT TO THE FOREGOING LIMITATIONS. IF THIS DRAWING IS REPRODUCED IN WHOLE OR IN PART, THIS ENTIRE LEGEND BLOCK MUST APPEAR ON ALL REPRODUCED COPIES.				
REV / BY / REF	DESCRIPTION OF CHANGE		CHK BY / DATE	
A / DG / 50482	UPDATE--SEE MOD DOC		12 OCT 83	

TEKTRONIX, INC. PROPRIETARY ITEM DRAWING				
<input checked="" type="checkbox"/> MFD BY TEKTRONIX		<input type="checkbox"/> MFD FOR TEKTRONIX		
		P. O. BOX 500 BEAVERTON, OREGON U.S.A. 97077		
DWN	JEANNE JUDAH	5 FEB 81	DIMENSIONS ARE IN INCHES / TOLERANCES: UNLESS OTHERWISE SPECIFIED	
ENGR	IGNY LINDA	9 SEPT 81	DEC	ANLR
CHKR	Bob Stewart	9 SEPT 81	SCALE	FIRST USED ON
PROD	ROGER NOVES	14 MAY 82	NONE	690SR
MATERIAL LISTED				
FINISH				
TITLE TRANSFORMER, RF (TOROIDAL)				
CODE IDENT NO	SIZE	PART NUMBER	REV	
80009	A	120-1319-00	A	

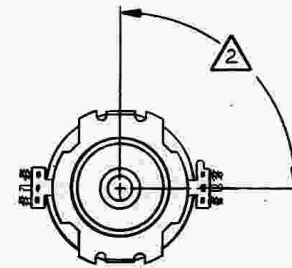
PART NUMBER

DATE CODE



WINDINGS	TURNS	WIRE SIZE/AWG	TYP RATING CURRENT	RESISTANCE ±20% AT 20°C
1-3	20	24	.119 A	62 mΩ
4-6	22	24	—	68 mΩ

INDUCTANCE: (1-3) 1.09 mH MIN MEASURED ON ESI 252 METER OR EQUIVALENT  
POLARITY PER SCHEMATIC



BOTTOM VIEW

PART NUMBER	REV.
120-1320-00	

- △ TERMINALS AND MOUNTING TABS TO BE VARNISH FREE
- △ COIL VACUUM IMPREGNATED WITH VARNISH 252-0082-00
- △ COIL AND CLAMP MUST BE PERPENDICULAR TO EACH OTHER ±3°

1. REFERENCE DIMENSIONS: .605 HIGH X .720 WIDE X 1.125 LONG

## NOTES:

TEKTRONIX, INC. PROPRIETARY ITEM DRAWING		<input checked="" type="checkbox"/> MFD BY TEKTRONIX		<input type="checkbox"/> MFD FOR TEKTRONIX	
<b>TEKTRONIX, INC.</b>		P. O. BOX 500		BEAVERTON, OREGON U.S.A. 97077	
OWN	BILL THOMPSON	24 JAN 81	DIMENSIONS ARE IN INCHES / UNLESS OTHERWISE SPECIFIED		
ENGR	W. Jordan	7 OCT 81	DEC	ANLR	
CHKR	B. Stewart	7 OCT 81	SCALE	FIRST USED ON	
PROD	m. Coats	6 OCT 81	NONE	690 SR	
MATERIAL					
SEE LIST OF MATERIALS					
FINISH					
SEE NOTE 3					
TITLE					
TRANSFORMER, RF (HORIZ LINEARITY, POT CORE)					

6	276-0168-00	1	FORM, COIL
5	253-0021-00	AR	TAPE, PRESS SENS (.250 WIDE)
4	176-0030-XX	AR	WIRE, ELEC (24 AWG MAGNET)
3	276-0617-00	1	CORE, EM (1811 UNGAPPED) SET
2	361-0409-00	1	SPACER, DISC
1	343-0312-00	1	CLAMP, POT CORE
ITEM	PART NUMBER	QTY	DESCRIPTION

## LIST OF MATERIALS

CODE IDENT NO	SIZE	PART NUMBER	REV
80009	G	120-1320-00	

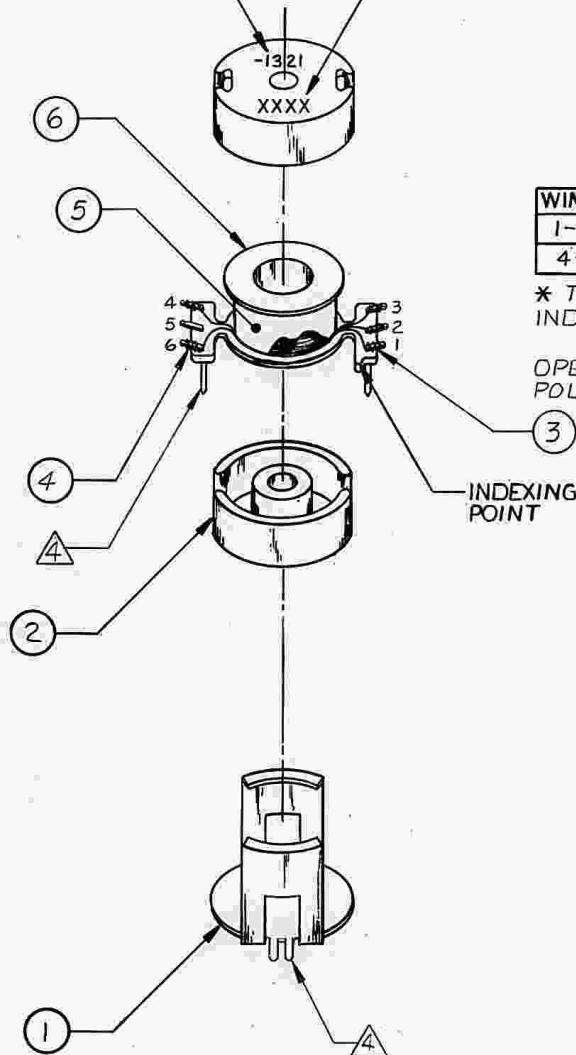


THIS DRAWING WHEN DISTRIBUTED OUTSIDE TEKTRONIX, INC., IS SUPPLIED FOR IDENTIFICATION, ENGINEERING EVALUATION AND/OR INSPECTION PURPOSES ONLY AND MAY NOT BE USED AS A BASIS FOR MANUFACTURE OR SALES OF PRODUCTS WITHOUT WRITTEN PERMISSION FROM TEKTRONIX, INC. IF THIS DRAWING IS FURNISHED UNDER ANY UNITED STATES GOVERNMENT CONTRACT, IT SHALL NOT BE EITHER RELEASED OUTSIDE THE GOVERNMENT, OR USED, DUPLICATED, OR DISCLOSED IN WHOLE OR IN PART FOR MANUFACTURE OR PROCUREMENT, WITHOUT THE WRITTEN PERMISSION OF TEKTRONIX, INC., EXCEPT FOR: (1) EMERGENCY REPAIR OR OVERHAUL WORK BY OR FOR THE GOVERNMENT, WHERE THE ITEM OR PROCESS CONCERNED IS NOT OTHERWISE REASONABLY AVAILABLE TO ENABLE TIMELY PERFORMANCE OF THE WORK, OR (2) RELEASE TO A FOREIGN GOVERNMENT AS THE INTERESTS OF THE UNITED STATES MAY REQUIRE, PROVIDED THAT IN EITHER CASE THE RELEASE, USE, DUPLICATION OR DISCLOSURE HEREOF SHALL BE SUBJECT TO THE FOLLOWING LIMITATIONS, IF THIS DRAWING IS REPRODUCED IN WHOLE OR IN PART, THIS ENTIRE LEGEND BLOCK MUST APPEAR ON ALL REPRODUCED COPIES.

REV	REF	DESCRIPTION OF CHANGE	CHK BY	DATE

PART NUMBER

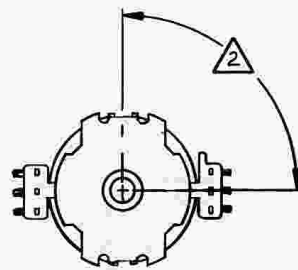
DATE CODE



WINDINGS	TURNS	WIRE SIZE/AWG	RESISTANCE ± 20% AT 20°C
1-2-3	44 *	28	405 m Ω
4-6	240	32	6.2 Ω

\* TAP AT 22

INDUCTANCE: (PINS 1-3) 1.16 mH ± 10% MEASURED ON EST 252 METER OR EQUIV

OPERATING FREQUENCY: 15 KHZ  
POLARITY PER SCHEMATICBOTTOM VIEW

PART NUMBER	REV.
120-1321-00	

- ④ TERMINALS AND MOUNTING TABS TO BE VARNISH FREE
- ③ COIL VACUUM IMPREGNATED WITH VARNISH 252-0082-00
- ② COIL AND CLAMP MUST BE PERPENDICULAR TO EACH OTHER ± 3°

1. REFERENCE DIMENSIONS: .850 HIGH X 1.035 WIDE X 1.400 LONG

## NOTES:

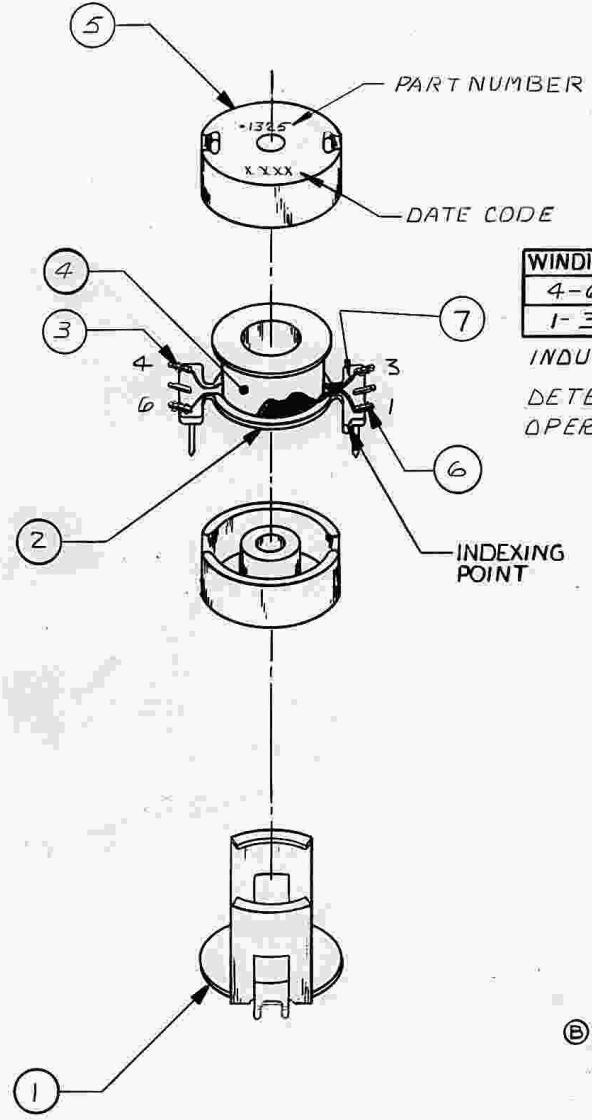
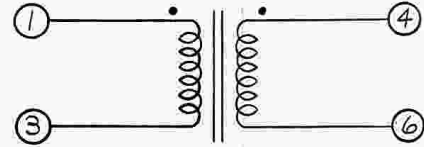
TEKTRONIX, INC. PROPRIETARY ITEM DRAWING	
<input checked="" type="checkbox"/> MFD BY TEKTRONIX	<input type="checkbox"/> MFD FOR TEKTRONIX
<b>TEKTRONIX, INC.</b> P. O. BOX 500 BEAVERTON, OREGON U.S.A. 97077	
ENGR JEANNE JUDAH	28 JAN 81
ENGR <i>[Signature]</i>	9 AUG 82
CHKR <i>[Signature]</i>	9 AUG 82
PROD <i>[Signature]</i>	9 AUG 82
DIMENSIONS ARE IN INCHES / <input type="checkbox"/>	TOLERANCES: <input type="checkbox"/>
UNLESS OTHERWISE SPECIFIED	ANLR
SCALE NONE	FIRST USED ON 690 SR
MATERIAL	
SEE LIST OF MATERIALS	
FINISH	
SEE NOTE ③	
TITLE	
TRANSFORMER, RF (PIN CUSHION POT CORE)	
CODE IDENT NO	SIZE PART NUMBER
80009	120-1321-00
REV	

6	276-0132-00	1	FORM, COIL
5	253-0103-00	AR	TAPE, PRESS SENS (.438 WIDE)
4	176-0037-XX	AR	WIRE, ELEC (MAGNET 32AWG)
3	176-0034-XX	AR	WIRE, ELEC (MAGNET 28AWG)
2	276-0583-00	1	CORE, EM (2616 AL 600) SET
1	343-0423-00	1	CLAMP, POT CORE
ITEM	PART NUMBER	QTY	DESCRIPTION

LIST OF MATERIALS

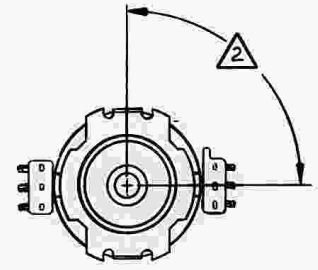
THIS DRAWING WHEN DISTRIBUTED OUTSIDE TEKTRONIX, INC., IS SUPPLIED FOR IDENTIFICATION, ENGINEERING EVALUATION AND/OR INSPECTION PURPOSES ONLY AND MAY NOT BE USED AS A BASIS FOR MANUFACTURE OR SALES OF PRODUCTS WITHOUT WRITTEN PERMISSION FROM TEKTRONIX, INC. IF THIS DRAWING IS FURNISHED UNDER ANY UNITED STATES GOVERNMENT CONTRACT, IT SHALL NOT BE EITHER RELEASED OUTSIDE THE GOVERNMENT, OR USED, DUPLICATED, OR DISCLOSED IN WHOLE OR IN PART FOR MANUFACTURE OR PROCUREMENT, WITHOUT THE WRITTEN PERMISSION OF TEKTRONIX, INC., EXCEPT FOR: (1) EMERGENCY REPAIR OR OVERHAUL WORK BY OR FOR THE GOVERNMENT, WHERE THE ITEM OR PROCESS CONCERNED IS NOT OTHERWISE REASONABLY AVAILABLE TO ENABLE TIMELY PERFORMANCE OF THE WORK; OR (2) RELEASE TO A FOREIGN GOVERNMENT AS THE INTERESTS OF THE UNITED STATES MAY REQUIRE; PROVIDED THAT IN EITHER CASE THE RELEASE, USE, DUPLICATION OR DISCLOSURE HEREOF SHALL BE SUBJECT TO THE FOLLOWING LIMITATIONS: IF THIS DRAWING IS REPRODUCED IN WHOLE OR IN PART, THIS ENTIRE LEGEND BLOCK MUST APPEAR ON ALL REPRODUCED COPIES.

REV	REF	DESCRIPTION OF CHANGE	CHK BY	DATE
A	44746	ADDED ITEM 7	DD	4 DEC 81
B	44746	ITEM 7 162-0515-00 WAS 062-0502-00	DD	20 JAN 82



WINDINGS	TURNS	WIRE SIZE	TYP RATINGS CURRENT	RESISTANCE ±20% AT 20°C
4-6	10	38	—	—
1-3	50	19/35 LITZ	2.65A MAX	160 mΩ

INDUCTANCE VALUE: 400μH (Pins 1-3) ±10%  
 DETERMINED WITH ESI 252 METER OR EQUIV.  
 OPERATING FREQUENCY: 25 KHZ



BOTTOM VIEW

PART NUMBER	REV.
120-1325-00	B

- 3. TRANSFORMER VACUUM IMPREGNATED WITH VARNISH 252-0082-00
  - ⚠️ COIL AND CLAMP MUST BE PERPENDICULAR TO EACH OTHER ±3°
  - 1. REFERENCE DIMENSIONS: .710 HIGH X 1.035 WIDE X 1.400 LONG
- NOTES:

ITEM	PART NUMBER	QTY	DESCRIPTION
7	162-0515-00	AR	INSULATION SLEEVING, ELEC (YELLOW)
6	176-0289-00	AR	WIRE ELEC (19/35 LITZ)
5	276-0688-00	1	CORE EM (2616 AL160) SET
4	253-0103-00	AR	TAPE PRESS SENS (.438 WIDE)
3	176-0040-XX	AR	WIRE, ELEC 38 AWG
2	276-0132-00	1	FORM, COIL
1	343-0423-00	1	CLAMP, POT CORE

LIST OF MATERIALS

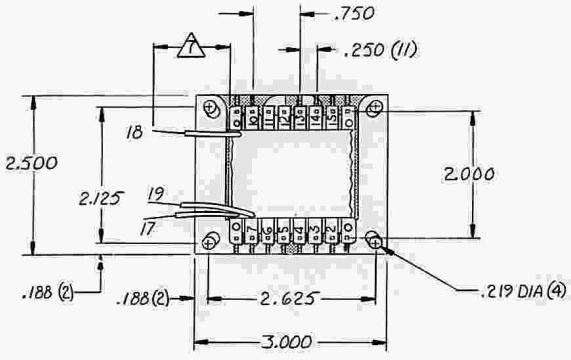
TEKTRONIX, INC. PROPRIETARY ITEM DRAWING			
<input checked="" type="checkbox"/> MFD BY TEKTRONIX	<input type="checkbox"/> MFD FOR TEKTRONIX		
<b>TEKTRONIX, INC.</b>		P. O. BOX 500 BEAVERTON, OREGON U.S.A. 97077	
DWN J. SIMMONS ENGR B. Stewart PROD M. Chatter	6 MAY 81 19 AUG 81 29 SEP 81	DIMENSIONS ARE IN INCHES / <input type="checkbox"/> TOLERANCES: UNLESS OTHERWISE SPECIFIED DEC ANLR	SCALE NONE FIRST USED ON B34
MATERIAL SEE LIST OF MATERIALS			
FINISH NOTED			
TITLE TRANSFORMER, RF (FLYBACK, POT CORE)			

CODE IDENT NO	SIZE	PART NUMBER	REV
80009	C	120-1325-00	B

55-23 I

THIS DRAWING WHEN SUBMITTED OUTSIDE TEKTRONIX, INC. IS SUPPLIED FOR IDENTIFICATION, ENGINEERING, EVALUATION AND/OR INSPECTION PURPOSES ONLY AND MAY BE USED AS A BASIS FOR MANUFACTURE OR AS A BASIS FOR REDUCING WITHOUT TEKTRONIX PERMITS. TEKTRONIX, INC. IS NOT RESPONSIBLE FOR REPRODUCTION OR USE OF THIS DRAWING FOR ANY OTHER PURPOSES. ANY REPRODUCTION OR USE OF THIS DRAWING WITHOUT THE WRITTEN PERMISSION OF TEKTRONIX, INC. EXCEPT FOR: (1) REPRODUCTION BY THE GOVERNMENT OR BY THE GOVERNMENT CONTRACTOR, IN WHOLE OR IN PART, OR BY THE GOVERNMENT CONTRACTOR'S SUBSIDIARY OR AFFILIATE, PROVIDED THAT IN EITHER CASE THE ORIGINAL SOURCE OF THIS DRAWING IS INDICATED IN THE REPRODUCTION; OR (2) REPRODUCTION BY THE GOVERNMENT CONTRACTOR'S SUBSIDIARY OR AFFILIATE, PROVIDED THAT IN EITHER CASE THE ORIGINAL SOURCE OF THIS DRAWING IS INDICATED IN THE REPRODUCTION. IF THIS DRAWING IS REPRODUCED IN WHOLE OR IN PART, THE SOURCE CODE MUST APPEAR ON ALL REPRODUCED COPIES.

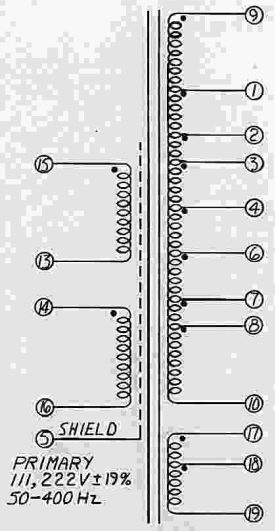
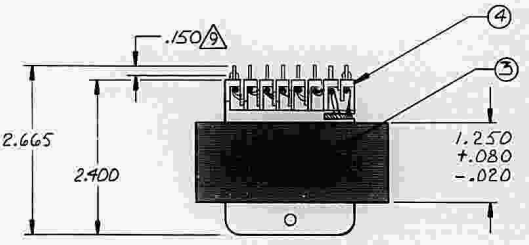
REV	REF	DESCRIPTION OF CHANGE	CHEK BY	DATE
(A)	45018	REMOVED ITEM 5 PN. 120-1326-50	DD	27 JAN 82
(B)	50496	NOTE 6 WAS 2 KV	DD	23 JUN 83
(C)	51689	REVISED DWG. & UPDATED NOTE 6	DD	23 DEC 83



**COIL STRUCTURE**  
**OUTSIDE**

TYPE WINDING TERM/LEAD NO

SEC	17-18-19		
Ø-11-44T		*23	
SEC	7-8	SEC	1-2
5T	*28	5T	*28
SEC	9-1		
64T		*30	
SEC	8-10		
64T		*30	
SEC	2-3-4-6-7		
Ø-37-82-127-164T		*21	
SHIELD	5		
PRI	14-16		
490T		*29	
PRI	15-13		
490T		*29	



**TYPICAL RATINGS**

TERMINAL NO	VOLTS RMS	AMPS	DCR Ω AT 20°C
15-13	111		16.5
14-16	111		17.8
5-4-6	20.4CT	.20	.59CT
2-4-7	37.2CT	1.69	1.09CT
1-4-8	39.4CT	.15	1.45CT
9-4-10	68.4CT	.047	8.7 CT
17-19	9.97	.155ACRMS	.53
18-19	7.48	.155ACRMS	.40

- △ DIRECTION OF KEEPERS OPTIONAL
- 10. TRANSFORMER MUST COMPLY WITH UL-1244, CSA-536B, PTT, IEC 348
- △ SOLDERABILITY REQUIRED THIS AREA OF ALL PINS
- 8. REMOVE PINS 11, 12
- △ LEAD CHART

LEAD NO	COLOR	SLEEVING PART NUMBER	LEAD LENGTH	STRIP/TIN
17	GREEN	162-0520-00	±.250	±.500
18	YEL	162-0516-00	1.500	
19	RED	162-0510-00	2.000	

120-1326-00 C

- ⑥ 6. DIELECTRIC WITHSTANDING VOLTAGE: 15KV RMS, 50TO 60HZ, 1 MINUTE, PRIMARIES TO SECONDARIES, SHIELD AND CORE
- 5. WINDINGS INSULATED FOR 600V DC
- 4. VOLTAGE RATINGS ARE RMS NO LOAD, CURRENT RATINGS ARE AMPS DC VDS
- △ 3. TRANSFORMER VACUUM IMPREGNATED WITH VARNISH 252-0082-00 OR APPROVED EQUIVALENT
- 2. POLARITY PER SCHEMATIC
- 1. DIMENSIONS REFERENCE UNLESS OTHERWISE SPECIFIED

NOTES:

TEKTRONIX, INC. PROPRIETARY ITEM DRAWING

INFO BY TEKTRONIX    INFO FOR TEKTRONIX

TEKTRONIX, INC. P. O. BOX 900 BEAVERTON, OREGON U.S.A. 97077

DRW: JWINFREY 15MAY80 DIMENSIONS ARE IN INCHES / 25.4MM UNLESS OTHERWISE SPECIFIED

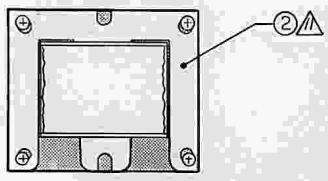
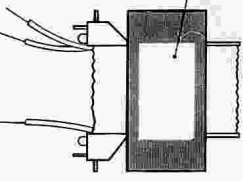
ENGR: JAL UNLESS OTHERWISE SPECIFIED

CHEK: G. H. 01.13.80 SCALE: 1:1 FIRST USED ON: 834

PROD: G. H. 19 Dec 80

MATERIAL: SEE LIST OF MATERIALS

① PART NUMBER (120-1326-00) DATE CODE THIS SURFACE



LINE TO	VOLTS RMS	CONNECT
15-16	111V ± 19%	13TO16, 14 TO 15
15-16	222V ± 19%	13 TO 14

ITEM	PART NUMBER	QTY	DESCRIPTION
4	276-0214-01	1	FORM, COIL
3	386-0029-00	AR	PLATE, LAMINATION (STEEL)
2	386-0030-00	2	PLATE, LAMINATION (KEEPER)
1	334-1645-00	1	MARKER, IDENTIFICATION

FINISH: NOTED △

TITLE: TRANSFORMER, POWER, STFDN

CODE: 120-1326-00

REV: C

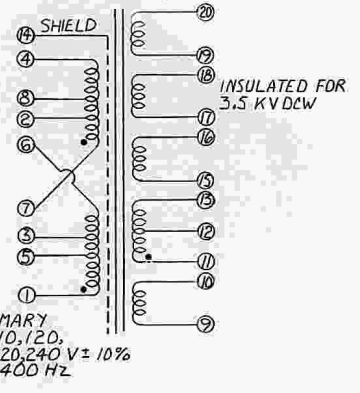
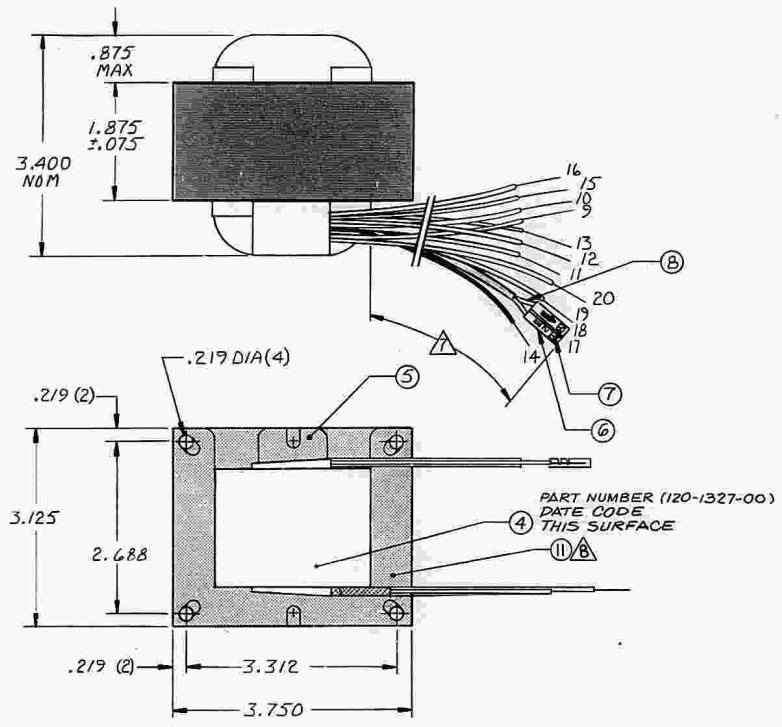
THIS DRAWING WHEN INSTRUMENTED OUTSIDE TEKTRONIX, INC. IS SUPPLIED FOR IDENTIFICATION, ENGINEERING EVALUATION AND/OR REPRODUCTION PURPOSES ONLY AND MAY NOT BE USED AS A BASIS FOR MANUFACTURE OR SALES OF PRODUCTS WITHOUT WRITTEN PERMISSION FROM TEKTRONIX, INC. IF THIS DRAWING IS REPRODUCED IN WHOLE OR IN PART FOR MANUFACTURE OR REPRODUCTION, WITHOUT THE WRITTEN PERMISSION OF TEKTRONIX, INC., EXCEPT FOR THE EXERCISES OF THE RIGHTS OF THE COPYRIGHT HOLDER, IT SHALL NOT BE STORED, REPRODUCED, COPIED, OR IN ANY MANNER, OR DISCLOSED IN WHOLE OR IN PART FOR MANUFACTURE OR REPRODUCTION, WITHOUT THE WRITTEN PERMISSION OF TEKTRONIX, INC. EXCEPT FOR THE EXERCISES OF THE RIGHTS OF THE COPYRIGHT HOLDER. THIS DRAWING IS THE PROPERTY OF TEKTRONIX, INC. AND IS LOANED TO YOU FOR YOUR INFORMATION ONLY. IT IS NOT TO BE REPRODUCED, COPIED, OR IN ANY MANNER, OR DISCLOSED IN WHOLE OR IN PART FOR MANUFACTURE OR REPRODUCTION, WITHOUT THE WRITTEN PERMISSION OF TEKTRONIX, INC. EXCEPT FOR THE EXERCISES OF THE RIGHTS OF THE COPYRIGHT HOLDER. THIS DRAWING IS THE PROPERTY OF TEKTRONIX, INC. AND IS LOANED TO YOU FOR YOUR INFORMATION ONLY. IT IS NOT TO BE REPRODUCED, COPIED, OR IN ANY MANNER, OR DISCLOSED IN WHOLE OR IN PART FOR MANUFACTURE OR REPRODUCTION, WITHOUT THE WRITTEN PERMISSION OF TEKTRONIX, INC. EXCEPT FOR THE EXERCISES OF THE RIGHTS OF THE COPYRIGHT HOLDER.

REV	DATE	DESCRIPTION OF CHANGE	ENG	DATE
	38745	INITIATED PART	AS	12MAY80
(A)	41718	ADDED ITEM II & NOTE A	DD	12MAY81
(B)	44995	LEAD 1 WAS 6.000, LEADS 3,4,5 & 6 WERE 1.0	DF	17FEB82
(C)	45018	REMOVED ITEM 10	DD	18MAR82
(D)	49320	ADDED NOTE 9.	DD	31MAR83
(E)	51689	ITEM 2 WAS 000-5663-00. UPDATED NOTE A. REMOVED ITEM 9.	DD	8NOV83
(G)		DELETED SPECIFICATION SHEET, ADDED SAFETY CONTROLLED PART NOTE.	MLF	16 AUG 88

COIL STRUCTURE OUTSIDE

TYPE WINDING	TERM NO
SEC 19-20	11-12-13
33T	*22
SEC	
0-69-138T	*20
SEC 17-18	SEC 9-10
15T	*24 18T *20
SEC 15-16	
310T	*27
SHIELD	14
PRI 7-2-8-4	
0-22-44-265T	*24
PRI 1-5-3-6	
0-221-243-265T	*24

INSIDE



LINE TO 1-4	CONNECT
100 V ± 10%	1 TO 8 & 4 TO 5
110 V ± 10%	1 TO 2 & 4 TO 3
120 V ± 10%	1 TO 7 & 4 TO 6
200V ± 10%	5 TO 8
220V ± 10%	2 TO 3
240V ± 10%	6 TO 7

LEAD NO	COLOR	PART NUMBER	LENGTH	STRIP-TIN ±.250 ±.250
1	8-19	175-0879-00	5.500	1.000
2	8-2	175-0880-00	6.000	
3	8-3	175-0881-00	6.000	
4	8-04	175-0882-00	5.500	
5	8-5	175-0883-00	6.000	
6	8-6	175-0884-00	6.000	
7	8-7	175-0885-00	6.000	
8	8-N	175-0886-00	6.000	
14	BLK	175-0920-00	7.000	
15-16	RED	175-0922-00	7.000	
* 17-18	BRN	162-0550-00	11.500	
* 9-10	ORG	162-0623-00	6.000	1.000
* 11	WH	162-0527-00		
* 12	RED	162-0507-00		
* 13	YEL	162-0515-00		
* 19-20	BLUE	162-0523-00	7.000	

PART NUMBER 120-1327-00 REV. G

6. DIELECTRIC WITHSTANDING VOLTAGE:
  - 1500 V RMS, 60Hz 1 MINUTE, PRIMARY TO SECONDARIES, SHIELD & CORE
  - 8.3 KVDC OR 5.9 KV RMS, 60Hz 1 MINUTE, 17-18 TO ALL WINDINGS, SHIELD & CORE
5. ALL WINDINGS INSULATED FOR 600VDC UNLESS OTHERWISE SPECIFIED
4. POLARITY PER SCHEMATIC
3. TRANSFORMER MUST COMPLY WITH CSA 556B, UL1249, JCL 544
2. TRANSFORMER VACUUM IMPREGNATED WITH VARNISH 252-0082-00 OR APPROVED EQUIVALENT
1. DIMENSIONS REFERENCE UOS

- 9. EXCITING CURRENT .530 AMPS MAX AT 130 VOLTS, RMS, 60 HZ LEAD 1-3.
- 8. ORIENTATION OF KEEPER IS OPTIONAL.
- 7. LEAD LENGTH MEASURED FROM EDGE OF COIL. \* INSULATION SLEEVING.

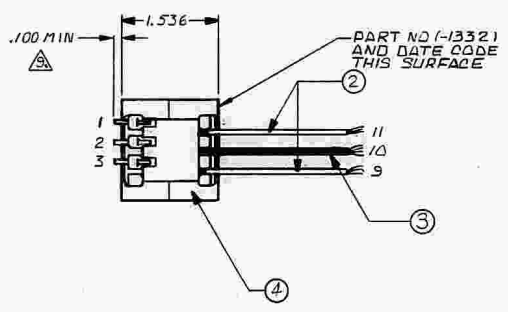
NOTES:

QTY	PART NUMBER	REV	DESCRIPTION
11	386-4776-00	2	PLATE, LAMINATION (KEEPER)
(A) 10			
(B) 9			
8	175-0921-00	AR	WIRE, 24AWG TEFLON EE CR, BRN
7	131-0621-00	2	CONNECTOR, TERMINAL
6	352-0198-00	1	HOLDER, TERM CONN (BLACK)
5	386-0024-00	AR	PLATE, LAMINATION (STEEL)
(E) 4	334-4645-00	1	MARKER, IDENTIFICATION
3	253-0078-00	AR	TAPE, PRESS SENS (1.50 WIDE)
2	253-0071-00	AR	TAPE, PRESS SENS (2.50 WIDE)
1	252-0641-00	1	CORE TUBE, PRE FORMED

TEKTRONIX, INC. PROPRIETARY ITEM DRAWING  
 MFD BY TEKTRONIX  MFD FOR TEKTRONIX  
 P. O. BOX 500  
 BEAVERTON, OREGON U.S.A. 97077  
 DRAWN BY JTWINFREY 6/MAR/80  
 DIMENSIONS ARE IN INCHES / MM  
 UNLESS OTHERWISE SPECIFIED  
 ENGR R. C. G. 25/MAR/80  
 CHECK B. A. 25/MAR/80  
 SCALE 1:1  
 FIRST USED ON 5/23/80  
 PROD. E. H. 24/MAR/80  
 MATERIAL SEE LIST OF MATERIALS  
 FINISH NOTED  
 TITLE TRANSFORMER, POWER LF (STPDN & STU)  
 QUANTITY 80009  
 PART NUMBER 120-1327-00  
 REV G

TEKTRONIX SAFETY CONTROLLED PART  
 THIS PART IS CONTROLLED TO INSURE MAINTENANCE OF SAFETY CHARACTERISTICS DESIGNED INTO A TEKTRONIX INC. PRODUCT. TO CONTINUE MAINTENANCE, ANY CHANGES IN MATERIALS, SPECIFICATIONS, VENDORS, OR VENDOR PART NUMBERS MUST BE EVALUATED AND APPROVED BY PRODUCT SAFETY IN EACH APPLICATION IN WHICH THIS IS A CONTROLLED PART.

REV	DATE	DESCRIPTION OF CHANGE	DESIGN	DATE
A	52001	UPDATED DWG., NOTES $\Delta$ & $\Delta$ . DELETED NOTE $\Delta$ . ADDED ITEM 6 ON LIST OF MATERIALS.	DD	24 OCT 82
B	54507	UPDATED DWG., REMOVED ITEM 6	DD	20 JUN 88
C	65885	ADDED $\Delta$	GB	11 JAN 88
D	63885	CORRECTION TO PREVIOUS REVISION	GB	2 JAN 88
E	66720	REMOVED ITEM ①	SE	5 MAY 88
F	MPD0101	REMOVED NOTE 3	SE	29 SEP 88



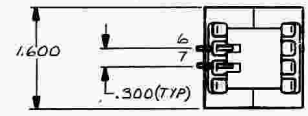
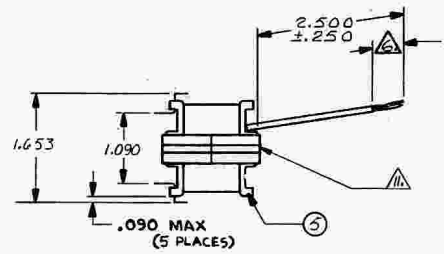
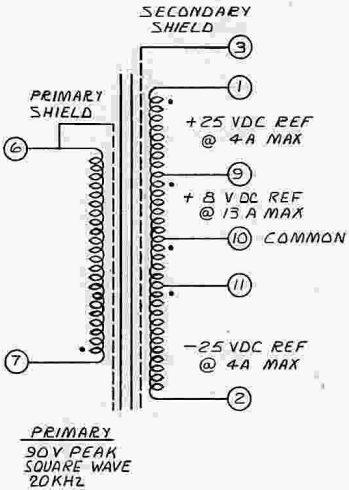
**COIL STRUCTURE  
OUTSIDE**

TYPE WINDING	TERM/LEAD NO
SEC BT BIFILAR	1-9, 11-2 #20
SEC 4T QUADFILAR	9-10-11 #18
SHIELD	3
SHIELD	6
PEI 40T	7-6 #22

**INSIDE**

**ELECTRICAL DATA**

LEAD NO	VOLTS	TYPICAL RATING	
		AMPS RMS	DCR $\pm 20\%$ SL $\neq 0^\circ\text{C}$
7-6	90.0	1.65	.11
9-10-11	18 CT	9.22	.01 CT
1-10-2	54 CT	2.82	.048 CT



- NOTES:**
- DIMENSIONS REFERENCE VOS
  - $\Delta$  TRANSFORMER VACUUM IMPREGNATED WITH VARNISH 252-0082-00 OR APPROVED EQUIVALENT
  - 
  - POLARITY PER SCHEMATIC
  - CORES CEMENTED TOGETHER
  - $\Delta$  LEADS 9-10-11 TIN .500  $\pm$  .125
  - DIELECTRIC WITHSTANDING VOLTAGE: 1.5KV, 50-60HZ, 1 MINUTE, 7-6 TO 3-10, AND CORE
  - INDUCTANCE 7-6: 3.0mH MIN MEASURED ON ESI 252 OR APPROVED EQUIVALENT
  - $\Delta$  SOLDERABILITY REQUIRED BELOW MOUNTING SURFACE
  - TRANSFORMER MUST COMPLY WITH UL 544 AND CSA 556 B

PART NUMBER  
120-1332-00

$\Delta$  LACQUER NOT TO BE EXCESSIVE SO AS TO PREVENT MOUNTING OF TRANSFORMER.

TEKTRONIX SAFETY CONTROLLED PART  
THIS PART IS CONTROLLED TO INSURE MAINTENANCE OF SAFETY CHARACTERISTICS. IT SHOULD BE KEPT IN STOCK TO ALLOW FOR REPAIRS AND SHOULD BE EVALUATED AND APPROVED IN EACH APPLICATION IN WHICH IT IS CONTROLLED.

TEKTRONIX, INC. PROPRIETARY FREE DRAWINGS  
 APD BY TEKTRONIX     RFD FOR TEKTRONIX  
 P. O. BOX 800  
 TEKTRONIX, INC. BEAVERTON, OREGON U.S.A. 97007  
 DESIGNED BY: SIMMONS, AMYR1  
 DRAWN BY: GALL, M1 FEB 82  
 CHECK BY: GALL, M1 FEB 82  
 PWD: P.L. DOUGLAS 16 MAR 82  
 DISCREPANCY FILE TO INCHES 7/8  
 UNLESS OTHERWISE SPECIFIED  
 UNITS: INCHES  
 SCALE: NONE  
 FIRST USED ON: TM 5003

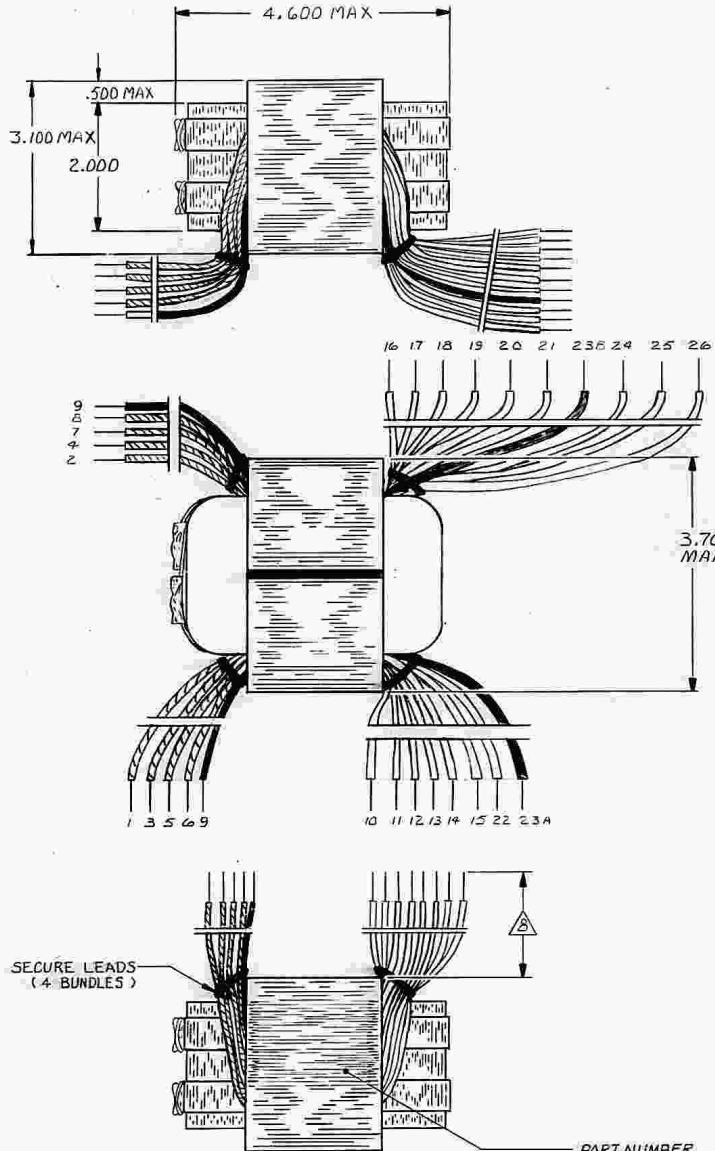
ITEM	PART NUMBER	QTY	DESCRIPTION
5	276-022B00	1	FORM, COIL
4	276-0702-00	2	CORE, EM'E" (FERRITE)
3	162-0501-00	AR	INSULATION, SLEEVING, ELEC
2	162-0508-00	AR	INSULATION, SLEEVING, ELEC
1			

LIST OF MATERIALS

CODE IDENT NO	DESIGN	PART NUMBER	REV
80009	D	120-1332-00	F

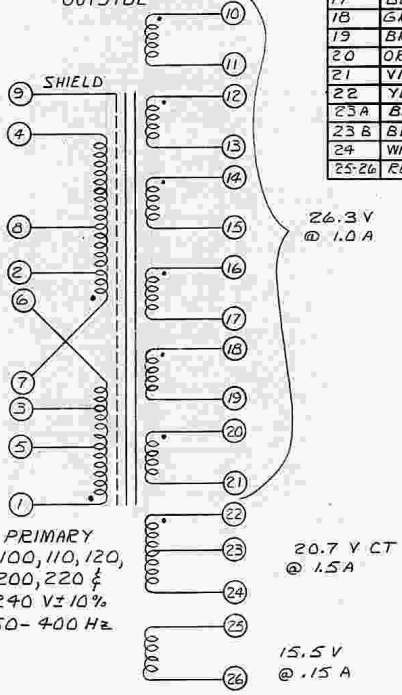
TITLE  
TRANSFORMER, POWER CONVERTER

COIL STRUCTURE  
INSIDE



LEAD NO	TURNS	AWG	DCR (Ω) 20°C TIP
1-5-3-6	Ø-270-297 -324	24	
7-2-8-4	Ø-27-54 -324	24	
9	SHIELD		
10-11	71	23	.888 Ω
16-17	71	23	.888 Ω
12-13	71	23	.888 Ω
18-19	71	23	.888 Ω
14-15	71	23	.888 Ω
20-21	71	23	.888 Ω
22-23	28	21	.48 Ω
23-24	28	21	.48 Ω
25-26	42	25	.930 Ω

OUTSIDE



LINE TO 1-4	CONNECT
100 V	1 T08, 4 T05
110 V	1 T02, 3 T04
120 V	1 T07, 4 T06
200 V	5 T08
220 V	2 T03
240 V	6 T07

LEAD CHART

LEAD NO	COLOR	PART NUMBER	LENGTH ±.500	STRIP & IN ±.250
1	B-19	162-0649-00	6.000	.500
2	B-2	162-0642-00		.500
3	B-3	162-0643-00		.500
4	B-04	162-0644-00		.500
5	B-5	162-0645-00		.500
6	B-6	162-0646-00		.500
7	B-7	162-0647-00		.500
8	B-N	162-0715-00		.500
9	BLK	162-0504-00		.500
10	GRN	162-0520-00	9.000	.500
11	BLU	162-0524-00		.500
12	GRY	162-0577-00		.500
13	BRN	162-0554-00	6.000	.500
14	ORN	162-0576-00		.500
15	VIO	162-0578-00	8.000	.500
16	GRN	162-0520-00	9.000	.500
17	BLU	162-0524-00	9.000	.500
18	GRY	162-0577-00	6.000	.500
19	BRN	162-0554-00		.500
20	ORN	162-0576-00		.500
21	VIO	162-0578-00		.500
22	YEL	162-0516-00		.500
23 A	BLK	162-0504-00		.500
23 B	BLK	162-0504-00	9.000	.500
24	WHT	162-0528-00		.500
25-26	RED	162-0510-00	6.000	.500

55-53 F

REV	DESCRIPTION OF CHANGE	CHK'D BY	DATE
(A)	53439 REVISED DWG. ITEM 1 WAS 000-5715-00 UPDATED NOTE.	DD	2 FEB 84
(B)	56319 CHANGED LEAD LENGTHS. DELETED LIST OF MATERIALS. DDN AI UPDATED & MOVED SAFETY LABEL. CHANGED SECURING OF LEADS.	LG	26 JUN 85
(C)	162-0715-00 WAS 162-0648-00, 162-0510-00 WAS 162-0511-00	WA	7-30-85
(D)	65579 LEAD NO. 8 WAS 9.000 & NO. 15 WAS 9.000	DP	21 DEC 87
(E)	69979 UPDATED DRAWING	DP	16 FEB 88

- SEE LEAD CHART.
- TRANSFORMER MUST COMPLY WITH UL 544 & CSA 556 B.

PART NUMBER	REV.
120-1333-00	E

- DIELECTRIC W/STANDING VOLTAGE: 15KV RMS 50/60 Hz 1MIN; PRIMARIES TO SECONDARIES, SHIELD AND CORE.
- WINDINGS INSULATED FOR 600V DC.
- TRANSFORMER VACUUM IMPREGNATED WITH VARNISH 252-0082-00 OR APPROVED EQUIVALENT.
- VOLTAGE RATINGS ARE RMS NO LOAD AND CURRENT RATINGS ARE AMPS RMS UOS.
- POLARITY PER SCHEMATIC.
- DIMENSIONS REFERENCE UOS.

NOTES: UOS

TEKTRONIX, INC. PROPRIETARY ITEM DRAWING

MFD BY TEKTRONIX

TEKTRONIX, INC.  
P. O. BOX 900  
BEAVERTON, OREGON U.S.A. 97077

DATE: 19 MAR 82  
BY: R. L. DOUGLAS  
SCALE: NONE  
FIRST USED ON: TMS 5013

MATERIAL: NOTED

TEKTRONIX SAFETY CONTROLLED PART

THIS PART IS CONTROLLED TO INSURE MAINTENANCE OF SAFETY CHARACTERISTICS DESIGNED INTO A TEKTRONIX PRODUCT. TO CONTINUE MAINTENANCE ANY CHANGES IN MATERIALS, SPECIFICATIONS, VENDORS OR VENDOR PART NUMBERS MUST BE EVALUATED AND APPROVED IN EACH APPLICATION IN WHICH THIS IS A CONTROLLED PART.

SEE NOTE

TITLE: TRANSFORMER, POWER STEP-DOWN

GOOD UNIT NO: 8009 D  
SIZE: D  
PART NUMBER: 120-1333-00  
REV: E

REV	REF	DESCRIPTION OF CHANGE	CHK BY	DATE
A	PJ	REVISED PARA. 5 AND 16;	ESO	9SEPT83
B	PJ	CALLS OUT HEAT SINK BONDING;	ESO	27OCT83

PART NUMBER: 120-1334-00

MICROFILMED BY: 120-1334-00

TITLE: TRANSFORMER, FLYBACK: 1 PRIMARY, 5 SECONDARIES, 2 SHIELDS. 31.5 KHZ, 163 WATTS, 487  $\mu$ H PRIMARY INDUCTANCE

MATERIAL: -----  
 FINISH: -----

DIMENSIONS ARE IN INCHES  
 TOLERANCES: UNLESS OTHERWISE SPECIFIED  
 DEC: ---- ANLR: ----  
 SCALE: NONE FIRST USED ON: 4109

WR: *Eleanor Olson* 24 June 83  
 COMP ENGR: *Paul Johnson* 24 June 83  
 TECH CHKR: \_\_\_\_\_  
 CHKR/COORD: \_\_\_\_\_

P. O. BOX 500  
 BEAVERTON, OREGON U.S.A. 97077  
**TEKTRONIX, INC.**

TEKTRONIX, INC. SAFETY CONTROLLED PART.  
 THE DRAWING TYPE DESIGNATION AND APPROVED SOURCES OF SUPPLY FOR THIS ITEM ARE LISTED ON THE PURCHASED ITEM SOURCE LIST (PISL) FOR THIS PART NUMBER.

IF THIS DRAWING IS FURNISHED UNDER ANY U.S. GOVERNMENT CONTRACT, IT IS FURNISHED AS LIMITED RIGHTS DATA AND SHALL NOT, WITHOUT THE WRITTEN PERMISSION OF TEKTRONIX, INC., BE EITHER (A) USED, RELEASED OR DISCLOSED IN WHOLE OR IN PART OUTSIDE THE GOVERNMENT, (B) USED IN WHOLE OR IN PART BY THE GOVERNMENT FOR MANUFACTURE OR (C) USED BY A PARTY OTHER THAN THE GOVERNMENT, EXCEPT FOR: (i) EMERGENCY REPAIR OR OVERHAUL WORK ONLY, BY OR FOR THE GOVERNMENT, WHERE THE ITEM OR PROCESS CONCERNED IS NOT OTHERWISE REASONABLY AVAILABLE TO ENABLE TIMELY PERFORMANCE OF THE WORK, PROVIDED THAT THE RELEASE OR DISCLOSURE HEREOF OUTSIDE THE GOVERNMENT SHALL BE MADE SUBJECT TO A PROHIBITION AGAINST FURTHER USE, RELEASE, OR DISCLOSURE; OR (ii) RELEASE TO A FOREIGN GOVERNMENT, AS THE INTEREST OF THE UNITED STATES MAY REQUIRE, ONLY FOR INFORMATION OR EVALUATION WITHIN SUCH GOVERNMENT OR FOR EMERGENCY REPAIR OR OVERHAUL WORK BY OR FOR SUCH GOVERNMENT UNDER CONDITIONS OF (i) ABOVE. THIS LEGEND SHALL BE INCLUDED ON ANY REPRODUCTION HEREOF.

SH 1 OF 8	PART NUMBER 120-1334-00	REV B
<b>80009 A</b>		120-1334-00

1. DESCRIPTION.  
FLYBACK TRANSFORMER WITH ONE PRIMARY AND FIVE SECONDARY WINDINGS  
(TWO WITH CENTER TAPS - BIFILAR), P.C. MOUNT.
2. PRIMARY INDUCTANCE.  
487 MICROHENRIES +10%.
3. OPERATING FRQUENCY.  
31.5 KILOHERTZ.
4. PRIMARY WINDING.  
60 TURNS OF 50/36 AWG LITZ WIRE.
5. SECONDARY WINDINGS.  
(A) 8 TURNS #30 WIRE.  
(B) PRIMARY SHIELD OF 0.003 INCH COPPER WITH A #20 LEAD.  
(C) SAFETY SHIELD OF 0.003INCH COPPER WITH A #20 LEAD.  
(D) 12 TURNS OF BIFILAR 30 AWG WIRE.  
(E) 50 TURNS OF BIFILAR 28 AWG WIRE.  
(F) 5 TURNS BIFILAR OF 7/30 AWG LITZ WIRE.  
(G) 5 TURNS BIFILAR OF 7/30 AWG LITZ WIRE.
6. POWER OUTPUT.  
163 WATTS MAXIMUM.
7. CURRENT OUTPUT.  
5 AMPERES PEAK AT 225 TO 360 VOLTS DC.
8. DIELECTRIC WITHSTAND (FOR 60 SECONDS).  
3750 VOLTS RMS FROM PRIMARY AND SECONDARY (A) TO ALL OTHER SECONDARIES.  
2500 VOLTS RMS FROM PRIMARY AND (A) AND (B) TO SHIELD (C) AND CORE.  
2500 VOLTS RMS FROM PRIMARY TO (A).  
1250 VOLTS RMS FROM SECONDARIES (D), (E), (F), (G), TO CORE.  
500 VOLTS RMS MINIMUM BETWEEN SECONDARIES.
9. TEMPERATURE RANGE.  
+10 TO +85°C OPERATING.  
-35 TO +85°C STORAGE.
10. TERMINAL SOLDERABILITY.  
SHALL MEET REQUIREMENTS OF EITHER EIA STANDARD RS-186-9E OR LATEST  
REVISION OF MIL-STD-202, METHOD 208.



11. SAFETY REQUIREMENTS.

SHALL SATISFY TEKTRONIX, INC., SAFETY STANDARD 062-4597-00 FOR SUPPLY CIRCUIT-CONNECTED TRANSFORMERS.

12. FLOW SOLDER AND WASH.

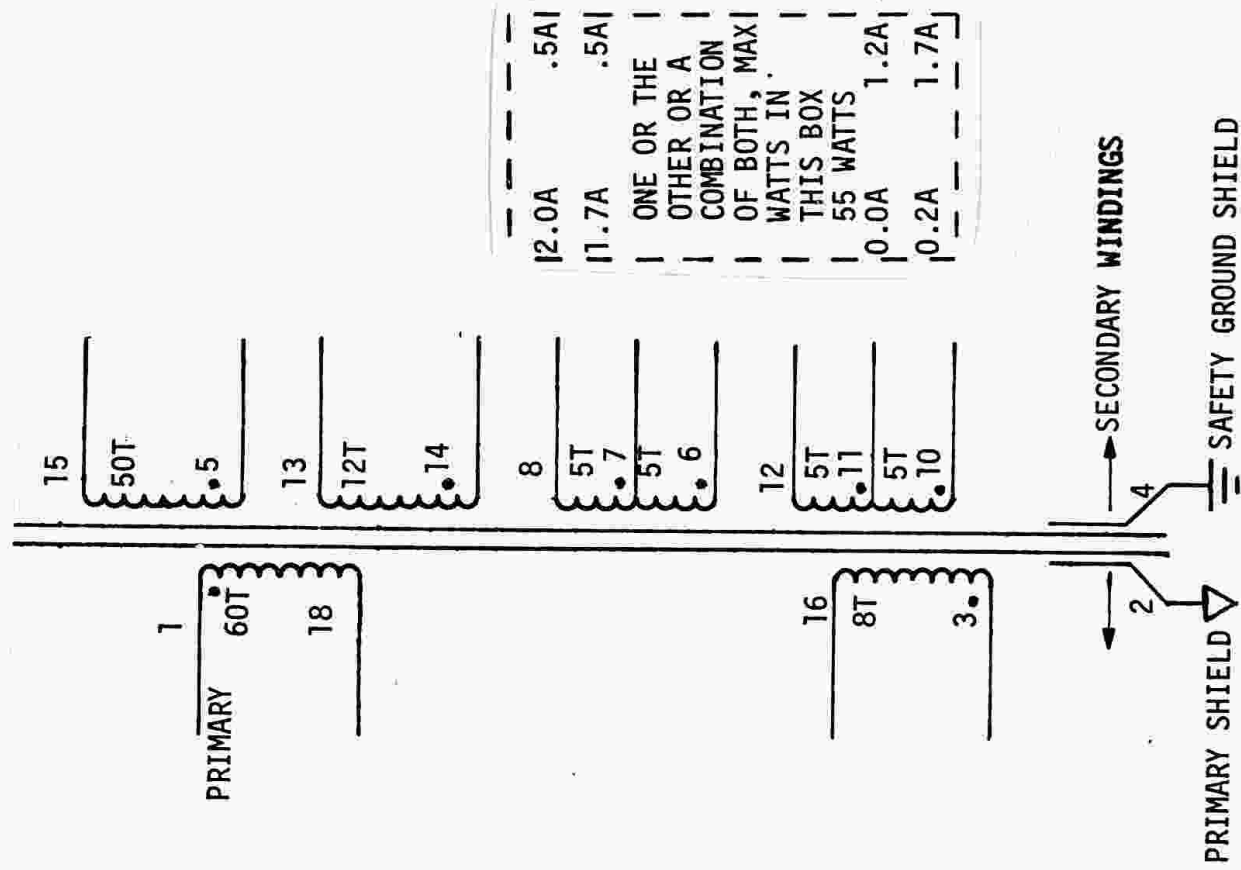
SHALL BE COMPATIBLE WITH IN-LINE FLOW SOLDER AND WASH PROCESS. SUCH PROCESSING SHALL NOT CAUSE DEGRADATION OF INTEGRITY OR FUNCTION CHARACTERISTICS OR LOSS OF MARKING AND SHALL SATISFY THE CURRENT VERSION OF TEKTRONIX, INC., STANDARD 062-2318-00.

13. MARKING REQUIREMENTS.

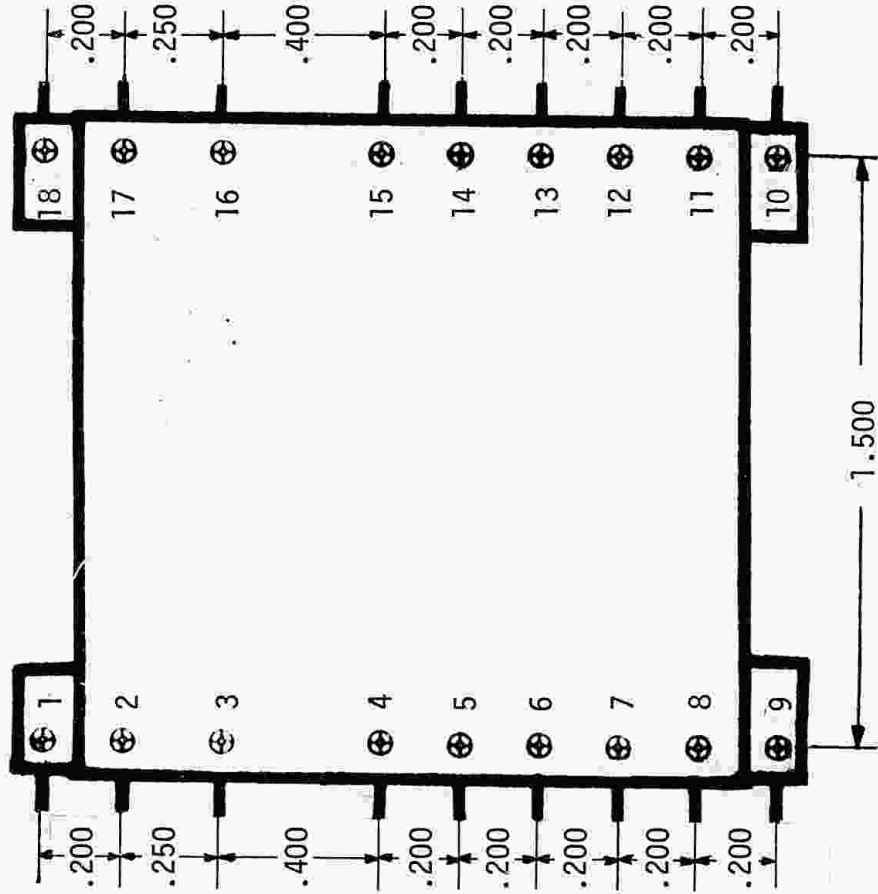
SHALL BE PERMANENTLY AND LEGIBLY MARKED WITH THE FOLLOWING:

- (A) MANUFACTURER'S NAME OR TRADEMARK.
- (B) MANUFACTURER'S OR TEKTRONIX, INC., PART NUMBER.
- (C) EIA DATE CODE OR OTHER UNIFORM DATE CODE OF MANUFACTURE.

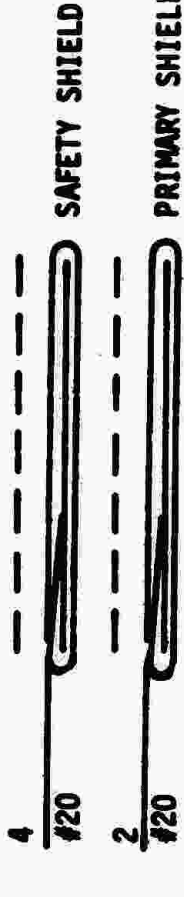
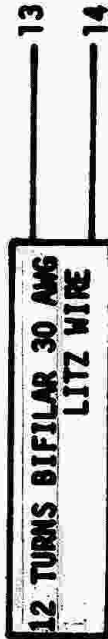
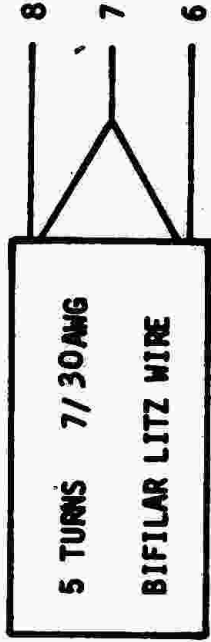
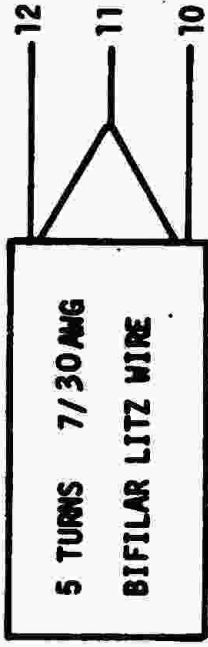
14. SCHEMATIC.



15. CIRCUIT BOARD FOOTPRINT DIMENSIONS.

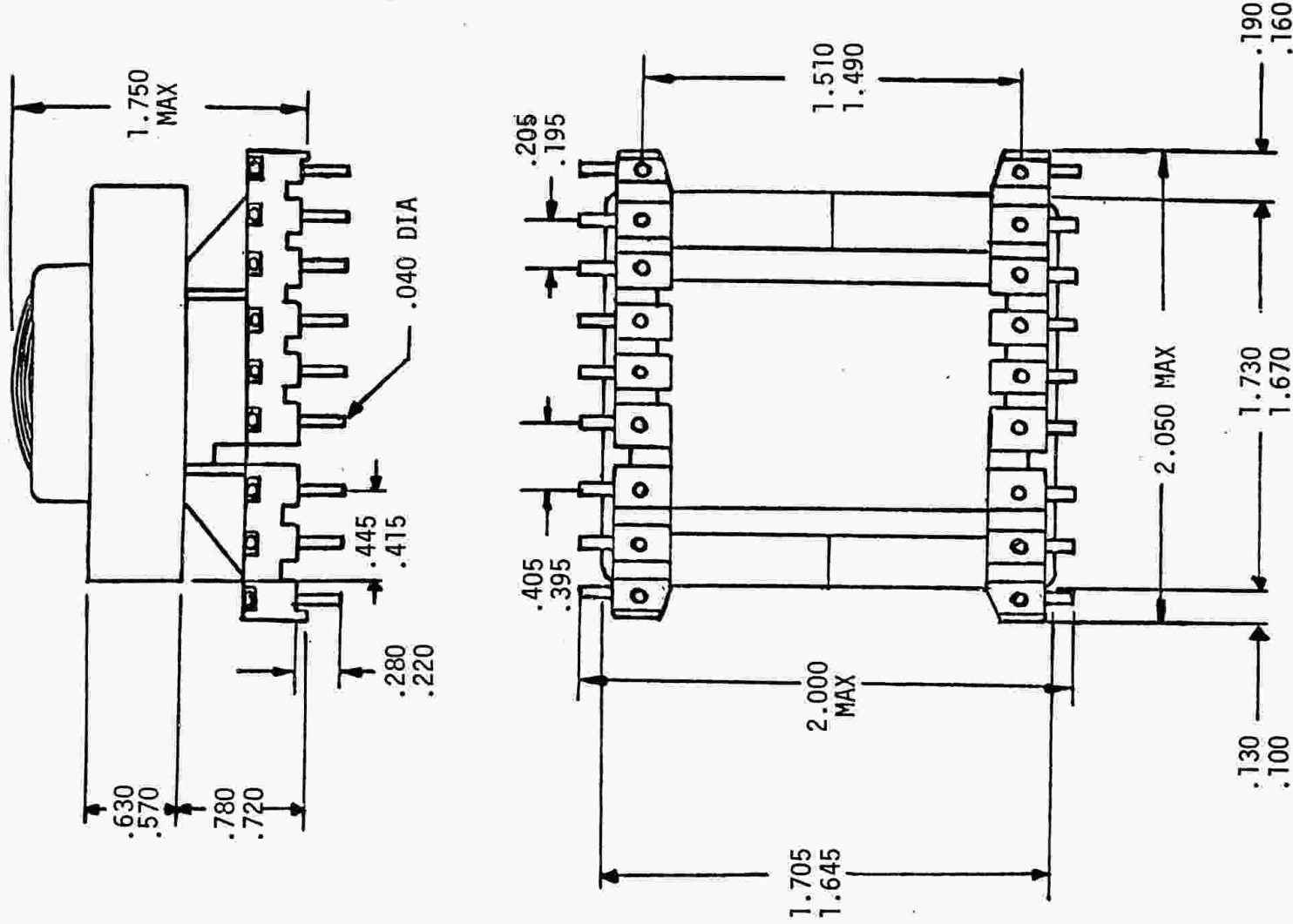


16. CONSTRUCTION DETAIL.

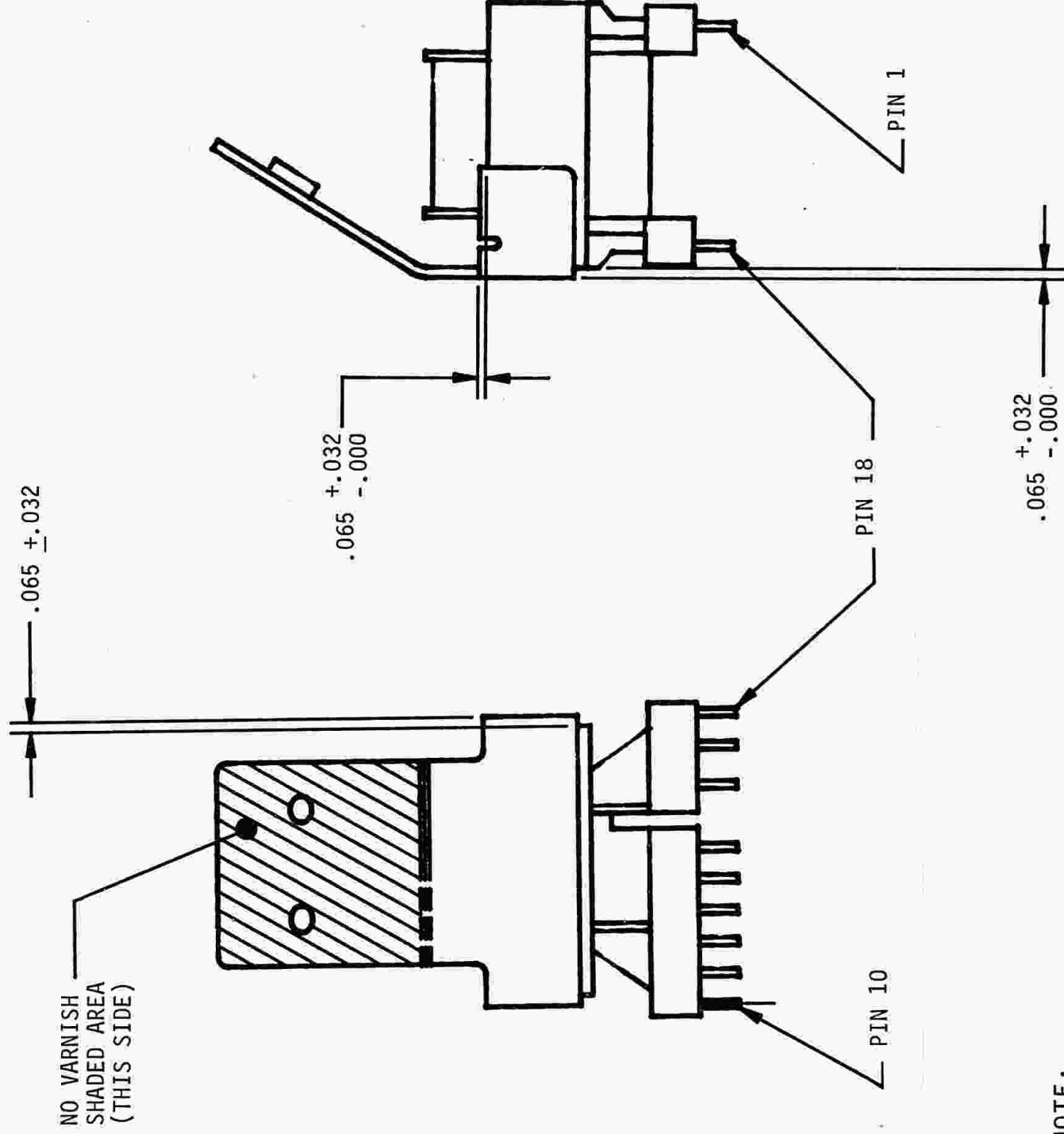


17. OUTLINE DRAWING.

17.1 VIEW WITHOUT HEAT SINK.

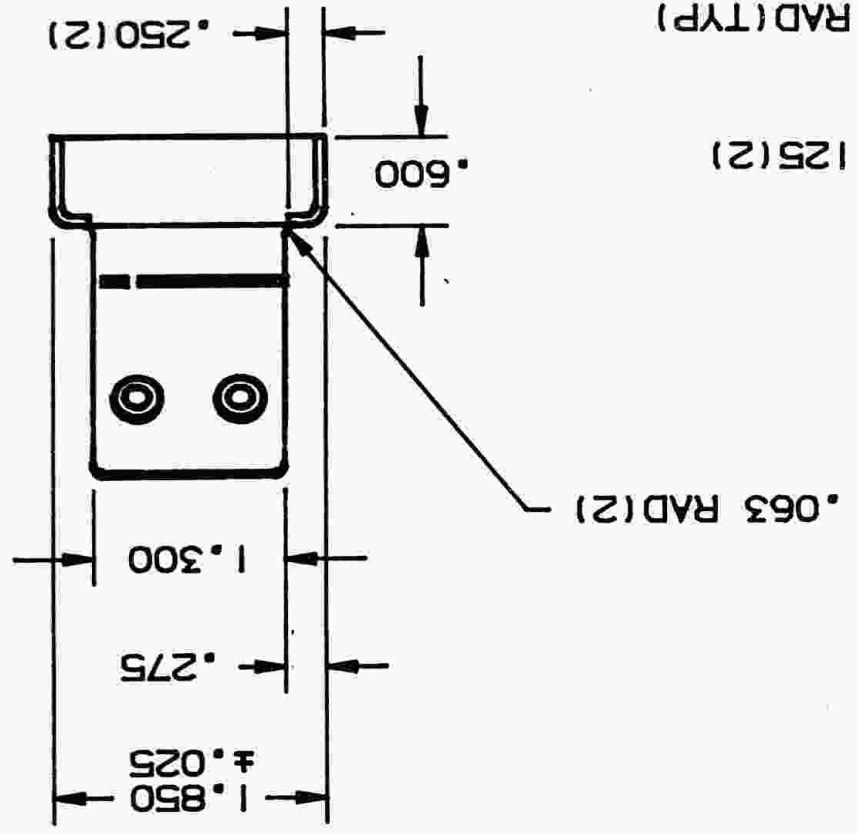
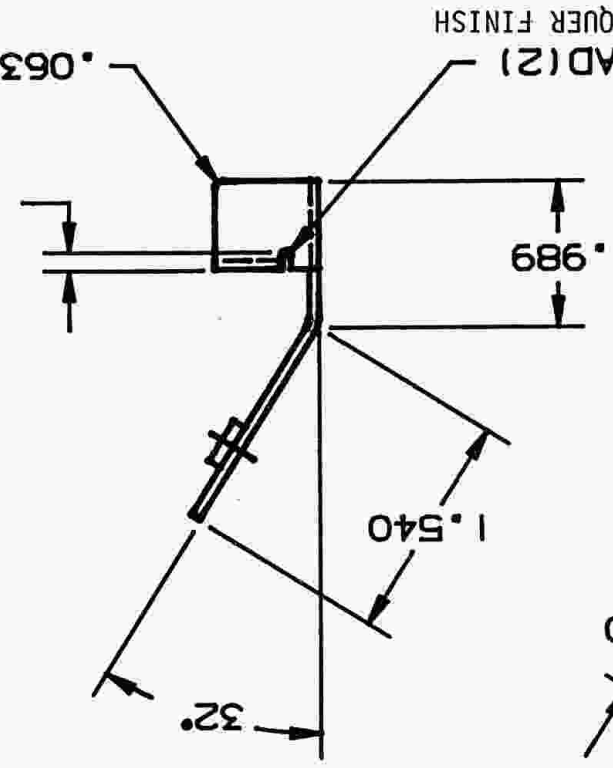
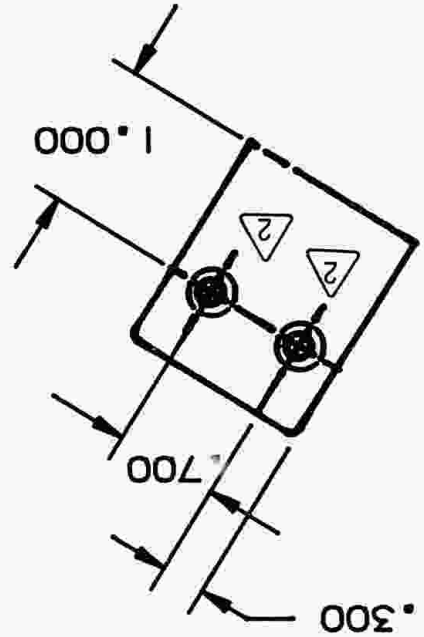
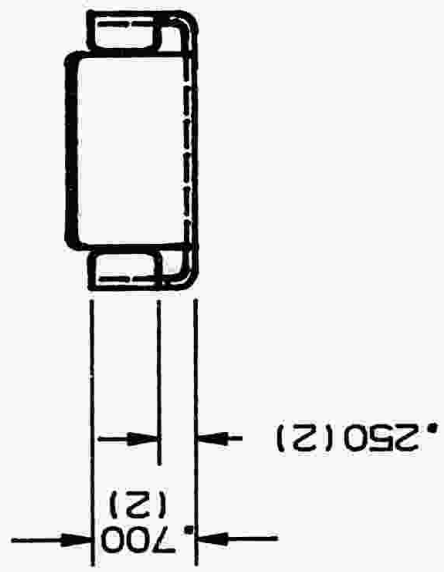


17.2 VIEW WITH HEAT SINK.



NOTE:  
HEAT SINK SHALL BE BONDED  
TO CORE USING ARMSTRONG A-271.

HEAT SINK DETAIL 17.3



NOTE:  $\triangle$  NUT, PRESSMOUNT, 8-32, STL IN .213 +.006/- .001 DIA HOLE (2)  
GRADE III FINISH QUALITY.  
MATERIAL: .065 CU SOFT ANNEALED  
C1 1000 ASTM B152.

REV C	REF PDJ CT CT	DESCRIPTION OF CHANGE WIRES WERE 50/36 AND 7/30; DIMENSION WAS 1.174 ADDED SHEET 5 OF 8	CHK BY ESO ESO ESO	DATE 6APR84 31JAN86 3MAR86								
PART NUMBER 120-1334-01												
<p>TEKTRONIX, INC. SAFETY CONTROLLED PART.</p> <p>THIS PART IS CONTROLLED TO INSURE MAINTENANCE OF SAFETY CHARACTERISTICS DESIGNED INTO A TEKTRONIX, INC. PRODUCT. TO CONTINUE MAINTENANCE, ANY CHANGES IN MATERIALS, SPECIFICATIONS, VENDORS, OR VENDOR'S PART NUMBERS MUST BE EVALUATED AND APPROVED IN EACH APPLICATION IN WHICH THIS IS A CONTROLLED PART.</p>												
<p>TEKTRONIX, INC. SAFETY CONTROLLED PART.</p> <p>THE DRAWING TYPE DESIGNATION AND APPROVED SOURCES OF SUPPLY FOR THIS ITEM ARE LISTED ON THE PURCHASED ITEM SOURCE LIST (PISL) FOR THIS PART NUMBER.</p>												
<p><b>TEKTRONIX, INC.</b> P. O. BOX 500 BEAVERTON, OREGON U.S.A. 97077</p>												
<p>THIS DRAWING IS FURNISHED UNDER ANY U.S. GOVERNMENT CONTRACT, IT IS FURNISHED AS LIMITED RIGHTS DATA AND SHALL NOT, WITHOUT THE WRITTEN PERMISSION OF TEKTRONIX, INC., BE EITHER (A) USED, RELEASED OR DISCLOSED IN WHOLE OR IN PART OUTSIDE THE GOVERNMENT, (B) USED IN WHOLE OR IN PART BY THE GOVERNMENT FOR MANUFACTURE OR (C) USED BY A PARTY OTHER THAN THE GOVERNMENT, EXCEPT FOR: (I) EMERGENCY REPAIR OR OVERHAUL WORK ONLY, BY OR FOR THE GOVERNMENT, WHERE THE ITEM OR PROCESS CONCERNED IS NOT OTHERWISE REASONABLY AVAILABLE TO ENABLE TIMELY PERFORMANCE OF THE WORK, PROVIDED THAT THE RELEASE OR DISCLOSURE HEREOF OUTSIDE THE GOVERNMENT SHALL BE MADE SUBJECT TO A PROHIBITION AGAINST FURTHER USE, RELEASE, OR DISCLOSURE; OR (II) RELEASE TO A FOREIGN GOVERNMENT, AS THE INTEREST OF THE UNITED STATES MAY REQUIRE, ONLY FOR INFORMATION OR EVALUATION WITHIN SUCH GOVERNMENT OR FOR EMERGENCY REPAIR OR OVERHAUL WORK BY OR FOR SUCH GOVERNMENT UNDER CONDITIONS OF (I) ABOVE. THIS LEGEND SHALL BE INCLUDED ON ANY REPRODUCTION HEREOF.</p>		<p>DIMENSIONS ARE IN INCHES / METERS TOLERANCES: UNLESS OTHERWISE SPECIFIED</p> <table border="1"> <tr> <td>DEC</td> <td>ANLR</td> </tr> <tr> <td>----</td> <td>----</td> </tr> <tr> <td>SCALE</td> <td>FIRST USED ON</td> </tr> <tr> <td>NONE</td> <td>4109</td> </tr> </table>			DEC	ANLR	----	----	SCALE	FIRST USED ON	NONE	4109
DEC	ANLR											
----	----											
SCALE	FIRST USED ON											
NONE	4109											
<p><b>TEKTRONIX, INC.</b></p> <p><i>Eleanor Olson</i> 9 Jan 84 <i>Paul Johnson</i> 9 JAN 84</p> <p>WR COMP ENGR TECH CHKR CHKR/ COORD</p>		<p><b>MATERIAL</b></p> <p><b>FINISH</b></p>										
<p><b>TITLE</b> TRANSFORMER, FLYBACK; 1 PRIMARY, 5 SECONDARIES, 2 SHIELDS. 31.5 KHz, 165 WATTS, 487 μH PRIMARY INDUCTANCE</p>		<p><b>CODE IDENT NO</b> <b>80009</b></p> <p><b>SIZE</b> <b>A</b></p> <p><b>PART NUMBER</b> 120-1334-01</p>										
<p>SH 1 OF 8</p>		<p>REV C</p>										

1. DESCRIPTION.  
FLYBACK TRANSFORMER WITH ONE PRIMARY AND FIVE SECONDARY WINDINGS  
(TWO WITH CENTER TAPS - BIFILAR), P.C. MOUNT.
2. PRIMARY INDUCTANCE.  
487 MICROHENRIES +10%.
3. OPERATING FREQUENCY.  
31.5 KILOHERTZ.
4. PRIMARY WINDING.  
60 TURNS OF 40/36 AWG LITZ WIRE.
5. SECONDARY WINDINGS.  
(A) 8 TURNS #30 WIRE.  
(B) PRIMARY SHIELD OF 0.003 INCH COPPER WITH A #20 LEAD.  
(C) SAFETY SHIELD OF 0.003 INCH COPPER WITH A #20 LEAD.  
(D) 12 TURNS OF BIFILAR 30 AWG WIRE.  
(E) 50 TURNS OF BIFILAR 28 AWG WIRE.  
(F) 5 TURNS BIFILAR OF 15/36 AWG LITZ WIRE,  
(G) 5 TURNS BIFILAR OF 15/36 AWG LITZ WIRE.
6. POWER OUTPUT.  
163 WATTS MAXIMUM.
7. CURRENT OUTPUT.  
5 AMPERES PEAK AT 225 TO 360 VOLTS DC.
8. DIELECTRIC WITHSTAND (FOR 60 SECONDS).  
3750 VOLTS RMS FROM PRIMARY AND SECONDARY (A) TO ALL OTHER SECONDARIES.  
2500 VOLTS RMS FROM PRIMARY AND (A) AND (B) TO SHIELD (C) AND CORE.  
2500 VOLTS RMS FROM PRIMARY TO (A).  
1250 VOLTS RMS FROM SECONDARIES (D), (E), (F), (G), TO CORE.  
500 VOLTS RMS MINIMUM BETWEEN SECONDARIES.
9. TEMPERATURE RANGE.  
+10 TO +85°C OPERATING.  
-35 TO +85°C STORAGE.
10. TERMINAL SOLDERABILITY.  
SHALL MEET REQUIREMENTS OF EITHER EIA STANDARD RS-186-9E OR LATEST  
REVISION OF MIL-STD-202, METHOD 208.



11. SAFETY REQUIREMENTS.

SHALL SATISFY TEKTRONIX, INC., SAFETY STANDARD 062-4597-00 FOR SUPPLY CIRCUIT-CONNECTED TRANSFORMERS.

12. FLOW SOLDER AND WASH.

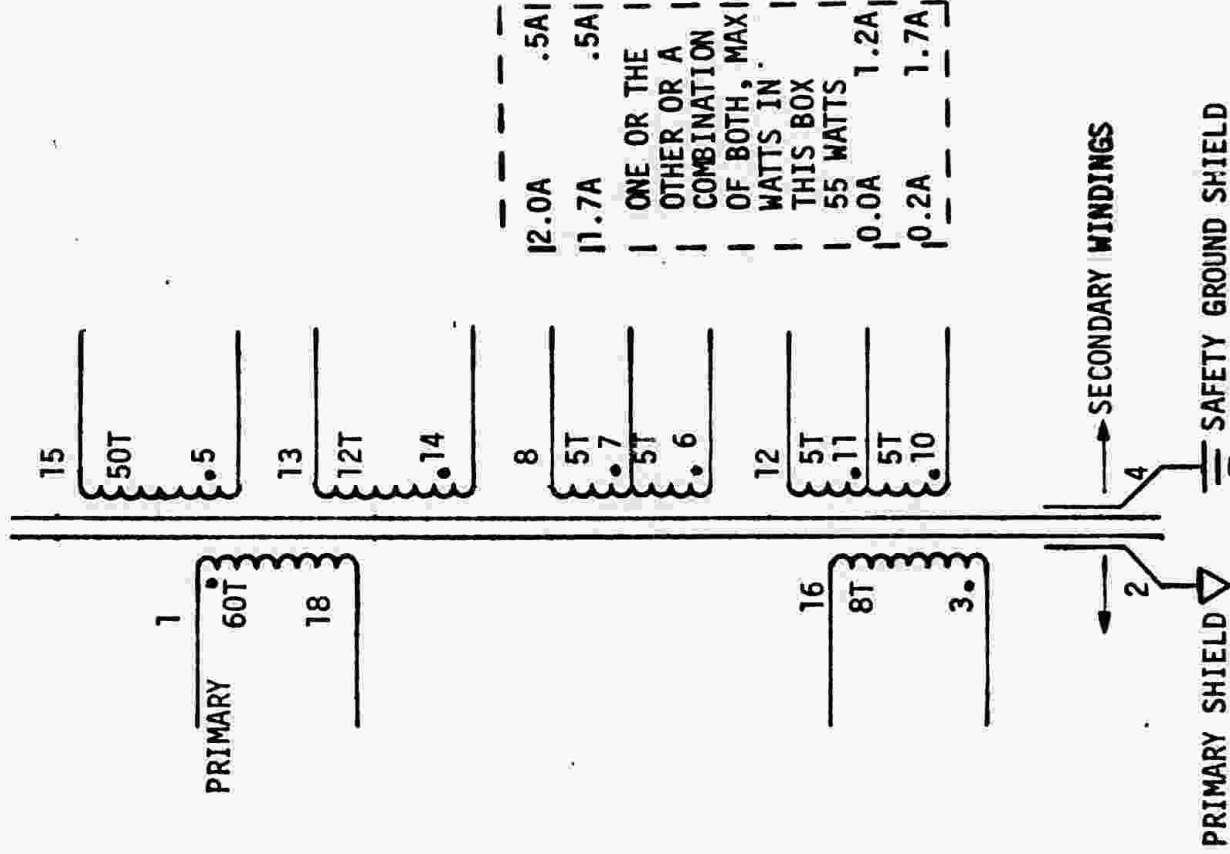
SHALL BE COMPATIBLE WITH IN-LINE FLOW SOLDER AND WASH PROCESS. SUCH PROCESSING SHALL NOT CAUSE DEGRADATION OF INTEGRITY OR FUNCTION CHARACTERISTICS OR LOSS OF MARKING AND SHALL SATISFY THE CURRENT VERSION OF TEKTRONIX, INC., STANDARD 062-2318-00.

13. MARKING REQUIREMENTS.

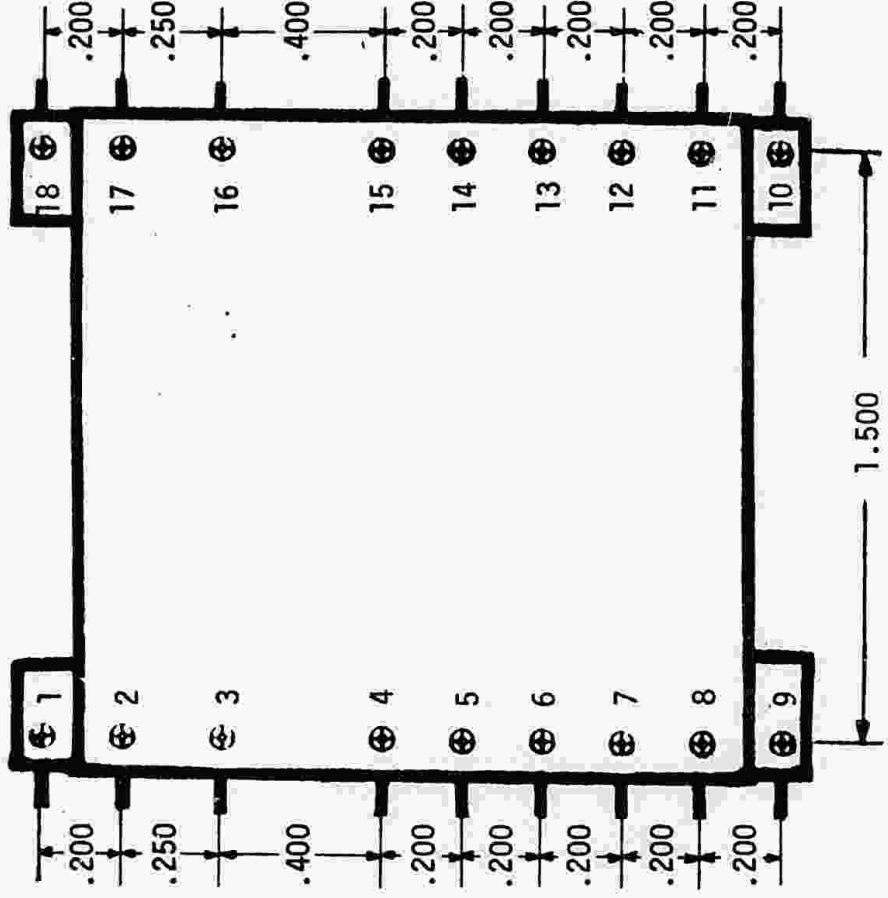
SHALL BE PERMANENTLY AND LEGIBLY MARKED WITH THE FOLLOWING:

- (A) MANUFACTURER'S NAME OR TRADEMARK.
- (B) MANUFACTURER'S OR TEKTRONIX, INC., PART NUMBER.
- (C) EIA DATE CODE OR OTHER UNIFORM DATE CODE OF MANUFACTURE.

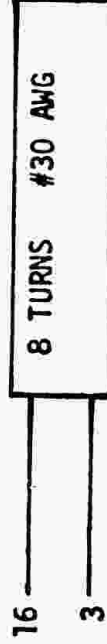
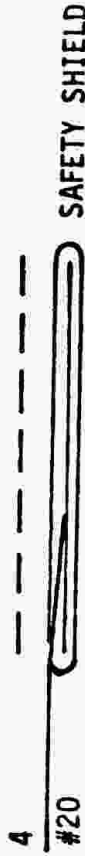
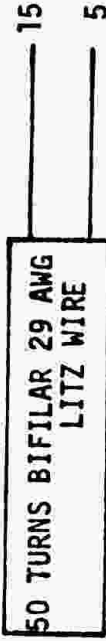
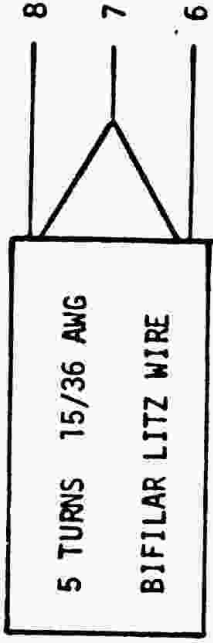
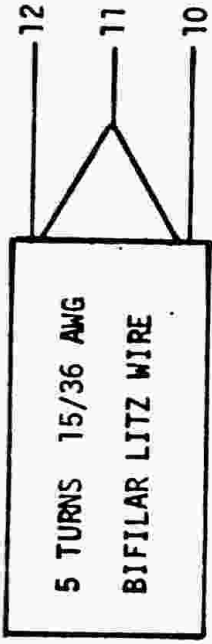
14. SCHEMATIC.



15. CIRCUIT BOARD FOOTPRINT DIMENSIONS.

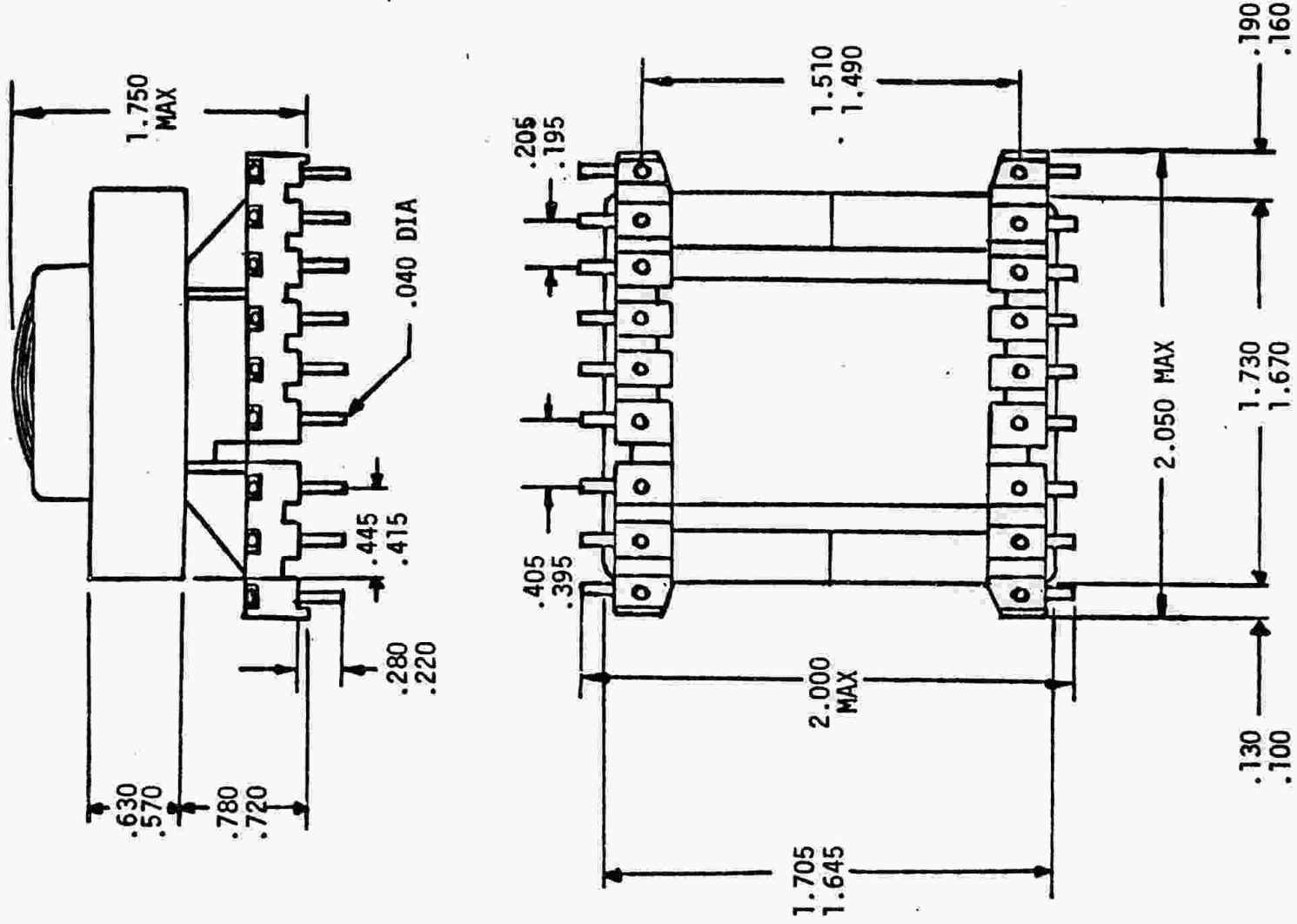


16. CONSTRUCTION DETAIL.

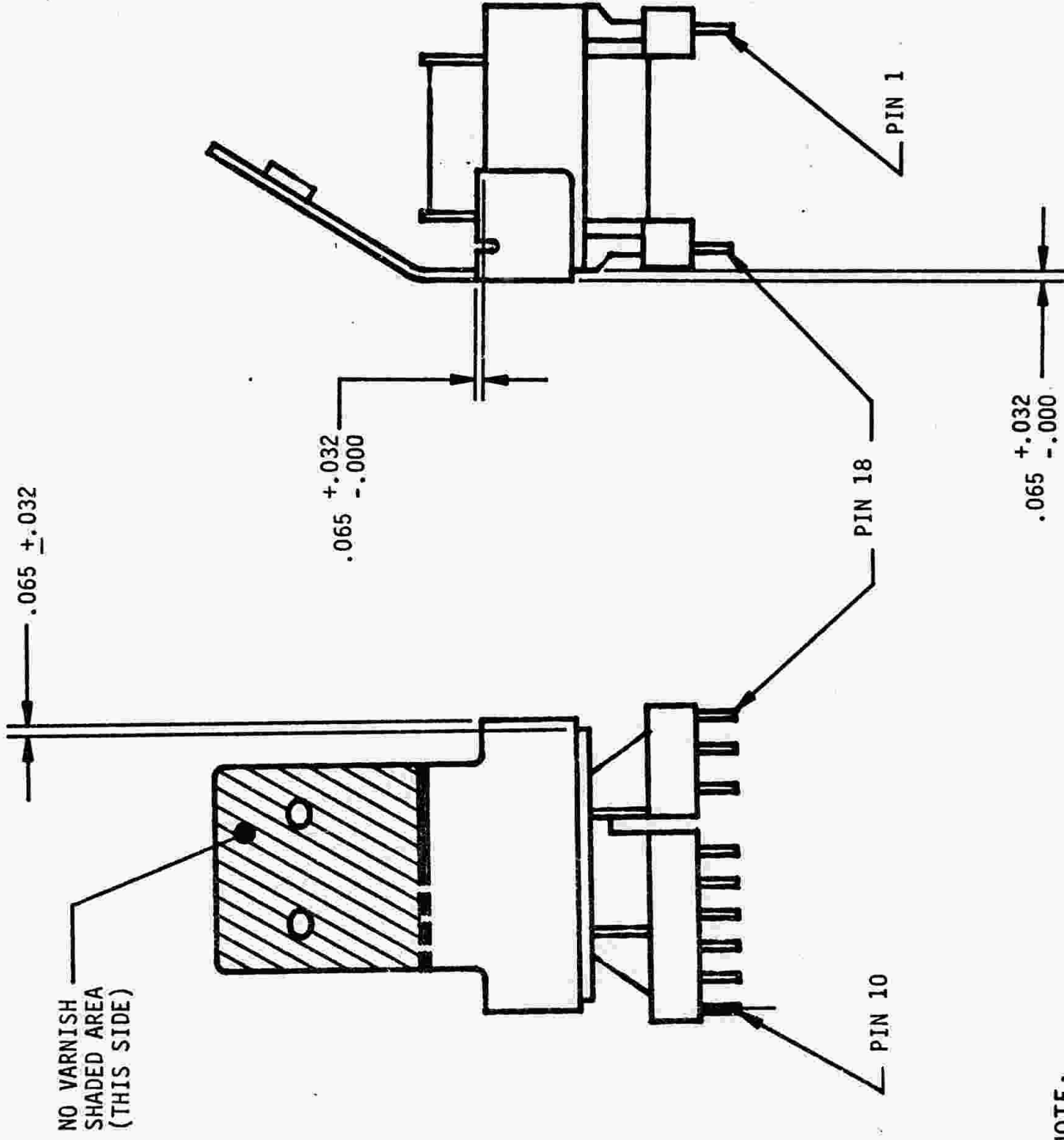


17. OUTLINE DRAWING.

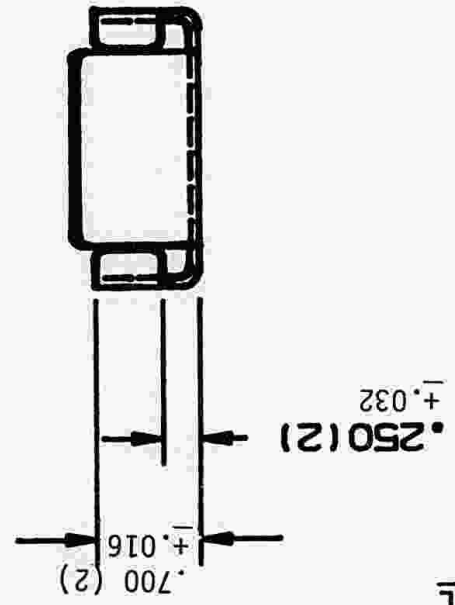
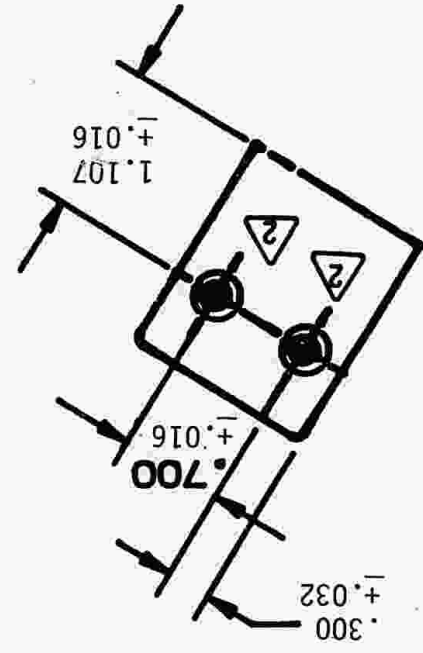
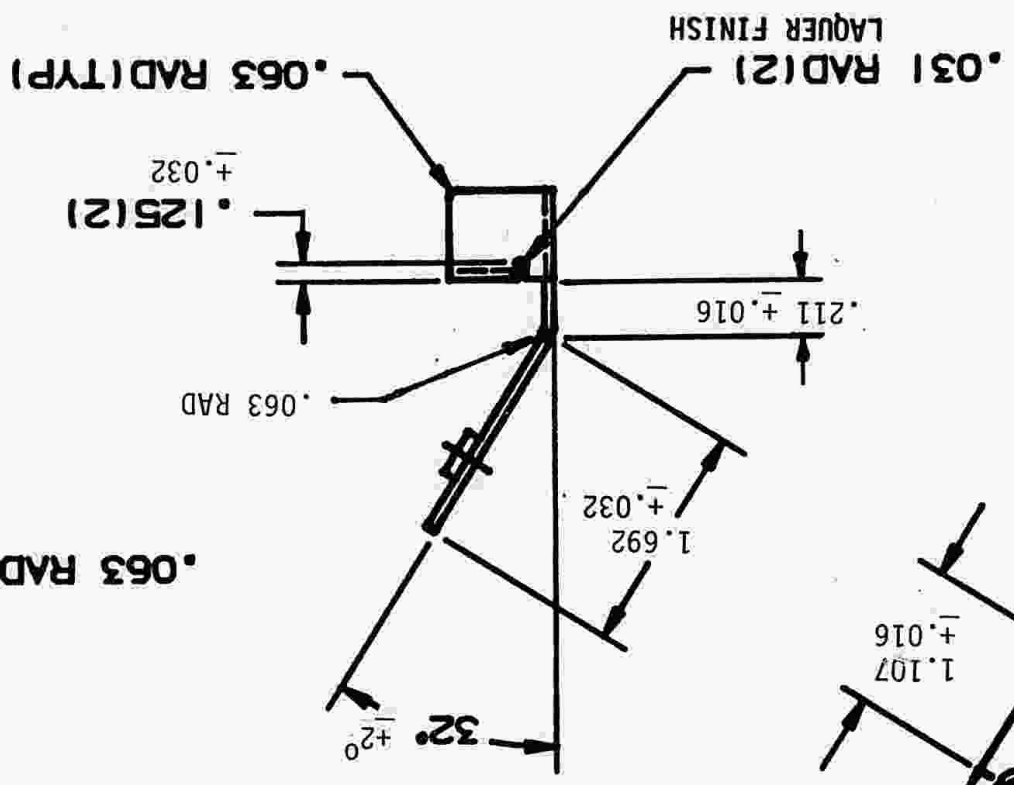
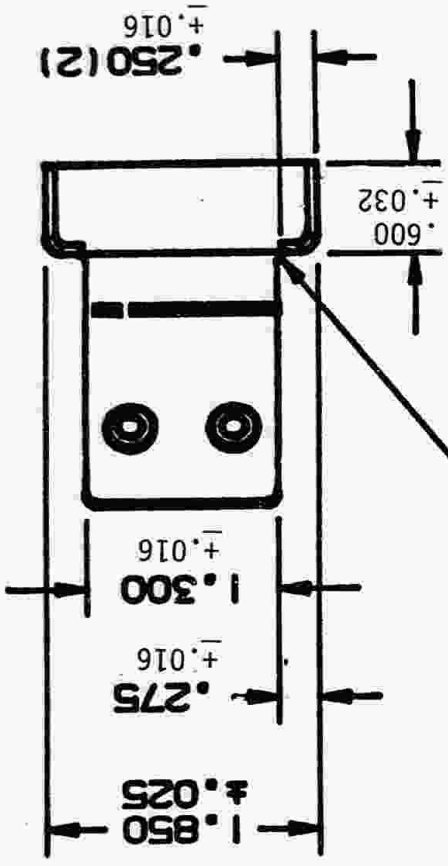
17.1 VIEW WITHOUT HEAT SINK.



17.2 VIEW WITH HEAT SINK.



NOTE:  
HEAT SINK SHALL BE BONDED  
TO CORE USING ARMSTRONG A-271.



NOTE:  $\nabla 2$  NUT, PRESSMOUNT, 8-32, STL IN .213 +.006/- .001 DIA HOLE (2) GRADE III FINISH QUALITY.  
 MATERIAL: .065 CU SOFT ANNEALED C1 1000 ASTM B152.

17.3 HEAT SINK DETAIL

TEKTRONIX, INC. BEAVERTON, OREGON	SHT 8 OF 8	CODE IDENT NO <b>80009</b>	SIZE <b>A</b>	PART NUMBER 120-1334-01	REV C
--------------------------------------	------------	-------------------------------	------------------	----------------------------	----------

REV A	REF PJ	DESCRIPTION OF CHANGE ADDED TOLERANCES TO DWG;	CHK BY ESO	DATE 16JAN84
PART NUMBER 120-1335-00				

THIS DRAWING WHEN DISTRIBUTED OUTSIDE TEKTRONIX, INC. IS SUPPLIED FOR IDENTIFICATION, ENGINEERING EVALUATION AND/OR INSPECTION PURPOSES ONLY AND MAY NOT BE USED AS A BASIS FOR MANUFACTURE OR SALES OF PRODUCTS WITHOUT WRITTEN PERMISSION FROM TEKTRONIX, INC.

IF THIS DRAWING IS FURNISHED UNDER ANY U.S. GOVERNMENT CONTRACT, IT IS FURNISHED AS LIMITED RIGHTS DATA AND SHALL NOT, WITHOUT THE WRITTEN PERMISSION OF TEKTRONIX, INC., BE EITHER (A) USED, RELEASED OR DISCLOSED IN WHOLE OR IN PART OUTSIDE THE GOVERNMENT, (B) USED IN WHOLE OR IN PART BY THE GOVERNMENT FOR MANUFACTURE OR (C) USED BY A PARTY OTHER THAN THE GOVERNMENT, EXCEPT FOR: (I) EMERGENCY REPAIR OR OVERHAUL WORK ONLY, BY OR FOR THE GOVERNMENT, WHERE THE ITEM OR PROCESS CONCERNED IS NOT OTHERWISE REASONABLY AVAILABLE TO ENABLE TIMELY PERFORMANCE OF THE WORK, PROVIDED THAT THE RELEASE OR DISCLOSURE HEREOF OUTSIDE THE GOVERNMENT SHALL BE MADE SUBJECT TO A PROHIBITION AGAINST FURTHER USE, RELEASE, OR DISCLOSURE; OR (II) RELEASE TO A FOREIGN GOVERNMENT, AS THE INTEREST OF THE UNITED STATES MAY REQUIRE, ONLY FOR INFORMATION OR EVALUATION WITHIN SUCH GOVERNMENT OR FOR EMERGENCY REPAIR OR OVERHAUL WORK BY OR FOR SUCH GOVERNMENT UNDER CONDITIONS OF (I) ABOVE. THIS LEGEND SHALL BE INCLUDED ON ANY REPRODUCTION HEREOF.

TEKTRONIX, INC. SAFETY CONTROLLED PART.  
THE DRAWING TYPE DESIGNATION AND APPROVED SOURCES OF SUPPLY FOR THIS ITEM ARE LISTED ON THE PURCHASED ITEM SOURCE LIST (PISL) FOR THIS PART NUMBER.

 **TEKTRONIX, INC.**  P. O. BOX 500  
BEAVERTON, OREGON U.S.A. 97077

WR <i>Cleaver Olson</i>	12 May 83	DIMENSIONS ARE IN INCHES / <del>MM</del>	
COMP ENGR <i>Paul Johnson</i>	12 MAY 83	DEC - - - - -	ANLR - - - - -
TECH CHKR		SCALE	FIRST USED ON
CHKR/ COORD		NONE	016-0596-00

TOLERANCES: UNLESS OTHERWISE SPECIFIED

MATERIAL  
-----  
FINISH  
-----

TITLE  
TRANSFORMER, POWER: DUAL 115 VOLT PRIMARY,  
DUAL 14 VOLT SECONDARY, 4.4 VA

SH 1 OF 3	CODE IDENT NO <b>80009</b>	SIZE <b>A</b>	PART NUMBER 120-1335-00	REV <b>A</b>
-----------	-------------------------------	------------------	----------------------------	-----------------

1. DESCRIPTION.

POWER TRANSFORMER WITH DUAL PRIMARY WINDINGS, DUAL SECONDARY WINDINGS,  
P.C. MOUNT.

2. POWER RATING.

4.4 VA MAXIMUM.

3. PRIMARY VOLTAGE AT 50 TO 500 Hz.

115 VOLTS PARALLEL CONNECTED

230 VOLTS SERIES CONNECTED.

4. SECONDARY VOLTAGE.

14 VOLTS @ 320 MILLIAMPERES PARALLEL CONNECTED.

28 VOLTS @ 160 MILLIAMPERES SERIES CONNECTED.

5. TEMPERATURE RATING.

105°C.

6. BREAKDOWN VOLTAGE.

1500 VOLTS.

7. THIRD PARTY CERTIFICATION.

UL E73539M.

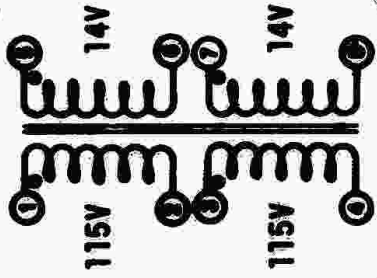
9. MARKING REQUIREMENTS.

PERMANENTLY AND LEGIBLY MARK EACH COMPONENT PACKAGE WITH AT LEAST THE  
FOLLOWING:

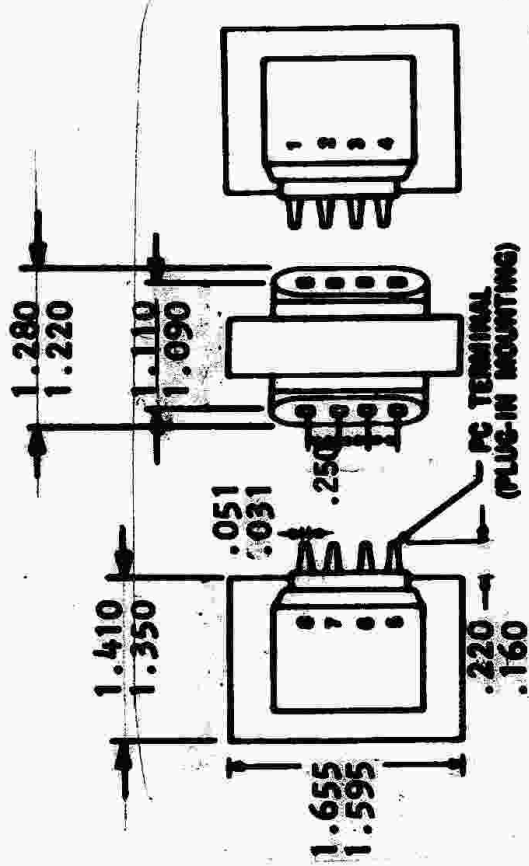
- (A) MANUFACTURER'S NAME OR TRADEMARK.
- (B) MANUFACTURER'S AND/OR TEKTRONIX, INC. PART NUMBER.
- (C) INDICATION OF YEAR AND WEEK OF MANUFACTURE.
- (D) APPROPRIATE MARKINGS THAT VERIFY UL RECOGNITION AND/OR CSA CERTIFICATION.



10. SCHEMATIC.



11. OUTLINE DRAWING.



REV	REF	DESCRIPTION OF CHANGE	CHK BY	DATE

120-1335-01

PART NUMBER

Microfiche scan by vintageTEK - Your donations help support the museum - vintagetek.org

THIS DRAWING WHEN DISTRIBUTED OUTSIDE TEKTRONIX, INC. IS SUPPLIED FOR IDENTIFICATION, ENGINEERING EVALUATION AND/OR INSPECTION PURPOSES ONLY AND MAY NOT BE USED AS A BASIS FOR MANUFACTURE OR SALES OF PRODUCTS WITHOUT WRITTEN PERMISSION FROM TEKTRONIX, INC.

IF THIS DRAWING IS FURNISHED UNDER ANY U.S. GOVERNMENT CONTRACT, IT IS FURNISHED AS LIMITED RIGHTS DATA AND SHALL NOT, WITHOUT THE WRITTEN PERMISSION OF TEKTRONIX, INC. BE EITHER (A) USED, RELEASED OR DISCLOSED IN WHOLE OR IN PART OUTSIDE THE GOVERNMENT, (B) USED IN WHOLE OR IN PART BY THE GOVERNMENT FOR MANUFACTURE OR (C) USED BY A PARTY OTHER THAN THE GOVERNMENT, EXCEPT FOR: (i) EMERGENCY REPAIR OR OVERHAUL WORK ONLY, BY OR FOR THE GOVERNMENT, WHERE THE ITEM OR PROCESS CONCERNED IS NOT OTHERWISE REASONABLY AVAILABLE TO ENABLE TIMELY PERFORMANCE OF THE WORK; PROVIDED THAT THE RELEASE OR DISCLOSURE HEREOF OUTSIDE THE GOVERNMENT SHALL BE MADE SUBJECT TO A PROHIBITION AGAINST FURTHER USE, RELEASE, OR DISCLOSURE; OR (ii) RELEASE TO A FOREIGN GOVERNMENT, AS THE INTEREST OF THE UNITED STATES MAY REQUIRE, ONLY FOR INFORMATION OR EVALUATION WITHIN SUCH GOVERNMENT OR FOR EMERGENCY REPAIR OR OVERHAUL WORK BY OR FOR SUCH GOVERNMENT UNDER CONDITIONS OF (i) ABOVE. THIS LEGEND SHALL BE INCLUDED ON ANY REPRODUCTION HEREOF.

TEKTRONIX, INC. SAFETY CONTROLLED PART.  
THE DRAWING TYPE DESIGNATION AND APPROVED SOURCES OF SUPPLY FOR THIS ITEM ARE LISTED ON THE PURCHASED ITEM SOURCE LIST (PISL) FOR THIS PART NUMBER.



**TEKTRONIX, INC.**

P. O. BOX 500  
BEAVERTON, OREGON U.S.A. 97077



DWY: WR *Eleanor Olson* 28 June 84

COMP ENGR *Charles E. John* 29 June 84

TECH CHKR  
CHKR/COORD

DIMENSIONS ARE IN INCHES UNLESS OTHERWISE SPECIFIED  
TOLERANCES: UNLESS OTHERWISE SPECIFIED

DEC ----- ANLR -----

SCALE NONE FIRST USED ON 016-0596--00

MATERIAL -----

FINISH -----

TITLE TRANSFORMER, POWER; DUAL 115 VOLT PRIMARY, DUAL 14 VOLT SECONDARY, 4.4 VA, POTTED

SH 1 OF 3

CODE IDENT NO  
**80009**

PART NUMBER  
120-1335-01

REV

1. DESCRIPTION.

POWER TRANSFORMER WITH DUAL PRIMARY WINDINGS, DUAL SECONDARY WINDINGS, PC MOUNT, POTTED.

2. POWER RATING.

4.4 VA MAXIMUM.

3. PRIMARY VOLTAGE AT 50 TO 500 HZ.

115 VOLTS PARALLEL CONNECTED  
230 VOLTS SERIES CONNECTED

4. SECONDARY VOLTAGE.

14 VOLTS AT 320 MILLIAMPERES PARALLEL CONNECTED.  
28 VOLTS AT 160 MILLIAMPERES SERIES CONNECTED.

5. TEMPERATURE RATING.

105°C.

6. BREAKDOWN VOLTAGE.

1500 VOLTS.

7. THIRD PARTY CERTIFICATION.

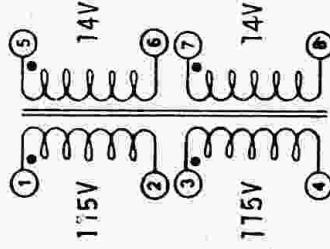
SHALL BE A UL RECOGNIZED COMPONENT.

8. MARKING REQUIREMENTS.

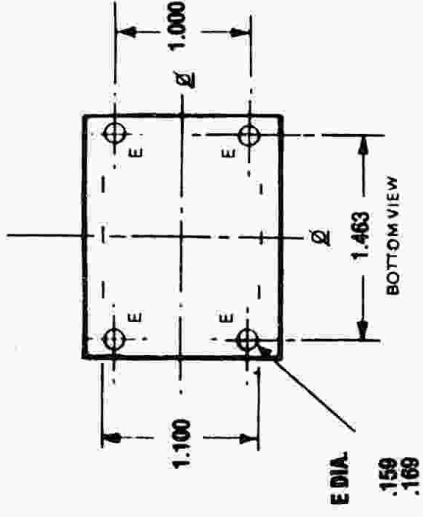
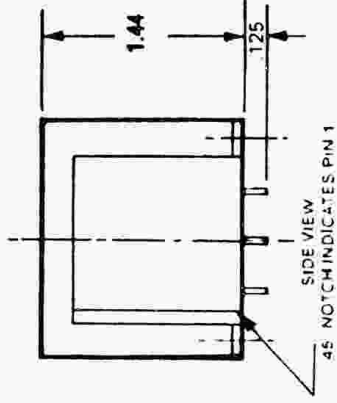
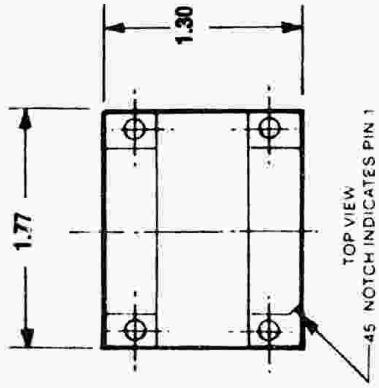
PERMANENTLY AND LEGIBLY MARK EACH COMPONENT PACKAGE WITH AT LEAST THE FOLLOWING:

- (A) MANUFACTURER'S NAME OR TRADEMARK.
- (B) MANUFACTURER'S AND/OR TEKTRONIX, INC. PART NUMBER.
- (C) INDICATION OF YEAR AND WEEK OF MANUFACTURE.
- (D) APPROPRIATE MARKINGS THAT VERIFY UL RECOGNITION AND/OR CSA CERTIFICATION.

9. SCHEMATIC.



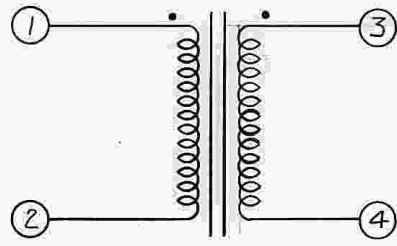
10. OUTLINE DRAWING.



THIS DRAWING WHEN DISTRIBUTED OUTSIDE TEKTRONIX, INC., IS SUPPLIED FOR IDENTIFICATION, ENGINEERING EVALUATION AND/OR INSPECTION PURPOSES ONLY AND MAY NOT BE USED AS A BASIS FOR MANUFACTURE OR SALES OF PRODUCTS WITHOUT WRITTEN PERMISSION FROM TEKTRONIX, INC. IF THIS DRAWING IS FURNISHED UNDER ANY UNITED STATES GOVERNMENT CONTRACT, IT SHALL NOT BE EITHER RELEASED OUTSIDE THE GOVERNMENT, OR USED, REPRODUCED, OR DISCLOSED IN WHOLE OR IN PART FOR MANUFACTURE OR PROCUREMENT, WITHOUT THE WRITTEN PERMISSION OF TEKTRONIX, INC., EXCEPT FOR: (1) EMERGENCY REPAIR OR OVERHAUL WORK BY OR FOR THE GOVERNMENT, WHERE THE ITEM OR PROCESS CONCERNED IS NOT OTHERWISE REASONABLY AVAILABLE TO ENABLE TIMELY PERFORMANCE OF THE WORK, OR (2) RELEASE TO A FOREIGN GOVERNMENT AS THE INTERESTS OF THE UNITED STATES MAY REQUIRE, PROVIDED THAT IN EITHER CASE THE RELEASE, USE, DUPLICATION OR DISCLOSURE HEREOF SHALL BE SUBJECT TO THE FORTHGOING LIMITATIONS, IF THIS DRAWING IS REPRODUCED IN WHOLE OR IN PART, THIS ENTIRE LEGEND BLOCK MUST APPEAR ON ALL REPRODUCED COPIES.

REV	REF	DESCRIPTION OF CHANGE	CHK BY	DATE
(A)	52104	UPDATED DWG., NOTES 2, 3, 5 & 6	DD	26 OCT. 83
(B)		.325 ± .050 WAS .200 ± .050	PM	29 JAN 86

1 REF  
 PART NUMBER (-1337)  
 DATE CODE



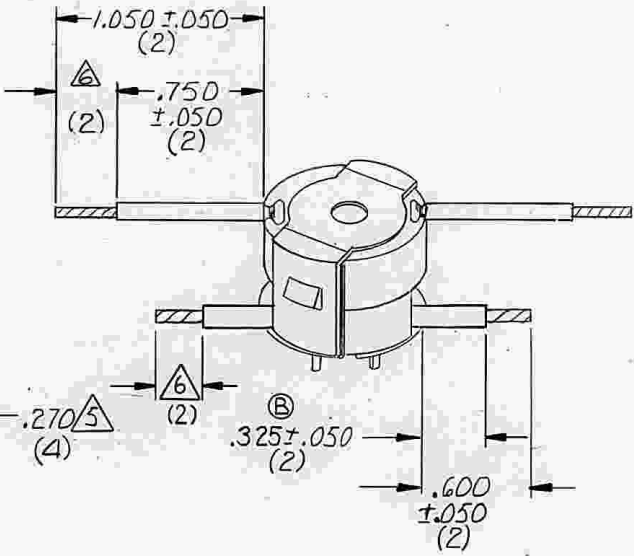
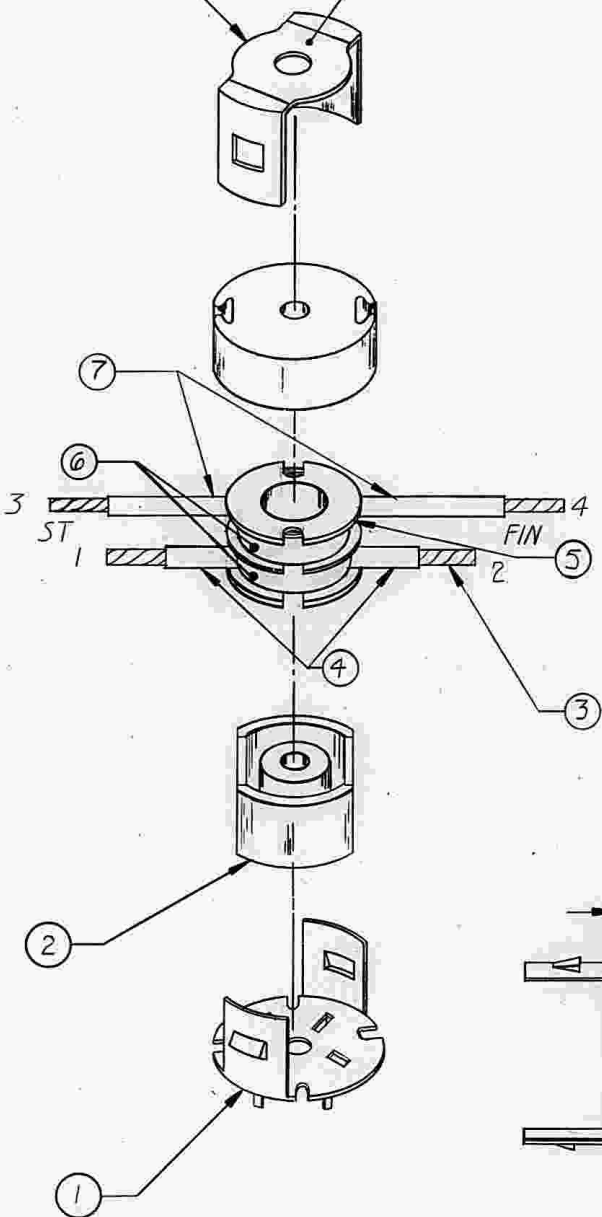
WINDINGS	TURNS	WIRE SIZE/AWG	TYP RATINGS CURRENT	RESISTANCE ± 20% AT 20°C
1-2	16 1/2 *	22	6A	27mΩ
3-4	16 1/2 *	22	6A	27mΩ

\* 2 IN HAND  
 INDUCTANCE : 1.0 mH MIN EACH WINDING MEASURED ON ESI 252 METER OR APPROVED EQUIVALENT  
 POLARITY PER SCHEMATIC

NOTES:

1. REFERENCE DIMENSIONS: .840 HIGH X 1.230 WIDE X 1.300 LONG
- (A) 2. SLOTS INSULATED WITH TAPE
- (A) 3. TRANSFORMER VACUUM IMPREGNATED WITH VARNISH 252-0082-00 OR APPROVED EQUIVALENT
4. DIELECTRIC WITHSTANDING VOLTAGE: 2 KV RMS, 60 HZ, 1 MINUTE, WINDING TO WINDING, AND WINDINGS TO CORE AND CLAMP
5. SOLDERABILITY REQUIRED IN THIS AREA
6. LEADS TINNED TO EDGE OF SLEEVING
- (A) 7. TINNED PORTION OF LEADS MUST NOT EXCEED .059 DIA

PART NUMBER	REV.
120-1337-00	B



ITEM	PART NUMBER	QTY	DESCRIPTION
7	162-0509-00	AR	INSULATION, SLEEVING (#18 RED)
6	253-0021-00	AR	TAPE PRESS SENS (.250 WIDE)
5	276-0262-00	1	FORM, CDIL
4	162-0515-00	AR	INSULATION, SLEEVING (#18 YEL)
3	176-0028-XX	AR	WIRE, ELEC (22 AWG MAGNET)
2	276-0690-00	1	CORE, EM (3019 NO GAP T1SET)
1	352-0539-00	1	CLAMP, POT CORE SET

RELEASED FOR PRODUCTION TOOLING	SIGNATURE	DATE
---------------------------------	-----------	------

TEKTRONIX, INC. PROPRIETARY ITEM DRAWING

MFD BY TEKTRONIX  MFD FOR TEKTRONIX

**TEKTRONIX, INC.** P. O. BOX 500 BEAVERTON, OREGON U.S.A. 97077

DWN: JTWINFREY 1 SEPT 81  
 ENGR: M. Gordon 9 AUG 82  
 CHKR: B. Brown 9 AUG 82  
 PROD: m. Cratty 22 JUL 82

DIMENSIONS ARE IN INCHES / TOLERANCES: UNLESS OTHERWISE SPECIFIED  
 DEC: ANLR  
 SCALE: NONE FIRST USED ON: TM5006

MATERIAL: SEE LIST OF MATERIALS

FINISH: SEE NOTE 3

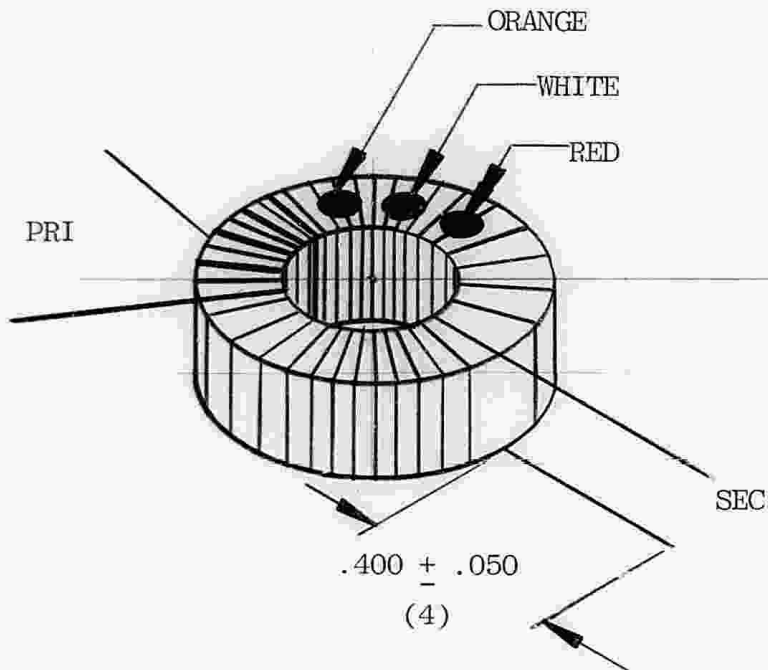
TITLE: TRANSFORMER, RF (COMMON MODE, POT CORE)

CODE IDENT NO: 80009 SIZE: C PART NUMBER: 120-1337-00 REV: B

NOTES:

1. TOROID REFERENCE DIMENSION .419 ODX.169 HIGH
  2. TINNED TO WITHIN 0.050 OF WINDING.
  3. COATED WITH 006-3397-00 OR APPROVED EQUIVALENT.
  4. VALUE DETERMINED WITH HP4275A METER OR APPROVED EQUIV. @ 400 KHz, 1.5 mA, SERIES MODE, 52  $\mu$ H + 30% ON 31 TURN WINDING
- 5** PRINTED PART NUMBER (-1338) MAY BE USED INSTEAD OF COLOR CODE

COLOR CODE **5**



WIRE DATA		
TURNS	AWG	PART NUMBER
5 (PRI)	24	176-0030-15
31 (SEC)	28	176-0034-15

DATA

CODE

TD-392

CORE NO

276-0573-00

79-189

PART NUMBER

120-1338-00

REV  
C

THIS DRAWING WHEN DISTRIBUTED OUTSIDE TEKTRONIX, INC., IS SUPPLIED FOR IDENTIFICATION, ENGINEERING EVALUATION AND/OR INSPECTION PURPOSES ONLY AND MAY NOT BE USED AS A BASIS FOR MANUFACTURE OR SALES OF PRODUCTS WITHOUT WRITTEN PERMISSION FROM TEKTRONIX, INC. IF THIS DRAWING IS FURNISHED UNDER ANY UNITED STATES GOVERNMENT CONTRACT, IT SHALL NOT BE EITHER RELEASED OUTSIDE THE GOVERNMENT, OR USED, DUPLICATED, OR DISCLOSED IN WHOLE OR IN PART FOR MANUFACTURE OR PROCUREMENT, WITHOUT THE WRITTEN PERMISSION OF TEKTRONIX, INC., EXCEPT FOR: (1) EMERGENCY REPAIR OR OVERHAUL WORK BY OR FOR THE GOVERNMENT, WHERE THE ITEM OR PROCESS CONCERNED IS NOT OTHERWISE REASONABLY AVAILABLE TO ENABLE TIMELY PERFORMANCE OF THE WORK; OR (2) RELEASE TO A FOREIGN GOVERNMENT AS THE INTERESTS OF THE UNITED STATES MAY REQUIRE; PROVIDED THAT IN EITHER CASE THE RELEASE, USE, DUPLICATION OR DISCLOSURE HEREOF SHALL BE SUBJECT TO THE FOREGOING LIMITATIONS. IF THIS DRAWING IS REPRODUCED IN WHOLE OR IN PART, THIS ENTIRE LEGEND BLOCK MUST APPEAR ON ALL REPRODUCED COPIES.

REV / BY / REF	DESCRIPTION OF CHANGE	CHK BY / DATE
A DD 43503	NOTE 4 WAS METER 42 TO 63 WIRE DATA WAS 176-0034-00	12 JUNE 81
B DG 50482	UPDATED--SEE MOD DOC	12 OCT 83
C DD 53704	UPDATED NOTE 4	10 APR. 84

TEKTRONIX, INC. PROPRIETARY ITEM DRAWING

MFD BY TEKTRONIX

MFD FOR TEKTRONIX



TEKTRONIX, INC.

P. O. BOX 500  
BEAVERTON, OREGON U.S.A. 97077



DWN	JT WINFREY	4 APR 80	DIMENSIONS ARE IN INCHES / TOLERANCES: UNLESS OTHERWISE SPECIFIED	
ENGR	<i>W. H. ...</i>	5/22/80	DEC	ANLR
CHKR	<i>B. Stewart</i>	5/27/80	SCALE	FIRST USED ON
PROD	<i>Dorinda M. Holman</i>	5/21/80	NONE	492

MATERIAL LISTED

FINISH NOTED

TITLE TRANSFORMER RF (TOROIDAL)

CODE IDENT NO	SIZE	PART NUMBER	REV
80009	A	120-1338-00	C

# DRAWING / SPECIFICATION DEVIATION NOTICE

PART NUMBER 120-1338-00 REV. C DATE: 26 NOV 85

DEPT. OF MANUFACTURE TOROLDS

DEVIATION TYPE:  PERMANENT ----- EFFECTIVITY DATE: 26 NOV85 NO. 1

TEMPORARY ----- EFFECTIVITY DATE: \_\_\_\_\_ EXPIRATION DATE: \_\_\_\_\_

**REASON FOR DEVIATION:** Part number system implies that GREEN is only allowable wire color.  
Unnecessary \$\$ wasted if other colors not allowed. Coil geometry provides for proper  
orientation of part without the aid of wire color.

**ORIGINAL REQUIREMENTS**  
Primary winding - 176-0030-15 ( GRN )  
Secondary winding - 176-0034-00 ( GRN )

**DEVIATION**  
Primary winding - 176-0030-XX ( ANY COLOR )  
Secondary winding - 176-0034-XX ( ANY COLOR )

**PART INSPECTED BY:** \_\_\_\_\_ **DATE:** \_\_\_\_\_  
**DDN REQUESTED BY:** Will Smith **DATE:** 26 NOV 85

**APPROVAL:**  
**MANUFACTURING** [Signature] **DATE:** 12-3-85  
**ENGINEERING** [Signature] **DATE:** 11/26/85  
LARRY MCCOY  
DOUG GORDON  
**DATE:** \_\_\_\_\_  
**DATE:** \_\_\_\_\_

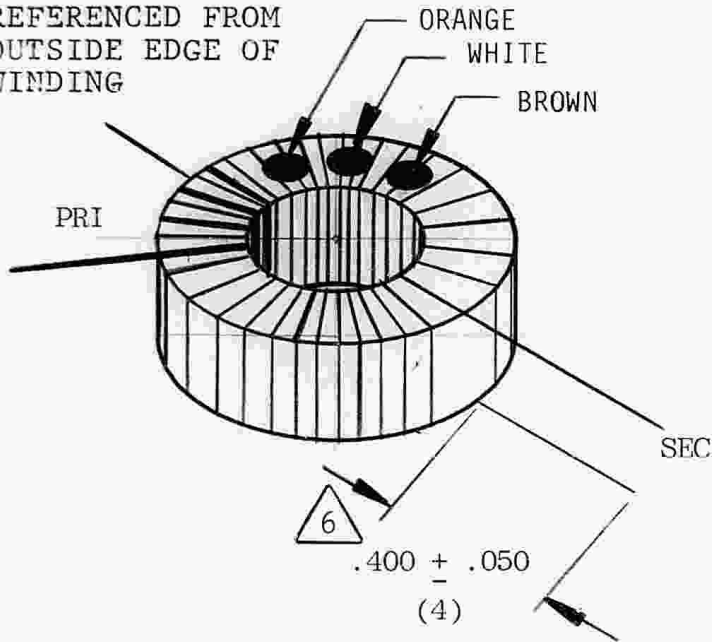
NOTES:

1. TOROID REFERENCE DIMENSIONS .419 ODX.169 HIGH
2. LEADS TINNED TO WITHIN 0.050 OF WINDING.
3. COATED WITH 006-3397-00 OR APPROVED EQUIVALENT.
4. VALUE DETERMINED WITH HP4275A METER OR APPROVED EQUIV. @ 400 kHz, 1.5mA, SERIES MODE, 52  $\mu$ H + 30% ON 31 TURN WINDING
5. PRINTED PART NUMBER (-1339) MAY BE USED INSTEAD OF COLOR CODE

△ LEAD DIMENSIONS REFERENCED FROM OUTSIDE EDGE OF WINDING

COLOR CODE △ 5

ORANGE  
WHITE  
BROWN



WIRE DATA		
TURNS	AWG	PART NUMBER
4 (PRI)	24	176-0030-XX (D)
31 (SEC)	28	176-0034-XX (D)

DATA  
CODE TD-391  
CORE NO 276-0573-00

79-188

PART NUMBER 120-1339-00

REV E

THIS DRAWING WHEN DISTRIBUTED OUTSIDE TEKTRONIX, INC., IS SUPPLIED FOR IDENTIFICATION, ENGINEERING EVALUATION AND/OR INSPECTION PURPOSES ONLY AND MAY NOT BE USED AS A BASIS FOR MANUFACTURE OR SALES OF PRODUCTS WITHOUT WRITTEN PERMISSION FROM TEKTRONIX, INC. IF THIS DRAWING IS FURNISHED UNDER ANY UNITED STATES GOVERNMENT CONTRACT, IT SHALL NOT BE EITHER RELEASED OUTSIDE THE GOVERNMENT, OR USED, DUPLICATED, OR DISCLOSED IN WHOLE OR IN PART FOR MANUFACTURE OR PROCUREMENT, WITHOUT THE WRITTEN PERMISSION OF TEKTRONIX, INC. EXCEPT FOR: (1) EMERGENCY REPAIR OR OVERHAUL WORK BY OR FOR THE GOVERNMENT, WHERE THE ITEM OR PROCESS CONCERNED IS NOT OTHERWISE REASONABLY AVAILABLE TO ENABLE TIMELY PERFORMANCE OF THE WORK; OR (2) RELEASE TO A FOREIGN GOVERNMENT AS THE INTERESTS OF THE UNITED STATES MAY REQUIRE, PROVIDED THAT IN EITHER CASE THE RELEASE, USE, DUPLICATION OR DISCLOSURE HEREOF SHALL BE SUBJECT TO THE FOREGOING LIMITATIONS. IF THIS DRAWING IS REPRODUCED IN WHOLE OR IN PART, THIS ENTIRE LEGEND BLOCK MUST APPEAR ON ALL REPRODUCED COPIES.

REV / BY / REF	DESCRIPTION OF CHANGE	CHK BY/DATE
△ A DD 43503	NOTE 4 WAS 42 TO 63 $\mu$ H	I JUNE 81
B DG 50482	UPDATE--SEE MOD DOC	12 OCT 83
C DD 53704	UPDATED NOTE 4	10 APR. 84
D DD 54562	PART NUMBERS WERE 176-0030-00 29 JUN 84 & 176-0034-00	
E BE 54562	ADDED NOTE △ 6	11 OCT 84

TEKTRONIX, INC. PROPRIETARY ITEM DRAWING

MFD BY TEKTRONIX

MFD FOR TEKTRONIX



TEKTRONIX, INC.

P. O. BOX 500  
BEAVERTON, OREGON U.S.A. 97077



DWN JT WINFREY	4 APR 80	DIMENSIONS ARE IN INCHES / TOLERANCES: UNLESS OTHERWISE SPECIFIED	
ENGR <i>J. W. Jordan</i>	<i>5/21/80</i>	DEC	ANLR
CHKR <i>B. Stewart</i>	<i>5/27/80</i>	SCALE NONE	FIRST USED ON 492
PROD <i>D. Helman</i>	<i>5/21/80</i>		

MATERIAL

LISTED

FINISH

NOTED

TITLE

TRANSFORMER RF (TOROIDAL)

CODE IDENT NO <b>80009</b>	SIZE <b>A</b>	PART NUMBER <b>120-1339-00</b>	REV <b>E</b>
-------------------------------	------------------	-----------------------------------	-----------------

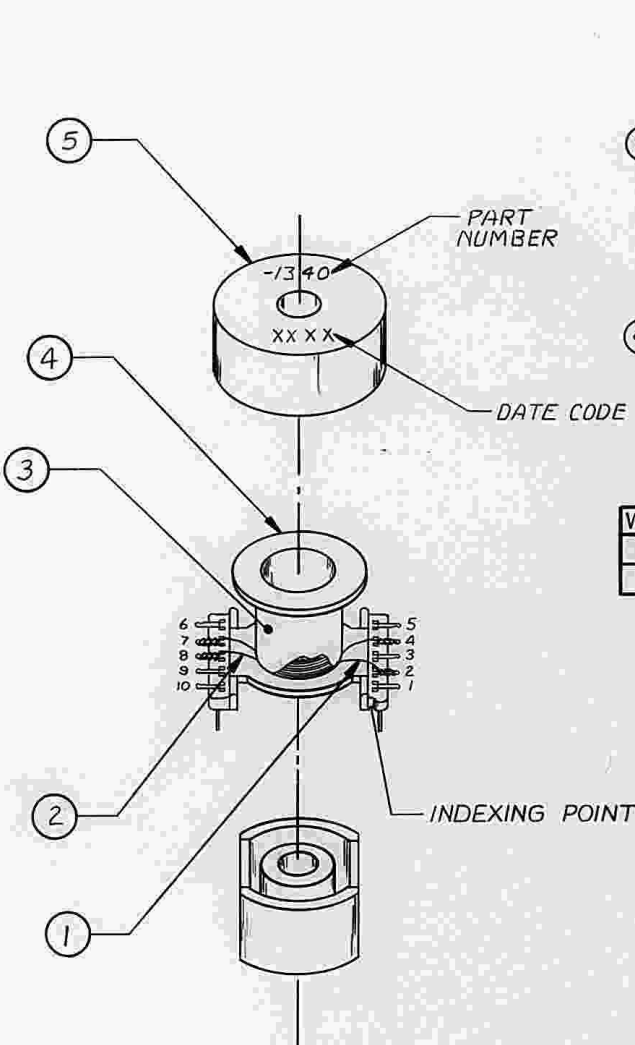
DO NOT SCALE DRAWING

000-9380-00D



THIS DRAWING WHEN DISTRIBUTED OUTSIDE TEKTRONIX, INC., IS SUPPLIED FOR IDENTIFICATION, ENGINEERING EVALUATION AND/OR INSPECTION PURPOSES ONLY AND MAY NOT BE USED AS A BASIS FOR MANUFACTURE OR SALES OF PRODUCTS WITHOUT WRITTEN PERMISSION FROM TEKTRONIX, INC. IF THIS DRAWING IS FURNISHED UNDER ANY UNITED STATES GOVERNMENT CONTRACT, IT SHALL NOT BE EITHER RELEASED, OUTSIDE THE GOVERNMENT, OR USED, DUPLICATED, OR DISCLOSED IN WHOLE OR IN PART FOR MANUFACTURE OR PROCUREMENT, WITHOUT THE WRITTEN PERMISSION OF TEKTRONIX, INC. EXCEPT FOR: (1) EMERGENCY REPAIR OR OVERHAUL WORK BY OR FOR THE GOVERNMENT, WHERE THE IDEA OR PROCESS CONCERNED IS NOT OTHERWISE REASONABLY AVAILABLE TO ENABLE TIMELY PERFORMANCE OF THE WORK; OR (2) RELEASE TO A FOREIGN GOVERNMENT AS THE INTERESTS OF THE UNITED STATES MAY REQUIRE, PROVIDED THAT IN EITHER CASE THE RELEASE, USE, DUPLICATION OR DISCLOSURE HEREOF SHALL BE SUBJECT TO THE FORTHGOING LIMITATIONS, IF THIS DRAWING IS REPRODUCED IN WHOLE OR IN PART, THIS ENTIRE LEGEND BLOCK MUST APPEAR ON ALL REPRODUCED COPIES.

REV	REF	DESCRIPTION OF CHANGE	CHK BY	DATE
-----	-----	-----------------------	--------	------



WINDINGS	TURNS	WIRE		TYP RATING		RESISTANCE ± 20% AT 20°C
		SIZE	AWG	VOLTS	AMPS	
2-4	560	36		55	.078	30 Ω
7-8	31	23		3	1.40	.10 Ω

INDUCTANCE: (2-4) 125 mH ± 10 mH MEASURED ON ESI 252 OR EQUIVALENT  
 POLARITY PER SCHEMATIC  
 OPERATING FREQUENCY: 15.7 KHZ

PART NUMBER  
**120-1340-00**

- 3. CORES CEMENTED TOGETHER
- △ 2. COIL VACUUM IMPREGNATED WITH VARNISH 252-0082-00
- 1. REFERENCE DIMENSIONS: .897 HIGH X .900 WIDE X 1.090 LONG

NOTES:

TEKTRONIX, INC. PROPRIETARY ITEM DRAWING

MFD BY TEKTRONIX       MFD FOR TEKTRONIX

**TEKTRONIX, INC.** P. O. BOX 500 BEAVERTON, OREGON U.S.A. 97077

DWN JEANNE JUDAH	30 JAN 81	DIMENSIONS ARE IN INCHES / TOLERANCES: UNLESS OTHERWISE SPECIFIED
ENGR <i>[Signature]</i>	23 SEPT 81	DEC ANLR
CHKR <i>[Signature]</i>	25 SEPT 81	SCALE NONE
PROD <i>[Signature]</i>	24 SEPT 81	FIRST USED ON 640-0523-00

ITEM	PART NUMBER	QTY	DESCRIPTION
5	276-0657-00	1	CORE, EM (23/8 AL400) SET
4	276-0190-00	1	FORM, COIL
3	253-0019-00	AR	TAPE, PRESS SENS (.500 WIDE)
2	176-0029-XX	AR	WIRE, ELEC (#23 AWG)
1	176-0157-XX	AR	WIRE, ELEC (#36 AWG)

MATERIAL: SEE LIST OF MATERIALS

FINISH: SEE NOTE △ 2

TITLE: TRANSFORMER, RF (DRIVER, POT CORE)

CODE IDENT NO 80009	SIZE C	PART NUMBER 120-1340-00	REV
---------------------	--------	-------------------------	-----

LIST OF MATERIALS

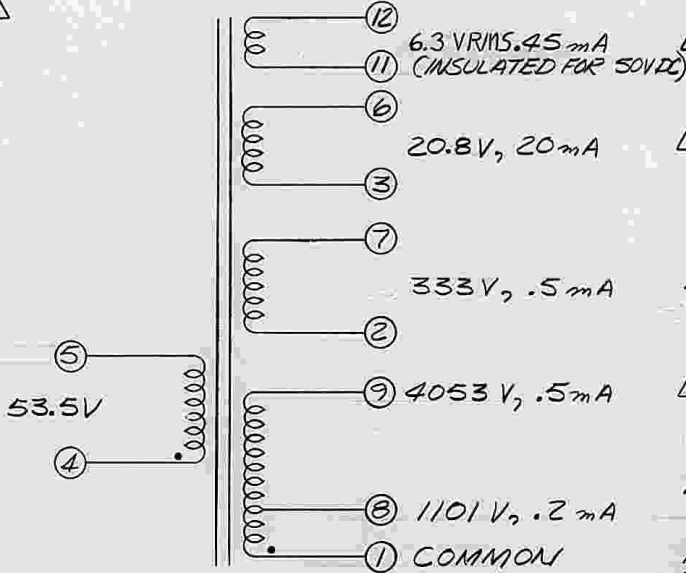
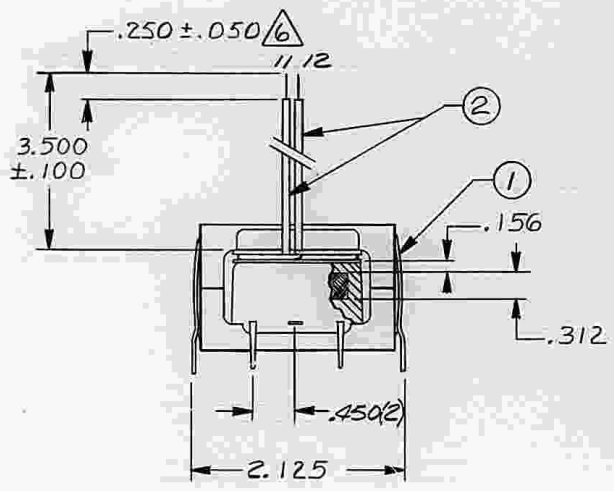
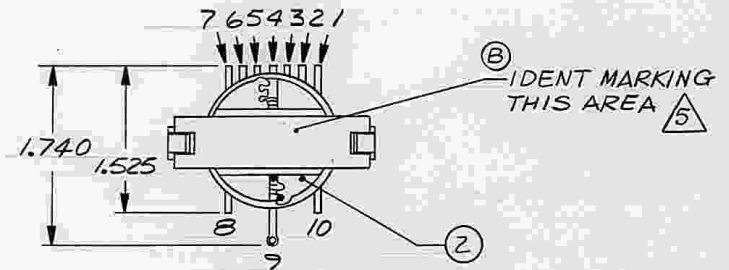
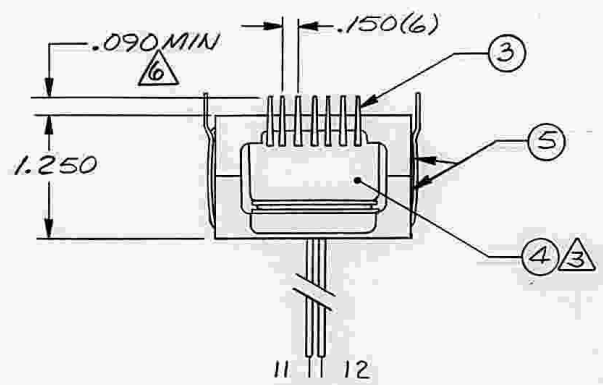
THIS DRAWING WHEN DISTRIBUTED OUTSIDE TETRONIX, INC., IS SUPPLIED FOR IDENTIFICATION, ENGINEERING EVALUATION AND/OR INSPECTION PURPOSES ONLY AND MAY NOT BE USED AS A BASIS FOR MANUFACTURE OR SALES OF PRODUCTS WITHOUT WRITTEN PERMISSION FROM TETRONIX, INC. IF THIS DRAWING IS FURNISHED UNDER ANY UNITED STATES GOVERNMENT CONTRACT, IT SHALL NOT BE EITHER RELEASED OUTSIDE THE GOVERNMENT, OR USED, DUPLICATED, OR DISCLOSED IN WHOLE OR IN PART FOR MANUFACTURE OR PROCUREMENT, WITHOUT THE WRITTEN PERMISSION OF TETRONIX, INC., EXCEPT FOR: (1) EMERGENCY REPAIR OR OVERHAUL WORK BY OR FOR THE GOVERNMENT, WHERE THE ITEM OR PROCESS CONCERNED IS NOT OTHERWISE REASONABLY AVAILABLE TO ENABLE TIMELY PERFORMANCE OF THE WORK; OR (2) RELEASE TO A FOREIGN GOVERNMENT AS THE INTERESTS OF THE UNITED STATES MAY REQUIRE; PROVIDED THAT IN EITHER CASE THE RELEASE, USE, DUPLICATION OR DISCLOSURE HEREOF SHALL BE SUBJECT TO THE FOREGOING LIMITATIONS, IF THIS DRAWING IS REPRODUCED IN WHOLE OR IN PART, THIS ENTIRE LEGEND BLOCK MUST APPEAR ON ALL REPRODUCED COPIES.

REV	REF	DESCRIPTION OF CHANGE	CHK BY	DATE
A	49630	ADDED 650-1300 & UPDATED DWG	DD	10FEB83
B	52601	REVISED DWG. & UPDATED NOTE A	DD	29MAR84

**COIL STRUCTURE  
OUTSIDE**

SEC 1-1/2	SEC 1-8-9
	Ø-370.5 -1363.5 #36
PRI 4-5	SEC 3-6
18T #30	7T #30
SEC 2-7	
3T #24	112T #34

INSIDE



OPERATING FREQUENCY : 32 KHZ

△ SOLDERABILITY: MUST MEET REQUIREMENTS OF MIL-STD-202F, METHOD 208

△ LOCATION AND ORIENTATION ON THIS SURFACE NOT CRITICAL. MUST BE LEGIBLE

PART NUMBER	REV.
120-1341-00	B

4. VOLTAGE RATINGS ARE PEAK NO LOAD VDS. CURRENT RATINGS ARE AMPS DC TYPICAL

△ COIL TRANSFER MOLDED WITH EPOXY

2. POLARITY PER SCHEMATIC

1. DIMENSIONS REFERENCE UNLESS OTHERWISE SPECIFIED

NOTES:

<input checked="" type="checkbox"/> MFD BY TETRONIX <input type="checkbox"/> MFD FOR TETRONIX	
<b>TETRONIX, INC.</b> P. O. BOX 500 BEAVERTON, OREGON U.S.A. 97077	
DWN <i>D. MERCIL</i> 18 MAY 83	DIMENSIONS ARE IN INCHES / MM TOLERANCES: UNLESS OTHERWISE SPECIFIED
ENGR <i>L. Chan</i> 16 Feb 83	DEC    JANLR
CHKR <i>B. Stewart</i> 17 Feb 83	SCALE    FIRST USED ON
PROD <i>Phanosth</i> 16 Feb 83	NONE    640-0523-00

MATERIAL SEE LIST OF MATERIALS

FINISH △

TITLE TRANSFORMER, POWER SDN + SU (HIGH VOLTAGE)

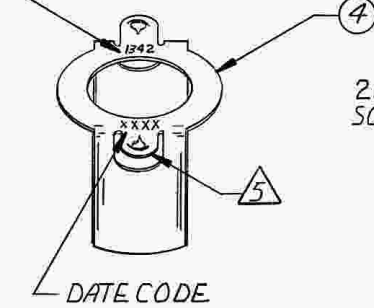
ITEM	PART NUMBER	QTY	DESCRIPTION
5	276-0696-00	1	CORE, EM ("E" FERRITE)
	276-0697-00	1	CORE, EM ("E" FERRITE)
4	255-0479-01	AR	PLASTIC MOLDING MATL (EPOXY)
3	195-0140-00	1/2	LEAD SET, HV TRANSFORMER
2	650-1300-00	1	BOBBIN ASSEMBLY
1	343-0682-00	2	CLAMP, TRANSFORMER CORE

CODE IDENT NO	SIZE	PART NUMBER	REV
80009	C	120-1341-00	B

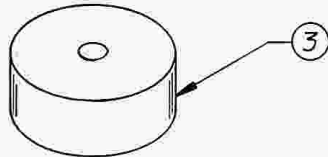
THIS DRAWING WHEN DISTRIBUTED OUTSIDE TEKTRONIX, INC., IS SUPPLIED FOR IDENTIFICATION, ENGINEERING EVALUATION AND/OR INSPECTION PURPOSES ONLY AND MAY NOT BE USED AS A BASIS FOR MANUFACTURE OR SALES OF PRODUCTS WITHOUT WRITTEN PERMISSION FROM TEKTRONIX, INC. IF THIS DRAWING IS FURNISHED UNDER ANY UNITED STATES GOVERNMENT CONTRACT, IT SHALL NOT BE EITHER RELEASED OUTSIDE THE GOVERNMENT, OR USED, DUPLICATED, OR DISCLOSED IN WHOLE OR IN PART FOR MANUFACTURE OR PROCUREMENT, WITHOUT THE WRITTEN PERMISSION OF TEKTRONIX, INC. EXCEPT FOR: (1) EMERGENCY REPAIR OR OVERHAUL WORK BY OR FOR THE GOVERNMENT, WHERE THE ITEM OR PROCESS CONCERNED IS NOT OTHERWISE REASONABLY AVAILABLE TO ENABLE TIMELY PERFORMANCE OF THE WORK; OR (2) RELEASE TO A FOREIGN GOVERNMENT AS THE INTERESTS OF THE UNITED STATES MAY REQUIRE, PROVIDED THAT IN EITHER CASE THE RELEASE, USE, DUPLICATION OR DISCLOSURE HEREOF SHALL BE SUBJECT TO THE FOREGOING LIMITATIONS, IF THIS DRAWING IS REPRODUCED IN WHOLE OR IN PART, THIS ENTIRE LEGEND BLOCK MUST APPEAR ON ALL REPRODUCED COPIES.

REV	REF	DESCRIPTION OF CHANGE	CHK BY	DATE
-----	-----	-----------------------	--------	------

PART NUMBER



DATE CODE



- 11 RED
- 12 VIOLET
- 13 BLUE
- 14 BLACK
- 15 BROWN
- 16 WHITE

- 5 613V 60mA
- 3 176V 140mA
- 4 51V 650mA
- 2 36.1V 15mA
- 8 13V 200mA
- 7 7.8V 500mA
- 10 COMMON
- 6 7.8V 500mA
- 9 13V 200mA
- 1 36.1V 15mA
- 17 BLACK
- 18 0.65V 400mA AC

6 LENGTH FROM OUTSIDE CORE: SLEEVING IS INSTALLED ON LEADS AFTER VARNISH IMPREGNATION

LEAD NO	COLOR	PART NUMBER	LENGTH ±.100	STRIP & TIN ±.100
11	RED	162-0510-00	3.500	.250
12	VIO	162-0684-00	1.500	
13	BLU	162-0524-00	2.500	
15	BRN	162-0553-00	1.500	
16	WHT	162-0529-00	3.500	
14-17-18	BLK	162-0601-00	2.500	

5 TERMINALS AND MOUNTING TABS TO BE FREE OF VARNISH

PART NUMBER	REV.
120-1342-00	

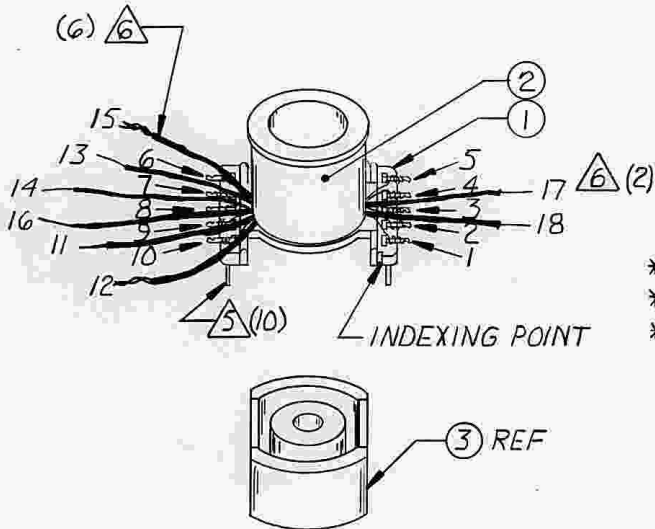
4. TRANSFORMER VACUUM IMPREGNATED WITH VARNISH 252-0082-00

3. VOLTAGE RATINGS ARE PEAK NO LOAD CURRENT RATINGS ARE AMPS DCTYP UOS

2. POLARITY PER SCHEMATIC

1. REFERENCE DIMENSIONS: .950 HIGH X 1.740 WIDE X 1.300 LONG

NOTES:



WINDINGS	TURNS	WIRE DATA		RESISTANCE ±15% AT 20°C
		AWG	PART NUMBER	
5-3	673	40	176-0104-XX	116 Ω
3-4	192	40	176-0104-XX	36.6 Ω
4-2	23	38	176-0040-XX	2.62 Ω
2-8	35 1/2	38		4.45 Ω
9-1	35 1/2	38		4.45 Ω
8-7	8	29	176-0058-XX	.128 Ω
6-9	8	29	176-0058-XX	.128 Ω
* 7-10-6	12	27	176-0033-XX	.230 Ω CT
* 11-12-13	6	23	176-0029-XX	.075 Ω CT
* 14-15-16	2	25	176-0031-XX	.053 Ω CT
17-18	1	25	176-0031-XX	.021 Ω

\* BIFILAR WOUND SERIES CONNECTED INDUCTANCE: (4-5) 172 TO 190 mH AT 1KHZ

4	343-0386-00	1	CLAMP
3	276-0703-00	1	CORE, EM (AL 250-3019TT) SET
2	253-0103-00	AR	TAPE, PRESS SENS (.438 WIDE)
1	276-0219-00	1	FORM, COIL

TEKTRONIX, INC. PROPRIETARY ITEM DRAWING			
<input checked="" type="checkbox"/> MFD BY TEKTRONIX	<input type="checkbox"/> MFD FOR TEKTRONIX		
<b>TEKTRONIX, INC.</b> P. O. BOX 500 BEAVERTON, OREGON U.S.A. 97077		DIMENSIONS ARE IN INCHES / MM TOLERANCES: UNLESS OTHERWISE SPECIFIED DEC ANLR	
DWN	JT WINFREY	4 JULY 80	SCALE
ENGR	R. Cooper	8 DEC 80	FIRST USED ON
CHKR	B. Stewart	8 DEC 80	413A
PRD	m. Catty	8 DEC 80	NONE
MATERIAL			
SEE LIST OF MATERIALS			

FINISH	TITLE	CODE IDENT NO	SIZE	PART NUMBER	REV
	TRANSFORMER, STPDN & STU (POWER & HV, POT CORE)	80009	C	120-1342-00	

THIS DRAWING WHEN DISTRIBUTED OUTSIDE TEKTRONIX, INC., IS SUPPLIED FOR IDENTIFICATION, ENGINEERING EVALUATION AND/OR INSPECTION PURPOSES ONLY AND MAY NOT BE USED AS A BASIS FOR MANUFACTURE OR SALES OF PRODUCTS WITHOUT WRITTEN PERMISSION FROM TEKTRONIX, INC. IF THIS DRAWING IS FURNISHED UNDER ANY UNITED STATES GOVERNMENT CONTRACT, IT SHALL NOT BE EITHER RELEASED OUTSIDE THE GOVERNMENT, OR USED, DUPLICATED, OR DISCLOSED IN WHOLE OR IN PART FOR MANUFACTURE OR PROCUREMENT, WITHOUT THE WRITTEN PERMISSION OF TEKTRONIX, INC., EXCEPT FOR: (1) EMERGENCY REPAIR OR OVERHAUL WORK BY OR FOR THE GOVERNMENT, WHERE THE ITEM OR PROCESS CONCERNED IS NOT OTHERWISE REASONABLY AVAILABLE TO ENABLE TIMELY PERFORMANCE OF THE WORK; OR (2) RELEASE TO A FOREIGN GOVERNMENT AS THE INTERESTS OF THE UNITED STATES MAY REQUIRE; PROVIDED THAT IN EITHER CASE THE RELEASE, USE, DUPLICATION OR DISCLOSURE HEREOF SHALL BE SUBJECT TO THE FOREGOING LIMITATIONS. IF THIS DRAWING IS REPRODUCED IN WHOLE OR IN PART, THIS ENTIRE LEGEND BLOCK MUST APPEAR ON ALL REPRODUCED COPIES.

### COIL STRUCTURE OUTSIDE

TYPE WINDING                      LEAD TERM NO

SEC	7-12
1157.5 T	*36

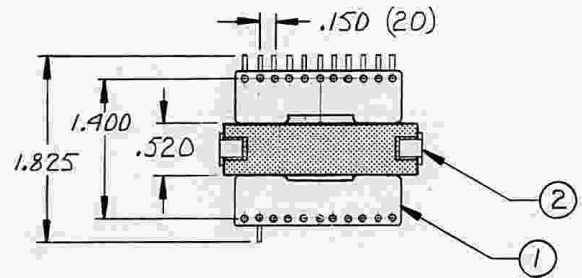
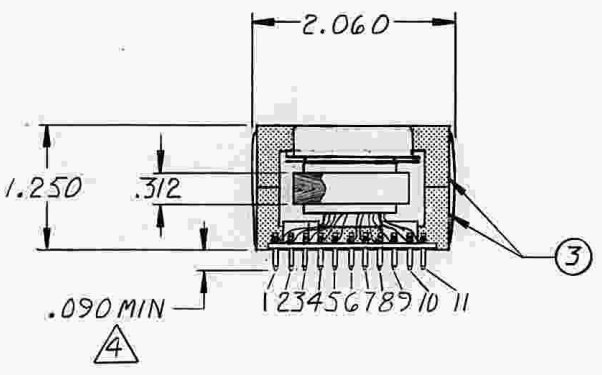
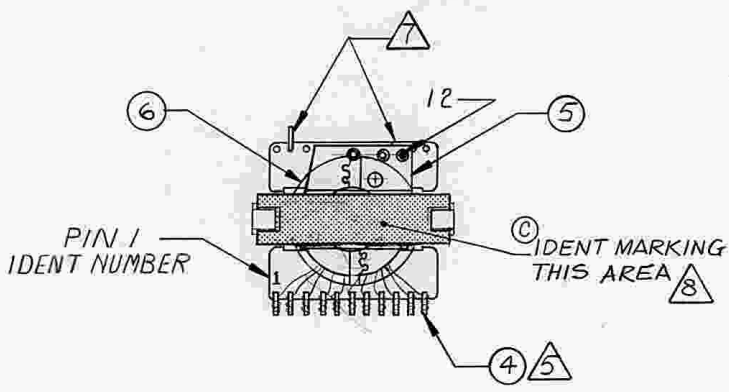
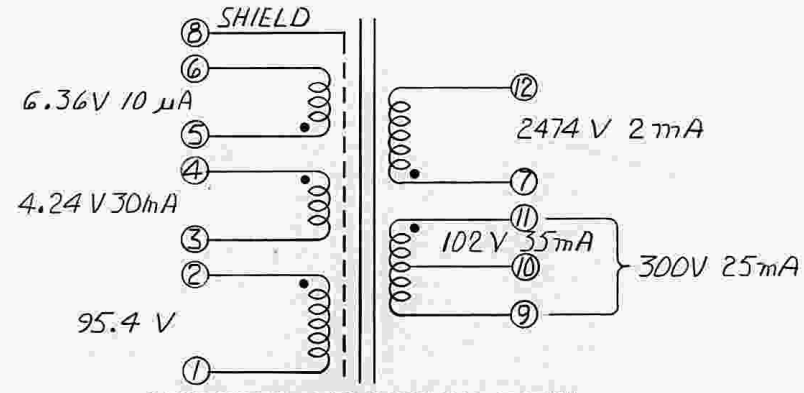
SEC	11-10-9
0-48-141T	*37

SHIELD	8
--------	---

PRI 2-1	PRI 4-3	PRI 5-6
2 T #30	3 T #30	

45T	*30
-----	-----

### INSIDE



8 LOCATION AND ORIENTATION ON THIS SURFACE NOT CRITICAL. MUST BE LEGIBLE

7 DUMMY TERMINALS, PIN NUMBER 13 PARALLEL TO BOARD EDGE POINTED TOWARD PIN NUMBER 21

6. VOLTAGE RATINGS ARE PEAK NO LOAD UOS. CURRENT RATINGS ARE AMPS DC TYPICAL UOS

5 BEND TERMINALS



PART NUMBER	REV.
120-1343-00	E

4 TERMINALS MUST BE CLEAN FOR SOLDERING

3. POLARITY PER SCHEMATIC

2. TRANSFORMER VACUUM IMPREGNATED WITH SILICONE RESIN 252-0213-00

1. DIMENSIONS REFERENCE UNLESS OTHERWISE SPECIFIED

NOTES:

TEKTRONIX, INC. PROPRIETARY ITEM DRAWING  
 MFD BY TEKTRONIX       MFD FOR TEKTRONIX

**TEKTRONIX, INC.** P. O. BOX 500  
 BEAVERTON, OREGON U.S.A. 97077

OWN	JT WINFREY	15 APR 80	DIMENSIONS ARE IN INCHES / TOLERANCES: UNLESS OTHERWISE SPECIFIED
ENGR	Larry Clow	6 May 80	DEC. ANLR
CHKR	B. Kinnat	6 May 80	SCALE: FIRST USED ON
PROD	E. Ross	6 May 80	1:1 DID & D11

MATERIAL: SEE LIST OF MATERIALS

FINISH: NOTED

TITLE: TRANSFORMER, POWER  
 STU & STPDN (HIGH VOLTAGE)

CODE IDENT NO	SIZE	PART NUMBER	REV.
80009	G	120-1343-00	E

**TEKTRONIX SAFETY CONTROLLED PART**  
 THIS PART IS CONTROLLED TO INSURE MAINTENANCE OF SAFETY CHARACTERISTICS DESIGNED INTO A TEKTRONIX INC. PRODUCT. TO CONTINUE MAINTENANCE, ANY CHANGES IN MATERIALS, SPECIFICATIONS, VENDORS, OR VENDOR PART NUMBERS MUST BE EVALUATED AND APPROVED BY PRODUCT SAFETY IN EACH APPLICATION IN WHICH THIS IS A CONTROLLED PART.

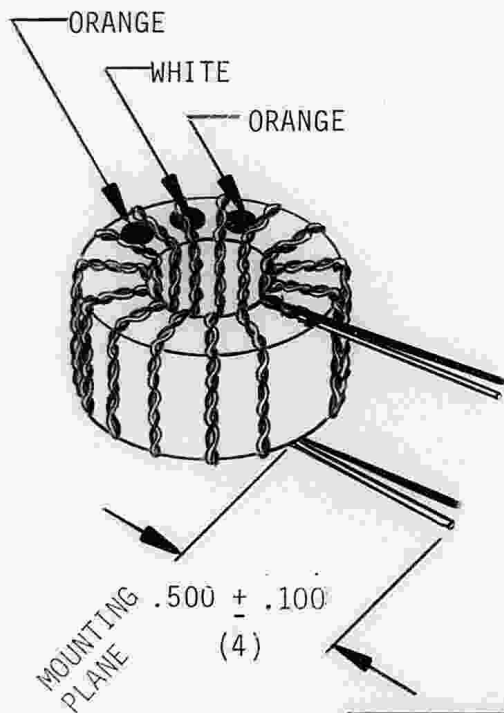
ITEM	PART NUMBER	QTY	DESCRIPTION
6	276-0225-00	1	FORM, BOBBIN
5	392-0156-00	1	BOARD, TERMINAL
4	131-0827-00	13	PIN, TERMINAL
3	276-0696-00	1	CORE, EM (E" FERRITE)
	276-0697-00	1	CORE, EM (E" FERRITE)
2	343-0682-01	2	CLAMP, TRANSFORMER CORE
1	392-0228-00	1	BOARD, TERMINAL

NOTES:

1. TOROID REFERENCE DIMENSIONS: .200 OD x .100 HIGH.
2. LEADS TINNED TO WITHIN .100 OF MOUNTING PLANE
3. COATED WITH 006-1109-00, OR APPROVED EQUIVALENT
4. INDUCTANCE RANGE PER HP4275A METER OR APPROVED EQUIV. @ 100kHz, 3mA, PARALLEL MODE. 270  $\mu$ H MIN EACH WINDING

5. PRINTED PART NUMBER (-1344) MAY BE USED INSTEAD OF COLOR CODE

COLOR CODE 5



WIRE DATA			
TURNS	COLOR	AWG	PART NUMBER
* 15	RED	34	176-0038-00
* 15	GREEN	34	176-0038-15

DATA CODE CORE NO TD 393 276-0596-00

\*TWIST WIRE TOGETHER @ 15 ± 2 TWIST PER INCH

78-76

PART NUMBER 120-1344-00

REV A

THIS DRAWING WHEN DISTRIBUTED OUTSIDE TEKTRONIX, INC. IS SUPPLIED FOR IDENTIFICATION, ENGINEERING EVALUATION AND/OR INSPECTION PURPOSES ONLY AND MAY NOT BE USED AS A BASIS FOR MANUFACTURE OR SALES OF PRODUCTS WITHOUT WRITTEN PERMISSION FROM TEKTRONIX, INC. IF THIS DRAWING IS FURNISHED UNDER ANY UNITED STATES GOVERNMENT CONTRACT, IT SHALL NOT BE EITHER RELEASED OUTSIDE THE GOVERNMENT, OR USED, DUPLICATED, OR DISCLOSED IN WHOLE OR IN PART FOR MANUFACTURE OR PROCUREMENT, WITHOUT THE WRITTEN PERMISSION OF TEKTRONIX, INC. EXCEPT FOR: (1) EMERGENCY REPAIR OR OVERHAUL WORK BY OR FOR THE GOVERNMENT, WHERE THE ITEM OR PROCESS CONCERNED IS NOT OTHERWISE REASONABLY AVAILABLE TO ENABLE TIMELY PERFORMANCE OF THE WORK; OR (2) RELEASE TO A FOREIGN GOVERNMENT AS THE INTERESTS OF THE UNITED STATES MAY REQUIRE, PROVIDED THAT IN EITHER CASE THE RELEASE, USE, DUPLICATION OR DISCLOSURE HEREOF SHALL BE SUBJECT TO THE FOREGOING LIMITATIONS. IF THIS DRAWING IS REPRODUCED IN WHOLE OR IN PART, THIS ENTIRE LEGEND BLOCK MUST APPEAR ON ALL REPRODUCED COPIES.

REV / BY / REF	DESCRIPTION OF CHANGE	CHK BY / DATE
A DG 50482	UPDATED NOTES 2 & REVISED DWG.	13 DEC 83

TEKTRONIX, INC. PROPRIETARY ITEM DRAWING

MFD BY TEKTRONIX

MFD FOR TEKTRONIX



TEKTRONIX, INC.

P. O. BOX 500 BEAVERTON, OREGON U.S.A. 97077



DWN JEANNE JUDAH	4 FEB 81	DIMENSIONS ARE IN INCHES / TOLERANCES: UNLESS OTHERWISE SPECIFIED	
ENGR <i>[Signature]</i>	10 July 81	DEC	ANLR
CHKR <i>B. Stewart</i>	14 July 81	SCALE	FIRST USED ON
PROD ROGER NOYES	17 July 81	NONE	067-0886-01

MATERIAL LISTED

FINISH NOTED

TITLE TRANSFORMER, RF (TOROIDAL)

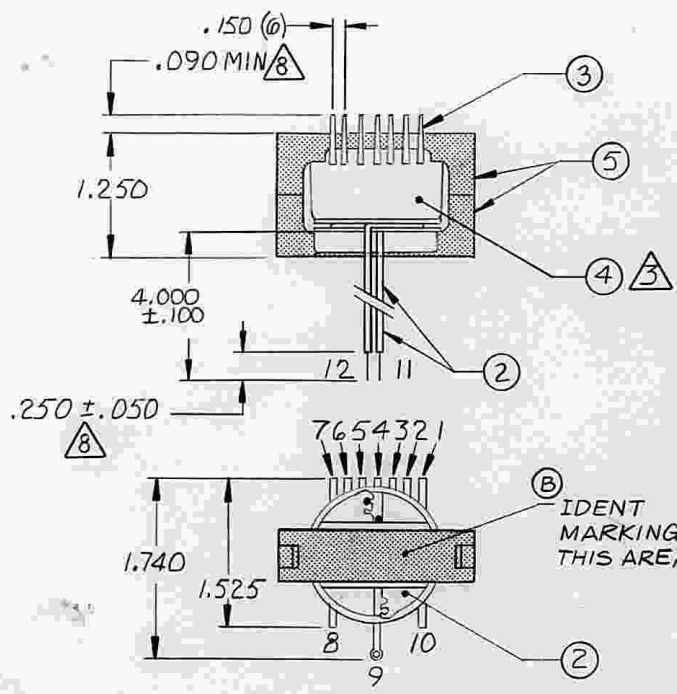
CODE IDENT NO 80009	SIZE A	PART NUMBER 120-1344-00	REV A
---------------------	--------	-------------------------	-------

THIS DRAWING WHEN DISTRIBUTED OUTSIDE TEKTRONIX, INC., IS SUPPLIED FOR IDENTIFICATION, ENGINEERING EVALUATION AND/OR INSPECTION PURPOSES ONLY AND MAY NOT BE USED AS A BASIS FOR MANUFACTURE OR SALES OF PRODUCTS WITHOUT WRITTEN PERMISSION FROM TEKTRONIX, INC. IF THIS DRAWING IS FURNISHED UNDER ANY UNITED STATES GOVERNMENT CONTRACT, IT SHALL NOT BE EITHER RELEASED OUTSIDE THE GOVERNMENT, OR USED, DUPLICATED, OR DISCLOSED IN WHOLE OR IN PART FOR MANUFACTURE OR PROCUREMENT, WITHOUT THE WRITTEN PERMISSION OF TEKTRONIX, INC., EXCEPT FOR: (1) EMERGENCY REPAIR OR OVERHAUL WORK BY OR FOR THE GOVERNMENT, WHERE THE ITEM OR PROCESS CONCERNED IS NOT OTHERWISE REASONABLY AVAILABLE TO ENABLE TIMELY PERFORMANCE OF THE WORK; OR (2) RELEASE TO A FOREIGN GOVERNMENT AS THE INTERESTS OF THE UNITED STATES MAY REQUIRE, PROVIDED THAT IN EITHER CASE THE RELEASE, USE, DUPLICATION OR DISCLOSURE HEREOF SHALL BE SUBJECT TO THE FOREGOING LIMITATIONS. IF THIS DRAWING IS REPRODUCED IN WHOLE OR IN PART, THIS ENTIRE LEGEND BLOCK MUST APPEAR ON ALL REPRODUCED COPIES.

REV	REF	DESCRIPTION OF CHANGE	CHK BY	DATE
A	49630	ADDED 650-1301-00 & UPDATED DWG	DD	10FEB83
B	52601	REVISED DWG. & UPDATED NOTE $\Delta$	DD	29MAR84
C	54508	REVISED DRAWING	DD	2AUG84

COIL STRUCTURE

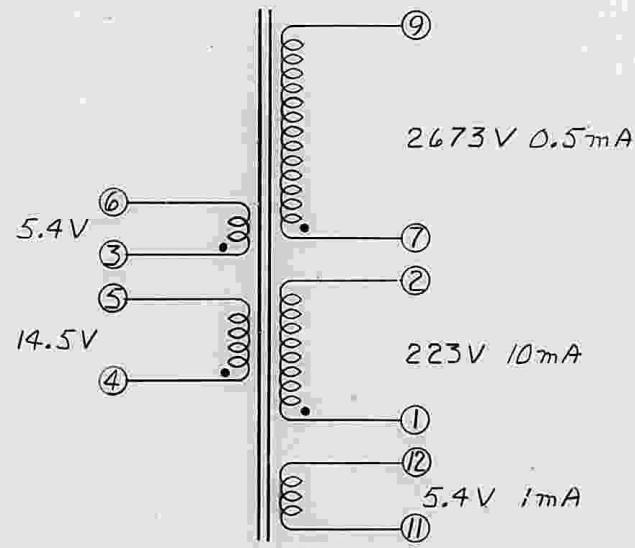
OUTSIDE



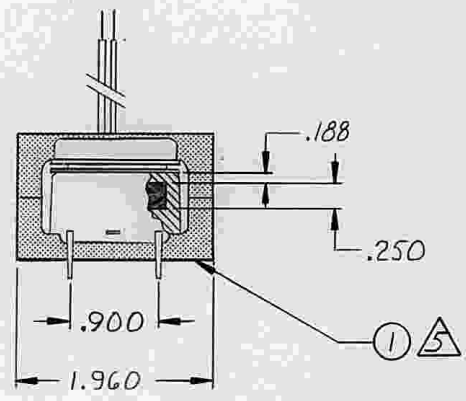
TYPE WINDING

SEC	11-12	SEC	7-9	LEAD/TERM NO
		1474.5 T		*38
		SEC	1-2	
		123T		*34
		PRI	4-5	PRI
		8T	(2)*28	3T
		3T	*24	(2)*28

INSIDE



OPERATING FREQUENCY: 20 KHZ



- $\Delta$  8 SOLDERABILITY: MUST MEET REQUIREMENTS OF MIL-STD-202F, METHOD 208
- $\Delta$  7 LOCATION AND ORIENTATION ON THIS SURFACE NOT CRITICAL. MUST BE LEGIBLE
- 6. CORES SECURED TOGETHER AND COIL SECURED TO CORE WITH ADHESIVE FOR NOISE REDUCTION
- $\Delta$  5 ITEM \*1 APPLIED TO LEAD SIDE OF CORE FOR MOUNTING
- 4. VOLTAGE RATINGS ARE PEAK NO LOAD UOS. CURRENT RATINGS ARE AMPS DC TYPICAL
- $\Delta$  3 COIL TRANSFER MOLDED WITH EPDXY
- 2. POLARITY PER SCHEMATIC
- 1. DIMENSIONS REFERENCE UNLESS OTHERWISE SPECIFIED

PART NUMBER	REV.
120-1345-00	C

NOTES:

TEKTRONIX, INC. PROPRIETARY ITEM DRAWING

MFD BY TEKTRONIX  MFD FOR TEKTRONIX

TEKTRONIX, INC. BEAVERTON, OREGON U.S.A. 97077

P. O. BOX 500

DWN JTW/INFREY 7 APR 80 DIMENSIONS ARE IN INCHES / TOLERANCES: UNLESS OTHERWISE SPECIFIED

ENGR L. C. Chen 7 May 82 DEC ANLR

CHKR B. Stewart 17 Feb 83 SCALE FIRST USED ON

PROD P. Stewart 16 Feb 83 1:1 528 A

MATERIAL SEE LIST OF MATERIALS

FINISH SEE NOTE  $\Delta$

TITLE TRANSFORMER POWER STU & STPDN (HIGH VOLTAGE)

ITEM	PART NUMBER	QTY	DESCRIPTION
5	276-0696-00	1	CORE EM("E" FERRITE)
	276-0697-00	1	CORE EM("E" FERRITE)
4	255-0479-01	AR	PLASTIC MOLDING MATERIAL EPOXY
3	195-0140-00	.5	LEAD SET. HV TRANSFORMER
2	650-1301-00	1	BOBBIN ASSEMBLY
1	253-0174-00	AR	TAPE, PRESS SENS (.500 WIDE)

CODE IDENT NO	SIZE	PART NUMBER	REV
80009	G	120-1345-00	C

THIS DRAWING WHEN DESIGNATED OUTSIDE TEKTRONIX, INC. IS SUPPLIED FOR IDENTIFICATION, ENGINEERING EVALUATION AND/OR INSPECTION PURPOSES ONLY AND MAY NOT BE USED AS A BASIS FOR MANUFACTURE OF PRODUCTS WITHOUT WRITTEN PERMISSION FROM TEKTRONIX, INC. IN THE EVENT OF ANY DISCREPANCY BETWEEN THIS DRAWING AND THE ORIGINAL DRAWING, THE ORIGINAL DRAWING SHALL BE THE BASIS FOR CONSTRUCTION. THIS DRAWING IS THE PROPERTY OF TEKTRONIX, INC. AND IS LOANED TO YOU BY TEKTRONIX, INC. FOR YOUR INFORMATION ONLY. IT IS NOT TO BE REPRODUCED OR TRANSMITTED IN ANY FORM OR BY ANY MEANS, ELECTRONIC OR MECHANICAL, INCLUDING PHOTOCOPYING, RECORDING, OR BY ANY INFORMATION STORAGE AND RETRIEVAL SYSTEM, WITHOUT THE WRITTEN PERMISSION OF TEKTRONIX, INC. ANY REVISIONS TO THIS DRAWING SHALL BE INDICATED BY A REVISION SYMBOL IN THE REVISION TABLE. THE DATE OF THE REVISION SHALL BE INDICATED BY THE DATE OF THE REVISION SYMBOL. THE REVISION SYMBOL SHALL BE PLACED TO THE LEFT OF THE REVISION DESCRIPTION. THE REVISION DESCRIPTION SHALL BE PLACED TO THE RIGHT OF THE REVISION SYMBOL. THE REVISION SYMBOL SHALL BE PLACED TO THE LEFT OF THE REVISION DESCRIPTION. THE REVISION SYMBOL SHALL BE PLACED TO THE LEFT OF THE REVISION DESCRIPTION.

REV	REF	DESCRIPTION OF CHANGE	CHK BY	DATE
(A)	51689	REVISED DWG., UPDATED NOTE (A), REMOVED ITEM 3, ITEM 1 WAS 000-5750-00 & LEAD NO 11 WAS 162-0521-00	DD	2DEC93

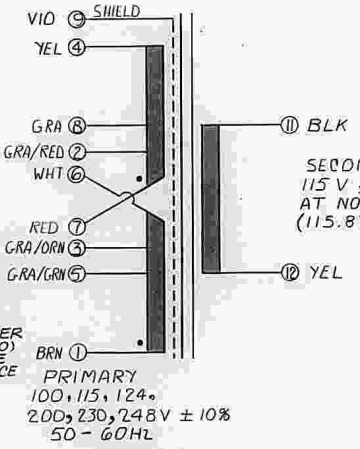
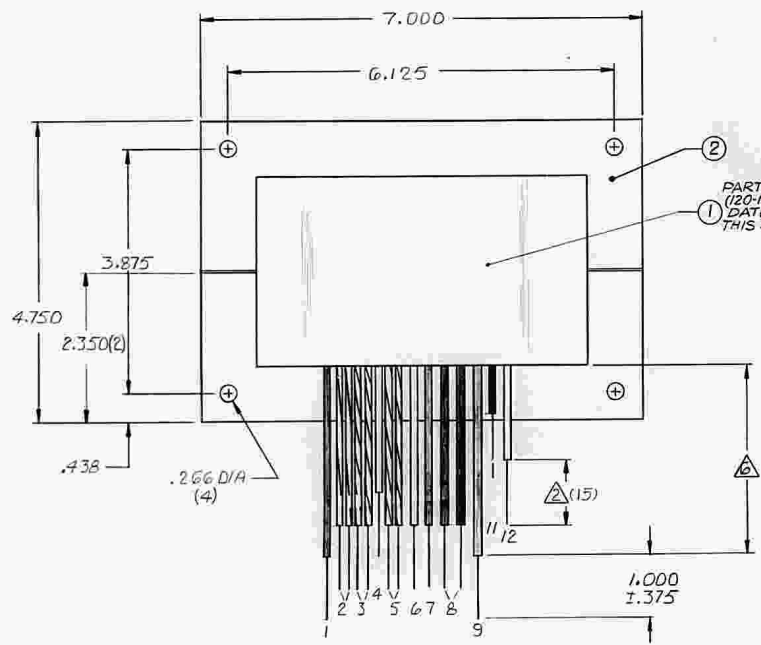
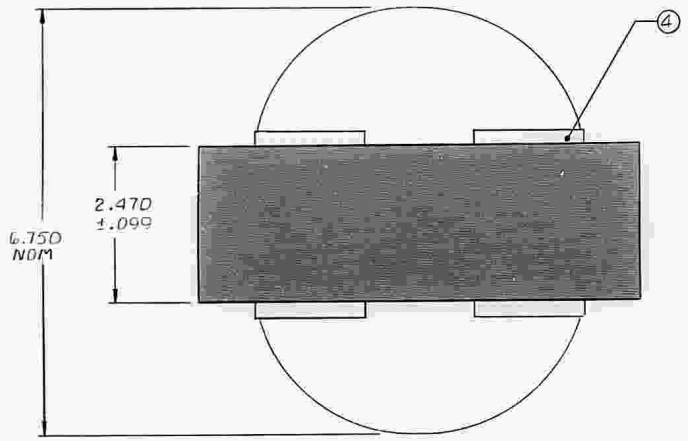
### COIL STRUCTURE OUTSIDE

TYPE WINDING	LEAD NO
SEC	12-11
142T	*10
SHIELD	
	9
PRI	7-2-8-4
0-12-30-152T	*13
INSIDE	
PRI	1-5-3-6
0-122-140-152T	*13

#### LEAD LENGTH CHART

LEAD NO	COLOR	PART NUMBER	LENGTH ±.375	STRIP/TIN ±.375
1	BRN	162-0551-00	4.000	1.000
2*	GRY/RED	162-0661-00	3.500	
3*	GRY/ORG	162-0663-00	3.500	
4	YEL	162-0513-00	3.000	
5*	GRY/GRN	162-0665-00	3.500	
6	WHT	162-0526-00	3.500	
7	RED	162-0507-00	3.500	
8*	GRY	162-0668-00	3.500	
9	VID	162-0689-00	4.000	
11	BLK	162-0501-00	1.750	
12	YEL	162-0512-00	2.750	

\* TWO LEADS PER NUMBER



LINE TD1-4	CONNECT
100V	1T0 B, 4T0 5
115V	1T0 2, 4T0 3
124V	1T0 7, 4T0 6
200V	5T0 B
230V	2T0 3
248V	6T0 7

- NOTES:
- ALL DIMENSIONS REFERENCE UNLESS OTHERWISE SPECIFIED
  - SOLDERABILITY REQUIRED THIS AREA.
  - TRANSFORMER VACUUM IMPREGNATED WITH VARNISH 252-0082-00 OR APPROVED EQUIVALENT
  - DIELECTRIC WITHSTANDING VOLTAGE: 1500V AC, 50 TO 60 Hz, 1 MINUTE, CORE, 9, 11 TO 1,4
  - POLARITY PER SCHEMATIC
  - SEE LEAD LENGTH CHART

PART NUMBER 120-1346-00 REV. A

TEKTRONIX, INC. PROPRIETARY ITEM DRAWING

MFD BY TEKTRONIX

TEKTRONIX, INC. BEAVERTON, OREGON U.S.A. 97077

DRN: JWINFREY 20NOV81

ENGR: R. C. Cogan 23JUN83

CHAR: Bob B. 27JUN83

PROD: M. 27JUN83

SCALE: NONE

JUST USED ON: 4631EM

SEE LIST OF MATERIALS

ITEM	PART NUMBER	QTY	LIST OF MATERIALS	DESCRIPTION
4	252-0521-00	AR	PAPER, 100% RAG	
3				
2	386-0023-00	AR	PLATE, LAMINATION (STEEL)	
1	334-4645-00	1	MARKER, IDENTIFICATION	

FINISH: SEE NOTE (A)

TITLE: TRANSFORMER POWER (STU & STPDN, LF ISOLATION)

80009 D 120-1346-00

REV	REF	DESCRIPTION OF CHANGE	CHK BY	DATE
A	JG	THIS REVISION SUPERCEDES ALL PREVIOUS DOCUMENTS.	SRK	29MAR81
B	BBB	CHANGE PRIMARY INDUCTANCE AND LEAKAGE; CHANGE MIL-STD-202E TO MIL-STD-202F.	SRK	6JULY82
C	IC/BW	SAFETY CONTROLLED PARA ADDED;	BC	5APR83
D		ADDED SHEET 6	LL	2MAR84

METRIC

THIS DRAWING WHEN DISTRIBUTED OUTSIDE TEKTRONIX, INC. IS SUPPLIED FOR IDENTIFICATION, ENGINEERING EVALUATION AND/OR INSPECTION PURPOSES ONLY AND MAY NOT BE USED AS A BASIS FOR MANUFACTURE OR SALES OF PRODUCTS WITHOUT WRITTEN PERMISSION FROM TEKTRONIX, INC.

IF THIS DRAWING IS FURNISHED UNDER ANY U.S. GOVERNMENT CONTRACT, IT IS FURNISHED AS LIMITED RIGHTS DATA AND SHALL NOT, WITHOUT THE WRITTEN PERMISSION OF TEKTRONIX, INC., BE EITHER (A) USED, RELEASED OR DISCLOSED IN WHOLE OR IN PART OUTSIDE THE GOVERNMENT, (B) USED IN WHOLE OR IN PART BY THE GOVERNMENT FOR MANUFACTURE OR (C) USED BY A PARTY OTHER THAN THE GOVERNMENT, EXCEPT FOR: (I) EMERGENCY REPAIR OR OVERHAUL WORK ONLY, BY OR FOR THE GOVERNMENT, WHERE THE ITEM OR PROCESS CONCERNED IS NOT OTHERWISE REASONABLY AVAILABLE TO ENABLE TIMELY PERFORMANCE OF THE WORK PROVIDED THAT THE RELEASE OR DISCLOSURE HEREOF OUTSIDE THE GOVERNMENT SHALL BE MADE SUBJECT TO A PROHIBITION AGAINST FURTHER USE, RELEASE, OR DISCLOSURE; OR (II) RELEASE TO A FOREIGN GOVERNMENT, AS THE INTEREST OF THE UNITED STATES MAY REQUIRE, ONLY FOR INFORMATION OR EVALUATION WITHIN SUCH GOVERNMENT OR FOR EMERGENCY REPAIR OR OVERHAUL WORK BY OR FOR SUCH GOVERNMENT UNDER CONDITIONS OF (I) ABOVE. THIS LEGEND SHALL BE INCLUDED ON ANY REPRODUCTION HEREOF.

TEKTRONIX, INC. SAFETY CONTROLLED PART.  
THE DRAWING TYPE DESIGNATION AND APPROVED SOURCES OF SUPPLY FOR THIS ITEM ARE LISTED ON THE PURCHASED ITEM SOURCE LIST (PISL) FOR THIS PART NUMBER.

 **TEKTRONIX, INC.** P. O. BOX 500 BEAVERTON, OREGON U.S.A. 97077 

ENGR/ WR <i>Joe Gambler</i>	<i>19 Mar 81</i>	DIMENSIONS ARE IN _____ MM TOLERANCES: UNLESS OTHERWISE SPECIFIED
COORD. ENGR. <i>John Thomas</i>	<i>27 APR 81</i>	DEC +0.25mm
TECH CHKR <i>Eleanor Olson</i>	<i>27 Apr 81</i>	ANLR -----
COORD. CHKR <i>Julie Kucuse</i>	<i>29 APR 81</i>	SCALE NONE
MATERIAL		FIRST USED ON -----

SEE PAGE 2 OF 6

FINISH  
-----

TITLE  
TRANSFORMER, RF: DRIVER SATURATING POT CORE

REV	SH 1 OF 6	CODE IDENT NO <b>80009</b>	SIZE <b>A</b>	PART NUMBER 120-1347-00	REV D
-----	-----------	-------------------------------	------------------	----------------------------	----------

120-1347-00

PART NUMBER



1 DESCRIPTION.

SATURATING BASE DRIVE TRANSFORMER, POT CORE.

2 ELECTRICAL PROPERTIES (MEASURED AT 25 ±3°C).

2.1 PRIMARY INDUCTANCE.

TERMINALS (4-6): 5 TO 9 mH AT 1 KHZ.

2.2 LEAKAGE INDUCTANCE.

TERMINALS (4-6) (1-3 SHORTED): 100 µH MAXIMUM.

2.3 DC RESISTANCE.

TERMINALS (1-3): 110 MILLIOHMS MAXIMUM.  
TERMINALS (4-6): 300 MILLIOHMS MAXIMUM.

2.4 INSULATION RESISTANCE.

TERMINALS (1-4): 1000 MEGOHMS MINIMUM AT 500 VDC.

2.5 VOLTAGE WITHSTAND.

TERMINALS (1-4): 1500 VRMS FOR 60 SECONDS.

2.6 OPERATING FREQUENCY.

20 KHZ.

3 MATERIALS.

SUBSTITUTIONS FOR ALL MATERIALS EXCEPT CORE MAY BE MADE WITH THE APPROVAL OF TEKTRONIX, INC.

3.1 CORE.

FERRITE CORE (H7C1 P18/11Z-52B).

3.2 WINDING WIRE.

POLYURETHANE ENAMELED COPPER WIRE WITH NYLON OVERCOAT.

3.3 BOBBIN.

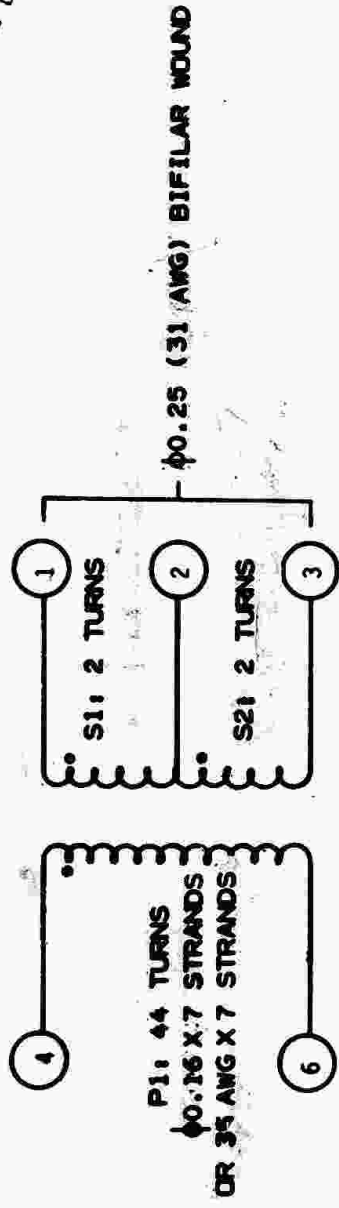
POLYESTER RESIN OR NYLON.

3.4 TERMINAL WIRES.

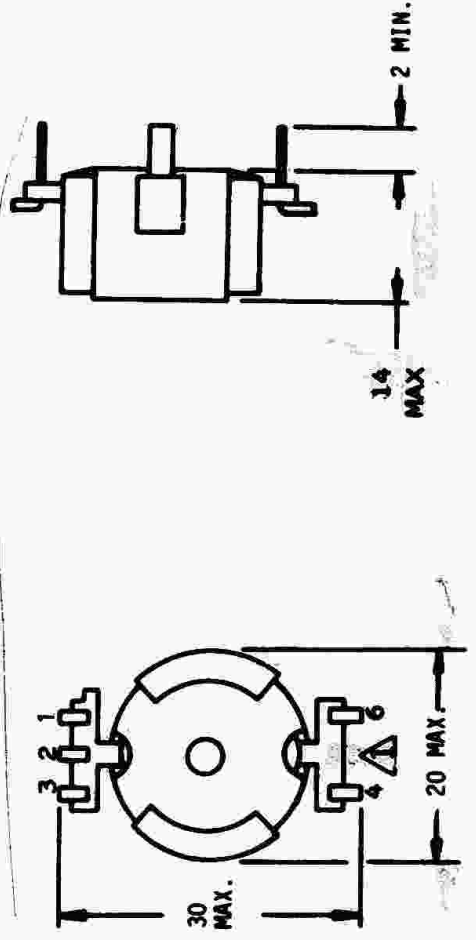
BRASS, SOLDER COATED.

METRIC

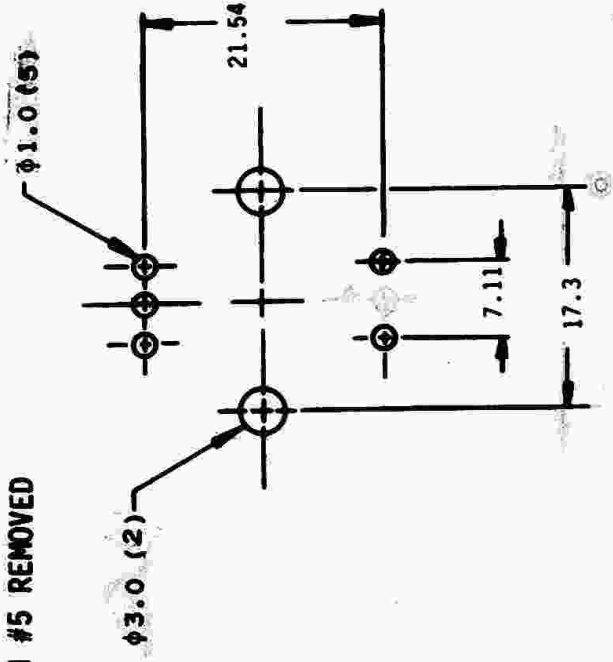
9 CIRCUIT DIAGRAM.



10 OUTLINE DRAWING



$\triangle$  PIN #5 REMOVED



UNIT: MM  
TOL:  $\pm$ 0.25 MM

MOUNTING HOLE ARRANGEMENT

TEKTRONIX, INC.  
BEAVERTON, OREGON

SHT 5 OF 6

CODE IDENT NO  
**80009 A**

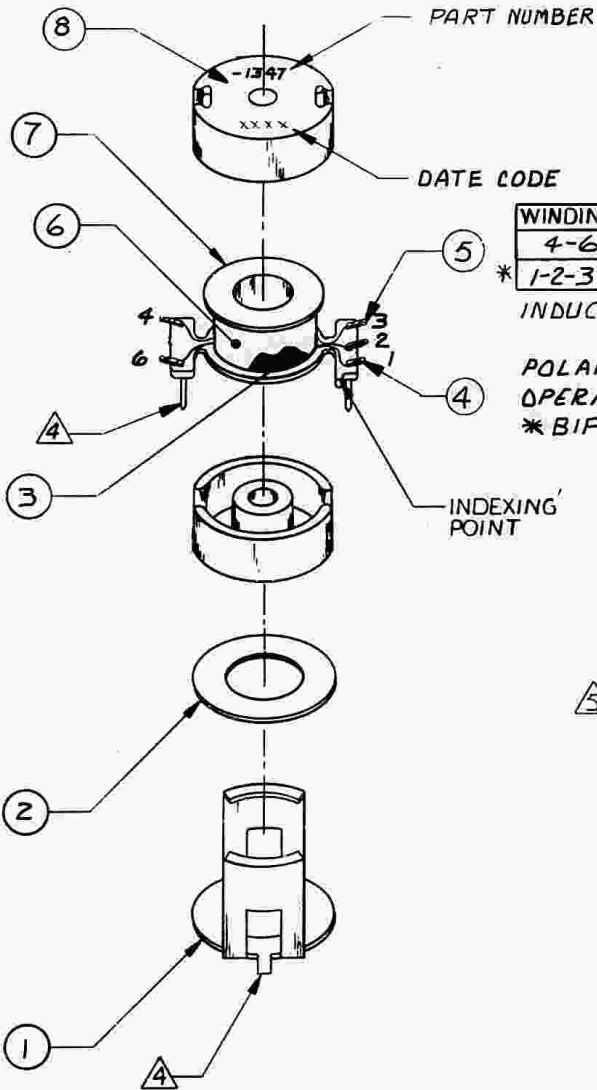
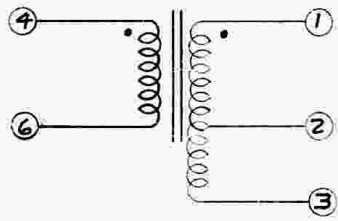
PART NUMBER

120-1347-00

REV  
D

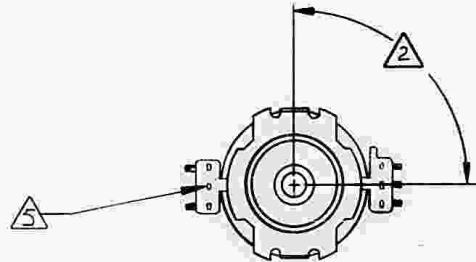
THIS DRAWING WHEN DISTRIBUTED OUTSIDE TEKTRONIX, INC. IS SUPPLIED FOR IDENTIFICATION, ENGINEERING EVALUATION AND/OR INSPECTION PURPOSES ONLY AND MAY NOT BE USED AS A BASIS FOR MANUFACTURE OR SALES OF PRODUCTS WITHOUT WRITTEN PERMISSION FROM TEKTRONIX, INC. IF THIS DRAWING IS FURNISHED UNDER ANY UNITED STATES GOVERNMENT CONTRACT, IT SHALL NOT BE EITHER RELEASED OUTSIDE THE GOVERNMENT, OR USED, DUPLICATED, OR DISCLOSED IN WHOLE OR IN PART FOR MANUFACTURE OR PROCUREMENT, WITHOUT THE WRITTEN PERMISSION OF TEKTRONIX, INC. EXCEPT FOR: (1) EMERGENCY REPAIR OR OVERHAUL WORK BY OR FOR THE GOVERNMENT, WHERE THE ITEM OR PROCESS CONCERNED IS NOT OTHERWISE REASONABLY AVAILABLE TO ENABLE TIMELY PERFORMANCE OF THE WORK, OR (2) RELEASE TO A FOREIGN GOVERNMENT AS THE INTERESTS OF THE UNITED STATES MAY REQUIRE; PROVIDED THAT IN EITHER CASE THE RELEASE, USE, DUPLICATION OR DISCLOSURE HEREOF SHALL BE SUBJECT TO THE FOLLOING LIMITATIONS. IF THIS DRAWING IS REPRODUCED IN WHOLE OR IN PART, THIS ENTIRE LEGEND BLOCK MUST APPEAR ON ALL REPRODUCED COPIES.

REV	REF	DESCRIPTION OF CHANGE	CHK BY	DATE
-----	-----	-----------------------	--------	------



WINDINGS	TURNS	WIRE SIZE AWG	TYP RATINGS		RESISTANCE ±20% AT 20°C
			VOLTS	AMPS	
4-6	44	7/35 LITZ	72.5	.19	.30
* 1-2-3	2	31	6.6/CT	.02	.09/CT

INDUCTANCE: (4-6) 5.6 mH MIN MEASURED ON ESI 252 OR EQUIVALENT  
 POLARITY PER SCHEMATIC  
 OPERATING FREQUENCY: 20 KHz  
 \* BIFILAR WOUND SERIES CONNECTED



BOTTOM VIEW

5 REMOVE #5 TERMINAL

PART NUMBER	SH 6	REV.
120-1347-00	OF 6	D

- 4 TERMINALS AND MOUNTING TABS TO BE VARNISH FREE
- 3 COIL VACUUM IMPREGNATED WITH VARNISH 252-0082-00
- 2 COIL AND CLAMP MUST BE PERPENDICULAR TO EACH OTHER ±3°

1. REFERENCE DIMENSIONS: .605 HIGH X .720 WIDE X 1.125 LONG

NOTES:

ITEM	PART NUMBER	QTY	DESCRIPTION
8	276-0768-00	1	CORE, EM (1B11)
7	276-0168-00	1	FORM, COIL
6	253-0021-00	AR	TAPE PRESS SENS (.250 W)
5	176-0036-15	AR	#31 AWG (MAGNET) GREEN
4	176-0036-00	AR	#31 AWG (MAGNET) RED
3	176-0370-00	AR	WIRE ELEC (7/35 LITZ) UNSERVED
2	361-0409-00	1	SPACER, DISC
1	343-0312-00	1	CLAMP, POT CORE

LIST OF MATERIALS

TEKTRONIX, INC. PROPRIETARY ITEM DRAWING

MFD BY TEKTRONIX       MFD FOR TEKTRONIX

**TEKTRONIX, INC.** P. O. BOX 500 BEAVERTON, OREGON U.S.A. 97077

DWN: J. SIMMONS 29 MAY 81  
 ENGR: B. G. GILLI 23 SEPT 81  
 CHKR: B. G. GILLI 25 SEPT 81  
 PROD: W. D. WATT 24 SEPT 81

DIMENSIONS ARE IN INCHES / TOLERANCES UNLESS OTHERWISE SPECIFIED  
 SCALE: NONE      FIRST USED ON: 2213/2216

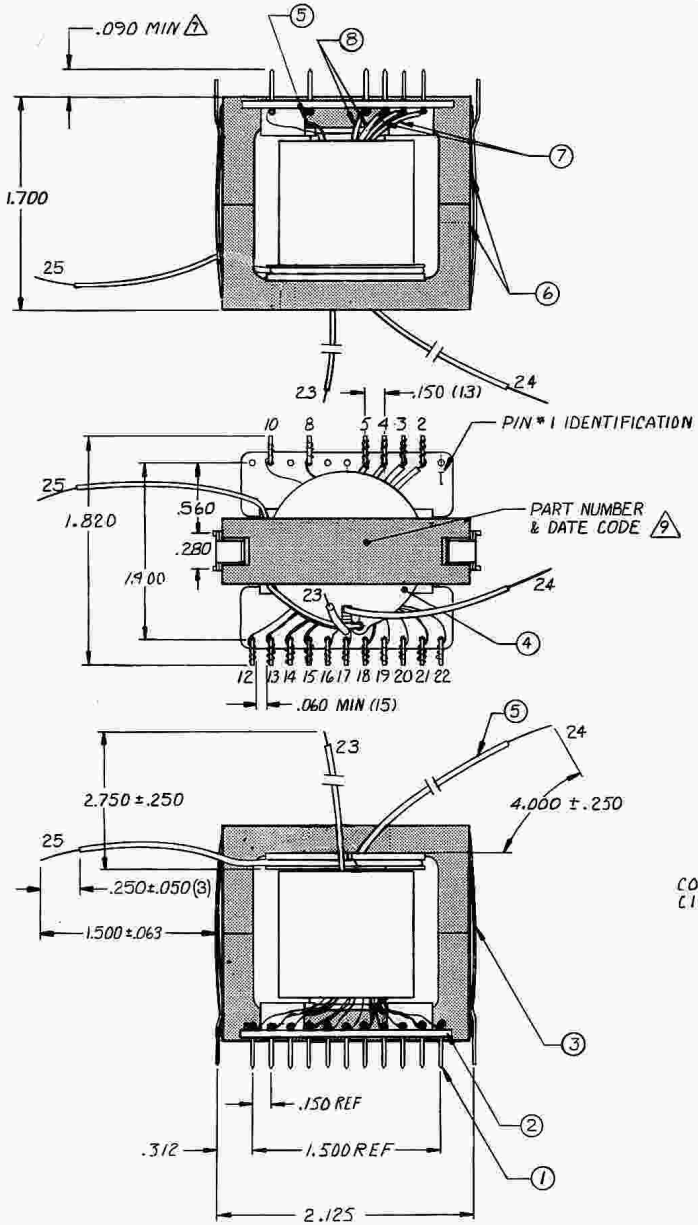
MATERIAL: SEE LIST OF MATERIALS

FINISH: SEE NOTE 3

TITLE: TRANSFORMER, RF (DRIVER, SATURATING, POT CORE)

CODE IDENT NO	SIZE	PART NUMBER	SH 6	REV.
80009	C	120-1347-00	OF 6	D

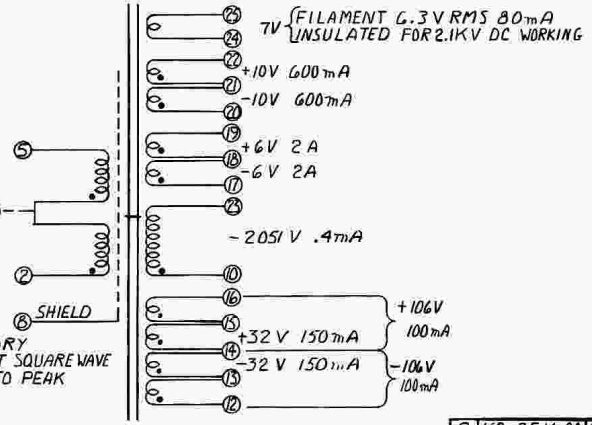
THIS DRAWING WHEN REPRODUCED OR OTHERWISE TRANSMITTED IN ANY FORM OR BY ANY MEANS, WITHOUT WRITTEN PERMISSION FROM TETRONIX, INC. IS THE PROPERTY OF TETRONIX, INC. AND IS TO BE KEPT UNDER STRICTLY CONFIDENTIAL CONTROL. IT SHALL NOT BE REPRODUCED OR TRANSMITTED IN ANY FORM OR BY ANY MEANS, WITHOUT THE WRITTEN PERMISSION OF TETRONIX, INC. EXCEPT FOR THE LIMITED REPRODUCTION OR TRANSMISSION OF THE INFORMATION CONTAINED HEREIN FOR THE EXCLUSIVE USE OF THE CUSTOMER. THE CUSTOMER SHALL BE RESPONSIBLE FOR THE PROTECTION OF THIS INFORMATION. THE CUSTOMER SHALL BE RESPONSIBLE FOR THE PROTECTION OF THIS INFORMATION. THE CUSTOMER SHALL BE RESPONSIBLE FOR THE PROTECTION OF THIS INFORMATION. THE CUSTOMER SHALL BE RESPONSIBLE FOR THE PROTECTION OF THIS INFORMATION.



**COIL STRUCTURE  
OUTSIDE**

TYPE	WINDING	TERM NO
SEC 24-25	SEC 17-18, 18-19	SEC 20-21, 21-22
	3T BIFILAR * #24	5T BIFILAR * #24
	SEC	10-23
	1025.5T	#59
	SEC	12-13, 15-16
	37T BIFILAR *	#31
	SEC	13-14, 14-15
	16T BIFILAR *	#23
	SHIELD	8
	PRI	2-4, 3-5
3.5T #24	20T BIFILAR *	#25

\* SERIES CONNECTED  
**INSIDE**



ALL VOLTAGES ARE PEAK NO LOAD  
20 KHZ SQUARE WAVE UOS  
CURRENT RATINGS ARE AMPS DC TYP UOS

LOCATION AND ORIENTATION ON THIS SURFACE NOT CRITICAL. PERMANENTLY AND LEGIBLY MARKED.

8 TRANSFORMER MUST COMPLY WITH CSA 556B, IEC 348, UL 1244

SAFETY CONTROLLED PART  
120-1348-00

SOLDERABILITY REQUIRED IN THIS AREA PER MIL-STD-202F, METHOD 208

6. WINDINGS INSULATED FOR 600 VDC UOS.

5. PRIMARY INDUCTANCE: 4.4 mH MINIMUM, TERMINALS 2 TO 5 WITH 3 AND 4 CONNECTED, 10 mA, 1 kHz SINE WAVE, WHEN MEASURED WITH EST 252 OR APPROVED EQUIVALENT

4. TRANSFORMER PRIMED WITH 252-0215-00 AND VACUUM IMPREGNATED WITH SILICONE RESIN 252-0213-00

3 BEND TERMINALS 2 THRU 22

2. POLARITY PER SCHEMATIC

1. DIMENSIONS REFERENCE UOS

NOTES:

REV	DATE	DESCRIPTION	BY	CHKD
8	162-0511-00	AR INSUL SLEEVING ELEC (RED)		
7	162-0521-00	AR INSUL SLEEVING ELEC (GRN)		
6	276-0742-00	2 CORE EM (E <sup>2</sup> FERRITE)		
5	175-5089-00	AR WIRE, ELECTRICAL (30AWG TEF. CORONA RES BROWN)		
4	1650-0331-00	1 BOBBIN ASSEMBLY		
3	343-0983-00	2 CLAMP, TRANSFORMER CORE		
2	392-0228-00	1 BOARD, TERMINAL		
1	131-0827-00	17 TERMINAL, PIN (.025 SQUARE)		

SEE LIST OF MATERIALS

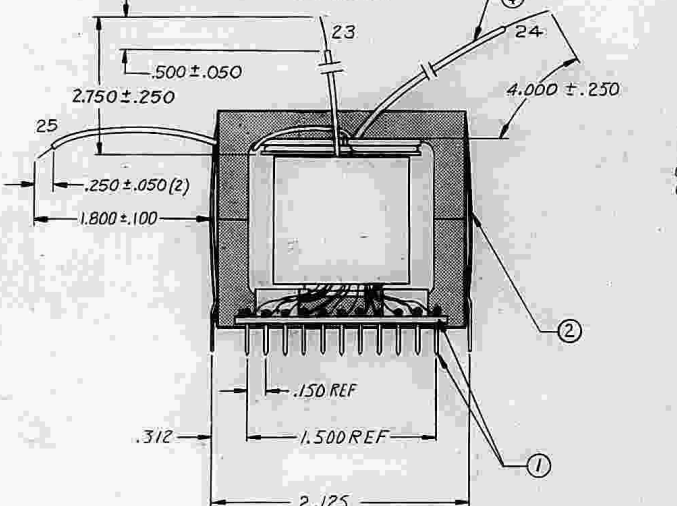
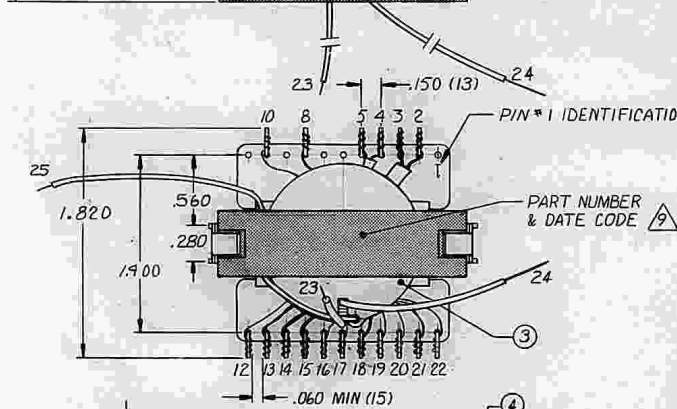
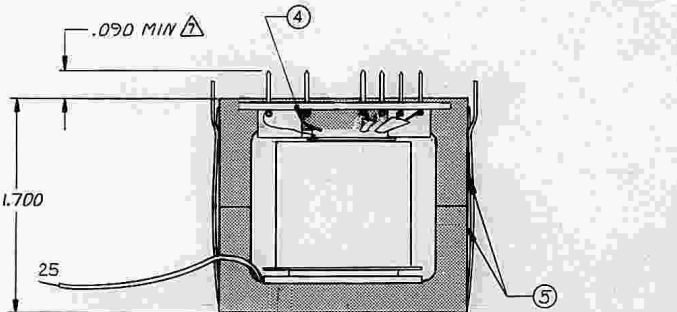
NOTED

TITLE: TRANSFORMER, POWER (STU STPDN HIGH VOLTAGE)

80009 P 120-1348-00

78-238 R

<small>THIS DRAWING IS THE PROPERTY OF TEKTRONIX, INC. IT IS LOANED TO YOU FOR INFORMATIONAL PURPOSES ONLY AND IS NOT TO BE REPRODUCED OR TRANSMITTED IN ANY FORM OR BY ANY MEANS, ELECTRONIC OR MECHANICAL, INCLUDING PHOTOCOPYING, RECORDING, OR BY ANY INFORMATION STORAGE AND RETRIEVAL SYSTEM. ANY REPRODUCTION OR TRANSMISSION OF THIS DRAWING WITHOUT THE WRITTEN PERMISSION OF TEKTRONIX, INC. IS STRICTLY PROHIBITED. THIS DRAWING IS THE PROPERTY OF TEKTRONIX, INC. AND IS NOT TO BE REPRODUCED OR TRANSMITTED IN ANY FORM OR BY ANY MEANS, ELECTRONIC OR MECHANICAL, INCLUDING PHOTOCOPYING, RECORDING, OR BY ANY INFORMATION STORAGE AND RETRIEVAL SYSTEM. ANY REPRODUCTION OR TRANSMISSION OF THIS DRAWING WITHOUT THE WRITTEN PERMISSION OF TEKTRONIX, INC. IS STRICTLY PROHIBITED.</small>				
REV	REF	DESCRIPTION OF CHANGE	CHK BY	DATE
A	52601	UPDATED DWG, REMOVED ITEMS 6&7	DD	8 FEB 84

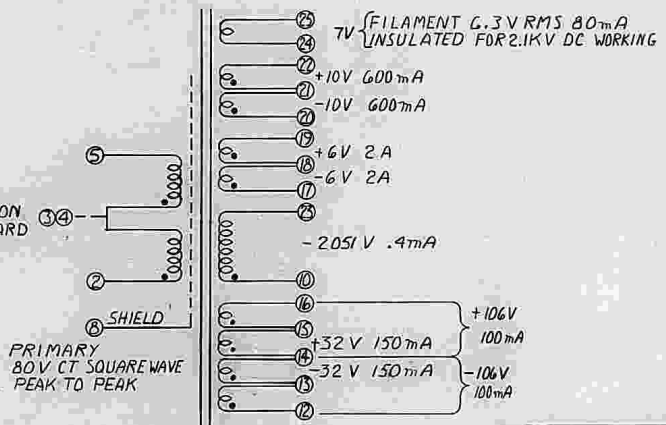


**COIL STRUCTURE OUTSIDE**

TYPE	WINDING	TERM NO
SEC 24-25	SEC 17-18, 18-19	SEC 20-21, 21-22
	3T BIFILAR * *24	5T BIFILAR * *24
	SEC 1025.5T	10-23 *39
	SEC 37T BIFILAR *	12-13, 15-16 *31
	SEC 16T BIFILAR *	13-14, 14-15 *23
	SHIELD	8
	PRI 20T BIFILAR *	2-4, 3-5 *25
3.5T *24		

\* SERIES CONNECTED INSIDE

CONNECTED ON CIRCUIT BOARD



ALL VOLTAGES ARE PEAK NO LOAD  
20 KHZ SQUARE WAVE UOS  
CURRENT RATINGS ARE AMPS DC TYP UOS

- ▲ LEAD 25 MEASURED FROM SAME REFERENCE POINT AS LEAD 24 EXCEPT 4.800 ± .250
- ▲ LOCATION AND ORIENTATION ON THIS SURFACE NOT CRITICAL. PERMANENTLY AND LEGIBLY MARKED.
- 8 TRANSFORMER MUST COMPLY WITH CSA 556B, IEC 348, UL 1244

SAFETY CONTROLLED PART  
120-1348-01 A

- ▲ SOLDERABILITY REQUIRED IN THIS AREA PER MIL-STD-202F METHOD 208
- 6. WINDINGS INSULATED FOR 600 VDC UOS.
- 5. PRIMARY INDUCTANCE: 4.4 mH MINIMUM, TERMINALS 2 TO 5 WITH 3 AND 4 CONNECTED, 10 mA, 1 kHz SINE WAVE, WHEN MEASURED WITH EST 252 OR APPROVED EQUIVALENT
- 4. TRANSFORMER PRIMED WITH 252-0215-00 AND VACUUM IMPREGNATED WITH SILICONE RESIN 252-0213-00
- 3 BEND TERMINALS 2 THRU 22
- 2. POLARITY PER SCHEMATIC
- 1. DIMENSIONS REFERENCE UOS

NOTES:

7			
6			
5	276-0742-00	2	CORE EM (E* FERRITE)
4	175-5089-00	AR	WIRE, ELECTRICAL (30AWG TEF. CORONA RES BNDWN)
3	650-0331-00	1	BOBBIN ASSEMBLY
2	343-0583-00	2	CLAMP, TRANSFORMER CORE
1	392-0228-01	1	BOARD, TERMINAL

SEE LIST OF MATERIALS

FRSH NOTED

TITLE TRANSFORMER, POWER (STU STPDN HIGH VOLTAGE)

ITEM	PART NUMBER	QTY	DESCRIPTION	DATE	REV

5 ELECTRICAL CHARACTERISTICS.

5.1 INPUT.

POWER: 27 VOLT AMPERES TYPICAL, 35 VOLT AMPERES MAXIMUM.  
VOLTAGE: 80 VOLT PEAK TO PEAK, CENTER TAPPED SQUARE WAVE.  
FREQUENCY: 20 KHZ.  
FREQUENCY RANGE: 19 TO 23 KHZ.  
RESISTANCE: 0.4 OHM MAXIMUM, TERMINAL 2 TO 5 WITH 3 AND 4  
CONNECTED.

PRIMARY DRIVE IS ADJUSTED TO OBTAIN -8.6 V. INPUT VOLTAGE HELD  
CONSTANT TO PROVIDE REGULATION.

5.2 PRIMARY INDUCTANCE.

4.4 MILLIHENRY MINIMUM, TERMINALS 2 TO 5 WITH 3 AND 4 CONNECTED, 10  
MILLIAMPERES, AND 1 KHZ SINE WAVE, WHEN MEASURED WITH ESI 252 OR  
APPROVED EQUIVALENT.

5.3 LEAKAGE INDUCTANCE.

4 TO 9 MILLIHENRY WHEN MEASURED ACROSS THE -2050 VOLT WINDING (8-23)  
WITH +100 VOLT WINDING (12-16) SHORTED, 1 MILLIAMPERE, AND 1 KHZ SINE  
WAVE, WHEN MEASURED WITH ESI 252 OR APPROVED EQUIVALENT.

5.4 DISTRIBUTED CAPACITANCE.

MEASUREMENT IS MADE BY MEASURING THE PRIMARY INDUCTANCE AND THE  
UNLOADED SELF RESONANCE FREQUENCY, THEN CALCULATING WITH THE FOLLOWING  
FORMULA:

$$C_D = \frac{1}{2\pi F_R L_{PRI}}$$

$C_D = 4 \text{ TO } 8 \text{ nF.}$

$F_R$  = SELF RESONANCE FREQUENCY IN HERTZ.

$C_D$  = DISTRIBUTED CAPACITANCE IN FARADS.

$L_{PRI}$  = PRIMARY INDUCTANCE IN HENRYS.

5.5 SELF RESONANCE FREQUENCY.

15 TO 38 KHZ.

NOTE: MAY BE THE SAME AS INPUT FREQUENCY.

5.6 OUTPUT.

SEE SCHEMATIC.

5.6.1 OUTPUT SUMMARY.

<u>SUPPLY</u>	<u>DC OUTPUT</u>	<u>TOLERANCE</u>	<u>CURRENT (MAX.)</u>
-8 kV	2050*	2%	0.4 mA
+100	100	2%	0.1 A
+30	30	2%	0.15 A
+8.6	8.6	1%	0.8 A
-8.6	8.6	ADJUSTED	0.8 A
6.3 V	6.3 V rms	4%	100.0 mA (AC rms)
+5	5	2%	2.0 A

\*4X MULTIPLIED.

5.6.2 OUTPUT NOTES.

ALL DIODES ARE SILICON. OUTPUT VOLTAGES ARE MEASURED UNDER FULL LOAD (EXCEPT FOR +5V WINDING TO BE MAXIMUM LOAD) LOAD AT 60°F TO 85°F (15°C TO 30°C) AMBIENT AFTER TRANSFORMER TEMPERATURE STABILIZES.

5.7 TURNS RATIO BALANCE.

ALL CENTER TAPPED WINDINGS SHALL BE BALANCED  $\pm$  ZERO TURNS.

5.8 POLARITY.

SEE SCHEMATIC.

5.9 TEMPERATURE RISE.

45°C TYPICAL.

5.10 DIELECTRIC WITHSTAND VOLTAGE.

APPLY 1500 TO 1600 V AC rms, 50 TO 60 Hz, FOR 1 TO 1.1 MINUTE FROM PRIMARY TO SECONDARIES, SHIELD, AND CORE. NO FLASHOVER OR BREAKDOWN SHALL OCCUR DURING THE TEST. CORONA EFFECTS AND SIMILAR PHENOMENA ARE DISREGARDED. THIS TEST IS THE MINIMUM REQUIREMENT, OR PART SHALL BE TESTED PER "SAFETY" STANDARDS, WHICHEVER IS A HIGHER VOLTAGE.

5.11 WINDING RESISTANCE, OHMS DC RESISTANCE AT 20°C.

<u>WINDING</u>	<u>OHMS</u>
2-5 (WITH 3 AND 4 CONNECTED)	0.4 MAXIMUM
8-23	50 TO 800
12-14 AND 14-16	0.1 TO 3
13-14 AND 14-15	0.01 TO 1.2
20-21 AND 21-22	0.01 TO 0.06
24-25	0.01 TO 0.1
17-18 AND 18-19	0.01 TO 0.05

5.12 WORKING VOLTAGE (ELEVATED WINDINGS).

THE 6.3 V rms HEATER WINDING (24-25) IS ELEVATED TO 2.1 kV DC WORKING.

5.13 INTERWINDING CAPACITANCE.

BEFORE POTTING, PART SHALL HAVE 100 PERCENT TESTING ON 2 nF SETTING (1.0 V rms) AND 1 kHz SINE WAVE WHEN MEASURED WITH ESI 252 OR APPROVED EQUIVALENT.

5.13.1 TEST 1.

SHORT 8 TO 23 AND 12 TO 13, 14, 15, 16: CAPACITANCE 85 pF MAXIMUM.

5.13.2 TEST 2.

SHORT 8 TO 23 AND 17 TO 18, 19, 20, 21, 22: CAPACITANCE 46 pF MAXIMUM.

6 MECHANICAL CHARACTERISTICS.

6.1 DIMENSIONS.

SEE OUTLINE DRAWING.

6.2 MOUNTING SURFACE.

THE MOUNTING SURFACE SHALL BE A 0.062 INCH EPOXY GLASS CIRCUIT BOARD.

6.3 MOUNTING.

THE MOUNTING METHOD CAN EMPLOY THE TERMINATIONS, TABS, BOLTS, OR OTHER MEANS SUFFICIENT TO WITHSTAND SHOCK AND VIBRATION TESTS WHEN ATTACHED TO A 0.062 INCH EPOXY GLASS CIRCUIT BOARD. SEE "MOUNTING DETAIL".

WHEN INSTALLING TRANSFORMER INTO THE CIRCUIT BOARD PER THE "MOUNTING DETAIL" DRAWING, THE TERMINATIONS USED SHALL NOT REQUIRE STRAIGHTENING OR BENDING.



#### 6.4 TERMINALS.

TERMINALS SHALL BE INTEGRAL WITH COIL FORM. LEADS OF COIL SHALL BE MECHANICALLY SECURED TO THEIR RESPECTIVE TERMINAL.

##### 6.4.1 LEAD DETAIL (SEE "OUTLINE DRAWING").

<u>LEAD</u>	<u>SLEEVING/INSULATION COLOR</u>	<u>AWG SIZE</u>	<u>TEKTRONIX, INC. PART NUMBER</u>
23	BROWN	#24	175-0921-00
24	BROWN	#24	175-0921-00
25	BROWN	#24	175-0921-00

##### 6.4.2 COIL INFORMATION (WINDING ORDER STARTING FROM INSIDE).

<u>WINDING.</u>	<u>TERMINALS/LEADS</u>	<u>TURNS</u>	<u>WIRE SIZE (AWG)</u>
PRIMARY	2-4 AND 3-5	20	#25 BIFILAR
SHIELD	10	---	0.005 THICK X 0.875 WIDE
SECONDARY +30 V	13-14 AND 14-15	16	#23 BIFILAR
SECONDARY +100 V	12-14 AND 14-16	37	#31 BIFILAR
SECONDARY -2050 V	8-23	1025	#39
SECONDARY +5 V	17-18 AND 18-19	3	#24 BIFILAR
SECONDARY +8.6 V, -8.6 V	20-21 AND 21-22	5	#24 BIFILAR
SECONDARY 6.3 V rms FILAMENT	24-25	3.5	#24 HEATER

#### 6.5 SHIELDING.

A SAFETY SHIELD IS REQUIRED THAT COMPLIES WITH ALL "SAFETY" REQUIREMENTS.

#### 6.6 WEIGHT.

160 GRAMS MAXIMUM.

#### 6.7 TERMINATION INTEGRITY.

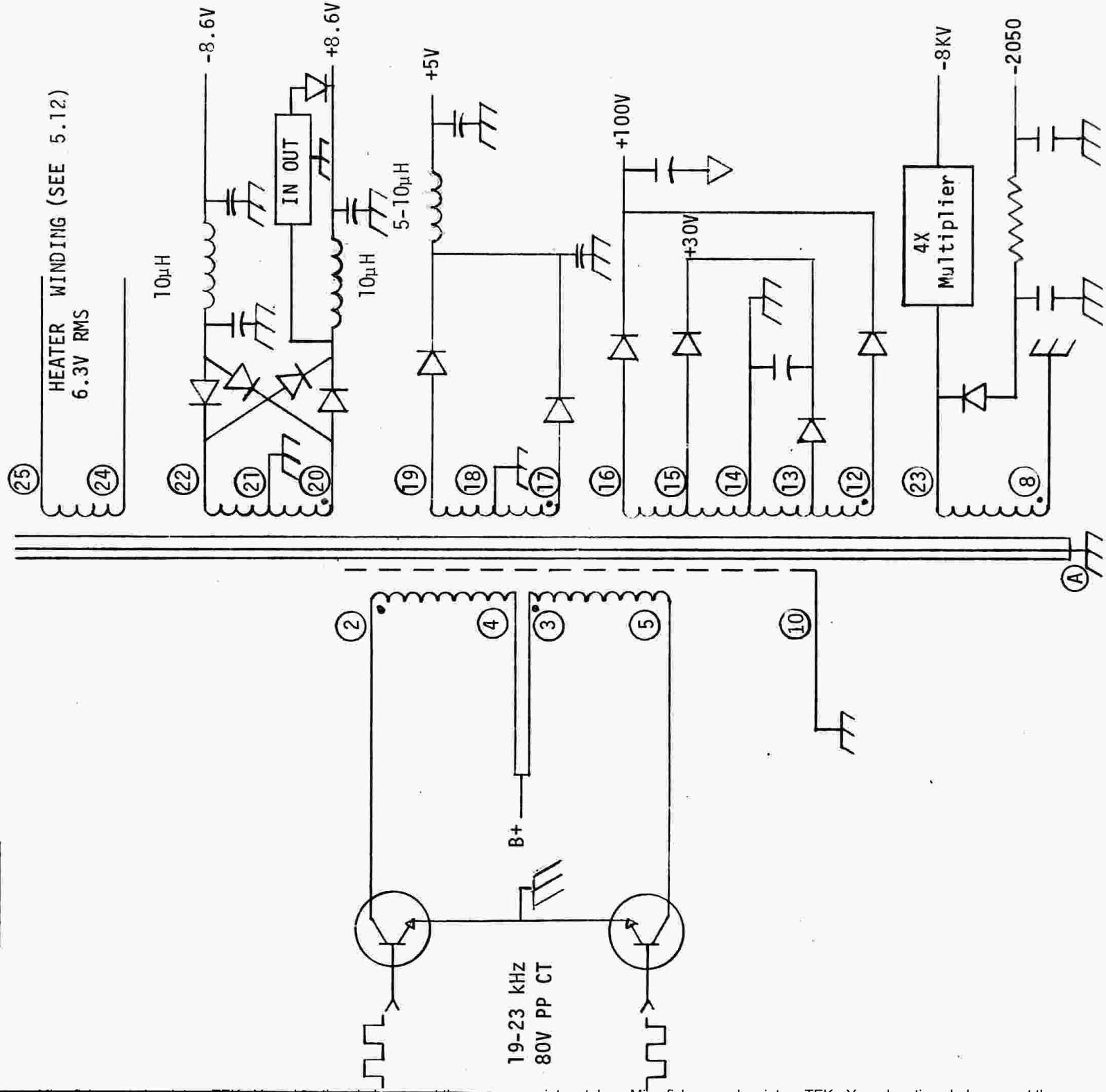
##### 6.7.1 SOLDERABILITY REQUIREMENTS.

SHALL MEET SOLDERABILITY REQUIREMENTS OF LATEST REVISION OF MIL-STD-202, METHOD 208.

##### 6.7.2 RESISTANCE TO SOLDERING HEAT.

SHALL MEET REQUIREMENTS OF LATEST REVISION OF MIL-STD-202, METHOD 210, TEST CONDITION E.

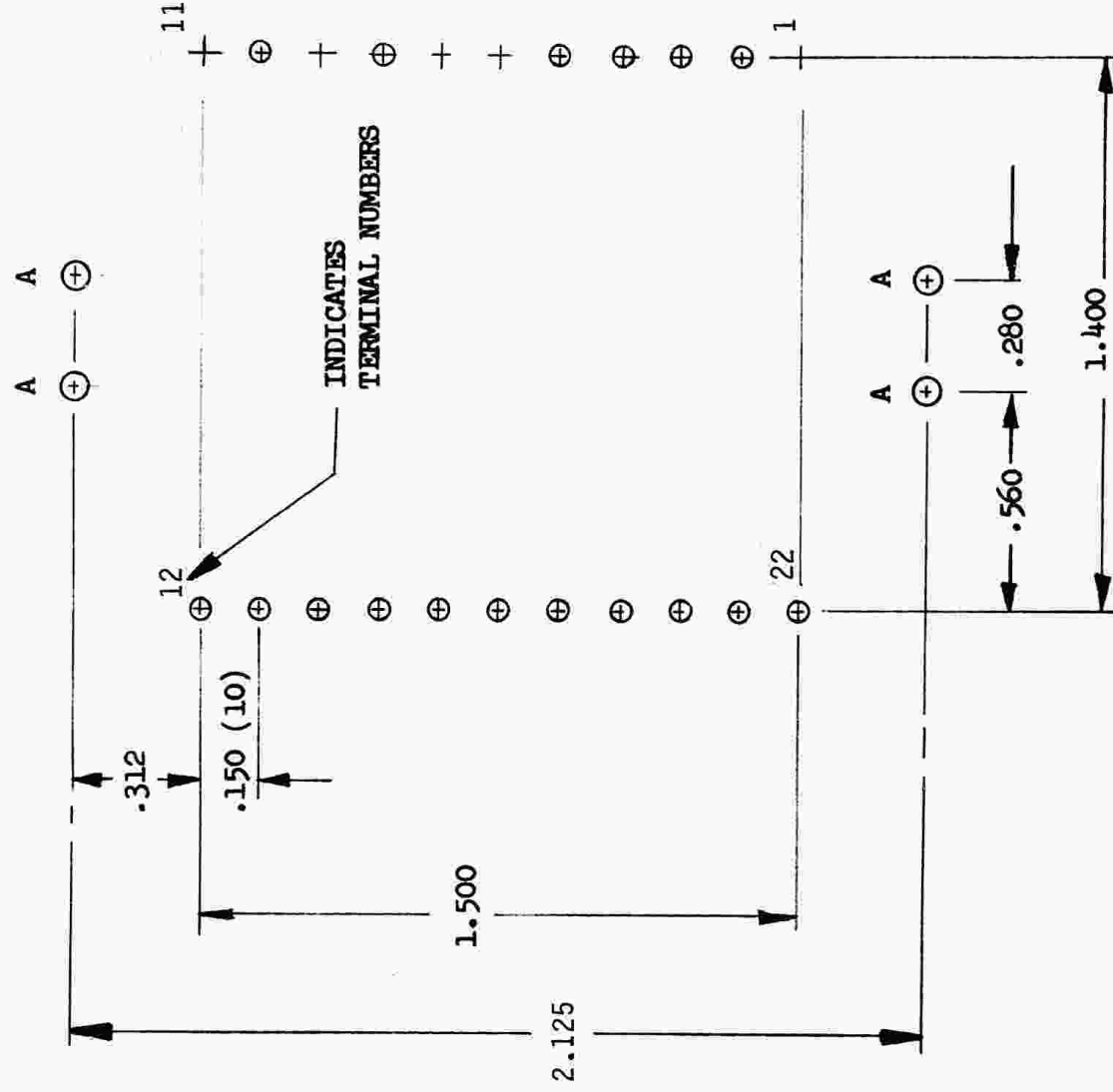
SCHEMATIC.



NOTE: INPUT AND OUTPUT CIRCUITS ARE REFERENCE ONLY

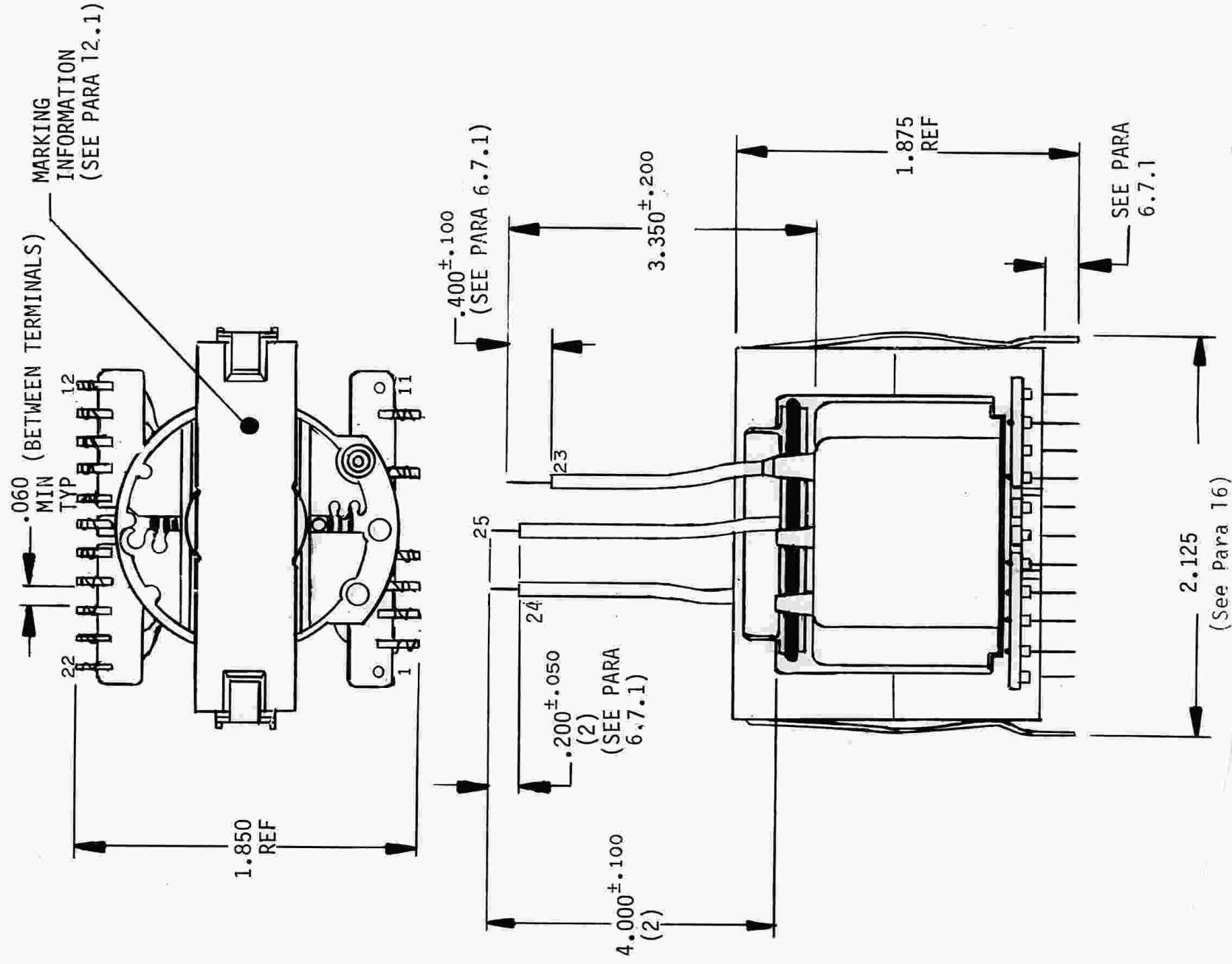
Microfiche scan by vintageTEK - Your donations help support the museum - [vintagetek.org](http://vintagetek.org) Microfiche scan by vintageTEK - Your donations help support the museum - [vintagetek.org](http://vintagetek.org)

## (TOP VIEW OF A CIRCUIT BOARD)

RECOMMENDED  
HOLE DIAMETERS :

A NUMBERED .059 - .069 DIA. (4)  
ALL OTHERS .048 - .058 DIA. (19)

CIRCUIT BOARD HOLES ARE LOCATED IN REFERENCE  
TO EACH OTHER  $\pm$  .005 INCHES.



5 ELECTRICAL CHARACTERISTICS.

5.1 INPUT.

POWER: 27 VOLT AMPERES TYPICAL, 35 VOLT AMPERES MAXIMUM.  
VOLTAGE: 80 VOLT PEAK TO PEAK, CENTER TAPPED SQUARE WAVE.  
FREQUENCY: 20 KHZ.  
FREQUENCY RANGE: 19 TO 23 KHZ.  
RESISTANCE: 0.4  $\Omega$  MAXIMUM, PIN 2 TO 5 WITH 3 AND 4 CONNECTED.

PRIMARY DRIVE IS ADJUSTED TO OBTAIN -8.6 V. INPUT VOLTAGE HELD CONSTANT TO PROVIDE REGULATION.

5.2 PRIMARY INDUCTANCE.

4.4 MILLIHENRIES MINIMUM, TERMINALS 2 TO 5 WITH 3 AND 4 CONNECTED, 10 MILLIAMPERES, AND 1 KHZ SINE WAVE, WHEN MEASURED WITH ESI 252 OR APPROVED EQUIVALENT.

5.3 LEAKAGE INDUCTANCE.

4 TO 9 MILLIHENRIES WHEN MEASURED ACROSS THE -2050 VOLT WINDING (8-23) WITH +100 VOLT WINDING (12-16) SHORTED, 1 MILLIAMPERE, AND 1 KHZ SINE WAVE, WHEN MEASURED WITH ESI 252 OR APPROVED EQUIVALENT.

5.4 DISTRIBUTED CAPACITANCE.

MEASUREMENT IS MADE BY MEASURING THE PRIMARY INDUCTANCE AND THE UNLOADED SELF RESONANCE FREQUENCY, THEN CALCULATING WITH THE FOLLOWING FORMULA:

$$C_D = \left( \frac{1}{2\pi F_R} \right)^2 L_p \quad C_D = 4 \text{ TO } 8 \text{ nF}$$

$F_R$  = SELF RESONANCE FREQUENCY IN HERTZ.

$C_D$  = DISTRIBUTED CAPACITANCE IN FARADS.

$L_p$  = PRIMARY INDUCTANCE IN HENRIES.

5.5 SELF RESONANCE FREQUENCY.

15 TO 38 KHZ.

NOTE: MAY BE THE SAME AS INPUT FREQUENCY.

5.6 OUTPUT.

SEE SCHEMATIC.

5.6.1 WINDING SUMMARY.

SUPPLY (VOLTS DC)	TERMINATION	DC OUTPUT (VOLTS)	FULL LOAD CURRENT (AMPS) MAX	DC RESISTANCE (OHMS) ±20% AT 20°C
PRIMARYS	2-4 AND 3-5	-----	-----	0.4 MAX WITH 3 AND 4 CONNECTED
-2050/-8 kV	8-23	2050* V ±2%	0.4 mA	50 TO 800
+100	12-14 AND 14-16	100 ±2%	0.1 A	0.1 TO 3
+30	13-14 AND 14-15	30 ±2%	0.15 A	0.01 TO 1.2
+8.6	20-21	8.6 ±1%	0.8 A	0.01 TO 0.06
-8.6	21-22	8.6 ADJUSTED	0.8 A	0.01 TO 0.06
6.3 V rms	24-25	6.3 V rms ±4%	100.0 mA (AC rms)	0.01 TO 0.1
5	17-18 AND 18-19	5 ±2%	2.0 A	0.01 TO 0.05

\*4X MULTIPLIED IN CIRCUIT TO OBTAIN -8 kV.

5.6.2 OUTPUT NOTES.

ALL DIODES ARE SILICON. OUTPUT VOLTAGES ARE MEASURED AT MAXIMUM CURRENT.

5.7

TURNS RATIO BALANCE.

ALL CENTER TAPPED WINDINGS SHALL BE BALANCED ±ZERO TURNS.

5.8

POLARITY.

SEE SCHEMATIC.

5.9

TEMPERATURE RISE.

45°C MAXIMUM.

5.10

DIELECTRIC WITHSTAND VOLTAGE.

APPLY 1500 TO 1600 V AC rms, 50 OR 60 Hz, FOR 1 TO 1.1 MINUTE FROM PRIMARY TO SECONDARIES, SAFETY SHIELD, AND CORE. APPLY 5.4 kV, LEADS 24 AND 25 CONNECTED TOGETHER, TO PRIMARIES AND CORE. NO FLASHOVER OR BREAKDOWN SHALL OCCUR DURING THE TEST. CORONA EFFECTS AND SIMILAR PHENOMENA ARE DISREGARDED. PART SHALL BE TESTED PER ABOVE MINIMUM REQUIREMENT OR PER "SAFETY" STANDARDS (SEE PARAGRAPH 3.1), WHICHEVER IS A HIGHER VOLTAGE. 100% OF ALL PARTS PROVIDED BY THE VENDOR SHALL BE TESTED FOR THIS PARAMETER.

5.11

WORKING VOLTAGE (ELEVATED WINDINGS).

THE 6.3 V rms HEATER WINDING (24-25) IS ELEVATED TO 2.1 kV DC WORKING.

6

MECHANICAL CHARACTERISTICS.

6.1

DIMENSIONS AND TERMINATIONS.

SEE OUTLINE DRAWING.

6.2

MOUNTING.

THE MOUNTING METHOD SHALL EMPLOY THE TERMINATIONS AND SHALL BE SUFFICIENT TO WITHSTAND SHOCK AND VIBRATION WHEN ATTACHED TO A 0.062 INCH EPOXY GLASS CIRCUIT BOARD. SEE "MOUNTING DETAIL".

WHEN INSTALLING TRANSFORMER INTO THE CIRCUIT BOARD PER THE "MOUNTING DETAIL" DRAWING, THE TERMINATIONS USED SHALL NOT REQUIRE STRAIGHTENING OR BENDING.

6.3

TERMINALS.

ALL TERMINALS SHALL BE INTEGRAL WITH THE BOBBIN AND SUITABLE FOR PRINTED CIRCUIT BOARD MOUNTING AND CONNECTION. LEADS OF COIL SHALL BE MECHANICALLY SECURED TO THEIR RESPECTIVE TERMINAL AND SHALL MEET SOLDERABILITY REQUIREMENTS OF LATEST REVISION OF MIL-STD-202.

6.4

LEAD IDENTIFICATION (SEE "OUTLINE DRAWING").

<u>LEAD</u>	<u>SLEEVING/INSULATION COLOR</u>	<u>AWG SIZE</u>
23	BROWN	#24
24	BROWN	#24
25	BROWN	#24

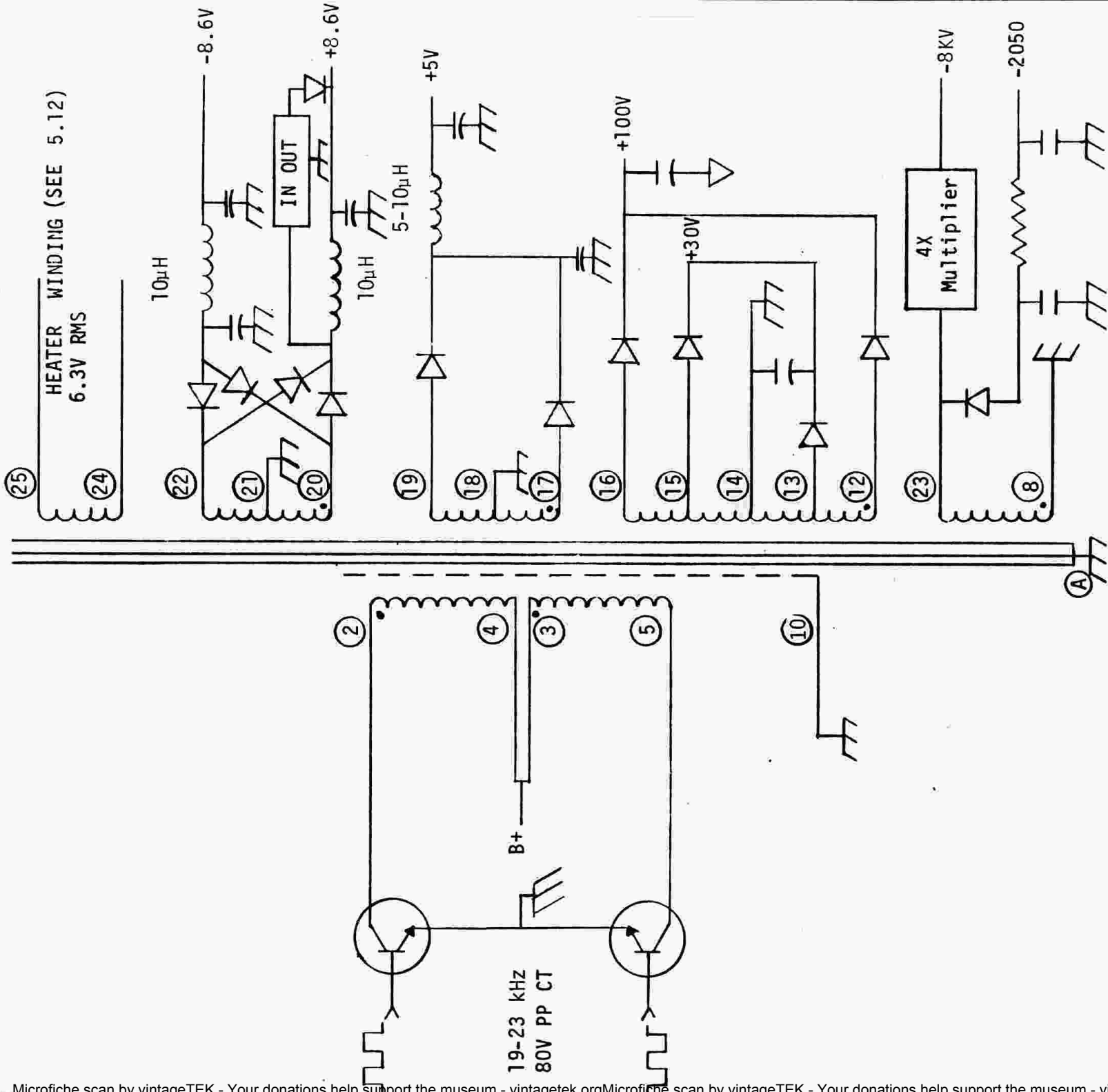
6.5

SHIELDING.

6.5.1

SAFETY SHIELD.

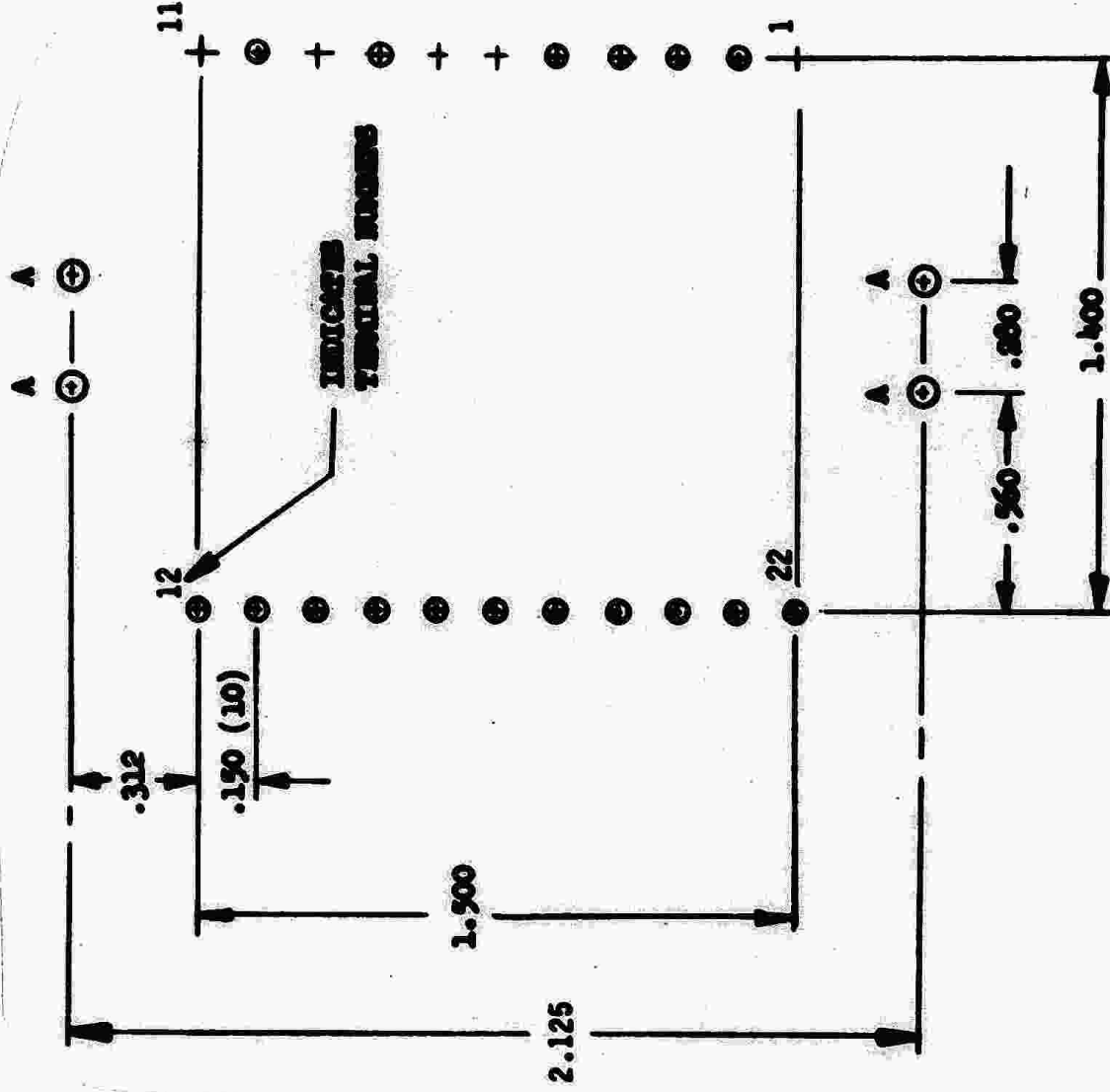
A SAFETY SHIELD IS REQUIRED THAT COMPLIES WITH ALL "SAFETY" REQUIREMENTS SPECIFIED IN PARAGRAPH 3.1.



NOTE: INPUT AND OUTPUT CIRCUITS ARE REFERENCE ONLY

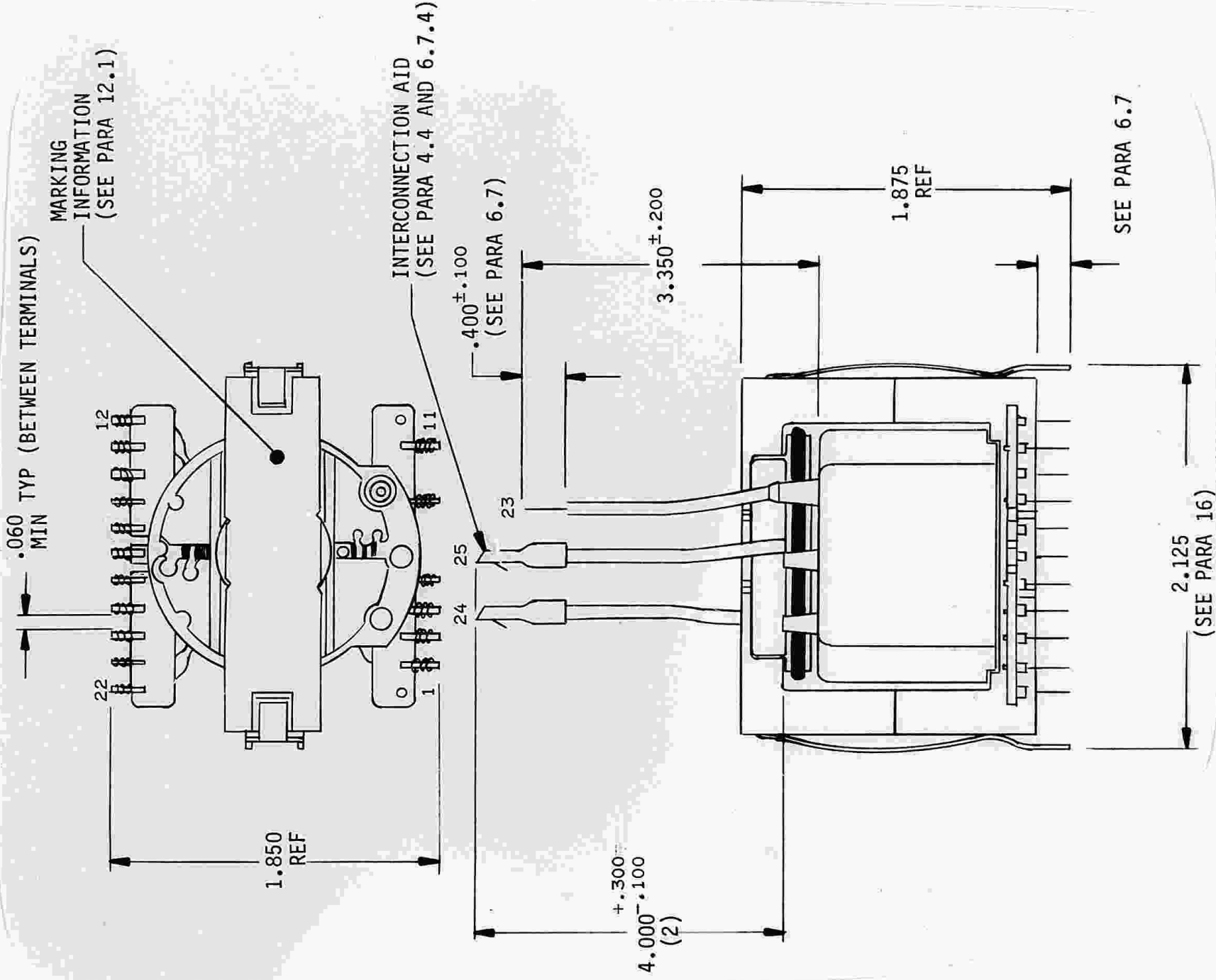


## COMPONENT MOUNTING SIDE OF CIRCUIT BOARD.

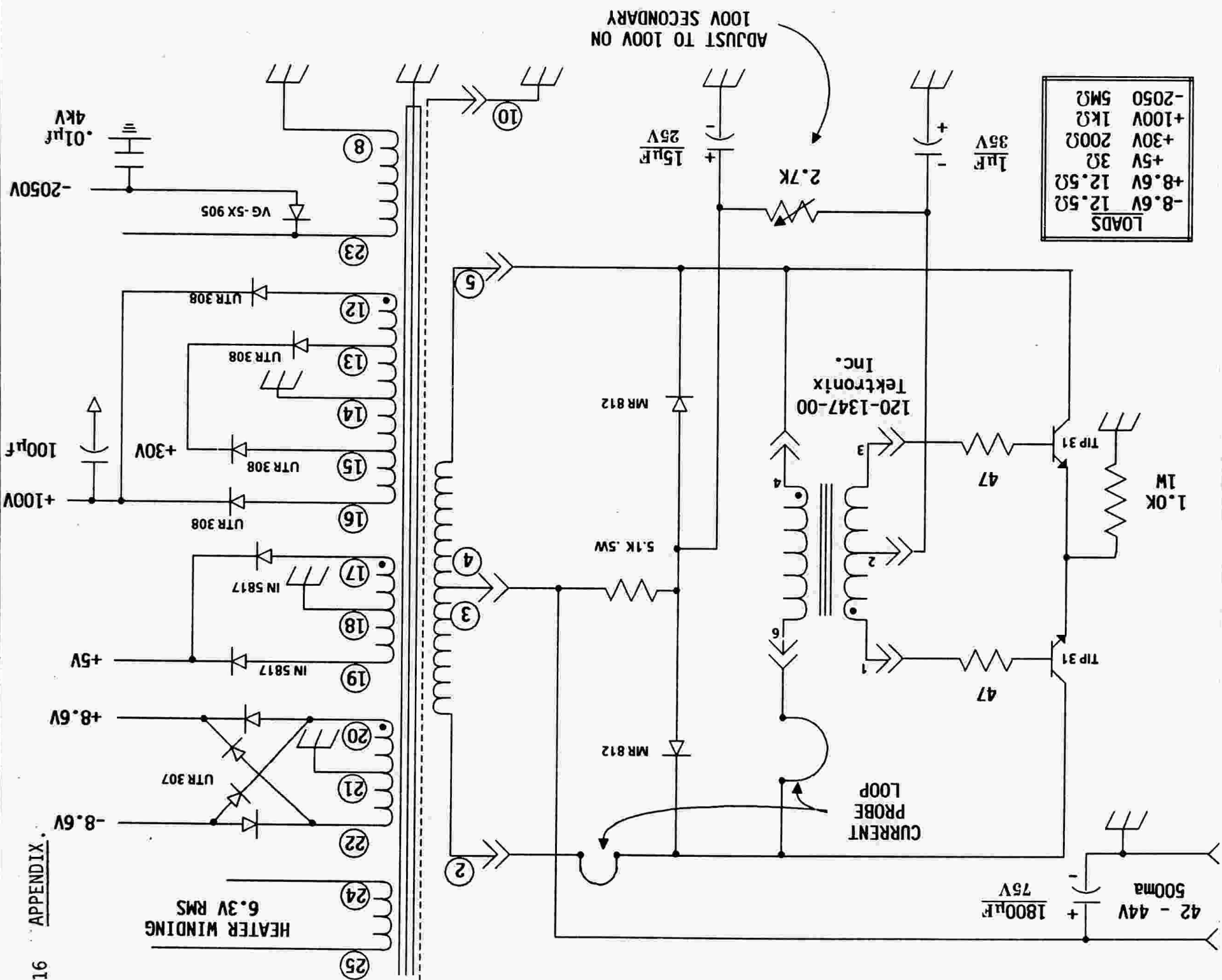
RECOMMENDED  
HOLE DIAMETERS :

A NUMBERED      .079 - .069 DIA. (4)  
ALL OTHERS      .045 - .078 DIA. (19)

CIRCUIT BOARD HOLES ARE LOCATED IN REFERENCE  
TO EACH OTHER  $\pm .005$  INCHES.



HEATER WINDING  
6.3V RMS



LOADS	
-8.6V	12.5Ω
+8.6V	12.5Ω
+5V	3Ω
+30V	200Ω
+100V	1KΩ
-2050	5MΩ

ADJUST TO 100V ON  
100V SECONDARY

1 DESCRIPTION.

TRANSFORMER, POWER, PUSH-PULL SQUARE WAVE INVERTER, MULTIPLE OUTPUTS.

2 SAFETY.

2.1 STANDARDS.

THE PRODUCT UTILIZING THIS TRANSFORMER SHALL COMPLY WITH THE FOLLOWING STANDARDS:

UL 1244  
IEC 348  
CSA 556B

3 MATERIAL.

3.1 CORE.

FERRITE POT CORE TEKTRONIX, INC., PART NUMBER 276-0765-00, OR EQUIVALENT.

3.2 BOBBIN.

POT CORE BOBBIN, TEKTRONIX, INC., PART NUMBER 276-0219-00, OR EQUIVALENT.

4 ELECTRICAL CHARACTERISTICS.

4.1 INPUT.

50 VOLTS DC, PUSH-PULL INVERTER, 27.8 KHZ (PRIMARY WINDING CENTER TAPPED).

4.2 PRIMARY INDUCTANCE.

6.7 MILLIHENRY MINIMUM, TERMINALS (1-5), 1 VOLT AC RMS, AND 1 KHZ SINE WAVE, PER ESI 252 OR APPROVED EQUIVALENT.

4.3 OUTPUTS.

SEE SCHEMATIC.

## 4.3.1

OUTPUT SUMMARY.

<u>SUPPLY</u>	<u>DC OUTPUT</u>	<u>TOLERANCE</u>	<u>CURRENT (MAX.)</u>	<u>RECTIFIERS</u>
±35	+35 V DC -35 V DC	±5% ±5%	+20.5 mA DC -49.4 mA DC	FWBCT
±12	+12 V DC -12 V DC	±5% ±5%	+68.0 mA DC -50.2 mA DC	FWBCT
+5	+5 V DC	±5%	173.4 mA DC	FWCT
+35.1	+35.1 V DC	±5%	15.5 mA DC	FWB

## 4.3.2

OUTPUT NOTES.

ALL DIODES ARE SILICON. OUTPUT VOLTAGES ARE MEASURED AT FULL LOAD AT 60°F TO 85°F (15°C TO 30°C) AMBIENT AFTER TRANSFORMER TEMPERATURE STABILIZES.

## 4.4

TURNS RATIO BALANCE.

ALL CENTER TAPPED WINDINGS SHALL BE BALANCED ± ZERO TURNS.

## 4.5

POLARITY.

SEE SCHEMATIC.

## 4.6

TEMPERATURE RISE.

18°C TYPICAL.

## 4.7

DIELECTRIC WITHSTAND VOLTAGE.

- (A) APPLY 1500 VOLTS AC  $r_{rms}$  AT 50 TO 60 Hz FOR 1 MINUTE FROM PRIMARY AND PRIMARY SHIELD TO SECONDARIES, SECONDARY SHIELD, AND CORE (6 TOTAL). NO FLASHOVER OR BREAKDOWN SHALL OCCUR DURING THE TEST. CORONA EFFECTS AND SIMILAR PHENOMENA ARE DISREGARDED.
- (B) APPLY 1300 VOLTS AC  $r_{rms}$  AT 50 TO 60 Hz FOR 1 MINUTE FROM SECONDARY SHIELDS TO GUARD SHIELDS AND CORE.

## 4.8

WINDING RESISTANCE, OHMS DC RESISTANCE AT 20°C.

<u>WINDING</u>	<u>OHMS</u>
1- 5	1.016 TO 1.534, 1.278 NOMINAL.
2- 4	0.505 TO 0.786 0.632 NOMINAL.
7- 9	0.308 TO 0.462, 0.385 NOMINAL.
11-12	0.236 TO 0.428, 0.357 NOMINAL.
14-16	0.372 TO 0.558, 0.465 NOMINAL.

4.9 INSULATION RESISTANCE AT 500 V DC.

	<u>CONDITION 1</u>	<u>CONDITION 2</u>
PRIMARY, PRIMARY SHIELD TO SECONDARIES, SECONDARY SHIELDS, AND GUARD SHIELDS.	$10^{11}$ $\Omega$ MIN	$10^{10}$ $\Omega$ MIN
SECONDARIES, SECONDARY SHIELDS TO GUARD SHIELDS.	$10^9$ $\Omega$ MIN	$10^8$ $\Omega$ MIN
SECONDARY (1-2-3-4-5) TO SECONDARY (7-8-9)	$10^9$ $\Omega$ MIN	$10^8$ $\Omega$ MIN
SECONDARY (1-2-3-4-5) TO SECONDARY (11-12)	$10^9$ $\Omega$ MIN	$10^8$ $\Omega$ MIN
SECONDARY (7-8-9) TO SECONDARY (11-12)	$10^9$ $\Omega$ MIN	$10^8$ $\Omega$ MIN

CONDITION 1: 18-28°C, 50 PERCENT RELATIVE HUMIDITY (TYPICAL ROOM AMBIENT).  
CONDITION 2: AFTER 48 HOURS AT 90 TO 95 PERCENT RELATIVE HUMIDITY, 40° TO 45°C.

4.10 CAPACITANCE.

VALUE

PRIMARY TO SECONDARIES, SECONDARY SHIELDS, AND GUARD SHIELDS. PRIMARY SHIELDS TO METER GUARD.

2.0 pF MAX

PRIMARY, PRIMARY SHIELDS TO SECONDARIES, SECONDARY SHIELDS AND GUARD. METER GUARD NOT CONNECTED.

100.0 pF MAX

PRIMARY, PRIMARY SHIELDS TO SECONDARIES, AND SECONDARY SHIELDS. GUARD SHIELDS TO METER GUARD.

6.0 pF MAX

SECONDARIES TO GUARD SHIELDS. SECONDARY SHIELDS TO METER GUARD. PRIMARY AND PRIMARY SHIELDS NOT CONNECTED.

10 TO 20 pF TYPICAL  
(75-TO 125 pF  
TYPICAL FAULT)

5 MECHANICAL CHARACTERISTICS.

5.1 DIMENSIONS.

SEE OUTLINE DRAWING.

5.2 MOUNTING SURFACE.

THE MOUNTING SURFACE SHALL BE THE LENGTH AND WIDTH DIMENSIONS OF THE OUTLINE DRAWING.

5.3 MOUNTING.

THE MOUNTING METHOD CAN EMPLOY THE TERMINATIONS, TABS, BOLTS OR OTHER MEANS SUFFICIENT TO WITHSTAND SHOCK AND VIBRATION TESTS WHEN ATTACHED TO A 0.062 INCH EPOXY GLASS CIRCUIT BOARD.

#### 5.4 TERMINATIONS.

TERMINATIONS 1 THROUGH 10 SHALL BE TO BOBBIN, HEADER, OR OTHER ASSEMBLY SUITABLE FOR CIRCUIT BOARD MOUNTING. TERMINATIONS 11 THROUGH 18 WILL BE SELF LEADS.

##### 5.4.1 LEAD LENGTHS (SEE OUTLINE DRAWING).

<u>LEAD</u>	<u>X<sup>±.050</sup></u>	<u>Y<sup>±.050</sup></u>	<u>SLEEVING COLOR</u>	<u>SIZE</u>	<u>TEKTRONIX, INC. PART NUMBER</u>
11	1.125	0.500	NATURAL	#28	162-0620-00
12	1.125	0.500	ORANGE	#28	162-0619-00
14	1.000	0.500	YELLOW	#28	162-0727-00
15	1.000	0.500	WHITE OR NATURAL	#24	162-0652-00
16	1.000	0.500	RED	#28	162-0726-00
17	1.100	0.400	BLACK	#28	162-0724-00
18	1.200	0.300	BROWN	#28	162-0725-00

##### 5.4.2 WINDING ORDER (STARTING FROM INSIDE).

<u>WINDING</u>	<u>TERMINALS/LEADS</u>	<u>TURNS</u>	<u>WIRE SIZE</u>
GUARD SHIELD	6	---	---
SECONDARY SHIELD	10	---	---
±12 V	2-3-4	0-9-18	#33 BIFILAR
±35 V	1-3-5	0-18-36	#33 BIFILAR
+ 5 V	7-8-9	0-5-10	#33
+35.1 V	11-12	18	#30
SECONDARY SHIELD	10	---	---
GUARD SHIELD	6	---	---
PRIMARY SHIELD	17	---	---
PRIMARY	14-15-16	0-12-24	#29 BIFILAR
PRIMARY SHIELD	18	---	---

THIS DOCUMENT SHALL NOT BE CHANGED OR REPLACED WITHOUT WRITTEN AUTHORIZATION OF REPRESENTATIVES FROM BOTH OF THE FOLLOWING DEPARTMENTS:

- (A) TRANSFORMER AND COIL DESIGN ENGINEERING, WHO SHALL SIGN AS "COMP ENGR".
- (B) TRANSFORMER AND COIL PRODUCTION ENGINEERING, WHO SHALL SIGN AS "TECH CHKR".

