

ARLINGTON COUNTY, VIRGINIA
OFFICE OF THE PURCHASING AGENT
SUITE 500
2100 CLARENDON BOULEVARD
ARLINGTON, VIRGINIA 22201

NOTICE OF AWARD OF CONTRACT

TO:	DATE ISSUED:	<u>September 2, 2015</u>
Municipal Emergency Services	CURRENT REFERENCE NO:	<u>16-064-SS</u>
4611 Assembly Drive	CONTRACT TITLE:	<u>Scott Air-Paks</u> <u>Breathing Apparatus</u> <u>and Supplies</u>
Suite G		
Lanham, Maryland 20706		

THIS IS A NOTICE OF AWARD OF CONTRACT AND NOT AN ORDER. NO WORK IS AUTHORIZED UNTIL THE VENDOR RECEIVES A VALID COUNTY PURCHASE ORDER ENCUMBERING CONTRACT FUNDS.

Your firm is awarded the above referenced contract. The contract term covered by this Notice of Award is effective October 1, 2015 and expires on September 30, 2016. This Agreement includes the option to renew for four (4) additional one-year periods from October 1, 2016 through September 30, 2020

ATTACHMENTS:

AGREEMENT NO. 16-064-SS

CONTRACT PRICING:

REFER TO ATTACHMENT A

EMPLOYEES NOT TO BENEFIT:

NO COUNTY EMPLOYEE SHALL RECEIVE ANY SHARE OR BENEFIT OF THIS CONTRACT NOT AVAILABLE TO THE GENERAL PUBLIC.

CONTACT: Bill Dunn

VENDOR PAYMENT TERMS: NET 30 DAYS

CONTACT EMAIL: billdunn@mesfire.com

COUNTY CONTACT: Captain C. Lowe

TELEPHONE NO.: 703-228-4659

COUNTY EMAIL: clowe@arlingtonva.us

CONTRACT AUTHORIZATION

DISTRIBUTION


GUINEVERE BRUNER, CPPB
PROCUREMENT OFFICER

9/2/15
DATE

BID FOLDER:

1

ARLINGTON COUNTY, VIRGINIA
OFFICE OF THE PURCHASING AGENT
2100 CLARENDON BOULEVARD, SUITE 500
ARLINGTON, VA 22201

AGREEMENT NO. 16-046-SS

THIS AGREEMENT (hereinafter "Agreement" or "Contract") is made, on the date of execution by the County, between Municipal Emergency Services, Inc., 4611 Assembly Drive, Suite G, Lanham, Maryland, 20706 ("Contractor"), a Nevada Corporation authorized to do business in the Commonwealth of Virginia, and the County Board of Arlington County, Virginia ("County"). The County and the Contractor, for the consideration hereinafter specified, agree as follows:

1. CONTRACT DOCUMENTS

The contract documents consist of this Agreement, and Attachment A (Pricing/Discount Structure) (collectively, "Contract Documents").

Where the terms and provisions of this Agreement vary from the terms and provisions of the other Contract Documents, the terms and provisions of this Agreement shall prevail over the other Contract Documents and the remaining Contract Documents shall be complementary to each other and if there are any conflicts the most stringent terms or provisions shall prevail.

The Contract Documents set forth the entire agreement between the County and the Contractor. The County and the Contractor agree that no representative or agent of either of them has made any representation or promise with respect to the parties' agreement which is not contained in the Contract Documents. The Contract Documents may be referred to hereinbelow as the "Contract" or "Agreement".

2. CONTRACT TERM

The Contractor's provision of goods ("Work") for the County will commence on October 1, 2015 and the Work shall be completed no later than SEPTEMBER 30, 2016 ("Initial Contract Term"), subject to any written modifications as provided for in the Contract Documents. Upon satisfactory performance by the Contractor and with the concurrence of the Contractor, the County may, through issuance of a Notice of Award, authorize continued operations of the Contractor under the same contract unit prices for not more than four (4) additional twelve (12) month periods from October 1, 2016 to September 30, 2020 (Each such period shall be referred to as a "Subsequent Contract Term").

3. CONTRACT PRICING

Unless otherwise provided in the Contract Documents, the Contractor shall provide the goods set forth in the Contract Documents at the prices provided in Exhibit A .

4. PRICE ADJUSTMENTS

The Contract unit price(s) shall remain firm throughout the Contract Term, unless the Contractor requests a price adjustment, and the County approves such an adjustment, in accordance with the following procedure:

- A. The Contractor may submit a written request for price adjustment to the County not less than sixty (60) days prior to October of any given year of the contract ("Anniversary Date"). The Contractor shall submit their yearly pricing sheet at this time.

Any adjustment(s) to unit price(s) approved by the County as a result of the procedure set forth in A above, shall become effective the day after the current Anniversary Date and shall be binding on both parties for the remainder of the Contract Term unless an adjustment is requested by the Contractor and approved by the County in a subsequent year, as set forth above.

If the Contractor and the County do not agree on the requested adjustment using the procedure set forth in A above by the thirtieth (30th) calendar day prior to the Anniversary Date, the County may in its sole discretion terminate the Contract.

5. PROJECT OFFICER

The performance of the Contractor is subject to the review and approval of the County Project Officer ("Project Officer"), who shall be appointed by the Director of the Arlington County department or agency requesting the work under the Contract Documents. However, it shall be the responsibility of the Contractor to manage the details of the execution and performance of its work pursuant to the Contract Documents.

6. PAYMENT TERMS

Payment terms will be recorded by the County as Net thirty (30) days. The County will pay the Contractor within thirty (30) calendar days after the date of receipt of a correct, as determined by the Project Officer, invoice approved by the Project Officer describing completed work which is reasonable and allocable to the Contract, or the date of receipt of the entire order, or the date of acceptance of the work which meets the Contract requirements, whichever is later. Payments will be made by the County for goods or services furnished, delivered, inspected, and accepted upon receipt of invoices submitted on the date of shipment or delivery of service, subject to applicable payment terms. The number of the County Purchase Order pursuant to which authority shipments have been made or services performed shall appear on all invoices. Invoices shall be submitted in duplicate. Unless otherwise specified herein, payment shall not be made prior to delivery and acceptance of the entire order by the County.

7. PAYMENT OF SUBCONTRACTORS

The Contractor is obligated to take one of the two following actions within seven (7) days after receipt of amounts paid to the Contractor by the County for work performed by any subcontractor under this Contract:

- a. Pay the subcontractor for the proportionate share of the total payment received from the County attributable to the work performed by the subcontractor under this Contract;
or
- b. Notify the County and the subcontractor, in writing, of the Contractor's intention to withhold all or a part of the subcontractor's payment with the reason for nonpayment.

The Contractor is obligated to pay interest to the subcontractor on all amounts owed by the Contractor to the subcontractor that remain unpaid after seven (7) calendar days following receipt by the Contractor of payment from the County for work performed by the subcontractor under this Contract, except for amounts withheld as allowed in subsection b., above. Unless otherwise provided under the terms of this Contract, interest shall accrue at the rate of one percent (1%) per month.

The Contractor shall include in each of its subcontracts, if any are permitted, a provision requiring each subcontractor to include or otherwise be subject to the same payment and interest requirements as those contained herein with respect to each lower-tier subcontractor.

The Contractor's obligation to pay an interest charge to a subcontractor pursuant to this section may not be construed to be an obligation of the County. A Contract modification may not be made for the purpose of providing reimbursement for such interest charge. A cost reimbursement claim may not include any amount for reimbursement for such interest charge.

8. NON-APPROPRIATION

All funds for payments by the County to the Contractor pursuant to this Contract are subject to the availability of an annual appropriation for this purpose by the County Board of Arlington County, Virginia. In the event of non-appropriation of funds by the County Board of Arlington County, Virginia for the goods or services provided under this Contract or substitutes for such goods or services which are as advanced or more advanced in their technology, the County will terminate the Contract, without termination charge or other liability to the County, on the last day of the then-current fiscal year or when the appropriation made for the then-current year for the services covered by this Contract is spent, whichever event occurs first. If funds are not appropriated at any time for the continuation of this Contract, cancellation will be accepted by the Contractor on thirty (30) days prior written notice, but failure to give such notice shall be of no effect and the County shall not be obligated under this Contract beyond the date of termination specified in the County's written notice.

9. REQUIREMENTS CONTRACT (ESTIMATED QUANTITIES)

During the Initial Contract Term or any Subsequent Contract Term, the Contractor will furnish all of the goods or services described in the Contract Documents if so requested by the County. The Contractor understands and agrees that this is a requirements contract and the County will have no obligation to the Contractor if no, or fewer, items or services are required or requested by the County. Any quantities which are included in the Contract Documents are the present expectations of those who are planning for the County for the period of the Contract. The amount is only an estimate and the Contractor understands and agrees that the County is under no obligation to the Contractor to buy that amount, or any amount, as a result of having provided this estimate or of having had any normal or otherwise measurable requirement in the past. The Contractor further understands that the County may require goods and/or services in excess of the estimated annual contract amount and that such excess shall not give rise to any claim for compensation other than at the unit prices set forth in this Contract.

10. COUNTY PURCHASE ORDER REQUIREMENT

County purchases are authorized only if a County Purchase Order is issued in advance of the transaction, indicating that the ordering agency has sufficient funds available to pay for the purchase. Such a Purchase Order is to be provided to the Contractor by the ordering agency. The County will not be liable for payment for any purchases made by its employees without appropriate purchase authorization issued by the County Purchasing Agent. If the Contractor provides goods or services without a signed County Purchase Order, it does so at its own risk and sole expense.

11. DELIVERY

All goods are purchased F.O.B. destination in Arlington County as designated in this Contract. All costs for handling and transportation charges to the designated point of delivery shall be borne by the Contractor. Transportation, handling and all related charges are included in the unit prices or discounts submitted by the Contractor with its bid.

12. WARRANTY

All goods and materials provided to the County shall be fully guaranteed by the Contractor against factory defects. Any defects which may occur as the result of either faulty material or workmanship by the manufacturer within the period of the manufacturer's standard warranty shall be corrected by the Contractor at no expense to Arlington County. The Contractor shall provide evidence of all manufacturers' warranties to the Project Officer at the time of delivery. All goods and materials are also guaranteed by the Contractor against defects resulting from the use of inferior or faulty materials or workmanship for one (1) year from the date of final acceptance by the County in addition to and irrespective of any manufacturer's or supplier's warranty. No date other than the date of final acceptance shall govern the effective date of the Guaranty, unless that date is agreed upon by the County and the Contractor in advance and in a signed writing.

13. INSPECTION, ACCEPTANCE, TITLE, AND RISK OF LOSS

Inspection and acceptance of goods or materials by the County will be at the delivery location in Arlington County, Virginia, and within ten (10) calendar days of delivery, unless otherwise provided for in the Contract. The County will not inspect, accept, or pay for any goods or materials stored or delivered off-site by the Contractor.

Title and risk of loss or damage to all goods shall be the responsibility of the Contractor until acceptance by the County. The County's right of inspection shall not be deemed to relieve the Contractor of its obligation to ensure that all articles, materials and supplies are consistent with specifications and instructions and are fit for their intended use. The County reserves the right to conduct any tests or inspections it may deem appropriate before acceptance.

No goods or materials shall be purchased by the Contractor or any subcontractor subject to any chattel mortgage or under a conditional sale or other agreement by which an interest is retained by the seller. The Contractor warrants that it has good title to, and that it will require all subcontractors to warrant that they have good title to, all goods or materials for which the Contractor invoices for payment.

14. [INTENTIONALLY LEFT BLANK]

15. [INTENTIONALLY LEFT BLANK]

16. HAZARDOUS MATERIALS

Arlington County is subject to the Hazard Communication Standard, 29 CFR § 1910.1200 ("Standard"). The Contractor agrees that it will provide or cause to be provided Material Safety Data Sheets ("MSDS") required under the Standard for all hazardous materials supplied to the County or used in the performance of the Work. Such MSDS shall be delivered to the County no later than the time of actual delivery of any hazardous materials to the County or use of such material in the performance of work under the Contract by the Contractor or its subcontractors,

whichever occurs first. Container labeling that meets the requirements of the Standard shall be appropriately affixed to the shipping or internal containers. The County reserves the right to refuse shipments of hazardous materials not appropriately labeled, or when MSDS have not been received prior to or at the time of receipt of the shipment for use by the County or for use by the Contractor in the performance of the Contract, or whenever the material is delivered in a manner inconsistent with any applicable law or regulation. Any expenses incurred due to the refusal or rejection of MSDS are the responsibility of the Contractor. The Contractor shall comply with all federal, state, and local laws governing the storage, transportation, and use of toxic and hazardous materials.

17. [INTENTIONALLY LEFT BLANK]

18. EMPLOYMENT DISCRIMINATION BY CONTRACTOR PROHIBITED

During the performance of this Contract, the Contractor agrees as follows:

- a. The Contractor will not discriminate against any employee or applicant for employment because of race, religion, color, sex, national origin, age, disability or any other basis prohibited by federal or Virginia law related to discrimination in employment except where there is a bona fide occupational qualification reasonably necessary or related to the normal operation of the Contractor. The Contractor agrees to post in conspicuous places, available to employees and applicants for employment, notices setting forth the provisions of this nondiscrimination clause.
- b. The Contractor, in all solicitations or advertisements for employees placed by or on behalf of the Contractor, will state that the Contractor is an Equal Opportunity Employer.
- c. Notices, advertisements and solicitations placed in accordance with federal law, rule or regulation shall be deemed sufficient for the purpose of meeting the requirements of this section.
- d. The Contractor will comply with the provisions of the Americans with Disabilities Act of 1990 which prohibits discrimination against individuals with disabilities in employment, and mandates their full participation in both publicly and privately-provided services and activities.
- e. The Contractor will include the provisions of the foregoing paragraphs in every subcontract or purchase order of over \$10,000.00, so that these provisions will apply to each subcontractor or vendor.

19. EMPLOYMENT OF UNAUTHORIZED ALIENS PROHIBITED

In accordance with § 2.2-4311.1 of the Code of Virginia, 1950, as amended, the Contractor acknowledges that it does not, and shall not during the performance of this Contract, knowingly employ an unauthorized alien as that term is defined in the federal Immigration Reform and Control Act of 1986.

20. DRUG-FREE WORKPLACE TO BE MAINTAINED BY CONTRACTOR

During the performance of this Contract, the Contractor agrees to (i) provide a drug-free workplace for the Contractor's employees; (ii) post in conspicuous places, available to employees and applicants

for employment, a statement notifying employees that the unlawful manufacture, sale, distribution, dispensation, possession, or use of marijuana or any other controlled substance is prohibited in the Contractor's workplace, and specifying the actions that will be taken against employees for violations of such prohibition; (iii) state in all solicitations or advertisements for employees placed by or on behalf of the Contractor that the Contractor maintains a drug-free workplace; and (iv) include the provisions of the foregoing clauses in every subcontract or purchase order of over \$10,000.00 relating to this Contract, so that the provisions will be binding upon each subcontractor or vendor.

For the purposes of this section, "drug-free workplace" means a site for the performance of work done in connection with a specific contract awarded to a contractor by Arlington County, the employees of whom are prohibited from engaging in the unlawful manufacture, sale, distribution, dispensation, possession or use of any controlled substance or marijuana during the performance of the contract.

21. FAILURE TO DELIVER

In case of failure by the Contractor to deliver goods or services in accordance with the Contract Documents, the County, after written notice, may procure the same or similar goods or services from other sources and the Contractor shall be liable for any resulting additional purchase and administrative costs. This remedy shall be in addition to any other remedies which the County may have pursuant to this Contract or under law. At its discretion, the County shall be entitled to offset such costs against any sums owed by the County to the Contractor.

22. TERMINATION FOR CAUSE, INCLUDING BREACH AND DEFAULT; CURE

The Contract shall remain in force for the Initial Contract Term or any Subsequent Contract Term(s) and until the County determines that all the following requirements and conditions have been satisfactorily met: the County has accepted the Work, and thereafter until the Contractor has met all requirements and conditions relating to the Work under the Contract Documents, including warranty and guarantee periods. However, the County shall have the right to terminate this Contract sooner if the Contractor is in breach or default or has failed to perform satisfactorily the Work required, as determined by the County in its discretion.

If the County determines that the Contractor has failed to perform satisfactorily, then the County will give the Contractor written notice of such failure(s) and the opportunity to cure such failure(s) within at least fifteen (15) days before termination of the Contract takes effect ("Cure Period"). If the Contractor fails to cure within the Cure Period, or as otherwise specified in the notice, the Contract may be terminated for the Contractor's failure to provide satisfactory Contract performance. Upon such termination, the Contractor may apply for compensation for Contract services satisfactorily performed by the Contractor, allocable to the Contract and accepted by the County prior to such termination unless otherwise barred by the Contract ("Termination Costs"). In order to be considered, such request for Termination Costs, with all supporting documentation, must be submitted to the County Project Officer within fifteen (15) days after the expiration of the Cure Period. The County may accept or reject, in whole or in part, the application for Termination Costs and notify the Contractor of same within a reasonable time thereafter.

If the County terminates the Contract for default or breach of any Contract provision or condition, then the termination shall be immediate after notice from the County to the Contractor (unless the County in its discretion provides for an opportunity to cure) and the

Contractor shall not be permitted to seek Termination Costs.

Upon any termination pursuant to this section, the Contractor shall be liable to the County for all costs incurred by the County after the effective date of termination, including costs required to be expended by the County to complete the Work covered by the Contract, including costs of delay in completing the Project or the cost of repairing or correcting any unsatisfactory or non-compliant work performed or provided by the Contractor or its subcontractors. Such costs shall be either deducted from any amount due the Contractor or shall be promptly paid by the Contractor to the County upon demand by the County. Additionally, and notwithstanding any provision in this Contract to the contrary, the Contractor is liable to the County, and the County shall be entitled to recover, all damages to which the County is entitled by this Contract or by law, including and without limitation, direct damages, indirect damages, consequential damages, delay damages, replacement costs, refund of all sums paid by the County to the Contractor under the Contract and all attorney fees and costs incurred by the County to enforce any provision of this Contract.

Except as otherwise directed by the County in the notice, the Contractor shall stop work on the date of receipt of notice of the termination or other date specified in the notice, place no further orders or subcontracts for materials, services, or facilities except as are necessary for the completion of such portion of the Work not terminated, and terminate all vendors and subcontracts and settle all outstanding liabilities and claims. Any purchases after the date of termination contained in the notice shall be the sole responsibility of the Contractor.

In the event any termination for cause, default, or breach shall be found to be improper or invalid by any court of competent jurisdiction then such termination shall be deemed to have been a termination for convenience.

23. TERMINATION FOR THE CONVENIENCE OF THE COUNTY

The performance of Work under this Contract may be terminated by the County Purchasing Agent, in whole or in part, whenever the Purchasing Agent shall determine that such termination is in the County's best interest. Any such termination shall be effected by the delivery to the Contractor of a written notice of termination at least fifteen (15) days before the date of termination, specifying the extent to which performance of the work under this Contract is terminated and the date upon which such termination becomes effective. The Contractor will be entitled to receive compensation for all Contract services satisfactorily performed by the Contractor and allocable to the Contract and accepted by the County prior to such termination and any other reasonable termination costs as negotiated by the parties, but no amount shall be allowed for anticipatory profits.

After receipt of a notice of termination and except as otherwise directed, the Contractor shall stop all designated work on the date of receipt of the notice of termination or other date specified in the notice; place no further orders or subcontracts for materials, services or facilities except as are necessary for the completion of such portion of the work not terminated; immediately transfer all documentation and paperwork for terminated work to the County; and terminate all vendors and subcontracts and settle all outstanding liabilities and claims.

24. INDEMNIFICATION

The Contractor covenants for itself, its employees, and subcontractors to save, defend, hold harmless and indemnify the County, and all of its elected and appointed officials, officers, current and former employees, agents, departments, agencies, boards, and commissions (collectively the "County" for purposes of this section) from and against any and all claims made by third parties or by the County for any and all losses, damages, injuries, fines, penalties, costs (including court costs and attorney's fees), charges, liability, demands or exposure, however caused, resulting from, arising out of, or in any way connected with the Contractor's acts or omissions, including the acts or omissions of its employees and/or subcontractors, in performance or nonperformance of the work called for by the Contract Documents. This duty to save, defend, hold harmless and indemnify shall survive the termination of this Contract. If, after notice by the County, the Contractor fails or refuses to fulfill its obligations contained in this section, the Contractor shall be liable for and reimburse the County for any and all expenses, including, but not limited to, reasonable attorneys fees incurred and any settlements or payments made. The Contractor shall pay such expenses upon demand by the County and failure to do so may result in such amounts being withheld from any amounts due to Contractor under this Contract.

25. INTELLECTUAL PROPERTY INDEMNIFICATION

The Contractor warrants and guarantees that no intellectual property rights (including, but not limited to, copyright, patent, mask work and trademark) of third parties are infringed or in any manner involved in or related to the goods and/or services provided hereunder.

The Contractor further covenants for itself, its employees, and subcontractors to save, defend, hold harmless, and indemnify the County, and all of its officers, officials, departments, agencies, agents, and employees from and against any and all claims, losses, damages, injuries, fines, penalties, costs (including court costs and attorney's fees), charges, liability, or exposure, however caused, for or on account of any trademark, copyright, patented or unpatented invention, process, or article manufactured or used in the performance of this Contract, including its use by the County. If the Contractor, or any of its employees or subcontractors, uses any design, device, work, or materials covered by letters patent or copyright, it is mutually agreed and understood, without exception, that the Contract Price includes all royalties, licensing fees, and any other costs arising from the use of such design, device, work, or materials in any way involved with the work hereunder. This duty to save, defend, hold harmless and indemnify shall survive the termination of this Contract. If, after Notice by the County, the Contractor fails or refuses to fulfill its obligations contained in this section, the Contractor shall be liable for and reimburse the County for any and all expenses, including, but not limited to, reasonable attorneys fees incurred and any settlements or payments made. The Contractor shall pay such expenses upon demand by the county and failure to do so may result in such amounts being withheld from any amounts due to Contractor under this Contract.

26. COPYRIGHT

The Contractor hereby irrevocably transfers, assigns, sets over and conveys to the County all right, title and interest, including the sole exclusive and complete copyright interest, in any and all copyrightable works created pursuant to this Contract. The Contractor further agrees to execute such documents as the County may request to effect such transfer or assignment.

Further, the Contractor agrees that the rights granted to the County by this paragraph are irrevocable. Notwithstanding anything else in this Contract, the Contractor's remedy in the event

of termination of or dispute over the terms of this Contract shall not include any right to rescind, terminate or otherwise revoke or invalidate in any way the rights conferred pursuant to the provisions of this paragraph. Similarly, no termination of this Agreement shall have the effect of rescinding, terminating or otherwise invalidating the rights acquired pursuant to the provisions of this "Copyright" paragraph.

The use of subcontractors or third parties in developing or creating Input into any copyrightable materials produced as a part of this Contract is prohibited unless the County approves the use of such subcontractors or third parties in advance and such subcontractors or third parties agree to include the provisions of this paragraph as part of any contract they enter into with the Contractor for work related to work pursuant to this Contract.

27. CONFIDENTIAL INFORMATION

The Contractor, and its employees, agents, and subcontractors, hereby agree to hold as confidential all County information obtained as a results of its Work under this Contract. Confidential information includes, but is not limited to, nonpublic personal information, personally identifiable health information, social security numbers, addresses, dates of birth, other contact information or medical information about a person, information pertaining to products, operations, systems, customers, prospective customers, techniques, intentions, processes, plans, expertise and any information entrusted to any affiliate of the parties. The Contractor shall take reasonable measures to ensure that all of its employees, agents, and subcontractors are informed of, and abide by, this requirement.

28. ETHICS IN PUBLIC CONTRACTING

This Contract incorporates by reference Article 9 of the Arlington County Purchasing Resolution, as well as any Virginia or federal law related to ethics, conflicts of interest, or bribery, including, by way of illustration and not limitation, the Virginia State and Local Government Conflict of Interests Act (Code of Virginia § 2.2-3100 et seq.), the Virginia Governmental Frauds Act (Code of Virginia § 18.2-498.1 et seq.), and Articles 2 and 3 of Chapter 10 of Title 18.2 of the Code of Virginia, as amended (§ 18.2-438 et seq.). The Contractor certifies that its offer was made without collusion or fraud and that it has not offered or received any kickbacks or inducements from any other bidder, supplier, manufacturer, or subcontractor and that it has not conferred on any public employee having official responsibility for this procurement any payment, loan, subscription, advance, deposit of money, services, or anything of more than nominal value, present or promised unless consideration of substantially equal or greater value was exchanged.

29. COUNTY EMPLOYEES

No employee of the County shall be admitted to any share in any part of this Contract or to any benefit that may arise therefrom which is not available to the general public.

30. FORCE MAJEURE

The Contractor shall not be held responsible for failure to perform the duties and responsibilities imposed by this Contract if such failure is due to fires, riots, rebellions, natural disasters, wars, or an act of God beyond the control of the Contractor and outside the scope of the Contractor's then-current, by industry standards, disaster plan that make performance impossible or illegal, unless otherwise specified in the Contract.

The County shall not be held responsible for failure to perform its duties and responsibilities imposed by the Contract if such failure is due to fires, riots, rebellions, natural disasters, wars, or

an act of God beyond the control of the County that make performance impossible or illegal, unless otherwise specified in the Contract.

31. AUTHORITY TO TRANSACT BUSINESS

The Contractor shall, pursuant to Code of Virginia § 2.2-4311.2, be and remain authorized to transact business in the Commonwealth of Virginia during the Initial Term and any Subsequent Contract Term(s) of this Contract. A contract entered into by a Contractor in violation of this requirement is voidable, without cost or expense, at the sole option of the County.

32. RELATION TO THE COUNTY

The Contractor is an independent contractor, and neither the Contractor nor its employees or subcontractors will, under any circumstances, be considered employees, servants or agents of the County. The County will not be legally responsible for any negligence or other wrongdoing by the Contractor, its employees, servants or agents. The County will not withhold from payments to the Contractor any federal or state unemployment taxes, federal or state income taxes, Social Security tax, or any other amounts for benefits to the Contractor or its employees, servants or agents. Furthermore, the County will not provide to the Contractor any insurance coverage or other benefits, including workers' compensation, normally provided by the County for its employees.

33. ANTITRUST

By entering into this Contract, the Contractor conveys, sells, assigns and transfers to the County all rights, title, and interest in and to all causes of action the Contractor may now have or hereafter acquire under the antitrust laws of the United States or the Commonwealth of Virginia, relating to the goods purchased or acquired by the County under this Contract.

34. AUDIT

The Contractor agrees to retain all books, records and other documents related to this Contract for at least five (5) years after final payment. The County or its authorized agents shall have full access to and the right to examine any of the above documents during this period and during the Initial Contract Term and any Subsequent Contract Term. If the Contractor wishes to destroy or dispose of records (including confidential records to which the County does not have ready access) within five (5) years after final payment, the Contractor shall notify the County at least thirty (30) days prior to such disposal, and if the County objects, shall not dispose of the records.

35. ASSIGNMENT

The Contractor shall not assign, transfer, convey, sublet, or otherwise dispose of any award, or any or all of its rights, obligations, or interests under this Contract, without the prior written consent of the County.

36. AMENDMENTS

Unless otherwise specified herein, this Contract shall not be amended except by written amendment executed by persons duly authorized to bind the Contractor and the County.

37. ARLINGTON COUNTY PURCHASING RESOLUTION AND COUNTY POLICIES

Notwithstanding any provision to the contrary herein, no provision of the Arlington County Purchasing Resolution or any applicable County policy is waived in whole or in part.

38. DISPUTE RESOLUTION

All disputes arising under this Agreement, or its interpretation, whether involving law or fact, extra work or extra compensation or time, and all claims for alleged breach of Contract shall be submitted in writing to the Project Officer for decision at the time of the occurrence or beginning of the work upon which the claim is based, whichever occurs first. Any such claims shall state the facts surrounding it in sufficient detail to identify it together with its character and scope. In accordance with the Arlington County Purchasing Resolution, claims denied by the Project Officer may be submitted to the County Manager in writing no later than sixty (60) days after final payment. The time limit for final written decision by the County Manager in the event of a contractual dispute, as that term is defined in the Arlington County Purchasing Resolution, is fifteen (15) days. Procedures for considering contractual claims, disputes, administrative appeals, and protests are contained in the Purchasing Resolution, which is incorporated herein by reference. A copy of the Arlington County Purchasing Resolution is available upon request from the Office of the Purchasing Agent. The Contractor shall not cause a delay in the Work pending a decision of the Project Officer, County Manager, County Board, or a court.

39. APPLICABLE LAW, FORUM, VENUE, AND JURISDICTION

This Contract and the work performed hereunder shall be governed in all respects by the laws of the Commonwealth of Virginia, and the jurisdiction, forum, and venue for any litigation with respect hereto shall be in the Circuit Court for Arlington County, Virginia, and in no other court. In performing its work under this Contract, the Contractor shall comply with applicable federal, state, and local laws, ordinances and regulations.

40. ARBITRATION

It is expressly agreed that nothing under the Contract shall be subject to arbitration, and that any references to arbitration are expressly deleted from the Contract.

41. NONEXCLUSIVITY OF REMEDIES

All remedies available to the County under this Contract are cumulative, and no such remedy shall be exclusive of any other remedy available to the County at law or in equity.

42. NO WAIVER

The failure of either party to exercise in any respect a right provided for in this Contract shall not be deemed to be a subsequent waiver of the same right or any other right.

43. SEVERABILITY

The sections, paragraphs, sentences, clauses and phrases of this Contract are severable, and if any phrase, clause, sentence, paragraph or section of this Contract shall be declared invalid by a court of competent jurisdiction, such invalidity shall not affect any of the remaining phrases, clauses, sentences, paragraphs and sections of this Contract.

44. NO WAIVER OF SOVEREIGN IMMUNITY

Notwithstanding any other provision of this Contract, nothing in this Contract or any action taken by the County pursuant to this Contract shall constitute or be construed as a waiver of either the sovereign or governmental immunity of the County. The parties intend for this provision to be read as broadly as possible.

45. SURVIVAL OF TERMS

In addition to the numbered section in this Agreement which specifically state that the term or paragraph survives the expiration of termination of this Contract, the following sections if included in this Contract also survive: INDEMNIFICATION; RELATION TO COUNTY; AUDIT; COPYRIGHT; INTELLECTUAL PROPERTY INDEMNIFICATION; WARRANTY; AND CONFIDENTIAL INFORMATION.

46. HEADINGS

The section headings in this Contract are inserted only for convenience and are not to be construed as part of this Contract or a limitation on the scope of the particular section to which the heading precedes.

47. AMBIGUITIES

Each party and its counsel have participated fully in the review and revision of this Agreement. Any rule of construction to the effect that ambiguities are to be resolved against the drafting party shall not apply in interpreting this Agreement. The language in this Agreement shall be interpreted as to its fair meaning and not strictly for or against any party.

48. NOTICES

Unless otherwise provided herein, all notices and other communications required by this Contract shall be deemed to have been given when made in writing and either (a) delivered in person, (b) delivered to an agent, such as an overnight or similar delivery service, or (c) deposited in the United States mail, postage prepaid, certified or registered, addressed as follows:

TO THE CONTRACTOR:

Municipal Emergency Services, Inc.
4611 Assembly Drive
Suite G
Lanham, Maryland 20706

TO THE COUNTY:

Captain C. Lowe, Project Officer
Arlington County Fire Department
2100 Clarendon Boulevard
Suite 400
Arlington, Virginia 22201

AND

Michael E. Bevis, Purchasing Agent
Arlington County, Virginia
2100 Clarendon Boulevard, Suite 500
Arlington, Virginia 22201

49. NON-DISCRIMINATION NOTICE

Arlington County does not discriminate against faith-based organizations.

50. [INTENTIONALLY LEFT BLANK]

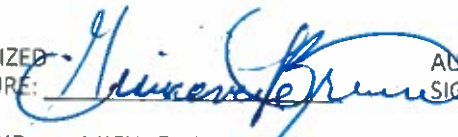
51. [INTENTIONALLY LEFT BLANK]

WITNESS these signatures:

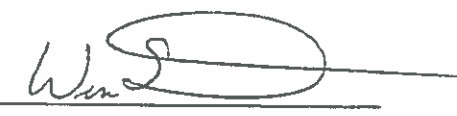
THE COUNTY BOARD OF ARLINGTON
COUNTY, VIRGINIA

MUNICIPAL EMERGENCY SERVICES, INC.

AUTHORIZED
SIGNATURE:



AUTHORIZED
SIGNATURE:



NAME AND
TITLE: MICHAEL E. BEVIS
PURCHASING AGENT

NAME AND
TITLE: William Dunn, Regional Vice President

DATE: 9/2/15

DATE: 9/2/15

2015 PRICE LIST

SCOTT SAFETY

Effective February 1st 2015
Prices are subject to change without notice.
(Modified July 1st 2015)



AIR SUPPLIED RESPIRATORS

■ Firefighting Self-Contained Breathing Apparatus	
Air-Pak 75 & Air-Pak X3 SCBA Configurator	3
EZ-Scape Integrated Self Rescue Belts	5
■ Non-Fire SCBA	
Air-Pak 75i SCBA	7
ISCBA SCBA	8 - 10
ACSi SCBA	11 - 13
Swat-Pak SCBA	14
■ SCBA Accessories	
Cylinders and Valves	16
SCBA Accessories	17
■ Supplied Airline Respirators	
Ska-Pak AT Respirator Assemblies	18 - 20
Ska-Pak Plus Respirator Assemblies	22 - 24
Ska-Pak Respirator Assemblies	26 - 28
E-Z Airline Respirator Assemblies & Hoses	29 - 32
■ Portable Air Sources	
Rit-Pak III Emergency Air Supply	33
Carri-Air Portable Air Source	34
Mobile Air Cart	35
TRC-1 Air Cart	35
■ Escape Respirators	
ELSA Emergency Escape Breathing Device	36

ACCOUNTABILITY

■ Pass Devices	
Pak-Tracker Firefighter Locator	37
SEMS II System	38
■ Incident Command Solutions	
IMPERIUM	39
■ Thermal Imaging Cameras	
Eagle Attack Camera and Accessories	40 - 41
■ Communications	
EPIC 3 Communications System	42
Communications Ordering Matrix	43
E-Z Radiocom II Communications Device	44
Hazmat Radiocom Communications Device	44
Con-Space Link Communications Device	44

AIR PURIFYING RESPIRATORS

■ Full Facepiece Respirators	
AV-3000 HT Facepiece	45 - 47
AV-3000 Facepiece with SureSeal	48 - 51
AV-2000 Facepiece	52 - 54
Weld-O-Vista Facepiece	55 - 57
Promask 25 Facepiece	58 - 60
M110 CBRN Dual Facepiece	61
M120 CBRN Facepiece	62
■ Half-Mask Respirators	
Xcel Halfmask	63 - 64
■ Cartridges, Canisters and Filters	
Facepiece Adapters	65
742 Cartridges	66
40MM Cartridges & Canisters	67
■ Escape Respirators	
Speed-Evac Respirator Assemblies, Part & Accessories	68
■ Powered Air Purifying Respirators	
Proflow 3 PAPR & Accessories	69
C420 PAPR Parts & Accessories	70 - 71
■ Fit Testing Kits and Accessories	
Bitrex Qualitative Fit Test Kit	72

COMPRESSORS

■ Charge Stations	
Guardian and Revolvair Charge Stations	73
■ Compressors	
Simple Air & Hush Air Compressors	74
■ Mobile Compressor System	
Liberty I, Liberty II, & Liberty Slip-in Mobile Compressors	75
■ Storage & Racks	
Horizontal & Vertical	76

PORTABLE GAS DETECTION INSTRUMENTS

■ Multiple Gas Instruments	
Protégé Configurator	78
Protégé Multi-Gas Monitor	80 - 82
Protégé ZM Single-Gas Monitor	83
Protégé ZM Configurator	84

This price list is intended for use only by Scott Safety Authorized Distributors and their personnel and supersedes all previous price lists. Prices are subject to change without notice. Scott Safety Terms of Conditions are applicable to this document. Should a copy of the Terms and Conditions be needed, they can be obtained by contacting Scott Safety directly. © 2015 Scott Safety. SCOTT, the SCOTT SAFETY Logo, Scott Health and Safety, Air-Pak, NxG7, EZ-Scape, Air-Pak 50i, ISCBA, ACS, SWAT-PAK, E-Z Airline, Rit-Pak, Carri-Air, ELSA, Ska-Pak, Pak-Tracker, SEMS, Eagle Imager, Eagle Attack, E-Z Radiocom, Talk-Around, EPIC, AV-3000, AV-2000, Weld-O-Vista, Speed-Evac, Revolvair, and Protégé are registered and/or unregistered marks of Scott Technologies, Inc. or its affiliates.



AIR-PAK 75 & AIR-PAK X3 SCBA

BUILT-TO SPECIFICATION CONFIGURATOR
NFPA 1981 & 1982 APPROVED

SCBA Model	List Price	Harness	List Price	Pressure (psig)	List Price	SCBA Belt Type (select one number from both columns between the double lines)		List Price	Escape Rope / Anchorage Connector / Descender	List Price	Regulator	List Price	EBSS	List Price	Wireframe & Air-Pak 75 SCBA		Applicable options for all Air-Pak SCBA models					
						0	1								Airline Options	List Price	Console	List Price	Case	List Price	Packaging	List Price
1 Wireframe	\$3,500	Standard	N/C	2 2216	\$365	0	Standard	N/C	2 None (No FFSR)	N/C	1 Standard Hose	N/C	0 None	N/C	0 None	1 Gauge & HUD Only	\$1,360	0 None	N/C	1 1 SCBA per box	N/C	
2 Air-Pak 75	\$3,500	Spring clip	N/C	4 4500	\$320	A	EZ-Scape I Rescue Belt	\$485	A 50' webbing / Crosby hook / Fire AL2 descender	\$350	2 Quick Connect Hose	\$310	2 Dual	\$620	1 Hansen	\$325	2 PASS	\$2,250	1 Hard Plastic	\$145	2 2 SCBA per box	-\$25
3 Air-Pak X3 with CGA	\$3,900			5 5500	\$715	B	EZ-Scape II, small	\$725	B 75' webbing / Crosby hook / Fire AL2 descender	\$480					2 Schrader	\$325	3 Pak-Tracker Locator	\$2,490	2 Soft Canvas	\$145		
4 Air-Pak X3 with Snap-Change	\$3,900					C	EZ-Scape II, medium	\$725	E 50' T-Safe rope / Crosby hook / F4 descender	\$530					3 Hansen HK	\$325	4 SEMS II System	\$2,910				
						D	EZ-Scape II, large	\$725							4 Foster	\$325						

1. Part Number:

Select a one or two digit number per box from the chart above that corresponds to your choice

X3	X	X	X	X	X	X	X	X	X	0	X	X	X
----	---	---	---	---	---	---	---	---	---	---	---	---	---

- ① Wireframe requires the use of the spring clip harness
- ② EZ-Scape I/II available on AP75 and Wireframe SCBA only
- ③ Airline option not available on Air-Pak X3 SCBA or when dual EBSS is installed on Air-Pak 75 and Wireframe SCBA
- ④ When ordering a case (soft or hard plastic) with any Air-Pak SCBA, you must choose one per box

2. Price:

Select the price that corresponds to the number selected above

X3	\$X	\$X	\$X	\$X	\$X	\$X	\$X	\$X	\$X	\$0	\$X	\$X	\$X
----	-----	-----	-----	-----	-----	-----	-----	-----	-----	-----	-----	-----	-----

Example

Air-Pak X3 SCBA Model;
with standard harness;
for 5500 psig cylinder;
with E-Z Flo+ regulator
with QC;
with dual EBSS;
including integrated PASS
with Pak Tracker;
shipped one per box

X3	3	1	5	0	2	2	2	0	0	3	0	1
	\$3,900	\$0	\$715	\$0	\$0	\$310	\$620	\$0		\$2,490	\$0	\$0

Total: Add up all costs

\$8,035

This price configurator is a guide to Scott's Air-Pak SCBA part numbers.

NOTES

EZ-SCAPE

INTEGRATED SELF-RESCUE BELTS

EZ-Scape I Integrated Self-Rescue Belt

<i>Air-Pak SCBA Backframe</i>			
<i>Aluminum</i>	<i>Wireframe</i>		
<i>Part number</i>	<i>Part number</i>	<i>Description</i>	<i>List Price</i>
200861-101	200861-201	EZ-Scape I, One Size Fits All, 50' Kevlar Webbing, Crosby Hook, AL Descent Device	\$1,215.00
200861-102	200861-202	EZ-Scape I, One Size Fits All, 75' Kevlar Webbing, Crosby Hook, AL Descent Device	\$1,305.00

EZ-Scape II Integrated Self-Rescue Belt

<i>Air-Pak SCBA Backframe</i>			
<i>Aluminum</i>	<i>Wireframe</i>		
<i>Part number</i>	<i>Part number</i>	<i>Description</i>	<i>List Price</i>
200918-111	200918-211	EZ-Scape II, Small, 50' T-Safe Rope, Crosby Hook, F4 Descender	\$1,575.00
200918-121	200918-221	EZ-Scape II, Medium, 50' T-Safe Rope, Crosby Hook, F4 Descender	\$1,575.00
200918-131	200918-231	EZ-Scape II, Large, 50' T-Safe Rope, Crosby Hook, F4 Descender	\$1,575.00

Accessories for EZ-Scape II Integrated Self-Rescue Belt

*200904-01	Re-packing Jig for 50' rope	\$41.00
200859-E	EZ-Scape Waist Belt Extension, 12"	\$87.00

* A single jig can be used to re-pack many EZ-Scape belts

AIR-PAK 2.2/3.0/4.5 SCBA

(NIOSH 42 CFR CERTIFIED)



Air-Pak 4.5

Padded Harness • Voice Amplifier • AV-3000 Facepiece • E-Z Flo + Regulator (includes cylinder)

Part Number	Duration	Price
804861-3707	30 Minute	\$7,450.00
804861-3807	45 Minute	\$7,820.00
804861-3710	30 Minute	\$7,840.00
804861-3810	45 Minute	\$8,210.00

Note: Refer to page 16 for Cylinder ordering information. Refer to pages 48 - 62 for facepieces ordering information.

AIR-PAK 75i SCBA

BUILT-TO SPECIFICATION CONFIGURATOR
NIOSH 42 CFR CERTIFIED



SCBA Model	List Price	Harness	List Price	Pressure (psig)	List Price	Cylinder	List Price	Regulator	List Price	EBSS	List Price	Airline Options ②	List Price	Facepiece	List Price	Console	List Price	Case	List Price	Packaging	List Price
4 Air-Pak 75i SCBA	\$2,250	5 Kevlar®/Parachute Buckle	N/C	2 2216	N/C	00 None	N/C	1 E-Z Flo with Vibralert	N/C	0 None	N/C	0 None	N/C	0 None	N/C	1 Gauge	N/C	0 None	N/C	1 One Per Box	N/C
				4 4500	\$320			2 E-Z Flo with Vibralert Quick Connect	\$170	2 Dual	\$620	1 Hansen	\$325	1 AV-2000, Kevlar® (CS)	\$330			1 Hard Case	\$145		
				5 2216 with RIC/UAC	\$310							2 Schrader	\$325	2 AV-3000, Kevlar® (M)	\$340			2 Soft Case	\$145		
				7 4500 with RIC/UAC	\$640							4 Hansen HK Plug	\$325	3 AV-3000 SureSeal Kevlar® (M)	\$321						
				8 5500	\$715							5 Hansen HK Socket	\$325								
				9 5500 with RIC/UAC	\$1,045																

1. Part Number:

Select a one or two digit number per box from the chart above that corresponds to your choice

APi	4	5	X	00	X	X	X	X	1	X	1
-----	---	---	---	----	---	---	---	---	---	---	---

① Order cylinders separately

② Airline options not available when dual EBSS is installed on Air-Pak 75i SCBA

2. Price:

Select the price that corresponds to the number selected above

APi	\$X	\$X	\$X	\$0	\$X	\$X	\$X	\$X	\$X	\$X	\$X
-----	-----	-----	-----	-----	-----	-----	-----	-----	-----	-----	-----

Example
Air-Pak 75i SCBA Model;
Kevlar®/Parachute Buckle;
for 2216 psig cylinder; (no cylinder)
with E-Z Flo with Vibralert regulator
no EBSS
with Hansen Airline
No Facepiece
standard gauge
with hard plastic case
shipped one per box

APi	4	5	2	00	1	0	1	0	1	1	1
	\$2,250	\$0	\$0		\$0	\$0	\$325	\$0	\$0	\$145	\$0

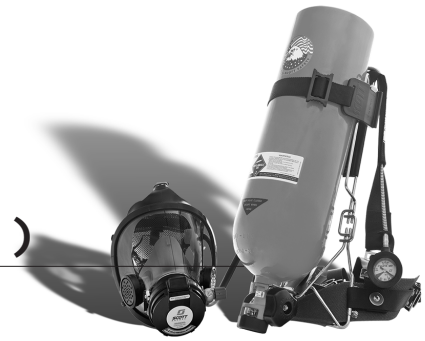
Total: Add up all costs

\$2,720

This price configurator is a guide to Scott's Air-Pak 75i SCBA part numbers.

INDUSTRIAL SCBA (ISCBA)

ASSEMBLIES & ACCESSORIES
(NIOSH 42 CFR CERTIFIED)



Select part numbers from this product line are part of the Scott Fast Trax Program. Contact your Regional Manager or Scott Customer Service for more details.

SCBA Model	List Price	Harness	List Price	Pressure (psig)	List Price	Cylinder	List Price	Regulator	List Price	Manifold ①	List Price	Airline Options	List Price	Facepiece ②	List Price	Console	List Price	Case	List Price	Packaging	List Price
1 ISCBA SCBA	\$1,230	1 Nylon/Polymer Buckle	N/C	2 2216	N/C	00 None	N/C	3 EZ-Flo standard	N/C	1 Single	N/C	0 None	N/C	0 None	\$-	1 Gauge	N/C	0 None	N/C	1 One Per Box	N/C
		4 Kevlar®/Metal Buckle	\$140	4 4500	\$320	01 2216psi Aluminum, 30 min.	\$640	4 EZ-Flo Modulair	\$65	2 Dual	\$120	1 Hansen	\$325	1 AV-2000, Kevlar® (CS)	\$330			1 Hard Case	\$145		
						02 2216psi Carbon, 30 min.	\$1,130					2 Schrader	\$325	2 AV-3000, Kevlar® (M)	\$340			2 Soft Case	\$145		
						04 4500psi Carbon, 30 min	\$1,080					3 Cejn	\$325	3 AV-3000 SureSeal, Kevlar® (M)	\$321						
						05 4500psi Carbon, 45 min	\$1,380					4 Hansen HK Plug	\$325	4 AV-2000 (CS) Poly	\$247						
						06 4500psi Carbon, 60 min	\$1,550					5 Hansen HK Socket	\$325	5 AV-3000 (M) Poly	\$255						
						Drained								6 AV-3000 SureSeal (M) Poly	\$240						
						AA 2216psi Aluminum, 30 min.	\$640							7 AV-2000 (CS) Rubber	\$247						
						BB 2216psi Carbon, 30 min.	\$1,130							8 AV-3000 (M) Rubber	\$255						
						DD 4500psi Carbon, 30 min	\$1,080							9 AV-3000 SureSeal (M) Rubber	\$240						
						EE 4500psi Carbon, 45 min	\$1,380														
						FF 4500psi Carbon, 60 min	\$1,550														

1. Part Number:

Select a one or two digit number per box from the chart above that corresponds to your choice

IND	1	X	X	XX	X	X	X	X	X	1	X	1
-----	---	---	---	----	---	---	---	---	---	---	---	---

① Airline options require a Dual Manifold

② If you prefer an alternate Facepiece style, headharness, or size, choose "none" and order an approved Facepiece as a separate line item (see pages 48 - 62 for selection)

2. Price:

Select the price that corresponds to the number selected above

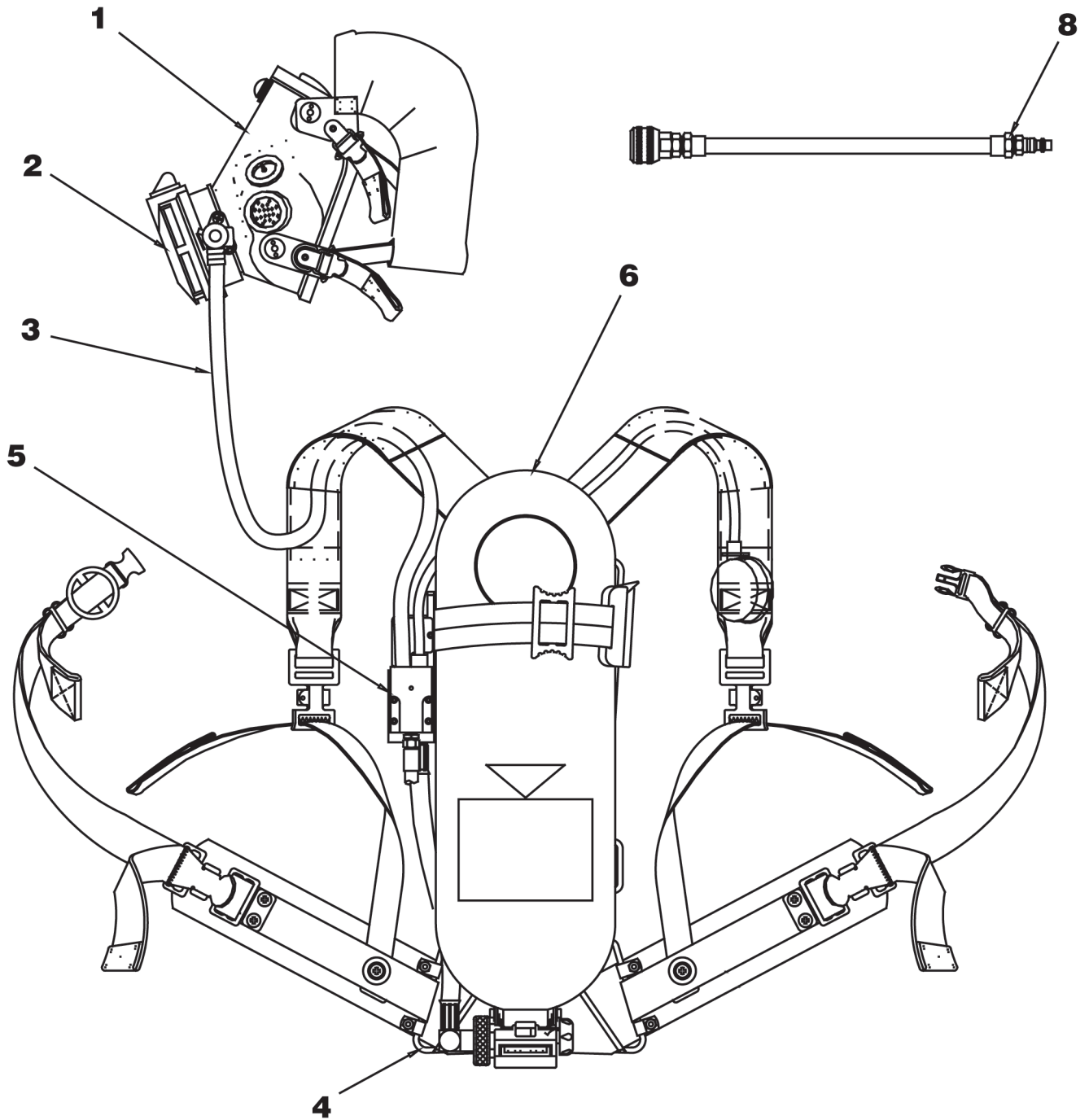
IND	\$X	\$X	\$X	\$X	\$X	\$X	\$X	\$X	\$X	\$X	\$X	\$X
-----	-----	-----	-----	-----	-----	-----	-----	-----	-----	-----	-----	-----

Example

ISCBA SCBA Model;
Nylon/Polymer Buckle;
for 2216 psig cylinder;
2216psi 30min AL
cylinder;
with E-Z Flo regulator;
Dual Manifold;
Hansen Airline;
"AV2000 Kevlar®" (CS)
standard gauge
No case;
shipped one per box

IND	1	1	2	01	3	2	1	1	1	0	1	Total: Add up all costs \$2,645
	\$1,230	\$0	\$0	\$640	\$0	\$120	\$325	\$330	\$0	\$0	\$0	

This price configurator is a guide to Scott's ISCBA SCBA part numbers.



SCOTT SAFETY

Industrial SCBA Parts & Accessories

Item Number	Description	Pieces Per Pkg	Part Number	Price
1	FACEPIECES			
1a	AV-3000 Facepiece	See Page 48		
1b	AV-2000 Facepiece	See Page 52		
2	REGULATOR			
2a	E-Z Flo	1	804441-04	\$512.00
2b	E-Z Flo with Modulair Quick Connect	1	804441-05	\$528.00
3	Quick Connect Low Pressure Hose Assembly	1	804678-01	\$164.00
4	BACKFRAME AND HARNESSSES			
4a	Kevlar with Metal Buckles	1	804621-02	\$759.00
4b	Nylon with Plastic Buckles	1	804621-03	\$636.00
5	PRESSURE REDUCERS			
5a	2216 psig, Single Port	1	804619-01	\$994.00
5b	2216 psig, Dual Port	1	804619-02	\$1,097.00
5e	4500 psig, Single Port	1	804642-01	\$1,076.00
5f	4500 psig, Dual Port	1	804642-02	\$1,189.00
6	CYLINDER AND VALVE ASSEMBLIES			
6a	Aluminum, 30-Minute, 2216 psig	1	804101-01	\$640.00
6b	Carbon, 30-Minute, 2216 psig	1	804840-01	\$1,140.00
6c	Carbon, 30-Minute, 4500 psig	1	804721-01	\$1,080.00
6d	Carbon, 45-Minute, 4500 psig	1	804722-01	\$1,380.00
6e	Carbon, 60-Minute, 4500 psig	1	804723-01	\$1,550.00
7	AIRLINE HOSE AND FITTINGS (Not shown)			
7a	Airline Accessory Hose, Hansen Fitting	1	27537-01	\$328.00
7b	Airline Accessory Hose, Schrader Fitting	1	27537-02	\$328.00
7c	Airline Accessory Hose, Hansen HK Fitting	1	27537-03	\$328.00
8	SUPPLY HOSES	See Page 31		
Not shown	Hard Carrying Case, Air-Pak Fifty / Swat-Pak / ISCBA	1	804497-01	\$330.00
Not shown	Soft Carrying Case, Air-Pak Fifty / Swat-Pak / ISCBA	1	10009324	\$157.00



ACSi SCBA

BUILT-TO SPECIFICATION CONFIGURATOR
NIOSH 42 CFR CERTIFIED

SCBA Model	List Price	Harness	List Price	Pressure (psig)	List Price	Cylinder	List Price	Regulator	List Price	Manifold	List Price	Extended Duration Airline	List Price	Facepiece	List Price	Console	List Price	Case	List Price	Packaging	List Price
3 ACSI SCBA	\$930	A ACSI Standard	\$-	2 2216	\$-	00 None	\$-	3 EZ-Flo standard	\$-	0 Standard	\$-	0 None	\$-	0 None	\$-	1 Gauge	\$-	0 None	\$-	1 One Per Box	\$-
				4 4500	\$320	01 2216psi Aluminum, 30 min.	\$640	4 EZ-Flo Modulair	\$65			1 Hansen	\$325	1 AV-2000, Kevlar® (CS)	\$330			1 Hard Case	\$145		
						02 2216psi Carbon, 30 min.	\$1,130					2 Schrader	\$325	2 AV-3000, Kevlar® (M)	\$340			2 Soft Case	\$145		
						04 4500psi Carbon, 30 min	\$1,080					3 Hansen HK Plug	\$325	3 AV-3000 SureSeal Kevlar® (M)	\$321						
						05 4500psi Carbon, 45 min	\$1,380					4 Cejn	\$325	4 AV-2000 (CS) Poly	\$247						
						06 4500psi Carbon, 60 min	\$1,550					5 Hansen HK Socket	\$325	5 AV-3000 (M) Poly	\$255						
						Drained								6 AV-3000 SureSeal (M) Poly	\$240						
						AA 2216psi Aluminum, 30 min.	\$640							7 AV-2000 (CS) Rubber	\$247						
						BB 2216psi Carbon, 30 min.	\$1,130							8 AV-3000 (M) Rubber	\$255						
						DD 4500psi Carbon, 30 min	\$1,080							9 AV-3000 SureSeal (M) Rubber	\$240						
						EE 4500psi Carbon, 45 min	\$1,380														
						FF 4500psi Carbon, 60 min	\$1,550														
						* NOTE selecting a cylinder with ACSI SCBA will ship a cylinder with the unique ACS designated valve assembly															

1. Part Number:

Select a one or two digit number per box from the chart above that corresponds to your choice

ACS	3	A	X	XX	X	0	X	X	1	X	1
-----	---	---	---	----	---	---	---	---	---	---	---

2. Price:

Select the price that corresponds to the number selected above

ACS	\$X	\$X	\$X	\$X	\$X	\$X	\$X	\$X	\$X	\$X	\$X
-----	-----	-----	-----	-----	-----	-----	-----	-----	-----	-----	-----

Example

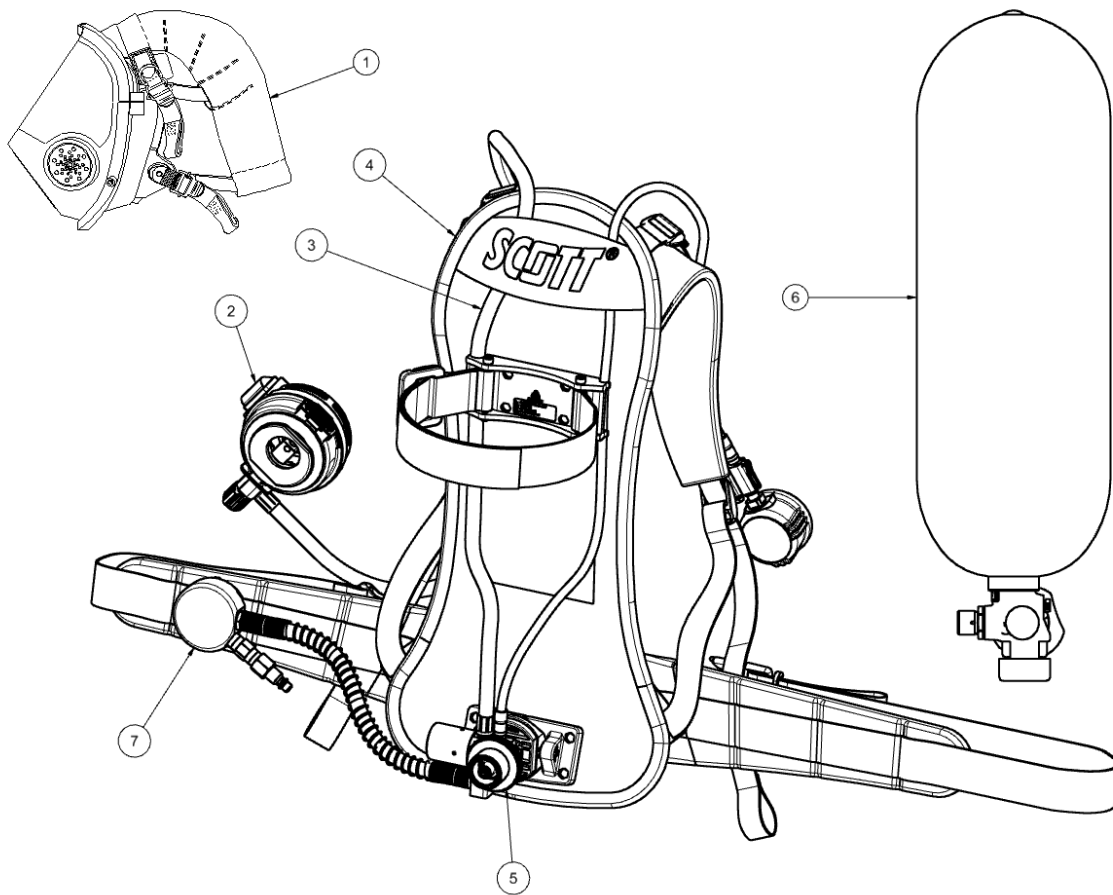
ACSi SCBA Model;
Standard Harness, 2.2, with 2216psi Aluminum cylinder, E-Z Flo Regulator, No Airline, AV-2000 Facepiece with Rubber Head Harness, standard gauge, No Case, shipped one per box

ACS	3	A	2	01	3	0	0	7	1	0	1
	\$930	\$0	\$0	\$640	\$0	\$0	\$0	\$247	\$0	\$0	\$0

Total: Add up all costs

\$1,817

This price configurator is a guide to Scott's ACSI SCBA part numbers.



ACSi SCBA Parts & Accessories

Item Number	Description	Pieces Per Pkg	Part Number	Price
1	FACEPIECES			
1a	AV-3000 Facepiece	See Page 48		
1b	AV-2000 Facepiece	See Page 52		
2	REGULATOR			
2a	E-Z Flo Regulator	1	804441-06	\$513.00
2b	E-Z Flo with Modulair Quick Connect	1	804441-05	\$528.00
3	Quick Connect Low Pressure Hose Assembly	1	200867-01	\$164.00
4	BACKFRAME AND HARNESES			
4a	ACS (Advanced Carrying System) Standard Backframe/ Harness Assembly	1	200877-01	\$388.00
5	PRESSURE REDUCERS			
5a	2.2 Pressure Reducer Assembly	1	2019231	\$513.00
5b	4.5 Pressure Reducer Assembly	1	2019232	\$605.00
6	ACS CYLINDER AND VALVE ASSEMBLIES (with ACS valve)			
6a	Aluminum, 30-Minute, 2216 psig	1	200874-01	\$636.00
6b	Carbon, 30-Minute, 2216 psig	1	200873-01	\$1,131.00
6c	Carbon, 30-Minute, 4500 psig	1	200870-01	\$1,010.00
6d	Carbon, 45-Minute, 4500 psig	1	200871-01	\$1,384.00
6e	Carbon, 60-Minute, 4500 psig	1	200872-01	\$1,545.00
7	Extended Duration Airline Assembly (Not shown)			
7a	Airline Accessory Hose, Hansen Fitting	1	200879-01	\$436.00
7b	Airline Accessory Hose, Schrader Fitting	1	200879-02	\$436.00
7c	Airline Accessory Hose, Hansen HK Fitting	1	200879-03	\$436.00
7d	Airline Accessory Hose, CEJN Fitting	1	200879-05	\$436.00
8	SUPPLY HOSES	See Page 31		

SWAT-PAK

TACTICAL SCBA (NIOSH 42 CFR CERTIFIED)

4.5 SWAT-Pak SCBA, featuring the E-Z Flo Regulator with Vibralert includes: Black Kevlar Harness and QD on regulator

Part Number	EBSS w/ 6'Hose	Quick Charge	Soft Case	Price
805454-60			●	\$3,935.00

2.2 SWAT-Pak SCBA First Responder Edition*, Black Kevlar Harness, Quick Connect E-Z Flo Plus CBRN Regulator, Heads-Up Display, and RIC/UAC. NIOSH CBRN SCBA performance compliant.

Part Number	EBSS w/ 6'Hose	Dual EBSS	Soft Case	Price
805454-413			●	\$4,820.00

4.5 SWAT-Pak SCBA First Responder Edition*, Black Kevlar Harness, Quick Connect E-Z Flo Plus CBRN Regulator, Heads-Up Display, and RIC/UAC. NIOSH CBRN SCBA performance compliant.

Part Number	EBSS w/ 6'Hose	Dual EBSS	Soft Case	Price
805454-416			●	\$5,088.00
805454-417	●		●	\$5,737.00
805454-418		●	●	\$5,737.00

* Note: First Responder Edition includes the HUD but does not include the Vibralert for stealth operations.

* Note: For cylinder ordering information refer to page 16.

* Note: The SWAT-Pak is no longer offered with the AV-2000 and SWAT Hood . An approved facepiece may be ordered separately (see pages 48-62 for selection).

NOTES

CYLINDER & VALVE

30,45,60&75 MINUTE ASSEMBLIES

2216 psig 30 Minute Cylinder & Valve Assemblies

Part Number	Aluminum	Carbon	Cylinder Valve	Price
804101-01	●		●	\$640.00
804840-01		●	●	\$1,140.00
200131-01*		●	●	\$1,140.00
10010063**		●		\$933.00

4500 psig, 30 Minute Cylinder & Valve Assemblies

Part Number	Carbon	ST7	Cylinder Valve	Price
804721-01	●		●	\$1,080.00
200128-01*	●		●	\$1,080.00
10009671**	●			\$861.00
804721-11	●	●	●	\$1,180.00
200128-11*	●	●	●	\$1,180.00
804721-35***	●		●	\$1,400.00
200128-35***	●		●	\$1,400.00

4500 psig, 45 Minute Cylinder & Valve Assemblies

Part Number	Carbon	ST7	Cylinder Valve	Price
804722-01	●		●	\$1,380.00
200129-01*	●		●	\$1,380.00
10009673**	●			\$1,230.00
804722-11	●	●	●	\$1,480.00
200129-11*	●	●	●	\$1,480.00
804722-35***	●		●	\$1,770.00
200129-35***	●		●	\$1,770.00

4500 psig, 60 Minute Cylinder & Valve Assemblies

Part Number	Carbon	ST7	Cylinder Valve	Price
804723-01	●		●	\$1,550.00
200130-01*	●		●	\$1,550.00
10009672**	●			\$1,415.00
804723-11	●	●	●	\$1,650.00
200130-11*	●	●	●	\$1,650.00
804723-35***	●		●	\$2,120.00
200130-35***	●		●	\$2,120.00

5500psig, 30 Minute, Cylinder & Valve Assemblies

Part Number	Carbon	ST7	Cylinder Valve	Price
200930-01	●		●	\$1,200.00
200967-01*	●		●	\$1,200.00
31002299**	●			\$953.00

5500psig, 45 Minute, Cylinder & Valve Assemblies

Part Number	Carbon	ST7	Cylinder Valve	Price
200969-01	●		●	\$1,520.00
200970-01*	●		●	\$1,520.00
31002300**	●			\$1,353.00

5500psig, 60 Minute, Cylinder & Valve Assemblies

Part Number	Carbon	ST7	Cylinder Valve	Price
200972-01	●		●	\$1,700.00
200973-01*	●		●	\$1,700.00
31002301**	●			\$1,548.00

5500psig, 75 Minute, Cylinder & Valve Assemblies

Part Number	Carbon	ST7	Cylinder Valve	Price
200975-01	●		●	\$1,880.00
200976-01*	●		●	\$1,880.00
31002302**	●			\$1,661.00

* Cylinder and Valve Assembly for NxG series or X3 Snap-Change SCBA only

** Standard Carbon Cylinder (less valve)

*** 30-Year Cylinder And Valve Assembly

Air-Pak (SCBA) Accessories

Part Number	Description	Price
805511-01	Chest Strap	\$34.00
805511-02*	Chest Strap w/ Snap	\$45.00
200112-01	Extended Duration Adapter Assy, Hansen	\$311.00
200112-02	Extended Duration Adapter Assy, Foster	\$311.00
200112-03	Extended Duration Adapter Assy, Hansen HK	\$311.00
200112-04	Extended Duration Adapter Assy, Schrader	\$311.00
200388-01**	Tool Adapter, Snap Change	\$486.00
803620-03***	Pass Thru Assembly, Hansen	\$370.00
803620-04***	Pass Thru Assembly, Schrader	\$370.00

* Recommended for use with the Air-Pak X3 SCBA

** Accommodates 2.2, 4.5, and 5.5 Snap-Change Cylinders

*** For use with Dual EBSS in an encapsulated protective suit

SKA-PAK AT SUPPLIED AIR RESPIRATOR ASSEMBLIES



Select part numbers from this product line are part of the Scott Fast Trax Program. Contact your Regional Manager or Scott Customer Service for more details.

SAR Model	List Price	Entry/Egress	List Price	Pressure (psig)	List Price	Cylinder	List Price	Harness	List Price	Regulator	List Price	Airline	List Price	Facepiece ①	List Price	Case ②	List Price	Packaging	List Price
4 Ska-Pak AT SAR	\$1,280	2 Entry/Egress	N/C	2 2216	N/C	00 None	N/C	3 Nylon	\$170	3 E-Z Flo Vibralert	N/C	1 Hansen	\$110	0 None	\$-	0 None	N/C	1 One Per Box	N/C
				3 3000	N/C	01 2216/Aluminum/3min	\$420	4 Kevlar*	\$295	4 E-Z Flo Vibralert QD	\$170	2 Schrader	\$115	1 AV-2000, Kevlar® (CS)	\$330				
				4 4500	N/C	02 3000/Carbon/5min	\$500	5 FBH (Small)	\$540			3 Cejn	\$195	2 AV-3000, Kevlar® (M)	\$340				
						03 3000/Carbon/10min	\$585	6 FBH (Medium)	\$540			4 Hansen HK Plug	\$205	3 AV-3000 SureSeal, Kevlar® (M)	\$321				
						04 3000/HW/15min	\$515	7 FBH (Large)	\$540			5 Hansen HK Socket	\$205	4 AV-2000 (CS) Poly	\$240				
						05 4500/HW/10min	\$645							5 AV-3000 (M) Poly	\$255				
						06 4500/Carbon/15min	\$730							6 AV-3000 SureSeal (M) Poly	\$240				
						Drained								7 AV-2000 (CS) Rubber	\$240				
						AA 2216/Aluminum/3min	\$420							8 AV-3000 (M) Rubber	\$255				
						BB 3000/Carbon/5min	\$500							9 AV-3000 SureSeal (M) Rubber	\$240				
						CC 3000/Carbon/10min	\$585												
						DD 3000/HW/15min	\$515												
						EE 4500/HW/10min	\$645												
						FF 4500/Carbon/15min	\$730												

1. Part Number:
Select a one or two digit number per box from the chart above that corresponds to your choice

SAR	4	2	X	XX	0	X	X	X	X	X	1
-----	---	---	---	----	---	---	---	---	---	---	---

① If you prefer an alternate Facepiece style, headharness, or size, choose "none" and order an approved Facepiece as a separate line item (see pages 48 - 62 for selection)
② Cases are not compatible with select Ska-Pak AT configurations and Ska-Pak AT with FBH styles. Please choose "none" for case option and order case separately as required noting that fit on all configurations cannot be guaranteed.

2. Price:
Select the price that corresponds to the number selected above

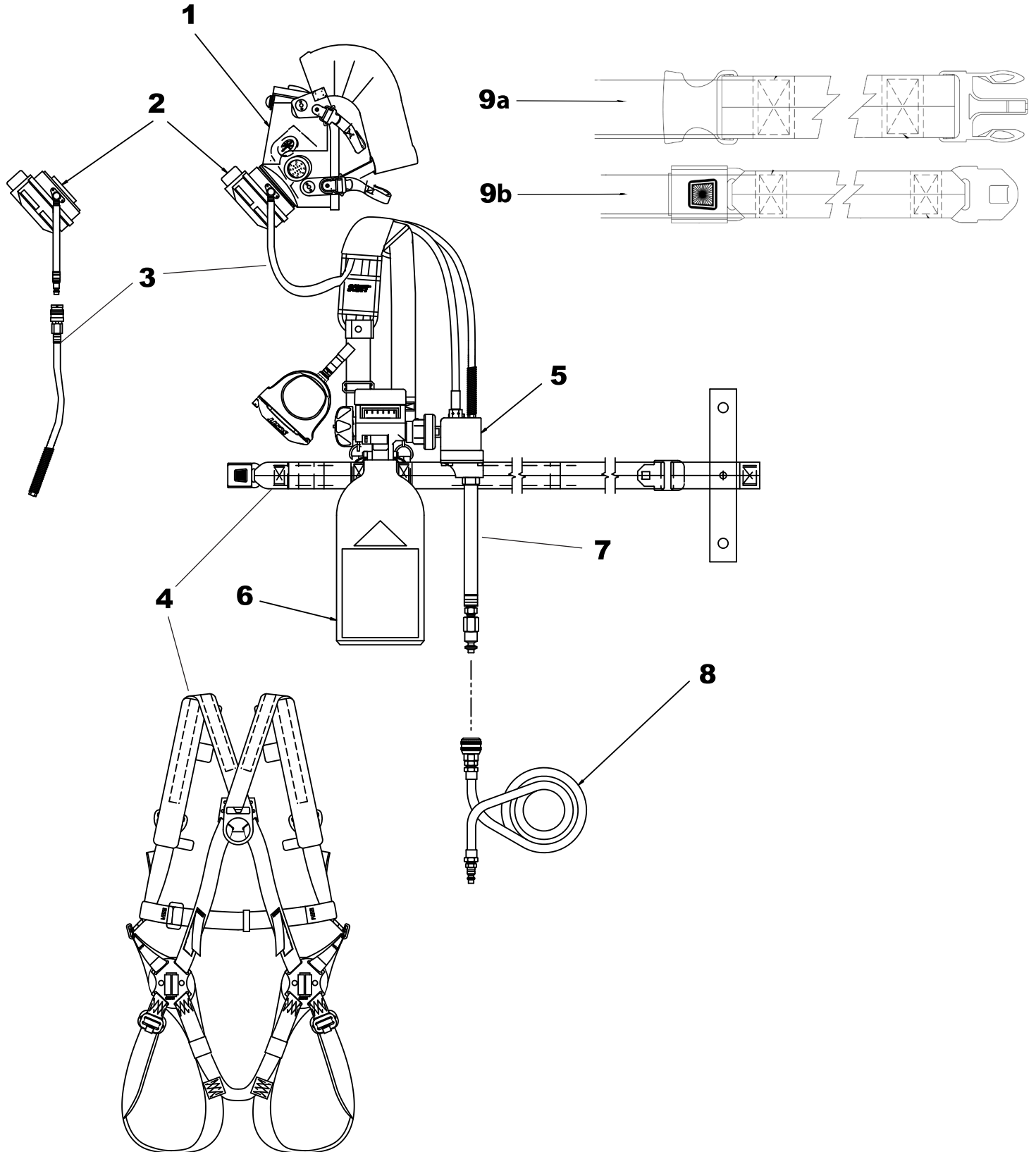
SAR	\$X	\$X	\$X	\$X		\$X	\$X	\$X	\$X	\$X	\$X
-----	-----	-----	-----	-----	--	-----	-----	-----	-----	-----	-----

Example
Ska-Pak AT SAR Model;
for Entry/Egress
for 4500 psig cylinder;
4500psig 15min Carbon
cylinder;
Kevlar® Harness
with E-Z Flo Vibralert
regulator;
Hansen Airline;
"AV2000 Kevlar™" (CS)
No case;
shipped one per box

SAR	4	2	4	06	0	4	3	1	1	0	1	Total: Add up all costs
	\$1,280	\$0	\$0	\$730		\$295	\$0	\$110	\$330	\$0	\$0	

This price configurator is a guide to Scott's Ska-Pak AT Supplied Air Respirator part numbers.

Ska-Pak AT Respirator



Ska-Pak AT Facepiece Part & Accessories

Item Number	Description	Pieces Per Pkg	Part Number	Price
1	FACEPIECE			
1a	AV-3000 Facepiece	See Page 48		
1b	AV-2000 Facepiece	See Page 52		
2	REGULATOR			
2a	E-Z Flo	1	804370-09	\$910.00
2b	E-Z Flo with Quick Connect	1	804370-02	\$947.00
3	Quick Connect Hose Assembly	1	804694-05	\$195.00
4	HARNESSES			
4a	Nylon	1	804982-01	\$245.00
4b	Kevlar	1	804981-01	\$430.00
4c*	Full Body Harness (Fall Protection)	1	805061-04	\$715.00
5	PRESSURE REDUCERS			
5a	2216/3000, Entry/Egress	1	200031-03	\$574.00
5b	4500 psig, Entry/Egress	1	200031-04	\$574.00
6	CYLINDER AND VALVE ASSEMBLIES			
6a	2216 psi, Aluminum, 3-minute	1	805031-01	\$460.00
6b	3000 psi, Carbon, 5-minute	1	805947-02	\$565.00
6c	3000 psi, Carbon, 10-minute	1	805948-02	\$635.00
6d	3000 psi, Hoop-wrap, 15-minute	1	804961-02	\$530.00
6e	4500 psi, Hoop-wrap, 10-minute	1	805032-01	\$675.00
6f	4500 psi, Carbon, 15-minute	1	200779-01	\$780.00
7	AIRLINE HOSE AND FITTINGS			
7a	Airline Hose with Hansen/Foster Fitting	1	804305-01	\$114.00
7b	Airline Hose with Schrader Fitting	1	804305-02	\$114.00
7c	Airline Hose with Hansen HK Fitting Plug	1	804305-03	\$205.00
8	AIRLINE SUPPLY HOSES	See Page 31		
9	WAIST EXTENSION BELTS			
9a	Kevlar Extension Belt, 1.5 Inches Wide	1	805088-01	\$32.00
9b	Nylon Extension Belt, 2 Inches Wide	1	805088-02	\$30.00
10	ACCESSORIES			
10a*	Ska-Pak Series Hard Case	1	803278-01	\$195.00

NOTE:

* All full body harnesses (FBH) are size medium unless otherwise specified.

* Cases are not compatible with select FBH styles

NOTES

SCOTT SAFETY

SKA-PAK PLUS

SUPPLIED AIR RESPIRATOR ASSEMBLIES



Select part numbers from this product line are part of the Scott Fast Trax Program. Contact your Regional Manager or Scott Customer Service for more details.

SAR Model	List Price	Entry/Egress ①	List Price	Pressure (psig)	List Price	Cylinder	List Price	Harness	List Price	Regulator	List Price	Airline	List Price	Facepiece ②	List Price	Case ③	List Price	Packaging	List Price
3 Ska-Pak Plus SAR	\$650	2 Entry/Egress	N/C	2 2216	N/C	00 None	N/C	3 Nylon	\$170	1 E-Z Flo	N/C	0 None	N/C	0 None	\$-	0 None	1 One Per Box	N/C	
		3 Egress Only	N/C	3 3000	N/C	01 2216/Aluminum/5min	\$420	4 Kevlar*	\$295	2 E-Z Flo Modulair	\$65	1 Hansen	\$110	1 AV-2000, Kevlar® (CS)	\$330	1 Hard Case	\$195		
				4 4500	N/C	02 3000/Carbon/5min	\$500	5 FBH (Small)	\$540			2 Schrader	\$115	2 AV-3000, Kevlar® (M)	\$340				
						03 3000/Carbon/10min	\$585	6 FBH (Medium)	\$540			3 Cejn	\$195	3 AV-3000 SureSeal, Kevlar® (M)	\$321				
						04 3000/HW/15min	\$515	7 FBH (Large)	\$540			4 Hansen HK Plug	\$205	4 AV-2000 (CS) Poly	\$240				
						05 4500/HW/10min	\$645					5 Hansen HK Socket	\$205	5 AV-3000 (M) Poly	\$255				
						06 4500/Carbon/15min	\$730							6 AV-3000 SureSeal (M) Poly	\$240				
						Drained								7 AV-2000 (CS) Rubber	\$240				
						AA 2216/Aluminum/5min	\$420							8 AV-3000 (M) Rubber	\$255				
						BB 3000/Carbon/5min	\$500							9 AV-3000 SureSeal (M) Rubber	\$240				
						CC 3000/Carbon/10min	\$585												
						DD 3000/HW/15min	\$515												
						EE 4500/HW/10min	\$645												
						FF 4500/Carbon/15min	\$730												

1. Part Number:

Select a one or two digit number per box from the chart above that corresponds to your choice

SAR	3	X	X	XX	0	X	X	X	X	X	1
-----	---	---	---	----	---	---	---	---	---	---	---

① Must select Entry/Egress to select an Airline option

② If you prefer an alternate Facepiece style, headharness, or size, choose "none" and order an approved Facepiece as a separate line item (see pages 48 - 62 for selection)

③ Cases are not compatible with select FBH styles, if selecting a FBH, please choose "none" for case option.

2. Price:

Select the price that corresponds to the number selected above

SAR	\$X	\$X	\$X	\$X		\$X	\$X	\$X	\$X	\$X	\$X
-----	-----	-----	-----	-----	--	-----	-----	-----	-----	-----	-----

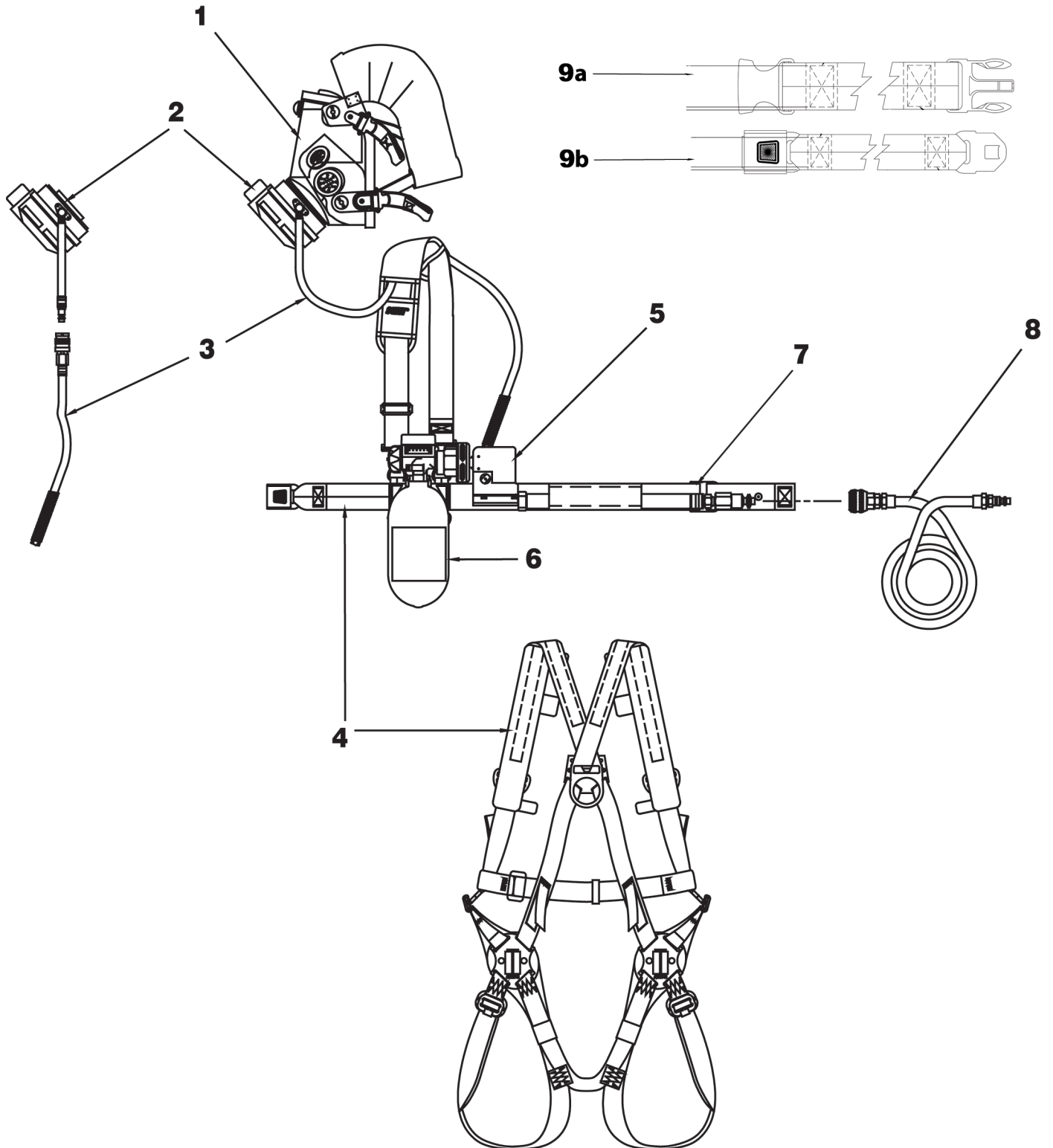
Example

Ska-Pak Plus SAR Model;
for Entry/Egress for 4500 psig cylinder; 4500psig 10min cylinder;
Nylon Harness with E-Z Flo regulator; Hansen Airline; "AV2000 Kevlar®" (CS)
No case; shipped one per box

SAR	3	2	4	05	0	3	1	1	1	0	1	Total: Add up all costs
	\$650	\$0	\$0	\$645		\$170	\$0	\$110	\$330	\$0	\$0	

This price configurator is a guide to Scott's Ska-Pak Plus Supplied Air Respirator part numbers.

Ska-Pak Plus Respirator



Ska-Pak Plus Respirator Facepiece Part & Accessories

Item Number	Description	Pieces Per Pkg	Part Number	Price
1	FACEPIECE			
1a	AV-3000 Facepiece	See Page 48		
1b	AV-2000 Facepiece	See Page 52		
2	REGULATOR			
2a	E-Z Flo	1	804221-01	\$729.00
2b	E-Z Flo with Modulair	1	804441-05	\$528.00
3	Quick Connect Hose Assembly	1	804694-01	\$205.00
4	HARNESSES			
4a	Kevlar	1	804981-01	\$430.00
4b	Nylon	1	804982-01	\$245.00
4c*	Full Body Harness (Medium)	1	805061-04	\$715.00
5	PRESSURE REDUCERS			
5a	2.2/3.0 Reducer Assembly	1	804304-11	\$415.00
5f	4.5 Reducer Assembly	1	804304-01	\$415.00
5g	4.5 Reducer Assembly (Escape Only)	1	804310-01	\$306.00
6	CYLINDER AND VALVE ASSEMBLIES			
6a	2216 psi, Aluminum, 5-minute	1	805031-01	\$460.00
6b	3000 psi, Carbon, 5-minute	1	805947-02	\$565.00
6c	3000 psi, Carbon, 10-minute	1	805948-02	\$635.00
6d	3000 psi, Hoop-wrap, 15-minute	1	804961-02	\$530.00
6e	4500 psi, Hoop-wrap, 10-minute	1	805032-01	\$675.00
6f	4500 psi, Carbon, 15-minute	1	200779-01	\$780.00
7	AIRLINE HOSE AND FITTINGS			
7a	Airline Hose with Hansen/Foster Fitting	1	804305-01	\$114.00
7b	Airline Hose with Schrader Fitting	1	804305-02	\$114.00
7c	Airline Hose with Hansen HK Fitting Plug	1	804305-03	\$205.00
8	AIRLINE SUPPLY HOSES	See Page 31		
9	WAIST EXTENSION BELTS			
9a	Nylon Extension Belt, 2 Inches Wide	1	805088-02	\$30.00
9b	Kevlar Extension Belt, 1.5 Inches Wide	1	805088-01	\$32.00
10	ACCESSORIES			
10a*	Ska-Pak Series Hard Case	1	803278-01	\$195.00

NOTE:

* All full body harnesses (FBH) are size medium unless otherwise specified.

* Cases are not compatible with select FBH styles

NOTES

SKA-PAK

SUPPLIED AIR RESPIRATOR ASSEMBLIES



Select part numbers from this product line are part of the Scott Fast Trax Program. Contact your Regional Manager or Scott Customer Service for more details.

SAR Model	List Price	Entry/Egress ①	List Price	Pressure (psig)	List Price	Cylinder	List Price	Harness	List Price	Regulator	List Price	Airline	List Price	Facepiece ②	List Price	Case	List Price	Packaging	List Price
2 Ska-Pak SAR	\$590	2 Entry/Egress	N/C	2 2216	N/C	00 None	N/C	2 Polypropylene	\$165	1 E-Z Flo	N/C	0 None	N/C	0 None	\$-	0 None	N/C	1 One Per Box	N/C
		3 Egress Only	N/C	3 3000	N/C	01 2216/Aluminum/5 min	\$420	4 Kevlar*	\$295			1 Hansen	\$110	1 AV-2000, Kevlar® (CS)	\$330	1 Hard Case	\$195		
				4 4500	N/C	04 3000/HW/15min	\$515					2 Schrader	\$115	2 AV-3000, Kevlar® (M)	\$340				
						05 4500/HW/10min	\$645					3 Cejn	\$195	3 AV-3000 SureSeal, Kevlar® (M)	\$321				
						06 4500/Carbon/15min	\$730					4 Hansen HK Plug	\$205	4 AV-2000 (CS) Poly	\$240				
						Drained						5 Hansen HK Socket	\$205	5 AV-3000 (M) Poly	\$255				
						AA 2216/Aluminum/5 min	\$420							6 AV-3000 SureSeal (M) Poly	\$240				
						DD 3000/HW/15min	\$515							7 AV-2000 (CS) Rubber	\$240				
						EE 4500/HW/10min	\$645							8 AV-3000 (M) Rubber	\$255				
						FF 4500/Carbon/15min	\$730							9 AV-3000 SureSeal (M) Rubber	\$240				

1. Part Number:
Select a one or two digit number per box from the chart above that corresponds to your choice

SAR	2	X	X	XX	0	X	1	X	X	X	1
-----	---	---	---	----	---	---	---	---	---	---	---

① Must select Entry/Egress to select an Airline option

② If you prefer an alternate Facepiece style, headharness, or size, choose "none" and order an approved Facepiece as a separate line item (see pages 48 - 62 for selection)

2. Price:
Select the price that corresponds to the number selected above

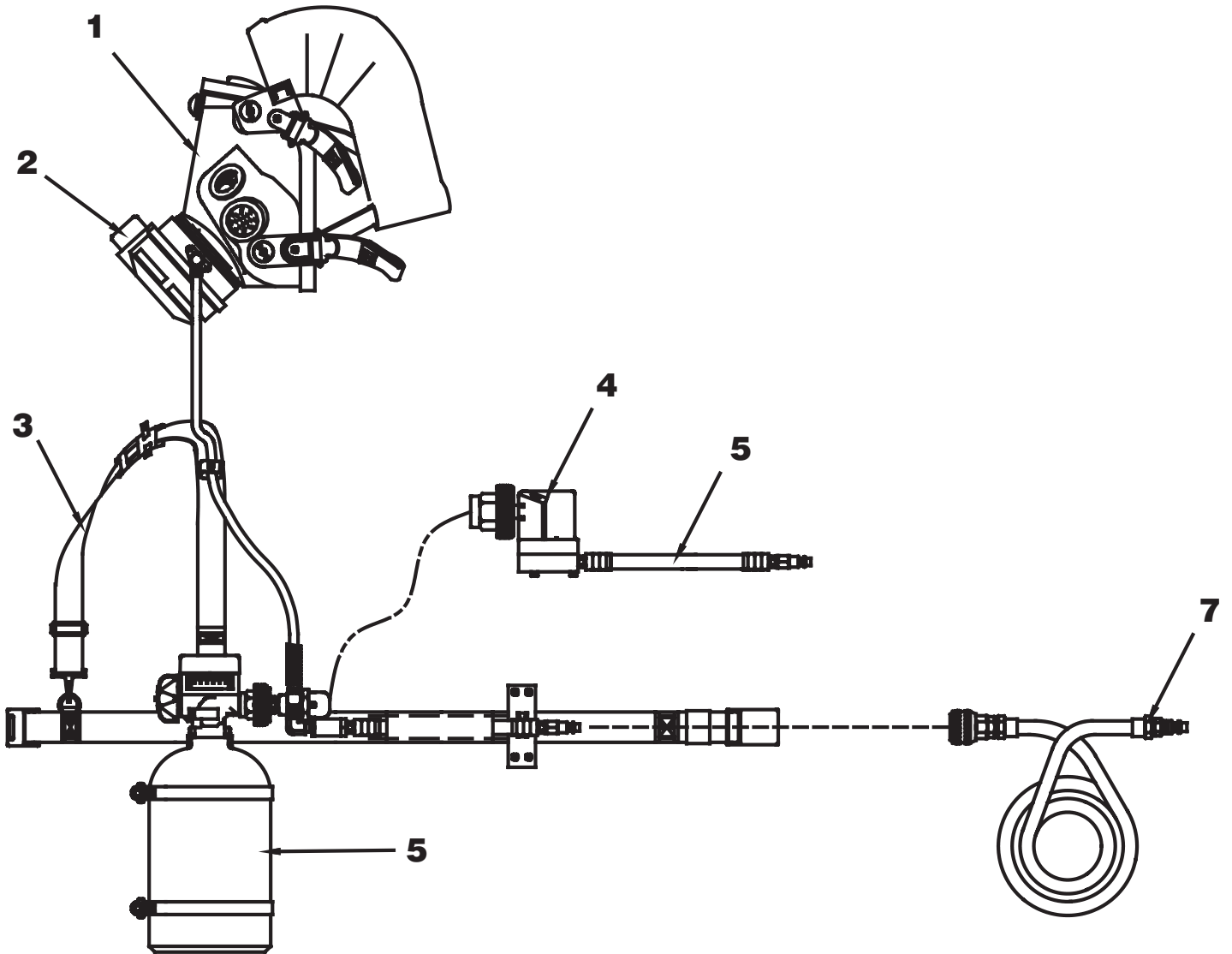
SAR	\$X	\$X	\$X	\$X		\$X	\$X	\$X	\$X	\$X	\$X
-----	-----	-----	-----	-----	--	-----	-----	-----	-----	-----	-----

Example
Ska-Pak SAR Model;
for Entry/Egress
for 2216 psig cylinder;
2216psi 5min AL
cylinder;
Polypropylene Harness
with E-Z Flo regulator;
Hansen Airline;
"AV2000 Kevlar®" (CS)
No case;
shipped one per box

SAR	2	2	2	01	0	2	1	1	1	0	1	Total: Add up all costs
	\$590	\$0	\$0	\$420		\$170	\$0	\$110	\$330	\$0	\$0	

This price configurator is a guide to Scott's Ska-Pak Supplied Air Respirator part numbers.

Ska-Pak Respirator



Ska-Pak Respirator Facepiece Part & Accessories

Item Number	Description	Pieces Per Pkg	Part Number	Price
1	FACEPIECE			
1a	AV-3000 Facepiece	See Page 48		
1b	AV-2000 Facepiece	See Page 52		
2	E-Z Flo Regulator	1	804221-01	\$729.00
3	HARNESSES			
3a	Polypropylene	1	802200-01	\$184.00
3b	Kevlar	1	804307-01	\$410.00
4	PRESSURE REDUCERS			
4a	2.2/3.0 Reducer Assembly	1	804304-11	\$415.00
4c	4.5 Reducer Assembly	1	804304-01	\$415.00
4d	4.5 Reducer Assembly (Escape only)	1	804310-01	\$306.00
5	CYLINDER AND VALVE ASSEMBLIES			
5a	Aluminum, 5-Minute, 2216 psig	1	801935-03	\$420.00
5b	Hoop Wrap Fiberglass, 10-Minute, 4500 psig	1	804281-01	\$625.00
5c	Hoop Wrap Fiberglass, 15-Minute, 3000 psig	1	804961-01	\$530.00
5d	Carbon, 15-minute, 4500 psig	1	200779-03	\$740.00
6	AIRLINE HOSE AND FITTINGS FOR SKA-PAK 4.5 UNITS			
6a	Airline Hose with Hansen/Foster Fitting	1	804305-01	\$114.00
6b	Airline Hose with Schrader Fitting	1	804305-02	\$114.00
6c	Airline Hose with Hansen HK Fitting Plug	1	804305-03	\$205.00
7	AIRLINE SUPPLY HOSES	See Page 31		
8	ACCESSORIES			
8a*	Ska-Pak Series Hard Case	1	803278-01	\$195.00

E-Z AIRLINE

RESPIRATOR ASSEMBLIES



Select part numbers from this product line are part of the Scott Fast Trax Program. Contact your Regional Manager or Scott Customer Service for more details.

E-Z Airline with Modulair QuickConnect

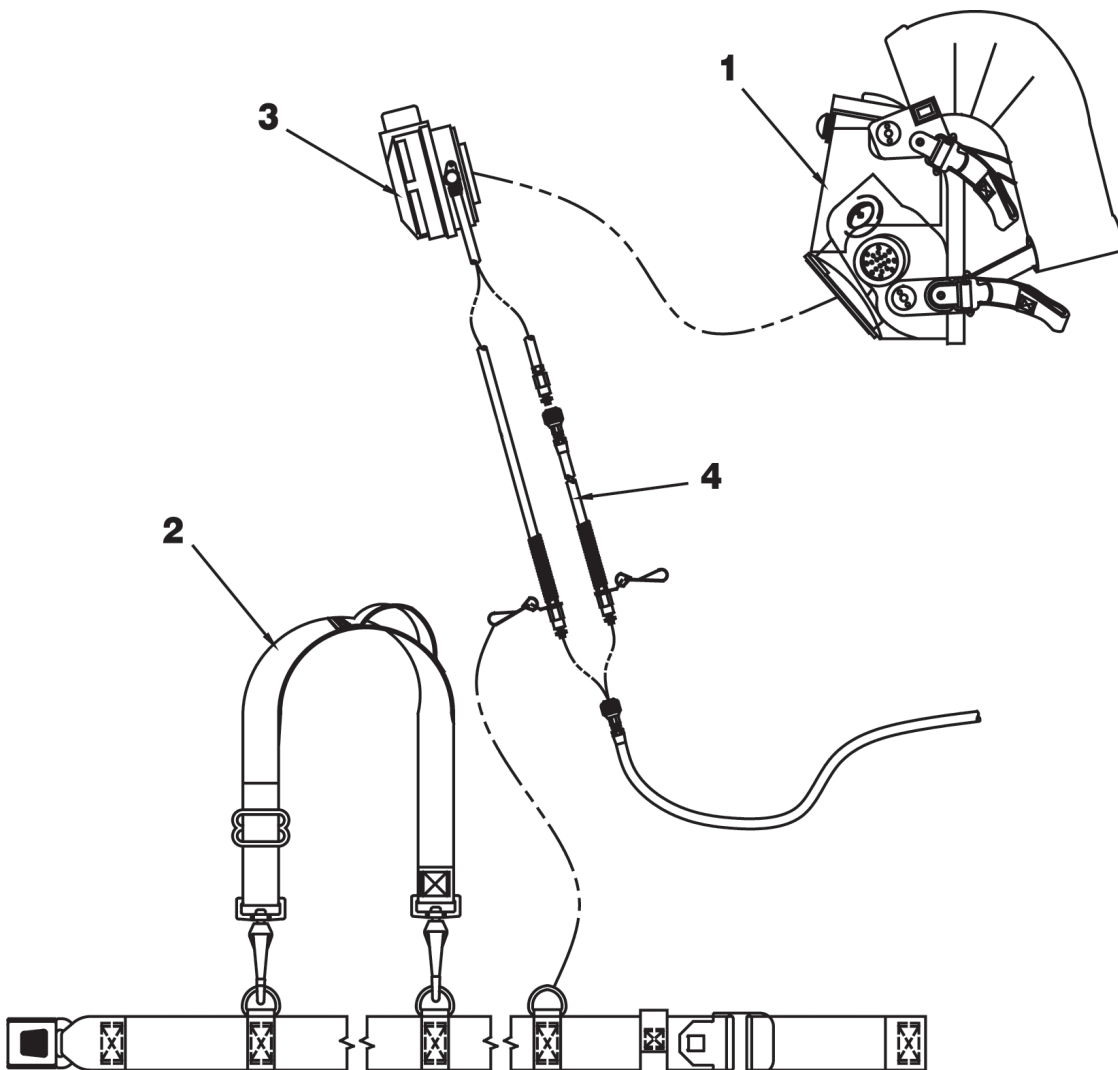
Part Numbers	Harness	Facepiece	Head Harness	Facesal Size	Regulator	Hose Fitting	Price
804386-19	Nylon	AV-2000	Polyester	Comfort Seal	E-Z Flo w/ Modulair	Hansen	\$840.00
804386-25	Nylon	AV-2000	Polyester	Comfort Seal	E-Z Flo w/ Modulair	Schrader	\$840.00
804386-31	Nylon	AV-2000	Polyester	Comfort Seal	E-Z Flo w/ Modulair	Hansen HK	\$925.00
804386-66	Nylon	Facepiece not included, order separately			E-Z Flo w/ Modulair	Hansen	\$575.00
804386-62	Nylon	Facepiece not included, order separately			E-Z Flo w/ Modulair	Schrader	\$575.00

E-Z Airline Less Modulair QuickConnect

Part Numbers	Harness	Facepiece	Head Harness	Facesal Size	Regulator	Hose Fitting	Price
804386-67	Nylon	Facepiece not included, order separately			E-Z Flo	Hansen	\$575.00

E-Z Airline Respirator Facepiece Part & Accessories

Item Number	Description	Pieces Per Pkg	Part Number	Price
1	FULL FACEPIECES			
1a	AV-3000 Facepiece	See Page 45		
1b	AV-2000 Facepiece	See Page 52		
2	Body harness	1	804493-01	\$154.00
3	E-Z Flo Regulator with Modulair Quick Connect Fitting	1	804441-05	\$528.00
4	REGULATOR HOSE ASSEMBLIES			
4a	Hose Assembly, Schrader	1	804694-03	\$155.00
4b	Hose Assembly, Hansen	1	804694-04	\$165.00
4c	Hose Assembly, Hansen HK Plug	1	804694-02	\$265.00



Supply Hose Assemblies

Part Number	Description	Pieces Per Pkg	Price
26369-006	Hansen HK, 6 Ft	1	\$235.00
26369-010	Hansen HK, 10 Ft	1	\$280.00
26369-025	Hansen HK, 25 Ft	1	\$360.00
26369-050	Hansen HK, 50 Ft	1	\$430.00
26369-100	Hansen HK, 100 Ft	1	\$554.00
26370-006	Foster, 6 Ft	1	\$123.00
26370-010	Foster, 10 Ft	1	\$144.00
26370-025	Foster, 25 Ft	1	\$195.00
26370-050	Foster, 50 Ft	1	\$277.00
26370-100	Foster, 100 Ft	1	\$430.00
26370-150	Foster, 150 Ft	1	\$585.00
30010-006	Hansen, 6 Ft	1	\$123.00
30010-025	Hansen, 25 Ft	1	\$195.00
30010-050	Hansen, 50 Ft	1	\$277.00
30010-100	Hansen, 100 Ft	1	\$430.00
30010-150	Hansen, 150 Ft	1	\$585.00
30010-300	Hansen, 300 Ft	1	\$1,200.00
30020-006	Schrader, 6 Ft	1	\$123.00
30020-010	Schrader, 10 Ft	1	\$144.00
30020-025	Schrader, 25 Ft	1	\$195.00
30020-050	Schrader, 50 Ft	1	\$277.00
30020-100	Schrader, 100 Ft	1	\$430.00
30020-150	Schrader, 150 Ft	1	\$585.00
805659-006	Cejn, 6 Ft	1	\$155.00
805659-025	Cejn, 25 Ft	1	\$235.00
805659-050	Cejn, 50 Ft	1	\$349.00
805659-100	Cejn, 100 Ft	1	\$472.00

Pass-Thru Assemblies

Part Number	Description	Pieces Per Pkg	Price
803620-01	Pass-Thru Assembly, Hansen Fitting	1	\$155.00
803620-02	Pass-Thru Assembly, Schrader Fitting	1	\$155.00

** Pass-thru devices are manufactured for use in protective chemical suits, e.g. Level A and Level B. NIOSH approvals for pass-thru devices in chemical suits are carried by the chemical suit manufacturer. The pass-thru devices must be installed by the suit manufacture to maintain proper NIOSH approvals.*

RIT-PAK III

AIR SOURCE KIT



RIT-Pak III

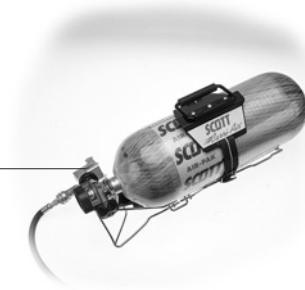
Part Number	Pressure	RIT-Pak III Carrying Bag	Shoulder Strap	6' EBSS	5' RIC Hose	RIT-Pak III Facepiece	EZ-Flo Regulator	Price
200954-01	2216	●	●	●	●	●	●	\$3,350.00
200954-02	4500	●	●	●	●	●	●	\$3,350.00
200954-03	2216	●	●	●	●			\$2,877.00
200954-04	4500	●	●	●	●			\$2,877.00
200954-05	5500	●	●	●	●	●	●	\$3,455.00
200954-06	5500	●	●	●	●			\$2,993.00

RIT-Pak Accessories

Part Number	Description	Price
200955-01	RIT-Pak III Replacement Bag Less Shoulder Strap	\$796.00
200989-01	Replacement Shoulder Strap	\$128.00
200959-01	RIT-Pak III Replacement Facepiece	\$228.00
200962-01	RIT-Pak III Replacement EZ-Flo Regulator	\$691.00
200991-01	RIT-Pak III Carrying Strap Assembly	\$128.00

CARRI-AIR

PORTABLE AIR SUPPLY ASSEMBLIES



Carri-Air Portable Air Supply Assemblies (Less Cylinder)

Part Number	Description	Pieces Per Pkg	Price
804911-01	Carri-Air Portable Air Supply With Hansen Fitting	1	\$745.00
804911-02	Carri-Air Portable Air Supply With Schrader Fitting	1	\$745.00

Carri-Air Portable Air Supply With Low Air Alarm (Less Cylinder)

Part Number	Description	Pieces Per Pkg	Price
804911-05	4500 psig Reducer With Hansen Connection	1	\$1,340.00
804911-06	4500 psig Reducer With Schrader Connection	1	\$1,340.00

Carri-Air Portable Air Supply Cylinders

Part Number	Description	Pieces Per Pkg	Price
804722-01	Carbon Cylinder and Valve Assembly, 4500 psig, 45-Minute	1	\$1,380.00
804723-01	Carbon Cylinder and Valve Assembly, 4500 psig, 60-Minute	1	\$1,550.00

MOBILE AIR CART

AIR SUPPLY



Mobile AIR CART (Less Cylinders)

Part Number	Description	Pieces Per Pkg	Price
805825-01	Mobile Air Cart, 2 Outlet, Hansen Style, Aux. Inlet, Less Cylinders	1	\$2,570.00
805825-04	Mobile Air Cart, 2 Outlet, Schrader, Aux. Inlet, Less Cylinders	1	\$2,570.00
805826-01	Mobile Air Cart, 4 Outlet, Hansen Style, Aux. Inlet, Less Cylinders	1	\$2,705.00
805826-04	Mobile Air Cart, 4 Outlet, Schrader Aux. Inlet, Less Cylinders	1	\$2,705.00
805827-01	Mobile Air Cart, 4 Outlet, 2 Tool, Hansen Style, Aux. Inlet, Less Cylinders	1	\$3,130.00
805827-04	Mobile Air Cart, 4 Outlet, 2 Tool, Schrader, Aux. Inlet, Less Cylinders	1	\$3,130.00
200975-01	Cylinder: Carbon 5500 psig, 75 Min. Cylinder and Valve Assembly	1	\$1,880.00

Note: All Air Carts manufactured after September 15, 2012 are 5500 psi cylinder compatible

TRC-1

AIR CART



TRC-1 AIR CART (Less Cylinders)

Part Number	Description	Pieces Per Pkg	Price
200070-01	TRC-1 Air Cart, 8 Outlet, Aux. Inlet, Hansen Style, Less cylinders	1	\$5,975.00
200070-02	TRC-1 Air Cart, 8 Outlets, Aux. Inlet, Foster, Less cylinders	1	\$6,110.00
200070-03	TRC-1 Air Cart, 8 Outlets, Aux. Inlet, Hansen HK, Less cylinders	1	\$6,435.00
200070-04	TRC-1 Air Cart, 8 Outlets, Aux. Inlet, Schrader, Less cylinders	1	\$6,000.00
200070-05	TRC-1 Air Cart, 8 Outlets, Aux. Inlet, Cejn, Less cylinders	1	\$6,305.00

Note: All Air Carts manufactured after September 15, 2012 are 5500 psi cylinder compatible

ELSA

EMERGENCY ESCAPE BREATHING DEVICE



ELSA Emergency Escape Breathing Device

Part Number	Description	Price
2009164	ELSA 5-Minute Emergency Escape Breathing Device	\$505.00
2009165	ELSA 10-Minute Emergency Escape Breathing Device	\$620.00
2014226	ELSA 15-Minute Emergency Escape Breathing Device	\$680.00

ELSA Parts and Accessories

Part Number	Description	Price
2010880	Replacement Hood	\$115.00
2010884	Replacement Bag, 5-Minute Unit	\$85.00
2010885	Replacement Bag, 10-Minute Unit	\$85.00
2015330	Replacement Bag, 15-Minute Unit	\$85.00
2010881	Reducer Assembly, 5-Minute Unit	\$380.00
2010882	Reducer Assembly, 10-Minute and 15-Minute Unit	\$380.00
2010173	Anti-Fog Coating	\$9.50

PAK-TRACKER

FIREFIGHTER LOCATOR



With the Pak-Tracker Locator in their arsenal, search and rescue teams can locate downed, trapped or lost firefighters, first responders or other emergency personnel quickly and efficiently regardless of the complexity of the structure or the visual conditions at the fire scene.

Pak-Tracker Firefighter Locator

Part Number	Description	Price
200266-04	Pak- Tracker Hand-Held Receiver Kit	\$1,653.75
200267-01	Pak-Tracker Firefighter Locator Personal Transmitter Kit	\$317.68
200817-01	Pak Tracker HHR/PT Kit - includes chargers, PT, HHR, and carrying case	\$3,307.11

Note - Upgrade Kits are available for AP75 and X3 Air Paks to add Pak-Tracker functionality. Consult your distributor or Scott Safety RSM for more information

Accessories of Pak-Tracker Firefighter Locator

Part Number	Description	Price
200433-01	Pak-Tracker Hand-Held Receiver Truck Charging System, 12V DC	\$504.74
200433-02	Pak-Tracker Hand-Held Receiver Truck Charging System, 110V AC	\$550.72
200434-01	Pak-Tracker Hand-Held Receiver Desktop Charging System, 110V AC	\$519.00
40014453	Pak-Tracker Hand-Held Receiver Neck Strap	\$54.00
200431-01	Pak-Tracker Personal Transmitter Battery Door & Clip Assembly	\$43.89
200411-01	Pak-Tracker Personal Transmitter Lanyard	\$29.26
200711-01	Pak Tracker Personal Transmitter Programmer Kit	\$1,166.09

SEMS II

SCOTT ELECTRONIC MANAGEMENT SYSTEM



SEMS II Accountability System for Air-Pak SCBA

SEMS II is a configurable item that must be purchased with a Scott Air-Pak SCBA. To purchase SEMS II with an Air-Pak 75 or Air-Pak X3 SCBA, please go to Page 3.

Note - The SEMS II User Interface is compatible with Windows XP®, Windows Vista® and Windows 7®, 32 bit machines only.

Accessories for SEMS II Accountability System

Part Number	Description	Price
200774-01	RFID Card (kit of 10)	\$113.00
200773-01	RFID Programmer Kit	\$636.17
201051-01	SEMS II Repeater	\$1,764.07
200732-02	SEMS II Mesh Gateway PCMCIA (Gateway Only - No Software)	\$1,998.04
201088-02	SEMS II Mesh Gateway USB (Gateway Only - No Software)	\$1,891.13

IMPERIUM

INCIDENT COMMAND SOLUTION



Scott Safety's Imperium ICS for Windows is a NIMS compatible incident command solution designed to improve event management as well as help customers meet compliance standards set forth through both NIMS and their own standard operating guidelines. It is designed to be used by first responders and is not SCBA-specific.

Scott Connect Resource Bundles

Part Number	Description	Price
8000371	Scott Connect Resource Bundle (50 Resources) - 1 Year	\$300.00
8000372	Scott Connect Resource Bundle (50 Resources) - 2 Year	\$600.00
8000373	Scott Connect Resource Bundle (50 Resources) - 3 Year	\$900.00
8000374	Scott Connect Resource Bundle (50 Resources) - 4 Year	\$1,200.00
8000375	Scott Connect Resource Bundle (50 Resources) - 5 Year	\$1,500.00

Imperium Application License

Part Number	Description	Price
8000401	Scott Connect Imperium ICS for Windows (1 Workstation)- 1 Year	\$1,200.00
8000402	Scott Connect Imperium ICS for Windows (1 Workstation)- 2 Year	\$2,400.00
8000403	Scott Connect Imperium ICS for Windows (1 Workstation)- 3 Year	\$3,600.00
8000404	Scott Connect Imperium ICS for Windows (1 Workstation)- 4 Year	\$4,800.00
8000405	Scott Connect Imperium ICS for Windows (1 Workstation)- 5 Year	\$6,000.00

Accessories / Hardware

Part Number	Description	Price
201279-01	Tally Tag Red 10 pack	\$95.00
201279-02	Tally Tag White 10 pack	\$95.00
201279-03	Tally Tag Black 10 pack	\$95.00
201279-04	Tally Tag Yellow 10 pack	\$95.00
201279-05	Tally Tag Orange 10 pack	\$95.00
201279-06	Tally Tag Green 10 pack	\$95.00
201279-07	Tally Tag Blue 10 pack	\$95.00
201279-08	Tally Tag Pink 10 pack	\$95.00
201280-01	Button Tag 10 pack	\$95.00
200773-01	RFID Reader/Writer	\$605.88
201214-01	Queue	\$2,500.00
200732-02	SEMS II Mesh Gateway PCMCIA	\$1,998.04
201088-02	Imperium USB Gateway	\$1,891.13
200774-01	RFID cards 10 pack	\$113.00

EAGLE ATTACK

THERMAL IMAGING CAMERA CONFIGURATOR



Configurator	Bumper Color	List Price	Camera/Temp Option	List Price	Feature	List Price	Charger	List Price	Power Connector - DC connector option supplied with all AC connectors	List Price	Accessories	List Price
T I P 2 B B K	R Red	N/C	1 Fahrenheit Grey Scale	\$5,999	0 Standard	N/C	0 No Charger	N/C	O No Power Cord	N/C	1 Accessory Kit 1 *	N/C
	Y Yellow/Glow	\$25	2 Fahrenheit TAC	\$6,539	1 w/TVR	\$999	3 w/Charger	\$779	B North American Power Cord	\$15	2 Accessory Kit 2 **	\$175
	K Black	N/C	3 Celsius Grey Scale	\$6,099					G UK	\$15	F Flashlight only	\$175
	N Orange	\$25	4 Celsius TAC	\$7,149					C Europe - Germany/France	\$15	G Glare Shield Only	-\$45
									I Australia	\$15	L Lanyard Only	-\$28
											O No Accessories	-\$73

*Accessory Kit 1: Glare Shield and Lanyard

**Accessory Kit 2: Glare Shield, Lanyard, and Flashlight

Eagle Attack Accessories

Part Number	Description	Price
31000366	AC Adapter	\$79.00
31000409	Eagle Attack Germanium lens replacement	\$335.00
31002129	FLASHLIGHT, STREAMLIGHT TLR-1 - less rail	\$192.50
31002216	Eagle Attack Spare Eagle Attack TVR Download Cable - less pwr supply	\$89.00
31002265	ACCESSORY Light Rail	\$19.00
31002284	Eagle Attack Spare Eagle Attack TVR Dwnld power supply	\$32.00
40014635	DC Adapter	\$32.00
200977-01	Eagle Attack Charger - less cables	\$861.00
201021-01	Eagle Attack Lanyard	\$48.00
201026-01	Eagle Attack Spare Battery - Red	\$222.00
201026-02	Eagle Attack Spare Battery - Orange/Glow	\$230.00
201026-03	Eagle Attack Spare Battery - Yellow/Glow	\$230.00
201026-04	Eagle Attack Spare Battery - Black	\$222.00
31001914-01	Eagle Attack Spare lens guard - Red	\$22.00
31001914-02	Eagle Attack Spare lens guard - Orange/Glow	\$31.00
31001914-03	Eagle Attack Spare lens guard - Yellow/Glow	\$31.00
31001914-04	Eagle Attack Spare lens guard - Black	\$22.00
31001915-01	Eagle Attack Spare display guard - Red	\$32.00
31001915-02	Eagle Attack Spare display guard - Orange/Glow	\$39.00
31001915-03	Eagle Attack Spare display guard - Yellow/Glow	\$39.00
31001915-04	Eagle Attack Spare display guard - Black	\$32.00
31001915-11	Eagle Attack Glare Shield - Red	\$45.00
31001915-12	Eagle Attack Glare Shield - Orange/Glow	\$53.00
31001915-13	Eagle Attack Glare Shield - Yellow/Glow	\$53.00
31001915-14	Eagle Attack Glare Shield - Black	\$45.00
31001916-01	Eagle Attack Spare battery guard - Red	\$32.00
31001916-02	Eagle Attack Spare battery guard - Orange/Glow	\$39.00
31001916-03	Eagle Attack Spare battery guard - Yellow/Glow	\$39.00
31001916-04	Eagle Attack Spare battery guard - Black	\$32.00
33324-014	ACCESSORY Light Screw	\$1.54
201008-01	Eagle Attack Charger Strap	\$35.00

COMMUNICATIONS

EPIC 3 Voice Amplifier

Part Number	Description	Price
201275-01	EPIC 3 Voice Amplifier, Open Bracket Configuration	\$495.00
201275-02	EPIC 3 Voice Amplifier, Closed Bracket Configuration	\$495.00
201275-03	EPIC 3 Voice Amplifier, Vision/Promask Configuration	\$495.00

EPIC 3 Radio Interface Voice Amplifier

Part Number	Description	Price
201276-01	EPIC 3 Radio Interface Voice Amplifier, Open Bracket Configuration	\$695.00
201276-02	EPIC 3 Radio Interface Voice Amplifier, Closed Bracket Configuration	\$695.00
201276-03	EPIC 3 Radio Interface Voice Amplifier, Vision/Promask Configuration	\$695.00

EPIC 3 Lapel Speaker Microphone

Part Number	Description	Price
201224-02	EPIC 3 Lapel Speaker Microphone, for use with Motorola HT1000, XTS series radios	\$695.00
201224-04	EPIC 3 Lapel Speaker Microphone, for use with Motorola HT750/1250/1550 series radios	\$695.00
201224-06	EPIC 3 Lapel Speaker Microphone, for use with Motorola Mototrbo XPR Series, APX series radios	\$695.00
201224-07	EPIC 3 Lapel Speaker Microphone, for use with Kenwood TK280/290/380/390 series radios	\$695.00
201224-22	EPIC 3 Lapel Speaker Microphone, for use with Harris P5400/7300, Unity Series, XG series radios	\$695.00

EPIC 3 Bluetooth Lapel Speaker Microphone

Part Number	Description	Price
201277-02	EPIC 3 Bluetooth Lapel Speaker Microphone, for use with Motorola HT1000, XTS series radios	\$850.00
201277-04	EPIC 3 Bluetooth Lapel Speaker Microphone, for use with Motorola HT750/1250/1550 series radios	\$850.00
201277-06	EPIC 3 Bluetooth Lapel Speaker Microphone, for use with Motorola Mototrbo XPR Series, APX series radios	\$850.00
201277-07	EPIC 3 Bluetooth Lapel Speaker Microphone, for use with Kenwood TK280/290/380/390 series radios	\$850.00
201277-11	EPIC 3 Bluetooth Lapel Speaker Microphone, for use with Motorola Radius GP300 series radios	\$850.00
201277-22	EPIC 3 Bluetooth Lapel Speaker Microphone, for use with Harris P5400/7300, Unity Series, XG series radios	\$850.00

EPIC 3 Voice Communication System Accessories

Part Number	Description	Price
201226-01	EPIC 3 Ring PTT	\$260.00
201227-01	EPIC 3 Paddle PTT	\$260.00
201228-01	EPIC 3 Throat Mic	\$395.00
201229-01	EPIC 3 Command Communication Headset	\$475.00
201243-01	EPIC 3 Bluetooth Programmer Interface Module with USB cable	\$195.00

Facepiece Brackets

Part Number	Description	Price
201210-01	AV-3000HT Open Bracket, Right (for use with EPIC 3 only)	\$30.70
201210-02	AV-3000HT Open Bracket, Left (for use with EPIC 3 only)	\$76.60
200715-01	AV-3000 communications bracket, right side	\$31.35
200716-01	AV-2000 communications bracket	\$31.35

Key For Identifying Connectors For 2-Way Radios

EPIC 3 Communications Ordering Matrix




Dash*	Radio Brand	Radio Model	EPIC 3 Lapel Speaker Mic (201224-XX)	EPIC 3 Bluetooth Lapel Speaker Mic (201277-XX)
-02	Motorola	HT1000, XTS Series	●	●
-04	Motorola	HT750/1250/1550	●	●
-06	Motorola	Mototrbo XPR Series, APX Series	●	●
-07	Kenwood	TK280/290/380/390	●	●
-11	Motorola	Radius GP300	●	●
-22	Harris	P5400/7300, Unity Series, XG Series	●	●

Communications Ordering Matrix

Dash*	Radio Brand	Radio Model	HAZMAT Radiocom Paddle PTT (805701-XX)	HAZMAT Radiocom Ring Finger (805702-XX)
-03	Motorola	GP88, GTX, LTS2000, Radius P110, P1225, Radius GP300	●	●
-04	Motorola	HT1000, XTS5000	●	●
-17	Kenwood	TK320, TK340, TK350, TK353, TK240, TK248, TK250, TK260, TK270, TK360, TK370, TK430, FREETALK LINE	●	●
-34	Kenwood	TK 280, 290, 380, 390, 480, 481	●	●
-68	Motorola	GP328, HT1250, HT1550, HT750, Pro 5150	●	●

Note: Brackets for all communications systems must be ordered separately depending on whether the system will be used on an AV-2000 or AV-3000. X - Available for this model

COMMUNICATIONS SYSTEMS

Part Number	Part Number	Voice Amplification	Radio Interface	Mask mounted PTT	Paddle style PTT	Interface w/ Conspace System	Price
EZ Radiocom II 	200119-104	●	●		●		\$1,544.51
	200119-134	●	●		●		\$1,776.19
	200119-168	●	●		●		\$1,776.19
	200119-195	●	●		●		\$1,544.51
HazMat Radiocom 	805701-04		●		●		\$795.25
	805701-34		●		●		\$1,002.57
	805701-68		●		●		\$795.25
	805701-95		●		●		\$996.93
Con-Space Link 	805107-01					●	\$974.73

See Radio Identification Table for description of radio connectors. Consult factory to determine availability of connectors not listed.
 EPIC Brackets can be used on all Scott communications systems and must be ordered separately

AV-3000 HT

SERIES FACEPIECES



The AV-3000 HT Series facepieces are fully interchangeable with Scott's full-line of SCBA, air-supplied respirators and air purifying respirators, as well as Scott's communications products providing "Top-Down Convertibility" options. It is designed to minimize equipment inventories, simplify the complexities of user training when issued as a single personal issue facepiece and reduce redundant facepiece fit tests.

AV-3000 HT Facepiece with Kevlar Head Harness

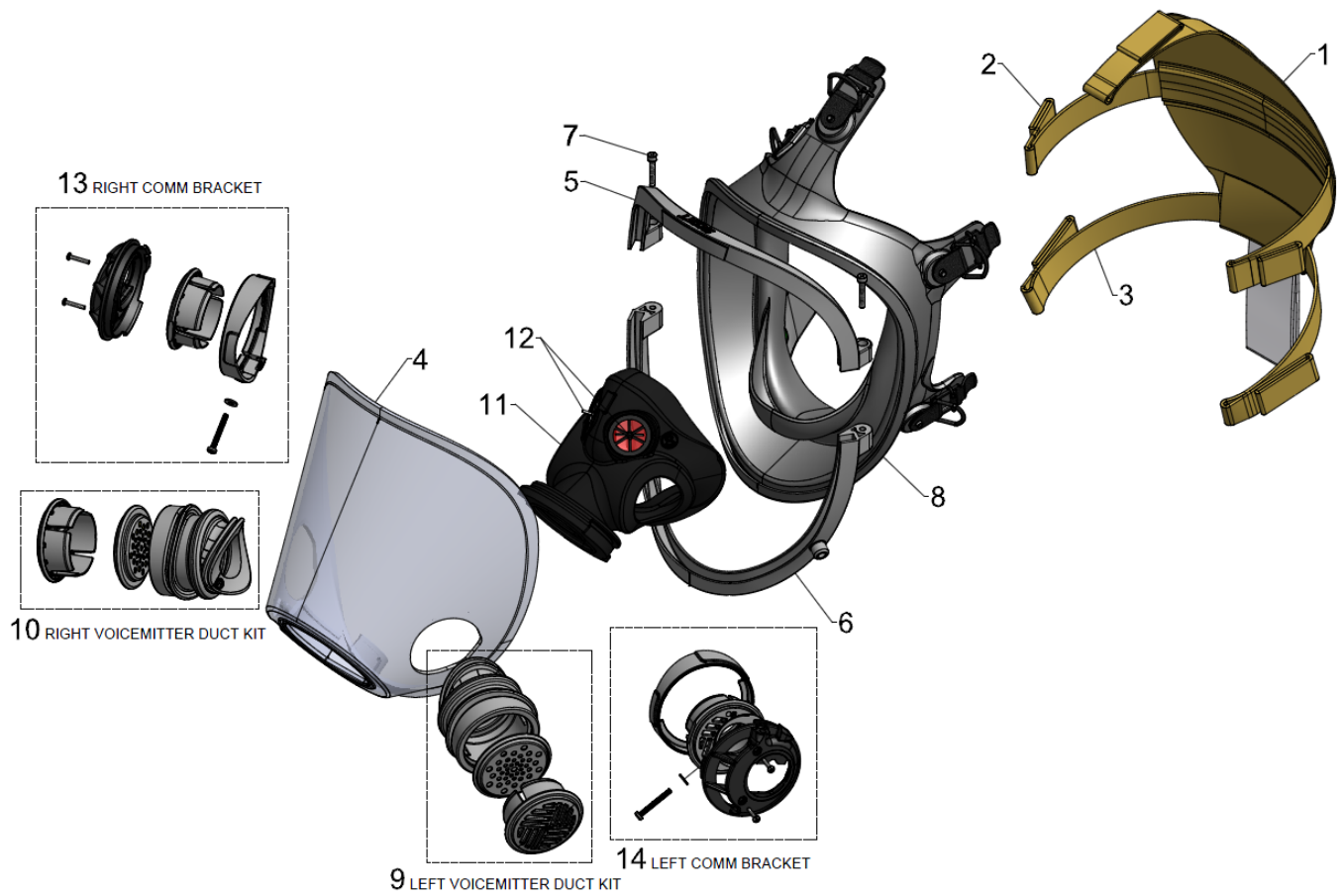
Part Number	Description	Price
201215-01	Small Faceseal	\$354.00
201215-02	Medium Faceseal	\$354.00
201215-03	Large Faceseal	\$354.00
201215-04	Small Faceseal, Right Comm Bracket	\$380.00
201215-05	Medium Faceseal, Right Comm Bracket	\$380.00
201215-06	Large Faceseal, Right Comm Bracket	\$380.00
201215-07	Small Faceseal, Left Comm Bracket	\$433.00
201215-08	Medium Faceseal, Left Comm Bracket	\$433.00
201215-09	Large Faceseal, Left Comm Bracket	\$433.00

AV-3000 HT Facepiece Parts & Accessories

Item Number	Description	Pieces Per Pkg	Part Number	Price
1	COMPLETE HEAD HARNESS ASSEMBLY			
1a	Kevlar Head Harness	1	200803-01	\$170.40
2	TEMPLE STRAPS			
2a	Kevlar Temple Strap	1	804178-02	\$22.80
3	NECK STRAPS			
3a	Kevlar Neck Strap	1	804176-02	\$23.90
4	Facepiece Lens (Fenestra, Drilled) (AV-3000 HT only)	1	201134-01	\$145.00
5	Upper Bezel (AV-3000 HT only)	1	31002809	\$9.50
6	Lower Bezel (AV-3000 HT only)	1	31002810	\$15.00
7	Bezel Screw	2	33361-020	\$2.26
8	FACEPIECE SEALS (AV-3000 SURESEAL AND AV-3000 HT)			
8a	AV-3000 SureSeal, FaceSeal, Small	1	200802-01	\$169.30
8b	AV-3000 SureSeal, FaceSeal, Medium	1	200802-02	\$169.30
8c	AV-3000 SureSeal, FaceSeal, Large	1	200802-03	\$169.30
9	Left Voicemitter Duct Kit (AV-3000 HT only)	1	201311-02	\$29.30
10	Right Voicemitter Duct Kit (AV-3000 HT only)	1	201311-01	\$29.30
11	NOSECUPS (AV-3000 HT ONLY)			
11a	Nosecup with Red Valves, Small	1	201126-02	\$49.00
11b	Nosecup with Red Valves, Medium	1	201127-02	\$49.00
11c	Nosecup with Red Valves, Large	1	201128-02	\$49.00
12	Inhalation Valve, Red (AV-3000 HT only)	2	31002788	\$4.10
13	Comm Bracket Kit, Right (AV-3000 HT only)*	1	201210-01	\$30.70
14	Comm Bracket Kit, Left (AV-3000 HT only)*	1	201210-02	\$76.60
not shown	Fleece Facepiece Bag	1	805534-01	\$26.00
not shown	Neck Strap Assy	1	804088-02	\$39.46

* Required with NFPA 1981, 2013 Edition approvals.

AV-3000 HT Facepiece









AV-3000

SERIES FACEPIECES



The AV-3000 Series facepieces are fully interchangeable with Scott's full-line of SCBA, air-supplied respirators and air purifying respirators, as well as Scott's communications products providing "Top- Down Convertibility" options. It is designed to minimize equipment inventories, simplify the complexities of user training when issued as a single personal issue facepiece and reduce redundant facepiece fit tests.

AV-3000 Facepiece With SureSeal and Kevlar Head Harness

Part Number	Description	Pieces Per Pkg	Price
805773-81	Small Face Seal, Small Nosecup 	1	\$321.00
805773-82	Medium Face Seal, Medium Nosecup 	1	\$321.00
805773-83	Large Face Seal, Large Nosecup 	1	\$321.00
805773-84	Small Face Seal, Small Nosecup, Comm Bracket 	1	\$348.00
805773-85	Medium Face Seal, Medium Nosecup, Comm Bracket 	1	\$348.00
805773-86	Large Face Seal, Large Nosecup, Comm Bracket 	1	\$348.00






AV-3000 Facepiece with SureSeal and Kevlar Head Harness is NIOSH CBRN APR approved with 40 mm First Responder adapter and CBRN Cap-1 Canister, and with the C420 Plus CBRN PAPR as configured on page 70

AV-3000 Facepiece with SureSeal and Polyester Head Harness

Part Number	Description	Pieces Per Pkg	Price
805774-81	Small Face Seal, Small Nosecup	1	\$240.00
805774-82	Medium Face Seal, Medium Nosecup	1	\$240.00
805774-83	Large Face Seal, Large Nosecup	1	\$240.00

AV-3000 Facepiece with SureSeal and Rubber Head Harness

Part Number	Description	Pieces Per Pkg	Price
805775-81	Small Face Seal, Small Nosecup 	1	\$240.00
805775-82	Medium Face Seal, Medium Nosecup 	1	\$240.00
805775-83	Large Face Seal, Large Nosecup 	1	\$240.00



AV-3000 Facepiece with SureSeal and Rubber Head Harness is NIOSH CBRN APR approved with 40 mm First Responder adapter and CBRN Cap-1 Canister

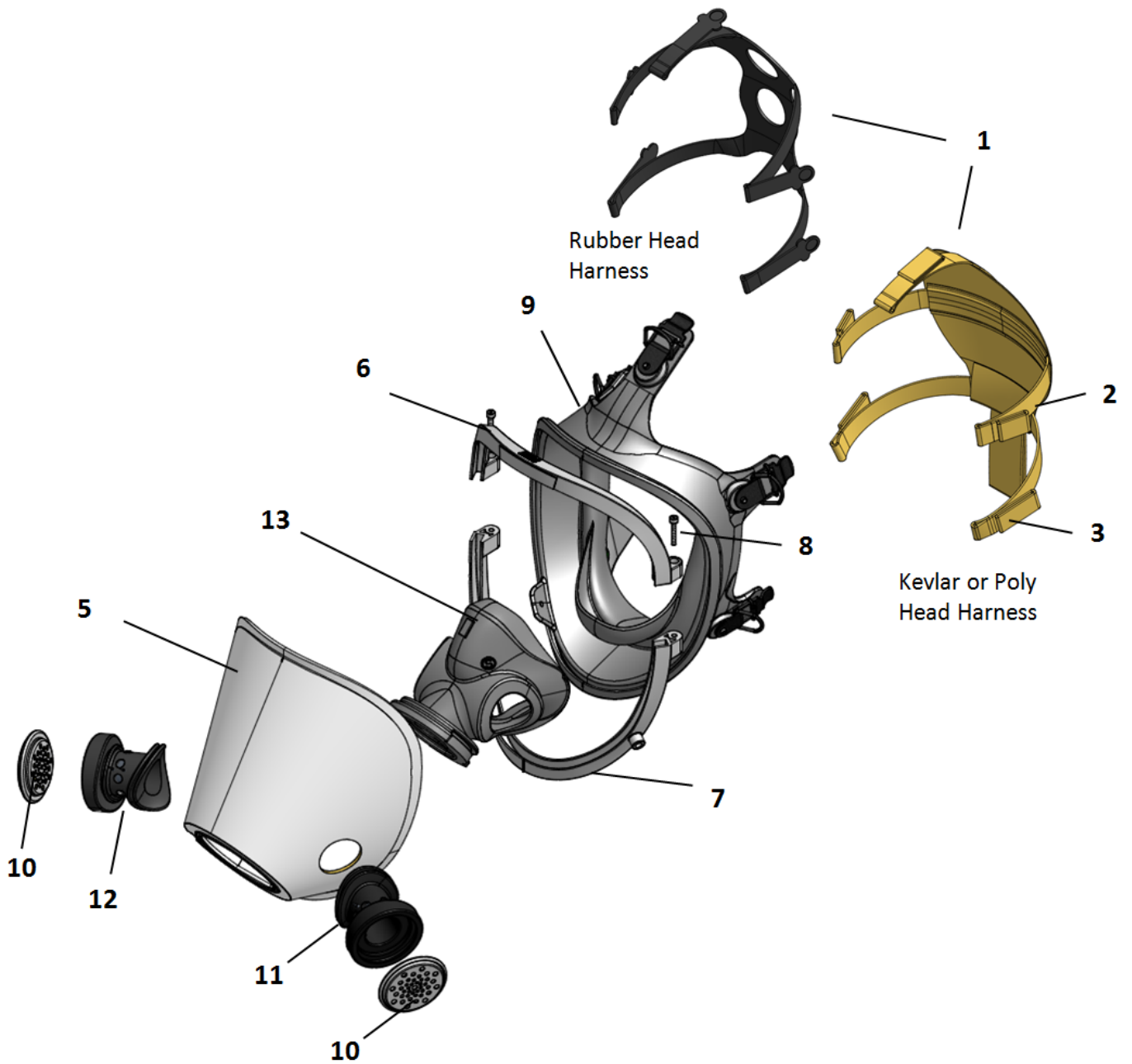
AV-3000 Facepiece Parts & Accessories

Item Number	Description	Pieces Per Pkg	Part Number	Price
1	COMPLETE HEAD HARNESS ASSEMBLIES			
1a	Kevlar Head Harness (AV-3000 SureSeal)	1	200803-01	\$170.40
1b	Kevlar Head Harness SM/MED (AV-3000)	1	805808-01	\$169.00
1c	Kevlar Head Harness LARGE (AV-3000)	1	805808-02	\$169.00
1d	Polyester Head Harness (AV-3000 SureSeal)	1	200965-01	\$78.60
1e	Polyester Head Harness SM/MED (AV-3000)	1	805809-01	\$77.00
1f	Polyester Head Harness LARGE (AV-3000)	1	805809-02	\$77.00
1g	Rubber Head Harness (AV-3000 Sureseal)	1	10008522	\$68.40
1h	Rubber Head Harness, 4 pt (AV-3000)	1	200177-01	\$88.30
2	TEMPLE STRAPS (Fit AV-3000 and AV-3000 SureSeal)			
2a	Kevlar Temple Strap	1	804178-02	\$22.80
2b	Polyester Temple Strap	1	804061-01	\$19.00
3	NECK STRAPS (Fit AV-3000 and AV-3000 SureSeal)			
3a	Kevlar Neck Strap	1	804176-02	\$23.90
3b	Polyester Neck Strap	1	803920-02	\$18.70
5	AV-3000 Facepiece Lens (Fenestra, Drilled)	1	805345-01	\$125.00
6	Upper Bezel	1	10011024	\$8.80
7	Lower Bezel	1	10011025	\$13.70
8	Bezel Screw	1	33335-022	\$2.70
9	FACEPIECE SEALS			
9a	AV-3000 SureSeal, FaceSeal, Small	1	200802-01	\$169.30
9b	AV-3000 SureSeal, FaceSeal, Medium	1	200802-02	\$169.30
9c	AV-3000 SureSeal, FaceSeal, Large	1	200802-03	\$169.30
9d	AV-3000 Faceseal Small	1	805771-01	\$145.00
9e	AV-3000 Faceseal Medium	1	805771-02	\$145.00
9f	AV-3000 Faceseal Large	1	805771-03	\$145.00
10	Voicemitter	1	803759-01	\$19.00
11	Left Voicemitter Duct	1	10011027	\$6.80
12	Right Voicemitter Duct	1	10011026	\$6.80
13	NOSECUPS (Fit AV-3000 and AV-3000 Sure Seal)			
13a	Nosecup Grey Small	1	31001043	\$41.10
13b	Nosecup Grey Medium	1	31001044	\$41.10
13c	Nosecup Grey Large	1	31001045	\$41.10
not shown	Inhalation Check Valve Disk	1	10011014	\$3.40
not shown	Fleece Facepiece Bag	1	805534-01	\$26.00
not shown	EPIC Communications Clamp, Right Side Only		200715-01	\$31.35
not shown	Protective Lens Cover	10	012698	\$33.70
not shown	Neck Strap Assy	1	804088-02	\$39.46

AV-3000 Series Facepiece Lens Kits Accessories

Part Number	Description	Price
805753-01	Standard Eyeglass Kit	\$55.00
200372-52F	52mm Wire Frame Eyeglass Kit	\$123.70
200372-60F	60mm Wire Frame Eyeglass Kit	\$123.70

AV-3000 Facepiece with SureSeal







AV-2000

FACEPIECE



The AV-2000 facepiece is fully interchangeable with Scott's full-line of SCBA, air-supplied respirators and air purifying respirators, as well as Scott's communications products providing "Top-Down Convertibility" options. It is designed to minimize equipment inventories, simplify the complexities of user training when issued as a single personal issue facepiece and reduce redundant facepiece fit tests.

AV-2000 Facepiece with Kevlar Head Harness

Part Number	Description	Pieces Per Pkg	Price
804191-71	Small Faceseal, Grey Nosecup 	1	\$330.00
804191-72	Large Faceseal, Grey Nosecup 	1	\$330.00
804191-73	X-Large Faceseal, Grey Nosecup 	1	\$330.00
804191-74	Comfort Seal Faceseal, Grey Nosecup 	1	\$330.00



AV-2000 Facepiece with Kevlar Head Harness is NIOSH CBRN APR approved with 40 mm First Responder adapter and CBRN Cap-1 Canister, and with the C420 Plus CBRN PAPR as configured on page 70

AV-2000 Facepiece with Polyester Head Harness

Part Number	Description	Pieces Per Pkg	Price
804069-19	Small Faceseal, Grey Nosecup	1	\$240.00
804069-20	Large Faceseal, Grey Nosecup	1	\$240.00
804069-21	X-Large Faceseal, Grey Nosecup	1	\$240.00
804069-28	Comfort Seal Faceseal, Grey Nosecup	1	\$240.00

AV-2000 Facepiece with 4-Point Rubber Head Harness

Part Number	Description	Pieces Per Pkg	Price
805257-19	Small Faceseal, Grey Nosecup	1	\$240.00
805257-20	Large Faceseal, Grey Nosecup	1	\$240.00
805257-21	X-Large Faceseal, Grey Nosecup	1	\$240.00
805257-28	Comfort Seal Faceseal, Grey Nosecup	1	\$240.00

AV-2000 Facepiece Lens Kits Accessories

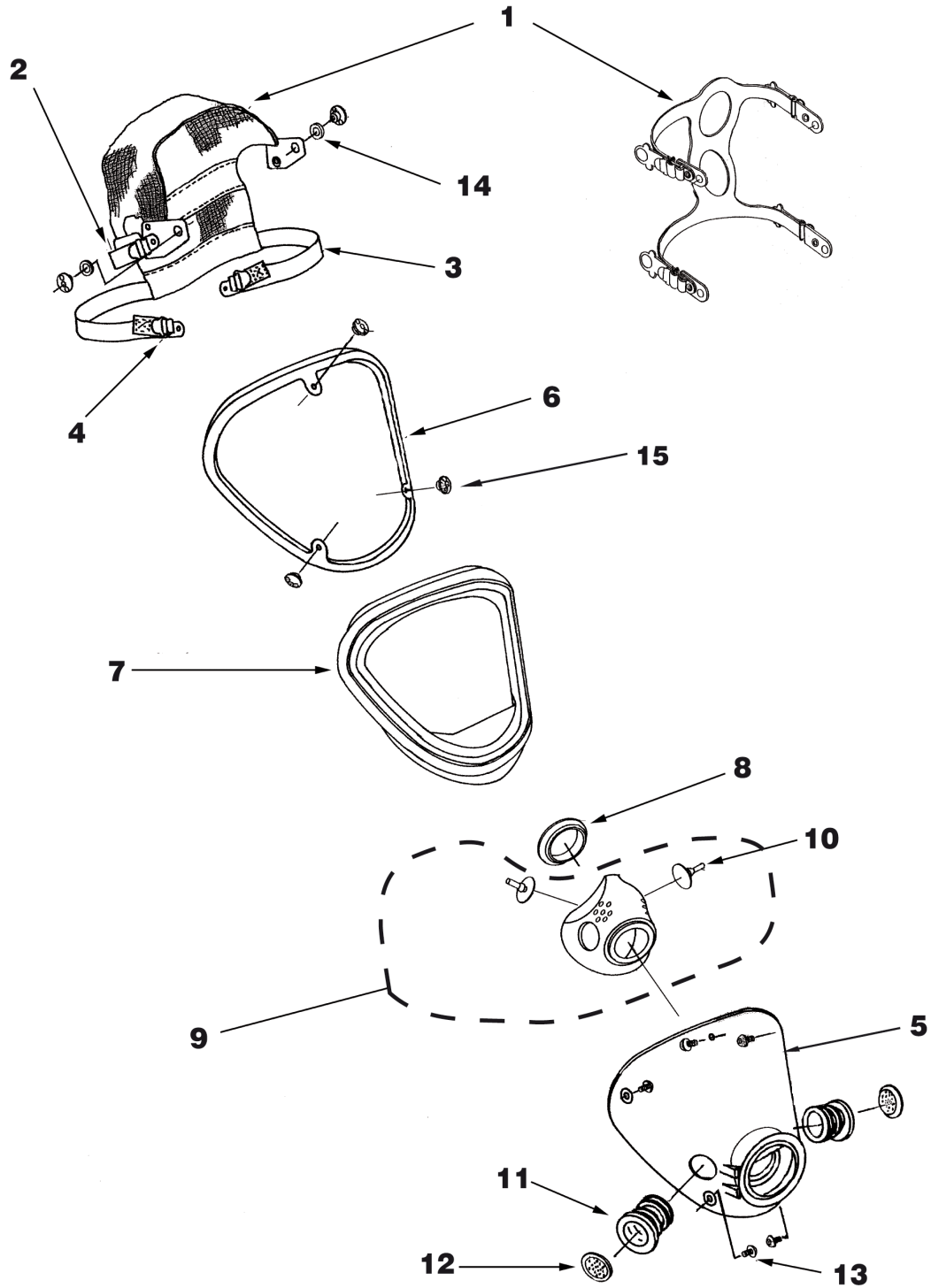
Part Number	Description	Price
804442-01	Standard Eyeglass Kit	\$60.40
200371-52F	52mm Wire Frame Eyeglass Kit	\$123.70
200371-60F	60mm Wire Frame Eyeglass Kit	\$123.70

AV-2000 Facepiece Parts & Accessories

Item Number	Description	Pieces Per Pkg	Part Number	Price
1	COMPLETE HEAD HARNESS ASSEMBLIES			
1a	Kevlar Head Harness Assembly	1	804177-01	\$175.00
1b	Polyester Head Harness Assembly	1	804063-01	\$78.00
1c	4-Point Rubber Head Harness Assembly	1	805259-01	\$66.00
2	TEMPLE STRAPS			
2a	Kevlar Temple Strap	1	804178-01	\$23.90
2b	Polyester Temple Strap	1	804061-01	\$19.00
3	NECK STRAPS			
3a	Kevlar Neck Strap	1	804176-01	\$23.90
3b	Polyester Neck Strap	1	803920-01	\$18.70
4	Lower Strap Buckle	1	803732-01	\$7.10
5	AV-2000 FACEPIECE LENS	1	804018-01	\$74.00
5a	AV-2000 Facepiece Lens (For Grey noseclip versions)	1	804018-04	\$60.00
6	Lens Frame (Fenestra)	1	10008068	\$13.60
7	FACEPIECE SEALS			
7a	Faceseal, Small (Green)	1	10005913	\$48.30
7b	Faceseal, Large (Black)	1	10005135	\$48.30
7c	Faceseal, X-Large (Red)	1	10006212	\$47.60
7d	Faceseal, Comfort Seal (Black)	1	10009779	\$47.60
9	NOSECLIP ASSEMBLY			
9a	AV-2000 Facepiece Noseclip Assembly, Grey	1	31001256	\$53.10
Not shown	AV-2000 Noseclip Conversion Kit*	1	200766-01	\$56.10
10	Inhalation Valves for Gray Noseclip	1	10008383	\$4.00
11	Voicemitter Duct	1	10008400	\$8.50
12	Voicemitter	1	804010-01	\$14.50
Not shown	Fleece Facepiece Bag	1	805534-01	\$26.00
Not shown	Protective Lens Cover	25	803941-25	\$63.00
Not shown	EPIC Communications Clamp, Right (AV-2000)	1	200716-01	\$31.35
Not shown	Neck Strap Assy	1	804088-02	\$39.46

* Conversion kit includes grey noseclip, label, and upgrade instructions. Only for AV-2000 facepieces manufactured after 2004 (Lot # 050104 or later date indicated on label in chin area)

AV-2000 Facepiece



WELD-O-VISTA

FACEPIECE ASSEMBLIES



TOP-DOWN CONVERTIBILITY™

The Weld-O-Vista facepiece is fully interchangeable with Scott's full-line of SCBA, air-supplied respirators and air purifying respirators, as well as Scott's communications products providing "Top- Down Convertibility" options. It is designed to minimize equipment inventories, simplify the complexities of user training when issued as a single personal issue facepiece and reduce redundant facepiece fit tests.

Weld-O-Vista Facepiece with Kevlar Head Harness

Part Number	Description	Pieces Per Pkg	Price
805438-01	Small Faceseal	1	\$408.00
805438-02	Large Faceseal	1	\$408.00
805438-03	X-Large Faceseal	1	\$408.00
805438-08	Comfort Seal Faceseal	1	\$408.00

Weld-O-Vista Facepiece with 4-Point Rubber Head Harness

Part Number	Description	Pieces Per Pkg	Price
805438-21	Small Faceseal	1	\$353.00
805438-22	Large Faceseal	1	\$353.00
805438-23	X-Large Faceseal	1	\$353.00
805438-28	Comfort Seal Faceseal	1	\$353.00

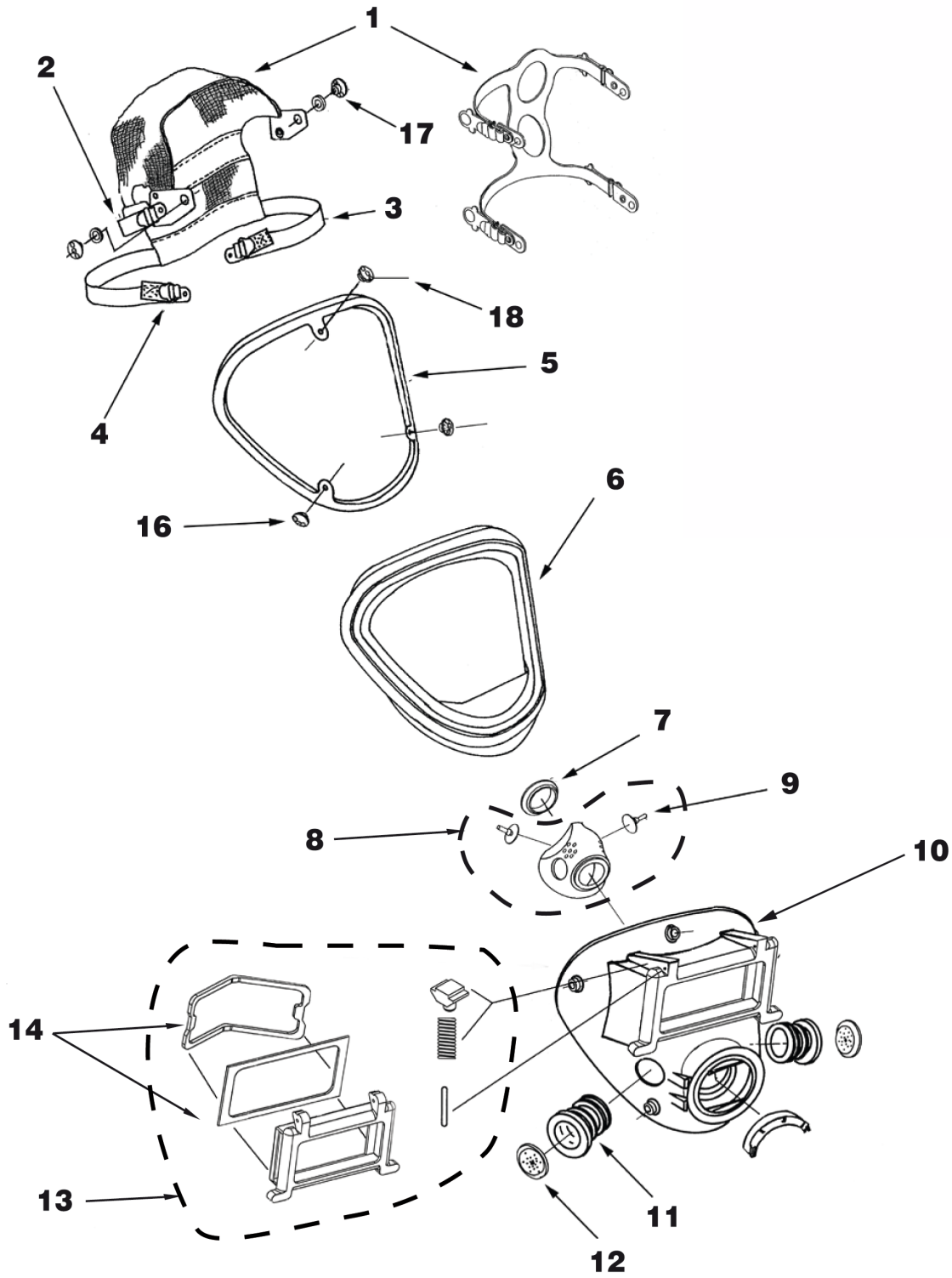
Weld-O-Vista Facepiece Lens Kits Accessories

Part Number	Description	Price
804442-01	Standard Eyeglass Kit	\$60.40
200371-52F	52mm Wire Frame Eyeglass Kit	\$123.70
200371-60F	60mm Wire Frame Eyeglass Kit	\$123.70

Weld-O-Vista Facepiece Parts & Accessories

Item Number	Description	Pieces Per Pkg	Part Number	Price
1	HEAD HARNESSES			
1a	Kevlar Head Harness Assembly	1	804177-01	\$175.00
1b	4-Point Rubber Head Harness Assembly	1	805259-01	\$66.00
2	TEMPLE STRAPS			
2a	Kevlar Temple Strap	1	804178-01	\$23.90
3	NECK STRAPS			
3a	Kevlar Neck Strap	1	804176-01	\$23.90
4	Lower Buckle Strap	1	803732-01	\$7.10
5	Lens Frame	1	10008068	\$13.60
6	FACEPIECE SEALS			
6a	Faceseal, Small (Green)	1	10005913	\$48.30
6b	Faceseal, Large (Black)	1	10005135	\$48.30
6c	Faceseal, X-Large (Red)	1	10006212	\$47.60
6d	Faceseal, Comfort Seal (Black)	1	10009779	\$47.60
7	Nosecup Retaining Ring	1	10008398	\$4.00
8	Nosecup Assembly	1	804014-01	\$110.00
9	INHALATION VALVES			
10	LENS ASSEMBLIES			
10a	Weld-O-Vista Assembly (Lens with VM, Lens Holder, Nosecup)	1	805574-01	\$259.60
10b	Weld-O-Vista Lens Assembly Kit (Lens and Lens Holder)	1	805537-01	\$200.00
11	Voicemitter Duct	1	10008400	\$8.50
12	Voicemitter	1	804010-01	\$14.50
13	Lens Holder Assembly	1	805182-02	\$55.70
14	Lens Separator & Lens Retainer Kit	1	805536-01	\$13.20
Not Shown	Fleece Facepiece Bag	1	805534-01	\$26.00

Weld-o-Vista Facepiece



PROMASK 25

FACEPIECE



Promask 25 Facepiece with Rubber Head Harness

Part Number	Description	Pieces Per Pkg	Price
013024	Polycarbonate Lens, Reg	1	\$145.00
013027	Polycarbonate Lens, Small	1	\$145.00

Promask 25 Facepiece with Polyester Head Harness

Part Number	Description	Pieces Per Pkg	Price
013023	Polycarbonate Lens, Reg	1	\$143.00
013028	Polycarbonate Lens, Small	1	\$143.00

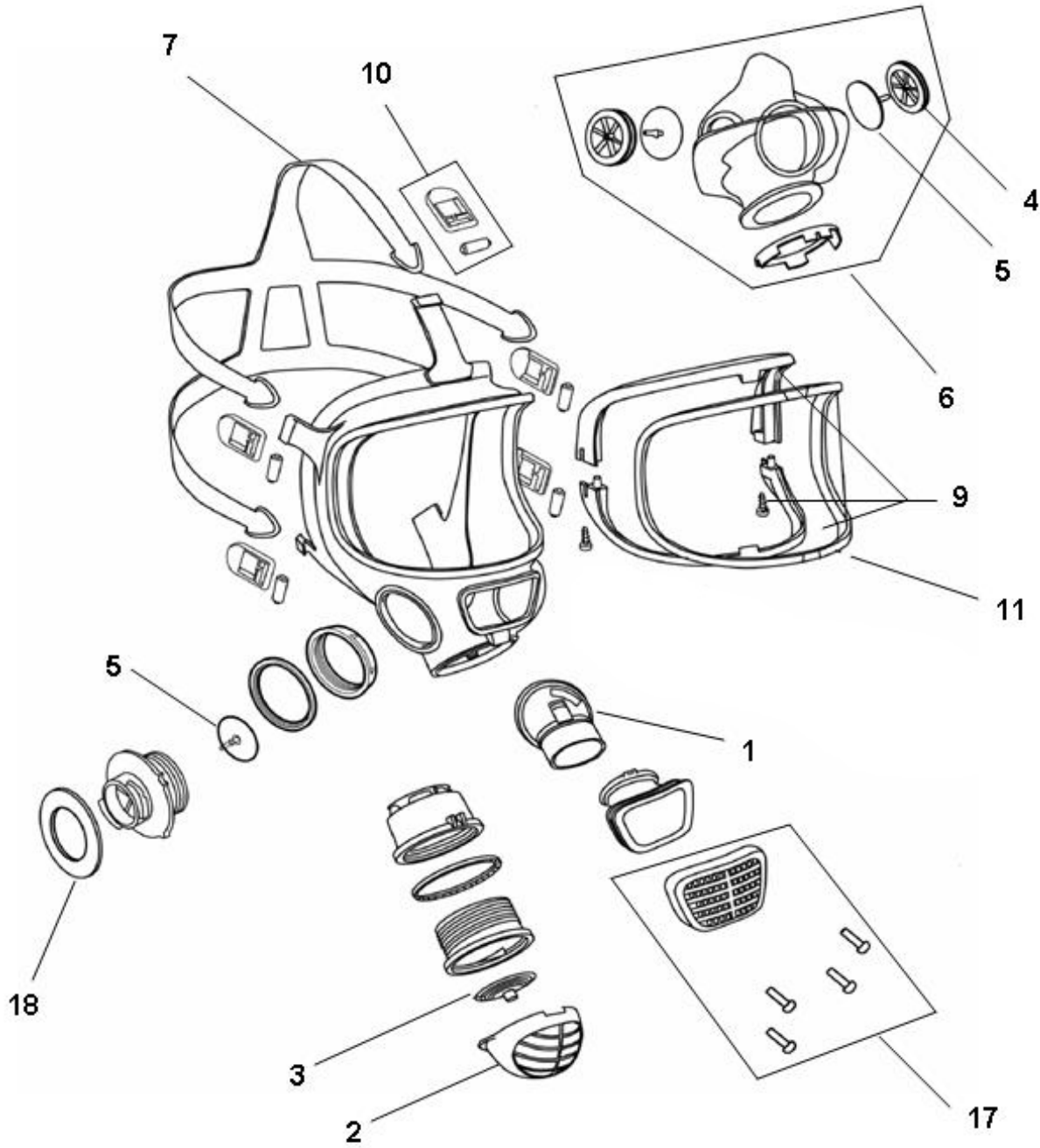
Promask 25 Facepiece Lens Kits Acessories

Part Number	Description	Pieces Per Pkg	Price
012798	Standard Eyeglass Kit		\$21.50
200373-52F	52mm Wire Frame Eyeglass Kit		\$123.70
200373-60F	60mm Wire Frame Eyeglass Kit		\$123.70

Promask 25 Facepiece Parts & Accessories

Item Number	Description	Pieces Per Pkg	Part Number	Price
1	Speech Diaphragm Assembly Kit	1	012778	\$15.30
2	Exhalation Valve Cover	1	012688	\$8.30
3	Exhalation Valve Disc	1	013374	\$10.20
4	Nosecup Valve Seats	2	012773	\$5.60
5	Valve Discs	4	012774	\$11.90
6	Nosecup with Fastening Ring	1	012776	\$37.30
7	Head Harness, EPDM (less buckles)	1	012692	\$30.20
8	Head Harness, Poly (less buckles) (not shown)	1	012775	\$30.20
9	Visor Frame Set (Top, Bottom, 2 Screws)	1	012693	\$12.50
10	Harness Buckles	5	012694	\$8.90
11	Visor	1	012695	\$31.70
17	Speech Channel Cover Kit	1	012779	\$15.00
Not shown	Protective Lens Covers	10	012698	\$33.70
Not shown	Fleece Facepiece Bag	1	805534-01	\$26.00

Promask 25 Facepiece







M110


CBRN DUAL LENS FACEPIECE



M110 CBRN Dual Lens Facepiece

Part Number	Description	Price
013262	Medium/Large 	\$277.00
013282	Medium/Large with Drinking Device 	\$309.00
013242	Small 	\$277.00
013222	Small with Drinking Device 	\$309.00

Canister

Part Number	Description	Price
045135	CBRN CAP 1 Canister 	\$55.76
805557-01	MPC Plus Cartridge	\$24.15
052683	P100 Cartridge	\$11.87
045123	Enforcement Cartridge	\$37.17

Accessories

Part Number	Description	Price
200374-54F	54mm Wire Split-Frame Eyeglass Kit	\$122.40
012593	Drinking Bottle	\$29.20
012592	Speech Diaphragm	\$6.90
1001882	Tactical Facepiece Bag with Belt Mounting	\$79.60
10012151	Shoulder Strap for Tactical Facepiece Bag	\$21.40
10012152	Leg Strap for Tactical Facepiece Bag	\$13.00
805534-01	Fleece Facepiece Bag	\$26.00

Replacement Parts

Part Number	Description	Pieces Per Pkg	Price
012577	Exhalation valve set assembly	1	\$7.50
012774	Inhalation valve discs, set of four (4)	4	\$11.90
013372	Inhalation valve seats, set of two (2)	2	\$9.80
012574	Nose cup for regular M110	1	\$39.60
012575	Nose cup for small M110	1	\$39.60
012773	Nose cup valve seats, set of two (2)	2	\$5.60
012598	Head harness	1	\$30.20
012592	Speech diaphragm plug	8	\$6.90
012594	Mouthpiece, drinking device (if equipped)	1	\$6.70
012597	Lid, drinking device (if equipped)	10	\$7.60





CBRN approved when used with Cap 1 Canister

M120


CBRN FACEPIECE



M120 CBRN Facepiece

Part Number	Description	Price
013013	Medium/Large 	\$266.00
013014	Small 	\$266.00

Canister

Part Number	Description	Price
045135	CBRN CAP 1 Canister 	\$55.76
805557-01	MPC Plus Cartridge	\$24.15
052683	P100 Cartridge	\$11.87
045123	Enforcement Cartridge	\$37.17

Accessories

Part Number	Description	Price
012798	Standard Eyeglass Kit	\$21.50
10011882	Tactical Facepiece Bag with Belt Mounting	\$79.60
10012151	Shoulder Strap for Tactical Facepiece Bag	\$21.40
10012152	Leg Strap for Tactical Facepiece Bag	\$13.00
805534-01	Fleece Facepiece Bag	\$26.00

Replacement Parts

Part Number	Description	Price
012577	Exhalation Valve Set Assembly	\$7.50
013372	Inhalation Valve Seats (EPDM), Set of two (2)	\$9.80
012773	Nosecup Valve Seats, set of two (2)	\$5.60
012774	Valve Discs, set of four (4)	\$11.90
012776	Nosecup w/Fastening Ring	\$37.30
012692	Head harness (ribbed)	\$30.20
013377	40mm Plug	\$3.10
012694	Harness Buckles, set of five (5)	\$8.90



The M120 Facepiece is NIOSH CBRN APR approved with the CBRN Cap-1 canister, and with the C420 Plus CBRN PAPR as configured on page 70

XCEL HALFMASK

ASSEMBLIES



Xcel Half-Mask Assembly

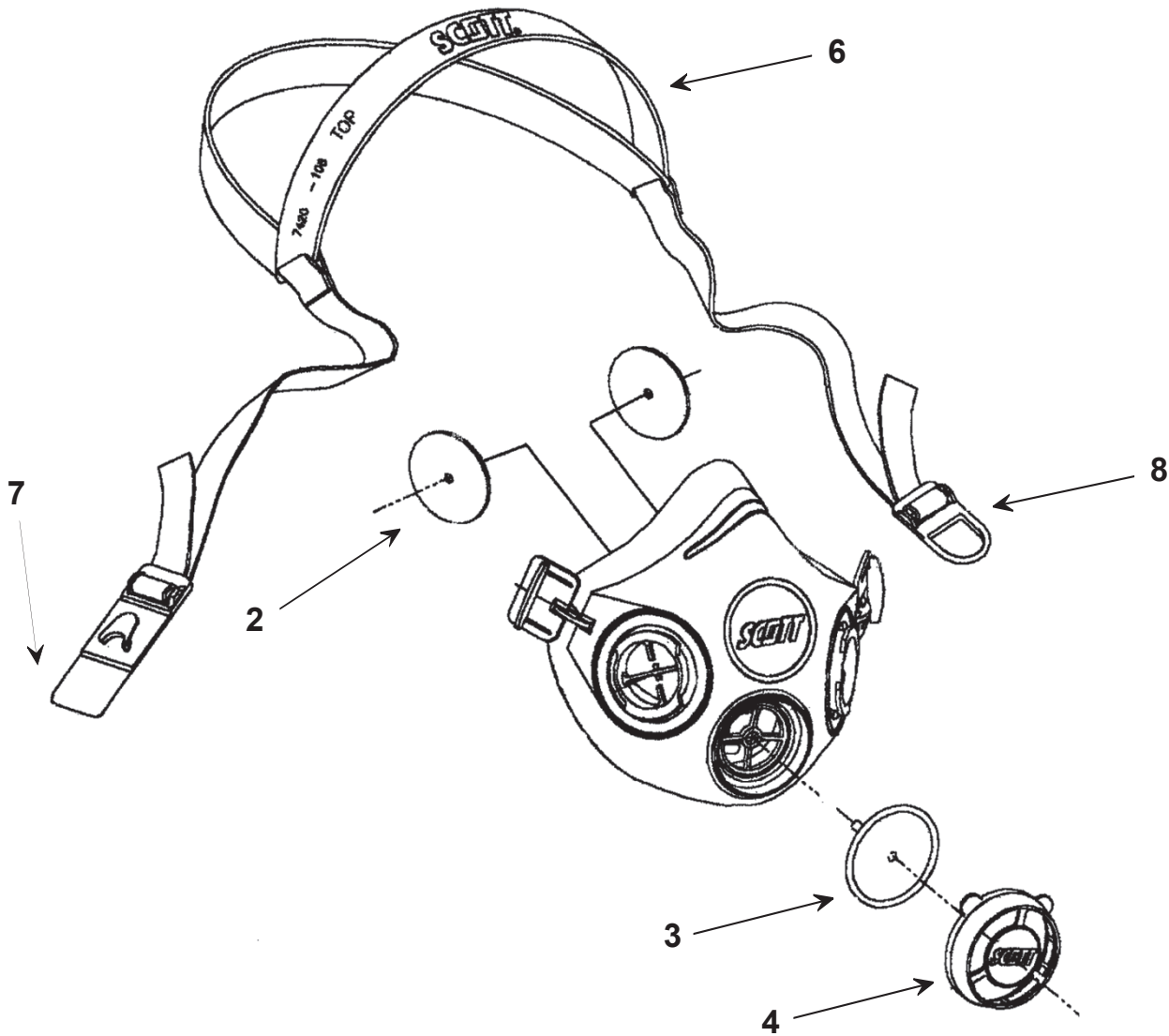
Part Number	Description	Pieces Per Pkg	Price
7421-111	Xcel Halfmask, Small	1	\$32.00
7421-112	Xcel Halfmask, Small/Medium	1	\$32.00
7421-113	Xcel Halfmask, Medium/Large	1	\$32.00
7421-114	Xcel Halfmask, Large	1	\$32.00
7421-111V	Xcel Halfmask with Voicemitter, Small	1	\$39.00
7421-112V	Xcel Halfmask with Voicemitter, Small/Medium	1	\$39.00
7421-113V	Xcel Halfmask with Voicemitter, Medium/large	1	\$39.00
7421-114V	Xcel Halfmask with Voicemitter, Large	1	\$39.00
7421-411V	Xcel HS Halfmask, Small, with Voicemitter	1	\$39.00
7421-412V	Xcel HS Halfmask, Small/Medium, with Voicemitter	1	\$39.00
7421-413V	Xcel HS Halfmask, Medium/Large, with Voicemitter	1	\$39.00
7421-414V	Xcel HS Halfmask, Large, with Voicemitter	1	\$39.00
7421-511V	Xcel HS Halfmask, Small (Case of 20), with Voicemitter	1	\$759.00
7421-512V	Xcel HS Halfmask, Small/Medium (Case of 20), with Voicemitter	1	\$759.00
7421-513V	Xcel HS Halfmask, Medium/Large (Case of 20), with Voicemitter	1	\$759.00
7421-514V	Xcel HS Halfmask, Large (Case of 20), with Voicemitter	1	\$759.00

Accessories

Part Number	Description	Pieces Per Pkg	Price
7422-FT1	Quantitative Fit Test Adapter Kit	1	\$47.28
7421-PF1	Xcel Halfmask, Probed, Small	1	\$49.50
7421-PF2	Xcel Halfmask, Probed, Small/Medium	1	\$49.50
7421-PF3	Xcel Halfmask, Probed, Medium/Large	1	\$49.50
7421-PF4	Xcel Halfmask, Probed, Large	1	\$49.50
200915-01	Filter Covers for 742 Series P100, Pair	1	\$8.10
200915-70	Filter Covers for 742 Series P100, 70 Pair	1	\$528.40

Replacement Parts

Item Number	Description	Pieces Per Pkg	Part Number	Price
2	Inhalation Valve (Set of 4)	4	200211-01	\$12.70
3	Exhalation Valve	1	13870-00	\$6.50
4	Exhalation Valve Cover	10	10011094	\$1.90
6-8	Head Harness Assembly	1	7420-108	\$9.40
7	Head Harness Clip	10	10011095	\$1.40
8	Head Harness D-Ring	10	10011096	\$1.40




FACEPIECE ADAPTERS

FOR CARTRIDGES & CANISTERS



Facepiece Adapters

Part Number	Description	Pieces Per Pkg	Price
805622-01	742 Series Twin Cartridge 1/4 Turn Adapter	1	\$43.50
805059-01	40mm Cartridge Adapter	1	\$43.70
200423-01	40mm First Responder Adapter 	1	\$57.40
10011688	Exhalation Cover for 805622-01	1	\$9.40

Quantitative Fit Testing Adapters for use with TSI Portacount (for pricing, see page 72)

Facepiece to be Fit Tested	Quantitative Fit Test Probe Adapter Required	Filter Required	Facepiece Adapter Required
742 Cartridge Series	7422-FT1	7422-FP1	805622-01
Xcel Half Mask	●	●	
Promask 25	●	●	
AV-2000, AV-3000 Series, Weld-O-Vista	●	●	●
40mm Cartridge Series	805628-01	052683	805059-01
AV-2000, AV-3000 Series, Weld-O-Vista	●	●	●
M110, M120	●	●	

Quantitative Fit Testing Adapters for use with Fit Tester 3000

Facepiece to be Fit Tested	Quantitative Fit Test Probe Adapter Required	Filter Required	Facepiece Adapter Required
742 Cartridge Series	805816	7422-FP1	805622-01
Xcel Half Mask	●	●	N/A
Promask 25	●	●	N/A
AV-2000, AV-3000 Series, Weld-O-Vista	●	●	●

742 SERIES

FILTERS & CARTRIDGES



742 Series Twin Filter and Chemical Cartridges

Part Number	Description	Pieces Per Pkg	Price
7422-BA1	Organic Vapor	1 Pair	\$13.08
7422-BB1	Organic Vapor/P100	1 Pair	\$25.86
7422-CD1	Tear Gas /P100	1 Pair	\$32.67
7422-FP1	P100 Filter	1 Pair	\$11.50
7422-FP4	P100 Filter (Carton of 80 Pair)	80 pair	\$920.00
7422-FN5	Particulate N95 stand alone filter (case of 50 pair)	50 pair	\$169.05
7422-GA1	Ammonia/Methylamine	1 Pair	\$14.98
7422-GB1	Ammonia/Methylamine/P100	1 Pair	\$28.16
7422-PD1	TEDA-P100	1 Pair	\$41.47
7422-SC1	Multi-Purpose	1 Pair	\$14.41
7422-SD1	Multi-Purpose / P100	1 Pair	\$27.39
7422-WA1	Acid Gas	1 Pair	\$13.80
7422-WB1	Acid Gas/P100	1 Pair	\$27.06
7422-YC1	Organic Vapor/ Acid Gas	1 Pair	\$13.59
7422-YD1	Organic Vapor / Acid Gas / P100	1 Pair	\$25.68
7422-MA1	Mercury Vapor/Chlorine Gas	1 Pair	\$26.75
7422-MB1	Mercury Vapor/Chlorine Gas/P100	1 Pair	\$39.48

Particulate Filter Accessories

Part Number	Description	Price
7422-FE4	N95 Filter Cover + Retainer, Reusable (5 pair of 7422-FE1). Holds the N95 filter for stand alone use.	5 pair \$97.75
7422-FC4	N95 Filter Covers, Reusable (5 pair of 7422-FC1). Cover attaches N95 to chemical cartridge.	5 pair \$69.00

Fit Check Seal Kit


Part Number	Description	Price
7422-FG4	Box of 5 pair of 7422-FG1 (Reusable filter cover + gasket) Facilitates negative pressure leak check with chemical cartridges	5 pair \$123.05

40mm SERIES

CARTRIDGES & CANISTERS



40mm Series Canisters

Part Number	Description	Pieces Per Pkg	Price
805557-01	MPC Plus Cartridge	1	\$24.15
052683	P100 Cartridge	1	\$11.87
045123	Enforcement Cartridge	1	\$37.17
045135	CBRN Cap-1 Canister 	1	\$55.76
045170	MPC40PF	1	\$26.88

SPEED-EVAC

MOUTHBIT RESPIRATOR



Speed-Evac 90 Series Mouthbit Respirators

Part Number	Description	Pieces Per Pkg	Price
803834-01	Acid Gas, With Pouch	1	\$33.35
803834-03	Acid Gas, With Case	1	\$49.45
803834-30	Acid Gas, With Pouch	30	\$992.45
803834-32	Acid Gas, With Case	30	\$1,475.45
803839-01	Ammonia, With Pouch	1	\$33.35
803839-03	Ammonia, With Case	1	\$49.45
803839-30	Ammonia, With Pouch	30	\$992.45
803839-32	Ammonia, With Case	30	\$1,475.45

Speed-Evac 90 Series Mouthbit Respirators Part and Accessories

Part Number	Description	Pieces Per Pkg	Price
10007997	Mouthbit Noseclip	1	\$2.00
10008212	Mouthbit Replacement Bag	1	\$1.80
10008221	Mouthbit Belt Clip Retainer	1	\$1.80



PROFLOW 3

POWERED AIR PURIFYING RESPIRATOR

Proflow 3 Powered Air Purifying Respirator (PAPR)

Part Number	Description	Price
805820-01	Proflow 3 PAPR blower unit with nylon waistbelt integrated rechargeable battery, and single unit charger (Breathing tube not included)	\$1,073.30

Proflow 3 Powered Air Purifying Respirator Breathing Tubes

Part Number	Description	Price
31001207	Breathing Tube (36") for hoods	\$54.10

Proflow 3 Powered Air Purifying Respirator Hoods

Part Number	Description	Price
200676-01	FH22 double bib hood (each)	\$49.40
200676-03	FH22 double bib hood (3/pack)	\$142.30
31001429	FH2 hood (each)	\$48.00

Proflow 3 Powered Air Purifying Cartridges and Canisters

Part Number	Description	Price
045170	MPC40PF Cartridge	\$26.88
045123	Enforcement cartridge	\$37.17
052683	P100/HEPA cartridge	\$11.87

Proflow 2 and Proflow 3 Powered Air Purifying Respirator Accessories

Part Number	Description	Price
063548	Rechargeable battery, NIMH	\$168.50
063791	Spare single charger	\$168.50
064072	Nylon textile waistbelt	\$21.90
064074	Smooth PVC belt	\$24.00
200677-03	Proflow 3, Hose Shrouds (3/pack)	\$35.10
2016236	Proflow 3, Support Washer (5/pack)	\$9.80
2017491	Proflow 3, Lock Nut (5/pack)	\$9.90
31000578	Proflow 2, Scott duffle bag carry case	\$45.70
805059-01	Proflow 2, 40mm adapter for AV Series facepieces	\$43.70

C420 PLUS

POWERED AIR PURIFYING RESPIRATOR



C420 Plus

	Blower	LiSO2 Battery	Decon Belt	30" CBRN Breathing Tube (use with M120)	36" CBRN Breathing Tube (use with M120)	30" CBRN AV-PAPR Hose (Use with AV-Facepieces*)	36" CBRN AV-PAPR Hose (Use with AV-Facepieces*)	Price
Part No:	200699-01	805358-01	805359-01	200700-30	200700-36	200829-30	200829-36	

C420 Plus PAPR Blowers:

200699-01	●							\$1,007.00
200698-00	●		●					\$1,064.00

C420 CBRN** PAPR Kits:

For use with M120 Facepiece (sold separately)

200698-30	●		●	●				\$1,138.00
200698-36	●		●		●			\$1,138.00
200710-30	●	●	●	●				\$1,234.20
200710-36	●	●	●		●			\$1,234.20

For use with AV-2000, AV-3000 SureSeal, or AV-3000 HT Facepieces (sold separately)

200830-30	●		●			●		\$1,047.60
200830-36	●		●				●	\$1,047.60
200833-30	●	●	●			●		\$1,234.20
200833-36	●	●	●				●	\$1,234.20

*AV-PAPR hose connects directly to AV-series facepieces.

**The C420 Plus PAPR is also approved for NIOSH non-CBRN applications; Additional configurations are available

CBRN Canister:

Part Number	Description	Price
045135	CBRN Cap-1 Canister 	\$55.76

Other NIOSH approved canisters:

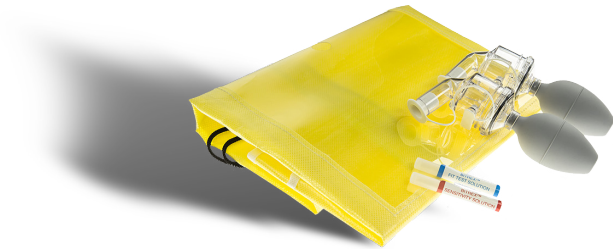
Part Number	Description	Price
045170	MPC40PF	\$26.88
045123	Enforcement Cartridge	\$37.17
052683	HEPA/P100 Filter	\$11.87

C420 Plus Powered Air Purifying Respirators (PAPR) Parts & Accessories

Part Number	Description	Pieces Per Pkg	Price
	FACEPIECE	See pages 48-62	
See Pg 62	M120	1	
See Pg 45	AV-3000 HT with Kevlar Head Harness	1	
See Pg 48	AV-3000 with SureSeal with Kevlar Head Harness	1	
See Pg 52	AV-2000 with Grey Nosecup and Kevlar Head Harness	1	
	Breathing Tubes		
200700-30	30" Breathing Tube for M120	1	\$120.40
200700-36	36" Breathing Tube for M120	1	\$120.40
200829-30	30" AV-PAPR Breathing Tube for approved AV-Facepieces	1	\$160.20
200829-36	36" AV-PAPR Breathing Tube for approved AV-Facepieces	1	\$165.30
	C420 Plus PAPR Blower Unit		
200698-00	C420 Plus PAPR Blower Kit (Blower, decon belt, airflow indicator)	1	\$1,064.00
200699-01	C420 Plus PAPR Blower only	1	\$1,007.00
805359-01	Decontamination Belt	1	\$66.30
805374-01	Airflow Indicator	1	\$36.90
	BATTERIES, C420 Plus		
805358-01	LiSO2 Battery	1	\$123.30
31002361	(Black) End cap for LiSO2 Battery		\$28.40
200701-01	NiMH Rechargeable Battery Conversion Kit, (Single Bank Charger, NiMH Battery, End Cap)	1	\$445.80
31001504	NiMH Rechargeable Battery Pack	1	\$199.90
31001506	(Green) End Cap for NiMH Rechargeable Battery	1	\$27.90
200703-01	Single Unit Battery Recharger	1	\$241.80
	CARRY CASE		
31000578	Scott duffle bag carry case	1	\$45.70
See Previous Page	CARTRIDGES AND CANISTERS		

BITREX

QUALITATIVE FIT TEST KIT



Bitrex Qualitative Fit Test Kit

Part Number	Description	Pieces Per Pkg	Price
2017070	Bitrex Qualitative Fit Test Kit	1	\$246.90

Bitrex Qualitative Fit Test Kit - Spare Parts

Part Number	Description	Pieces Per Pkg	Price
2017093	Fit Test Solution Applicator Kit (6 ampoules/box)	6	\$23.50
2017092	Sensitivity Solution Applicator Kit (6 ampoules/box)	6	\$23.50
2017094	Nebulizer	1	\$85.70
2017095	Test Hood	1	\$34.70

Fit Test Parts For Use With 742 Series Twin Cartridges

Part Number	Description	Pieces Per Pkg	Price
805622-01	742 Series Twin Cartridge 1/4 Turn Adapter	1	\$43.50
7422-FP1	P100 Filter, 742 Series	1	\$11.50
7422-BA1	Organic Vapor Cartridges, 742 Series	1	\$13.08

Fit Test Parts and Accessories For Use With 40mm Series Canisters

Part Number	Description	Pieces Per Pkg	Price
805059-01	40mm Canister Adapter	1	\$43.70
052683	40mm HEPA Cartridge	1	\$11.87

CHARGE STATIONS GUARDIAN & REVOLVEAIR



Charge Stations Price Configurator

Model	Price	Base	Price	Fill Panel	Price	Dual Pressure	Price	Auxiliary Low Pressure	Price	Auxiliary High Pressure	Price	Cutout	Price	Cascade Panel	Price	Options	Price
				0 None	N/C	0 None	N/C							0 0 None	N/C		
1 Guardian	\$6,720	1 Yes	N/C	1 Stationary	\$702	1 2.5 & 4.5	\$1,570	1 Yes	\$1,030	1 Yes	\$1,165	1 Yes	N/C			0 1 CGA Adapter	N/C
2 RevolveAir	\$8,047	2 No	N/C	2 Mobile	\$702	2 2.5 & 5.5	\$1,570	2 No	N/C	2 No	N/C	2 No*	N/C	0 2 2 Bank	\$1,196	0 2 DIN Adapter	N/C
3 RevolveAir Mobile	\$8,047					3 4.5 & 5.5	\$1,570					3 No**	N/C	0 3 3 Bank	\$1,664	1 1 SCUBA Adapter/ RevolveAir & CGA	\$312
														0 4 4 Bank	\$2,050	2 1 SCUBA Adapter/ Guardian & CGA	\$165
														0 5 5 Bank	\$2,600	1 2 SCUBA Adapter/ RevolveAir & DIN	\$312
														0 6 6 Bank	\$3,068	2 2 SCUBA Adapter/ Guardian & DIN	\$165
														A 0 Auto NO storage	\$4,472		
														A 4 with storage	\$4,472		

Part Number:

Select one number per box from the chart above that corresponds to your choice

AF																	
----	--	--	--	--	--	--	--	--	--	--	--	--	--	--	--	--	--

Price:

Select the price that corresponds to the number selected above

--	--	--	--	--	--	--	--	--	--	--	--	--	--	--	--	--	--

Total:

Add up all prices to the left

--

Example

RevolveAir Mobile;
with No Base;
with Mobile Fill Panel;
with Dual Pressure;
with Auxiliary Low Pressure;
with No Auxiliary High Pressure;
with Cutout;
with 5 Bank Cascade Panel;
with SCUBA Adapter / RevolveAir & CGA

AF	3	2	2	1	1	2	1	0	5	1	1
	\$8,047	\$0	\$702	\$1,570	\$1,030	\$0	\$0	\$2,600	\$312		

\$14,261

This price configurator is a guide to Scott's breathing air systems product part numbers. Not all part numbers configured with this chart can be manufactured. Please confirm part numbers with Scott's Customer Service Department, a Scott Regional Manager, or your local Scott Authorized Distributor of breathing air systems.

* No (Stand Alone - No Compressor)

** No (Charge Station - Wall Mount)

COMPRESSORS

SIMPLE AIR & HUSH AIR



Stationary & Horizontal Compressors Price Configurator

Model	Price	Voltage/Phase/Hz	Price	Horsepower	Price	Controller	Price	Frame	Price	Language	Price	Options	Price
0 1 Simple Air / 5000 psi / 1 Phase	\$15,309	0 1 208 Volt / 1 Phase/ 60Hz	N/C	1 5 HP	\$509	1 Basic	\$728	1 Open	N/C	1 English	N/C	0 None	N/C
0 2 Simple Air / 5000 psi / 3 Phase	\$15,054	0 2 230 Volt / 1 Phase/ 60Hz	N/C	2 7.5 HP	\$614	2 CO Monitor	\$2,163	2 Simple Enclosed	\$3,167	2 Spanish	N/C	1 Wall Mount	N/C
0 3 Simple Air / 6000 psi / 1 Phase	\$19,088	0 3 208 Volt / 3 Phase/ 60Hz	N/C	3 10 HP	\$1,061	3 Dew Point	\$1,415	3 Hush Enclosed	\$3,385			2 Moisture Indicator	\$187
0 4 Simple Air / 6000 psi / 3 Phase	\$18,481	0 4 230 Volt / 3 Phase/ 60Hz	N/C	4 15 HP	\$1,461	4 CO & Dew Point	\$3,578	4 Open/Remote Air Simple	\$135			3 Wall M. W/Moist.Ind	\$187
0 5 Hush Air / 6000 psi	\$28,013	0 5 460 Volt / 3 Phase/ 60Hz	N/C	5 20HP	\$2,028	5 CO Monitor *	\$2,486	4 Open/Remote Air Hush	\$240				
		0 6 220 Volt / 3 Phase/ 50Hz	N/C			6 CO & Dew Point *	\$3,900	5 Simple Enclosed/ Remote Air	\$3,167				
		0 7 380 Volt / 3 Phase/ 50Hz	N/C					6 Hush Enclosed/ Remote Air	\$3,609				
		0 8 415 Volt / 3 Phase/ 50Hz	N/C										
		0 9 220 Volt / 1 Phase/ 50Hz	N/C										

Part Number:
Select one number per box from the chart above that corresponds to your choice

AC								1		
----	--	--	--	--	--	--	--	---	--	--

Price:
Select the price that corresponds to the number selected above

--	--	--	--	--	--	--	--	--	--	--

Total:
Add up all prices to the left

--

Example

Simple Air / 6000 psi / 3 Phase Model
with 230 Volt / 3 Phase / 60 Hz;
with 10 HP;
with CO & Dew Point Controller;
with Simple Enclosed Frame;
with Blue/White Color;
in English;
with no Options

AC	0	4	0	4	3	4	2	1	1	0
	\$18,481		\$0	\$1,061	\$3,578	\$3,385	\$0	\$0	\$0	

\$26,505

This price configurator is a guide to Scott's breathing air systems product part numbers. Not all part numbers configured with this chart can be manufactured. Please confirm part numbers with Scott's Customer Service Department, a Scott Regional Manager, or your local Scott Authorized Distributor of breathing air systems.

* with calibration kit

LIBERTY DUAL POWER

LIBERTY I, II & SLIP-IN



Liberty Dual Power Price Configurator

Model	Price	HP/Voltage//Hz All models are 3 Phase	Price	Brakes Tow Hitch	Price	Light Tower Generator	Price	Cold Weather Package	Price	Color †	Price	Pressure Reel High & Low	Price	SCBA Storage Rack	Price	Language	Price	Options	Price
				0 None	N/C	0 None	N/C					0 None	N/C					0 STD CGA	N/C
1 Liberty I	\$98,902	0 1 20 HP/ 208 Volt/ 60 Hz	N/C	1 Surge/Ball	N/C	1 Light/Gen	\$2,754	1 Yes	\$1,525	1 Red	N/C	1 Low	\$4,187	1 Yes	\$3,420	1 English	N/C	1 DIN	N/C
2 Liberty II	\$107,992	0 2 20 HP/ 230 Volt/ 60 HZ	N/C	2 Electric/Ball	\$860	2 Gen/No Light	\$1,467	2 No	N/C	2 Other	\$3,030	2 High	\$5,537	2 No	\$0	2 Spanish	N/C	2 STD CGA **	\$351
5 Lib II with Auto Cascade	\$115,454	0 3 20 HP/ 460 Volt/ 60 HZ	N/C	3 Surge/Pintle	N/C					3 Tan	\$3,030	3 Low & High	\$9,610			3 French	N/C	3 DIN **	\$351
		0 4 20 HP/ 220 Volt/ 50 HZ	N/C	4 Electric/Pintle	\$860											6 Mandarin	N/C	4 STD/SCUBA	\$340
		0 5 20 HP/ 380 Volt/ 50 HZ	N/C	5 Surge/Ball *	\$814													5 DIN/SCUBA	\$347
		0 6 20 HP/ 415 Volt/ 50 HZ	N/C	6 Electric/Ball *	\$1,622													6 STD/SCUBA**	\$689
				7 Surge/Pintle *	\$814													7 DIN/SCUBA**	\$698
				8 Electric/Pintle *	\$1,622														

Part Number:

Select one number per box from the chart above that corresponds to your choice

AL																			
----	--	--	--	--	--	--	--	--	--	--	--	--	--	--	--	--	--	--	--

Price:

Select the price that corresponds to the number selected above

--	--	--	--	--	--	--	--	--	--	--	--	--	--	--	--	--	--	--	--

Total:

Add up all prices to the left

--

† For special order colors, there is an upcharge of \$2,500 (RAL# needed)

Example

Liberty II Model;
with 20HP / 220 Volt/ 3 Phase / 50Hz; with Electric Brakes and Ball Hitch;
with no Light Tower or Generator; with a Cold Weather Package; in Red;
with High Pressure Reel; with no Storage Rack; in English;
with STD adapters

AL	2	0	4	2	0	1	1	2	2	1	0
	\$107,992	\$0	\$860	\$0	\$1,525	\$0	\$5,537	\$0	\$0	\$0	

\$115,914

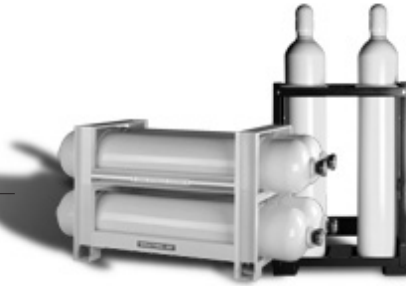
This price configurator is a guide to Scott's breathing air systems product part numbers. Not all part numbers configured with this chart can be manufactured. Please confirm part numbers with Scott's Customer Service Department, a Scott Regional Manager, or your local Scott Authorized Distributor of breathing air systems.

* with spare tire

** with calibration

STORAGE & RACKS

HORIZONTAL & VERTICAL



Storage & Racks Price Configurator

Cylinder Type	Price	Rack	Price	Quantity	Price	Price	Price	Plumbing & Quantity	Price	Hoses	Price	Options	Price				
					(ASME 6000 psi)	(DOT 5000 psi)	(DOT 6000 psi)										
				0 0	None	N/C	N/C	N/C	0 0	None	N/C	0	without Charge Station	N/C			
1 ASME 6000 psi	N/C	1 Wall 2	\$225	0 1	One	\$2,540	\$1,051	\$1,551	A 4	4 Auto Cascade	\$357	1 0	10 ft.	N/C	1	with Revolve Air**	N/C
3 DOT 5000 psi	N/C	2 Wall 4	\$327	0 2	Two	\$5,274	\$2,188	\$3,101	B 1	1 Bulk	N/C	1 5	15 ft.	N/C	2	with Guardian**	N/C
4 DOT 6000 psi	N/C	3 Vertical Back 2	\$1,403	0 3	Three	\$7,477	\$3,285	\$4,121	B 2	2 Bulk	N/C	2 0	20 ft.	N/C			
		4 Vertical Back 4	\$1,862	0 4	Four	\$10,175	\$4,356	\$6,365	B 3	3 Bulk	N/C	2 5	25 ft.	N/C			
		5 Vertical Stand Alone 2	\$1,403	0 5	Five	\$12,286	N/A	N/A	B 4	4 Bulk	N/C	3 0	30 ft. *	\$245			
		6 Vertical Stand Alone 4	\$1,862	0 6	Six	\$15,020	N/A	N/A	B 5	5 Bulk	N/C	4 0	40 ft. *	\$317			
		7 Horizontal 2	\$1,556						B 6	6 Bulk	N/C	5 0	50 ft. *	\$388			
		8 Horizontal 4	\$1,658						C 2	2 Cascade	\$143	6 0	60 ft. *	\$459			
		9 Horizontal 6	\$2,025						C 3	3 Cascade	\$194	7 0	70 ft. *	\$531			
									C 4	4 Cascade	\$255	8 0	80 ft. *	\$602			
									C 5	5 Cascade	\$357	9 0	90 ft. *	\$684			
									C 6	6 Cascade	\$367						

Part Number:
Select one number per box from the chart above that corresponds to your choice

AR										
----	--	--	--	--	--	--	--	--	--	--

Price:
Select the price that corresponds to the number selected above

--	--	--	--	--	--	--	--	--	--

Total:
Add up all prices to the left

--

* Bulk systems require one hose, cascade systems require one hose per bank
** Options 1 & 2 only required with Rack selection (3) Vertical Back 2 or (4) Vertical Back 4

Example

DOT 5000 psi Model
Four Quantity;
with Wall4 Rack;
with 4 Bulk Plumbing;
with 20 Foot Hose;
with no Options

AR	3	2	0	4	B	4	2	0	0
	\$0	\$327	\$4,356	\$0	\$0	\$0			

\$4,683

This price configurator is a guide to Scott's breathing air systems product part numbers. Not all part numbers configured with this chart can be manufactured. Please confirm part numbers with Scott's Customer Service Department, a Scott Regional Manager, or your local Scott Authorized Distributor of breathing air systems.

NOTES

PROTÉGÉ

PORTABLE MULTI-GAS MONITOR
PRICE CONFIGURATOR



PRO-A-B-C-D-E-F

(A) Protégé Monitor Base Instrument Sensor Configuration - Protégé monitor standard equipment includes: CD w/manuals, PC software and interactive training, torx tool, calibration cup, quick reference guide, datalogging. LEL configured with methane. Pentane or propane configuration upon request.

1	O2/LEL/CO/H2S	\$525.00
2	O2/LEL/CO	\$445.00
3	O2/LEL/H2S	\$445.00
4	O2/LEL	\$335.00
5	LEL	\$315.00
7	CO	\$335.00
8	H2S	\$335.00
9	LEL/CO	\$360.00
A	LEL/H2S	\$360.00
B	O2/CO	\$360.00
C	O2/H2S	\$360.00
D	CO/H2S	\$360.00

(B) Region - This choice determines if an international charging adapter will be shipped if ordered.

1	United States/Americas	\$0.00
2	Brazil/NMetro	\$0.00
3	Canada/CSA	\$0.00
4	Russia/GOST	\$0.00
Z	All others	\$0.00

(C) Pump Kit - Includes pump, clear probe and 10 foot of tubing

1	Yes	\$255.00
2	No	\$0.00

(D) Calibration Kit - Includes 34ltr bottle of gas, regulator and tubing. Price dependent on sensor configuration.

1	Yes	\$0.00
2	No	\$0.00
	Oxygen, H2S, CO and combustible gas cal kit adder (Methane)	\$390.00
	Oxygen, CO and combustible gas cal kit adder (Methane)	\$240.00
	Oxygen, H2S and combustible gas cal kit adder (Methane)	\$240.00
	Combustible or Combustible/O2 Instrument gas calibration kit adder (Methane)	\$230.00
	Oxygen, H2S, CO and combustible gas cal kit adder (Pentane 58ltr)	\$450.00
	Oxygen, H2S, CO and combustible gas cal kit adder (Propane)	\$390.00

(E) Charger Options

1	Standard Charger - Includes charger/programmer, AC adapter, USB cable for PC interface	\$130.00
2	No Charger	\$0.00
3	Car Charger	\$28.00
4	Standard Charger + Car Charger	\$158.00

(F) Foam Lined Carrying Case - Secure storage for calibration gas, charger, pump, probe and instrument

1	Yes	\$80.00
2	No	\$0.00

PROTÉGÉ

PORTABLE MULTI-GAS MONITOR



Select part numbers from this product line are part of the Scott Fast Trax Program. Contact your Regional Manager or Scott Customer Service for more details.

Protégé Monitor Kits: Includes gas monitor, charger, torx tool, manual, CD with PC software, USB cable and calibration adapter. LEL configured with methane. Pentane or propane configuration upon request.

Part Number US	Part Number CANADA	Description	Price
PRO-112212	PRO-132212	O2/LEL/CO/H2S Gas Monitor Kit	\$655.00
PRO-212212	PRO-232212	O2/LEL/CO Gas Monitor Kit	\$575.00
PRO-312212	PRO-332212	O2/LEL/H2S Gas Monitor Kit	\$575.00
PRO-412212	PRO-432212	O2/LEL Gas Monitor Kit	\$465.00
PRO-512212	PRO-532212	LEL Gas Monitor Kit	\$445.00

Confined Space Kits: Includes all the items above, plus pump, probe, tubing and calibration kit in a foam lined carry case. LEL configured with methane. Pentane or propane configuration upon request.

Part Number US	Part Number CANADA	Description	Price
PRO-111111	PRO-131111	O2/LEL/CO/H2S Confined Space Kit	\$1,380.00
PRO-211111	PRO-231111	O2/LEL/CO Confined Space Kit	\$1,150.00
PRO-311111	PRO-331111	O2/LEL/H2S Confined Space Kit	\$1,150.00
PRO-411111	PRO-431111	O2/LEL Confined Space Kit	\$1,030.00

Protégé Monitor Spare Parts

Part Number	Description	Price
096-3249	Protege Top Case Replacement Kit	\$36.00
076-0209	Protege Case Screw with Sealant	\$2.40
093-0230	CO/H2S Sensor	\$262.00
093-0231	Combustible sensor	\$157.00
093-0524	Combustible Sensor (Canada)	\$157.00
093-0232	Oxygen sensor	\$126.00
093-0470	CO sensor	\$168.00
093-0471	H2S sensor	\$168.00
009-0050	Horn - O-ring	\$1.00
023-0024	LCD foam pad	\$2.00
096-3247	LCD assembly - foam/zebra strips/LCD	\$21.00
096-3259	Pump	\$204.00
096-3259-CSA	Pump (Canada)	\$204.00
074-0547	Calibration cup	\$2.10
073-0324	Torx tool #8	\$6.30
074-0558	Dummy sensor	\$6.30
096-3366	CD (manual, quick guide, Protégé monitor PC software, training)	\$5.60
062-0026	Quick guide	\$5.25
096-3278	Alligator clip and screw	\$4.20
077-0298	Probe particulate filter (Quantity = 1 Filter)	\$3.15
077-0317	Probe hydrophobic filter	\$6.30
028-0045	AC adapter	\$15.00
028-0046	International plugs for Europe, UK, Australia, and Asia	\$5.00
028-0052	DC Adapter (allows for charging from car cigarette lighter)	\$30.00

Protégé Monitor Accessories

Part Number	Description	Price
077-1353	USB cable	\$10.50
096-3273	Foam lined carry case	\$84.00
096-3276	Americas charger	\$140.00
096-3277	International charger	\$140.00
096-3271	Pump kit (Pump, 10 ft. clear sample tubing, clear probe w/hydrophobic & particulate filters)	\$255.00
096-3271-CSA	Pump Kit, Canada	\$255.00
096-3167	10 ft. clear sample tubing	\$16.80
093-0148	Clear probe with hydrophobic and particulate filters	\$63.00
093-0526	Masterdock, Automated Bump test and calibration station, AC or battery powered. (Utilizes 103L 6D or 58L 8AL or 34L 2AL cylinder, calibration gas sold separately.)	\$1,500.00
096-3283-1	Six Unit Protégé Multi-Charger (United States,Canada)	\$441.00
096-3283-2	Six Unit Protégé Multi-Charger (UK, Hong Kong, Singapore)	\$441.00
096-3283-3	Six Unit Protégé Multi-Charger (Europe & South America)	\$441.00
096-3283-4	Six Unit Protégé Multi-Charger (Asia & Australia)	\$441.00
096-3283-5	Six Unit Protégé Multi-Charger (Brazil)	\$441.00
062-0027	Protégé Multi-Charger quick guide	\$5.50
028-0047	Protégé Multi-Charger 9VDC/5A table top power supply (cord set sold separately)	\$39.00
028-0048	North American detachable cord set for Multi-Charger	\$15.75
028-0049	UK British detachable cord set for Multi-Charger	\$15.75
028-0050	European detachable cord set for Multi-Charger	\$15.75
028-0051	Australian detachable cord set for Multi-Charger	\$15.75

Protégé Monitor Calibration Equipment

Part Number	Description	Price
096-2506-16	.5 L Regulator, tubing, 34ltr. LEL/O2/CO/H2S Calibration Kit (Methane)	\$400.00
096-2506-18	.5 L Regulator, tubing, 34ltr. LEL/O2/CO Calibration Kit (Methane)	\$250.00
096-2506-20	.5 L Regulator, tubing, 34ltr. LEL/O2/H2S Calibration Kit (Methane)	\$400.00
096-3272	.5 L Regulator, tubing, 34ltr. LEL Calibration Kit (Methane)	\$231.00
096-3392	.5 L Regulator, tubing, 34 ltr. LEL/O2/CO/H2S Calibration kit (Propane)	\$405.00
096-3393	.5 L Regulator, tubing, 58 ltr. LEL/O2/CO/H2S Calibration kit (Pentane)	\$465.00
077-0351	GAS CYL. 34L/2AL, LEL/O2/CO/H2S (Methane)	\$236.00
077-0352	GAS CYL. 58L, LEL/O2/CO/H2S (Methane)	\$295.00
077-0355	GAS CYL. 34L/2AL, LEL/O2/H2S (Methane)	\$248.00
077-0353	GAS CYL. 34L/7HP, LEL/O2/CO (Methane)	\$84.00
077-0354	GAS CYL. 103L/6D, LEL/O2/CO (Methane)	\$196.00
077-0357	GAS CYL. 34L/2AL, LEL (Methane)	\$56.00
077-0272	GAS CYL. 34L/2AL, H2S (25 ppm)	\$136.00
077-0273	GAS CYL. 34L/7HP, CO (50 ppm)	\$136.00
077-1379	GAS CYL. 58L/8AL, LEL/O2/CO/H2S (Pentane)	\$295.00
077-1269	GAS CYL. 34L/2AL, LEL/O2/CO/H2S (Propane)	\$237.00
077-0018	REGULATOR, 2AL/8AL/6D .5LPM	\$150.00
077-1238	REGULATOR, 7HP .5LPM	\$150.00

PROTÉGÉ ZM

PORTABLE SINGLE-GAS MONITOR



FastTrax

Select part numbers from this product line are part of the Scott Fast Trax Program. Contact your Regional Manager or Scott Customer Service for more details.

Protégé ZM Single Gas Monitor

Equipment includes: monitor with custom alarm setpoints in high visibility red housing with stainless steel alligator clip attached, calibration cup, CD with manuals and software.

Part Number	Description	Price
096-3459-01	Protégé ZM Single Gas CO Monitor (High Visibility Red)	\$169.00
096-3459-02	Protégé ZM Single Gas H ₂ S Monitor (High Visibility Red)	\$169.00
096-3459-03	Protégé ZM Single Gas O ₂ Monitor (High Visibility Red)	\$169.00

Default Alarm Setpoint

CO (Carbon Monoxide)	Low Alarm/High Alarm: 35 ppm / 200 ppm
H ₂ S (Hydrogen Sulfide)	Low Alarm/High Alarm: 10 ppm / 15 ppm
O ₂ (Oxygen)	Low Alarm/High Alarm: 19.5% / 23.5%
- Custom alarm setpoints available using Protégé ZM price configurator.	
Minimum order of 50 units required.	

Protégé ZM Accessories and Calibration Equipment

Part Number	Description	Price
096-3467-01	Protégé ZM Portable Test Station	\$1,895.00
096-3467-02	Protégé ZM Stationary Test Station	\$1,795.00
093-0588	Protégé IR Connect with USB Cable	\$99.75
093-0589	Protégé IR Connect Spare USB Cable	\$5.25
073-0355	Protégé ZM Alligator Clip	\$6.30
074-0564	Protégé ZM Calibration Cup	\$6.30
077-0272	H ₂ S Single Gas Cylinder - H ₂ S 25 ppm 2AL (34 liter) 11" x 2.9"	\$136.00
077-0246	CO Single Gas Cylinder - CO 100 ppm 6D (103 liter) 14" x 3.25"	\$242.00
077-0039	O ₂ Single Gas Cylinder - O ₂ 16% 6D (103 liter) 14"x 3.25"	\$193.00
077-0018	Regulator 2AL/8AL/6D .5LPM	\$150.00
096-3167	10 Ft. Clear Tygon™ Tubing	\$16.80
093-0582	Protégé ZM USB Memory Stick	\$21.00
096-3499	10 Ft. Polyethylene Tubing	\$10.00

PROTÉGÉ ZM

PORTABLE SINGLE-GAS MONITOR
PRICE CONFIGURATOR



Protégé ZM Single Gas Monitor Price Configurator

Pricing Configurator only required for orders with custom alarm setpoints.
Minimum order quantity is 50 units for custom alarm setpoints.
Monitor base list price below includes a \$20 upcharge for custom alarm setpoints.

PZMAB-C-D (e.g. PZMX1-19.5-23.5 or PZMC1-50-100)

(A) Gas Type - Protégé ZM Monitor with Custom Alarm Setpoints			
Equipment includes: monitor with custom alarm setpoints in high visibility red housing with stainless steel alligator clip attached, calibration cup, CD with manuals and software			
C	CO - Carbon Monoxide		\$189.00
H	H ₂ S - Hydrogen Sulfide		\$189.00
X	O ₂ - Oxygen		\$189.00
(B) Region			
1	cETL _{US} , ATEX, IECEX		\$0.00
(C) Low Alarm Setpoint			
Depends on gas type chosen in item (A)			
1 - 300	Gas Type C - Carbon Monoxide	(No decimals allowed)	\$0.00
1 - 100	Gas Type H - Hydrogen Sulfide	(No decimals allowed)	\$0.00
1.0 - 30.0	Gas Type X - Oxygen	(Decimals allowed e.g. 19.5)	\$0.00
(D) High Alarm Setpoint			
Depends on gas type chosen in item (A). Value must be higher than value chosen in item (C)			
1 - 300	Gas Type C - Carbon Monoxide	(No decimals allowed)	\$0.00
1 - 100	Gas Type H - Hydrogen Sulfide	(No decimals allowed)	\$0.00
1.0 - 30.0	Gas Type X - Oxygen	(Decimals allowed e.g. 19.5)	\$0.00

NOTES

NOTES

NOTES



P.O. Box 569
Monroe, NC 28111
Telephone: 800.247.7257
Facsimile: 704.291.8330
www.scottsafety.com
sh-sale@tycoint.com
07.15

Nomex is a registered trademark of E.I. DuPont de Nemours and Company. | PBI Gold is a registered trademark of PBI Performance Products, Inc.
Pyrotone is a registered trademark of Elizabeth Webbing Mills Co., Inc. | Kevlar is a registered trademark of E.I. DuPont de Nemours and Company.

InfoTherm is a trademark of FLIR Systems, Inc. | PortaCount is a registered trademark of TSI, Inc.

Bitrex is a registered trademark of Macfarlan Smith Ltd. | Con-Space is a registered trademark of Con-Space Communications, Ltd.

MSL, Smokesight, and TCR - True Color Reception are a registered trademarks of TriSpec, Inc.

All Rights Reserved.

Modified July 1, 2015



All prices listed herein supercede all other price lists, including (but not limited to) Scott master PDF price list, subject to change.

Scott Safety Master Price List - Prices Effective February 1, 2015

ITEM	PRODUCT DESCRIPTION	SIGNAL CODE	Minimum Order Quantity
31001544	CYL CARBON WRAP,15MIN,4500,15Y		1
31002162	HIGH PRESSURE MANIFOLD,RIT-PAK		1
31002168	LOW PRESSR MANIFOLD(5),RIT-PAK		1
31002267	CYL.CARBON,30YR,30MIN,4500PSIG		1
31002268	CYL.CARBON,30YR,45MIN,4500PSIG		1
00-1164	SCREW,TRUSS HD,SS,6-32X0.375 L		1
0019-0398	REPLACEMENT SENSOR		1
0023-4092	ASPIRATOR JET ASSY		1
0023-7354	BATTERY PACK, TLV-I.S.		1
0023-7383	10 IN. ALUM PROBE/5FT TEF HOSE		1
0051-1057	COMBUSTIBLE SENSOR, LEL		1
0051-1120	(DOT)CYL 500 PPM HEXANE		1
0051-1175	PCB ASSY, SENSOR BASE		1
0051-1219	BATTERY CHARGER, 120VAC		1
0051-1819	5 FT DAYLON EXT HOSE, W/FTNGS		1
0054-7001	02 SENSOR BODYGUARD		1
009-0050	O-RING, EPDM #010		1
0104-5255	FERRITE SUPPRESSOR .296 DIA		1
012574	NOSECUP,REGULAR M95		1
012575	NOSECUP,SMALL M95		1
012577	EXHV SET ASSY, M120/M98		1
012592	PLUG, SPEECH DIAPHRAGM		1
012593	M95, BOTTLE W/BOTTLE CAP		1
012594	MOUTHPIECE DRINKING DEVICE		1
012597	LID,DRINKING DEVICE		1
012598	M95 HEAD HARNESS		1
012688	COVER,EXHALATION VALVE PROMASK		1
012692	HEAD HARNESS NR, PROMASK		1
012693	VISOR FRAME REPL SET PM		1
012694	HARNESS BUCKLES SET OF 5		1
012695	VISOR, PROMASK POLYCARB		1
012698	PROMASK LENS COVERS 10 PKG		1
012773	V.S., NOSECUP SET OF 2		1
012774	DISCS, VALVE SET OF 4 PM40		1
012775	HEAD HARNESS TEXTILE PROMASK		1
012776	NOSECUP W/FASTENING RING		1
012778	ASSY KIT,SPEECH DIAPHRAGM(PLY)		1
012779	KIT,SPEECH CHANNEL		1
012798	SPEC KIT, PROMASK, M95		1
013013	M120 CBRN HC		1
013014	M120 CBRN HC SMALL		1
013023	PROMASK 25, POLY LENS, NET REG		1
013024	PROMASK 25, POLY LENS, RUB REG		1
013027	PROMASK 25 POLY LENS, RUB SM		1
013028	PROMASK 25 POLY LENS, NET, SM		1
013099	M98 DRINKING DEVICE		1

013222	M110,CBRN,SMALL RIOT W/DRINK		1
013242	M110,CBRN SMALL RIOT W/O DRINK		1
013262	M110,CBRN,M/L RIOT W/O DRINK		1
013282	M110,CBRN,M/L RIOT W/DRINK DEV		1
013372	INH.VALVE SEATS EPDM SET OF 2		1
013374	DISC,EXH VALVE		1
013377	40MM PLUG, M120/M98		1
0204-0022	BATTERY,LITHIUM(COIN TYPE)3.OV		1
023-0017	GASKET, AUDIO TRANSDUCER		1
023-0022	LC4G BATTERY FOAM		1
023-0024	LC4G LCD FOAM		1
028-0037	12VDC PWR/SUP, 110VAC INPUT		1
028-0045	9VDC/.66A WALL CUBE,N.A. PLUG		1
028-0046	MULT INPUT BLADES FOR 028-0045		1
028-0047	9VDC/5A TABLE TOP POWER SUPPLY		1
028-0048	N.AMERICAN DETACHABLE CORDSET		1
028-0049	UK BRITISH DETACHABLE CORDSET		1
028-0050	EUROPEAN DETACHABLE CORDSET		1
028-0051	AUSTRALIAN DETACHABLE CORDSET		1
028-0052	CAR CHARGER - OUTPUT=9VDC/1.3A		1
028-0053	12 VOLT POWER SUPPLY		1
028-0055	POWER SUPPLY PROTEGE ZM DS		1
028-0056	POWER SUPPLY BLADE KIT		1
045123	COMB FLTRS CF22 ENFORCE CNSTR		1
045135	CBRN CAP 1 CANISTER		1
045170	MPC40PF SINGLE CARTRIDGE FILTE		1
048-0084	1/8"HIGH PRESSURE TUB FITTING		1
052683	P100 CARTRIDGE,40MM		1
0604-2723	FUSE, .5 AMP PLUG IN		1
062-0026	PROTEGE QUICK GUIDE		1
062-0027	MULTI-CHARGER QUICK GUIDE		1
063548	PROFLOW BATT NIMH 3.8 AH		1
063748	PROFLOW BATT NIMH 4.5 AH		1
063791	CHARGER, ANSMANN AN4605 TRAVEL		1
064072	BELT,TEXTILE		1
064073	HOOD HOSE, EPDM		1
064074	BELT,PVC DECON		1
064077	80CM EPDM HOSE W/ANGLE CONNECT		1
064078	80CM HOSE W/STRAIGHT CONNECTOR		1
064079	100CM EPDM HOSE/ANGLE CONNECT		1
064088	PAPR,PROFLOW 3 KIT (NO HOSE)		1
068-0024	1/8ID,3/16OD FEP TUBING,COILED		1
073-0324	LC4G T8 TORX L-KEY SHORT ARM		1
073-0355	BELT CLIP PROTEGE ZM		1
073-0359	PCBA IR BLOCK SHROUD		1
073-0360	LI BATTERY HOLDER BRACKET		1
073-0361	USB BLOCK SHROUD PROTEGE ZM		1
073-0362	USB COVER BRACKET PROTEGE ZM		1
073-0364	BRACKET, CAL CUP HOLDER		1
074-0407	NON-OPERATING SENSOR POS. HOLD		1
074-0546	CASE BOTTOM ASSEMBLY LC4G	SVC	1
074-0547	CAL CUP LC4G		1
074-0558	LC4G SENSOR DUMMY INSERT		1
074-0564	PROTEGE ZM CALIBRATION CAP		1
074-0568	ASSEMBLY, P.D.S. THERMOFORM		1
074-0569	CAL CUP MODIFICATION		1
074-0570	PLUG, PRY OUT, 6/6 NYLON		1
076-0104	SCREW,4-24X7/16FLTHD,TORX SOC.		1
076-0120-55	SCREW,PHIL.PAN,4-40X1-1/4,SS		1
076-0195	M2.5X4, PHILLIPS,PAN HEAD,SS	SVC	1
076-0203	M2.5X10 DELT PT SCREW, PROTEGE		1
076-0209	M2.5 x 10 DELTA PT SEALING SCR		1
077-0025	H2S GAS BOTTLE,25 PPM, BAL AIR		1

077-0026	GAS BOTTLE CO		1
077-0237	55 PPM CO/BAL N2 GAS CYLINDER		1
077-0238	18.5% O2/BAL N2 GAS CYLINDER		1
077-0239	20.9% O2/BAL N2 GAS CYLINDER		1
077-0248	2.5% METHANE GAS CYL.(212LTRS)		1
077-0272	H2S GAS CYLINDER-25PPM,2AL-34L		1
077-0273	CO GAS CYLINDER-50PPM, 7HP-34L		1
077-0275	PROPANE/O2/CO/H2S GAS CYL. 58L		1
077-0298	PARTICULATE FILTER, PROBE		1
077-0317	PROBE HYDROPHOBIC FILTER		1
077-0323	FITTING, LUER/BARB		1
077-0351	METHANE/O2/CO/H2S GAS CYL. 34L		1
077-0352	METHANE/O2/CO/H2S GAS CYL. 58L		1
077-0353	METHANE/O2/CO GAS CYL. 34L		1
077-0354	METHANE/O2/CO GAS CYL. 103L		1
077-0356	METHANE/O2/H2S GAS CYL. 58L		1
077-0362	METHANE/BAL. AIR CYL. 34L 7HP		1
077-0366	INSERT, INNER SENSOR COVER		1
077-0367	METHANE 99.9%,CYLINDER,7HP-34L		1
077-0371	PENTANE/O2/BAL.N2 GAS CYL,103L		1
077-0389	DEMAND FLOW REG, 5E W/CGA590		1
077-0393	REPLACEMENT GRID,SENSOR CAP		1
077-0410	100PPM ISOBUTYLENE/BAL AIR,7HP		1
077-0411	100PPM ISOBUTYLENE/BAL AIR,2AL		1
077-0422	10ML SYRINGE		1
077-0426	100PPM ISOBUTYLENE/BAL AIR,6D		1
077-0452	ABRASIVE DISC,1200 GRIT(P2500)		1
077-0453	TWEEZERS, PRECISION, #1, SS		1
077-0454	SCREWDRIVER, #1 PHILLIPS		1
077-0455	NYLON ROD, 1/16DIA.X 6" LONG		1
077-0456	LAMP, REPLACEMENT, 10.6EV PID		1
077-0459	FILTER & CAP ASSEMBLY PID		1
077-1269	PROPANE/O2/CO/H2S GAS CYL.,34L		1
077-1287	NITROGEN TRIFLUORIDE 10PPM CAL		1
077-1342	CO GAS CYLINDER 50PPM 2AL34L		1
077-1345	LC4G BUCKLE	SVC	1
077-1346	USB CABLE, A TO MINI B CONN.		1
077-1352	LC4G BATTERY HEAT SHRINK/WIRE		1
077-1353	USB CABLE A TO MINI B CONN 3'		1
077-1379	PENTANE/H2S/CO/O2 CYL: 58L/8AL		1
077-1392	PORTABLE DOCKING STATION CASE		1
077-1394	GAUGE PROTEGE ZM DOCKING STATI		1
077-1395	BULKHEAD FITTING 5/16" TUBE		1
093-0096	CITICEL C6 COMPT PIN O2 SENSOR		1
093-0148	2701-E PROBE FOR PORT. PRODUCT		1
093-0176	BATTERY CHRGR,SINGLE UNIT/INTF		1
093-0230	CO/H2S SENSOR(DUAL TOX)(REV.3)		1
093-0231	COMBUSTIBLE SENSOR		1
093-0232	OXYGEN SENSOR		1
093-0470	SENSOR (CO) CARBON MONOXIDE		1
093-0471	SENSOR (H2S) HYDROGEN SULFIDE		1
093-0526	DOCKING STATION		1
093-0527	DOCKING STATION USB CABLE		1
093-0534	INLET FILTER REPLACEMENT PACK		1
093-0582	USB STICK-2 GB PROTEGE ZM DOCK		1
093-0587	SWITCH, PUSH BUTTON, BLACK		1
093-0588	IR CONNECT ASSEMBLY		1
093-0589	IR LINK, USB CABLE SPECIAL		1
093-0590	IR LINK TOP ASSEMBLY		1
093-0591	DC JACK&WIRE ASSY W/CONNECTOR		1
093-0592	BATTERY ASSY. W/WIRING & PLUG		1
093-0593	MAIN PCB ASSY. PROTEGE ZM DS		1
096-2389	CALIBRATION KIT, 25 PPM H2S		1

096-2390	CALIBRATION KIT, 50 PPM CO		1
096-2391	O2 CHK GAS KIT,18.5,20.9,23.5%		1
096-2392	MEMBRANE REPLACEMENT KIT		1
096-2443	MINI-SA VALUE KIT (CASE ONLY)		1
096-2504-1	PUMP KIT,PUMP W/CLR TUBING		1
096-2504-3	PUMP KIT,PUMP W/PROBE & TUBING		1
096-2506-10	.5L BUL,TUBING,34L LEL/CO/H2S		1
096-2506-11	.5L BUL,TUBING,58L LEL/CO/H2S		1
096-2506-12	.5L BUL,TUBING,34L LEL/CO		1
096-2506-13	.5L BUL,TUBING,103L LEL/CO		1
096-2506-14	.5L BUL,TUBING,34L LEL/H2S		1
096-2506-15	.5L BUL,TUBING,58L LEL/H2S		1
096-2506-16	.5L REG,TUBING,34L LEL/CO/H2S		1
096-2506-17	.5L REG,TUBING,58L LEL/CO/H2S		1
096-2506-18	.5L REG,TUBING,34L LEL/CO		1
096-2506-19	.5L REG,TUBING,103L LEL/CO		1
096-2506-20	.5L REG,TUBING,34L LEL/H2S		1
096-2506-21	.5L REG,TUBING,58L LEL/H2S		1
096-2506-22	DF REG,TUBING,34L LEL/CO/H2S		1
096-2506-23	DF REG,TUBING,58L LEL/CO/H2S		1
096-2506-24	DF REG,TUBING,34L LEL/CO		1
096-2506-25	DF REG,TUBING,103L LEL/CO		1
096-2506-26	DF REG,TUBING,34L LEL/H2S		1
096-2506-27	DF REG,TUBING,58L LEL/H2S		1
096-2517	ASSY, SENSOR COVER/SHUTTER		1
096-2522	SENSOR ASSY,O2 SENSOR		1
096-2523	SENSOR ASSY,CO SENSOR		1
096-2526	ASSY, NH3 SENSOR		1
096-2527	ASSY, SO2 SENSOR		1
096-2528	ASSEMBLY, DUAL TOXIC SENSOR		1
096-2529	ASSY, PH3 SENSOR		1
096-2531	ASSY, HCN SENSOR		1
096-2532	ASSY, NO2 SENSOR		1
096-2533	ASSY, NO SENSOR		1
096-2534	SENSOR ASSY,LEL(SAFETY)(CITY)		1
096-2535	NON-OPERATING SENSOR POS. HOLD		1
096-2554	ASSY, 12V PWR CORD, CHARGER		1
096-2656	CALIBRATION KIT, 5 PPM CL2		1
096-2658	CALIBRATION KIT, 1 PPM PH3		1
096-2660	CALIBRATION KIT, 25 PPM NH3		1
096-2662	CALIBRATION KIT, 10 PPM SO2		1
096-2862-1	ASSY,SCRUBBER ATTACH, NOX		1
096-2862-2	ASSY, SCRUBBER ATTACH,CHARCOAL		1
096-2884	SENSOR ASSY, %GAS COMBUSTIBLE		1
096-2893	CALIBRATION KIT, 10 PPM HCN		1
096-2894	CALIBRATION KIT, 5 PPM NO2		1
096-2920	MITEX (PTFE) MEMBRANE REPL KIT		1
096-2957	ASSY., CHARCOAL REFILL KIT		1
096-3053-1	PHOSGENE TYPE 1 BADGE, 3 DAY		1
096-3053-2	PHOSGENE TYPE 1 BADGE, 3 DAY		1
096-3167	10 FT TYGON TUBING ASSY.		1
096-3168	2 FT TYGON TUBING ASSY.		1
096-3223	SCOUT CO2 SENSOR ASSEMBLY		1
096-3245	LC4G PUMP ASSEMBLY		1
096-3247	PROTEGE LCD KIT ASSEMBLY		1
096-3249	LC4G TOP CASE REPLACEMENT KIT		1
096-3257	LC4G CHARGER/COMM BOX ASSEMBLY		1
096-3259	PROTEGE PUMP MODULE ASSEMBLY		1
096-3259-CSA	PROTEGE PUMP MODULE ASSY.(CSA)		1
096-3262	LC4G 4 GAS MAIN ASSY. -SENSORS	SVC	1
096-3263	LC4G 2/3 GAS MAIN ASSY-SENSORS		1
096-3271	LC4G PUMP KIT		1
096-3271-CSA	PROTEGE PUMP KIT (CSA)		1

096-3272	.5L REG,TUBING,34L LEL CAL KIT			1
096-3273	LC4G, HARD CARRY CASE ASSEMBLY			1
096-3276	PROTEGE US CHARGER/COMM. KIT			1
096-3277	PROTEGE GLOBAL CHARGER/COMM.			1
096-3278	PROTEGE REPLACEMENT BUCKLE			1
096-3283-1	PROTEGE MULTI-CHRGR F/A N.AMER			1
096-3283-2	PROTEGE MULTI-CHRGR F/A UK BRI			1
096-3283-3	PROTEGE MULTI-CHRGR F/A EUROPN			1
096-3283-4	PROTEGE MULTI-CHRGR F/A AUSTRN			1
096-3283-5	PROTEGE MULTI-CHRGR F/A BRAZIL			1
096-3286	PROTEGE FIELD PROGRAMMER ASSY			1
096-3366	PORTABLE INSTRUMENTS LINE CD			1
096-3386	PROTEGE EXTERNAL PUMP FILTER			1
096-3392	CALIBRATION KIT (PROPANE)			1
096-3393	CALIBRATION KIT (PENTANE)			1
096-3459-01	ProZM CO Red Assembly			1
096-3459-02	ProZM H2S Red Assembly			1
096-3459-03	ProZM O2 Red Assembly			1
096-3467-01	ProZM TS Port Assembly			1
096-3467-02	ProZM TS Stat Assembly			1
096-3469	ASSEMBLY, MICROPHONE PLATE			1
096-3470-1	REGULATOR ASSY PROTETE ZM DS			1
096-3470-2	REGULATOR ASSY PROTETE ZM DS			1
096-3474	PROTEGE ZM CD ASSEMBLY			1
096-3499	POLYETHYLENE TUBING 1/4"ODx10'			1
10000113	SCREW, RETAINING			1
10000369	NIPPLE			1
10004865	DECAL SKA-PAK CYLINDER			1
10005135	FACE SEAL - LARGE			1
10005201	ELBOW,STREET			1
10005218	KNOB,REGULATOR PURGE	SVC		1
10005228	SUPPORT,VALVE TUBE			1
10005229	SPRING DEMAND VALVE/LATCH			1
10005233	PLATE, LATCH			1
10005250	FILTER,CARTRIDGE-PRESS REDUCER	SVC		1
10005254	SCREW, RETAINER,SEAT *KB*	SVC		1
10005259	LEVER,PISTON	SVC		1
10005269	PLATE,TAB LOCK			1
10005279	NIPPLE,COUPLING A.P.4.5			1
10005284	KB SEAT,POPPET			1
10005286	SHAFT,PRESS-TO-TEST	SVC		1
10005296	BODY,PRESSURE REDUCER			1
10005299	SPRING,PRIMARY PRESS REDUCER	SVC		1
10005300	SPRING,SECONDARY PRESS REDUCER	SVC		1
10005302	PISTON,TRANSFER VLV AUTO ACT	SVC		1
10005303	SLEEVE,TRANS VALVE,AUTO ACT	SVC		1
10005305	RING,BACK-UP			1
10005322	PLATE, APPROVAL	SVC		1
10005331	NIPPLE,COUPLING A.P.2.2			1
10005354	LABEL,IDENTIFICATION			1
10005368	GASKET			1
10005375	WASHER,THRUST			1
10005384	DECAL-CYLINDER			1
10005431	LABEL,APPROVAL	SVC		1
10005473	PROBE, CONNECTING			1
10005603	VALVE, INHALATION			1
10005638	VALVE RELIEF			1
10005654	PLUG DUMMY			1
10005656	PUNCH PIN	SVC		1
10005657	PLIERS	SVC		1
10005658	PLIERS, RETAINING RING	SVC		1
10005756	OUTLET,CHECK VALVE			1
10005773	SHAFT,PISTON	SVC		1

10005774	SLEEVE	SVC	1
10005775	SEAT,VALVE -KB-	SVC	1
10005776	HEAD,PISTON	SVC	1
10005856	PLUG		1
10005898	BAIL,CYLINDER BAND		1
10005913	AV/SOV EPDM FACESEAL SML-GREEN		1
10005959	PACKING		1
10005961	RETAINER,CHECK VALVE	SVC	1
10005973	PLUG		1
10006212	FACE SEAL,X-LARGE		1
10006289	HANGER, CYLINDER		1
10006448	SPRING-RSPTR POSITIVE PRESS		1
10006455	PACKING, PREFORMED		1
10006899	HANDWHEEL,VALVE		1
10006900	PLUG,HANDWHEEL		1
10006901	SPRING,HANDWHEEL		1
10006916	NUT,VALVE STEM		1
10007327	TEENUT,CAPPED		1
10007328	SCREW,SELF-LOCKING,TRUSS HD		1
10007329	SCREW,SELF-LOCKING,TRUSS HD		1
10007331	SLIDE		1
10007358	LEVER,DIAPHRAGM	SVC	1
10007461	NUT, SELF-LOCKING		1
10007462	SCREW,TRUSS HEAD (PHILLIPS)		1
10007540	SPACER, BEARING		1
10007560	PACKING, PREFORMED		1
10007561	PACKING, PREFORMED		1
10007562	PACKING, PREFORMED		1
10007563	PACKING, PREFORMED	SVC	1
10007564	PACKING, PREFORMED		1
10007565	PACKING, PREFORMED	SVC	1
10007775	SCREW,THD PAN HEAD TYPE BT		1
10007834	NIPPLE, REDUCING		1
10007842	PIN, SPIRAL	SVC	1
10007861	LABEL,COVER,REGULATOR		1
10007862	PLATE, IDENTIFICATION		1
10007874	PLATE, RETAINER, BODY	SVC	1
10007881	EZ FLO DIAPHRAGM RETANING RING		1
10007884	SPRING, POSITIVE PRESSURE		1
10007892	PLATE, SUPPORT		1
10007893	BRACKET,PLATE,SUPPORT		1
10007895	PRIMER, LOCTITE**	SVC	1
10007896	LUBRICANT, "O" RING		1
10007970	(OBS) STYLUS		1
10007997	NOSECLIP		1
10008002	CLIP, BELT		1
10008005	SOCKET		1
10008033	HANSEN HK PLUG, 1/4" ID		1
10008068	FRAME,SCOTT-O-VISTA/AV2000		1
10008103	RETAINER, FRAME		1
10008146	TIE, CABLE		1
10008196	BOOT, LATCH PLATE	SVC	1
10008212	BAG, PLEATED		1
10008221	RETAINER, BAG-BELT CLIP		1
10008234	PLUG & HOSE FITTING ASSY		1
10008235	SOCKET & HOSE FITTING ASSY		1
10008244	LABEL,IDENT. E-Z FLO REG		1
10008382	DECAL EAGLE		1
10008383	DISC, NOSECUP VALVE (5-1-1081)		1
10008398	RING, RETAINING, NOSE CUP		1
10008400	DUCT, VOICEMITTER		1
10008401	SEAL,ADPT,NSECUP(NON-SALEABLE)		1
10008451	WASHER, ANTI-ROTATION (QTY 10)		1

10008475	VALVE, INHALATION		1
10008492	SCREW, SEAL		1
10008522	HEAD HARNESS 5 STRAP		1
10008531	CAP, DUST		1
10008532	LATCH		1
10008535	STRAP, GAUGE RETAINING		1
10008536	SUPPORT, WAIST		1
10008537	TIP, FLAT-VINYL		1
10008538	PIN, LEVER		1
10008561	LABEL, NFPA-1992 (ASC ONLY)	SVC	1
10008583	PLATE, INSTRUCTION		1
10008694	LABEL, COVER, REGULATOR		1
10008734	BODY, VALVE & HOSE -KB-	SVC	1
10008795	PA CONSOLE LENS		1
10008796	PA LENS GASKET (10)		1
10008807	CYL, HOOP WRAP 4500PSI 10 MIN		1
10008817	RETAINER, CHECK VALVE **		1
10008819	NIPPLE, COUPLING, PRESS REDUCER		1
10008850	COVER, PLATE		1
10008866	CLAMP, CYLINDER 10 MIN SKAPAK		1
10008880	HOLDER, REGULATOR -KB-		1
10008904	DECAL, SKA-PAK 4500 PSI		1
10008912	PACKING, PREFORMED		1
10008922	SLEEVE, LOW CYL. TRANSFER, 4.5	SVC	1
10008924	PACKING, PREFORMED	SVC	1
10008925	SLEEVE, LOW CYL. TRANSFER, 2.2	SVC	1
10008927	PACKING, PREFORMED	SVC	1
10008972	KIT, LOW CYL. TRANSFER, 4.5		1
10008973	KIT, LOW CYL. TRANSFER, 2.2		1
10008974	PA MTG, BRKT, MAIN ENCLOSURE		1
10008975	PA MOTION SENSOR MTG BRKT		1
10008999	PA BATTERY COVER SCREW		1
10009015	SPRING, COMPRESSION **		1
10009050	PA CONTROL MODULE GASKET		1
10009051	PACKING, PREFORMED		1
10009053	PAK ALERT PAN HEAD SCREW (10)		1
10009057	PACKING, PREFORMED		1
10009086	SOCKET, FOSTER		1
10009144	HOLDER, EYEGLASS		1
10009148	BAIL, OFFSET WIRE		1
10009149	BAIL, INLINE WIRE		1
10009161	LATCH STRAP BACKFRAME PIN AP50		1
10009191	DRIVE CAP BACKFRAME		1
10009192	EDGING BACKFRAME		1
10009204	WASHER		1
10009205	PLATE, SUPPORT		1
10009224	FRAMES, EYEGLASS		1
10009225	RING, EYEGLASS SUSPENSION		1
10009256	SLIDE BACKFRAME *KB*		1
10009276	PLUG, REDUCER		1
10009286	SCREW, SELF-LOCKING, PAN HEAD		1
10009324	CARRYING BAG		1
10009349	WASHER, WEAR BACKFRAME		1
10009354	PAK ALERT SELF LKG NUT (10)		1
10009372	SLEEVE, LOW CYL TRANSFER, 3.0	SVC	1
10009421	LABEL, APPROVAL	SVC	1
10009422	LABEL, NFPA-92 3.0		1
10009427	SOCKET BUTTON HD CAP SCR-SS		1
10009513	COUPLING, QUICK CHARGE MALE*KB*		1
10009514	BOOT, QUICK CHARGE MALE CPLG		1
10009592	*CPLG, QUICK CHARGE MALE, 4.5	SVC	1
10009593	HOSE, CHARGING WAND *KB*		1
10009594	CPLG, QUICK CHARGE FEMALE, 3.0		1

10009595	CPLG, QUICK CHARGE FEMALE, 4.5	SVC	1
10009598	NOSE CUP RETAIN RING(804019)		1
10009601	ADAPTER, CHARGING WAND		1
10009614	AP/PA HOSE CLAMP		1
10009633	BRACKET, BAIL		1
10009641	BELL, IND.2.2/4.5 REDUCER**		1
10009643	LABEL, SCOTT 2.2 REDUCER		1
10009660	LABEL, 2.2 & 4.5 INDL SCBA		1
10009671	CYL,CARBON WRAP-30 MIN 4500PSI		1
10009672	CYL,CARBON WRAP-60 MIN 4500PSI		1
10009673	CYL,CARBON WRAP-45 MIN 4500PSI		1
10009674	LATCH, HARD CASE OLD & NEW A/P		1
10009675	SKA PAK CASE LATCHES		1
10009705	2.2 TRANSFER VALVE*		1
10009707	ISCBA MANIFOLD PN/SN LABEL**		1
10009708	LABEL,P/N &SN,IND4.5 REDUCER**		1
10009709	LABEL, SCOTT 4.5 REDUCER		1
10009720	SKAPAK RDCR TS ADAPT**		1
10009748	ALARM SEAT,IND2.2/4.5 RDR**		1
10009776	BAFFLE PLATE,IND2.2/4.5 RDR**		1
10009779	AV2/SOV MOLDED FACE SEAL (CS)		1
10009812	STRAP, HOOK & LOOP		1
10010063	CYL,CARBON, 30MIN. 2216 PSI		1
10010198	LADDER BAIL ASY WF 2.2/4.5		1
10010200	BAND, CYLINDER		1
10010212	FENESTRA (MOD) NAVSEA		1
10010224	INSULATOR CUP (LED ALERT)		1
10010227	BATTERY (3V WATCH)(LED ALARM)		1
10010343	CYL,HOOP-WRAP GLASS 15MIN 3000		1
10010352	COUPLING, QUICK CHARGE, 2.2		1
10010449	NAVSEA 25'HOSE,CHRG WAND *KB*		1
10010477	NAVSEA 10'HOSE,CHRG WAND *KB*		1
10010499	SILICONE FACE SEAL, X-LARGE		1
10010580	3.0,30MIN, CARBON CYLINDER		1
10010636	GASKET, 40MM ADAPTER		1
10010642	HEAD HARNESS, 4 STRAP		1
10010666	BEARING (EZFLO PURGE BODY)		1
10010667	O'RING (EZFLO PURGE BODY)		1
10010684	PLATE, MOUNTING**		1
10010685	CRICKET/BELL RETAINING STRAP		1
10010824	SKA-PAK NIOSH LABEL FOR CYL		1
10010826	CYL,CARBON 45 MIN 4500PSI S/S		1
10010906	GASKET, LED ALARM		1
10010907	BOOT, LED ALARM		1
10010908	BELL FOR EOST ALARM (MODIFIED)		1
10010978	AVHOOD INTEGRATED SNAP & NUT		1
10011011	KB NOSECUP, AV3000 SMALL		1
10011012	KB NOSECUP, AV3000 MEDIUM		1
10011013	KB NOSECUP, AV3000 LARGE		1
10011014	KB INHALATION VALVE		1
10011015	KB RETAINING RING, NOSECUP		1
10011024	BEZEL, UPPER		1
10011025	BEZEL, LOWER		1
10011026	KB DUCT, VOICEMITTER, RIGHT		1
10011027	KB DUCT, VOICEMITTER, LEFT		1
10011028	PAD, BUCKLE, AV3000		1
10011038	INHALATION VALVE		1
10011051	GASKET, C420 PAPR SET OF TWO		1
10011094	COVER, EXHAUST VALVE, XCEL		1
10011095	ADJUSTER, CLIP,XCEL		1
10011096	ADJUSTER, D-RING,XCEL		1
10011100	PC,0-200PSIG GAUGE,STEM MNT**		1
10011121	BRACKET		1

10011167	SWAT-PAK BACK COVER		1
10011171	PLATE, INSTR., SWAT PAK		1
10011195-01	DUAL EBSS RETNG STRAP,POUCH		1
10011202	LENS, HI TEMP REMOTE GAUGE		1
10011209	ELBOW, 1/4"NPT-F		1
10011216	CARRIAGE BOLT, 1/4-20X1/2**		1
10011217	NYLON INSERT LOCKNUT, 1/4-20**		1
10011374	PACKING,PREFORMED		1
10011490	TUBING, XCEL FIT TEST ADPT		1
10011499	NIPPLE, COUPLING		1
10011554	PLUG		1
10011653	SCREW,PANEL,CAPTIVE,PAN HD		1
10011687	SLIDE,QUARTER TURN ADAPTER		1
10011688	COVER, EXHALATION VALVE		1
10011690	SPRING, QUICK RELEASE SLIDE		1
10011745	QD PLUG (FOSTER)		1
10011747	QD PLUG (CEJN)		1
10011748	QD SOCKET (CEJN)		1
10011775	DIAPHRAM SHROUD		1
10011784	LABEL,REGULATOR COVER		1
10011882	TACTICAL CARRIER, MASK BAG M95		1
10012062	SEAL SILICONE,6 PIN,QD CONNECT		1
10012121	SIZING DISC., SMALL, AV3000		1
10012122	SIZING DISC., MEDIUM,AV3000		1
10012123	SIZING DISC.,LARGE, AV3000		1
10012126	LABEL, SIZING, FACEPIECE		1
10012127	MANIFOLD, QUICK DISCONNECT		1
10012128	Q D,MALE,CHECKED *KB*		1
10012129	Q D,FEMALE,CHECK *KB*		1
10012133	SCREW,SEAL,PANHD,SELF-TAP,AB		1
10012151	TACTICAL CARRIER,SHDR STRP M95		1
10012152	TACTICAL CARRIER,LEG STRP M95		1
10012157	PIN, LATCH LOCK		1
10012162	SEAL, SWITCH CONTACTS		1
10012167	COVER, SWITCH		1
10012168	SEAL, SWTICH COVER		1
10012169	DISC,NIPPLE		1
10012175	WASHER, SWIVEL		1
10012176	SCREW, LOCK		1
10012207	PROBE, 4500 PSI		1
10012208	PROBE, 2216 PSI		1
10012218	NOSECUP, AV3000 X-LARGE		1
10012222	LABEL, ALKALINE BATTERY HLDR		1
10012298	SPRING, PISTON	SVC	1
10012299	SPRING, SEAL RETAINER		1
10012304	SPRING, COMPRESSION		1
10012311	SPRING, COMPRESSION		1
10012346	EEOSTI BATTERY COVER		1
10012361	LABEL,NIOSH,AIR-PAK NXG2		1
10012363	CLAMP,LANYARD		1
10012376	CABLE ASSY,PRESSURE REDUCER		1
10012395	MTG BRKT, DISPLAY HOUSING		1
10012416	ELECTRONIC ENCLOSURE		1
10012417	COVER, ELECTRONICS ENCLOSURE		1
10012418	ELECTRONIC ENCLOSURE,GASKET		1
10012421	PC CABLE, BASE UNIT		1
10012422	SEMS USER PROG SOFTWARE		1
10012424	SOUND CHAMBER		1
10012438	ROLL PIN, EEOSTI		1
10012457	SCREW,CAPTIVE,PAN HD,SEMS/EMS		1
10012484	CYL,CARB,FULL WRAP 5 MIN 3.0		1
10012485	CYL,CARB,FULL WRAP 10 MIN 3.0		1
10012488	WAIST TO SHOULDER STRAP *KB*		1

10012512	LABEL,ELSA 5,NIOSH APPROVAL		1
10012513	LABEL,ELSA 10,NIOSH APPROVAL		1
10012515	MOUNTING BRACKET, MOTION SENS		1
10012516	SCREW,FILLISTER HD,3MMX10MM PT		1
10012533	PIEZO, W/CONNECTOR		1
10012535	LABEL,NFPA-2002,AIR-PAK NXG2		1
10012546	EBSS, QUARTER POST	SVC	1
10012566	CYL ALUM 5 MIN HF & 10 MIN 3.0		1
10012567	CYLINDER, ALUM 5 MIN 2216 PSI		1
10012574	CBRN BACK FRAME LABEL		1
10012602	VISOR, DISPLAY		1
10124-00	BAG-PROTECTIVE		1
1017795	CLIP, WHISTLE, ACS		1
1017797	U CLIP, LP FOR CN		1
1017801	U-CLIP,HIGH PRESS FOR CN		1
1018582	RETAINER FOR U CLIP CTR		1
1018590	HANDWHEEL, 4500 PSI, ACS		1
1018591	HANDWHEEL, 2216 PSI, ACS		1
1018923	PLUG, BLANK, LP, ACS		1
1021904	WASHER, WHISTLE, ACS		1
1021905	NYLON WASHER,SPARES (5) PACK		1
1021935	WASHER, LOCK, ACS		1
1022061	FILTER, SINTERED, ACS REDUCER		1
1022064	SINTERED FILTER,SPARES (2) PK		1
1023213	BODY, WHISTLE, ACS		1
1023220	WHISTLE FLUTE & PLUG		1
1023238	NUT, WHISTLE FLUTE, ACS		1
1023391	COVER, GAUGE, ACS		1
1025881	O-RING LUBE, ACS		1
1027769	O-RING, ACS		1
1027818	BONDED SEAL 1/4 BSP		1
1027892	O-RING, ACS		1
1027893	CONNECTOR O-RING SPARES (5)PK		1
1027934	SEAL, WHISTLE, ACS		1
1027937	CRUSH SEAL,SPARES (5) PACK		1
1027985	O-RING, ACS		1
1028048	SEAL, ACS		1
1028286	O-RING, ACS		1
1028288	O-RING, REDUCER PISTON, ACS		1
1028289	O-RING, REDUCER, ACS		1
1028417	SPRING, PISTON, ACS		1
1028418	SPRING		1
1029418	PISTON SEAT, ACS		1
1029421	PISTON SEAT,SPARES (5) PACK		1
1030071	TOP, REDUCER, ACS		1
1030085	PISTON ASSY, RED, ACS, SPARE		1
1033779	C-100 TOOLKIT		1
1033987	TOOL, PISTON SEAT, ACS REDUCER		1
1033999	TOOL, CAP, ACS REDUCER		1
1034526	LOCTITE 542 HYDRAULIC SEALANT		1
13160-01	CLAMP (WWD 152)		1
13161-00	CLAMP WWD176		1
13435-00	SOCKET & HOSE CLAMP ASSY		1
13436-00	PLUG&HOSE CLAMP ASSY		1
13870-00	VALVE,EXHALATION		1
13944-00	CAPLUG 5&8 SC		1
14403-01	RING, RETAINING		1
14492-01	PLUG ASSY		1
14575-00	FITTING HOSE		1
1500039	LABEL, NFPA 1981 2002 ED		1
1500061	SCREW,4-40 UNDERCUT FLAT HD		1
1500100	SCREW,FLAT SOCKET CAP 10-32 NF		1
1500117	PLUG, CHECK, FLUSH		1

1500123	CAP,DUST,DUAL DISCONNECT		1
1500133	LABEL, UPGRADE,NFPA 2002		1
15091-00	CLAMP		1
15423-00	HANSEN PLUG		1
15423-01	COUPLING		1
15424-00	SCHRADER PLUG		1
15424-01	ADAPTER		1
15435-00	PLUG & CLAMP		1
18002-00	PACKING,PREFORM .07W X .364 ID		1
18012-00	PACKING,PREFORM .07W X .489 ID		1
18013-00	PACKING,PREFORMED		1
18021-00	PACKING-PREFORM .07W X.426ID		1
18024-00	PACKING PREFORMED		1
18053-00	PACKING,PREFORM .07W X .301 ID		1
18057-00	2800C28A O RING		1
18062-00	PACKING,PREFORM .07W X .926 ID		1
18070-00	PACKING,PREFORM .07W X.114ID		1
18071-00	RETAINER,PACKING		1
18071-01	ORING,SNGL TRN(RED2.2/4.5)**		1
18071-02	ORING,SNGL TRN(PRED/HSE CPLG)		1
18071-05	RETAINER,PACK,ST,POLYTETRAFLOU		1
18091-00	PACKING-PREFORM .301ID X.064DI		1
18099-00	PACKING-PREFORM .070W X.551ID		1
19003-00	PACKING,PREFORM .07W X .676ID		1
19457-00	SOCKET		1
19458-00	SOCKET		1
19486-00	PACKING-.125OD X.239 ID X.064		1
19889-00	SOCKET		1
19966-00	PACKING,PREFORM .07W X 1.114ID		1
200015-04	NXG2 DUAL,EBSS/EXDUR HOSEPOUCH		1
200015-05	DUAL,EBSS/EXDUR HOSE&POUCH 50		1
200015-09	DUAL COUPLING,EBSS ASSY, LH		1
200015-16	DUAL COUPLING,EBSS ASY,Wf,FFSR		1
200015-19	DUAL COUPLING,EBSS ASY,AP,FFSR		1
200016-01	HOSE W/HUD & PLUG DISC *KB*		1
200016-02	SWIVEL HOSE W/HUD *KB*		1
200016-03	SWIVEL HOSE W/HUD NXG2 *KB*		1
200017-01	HUD HOSE & SOCKET ASSY *KB*		1
200019-01	PCB ASSEMBLY, EEOSTI		1
200028-02	VALE ASSY, CHECK/VENT		1
200029-01	VALVE ASSY, RELIEF		1
200030-01	VALVE, TRANSFER, MOLDED		1
200031-03	REDUCER ASSY, SKA-PAK AT		1
200031-04	REDUCER ASSY, SKA-PAK AT		1
200035-01	HOUSING, EEOSTI, COATED		1
200036-01	ASSY,EEOSTI,WITH LINE 2.2 PSI		1
200036-02	ASSY,EEOSTI, WITH LINE 4.5 PSI		1
200036-03	ASSY,EEOSTI, WITH LINE 3.0 PSI		1
200036-04	ASSY,EEOSTI WITH LINE A/T 2.2		1
200036-05	ASSY,EEOSTI, WITH LINE A/T 3.0		1
200036-06	ASSY,EEOSTI, WITH LINE A/T 4.5		1
200036-08	GAUGE & LINE ASY,AT,MD,3.0		1
200043-01	BATTERY CONTACT ASSY, EEOSTI		1
200048-01	RIC UAC ASSEMBLY KIT		1
200048-03	RIC UAC ASSEMBLY KIT		1
200056-01	2002 UPGRADE KIT 2216 STD HOSE		1
200056-04	2002 UPGRADE KIT 2216 QD HOSE		1
200056-05	HUD CONTROL ASSY 3000 PSI		1
200056-08	2002 UPGRADE KIT 3000 QD HOSE		1
200056-09	2002 UPGRADE KIT 4500 STD HOSE		1
200056-12	2002 UPGRADE KIT 4500 QD HOSE		1
200058-01	MANIFOLD ASSEMBLY** SC ONLY		1
200058-02	MANIFOLD ASSEMBLY SC ONLY		1

200059-01	INLET/LATCH ASSEMBLY		1
200059-02	INLET/LATCH ASSEMBLY		1
200060-01	4.5 REDUCER ASSEMBLY		1
200070-01	TRC-1 CART W/HANSEN FITTINGS		1
200070-02	TRC-1 CART W/FOSTER FITTINGS		1
200070-03	TRC-1 CART W/HANSEN HK FTGS		1
200070-04	TRC-1 CART W/SCHRADER FITTINGS		1
200070-05	TRC-1 CART W/CEJN FITTINGS		1
200071-01	PCB ASSEMBLY, NXG2 SCT CONSOLE		1
200071-02	PCB ASSEMBLY, NXG2 SEMS CONSOL		1
200071-03	PCB ASSEMBLY, NXG2 GAUGE ONLY		1
200077-01	REG ASY,EZ FLO+,STD HOSE		1
200077-02	REG ASY,EZ FLO+,QD HOSE		1
200077-05	REG ASY,EZ FLO+,SWAT QD HOSE		1
200077-10	REG ASY,EZ FLO+,HUD QD HOSE		1
200077-11	REG ASY,EZ FLO+HUD LONG HOSE		1
200077-15	EZ FLO+ REG ASSY L/LOW PRE HSE		1
200077-18	REG ASY,EZ FLO+,SWAT HUD QD		1
200077-19	REG ASY.EZ FLO+,HUD NXG7 HOSE		1
200077-30	REG ASY,EZ FLO+		1
200077-31	REG ASY,EZ FLO+		1
200077-50	REG ASY, 2013, QD		1
200077-51	REG ASY, 2013, LH AP		1
200077-57	REG ASY, 2013, LH X3 SNAP		1
200077-58	REG ASY, 2013, LH X3 CGA		1
200077-59	REG ASY, 2013, LH NXG		1
200083-01	DIAPHRAGM & VALVE ASSY,EZ FLO+		1
200092-01	PCB ASSEMBLY,RELAY,EAGLE IMAGER		1
200095-01	WAIST PAD ASSEMBLY		1
200095-02	ASSY,PAD,WAIST		1
200097-01	SHOULDER STRAP ASSY		1
200097-02	ASSY,STRAP,SHOULDER		1
200098-01	SHOULDER PAD-STRAP ASSY		1
200098-02	ASSY,PAD-STRAP,SHOULDER		1
200100-02	UPGRADE KIT, 3000 SKA PAK AT		1
200112-01	CHECK ADAP ASY,EXT DUR,HANSEN		1
200112-02	CHECK ADAP ASY,EXT DUR,FOSTER		1
200112-03	CHECK ADAP ASY,EXT DUR,HAN HK		1
200112-04	CHECK ADAP ASY,EXT DUR,SCHRAD		1
200116-01	ASSEMBLY,CYLINDER RETENTION		1
200116-02	ASSEMBLY,CYLINDER RETENTION		1
200116-03	ASSEMBLY,CYL RET. SERVICE KIT		1
200116-04	ASSEMBLY,CYL RET. SERVICE KIT		1
200116-07	ASSEMBLY,AP75 CYL RETENTION		1
200117-01	ASSMBY, CYLINDER LATCH HANDLE		1
200119-01	EZ RADIOII MASK VOICE AMP ONLY		1
200119-01H	EZ RADIOII HOUSTON		1
200119-103	EZ RADIOCOM II		1
200119-104	EZ RADIOCOM II		1
200119-117	EZ RADIOCOM II		1
200119-134	EZ RADIOCOM II		1
200119-168	EZ RADIOCOM II		1
200119-171	EZ RADIOCOM II		1
200119-192	EZ RADIOCOM II		1
200119-195	EZ RADIOCOM II		1
200119-501	EZ RADIOCOM II		1
200119-502	EZ RADIOCOM II		1
200123-01	BOTTLE SWITCH ASSEMBLY,NXG		1
200125-01	BACKFRAME SUB ASSY, NXG2		1
200126-104	EZ RADIOCOM II		1
200126-501A	EZ RADIOCOM II,CABLE ASSEMBLY		1
200126-501B	EZ RADIOCOM II,CABLE ASSEMBLY		1
200126-501C	EZ RADIOCOM II,CABLE ASSEMBLY		1

200127-02	NXG2 GAUGE ASSY,4500 PSI		1
200128-01	CYL&VALV ASSY CARB,30MIN,4500		1
200128-01-1	CYL&VALV ASSY CARB,30MIN,4500		1
200128-01-D	CYL&VALV ASSY CARB,30MIN,4500		1
200128-11	CYL&VALV ASSY CARB,30MIN,4500		1
200128-35	CYL&VALV ASSY,C,30YR,30M,4.5		1
200129-01	4.5-45MIN CARB CYL&VLV NXG		1
200129-01-1	CYL&VALV ASSY CARB,45MIN,4500		1
200129-01A	CARBON & VALVE ASY,45MIN 4500		1
200129-01A-1	CYL&VALV ASSY CARB,45MIN,4500		1
200129-01A-D	CYL&VALV ASSY CARB,45MIN,4500		1
200129-01-D	CYL&VALV ASSY CARB,45MIN,4500		1
200129-11	CYL&VALV ASSY CARB,45MIN,4500		1
200129-35	CYL&VALV ASSY C,30YR,45MIN,4.5		1
200129-CC1366	CYL&VALV ASSY CARB,45MIN,4500		1
200130-01	4.5-60MIN CARB CYL&VLV NXG		1
200130-01-1	CYL&VALV ASSY CARB,60MIN,4500		1
200130-01-D	CYL&VALV ASSY CARB,60MIN,4500		1
200130-11	CYL&VALV ASSY CARB,60MIN,4500		1
200130-35	CYL&VALV ASSY C,30YR,60MIN,4.5		1
200131-01	CYL&VLV ASSY CARB,30MIN,2216		1
200131-01-1	CYL&VALV ASSY CARB,30MIN,2216		1
200131-01-D	CYL&VALV ASSY CARB,30MIN,2216		1
200132-01	HOSE ASSY W/SKT QD,NXG2 *KB*		1
200132-02	HOSE ASSY W/SKT QD,NXG2		1
200132-03	QD HOSE ASSY,NXG7, ANTI-ROTATI		1
200133-01	ADAPTER CABLE ASSY		1
200145-01	HOSE ASSY, MANIFOLD		1
200145-02	HOSE ASSY, MANIFOLD		1
200145-04	HOSE ASSY, MANIFOLD		1
200149-01	BATTERY HOLDER ASSEMBLY		1
200149-02	BATTERY HOLDER ASSEMBLY		1
200150-01	UNIVERSAL CHARGING WAND ASSY		1
200150-03	UNIVERSAL CHARGING WAND		1
200154-04	REG ASSY,EZ FLO+QD NON-NFPA SW		1
200158-01	ASSY,BATTERY, EI,BAE-SERIES		1
200162-01	HOSE ASY W/SOCK DISCON,HUD,SWA		1
200168-01	SUB-ASSEMBLY,HUD HOSE QD		1
200168-02	SUB-ASSEMBLY,HUD HOSE, LONG		1
200168-03	SUB-ASSEMBLY HUD HOSE NXG2		1
200170-02	DUAL COUP EBSS RETROFIT KIT		1
200170-03	DUAL COUP EBSS RETROFIT KIT		1
200170-04	DUAL COUP EBSS RETROFIT KIT		1
200170-12	DUAL COUP EBSS RETROFIT KIT		1
200173-01	CBRN '97 SCBA RETRO KIT - STD		1
200173-03	CBRN '97 SCBA RETROFIT KIT		1
200173-15	CBRN 2002 SCBA RETROFIT KIT		1
200174-01	SERVICE HOSE ASSY *SC ONLY		1
200176-01	FLOW RESTRICTOR ASSY		1
200177-01	HEAD HARN ASSY 6 ST, RUBBER		1
200184-01	PCB ASSEMBLY, EI TCS		1
200187-01	HUD DRIVER MODULE ASSY,2216PSI		1
200187-02	HUD DRIVER MODULE ASSY,3000PSI		1
200187-03	HUD DRIVER MODULE ASSY,4500PSI		1
200188-02	HSG ASY, HUD DRIVER MODULE		1
200188-03	HSG ASY, HUD DRIVER MODULE		1
200188-04	HSG ASY, HUD DRIVER MODULE		1
200189-01	BATTERY COVER ASSEMBLY		1
200190-01	TRANSDUCER AND HOUSING ASSY		1
200191-01	MANIFOLD ASSY, HUD		1
200194-05	KIT ASY HDWRE NAVSEA		1
200194-06	KIT,ASSY,HDWR, AP FIFTY-I		1
200196-01	SCOTT TALK-AROUND,PHOENIX		1

200197-01	KIT,DUAL COUP EBSS,POUCH			1
200197-02	KIT,DUAL COUP EBSS,POUCH			1
200199-01	EI160 CARRYING CASE			1
200204-10	REG ASY EZ FLO II+			1
200204-14	MMR W/PLATE,HUD & QD			1
200204-16	REG ASSY EZ FLO II+			1
200204-30	REG ASY EZ FLO II+			1
200204-31	REG ASY EZ FLO II+			1
200206-02	EAGLE IMAGER 160 SERVICE KIT			1
200208-01	EAGLE 160 TI CAMERA TCS			1
200210-01	ASSEMBLY,HOSE,TEST *SC ONLY			1
200211-01	KIT,INH VLV XCEL			1
200220-01	HUD ASY,2216 PSI QD REG HOSE			1
200220-02	HUD ASY,2216 PSI STD REG HOSE			1
200220-03	HUD ASY,3000 PSI QD REG HOSE			1
200220-04	HUD ASY,3000 PSI STD REG HOSE			1
200220-05	HUD ASY,4500 PSI QD REG HOSE			1
200220-06	HUD ASY,4500 PSI STD REG HOSE			1
200220-22	HUD DRIV MOD 2216 W/MTG HDWRE			1
200220-45	HUD DRIV MOD 4500PSI W/MTG HDW			1
200225-01	KIT,HOSE,POSI-CHEK,NXG2/NXG7			1
200226-01	CAMERA PROGRAMMING ADAPTER			1
200237-01	POUCH, EBSS, FLAP, LH			1
200237-03	POUCH, EBSS, FLAP, LH, NO LOOP			1
200237-05	POUCH, EBSS, FLAP, LH, KOMBAT			1
200242-01	EAGLE X CORE ASSY PROG NO TEMP			1
200242-05	EAGLE X CORE ASSY PROG DIGIT C			1
200244-01	EAGLE 'X TRK MT BATTERY CHRGR			1
200245-101	REGULAR PTT			1
200246-01	OVERLAY KIT, HUD DISPLAY			1
200266-04	HHR ASSEMBLY,PAK-TRACKER			1
200270-01	GAUGE LINE ASSEMBLY			1
200270-02	GAUGE LINE ASSEMBLY			1
200270-03	GAUGE LINE ASSEMBLY			1
200270-11	GAUGE LINE W/ELBOW			1
200274-01	BACKFRAME ASSEMBLY			1
200275-01	BACK-PAK ASSEMBLY			1
200275-02	BACK-PAK ASSEMBLY			1
200280-01	CONSOLE ASSY, HUD VERSION 200			1
200280-02	CONSOLE ASSY, HUD VERSION 200			1
200280-11	CONSOLE ASSY, HUD 2013			1
200280-12	CONSOLE ASSY, HUD 2013			1
200280-14	CONSOLE ASSY, HUD 2013			1
200285-01	4.5 PRESSURE REDUCER			1
200286-01	CYL VLV SEAL KIT			1
200296-01	BATTERY CAP ASSEMBLY			1
200297-01	ASSY, MANIFOLD			1
200354-01	GAUGE LINE ASSY, NXG2**	SVC		1
200354-02	GAUGE LINE ASSY, NXG2**	SVC		1
200354-04	GAUGE LINE ASSY, NXG2			1
200355-01	RECEPT ASSY W/CONNECTOR			1
200356-01	BATTERY CABLE ASSEMBLY			1
200370-01	BOOT, ASSEMBLY			1
200371-52F	LENS KIT, 52MM FRAMES ONLY			1
200371-60F	LENS KIT, 60MM FRAMES ONLY			1
200372-52F	LENS KIT, 52MM FRAMES ONLY			1
200372-60F	LENS KIT, 60MM FRAMES ONLY			1
200373-52F	LENS KIT, 52MM FRAMES ONLY			1
200373-60F	LENS KIT, 60MM FRAMES ONLY			1
200374-54F	LENS KIT, 54MM FRAMES ONLY			1
200378-04	HAZMAT RADIOCOM II			1
200379-01	POUCH, EBSS, FLAP, RH			1
200388-01	TOOL ADAPTER			1

200394-01	REDUCER ASSY W/POPPET VALVE		1
200399-01	RSSI PCB ASSY, PAK-TRACKER		1
200402-02	BATTERY ASSEMBLY, SSR		1
2004047	PRV ASSY, RED, ACS, SPARE		1
200411-01	LANYARD ASSY, PAK-TRACKER		1
200412-02	FLANGE ASSY PASS-THRU		1
200423-01	ADAPTER, CBRN 40MM		1
200424-01	CONSOLE ASSY, PASS VERSION 200		1
200424-02	CONSOLE ASSY, PASS VERSION 200		1
200424-03	CONSOLE ASSY, PASS VERSION 200		1
200424-04	CONSOLE ASSY, PASS VERSION 200		1
200424-11	CONSOLE ASSY, PASS 2013		1
200424-12	CONSOLE ASSY, PASS 2013		1
200424-14	CONSOLE ASSY, PASS 2013		1
200431-01	BATTERY DOOR ASSY, PAK-TRACKER		1
200433-01	TRK MT CHARGER,PAK-TRACKER		1
200433-02	TRK MT CHARGER,PAK-TRACKER		1
200434-01	DESK TOP CHRG ASSY,PAK-TRACKER		1
200437-01	2.2 PRESSURE RED. ASSEMBLY		1
200438-01	4.5 PRESSURE RED. ASSEMBLY		1
200439-01	RELIEF VALVE ASSEMBLY	SVC	1
200440-01	COVER ASSY, PRESSURE REDUCER	SVC	1
200441-01	GAUGE LINE HOUSING ASSEMBLY	SVC	1
200449-01	ASSY,REG HOSE,HUD,QD		1
200449-02	ASSY,REG HOSE,HUD,LG,SWAT		1
200449-03	ASSY,REG HOSE,HUD,NXG NO QD		1
200450-01	ASSY HOSE,HUD SOCKET QD		1
200450-03	HOSE ASSY, HUD, QD, ANTI-ROTAT		1
200451-01	2007 SENSOR ASSY, AP75		1
200451-02	TOP ASSEMBLY, SENSOR, 2007		1
200451-03	TOP ASSEMBLY, SENSOR, 2013		1
200451-04	TOP ASSEMBLY, SENSOR, 2013		1
200451-11	TOP ASSEMBLY, SENSOR, 2007		1
200451-12	TOP ASSEMBLY, SENSOR, 2007		1
200453-01	HOUSING COVER ASSY, SENSOR		1
200455-02	BATTERY PCB ASSY, 2007 SENSOR	SVC	1
200463-01	HUD VERSION CONSOLE 2007 ASSY		1
200465-01	BACKFRAME ASSEMBLY		1
200466-01	BACK-PAK ASSEMBLY		1
200466-02	BACK-PAK ASSEMBLY		1
200474-01	KIT, EBSS, AP50 & WIREFRAME		1
200657-01	VALVE ASSY,CYLINDER, JDF		1
200659-01	CYL&VLV ASSY (JAPAN)		1
200660-01	CYL&VLV ASSY (JAPAN)		1
200662-01	MOUNTING KIT, SENSOR MODULE		1
200662-02	MOUNTING KIT, SENSOR MODULE		1
200662-03	MOUNTING KIT, SENSOR MODULE		1
200662-04	MOUNTING KIT, SENSOR MODULE		1
200662-05	MOUNTING KIT, SENSOR MODULE	SVC	1
2006658	PRESSURE GAUGE & SEAL,2216 PSI		1
200673-01	ASSEMBLY,WIRELESS BOOT LOADER		1
200674-01	GAUGE ASSY, AIR-PAK,2216 PSIG		1
200674-02	GAUGE ASSY, AIR-PAK,4500 PSIG		1
200674-03	GAUGE ASSY, AIR-PAK,3000 PSIG		1
200674-04	GAUGE ASSY, NAVY,4500 PSIG		1
200674-08	GAUGE ASSY, AIR-PAK,5500 PSIG		1
200676-01	HOOD, FH22 (1 EA)		1
200676-03	HOOD, FH22 (3 EA)		1
200677-03	SHROUD, HOSE, PACK OF 3		1
200681-01	QUICK CHARGE BOOT ASSY(FEMALE)		1
200682-01	SE+ PAK-TRACKER UPGRADE KIT		1
200684-01	'02 RIC BOOT ASSEMBLY		1
200684-02	RIC BOOT ASSEMBLY		1

200686-01	HOUSING ASSY (HANSEN)		1
200687-01	HOUSING ASSY (SCHRADER)		1
200688-D430	CYLINDER CAP, 4500-30 DOME		1
200688-D445	CYLINDER CAP, 4500-45 DOME		1
200688-S430	CYLINDER CAP, 4500-30 VALVE		1
200688-S445	CYLINDER CAP, 4500-45 VALVE		1
200689-01	KIT, CYLINDER CAP INSTALL		1
200689-02	KIT, CYLINDER CAP INSTALL		1
200698-00	KIT, C420 PLUS P APR, LESS HOSE		1
200698-30	KIT, C420 PLUS P APR		1
200698-36	KIT, C420 PLUS P APR		1
200699-01	BLOWER, C420 PLUS		1
200700-30	BREATHING TUBE, C240 P APR, 30"		1
200700-36	BREATHING TUBE, C240 P APR, 36"		1
200701-01	CONV KIT, C420 NIMH BATTERY		1
200703-01	BATTERY CHARGER, C420		1
200708-01	BRACKET WELDMENT, LEFT		1
200709-01	BRACKET WELDMENT, RIGHT		1
200710-30	KIT, C420+ P APR W/ LISO2 BATT		1
200710-36	KIT, C420+ P APR W/ LISO2 BATT		1
200711-01	TOP ASSEMBLY, PT PROGRAMMER		1
200715-01	EPIC BRACKET/AV3000,SERVICE KI		1
200716-01	EPIC BRACKET/AV2000,SERVICE KI		1
200718-02	ANTI-ROTN KIT, DUAL MANIFOLD		1
200718-03	ANTI-ROTN KIT, SINGLE, RETRO	SVC	1
200718-04	ANTI-ROTN KIT, DUAL, RETRO	SVC	1
200718-05	ANTI-ROTN KIT, SINGLE, 02 HUD		1
200718-06	ANTI-ROTN KIT, DUAL, 02 HUD		1
200720-01	ASSEMBLY,NXG MANIFOLD CAP		1
200721-01	ASSEMBLY,CLAMP,REGULATOR HOSE		1
200721-02	ASSEMBLY,CLAMP,REGULATOR HOSE		1
200721-03	ASSEMBLY,CLAMP,REGULATOR HOSE		1
200725-01	PTT PADDLE, EPIC RI		1
200728-01	KIT,AP75 TO POSI-CHECK		1
200729-01	ASSY, SEMS II CONSOLE 4500 PSI		1
200729-02	ASSY, SEMS II (2216 PSI)		1
200729-03	ASSY, SEMS II CONSOLE 3000 PSI		1
200729-04	ASSY, SEMS II CONSOLE 5500 PSI		1
200729-11	ASSY, SEMS II CONSOLE 4500 PSI		1
200729-12	ASSY, SEMS II CONSOLE 2216 PSI		1
200729-14	ASSY, SEMS II CONSOLE 5500 PSI		1
200732-02	SEMS II MESH GATEWAY PCMCIA AS		1
200734-01	RFID PROGRAMMER ASSEMBLY		1
200741-01	KIT, HOLE TEMPALTES, NXG		1
200741-02	KIT, HOLE TEMPALTES, NXG		1
200742-01	KIT, HOLE TEMPLATES, AP50		1
200742-02	KIT, HOLE TEMPLATES, AP50		1
200756-01	GLARE SHIRLD ASSEMBLY		1
200765-01	ASSY, MAIN HOUSING, SEMS II		1
200766-01	AV-2000 CONVERSTION KIT		1
200769-00	SPEAKER,EZ RADIOCOM II REP KIT		1
200770-01	PT LABELS, BAG OF 10		1
200772-01	SEMS II MESH GATEWAY KIT		1
200773-01	RFID WRITER KIT		1
200774-01	RFID TAG KIT		1
200779-01	CYL&VLV ASSY, SKA-PAK AT		1
200779-02	CYL & VALVE ASSY, SKA-PAK AT		1
200779-03	CYL & VALVE ASSY, SKA-PAK		1
200779-102	CYL&VLV,SP+&AT,15M4.5 30YR SL		1
200793-10	CORE ASSEMBLY, EAGLE 320 DEG C		1
200799-01	LENS ASSEMBLY		1
200800-01	COVER, ASSY, REGULATOR		1
200800-02	COVER, ASSY, REGULATOR		1

200800-04	COVER, ASSY, REGULATOR		1
200800-05	COVER, ASSY, REGULATOR		1
200800-06	COVER, ASSY, REGULATOR		1
200802-01	FACE SEAL,SMALL,SURESEAL		1
200802-02	FACE SEAL,MED,SURESEAL		1
200802-03	FACE SEAL,LARGE,SURESEAL		1
200803-01	HEADNET ASM, SURESEAL		1
200812-01	NXG7 BACKFRAME ASSEMBLY		1
200816-02	EI 320 SERVICE KIT, DEG F XMTR		1
200816-12	EI 320 SERVICE KIT, DEG C XMTR		1
200818-01	KIT,EZ FLO II COVER REPLACE		1
200818-02	KIT,EZ FLO II COVER REPLACE		1
200818-04	KIT,EZ FLO II COVER REPLACE		1
200818-05	KIT,EZ FLO II COVER REPLACE		1
200818-06	KIT,EZ FLO II COVER REPLACE		1
200820-075	SUPPLY HOSE ASSY,'75 FT FOSTER		1
200822-01	NAVY SKA-PAK AT ASSEMBLY		1
200822-02	NAVY SKA-PAK AT ASSEMBLY		1
200822-03	NAVY SKA-PAK AT ASSEMBLY		1
200827-02	PROG CUST SERVICE KIT,2.2 PASS		1
200827-03	PROG CUST SERVICE KIT,3.0 PASS		1
200827-04	PROG CUST SERVICE KIT,4.5 PASS		1
200827-05	PROG CONS SERV KIT,5.5 PASS		1
200827-14	PROG CONS SERV KIT,PASS 4.5PSI		1
200828-04	PROG CUST SERVICE KIT, HUD		1
200828-05	PROG CUST SERV KIT,HUD 5.5 PSI		1
200829-30	AV-PAPR HOSE, 30"		1
200829-36	AV-PAPR HOSE, 36"		1
200830-30	KIT, C420 & AV-PAPR HOSE, 30"		1
200830-36	KIT, C420 & AV-PAPR HOSE, 36"		1
200833-30	KIT, C420 PLUS PAPR W/BATTERY		1
200833-36	KIT, C420 PLUS PAPR W/BATTERY		1
200836-01	EI GLARE SHIELD KIT		1
200836-02	EI GLARE SHIELD KIT (TRANSMITT		1
200840-01	STRAP ASM, TOP CENTER, SURESEA		1
200841-01	SEMS II 4500 PSI FIELD INSTALL		1
200841-02	SEMS II 2216 PSI FIELD INSTALL		1
200841-03	SEMS II 3000 PSI FIELD INSTALL		1
200842-01	HSG, RIGHT COMPLETE, 1 BUTTON		1
200843-01	HSG, LEFT COMPLETE, 1 BUTTON		1
200844-81	FIELD INSTALL KIT, SMALL SURESE		1
200844-82	FIELD INSTALL KIT,MED SURESEAL		1
200844-83	FIELD INSTALL KIT,LARGE SURESE		1
200847-01	LCD ASSEMBLY, TAC TIC		1
200848-01	BATTERY, TAC TIC		1
200850-01	BULKHEAD PLATE ASSEMBLY		1
200858-101	WAIST PAD/BELT ASSY-S		1
200858-111	WAIST PAD/BELT ASSY-M		1
200858-121	WAIST PAD/BELT ASSY-L		1
200859-11	WAIST BELT ASSY-S		1
200859-12	WAIST BELT ASSY-M		1
200859-13	WAIST BELT ASSY-L		1
200859-21	WAIST BELT ASSY-S,AP,R		1
200859-22	WAIST BELT ASSY-M,AP,R		1
200859-23	WAIST BELT ASSY-L,AP,R		1
200859-31	WAIST BELT ASSY-S,AP,R,MU		1
200859-32	WAIST BELT ASSY-M,AP,R,MU		1
200859-33	WAIST BELT ASSY-L,AP,R,MU		1
200859-E	EXTENSION, WAIST BELT		1
200860-201	BAILOUT SYSTEM ASSY-50,F4,CR		1
200860-202	BAILOUT SYSTEM ASSY-75,F4,CR		1
200860-211	BAILOUT SYSTEM ASSY-50,F4,CA		1
200860-212	BAILOUT SYSTEM ASSY-75,F4,CA		1

200861-101	EZ-SI, O, 50, CR, FAL		1
200861-102	EZ-SI, O, 75, CR, FAL		1
200861-201	EZ-SI, WF, O, 50, CR, FAL		1
200861-202	EZ-SI, WF, O, 75, CR, FAL		1
200864-01	PROG ASSY,MAIN HSG,4.5 SEMS II		1
200864-02	PROG ASSY,MAIN HSG,2.2 SEMS II		1
200864-03	PROG ASSY,MAIN HSG,3.0 SEMS II		1
200864-04	PROG ASSY,MAIN HSG,5.5 SEMS II		1
200866-01	ASSY,BACKFRAME HDWRE, NXG2		1
200867-01	LP QD REDUCER HOSE ASSY, ACS		1
200868-01	POSICHEK3 TEST HOSE ASSY, ACS		1
200870-01	CYL&VLV ASSY CARB,30MIN,4500		1
200870-01-D	CYL&VALV ASSY CARB,30MIN,4500		1
200871-01	CYL&VLV ASSY CARB,45MIN,4500		1
200871-01-D	CYL&VALV ASSY CARB,45MIN,4500		1
200872-01	CYL&VLV ASSY CARB,60MIN,4500		1
200872-01-D	CYL&VALV ASSY CARB,60MIN,4500		1
200873-01	CYL&VLV ASSY CARB,30MIN,2216		1
200873-01-D	CYL&VALV ASSY CARB,30MIN,2216		1
200874-01	CYL&VLV ASSY AL,30MIN,2216		1
200874-01-D	CYL&VALV ASSY AL,30MIN,2216		1
200877-01	BACK FRAME, ACSi		1
200879-01	HAN/FOSTER, ACS EXT DURATION		1
200879-02	SCHRADER, ACS EXT DURATION		1
200879-03	HAN HK PLUG, ACS EXT DURATION		1
200879-04	HAN HK SCKT, ACS EXT DURATION		1
200879-05	CEJN, ACS EXT DURATION		1
200882-01	HOSE ASSY, ACS EXT DURATION		1
200888-01	ASSEMBLY, 4500 PSI ACS VALVE		1
200889-01	ASSEMBLY, 2216 PSI ACS VALVE		1
200893-01	LICENSE KIT,PAK-TRACKER SOFTWR		1
200895-01	POUCH, SHOULDER STRAP, EBSS		1
200896-01	2007 SERVICE PROGRAMMER		1
200898-01	SPARE, BOOT, AV-PAPR HOSE		1
200899-01	WAIST PAD ASSY,AP7 & NxG7,FI		1
200900-01	WAIST PAD ASSY,WIREFRAME,FI		1
200902-01	BAILOUT ROPE BAG ASSY,FI		1
200903-01	ROPE ASSEMBLY,TS,50,CR		1
200904-01	ROPE WEAVING FIXTURE ASY,50,FI		1
200904-02	ROPE WEAVING FIXTURE ASY,75,FI		1
200905-01	WAIST BELT ASSY, RIT		1
200906-01	WAIST PAD ASSY,AP75&NxG7,RIT		1
200909-01	WEBBING ASSY,50,CR,RIT		1
200909-12	WEBBING ASSY,75,CA,RIT		1
200910-01	VALVE, KUNKLE RELIEF KIT 4.5	SVC	1
200910-02	VALVE, KUNKLE RELIEF KIT 2.2	SVC	1
200910-03	KIT,VLV,KUNKLE RLF 4.5, UPGR07	SVC	1
200910-04	KIT,VLV,KUNKLE RLF 2.2, UPGR07	SVC	1
200915-01	FILTER COVER, XCEL HS 2 PC		1
200915-70	FILTER COVER, XCEL HS 70 PAIRS		1
2009164	ASSEMBLY, ELSA 5MIN ESC DEVICE		1
2009165	ASSEMBLY, ELSA 10MIN ESC DEVCE		1
200917-01	EI320 DEGF,GLARE SHIELD & CASE		1
200917-02	EI 320 F /GLARE SHLD,XMTR&CASE		1
200918-111	EZ-S II, S, 50, CR, F4 TS		1
200918-121	EZ-S II, M, 50, CR, F4 TS		1
200918-131	EZ-S II, L, 50, CR, F4 TS		1
200918-211	EZ-S II, WF, S, 50, CR, F4, TS		1
200918-221	EZ-S II, WF, M, 50, CR, F4, TS		1
200918-231	EZ-S II, WF, L, 50, CR, F4, TS		1
200920-01	HOSE,HIGH PRESSURE		1
200922-01	HOSE&COUPLING, HIGH PRESSURE		1
200922-02	HOSE&COUPLING, HIGH PRESSURE		1

200923-006	PACKING, PREFORMED		1
200923-009	PACKING, PREFORMED		1
200923-010	PACKING, PREFORMED		1
200923-011	PACKING, PREFORMED		1
200923-012	PACKING, PREFORMED		1
200923-013	PACKING, PREFORMED		1
200923-014	PACKING, PREFORMED		1
200923-015	PACKING, PREFORMED	SVC	1
200923-017	PACKING, PREFORMED		1
200923-021	PACKING, PREFORMED	SVC	1
200923-024	PACKING, PREFORMED	SVC	1
200923-028	PACKING, PREFORMED		1
200924-01	INLET ASSY (2.2)		1
200924-02	INLET ASSY (4.5)		1
200924-03	INLET ASSY (5.5)		1
200925-01	CGA PRESSURE REDUCER,AP75 2.2		1
200925-02	CGA PRESSURE REDUCER,AP75 4.5		1
200925-03	CGA PRESSURE REDUCER,AP75		1
200925-04	CGA PRES REDUCER,AP75(2.2,33%)		1
200925-05	CGA PRES REDUCER,AP75(4.5,33%)		1
200925-06	CGA PRES REDUCER,AP75(5.5,33%)		1
200926-01	NxG PRESSURE REDUCER		1
200926-02	NxG PRESSURE REDUCER		1
200926-03	NxG PRESSURE REDUCER		1
200927-01	INLET/LATCH ASSEMBLY		1
200927-02	INLET/LATCH ASSEMBLY		1
200927-03	INLET/LATCH ASSEMBLY		1
200928-02	GAUGE, DUAL POINTER, 5500 PSI		1
200930-01	CYL&VALV,CGA,CARB,30/5500 ASSY		1
200930-01-1	CYL&VALV,CGA,CARB,30/5500 ASSY		1
200930-01-1D	CYL&VALV,CGA,CARB,30/5500 ASSY		1
200930-01-D	CYL&VALV,CGA,CARB,30/5500 ASSY		1
200931-01	TALK-AROUND SPACER KIT		1
200932	USB VIDEO DOWNLOAD CABLE		1
200950-01	EI 320 DVR UPGRADE KIT		1
200951-01	M8 PIGTAIL REPL KIT **SVC ITEM	SVC	1
200951-02	M8 PIGTAIL REPL KIT **SVC ITEM	SVC	1
200951-03	M8 PIGTAIL REPL KIT **SVC ITEM	SVC	1
200951-04	M8 PIGTAIL REPL KIT **SVC ITEM		1
200952-01	KIT, CYLINDER SLEEVE		1
200952-02	KIT, CYLINDER SLEEVE 30M 4500		1
200952-03	KIT, CYLINDER SLEEVE 45M 4500		1
200952-04	KIT, CYLINDER SLEEVE 60M 4500		1
200952-05	KIT, FIELD, CYL SLEEVE 15M 450		1
200954-01	RIT-PAK III ASSY, 2216 PSI		1
200954-02	RIT-PAK III ASSY, 4500 PSI		1
200954-03	RIT-PAK III ASSY,2.2,W/O M&R		1
200954-04	RIT-PAK III ASSY,4.5,W/O M&R		1
200954-05	RIT-PAK III ASSY,5500 PSI		1
200954-06	RIT-PAK III ASSY,5.5,W/O M&R		1
200955-01	BAG ASSEMBLY, RIT-PAK		1
200957-01	PNEUMATIC ASSY, RIT-PAK,2216		1
200957-02	PNEUMATIC ASSY, RIT-PAK,4500		1
200957-05	PNEUMATIC ASSY, RIT-PAK,5500		1
200958-01	HOSE & MANIFOLD ASSY - RIT-PAK		1
200959-01	AV3000 MASK ASSEMBLY, RIT-PAK		1
200960-01	CHARGING WAND ASSY, RIT-PAK		1
200961-01	ASSY, RIT-PAK CONSOLE		1
200961-02	ASSY, RIT-PAK CONSOLE		1
200961-03	ASSY, RIT-PAK CONSOLE		1
200962-01	REGULATOR ASSEMBLY, RIT-PAK		1
200963-02	PROG CUST SERV KIT,CONS 2.2		1
200963-03	PROG CUST SERV KIT,CONS 4.5		1

200963-04	PROG CUST SERV KIT,CONS 5.5		1
200965-01	HEADNET ASSY,POLY, SURESEAL		1
200967-01	CYL&VALV,QD,CARB,30/5500 ASSY		1
200967-01-1	CYL&VALV,QD,CARB,30/5500 ASSY		1
200967-01-1D	CYL&VALV,QD,CARB,30/5500 ASSY		1
200967-01-D	CYL&VALV,QD,CARB,30/5500 ASSY		1
200969-01	CYL&VALV,CGA,CARB,45/5500 ASSY		1
200969-01-1	CYL&VALV,CGA,CARB,45/5500 ASSY		1
200969-01-1D	CYL&VALV,CGA,CARB,45/5500 ASSY		1
200969-01-D	CYL&VALV,CGA,CARB,45/5500 ASSY		1
200970-01	CYL&VALV,QD,CARB,45/5500 ASSY		1
200970-01-1	CYL&VALV,QD,CARB,45/5500 ASSY		1
200970-01-1D	CYL&VALV,QD,CARB,45/5500 ASSY		1
200970-01-D	CYL&VALV,QD,CARB,45/5500 ASSY		1
200972-01	CYL&VALV,CGA,CARB,60/5500 ASSY		1
200972-01-1	CYL&VALV,CGA,CARB,60/5500 ASSY		1
200972-01-1D	CYL&VALV,CGA,CARB,60/5500 ASSY		1
200972-01-D	CYL&VALV,CGA,CARB,60/5500 ASSY		1
200973-01	CYL&VALV,QD,CARB,60/5500 ASSY		1
200973-01-1	CYL&VALV,QD,CARB,60/5500 ASSY		1
200973-01-1D	CYL&VALV,QD,CARB,60/5500 ASSY		1
200973-01-D	CYL&VALV,QD,CARB,60/5500 ASSY		1
200975-01	CYL&VALV,CGA,CARB,75/5500 ASSY		1
200975-01-1	CYL&VALV,CGA,CARB,75/5500 ASSY		1
200975-01-1D	CYL&VALV,CGA,CARB,75/5500 ASSY		1
200975-01-D	CYL&VALV,CGA,CARB,75/5500 ASSY		1
200976-01	CYL&VALV,QD,CARB,75/5500 ASSY		1
200976-01-1	CYL&VALV,QD,CARB,75/5500 ASSY		1
200976-01-1D	CYL&VALV,QD,CARB,75/5500 ASSY		1
200976-01-D	CYL&VALV,QD,CARB,75/5500 ASSY		1
200977-01	BATTERY CHARGER,EAGLE ATTACK		1
200978-01	DVR POWER BOARD		1
200979-01	DVR PROCESSOR BOARD		1
200980-01	TAC-TIC POWER BOARD		1
200984-01	TRANSFER VALVE ASSEMBLY	SVC	1
200984-02	TRANSFER VALVE ASSEMBLY	SVC	1
200984-03	TRANSFER VALVE ASSEMBLY	SVC	1
200989-01	SHOULDER STRAP ASSY, RIT-PAK		1
200991-01	CARRYING STRAP KIT,RIT-PAK III		1
201001-01	CHARGER INTERFACE ASSY.		1
201002-01	POWER SWITCH ASSEMBLY		1
201008-01	BATTERY RETAINER STRAP		1
201009-01	L3 3600 CORE ASSY,NON-COLOR,F		1
201009-02	L3 3600 CORE ASSY,COLOR,F		1
201009-10	L3 3600 CORE ASSY,NON-COLOR,C		1
201009-12	L3 3600 CORE ASSY,COLOR,C		1
2010173	ANTI-FOG WIPE, 1 PACK		1
201018-01	LABEL,E-Z FLO REG,W/VIBRALERT		1
201018-02	LABEL, E-Z FLO REG, MODULAIR		1
201018-03	LABEL,E-Z FLO+ REG,W/VIBRALERT		1
201018-04	LABEL, E-Z FLO REGULATOR		1
201018-05	LABEL, E-Z FLO REGULATOR, SWAT		1
201018-06	LABEL,E-Z FLO+ REG,W/VIB, SWAT		1
201021-01	RERTRACTABLE LANYARD		1
201023-01	LABEL, COVER, REGULATOR, CBRN		1
201023-02	LABEL, COVER, REGULATOR, SCOTT		1
201023-03	LABEL, COVER, REG, W/WARNING		1
201026-01	SPARE BATTERY, TACTICAL TIC		1
201026-03	SPARE BATTERY, TACTICAL TIC		1
201026-04	SPARE BATTERY, TACTICAL TIC		1
201027-01	MANIFOLD ASSY,LOW PRESSURE		1
201029-01	KIT, X3 TO POSI-CHEK		1
201030-01	PRESSURE REDUCER,X3 (2.2,CGA)		1

201030-02	PRESSURE REDUCER,X3 (4.5,CGA)		1
201030-03	PRESSURE REDUCER,X3 (5.5,CGA)		1
201030-04	PRESSURE REDUCER,X3 (2.2,QD)		1
201030-05	PRESSURE REDUCER,X3 (4.5,QD)		1
201030-06	PRESSURE REDUCER,X3 (5.5,QD)		1
201040-01	EAGLE ATTACK PRESSURE TEST ASY		1
201043-01	BRACKET ASSY, QD		1
201044-01	BRACKET ASSY, CGA		1
201045-01	TRANSFER VALVE ASSY, 35% (2.2)		1
201045-02	TRANSFER VALVE ASSY, 35% (3.5)		1
201045-03	TRANSFER VALVE ASSY, 35% (5.5)		1
201050-03	REDUCER ASSY, 5.5 ISCBA		1
201051-01	REPEATER ASSY		1
201056-01	GAUGE BLOCK/FILTER ASSY		1
201079-01	ASSY, BATTERY DOOR, EPIC 3		1
201081-01	ASSY,THUMB LATCH, EPIC 3		1
201083-01	CYLINDER RETENTION, OVERMOLDED		1
201084-01	ADAPTER ASSY, MALE		1
201085-01	ADAPTER ASSY, FEMALE		1
2010880	SPARE HOOD FOR SCOTT ELSA		1
201088-01	SEMS II, USB GATEWAY		1
201088-02	SEMS II, USB GATEWAY		1
2010881	SPARE REDUCER FOR ELSA 5, 15		1
2010882	SPARE REDUCER FOR ELSA 10		1
2010884	SPARE BAG FOR SCOTT ELSA 5		1
2010885	SPARE BAG FOR SCOTT ELSA 10		1
201089-01	BACK FRAME WELDMENT ASSY,X3		1
201090-02	SEMS FASTENER,#10-32 x 1/2"		1
201090-03	SEMS FASTENER,#10-32 x 1"		1
201095-01	EBSS POUCH, AIR-PAK X3		1
201100-01	AIR-PAK X3 BACK-PAK ASSY,PARA		1
201100-02	AIR-PAK X3 BACK-PAK ASY,SPRING		1
201100-11	AIR-PAK X3 BK-PK ASY,FFSR,PARA		1
201100-12	AIR-PAK X3 BK-PK ASY,FFSR,SPRG		1
201101-01	EBSS POUCH & HOSE ASSY, X3		1
201109-01	MANIFOLD,PLUGGED		1
201110-01	X3,CONSOLE ASSY,PASS,4500,1/4		1
201110-02	X3,CONSOLE ASSY,PASS,2216,1/4		1
201110-03	X3,CONSOLE ASSY,PASS,5500,1/4		1
201110-11	X3,CONSOLE ASSY,PASS,4500,1/3		1
201110-12	X3,CONSOLE ASSY,PASS,2216,1/3		1
201110-13	X3,CONSOLE ASSY,PASS,5500,1/3		1
201112-01	X3,CONSOLE GAUGE,4500,1/4		1
201112-02	X3,CONSOLE GAUGE,2216,1/4		1
201112-03	X3,CONSOLE GAUGE,5500,1/4		1
201112-11	X3,CONSOLE GAUGE,4500,1/3		1
201112-12	X3,CONSOLE GAUGE,2216,1/3		1
201112-13	X3,CONSOLE GAUGE,5500,1/3		1
201119-01	X3, GUAGE LINE ASSY		1
201122-11	X3,CONSOLE ASSY,SEMS,4500,1/3		1
201122-12	X3,CONSOLE ASSY,SEMS,2216,1/3		1
201122-13	X3,CONSOLE ASSY,SEMS,5500,1/3		1
201123-01	X3,ELECTRONICS ASSY, SEMS		1
201125-03	LABEL, REG, CBRN		1
201126-02	NOSECUP,AV3,S ASY, RED VALVES		1
201127-02	NOSECUP,AV3,M ASY, RED VALVES		1
201128-02	NOSECUP,AV3,L ASY,RED VALVES		1
201134-01	FEN, DRILLED,COATED,AV3 HT		1
201136-01	HOSE ASSY,QD,HUD,X3,CGA		1
201136-02	HOSE ASSY,QD,HUD,X3,SNAP FIT		1
201137-01	WAIST PAD ASSY,X3, PARA		1
201137-02	WAIST PAD ASSY,X3, SPRING		1
201138-01	HOSE ASSY,HUD,X3,CGA		1

201138-02	HOSE ASSY,HUD,X3,SNAP FIT		1
201139-01	SHOULDER STRAP ASSY,X3 PARA		1
201139-02	SHOULDER STRAP ASSY,X3,SPRING		1
201140-01	2216 PSI GAUGE		1
201140-02	4500 PSI GAUGE		1
201140-03	5500 PSI GAUGE		1
201146-01	ACCESSORY HOSE, POSI-CHEK 3,QD		1
201148-01	X3,POWER CABLE SSSY, HUD		1
201149-01	CABLE ASSY, TRANSDUCER		1
201160-01	ASSY, SEN MOD, X3		1
201160-02	ASSY, SEN MOD W/PAKTRKR, X3		1
201161-01	ASSY,SENSOR MODULE HOUSING, X3		1
201163-01	ASSY,BATT CAP,SEN MODULE,X3		1
201177-01	LABEL, PIEZO, PAK-TRACKER		1
201177-02	LABEL, PIEZO, NON-PT		1
201180-01	ASSY, CYLINDER RETENTION		1
201181-01	ASSY,HANDLE,CYLINDER RETENTION		1
201182-01	ASSY,STRAP,CYLINDER RETENTION		1
201195-01	CSOF BACK-PAK ASSEMBLY		1
201198-01	TACTICAL-PAK		1
201200-01	ASSY, CYLINDER RETENTION(SWAT)		1
201208-01	UK TEMPEST TO US AIRPAK		1
201210-01	ASSY,COM BRKT,AV3 HT,SER KIT,R		1
201210-02	ASSY,COM BRKT,AV3 HT,SER KIT,L		1
201214-01	QUEUE INTERFACE KIT		1
201215-01	AV-3000 HT (S), KVLR		1
201215-02	AV-3000 HT (M), KVLR		1
201215-03	AV-3000 HT (L), KVLR		1
201215-04	AV-3000 HT (S), KVLR w/ R BRKT		1
201215-05	AV-3000 HT (M), KVLR w/ R BRKT		1
201215-06	AV-3000 HT (L), KVLR w/ R BRKT		1
201215-07	AV-3000 HT (S), KVLR w/ L BRKT		1
201215-08	AV-3000 HT (M), KVLR w/ L BRKT		1
201215-09	AV-3000 HT (L), KVLR w/ L BRKT		1
201222-01	POWER CABLE ASSY, 12V		1
201224-02	SNGL,MOTO XTS SER,EPIC3 LP MIC		1
201224-04	SNGL, MOTO HT750, EPIC3 LP MIC		1
201224-06	SNGL,MOTO APX SER,EPIC3 LP MIC		1
201224-07	SNGL, KEN NX 210,EPIC3 LP MIC		1
201224-22	SNGL, HAR P7300, EPIC3 LP MIC		1
201226-01	ACCESSORY, RING PTT, EPIC 3		1
201227-01	ACCESSORY, PADDLE PTT, EPIC 3		1
201228-01	ACCESSORY, THROAT MIC, EPIC 3		1
201229-01	ACCESSORY, COMMAND COM, EPIC 3		1
201275-01	PACKAGING, EPIC 3 AMP, SINGLE		1
201276-01	PACKAGING, EPIC 3 RI, SINGLE		1
201276-02	PACKAGING,EPIC 3 RI/T-A,SINGLE		1
201276-03	PACKAGING,EPIC 3 T-A,SINGLE		1
201277-02	SNGL,MOTO XTS SER,EPIC3 RI CON		1
201277-04	SNGL, MOTO HT750, EPIC3 RI CON		1
201277-06	SNGL,MOTO APX SER,EPIC3 RI CON		1
201277-07	SNGL, KEN NX210, EPIC3 RI CON		1
201277-11	SNGL,MOTO GP 300,EPIC 3 RI CON		1
201277-22	SNLG, HAR P7300, EPIC 3 RI CON		1
201279-01	SEMS II,TALLY TAG,10 PACK,RED		1
201279-02	SEMS II,TALLY TAG,10 PACK,WHT		1
201279-03	SEMS II,TALLY TAG,10 PACK,BLK		1
201279-04	SEMS II,TALLY TAG,10 PACK,YEL		1
201279-05	SEMS II,TALLY TAG,10 PACK,ORG		1
201279-06	SEMS II,TALLY TAG,10 PACK,GRN		1
201279-07	SEMS II,TALLY TAG,10 PACK,BLU		1
201279-08	SEMS II,TALLY TAG,10 PACK,PNK		1
201280-01	SEMS II, BUTTON TAG, 10 PACK		1

201283-09	EBSS ASSY, 2013, AP		1
201284-01	BRACKET,PIVOT ASSY		1
201311-01	SERV KIT, HT VM DUCT ASSY, RT		1
201311-02	SERV KIT, HT VM DUCT ASSY, LT		1
201325-01	KIT, NXG2 ELEC CABLE		1
201334-01	SCOTT POSI3 USB UPGRADE ASSEMB		1
201335-01	SCOTT POSI3 USB CALIBRATION KI		1
201336-01	KIT, SCOTT POSI3 USB 5500 ASSY		1
201337-01	ASSY UNIT POSI3 USB 5500 SCOTT		1
201339-01	FRR MASK ASSEMBLY, SIZE 1		1
201339-02	FRR MASK ASSEMBLY, SIZE 2		1
201339-03	FRR MASK ASSEMBLY, SIZE 3		1
201339-04	FRR MASK ASSEMBLY, SIZE 4		1
201343-01	SPARE, FRR MASK FORMER SIZE 1		1
201343-02	SPARE, FRR MASK FORMER SIZE 2		1
201343-03	SPARE, FRR MASK FORMER SIZE 3		1
201343-04	SPARE, FRR MASK FORMER SIZE 4		1
201344-01	SPARE, NOSECUP SIZE 1		1
201344-02	SPARE, NOSECUP SIZE 2		1
201344-03	SPARE, NOSECUP SIZE 3		1
201344-04	SPARE, NOSECUP SIZE 4		1
201345-01	SPARE, DRINKING STRAW (20)		1
201346-01	SPARE, INNER FILTER		1
201347-01	SPARE, LOUVER COVER, FRR FP		1
201348-01	SPARE, DRINKING INSERT, FRR FP		1
201349-01	SPARE, INHAL ASSY, FRR (10)		1
201350-01	SPARE, CARTDG ASSY, FRR EXHALE		1
201351-01	SPARE, INHAL VALVE BLANK		1
201353-01	SPECTACLE KIT ASSY (10)		1
201354-01	ADAPTER ASSY, DRINK TUBE		1
201355-01	LENS KIT, TINT		1
201355-02	LENS KIT, CLEAR		1
201355-03	LENS KIT, LASER		1
201355-05	LENS KIT, BLUEBLOCKER		1
201366-11	PGM CSTR SVCE KIT,X3,PASS,4.5		1
201366-12	PGM CSTR SVCE KIT,X3,PASS,2.2		1
201366-13	PGM CSTR SVCE KIT,X3,PASS,5.5		1
201367-11	PGM CSTR SVCE KIT,X3,SEMS,4.5		1
201367-12	PGM CSTR SVCE KIT,X3,SEMS,2.2		1
201367-13	PGM CSTR SVCE KIT,X3,SEMS,5.5		1
201373-01	KIT, AP REDUCER TO POSI-CHEK		1
201398-32-D	CA,ASSY,ELSA 5MIN ESC DEVICE		1
201398-33-D	CA,ASSY,ELSA 10MIN ESC DEVICE		1
201398-34-D	CA,ASSY,ELSA 15MIN ESC DEVICE		1
2014226	ASSEMBLY,ELSA-15		1
2015330	SPARE BAG, ELSA 15		1
2015879	HOSE, HP, GAUGE, ACS		1
2016236	WASHER, 5 PACK		1
2017070	RESP FIT TEST KIT (BITREX) REF		1
2017092	APPLICATOR KIT, SENSITIVITY		1
2017093	APPLICATOR KIT, FIT TEST		1
2017094	NEBULIZER, BITREX, LABELS		1
2017095	HOOD, FIT TEST, BITREX		1
2017491	LOCK NUT, 5 PACK		1
2018340	BODY, REDUCER, ACS		1
2018341	O-RING, VITON, AS568-006		1
2018839	SINGLE CYLINDER BAND, ACSi		1
2019228	PROBE, 2216 PSI REDUCER, ACS		1
2019229	PROBE, 4500 PSI, ACS		1
2019231	REDUCER, ACS, 2216 PSI		1
2019232	REDUCER, ACS, 4500 PSI		1
2019374	PLUG, BLANK, HP, ACS		1
2020313	WHISTLE AND GAUGE, 2216, ACS		1

2020314	WHISTLE AND GAUGE, 4500, ACS		1
2021489	COVER, ACS		1
2021535	SCREW, ACS		1
21917-02	STRIKER ASSY, PAK-ALARM**	SVC	1
26026-01	BAND,RUBBER		1
26037-01	HOSE SUB-ASSY		1
26042-01	FASTENER ASSY		1
26369-006	6'SUPPLY HOSE,HANSEN HK		1
26369-010	10'SUPPLY HOSE,HANSEN HK		1
26369-025	25'SUPPLY HOSE,HANSEN HK		1
26369-050	50'SUPPLY HOSE,HANSEN HK		1
26369-100	100'SUPPLY HOSE,HANSEN HK		1
26370-006	6' SUPPLY HOSE,S/S FOSTER		1
26370-010	SUPPLY HOSE FOSTER		1
26370-025	25' SUPPLY HOSE,S/S FOSTER		1
26370-050	50' SUPPLY HOSE,S/S FOSTER		1
26370-100	100' SUPPLY HOSE,S/S FOSTER		1
26370-150	150' SUPPLY HOSE, S/S FOSTER		1
26390-13	MANIFOLD ASSY		1
26896-01	BUCKLE ASSY, SPARE PARTS		1
26954-00	2.2 CYLVLV SAFETY DEV RPL KIT		1
26954-01	4.5 CYLVLV SAFETY DEV RPL KIT		1
26954-02	3.0 SAFETY DEVICE KIT		1
26954-03	5.5 SAFETY DEVICE KIT		1
26977-01	KIT,HARDWARE, FRAME		1
26978-01	KIT,TOOL,FRAME RETAINER		1
26985-01	AP 50 HARNESS RPL KIT, BLK KEV		1
26985-04	ISCBA HARNESS RPL KIT, BLK KEV		1
26985-05	AP HARNESS RPL KIT, BLK KEV		1
26985-08	AP HARNESS RPL KIT SNAPS,BLK K		1
26986-01	CYLINDER RETENTION KIT(WFORM)		1
27245-01	PACKING, PREFORMED SQUARE		1
27436-01	HANGER, CYLINDER		1
27436-02	HANGER, CYLINDER		1
27501-01	HEX DRIVER (3/32 INCH)	SVC	1
27501-02	HEX DRIVER (7/64 INCH)		1
27501-03	HEX DRIVER (3/16 INCH)	SVC	1
27537-01	ACCESSORY HOSE ASSY,HANSEN		1
27537-02	ISCBA AIRLINE HOSE,SCHRADER		1
27537-03	ACCESSORY HOSE ASSY		1
27537-04	HAN HK EXT DURATION HS,HK SKT		1
27537-05	ACCESSORY HOSE RETAINER ASSY		1
27537-06	ACSY HOSE RETAINER ASSY(SCHR)		1
27537-08	CEJN ACC HOSE, ENAP50		1
27537-11	ACCESSORY HOSE ASSY		1
27537-12	ACCESSORY HOSE ASSY		1
27537-13	ACCESSORY HOSE ASSY		1
27537-14	ACCESSORY HOSE ASSY		1
27540-02	MODIFICATION KIT 2.2		1
27540-04	MODIFICATION KIT 4.5		1
2827-52	GASKET .437ID, .750OD, .015TK		1
29000-00	2216 30MIN ALUMINUM CYLINDER		1
29005-01	SKA-PAK 2.2 5MIN ALUMINUM CYL		1
29513-01	AV2 AUX EXHALATION VALVE KIT		1
29586-01	HOSE, LOW PRESSURE		1
29586-03	SKA-PAK LOW PRESSURE HOSE		1
30010-003	SUPPLY HOSE		1
30010-004	SUPPLY HOSE ASSEMBLY		1
30010-006	6' SUPPLY HOSE,HANSEN		1
30010-010	10' SUPPLY HOSE, HANSEN		1
30010-025	25' SUPPLY HOSE,HANSEN		1
30010-050	50' SUPPLY HOSE,HANSEN		1
30010-100	100' SUPPLY HOSE,HANSEN		1

30010-150	150 FT' SUPPLY HOSE W/HANS		1
30010-300	SUPPLY HOSE, HANSON 300 FT		1
30020-006	6' SUPPLY HOSE,SCHRADER		1
30020-010	10' SUPPLY HOSE, SCHRADER		1
30020-015	15' SUPPLY HOSE, SCHRADER		1
30020-025	25' SUPPLY HOSE,SCHRADER		1
30020-050	50' SUPPLY HOSE,SCHRADER		1
30020-100	100' SUPPLY HOSE,SCHRADER		1
30020-150	150' SUPPLY HOSE W/SCHR		1
30020-300	SUPPLY HOSE ASSEMBLY		1
31000006	LABEL, SERVICE, P/N & S/N		1
31000013	SCREW, PAN HEAD, M4 THREAD		1
31000015	10-32X1/2 LOW HD SOCKT CAP SCR	SVC	1
31000028	INTRINSIC SAFETY LABEL, EEOSTI		1
31000042-01	WAIST PAD		1
31000043	CAPTIVE SCREW,FILLISTER 4-40		1
31000046	INLET, 4500		1
31000047	RIGHT LATCH		1
31000048	LEFT LATCH		1
31000050	SPRING, COMPRESSION		1
31000051	INSULATOR,INLET SWITCH CONN		1
31000052	MANIFOLD		1
31000053	MANIFOLD CAP		1
31000054	POST, SWIVEL		1
31000055	WASHER, SMALL SWIVEL		1
31000056	SHAFT, PRESS TO TEST		1
31000057	PLUG, LOW PRESSURE		1
31000058	SEAT, AUTO-TRANSFER		1
31000059	CAP,MANIFOLD END		1
31000060	HOUSING, REDUCER,		1
31000061	HIGH PRESSURE PLUG		1
31000062	SLEEVE, 2.2 TRANSFER VALVE		1
31000063	ELBOW, HIGH PRESSURE		1
31000064	CHECK VALVE		1
31000065	NOZZLE AIR PATH		1
31000066	RETAINER, SWITCH WIRE		1
31000068	SLEEVE, 4.5 TRANSFER VALVE		1
31000072	ORIFICE PLATE		1
31000073	LABEL, COVER, EZ FLO+		1
31000103	PIN,CYLINDER LATCH		1
31000118	RETAINER, SWIVEL FITTING		1
31000120	RETAINER, FLOW CAP		1
31000121	BUTTON, REDUCER POSITIONER		1
31000123	SCREW,SEMS PAN HD,STAINLESS		1
31000125	SCREW, POSITIONER		1
31000126	SPRING, COMPRESSION		1
31000143	PRESSURE TRANS 0-4500 PSI W/CA		1
31000145	PLUG, MANIFOLD, LOW PRESSURE	SVC	1
31000158	LABEL, APPROVAL, INTRINSIC SAF		1
31000170	POS PRESSURE SPRING, EZ FLO+		1
31000179	GUARD, BATTERY HOUSING		1
31000180	SCREW,HEX SOCKET,#6-20 TYPE B		1
31000182	LABEL, NIOSH,SKA-PAK PLUS & AT	SVC	1
31000190	COUPLING FEMALE WAND, CHARGING		1
31000197	PACKING, PREFORMED		1
31000203	DETENT BALL, TI CAMERA		1
31000204	TUBE,BALL DETENT, TI CAMERA		1
31000205	DETENT PRES.SPRING,TI CAMERA		1
31000207	PRES.ADJ. WHEEL, TI CAMERA		1
31000211	HANDLE,LEFT,EI,BAE-SERIES		1
31000212	HANDLE,RIGHT,EI,BAE-SERIES		1
31000217	GASKET,HOUSING, EI, BAE-SERIES		1
31000218	GLARE SHIELD, EI,BAE-SERIES		1

31000219	BOOT,HOUSING,EI,BAE-SERIES		1
31000220	DISPLAY COVER, EI,BAE-SERIES		1
31000225	LABEL,COVER EZ FLO + SWAT NO		1
31000227	BARCODE LABEL FOR NXG2 EE ASY		1
31000235	DECAL,CYLINDER WARNING,SKA-PAK		1
31000238	SWITCH, EI 160		1
31000240-01	BAE 160 CORE W/NO TEMP READOUT		1
31000240-02	BAE 160 CORE W/ TEMP READOUT		1
31000240-03	BAE 160 PAL CORE W/NO TEMP REA		1
31000240-04	BAE 160 PAL CORE W/ TEMP REA		1
31000240-05	CAMERA CORE ASM		1
31000240-06	CAMERA CORE ASM		1
31000240-07	CAMERA CORE ASM		1
31000240-08	CAMERA CORE ASM		1
31000240-09	CAMERA CORE ASM		1
31000240-10	CAMERA CORE EI 160		1
31000240-11	CAMERA CORE ASSEMBLY EI 160		1
31000243	RING,MOUNT,WINDOW,EI-BAE SERIE		1
31000250	10-32 X .500 BUTTON HD CAP SCR		1
31000251	DETENT PRESSURE SPRING GUIDE		1
31000259	FITT,HOSE SWIV CONN W/STOP,BLK		1
31000260	FASTENER,BROACHING.112-40 UNC		1
31000273	BOOT,BATT COVER NXG2 AIR-PAK		1
31000279	PIVOT GUIDE		1
31000283	BATTERY CHARGER, EI 160		1
31000284	LABEL,ELECT.ENC PASS/GAUGE ASY		1
31000296	BOOT,RING,EI,BAE-SERIES		1
31000298	CABL HARN,CMB TO SCC500,EI 160		1
31000299	CABL HARN,ICB TO CMB, EI 160		1
31000301	CABLE HARN, SMB TO CMB, EI 160		1
31000308	ICB ASSY, EI 160		1
31000321	LCD,4" TFT COLOR,NTSC EI 160		1
31000327	FITTING,BATTERY SHEATH MAIN EN		1
31000335	LOCK PLATE		1
31000336	INLET, SWIVEL, 90 DEG		1
31000345	CAP,PLUG FITTING, NXG2		1
31000348	CARRY CASE, EAGLE 160		1
31000353	HOUSING,TRANSDUCER,HUD MODULE		1
31000354	BRACKET,MOUNTING,HUD MODULE		1
31000355	BUSHING,MOUNTING,HUD MODULE		1
31000362	HELICAL LOCK WASHER		1
31000366	AC ADAPTER, EI 160		1
31000374	PUSHBUTTON GUARD KIT		1
31000380	CLIP,RETAINING,PRESSURE TRANS		1
31000381	SCREW,PAN HD,PHILLIPS		1
31000382	"U" PIN,GAUGE LINE		1
31000384	LABEL,INT SAFETY,VISUALERT ASY		1
31000389	INLET CAP		1
31000390	CAP,SPRING		1
31000391	INLET BUSHING		1
31000397	PRESSURE TRANSDUCER		1
31000401	LABEL,AIR-PAK,CBRN,RETROFIT		1
31000407	BATTERY COVER		1
31000408	GERMANIUM LENS COVER		1
31000409	GERMANIUM LENS		1
31000412	COVER,LCD		1
31000419	GASKET,BATTERY COVER		1
31000428	#4-40X.5 SOCKET HD CAP SCREW		1
31000434	5/16-32 HEX NUT,NXG2 LED ASY		1
31000435	BATTERY TRUCK CHARGER, EI 160		1
31000443	PRESSURE TRANSDUCER		1
31000445	LABEL,APPROVAL,INTRINSIC SAFE		1
31000448	O-RING, PARKER 2-028		1

31000458	HOUSING COMPLETE,LEFT		1
31000488	DC ADAPTER, TCS, EI 160		1
31000492	SCREW,1/4-20X5/8 LG SOCKET		1
31000495	BATTERY COVER GASKET		1
31000534	SHROUD,DEMANDLEVER,W/RETAINER		1
31000540	RETAINER RING,SCREW		1
31000553	TEE,1/4 NPT,FEMALE THREAD		1
31000554	NIPPLE,1/4 NPT,COUPLING		1
31000559	TI 160 CAMERA LABEL/BAE SYSTEM		1
31000565	NIMH BATTERY ASSEMBLY		1
31000574	CAMERA HSG,FRONT,EMI COATING		1
31000577	RING,RETAINING,EXT "E", 1/4"		1
31000578	PROFLOW DUFFLE BAG		1
31000605	O-RING,SPARE,HUD TRANSDUCER		1
31000647	LABEL,COVER,EZ FLO II+		1
31000673	EI 160 SECURING RUBBER BLOCKS		1
31000676	EAGLE X CAMER BATTY BAS CHRGR		1
31000678	EAGLE X LOGO LABEL		1
31000688	PLUG		1
31000689	WIRE,EXTERNAL RETAINER		1
31000698	8-32 X .375 HEX SOC BUTTON SCR		1
31000805	PLATE,IDENTIFICATION(GENERIC)		1
31000816	INLET		1
31000973	RELIEF VALVE, 2.2		1
31000974	RELIEF VALVE, 3.0		1
31000975	RELIEF VALVE, 4.5		1
31001002	O-RING, .945 X .079, 70 DUR A		1
31001012	LABEL APPROV INTRINSIC SAFE		1
31001025	POWER CORD, INT'L EUROPE		1
31001029	POWER CORD, INT'L AUS/NZ		1
31001041	HOUSING,BOTTOM,CONSOLE		1
31001043	NOSECUP, AV3000 SMALL		1
31001044	NOSECUP, AV3000 MEDIUM		1
31001045	NOSECUP, AV3000 LARGE		1
31001048	CE Label		1
31001087	BATTERY DOOR SERVICE KIT W/SCR		1
31001088	GASKET,BRACKET MOUNT SERVICE K		1
31001089	THUMB LATCH DETENT SERVICE KIT		1
31001090	BATTERY DOOR, EPIC RI AMP		1
31001093	ALLIGATOR BELT CLIP, EPIC RI		1
31001094	CLOTHES PIN BELT CLIP, EPIC RI		1
31001097	GASKET, EPIC RI LAPEL MIC		1
31001098	BATTERY DOOR, EPIC RI LAPEL MI		1
31001101	AAA BATTERY SLED, EPIC RI		1
31001110	SCREW, SH, PAN HD, PHILLIPS		1
31001115	BODY,PRESSURE REDUCER		1
31001118	RETAINER, HOSE	SVC	1
31001123	PIN,GAUGE LINE	SVC	1
31001124	PLUG, MANIFOLD	SVC	1
31001125-010	SUPPLY HOSE, PCL		1
31001125-025	SUPPLY HOSE, PCL		1
31001125-050	SUPPLY HOSE, PCL		1
31001140	PLATE, IDENTIFICATION		1
31001150-01	MOLDED CABLE ASSY,HUD ONLY		1
31001150-02	MOLDED CABLE ASSY,HUD/PASS		1
31001150-03	MOLDED CABLE ASSY,AIR-PAK		1
31001150-04	MOLDED CABLE ASSY,AIR-PAK		1
31001150-05	MOLDED CABLE ASSY,HUD/PASS		1
31001180	2007 RIC UAC BOOT		1
31001202	BATTERY CONNECTOR		1
31001207	HOSE, FLOWHOOD		1
31001221	MANIFOLD,HOUSING		1
31001223	BUTTON, REDUCER		1

31001227	FEMALE PLUG ASSY, 3 POLE		1
31001229	PLUG		1
31001230	HOUSING, REDUCER		1
31001231	BLOCK,HOSE		1
31001232	RETAINER,HOSE BLOCK		1
31001238	CLIP,CABLE,ALUM,FRAME		1
31001239	CLIP,CABLE,WIRE FRAME		1
31001242	BRACKET,SENSOR MODULE		1
31001250	ADAPTER,FEMALE		1
31001255	#17 O-RING (VITON)		1
31001256	NOSECUP,AV2000,ASSEMBLY		1
31001262	O'RING,COVER SCREW,2007		1
31001264	LABEL,WARNING,SENSOR,2007		1
31001265	O-RING, RECEPTACLE		1
31001277	POST, BATTERY HOUSING, 2007	SVC	1
31001287	SEAL,BATTERY COVER, 2007		1
31001288	COVER SCREW,SENSOR HOUSING,200		1
31001290	E-CLIP,SENSOR,2007		1
31001298	CLIP,RETENTION		1
31001319	HOUSING, CHECK VALVE	SVC	1
31001331	MOLDED CABLE ASSY, NXG7		1
31001333	CABLE ASY,PRES.RED.HIGH TEMP		1
31001336	TRACKER LABEL,PIEZO COVER, 200		1
31001348	CYLINDER CARBON 45MIN (JAPAN)		1
31001362	LABEL,NFPA-2007,AIR-PAK 4.5,3.		1
31001363	LABEL,NFPA-2007,AIR-PAK NXG7		1
31001364	LABEL,PASS APPROVAL,NFPA 2007		1
31001371	SOFTWARE CD,WIRELESS BOOT LOAD		1
31001384	PLUG	SVC	1
31001402	ELBOW,GAUGE LINE		1
31001414	PIN,RIC BOOT		1
31001415	FD-7 BOOT,02 RIC UAC		1
31001418	"U" PIN		1
31001429	HOOD ASSY, FH2		1
31001450	LABEL, 4.5 REDUCER COVER	SVC	1
31001451	LABEL, 3.0 REDUCER COVER		1
31001452	LABEL, 2.2 REDUCER COVER	SVC	1
31001465	APPLICATOR, MANUAL ADHESIVE		1
31001466	STATIC MIXER		1
31001473	LABEL, NXG7 4.5		1
31001493	MTG. NUT, NARROW,RECEPTACLE		1
31001504	BATTERY, NIMH, C420 PLUS		1
31001506	END CAP, NIMH BATTERY, C420+		1
31001508	LABEL, NXG7 2.2	SVC	1
31001535	SEAL,SILICONE,ONE RIB,HUD QD		1
31001536	SCREW,#10-32X3/8,SOC BUTT HD		1
31001539	BATTERY SEPARATOR,SENSOR 2007	SVC	1
31001541	ADAPTER,NIPPLE TO MALE THREAD		1
31001545	BARCODE AND FCC LABEL, PAK-LIN		1
31001548	LABEL,NIOSH,CBRN,AP,4.5,3.0,2		1
31001549	LABEL,NIOSH,CBRN,NXG,4.5,2,2		1
31001550	BATTERY DOOR LATCH SCREWS, SER		1
31001558	HUB, SLIDER		1
31001568-04	TUBING,HEAT SHRINK,HUD 3" (10)		1
31001568-05	TUBING,HEAT SHRINK,HUD3.5"(10)		1
31001575	PTT COVER, EPIC RI		1
31001579	SOFTWARE CD,SEMS II FOR 200732		1
31001582	CYL,BASE,CARB,ST7,30MIN, 4500		1
31001583	CYL,BASE,CARB,ST7-45M-4500PSI		1
31001584	CYL,BASE,CARB,ST7-60M-4500PSI		1
31001595	POWER CABLE		1
31001613	RTV,DOW CORNING 3-1744 APP KIT		1
31001614	Y MANIFOLD		1

31001615	COVER, SEMS II HOUSING			1
31001626	LABEL, BATTERY ISOLATOR			1
31001627	CABLE HARNESS, I/O TO INTERFAC			1
31001628	CABLE HARNESS, CORE INTERFACE			1
31001632	CLAMP,CABLE			1
31001650	UPGRADE LABEL, AP2002 TO 2007			1
31001651	LABEL, UPGRADE NFPA-2007,NXG2			1
31001702	GAKET, EPIC RI AMP			1
31001712-01	CYL,CARB,30YR 60M4500,SAR-NAVY			1
31001744	PIN, PIVOT			1
31001745	RETAINING SPRING			1
31001746	WINDOW, DISPLAY			1
31001748	SWITCH, PUSH BUTTON, BLACK			1
31001749	SWITCH PUSH BUTTON, GREEN			1
31001773	CAPPLUGS, 20/BAG			1
31001861-02	SEAL, HOUSING, SILVER			1
31001870	CABLE, CORE INTERFACE, EI 320			1
31001875	WESTCODYNE PLUS 4 X 1G			1
31001876	WESTCODYNE PLUS 6 X 16 OZ			1
31001890	LENS COVER, TACTICAL TIC			1
31001891	LENS SEAL, TACTICAL TIC			1
31001892	CORE RETAINER,BTM,TACTICAL TIC			1
31001893	CORE RETAINER, TOP, TACTICAL TIC			1
31001896	VENT VALVE			1
31001898	SOCKET HEAD SHOULDER BOLT			1
31001900	PCB,LCD BRACKET,TACTICAL TIC			1
31001901	PCB BRACKET,TACTICAL TIC			1
31001904	2.5 TFT-LCD MODULE			1
31001905	RETAINER SCREW			1
31001906	LCD WINDOW, TACTICAL TIC			1
31001907	LCD SEAL, TACTICAL TIC			1
31001912	BATTERY RETAINER BRACKET			1
31001913	BATTERY CLIP			1
31001914-01	LENS COVER, TACTICAL TIC,RED			1
31001914-02	LENS COVER,TACTICAL TIC,ORG			1
31001914-03	LENS COVER, TACTICAL TIC,YEL			1
31001914-04	LENS COVER, TACTICAL TIC,BLK			1
31001915-01	LCD COVER,TACTICAL TIC,RED			1
31001915-02	LCD COVER,TACTICAL TIC,ORG			1
31001915-03	LCD COVER,TACTICAL TIC,YEL			1
31001915-04	LCD COVER,TACTICAL TIC,BLK			1
31001915-11	LCD CVR,TAC TIC,RED,GLARE SHLD			1
31001915-12	LCD CVR,TACTIC,ORAN,GLARE SHLD			1
31001915-13	LCD CVR,TAC TIC,YEL,GLARE SHLD			1
31001915-14	LCD CVR,TAC TIC,BLK,GLARE SHLD			1
31001916-01	BATTERY BUMPER,TAC TIC,RED			1
31001916-02	BATTERY BUMPER,TAC TIC,ORG			1
31001916-03	BATTERY BUMPER,TAC TIC,YEL			1
31001916-04	BATTERY BUMPER,TAC TIC,BLK			1
31001917	HANDLE, RIGHT, TACTICAL TIC			1
31001918	HANDLE, LEFT, TACTICAL TIC			1
31001919	HANDLE PCB SEAL, TACTICAL TIC			1
31001921	BATTERY, RETAINER RING			1
31001943-01	LABEL, CYLINDER-WARNING 4500			1
31001943-02	LABEL, CYLINDER-WARNING 3000			1
31001943-03	LABEL, CYLINDER-WARNING 2216			1
31001951	BOOT, FILL, NXG			1
31001960	MANIFOLD, ACS EXT DURATION			1
31001961	MANIFOLD COVER, ACS EXT DUR			1
31001962	CHECK VALVE, MALE, 1/4" NPT			1
31001972	BLEED VAVLE			1
31001973	RESP MANIFOLD OUTLET GAUGE	SVC		1
31001974	HANSEN COUPLING			1

31001975	SCHRADER COUPLING		1
31001976	SS FOSTER COUPLING		1
31001977	RESP REGULATOR INLET GAUGE		1
31001978	LOW PRESSURE WHISTLE		1
31001979	8" SEMI-PNEUMATIC WHEEL		1
31001980	TOOL OUTLET GAUGE		1
31001992	RING, MOUNTING, IMAGER LENS		1
31002001	QUICK RELEASE BELT HOLDER		1
31002002	QUICK RELEASE STRAP		1
31002004	SINGLE POUCH		1
31002005	DOUBLE POUCH		1
31002006	F4 DESCENT DEVICE		1
31002010	FIRE-AL DESCENT DEVICE ASY,RIT		1
31002011	CARABINER LINK,RIT		1
31002012	WEBBING LOADING TOOL,RIT		1
31002013	50"WEBBING CARTRIDGE,RIT		1
31002014	75"WEBBING CARTRIDGE,RIT		1
31002016	ADAPTOR, NXG2 RELIEF VALVE		1
31002040	HANGER, CYLINDER VALVE		1
31002042	plug		1
31002043	RETAINER, HIGH PRESSURE		1
31002044	RETAINER, SEAT	SVC	1
31002045	PLUG, ADJUSTMENT	SVC	1
31002046	SEAT	SVC	1
31002047	PISTON		1
31002048	PISTON	SVC	1
31002052	SLEEVE,2.2 TRANSFER VALVE	SVC	1
31002055	SLEEVE,4.5 TRANSFER VALVE	SVC	1
31002056	TRANSFER VALVE, 5.5		1
31002057	SLEEVE,5.5 TRANSFER VALVE	SVC	1
31002058	SLEEVE,2.2 TRANSFER VALVE(NXG)		1
31002059	SLEEVE,35%,2216 PSI TRANS VALV		1
31002060	SLEEVE,4.5 TRANSFER VALVE(NXG)		1
31002061	SLEEVE,35%,4500 PSI TRANS VALV		1
31002062	SLEEVE,5.5 TRANSFER VALVE(NXG)		1
31002063	SLEEVE,35%,5500 PSI TRANS VALV		1
31002064	PACKING, PREFORMED	SVC	1
31002065	PACKING, PREFORMED	SVC	1
31002066	PACKING, PREFORMED	SVC	1
31002067	NOZZLE, AIR PATH		1
31002068	PIN, LATCH LOCK		1
31002069	SPRING, COMPRESSION		1
31002071	SLEEVE, 2.2 INLET		1
31002072	PIN, LOCK		1
31002073	BUSHING		1
31002074	PLATE, RETAINER		1
31002075	SCREW,FH,8-32X1/2		1
31002076	RING PULL		1
31002077	HOUSING, 2.2 INLET		1
31002078	HOUSING, 4.5 INLET		1
31002079	HOUSING, 5.5 INLET		1
31002083	SLEEVE, 4.5 INLET		1
31002084	SLEEVE, 5.5 INLET		1
31002085	RELIEF VALVE,5.5		1
31002086	LABEL, 5.5 REDUCER COVER	SVC	1
31002087	BODY, PRESSURE REDUCER	SVC	1
31002088	HOUSING,REDUCER,NXG		1
31002089	INLET HOUSING, 2.2		1
31002090	INLET HOUSING, 4.5		1
31002091	INLET HOUSING, 5.5		1
31002095	PROBE, 5500 PSI		1
31002096	PACKING, PREFORMED	SVC	1
31002100	PACKING, PREFORMED	SVC	1

31002105	HOUSING, REDUCER		1
31002108	BEARING, WEAR		1
31002109	PLUG		1
31002110	PIN PLUG		1
31002111	PLUG		1
31002114	PLUG, HIGH PRESSURE		1
31002115	LABEL,REDUCER IDENT. (2.2)		1
31002116	BUTTON, REDUCER		1
31002118	POST, SWIVEL		1
31002119	SPACER SWIVEL		1
31002121	BUTT SPLCE, RAYCHEM D1744-01		1
31002121-10	BUTT SPLCE,RAYCHEM D1744-01(20		1
31002142	SCREW#4X.25PAN HD.SELF LOCKING		1
31002147	SCREW6-32X.275SH SELF LOCKING		1
31002155	PLATE, SUPPORT		1
31002170	REDUCER MOUNTING PLATE,RIT-PAK		1
31002172	NIPPLE COUPLING, RIT-PAK		1
31002191	PROTECTIVE BAND, KUNKLE VALVE	SVC	1
31002196	CAMERA RETAINER LEFT		1
31002197	CAMERA RETAINER RIGHT		1
31002204	DVR CONNECTION CABLE		1
31002205	DVR INTERCONNECT CABLE		1
31002216	ATTACK TVR DOWNLOAD CABLE		1
31002217	CAMERA SERVICE ADAPTER		1
31002218	TAC-TIC LCD CABLE		1
31002219	REAR ACCESS COVER		1
31002221	CARRY CASE, PAPR		1
31002225	LABEL, WARNING, RIT-PAK		1
31002226	REDUCER LABEL,2.2,RIT-PAK III		1
31002227	REDUCER LABEL,4.5,RIT-PAK III		1
31002234	BATTERY RETAINER LATCH		1
31002235	TAC-TIC POWER/CORE CABLE		1
31002246	WASHER, SS, .24" O.D.		1
31002254	DUAL CHARGER PCB		1
31002262	O-RING, KUNKLE VALVE		1
31002265	ACCESSORY LIGHT MOUNT		1
31002266	RUBBER FOOT		1
31002269	NYLOCK NUT,#10-32,SELF LOCKING		1
31002270	CAP, CLOSURE, M12		1
31002272	2-28 X .625 TRILOBE SCREW		1
31002275	LABEL,FIELD SERV. REPL. 2 X .5		1
31002284	USB DOWNLOAD POWER ADAPTER		1
31002290	LABEL, NIOSH CBRN AP 5.5	SVC	1
31002291	LABEL, NFPA-2007 AP 5.5		1
31002294	LOCTITE 598,BLACK RTV SILICONE		1
31002295	RED GLPT INSULATING VARNISH		1
31002299	CYL,CARBON WRAP-30 MIN 5500PSI		1
31002300	CYL,CARBON WRAP-45 MIN 5500PSI		1
31002301	CYL,CARBON WRAP-60 MIN 5500PSI		1
31002302	CYL,CARBON WRAP-75 MIN 5500PSI		1
31002303	SPLIT HARNESS RING		1
31002307	RUBBER BUMPER, TACTICAL TIC		1
31002319	LABEL,MASK,FIELD SERV.,REPLACE		1
31002320	TAPERED SHANK FASTENER,TAC-TIC		1
31002321	FLAT RING SEAL, TACTICAL TIC		1
31002325	PRESS-TO-TEST		1
31002327	SNAP RING, INTERNAL		1
31002331	LABEL,REDUCER IDENT (5.5)		1
31002333	SEAT, AUTO-TRANSFER		1
31002352	PACKING,PREFMD,SERV.SPARE,FD17	SVC	1
31002358	LABEL,NIOSH,NAVY WIREFRAME	SVC	1
31002359	RETAINER, CYLINDER BRACKET		1
31002361	BATTERY CAP, C420+ PAPR		1

31002364	MOUNT, RELIEF VALVE		1
31002365	LABEL,REDUCER IDENT (4.5)		1
31002366	PACKING,PREFORMED		1
31002368	PACKING,PREFORMED		1
31002477	SLEEVE,35%,2.2,CGA REDUCER		1
31002478	SLEEVE,35%,4.5,CGA REDUCER		1
31002479	SLEEVE,35%,5.5,CGA REDUCER		1
31002483	SKA-PAK NIOSH CYL LBL 3-5MIN		1
31002484	SKA-PAK NIOSH CYL LBL 15 MIN		1
31002486	PACKING, PREFORMED		1
31002490	COVER, BACK, EPIC 3		1
31002495	SEAL,MOUNT,EPIC 3		1
31002534	PACKING,PREFORMED		1
31002535	PACKING,PREFORMED		1
31002544	COVER, SHROUD, AIR-PAK X3		1
31002546	SPRING CLIP,CYLINDR HANDLE, X3		1
31002549	CLEVIS POST,MALE AIR-PAK X3		1
31002550	CLEVIS POST,FEMALE AIR-PAK X3		1
31002570	SPRING, COMPRESSION		1
31002571-01	X3, CONSOLE HOUSING, FRONT		1
31002571-02	X3, CONSOLE HOUSING,FRONT SEMS		1
31002572	X3, PASS CONSOLE, HOUSING,REAR		1
31002579	X3 SEMS CONSOLE,HOUSING,REAR		1
31002582	SPRING, COMPRESSION		1
31002615	LABEL,AP75,NFPA 2013 BACKFRAME		1
31002618	LABEL, X3,NFPA 2013 BACKFRAME	SVC	1
31002620	LABEL,,X3,NIOSH-CBRN,2.2 CGA	SVC	1
31002636	GRILL, AV3000 HT		1
31002637	GRILL,AMP,AV3000 HT, RIGHT		1
31002639	ADAPTER,COMM,AV3000 HT, RIGHT		1
31002659	LABEL,IDENTIFICATION,X3,SEMS		1
31002660	LABEL,IDENTIFICATION,X3,PASS		1
31002667	SCREW,SFHCS,8-32X5/16		1
31002676	SCREW,TRILOBULAR,#6-19,.50 LG		1
31002677	POST,BATT.HOUSING,SENSOR MOD.		1
31002681	SENSOR MODULE COVER, X3		1
31002682	CAP,BATTERY,SENSOR MODULE,X3		1
31002699	LABEL,BARCODE,SENSOR MODULE,X3		1
31002721	STRAP, WAIST TO SHOULDER(SWAT)		1
31002730	TRI-SLIDE, 1-1/2" X 5/16" SLOT		1
31002740	WAIST BELT		1
31002759	LABEL,,X3,NIOSH-CBRN,4.5 CGA	SVC	1
31002760	LABEL,,X3,NIOSH-CBRN,5.5 CGA	SVC	1
31002763	LABEL,A-P,NIOSH-CBRN 2013,4.5		1
31002772	LABEL, IS, PASS, 2013		1
31002773	LABEL,WARNING, SENSOR X3		1
31002774	LABEL,PASS APPROVAL,NFPA 2013		1
31002785	LABEL,X3,NIOSH-CBRN,2.2 SNAP	SVC	1
31002786	LABEL,X3,NIOSH-CBRN,4.5 SNAP	SVC	1
31002787	LABEL,X3,NIOSH-CBRN,5.5 SNAP	SVC	1
31002788	VALVE, INHALATION RED		1
31002790	BAND, COMM, AV3000 HT, RIGHT		1
31002791	BAND, COMM, AV3000 HT, LEFT		1
31002800	GRILL,AMP,AV3000 HT, LEFT		1
31002808	SCREW, SHOULDER		1
31002809	BEZEL, UPPER, AV3000 HT		1
31002810	BEZEL, LOWER, AV3000 HT		1
31002815	SWIVEL,HIGH PRESSURE HOSE		1
31002816-02	ACCOUNTABILITY PROGR BOOT-ORG		1
31002823	NXG AIR PATH WRENCH		1
31002868	WASHER,#4 FLAT, SS		1
31002916	SCREW,PH 6-32X1/2 SS NYL PATCH		1
31002920	SCREW,PAN HD,2-56X1/2,SS,BLK		1

31002942	SCREW PIVOT		1
31002946	POST, PIVOT		1
31002958	HP PLUG, #4 HEX HD WITH O-RING		1
31002959	HANDLE, MOBILE AIR CART		1
31002960	PIN,HANDLE CLEVIS, AIR CART		1
31002961	LANYARD CABLE, HANDLE, AIR CAR		1
31002962	LANYARD ATTACH RING, AIR CART		1
31003020	LUBRICANT, SIL GREASE, SPARE		1
31003025	ASSEMBLY,HEAD(NEW STYLE)		1
31003026	KNOB,HEAD MOUNTING POSI-CHECK		1
31003027	STANDOFF,INSERT,MOLDED POSI		1
31003028	SHEET,INSTRUCTION,INSTALL PO		1
31003029	GASKET, POSI CHEK, HEAD		1
31003030	HEAD, POSI		1
31003031	TUBING,TYGON,1/8ID,1/4 OD		1
31003032	KIT US EXTERNAL MANIFOLDS POSI		1
31003033	KIT,SPARE FUSE,POSI3 USB,110		1
31003034	MANIFOLD,LO PRESSURE,2200 PSI		1
31003035	MANIFOLD,HI PRESSURE,4500 PSI		1
31003036	POWER CORD,BELDEN 17504IN BLA		1
31003037	SOFT TIP,2250 PSI,WESTERN# 6		1
31003038	NIPPLE,O-RING,WESTERN #6347-		1
31003039	SCREW,RETAINING,WESTERN#SS63		1
31003040	MYLAR FRONT PANEL POSI 3 USB S		1
31003052	SPARE, HEAD HARNESS		1
31003054	MAINTENANCE TOOL KIT, FRR		1
31003113	LUBRICANT, CHRISTO LUBE, 2 OZ		1
31003121	TOOL, DUAL POINTER (MODIFIED)		1
31003123	TOOL, BONNET (MODIFIED)		1
33220-01	NUT, NYLON LOCK, 1/4-28		1
33316-014	SCREW, FLAT HD,.312X#4		1
33324-001	SCREW, PAN HEAD .125 X #2		1
33324-002	SCREW, PAN HEAD .188 X #2		1
33324-014	SCREW, PAN HEAD .312 X #4		1
33324-015	SCREW, PAN HEAD #4-40X.375,SS		1
33324-021	SCREW, PAN HEAD 1.000 X #4		1
33324-028	SCREW, PAN HEAD .375 X #6		1
33324-029	SCREW, PAN HEAD (10)		1
33324-032	SCREW,PAN HEAD PHILLIPS #6-32		1
33324-041	SCREW PAN HD .164 X .250		1
33324-123	SCREW, PAN HEAD #6-32 X 9/16		1
33335-022	SCREW, CAP, SOCKET HEAD		1
33354-004	SCREW		1
33354-016	SCREW, TAPPING.312 X #6		1
33354-030	SCREW-TAPPING #8 X .500"		1
33361-008	SCREW, CAP, SOCKET HEAD		1
33361-009	SCREW,CAP,SOCKET HD 4-40X250		1
33361-010	SCREW-CAP HEAD .375 X #4	SVC	1
33361-011	SCREW-CAP HEAD .5 X #4-40		1
33361-017	SCREW-CAP HEAD .375 X #6	SVC	1
33361-018	SCREW, CAP, SOCKET HEAD		1
33361-020	SCREW,CAP,SOCKET HEAD		1
33361-026	SCREW,CAP,SOCKET HEAD		1
33361-047	SCREW-CAP HEAD .375 X .250		1
33361-050	SCREW,1/4-20X.75LONG		1
33361-055	SCREW,CAP,SOCKET HD1/4-20X1.75		1
33362-006	SCR-RDH THD TYPE A 2-32 X .63		1
33365-204	SCREW,SELF-TAPPING 6X.375 FLHD		1
33460-072	LOCK WASHER-#8		1
33461-058	#6 LOCKWASHER		1
33481-003	PIN,SPRING .062OD X .250L		1
33481-004	PIN-SPRING .062OD X .312L	SVC	1
33481-007	PIN-SPRING .062OD X .500L	SVC	1

33481-107	PIN-SPRING .078OD X .500L		1
33481-115	PIN-SPRING .078OD X 1.000L		1
33481-213	PIN-SPRING .094OD X .875L		1
33481-311	PIN-SPRING		1
33488-003	CLAMP LOOP-STEEL PLAIN/CUSHION		1
33488-004	CLAMP LOOP-STEEL PLAIN/CUSHION		1
33488-034	CLAMP LOOP-STEEL PLAIN/CUSHION		1
33602-098	RING,RETAINING,INTERNAL,BASIC	SVC	1
3502-01	WASHER,THRUST		1
3502-02	WASHER,THRUST		1
3502-03	WASHER, THRUST		1
3504-01	WASHER,SPACER		1
36176-00	PACKING PREFORM		1
36477-00	PACKING PREFORM		1
36596-28	DISC,BURST .0062 THICKNESS		1
36596-35	DISC,BURST .0078 THICKNESS		1
36596-48	DISC,BURST .0098 THICKNESS		1
36596-50	DISC, BURST .0110 THICKNESS		1
36596-72	DISC,BURST .0135 THICKNESS		1
36682-01	SCREW,SELF-TAPPING,TRUSS HEAD	SVC	1
36682-03	SCREW,SELF TAPPING,TRUSS HD		1
36683-02	SCR,SELF-TAPPING,FLAT HEAD,REC	SVC	1
36684-047	RING-RETAINING EXTERNAL HD	SVC	1
36701-01	POPPET, SAFETY	SVC	1
36705-01	RETAINER PACKING BACKUP		1
36711-00	PACKING, PREFORMED, BUNA-N		1
36713-00	VALVE PLUG & SEAT ASSY -KB-	SVC	1
36715-00	BODY,SAFETY** *KB*		1
36744-02	PACKING, PREFORMED		1
36750-01	COVER, PRESSURE GAUGE		1
36751-01	SPRING, WAVE WASHER		1
36752-01	SPRING, HANDWHEEL		1
36755-02	HANDWHEEL ASSEMBLY		1
36765-01	LENS, PRESSURE GAUGE		1
36814-00	PACKING, WASHER		1
36862-02	PACKING,PREFORM .492ID X .039W		1
36862-06	PACKING,PREFORM .256ID X .047W		1
36862-10	PACKING,PREFORMED		1
36862-11	PACKING,PREFORM .250ID X .035W		1
36862-13	PACKING,PREFORMED		1
37058-01	SOCKET		1
37059-01	DRIVER		1
37061-01	WASHER, FLAT		1
37079-01	PACKING PERFORMED		1
37082-01	PACKING PERFORMED		1
37084-01	WASHER,SAFETY CAP		1
37090-02	WASHER, WEAR		1
37091-02	WASHER, PACKING**		1
37092-02	BONNET		1
37093-02	STEM, VALVE -KB-		1
40000056	O RING D-LINE INLET/OUTLET FTG		1
40000211	CELL BLOCK FLAME ARRESTOR		1
40002800	S.S.PIPE PLUG		1
40002938	SCREW #6-32 X 3/8 PAN HEAD		1
40008244	PASE #10 LOCK WASHER		1
40008583	BULB,ASPIRATOR		1
40008654	ASPIRATOR BULB ASSY.		1
40009207	AN ADAPTER, BRASS		1
40012165	EI, SPLIT-LOCK WASHER (10)		1
40012648	JUMPER,MINIATURE		1
40013885	SENSOR REPLACEMENT- CO		1
40013975	ALKALINE "AA" BATTERY		1
40014092	REPLACEMENT N1-CAD BATTERY PK		1

40014439	EI PISTOL GRIP ASSEMBLY		1
40014444	EI, BALL BEARING (10)		1
40014447	EI, DETENT SPRING (10)		1
40014585	EI, HANDSTRAP PAD		1
40014588	EI, SWIVEL STUD		1
40014606	EI,SCREW,FLAT HD,TYPE PT,3X8MM		1
40014635	EI,CABLE,2.5MM TO CIGARET PLUG		1
40014658	O-RING, SILICONE, LENS ASS'Y		1
40014777	AAA BATTERY, ALKALINE		1
40014806	REPLACEMENT CO500 SENSOR ASSY.		1
40014832	EAGLE IMAGER RECEIVER FOR WRLS		1
40014839	EI INTERFACE BOARD ASY W/VIDEO		1
40014971	ANTENNA, MOBILE, 2.4-2.5 GHZ		1
40014973	EI MOBILE ANT.ASSY.2.4GHZ OMNI		1
40015098	MOTION SENSOR KIT, SE/SE+		1
40015100	SENSOR MODULE GASKET KIT		1
40015101	WIRE SHEATH KIT, SE & SE+		1
40015103	CONSOLE HS REPLAC ASSY,SE/SE60		1
40015105	REPLAC CONSOLE BOARD ASSY,SE		1
40389-00	SOCKET & HOSE CLAMP ASSEMBLY		1
50004-15	SEALING COMPOUND "222"		1
50004-16	SEALING COMPOUND 242		1
50004-18	SEALING COMPOUND "271"		1
50004-20	SEALING COMPOUND		1
50011-00	TAPE,ANTISEIZE 1/4"		1
50521-00	KRYTOX		1
50527-00	LUBRICANT, KRYTOX 240AC		1
50576-02	LOCTITE 422 INSTANT ADHESIVE		1
50721-02	SEALING COMPOUND		1
50721-03	SEALING COMPOUND		1
50728-01	RHEOLUBE 719M**	SVC	1
50729-01	LUBRICANT, SILICONE	SVC	1
50756-01	LOCTITE, BLACK MAX 380		1
50757-02	LOCTITE, X-NMS, CLEAN-UP SOLV		1
50758-01	LUBRICANT		1
50785-01	SCREW		1
50785-02	PASE MOTION SNSR ASY SCREW(10)		1
50786-01	RING, I.D. BUTTON (YELLOW)		1
50786-02	RING, I.D. BUTTON (RED)		1
50786-03	RING, ID BUTTON (BLUE)		1
50795-10	ADHESIVE, EPOXY, HYSOL E-05CL		1
50835-02	PASE CNSL PC BRD ASY SCREW(10)		1
50854-00	PACKING, PREFORMED (PA SE)		1
50903-01	ADHESIVE, RTV 5900		1
50904-08	CLAMP,LOOP-STEEL PLAIN		1
50904-37	CLAMP,LOOP-STEEL,CUSHIONED		1
50904-39	CLAMP,LOOP STEEL,CUSHIONED		1
517.300.021	WALK TEST TOOL		1
5500-7100	FLTR REFLS 10/PK, PLASTIC FOAM		1
55065-00	SOCKET SUPPLY HOSE		1
55622-00	PACKING, PREFORMED		1
55810-00	PACKING,PREFORM .07W X .114ID		1
56427-00	PACKING PREFORMED		1
56756-00	PLUG, 1/4" FPT HANSEN		1
56894-00	EYELET		1
56940-00	PACKING, PREFORMED		1
57120-05	RIVET,BLIND,DOMED HD,OPEN END		1
57251-00	PACKING, PREFORMED		1
57252-00	PACKING, PREFORMED		1
57253-00	PACKING, PREFORMED		1
57264-00	PACKING, PREFORMED		1
57518-00	PIN, SPRING		1
58298-00	VALVE,HIGH PRESS-PKD TYPE MS		1

58353-00	PISTON		1
58355-00	WASHER		1
58370-01	REDUCER ASSEMBLY		1
58651-00	PACKING, PREFORMED		1
58652-00	PACKING, PREFORMED		1
58857-00	PLUG		1
59274-00	PACKING, PREFORMED		1
59275-00	PACKING, PREFORMED		1
59276-00	RELIEF VALVE ASSY,(LOW PRESS.)		1
59277-00	PACKING, PREFORMED		1
59333-00	O RING		1
595132-01	LIBERTY O&M		1
59607-00	PACKING, PREFORMED		1
600310-00	POUCH,GAS MASK-CHIN STYLE		1
60158-00	ANTI-FOG PREPARATION		1
6120-03	LINK, ATTACHING		1
6388-02	MANIFOLD, RESPIRATOR		1
64152-02	VALVE ASSY		1
64197-01	VALVE, CHECK		1
6507-01	BUCKLE,SPRING ACTION		1
6816-00	PLUG 1/4" MPT HANSEN		1
6825-00	PLUG-COUPLING		1
6831-00	SOCKET		1
6835-00	SOCKET ASSY		1
7420-108	ASSY, XCEL HALF HEAD HARNESS		1
7421-111	XCEL SM GREY HALF MASK RESP		1
7421-111V	XCEL SM GREY HALF MASK VM RESP		1
7421-112	XCEL S/M GREY HALF MASK RESP		1
7421-112V	XCEL SM GREY HALF MASK VM RESP		1
7421-113	XCEL M/L GREY HALF MASK RESP		1
7421-113V	XCEL ML GREY HALF MASK VM RESP		1
7421-114	XCEL LG GREY HALF MASK RESP		1
7421-114V	XCEL LG GREY HALF MASK VM RESP		1
7421-411V	ASSY, XCEL HS SM HALF MASK VM		1
7421-412V	ASSY, XCEL HS S/M HALF MASK VM		1
7421-413V	ASSY, XCEL HS M/L HALF MASK VM		1
7421-414V	ASSY, XCEL HS LG HALF MASK VM		1
7421-511V	CASE, XCEL HS SM HALF MASK VM		1
7421-512V	CASE, XCEL HS S/M HALF MASK VM		1
7421-513V	CASE, XCEL HS M/L HALF MASK VM		1
7421-514V	CASE, XCEL HS LG HALF MASK VM		1
7421-PF1	XCEL SMALL PROBED FACE PIECE		1
7421-PF2	XCEL S/M PROBED FACE PIECE		1
7421-PF3	XCEL M/L PROBED FACE PIECE		1
7421-PF4	XCEL LARGE PROBED FACE PIECE		1
7422-BA1	OV,78CC, PAIR		1
7422-BB1	OV-P100,78CC PAIR		1
7422-BC1	OV,120CC, PAIR		1
7422-CD1	742 CSCN/P100,120CC CARTRIDGE		1
7422-FC1	ENCLOSURE COVER, PAIR		1
7422-FC4	ENCLOSURE COVER, 5 PR/BX		1
7422-FE4	ENCLOSURE COV/RETAIN,5 PR/BX		1
7422-FG4	GASKET/ENCLOSURE COV, 5 PR/BX		1
7422-FN5	N-95 FILTER ELEMENT,50 PR/CASE		1
7422-FP1	MINI P100 FILTER, PAIR		1
7422-FP4	CARTON OF 80 PRS, 742 MINI		1
7422-FT1	TEST FIT ADAPTER		1
7422-FT2	TEST FIT ADAPTER		1
7422-GA1	AM,78CC, PAIR		1
7422-GB1	AM-P100, 78CC CARTRIDGE PAIR		1
7422-MA1	ASSY,742 MVCL 78cc CARTRIDGE		1
7422-MB1	ASSY,742 MVCL-P100 78cc CART		1
7422-PD1	TEDA-P100, 120CC, PAIR		1

7422-SC1	MPC, 120CC, PAIR		1
7422-SD1	MPC-P100, 120CC, PAIR		1
7422-WA1	AG, 78CC, PAIR		1
7422-WB1	AG-P100,78CC CARTRODGE PAIR		1
7422-YC1	OA, 120CC, PAIR		1
7422-YD1	OA-P100, 120CC, PAIR		1
8000001	LED SVC Kit-PZM		1
8000002	SCREW/HDWR Kit- SVC PZM		1
8000003	Tubing/Barb Kit, SVC PZM		1
8000004	Cable Tie Kit, SVC PZM		1
8000005	Cal Bottle Mount Kit, SVC PZM		1
8000-1100	FILAMENT, ACTIVE, RED, G		1
800030-02	COUPLING NUT ASSY		1
8000369	SC-IMP-25-CA		1
8000370	SC-IMP-100-CA		1
8000371	SC-RES-BDL-1YR		1
8000372	SC-RES-BDL-2YR		1
8000373	SC-RES-BDL-3YR		1
8000374	SC-RES-BDL-4YR		1
8000375	SC-RES-BDL-5YR		1
8000376	SC-IMP-1000-CA		1
8000377	SC-IMP-2000-CA		1
8000378	SC-IMP-3000-CA		1
8000379	SC-IMP-25-VA		1
8000380	SC-IMP-100-VA		1
8000381	SC-IMP-200-VA		1
8000382	SC-IMP-300-VA		1
8000383	SC-IMP-400-VA		1
8000384	SC-IMP-500-VA		1
8000385	SC-IMP-750-VA		1
8000386	SC-IMP-1000-VA		1
8000387	SC-IMP-2000-VA		1
8000388	SC-IMP-3000-VA		1
8000389	SC-IMP-25-OA		1
8000390	SC-IMP-100-OA		1
8000391	SC-IMP-200-OA		1
8000392	SC-IMP-300-OA		1
8000393	SC-IMP-400-OA		1
8000394	SC-IMP-500-OA		1
8000395	SC-IMP-750-OA		1
8000396	SC-IMP-1000-OA		1
8000397	SC-IMP-2000-OA		1
8000398	SC-IMP-3000-OA		1
8000399	SC-IMP-25-CA-RENEW		1
8000400	SC-IMP-100-CA-RENEW		1
8000401	SC-IMP-WIN-1YR		1
8000402	SC-IMP-WIN-2YR		1
8000403	SC-IMP-WIN-3YR		1
8000404	SC-IMP-WIN-4YR		1
8000405	SC-IMP-WIN-5YR		1
8000406	SC-IMP-1000-CA-RENEW		1
8000407	SC-IMP-2000-CA-RENEW		1
8000408	SC-IMP-3000-CA-RENEW		1
8000409	SC-IMP-25-VA-RENEW		1
8000410	SC-IMP-100-VA-RENEW		1
8000411	SC-IMP-200-VA-RENEW		1
8000412	SC-IMP-300-VA-RENEW		1
8000413	SC-IMP-400-VA-RENEW		1
8000414	SC-IMP-500-VA-RENEW		1
8000415	SC-IMP-750-VA-RENEW		1
8000416	SC-IMP-1000-VA-RENEW		1
8000417	SC-IMP-2000-VA-RENEW		1
8000418	SC-IMP-3000-VA-RENEW		1

8000419	SC-IMP-25-OA-RENEW		1
8000420	SC-IMP-100-OA-RENEW		1
8000421	SC-IMP-200-OA-RENEW		1
8000422	SC-IMP-300-OA-RENEW		1
8000423	SC-IMP-400-OA-RENEW		1
8000424	SC-IMP-500-OA-RENEW		1
8000425	SC-IMP-750-OA-RENEW		1
8000426	SC-IMP-1000-OA-RENEW		1
8000427	SC-IMP-2000-OA-RENEW		1
8000428	SC-IMP-3000-OA		1
8000429	SC-IMP-25-CA-5YR		1
8000430	SC-IMP-100-CA-5YR		1
8000431	SC-IMP-200-CA-5YR		1
8000432	SC-IMP-300-CA-5YR		1
8000433	SC-IMP-400-CA-5YR		1
8000434	SC-IMP-500-CA-5YR		1
8000435	SC-IMP-750-CA-5YR		1
8000436	SC-IMP-1000-CA-5YR		1
8000437	SC-IMP-2000-CA-5YR		1
8000438	SC-IMP-3000-CA-5YR		1
8000440	SC-IMP-1500-OA-RENEW		1
8000441	SC-IMP-1500-VA-RENEW		1
8000442	SC-IMP-1500-CA-RENEW		1
8000443	SC-IMP-1500-CA-5YR		1
8000444	SC-IMP-1500-CA		1
8000445	SC-IMP-1500-VA		1
8000446	SC-IMP-1500-OA		1
8000759	SC-IMP-25-VA-5YR		1
8000760	SC-IMP-100-VA-5YR		1
8000-8090	DETECTOR ELEMENT, TLV		1
800103-00	HOSE ASSY, REGULATOR		1
800198-00	COUPLING ASSY		1
8002914	E TO X SERIES BATTERY UPGRADE		1
8002916	K85 THERMAL IMAGING CAMERA		1
8002917	STD K90 LEMON, VO, PYRO		1
8002918	TIC UPGRD K1000 K80 XR TO HR		1
8002919	ELITE E380 TIC		1
8002920	ELITE E380 TIC NFPA		1
8002921	E380 TO X380 UPGRADE TIC 2-B		1
8002922	E380 TO X380 UPGRADE TIC 4-B		1
8002923	X-380 TIC STD 3 BUTTON		1
8002925	E TO X FAST ATTACK CHRGR UPGRD		1
8002926	X380 DESKTOP CHARGER		1
8002927	X380 FAST ATTACK CHARGER		1
8002928	X380 HARD CASE-CAMERA FA/DC		1
8002929	X380 NFPA COMPLIANT BATTERY		1
8002930	X380 RETRACTABLE LANYARD		1
8002931	DRIVE-AWAY DETECTION		1
8002932	ELITE XRHR TRUCK CHARGER		1
8002933	ELITE XRHR LANYARD		1
8002934	ELITE XRHR DESKTOP CHARGER		1
8002935	ELITE XRHR LASER HANDLE		1
8002936	SUPERCELL BATTERY ELITE XRHR		1
8002937	CABLE, USB A TO MINI USB		1
8002938	EXTENDED BATTERY, SUPERCELL		1
8002939	K90 PELI-INSERT, US VERSION		1
8002940	K90 AC WALL ADAPTER FOR CHARGE		1
8002941	K90 CONDITIONING CHARGER SET A		1
8002942	FAST ATTACK POWER CABLE		1
8002943	DRIVE AWAY PIGTAIL CABLE		1
8002944	TAC GRIP ASSEMBLY (NO LASER)		1
8002945	KINETICS CASE - K SERIES		1
8002946	FA AUXILIARY CHARGER CABLE		1

8002947	ELITE XRHR BOX WITH INSERT		1
8002948	X-SERIES GRIP PAD		1
8002949	X-SERIES RUBBER TOP COVER		1
8002950	CARABINEER, BLK DIAMOND, 30272		1
8002951	MAIN LENS GASKET		1
8002952	RETAINER, STRAP BLOCK FOR F/A		1
8002953	K 1000 ELITE LANYARD ASSEMBLY		1
8002954	ANALOG HAND HELD RECEIVER		1
8002955	ANALOG RX ASSEMBLY		1
8002956	X-SERIES CARABINEER		1
8002957	X-SERIES QUICK CONNECT		1
8002958	NIMH BATTERY - K90		1
8002959	NECKSTRAP - AN		1
8002960	K90 SIDE STRAP		1
8002961	X-SERIES SHELL ASSEMBLY		1
8002962	X-SERIES SHELL SUB ASSEMBLY		1
8002963	X SERIES POWER PAK		1
8002964	E380 BATTERY - SERIALIZED		1
8002965	X380 STANDARD BATTERY		1
8002966	E380 LASER GRIP W/VC+		1
8002967	E380 LASER GRIP W/TX		1
8002968	E380 LASER GRIP		1
8002969	E380 DESK CHARGER ASSEMBLY		1
8002970	KINETICS HARD CASE UK716		1
8002971	E-SERIES CASE ASSY WITH INSERT		1
8002972	E-SERIES, BLACK CARDBD ASSY		1
8002973	X SERIES BLACK BOX ASSY C/FA		1
8002974	AC/DC POWER ADAPTER 1.5		1
8002975	FAP AC ADAPTER		1
8002976	AC/DC POWER SUPPLY 3.0 AMP		1
8002977	AXL 5MM ALLEN LONG ARM HEX KEY		1
8002978	2MM ALLEN WRENCH- E380		1
8002979	1.5MM ALLEN WRENCH		1
8002980	LABEL - BATTERY 7.4V LI-ION		1
8002981	E380 LOGO LABEL		1
8002982	E380 LOGO LABEL		1
8002983	E-SERIES TRUCK CHARGER LABEL		1
8002984	LABEL CHARGER TOP		1
8002985	LABEL CHARGER BASE		1
8002986	E-SERIES NFPA LABEL		1
8002987	LASER WINDOW STICKER		1
8002988	LABEL, E-SERIES HANDLE LED		1
8002989	LABEL-BATTERY 7.4 LI-ION		1
8002990	LABEL - X-SERIES NFPA & ANSI		1
8002991	LABEL - X-SERIES SERIAL NUMBER		1
8002992	E380 QUICK START GUIDE		1
8002993	XR HR OPERATING MANUAL		1
8002994	X-SERIES QUICKSTART QUIDE		1
8002995	F/A CAMERA STRAP-3016-72-0001		1
8002996	VISOR HAND PAD - ISG/INFRASYS		1
8002997	E SERIES SIDE STRAP KIT		1
8002998	DRIVEAWAY VELCRO		1
8002999	FAST ATTACK PLUS POWER PAK XR		1
8003000	FAST ATTACK 3 TRUCK CHR E380		1
8003001	K90 PELI CASE WITH INSERT		1
8003002	BATTERY REFURBISHMENT		1
8003003	BATTERY REFURB EXT SUPER CELL		1
8003004	BATTERY REFURB SUPER CELL		1
8003005	K90 THERMAL IMAGER VISOR		1
8003006	K90 O-RING BASE ASSEMBLY		1
8003007	COMBO BATTERY/CHARGER KIT		1
8003008	K90 FPA LENS ASSEMBLY - THREE		1
8003009	AA BATTERY PACK ASSY- K90		1

8003010	PISTOL GRIP K-90		1
8003011	ELITE AA BATTERY ASSEMBLY		1
8003012	E380 SIDE STRAPS		1
8003013	K90 EMC BOARD		1
8003014	K90 MONITOR ASSEMBLY		1
8003015	K90 PYROMETER TEFLON RING		1
8003016	K90 MAIN LENS TEFLON RING		1
8003017	K90 PYRO-RING GASKET		1
8003018	K90 USA BASE ASSEMBLY MII		1
8003019	K90 HANDLE ASSEMBLY, MTI		1
8003020	K90 SHELL, PVO MII, LEMON/ZOOM		1
8003021	K90 VIDEO OVERLAY CAMERA		1
8003022	K90 PYROMETER BLOCK		1
8003023	K90 PYROMETER BRACKET		1
8003024	X380N V-01		1
8003025	X380N V-02		1
8003026	X380N V-03		1
8003027	X380N V-04		1
8003028	X380N V-05		1
8003029	X380N V-06		1
8003030	X380N V-07		1
8003031	X380N V-08		1
8003032	X380N V-09		1
8003033	X380N V-10		1
8003034	X380N V-11		1
8003035	X380N V-12		1
8003036	X380N V-13		1
8003037	X380N V-14		1
8003038	X380N V-15		1
8003039	X380N V-16		1
8003040	X380 3B V-01		1
8003041	X380 3B V-02		1
8003042	X380 3B V-03		1
8003043	X380 3B V-04		1
8003044	X380 3B V-05		1
8003045	X380 3B V-06		1
8003046	X380 3B V-07		1
8003047	X380 3B V-08		1
8003048	X380 3B V-09		1
8003049	X380 3B V-10		1
8003050	X380 3B V-11		1
8003051	X380 3B V-12		1
8003052	X380 3B V-13		1
8003053	X380 3B V-14		1
8003054	X380 3B V-15		1
8003055	X380 3B V-16		1
8003056	X380 5B V-01		1
8003057	X380 5B V-02		1
8003058	X380 5B V-03		1
8003059	X380 5B V-04		1
8003060	X380 5B V-05		1
8003061	X380 5B V-06		1
8003062	X380 5B V-07		1
8003063	X380 5B V-08		1
8003064	X380 5B V-09		1
8003065	X380 5B V-10		1
8003066	X380 5B V-11		1
8003067	X380 5B V-12		1
8003068	X380 5B V-13		1
8003069	X380 5B V-14		1
8003070	X380 5B V-15		1
8003071	X380 5B V-16		1
8003072	X380 HARD SIDED CASE - C & DC		1

8003073	XRHR HS ZM V-01		1
8003074	XRHR HS ZM V-02		1
8003075	XRHR HS ZM V-03		1
8003076	XRHR HS ZM V-04		1
8003077	XRHR HS ZM V-05		1
8003078	XRHR HS ZM V-06		1
8003079	XRHR HS ZM V-07		1
8003080	XRHR HS ZM V-08		1
8003081	XRHR HS ZM V-09		1
8003082	XRHR HS ZM V-10		1
8003083	XRHR HS ZM V-11		1
8003084	XRHR HS ZM V-12		1
8003085	XRHR HS ZM V-13		1
8003086	XRHR HS ZM V-14		1
8003087	XRHR HS TVR ZM V-01		1
8003088	XRHR HS TVR ZM V-02		1
8003089	XRHR HS TVR ZM V-03		1
8003090	XRHR HS TVR ZM V-04		1
8003091	XRHR HS TVR ZM V-05		1
8003092	XRHR HS TVR ZM V-06		1
8003093	XRHR HS TVR ZM V-07		1
8003094	XRHR HS TVR ZM V-08		1
8003095	XRHR HS TVR ZM V-09		1
8003096	XRHR HS TVR ZM V-10		1
8003097	XRHR HS TVR ZM V-11		1
8003098	XRHR HS TVR ZM V-12		1
8003099	XRHR HS TVR ZM V-13		1
8003100	XRHR HS TVR ZM V-14		1
8003101	XRHR HS XMT V-01		1
8003102	XRHR HS XMT V-02		1
8003103	XRHR HS XMT V-03		1
8003104	XRHR HS XMT V-04		1
8003105	XRHR HS XMT V-05		1
8003106	XRHR HS XMT V-06		1
8003107	XRHR HS XMT V-07		1
8003108	XRHR HS XMT V-08		1
8003109	XRHR HS XMT V-09		1
8003110	XRHR HS XMT V-10		1
8003111	XRHR HS XMT V-11		1
8003112	XRHR HS XMT V-12		1
8003113	XRHR HS XMT V-13		1
8003114	XRHR HS XMT V-14		1
8003115	BATTERY PACK, AA (SMALL FRAME)		1
8003116	ELITE XRHR HARD SIDED CASE		1
8003117	XRHR ANALOG RECEIVER RX ASSEMB		1
8003118	XRHR MOBILE HANDHELD RECEIVER		1
8003119	1 YEAR OF EXTENDED WARRANTY		1
8003120	SECCA/DETECTOR		1
8003121	CORRECTOR, LINEARITY		1
8003122	RING, WHITE PYRO		1
8003124	ICE TEXT BOARD (PART # WAS 500		1
8003125	PYROMETER, 10:1		1
8003126	CHOPPER ASSEMBLY		1
8003127	SHELL, USED/GOOD		1
8003128	SHELL, K90 PVO		1
8003129	INSERT, K90 HANDLE RUBBER		1
8003130	HEAD BD CABLE ASSY		1
8003131	PSU BOARD ASSY		1
8003132	MOTOR, IRIS		1
8003133	FPA (MONITOR) CABLE		1
8003134	PSU LEAD		1
8003135	PYROMETER		1
8003136	BRACKET, PYRO L		1

8003137	VO LENS		1
8003138	ICE FPA BACKPLANE (PART # WAS		1
8003139	CABLE ASSY, EXT. DIG.		1
8003140	FAST ATTACK, K90		1
8003141	GASKET, BASE		1
8003142	CHARGER BASE, K90		1
8003143	ANTENNA, EXTERNAL K90		1
8003144	CASE ASSY, REAR		1
8003145	LUG, SOLDER		1
8003146	CONNECTOR, BNC		1
8003148	INTERNAL ANALOG XMITTER		1
8003151	EMC LEAD		1
8003152	BUTTON, VO		1
8003153	TRANSMITTER, K90 INTERNAL DIGI		1
8003154	RECEIVER, DIGITAL		1
8003155	ELITE INTERFACE BD NTSC		1
8003157	BUTTON, RED		1
8003158	PYROMETER ASSY		1
8003159	PSU BOARD		1
8003160	FPA LENS ASSY		1
8003161	ICE SECCA DETECTOR		1
8003162	GASKET, FRONT LENS		1
8003164	IC, MAX		1
8003165	IC, K90 PYRO		1
8003166	IRIS MOTOR (K80/K1KL) OR SHUTT		1
8003167	SHELL, ELITE		1
8003168	BLOCK		1
8003169	VO LENS		1
8003170	CASE, K90 PELI (RECOMMENDED)		1
8003171	CABLE ASSY, TRANSMITTER		1
8003172	DOOR, BATTERY		1
8003173	2000AS CORE, L-3		1
8003174	SWITCH, ON/OFF		1
8003175	SHELL, K90 VO		1
8003176	SHELL, K90 PVO ZOOM		1
8003177	VABFD RUBBER BUMPER SET		1
8003178	PLATE, REAR		1
8003179	BOOT, FRONT BUMPER		1
8003180	BLOCK, VO BORESIGHT		1
8003181	LENS ASSEMBLY		1
8003182	ANTENNA, INTERNAL ANALOG		1
8003183	ANTENNA, INTERNAL DIGITAL		1
8003184	BUTTON, ENGRAVED TX		1
8003185	BUTTON, ENGRAVED VO		1
8003186	BUTTON, ENGRAVED X2		1
8003187	LCD DRIVER, NTSC		1
8003188	LCD		1
8003189	CABLE ASSY, LCD DRIVER		1
8003190	CABLE, IRIS		1
8003191	BRACKET, MOUNTING		1
8003192	WINDOW, VO		1
8003193	WINDOW, SHELL		1
8003194	NEW PART NUMBER IS LAR00180 PI		1
8003195	SHELL, RK90PVOZ (RED)		1
8003196	SHELL, K90 PVO		1
8003197	EMC BOARD ASSY		1
8003198	BLOCK, PYRO ANGLE		1
8003199	SHELL K-90		1
8003200	BATTERY PACK, K90 AA (RECOMMEN		1
8003201	MONITOR ASSEMBLY		1
8003202	POWER SUPPLY ASSY		1
8003204	RING, FOCUS		1
8003205	NEW PART NUMBER K01MAD015		1

8003206	COVER, K90 SWITCH		1
8003207	FLAME, FRONT (BUMPER)		1
8003208	FLAME, REAR (BUMPER)		1
8003209	WINDOW, BACKPLATE		1
8003210	WINDOW, 25MM GERMANIUM		1
8003211	FAST ATTACK, REFURBISHED		1
8003212	O-RING , CASE SEALING		1
8003213	K80/K1000 WALL ADAPTER		1
8003214	BATTERY, 4 HOUR		1
8003215	DFC BOARD		1
8003216	MASS STORAGE BOARD		1
8003217	CARD, SCAN DISK		1
8003218	FPGA BOARD		1
8003219	INTERFACE BOARD		1
8003220	CORE (REFURB WITH 90 DAY WARRA		1
8003221	WINDOW, GERMANIUM		1
8003222	BATTERY REFURBISHMENT 3/4 HOUR		1
8003223	BATTERY REFURBISHMENT 5/7 HOUR		1
8003224	ADAPTER, AC		1
8003225	TRANSMITTER ONLY, ANALOG,		1
8003226	RECEIVER, K1K ANALOG		1
8003227	ANTENNA, ANALOG DISK		1
8003228	GASKET, FRONT RING		1
8003229	RETAINER		1
8003230	BOOT, FRONT RUBBER		1
8003231	CASTING, FRONT RING		1
8003232	O RING		1
8003233	PAD, HAND		1
8003234	3.5" DRIVER BOARD PCB NTSC		1
8003235	CABLE ASSY, LCD DRIVER CONNECT		1
8003236	CONTACTS, FAST ATTACK		1
8003238	PLATE, K80 HANDLE MOUNTING		1
8003239	CLAMP, D-RING		1
8003240	CHARGER, K SERIES BATTERY		1
8003241	VOX ENGINE ASSY		1
8003242	MAGNIFIER LENS		1
8003243	INSERT, K1K KINETICS CASE		1
8003244	SHELL, RK90VO (RED)		1
8003245	TRANSMITTER, INTERNAL ANALOG W		1
8003246	FOAM, LEFT		1
8003247	FOAM, RIGHT		1
8003248	DETECTOR, VOX		1
8003249	REAR CASE SUB ASSEMBLY(NO LCD		1
8003251	CASE, CARD BOARD CARRYING		1
8003252	TEXT BOARD-ELITE LITE		1
8003253	SHELL, K90 P		1
8003254	BRACKET, 2000AS MOUNTING		1
8003255	2000AS DISPLAY CONNECTOR CABLE		1
8003256	CABLE ASSY, 2000AS MAIN CONNEC		1
8003257	CABLE ASSY, BATTERY CONNECTION		1
8003258	BUTTON, RED		1
8003259	BUTTON, YELLOW		1
8003260	BOARD BNC EMC		1
8003261	CONNECTOR, BNC		1
8003262	LEAD ASSEMBLY		1
8003263	HOLDER, LCD		1
8003264	ANTENNA, EXT BNC (STRAIGHT)		1
8003265	D RING		1
8003266	POWER SUPPLY BOARD, VOX		1
8003267	SHUTTER PCB		1
8003268	MICROCHIP		1
8003269	REGULATOR, DC/DC SWITCHING		1
8003270	HEAD BOARD ASSY		1

8003271	BRACKET, PCB		1
8003272	GASKET, BACKPLATE WINDOW		1
8003273	CABLE CLIP		1
8003274	COVER, SWITCH		1
8003275	EMC BOARD		1
8003276	VISOR ASSY W/STRAPS		1
8003277	SHELL, RK90VOZ (RED)		1
8003278	PILLAR, M2.5		1
8003279	TRANSMITTER, INTERNAL ANALOG		1
8003280	FOAM, VOX, LH		1
8003281	FOAM, VOX, RH		1
8003282	BOX CARRYING CASE		1
8003283	INSERT FOR BOX CARRYING CASE		1
8003285	LANYARD, K1000 (RECOMMENDED)		1
8003286	CASSETTE, SUPERCELL & EXT. SUP		1
8003287	BRACKET PULL OUT		1
8003288	PYRO BLOCK		1
8003289	CABLE ASSY, DFC J3 INTERFACE		1
8003290	CABLE ASSY, EMC/USB INTERFACE		1
8003291	3MM GASKET SHIELDING		1
8003292	5MM GASKET SHIELDING		1
8003293	CABLE ASSY, DFC TO MASS STORAG		1
8003294	CABLE ASSY, DFC TO CAMERA		1
8003296	USB-EMC BOARD		1
8003297	FRONT WINDOW ASSY		1
8003298	ANALOG TRANSMITTER/RECIEVER		1
8003299	2-WAY LEAD		1
8003300	SHUTTER ASSY,PAINTED		1
8003301	SHELL,K90(USED/GOOD)		1
8003302	TRANSFORMER		1
8003303	HANDLE ASSEMBLY		1
8003304	CASTING FRONT RING ASSEMBLY (C		1
8003305	RECEIVER, ASSY CONSISTS OF PAR		1
8003306	HEAD BD.ASSY		1
8003307	POTTED PCB		1
8003308	BRACKET		1
8003309	FAN		1
8003310	REAR CASE ASSY CNNSISTS OF PAR		1
8003311	LCD,3.5 XR		1
8003312	DRIVER BOARD XR		1
8003313	LCD CHASIS XR		1
8003314	ROTARY SWITCH		1
8003315	TEXT BD SCREEN		1
8003316	DRIVER CABLE XR		1
8003317	BFL CHARGES		1
8003318	UPGRADE EXISTING ELITE WITH X		1
8003319	MONITOR TRAY		1
8003322	ELITE XR LABEL(TOP REAR)		1
8003323	ELITE XR LABEL(TOP FRONT)		1
8003324	ELITE XR SIDE LABELS(LEFT & RI		1
8003325	ELITE XR SHELL		1
8003326	BLACK CONTACT PLATE		1
8003327	CAPACITOR 100UF D-CASE 20V ELE		1
8003328	LCD ADJUSTMENT BD		1
8003329	VOX LENS ASSY		1
8003330	DFC TO LCD CABLE		1
8003331	FA 12DC WIRING HARN.		1
8003332	FA CHARGING HARNESS		1
8003333	BACKPLATE PAD		1
8003334	FAST ATTACK BRACKET		1
8003336	INSTALL XR SOFTWARE/SHELL		1
8003337	PILLAR,M2.0		1
8003338	HAND PADS (PLAIN BLACK)		1

8003341	ELITE AA SPRING		1
8003342	CHOPPER MOTOR		1
8003343	VOX LENS MOUNT		1
8003344	K90 PYRO PLUG		1
8003345	ENFORCER TOGGLE SWITCH		1
8003346	ENFORCER SWITCH CAP		1
8003348	HANDLE MOUNT ASSEMBLY		1
8003349	REAR CASE ASSEMBLY		1
8003350	ELITE AA SPRING		1
8003351	ELITE AA BUTTON		1
8003352	SUTTER BUSHING		1
8003353	IRIS LEAF		1
8003354	LCD / DRIVER BD ASSEMBLY		1
8003355	DRIVER CABLE (362)		1
8003356	UPGRADE WITH VIDEO CAPTURE		1
8003357	VC PLUS BOARD		1
8003358	DRIVER CABLE XR		1
8003359	ELITE XR VC+ LABELS		1
8003360	LED (258) CABLE		1
8003361	DVR CABLE		1
8003362	DVR USB CABLE		1
8003363	12V DC ADAPTER		1
8003364	INSTALL XR SOFTWARE (NO NEW SH		1
8003365	UPGRADE WITH HIRES CORE AND SH		1
8003366	E-SERIES FA POWER CABLE		1
8003367	CABLE ASSY, R/YELL W/PCB		1
8003368	CABLE ASSY, POWER BUTTON		1
8003369	CABLE ASSY, LCD & POWER		1
8003370	FOAM CHASSIS, LH (XR HR)		1
8003371	FOAM CHASSIS, RH (XR HR)		1
8003372	LCD CABLE		1
8003373	MONITOR PCB		1
8003374	CRT		1
8003375	ZER-12V-S CONNECTOR, 12 POS		1
8003376	ECOPLATE 5030 TO SHELL-LHS		1
8003377	ECOPLATE 5030 TO SHELL-RHS		1
8003378	PUSH BUTTON - GREEN		1
8003379	BATTERY CONTACT GASKET		1
8003380	LOCK COVER		1
8003381	O-RING 1MM WIDTH, 6MM ID (SET		1
8003382	SHELL LHS		1
8003383	SHELL RHS		1
8003384	TAPPEX TYPE 001M3 INSERT		1
8003385	BRASS INSERT, 1/4-20 TAPPEX		1
8003386	Cable Assy,Housing - Black		1
8003387	Cable Assy, Housing - Red		1
8003388	Cable Assy, Housing - Yellow		1
8003389	Cable Assy, Housing - Orange		1
8003390	Cable Assy, Housing - White		1
8003391	Cable Assy, Housing - Blue		1
8003392	Cable Assy, Housing - Violet		1
8003393	Cable Assy, Hirose Conn		1
8003394	PLUNGER SPRING CONTACT (SET OF		1
8003395	E-SERIES ARM WIRE		1
8003396	E-SERIES CONTACT SET (4)		1
8003397	HEAT SENSOR		1
8003398	STRAP W/VELCRO HOOK		1
8003399	CLAMP,K-SERIES D-RING		1
8003400	PLATE,K-SERIES MOUNT		1
8003401	SPARTAN 6 FPGA BOARD		1
8003402	E-SERIES SIDE HANDLE - OUTSIDE		1
8003403	USB MINI B RECEPTACLE		1
8003404	UPGRADE E380 TO X380 (2 BUTTON		1

8003406	REAR WINDOW		1
8003407	UPGRADE E380 TO X380 (4-BUTTO		1
8003408	BATTERY REFURBISHMENT E380 / X		1
8003409	HANDLE FIXING OUTER		1
8003410	X-SERIES FREEZE FRAME FEATURE		1
8003411	FRONT RING		1
8003412	GASKET MAIN		1
8003413	GRIP PAD		1
8003414	VISOR-ELITE E380		1
8003415	4"FLEX CABLE-LONG		1
8003416	E-SERIES INTERFACE BOARD		1
8003417	E380 LCD & CHASSIS ASSY.		1
8003418	E380-SHELL ASSEMBLY		1
8003419	E-SERIES SIDE HANDLE - OUTSIDE		1
8003420	LABEL,HI-RES,YELLOW FLUORESCEN		1
8003421	LABEL,ELITE XR,YELLOW FLUORESC		1
8003422	LABEL,YELLOW FLUORESCENT		1
8003423	CONTACT SPACERS (SET OF 6)		1
8003424	BATTERY CONTACT PCB		1
8003425	ZOOM UPGRADE		1
8003426	XR / HR FRONT CASE (SHELL)		1
8003427	XR / HR FRONT CASE GASKET		1
8003428	XR / HR FRONT RING		1
8003429	CHASSIS SPARTAN6 XR / HR		1
8003430	THUMB WHEEL XR LASER		1
8003433	X380 LCD CABLE		1
8003434	X380 REAR WINDOW SA 2		1
8003435	X380 REAR WINDOW SA 4		1
8003436	K90 FOLDED OPTIC ASSEMBLY		1
8003437	K90 CAMERA CONTROLLER		1
8003438	E TO X-SERIES FAST ATTACK UPGR		1
8003439	E TO X SERIES BATTERY UPGRADE		1
8003440	X-SERIES DESKTOP CHARGER		1
8003441	X380 FLEX CABLE (SHORT)		1
8003442	LED LABEL		1
8003443	EFA LED CABLE		1
8003444	EFA SERIAL LABEL		1
8003445	EFA CHARGER BATTERY COMPARTMEN		1
8003446	XFA SIDE LABEL		1
8003447	XR/HR SP6 CHASSIS PLATE		1
8003448	XR/HR CONTACT		1
8003449	3262 DETECTOR		1
8003450	BATTERY CHARGER BCB		1
8003451	XFA CONTACT BLOCK		1
8003452	IRIS ASSY		1
8003453	TEXT BOARD ASSY		1
8003454	CASTING, FRONT RING		1
8003455	GASKET, FRONT RING		1
8003456	DDT, K80		1
8003457	FLAMES, K80		1
8003458	LENS, K80 GERMANIUM 25MM		1
8003459	MICROCONTROLLER		1
8003460	SHELL, K-80 YELLOW		1
8003461	FOAM, K80 LITE BOX		1
8003462	LANYARD, K80		1
8003463	K85 ST TOP LABEL		1
8003464	K85 ST SIDE LABELS L&R		1
8003465	REFURBISH PARTS FOR FAST ATTAC		1
8003466	BATTERY ANALYZER BOARD		1
8003467	CONVERTER, D/C D/C		1
8003472	6800 MAIN BOARD		1
8003473	MOTOR, K6800 FOCUS		1
8003474	BATTERY HOUSING		1

8003475	BUTTON PAD, K6800		1
8003477	SOLENOID		1
8003478	K6800 ON/OFF SWITCH		1
8003479	PSU BOARD, K6800		1
8003480	K6800 CABLE SET		1
8003481	FA WEBBING HOOK		1
8003482	FA CHARGER BASE PLATE		1
8003483	FA BAR NUT		1
8003484	FA SHELL		1
8003485	CHARGE CONTACT POGO PIN		1
8003486	FA STRAP		1
8003487	METAL PLATE(LOGO)		1
8003488	2 PIN MINI CONN. LUGS		1
8003489	CIRCUIT PANEL MOUNT		1
8003490	DRAW LATCH		1
8003491	FA RED LED CABLE		1
8003492	FA GREEN LED CABLE		1
8003493	FA YELLOW LED CABLE		1
8003494	CAMERA LED INDICATOR		1
8003495	SPARE BATT.LED INDICATOR		1
8003496	POWER LED INDICATOR		1
8003497	1"FOOTMAN'S LOOP		1
8003498	FA CHARGER PCB		1
8003499	FA SERIAL NUMBER		1
8003500	LASER DIODE		1
801935-03	(HM) AL.CYL&VLV 5 MIN.		1
802162-01	CARRYING CASE		1
802200-01	HARNESS ASSEMBLY		1
802200-02	SHOULDER STRAP ASSY		1
802210-01	PISTON ASSY, DEMAND VALVE		1
802220-02	PRESSURE REDUCER ASSY.(4.5)		1
802220-03	PRESSURE REDUCER ASSY.(4.5)		1
802221-02	PR OUTLET & RELIEF VALVE ASSY		1
802223-01	COVER ASSY,PRESS REDUCER	SVC	1
802227-01	CAP.ASSY OF-AUTO ACTUATOR	SVC	1
802228-01	HOSE & COUPLING ASSY		1
802228-02	HOSE & COUPLING ASSY		1
802228-06	HOSE & COUPLING ASM		1
802228-13	HOSE & COUPLING ASSY		1
802228-14	HOSE & COUPLING ASSY		1
802228-15	HOSE & COUPLING ASSY		1
802228-16	HOSE & COUPLING ASSY		1
802229-01	HOSE ASSY,HP		1
802229-02	HOSE ASSEMBLY		1
802229-03	HOSE ASSEMBLY,HIGH PRESSURE		1
802276-01	PRESSURE REDUCER ASSY.(2.2)		1
802276-03	PRESSURE REDUCER ASSY (2.2)		1
802295-01	VALVE ASSY, CHECK	SVC	1
802295-02	VALVE ASSY, CHECK	SVC	1
802471-01	GASKET		1
802837-01	TOOL KIT		1
802849-01	HOSE ASSY		1
802864-01	VALVE ASSY,CHECK		1
802865-01	ALARM ASSEMBLY	SVC	1
802870-01	FILTER INSTALLATION TOOL	SVC	1
802872-01	FILTER REMOVAL HAND TOOL		1
802873-01	TUBE & RESTRICTOR ASSEMBLY	SVC	1
802919-01	REG.BODY SUB-ASSY.(SPARE PART)		1
802929-02	SHAFT WRENCH	SVC	1
803144-01	DUAL PORT OUTLET MANIFOLD		1
803144-02	OUTLET & MANIFOLD ASSEMBLY		1
803191-01	DEMAND VALVE GUIDE		1
803194-01	HOSE ASSEMBLY		1

803194-02	EZ AIRLINE HOSE W/HANS FITTING			1
803194-03	EZ AIRLINE HOSE W/SHR FITTING			1
803194-05	HOSE ASSEMBLY			1
803194-08	HOSE ASSY - 36"			1
803278-01	CARRY CASE-A/S SKA			1
803351-01	STEM ASSEMBLY, PURGE--	SVC		1
803380-01	VALVE BODY ASSY (2216PSI)			1
803380-02	VALVE BODY ASSY.(4500PSI)			1
803380-06	VALVE BODY ASSY,MACH 5500 PSI			1
803380-07	VALVE BODY ASSY, 2216, NXG			1
803380-08	VALVE BODY ASSY, 4500, NXG			1
803380-09	VALVE BODY ASSY, 5500, NXG			1
803392-01	GAGE,PRESS DUAL POINTER			1
803393-01	GAGE,PRESS DUAL POINTER			1
803454-01	WRENCH ASSEMBLY,CYLINDER VALVE			1
803549-01	HEAD HARNESS			1
803566-01	BODY AND CAP, ASSY OF *KB*			1
803596-01	REGULATOR CAP ASSY			1
803620-01	PASS-THRU ASSY, SUIT(HAN)**			1
803620-02	PASS-THRU ASSY, SUIT (SCHR)**			1
803620-03	PASS-THRU ASSY, SUIT (HNSN)			1
803732-01	BUCKLE ASSY, HEAD HARNESS			1
803759-01	VOICEMITTER ASSY *KB*			1
803792-01	EZF DIAPHRAGM & VALVE ASSEMBLY			1
803793-01	LEVER ASSY, REG, MAN SHUT-OFF			1
803806-07	2.2/4.5 HIP PAD ASSY, BLACK			1
803810-03	2.2/4.5 HIP&SHOULDER PAD,BLACK			1
803810-04	ISCBA HIP & SHOULDER PAD KIT			1
803834-01	90-AG MOUTHBIT RESP W/POUCH			1
803834-02	R90-AG MOUTHBIT RESP, RPLMENT			1
803834-03	C90-AG MOUTHBIT RESP W/CASE			1
803834-30	90-AG,MOUTHBIT W/POUCH(BULK30)			1
803834-32	C90-AG MOUTHBIT W/CASE(BULK30)			1
803839-01	90-AM MOUTHBIT RESP W/POUCH			1
803839-02	R90-AM MOUTHBIT RESP RPLMENT			1
803839-03	C90-AM MOUTHBIT RESP W/CASE			1
803839-30	90-AM MOUTHBIT W/POUCH(BULK30)			1
803839-32	C90-AM MOUTHBIT W/CASE(BULK30)			1
803920-01	BAND ASSY, NECK			1
803920-02	BAND ASSY, NECK			1
803928-01	FENESTRA, HARDCOATED			1
803928-02	FENESTRA, HARDCOATED			1
803930-02	FIT TEST KIT, 40MM ADAPTER			1
803941-25	KIT,COVER,LENS,PROTECTIVE			1
804010-01	VOICEMITTER ASSEMBLY -KB-			1
804014-01	AV2 NOSECUP ASSEMBLY KIT			1
804015-01	INHALATION VALVE ASSY			1
804018-01	FENESTRA ASSEMBLY			1
804018-04	FENESTRA ASSEMBLY			1
804019-01	AV-2000 FACEPIECE ASSY.L/HH			1
804019-02	AV-2000 FACEPIECE ASSY. L/HH			1
804019-03	AV-2000 FACEPIECE ASSY.L/HH			1
804019-08	MASK FACEPIECE ASSY W/NOSE CUP			1
804039-01	FENESTRA ASSY			1
804058-01	ADAPTER, CHIN CANISTER			1
804059-01	2.2 GAUGE & LINE COMPLETE			1
804059-02	4.5 GAUGE & LINE COMPLETE			1
804059-03	3.0 GAUGE & LINE COMPLETE			1
804059-04	2.2 GAUGE & LINE COMPLETE			1
804059-05	4.5 GAUGE & LINE COMPLETE			1
804059-06	3.0 GAUGE & LINE COMPLETE			1
804059-14	2216 GAUGE W/GAUGE LINE			1
804059-15	4500 GAUGE W/GAUGE LINE			1

804059-16	5500 GAUGE W/GAUGE LINE		1
804061-01	BAND ASSY, CAP-POLYESTER		1
804063-01	HEAD HARNESS ASSY.POLYESTER		1
804069-19	AV2 W/POLY HARN, GRAY NC(SM)		1
804069-20	AV2 W/POLY HARN, GRAY NC(LG)		1
804069-21	AV2 W/POLY HARN, GRAY NC(XLG)		1
804069-28	AV2 W/POLY HARN, GRAY NC(CS)		1
804082-01	KEEPER, STRAP 1 IN YELLOW		1
804083-01	SIDE STRAP, KEVLAR 1"		1
804084-03	STRAP ASSY, SHOULDER(NYLON)		1
804084-04	2.2/4.5 SHOULDER STRAP,BLK KEV		1
804084-05	STRAP ASSEMBLY. SHOULDER BLKEV		1
804085-01	STRAP ASSEMBLY, WAIST		1
804085-02	CONNECTOR STRAP ASSY WAIST		1
804085-03	BUCKLE STRAP ASSY,WAIST		1
804085-05	2.2/4.5 WAIST STRAP ASY NYLON		1
804085-07	WAIST STRAP/BLK KEV/WIREFRM AP		1
804085-08	2.2/4.5 WAIST STRAP W/CNCTR BL		1
804085-09	2.2/4.5 WAIST STRP W/BKL BLK K		1
804086-01	STAY ASSEMBLY, WAIST/FRAME		1
804086-02	STAY ASSY. WAIST/FRAME		1
804086-03	ISCB,STAY ASSEMBLY,WAIST/FRAME		1
804088-02	STRAP ASSY., NECK		1
804091-01	KIT, GAUGE PROTECTOR		1
804094-01	TUBING ASSY.,GAUGE LINE		1
804094-03	GAUGE LINE TUBING ASSY,CRICKET		1
804094-04	SWAT GAUGE LINE		1
804094-05	GAUGELINE,AT,SHORT		1
804094-06	GAUGELINE,AT,MEDIUM		1
804094-07	GAUGELINE,AT,LONG		1
804096-01	SAMPLING PROBE ASSEMBLY		1
804097-01	VALVE ASSY.,CYLINDER 2.2/IIA		1
804097-02	VALVE ASSY, CYLINDER 3.0		1
804098-01	VALVE ASSY, CYLINDER 4.5		1
804098-02	VALVE ASSY, CYLINDER		1
804101-01	AL.CYL&VLV ASSY.		1
804101-01-D	AL.CYL.& VALVE ASSY.		1
804110-01	E-Z FLO REGULATOR COVER		1
804110-03	COVER ASSY,REG MANUAL SHUT OFF		1
804110-13	COVER ASSY, REG, 13, CBRN		1
804111-03	BAND ASSEMBLY, CYLINDER		1
804113-01	BUMPER AND GUARD ASSY *KB*		1
804172-01	BACK FRAME ASSY.2.2/4.5		1
804172-02	BACK FRAME ASSY		1
804172-05	BACK FRAME ASSY		1
804172-06	BACK FRAME ASSEMBLY		1
804172-07	WF BACK FRAME ASSY L/BLKHARNES		1
804172-08	BACK FRAME ASSEMBLY		1
804172-09	BACK FRAME ASSEMBLY		1
804173-01	BACK-PAK ASSY.2.2/4.5		1
804173-02	2.2/4.5 WR BCKFRM W/MTL BAND		1
804173-03	WIRFRAME & HARNSBACK-PAK ASSY		1
804173-11	BACK-PAK ASSY		1
804173-12	BACK-PAK ASSY		1
804173-13	BACK-PAK ASSY		1
804173-24	BACK-PAK ASSY		1
804173-25	BACK-PAK ASSY, AP75, SS, WF		1
804176-01	BAND ASSY.,NECK (KEVLAR)		1
804176-02	BAND ASSY, NECK		1
804177-01	HEAD HARNESS ASSY.KEVLAR		1
804178-01	TEMPLE STRAP ASSY.- KEVLAR		1
804178-02	HEANET ASSY, KEVLAR		1
804191-01	MASK ASSY, AV-2000 KEV SML		1

804191-02	MASK ASSY, AV-2000 KEV STD		1
804191-03	MASK ASSY, AV-2000 KEV XL		1
804191-08	AV2000 W/KEV HARN COMF.SEAL(S)		1
804191-71	AV2000,KEV,SM,RUB,07NC		1
804191-72	AV2000,KEV,L,RUB,07NC		1
804191-73	AV2000,LEV,XL,RUB,07NC		1
804191-74	AV2000,KEV,CS,RUB,07NC		1
804191-75	AV2000,KEV,SM,RUB,07NC,W/CLP		1
804191-76	AV2000,KEV,L,RUB,07NC,W/CLP		1
804191-77	AV2000,KEV,XL,RUB,07NC,W/CLP		1
804191-78	AV2000,KEV,CS,RUB,07NC,W/CLP		1
804192-01	CASE, CARRYING-MOUTHBIT C-90		1
804194-01	COVER ASSEMBLY, BUTTON		1
804221-01	REGULATOR ASSY		1
804223-01	COVER,SKA-PAK E-Z FLO REG.		1
804281-01	(HM) CYL&VLV 4500 PSI		1
804298-01	BODY & CHECK VALVE ASSY		1
804304-01	PRESS REDUCER ASSY 4.5		1
804304-11	PRESSURE REDUCER 2.2/3.0		1
804305-01	HOSE ASSY, AIRLINE CONNECTION		1
804305-02	HOSE ASSY, AIRLINE CONNECTION		1
804305-03	SKAPAK AL HOSE W/HANSEN HK FTG		1
804305-04	AIRLINE HOSE, HAN PLUG W/FASTN		1
804305-05	AIRLINE HOSE,SCH PLUG W/FASTNR		1
804305-06	AIRLINE HOSE, HK PLUG Q/FASTN		1
804305-07	AIRLINE HOSE, CEJN PLUG		1
804305-09	AIRLINE HOSE, HANSEN SOCKET		1
804305-10	AIRLINE HOSE, HANSEN W/FASTENR		1
804307-01	HARNESS ASSY, KEVLAR		1
804310-01	PRESS REDUCER ASSY 4.5		1
804310-02	REDUCER, PRESSURE ASSEMBLY		1
804310-11	PRESSURE REDUCER 2.2/3.0		1
804315-02	PASE MOTION SENSOR ASSY		1
804319-01	HOSE ASSY, DUAL AIR SUPPLY **	SVC	1
804319-02	HOSE ASSY, DUAL AIR SUPPLY **	SVC	1
804334-01	VALVE ASSY, TRANSFER (4.5)	SVC	1
804334-02	VALVE ASSY, TRANSFER (2.2)	SVC	1
804334-03	VALVE ASSEMBLY TRANSFER	SVC	1
804335-04	HOSE & SOCKET ASSY PERFECTING		1
804335-10	HOSE & SOCKET ASSEMBLY		1
804335-11	HOSE & SOCKET ASSEMBLY		1
804335-14	HOSE & SOCKET ASSEMBLY		1
804336-01	REGULATOR, HOSE ASSY	SVC	1
804336-11	HOSE ASSY, REGULATOR, AP75i		1
804337-01	HOSE, PLUG ASSY.		1
804370-01	REG ASSY, E-Z FLO STD HOSE		1
804370-02	REG ASSY, E-Z FLO Q.D. HOSE		1
804370-05	REG ASSY, SWAT Q.D. HOSE M.S.O		1
804370-09	REG ASSY, SKA-PAK A/T M.S.O.		1
804370-10	REG ASSY, HUD W/Q.D. HOSE MSO		1
804370-11	REG ASSY, HUD STD HOSE M.S.O.		1
804370-31	REG ASSY, HUD W/QD HOSE AP75i		1
804370-41	REG ASSY,E-Z FLO STDHOSE AP75i		1
804381-03	BOTTOM ENCLOSURE ASSEMBLY		1
804386-19	E-Z AIRLINE, AV2 POLY HANSEN		1
804386-25	E-Z AIRLINE, AV2 POLY, SCHRADR		1
804386-31	E-Z AIRLINE, AV2 POLY, HK		1
804386-62	E-Z AIRLINE, LESS FP, SCHRADER		1
804386-66	E-Z AIRLINE, LESS FP, HANSEN		1
804386-67	E-Z AIRLINE,LESS FP,HANSEN LH		1
804415-01	A/P 50 BACKFRAME/HARNESS ASSY		1
804415-02	AP50 BACKFRAME & HARNESS ASSY		1
804421-01	CYLINDER RETENTION ASSY		1

804422-01	CYL RETENTION ASSY/WIRE FRAME		1
804422-02	CYL RETENTION ASSY (WIRE FRAME		1
804422-03	CYL RETENTION ASSY (WIRE FRAME		1
804422-04	CYLINDER RETENTION ASSEMBLY		1
804423-01	AP50 CYLINDER LATCH ASSEMBLY		1
804424-01	CYL STRAP ASSY (WIRE FRAME)		1
804424-02	CYL STRAP ASSY (WIRE FRAME)		1
804424-04	CYLINDER STRAP ASSY -WIREFRAME		1
804425-01	CYLINDER STRAP ASSY		1
804425-02	CYL STRAP ASSY,(PLATE FRAME)		1
804425-04	CYLINDER STRAP ASSY, AP75 WF		1
804426-01	WAIST BELT ASSY(FEMALE BUCKLE)		1
804427-01	WAIST BELT ASSY (MALE CONN.)		1
804428-01	SHOULDER PAD ASSY (PLATE FRAME		1
804428-02	SHLDR PAD W/SPR BUCK, AP50		1
804441-01	EZ AIRLINE REG, HANSEN		1
804441-02	EZ AIRLINE REG, SCHRADER		1
804441-03	EZ AIRLINE REG, HANSEN HK		1
804441-04	E-Z FLO REG. ISCBA		1
804441-05	E-Z FLO REG W/ MODULAIR		1
804441-06	E-Z FLO REG ACS		1
804442-01	KIT, EYEGLASS		1
804453-07	ASSEMBLY, SHOULDER PAD (NFS)		1
804453-08	PAD ASSEMBLY, SHOULDER		1
804471-01	WAIST PAD ASSEMBLY		1
804471-02	WAIST PAD, SPRING BUCKLE		1
804474-01	GAUGE DUAL POINTER 310 BAR		1
804475-01	COVER ASSY,E-Z AIRLINE REG.		1
804475-02	REG CVR ASY MANUAL SHUT-OFF		1
804476-01	SIDE STRAP, KEVLAR 1.5"(YL WF)		1
804476-02	STRAP ASSY, SIDE		1
804476-03	SIDE STRAP,BLKEV,WF		1
804481-01	BELT, WAIST TO SHOULDER ASSY		1
804493-01	HARNESS ASSEMBLY, BODY		1
804497-01	CARRYING-CASE, HARD		1
804497-02	CARRYING-CASE, HARD		1
804499-01	BACKFRAME ASSEMBLY		1
804512-01	BACK-PAK KIT		1
804518-02	3.0 PRES REDUC W/O AL MANIFOLD		1
804518-03	3.0 PRES REDUC W/AL MANIFOLD		1
804519-01	QUICK CHARGE ASSY 2.2		1
804519-02	QUICK CHARGE ASSY 3.0		1
804519-03	QUICK CHARGE ASSY 4.5		1
804530-01	STRAP ASSY, FASTENER		1
804530-03	STRAP ASSEMBLY, FASTENER		1
804538-01	3.0 V-A PRES DUAL POINTER GAGE		1
804558-01	CAP ASSEMBLY (SCHRADER)		1
804559-01	PASS RETAINER ASSEMBLY		1
804564-01	VOICE AMPLIFIER		1
804564-02	VOICE AMPLIFIER ASSY W/LT		1
804575-01	2.2/4.5/3.0 QKCHG COUPLING ASY		1
804594-01	MASK HOOK ASSEMBLY		1
804595-01	CHARGING WAND ASSEMBLY 2.2		1
804595-02	CHARGING WAND ASSY 3.0		1
804595-03	CHARGING WAND ASSY 4.5		1
804606-01	CAP ASSY(HANSEN)PN27537-05		1
804619-01	ISCBA 2.2 PRESSURE REDUCER SP		1
804619-02	ISCBA 2.2 PRES REDUCER W/DUAL		1
804619-03	IND 2.2 PRESSURE REDUCER ASSY		1
804621-02	ISCBA BKPK ASY KEV W/MTL BKL		1
804621-03	ISCBA BKPK ASY NYL W/POLY BKL		1
804622-05	MALE STRAP ASSY BUCKLE		1
804622-06	FEMALE STRAP ASSY BUCKLE		1

804636-01	BRACKET, MOUNTING ASSEMBLY		1
804642-01	IND 4.5 REDUCER		1
804642-02	IND 4.5 REDUCER DUAL		1
804642-03	PRESSURE REDUCER, 4500 ASSY		1
804642-04	IND 4.5 PRESSURE REDUCER ASSY		1
804651-01	ALARM SUBASY,IND 2.2/4.5 RDR**		1
804678-01	HOSE & SOCKET ASSY		1
804679-01	HOSE,PLUG ASY NON-VIBR(EZAL)**		1
804694-01	HOSE AY MA, SKA+,EZA,INDL CJN		1
804694-02	HOSE ASSY, HANSEN HK		1
804694-03	HOSE ASSY, QUICK CONNECT		1
804694-04	HOSE ASY,QK CONNECT(EZAL)		1
804694-05	HOSE ASSY, QD,PERFECT. COUPLNG		1
804706-03	PASE BATTERY COVER ASSY.		1
804706-04	COVER ASSEMBLY BATTERY, SE+		1
804706-06	COVER ASSEMBLY BATTERY SE		1
804707-01	COVER ASSY REG MANUAL SHUT-OFF		1
804721-01	CYL&VLV ASSY CARB,30MIN,4500		1
804721-01-1	CYL&VALV ASSY CARB,30MIN,4500		1
804721-01-D	CYL&VALV ASSY CARB,30MIN,4500		1
804721-11	CYL&VALV ASSY CARB,30MIN,4500		1
804721-11-D	CYL&VALV ASSY CARB,30MIN,4500		1
804721-21-S	CYL&VALV ASSY CARB,30MIN,4500		1
804721-21-SD	CYL&VALV ASSY CARB,30MIN,4500		1
804721-31	CYL&VLV ASSY, C,30YR,30M,4.5		1
804721-31-S	CYL&VLV W/SLV,C,30YR,30M,4.5		1
804721-35	CYL&VLV ASSY, C,30YR,30M,4.5		1
804722-01	CYL&VLV ASSY,CARB,45MIN,4500		1
804722-01-1	CYL&VALV ASSY CARB,45MIN,4500		1
804722-01A	45MNCYL&VLVE ASY,CAR4500PSI SH		1
804722-01A-1	CYL&VALV ASSY CARB,45MIN,4500		1
804722-01-D	CYL&VALV ASSY CARB,45MIN,4500		1
804722-11	CYL&VALV ASSY CARB,45MIN,4500		1
804722-11-D	CYL&VALV ASSY CARB,45MIN,4500		1
804722-21-S	CYL&VALV ASSY CARB,45MIN,4500		1
804722-31	CYL&VLV ASSY, C,30YR,45M,4.5		1
804722-31-S	CYL&VLV W/SLV,C,30YR,45M,4.5		1
804722-35	CYL&VLV ASSY, C,30YR,45M,4.5		1
804722-35-D	CYL&VLV ASSY, C,30YR,45M,4.5		1
804723-01	(HM) CYL&VLV CARBON 60		1
804723-01-1	CYL&VALV ASSY CARB,60MIN,4500		1
804723-01-D	CYL&VALV ASSY CARB,60MIN,4500		1
804723-11	CYL&VALV ASSY CARB,60MIN,4500		1
804723-11-D	CYL&VALV ASSY CARB,60MIN,4500		1
804723-31	CYL&VALV ASSY CARB,60MIN,4500		1
804723-31-S	CYL&VALV ASSY CARB,60MIN,4500		1
804723-35	CYL&VALV ASSY C,30YR,60M,4.5		1
804723-ED1391-D	CYL&VALV ASSY CARB,60MIN,4500		1
804825-01	FITTING ASY, TS 2.2/4.5**		1
804827-01	TALK-AROUND MASK MOUNTED RADIO		1
804840-01	CYL&VLV ASSY CARB,30MIN,2216		1
804840-01-1	CYL&VALV ASSY CARB,30MIN,2216		1
804840-01-D	CYL&VALV ASSY CARB,30MIN,2216		1
804851-01	GAUGE ASSY. REMOTE MTG.		1
804861-2807	NAVSEA,CBRN,4.5 AIR-PAK		1
804861-2810	NAVSEA,CBRN,4.5 AIR-PAK		1
804861-3707	NAVSEA,CBRN,4.5 AIR-PAK		1
804861-3710	NAVSEA,CBRN,4.5 AIR-PAK		1
804861-3807	NAVSEA,CBRN,4.5 AIR-PAK		1
804861-3810	NAVSEA,CBRN,4.5 AIR-PAK		1
804861-50	AIR-PAK JAPANESE NAVY		1
804862-01	GAUGE BLOCK ASSEMBLY		1
804867-01	CLIP ASSY NAVSEA-RIGHT		1

804867-02	CLIP ASSY NAVSEA-LEFT		1
804868-01	FENESTRA ASSY W/ SNAPS		1
804869-01	BEZEL ASSY NAVSEA		1
804870-01	AV2000 LENS, L/HH W/SNAPS		1
804870-02	AV2 L/HEAD HARNESS W/SNAPS		1
804871-01	MASK ASSY AV2000 4 STRAP		1
804871-02	MASK ASSY AV2000 4 STRAP		1
804871-03	MASK ASSY AV2000 4 STRAP		1
804871-31	AV2 W/RUBBER,SNAPS&EX VALVE(S)		1
804871-32	AV2 W/RUBBER,SNAPS&EX VALVE(L)		1
804871-33	AV2 W/RUBBER,SNAPS&EX VALVE(X)		1
804872-01	BAND ASSY, CYLINDER		1
804880-01	LED ALERT ASSEMBLY		1
804886-01	VOICE AMP BATTERY COVER		1
804911-01	CARRI-AIR PORT AIR SUPPLY-HAN		1
804911-02	CARRI-AIR PORT AIR SUPPLY-SCHR		1
804911-04	CARRI-AIR ASSEMBLY		1
804911-05	CARRI-AIR ASSEMBLY		1
804911-06	CARRI-AIR ASSEMBLY		1
804946-01	HARNESS, CARRIAIR BACKFRAME &		1
804946-02	HARNESS ASSEMBLY,CARRI-AIR		1
804947-01	CARRI-AIR REDUCER ASSY, HANSEN		1
804947-02	REDUCER, CARRIAIR ASSEMBLY (S)		1
804961-01	SKAPAK 3.0,15MIN.CYL&VLV ASSY		1
804961-02	C&V,3.0,15,EZ-CLIP		1
804965-01	WIRE BAIL/FRAME ASSEMBLY NY		1
804981-01	KEVLAR HARNESS ASSEMBLY		1
804982-01	NYLON HARNESS ASSY SKA+(BLK)		1
804983-01	HARNESS, WAIST BELT		1
804985-01	HANGER BRACKET ASSEMBLY		1
805004-03	CHARGING WAND ASSY., NAVSEA		1
805031-01	SKAPK+ 2.2 5MN CYL&VLV ASSY		1
805032-01	SKPK+ 10MN 4.5 CYL&VLV ASSY		1
805044-01	CYL&VLV ASSY CARB,30MIN,3000		1
805044-01-D	CYL&VALV ASSY CARB,30MIN,3000		1
805059-01	40MM CANISTER ADAPTER		1
805061-02	HARNESS ASSY,FALL PROT. SMALL		1
805061-03	HARNESS ASSY,FALL PROT. LARGE		1
805061-04	HARNESS ASSY,FALL PROT. MEDIUM		1
805085-01	KEEPER, STRAP ASSEMBLY		1
805088-01	AP 50 WAIST BELT EXTENSION		1
805088-02	WAIST BELT 2"EXT NYL/PLY BKL		1
805090-01	4.5 CRICKET ALERT		1
805090-03	4.5 CRICKET ALERT Q/C O-PLUG		1
805090-07	2.2 CRICKET ALARM		1
805107-01	ASSEMBLY, CONSPACE LINK		1
805119-01	HOUSING&FILTER ASSY,GAUGE BELL		1
805121-01	POSI-CHEK3 INTERFACE KIT(H&G)*		1
805121-02	INTERFACE KIT,POSI-CK 3,MIDRAN		1
805123-01	INTERFACE HOSE LESS GAUGE		1
805133-02	LED ALARM AND HOSE (QD) ASSY		1
805177-01	PASS, PRESSURE SWITCH ASSY		1
805182-02	WOV LENS HOLDER ASSY (FLIP UP)		1
805185-01	SKA-PAK+RETRO KIT(5&10) N HRN		1
805185-02	SKA-PAK+ RETROFIT KIT(5&10)KHN		1
805191-03	CONSOLE ASSY,PASS ASSEMBLY		1
805194-01	WELD-O-VISTA,L/HH,EPDM SEAL(S)		1
805194-02	WELD-O-VISTA,L/HH,EPDM SEAL(L)		1
805194-03	WELD-O-VISTA,L/HH,EPDM SEAL,XL		1
805194-08	WELD-O-VISTA,L/HH,EPDM SEAL,CS		1
805205-01	PASS WIRE SHEATH ASSY.		1
805205-02	CABLE ASSY, 28.00" LONG		1
805212-01	HANDLE BRACKET ASSY., CA/RIT		1

805257-19	AV2 4PT RBR HARN,GRAY NC, SM			1
805257-20	AV2 4PT RBR HARN,GRAY NC, MD			1
805257-21	AV2 4PT RBR HARN,GRAY NC, LG			1
805257-28	AV2 4PT RBR HARN,GRAY NC, CS			1
805259-01	4-POINT RUBBER HEAD HARNESS			1
805289-03	WELDO-O-VISTA HOOD INSTALL KIT			1
805290-01	P.R. AUTO TRANSFER VALVE KIT			1
805291-01	P.R. AUTO TRANSFER SEAL KIT			1
805292-01	LOW CYL TRANSFR VALV KIT,4.5**	SVC		1
805293-01	LOW CYL TRANSFR VALV KIT,2.2**	SVC		1
805294-01	TRANSFER VALVE SEAL KIT, 4.5			1
805295-01	TRANSFER VALVE SEAL KIT, 2.2			1
805296-01	CHECK VALVE & SEAL KIT			1
805297-01	AV2 HEAD HARNESS KIT			1
805298-01	AV2 HEAD HARNESS STRAP KIT			1
805299-01	AV2 LENS FRAME KIT			1
805300-01	AV2 FACE SEAL KIT, (S)			1
805301-01	AV2 FACE SEAL KIT,(L) BLACK			1
805302-01	AV2 FACE SEAL KIT,(XL) RED			1
805303-01	AV-2000 LENS KIT			1
805304-01	AV2 VOICEMITTER KIT			1
805307-01	AV2/SOV FACESEAL KIT(CS)			1
805309-01	P.R. SEAT RETAINER KIT**	SVC		1
805310-01	PRIMARY/SECONDARY SEAT KIT			1
805311-01	PISTON & SEAL KIT**	SVC		1
805312-01	PRIMARY/SECONDARY SEAL KIT			1
805313-01	P.R. COVER STATIC SEAL KIT			1
805314-01	PRESS TO TEST SHAFT KIT**			1
805315-01	PR REDUCER COVER SCREW KIT			1
805318-01	EZ FLO REG VIBRALERT KIT			1
805319-01	EZ FLO REG PURGE BODY KIT			1
805320-01	EZ FLO REGULATOR SEAL KIT			1
805321-01	DEMAND VALVE PISTON KIT			1
805322-01	EZ FLO PURGE STEM KIT			1
805323-01	EZ FLO DEMAND LEVER KIT			1
805324-01	EZ FLO REG LATCH PLATE KIT			1
805329-01	AP50 HARNESS & BUCKLE KIT			1
805330-06	CONSOLE CVR KIT,PAK-ALERT SE+			1
805337-11	MASK FACEPIECE ASSEMBLY			1
805337-12	MASK FACEPIECE ASSY			1
805337-13	MASK FACEPIECE ASSY			1
805339-01	VOICEMITTER DUCT ASSY., LEFT			1
805339-02	VOICEMITTER DUCT ASSY., RIGHT			1
805345-01	FENESTRA, DRILLED			1
805346-01	FENESTRA,HARDCOAT & ANTI-FOG			1
805358-01	BATTERY PACK ASY,C420 PAPR			1
805359-01	DECONTAMINATION BELT ASY,C420P			1
805374-01	AIRFLOW INDICATOR ASY,C420PAPR			1
805381-02	POSI-CHEK INTERFACE, MIDRANGE			1
805381-04	POSI-CHEK INTERFACE MR L/TOOLS			1
805381-05	Posi3 USB Interface Kit			1
805381-06	Posi3 USB Interface Kit L/Tool			1
805385-01	UNIV SPRING COMPRESSOR ASSY			1
805402-01	LOOP, WEBBING			1
805402-02	LOOP, WEBBING			1
805421-01	SWAT SHOULDER PAD ASSEMBLY			1
805423-01	WAIST PAD ASSEMBLY			1
805425-01	SWAT BELT WAIST TO SHOULDER			1
805427-01	SWAT WAIST BELT FEMALE CONNECT			1
805429-01	CYLINDER RETENTION ASSEMBLY			1
805435-03	MOT-GP,GTX,LTS,P,SP,MP,SPRT,AP			1
805435-04	MOT-GP,HT,JT,MT(S,X)STLTH,XTS			1
805435-09	MOT-ASTRO,SABER,MX			1

805435-17	KENWD--TK-& TH-SER.,ATE		1
805435-34	KENWD-TK(28,38,39,48)0,481		1
805435-68	MOT-HT(750,1250,1550)		1
805435-71	GE/ERICSSON JAGUAR P-700		1
805435-75	YAESU-VERTEX VX800/900		1
805435-78	MOTOROLA GP, EX500/600		1
805435-91	ICOM; F60 & F1103		1
805435-95	MOTOROLA, MOTOTRBO XPR-		1
805438-01	WELD-O-VISTA,KEV/H,EPDM SEAL,S		1
805438-02	WELD-O-VISTA,KEV/H,EPDM SEAL,L		1
805438-03	WELD-O-VISTA,KEV/H,EPDM SL,XL		1
805438-08	WELD-O-VISTA,KEV/H,EPDM SL,CS		1
805438-21	WELD-O-VISTA,RUB/H,EPDM SEAL,S		1
805438-22	WELD-O-VISTA,RUB/H,EPDM SEAL,L		1
805438-23	WELD-O-VISTA,RUB/H,EPDM SL,XL		1
805438-28	WELD-O-VISTA,RUB/H,EPDM SL,CS		1
805442-02	HOSE & SOCKET ASSEMBLY		1
805443-01	RIT, HANSEN PLUG W/LANYARD		1
805443-03	CEJN PLUG W/LANYARD		1
805450-13	CHARGING WAND ASSY, RIT-PAK		1
805450-23	CHARGING WAND ASSY, RIT-PAK		1
805454-413	SWAT-PAK FR, 2.2, W/CASE		1
805454-416	4500 SWAT-PK FIRST RESPOND ED		1
805454-417	SWAT-PAK FR, 4.5, W/EBSS/CASE		1
805454-418	4500 SWAT-PK FIRST RESPOND ED		1
805454-60	SWAT-PAK, 4.5, W/CASE		1
805458-01	SWAT-PAK 6'EBSS HOSE & POUCH		1
805460-01	CARRIER FRAME, RIT PAK		1
805471-01	ASSEMBLY, LINE MOUNT PLUG**		1
805472-01	BELL, REPLACEMENT 4.5		1
805472-07	BELL, REPLACEMENT 2.2		1
805511-01	AP50 CHEST STRAP ASSEMBLY		1
805511-02	CHEST STRAP ASSEMBLY WITH SNAP		1
805534-01	MASK BAG, LIGHTWEIGHT FLEECE		1
805536-01	WOV LENS SEPARATOR&RETAINER KT		1
805537-01	WELD-O-VISTA LENS ASSEMBLY KIT		1
805557-01	MPC PLUS CARTRIDGE		1
805570-01	PA SE LEAK TESTER KIT**		1
805571-01	EI LENS HOUS ADP ASY		1
805572-01	PAK-ALERT ADAPTER ASSEMBLY		1
805573-01	EI CAMERA HS ADP ASY		1
805574-01	WOV LENS ASY,EPDM,W/NSCP&VCMTR		1
805600-01	HANDWHEEL KIT		1
805622-01	TWIN QUARTER TURN ADAPTER ASSY		1
805628-01	40MM FIT TEST ADAPTER ASSY		1
805629-01	CHIN CAN FIT TEST ADAPT ASSY		1
805630-01	REPLACEMENT KIT,FIT TEST ADAPT		1
805655-01	SEAL, MASK KIT		1
805659-006	SUPPLY HOSE, 6' (CEJN)EZAL		1
805659-025	SUPPLY HOSE, 25' (CEJN)		1
805659-050	SUPPLY HOSE, 50' (CEJN)EZAL		1
805659-100	SUPPLY HOSE, 100' (CEJN)		1
805679-00	BASE UNIT, SEMS		1
805679-01	BASE UNIT, SEMS		1
805680-01	PORTABLE UNIT, SEMS,2216 PSI		1
805680-02	PORTABLE UNIT, SEMS, 4500 PSI		1
805680-03	PORTABLE UNIT, SEMS,3000 PSI		1
805693-01	EZ FLOII,STD HOSE		1
805693-10	EZFLO II,HUD QD HOSE		1
805693-11	EZFLOII,HUD LONG HOSE		1
805693-16	EZFLOII,HUD,NXG2 REG.		1
805701-01	HAZMAT RADIOCOM W/PADDLE PTT		1
805701-02	HRCM W/P PTT MOT:HT,MT,MTX		1

805701-03	HAZMAT RADIOCOM W/PADDLE PTT			1
805701-04	HAZMAT RADIOCOM W/PADDLE PTT			1
805701-17	HAZMAT RADIOCOM W/PADDLE PTT			1
805701-34	HAZMAT RADIOCOM W/PADDLE PTT			1
805701-68	HAZMAT RADIOCOM W/PADDLE PTT			1
805701-69	HAZMAT RADIOCOM W/PADDLE PTT			1
805701-71	HAZMAT RADIOCOM W/PADDLE PTT			1
805701-75	HAZMAT RADIOCOM W/PADDLE PTT			1
805701-77	HAZMAT RADIOCOM W/PADDLE PTT			1
805701-83	EF JOHNSON 5100			1
805701-91	HAZMAT RADIOCOM W/PADDLE PTT			1
805701-95	HAZMAT RADIOCOM W/PADDLE PTT			1
805702-04	HAZMAT RADIOCOM W/FINGER PTT			1
805746-03	CEJN SOCKET ASSY			1
805746-04	36"HOSE&SCKT,LANYD W/CLMP			1
805746-05	72"HOSE&SCKT,LANYD W/CLMP			1
805746-06	4"HOSE&SCKT,LANYD W/CLMP			1
805753-01	AV3000 SPECTACLE KIT ASSY			1
805767-01	HOSE ASSEMBLY, EBSS			1
805767-02	HOSE ASSEMBLY, EBSS			1
805767-04	HOSE ASSEMBLY, EBSS			1
805769-01	HOSE & MANIFOLD ASSEMBLY			1
805769-02	HOSE & MANIFOLD ASSEMBLY			1
805771-01	FACE SEAL,SMALL,POLYISOPRENE			1
805771-02	FACE SEAL,MEDIUM,POLYISOPRENE			1
805771-03	FACE SEAL, LARGE,POLYISOPRENE			1
805773-01	AV-3000(S) KVLR			1
805773-02	AV-3000(M) KVLR			1
805773-03	AV-3000(L) KVLR			1
805773-07	AV-3000(S) KVLR, W/BRKT			1
805773-08	AV-3000(M) KVLR, W/BRKT			1
805773-09	AV-3000(L) KVLR, W/BRKT			1
805773-71	AV-3000(S) KVLR			1
805773-72	AV-3000(M) KVLR			1
805773-73	AV-3000(L) KVLR			1
805773-74	AV-3000(S) KVLR, W/BRKT			1
805773-75	AV-3000(M) KVLR, W/BRKT			1
805773-76	AV-3000(L) KVLR, W/BRKT			1
805773-81	AV3 W/SURESEAL(S) KVLR			1
805773-82	AV3 W/SURESEAL(M) KVLR			1
805773-83	AV3 W/SURESEAL(L) KVLR			1
805773-84	AV3 W/SURESEAL(S) KVLR, W/BRKT			1
805773-85	AV3 W/SURESEAL(M) KVLR, W/BRKT			1
805773-86	AV3 W/SURESEAL(L) KVLR, W/BRKT			1
805774-07	AV3K, POLY HH, GRAY NC, SM			1
805774-08	AV3K, POLY HH, GRAY NC, MD			1
805774-09	AV3K, POLY HH, GRAY NC, LG			1
805774-81	AV3K, POLY , SURESEAL, SMALL			1
805774-82	AV3K, POLY , SURESEAL, MED			1
805774-83	AV3K, POLY , SURESEAL, LRG			1
805775-07	AV3K, RBR HARN, GRAY NC, SM			1
805775-08	AV3K, RBR HARN, GRAY NC, MD			1
805775-09	AV3K, RBR HARN, GRAY NC, LG			1
805775-81	AV3SS, RBR HARN, GRAY NC, SM			1
805775-82	AV3SS, RBR HARN, GRAY NC, MD			1
805775-83	AV3SS, RBR HARN, GRAY NC, LG			1
805782-01	VALVE, ASSY 2216 PSI			1
805783-01	VALVE, ASSY 4.5 PSI			1
805783-02	ASSY, NXG CYLINDER VALVE			1
805784-01	WIKA GAUGE ASSY, AIR-PAK 2.2 *			1
805784-02	WIKA GAUGE ASSY, AIR-PAK 4.5			1
805784-03	WIKA GAUGE ASSY, AIR-PAK 3.0			1
805787-01	AV3000 AUDIO ACCSY CLAMP,KIT			1

805787-02	AUDIO ACCSY CLAMP,KIT			1
805794-01	CONTROL MOD ASSY,PAK-ALERT SE+	SVC		1
805794-02	CONTROL MODULE - SEMS PDA	SVC		1
805794-03	PAK-AERT SE+W/PAK-TRACKER	SVC		1
805794-61	CONTRL MOD ASY,PAK-ALERT SE60+			1
805807-01	KIT, LABEL, BEZEL, USER NAME			1
805808-01	HEADNET ASSY,KEVLAR, STD -KB-			1
805808-02	HEADNET ASSY,KEVLAR, LARGE-KB-			1
805809-01	HEADNET ASSY,POLY, STD			1
805809-02	HEADNET ASSY,POLY, LG			1
805816	ADAPTER KIT, OHD/XCEL FIT TEST			1
805820-01	PF3 PAPR,CHRGR,(NO HOSE)			1
805825-01	SMAC-1,2 OUTLET,HANSEN, L/CYL			1
805825-04	MOBILE AIR CART,SCH,CYL DECK			1
805826-01	SMAC-2,4 OUTLET,HANSEN, L/CYL			1
805826-04	MOBILE AIR CART,SCH,CYL DECK			1
805827-01	SMAC-3,4 OUTL W/TOOL,L/CYL			1
805827-04	MOBILE AIR CART,SCH,CYL DECK			1
805827-07	MOBILE AIR CART,FOSTER,CYL DK			1
805827-13	MOBILE AIR CART,CEJN,CYL DECK			1
805833-01	BATTY COMPARTMENT ASSY,AIR-PAK			1
805884-01	ASSEMBLY, 4.5 CGA			1
805885-01	ASSEMBLY, 2.2, CGA			1
805886-01	ASSY,REDUCER MOUNTING			1
805896-11	PAD ASSY,SHLDER,STIFF,LEFT MAL			1
805896-21	PAD ASSY,SHDR,STIFF,RIGHT,MAL			1
805898-01	SEMS PDA KIT,2216 (FIELD INST)			1
805898-02	SEMS PDA KIT,3000 (FLD INSTL)			1
805898-03	SEMS PDA KIT,4500 (FLD INSTL)			1
805917-02	NXG ELECT ENCL ASSY 4.5 PASS *			1
805918-01	NXG2 PASS & GAUGE ASY,2216 PSI			1
805918-02	NXG2 PASS & GAUGE ASY,4500 PSI			1
805938-01	TOP ENCLOSURE KIT, SE+			1
805938-02	TOP ENCLOSURE KIT,SE+			1
805938-62	TOP ENCLOSURE KIT,SE+/SE60+			1
805947-02	CYL&VLV,CARB,5 MIN 3.0 LOW RE			1
805948-02	CYL&VLV,CARB,10 MIN 3.0 LOW R			1
805954-02	ASSEMBLY,EEOSTI,4500 PSI			1
805954-03	ASSEMBLY, EEOSTI, 3000 PSI			1
805954-04	ASSEMBLY, EEOSTI A/T 2216 PSI			1
805954-05	ASSEMBLY, EEOSTI A/T 3000 PSI			1
805954-06	ASSEMBLY, EEOSTI A/T 4500 PSI			1
805955-01	LED ASSY, ELECTRONICS ENCLOSRE			1
805964-01	REMOVABLE WAIST STRAP			1
805964-02	STRAP,WAIST,REMOVABLE			1
8143-01	COUPLING			1
89105-01	RECORD CARD,MAINTENANCE			1
AB10009	VALVE,NEEDLE			1
AB10064	VALVE, 2ND STAGE SUCTION-7			1
AB10065	VALVE, 2ND STG DELIVERY-7			1
AB10244	SEAL,OIL FRONT CRANKCASE-24			1
AB10860	PAD, PISTON END			1
AB110-0019	DANGER LABEL, AIR			1
AB110-0046	ASME RECEIVER ADAPTER WELDMT			1
AB110-0072	BOLT,1/4-20X.500 GRD 2 HXHD ZI			1
AB110-0095	MODIFIED DOOR WELDMENT			1
AB110-0096	FAN SHROUD,INGERSOLL COMPRESS			1
AB110-0099	BEARING BLOCK ASSY			1
AB110-0116	MOTOR MONITOR MOUNT BRACKET			1
AB110-0117	OFFSET ROCKER,REVOLVE AIR			1
AB110-0140	CYLINDER LOADING RACK,GUARDIAN			1
AB110-0148	PRIMARY FUSE BLOCK			1
AB110-0177	COUPLER,2-5/16 BALL			1

AB110-0213	COVER, REEL CORD		1
AB110-0215	SIDE PANEL ASSY,LH TANDEM		1
AB110-0218	SIDE PANEL ASSY,RH TANDEM		1
AB110-0247	PURIFIER MOUNT WELDMENT		1
AB110-0273	INSULATION,3/4" FOAM,BLUE,R4		1
AB110-0276	SUPPORT BAR (INSIDE FRAME/PUR)		1
AB110-0292	SURGE SUPPRESSOR		1
AB110-0320	MODIFICTION INST.SCUBA(REV-AIR		1
AB110-0321	SCUBA KIT INST & USE INSTR		1
AB110-0348	PIPE COUPLING, 1-1/4 NPT		1
AB110-0349	BLACK STEEL PIPE NIPPLE, 3"		1
AB110-0350	BLACK STEEL PIPE NIPPLE, 4"		1
AB110-0356	CABLE TIE HOLDER/ALLEN WR HLDR		1
AB110-0358	CABLE TIES, 4"		1
AB110-0414	HINGE, ELEC. DOOR		1
AB110-0440	SPACER,TRUNNION VALVE		1
AB110-0444	LIGHT REEL MOUNT		1
AB110-0457	HYD.SURGE BRAKE ACTUATOR		1
AB110-0488	COVER,FRONT,L./R.H.RED BARON		1
AB110-0490	230VAC DUMP SOLENOID		1
AB110-0491	FITTING,END TRUNNION VALVE		1
AB110-0492	FITTING,END GASKET TRUN VALVE		1
AB110-0508	VALVE,1/4NPT 6000 PSIG		1
AB110-0514	DUMMY ASME, FOR 1 TANK RACK		1
AB110-0516	CHECK VALVE, H15T6		1
AB110-0535	DECAL,PARKING BRAKE		1
AB110-0536	DECAL,WARN,BRAKE/LIGHT TOWER		1
AB110-0541	TEE,1/4 NPTF MALE PIPE		1
AB110-0581	DUMMY ASME, 3&5 TANK RACKS		1
AB110-0582	TERMINAL SPLITTER, DBL MALE		1
AB110-0585	NO STEP DECAL		1
AB110-0588	SAFETY ASSEMBLY		1
AB110-0591	NIPPLE COUPLING		1
AB110-0597	DECAL,SBAS APPLIQUE 9X14		1
AB110-0598	COIL,DUMP SOLENOID 230VAC		1
AB110-0600	PANEL,4 GAGE FRONT		1
AB110-0639	ADAPTER,CGA702 FEMX1/4NPTF BRS		1
AB110-0640	1-1/2" CLAMP LIGHT TOWER MAST		1
AB110-0641	MOTOR,7.5HP,50HZ,3PH,2850 RPM		1
AB110-0642	COVER,WALL MOUNT		1
AB110-0687	DUMP CAN HOLDER, TRAILER		1
AB110-0697	BOX,LIGHT TOWER		1
AB110-0701	SHAFT,ENGINE		1
AB110-0721	CONTACTOR,7.5HP\15HP		1
AB110-0723	CONTACTOR,10HP,208/240V/3PH		1
AB110-0724	CRANKCASE OIL FILTER NA12&NA18		1
AB110-0725	CONTACTOR,5HP,208/240V/1PH		1
AB110-0726	CONTACTOR,5HP,208/240V/3PH		1
AB110-0727	CONTACTOR,10HP,208/240V/1PH		1
AB110-0750	WHEEL & TIRE ASSEMBLY 16"		1
AB110-0764	LIFT AND TURN LATCH		1
AB110-0765	GENERATOR,7.2KW,120/240V 360		1
AB110-0767	FUSE,.8A 600VAC		1
AB110-0768	FUSE,.6A 600VAC		1
AB110-0790	CONTROLLER CABLE,40FT LONG		1
AB110-0806	SCREW,1/4-20 X 5/8 PAN HD PHIL		1
AB110-0819	QUARTZ FLOOD LIGHT,300 WATT		1
AB110-0821	REMOTE INTAKE,COLTRI 5 & 7.5HP		1
AB110-0822	REMOTE INTAKE,HAM 7.5 & 10 HP		1
AB110-0822E	REMOTE INT ENCL,HAM 7.5&10 HP		1
AB110-0824	REMOTE INTAKE,ING 15 & 20HP		1
AB110-0824E	REMOTE INT ENCL,IR 15&20HP		1
AB110-0891	INLET VACUUM AIR FILTER		1

AB110-0895	MOTOR,7.5HP,208VAC 1PH		1
AB110-0899	MOTOR,10HP,208VAC 1PH		1
AB110-0920	FAN BELT,LOMBARDINI		1
AB110-0934	DISC,9KSI BURST		1
AB110-0935	CORDSET,125V TWIST LOCK		1
AB110-0962	COIL,DUMP SOLENOID,12VDC		1
AB110-0965	BUTTON,OVERLOAD RESET		1
AB110-0974	1/4-20UNC X .5 HX HD BOLT ZINC		1
AB110-0999	DOT WALL MOUNT,34" UN-STRUT		1
AB110-1012	FUSE, .6A,380VOLT		1
AB110-1014	PURIFICATION BASE		1
AB110-1015	GROMMET,2.88 OD X 2.125 ID		1
AB110-1019	CONTACTOR,10HP 50Z,380V 3PH		1
AB110-1020	CORD GRIP, 90 DEGREE		1
AB110-1023	VALVE,RELIEF ADJUSTMENT,6500		1
AB110-1024	LUNETTE EYE,3"		1
AB110-1032	FUSE,2.5A,250V, CERAMIC		1
AB110-1052	X4 E-STOP, HORN & CABLE KIT		1
AB110-1055	LOMBARD ENG CONTROL BX, RECT		1
AB110-1056	LOMBARD ENG CONTROL BX,SQUARE		1
AB110-1069	1/8NPT-165LB-SAFETY VALVE		1
AB110-1070	1/8TUBEX1/8NPT STR PRESTOLOK		1
AB110-1076	BELT,ENGINE/7.2 GENERATOR,TRAI		1
AB110-1079	GEN PULLEY,ENG/GEN ON TRAIL		1
AB110-1081	PISTON,VALVE		1
AB110-1082	O-RING		1
AB110-1103	V-BELT NOTCHED 86 LONG (OD)		1
AB110-1108	SEQUENCE VALVE-6000 PSI		1
AB110-1118	CONTR 60HP,60HZ,230V,3PH		1
AB110-1120	RELAY,60HP,230V,3PH THERM OVLD		1
AB110-1132	CONTROLLER CABLE,50 FT LONG		1
AB110-1133	SOLENOID/CONN ASSY,HIGH SPEED		1
AB110-1134	SOLENOID/CONN ASSY, CLUTCH		1
AB110-1165	KEY,REPLACEMENT		1
AB110-1245	BELT GUARD BASE 60 HZ GENERATO		1
AB110-1246	BELT GUARD FRONT COVER 60 HZ G		1
AB110-1265	SHIM(.010)		1
AB110-1268	INTAKE FILTER CARTRIDGE		1
AB110-1281	STRAP, CONDENSATE CONTAINER		1
AB110-1302	HOSE, HYD, 1-1/4ID, NO SKIVE		1
AB110-1318	CABLE 1AWG LOCOMOTIVE		1
AB110-1324	WIRE, 4 AWG, GREEN		1
AB110-1325	FLEX. COND. 2" GRAY		1
AB110-1327	QUICK DISC. SOCKET 3/8		1
AB110-1335	1/4 FLAREX1/4NPT SWIVEL CONNEC		1
AB110-1336	SCREW,HX HD, 10-32, 1/2 LONG		1
AB110-1345	IDLER ADJUSTING ARM, TRAILERS		1
AB110-1346	IDLER ROLLER IDLER ARM TRAILER		1
AB110-1347	SCREW, M12 X 1.75 X 110MM,SHCS		1
AB110-1348	NUT, LOCKNUT, M12 X 1.75MM, HE		1
AB110-1349	MOUNTING PLATE GENERATOR TRAIL		1
AB110-1352	FLOW FUSE MOD443 6KPSI 1/4NPT		1
AB110-1355	FUSE,1A,600V,FNQ-R		1
AB110-1359	NUT, NYLON LOCKNUT 5/16-18		1
AB110-1360	NUT, NYLON LOCKNUT 3/8-16		1
AB110-1362	STUD SELF LOCKING THRD 7/16-14		1
AB110-1363	SCREW, SHCS 3/8-16 X 2.00		1
AB110-1385	GAUGE, RED LINED, 0-10,000 PSI		1
AB110-1386	MOTOR,5HP,208VAC 1PH		1
AB110-1387	GAUGE,BTM MNT,0-10,000 PSI		1
AB110-1398	OIL LEVEL SWITCH		1
AB110-1399	O-RING FOR OIL SWITCH		1
AB110-1402	WASHER FOR ACORN NUT (1ST STAG		1

AB110-1403	O-RING, LARGE, 1ST STAGE		1
AB110-1404	O-RING, SMALL, 1ST STAGE		1
AB110-1405	VALVE ASSEMBLY, COMPLETE, 1ST		1
AB110-1406	COPPER WASHER, UPPER, 2ND STAG		1
AB110-1407	VALVE ASSEMBLY, 2ND STAGE		1
AB110-1408	COPPER WASHER, LOWER, 2ND STAG		1
AB110-1409	VALVE ASSEM COMP W/SEALS, 3RD		1
AB110-1410	VALVE ASSEM COMP W/SEALS, 4TH		1
AB110-1411	CHECK VALVE, CONDENSATE TRAY &		1
AB110-1412	REAR CRANKCASE COVER GASKET		1
AB110-1413	GAUGE, 0-100PSI		1
AB110-1414	GAUGE, 0-600PSI		1
AB110-1415	GAUGE, 0-2000PSI		1
AB110-1416	GAUGE, 0-10,000PSI		1
AB110-1417	OIL SWITCH (H15T6)		1
AB110-1418	OIL FILL CAP (H15T6)		1
AB110-1419	4TH STAGE SAFETY DISC		1
AB110-1420	VALVE GASKET, 88MM, 1ST STAGE		1
AB110-1421	VALVE GASKET, 95MM, 1ST STAGE		1
AB110-1422	VALVE ASSEMBLY, 1ST STAGE		1
AB110-1423	VALVE GASKET, LOWER, 1ST STAGE		1
AB110-1425	INLET VALVE, 2ND STAGE		1
AB110-1427	EXHAUST VALVE, 2ND STAGE		1
AB110-1428	O-RING, 2ND STAGE		1
AB110-1429	SAFETY RELEIF VALVE, 2ND STAGE		1
AB110-1430	INLET VALVE, 3RD STAGE		1
AB110-1431	EXHAUST VALVE, 3RD STAGE		1
AB110-1432	O-RING EXHAUST VALVE 3RD STAGE		1
AB110-1433	UPPER CAP, CONDENSATE SEPARATO		1
AB110-1434	O-RING, UPPER OR LOWER		1
AB110-1435	LOWER CAP,CONDENSATE SEPARATOR		1
AB110-1436	UPPER CAP, PURIFIER		1
AB110-1437	INTERNAL CAP, PURIFIER		1
AB110-1438	LOWER CAP, PURIFIER		1
AB110-1439	LOWER BODY, PMV		1
AB110-1440	STEEL BALL, PMV		1
AB110-1441	PISTON, PMV		1
AB110-1442	BELLEVILLE WASHER SET, PMV		1
AB110-1443	CAP, PMV		1
AB110-1444	COPPER VALVE GASKET		1
AB110-1445	OIL FILLER CAP		1
AB110-1464-1	DEW POINT SENSOR WITH CABLE		1
AB110-1464-2	C/O SENSOR WITH CABLE		1
AB110-1464-4	SBAS CONTROLLER I/O BOARD		1
AB110-1464-5	SOFTWARE DOWNLOAD CABLE		1
AB110-1464-6	STATIONARY CONTROLLER CABLE		1
AB110-1464-7	MOBILE CONTROLLER CABLE		1
AB110-1464-8	CABLE ADAPTER, 25'		1
AB110-1464-8100	CABLE ADAPTER, 100'		1
AB110-1464-850	CABLE ADAPTER, 50'		1
AB110-1464-875	CABLE ADAPTER, 75'		1
AB110-1476	NAMEPLATE, TRAILER, LIBERTY		1
AB110-1557	NIPPLE, 1/8 X 2.5" NPT		1
AB110-1560	PNL,CNTRL,W/X4,LIB I-36		1
AB110-1561	ELBOW1/8TUBEX1/4NPT SWIVEL PRE		1
AB110-1563	ELBOW1/8TUBEX1/8NPT PRESTOLOK		1
AB110-1564	1/8NPT-250LB-SAFETY VALVE		1
AB110-1566	MOTOR,15HP/208V/3PH/60HZ		1
AB110-1567	MOTOR,20HP/208V/3PH/60HZ		1
AB110-1573	ADAPTER, 1/4BSPP X 1/4NPTF		1
AB110-1574	PRESS RELIEF VALVE 650PSIG ASM		1
AB110-1575	PRESS RELIEF VALVE 1400PSIG AS		1
AB110-1600	THERMOCOUPLE-TYPE J		1

AB110-1601	4ANX1/8NPTSWIVELSTRT		1
AB110-1602	4ANX1/4NPTBLKHD		1
AB110-1607	REGULATOR-INLINE-REDUCING		1
AB110-1615	SEAT, PURGE VALVE		1
AB110-1616	SPOOL,PURGE VALVE		1
AB110-1617	O-RING, .114 X .070, #2-006		1
AB110-1618	O-RING, 1.364 X .070, #2-028		1
AB110-1623	COLTRI 3RD ST. DUMP VLV KIT		1
AB110-1646	PISTON SWITCH 3650-7500PSI ADJ		1
AB110-1651	MOTOR 20HP 1760RPM 208/460V OD		1
AB110-1658	STRAIN RELIEF, LIQUID TIGHT		1
AB110-1660	O-RING SEAL		1
AB110-1674	TOP STRAP MOUNT		1
AB110-1686	COLTRI FILTER ACCESS COVER		1
AB110-1692	12" BEADED CHAIN		1
AB110-1699	GAUGE-1.5"-DUAL READING PRESSU		1
AB110-1700	REGULATOR,LP,PURGE VALVE		1
AB110-1702	MUFFLER, 210 CFM EXHAUST		1
AB110-1704	NUT-PANEL MNT REGULATOR		1
AB110-1707	CLAMP .68 - 1.25 SS WORM DRIVE		1
AB110-1709	UNION, HEX, 4AN X 4AN		1
AB110-1710	ADAPTER, FEM DIN X 1/4 NPT FEM		1
AB110-1713	FILTER-1/8NPT INLINE,40 MICRON		1
AB110-1714	DANGER LABEL WHEEL LUG TORQUE		1
AB110-1715	BOLT 5/8-11 X 3-1/2 GRD 8 HXHD		1
AB110-1716	TENSIONER MOUNT IDLER TRAILER		1
AB110-1717	SEAL COPPER HEAD VALVE BODY 4T		1
AB110-1718	BACK-UP RING TEFLON 4TH STAGE		1
AB110-1719	RING RETAINING 4TH STAGE		1
AB110-1720	STOP INLET VALVE PLATE 4TH STA		1
AB110-1721	SPRING INLET VALVE 4TH STAGE		1
AB110-1722	PLATE INLET VALVE 4TH STAGE		1
AB110-1723	SEAT INLET DISCHARGE 4TH STAGE		1
AB110-1724	PLATE DISCHARGE 4TH STAGE		1
AB110-1725	GASKET COPPER 4TH STAGE		1
AB110-1726	SPRING DISCHARGE 4TH STAGE		1
AB110-1727	CAGE VALVE 4TH STAGE		1
AB110-1728	RINGS, FLOATING PISTON 4TH STA		1
AB110-1729	GASKET UPPER FLANGE CYL/CR 4TH		1
AB110-1730	GASKET LOWER FLANGE 4TH STAGE		1
AB110-1731	O-RING, 4TH STAGE		1
AB110-1732	BURST DISC CAP ASSY, 9000PSI		1
AB110-1761	WALL MNT BRCKT,X4		1
AB110-1768	PUSHER FAN FOR LDW 2204		1
AB110-1802	HX BOLT 7/16X4.00 GRD5 STL		1
AB110-1812	ASSY, REED VALVE, FIRST STAGE		1
AB110-1813	EXTENSION CABLE, THERMOCOUPLE		1
AB110-1830	SHAFT-MOTOR PLATE-SA COMP.		1
AB110-1838	SPRING, 1/4 TURN, S.S.		1
AB110-1840	12MM EXT SNAP RING		1
AB110-1841	PURIFIER BASE		1
AB110-1842	PURIFIER HOUSING		1
AB110-1843	PURIFIER CAP		1
AB110-1844	PURIFIER TUBE		1
AB110-1847	COIL, DRAIN SOLENOID		1
AB110-1848	SPRING-.845 O.D X 1.00 LONG		1
AB110-1849	SPRING-.475 O.D X 1.00 LONG		1
AB110-1850	PURIFIER STEM, LONG		1
AB110-1851	PURIFIER COAL. HEX FITTING		1
AB110-1865	CUP WASHER, 1/4 TURN, NYLON		1
AB110-1871	SUPPORT BRKT-GUARD-HA		1
AB110-1880	NUT, LOCK (1/2" NPS, ZINC)		1
AB110-1890	O-RING, 2ND STG VALVE GUIDE		1

AB110-1893	GASKET, 1ST STG HEAD		1
AB110-1894	SEALING WASHER, 3RD STAGE		1
AB110-1895	O-RING, 3RD STG VALVE ASSY		1
AB110-1896	SPRING, 3RD STG DELIVERY VALVE		1
AB110-1897	PLATE, 3RD STG DELIVERY VALVE		1
AB110-1898	WASHER,COPPER, 3RD STG DEL VLV		1
AB110-1899	PLATE,3RD STAGE SUCTION VALVE		1
AB110-1900	RING,3RD STAGE VALVE RETAINING		1
AB110-1902	VALVE REMOVAL TOOL		1
AB110-1903	WASHER, 3RD STG COPPER 8MM		1
AB110-1904	O-RING, 3RD STAGE VITON		1
AB110-1906	O-RING, PV SAE J200		1
AB110-1907	BOLT, KNURLED HEAD		1
AB110-1908	NUT, TABBED (BENCH NUT)		1
AB110-1909	O-RING, I/R CHECK VALVE		1
AB110-1916	HINGE, DOOR, LIBERTY I		1
AB110-1919	PURIFIER CHAMBER, MCH-16		1
AB110-1920	WASHER-12MM SUPPORT		1
AB110-1922	BOTTLE-CONDESATE-SA		1
AB110-1926	RECEPTICAL, 1/4 TURN, STEEL		1
AB110-1927	STUD, 1/4 TURN, KNURLED		1
AB110-1928	RETAINER, 1/4 TURN, NYLON		1
AB110-1958	OIL FILTER, W70H-AL		1
AB110-1959	INTAKE OIL SEPARATOR W70H-AL		1
AB110-1966	DRILL TEMPLATE, LE4000		1
AB110-1967	ROLL, HEAT TAPE		1
AB110-1987	8" PIPE CLAMP, STRUT		1
AB110-1999	CLAMP,7/16-25/32,SS,WORM,HOSE		1
AB1102	VALVE,6KPSI 1/4NPTF PM SHUTOFF		1
AB110-2001	STEM, STANDARD, 65AL		1
AB110-2055	HEX BOLT,1/4-20 SEMS W/LW&FW		1
AB110-2059	NARROW RECEPTALCE		1
AB110-2066	GROMMET, 2.13 O.D X 1.50 I.D.		1
AB110-2067	SPRING PIN 1/8X.75		1
AB110-2076	SPRING, PNEUMATIC DUMP VALVE		1
AB110-2082	OVERLOAD,SOLID ST 18-90A 3PH		1
AB110-2083	OVERLOAD,SOLID ST 9-45A 3PH		1
AB110-2084	CLOSING PLUG, RESET BUTTON		1
AB110-2087	OVERLOAD,SOLID ST 9-45A 1PH		1
AB110-2088	OVERLOAD,SOLID ST 18-90A 1PH		1
AB110-2089	OVERLOAD,SOLID ST 5.4-27A 3PH		1
AB110-2090	CYL VLV DOT 4500PSI 25E THRD		1
AB110-2091	CYL VLV DOT 5000PSI 25E THRD		1
AB110-2092	CYL VLV DOT 6000PSI 25E THRD		1
AB110-2099	SPRING,2ND,3RD,4TH STG VALVE		1
AB110-2100	SCOTT, RHT TEST SIMULATOR		1
AB110-2101	PLATE,2ND,3RD,4TH STG VALVE		1
AB110-2108	SPRING, DISCHG VLV 1ST STAGE		1
AB110-2109	PLATE, DISCHG VLV 1ST STAGE		1
AB110-2110	SPRING, INLET VALVE 1ST STAGE		1
AB110-2111	PLATE, INLET VALVE 1ST STAGE		1
AB110-2112	SPRING,DISCHG VALVE, 2ND STAGE		1
AB110-2113	PLATE,DISCHG VALVE, 2ND STAGE		1
AB110-2114	SPRING,INLET VALVE,2ND STAGE		1
AB110-2118	SPRING, INLET,3RD STAGE		1
AB110-2123	GASKET SET		1
AB110-2128	SWITCH PLATE,BALDOR 5,7,5,10		1
AB110-2160	GASKET,COPPER 4TH STAGE HEAD		1
AB110-2161	O-RING 4TH STG CYL TO C/CASE		1
AB110-2163	ROD, CONNECTING,4TH STAGE		1
AB110-2164	PIN, WRIST 4TH STG CONNECT ROD		1
AB110-2165	CLIP, WRIST PIN 4TH STAGE		1
AB110-2166	PISTON, 4TH STAGE		1

AB110-2167	CYLINDER, 4TH STAGE		1
AB110-2169	O-RING, SEPARATOR END CAP		1
AB110-2174	VALVE, MANUAL DRAIN, 1/8NPT		1
AB110-2175	V-BELT, ELECTRIC EASY AIR		1
AB110-2176	V-BELT, GAS POWERED EASY AIR		1
AB110-2177	RA SCUBA SUPPORT		1
AB110-2178	HX CAP SCR 1/4-20X1-1/4 GR5 Z		1
AB110-2181	CYL LINER 4TH STG 4S25/30		1
AB110-2198	VALVE SERVICE KIT H15T4 & 6		1
AB110-2258	AUTO DRAIN O-RING 31, 35X3, 53		1
AB110-2259	AUTO DRAIN O-RING 39, 34X2, 62		1
AB110-2260	AUTO DRAIN STEEL BALL, 10MM		1
AB110-2261	AUTO DRAIN SPRING, NF .030		1
AB110-2262	AUTO DRAIN O-RING 9, 25X1, 78		1
AB110-2263	AUTO DRAIN O-RING 29, 82X2, 62		1
AB110-2264	AUTO DRAIN PISTON AB 23.008		1
AB110-2269	ELBOW, PUSH-IN 1/4NPT X 1/4T		1
AB110-2282	CROSS - 3/4 NPT		1
AB110-2283	HEX BUSHING - 3/4 NPT STREET		1
AB110-2284	ELBOW - 3/4 NPT STREET		1
AB110-2285	NIPPLE - 3/4 NPT - CLOSE		1
AB110-2289	CLAMP SEGMENT, 2.5" SECTION		1
AB110-2294	PURIFIER COALESCER TUBE		1
AB110-2295	O-RING, BASE, 2.5" SECTION		1
AB110-2296	CLAMP SEGMENT, 2.25" SECTION		1
AB110-2297	GUIDE BUSHING, 2.25" SECTION		1
AB110-2298	MAST TUBE, 2.25" SECTION		1
AB110-2299	O-RING, BASE, 2.25" SECTION		1
AB110-2300-1	SBAS CONT., BASIC, ENGLISH		1
AB110-2300-2	SBAS CONT., BASIC. W/DP ENGLIS		1
AB110-2300-3	SBAS CONT., BASIC, W/DP, CO ENG		1
AB110-2300-4	SBAS CONT. BASIC, W/CO, DP ENGL		1
AB110-2301	CUP SEAL, 2.25" SECTION		1
AB110-2302	CLAMP SEGMENT, 2" SECTION		1
AB110-2303	GUIDE BUSHING, 2" SECTION		1
AB110-2304	MAST TUBE, 2" SECTION		1
AB110-2305	O-RING, BASE, 2" SECTION		1
AB110-2306	CUP SEAL, 2" SECTION		1
AB110-2307	CLAMP SEGMENT, 1.75" SECTION		1
AB110-2308	GUIDE BUSHING, 1.75" SECTION		1
AB110-2309	MAST TUBE, 1.75" SECTION		1
AB110-2310	O-RING, BASE, 1.75" SECTION		1
AB110-2311	CUP SEAL, 1.75" SECTION		1
AB110-2312	CLAMP SEGMENT, 1.5" SECTION		1
AB110-2313	GUIDE BUSHING, 1.5" SECTION		1
AB110-2314	MAST TUBE, 1.5" SECTION		1
AB110-2315	O-RING, BASE, 1.5" SECTION		1
AB110-2316	CUP SEAL, 1.5" SECTION		1
AB110-2317	CLAMP SEGMENT, 1.25" SECTION		1
AB110-2318	MAST TUBE, 1.25" SECTION		1
AB110-2319	CUP SEAL, 1.25" SECTION		1
AB110-2320	CLAMP SCREW		1
AB110-2321	2X8 SPRING PIN		1
AB110-2322	THREADED BUSHING		1
AB110-2323	DOG POINT GRUB SCREW		1
AB110-2324	1/4 BSF THIN NUT		1
AB110-2325	GUIDE BUSHING, 2.5" SECTION		1
AB110-2326	MAST TUBE, 2.5" SECTION		1
AB110-2327	SHOULDER HEAD SCREW		1
AB110-2328	1/4" BSP SEALON WASHER		1
AB110-2332	DECAL-SMART FILL AUTO CASCADE		1
AB110-2346	SAE-ORB HEX HEAD PLUG		1
AB110-2357	DECAL-SMART FILL AUTO CASCADE		1

AB110-2369	INDICATOR, MOISTURE/CO		1
AB110-2370	MOISTURE/CO ELEMENT KIT		1
AB110-2371	HEAD, 4TH STAGE CY. V22H-AL		1
AB110-2372	SEAL, 4TH STG. DISCH. CPLNG V2		1
AB110-2373	CPLNG, 4TH STG. DISCH. V22H-AL		1
AB110-2374	SCREW, 3RD STG. FILTER RET.		1
AB110-2375	VALVE, RELIEF, 1500 PSIG, ASME		1
AB110-2376	SWITCH, LOW OIL LEVEL		1
AB110-2382	O-RING, PURIFIER STEM		1
AB110-2384	FILL PRESS. REG. REPAIR TOOL		1
AB110-2389	MONITOR/PHASE REVERSAL & LINE		1
AB110-2398	GAUGE, GLYCERINE FILLED, RED L		1
AB110-2400-1	SBAS CONT., BASIC, ENGLISH		1
AB110-2400-2	SBAS CONT., BASIC. W/DP ENGLIS		1
AB110-2400-3	SBAS CONT., BASIC, W/DP,CO ENG		1
AB110-2400-4	SBAS CONT. BASIC, W/CO,DP ENGL		1
AB110-2449	PRESS. RELIEF VALVE, 150 PSIG		1
AB110-2450	PRESS. RELIEF VALVE, 750 PSIG		1
AB110-2454	HEAD, 3RD STAGE MCH16		1
AB110-2455	HEAD COVER, 3RD STAGE MCH16		1
AB110-2469	VOLTMETER, 150VAC PANEL MT		1
AB110-2487	V-BELT, V17 COOLING FAN DRIVE		1
AB110-2490	GASKET, SHAFT END COVER, H15T6		1
AB110-2491	SEAL, OIL, H15T6		1
AB110-2492	KIT, BEARING/CONNECTING ROD, H		1
AB110-2498	REG. SPRING 1/2 GREEN 6500 PSI		1
AB110-2499	PISTON SWITCH 450-7500 PSI ADJ		1
AB110-2502	RING TERMINAL, 18-22AWG #6 STUD		1
AB110-2503	CORD GRIP, 1/2"NPT, .25"-.38"		1
AB110-2504	R/A CYLINDER WARNING DECAL		1
AB110-2505	FUEL HOSE, 270mm F/2004 ENGINE		1
AB110-2506	GASKET, COPPER 14mm F/2004 ENG		1
AB110-2507	BOLT, M14 BANJO F/2004 ENGINE		1
AB110-2508	BOLT, M10 BANJO F/2004 ENGINE		1
AB110-2509	GASKET, COPPER 10mm F/2004 ENG		1
AB110-2510	FUEL HOSE, 226mm F/2004 ENGINE		1
AB110-2511	VALVE REMOVAL TOOL		1
AB110-2535	LABEL, 5.5 CYLINDER COMPATIBLE		1
AB110-2541	W70AL SIGHT GLASS		1
AB110-2542	W70AL SIDE COVER GASKET		1
AB110-2543	W70AL O-RING 1-13/16 X 3/32		1
AB110-2544	W70AL GASKET O-RING KIT		1
AB110-2550	INLET PIPE, 3RD STAGE V22H-AL		1
AB110-2554	WASHER, INTERNAL TOOTH, M10		1
AB110-2563	KEY, SPARE, LIBERTY TRAILER		1
AB110-2566	PURIFIER BASE (V2)		1
AB110-2567	PURIFIER HOUSING (V2)		1
AB110-2568	PURIFIER CAP (V2)		1
AB110-2572	PURIFIER O-RING (V2)		1
AB110-2573	PURIFIER BACK-UP RING (V2)		1
AB110-2591	MOISTURE IND SEAL KIT		1
AB110-2598	5.2K HYD. BRAKE SHOE KIT		1
AB110-2599	HYDRAULIC BRAKE CYL, RH		1
AB110-2600	HYDRAULIC BRAKE CYL, LH		1
AB110-2601	BRAKE DRUM, TRAILER		1
AB110-2602	FILLER CAP, DA10 TRAILER		1
AB110-2603	FILLER CAP, HYDRASTAR		1
AB110-2604	BATTERY PACK, HYDRASTAR		1
AB110-2605	GAUGE DAMPENER, 1/8 NPT		1
AB110-2606	DECAL, SCOTT LOGO, 4"		1
AB110-2607	PISTON, DRAIN VALVE, DELRIN		1
AB1102G	VALVE, 6KPSI 1/4NPTF PM W/GAGE		1
AB1113K	KIT, PM VALVE REPAIR 1113		1

AB13-0002	DUAL PWER SLIP IN NO ENC NO TK		1
AB13-0004	GU,CHEV. W/B,P,NR X4		1
AB13-0012	LIB1 DES.FLTR,DES.SAND MARINES		1
AB1300155	O-RING 52AL PURIF'R TOP&BOTTOM		1
AB13-0022	10 HP SLIP-IN 460V AC, 6KPSI		1
AB13-0023	PIERCE R/A W/CASCADE PANEL		1
AB13-0024	PIERCE 10 H.P. 230V SLIP-IN		1
AB13-0025	20HP,6K,4B, 65AL4,RVR,HI-LO R		1
AB13-0026	SEQ. VALVE ASSY. W/O ISOLATION		1
AB13-0027	R/A W/NON-ISO SEQ. VALVE ASSY		1
AB14300	NUT,1/2		1
AB14301	SLEEVE,TUBING 1/2 FERRULE		1
AB14302	NUT, 5/8		1
AB14303	SLEEVE 5/8		1
AB14-6004-B1	60PSI/413B BLK PLBG 1 CYL		1
AB14-6004-B2	60PSI/413B BLK PLBG 2 CYL		1
AB14-6004-B3	60PSI/413B BLK PLBG 3 CYL		1
AB14-6004-B4	60PSI/413B BLK PLBG 4 CYL		1
AB15-6600-B1	BULK PLBG 1 CYL		1
AB15-6600-B2	BULK PLBG 2 CYL		1
AB15-6600-B3	BULK PLBG 3 CYL		1
AB15-6600-B4	BULK PLBG 4 CYL		1
AB16-0018	BRACKT,TRAILER COND. COLLECTR		1
AB16-0031	COVER WELDMENT		1
AB16-0032	TOP STORAGE ASSEMBLY		1
AB16-0070-4P	ASSY PANEL DUAL PRESS REG LE4		1
AB16-0072	ASSY,LOW PRESS WALL MOUNT		1
AB16-0073	ASSY,HIGH PRESS WALL MOUNT		1
AB16-0106	WELDMENT,INTAKE TUBE		1
AB16-0130	SEQUENCE VALVE ASSY		1
AB16-0160	BLOCK & COUPLINS ASSY		1
AB16-0161	ADJ VALVE BLOCK ASSY		1
AB16-0163	TOGGLE VALVE ASS'Y, REVOLVE AI		1
AB16-0188-20	HOSE ASSY 3/16,1/4 JIC 20" 7K		1
AB16-0188-240	HOSE ASSY 3/16,1/4 JIC X240 7K		1
AB16-0188-300	HOSE ASSY 3/16,1/4 JIC X300 7K		1
AB16-0188-33	HOSE ASSY 3/16,1/4 JIC X 33 7K		1
AB16-0188-80	HOSE ASSY 3/16,1/4 JIC X 80 7K		1
AB16-0188-93	HOSE ASSY 3/16,1/4 JIC X 93 7K		1
AB16-0198	BASE, FILL ADAPTER		1
AB16-0199	SCUBA FILL ADAPTER		1
AB16-0202	CGA 346/7 FILL ADPT W/ SEALOFF		1
AB16-0203	DIN SEALOFF ASSY		1
AB16-0204	DIN ADAPTER WITH SEALOFF		1
AB16-0216	60 HZ TENSIONER MOUNTING KI		1
AB16-0221	ASSY, STORAGE REFILL		1
AB16-0234	4 BOTTLE STAND/WALL RACK		1
AB16-0282	10/230/60/1 ASSY ENCL		1
AB16-0288	KIT-SPARE TIRE RETRO-FIT		1
AB16-0295	STAND ASSY- HA COMP STAND		1
AB16-0299	ASSEMBLY,PURGE VALVE		1
AB16-0310	STD RA BASE		1
AB16-0330	X4-KIT-PNEU-STD.-SLANT		1
AB16-0331	X4-KIT-PNEU-WALL MNT		1
AB16-0383	HOOD ASSY,GUARD-SA COMP. STAND		1
AB16-0393	1 CYL KIT, PLBG VERT CSCD ASME		1
AB16-0420	TIRE MOUNT,SPARE,TRAILER		1
AB16-0441	MOTOR MNT-SA COMP STAND		1
AB16-0454	PANEL,ASSY,6KPSI REEL,LIB II		1
AB16-0464	PURIF 20SCFM 6KPSI GR E WO/MI		1
AB16-0466	PURIF 30SCFM 6KPSI GR E WO/MI		1
AB16-0467	PURIF 40SCFM 6KPSI GR E WO/MI		1
AB16-0472	SCUBA ADPTR FOR R/A W/DIN		1

AB16-0473	SCUBA ADPTR GUARD. W/DIN		1
AB16-0476	TIRE KIT LIB1		1
AB16-0477	TIRE KIT LIB2		1
AB16-0478	SCUBA ADPTR FOR GUARD. W/CGA		1
AB16-0486	SEQUENCE VALVE ASSEMBLY		1
AB16-0514	LE5000 WALL MT RETRO-FIT CONTR		1
AB16-0532	REG. ASSY. CAL, GAS 1.5LPM		1
AB16-0533	CALIBRATION KIT X4		1
AB16-0541	LE5000 WALL MT RETRO-FIT KIT		1
AB16-0542	LE4000 WALL MT RETRO-FIT KIT		1
AB16-0543	LE5000 STA'NARY RETRO-FIT KIT		1
AB16-0544	LE4000 STA'NARY RETRO-FIT KIT		1
AB16-0552	UPGRADE KIT, COLTRI PUR FILTER		1
AB16-0561	RA TRUN VLVE ASSY		1
AB16-0565	RA ASSY W/O STAND, RED		1
AB16-0580	DOT CYL VLV & CAP 6000PSI 10YR		1
AB16-0582	FILTER KIT, COLTRI		1
AB16-0607	ASSEMBLY, FILTER ADAPTER		1
AB16-0624	KIT,SCUBA, CGA-REV/AIR		1
AB16-0625	KIT,SCUBA, DIN-REV/AIR		1
AB16-0626	KIT, RA FILTER		1
AB16-0632	PURIFIER MNT ADAPTER-WELDMENT		1
AB16-0651	ASSY - AUTO CASCADE		1
AB16-0656	PURIFIER TUBE ASSEMBLY		1
AB16-0682	ASSY - AUTO CASCADE		1
AB16-0683	KIT, OVERLOAD REPLACEMENT		1
AB16-0684	KIT, OVERLOAD REPLACEMENT		1
AB16-0685	KIT, OVERLOAD REPLACEMENT		1
AB16-0686	KIT, OVERLOAD REPLACEMENT		1
AB16-0687	KIT, OVERLOAD REPLACEMENT		1
AB16-0688	KIT, OVERLOAD REPLACEMENT		1
AB16-0689	KIT,COLTRI,PURIFIER,RETRO-FIT		1
AB16-0694	ASSEMBLY, 4 BANK CSCD STORAGE		1
AB16-0695	ASSY, TWO BOTTLE BULK ASSY		1
AB16-0696	ASSY, MOBILE RA WITH STD PANEL		1
AB16-0699	ASSY, MOBILE MANUAL 6 BANK CAS		1
AB16-0700	ASSY, MOBILE MANUAL 4 BANK CAS		1
AB16-0701	ASSY, AUTO 4 BANK CASCADE MOBI		1
AB16-0705	ASSY,2 BOTTLE BULK STRG RACK		1
AB16-0706	ASSY,4 BOTTLE BULK STRG RACK		1
AB16-0710	SLIP IN, 10 H.P. HAM. 208V		1
AB16-0711	SLIP IN, 10 H.P. HAM. 230V		1
AB16-0712	SLIP IN, 15 H.P. HAM. 230V		1
AB16-0713	SLIP IN, 15 H.P. ING. 230V		1
AB16-0714	SLIP IN, 20 H.P. ING. 230V		1
AB16-0724	SLIP IN, 15 H.P. HAM. 208V		1
AB16-0725	SLIP IN, 15 H.P. ING. 208V		1
AB16-0726	SLIP IN, 20 H.P. ING. 208V		1
AB16-0728	SLIP IN, 7.5 H.P. HAM. 230V		1
AB16-0729	SLIP IN, 7.5 H.P. HAM. 208V		1
AB16-0732	20 HP COMPR. W/MOB. RA/BULK FI		1
AB16-0737	10 HP IR COMPR. W/ MOB. RA/BUL		1
AB16-0738	10 HP IR COMPR. W/ MOB. RA/BUL		1
AB16-0739	20 HP IR COMPR. W/ MOB. RA/BUL		1
AB16-0740	7.5 HP IR COMPR. W/ MOB. RA/BU		1
AB16-0741	7.5 HP IR COMPR. W/ MOB. RA/BU		1
AB16-0744	15 HP COMPR. W/MOB. RA/BULK FI		1
AB16-0745	15 HP COMPR. W/MOB. RA/BULK FI		1
AB16-0746	7.5 HP HAM COMPR. W/ MOB. RA/		1
AB16-0747	7.5 HP HAM COMPR. W/ MOB. RA/		1
AB16-0748	7.5 HP HAM COMPR. W/ MOB. RA/		1
AB16-0749	7.5 HP HAM COMPR. W/ MOB. RA/		1
AB16-0750	7.5 HP HAM COMPR. W/ MOB. RA/		1

AB16-0751	7.5 HP HAM COMPR. W/ MOB. RA/			1
AB16-0752	10 HP HAM COMPR. W/ MOB. RA/ 4			1
AB16-0753	10 HP HAM COMPR. W/ MOB. RA/ 4			1
AB16-0754	10 HP HAM COMPR. W/ MOB. RA/ 6			1
AB16-0755	10 HP HAM COMPR. W/ MOB. RA/ 6			1
AB16-0756	10 HP HAM COMPR. W/ MOB. RA/ A			1
AB16-0757	10 HP HAM COMPR. W/ MOB. RA/ A			1
AB16-0758	15 HP ING COMPR. W/ MOB. RA/ 4			1
AB16-0759	15 HP ING COMPR. W/ MOB. RA/ 4			1
AB16-0760	15 HP ING COMPR. W/ MOB. RA/ 6			1
AB16-0761	15 HP ING COMPR. W/ MOB. RA/ 6			1
AB16-0762	15 HP ING COMPR. W/ MOB. RA/ A			1
AB16-0763	15 HP ING COMPR. W/ MOB. RA/ A			1
AB16-0764	20 HP ING COMPR. W/ MOB. RA/4			1
AB16-0765	20 HP ING COMPR. W/ MOB. RA/ 4			1
AB16-0766	20 HP ING COMPR. W/ MOB. RA/ 6			1
AB16-0767	20 HP ING COMPR. W/ MOB. RA/ 6			1
AB16-0768	20 HP ING COMPR. W/ MOB. RA/ A			1
AB16-0769	20 HP ING COMPR. W/ MOB. RA/ A			1
AB16-0771	7.5 208V COMP.,MOB. RA, 2 BULK			1
AB16-0772	7.5 230V COMP.,MOB. RA, 2 BULK			1
AB16-0773	7.5 208V COMP.,MOB. RA, 4 BULK			1
AB16-0774	7.5 230V COMP.,MOB. RA, 4 BULK			1
AB16-0775	7.5 208V COMP.,MOB. RA, 4 CASC			1
AB16-0776	7.5 230V COMP.,MOB. RA, 4 CASC			1
AB16-0777	7.5 208V COMP.,MOB. RA, 4 AUTO			1
AB16-0778	7.5 230V COMP.,MOB. RA, 4 AUTO			1
AB16-0779	10 208V COMP.,MOB. RA, 2 BULK			1
AB16-0780	10 230V COMP.,MOB. RA, 2 BULK			1
AB16-0781	10, 208V COMP, MOB., RA 4 BULK			1
AB16-0782	10 230V COMP.,MOB. RA, 4 BULK			1
AB16-0783	10 208V COMP.,MOB. RA, 4 CASC			1
AB16-0784	10 230V COMP.,MOB. RA, 4 CASC			1
AB16-0785	10 208V COMP.,MOB. RA, 4 AUTO			1
AB16-0786	10 230V COMP.,MOB. RA, 4 AUTO			1
AB16-0787	15 IR 208 COMP MOB. RA, 2 BULK			1
AB16-0788	15 IR 230 COMP. MOB. RA 2 BULK			1
AB16-0789	15 IR 208 COMP, MOB. RA 4 BULK			1
AB16-0790	15 IR 230 COMP. MOB. RA 4 BULK			1
AB16-0791	15 IR 208 COMP. MOB. RA 4 CASC			1
AB16-0792	15 IR 230 COMP. MOB. RA 4 CASC			1
AB16-0793	15 IR 208 COMP. MOB. RA 4 AUTO			1
AB16-0794	15 IR 230 COMP. MOB. RA 4 AUTO			1
AB16-0795	20 IR 208 COMP MOB. RA, 2 BULK			1
AB16-0796	20 IR 230 COMP. MOB. RA 2 BULK			1
AB16-0797	20 IR 208 COMP, MOB. RA 4 BULK			1
AB16-0798	20 IR 230 COMP. MOB. RA 4 BULK			1
AB16-0799	20 IR 208 COMP. MOB. RA 4 CASC			1
AB16-0800	20 IR 230 COMP. MOB. RA 4 CASC			1
AB16-0801	20 IR 208 COMP. MOB. RA 4 AUTO			1
AB16-0802	20 IR 230 COMP. MOB. RA 4 AUTO			1
AB16-0803	MOB. R/A, BULK FILL, 2 ASME			1
AB16-0804	MOB. R/A, BULK FILL, 4 ASME			1
AB16-0805	MOB. R/A, MAN. CASC., 4 ASME			1
AB16-0806	MOB. R/A, AUTO CASC., 4 ASME			1
AB16-0807	5.5 REVOLVEAIR CONVERSION KIT			1
AB16-0808	5.5 COMPRESSOR START/STOP CONV			1
AB16-0812	15HP HAM W/MOB RA/BULKFIL/208V			1
AB16-0813	15HP HAM W/MOB RA/BULKFIL/230V			1
AB16-0814	15HP HAM W/MOB RA/4B CASC/208V			1
AB16-0815	15HP HAM W/MOB RA/4B CASC/230V			1
AB16-0816	15HP HAM W/MOB RA/6B CASC/208V			1
AB16-0817	15HP HAM W/MOB RA/6B CASC/230V			1

AB16-0818	15HP HAM W/MOB RA/AU CASC/208V		1
AB16-0819	15HP HAM W/MOB RA/AU CASC/230V		1
AB16-0820	15HP HAM W/RA/2ASME BULK/208V		1
AB16-0821	15HP HAM W/RA/2ASME BULK/230V		1
AB16-0822	15HP HAM W/RA/4ASME BULK/208V		1
AB16-0823	15HP HAM W/RA/4ASME BULK/230V		1
AB16-0824	15HP HAM W/RA/4B CASC./208V		1
AB16-0825	15HP HAM W/RA/4B CASC./230V		1
AB16-0826	15HP HAM W/RA/4B AU CASC./208V		1
AB16-0827	15HP HAM W/RA/4B AU CASC./230V		1
AB16-0861	RETROFIT,SPRING TENSIONER,LIB		1
AB16-0871	LIB LE5 - X4 RETRO-FIT KIT		1
AB16-0873	FILL ADAPTER, CGA X FEM. DIN		1
AB16391	SEAT,DELIVERY VALVE-24		1
AB16411	SPRING,DEL VALVE-4-7-24		1
AB16413	PLATE,DEL VALVE-4-7-24		1
AB16414	PLATE,SUCTION VALVE-24		1
AB16415	SPRING SUCTION VALVE-7-24		1
AB17817	FILTER,POROSINT 40 MICRON BRON		1
AB17969	SET,BONDED SEAL 1/4BSP		1
AB210008	RING,BACKUP TEFLON 50AL		1
AB210012	PLUG,BURST DISC 60/50AL		1
AB210013	WASHER,BURST DISC SEAL NYLON Z		1
AB210014	DISC,BURST 10000PSI		1
AB210014-5	DISC,BURST 5KPSI 50AL 60AL		1
AB22445	ELEMENT,INTAKE 4S7 OE		1
AB22446	ELEMENT,FILTER INTAKE		1
AB230600	PLUG,50/60AL DRAIN VALVE PORT		1
AB230601	KIT,REPAIR 1102 SHUTOFF VALVE		1
AB230602	KIT,VALVE O-RING 50AL 60AL 110		1
AB230604	SEAT,BRS W/TEFLON INSERT		1
AB230605	STEM,SHUTOFF VALVE SS 1102		1
AB230606	NUT,SS SHUTOFF VALVE SEAL		1
AB230607	KNOB,HANDWHEEL ABI VALVE		1
AB230609	NUT,STEM BRS CHROME PLATED LOC		1
AB230612	SPRING,SOV KNOB 1102 ASSY		1
AB230710	KIT,BURST DISC 10000PSI 60AL 5		1
AB230842	KIT,O-RING 42AL FILTER		1
AB230860	KIT,O-RING SHORT STEM 62AL 60A		1
AB230861	KIT,O-RING MED STEM 60AL & LON		1
AB23182	VALVE, RELIEF 650PSI -4 2ND ST		1
AB23185	VALVE,SAFETY 3RD STG 1200PSI		1
AB23496	CAP, BANJO		1
AB23497	SCREW, RETAINING		1
AB23498	SPRING,3RD STG POROSINT FILTER		1
AB235815	LOCKWASHER,1/4 STEEL ZINC		1
AB23700	VALVE,SAFETY 1400PSI		1
AB23985	WASHER,BONDED		1
AB241507B	DISC,BURST 4800PSI 42AL		1
AB241507K8	KIT,42MS 42AL BURST DISC REPAI		1
AB241507KS	KIT,42MS REPLACE O-RING SEAL		1
AB2426012	ASSY,SCUBA CLAMP X4AN MALE STD		1
AB243801S	BODY,FILL ADAPTER 6SAEX1/8NPTF		1
AB243802	NUT,PANEL MTG FILLER ADAPTER		1
AB2494	ASSY,DUMP BLOCK ALUMINUM VALVE		1
AB249401	HOUSING,DUMP BLOCK		1
AB249403	RETAINER,DUMP BLOCK		1
AB2494K	KIT, REPAIR DUMP VALVE		1
AB25012	BLADE,FAN FOR 4S12/4S17		1
AB25017	GASKET,COVER 4S-10		1
AB25019	GASKET,BEARING HOUSING 4S-10		1
AB25031	GASKET,CYLINDER HEAD 4S-10-12		1
AB25036	ASSY,SUCTION VALVE 2ND STAGE		1

AB25037	ASSY,DELIVERY VALVE 2ND STAGE		1
AB25045	SEAL,DELIVERY VALVE SEAT		1
AB25047	O-RING,4TH STAGE-10		1
AB25048	O-RING,4TH STAGE-10		1
AB25052	RING,COMPRESSION 3RD STG 3S-10		1
AB25061	GASKET,CYLINDER BASE 4S-10		1
AB25064	O-RING,-10-12		1
AB25069	O-RING,2ND ST VALVE SUCTION &		1
AB25117	SEAL,O-RING 15MM-10		1
AB25121	RING,COMPRESSION 1ST STG-12		1
AB25307	VALVE,SUCTION DELIVERY 14C-10		1
AB25312	RING, COMPRESSION 3RD STG -10		1
AB25313	RING,COMPRESSION 3RD STAGE		1
AB25316	CIRCLIP,15MM 3RD STAGE PISTON		1
AB25320	RING, PISTON 4TH STAGE -10		1
AB25523	BLADE, FAN- 4S25		1
AB25528	GASKET,CRANKCASE-25 END COVER		1
AB25543	GASKET,1ST STG-25-30 UPPER		1
AB25544	ASSY, VALVE REED-25		1
AB25545	GASKET,1ST STG-25-30 LOWER		1
AB25547	WASHER,VALVE SEAT-25		1
AB25548	VALVE, SUCTION 2ND STAGE-25		1
AB25549	VALVE, DELIVERY 2ND STAGE-25		1
AB25555	RING, COMPRESSION 112MM		1
AB25556	RING, COMP MAJOR DIA 4S25		1
AB25557	RING, OIL CONTROL		1
AB25564	VALVE,SUCTION 3RD STAGE-25		1
AB25565	VALVE,DELIVERY 3RD STAGE-25		1
AB25566	WASHER,VALVE SEAT,3RD STAGE		1
AB25569	RING, COMPRESSION 83MM		1
AB25570	RING, COMPRESSION 83MM		1
AB25571	RING, COMPRESSION 79.38MM		1
AB25576	PISTON, HP		1
AB25579	GASKET,LP CYL TO CRANKCASE 4S2		1
AB25581	WASHER,SEALING-25		1
AB25584	LOW PRESS PISTON		1
AB2595C	BASE,62AL PURIFIER BARE		1
AB2595E2	HOUSING, 62AL PURIFIER ALUM		1
AB2595E2C	CAP,62AL PURIFIED ALUM		1
AB2723M	LABEL,PURIFICATION FILTERS STD		1
AB280005	O-RING,60AL VALVE SEAL 1102		1
AB280006	O-RING,50AL FILTER		1
AB280007	O-RING,50AL FILTER STEM		1
AB280010	O-RING,42AL FILTER VITON -011		1
AB280013	O-RING,VITON DUMP BLOCK		1
AB280015	O-RING,2-136 TOP OF 42AL BASE		1
AB280020	O-RING,VITON		1
AB280022A	O-RING,FILL ADAPTER 346/347 TI		1
AB280024T	O-RING,-232 TEFLON 2-3/4ID X1/		1
AB280027	O-RING,60AL BASE		1
AB280057	ORING -239 VITON		1
AB280059T	O-RING,-226 TEFLON 2ID X1/8		1
AB280061T	O-RING,-228 TEFLON 2-1/4ID X1/		1
AB280065	ORING VITON .468ID .078W		1
AB280066T	O-RING,-230 TEFLON 2-1/2ID X1/		1
AB2801C	WASHER,TEFLON		1
AB280207	VALVE,RELIEF 150PSI 1/4NPT ASM		1
AB280217	VALVE,30PSI RELIEF 1/8NPT SOFT		1
AB280239	VALVE,RELIEF ADJ 6KPSI ALUM		1
AB280239-48	VALVE,RELIEF PRE-SET@4800PSI		1
AB280239-52	VALVE,RELIEF SET @ 5200PSI		1
AB280239-55	VALVE,RELIEF PRE-SET @5500PSI		1
AB280239H	VALVE,RELIEF ADJ 6.3KPSI ALUM		1

AB280242	FUSE, FLOW 6K PSI 1/4NPT MALE		1
AB280256	VALVE,RELIEF 50-200PSI 1/4NPTM		1
AB280261	VALVE,135PSI RELIEF ASME 1/4NP		1
AB280264	VALVE,5500PSI ASME 1/4NPT RELI		1
AB280265	VALVE,RELIEF 6500PSIASME CODED		1
AB280432	GAUGE,600PSI 2-1/2 SS GF PM		1
AB280446	GAUGE,6000PSI 2-1/2 SS GF PM		1
AB280470	GAUGE,200PSI 2" 1/4NPT CB		1
AB280479	GAUGE,160PSI 1/8NPT MINI		1
AB280504	VALVE,BACKPRESS 6KPSI 1/4NPT F		1
AB280507	VALVE,BACKPRESS 1/2NPT 6KPSI A		1
AB280507K	KIT BACK PRESS 1/2NPT REPAIR		1
AB280610	VALVE,CGA702 DOT CYL 6KPSI		1
AB280610A	DISC,6750PSI DOT BURST		1
AB280724	VALVE,1/2NPTM XFEM MINI BRS BA		1
AB280725	VALVE,1/4NPTMXFEM MINI BRS BAL		1
AB280736	VALVE,6KPSI 3WAY PM TRUNNION B		1
AB280736K	KIT,REPAIR F/280736 VALVE		1
AB280738	VALVE,1/8NPTF STL 5KPSI THROTT		1
AB280751	VALVE,1/8NPT EXTNL SEAL DRAIN		1
AB280937	REGULATOR, 6KPSI IN 5KPSI OUT		1
AB280937K	KIT, REGULATOR REPAIR		1
AB280937M	BRACKET,MOUNT FOR 280937 REGUL		1
AB280939	REGULATOR, 6KPSIX6KPSI ADJ AIR		1
AB280940	REGULATOR,6KPSI X 400PSIMAX OU		1
AB281009	REGUL.,LP MINI 1/8 NPT L/GAGE		1
AB281009A	NUT,MINI REG MOUNTING		1
AB281032	LUBRICATOR,MINI 1/8NPT 20CFM		1
AB281205	ELEMENT, INTAKE FILTER -4 -5 P		1
AB281206	ELEMENT,INTAKE FLTR REPLACEMEN		1
AB281207	SILENCER,RECLASSIFIER 1NPT		1
AB281217	ELEMENT,SINTERED BRONZE CONE		1
AB281219A	ELEMENT,FILTER COALESCER		1
AB281247	FILTER,1-1/4NPT INTK SILENCER		1
AB281251	ELEMENT,COALESCER 3SS PURIFICA		1
AB281251-1	ELEMENT KIT		1
AB281271A	ELEMENT,PREFILTER COALESCER 10		1
AB281273	ELEMENT,INTAKE INLET		1
AB281277	ELEMENT,FILTER PLEATED		1
AB281293	ASSY,ELEMENT,COALESCER FULL 60		1
AB281297	SILENCER,1/4NPTM MINI AIR MUFF		1
AB281505	TEE,1/8NPTF BRS PIPE		1
AB281507	TEE,BRANCH 1/8 NPT STL		1
AB281508	TEE,1/4NPT STREET STL		1
AB281509	TEE,1/4NPTF STL HP		1
AB281510	TEE,1/4NPT BRANCH STL		1
AB281512	TEE,STREET 1/8NPT STL		1
AB281608	REDUCER,1/4NPTF X 1/8NPTM STL		1
AB281609	REDUCER,1/4NPTM X1/8NPTF STL		1
AB281616	REDUCER,1/2X1/4NPT HP STL		1
AB281619	ADAPTER,3/8 TUBE X 1/4MNPT ST		1
AB281624	REDUCER,1NPTM X1/4NPTF STL HP		1
AB281715	CONNECTOR,4ANX1/4NPTM W/O NUT		1
AB281716	CONNECTOR,4MS X1/4MNPT STL BST		1
AB281718	CONNECTOR,6MS X1/4NPTM STL		1
AB281721	CONNECTOR,4MS X1/8MNPT STR STL		1
AB281761	CONNECTOR,2MS X1/8NPTM STL		1
AB281762	CONNECTOR,2MS X1/4NPT STL		1
AB281770	CONNECTOR,2MS X 1/16NPTM SS		1
AB281775	ELBOW,4MSX1/4NPTM 45DEG SS		1
AB281778	FERRULE 6MM EO 250 BAR STL		1
AB281785	CONNECTOR,4AN X 6SAE O-RING		1
AB281789	CONNECTOR,5MS X1/4NPTM STL		1

AB281807	CONNECTOR,4ANX1/4NPTF W/O NUT		1
AB281808	CONNECTOR,4MS X1/4FNPT BSTL		1
AB281829	CONNECTOR,2MSX 1/4NPTF SS		1
AB281907	PLUG,1/8NPT SOCKET STL		1
AB281908	PLUG,1/4NPT SOCKET STL PIPE		1
AB281914	PLUG,1/4NPT HEX HD STL		1
AB281915	PLUG,1/8NPT HEX STL PIPE		1
AB281926	PLUG 1/4 STR THD HEX HD-ORING		1
AB281929	PLUG,6SAE STR THRD O-RING HEX		1
AB282003	CROSS, 1/4FNPT STL		1
AB282006	CROSS,1/8FNPT STL		1
AB282104	OIL, 1 GALLON, COMPRESSOR		1
AB282130	OIL,15W-40 MOTOR, DIESEL		1
AB282203	SWITCH,LOW OIL SAFETY W/GAUGE		1
AB282406	FERRULE,4MS STL BITE TYPE		1
AB282412	FERRULE,1/8 SS PARKER FERULOK		1
AB282420	FERRULE,1/8 CPI SS TUBE		1
AB282511	NUT 1/8 2MS FERULOK STL TUBING		1
AB282902	RING,BACK UP 42AL BASE TOP		1
AB282903	RING,BACK UP 60AL SERIES		1
AB282908	RING, BACKUP TEFLON-333		1
AB283041	SWITCH,60PSI 1/8NPT NO/NC PRES		1
AB283049	BREAKER,6A AUTO RESET W/MT CIR		1
AB283109	NIPPLE,HEX 1/4 NPT S		1
AB283110	NIPPLE,HEX 1/8NPT STL HP		1
AB283111	NIPPLE,1/4 X 1/8 HEX STL		1
AB283120	REDUCER 3/8 X 1/8 STL PIPE HP		1
AB283307	TUBING,1/4 POLY FLO		1
AB283308	ELBOW,1/4 POLY X1/8NPTM BRS		1
AB283315	CAP,DUST QUICK DISCONNECT		1
AB283330	TEE,1/4 POLY X1/8NPTM BRS STRE		1
AB283334	ELBOW,1/8TU X 10-32ADJ SUR LOK		1
AB283411	V-BELT,C85 89" OD MATCHED		1
AB283443	V-BELT,A71 73 IN OD		1
AB283488	V-BELT,A72 74IN OD		1
AB2834A52	V-BELT,A52 54" OD		1
AB2834A55	V-BELT,A55 57IN OD		1
AB2834A73	V-BELT,A73 75 IN OD		1
AB2834A74	V-BELT, A74		1
AB2834C81	V-BELT,C81 85 IN OD		1
AB283675-1	COUPLING, FLEX TOOTH MODIFIED		1
AB283810	CLUTCH,AIRW/2B SHEAVE INTEGRAL		1
AB283811	KIT, AIR SUPPLY FOR 4UC CLUTCH		1
AB284124	ASSY,INDICATOR HP CO/H2O BODY		1
AB284130	VOLTMETER,150VAC PANEL MT1-1/2		1
AB284202	GROMMET,3/16ID 5/16HOLE 1/8GRO		1
AB284213	CABLE,6/4 SO BLACK		1
AB284232	HOLDER,FUSE PANEL MT 250V 15A		1
AB284263	GRIP, .75-.875 90EL ALU 1NPT		1
AB284270	RECEPTACLE,15A 125V DUPLEX		1
AB284290	TERMINAL,RING 12-10 X #10 UNIN		1
AB284306	ASSY,CGA346/347 FEM X 1/4 NPTM		1
AB284306A	ADAPTER,CGA346/347 FEMX4JIC ML		1
AB284309	ADAPTER,CGA346 MALE X1/4NPTM B		1
AB284318	ASSY,SCUBA CLAMPXCGA W/18"HOSE		1
AB284321A	ADAPTER,CGA347X1/4NPTF BRS MNI		1
AB284321B	ADAPTER,CGA347 MALEX1/4NPTM SS		1
AB284419	ASSY,HOSE 4FT 6KPSI W/4AN FE		1
AB284426	ASSY,6FTHP HOSE FSWVL6KPSI3/16		1
AB284443	HOSE,2"INTAKE SMOOTH BORE RIBB		1
AB284445	ASSY,25FT 6KPSI 3/16 W/4JIC		1
AB284446	ASSY,10FT 6KPSI 4JICF ENDSHOSE		1
AB284452	HOSE,250PSI 3/4 BLCK GEN PURPO		1

AB284453	BARB,3/4 HOSE X3/4NPTM BRS		1
AB284454	BARB,3/4 HOSE X1/2NPTM BRS		1
AB284455	ASSY,1FT HP HOSE FSWVL 6KPSI 3		1
AB284461	COUPLING,4JIC FEM SWIV X3/16HO		1
AB284478	HOSE,7KPSI 3/16 ID PARFLEX		1
AB284611	ELBOW,UNION 4MS STL		1
AB284612	ELBOW,4MS X1/4NPT MALE STL		1
AB284613	ELBOW,6MS X1/4MNPT BSTL		1
AB284617	ELBOW,4MS X1/8MNPT BSTL		1
AB284622	ELBOW,2MS X 1/8NPT SS		1
AB284636	ELBOW,2MS X1/8NPT STL		1
AB284637	ELBOW,2MSX1/4NPTM STL CPI		1
AB284704	CLAMP,3/8" OD RUBBER CUSHIONED		1
AB284705	CLAMP,MS21919WDG10 CUSHIONED		1
AB284709	CLAMP,#8 CUSHIONED 1/2 TUBING		1
AB284710	CLAMP,SS WORM 1/4-5/8 MAX		1
AB284712	CLAMP,MS21919WDG5 CUSHIONED		1
AB284714	CLAMP,#16 HT SILICONE CUSHND H		1
AB284715	CLAMP,SS WORM 2-1/2 MAX		1
AB284736	CLAMP,HD 1X1-3/4 SS WORM		1
AB284738	CLAMP,5/8 NOM.PLASTIC SNAPPER		1
AB284804	CONNECTOR,BLKHD 4ANX4MS STL		1
AB284808	UNION,4ANX4AN STL BLKHD		1
AB284818	UNION,4AN X 4AN SS		1
AB284837	CONNECTOR,4AN X1/8NPTF BLKHD S		1
AB285015	VALVE,SOLENOID 3WAY NC12V 250P		1
AB285016	VALVE,SOLENOID 3WAY NC 230V		1
AB285041A	COIL 230V ASCO SERIES		1
AB285205	ELBOW,STREET 1/4NPT STL		1
AB285207	ELBOW,STREET 1/8NPT STL		1
AB285210	ELBOW,45 STREET 1/4NPT STL		1
AB285214	ELBOW,MALE 1/8NPT STL		1
AB285304	TEE,4MS X 1/4NPTM RUN STREET S		1
AB285311	TEE 6MSX6MSX1/4 NPTF STL RUN		1
AB285322	TEE,4ANX1/4NPTM BRANCH STL 4JI		1
AB285324	TEE,4ANX4ANFEM SWIVEL STL RUN		1
AB285427	ASSY,SENSOR CELL CO LE1010 LE1		1
AB285438	ASSY,SENSOR CELL CO LE5000		1
AB285557	BULB,QUARTZ 300W 120V		1
AB285574	MAST,15FT AIR LIFTLIGHT TOWER		1
AB285574K	KIT,REBUILD F/285574 AIR MAST		1
AB285627	TRANSFORMER,440VX115/230 100VA		1
AB285629	TRANSFORMER,380V X 220V 100VA		1
AB285709	METER,HOUR MINI 4-40VDC		1
AB285714	METER,HOUR 240V MINI HOBBS		1
AB286110	ELBOW,4AN X1/4NPTM STL 4JIC		1
AB286111	ELBOW,4AN X1/4NPTF STL 4JIC		1
AB286120	ELBOW,4AN SWIVEL NUT MALEXFEM		1
AB286423	RECEPTACLE, CLIP ON		1
AB286431E	END,5/16 8MM METAL GAS SPRING		1
AB28643560	SPRING,GAS 60LB 7.8IN STROKE		1
AB28643580	SPRING,GAS 80LB 5.47 IN STROKE		1
AB28643590	SPRING,GAS 90# 7.8STRK 18.2QAL		1
AB286435C	SPRING,90LB 5" STROKE GAS		1
AB286435MT	MOUNT,5/16 BALL STUD F/GAS SPR		1
AB286435R	CLIP,RETAINER FOR GAS SPRING		1
AB286445	LOCK, MECHANISIM		1
AB286453S	HINGE,2"OPEN 1/8 PIN 304SS 96"		1
AB286454	DETENT,1-8 THRD		1
AB286456	LOCK,LEVER W/INTERNAL 1WAY CAM		1
AB286456H	ROD,SPARE FOR 286456		1
AB286456K	KNOB,F/HANDLE REVOLVEAIR		1
AB286459	SPRING,40LB 2.36" STROKE GAS		1

AB286471	HANDLE,HD LOCKING ZINC 1/2SHAF		1
AB286503	COUPLING,1/4NPT STL HP		1
AB286831	BUSHING, 1-1/8 BORE TL 1610		1
AB286862	BUSHING,2517 X 1-5/8 TL		1
AB286876	BUSHING,H 1-3/8		1
AB286884	BUSHING,D 1-1/8		1
AB286904	ELBOW,MALE 1/4MNPT STL		1
AB286905	ELBOW,1/4 FEM STL HP		1
AB287001	TUBING, 1/4 X .049 304SS A269		1
AB287007	TUBING, 1/8 X .028 304SS A269		1
AB287008	TUBING, 3/8 X .065 304SS A269		1
AB287121	GAUGE,FUEL DIRECT READ TOPMNT		1
AB287426	BOX,2 GANG 3EA 1/2 OUTLETS		1
AB287441E	ELBOW,3/8 BX FLEX X1/2NPT 90DE		1
AB287525	CONNECTOR,7POLE TRAILER END		1
AB287530	HOSE,FUEL 1/4ID HEAVY DUTY		1
AB287536	CONNECTOR,7POLE VEHICLE END		1
AB287541	RELAY,DPDT 12VDC W78RCSX-7 P&B		1
AB287548	COVER,2GANG OUTDOOR OUTLET BOX		1
AB287609	MOTOR,5HP3450RPM 208/460V3P182		1
AB287610	MOTOR,15HP 1760RPM 230/460VODP		1
AB287637	MOTOR,10HP 1PH 3450RPM 208-230		1
AB287644	MOTOR,10HP 3PH 230/460V 3450R		1
AB287645	MOTOR,20HP 1760R 208/460V ODP		1
AB287650	MOTOR, 7.5HP 1PH 3450 230/460		1
AB287703	MOLDING,1/4 VINYL BLACK		1
AB287713	MOLDING,1/2X1/2 BLACK VINYL		1
AB287903	ELBOW,45 4MSX1/4NPTM STL		1
AB288010	MOUNT,NEOPRENE BLUE		1
AB288015	MOUNT,NEOPRENE WHITE SHOCK		1
AB288018	MOUNT,280# SNGL DFCL 3/8-16 GR		1
AB288019	MOUNT,8-32 5/8W 1/2H MALE X FE		1
AB288101	ELBOW,45D 4AN X1/8NPTM STL 4JI		1
AB288215	TUBING,3/8ID X5/8OD PLASTIC RE		1
AB288231	ELBOW,1/8NPTM X 3/8 BARB BRS		1
AB288233	COUPLING,HI-FLO QD 1/2NPTM THR		1
AB288443	BAGGING,5-1/2X500FT POLYMYLAR		1
AB288459	CONTAINER,2-1/2G PLASTIC W/LID		1
AB288705	TUBING,1/8 NYLON		1
AB288811	CASTER,8X2.5GRAY POLY 1100LB S		1
AB290060	ASSY,346/347CGAX6SAE MALE FILL		1
AB290329	HOSE REEL 6KPSI 250FT LIB II		1
AB290330	OPT,LP HOSE REEL 150FT 300PSI		1
AB290394	ASSY,SCUBA X RVLVR W/SUPP RACK		1
AB294203	CORD,16/3 SO		1
AB294222	LOCKNUT,1NPT CONDUIT FITTING		1
AB294238	LOOM,3/8 CONVOLUTED PLASTIC		1
AB294271	CORD,6/3 SO POWER		1
AB294275	GRIP,CORD .63-.75 3/4NPT EL ST		1
AB294286	CONNECTOR,1/2 SUPER FLEX CONDU		1
AB294290	CONDUIT,3/8 SUPER FLEX BLK PVC		1
AB294292	ELBOW,3/8 SUP FLEX BLK CONDUIT		1
AB296808	SHEAVE,2A,4.2,4.45 OD "A"ONLY		1
AB299317	TERMINAL,RING #8 5/16 INSUL		1
AB299609	DISCONNECT,SOCKET 1/4NPTM W/LO		1
AB299639	BARB,1/2HOSE X 1/2NPTM 90D BRS		1
AB299703	PLUG,1/2 SQ HD BLK IRON		1
AB299727	ELBOW,1-1/4NPT STREET BLK PIPE		1
AB299734	NIPPLE,1-1/4 CLOSE BLK PIPE		1
AB299823	TEE,MALE BRANCH 1/4NPT BRS		1
AB299866	TEE,STREET 1/4NPT BRS		1
AB299873	REDUCER,3/8NPTM X 1/4NPTF BRS		1
AB299874	REDUCER,1/2NPTM X1/4NPTF BRS		1

AB300007	NUT,1/4-20 HEX ZINC PLATED		1
AB300014	FLATWASHER, SAE 7/16 ZINC		1
AB300015	LOCKWASHER,7/16 SPLIT		1
AB300031	SCREW,8-32 X3/4 PHIL PAN ZINC		1
AB300034	LOCKWASHER,5/16 SPLIT STL ZINC		1
AB300039	NUT,7/16-14 GRD5 ZINC		1
AB300042	BOLT,5/16-18X1-1/2 HX GRD5		1
AB300047	LOCKWASHER,1/4 SAE SPLIT SS		1
AB300050	ROD, THREADED 1/2-13 X 3FT ZIN		1
AB300108C	CARD,10/20/30% MOISTURE INDICA		1
AB300117	CO/HUMIDITY INDICATOR CARD		1
AB300205	ASME RECEIVER		1
AB300316	WIRE,16AWG BLACK TFFN 80C TEFL		1
AB300334	WRAP,CABLE 3/4 SPIRAL OUTDOOR		1
AB300366	WRAP,HOSE.91-1.45 OD BLK SPIRA		1
AB300807	TAPE,1/4 HD TEFLON TAPE		1
AB300901	CONNECTOR,4JIC FEM X1/4NPTM SW		1
AB300903	SWIVEL,5KPSI 1/4NPT LIVE PRESS		1
AB303040	ASSY,EMER STOP 1-NC 1-NO LATCH		1
AB303041	ACTUATOR,EMER STOP LATCHING		1
AB303042	MOUNT,EMER STOP SWITCH		1
AB303043	SWITCH,NORM CLOSED CONTACT		1
AB303044	SWITCH,NORM OPEN CONTACT		1
AB303050	ASSY 3POS SELECT SWITCH W/CONT		1
AB30378	O-RING,-25		1
AB304201	TRAILER CABLE PER SAE J1067		1
AB304204	PLUG,1/2NPT AL WP OUTLET BOX		1
AB304251	GROMMET,ALL FIT 1.375 HOLE BLK		1
AB310035	FUSE,1MDL SLOW BLOW		1
AB310037	STEM,SHORT 60AL FILTER		1
AB310038	STEM,MEDIUM 60AL FILTER		1
AB310038A	STEM, MED 65AL		1
AB310038B	TUBE,65AL COALESCER 65X10CA IN		1
AB310182	COOLANT,ANTI-FREEZE		1
AB310397	HOSE,1" SPIRAL RIB SMOOTH BORE		1
AB310543	LIGHT,26" FLUORES 12V W/SWITCH		1
AB310567	U-BOLT,7/16-14 X 1ASME RECEIVE		1
AB310658	RIVET,PUSH IN		1
AB310777	RECEIVER,4500PSI DOTW/VALVE&CA		1
AB310932	PISTON SWITCH 500-6000 PSI ADJ		1
AB311128	CLUTCH OIL, AIR TOOL OIL		1
AB3205F	ASSY,346/347 FEM X 4JIC FEM SW		1
AB3206A	ASSY,346/347 HANDWHEEL/NIPPLE		1
AB3302	ASSY,MANIFOLD CONNECT W/OVALVE		1
AB3303	ASSY,CONNECTION CYL TO CYL DOT		1
AB34606	SEAT, DELIVERY VALVE		1
AB35138	PISTON, 4TH STAGE		1
AB35139	4TH STAGE CYL SLEEVE		1
AB35140	RING,4TH STAGE PISTON		1
AB35333	GASKET,CYLINDER BASE-17		1
AB35334	GASKET,VALVE CYLINDER-17		1
AB3CAC	ELEMENT, FILTER CATALYST		1
AB3CACB-5	KIT,ELEM CATALYST/CARBON 20SS		1
AB3X	ELEMENT, FILTER		1
AB3XB-5	ELEMENT,DESICCANT 20SS FILTER		1
AB400000	OIL FILTER, LMF-V17		1
AB400001	FILTER OIL LMF V16		1
AB4008-3005	MANIFOLD,DUMP COLL. SKD 1		1
AB4008-4003	BRACKET ASSY, PURIFIER SKD1		1
AB42X5A	ELEMENT, FILTER		1
AB42XCAC	ELEMENT, FILTER		1
AB4457K118	FILL PIPE		1
AB5007-0016	REVOLVE AIR, RESCUE AIR		1

AB5007-1017-3	BRACKET,PANEL LIGHT RVLVR AVGR		1
AB5016-2000	OPTION,2B CSCD ADD-ON CNTRL		1
AB5016-4000	OPT,4B CSCD ADD-ON CNTRL PANEL		1
AB5019-0101	ASSY,25FT CNTRL CABLE LE 4&5K		1
AB5019-0402	MOTOR PLATE ASSEMBLY		1
AB5019-0403	DUMP TEE ASSEMBLY		1
AB5019-0405	HINGE PIN ASSEMBLY		1
AB5019-0406	SHIPPING PIN ASSEMBLY		1
AB5033-1125-41	INTERLOCK VALVE LEVER ASSY		1
AB50CAC	ELEMENT, FILTER		1
AB50X	ELEMENT, FILTER		1
AB50X8C	ELEMENT,FILTER W/COALESCER		1
AB50X9	ELEMENT,FILTER COALESCER		1
AB50XAC	ELEMENT,FILTER		1
AB50XCAC	ELEMENT,FILTER		1
AB52X	FILT. ELEM. COLTRI UPGRADE KIT		1
AB52XCAC	ELEMENT,52AL COMBO PURIFIER		1
AB603AA	ELEMENT,3A SIEVE W/10% ALUMINA		1
AB60CAC	ELEMENT,FILTER 60AL		1
AB60X	ELEMENT,FILTER 60AL		1
AB60X10C	ELEMENT,FILTER 60AL		1
AB60X5A	ELEMENT,FILTER		1
AB60XCAC	ELEMENT,FILTER		1
AB6111-1009	VALVE,MODIFIED 3WAY TRUNNION		1
AB6111-1010	COLLAR,HOKE TRUNNION VALVE SS		1
AB6111-1013	ASSY,ACTUATOR ARM RVLVR INTERL		1
AB6130-0111T	COVER,LIGHT/AIR MAST VINYL		1
AB6130-0121-11	TANK BODY ASSEMBLY		1
AB6130-0202	ASSY, 6FT LE CONTROLLER CABLE		1
AB6130-0216	SCHEMTAIC,ELEC LIB-I 36E/D		1
AB6130-0316	SCHEMATIC,PNEU LIB-I 36E/D		1
AB6130-1132	DBL SHAFT,ELECTRIC MOTOR		1
AB6130-7000-1	ASSY,DUAL MAST W/OUT LIGHTS		1
AB6130-7101	TUBE,3-1/2X3/4"INTAKE MAST BOT		1
AB6130-7101C	COLLAR,INTAKE MAST LIB-I BOTTO		1
AB6130-7102	TUBE,2-3/4X32" INTAKE MAST 2ND		1
AB6130-7102C	COLLAR,INTAKE MAST LIB-I 2ND S		1
AB6130-7103	TUBE,2-1/2X32"INTAKE MAST 3RD		1
AB6130-7103C	COLLAR,INTAKE MAST LIB-I 3RD S		1
AB6130-7104	TUBE,2-1/4X30-1/2 INTAKE MAST		1
AB6130-7104C	COLLAR,INTAKE MAST LIB-I 4TH S		1
AB6130-7105	TUBE,2"X29-3/4 INTAKE MAST 5TH		1
AB6130-7300	ASSY,2KW FLOODLIGHTS LIB-I		1
AB6130-7301	ASSY,2KW FLOODLIGHT HEAD 120VA		1
AB6130-7410	NUT,COUPLING F/LIGHT X AIR MAS		1
AB6130-7411	NUT,COUPLING F/LIGHT X AIR MAS		1
AB6130-7412	NUT,COUPLING F/LIGHT X AIR MAS		1
AB6130-7413	NUT,COUPLING F/LIGHT X AIR MAS		1
AB6130-8000	OPTION,COLD WEATHER RUN LIB I-		1
AB6130-9101D	TRLR DOOR, SINGLE, UNPAINTED		1
AB6130-9103D	TRAILER ROOF, UNPAINTED		1
AB6130-9112	SIDE,LEFT LIB-I W/WELDED FEND		1
AB6130-9112D	TRAILER BODY L.H.UNPAINTED		1
AB6130-9114D	FENDER WELL COVER, UNPAINTED		1
AB6130-9116	GRILL,RIGHT REAR LIB-I-36		1
AB6130-9117	GRILL,LEFT REAR LIB-I-36		1
AB6130-9210	SCREEN,LIB-I RIGHT SIDE COMP F		1
AB6130-9220	SCREEN,LIB-I LEFT SIDE COMP FA		1
AB65AL	ASSY,PURIFICATION BASE/CHAMBER		1
AB65CAC	ELEMENT,FILTER 65AL		1
AB65X	ELEMENT,FILTER 65AL		1
AB65X10C	ELEMENT,FILTER 65AL		1
AB65X10CA	ELEMENT,COALESCER & DRYER PURI		1

AB65XCAC	ELEMENT,COMBINATION PURIFIER		1
AB66CAC	ELEMENT, FILTER, 66AL		1
AB66X	ELEMENT, FILTER, 66AL		1
AB66X10CA	ELEMENT, COALESCER & DRYER, 66		1
AB66XCAC	ELEMENT, COMBINATION, 66AL		1
AB7206-3006	BLOCK,MANIFOLD 3X3 CAROUSEL		1
AB7402	CYL(HM),20PPM CALIBRATION GAS		1
AB7410	CYLINDER(HM),0PPM SPAN GAS CO		1
AB8085	CAP,OIL FILLER-7-10-16-24		1
ABA017615	CYL,7/16 BORE X 1 1/2 STROKE		1
ABA021838	ADAPTER,M18X1.5 TO 3/8NPTF CON		1
ABA022125	INTAKE HOSE ADAPTER		1
ABA02350	ASSY,250/300 BAR DIN FILL ADAP		1
ABA02350J	ADAPTER, 250/300 DIN X 4JIC FI		1
ABA02350P	ASSY, 250/300 DIN X 1/4NPTM CH		1
ABA024252	ADAPTER,52AL BASE X 42AL BOTTO		1
ABA025016	ADAPTER,1/4NPT MXF 1/16 NPTF S		1
ABA02614	ADAPTER,6SAE X1/4NPTF STL PIPE		1
ABA02616	ADAPTER,6SAE FEM X1/4NPT MALE		1
ABA043400	ANCHOR,5/8" DIA 3"LG GRDS ZINC		1
ABB071306	BEARING,FLANGE 1.25 ID 1.344 O		1
ABB074121	BEARING,BALL 1.3125ID 2.5625OD		1
ABB083205	BELT,TIMING 390H100 39"PD 1"W		1
ABB112538	BOLT,1/4-20 X3/8 GRD2 HXHD ZIN		1
ABB113835	BOLT,3/8-16X3-1/4 HXHD GRD5 ZI		1
ABB114214	BOLT,1/4-20 X2-1/4 SS HXHD		1
ABB21001	BUSHING,MK111 SKD NYL PANEL IN		1
ABB305000	ASSY,PS3 LE5000 LE4000 PWR BOA		1
ABC023000	CABLE,30FT LE4K LE5K CONTROLLE		1
ABC023500	CABLE,35FT LE4K LE5K CONTROLLE		1
ABC100617E	END,#10 BEAD NICPLTD BRASS.193		1
ABC113310	CHANNEL,STRUT 1-5/8X1-5/8 SLOT		1
ABC167245	END,10-32 FEM THRD BALL JOINT		1
ABC210017	COMPRESS, BARE-17 4S17 V22H-AL		1
ABC210025	COMPRESSOR, BARE-25 4S25		1
ABC214000	COMPRESSOR,MCH-16 3SCOLTRIBARE		1
ABC26013	ADAPTER,1/4NPTM X 1/4NPTF SS		1
ABC26145	CONNECTOR,2POLE 3WIRE 15ATL CO		1
ABC26418	CONNECTOR, 60A 600V FEM CORD		1
ABC42104	CORD,10/4 SO BLACK 25AMP MAX		1
ABC432230	CHARGER,3AMP 230VACX12VDC AUTO		1
ABC477111	CONTAINER,1000ML POLY SCREW TO		1
ABE0612041	ELEMENT,AIR FILTER LDW1204 FOC		1
ABE0612042	ELEMENT,OIL FILTER LDW1204FOCS		1
ABE0620041	ELEMENT,INTAKE 2004 DIESEL ENG		1
ABE0620042	ELEMENT,ENGINE OIL 2004 FILTER		1
ABE0620043	ELEMENT,DIESEL FUEL 2004 FILTE		1
ABE065387	ELEMENT,REMOTE INTAKE		1
ABF04017	AIR FILTER, LMF-V17		1
ABF047125	FILTER,REMOTE INTK 50CFM 1-1/4		1
ABF0536T4	FAN,EXTENDED BLADE 15T4 COOLIN		1
ABF13645	FUSE,FAST 5.0 AMP SUB-MINI		1
ABF38100	FILTER, OIL DIESEL		1
ABG020100P	GAUGE, 2-5/8" 0-100PSI PM		1
ABG020400P	GAUGE, 0-400PSI PM 2-5/8 CB		1
ABG020600P	GAUGE, 2-5/8" 0-600PSI PM		1
ABG023000P	GAUGE, 2-5/8" 0-3000PSI PM		1
ABG146000	GENERATOR,6KW 3600RPM 120/240		1
ABG148000	GENERATOR,7.2KW120/240 3600RPM		1
ABH04738	ASSY,100FT 6KPSI 4JIC SWVL HOS		1
ABH070025	HOSE ASSY 40FT 3/16 ID 7K PSI		1
ABH070144	ASSY,12FT HOSE 6KPSI WP 4JIC S		1
ABH070329	ASSY, HOSE 24IN 7KPSI 4AN FEM		1

ABH070330	ASSY, HOSE 42IN 6KPSI 4AN FEM		1
ABH070336	ASSY,3FT 6KPSI 4AN FEM SWVL HO		1
ABH070360	ASSY,30FT 6KPSI 4JIC FSWVL HOS		1
ABH070378	ASSY,6KPSI 78"HOSE 4AN FEM SWV		1
ABH070396	ASSY,8FT 6KPSI 4AN FEM SWIVELS		1
ABH070700	ASSY,50FT 6KPSI 4JIC FE ENDS H		1
ABH071001	ASSY,18"6KPSI 4AN FEM SWVL HOS		1
ABH071120	HOSE,1-1/2 SPIRAL RIB SMOOTH B		1
ABH07180	ASSY,15FT 6KPSI HOSE 4JIC FEM		1
ABH072030	ASSY,30"4JIC SWIV 6KPSI HOSE		1
ABH075250	ASSY, 250FT 7KPSI 4JIC FEMSWIV		1
ABH085024	ASSY,2FT 6KPSI 4AN FEM SWVL HO		1
ABH15T6-12	COMPRESSOR I/R #CCN81290850		1
ABH15T6-230	IR 6K W/230VAC SOLENOID		1
ABI051006	INSULATION,SOUND WHITE W/ADHES		1
ABI051006-4	22X34 SOUNDFOAM WHTE/ADHES		1
ABK02443	KIT,FLOW FUSE F/RVLVR REAR OUT		1
ABK02853	KIT,TRAILER UNDER 80"DOT LIGHT		1
ABKV1007	KIT, UNLOADER VALVE REPAIR		1
ABL01002	LATCH,CAM SCREWDRIVER ACTUATED		1
ABL011006	LATCH,PUSH LOCK BUTTW/OKEY LOC		1
ABL011007	LATCH,RUBBER DRAW W/NYLON STRI		1
ABL101010	LOCKWASHER,#10 SS SAE		1
ABL101050	LOCKWASHER,#8 STL CAD PL		1
ABL18016	DECAL,CONTROL PANEL TRAILER		1
ABM-034020	MOISTURE SEPARATOR SIAC		1
ABM097000	TAB,INTAKE TO AIR MAST MOUNTIN		1
ABM6A20	CARTRIDGE MCH6 TYPE PURIFIER		1
ABN020677	ASSY,CGA 677 NIPPLE & NUT		1
ABN020702	ASSY,CGA 702 NIPPLE & NUT		1
ABN04010	NUT,1-1/4NPT JAM NUT STEEL		1
ABN041008	NUT,3/8 TWIST ON F/STRUT		1
ABN041025	LOCKNUT,1/4-20 SS NYLOK		1
ABN04249	NUT,1/4-20 ACORN SS		1
ABN04677	NUT, CGA 677		1
ABN048215	JAMNUT,3/8-24 GRD2 CAD		1
ABP06181	PIN,1/8 X 1-1/8 SS TENSION SPR		1
ABP10422	PLUG,60A MOTOR 600V LOCKING		1
ABP104220	PLUG,4AN STL END CAP		1
ABP10798	INLET,2POLE 3WIRE 15A 125V FLA		1
ABR11969	REGULATOR,6KPSI X 0-250 ADJ		1
ABR283740	RIVET,NYLON RATCHET 9/32.346-		1
ABS040726	SCREW,8-32X1/2 PHIL PNHD ZINC		1
ABS041018	SCREW,4-40X3/4 SHCS SS		1
ABS041019	SETSCREW,8-32 X 1/8 SS CUP POI		1
ABS041160	SCREW,10-32 X 1/2 SHCS SS		1
ABS044827	SCREW,10-32 X 3/8 PN HD PHIL		1
ABS051000	ASSY,1EA SEALOFF W/12"BEAD C		1
ABS065000-8	SENSOR,8FT TEMP F/LE4000 LE500		1
ABS10074	SHEAVE,2A 74D 7.25 OD		1
ABS101002	SHEAVE, 2A49D 4.75OD PD=4.50		1
ABS282380	SPRING,SS TAPER .843X1.25 OD .		1
ABS40050	SWITCH,LOW OIL LEVEL-25 COMPRE		1
ABS444753	SHEET,1X24X24 OPENCELL POLYU		1
ABT19022	TAPE,FIBERGLASS 1"W ALUM RINFR		1
ABT194524	TAPE,10MIL X3IN POLYETHYLENE G		1
ABT212700	BOARD,POWER 85-264VAC 15VDC		1
ABU0222	UNION,BLKHD 2MS STL		1
ABUL101	KIT,REPAIR AUTO DRAIN VALVE		1
ABV011000	V-BELT, B65		1
ABV01B45	V-BELT,BX45 48IN OD		1
ABV02004	VALVE,BLEED 1/4NPTM		1
ABV021001	VALVE,DRAIN 7.5KPSI 1/4NPT STL		1

ABV021006	VALVE,3/8NPTMX5/8 HOSE BRS TRU			1
ABV023511	VALVE,ADJ VENT & SILENCER EXH			1
ABV02796	RESTRICTOR,.047 5KPSI 1/4NPTMF			1
ABV02816	VALVE,TOGGLE 6KPSI 1/4NPT ALUM			1
ABV029251	VALVE,RESTRICTOR 1/8NPT ADJ			1
ABV029885	RELIEF VALVE, 1ST STAGE			1
ABV029895	VALVE,RELIEF 2ND STG 400PSI IR			1
ABVCA955	VALVE,CHECK M-F FLOW			1
ABW01065	WASHER,65AL STEM BOTTOM SEALIN			1
ABW011000	WASHER,NYLON #4 .206 X .053			1
ABW017145	WASHER,DELRIN 3/4 X.065 1.312			1
ABW017401	FLATWASHER,5/16 NYLON .062			1
ABW032000	WHEEL & TIRE,15"6BOLTX7 2540#			1
ABY25309	VALVE SEAT WASHER			1
CAMERAWAR61	1 YR EXT WARRANTY/EAGLE 160			1
CAMERAWAR62	2 YR EXT WARRANTY/EAGLE 160			1
CAMERAWAR63	3 YR EXT WARRANTY/EAGLE 160			1
CYL LOGO 1	CYLINDER LOGO			1
CYL LOGO 2	CYLINDER LOGO			1
CYL LOGO 3	CYLINDER LOGO			1
CYL LOGO 4	CYLINDER LOGO			1
M24	POS13 USB CALIBRATION			1
M26	POS13 USB TEST STAND UPGRADE			1
M27	Cylinder Valve Socket Kit			1
MS27980-9B	EYELET, BLACK, STYLE 2			1
MS27983-1	BUTTON,BLACK,STYLE 4			1
MS27983-2	SOCKET,BLACK,STYLE 4			1
MS27983-3	STUD,BLACK,STYLE 4			1
P200779-01	CYL&VLV ASSY, SKA-PAK AT			1
P200779-03	CYL & VALVE ASSY, SKA-PAK			1
P200930-01-D	CYL&VALV,CGA,CARB,30/5500 ASSY			1
P200969-01-D	CYL&VALV,CGA,CARB,45/5500 ASSY			1
P200972-01-D	CYL&VALV,CGA,CARB,60/5500 ASSY			1
P200975-01-D	CYL&VALV,CGA,CARB,75/5500 ASSY			1
P201163-01	ASSY,BATT CAP,SEN MODULE,X3			1
P7421-111	XCEL SM GREY HALF MASK RESP			1
P7421-111V	XCEL SM GREY HALF MASK VM RESP			1
P7421-112	XCEL S/M GREY HALF MASK RESP			1
P7421-112V	XCEL SM GREY HALF MASK VM RESP			1
P7421-113	XCEL M/L GREY HALF MASK RESP			1
P7421-113V	XCEL ML GREY HALF MASK VM RESP			1
P7421-114	XCEL LG GREY HALF MASK RESP			1
P7421-114V	XCEL LG GREY HALF MASK VM RESP			1
P7421-411V	ASSY, XCEL HS SM HALF MASK VM			1
P7421-412V	ASSY, XCEL HS S/M HALF MASK VM			1
P7421-413V	ASSY, XCEL HS M/L HALF MASK VM			1
P7421-414V	ASSY, XCEL HS LG HALF MASK VM			1
P7421-511V	CASE, XCEL HS SM HALF MASK VM			1
P7421-512V	CASE, XCEL HS S/M HALF MASK VM			1
P7421-513V	CASE, XCEL HS M/L HALF MASK VM			1
P7421-514V	CASE, XCEL HS LG HALF MASK VM			1
P801935-03	(HM) AL.CYL&VLV 5 MIN.			1
P804101-01	AL.CYL&VLV ASSY.			1
P804281-01	(HM) CYL&VLV 4500 PSI			1
P804721-01-D	CYL&VALV ASSY CARB,30MIN,4500			1
P804722-01-D	CYL&VALV ASSY CARB,45MIN,4500			1
P804723-01-D	CYL&VALV ASSY CARB,60MIN,4500			1
P804840-01-D	CYL&VALV ASSY CARB,30MIN,2216			1
P804961-01	SKAPAK 3.0,15MIN.CYL&VLV ASSY			1
P804961-02	C&V,3.0,15,EZ-CLIP			1
P805031-01	SKAPK+ 2.2 5MN CYL&VLV ASSY			1
P805032-01	SKPK+ 10MN 4.5 CYL&VLV ASSY			1
P805947-02	CYL&VLV,CARB,5 MIN 3.0 LOW RE			1

P805948-02	CYL&VLV,CARB,10 MIN 3.0 LOW R		1
------------	-------------------------------	--	---



ce list. All prices are

<u>2015 List Price</u>	
\$	580.00
\$	134.00
\$	83.00
\$	1,256.00
\$	1,620.00
\$	1.90
\$	92.00
\$	276.00
\$	699.00
\$	198.00
\$	273.00
\$	250.00
\$	64.00
\$	100.00
\$	87.00
\$	218.00
\$	1.00
\$	1.00
\$	39.60
\$	39.60
\$	7.50
\$	6.90
\$	29.20
\$	6.70
\$	7.60
\$	30.20
\$	8.30
\$	30.20
\$	12.50
\$	8.90
\$	31.70
\$	33.70
\$	5.60
\$	11.90
\$	30.20
\$	37.30
\$	15.30
\$	15.00
\$	21.50
\$	266.00
\$	266.00
\$	143.00
\$	145.00
\$	145.00
\$	143.00
\$	36.40

₺	309.00
₺	277.00
₺	277.00
₺	309.00
₺	9.80
₺	10.20
₺	3.10
₺	7.80
₺	3.40
₺	1.00
₺	2.00
₺	79.00
₺	15.00
₺	5.00
₺	39.00
₺	15.75
₺	15.75
₺	15.75
₺	15.75
₺	30.00
₺	83.00
₺	58.00
₺	12.50
₺	37.17
₺	55.76
₺	26.88
₺	18.00
₺	11.87
₺	5.20
₺	5.25
₺	5.50
₺	168.50
₺	183.10
₺	168.50
₺	21.90
₺	41.50
₺	24.00
₺	48.00
₺	33.70
₺	48.50
₺	951.60
₺	26.00
₺	6.30
₺	6.30
₺	21.00
₺	10.50
₺	27.30
₺	27.30
₺	8.40
₺	12.60
₺	7.00
₺	2.10
₺	6.30
₺	6.30
₺	210.00
₺	7.35
₺	3.15
₺	1.20
₺	1.20
₺	1.50
₺	1.00
₺	2.40
₺	210.00

\$	210.00
\$	218.00
\$	175.00
\$	175.00
\$	180.00
\$	136.00
\$	136.00
\$	295.00
\$	3.15
\$	6.30
\$	1.20
\$	236.00
\$	295.00
\$	84.00
\$	196.00
\$	245.00
\$	55.00
\$	5.50
\$	84.00
\$	163.80
\$	437.00
\$	4.50
\$	79.00
\$	147.00
\$	4.50
\$	189.00
\$	1.20
\$	12.60
\$	8.82
\$	1.16
\$	382.00
\$	49.00
\$	237.00
\$	492.00
\$	142.00
\$	3.41
\$	7.19
\$	52.50
\$	10.50
\$	295.00
\$	210.00
\$	19.00
\$	19.00
\$	245.00
\$	63.00
\$	200.00
\$	262.00
\$	157.00
\$	126.00
\$	168.00
\$	168.00
\$	1,500.00
\$	44.00
\$	47.00
\$	21.00
\$	23.00
\$	99.75
\$	5.25
\$	26.25
\$	19.00
\$	38.00
\$	257.00
\$	328.00

\$	185.00
\$	317.00
\$	53.00
\$	49.00
\$	185.00
\$	255.00
\$	312.00
\$	377.00
\$	169.00
\$	278.00
\$	327.00
\$	376.00
\$	400.00
\$	455.00
\$	250.00
\$	353.00
\$	400.00
\$	455.00
\$	610.00
\$	654.00
\$	455.00
\$	568.00
\$	615.00
\$	458.85
\$	36.00
\$	131.00
\$	174.00
\$	365.00
\$	327.00
\$	327.60
\$	382.00
\$	327.00
\$	327.00
\$	327.00
\$	163.00
\$	17.00
\$	22.00
\$	546.00
\$	546.00
\$	546.00
\$	354.00
\$	42.00
\$	42.00
\$	218.00
\$	540.00
\$	540.00
\$	82.00
\$	32.00
\$	7.35
\$	382.00
\$	16.80
\$	7.67
\$	465.00
\$	157.00
\$	21.00
\$	36.00
\$	95.00
\$	204.00
\$	204.00
\$	315.00
\$	315.00
\$	255.00
\$	255.00

₺	231.00
₺	84.00
₺	140.00
₺	140.00
₺	4.20
₺	441.00
₺	441.00
₺	441.00
₺	441.00
₺	441.00
₺	98.00
₺	5.60
₺	9.45
₺	405.00
₺	465.00
₺	169.00
₺	169.00
₺	169.00
₺	1,895.00
₺	1,795.00
₺	42.00
₺	420.00
₺	147.00
₺	5.00
₺	10.00
₺	11.00
₺	74.00
₺	4.90
₺	48.30
₺	9.00
₺	10.00
₺	1.00
₺	3.00
₺	10.00
₺	6.00
₺	27.00
₺	6.00
₺	5.00
₺	102.00
₺	4.00
₺	6.00
₺	672.00
₺	11.00
₺	11.00
₺	13.00
₺	35.00
₺	6.00
₺	8.00
₺	48.00
₺	4.00
₺	13.00
₺	4.00
₺	4.00
₺	6.00
₺	12.00
₺	4.00
₺	173.00
₺	72.00
₺	47.00
₺	130.00
₺	130.00
₺	26.00
₺	118.00

₹	12.00
₹	44.00
₹	26.00
₹	40.00
₹	23.00
₹	48.30
₹	3.00
₹	75.00
₹	46.00
₹	47.60
₹	34.00
₹	8.00
₹	5.00
₹	4.86
₹	0.48
₹	0.62
₹	2.12
₹	4.00
₹	3.00
₹	3.00
₹	3.00
₹	7.00
₹	3.00
₹	3.00
₹	20.00
₹	6.00
₹	3.00
₹	5.00
₹	3.00
₹	5.00
₹	4.00
₹	3.00
₹	13.00
₹	2.00
₹	4.00
₹	3.00
₹	6.00
₹	7.00
₹	2.00
₹	22.00
₹	9.00
₹	78.00
₹	34.00
₹	26.50
₹	2.00
₹	3.60
₹	110.00
₹	23.80
₹	13.60
₹	5.00
₹	2.10
₹	3.00
₹	1.80
₹	1.80
₹	54.30
₹	78.50
₹	2.00
₹	3.00
₹	4.00
₹	4.00
₹	8.50
₹	2.20
₹	2.00

₺	3.60
₺	3.00
₺	68.40
₺	26.00
₺	6.00
₺	5.00
₺	114.00
₺	5.00
₺	5.00
₺	11.00
₺	5.00
₺	4.00
₺	56.00
₺	3.76
₺	9.93
₺	490.00
₺	165.00
₺	85.00
₺	12.00
₺	11.00
₺	31.00
₺	2.10
₺	3.30
₺	21.00
₺	5.00
₺	20.00
₺	5.00
₺	70.00
₺	70.00
₺	12.02
₺	12.02
₺	2.80
₺	4.10
₺	2.00
₺	2.00
₺	2.80
₺	2.00
₺	71.00
₺	9.40
₺	3.00
₺	3.00
₺	15.00
₺	3.00
₺	23.00
₺	3.00
₺	4.00
₺	53.00
₺	5.50
₺	14.00
₺	6.50
₺	2.00
₺	157.00
₺	2.00
₺	1.50
₺	20.00
₺	9.00
₺	6.00
₺	2.00
₺	512.00
₺	66.00
₺	522.00
₺	277.00
₺	220.00

₺	310.00
₺	85.70
₺	27.00
₺	3.00
₺	26.00
₺	13.50
₺	3.00
₺	8.50
₺	861.00
₺	1,415.00
₺	1,230.00
₺	9.00
₺	5.65
₺	74.00
₺	9.00
₺	9.00
₺	10.00
₺	60.50
₺	42.00
₺	5.00
₺	47.60
₺	9.00
₺	933.00
₺	36.00
₺	21.00
₺	75.50
₺	15.00
₺	10.00
₺	330.00
₺	297.00
₺	426.00
₺	236.00
₺	71.90
₺	1,025.00
₺	1.80
₺	34.70
₺	3.00
₺	3.00
₺	8.00
₺	3.00
₺	10.00
₺	1,230.00
₺	9.00
₺	7.00
₺	22.00
₺	8.60
₺	42.90
₺	42.90
₺	42.90
₺	3.40
₺	6.20
₺	8.80
₺	13.70
₺	6.80
₺	6.80
₺	2.10
₺	6.60
₺	26.50
₺	1.90
₺	1.40
₺	1.40
₺	135.00
₺	12.00

₺	232.00
₺	4.00
₺	36.00
₺	17.00
₺	65.00
₺	3.00
₺	3.00
₺	2.00
₺	3.00
₺	36.00
₺	8.00
₺	5.00
₺	3.10
₺	9.40
₺	1.70
₺	55.00
₺	83.00
₺	106.00
₺	5.00
₺	3.00
₺	79.60
₺	4.00
₺	1.70
₺	1.70
₺	1.70
₺	0.50
₺	43.00
₺	229.00
₺	195.00
₺	3.00
₺	21.40
₺	13.00
₺	27.00
₺	2.00
₺	2.00
₺	3.00
₺	24.00
₺	2.00
₺	2.00
₺	88.00
₺	85.00
₺	42.90
₺	6.00
₺	28.00
₺	8.00
₺	8.00
₺	2.00
₺	8.50
₺	4.00
₺	6.35
₺	77.00
₺	5.00
₺	74.90
₺	32.20
₺	7.20
₺	183.92
₺	155.71
₺	23.80
₺	0.35
₺	2.00
₺	420.00
₺	490.00
₺	76.00

₺	6.20
₺	5.80
₺	17.00
₺	2.00
₺	27.00
₺	8.00
₺	19.00
₺	205.00
₺	170.00
₺	5.00
₺	7.00
₺	4.00
₺	45.00
₺	9.20
₺	9.20
₺	44.00
₺	99.00
₺	99.00
₺	22.00
₺	11.00
₺	48.00
₺	9.00
₺	32.00
₺	62.00
₺	215.00
₺	64.60
₺	36.00
₺	49.00
₺	118.00
₺	9.00
₺	23.00
₺	17.00
₺	39.00
₺	22.00
₺	101.50
₺	9.00
₺	51.00
₺	7.00
₺	21.00
₺	16.00
₺	46.00
₺	46.10
₺	10.00
₺	46.10
₺	91.00
₺	95.00
₺	1,055.00
₺	13.00
₺	58.00
₺	82.00
₺	16.00
₺	7.50
₺	80.00
₺	30.80
₺	6.50
₺	1.15
₺	3.00
₺	87.00
₺	23.00
₺	8.00
₺	3.00
₺	1.00
₺	8.30

₺	26.00
₺	6.00
₺	3.50
₺	14.00
₺	3.60
₺	21.00
₺	27.70
₺	52.30
₺	5.00
₺	6.00
₺	5.00
₺	5.00
₺	4.00
₺	6.00
₺	4.00
₺	5.00
₺	5.00
₺	3.00
₺	1.00
₺	1.00
₺	1.00
₺	3.00
₺	5.00
₺	3.00
₺	82.00
₺	82.00
₺	3.00
₺	66.50
₺	5.00
₺	805.00
₺	805.00
₺	805.00
₺	774.00
₺	774.00
₺	372.00
₺	439.00
₺	559.00
₺	466.00
₺	81.00
₺	428.00
₺	68.00
₺	41.00
₺	574.00
₺	574.00
₺	30.00
₺	605.00
₺	605.00
₺	605.00
₺	605.00
₺	605.00
₺	605.00
₺	605.00
₺	10.25
₺	894.00
₺	894.00
₺	1,681.00
₺	1,866.00
₺	1,681.00
₺	1,866.00
₺	1,681.00
₺	1,845.00
₺	461.00
₺	499.00

\$	509.00
\$	509.00
\$	2,204.00
\$	5,975.00
\$	6,110.00
\$	6,435.00
\$	6,000.00
\$	6,305.00
\$	502.30
\$	424.27
\$	502.30
\$	1,035.00
\$	1,035.00
\$	1,035.00
\$	1,445.00
\$	1,445.00
\$	988.00
\$	1,445.00
\$	1,392.00
\$	1,548.00
\$	1,548.00
\$	1,538.00
\$	1,538.00
\$	1,538.00
\$	1,538.00
\$	1,538.00
\$	225.00
\$	66.00
\$	427.00
\$	193.00
\$	161.00
\$	161.00
\$	639.00
\$	609.00
\$	1,568.30
\$	311.00
\$	311.00
\$	311.00
\$	311.00
\$	144.00
\$	144.00
\$	144.00
\$	174.00
\$	138.00
\$	38.00
\$	767.03
\$	953.04
\$	1,776.19
\$	1,544.51
\$	1,802.63
\$	1,776.19
\$	1,776.19
\$	1,776.19
\$	1,479.36
\$	1,544.51
\$	2,194.50
\$	2,099.41
\$	24.00
\$	1,937.00
\$	627.00
\$	709.56
\$	442.04
\$	437.86

\$	1,733.00
\$	1,080.00
\$	1,080.00
\$	1,080.00
\$	1,180.00
\$	1,400.00
\$	1,380.00
\$	1,380.00
\$	1,380.00
\$	1,380.00
\$	1,380.00
\$	1,480.00
\$	1,770.00
\$	1,380.00
\$	1,550.00
\$	1,550.00
\$	1,550.00
\$	1,650.00
\$	2,120.00
\$	1,140.00
\$	1,140.00
\$	1,140.00
\$	488.00
\$	488.00
\$	497.00
\$	74.00
\$	86.00
\$	166.00
\$	70.00
\$	231.00
\$	231.00
\$	1,138.00
\$	1,620.00
\$	1,445.00
\$	158.00
\$	375.00
\$	392.00
\$	459.00
\$	456.00
\$	844.00
\$	844.00
\$	844.00
\$	887.00
\$	1,066.00
\$	1,445.00
\$	1,066.00
\$	483.00
\$	70.00
\$	88.30
\$	62.00
\$	720.00
\$	720.00
\$	720.00
\$	171.00
\$	171.00
\$	171.00
\$	19.00
\$	349.00
\$	112.00
\$	202.00
\$	51.00
\$	2,007.45

\$	223.00
\$	223.00
\$	956.00
\$	1,527.00
\$	1,558.00
\$	1,527.00
\$	1,527.00
\$	1,527.00
\$	6,737.00
\$	818.00
\$	92.00
\$	12.70
\$	1,438.00
\$	1,097.00
\$	1,438.00
\$	1,097.00
\$	1,438.00
\$	1,097.00
\$	592.00
\$	592.00
\$	300.00
\$	421.00
\$	148.00
\$	141.00
\$	178.00
\$	6,783.00
\$	6,783.00
\$	491.00
\$	2,058.65
\$	240.00
\$	1,653.75
\$	96.00
\$	107.00
\$	159.00
\$	159.00
\$	450.00
\$	1,322.00
\$	1,322.00
\$	1,652.00
\$	1,087.00
\$	1,060.00
\$	1,060.00
\$	1,060.00
\$	1,989.00
\$	50.00
\$	34.00
\$	128.00
\$	277.00
\$	272.00
\$	397.20
\$	33.00
\$	27.00
\$	33.00
\$	123.70
\$	123.70
\$	123.70
\$	123.70
\$	123.70
\$	123.70
\$	122.40
\$	1,102.48
\$	109.00
\$	486.00

\$	178.00
\$	150.00
\$	95.00
\$	47.00
\$	29.26
\$	246.00
\$	57.40
\$	1,160.00
\$	1,160.00
\$	1,160.00
\$	1,160.00
\$	1,160.00
\$	1,160.00
\$	43.89
\$	504.74
\$	550.72
\$	519.00
\$	1,230.00
\$	1,230.00
\$	199.00
\$	329.00
\$	37.00
\$	372.00
\$	439.00
\$	393.00
\$	466.00
\$	497.00
\$	2,010.00
\$	2,270.00
\$	2,300.00
\$	2,298.00
\$	1,330.00
\$	2,158.97
\$	34.49
\$	71.00
\$	533.00
\$	451.00
\$	1,322.00
\$	1,322.00
\$	580.00
\$	390.00
\$	1,804.00
\$	1,476.00
\$	93.00
\$	119.00
\$	119.00
\$	119.00
\$	94.00
\$	230.60
\$	1,132.36
\$	135.00
\$	135.00
\$	135.00
\$	135.00
\$	133.00
\$	49.40
\$	142.30
\$	35.10
\$	42.00
\$	811.97
\$	41.00
\$	41.00

\$	111.00
\$	150.00
\$	30.00
\$	30.00
\$	30.00
\$	30.00
\$	54.00
\$	252.00
\$	1,064.00
\$	1,138.00
\$	1,138.00
\$	1,007.00
\$	120.40
\$	120.40
\$	445.80
\$	241.80
\$	9.93
\$	9.50
\$	1,234.20
\$	1,234.20
\$	1,166.09
\$	31.35
\$	31.35
\$	34.00
\$	46.00
\$	53.00
\$	53.00
\$	53.00
\$	384.00
\$	41.00
\$	38.00
\$	48.00
\$	342.76
\$	166.00
\$	2,061.00
\$	2,061.00
\$	2,061.00
\$	2,061.00
\$	2,061.00
\$	2,061.00
\$	2,061.00
\$	1,998.04
\$	568.00
\$	120.00
\$	120.00
\$	120.00
\$	120.00
\$	313.00
\$	1,895.63
\$	56.10
\$	96.14
\$	8.36
\$	1,998.04
\$	636.17
\$	113.00
\$	780.00
\$	1,135.00
\$	740.00
\$	1,290.00
\$	5,828.85
\$	437.00
\$	113.00
\$	113.00

\$	113.00
\$	113.00
\$	113.00
\$	169.30
\$	169.30
\$	169.30
\$	170.40
\$	446.00
\$	6,889.00
\$	6,989.00
\$	174.00
\$	174.00
\$	174.00
\$	174.00
\$	174.00
\$	410.00
\$	5,560.00
\$	5,560.00
\$	5,560.00
\$	602.97
\$	602.97
\$	602.97
\$	602.97
\$	602.97
\$	475.00
\$	510.00
\$	160.20
\$	165.30
\$	1,047.60
\$	1,047.60
\$	1,234.20
\$	1,234.20
\$	10,506.00
\$	11,303.00
\$	21.60
\$	930.15
\$	985.40
\$	930.15
\$	250.00
\$	250.00
\$	195.90
\$	195.90
\$	201.80
\$	414.00
\$	215.00
\$	49.00
\$	796.00
\$	796.00
\$	796.00
\$	318.00
\$	318.00
\$	318.00
\$	441.00
\$	441.00
\$	441.00
\$	748.00
\$	748.00
\$	748.00
\$	87.00
\$	1,050.00
\$	1,234.00
\$	1,050.00
\$	1,234.00

\$	1,215.00
\$	1,305.00
\$	1,215.00
\$	1,305.00
\$	1,002.30
\$	1,002.30
\$	1,001.65
\$	1,002.30
\$	446.00
\$	164.00
\$	92.00
\$	1,010.00
\$	1,010.00
\$	1,384.00
\$	1,384.00
\$	1,545.00
\$	1,545.00
\$	1,131.00
\$	1,131.00
\$	636.00
\$	636.00
\$	388.00
\$	436.00
\$	436.00
\$	436.00
\$	436.00
\$	436.00
\$	436.00
\$	251.00
\$	441.00
\$	436.00
\$	382.47
\$	123.00
\$	716.87
\$	43.20
\$	576.00
\$	565.00
\$	428.00
\$	362.00
\$	41.00
\$	41.00
\$	255.00
\$	520.00
\$	439.00
\$	390.00
\$	181.00
\$	181.00
\$	192.00
\$	192.00
\$	8.10
\$	528.40
\$	505.00
\$	620.00
\$	11,312.00
\$	12,131.00
\$	1,575.00
\$	1,575.00
\$	1,575.00
\$	1,575.00
\$	1,575.00
\$	1,575.00
\$	256.00
\$	384.00
\$	384.00

\$	1.00
\$	5.00
\$	5.00
\$	5.00
\$	5.00
\$	5.00
\$	5.00
\$	5.00
\$	5.00
\$	5.00
\$	5.00
\$	5.00
\$	5.00
\$	489.00
\$	489.00
\$	489.00
\$	1,230.00
\$	1,230.00
\$	1,281.00
\$	1,281.00
\$	1,281.00
\$	1,281.00
\$	1,989.00
\$	1,989.00
\$	1,989.00
\$	513.00
\$	513.00
\$	513.00
\$	133.00
\$	1,200.00
\$	1,200.00
\$	1,200.00
\$	1,200.00
\$	11.00
\$	94.00
\$	1,496.00
\$	59.00
\$	55.00
\$	51.00
\$	54.00
\$	105.00
\$	116.00
\$	116.00
\$	116.00
\$	100.00
\$	3,350.00
\$	3,350.00
\$	2,877.00
\$	2,877.00
\$	3,455.00
\$	2,993.00
\$	796.00
\$	2,768.00
\$	2,768.00
\$	2,880.00
\$	527.00
\$	228.00
\$	857.00
\$	1,251.00
\$	1,251.00
\$	1,251.00
\$	691.00
\$	564.00
\$	564.00

\$	564.00
\$	78.60
\$	1,200.00
\$	1,200.00
\$	1,200.00
\$	1,200.00
\$	1,520.00
\$	1,520.00
\$	1,520.00
\$	1,520.00
\$	1,520.00
\$	1,520.00
\$	1,520.00
\$	1,700.00
\$	1,700.00
\$	1,700.00
\$	1,700.00
\$	1,700.00
\$	1,700.00
\$	1,700.00
\$	1,700.00
\$	1,880.00
\$	1,880.00
\$	1,880.00
\$	1,880.00
\$	1,880.00
\$	1,880.00
\$	1,880.00
\$	1,880.00
\$	861.00
\$	424.00
\$	654.00
\$	129.00
\$	41.00
\$	41.00
\$	41.00
\$	128.00
\$	128.00
\$	81.13
\$	85.00
\$	35.00
\$	4,736.00
\$	5,275.00
\$	4,736.00
\$	5,275.00
\$	9.50
\$	4.00
\$	4.00
\$	4.00
\$	4.00
\$	4.00
\$	4.00
\$	48.00
\$	5.00
\$	5.00
\$	5.00
\$	222.00
\$	230.00
\$	222.00
\$	480.00
\$	236.00
\$	1,914.00

\$	1,914.00
\$	1,914.00
\$	1,914.00
\$	1,914.00
\$	1,914.00
\$	133.00
\$	51.00
\$	51.00
\$	39.00
\$	39.00
\$	39.00
\$	1,148.00
\$	1,764.07
\$	46.00
\$	40.40
\$	30.30
\$	12.00
\$	113.00
\$	123.00
\$	115.00
\$	1,891.13
\$	1,891.13
\$	380.00
\$	380.00
\$	85.00
\$	85.00
\$	428.00
\$	2.58
\$	2.58
\$	174.00
\$	1,270.00
\$	1,270.00
\$	871.00
\$	871.00
\$	844.00
\$	359.00
\$	1,119.00
\$	1,119.00
\$	1,119.00
\$	1,100.00
\$	1,100.00
\$	1,100.00
\$	178.00
\$	178.00
\$	178.00
\$	178.00
\$	178.00
\$	178.00
\$	195.00
\$	1,600.00
\$	1,600.00
\$	1,600.00
\$	620.00
\$	5.00
\$	49.00
\$	49.00
\$	49.00
\$	145.00
\$	497.00
\$	497.00
\$	411.00
\$	411.00
\$	513.00

\$	844.00
\$	21.00
\$	29.30
\$	29.30
\$	231.00
\$	1,538.00
\$	11,449.00
\$	9,533.00
\$	7,626.00
\$	375.00
\$	375.00
\$	375.00
\$	375.00
\$	13.15
\$	22.55
\$	12.70
\$	21.38
\$	36.74
\$	36.48
\$	36.48
\$	34.99
\$	4.50
\$	32.74
\$	11.40
\$	2.24
\$	2.40
\$	8.36
\$	1.09
\$	49.78
\$	28.60
\$	51.20
\$	51.20
\$	58.53
\$	512.08
\$	620.00
\$	620.00
\$	620.00
\$	1,380.00
\$	1,380.00
\$	1,380.00
\$	169.00
\$	505.00
\$	620.00
\$	680.00
\$	680.00
\$	85.00
\$	251.00
\$	9.80
\$	246.90
\$	23.50
\$	23.50
\$	85.70
\$	34.70
\$	9.90
\$	292.00
\$	1.20
\$	35.00
\$	292.00
\$	292.00
\$	513.00
\$	605.00
\$	45.00
\$	436.00

₺	436.00
₺	45.00
₺	9.00
₺	32.00
₺	2.80
₺	203.00
₺	32.00
₺	235.00
₺	280.00
₺	360.00
₺	430.00
₺	554.00
₺	123.00
₺	144.00
₺	195.00
₺	277.00
₺	430.00
₺	585.00
₺	501.00
₺	67.40
₺	30.00
₺	30.00
₺	30.00
₺	30.00
₺	16.60
₺	11.00
₺	917.00
₺	427.00
₺	427.00
₺	461.00
₺	138.00
₺	3.00
₺	56.00
₺	18.20
₺	47.00
₺	36.00
₺	51.00
₺	328.00
₺	328.00
₺	328.00
₺	223.00
₺	223.00
₺	223.00
₺	226.00
₺	328.00
₺	328.00
₺	328.00
₺	328.00
₺	214.00
₺	214.00
₺	3.00
₺	430.00
₺	290.00
₺	82.70
₺	112.00
₺	123.00
₺	105.00
₺	108.00
₺	123.00
₺	145.00
₺	195.00
₺	277.00
₺	430.00

\$	585.00
\$	1,200.00
\$	123.00
\$	144.00
\$	185.00
\$	195.00
\$	277.00
\$	430.00
\$	585.00
\$	1,200.00
\$	2.00
\$	1.00
\$	2.00
\$	3.50
\$	158.00
\$	3.50
\$	171.00
\$	94.00
\$	94.00
\$	2.00
\$	5.00
\$	166.00
\$	159.00
\$	45.00
\$	4.00
\$	17.00
\$	7.00
\$	31.00
\$	3.00
\$	199.00
\$	7.00
\$	21.00
\$	54.00
\$	5.00
\$	58.00
\$	3.87
\$	31.00
\$	5.00
\$	13.00
\$	3.00
\$	13.00
\$	19.00
\$	5.00
\$	2.00
\$	8.00
\$	2.00
\$	499.00
\$	2.00
\$	2.40
\$	2.00
\$	43.00
\$	2.00
\$	13.80
\$	635.00
\$	2.00
\$	4.00
\$	21.00
\$	4.20
\$	62.00
\$	27.00
\$	28.00
\$	28.00
\$	34.00

\$	21.00
\$	39.00
\$	5.00
\$	11.60
\$	4.50
\$	36.00
\$	6,790.00
\$	6,790.00
\$	6,790.00
\$	6,790.00
\$	6,790.00
\$	6,790.00
\$	6,790.00
\$	6,790.00
\$	6,790.00
\$	6,789.00
\$	6,790.00
\$	22.00
\$	2.30
\$	9.50
\$	18.00
\$	3.00
\$	8.00
\$	10.00
\$	358.00
\$	5.00
\$	17.00
\$	38.00
\$	36.00
\$	50.00
\$	53.00
\$	808.00
\$	15.00
\$	4.10
\$	49.00
\$	2.00
\$	339.00
\$	3.00
\$	9.00
\$	2.00
\$	2.00
\$	79.00
\$	31.35
\$	2.00
\$	4.00
\$	2.00
\$	3.00
\$	38.00
\$	8.00
\$	3.00
\$	235.00
\$	5.00
\$	24.00
\$	14.70
\$	335.00
\$	27.00
\$	20.00
\$	1.25
\$	2.00
\$	498.00
\$	279.00
\$	2.00
\$	1.00

₺	129.00
₺	113.00
₺	2.00
₺	4.20
₺	4.00
₺	2.00
₺	109.00
₺	53.00
₺	2.10
₺	97.00
₺	86.00
₺	2.00
₺	45.70
₺	6.00
₺	5.00
₺	2.00
₺	160.00
₺	3.18
₺	17.00
₺	6.00
₺	2.00
₺	10.00
₺	101.00
₺	117.00
₺	86.00
₺	86.00
₺	2.00
₺	7.00
₺	14.00
₺	8.59
₺	27.00
₺	41.10
₺	41.10
₺	41.10
₺	2.00
₺	41.80
₺	30.31
₺	38.67
₺	49.12
₺	64.79
₺	64.79
₺	56.43
₺	53.30
₺	56.43
₺	11.00
₺	677.00
₺	7.00
₺	1.00
₺	8.00
₺	154.00
₺	226.00
₺	328.00
₺	2.00
₺	189.30
₺	348.40
₺	347.99
₺	348.40
₺	310.00
₺	24.00
₺	55.00
₺	54.10
₺	55.00
₺	8.00

₺	27.00
₺	8.00
₺	677.00
₺	71.00
₺	24.00
₺	2.00
₺	2.00
₺	28.22
₺	27.00
₺	2.00
₺	53.10
₺	1.46
₺	8.00
₺	2.00
₺	8.00
₺	2.19
₺	9.93
₺	1.67
₺	17.00
₺	135.00
₺	400.24
₺	49.00
₺	1.40
₺	1,199.00
₺	8.00
₺	8.00
₺	2.00
₺	182.88
₺	5.00
₺	74.00
₺	13.00
₺	46.00
₺	2.00
₺	48.00
₺	11.00
₺	11.00
₺	11.00
₺	123.00
₺	4.00
₺	7.00
₺	2.00
₺	199.90
₺	27.90
₺	7.00
₺	6.00
₺	2.00
₺	8.15
₺	35.00
₺	565.00
₺	8.00
₺	8.00
₺	2.10
₺	4.00
₺	10.00
₺	11.00
₺	16.72
₺	642.00
₺	1,138.00
₺	1,415.00
₺	1,497.00
₺	48.00
₺	64.00
₺	80.47

₺	60.61
₺	0.54
₺	60.00
₺	76.09
₺	9.00
₺	5.00
₺	9.00
₺	5.54
₺	1,753.00
₺	4.00
₺	4.00
₺	50.00
₺	21.00
₺	42.00
₺	26.60
₺	22.00
₺	12.00
₺	206.90
₺	146.80
₺	6.60
₺	11.50
₺	0.67
₺	0.67
₺	1.41
₺	6.11
₺	0.99
₺	0.81
₺	229.00
₺	20.00
₺	39.00
₺	19.00
₺	2.44
₺	7.40
₺	22.00
₺	31.00
₺	31.00
₺	22.00
₺	32.00
₺	39.00
₺	39.00
₺	32.00
₺	45.00
₺	53.00
₺	53.00
₺	45.00
₺	32.00
₺	39.00
₺	39.00
₺	32.00
₺	28.00
₺	28.00
₺	4.38
₺	1.10
₺	4.00
₺	4.00
₺	4.00
₺	24.00
₺	247.00
₺	116.00
₺	179.00
₺	164.00
₺	68.00
₺	80.00

₺	113.00
₺	154.00
₺	155.00
₺	625.00
₺	68.00
₺	44.00
₺	5.00
₺	102.00
₺	200.00
₺	140.00
₺	200.00
₺	208.00
₺	336.00
₺	78.00
₺	17.00
₺	41.00
₺	49.00
₺	43.00
₺	31.00
₺	4.00
₺	29.00
₺	55.00
₺	28.00
₺	28.00
₺	112.00
₺	116.00
₺	21.00
₺	21.00
₺	3.00
₺	21.00
₺	21.00
₺	24.00
₺	21.00
₺	24.00
₺	21.00
₺	24.00
₺	5.00
₺	5.00
₺	5.00
₺	28.00
₺	26.00
₺	2.00
₺	24.00
₺	26.00
₺	4.00
₺	18.00
₺	2.00
₺	41.00
₺	103.00
₺	103.00
₺	103.00
₺	24.00
₺	24.00
₺	166.00
₺	11.00
₺	677.00
₺	677.00
₺	166.00
₺	166.00
₺	166.00
₺	166.00
₺	88.00
₺	5.00
₺	5.00

₺	682.00
₺	21.00
₺	5.00
₺	5.00
₺	5.00
₺	5.00
₺	10.00
₺	5.00
₺	12.00
₺	5.00
₺	4.00
₺	65.00
₺	0.20
₺	0.20
₺	23.87
₺	17.00
₺	24.00
₺	2.00
₺	2.32
₺	2.32
₺	40.00
₺	10.50
₺	89.00
₺	8.59
₺	11.34
₺	9.00
₺	232.60
₺	7.50
₺	9.00
₺	9.00
₺	8.40
₺	28.61
₺	2.00
₺	90.58
₺	1.10
₺	19.00
₺	2.00
₺	0.13
₺	13.00
₺	0.08
₺	2.00
₺	32.00
₺	8.00
₺	8.10
₺	15.00
₺	32.00
₺	953.00
₺	1,353.00
₺	1,548.00
₺	1,661.00
₺	0.76
₺	0.38
₺	0.30
₺	5.51
₺	0.19
₺	5.00
₺	4.00
₺	10.00
₺	30.00
₺	5.00
₺	8.00
₺	26.00
₺	28.40

₺	26.00
₺	10.00
₺	4.00
₺	4.00
₺	21.00
₺	21.00
₺	20.50
₺	5.35
₺	14.50
₺	2.00
₺	5.25
₺	3.00
₺	1.00
₺	1.00
₺	31.00
₺	3.00
₺	9.00
₺	9.00
₺	2.00
₺	30.00
₺	30.00
₺	10.00
₺	10.00
₺	2.00
₺	7.40
₺	8.00
₺	8.00
₺	6.50
₺	6.60
₺	8.10
₺	3.00
₺	3.00
₺	1.00
₺	1.60
₺	8.50
₺	45.00
₺	20.00
₺	3.00
₺	36.00
₺	3.00
₺	39.00
₺	8.00
₺	8.00
₺	9.70
₺	6.50
₺	6.50
₺	6.50
₺	8.00
₺	8.00
₺	8.00
₺	4.10
₺	12.20
₺	42.50
₺	10.60
₺	8.00
₺	9.50
₺	15.00
₺	128.00
₺	100.00
₺	181.00
₺	0.30
₺	1.00
₺	7.00

₺	8.00
₺	9.00
₺	3.00
₺	375.00
₺	36.00
₺	5.10
₺	2.10
₺	55.00
₺	1,040.00
₺	4.00
₺	10.00
₺	3.00
₺	13.00
₺	1,148.00
₺	3.00
₺	1,691.00
₺	7.00
₺	805.00
₺	1,040.00
₺	21.00
₺	11.00
₺	4.00
₺	12.00
₺	36.00
₺	15.10
₺	737.08
₺	83.00
₺	65.00
₺	76.00
₺	5.00
₺	2.00
₺	3.00
₺	2.00
₺	2.00
₺	2.00
₺	2.00
₺	2.00
₺	4.00
₺	2.00
₺	2.00
₺	2.00
₺	2.70
₺	2.10
₺	3.00
₺	1.50
₺	2.00
₺	2.00
₺	3.00
₺	2.00
₺	3.00
₺	3.00
₺	2.00
₺	2.00
₺	3.00
₺	2.00
₺	1.00
₺	2.30
₺	2.00
₺	2.00
₺	2.00
₺	1.00
₺	3.00
₺	3.00

₺	2.00
₺	2.00
₺	1.00
₺	1.00
₺	5.00
₺	5.00
₺	4.00
₺	5.00
₺	3.00
₺	3.00
₺	3.00
₺	7.00
₺	3.00
₺	3.00
₺	2.00
₺	2.00
₺	2.00
₺	2.00
₺	2.00
₺	3.00
₺	2.00
₺	3.00
₺	5.00
₺	3.00
₺	3.00
₺	3.00
₺	11.00
₺	15.00
₺	4.00
₺	4.00
₺	3.00
₺	4.00
₺	19.00
₺	5.00
₺	3.00
₺	5.00
₺	4.00
₺	13.50
₺	4.40
₺	9.00
₺	3.00
₺	36.00
₺	3.00
₺	3.00
₺	3.00
₺	3.00
₺	4.00
₺	3.00
₺	21.00
₺	17.00
₺	1.65
₺	3.36
₺	5.25
₺	3.20
₺	1.00
₺	10.50
₺	6.30
₺	7.88
₺	0.05
₺	2.20
₺	280.00
₺	2.00
₺	132.00

₺	110.83
₺	5.30
₺	5.30
₺	17.00
₺	4.20
₺	2.10
₺	32.00
₺	3.20
₺	2.21
₺	225.00
₺	2,173.00
₺	292.00
₺	96.00
₺	310.00
₺	136.90
₺	32.40
₺	213.18
₺	231.99
₺	116.00
₺	123.00
₺	19.00
₺	64.00
₺	30.00
₺	89.00
₺	21.00
₺	1,650.00
₺	345.00
₺	86.00
₺	22.00
₺	83.00
₺	48.00
₺	141.00
₺	100.00
₺	66.00
₺	549.00
₺	2.00
₺	3.00
₺	13.00
₺	12.54
₺	12.54
₺	44.00
₺	1.00
₺	3.00
₺	162.00
₺	5.00
₺	6.00
₺	5.00
₺	850.00
₺	16.80
₺	77.00
₺	3.00
₺	3.00
₺	3.00
₺	10.00
₺	3.00
₺	3.00
₺	2.00
₺	2.00
₺	2.00
₺	2.00
₺	5.00
₺	2.00
₺	78.00

₺	77.00
₺	3.00
₺	325.00
₺	3.00
₺	3.00
₺	15.00
₺	6.00
₺	6.00
₺	90.00
₺	6.00
₺	6.00
₺	25.00
₺	2.00
₺	48.00
₺	14.20
₺	12.30
₺	55.00
₺	13.50
₺	3.40
₺	7.00
₺	12.00
₺	15.90
₺	86.00
₺	119.00
₺	9.40
₺	32.00
₺	39.00
₺	32.00
₺	39.00
₺	32.00
₺	39.00
₺	39.00
₺	39.00
₺	39.00
₺	39.00
₺	39.00
₺	39.00
₺	759.00
₺	759.00
₺	759.00
₺	759.00
₺	49.50
₺	49.50
₺	49.50
₺	49.50
₺	13.08
₺	25.86
₺	15.30
₺	32.67
₺	13.23
₺	69.00
₺	97.75
₺	123.05
₺	169.05
₺	11.50
₺	920.00
₺	47.28
₺	22.74
₺	14.98
₺	28.16
₺	26.75
₺	39.48
₺	41.47

\$	14.41
\$	27.39
\$	13.80
\$	27.06
\$	13.59
\$	25.68
\$	47.25
\$	31.50
\$	84.00
\$	10.50
\$	98.00
\$	98.00
\$	75.00
\$	6,090.00
\$	10,395.00
\$	300.00
\$	600.00
\$	900.00
\$	1,200.00
\$	1,500.00
\$	37,800.00
\$	39,375.00
\$	42,000.00
\$	2,977.00
\$	5,198.00
\$	8,925.00
\$	12,128.00
\$	14,700.00
\$	15,750.00
\$	17,719.00
\$	18,900.00
\$	19,688.00
\$	21,000.00
\$	4,872.00
\$	8,316.00
\$	14,280.00
\$	19,404.00
\$	23,520.00
\$	25,200.00
\$	28,350.00
\$	30,240.00
\$	31,500.00
\$	33,600.00
\$	1,035.00
\$	1,767.00
\$	1,200.00
\$	2,400.00
\$	3,600.00
\$	4,800.00
\$	6,000.00
\$	6,426.00
\$	6,694.00
\$	7,140.00
\$	506.00
\$	884.00
\$	1,517.00
\$	2,062.00
\$	2,499.00
\$	2,678.00
\$	3,012.00
\$	3,213.00
\$	3,347.00
\$	3,570.00

\$	828.00
\$	1,414.00
\$	2,428.00
\$	3,299.00
\$	3,998.00
\$	4,284.00
\$	4,820.00
\$	5,141.00
\$	5,355.00
\$	5,712.00
\$	609.00
\$	17,464.00
\$	29,988.00
\$	2,426.00
\$	2,940.00
\$	52,920.00
\$	3,544.00
\$	63,504.00
\$	3,938.00
\$	4,200.00
\$	6,426.00
\$	4,016.00
\$	8,033.00
\$	79,380.00
\$	47,250.00
\$	23,625.00
\$	37,800.00
\$	1,517.00
\$	1,517.00
\$	235.00
\$	113.40
\$	213.00
\$	43.00
\$	7,995.00
\$	8,927.00
\$	8,897.00
\$	11,333.00
\$	15,995.00
\$	1,143.00
\$	1,995.00
\$	12,995.00
\$	481.00
\$	225.00
\$	775.00
\$	240.00
\$	175.00
\$	125.00
\$	400.00
\$	800.00
\$	125.00
\$	200.00
\$	225.00
\$	200.00
\$	8.52
\$	250.00
\$	80.00
\$	12.00
\$	165.00
\$	27.00
\$	18.00
\$	181.00
\$	375.00
\$	19.00

\$	56.00
\$	31.52
\$	69.00
\$	20.00
\$	5.00
\$	22.00
\$	108.00
\$	5,731.00
\$	3,600.00
\$	10.00
\$	15.00
\$	159.00
\$	105.00
\$	21.00
\$	821.00
\$	58.00
\$	25.00
\$	175.00
\$	145.00
\$	2,133.00
\$	1,995.00
\$	212.00
\$	199.00
\$	213.00
\$	200.00
\$	56.00
\$	80.00
\$	60.00
\$	168.00
\$	53.00
\$	2.00
\$	11.00
\$	10.00
\$	9.00
\$	9.00
\$	10.00
\$	10.00
\$	5.00
\$	6.00
\$	6.00
\$	5.00
\$	15.00
\$	15.00
\$	5.00
\$	2.00
\$	4.00
\$	5.00
\$	5.00
\$	15.00
\$	80.00
\$	212.00
\$	2.00
\$	25.00
\$	787.00
\$	242.00
\$	115.00
\$	115.00
\$	115.00
\$	64.00
\$	13.00
\$	280.00
\$	741.00
\$	129.00

\$	342.00
\$	170.00
\$	68.00
\$	76.00
\$	1,296.00
\$	19.00
\$	44.00
\$	3.00
\$	800.00
\$	315.00
\$	950.00
\$	480.00
\$	81.00
\$	44.00
\$	12,670.00
\$	12,670.00
\$	11,800.00
\$	11,800.00
\$	12,100.00
\$	12,100.00
\$	12,450.00
\$	12,450.00
\$	12,800.00
\$	12,800.00
\$	13,100.00
\$	13,100.00
\$	13,450.00
\$	13,450.00
\$	13,840.00
\$	13,840.00
\$	10,710.00
\$	10,710.00
\$	9,800.00
\$	9,800.00
\$	10,140.00
\$	10,140.00
\$	10,490.00
\$	10,490.00
\$	10,800.00
\$	10,800.00
\$	11,140.00
\$	11,140.00
\$	11,490.00
\$	11,490.00
\$	11,880.00
\$	11,880.00
\$	11,200.00
\$	11,200.00
\$	10,300.00
\$	10,300.00
\$	10,630.00
\$	10,630.00
\$	10,980.00
\$	10,980.00
\$	11,300.00
\$	11,300.00
\$	11,630.00
\$	11,630.00
\$	11,980.00
\$	11,980.00
\$	12,370.00
\$	12,370.00
\$	175.00

\$	11,390.00
\$	11,390.00
\$	9,250.00
\$	9,250.00
\$	9,850.00
\$	9,850.00
\$	10,190.00
\$	10,190.00
\$	10,250.00
\$	10,250.00
\$	10,630.00
\$	10,630.00
\$	10,970.00
\$	10,970.00
\$	12,120.00
\$	12,120.00
\$	10,000.00
\$	10,000.00
\$	10,580.00
\$	10,580.00
\$	10,930.00
\$	10,930.00
\$	11,000.00
\$	11,000.00
\$	11,360.00
\$	11,360.00
\$	11,710.00
\$	11,710.00
\$	13,100.00
\$	13,100.00
\$	11,000.00
\$	11,000.00
\$	11,560.00
\$	11,560.00
\$	11,910.00
\$	11,910.00
\$	12,000.00
\$	12,000.00
\$	12,340.00
\$	12,340.00
\$	12,690.00
\$	12,690.00
\$	200.00
\$	250.00
\$	2,300.00
\$	2,500.00
\$	1,000.00
\$	8,000.00
\$	11.00
\$	21.00
\$	539.00
\$	873.00
\$	1,137.00
\$	300.00
\$	1,169.00
\$	3.00
\$	37.00
\$	321.00
\$	171.00
\$	19.00
\$	30.00
\$	1,081.00
\$	48.00

\$	137.00
\$	387.00
\$	269.00
\$	337.00
\$	14.00
\$	151.00
\$	43.00
\$	992.00
\$	1.00
\$	95.00
\$	2,667.00
\$	23.00
\$	17.00
\$	3,853.00
\$	3,853.00
\$	324.00
\$	1.00
\$	886.00
\$	408.00
\$	1,477.00
\$	6,370.00
\$	3.00
\$	34.00
\$	27.00
\$	98.00
\$	493.00
\$	49.00
\$	171.00
\$	242.00
\$	194.00
\$	147.00
\$	4,185.00
\$	19.00
\$	1,086.00
\$	1,169.00
\$	69.00
\$	24.00
\$	41.00
\$	39.00
\$	344.00
\$	138.00
\$	138.00
\$	24.00
\$	15.00
\$	15.00
\$	99.00
\$	166.00
\$	20.00
\$	78.00
\$	3.00
\$	16.00
\$	39.00
\$	321.00
\$	1,086.00
\$	1,086.00
\$	46.00
\$	48.00
\$	1,086.00
\$	125.00
\$	1,382.00
\$	300.00
\$	29.00
\$	292.00

₺	60.00
₺	94.00
₺	94.00
₺	29.00
₺	105.00
₺	308.00
₺	16.00
₺	13.00
₺	293.00
₺	432.00
₺	135.00
₺	46.00
₺	430.00
₺	197.00
₺	1,846.00
₺	158.00
₺	89.00
₺	117.00
₺	34.00
₺	2,708.00
₺	1,707.00
₺	66.00
₺	5.00
₺	22.00
₺	35.00
₺	130.00
₺	1.00
₺	84.00
₺	181.00
₺	8.00
₺	54.00
₺	57.00
₺	24.00
₺	398.00
₺	4,917.00
₺	97.00
₺	78.00
₺	1,046.00
₺	5,511.00
₺	212.00
₺	212.00
₺	3,477.00
₺	210.00
₺	3.00
₺	587.00
₺	1,086.00
₺	22.00
₺	36.00
₺	16.00
₺	13.00
₺	19.00
₺	19.00
₺	22.00
₺	22.00
₺	61.00
₺	242.00
₺	43.00
₺	1.00
₺	381.00
₺	96.00
₺	10.00
₺	35.00
₺	562.00

\$	32.00
\$	10.00
\$	1.00
\$	80.00
\$	22.00
\$	233.00
\$	1,086.00
\$	7.00
\$	2,133.00
\$	119.00
\$	119.00
\$	4.00
\$	2.00
\$	115.00
\$	83.00
\$	17.00
\$	87.00
\$	19.00
\$	10.00
\$	8.00
\$	12.00
\$	16.00
\$	19.00
\$	39.00
\$	359.00
\$	6,400.00
\$	9.00
\$	8.00
\$	200.00
\$	31.00
\$	363.00
\$	373.00
\$	2,133.00
\$	117.00
\$	96.00
\$	9.00
\$	20.00
\$	336.00
\$	181.00
\$	138.00
\$	55.00
\$	24.00
\$	10.00
\$	20.00
\$	55.00
\$	3,815.00
\$	33.00
\$	3.00
\$	3.00
\$	5.00
\$	480.00
\$	31.00
\$	28.00
\$	8.00
\$	854.00
\$	20.00
\$	18.00
\$	3.00
\$	2.00
\$	92.00
\$	1,137.00
\$	7.00
\$	84.00

₺	2.00
₺	259.00
₺	94.00
₺	25.00
₺	18.00
₺	2.00
₺	127.00
₺	639.00
₺	4.00
₺	15.00
₺	31.00
₺	13.00
₺	342.00
₺	20.00
₺	3,834.00
₺	1,883.00
₺	20.00
₺	13.00
₺	4.00
₺	20.00
₺	20.00
₺	21.00
₺	1,061.00
₺	14,361.00
₺	50.00
₺	9.00
₺	13.00
₺	18.00
₺	64.00
₺	64.00
₺	26.00
₺	207.00
₺	485.00
₺	1.00
₺	58.00
₺	62.00
₺	23.00
₺	8.00
₺	3.00
₺	6.00
₺	65.00
₺	105.00
₺	9.00
₺	1.00
₺	4.00
₺	4.00
₺	8.00
₺	4.00
₺	8.00
₺	8.00
₺	4.00
₺	81.00
₺	96.00
₺	49.00
₺	46.00
₺	14.00
₺	13.00
₺	25.00
₺	63.00
₺	454.00
₺	11.00
₺	2.00
₺	4,965.00

\$	175.00
\$	7,648.00
\$	99.00
\$	8.00
\$	667.00
\$	17.00
\$	21.00
\$	20.00
\$	23.00
\$	29.00
\$	163.00
\$	545.00
\$	1,100.00
\$	14.00
\$	3.00
\$	3.00
\$	3.00
\$	4.00
\$	20.00
\$	1,917.00
\$	480.00
\$	20.00
\$	109.00
\$	72.00
\$	22.00
\$	17.00
\$	74.00
\$	74.00
\$	528.00
\$	430.00
\$	427.00
\$	65.00
\$	227.00
\$	13.00
\$	8.00
\$	13.00
\$	7.00
\$	6.00
\$	9.00
\$	13.00
\$	56.00
\$	3,200.00
\$	125.00
\$	46.00
\$	280.00
\$	412.00
\$	118.00
\$	1.00
\$	1,169.00
\$	48.00
\$	105.00
\$	11.00
\$	289.00
\$	44.00
\$	105.00
\$	1.00
\$	2.00
\$	308.00
\$	150.00
\$	146.00
\$	2,355.00
\$	311.00
\$	88.00

₺	44.00
₺	226.00
₺	6.00
₺	384.00
₺	121.00
₺	11.00
₺	65.00
₺	8.00
₺	67.00
₺	15.00
₺	13.00
₺	10.00
₺	10.00
₺	6.00
₺	5.00
₺	8.00
₺	9.00
₺	10.00
₺	8.00
₺	8.00
₺	8.00
₺	1.00
₺	92.00
₺	8.00
₺	29.00
₺	420.00
₺	489.00
₺	184.00
₺	148.00
₺	45.00
₺	2,081.00
₺	2,310.00
₺	199.00
₺	329.00
₺	21.00
₺	311.00
₺	311.00
₺	302.00
₺	821.00
₺	926.00
₺	667.00
₺	820.00
₺	187.00
₺	158.00
₺	183.00
₺	2,081.00
₺	2,310.00
₺	36.00
₺	36.00
₺	2.30
₺	1,445.00
₺	169.00
₺	167.00
₺	327.00
₺	597.00
₺	207.00
₺	68.00
₺	145.00
₺	181.00
₺	194.00
₺	147.00
₺	26.00
₺	164.00

\$	145.00
\$	145.00
\$	195.00
\$	184.50
\$	195.00
\$	15.00
\$	178.00
\$	178.00
\$	178.00
\$	200.00
\$	200.00
\$	200.00
\$	132.00
\$	132.00
\$	345.00
\$	16.00
\$	145.00
\$	51.00
\$	155.00
\$	155.00
\$	370.00
\$	7.10
\$	19.00
\$	128.00
\$	8.00
\$	214.00
\$	391.00
\$	362.00
\$	33.35
\$	29.33
\$	49.45
\$	992.45
\$	1,475.45
\$	33.35
\$	29.33
\$	49.45
\$	992.45
\$	1,475.45
\$	18.70
\$	18.70
\$	57.00
\$	66.00
\$	99.00
\$	63.00
\$	14.50
\$	110.00
\$	8.00
\$	74.00
\$	60.00
\$	210.10
\$	210.10
\$	210.10
\$	210.10
\$	188.30
\$	44.00
\$	331.00
\$	331.00
\$	222.00
\$	224.00
\$	224.00
\$	224.00
\$	225.50
\$	319.00
\$	319.00

\$	319.00
\$	19.00
\$	78.00
\$	240.00
\$	240.00
\$	240.00
\$	240.00
\$	30.00
\$	32.00
\$	159.00
\$	162.00
\$	149.00
\$	36.00
\$	71.00
\$	78.00
\$	68.00
\$	32.00
\$	68.00
\$	75.00
\$	37.00
\$	18.00
\$	38.00
\$	39.00
\$	50.00
\$	304.00
\$	288.00
\$	341.00
\$	180.00
\$	177.00
\$	174.00
\$	18.60
\$	424.00
\$	424.00
\$	424.00
\$	424.00
\$	640.00
\$	640.00
\$	86.00
\$	110.00
\$	106.00
\$	144.00
\$	27.00
\$	481.00
\$	462.00
\$	1,302.00
\$	479.00
\$	462.00
\$	1,254.00
\$	1,254.00
\$	1,353.00
\$	2,501.00
\$	857.00
\$	1,302.00
\$	2,501.00
\$	855.00
\$	2,470.00
\$	2,329.00
\$	23.90
\$	23.90
\$	175.00
\$	23.90
\$	22.80
\$	336.00

\$	336.00
\$	336.00
\$	336.00
\$	330.00
\$	330.00
\$	330.00
\$	330.00
\$	357.00
\$	357.00
\$	357.00
\$	357.00
\$	24.15
\$	38.67
\$	729.00
\$	90.20
\$	625.00
\$	112.80
\$	415.00
\$	415.00
\$	114.00
\$	114.00
\$	205.00
\$	153.75
\$	153.75
\$	215.25
\$	195.00
\$	205.00
\$	246.00
\$	410.00
\$	306.00
\$	705.00
\$	308.00
\$	93.01
\$	460.00
\$	460.00
\$	38.00
\$	37.00
\$	39.00
\$	326.00
\$	461.00
\$	83.00
\$	326.00
\$	188.00
\$	176.00
\$	177.00
\$	923.00
\$	947.00
\$	947.00
\$	910.00
\$	1,363.00
\$	1,363.00
\$	1,330.00
\$	923.00
\$	102.41
\$	840.00
\$	840.00
\$	925.00
\$	575.00
\$	575.00
\$	575.00
\$	1,322.00
\$	1,322.00
\$	149.00

₺	72.00
₺	54.00
₺	56.00
₺	98.00
₺	46.00
₺	82.00
₺	34.00
₺	78.00
₺	66.00
₺	66.00
₺	51.00
₺	68.00
₺	64.00
₺	375.00
₺	372.00
₺	480.00
₺	480.00
₺	565.00
₺	512.00
₺	528.00
₺	513.00
₺	60.40
₺	100.00
₺	93.00
₺	301.00
₺	274.00
₺	127.00
₺	96.50
₺	96.00
₺	38.00
₺	15.25
₺	58.00
₺	139.00
₺	154.00
₺	330.00
₺	383.00
₺	450.00
\$	1,415.00
\$	2,019.00
\$	2,235.00
₺	931.00
₺	931.00
₺	931.00
₺	45.00
₺	44.00
₺	50.00
₺	241.00
₺	20.90
₺	575.80
₺	588.34
₺	63.00
₺	21.00
\$	1,261.00
\$	1,261.00
\$	1,261.00
₺	95.00
₺	994.00
\$	1,097.00
\$	1,087.00
₺	759.00
₺	636.00
₺	16.00
₺	17.00

\$	53.30
\$	1,076.00
\$	1,189.00
\$	1,127.50
\$	1,087.00
\$	173.00
\$	164.00
\$	116.00
\$	205.00
\$	265.00
\$	155.00
\$	165.00
\$	195.00
\$	21.95
\$	21.95
\$	24.00
\$	82.00
\$	1,080.00
\$	1,080.00
\$	1,080.00
\$	1,180.00
\$	1,180.00
\$	1,288.00
\$	1,288.00
\$	1,400.00
\$	1,600.00
\$	1,400.00
\$	1,380.00
\$	1,380.00
\$	1,380.00
\$	1,380.00
\$	1,380.00
\$	1,480.00
\$	1,480.00
\$	1,770.00
\$	1,770.00
\$	1,970.00
\$	1,770.00
\$	1,770.00
\$	1,550.00
\$	1,550.00
\$	1,550.00
\$	1,650.00
\$	1,650.00
\$	2,120.00
\$	2,320.00
\$	2,120.00
\$	1,550.00
\$	51.00
\$	1,216.38
\$	1,140.00
\$	1,140.00
\$	1,140.00
\$	340.00
\$	6,458.00
\$	6,422.00
\$	7,560.00
\$	7,715.00
\$	7,952.00
\$	7,962.00
\$	4,481.00
\$	64.00
\$	11.50

\$	11.50
\$	155.00
\$	24.50
\$	242.00
\$	242.00
\$	302.00
\$	302.00
\$	302.00
\$	309.00
\$	309.00
\$	309.00
\$	341.00
\$	161.00
\$	45.98
\$	745.00
\$	745.00
\$	1,340.00
\$	1,340.00
\$	1,340.00
\$	440.80
\$	563.80
\$	420.30
\$	420.30
\$	530.00
\$	530.00
\$	168.00
\$	430.00
\$	245.00
\$	48.00
\$	46.00
\$	980.00
\$	460.00
\$	675.00
\$	1,313.00
\$	1,313.00
\$	43.70
\$	715.00
\$	715.00
\$	715.00
\$	24.00
\$	32.00
\$	30.00
\$	505.00
\$	505.00
\$	505.00
\$	974.73
\$	118.00
\$	294.00
\$	294.00
\$	55.00
\$	310.00
\$	258.12
\$	55.70
\$	185.00
\$	318.00
\$	287.38
\$	287.70
\$	287.70
\$	287.70
\$	287.70
\$	147.35
\$	185.00
\$	66.00

\$	240.00
\$	240.00
\$	240.00
\$	240.00
\$	66.00
\$	198.00
\$	81.00
\$	13.00
\$	35.00
\$	35.00
\$	15.00
\$	15.00
\$	42.00
\$	191.00
\$	55.00
\$	37.50
\$	62.90
\$	62.90
\$	61.00
\$	93.00
\$	41.00
\$	62.90
\$	77.00
\$	65.00
\$	101.00
\$	16.00
\$	24.00
\$	102.00
\$	28.00
\$	362.00
\$	74.00
\$	27.00
\$	63.00
\$	28.00
\$	23.00
\$	21.00
\$	871.00
\$	26.13
\$	250.00
\$	250.00
\$	250.00
\$	14.80
\$	14.80
\$	125.00
\$	125.00
\$	123.30
\$	66.30
\$	36.90
\$	3,024.00
\$	2,132.00
\$	3,547.00
\$	2,768.00
\$	130.00
\$	22.60
\$	23.00
\$	365.00
\$	301.00
\$	129.00
\$	72.00
\$	190.00
\$	503.69
\$	518.32
\$	674.03

\$	518.32
\$	503.69
\$	503.69
\$	1,595.00
\$	697.00
\$	716.87
\$	786.89
\$	777.48
\$	408.00
\$	408.00
\$	408.00
\$	408.00
\$	353.00
\$	353.00
\$	353.00
\$	353.00
\$	356.00
\$	82.00
\$	97.00
\$	924.00
\$	1,158.00
\$	4,820.00
\$	5,088.00
\$	5,737.00
\$	5,737.00
\$	3,935.00
\$	438.00
\$	471.00
\$	27.00
\$	417.00
\$	417.00
\$	34.00
\$	45.00
\$	26.00
\$	13.20
\$	200.00
\$	24.15
\$	1,092.03
\$	113.00
\$	253.80
\$	28.00
\$	259.60
\$	68.00
\$	43.50
\$	53.00
\$	42.70
\$	10.40
\$	29.20
\$	155.00
\$	235.00
\$	349.00
\$	472.00
\$	4,047.29
\$	5,578.21
\$	2,620.00
\$	2,084.78
\$	2,060.00
\$	1,001.00
\$	1,435.00
\$	1,425.00
\$	1,425.00
\$	1,585.38
\$	1,033.83

€	1,033.83
€	795.25
€	703.29
\$	1,002.57
€	795.25
€	1,146.60
€	1,684.54
\$	1,033.83
\$	1,425.07
\$	1,335.41
€	1,296.01
€	996.93
€	795.25
\$	224.00
€	427.00
€	595.00
€	414.00
€	55.00
\$	154.00
€	154.00
€	313.00
€	583.00
€	583.00
\$	145.00
€	145.00
€	145.00
€	346.00
€	346.00
\$	346.00
€	375.00
€	375.00
€	375.00
€	340.00
\$	340.00
€	340.00
€	369.00
€	369.00
€	369.00
\$	321.00
€	321.00
€	321.00
€	348.00
€	348.00
\$	348.00
€	255.00
€	255.00
€	255.00
\$	240.00
\$	240.00
€	240.00
€	255.00
€	255.00
€	255.00
\$	240.00
€	240.00
€	240.00
€	443.00
€	443.00
\$	443.00
€	436.00
€	436.00
€	436.00
€	55.39

\$	55.39
\$	810.92
\$	797.34
\$	1,051.27
\$	843.00
\$	6.20
\$	169.00
\$	169.00
\$	77.00
\$	77.00
\$	413.00
\$	1,073.30
\$	2,570.00
\$	2,570.00
\$	2,705.00
\$	2,705.00
\$	3,130.00
\$	3,130.00
\$	3,130.00
\$	3,855.00
\$	296.00
\$	161.00
\$	161.00
\$	39.00
\$	128.00
\$	128.00
\$	2,300.00
\$	2,300.00
\$	2,300.00
\$	1,130.00
\$	2,160.00
\$	2,290.00
\$	370.98
\$	414.87
\$	421.14
\$	565.00
\$	635.00
\$	574.00
\$	574.00
\$	574.00
\$	574.00
\$	574.00
\$	80.00
\$	68.00
\$	68.00
\$	1.90
\$	2.00
\$	17.30
\$	438.00
\$	683.00
\$	23.50
\$	27.50
\$	9.89
\$	144.00
\$	0.31
\$	2,005.41
\$	175.00
\$	167.00
\$	52.30
\$	16.30
\$	145.00
\$	94.90
\$	221.00

\$	55.70
\$	1,775.00
\$	1,775.00
\$	401.00
\$	53.00
\$	33.70
\$	72.40
\$	0.20
\$	0.10
\$	13.30
\$	7.34
\$	9.59
\$	0.71
\$	0.20
\$	183.00
\$	19.00
\$	58.80
\$	1,234.00
\$	77.50
\$	255.00
\$	40.80
\$	4.90
\$	111.00
\$	31.60
\$	461.00
\$	0.20
\$	0.10
\$	29.60
\$	32.60
\$	0.51
\$	3.67
\$	3.47
\$	12.90
\$	35.80
\$	82.40
\$	141.00
\$	64.90
\$	55.60
\$	1,391.00
\$	45.30
\$	112.00
\$	252.00
\$	340.00
\$	209.00
\$	157.00
\$	23.70
\$	151.00
\$	117.00
\$	168.00
\$	743.00
\$	30.90
\$	1,694.00
\$	38.10
\$	38.10
\$	369.00
\$	0.57
\$	68.00
\$	51.50
\$	333.00
\$	139.00
\$	266.00
\$	276.00
\$	272.00

₺	2,066.00
\$	2,044.00
\$	110.00
\$	5.51
\$	211.00
₺	80.30
₺	22.70
\$	0.31
\$	160.00
\$	5.87
₺	379.00
₺	6.18
\$	149.00
\$	57.70
\$	167.00
₺	104.00
₺	7.00
\$	164.00
\$	856.00
\$	960.00
₺	21.60
₺	6.08
\$	99.90
\$	162.00
\$	200.00
₺	15.30
₺	29.80
\$	362.00
\$	781.00
\$	670.00
₺	390.00
₺	148.00
\$	232.00
\$	11.20
\$	145.00
₺	85.30
₺	9.68
\$	24.70
\$	277.00
\$	2.58
₺	0.93
₺	0.41
\$	1.44
\$	46.40
\$	20.60
₺	0.29
₺	134.00
\$	151.00
\$	5.20
\$	15.20
₺	422.00
₺	80.30
\$	29.90
\$	0.22
\$	0.52
₺	2.20
₺	1.24
\$	119.00
\$	745.00
\$	119.00
₺	252.00
₺	10.10
\$	15.30

\$	7.00
\$	7.42
\$	816.00
\$	64.90
\$	1,869.00
\$	65.90
\$	2,437.00
\$	2,285.00
\$	741.00
\$	41.20
\$	134.00
\$	212.00
\$	212.00
\$	211.00
\$	569.00
\$	118.00
\$	131.00
\$	55.60
\$	55.60
\$	642.00
\$	67.00
\$	184.00
\$	276.00
\$	6.18
\$	214.00
\$	153.00
\$	153.00
\$	6.18
\$	123.00
\$	6.18
\$	61.80
\$	67.00
\$	67.00
\$	67.00
\$	196.00
\$	12.10
\$	92.70
\$	92.70
\$	123.00
\$	6.18
\$	19.70
\$	421.00
\$	732.00
\$	335.00
\$	119.00
\$	279.00
\$	168.00
\$	308.00
\$	590.00
\$	434.00
\$	512.00
\$	15.50
\$	7.42
\$	184.00
\$	23.70
\$	9.99
\$	21.60
\$	1,923.00
\$	3,771.00
\$	21.60
\$	116.00
\$	119.00
\$	117.00

€	28.80
€	44.30
€	196.00
€	41.20
€	21.60
€	0.31
€	0.82
€	360.00
€	178.00
€	1,776.00
€	11.00
€	1.75
€	109.00
€	2,045.00
€	0.21
€	41.20
€	122.00
€	39.10
€	5.82
€	3.71
€	8.24
€	32.70
€	19.60
€	40.90
€	8.45
€	128.00
€	14.20
€	17.50
€	75.20
€	393.00
€	199.00
€	195.00
€	851.00
€	152.00
€	97.90
€	155.00
€	1,388.00
€	1,213.00
€	22.70
€	35.00
€	14.20
€	7.73
€	106.00
€	218.00
€	2.60
€	1,409.00
€	49.40
€	46.20
€	0.41
€	0.31
€	204.00
€	885.00
€	160.00
€	17.50
€	63.90
€	9.58
€	4.02
€	23.20
€	19.60
€	0.41
€	56.10
€	6.13
€	7.42

\$	30.90
\$	22.70
\$	27.80
\$	30.90
\$	204.00
\$	22.70
\$	197.00
\$	143.00
\$	88.60
\$	6.08
\$	6.08
\$	0.31
\$	6.67
\$	1.03
\$	5.90
\$	437.00
\$	1,792.00
\$	3.43
\$	26.80
\$	1.13
\$	3.81
\$	0.31
\$	115.00
\$	600.00
\$	17.50
\$	23.70
\$	19.90
\$	1.65
\$	335.00
\$	62.00
\$	3.10
\$	1.03
\$	3.45
\$	3.45
\$	5.15
\$	123.00
\$	118.00
\$	7.96
\$	123.00
\$	123.00
\$	69.00
\$	124.00
\$	124.00
\$	124.00
\$	5.36
\$	273.00
\$	5.36
\$	181.00
\$	128.00
\$	92.70
\$	172.00
\$	163.00
\$	125.00
\$	81.40
\$	63.90
\$	265.00
\$	63.90
\$	5.77
\$	5.77
\$	141.00
\$	20.80
\$	5.77
\$	98.90

₺	293.00
₺	5.87
₺	88.10
₺	12.60
₺	12.50
₺	252.00
₺	0.35
₺	1,200.00
₺	1,302.00
₺	9.01
₺	8.55
₺	11.60
₺	27.10
₺	2.06
₺	6.85
₺	447.00
₺	11.10
₺	34.10
₺	7.62
₺	8.98
₺	7.11
₺	21.60
₺	28.70
₺	9.27
₺	21.60
₺	46.40
₺	413.00
₺	8.03
₺	2,022.00
₺	2,994.00
₺	3,060.00
₺	3,596.00
₺	96.80
₺	21.60
₺	46.40
₺	382.00
₺	7.21
₺	93.70
₺	21.60
₺	43.30
₺	358.00
₺	5.87
₺	90.60
₺	21.60
₺	40.20
₺	340.00
₺	3.91
₺	82.40
₺	23.70
₺	293.00
₺	77.30
₺	38.10
₺	2.16
₺	28.80
₺	10.30
₺	2.37
₺	51.50
₺	450.00
₺	4.33
₺	8.69
₺	75.00
₺	3.71
₺	27.40

₺	240.00
₺	65.90
₺	384.00
₺	8.34
₺	174.00
₺	105.00
₺	121.00
₺	121.00
₺	2.32
₺	80.90
₺	2,460.00
₺	119.00
₺	2,024.00
₺	2,994.00
₺	3,060.00
₺	3,483.00
₺	49.40
₺	122.00
₺	798.00
₺	112.00
₺	260.00
₺	22.70
₺	8.96
₺	56.70
₺	3,927.00
₺	12.10
₺	399.00
₺	45.30
₺	18.50
₺	15.50
₺	94.80
₺	4.25
₺	37.10
₺	34.00
₺	4.53
₺	132.00
₺	73.30
₺	1.34
₺	40.20
₺	11.40
₺	6.70
₺	817.00
₺	96.80
₺	0.33
₺	19.60
₺	228.00
₺	624.00
₺	148.00
₺	17.40
₺	13.00
₺	46.70
₺	161.00
₺	89.10
₺	89.10
₺	459.00
₺	51.30
₺	21.10
₺	312.00
₺	126.00
₺	12.80
₺	12.00
₺	194.00
₺	41.20

\$	80,000.00
\$	9,420.00
\$	108,100.00
\$	8.96
\$	28,300.00
\$	13,100.00
\$	27,100.00
\$	64,700.00
\$	8,663.00
\$	8,857.00
\$	4.30
\$	2.55
\$	3.22
\$	2.58
\$	1,592.00
\$	3,184.00
\$	4,890.00
\$	12,875.00
\$	2,888.12
\$	5,581.00
\$	7,915.00
\$	10,344.00
\$	181.00
\$	1,284.00
\$	9,782.00
\$	3,726.45
\$	1,433.00
\$	1,465.00
\$	42.00
\$	9,212.00
\$	161.18
\$	469.00
\$	450.00
\$	81.40
\$	340.00
\$	279.00
\$	86.50
\$	152.00
\$	165.00
\$	459.00
\$	136.00
\$	143.00
\$	29.80
\$	212.00
\$	1,564.00
\$	608.00
\$	1,298.00
\$	2,979.00
\$	362.00
\$	0.11
\$	184.00
\$	725.00
\$	892.00
\$	1,060.00
\$	181.00
\$	3,198.00
\$	194.00
\$	176.00
\$	1,339.00
\$	4,321.00
\$	5,905.00
\$	7,469.00
\$	421.00

\$	241.00
\$	888.00
\$	803.00
\$	272.00
\$	9,373.00
\$	5,585.00
\$	230.00
\$	352.00
\$	6,596.00
\$	3,523.00
\$	6,731.00
\$	3,197.00
\$	1,731.00
\$	892.00
\$	8,695.00
\$	1,624.00
\$	2,483.00
\$	59.20
\$	452.00
\$	457.00
\$	22.40
\$	268.00
\$	4,572.00
\$	1,266.00
\$	4,590.00
\$	235.00
\$	247.00
\$	298.00
\$	298.00
\$	298.00
\$	237.00
\$	1,565.00
\$	14,300.00
\$	8,268.00
\$	8,414.00
\$	11,300.00
\$	10,600.00
\$	12,800.00
\$	7,852.00
\$	13,600.00
\$	27,200.00
\$	27,200.00
\$	33,700.00
\$	35,200.00
\$	36,500.00
\$	34,400.00
\$	36,200.00
\$	37,100.00
\$	27,100.00
\$	27,300.00
\$	44,900.00
\$	35,600.00
\$	35,600.00
\$	45,500.00
\$	35,500.00
\$	35,700.00
\$	43,600.00
\$	44,600.00
\$	37,900.00
\$	37,700.00
\$	38,600.00
\$	38,400.00
\$	40,100.00

\$	39,900.00
\$	37,800.00
\$	37,800.00
\$	38,500.00
\$	38,500.00
\$	40,000.00
\$	40,000.00
\$	46,700.00
\$	45,700.00
\$	47,400.00
\$	46,400.00
\$	48,900.00
\$	47,900.00
\$	47,700.00
\$	47,000.00
\$	48,400.00
\$	47,700.00
\$	49,900.00
\$	49,200.00
\$	43,600.00
\$	43,600.00
\$	49,400.00
\$	49,200.00
\$	51,500.00
\$	51,300.00
\$	54,700.00
\$	54,500.00
\$	43,500.00
\$	43,500.00
\$	49,300.00
\$	49,300.00
\$	51,400.00
\$	51,400.00
\$	54,600.00
\$	54,600.00
\$	52,400.00
\$	51,400.00
\$	58,200.00
\$	57,200.00
\$	61,300.00
\$	60,300.00
\$	63,500.00
\$	62,600.00
\$	53,400.00
\$	52,700.00
\$	59,200.00
\$	58,500.00
\$	62,300.00
\$	61,600.00
\$	64,500.00
\$	63,900.00
\$	16,300.00
\$	22,000.00
\$	25,200.00
\$	27,400.00
\$	126.00
\$	468.00
\$	42,800.00
\$	42,100.00
\$	44,900.00
\$	44,300.00
\$	45,600.00
\$	44,900.00

\$	47,100.00
\$	46,500.00
\$	50,600.00
\$	50,000.00
\$	56,400.00
\$	55,700.00
\$	59,500.00
\$	60,300.00
\$	62,100.00
\$	61,100.00
\$	386.00
\$	7,056.00
\$	134.00
\$	277.00
\$	17.50
\$	67.00
\$	38.10
\$	20.60
\$	12.10
\$	9.68
\$	4.33
\$	16.50
\$	0.31
\$	1.44
\$	6.70
\$	84.50
\$	143.00
\$	24.70
\$	105.00
\$	85.50
\$	20.40
\$	19.50
\$	21.40
\$	11.80
\$	9.30
\$	16.50
\$	51.50
\$	38.10
\$	35.00
\$	35.00
\$	261.00
\$	237.00
\$	56.80
\$	70.00
\$	13.20
\$	0.10
\$	224.00
\$	6.70
\$	4.53
\$	46.40
\$	40.20
\$	149.00
\$	37.10
\$	14.20
\$	171.00
\$	39.00
\$	25.00
\$	46.40
\$	110.00
\$	7.21
\$	6.59
\$	13.20
\$	310.00

₺	627.00
₺	138.00
₺	8.34
₺	7.00
₺	206.00
₺	6.82
₺	11.80
₺	7.86
₺	9.06
₺	63.40
₺	324.00
₺	85.40
₺	63.30
₺	8.03
₺	156.00
₺	85.50
₺	26.40
₺	24.70
₺	980.00
₺	21.60
₺	25.20
₺	903.00
₺	544.00
₺	146.00
₺	149.00
₺	137.00
₺	954.00
₺	954.00
₺	52.40
₺	186.00
₺	162.00
₺	80.00
₺	942.00
₺	9.17
₺	3.74
₺	1,989.00
₺	403.00
₺	725.00
₺	278.00
₺	6.24
₺	2.58
₺	4.12
₺	0.72
₺	0.51
₺	1.02
₺	2.75
₺	1.02
₺	8.06
₺	7.04
₺	3.88
₺	6.02
₺	5.61
₺	10.20
₺	1.43
₺	7.96
₺	14.10
₺	29.60
₺	29.60
₺	144.00
₺	154.00
₺	184.00
₺	184.00
₺	193.00

₺	107.00
₺	42.70
₺	82.40
\$	1,060.00
₺	642.00
₺	184.00
₺	291.00
₺	28.80
₺	37.90
₺	112.00
₺	197.00
₺	90.60
₺	220.00
₺	20.60
₺	33.00
₺	8.60
₺	775.00
₺	290.00
₺	91.70
₺	20.00
₺	539.00
₺	156.00
₺	70.00
₺	619.15
₺	539.00
₺	69.00
₺	10.10
₺	61.80
₺	71.10
₺	63.90
₺	215.00
₺	60.50
₺	89.60
₺	94.80
₺	38.10
₺	76.20
₺	48.40
₺	28.80
₺	62.80
₺	145.00
₺	11.80
₺	8.03
₺	21.60
₺	16.50
₺	14.40
₺	13.30
₺	13.40
₺	7.00
₺	4.12
₺	9.01
₺	17.50
₺	31.90
₺	3.81
₺	9.68
₺	9.17
₺	7.93
₺	8.76
₺	14.40
₺	24.70
₺	51.50
₺	0.21
₺	5.56
₺	9.27

₺	7.73
₺	11.10
₺	31.90
₺	3.09
₺	4.02
₺	1.96
₺	1.65
₺	156.00
₺	21.60
₺	25.60
₺	41.20
₺	130.00
₺	56.70
₺	237.00
₺	1.55
₺	7.31
₺	7.21
₺	2.58
₺	2.06
₺	1.75
₺	3.61
₺	112.00
₺	15.50
₺	3.81
₺	3.19
₺	5.15
₺	6.80
₺	1.44
₺	6.08
₺	4.00
₺	9.73
₺	13.20
₺	88.60
₺	24.00
₺	22.70
₺	15.90
₺	19.60
₺	21.00
₺	24.70
₺	89.60
₺	103.00
₺	1,913.00
₺	681.00
₺	149.00
₺	252.00
₺	0.41
₺	10.50
₺	9.99
₺	76.20
₺	23.40
₺	0.78
₺	67.00
₺	80.30
₺	15.30
₺	240.00
₺	39.10
₺	42.20
₺	125.00
₺	141.00
₺	8.45
₺	376.00
₺	193.00
₺	8.24

\$	12.10
\$	10.40
\$	43.10
\$	12.10
\$	13.20
\$	18.50
\$	22.70
\$	20.60
\$	17.50
\$	35.00
\$	28.80
\$	38.10
\$	0.77
\$	22.70
\$	0.93
\$	3.09
\$	2.99
\$	1.34
\$	8.86
\$	5.15
\$	1.85
\$	41.20
\$	13.10
\$	44.30
\$	17.50
\$	100.00
\$	96.80
\$	115.00
\$	11.20
\$	9.79
\$	7.73
\$	9.48
\$	28.80
\$	23.70
\$	20.10
\$	17.50
\$	1,628.00
\$	906.00
\$	18.50
\$	1,475.00
\$	614.00
\$	212.00
\$	324.00
\$	96.80
\$	132.00
\$	8.36
\$	13.60
\$	14.40
\$	4.43
\$	6.28
\$	57.70
\$	51.50
\$	47.40
\$	50.50
\$	4.74
\$	1.24
\$	72.10
\$	2.58
\$	49.40
\$	339.00
\$	49.00
\$	35.30
\$	38.10

€	113.00
€	6.08
€	42.20
€	68.00
€	33.00
€	9.79
€	10.10
€	12.10
€	11.00
€	10.40
€	19.60
€	209.00
€	22.30
€	7.93
€	41.20
€	4.12
€	41.20
€	112.00
€	70.00
€	742.00
€	1,542.00
€	1,727.00
€	1,672.00
€	1,914.00
€	1,992.00
€	2.68
€	3.50
€	17.50
€	49.40
€	85.50
€	37.10
€	6.70
€	10.30
€	10.30
€	9.89
€	19.60
€	1.34
€	67.00
€	0.62
€	258.00
€	84.50
€	6,050.00
€	3,551.00
€	402.00
€	1.55
€	0.72
€	1.03
€	9.37
€	50.80
€	5.52
€	3.91
€	8.34
€	63.90
€	1.44
€	46.40
€	10.10
€	1.13
€	16.50
€	5.97
€	17.00
€	17.00
€	3.71
€	5.46

\$	0.21
\$	0.50
\$	0.30
\$	0.21
\$	0.50
\$	0.30
\$	0.36
\$	0.21
\$	20.00
\$	10.10
\$	37.10
\$	2,244.00
\$	0.41
\$	2.99
\$	12.30
\$	5.56
\$	10.50
\$	156.00
\$	148.00
\$	21.60
\$	1.44
\$	8.14
\$	8.14
\$	95.80
\$	21.60
\$	11.10
\$	2.06
\$	0.82
\$	6.70
\$	51.50
\$	68.00
\$	68.00
\$	61.80
\$	39.10
\$	3.75
\$	190.00
\$	7.52
\$	0.41
\$	1,584.00
\$	249.00
\$	20.00
\$	123.00
\$	136.00
\$	63.90
\$	148.00
\$	511.00
\$	619.00
\$	1,225.00
\$	19.60
\$	12.10
\$	9.68
\$	125.00
\$	627.00
\$	127.00
\$	499.00
\$	35.70
\$	24.50
\$	91.70
\$	386.00
\$	85.70
\$	103.00
\$	30.90
\$	9,159.00

\$	146.00
\$	2,121.00
\$	2,907.00
\$	308.00
\$	192.00
\$	185.00
\$	46.40
\$	26.80
\$	142.00
\$	108.00
\$	103.00
\$	138.00
\$	125.00
\$	103.00
\$	136.00
\$	149.00
\$	134.00
\$	134.00
\$	124.00
\$	106.00
\$	133.00
\$	133.00
\$	141.00
\$	883.00
\$	36.10
\$	247.00
\$	136.00
\$	2,134.00
\$	260.00
\$	0.21
\$	0.21
\$	3,400.00
\$	4,365.00
\$	381.00
\$	129.00
\$	433.00
\$	55.65
\$	249.00
\$	46.40
\$	141.00
\$	57.70
\$	335.00
\$	1,374.00
\$	849.00
\$	91.70
\$	17.50
\$	17.50
\$	16.50
\$	2,230.00
\$	958.00
\$	1,380.00
\$	1,578.00
\$	1,514.00
\$	310.00
\$	1,365.00
\$	1,365.00
\$	93.70
\$	86.50
\$	1,505.00
\$	121.00
\$	107.00
\$	128.00
\$	143.00

₺	112.00
₺	124.00
₺	110.00
₺	133.00
₺	116.00
₺	56.10
₺	80.60
₺	76.20
₺	37.10
₺	75.20
₺	30.00
₺	58.70
₺	95.80
₺	141.00
₺	101.00
₺	20.60
₺	28.80
₺	5.56
₺	14.00
₺	16.50
₺	3.91
₺	75.20
₺	60.80
₺	0.31
₺	0.20
₺	1.55
₺	0.93
₺	644.00
₺	335.00
₺	346.00
₺	0.62
₺	14.20
₺	14.20
₺	12,200.00
₺	14,400.00
₺	9,272.00
₺	26.80
₺	53.60
₺	651.00
₺	2.34
₺	383.00
₺	25.80
₺	65.90
₺	48.40
₺	154.00
₺	47.60
₺	77.30
₺	24.70
₺	140.00
₺	212.00
₺	695.00
₺	2.27
₺	41.20
₺	102.00
₺	102.00
₺	102.00
₺	157.00
₺	1,605.00
₺	1,650.00
₺	951.00
₺	492.00
₺	242.00
₺	62.80

€	110.00
€	97.90
€	416.00
€	161.00
€	163.00
€	569.00
€	84.50
€	5.05
€	258.00
€	96.80
€	2,404.00
€	83.40
\$	24,000.00
\$	24,000.00
€	213.00
€	129.00
€	262.00
€	103.00
€	399.00
€	11.00
€	35.70
€	21.60
€	0.21
€	0.20
€	101.00
€	404.00
€	51.50
€	137.00
€	106.00
€	119.00
€	12.10
€	4.30
€	0.41
€	3.19
€	53.50
€	0.21
€	0.26
€	742.00
€	4.33
€	61.80
€	225.00
€	0.62
€	0.21
€	0.31
€	2.16
€	0.31
€	1.50
€	42.20
€	422.00
€	183.00
€	133.00
€	21.60
€	213.00
€	78.30
€	2.16
€	0.21
€	84.50
€	41.20
€	196.00
€	29.90
€	31.90
€	51.50
€	13.20

\$	44.00
\$	101.00
\$	55.60
\$	224.00
\$	67.50
\$	69.00
\$	121.00
\$	86.50
\$	0.31
\$	0.31
\$	2.37
\$	0.41
\$	711.00
\$	15.30
\$	1,130.00
\$	2,475.00
\$	3,100.00
\$	35.00
\$	45.00
\$	55.00
\$	65.00
\$	625.00
\$	1,250.00
\$	29.00
\$	2.00
\$	5.00
\$	5.00
\$	2.00
\$	780.00
\$	740.00
\$	1,200.00
\$	1,520.00
\$	1,700.00
\$	1,880.00
\$	24.00
\$	32.00
\$	39.00
\$	32.00
\$	39.00
\$	32.00
\$	39.00
\$	39.00
\$	39.00
\$	39.00
\$	39.00
\$	39.00
\$	759.00
\$	759.00
\$	759.00
\$	759.00
\$	420.00
\$	640.00
\$	625.00
\$	1,080.00
\$	1,380.00
\$	1,550.00
\$	1,140.00
\$	530.00
\$	530.00
\$	460.00
\$	675.00
\$	565.00

\$	635.00
----	--------



Municipal Emergency Services, Inc,
4611 Assembly Drive, Suite G
Lanham, MD.
20706

Phone: 301-577-7082
Fax: 301-577-4817

Arlington County Office of Procurement
2100 Clarendon Blvd, Suite 500
Arlington, VA. 22201

July 27, 2015

To whom it may concern,

Municipal Emergency Services, Inc (MES) would like to agree to extend the terms and conditions of contract #419-10. Below is a letter of clarification for the discounts for Scott Safety items as well as MES associated service items for SCBA.

MES is the exclusive fire service distributor in the states of Virginia, Maryland, and the District of Columbia for Scott Health and Safety Products. MES concentrates our efforts and service resources to the fire department market. Experienced, knowledgeable technicians, who are factory trained and regularly updated on procedures, policies and requirements, staff our authorized service centers and mobile service vehicles.

I would like to clarify a few items with regard to this contract. First, Scott Health and Safety issues a PDF version of their catalog on an annual basis; this includes MSRP/LIST prices. In addition, Scott issues an Excel document that contains all component part numbers and the associated MSRP/LIST price. The PDF and Excel price lists are to be used in conjunction with each other. As such, MES would like to clarify the discount structure for all Scott items:

Scott Air-Pak (SCBA), complete:	25% Discount
Scott Air-Pak (SCBA), any part or component:	25% Discount
Scott Air Compressor, complete: (This includes compressors, fill stations, and storage systems.)	5% Discount
Scott Air Compressor, any part or component: (This includes compressors, fill stations, and storage systems.)	5% Discount

NOTE: Any item on the Scott Excel or PDF price list that has an (NSD) or an asterisk (*) listed next to the price does not receive ANY discount from the MSRP/LIST price.

Should you require on-site assistance for any service related problems that you might have, we have the ability to dispatch five fully stocked service vehicles to anywhere in the DC area within 100+ miles. These vehicles are each stocked and staffed by certified technicians to respond to all of your breathing apparatus needs. To assist in the servicing of your Scott Products, the following labor rates and service pricing will apply:

SCBA	\$65.00/hour
Air Compressor	\$75.00/hour
Hydrostatic testing of any Scott SCBA cylinder:	\$26.50/cylinder
Hydrostatic testing of any Scott ASME or DOT storage cylinder:	\$95.00/cylinder
Installation of Scott seal kit (p/n 200286-01) for any Scott cylinder:	\$46.50/cylinder
(The hydrostatic testing includes: pickup and delivery from your location, de-valve of each cylinder, and replacement O-ring upon completion of testing, and re-installation of the cylinder valve.)	
Flowtest of any Scott SCBA:	\$47.00/SCBA
Flowtest of any Scott regulator:	\$30.00/regulator
Fit Test of any Scott facepiece:	\$35.00/test

In the event MES is needed for any Scott service work, any Scott item that is covered under the Scott warranty will not be charged to the County; this includes parts and labor.

If you have any questions, please feel free to contact me at any time. I may be reached at 301-573-9654.

Respectfully,

William Dunn
Regional Vice President,
MES