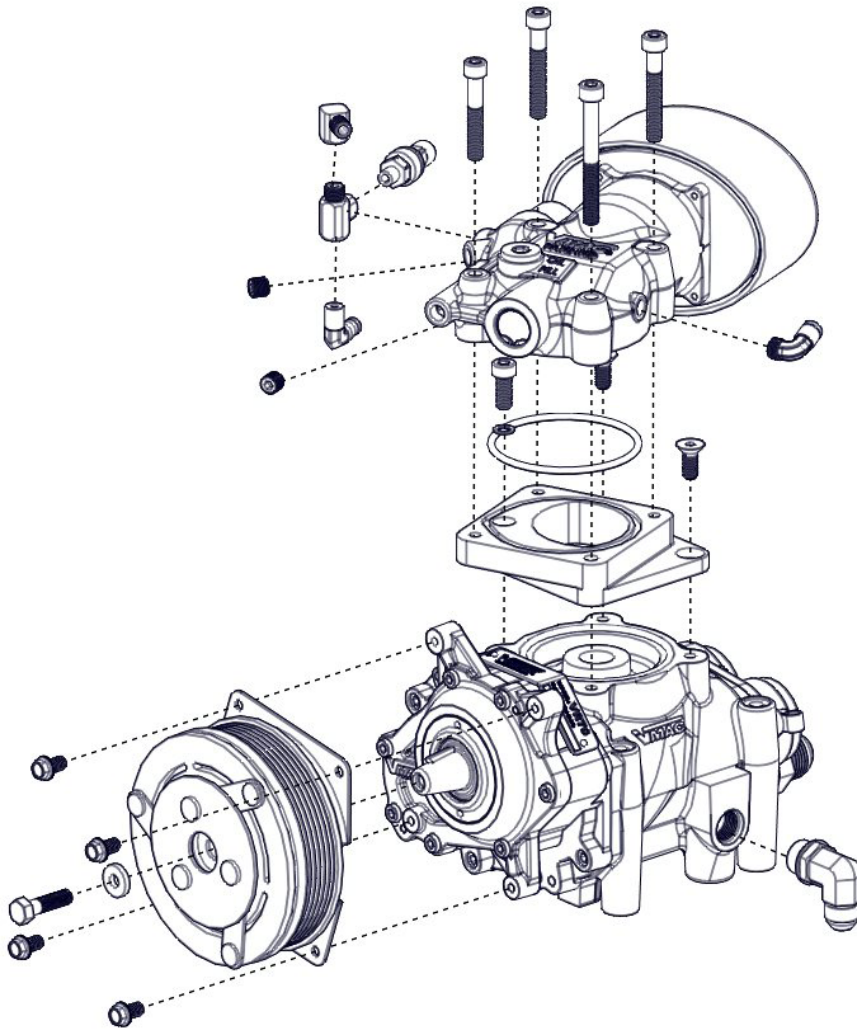


# **VMAC**<sup>®</sup>

**AIR INNOVATED**<sup>®</sup>



## **Illustrated Parts List for VMAC System**

**D600007 – D600013**

**D600020 | D600021**

**Multifunction Power System**

**[www.vmacair.com](http://www.vmacair.com)**



# Illustrated Parts List

## Diesel Driven Multifunction

### D600007

0 – SUB-ASSEMBLY OVERVIEW .....	4
1 – ENGINE ASSEMBLY – 9500301 .....	5
2 – COMPRESSOR ASSEMBLY – P120169.....	8
2.1 – INLET VALVE ASSY, COMPRESSOR – 9500249 .....	10
3 – COMPRESSOR AIR INTAKE ASSY - 9500339.....	11
4 – ENGINE AIR INTAKE ASSY - 9500337 .....	12
5 – FUEL FILTER ASSEMBLY - 9500258 .....	13
6 – EXHAUST ASSEMBLY - 9500256 .....	14
7 –COOLER ASSEMBLY – 9500190 .....	15
8 – RADIATOR ASSEMBLY - 9500470 .....	16
9 – AIR/OIL ASSY, COMPLETE – 9500173 .....	18
9.1 – AIR/OIL SEP. PARTS - 9500174 .....	20
9.2 – REMOTE COALESCER - 9500246.....	21
10 –ELECTRICAL - 9500327 .....	23
11 – 2 SPEED THROTTLE - A500020.....	25
12 – DRIVE SYSTEM - 9500656.....	26
13 – PTO – 4800614 .....	27
14 –PTO & 5gpm Assembly – A510003.....	28
15 –PTO & 8gpm Assembly – A510004.....	29
16 –PTO & 10gpm Assembly – A510005.....	30
17 –PTO OMIT – 4800615 .....	31
18 –AC/DC GENERATOR – 9500657.....	32
19 –AC ONLY GENERATOR /W TERMINAL STRIP – 9500319.....	34
20 –AC/DC GEN. W/ Terminal Strip – 9500658.....	36
21 –GEN OMIT – 9500296 .....	38
22 –MISC. PTO Y GEN Y – A510041 .....	40
23 –MISC. PTO N GEN N – A510012.....	41
24 –MISC. PTO N GEN Y – A510040 .....	42
25 –MISC. PTO Y GEN N – A510014 .....	43
26 –MISC. PTO N AC GEN Y – A510021 .....	44
27 –MISC. PTO Y AC GEN Y – A510022 .....	45
28 –SHEET METAL BLK – 9500318.....	46
29 –SHEET METAL WHT – 9500307.....	48

**VMAC – Vehicle Mounted Air Compressors**  
Toll Free: 1-800-738-8622  
Local: 1-250-740-3200  
Fax: 1-250-740-3201

30 –SHEET METAL CUST. – 9500352 .....	50
31 –SHEET METAL W/ DOOR – 9500351 .....	52
32 –SHEET METAL, BLK, SOUND PACKAGE – 9500510 .....	54
33 – SOUND PACKAGE – A500201 .....	56
34 – SOUND SHROUD – A500205.....	57
35 – SOUND PANEL, BELT SIDE – A500213 .....	58
36 – VERTICAL RAIN CAP – 9500223 .....	59
37 –EXHAUST KIT, ELBOW – A500198.....	60
38 –COLD CLIMATE – 9500288 .....	61
39 –PASS SYSTEM – A510023 .....	62
40 – FUEL TANK – A500013.....	63
41 – BATTERY BLANKET– A500196 .....	65
42 – BATTERY STRAP ADAPTER, LEGACY– A500235.....	66

Document Number: 1930263 - Changes and Revisions

Revision	Revision Details	Revised by	Checked by				Implemented
			Eng.		Tech.	Qual.	
			Mech.	Elec.			
A	ENGINEERING RELEASE	MRH	RD	N/A	DSB	N/A	09 Jun 2015
B	ECN 15-092/15-104	CJH	JR	N/A	DSB	N/A	29 Jan 2015
C	ECN 16-024	AJH	JKR	N/A	DSB	N/A	07 Apr 2016
D	ECN 18-009/092/129/146/165/168	JKR	MRH	N/A	DSB	N/A	6 Sept 2018
E	ECN 18-239	JKR	MRH	N/A	DSB	N/A	16 Nov 2018
F	ECN 19-009	NSE	MRH	N/A	DSB	N/A	28 Jan 2019
G	ECN 19-061	NSE	MRH	N/A	DSB	N/A	16 Apr 2019
H	ECN 19-066	MRH	NAC	N/A	DSB	N/A	22 May 2019
J	ECN 18-226	MRH	NAC	N/A	DSB	N/A	28 May 2019
K	ECN 19-139/160	BJG	MRH	N/A	DSB	N/A	24 Oct 2019
L	ECN 19-232	NAC	MRH	N/A	DSB	N/A	09 Jan 2020
M	ECN 20-032	AJH	MRH	N/A	DSB	N/A	18 Feb 2020
N	ECN-20-074	SRD	ASE	N/A	DSB	N/A	20 Mar 2020
P	ECN 20-206 Battery Mounting Update	LGB	BJG	N/A	DSB	N/A	20 May 2021
Q	ECN 21-104_Kubota MF generator speed reduction	NAC	BJG	N/A	DSB	N/A	16 Jun 2021
R	ECN 21-200 DC board bracket & Genset cover mods	SPT	GJM	SRD	DSB	LH	10 Mar 2022
S	ECN 22-060: Fitting Update	TIK	GJM	N/A	RB	LH	11 AUG 2022
T	ECN 22-136: Accessory Fuel Tank Update	GJM	SPT	N/A	DSB	TK	29 Sep 2022

## 0 – SUB-ASSEMBLY OVERVIEW

Item #	Part #	Qty.	Description
1	9500301	1	ASSY, ENGINE, D902
2	P120169	1	ASSEMBLY, COMPRESSOR, W/INLET
3	9500339	1	ASSEMBLY, REMOTE FILTER, PAS
4	9500337	1	ASSEMBLY, AIR INTAKE
5	9500258	1	ASSEMBLY, FUEL FILTER
6	9500256	1	ASSEMBLY, EXHAUST
7	9500190	1	ASSY, COOLER
8	9500470	1	ASSY, RADIATOR
9	9500173	1	AOST COMPLETE, ASSEMBLY, MF
10	9500327	1	ASSY, ELECTRICAL, MFD
11	A500020	1	2-SPEED THROTTLE KIT, MF
12	9500656	1	ASSY, DRIVE SYSTEM

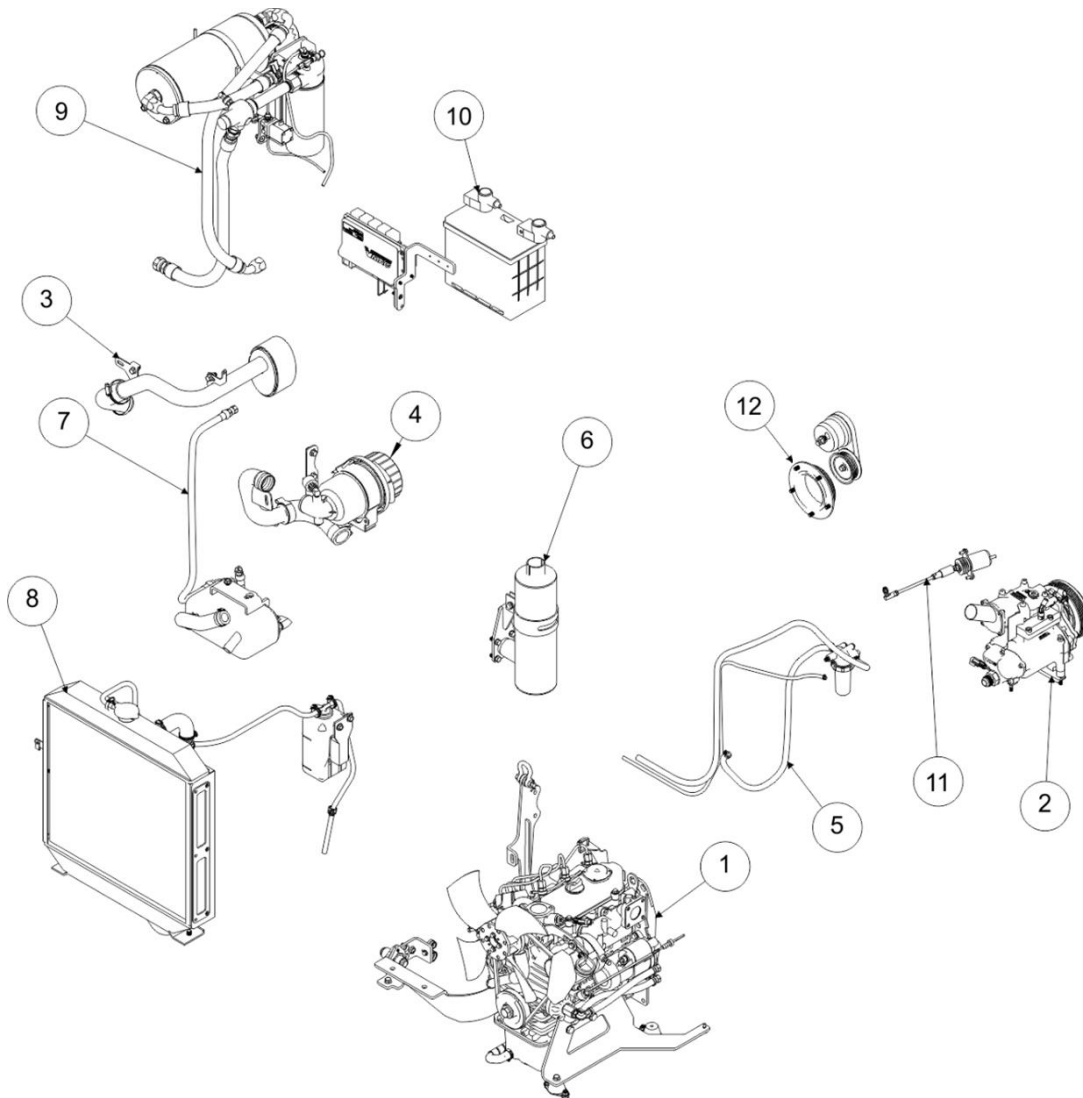


Figure 0 – Sub Assy Overview

VMAC – Vehicle Mounted Air Compressors  
Toll Free: 1-800-738-8622  
Local: 1-250-740-3200  
Fax: 1-250-740-3201

# 1 – ENGINE ASSEMBLY – 9500301

Item #	Part #	Qty.	Description
1	9500367	1	ENGINE, DIESEL, KUBOTA D902, MF
1.1	9500044	1	GASKET, EXHAUST
1.2	9500213	1	PIPE JOINT ASSY
1.3	9500203	1	COVER, OIL FILTER 2
1.4	9500214	1	COLLAR
1.5	5830141	1	O-RING,
1.6	5830147	1	O-RING, KUBOTA
1.7	9500199	1	DIPSTICK, OIL LEVEL
1.8	1600238	1	BELT, V, 35.5"
2	9500196	1	ASSY, REAR ENGINE PLATE
3	9500226	1	ASSY, FAN, D902
4	1520625	4	BOLT, HHCS, FL, M6 X 1.0 X 25
5	1520602	9	BOLT, HHCS G10.9, PL, M10 X 1.25 X 20
6	1570044	9	WASHER, ALLOY PL SAE, 3/8
7	9500235	1	BRACKET, MULTIMOUNT
8	1700620	1	HOSE, SILICONE
9	5000197	2	CONN, BRASS SWIVEL, 8JIC-1/2 HOSE
10	1400362	1	SPACER, OIL DRAIN
11	1500725	4	MOUNT, VIBRATION, 250LB
12	1520566	8	BOLT, FLAT HEAD, PL M8 X 1.25 X 20MM
13	1200714	2	PLATE, MOUNT
14	1520627	3	BOLT, HHCS, FL, PL, M8 X 1.25 X 20
15	1510546	1	BOLT, HHCS NC G5 FL LK, 3/8 X 1-1/4
16	1550010	2	NUT, HEX NC PL, 3/8
17	3200427	2	PIN, THREADED, LOCATING
18	1520570	3	BOLT, HHCS FL LK PL, M8 X 1.25 X 16
19	1520583	2	BOLT, HHCS, FL, M6 X 1.0 X 20
20	1520591	2	BOLT, HHCS, M8-1.25 X 25, G10.9 FL PL
21	2200083	1	CLAMP, C R.I., 1 1/4
22	1560515	11	NUT, M8 X 1.25 FL PL
23	1520595	10	BOLT, HHCS G10.9, M8 X 1.25 X 22
24	1570508	11	WASHER, SPLIT LOCK, M8, PLATED
25	1520608	2	BOLT, FLAT HEAD, PL, M10 X 1.5 X 35
26	1560512	2	NUT, FLANGE PL, M10 X 1.5
27	1520605	2	BOLT, HHCS, M8-1.25 X 30, FL PL
28	3200405	1	FITTING, OIL DRAIN
29	4900178	1	PLUG, #6ORB, EXT HEX, VITON
30	9500139	1	CLIP, RETAINER, OIL DRAIN
31	2200221	3	CLAMP, HOSE
32	5800120	1	SHACKLE, LIFTING, 3/8
33	3501103	1	SENSOR, HALL EFFECT SPEED
34	4900186	2	FTG, 90, #6MJIC-#16MORB, METRIC
35	5000190	4	CONNECTOR, BRASS, HOSE BARB, 3/8ID
36	1710805	1	HOSE, MF
37	1710804	1	HOSE, MF
38	9500121	1	RETAINER, HEX
39	1500667	2	SCREW, FLAT PHILLIPS, SS, M6X1X16
40	2200202	2	CLAMP, STRAP 7/8

VMAC – Vehicle Mounted Air Compressors

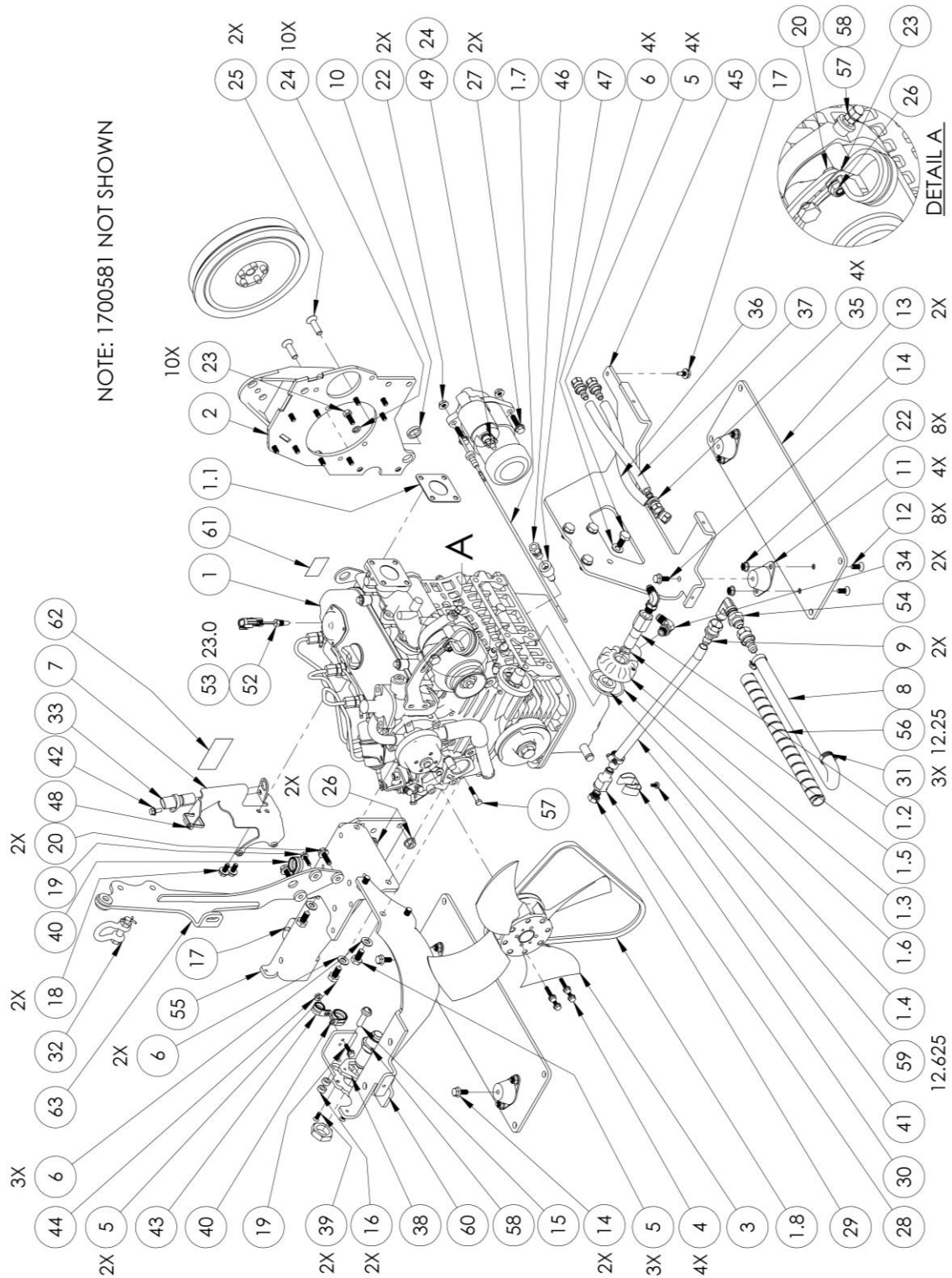
Toll Free: 1-800-738-8622

Local: 1-250-740-3200

Fax: 1-250-740-3201

41	1500632	1	SCREW, PHMS, M5 X 10
42	1520590	1	BOLT, HHCS, M6X1.0X14 FL PL
43	2200178	1	CLAMP, 5/8, CUSHION
44	1560516	1	NUT, M6 X 1.0 FL PL
45	1200782	1	BRACKET, ENGINE MOUNT, EXH SIDE
46	5000195	1	CONNECTOR, BRASS THRU ¼ NPT – 3/8 TUBE
47	3200429	1	ADAPTER, DIP STICK
48	2200039	1	TIE, NYLON MD,7"
49	1560008	1	NUT, HEX PL, M8 X 1.25
50	1560438	1	NUT, NYLOCK, M6
51	1560518	1	NUT, ACORN, M6 x 1 PLASTIC
52	3550922	1	PROBE, ASSY, THERMISTOR. GT 150, L
53	1700581	23.0"	LOOM, SPLIT PLASTIC, 1/4, HIGH TEMP
54	4900190	1	FTG, 90, #8MJIC-#8MJIC, BLKHD
55	1200677	1	BRACKET, ENGINE MOUNT, BELT SIDE
56	1700613	12.25"	SPIRAL WRAP, 1/2" ID, BLACK
57	1520580	1	BOLT, HHCS G10.9, M6 X 1.0 X 35 PLT
58	4900170	1	FTG, STR, #12MJIC-#12MJIC, BLKHD
59	1700600	12.625"	HOSE, PUSH ON 300 PSI, 1/2
60	1200678	1	BRACKET, ENGINE MOUNT, RAD SIDE
61	4400998	1	DECAL, KUBOTA, DIESEL FUEL
62	4400982	1	DECAL, ENGINE OIL DRAIN
63	1200738	1	ASSY, LIFTING





NOTE: 1700581 NOT SHOWN

\*APPLY 5400396 (LOCTITE, 242, BLUE) TO ALL M5, M6 AND M8 FASTENERS

Figure 1 – Engine Assembly

## 2 – COMPRESSOR ASSEMBLY – P120169

Item #	Part #	Qty.	Description
1	P120168	1	ASSEMBLY, COMPRESSOR
1.1	P200035	1	CLUTCH, COMPLETE 6 GROOVE
1.2	3550922	1	PROBE, ASSY, THERMISTOR. GT150, L
2	9500249	1	ASSEMBLY, INLET VALVE
3	5830004	2	O-RING, VITON, 3 1/8 ID X 1/8
4	9200502	1	ADAPTER, INLET VALVE
5	1520566	1	BOLT,FLAT HEAD, PL M8 X 1.25 X 20MM
6	1540134	3	BOLT, SHCS, M8 X 1.25 X 30, G12.9
7	3600123	1	VALVE, CHECK, 1/8 NPT
8	5000158	1	ELBOW,BRASS 45 DEG NPT-POLY 1/8-1/4
9	1540530	2	BOLT,SHCS,M8 X 1.25 X 55, G12.9 PLT
10	1540550	2	BOLT,SHCS,M8 X 1.25 X 50, G12.9 PLT
11	4900176	1	FTG, 90, #6MORB-#6MJIC, VITON
12	1540567	2	BOLT, SHCS, M8 X1.25X130, GR12.9 PL
13	1500399	1	STUD, M8 X 1.25 X 38
14	1570502	1	WASHER, M8, COPPER SEALING
15	1200741	1	BRACKET, GUIDE
16	1400349	2	SPACER, COMPRESSOR
17	1520590	2	BOLT, HHCS, M6X1.0X14 FL PL
18	1200689	1	BRACKET, MOUNT, COMPRESSOR

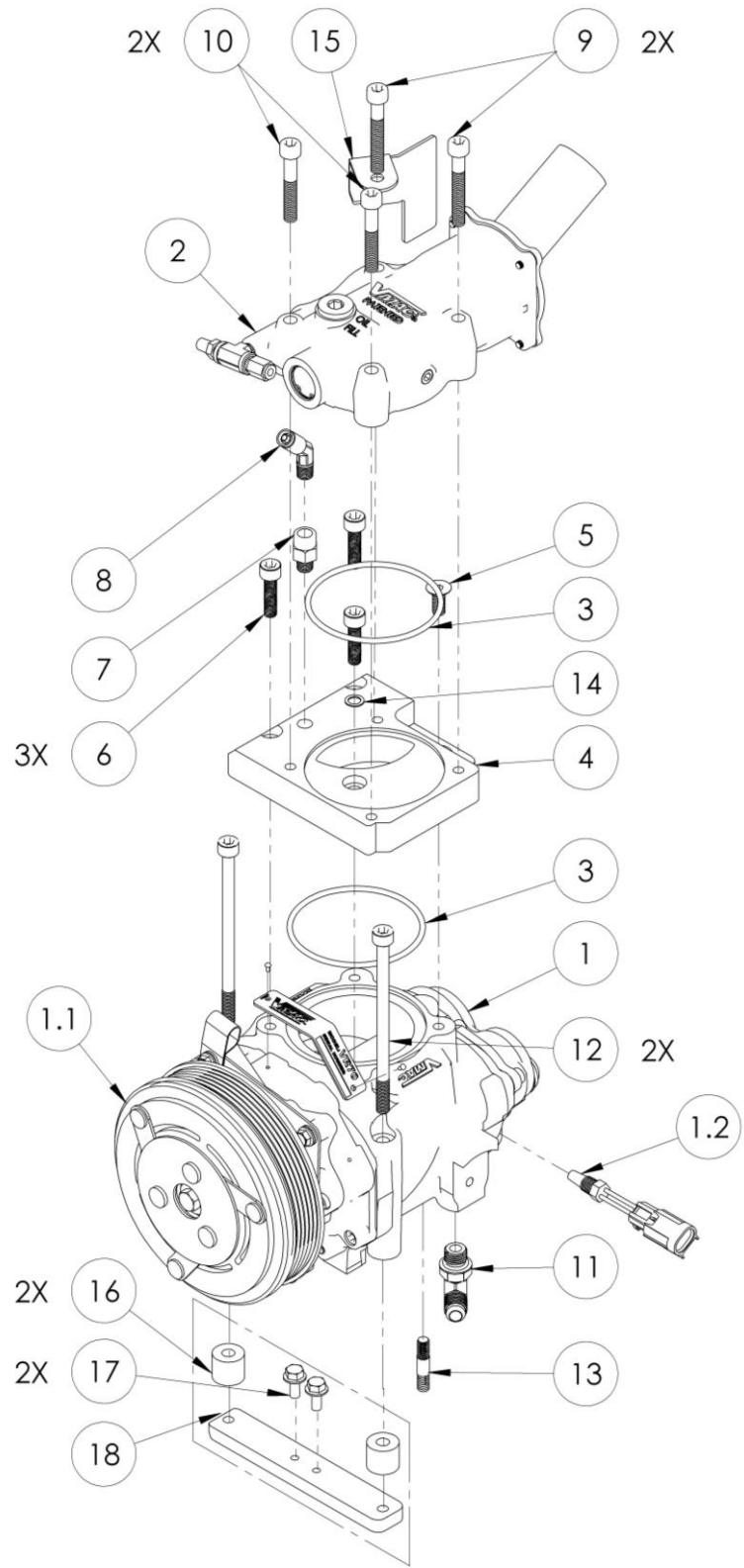


Figure 2 – Compressor Assembly

## 2.1 – INLET VALVE ASSY, COMPRESSOR – 9500249

Item #	Part #	Qty.	Description
1	9200514	1	INLET VALVE, REAR SEAT
2	5830129	1	O-RING, 40D SIL., 1 7/8 ID X 3/16
3	5830002	1	O-RING, VITON, 2 3/8 ID X 3/32
4	9200513	1	SEAT, FRONT, INLET VALVE
5	5830070	1	O-RING, VITON, 2 9/16 ID X 3/32
6	3200432	1	ADAPTER, REMOTE FILTER
7	1500533	4	SCREW, BUTTON HCS, 10-32 X 5/8 PL
8	3600148	1	ASSEMBLY, MUFFLER RESTRICTION
9	5000137	1	TEE, MALE BRANCH, 1/8" NPT, FORGED
10	5000162	1	CONNECT, BRASS NPT-POLY, 3/16-1/8 NPT
11	4900045	1	PLUG, #8ORB, INTERNAL HEX
12	4300076	1	PIPE FTG, PLUG SKT HEAD, 1/8

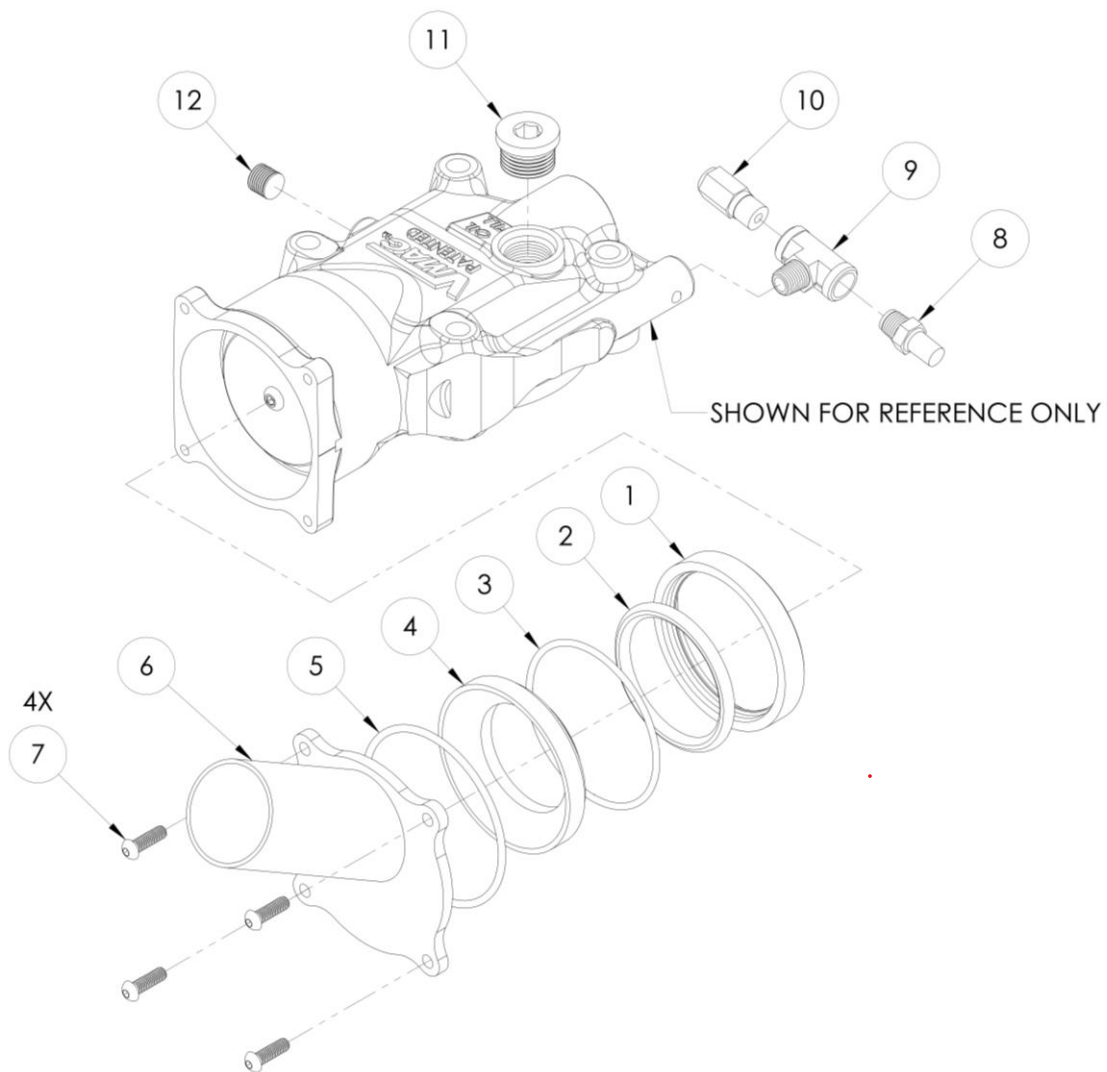


Figure 2.1 – Inlet Valve Sub-Assembly

### 3 – COMPRESSOR AIR INTAKE ASSY - 9500339

Item #	Part #	Qty.	Description
1	9500340	1	WELDMENT, REMOTE FILTER, PAS
2	1560515	2	NUT, M8 X 1.25 FL PL
3	1500519	1	ROD, THREADED, 1/4 X 2.75
4	1550221	1	NUT, HEX NC PL, 1/4, GR8
5	3600037	1	FILTER ELEMENT, PAPER
6	3600066	1	COVER, AIR FILTER, PLASTIC
7	1500676	1	KNOB, PLASTIC, 1/4-20
8	1710830	1	HOSE, MODIFIED, REMOTE FILTER
9	2200062	2	CLAMP, HOSE HS24
10	1520627	2	BOLT, HHCS, FL, PL, M8 X 1.25 X 20

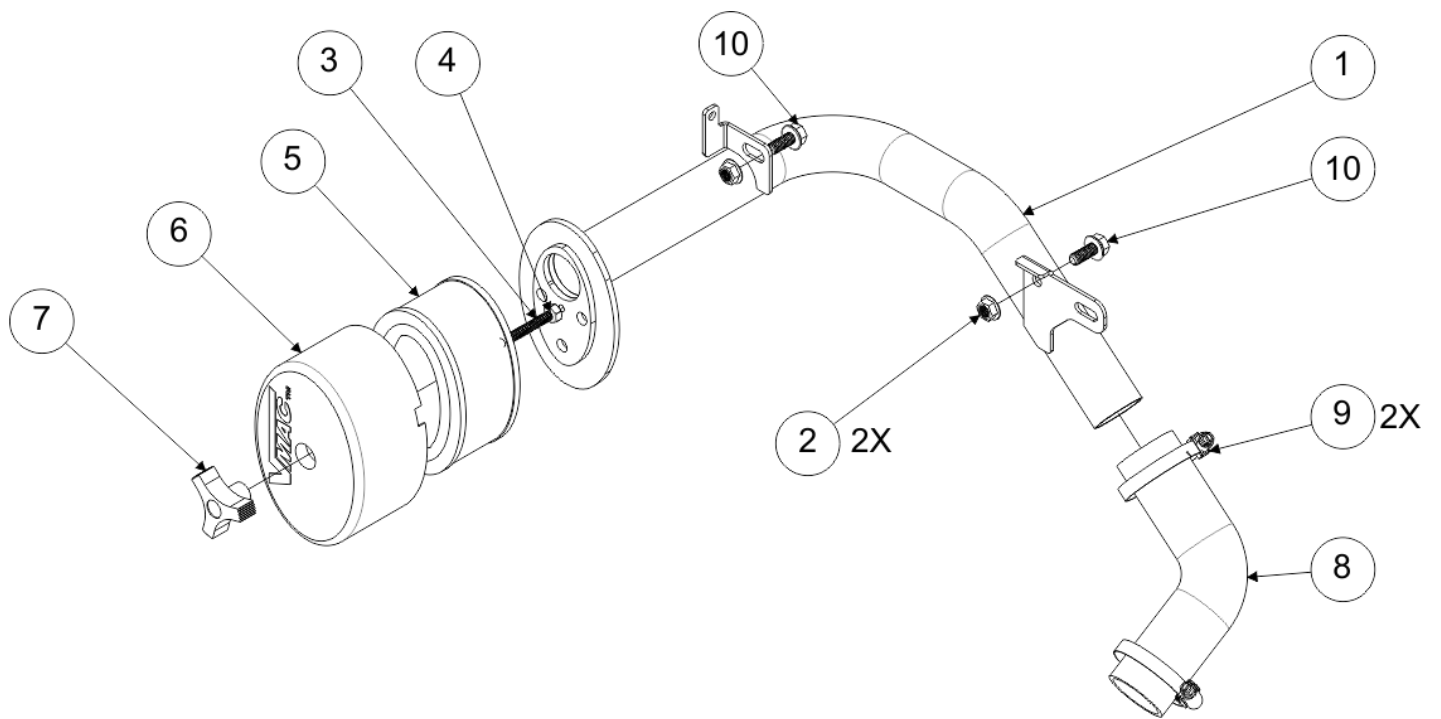


Figure 3 – Compressor Air Intake Assembly

#### 4 – ENGINE AIR INTAKE ASSY - 9500337

Item #	Part #	Qty	Description
1	1710831	1	HOSE, MODIFIED, INTAKE
2	1520627	4	BOLT, HHCS, FL, PL, M8 X 1.25 X 20
3	1560515	4	NUT, M8 X 1.25 FL PL
4	3501129	1	FILTER, SWITCH
5	2200026	2	CLAMP, HOSE HS28
6	9500254	1	ASSEMBLY, FILTER
6.1	9500253	1	ELEMENT, AIR FILTER
7	1720713	1	TUBE, ENG INTAKE, PAS
8	1710887	1	HOSE, RUBBER, 8 X 1.75ID
9	1200936	1	BRACKET, FILTER SUPPORT
10	5000090	1	ELBOW, BRASS, EXTR'D 90 STREET, 1/8
11	2200174	2	CLAMP, T-BOLT, 2"

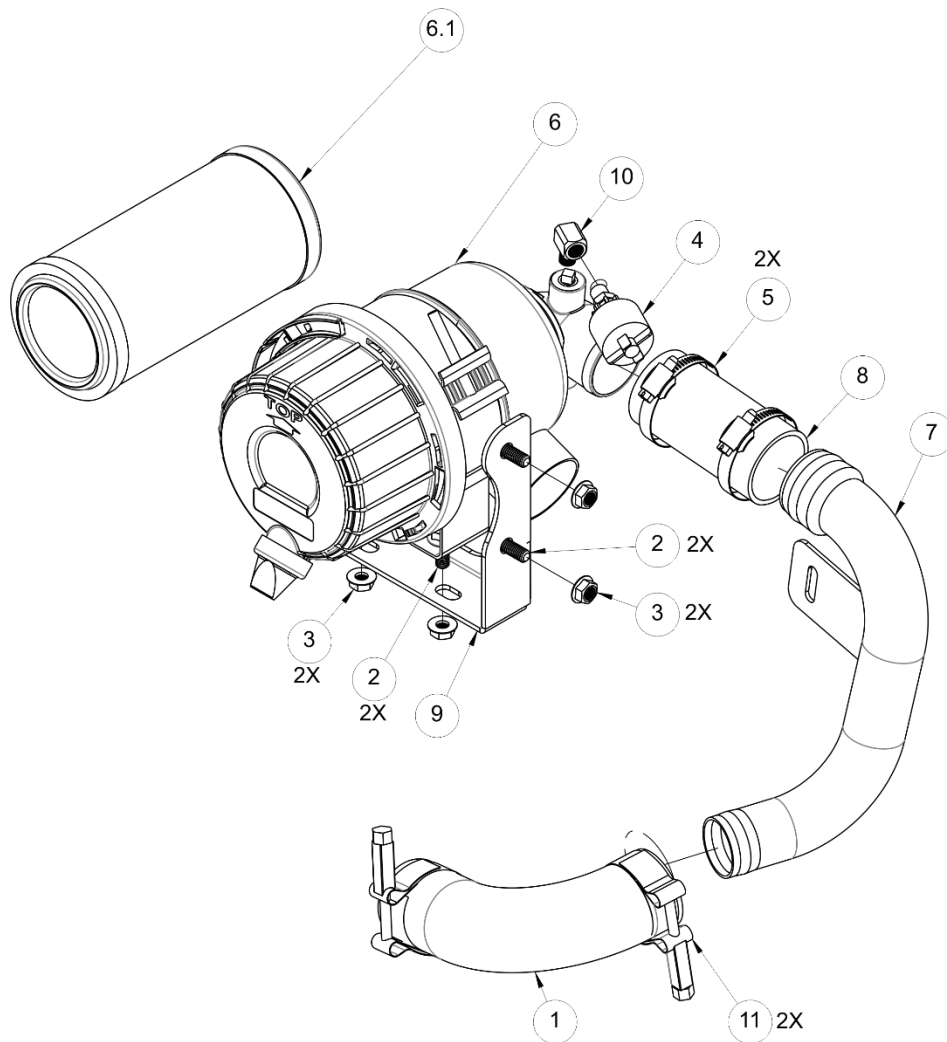


Figure 4 – Engine Air Intake Assembly

## 5 – FUEL FILTER ASSEMBLY - 9500258

Item #	Part #	Qty.	Description
1**	9500029**	0**	FILTER, FUEL**
1.1	9500076	1	ELEMENT, FUEL FILTER
2	1520572	1	BOLT,HHCS FL, LK, PL,M8 X 1.25 X 60
3	2200209	3	CLAMP, HOSE, 0.57-0.63
4	1700540	26.0"	HOSE, 5/16 ID, OIL RESISTANT
5	1700540	56.0"	HOSE, 5/16 ID, OIL RESISTANT </td
6	2200207	1	CLAMP, HOSE, .37-.43
7	1700597	43.0"	HOSE, RUBBER BRAIDED, 3/16
8	1700613	24.0"	SPIRAL WRAP, 1/2" ID, BLACK
9	1700613	6.0"	SPIRAL WRAP, 1/2" ID, BLACK
10	1700029	50.0"	LOOM, SPLIT PLASTIC, 1/2
11	1700029	36.0"	LOOM, SPLIT PLASTIC, 1/2

\*\*Not included with 9500258. Order separately.

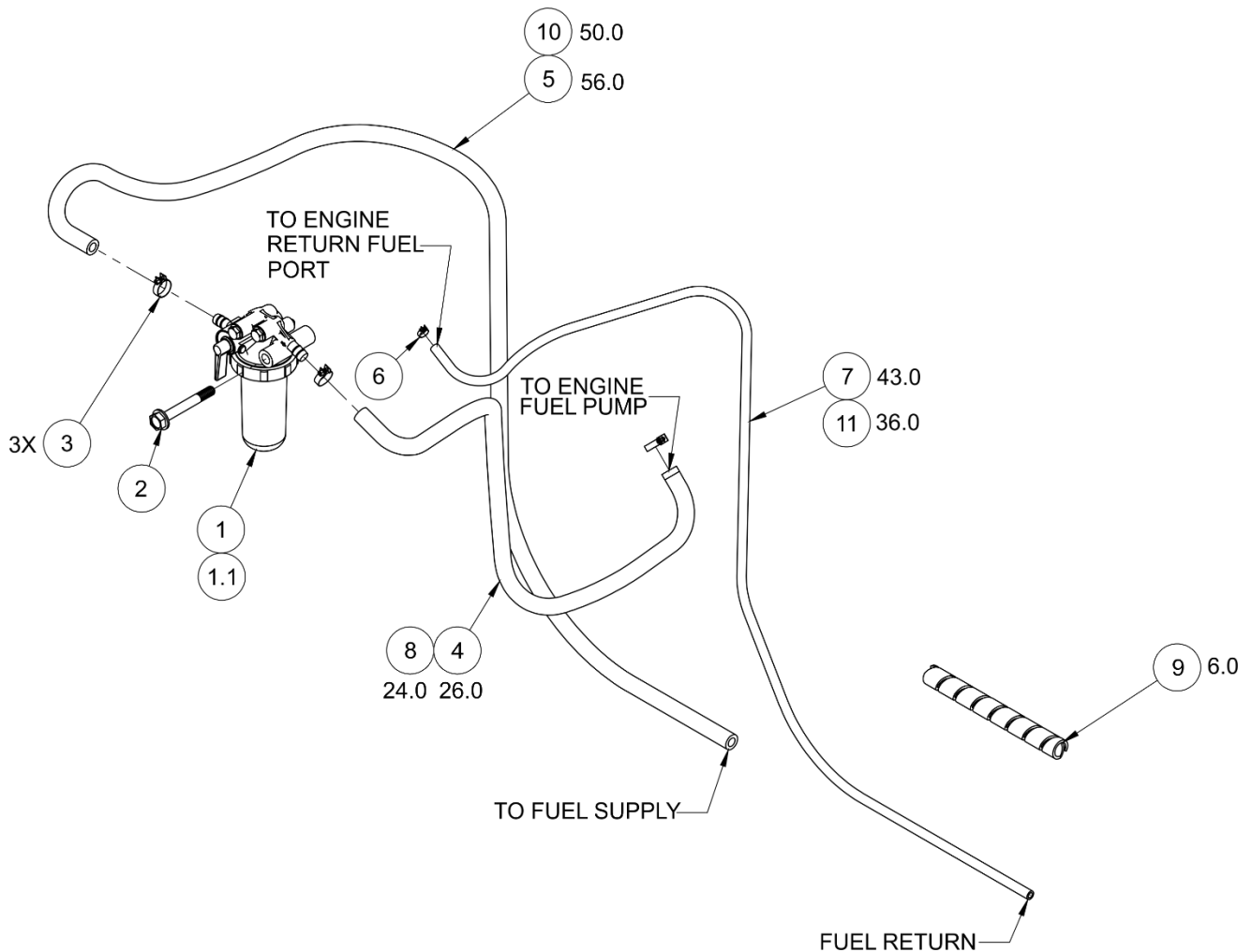


Figure 5 – Fuel Filter Assembly

## 6 – EXHAUST ASSEMBLY - 9500256

Item #	Part #	Qty.	Description
1	9500255	1	WELDMENT, EXHAUST
2	1520588	1	BOLT, HHCS, PL, G10.9, FL M8X1.25X 40MM
3	1560515	1	NUT, M8 X 1.25 FL PL
4	1520595	4	BOLT, HHCS G10.9, M8 X 1.25 X 22
5	1570508	6	WASHER, SPLIT LOCK, M8, PLATED
6	2200224	1	CLAMP, EXHAUST
7	1700626	1	MUFFLER, EXHAUST
8	1570067	2	WASHER, SAE, 5/16

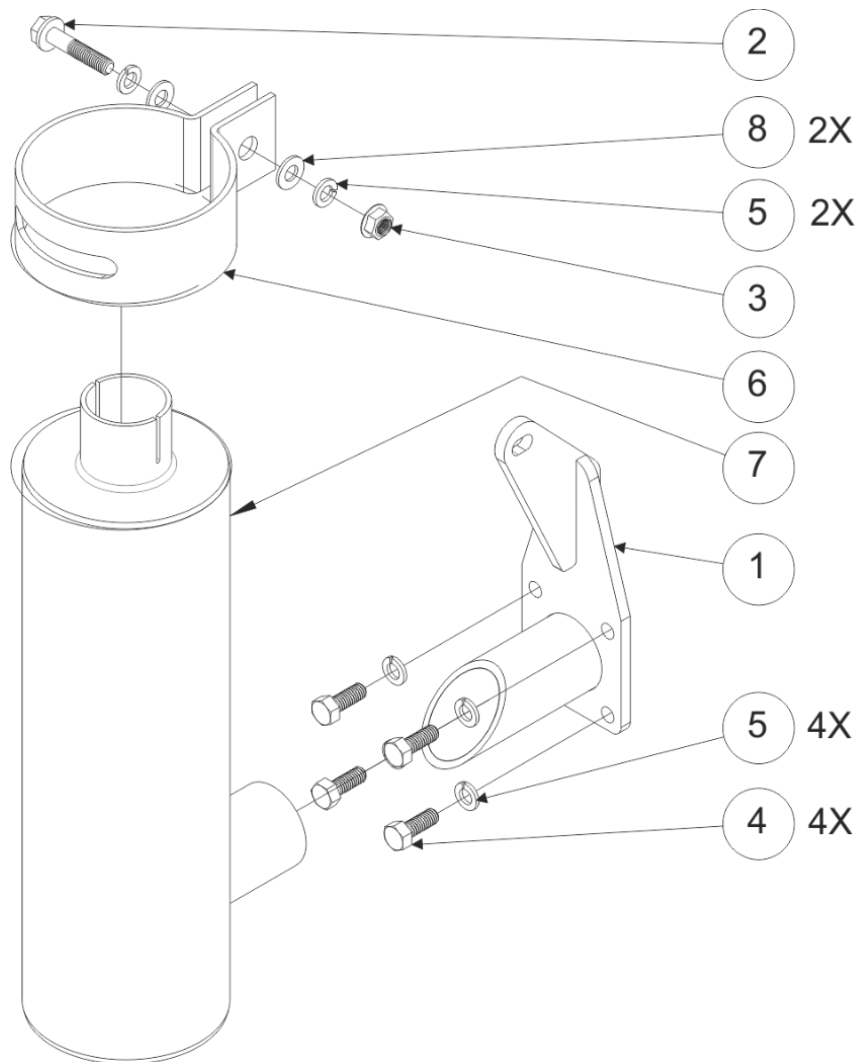


Figure 6 – Exhaust Assembly



## 7 –COOLER ASSEMBLY – 9500190

Item #	Part #	Qty.	Description
1	1710809	1	HOSE, CRIMPED, 3/8" X 10.25"
2	1560515	1	NUT, M8 X 1.25 FL PL
3	1700614	12.0"	HOSE, HEATER, 7/8" ID
4	2200255	2	CLAMP, SPRING, 1-1/2 – 13/16
5	4900179	2	ELBOW, STEEL, M#6JIC - F#8JIC
6	9200503	1	COOLER, WELDMENT
7	1520570	1	BOLT,HHCS FL LK PL, M8 X 1.25 X 16
8	1710810	1	HOSE, CRIMPED, 3/8" X 33.0"
9	1700064	11.0"	LOOM, SPLIT PLASTIC, 1

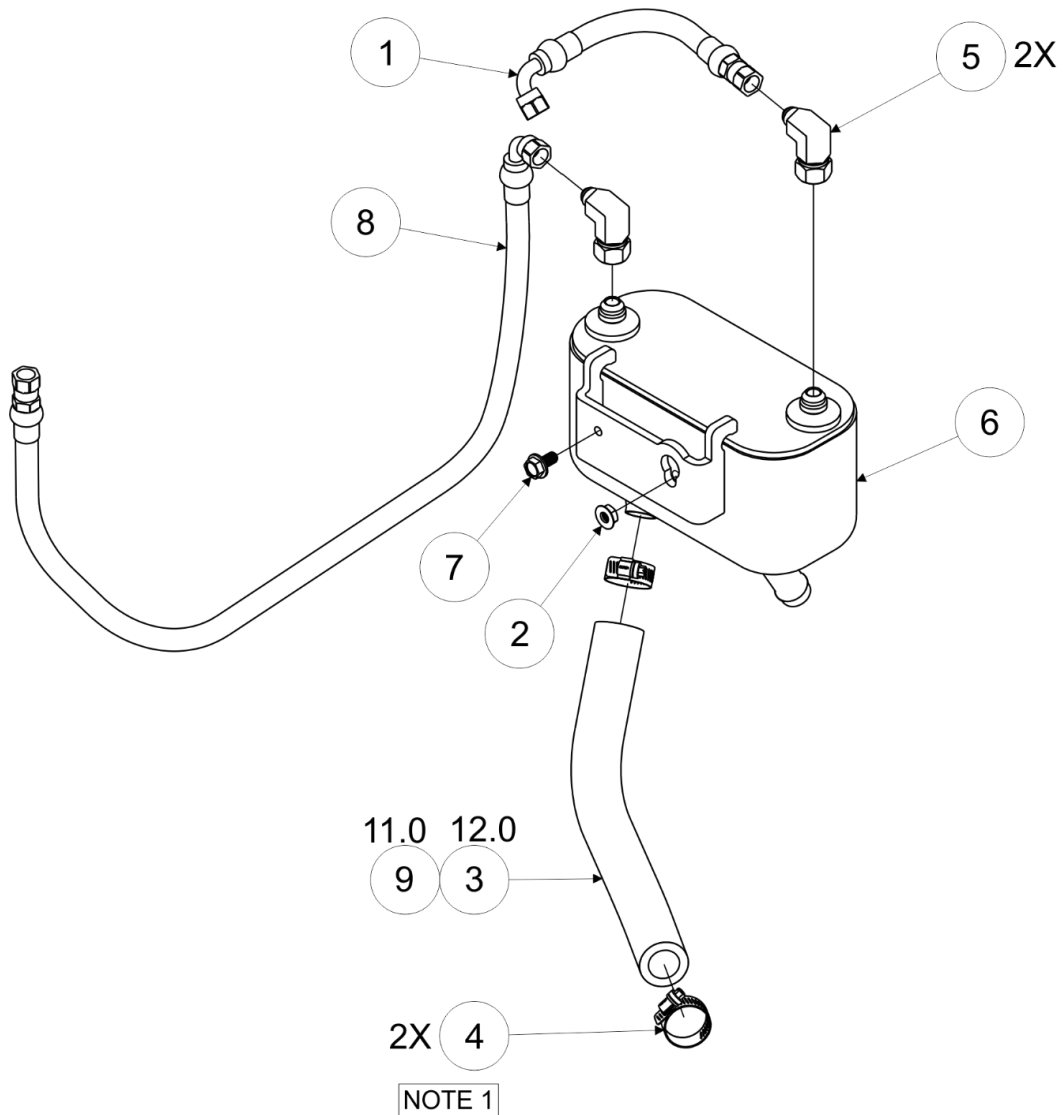


Figure 7 – Cooler Assembly

## 8 – RADIATOR ASSEMBLY - 9500470

Item #	Part #	Qty.	Description
1	9500232	1	ASSY, RADIATOR
2	2200208	3	CLAMP, GEAR, EXT TANG
3	1700603	31"	HOSE, 1/4"
4	1520570	2	BOLT,HHCS FL LK PL, M8 X 1.25 X 16
5	2200178	1	CLAMP, 5/8, CUSHION
6	1560515	2	NUT, M8 X 1.25 FL PL
7	1500629	1	SCREW, PHILLIPS PANHEAD, M6X1X12,SS
8	1520602	2	BOLT, HHCS G10.9, PL, M10 X 1.25 X 20
9	1570044	2	WASHER, ALLOY PL SAE, 3/8
10	1560516	1	NUT, M6 X 1.0 FL PL
11	1700603	16"	HOSE, 1/4"
12**	9500047**	0**	KIT, RESERVE TANK
13	2200255	4	CLAMP, SPRING, 1-1/2 - 13/16
14	1700665	1	HOSE, SILICONE, LOWER RAD, KUBOTA
15	1700664	1	HOSE, SILICONE, UPPER RAD, KUBOTA
16	1700584	12"	SPIRAL WRAP, 1" OD, BLACK

\*\*Not included with 9500470. Order separately.

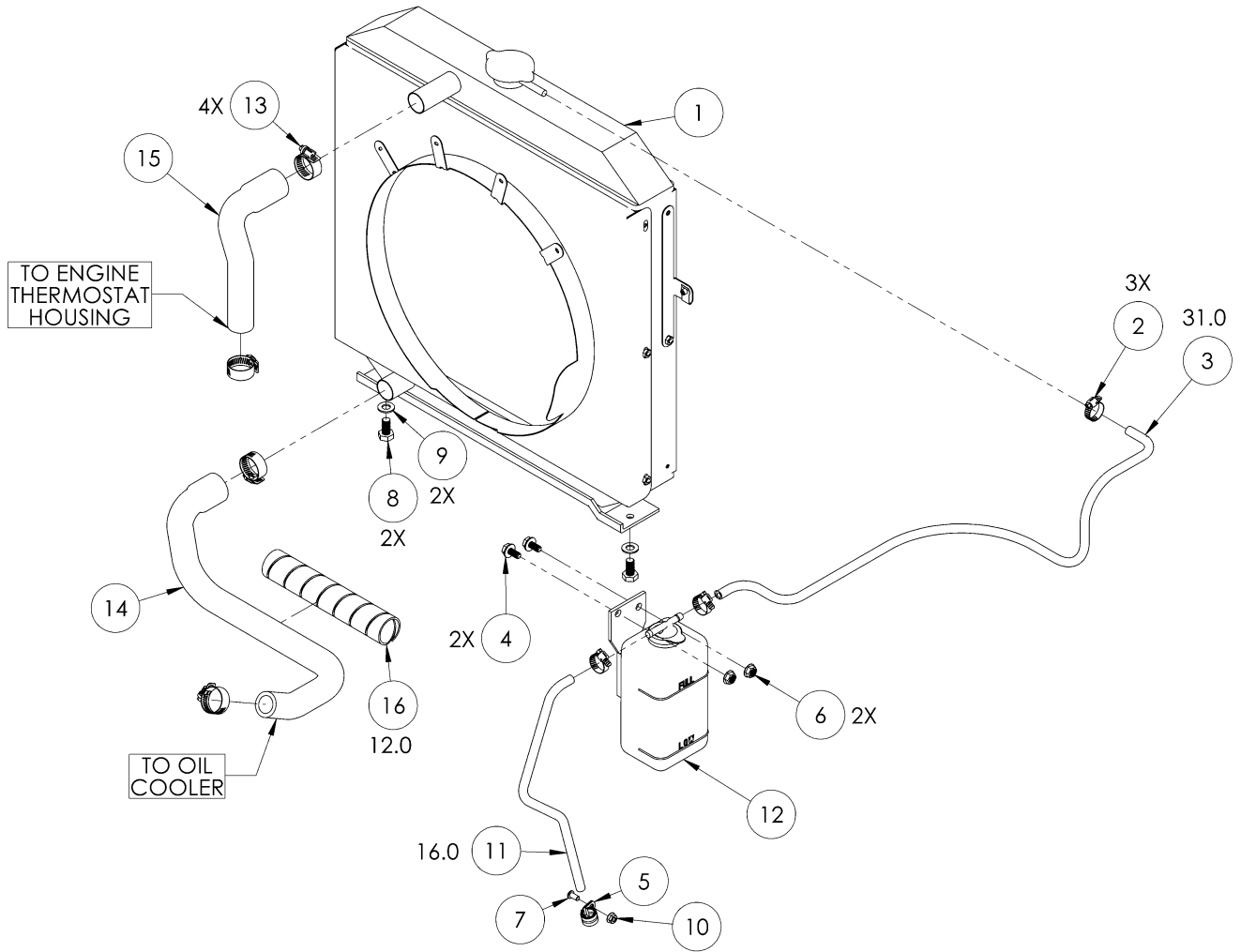


Figure 8 – Radiator Assembly

**9 – AIR/OIL ASSY, COMPLETE – 9500173**

Item #	Part #	Qty	Description
1	9500174	1	TANK, AOST, HOR, MF
2	1520570	2	BOLT,HHCS FL LK PL, M8 X 1.25 X 16
3	2200218	1	CLAMP, T-BOLT, 6.25"-6.56"
4	9500246	1	ASSEMBLY, REMOTE COALESCER
5	1770028	1	HOSE, CRIMPED, 3/4" X 28"
6	1710806	1	HOSE, CRIMPED, 3/4" X 33.75"
7	1771013	1	HOSE, CRIMPED, 3/4" X 13"
8	4500132	1	VALVE, CHECK, 1/2, CRACK 5PSI
9	4900197	1	CONNECTOR,STEEL, #6 M-JIC - 1/2 M-NPT
10	4900199	1	CONN,STEEL, 90°, 1/2M NPT X #8F JIC
11	4900043	1	ELBOW, STEEL JIC/JIC SWIVEL, 3/4
12	1700570	18.0"	TUBE, TEFLON, PTFE, 1/4"OD
13	1700571	11.0"	TUBE, TEFLON,PTFE, 3/16"OD X 1/8"ID
14	1700571	10.0"	TUBE, TEFLON,PTFE, 3/16"OD X 1/8"ID
15	1700581	17.0"	LOOM, SPLIT PLASTIC, 1/4, HIGH TEMP
16	1700581	10.0"	LOOM, SPLIT PLASTIC, 1/4, HIGH TEMP
17	1700581	9.0"	LOOM, SPLIT PLASTIC, 1/4, HIGH TEMP
18	4900047	1	CONN, STEEL, #8MJIC - #8FJIC, 90 DEG

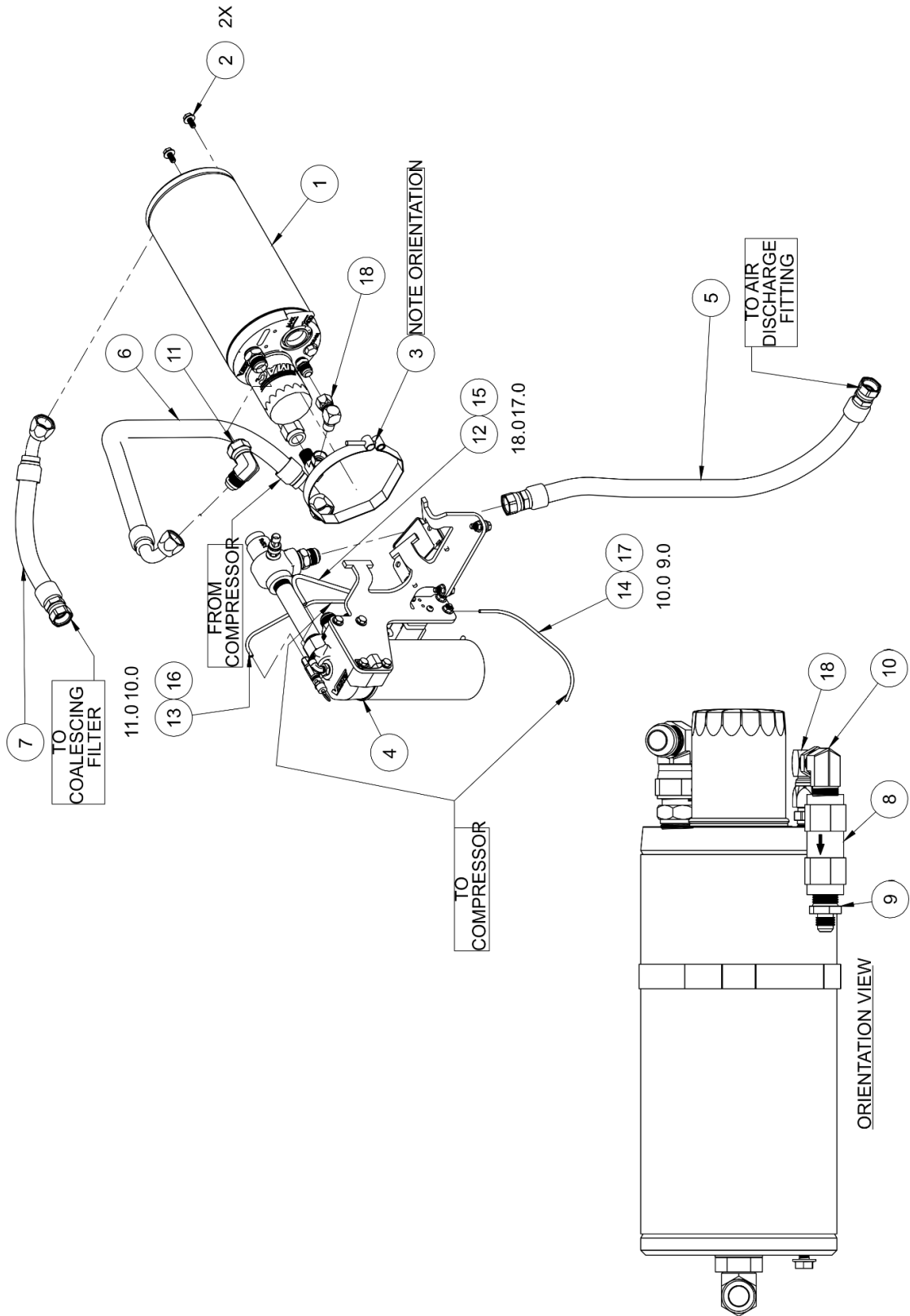


Figure 9 – Air/Oil Separator Complete Assembly

## 9.1 – AIR/OIL SEP. PARTS - 9500174

Item #	Part #.	Qty	Description
1	4900128	1	FITTING, 12ORB - 12JIC, STEEL
2	9200039	1	OIL FILTER, VR 3.250 SHORT
3	4900200	1	CONN, STRAIGHT, #8 MORB X #8 MJIC
4	4900106	1	PLUG, STEEL, #5 ORB, HEX (VITON-O)
5	4900035	1	NIPPLE, STEEL STR THRD, 3/4 - 16
6	4900260	1	FTG, 90, #12MORB-#12MJIC, VITON
7	A700061	1	PYREX WINDOW KIT

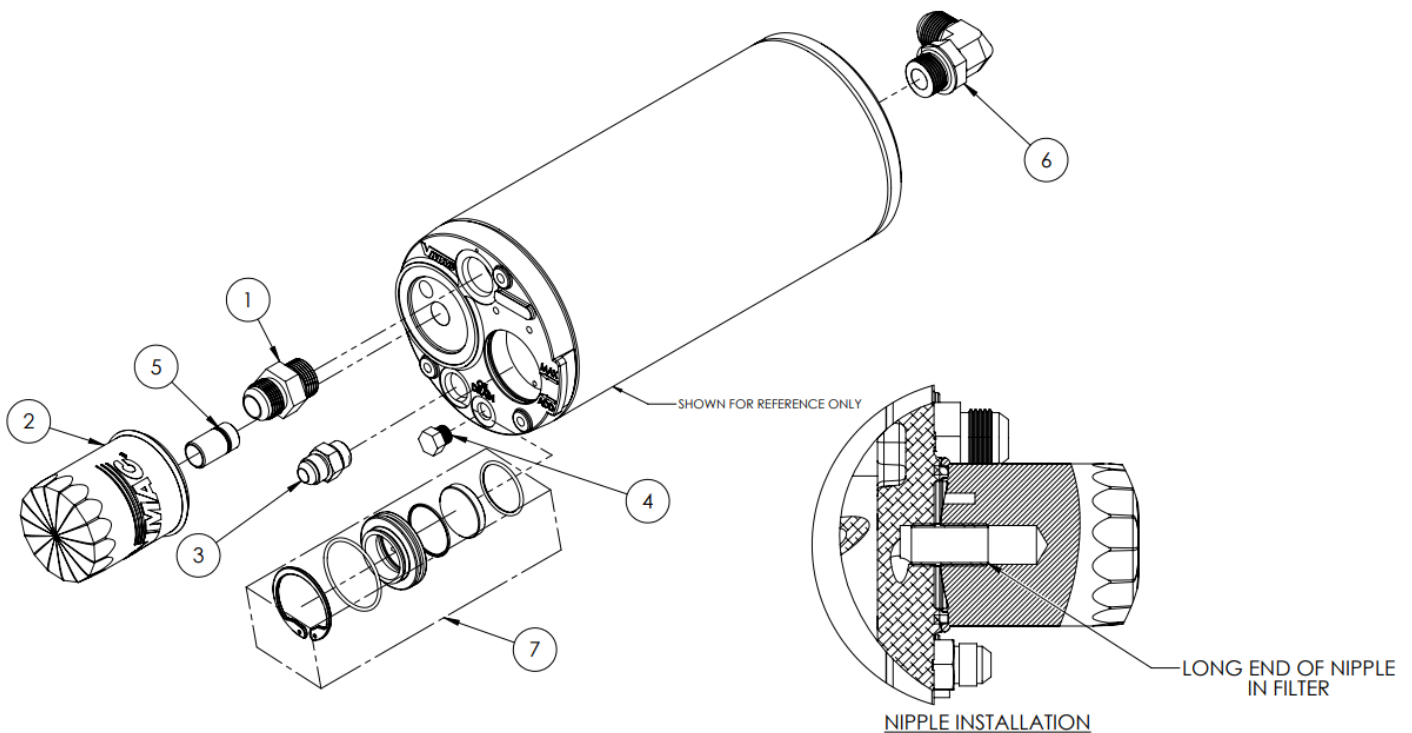


Figure 9.1 –Air/Oil Separator Assembly

## 9.2 – REMOTE COALESCER - 9500246

Item #	Part #	Qty	Description
1	9300105	1	FILTER HEAD, MACHINING
2	9300007	1	ADAPTER
3	9500177	1	ASSEMBLY SCAVENGE TUBE, MF
4	3600079	1	OIL SEPARATOR, SPIN-ON
5	4900128	1	FTG, STR, #12MORB-#12MJIC, VITON
6	5000162	1	CONNECT, BRASS NPT-POLY, 3/16-1/8 NPT
7	3501143	1	BUZZER, 12V ALARM
8	1520590	2	BOLT, HHCS, M6X1.0X14 FL PL
9	1510003	4	BOLT, HHCS NC G8 PL, 5/16 X 1
10	1570067	4	WASHER, SAE, 5/16
11	4800848	1	ASSY, PRESSURE TRANS, GREASE
12	4900033	1	FTG, STR, 3/4NPT-#12MJIC
13	9500240	1	BRACKET, COALESCER
14	1560515	4	NUT, M8 X 1.25 FL PL
15	1520591	2	BOLT, HHCS, M8-1.25 X 25, G10.9 FL PL
16	3600154	1	VALVE, 60 PSI MIN PRESS CHK, PORTED
17	4300098	1	NIPPLE, GALV., 6" X 3/4" NPT
18	5000137	1	TEE, MALE BRANCH, 1/8" NPT, FORGED
19	4900191	1	FTG, STR, 3/4"FNPT-#12MORB, VITON
20	3600153	1	VALVE, SAFETY, 200 PSI
21	2200133	1	CLAMP, INSULATED DOUBLE TUBE, 1/4
22	3550881	1	ASSY, VALVE, SOLENOID, N.O., GT
23	5000201	2	CONNECTOR, BRASS, NPT-POLY, 1/4-3/16
24	1570484	2	WASHER, FLAT, SS, M5
25	1500681	2	SCREW, PHMS, PL, M5 X 14
26	1570333	2	WASHER, SPRING LOCK, 10
27	1500585	2	SCREW, BUTTON SHCS, M8 X 1.25 X 20

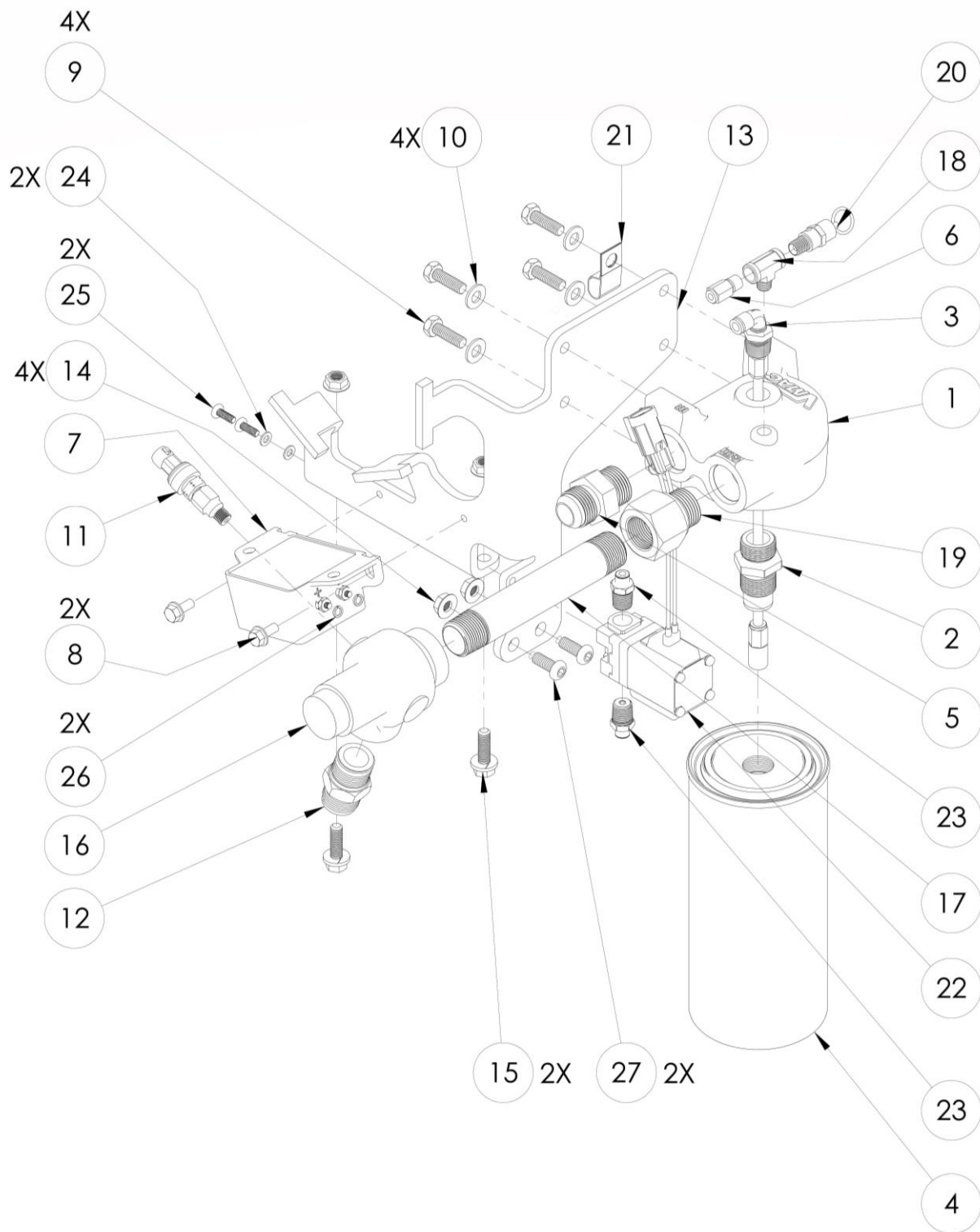


Figure 9.2 – Remote Coalescer Assembly



**10 –ELECTRICAL - 9500327**

Item #	Part #	Qty.	Description
1	1500647	4	SCREW, PHMS, M4 X 8
2	3550912	1	CONTROL BOX, MFD
3	3501168	1	BOOT, BATTERY CLAMP, MARINE, RED
4	1550010	1	NUT, HEX NC PL, 3/8
5	1570009	1	WASHER, SPLIT LOCK, 3/8
6	1570044	1	WASHER, ALLOY PL SAE, 3/8
7	3501170	1	CLAMP, BATT POST, MARINE, POS, 3/8
8	3501169	1	BOOT, BATTERY CLAMP, MARINE, BLACK
9	1550066	1	NUT, HEX NC, 5/16
10	1570508	1	WASHER, SPLIT LOCK, M8, PLATED
11	1570067	1	WASHER, SAE, 5/16
12	3501171	1	CLAMP, BATT POST, MARINE, NEG, 5/16
13	3501094	1	BATTERY, GROUP 51
14	3550834	1	CABLES, SWITCH INTERFACE PIGTAILS
15	3550796	1	CABLES, DISPLAY INTERFACE PIGTAILS
16	3550798	1	CABLE, ALTERNATOR TO STARTER
17	9500206	1	ASSY, CONTROL PANEL MOUNT
18	3550854	1	HARNESS, LED BEACONS, MF
19	2200189	2	CLAMP, INSULATED, 3/8"
20	1500629	2	SCREW, PHILLIPS PANHEAD, M6X1X12, SS
21	1560516	2	NUT, M6 X 1.0 FL PL
22	9500328	1	CONTROL MOUNT, ASSEMBLY

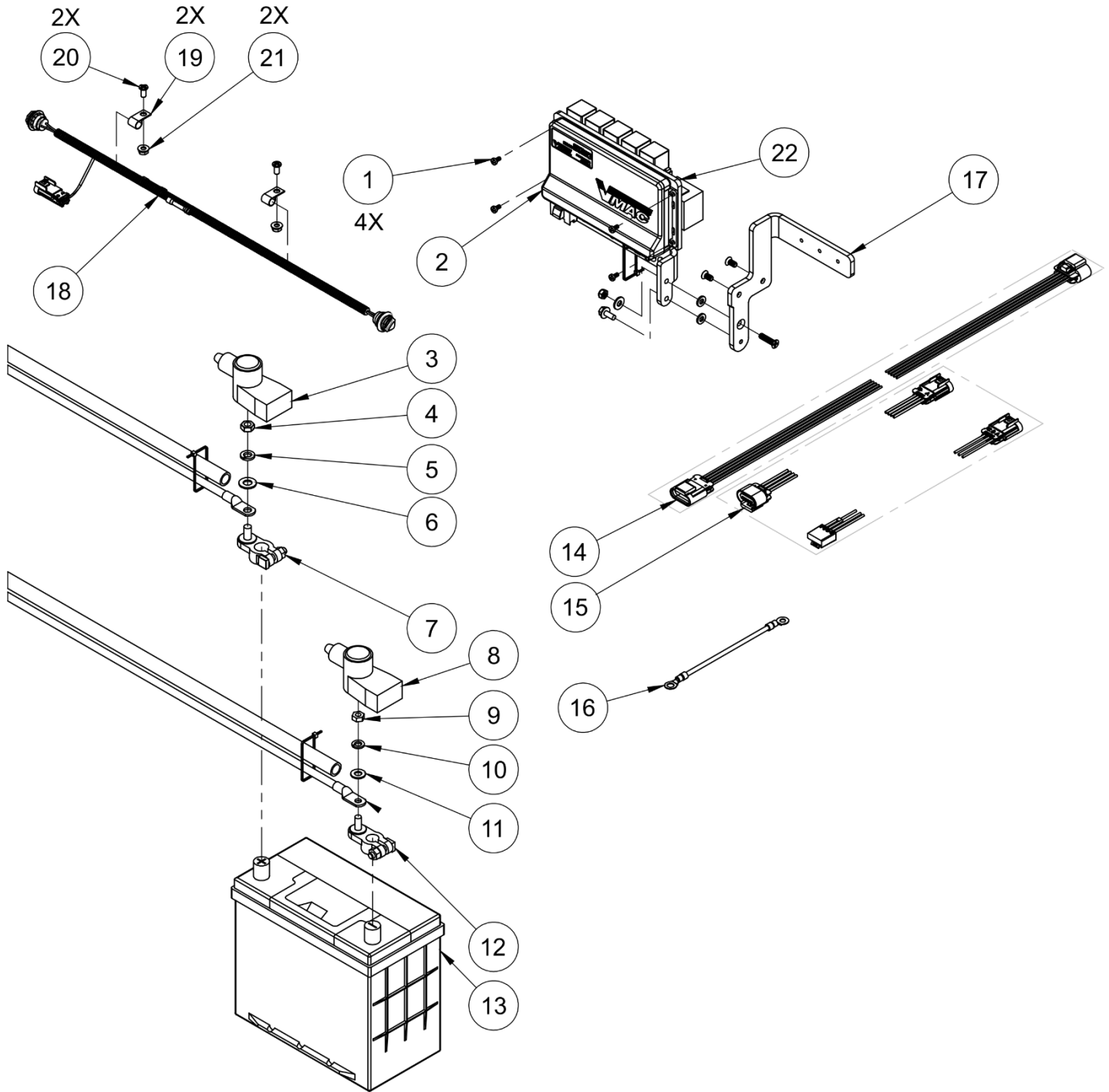


Figure 10 – Electrical Assembly

## 11 – 2 SPEED THROTTLE - A500020

Item #	Part #	Qty.	Description
1	9500362	1	ASSY, THROTTLE CONTROL, 8" LEADS
2	1500631	2	SCREW, PHMS, M5 X 8
3	1520590	2	BOLT, HHCS, M6 X 1.X 14 FL PL
4	3501064	2	RELAY, 40A 12VDC
5	2200164	3	TIE, NYLON, BLACK, 8"

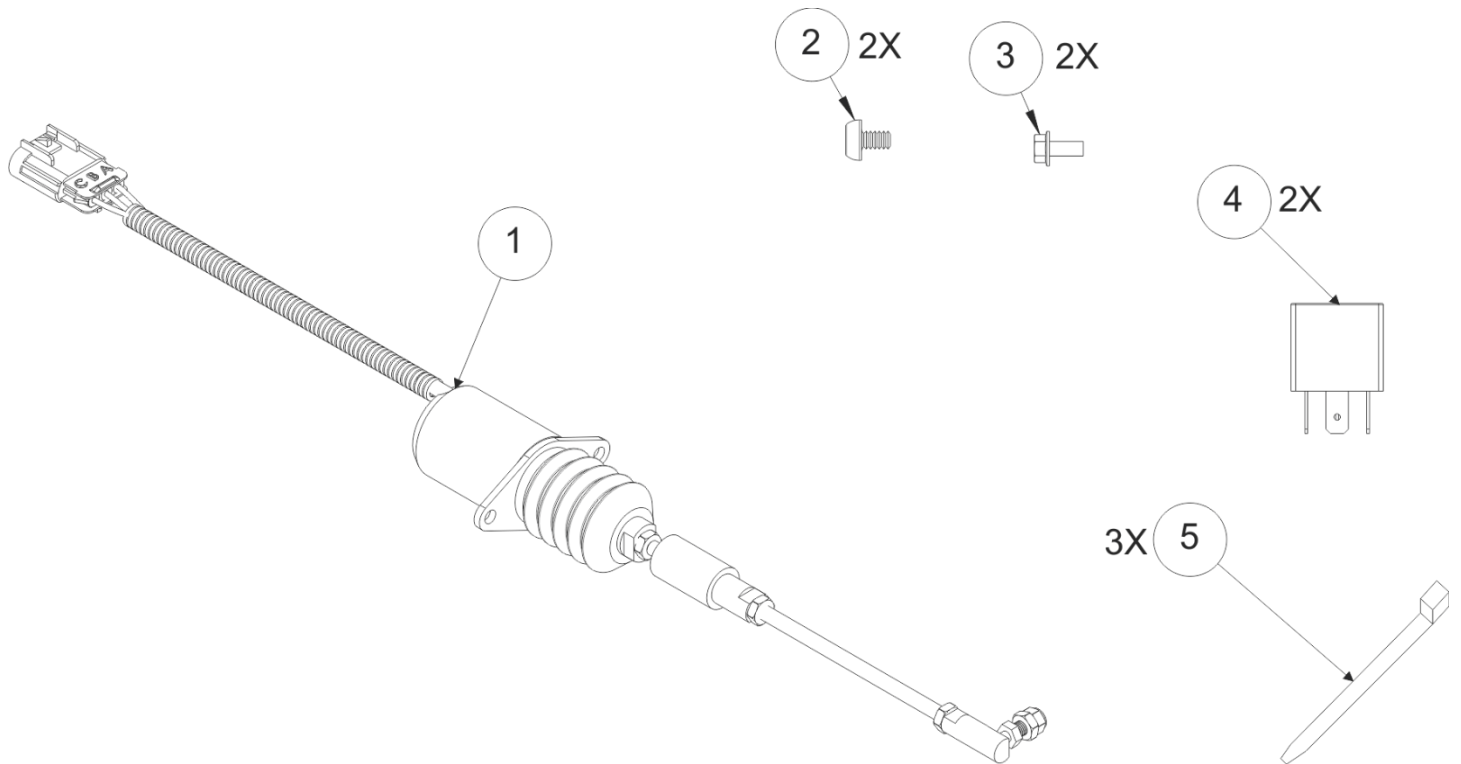


Figure 11 – 2 Speed Throttle Kit Assembly

## 12 – DRIVE SYSTEM - 9500656

Item #	Part #	Qty.	Description
1	3300040	1	TENSIONER 38172
2	1560512	1	NUT, FLANGE PL, M10 X 1.5
3	1520532	1	BOLT, HHCS, G10.9, M10 X 1.5 X 80
4	1800218	1	PULLEY
5	1520617	5	BOLT,FLAT HEAD,PL, M8 X 1.25 X 16MM

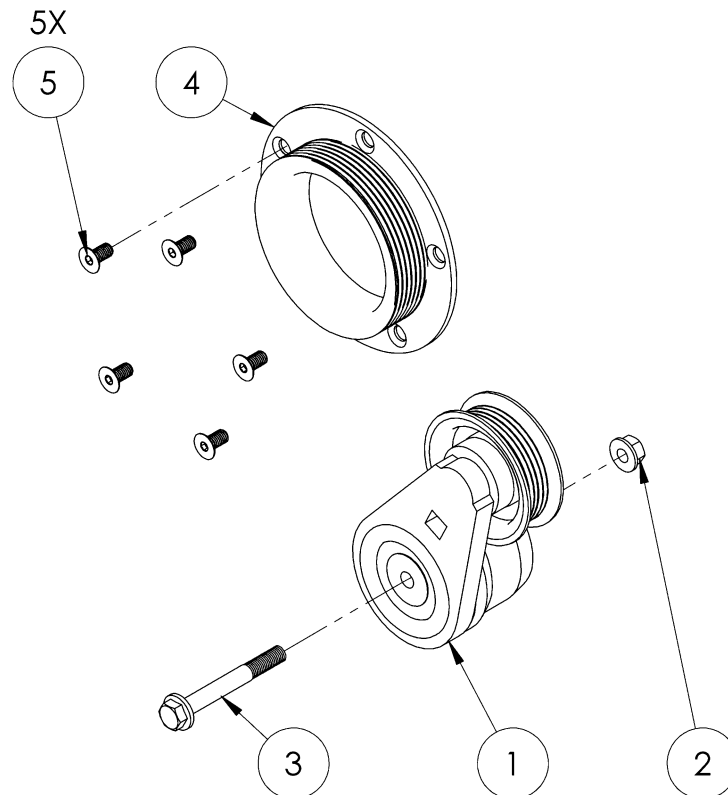


Figure 12 – Drive System Assembly

### 13 – PTO – 4800614

Item #	Part #	Qty.	Description
1	3200468	1	BRACKET, PTO & OIL, MF, MACHINED
2	P200035	1	CLUTCH, COMPLETE 6 GROOVE
3	5000195	1	CONNECTOR, BRASS THRU ¼ NPT – 3/8 TUBE
4	1700619	10.25"	TUBE, 3/8 OD, NYLON 11
5	4900177	2	CONN, STEEL, #6 JIC - #6 ORB
6	1500252	1	KEY, WOODRUFF
7	1520627	3	BOLT, HHCS, FL, PL, M8 X 1.25 X 20
8**	9500075**	0**	FILTER, ENGINE OIL
9	1520602	2	BOLT, HHCS G10.9, PL, M10 X 1.25 X 20
10	1570044	2	WASHER, ALLOY PL SAE, 3/8
11	5810115	2	BEARING, 6306
12	9500181	1	SHAFT, PTO
13	1500657	1	RING, RETAINING

\*\*Not included with 4800614. Order separately

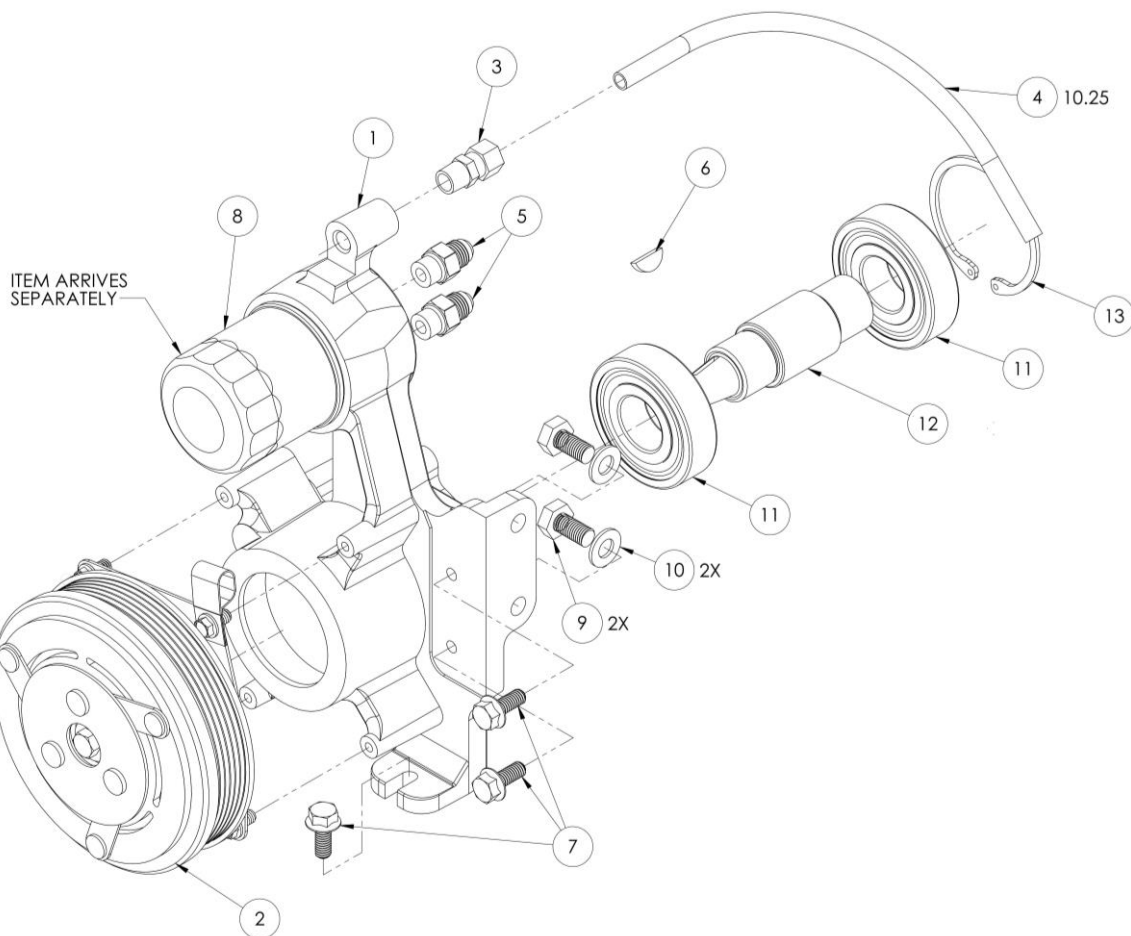


Figure 13 – PTO Assembly

## 14 –PTO & 5gpm Assembly – A510003

Item #	Part #	Qty.	Description
1	4800614	1	ASSEMBLY, PTO & OIL, MF
2	4500152	1	PUMP, HYDRAULIC, MF 5GPM
3	4900222	1	CONN,STEEL, 90°, 16M JIC X 16M ORB
4	4900128	1	FITTING, 12ORB -12JIC, STEEL
5	1530542	2	BOLT, SHCS 3/8-16 X 1.0, PLATED
6	1570005	2	WASHER, FLAT, 3/8 X 0.130

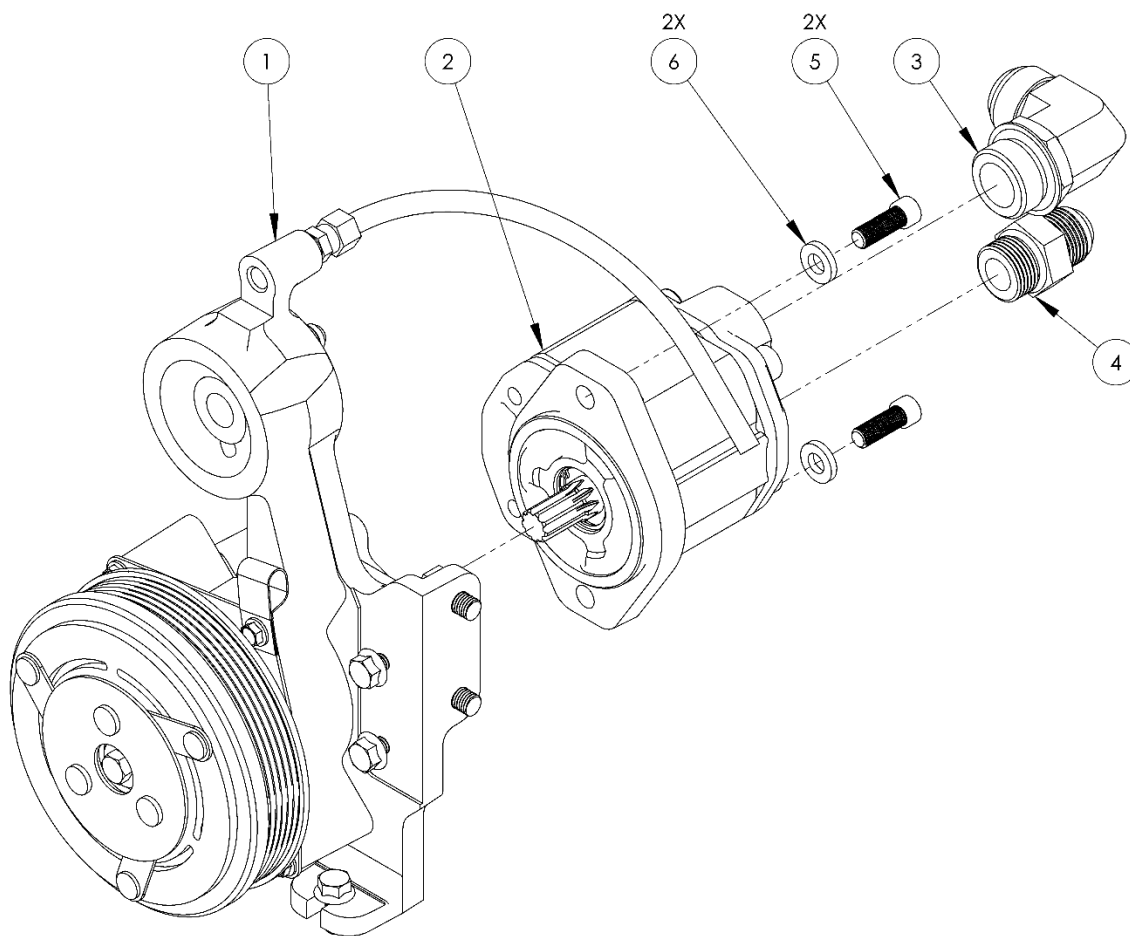


Figure 14 – PTO & 5gpm Assembly

## 15 –PTO & 8gpm Assembly – A510004

Item #	Part #	Qty.	Description
1	4800614	1	ASSEMBLY, PTO & OIL, MF
2	4500153	1	PUMP, HYDRAULIC, MF 8GPM
3	4900222	1	CONN,STEEL, 90°, 16M JIC X 16M ORB
4	4900128	1	FITTING, 12ORB -12JIC, STEEL
5	1530542	2	BOLT, SHCS 3/8-16 X 1.0, PLATED
6	1570005	2	WASHER, FLAT, 3/8 X 0.130

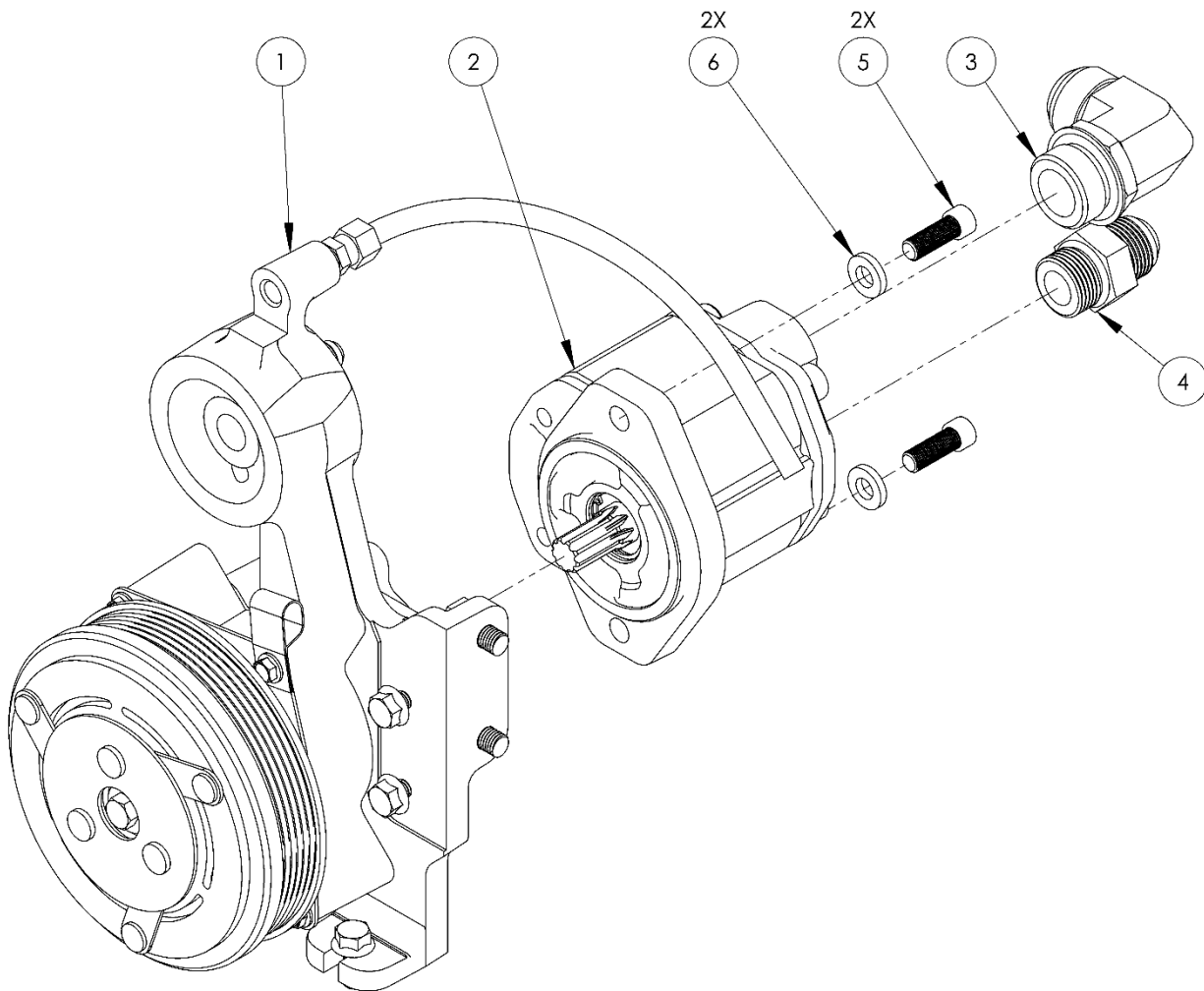


Figure 15 – PTO & 8gpm Assembly

## 16 –PTO & 10gpm Assembly – A510005

Item #	Part #	Qty.	Description
1	4800614	1	ASSEMBLY, PTO & OIL, MF
2	4500154	1	PUMP, HYDRAULIC, MF 10GPM
3	4900222	1	CONN,STEEL, 90°, 16M JIC X 16M ORB
4	4900128	1	FITTING, 12ORB -12JIC, STEEL
5	1530542	2	BOLT, SHCS 3/8-16 X 1.0, PLATED
6	1570005	2	WASHER, FLAT, 3/8 X 0.130

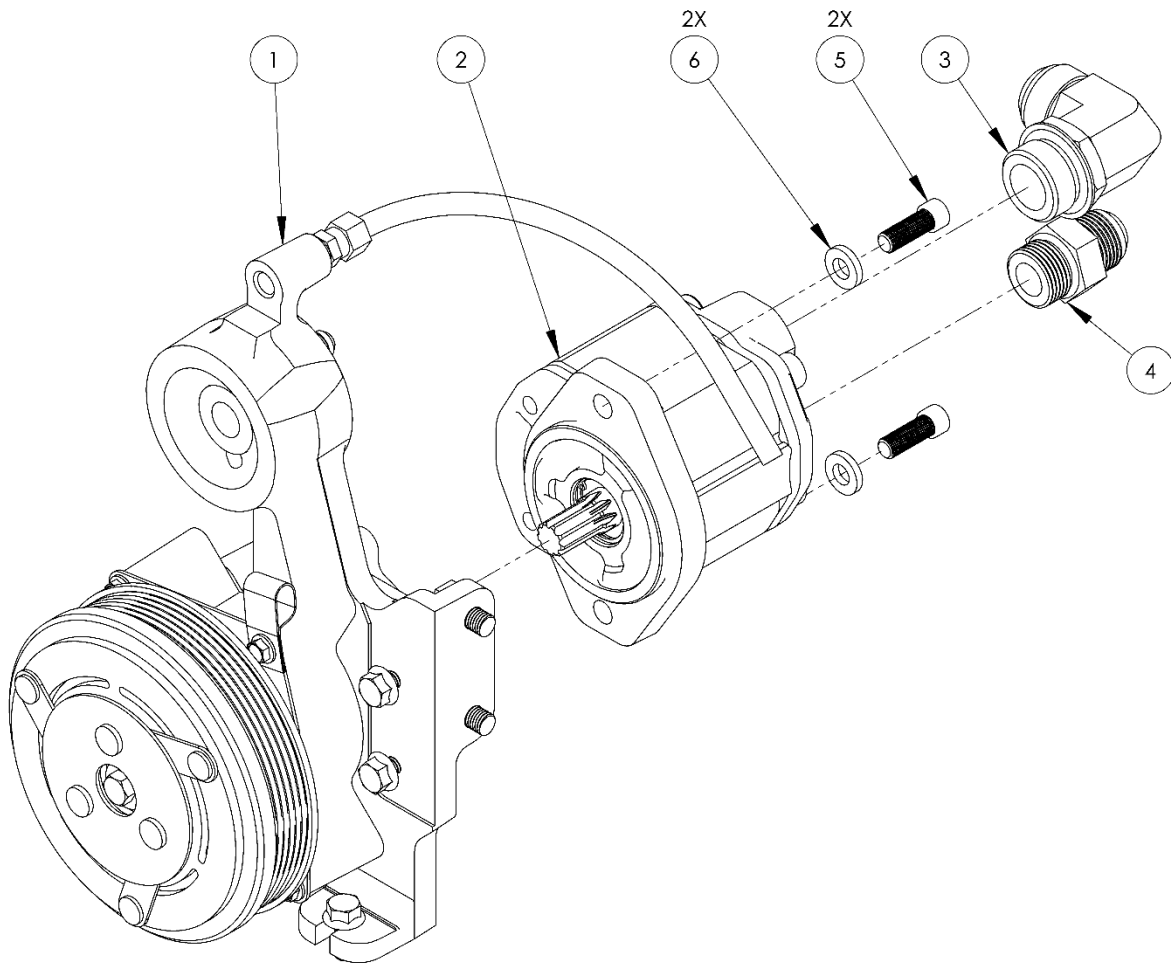


Figure 16 – PTO & 10gpm Assembly



# 17 –PTO OMIT – 4800615

Item #	Part #	Qty.	Description
1	5000195	1	CONNECTOR, BRASS THRU ¼ NPT – 3/8 TUBE
2	1700619	10.25"	TUBE, 3/8 OD, NYLON 11
3	4900177	2	CONN, STEEL, #6 JIC - #6 ORB
4	3200467	1	BRACKET, IDLER & OIL,MF, MACHINED
5	1300042	1	IDLER, SERP, 6 RIB, 70MM
6	1570496	1	WASHER, FENDER, 10MM X 30MM
7	1520563	1	BOLT, HHCS, FLHD, M10 X 1.50 X 25
8	1520627	3	BOLT, HHCS, FL, PL, M8 X 1.25 X 20
9	1520602	2	BOLT, HHCS G10.9, PL, M10 X 1.25 X 20
10	1570044	2	WASHER, ALLOY PL SAE, 3/8
11	1510522	1	BOLT, HHCS NC G8 FL LK PL, 1/4 X 1/2

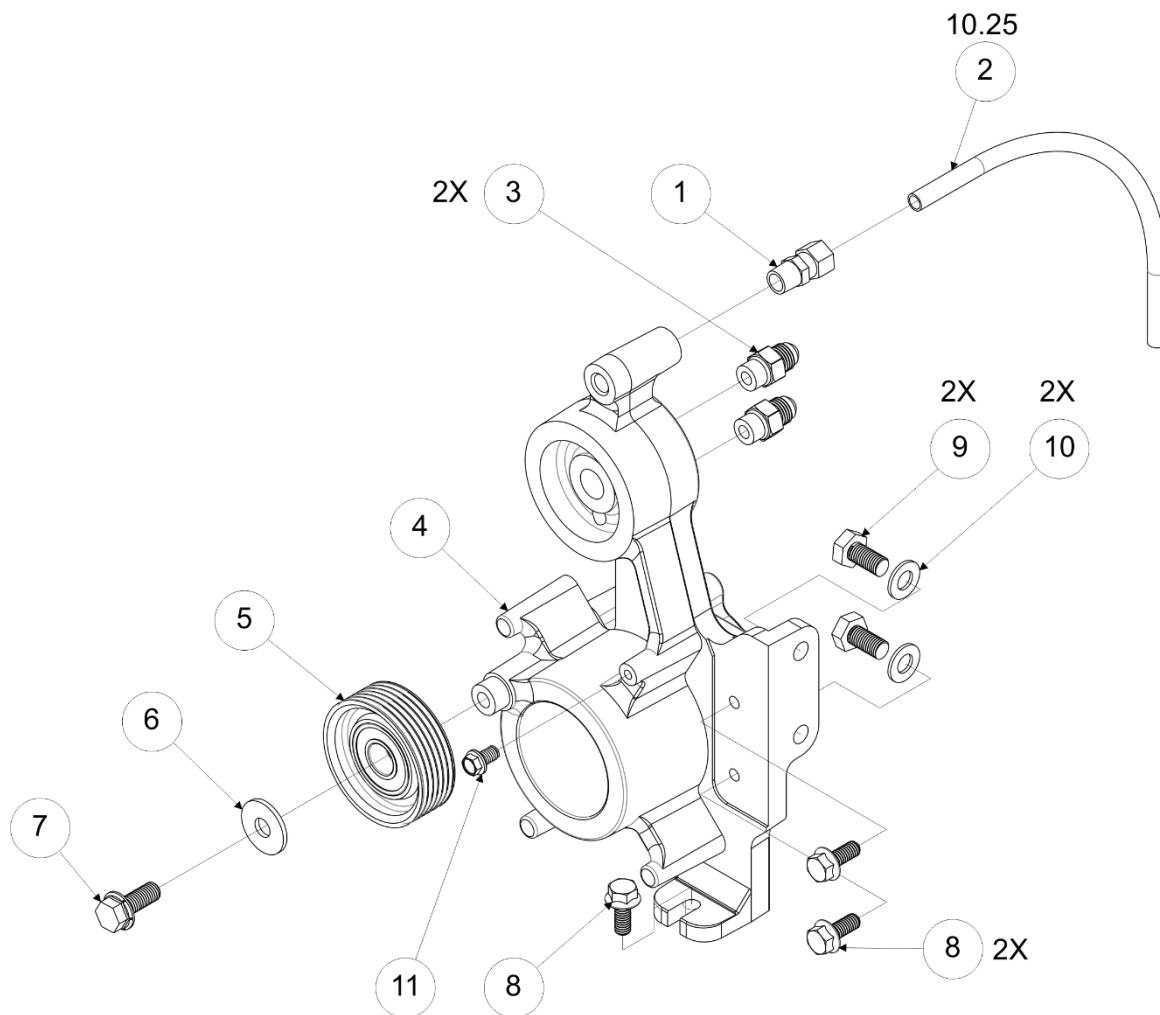


Figure 17 – PTO Omit Assembly

## 18 –AC/DC GENERATOR – 9500657

Item #	Part #	Qty	Description
1	9500159	1	GENERATOR
2	3501346	1	GENSET, FRONT PANEL, ASSEMBLY
3	3200616	1	PULLEY, GEN, 6-RIB
4	1500665	1	BOLT,SHCS,M6X1.0X14,WIRE LOCK
5	1500650	6	CLIP, 1/2 ID, 11/16 OD, ROUTING
6	9500344	1	ASSEMBLY, COVER, GENSET, ACCESS PNL
7	1500610	2	BOLT, UNDERCUT FH, 5/16 - 18 X 1/2
8	5800113	6	PAD, RUBBER
9	9500259	1	ASSY, DC SENSE AND RIBBON CABLE
10	1520590	8	BOLT, HHCS, M6X1.0X14 FL PL
11	1500629	1	SCREW, PHILLIPS PANHEAD, M6X1X12,SS
12	1500674	1	CLIP, 5/8 ID, ROUTING
13	5200276	5.25"	WEATHER STRIP, 1 1/2 X 3/8
14	1500632	2	SCREW, PHMS, M5 X 10
15	3501104	2	CONNECTOR, RING, YEL, #10
16	3500653	1.5"	TUBING, SHRINK, 3/4" MELTABLE CORE
17	1560138	2	NUT, NYLOCK PL, M10 X 1.5
18	1520538	2	BOLT, HHCS, FLHD, M10 X 1.50 X 35
19	1520624	2	BOLT, HHCS FL,LK,PL M12 X 1.75 X 30
20	1560525	2	NUT, FLANGE PL, M12 X 1.75
21	1520603	2	BOLT, HHCS G8.8, M5 X 0.8 X 12 PL
22	9500336	1	PANEL, ACCESS, GENSET
23	9500549	1	ASSY, BRACKET, DC BOARD
24	1201084	1	BRACKET, DC BOARD, FRONT
25	1520660	4	BOLT, HHCS G8.8, M5 X 0.8 X 25 PL
26	1570163	4	WASHER, FLAT, 3/16
27	1201083	1	BRACKET, AC RELAY
28	3501177	1	RELAY, DPST, DC-AC, 30A 12V
29	1570491	3	WASHER, FLAT, M6, PLATED
30	1520668	1	BOLT, HHCS G8.8, M6 X 1.0 X 80
31	1500660	2	SCREW, PHILLIPS HEAD PL, M4 X 12
32	1560510	2	NUT, M6X 1.0 ZINC PL
33	1500648	2	SCREW, FLAT PHILLIPS, SS, M6X1X20
34	5800150	2	FOOTMAN LOOP, STEEL, 1.5" STRAP
35	5800151	1	BATTERY STRAP, 1.5"X 54"
36	3550837	1	ASSY, AC GENSET RECTIFIER CONN
37	9500660	1	COVER, HARNESS PLATE, GENSET

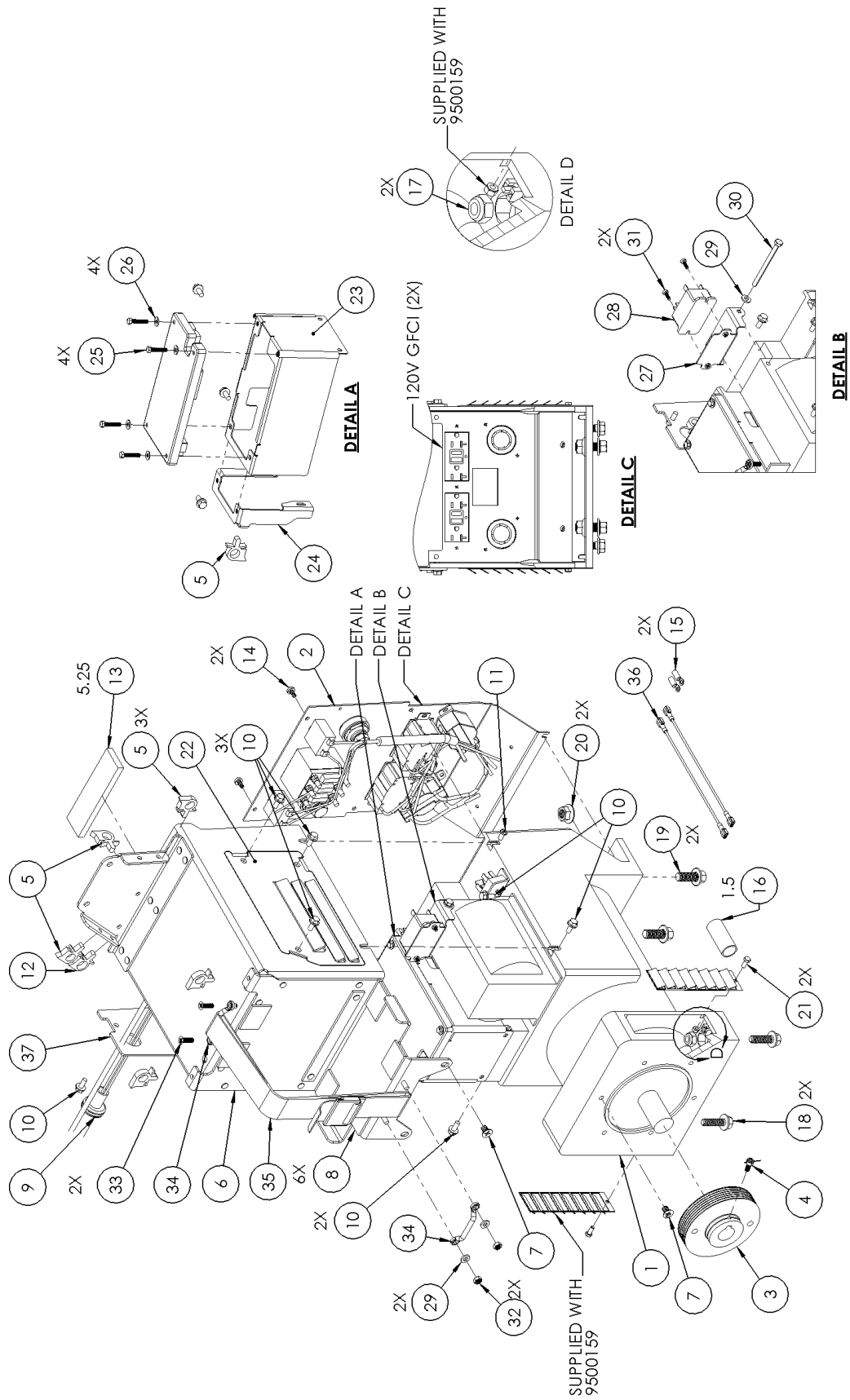


Figure 18– AC/DC Generator

**19 –AC ONLY GENERATOR /W TERMINAL STRIP – 9500319**

Item #	Part #	Qty.	Description
1	9500331	1	GENERATOR, AC
2	1500632	8	SCREW, PHMS, M5 X 10
3	1200881	1	PANEL, FINISHED AC INNER MOUNT
4	3200458	1	PULLEY, AC-GEN, 6-RIB
5	1520621	2	BOLT, HHCS, FLHD, M10 X 1.5 X 45
6	1400384	2	SPACER, AC ONLY, MOUNTING
7	1200817	1	WELDMENT, AC GEN, ADAPTOR
8	3550925	1	ASSY, AC TERMINAL FRONT PANEL
8.1	3501296	1	TERMINAL STRIP, 8 POS 30A
9	1520608	3	BOLT, FLAT HEAD, PL, M10 X 1.5 X 35
10	1560512	6	NUT, FLANGE PL, M10 X 1.5
11	1520101	2	BOLT, HHCS G10.9, M10 X 1.5 X 20
12	1560037	3	NUT, PL, M10 X 1.5
13	1510065	1	BOLT, HHCS NC G8 PL, 5/16 X 2
14	1500665	3	BOLT,SHCS,M6X1.0X14,WIRE LOCK
15	1400383	1	SPACER, CLUTCH PROTECT
16	1570067	1	WASHER, SAE, 5/16
17	5800113	4	PAD, RUBBER
18	1500674	1	CLIP, 5/8 ID, ROUTING
19	1500650	5	CLIP, 1/2 ID, 11/16 OD, ROUTING
20	3501177	1	RELAY, DPST, DC-AC, 30A 12V
21	1500660	2	SCREW, PHILLIPS HEAD PL, M4 X 12
22	9500655	1	ASSEMBLY, SHROUD, AC GENSET, FAB
23	1560530	2	NUT, PL, M4 X 0.7
24	3530740	1	HARNESS, AC TERMINAL STRIP
25	5800108	1	GROMMET, RUBBER
26	3550838	1	ASSY, AC RELAY CNTRL BOX CONN
27	3530752	1	CABLE SET, AC GENSET RECTIFIER CONN
28	1200905	1	SCREEN, AC GEN OUTER
29	1200906	1	SCREEN, AC GEN INNER
30	1500667	2	SCREW, FLAT PHILLIPS, SS, M6X1X16
31	5800150	2	FOOTMAN LOOP, STEEL, 1.5" STRAP
32	1500648	2	SCREW, FLAT PHILLIPS, SS, M6X1X20
33	5800151	1	BATTERY STRAP, 1.5"X 54"

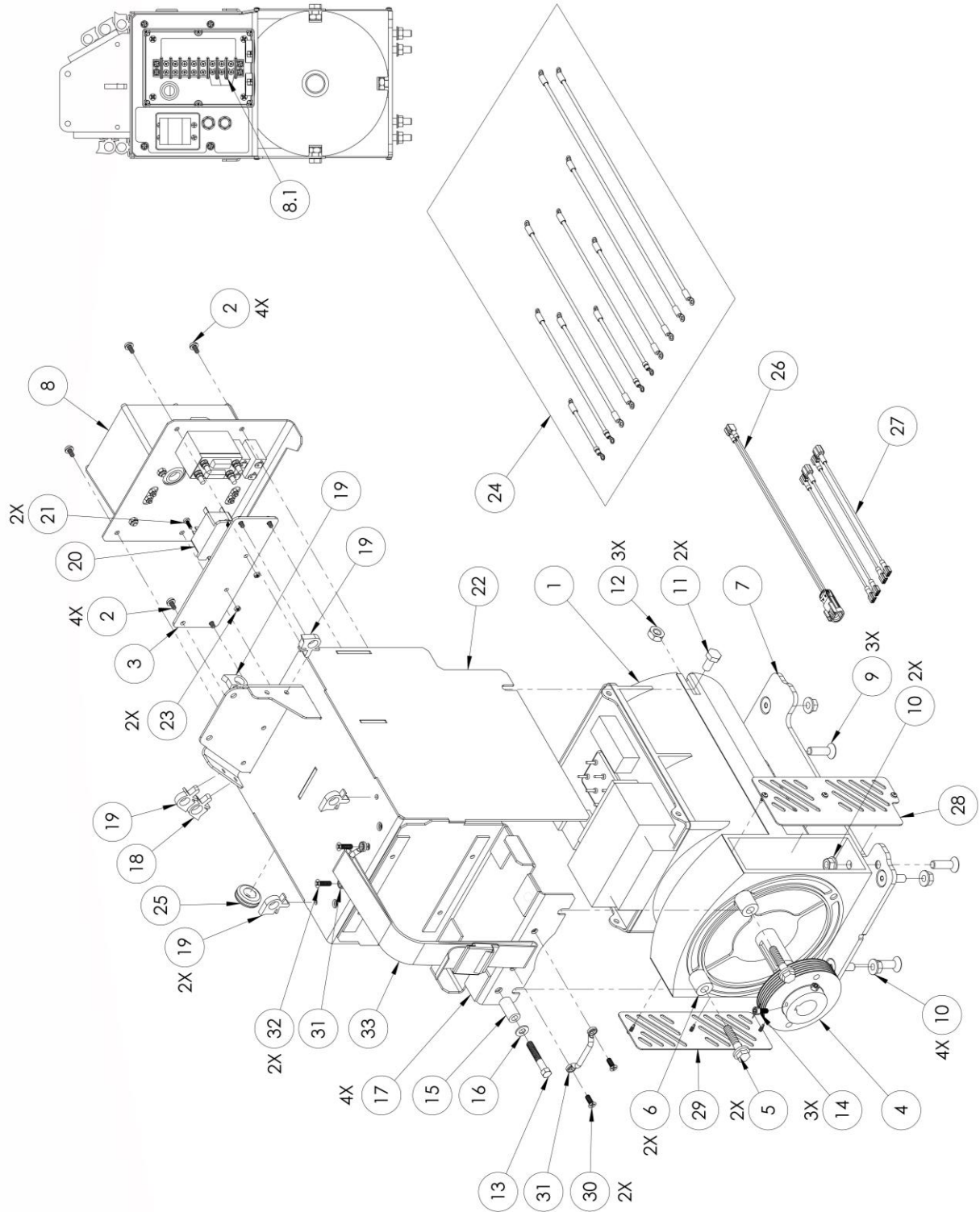


Figure 19– AC Only Generator

**20 –AC/DC GEN. W/ Terminal Strip – 9500658**

Item #	Part #	Qty	Description
1	9500159	1	GENERATOR
2	3550916	1	ASSY, AC/DC TERMINAL FRONT PANEL
3	3200616	1	PULLEY, GEN, 6-RIB
4	1500665	1	BOLT,SHCS,M6X1.0X14,WIRE LOCK
5	1500650	6	CLIP, 1/2 ID, 11/16 OD, ROUTING
6	9500344	1	ASSEMBLY, COVER, GENSET, ACCESS PNL
7	1500610	2	BOLT, UNDERCUT FH, 5/16 - 18 X 1/2
8	5800113	6	PAD, RUBBER
9	9500259	1	ASSY, DC SENSE AND RIBBON CABLE
10	1520590	8	BOLT, HHCS, M6X1.0X14 FL PL
11	1500629	1	SCREW, PHILLIPS PANHEAD, M6X1X12,SS
12	1500674	1	CLIP, 5/8 ID, ROUTING
13	5200276	5.25"	WEATHER STRIP, 1 1/2 X 3/8
14	1500632	2	SCREW, PHMS, M5 X 10
15	3501104	2	CONNECTOR, RING, YEL, #10
16	3500653	1.5"	TUBING, SHRINK, 3/4" MELTABLE CORE
17	1560138	2	NUT, NYLOCK PL, M10 X 1.5
18	1520538	2	BOLT, HHCS, FLHD, M10 X 1.50 X 35
19	1520624	2	BOLT, HHCS FL,LK,PL M12 X 1.75 X 30
20	1560525	2	NUT, FLANGE PL, M12 X 1.75
21	1520603	2	BOLT, HHCS G8.8, M5 X 0.8 X 12 PL
22	9500336	1	PANEL, ACCESS, GENSET
23	9500549	1	ASSY, BRACKET, DC BOARD
24	1201084	1	BRACKET, DC BOARD, FRONT
25	1520660	4	BOLT, HHCS G8.8, M5 X 0.8 X 25 PL
26	1570163	4	WASHER, FLAT, 3/16
27	1201083	1	BRACKET, AC RELAY
28	3501177	1	RELAY, DPST, DC-AC, 30A 12V
29	1570491	3	WASHER, FLAT, M6, PLATED
30	1520668	1	BOLT, HHCS G8.8, M6 X 1.0 X 80
31	1500660	2	SCREW, PHILLIPS HEAD PL, M4 X 12
32	1500648	2	SCREW, FLAT PHILLIPS, SS, M6X1X20
33	5800151	1	BATTERY STRAP, 1.5"X 54"
34	5800150	2	FOOTMAN LOOP, STEEL, 1.5" STRAP
35	1560510	2	NUT, M6X 1.0 ZINC PL
36	3550837	1	ASSY, AC GENSET RECTIFIER CONN
37	9500660	1	COVER, HARNESS PLATE, GENSET

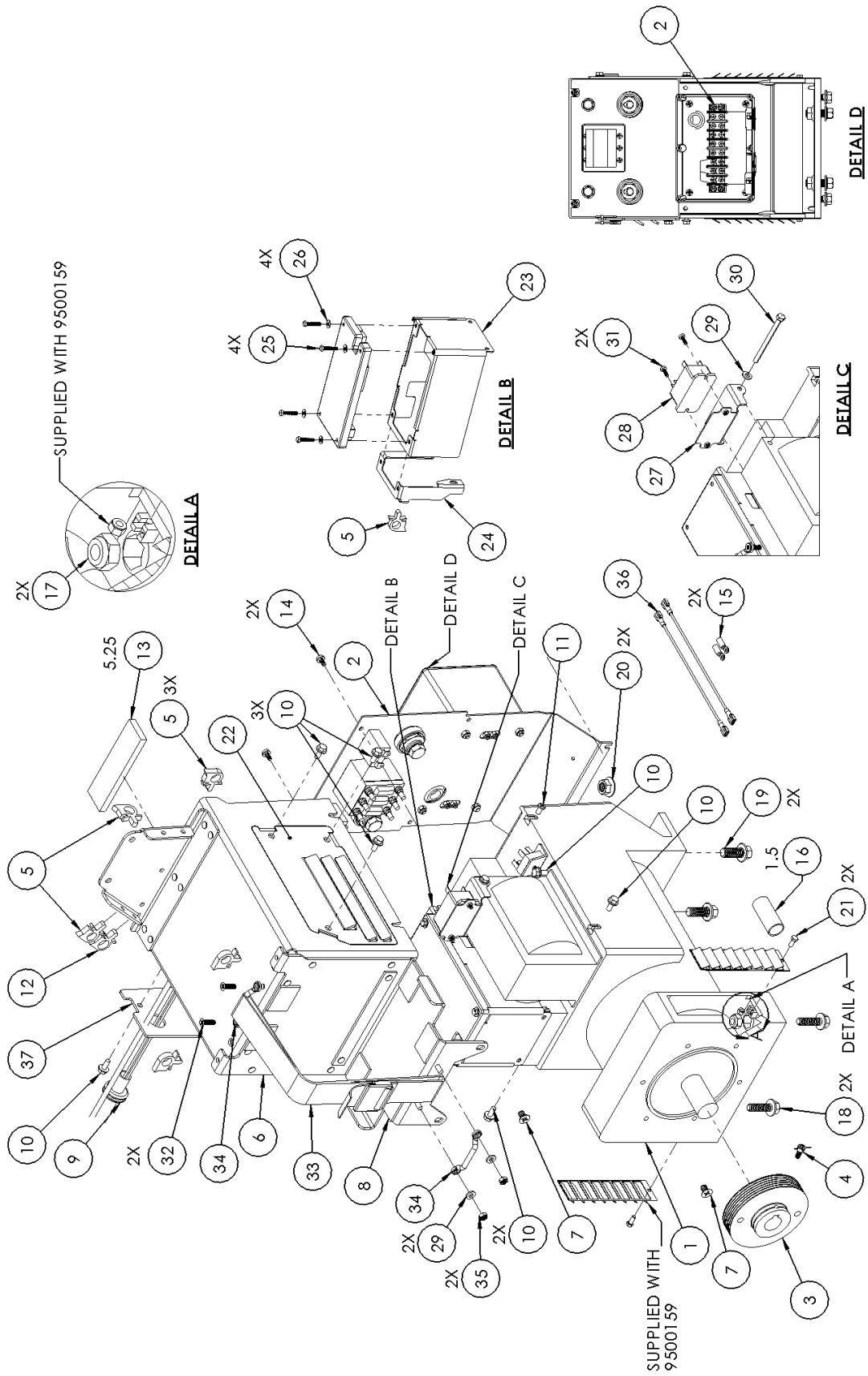


Figure 20 – AC/DC Gen. W/ Terminal Strip

**21 –GEN OMIT – 9500296**

Item #	Part #	Qty.	Description
1	9500297	1	WELDMENT, GEN OMIT
2	5800113	6	PAD, RUBBER
3	1500674	1	CLIP, 5/8 ID, ROUTING
4	1500650	5	CLIP, 1/2 ID, 11/16 OD, ROUTING
5	1570067	1	WASHER, SAE, 5/16
6	1400353	1	SPACER, CLUTCH PROTECT
7	1510183	1	BOLT, HHCS NC G8 PL, 5/16 X 2 1/2
8	1520563	2	BOLT,HHCS FLPL G8.8 M10 X1.50 X 25
9	1560138	2	NUT, NYLOCK PL, M10 X 1.5
10	1560525	2	NUT, FLANGE PL, M12 X 1.75
11	1520624	2	BOLT, HHCS FL,LK,PL M12 X 1.75 X 30
12	1500648	2	SCREW, FLAT PHILLIPS, SS, M6X1X20
13	1500667	2	SCREW, FLAT PHILLIPS, SS, M6X1X16
14	5800150	2	FOOTMAN LOOP, STEEL, 1.5" STRAP
15	5800151	1	BATTERY STRAP, 1.5"X 54"
16	1560516	4	NUT, M6 X 1.0 FL PL



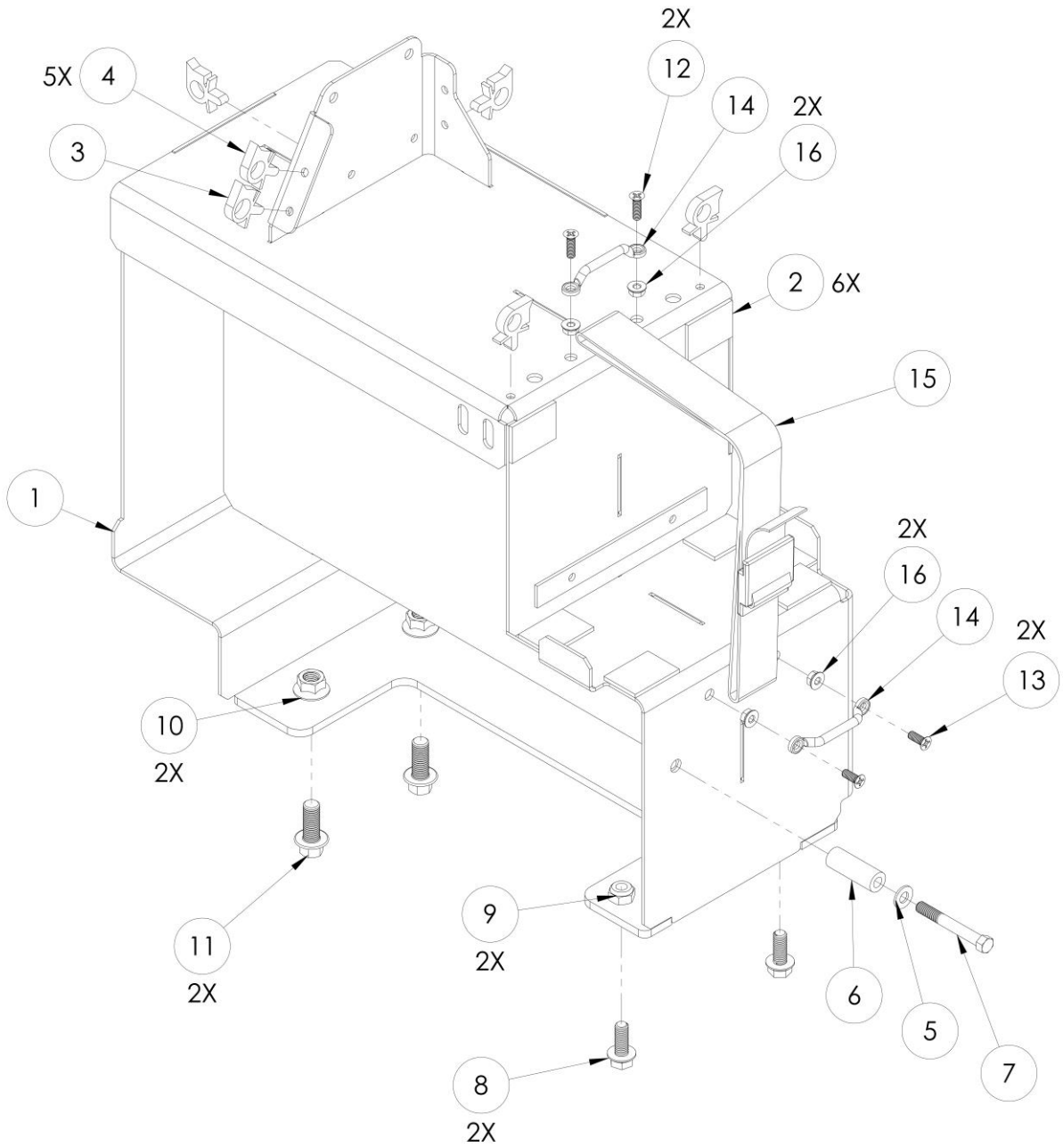


Figure 21 – Generator Omit

**22 –MISC. PTO Y GEN Y – A510041**

Item #	Part #	Qty.	Description
1	9500182	1	ASSY, DISPLAY MOUNT, PTO/Y – GEN/Y
1.1	3550821	1	DISPLAY BOX MFD
2	1610349	1	BELT, DUAL SIDE DK060973
3	4401038	1	LABEL, NAMEPLATE, PTO/Y-GEN/Y
4	3550825	1	ASSY, CHASSIS GND CABLE
5	A500184	1	ASSEMBLY, REMOTE GENSET BOX
6	1201021	1	GUARD, CLUTCH
7	1400453	2	SPACER, IDLER BRACE
8	1400429	1	SPACER, CLUTCH GUARD
9	1540580	2	BOLT, FLHD SCKT, M10 X 1.5 X 55
10	1530538	1	BOLT, FLHD SCKT, NC, 5/16 X 2-3/4
11	1300047	2	IDLER, 6 RIB, 63.5MM
12	3200617	1	POST, IDLER
13	3200618	1	POST, IDLER
14	1520635	2	BOLT, HHCS, FLHD, M10 X 1.50 X 20

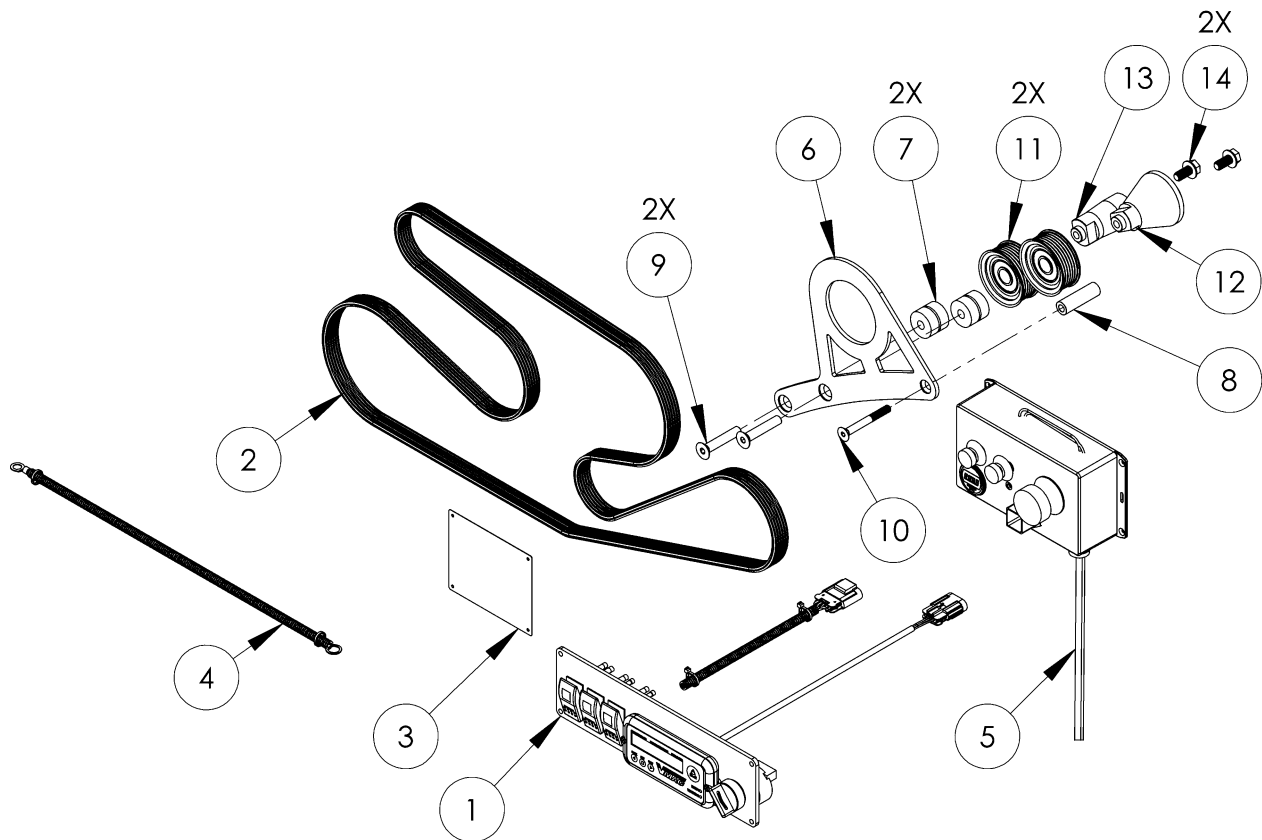


Figure 22 – Misc. PTO Y GEN Y

**VMAC – Vehicle Mounted Air Compressors**  
 Toll Free: 1-800-738-8622  
 Local: 1-250-740-3200  
 Fax: 1-250-740-3201

**23 –MISC. PTO N GEN N – A510012**

Item #	Part #	Qty.	Description
1	4401116	1	LABEL, NAMEPLATE, PTO/N - GEN/N
2	1610347	1	BELT, DUAL SIDE DK060702
3	9500315	1	ASSY, DISPLAY MOUNT, PTO/N - GEN/N
3.1	3550821	1	DISPLAY BOX MFD
4	3501084	1	CONNECTOR, GT 150, 2M
5	3500976	2	SEAL ELECTRICAL
6	3500056	1.75	TUBING, HEAT SHRINK, 3/8
7	1520621	2	BOLT, HHCS, FLHD, M10 X 1.5 X 45
8	1200701	1	BRACE, IDLER
9	1400354	2	SPACER, IDLER BRACE
10	1300042	2	IDLER, 6 RIB, 70MM
11	3200422	1	POST, IDLER
12	3200423	1	POST, IDLER
13	1520635	2	BOLT, HHCS, FLHD, M10 X 1.50 X 20

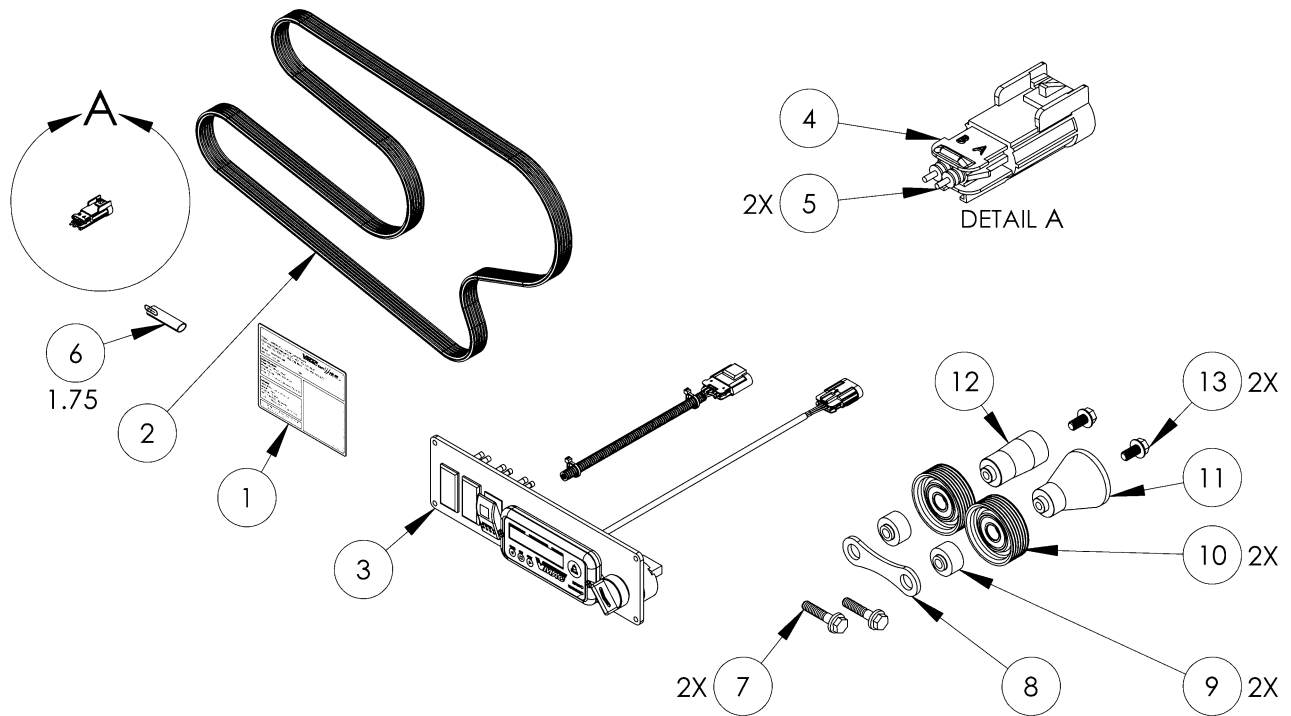


Figure 23 – Misc. PTO N GEN N

24 –MISC. PTO N GEN Y – A510040

Item #	Part #	Qty.	Description
1	9500316	1	ASSY, DISPLAY MOUNT, PTO/N - GEN/Y
1.1	3550821	1	DISPLAY BOX MFD
2	1610350	1	BELT, DUAL SIDE DK060956
3	4401115	1	LABEL, NAMEPLATE, PTO/N-GEN/Y
4	3550825	1	ASSY, CHASSIS GND CABLE
5	3500056	1.75	TUBING, HEAT SHRINK, 3/8
6	A500184	1	ASSEMBLY, REMOTE GENSET BOX
7	1201021	1	GUARD, CLUTCH
8	1400453	2	SPACER, IDLER BRACE
9	1400429	1	SPACER, CLUTCH GUARD
10	1540580	2	BOLT, FLHD SCKT, M10 X 1.5 X 55
11	1530538	1	BOLT, FLHD SCKT, NC, 5/16 X 2-3/4
12	1300047	2	IDLER, 6 RIB, 63.5MM
13	3200617	1	POST, IDLER
14	3200618	1	POST, IDLER
15	1520635	2	BOLT, HHCS, FLHD, M10 X 1.50 X 20

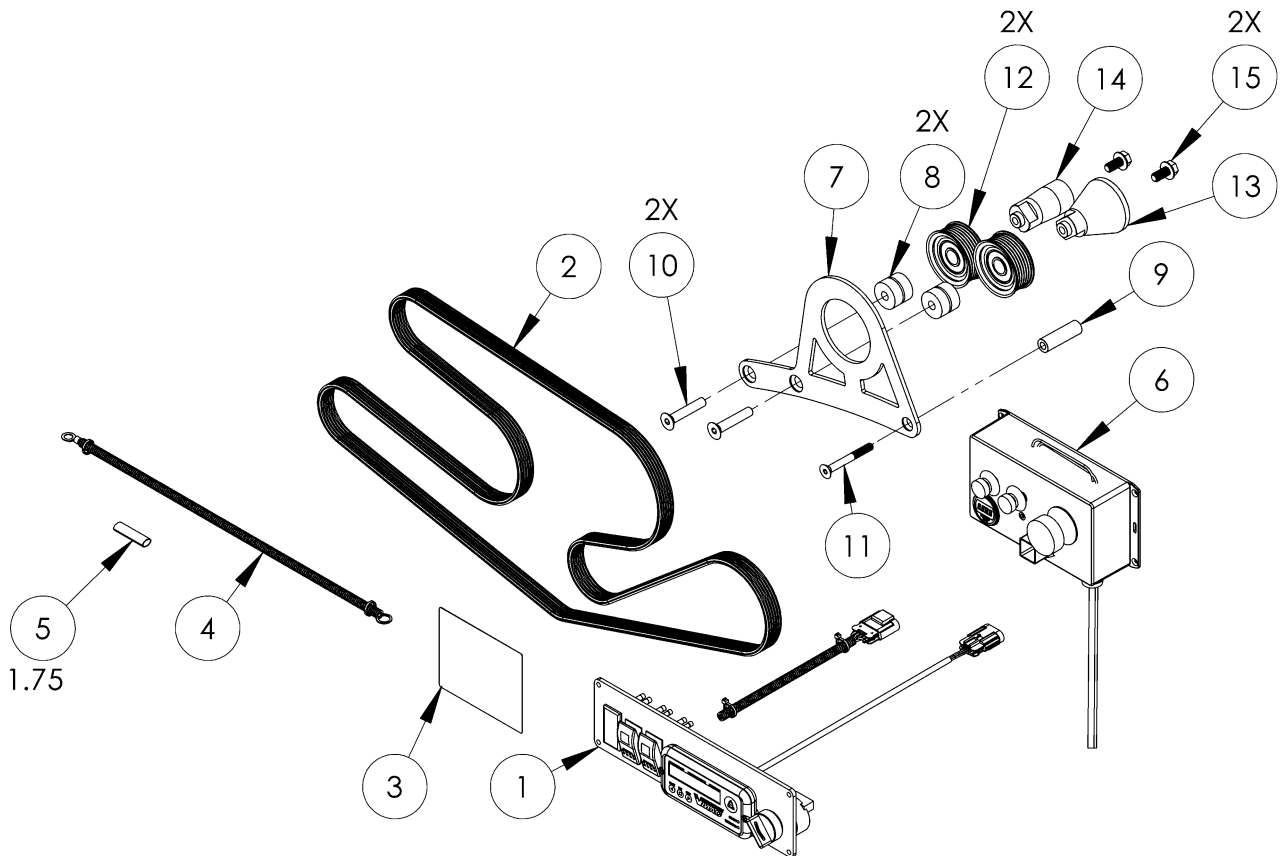


Figure 24 – Misc. PTO N GEN Y

VMAC – Vehicle Mounted Air Compressors  
 Toll Free: 1-800-738-8622  
 Local: 1-250-740-3200  
 Fax: 1-250-740-3201

25 –MISC. PTO Y GEN N – A510014

Item #	Part #	Qty.	Description
1	4401110	1	LABEL, NAMEPLATE, PTO/Y-GEN/N
2	1610354	1	BELT, DUAL SIDE DK060718
3	9500317	1	ASSY, DISPLAY MOUNT, PTO/Y - GEN/N
3.1	3550821	1	DISPLAY BOX MFD
4	3501084	1	CONNECTOR, GT 150, 2M
5	3500976	2	SEAL ELECTRICAL
6	1200701	1	BRACE, IDLER
7	1400354	2	SPACER, IDLER BRACE
8	1520621	2	BOLT, HHCS, FLHD, M10 X 1.5 X 45
9	1300042	2	IDLER, 6 RIB, 70MM
10	3200422	1	POST, IDLER
11	3200423	1	POST, IDLER
12	1520635	2	BOLT, HHCS, FLHD, M10 X 1.50 X 20

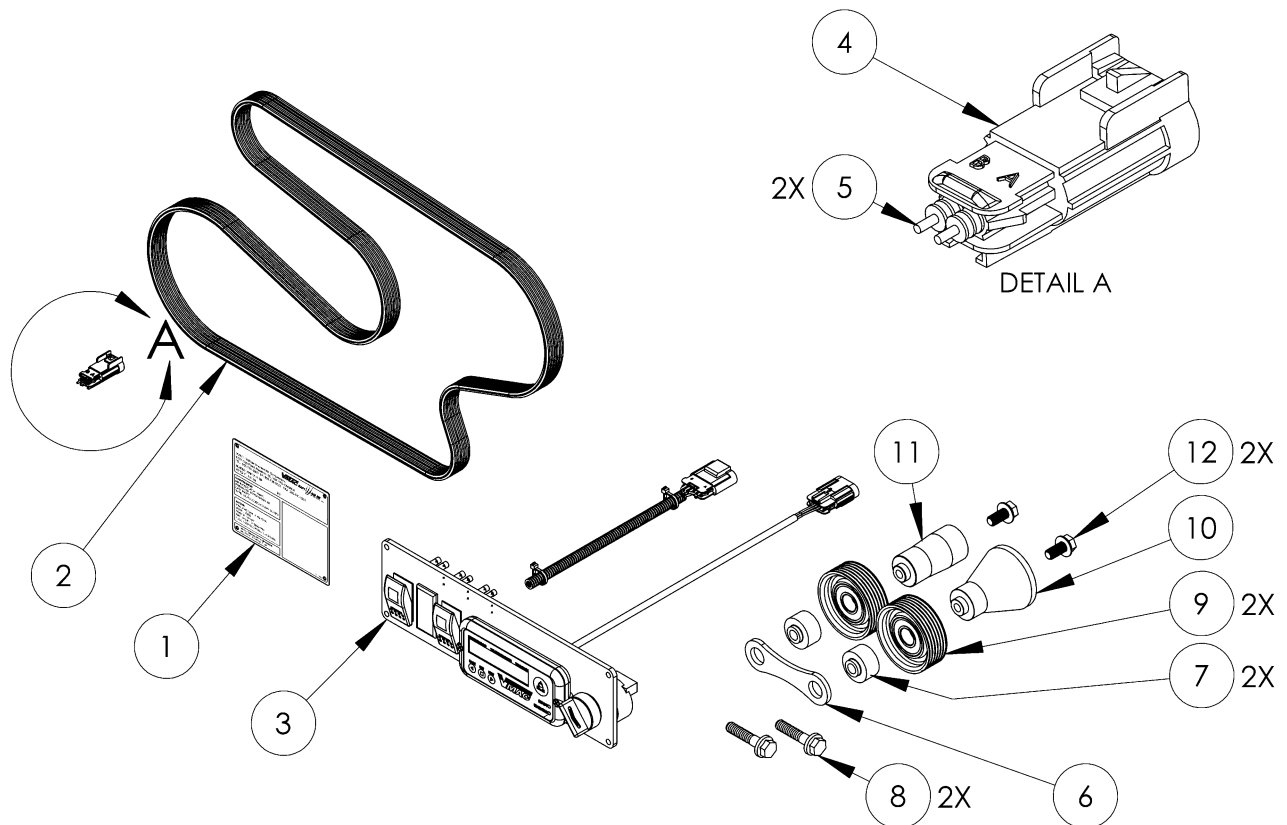


Figure 25 – Misc. PTO Y GEN N

26 –MISC. PTO N AC GEN Y – A510021

Item #	Part #	Qty.	Description
1	9500316	1	ASSY, DISPLAY MOUNT, PTO/N - GEN/Y
1.1	3550821	1	DISPLAY BOX MFD
2	1610350	1	BELT, DUAL SIDE DK060956
3	4401146	1	LABEL, NAMEPLATE, PTO/N-AC GEN/Y
4	3550825	1	ASSY, CHASSIS GND CABLE
5	3500056	1.75"	TUBING, HEAT SHRINK, 3/8
6	1200701	1	BRACE, IDLER
7	1400354	2	SPACER, IDLER BRACE
8	1520621	2	BOLT, HHCS, FLHD, M10 X 1.5 X 45
9	1300042	2	IDLER, 6 RIB, 70MM
10	3200422	1	POST, IDLER
11	3200423	1	POST, IDLER
12	1520635	2	BOLT, HHCS, FLHD, M10 X 1.50 X 20

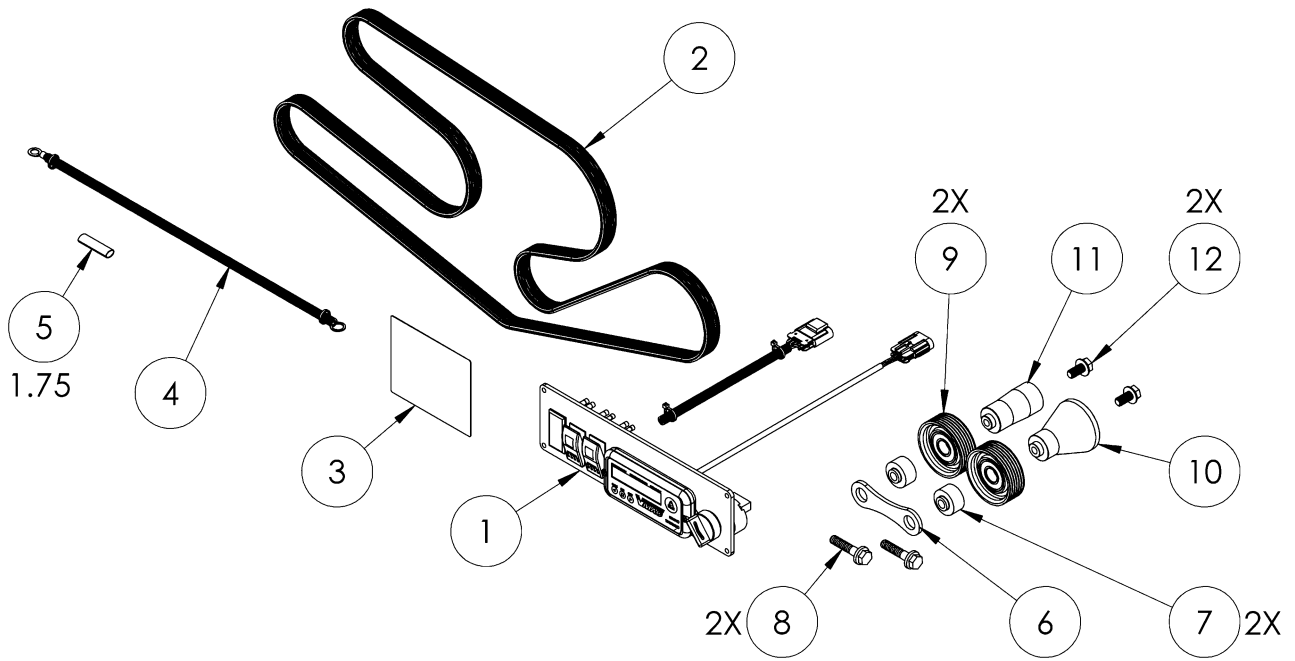


Figure 26 – Misc. PTO N AC GEN Y

**27 –MISC. PTO Y AC GEN Y – A510022**

Item #	Part #	Qty.	Description
1	9500182	1	ASSY, DISPLAY MOUNT, PTO/Y - GEN/Y
1.1	3550821	1	DISPLAY BOX MFD
2	1610349	1	BELT, DUAL SIDE DK060973
3	3550825	1	ASSY, CHASSIS GND CABLE
4	4401147	1	LABEL, NAMEPLATE, PTO/Y-AC GEN/Y
5	1200701	1	BRACE, IDLER
6	1400354	2	SPACER, IDLER BRACE
7	1520621	2	BOLT, HHCS, FLHD, M10 X 1.5 X 45
8	1300042	2	IDLER, 6 RIB, 70MM
9	3200422	1	POST, IDLER
10	3200423	1	POST, IDLER
11	1520635	2	BOLT, HHCS, FLHD, M10 X 1.50 X 20

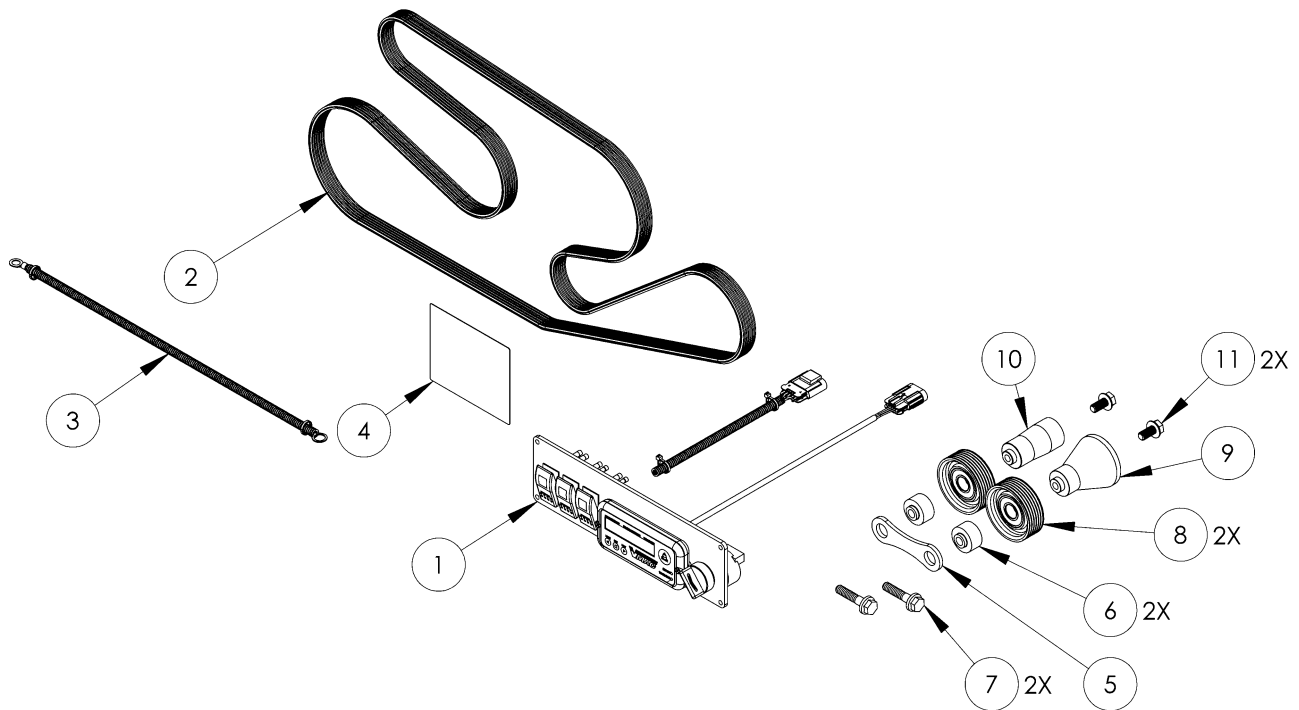


Figure 27 – Misc. PTO Y AC GEN Y

**28 –SHEET METAL BLK – 9500318**

Item #	Part #	Qty	Description
1	9500166	1	PANEL, BELT SIDE, MF
2	9500167	1	PANEL, GENERATOR SIDE, MF
3	9500531	1	ASSY, TOP PANEL, KUBOTA
4	9500168	1	PANEL, MFD, RAD MOUNT
5	9500165	1	PANEL, RADIATOR SIDE, MF
6	9500162	1	HEAT SHIELD, EXHAUST
7	5800110	3	LATCH, PANEL
8	5800110	1	LATCH, PANEL
9	1500629	5	SCREW, PHILLIPS PANHEAD, M6X1X12,SS
10	1500645	28	SCREW, FLAT PHILLIPS, SS, M5X.8X12
11	1500630	6	SCREW, FLAT PHILLIPS, M6X1X12,SS
12	4401012	1	DECAL, WARNING, TURN OFF
13	1500667	3	SCREW, FLAT PHILLIPS, SS, M6X1X16
14	4401031	1	LABEL, MF ENG/COMP MAINT CHECKLIST
15	1500598	4	RIVET, ALUMINUM, CLOSED END, 1/8"
16	4401000	1	DECAL,CAUTION ETHER/STARTING FLUID
17	9500299	1	PANEL, EXHAUST, MF
18	9500298	1	PANEL, PTO, MF
19	5300060	4	SILICONE CAPS, SM233
20	5800147	5	PLUG, 1-3/8 HOLE
21	4401418	1	Decal, KubotaMF Logo_10x4 DBG
22	4401313	1	DECAL, MF, VERT
23	4400980	1	DECAL, DIESEL FUEL ONLY
24	4401034	1	LABEL, EXTERNAL GROUND
25	4401103	1	LABEL, HOT EXHAUST



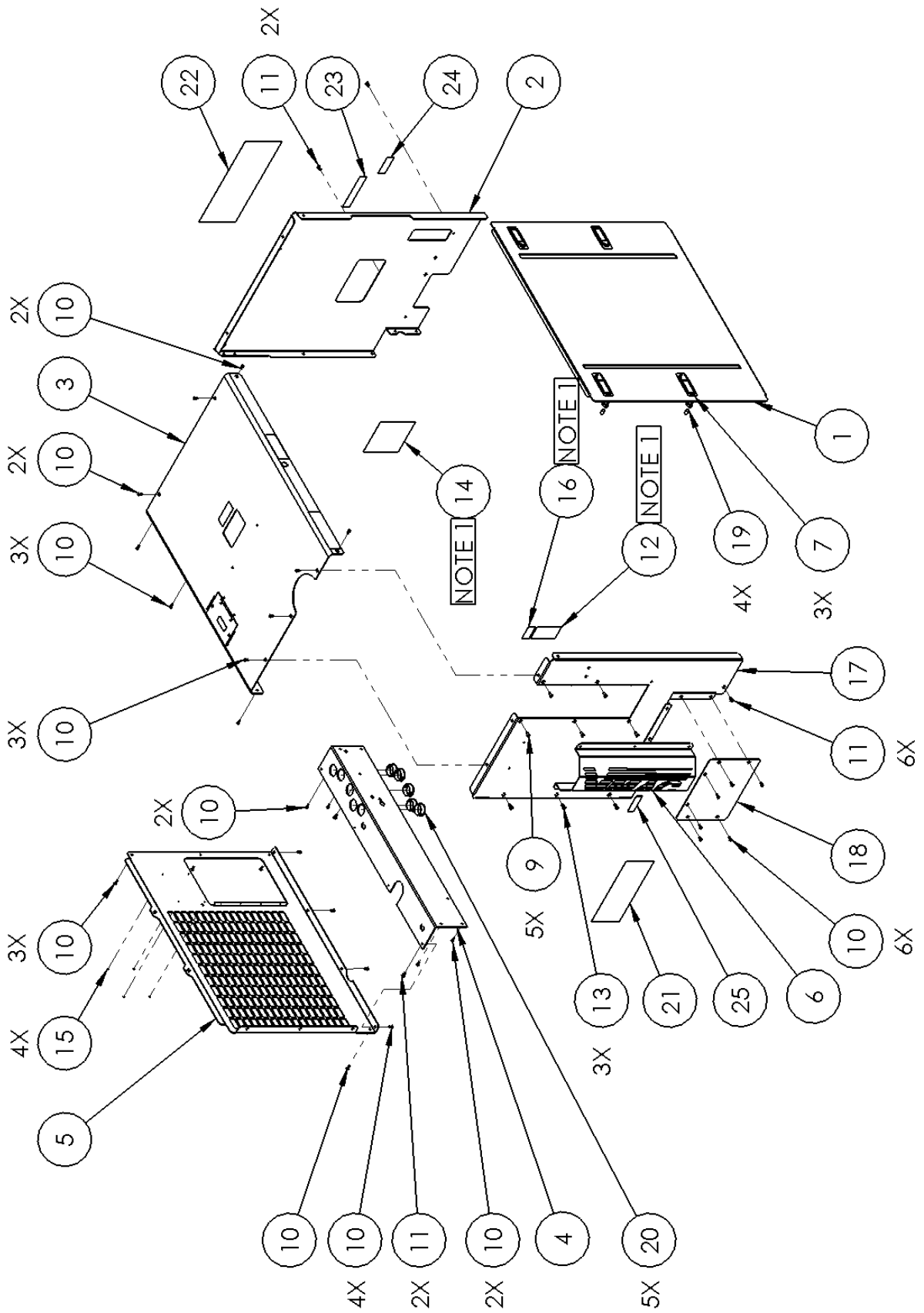


Figure 28 – Sheet Metal Assy

**29 –SHEET METAL WHT – 9500307**

Item #	Part #	Qty	Description
1	9500310	1	PANEL, BELT SIDE, WHITE, MF
2	9500309	1	PANEL, GENERATOR SIDE, WHITE, MF
3	9500532	1	ASSY, TOP PANEL, WHITE, KUBOTA
4	9500308	1	PANEL, RAD SUPPORT, WHITE, MF
5	9500311	1	PANEL, RAD SIDE, WHITE, MF
6	9500162	1	HEAT SHIELD, EXHAUST
7	5800110	4	LATCH, PANEL
8	1500629	5	SCREW, PHILLIPS PANHEAD, M6X1X12,SS
9	1500645	28	SCREW, FLAT PHILLIPS, SS, M5X.8X12
10	1500630	6	SCREW, FLAT PHILLIPS, M6X1X12,SS
11	4401012	1	DECAL, WARNING, TURN OFF
12	1500667	3	SCREW, FLAT PHILLIPS, SS, M6X1X16
13	4401031	1	LABEL, MF ENG/COMP MAINT CHECKLIST
14	1500598	4	RIVET, ALUMINUM, CLOSED END, 1/8"
15	4401000	1	DECAL,CAUTION ETHER/STARTING FLUID
16	9500312	1	PANEL, EXHAUST, WHITE, MF
17	9500314	1	PANEL, PTO,WHITE, MF
18	5300060	4	SILICONE CAPS, SM233
19	5800147	5	PLUG, 1-3/8 HOLE
20	4401419	1	Decal, KubotaMF Logo_10x4 LBG
21	4401417	1	Decal, KubotaMF Logo_13.25x5.25 LBG
22	4400980	1	DECAL, DIESEL FUEL ONLY
23	4401108	1	LABEL, EXTERNAL GROUND
24	4401103	1	LABEL, HOT EXHAUST

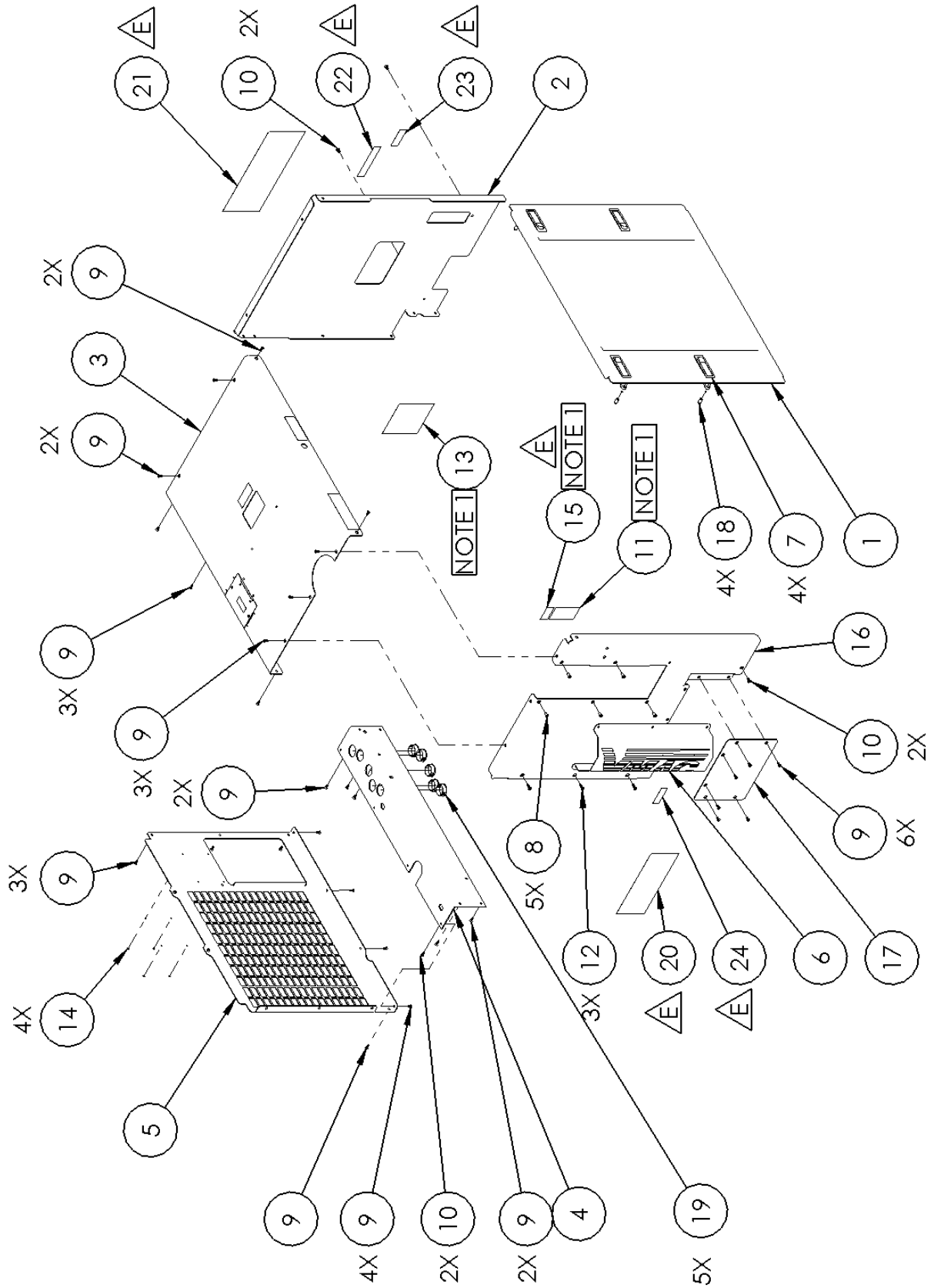


Figure 29 – White Sheet Metal Assy

**30 –SHEET METAL CUST. – 9500352**

Item #	Part #	Qty	Description
1	9500355	1	PANEL, BELT SIDE, CUSTOM, MF
2	9500354	1	PANEL, GENERATOR SIDE, CUSTOM, MF
3	9500533	1	ASSY, TOP PANEL, CUSTOM, KUBOTA
4	9500353	1	PANEL, RAD SUPPORT, CUSTOM, MF
5	9500356	1	PANEL, RAD SIDE, CUSTOM, MF
6	9500162	1	HEAT SHIELD, EXHAUST
7	5800110	4	LATCH, PANEL
8	1500629	5	SCREW, PHILLIPS PANHEAD, M6X1X12,SS
9	1500645	28	SCREW, FLAT PHILLIPS, SS, M5X.8X12
10	1500630	6	SCREW, FLAT PHILLIPS, M6X1X12,SS
11	4401012	1	DECAL, WARNING, TURN OFF
12	1500667	3	SCREW, FLAT PHILLIPS, SS, M6X1X16
13	4401031	1	LABEL, MF ENG/COMP MAINT CHECKLIST
14	1500598	4	RIVET, ALUMINUM, CLOSED END, 1/8"
15	4401000	1	DECAL,CAUTION ETHER/STARTING FLUID
16	4400999	1	DECAL, CAUTION 50% ANTIFREEZE
17	9500357	1	PANEL, EXHAUST, CUSTOM, MF
18	9500359	1	PANEL, PTO, CUSTOM, MF
19	5300060	4	SILICONE CAPS, SM233
20	5800147	5	PLUG, 1-3/8 HOLE

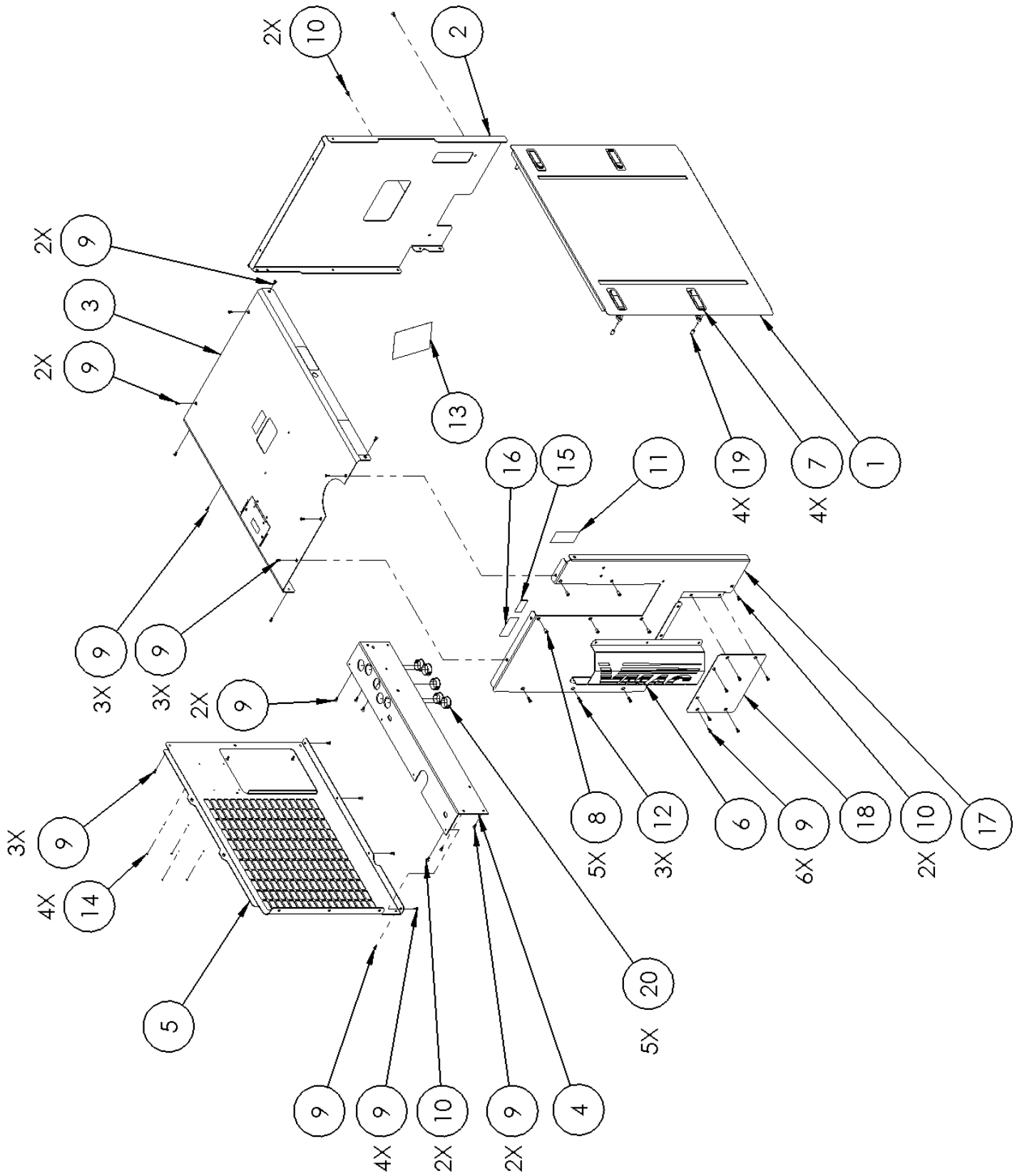


Figure 30 – Custom Sheet Metal Assy

**31 –SHEET METAL W/ DOOR – 9500351**

Item #	Part #	Qty	Description
1	9500166	1	PANEL, BELT SIDE, MF
2	9500167	1	PANEL, GENERATOR SIDE, MF
3	9500531	1	ASSY, TOP PANEL, KUBOTA
4	9500168	1	PANEL, MFD, RAD MOUNT
5	9500350	1	ASSY, PANEL, RADIATOR
6	9500162	1	HEAT SHIELD, EXHAUST
7	5800110	4	LATCH, PANEL
8	1500629	5	SCREW, PHILLIPS PANHEAD, M6X1X12,SS
9	1500645	28	SCREW, FLAT PHILLIPS, SS, M5X.8X12
10	1500630	6	SCREW, FLAT PHILLIPS, M6X1X12,SS
11	4401012	1	DECAL, WARNING, TURN OFF
12	1500667	3	SCREW, FLAT PHILLIPS, SS, M6X1X16
13	4401031	1	LABEL, MF ENG/COMP MAINT CHECKLIST
14	1500598	4	RIVET, ALUMINUM, CLOSED END, 1/8"
15	4401000	1	DECAL,CAUTION ETHER/STARTING FLUID
16	9500299	1	PANEL, EXHAUST, MF
17	9500298	1	PANEL, PTO, MF
18	5300060	4	SILICONE CAPS, SM233
19	5800147	5	PLUG, 1-3/8 HOLE
20	4401418	1	Decal, KubotaMF Logo_10x4 DBG
21	4401313	1	DECAL, MF, VERT
22	4400980	1	DECAL, DIESEL FUEL ONLY
23	4401034	1	LABEL, EXTERNAL GROUND
24	4401103	1	LABEL, HOT EXHAUST

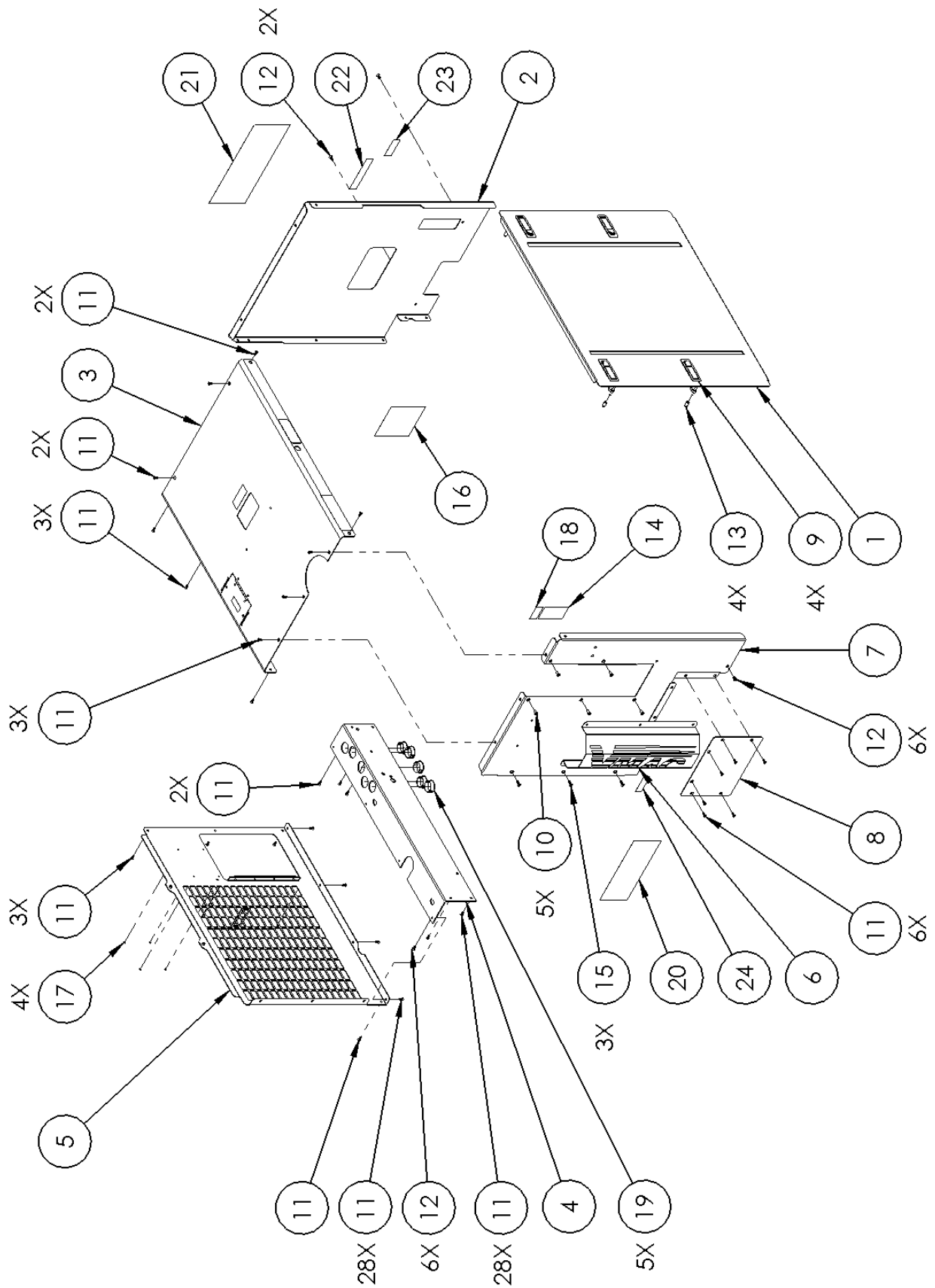


Figure 31 – Sheet Metal Assy w/ Door

### 32 –SHEET METAL, BLK, SOUND PACKAGE – 9500510

Item #	Part #	Qty	Description
1	9500473	1	PANEL, BELT SIDE, ASSY
2	9500167	1	PANEL, GENERATOR SIDE, MF
3	9500531	1	ASSY, TOP PANEL, KUBOTA
4	9500168	1	PANEL, MFD, RAD MOUNT
5	9500350	1	ASSY, PANEL, RADIATOR
6	9500162	1	HEAT SHIELD, EXHAUST
7	1500629	5	SCREW, PHILLIPS PANHEAD, M6X1X12,SS
8	1500645	29	SCREW, FLAT PHILLIPS, SS, M5X.8X12
9	1500630	6	SCREW, FLAT PHILLIPS, M6X1X12,SS
10	4401012	1	DECAL, WARNING, TURN OFF
11	4401031	1	LABEL, MF ENG/COMP MAINT CHECKLIST
12	1500598	4	RIVET, ALUMINUM, CLOSED END, 1/8"
13	4401000	1	DECAL,CAUTION ETHER/STARTING FLUID
14	4400999	1	DECAL, CAUTION 50% ANTIFREEZE
15	9500299	1	PANEL, EXHAUST, MF
16	9500298	1	PANEL, PTO, MF
17	5800147	5	PLUG, 1-3/8 HOLE
18	1710886	1	HOSE, MODIFIED (1700548)
19	2200043	1	CLAMP, HOSE HS36
20	9500413	1	ASSEMBLY, KUBOTA SOUND SHROUD
21	1520583	3	BOLT, HHCS, FL, M6 X 1.0 X 20
22	1500677	1	SCREW, PHMS, M5 X .8 X 20
23	1520642	2	BOLT, HHCS, M6 X 1.0 X 16MM FL
24	1560516	2	NUT, M6 X 1.0 FL PL
25	4401103	1	LABEL, HOT EXHAUST



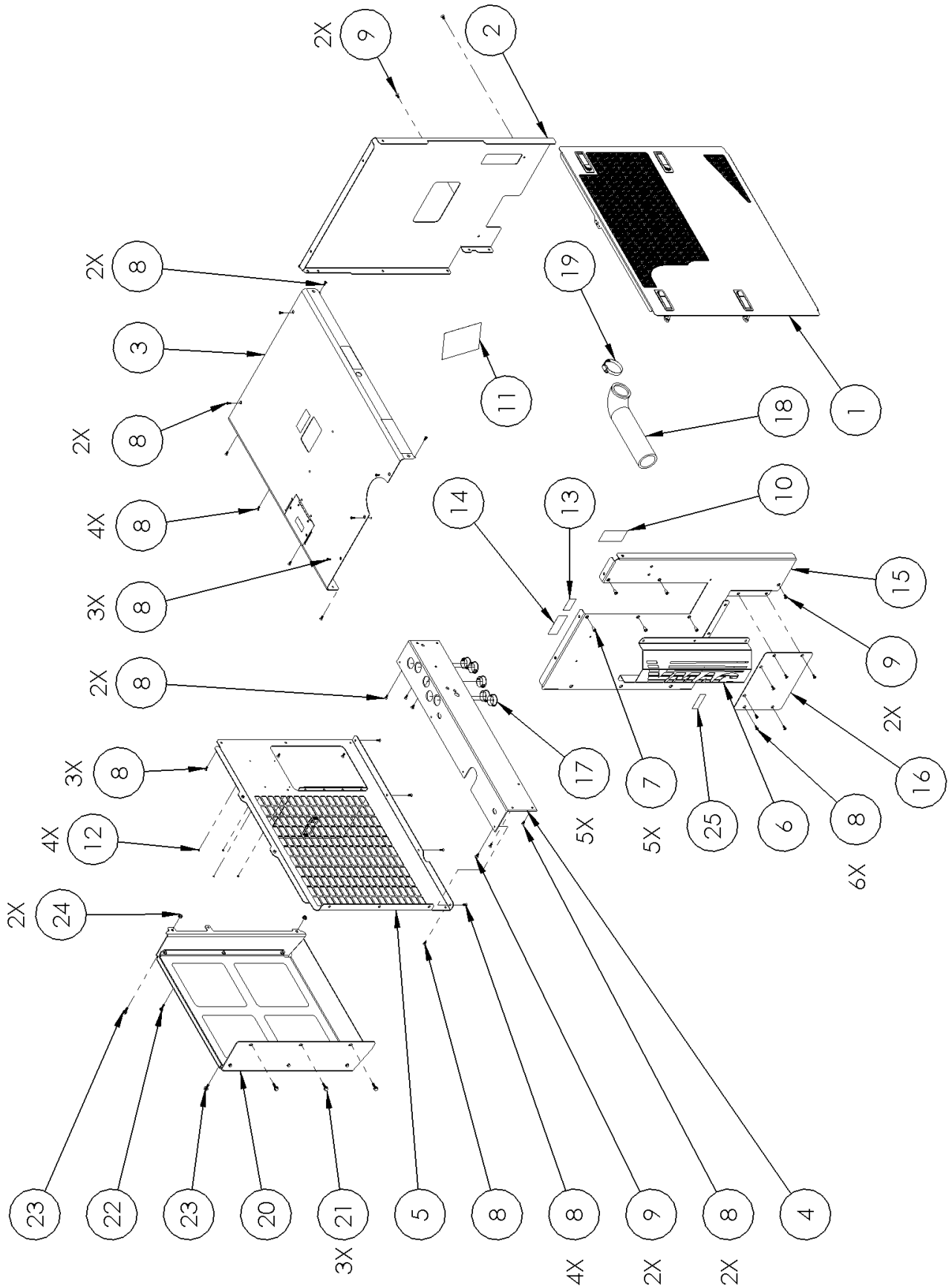


Figure 31 – Sheet Metal, BLK, w/ Sound Kit

### 33 – SOUND PACKAGE – A500201

Item #	Part #	Qty.	Description
1	1901092	1	INSTR, SOUND KIT, KUBOTA MF
2	9500376	1	PACKAGE, SOUND, KUBOTA

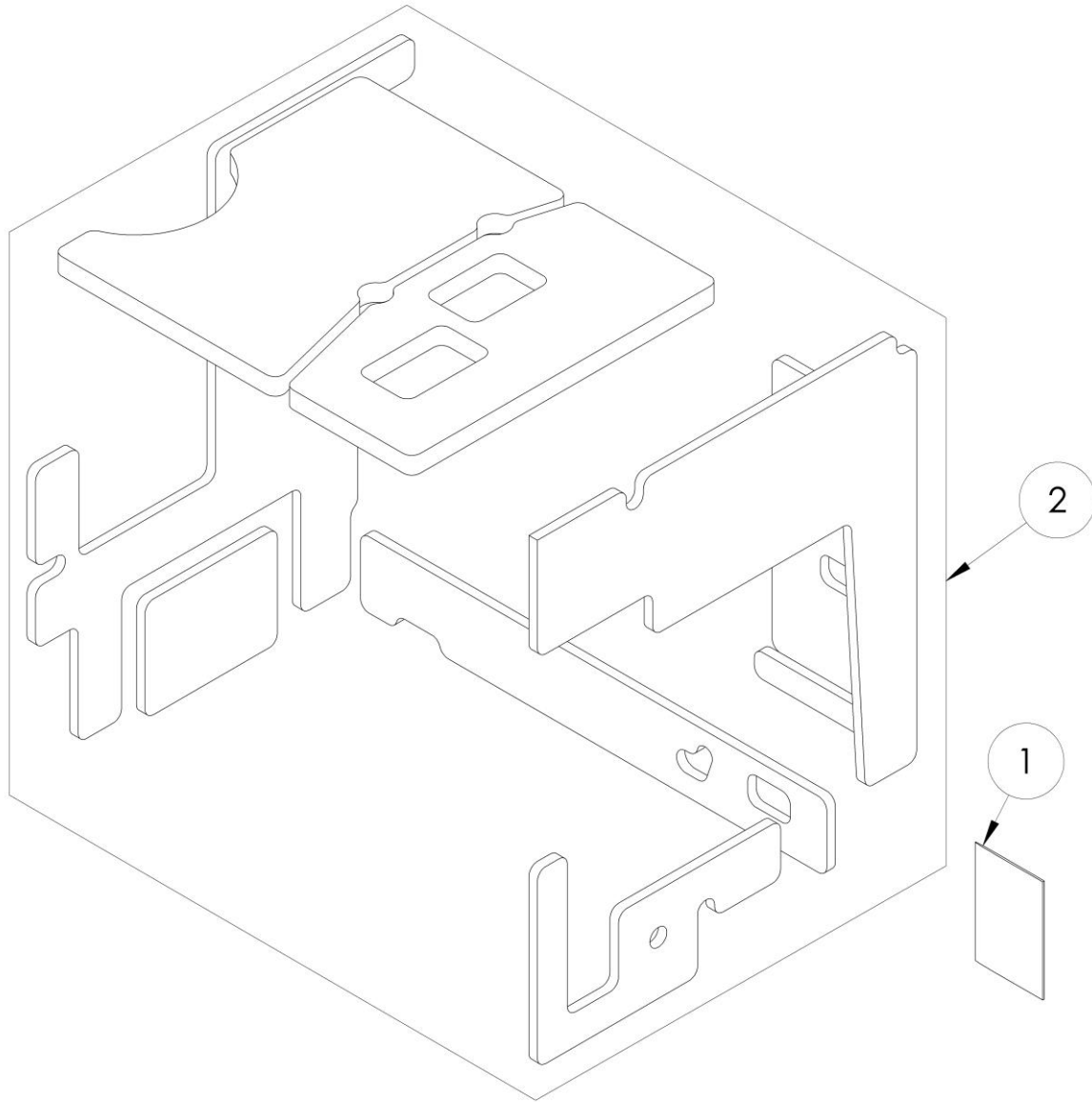


Figure 38 – Sound Package

### 34 – SOUND SHROUD – A500205

Item #	Part #	Qty.	Description
1	9500413	1	ASSEMBLY, KUBOTA SOUND SHROUD
2	1500677	1	SCREW, PHMS, M5 X .8 X 20
3	1520583	3	BOLT, HHCS, FL, M6 X 1.0 X 20
4	1520642	2	BOLT, HHCS, M6 X 1.0 X 16MM FL
5	1560516	2	NUT, M6 X 1.0 FL PL
6	1901100	1	INSTR, KUBOTA SOUND SHROUD

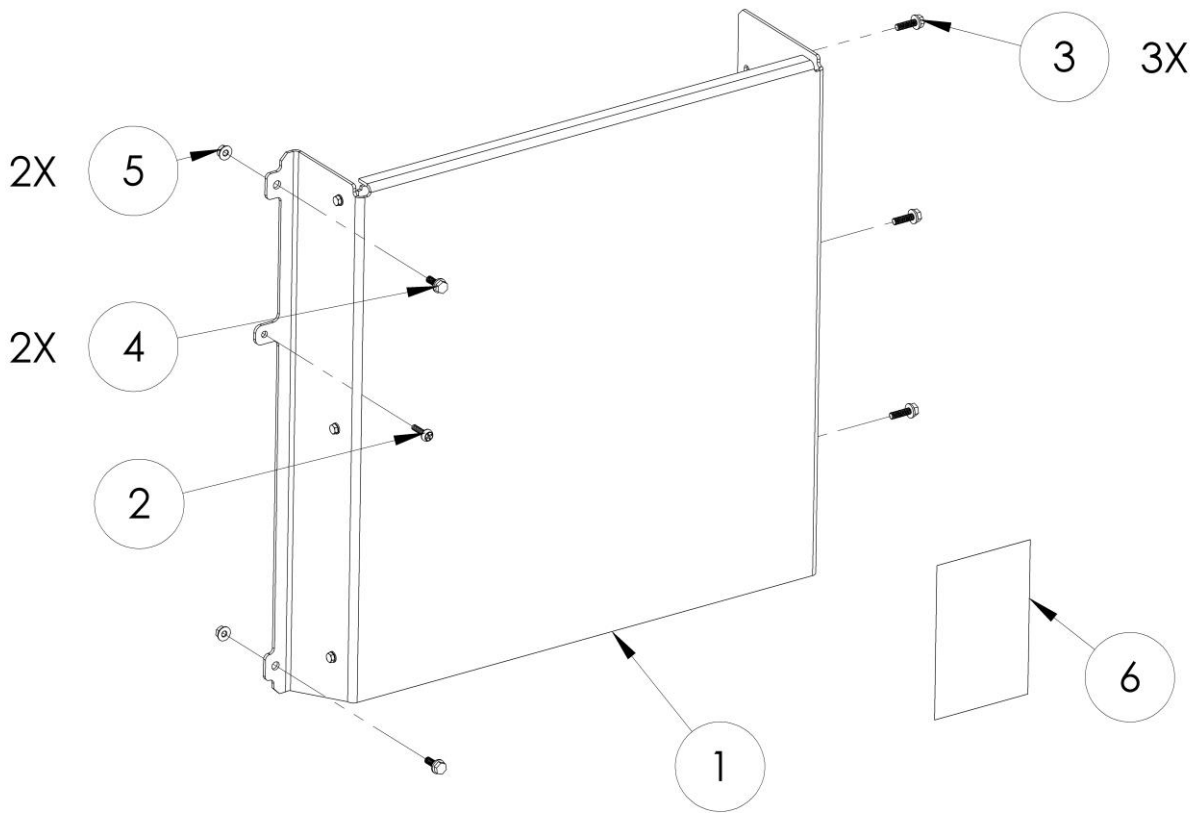


Figure 40 – Sound Shroud

### 35 – SOUND PANEL, BELT SIDE – A500213

Item #	Part #	Qty.	Description
1	9500473	1	PANEL, BELT SIDE, ASSY
2	1710886	1	HOSE, MODIFIED (1700548)
3	2200043	1	CLAMP, HOSE HS36
4	1901106	1	INSTR, SOUND PANEL, KUBOTA MF
5	1710887	1	HOSE, RUBBER, 7.00 X 1.75ID

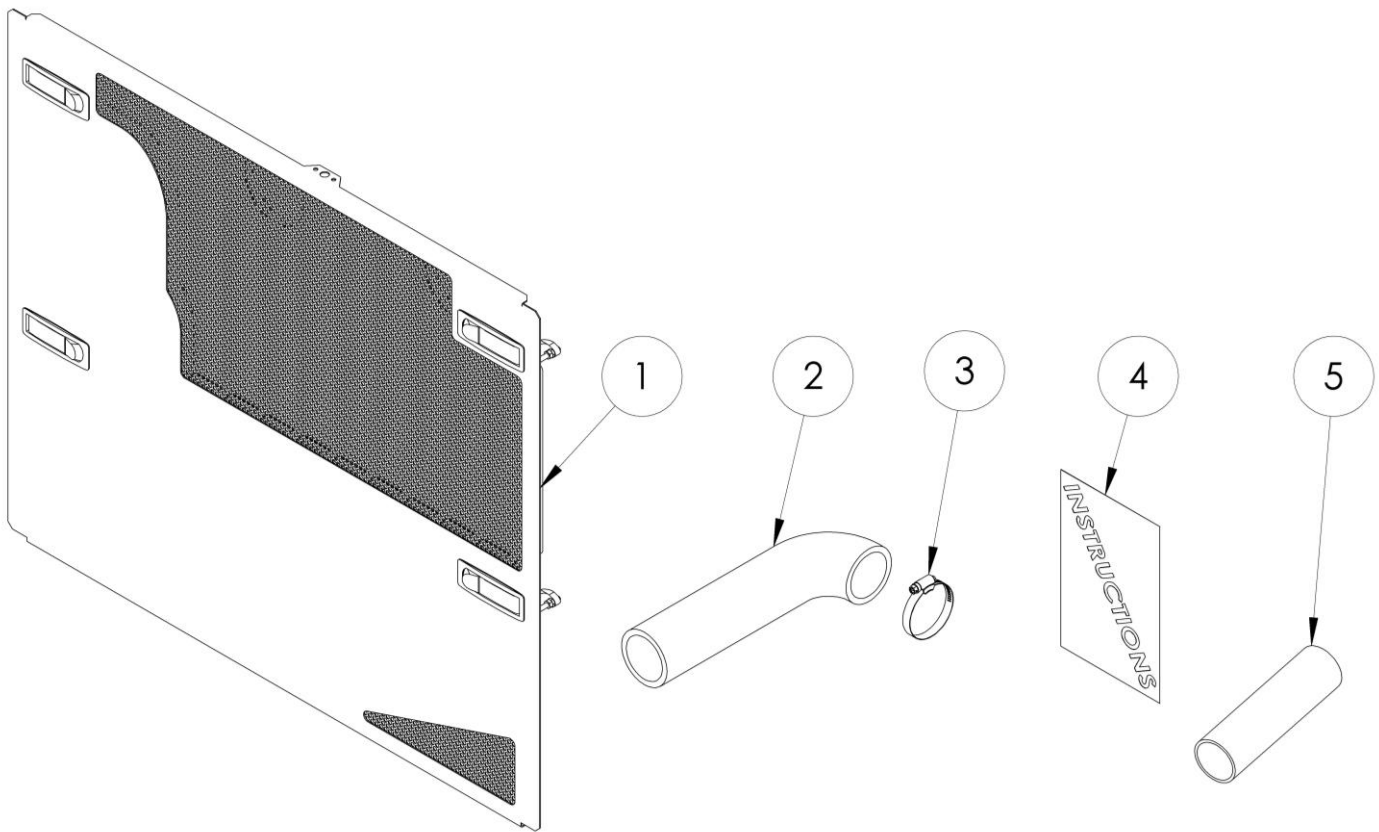


Figure 41 – Sound Panel, Belt Side

### 36 – VERTICAL RAIN CAP – 9500223

Item #	Part #	Qty.	Description
1	9500124	1	RAIN CAP, EXHAUST 1 1/2
2	1720680	1	TUBE, STEEL, CONNECTOR
3	2200198	1	CLAMP, EXHAUST, 1 3/4"

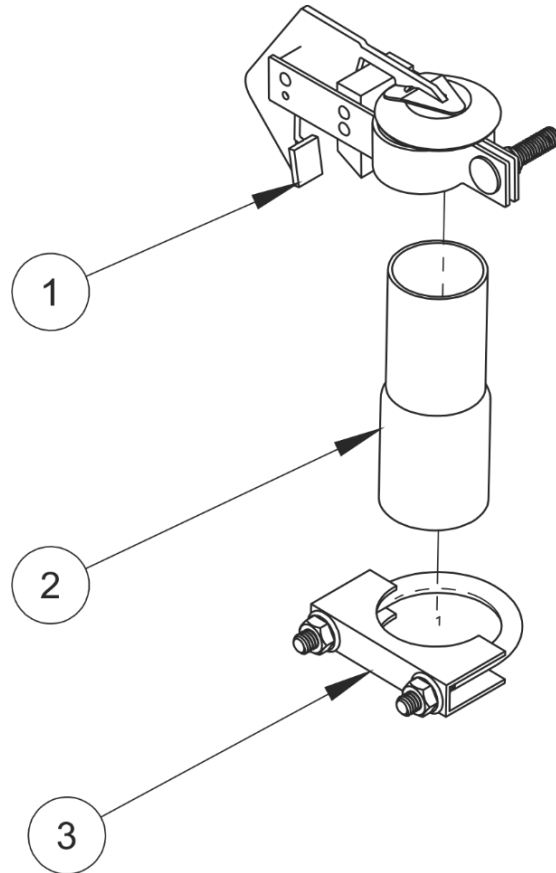


Figure 32 – Vertical Rain Cap

### 37 –EXHAUST KIT, ELBOW – A500198

Item #	Part #	Qty.	Description
1	1720667	1	ELBOW, STEEL, 1 1/2", 90
2	2200198	1	CLAMP, EXHAUST, 1 3/4"

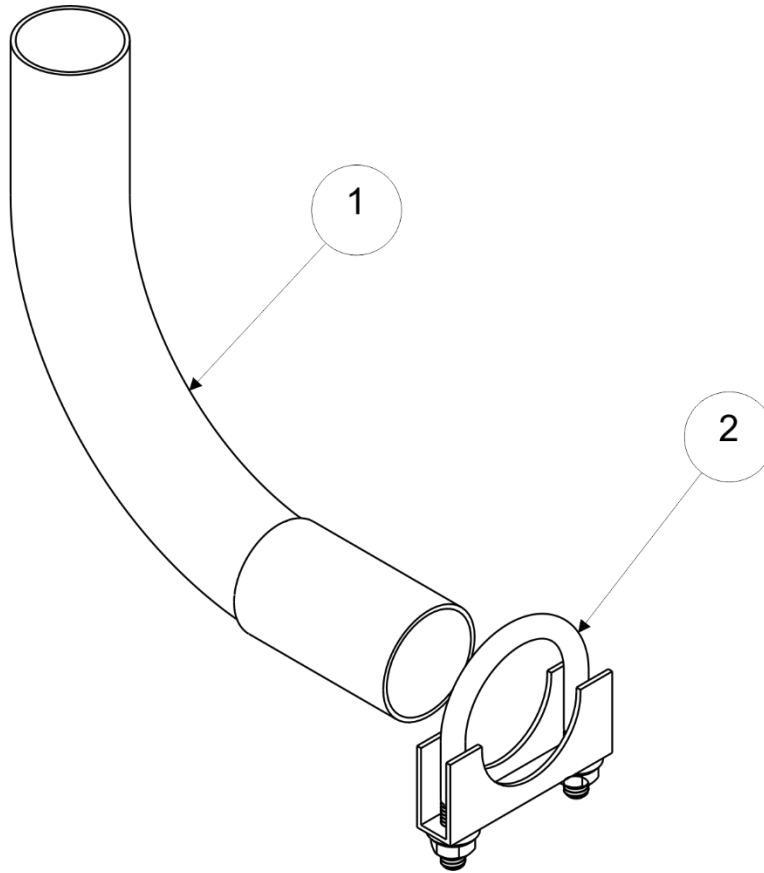


Figure 33 – Exhaust Kit, Elbow

### 38 –COLD CLIMATE – 9500288

Item #	Part #	Qty.	Description
1	3550844	1	HEATER, ENGINE BLOCK, ASSY
2	3550845	1	HEATER, ENGINE OIL PAN, ASSY
3	3550846	1	HEATER, AIR END, ASSY
4	3550873	1	HARNESS MF, COLD CLIMATE KIT, ASSY

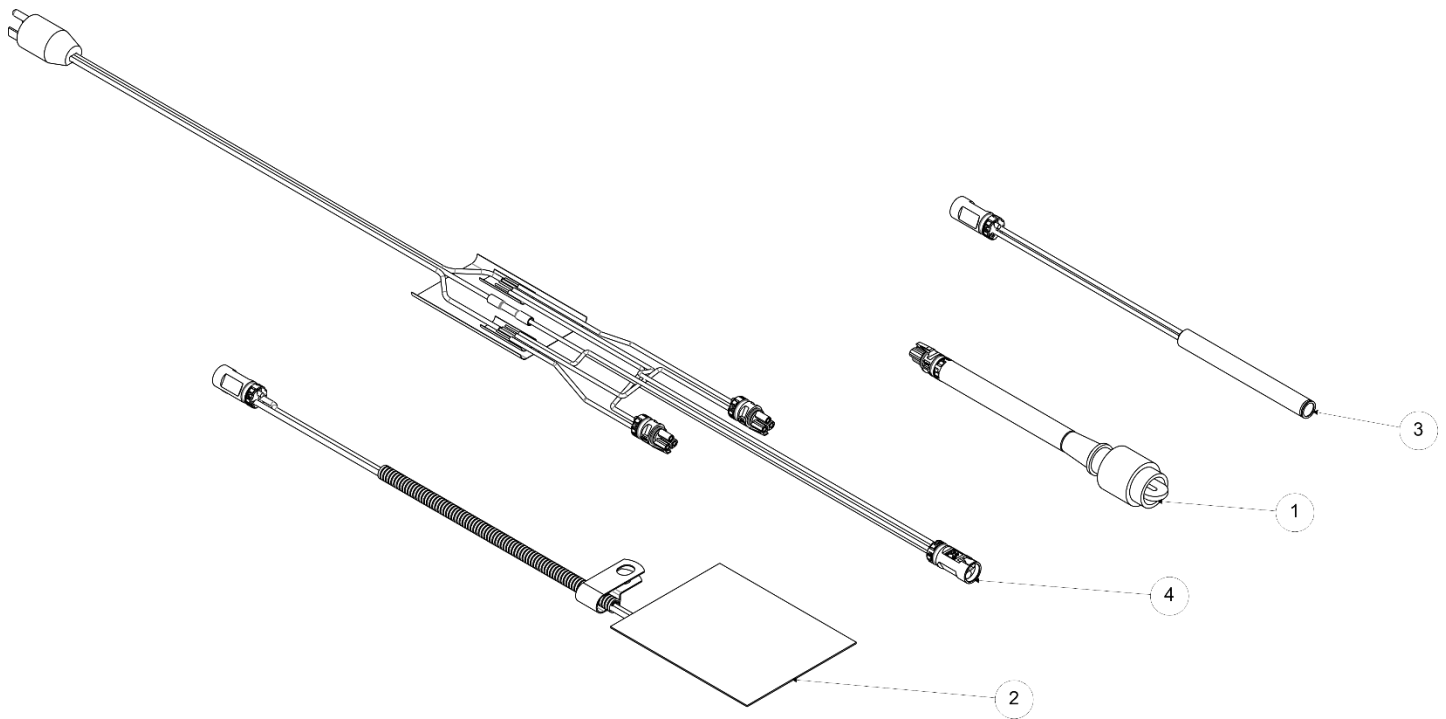


Figure 34 – Cold Climate Assy

### 39 –PASS SYSTEM – A510023

Item #	Part #	Qty.	Description
1	9500342	1	VALVE, SHOCKER PASS
2	3501341	1	CONTROL BOX, SHOCKER PASS
3	3550968	1	HARNESS, TOUCH PAD, SHOCKER PASS
4	3550971	1	HARNESS, PAS, INSTALLED
5	1500681	2	SCREW, PHMS, PL, M5 X 14
6	1560520	2	NUT, NYLOCK SS, M5
7	1570484	2	WASHER, FLAT, SS, M5
8	1710876	1	HOSE, SILICONE, 2.75 X 1.75ID
9	2200223	2	CLAMP, T-BOLT, 2-1/8"
10	1901052	1	INSTR, POSITIVE AIR SHUTOFF SYSTEM
11	1710905	1	HOSE, SILICONE, 3.25 X 1.75ID

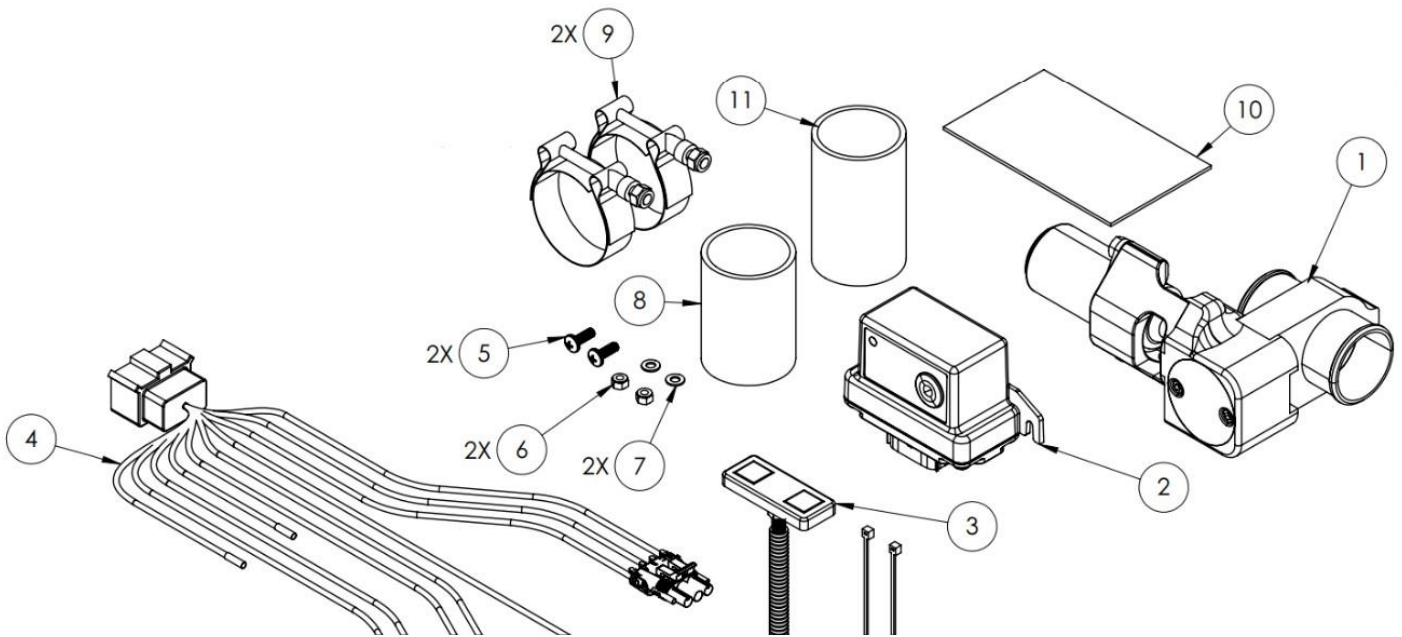


Figure 35 – PASS System Assy



**40 – FUEL TANK – A500013**

Item #	Part #	Qty.	Description
1	9500365	1	FUEL TANK ASSEMBLY
1.1	9500666	1	FUEL GAUGE, LEVEL
1.2	5000180	1	ELBOW, BRASS, 1/4NPT - 5/16BARB
1.3	3550782	1	SWITCH, MODIFIED LEVEL
1.4	5000179	1	ELBOW, BRASS, 1/8NPT - 3/16BARB
1.5	9500148	1	CAP, FUEL TANK
1.6	5820100	1	SEAL, FUEL FILLER GASKET
1.7	9500374	1	FILTER, FUEL
1.8	4400980	1	DECAL, DIESEL FUEL ONLY
2	1520570	4	BOLT,HHCS FL LK PL, M8 X 1.25 X 16
3	2200209	1	CLAMP, HOSE, 0.57-0.63
4	2200207	1	CLAMP, HOSE, .37-.43

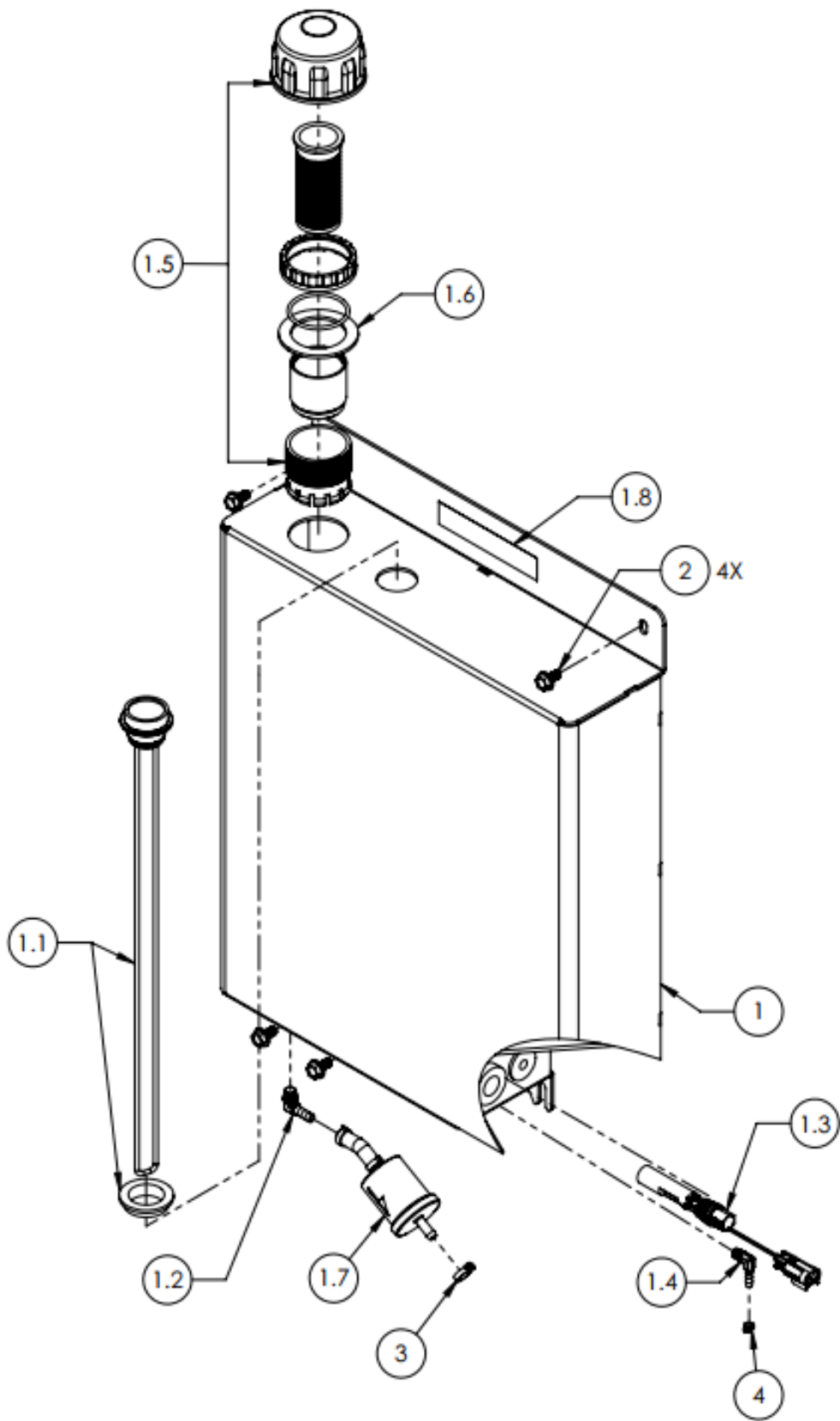


Figure 36 – Fuel Tank Assy

**41 – BATTERY BLANKET– A500196**

Item #	Part #	Qty.	Description
1	3501431	1	HEATER, BLANKET, 80W

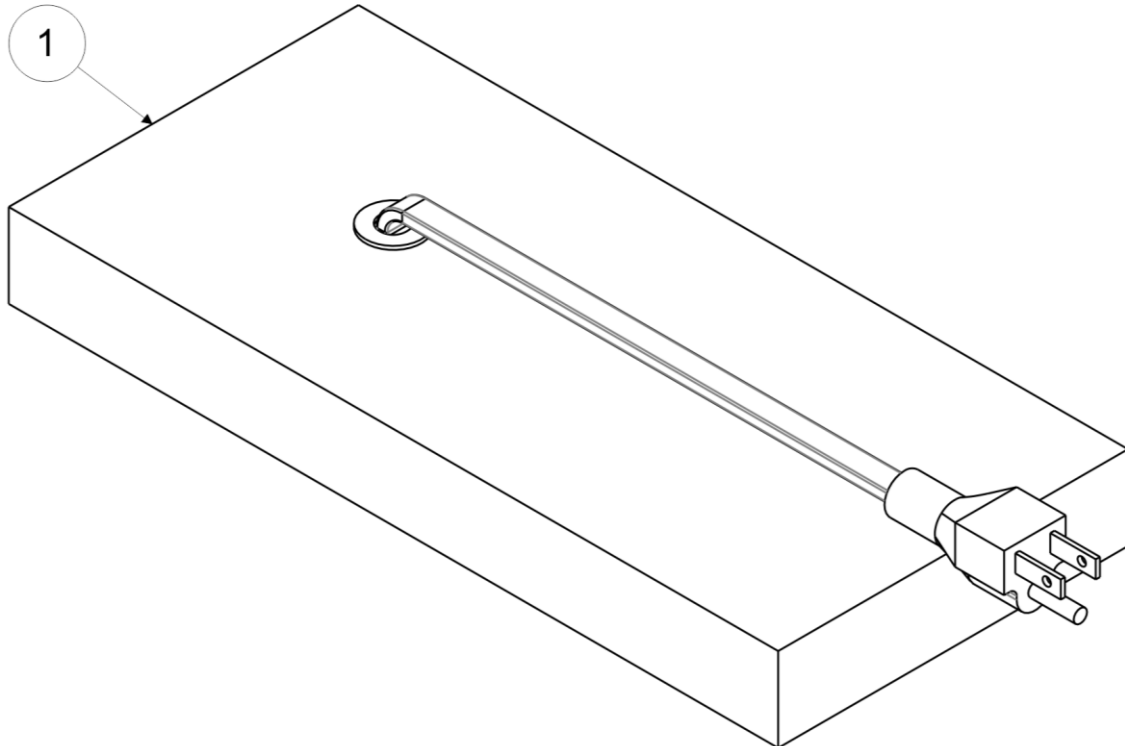


Figure 41 – Battery Blanket

## 42 – BATTERY STRAP ADAPTER, LEGACY– A500235

Item #	Part #	Qty.	Description
1	1901164	1	INSTR, BATTERY STRAP ADAPTER
2	9500241	1	CLAMP, BATTERY
3	9500642	1	BRACKET, BATTERY STRAP ADAPTER
4	1500667	4	SCREW, FLAT PHILLIPS, SS, M6X1X16
5	1560510	4	NUT, M6X 1.0 ZINC PL
6	1570491	4	WASHER, FLAT, M6, PLATED
7	5800150	2	FOOTMAN LOOP, STEEL, 1.5" STRAP
8	5800151	1	BATTERY STRAP, 1.5"X 54"

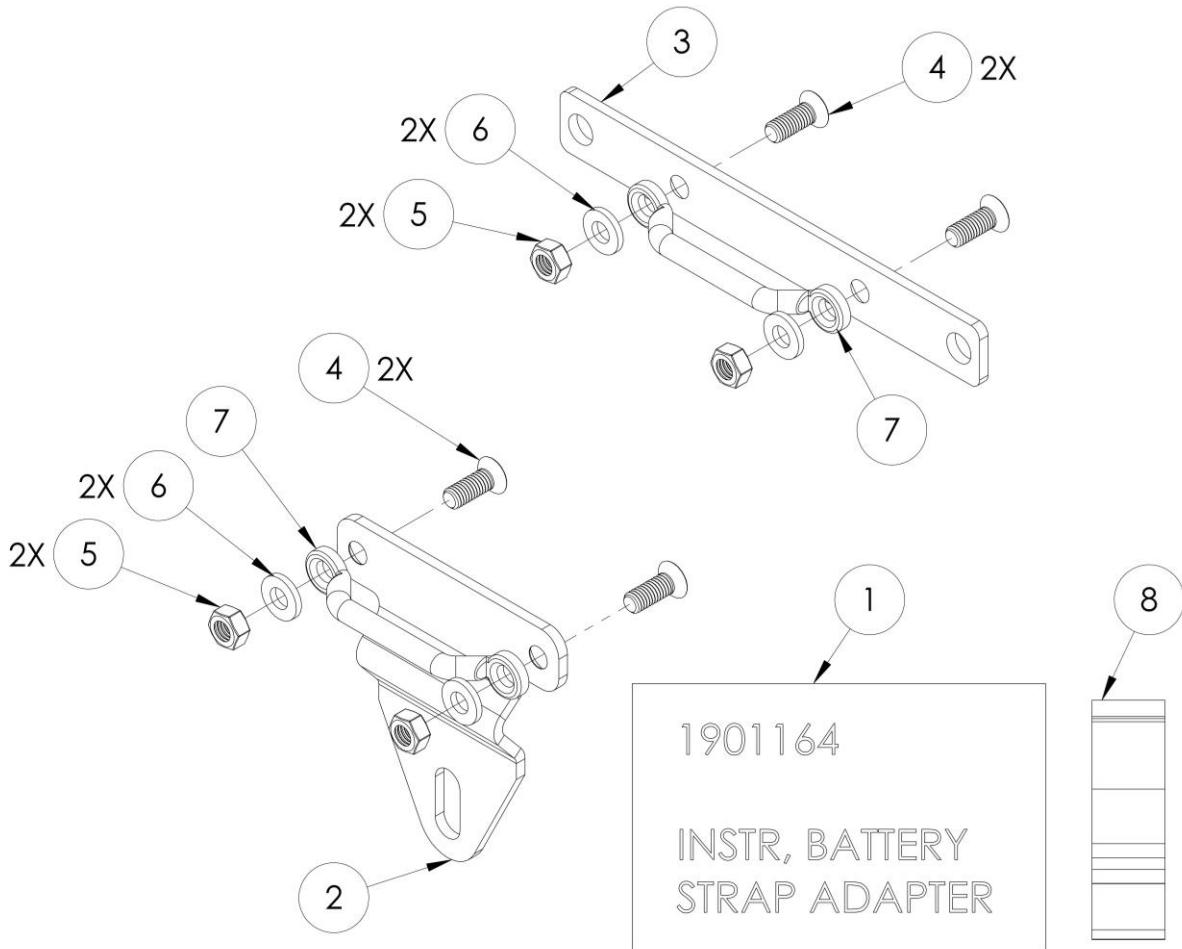


Figure 42 – Battery Strap Adapter

This page intentionally left blank

This page intentionally left blank



Manufactured by



888-241-2289



877-740-3202



[www.vmacair.com](http://www.vmacair.com)



[tech@vmacair.com](mailto:tech@vmacair.com)



[warranty@vmacair.com](mailto:warranty@vmacair.com)



[kb.vmacair.com](http://kb.vmacair.com)



1333 Kipp Road, Nanaimo, B.C., V9X 1R3 Canada