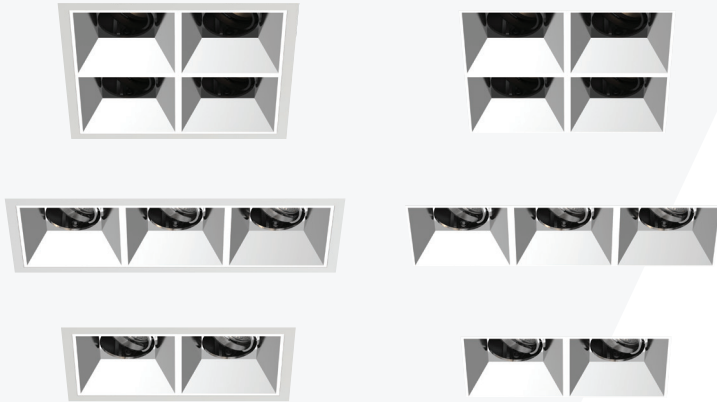


SENSE 2.0 Multiple 2" Architectural Downlight System



FEATURES

- All die-cast construction with powder coat finish
- The most versatile product family on the market
- **5 Dimensions available:** 1", 2", 3", 4" and 5" (all sizes have specs sheets available on our web site - verozza.com)
- **Versions:** Adjustable (-30° to 30° tilt, 355° rotation)
- 6 type of reflector: Specular, Matte, White, Black, Chrome Black and Gold
- Output: 656 lumens / 7.5W (Standard) or 859 lumens / 11W (High)
- Several beam angles: 24°, 40°, 55°
- 4 CCTs: 2700, 3000, 3500 and 4000K
- CRI: 80, 90
- Trim color: Black, White
- Superior glare control for high performance and visual comfort
- 4 Dimming option: 0-10V, Phase, DALI and Non-Dimmed
- LED Lifetime: L80, 50 000h (Citizen)
- New or remodel construction with driver or remote driver
- Class 2, low voltage connection for simplicity of wiring and connection
- Damp location rated

MODELS

Adjustable



22 = 2X2 Light



13 = 1X3 Light



12 = 1X2 Light



11 = 1X1 Light



Tilt: -30° to 30°
Rotation: 355°

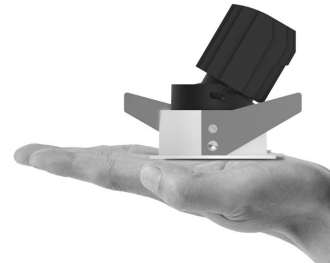
OPTICS

Beam Angle			
Adjustable	24°	40°	55°

ACCESSORY



H
Honeycomb



REFLECTOR



SP
Specular



CB
Chrome Black



MS
Matte Silver



WH
White



BL
Black



GD
Gold

PRODUCT CODE

SENM	-	-	-	-	-	-	-	-	-	-	-	-	-	-	-	-
Family	Model	Appearance	Wattage	Size	Application	Beam Spread	CRI/CCT	Reflector	Finish	Housing	Driver	Voltage	Options	Accessory		

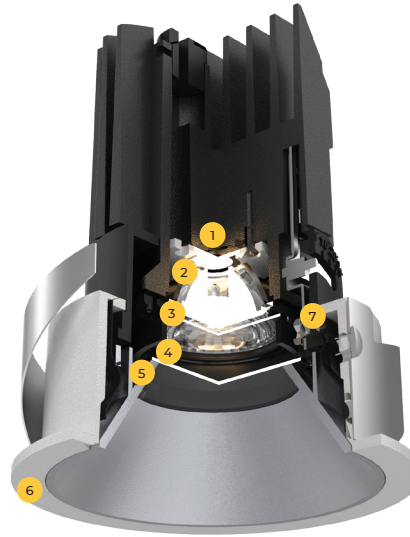
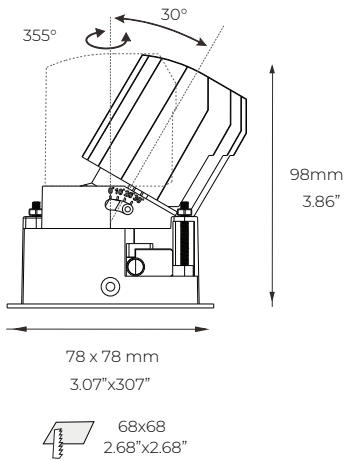
FAMILY	MODEL	APPEAR.	WATT.	SIZE	APPLICAT.	BEAM	CRI/CCT	REFLECTOR	FINISH	HOUSING	DRIVER	VOLTAGE	OPTIONS	ACCESSORY
SENM Sense Multiple	2S Square	F Flanged	7.5W Standard Output	11 = 1X1 Light 12 = 1X2 Light	A Adjustable	24 = 24° 40 = 40°	827 = 80/2700K 830 = 80/3000K	MS Matte Silver	WH White	RM Remodel	(blank) 120V	(blank) 120V	IP54 Damp Location	H Honeycomb
		L Flangeless	11W High Output	13 = 1X3 Light 22 = 2X2 Light		55 = 55°	835 = 80/3500K 840 = 80/4000K 927 = 90/2700K 930 = 90/3000K 935 = 90/3500K 940 = 90/4000K	WH White BL Black BL Black SP Specular CB Chrome Black GD Gold	BL Black CM Custom RAL finish (Ex: CM7001)	NC New Construction Non-IC See pages 4-8 for details	277 277V UNV 120-277V	277 277V UNV 120-277V	EM EM Driver REM Remote Driver* *One driver per fixtures standard. Driver for multiple fixture available. Consult factory.	



SENSE 2.0 Multiple 2" Architectural Downlight System



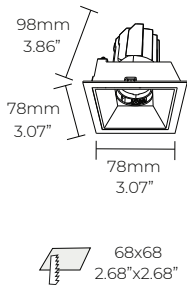
DIMENSIONS



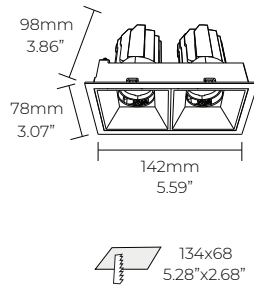
- 1 High quality LED: CITIZEN COB CRI >90
- 2 Best optical control: Narrow or Medium beam
- 3 IP 54 protection for LED
- 4 Optional honeycomb mesh for best UGR control
- 6 Anti-glare ring provides eye-comfort UGR<19
- 6 Ultra-narrow trim design leaves no flange between the secondary reflector and trim
- 7 Precision engineered adjustment mechanism achieves accurate angle alignment

FLANGED

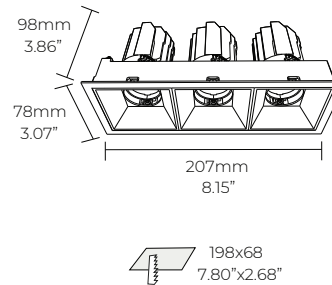
2SL11



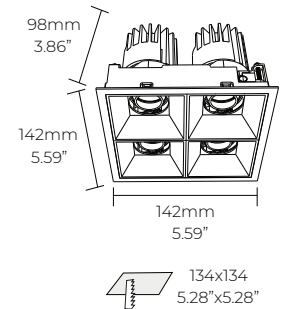
2SL12



2SL13

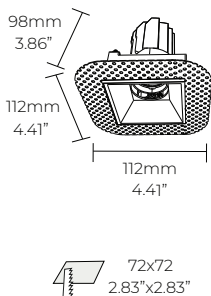


2SL22

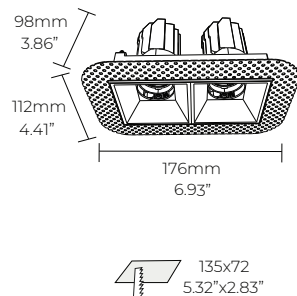


FLANGLESS

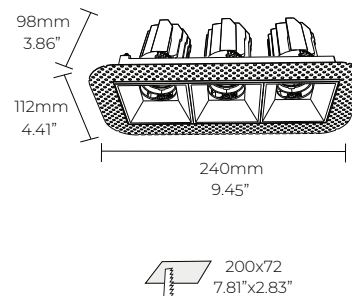
2SL11



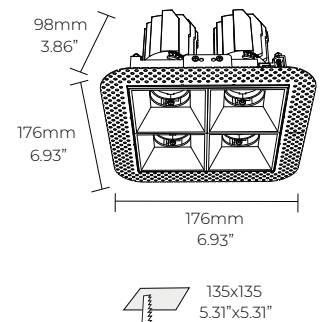
2SL12



2SL13



2SL22



SENSE 2.0 Multiple 2" Architectural Downlight System



DELIVERED LUMEN OUTPUT

Typical Distribution - 24°

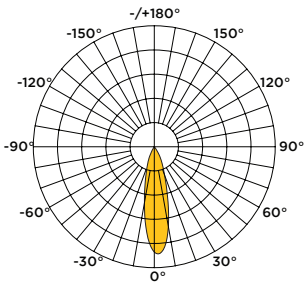
	SENSE 2SL11				SENSE 2SL12				SENSE 2SL13				SENSE 2SL22			
	7.5W	7.5W	11W	11W	15W	15W	22W	22W	22.5W	22.5W	33W	33W	30W	30W	44W	44W
CRI	80	90	80	90	80	90	80	90	80	90	80	90	80	90	80	90
3000K	749	657	998	850	1399	1201	1798	1626	1897	1689	2684	2329	2378	2103	3399	2922
4000K	851	763	1101	975	1498	1302	1905	1696	1995	1804	2899	2479	2607	2184	3592	3085

Color Temperature / CCT Multiplier

CCT	80 CRI	90 CRI
	MULTIPLIER	MULTIPLIER
2700K	0.95	0.80
3000K	1.00	0.85
3500K	1.05	0.90

LIGHT DISTRIBUTION

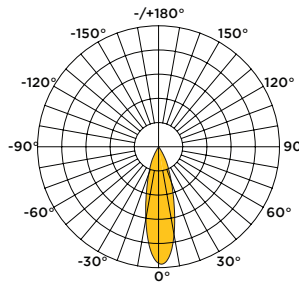
ADJUSTABLE
SENM 2S11 - 11W 930 24°



Average Beam Angle (50%): 25.2°

CENTER BEAM F.C.		Diameter@50%
H	2S11	
1m/3.3ft	282	44cm / 1.44ft
2m/6.6ft	71	88cm / 2.89ft
3m/9.8ft	31	133cm / 4.36ft
4m/13.1ft	18	177cm / 5.8ft
5m/16.4ft	11	221cm / 7.25ft

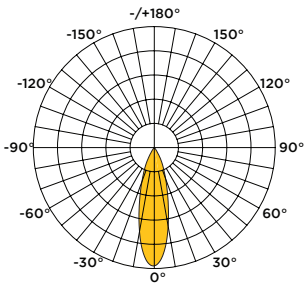
ADJUSTABLE
SENM 2S12 - 11W (22W) 930 24°



Average Beam Angle (50%): 27.8°

CENTER BEAM F.C.		Diameter@50%
H	2S12	
1m/3.3ft	487	49cm / 1.6ft
2m/6.6ft	122	98cm / 3.2ft
3m/9.8ft	54	147cm / 4.8ft
4m/13.1ft	30	196cm / 6.4ft
5m/16.4ft	19	245cm / 8ft

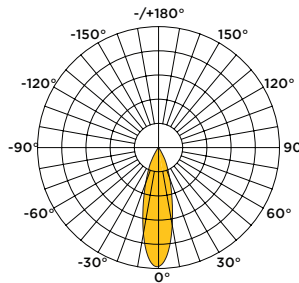
ADJUSTABLE
SENM 2S13 - 11W (33W) 930 24°



Average Beam Angle (50%): 28.2°

CENTER BEAM F.C.		Diameter@50%
H	2S13	
1m/3.3ft	670	50cm / 1.64ft
2m/6.6ft	168	100cm / 3.28ft
3m/9.8ft	75	149cm / 4.89ft
4m/13.1ft	42	199cm / 6.53ft
5m/16.4ft	27	249cm / 8.17ft

ADJUSTABLE
SENM 2S22 - 11W (44W) 930 24°



Average Beam Angle (50%): 28.3°

CENTER BEAM F.C.		Diameter@50%
H	2S22	
1m/3.3ft	847	49cm / 1.6ft
2m/6.6ft	212	98cm / 3.2ft
3m/9.8ft	94	148cm / 4.86ft
4m/13.1ft	53	197cm / 6.46ft
5m/16.4ft	34	246cm / 8.07ft

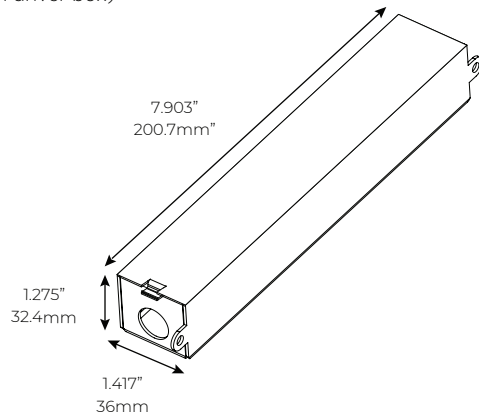


SENSE 2.0 Multiple 2" Architectural Downlight System



HOUSING OPTIONS

RM Remodel
(with driver box)



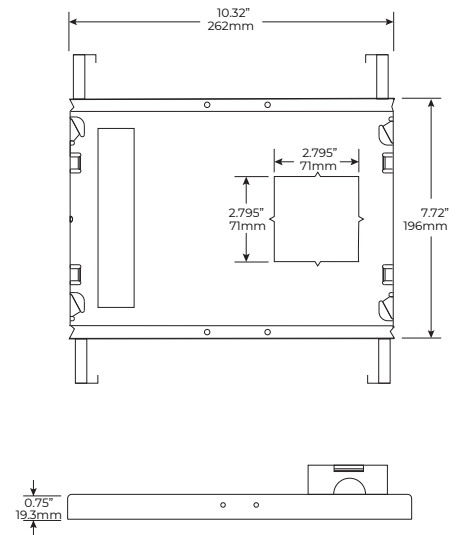
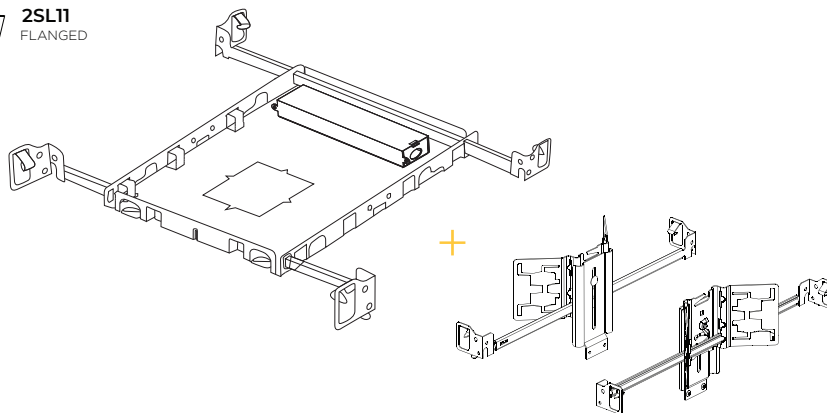
Driver can be installed either:

- Laying on top of ceiling
- Mounted and fixed to the ceiling
- Remote from the fixture

Included

- **Driver in galvanized steel junction box**
(multiple sizes available to suit any application)

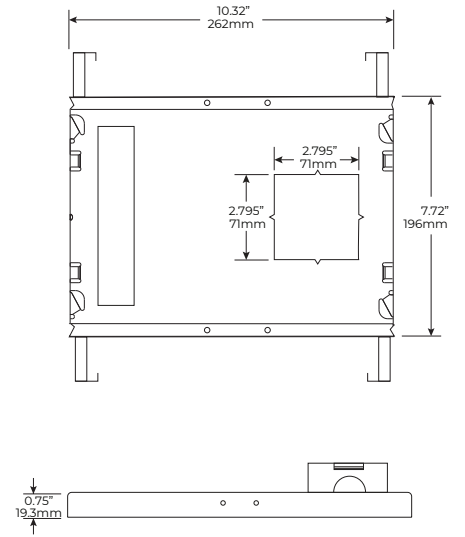
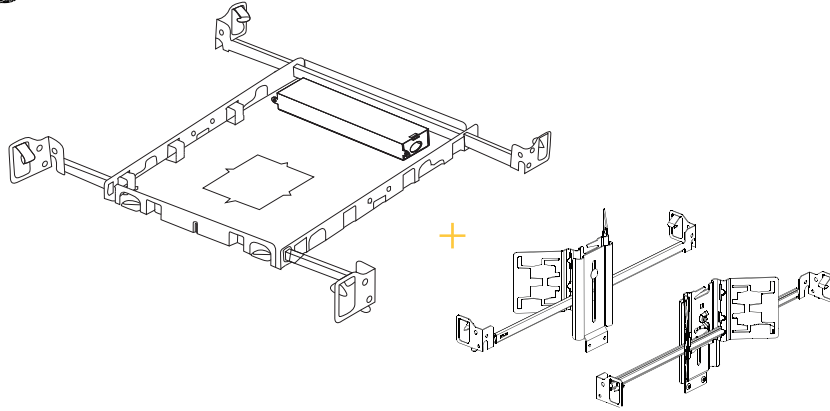
NIC New Construction Non-IC



Included

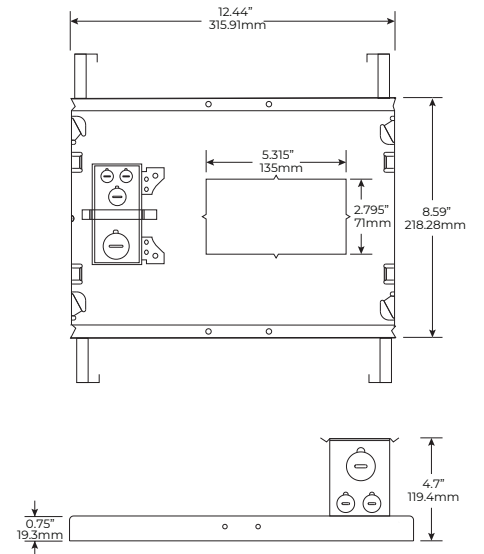
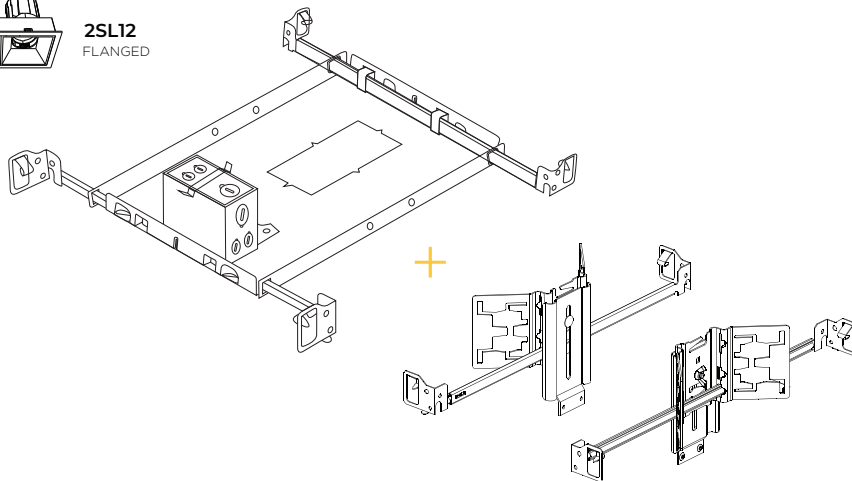
- **Frame-in Kit**
Galvanized steel construction
- **Hanger Bar**
Length: from 14.2" to 26" (36cm to 66cm)
- **Commercial butterfly wings with adjustable bracket**
(heavy duty bars not included)

SENSE 2.0 Multiple 2" Architectural Downlight System



Included

- **Frame-in Kit**
Galvanized steel construction
- **Hanger Bar**
Length: from 14.2" to 26" (36cm to 66cm")
- **Commercial butterfly wings with adjustable bracket**
(heavy duty bars not included)

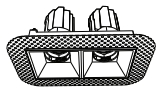


Included

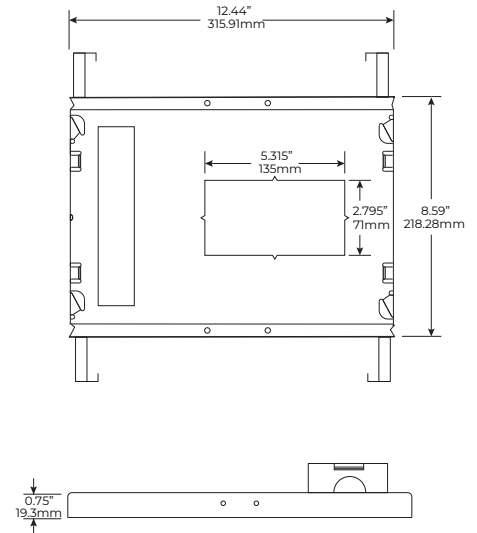
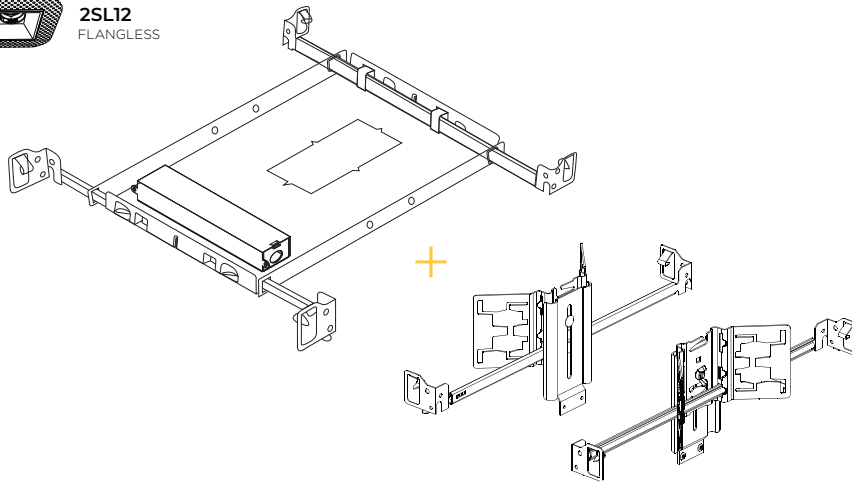
- **Frame-in Kit**
Galvanized steel construction
- **Hanger Bar**
Length: from 14.2" to 26" (36cm to 66cm")
- **Commercial butterfly wings with adjustable bracket**
(heavy duty bars not included)



SENSE 2.0 Multiple 2" Architectural Downlight System

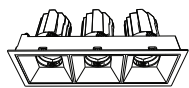


2SL12
FLANGLESS

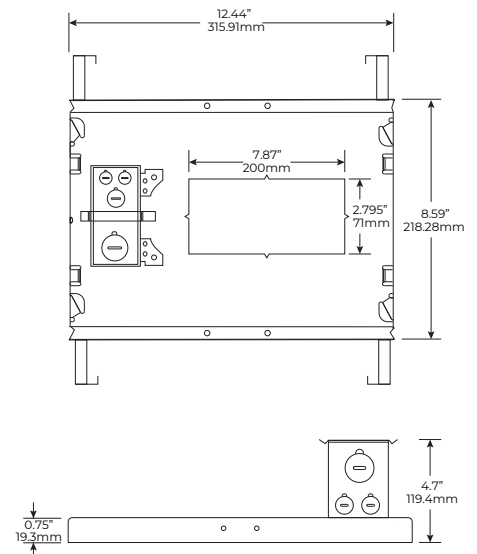
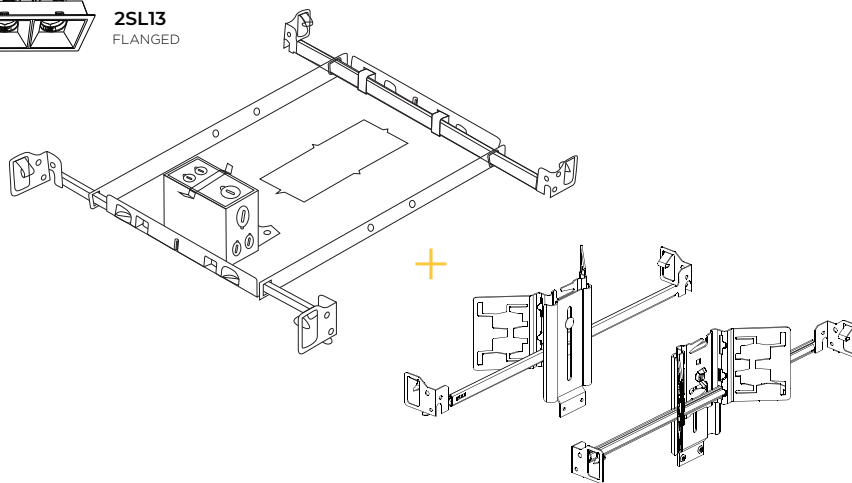


Included

- **Frame-in Kit**
Galvanized steel construction
- **Hanger Bar**
Length: from 14.2" to 26" (36cm to 66cm")
- **Commercial butterfly wings with adjustable bracket**
(heavy duty bars not included)



2SL13
FLANGED

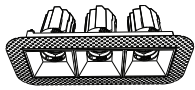


Included

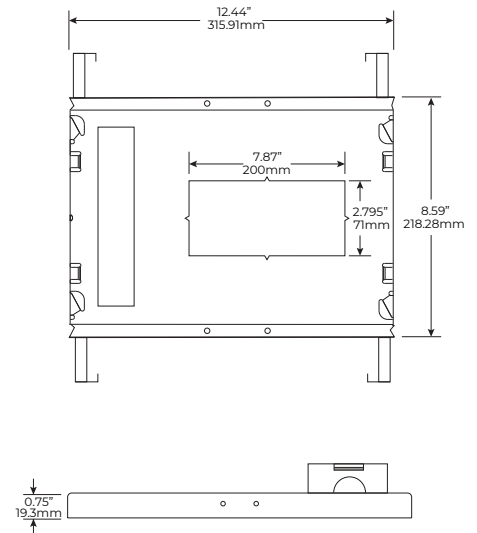
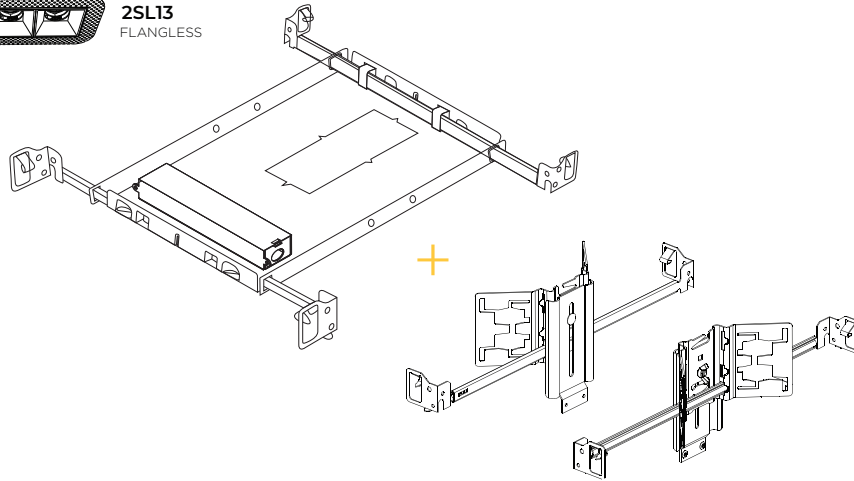
- **Frame-in Kit**
Galvanized steel construction
- **Hanger Bar**
Length: from 14.2" to 26" (36cm to 66cm")
- **Commercial butterfly wings with adjustable bracket**
(heavy duty bars not included)



SENSE 2.0 Multiple 2" Architectural Downlight System



2SL13
FLANGLSS

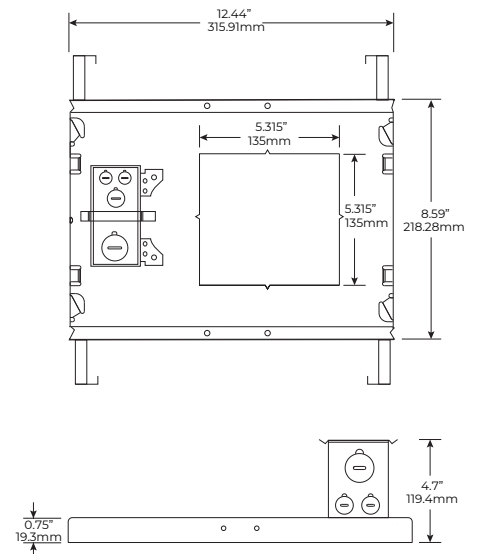
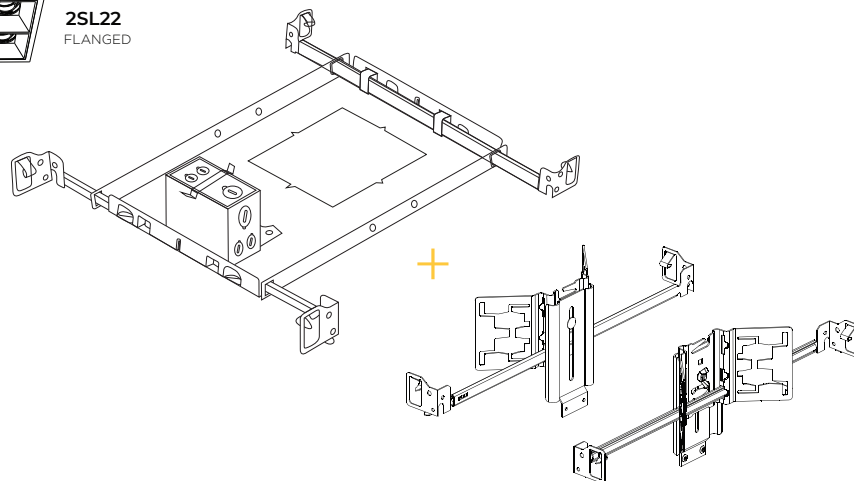


Included

- **Frame-in Kit**
Galvanized steel construction
- **Hanger Bar**
Length: from 14.2" to 26" (36cm to 66cm")
- **Commercial butterfly wings with adjustable bracket**
(heavy duty bars not included)



2SL22
FLANGED

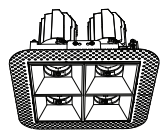


Included

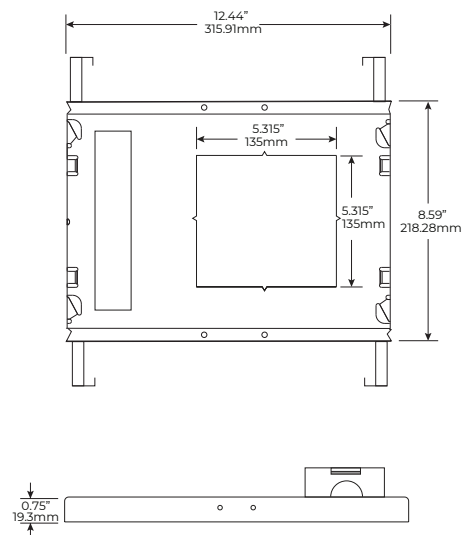
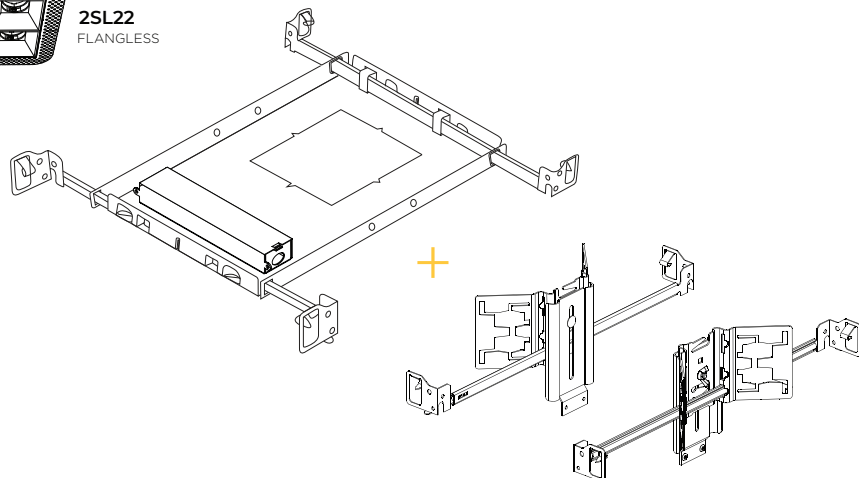
- **Frame-in Kit**
Galvanized steel construction
- **Hanger Bar**
Length: from 14.2" to 26" (36cm to 66cm")
- **Commercial butterfly wings with adjustable bracket**
(heavy duty bars not included)



SENSE 2.0 Multiple 2" Architectural Downlight System



2SL22
FLANGLESS



Included

- Frame-in Kit**
Galvanized steel construction
- Hanger Bar**
Length: from 14.2" to 26" (36cm to 66cm)
- Commercial butterfly wings with adjustable bracket**
(heavy duty bars not included)