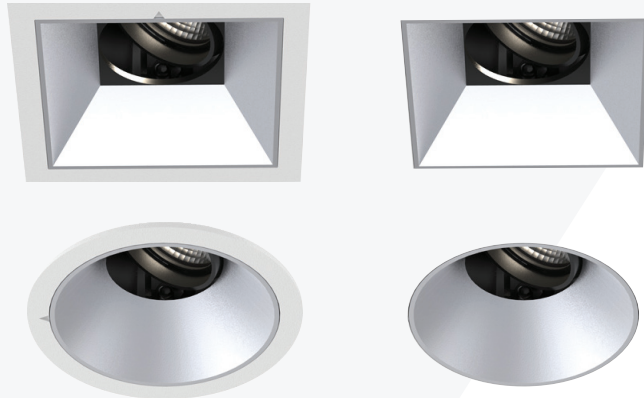


SENSE 2.0

2" Architectural Downlight System

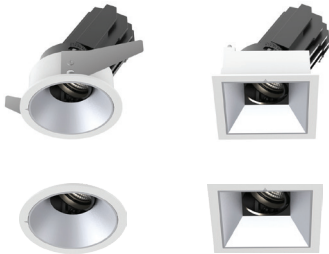


FEATURES

- All die-cast construction with powder coat finish
- The most versatile product family on the market
- **5 Dimensions available:** 1", 2", 3", 4" and 5" (all sizes have specs sheets available on our web site - verozza.com)
- **Versions:** Adjustable (-30° to 30° tilt, 355° rotation)
- 6 type of reflector: Specular, Matte, White, Black, Chrome Black and Gold
- Output: 656 lumens / 7.5W (Standard) or 859 lumens / 11W (High)
- Several beam angles: 24°, 40°, 55°
- 4 CCTs: 2700, 3000, 3500 and 4000K
- CRI: 80, 90
- Trim color: Black, White
- Superior glare control for high performance and visual comfort
- 4 Dimming option: 0-10V, Phase, DALI and Non-Dimmed
- LED Lifetime: L80, 50 000h (Citizen)
- New or remodel construction with driver or remote driver
- Class 2, low voltage connection for simplicity of wiring and connection
- Also available in option **IP54**

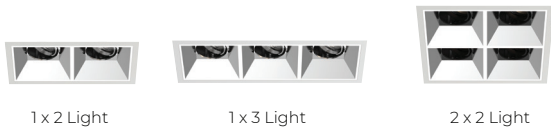
MODELS

Adjustable

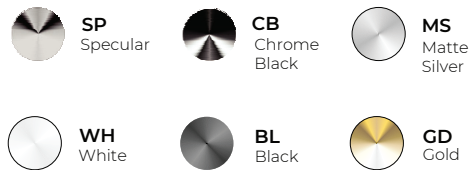


Tilt: -30° to 30°
Rotation: 355°

Also available in multiple options



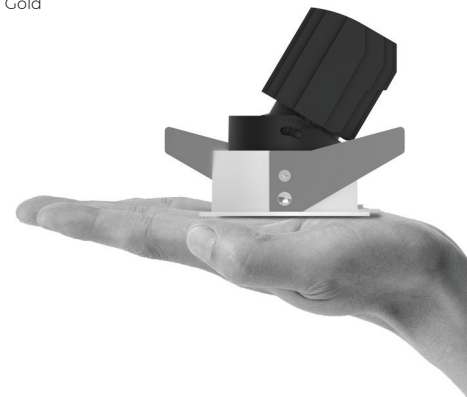
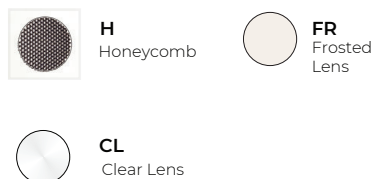
REFLECTOR



OPTICS

Adjustable	Beam Angle		
	24°	40°	55°

ACCESSORY



PRODUCT CODE

SEN	-	-	-	-	-	-	-	-	-	-	-	-	-	-	-
Family	Model	Appearance	Wattage	Application	Beam Spread	CRI/CCT	Reflector	Finish	Housing	Driver	Voltage	Options	Accessory		

FAMILY	MODEL	APPEAR.	WATT.	APPLICATION	BEAM SPREAD	CRI/CCT	REFLECTOR	FINISH	HOUSING	DRIVER	VOLTAGE	OPTIONS	ACCESSORY
SEN Sense	2R Round	F Flanged	7.5W Standard Output	A Adjustable	24 = 24°	827 = 80/2700K	MS Matte Silver	WH White	RM Remodel (with driver box)	(blank) Phase Dim	(blank) 120V	IP54 Wet Location	H Honeycomb
	2S Square	L Flangeless	11W High Output		40 = 40°	830 = 80/3000K	WH White	BL Black		ND No Dim	277 277V	IC IC rated driver enclosure	CL Clear Lens
					55 = 55°	835 = 80/3500K	BL Black	GR Gray		010 0-10V Dim	UNV 120-277V	EM EM Driver	FR Frosted Lens
					840 = 80/4000K	927 = 90/2700K	SP Specular	CM Custom RAL finish (Ex: CM7001)		DA Dali Dim	REM Remote Driver*	*One driver per fixtures standard. Driver for multiple fixture available. Consult factory.	
930 = 90/3000K	935 = 90/3500K	CB Chrome Black	GD Gold										

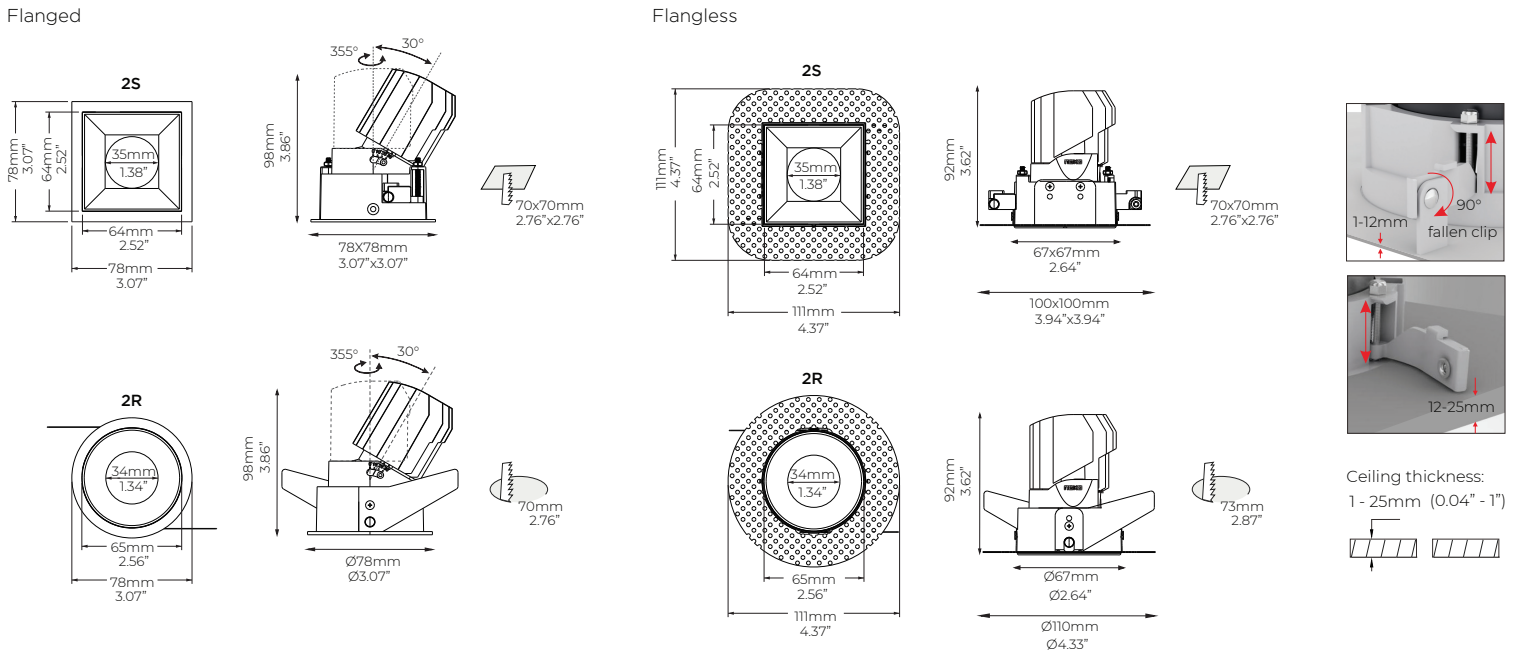


SENSE 2.0

2" Architectural Downlight System



DIMENSIONS

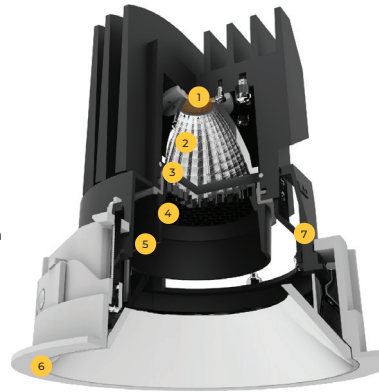


DELIVERED LUMEN OUTPUT

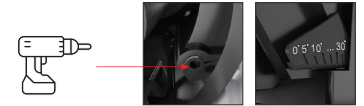
Typical Distribution "M"

CODE	90CRI	
	3000K	4000K
930	656	751
940	859	929

- 1 High quality LED: CITIZEN COB CRI >90
- 2 Best optical control: Narrow or Medium beam
- 3 IP 54 protection for LED
- 4 Optional honeycomb mesh for best UGR control
- 5 Anti-glare ring provides eye-comfort UGR<19

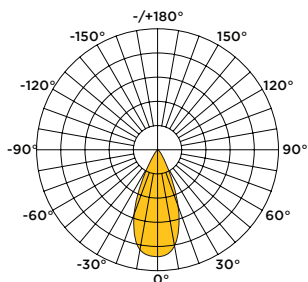


- 6 Ultra-narrow trim design leaves no flange between the secondary reflector and trim
- 7 Precision engineered adjustment mechanism achieves accurate angle alignment



LIGHT DISTRIBUTION

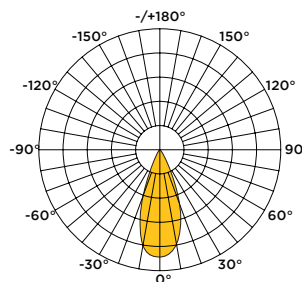
ADJUSTABLE
SENSE 2.0 7.5W 930 40°



Average Beam Angle (50%): 40.7°

CENTER BEAM F.C.		Diagram	Diameter@50%
H	S 3R		
1m/3.3ft	125		73cm / 2.4ft
2m/6.6ft	31		146cm / 4.8ft
3m/9.8ft	14		219cm / 7.2ft
4m/13.1ft	8		292cm / 9.6ft
5m/16.4ft	5		365cm / 12ft

ADJUSTABLE
SENSE 2.0 11W 930 40°



Average Beam Angle (50%): 40.6°

CENTER BEAM F.C.		Diagram	Diameter@50%
H	S 3R		
1m/3.3ft	164		73cm / 2.39ft
2m/6.6ft	41		146cm / 4.79ft
3m/9.8ft	18		219cm / 7.18ft
4m/13.1ft	10		292cm / 9.57ft
5m/16.4ft	7		365cm / 11.97ft



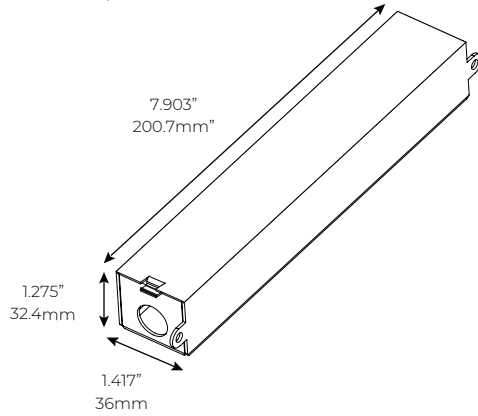
SENSE 2.0

2" Architectural Downlight System



HOUSING OPTIONS

RM Remodel
(with driver box)



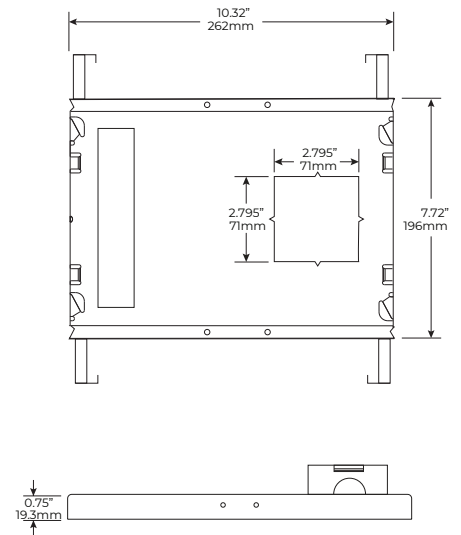
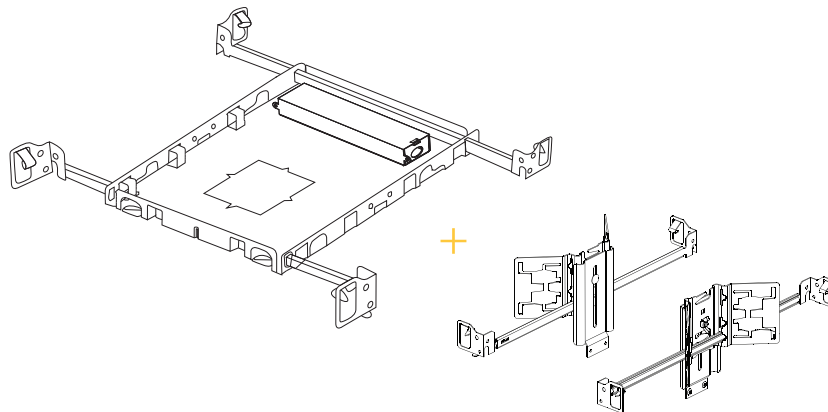
Driver can be installed either:

- Laying on top of ceiling
- Mounted and fixed to the ceiling
- Remote from the fixture

Included

- **Driver in galvanized steel junction box**
(multiple sizes available to suit any application)

NIC New Construction Non-IC



Included

- **Frame-in Kit**
Galvanized steel construction
- **Hanger Bar**
Length: from 14.2" to 26" (36cm to 66cm")
- **Commercial butterfly wings with adjustable bracket**
(heavy duty bars not included)

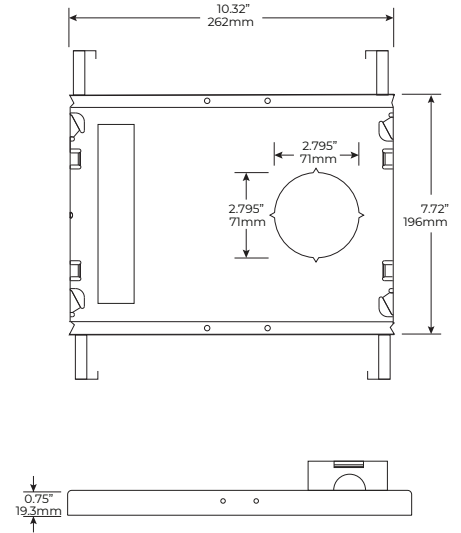
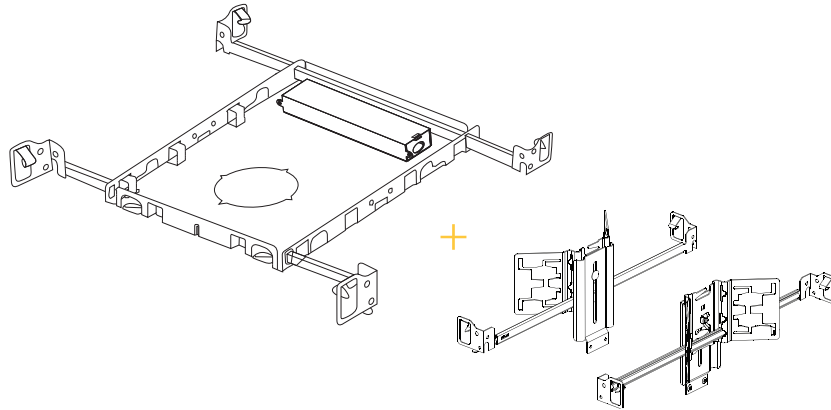


SENSE 2.0

2" Architectural Downlight System



HOUSING OPTIONS



Included

- Frame-in Kit**
 Galvanized steel construction
- Hanger Bar**
 Length: from 14.2" to 26" (36cm to 66cm)
- Commercial butterfly wings with adjustable bracket**
 (heavy duty bars not included)

