

STANDARD 2-WHEEL PALLET TRUCKS
 MATERIAL: ALUMINUM W/ STEEL FORKS
 BRAKES: YES
 WHEEL: SOLID RUBBER
 CAPACITY: 1,000 LBS
 HEIGHT: 54"
 WIDTH: 26"
 DEPTH: 25"
 SHOE LENGTH: 13-3/4"
 PRODUCT WEIGHT: 65 LBS

PROPRIETARY AND CONFIDENTIAL

THE INFORMATION CONTAINED IN THIS DRAWING IS THE SOLE PROPERTY OF VALLEY CRAFT. ANY REPRODUCTION IN PART OR AS A WHOLE WITHOUT THE WRITTEN PERMISSION OF VALLEY CRAFT IS PROHIBITED.

UNLESS OTHERWISE SPECIFIED:

DECIMALS
 2 PLACES ±0.01
 3 PLACES ±0.005
 ANGLE ±1°

**GRIND/SAND SHARP EDGES .015 MAX
 DOES NOT APPLY TO DRILLED HOLE DIA.**



TITLE: TRK-PAL/825AS-15

C	E22-056	ADDED SHEET METAL GUARD	DN	11/09/2022
CHG.	E.C.O.	DESCRIPTION / WAS	BY	DATE

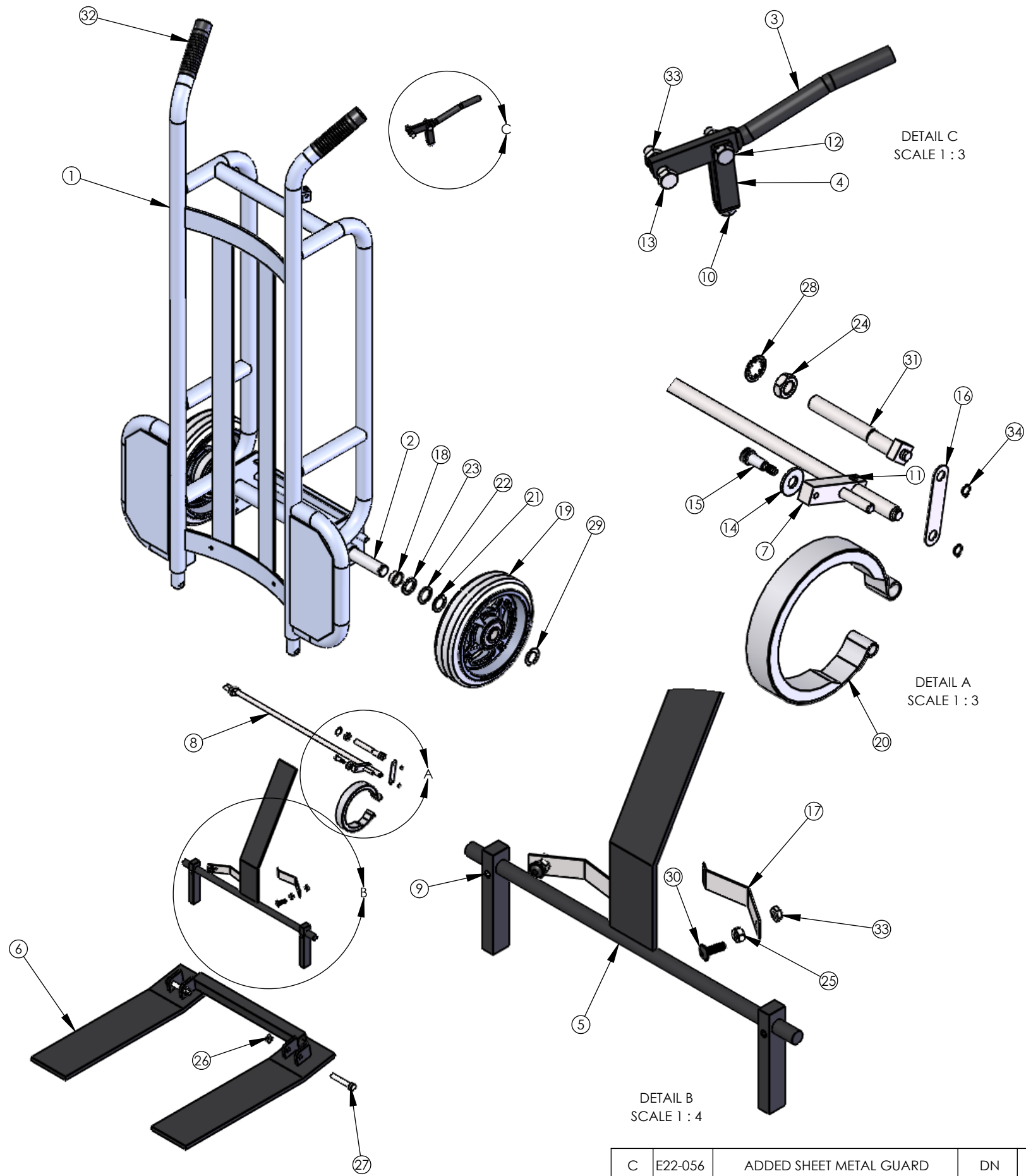
**ALL ANGLES ARE 90°
 UNLESS SPECIFIED**

	NAME	DATE
DRAWN	DN	12/20/2019
CHECKED		
ENG APPR.		

SIZE	PART NO.		
A	F84892A0		
	MATL:	Material <not specified>	
SCALE: 1:24	WEIGHT: 61.36	SHEET 1 OF 3	

Not Modeled: F68699A1: BRAKE CABLE ASSEMBLY - 35.75" Qty. 1

ITEM NO.	PART NUMBER	DESCRIPTION	QTY.
1	F60512A0	F W/825AS	1
2	F30001A1	AXLE-800SS	1
3	F30013A7	HDL-BRK/825	1
4	F30014A6	CLEVIS-BRK CABLE	1
5	F60008A1/R70006	TRIP PDL WLDMT -- CS use R70006 for RPMTS	1
6	F60415A8/R70415	SHOE WLDMT-14.5/S -- CS, use R70415 for RPMTS	1
7	F68656A4	BRK ROD PIN WLDMT	1
8	F68894A6	BRK ROD WLDMT-18.13	1
9	Z10007A9	PIN-SPG 1/4X3/4	1
10	Z10041A9	NUT-HEX MACH #10-32	1
11	Z10069A6	PIN-SPG 3/16X5/8	1
12	Z10112A3	S-HHC 1/4-20X1	1
13	Z10113A2	S-HHC 1/4-20X1-1/4	1
14	Z10602A2	WASHER-1/4 FLAT SAE	1
15	Z10805A2	BOLT-STRIPPER 1/4X1/2	1
16	F30012A8	LINK-CONN/825	2
17	F30212A6/R70212	SPG-TRIP PDL -- CS use R70212 for RPMTS	2
18	F57260A9	BRG-STL FLG 1.01X1.05X.5	2
19	F60004A5	WHL-10 D/M	2
20	F62177A2	BRK BAND ASSY	2
21	Z10011A5	BUSH-MACH 1x18GAx1-1/2 OD	2
22	Z10012A4	BUSH-MACH 1x14GAx1-1/2 OD	2
23	Z10013A3	BUSH-MACH 1x10GAx1-1/2 OD	2
24	Z10030A2	NUT-HEX JAM 3/8-24	2
25	Z10035A7	NUT-HEX KEPS 1/4-20	2
26	Z10047A3	NUT-NYL NE 3/8-16	2
27	Z10136A5	S-HHC 3/8-16X2-1/4	2
28	Z10209A7	WASHER-3/8 LOCK INT TOOTH	2
29	Z10223A9	RING-RTNG 1	2
30	Z10438A0	S-BHCS 1/4-20X3/4 BLK	2
31	Z30012A2	ECC-BRK SHORT	2
32	Z50085A2	GRIP-HDL 1-1/4" BLK	2
33	Z10043A7	NUT-NYL NE 1/4-20	4
34	Z10231A9	RING-RTNG 1/4	4



PROPRIETARY AND CONFIDENTIAL
 THE INFORMATION CONTAINED IN THIS DRAWING IS THE SOLE PROPERTY OF VALLEY CRAFT. ANY REPRODUCTION IN PART OR AS A WHOLE WITHOUT THE WRITTEN PERMISSION OF VALLEY CRAFT IS PROHIBITED.

UNLESS OTHERWISE SPECIFIED:
 DECIMALS
 2 PLACES ±0.01
 3 PLACES ±0.005
 ANGLE ±1°
 GRIND/SAND SHARP EDGES .015 MAX
 DOES NOT APPLY TO DRILLED HOLE DIA.



2001 South Hwy. 61, Lake City, MN 55041-9555, U.S.A.

TITLE: TRK-PAL/825AS-15

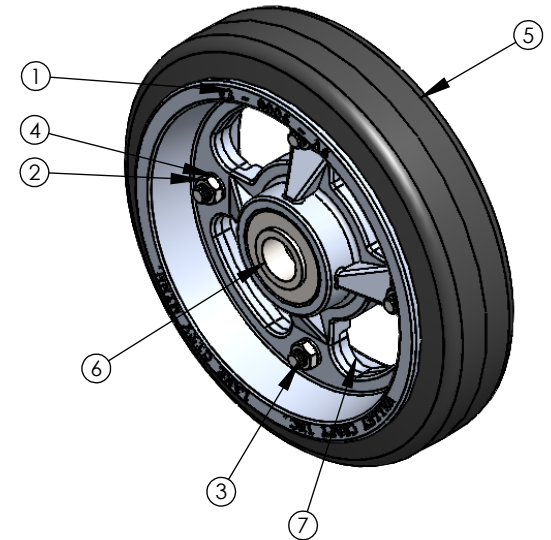
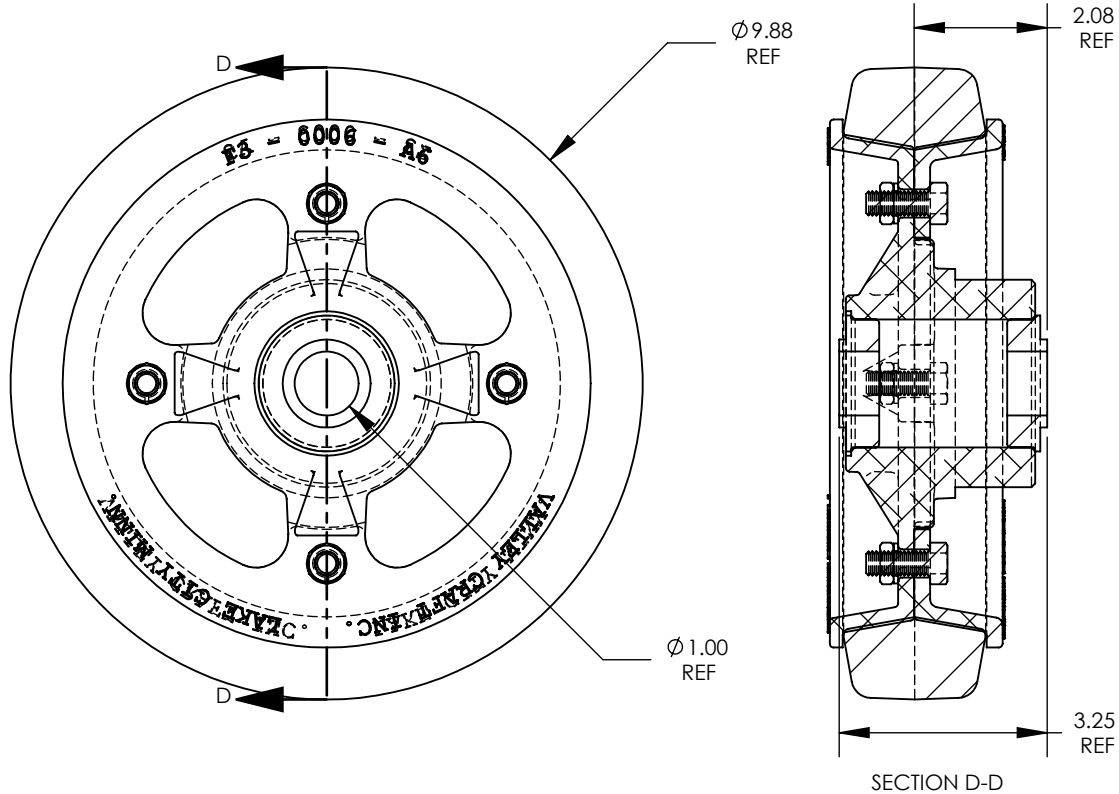
SIZE: **PART NO.** F84892A0

B **MATL:** Material <not specified>

SCALE: 1:16 WEIGHT: 61.36 SHEET 2 OF 3

C	E22-056	ADDED SHEET METAL GUARD	DN	11/09/2022
CHG	E.C.O.	DESCRIPTION / WAS	BY	DATE

ALL ANGLE ARE 90° UNLESS SPECIFIED



NOTES:

- △ A : 10 X 2-1/2 TIRE SIZE
- △ B : SMOOTH TREAD PATTERN
- △ C : SOFT RUBBER WHEEL MATERIAL
- △ D : 600# LOAD CAPACITY
- △ E : 8.5# WEIGHT/WHEEL
- △ F : ALUMINUM HUB MATERIAL
- △ G : BALL BEARING TYPE
- △ H : SILVER HUB COLOR

ITEM NO.	PART NUMBER	DESCRIPTION	QTY.
1	F30006A6	HUB-D/M 10X2.5	1
2	Z10026A8	NUT-HEX JAM 3/8-16ZP	4
3	Z10132A9	S-HHC 3/8-16X1	4
4	Z10214A0	WASHER-3/8 LOCK MD	4
5	Z30001A5	TIRE-HARD BASE D/M 10 X 2-1/2	1
6	Z30002A4	BRG-FLG 1/RPMT	2
7	Z30003A3	FLG-D/M 10X.5HD-10F	1

PROPRIETARY AND CONFIDENTIAL

THE INFORMATION CONTAINED IN THIS DRAWING IS THE SOLE PROPERTY OF VALLEY CRAFT. ANY REPRODUCTION IN PART OR AS A WHOLE WITHOUT THE WRITTEN PERMISSION OF VALLEY CRAFT IS PROHIBITED.

UNLESS OTHERWISE SPECIFIED:

DECIMALS
2 PLACES ±0.01
3 PLACES ±0.005
ANGLE ±1°

GRIND/SAND SHARP EDGES .015 MAX DOES NOT APPLY TO DRILLED HOLE DIA.



TITLE: WHL-10 D/M

NAME	DATE	SIZE	PART NO.
DRAWN JS		A	F60004A5
CHECKED			MATL:
ENG APPR.		SCALE: 1:3	WEIGHT: SHEET 3 OF 3

A	-	DRAWN	JS	01/29/2009
CHG.	E.C.O.	DESCRIPTION / WAS	BY	DATE

ALL ANGLES ARE 90° UNLESS SPECIFIED