

4 WHEEL DEEP FRAME PALLET TRUCK
 MATERIAL: STEEL
 WHEEL: SOLID RUBBER
 CAPACITY: 1,000 LBS
 HEIGHT: 54"
 WIDTH: 25-3/4"
 DEPTH: 33"
 SHOE SIZE: 19" WIDE X 10" DEEP (USABLE)
 PRODUCT WEIGHT: 95 LBS

PROPRIETARY AND CONFIDENTIAL

THE INFORMATION CONTAINED IN THIS DRAWING IS THE SOLE PROPERTY OF VALLEY CRAFT. ANY REPRODUCTION IN PART OR AS A WHOLE WITHOUT THE WRITTEN PERMISSION OF VALLEY CRAFT IS PROHIBITED.

UNLESS OTHERWISE SPECIFIED:

DECIMALS
 2 PLACES ± 0.01
 3 PLACES ± 0.005
 ANGLE $\pm 1^\circ$

GRIND/SAND SHARP EDGES .015 MAX DOES NOT APPLY TO DRILLED HOLE DIA.



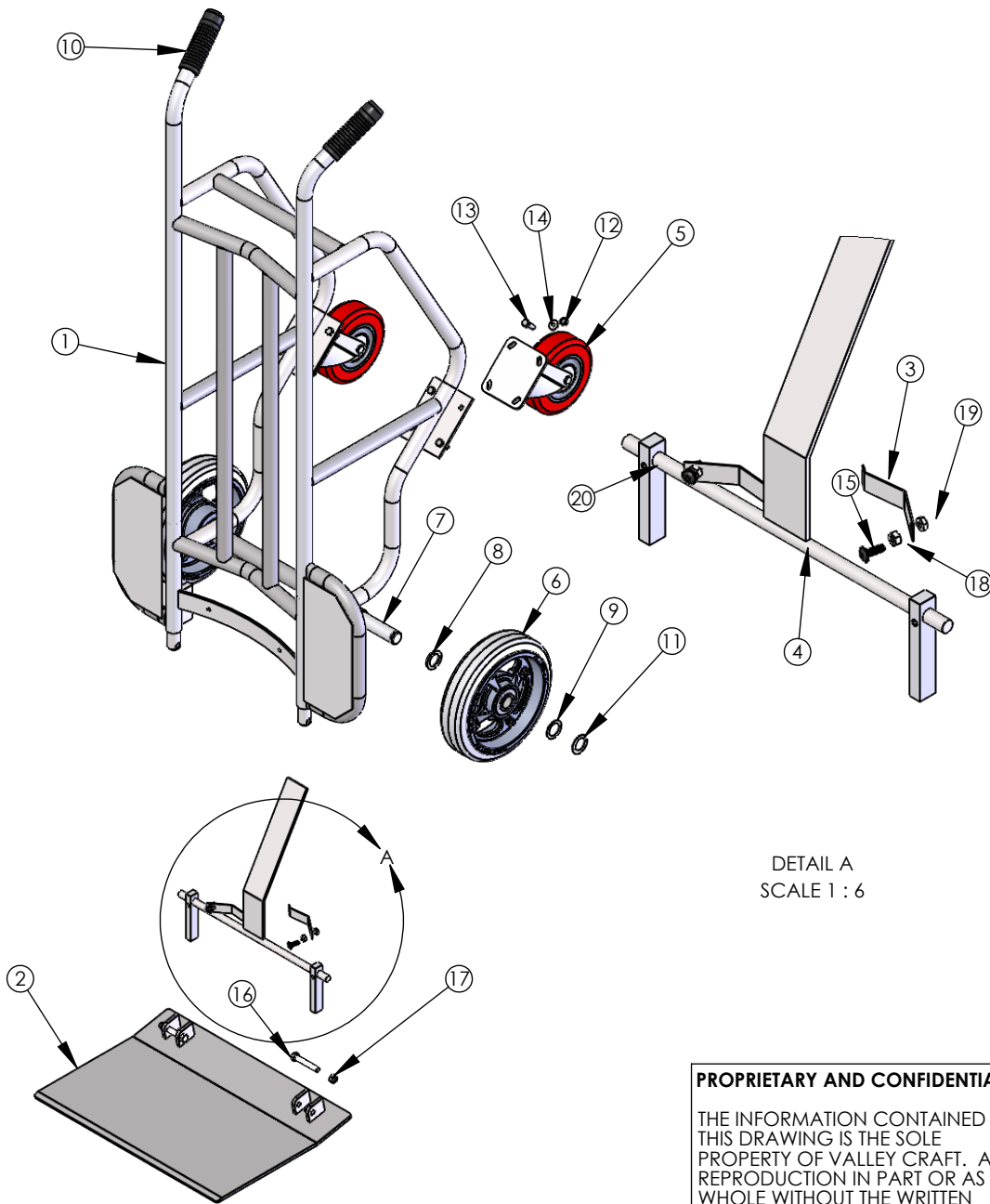
TITLE: TRK-PAL/806SS

| | NAME | DATE |
|-----------|------|------------|
| DRAWN | JS | 09/04/2012 |
| CHECKED | | |
| ENG APPR. | | |

| SIZE | PART NO. |
|--------------|----------|
| A | F84808A3 |
| MATL: | |
| SCALE: 1:24 | WEIGHT: |
| SHEET 1 OF 3 | |

| CHG. | E.C.O. | DESCRIPTION / WAS | BY | DATE |
|------|--------|-------------------|----|------------|
| A | - | CREATED | | 09/05/2012 |

ALL ANGLES ARE 90° UNLESS SPECIFIED



DETAIL A
SCALE 1 : 6

| ITEM NO. | PART NUMBER | DESCRIPTION | QTY. |
|----------|-----------------|--|------|
| 1 | F60263A1 | F W/806SS | 1 |
| 2 | F60412A1 | SHOE WLDMT/806 | 1 |
| 3 | F30212A6/R70212 | SPG-TRIP PDL -- CS, use R70212 for RPMTS | 2 |
| 4 | F60008A1/R70006 | TRIP PDL WLDMT -- CS, use R70006 for RPMTS | 1 |
| 5 | Z30121A0 | CSTR-6X2 SWL RTP | 2 |
| 6 | F60004A5 | WHL-10 D/M | 2 |
| 7 | F30001A1 | AXLE-800SS | 1 |
| 8 | Z10013A3 | BUSH-MACH 1x10GAx1-1/2 OD | 2 |
| 9 | Z10011A5 | BUSH-MACH 1x18GAx1-1/2 OD | 2 |
| 10 | Z50007A7 | GRIP-HDL 1-1/8" BLK | 2 |
| 11 | Z10223A9 | RING-RTNG 1 | 2 |
| 12 | Z10036A6 | NUT-HEX KEPS 5/16-18 | 8 |
| 13 | Z10123A0 | S-HHC 5/16-18X1 | 8 |
| 14 | Z10200A6 | WASHER-1/4 FLAT USS | 8 |
| 15 | Z10438A0 | S-BHCS 1/4-20X3/4 BLK | 2 |
| 16 | Z10136A5 | S-HHC 3/8-16X2-1/4 | 2 |
| 17 | Z10047A3 | NUT-NYL NE 3/8-16 | 2 |
| 18 | Z10035A7 | NUT-HEX KEPS 1/4-20 | 2 |
| 19 | Z10043A7 | NUT-NYL NE 1/4-20 | 2 |
| 20 | Z10007A9 | PIN-SPG 1/4X3/4 | 1 |

PROPRIETARY AND CONFIDENTIAL

THE INFORMATION CONTAINED IN THIS DRAWING IS THE SOLE PROPERTY OF VALLEY CRAFT. ANY REPRODUCTION IN PART OR AS A WHOLE WITHOUT THE WRITTEN PERMISSION OF VALLEY CRAFT IS PROHIBITED.

UNLESS OTHERWISE SPECIFIED:

DECIMALS
2 PLACES ±0.01
3 PLACES ±0.005
ANGLE ±1°

GRIND/SAND SHARP EDGES .015 MAX DOES NOT APPLY TO DRILLED HOLE DIA.



2001 South Hwy. 61, Lake City, MN 55041-9555, U.S.A.

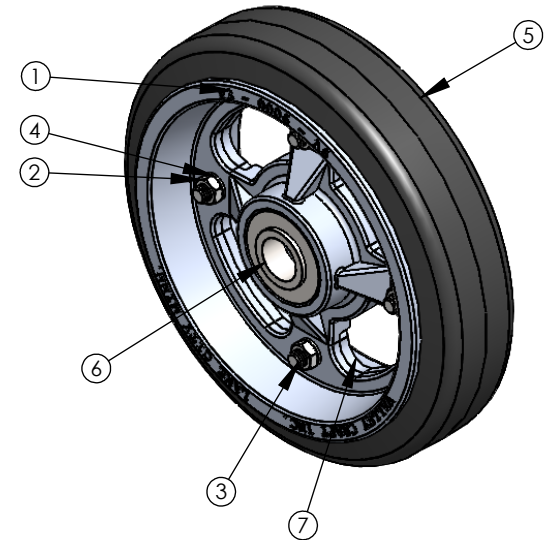
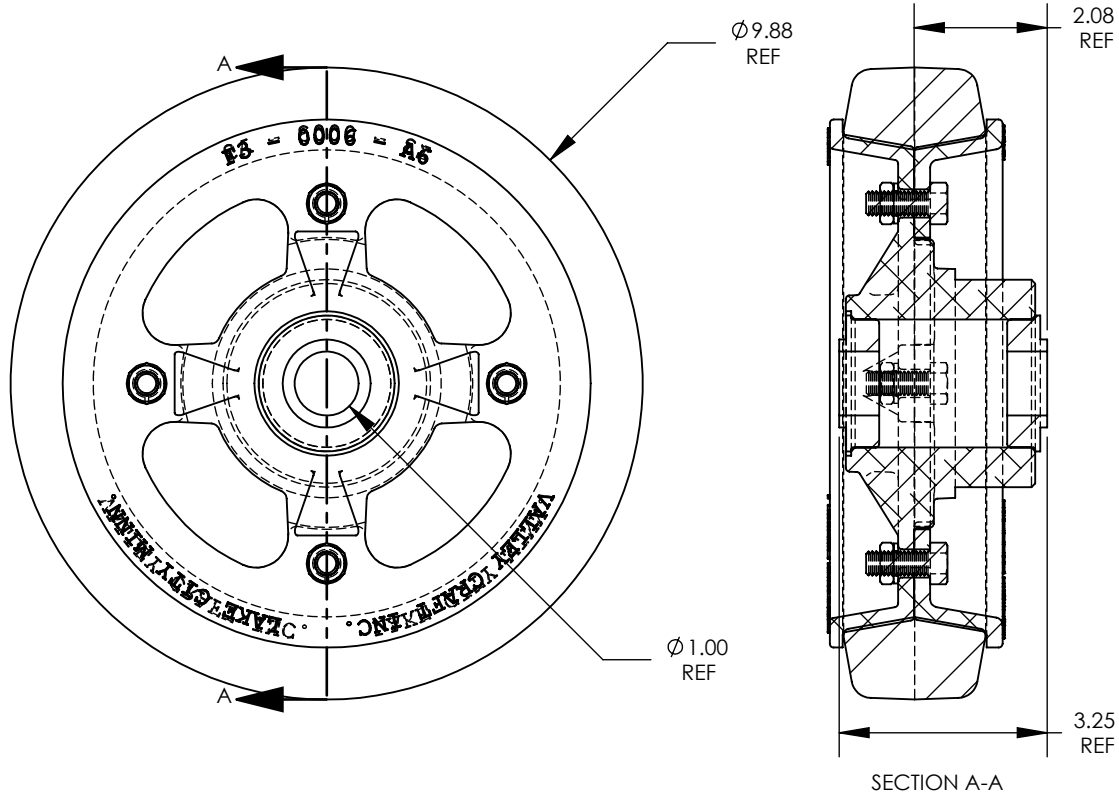
TITLE: TRK-PAL/806SS

| | NAME | DATE |
|-----------|------|------------|
| DRAWN | JS | 09/04/2012 |
| CHECKED | | |
| ENG APPR. | | |

| SIZE | PART NO. |
|--------------|----------|
| A | F84808A3 |
| MATL: | |
| SCALE: 1:24 | WEIGHT: |
| SHEET 2 OF 3 | |

| CHG. | E.C.O. | DESCRIPTION / WAS | BY | DATE |
|------|--------|-------------------|----|------------|
| A | - | CREATED | | 09/05/2012 |

ALL ANGLES ARE 90° UNLESS SPECIFIED



NOTES:

- A** : 10 X 2-1/2 TIRE SIZE
- B** : SMOOTH TREAD PATTERN
- C** : SOFT RUBBER WHEEL MATERIAL
- D** : 600# LOAD CAPACITY
- E** : 8.5# WEIGHT/WHEEL
- F** : ALUMINUM HUB MATERIAL
- G** : BALL BEARING TYPE
- H** : SILVER HUB COLOR

| ITEM NO. | PART NUMBER | DESCRIPTION | QT. Y. |
|----------|-------------|-------------------------------|--------|
| 1 | F30006A6 | HUB-D/M 10X2.5 | 1 |
| 2 | Z10026A8 | NUT-HEX JAM 3/8-16ZP | 4 |
| 3 | Z10132A9 | S-HHC 3/8-16X1 | 4 |
| 4 | Z10214A0 | WASHER-3/8 LOCK MD | 4 |
| 5 | Z30001A5 | TIRE-HARD BASE D/M 10 X 2-1/2 | 1 |
| 6 | Z30002A4 | BRG-FLG 1/RPMT | 2 |
| 7 | Z30003A3 | FLG-D/M 10X.5HD-10F | 1 |

PROPRIETARY AND CONFIDENTIAL

THE INFORMATION CONTAINED IN THIS DRAWING IS THE SOLE PROPERTY OF VALLEY CRAFT. ANY REPRODUCTION IN PART OR AS A WHOLE WITHOUT THE WRITTEN PERMISSION OF VALLEY CRAFT IS PROHIBITED.

UNLESS OTHERWISE SPECIFIED:

DECIMALS
2 PLACES ± 0.01
3 PLACES ± 0.005
ANGLE $\pm 1^\circ$

GRIND/SAND SHARP EDGES .015 MAX DOES NOT APPLY TO DRILLED HOLE DIA.



TITLE: WHL-10 D/M

| NAME | DATE | SIZE | PART NO. |
|-----------|------|------------|----------------------|
| DRAWN JS | | A | F60004A5 |
| CHECKED | | | MATL: |
| ENG APPR. | | SCALE: 1:3 | WEIGHT: SHEET 3 OF 3 |

| A | - | DRAWN | JS | 01/29/2009 |
|------|--------|-------------------|----|------------|
| CHG. | E.C.O. | DESCRIPTION / WAS | BY | DATE |
| | | | | |

ALL ANGLES ARE 90° UNLESS SPECIFIED