



Advanced Technology. Simple Solutions.

# WALL AND POLE-MOUNT PEDESTAL HEAD

## RVW

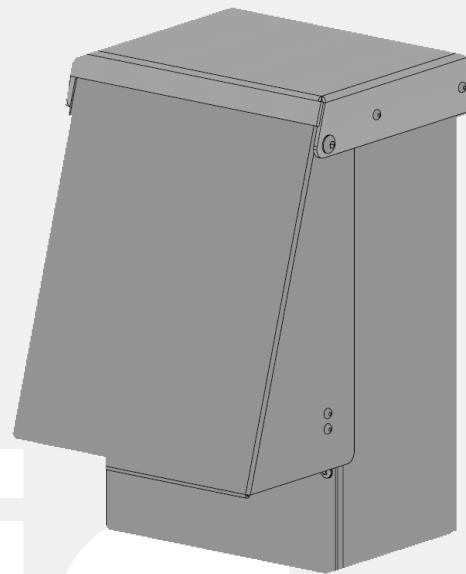
This is the wall and pole-mount version of our popular family of RV pedestals. It provides the RV owner with a single power point. Its small physical size makes it easy to install and the flip-lid provides superior weather protection.

### Features / Specifications

- Galvanized steel construction
- Aluminum cap for additional corrosion protection
- CSA Type 3R rated
- 10kAIR branch-rated breaker protection
- While-in-use padlock cover
- PC113 Parks Green powder coat finish
- 12 in (H) x 7 in (W) x 5.25 in (D) galvanized steel construction

### Options

- Top light
- Photocell
- 48-in (H) galvanized steel post
- Custom powder coat colours including beige, grey, and white



PART NUMBER	RECEPTACLES		BREAKERS	
	QTY	TYPE	QTY	TYPE
RVW1	1	15A GFI DUPLEX	1	15A 1P
RVW2	2	15A GFI DUPLEX	2	15A 1P
RVW3	1	15A GFI DUPLEX	1	15A 1P
	1	30A 125V CROWFOOT	1	30A 1P
RVW5	1	15A GFI DUPLEX	1	15A 1P
	1	50A 125/250V	1	50A 2P
RVW6	1	20A GFI DUPLEX	1	20A 1P
RVW7	2	20A GFI DUPLEX	2	20A 1P
RVW8	1	20A GFI DUPLEX	1	20A 1P
	1	30A 125V CROWFOOT	1	30A 1P
RVW10	1	20A GFI DUPLEX	1	20A 1P
	1	50A 125/250V	1	50A 2P
RVW11	1	30A 125V CROWFOOT	1	30A 1P
	1	50A 125/250V	1	50A 2P
RVW14	1	30A 125V CROWFOOT	1	30A 1P
RVW16	1	50A 125/250V	1	50A 2P
RVW17	2	30A 125V CROWFOOT	2	30A 1P
RVW18	2	50A 125/250V	2	50A 2P

Additional part numbers and configurations on the next page.



Advanced Technology. Simple Solutions.

# WALL AND POLE-MOUNT PEDESTAL HEAD

## RVW

### ALTERNATE RECEPTACLE CONFIGURATION (MAXIMUM 2)

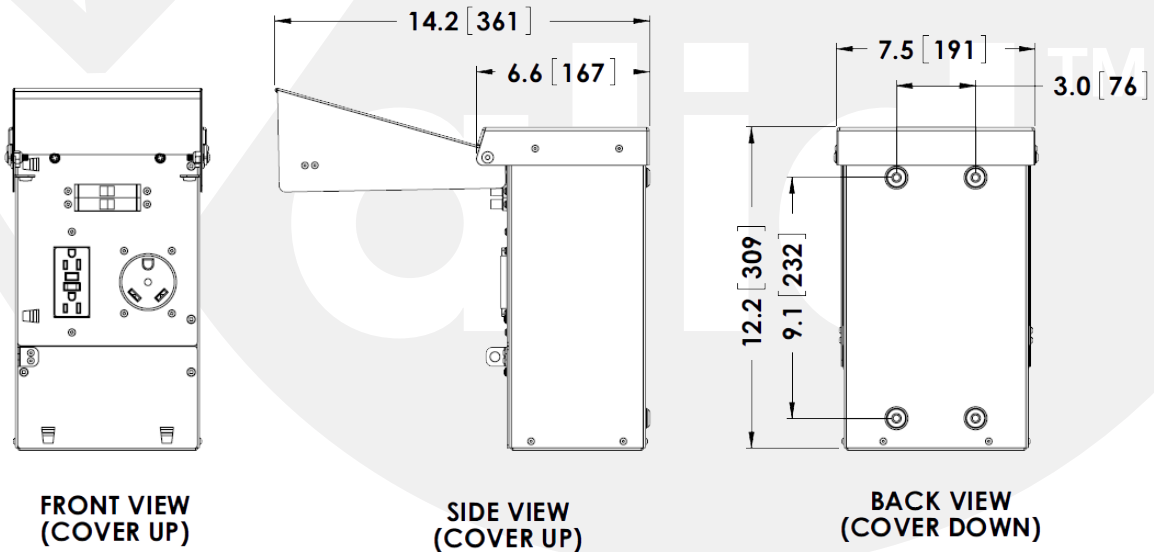
ADD TO PART NUMBER e.g. RVW-AM-PT

RECEPTACLE	BREAKER	ADDER
15A DUPLEX GFI	15A 1P	A
20A DUPLEX GFI	20A 1P	B
15A DUPLEX	15A 1P	D
20A DUPLEX	20A 1P	E
15A TL 125V	15A 1P	F
20A TL 125V	20A 1P	G
30A CROWFOOT 125V	30A 1P	H
30A TL 125V	30A 1P	J
30A 125/250V	30A 2P	K
50A 125/250V	50A 2P	M
50A 125/250V TL	50A 2P	Q

### ADDITIONAL COMPONENTS

ADD TO PART NUMBER e.g. RVW3-PT

OPTIONS	ADDER
CABLE	C
TELEPHONE	V
NETWORK	N
TOP LIGHT	T
PHOTOCELL	P



TYPICAL RVW3 CONFIGURATION