

Cisco Email and Web Security Ordering Guide

November 2013

This ordering guide for select Cisco Email and Web Security offerings is for public use. Any questions or comments should be sent to:

Americas—ironport-integration-channel-questions-americas@cisco.com

EMEAR—ironport-integration-channel-questions-emear@cisco.com

APJC—ironport-integration-channel-questions-apjc@cisco.com

Contents

Introduction	3
Audience	3
Scope.....	3
New Email and Web Security Product Names	4
Understanding the Offerings	5
Physical Appliances	6
Cisco SMARTNet Service	7
Software Subscription Licenses	8
FIPS-Compliant Products.....	14
Software License Agreements and Accessories	14
Understanding the Ordering Process.....	16
High-Level Summary of a Cisco Email and Web Security Price List Transaction	18
Cisco Commerce Workspace (CCW).....	18
Cisco Service Contract Center (CSCC)	20
Cisco Software Fulfillment and Infrastructure Technology (SWIFT) Tool.....	21
Placing an Order	22
Quote-to-Deployment Process for Cisco Price List	22
Try and Buy (TAB)	22
Post-Order Process	23
End of Evaluation and Additional Resources	24
Appendix A: All Part Numbers	25
Appendix B: Example Quotes	52
Email Security Order.....	52
Web Security Order	53
Appendix C: Additional Information	54
Encryption Orders Placed in Russia	54
Delivery Mode	54
China Hardware PIDs	54
Fiber Hardware	55
Cloud Email Ordering.....	55

Introduction

The ordering guide is designed to help Cisco Field, partners, and distributors order Cisco Email and Web Security solutions. This guide will help you:

- Understand Cisco Email and Web Security products and service offers
- Understand specific Cisco Email and Web Security Global Price List (GPL) offers and identify the right ones for your customers
- Ensure the right quantities and types of SKUs are purchased to minimize the risk of order rejection
- Provide information on the end-to-end quote-to-fulfillment process in Cisco Commerce Workspace (CCW) and Cisco Services Contract Center (CSCC) for these offers.

Audience

This ordering guide is intended for Cisco partners and distributors qualified to sell Cisco Email and Web Security products and services on the Cisco Price List.

Scope

This ordering guide provides information about quoting, ordering, and pricing for Cisco Email and Web Security products and services available on the Cisco Price List.

Note: Descriptions of Cisco Email and Web Security solutions are available at:
www.cisco.com/en/US/products/hw/vpndevc/products.html.

Note: Any order for the service will be subject to the detailed terms and conditions set out therein.

New Email and Web Security Product Names

As of September 12, 2012, Cisco renamed its email and web security products to remove the IronPort and ScanSafe names in favor of more straightforward and descriptive names that reflect the deployment method (Table 1).

Table 1. Cisco Email and Web Security Product Naming

	Previous Product Names	New Product Names
Email Security	Cisco IronPort Email Security Appliance	Cisco Email Security Appliance (ESA) Cisco Email Security Virtual Appliance (ESAV)
	Cisco IronPort Encryption Appliance	Cisco IronPort Encryption Appliance* (EOL, no new Cisco manufacturing)
	Cisco IronPort Cloud Email Security	Cisco Cloud Email Security
	Cisco IronPort Hybrid Cloud Email Security	Cisco Hybrid Email Security
	Cisco IronPort Managed Email Security	Cisco Managed Email Security
Web Security	Cisco IronPort Web Security Appliance	Cisco Web Security Appliance (WSA) Cisco Web Security Virtual Appliance (WSAV)
	Cisco ScanSafe Cloud Web Security	Cisco Cloud Web Security
Security Management	Cisco IronPort Security Management Appliance	Cisco Content Security Management Appliance (SMA) Cisco Content Security Management Virtual Appliance (SMAV)

Understanding the Offerings

Cisco Email and Web Security solutions encompass three different platforms (web security, email security, and security management). There are also three different offer categories across each of these platforms (physical hardware appliances, software subscriptions including software support, and Cisco SMARTnet[®] hardware support). Figure 1 shows an overview of the offerings.

Figure 1. Cisco Email and Web Security Overview

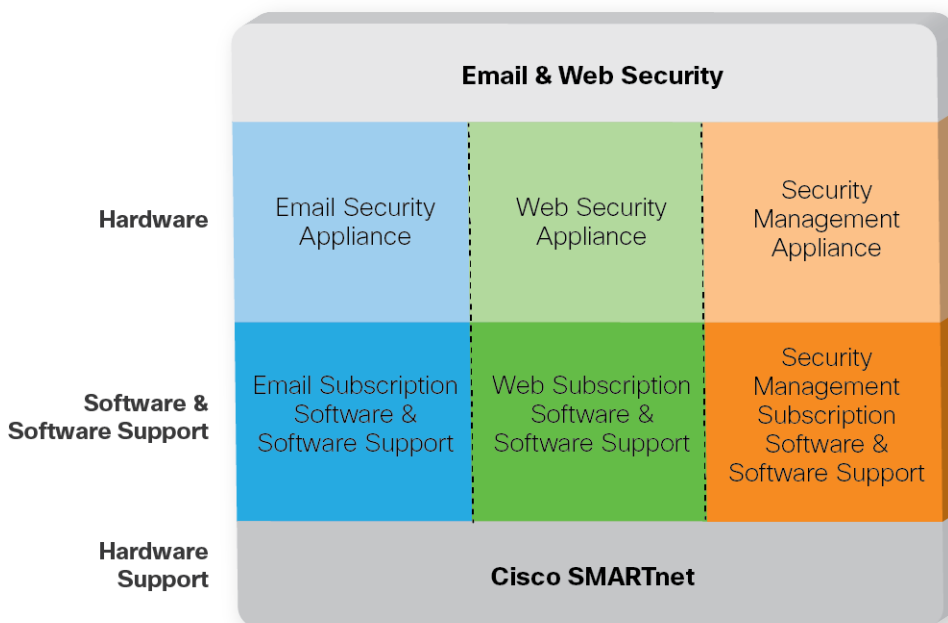


Table 2 lists Cisco Email and Web Security product lines that are available through Cisco Price Lists.

Table 2. Cisco Email and Web Security Offerings

Product Name	Description
Cisco Web Security	<p>Cisco Web Security offerings keep malware off your network and more effectively control and secure web usage.</p> <p>Cisco Web Security Appliances include the following components:</p> <ul style="list-style-type: none"> • Web Security Appliance hardware, including Cisco Web Security Appliance S170, S370, S380, S670, and S680 appliances • Web Security software subscription bundles and a-la-carte offerings, including Cisco Software Support • Cisco SMARTnet Services for Web Security Appliance
Cisco Email Security	<p>Cisco Email Security offerings provide protection against email threats, minimize downtime associated with email-borne malware, simplify administration of corporate mail systems, and reduce the burden on technical staff while offering insight into mail system operation.</p> <p>Cisco Email Security Appliances include the following components:</p> <ul style="list-style-type: none"> • Email Security Appliance hardware, including Cisco Email Security Appliance C170, C370, C380, C670, C680 and X1070 appliances • Email Security software subscription bundles and a-la-carte offerings, including Cisco Software Support • Cisco SMARTnet Services for Email Security Appliance
Cisco Content Security Management	<p>Cisco Content Security Management offerings provide a single management interface for Cisco Email and Web Security Appliances. By providing a single location to centralize email reports and spam quarantines as well as manage web security and Cisco data loss prevention (DLP) policies, the Cisco Content Security Management Appliance provides valuable functions for email and web administrators.</p> <p>Cisco Content Security Management Appliances include the following components:</p> <ul style="list-style-type: none"> • Security Management Appliance hardware, including Cisco Security Management Appliance M170, M380, M670, M680, and M1070 appliances • Security Management software subscription bundles and a-la-carte offerings, including Software Support • Cisco SMARTnet Services for Security Management Appliance

Physical Appliances

Cisco offers the Email and Web Security hardware appliances listed in Table 3.

Table 3. Email and Web Security Appliances

Appliance Type	Deployment*	Appliance Name	Description
Cisco Email Security	Small Businesses and Branch Offices	ESA-C170-K9 ESA-C370-K9	ESA C170 Email Security Appliance with Software ESA C370 Email Security Appliance with Software
	Midsize Offices	ESA-C380-K9 ESA-C670-K9	ESA C380 Email Security Appliance with Software ESA C670 Email Security Appliance with Software
	Large Enterprises and Service Providers (SP)	ESA-C680-K9 ESA-C680-LKFP-K9 ESA-X1070-K9	ESA C680 Email Security Appliance with Software ESA C680 Email Security Appliance with Locking Faceplate ESA X1070 Email Security Appliance with Software
Cisco Web Security	Small Businesses and Branch Offices	WSA-S170-K9	WSA S170 Web Security Appliance with Software
	Midsize Offices	WSA-S370-K9 WSA-S380-K9	WSA S370 Web Security Appliance with Software WSA S380 Web Security Appliance with Software
	Large Enterprises and SPs	WSA-S670-K9 WSA-S680-K9 WSA-S680-LKFP-K9	WSA S670 Web Security Appliance with Software WSA S680 Web Security Appliance with Software WSA S680 Web Security Appliance with Locking Faceplate
Cisco Security Management	Small Businesses and Branch Offices	SMA-M170-K9	SMA M170 Security Management Appliance with Software
	Midsize Offices	SMA-M380-K9 SMA-M670-K9	SMA M380 Security Management Appliance with Software SMA M670 Security Management Appliance with Software

Appliance Type	Deployment*	Appliance Name	Description
	Large Enterprises and SPs	SMA-M680-K9 SMA-M680-LKFP-K9 SMA-M1070-K9	SMA M680 Security Management Appliance with Software SMA M680 Security Management Appliance with Locking Faceplate SMA M1070 Security Management Appliance with Software

*Sizing will vary based on a number of factors not limited to deployment configurations, software feature sets, and policies. Work closely with your customers to understand the specific hardware and performance needs of their Cisco Email and Web Security deployments.

Cisco SMARTNet Service

Customers will have the option to purchase the Cisco SMARTnet Service for Email and Web Security Appliances.

The Cisco SMARTnet Service gives customers access to a wealth of Cisco support tools and expertise, providing them with greater network availability and performance while reducing operating costs. The service provides:

- **Fast support from experts:** Connect directly to the Cisco Technical Assistance Center (TAC), staffed by thousands of certified Cisco professionals who have experience diagnosing the toughest problems.
- **Online self-help support:** Access extensive 24-hour support resources through Cisco's online knowledge base, communities, resources, and tools.
- **Smart, proactive diagnostics:** Gain critical insight with the embedded Cisco Smart Call Home feature, which offers detailed diagnostics and immediate alerts on enabled network devices.
- **Ongoing operating system updates:** Access new OS features, including both minor and major OS releases, with the latest operating system software updates within your licensed feature set.
- **Rapid hardware replacement:** Get the coverage you need for each device with flexible hardware replacement options, including next-business-day (NBD) advance replacement.

Please refer to Table 4 and the following link for more detailed information regarding Cisco SMARTnet Service:

http://www.cisco.com/en/US/products/svcs/ps3034/ps2827/ps2978/serv_group_home.html

Table 4. Cisco SMARTnet Service SKUs for Email and Web Security Appliances

Appliance Type	Appliance SKU	Cisco SMARTnet SKU
Cisco Email Security	ESA-C170-K9	CON-SNT-C170-K9
	ESA-C370-K9	CON-SNT-C370-K9
	ESA-C370-NT-K9	CON-SNT-C370-K9
	ESA-C380-K9	CON-SNT-C380-K9
	ESA-C670-K9	CON-SNT-C670-K9
	ESA-C670-NT-K9	CON-SNT-C670-K9
	ESA-C680-K9	CON-SNT-C680-K9
	ESA-C680-LKFP-K9	CON-SNT-C680-LF
	ESA-X1070-K9	CON-SNT-X1070-K9
	ESA-X1070-NT-K9	CON-SNT-X1070-K9
	ESA-X1070-FI-K9	CON-SNT-X1070-FI

Appliance Type	Appliance SKU	Cisco SMARTnet SKU
Cisco Web Security	WSA-S170-K9	CON-SNT-S170-K9
	WSA-S370-K9	CON-SNT-S370-K9
	WSA-S370-NT-K9	CON-SNT-S370-K9
	WSA-S380-K9	CON-SNT-S380-K9
	WSA-S670-K9	CON-SNT-S670-K9
	WSA-S670-NT-K9	CON-SNT-S670-K9
	WSA-S680-K9	CON-SNT-S680-K9
	WSA-S680-LKFP-K9	CON-SNT-S680-LF
Cisco Security Management	SMA-M170-K9	CON-SNT-M170-K9
	SMA-M380-K9	CON-SNT-M380-K9
	SMA-M670-K9	CON-SNT-M670-K9
	SMA-M670-NT-K9	CON-SNT-M670-K9
	SMA-M680-K9	CON-SNT-M680-K9
	SMA-M680-LKFP-K9	CON-SNT-M680-LF
	SMA-M1070-K9	CON-SNT-M1070-K9
	SMA-M1070-NT-K9	CON-SNT-M1070-K9
	SMA-M1070-FI-K9	CON-SNT-M1070-FI

Software Subscription Licenses

Cisco Email and Web Security solutions provide a rich set of software features across the three main platforms. These solutions provide software and software subscription support to customers and partners. Full descriptions of each software feature offering are provided below, including a list of all of the major components of each feature solution.

Purchase of a software feature license entitles a customer to activate and use those features on an associated platform. For example, customers who buy a Cisco Email Security Inbound Bundle license are entitled to activate all of the Inbound Bundle software features on any of the Cisco Email Security Appliances that they own. A later section of this guide explains the process for ordering and activating these licenses. The process describing how to associate licenses to a specific appliance(s) is also provided.

Note: Customers may purchase and activate software features for only an associated platform; for example, they can run a Cisco Email Security software feature on an Email Security Appliance but not on a Cisco Web Security or Management Security Appliance.

Additionally, all software subscription licenses include co-termed Cisco Software Application Support contracts. Customers who purchase a subscription license are entitled to technical services for the term of the software subscription.

Software Subscription Support

All Cisco Email and Web Security licenses include software subscription support. Packaged in the Cisco Email and Web Security solutions, software subscription support is essential to keeping customers' business-critical applications available, secure, and operating at optimal performance. For the term of the software subscription licenses, customers will receive timely, uninterrupted access to the latest software updates and major upgrade releases that may contain significant architectural changes and new features and functionality. The software subscription support will ensure that customers have the current Cisco Email and Web Security solution working to protect their business. It also provides access to a wide range of online tools and communities that help customers

solve issues quickly, maximize business continuity, improve their competitiveness, and make the most of limited resources through increased productivity.

This support entitles customers to the services listed below for the full term of the purchased software subscription, including:

- Software updates and major upgrades that keep applications performing optimally at the most current feature set
- Access to Cisco TAC for fast, specialized support
- Online tools to build and expand in-house expertise and boost business agility
- Collaborative learning for additional knowledge and training opportunities

The software subscription SKU includes software subscription and support. No additional SKUs or extra fees are required to receive these services.

Term-Based Subscription Licenses

All software feature licenses are term-based subscriptions of 1, 3, or 5 years. Each software feature or feature set has corresponding SKUs for the three term options. For example, if a customer desires the Email Security Inbound Bundle feature set for a 3-year term, the appropriate SKU is the Email Security Inbound Bundle, 3-Year Software subscription license. This SKU entitles the customer to the features listed in the description for the associated bundle for a length of 3 years. Following the completion of the term, the licenses will be deactivated unless they are renewed for additional terms.

Quantity-Based Subscription License SKUs

The Cisco Email and Web Security portfolio uses tiered quantity-based pricing, with the user count entered as the applicable quantity. Sales and partner representatives should work with customers to determine the correct sizing for each customer deployment so that the appropriate user count is selected for each license. Cisco Commerce Workspace and Cisco Services Contract Center automatically select the appropriate SKU associated with the user count that is entered. It then applies this associated price point to the entered quantity to generate a total price for that particular SKU. For the Email Security Appliance, a user quantity is equal to the number of unique mailboxes desired. Each software SKU is appended with the user band identifier listed in Table 5.

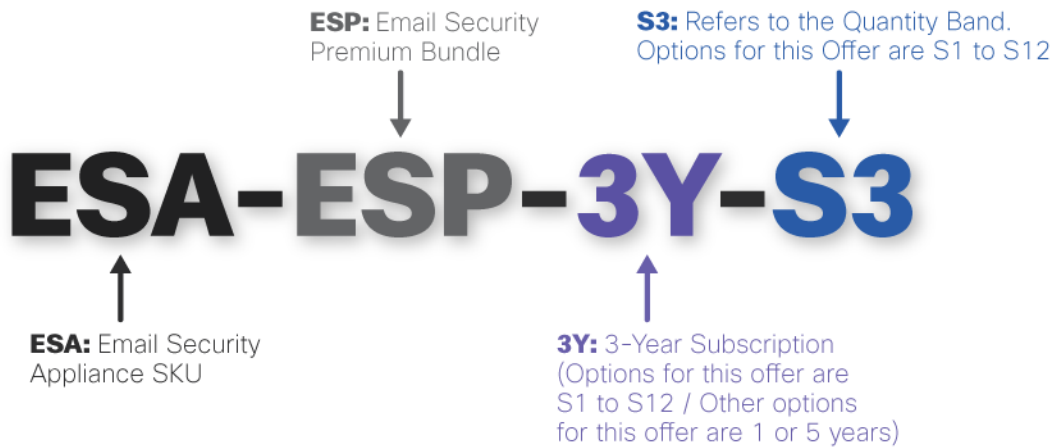
Table 5. Quantity-Based SKUs

Quantity	User Band / Set of SKUs to Use
100–199 Users	S1
200–499 Users	S2
500–999 Users	S3
1,000–1,999 Users	S4
2,000–2,999 Users	S5
3,000–3,999 Users	S6
4,000–4,999 Users	S7
5,000–9,999 Users	S8
10,000–19,999 Users	S9
20,000–49,999 Users	S10
50,000–99,999 Users	S11
100,000–249,999 Users	S12

Quantity	User Band / Set of SKUs to Use
250,000–499,999 Users	S13
500,000–999,999 Users	S14
More than 1,000,000 users	S15

Figure 2 presents an example of a software subscription license SKU and provides a description of the standard nomenclature.

Figure 2. Example of a Cisco Email Security Premium Bundle SKU



Tables 6, 7, and 8 list Cisco Email Security, Web Security, and Content Security Management software offerings, respectively.

Table 6. Email Software Offerings

Bundles	Description	Top Level SKU
Cisco Email Security Inbound	Protects an organization's mailboxes against spam, viruses, and targeted attacks (Anti-Spam + Anti-Virus + Outbreak Filters); includes license for Email Security Virtual Appliance (ESAV)	ESA-ESI-LIC=
Cisco Email Security Outbound	Helps satisfy compliance requirements by providing easy-to-use encryption and DLP solutions. (DLP + Encryption); includes license for Email Security Virtual Appliance (ESAV)	ESA-ESO-LIC=
Cisco Email Security Premium	Combines Inbound and Outbound protection to provide a complete email security solution (Inbound + Outbound); includes license for Email Security Virtual Appliance (ESAV)	ESA-ESP-LIC=
Bundle Features		
Anti-Spam	Uses conventional techniques and innovative context-sensitive detection technology to eliminate a diverse range of known and emerging email threats	ESA-AS-LIC= *
Anti-Virus (Sophos)	Offers industry-leading, high-performance virus scanning	ESA-SO-LIC= *
Outbreak Filters	Offers the latest email security innovation for next-generation threat prevention for threats that are hard to detect; the industry's first custom-built engine dedicated to blocking targeted attacks using three major elements: Targeted Attack Heuristics, Dynamic Quarantine, and Cloud Web Redirect	ESA-OF-LIC= *
Data Loss Prevention	Delivers high-performance, comprehensive DLP—helping prevent leaks, enforce compliance, and protect brand and reputation	ESA-DLP-LIC= *
Encryption	Meets compliance requirements for email encryption and delivers powerful new email control features in easy-to-use, broad-reaching form	ESA-ENC-LIC-K9-PID= *
A-la-Carte Offerings		
Cloudmark Anti-Spam	Offers technology for high-performance, accuracy-tolerant environments	ESA-CLM-LIC=
Image Analyzer	Detects illicit content in incoming and outgoing email, allowing customers to identify, monitor, and educate offending users	ESA-IA-LIC=
McAfee Anti-Virus	Offers McAfee Anti-Virus scanning technology	ESA-MFE-LIC=
Intelligent Multi-Scan	Provides multiple combined anti-spam technologies to take advantage of Cisco Anti-Spam for high levels of accuracy	ESA-IMS-LIC=
Included with all Bundles and a-la-Carte Offerings		
Email Security Virtual Appliance (ESAV)	A Cisco Email Security Virtual Appliance (ESAV) license that can be applied to any Web Security Virtual Appliance image in the Cisco Software Download Center. The license can be applied to as many images as needed.	All bundles & a-la-carte offerings.

*Email bundle features can also be ordered as a la carte options.

Note: The Email Centralized Management feature allows administrators to manage and configure multiple appliances at the same time without purchasing additional hardware. This feature is included as part of the Email Security Appliance software subscription bundles. For a la carte licenses, the Centralized Management feature is not included and needs to be ordered separately. Do note that the a la carte Centralized Management license is Free of Charge (FoC).

If the customer currently has a valid contract and valid term license that does not contain the CM feature they can request the CM feature through cisco.com/go/licensing.com and they will receive a CM license co-termed with their existing license.

Table 7. Web Software Offerings

Bundles	Description	Top Level SKU
Cisco Web Security Essentials	Provides protection and control of an organization's web traffic using URL filtering, reputation, and application visibility and control technologies (Web Usage Controls + Web Reputation+ Software Subscription Support); includes license for Web Security Virtual Appliance	WSA-WSE-LIC=
Cisco Web Security Premium	Combines URL filtering defense with deep content scanning (Web Usage Controls + Web Reputation + Sophos Anti-Malware + Webroot Anti-Malware + Software Subscription Support); includes license for Web Security Virtual Appliance	WSA-WSP-LIC=
Cisco Web Security Anti-Malware	Combines Cisco Web Reputation with deep content scanning (Web Reputation + Sophos Anti-Malware + Webroot Anti-Malware + Software Subscription Support); includes license for Web Security Virtual Appliance	WSA-WSM-LIC=
Bundle Features		
Web Usage Controls (WUC)	Provides industry-leading visibility into and protection from web use violations through a combination of list-based URL filtering and real-time dynamic categorization	Bundle SKU only *
Web Reputation (WREP)	Uses pattern-based assessment techniques and fine-grained per-object scanning capabilities to provide dynamic analysis and protection against sophisticated blended threats	Bundle SKU only *
Sophos Anti-Malware	Offers award-winning malware scanning protection against known and unknown threats using its Genotype and Behavioral Genotype Protection	Bundle SKU only *
Webroot Anti-Malware	Performs request- and response-side scans and identifies existing and new threats by accessing databases that intelligently scan millions of sites daily	Bundle SKU only *
A-la-Carte Offerings		
McAfee Anti-Malware	Includes both virus and malware signature scanning and can perform both signature- and heuristics-based scanning	WSA-AMM-LIC=
Included with all Bundles and A-la-Carte Offerings		
Web Security Virtual Appliance (WSAV)	A Cisco Web Security Virtual Appliance (WSAV) license that can be applied to any Web Security Virtual Appliance image in the Cisco Software Download Center; the license can be applied to as many images as needed Instructions for customers and partners to generate their virtual appliance license after their order has been processed are here: http://www.cisco.com/en/US/prod/collateral/vpndevc/ps10142/ps10164/data_sheet_C78-727788.html	All bundles and a la carte offerings.

*Individual features that can be ordered only as part of one of the three available software bundles.

Table 8. Content Security Management Software Offerings

Bundles	Description	Top Level SKU
Cisco Email Security Management	Provides centralized reporting, message tracking, and quarantines across multiple Email Security Appliances (Email Reporting + Tracking + Centralized Quarantines)	SMA-EMGT-LIC=
Cisco Web Security Management	Provides centralized management and reporting across multiple Web Security Appliances (Web Reporting + Web Policy and Configuration Management)	SMA-WMGT-LIC=
Bundle Features		
Email Reporting	Provides concise scenario-based reports to help administrators troubleshoot and keep tabs on their message flows	Bundle SKU only *
Email Message Tracking	Helps administrators track the flow of individual email messages	Bundle SKU only *
Email Centralized Quarantines	Helps end users and administrators manage their quarantines	Bundle SKU only *
Web Reporting	Gives managers visibility and insight into current operational data to help them refine policies, plan infrastructure, and measure productivity	Bundle SKU only *
Web Policy and Configuration Management	Provides the web administrator with a single location to define and publish policies to multiple Web Security Appliances	Bundle SKU only *
A-la-Carte Offerings		

Bundles	Description	Top Level SKU
Advanced Web Security Reporting	<p>Provides advanced Splunk-based reporting capabilities across multiple Web Security Appliances for organizations with high traffic and storage needs. Please note that this SKU does NOT include a Configuration & Policy Management license for the SMA. It only includes a license for Splunk-based Advanced Web Security Reporting, an off-box reporting tool.</p> <p>Please note that this license has a data limit of 2 MB per user per day. For example, if a 2000 user license is ordered, then 4 GB of data can be processed per day (4 GB = 2000 users * 2 MB/ user / day). If your customer has higher traffic or larger data needs, please ensure they order a larger license for the amount of data they need to process.</p>	SMA-WSPL-LIC=

Table 9 lists email encryption renewals for Cisco Email Security software.

Table 9. Email Encryption Renewals

Email Encryption*		
Email Encryption License for Encryption Appliances	Provides envelope encryption capabilities on the encryption appliance	CCS-CEE-LIC=
Email Encryption and Public Key Encryption License for Encryption Appliances	Provides envelope encryption and public key encryption capabilities on the encryption appliance	CCS-CEEPK-LIC=
Large Attachment Handling License for Encryption Appliances	Provides the ability to send email messages with large attachments	CCS-LFILE-LIC=
Secure Mailbox License for Encryption Appliances	Provides pull encryption capabilities to host encrypted messages for recipients	CCS-SMAIL-LIC=
Email Encryption License for System-Generated Bulk Email	Provides envelope encryption capabilities for large email volumes. Renewal Email Encrypt Bulk Email 1YR License, 100K-250K Mgs	CCS-BE-S1-LIC=
Email Encryption License for System-Generated Bulk Email	Provides envelope encryption capabilities for large email volumes. Renewal Email Encrypt Bulk Email 1YR Lic Key, 250K-500K Mgs	CCS-BE-S2-LIC=
Email Encryption License for System-Generated Bulk Email	Provides envelope encryption capabilities for large email volumes. Renewal Email Encrypt Bulk Email 1YR License, 500K-1M Mgs	CCS-BE-S3-LIC=
Email Encryption License for System-Generated Bulk Email	Provides envelope encryption capabilities for large email volumes. Renewal Email Encrypt Bulk Email 1YR Lic Key, 1M-2.5M Mgs	CCS-BE-S4-LIC=
Email Encryption License for System-Generated Bulk Email	Provides envelope encryption capabilities for large email volumes. Renewal Email Encrypt Bulk Email 1YR License, 2.5M-10M Mgs	CCS-BE-S5-LIC=
Email Encryption License for System-Generated Bulk Email	Provides envelope encryption capabilities for large email volumes. Renewal Email Encrypt Bulk Email 1YR License, 10M-50M Mgs	CCS-BE-S6-LIC=
Email Encryption License for System-Generated Bulk Email	Provides envelope encryption capabilities for large email volumes. Renewal Email Encrypt Bulk Email 1YR Lic Key, 50M+ Mgs	CCS-BE-S7-LIC=

*Offered only as renewals to current email encryption customers.

FIPS-Compliant Products

All Cisco Email and Web Security appliance offerings provide Federal Information Processing Standards (FIPS) Level I compliance through the software-based Cisco Common Crypto Module (C3M). A FIPS-compliant mode is selectable within the GUI of the AsyncOS® operating system. Cisco no longer sells hardware-based FIPS appliances. Cisco Email and Web Security customers requiring FIPS Level I compliance should select from the standard appliance offerings listed in this guide (WSA-S670-K9, etc.).

Software License Agreements

The Cisco End-User License agreement (EULA) and the Cisco Email and Web Security supplemental End-User License agreement (SEULA) are provided with each software license purchase. The documents are available at the following links:

- Cisco EULA: http://www.cisco.com/en/US/docs/general/warranty/English/EU1KEN_.html
- Cisco SEULA: http://www.cisco.com/web/about/doing_business/legal/service_descriptions/related.html

Accessories

The Cisco Email and Web Security offerings include numerous accessories that are either required for basic functions (for example, power cords) or optional based on specific needs of the customer (locking faceplate, for example). Some accessories are offered as spares—products that can be ordered as standalone items. These spares might be ordered for replacements, supplements to the current product, or backup spare parts. Configurable accessories are ordered as part of a hardware appliance configuration in Cisco Commerce Workspace. For example, an order can be placed for a Cisco Email Security Appliance C370, and a country-specific power cord can be selected as part of the overall configuration. After an order is complete, the appliance and the configured cord will both be shipped.

Tables 10 and 11 list spare and configurable accessories, respectively.

Table 10. Spare Accessories

Cisco Email and Web Security Accessories (Spare)	
Product	Part Number
Content Security Cable Management Arm for x70 Models	CCS-CABLE-MGMT=
Content Security AC Power Supply for x70 Models	CCS-PWR-AC-870W=
Cisco Content Sec AC Power Supply 650W for x80 Appliance	CCS-PWR-AC-650W=
Cisco Content Sec DC Power Supply 900W for x80 appliance	CCS-PWR-DC-930W=
Content Security Platform Rails for x170, 4 Post Racks, Square Hole	CCS-RAILS-170=
Content Security Platform Rails for 4 Post Racks, Square Holes	CCS-RAILS-4SQ=
Cisco Content Security Spare Rail Kit	CCS-RAIL=
Cisco Content Security x170 Bracket for 2 Post Racks	CCS-170-BRACKETS=
450-GB HD for WSA S370 and S670 (R710 Model)	WSA-HD-450GB=
Content Security 250-GB HD for ESA C170, SMA M170, WSA S170	CCS-HD-250GB=
Content Security 300-GB HD for ESA Cx70, X1070, SMA M670	CCS-HD-300GB=
SMA 600-GB HD for M1070	SMA-HD-600GB=
Cisco Content Security 600GB hard drive for x80 appliances	CCS-HD-600GB=
Cisco Content Security 300GB hard drive for x80 appliances	CCS-HDD-300GB=
Cisco Content Security Hard Drive Blank Slot Cover for x80 Appliances	CCS-HD-BLANK=
Replacement Key for ESA C680 locking faceplate appliance	ESA-C680-KEY=
Replacement Key for WSA S680 locking faceplate appliance	SMA-M680-KEY=
Replacement Key for SMA M680 locking faceplate appliance	WSA-S680-KEY=

Table 11. Configurable Accessories

Cisco Email and Web Security Accessories	
Product	Part Number
Power Cord, 110V	CAB-AC
Power Cord, China	CAB-ACC
Power Cord, Italian	CAB-ACI
Power Cord, UK	CAB-ACU
Power Cord, Australia	CAB-ACA
Power Cord, Switzerland	CAB-ACS
Power Cord, Argentina	CAB-ACR

Cisco Email and Web Security Accessories	
Product	Part Number
Power Cord, India	CAB-IND
Power Cord, Japan	CAB-JPN
Content Security 250-GB HD for ESA C170, SMA M170, WSA S170	CCS-HD-250GB-
Content Security AC Power Supply for ESA, WSA, SMA x70 Models	CCS-PWR-AC-870W-
Content Security 300-GB HD for ESA Cx70, X1070, SMA M670	CCS-HD-300GB-
SMA 600-GB HD for M1070	SMA-HD-600GB-
450-GB HD for WSA S370 and S670 (R710 Model)	WSA-HD-450GB-
WSA 4-Port 10/100/1000 Interface Card, RJ-45	WSA-4GE-CU
Content Security 2-Port GE Fiber Interface	CCS-2GE-FI
Standard Mechanical Faceplate for M1070	SMA-STD-FPLT
SMA Locking Faceplate for M1070	SMA-M1070-FPLT
Power Cord, 125VAC 13A NEMA 5-15 Plug, North America	CAB-9K12A-NA
AC Power Cord, NEMA L6-20 - C13, 2M/6.5ft	CAB-AC-L620-C13
SFS Power Cord - 250V, 10A – Argentina	SFS-250V-10A-AR
Power Cord, 250VAC 10A 3112 Plug, Australia	CAB-9K10A-AU
SFS Power Cord - 250V, 10A – PRC	SFS-250V-10A-CN
Power Cord, 250VAC 10A CEE 7/7 Plug, EU	CAB-9K10A-EU
SFS Power Cord - 250V, 10A , India	SFS-250V-10A-ID
SFS Power Cord - 250V, 10A - Israel	SFS-250V-10A-IS
Power Cord, 250VAC 10A CEI 23-16/VII Plug, Italy	CAB-9K10A-IT
Power Cord, 250VAC 10A MP232 Plug, SWITZ	CAB-9K10A-SW
Power Cord, 250VAC 10A BS1363 Plug (13 A fuse), UK	CAB-9K10A-UK
Power Cord, 200/240V 6A North America	CAB-N5K6A-NA
Power Cord 3PIN Japan	CAB-JPN-3PIN
Power Cord Jumper, C13-C14 Connectors, 2 Meter Length	CAB-C13-C14-2M
AC Power Cord - 250V, 10A – PRC	CAB-250V-10A-CN
Power cord, C13 to C14 (recessed receptacle), 10A	CAB-C13-C14-AC
Cabinet Jumper Power Cord, 250 VAC 10A, C14-C13 Connectors	CAB-C13-CBN
Cisco Content Sec AC Power Supply 650W for x80 Appliance	CCS-PWR-AC-650W
Cisco Content Sec DC Power Supply 900W for x80 appliance	CCS-PWR-DC-930W
Cisco Content Sec 1-Port Gigabit Ethernet Interface Card	CCS-1GE-FI
Cisco Content Sec 10-Port Gigabit Ethernet Interface Card	CCS-10GE-FI
Cisco Content Security 600GB hard drive for x80 appliances	CCS-HD-600GB
Cisco Content Security 300GB hard drive for x80 appliances	CCS-HDD-300GB
Cisco Content Sec 1-Port 10/100/1000 Interface Card, RJ-45	CCS-1GE-CU

Understanding the Ordering Process

There are four main order processes for Cisco Email and Web Security offerings on the Cisco Price List:

- First-time order of hardware appliances and software feature licenses
- Renewal orders that include both hardware appliances and software feature licenses
- Renewal orders of software feature licenses only

- Follow-up orders of software feature licenses to add additional features or user counts to an appliance or deployment of appliances

The following sections provide general information about the Cisco ordering process and explain the step-by-step processes for ordering under each of these four ordering scenarios.

Figure 3. High-Level Summary of an Email and Web Transaction



High-Level Summary of a Cisco Email and Web Security Price List Transaction

Figure 4. Cisco Commerce Workspace (CCW) vs. Cisco Service Contract Center (CSCC)

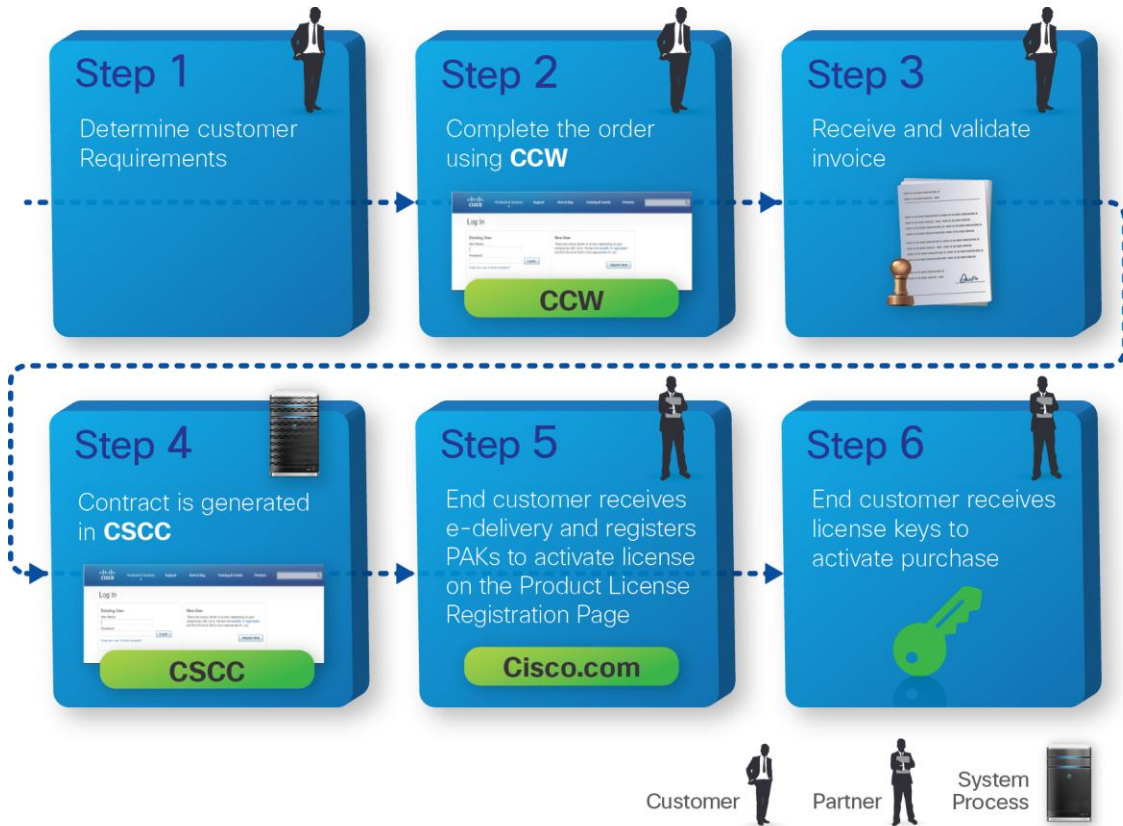
Cisco Commerce Workspace (CCW) Appliances with Software and Technical Services	Cisco Commerce Contract Center (CSCC) Software Renewals and Contract Management	
<ul style="list-style-type: none"> • Quote • Order • Configure • Deal registration 	<ul style="list-style-type: none"> • Quoting and ordering: Follow on and renewal of software subscription licenses and technical services • Contract management 	
	CCW	CSCC
Initial purchase of Cisco Email and Web Security appliances, software, and technical services	X	
Add on additional licenses	X	X
Add on additional appliances	X	
Renewal of current licenses		X
Renewal of additional licenses		X
Renewal with additional licenses and purchase of additional appliances	X (application)	X (renewal and licenses)
Search and manage contracts contract management actions		X

Cisco Commerce Workspace (CCW)

The Cisco Commerce Workspace is the primary tool used for ordering Cisco Email and Web Security products offered on the Cisco Price List. Three main steps are involved in creating an order in Cisco Commerce Workspace:

1. Creating a quick quote
2. Converting a quote to an order
3. Submitting an order

Figure 5. Initial Purchase of Appliances, Software, and Technical Services



1. Partner adds appliances, software, and technical services to configuration.
2. Partner will create a Deal or Quick Quote, depending on if they are requesting promotion pricing, special pricing, or standard pricing.
3. Partner can configure items in Deal or Quick Quote space or import a previously created configuration.
4. Partner shares quote or deal with account manager for approval, unless they are using Standard Contractual Pricing.
5. Partner converts the quote to an order or creates an order from a deal ID. Within the order space, the partner will select the contract generation option and other preferences such as shipping/delivery.
6. Partner submits the order to complete the process.

Cisco Service Contract Center (CSCC)

The Cisco Service Contract Center (CSCC) is the primary tool used for ordering services, ordering follow-on software subscription licenses, and processing renewals of Cisco Email and Web Security offerings available on the Cisco Price List. Three main steps are involved in creating an order in CSCC—creating a quick quote, validating the quote, and submitting an order. Partners will use the standard quoting process, while distributors have the option of using the standard or quick quote functionality to create a quote in CSCC. Partners and distributors will validate and save a quote once all software subscription licenses and services have been added prior to ordering.

Ordering renewals is possible only in the Cisco Services Contract Center. The new Cisco Email and Web Security offerings have undergone a change of pricing: Hardware is less expensive and software is more expensive than the legacy IronPort hardware and software. The combined price for new orders is the same, but renewals will require a non-standard discount to keep the former software price parity. To support the first renewal during the integration, Cisco will provide a high-touch support model where Cisco will place the quote in CSCC and pass it to the partner or distributor to place the order. The partner or distributor may also choose to process their own quote after aOrder Service Agreement is created and the deal ID is approved and then raise a support case to apply the discount before ordering.

Figure 6. Renew Software and Service Subscriptions (High-Level Workflow)



* Hardware serial numbers will need to be re-entered when activating the license.

Cisco Software Fulfillment and Infrastructure Technology (SWIFT) Tool

The Cisco Software Fulfillment and Infrastructure Technology (SWIFT) Tool is a framework used for entitlement and fulfillment of Cisco software licenses. Customers and partners use the tool for customer data entry and activation of software subscription licenses. Customers and partners who successfully place an order for a software subscription will receive a Claim Certificate with a Product Activation Key (PAK), which is entered in SWIFT to provision licenses and associate them to a customer's deployed appliances.

Placing an Order

Quote-to-Deployment Process for Cisco Price List

Before submitting an order, partners and salespeople should understand the quote-to-deployment process for Cisco Email and Web Security products purchased through the Cisco Price List. Understanding this flow can help ensure the fastest possible processing of orders and deployment for the customer.

Try and Buy (TAB)

The Try and Buy (TAB) process for Cisco Email and Web Security products generally matches the standard Cisco Try and Buy process. Direct partners can select either Cisco or a distributor to fulfill the order. Indirect partners must select a distributor to fulfill the order. A distributor ordering on behalf of a partner selects itself to fulfill the order. Whoever places the order on Cisco (direct partner or distributor) must be enrolled in the TAB program using the Partner Program Enrollment (PPE) tool. Direct customers can order TAB by going through their account manager or PSS, but they must first be enrolled in the TAB program (C2A). After a customer is enrolled, the account manager or PSS can create a nonstandard sale for the TAB order using the existing TAB process for direct customers (Figure 7).

Figure 7. Try and Buy: Initial Order Process (High-Level Workflow)

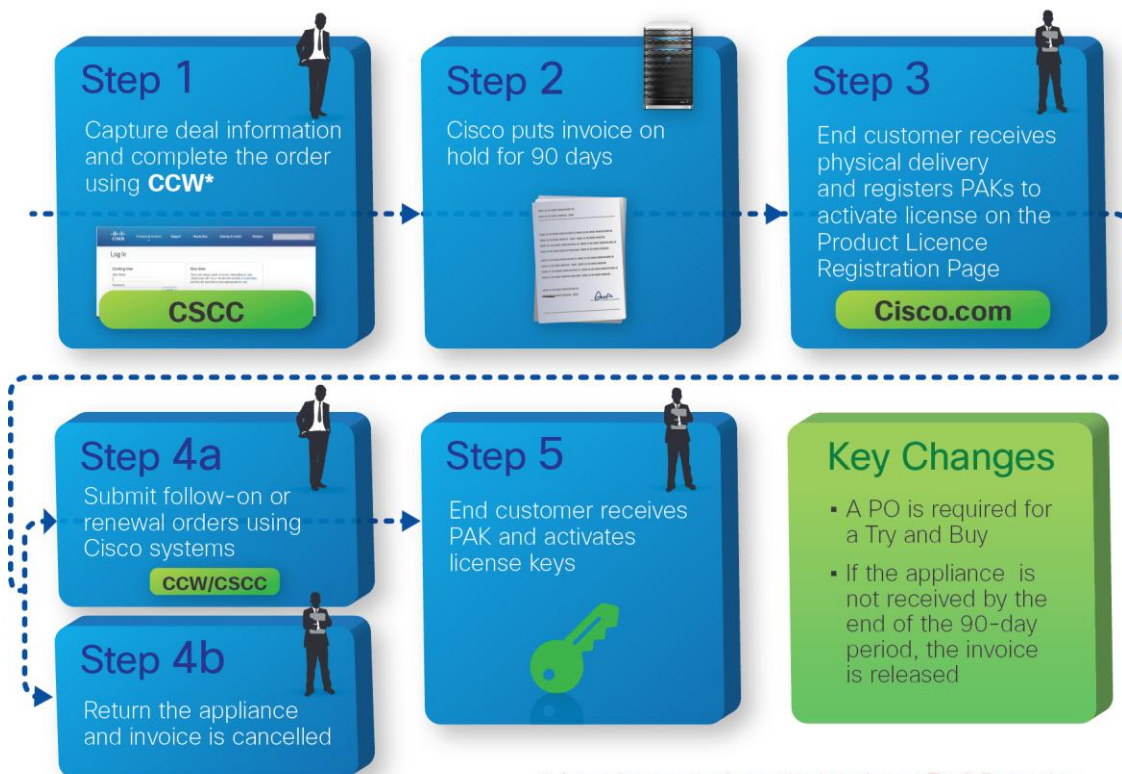
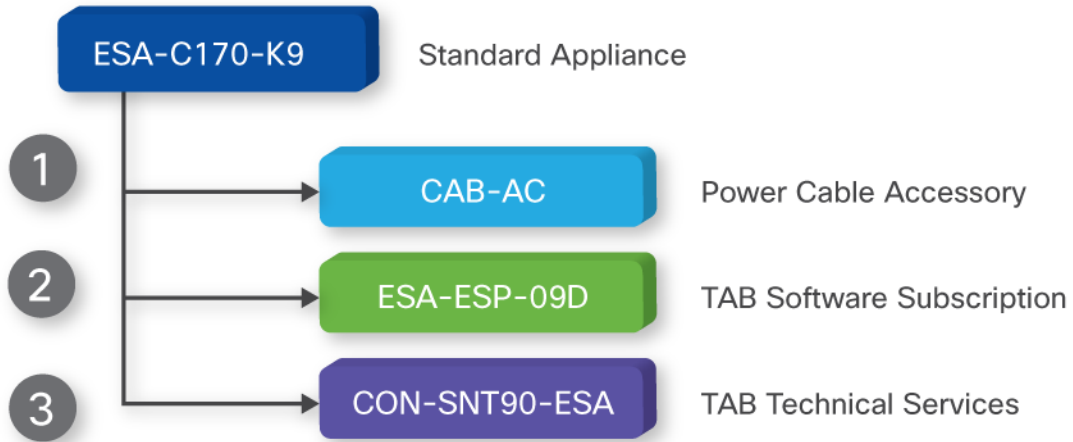


Figure 8 shows a sample order.

Figure 8. Try and Buy Offering for Cisco Email and Web Security



Three Items are ordered:

1. Standard hardware PID and power cable accessories: The Try and Buy hardware selected should be the same model as the hardware that the customer expects to run in its production deployment.
2. One Try and Buy software subscription SKU. (The four SKU options are listed in Table 12.)

Table 12. Try and Buy Software Subscription SKUs

Try and Buy SKU	Description
ESA-ESP-90D	Email Premium SW (AS+AV+OF+ENC+DLP) 90 Day License
WSA-WSP-90D	Web Premium SW Bundle (WREP+WUC+AMAL) 90 Day License
SMA-EMG-90D	Email Management SW Bundle 90 Day License
SMA-WMG-90D	Web Management SW Bundle 90 Day License

3. The associated Try and Buy technical services SKU.

Note: The TAB software subscription and technical services SKUs can be ordered only as part of a bundle with standard hardware.

Post-Order Process

If an evaluation license is ordered through a distributor, the distributor drop-ships the order. The order is shipped to the customer and includes both the hardware and a physical license PAK.

Note: Under the full term or follow-up license ordering process, the customer receives the PAK by eDelivery.

This PAK is entered by the customer in the SWIFT Tool as part of the standard license activation process. At the time of order, the invoice for the hardware and licenses is put on hold for 90 days. When activated, the license remains activated for 90 days.

End of Evaluation

After this 90-day period, the customer must either keep the hardware unit and purchase a 1-, 3-, or 5-year license using the standard ordering process or return the hardware using the standard Cisco return process. If the hardware is not returned at the end of the evaluation period, the invoice is released to the customer for payment.

For more details regarding the Try and Buy process, including enrollment, ordering, and fulfillment, please visit: <http://wwwin.cisco.com/cisco/ops/gtmss/cvs/dlp/tab/-tab=0>.

For support with Try and Buy, contact dlp-support@cisco.com or the respective account manager or PSS.

Additional Resources

Additional resources and documentation regarding the new ordering processes and product and service offerings can be found here at http://www.cisco.com/web/about/ac49/ac0/ac1/ac259/web_security.html.

Appendix A: All Part Numbers

Tables 1 through 15 list part numbers for different Cisco Email and Web Security offerings.

Table 1. Email Security Software Subscription SKUs

Product	Subscription SKU	Description
Email Security Inbound Bundle 1 Year SKUs	ESA-ESI-1Y-S1	Email Security Inbound, 1 YR, 100–199 Users
	ESA-ESI-1Y-S2	Email Security Inbound, 1 YR, 200–499 Users
	ESA-ESI-1Y-S3	Email Security Inbound, 1 YR, 500–999 Users
	ESA-ESI-1Y-S4	Email Security Inbound, 1 YR, 1,000–1,999 Users
	ESA-ESI-1Y-S5	Email Security Inbound, 1 YR, 2,000–2,999 Users
	ESA-ESI-1Y-S6	Email Security Inbound, 1 YR, 3,000–3,999 Users
	ESA-ESI-1Y-S7	Email Security Inbound, 1 YR, 4,000–4,999 Users
	ESA-ESI-1Y-S8	Email Security Inbound, 1 YR, 5,000–9,999 Users
	ESA-ESI-1Y-S9	Email Security Inbound, 1 YR, 10,000–19,999 Users
	ESA-ESI-1Y-S10	Email Security Inbound, 1 YR, 20,000–49,999 Users
	ESA-ESI-1Y-S11	Email Security Inbound, 1 YR, 50,000–99,999 Users
	ESA-ESI-1Y-S12	Email Security Inbound, 1 YR, 100,00+ Users
Email Security Inbound Bundle 3 Year SKUs	ESA-ESI-3Y-S1	Email Security Inbound, 3 YR, 100–199 Users
	ESA-ESI-3Y-S2	Email Security Inbound, 3 YR, 200–499 Users
	ESA-ESI-3Y-S3	Email Security Inbound, 3 YR, 500–999 Users
	ESA-ESI-3Y-S4	Email Security Inbound, 3 YR, 1,000–1,999 Users
	ESA-ESI-3Y-S5	Email Security Inbound, 3 YR, 2,000–2,999 Users
	ESA-ESI-3Y-S6	Email Security Inbound, 3 YR, 3,000–3,999 Users
	ESA-ESI-3Y-S7	Email Security Inbound, 3 YR, 4,000–4,999 Users
	ESA-ESI-3Y-S8	Email Security Inbound, 3 YR, 5,000–9,999 Users
	ESA-ESI-3Y-S9	Email Security Inbound, 3 YR, 10,000–19,999 Users
	ESA-ESI-3Y-S10	Email Security Inbound, 3 YR, 20,000–49,999 Users
	ESA-ESI-3Y-S11	Email Security Inbound, 3 YR, 50,000–99,999 Users
	ESA-ESI-3Y-S12	Email Security Inbound, 3 YR, 100,000+ Users
Email Security Inbound Bundle 5 Year SKUs	ESA-ESI-5Y-S1	Email Security Inbound, 5 YR, 100–199 Users
	ESA-ESI-5Y-S2	Email Security Inbound, 5 YR, 200–499 Users
	ESA-ESI-5Y-S3	Email Security Inbound, 5 YR, 500–999 Users
	ESA-ESI-5Y-S4	Email Security Inbound, 5 YR, 1,000–1,999 Users
	ESA-ESI-5Y-S5	Email Security Inbound, 5 YR, 2,000–2,999 Users
	ESA-ESI-5Y-S6	Email Security Inbound, 5 YR, 3,000–3,999 Users
	ESA-ESI-5Y-S7	Email Security Inbound, 5 YR, 4,000–4,999 Users
	ESA-ESI-5Y-S8	Email Security Inbound, 5 YR, 5,000–9,999 Users
	ESA-ESI-5Y-S9	Email Security Inbound, 5 YR, 10,000–19,999 Users
	ESA-ESI-5Y-S10	Email Security Inbound, 5 YR, 20,000–49,999 Users
	ESA-ESI-5Y-S11	Email Security Inbound, 5 YR, 50,000–99,999 Users
	ESA-ESI-5Y-S12	Email Security Inbound, 5 YR, 100,000+ Users

Table 2. Email Security Outbound Software Subscription SKUs

Product	Subscription SKU	Description
Email Security Outbound Bundle 1 Year SKUs	ESA-ESO-1Y-S1	Email Security Outbound, 1 YR, 100–199 Users
	ESA-ESO-1Y-S2	Email Security Outbound, 1 YR, 200–499 Users
	ESA-ESO-1Y-S3	Email Security Outbound, 1 YR, 500–999 Users
	ESA-ESO-1Y-S4	Email Security Outbound, 1 YR, 1,000–1,999 Users
	ESA-ESO-1Y-S5	Email Security Outbound, 1 YR, 2,000–2,999 Users
	ESA-ESO-1Y-S6	Email Security Outbound, 1 YR, 3,000–3,999 Users
	ESA-ESO-1Y-S7	Email Security Outbound, 1 YR, 4,000–4,999 Users
	ESA-ESO-1Y-S8	Email Security Outbound, 1 YR, 5,000–9,999 Users
	ESA-ESO-1Y-S9	Email Security Outbound, 1 YR, 10,000–19,999 Users
	ESA-ESO-1Y-S10	Email Security Outbound, 1 YR, 20,000–49,999 Users
	ESA-ESO-1Y-S11	Email Security Outbound, 1 YR, 50,000–99,999 Users
	ESA-ESO-1Y-S12	Email Security Outbound, 1 YR, 100,000+ Users
Email Security Outbound Bundle 3 Year SKUs	ESA-ESO-3Y-S1	Email Security Outbound, 3 YR, 100–199 Users
	ESA-ESO-3Y-S2	Email Security Outbound, 3 YR, 200–499 Users
	ESA-ESO-3Y-S3	Email Security Outbound, 3 YR, 500–999 Users
	ESA-ESO-3Y-S4	Email Security Outbound, 3 YR, 1,000–1,999 Users
	ESA-ESO-3Y-S5	Email Security Outbound, 3 YR, 2,000–2,999 Users
	ESA-ESO-3Y-S6	Email Security Outbound, 3 YR, 3,000–3,999 Users
	ESA-ESO-3Y-S7	Email Security Outbound, 3 YR, 4,000–4,999 Users
	ESA-ESO-3Y-S8	Email Security Outbound, 3 YR, 5,000–9,999 Users
	ESA-ESO-3Y-S9	Email Security Outbound, 3 YR, 10,000–19,999 Users
	ESA-ESO-3Y-S10	Email Security Outbound, 3 YR, 20,000–49,999 Users
	ESA-ESO-3Y-S11	Email Security Outbound, 3 YR, 50,000–99,999 Users
	ESA-ESO-3Y-S12	Email Security Outbound, 3 YR, 100,000+ Users
Email Security Outbound Bundle 5 Year SKUs	ESA-ESO-5Y-S1	Email Security Outbound, 5 YR, 100–199 Users
	ESA-ESO-5Y-S2	Email Security Outbound, 5 YR, 200–499 Users
	ESA-ESO-5Y-S3	Email Security Outbound, 5 YR, 500–999 Users
	ESA-ESO-5Y-S4	Email Security Outbound, 5 YR, 1,000–1,999 Users
	ESA-ESO-5Y-S5	Email Security Outbound, 5 YR, 2,000–2,999 Users
	ESA-ESO-5Y-S6	Email Security Outbound, 5 YR, 3,000–3,999 Users
	ESA-ESO-5Y-S7	Email Security Outbound, 5 YR, 4,000–4,999 Users
	ESA-ESO-5Y-S8	Email Security Outbound, 5 YR, 5,000–9,999 Users
	ESA-ESO-5Y-S9	Email Security Outbound, 5 YR, 10,000–19,999 Users
	ESA-ESO-5Y-S10	Email Security Outbound, 5 YR, 20,000–49,999 Users
	ESA-ESO-5Y-S11	Email Security Outbound, 5 YR, 50,000–99,999 Users
	ESA-ESO-5Y-S12	Email Security Outbound, 5 YR, 100,000+ Users

Table 3. Email Security Premium Bundle Software Subscription SKUs

Product	Subscription SKU	Description
Email Security Premium Bundle 1 Year SKUs	ESA-ESP-1Y-S1	Email Security Premium, 1 YR, 100–199 Users
	ESA-ESP-1Y-S2	Email Security Premium, 1 YR, 200–499 Users
	ESA-ESP-1Y-S3	Email Security Premium, 1 YR, 500–999 Users
	ESA-ESP-1Y-S4	Email Security Premium, 1 YR, 1,000–1,999 Users
	ESA-ESP-1Y-S5	Email Security Premium, 1 YR, 2,000–2,999 Users
	ESA-ESP-1Y-S6	Email Security Premium, 1 YR, 3,000–3,999 Users
	ESA-ESP-1Y-S7	Email Security Premium, 1 YR, 4,000–4,999 Users
	ESA-ESP-1Y-S8	Email Security Premium, 1 YR, 5,000–9,999 Users
	ESA-ESP-1Y-S9	Email Security Premium, 1 YR, 10,000–19,999 Users
	ESA-ESP-1Y-S10	Email Security Premium, 1 YR, 20,000–49,999 Users
	ESA-ESP-1Y-S11	Email Security Premium, 1 YR, 50,000–99,999 Users
	ESA-ESP-1Y-S12	Email Security Premium, 1 YR, 100,000+ Users
Email Security Premium Bundle 3 Year SKUs	ESA-ESP-3Y-S1	Email Security Premium, 3 YR, 100–199 Users
	ESA-ESP-3Y-S2	Email Security Premium, 3 YR, 200–499 Users
	ESA-ESP-3Y-S3	Email Security Premium, 3 YR, 500–999 Users
	ESA-ESP-3Y-S4	Email Security Premium, 3 YR, 1,000–1,999 Users
	ESA-ESP-3Y-S5	Email Security Premium, 3 YR, 2,000–2,999 Users
	ESA-ESP-3Y-S6	Email Security Premium, 3 YR, 3,000–3,999 Users
	ESA-ESP-3Y-S7	Email Security Premium, 3 YR, 4,000–4,999 Users
	ESA-ESP-3Y-S8	Email Security Premium, 3 YR, 5,000–9,999 Users
	ESA-ESP-3Y-S9	Email Security Premium, 3 YR, 10,000–19,999 Users
	ESA-ESP-3Y-S10	Email Security Premium, 3 YR, 20,000–49,999 Users
	ESA-ESP-3Y-S11	Email Security Premium, 3 YR, 50,000–99,999 Users
	ESA-ESP-3Y-S12	Email Security Premium, 3 YR, 100,000+ Users
Email Security Premium Bundle 5 Year SKUs	ESA-ESP-5Y-S1	Email Security Premium, 5 YR, 100–199 Users
	ESA-ESP-5Y-S2	Email Security Premium, 5 YR, 200–499 Users
	ESA-ESP-5Y-S3	Email Security Premium, 5 YR, 500–999 Users
	ESA-ESP-5Y-S4	Email Security Premium, 5 YR, 1,000–1,999 Users
	ESA-ESP-5Y-S5	Email Security Premium, 5 YR, 2,000–2,999 Users
	ESA-ESP-5Y-S6	Email Security Premium, 5 YR, 3,000–3,999 Users
	ESA-ESP-5Y-S7	Email Security Premium, 5 YR, 4,000–4,999 Users
	ESA-ESP-5Y-S8	Email Security Premium, 5 YR, 5,000–9,999 Users
	ESA-ESP-5Y-S9	Email Security Premium, 5 YR, 10,000–19,999 Users
	ESA-ESP-5Y-S10	Email Security Premium, 5 YR, 20,000–49,999 Users
	ESA-ESP-5Y-S11	Email Security Premium, 5 YR, 50,000–99,999 Users
	ESA-ESP-5Y-S12	Email Security Premium, 5 YR, 100,000+ Users

Table 4. Web Security Essentials Bundle Software Subscription SKUs

Product	Subscription SKU	Description
Web Security Essentials Bundle 1 Year SKUs	WSA-WSE-1Y-S1	Web Security Essentials, 1 YR, 100–199 Users
	WSA-WSE-1Y-S2	Web Security Essentials, 1 YR, 200–499 Users
	WSA-WSE-1Y-S3	Web Security Essentials, 1 YR, 500–999 Users
	WSA-WSE-1Y-S4	Web Security Essentials, 1 YR, 1,000–1,999 Users
	WSA-WSE-1Y-S5	Web Security Essentials, 1 YR, 2,000–2,999 Users
	WSA-WSE-1Y-S6	Web Security Essentials, 1 YR, 3,000–3,999 Users
	WSA-WSE-1Y-S7	Web Security Essentials, 1 YR, 4,000–4,999 Users
	WSA-WSE-1Y-S8	Web Security Essentials, 1 YR, 5,000–9,999 Users
	WSA-WSE-1Y-S9	Web Security Essentials, 1 YR, 10,000–19,999 Users
	WSA-WSE-1Y-S10	Web Security Essentials, 1 YR, 20,000–49,999 Users
	WSA-WSE-1Y-S11	Web Security Essentials, 1 YR, 50,000–99,999 Users
	WSA-WSE-1Y-S12	Web Security Essentials, 1 YR, 100,000–249,999 Users
	WSA-WSE-1Y-S13	Web Security Essentials, 1 YR, 250,000–499,999 Users
	WSA-WSE-1Y-S14	Web Security Essentials, 1 YR, 500,000–999,999 Users
	WSA-WSE-1Y-S15	Web Security Essentials, 1 YR, 1,000,000+ Users
Web Security Essentials Bundle 3 Year SKUs	WSA-WSE-3Y-S1	Web Security Essentials, 3 YR, 100–199 Users
	WSA-WSE-3Y-S2	Web Security Essentials, 3 YR, 200–499 Users
	WSA-WSE-3Y-S3	Web Security Essentials, 3 YR, 500–999 Users
	WSA-WSE-3Y-S4	Web Security Essentials, 3 YR, 1,000–1,999 Users
	WSA-WSE-3Y-S5	Web Security Essentials, 3 YR, 2,000–2,999 Users
	WSA-WSE-3Y-S6	Web Security Essentials, 3 YR, 3,000–3,999 Users
	WSA-WSE-3Y-S7	Web Security Essentials, 3 YR, 4,000–4,999 Users
	WSA-WSE-3Y-S8	Web Security Essentials, 3 YR, 5,000–9,999 Users
	WSA-WSE-3Y-S9	Web Security Essentials, 3 YR, 10,000–19,999 Users
	WSA-WSE-3Y-S10	Web Security Essentials, 3 YR, 20,000–49,999 Users
	WSA-WSE-3Y-S11	Web Security Essentials, 3 YR, 50,000–99,999 Users
	WSA-WSE-3Y-S12	Web Security Essentials, 3 YR, 100,000–249,999 Users
	WSA-WSE-3Y-S13	Web Security Essentials, 3 YR, 250,000–499,999 Users
	WSA-WSE-3Y-S14	Web Security Essentials, 3 YR, 500,000–999,999 Users
	WSA-WSE-3Y-S15	Web Security Essentials, 3 YR, 1,000,000+ Users
Web Security Essentials Bundle 5 Year SKUs	WSA-WSE-5Y-S1	Web Security Essentials, 5 YR, 100–199 Users
	WSA-WSE-5Y-S2	Web Security Essentials, 5 YR, 200–499 Users
	WSA-WSE-5Y-S3	Web Security Essentials, 5 YR, 500–999 Users
	WSA-WSE-5Y-S4	Web Security Essentials, 5 YR, 1,000–1,999 Users
	WSA-WSE-5Y-S5	Web Security Essentials, 5 YR, 2,000–2,999 Users
	WSA-WSE-5Y-S6	Web Security Essentials, 5 YR, 3,000–3,999 Users
	WSA-WSE-5Y-S7	Web Security Essentials, 5 YR, 4,000–4,999 Users
	WSA-WSE-5Y-S8	Web Security Essentials, 5 YR, 5,000–9,999 Users
	WSA-WSE-5Y-S9	Web Security Essentials, 5 YR, 10,000–19,999 Users
	WSA-WSE-5Y-S10	Web Security Essentials, 5 YR, 20,000–49,999 Users
	WSA-WSE-5Y-S11	Web Security Essentials, 5 YR, 50,000–99,999 Users
	WSA-WSE-5Y-S12	Web Security Essentials, 5 YR, 100,000–249,999 Users

Product	Subscription SKU	Description
	WSA-WSE-5Y-S13	Web Security Essentials, 5 YR, 250,000–499,999 Users
	WSA-WSE-5Y-S14	Web Security Essentials, 5 YR, 500,000–999,999 Users
	WSA-WSE-5Y-S15	Web Security Essentials, 5 YR, 1,000,000+ Users

Table 5. Web Security Premium Bundle Software Subscription SKU

Product	Subscription SKU	Description
Web Security Premium Bundle 1 Year SKUs	WSA-WSP-1Y-S1	Web Security Premium, 1 YR, 100–199 Users
	WSA-WSP-1Y-S2	Web Security Premium, 1 YR, 200–499 Users
	WSA-WSP-1Y-S3	Web Security Premium, 1 YR, 500–999 Users
	WSA-WSP-1Y-S4	Web Security Premium, 1 YR, 1,000–1,999 Users
	WSA-WSP-1Y-S5	Web Security Premium, 1 YR, 2,000–2,999 Users
	WSA-WSP-1Y-S6	Web Security Premium, 1 YR, 3,000–3,999 Users
	WSA-WSP-1Y-S7	Web Security Premium, 1 YR, 4,000–4,999 Users
	WSA-WSP-1Y-S8	Web Security Premium, 1 YR, 5,000–9,999 Users
	WSA-WSP-1Y-S9	Web Security Premium, 1 YR, 10,000–19,999 Users
	WSA-WSP-1Y-S10	Web Security Premium, 1 YR, 20,000–49,999 Users
	WSA-WSP-1Y-S11	Web Security Premium, 1 YR, 50,000–99,999 Users
	WSA-WSP-1Y-S12	Web Security Premium, 1 YR, 100,000–249,999 Users
	WSA-WSP-1Y-S13	Web Security Premium, 1 YR, 250,000–499,999 Users
	WSA-WSP-1Y-S14	Web Security Premium, 1 YR, 500,000–999,999 Users
	WSA-WSP-1Y-S15	Web Security Premium, 1 YR, 1,000,000+ Users
Web Security Premium Bundle 3 Year SKUs	WSA-WSP-3Y-S1	Web Security Premium, 3 YR, 100–199 Users
	WSA-WSP-3Y-S2	Web Security Premium, 3 YR, 200–499 Users
	WSA-WSP-3Y-S3	Web Security Premium, 3 YR, 500–999 Users
	WSA-WSP-3Y-S4	Web Security Premium, 3 YR, 1,000–1,999 Users
	WSA-WSP-3Y-S5	Web Security Premium, 3 YR, 2,000–2,999 Users
	WSA-WSP-3Y-S6	Web Security Premium, 3 YR, 3,000–3,999 Users
	WSA-WSP-3Y-S7	Web Security Premium, 3 YR, 4,000–4,999 Users
	WSA-WSP-3Y-S8	Web Security Premium, 3 YR, 5,000–9,999 Users
	WSA-WSP-3Y-S9	Web Security Premium, 3 YR, 10,000–19,999 Users
	WSA-WSP-3Y-S10	Web Security Premium, 3 YR, 20,000–49,999 Users
	WSA-WSP-3Y-S11	Web Security Premium, 3 YR, 50,000–99,999 Users
	WSA-WSP-3Y-S12	Web Security Premium, 3 YR, 100,000–249,999 Users
	WSA-WSP-3Y-S13	Web Security Premium, 3 YR, 250,000–499,999 Users
	WSA-WSP-3Y-S14	Web Security Premium, 3 YR, 500,000–999,999 Users
	WSA-WSP-3Y-S15	Web Security Premium, 3 YR, 1,000,000+ Users
Web Security Premium Bundle 5 Year SKUs	WSA-WSP-5Y-S1	Web Security Premium, 5 YR, 100–199 Users
	WSA-WSP-5Y-S2	Web Security Premium, 5 YR, 200–499 Users
	WSA-WSP-5Y-S3	Web Security Premium, 5 YR, 500–999 Users
	WSA-WSP-5Y-S4	Web Security Premium, 5 YR, 1,000–1,999 Users
	WSA-WSP-5Y-S5	Web Security Premium, 5 YR, 2,000–2,999 Users
	WSA-WSP-5Y-S6	Web Security Premium, 5 YR, 3,000–3,999 Users
	WSA-WSP-5Y-S7	Web Security Premium, 5 YR, 4,000–4,999 Users
	WSA-WSP-5Y-S8	Web Security Premium, 5 YR, 5,000–9,999 Users
	WSA-WSP-5Y-S9	Web Security Premium, 5 YR, 10,000–19,999 Users
	WSA-WSP-5Y-S10	Web Security Premium, 5 YR, 20,000–49,999 Users
	WSA-WSP-5Y-S11	Web Security Premium, 5 YR, 50,000–99,999 Users
	WSA-WSP-5Y-S12	Web Security Premium, 5 YR, 100,000–249,999 Users

Product	Subscription SKU	Description
	WSA-WSP-5Y-S13	Web Security Premium, 5 YR, 250,000–499,999 Users
	WSA-WSP-5Y-S14	Web Security Premium, 5 YR, 500,000–999,999 Users
	WSA-WSP-5Y-S15	Web Security Premium, 5 YR, 1,000,000+ Users

Table 6. Web Security Anti-Malware Bundle Software Subscription SKUs

Product	Subscription SKU	Description
Web Security Anti-Malware Bundle 1 Year SKUs	WSA-WSM-1Y-S1	Web Security Anti-Malware, 1 YR, 100–199 Users
	WSA-WSM-1Y-S2	Web Security Anti-Malware, 1 YR, 200–499 Users
	WSA-WSM-1Y-S3	Web Security Anti-Malware, 1 YR, 500–999 Users
	WSA-WSM-1Y-S4	Web Security Anti-Malware, 1 YR, 1,000–1,999 Users
	WSA-WSM-1Y-S5	Web Security Anti-Malware, 1 YR, 2,000–2,999 Users
	WSA-WSM-1Y-S6	Web Security Anti-Malware, 1 YR, 3,000–3,999 Users
	WSA-WSM-1Y-S7	Web Security Anti-Malware, 1 YR, 4,000–4,999 Users
	WSA-WSM-1Y-S8	Web Security Anti-Malware, 1 YR, 5,000–9,999 Users
	WSA-WSM-1Y-S9	Web Security Anti-Malware, 1 YR, 10,000–19,999 Users
	WSA-WSM-1Y-S10	Web Security Anti-Malware, 1 YR, 20,000–49,999 Users
	WSA-WSM-1Y-S11	Web Security Anti-Malware, 1 YR, 50,000–99,999 Users
	WSA-WSM-1Y-S12	Web Security Anti-Malware, 1 YR, 100,000–249,999 Users
	WSA-WSM-1Y-S13	Web Security Anti-Malware, 1 YR, 250,000–499,999 Users
	WSA-WSM-1Y-S14	Web Security Anti-Malware, 1 YR, 500,000–999,999 Users
	WSA-WSM-1Y-S15	Web Security Anti-Malware, 1 YR, 1,000,000+ Users
Web Security Anti-Malware Bundle 3 Year SKUs	WSA-WSM-3Y-S1	Web Security Anti-Malware, 3 YR, 100–199 Users
	WSA-WSM-3Y-S2	Web Security Anti-Malware, 3 YR, 200–499 Users
	WSA-WSM-3Y-S3	Web Security Anti-Malware, 3 YR, 500–999 Users
	WSA-WSM-3Y-S4	Web Security Anti-Malware, 3 YR, 1,000–1,999 Users
	WSA-WSM-3Y-S5	Web Security Anti-Malware, 3 YR, 2,000–2,999 Users
	WSA-WSM-3Y-S6	Web Security Anti-Malware, 3 YR, 3,000–3,999 Users
	WSA-WSM-3Y-S7	Web Security Anti-Malware, 3 YR, 4,000–4,999 Users
	WSA-WSM-3Y-S8	Web Security Anti-Malware, 3 YR, 5,000–9,999 Users
	WSA-WSM-3Y-S9	Web Security Anti-Malware, 3 YR, 10,000–19,999 Users
	WSA-WSM-3Y-S10	Web Security Anti-Malware, 3 YR, 20,000–49,999 Users
	WSA-WSM-3Y-S11	Web Security Anti-Malware, 3 YR, 50,000–99,999 Users
	WSA-WSM-3Y-S12	Web Security Anti-Malware, 3 YR, 100,000–249,999 Users
	WSA-WSM-3Y-S13	Web Security Anti-Malware, 3 YR, 250,000–499,999 Users
	WSA-WSM-3Y-S14	Web Security Anti-Malware, 3 YR, 500,000–999,999 Users
	WSA-WSM-3Y-S15	Web Security Anti-Malware, 3 YR, 1,000,000+ Users
Web Security Anti-Malware Bundle 5 Year SKUs	WSA-WSM-5Y-S1	Web Security Anti-Malware, 5 YR, 100–199 Users
	WSA-WSM-5Y-S2	Web Security Anti-Malware, 5 YR, 200–499 Users
	WSA-WSM-5Y-S3	Web Security Anti-Malware, 5 YR, 500–999 Users
	WSA-WSM-5Y-S4	Web Security Anti-Malware, 5 YR, 1,000–1,999 Users
	WSA-WSM-5Y-S5	Web Security Anti-Malware, 5 YR, 2,000–2,999 Users
	WSA-WSM-5Y-S6	Web Security Anti-Malware, 5 YR, 3,000–3,999 Users
	WSA-WSM-5Y-S7	Web Security Anti-Malware, 5 YR, 4,000–4,999 Users
	WSA-WSM-5Y-S8	Web Security Anti-Malware, 5 YR, 5,000–9,999 Users
	WSA-WSM-5Y-S9	Web Security Anti-Malware, 5 YR, 10,000–19,999 Users
	WSA-WSM-5Y-S10	Web Security Anti-Malware, 5 YR, 20,000–49,999 Users
	WSA-WSM-5Y-S11	Web Security Anti-Malware, 5 YR, 50,000–99,999 Users
	WSA-WSM-5Y-S12	Web Security Anti-Malware, 5 YR, 100,000–249,999 Users

Product	Subscription SKU	Description
	WSA-WSM-5Y-S13	Web Security Anti-Malware, 5 YR, 250,000–499,999 Users
	WSA-WSM-5Y-S14	Web Security Anti-Malware, 5 YR, 500,000–999,999 Users
	WSA-WSM-5Y-S15	Web Security Anti-Malware, 5 YR, 1,000,000+ Users

Table 7. Email Security Management Bundle Software Subscription SKUs

Product	Subscription SKU	Description
Email Security Management 1 Year SKUs	SMA-EMGT-1Y-S1	Email Security Management, 1 YR, 100–199 Users
	SMA-EMGT-1Y-S2	Email Security Management, 1 YR, 200–499 Users
	SMA-EMGT-1Y-S3	Email Security Management, 1 YR, 500–999 Users
	SMA-EMGT-1Y-S4	Email Security Management, 1 YR, 1,000–1,999 Users
	SMA-EMGT-1Y-S5	Email Security Management, 1 YR, 2,000–2,999 Users
	SMA-EMGT-1Y-S6	Email Security Management, 1 YR, 3,000–3,999 Users
	SMA-EMGT-1Y-S7	Email Security Management, 1 YR, 4,000–4,999 Users
	SMA-EMGT-1Y-S8	Email Security Management, 1 YR, 5,000–9,999 Users
	SMA-EMGT-1Y-S9	Email Security Management, 1 YR, 10,000–19,999 Users
	SMA-EMGT-1Y-S10	Email Security Management, 1 YR, 20,000–49,999 Users
	SMA-EMGT-1Y-S11	Email Security Management, 1 YR, 50,000–99,999 Users
	SMA-EMGT-1Y-S12	Email Security Management, 1 YR, Above 100,000 Users
Email Security Management 3 Year SKUs	SMA-EMGT-3Y-S1	Email Security Management, 3 YR, 100–199 Users
	SMA-EMGT-3Y-S2	Email Security Management, 3 YR, 200–499 Users
	SMA-EMGT-3Y-S3	Email Security Management, 3 YR, 500–999 Users
	SMA-EMGT-3Y-S4	Email Security Management, 3 YR, 1,000–1,999 Users
	SMA-EMGT-3Y-S5	Email Security Management, 3 YR, 2,000–2,999 Users
	SMA-EMGT-3Y-S6	Email Security Management, 3 YR, 3,000–3,999 Users
	SMA-EMGT-3Y-S7	Email Security Management, 3 YR, 4,000–4,999 Users
	SMA-EMGT-3Y-S8	Email Security Management, 3 YR, 5,000–9,999 Users
	SMA-EMGT-3Y-S9	Email Security Management, 3 YR, 10,000–19,999 Users
	SMA-EMGT-3Y-S10	Email Security Management, 3 YR, 20,000–49,999 Users
	SMA-EMGT-3Y-S11	Email Security Management, 3 YR, 50,000–99,999 Users
	SMA-EMGT-3Y-S12	Email Security Management, 3 YR, Above 100,000 Users
Email Security Management 5 Year SKUs	SMA-EMGT-5Y-S1	Email Security Management, 5 YR, 100–199 Users
	SMA-EMGT-5Y-S2	Email Security Management, 5 YR, 200–499 Users
	SMA-EMGT-5Y-S3	Email Security Management, 5 YR, 500–999 Users
	SMA-EMGT-5Y-S4	Email Security Management, 5 YR, 1,000–1,999 Users
	SMA-EMGT-5Y-S5	Email Security Management, 5 YR, 2,000–2,999 Users
	SMA-EMGT-5Y-S6	Email Security Management, 5 YR, 3,000–3,999 Users
	SMA-EMGT-5Y-S7	Email Security Management, 5 YR, 4,000–4,999 Users
	SMA-EMGT-5Y-S8	Email Security Management, 5 YR, 5,000–9,999 Users
	SMA-EMGT-5Y-S9	Email Security Management, 5 YR, 10,000–19,999 Users
	SMA-EMGT-5Y-S10	Email Security Management, 5 YR, 20,000–49,999 Users
	SMA-EMGT-5Y-S11	Email Security Management, 5 YR, 50,000–99,999 Users
	SMA-EMGT-5Y-S12	Email Security Management, 5 YR, Above 100,000 User

Table 8. Web Security Management Bundle Software Subscription SKUs

Product	Subscription SKU	Description
Web Security Management 1 Year SKUs	SMA-WMGT-1Y-S1	Web Security Management, 1 YR, 100–199 Users
	SMA-WMGT-1Y-S2	Web Security Management, 1 YR, 200–499 Users
	SMA-WMGT-1Y-S3	Web Security Management, 1 YR, 500–999 Users
	SMA-WMGT-1Y-S4	Web Security Management, 1 YR, 1,000–1,999 Users
	SMA-WMGT-1Y-S5	Web Security Management, 1 YR, 2,000–2,999 Users
	SMA-WMGT-1Y-S6	Web Security Management, 1 YR, 3,000–3,999 Users
	SMA-WMGT-1Y-S7	Web Security Management, 1 YR, 4,000–4,999 Users
	SMA-WMGT-1Y-S8	Web Security Management, 1 YR, 5,000–9,999 Users
	SMA-WMGT-1Y-S9	Web Security Management, 1 YR, 10,000–19,999 Users
	SMA-WMGT-1Y-S10	Web Security Management, 1 YR, 20,000–49,999 Users
	SMA-WMGT-1Y-S11	Web Security Management, 1 YR, 50,000–99,999 Users
	SMA-WMGT-1Y-S12	Web Security Management, 1 YR, Above 100,000 Users
Web Security Management 3 Year SKUs	SMA-WMGT-3Y-S1	Web Security Management, 3 YR, 100–199 Users
	SMA-WMGT-3Y-S2	Web Security Management, 3 YR, 200–499 Users
	SMA-WMGT-3Y-S3	Web Security Management, 3 YR, 500–999 Users
	SMA-WMGT-3Y-S4	Web Security Management, 3 YR, 1,000–1,999 Users
	SMA-WMGT-3Y-S5	Web Security Management, 3 YR, 2,000–2,999 Users
	SMA-WMGT-3Y-S6	Web Security Management, 3 YR, 3,000–3,999 Users
	SMA-WMGT-3Y-S7	Web Security Management, 3 YR, 4,000–4,999 Users
	SMA-WMGT-3Y-S8	Web Security Management, 3 YR, 5,000–9,999 Users
	SMA-WMGT-3Y-S9	Web Security Management, 3 YR, 10,000–19,999 Users
	SMA-WMGT-3Y-S10	Web Security Management, 3 YR, 20,000–49,999 Users
	SMA-WMGT-3Y-S11	Web Security Management, 3 YR, 50,000–99,999 Users
	SMA-WMGT-3Y-S12	Web Security Management, 3 YR, Above 100,000 Users
Web Security Management 5 Year SKUs	SMA-WMGT-5Y-S1	Web Security Management, 5 YR, 100–199 Users
	SMA-WMGT-5Y-S2	Web Security Management, 5 YR, 200–499 Users
	SMA-WMGT-5Y-S3	Web Security Management, 5 YR, 500–999 Users
	SMA-WMGT-5Y-S4	Web Security Management, 5 YR, 1,000–1,999 Users
	SMA-WMGT-5Y-S5	Web Security Management, 5 YR, 2,000–2,999 Users
	SMA-WMGT-5Y-S6	Web Security Management, 5 YR, 3,000–3,999 Users
	SMA-WMGT-5Y-S7	Web Security Management, 5 YR, 4,000–4,999 Users
	SMA-WMGT-5Y-S8	Web Security Management, 5 YR, 5,000–9,999 Users
	SMA-WMGT-5Y-S9	Web Security Management, 5 YR, 10,000–19,999 Users
	SMA-WMGT-5Y-S10	Web Security Management, 5 YR, 20,000–49,999 Users
	SMA-WMGT-5Y-S11	Web Security Management, 5 YR, 50,000–99,999 Users
	SMA-WMGT-5Y-S12	Web Security Management, 5 YR, Above 100,000 Users

Table 9. Web Security Anti-Malware (A-La-Carte) Software Subscription SKUs

Product	Subscription SKU	Description
McAfee Anti-Malware (a la carte) 1 Year SKUs	WSA-AMM-1Y-S1	McAfee Anti-Malware (a la carte), 1 YR, 100–199 Users
	WSA-AMM-1Y-S2	McAfee Anti-Malware (a la carte), 1 YR, 200–499 Users
	WSA-AMM-1Y-S3	McAfee Anti-Malware (a la carte), 1 YR, 500–999 Users
	WSA-AMM-1Y-S4	McAfee Anti-Malware (a la carte), 1 YR, 1,000–1,999 Users
	WSA-AMM-1Y-S5	McAfee Anti-Malware (a la carte), 1 YR, 2,000–2,999 Users
	WSA-AMM-1Y-S6	McAfee Anti-Malware (a la carte), 1 YR, 3,000–3,999 Users
	WSA-AMM-1Y-S7	McAfee Anti-Malware (a la carte), 1 YR, 4,000–4,999 Users
	WSA-AMM-1Y-S8	McAfee Anti-Malware (a la carte), 1 YR, 5,000–9,999 Users
	WSA-AMM-1Y-S9	McAfee Anti-Malware (a la carte), 1 YR, 10,000–19,999 Users
	WSA-AMM-1Y-S10	McAfee Anti-Malware (a la carte), 1 YR, 20,000–49,999 Users
	WSA-AMM-1Y-S11	McAfee Anti-Malware (a la carte), 1 YR, 50,000–99,999 Users
	WSA-AMM-1Y-S12	McAfee Anti-Malware (a la carte), 1 YR, Above 100,000 Users
McAfee Anti-Malware (a la carte) 3 Year SKUs	WSA-AMM-3Y-S1	McAfee Anti-Malware (a la carte), 3 YR, 100–199 Users
	WSA-AMM-3Y-S2	McAfee Anti-Malware (a la carte), 3 YR, 200–499 Users
	WSA-AMM-3Y-S3	McAfee Anti-Malware (a la carte), 3 YR, 500–999 Users
	WSA-AMM-3Y-S4	McAfee Anti-Malware (a la carte), 3 YR, 1,000–1,999 Users
	WSA-AMM-3Y-S5	McAfee Anti-Malware (a la carte), 3 YR, 2,000–2,999 Users
	WSA-AMM-3Y-S6	McAfee Anti-Malware (a la carte), 3 YR, 3,000–3,999 Users
	WSA-AMM-3Y-S7	McAfee Anti-Malware (a la carte), 3 YR, 4,000–4,999 Users
	WSA-AMM-3Y-S8	McAfee Anti-Malware (a la carte), 3 YR, 5,000–9,999 Users
	WSA-AMM-3Y-S9	McAfee Anti-Malware (a la carte), 3 YR, 10,000–19,999 Users
	WSA-AMM-3Y-S10	McAfee Anti-Malware (a la carte), 3 YR, 20,000–49,999 Users
	WSA-AMM-3Y-S11	McAfee Anti-Malware (a la carte), 3 YR, 50,000–99,999 Users
	WSA-AMM-3Y-S12	McAfee Anti-Malware (a la carte), 3 YR, Above 100,000 Users
McAfee Anti-Malware (a la carte) 5 Year SKUs	WSA-AMM-5Y-S1	McAfee Anti-Malware (a la carte), 5 YR, 100–199 Users
	WSA-AMM-5Y-S2	McAfee Anti-Malware (a la carte), 5 YR, 200–499 Users
	WSA-AMM-5Y-S3	McAfee Anti-Malware (a la carte), 5 YR, 500–999 Users
	WSA-AMM-5Y-S4	McAfee Anti-Malware (a la carte), 5 YR, 1,000–1,999 Users
	WSA-AMM-5Y-S5	McAfee Anti-Malware (a la carte), 5 YR, 2,000–2,999 Users
	WSA-AMM-5Y-S6	McAfee Anti-Malware (a la carte), 5 YR, 3,000–3,999 Users
	WSA-AMM-5Y-S7	McAfee Anti-Malware (a la carte), 5 YR, 4,000–4,999 Users
	WSA-AMM-5Y-S8	McAfee Anti-Malware (a la carte), 5 YR, 5,000–9,999 Users
	WSA-AMM-5Y-S9	McAfee Anti-Malware (a la carte), 5 YR, 10,000–19,999 Users
	WSA-AMM-5Y-S10	McAfee Anti-Malware (a la carte), 5 YR, 20,000–49,999 Users
	WSA-AMM-5Y-S11	McAfee Anti-Malware (a la carte), 5 YR, 50,000–99,999 Users
	WSA-AMM-5Y-S12	McAfee Anti-Malware (a la carte), 5 YR, Above 100,000 Users

Table 10. Data Loss Prevention (A-La-Carte) Software Subscription SKUs

Product	Subscription SKU	Description
Data Loss Prevention (a la carte) 1 Year SKUs	ESA-DLP-1Y-S1	Data Loss Prevention (a la carte), 1 YR, 100–199 Users
	ESA-DLP-1Y-S2	Data Loss Prevention (a la carte), 1 YR, 200–499 Users
	ESA-DLP-1Y-S3	Data Loss Prevention (a la carte), 1 YR, 500–999 Users
	ESA-DLP-1Y-S4	Data Loss Prevention (a la carte), 1 YR, 1,000–1,999 Users
	ESA-DLP-1Y-S5	Data Loss Prevention (a la carte), 1 YR, 2,000–2,999 Users
	ESA-DLP-1Y-S6	Data Loss Prevention (a la carte), 1 YR, 3,000–3,999 Users
	ESA-DLP-1Y-S7	Data Loss Prevention (a la carte), 1 YR, 4,000–4,999 Users
	ESA-DLP-1Y-S8	Data Loss Prevention (a la carte), 1 YR, 5,000–9,999 Users
	ESA-DLP-1Y-S9	Data Loss Prevention (a la carte), 1 YR, 10,000–19,999 Users
	ESA-DLP-1Y-S10	Data Loss Prevention (a la carte), 1 YR, 20,000–49,999 Users
	ESA-DLP-1Y-S11	Data Loss Prevention (a la carte), 1 YR, 50,000–99,999 Users
	ESA-DLP-1Y-S12	Data Loss Prevention (a la carte), 1 YR, 100,000–249,999 Users
	ESA-DLP-1Y-S13	Data Loss Prevention (a la carte), 1 YR, 250,000–499,999 Users
	ESA-DLP-1Y-S14	Data Loss Prevention (a la carte), 1 YR, 500,000–999,999 Users
	ESA-DLP-1Y-S15	Data Loss Prevention (a la carte), 1 YR, 1,000,000+ Users
Data Loss Prevention (a la carte) 3 Year SKUs	ESA-DLP-3Y-S1	Data Loss Prevention (a la carte), 3 YR, 100–199 Users
	ESA-DLP-3Y-S2	Data Loss Prevention (a la carte), 3 YR, 200–499 Users
	ESA-DLP-3Y-S3	Data Loss Prevention (a la carte), 3 YR, 500–999 Users
	ESA-DLP-3Y-S4	Data Loss Prevention (a la carte), 3 YR, 1,000–1,999 Users
	ESA-DLP-3Y-S5	Data Loss Prevention (a la carte), 3 YR, 2,000–2,999 Users
	ESA-DLP-3Y-S6	Data Loss Prevention (a la carte), 3 YR, 3,000–3,999 Users
	ESA-DLP-3Y-S7	Data Loss Prevention (a la carte), 3 YR, 4,000–4,999 Users
	ESA-DLP-3Y-S8	Data Loss Prevention (a la carte), 3 YR, 5,000–9,999 Users
	ESA-DLP-3Y-S9	Data Loss Prevention (a la carte), 3 YR, 10,000–19,999 Users
	ESA-DLP-3Y-S10	Data Loss Prevention (a la carte), 3 YR, 20,000–49,999 Users
	ESA-DLP-3Y-S11	Data Loss Prevention (a la carte), 3 YR, 50,000–99,999 Users
	ESA-DLP-3Y-S12	Data Loss Prevention (a la carte), 3 YR, 100,000–249,999 Users
	ESA-DLP-3Y-S13	Data Loss Prevention (a la carte), 3 YR, 250,000–499,999 Users
	ESA-DLP-3Y-S14	Data Loss Prevention (a la carte), 3 YR, 500,000–999,999 Users
	ESA-DLP-3Y-S15	Data Loss Prevention (a la carte), 3 YR, 1,000,000+ Users

Product	Subscription SKU	Description
Data Loss Prevention (a la carte) 5 Year SKUs	ESA-DLP-5Y-S1	Data Loss Prevention (a la carte), 5 YR, 100–199 Users
	ESA-DLP-5Y-S2	Data Loss Prevention (a la carte), 5 YR, 200–499 Users
	ESA-DLP-5Y-S3	Data Loss Prevention (a la carte), 5 YR, 500–999 Users
	ESA-DLP-5Y-S4	Data Loss Prevention (a la carte), 5 YR, 1,000–1,999 Users
	ESA-DLP-5Y-S5	Data Loss Prevention (a la carte), 5 YR, 2,000–2,999 Users
	ESA-DLP-5Y-S6	Data Loss Prevention (a la carte), 5 YR, 3,000–3,999 Users
	ESA-DLP-5Y-S7	Data Loss Prevention (a la carte), 5 YR, 4,000–4,999 Users
	ESA-DLP-5Y-S8	Data Loss Prevention (a la carte), 5 YR, 5,000–9,999 Users
	ESA-DLP-5Y-S9	Data Loss Prevention (a la carte), 5 YR, 10,000–19,999 Users
	ESA-DLP-5Y-S10	Data Loss Prevention (a la carte), 5 YR, 20,000–49,999 Users
	ESA-DLP-5Y-S11	Data Loss Prevention (a la carte), 5 YR, 50,000–99,999 Users
	ESA-DLP-5Y-S12	Data Loss Prevention (a la carte), 5 YR, 100,000–249,999 Users
	ESA-DLP-5Y-S13	Data Loss Prevention (a la carte), 5 YR, 250,000–499,999 Users
	ESA-DLP-5Y-S14	Data Loss Prevention (a la carte), 5 YR, 500,000–999,999 Users
	ESA-DLP-5Y-S15	Data Loss Prevention (a la carte), 5 YR, 1,000,000+ Users

Table 11. Email Encryption (A-La-Carte) Software Subscription SKUs

Product	Subscription SKU	Description
Email Encryption (a la carte) 1 Year SKUs	ESA-ENC-1Y-S1-K9	Email Encryption (a la carte), 1 YR, 100–199 Users
	ESA-ENC-1Y-S2-K9	Email Encryption (a la carte), 1 YR, 200–499 Users
	ESA-ENC-1Y-S3-K9	Email Encryption (a la carte), 1 YR, 500–999 Users
	ESA-ENC-1Y-S4-K9	Email Encryption (a la carte), 1 YR, 1,000–1,999 Users
	ESA-ENC-1Y-S5-K9	Email Encryption (a la carte), 1 YR, 2,000–2,999 Users
	ESA-ENC-1Y-S6-K9	Email Encryption (a la carte), 1 YR, 3,000–3,999 Users
	ESA-ENC-1Y-S7-K9	Email Encryption (a la carte), 1 YR, 4,000–4,999 Users
	ESA-ENC-1Y-S8-K9	Email Encryption (a la carte), 1 YR, 5,000–9,999 Users
	ESA-ENC-1Y-S9-K9	Email Encryption (a la carte), 1 YR, 10,000–19,999 Users
	ESA-ENC-1Y-S10-K9	Email Encryption (a la carte), 1 YR, 20,000–49,999 Users
	ESA-ENC-1Y-S11-K9	Email Encryption (a la carte), 1 YR, 50,000–99,999 Users
	ESA-ENC-1Y-S12-K9	Email Encryption (a la carte), 1 YR, 100,000–249,999 Users
	ESA-ENC-1Y-S13-K9	Email Encryption (a la carte), 1 YR, 250,000–499,999 Users
	ESA-ENC-1Y-S14-K9	Email Encryption (a la carte), 1 YR, 500,000–999,999 Users
	ESA-ENC-1Y-S15-K9	Email Encryption (a la carte), 1 YR, 1,000,000+ Users
Email Encryption (a la carte) 3 Year SKUs	ESA-ENC-3Y-S1-K9	Email Encryption (a la carte), 3 YR, 100–199 Users
	ESA-ENC-3Y-S2-K9	Email Encryption (a la carte), 3 YR, 200–499 Users
	ESA-ENC-3Y-S3-K9	Email Encryption (a la carte), 3 YR, 500–999 Users
	ESA-ENC-3Y-S4-K9	Email Encryption (a la carte), 3 YR, 1,000–1,999 Users
	ESA-ENC-3Y-S5-K9	Email Encryption (a la carte), 3 YR, 2,000–2,999 Users
	ESA-ENC-3Y-S6-K9	Email Encryption (a la carte), 3 YR, 3,000–3,999 Users
	ESA-ENC-3Y-S7-K9	Email Encryption (a la carte), 3 YR, 4,000–4,999 Users
	ESA-ENC-3Y-S8-K9	Email Encryption (a la carte), 3 YR, 5,000–9,999 Users
	ESA-ENC-3Y-S9-K9	Email Encryption (a la carte), 3 YR, 10,000–19,999 Users

Product	Subscription SKU	Description
	ESA-ENC-3Y-S10-K9	Email Encryption (a la carte), 3 YR, 20,000–49,999 Users
	ESA-ENC-3Y-S11-K9	Email Encryption (a la carte), 3 YR, 50,000–99,999 Users
	ESA-ENC-3Y-S12-K9	Email Encryption (a la carte), 3 YR, 100,000–249,999 Users
	ESA-ENC-3Y-S13-K9	Email Encryption (a la carte), 3 YR, 250,000–499,999 Users
	ESA-ENC-3Y-S14-K9	Email Encryption (a la carte), 3 YR, 500,000–999,999 Users
	ESA-ENC-3Y-S15-K9	Email Encryption (a la carte), 3 YR, 1,000,000+ Users

Product	Subscription SKU	Description
Email Encryption (a la carte) 5 Year SKUs	ESA-ENC-5Y-S1-K9	Email Encryption (a la carte), 5 YR, 100–199 Users
	ESA-ENC-5Y-S2-K9	Email Encryption (a la carte), 5 YR, 200–499 Users
	ESA-ENC-5Y-S3-K9	Email Encryption (a la carte), 5 YR, 500–999 Users
	ESA-ENC-5Y-S4-K9	Email Encryption (a la carte), 5 YR, 1,000–1,999 Users
	ESA-ENC-5Y-S5-K9	Email Encryption (a la carte), 5 YR, 2,000–2,999 Users
	ESA-ENC-5Y-S6-K9	Email Encryption (a la carte), 5 YR, 3,000–3,999 Users
	ESA-ENC-5Y-S7-K9	Email Encryption (a la carte), 5 YR, 4,000–4,999 Users
	ESA-ENC-5Y-S8-K9	Email Encryption (a la carte), 5 YR, 5,000–9,999 Users
	ESA-ENC-5Y-S9-K9	Email Encryption (a la carte), 5 YR, 10,000–19,999 Users
	ESA-ENC-5Y-S10-K9	Email Encryption (a la carte), 5 YR, 20,000–49,999 Users
	ESA-ENC-5Y-S11-K9	Email Encryption (a la carte), 5 YR, 50,000–99,999 Users
	ESA-ENC-5Y-S12-K9	Email Encryption (a la carte), 5 YR, 100,000–249,999 Users
	ESA-ENC-5Y-S13-K9	Email Encryption (a la carte), 5 YR, 250,000–499,999 Users
	ESA-ENC-5Y-S14-K9	Email Encryption (a la carte), 5 YR, 500,000–999,999 Users
	ESA-ENC-5Y-S15-K9	Email Encryption (a la carte), 5 YR, 1,000,000+ Users

Table 12. Cloudmark Anti-Spam (A-La-Carte) Software Subscription SKU

Product	Subscription SKU	Description
Cloudmark Anti-Spam (a la carte) 1 Year SKUs	ESA-CLM-1Y-S1	Cloudmark Anti-Spam (a la carte), 1 YR, 100–199 Users
	ESA-CLM-1Y-S2	Cloudmark Anti-Spam (a la carte), 1 YR, 200–499 Users
	ESA-CLM-1Y-S3	Cloudmark Anti-Spam (a la carte), 1 YR, 500–999 Users
	ESA-CLM-1Y-S4	Cloudmark Anti-Spam (a la carte), 1 YR, 1,000–1,999 Users
	ESA-CLM-1Y-S5	Cloudmark Anti-Spam (a la carte), 1 YR, 2,000–2,999 Users
	ESA-CLM-1Y-S6	Cloudmark Anti-Spam (a la carte), 1 YR, 3,000–3,999 Users
	ESA-CLM-1Y-S7	Cloudmark Anti-Spam (a la carte), 1 YR, 4,000–4,999 Users
	ESA-CLM-1Y-S8	Cloudmark Anti-Spam (a la carte), 1 YR, 5,000–9,999 Users
	ESA-CLM-1Y-S9	Cloudmark Anti-Spam (a la carte), 1 YR, 10,000–19,999 Users
	ESA-CLM-1Y-S10	Cloudmark Anti-Spam (a la carte), 1 YR, 20,000–49,999 Users
	ESA-CLM-1Y-S11	Cloudmark Anti-Spam (a la carte), 1 YR, 50,000–99,999 Users
	ESA-CLM-1Y-S12	Cloudmark Anti-Spam (a la carte), 1 YR, 100,000–249,999 Users
	ESA-CLM-1Y-S13	Cloudmark Anti-Spam (a la carte), 1 YR, 250,000–499,999 Users
	ESA-CLM-1Y-S14	Cloudmark Anti-Spam (a la carte), 1 YR, 500,000–999,999 Users
	ESA-CLM-1Y-S15	Cloudmark Anti-Spam (a la carte), 1 YR, 1,000,000+ Users
Cloudmark Anti-Spam (a la carte) 3 Year SKUs	ESA-CLM-3Y-S1	Cloudmark Anti-Spam (a la carte), 3 YR, 100–199 Users
	ESA-CLM-3Y-S2	Cloudmark Anti-Spam (a la carte), 3 YR, 200–499 Users
	ESA-CLM-3Y-S3	Cloudmark Anti-Spam (a la carte), 3 YR, 500–999 Users
	ESA-CLM-3Y-S4	Cloudmark Anti-Spam (a la carte), 3 YR, 1,000–1,999 Users
	ESA-CLM-3Y-S5	Cloudmark Anti-Spam (a la carte), 3 YR, 2,000–2,999 Users

Product	Subscription SKU	Description
	ESA-CLM-3Y-S6	Cloudmark Anti-Spam (a la carte), 3 YR, 3,000–3,999 Users
	ESA-CLM-3Y-S7	Cloudmark Anti-Spam (a la carte), 3 YR, 4,000–4,999 Users
	ESA-CLM-3Y-S8	Cloudmark Anti-Spam (a la carte), 3 YR, 5,000–9,999 Users
	ESA-CLM-3Y-S9	Cloudmark Anti-Spam (a la carte), 3 YR, 10,000–19,999 Users
	ESA-CLM-3Y-S10	Cloudmark Anti-Spam (a la carte), 3 YR, 20,000–49,999 Users
	ESA-CLM-3Y-S11	Cloudmark Anti-Spam (a la carte), 3 YR, 50,000–99,999 Users
	ESA-CLM-3Y-S12	Cloudmark Anti-Spam (a la carte), 3 YR, 100,000–249,999 Users
	ESA-CLM-3Y-S13	Cloudmark Anti-Spam (a la carte), 3 YR, 250,000–499,999 Users
	ESA-CLM-3Y-S14	Cloudmark Anti-Spam (a la carte), 3 YR, 500,000–999,999 Users
	ESA-CLM-3Y-S15	Cloudmark Anti-Spam (a la carte), 3 YR, 1,000,000+ Users

Table 13. Image Analyzer (A-La-Carte) Software Subscription SKUs

Product	Subscription SKU	Description
Image Analyzer (a la carte) 1 Year SKUs	ESA-IA-1Y-S1	Image Analyzer (a la carte), 1 YR, 100–199 Users
	ESA-IA-1Y-S2	Image Analyzer (a la carte), 1 YR, 200–499 Users
	ESA-IA-1Y-S3	Image Analyzer (a la carte), 1 YR, 500–999 Users
	ESA-IA-1Y-S4	Image Analyzer (a la carte), 1 YR, 1,000–1,999 Users
	ESA-IA-1Y-S5	Image Analyzer (a la carte), 1 YR, 2,000–2,999 Users
	ESA-IA-1Y-S6	Image Analyzer (a la carte), 1 YR, 3,000–3,999 Users
	ESA-IA-1Y-S7	Image Analyzer (a la carte), 1 YR, 4,000–4,999 Users
	ESA-IA-1Y-S8	Image Analyzer (a la carte), 1 YR, 5,000–9,999 Users
	ESA-IA-1Y-S9	Image Analyzer (a la carte), 1 YR, 10,000–19,999 Users
	ESA-IA-1Y-S10	Image Analyzer (a la carte), 1 YR, 20,000–49,999 Users
	ESA-IA-1Y-S11	Image Analyzer (a la carte), 1 YR, 50,000–99,999 Users
	ESA-IA-1Y-S12	Image Analyzer (a la carte), 1 YR, 100,000–249,999 Users
	ESA-IA-1Y-S13	Image Analyzer (a la carte), 1 YR, 250,000–499,999 Users
	ESA-IA-1Y-S14	Image Analyzer (a la carte), 1 YR, 500,000–999,999 Users
	ESA-IA-1Y-S15	Image Analyzer (a la carte), 1 YR, 1,000,000+ Users
Image Analyzer (a la carte) 3 Year SKUs	ESA-IA-3Y-S1	Image Analyzer (a la carte), 3 YR, 100–199 Users
	ESA-IA-3Y-S2	Image Analyzer (a la carte), 3 YR, 200–499 Users
	ESA-IA-3Y-S3	Image Analyzer (a la carte), 3 YR, 500–999 Users
	ESA-IA-3Y-S4	Image Analyzer (a la carte), 3 YR, 1,000–1,999 Users
	ESA-IA-3Y-S5	Image Analyzer (a la carte), 3 YR, 2,000–2,999 Users
	ESA-IA-3Y-S6	Image Analyzer (a la carte), 3 YR, 3,000–3,999 Users
	ESA-IA-3Y-S7	Image Analyzer (a la carte), 3 YR, 4,000–4,999 Users
	ESA-IA-3Y-S8	Image Analyzer (a la carte), 3 YR, 5,000–9,999 Users
	ESA-IA-3Y-S9	Image Analyzer (a la carte), 3 YR, 10,000–19,999 Users
	ESA-IA-3Y-S10	Image Analyzer (a la carte), 3 YR, 20,000–49,999 Users
	ESA-IA-3Y-S11	Image Analyzer (a la carte), 3 YR, 50,000–99,999 Users
	ESA-IA-3Y-S12	Image Analyzer (a la carte), 3 YR, 100,000–249,999 Users
	ESA-IA-3Y-S13	Image Analyzer (a la carte), 3 YR, 250,000–499,999 Users
	ESA-IA-3Y-S14	Image Analyzer (a la carte), 3 YR, 500,000–999,999 Users
	ESA-IA-3Y-S15	Image Analyzer (a la carte), 3 YR, 1,000,000+ Users
Image Analyzer (a la carte) 5 Year SKUs	ESA-IA-5Y-S1	Image Analyzer (a la carte), 5 YR, 100–199 Users
	ESA-IA-5Y-S2	Image Analyzer (a la carte), 5 YR, 200–499 Users
	ESA-IA-5Y-S3	Image Analyzer (a la carte), 5 YR, 500–999 Users
	ESA-IA-5Y-S4	Image Analyzer (a la carte), 5 YR, 1,000–1,999 Users
	ESA-IA-5Y-S5	Image Analyzer (a la carte), 5 YR, 2,000–2,999 Users
	ESA-IA-5Y-S6	Image Analyzer (a la carte), 5 YR, 3,000–3,999 Users
	ESA-IA-5Y-S7	Image Analyzer (a la carte), 5 YR, 4,000–4,999 Users
	ESA-IA-5Y-S8	Image Analyzer (a la carte), 5 YR, 5,000–9,999 Users
	ESA-IA-5Y-S9	Image Analyzer (a la carte), 5 YR, 10,000–19,999 Users
	ESA-IA-5Y-S10	Image Analyzer (a la carte), 5 YR, 20,000–49,999 Users
	ESA-IA-5Y-S11	Image Analyzer (a la carte), 5 YR, 50,000–99,999 Users
	ESA-IA-5Y-S12	Image Analyzer (a la carte), 5 YR, 100,000–249,999 Users

Product	Subscription SKU	Description
	ESA-IA-5Y-S13	Image Analyzer (a la carte), 5 YR, 250,000–499,999 Users
	ESA-IA-5Y-S14	Image Analyzer (a la carte), 5 YR, 500,000–999,999 Users
	ESA-IA-5Y-S15	Image Analyzer (a la carte), 5 YR, 1,000,000+ Users

Table 14. McAfee Anti-Virus (A-La-Carte) Software Subscription SKUs

Product	Subscription SKU	Description
McAfee Anti-Virus (a la carte) 1 Year SKUs	ESA-MFE-1Y-S1	McAfee Anti-Virus (a la carte), 1 YR, 100–199 Users
	ESA-MFE-1Y-S2	McAfee Anti-Virus (a la carte), 1 YR, 200–499 Users
	ESA-MFE-1Y-S3	McAfee Anti-Virus (a la carte), 1 YR, 500–999 Users
	ESA-MFE-1Y-S4	McAfee Anti-Virus (a la carte), 1 YR, 1,000–1,999 Users
	ESA-MFE-1Y-S5	McAfee Anti-Virus (a la carte), 1 YR, 2,000–2,999 Users
	ESA-MFE-1Y-S6	McAfee Anti-Virus (a la carte), 1 YR, 3,000–3,999 Users
	ESA-MFE-1Y-S7	McAfee Anti-Virus (a la carte), 1 YR, 4,000–4,999 Users
	ESA-MFE-1Y-S8	McAfee Anti-Virus (a la carte), 1 YR, 5,000–9,999 Users
	ESA-MFE-1Y-S9	McAfee Anti-Virus (a la carte), 1 YR, 10,000–19,999 Users
	ESA-MFE-1Y-S10	McAfee Anti-Virus (a la carte), 1 YR, 20,000–49,999 Users
	ESA-MFE-1Y-S11	McAfee Anti-Virus (a la carte), 1 YR, 50,000–99,999 Users
	ESA-MFE-1Y-S12	McAfee Anti-Virus (a la carte), 1 YR, 100,000–249,999 Users
	ESA-MFE-1Y-S13	McAfee Anti-Virus (a la carte), 1 YR, 250,000–499,999 Users
	ESA-MFE-1Y-S14	McAfee Anti-Virus (a la carte), 1 YR, 500,000–999,999 Users
	ESA-MFE-1Y-S15	McAfee Anti-Virus (a la carte), 1 YR, 1,000,000+ Users
McAfee Anti-Virus (a la carte) 3 Year SKUs	ESA-MFE-3Y-S1	McAfee Anti-Virus (a la carte), 3 YR, 100–199 Users
	ESA-MFE-3Y-S2	McAfee Anti-Virus (a la carte), 3 YR, 200–499 Users
	ESA-MFE-3Y-S3	McAfee Anti-Virus (a la carte), 3 YR, 500–999 Users
	ESA-MFE-3Y-S4	McAfee Anti-Virus (a la carte), 3 YR, 1,000–1,999 Users
	ESA-MFE-3Y-S5	McAfee Anti-Virus (a la carte), 3 YR, 2,000–2,999 Users
	ESA-MFE-3Y-S6	McAfee Anti-Virus (a la carte), 3 YR, 3,000–3,999 Users
	ESA-MFE-3Y-S7	McAfee Anti-Virus (a la carte), 3 YR, 4,000–4,999 Users
	ESA-MFE-3Y-S8	McAfee Anti-Virus (a la carte), 3 YR, 5,000–9,999 Users
	ESA-MFE-3Y-S9	McAfee Anti-Virus (a la carte), 3 YR, 10,000–19,999 Users
	ESA-MFE-3Y-S10	McAfee Anti-Virus (a la carte), 3 YR, 20,000–49,999 Users
	ESA-MFE-3Y-S11	McAfee Anti-Virus (a la carte), 3 YR, 50,000–99,999 Users
	ESA-MFE-3Y-S12	McAfee Anti-Virus (a la carte), 3 YR, 100,000–249,999 Users
	ESA-MFE-3Y-S13	McAfee Anti-Virus (a la carte), 3 YR, 250,000–499,999 Users
	ESA-MFE-3Y-S14	McAfee Anti-Virus (a la carte), 3 YR, 500,000–999,999 Users
	ESA-MFE-3Y-S15	McAfee Anti-Virus (a la carte), 3 YR, 1,000,000+ Users
McAfee Anti-Virus (a la carte) 5 Year SKUs	ESA-MFE-5Y-S1	McAfee Anti-Virus (a la carte), 5 YR, 100–199 Users
	ESA-MFE-5Y-S2	McAfee Anti-Virus (a la carte), 5 YR, 200–499 Users
	ESA-MFE-5Y-S3	McAfee Anti-Virus (a la carte), 5 YR, 500–999 Users
	ESA-MFE-5Y-S4	McAfee Anti-Virus (a la carte), 5 YR, 1,000–1,999 Users
	ESA-MFE-5Y-S5	McAfee Anti-Virus (a la carte), 5 YR, 2,000–2,999 Users
	ESA-MFE-5Y-S6	McAfee Anti-Virus (a la carte), 5 YR, 3,000–3,999 Users
	ESA-MFE-5Y-S7	McAfee Anti-Virus (a la carte), 5 YR, 4,000–4,999 Users
	ESA-MFE-5Y-S8	McAfee Anti-Virus (a la carte), 5 YR, 5,000–9,999 Users
	ESA-MFE-5Y-S9	McAfee Anti-Virus (a la carte), 5 YR, 10,000–19,999 Users
	ESA-MFE-5Y-S10	McAfee Anti-Virus (a la carte), 5 YR, 20,000–49,999 Users
	ESA-MFE-5Y-S11	McAfee Anti-Virus (a la carte), 5 YR, 50,000–99,999 Users
	ESA-MFE-5Y-S12	McAfee Anti-Virus (a la carte), 5 YR, 100,000–249,999 Users

Product	Subscription SKU	Description
	ESA-MFE-5Y-S13	McAfee Anti-Virus (a la carte), 5 YR, 250,000–499,999 Users
	ESA-MFE-5Y-S14	McAfee Anti-Virus (a la carte), 5 YR, 500,000–999,999 Users
	ESA-MFE-5Y-S15	McAfee Anti-Virus (a la carte), 5 YR, 1,000,000+ Users

Table 15. Cisco Anti-Spam (A-La-Carte) Software Subscription SKUs

Product	Subscription SKU	Description
Cisco Anti-Spam (a la carte) 1 Year SKUs	ESA-AS-1Y-S1	Cisco Anti-Spam (a la carte), 1 YR, 100–199 Users
	ESA-AS-1Y-S2	Cisco Anti-Spam (a la carte), 1 YR, 200–499 Users
	ESA-AS-1Y-S3	Cisco Anti-Spam (a la carte), 1 YR, 500–999 Users
	ESA-AS-1Y-S4	Cisco Anti-Spam (a la carte), 1 YR, 1,000–1,999 Users
	ESA-AS-1Y-S5	Cisco Anti-Spam (a la carte), 1 YR, 2,000–2,999 Users
	ESA-AS-1Y-S6	Cisco Anti-Spam (a la carte), 1 YR, 3,000–3,999 Users
	ESA-AS-1Y-S7	Cisco Anti-Spam (a la carte), 1 YR, 4,000–4,999 Users
	ESA-AS-1Y-S8	Cisco Anti-Spam (a la carte), 1 YR, 5,000–9,999 Users
	ESA-AS-1Y-S9	Cisco Anti-Spam (a la carte), 1 YR, 10,000–19,999 Users
	ESA-AS-1Y-S10	Cisco Anti-Spam (a la carte), 1 YR, 20,000–49,999 Users
	ESA-AS-1Y-S11	Cisco Anti-Spam (a la carte), 1 YR, 50,000–99,999 Users
	ESA-AS-1Y-S12	Cisco Anti-Spam (a la carte), 1 YR, 100,000–249,999 Users
	ESA-AS-1Y-S13	Cisco Anti-Spam (a la carte), 1 YR, 250,000–499,999 Users
	ESA-AS-1Y-S14	Cisco Anti-Spam (a la carte), 1 YR, 500,000–999,999 Users
	ESA-AS-1Y-S15	Cisco Anti-Spam (a la carte), 1 YR, 1,000,000+ Users
Cisco Anti-Spam (a la carte) 3 Year SKUs	ESA-AS-3Y-S1	Cisco Anti-Spam (a la carte), 3 YR, 100–199 Users
	ESA-AS-3Y-S2	Cisco Anti-Spam (a la carte), 3 YR, 200–499 Users
	ESA-AS-3Y-S3	Cisco Anti-Spam (a la carte), 3 YR, 500–999 Users
	ESA-AS-3Y-S4	Cisco Anti-Spam (a la carte), 3 YR, 1,000–1,999 Users
	ESA-AS-3Y-S5	Cisco Anti-Spam (a la carte), 3 YR, 2,000–2,999 Users
	ESA-AS-3Y-S6	Cisco Anti-Spam (a la carte), 3 YR, 3,000–3,999 Users
	ESA-AS-3Y-S7	Cisco Anti-Spam (a la carte), 3 YR, 4,000–4,999 Users
	ESA-AS-3Y-S8	Cisco Anti-Spam (a la carte), 3 YR, 5,000–9,999 Users
	ESA-AS-3Y-S9	Cisco Anti-Spam (a la carte), 3 YR, 10,000–19,999 Users
	ESA-AS-3Y-S10	Cisco Anti-Spam (a la carte), 3 YR, 20,000–49,999 Users
	ESA-AS-3Y-S11	Cisco Anti-Spam (a la carte), 3 YR, 50,000–99,999 Users
	ESA-AS-3Y-S12	Cisco Anti-Spam (a la carte), 3 YR, 100,000–249,999 Users
	ESA-AS-3Y-S13	Cisco Anti-Spam (a la carte), 3 YR, 250,000–499,999 Users
	ESA-AS-3Y-S14	Cisco Anti-Spam (a la carte), 3 YR, 500,000–999,999 Users
	ESA-AS-3Y-S15	Cisco Anti-Spam (a la carte), 3 YR, 1,000,000+ Users
Cisco Anti-Spam (a la carte) 5 Year SKUs	ESA-AS-5Y-S1	Cisco Anti-Spam (a la carte), 5 YR, 100–199 Users
	ESA-AS-5Y-S2	Cisco Anti-Spam (a la carte), 5 YR, 200–499 Users
	ESA-AS-5Y-S3	Cisco Anti-Spam (a la carte), 5 YR, 500–999 Users
	ESA-AS-5Y-S4	Cisco Anti-Spam (a la carte), 5 YR, 1,000–1,999 Users
	ESA-AS-5Y-S5	Cisco Anti-Spam (a la carte), 5 YR, 2,000–2,999 Users
	ESA-AS-5Y-S6	Cisco Anti-Spam (a la carte), 5 YR, 3,000–3,999 Users

Product	Subscription SKU	Description
	ESA-AS-5Y-S7	Cisco Anti-Spam (a la carte), 5 YR, 4,000–4,999 Users
	ESA-AS-5Y-S8	Cisco Anti-Spam (a la carte), 5 YR, 5,000–9,999 Users
	ESA-AS-5Y-S9	Cisco Anti-Spam (a la carte), 5 YR, 10,000–19,999 Users
	ESA-AS-5Y-S10	Cisco Anti-Spam (a la carte), 5 YR, 20,000–49,999 Users
	ESA-AS-5Y-S11	Cisco Anti-Spam (a la carte), 5 YR, 50,000–99,999 Users
	ESA-AS-5Y-S12	Cisco Anti-Spam (a la carte), 5 YR, 100,000–249,999 Users
	ESA-AS-5Y-S13	Cisco Anti-Spam (a la carte), 5 YR, 250,000–499,999 Users
	ESA-AS-5Y-S14	Cisco Anti-Spam (a la carte), 5 YR, 500,000–999,999 Users
	ESA-AS-5Y-S15	Cisco Anti-Spam (a la carte), 5 YR, 1,000,000+ Users

Table 16. Cisco Anti-Spam (A-La-Carte) Software Subscription SKUs

Product	Subscription SKU	Description
Sophos Anti-Virus (a la carte) 1 Year SKUs	ESA-SO-1Y-S1	Sophos Anti-Virus (a la carte), 1 YR, 100–199 Users
	ESA-SO-1Y-S2	Sophos Anti-Virus (a la carte), 1 YR, 200–499 Users
	ESA-SO-1Y-S3	Sophos Anti-Virus (a la carte), 1 YR, 500–999 Users
	ESA-SO-1Y-S4	Sophos Anti-Virus (a la carte), 1 YR, 1,000–1,999 Users
	ESA-SO-1Y-S5	Sophos Anti-Virus (a la carte), 1 YR, 2,000–2,999 Users
	ESA-SO-1Y-S6	Sophos Anti-Virus (a la carte), 1 YR, 3,000–3,999 Users
	ESA-SO-1Y-S7	Sophos Anti-Virus (a la carte), 1 YR, 4,000–4,999 Users
	ESA-SO-1Y-S8	Sophos Anti-Virus (a la carte), 1 YR, 5,000–9,999 Users
	ESA-SO-1Y-S9	Sophos Anti-Virus (a la carte), 1 YR, 10,000–19,999 Users
	ESA-SO-1Y-S10	Sophos Anti-Virus (a la carte), 1 YR, 20,000–49,999 Users
	ESA-SO-1Y-S11	Sophos Anti-Virus (a la carte), 1 YR, 50,000–99,999 Users
	ESA-SO-1Y-S12	Sophos Anti-Virus (a la carte), 1 YR, 100,000–249,999 Users
	ESA-SO-1Y-S13	Sophos Anti-Virus (a la carte), 1 YR, 250,000–499,999 Users
	ESA-SO-1Y-S14	Sophos Anti-Virus (a la carte), 1 YR, 500,000–999,999 Users
	ESA-SO-1Y-S15	Sophos Anti-Virus (a la carte), 1 YR, 1,000,000+ Users
Sophos Anti-Virus (a la carte) 3 Year SKUs	ESA-SO-3Y-S1	Sophos Anti-Virus (a la carte), 3 YR, 100–199 Users
	ESA-SO-3Y-S2	Sophos Anti-Virus (a la carte), 3 YR, 200–499 Users
	ESA-SO-3Y-S3	Sophos Anti-Virus (a la carte), 3 YR, 500–999 Users
	ESA-SO-3Y-S4	Sophos Anti-Virus (a la carte), 3 YR, 1,000–1,999 Users
	ESA-SO-3Y-S5	Sophos Anti-Virus (a la carte), 3 YR, 2,000–2,999 Users
	ESA-SO-3Y-S6	Sophos Anti-Virus (a la carte), 3 YR, 3,000–3,999 Users
	ESA-SO-3Y-S7	Sophos Anti-Virus (a la carte), 3 YR, 4,000–4,999 Users
	ESA-SO-3Y-S8	Sophos Anti-Virus (a la carte), 3 YR, 5,000–9,999 Users
	ESA-SO-3Y-S9	Sophos Anti-Virus (a la carte), 3 YR, 10,000–19,999 Users
	ESA-SO-3Y-S10	Sophos Anti-Virus (a la carte), 3 YR, 20,000–49,999 Users
	ESA-SO-3Y-S11	Sophos Anti-Virus (a la carte), 3 YR, 50,000–99,999 Users
	ESA-SO-3Y-S12	Sophos Anti-Virus (a la carte), 3 YR, 100,000–249,999 Users
	ESA-SO-3Y-S13	Sophos Anti-Virus (a la carte), 3 YR, 250,000–499,999 Users
	ESA-SO-3Y-S14	Sophos Anti-Virus (a la carte), 3 YR, 500,000–999,999 Users
	ESA-SO-3Y-S15	Sophos Anti-Virus (a la carte), 3 YR, 1,000,000+ Users

Product	Subscription SKU	Description
Sophos Anti-Virus (a la carte) 5 Year SKUs	ESA-SO-5Y-S1	Sophos Anti-Virus (a la carte), 5 YR, 100–199 Users
	ESA-SO-5Y-S2	Sophos Anti-Virus (a la carte), 5 YR, 200–499 Users
	ESA-SO-5Y-S3	Sophos Anti-Virus (a la carte), 5 YR, 500–999 Users
	ESA-SO-5Y-S4	Sophos Anti-Virus (a la carte), 5 YR, 1,000–1,999 Users
	ESA-SO-5Y-S5	Sophos Anti-Virus (a la carte), 5 YR, 2,000–2,999 Users
	ESA-SO-5Y-S6	Sophos Anti-Virus (a la carte), 5 YR, 3,000–3,999 Users
	ESA-SO-5Y-S7	Sophos Anti-Virus (a la carte), 5 YR, 4,000–4,999 Users
	ESA-SO-5Y-S8	Sophos Anti-Virus (a la carte), 5 YR, 5,000–9,999 Users
	ESA-SO-5Y-S9	Sophos Anti-Virus (a la carte), 5 YR, 10,000–19,999 Users
	ESA-SO-5Y-S10	Sophos Anti-Virus (a la carte), 5 YR, 20,000–49,999 Users
	ESA-SO-5Y-S11	Sophos Anti-Virus (a la carte), 5 YR, 50,000–99,999 Users
	ESA-SO-5Y-S12	Sophos Anti-Virus (a la carte), 5 YR, 100,000–249,999 Users
	ESA-SO-5Y-S13	Sophos Anti-Virus (a la carte), 5 YR, 250,000–499,999 Users
	ESA-SO-5Y-S14	Sophos Anti-Virus (a la carte), 5 YR, 500,000–999,999 Users
	ESA-SO-5Y-S15	Sophos Anti-Virus (a la carte), 5 YR, 1,000,000+ Users

Table 17. Outbreak Filters (A-La-Carte) Software Subscription SKUs

Product	Subscription SKU	Description
Outbreak Filters (a la carte) 1 Year SKUs	ESA-OF-1Y-S1	Outbreak Filters (a la carte), 1 YR, 100–199 Users
	ESA-OF-1Y-S2	Outbreak Filters (a la carte), 1 YR, 200–499 Users
	ESA-OF-1Y-S3	Outbreak Filters (a la carte), 1 YR, 500–999 Users
	ESA-OF-1Y-S4	Outbreak Filters (a la carte), 1 YR, 1,000–1,999 Users
	ESA-OF-1Y-S5	Outbreak Filters (a la carte), 1 YR, 2,000–2,999 Users
	ESA-OF-1Y-S6	Outbreak Filters (a la carte), 1 YR, 3,000–3,999 Users
	ESA-OF-1Y-S7	Outbreak Filters (a la carte), 1 YR, 4,000–4,999 Users
	ESA-OF-1Y-S8	Outbreak Filters (a la carte), 1 YR, 5,000–9,999 Users
	ESA-OF-1Y-S9	Outbreak Filters (a la carte), 1 YR, 10,000–19,999 Users
	ESA-OF-1Y-S10	Outbreak Filters (a la carte), 1 YR, 20,000–49,999 Users
	ESA-OF-1Y-S11	Outbreak Filters (a la carte), 1 YR, 50,000–99,999 Users
	ESA-OF-1Y-S12	Outbreak Filters (a la carte), 1 YR, 100,000–249,999 Users
	ESA-OF-1Y-S13	Outbreak Filters (a la carte), 1 YR, 250,000–499,999 Users
	ESA-OF-1Y-S14	Outbreak Filters (a la carte), 1 YR, 500,000–999,999 Users
	ESA-OF-1Y-S15	Outbreak Filters (a la carte), 1 YR, 1,000,000+ Users
Outbreak Filters (a la carte) 3 Year SKUs	ESA-OF-3Y-S1	Outbreak Filters (a la carte), 3 YR, 100–199 Users
	ESA-OF-3Y-S2	Outbreak Filters (a la carte), 3 YR, 200–499 Users
	ESA-OF-3Y-S3	Outbreak Filters (a la carte), 3 YR, 500–999 Users
	ESA-OF-3Y-S4	Outbreak Filters (a la carte), 3 YR, 1,000–1,999 Users
	ESA-OF-3Y-S5	Outbreak Filters (a la carte), 3 YR, 2,000–2,999 Users
	ESA-OF-3Y-S6	Outbreak Filters (a la carte), 3 YR, 3,000–3,999 Users
	ESA-OF-3Y-S7	Outbreak Filters (a la carte), 3 YR, 4,000–4,999 Users
	ESA-OF-3Y-S8	Outbreak Filters (a la carte), 3 YR, 5,000–9,999 Users
	ESA-OF-3Y-S9	Outbreak Filters (a la carte), 3 YR, 10,000–19,999 Users
	ESA-OF-3Y-S10	Outbreak Filters (a la carte), 3 YR, 20,000–49,999 Users
	ESA-OF-3Y-S11	Outbreak Filters (a la carte), 3 YR, 50,000–99,999 Users

Product	Subscription SKU	Description
	ESA-OF-3Y-S12	Outbreak Filters (a la carte), 3 YR, 100,000–249,999 Users
	ESA-OF-3Y-S13	Outbreak Filters (a la carte), 3 YR, 250,000–499,999 Users
	ESA-OF-3Y-S14	Outbreak Filters (a la carte), 3 YR, 500,000–999,999 Users
	ESA-OF-3Y-S15	Outbreak Filters (a la carte), 3 YR, 1,000,000+ Users
Outbreak Filters (a la carte) 5 Year SKUs	ESA-OF-5Y-S1	Outbreak Filters (a la carte), 5 YR, 100–199 Users
	ESA-OF-5Y-S2	Outbreak Filters (a la carte), 5 YR, 200–499 Users
	ESA-OF-5Y-S3	Outbreak Filters (a la carte), 5 YR, 500–999 Users
	ESA-OF-5Y-S4	Outbreak Filters (a la carte), 5 YR, 1,000–1,999 Users
	ESA-OF-5Y-S5	Outbreak Filters (a la carte), 5 YR, 2,000–2,999 Users
	ESA-OF-5Y-S6	Outbreak Filters (a la carte), 5 YR, 3,000–3,999 Users
	ESA-OF-5Y-S7	Outbreak Filters (a la carte), 5 YR, 4,000–4,999 Users
	ESA-OF-5Y-S8	Outbreak Filters (a la carte), 5 YR, 5,000–9,999 Users
	ESA-OF-5Y-S9	Outbreak Filters (a la carte), 5 YR, 10,000–19,999 Users
	ESA-OF-5Y-S10	Outbreak Filters (a la carte), 5 YR, 20,000–49,999 Users
	ESA-OF-5Y-S11	Outbreak Filters (a la carte), 5 YR, 50,000–99,999 Users
	ESA-OF-5Y-S12	Outbreak Filters (a la carte), 5 YR, 100,000–249,999 Users
	ESA-OF-5Y-S13	Outbreak Filters (a la carte), 5 YR, 250,000–499,999 Users
	ESA-OF-5Y-S14	Outbreak Filters (a la carte), 5 YR, 500,000–999,999 Users
	ESA-OF-5Y-S15	Outbreak Filters (a la carte), 5 YR, 1,000,000+ Users

Table 18. Intelligent Multi-Scan (A-La-Carte) Software Subscription SKUs

Product	Subscription SKU	Description
Intelligent Multi-Scan (a la carte) 1 Year SKUs	ESA-IMS-1Y-S1	Intelligent Multi-Scan (a la carte), 1 YR, 100–199 Users
	ESA-IMS-1Y-S2	Intelligent Multi-Scan (a la carte), 1 YR, 200–499 Users
	ESA-IMS-1Y-S3	Intelligent Multi-Scan (a la carte), 1 YR, 500–999 Users
	ESA-IMS-1Y-S4	Intelligent Multi-Scan (a la carte), 1 YR, 1,000–1,999 Users
	ESA-IMS-1Y-S5	Intelligent Multi-Scan (a la carte), 1 YR, 2,000–2,999 Users
	ESA-IMS-1Y-S6	Intelligent Multi-Scan (a la carte), 1 YR, 3,000–3,999 Users
	ESA-IMS-1Y-S7	Intelligent Multi-Scan (a la carte), 1 YR, 4,000–4,999 Users
	ESA-IMS-1Y-S8	Intelligent Multi-Scan (a la carte), 1 YR, 5,000–9,999 Users
	ESA-IMS-1Y-S9	Intelligent Multi-Scan (a la carte), 1 YR, 10,000–19,999 Users
	ESA-IMS-1Y-S10	Intelligent Multi-Scan (a la carte), 1 YR, 20,000–49,999 Users
	ESA-IMS-1Y-S11	Intelligent Multi-Scan (a la carte), 1 YR, 50,000–99,999 Users
	ESA-IMS-1Y-S12	Intelligent Multi-Scan (a la carte), 1 YR, 100,000–249,999 Users
	ESA-IMS-1Y-S13	Intelligent Multi-Scan (a la carte), 1 YR, 250,000–499,999 Users
	ESA-IMS-1Y-S14	Intelligent Multi-Scan (a la carte), 1 YR, 500,000–999,999 Users
	ESA-IMS-1Y-S15	Intelligent Multi-Scan (a la carte), 1 YR, 1,000,000+ Users
Intelligent Multi-Scan (a la carte) 3 Year SKUs	ESA-IMS-3Y-S1	Intelligent Multi-Scan (a la carte), 3 YR, 100–199 Users
	ESA-IMS-3Y-S2	Intelligent Multi-Scan (a la carte), 3 YR, 200–499 Users
	ESA-IMS-3Y-S3	Intelligent Multi-Scan (a la carte), 3 YR, 500–999 Users
	ESA-IMS-3Y-S4	Intelligent Multi-Scan (a la carte), 3 YR, 1,000–1,999 Users
	ESA-IMS-3Y-S5	Intelligent Multi-Scan (a la carte), 3 YR, 2,000–2,999 Users
	ESA-IMS-3Y-S6	Intelligent Multi-Scan (a la carte), 3 YR, 3,000–3,999 Users
	ESA-IMS-3Y-S7	Intelligent Multi-Scan (a la carte), 3 YR, 4,000–4,999 Users
	ESA-IMS-3Y-S8	Intelligent Multi-Scan (a la carte), 3 YR, 5,000–9,999 Users
	ESA-IMS-3Y-S9	Intelligent Multi-Scan (a la carte), 3 YR, 10,000–19,999 Users
	ESA-IMS-3Y-S10	Intelligent Multi-Scan (a la carte), 3 YR, 20,000–49,999 Users
	ESA-IMS-3Y-S11	Intelligent Multi-Scan (a la carte), 3 YR, 50,000–99,999 Users
	ESA-IMS-3Y-S12	Intelligent Multi-Scan (a la carte), 3 YR, 100,000–249,999 Users
	ESA-IMS-3Y-S13	Intelligent Multi-Scan (a la carte), 3 YR, 250,000–499,999 Users
	ESA-IMS-3Y-S14	Intelligent Multi-Scan (a la carte), 3 YR, 500,000–999,999 Users
	ESA-IMS-3Y-S15	Intelligent Multi-Scan (a la carte), 3 YR, 1,000,000+ Users

Table 19. Advanced Web Security Reporting (A-La-Carte) Software Subscription SKUs

Product	Subscription SKU	Description
Advanced Web Security Reporting (a la carte) 1 Year SKUs	SMA-WSPL-1Y-S1	Advanced Web Reporting, 1 YR, 100–199 Users
	SMA-WSPL-1Y-S2	Advanced Web Reporting, 1 YR, 200–499 Users
	SMA-WSPL-1Y-S3	Advanced Web Reporting, 1 YR, 500–999 Users
	SMA-WSPL-1Y-S4	Advanced Web Reporting, 1 YR, 1,000–1,999 Users
	SMA-WSPL-1Y-S5	Advanced Web Reporting, 1 YR, 2,000–2,999 Users
	SMA-WSPL-1Y-S6	Advanced Web Reporting, 1 YR, 3,000–3,999 Users
	SMA-WSPL-1Y-S7	Advanced Web Reporting, 1 YR, 4,000–4,999 Users
	SMA-WSPL-1Y-S8	Advanced Web Reporting, 1 YR, 5,000–9,999 Users
	SMA-WSPL-1Y-S9	Advanced Web Reporting, 1 YR, 10,000–19,999 Users
	SMA-WSPL-1Y-S10	Advanced Web Reporting, 1 YR, 20,000–49,999 Users
	SMA-WSPL-1Y-S11	Advanced Web Reporting, 1 YR, 50,000–99,999 Users
	SMA-WSPL-1Y-S12	Advanced Web Reporting, 1 YR, Above 100,000 Users
Advanced Web Security Reporting (a la carte) 3 Year SKUs	SMA-WSPL-3Y-S1	Advanced Web Reporting, 3 YR, 100–199 Users
	SMA-WSPL-3Y-S2	Advanced Web Reporting, 3 YR, 200–499 Users
	SMA-WSPL-3Y-S3	Advanced Web Reporting, 3 YR, 500–999 Users
	SMA-WSPL-3Y-S4	Advanced Web Reporting, 3 YR, 1,000–1,999 Users
	SMA-WSPL-3Y-S5	Advanced Web Reporting, 3 YR, 2,000–2,999 Users
	SMA-WSPL-3Y-S6	Advanced Web Reporting, 3 YR, 3,000–3,999 Users
	SMA-WSPL-3Y-S7	Advanced Web Reporting, 3 YR, 4,000–4,999 Users
	SMA-WSPL-3Y-S8	Advanced Web Reporting, 3 YR, 5,000–9,999 Users
	SMA-WSPL-3Y-S9	Advanced Web Reporting, 3 YR, 10,000–19,999 Users
	SMA-WSPL-3Y-S10	Advanced Web Reporting, 3 YR, 20,000–49,999 Users
	SMA-WSPL-3Y-S11	Advanced Web Reporting, 3 YR, 50,000–99,999 Users
	SMA-WSPL-3Y-S12	Advanced Web Reporting, 3 YR, Above 100,000 Users
Advanced Web Security Reporting (a la carte) 5 Year SKUs	SMA-WSPL-5Y-S1	Advanced Web Reporting, 5 YR, 100–199 Users
	SMA-WSPL-5Y-S2	Advanced Web Reporting, 5 YR, 200–499 Users
	SMA-WSPL-5Y-S3	Advanced Web Reporting, 5 YR, 500–999 Users
	SMA-WSPL-5Y-S4	Advanced Web Reporting, 5 YR, 1,000–1,999 Users
	SMA-WSPL-5Y-S5	Advanced Web Reporting, 5 YR, 2,000–2,999 Users
	SMA-WSPL-5Y-S6	Advanced Web Reporting, 5 YR, 3,000–3,999 Users
	SMA-WSPL-5Y-S7	Advanced Web Reporting, 5 YR, 4,000–4,999 Users
	SMA-WSPL-5Y-S8	Advanced Web Reporting, 5 YR, 5,000–9,999 Users
	SMA-WSPL-5Y-S9	Advanced Web Reporting, 5 YR, 10,000–19,999 Users
	SMA-WSPL-5Y-S10	Advanced Web Reporting, 5 YR, 20,000–49,999 Users
	SMA-WSPL-5Y-S11	Advanced Web Reporting, 5 YR, 50,000–99,999 Users
	SMA-WSPL-5Y-S12	Advanced Web Reporting, 5 YR, Above 100,000 Users

Table 20. Existing Cisco Email Security Appliance x60 Series Cisco SMARTnet Renewal SKUs

Appliance Type	Appliance Type	SMARTnet SKU
Email Security	Email Security	CON-SNT-C160-K9 CON-SNT-C360-K9 CON-SNT-C660-K9 CON-SNT-X1060-K9
Web Security	Web Security	CON-SNT-S160-K9 CON-SNT-S360-K9 CON-SNT-S660-K9
Security Management	Security Management	CON-SNT-M160-K9 CON-SNT-M660-K9 CON-SNT-M1060-K9

Appendix B: Example Quotes

Tables B1 and B2 are example order configurations of Cisco Email and Web Security offerings and the corresponding IronPort configurations that are no longer sold. The purpose of these examples is to illustrate what a basic order may look like and how it compares to an order that would have been ordered under the no-longer-active IronPort process. A mapping tool has been created to provide guidance with translating past IronPort offerings to the new Cisco offerings. You can access the mapping tool and instructions at: [Legacy IronPort to Cisco Part Number Mapping Tool](#).

Email Security Order

Table 1. Email Security Order

Old IronPort SKU			
Customer Profile			
Mailboxes	7,500		
Term	3Y		
Hardware	2 x C370 production, 1 C370 spare		
Software	Anti-Spam + Anti-Virus + Outbreak Filters		
Support	Platinum Support		
		Quantity	SKU
1	IronPort C370 Standard Configuration	2	C370-BUN-R-NA
2	IronPort C370 Spare Unit (production unit requires)	1	C370-BUN-P-NA
3	Platinum Support for Cisco IronPort C370, 3 Years	2	SP-C370-P-3Y
4	Anti-Spam, Anti-Virus, Outbreak Filters Email SW Bundle, 3 Year License Key, 7499 Mailboxes	7,500	ESW-SQR-EN-3Y
New GLPSKU			
Customer Profile			
Mailboxes	7,500		
Term	3Y		
Hardware	3 x C370s		
Software	Anti-Spam + Anti-Virus + Outbreak Filters		
Support	Software support included w/softwarelicense and SMARTnet		
		Quantity	SKU
1	Cisco C370 Appliance	3	ESA-C370-K9
2	Email Security Inbound SW Bundle, 3 Year	7,500	ESA-ESI-3Y-S8
3	Email Security, C370 1Y SMARTnet contract	3	CON-SNT-C370-K9

Web Security Order

Table 2. Web Security Order

Old IronPort SKU			
Customer Profile			
Users	1,500		
Term	3Y		
Hardware	1 S170 production, 1 S170 spare		
Software	Web Reputation + Anti-Malware (Webroot and Sophos) + Web Usage Controls		
Support	Platinum Support		
		Quantity	SKU
1	Web Bundle, Dual Appliances, 3 Years Web Usage Controls, 3 Years Web Reputation, 3 Years Dual Anti-Malware Filtering, On-Box Reporting and 3 Years Platinum Support	1,500	WBUN-2A-EN-DBE-3Y
New GLP SKU			
Customer Profile			
Users	7,499		
Term	3Y		
Hardware	2 x S170s		
Software	Web Reputation + Anti-Malware (Webroot and Sophos) + Web Usage Controls		
Support	SW Support included w/ SW License and SMARTnet		
		Quantity	SKU
1	Cisco S170 Appliance	2	WSA-S170-K9
2	Web Security Premium SW Bundle, 3 Year License, 1,499 Users (includes SW support)	1,500	WSA-WSP-S4
3	Web Security, S170 1Y SMARTnet contract	2	CON-SNT-S170-K9

Appendix C: Additional Information

Email Encryption

Cisco has announced end-of-sale and end-of-life schedules for the IronPort Encryption Appliance and associated features. Cisco will not be selling this product and its associated features to new customers or existing customers who do not already have the product. However, current customers who have the IronPort Encryption Appliance product may renew the product licenses for one year prior to the end-of-life date. The orderable renewal SKUs are listed in Table 9 in an earlier section of this guide.

For more details, please refer to the official notice:

http://www.cisco.com/web/ironport/docs/iea_eox_email_notice.html.

Encryption Orders Placed in Russia

Based on the level of encryption associated with the ESA-ENC-LIC= license, this license and any bundles that incorporate it are treated differently for import classification into Russia, Kazakhstan, and Belarus. ESA-ESP-LIC=, ESA-ESO-LIC=, and ESA-ENC-LIC-K9= orders will initially be classified as category three (C3) and placed on order validation hold until a partner verifies that it has obtained the appropriate FSB import permit. Partners and customers who do not require encryption may alternatively purchase the ESA-DLP-LIC= (instead of ESA-ESO-LIC=) and may purchase the ESA-ESI-LIC= or ESA-DLP-LIC= (instead of ESA-ESP-LIC=). These orders will be classified as category one (C1) and are subject to immediate importation without order validation hold.

Delivery Mode

On the legacy IronPort price list, the Delivery Mode solution was offered as part of a separate C370D-BUN-R hardware appliance. Purchase of this part number entitled the customer to both the hardware appliance and the associate Delivery Mode software license. The Delivery Mode functionality will now be offered as a separate software license that can be applied to a standard ESA-C370-K9 hardware unit. This license (ESA-DMODE-LIC=) is a fixed-price, perpetual license and will be associated to the standard email appliance via the same process as all other Email Security software licenses. As with the legacy offering, no other Email Security software licenses (e.g., ESA-ESP-LIC=) may be activated on an appliance that has an activated DMODE license.

China Hardware PIDs

Due to certain importation requirements, Cisco 370, 670, and 1070 Series appliances manufactured specifically for customers located in China are offered. These China-specific appliances are ordered using the PIDs above with the '-NT' nomenclature. Customers from all other regions should order the standard appliance PIDs without the '-NT.' Table C1 lists these appliances.

Table C1 Email and Web Security Appliances for China Only

Appliance Type	Appliance Name	Description *
Cisco Email Security	ESA-C370-NT-K9	Organizations with up to 10,000 users
	ESA-C670-NT-K9	Organizations with more than 10,000 users
	ESA-X1070-NT-K9	Most demanding ISPs and enterprises in the world
Cisco Web Security	WSA-S370-NT-K9	Enterprises and service providers with up to 4990 users
	WSA-S670-NT-K9	High-performance enterprises with up to 10,000 users
Cisco Security Management	SMA-M670-NT-K9	Organizations with up to 10,000 users
	SMA-M1070-NT-K9	Organizations with more than 10,000 users

Fiber Hardware

For customers deploying Cisco Email and Web Security Appliances with their fiber networks, five fiber-enabled options are available. Table C2 lists these options.

Table C2 Fiber-Enabled Content Security Appliances

Appliance Type	Appliance Name	Description
Cisco Email Security	ESA-X1070-FI-K9	Fiber-Enabled Email Security Appliance
	ESA-C680-K9	Fiber-Enabled Email Security Appliance*
Cisco Security Management	SMA-M1070-FI-K9	Fiber-Enabled Security Management Appliance
	SMA-M680-K9	Fiber-Enabled Security Management Appliance*
Cisco Web Security	WSA-S680-K9	Fiber-Enabled Web Security Appliance*

*Accessory required. See Table 11 above for 1G and 10G fiber option accessories.

Cloud Email Ordering

To purchase Cisco Cloud Email Security, complete the Cisco Cloud Email Security Order Form and send an email to finops-hosted@cisco.com. You can also order a 30-day evaluation using the same form. To learn how to activate a cloud order for your customer, please refer to The Sales Engineer's Guide to the Cisco Cloud and Hybrid Email Security Services. Cisco employees can find these documents in the Security Technology Group section of our Intranet under Cloud Email Security. Partners can find them by logging in to Partner Central and then visiting <http://www.cisco.com/go/cloudemail>. Email hosted-pm@cisco.com with related questions.



Americas Headquarters
Cisco Systems, Inc.
San Jose, CA

Asia Pacific Headquarters
Cisco Systems (USA) Pte. Ltd.
Singapore

Europe Headquarters
Cisco Systems International BV Amsterdam,
The Netherlands

Cisco has more than 200 offices worldwide. Addresses, phone numbers, and fax numbers are listed on the Cisco Website at www.cisco.com/go/offices.

Cisco and the Cisco logo are trademarks or registered trademarks of Cisco and/or its affiliates in the U.S. and other countries. To view a list of Cisco trademarks, go to this URL: www.cisco.com/go/trademarks. Third party trademarks mentioned are the property of their respective owners. The use of the word partner does not imply a partnership relationship between Cisco and any other company. (1110R)