



GE Evolve™
LED Area Lighting
EALS-03 & EALP-03

current
powered by GE



Product Features

The **EAL Area Light** luminaires offer a wide range of optical patterns, color temperatures, lumen packages, and mounting configurations to optimize area light applications, as well as provide versatility in lighting design within the same form-factor. They are ideal for commercial property site-lighting applications such as retail and commercial exteriors. The EALS (standard) area light has a lumen range from 7,500-30,000 lumens. The EALP (premium) offers a similar lumen range of 25,000 to 70,000 lumens but with higher LPW and better lumen maintenance.

Both the **EALS-03** and **EALP-03** feature our innovative, highly flexible Universal Mounting Arm option, which provides installers the ability to mount the EAL fixtures on both round and square poles of multiple sizes. In addition, it features both in-line and offset bolt patterns which enable it to easily be affixed to the majority of the bolt patterns one would encounter in the field.

Applications

- Site and area light applications such as parking lots, retail exteriors, commercial exteriors, roadways and other general lighting applications

Housing

- Slim architectural design incorporates an integral heat sink and light engine, ensuring maximum heat transfer, and long LED life.
- Die cast aluminum housing
- 3G vibration per ANSI C136.31-2010

LED & Optical Assembly

- LM-79 tests and reports in accordance with IESNA standards
- Upward Light Output Ratio (ULOR) = 0 (horizontal orientation)
- 70CRI at 3000K, 4000K and 5000K
- Distributions: II, III, IV, V



Lumen Maintenance

- Projected Lxx per IES TM-21 at 25 °C for reference:

EALS03 Optical code	Lxx (10k) @ Hours		
	25,000 hr	50,000 hr	100,000 hr
C2, C3, C4, C5, D2, D3, D4, D5	L95	L92	L86
F5, H2, H3, H4, H5	L95	L92	L86
F2, F3, F4, J2, J3, J4, J5	L94	L89	L81
K2, K3, K4, K5	L94	L89	L81


EALP03 Optical code	Lxx (10k) @ Hours		
	25,000 hr	50,000 hr	100,000 hr
J5, K2, K3, K4, K5	L97	L96	L94
L2, L3, L4, L5, M2, M3, M4, M5	L97	L96	L94
J2, J3, J4, N2, N3, N4, N5	L94	L91	L84
P2, P3, P4, P5, Q2, Q3, Q4, Q5	L94	L91	L84

Note: 1) Projected Lxx based on LM80 (10,000 hour testing). 2) DOE Lighting Facts Verification Testing Tolerances apply to initial luminous flux and lumen maintenance measurements



Lumen Ambient Temperature Factors:

Ambient Temp (°C)	Initial Flux Factor
10	1.02
20	1.01
25	1.00
30	0.99
40	0.98

 DLC Standard qualified models available. Please refer to <http://www.designlights.org/QPL> for complete information.

 DLC Premium qualified models available. Please refer to <http://www.designlights.org/QPL> for complete information.

Ratings

-  cUL Listed
-  UL 1598 Listed Suitable for Wet Locations
- IP65 optical enclosure per ANSI C136.25-2013
- Operating Temperature -40°C to +40°C (maximum of +35°C for 570W)
- California Title 24 compliant (w/ "H" motion sensor option)

Mounting

Option C1: Integral Slipfitter for 1.25"-2" Pipe (1.66 in. OD-2.378 in. OD) supplied with leads. +/- 5 deg adjustment for leveling.

Option D1: Universal Mounting Arm, fitted for round or square pole mounting supplied with 16/3 3ft cable.

Option K1: Knuckle Slipfitter for 1.9 in.-2.3 in. OD Tenon with leads. Restricted aiming angle 0° to +45°.

Option S1: Knuckle Slipfitter for 2.3 in.- 3.0 in OD Tenon with leads. Restricted aiming angle 0° to +45°.

Option V1: Knuckle Wall Mount with leads. Restricted aiming angle 0° to +45°.

Finish

- Corrosion resistant polyester powder paint, minimum thickness 2.0 mil.
- Standard colors: Black, Dark Bronze, Aluminum, Gray & White.
- RAL & custom colors available.
- Optional coastal finish available.

Electrical

- 120-277 VAC and 347-480 VAC available.
- System power factor is >90% and THD <20%.
- ANSI C136.41 7-pin dimming receptacle, standard.
- ANSI photo electric sensors (PE) available for all voltages.
- LightGrid™ compatible.
- Dimming/Occupancy:
 - Standard: 0-10V; Optional: DALI (120-277V, excluding 400 watts and above)
 - Externally wired 0-10V dimming (optional)
 - DALI digital dimming. Contact manufacturer for availability.
 - Standalone dimming occupancy sensor with ambient light sensor, option code "H".
 - Daintree occupancy sensor available.
- Surge Protection tested per ANSI C136.2-2015.
 - 6kV/3kA "Basic" surge protection, standard.
 - 10kV/5kA "Enhanced" surge protection optional.

Warranty

- 5 Year Standard

Accessories

- Photoelectric Controls (see page 10)
- Light Shields (see Data Sheet OLP 3120 Shielding for EAL Area Light Fixtures)

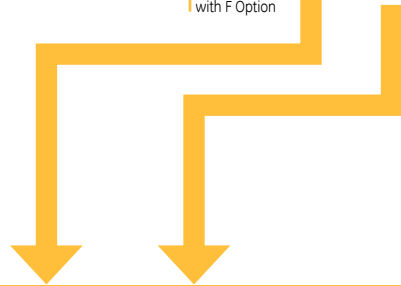
Ordering Number Logic

Evolve™ LED Area Light (EALS-03)



E ALS 03 _____ 7 _____

PROD. ID	GENERATION	VOLTAGE	OPTICAL DISTRIBUTION CODE	CRI	CCT	DIMMING	CONTROLS	MOUNTING ARM	COLOR	OPTIONS
E = Evolve AL = Area Light S = Standard	03 = 3rd Generation	0 = 120-277* 1 = 120 2 = 208 3 = 240 4 = 277 5 = 480 D = 347 H = 347-480*	SM = Symmetric Medium SW = Symmetric Wide SH = Symmetric High Angle AF = Asymmetric Forward AH = Asymmetric High Angle AW = Asymmetric Wide AN = Asymmetric Narrow/Auto	7 = 70 (min)	30 = 3000K 40 = 4000K 50 = 5000K ◊Select 3000K CCT for IDA Approved units	N = Dimming thru PE receptacle D = External Dimming 18/2-3ft cable X = Non-dimmable* All constructions supplied with ANSI C136.41 7-pin Receptacle *Required for Cx Optical Codes. Not available for other optical codes. Note: Standard dimming 0-10V	A = ANSI 7-pin PE receptacle (no control) D = ANSI 7-pin PE receptacle with shorting cap provided Note: See accessories section on page 10 for PE Control ordering	C1 = Integral Slipfitter for 1.25" - 2" Pipe (1.66in. OD - 2.378in. OD)* D1 = Universal Mounting Arm, fitted for round or square pole mounting** K1 = Knuckle Slipfitter for 1.9 in - 2.3in. OD Tenon*** S1 = Knuckle Slipfitter for 2.3in. - 3.0in OD Tenon*** V1 = Knuckle Wall Mount*** * Supplied with 3FT leads ** Supplied with 3FT #14/3 power cable *** Restricted Aiming Angle 0° to +45°	GRAY = Gray BLCK = Black DKBZ = Dark Bronze WHITE = White	F = Fusing H = Motion Sensor (Sensor Switch) H2 = Motion Sensor (Daintree) J = cUL/Canada L = Tool-Less Entry R = Enhanced Surge Protection (10kV/5kA) S1 = Rotated Left † S2 = Rotated Right † T = Elevated Surge Protection (20kV/10kA) U = DALI dimming ^+ V = 3-Position Terminal Block Y = Coastal Finish XXX = Special Options * Contact Manufacturer for availability + Compatible with LightGrid 2.0 nodes ^ Not compatible at 347-480V or with motion sensor control † For aimed left or right light distribution orientation, as assembled in manufacturing. Not applicable for Symmetric Distributions. Note: H2 option not available at 370V-480V

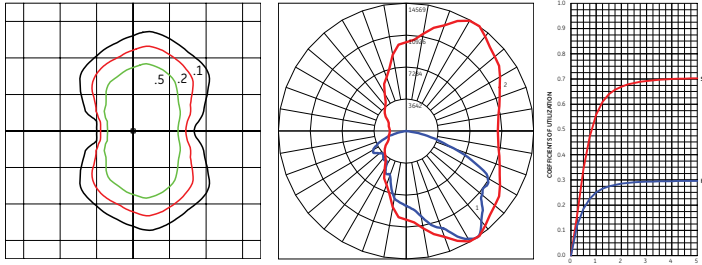


TYPE	OPTICAL CODE	DISTRIBUTION	TYPICAL INITIAL LUMENS		TYPICAL SYSTEM WATTAGE	BUG RATING		IES FILE NUMBER		
			3000K	4000K & 5000K	120-277V & 347-480V	3000K B-U-G	4000 & 5000K B-U-G	IES FILE NUMBER 3000K	IES FILE NUMBER 4000K	IES FILE NUMBER 5000K
Type V	C5	Symmetric Medium (SM)	7300	7500	46	B3-U0-G1	B3-U0-G1	EALS03_C5SM730_IES	EALS03_C5SM740_IES	EALS03_C5SM750_IES
	D5	Symmetric Medium (SM)	9800	10000	64	B3-U0-G1	B3-U0-G1	EALS03_D5SM730_IES	EALS03_D5SM740_IES	EALS03_D5SM750_IES
	F5	Symmetric Medium (SM)	14700	15000	101	B4-U0-G2	B4-U0-G2	EALS03_F5SM730_IES	EALS03_F5SM740_IES	EALS03_F5SM750_IES
	H5	Symmetric Medium (SM)	19600	20000	140	B4-U0-G2	B4-U0-G2	EALS03_H5SM730_IES	EALS03_H5SM740_IES	EALS03_H5SM750_IES
	J5	Symmetric Medium (SM)	24500	25000	186	B4-U0-G2	B4-U0-G2	EALS03_J5SM730_IES	EALS03_J5SM740_IES	EALS03_J5SM750_IES
	K5	Symmetric Medium (SM)	29400	30000	239	B5-U0-G3	B5-U0-G3	EALS03_K5SM730_IES	EALS03_K5SM740_IES	EALS03_K5SM750_IES
	C5	Symmetric Wide (SW)	7300	7500	46	B2-U0-G1	B2-U0-G1	EALS03_C5SW730_IES	EALS03_C5SW740_IES	EALS03_C5SW750_IES
	D5	Symmetric Wide (SW)	9800	10100	64	B3-U0-G1	B3-U0-G1	EALS03_D5SW730_IES	EALS03_D5SW740_IES	EALS03_D5SW750_IES
	F5	Symmetric Wide (SW)	14700	15100	101	B3-U0-G2	B3-U0-G2	EALS03_F5SW730_IES	EALS03_F5SW740_IES	EALS03_F5SW750_IES
	H5	Symmetric Wide (SW)	19700	20200	140	B4-U0-G2	B4-U0-G2	EALS03_H5SW730_IES	EALS03_H5SW740_IES	EALS03_H5SW750_IES
	J5	Symmetric Wide (SW)	24600	25200	186	B4-U0-G2	B4-U0-G2	EALS03_J5SW730_IES	EALS03_J5SW740_IES	EALS03_J5SW750_IES
	K5	Symmetric Wide (SW)	29600	30300	239	B5-U0-G2	B5-U0-G2	EALS03_K5SW730_IES	EALS03_K5SW740_IES	EALS03_K5SW750_IES
	C5	Symmetric High Angle (SH)	7000	7200	46	B3-U0-G1	B3-U0-G1	EALS03_C5SH730_IES	EALS03_C5SH740_IES	EALS03_C5SH750_IES
	D5	Symmetric High Angle (SH)	9400	9600	64	B3-U0-G2	B3-U0-G2	EALS03_D5SH730_IES	EALS03_D5SH740_IES	EALS03_D5SH750_IES
	F5	Symmetric High Angle (SH)	14200	14500	101	B4-U0-G2	B4-U0-G2	EALS03_F5SH730_IES	EALS03_F5SH740_IES	EALS03_F5SH750_IES
H5	Symmetric High Angle (SH)	18900	19300	140	B4-U0-G2	B4-U0-G2	EALS03_H5SH730_IES	EALS03_H5SH740_IES	EALS03_H5SH750_IES	
J5	Symmetric High Angle (SH)	23600	24100	186	B5-U0-G3	B5-U0-G3	EALS03_J5SH730_IES	EALS03_J5SH740_IES	EALS03_J5SH750_IES	
K5	Symmetric High Angle (SH)	28400	29000	239	B5-U0-G3	B5-U0-G3	EALS03_K5SH730_IES	EALS03_K5SH740_IES	EALS03_K5SH750_IES	
Type IV	C4	Asymmetric Forward (AF)	7300	7500	50	B1-U0-G2	B1-U0-G2	EALS03_C4AF730_IES	EALS03_C4AF740_IES	EALS03_C4AF750_IES
	D4	Asymmetric Forward (AF)	9800	10000	70	B2-U0-G2	B2-U0-G2	EALS03_D4AF730_IES	EALS03_D4AF740_IES	EALS03_D4AF750_IES
	F4	Asymmetric Forward (AF)	14700	15000	116	B2-U0-G2	B2-U0-G2	EALS03_F4AF730_IES	EALS03_F4AF740_IES	EALS03_F4AF750_IES
	H4	Asymmetric Forward (AF)	19600	20000	140	B3-U0-G3	B3-U0-G3	EALS03_H4AF730_IES	EALS03_H4AF740_IES	EALS03_H4AF750_IES
	J4	Asymmetric Forward (AF)	24500	25000	186	B3-U0-G3	B3-U0-G3	EALS03_J4AF730_IES	EALS03_J4AF740_IES	EALS03_J4AF750_IES
	K4	Asymmetric Forward (AF)	29400	30000	239	B3-U0-G4	B3-U0-G4	EALS03_K4AF730_IES	EALS03_K4AF740_IES	EALS03_K4AF750_IES
	C4	Asymmetric High Angle (AH)	7000	7200	50	B2-U0-G2	B2-U0-G2	EALS03_C4AH730_IES	EALS03_C4AH740_IES	EALS03_C4AH750_IES
	D4	Asymmetric High Angle (AH)	9400	9600	70	B2-U0-G2	B2-U0-G2	EALS03_D4AH730_IES	EALS03_D4AH740_IES	EALS03_D4AH750_IES
	F4	Asymmetric High Angle (AH)	14200	14500	116	B3-U0-G3	B3-U0-G3	EALS03_F4AH730_IES	EALS03_F4AH740_IES	EALS03_F4AH750_IES
	H4	Asymmetric High Angle (AH)	18900	19300	140	B3-U0-G3	B3-U0-G4	EALS03_H4AH730_IES	EALS03_H4AH740_IES	EALS03_H4AH750_IES
J4	Asymmetric High Angle (AH)	23600	24100	186	B3-U0-G4	B3-U0-G4	EALS03_J4AH730_IES	EALS03_J4AH740_IES	EALS03_J4AH750_IES	
K4	Asymmetric High Angle (AH)	28400	29000	239	B3-U0-G4	B3-U0-G4	EALS03_K4AH730_IES	EALS03_K4AH740_IES	EALS03_K4AH750_IES	
Type III	C3	Asymmetric Wide (AW)	7300	7500	50	B2-U0-G1	B2-U0-G1	EALS03_C3AW730_IES	EALS03_C3AW740_IES	EALS03_C3AW750_IES
	D3	Asymmetric Wide (AW)	9800	10100	70	B2-U0-G2	B2-U0-G2	EALS03_D3AW730_IES	EALS03_D3AW740_IES	EALS03_D3AW750_IES
	F3	Asymmetric Wide (AW)	14700	15100	116	B2-U0-G2	B2-U0-G2	EALS03_F3AW730_IES	EALS03_F3AW740_IES	EALS03_F3AW750_IES
	H3	Asymmetric Wide (AW)	19700	20200	140	B3-U0-G2	B3-U0-G3	EALS03_H3AW730_IES	EALS03_H3AW740_IES	EALS03_H3AW750_IES
	J3	Asymmetric Wide (AW)	24600	25200	186	B3-U0-G3	B3-U0-G3	EALS03_J3AW730_IES	EALS03_J3AW740_IES	EALS03_J3AW750_IES
K3	Asymmetric Wide (AW)	29600	30300	239	B3-U0-G3	B3-U0-G3	EALS03_K3AW730_IES	EALS03_K3AW740_IES	EALS03_K3AW750_IES	
Type II	C2	Asymmetric Narrow/Auto (AN)	7300	7500	50	B2-U0-G2	B2-U0-G2	EALS03_C2AN730_IES	EALS03_C2AN740_IES	EALS03_C2AN750_IES
	D2	Asymmetric Narrow/Auto (AN)	9800	10100	70	B2-U0-G2	B2-U0-G2	EALS03_D2AN730_IES	EALS03_D2AN740_IES	EALS03_D2AN750_IES
	F2	Asymmetric Narrow/Auto (AN)	14700	15100	116	B3-U0-G3	B3-U0-G3	EALS03_F2AN730_IES	EALS03_F2AN740_IES	EALS03_F2AN750_IES
	H2	Asymmetric Narrow/Auto (AN)	19700	20200	140	B3-U0-G3	B3-U0-G3	EALS03_H2AN730_IES	EALS03_H2AN740_IES	EALS03_H2AN750_IES
	J2	Asymmetric Narrow/Auto (AN)	24600	25200	186	B3-U0-G3	B3-U0-G3	EALS03_J2AN730_IES	EALS03_J2AN740_IES	EALS03_J2AN750_IES
K2	Asymmetric Narrow/Auto (AN)	29600	30300	239	B3-U0-G3	B3-U0-G3	EALS03_K2AN730_IES	EALS03_K2AN740_IES	EALS03_K2AN750_IES	

Photometrics

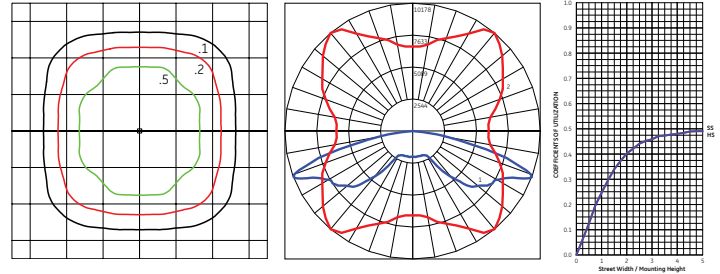
Evolve™ LED Area Light (EALS-03)

EALS Type II - Asymmetric Narrow/Auto
30,300 Lumens, 5000K (EALS03_K2AN750__IES)



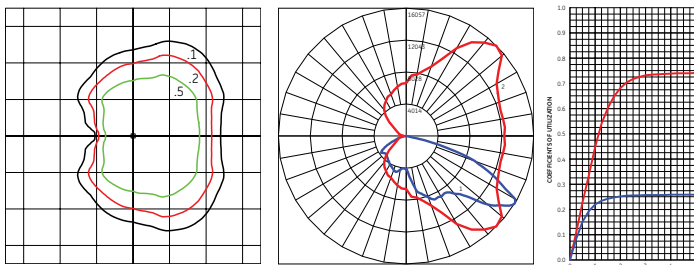
Grid Distance in Units of Mounting Height at 40' Initial Footcandle Values at Grade
 — Vertical plane through horizontal angle of maximum candlepower at 55°
 — Vertical plane through horizontal angle of 34°

EALS Type VS - Symmetric High Angle
29,000 Lumens, 5000K (EALS03_K5SH750__IES)



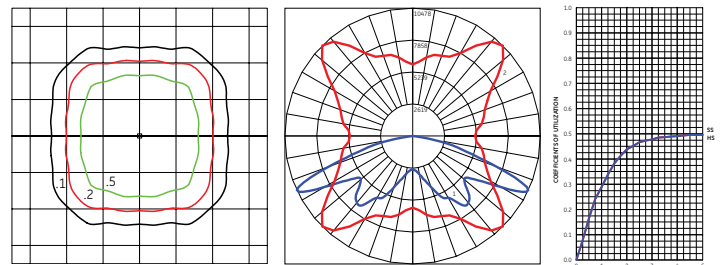
Grid Distance in Units of Mounting Height at 40' Initial Footcandle Values at Grade
 — Vertical plane through horizontal angle of maximum candlepower at 50°
 — Vertical plane through horizontal angle of 65°

EALS Type III - Asymmetric Wide
30,300 Lumens, 5000K (EALS03_K3AW750__IES)



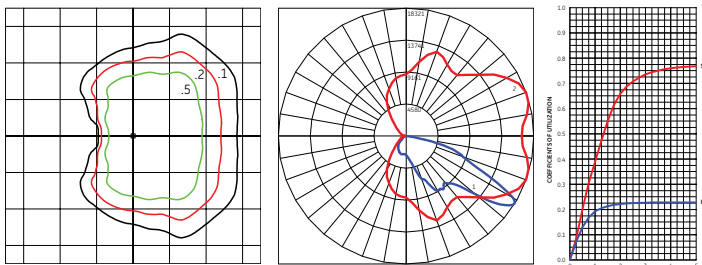
Grid Distance in Units of Mounting Height at 40' Initial Footcandle Values at Grade
 — Vertical plane through horizontal angle of maximum candlepower at 45°
 — Vertical plane through horizontal angle of 58°

EALS Type VS - Symmetric Medium
30,000 Lumens, 5000K (EALS03_K5SM750__IES)



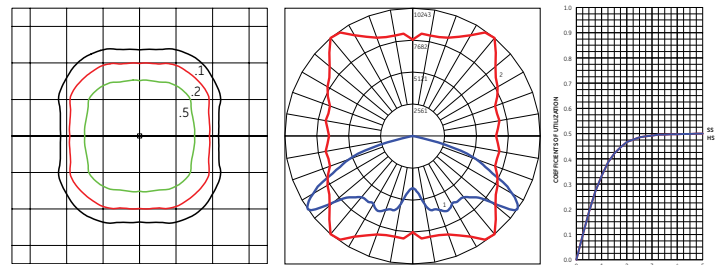
Grid Distance in Units of Mounting Height at 40' Initial Footcandle Values at Grade
 — Vertical plane through horizontal angle of maximum candlepower at 45°
 — Vertical plane through horizontal angle of 65°

EALS Type IV - Asymmetric Forward
30,000 Lumens, 5000K (EALS03_K4AF750__IES)



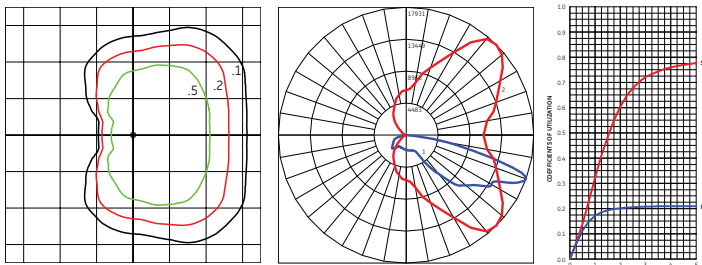
Grid Distance in Units of Mounting Height at 40' Initial Footcandle Values at Grade
 — Vertical plane through horizontal angle of maximum candlepower at 20°
 — Vertical plane through horizontal angle of 58°

EALS Type VS - Symmetric Wide
30,300 Lumens, 5000K (EALS03_K5SW750__IES)



Grid Distance in Units of Mounting Height at 40' Initial Footcandle Values at Grade
 — Vertical plane through horizontal angle of maximum candlepower at 50°
 — Vertical plane through horizontal angle of 55°

EALS Type IV - Asymmetric High Angle
29,000 Lumens, 5000K (EALS03_K4AH750__IES)



Grid Distance in Units of Mounting Height at 40' Initial Footcandle Values at Grade
 — Vertical plane through horizontal angle of maximum candlepower at 45°
 — Vertical plane through horizontal angle of 70°

Ordering Number Logic

Evolve™ LED Area Light (EALP-03)



EALP 03 _____ 7 _____

PROD. ID	GENERATION	VOLTAGE	OPTICAL DISTRIBUTION CODE	CRI	CCT	DIMMING	CONTROLS	MOUNTING ARM	COLOR	OPTIONS
----------	------------	---------	---------------------------	-----	-----	---------	----------	--------------	-------	---------

E = Evolve
AL = Area Light
P = Premium

03 = 3rd Generation

0 = 120-277*
1 = 120
2 = 208
3 = 240
4 = 277
5 = 480
D = 347
H = 347-480*
 *Not available with Fusing.
 Must choose a discreet voltage with F Option

SM = Symmetric Medium
SW = Symmetric Wide
SH = Symmetric High Angle
AF = Asymmetric Forward
AH = Asymmetric High Angle
AW = Asymmetric Wide
AN = Asymmetric Narrow/Auto

7 = 70 (min)

30 = 3000K
40 = 4000K
50 = 5000K
 <Select 3000K CCT for IDA Approved units

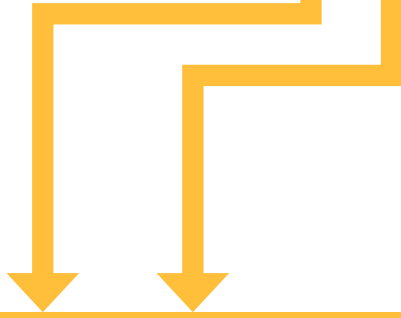
N = Dimming thru PE receptacle
D = External Dimming 18/2-3ft cable
X = Non-dimmable*
 All constructions supplied with ANSI C136.41 7-pin Receptacle
 *Required for Cx Optical Codes. Not available for other optical codes.
Note: Standard dimming 0-10V

A = ANSI 7-pin PE receptacle (no control)
D = ANSI 7-pin PE receptacle with shorting cap provided
Note: See accessories section on page 10 for PE Control ordering

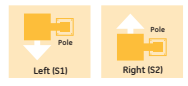
C1 = Integral Slip-fitter 2" Pipe (2.378 in. OD)*
D1 = Universal Mounting Arm, fitted for round or square pole mounting**
K1 = Knuckle Slipfitter for 1.9 in. - 2.3in. OD Tenon***
S1 = Knuckle Slipfitter for 2.3in. - 3.0in OD Tenon***
V1 = Knuckle Wall Mount***
 * Supplied with leads
 ** Supplied with 16/3 ft cable
 *** Restricted Aiming Angle 0° to +45°

GRAY = Gray
BLCK = Black
DKBZ = Dark Bronze
WHITE = White

F = Fusing
H = Motion Sensor (Sensor Switch)
H2 = Motion Sensor (Daintree)
J = cUL/Canada
L = Tool-Less Entry
R = Enhanced Surge Protection (10kV/5kA)
S1 = Rotated Left †
S2 = Rotated Right †
T = Elevated Surge Protection (20kV/10kA)
U = DALI dimming ^+
V = 3-Position Terminal Block V = Coastal Finish
XXX = Special Options



* Contact Manufacturer for availability
 + Compatible with LightGrid 2.0 nodes
 ^ Not compatible at 347-480V, with motion sensor controls, or above 400W.
 † For aimed left or right light distribution orientation, as assembled in manufacturing. Not applicable for Symmetric Distributions.
Note: H option not available for 470W and above configurations.
Note: H2 option not available at 370V-480V



TYPE	OPTICAL CODE	DISTRIBUTION	TYPICAL INITIAL LUMENS		TYPICAL SYSTEM WATTAGE		BUG RATING		IES FILE NUMBER 3000K	IES FILE NUMBER 4000K	IES FILE NUMBER 5000K
			3000K	4000K & 5000K	120-277V & 347-480V	3000K B-U-G	4000 & 5000K B-U-G				
Type V	J5	Symmetric Medium (SM)	23600	25000	172	B4-U0-G2	B4-U0-G2	EALP03_J5SM730_IES	EALP03_J5SM740_IES	EALP03_J5SM750_IES	
	K5	Symmetric Medium (SM)	28300	30000	212	B5-U0-G3	B5-U0-G3	EALP03_K5SM730_IES	EALP03_K5SM740_IES	EALP03_K5SM750_IES	
	L5	Symmetric Medium (SM)	33000	35000	263	B5-U0-G3	B5-U0-G3	EALP03_L5SM730_IES	EALP03_L5SM740_IES	EALP03_L5SM750_IES	
	M5	Symmetric Medium (SM)	37800	40000	305	B5-U0-G3	B5-U0-G4	EALP03_M5SM730_IES	EALP03_M5SM740_IES	EALP03_M5SM750_IES	
	N5	Symmetric Medium (SM)	47200	50000	400	B5-U0-G4	B5-U0-G4	EALP03_N5SM730_IES	EALP03_N5SM740_IES	EALP03_N5SM750_IES	
	P5	Symmetric Medium (SM)	56700	60000	470	B5-U0-G4	B5-U0-G4	EALP03_P5SM730_IES	EALP03_P5SM740_IES	EALP03_P5SM750_IES	
	Q5	Symmetric Medium (SM)	66100	70000	570	B5-U0-G5	B5-U0-G5	EALP03_Q5SM730_IES	EALP03_Q5SM740_IES	EALP03_Q5SM750_IES	
	J5	Symmetric Wide (SW)	23600	25000	172	B4-U0-G2	B4-U0-G2	EALP03_J5SW730_IES	EALP03_J5SW740_IES	EALP03_J5SW750_IES	
	K5	Symmetric Wide (SW)	28300	30000	212	B5-U0-G2	B5-U0-G2	EALP03_K5SW730_IES	EALP03_K5SW740_IES	EALP03_K5SW750_IES	
	L5	Symmetric Wide (SW)	33000	35000	263	B5-U0-G2	B5-U0-G2	EALP03_L5SW730_IES	EALP03_L5SW740_IES	EALP03_L5SW750_IES	
	M5	Symmetric Wide (SW)	37800	40000	305	B5-U0-G2	B5-U0-G2	EALP03_M5SW730_IES	EALP03_M5SW740_IES	EALP03_M5SW750_IES	
	N5	Symmetric Wide (SW)	47200	50000	400	B5-U0-G3	B5-U0-G3	EALP03_N5SW730_IES	EALP03_N5SW740_IES	EALP03_N5SW750_IES	
	P5	Symmetric Wide (SW)	56700	60000	470	B5-U0-G3	B5-U0-G3	EALP03_P5SW730_IES	EALP03_P5SW740_IES	EALP03_P5SW750_IES	
	Q5	Symmetric Wide (SW)	66100	70000	570	B5-U0-G4	B5-U0-G4	EALP03_Q5SW730_IES	EALP03_Q5SW740_IES	EALP03_Q5SW750_IES	
	J5	Symmetric High Angle (SH)	22700	24100	172	B5-U0-G3	B5-U0-G3	EALP03_J5SH730_IES	EALP03_J5SH740_IES	EALP03_J5SH750_IES	
	K5	Symmetric High Angle (SH)	27400	29000	212	B5-U0-G3	B5-U0-G3	EALP03_K5SH730_IES	EALP03_K5SH740_IES	EALP03_K5SH750_IES	
	L5	Symmetric High Angle (SH)	31900	33800	263	B5-U0-G4	B5-U0-G4	EALP03_L5SH730_IES	EALP03_L5SH740_IES	EALP03_L5SH750_IES	
	M5	Symmetric High Angle (SH)	36400	38600	305	B5-U0-G4	B5-U0-G4	EALP03_M5SH730_IES	EALP03_M5SH740_IES	EALP03_M5SH750_IES	
	N5	Symmetric High Angle (SH)	45600	48300	400	B5-U0-G4	B5-U0-G5	EALP03_N5SH730_IES	EALP03_N5SH740_IES	EALP03_N5SH750_IES	
	P5	Symmetric High Angle (SH)	54800	58000	470	B5-U0-G5	B5-U0-G5	EALP03_P5SH730_IES	EALP03_P5SH740_IES	EALP03_P5SH750_IES	
Q5	Symmetric High Angle (SH)	63800	67600	570	B5-U0-G5	B5-U0-G5	EALP03_Q5SH730_IES	EALP03_Q5SH740_IES	EALP03_Q5SH750_IES		

Type IV, Type III and Type II Claims Table for EALP-03 continued on Page 6

Ordering Number Logic

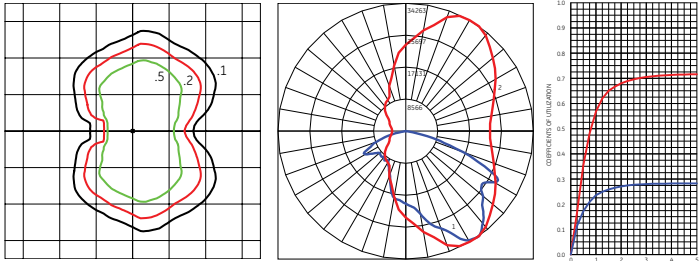
Evolve™ LED Area Light (EALP-03)

TYPE	OPTICAL CODE	DISTRIBUTION	TYPICAL INITIAL LUMENS		TYPICAL SYSTEM WATTAGE	BUG RATING		IES FILE NUMBER	IES FILE NUMBER	IES FILE NUMBER
			3000K	4000K & 5000K	120-277V & 347-480V	3000K B-U-G	4000 & 5000K B-U-G	3000K	4000K	5000K
Type IV	J4	Asymmetric Forward (AF)	23600	25000	200	B3-U0-G3	B3-U0-G4	EALP03_J4AF730_IES	EALP03_J4AF740_IES	EALP03_J4AF750_IES
	K4	Asymmetric Forward (AF)	28300	30000	212	B3-U0-G4	B3-U0-G4	EALP03_K4AF730_IES	EALP03_K4AF740_IES	EALP03_K4AF750_IES
	L4	Asymmetric Forward (AF)	33000	35000	263	B3-U0-G4	B3-U0-G4	EALP03_L4AF730_IES	EALP03_L4AF740_IES	EALP03_L4AF750_IES
	M4	Asymmetric Forward (AF)	37800	40000	305	B4-U0-G4	B4-U0-G5	EALP03_M4AF730_IES	EALP03_M4AF740_IES	EALP03_M4AF750_IES
	N4	Asymmetric Forward (AF)	47200	50000	400	B4-U0-G5	B4-U0-G5	EALP03_N4AF730_IES	EALP03_N4AF740_IES	EALP03_N4AF750_IES
	P4	Asymmetric Forward (AF)	56700	60000	470	B4-U0-G5	B4-U0-G5	EALP03_P4AF730_IES	EALP03_P4AF740_IES	EALP03_P4AF750_IES
	Q4	Asymmetric Forward (AF)	66100	70000	570	B4-U0-G5	B4-U0-G5	EALP03_Q4AF730_IES	EALP03_Q4AF740_IES	EALP03_Q4AF750_IES
	J4	Asymmetric High Angle (AH)	22700	24100	200	B3-U0-G4	B3-U0-G4	EALP03_J4AH730_IES	EALP03_J4AH740_IES	EALP03_J4AH750_IES
	K4	Asymmetric High Angle (AH)	27400	29000	212	B3-U0-G4	B3-U0-G5	EALP03_K4AH730_IES	EALP03_K4AH740_IES	EALP03_K4AH750_IES
	L4	Asymmetric High Angle (AH)	31900	33800	263	B4-U0-G5	B4-U0-G5	EALP03_L4AH730_IES	EALP03_L4AH740_IES	EALP03_L4AH750_IES
	M4	Asymmetric High Angle (AH)	36400	38600	305	B4-U0-G5	B4-U0-G5	EALP03_M4AH730_IES	EALP03_M4AH740_IES	EALP03_M4AH750_IES
	N4	Asymmetric High Angle (AH)	45600	48300	400	B4-U0-G5	B4-U0-G5	EALP03_N4AH730_IES	EALP03_N4AH740_IES	EALP03_N4AH750_IES
P4	Asymmetric High Angle (AH)	54800	58000	470	B4-U0-G5	B4-U0-G5	EALP03_P4AH730_IES	EALP03_P4AH740_IES	EALP03_P4AH750_IES	
Q4	Asymmetric High Angle (AH)	63800	67600	570	B5-U0-G5	B5-U0-G5	EALP03_Q4AH730_IES	EALP03_Q4AH740_IES	EALP03_Q4AH750_IES	
Type III	J3	Asymmetric Wide (AW)	23600	25000	200	B3-U0-G3	B3-U0-G3	EALP03_J3AW730_IES	EALP03_J3AW740_IES	EALP03_J3AW750_IES
	K3	Asymmetric Wide (AW)	28300	30000	212	B3-U0-G3	B3-U0-G3	EALP03_K3AW730_IES	EALP03_K3AW740_IES	EALP03_K3AW750_IES
	L3	Asymmetric Wide (AW)	33000	35000	263	B3-U0-G3	B4-U0-G3	EALP03_L3AW730_IES	EALP03_L3AW740_IES	EALP03_L3AW750_IES
	M3	Asymmetric Wide (AW)	37800	40000	305	B4-U0-G3	B4-U0-G4	EALP03_M3AW730_IES	EALP03_M3AW740_IES	EALP03_M3AW750_IES
	N3	Asymmetric Wide (AW)	47200	50000	400	B4-U0-G4	B4-U0-G4	EALP03_N3AW730_IES	EALP03_N3AW740_IES	EALP03_N3AW750_IES
	P3	Asymmetric Wide (AW)	56700	60000	470	B5-U0-G4	B5-U0-G4	EALP03_P3AW730_IES	EALP03_P3AW740_IES	EALP03_P3AW750_IES
	Q3	Asymmetric Wide (AW)	66100	70000	570	B5-U0-G5	B5-U0-G5	EALP03_Q3AW730_IES	EALP03_Q3AW740_IES	EALP03_Q3AW750_IES
Type II	J2	Asymmetric Narrow/Auto (AN)	23800	25200	200	B3-U0-G3	B3-U0-G3	EALP03_J2AN730_IES	EALP03_J2AN740_IES	EALP03_J2AN750_IES
	K2	Asymmetric Narrow/Auto (AN)	28600	30300	212	B3-U0-G3	B3-U0-G3	EALP03_K2AN730_IES	EALP03_K2AN740_IES	EALP03_K2AN750_IES
	L2	Asymmetric Narrow/Auto (AN)	33300	35300	263	B4-U0-G4	B4-U0-G4	EALP03_L2AN730_IES	EALP03_L2AN740_IES	EALP03_L2AN750_IES
	M2	Asymmetric Narrow/Auto (AN)	38100	40400	305	B4-U0-G4	B4-U0-G4	EALP03_M2AN730_IES	EALP03_M2AN740_IES	EALP03_M2AN750_IES
	N2	Asymmetric Narrow/Auto (AN)	47700	50500	400	B4-U0-G4	B4-U0-G4	EALP03_N2AN730_IES	EALP03_N2AN740_IES	EALP03_N2AN750_IES
	P2	Asymmetric Narrow/Auto (AN)	57200	60600	470	B4-U0-G4	B4-U0-G4	EALP03_P2AN730_IES	EALP03_P2AN740_IES	EALP03_P2AN750_IES
	Q2	Asymmetric Narrow/Auto (AN)	66800	70700	570	B5-U0-G5	B5-U0-G5	EALP03_Q2AN730_IES	EALP03_Q2AN740_IES	EALP03_Q2AN750_IES

Photometrics

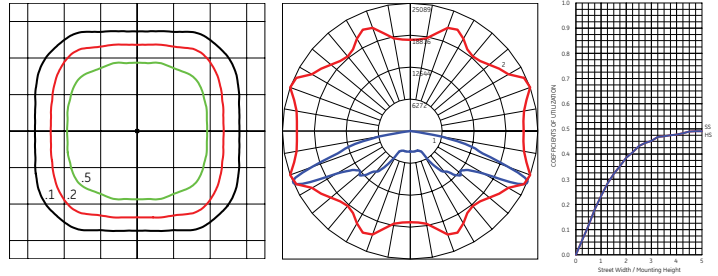
Evolve™ LED Area Light (EALP-03)

EALP Type II - Asymmetric Narrow/Auto
70,700 Lumens, 5000K (EALP03_Q2AN750__IES)



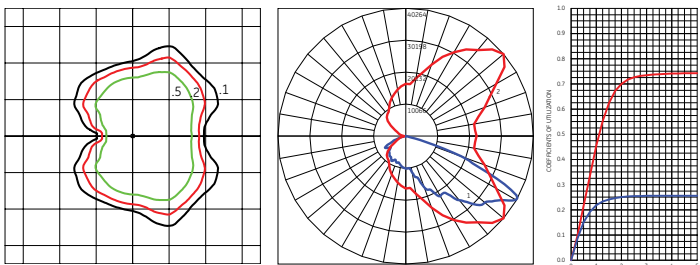
Grid Distance in Units of Mounting Height at 40' Initial Footcandle Values at Grade
 Vertical plane through horizontal angle of maximum candlepower at 60°
 Vertical plane through horizontal angle of 35°

EALP Type VS - Symmetric High Angle
67,600 Lumens, 5000K (EALP03_Q5SH750__IES)



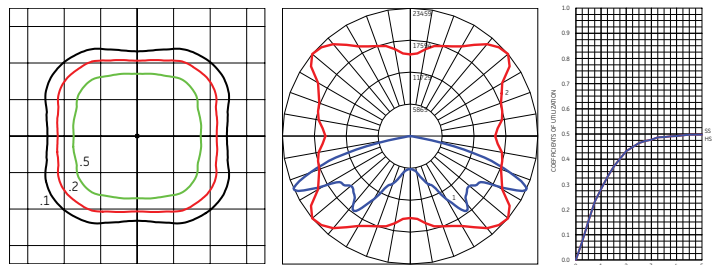
Grid Distance in Units of Mounting Height at 40' Initial Footcandle Values at Grade
 Vertical plane through horizontal angle of maximum candlepower at 20°
 Vertical plane through horizontal angle of 66°

EALP Type III - Asymmetric Wide
70,000 Lumens, 5000K (EALP03_Q3AW750__IES)



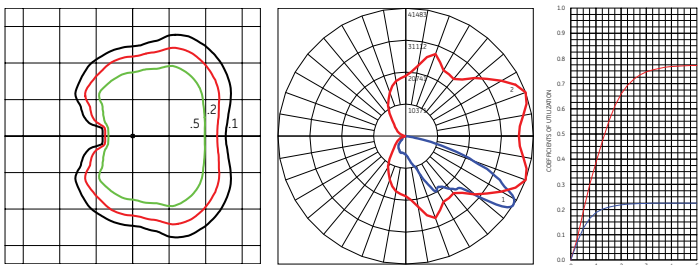
Grid Distance in Units of Mounting Height at 40' Initial Footcandle Values at Grade
 Vertical plane through horizontal angle of maximum candlepower at 40°
 Vertical plane through horizontal angle of 61°

EALP Type VS - Symmetric Medium
70,000 Lumens, 5000K (EALP03_Q5SM750__IES)



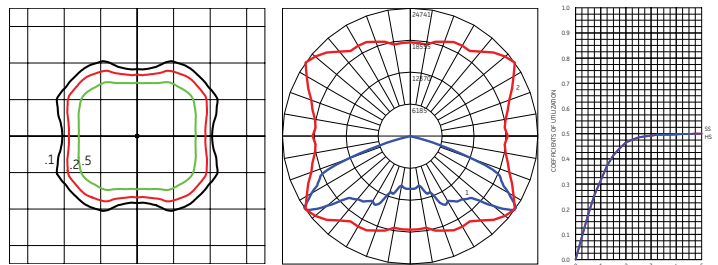
Grid Distance in Units of Mounting Height at 40' Initial Footcandle Values at Grade
 Vertical plane through horizontal angle of maximum candlepower at 40°
 Vertical plane through horizontal angle of 65°

EALP Type IV - Asymmetric Forward
70,000 Lumens, 5000K (EALP03_Q4AF750__IES)



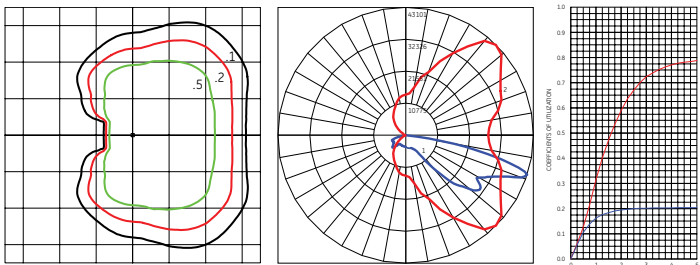
Grid Distance in Units of Mounting Height at 40' Initial Footcandle Values at Grade
 Vertical plane through horizontal angle of maximum candlepower at 20°
 Vertical plane through horizontal angle of 57°

EALP Type VS - Symmetric Wide
70,000 Lumens, 5000K (EALP03_Q5SW750__IES)



Grid Distance in Units of Mounting Height at 40' Initial Footcandle Values at Grade
 Vertical plane through horizontal angle of maximum candlepower at 35°
 Vertical plane through horizontal angle of 56°

EALP Type IV - Asymmetric High Angle
67,700 Lumens, 5000K (EALP03_Q4AH750__IES)

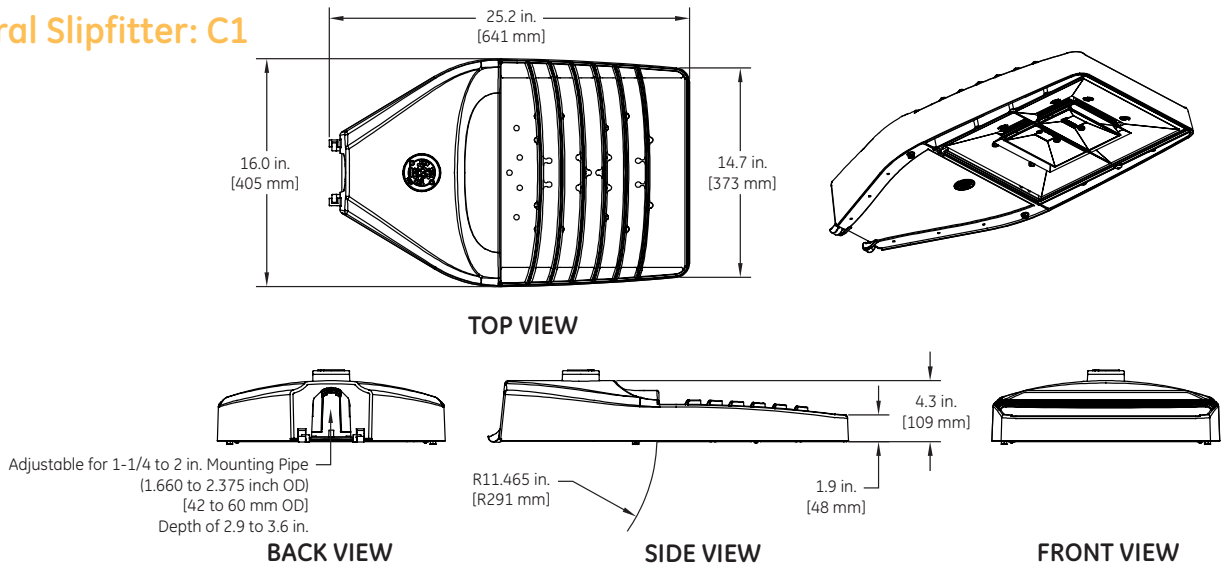


Grid Distance in Units of Mounting Height at 40' Initial Footcandle Values at Grade
 Vertical plane through horizontal angle of maximum candlepower at 35°
 Vertical plane through horizontal angle of 72°

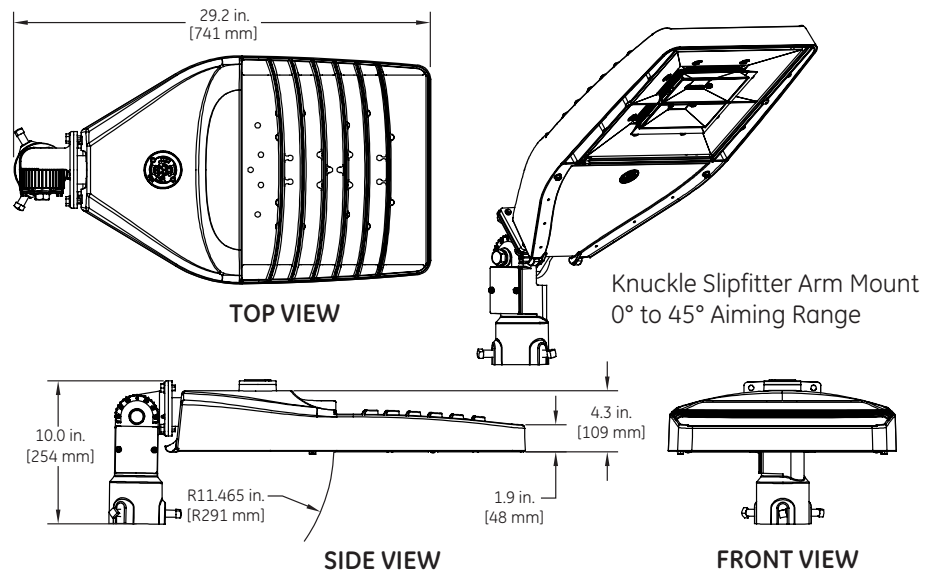
Product Dimensions

Evolve™ LED Area Light (EALS-03 & EALP-03)

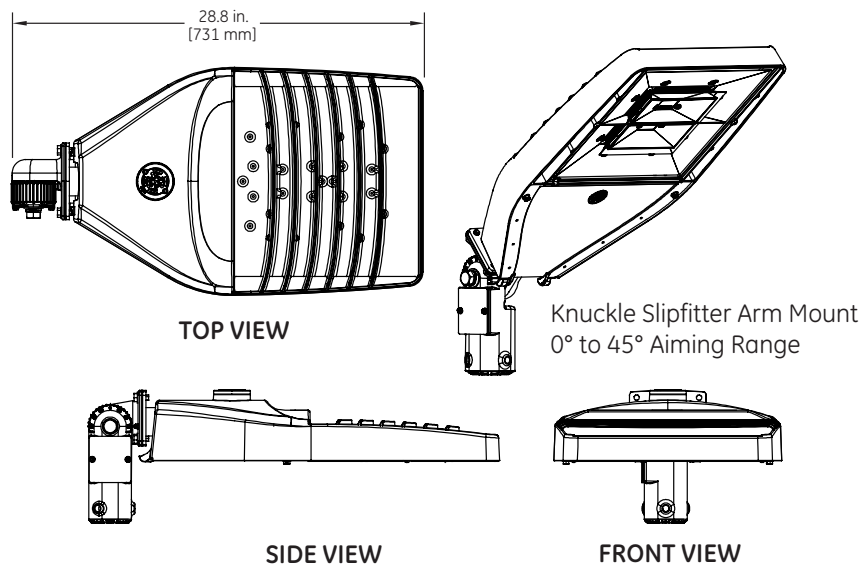
Integral Slipfitter: C1



Knuckle Slipfitter: S1



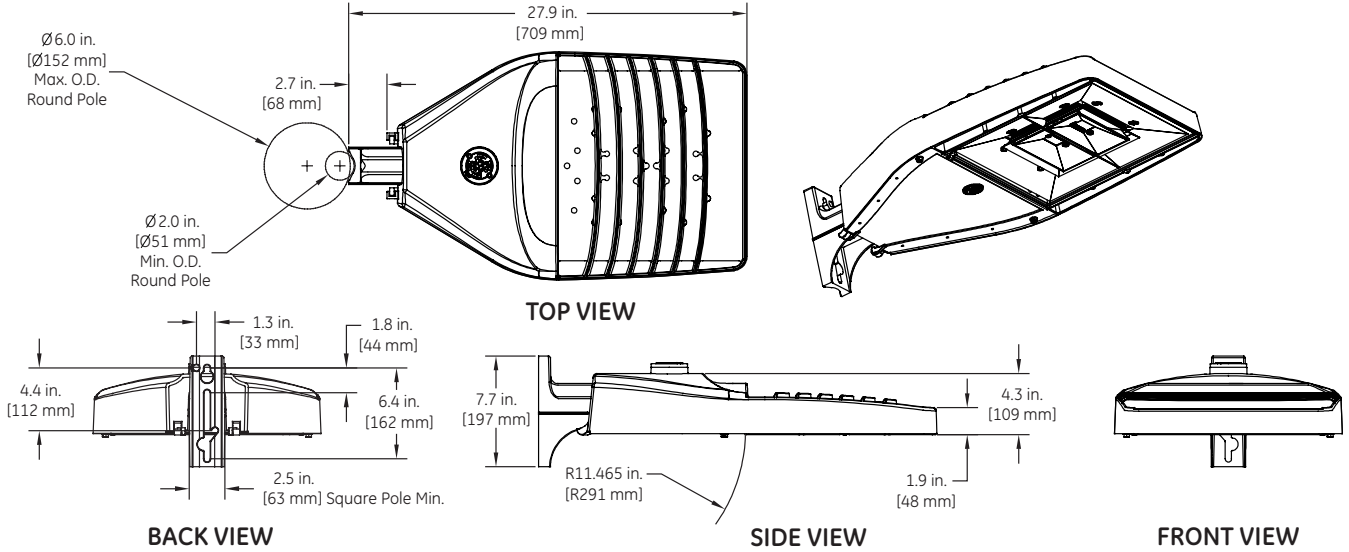
Knuckle Slipfitter: K1



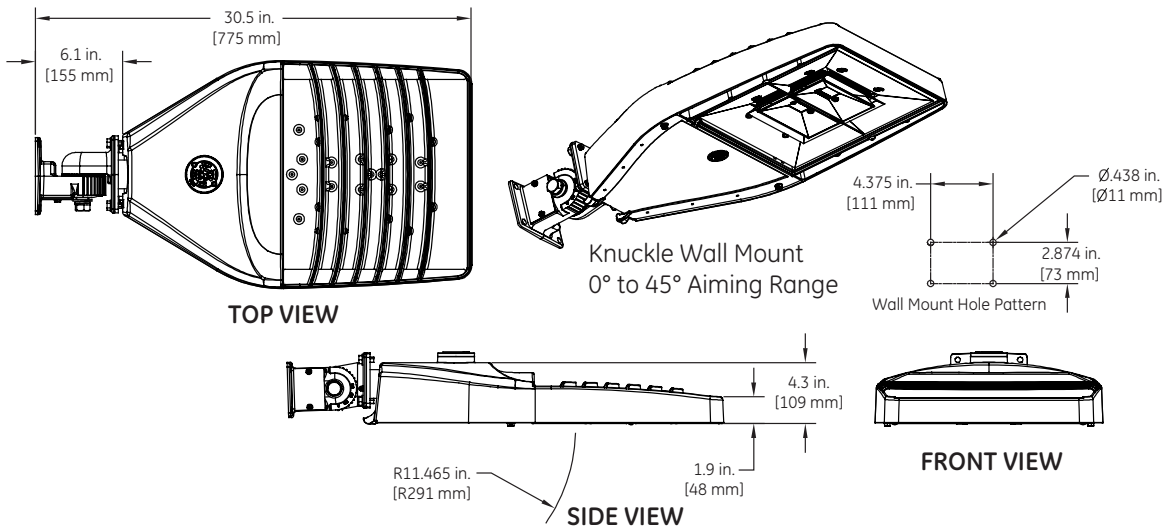
Product Dimensions

Evolve™ LED Area Light (EALS-03 & EALP-03)

Universal Mounting Arm: D1



Knuckle Wall Mount: V1



DATA

- Approximate Net Weight: 27 lbs (12.2 kg)
- Effective Projected Area:
 - Knuckle Slipfitter S1, K1 45° aim, EPA = 2.45
 - Knuckle Slipfitter S1, K1 downward aim, EPA = 0.73
 - Universal Arm Mount D1, EPA = 0.54 - Knuckle Wall Mount V1, 45° aim, EPA = 0.77 sq ft min and 1.43 sq ft max
 - Integral Slipfitter C1, EPA = 0.63

Accessories

Evolve™ LED Area Light (EALS-03 & EALP-03)

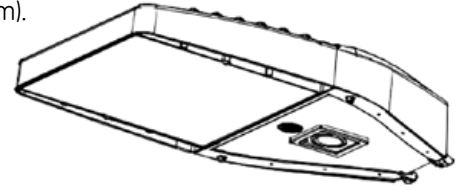
PE Accessories (to be ordered separately)

SAP Number	Part Number	Description
93029237	PED-MV-LED-7	ANSI C136.41 Dimming PE, 120-277V
93029238	PED-347-LED-7	ANSI C136.41 Dimming PE, 347V
93029239	PED-480-LED-7	ANSI C136.41 Dimming PE, 480V

SAP Number	Part Number	Description
28299	PEC0TL	STANDARD 120-277V
28294	PEC5TL	STANDARD 480V
80436	PECDTL	STANDARD 347V
73251	SCCL-PECTL	Shorting cap

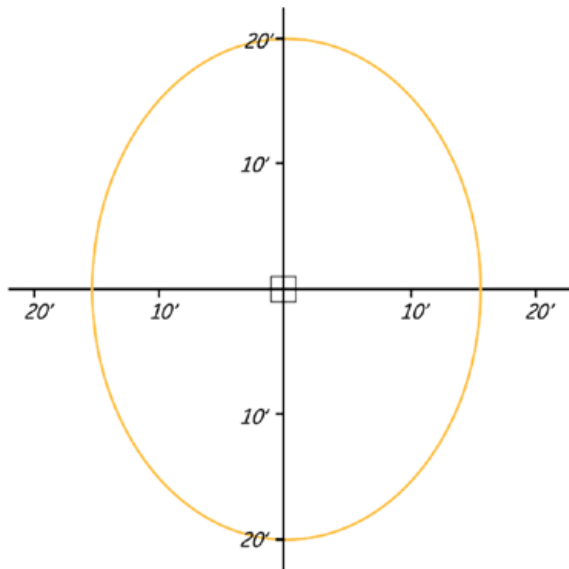
H-Motion Sensing Option

- Intended for applications, between 15-30 ft. mounting height. (4.57-9.14m). For mounting heights exceeding 30 ft., pole mounted sensors are recommended.
- Provides a coverage area radius for walking motion of 15-20 ft. (4.57-6.10m).
- Provides 270° of coverage (~90° is blocked by the pole).
- Standard factory settings:
 - 50% output when unoccupied, 100% output occupied.
 - Integral PE Sensor.
 - 5 minute post-occupancy time delay, 5 minute dimming ramp-down.
- Fixture power increase of 1W expected with sensor use.



Note: Standard options may be reprogrammed in the field. Reprogramming instructions included in product shipment.

Sensor Pattern



**Sensing Pattern Area Fixture
Up to 30 ft. Mounting Height**

Mounting Information

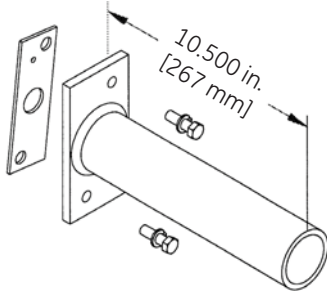
Evolve™ LED Area Light (EALS-03 & EALP-03)

Mounting Options for Integral Slipfitter - (Mounting Arm C1)

Order separately

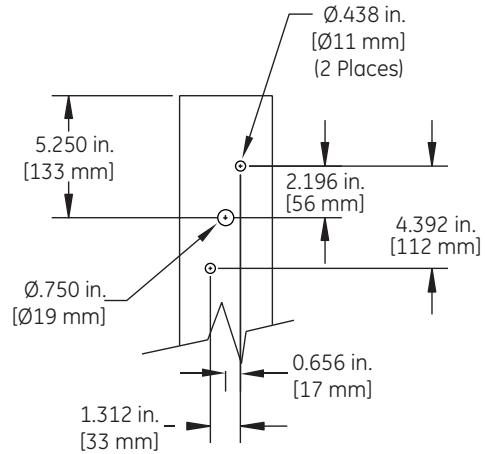
SQUARE POLE MOUNTING ARM

3.5 TO 4.5-inch (89 to 114mm) SQUARE
(WILL ALLOW 4 FIXTURES PER POLE @ 90 DEGREES.)



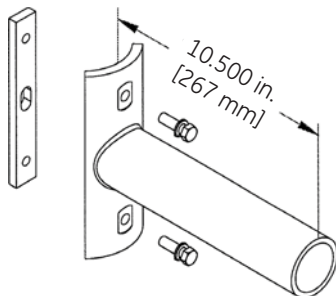
ORDER SEPARATELY FROM FIXTURE AS CATALOG NUMBER
SPA-EAMT10BLCK "Black"
SPA-EAMT10DKBZ "Dark Bronze"
SPA-EAMT10WHTE "White"
SPA-EAMT10GRAY "Gray"

SQUARE POLE MOUNTING DRILLING TEMPLATE



ROUND POLE MOUNTING ARM DRILLING TEMPLATE

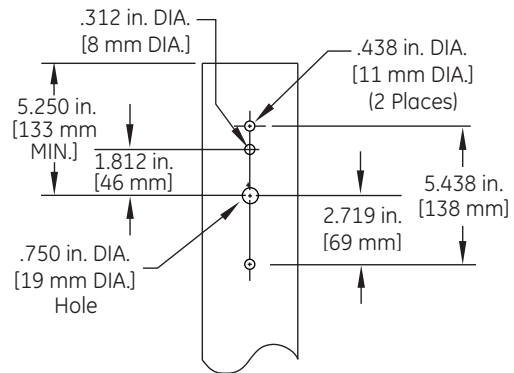
3.5 TO 4.5-inch (89 to 114mm) OD
(WILL ALLOW 4 FIXTURES PER POLE @ 90 DEGREES.)



ORDER SEPARATELY FROM FIXTURE AS CATALOG NUMBER
RPA-EAMT10BLCK "Black"
RPA-EAMT10DKBZ "Dark Bronze"
RPA-EAMT10WHTE "White"
RPA-EAMT10GRAY "Gray"

ROUND POLE MOUNTING DRILLING TEMPLATE

3.5 TO 4.5-inch (89 to 114mm) OD
round pole mounting arm



Wall Mounting Bracket Adapter Plate

ORDER SEPARATELY FROM FIXTURE AS CATALOG NUMBER
WMB-EAMT06

***NOTE:** For Wall Mounting, order luminaire with mounting arm: C1 = Slipfitter 2" Pipe (2.378 in. OD) supplied with leads.

Other mounting patterns are available for retrofit installations.
 Contact manufacturing for other available mounting patterns.



All trademarks are the property of their respective owners. Information provided is subject to change without notice. All values are design or typical values when measured under laboratory conditions. Current, powered by GE is a business of the General Electric Company. © 2019 GE.

