

**Miele**

## 30" Speed Oven

H 6570 BM, H 6670 BM,

H 6770 BM, H 6870 BM



Shown: H 6870 BM over H 6880 BP  
Please note: This information is subject to change

[mieleusa.com](http://mieleusa.com)  
Specification Sheets TRS 09122019

## 30" Speed Oven

SPECIFICATIONS	
Overall Dimensions - Excluding Fascia Dimension	22 <sup>1</sup> / <sub>16</sub> " (560 mm) W x 17 <sup>1</sup> / <sub>2</sub> " (444.7 mm) H x 21 <sup>11</sup> / <sub>16</sub> " (550.8 mm) D
Overall Fascia Dimensions	29 <sup>13</sup> / <sub>16</sub> " (757 mm) W x 18 <sup>7</sup> / <sub>8</sub> " (479 mm) H x <sup>7</sup> / <sub>8</sub> " (22 <sup>*</sup> /23 <sup>**</sup> mm) D *Oven with glass/**Oven with metal
Oven Door Clearance	13 <sup>1</sup> / <sub>8</sub> " (333 mm)
Shelf	
Minimum Base Support	125 lbs
Electrical	
Electrical Requirements	120/208-240V, 60Hz, 30A
Power Cord	Molded NEMA 14-30 plug, 6 ft. (1.8 m)
Electrical Rating	4kW (120/240V), 3kW (120/208V)
Shipping	
Shipping Weight	152 lbs
Shipping Dimensions	26 <sup>3</sup> / <sub>8</sub> " (727 mm) W x 23 <sup>1</sup> / <sub>4</sub> " (630 mm) H x 27 <sup>1</sup> / <sub>8</sub> " (686 mm) L
Support	
Call Miele	(800) 999-1360
Miele Website	<a href="http://www.mieleusa.com">www.mieleusa.com</a>
20/20 Link	<a href="http://2020technologies.com">2020technologies.com</a>

### ContourLine:



H 6570 BM - SensorTronic  
Item 22657054USA



H 6770 BM - M Touch  
Item 22677054USA

### PureLine:



H 6670 BM - SensorTronic  
Item 22667054USA



H 6870 BM - M Touch  
Item 22687054USA



H 6870 BM BRWS - M Touch  
Item 22687014USA



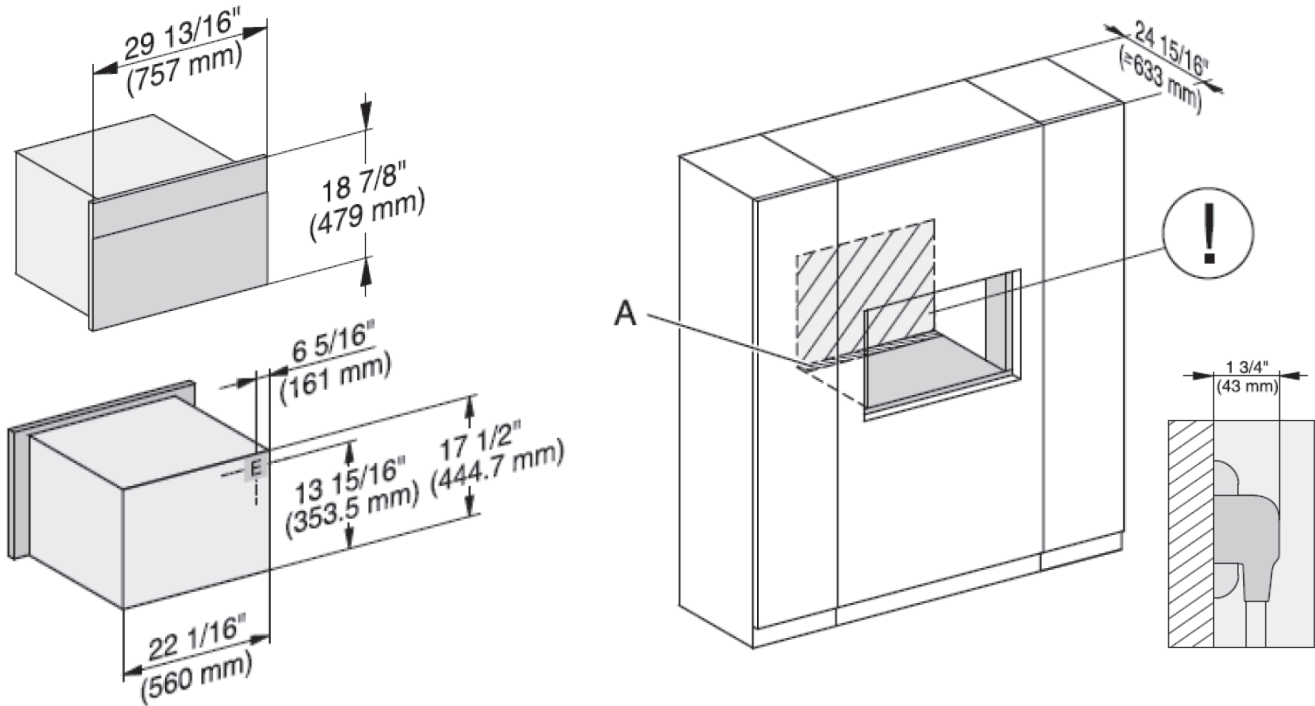
H 6870 BM GRGR - M Touch  
Item 22687044USA



H 6870 BM OBSW - M Touch  
Item 22687024USA

## 30" Speed Oven - Flush Installation

### PRODUCT DIMENSIONS

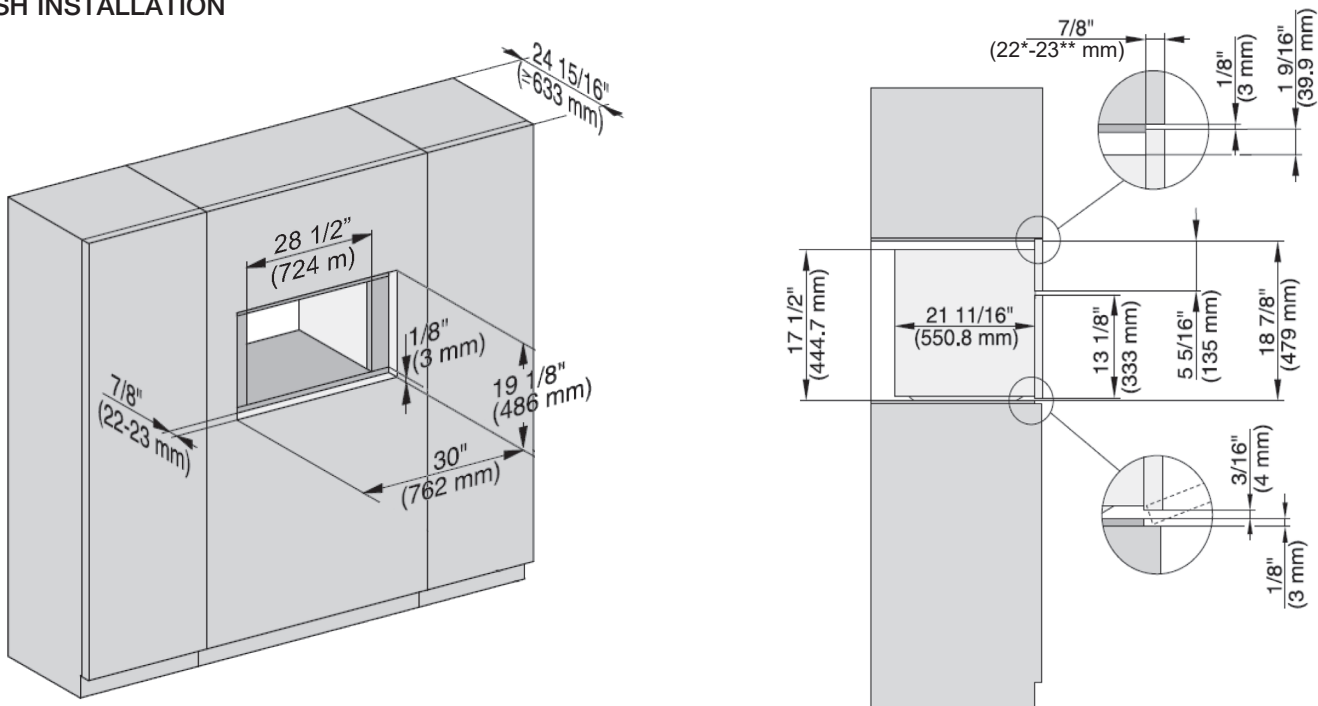


A - Cut-out (4" x 28" / 100 mm x 720 mm) in the bottom of the cabinet for power cord and ventilation

- ⚠ - Electrical and water supplies are recommended to be placed in adjacent cabinetry.  
Additional cabinet depth is required when placing the electrical and water supplies behind the appliance.

E = Electric connection

### FLUSH INSTALLATION

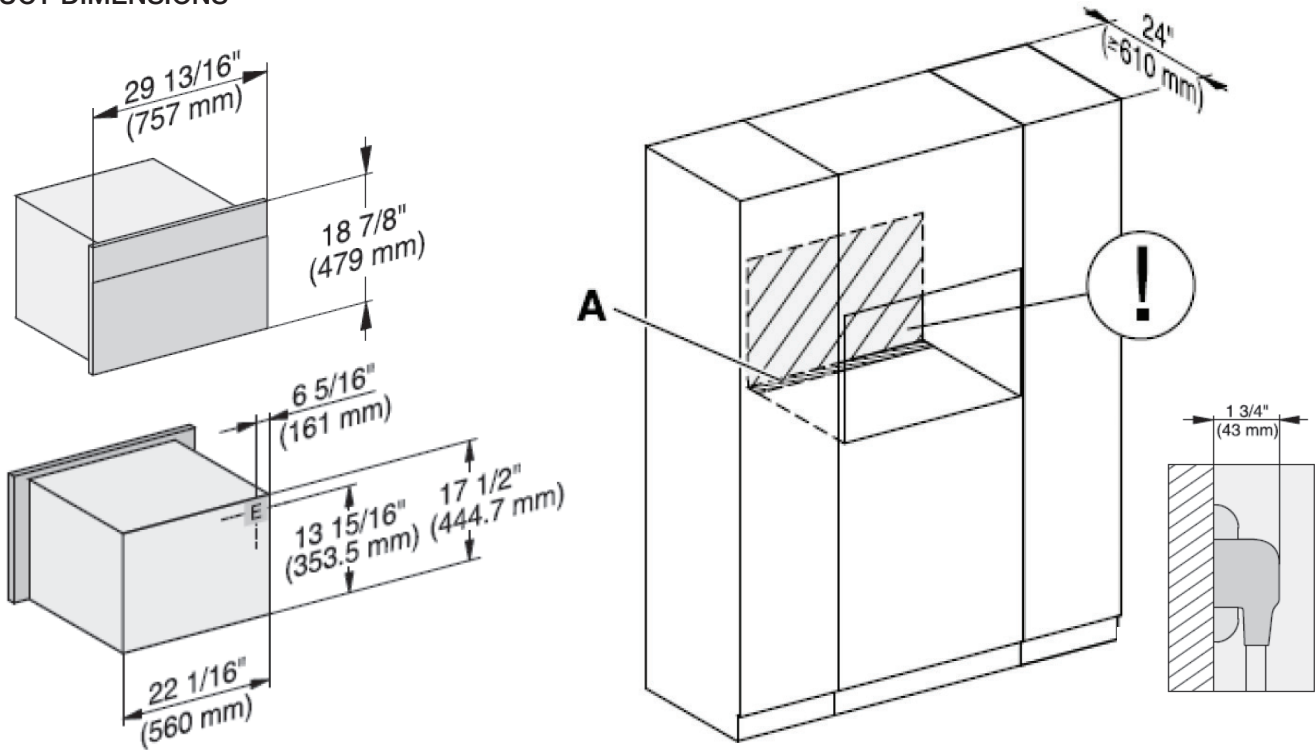


\* Oven with glass  
\*\* Oven with metal



## 30" Speed Oven - Proud Installation

### PRODUCT DIMENSIONS

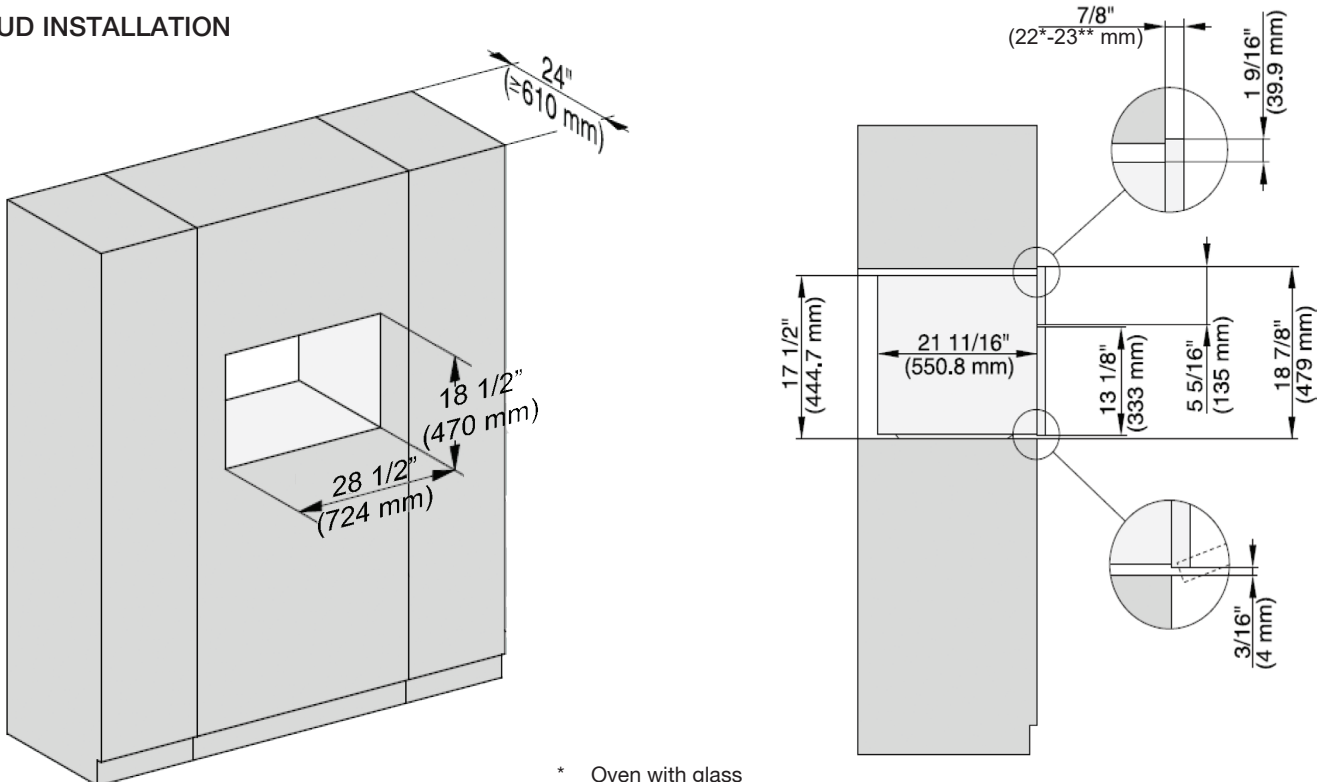


A - Cut-out (4" x 28" / 100 mm x 720 mm) in the bottom of the cabinet for power cord and ventilation

- ⚠ - Electrical and water supplies are recommended to be placed in adjacent cabinetry. Additional cabinet depth is required when placing the electrical and water supplies behind the appliance.

E = Electric connection

### PROUD INSTALLATION



\* Oven with glass  
\*\* Oven with metal