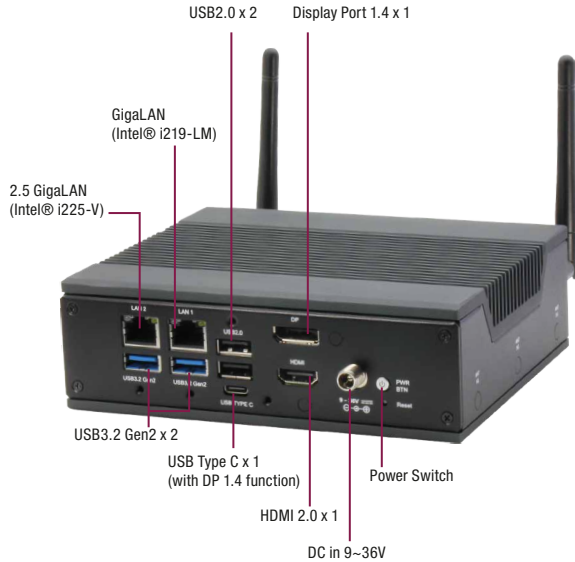


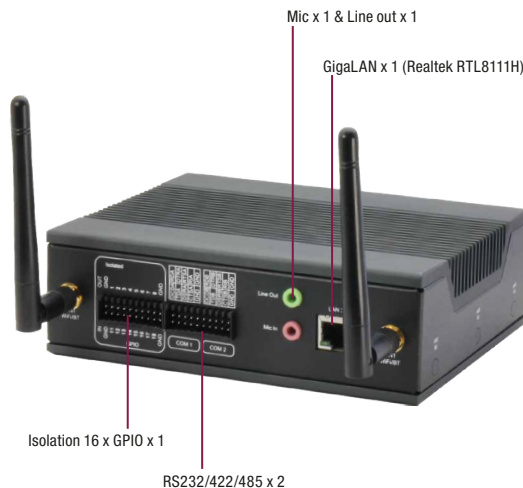
# UP Element i12 Edge

UPE-EDGE i12 system is powered by Intel® NUC 12 Compute Element

Front View



Rear View



## Features

- 12th generation Intel® Core™ i3-1215U / i5-1235U / i7-1255U / Celeron® 7305 Processor SoC
- LPDDR5 memory 8GB/16GB/32GB
- Isolation 16pin GPIO connector x 1
- Support 5G via M.2 3052
- Support AI Accelerator via M.2 2280
- Built-in WiFi 6E & Bluetooth (with CE-RED certified)
- LAN port x 3 and 1 for 2.5Gbps
- Support OOB function in LAN1(for vPRO version)
- Fanless design



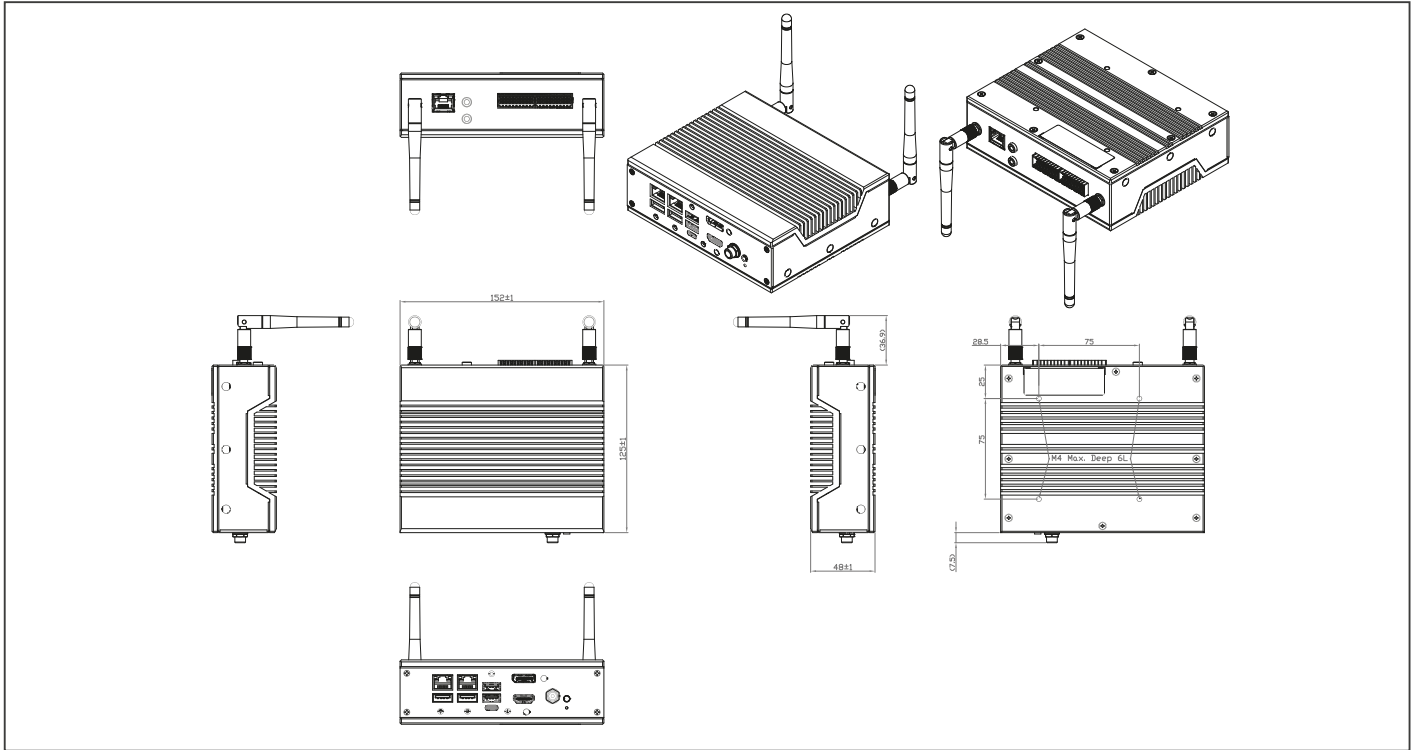
## Specifications

System	
CPU	Intel® Core™ i3-1215U / i5-1235U / i7-1255U / Celeron® 7305 Processor SoC
Memory	Onboard LPDDR5, 4GB / 8GB / 16GB / 32GB
Graphics	Intel® Iris® Xe Graphics
Storage	Optional with M.2 2280 M-key x 2
Ethernet	GbE x 2 / 2.5GbE x 1 (All three support PXE function) Intel® i225-IT for 2.5G Gigabit Ethernet Intel® i219-LM for 1G Gigabit Ethernet Realtek RTL8111H for 1G Gigabit Ethernet
WiFi/BT	Intel® AX211 Wi-Fi 6E (802.11ax)
Expansion Slot	M.2 3052 USB3.0/PCIe B-key x 1 M.2 2280 SATA/PCIe Gen3.0 x2 M-key x 1 M.2 2280 PCIe Gen4.0 x4 M-key x 1
Security	TPM 2.0
OS Support	Microsoft Windows 10 Linux: Ubuntu 20.04 LTS
I/O Placements	
USB	USB 3.2 Gen 2 Type A x 2 USB 2.0 Type A x 2 USB 3.2 Gen 1 Type C (support DP1.4) x 1
Display Port	HDMI 2.0b x 1 DP 1.4 x 1
Ethernet	RJ45 x 3
COM	RS232/422/485 x 2 (pin header type)
Audio	Mic x 1 / Line out x 1
GPIO	Isolation GPIO x 8in/8out (pin header type)
POWER Supply	
Power requirement	9-36V
Power supply type	Ø2.5 Lockable connector
Power Consumption(Typical)	96.6W (8.05A@12V)
MECHANICAL	
Mounting	75mm x 75mm VESA mount, optional Wall mount kit
Dimensions (WxHxD)	5.98" x 4.9" x 1.8" (152 x 125 x 48 mm)
Net Weight	2.21lb (1.0Kg)
Gross Weight	3.31lb (1.5Kg)
Environment	
Operating Temperature	With Heatsink: 32°F ~ 140°F (0°C ~ 60°C) with air flow 0.5m/s (According Industrial wide temp. M.2 SSD)
Operating Humidity	0% ~ 90% relative humidity, non-condensing
Storage Temperature	—
MTBF	—
Certification	CE-RED/FCC Class A, RoHS Compliant, REACH Shock: MIL-STD-202G Method 213B, Table 213-I Condition A(with Absorber) Vibration: IEC 60068-2-6: 1G, 5-500Hz, 3 axes IEC 60068-2-64: Operating 5Grms, 5-500 Hz, 3 axes

# UP Element i12 Edge

## Dimension

Unit: mm



## Ordering Information

Part number	CPU	Memory	Storage	Power Adapter	Power cord	COM port	GPIO	Fan
UPE-EDGE-HB15-A10-0825	i5-1235U	8GB	256GB SSD	120w adapter	US / EU	2	16	Fanless

## Packing List

- UPE-EDGE
- Screw Bag for VESA
- WiFi Antenna x 2pcs
- Plug & Push Terminal Block x 2pcs

## Optional Accessories

Part Number	Description
1255X00071	(TF)AC/DC Adapter.Input 100V~240V.output DC 19V.120W.6.32A.DC JACK w/Lock.FSP.FSP120-ABAN3
1702031802	(TF)POWER CORD.3P-125V 10A 180D.1.8M.U.S.A. FANJET.YP12/YC-12
1702031803	(TF)POWER CORD.3P-250V 10A 180D.1.8M.V.D.E. FAN-JET.YP-22/YC-12
170203180E	(TF)Power cord.3P:125V/7A.1.8M.PSE YP12/YC12 Certificate
9651UPEG00	(TF)Wall Mount Bracket kit 183*125*4mm for UPE-EDGE
9651UPEG01	(TF)Shock Absorbers kit for UPE-EDGE