

T1104SPEU

Parts Catalog

목 차

1. Engine PART NO. EG

FIG 101 CYLINDER HEAD	9
FIG 102 CYLINDER HEAD COVER	11
FIG 103 WATER PUMP	13
FIG 104 THERMOSTAT	15
FIG 105 BREATHER	17
FIG 106 COOLING WATER PIPE	19
FIG 107 VALVE	21
FIG 108 ROCKER ARM	23
FIG 109 TAPPET & PUSH ROD	25
FIG 110 CAMSHAFT	27
FIG 111 CAMSHAFT DRIVE	29
FIG 112 CYLINDER BLOCK	31
FIG 113 OIL SPRAY NOZZLE	33
FIG 114 FLYWHEEL HOUSING	35
FIG 115 ENGINE LIFTING	37
FIG 116 ENGINE MOUNTING	39
FIG 117 OIL PUMP	41
FIG 118 OIL FILTER	43
FIG 119 OIL PAN	45
FIG 120 OIL PIPE	47
FIG 121 OIL SEAL	49
FIG 122 PISTON	51
FIG 123 CONNECTING ROD	53
FIG 124 CRANKSHAFT	55
FIG 125 CRANKSHAFT PULLEY	57
FIG 126 INJECTION PUMP	59
FIG 127 INJECTION NOZZLE	61
FIG 128 INJECTION PIPE	63
FIG 129 FUEL LINE	65
FIG 130 FUEL FILTER	67
FIG 131 EXHAUST MUFFLER	69

FIG 132 INTAKE MANIFOLD	71
FIG 133 EXHAUST MANIFOLD	73
FIG 134 TURBOCHARGER	75
FIG 135 EGR	77
FIG 136 INTAKE STAKE	79
FIG 137 STARTER	81
FIG 138 ALTERNATOR	83
FIG 139 WIRE HARNESS	85
FIG 140 SWITCH & SENSOR	87
FIG 141 E.C.U	89
FIG 142 ALTERNATOR MOUNTING	91
FIG 143 POWER TAKE OFF	93
FIG 144 COOLING FAN	95
FIG 145 GENERAL ACCESSORIES-FIE&AFTER TREATMENT	97
FIG 146 GENERAL ACCESSORIES-ELECTRIC	99

2. Engine Accessories PART NO. T2

FIG 201 AIR CLEANER	102
FIG 202 RADIATOR	104
FIG 203 EXHAUST PIPE	107
FIG 205 FUEL TANK & FUEL LINES	109
FIG 206 CABLE, THROTTLE & ACCELERATOR ASSY	112
FIG 207 INTERCOOLER	114

3. Clutch/Brake/Steering PART NO. T3

FIG 301 DAMPER FLANGE ASSY	117
FIG 302 CASE SUB ASSY, BRAKE	119
FIG 303 BRAKE PIPES	121
FIG 303-2 BRAKE	123
FIG 304 FRONT WHEEL	125
FIG 305 REAR WHEEL	127
FIG 306 STEERING WHEEL ASSY	129
FIG 307 POWER STEERING VALVE	131
FIG 308 POWER STEERING CYLINDER	133
FIG 309 SUB CLUTCH PEDAL	135
FIG 310 HAND BRAKE SUB	137

4. Transmission PART NO. T4

FIG 401 CASE SUB, RR TRANSMISSION	140
FIG 402 METAL SUB ASSY, PINION	142
FIG 402-2 DIFF ASSY, RR	144
FIG 403 SUB CHANGE GEARS	146
FIG 404 SUB CHANGE LEVER	148
FIG 405 4WD DRIVE GEARS	150
FIG 406 HOUSING, RR AXLE	152
FIG 407 540,750,1000 PTO CASE	154
FIG 408 SHAFT, PTO	156
FIG 408-2 PTO CLUTCH ASSY	158
FIG 409 METAL SUB ASSY	160
FIG 410 CASE, MID TRANSMISSION	162
FIG 411 MAIN CHANGE GEARS	164
FIG 412 MAIN CHANGE LEVER	166
FIG 413 PARKING BRAKE	168
FIG 414 POWER SHUTTLE GEAR	170
FIG 415 POWER SHIFT GEAR	172
FIG 416 CASE, FR TRANSMISSION	174

5. Front Axle PART NO. T5

FIG 501 FRONT AXLE SUPPORTER	177
FIG 502 FRONT DRIVE SHAFT	180
FIG 503 FRONT AXLE HOUSING	182
FIG 504 FRONT DIFFERENTIAL GEARS	184
FIG 505 FRONT GEAR CASE (1)	186
FIG 506 FRONT GEAR CASE (2)	188
FIG 507 FRONT GEAR CASE (3)	190
FIG 508 MUD GUARD ASSY	192

6. Hydraulic/3P-Link PART NO. T6

FIG 601 VALVE SUB, SHIFT	195
FIG 601-2 VALVE SUB, MAIN	197
FIG 602 DRAWBAR ASSY	199

FIG 603 FILTER SUB, SUCTION	201
FIG 603-2 GEAR PUMP ASSY	203
FIG 604 CASE, CYLINDER	205
FIG 605 ARM SUB, LIFT	207
FIG 606 MAIN CONTROL VALVE SUB	209
FIG 607 AUX VALVE & FILTER SUB	211
FIG 607-2 LEVER SUB, AUX	213
FIG 608 HITCH & 3-POINT LINK	215
FIG 608-2 LOWER LINK & LIFT ROD	217
FIG 609 HYDRAULIC PIPE & HOSES	219
FIG 610 JOYSTICK	221

7. Sheet Metal & Cabin PART NO. T7

FIG 701 FRONT FRAME SUB	224
FIG 702 FRAME, HOOD	226
FIG 703 HOOD	228
FIG 704 STEP & BOOTS	231
FIG 705 FRONT & REAR MOUNTING	233
FIG 706 SEAT & MAT	235
FIG 708 DOOR-LH	237
FIG 709 DOOR-RH	239
FIG 710 FRAME COMP & FRONT GLASS	241
FIG 711 SIDE GLASS	243
FIG 712 REAR GLASS	245
FIG 713 SUB FENDER & COVER	247
FIG 714 REARVIEW MIRRORS	249
FIG 715 HEATER & AIR-CON (1)	251
FIG 716 HEATER & AIR-CON (2)	253
FIG 717 ROOF	255
FIG 718 CABIN INTERIOR	257
FIG 719 DASHCOVER	259
FIG 720 TANK ASSY, WASH	261
FIG 721 ROOM MIRROR ASSY	263
FIG 722 COVER-FENDER&JOYSTICK LEVER	265

8. Electrical System PART NO. T8

FIG 801 BATTERY & MOUNTING	268
----------------------------	-----

FIG 802 ELECTRIC SYSTEM (1)	270
FIG 803 ELECTRIC SYSTEM (2)	272
FIG 804 ELECTRIC SYSTEM (3)	274
FIG 805 ELECTRIC SYSTEM (4)	276
FIG 806 ELECTRIC SYSTEM (5)	278
FIG 807 ELECTRIC SYSTEM (5)	280

9. Label/Option PART NO. T9

FIG 901 TOOL & ACCESSORY	283
FIG 902 WEIGHT	285
FIG 903 LABEL	287

1. Engine PART NO. EG

FIG 101 CYLINDER HEAD	9
FIG 102 CYLINDER HEAD COVER	11
FIG 103 WATER PUMP	13
FIG 104 THERMOSTAT	15
FIG 105 BREATHER	17
FIG 106 COOLING WATER PIPE	19
FIG 107 VALVE	21
FIG 108 ROCKER ARM	23
FIG 109 TAPPET & PUSH ROD	25
FIG 110 CAMSHAFT	27
FIG 111 CAMSHAFT DRIVE	29
FIG 112 CYLINDER BLOCK	31
FIG 113 OIL SPRAY NOZZLE	33
FIG 114 FLYWHEEL HOUSING	35
FIG 115 ENGINE LIFTING	37
FIG 116 ENGINE MOUNTING	39
FIG 117 OIL PUMP	41
FIG 118 OIL FILTER	43
FIG 119 OIL PAN	45
FIG 120 OIL PIPE	47
FIG 121 OIL SEAL	49
FIG 122 PISTON	51
FIG 123 CONNECTING ROD	53
FIG 124 CRANKSHAFT	55
FIG 125 CRANKSHAFT PULLEY	57
FIG 126 INJECTION PUMP	59
FIG 127 INJECTION NOZZLE	61
FIG 128 INJECTION PIPE	63
FIG 129 FUEL LINE	65
FIG 130 FUEL FILTER	67
FIG 131 EXHAUST MUFFLER	69
FIG 132 INTAKE MANIFOLD	71
FIG 133 EXHAUST MANIFOLD	73
FIG 134 TURBOCHARGER	75
FIG 135 EGR	77
FIG 136 INTAKE STAKE	79
FIG 137 STARTER	81
FIG 138 ALTERNATOR	83

FIG 139 WIRE HARNESS	85
FIG 140 SWITCH & SENSOR	87
FIG 141 E.C.U	89
FIG 142 ALTERNATOR MOUNTING	91
FIG 143 POWER TAKE OFF	93
FIG 144 COOLING FAN	95
FIG 145 GENERAL ACCESSORIES-FIE&AFTER TREATMENT	97
FIG 146 GENERAL ACCESSORIES-ELECTRIC	99

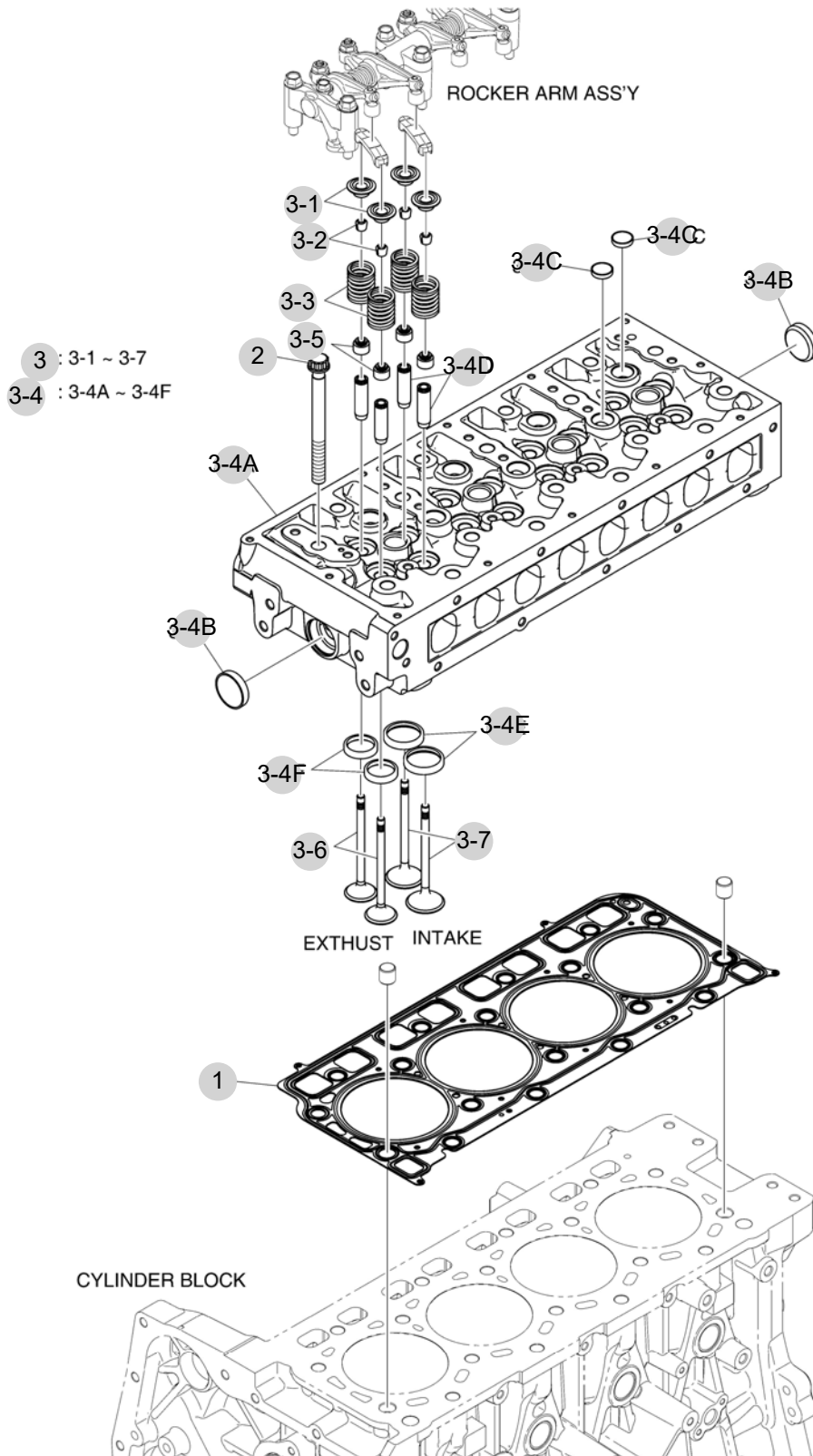
FIG 101

CYLINDER HEAD

년/월
Year/Month

2022-12

T1104SPEU



EDL03-P101-010-1

NOTE

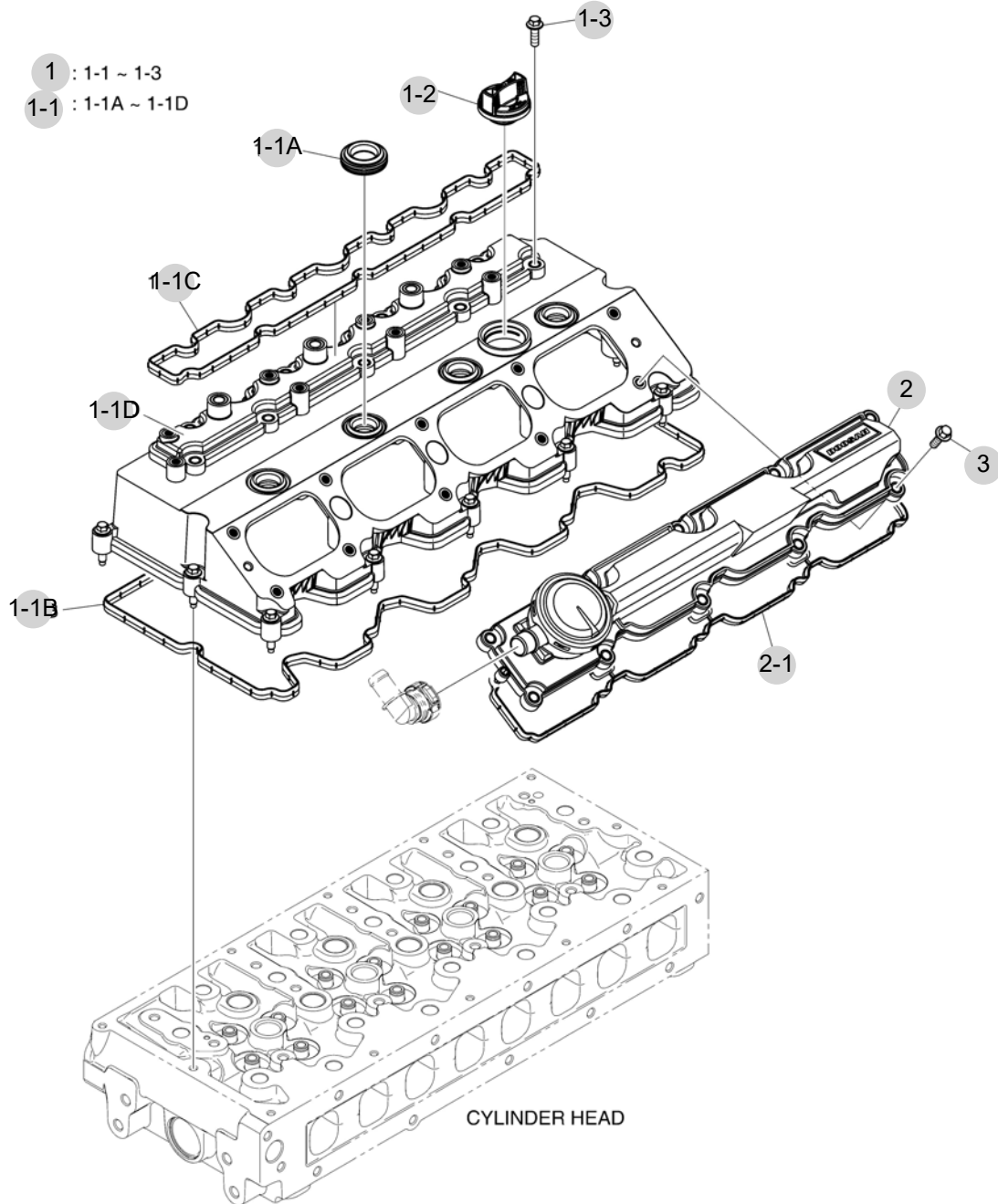
FIG 102

CYLINDER HEAD COVER

년/월
Year/Month

2022-12

T1104SPEU



EDL03-P102-090-1

NOTE

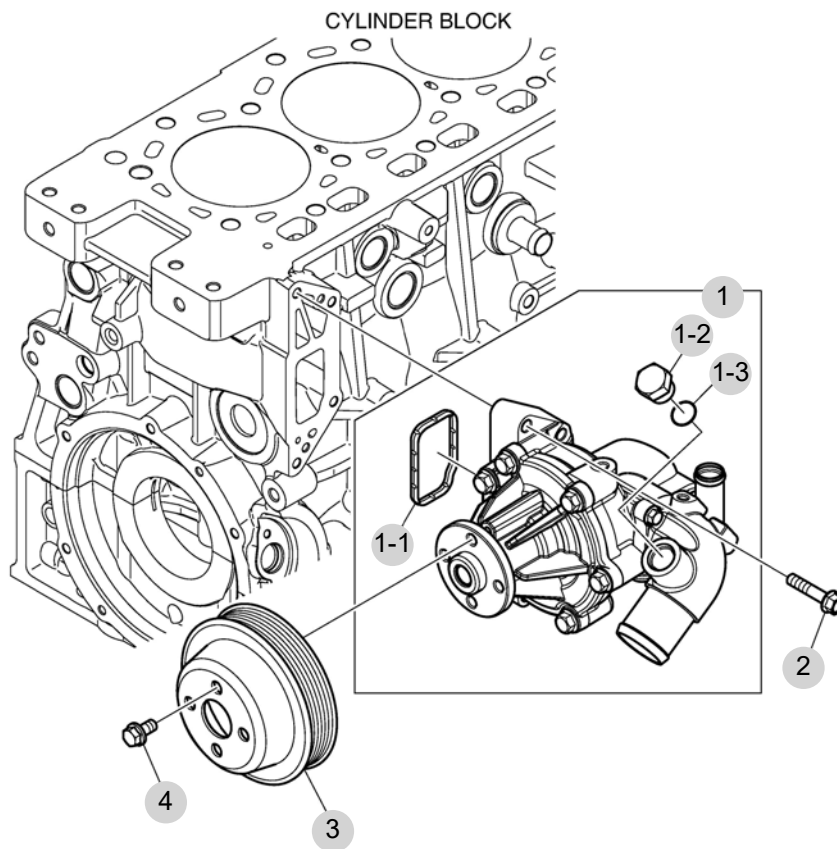
FIG 103

WATER PUMP

년/월
Year/Month

2022-12

T1104SPEU



EDL03-P103-001-1

NOTE

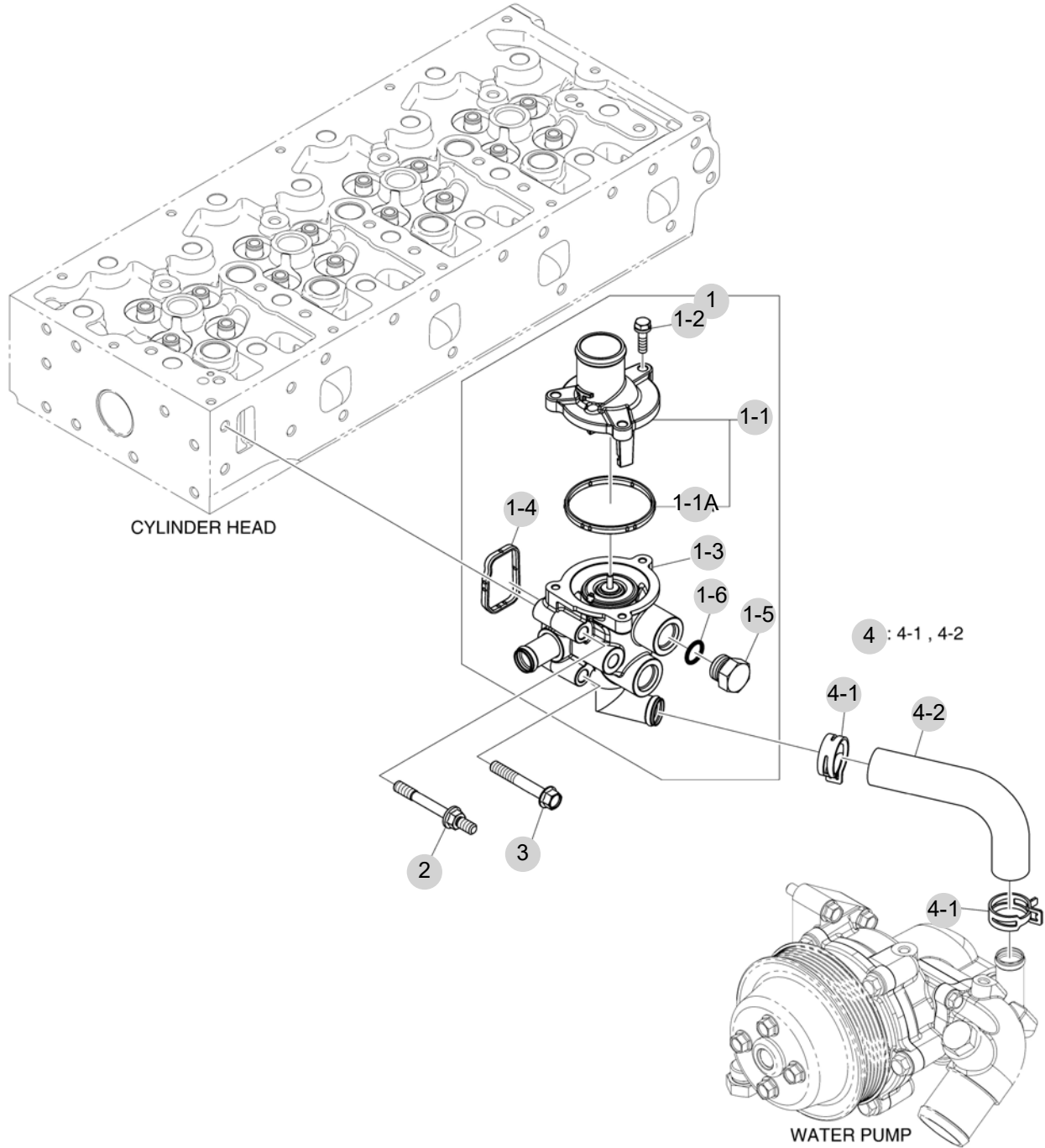
FIG 104

THERMOSTAT

년/월
Year/Month

2022-12

T1104SPEU



EDL03-P104-090-1

NOTE

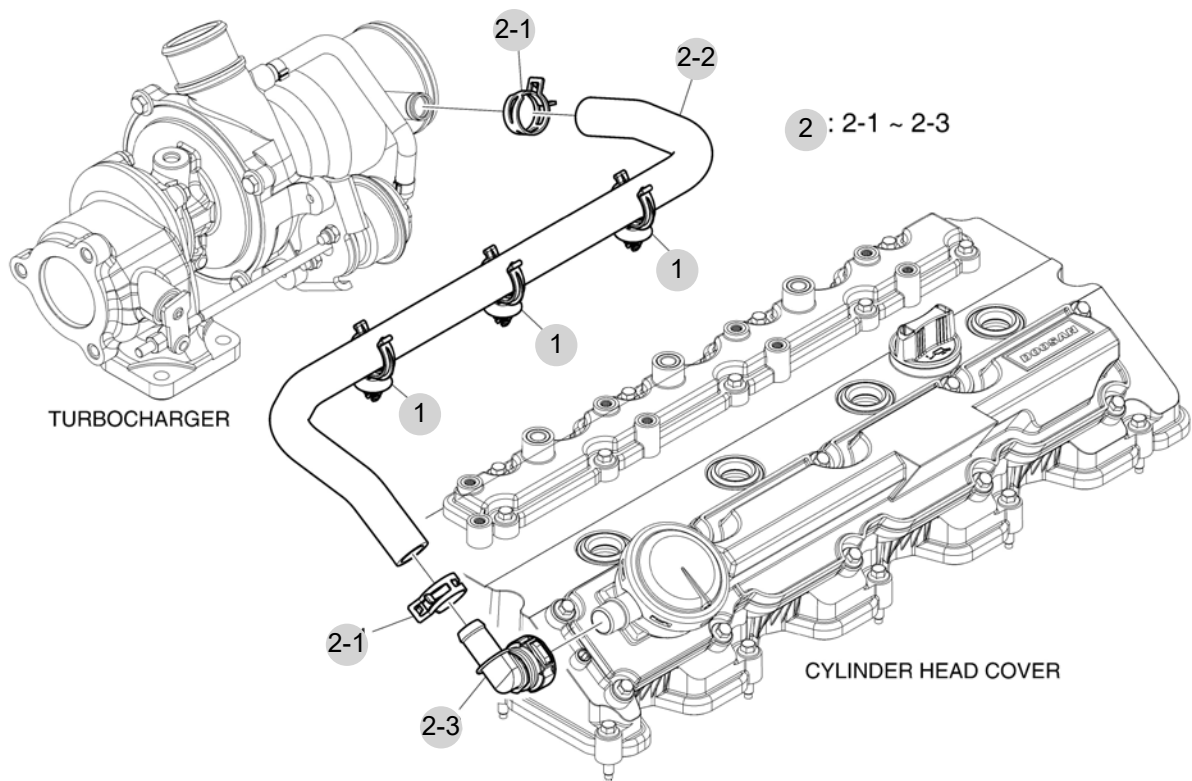
FIG 105

BREATHER

년/월
Year/Month

2022-12

T1104SPEU



NOTE

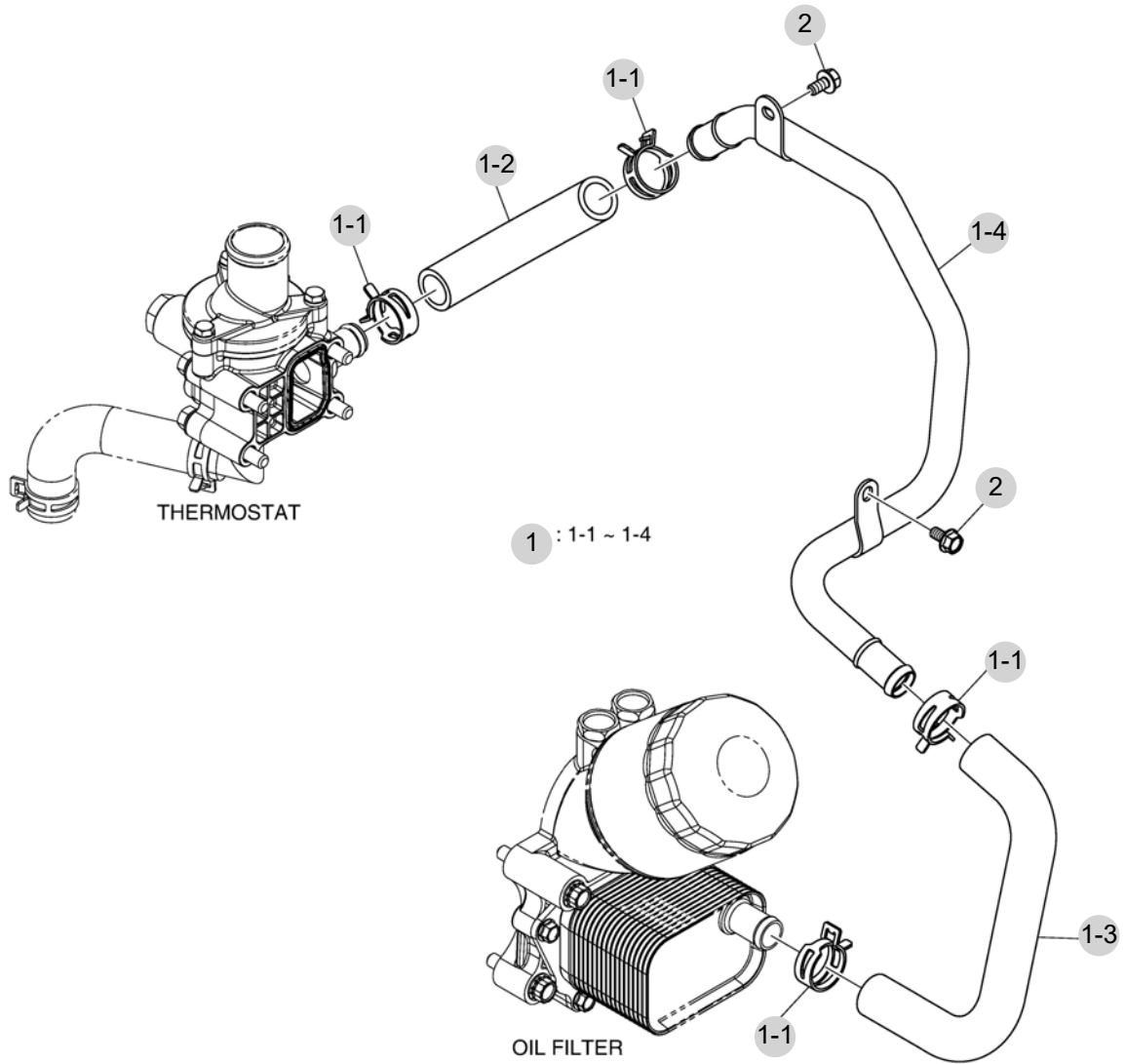
FIG 106

COOLING WATER PIPE

년/월
Year/Month

2022-12

T1104SPEU



NOTE

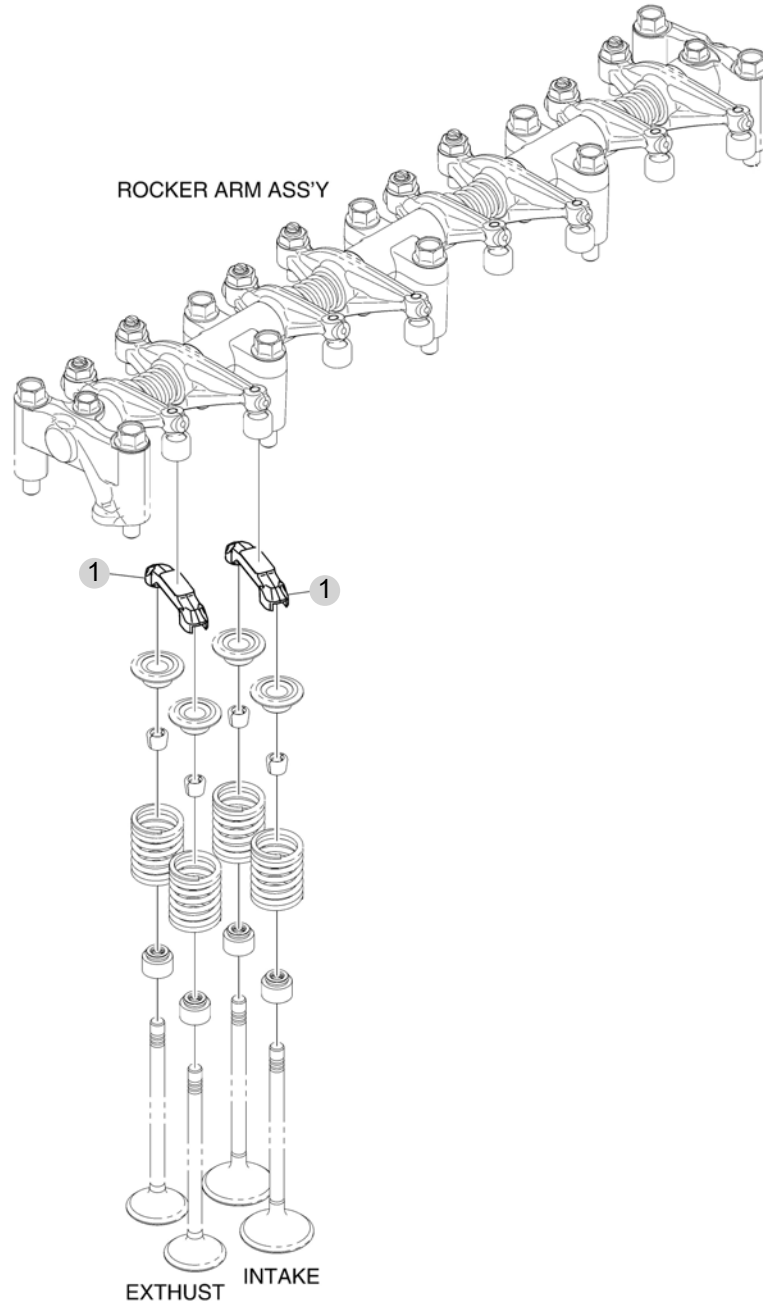
FIG 107

T1104SPEU

VALVE

년/월
Year/Month

2022-12



NOTE

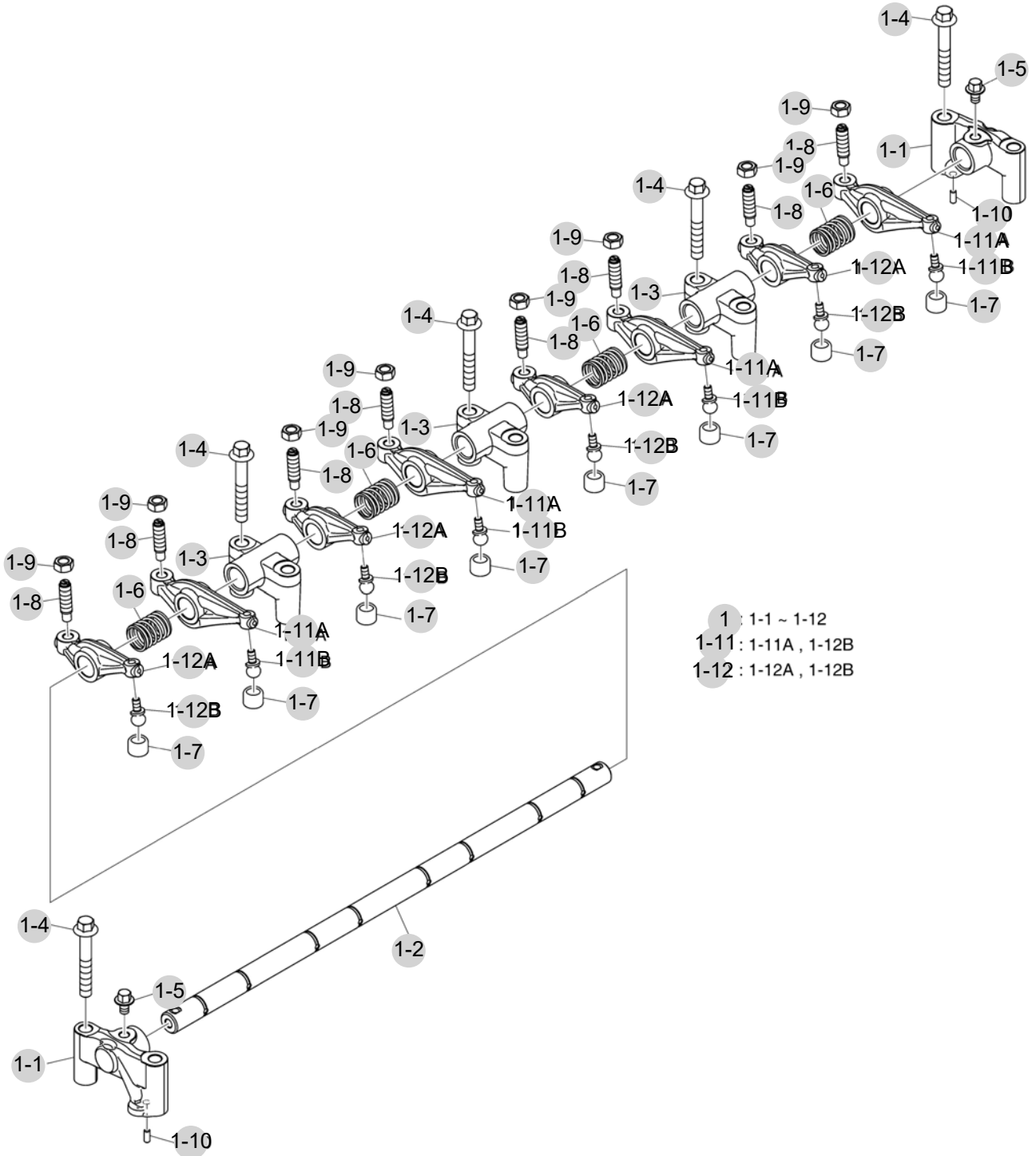
FIG 108

ROCKER ARM

년/월
Year/Month

2022-12

T1104SPEU



NOTE

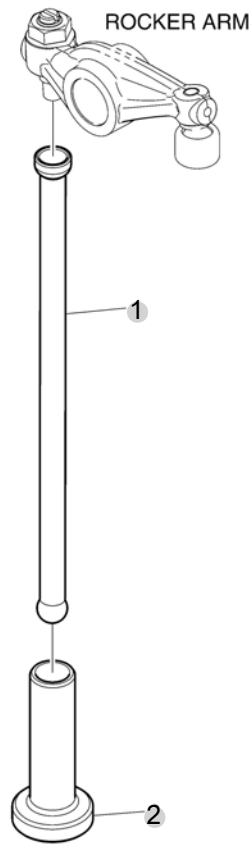
FIG 109

TAPPET & PUSH ROD

년/월
Year/Month

2022-12

T1104SPEU



NOTE

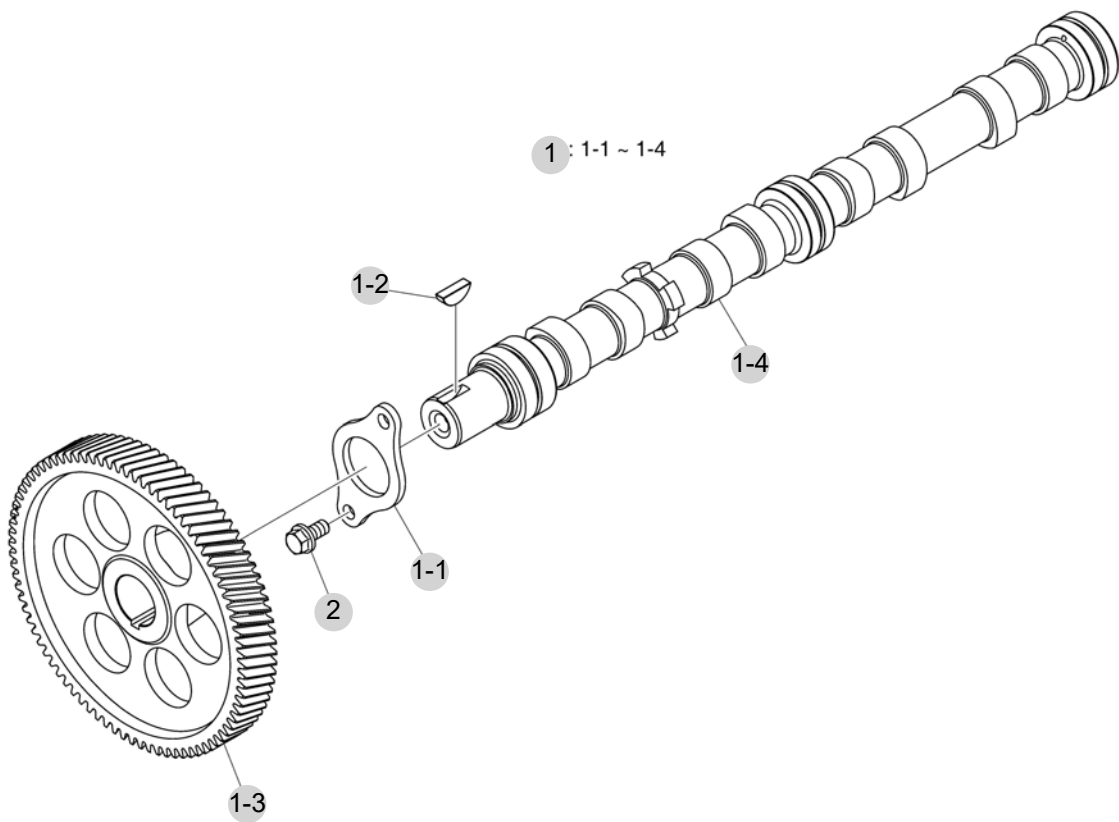
FIG 110

CAMSHAFT

년/월
Year/Month

2022-12

T1104SPEU



NOTE

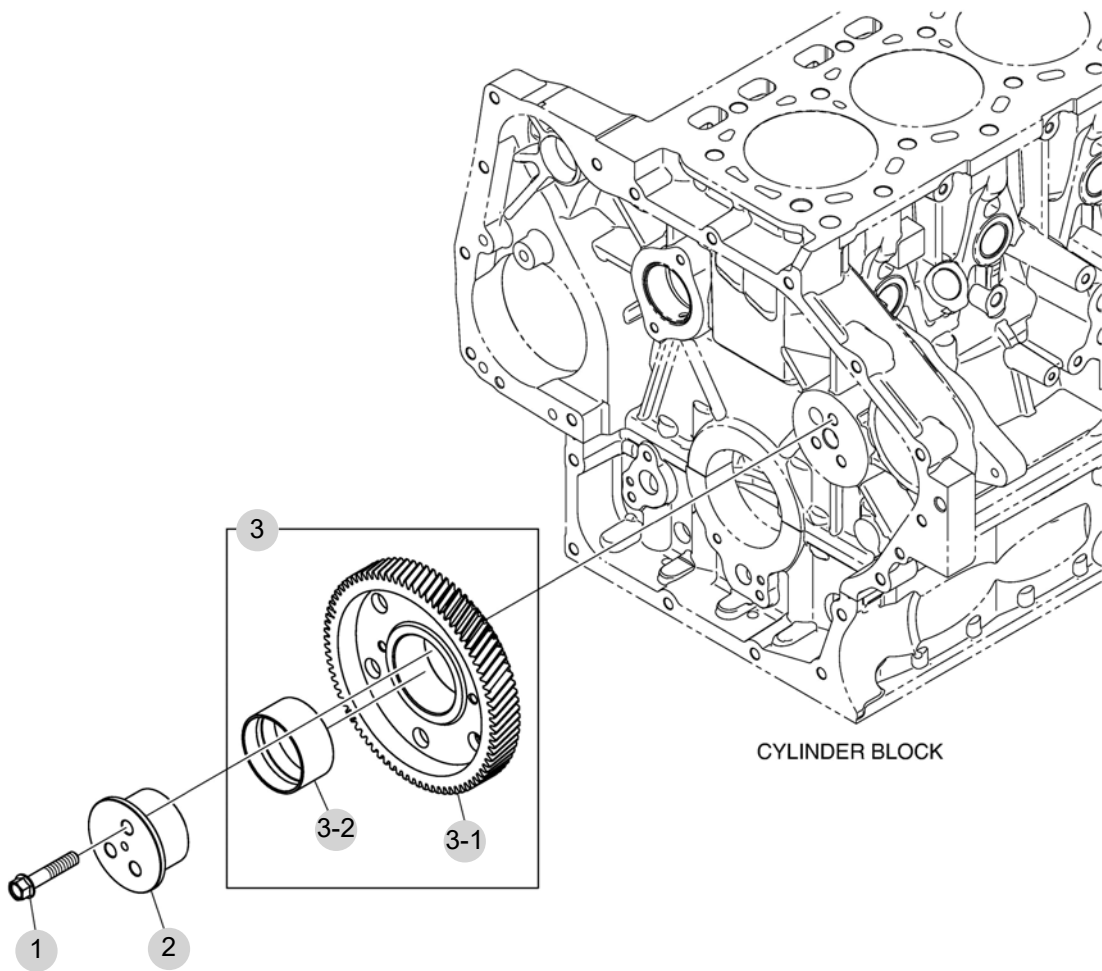
FIG 111

CAMSHAFT DRIVE

년/월
Year/Month

2022-12

T1104SPEU



EDL03-P205-089-1

NOTE

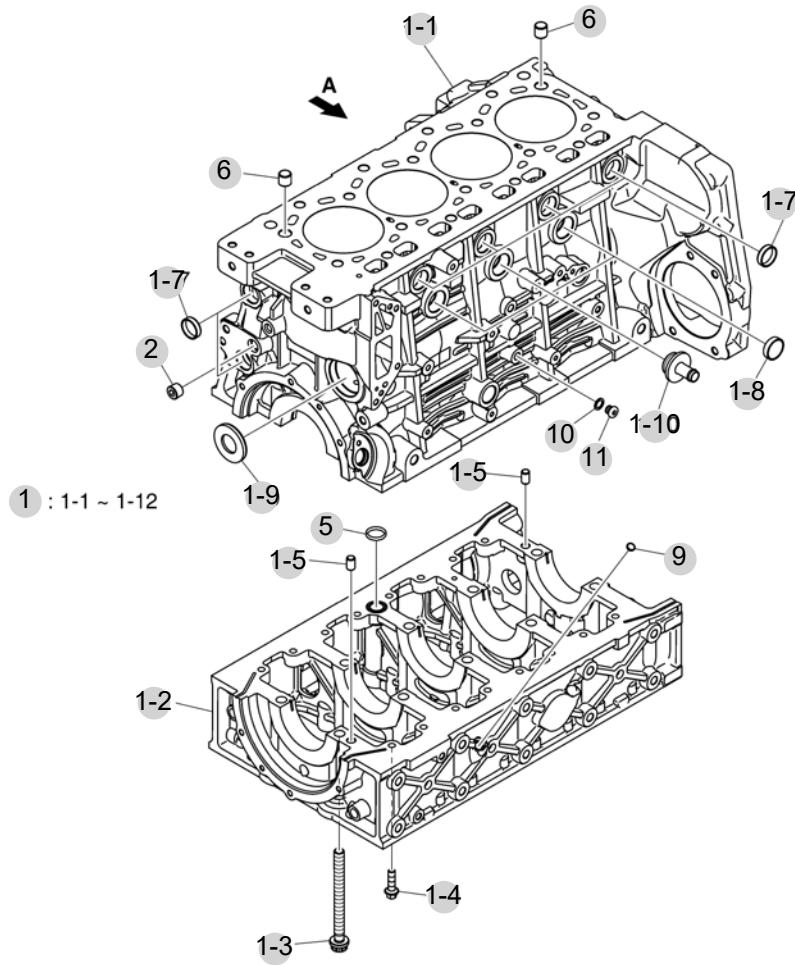
FIG 112

CYLINDER BLOCK

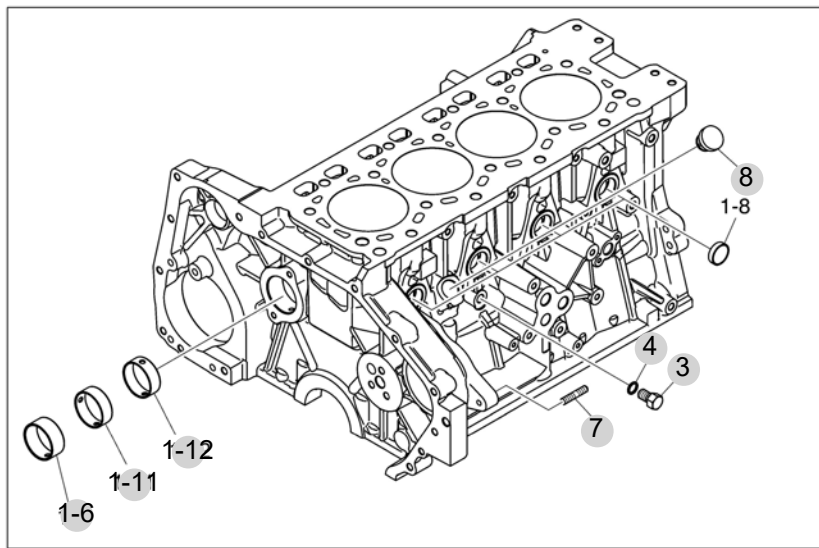
년/월
Year/Month

2022-12

T1104SPEU



1 : 1-1 ~ 1-12



VIEW A

NOTE

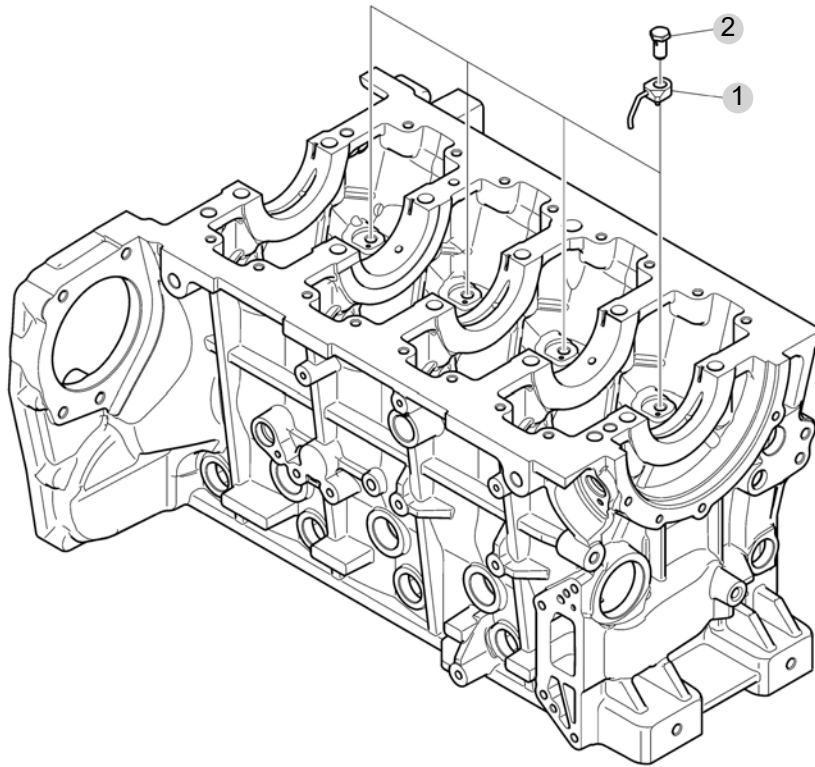
FIG 113

OIL SPRAY NOZZLE

년/월
Year/Month

2022-12

T1104SPEU



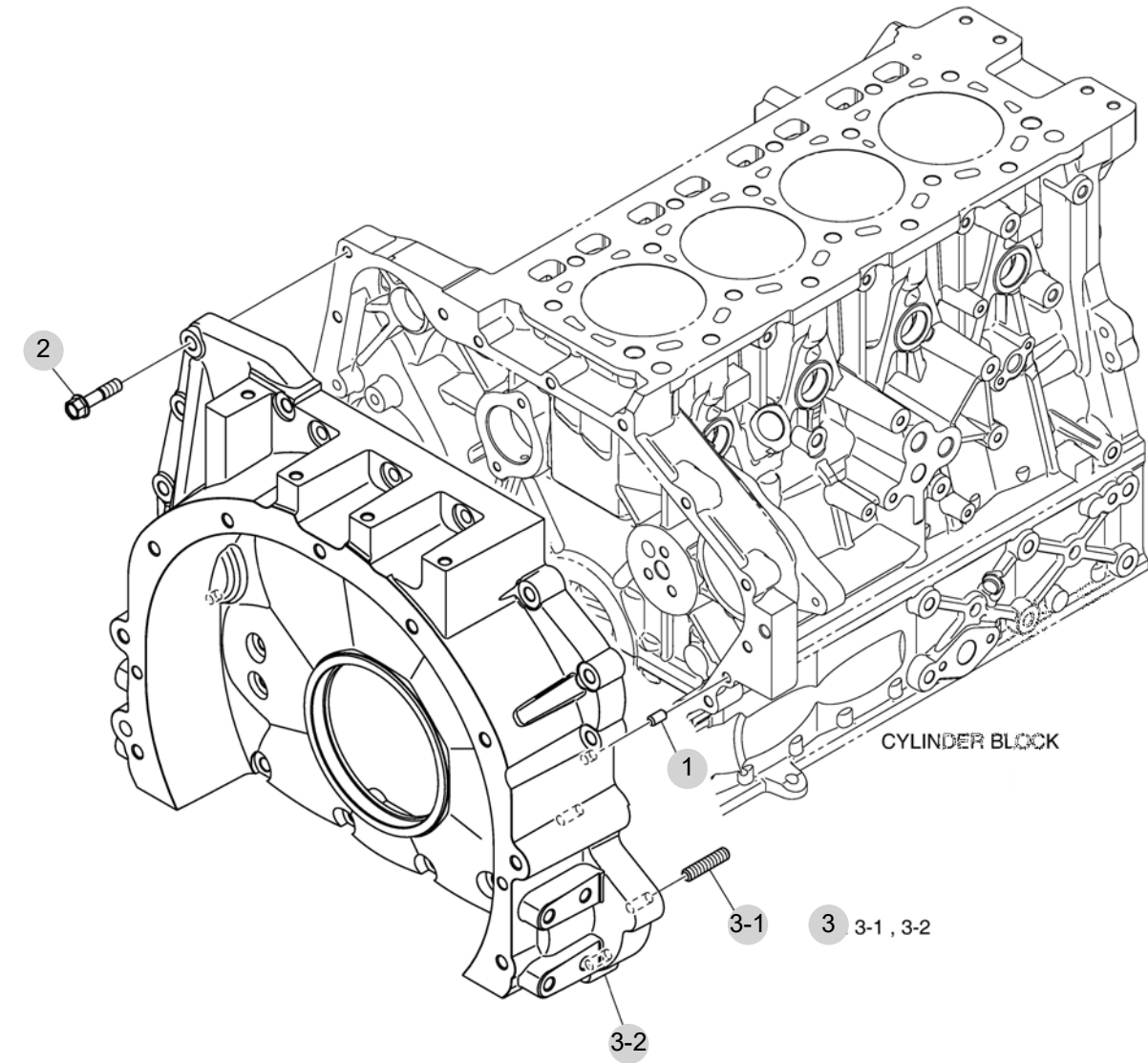
NOTE

FIG 114

FLYWHEEL HOUSING

년/월
Year/Month

2022-12



NOTE

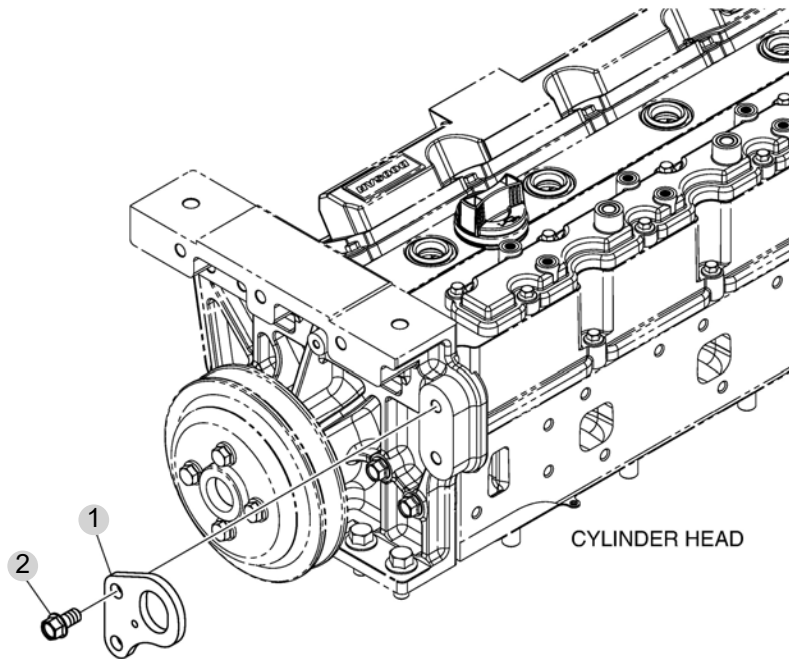
FIG 115

ENGINE LIFTING

년/월
Year/Month

2022-12

T1104SPEU



NOTE

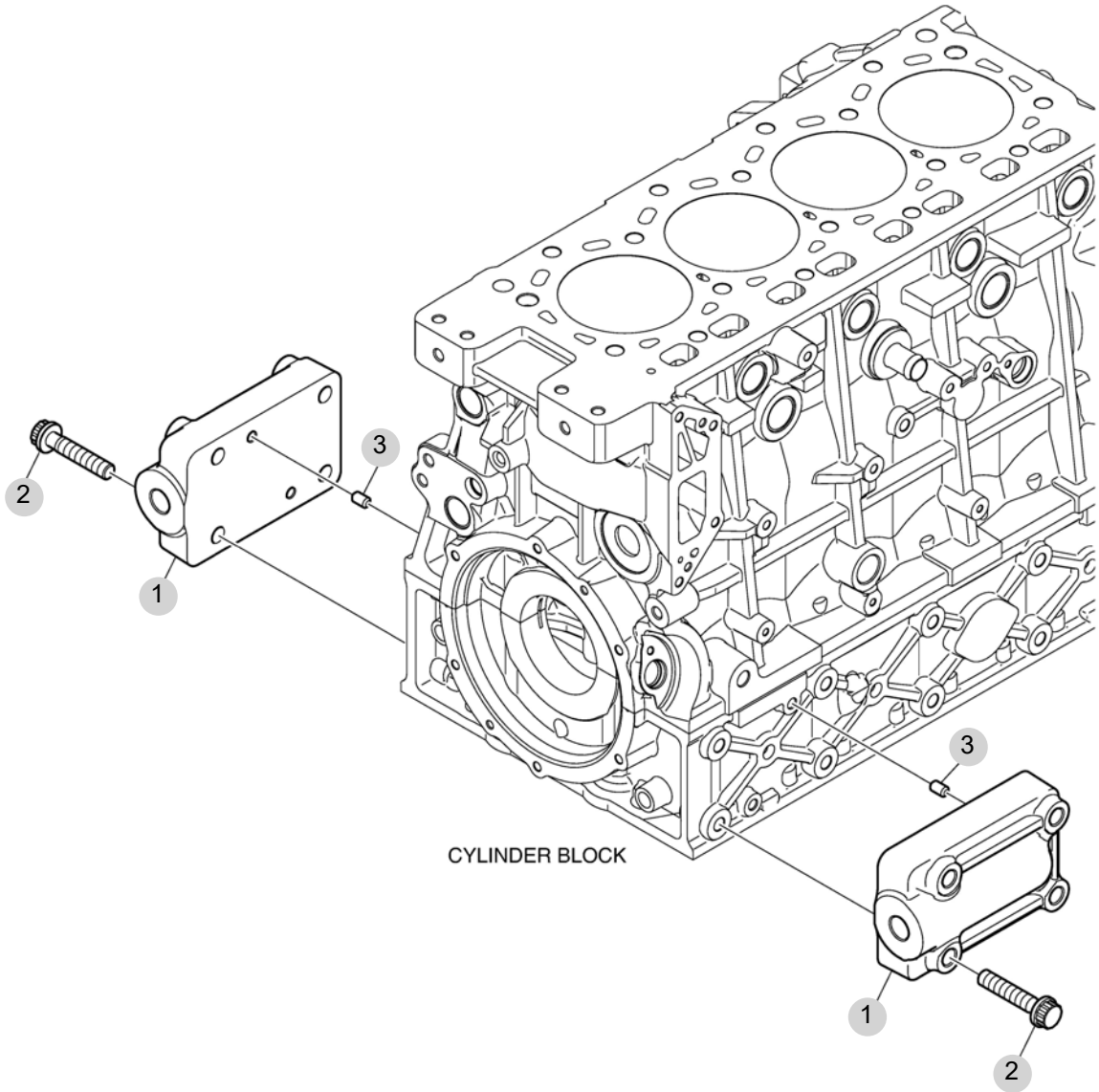
FIG 116

ENGINE MOUNTING

년/월
Year/Month

2022-12

T1104SPEU



NOTE

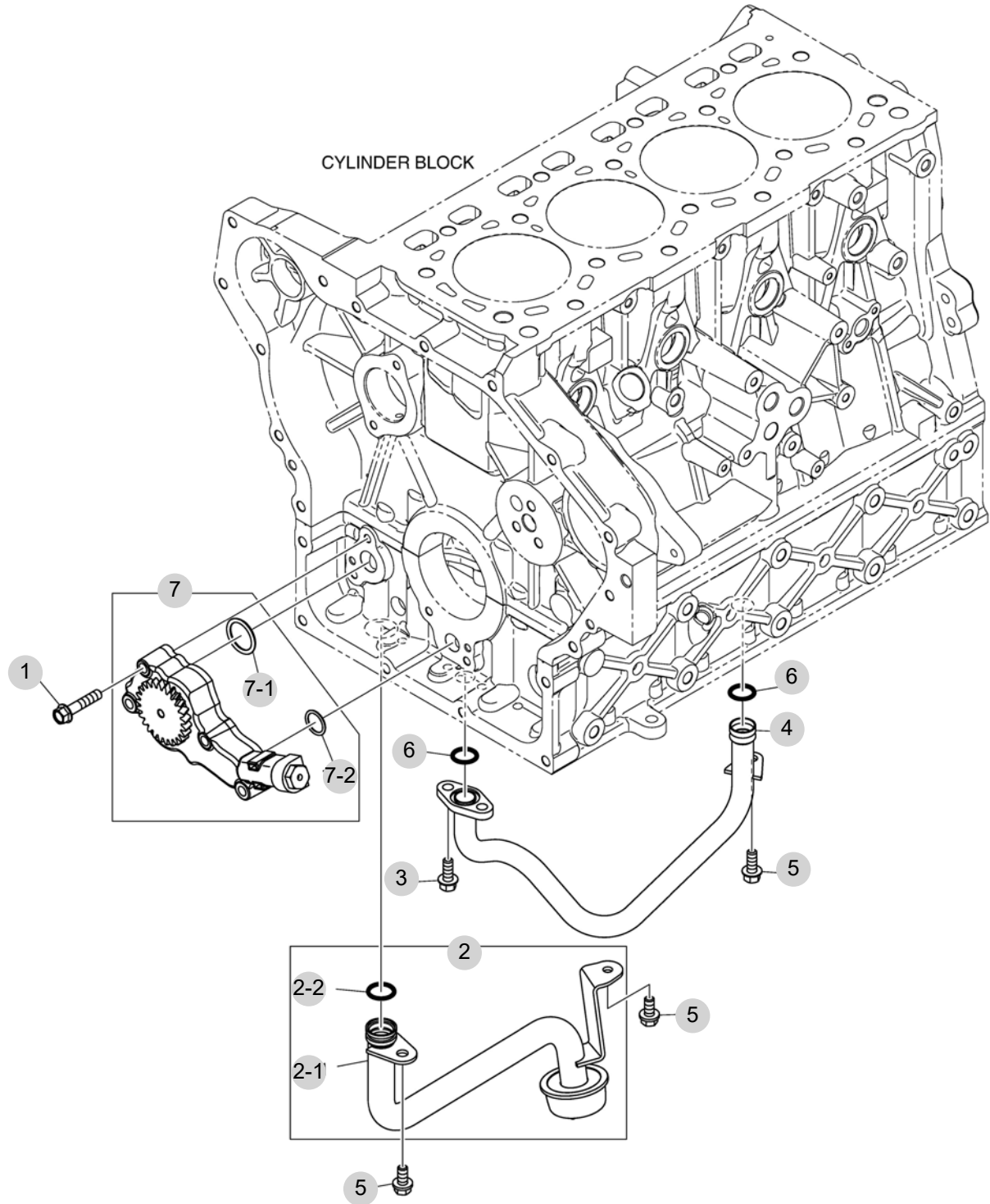
FIG 117

OIL PUMP

년/월
Year/Month

2022-12

T1104SPEU



NOTE

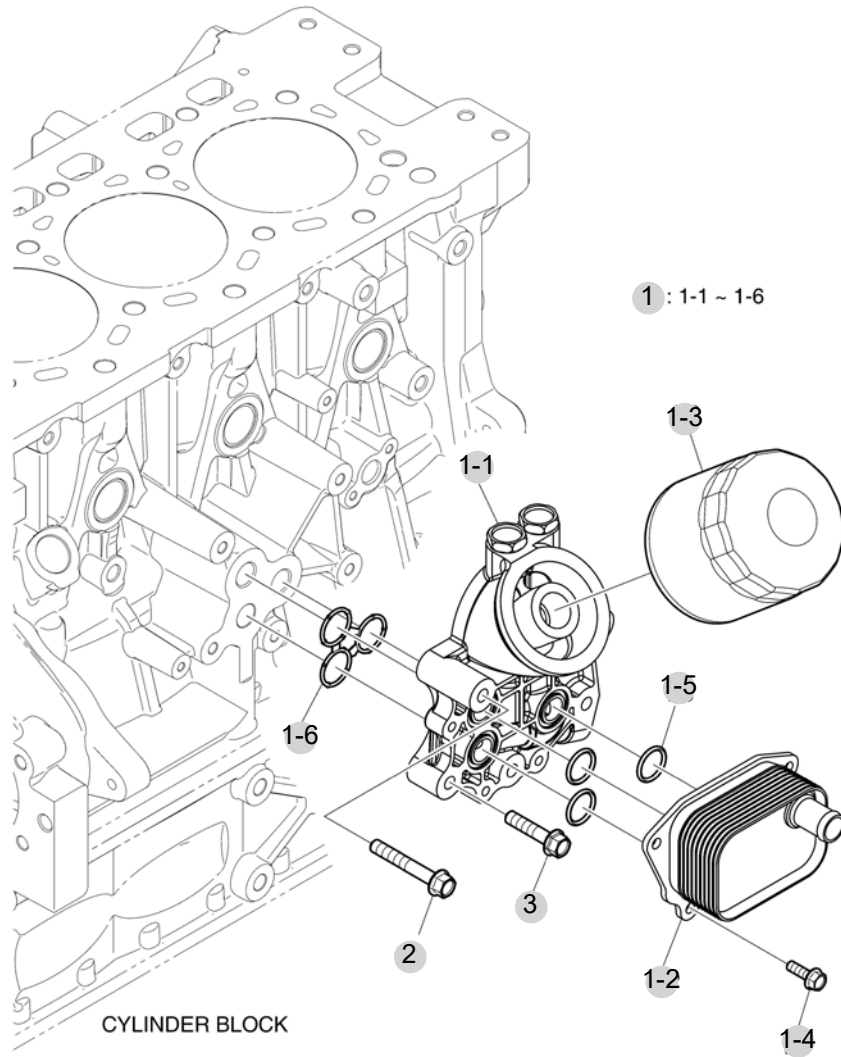
FIG 118

OIL FILTER

년/월
Year/Month

2022-12

T1104SPEU



NOTE

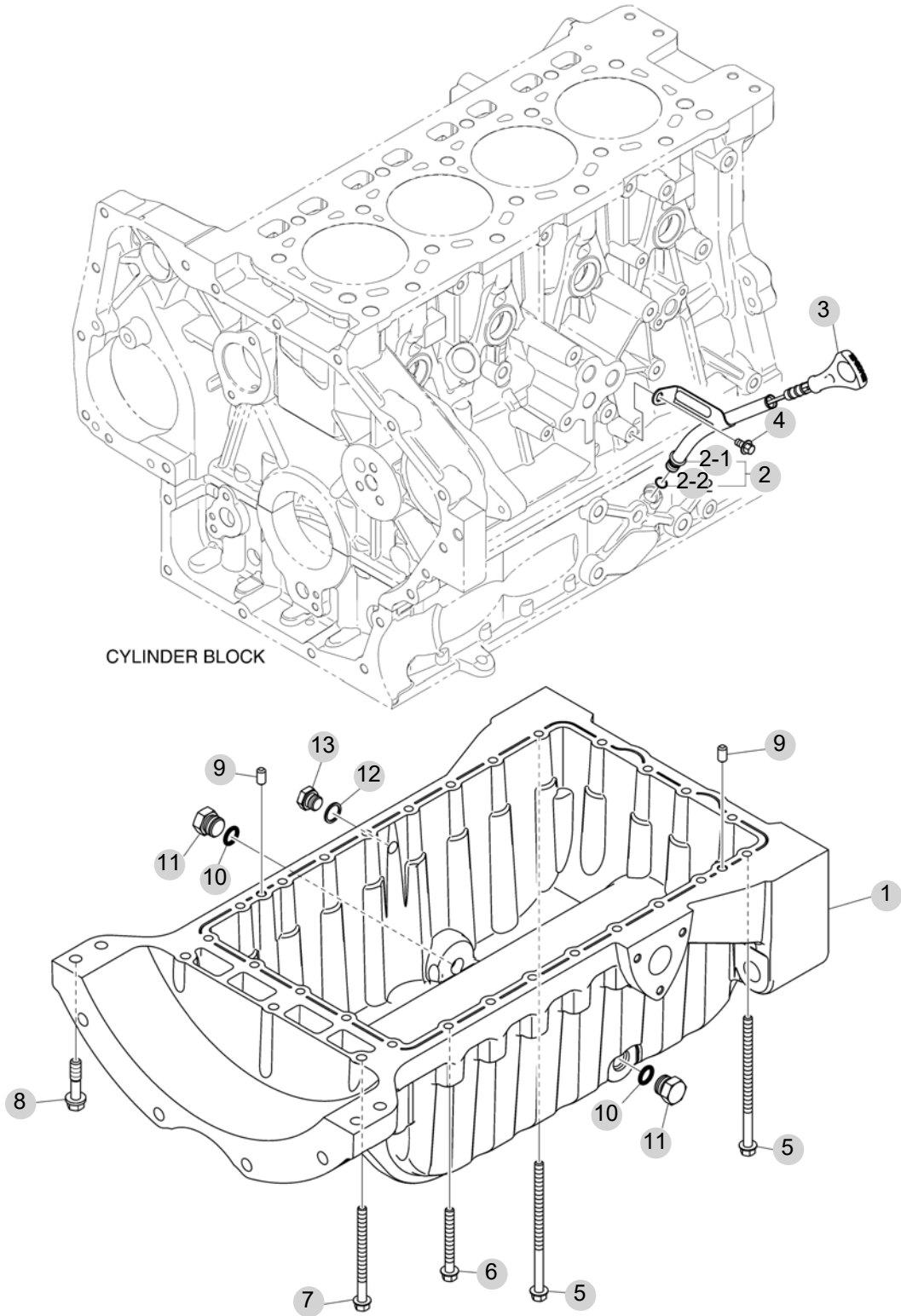
FIG 119

OIL PAN

년/월
Year/Month

T1104SPEU

2022-12



NOTE

FIG 119 T1104SPEU		OIL PAN					년/월 Year/Month	
							2022-12	
KEY NO	PART NO	DESCRIPTION	SPEC	QTY	REPAIR	EFFECTIVE DATE	REMARKS	
119	1	150119-00446D	PAN,OIL			1		
119	2	420406-01221	TUBE,GUIDE,OIL LEVEL GAUGE			1		
119	2-1	420406-01207	TUBE,GUIDE			1		
119	2-2	65.96501-0107	O-RING			1		
119	3	800108-00188B	GAUGE ASSY,OIL LEVEL			1		
119	4	89CM612	BOLT,HEX FLANGE M6x1.0x12			1		
119	5	120106-00541	BOLT,HEX FLANGE			2		
119	6	120106-00257	BOLT,HEX FLANGE			18		
119	7	120106-00237	BOLT,COLLARED HEX			8		
119	8	120106-00382	BOLT,HEX FLANGE			4		
119	9	06.22022-1010	PIN;DOWEL			2		
119	10	401002-00677	RING,O			2		
119	11	430221-00087	PLUG,DRAIN			2		
119	12	06.56190-0708	RING,SEAL A16x20			1		
119	13	06.08092-0204	SCREW,PLUG M14x1.5			1		
NOTE								

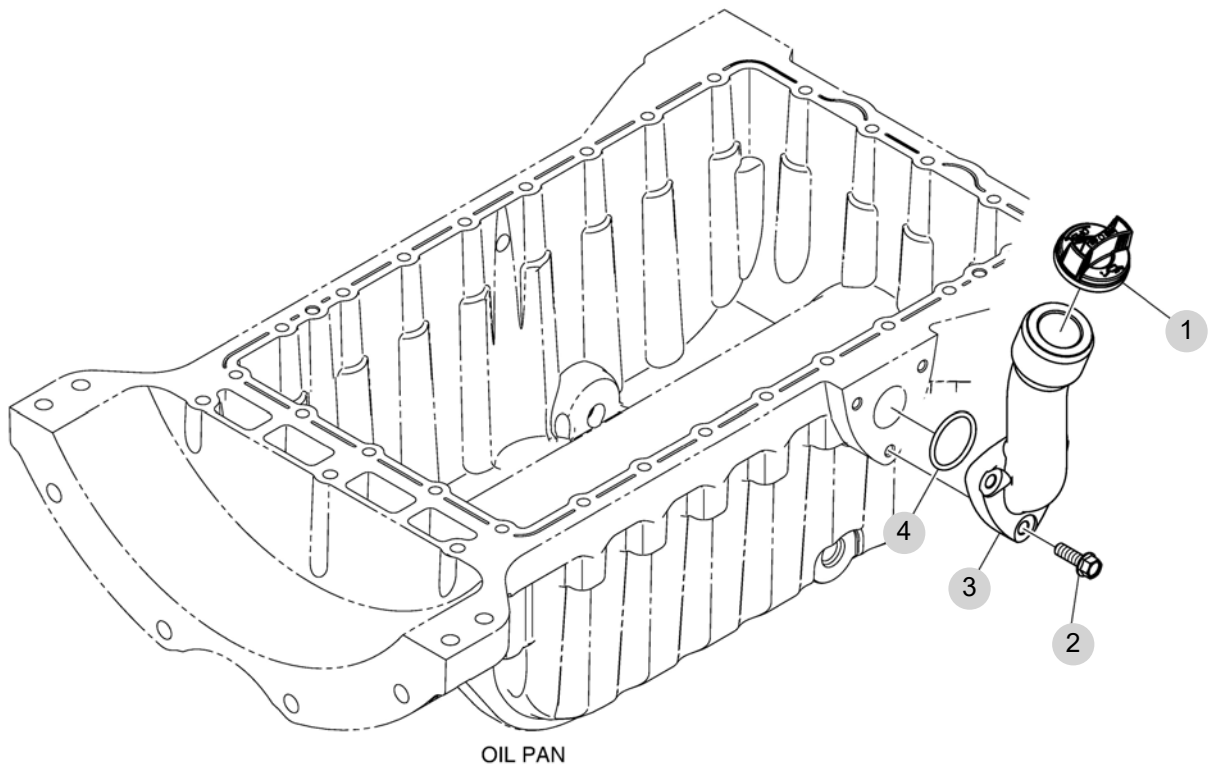
FIG 120

OIL PIPE

년/월
Year/Month

T1104SPEU

2022-12



NOTE

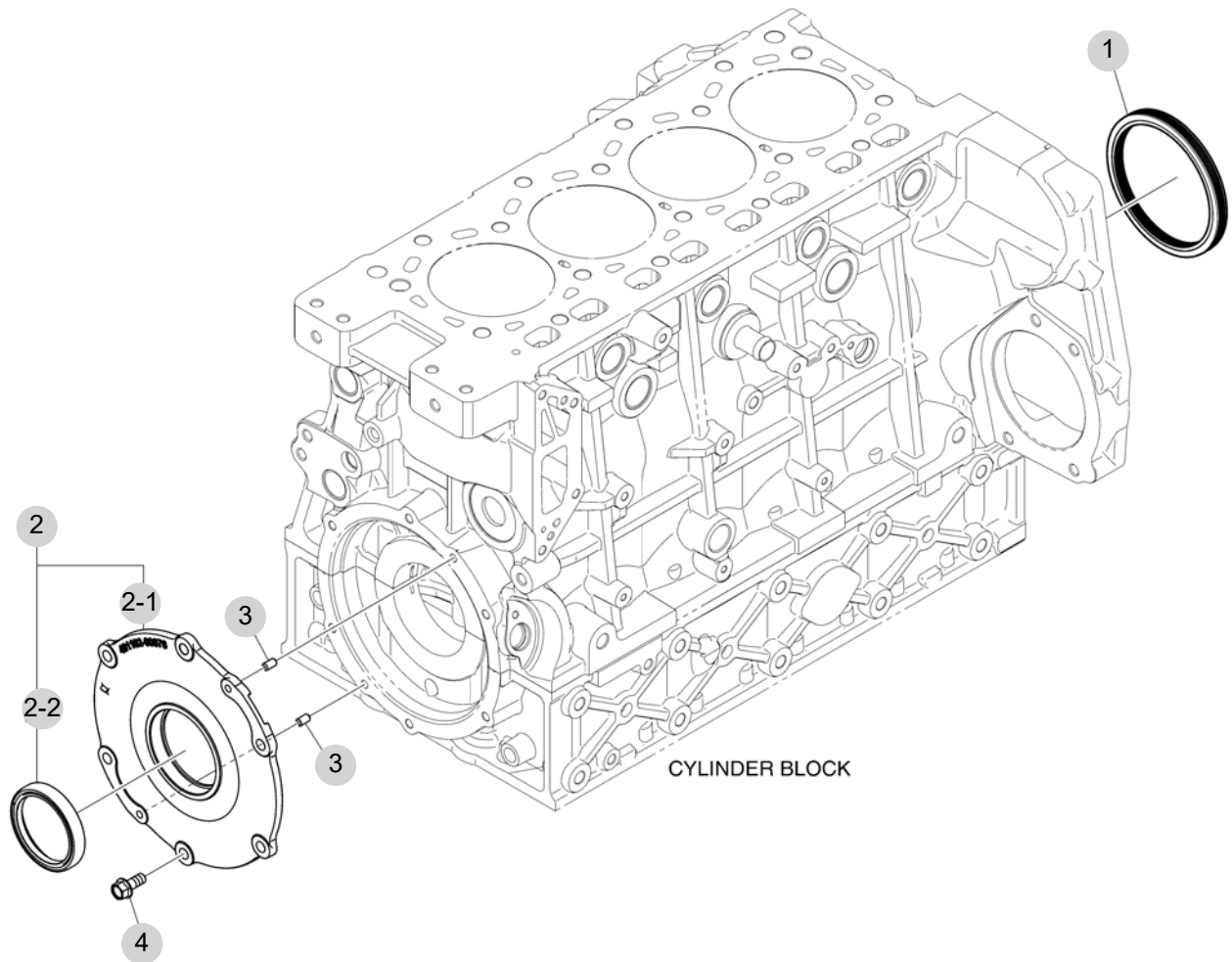
FIG 121

OIL SEAL

년/월
Year/Month

2022-12

T1104SPEU



EDL03-P401-041-1

NOTE

FIG 121		OIL SEAL					년/월 Year/Month	
T1104SPEU		2022-12						
KEY NO	PART NO	DESCRIPTION	SPEC	QTY	REPAIR	EFFECTIVE DATE	REMARKS	
121	1	401106-00593	SEAL,OIL (REAR)					
121	2	401102-00077	HOLDER ASSY,OIL SEAL					
121	2-1	401102-00076	HOLDER,OIL SEAL					
121	2-2	401106-00570	SEAL,OIL (FRONT)					
121	3	06.22022-0908	PIN;DOWEL 6m6X12					
121	4	89CM820	BOLT,HEX FLANGE M8x1.25x20					
NOTE								

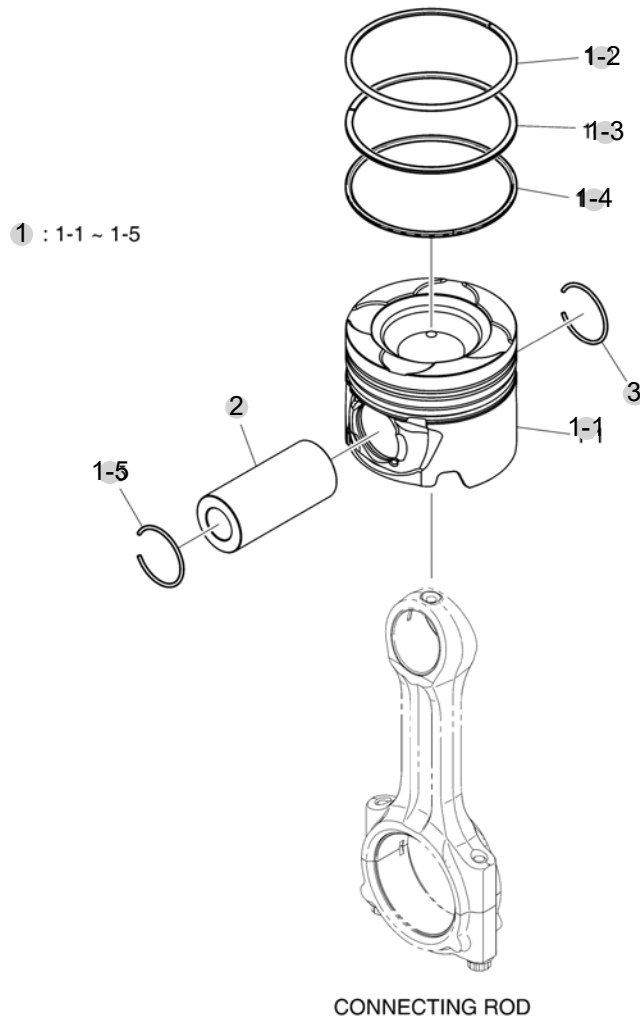
FIG 122

T1104SPEU

PISTON

년/월
Year/Month

2022-12



NOTE

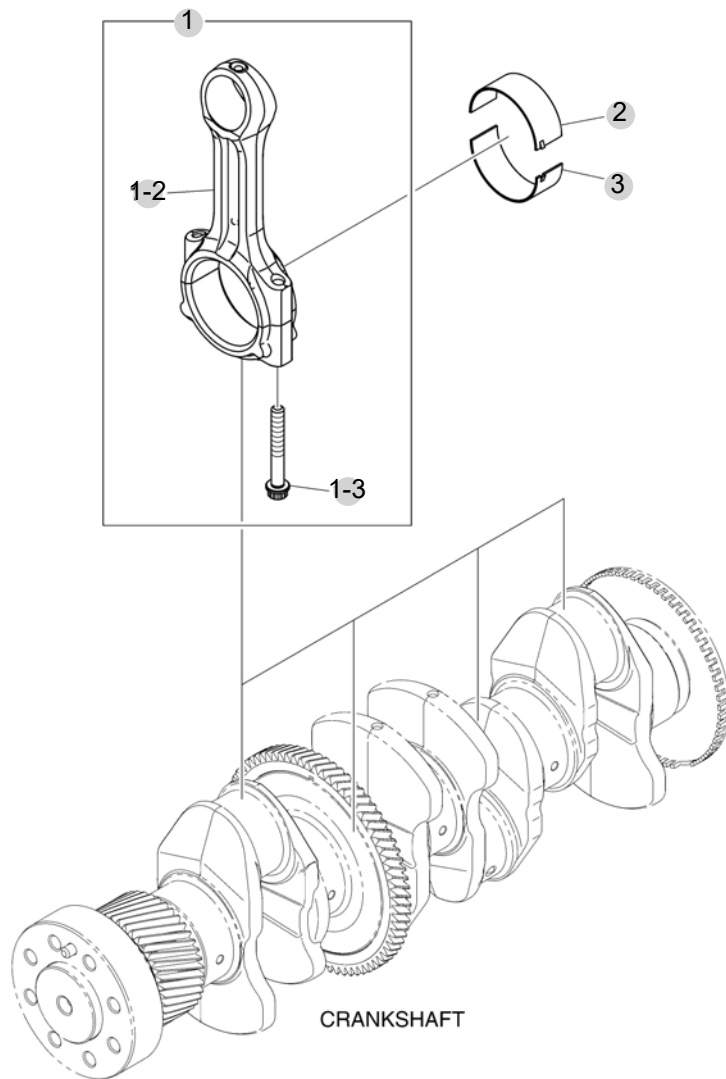
FIG 123

T1104SPEU

CONNECTING ROD

년/월
Year/Month

2022-12



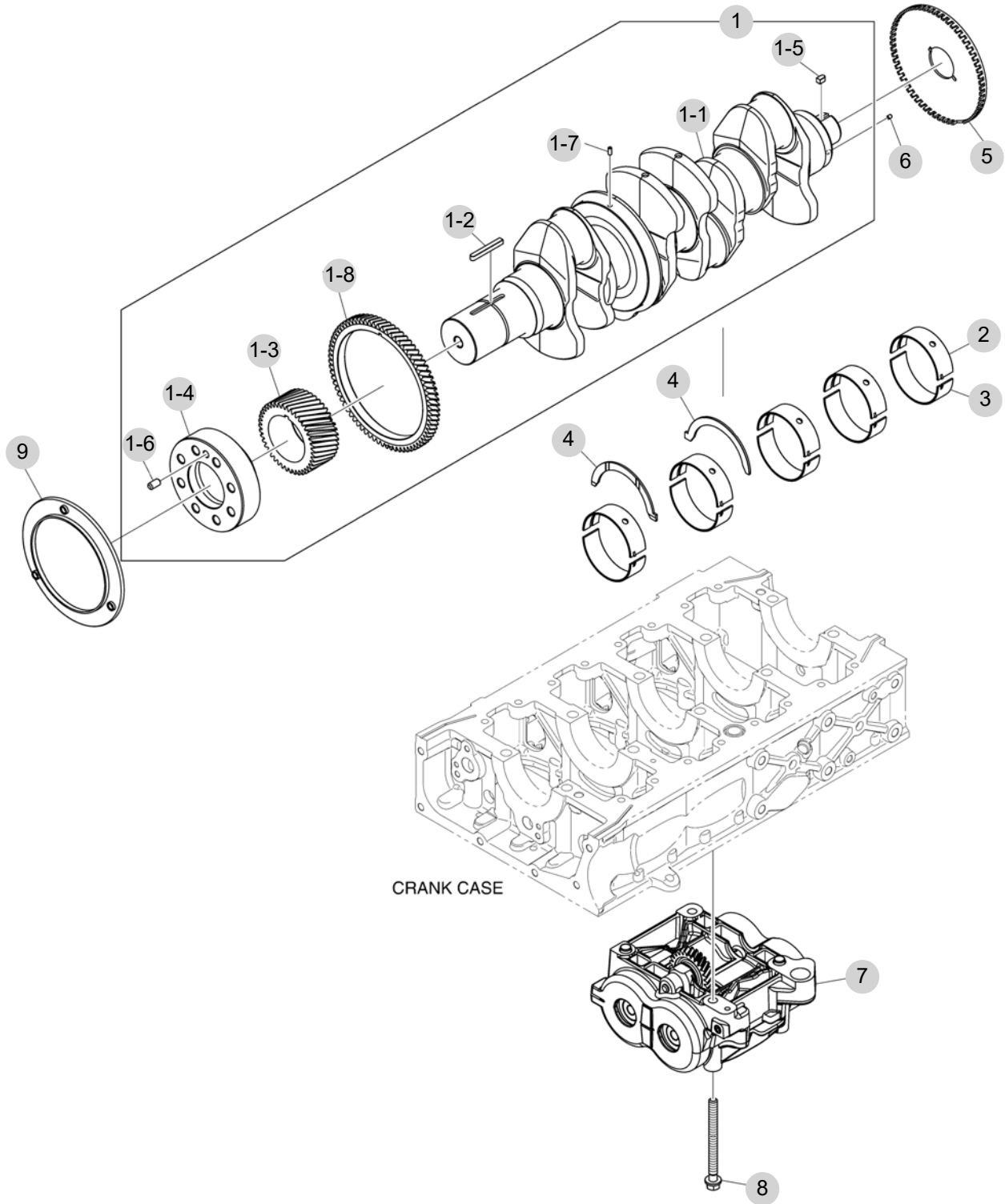
NOTE

FIG 124

CRANKSHAFT

년/월
Year/Month

2022-12



EDL03-P404-091-1

NOTE

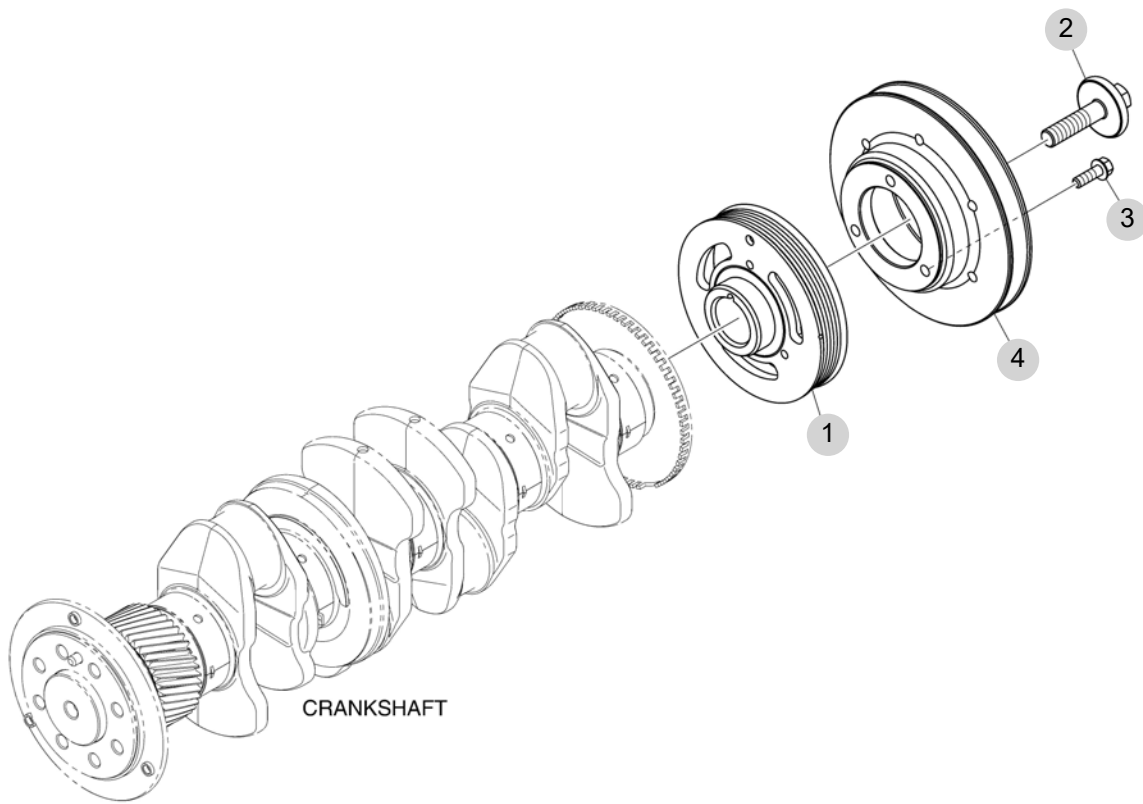
FIG 125

CRANKSHAFT PULLEY

년/월
Year/Month

T1104SPEU

2022-12



NOTE

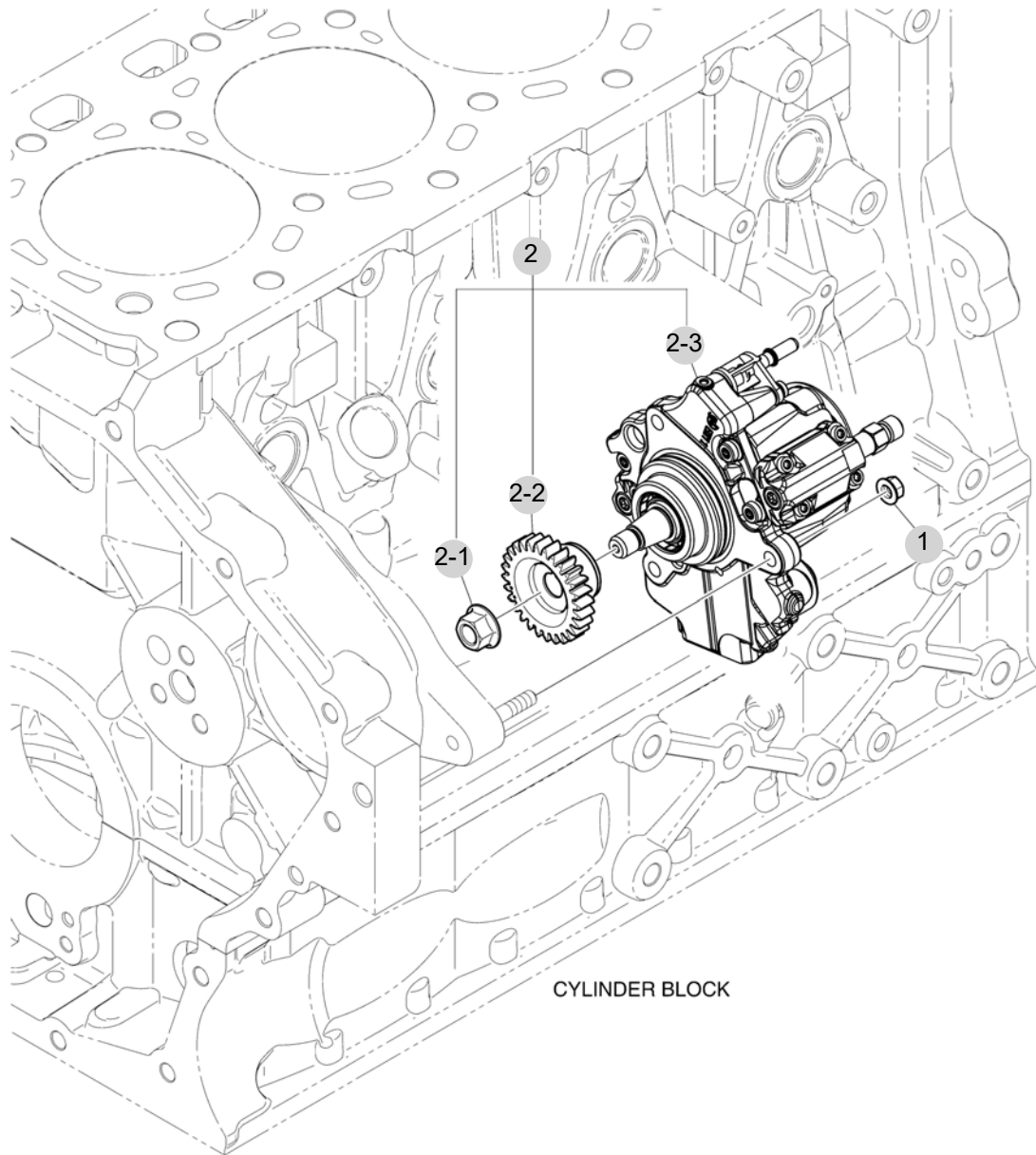
FIG 126

INJECTION PUMP

년/월
Year/Month

2022-12

T1104SPEU



NOTE

FIG 126 T1104SPEU		INJECTION PUMP						년/월 Year/Month
								2022-12
KEY NO		PART NO	DESCRIPTION	SPEC	QTY	REPAIR	EFFECTIVE DATE	REMARKS
126	1	43DM8	NUT M8X1.25		3			
126	2	400912-00262A	PUMP ASSY,INJECTION		1			
126	2-1	120305-00005	NUT,HEX FLANGE		1			
126	2-2	130412-00032B	GEAR,INJECTION PUMP DRIVE		1			
126	2-3	400912-00136C	PUMP ASSY,FUEL INJECTION		1			
NOTE								

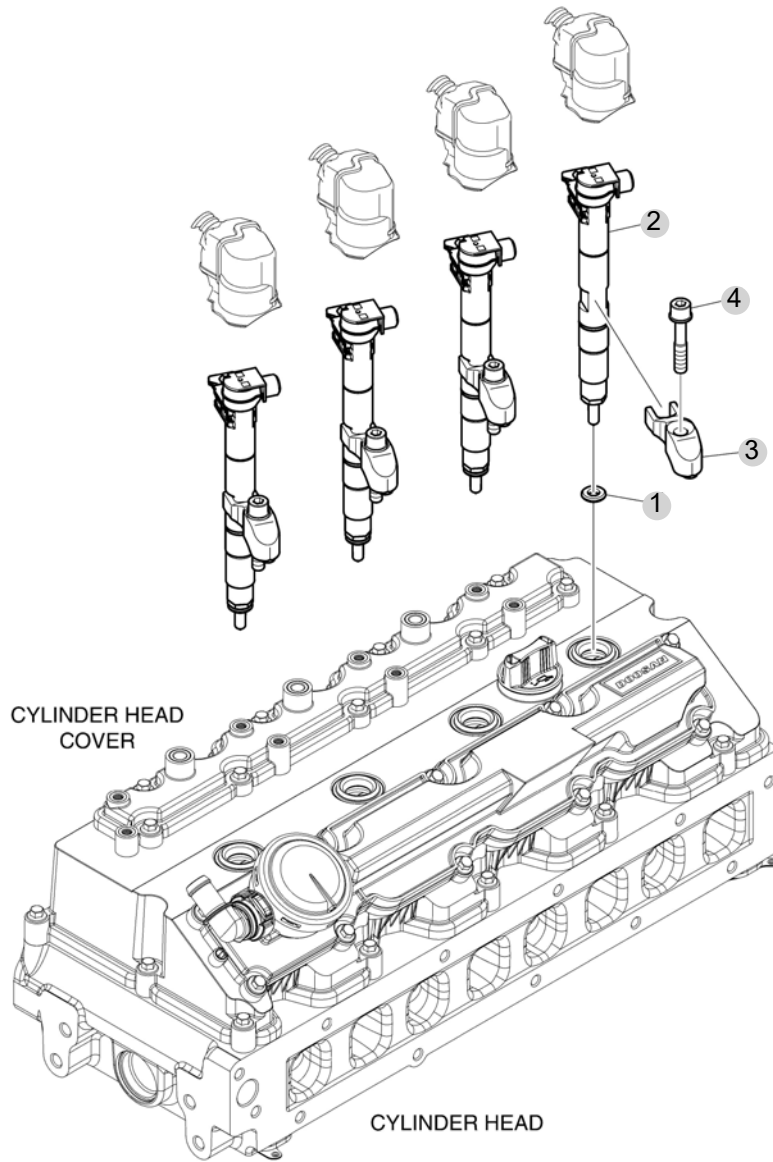
FIG 127

INJECTION NOZZLE

년/월
Year/Month

2022-12

T1104SPEU



NOTE

FIG 127 T1104SPEU		INJECTION NOZZLE						년/월 Year/Month
								2022-12
KEY NO	PART NO	DESCRIPTION	SPEC	QTY	REPAIR	EFFECTIVE DATE	REMARKS	
127	1	401109-00074	SEALRING,SPACER					
127	2	400903-00043E	INJECTOR					
127	3	110928-00014C	HOLDER;INJECTOR					
127	4	120106-00418	BOLT ASSY					
NOTE								

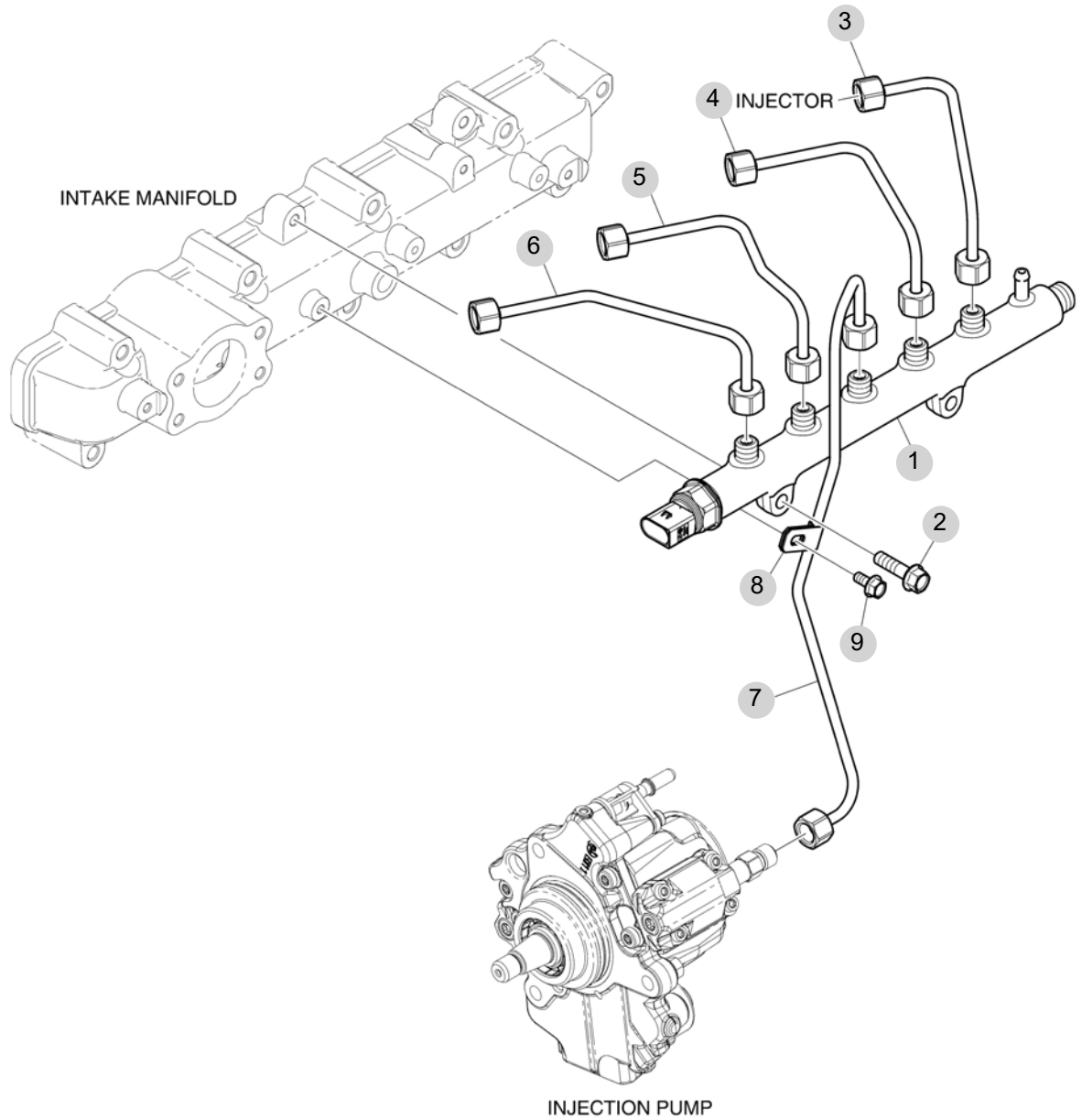
FIG 128

INJECTION PIPE

년/월
Year/Month

2022-12

T1104SPEU



NOTE

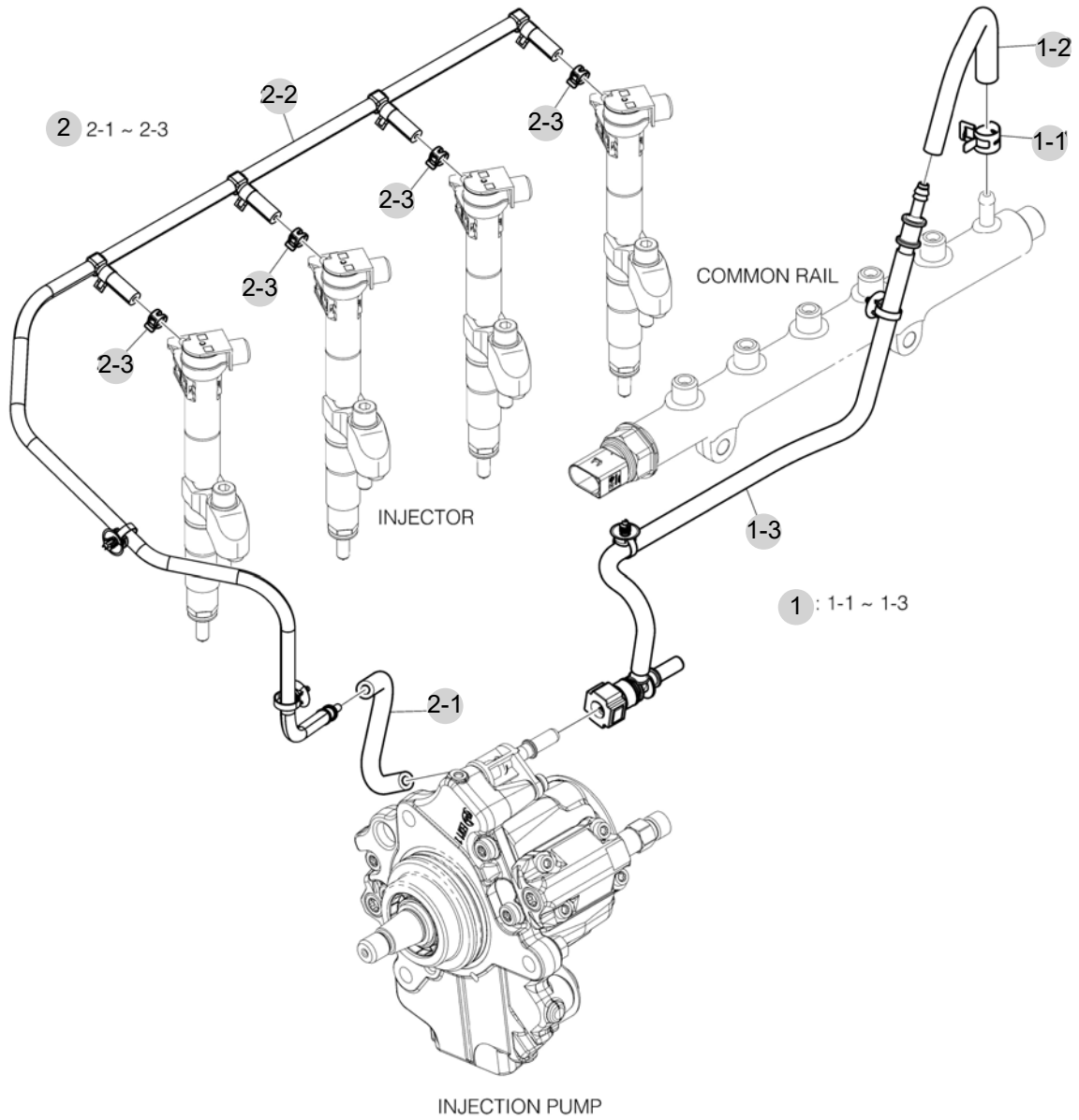
FIG 129

FUEL LINE

년/월
Year/Month

T1104SPEU

2022-12



NOTE

FIG 129		FUEL LINE						년/월	Year/Month
T1104SPEU								2022-12	
KEY NO	PART NO	DESCRIPTION	SPEC	QTY	REPAIR	EFFECTIVE DATE	REMARKS		
129	1	420406-01293	TUBE ASSY,FUEL			1			
129	1-1	120202-00122	CLAMP,HOSE			1			
129	1-2	420103-00136	HOSE,FUEL			1			
129	1-3	420406-00632B	TUBE ASSY,FUEL			1			
129	2	420103-00278B	HOSE ASSY,FUEL			1			
129	2-1	420103-00137A	HOSE,FUEL			1			
129	2-2	420103-00138F	HOSE ASSY,FUEL			1			
129	2-3	65.97402-0002	CLIP,HOSE			4			
NOTE									

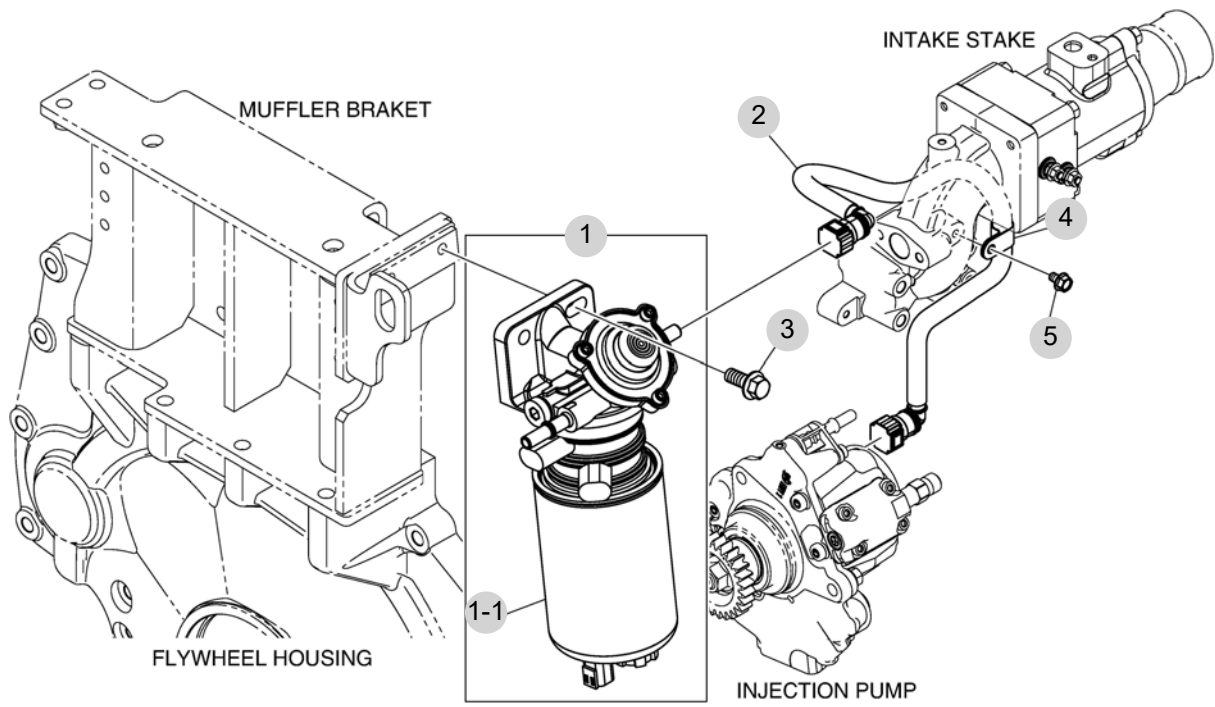
FIG 130

FUEL FILTER

년/월
Year/Month

T1104SPEU

2022-12



NOTE

FIG 130 T1104SPEU		FUEL FILTER						년/월 Year/Month	
								2022-12	
								KEY NO	PART NO
130	1	400403-00308A	FILTER ASSY,FUEL		1				
130	1-1	400504-00115	ELEMENT , FUEL FILTER		1				
130	2	420103-00226A	HOSE ASSY,FUEL		1				
130	3	90CM1025	BOLT,HEX FLANGE M10x25		2				
130	4	120402-00468B	CLIP,HOSE		1				
130	5	120106-01421	BOLT,HEX FLANGE M6X1.0X10		1				
NOTE									

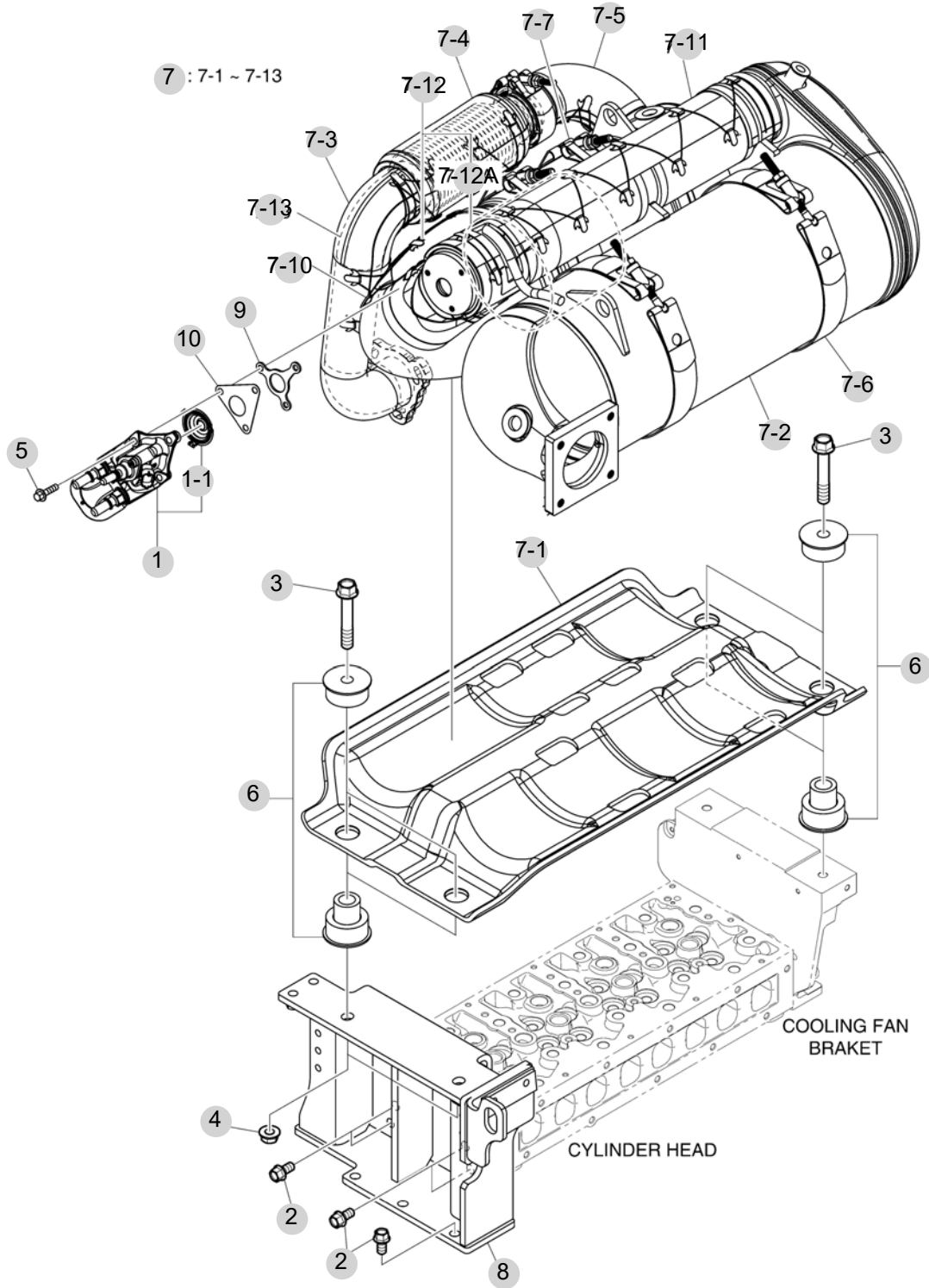
FIG 131

EXHAUST MUFFLER

년/월
Year/Month

2022-12

T1104SPEU



NOTE

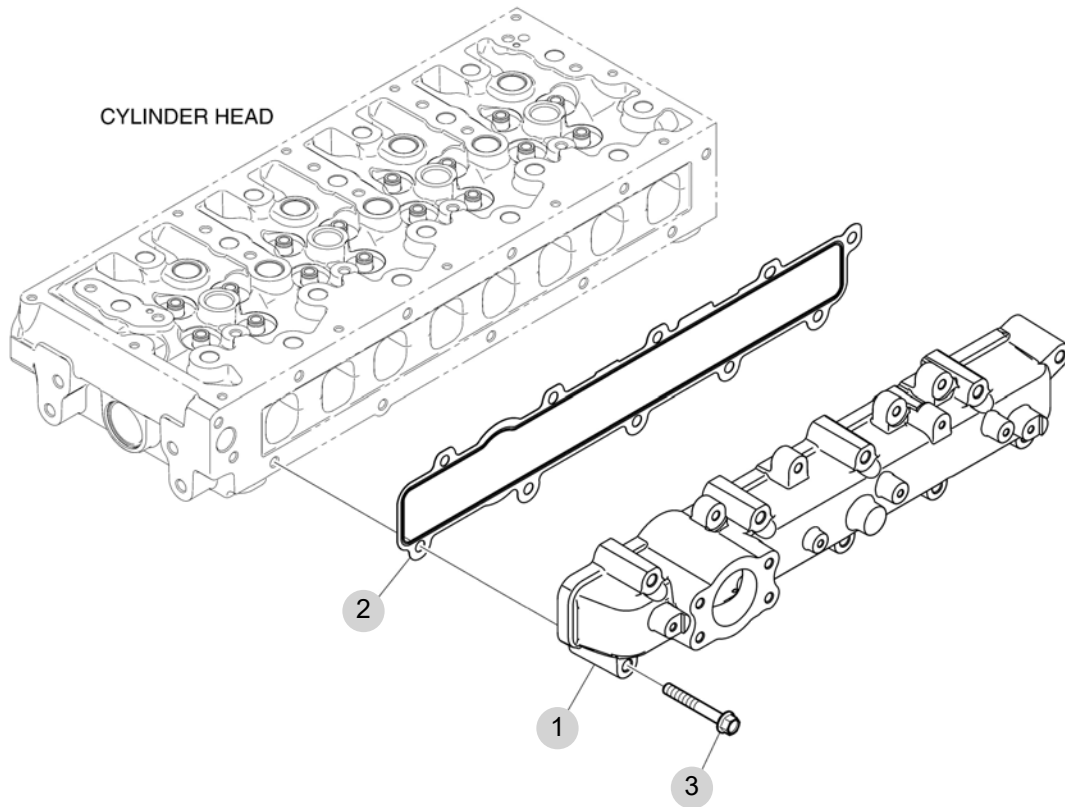
FIG 132

INTAKE MANIFOLD

년/월
Year/Month

T1104SPEU

2022-12



NOTE

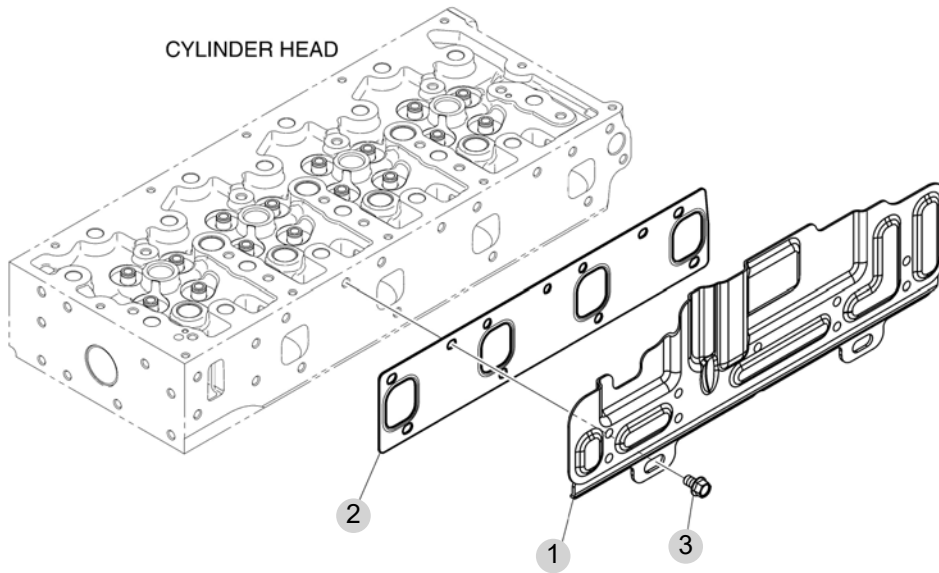
FIG 133

EXHAUST MANIFOLD

년/월
Year/Month

2022-12

T1104SPEU



NOTE

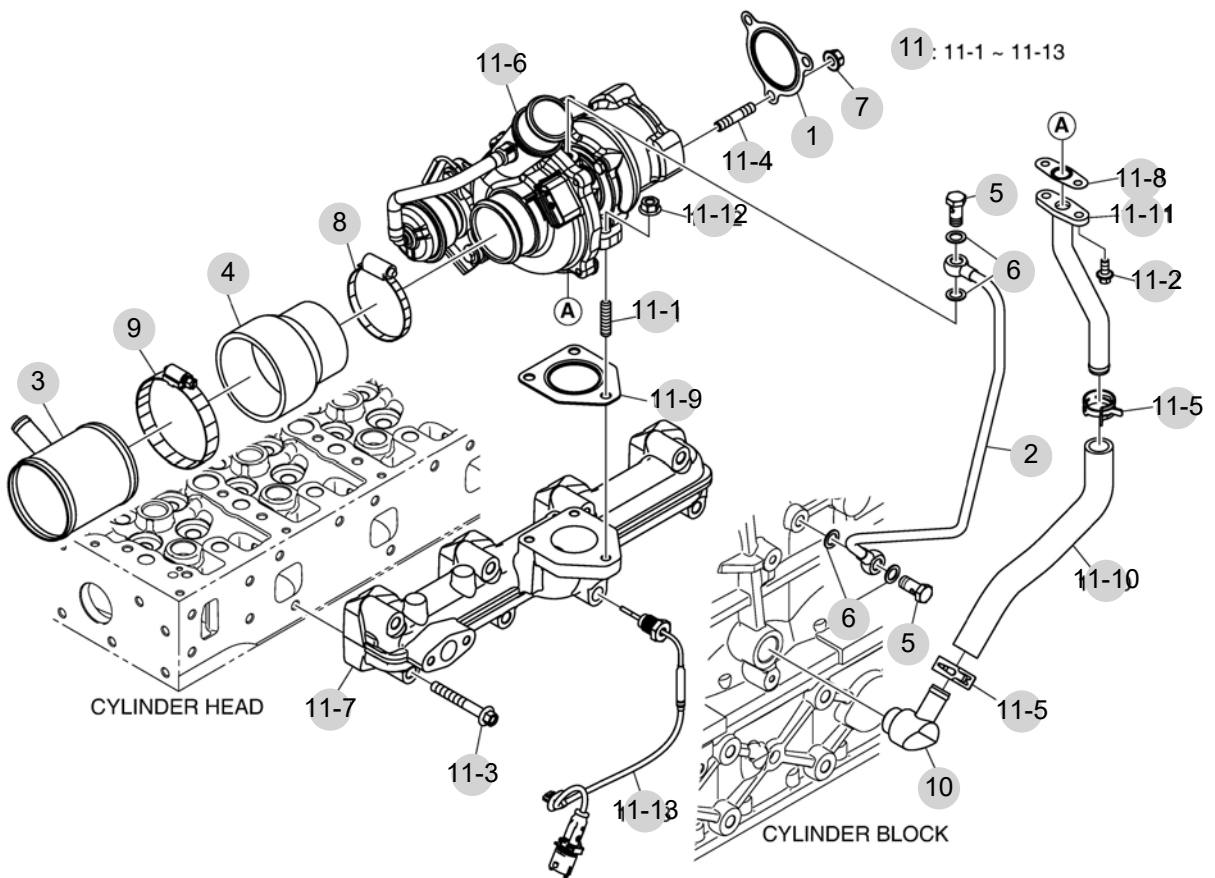
FIG 134

TURBOCHARGER

년/월
Year/Month

2022-12

T1104SPEU



NOTE

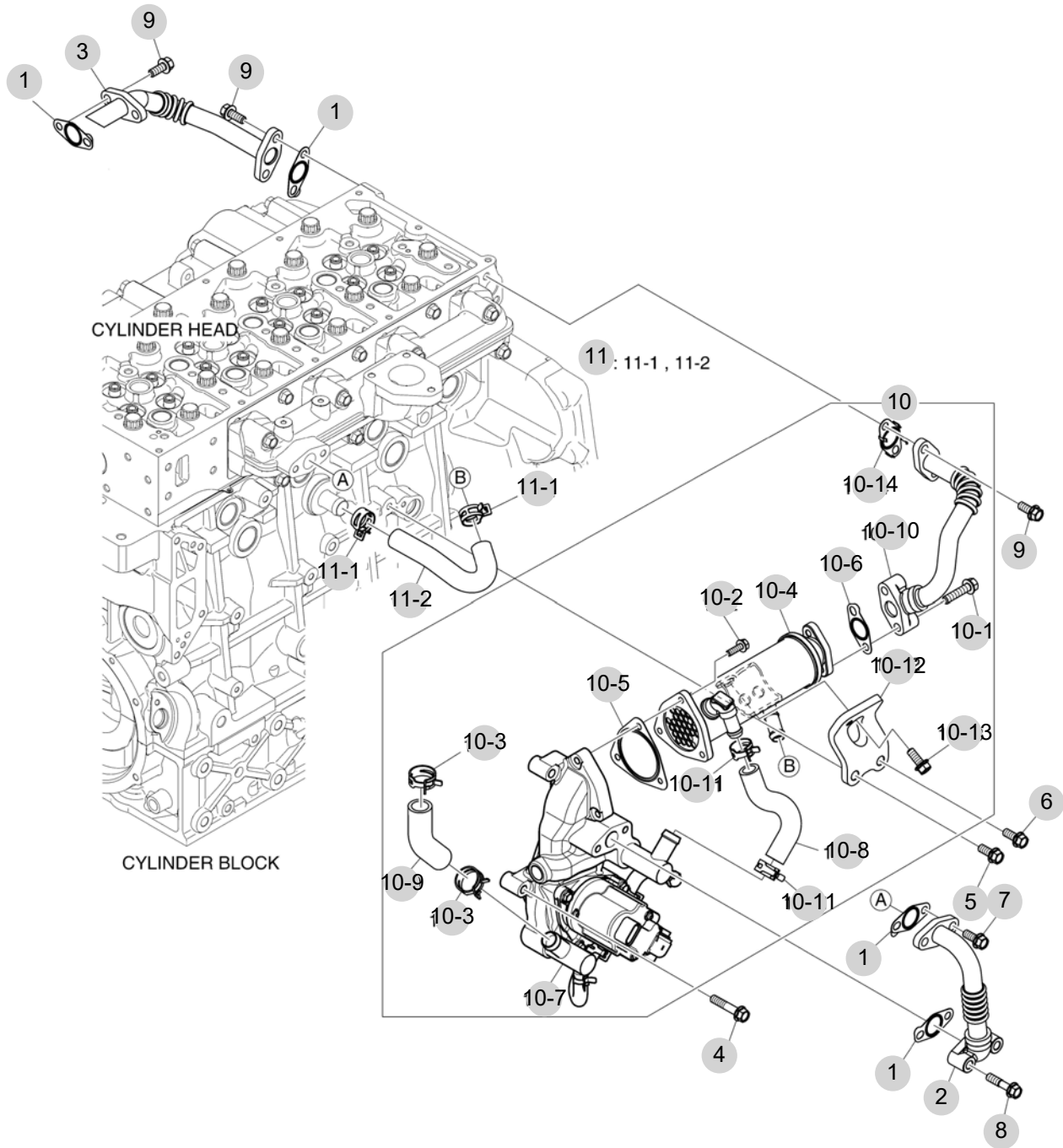
FIG 135

EGR

년/월
Year/Month

T1104SPEU

2022-12



NOTE

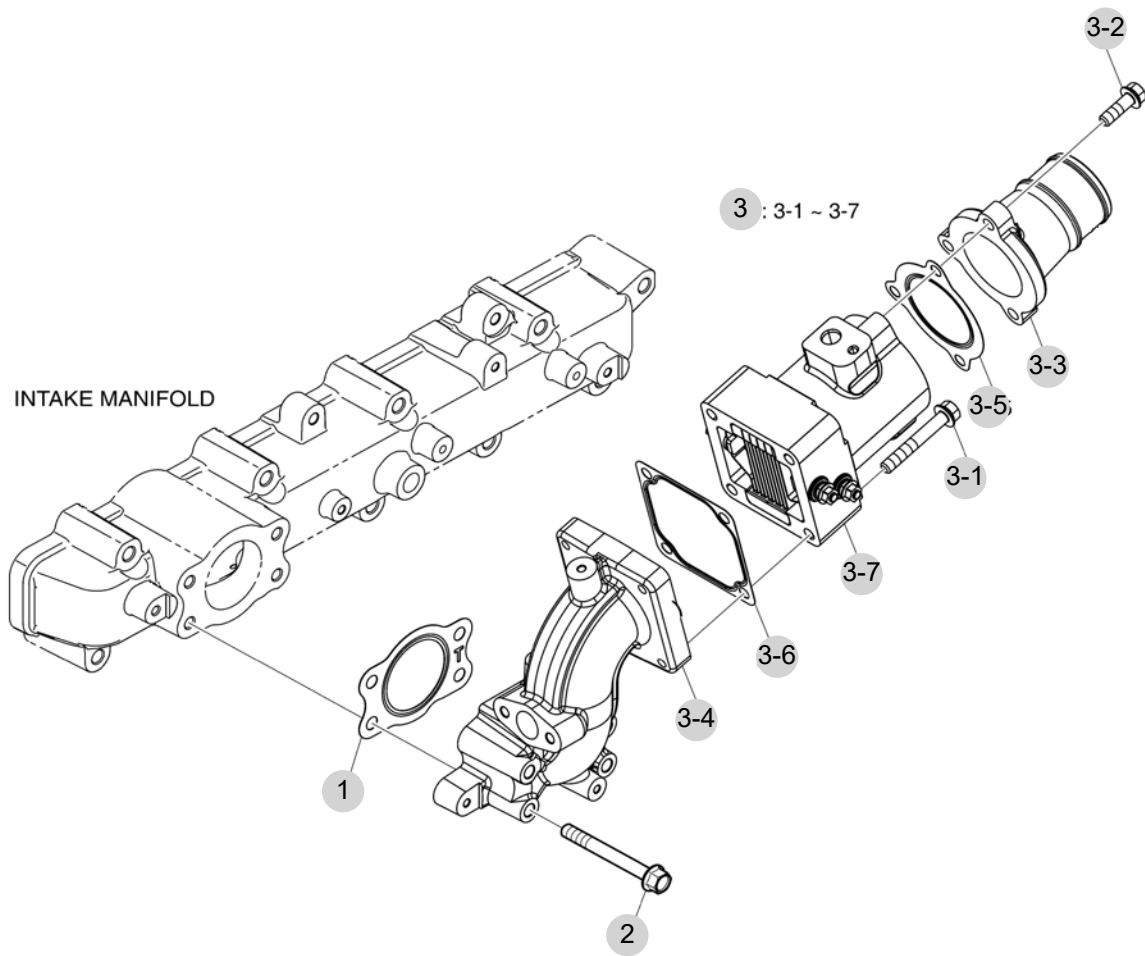
FIG 136

INTAKE STAKE

년/월
Year/Month

T1104SPEU

2022-12



NOTE

FIG 136		INTAKE STAKE						년/월 Year/Month	REMARKS
								2022-12	
T1104SPEU									
KEY NO		PART NO	DESCRIPTION	SPEC	QTY	REPAIR	EFFECTIVE DATE		
136	1	400617-00006C	GASKET,INTAKE STAKE		1				
136	2	89CM870	BOLT,HEX FLANGE M8x1.25X70		4				
136	3	240401-00282C	STAKE ASSY,INTAKE		1				
136	3-1	89CM855	BOLT,HEX FLANGE M8x1.25x55		4				
136	3-2	89CM825	BOLT,HEX FLANGE M8x1.25x25		3				
136	3-3	240401-00503	PIPE,AIR INLET		1				
136	3-4	240401-00218A	STAKE,INTAKE		1				
136	3-5	400607-00002A	GASKET,AIR HEATER		1				
136	3-6	400607-00003B	GASKET,AIR HEATER		1				
136	3-7	440207-00554	IAir Heater Assy		1				
NOTE									

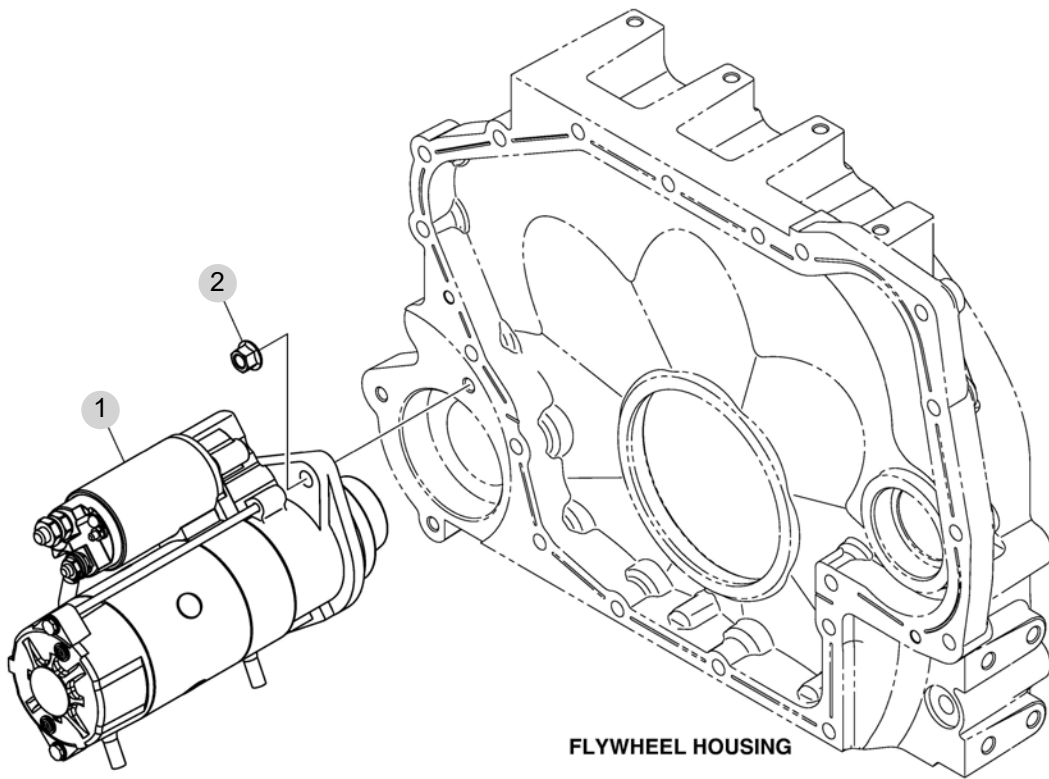
FIG 137

STARTER

년/월
Year/Month

T1104SPEU

2022-12



NOTE

FIG 137 T1104SPEU		STARTER						년/월 Year/Month	
								2022-12	
KEY NO	PART NO	DESCRIPTION	SPEC	QTY	REPAIR	EFFECTIVE DATE	REMARKS		
137	1	300516-00121	STARTER			1			
137	2	120305-00003	NUT,FLANGE			3			
NOTE									

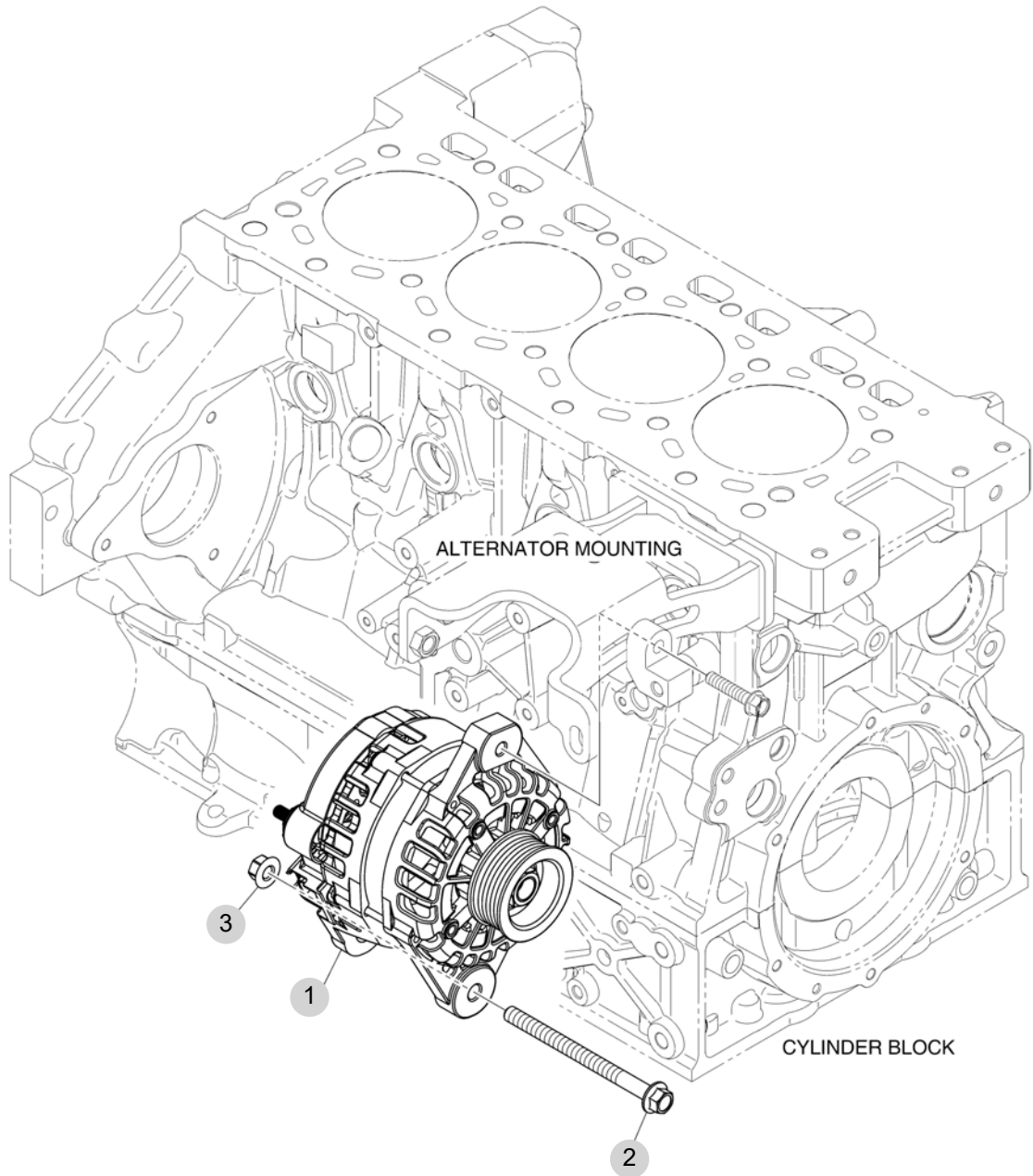
FIG 138

ALTERNATOR

년/월
Year/Month

T1104SPEU

2022-12



EDL03-P703-074-1

NOTE

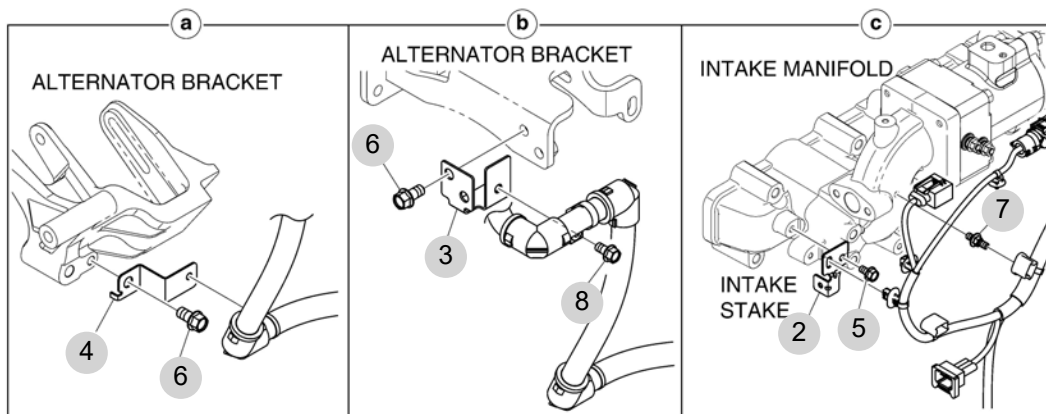
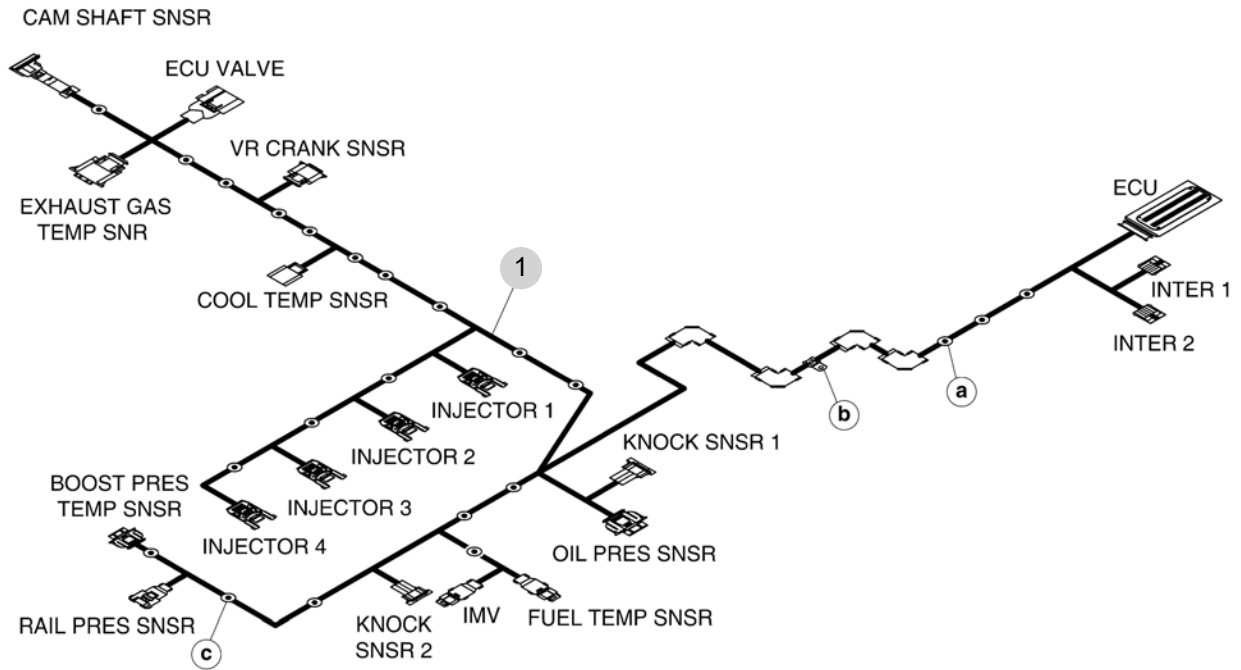
FIG 139

WIRE HARNESS

년/월
Year/Month

T1104SPEU

2022-12



NOTE

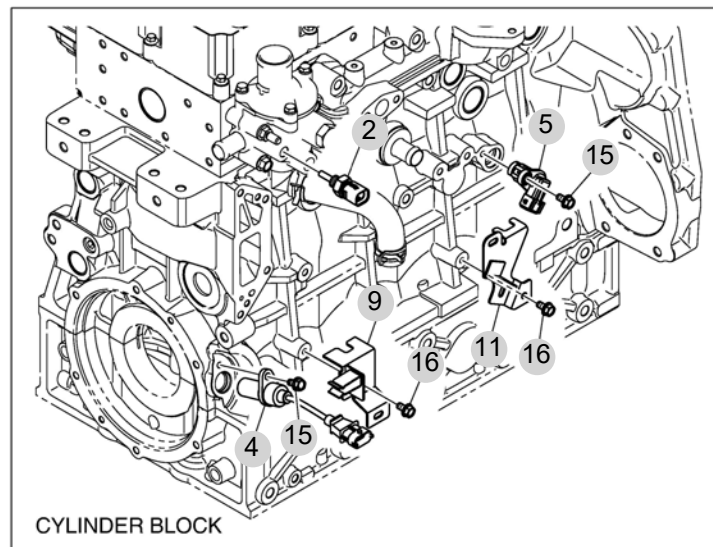
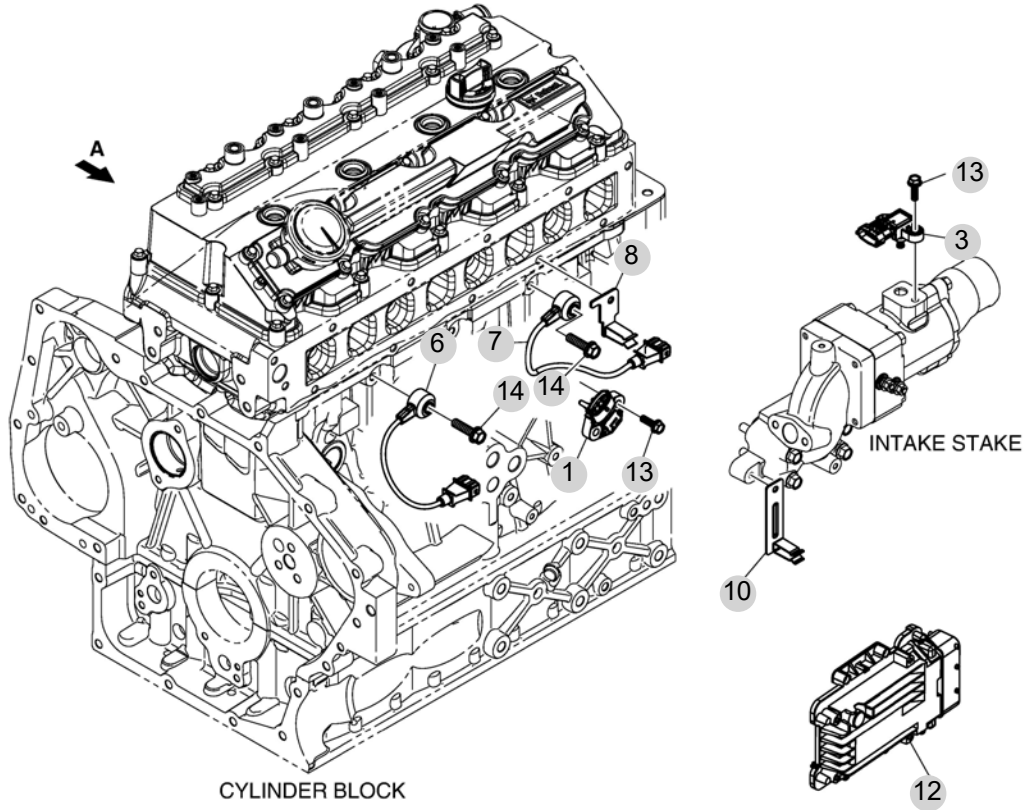
FIG 140

SWITCH & SENSOR

년/월
Year/Month

2022-12

T1104SPEU



VIEW A

NOTE

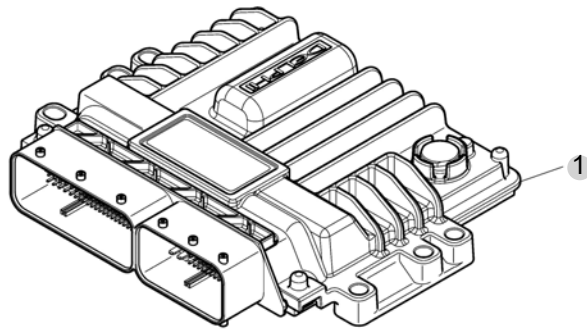
FIG 141

T1104SPEU

E.C.U

년/월
Year/Month

2022-12



NOTE

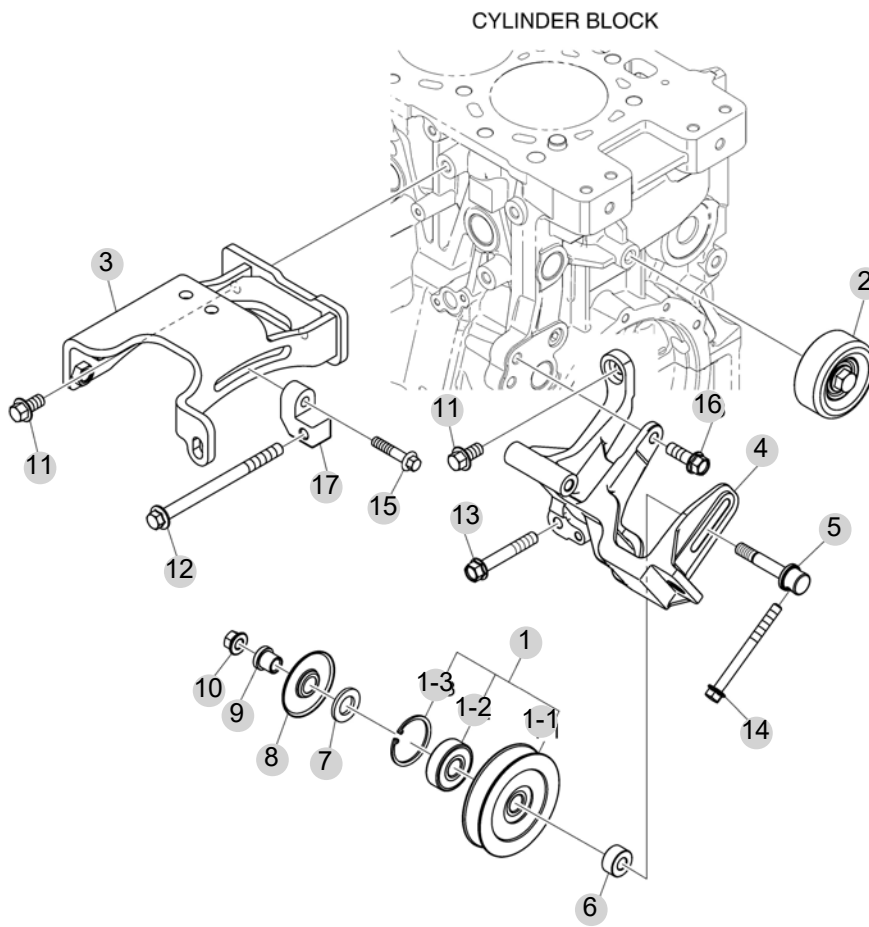
FIG 142

ALTERNATOR MOUNTING

년/월
Year/Month

2022-12

T1104SPEU



NOTE

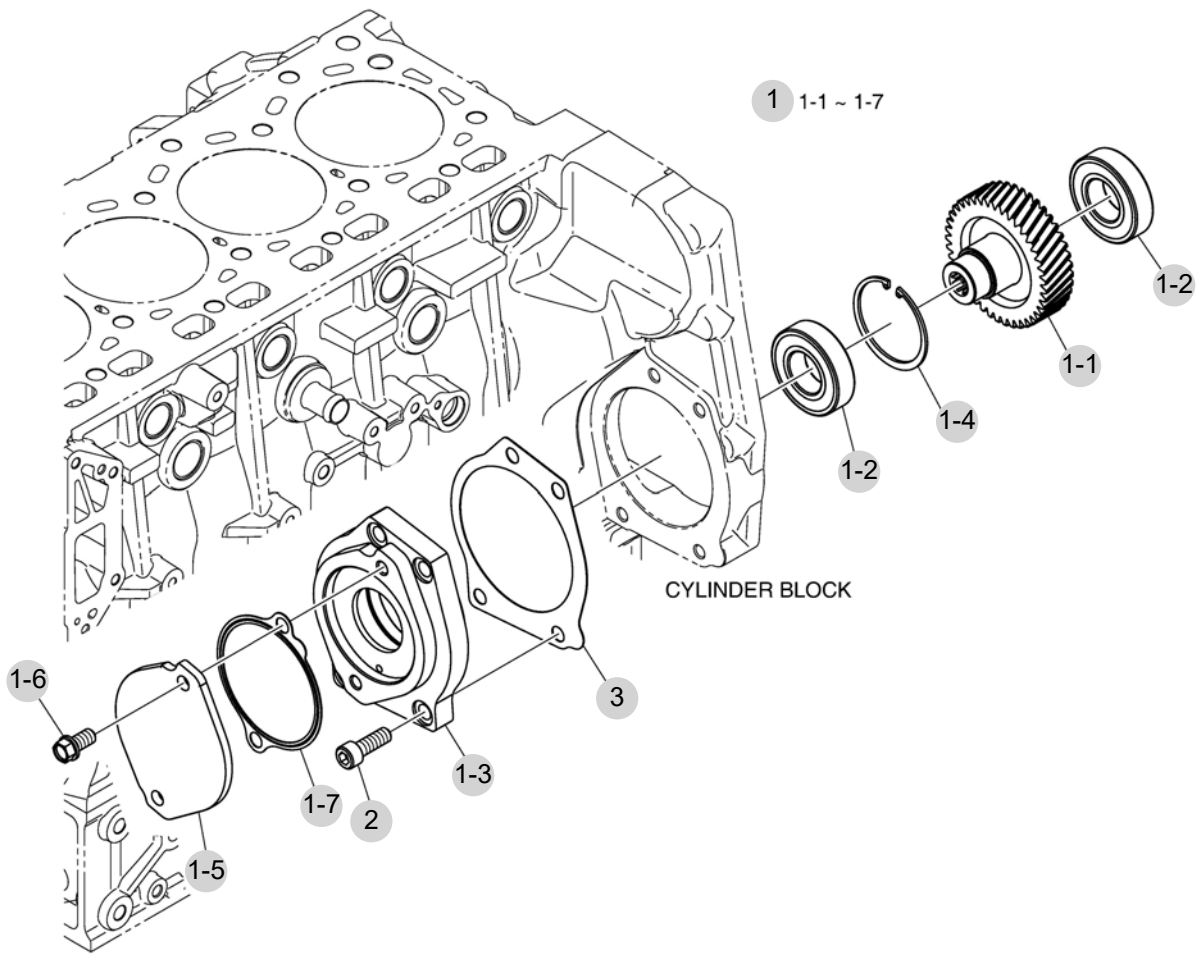
FIG 143

POWER TAKE OFF

년/월
Year/Month

2022-12

T1104SPEU



NOTE

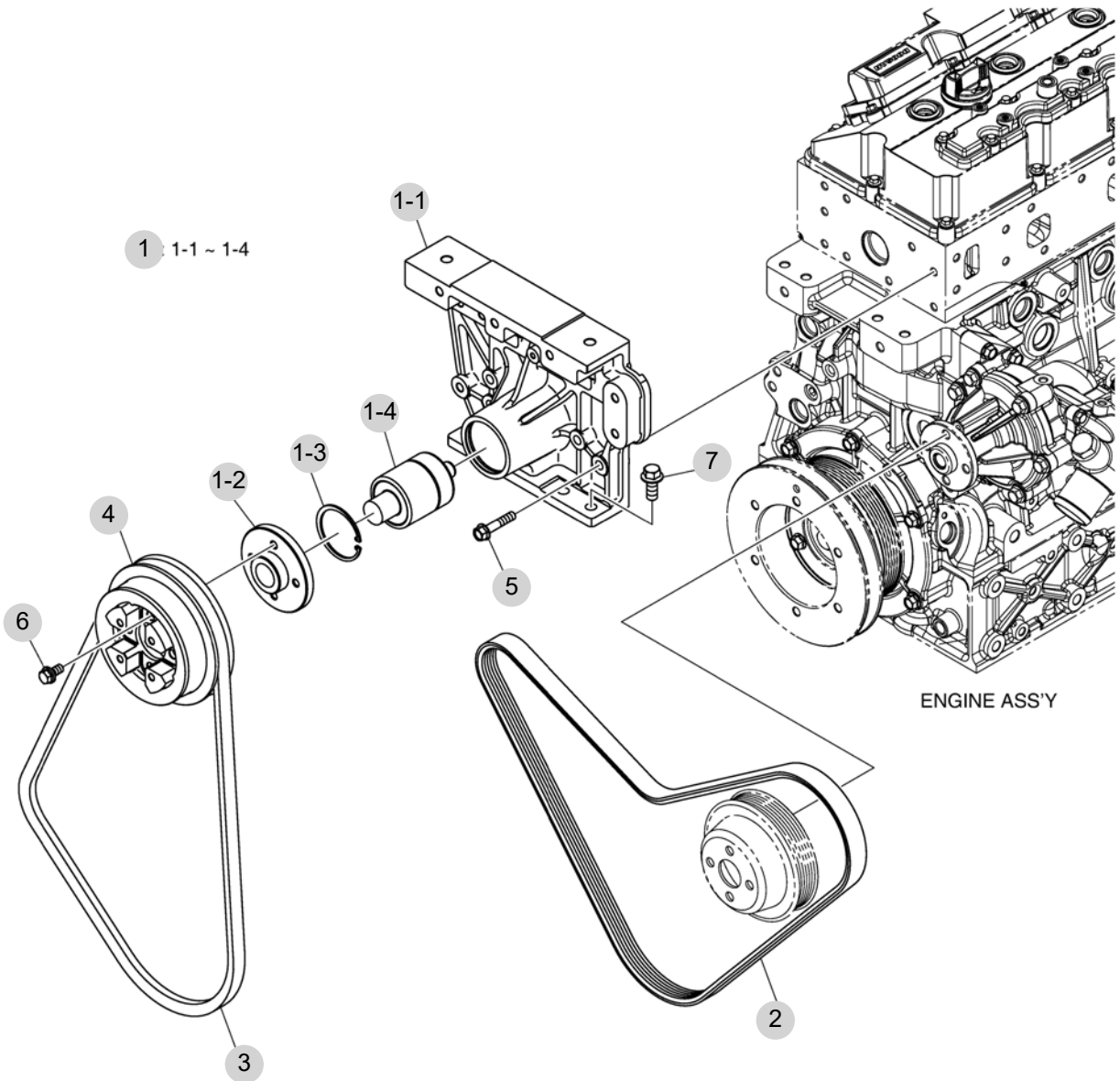
FIG 144

COOLING FAN

년/월
Year/Month

2022-12

T1104SPEU



NOTE

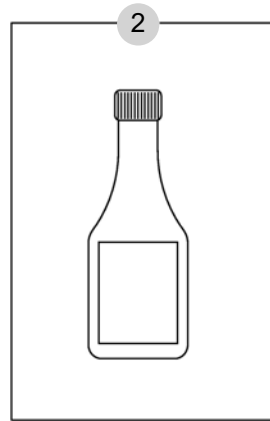
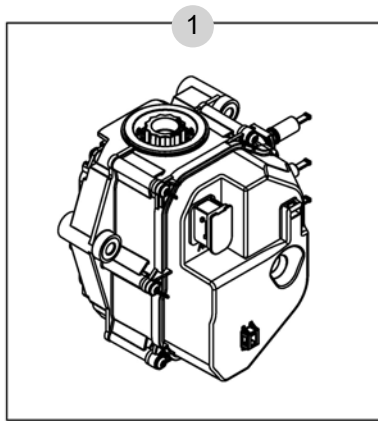
FIG 145

T1104SPEU

GENERAL ACCESSORIES-FIE&AFTER
TREATMENT

년/월
Year/Month

2022-12



NOTE

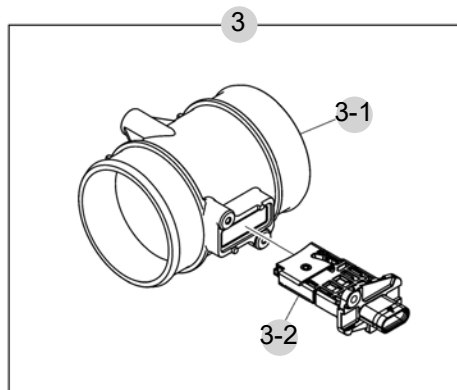
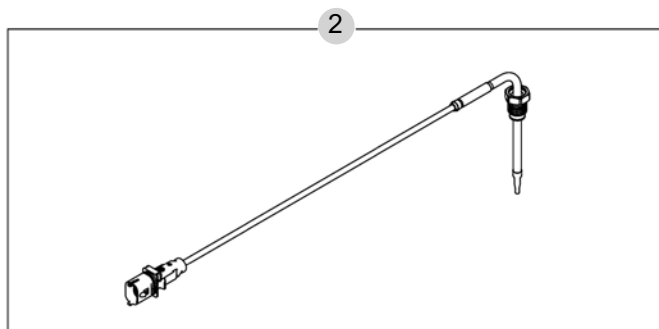
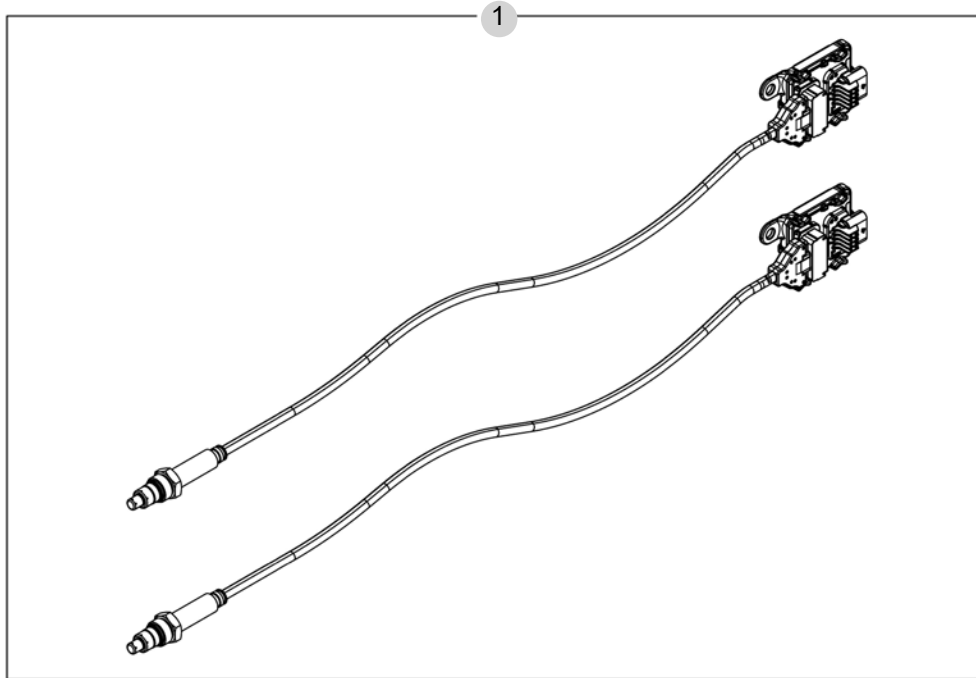
FIG 146

T1104SPEU

GENERAL ACCESSORIES-ELECTRIC

년/월
Year/Month

2022-12



NOTE

2. Engine Accessories PART NO. T2

FIG 201 AIR CLEANER	102
FIG 202 RADIATOR	104
FIG 203 EXHAUST PIPE	107
FIG 205 FUEL TANK & FUEL LINES	109
FIG 206 CABLE, THROTTLE & ACCELERATOR ASSY	112
FIG 207 INTERCOOLER	114

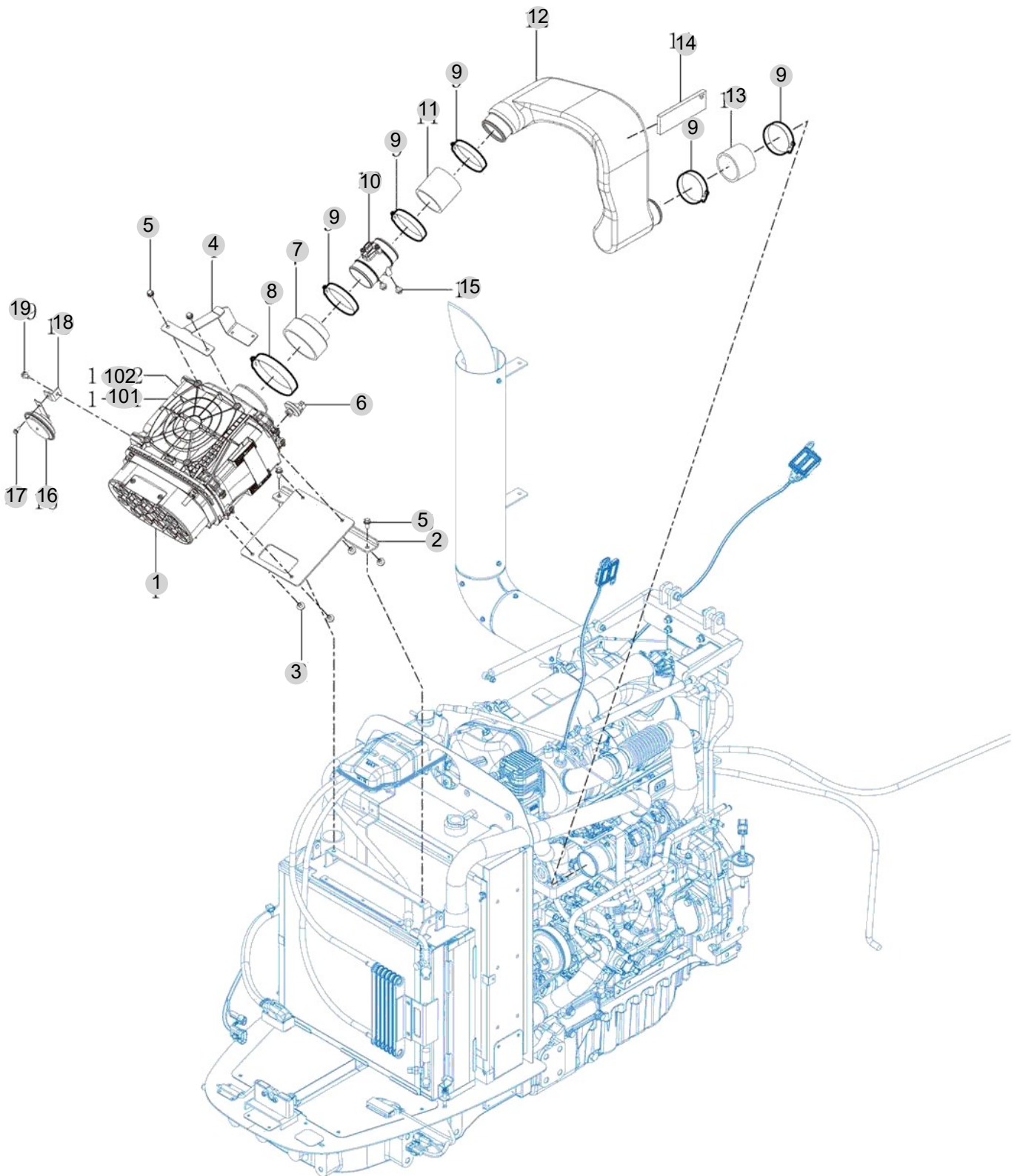
FIG 201

AIR CLEANER

년/월
Year/Month

2022-12

T1104SPEU



NOTE

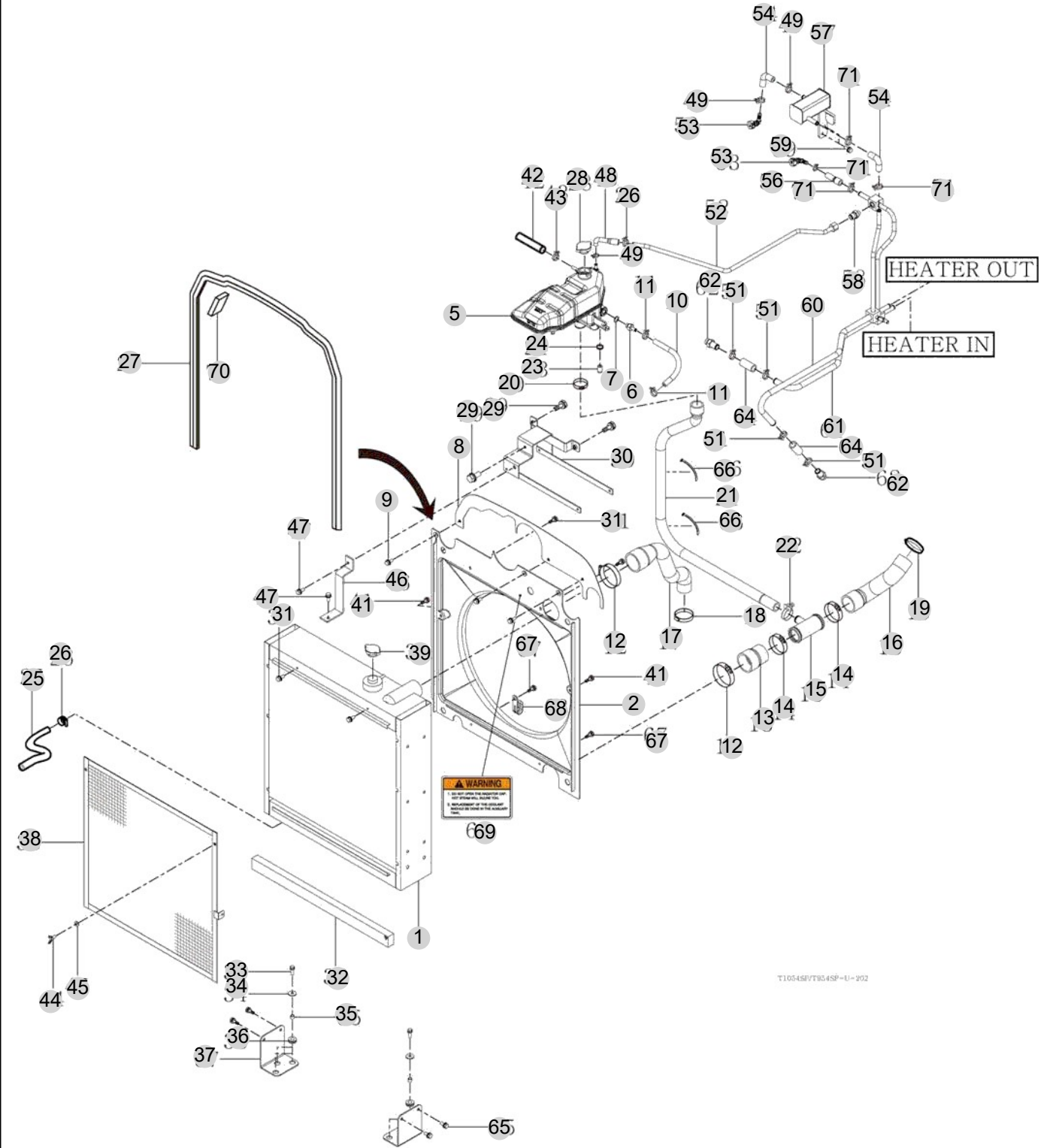
FIG 202

RADIATOR

년/월
Year/Month

2022-12

T1104SPEU



T1104SPEU/T1104SP-U-202

NOTE

FIG 202 T1104SPEU		RADIATOR					년/월 Year/Month	
							2022-12	
KEY NO	PART NO	DESCRIPTION	SPEC	QTY	REPAIR	EFFECTIVE DATE	REMARKS	
202	1	18711042101	RADIATOR ASSY			1		
202	2	18711042200	SHROUD			1		
202	5	18021041002	RESERVE TANK			1		
202	5	18021041003	RESERVOIR TANK			1		
202	6	18718200040	NIPPLE , COOLANT VANT M14			1		
202	7	18021020140	WASHER , GASKET M14			1		
202	8	18711046100GB	PLATE COMP , SEAL D			1		
202	9	V2123606016	BOLT , HEX /SP	M6X16		3		
202	10	18711101600	HOSE , ID8X250			1		
202	11	18027090160	BAND CLAMP 16 EMBO TYPE			2		
202	12	14885050150	BAND CLAMP 75			1		
202	12	10031020700	HOSE CLIP , TORRO 50-70/12 W3 WF	1X1X1		2		
202	13	18711040600	HOSE , RADIATOR OUTLET A			1		
202	14	10031020600	HOSE CLIP , TORRO 40-60/12 W3 WF	1X1X1		2		
202	15	18711045500	PIPE COMP , COOLANT JOINT			1		
202	16	18711040700	HOSE , RADIATOR OUTLET B			1		
202	17	18711040500	HOSE , RADIATOR INLET			1		
202	18	14241010040	WIRE CLAMP 45			1		
202	18	10031020450	HOSE CLIP , TORRO 30-45/12 W3 WF	1X1X1		1		
202	19	10031020500	HOSE CLIP , TORRO 35-50/12 W3 WF	1X1X1		1		
202	20	14241010050	WIRE CLAMP 42			1		
202	20	18027090500	BAND CLAMP 50 EMBO TYPE			1		
202	21	18711040800	HOSE , COOLANT ID22			1		
202	22	18027090320	BAND CLAMP 32 EMBO TYPE			1		
202	23	12651040300	CAP , RADIATOR	1X1X1		1		
202	24	14501410050	BAND CLAMP 16			1		
202	24	18027090160	BAND CLAMP 16 EMBO TYPE			1		
202	25	18711101800	HOSE , ID8X450			1		
202	26	37481850030	BAND CLAMP 18	1/2 3/4		2		
202	27	18711040320	INSULATOR 2120			1		
202	28	13011042110	CAP 0.9bar	1X1X1		1		
202	29	V2193606020	BOLT , HEX/SPL	M6X20		3		
202	30	18711071600GB	BRACKET COMP , RESERVER TANK			1		
202	30	18711071601GB	BRACKET COMP , RESERVER TANK			1		
202	31	V2193606020	BOLT , HEX/SPL	M6X20		4		
202	32	18711120060	NISULATOR RR600			1		
202	33	V2173608025	BOLT , HEX/S	M8X25		6		
202	34	35602010150	WASHER , BIND SHAFT	T=2.3		6		
202	35	15991040050	COLLAR , 08X12X08	12X1.8		6		
202	36	14046210300	GROMMET			6		
202	37	18711052901GB	BKT , RADIATOR FIX/LOW			2		
202	38	18711042301GB	NET COMP , RADIATOR			1		
202	39	18021042110	CAP ASSY OKPa			1		
202	41	V2183608016	BOLT , HEX/SP	M8X16		2		
202	42	18711101900	HOSE , ID8X350			1		
NOTE								

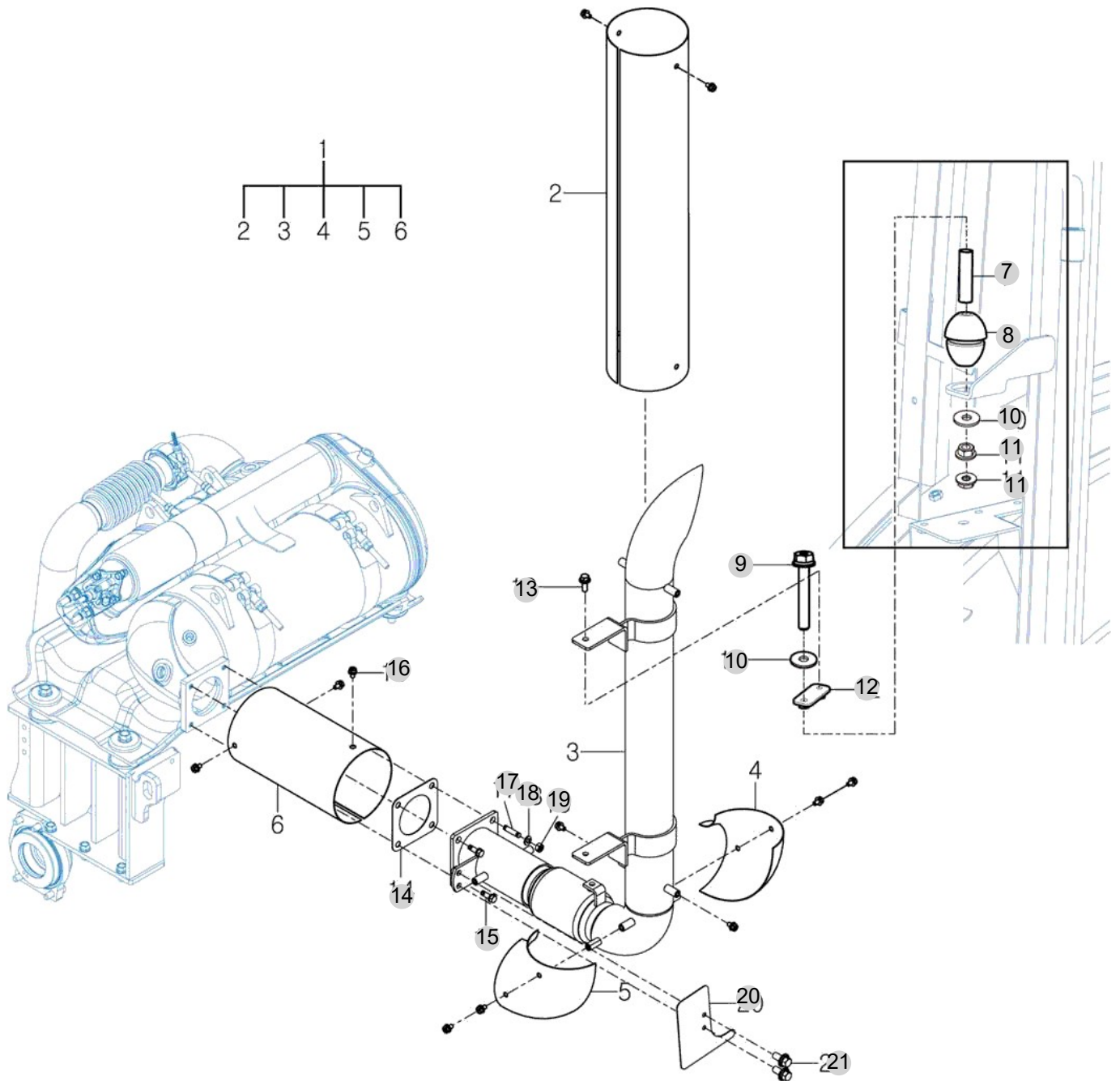
FIG 203

EXHAUST PIPE

년/월
Year/Month

2022-12

T1104SPEU



T1104SP/T954SP-U-203

NOTE

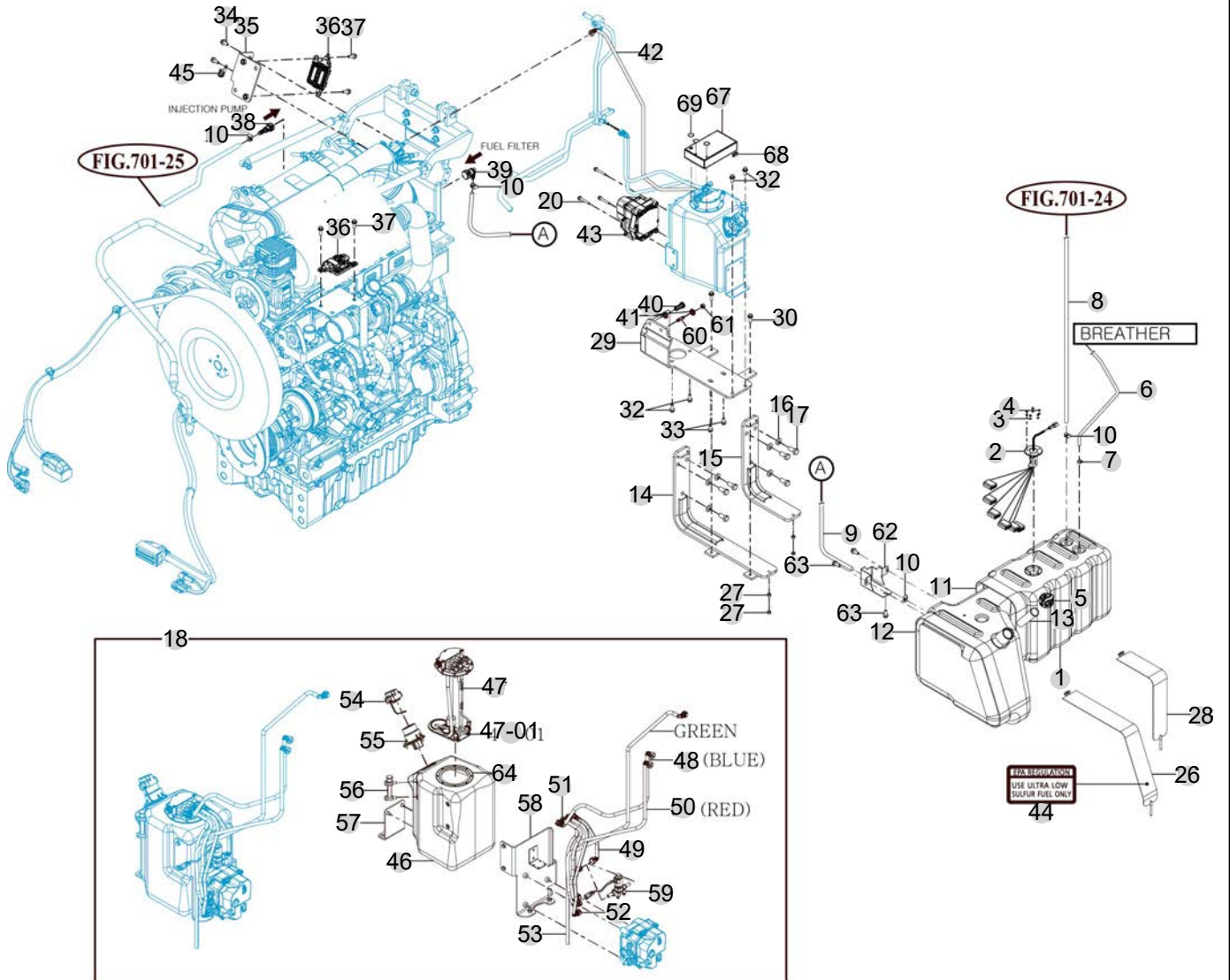
FIG 205

FUEL TANK & FUEL LINES

년/월
Year/Month

2022-12

T1104SPEU



NOTE

FIG 205 T1104SPEU		FUEL TANK & FUEL LINES					년/월 Year/Month	
							2022-12	
KEY NO	PART NO	DESCRIPTION	SPEC	QTY	REPAIR	EFFECTIVE DATE	REMARKS	
205	1	18711112102	FUEL TANK COMP		1			
205	2	18711112200	GAUGE , FUEL		1			
205	3	V4011600050	WASHER , SPRING	M5	5			
205	4	V3012600050	NUT , HEX/2	M5	5			
205	5	19143102200	CAP ASSY , FUEL	7.5X7.5X3.1	1			
205	5	19143102201	CAP ASSY , FUEL		1			
205	6	19141110020	HOSE , BREATHER/650	1X1X1	1			
205	7	14501410050	BAND CLAMP 16	1X1X1	1			
205	8	18711112300	HOSE , FUEL/FKM2000		1			
205	9	18711112400	HOSE , FUEL/FKM1500		1			
205	10	18027090200	BAND CLAMP 20 EMBO TYPE		4			
205	11	18711112700	SPONGE , 1140		1			
205	12	18711112600	SPONGE , 1570		1			
205	13	18711112500	FILTER , FUEL TANK		1			
205	14	18711113101GB	BRACKET COMP , FUEL TANK/FR		1			
205	15	18711113200GB	BRACKET COMP , FUEL TANK/RR		1			
205	16	V4011600160	WASHER , SPRING	M16	6			
205	17	V2014616035	BOLT , HEX	M16X35	6			
205	18	18711122001	UREA TANK ASSY		1			
205	18	18711122002	UREA TANK ASSY		1			
205	18	18711122003	UREA TANK ASSY		1			
205	20	V2183608060	BOLT , HEX/SP	M8X60	3			
205	26	18711114100GB	TANK BAND COMP , FUEL TANK/FR		1			
205	27	V3043600100	NUT , HEX/2	M10	2			
205	28	18711114200GB	TANK BAND COMP , FUEL TANK/RR		1			
205	29	18711113301GB	BRACKET COMP , UREA TANK		1			
205	29	18711113302GB	BRACKET COMP , UREA TANK		1			
205	30	V2183610035	BOLT , HEX/SP	M10X35	2			
205	32	V2183610030	BOLT , HEX/SP	M10X30	4			
205	33	V2183610025	BOLT , HEX/SP	M10X25	2			
205	34	V2183608020	BOLT , HEX/SP	M8X20	2			
205	35	18711046400GB	BKT , NOx SENSOR		1			
205	36	301308-00454	NOx, SENSOR ASS'Y		2			
205	37	V2183608016	BOLT , HEX/SP	M8X16	4			
205	38	18711101200	QUICK CONNECTOR D8		1			
205	39	18711101100	QUICK CONNECTOR D9.89 ELBOW		1			
205	40	V2013612020	BOLT , HEX	M12X20	1			
205	41	V4011600120	WASHER , SPRING	M12	2			
205	42	18711122800	UREA HOSE , OUT		1			
205	43	300628-00302	SUPPLY MODULE		1			
205	44	18711201100	LABEL , ULTRA LOW SULFUR		1			
205	45	14256210040	CLAMP , 9		1			
205	46	18711122100	UREA TANK COMP		1			
205	47	18711122202	UREA LEVEL SENDER ASSY		1			
205	47	18711122203	UREA LEVEL SENDER ASSY		1			
NOTE								

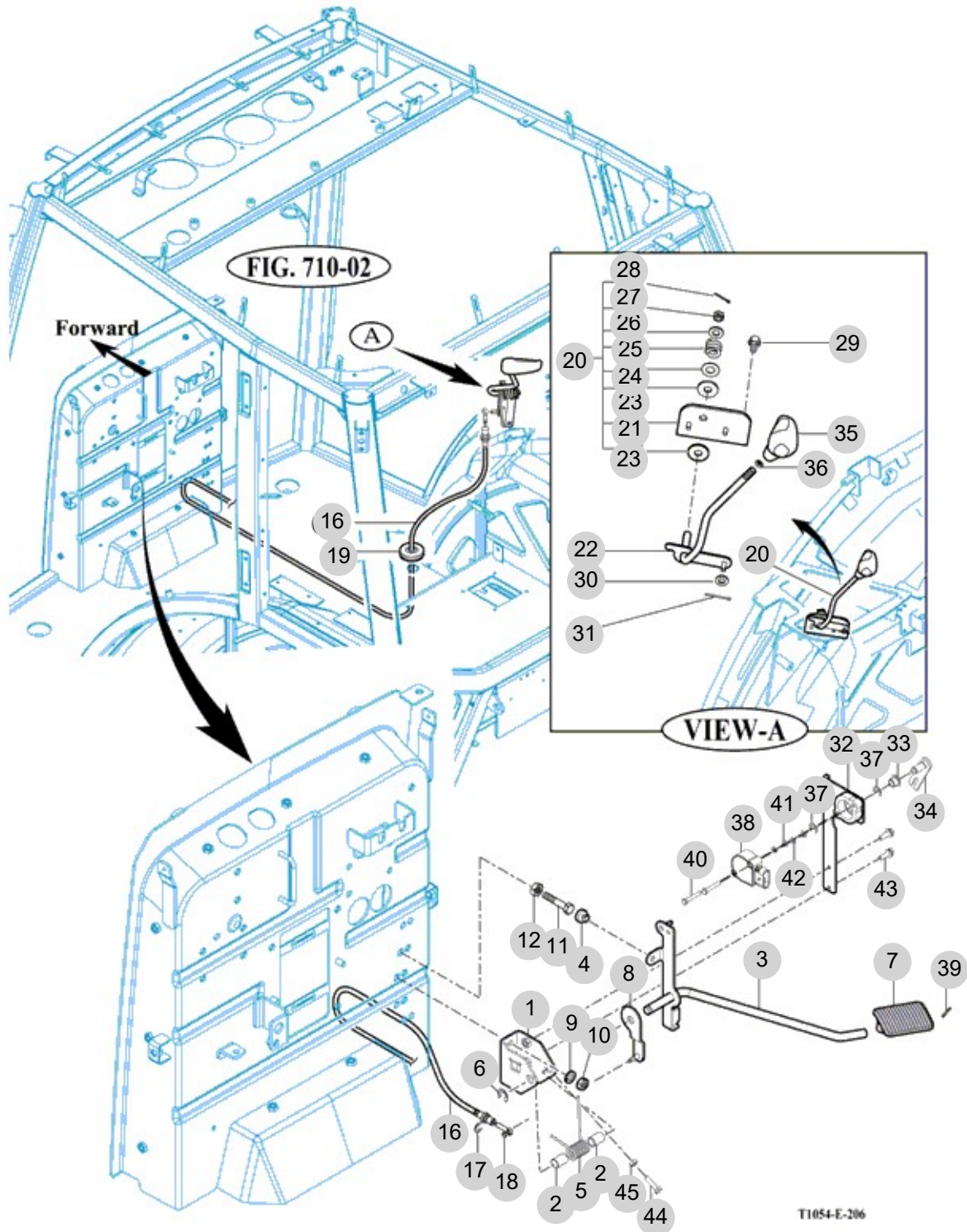
FIG 206

CABLE, THROTTLE & ACCELERATOR ASSY

년/월
Year/Month

2022-12

T1104SPEU



NOTE

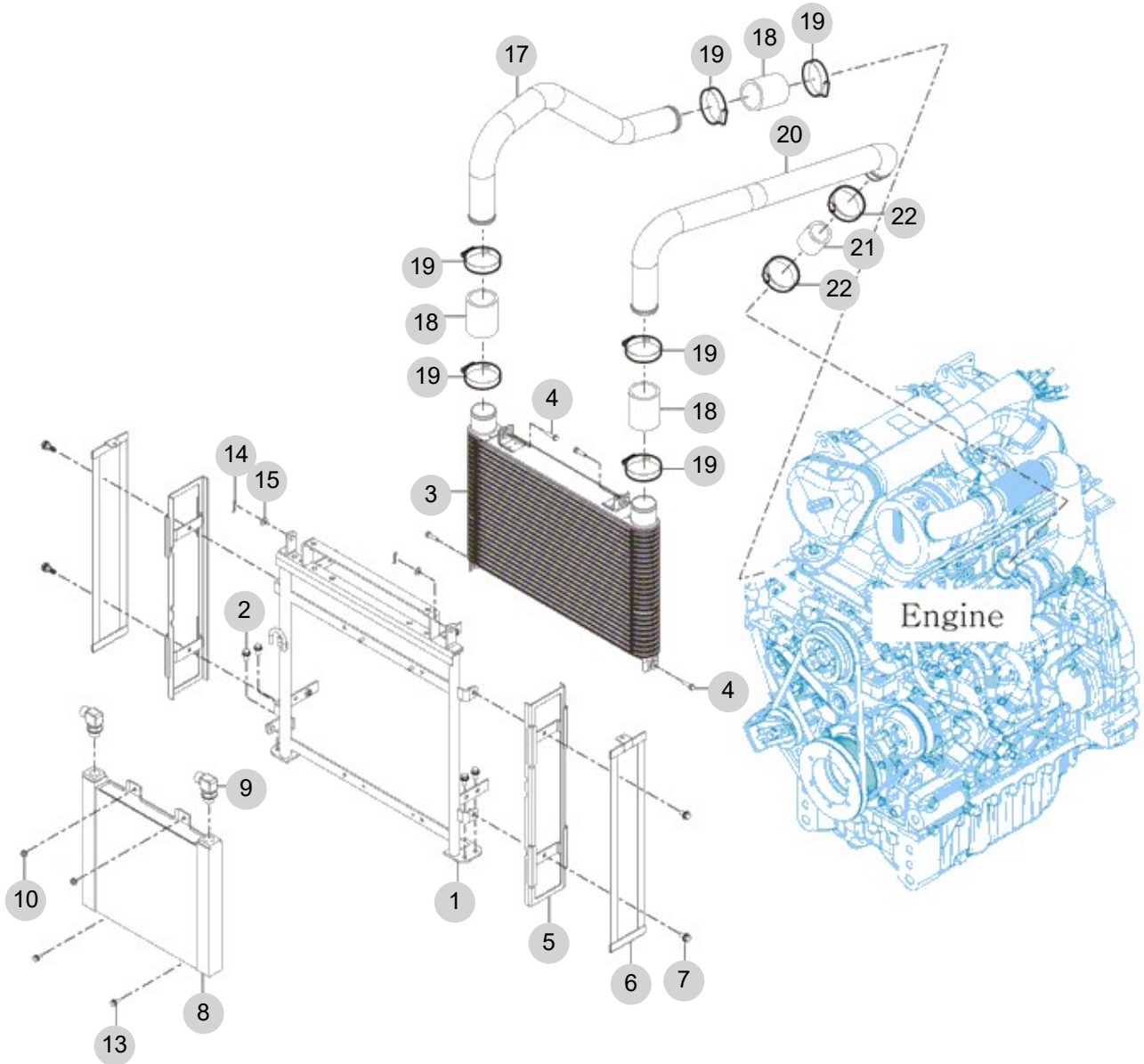
FIG 207

INTERCOOLER

년/월
Year/Month

2022-12

T1104SPEU



NOTE

3. Clutch/Brake/Steering PART NO. T3

FIG 301 DAMPER FLANGE ASSY	117
FIG 302 CASE SUB ASSY, BRAKE	119
FIG 303 BRAKE PIPES	121
FIG 303-2 BRAKE	123
FIG 304 FRONT WHEEL	125
FIG 305 REAR WHEEL	127
FIG 306 STEERING WHEEL ASSY	129
FIG 307 POWER STEERING VALVE	131
FIG 308 POWER STEERING CYLINDER	133
FIG 309 SUB CLUTCH PEDAL	135
FIG 310 HAND BRAKE SUB	137

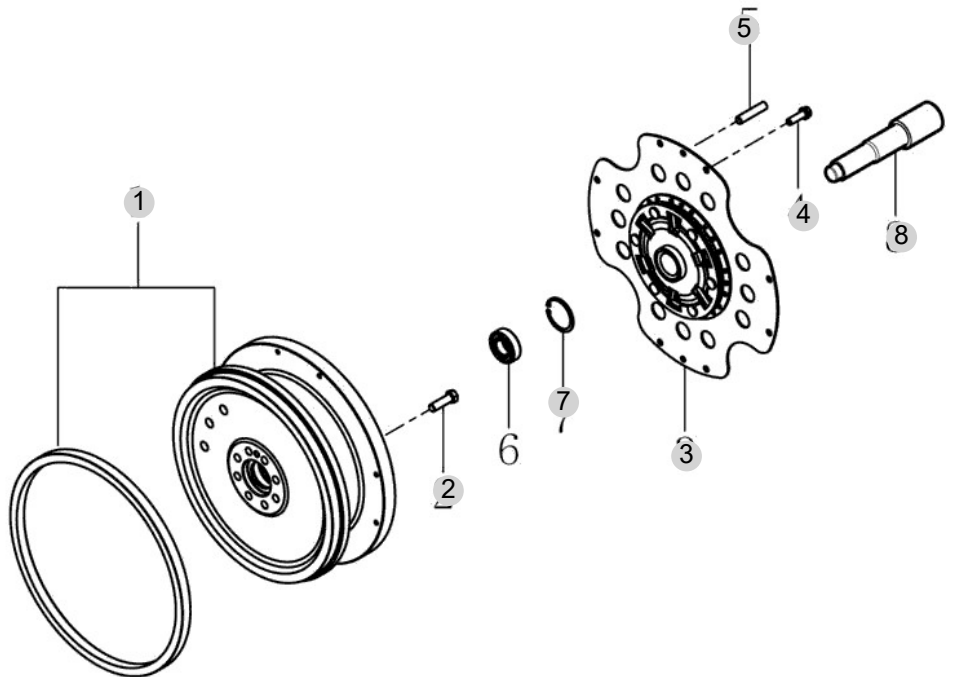
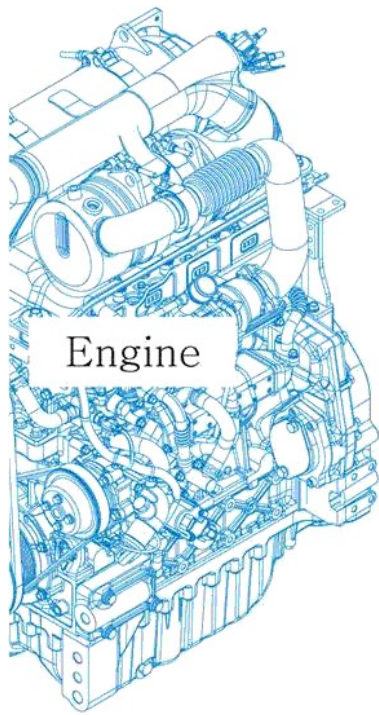
FIG 301

DAMPER FLANGE ASSY

년/월
Year/Month

T1104SPEU

2022-12



NOTE

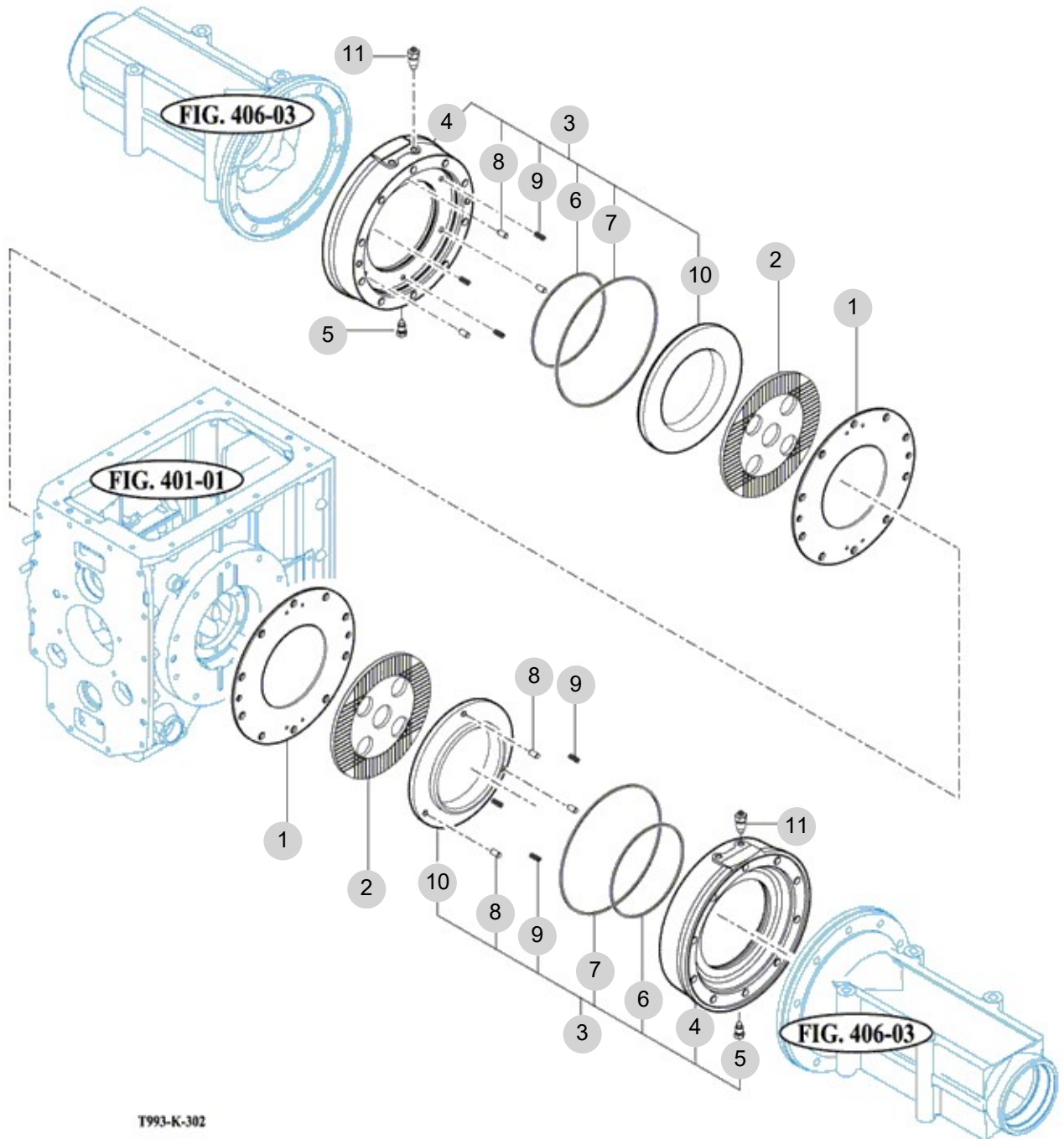
FIG 301		DAMPER FLANGE ASSY					년/월 Year/Month	
T1104SPEU								2022-12
KEY NO	PART NO	DESCRIPTION	SPEC	QTY	REPAIR	EFFECTIVE DATE	REMARKS	
301	1	18711020101	FLYWHEEL ASSY		1			
301	2	18711210011	FLYWHEEL BOLT M12X55XP1.5		8			
301	3	19021202303	DAMPER FLANGE ASSY , 365		1			
301	4	V2173608020	BOLT , HEX/S	M8X16	8			
301	5	V5201008016	PIN , PARALLEL/A	8X16	2			
301	7	V7051400520	C-RING , HOLE		1			
301	8	18712120081	SHAFT , INPUT		1			
301	8	18712120082	SHAFT , INPUT		1			
NOTE								

FIG 302

CASE SUB ASSY, BRAKE

년/월
Year/Month

2022-12



T993-K-302

NOTE

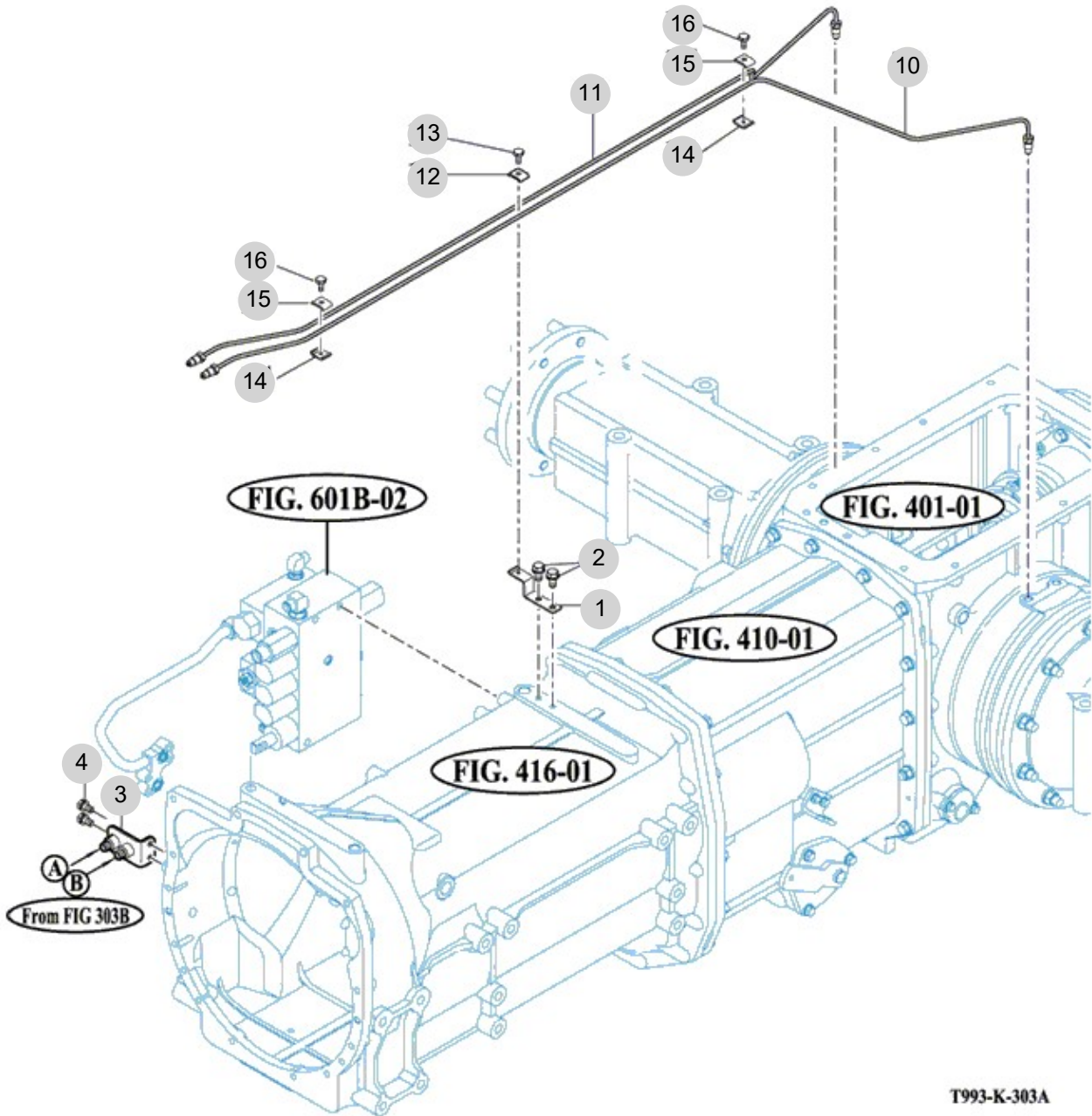
FIG 303

BRAKE PIPES

년/월
Year/Month

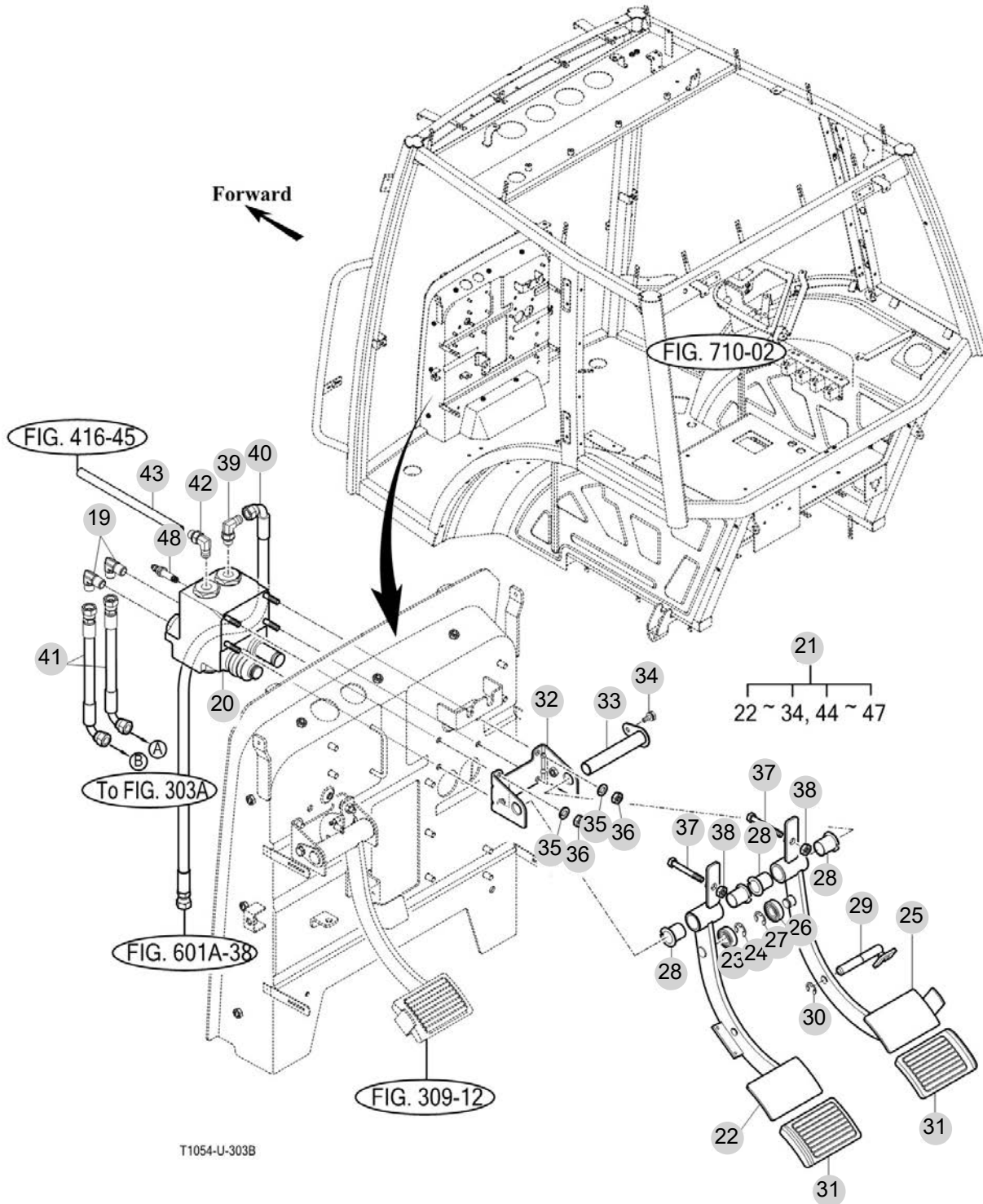
2022-12

T1104SPEU



NOTE

T1104SPEU



NOTE

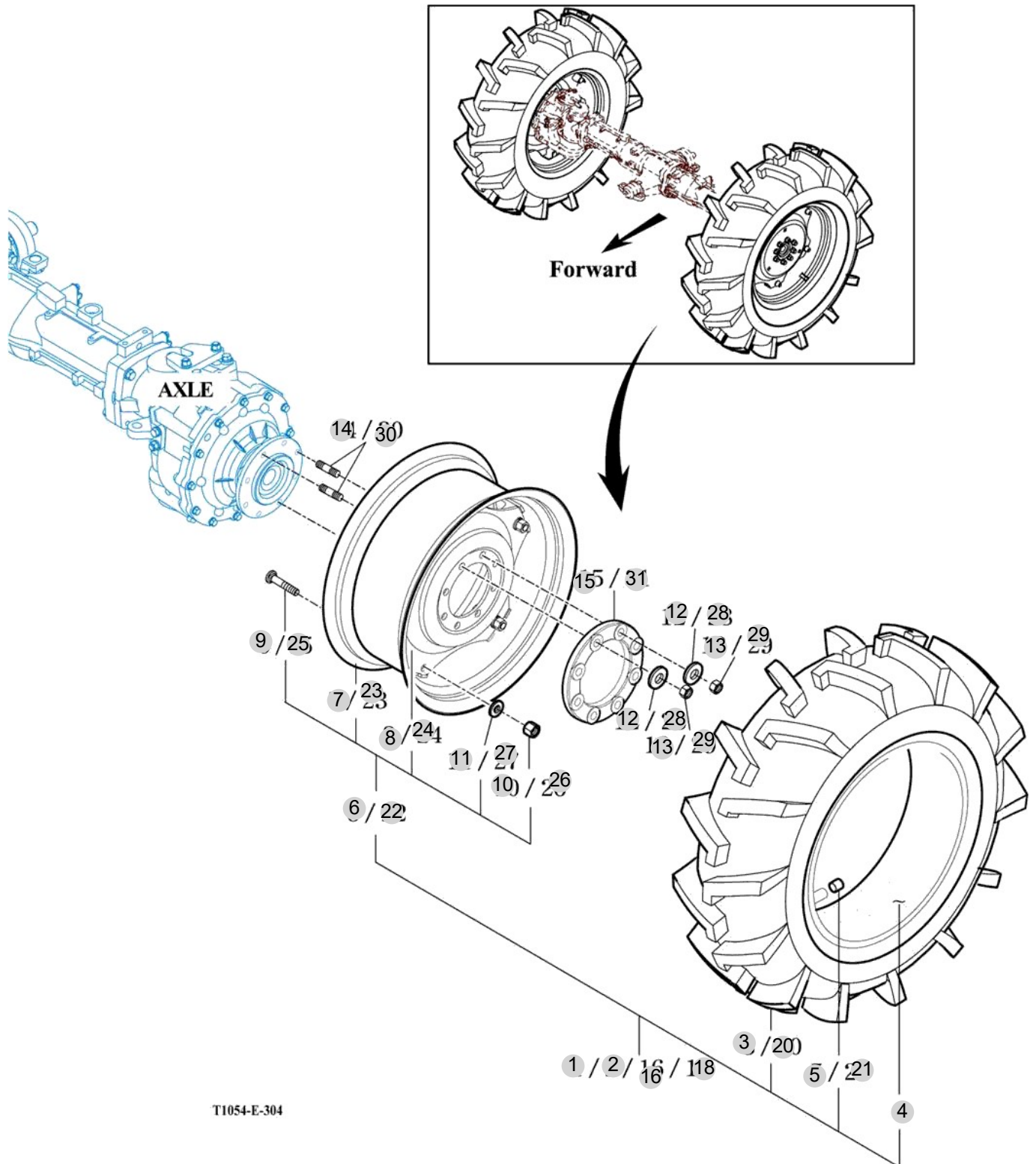
FIG 304

FRONT WHEEL

년/월
Year/Month

2022-12

T1104SPEU



T1054-E-304

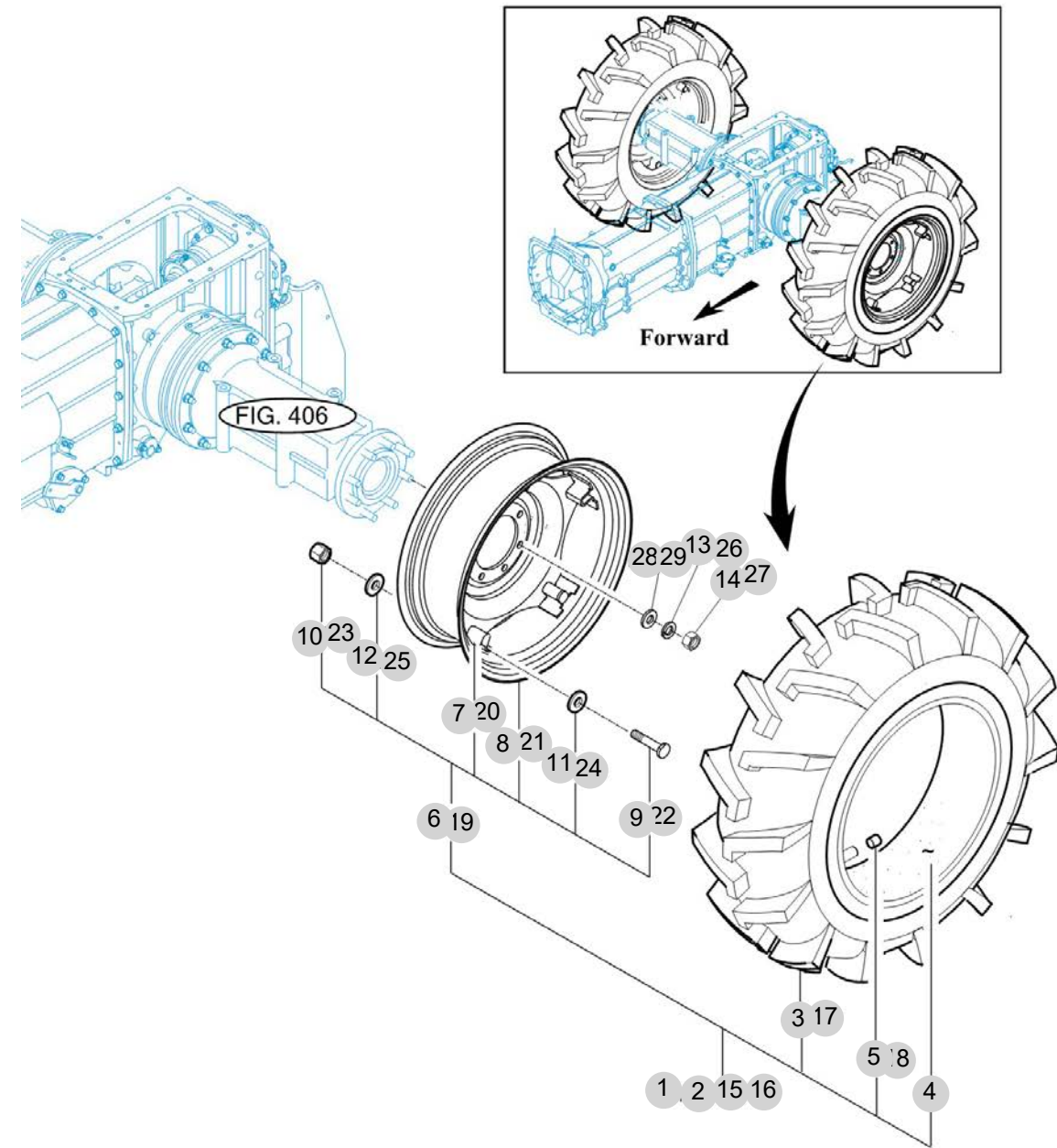
NOTE

FIG 305

REAR WHEEL

년/월
Year/Month

2022-12



T1054-E-305

NOTE

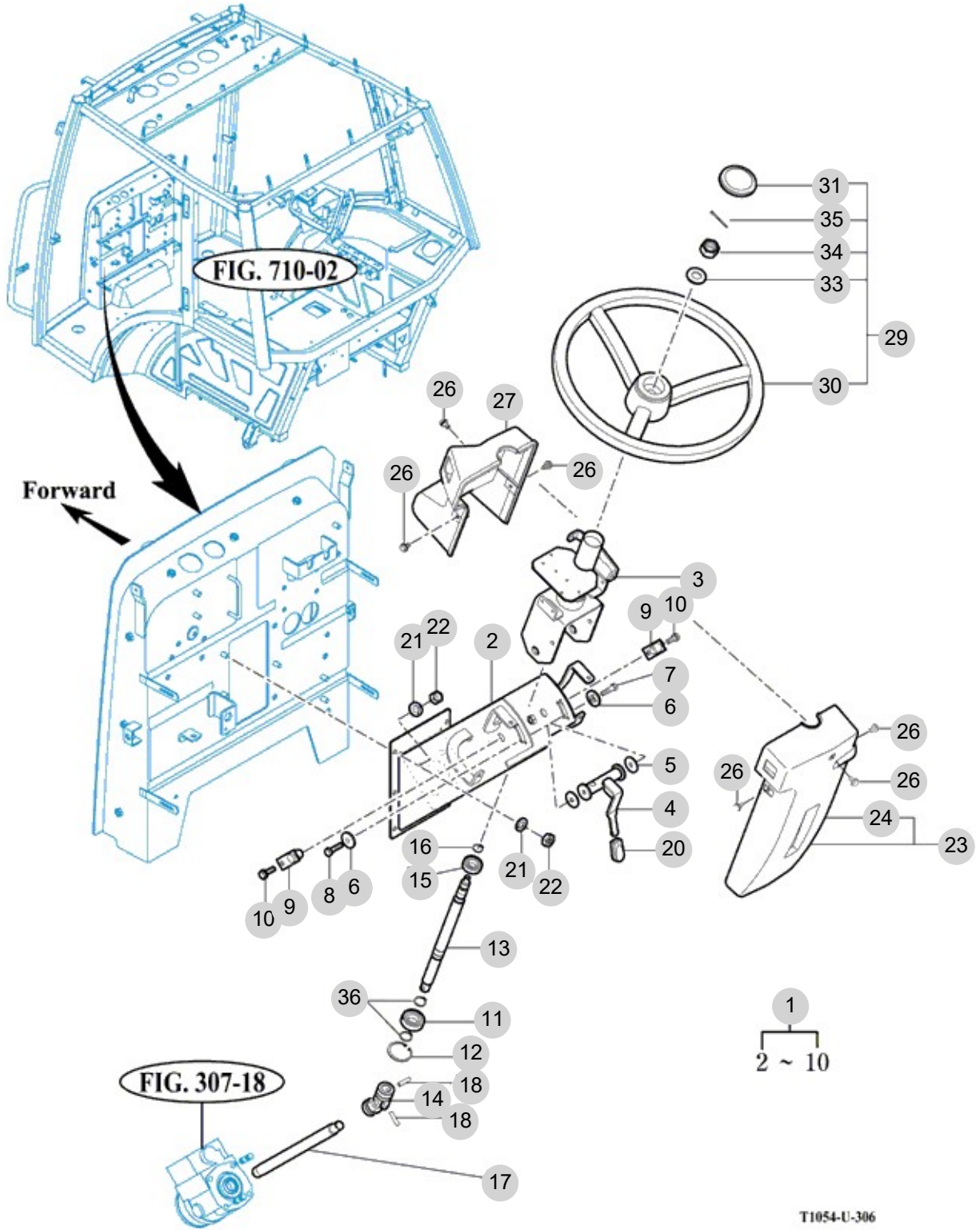
FIG 306

STEERING WHEEL ASSY

년/월
Year/Month

2022-12

T1104SPEU



T1054-U-306

NOTE

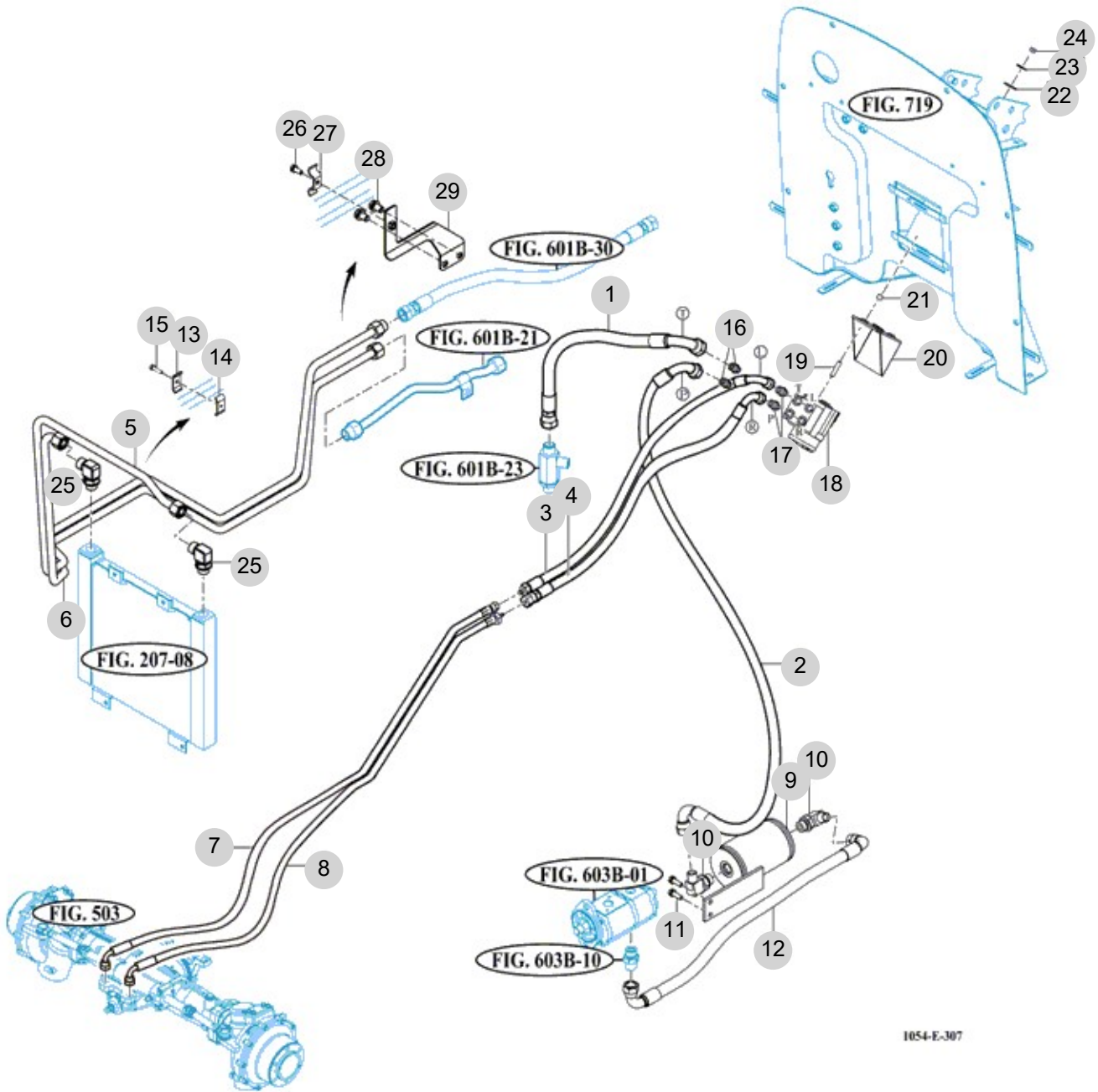
FIG 307

POWER STEERING VALVE

년/월
Year/Month

2022-12

T1104SPEU



1054-E-307

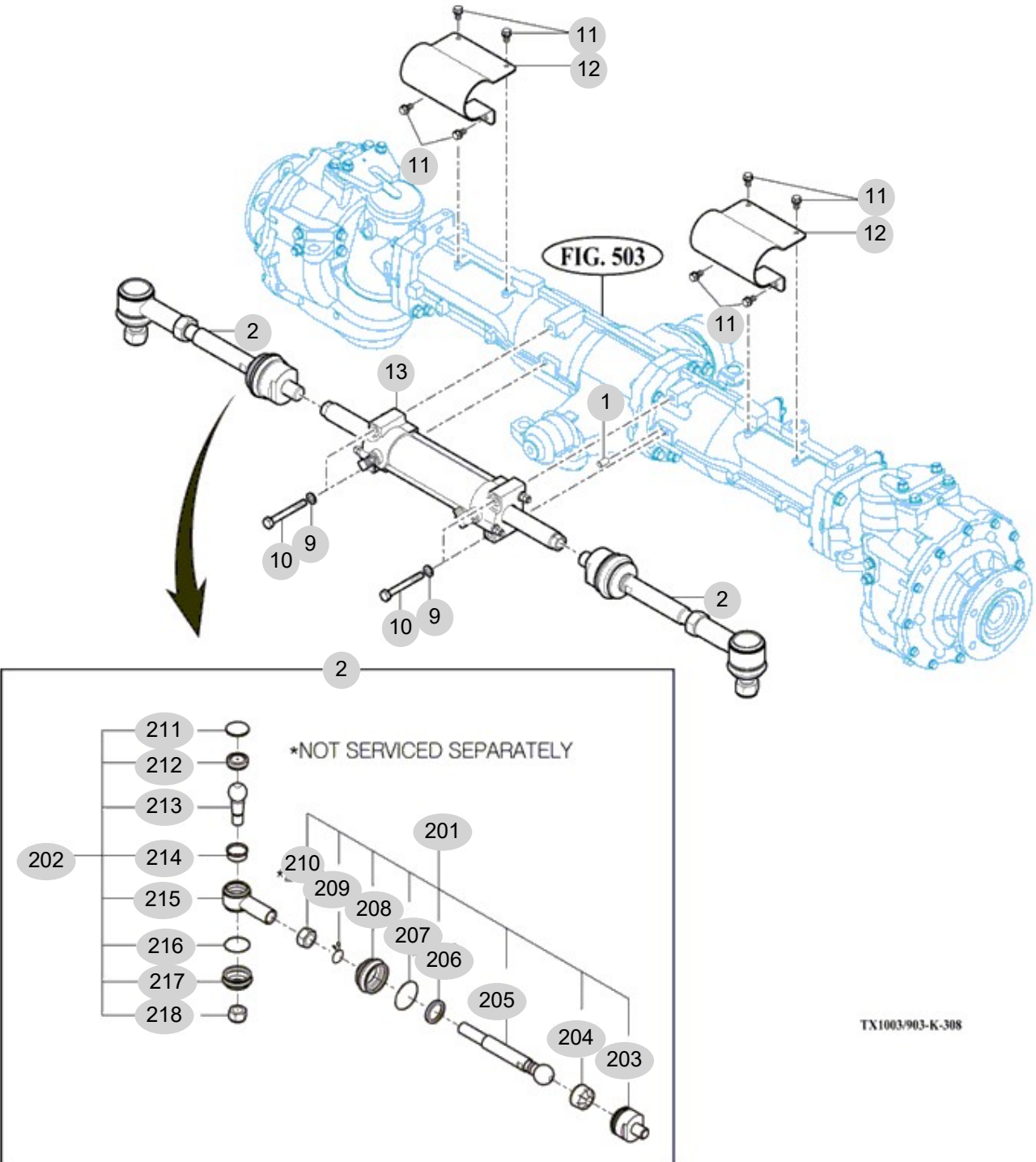
NOTE

FIG 308

POWER STEERING CYLINDER

년/월
Year/Month

2022-12



NOTE

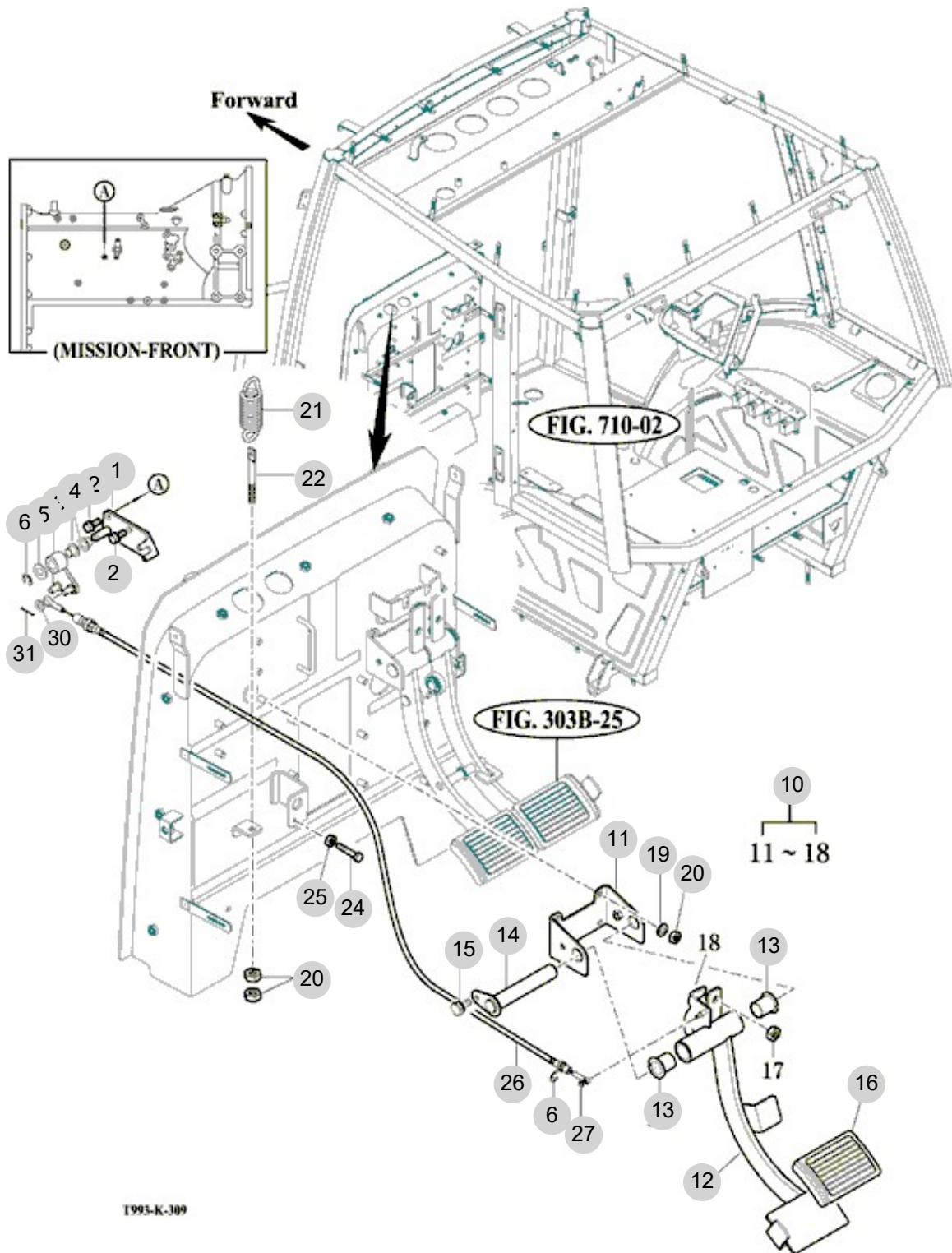
FIG 309

SUB CLUTCH PEDAL

년/월
Year/Month

2022-12

T1104SPEU



NOTE

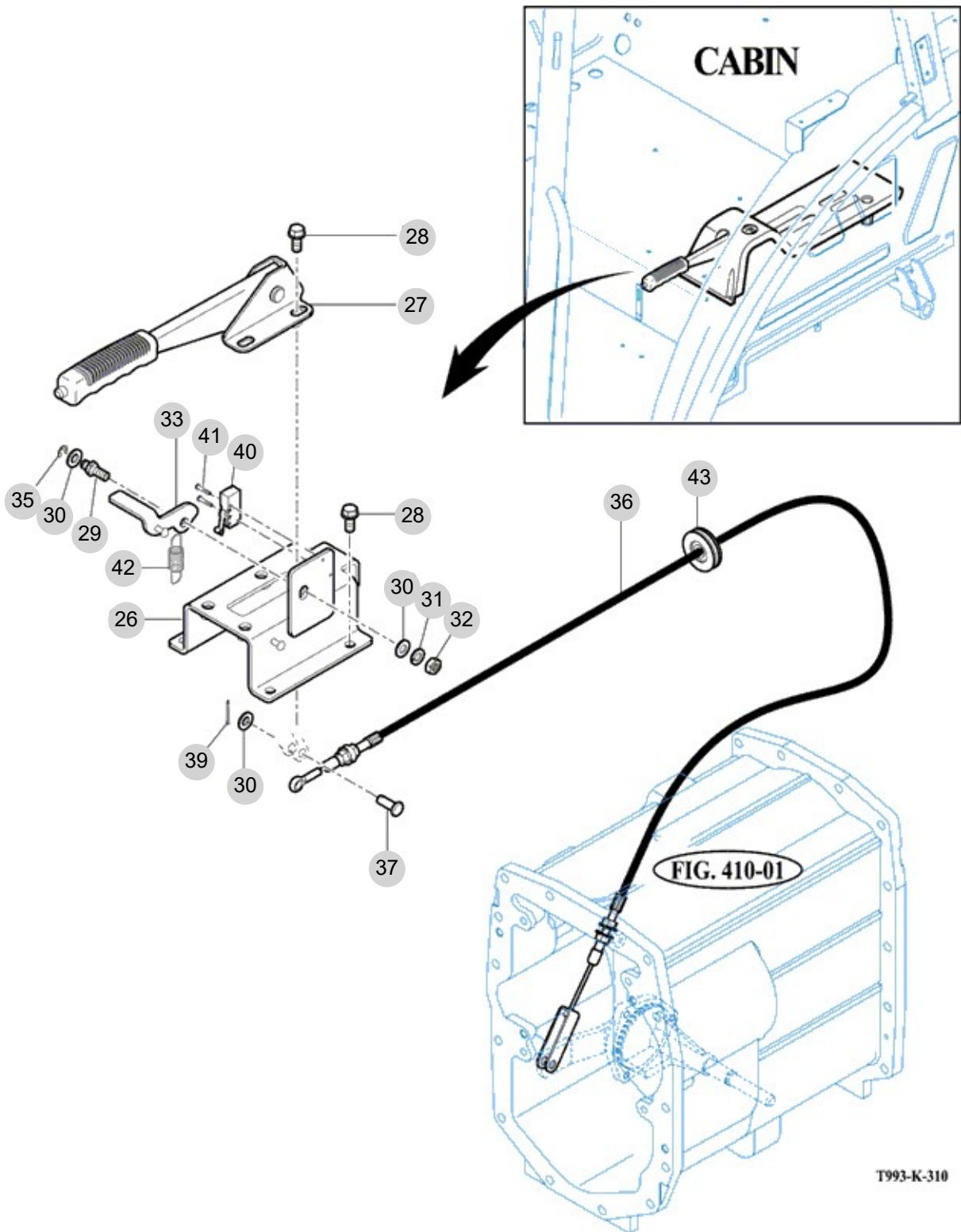
FIG 310

T1104SPEU

HAND BRAKE SUB

년/월
Year/Month

2022-12



NOTE

4. Transmission PART NO. T4

FIG 401 CASE SUB, RR TRANSMISSION	140
FIG 402 METAL SUB ASSY, PINION	142
FIG 402-2 DIFF ASSY, RR	144
FIG 403 SUB CHANGE GEARS	146
FIG 404 SUB CHANGE LEVER	148
FIG 405 4WD DRIVE GEARS	150
FIG 406 HOUSING, RR AXLE	152
FIG 407 540,750,1000 PTO CASE	154
FIG 408 SHAFT, PTO	156
FIG 408-2 PTO CLUTCH ASSY	158
FIG 409 METAL SUB ASSY	160
FIG 410 CASE, MID TRANSMISSION	162
FIG 411 MAIN CHANGE GEARS	164
FIG 412 MAIN CHANGE LEVER	166
FIG 413 PARKING BRAKE	168
FIG 414 POWER SHUTTLE GEAR	170
FIG 415 POWER SHIFT GEAR	172
FIG 416 CASE, FR TRANSMISSION	174

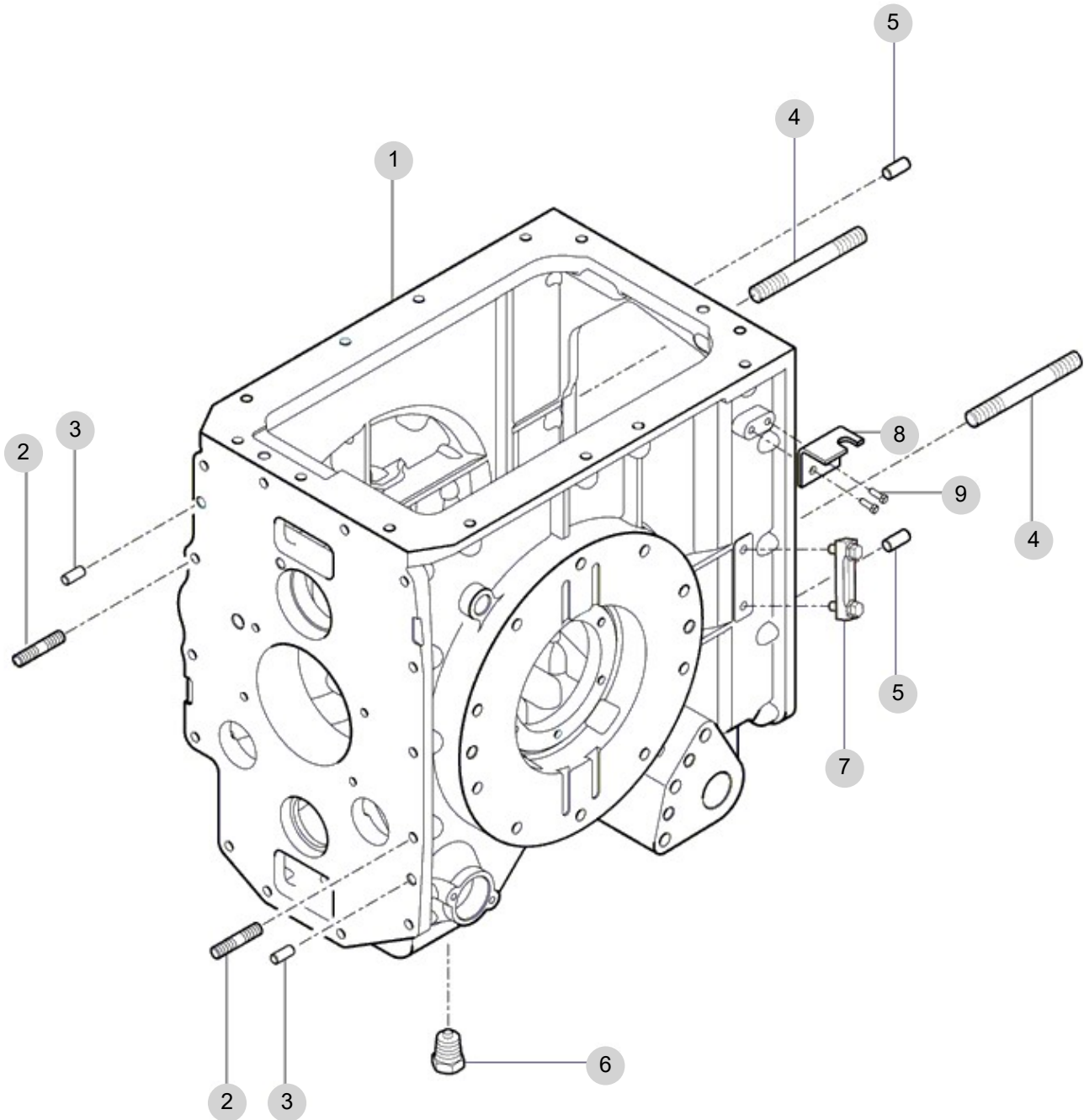
FIG 401

CASE SUB, RR TRANSMISSION

년/월
Year/Month

2022-12

T1104SPEU



T1104S979GSP-11-401

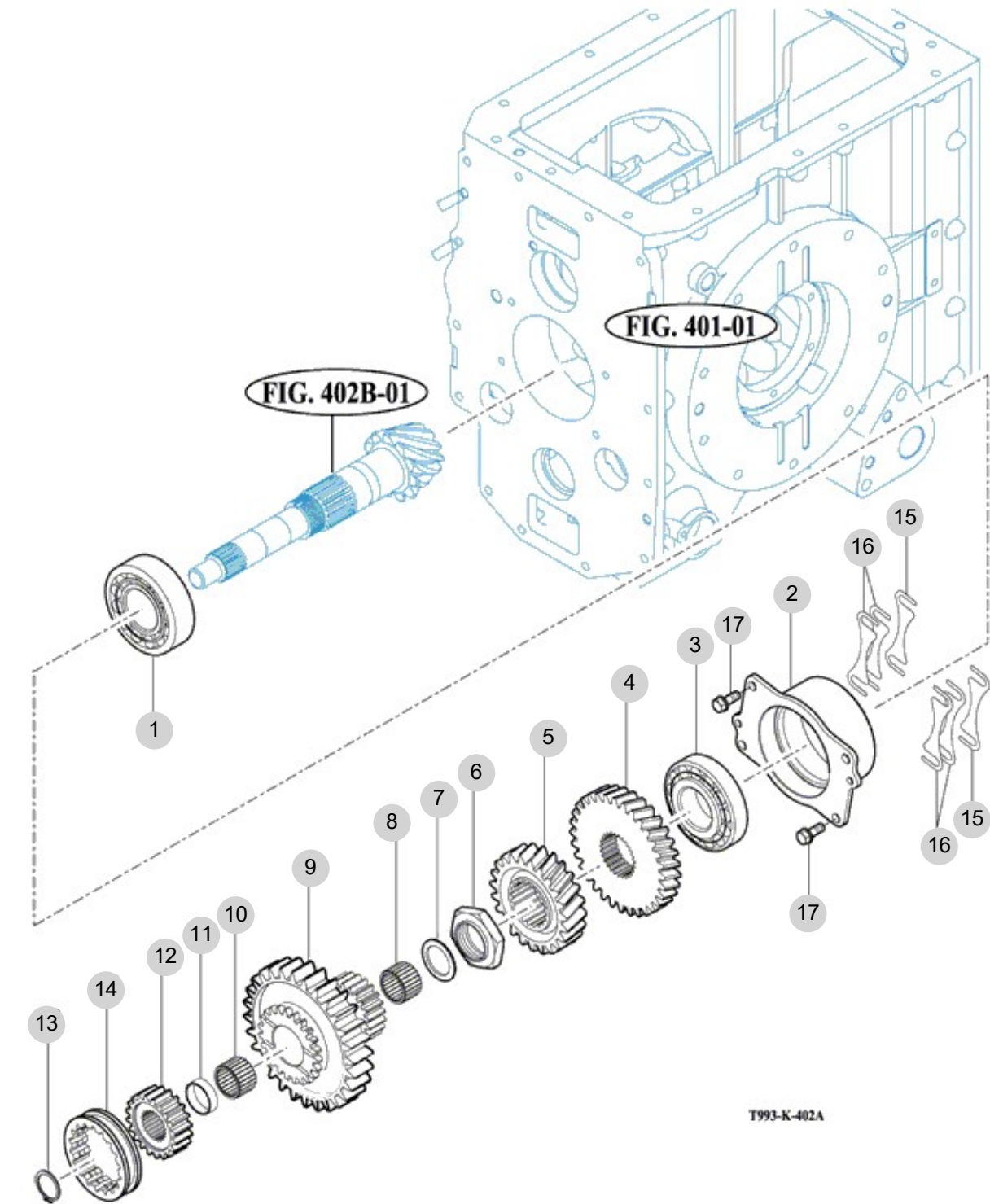
NOTE

FIG 402

METAL SUB ASSY, PINION

년/월
Year/Month

2022-12



NOTE

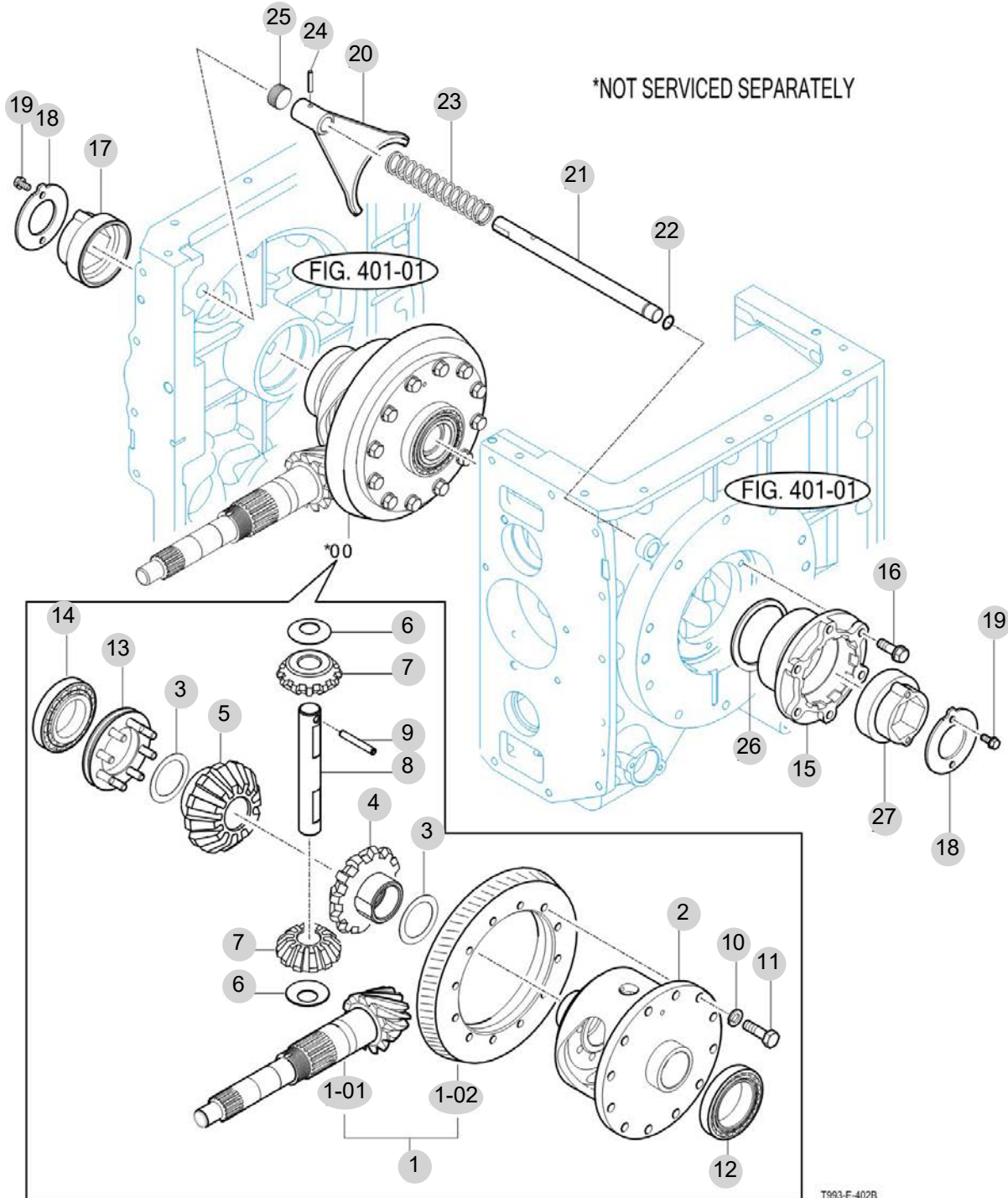
FIG 402-2

DIFF ASSY, RR

년/월
Year/Month

2022-12

T1104SPEU



NOTE

FIG 402-2 T1104SPEU		DIFF ASSY, RR					년/월 Year/Month	
							2022-12	
KEY NO	PART NO	DESCRIPTION	SPEC	QTY	REPAIR	EFFECTIVE DATE	REMARKS	
402-2	0	19022435002	DIFF ASSY , RR	1X1X1	1			
402-2	1	19022422002			1			
402-2	1	19022422003	BEVELSET , 11X42	1X1X1	1			
402-2	101	19022422014	PINION , DRIVE 11	1X1X1	1			
402-2	102	19022422021	GEAR , BEVEL 42T	1X1X1	1			
402-2	2	19022430012M	CASE , RR DIFF	1X1X1	1			
402-2	3	19022430020	COLLAR , THRUST 51X70X1	T=1.0	2			
402-2	4	19022430040	GEAR , LH BEVEL 20T	1X1X1	1			
402-2	5	19022430030	GEAR , RH BEVEL 20T	1X1X1	1			
402-2	6	19022430050	COLLAR , PINION THRUST	T=1.0	2			
402-2	7	19022430060	GEAR , BEVEL 12T	1X1X1	2			
402-2	8	19022430070	SHAFT , DIFF PINION	1X1X1	1			
402-2	9	V5801406036	PIN , SPRING	6X36	1			
402-2	10	V4011600120	WASHER , SPRING	M12	12			
402-2	11	V2024612035	BOLT , HEX FINE	M12X35	12			
402-2	12	V6321132014	BEARING , TAPER-ROLLER(32014XQ)	32013DJ	1			
402-2	13	17973033400	SLEEVE COMP	1X1X1	1			
402-2	14	V6321130211	TAPER ROLLER BEARING	30211J	1			
402-2	15	19022430121M	METAL , DIFF CASE	1X1X1	1			
402-2	16	V2173610040	BOLT , HEX/S	M10X40	6			
402-2	17	19022430110	ADJUSTER	1X1X1	1			
402-2	18	19022430131	STOPPER	T=3.2	2			
402-2	19	V2173608016	BOLT , HEX/S	M8X16	4			
402-2	20	19022440030M	FORK , DIFFLOCK	1X1X1	1			
402-2	21	19022440010	SHAFT , DIFFLOCK	D=20	1			
402-2	22	V7201024016	O-RING , P	P16	1			
402-2	23	19022440020	SPRING , HC235	D=2.9	1			
402-2	24	V5801406032	PIN , SPRING	6X32	1			
402-2	25	19022440040	PISTON , DIFFLOCK	1X1X1	1			
402-2	26	19022430140	COLLAR	10X109.5	1			
402-2	27	19022430150	ADJUSTER, LH	1X1X1	1			
NOTE								

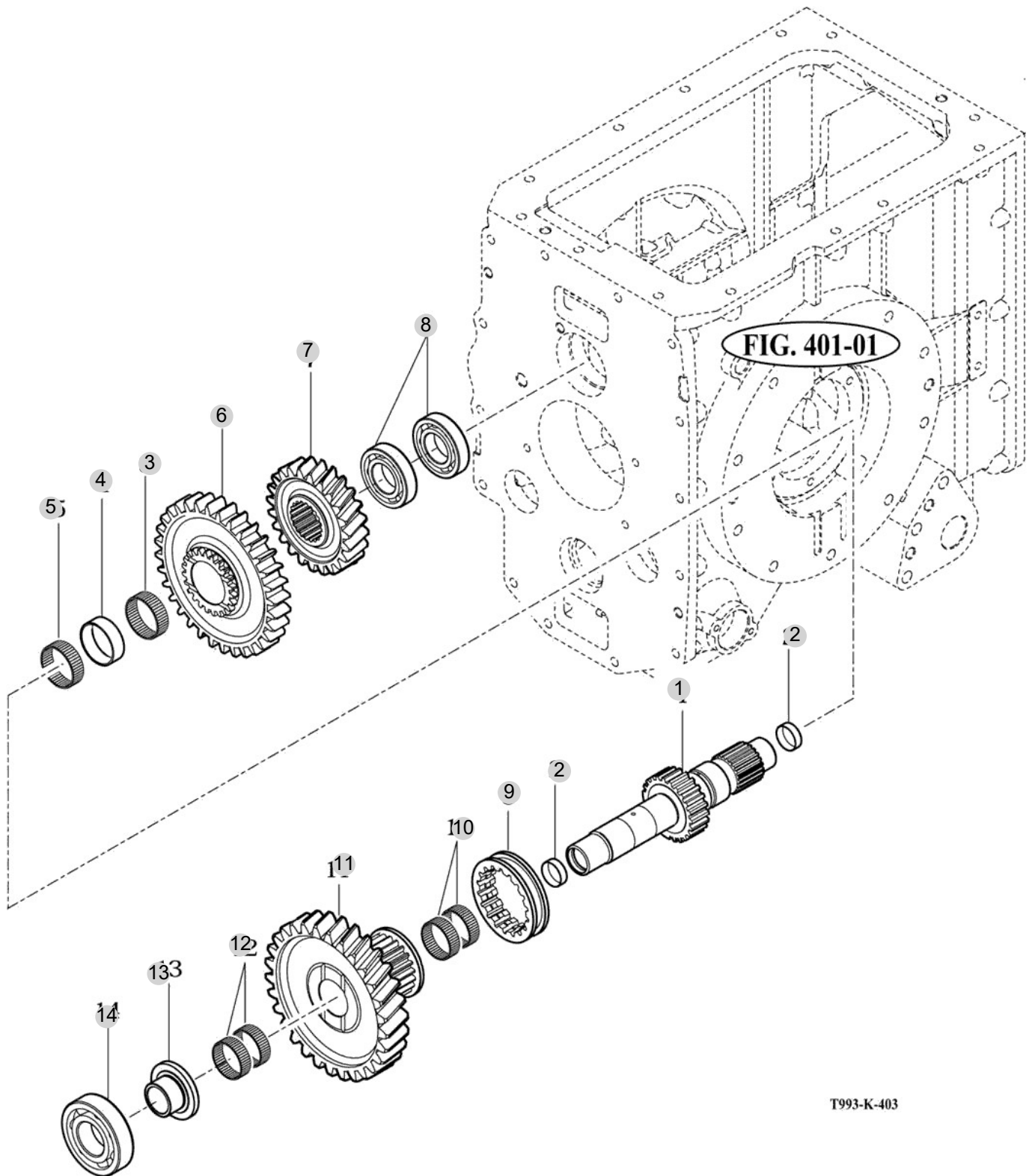
FIG 403

SUB CHANGE GEARS

년/월
Year/Month

2022-12

T1104SPEU



T993-K-403

NOTE

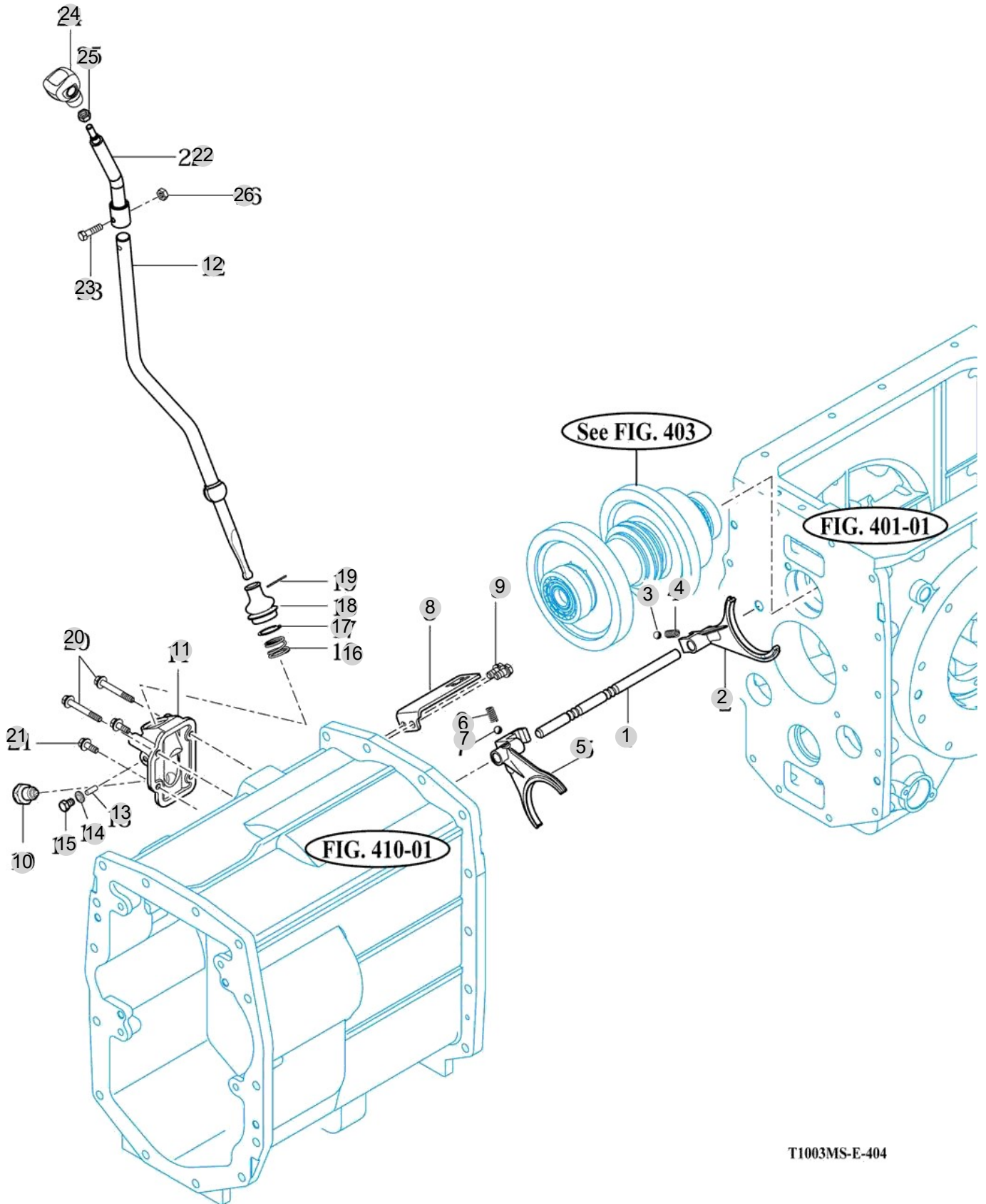
FIG 404

SUB CHANGE LEVER

년/월
Year/Month

2022-12

T1104SPEU



T1003MS-E-404

NOTE

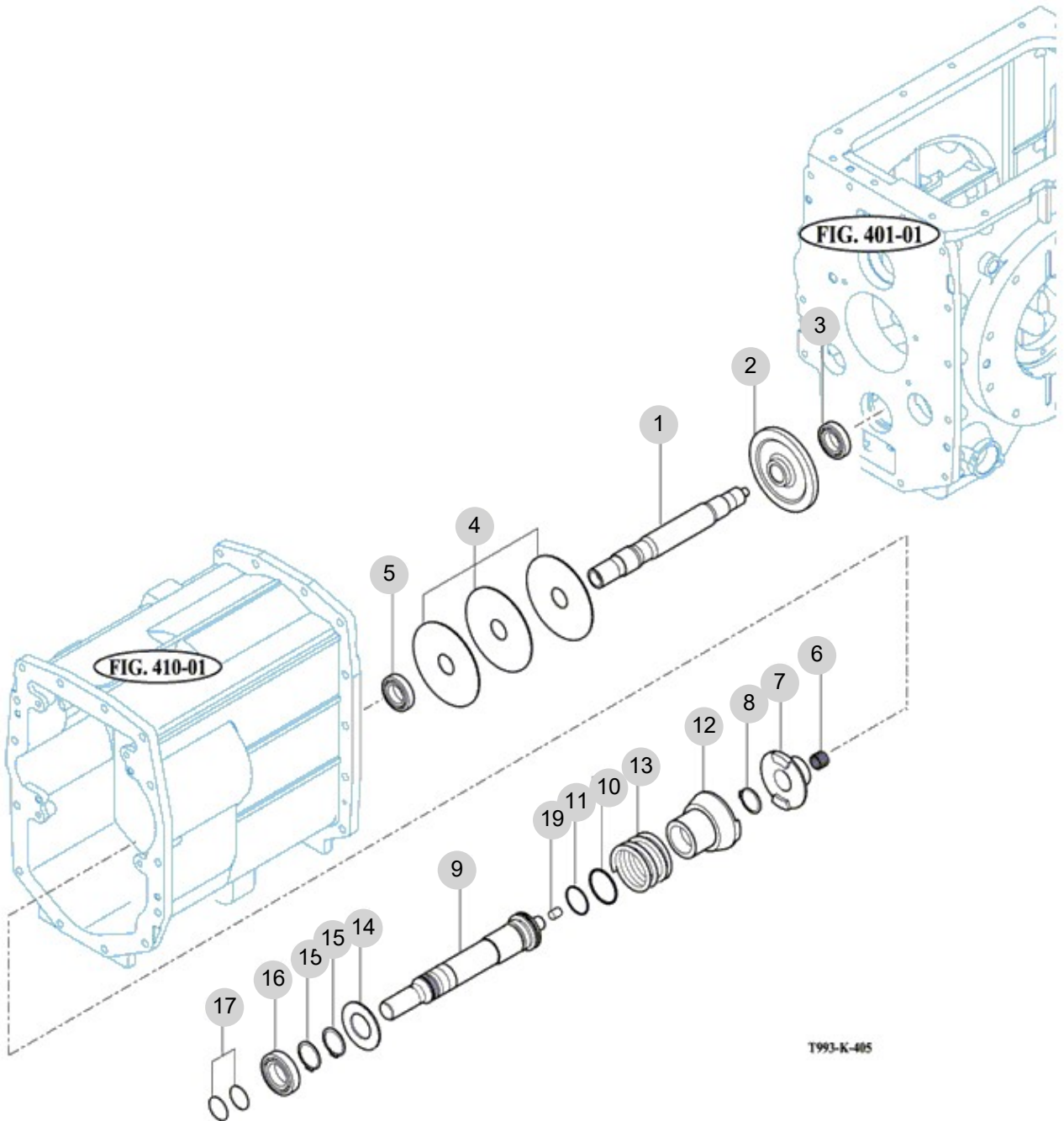
FIG 405

4WD DRIVE GEARS

년/월
Year/Month

T1104SPEU

2022-12



T993-K-405

NOTE

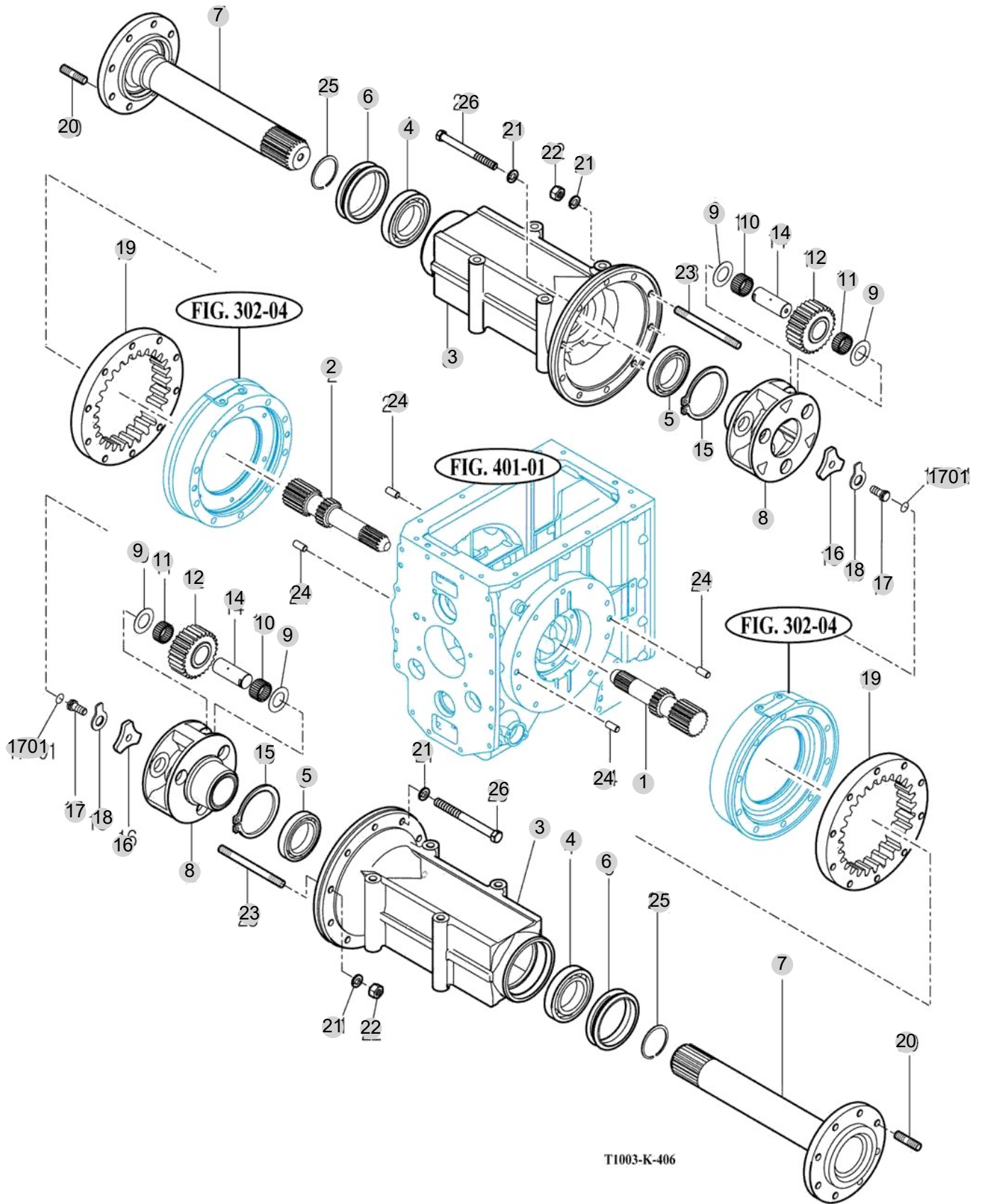
FIG 406

HOUSING, RR AXLE

년/월
Year/Month

2022-12

T1104SPEU



T1003-K-406

NOTE

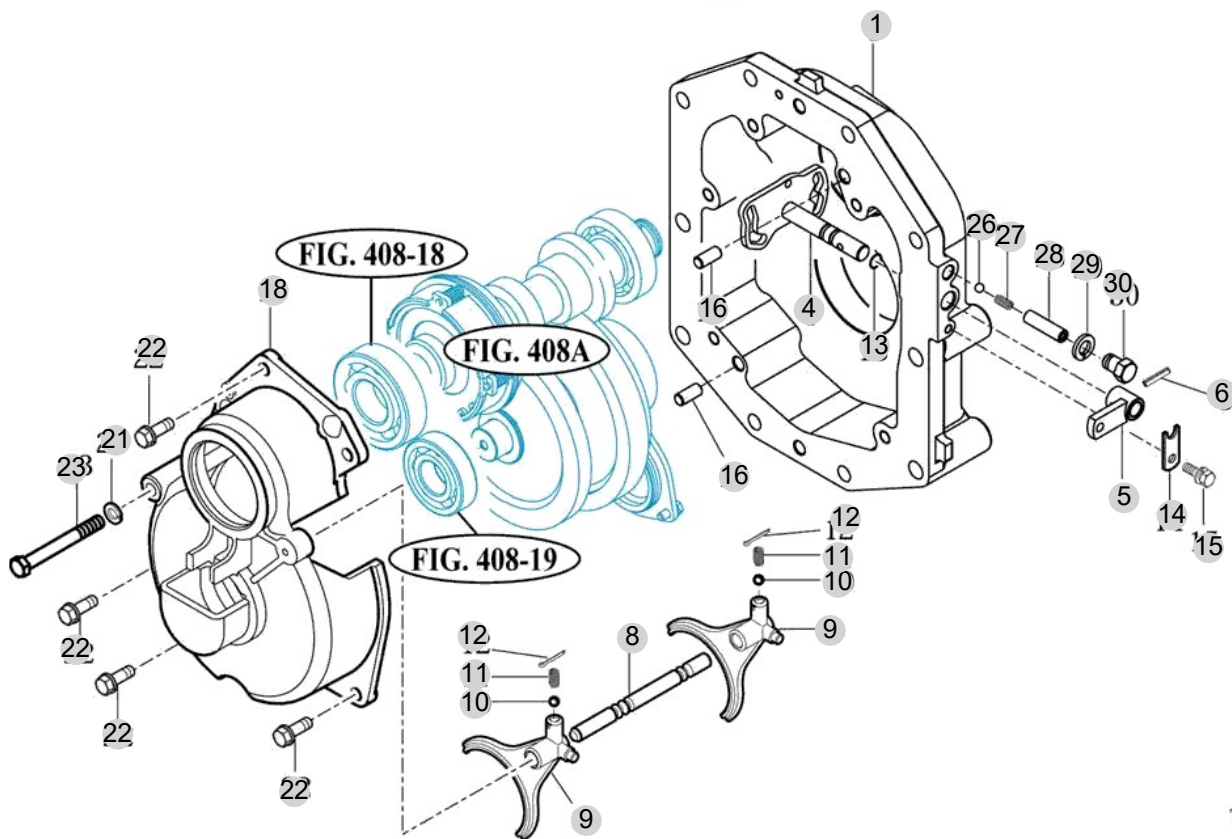
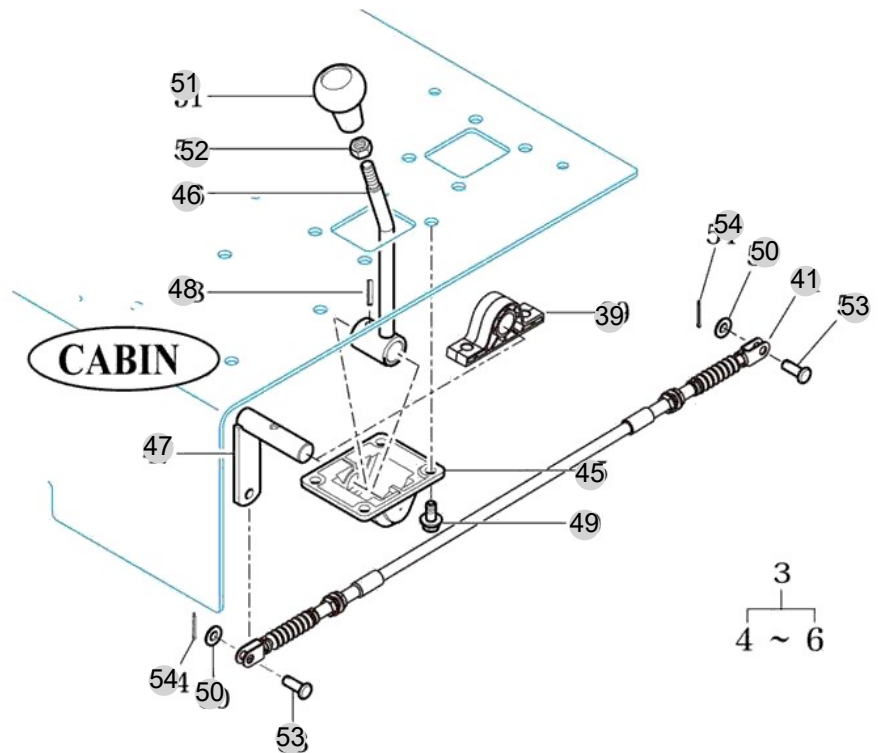
FIG 407

540,750,1000 PTO CASE

년/월
Year/Month

2022-12

T1104SPEU



T903/T1003-K-407

NOTE

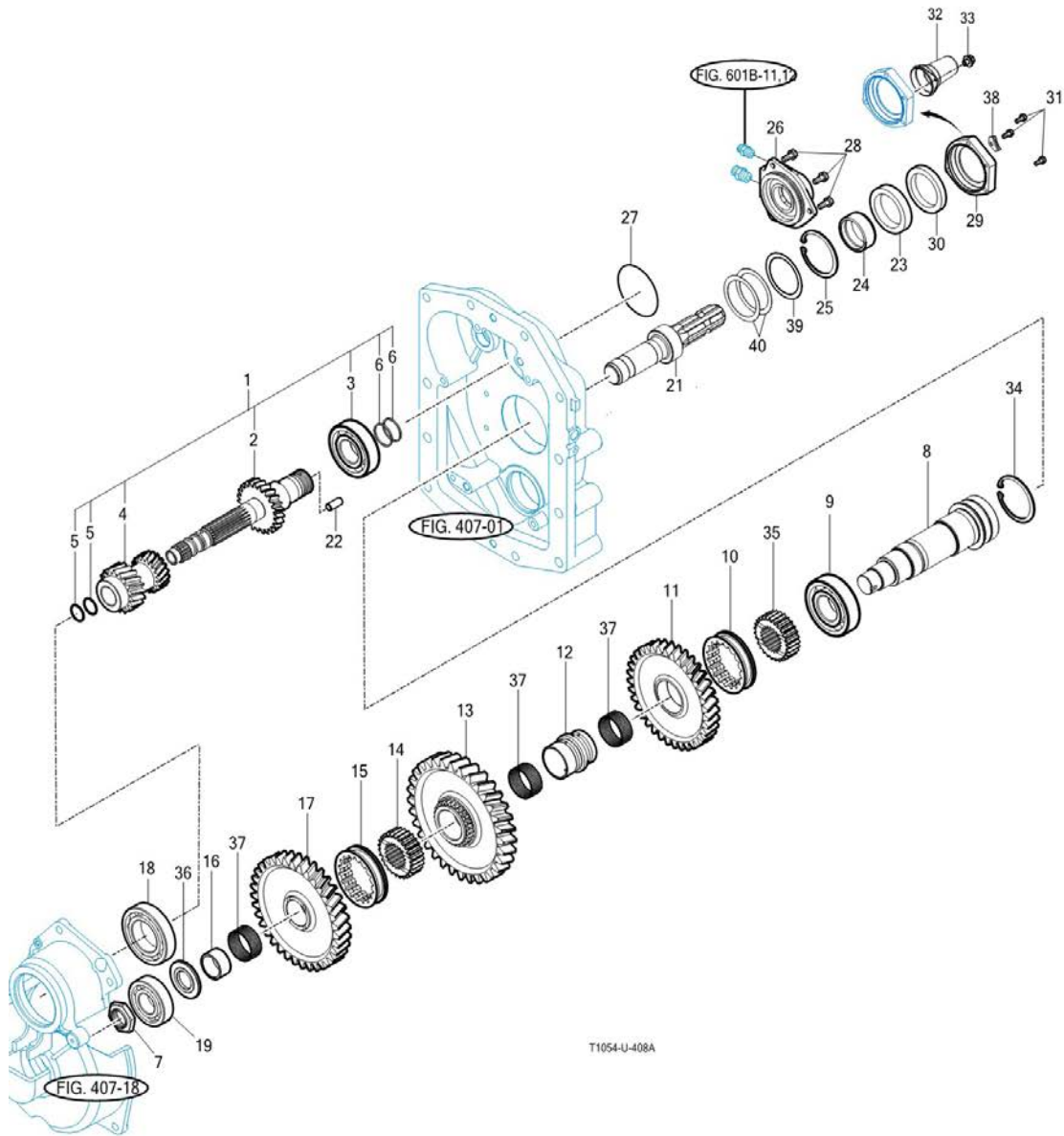
FIG 408

T1104SPEU

SHAFT, PTO

년/월
Year/Month

2022-12



T1054-U-408A

NOTE

FIG 408 T1104SPEU		SHAFT, PTO					년/월 Year/Month	
							2022-12	
KEY NO	PART NO	DESCRIPTION	SPEC	QTY	REPAIR	EFFECTIVE DATE	REMARKS	
408	1	19022615100	GEAR SUB , HELICAL 22T	1X1X1	1			
408	2	19022610011	HELICAL , 22T	1X1X1	1			
408	3	V6001106308	BEARING , BALL	6308	1			
408	4	19022610021	GEAR , HELICAL 18-14T	1X1X1	1			
408	5	V7201035025	O RING .P	P25	2			
408	6	19022120050	SEAL , 40	6.7X7.3X20.4	2			
408	7	14573020041	NUT , M30 P1.5	B=46	1			
408	8	18712630011	SHAFT , PTO(3)		1			
408	9	V6001106211	BEARING , BALL	6211	1			
408	10	19022630111	COUPLING , SLIDE 80		2			
408	11	18712630081	GEAR , HELICAL 49T		1			
408	12	18712630070	BUSH , 50X56X66		1			
408	13	18712630020	GEAR , HELICAL 57T		1			
408	14	18712630030	HUB , 47X80X22		1			
408	15	19022630111	COUPLING , SLIDE 80		1			
408	16	18712630040	BUSH , 45X55X28		1			
408	17	18712630050	GEAR , HELICAL 53T		1			
408	18	V6041106211	BEARING , BALL/HL1	6211HL1	1			
408	19	V6001106307	BEARING , BALL	6307	1			
408	21	18712630061	SHAFT , PTO 540/1000	D=45	1			
408	22	19022123110	AVSEAL(6)	Φ6	1			
408	23	18712600072	SEAL , PTO		1			
408	23	18712600071	SEAL , PTO		1			
408	24	19402630140	SLEEVE , PTO SHAFT/75		1			
408	24	18712630140	SLEEVE , PTO SHAFT/75		1			
408	25	V7051400500	C-RING , HOLE	R50	1			
408	26	19022600032M	COVER , DRIVE SHAFT	1X1X1	1			
408	27	V7211031085	O RING	1A, G85	1			
408	28	V2173608020	BOLT , HEX/S	M8X20	3			
408	29	19402600040M	COVER , PTO SHAFT		1			
408	29	18712600040	COVER , OIL SEAL		1			
408	30	19402605210	SEAL , PTO		1			
408	31	V2173608035	BOLT , HEX/S	M8X20	3			
408	31	V2173608020	BOLT , HEX/S	M8X20	3			
408	32	18712600080	CAP , PTO SHAFT		1			
408	33	V2183608012	BOLT , HEX/SP	M8X12	1			
408	34	V7051401000	C-RING , HOLE	100	1			
408	35	18712630090	HUB , 52X80X22		1			
408	36	18712630120	COLLAR , 37X72X7		1			
408	37	V6544556027	BEARING , NEEDLE CAGED	KT556027	3			
408	38	18712600090	PLATE , GUIDE		1			
408	39	15892600060	SIM, 79X99X0.3		1			
408	40	15892600070	SIM, 79X99X0.2		2			
NOTE								

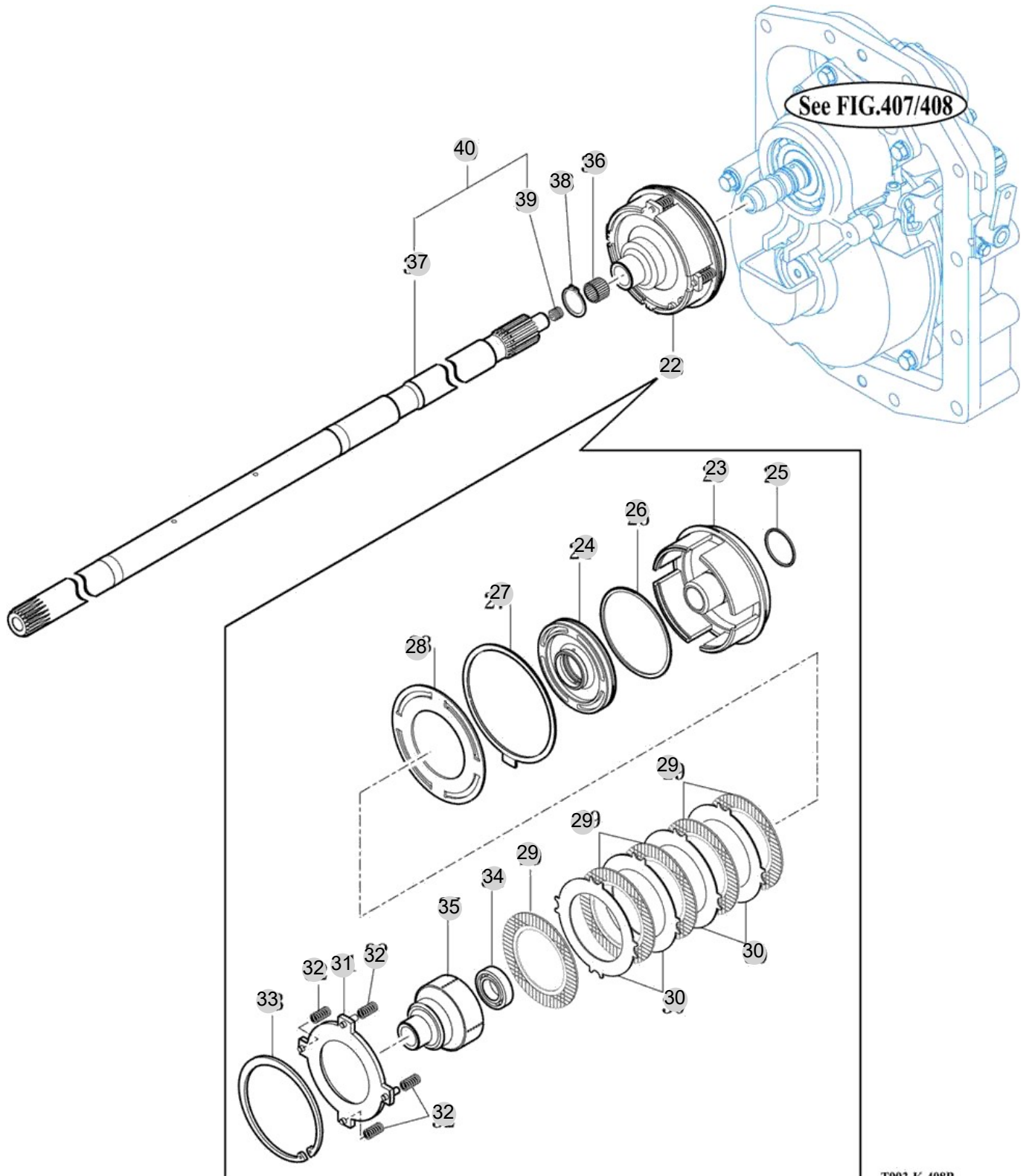
FIG 408-2

PTO CLUTCH ASSY

년/월
Year/Month

2022-12

T1104SPEU



T993-K-408B

NOTE

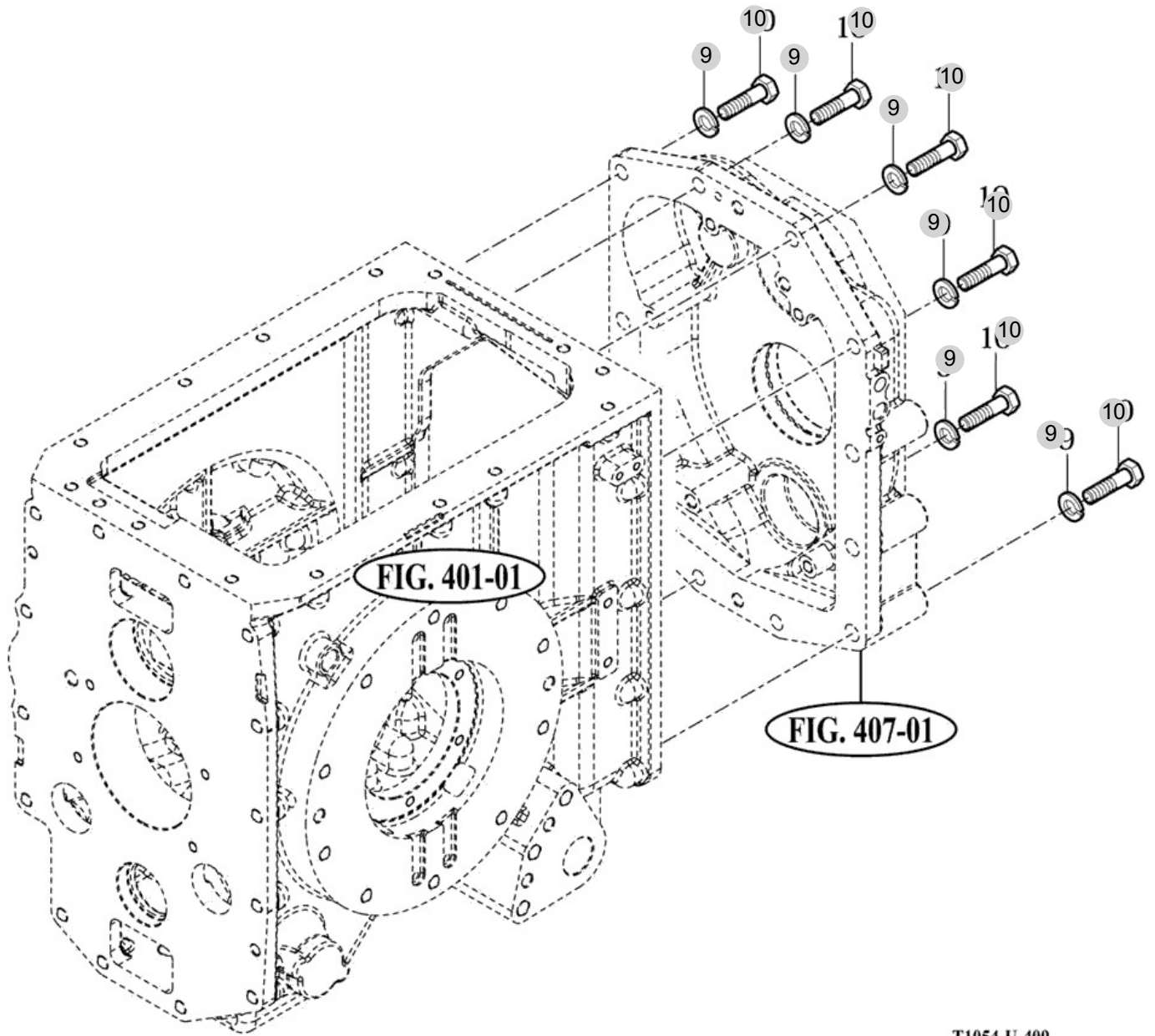
FIG 409

METAL SUB ASSY

년/월
Year/Month

2022-12

T1104SPEU



T1054-U-409

NOTE

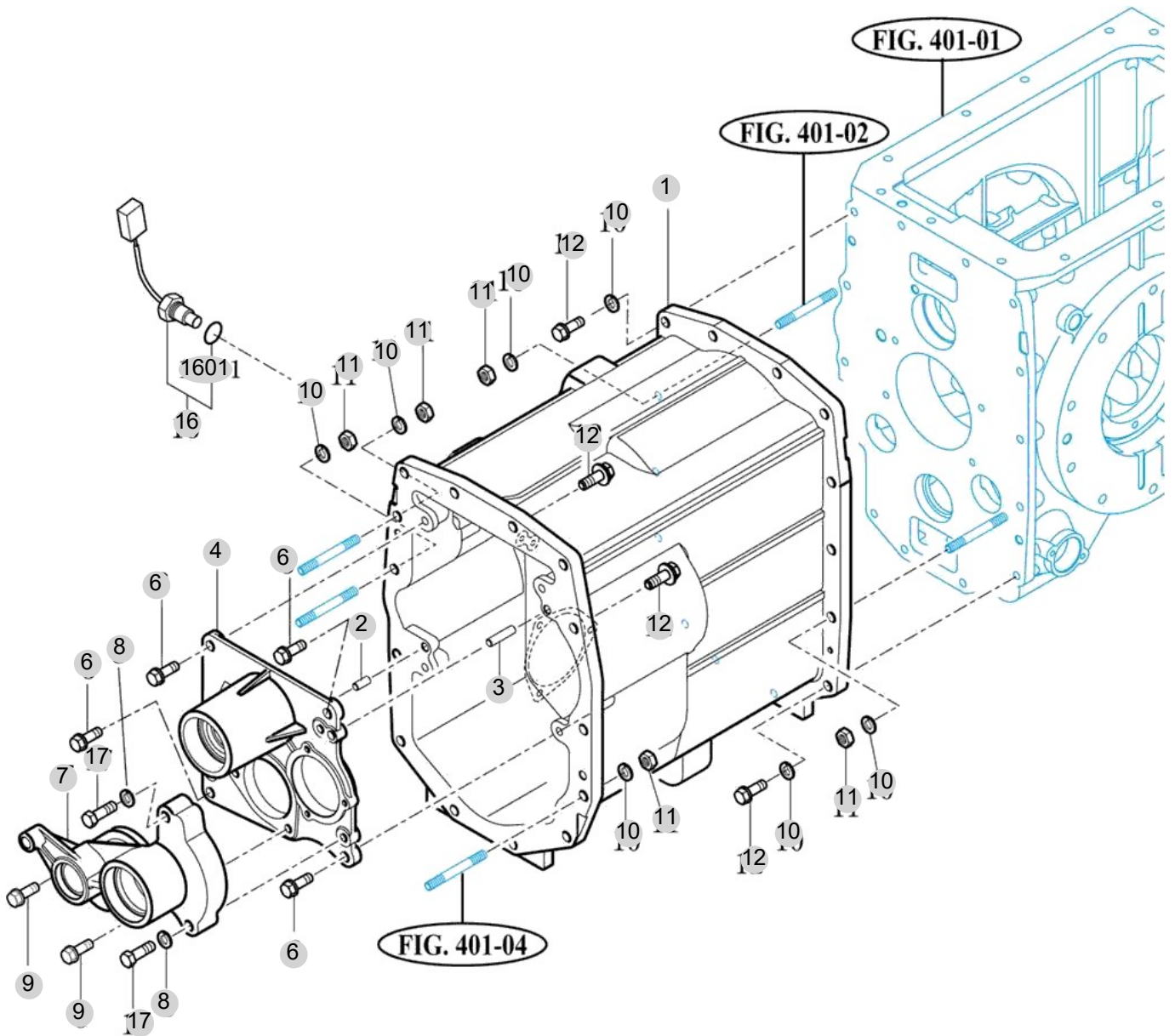
FIG 410

CASE, MID TRANSMISSION

년/월
Year/Month

2022-12

T1104SPEU



T993-K-410

NOTE

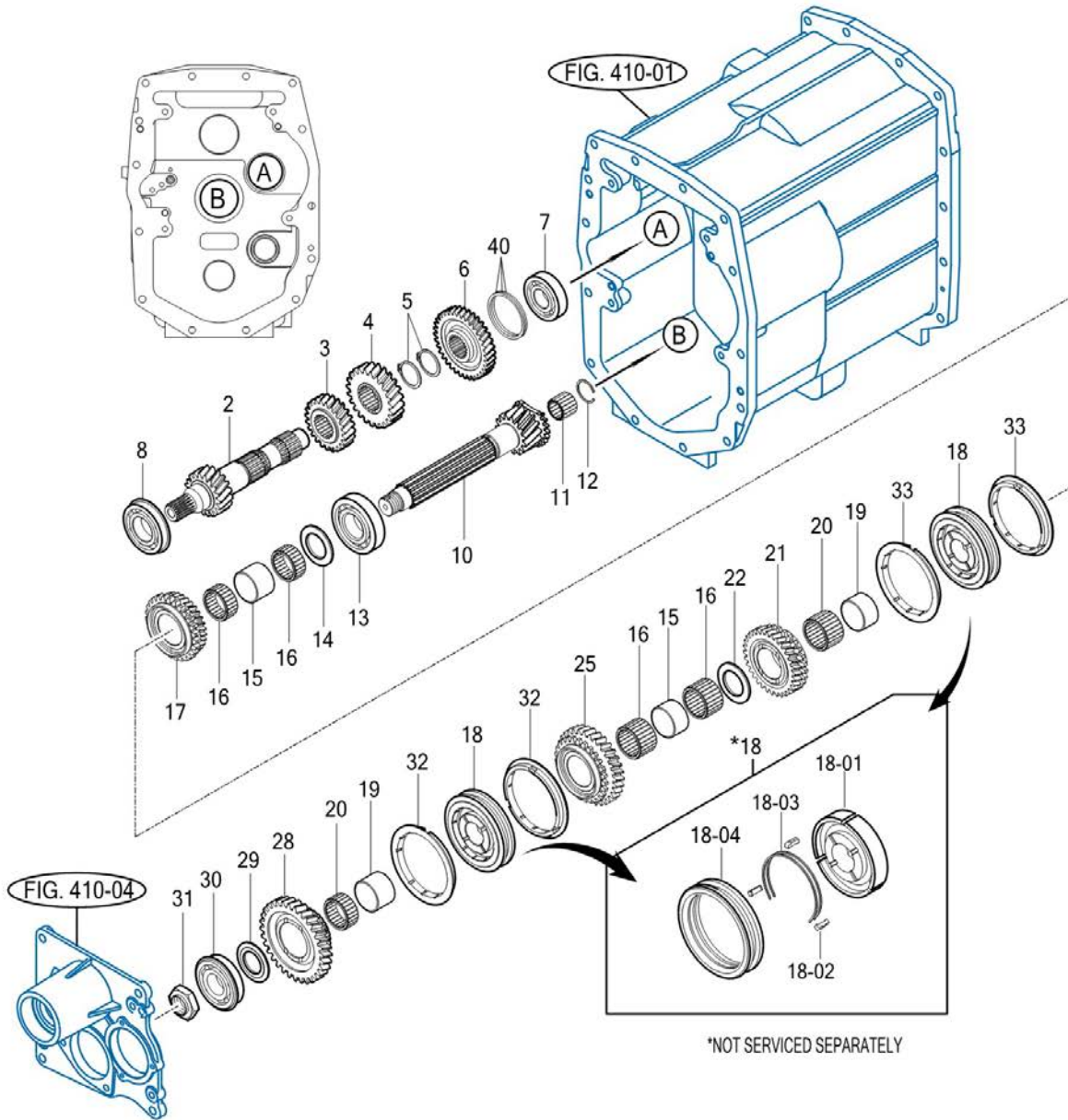
FIG 411

MAIN CHANGE GEARS

년/월
Year/Month

2022-12

T1104SPEU



*NOT SERVICED SEPARATELY

T993-K-411

NOTE

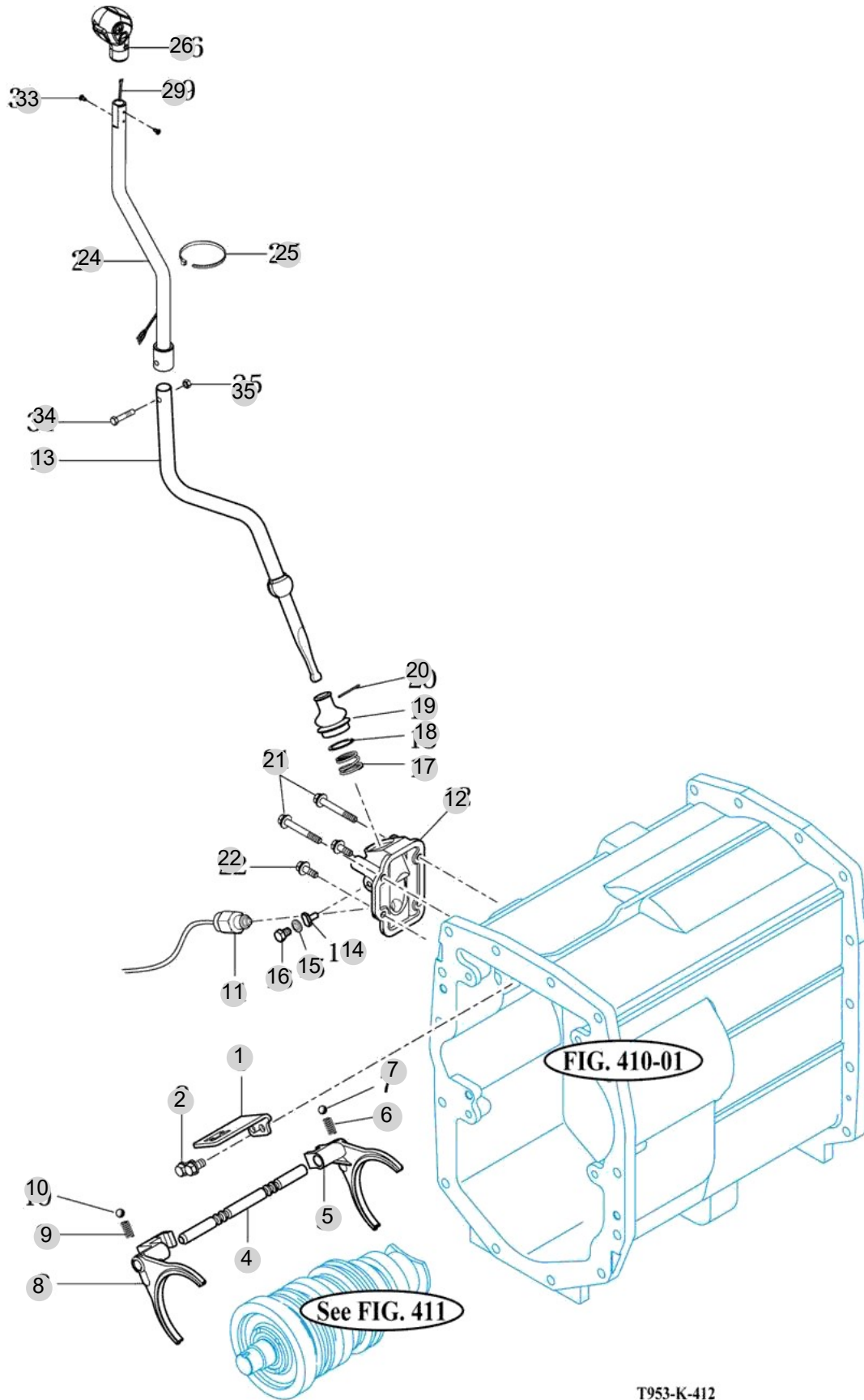
FIG 412

MAIN CHANGE LEVER

년/월
Year/Month

2022-12

T1104SPEU



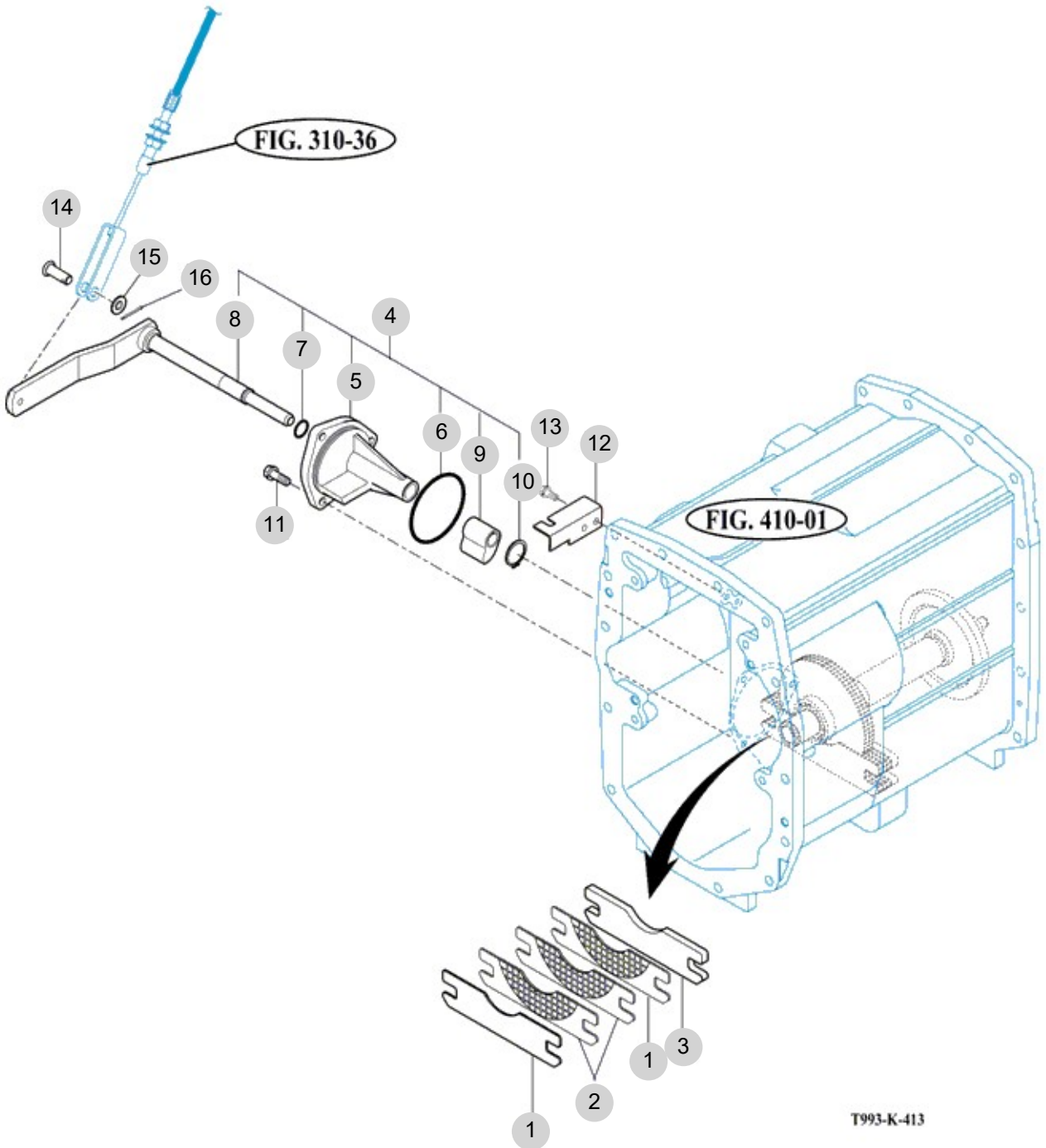
NOTE

FIG 413

PARKING BRAKE

년/월
Year/Month

2022-12



NOTE

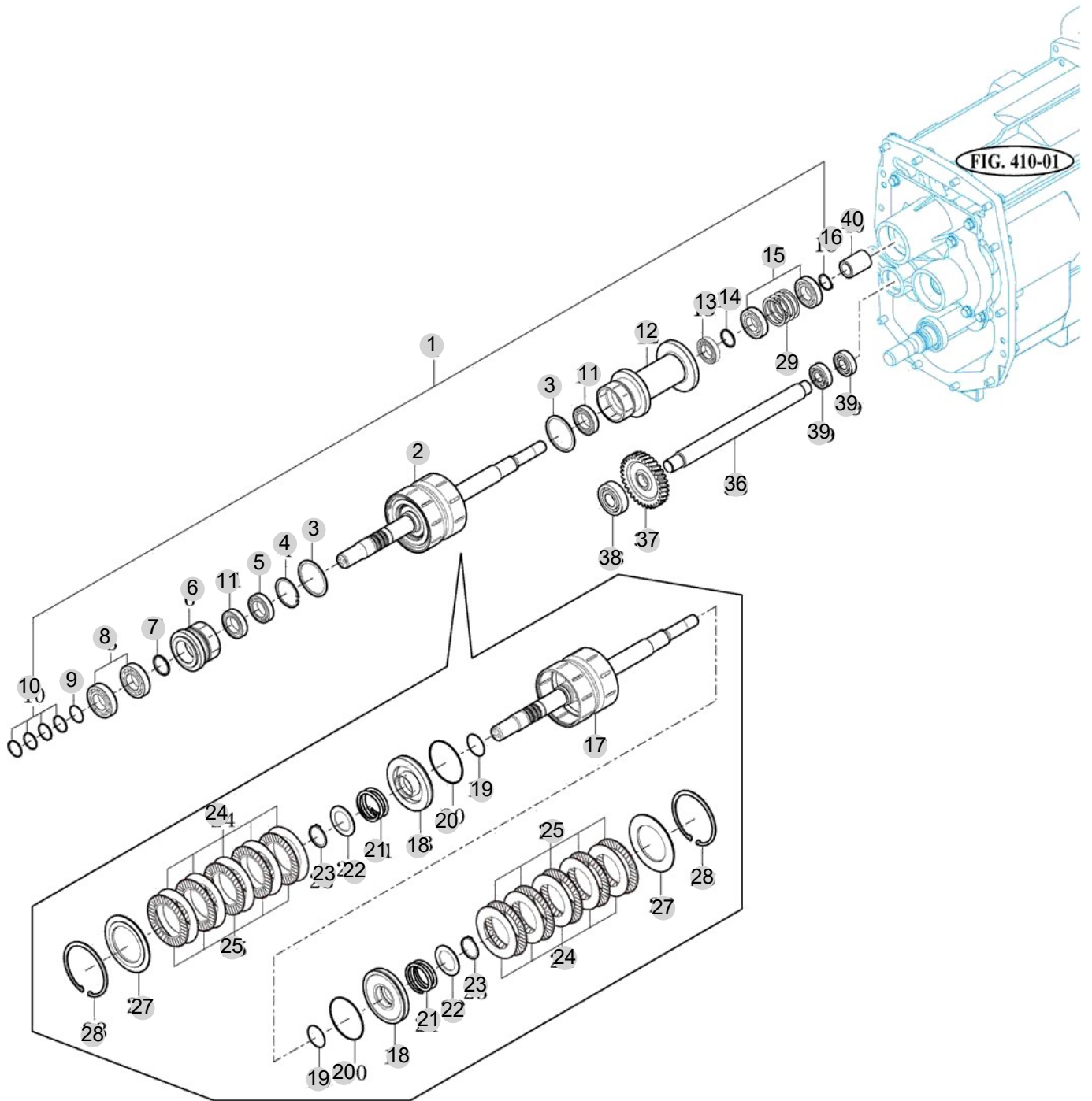
FIG 414

POWER SHUTTLE GEAR

년/월
Year/Month

2022-12

T1104SPEU



NOTE

FIG 414 T1104SPEU		POWER SHUTTLE GEAR					년/월 Year/Month	
							2022-12	
KEY NO	PART NO	DESCRIPTION	SPEC	QTY	REPAIR	EFFECTIVE DATE	REMARKS	
414	1	18712125001	SHAFT ASSY , POWER SHUTTLE			1		
414	1	18712125002	SHAFT ASSY , POWER SHUTTLE			1		
414	1	18712125003	SHAFT ASSY , POWER SHUTTLE			1		
414	1	18712125004	SHAFT ASSY , POWER SHUTTLE			1		
414	2	18712125103	SHAFT SUB , POWER SHUTTLE			1		
414	2	18712125104	SHAFT SUB , POWER SHUTTLE			1		
414	3	18712122080	RING , SEAL80			2		
414	4	V7051400680	C-RING , HOLE	68		1		
414	5	V6001106008	BEARING , BALL	6008		2		
414	6	18712122090	GEAR , HELICAL 29T			1		
414	7	18712122110	COLLER , 41X48X4			1		
414	8	V6001106208	BEARING , BALL	6208		2		
414	9	V7231015038	O-RING , S	D=38		1		
414	10	19022120050	SEAL , 40	6.7X7.3X20.4		4		
414	11	V6001406008	BEARING , BALL	6008D		2		
414	12	18712122400	GEAR COMP , HELICAL 34-37T			1		
414	13	V6001106007	BEARING , BALL	6007		1		
414	14	19022120041	SPACER , 36X43X03	32A		1		
414	15	V6001106207	BEARING , BALL	6207		2		
414	16	V7041400350	C-RING , SHAFT	35		1		
414	17	18712122201	SHAFT COMP , POWER SHUTTLE			1		
414	18	18712122011M	PISTON			2		
414	18	18712122012M	PISTON			2		
414	19	18712122120	O-RING , P			2		
414	20	18712122021	D-RING , 125			2		
414	21	18712122030	SPRING , RETURN			2		
414	22	19022122120	WASHER , 50X74X3	T=3.0		2		
414	23	V7041400500	C-RING , SHAFT	50		2		
414	24	18712122041	PLATE , SEPARATE(WAVE)			10		
414	25	18712122500	PLATE COMP , DISC			10		
414	27	18712122060	PLATE , PRESSURE			2		
414	28	V7051401400	C-RING , HOLE	140		2		
414	29	19022120910	SHIM 0.2	T=0.2		4		
414	36	19022130012	SHAFT , REVERSE IDLE	D=30		1		
414	37	19022130021	GEAR , HELICAL 32T			1		
414	38	V6041106305	BEARING , BALL/HL1	6305HL1		1		
414	39	V6001106005	BEARING , BALL	6005		2		
414	40	19022600060	COUPLING , 35X50	D=35		1		
NOTE								

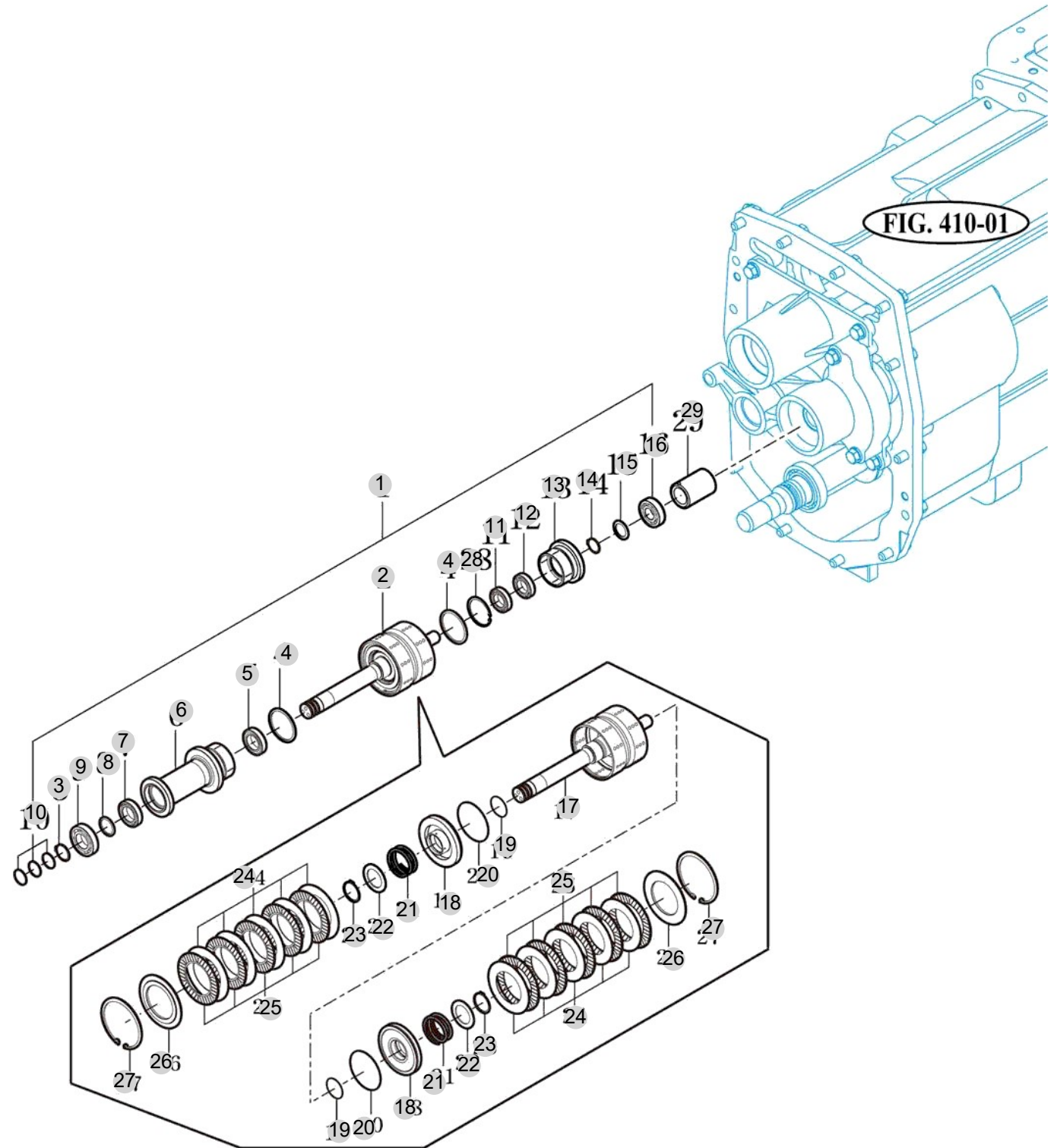
FIG 415

POWER SHIFT GEAR

년/월
Year/Month

2022-12

T1104SPEU



NOTE

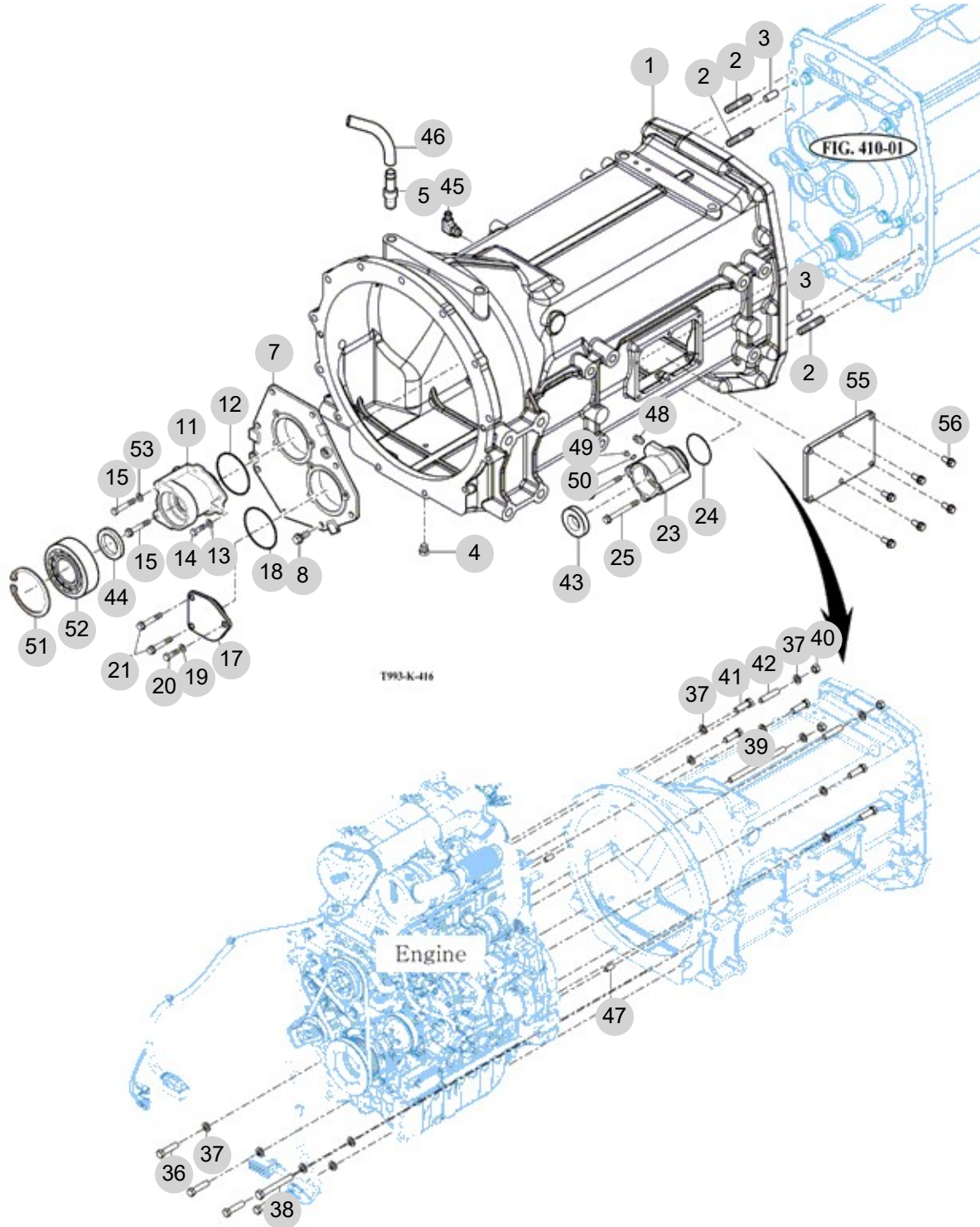
FIG 416

CASE, FR TRANSMISSION

년/월
Year/Month

2022-12

T1104SPEU



NOTE

FIG 416 T1104SPEU		CASE, FR TRANSMISSION					년/월 Year/Month	
							2022-12	
KEY NO	PART NO	DESCRIPTION	SPEC	QTY	REPAIR	EFFECTIVE DATE	REMARKS	
416	1	18712100011M	CASE , FR TRANSMISSION		1			
416	2	V2514414040	BOLT , STUD/2	M12X40	3			
416	3	V5201010022	PIN , PARALLEL/A	10X22(A)	2			
416	4	13267060022	PLUG , DRAIN	HEX,B=12	1			
416	5	16992011110	CONNECTOR		1			
416	7	19022100033M	METAL , INPUT		1			
416	8	16604610020	BOLT , SEAL	M10X25	8			
416	8	V2173610025	BOLT , HEX/S		8			
416	11	19022121100	COVER ASSY, SHUTTLE		1			
416	12	V7231020075	O-RING , S	S75	1			
416	13	V4011600080	WASHER , SPRING	M8	1			
416	14	14151210090	BOLT , REAMER		1			
416	15	V2013608095	BOLT , HEX	M8X95	2			
416	17	19022161100	COVER ASSY, POWER SHIFT		1			
416	18	V7231020075	O-RING , S	S75	1			
416	19	V4011600080	WASHER , SPRING	M8	1			
416	20	14151210090	BOLT , REAMER		1			
416	21	V2173608050	BOLT . HEX/S	M8X50	2			
416	23	19022280111M	COVER , 4WD		1			
416	24	V7211031055	O-RING , G	1A, G55	1			
416	25	V2173608085	BOLT , HEX/S	M8X85	2			
416	36	V2014612050	BOLT , HEX	M12X50	4			
416	37	V4011600120	WASHER , SPRING	M12	13			
416	38	V2004612100	BOLT , HEX	M12X100	1			
416	39	18711121600	STUD BOLT 2(M12X160)	M12X160	1			
416	40	V3043600120	NUT , HEX/2	M12	3			
416	41	18711120400	BOLT(M12X40XP1.5)	M12X40	5			
416	42	18711120410	STUD BOLT(M12X40)	M12X40	2			
416	43	V7441305512	SEAL , OIL/D		1			
416	44	19022120900	SEAL , OIL		1			
416	45	19027562081	ADAPTER (BRAKE/RETURN)		1			
416	46	15134080020	HOSE , OIL		1			
416	47	V5201010022	PIN , PARALLEL/A	10X22	2			
416	48	19025162400	UNION(PF1/4-M16)		1			
416	49	76500800100	PLUG , HEX		1			
416	50	V7201024011	O-RING , P		1			
416	51	V7051400680	C-RING , HOLE		1			
416	52	V6001506008	BEARING , BALL		1			
416	53	V4011600080	WASHER , SPRING		1			
416	55	10012100021	PLATE , 168X118		1			
416	56	V2173608020	BOLT , HEX/S	M8X20	6			
416	57	V4111600080	WASHER , PLAIN	M8	2			
NOTE								

5. Front Axle PART NO. T5

FIG 501 FRONT AXLE SUPPORTER	177
FIG 502 FRONT DRIVE SHAFT	180
FIG 503 FRONT AXLE HOUSING	182
FIG 504 FRONT DIFFERENTIAL GEARS	184
FIG 505 FRONT GEAR CASE (1)	186
FIG 506 FRONT GEAR CASE (2)	188
FIG 507 FRONT GEAR CASE (3)	190
FIG 508 MUD GUARD ASSY	192

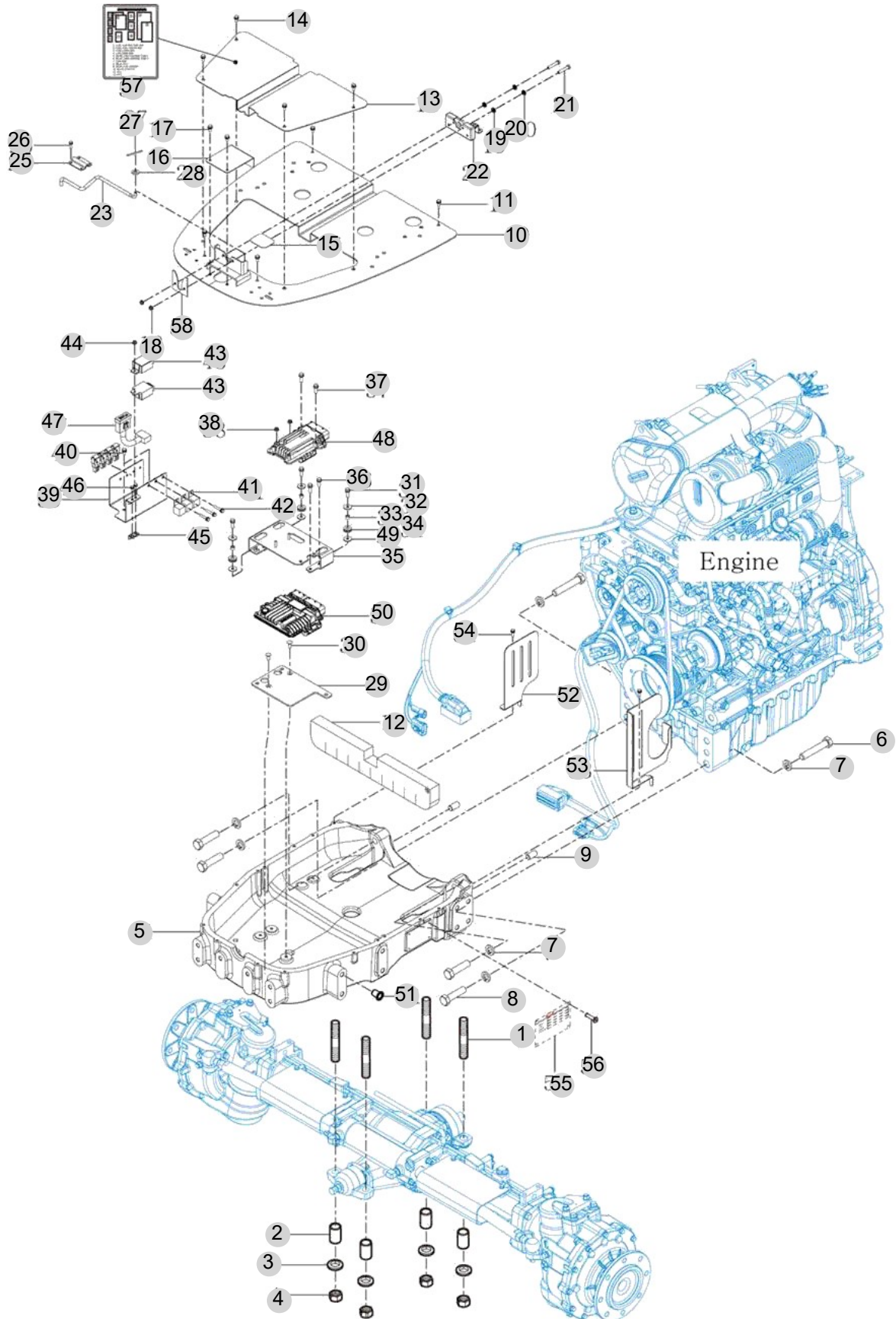
FIG 501

FRONT AXLE SUPPORTER

년/월
Year/Month

2022-12

T1104SPEU



NOTE

FIG 501 T1104SPEU		FRONT AXLE SUPPORTER					년/월 Year/Month	
							2022-12	
KEY NO	PART NO	DESCRIPTION	SPEC	QTY	REPAIR	EFFECTIVE DATE	REMARKS	
501	1	19023251870	BOLT , STUD		4			
501	2	S2155901000	BUSH , 18.5X24X35		4			
501	3	S2159903000	COLLAR , 19X35X6		4			
501	4	15189240180	NUT,M18xP2.5	1X1X1	4			
501	5	18711021101M	FRONT AXLE SUPPORT		1			
501	6	V2034620110	BOLT , HEX FINE	M20X105	2			
501	7	V4011600120	WASHER , SPRING	M12	6			
501	8	V2034620080	BOLT , HEX FINE	M20X80	4			
501	9	18711021200	PARALLEL PIN 18X35	18X35	2			
501	10	18901071100GB	PLATE COMP , GRILL		1			
501	11	V2183608020	BOLT , HEX/SP	M8X20	4			
501	12	18711030500	INSULATOR		1			
501	13	18711071200GB	COVER COMP , DCU RELAY		1			
501	13	19641071200GB	COVER COMP , / DCU RELAY		1			
501	14	V2183608020	BOLT , HEX/SP	M8X20	4			
501	15	13016400010	SEAL , BATTERY BRACKET	T=0.25	1			
501	16	18711071300GB	COVER , FR PTO HOLE		1			
501	17	V2123606016	BOLT , HEX /SP	M6X16	2			
501	18	V3802600060	NUT , HEX FLANGE	M6	2			
501	19	V4111600060	WASHER , PLAIN	M6	2			
501	20	V4011600060	WASHER , SPRING	M6	2			
501	21	V2053606040	BOLT , HEX C/R	M6X40	2			
501	22	17686020600	LOCK COMP . HOOD	1X1X1	1			
501	23	18726020010	PIN , HOOD LOCK(EU)		1			
501	25	18506020020GB	PLATE , PIN GUIDE		1			
501	26	V2113606016	BOLT , HEX /S	M6X16	4			
501	27	V5001920020	PIN , SPLIT	2X20	1			
501	28	V4111600060	WASHER , PLAIN	M6	1			
501	29	18711046600GB	BASE PLATE , ECU		1			
501	29	18711046601GB	PLATE COMP , ECU		1			
501	30	V1122808020	SCREW , C/R FLAT	M8X20	2			
501	31	V2173608025	BOLT , HEX/S	M8X25	3			
501	32	15991040050	COLLAR , 08X12X08	12X1.8	3			
501	33	35602010150	WASHER , BIND SHAFT	T=2.3	3			
501	34	14046210300	GROMMET		3			
501	35	18711071401GB	PLATE COMP , ECU		1			
501	36	V2123606025	BOLT , HEX /SP	M6X25	4			
501	37	V2123606025	BOLT , HEX /SP	M6X25	2			
501	38	V3802600060	NUT , HEX FLANGE	M6	2			
501	39	18711081101GB	PLATE COMP , FUSE		1			
501	39	19641612200GB	BRACKET COMP , FUSE BOX		1			
501	40	V2183608016	BOLT , HEX/SP	M8X16	2			
501	40	V2183608025	BOLT , HEX/SP		2			
501	41	17686641110	RELAY , PREHEAT	1X1X1	3			
501	42	V2123606012	BOLT , HEX /SP	M6X12	3			
NOTE								

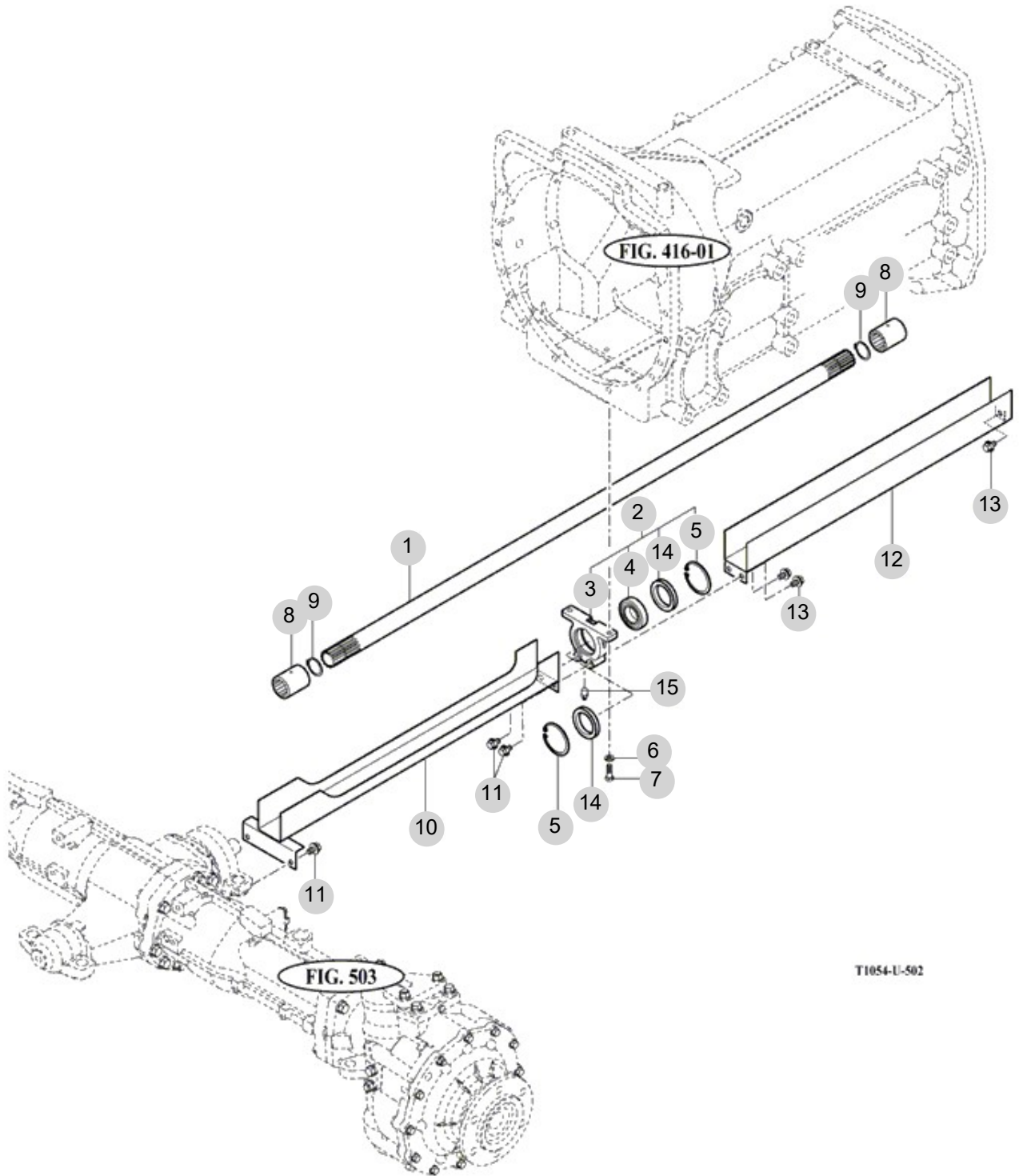
FIG 502

FRONT DRIVE SHAFT

년/월
Year/Month

T1104SPEU

2022-12



NOTE

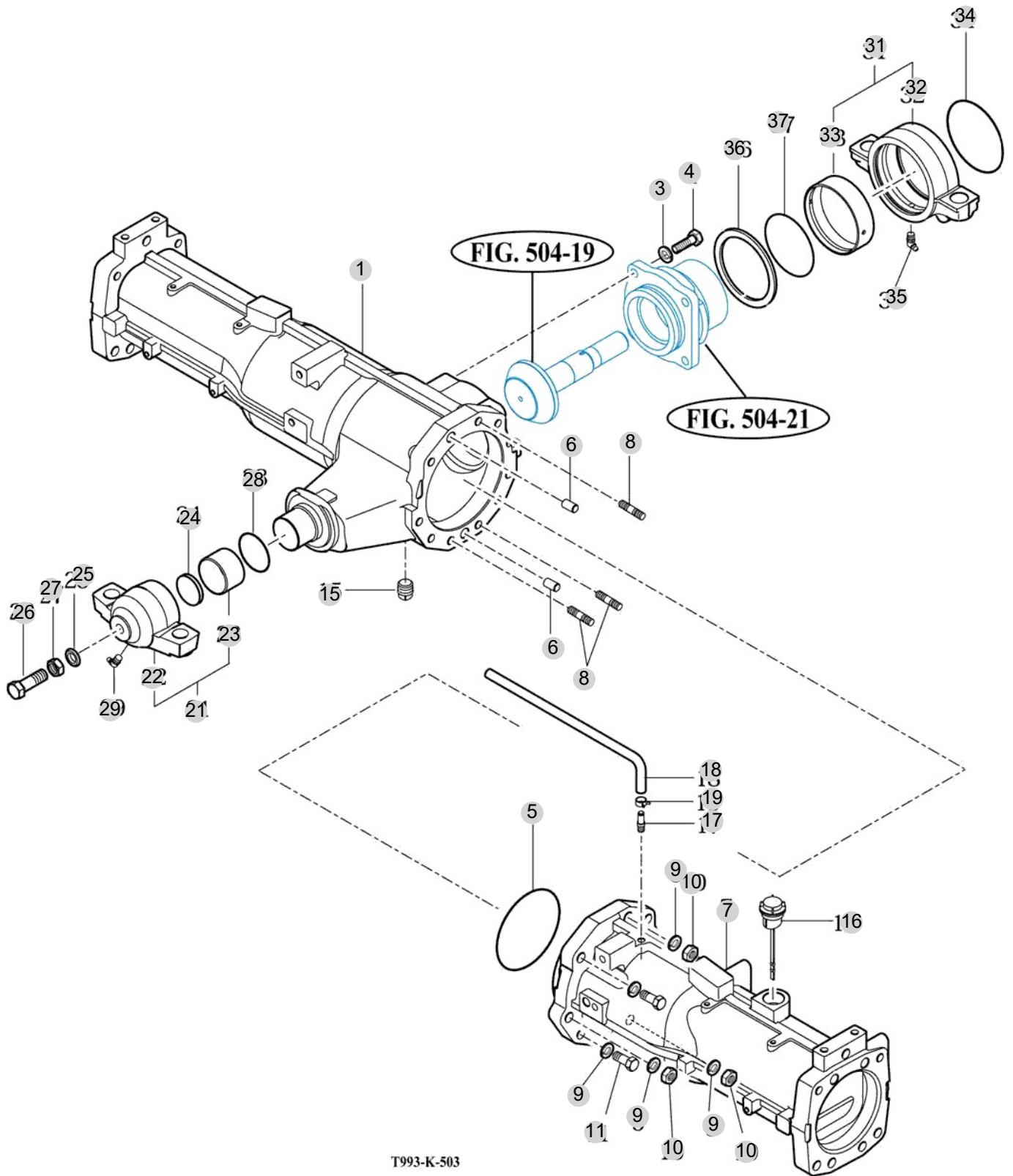
FIG 503

FRONT AXLE HOUSING

년/월
Year/Month

2022-12

T1104SPEU



T993-K-503

NOTE

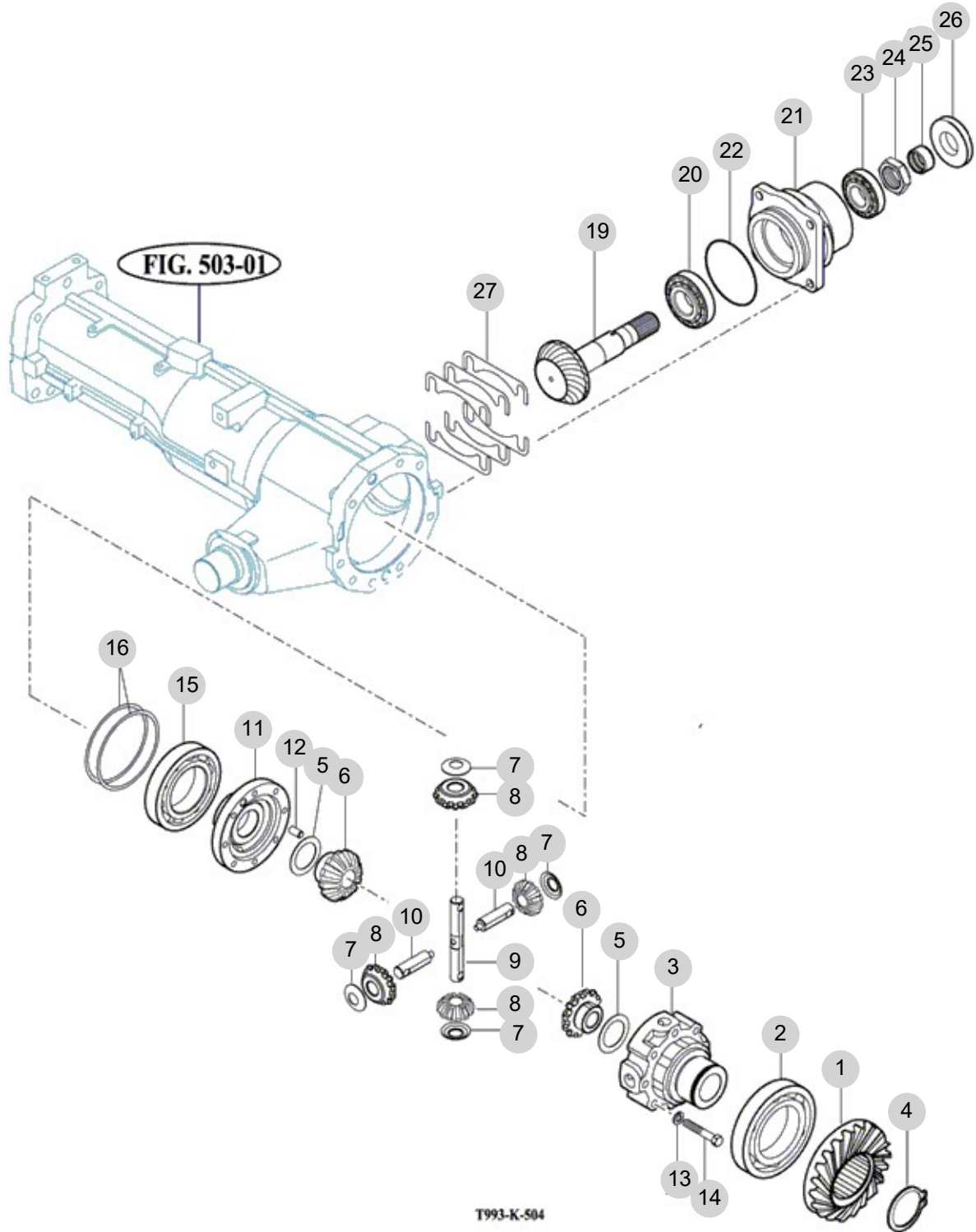
FIG 504

FRONT DIFFERENTIAL GEARS

년/월
Year/Month

2022-12

T1104SPEU



T993-K-504

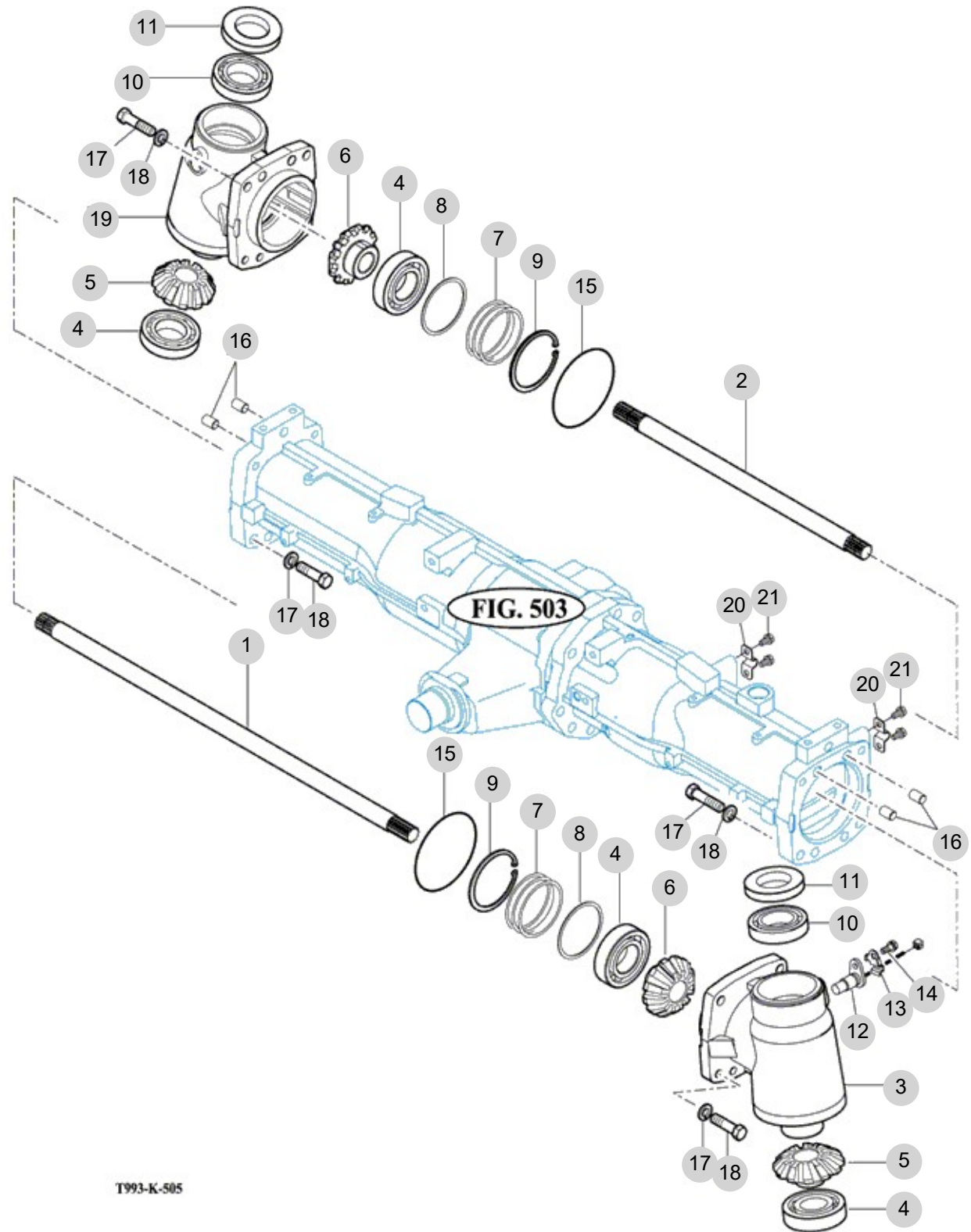
NOTE

FIG 505

FRONT GEAR CASE (1)

년/월
Year/Month

2022-12



NOTE

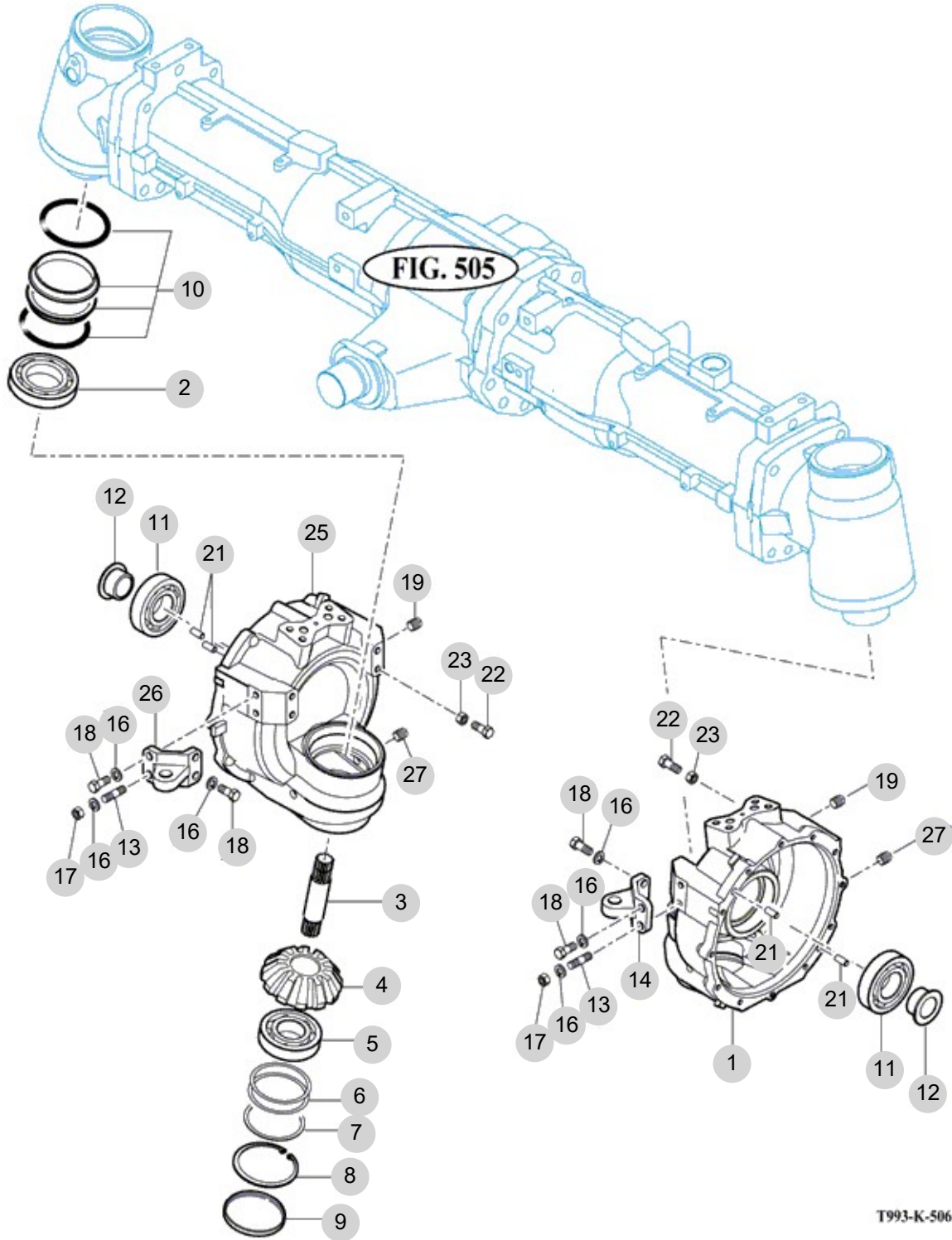
FIG 506

T1104SPEU

FRONT GEAR CASE (2)

년/월
Year/Month

2022-12



NOTE

FIG 507

FRONT GEAR CASE (3)

년/월
Year/Month

2022-12

T1104SPEU

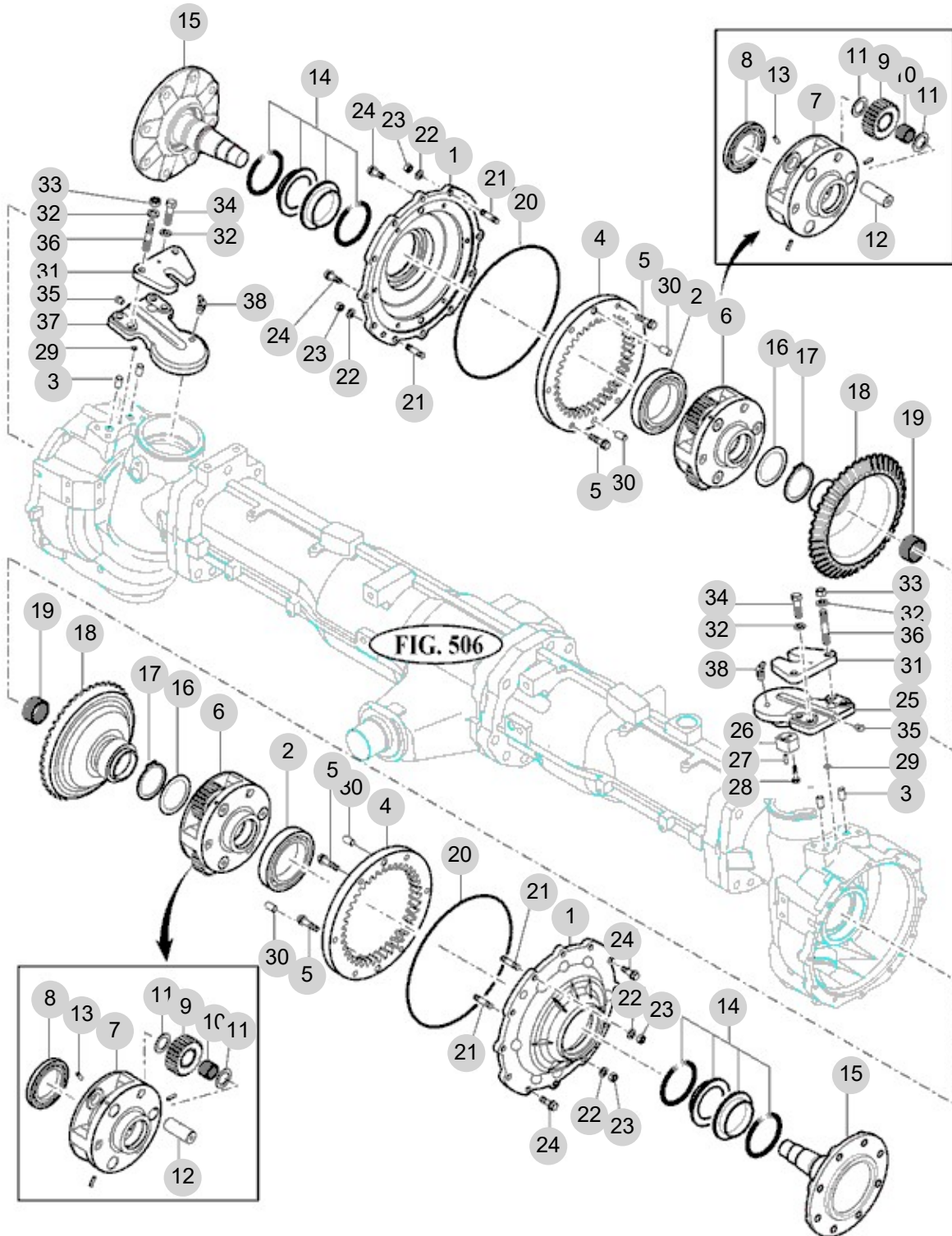


FIG. 506

T953-K-507

NOTE

FIG 507 T1104SPEU		FRONT GEAR CASE (3)					년/월 Year/Month	
							2022-12	
KEY NO	PART NO	DESCRIPTION	SPEC	QTY	REPAIR	EFFECTIVE DATE		
507	1	19024130131M	COVER , WHEEL			2		
507	2	V6001106016	BEARING , BALL	6016		2		
507	3	V5201012020	PIN , PARALLEL/A	12X20(A)		4		
507	4	19024132021	GEAR , SPUR 60T			2		
507	5	V2174610040	BOLT , HEX /S	M10X40		12		
507	6	19024132102	PLANET GEAR ASSY			1		
507	7	19024132110M	HOUSING , PLANET GEAR			2		
507	8	V6001116013	BEARING , BALL	16013		2		
507	9	19024132120	GEAR , SPUR19T			6		
507	10	15683020010	BEARING , NEEDLE 253224	KT253224		6		
507	11	19024132130	WASHER , 25X40X2			12		
507	12	19024132141	PIN , 25X62			6		
507	13	V5801406022	PIN .SPRING	6X22		3		
507	14	17994420020	SEAL , MECHANICAL			2		
507	15	19404130150	SHAFT , WHEEL			2		
507	16	19024130160	WASHER , 50X65X3			2		
507	17	V7041400500	C-RING , SHAFT	50		2		
507	18	19024130080	GEAR , BEVEL 37T			2		
507	19	V6544404825	BEARING , NEEDLE CAGED	KT404825		2		
507	20	V7211057270	O-RING , G	1A, G270		2		
507	21	V2514410030	BOLT , STUD/2	M10X30		4		
507	22	V4011600100	WASHER , SPRING	M10		4		
507	23	V3043600100	NUT , HEX/2	M10		4		
507	24	V2174610030	BOLT , HEX/S	M10X30		20		
507	25	19024130174M	METAL , PIVOT/LH			1		
507	26	19024142102	INDICATOR			1		
507	27	V5201006016	PIN , PARALLEL/A	6X16(A)		2		
507	28	V2123606030	BOLT . HEX /SP	M6X30		2		
507	29	V7201019007	O-RING , P	1A, P7		2		
507	30	V5201012020	PIN , PARALLEL/A	12X20(A)		4		
507	31	19024130193	PLATE , GUIDE	T=16		2		
507	32	V4011600120	WASHER , SPRING	M12		8		
507	33	V3043600120	NUT , HEX/2	M12		4		
507	34	V2014612040	BOLT , HEX	M12X40		4		
507	35	V7801000002	PLUG , HEX-SOCKET	R1/8		2		
507	36	V2513412055	BOLT , STUD/2	M12X55		4		
507	37	19024130271M	METAL , PIVOT/RH			1		
507	38	V7631500000	NIPPLE , GREASE/B-PT	B-PT 1/8		2		
NOTE								

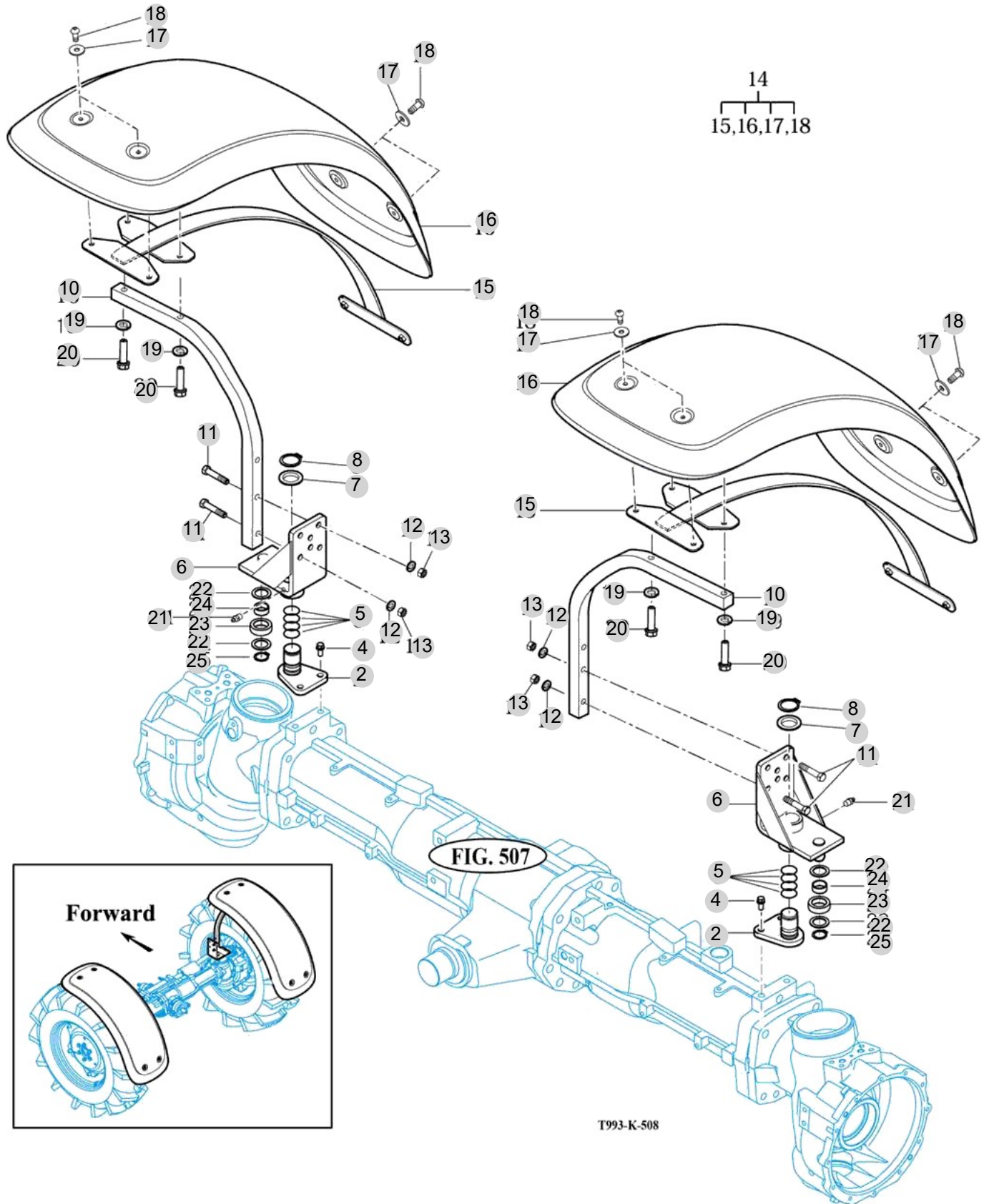
FIG 508

T1104SPEU

MUD GUARD ASSY

년/월
Year/Month

2022-12



NOTE

6. Hydraulic/3P-Link PART NO. T6

FIG 601 VALVE SUB, SHIFT	195
FIG 601-2 VALVE SUB, MAIN	197
FIG 602 DRAWBAR ASSY	199
FIG 603 FILTER SUB, SUCTION	201
FIG 603-2 GEAR PUMP ASSY	203
FIG 604 CASE, CYLINDER	205
FIG 605 ARM SUB, LIFT	207
FIG 606 MAIN CONTROL VALVE SUB	209
FIG 607 AUX VALVE & FILTER SUB	211
FIG 607-2 LEVER SUB, AUX	213
FIG 608 HITCH & 3-POINT LINK	215
FIG 608-2 LOWER LINK & LIFT ROD	217
FIG 609 HYDRAULIC PIPE & HOSES	219
FIG 610 JOYSTICK	221

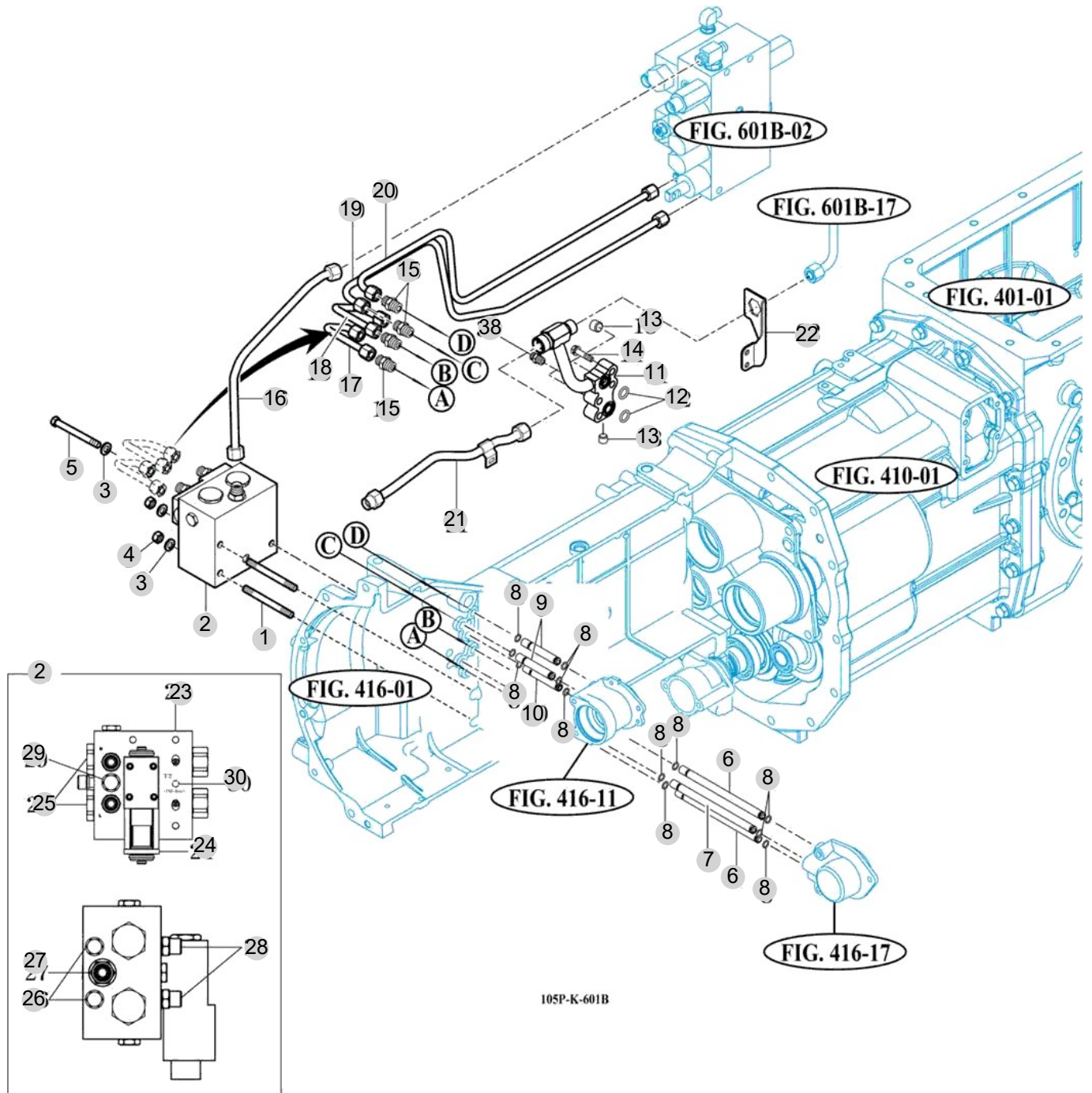
FIG 601

T1104SPEU

VALVE SUB, SHIFT

년/월
Year/Month

2022-12



NOTE

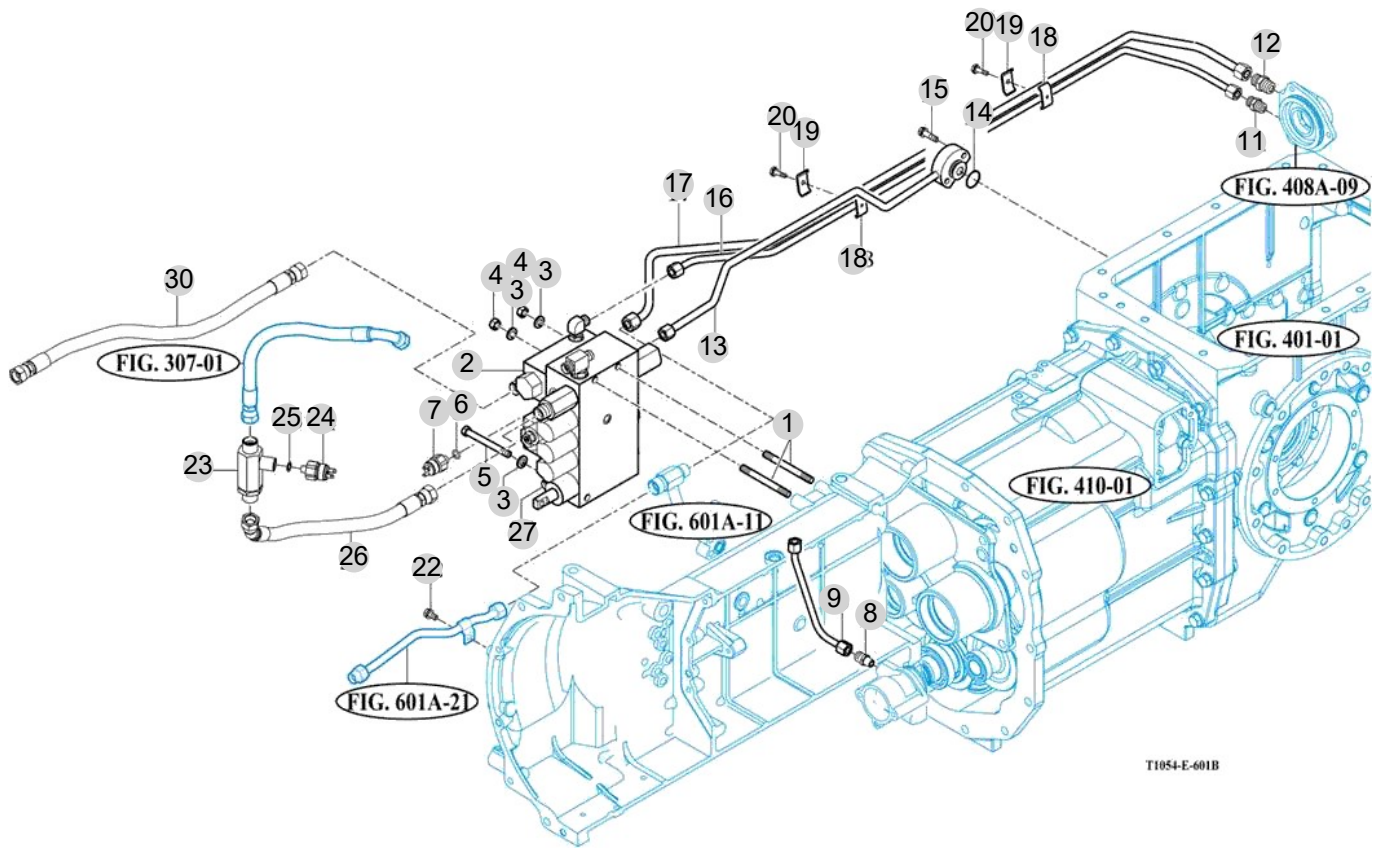
FIG 601-2

VALVE SUB, MAIN

년/월
Year/Month

2022-12

T1104SPEU



T1054-E-601B

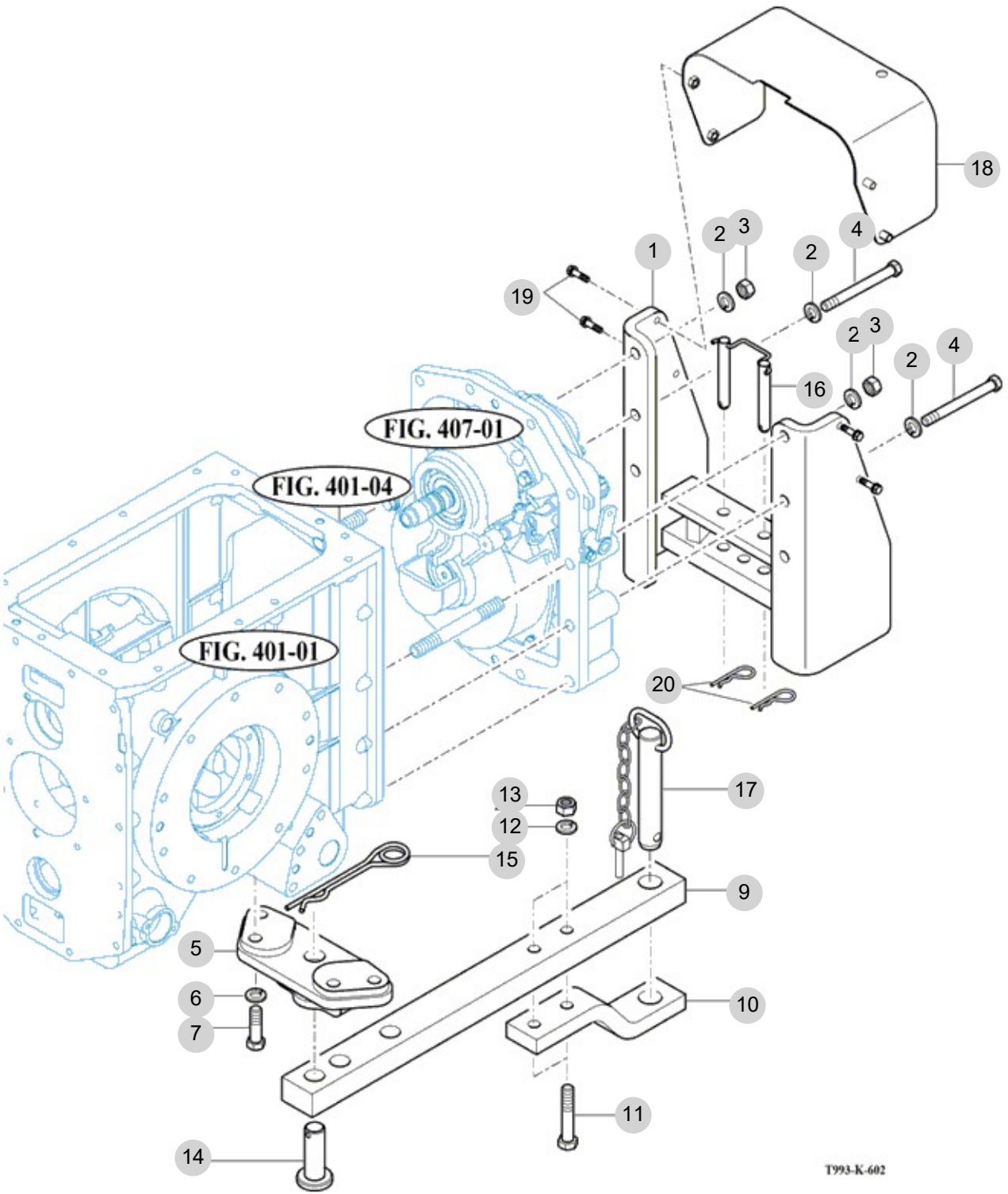
NOTE

FIG 602

DRAWBAR ASSY

년/월
Year/Month

2022-12



T993-K-602

NOTE

FIG 602 T1104SPEU	DRAWBAR ASSY	년/월 Year/Month
		2022-12

KEY NO	PART NO	DESCRIPTION	SPEC	QTY	REPAIR	EFFECTIVE DATE	REMARKS
602	1	19025212100	SUPPORT COMP , DRAWBAR		1		
602	1	19025212101	SUPPORT COMP , DRAWBAR		1		
602	2	V4011600160	WASHER , SPRING	M16	6		
602	3	V3043600160	NUT , HEX/2	M16	2		
602	4	V2004616120	BOLT , HEX	M16X120	4		
602	5	19025212301GB	BRACKET COMP , DRAWBAR		1		
602	6	V4011600160	WASHER , SPRING	M16	4		
602	7	V2004616055	BOLT , HEX	M16X55	4		
602	9	19145212410GB	DRAWBAR	60X40T	1		
602	10	19145212420GB	LINK , HITCH	60X25T	1		
602	11	V2004616090	BOLT , HEX	M16X90	2		
602	12	V4011600160	WASHER , SPRING	M16	2		
602	13	15189240160	NUT , NYLON , M16	M16	2		
602	14	19025210010	PIN , 28X93		1		
602	15	19025210021	HAIR PIN , 28		1		
602	16	19025212600	PIN COMP		1		
602	17	S0973063031	PIN ASSY		1		
602	18	19025212201GB	SHIELD COMP , PTO		1		
602	19	V2173608060	BOLT , HEX/S		4		
602	19	V2173608055	BOLT , HEX/S	M8X55	4		
602	20	79764060070	PIN , SNAP/16		2		

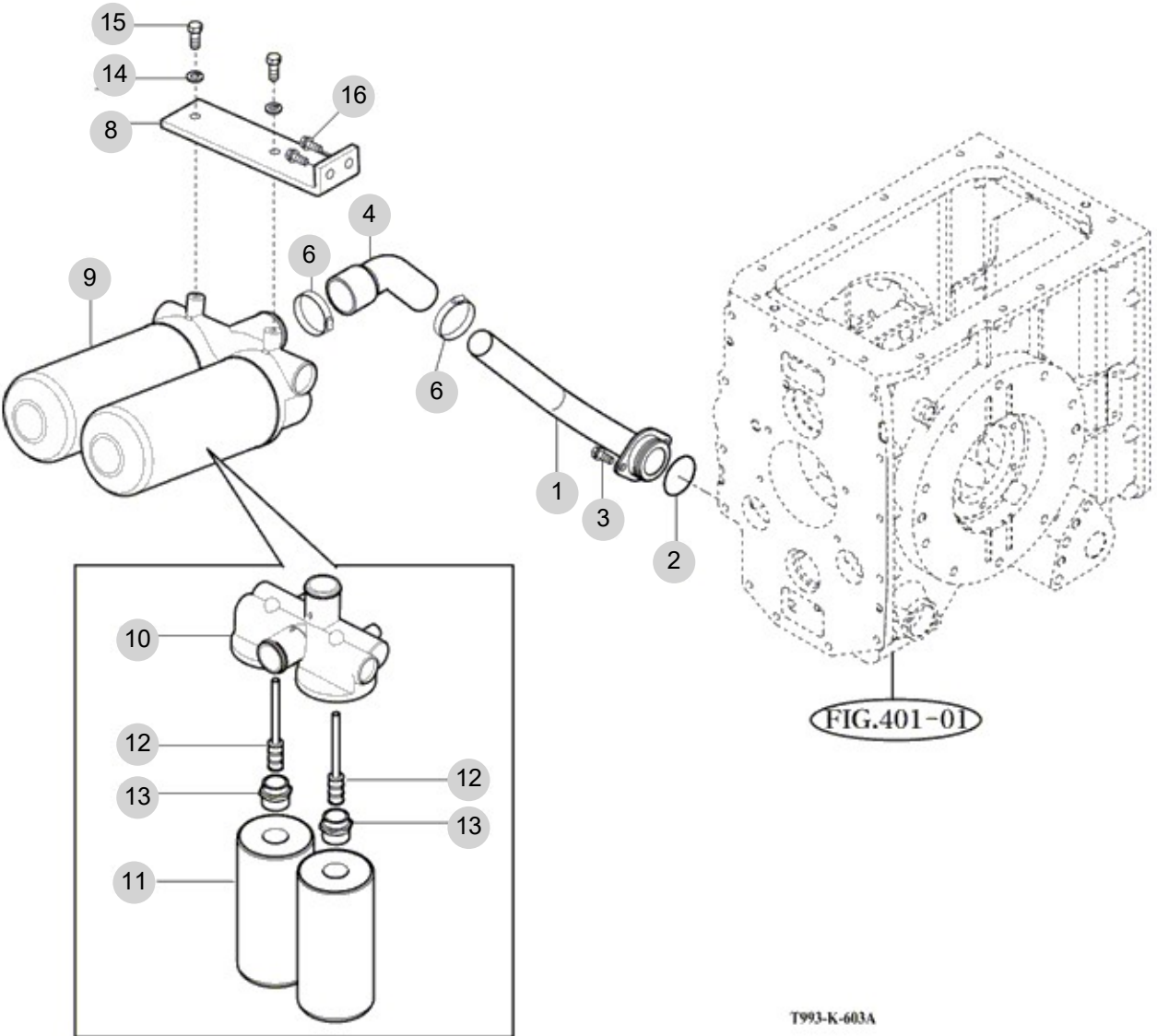
NOTE	
------	--

FIG 603

FILTER SUB, SUCTION

년/월
Year/Month

2022-12



NOTE

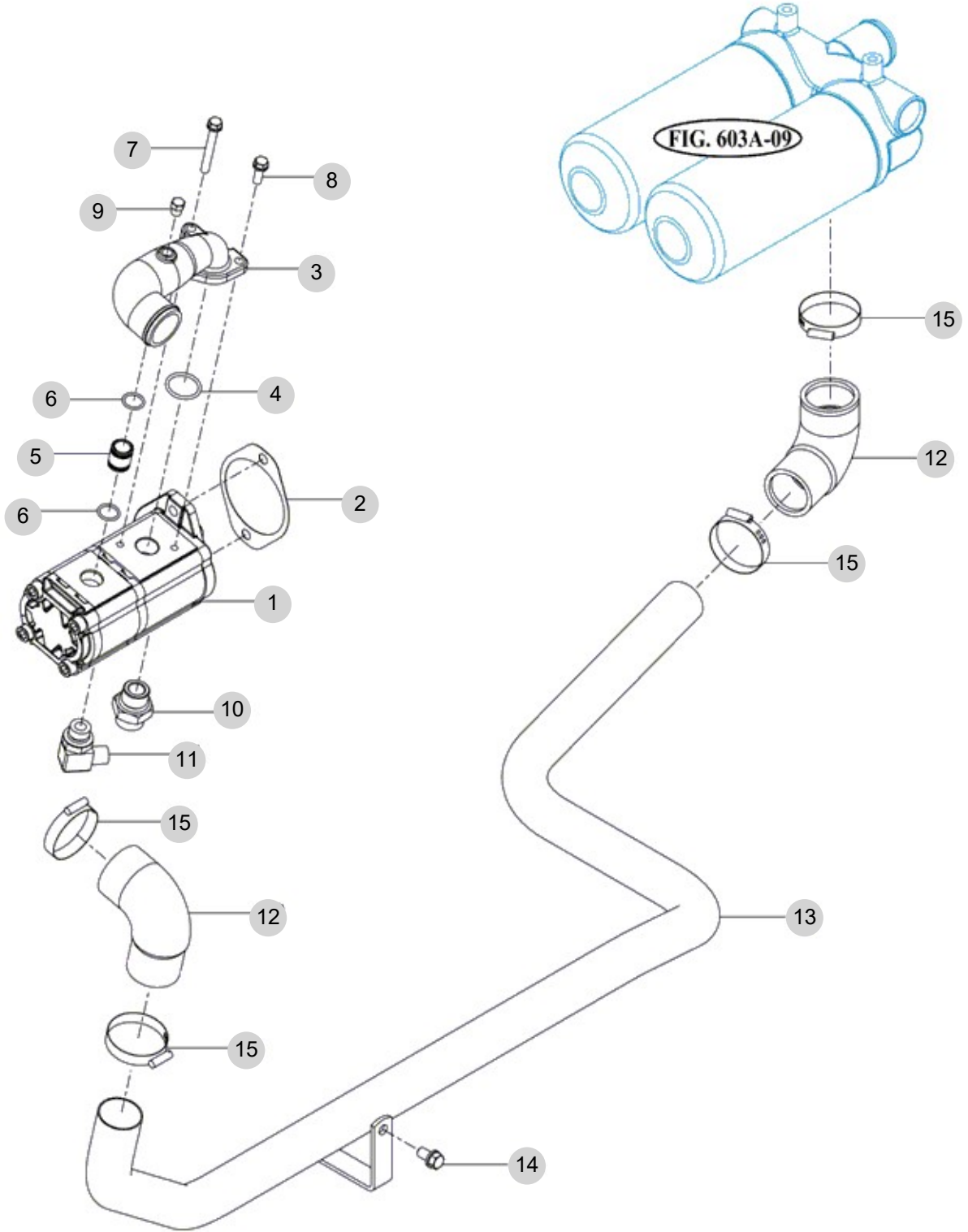
FIG 603-2

GEAR PUMP ASSY

년/월
Year/Month

2022-12

T1104SPEU



NOTE

FIG 604

CASE, CYLINDER

년/월
Year/Month

2022-12

T1104SPEU

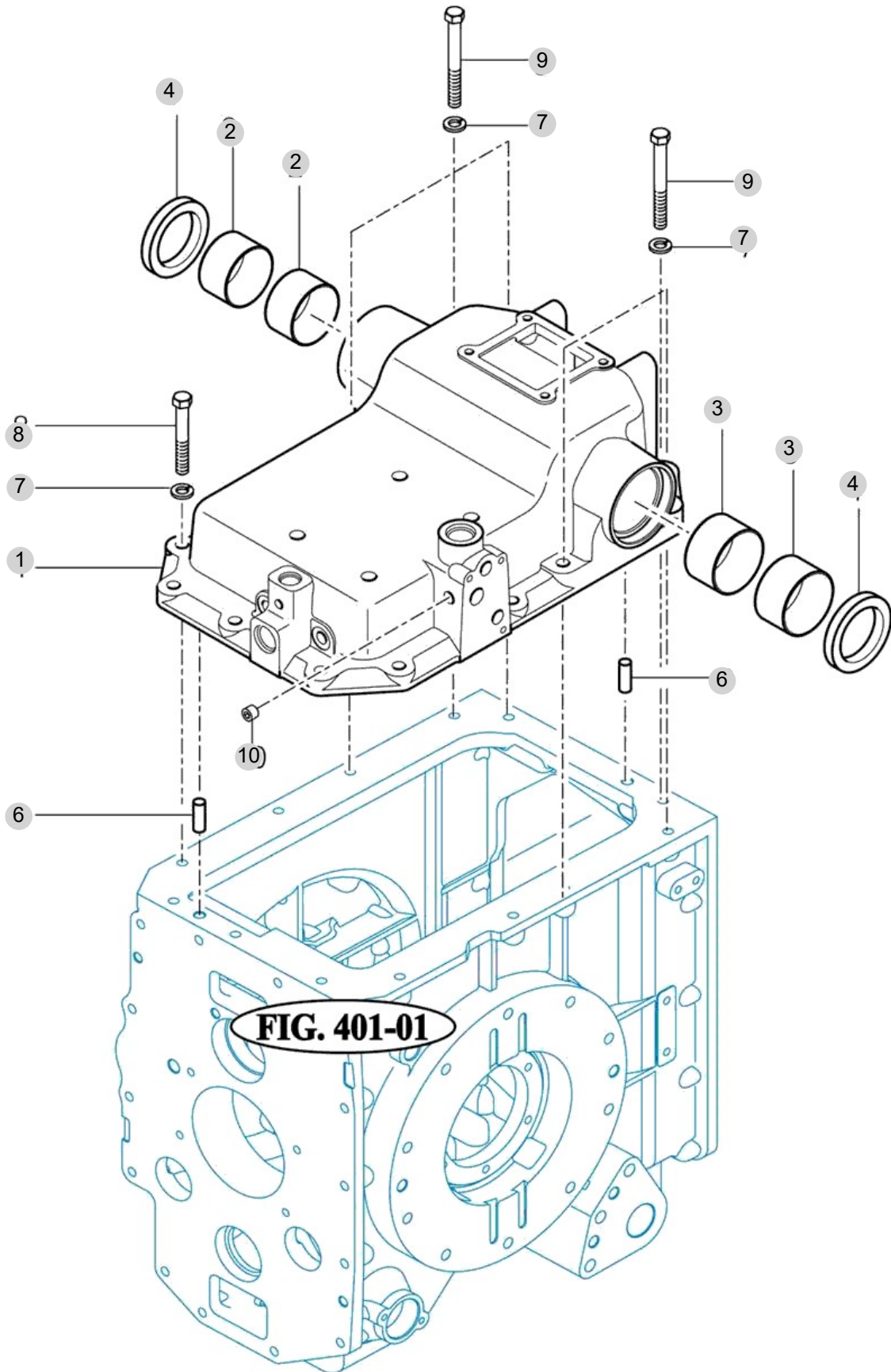


FIG. 401-01

NOTE

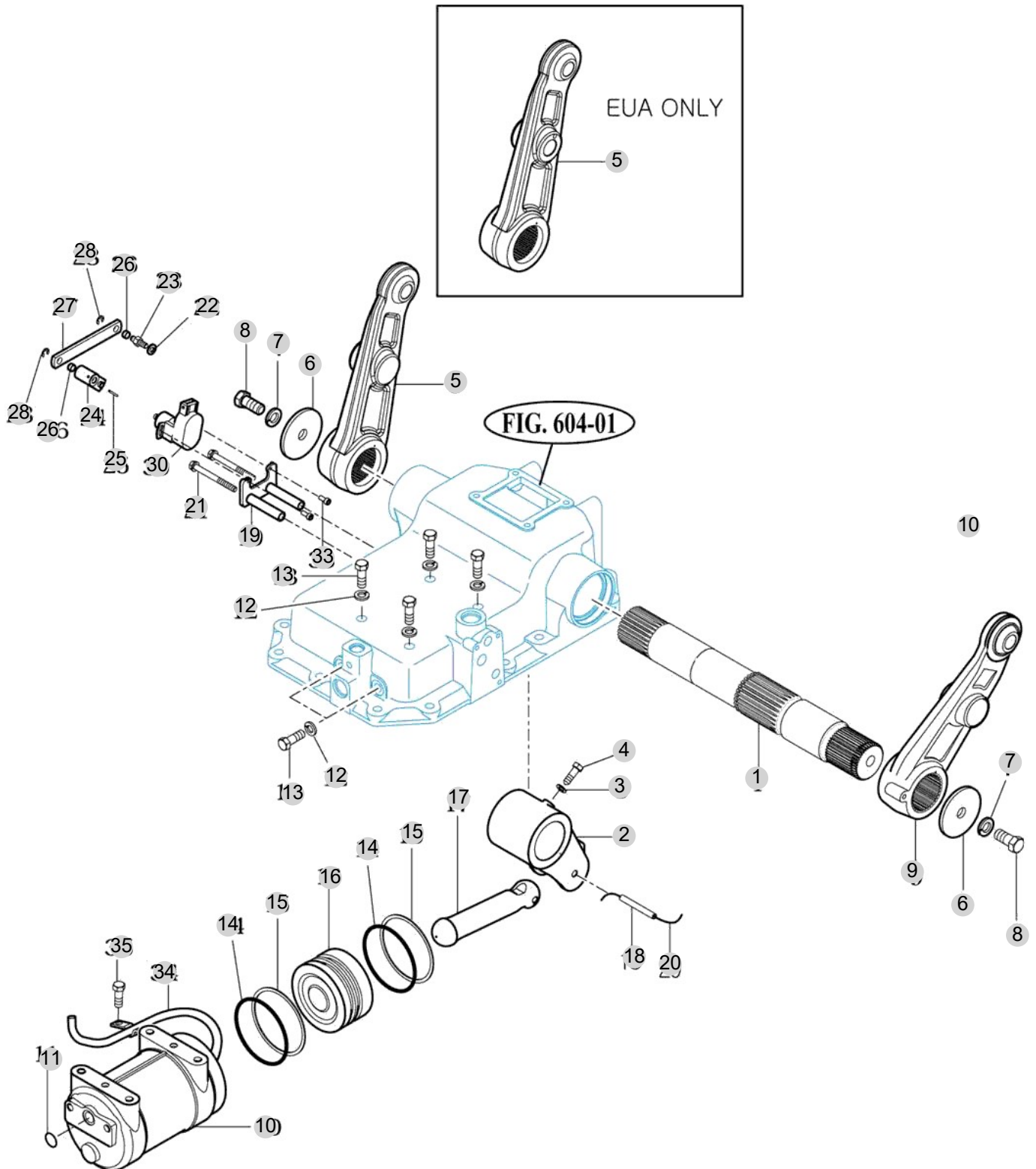
FIG 605

T1104SPEU

ARM SUB, LIFT

년/월
Year/Month

2022-12



NOTE

FIG 606

T1104SPEU

MAIN CONTROL VALVE SUB

년/월
Year/Month

2022-12

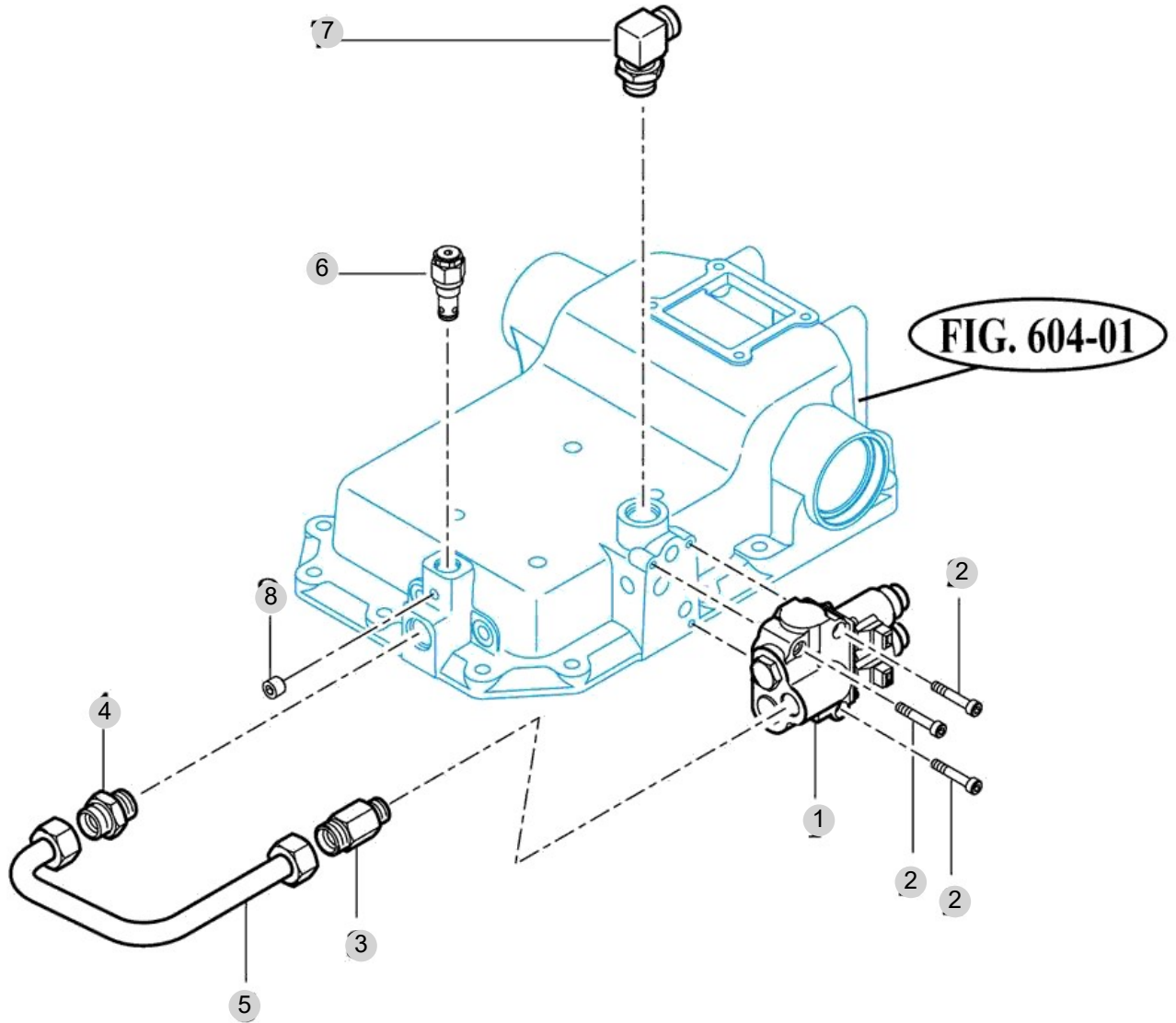
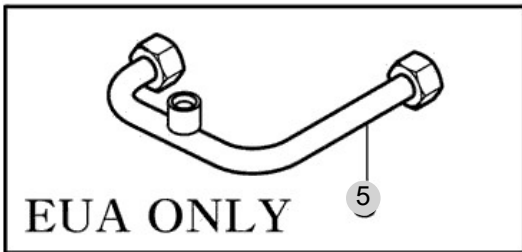


FIG. 604-01



T1104-E-606

NOTE

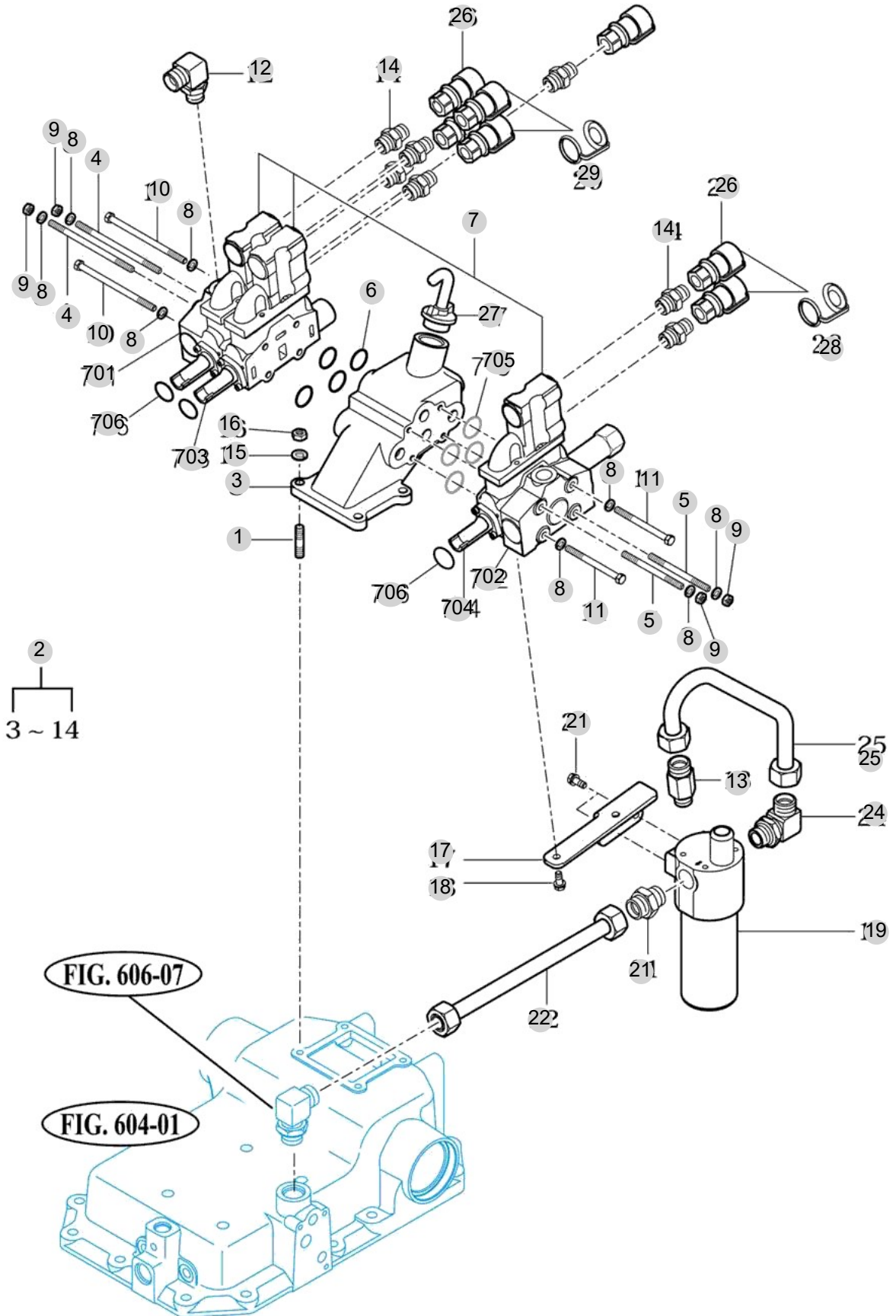
FIG 607

AUX VALVE & FILTER SUB

년/월
Year/Month

2022-12

T1104SPEU



NOTE

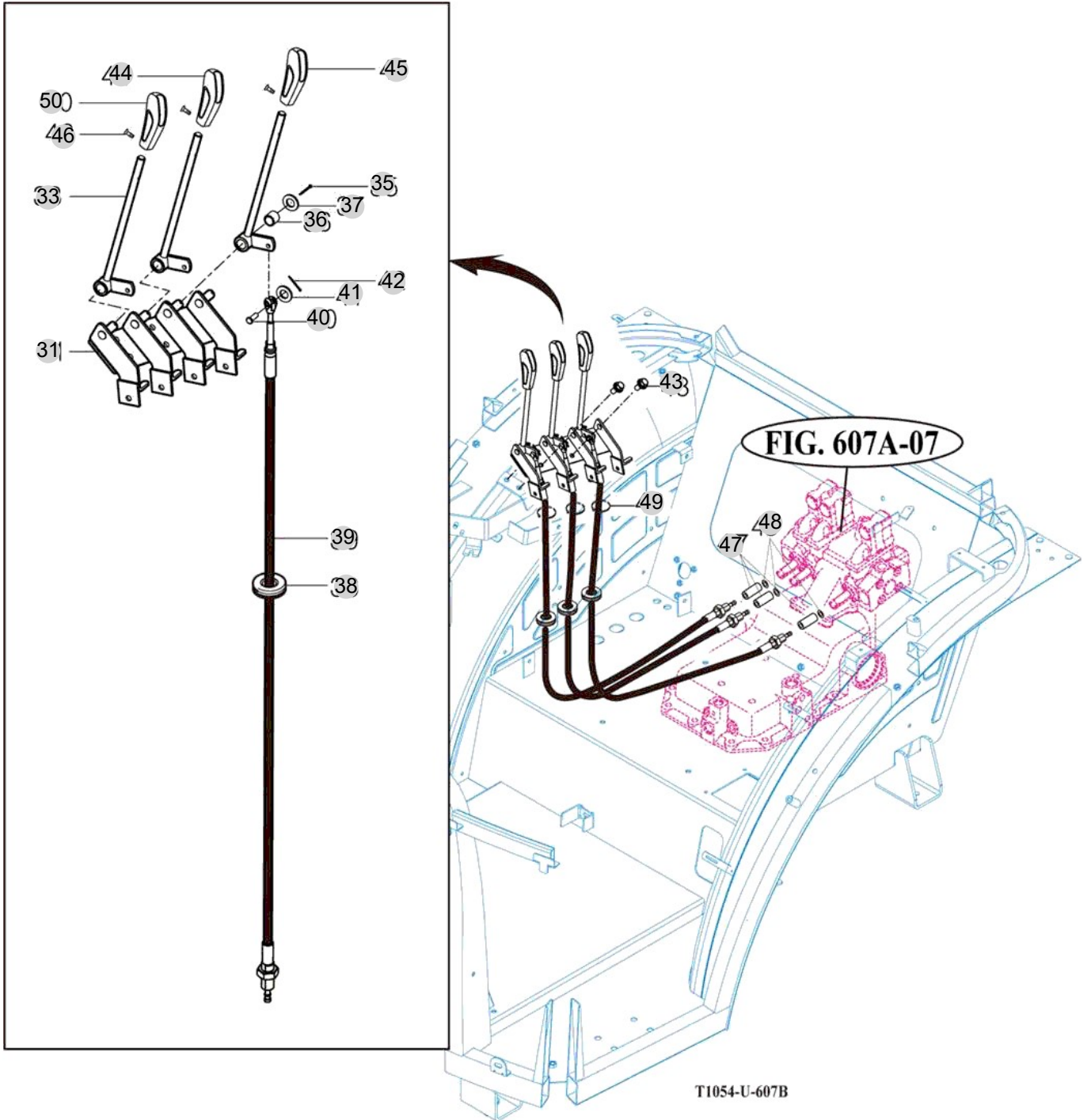
FIG 607-2

LEVER SUB, AUX

년/월
Year/Month

2022-12

T1104SPEU



T1054-U-607B

NOTE

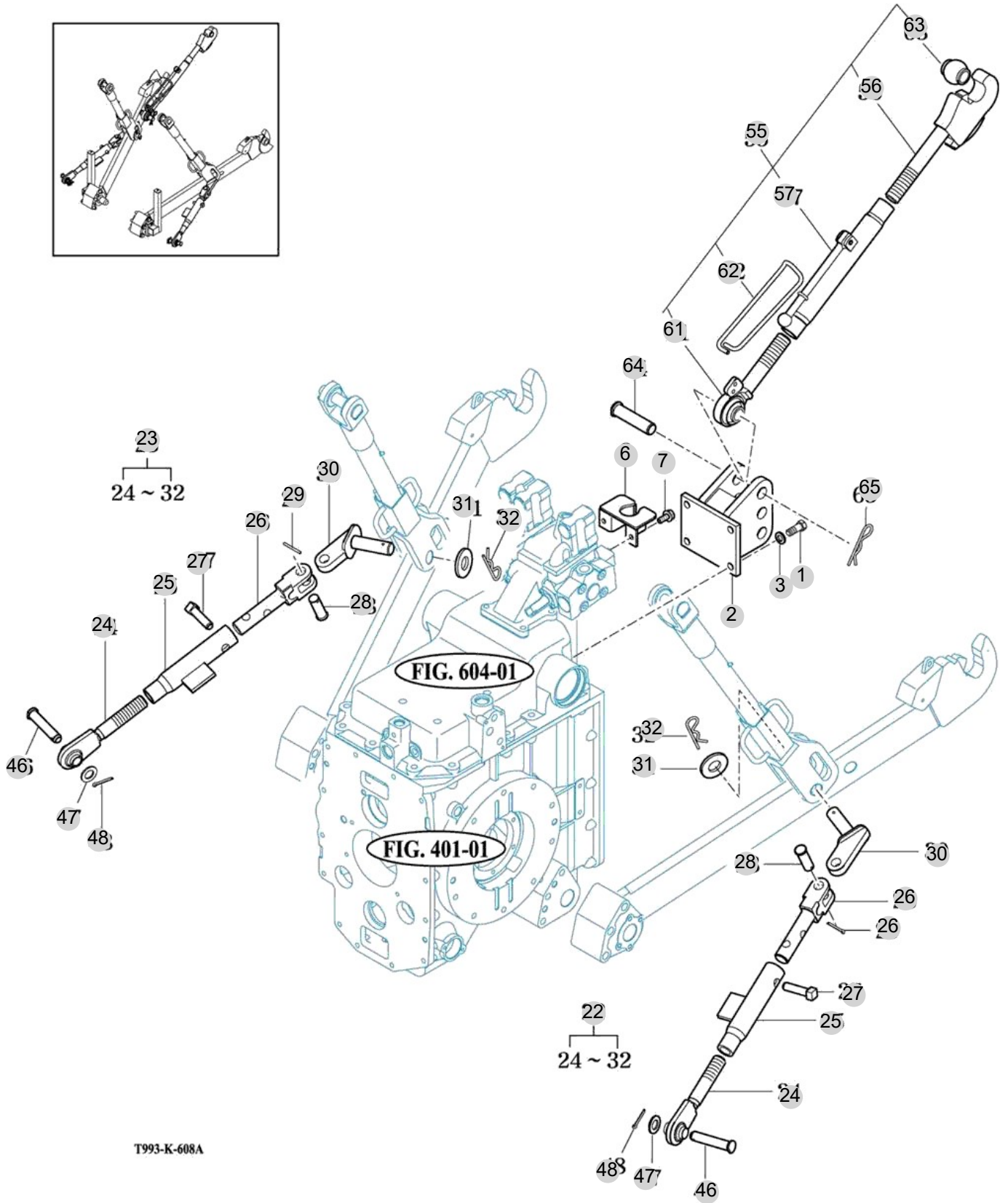
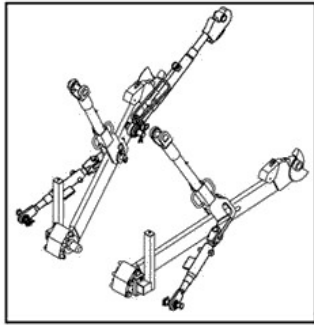
FIG 608

HITCH & 3-POINT LINK

년/월
Year/Month

T1104SPEU

2022-12



T993-K-608A

NOTE

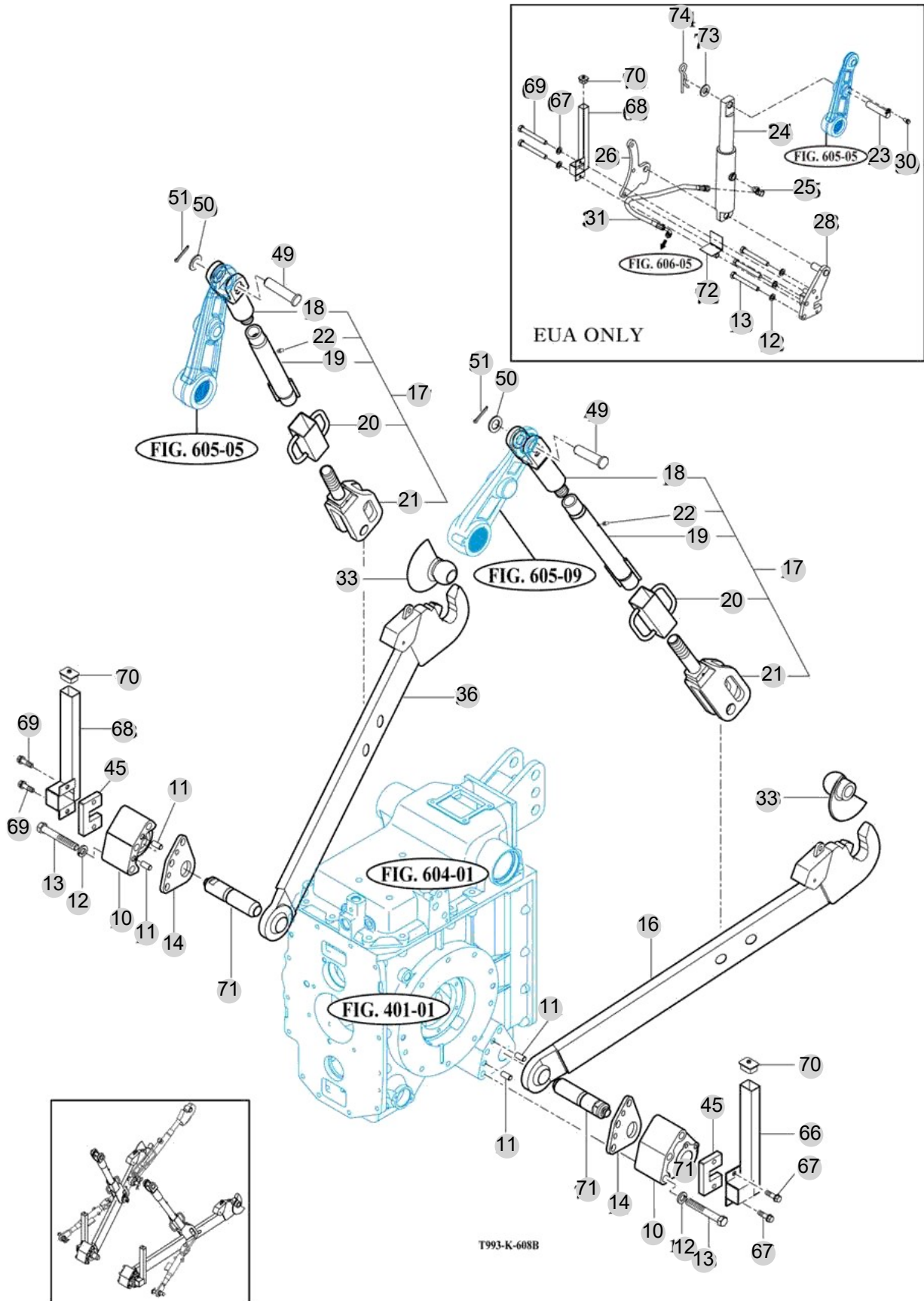
FIG 608-2

LOWER LINK & LIFT ROD

년/월
Year/Month

2022-12

T1104SPEU



NOTE

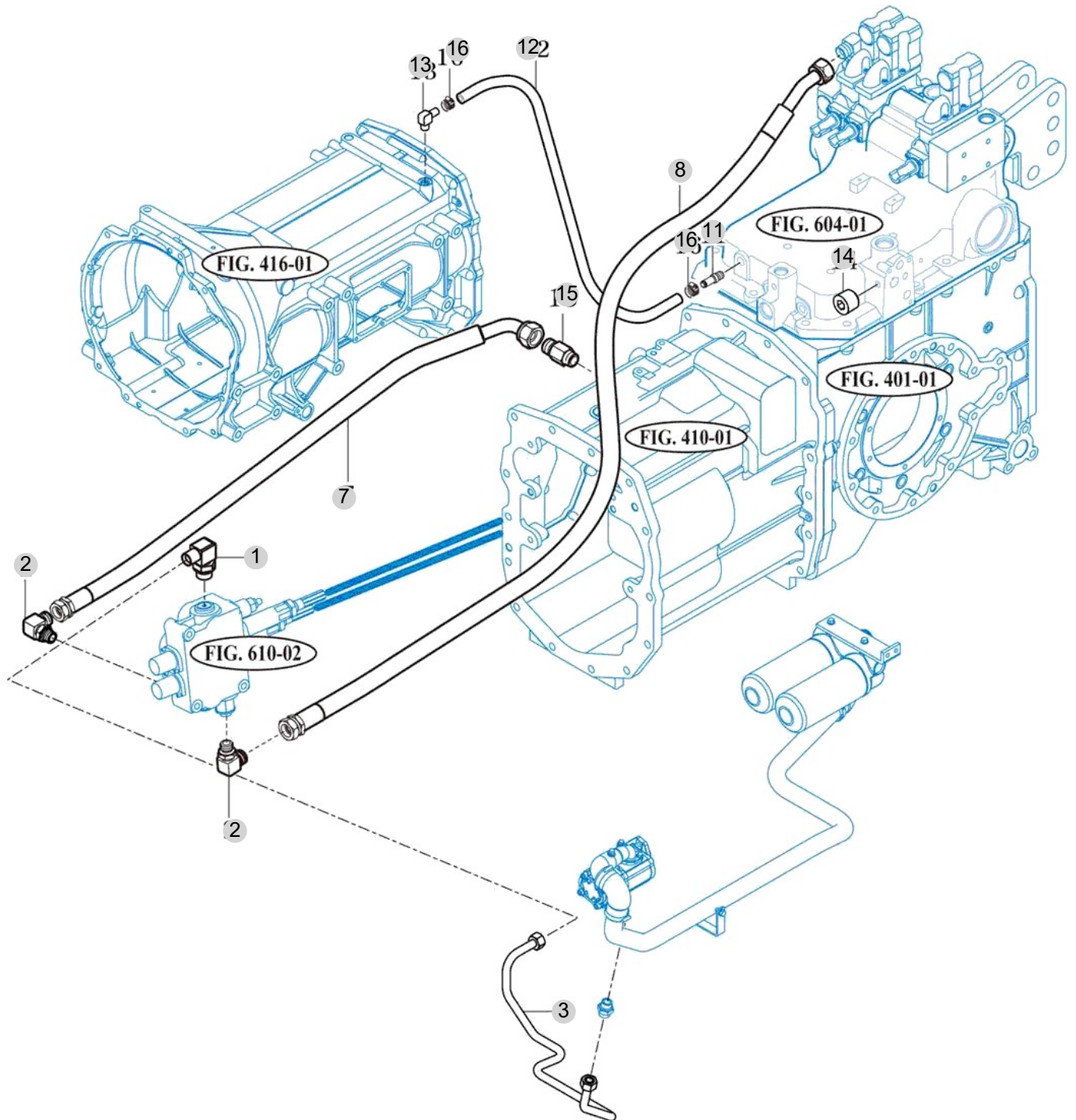
FIG 609

HYDRAULIC PIPE & HOSES

년/월
Year/Month

2022-12

T1104SPEU



NOTE

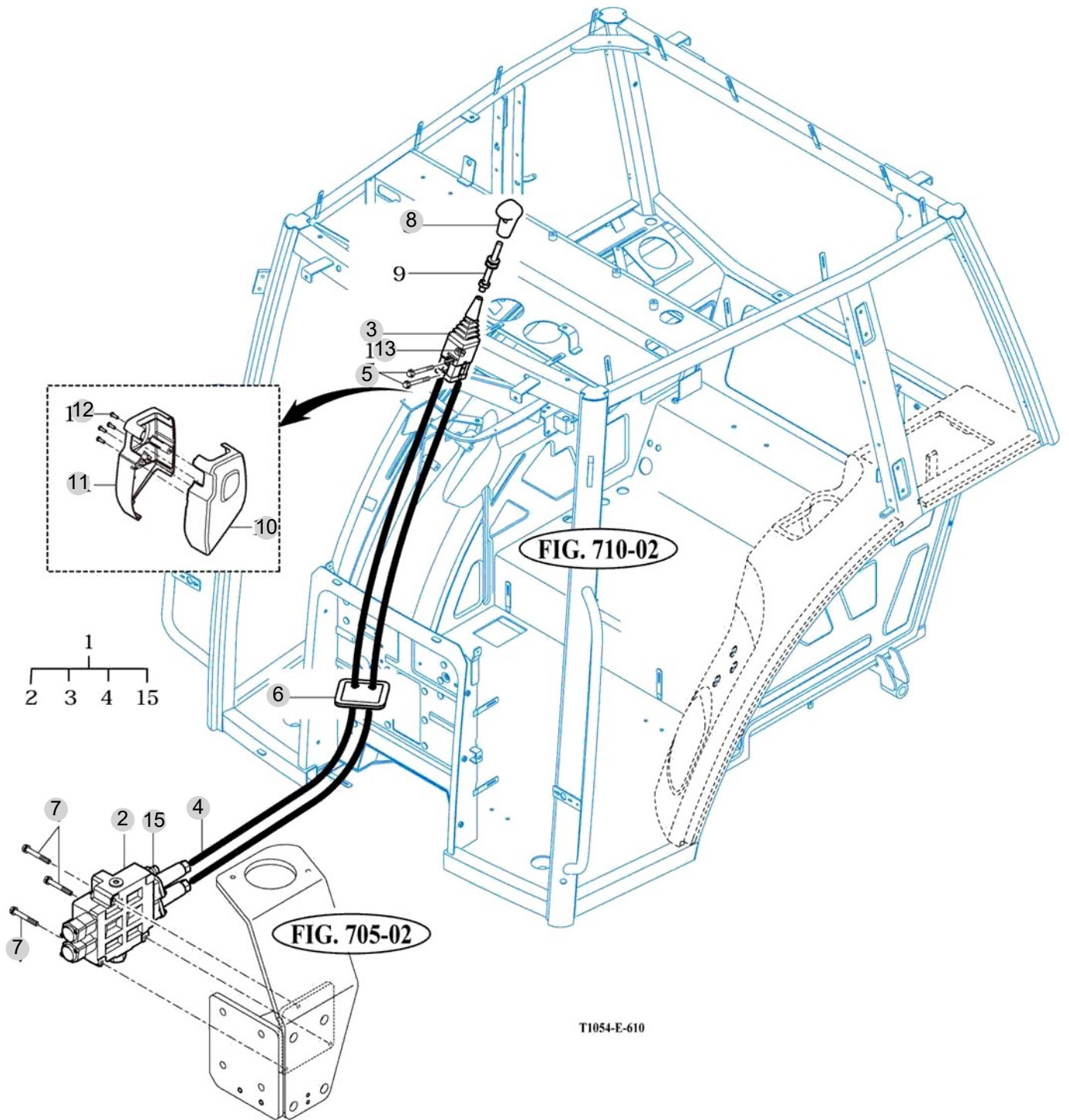
FIG 610

JOYSTICK

년/월
Year/Month

T1104SPEU

2022-12



T1054-E-610

NOTE

7. Sheet Metal & Cabin PART NO. T7

FIG 701 FRONT FRAME SUB	224
FIG 702 FRAME, HOOD	226
FIG 703 HOOD	228
FIG 704 STEP & BOOTS	231
FIG 705 FRONT & REAR MOUNTING	233
FIG 706 SEAT & MAT	235
FIG 708 DOOR-LH	237
FIG 709 DOOR-RH	239
FIG 710 FRAME COMP & FRONT GLASS	241
FIG 711 SIDE GLASS	243
FIG 712 REAR GLASS	245
FIG 713 SUB FENDER & COVER	247
FIG 714 REARVIEW MIRRORS	249
FIG 715 HEATER & AIR-CON (1)	251
FIG 716 HEATER & AIR-CON (2)	253
FIG 717 ROOF	255
FIG 718 CABIN INTERIOR	257
FIG 719 DASHCOVER	259
FIG 720 TANK ASSY, WASH	261
FIG 721 ROOM MIRROR ASSY	263
FIG 722 COVER-FENDER&JOYSTICK LEVER	265

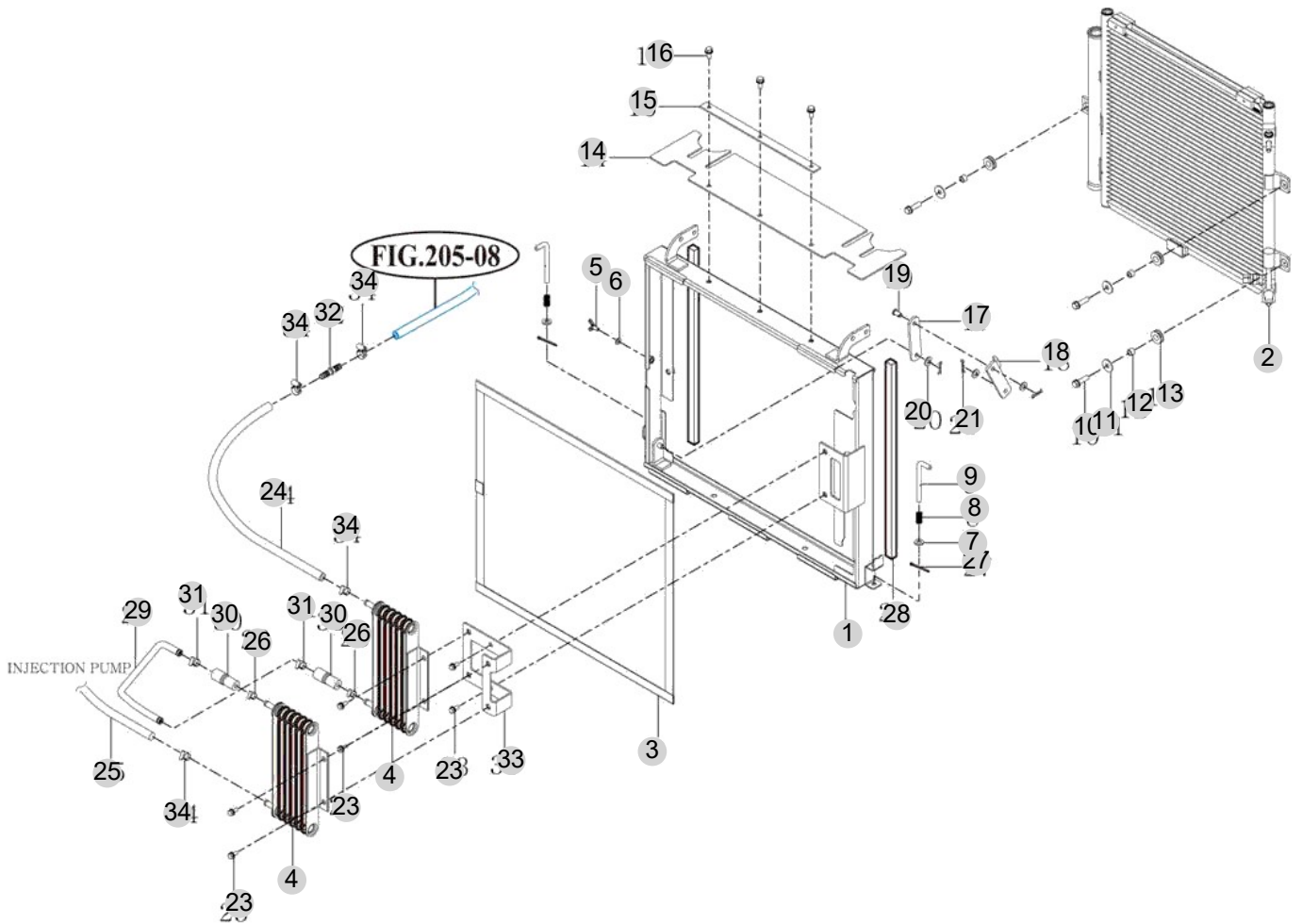
FIG 701

FRONT FRAME SUB

년/월
Year/Month

2022-12

T1104SPEU



NOTE

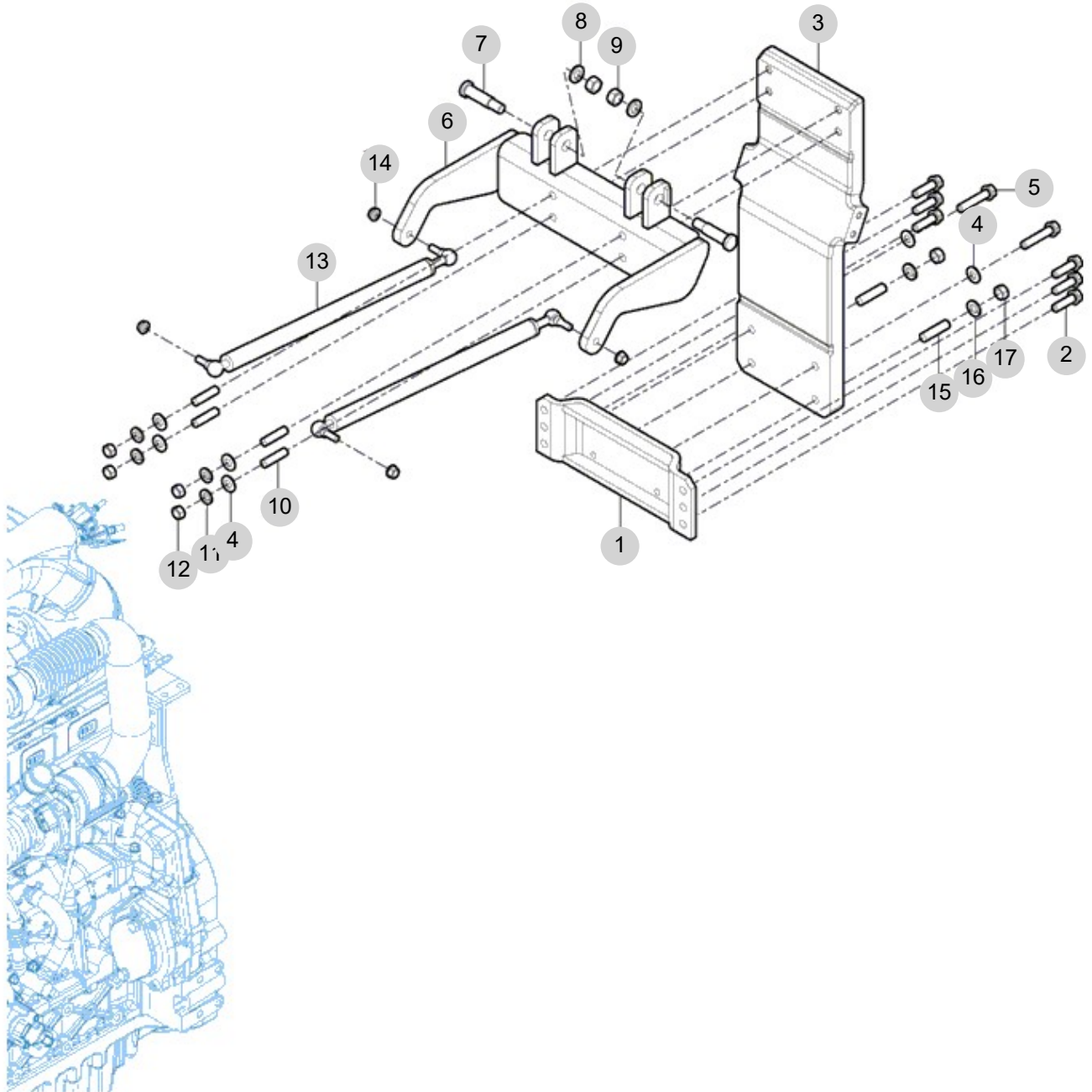
FIG 702

FRAME, HOOD

년/월
Year/Month

2022-12

T1104SPEU



NOTE

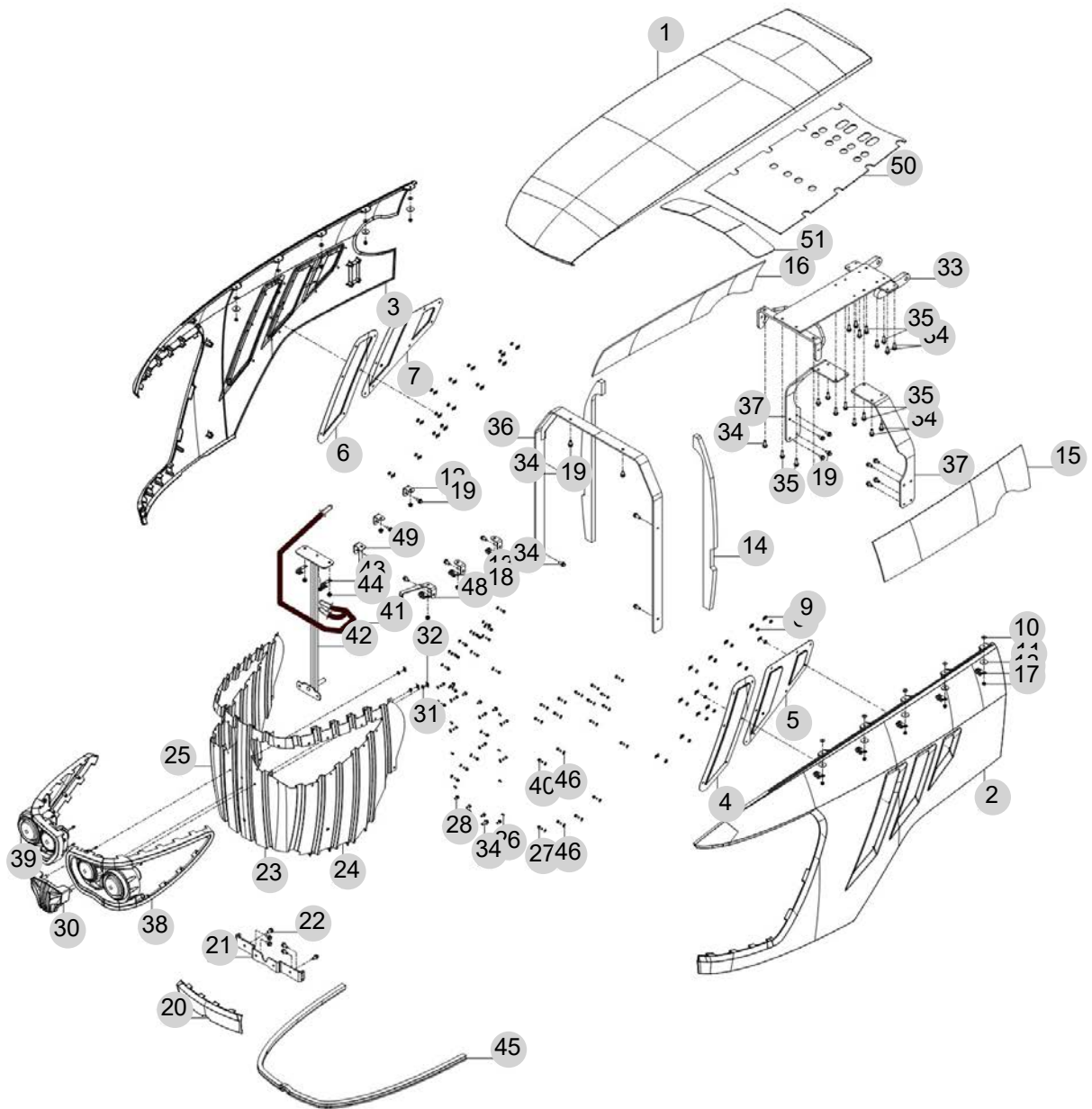
FIG 703

T1104SPEU

HOOD

년/월
Year/Month

2022-12



NOTE

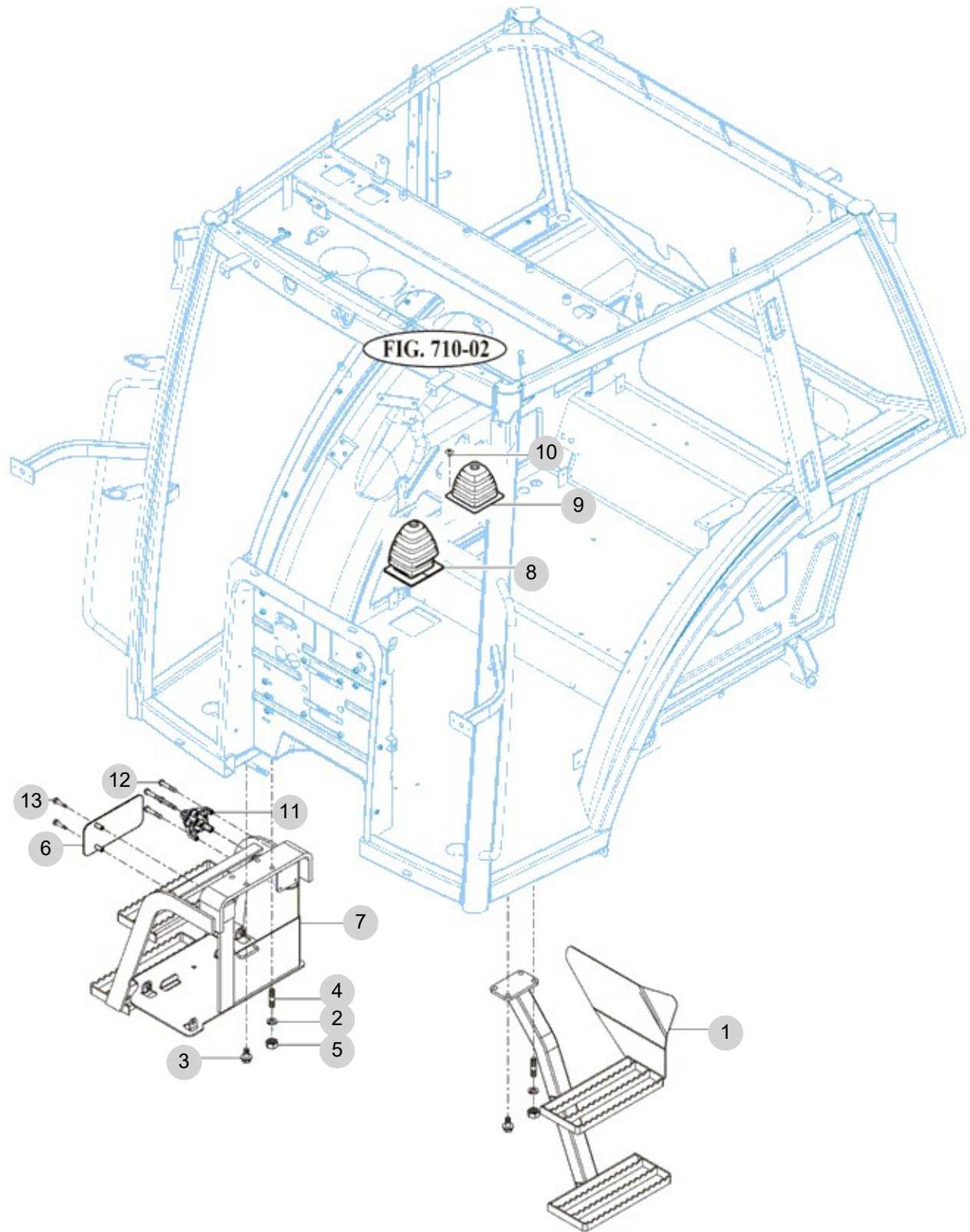
FIG 703 T1104SPEU		HOOD					년/월 Year/Month	
							2022-12	
KEY NO	PART NO	DESCRIPTION	SPEC	QTY	REPAIR	EFFECTIVE DATE	REMARKS	
703	1	18716112100SR	COVER COMP , HOOD			1		
703	1	18716112101SR	COVER COMP , HOOD			1		
703	2	18716112200SR	PANEL COMP , SIDE/LH			1		
703	2	18716112201SR	SIDE PANEL COMP/LH			1		
703	3	18716112300SR	PANEL COMP , SIDE/RH			1		
703	3	18716112301SR	SIDE PANEL COMP/RH			1		
703	4	18716113010GB	SIDE GRILL , FR/LH			1		
703	5	18716113020GB	SIDE GRILL , RR/LH			1		
703	5	18716113020GB	SIDE GRILL , RR/LH			1		
703	6	18716113030GB	SIDE GRILL , FR/RH			1		
703	7	18716113040GB	SIDE GRILL , RR/RH			1		
703	8	14446010150	WASHER , NET			28		
703	9	V3501600060	NUT, PUSH-ON SPRING	M6		28		
703	10	35605033020	WASHER , WIRE WITHDRAWAL	T=1.6		10		
703	11	19026112050	WASHER , 6X30X2.3	T=2.3		10		
703	12	18716113051GB	PLATE , HOOD			4		
703	13	14256210040	CLAMP , 9			8		
703	14	18716112060	INSULATOR , SIDE PANEL			2		
703	15	18716110010	INSULATOR , SIDE PANEL/LH			1		
703	16	18716110020	INSULATOR , SIDE PANEL/RH			1		
703	17	V3802600060	NUT , HEX FLANGE	M6		10		
703	18	V3802600080	NUT , HEX FLANGE	M8		6		
703	19	V2183608020	BOLT , HEX/SP	M8X20		16		
703	20	18716112900SR	HOOD COMP , LOW			1		
703	20	18716112901SR	HOOD COMP , LOW			1		
703	21	18716112090GB	BRACKET , HOOD/ROW			1		
703	22	V2183608020	BOLT , HEX/SP	M8X20		6		
703	22	V3802600080	NUT , HEX FLANGE			6		
703	23	18716112130GB	GRILL , FRONT/CTR			1		
703	23	18716112131GB	GRILL , FRONT/CTR			1		
703	24	18716112140GB	GRILL , FRONT/LH			1		
703	25	18716112150GB	GRILL , FRONT/RH			1		
703	26	V5502040093	RIVET , BLIND	4X9.3		8		
703	27	18716113080	SCREW , DRILLING TAPPING/M6X20			20		
703	27	19406110080	TAPPING SCREW , TRUSS/6X16			20		
703	28	V2123606016	BOLT , HEX /SP	M6X16		8		
703	30	10016010012	EMBLEM , TYM			1		
703	30	19556110100	EMBLEM ASSY , HOOD	1X1X1		1		
703	31	14446010150	WASHER , NET			3		
703	32	V3501600060	NUT, PUSH-ON SPRING	M6		3		
703	33	19556112500GB	FRAME COMP , HOOD			1		
703	34	V2183608025	BOLT , HEX/SP	M8X25		16		
703	34	V3802600080	NUT , HEX FLANGE			12		
703	35	V2183608030	BOLT , HEX/SP	M8X30		10		
703	36	18716112700GB	FRAME COMP , FRONT			1		
NOTE								

FIG 704

STEP & BOOTS

년/월
Year/Month

2022-12



NOTE

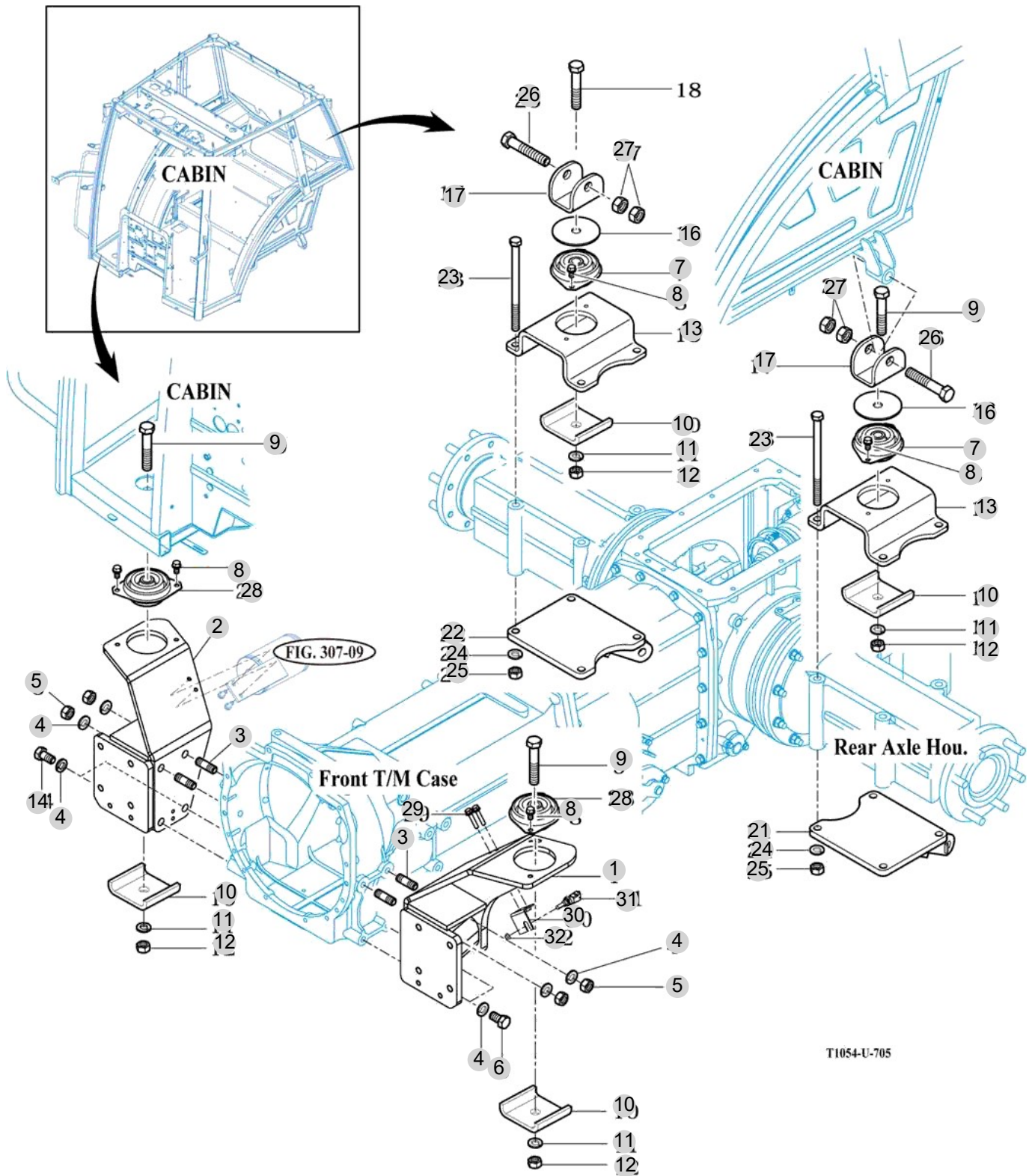
FIG 705

FRONT & REAR MOUNTING

년/월
Year/Month

2022-12

T1104SPEU



T1054-U-705

NOTE

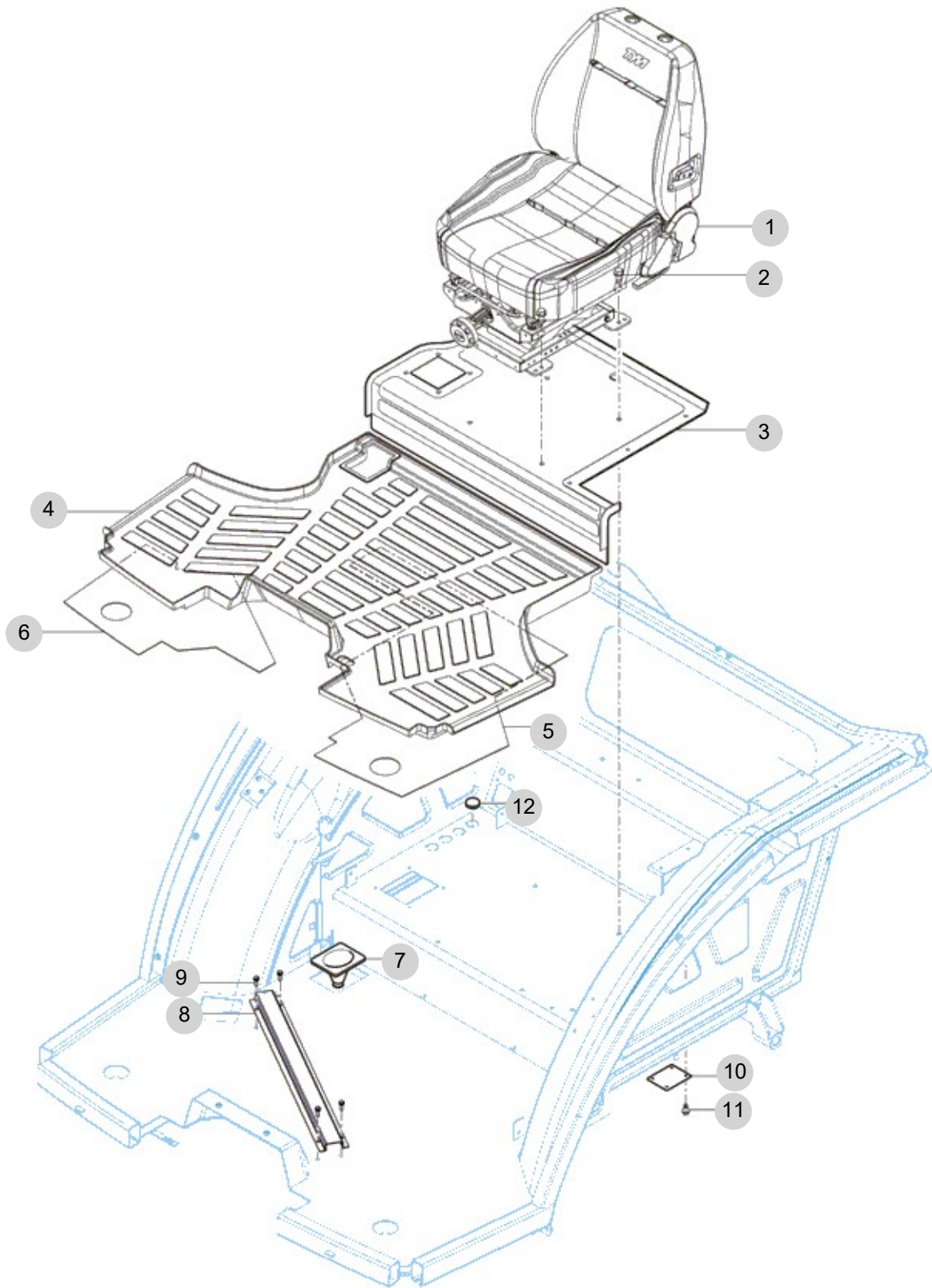
FIG 706

SEAT & MAT

년/월
Year/Month

2022-12

T1104SPEU



NOTE

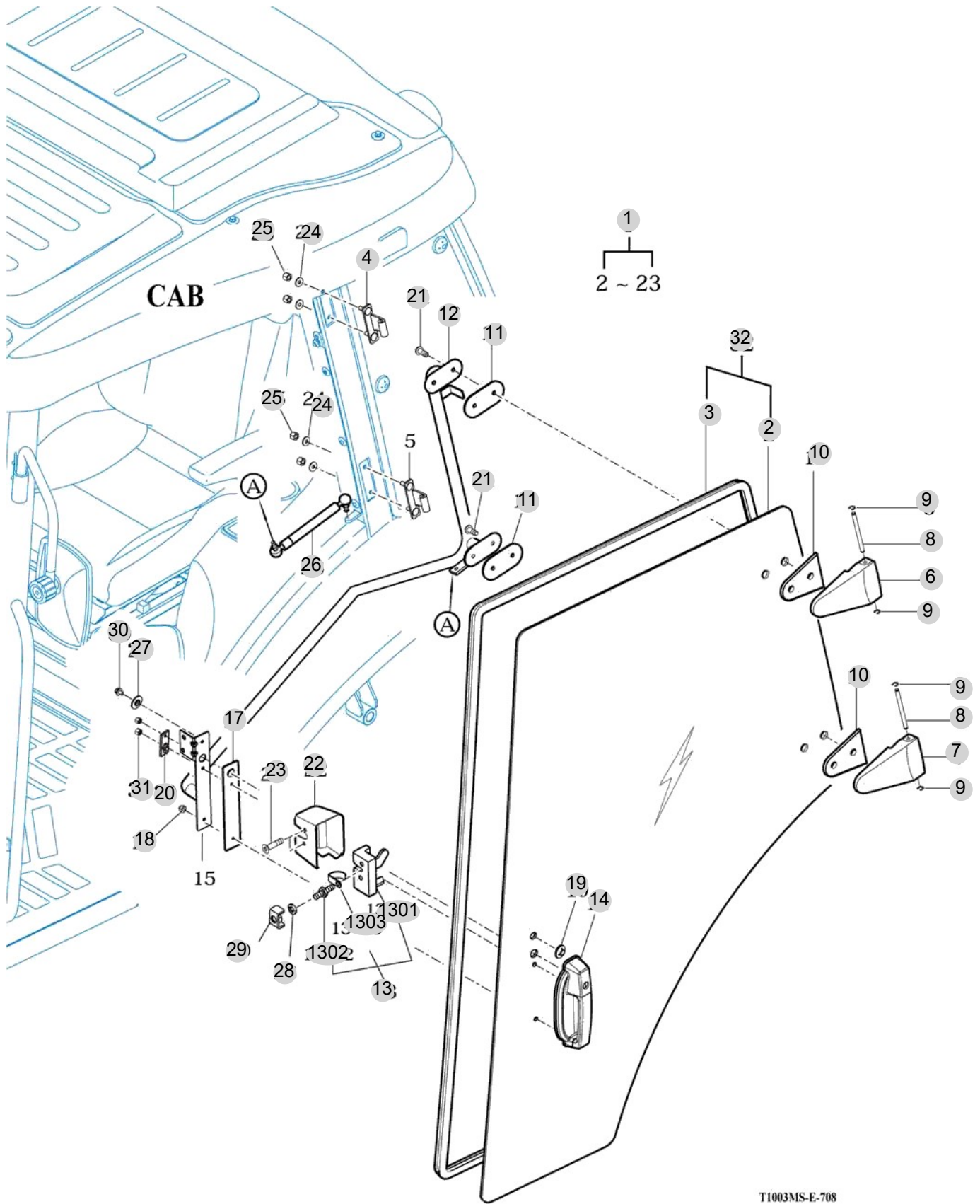
FIG 708

DOOR-LH

년/월
Year/Month

2022-12

T1104SPEU



T1003MS-E-708

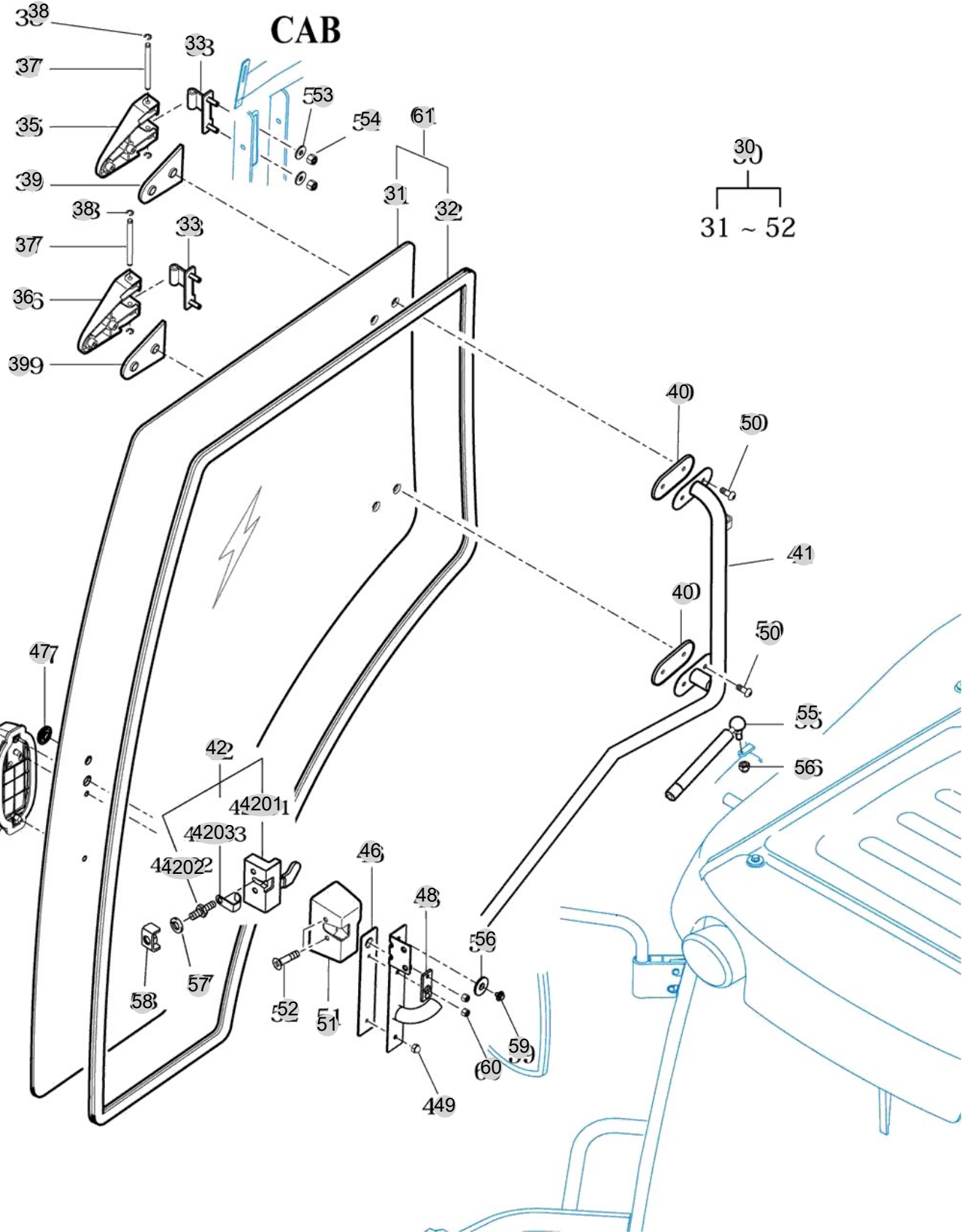
NOTE

FIG 709

DOOR-RH

년/월
Year/Month

2022-12



NOTE

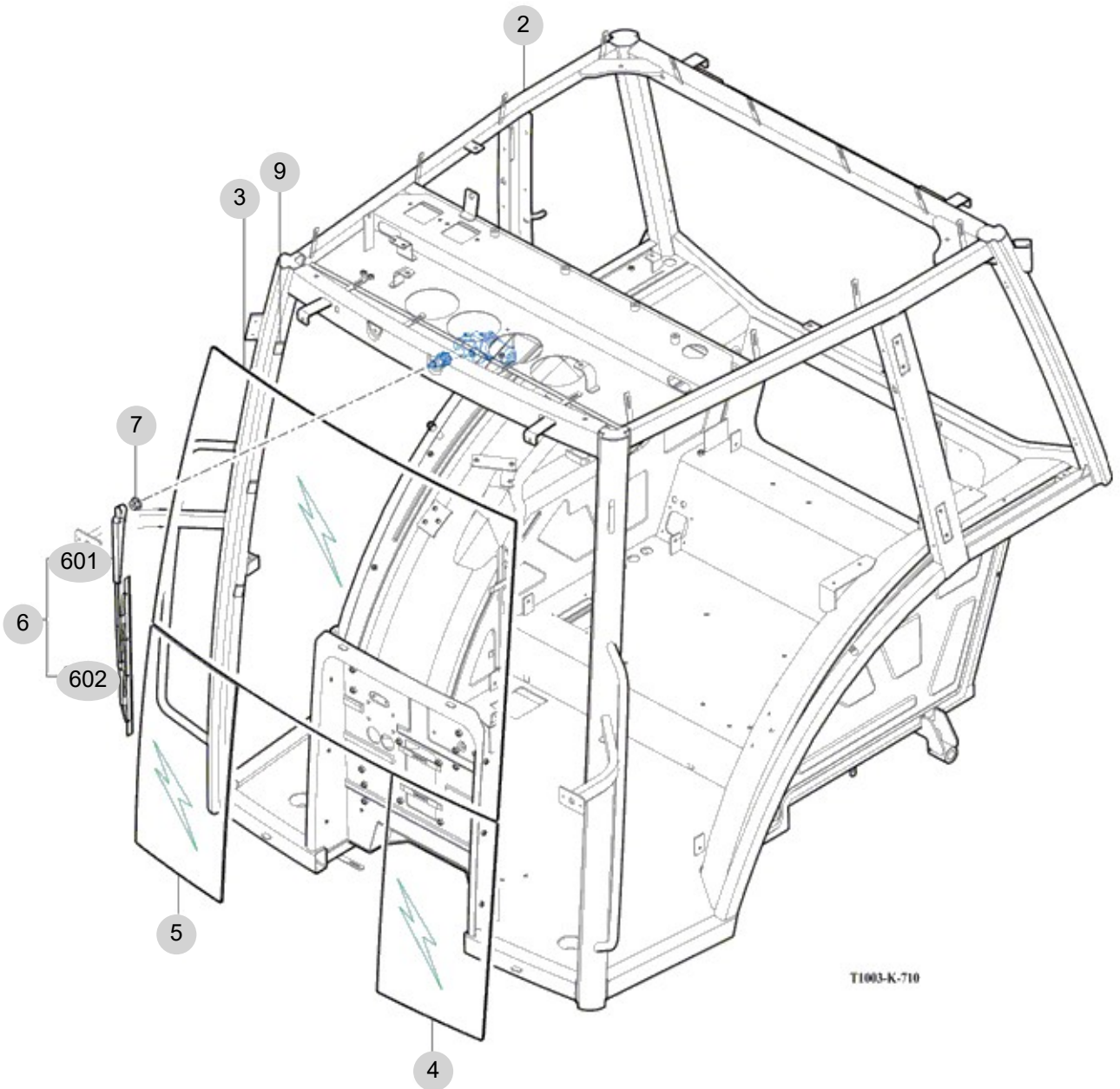
FIG 710

T1104SPEU

FRAME COMP & FRONT GLASS

년/월
Year/Month

2022-12



T1003-K-710

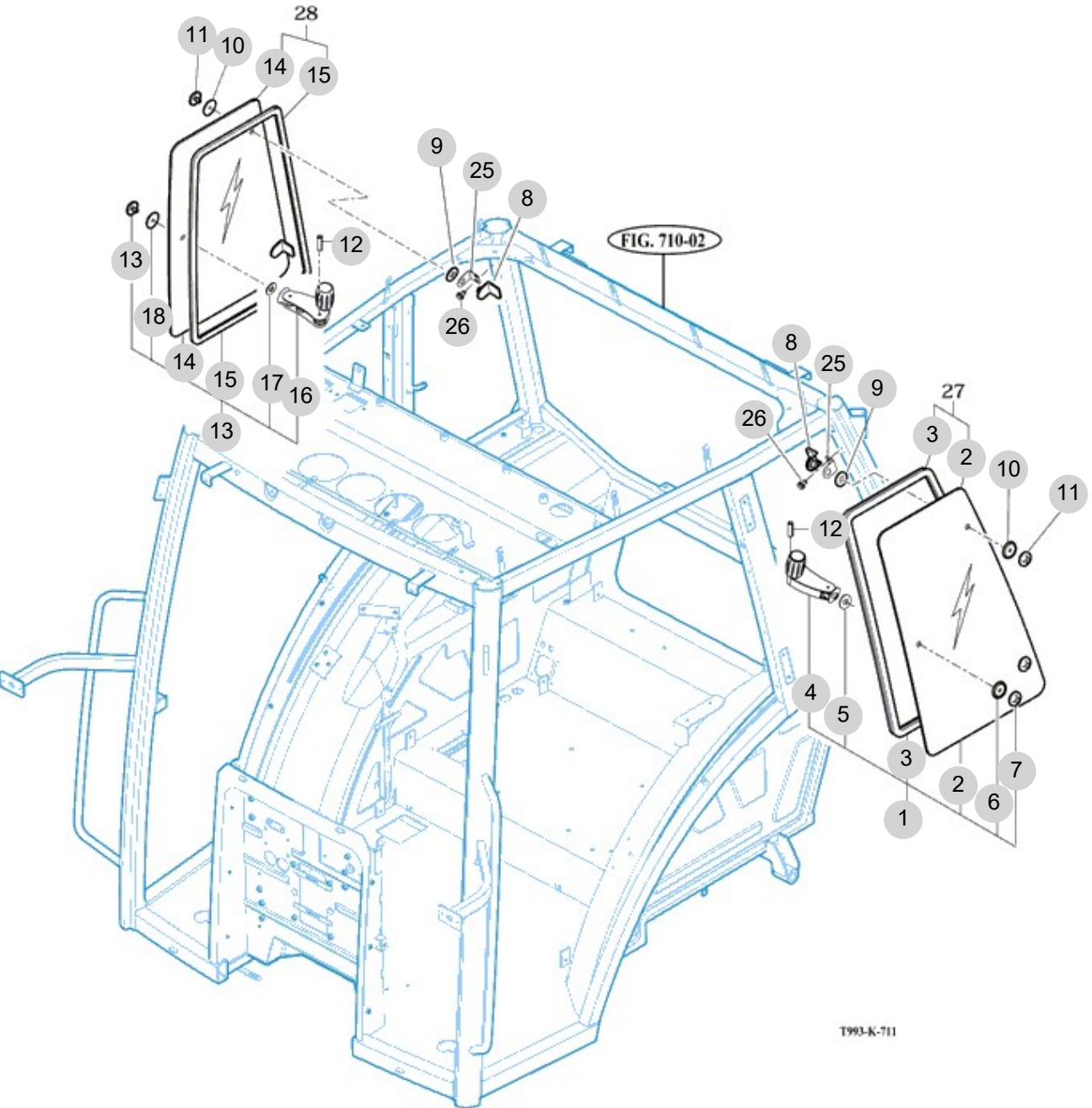
NOTE

FIG 711

SIDE GLASS

년/월
Year/Month

2022-12



NOTE

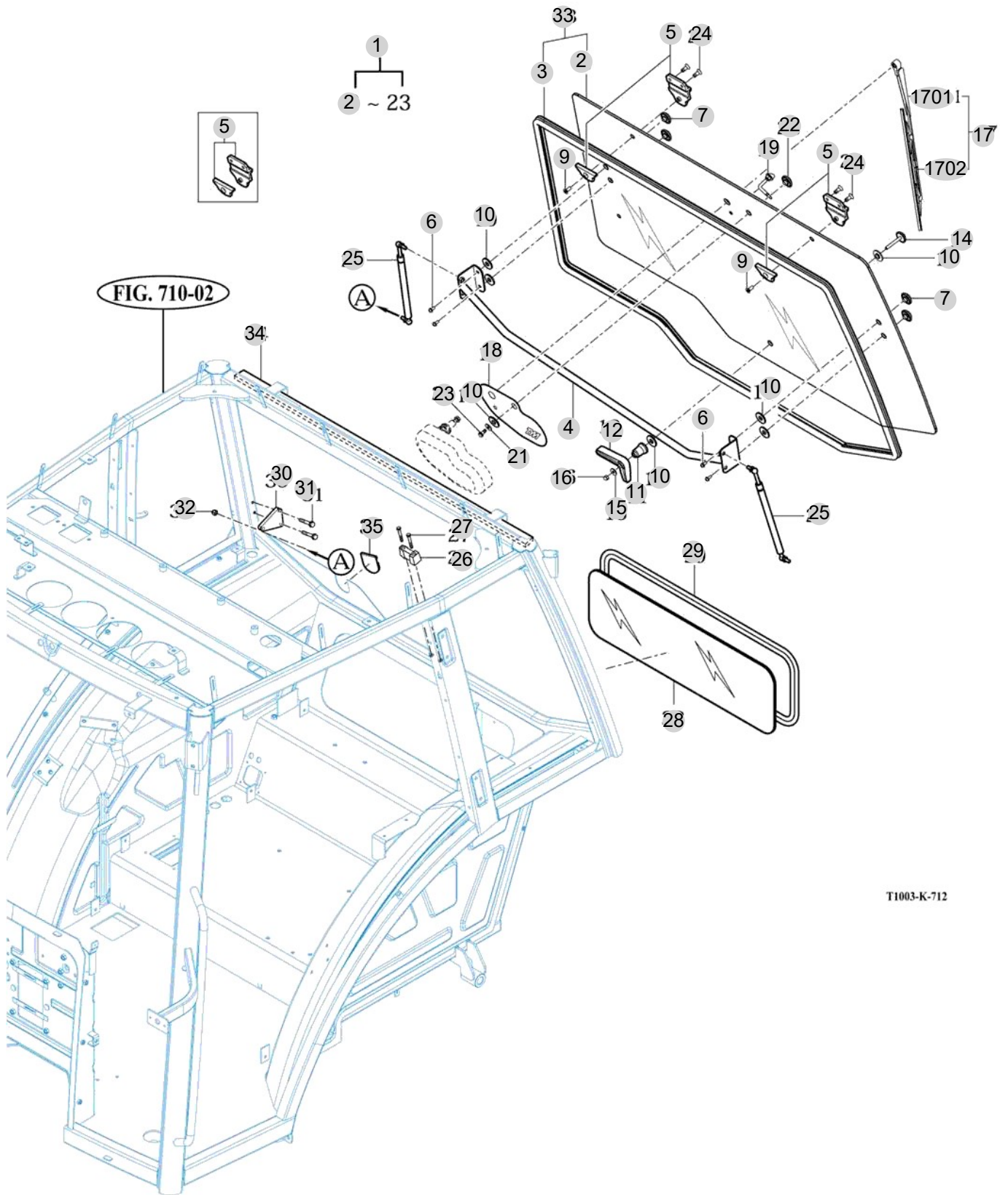
FIG 712

REAR GLASS

년/월
Year/Month

2022-12

T1104SPEU



T1003-K-712

NOTE

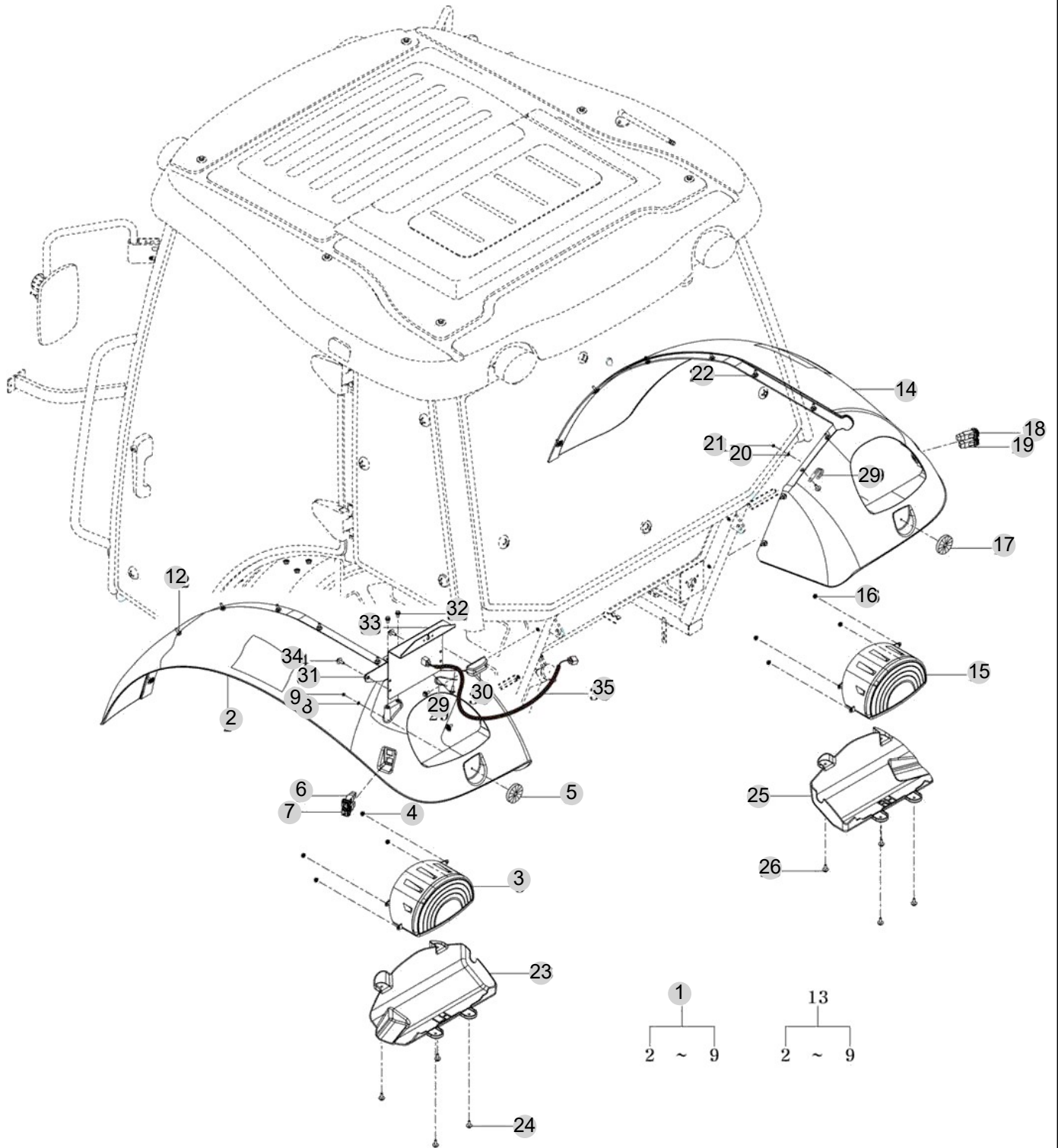
FIG 713

SUB FENDER & COVER

년/월
Year/Month

T1104SPEU

2022-12



NOTE

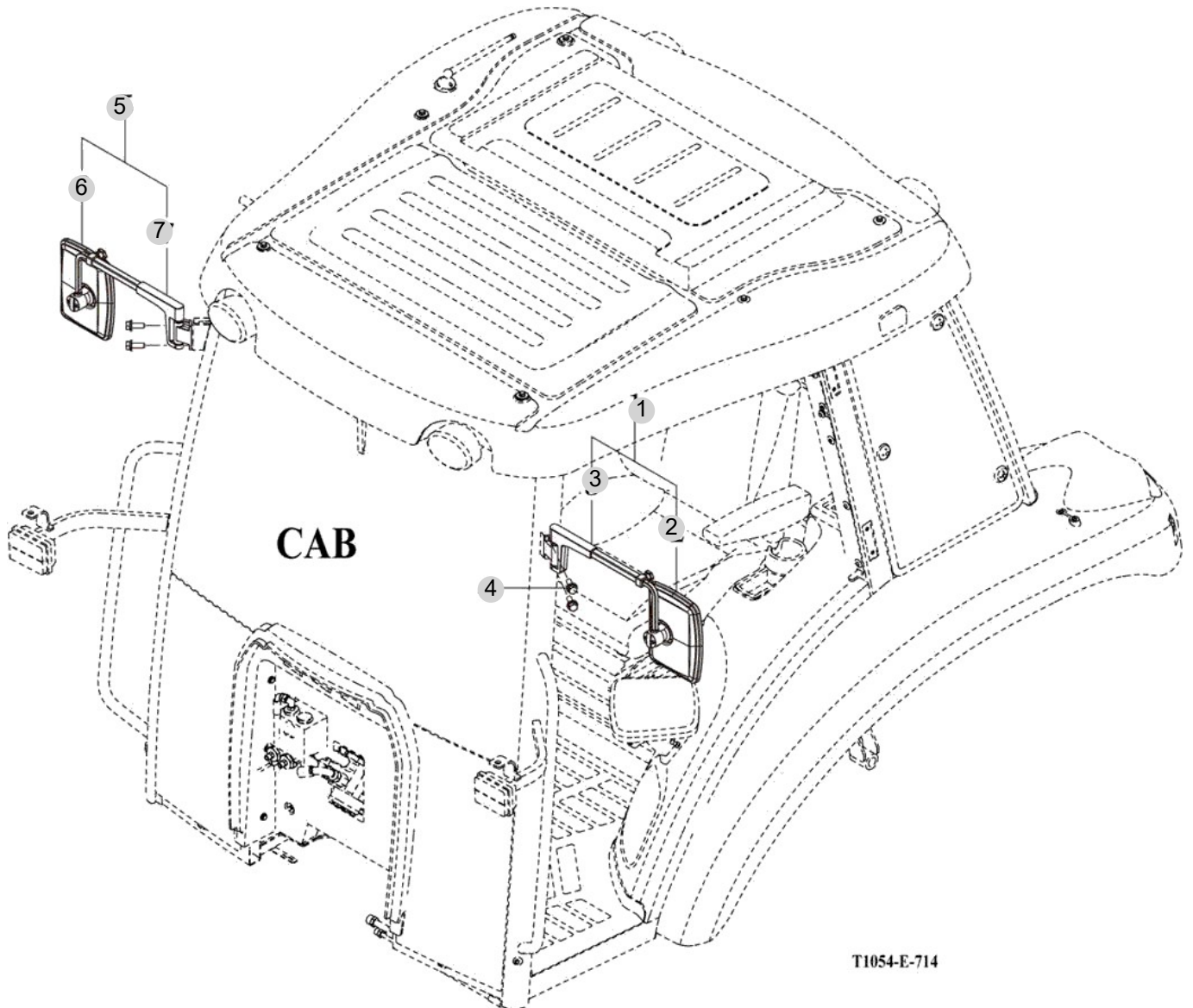
FIG 714

REARVIEW MIRRORS

년/월
Year/Month

2022-12

T1104SPEU



T1054-E-714

NOTE

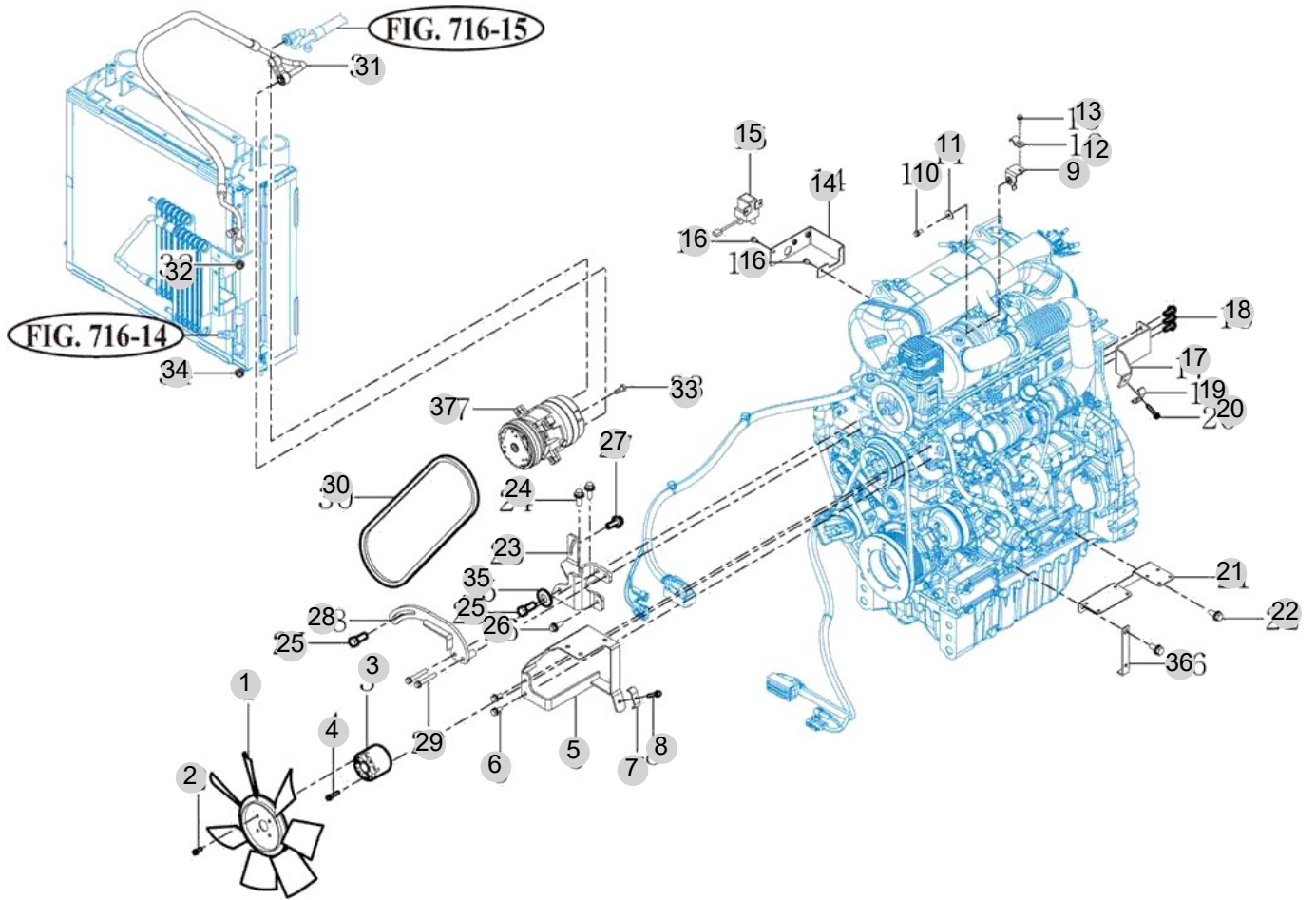
FIG 715

HEATER & AIR-CON (1)

년/월
Year/Month

2022-12

T1104SPEU



NOTE

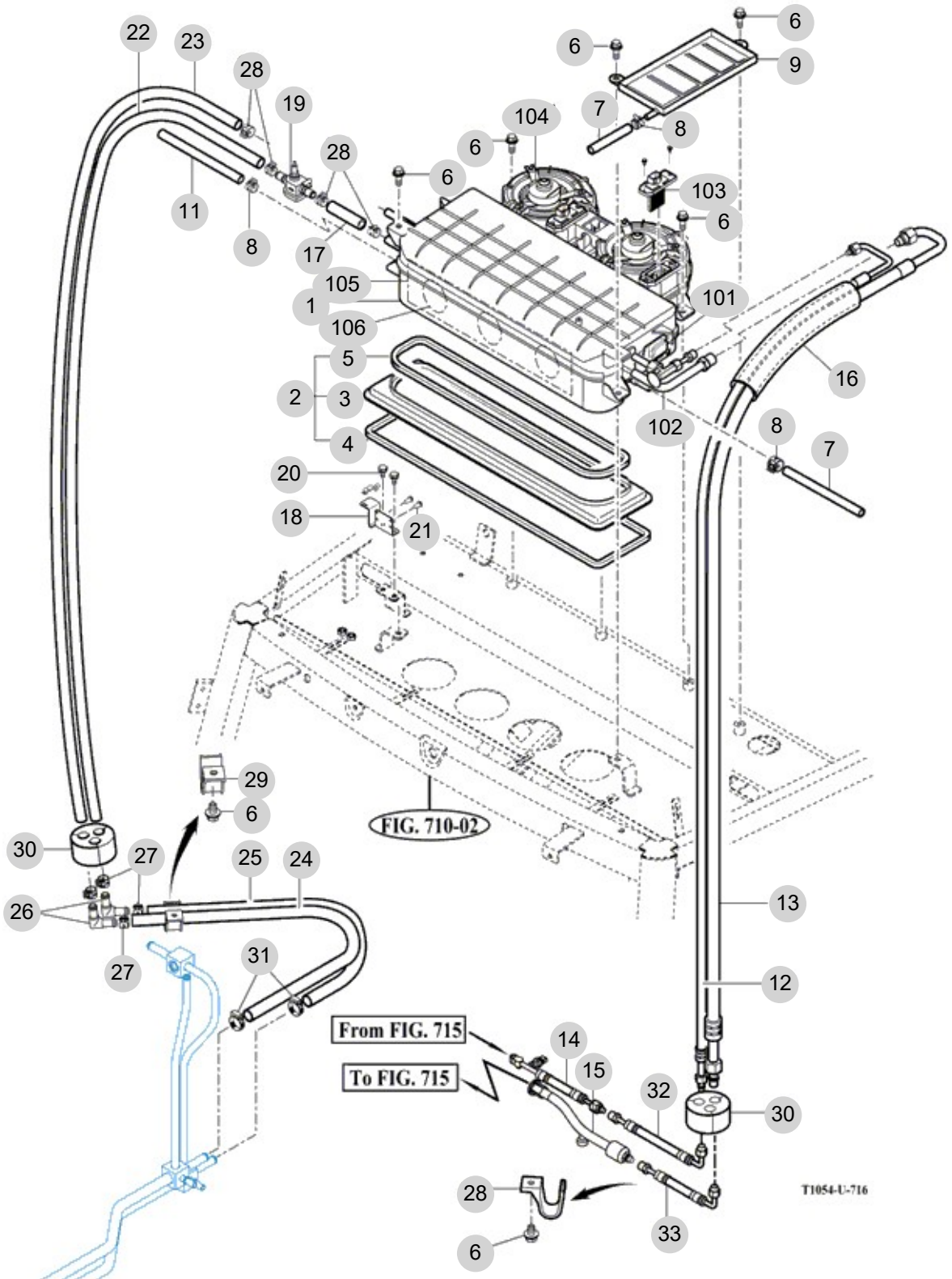
FIG 716

HEATER & AIR-CON (2)

년/월
Year/Month

2022-12

T1104SPEU



NOTE

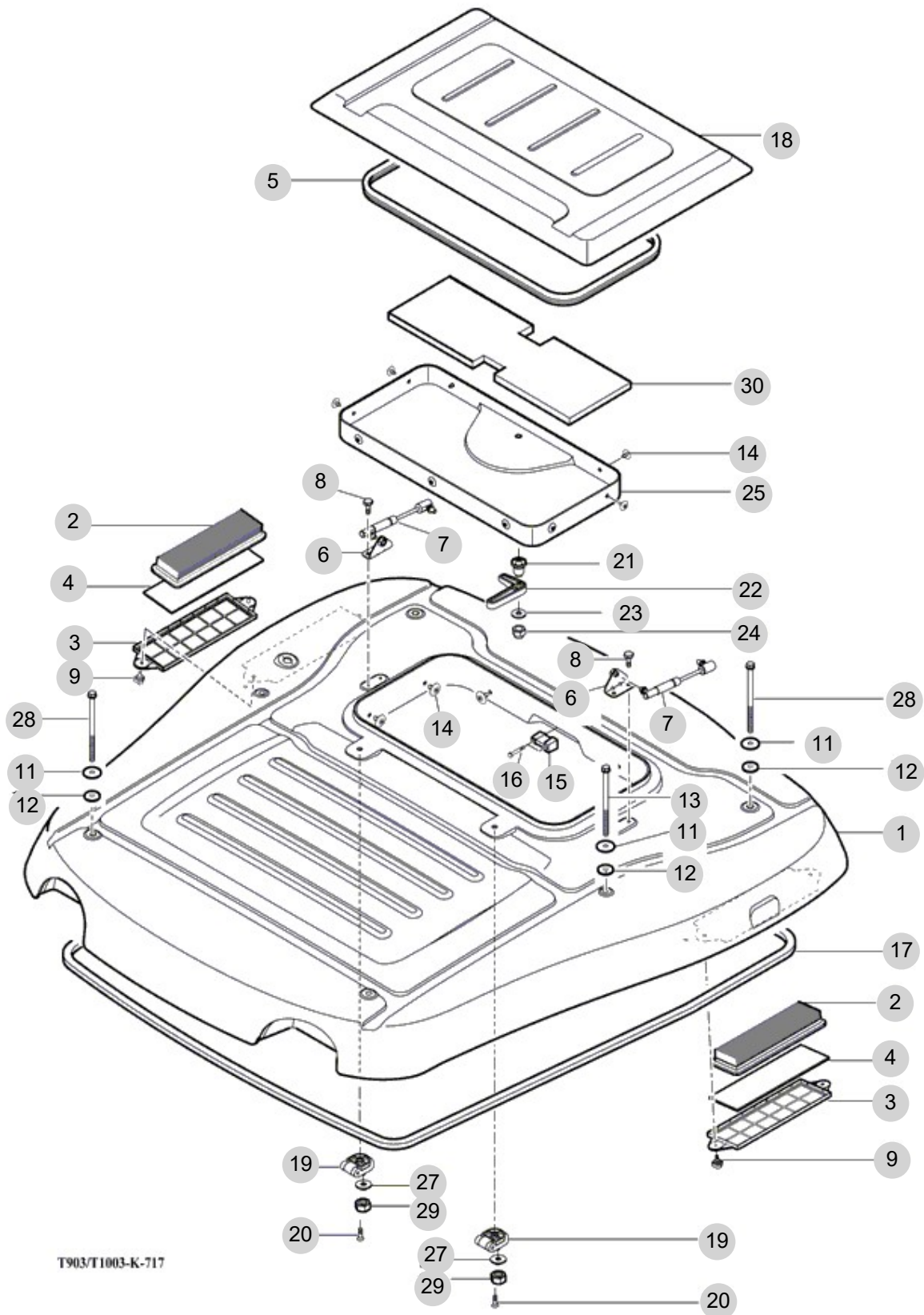
FIG 717

T1104SPEU

ROOF

년/월
Year/Month

2022-12



NOTE

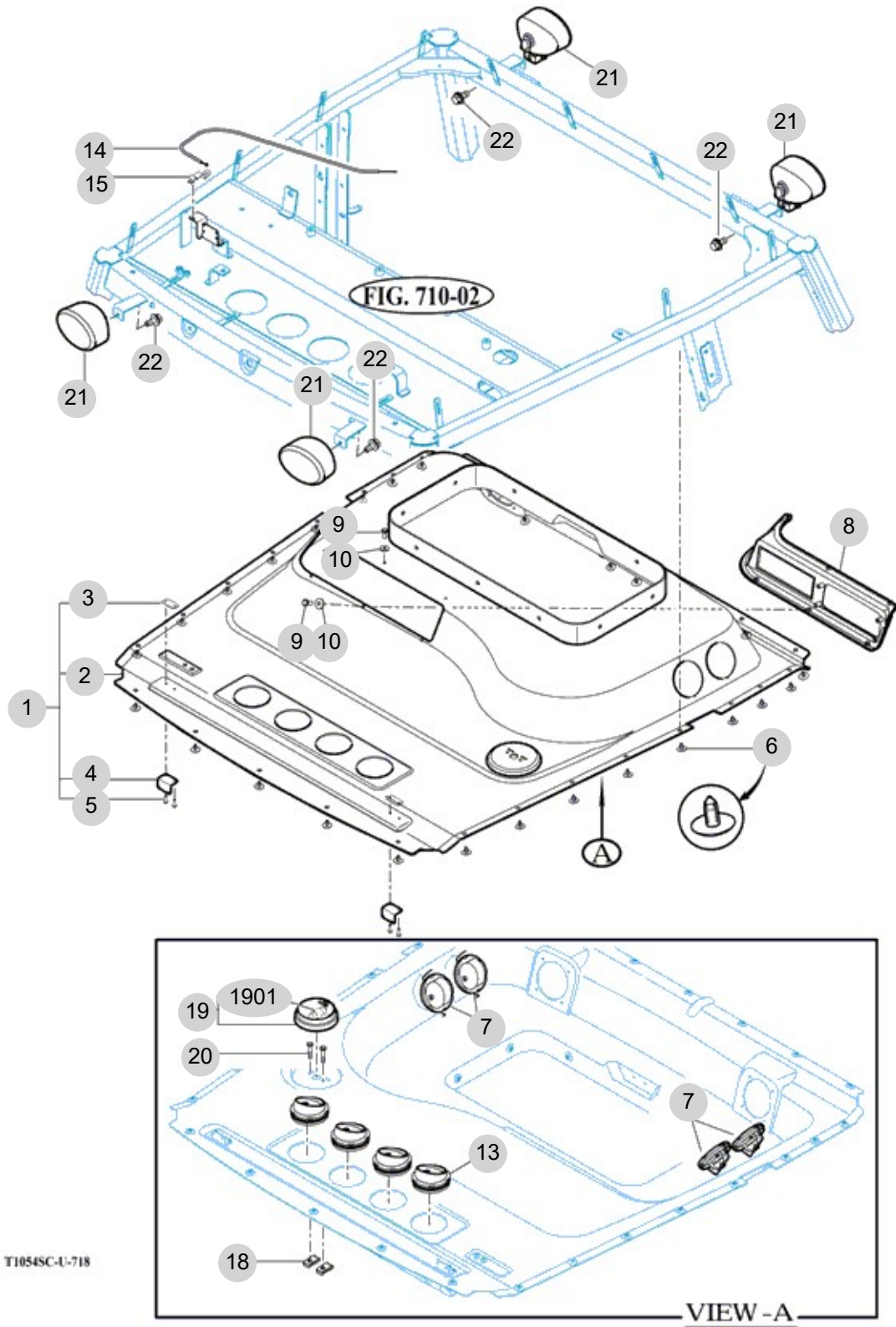
FIG 718

CABIN INTERIOR

년/월
Year/Month

2022-12

T1104SPEU



T1054SC-U-718

VIEW - A

NOTE

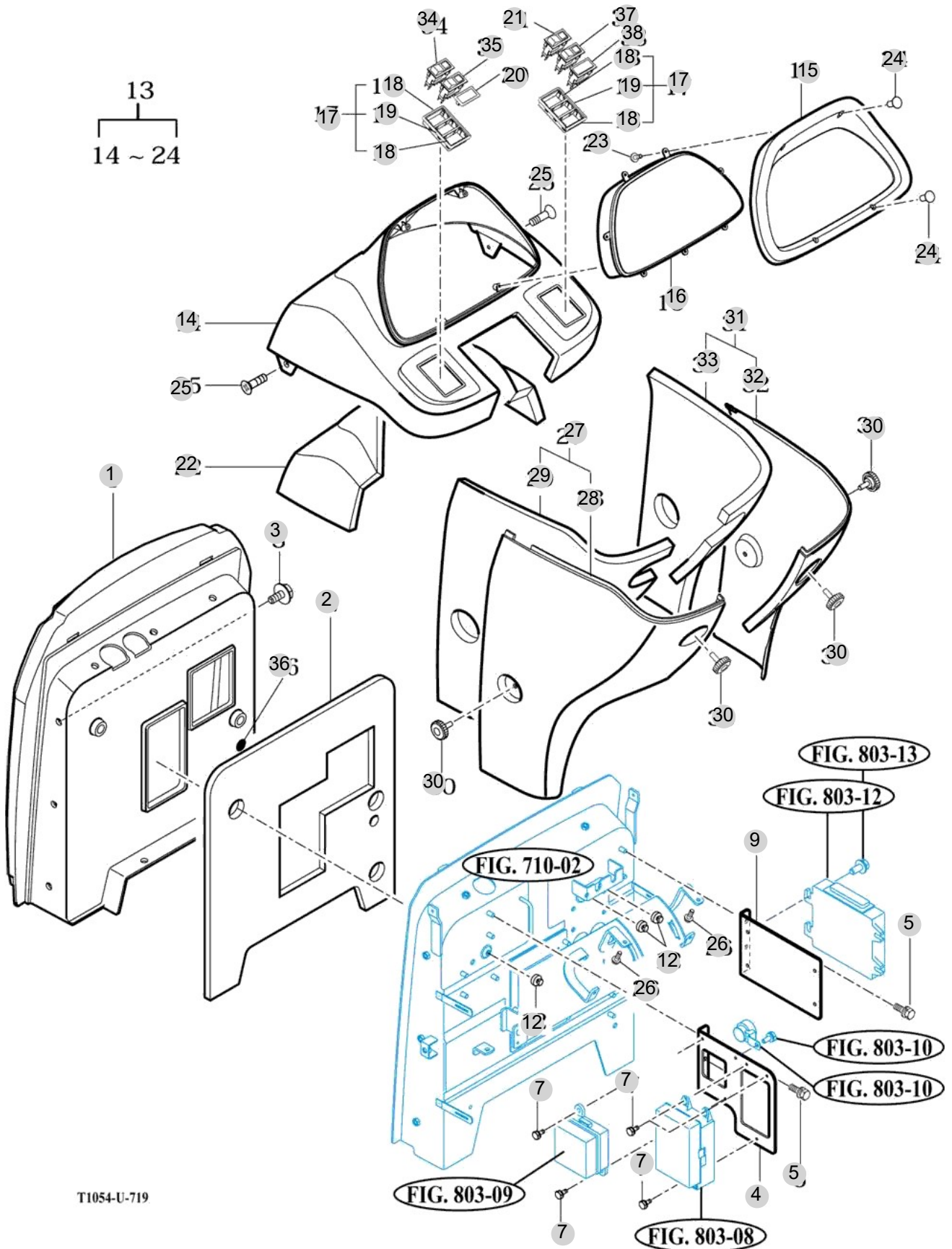
FIG 719

DASHCOVER

년/월
Year/Month

2022-12

T1104SPEU



T1054-U-719

NOTE

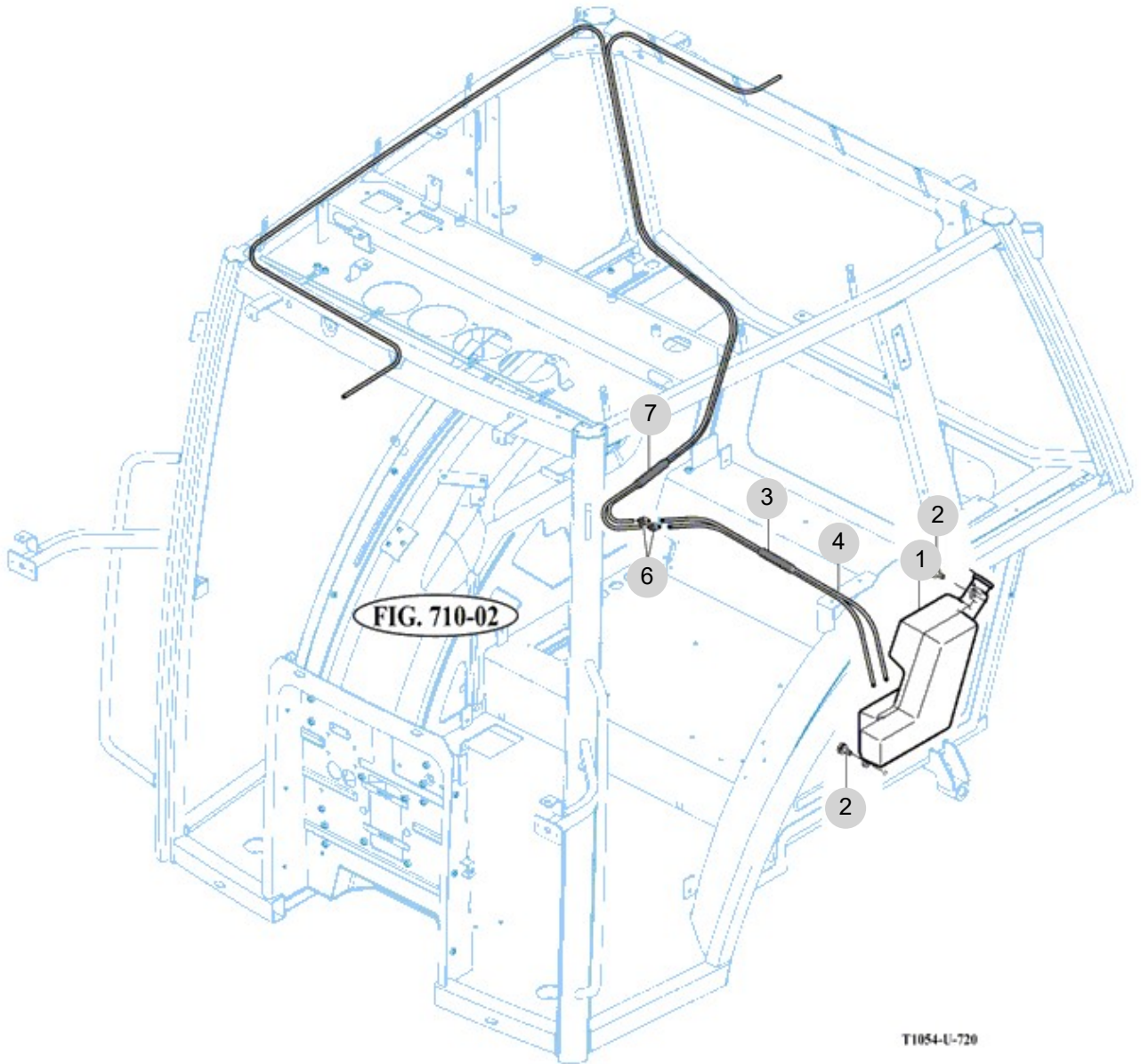
FIG 720

T1104SPEU

TANK ASSY, WASH

년/월
Year/Month

2022-12



NOTE

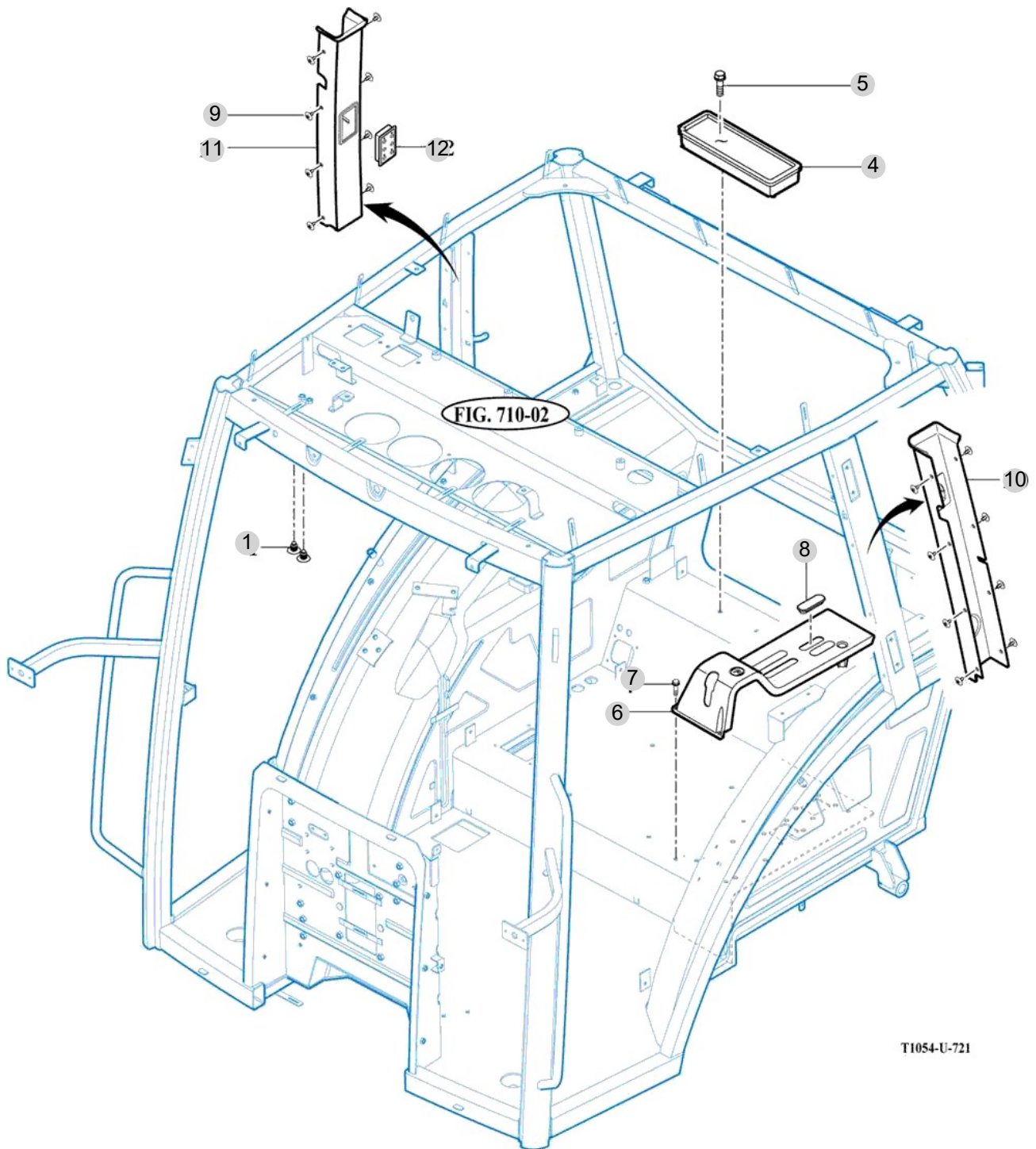
FIG 721

ROOM MIRROR ASSY

년/월
Year/Month

2022-12

T1104SPEU



T1054-U-721

NOTE

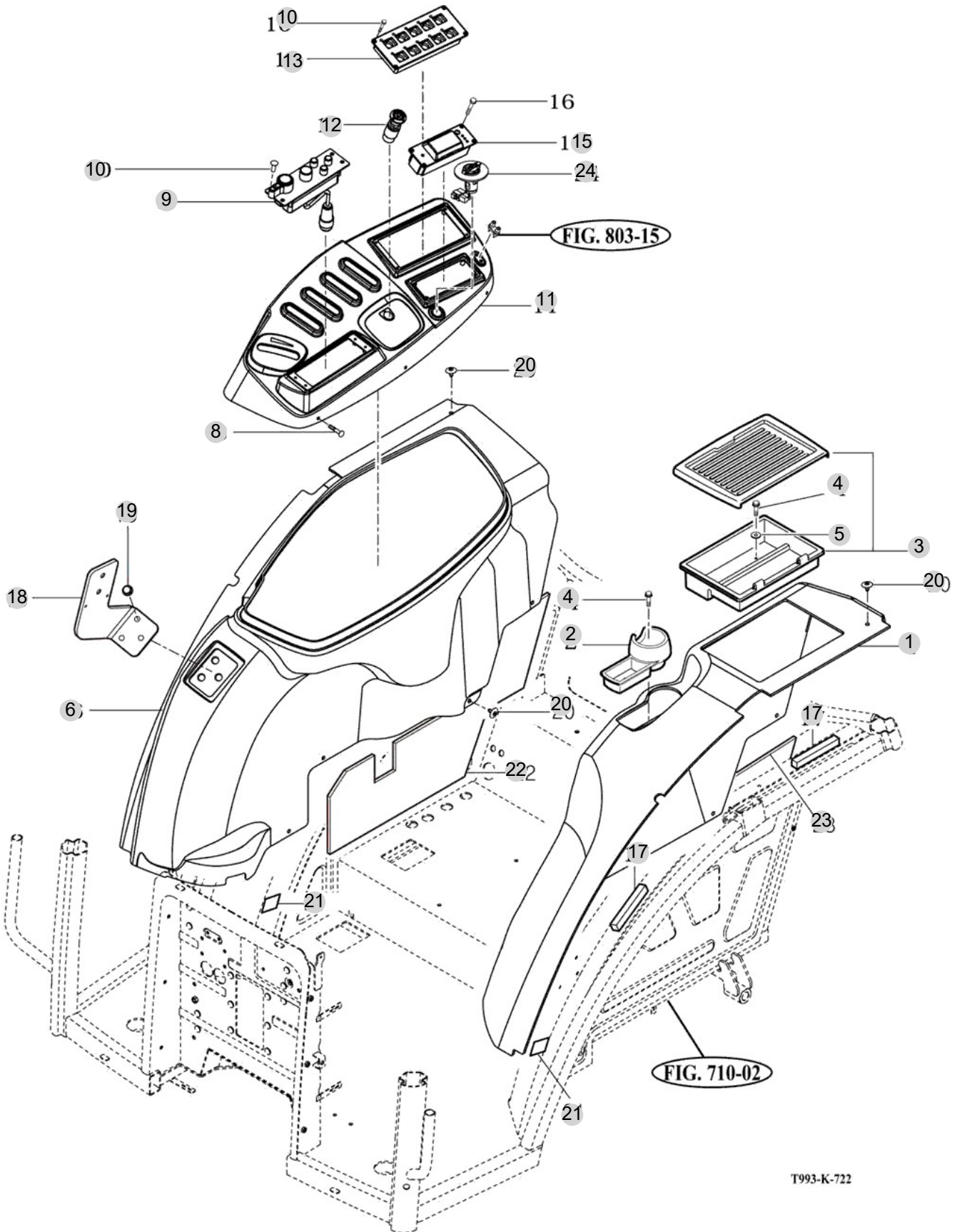
FIG 722

COVER-FENDER&JOYSTICK LEVER

년/월
Year/Month

2022-12

T1104SPEU



T993-K-722

NOTE

8. Electrical System PART NO. T8

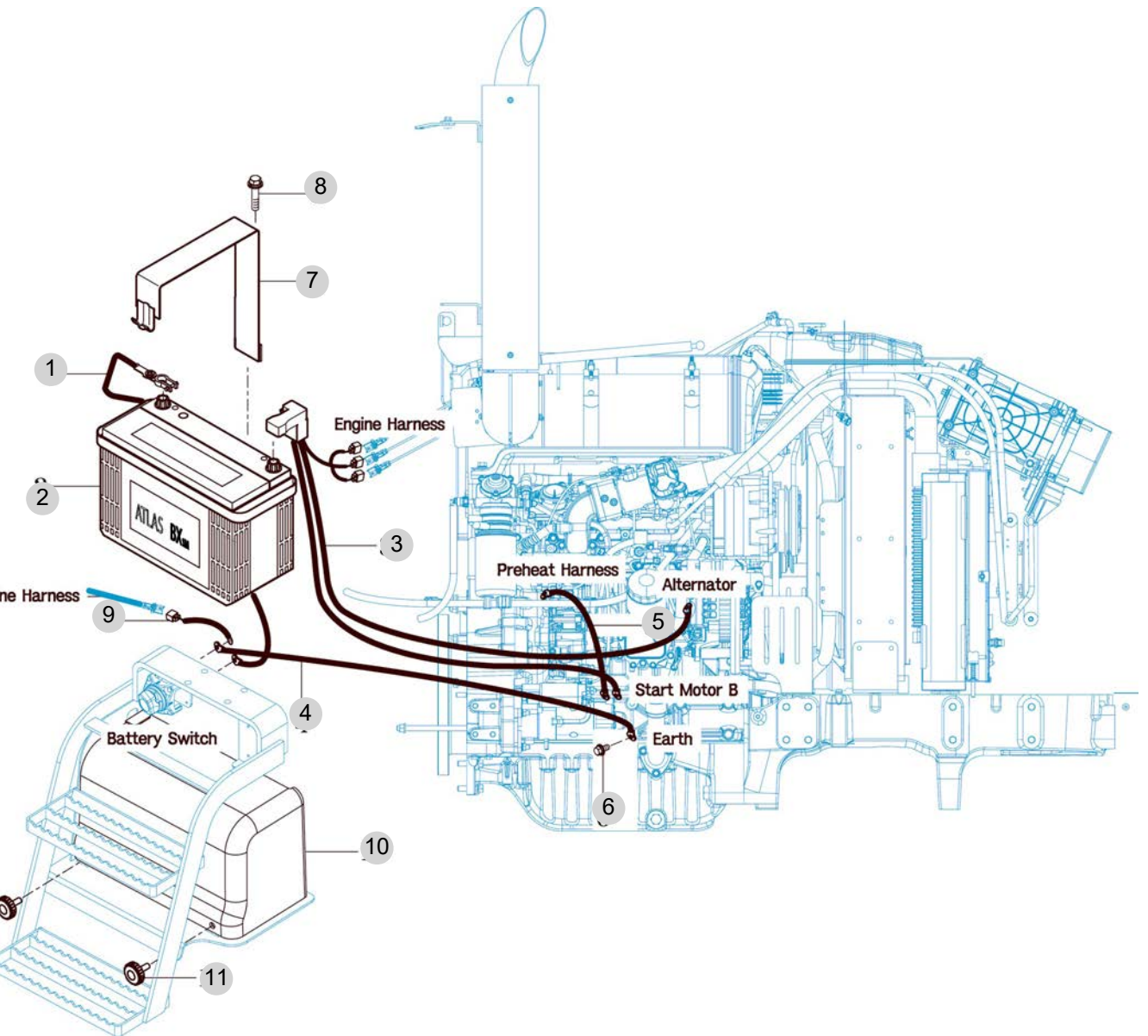
FIG 801 BATTERY & MOUNTING	268
FIG 802 ELECTRIC SYSTEM (1)	270
FIG 803 ELECTRIC SYSTEM (2)	272
FIG 804 ELECTRIC SYSTEM (3)	274
FIG 805 ELECTRIC SYSTEM (4)	276
FIG 806 ELECTRIC SYSTEM (5)	278
FIG 807 ELECTRIC SYSTEM (5)	280

FIG 801

BATTERY & MOUNTING

년/월
Year/Month

2022-12



NOTE

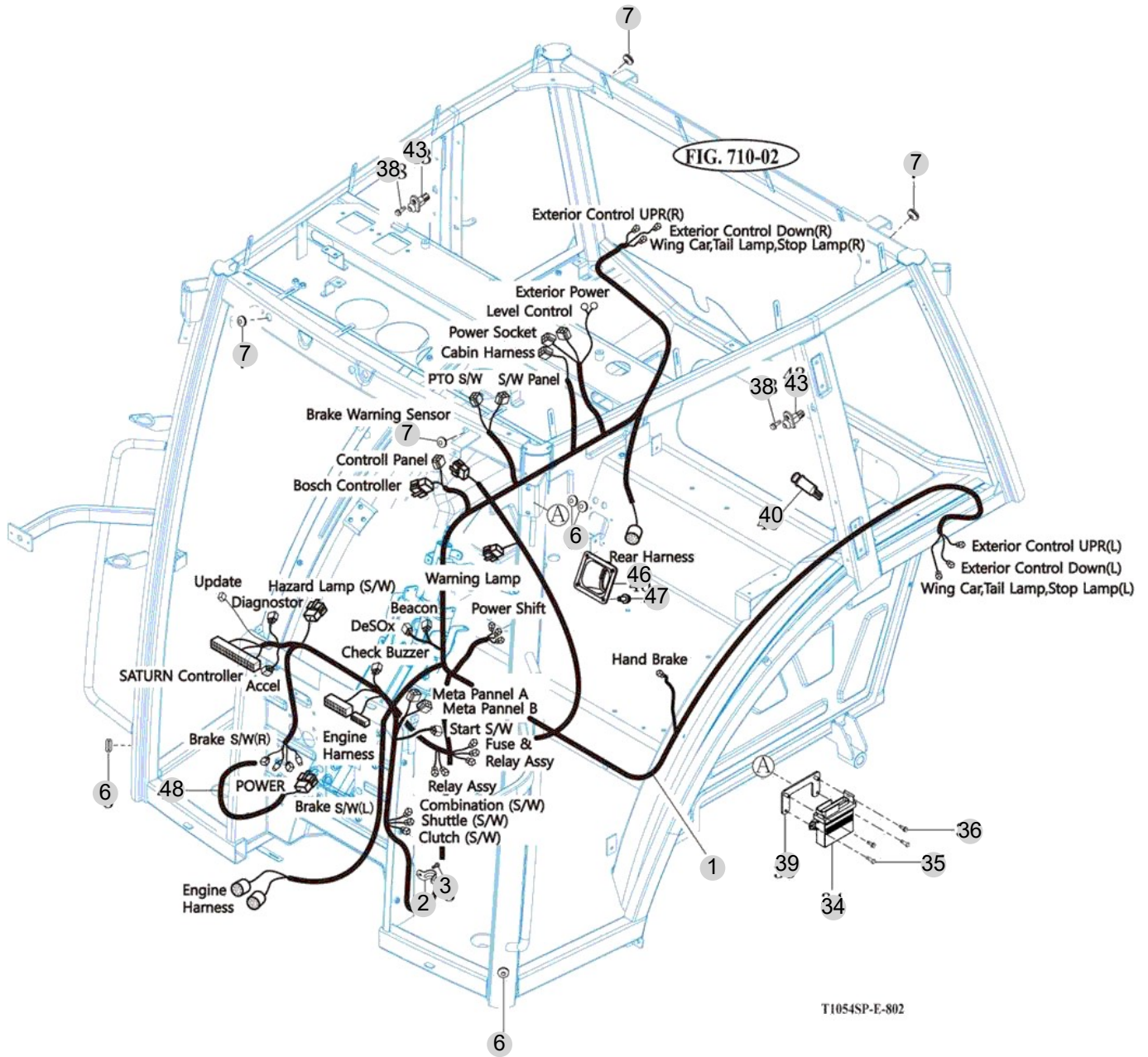
FIG 802

ELECTRIC SYSTEM (1)

년/월
Year/Month

T1104SPEU

2022-12



T1054SP-E-802

NOTE

FIG 802 T1104SPEU		ELECTRIC SYSTEM (1)					년/월 Year/Month	
							2022-12	
KEY NO	PART NO	DESCRIPTION	SPEC	QTY	REPAIR	EFFECTIVE DATE	REMARKS	
802	1	18806802700	HARNESS ASSY , MAIN			1		
802	2	19027310030	CLAMP , HARNESS	T=2.0		1		
802	3	V1222805016	SCREW , C/R PAN/SP	M5X16		1		
802	6	19026642010	GROMMET , 12X17X3.2	1X1X1		4		
802	7	10016540120	CAP , RUBBER 20	1X1X1		4		
802	34	18716482200	CONTROLLER ASSY, EHC			1		
802	35	V1122806016	SCREW , C/R FLAT	M6X12		2		
802	36	V1222804012	SCREW , C/R PAN/SP	M4X12		2		
802	38	V1222805016	SCREW , C/R PAN/SP	M5X16		2		
802	39	18717011101GB	BRACKET COMP , CONTROLLER			1		
802	40	10037018500	SOCKET ASSY , POWER			1		
802	43	19026462500	SWITCH ASSY , DOOR	1X1X1		2		
802	46	19027310040	COVER, HARNESS	1X1X1		1		
802	47	V2123606016	BOLT , HEX /SP	M6X16		4		
802	48	15826803600	HARNESS ASSY , BRAKE WARNING			1		
NOTE								

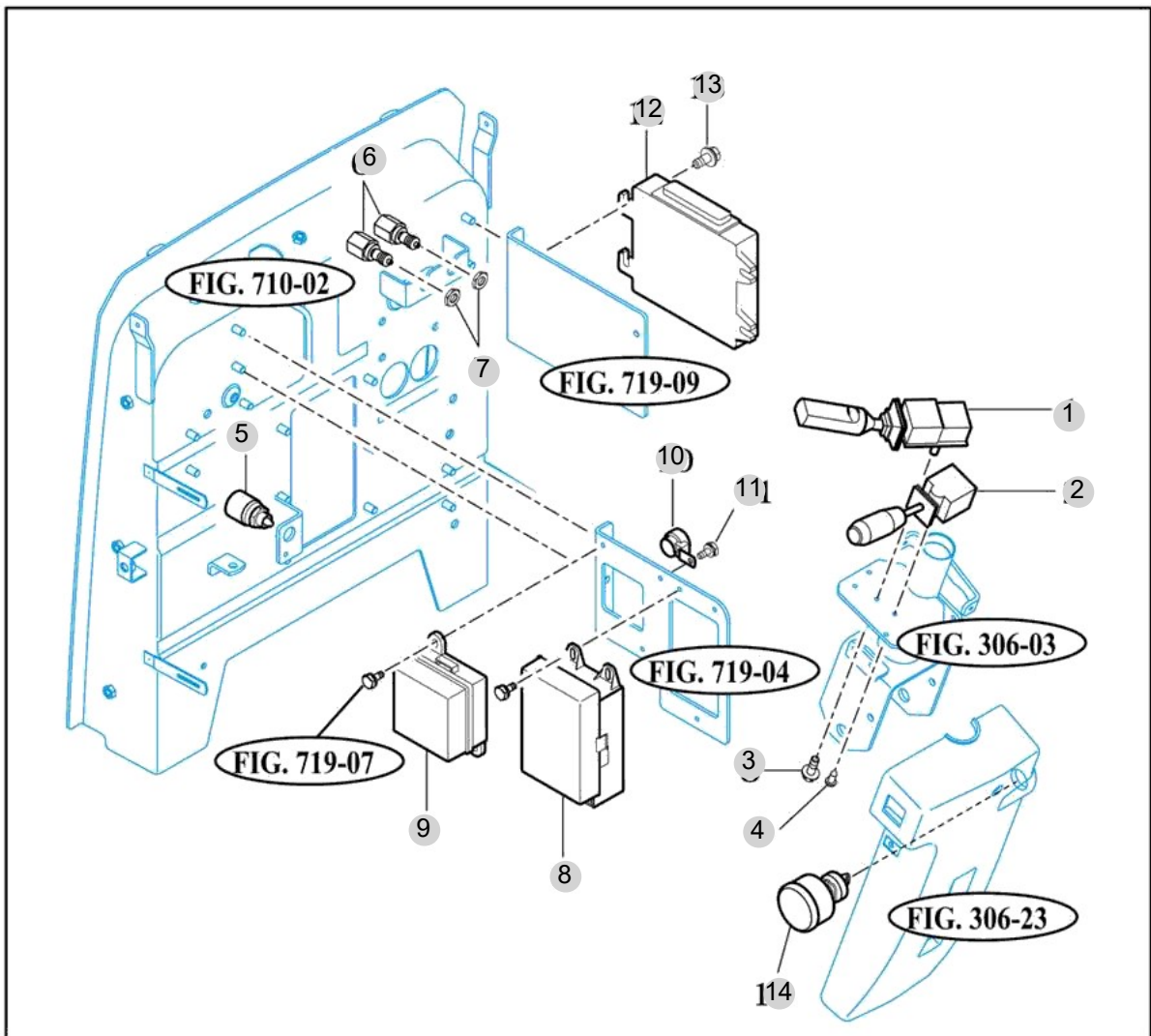
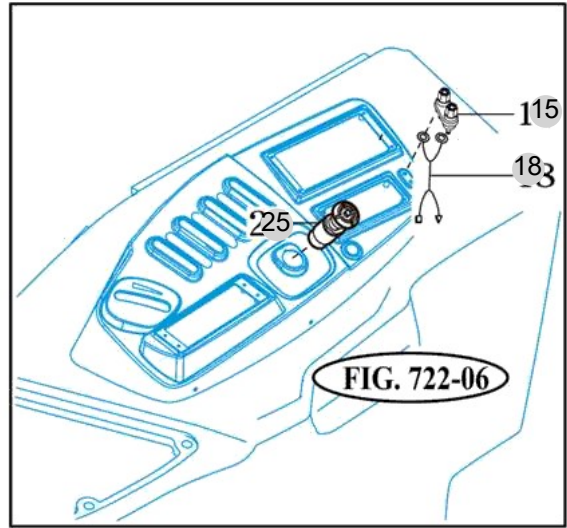
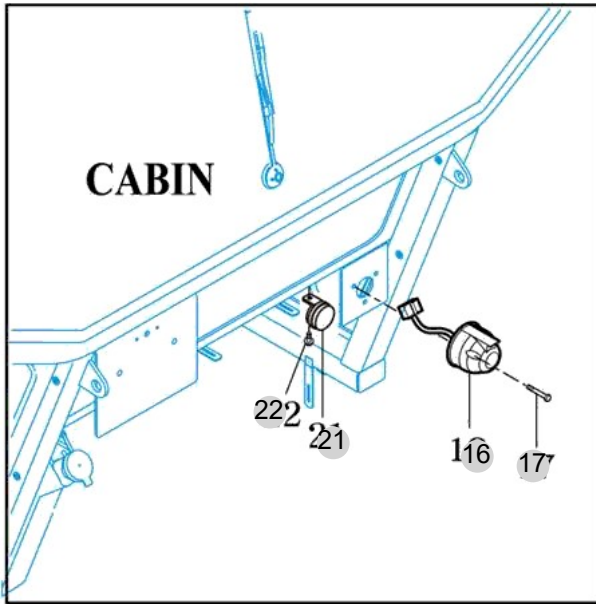
FIG 803

ELECTRIC SYSTEM (2)

년/월
Year/Month

T1104SPEU

2022-12



T1054-E-804

NOTE

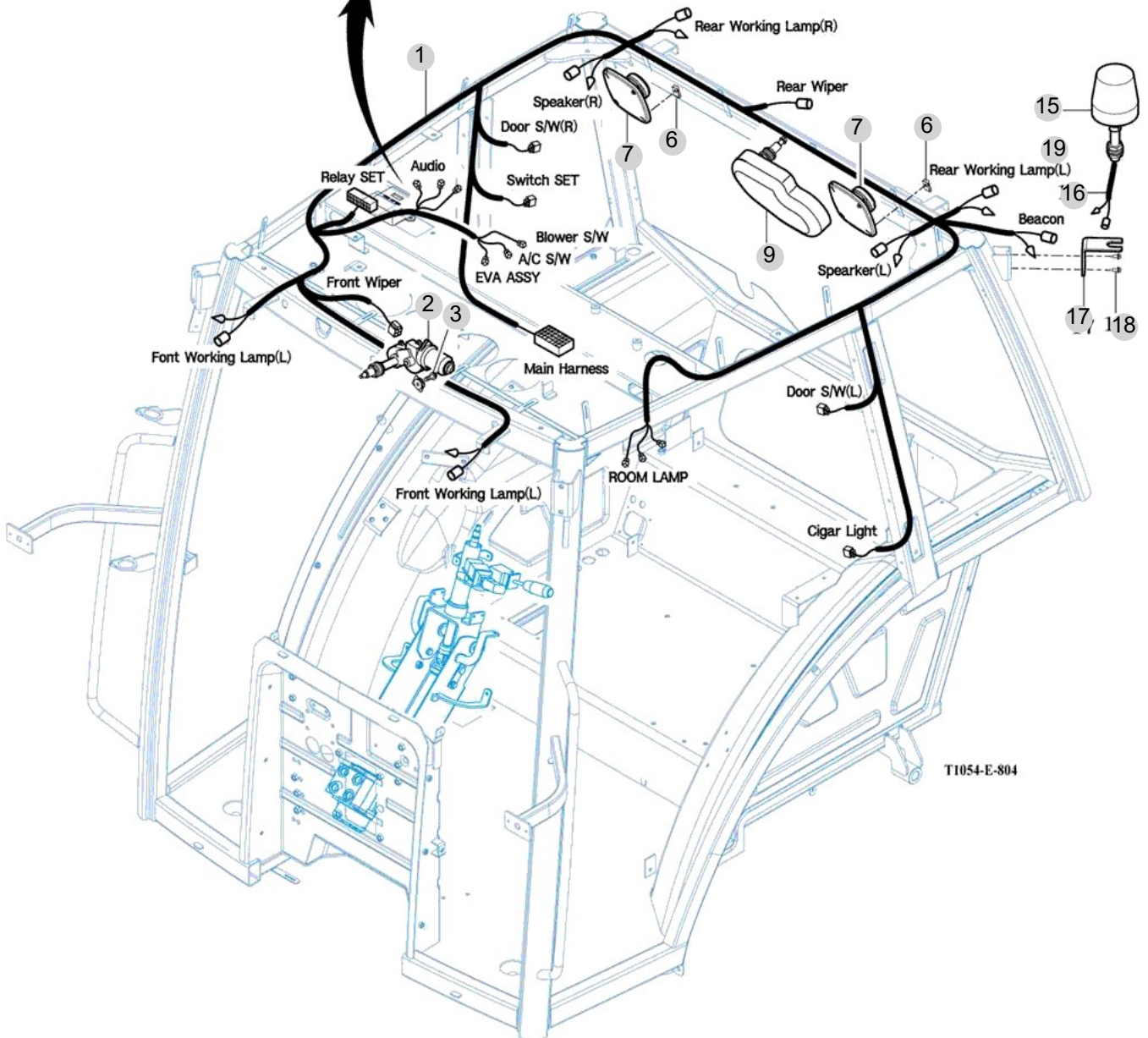
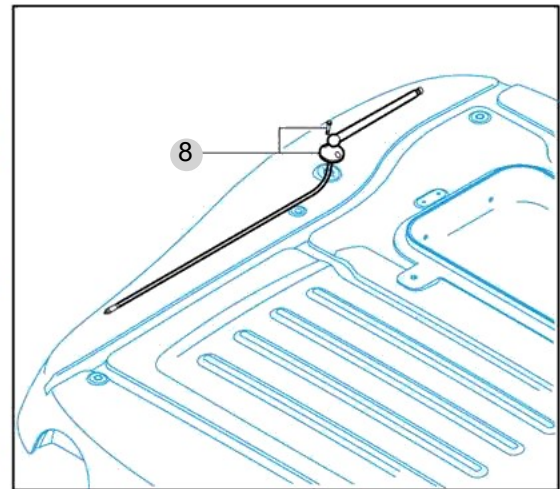
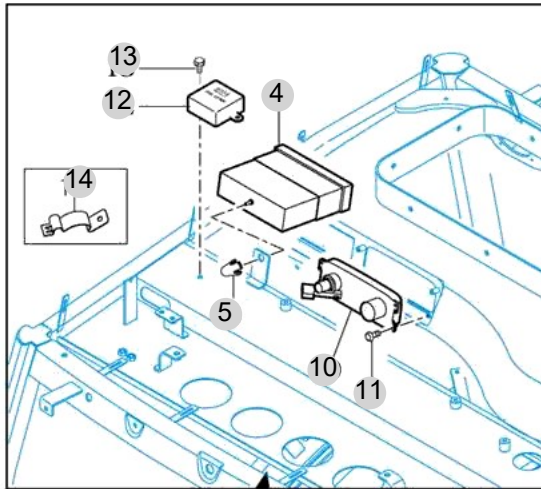
FIG 804

ELECTRIC SYSTEM (3)

년/월
Year/Month

2022-12

T1104SPEU



T1054-E-804

NOTE

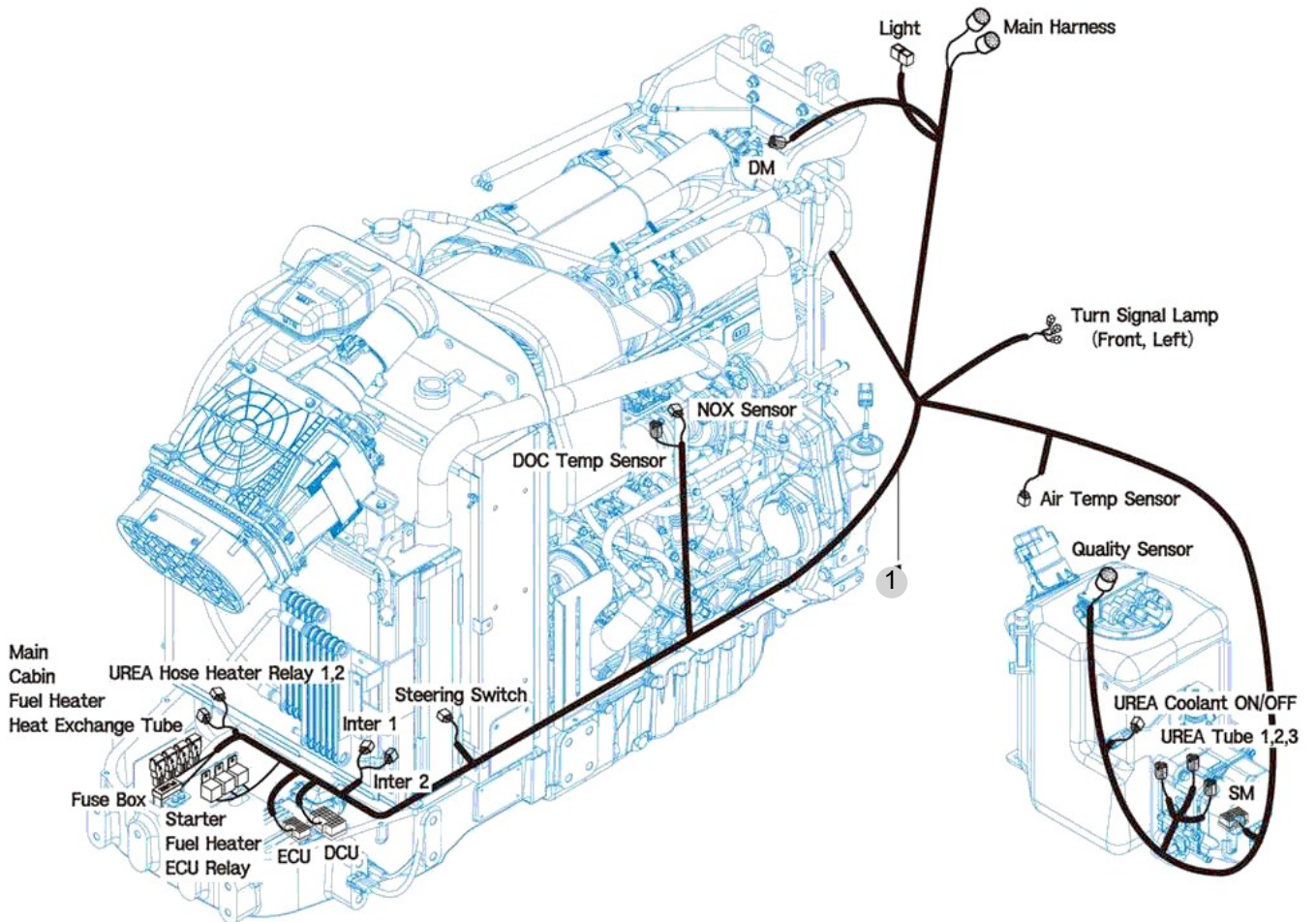
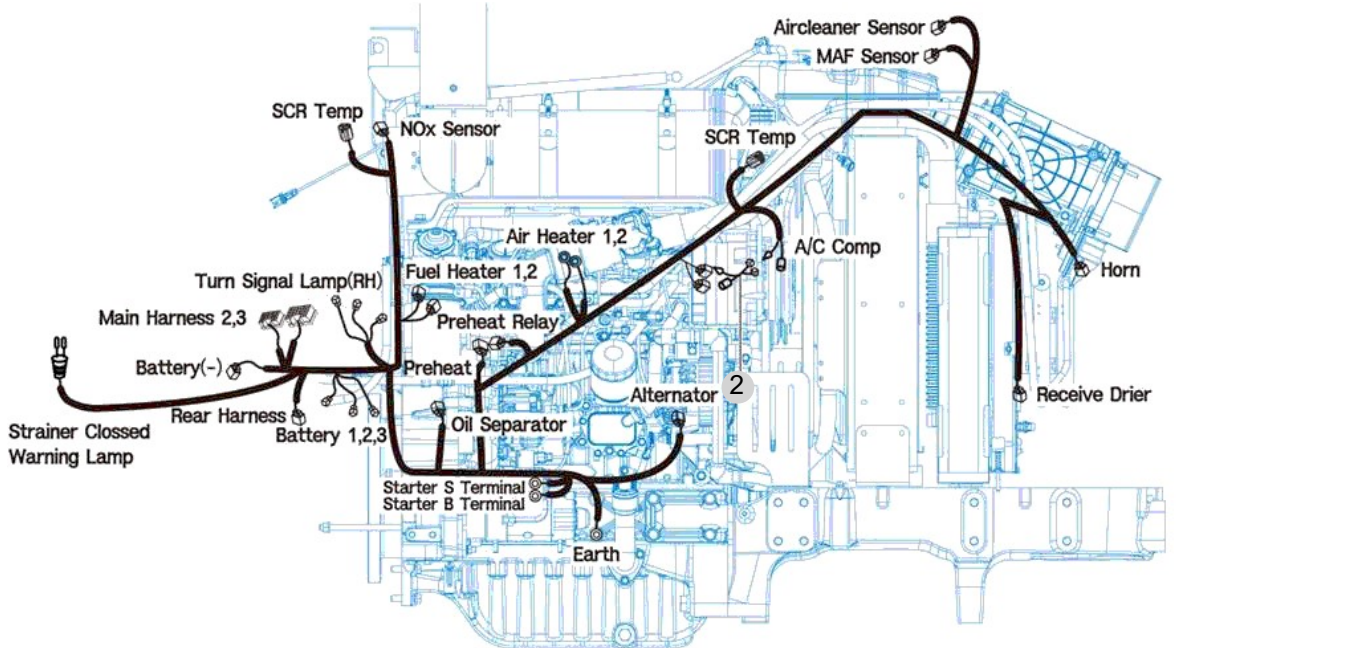
FIG 805

ELECTRIC SYSTEM (4)

년/월
Year/Month

T1104SPEU

2022-12



NOTE

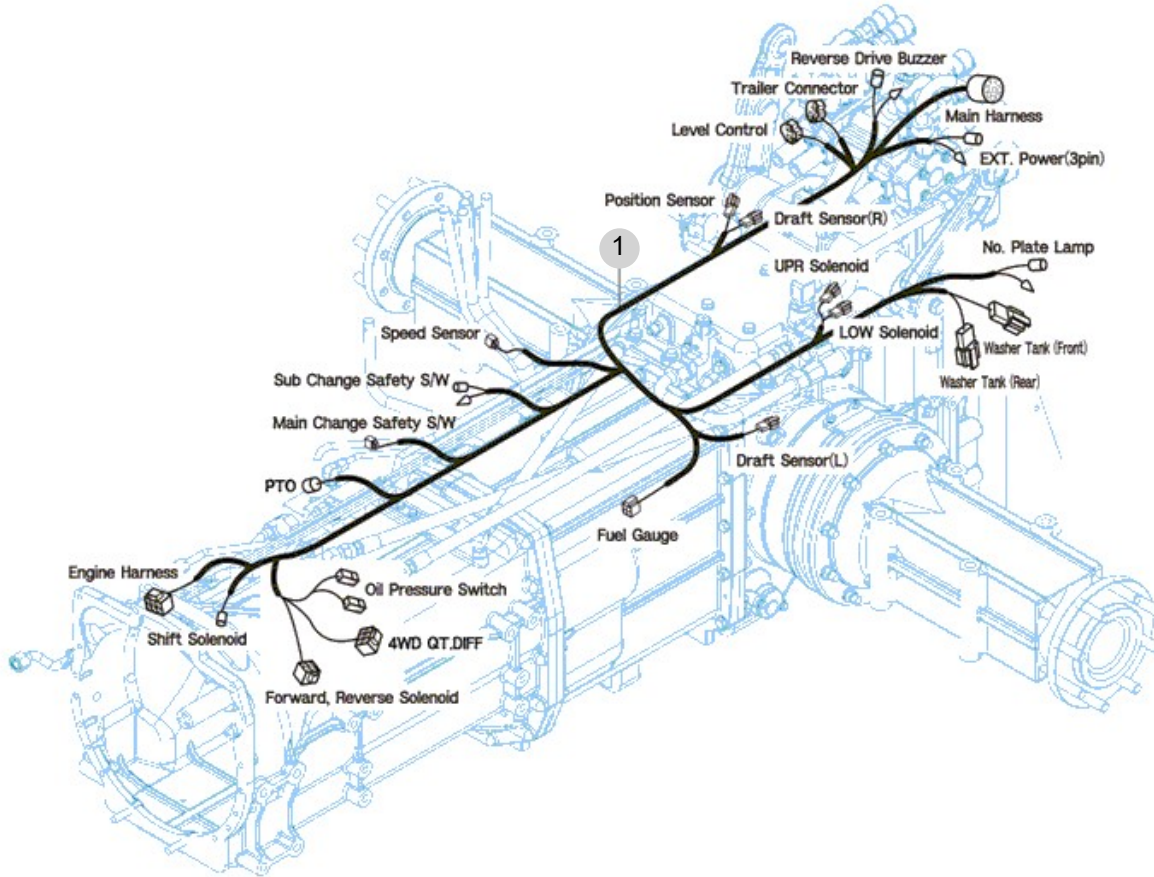
FIG 806

ELECTRIC SYSTEM (5)

년/월
Year/Month

T1104SPEU

2022-12



NOTE

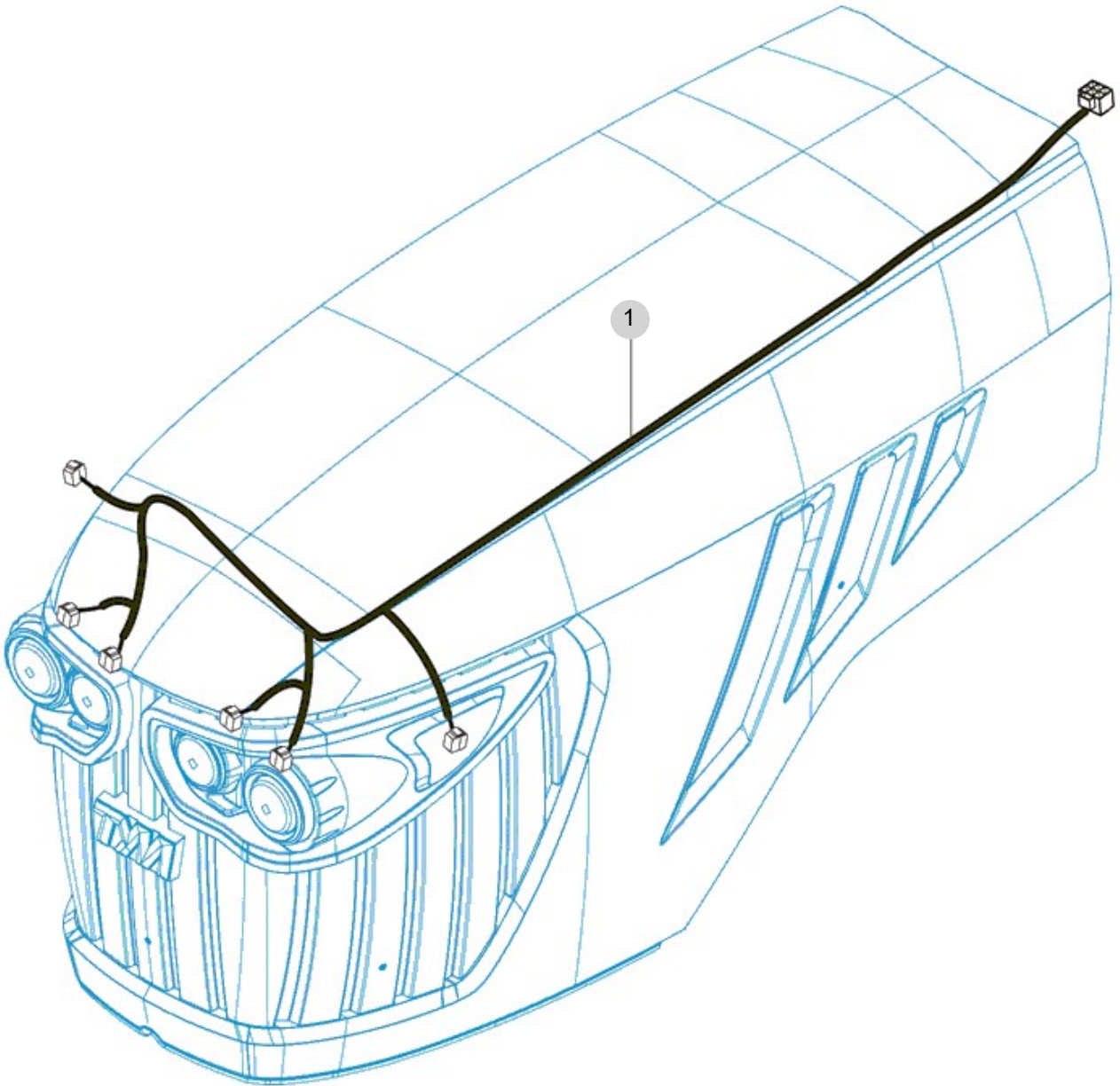
FIG 807

ELECTRIC SYSTEM (5)

년/월
Year/Month

T1104SPEU

2022-12



NOTE

9. Label/Option PART NO. T9

FIG 901 TOOL & ACCESSORY	283
FIG 902 WEIGHT	285
FIG 903 LABEL	287
FIG 903-2 LABEL	289

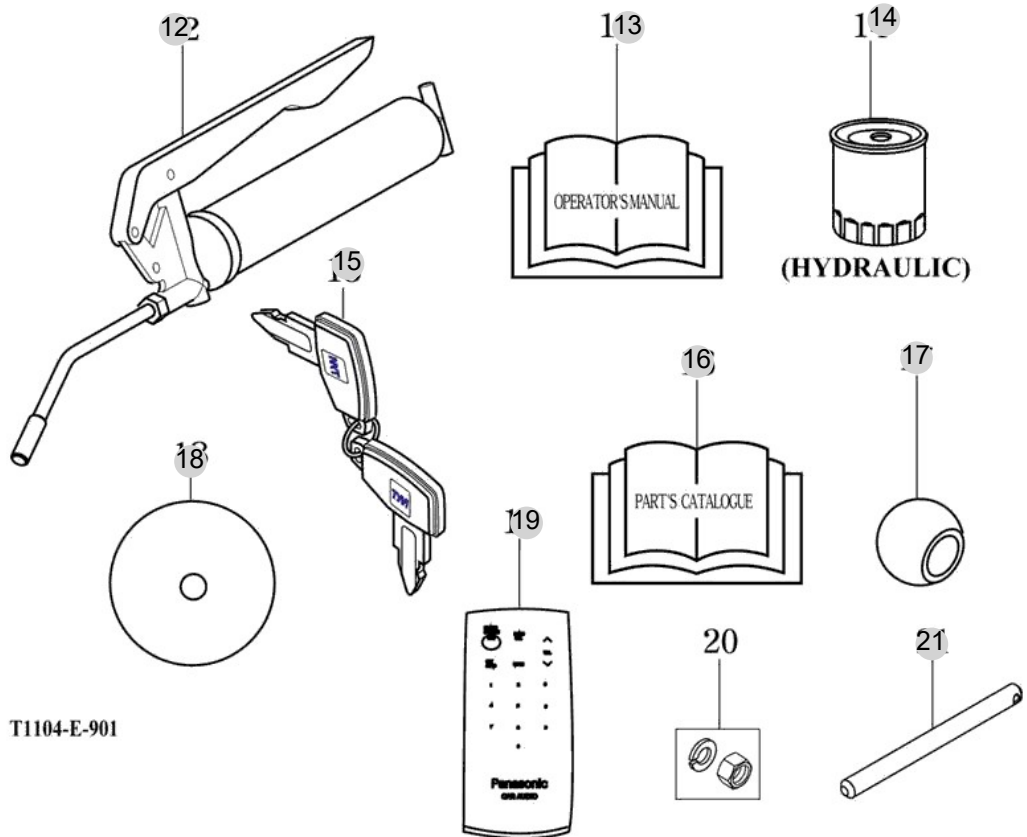
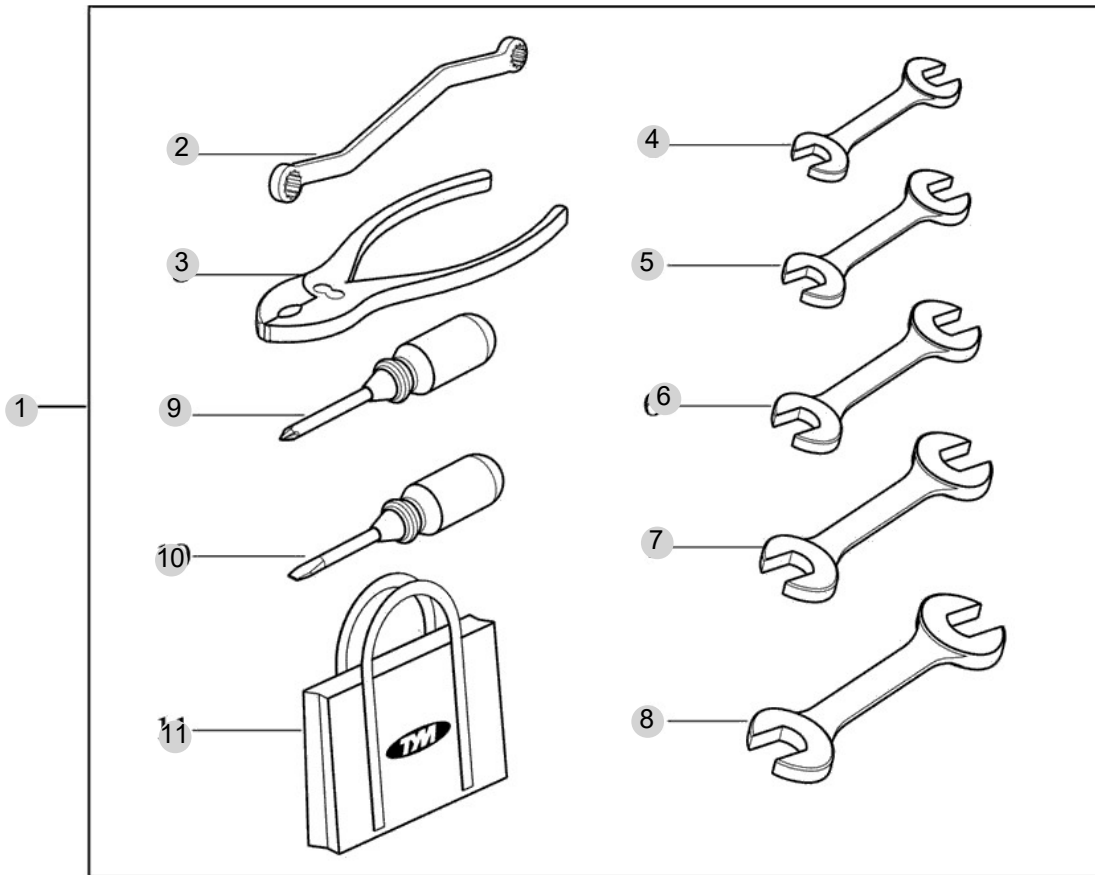
FIG 901

TOOL & ACCESSORY

년/월
Year/Month

2022-12

T1104SPEU



NOTE

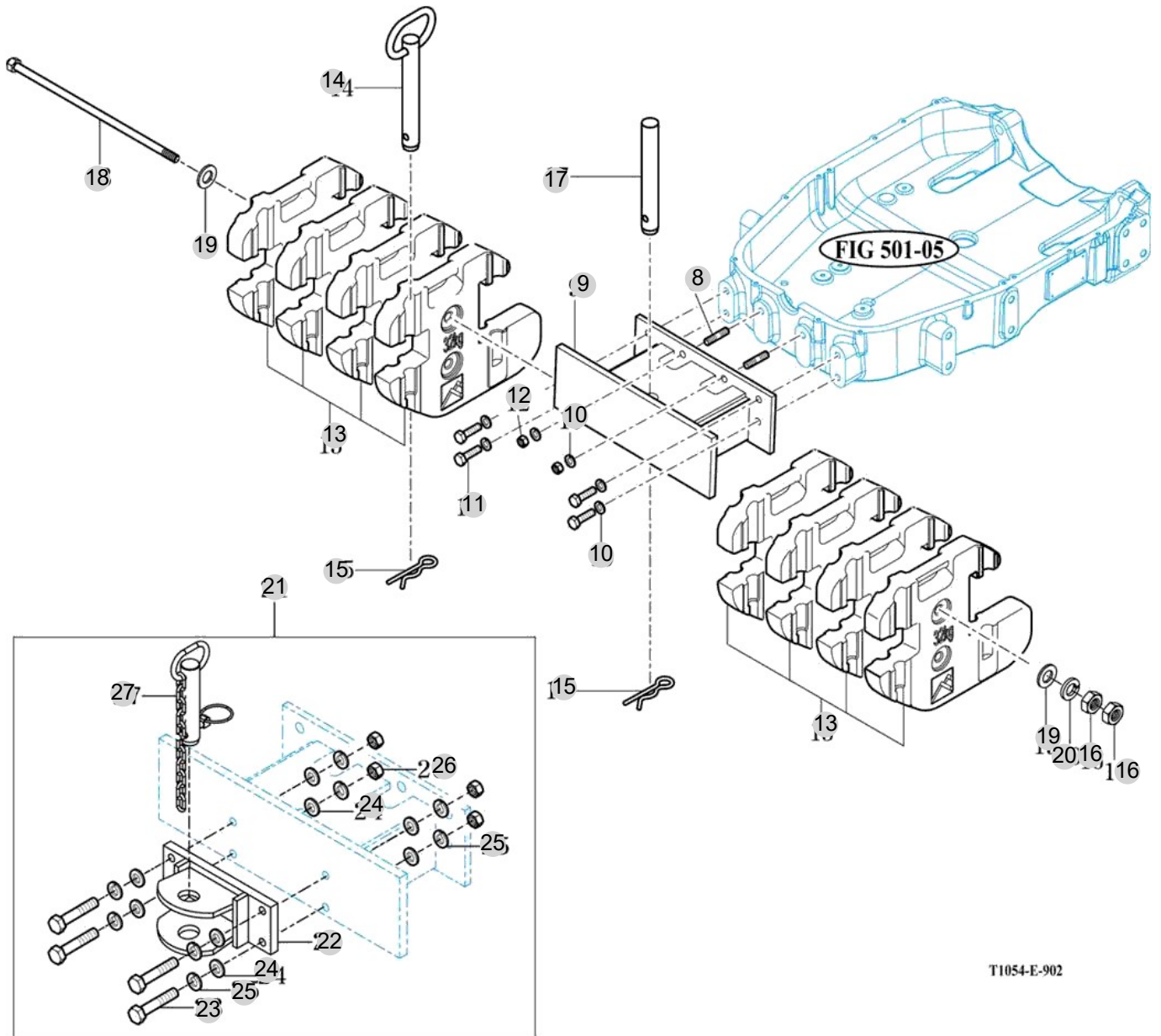
FIG 902

T1104SPEU

WEIGHT

년/월
Year/Month

2022-12



T1054-E-902

NOTE

FIG 903

T1104SPEU

LABEL

년/월
Year/Month

2022-12

Operator's manual

1

⚠ DANGER

Periodic ventilation should be made to avoid suffocation while heating and air conditioning is used. Sleeping in the cab is prohibited.

100-910-011-6

10

⚠ WARNING

Always fasten Your seat belt.

5

⚠ WARNING

FAST SLOW

Always set the knob to lock when

1. Travelling on the road.
2. Replacing blades on an implement.
3. Making adjustment to an implement.

Sudden dropping of an implement can cause serious injury or death.

100-910-011-6

38

11

50 lb

46

47

⚠ WARNING

Never use the diff-lock at high speed or on the road as this can cause rollover and injury.

100-910-006-6

8

⚠ WARNING

Do not remove radiator cap while engine is hot. Hot steam will injure you.

100-910-011-6

28

BONNET LATCH OPEN

45

⚠ CAUTION

NO Diesel Only AdBlue

Do not fill any liquid other than AdBlue/DEF. Filling of Diesel and other materials (including water) may cause malfunctions or damage.

100-910-011-6

44

⚠ CAUTION

Always place the transmission in neutral and apply the brake while the tractor is in standstill position. Failure to do so can cause accidents and damages.

100-910-011-6

42

Inner/Outer air Ventilation

- When grills of rear and both sides are opened, inner air will ventilate in.
- For effective use, open it when operate heater or air conditioner and close when ventilate fresh air.

1220-904-122

37

SPEED TABLES

APPLIANCE	TRIGGER PLATE	RETRACTOR	DISC	WHEEL	DRIVE
SPEED	1	2	3	4	5
DIS. SPEED	1	2	3	4	5
DIS. SPEED	1	2	3	4	5
DIS. SPEED	1	2	3	4	5
DIS. SPEED	1	2	3	4	5

• The data reported in this publication are also subject to variation and consequently are not.

• Don't work the tractor, especially heavy work at creep on.

1220-904-122

33

⚠ WARNING

Work in ventilated Area.

100-910-003-0

2

⚠ CAUTION

Do not touch while the system is hot. It cause serious burns.

100-910-024-0

30

⚠ WARNING

Stay clear of raised Boom and bucket.

100-910-011-6

32

T1104 T1004 T854



⚠ CAUTION

Keep hands and clothing away from rotating fan and belts to prevent serious injury.

100-910-012-0

27

⚠ WARNING

Do not refuel the tractor while smoking or near naked flame or sparks, always stop engine before refueling tractors.

100-910-005-0

13

T1104-E-903A

NOTE

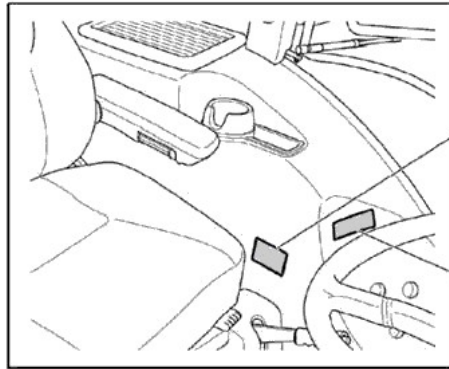
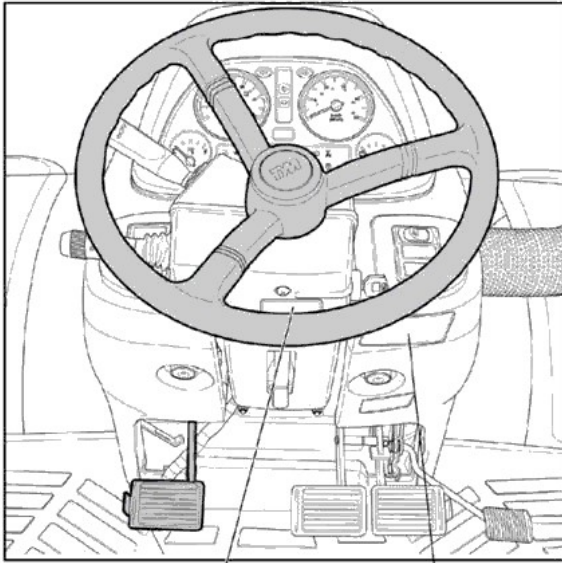
FIG 903-2

LABEL

년/월
Year/Month

T1104SPEU

2022-12



WARNING

Always apply the park brake when parking. Failure to do so can cause accidents and damages.

1

DANGER

Do not ride except operator.

2

DANGER

Rotating driveline contact can cause death. KEEP AWAY! Keep all drive line, tractor and equipment shields in place during operation.

3

WARNING

Attach implements and trailers to the tractor only using the prescribed draw-bar or hitch.

4

WARNING

23

21

REPLACEMENT TIME

If part of green in indicator be changed red, change filter element.

10

WARNING

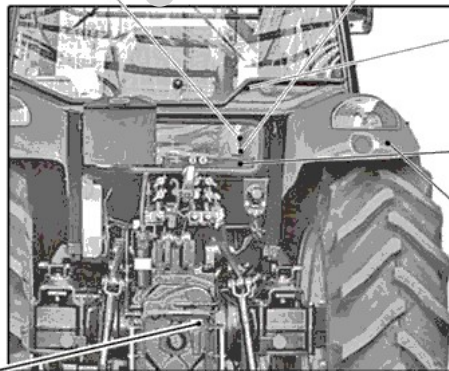
Do not adjust the tilt handle when traveling.

5

WARNING

Brake pedals must always be locked together when traveling on the highway. This will ensure uniform braking and provide maximum stopping ability sharp turns must only be made at slow speeds.

6



WARNING

8

TONGYANGMOOLBAN CO.,LTD

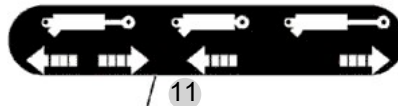
TYPE T-004

SEC NO. S e 13 0229

TOWABLE MASS 117000kg

VERTICAL LOAD 17000dN

22



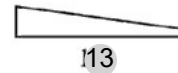
4 3 2 1

12

WARNING

Do not use the accelerator lever except working on the field.

9



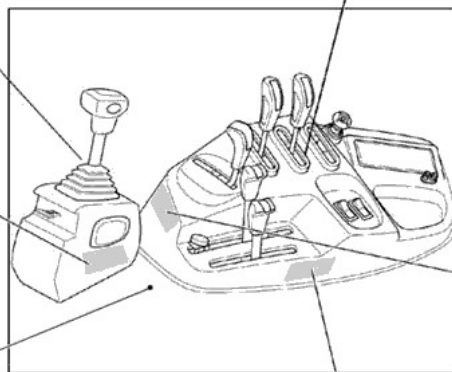
13

WARNING

LOCK ← UNLOCK
LOCK BUTTEN

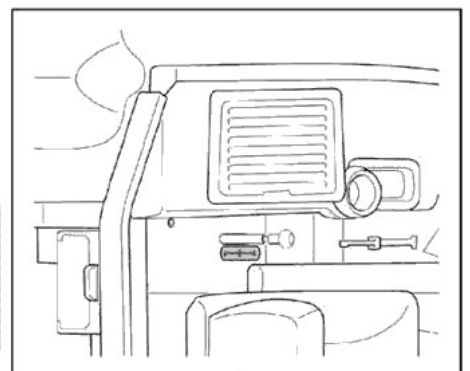
Push the button to lock position with joystick lever is neutral whenever the implement is not operation.

14



WARNING

17



WARNING

Always set the knob to lock when
1. Traveling on the road
2. Replacing blades on an implement
3. Making adjustment to an implement
Sudden dropping of an implement can cause serious injury or death

19

WARNING

Do not use the sub shift lever at "H" position when driving backward.

16

540 N 1000

18

NOTE

