

FIG 001-1

TX75SL

BUCKET (BOBCCAT TYPE)

P1

Year / Month

2019 / 10

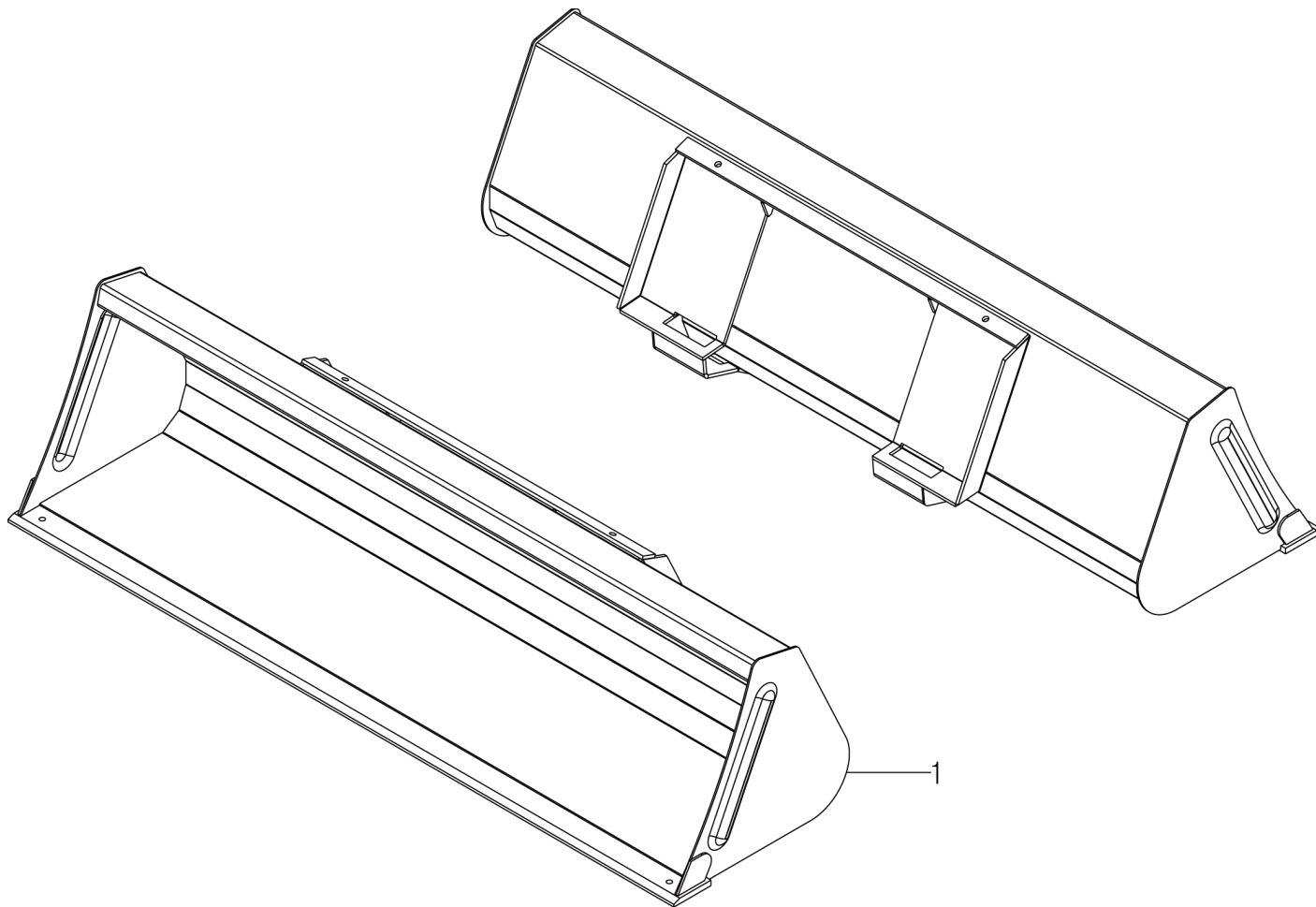
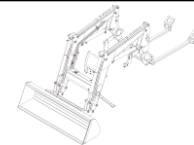


FIG 001-2

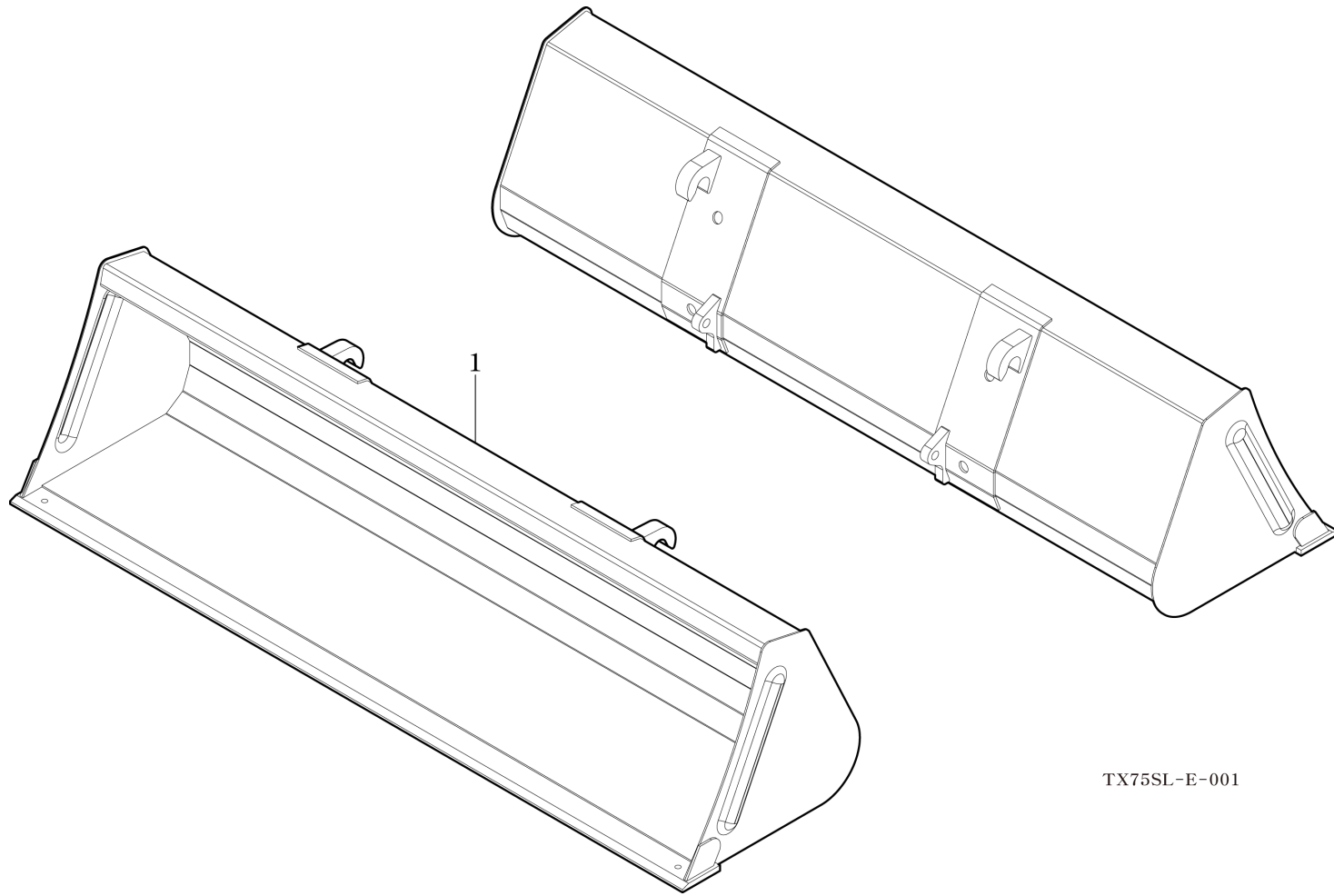
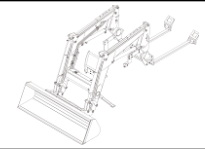
TX75SL-E

BUCKET (EURO TYPE)

P1

Year / Month

2019 / 10



TX75SL-E-001

FIG 002-1

TX75SL

QUICK ATTACHMENT ASS'Y (BOBCAT TYPE)

P1

Year / Month

2019 / 10

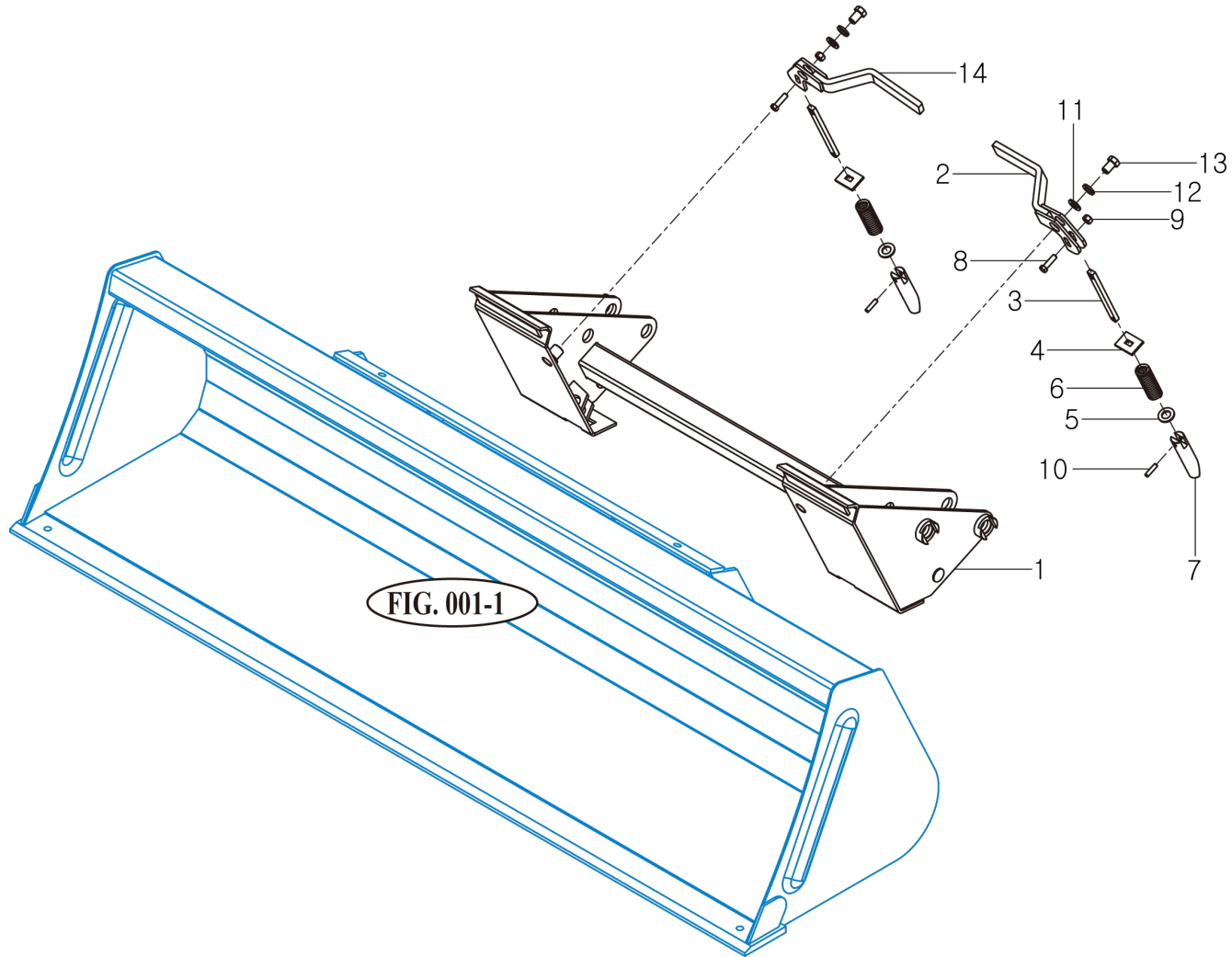
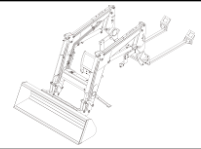


FIG 002-2

TX75SL-E

QUICK ATTACHMENT ASS'Y (EURO TYPE)

P1

Year / Month

2019 / 10

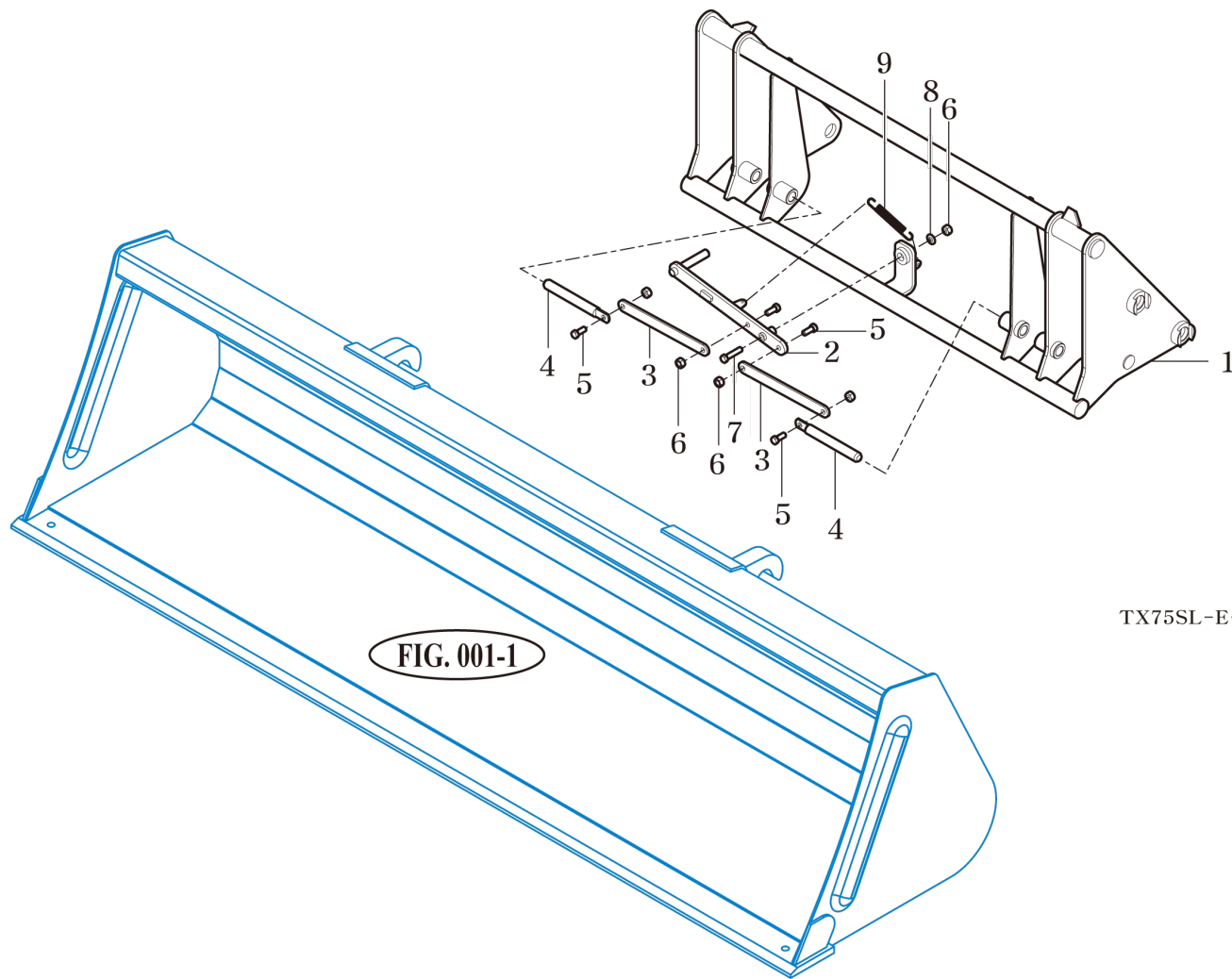
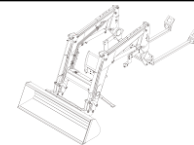


FIG. 001-1

TX75SL-E-002

FIG 003

TX75SL

MOUNTING FRAME ASS'Y

P1

Year / Month

2019 / 10

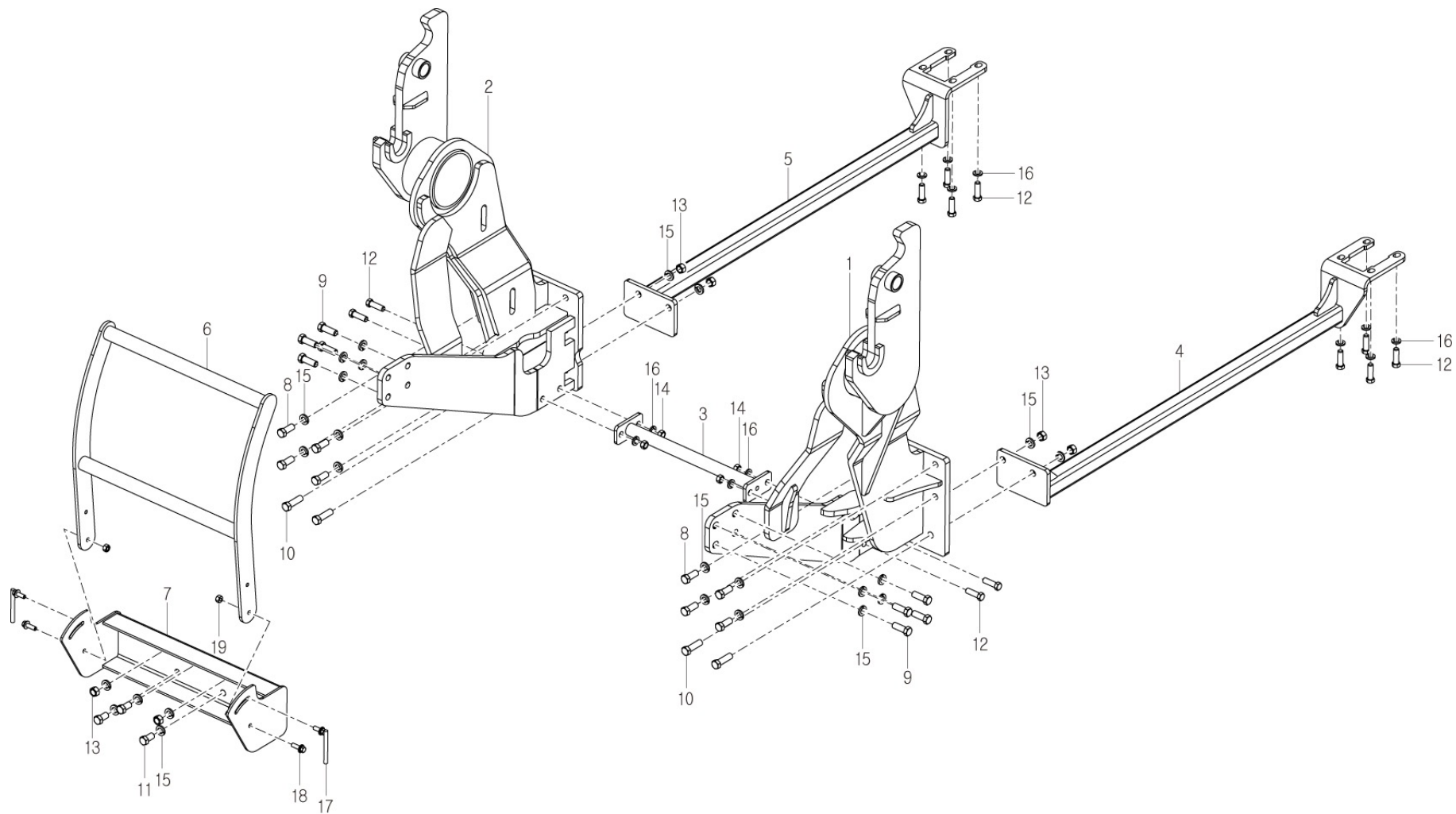
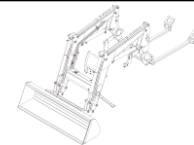


FIG 004

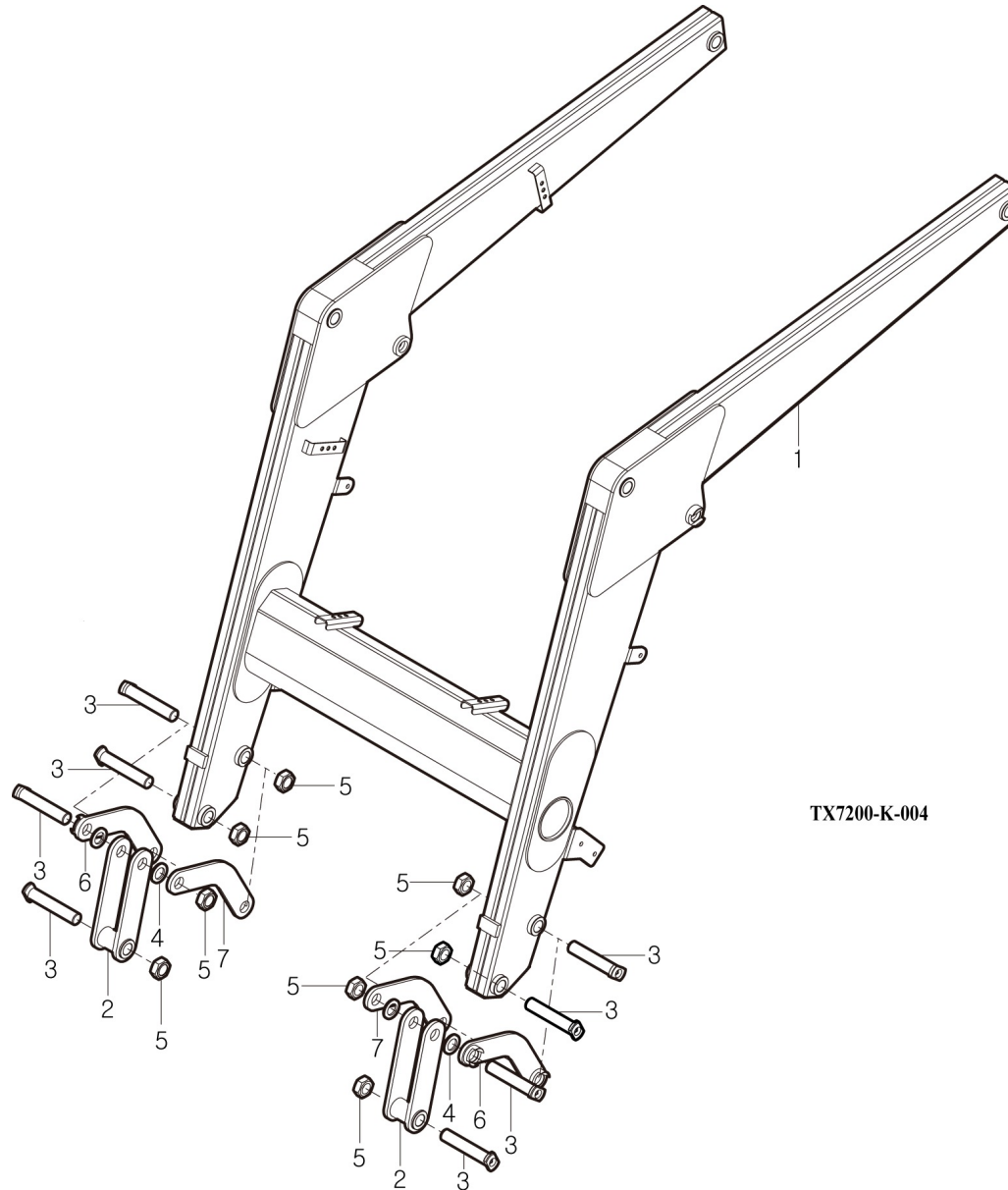
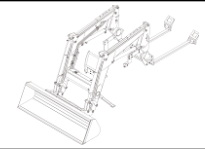
TX75SL

BOOM ASS'Y

P1

Year / Month

2019 / 10



TX7200-K-004

FIG 005

TX75SL

POST & SAFETY BAR ASSEMBLY

P1

Year / Month

2019 / 10

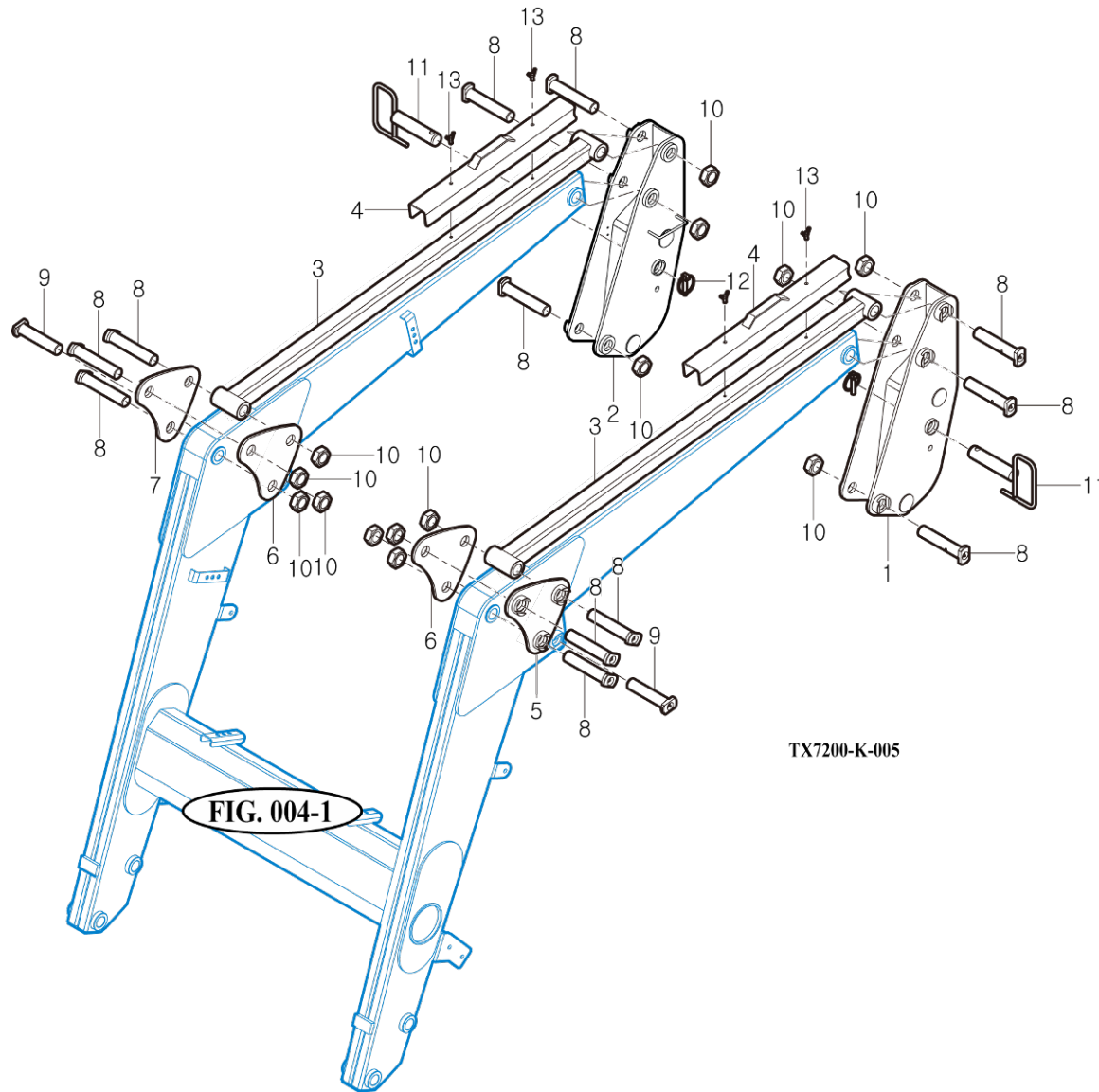
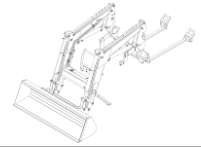


FIG. 004-1

TX7200-K-005

FIG 006

TX75SL

STAND ASSEMBLY

P1

Year / Month

2019 / 10

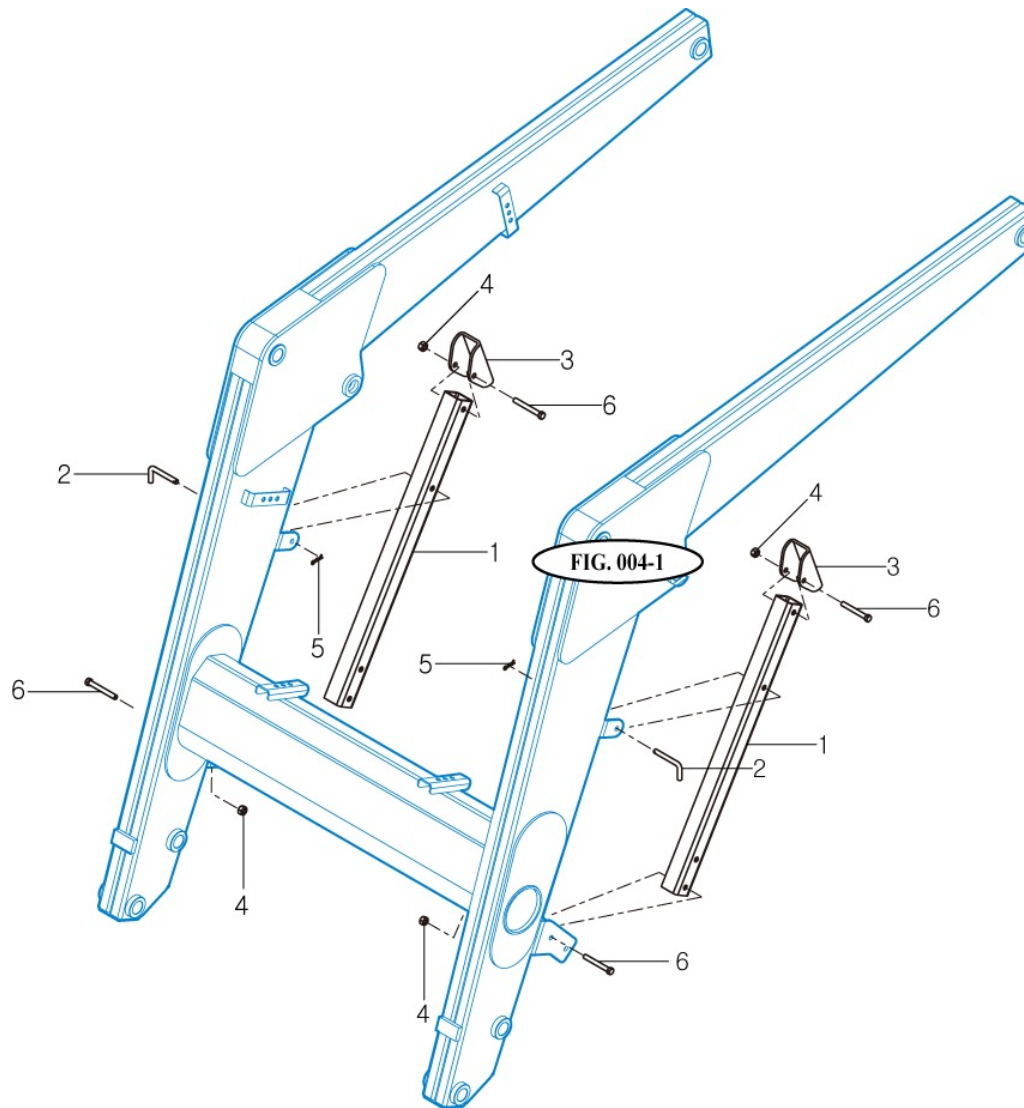
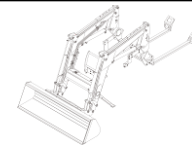


FIG 007

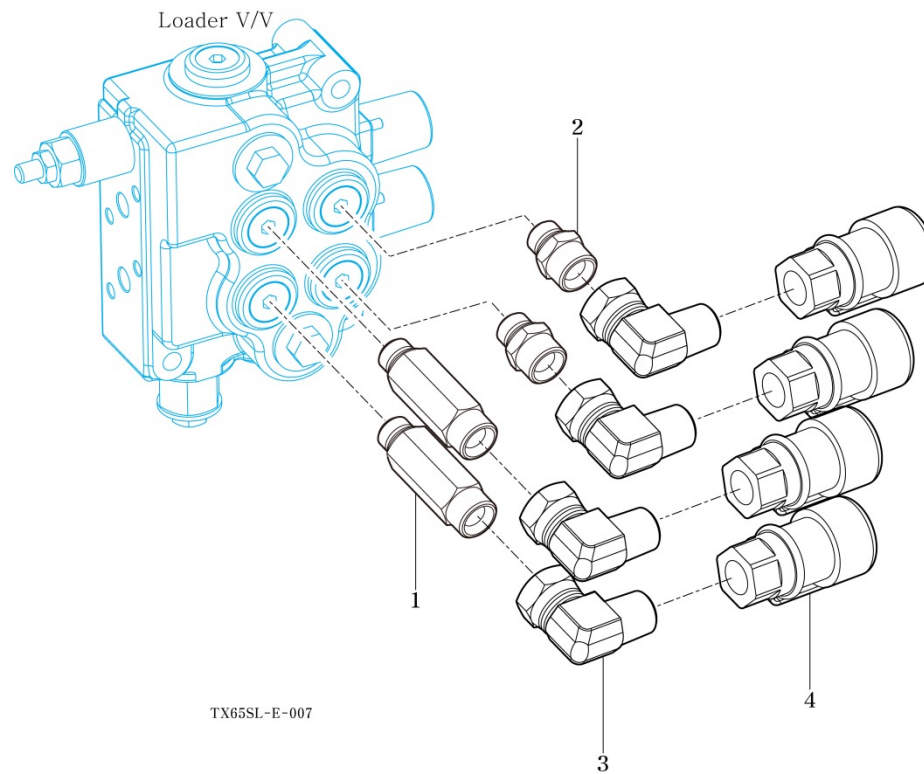
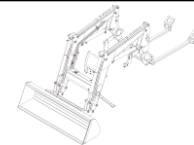
TX75SL

LOADER VALVE

P1

Year / Month

2019 / 10



TX65SL-E-007

FIG 008-1

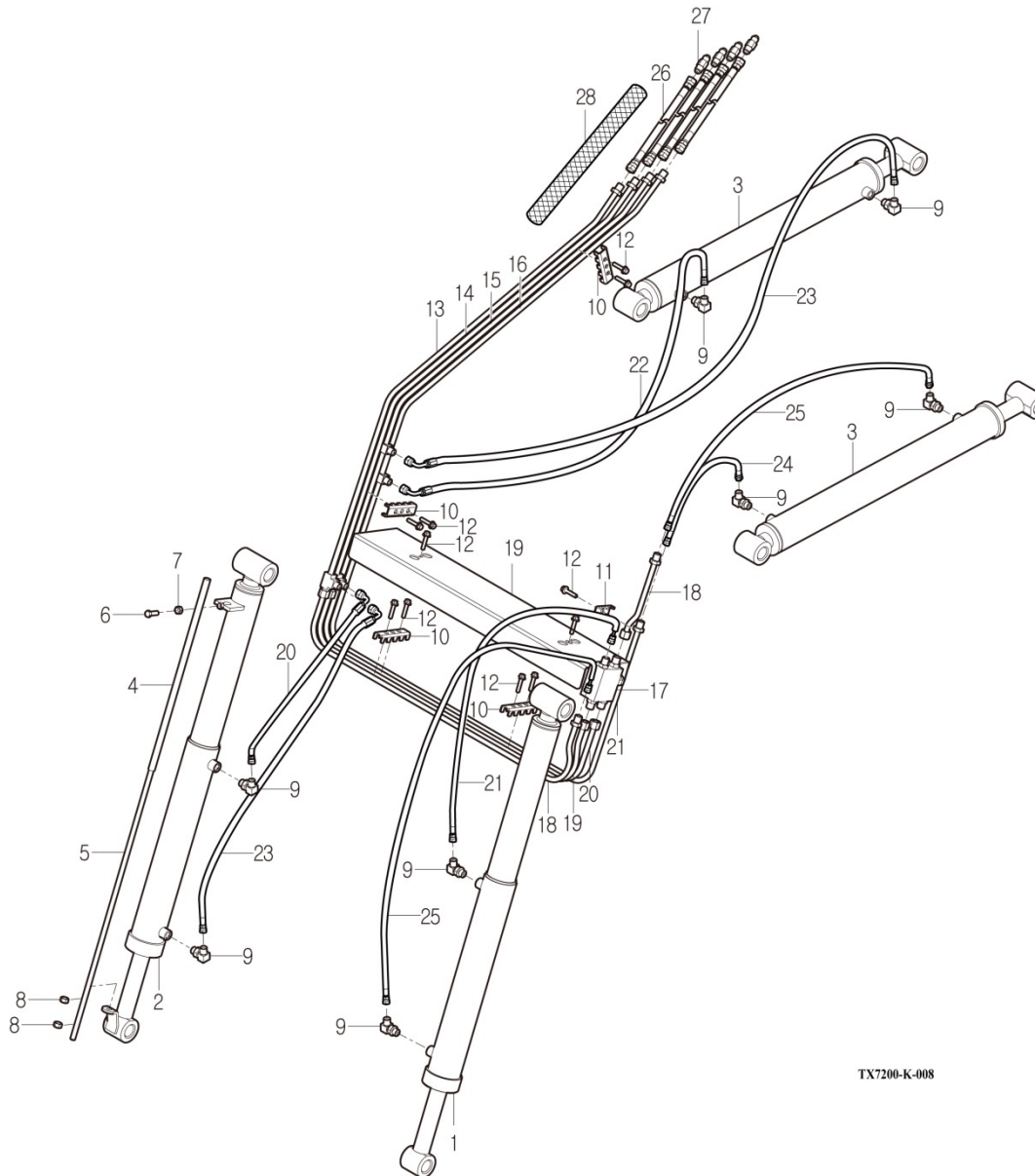
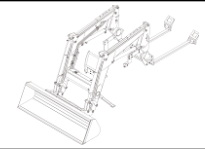
TX75SL

HYDRAULIC PIPING ASSEMBLY (Standard type)

P1

Year / Month

2019 / 10



TX7200-K-008


FIG 008-1		HYDRAULIC PIPING ASSEMBLY (Standard type)			P1	Year/Month 2019/10	
KEY NO.	PART NO.	DESCRIPTION	SPEC.	QTY.	EFFECTIVE DATE	REMARKS	
008 001	86803000160GB	CYLINDER ASSY , BUCKET LH		1			
008 002	86803000231GB	CYLINDER ASSY , BUCKET RH		1			
008 003	86503000261GB	CYLINDER ASSY , BOOM		2			
008 004	86603000301	GUIDE , BUCKET	D15.9X1.6	1			
008 005	86603000291	STUD , BUCKET	D12	1			
008 006	V2013610030	BOLT , HEX	M10X30	1			
008 007	V3043600100	NUT , HEX	M10	1			
008 008	V3043600120	NUT , HEX	M12	2			
008 009	36313530021	ADAPTER		8			
008 010	86502000060	BRACKET B	3.2T	4			
008 011	86502000070	BRACKET C	3.2T	1			
008 012	V2183608040	BOLT , HEX(SP)	M8X40	11			
008 013	86803005000	PIPE COMP , ROLLBACK		1			
008 014	86803006000	PIPE COMP , DUMP		1			
008 015	86803007000	PIPE COMP , BOOM DOWN		1			
008 016	86803008000	PIPE COMP , BOOM UP		1			
008 017	86603000702	VALVE ASSY , RELIEF		1			
008 018	86703006001	PIPE ASSY , G		1			
008 019	86803009010SR	COVER , PIPE		1			
008 020	85403000370	HOSE ASSY , HYD 820 / 90°	PF 3/8	1			
008 021	86503000380	HOSE ASSY , HYD 850	PF 3/8	1			
008 022	86503000360	HOSE ASSY , HYD 510 / 90°	PF 3/8	1			
		- NEXT -					

FIG 008-1

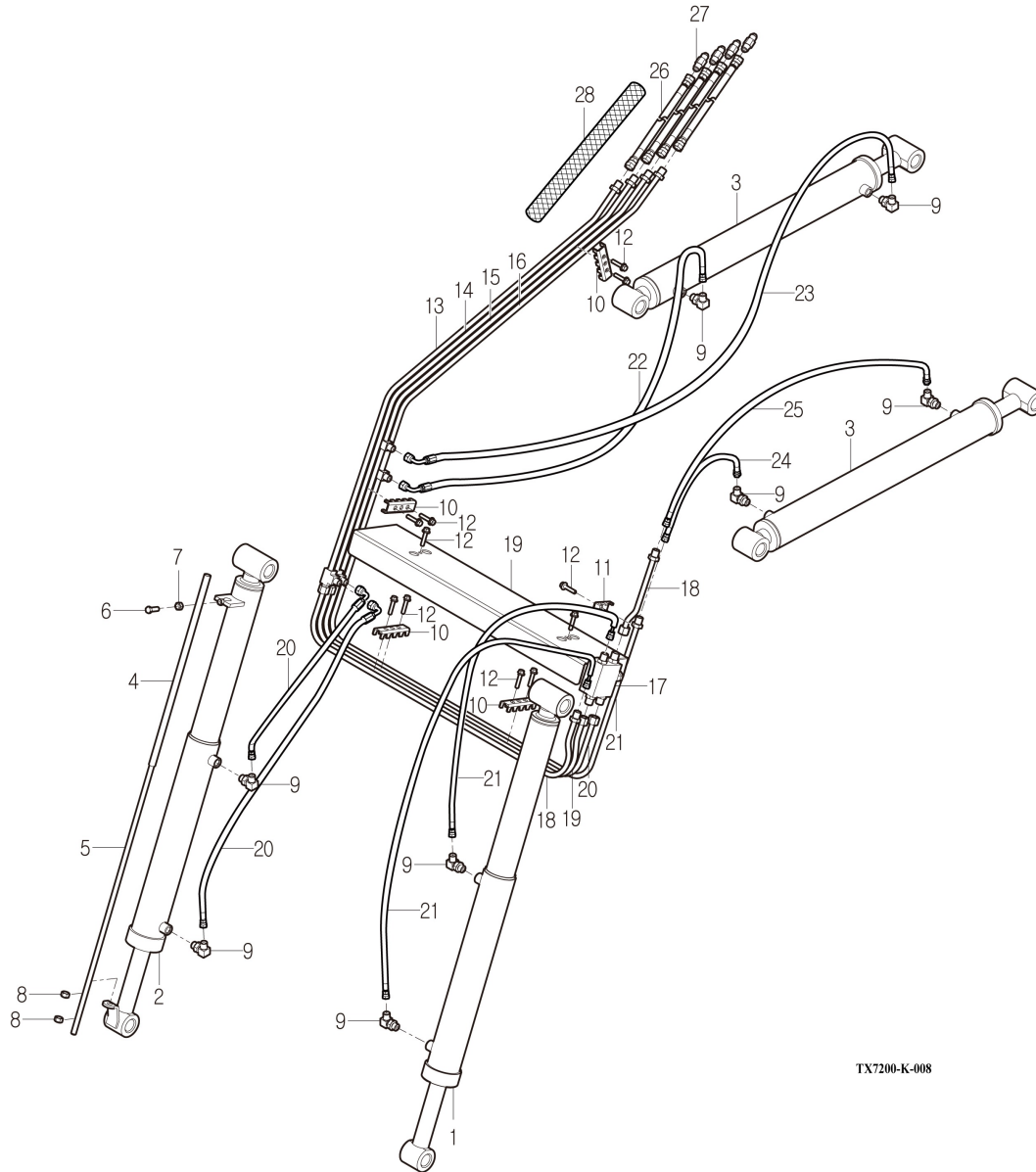
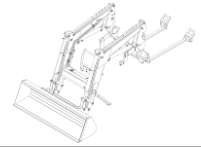
TX75SL

HYDRAULIC PIPING ASSEMBLY (Standard type)

P2

Year / Month

2019 / 10



TX7200-K-008

FIG 008-2

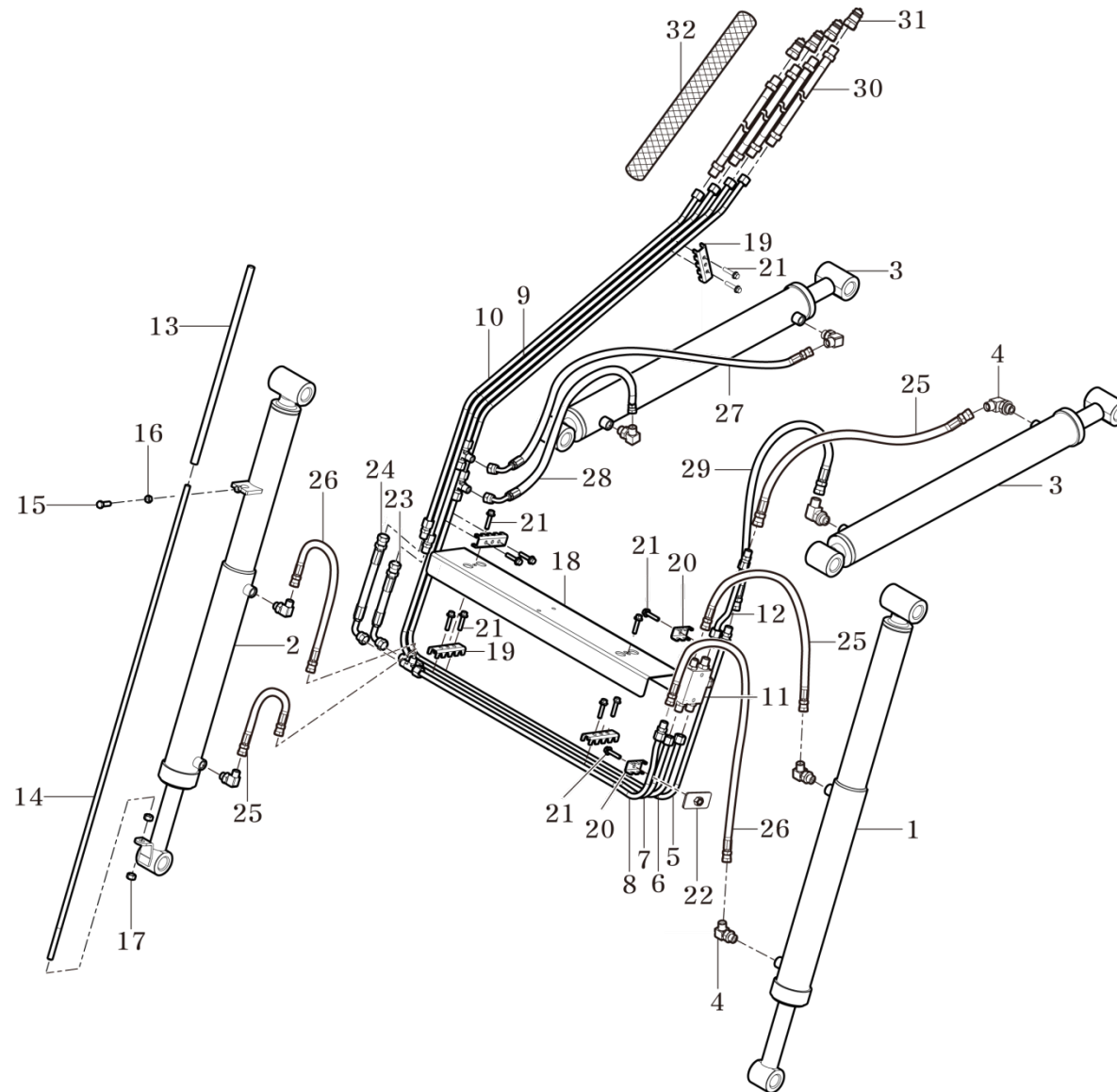
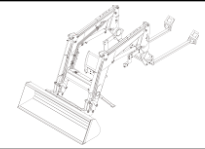
TX75SL-E

HYDRAULIC PIPING ASSEMBLY (3rd Function type)

P1

Year / Month

2019 / 10



TX75SL-E-008


FIG 008-2		HYDRAULIC PIPING ASSEMBLY (3rd Function type)			P1	Year/Month 2019/10	
KEY NO.	PART NO.	DESCRIPTION	SPEC.	QTY.	EFFECTIVE DATE	REMARKS	
008 001	86803000160GB	CYLINDER ASSY , BUCKET LH		1			
008 002	86803000231GB	CYLINDER ASSY , BUCKET RH		1			
008 003	86503000261GB	CYLINDER ASSY , BOOM LH		2			
008 004	36313530021	ADAPTER		8			
008 005	86803008000	PIPE ASSY , BOOM UP		1			
008 006	86803007000	PIPE ASSY , BOOM DOWN		1			
008 007	84703008200	PIPE ASSY , C		1			
008 008	86603007200	PIPE ASSY , F		1			
008 009	86903006100	PIPE A ASSY , UPPER		1			
008 010	86903005100	PIPE B ASSY , UPPER		1			
008 011	86603000702	VALVE ASSY , RELIEF		1			
008 012	86703006001	PIPE ASSY , G		1			
008 013	86603000301	GUIDE , BUCKET	Ø15.9X1.6	1			
008 014	86603000291	STUD , BUCKET	D12	1			
008 015	V2013610030	BOLT , HEX	M10X30	1			
008 016	V3043600100	NUT , HEX	M10	1			
008 017	V3043600120	NUT , HEX	M12	2			
008 018	84603009600SR	COVER , PIPE		1			
008 019	86502000060	BRACKET B	3.2T	4			
008 020	86502000070	BRACKET C	3.2T	2			
008 021	V2183608040	BOLT , HEX(SP)	M8X40	12			
		- NEXT -					

FIG 008-2

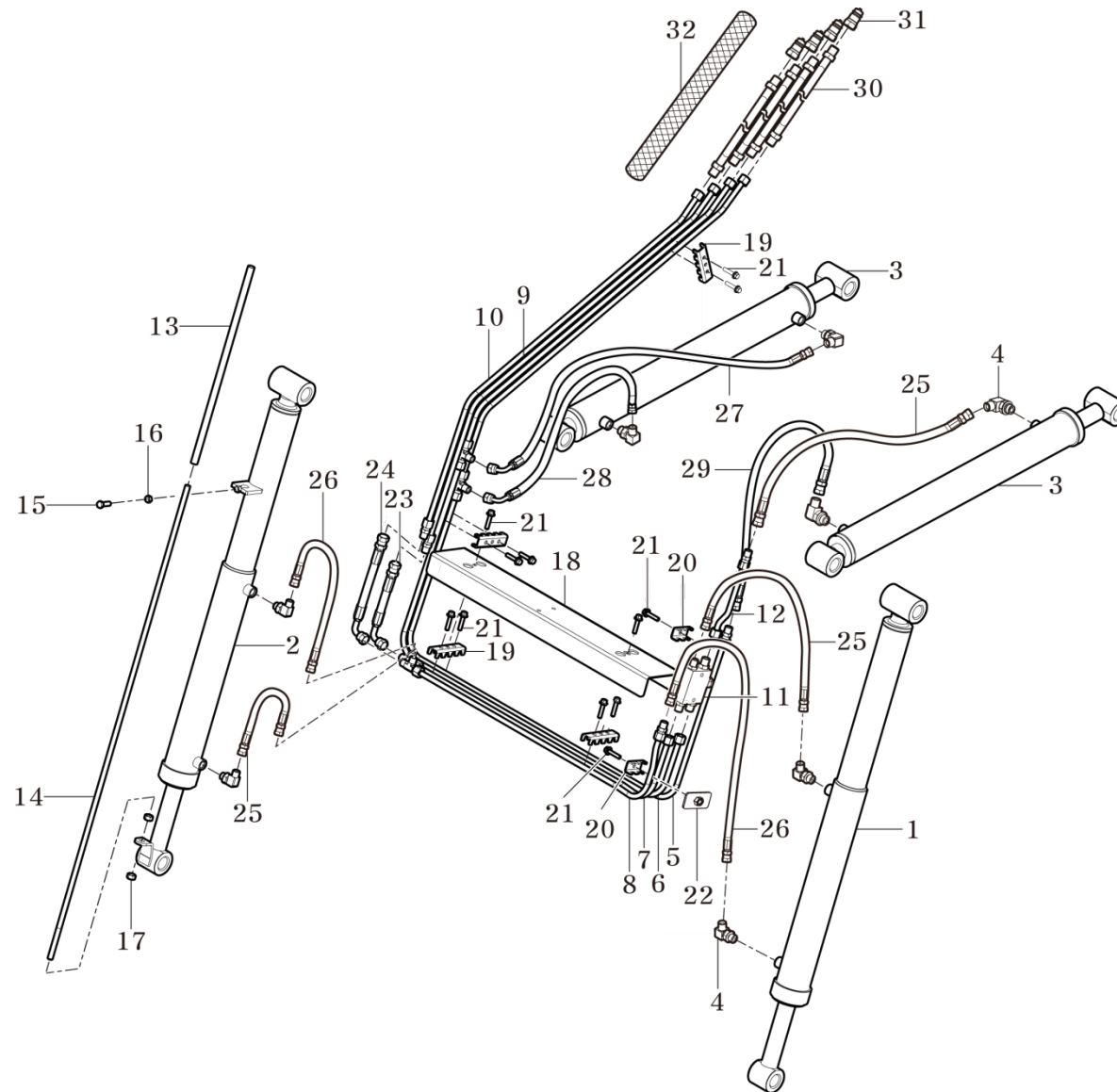
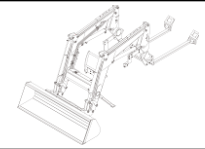
TX75SL-E

HYDRAULIC PIPING ASSEMBLY (3rd Function type)

P2

Year / Month

2019 / 10



TX75SL-E-008

FIG 009

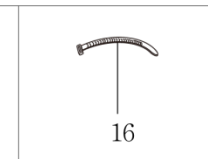
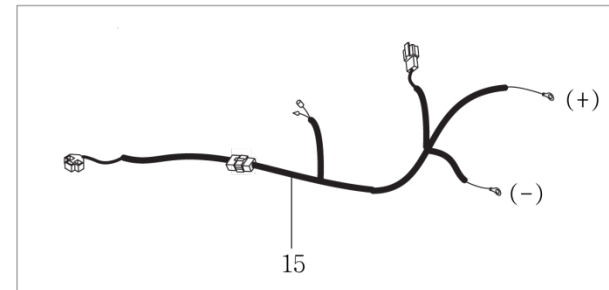
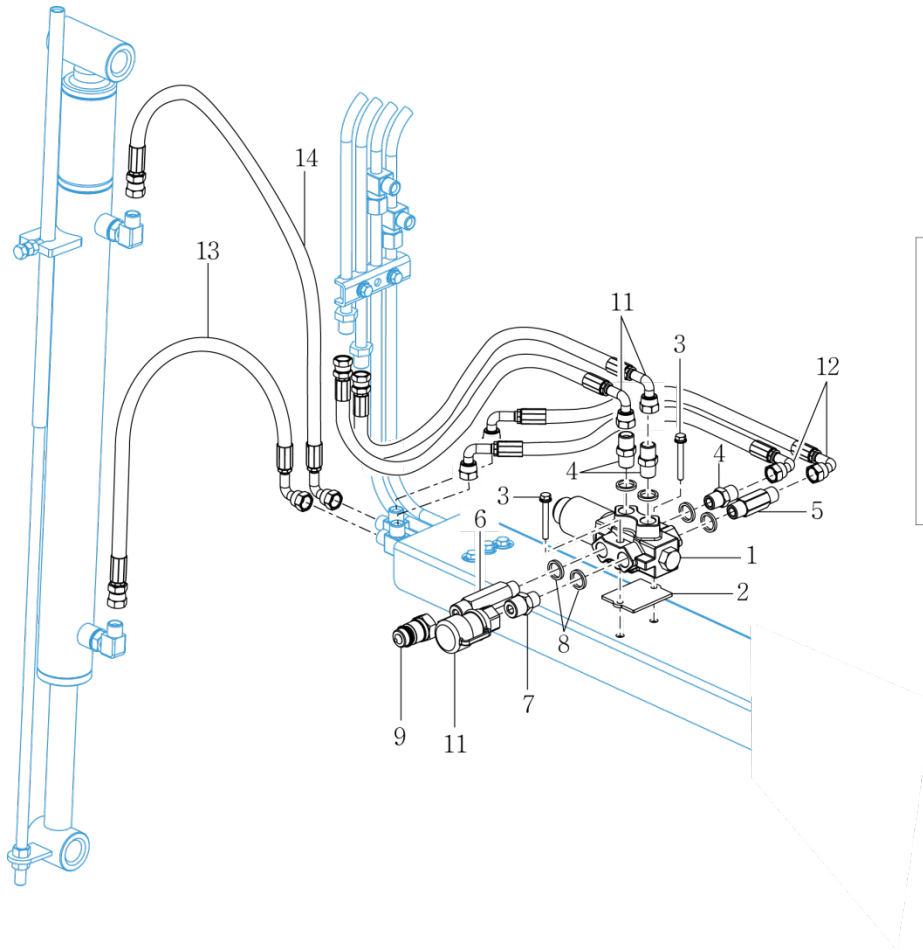
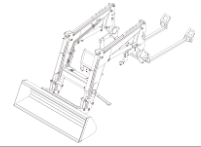
TX75SL

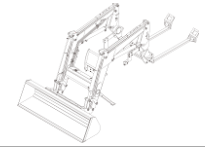
3rd FUNTION KIT

P1

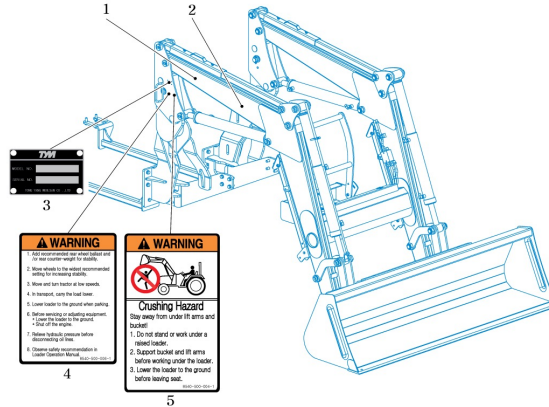
Year / Month

2019 / 10





TM TX75



WARNING

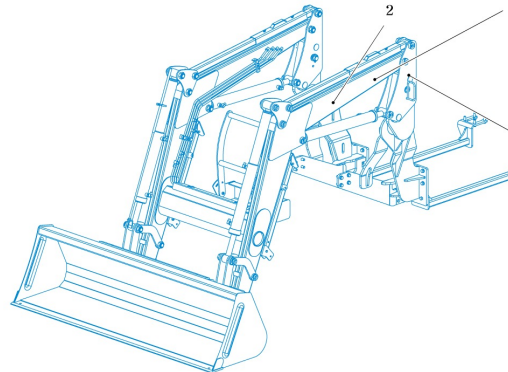
1. Do not operate the loader with the counterweight for stability.
2. Make sure the rated equipment weight is not being lifted.
3. Do not use bucket or lift arms.
4. In transport, raise the load lower.
5. Lower loader to the ground when parking.
6. Before moving or shifting equipment:
 - Turn off the engine.
 - Lower the bucket to the ground.
 - Retract hydraulic cylinders before disconnecting or lines.
7. Check safety recommendations in Loader Operation Manual. TM 6500-000-0000

WARNING

Crushing Hazard
This area is not under lift arms and bucket!

1. Do not stand or work under a raised loader.
2. Support bucket and lift arms before working under the loader.
3. Lower the loader to the ground before leaving seat. TM 6500-000-0000

TX75 TM



WARNING

1. Read the operator's manual for correct operating procedures and rules.
2. Do not lift more than the rated capacity of the loader.
3. Do not use bucket or lift arms to lift or move equipment.
4. Do not use bucket or lift arms to lift or move equipment if it is not secure.
5. Do not use bucket or lift arms to lift or move equipment if it is not secure.
6. Do not use bucket or lift arms to lift or move equipment if it is not secure.
7. Do not use bucket or lift arms to lift or move equipment if it is not secure.

WARNING

NEVER TAKE JOB OFF MACHINE OR LOADER WITH TOWING OPERATIONS. TM 6500-000-0000

DANGER

ITALY SAFETY PROP
BEFORE WORKING UNDER RAISED STRUCTURE. TM 6500-000-0000

