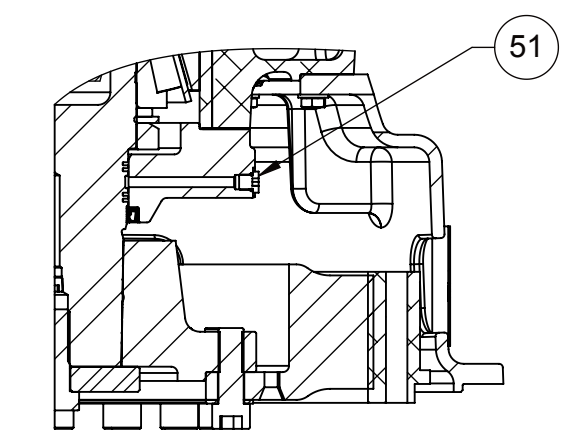
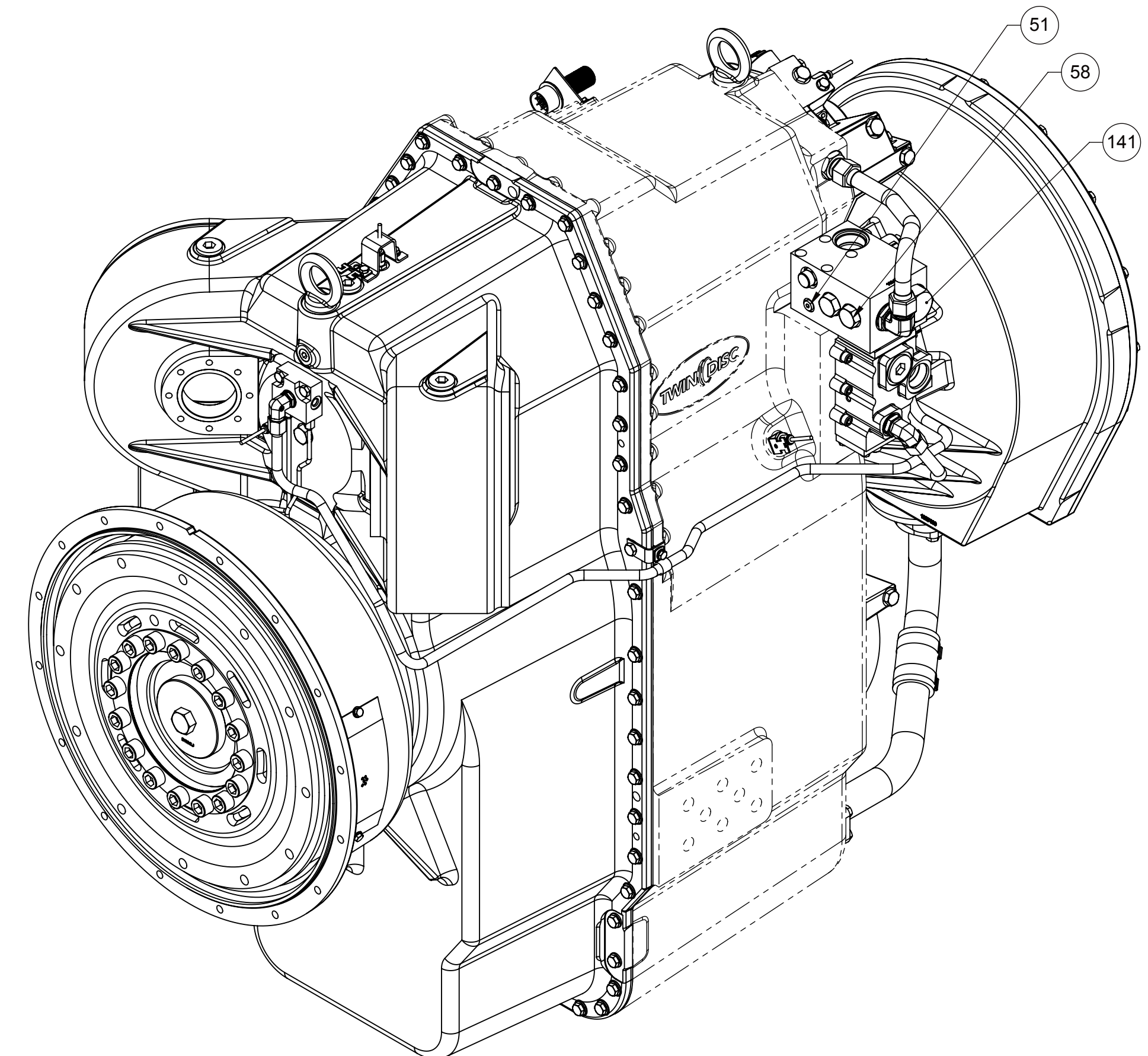
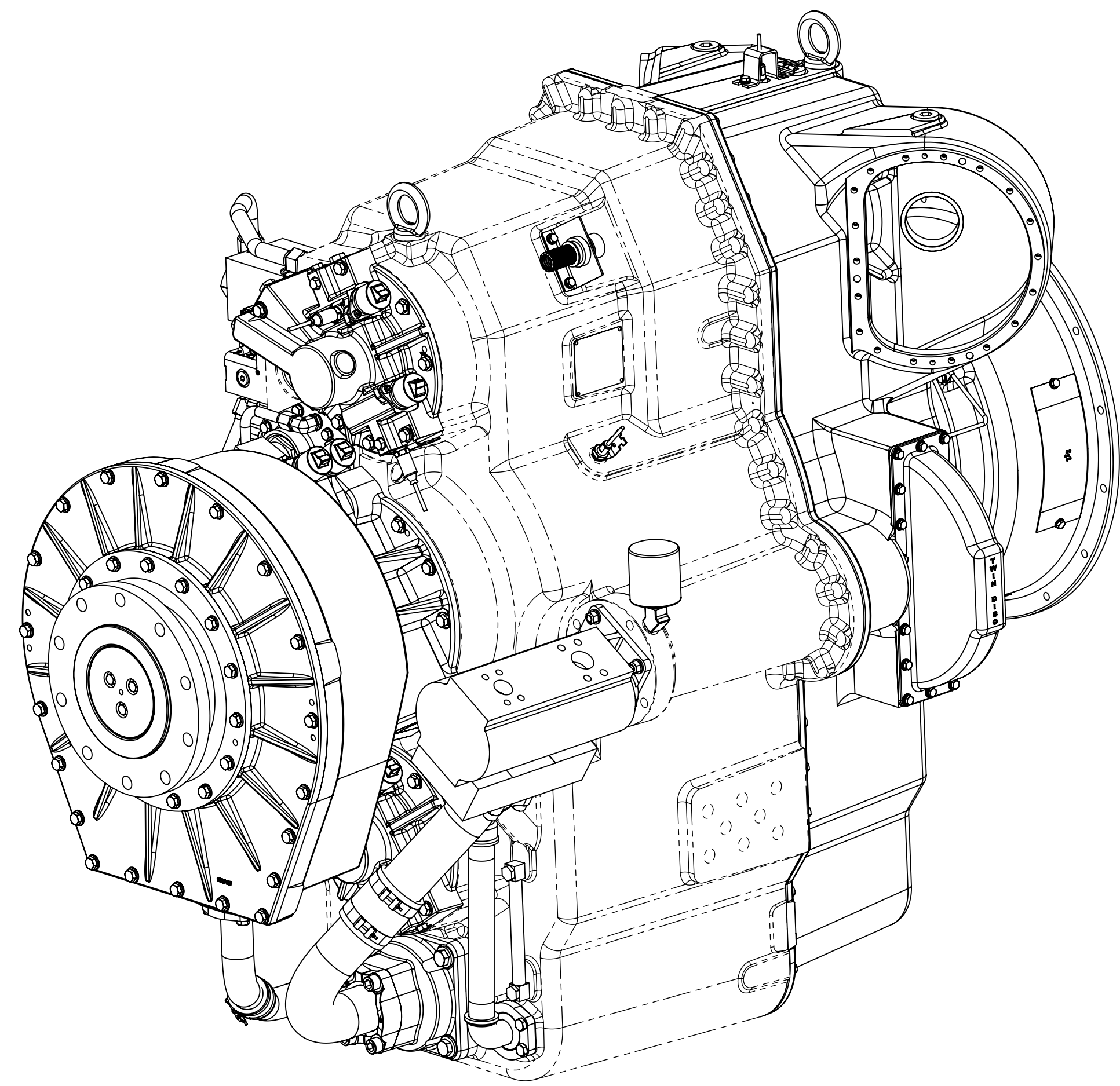
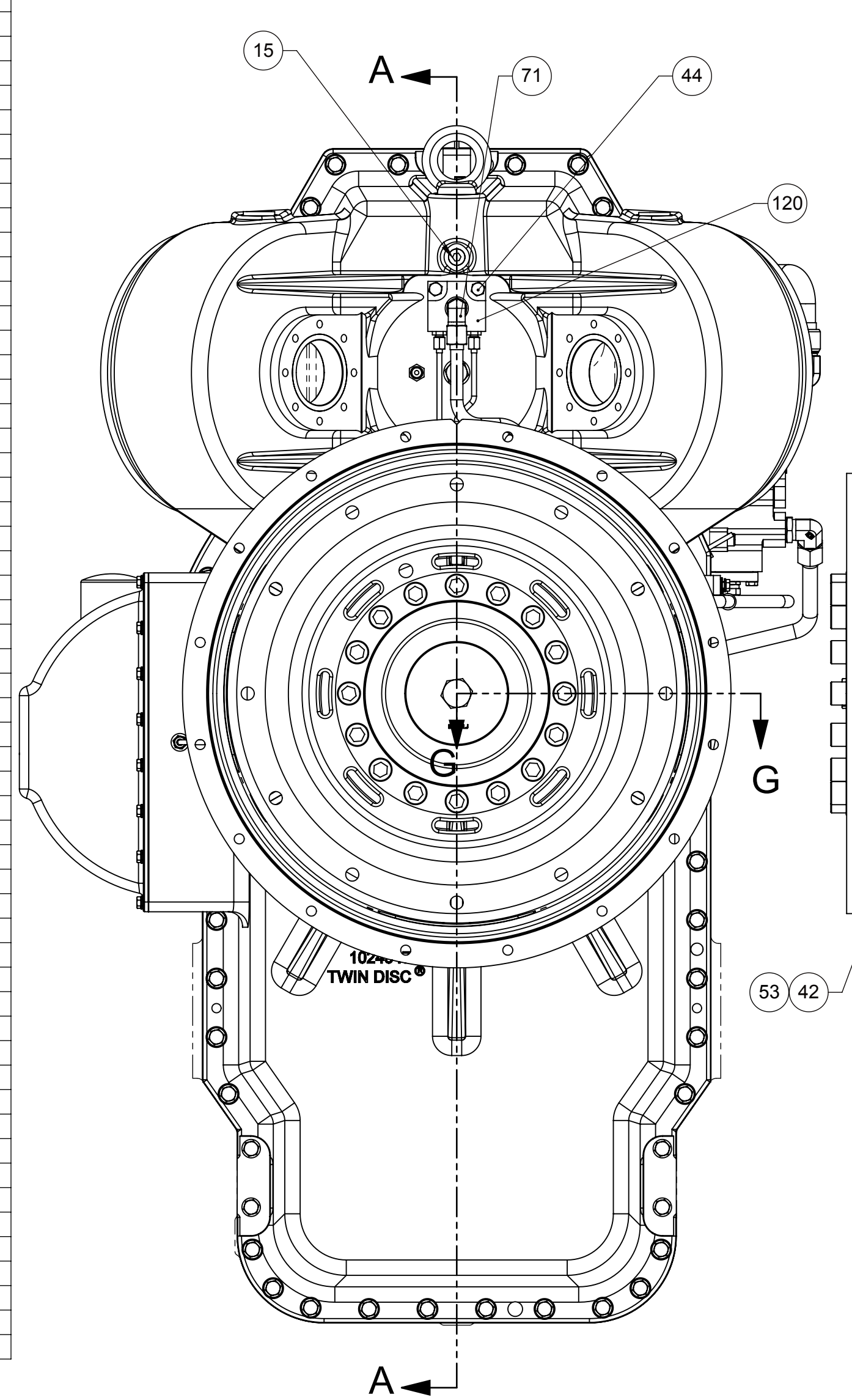
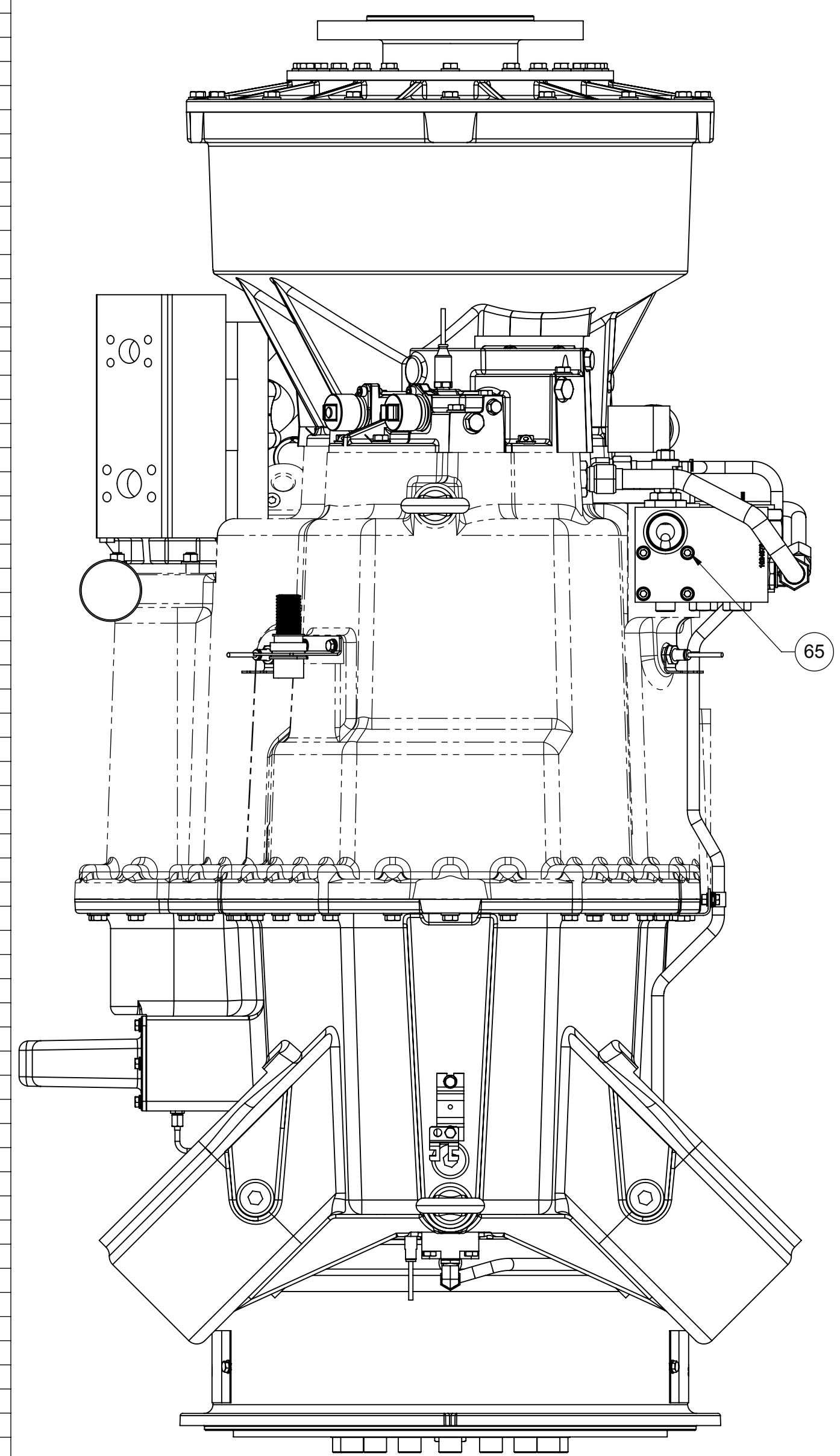
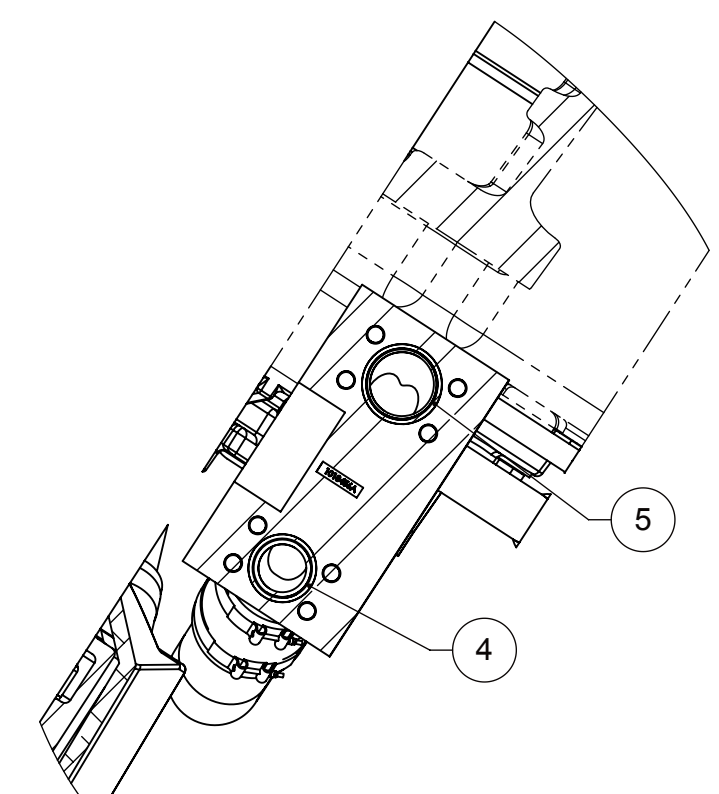


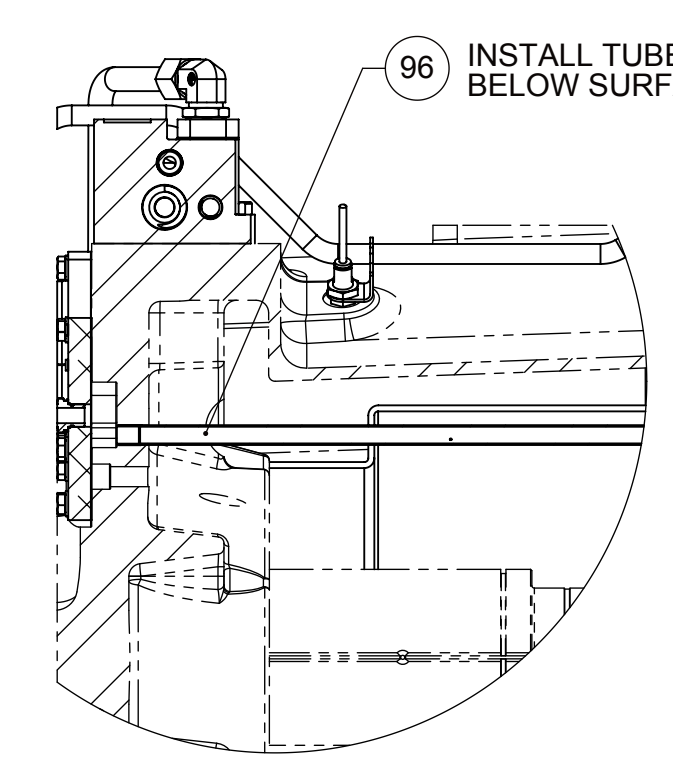
ITEM NO.	QTY.	PART NO.	DESCRIPTION
1	2	A2916G	RING, O
2	1	A2916AM	RING, O
3	1	A2916BB	RING, O
4	2	A2916BX	RING, O
5	2	A2916CJ	RING, O
6	1	A2916DN	RING, O
7	1	A2916DP	RING, O
8	1	A2916LM	RING, O
9	1	B1504L	WASHER, RETAINER
10	1	B1511V	WASHER, LOCK
11	1	B1941N	SPRING, WAVE
12	4	M422	SCREW, DRIVE
13	8	M1732B	SCREW, SOCKET HEAD
14	2	M2027AP	NUT, HEX
15	2	M2051U	PLUG, PIPE
16	1	M2051BB	PLUG, ORIFICE
17	1	M2051CV	PLUG, PIPE
18	1	M2054AZ	FITTING, PIPE
19	1	M2055AH	FITTING, PIPE
20	1	M2078AG	RING, RETAINING
21	1	M2078DC	RING, RETAINING
22	2	M2078DG	RING, RETAINING
23	2	M2078DK	RING, RETAINING
24	2	M2078DP	RING, RETAINING
25	1	M2169B	CLAMP, TUBE
26	1	M2169M	CLAMP, TUBE
27	4	M2498G	FLANGE, SPLIT
28	1	M2585	CAP
29	1	M2641AP	FITTING
30	1	M2763AX	HOSE
31	1	M2782B	PLUG, STRAIGHT THREADED
32	1	M2782J	PLUG, STRAIGHT THREADED
33	1	M2938M	GAUGE, FLUID LEVEL
34	AS REQD	M2942A	TIE, CABLE
35	1	M2988D	FITTING
36	1	MA217M	BEARING, NEEDLE
37	1	MA936C	CLAMP
38	4	MA947B	NUT, HEXAGON
39	1	MA947E	NUT, HEXAGON
40	2	MA958E	CLAMP, HOSE
41	9	MA960A	SCREW, HEX HEAD
42	15	MA960E	SCREW, HEX HEAD
43	18	MA960M	SCREW, HEX HEAD
44	18	MA961R	SCREW, HEX HEAD
45	28	MA966A	SCREW, HEX HEAD
46	17	MA966N	SCREW, HEX HEAD
47	54	MA996Y	SCREW, HEX HEAD
48	4	MA996AB	SCREW, HEX HEAD
49	1	MA996AD	SCREW, HEX HEAD
50	1	MA1034CS	BALL, STEEL
51	2	MA1038B	PLUG, STRAIGHT THREADED
52	4	MA1038K	PLUG, STRAIGHT THREADED
53	46	MA1039A	WASHER, STAMPED
54	87	MA1039B	WASHER
55	16	MA1039D	WASHER
56	16	MA1039E	WASHER
57	4	MA1039P	WASHER
58	2	MA1040C	PLUG, STRAIGHT THREADED
59	1	MA1040D	FITTING, STRAIGHT THREADED
60	4	MA1041E	SCREW, HEX HEAD
61	8	MA1044F	SCREW, SOCKET HEAD
62	1	MA1046B	SCREW, HEX HEAD
63	2	MA1047B	BOLT, EYE
64	4	MA1049B	STUD
65	4	MA1052Q	SCREW, SOCKET HEAD
66	2	MA1053K	FITTING, ADAPTER
67	1	MA1053M	FITTING
68	2	MA1053Q	FITTING
69	1	MA1053AD	FITTING
70	2	MA1053AU	FITTING
71	2	MA1053AV	FITTING
72	2	MA1064B	INSERT
73	16	MA1135C	SCREW, SOCKET HEAD
74	3	MA1250B	SCREW, MACHINE
75	1	MA1251A	NUT, JAM
76	1	PX1035519	GROUP, PLANETARY
77	4	XM2936U	PICKUP, MAGNETIC
78	1	X227761S	PUMP
79	1	20379T	PLATE, INSTRUCTION
80	1	212878H	PLUG
81	1	212985	BRACKET
82	1	214569	GUARD
83	1	1000430A	BRACKET
84	1	1004333	STRAP
85	1	1004757	STRAP
86	2	1004757A	STRAP
87	1	1015197	BREATHER ASSY
88	1	1017322	CONNECTOR
89	1	1018456A	MANIFOLD
90	1	1020157A	SPACER
91	1	1022112A	VALVE ASSY
92	5	1023282	WASHER, RETAINER
93	1	1023810A	HUB
94	1	1024527A	GASKET
95	3	1024529A	COVER, DUST
96	1	1024531	TUBE
97	1	1024547A	HOUSING, FRONT
98	1	1024510A	SHAFT
99	1	1024629A	RETAINER
100	1	1024697	BAFFLE
101	2	1024698	BEARING, TAPERED
102	1	1024707	GEAR, HELICAL
103	1	1024753	TUBE, SUCTION
104	2	1024806	BEARING, BALL
105	1	1024856	COLLECTOR ASSY
106	1	1024856B	COLLECTOR ASSY
107	1	1024878A	VALVE BODY
108	1	1024879	PLATE, COVER
109	1	1024888A	TUBE ASSY
110	1	1024904E	COUPLING, FLEXIBLE
111	1	1024906	TUBE ASSY
112	1	1024929B	HOUSING, FLYWHEEL
113	1	1024988B	SHAFT ASSY, INPUT
114	1	1025036	VALVE, CARTRIDGE
115	1	1025044	COVER
116	2	1025045	SPACER
117	1	1025048B	TUBE ASSY
118	1	1025064	ADAPTER, PUMP DRIVE
119	1	1025067	GASKET
120	1	1025075	BLOCK
121	1	1025083	SHIM
122	AS REQD	1025083A	SHIM
123	AS REQD	1025083B	SHIM
124	AS REQD	1025084	SHIM
125	AS REQD	1025084A	SHIM
126	AS REQD	1025084B	SHIM
127	1	1025091	GASKET
128	1	1025093	GASKET
129	1	1025107	TUBE ASSY
130	1	1025108A	TUBE ASSY
131	1	1025121	COVER ASSY
132	1	1025139B	TUBE ASSY
133	1	1025140	TUBE ASSY
134	1	1025148	FILTER
135	1	1025975	NUT, BEARING LOCK
136	1	1025976	WASHER
137	1	1026176	SPACER
138	1	1026370	VALVE, CARTRIDGE
139	1	1026425	SEAL, LIP
140	1	1026503	RING, DRIVE
141	1	1027471	VALVE, CARTRIDGE
142	1	1028032	HARNES, WIRING



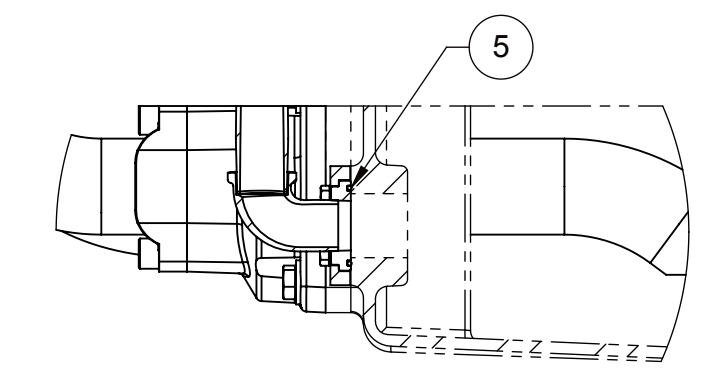
SECTION G-G



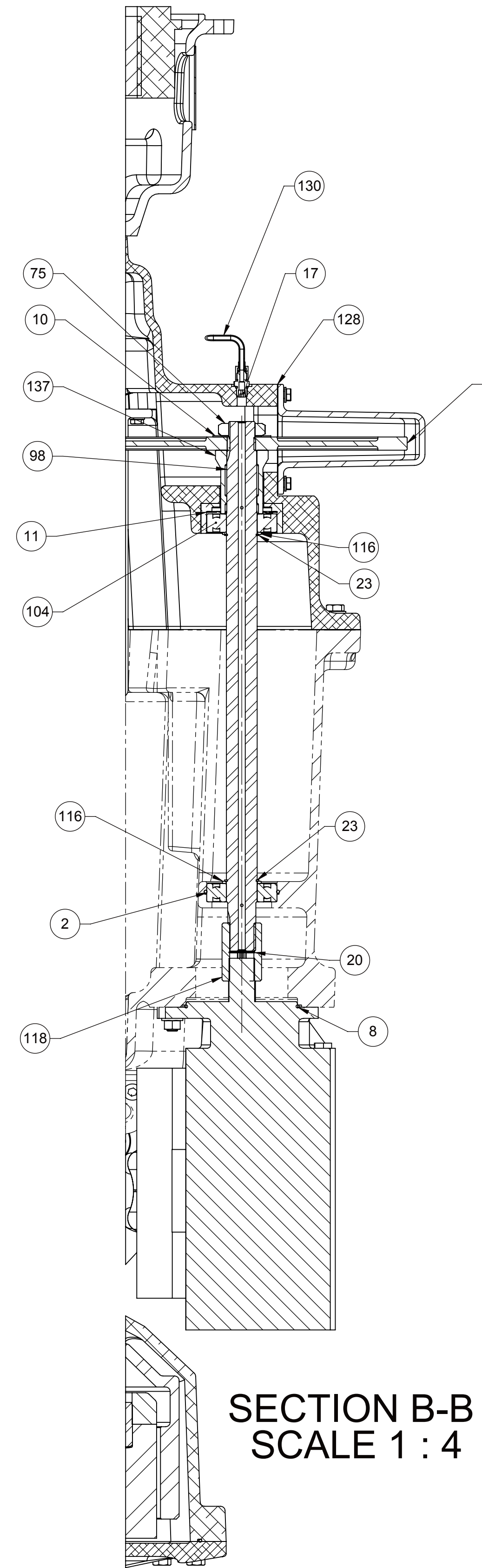
SECTION F-F



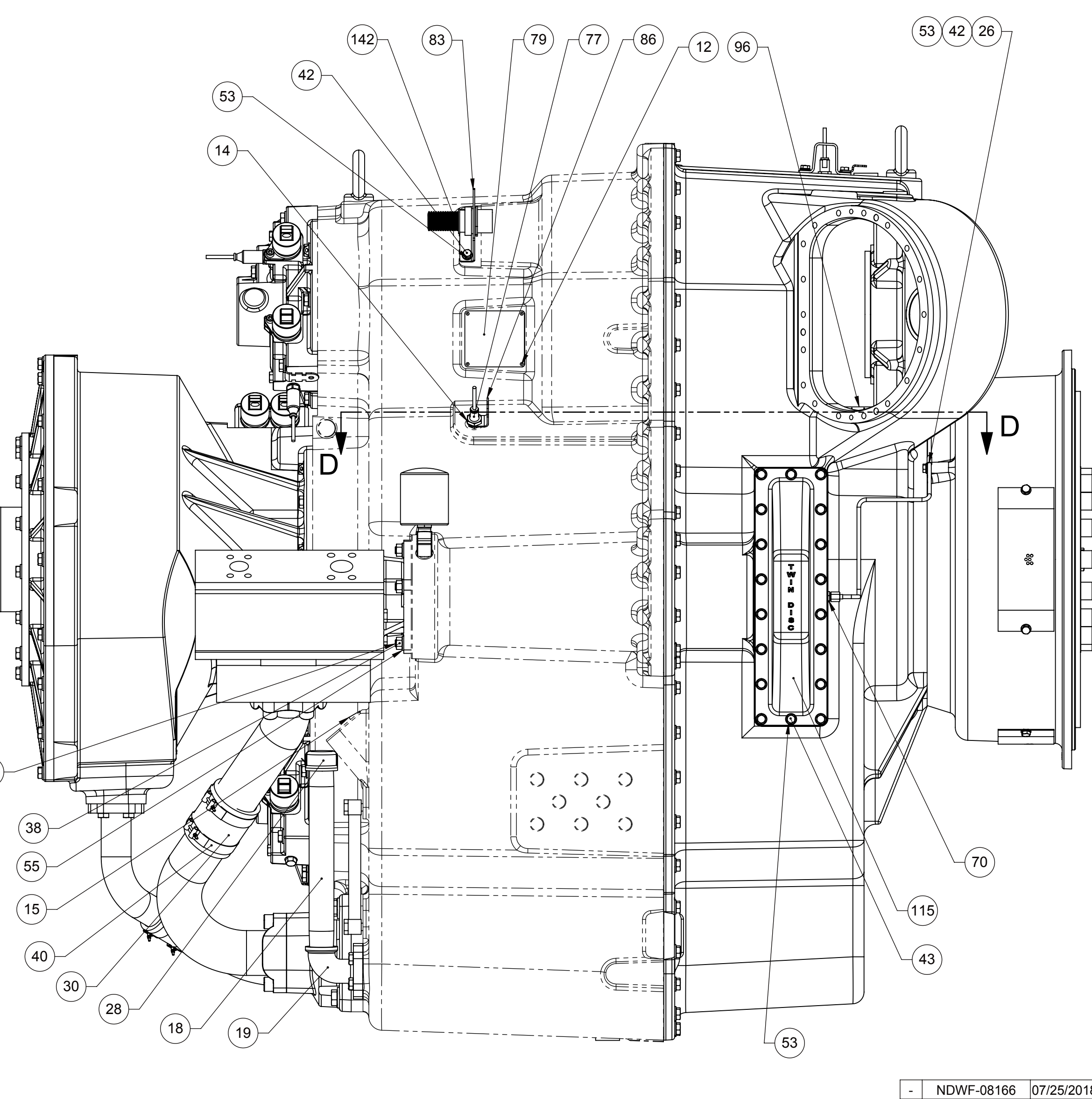
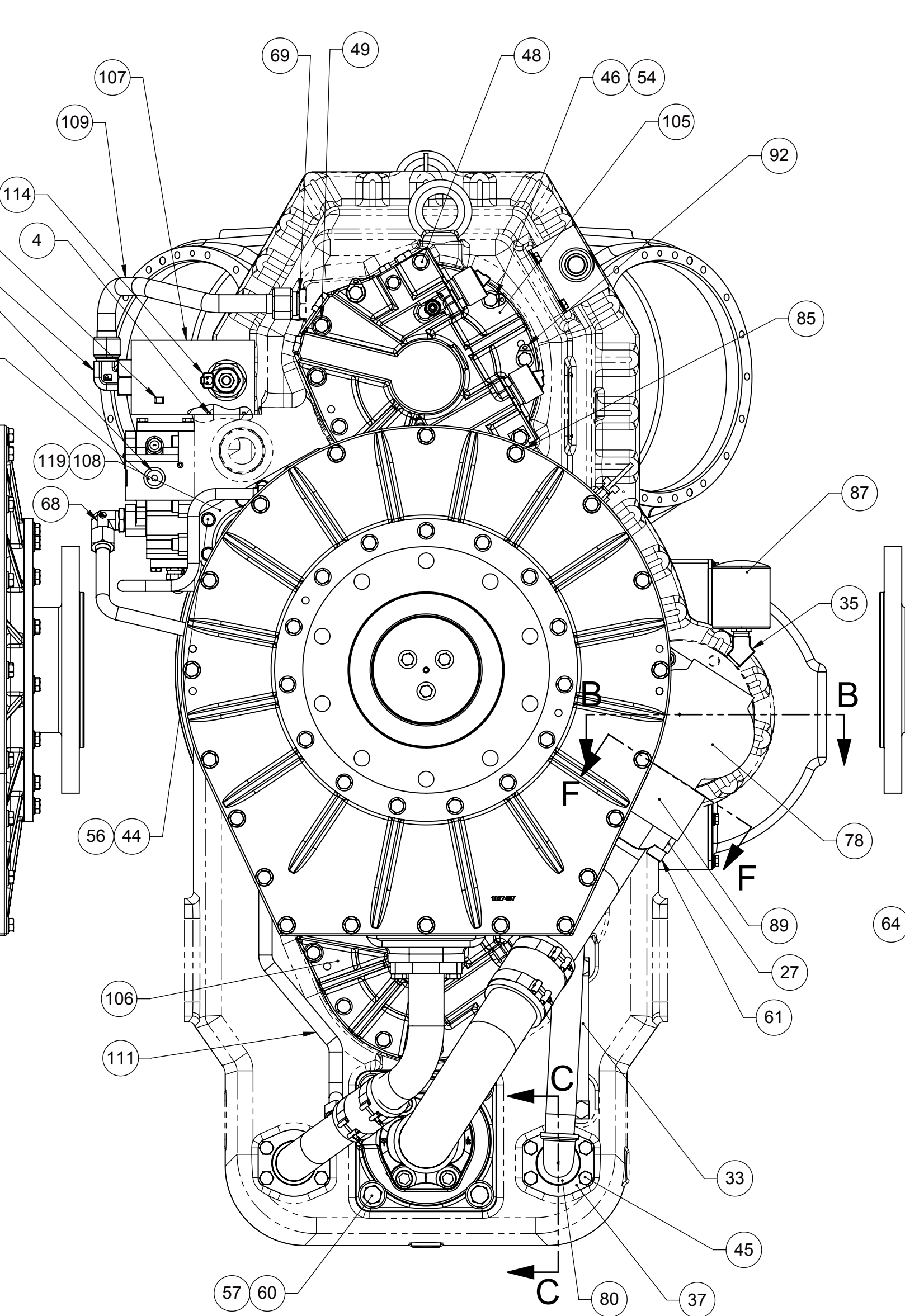
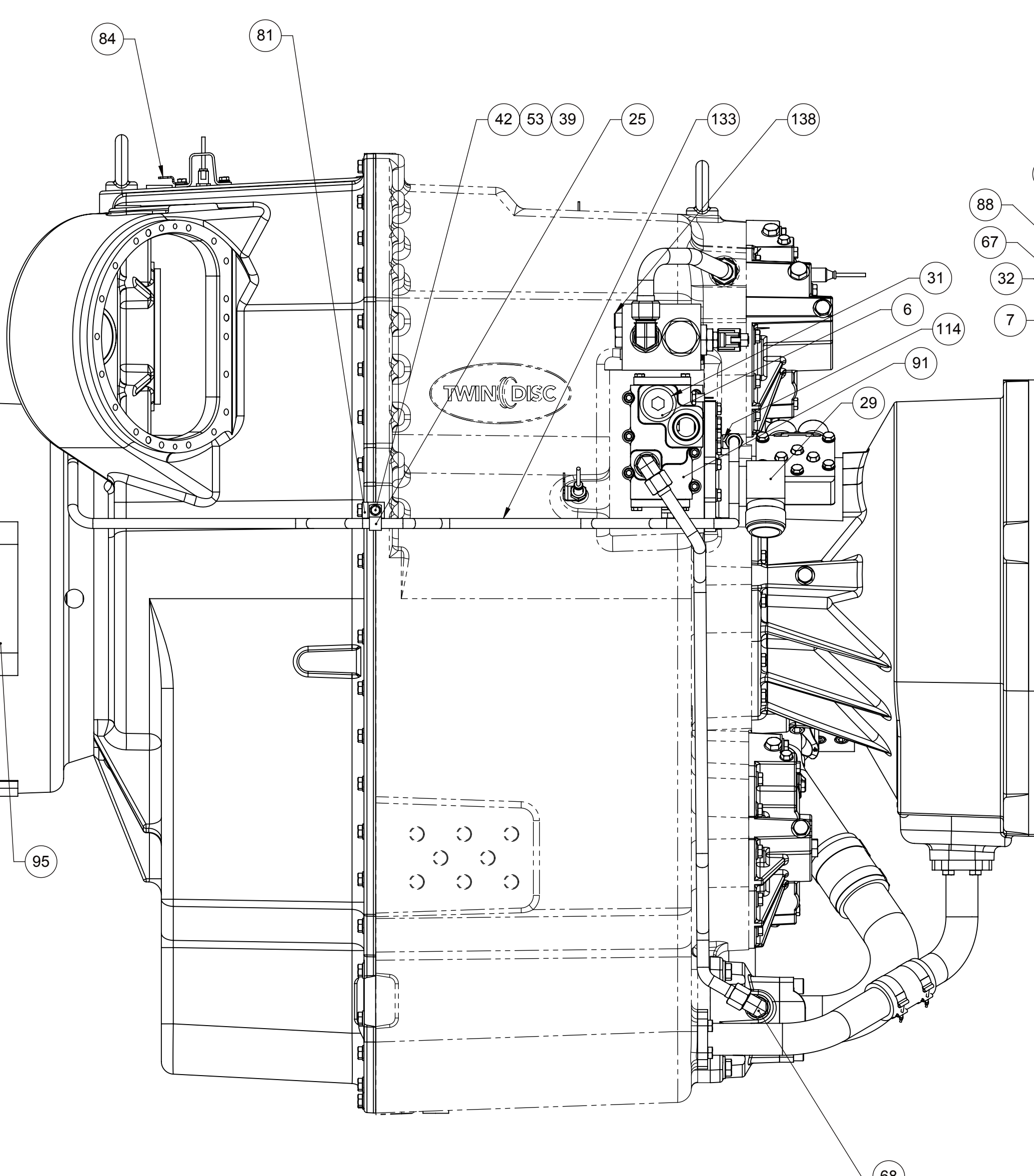
SECTION D-D



SECTION C-C

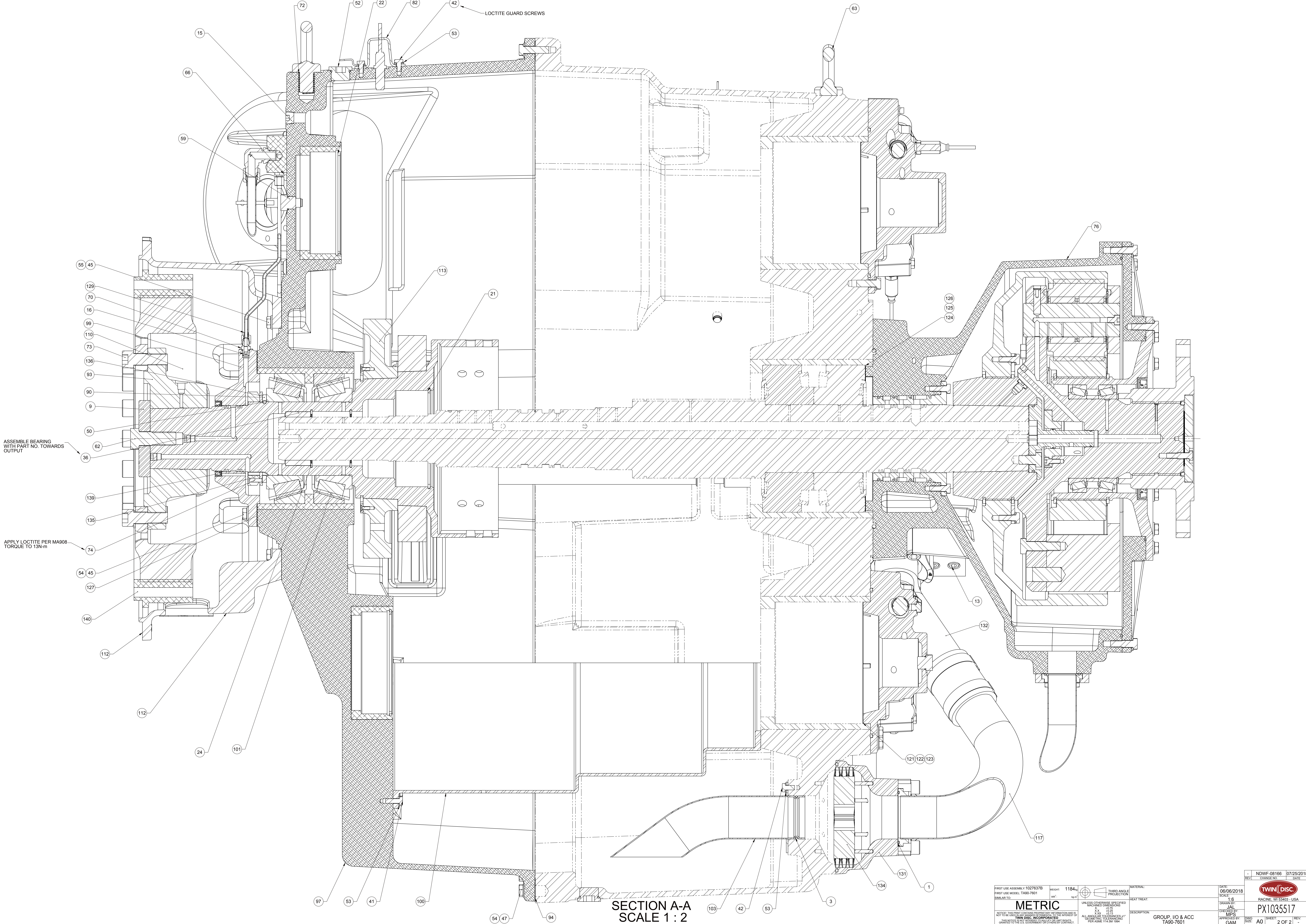


SECTION B-B
SCALE 1 : 4



NOTE:
SEE S944A FOR ASSEMBLY INSTRUCTIONS AND PRODUCTION TEST.

FIRST USE ASSEMBLY: 1027637B FIRST USE MODEL: 1A90-7601 SIMILAR TO:	WEIGHT: 1184g THIRD ANGLE PROJECTION MATERIAL:	DATE: 06/06/2018 SCALE: 1:6 DRAWN BY: JAL CHECKED BY: MPS APPROVED BY: CAM	DATE: 07/25/2018 CHANGE NO.: DATE:	 RACINE, WI 53403 - USA PX1035517 SHEET 1 OF 2
---	--	--	--	--



ASSEMBLE BEARING WITH PART NO. TOWARDS OUTPUT

APPLY LOCTITE PER MA908 TORQUE TO 13N·m

LOCTITE GUARD SCREWS

SECTION A-A
SCALE 1:2

FIRST USE ASSEMBLY: 1027637B FIRST USE MODEL: 1A90-7601 SIMILAR TO:	WEIGHT: 1184g PART NO.:	THIRD ANGLE PROJECTION UNLESS OTHERWISE SPECIFIED: DIMENSIONS IN MILLIMETERS DECIMALS: 0.1 FRACTIONS: 1/16 ALL ANGLES: 12.5° GEOMETRIC TOLERANCES: 1* FINISHES: 1* REFERENCE: 1* 100 1984	MATERIAL: HEAT TREAT:	DATE: 06/06/2018 SCALE: 1:2 DRAWN BY: JAL CHECKED BY: MPS APPROVED BY: CAM DWG. NO.: A0 SHEET: 2 OF 2 REV:	NDHWF-08166 07/25/2018 RACINE, WI 53403 - USA TWIN DISC PX1035517 GROUP: I/O & ACC 1A90-7601
---	----------------------------	---	--------------------------	---	--

8
7
6
5
4
3
2
1

J I H G F E D C B A