

TPX Series - Sine Wave Tracking Filter & Surge Suppressor

TPX

EMI/RFI

FILTER ATTENUATION MIL STANDARD 220B

100kHz.....29dB
1MHz.....32dB



SAFETY APPROVALS

UL 1449 Fourth Edition Listed by ETL., UL 1283 with "-F" suffix.

INSTALLATION

Ultra compact, fail-safe design with component-level fusing. ANSI/IEEE C62.41 Location C, B & A. In=20kA. **Type 1 SPD** - can be installed line-side or load-side of main disconnect. Prewired with 36 "(914.4mm) of #10 AWG (5.26mm²) conductor. Install direct to the bus, disconnect, or on any size breaker (20 to 30 amp breaker recommended as a disconnect means).

WARRANTY

15-Year Unlimited Free Replacement

SHORT CIRCUIT CURRENT RATING

100kAIC on all units

OPERATING TEMPERATURES

-40° C to 70° C (-40° F to 160° F); 5% to 95% non-condensing humidity

FREQUENCY ATTENUATION

AC Sine Wave Tracking Power Filter 1kHz TO 20MHz

POWER FREQUENCY RANGE

40-440Hz (48-63Hz with -F filter option)

MAX SURGE CURRENT

50kA per phase

RESPONSE TIME

< 0.5 nanosecond

MONITORING

Status indicator & Phase Loss (Green LED)

ENCLOSURE

Black weather proof NEMA 4 enclosure for indoor or outdoor use

PROTECTION MODES

All modes L-N, L-G, N-G & L-L

DIMENSIONS (APPROX):

CASE A: 2.9"H x 4.4"W x 7.6"L
CASE B: 2.9"H x 4.4"W x 10.3"L

WEIGHT:

2.6 lbs
4.1 lbs

OPTIONS:

Add "-FMP" suffix for flush mount cover plate.

To delete filter, delete "-F" suffix.

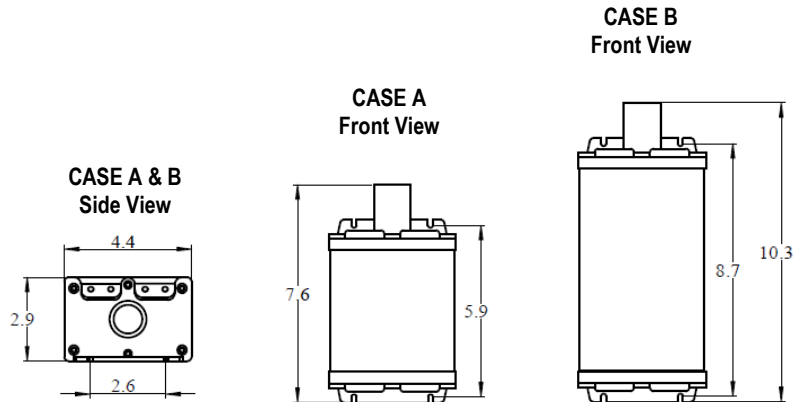
SURGE PERFORMANCE SPECIFICATIONS

ANSI/IEEE C62.41.1-2002, C62.41.2-2002, & C62.45-2002 Measured Limited Voltage

Type 1 Suitable For Location C, B & A

Model Number	Model/MCOV	A1 Ring Wave 2kV, 67A 180° Phase	UL 4th Ed. VPR Ratings (6kV, 3kA)	Enclosure
TPX-1S240-F 120/240 VAC Single 3 Wire Plus Ground	L-N 150	73V	600V	A
TPX-3Y208-F 120/208 VAC Wye 4 Wire Plus Ground	L-N 150	73V	600V	B
TPX-3D240-F 120/240 VAC Delta w/ High Leg 4 Wire Plus Ground	L-N 150/320	73V	600V 1000V High Leg	B
TPX-3Y380-F 220/380 VAC Wye 4 Wire Plus Ground	L-N 320	73V	1000V	B
TPX-3Y415-F 240/415 VAC Wye 4 Wire Plus Ground	L-N 320	73V	1000V	B
TPX-3Y480-F 277/480 VAC Wye 4 Wire Plus Ground	L-N 320	73V	1000V	B
TPX-240NN-F 240 VAC Delta 3 Wire Plus Ground	L-L 320	73V	1000V	B
TPX-380NN-F 380 VAC Delta 3 Wire Plus Ground	L-L 520	73V	1800V	B
TPX-480NN-F 480 VAC Delta 3 Wire Plus Ground	L-L 520	73V	1800V	B
TPX-1P120-F 120 VAC 2 Wire Plus Ground	L-N 150	73V	600V	A
TPX-1P240-F 240 VAC 2 Wire Plus Ground	L-N 320	73V	600V	A

All units tested with six inch leads. Specification subject to change without notice.



Need additional assistance?

Call Technical Support
1-717-436-2856

www.TPDsurge.com

TPX Series - Sine Wave Tracking Filter & Surge Suppressor **TPX-100**

EMI/RFI

FILTER ATTENUATION MIL STANDARD 220B

100kHz.....29dB
1MHz.....32dB



SAFETY APPROVALS

UL 1449 Fourth Edition Listed by ETL., UL 1283 with "-F" suffix.

INSTALLATION

Ultra compact, fail-safe design with component-level fusing. ANSI.IEEE C62.41 Location C, B & A. In=20kA. **Type 1 SPD** - can be installed line-side or load-side of main disconnect. Prewired with 36 "(914.4mm) of #10 AWG (5.26mm²) conductor. Install direct to the bus, disconnect, or on any size breaker (20 to 30 amp breaker recommended as a disconnect means).

WARRANTY

15-Year Unlimited Free Replacement

SHORT CIRCUIT CURRENT RATING

100kAIC on all units

OPERATING TEMPERATURES

-40° C to 70° C (-40° F to 160° F); 5% to 95% non-condensing humidity

FREQUENCY ATTENUATION

AC Sine Wave Tracking Power Filter 1kHz TO 20MHz

POWER FREQUENCY RANGE

40-440Hz (48-63Hz with -F filter option)

MAX SURGE CURRENT

100kA per phase; 50kA per mode;

RESPONSE TIME

< 0.5 nanosecond

MONITORING

Status indicator & Phase Loss (Green LED)

ENCLOSURE

Black weather proof NEMA 4 enclosure for indoor or outdoor use

PROTECTION MODES

All modes L-N, L-G, N-G & L-L

DIMENSIONS (APPROX):

CASE A: 2.9"H x 4.4"W x 7.6"L
CASE B: 2.9"H x 4.4"W x 10.3"L

WEIGHT:

2.6 lbs
4.1 lbs

OPTIONS:

Add "-FMP" suffix for flush mount cover plate.

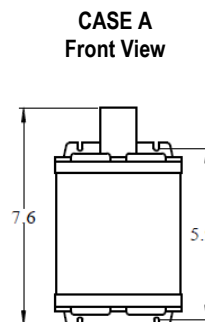
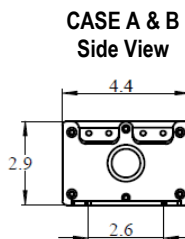
SURGE PERFORMANCE SPECIFICATIONS

ANSI/IEEE C62.41.1-2002, C62.41.2-2002, & C62.45-2002 Measured Limited Voltage

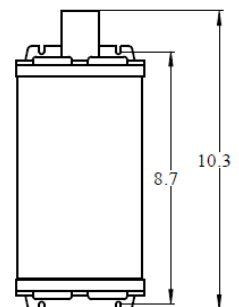
Type 1 Suitable For Location C, B & A

Model Number	Mode/ MCOV	A1 Ring Wave 2kV, 67A 180° Phase	UL 4th Ed. VPR Ratings (6kV, 3kA)	Enclosure
TPX-1S240-F-100 120/240 VAC Single 3 Wire Plus Ground	L-N 150	73V	600V	A
TPX-3Y208-F-100 120/208 VAC Wye 4 Wire Plus Ground	L-N 150	73V	600V	B
TPX-3D240-F-100 120/240 VAC Delta w/ High Leg 4 Wire Plus Ground	L-N 150/320	73V	600V 1000V High Leg	B
TPX-3Y380-F-100 220/380 VAC Wye 4 Wire Plus Ground	L-N 320	73V	1000V	B
TPX-3Y415-F-100 240/415 VAC Wye 4 Wire Plus Ground	L-N 320	73V	1000V	B
TPX-3Y480-F-100 277/480 VAC Wye 4 Wire Plus Ground	L-N 320	73V	1000V	B
TPX-240NN-F-100 240 VAC Delta 3 Wire Plus Ground	L-L 320	*73V	1000V	B
TPX-380NN-F-100 380 VAC Delta 3 Wire Plus Ground	L-L 520	*73V	1800V	B
TPX-480NN-F-100 480 VAC Delta 3 Wire Plus Ground	L-L 520	*73V	1800V	B
TPX-1P120-F-100 120 VAC 2 Wire Plus Ground	L-N 150	73V	600V	A
TPX-1P240-F-100 240 VAC 2 Wire Plus Ground	L-N 320	73V	600V	A

All units tested with six inch leads. Specification subject to change without notice.



CASE B
Front View



Need additional assistance?
Call Technical Support
1-717-436-2856
www.TPDSurge.com

