

BFN Ionizer Spare Parts

The BFN series ionizers use the following spare parts for models: BFN801, BFN802, BFN803, BFN8412

Structure

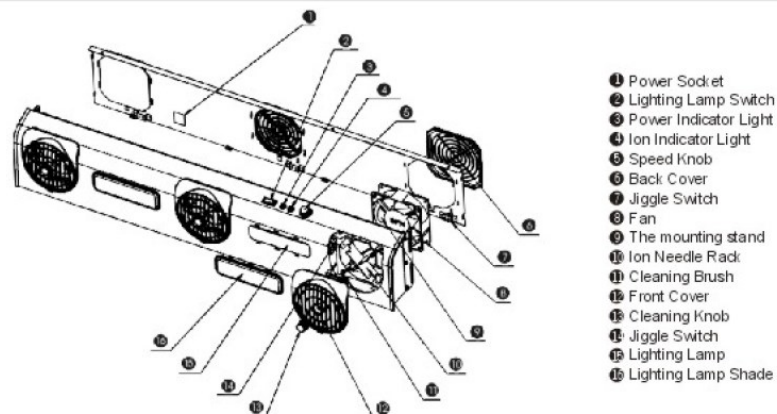


Figure 1: BFN-803 AC Ionizing Blower Structure Sketch Map

Part Number	Description
SPBFN10	Front Fan Guard
SPBFN11	Back Fan Guard
SPBFN13	Power Source
SPBFN14	Fan Assembly
SPBFN15	Emitter Assembly
SPBFN16	Light Cover
SPBFN17	On/Off Switch
SPBFN18	Rt. End Piece For BFN802/803
SPBFN19	Lt. End Piece For BFN802/803
SPBFN20	Rt. End Piece For BFN801
SPBFN21	Lt. End Piece For BFN801
SPBFN22	Knob Board
SPBFN23	Speed Knob
SPBFN24	Led Lamp
SPBFN26	BFN801 Base
SPBFN28	BFN Filter
SPBFN29	BFN Filter Guard
SPBFN35	Power Cord For BFN



SPBFN10



SPBFN11



SPBFN13



SPBFN14



SPBFN15



SPBFN16



SPBFN17



SPBFN18-SPBFN29



SPBFN20-SPBFN21



SPBFN22



SPBFN23



SPBFN124



SPBFN25



SPBFN26

About Transforming Technologies

Since 1998, Transforming Technologies has helped electronic manufacturing facilities to protect their products and processes from the many serious problems associated with static electricity.

Transforming Technologies offers a wide range of unique and outstanding products to detect, protect, eliminate and monitor electrostatic charges. Our products are integral components of an effective static control program.

