



Monitor User Guide Version 0.1



- 1. Introduction**
- 2. Connecting the Monitor**
- 3. Using the Monitor**
- 4. Cleaning the screen of LCD Monitor**
- 5. Disclaimer**
- 6. Trouble Shooting**
- 7. Supplement**
- 8. Installation on Wall or Table Top**



IMPORTANT SAFETY INSTRUCTIONS

1. Please read this instructions carefully before using the product and keep it for later reference.
2. Follow all warnings and instructions marked on the product.
3. Unplug this product from the wall outlet before cleaning. Clean the product with a damp soft cloth. Do not use liquid or aerosol cleaners as it may cause permanent damage to the screen.
4. Caution of use varies from model to model; please observe appropriate operation per model in use.
5. Do not place this product on an unstable cart, stand, or surface which may cause damage or harm to the product or personnel.
6. Slots and openings on the cabinet, in the back cover or in the bottom, are for ventilation; to ensure reliable operation and to prevent from overheating; these openings must not be blocked or covered at all time. The openings should never be placed near or over a radiator or heat register, or in a built-in installation unless proper ventilation space (min. 2 inches/5cm of gap) is provided.
7. This product should be operated from the type of power indicated on the marking label. If you are not sure of the type of power available, consult your dealer or local service company.
8. This product is equipped with a 3-wire grounding type power plug, a plug having a third (grounding) pin. This plug will only fit into a grounding-type power outlet. This is a safety feature. If you do not have proper outlet to insert the plug, contact your electrician to replace your obsolete outlet. Do not break the ground pin and defeat the purpose of the grounding.
9. Do not allow anything to rest, or persons to walk, on the power cord.
10. If an extension cord is used with this product, make sure that the total ampere rating plugged into the extension cord does not exceed the maximum ampere rating of the extension cord.
11. Never thrust object/tool of any kind through cabinet slots of this product, as they may touch dangerous voltage point or short out parts that could result in risk of fire or electric shock. Never spill liquid of any kind on the product (except IP-rated models).
12. Do not attempt to service this product yourself; always refer to qualified or authorized personnel for servicing this product.
13. Unplug this product from the wall outlet and refer servicing to qualified service personnel under the following conditions:
 - i. When the power cord or plug is damaged or frayed or broken.
 - ii. In case that liquid has been spilled into the product(excepting IP-rate models).
 - iii. In case the product does not operate normally when the operating instructions are followed, adjust only those controls that are delineated by the operating instructions.
14. Caution: When fixed patterns are displayed for a long time, remnant image (retention) is likely to occur.

User/owner of this product is advised to keep all packaging material for use in case for repackaging the unit for further transportation, or for repair service which demands returned unit to be properly packed in original packaging as well as proof of purchase and other required documents per each warranty prescribed.

1 Introduction

1.1 About the Product

The monitor consists of a(LED/ TFT) LCD panel and microprocessor -controlled main board. It is designed to meet the demanding or rigid performance requirements of education/schools, public premises, corporate, and industrial applications.

GENERAL FUNCTION

Display type: TFT-LCD MODULE DRIVE BOARD
RESOLUTION: UP TO 3840X2160 with a 16:9 ASPECT RATIO @30Hz

- AUDIO/ VIDEO SIGNAL CONNECTIONS
 - SOURCE INPUT:
 - ◆ FHD HDMI 1
 - ◆ FHD HDMI 2
 - ◆ UHD HDMI 3
 - ◆ DP (Display Port)
 - ◆ VGA
 - ◆ DVI
 - AUDIO INPUT:
 - ◆ For VGA& DVI audio input.
- DATA CONNECTIONS
 - USB A (A type)/ USB player, support formats listed in section 3-5-2
 - USB B (B type)/ only for connection touch control data to a user PC
- RS232 CONTROL input

1.2 Notice

- Do not apply any sharp object on the original LCD panel surface, if model is without protective glass.
- Do not use corrosive or abrasive detergents, waxes or solvents for cleaning. Use only a dry or damp with clean water, soft cloth when cleaning.
- Use qualified and safety-approved AC power cord only.

1.3 Check List

When opening the carton, please make sure that all the items listed below are present:

- VGA cable (male-to-male) ×1
- Power cord ×1
- USB cable ×1(for touch monitor models only)
- HDMI cable x1
- Audio cable 3.5E x1
- User guide ×1 (e-file in CD and specific driver).
- Remote control x 1, battery included.
- Cleaning fabric x2
- Stylus x2
- Wall mount installation guide x1

If any items are missing or damaged, please contact your local dealer immediately.



Adapter/Converter Advisory

Should specific adapter/converter is required, i.e. tablet PCs, in order to connect to this monitor, please use original adapter/converter recommended by the original brand. The length of cables should not be longer than 2 meters each.

2 Connecting the Monitor

The procedures for setting up your Monitor kit is as followed:

Power & Signal Connections

2.1 Power cord connection:

Connect the power cord to the AC outlet.

2.2 Power on:

Switch on the main power of your monitor (switch is located next to the AC outlet)

2.3 Input Source VGA (HDMI1/ HDMI2/ UHD HDMI3/DVI/DP) Signal cable connection:

Plug one end of the 15-pin signal cable to the video signal connector at the rear of the PC/laptop system (or engine box) and the other end to the monitor. Or plug one end of the HDMI signal cable to signal source (PC, laptop, IPC, media player of any kind with proper HDMI or other out port), and the other end to the HDMI connector on the monitor.

Tighten the connector screws on both ends of the cable to secure good signal connection.

2.4 USB cable connection (for touch monitor models):

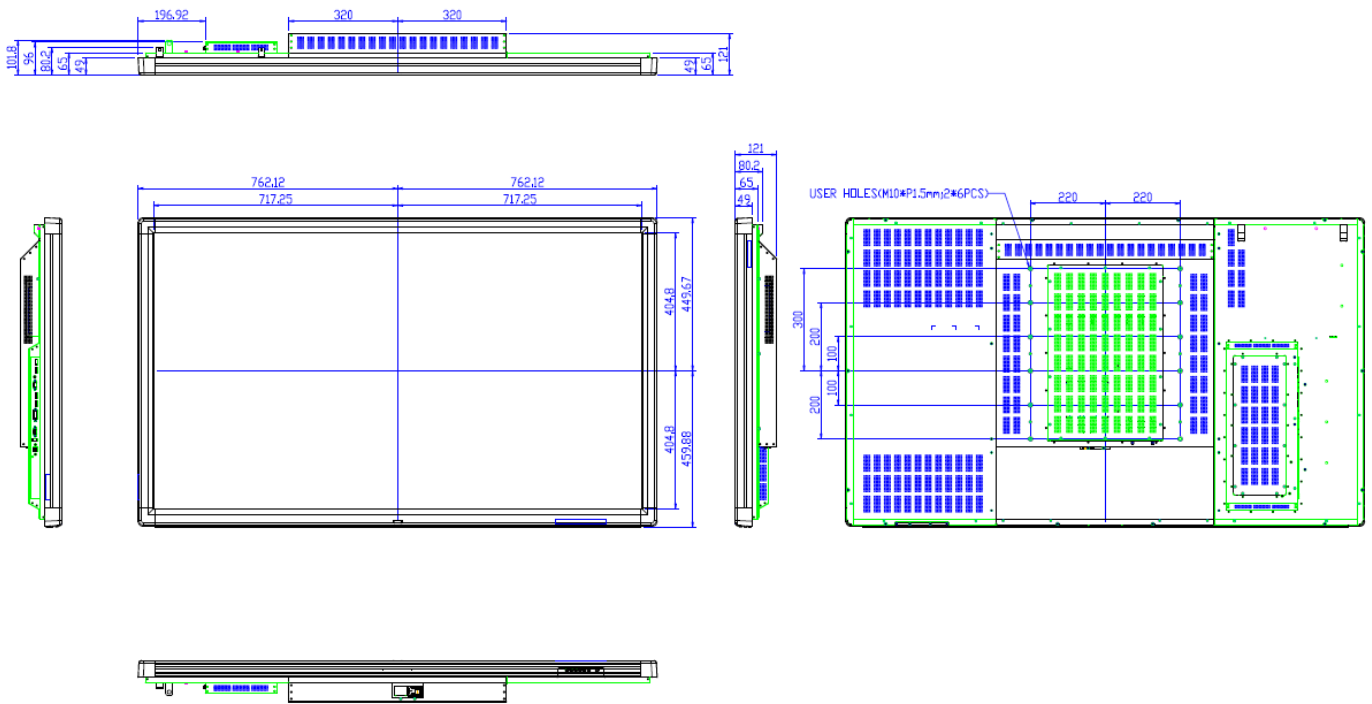
Plug one end of the USB (B type) cable to the USB (A type) connector at the rear of the (PC, or, IPC, or, media player), and the other end to the USB connector on monitor.

Please connect the signal source first, then follow by connecting USB cable for touch.

3 Using the Monitor

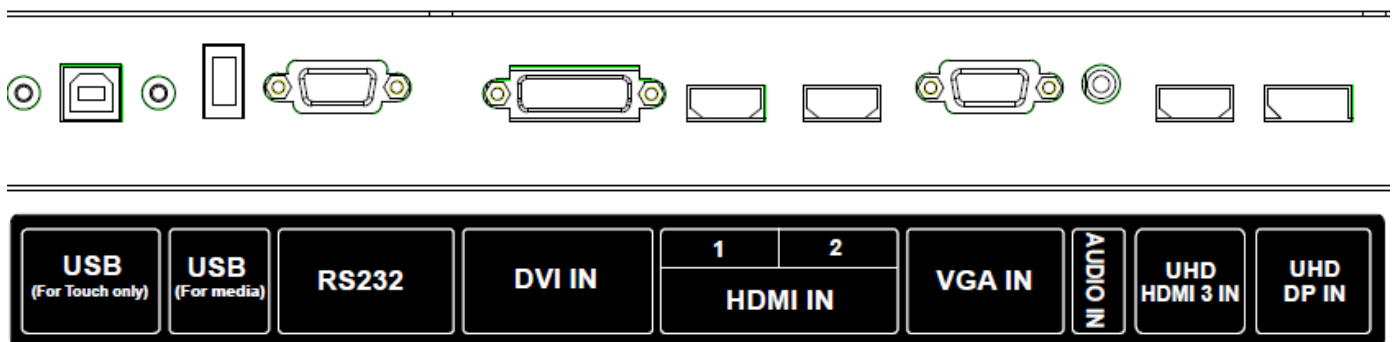
3.1 Get to know the monitor

The Monitor connectors are located on the left side. They are shown in the physical monitor as figure below and described in the following paragraphs. Please note that connectors may vary in some derivative models; please refer to individual leaflet for special notation.



3.2 Connector ports

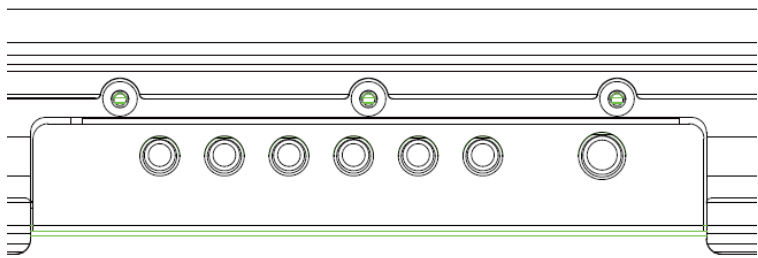
The Figure below depicts the signal connectors on the main board.



3.3 Keypad

DOWN UP VOL.- VOL.+ SOURCE MENU POWER
(LEFT) (RIGHT) (ENTER)

Front View



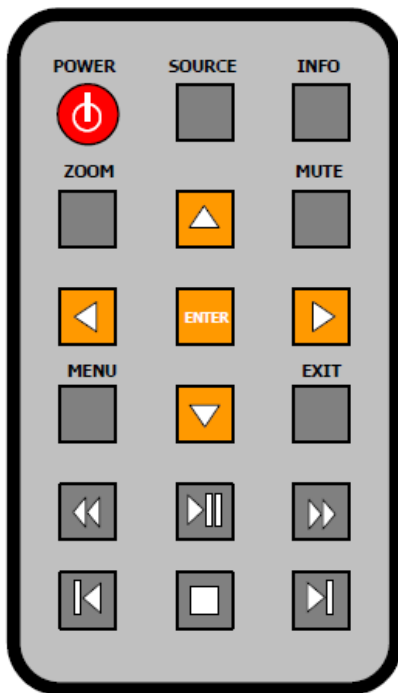
Bottom View

Key Descriptions

Key Name	Operation
Power Key	➤ Power On/Off
Menu Key	<ul style="list-style-type: none"> ➤ Activates main OSD menu ➤ Navigates higher menu in main OSD menu ➤ Stops auto frequency searching ➤ Exits OSD menu
Select Key	<ul style="list-style-type: none"> ➤ Activates OSD menu of input source selecting ➤ Changes input source by selecting ➤ Executes functions (by OSD help commands) in main OSD menu
Up Key	<ul style="list-style-type: none"> ➤ Navigates input source ➤ Executes function (by OSD help commands) in main OSD menu. ➤ Navigates previous menu in main OSD menu
Down Key	<ul style="list-style-type: none"> ➤ Navigates input source ➤ Executes function (by OSD help commands) in main OSD menu. ➤ Navigates next menu in main OSD menu
Left Key	<ul style="list-style-type: none"> ➤ Decreases sound volume of speaker/headphone ➤ Executes function (by OSD help commands) in main OSD menu ➤ Decreases values of user menu in main OSD menu
Right Key	<ul style="list-style-type: none"> ➤ Increases sound volume of speaker/headphone ➤ Executes function (by OSD help commands) in main OSD menu ➤ Increases values of user menu in main OSD menu

Remote Control

The outlook of remote control is shown in the Figure, hereafter,



Size: 90 x 40 x 12 mm

Operation distance: ≤ 5 meter

Working angle: not more then +/- 40 degree

IR-Remote controller Descriptions

Key Name	Description
POWER	● Power On/Off
SOURCE	● Activates OSD menu of input source selecting ● Navigates input source
INFO	● Displays input source information
ZOOM	● Activates OSD of aspect ratio control
MUTE	● Toggles sound status of speaker
MENU	● Activates main OSD menu
EXIT	● Escapes main OSD menu
▲	● Navigates upper menu in main OSD menu. ● Navigates input source
▶	● Increases sound volume of speaker ● Same as “- Key” on keypad ● Navigates next menu in main OSD menu.
▼	● Navigates down menu in main OSD menu. ● Navigates input source
◀	● decreases sound volume of speaker ● Same as “- Key” on keypad ● Navigates before menu in main OSD menu.
ENTER	● Changes input source by selecting ● Executes functions(by OSD help commands) in main OSD menu.
▶	● Same as “PLAY” on keypad
◀	● Move before contents play mode (contents play)
▶	● Move next contents play mode (contents play)
■	● Stop function (contents play)
◀◀	● Fast backward function(contents play)
▶▶	● Fast forward function (contents play)

CAUTION
RISK OF EXPLOSION IF BATTERY IS REPLACED
BY AN INCORRECT TYPE
DISPOSE OF USED BATTERIES ACCORDING
TO THE INSTRUCTION

3.4 Content of OSD Menu

3.4.1 MENU OVERVIEW

In this menu system, there are several ways to customize the menu settings provided. Most menus consist of three levels to set up the options, but some require greater depth for the variety of settings. If you press the MENU button, only the first and second level of the menu system will appear on the monitor screen. The third level can be displayed by pressing SELECT. If a menu has more than three levels, the pop-up dialogue box will be displayed as the fourth or fifth level.

- **To show and remove the Menu:**

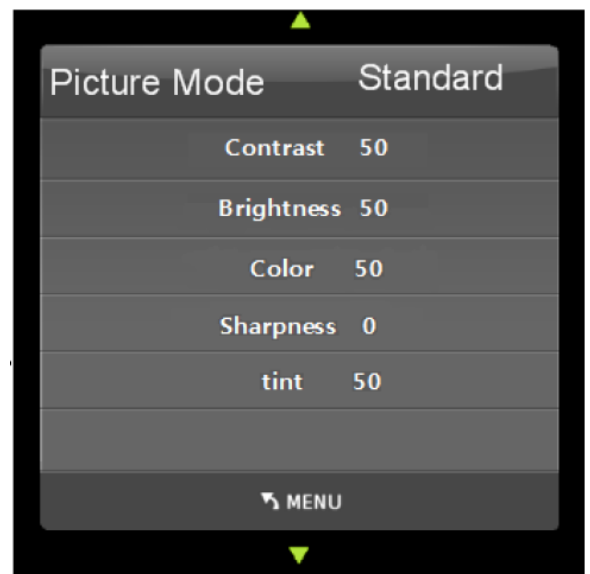
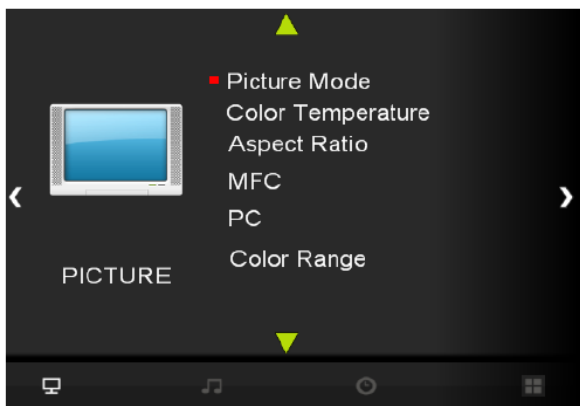
Press the MENU button on the Remote Control to display the menu. A second press of the MENU button or a press of the EXIT button will take you back to monitor viewing.

- **To go to the next level:**

Press ENTER on the Remote Control.

- **To go back to the previous level:**

Press MENU (or EXIT) on the Remote Control.



- **Typical Menu Operation**

- Press MENU button: The main menu will appear.
- Use (▲/▼) to select the desired menu option (icon).
- While the desired menu option is selected, press ENTER to move to the second level.
- Press ENTER to move to the third level: Some menu options require additional steps.
- Press MENU to return to the previous menu or press EXIT on the Remote Control to return to monitor viewing.

3.4.2 BASIC OPERATION

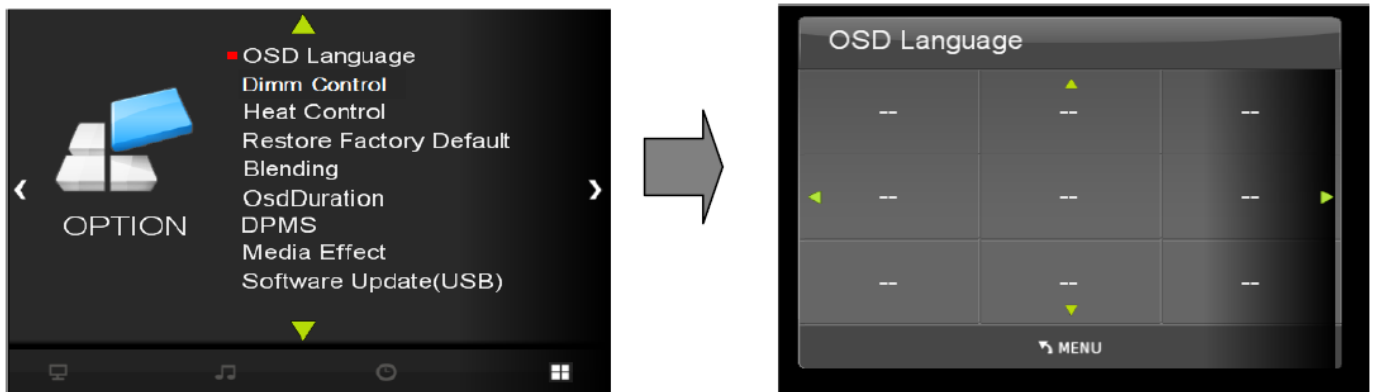
● Turning On the Monitor

- First, connect power cord correctly. At this moment, the monitor switches to standby or power on mode. In standby mode, in order to turn monitor on, press the POWER button on the remote control.
- Select the viewing source by using SOURCE button on the remote control.

● Volume Adjustment (A/V extension option)

- Press the VOL+/- (◀/▶) button to adjust the volume.
- If you want to switch the sound off, press the MUTE button on the remote control.
- You can cancel this function by pressing the MUTE or VOL+/- (◀/▶) button.

● On Screen Menus Language Selection



- The menus can be shown on the screen in the selected language. First select your language.

- Press the MENU button and then use (▲/▼) button to select the OPTION icon.
- Press the (▲/▼) button to select Menu Language menu.
- Press the ENTER button and then use (▲/▼/◀/▶) button to select your desired language: From this point on, the on-screen menus will be shown in the selected language.
- Press EXIT button to return to monitor viewing or press MENU button to return to the previous menu.

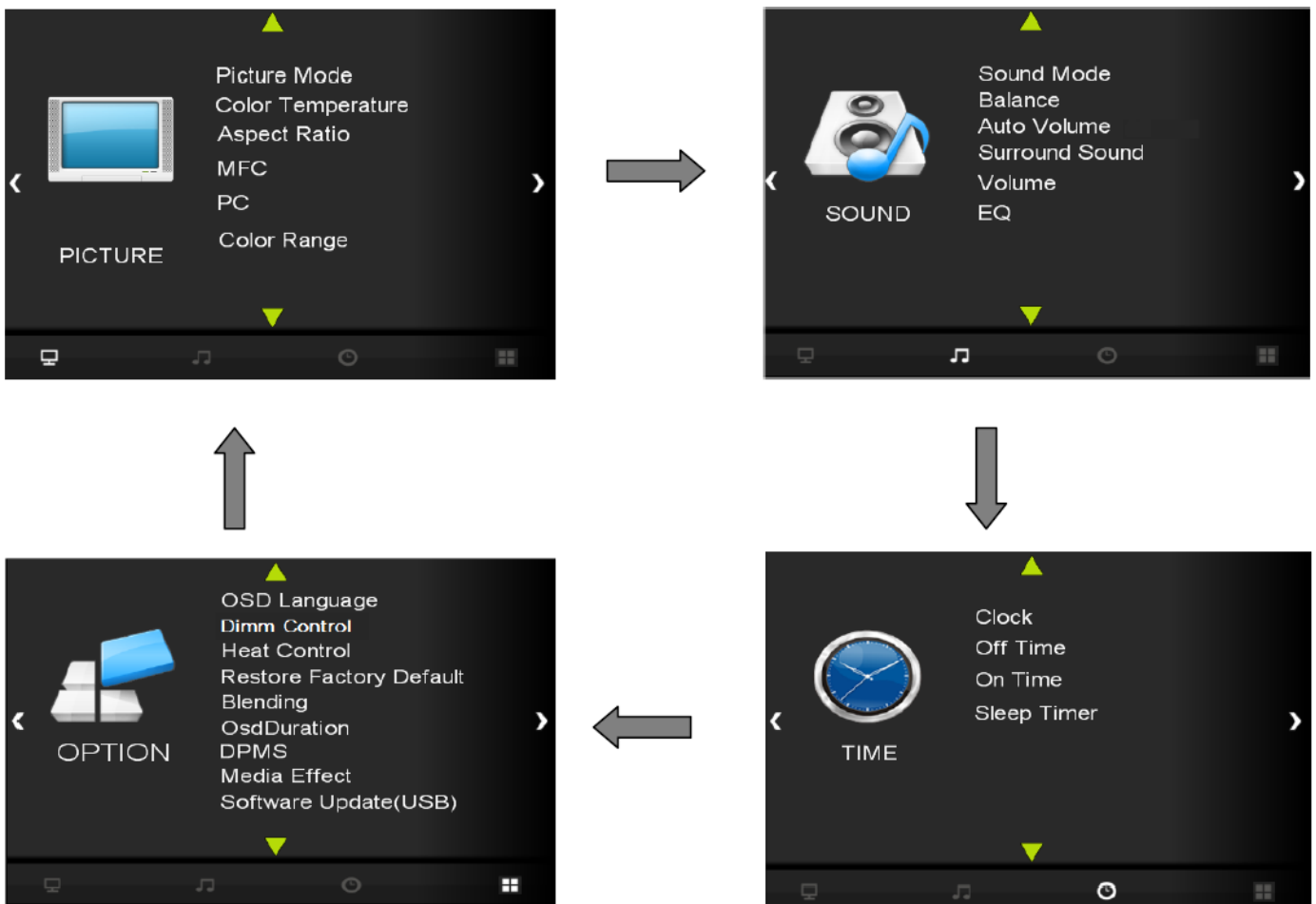
Supported Languages

English, German, Spanish, French, Italian, Dutch, Russian, Swedish & Chinese etc.

3.4.3 On Screen Menus Selection and Adjustment

- **How to adjust the OSD screen**

- Press the MENU button and then(◀/▶)button to select each menu.
- Press the ENTER button and then use(▲/▼) button to display the available menus.



Your monitor's OSD (On Screen Display) may differ slightly from what is shown in this manual.

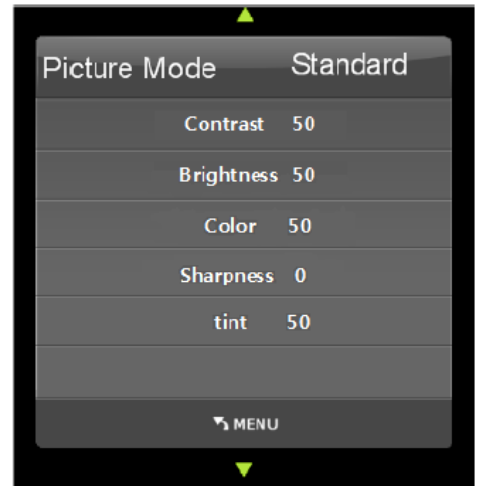
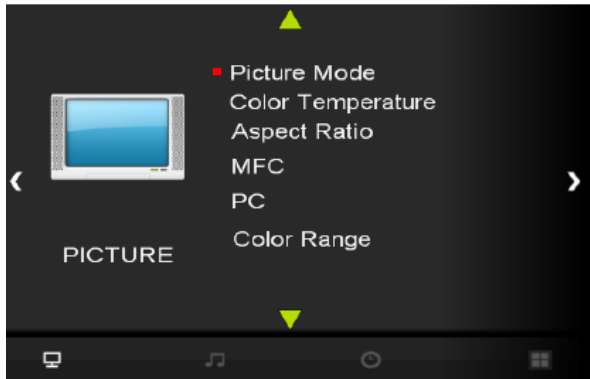
3.4.4 SELECT VIDEO INPUT

- How to Select Video Source by OSD [PC-RGB, DVI, HDMI(1,2), HDMI3(UHD), USB, DP]
 - Press the SOURCE button and then (▲/▼) button to select each video source.
 - Press the ENTER button to go to desired video source



3.4.5 PICTURE MENU OPTIONS

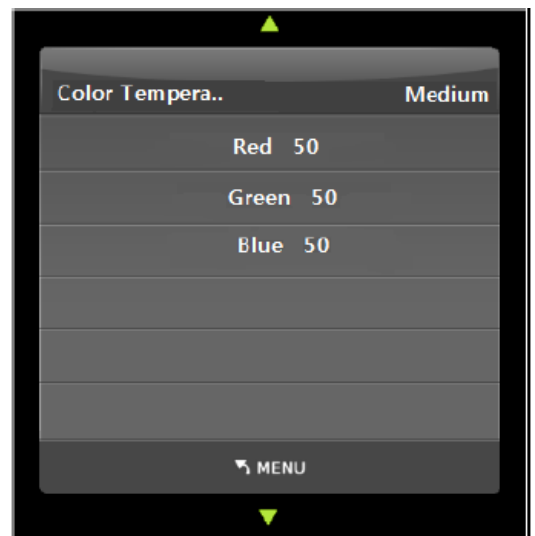
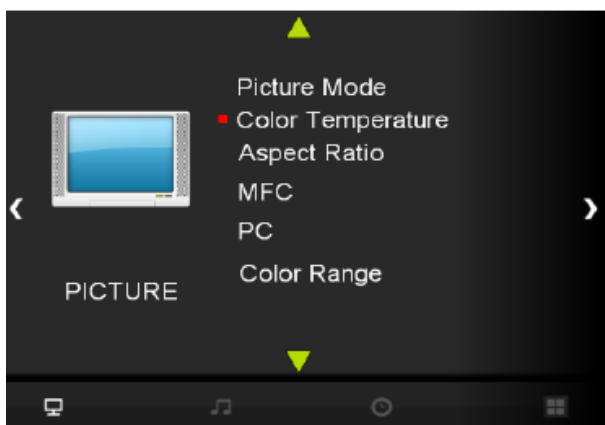
- Picture Mode



Adjust the picture appearance to suit your preference and viewing situations.

- Press the MENU button and then (◀/▶)button to select the PICTURE mode.
- Press the (◀/▶)button and then use ENTER button to select Picture Mode menu. Standard, Dynamic, Mild, User
- Press the (▲/▼)button to select Picture Mode - User menu Contrast, Brightness, Color, Sharpness, Tint.
- Press ENTER button and then use (◀/▶)button to make appropriate adjustments.
- Press EXIT button to return to monitor viewing or press MENU button to return to the previous menu.

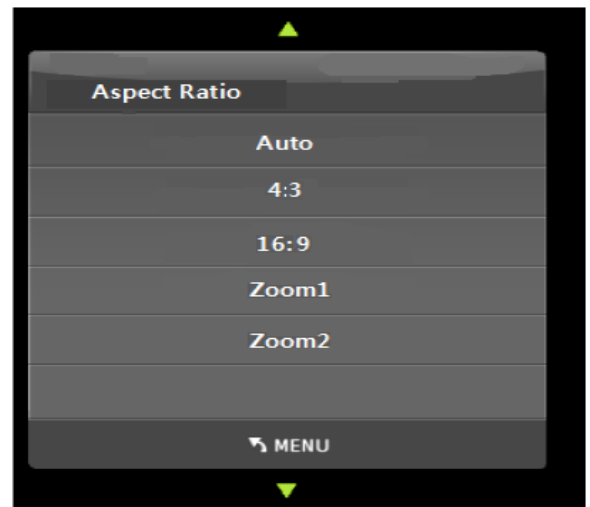
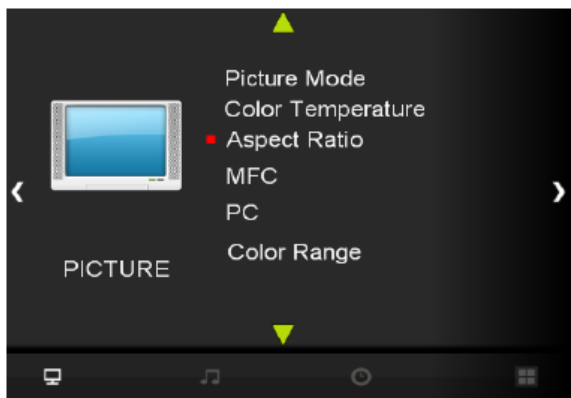
- Color Temperature Control



- Choose one of five automatic color adjustments. Set to warm to enhance hotter colors such as red, or set to cool to see less intense colors with more blue.

- Press the MENU button and then use (◀/▶)button to select the PICTURE icon.
- Press the (▲/▼)button and then use ENTER button to select Color Temperature menu.
- Press the ENTER button and then use (◀/▶)button to select desired option:
User, Cool, Medium, Warm.
- Press the (▲/▼)button to select Picture Mode - User menu
Red, Green, Blue
- Press EXIT button to return to monitor viewing or press MENU button to return to the previous menu.

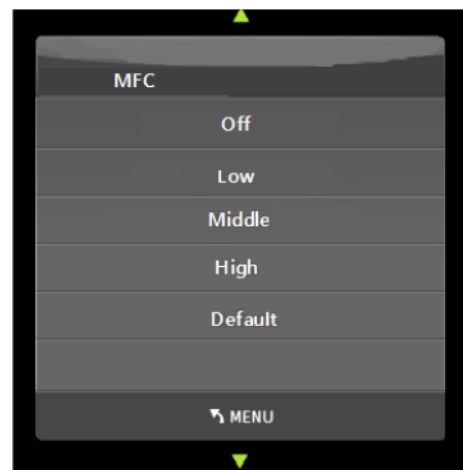
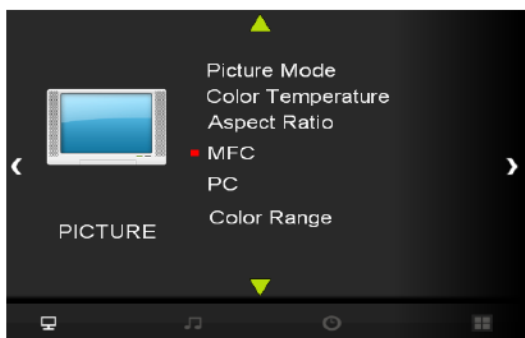
● Aspect Ratio



- Selects the screen format.

- Press the MENU button and then use (◀/▶)button to select the PICTURE icon.
- Press the (▲/▼)button and then use ENTER button to select Aspect Ratio menu.
- Press the ENTER button and then use (▲/▼)button to select desired option:
Auto, 4:3, 16:9, Zoom1, Zoom2.
 - Not support at UHD mode.
- Press EXIT button to return to monitor viewing or press MENU button to return to the previous menu.

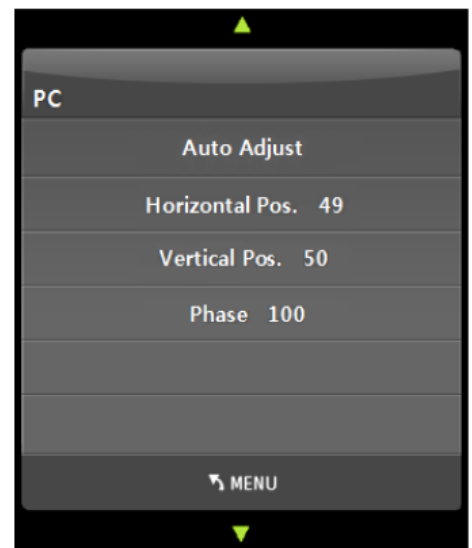
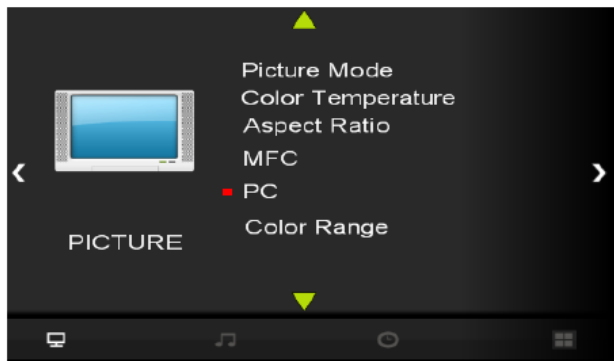
● MFC



- Select the picture appearance to suit your preference and viewing situations.

- Press the MENU button and then (◀/▶)button to select the PICTURE icon.
 - Press the (▲/▼)button and then use ENTER button to select MFC menu
 - Press the ENTER button and then use (▲/▼)button to select the desired picture option
Off, Low, Middle, High & Default
 - Press EXIT button to return to monitor viewing or press MENU button to return to the previous menu.
- MFC : When the video screen is set to HIGH if the phenomenon will be broken

● PC Menu



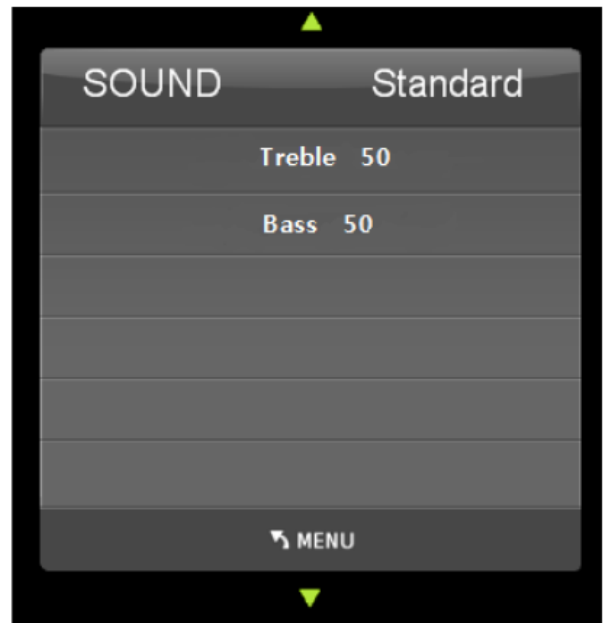
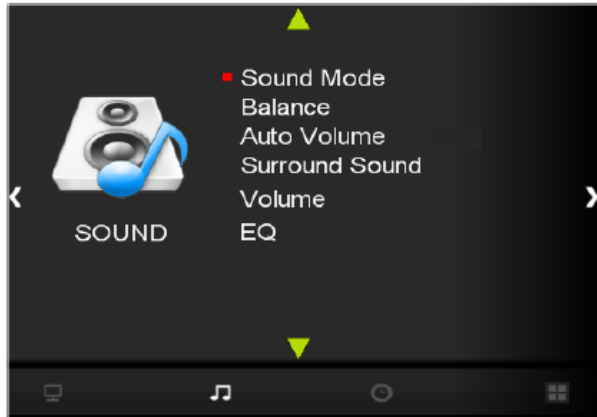
- Press the MENU button and then use (◀/▶)button to select the PICTURE icon.
- Press the (▲/▼)button and then use ENTER button to select PC Menu
- Press(▲/▼) button and then use (◀/▶)button to make appropriate adjustments
- Press EXIT button to return to monitor viewing or press MENU button to return to the previous menu.

● Color Range

- Press the ENTER button. [Range scaling changes from 16-234 to 0-255]

3.4.6 SOUND MENU OPTIONS

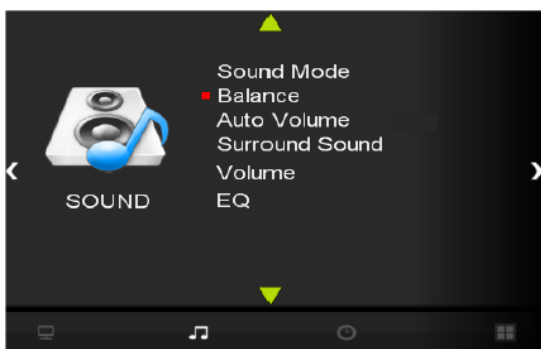
- Sound Standard Mode



- Adjust the sound to suit your taste and room situations.

- Press the MENU button and then use (◀/▶) button to select the SOUND icon
- Press the (▲/▼) button and then use ENTER button to select Sound Mode menu Standard, Music, Movie, Sports, User
- Press the (◀/▶) button and then use (▲/▼) button to select - User menu: Treble, Bass.
- Press EXIT button to return to monitor viewing or press MENU button to return to the previous menu.

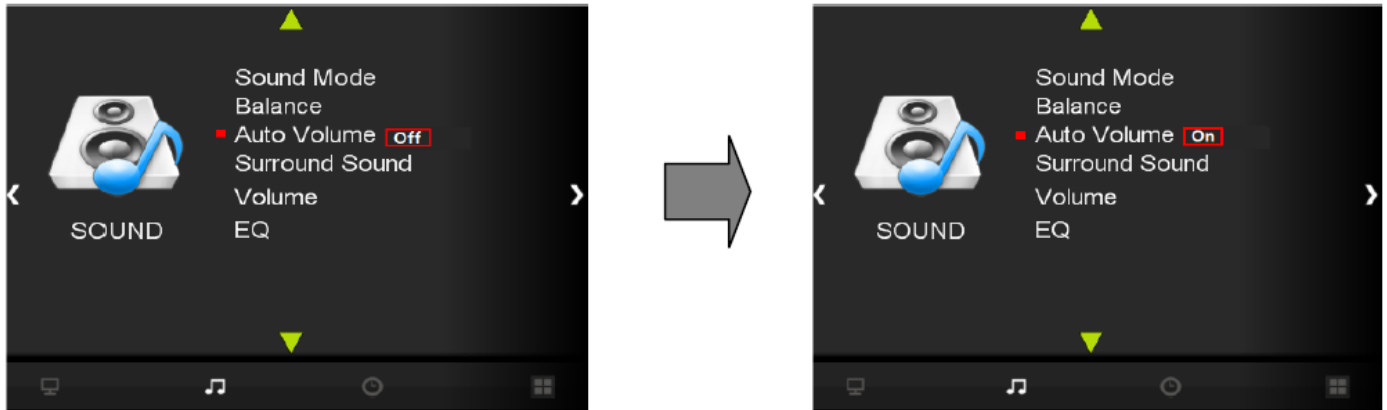
- Sound Balance



- Adjust the sound to suit your taste and room situations.

- Press the MENU button and then use (◀/▶)button to select the SOUND icon.
- Press the (▲/▼)button and then use ENTER button to select the Balance menu.
- Press (◀/▶)button to make appropriate adjustments. [-50 ~ 0 ~ +50]
- Press EXIT button to return to monitor viewing or press MENU button to return to the previous menu.

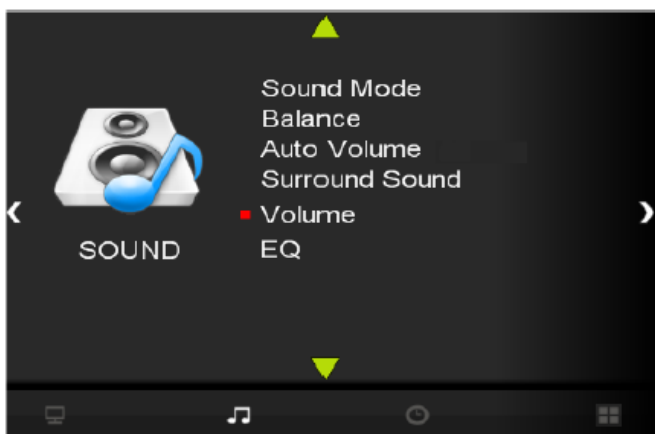
● Auto Volume – Automatic Volume Level Control



- Adjust the sound to suit your taste and room situations.

- Press the MENU button and then use (◀/▶)button to select the SOUND icon.
- Press the (▲/▼)button and then use ENTER button to select the Auto Volume menu.
- Press ENTER button to make appropriate adjustments : On, Off
- Press EXIT button to return to monitor viewing or press MENU button to return to the previous menu.

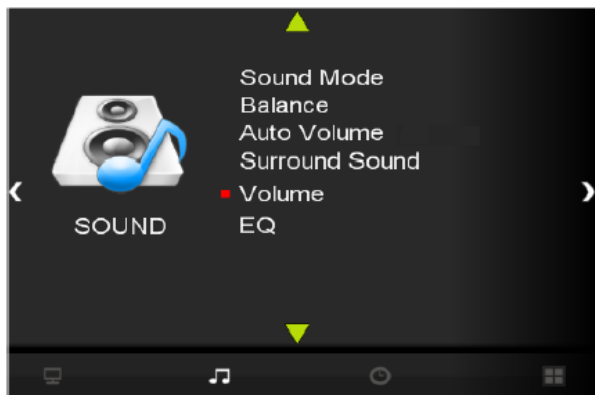
● Surround Sound



- Adjust the sound to suit your taste and room situations.

- Press the MENU button and then use (◀/▶)button to select the SOUND icon.
- Press the (▲/▼)button and then use ENTER button to select the Surround Sound menu.
- Press the (▲/▼)button ENTER button to make appropriate adjustments :
- Press EXIT button to return to monitor viewing or press MENU button to return to the previous menu.

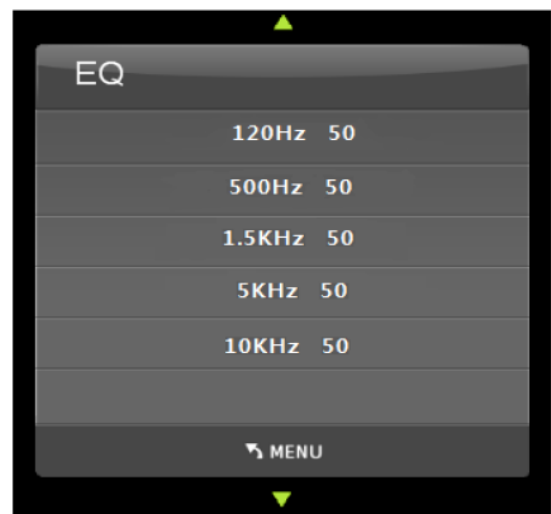
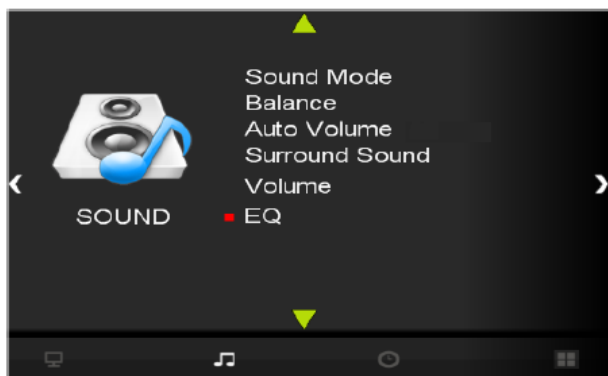
● Volume



- Adjust the sound to suit your taste and room situations.

- Press the MENU button and then use (◀/▶)button to select the SOUND icon.
- Press the (▲/▼)button to select the Volume menu.
- Press ENTER button and then use (◀/▶)button to make appropriate adjustments. [0 ~ 100]
- Press EXIT button to return to monitor viewing or press MENU button to return to the previous menu.

● User Control for 5 Band Equalizer



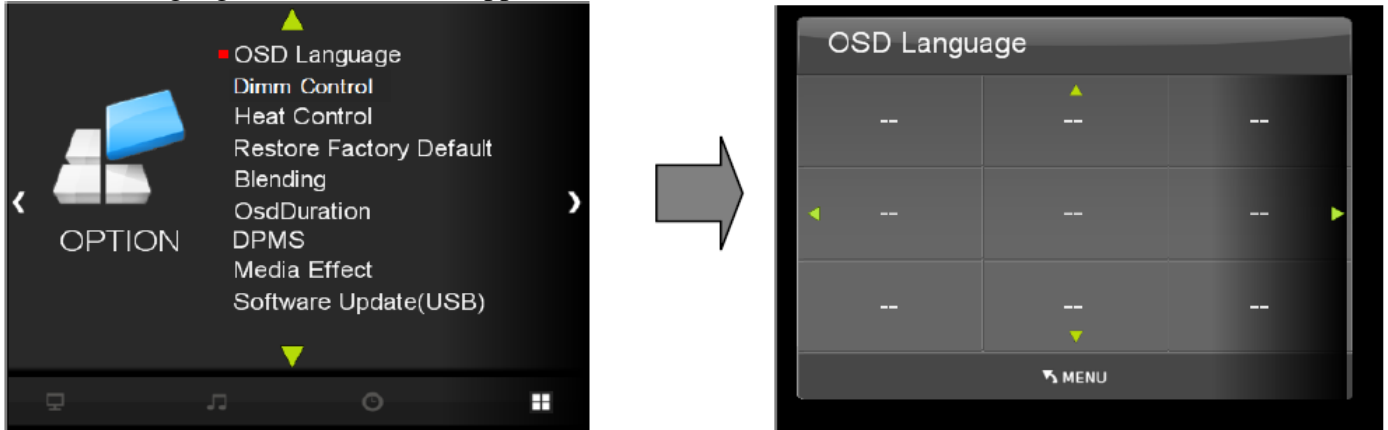
- If the Equalizer settings are changed, sound mode setting goes to User automatically.

- Press the MENU button and then use (◀/▶)button to select the SOUND icon.
- Press the (▲/▼)button to select the EQ(Equalizer) menu.
- Press the ENTER button and then use (◀/▶)button to make appropriate adjustments; 120Hz, 500Hz, 1.5KHz, 5KHz, 10KHz.
- Press EXIT button to return to monitor viewing or press MENU button to return to the previous menu.

3.4.7 SETUP MENU OPTIONS

- Language

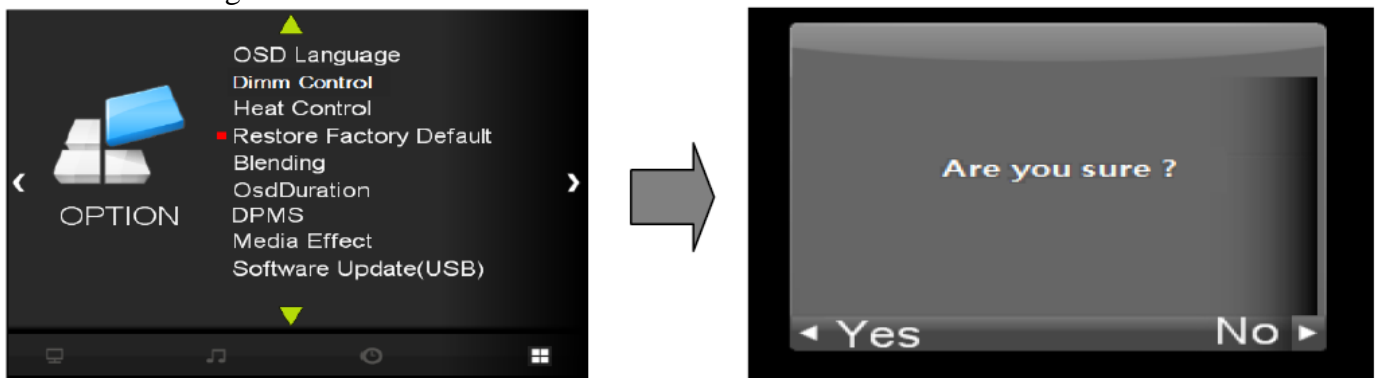
- Select a language for the menus to appear in.



- Press the MENU button and then use (◀/▶) button to select the OPTION icon.
- Press the (▲/▼) button to select the OSD Language menu.
- Press the ENTER button and then use (▲/▼/◀/▶) button to select the desired option:
Supports Language
English, French, Espanol, Deutsch, Italiano, Portugues, Chinese, etc.
- Press EXIT button to return to monitor viewing or press MENU button to return to the previous menu.

- Reset

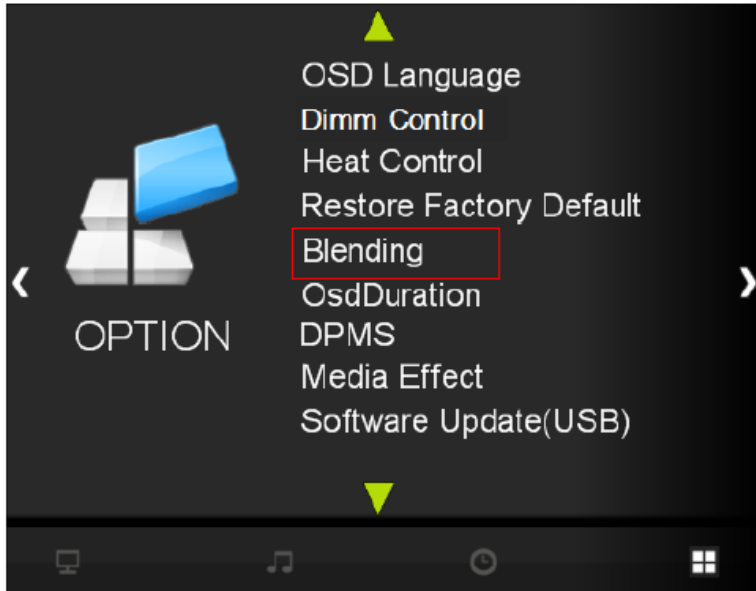
Resets user setting values as default



- Press the MENU button and then use (◀/▶) button to select the OPTION icon.
- Press the (▲/▼) button to select Restore Factory Default menu
- Press the ENTER button and then use (▲/▼) button to select the Are you sure? menu.
- Press the (◀/▶) button and then monitor's

● Blending

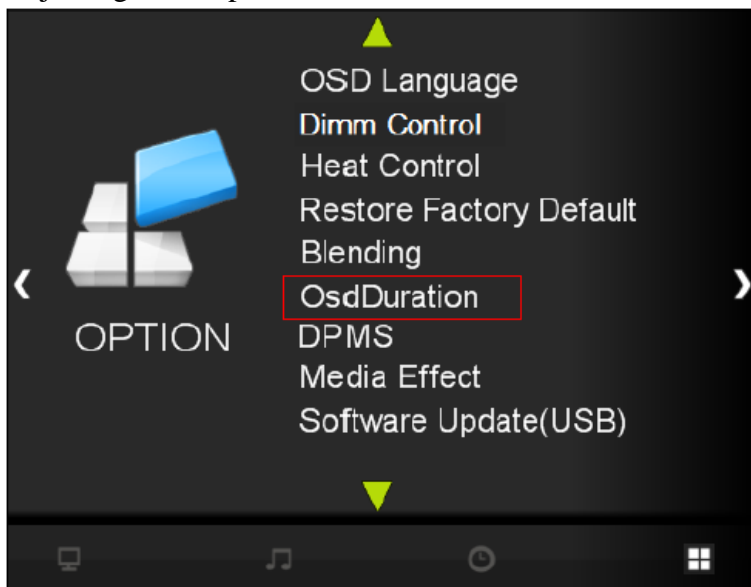
Adjusting the transparency of OSD.



- Press the MENU button and then use (◀/▶) button to select the OPTION icon.
- Press the (▲/▼)button to select Blending menu
- Press the ENTER button to select the Details Menu.
- Off, Low, Middle, High

● Osd Duration

Adjusting the keep the time OSD.



- Press the MENU button and then use (◀/▶)button to select the OPTION icon.
- Press the (▲/▼)button to select OsdDuration menu
- Press the ENTER button to select the Details Menu : Off, 5sec, 10sec, 15sec

- DPMS

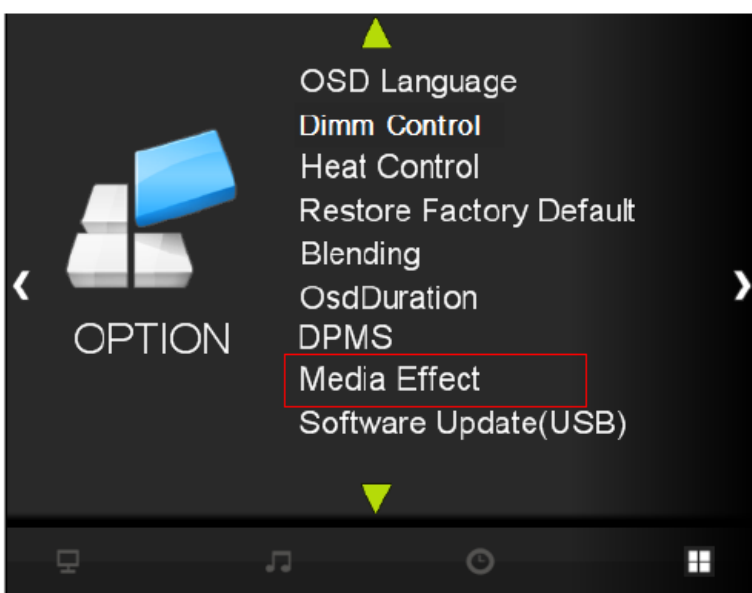
Shut off the panel power after the input source has been unused for some time (idle), to save power.



- Press the MENU button and then use (◀/▶)button to select the OPTION icon.
- Press the (▲/▼)button to select DPMS menu
- Press the ENTER button to select the Details Menu : ON, OFF

- Media Effect

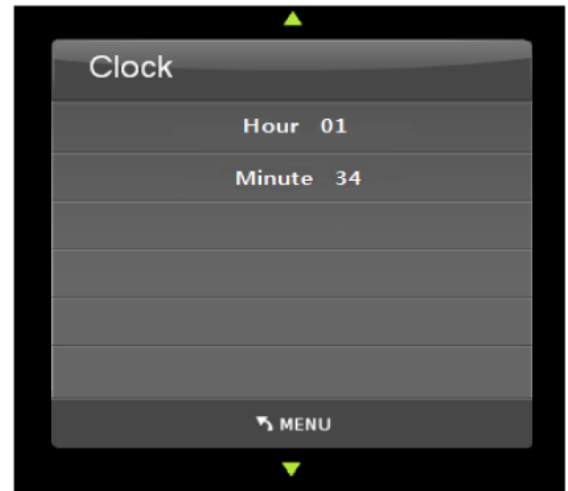
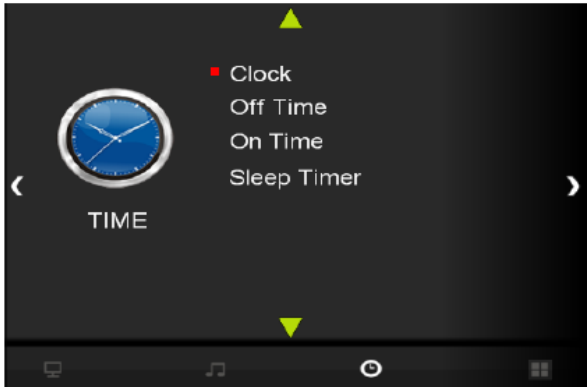
Adjusting the effect of the slide show in USB mode.



3.4.8 TIME MENU

- Clock

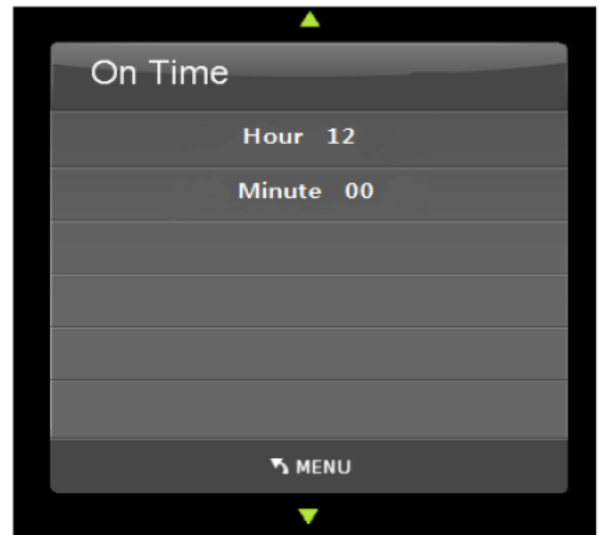
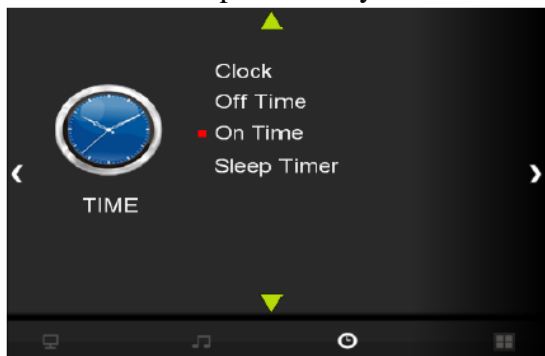
If current time setting is wrong, reset the clock manually.



- Press the MENU button and then use (◀/▶)button to select the TIME icon.
- Press the ENTER button and then use (▲/▼)button to select Clock.
- Press the (▲/▼)button to select the Hour, Minute.
- Use (◀/▶)button to adjust clock.
- Press EXIT button to return to monitor viewing or press MENU button to return to the previous menu.

- On Timer

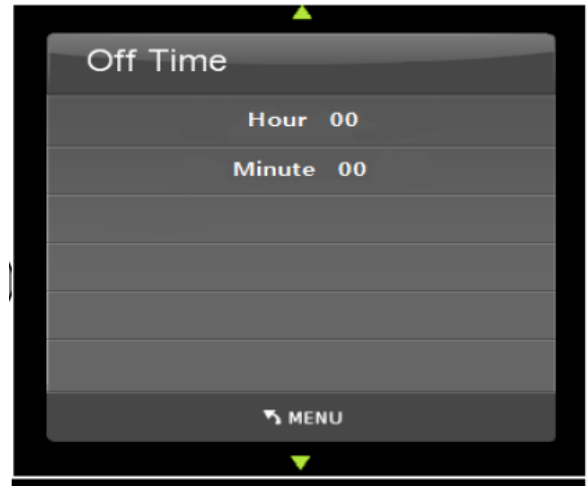
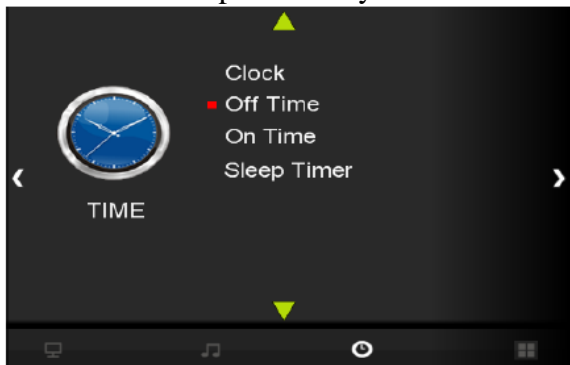
Timer function operates only if current time has been set.



- Press the MENU button and then use (◀/▶)button to select the TIME icon.
- Press the (▲/▼)button to select On Timer.
- Press the ENTER button and then use (◀/▶)button to select the On, Off.
- Use (▲/▼)button, (◀/▶)button to adjust on time schedule and activation.
- Press EXIT button to return to monitor viewing or press MENU button to return to the previous menu.

- Off Timer

Timer function operates only if current time has been set.



- Press the MENU button and then use (◀/▶)button to select the TIME icon.
- Press the ENTER button and then use (▲/▼)button to select Off Timer.
- Press the ▶ button and then use (◀/▶)button to select the On, OFF.
- Use (▲/▼)button, (◀/▶)button to adjust off time schedule and activation.
- Press EXIT button to return to monitor viewing or press MENU button to return to the previous menu.

3.5 USB

3.5.1 USB F/W Update (please call technical support)

3.5.2 USB Player Support Format

Video				
Category	Codec	Supporting	Maximum Resolution	Bitrate
MPEG1	MPEG1	o	Up to 1920x1080 30 fps	20Mbps
MPEG2	MPEG2	o		
MPEG4	AVC	o		
	MPEG-4 Visual	o		
	DivX5	o		
	DivX4	o		
	DivX3	o		
	XviD	o		
	MS-MPEG4 V3	o		
	MS-MPEG4 V2	x		
WMV3	o			
WMV2	x			
WMV1	x			
MJPEG	M-JPEG	o		
RealVideo	RV40	x		
	RV30	x		

Audio		
Category	Codec	Supporting
	AC-3	o
	AAC	o
	MP3	o
	PCM	o
	OGG	x

Photo			
Category	Codec	Supporting	Max. Resolution
	JPEG	o	15360*8640
	BMP	o	
	TIFF	x	
	PNG	o	
	GIF	x	

File		
Category	Ext	Supporting
Video	.avi	o
	.mpg	o
	.vob	o
	.rm	x
	.rmv	x
	.rmvb	x
	.dat	x
	.mp4	o
	.ogm	x
	.mkv	o
	.wmv	o
	.asf	x
	.flv	o
.mov	o	
Photo	.jpg	o
	.bmp	o
	.gif	x
	.png	o
	.tif	x

Note: It will take a while to load data from your USB (USB Hard Drive). The more data in the hard disk are, time is the longer if read.

Note: When video comes out only picture without audio, it could be audio format doesn't support or over range of audio bit rate.

Note: The Keypad doesn't support full function of USB menu. Please to use remote control.

3.6 RS232 Command

3.6.1 Introduction

This document is the communication protocol between the Monitor and PC Via RS232.

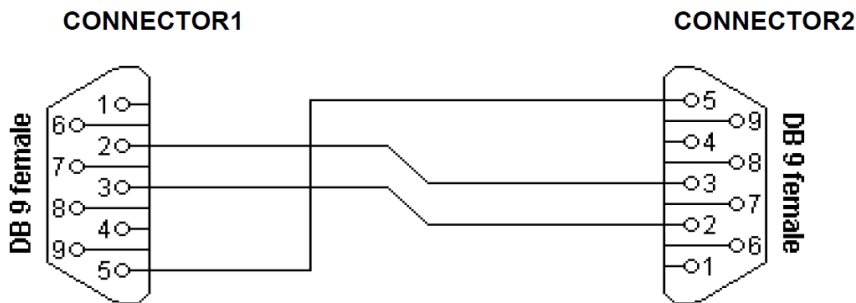
3.6.2 Data format

Data will be transferred serially according to RS232 protocol using the following settings.
 MaleDB9DCEpinnumberinganddefinitions: recommended communication rates is 115200bps.

Baud Rates	115200bps
Data Bits	8
Stop Bits	1
Parity	None
Stream Control	None

3.6.3 Serial Cable between PC and Monitor(simple null modem cable)

CONNECTOR1	CONNECTOR2	FUNCTION		
2	3	RX		TX
3	2	TX		RX
5	5	SIGNAL GROUND		



3.6.4 Control Command Packet

CMD	Data1	Data2	Data3	Data4	Data5	Description	Range(HEX)	
Command	Target	ID	CMD	Parameter	Value			
0xF5	0x88	0x00	0xFE	0x00	0x00~0xFF (By Min~Max)	Language	0	English
							1	German
							2	Spanish
							3	French
							4	Italian
							5	Dutch
							6	Russian
							7	Swedish
				8		Chinese		
				0x01		Source	0	PC-RGB
							1	DVI
							2	HDMI 1
							3	HDMI 2
							4	HDMI 3 UHD
							5	USB
				0x65		MFC	0	LOW
							1	MIDDLE
							2	HIGH
				0x17		Mute	0	MUTE OFF
							1	MUTE ON
				0x66		Volume	0	0
							64	100
				0x68		Reset	1	
				0x61		Auto Adjust	0	AUTO ON
0xFE	Power	0	POWER OFF					
		1	POWER ON					
0x70	Power Save	0	OFF					
		1	ON					

4 Cleaning the Monitor

1. Make sure the monitor is turned off.
2. Never spray or pour any liquid directly onto the screen or case (depends on different model).
3. Do not use chemical solvents, alcohol, or any other based to clean the unit or panel. It may cause permanent damage on the unit or panel.
4. Use a clean, soft, lint-free cloth, or apply a small amount of non-ammonia, non-alcohol based glass cleanser to achieve maximum cleaning.

5 Disclaimer

The manufacturer assumes no responsibility, and will not be liable of any damage resulting from non-conforming safety actions or operation, or, cleaning on this product.

[The standard of all panels would be followed by the ISO 13406-2 Class II.](#)

6 Trouble Shooting

Before calling for service, please try following easy and simple steps to verify:

6.1 No picture

- 6.1.1 Check if the signal cable is firmly seated in the socket.
- 6.1.2 Check if the Power is ON at the computer
- 6.1.3 Check if the brightness control is at the appropriate position, not at the minimum.
- 6.1.4 State the monitor is powered on and the LED of power is GREEN, plug out the VGA cable and plug in again.

6.2 The screen is not synchronized

- 6.2.1 Check the LED light if it indicates in red, the device is in power off status. Use the remote and press “Power” to turn the power on.
- 6.2.2 Use the “Auto” key on remote control to automatically adjust the monitor timing scan.
- 6.2.3 Check if the signal cable is firmly seated in the socket.
- 6.2.4 Make sure the signal timings of the computer system are within the specification of the monitor.
- 6.2.5 If your computer was working with a CRT monitor, you should check the current signal timing and turn off your computer before you connect the VGA Cable to this monitor.

6.3 The picture is not centered

- 6.3.1 Adjust the H-position, and V-position, or perform the Auto adjustment.

6.4 The screen is flickering

- 6.4.1 Press the “Auto” - adjustment control by remote control or OSD to adjust. Re-locate nearby devices, such as motor, or transformer, which generate magnetic field, away from the monitor. Check if the specific voltage is applied.



6.4.2 Check if the signal timing of signal source (PC, IPC, and Laptop or media player) is within the specification of monitor. If you are unable to correct the fault by following this chart, stop using your monitor and contact your distributor or dealer for further assistance.

※Should all above trouble-shooting measure fails, please write down the S/N, Serial Number, which is located on the left-side of the monitor, and provide that S/N to the service personnel, this will help processing or further diagnosis easier.

7 Supplement

This Monitor is designed to meet following VESA standard resolution and timing per two different types of panel's native resolution.

Supports Signals	Specifications
Analog PC (VGA)	H Frequency Range: 20 ~ 82kHz
	V Frequency Range: 55 ~ 90Hz (VESA standard)
	Max. Resolution: 1920x1080 60Hz
	Max. Pixel Rate: 162MHz
Digital PC (HDMI)	H Frequency Range: 20 ~ 82kHz
	V Frequency Range: 55 ~ 90Hz (VESA standard)
	Max. Resolution: 1920x1080 60Hz (FHD INPUT PORT) Max. Resolution: 3840x2160 30Hz (UHD INPUT PORT)
	Max. Pixel Rate: 162MHz (FHD INPUT PORT) Max. Pixel Rate: 297MHz (UHD INPUT PORT)

Timing modes exceeding above chart may show abnormal, off-center, in proportionate, picture on the screen, or even "No Signal" as such timing mode maybe completely undisplayable, please refer to graphic card output timing mode respectively.

8 Installation on Wall or Table Top

(Optional Wall Mounts, Table Stands except 32" stand)

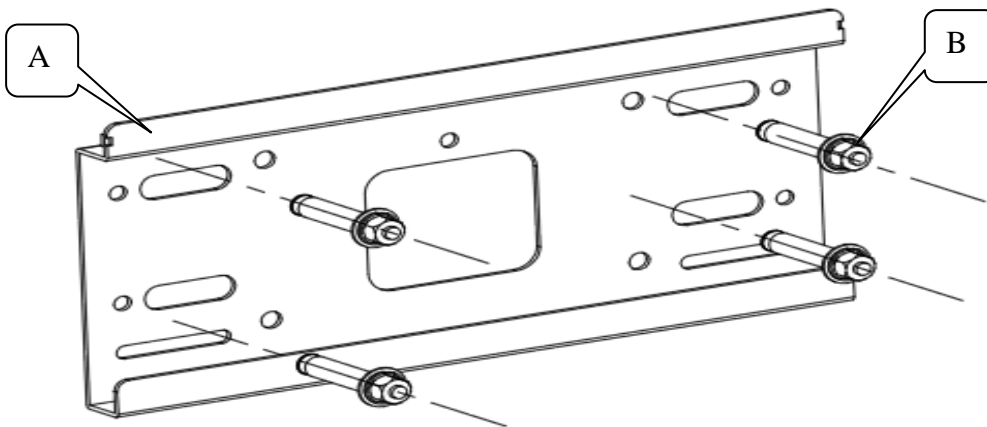
I - 32" Wall mount Installation guide

Step 1 : Choose the siding appropriate for mounting.

*The thickness of siding is 5 cm at least or above.

*Please confirm the material and strength of the wall is appropriate to mounting.

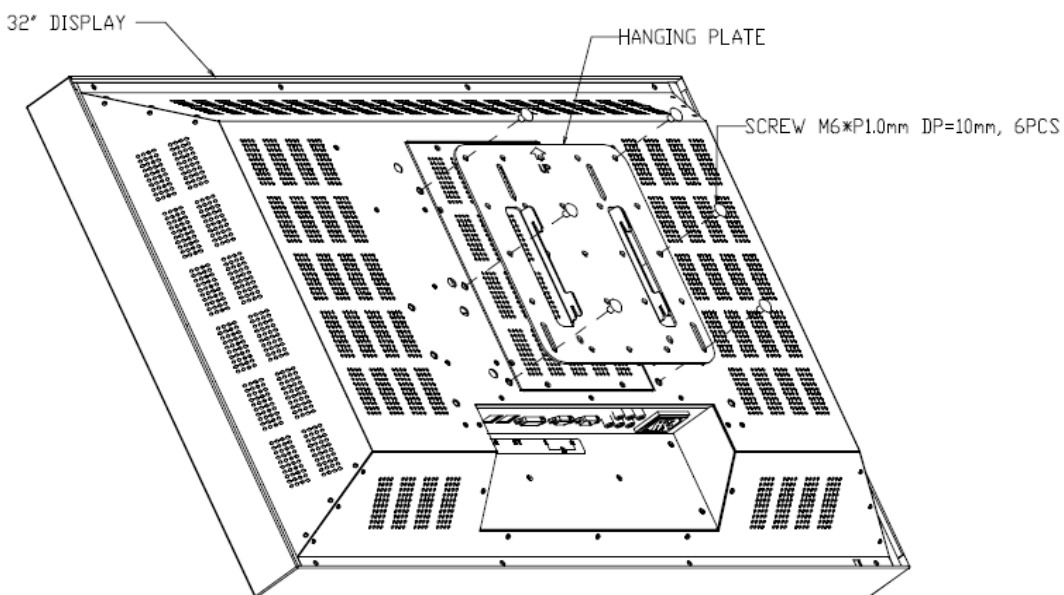
* Use the expansion bolts (B) to fix the hanging bracket (A) on the wall.



Step 2 : Mounting the hanging plate (C) on the display.

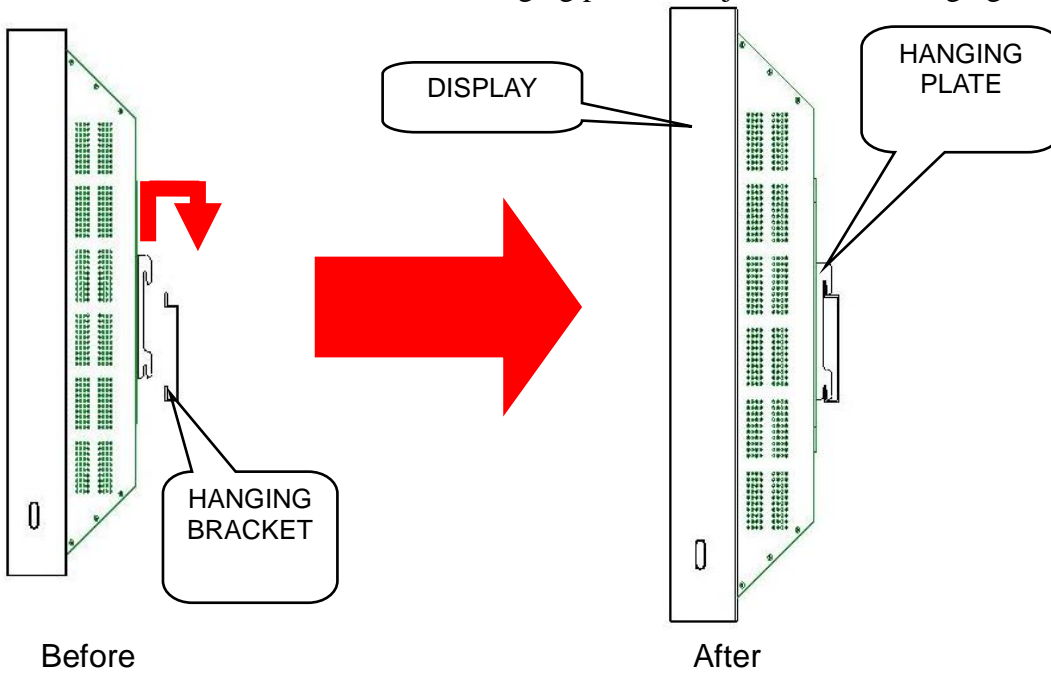
* Please power off the display between mounting.

* Use screw to fix the hanging plate (C) on the display.



Step 3 : Suspend the display on the hanging bracket.

- * Two adult prop up the display.
- * Put down the display slow on the hanging bracket.
- * Please confirm the hook with hanging plate to be joined on the hanging bracket.



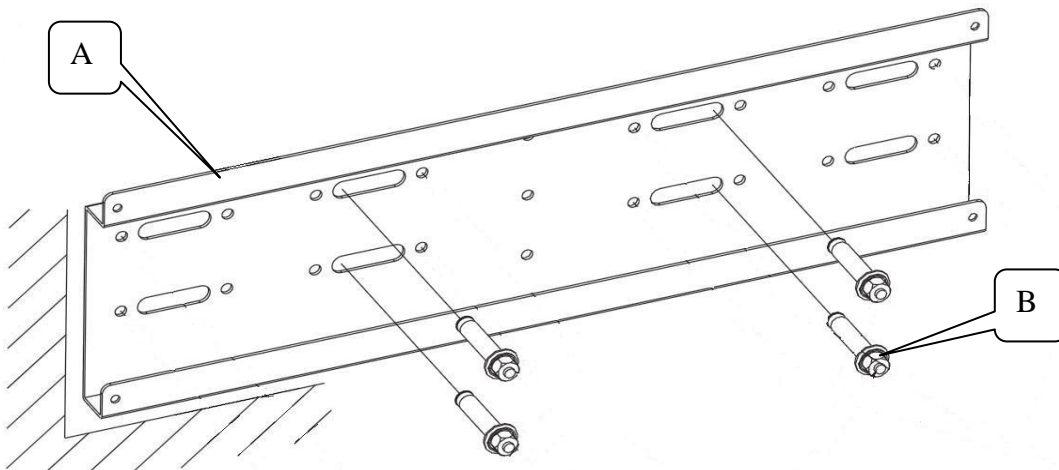
II、42”~55” Wall mount Installation guide

Step 1 : Choose the siding appropriate for mounting.

*The thickness of siding is 5 cm at least or above.

*Please confirm the material and strength of the wall is appropriate to mounting.

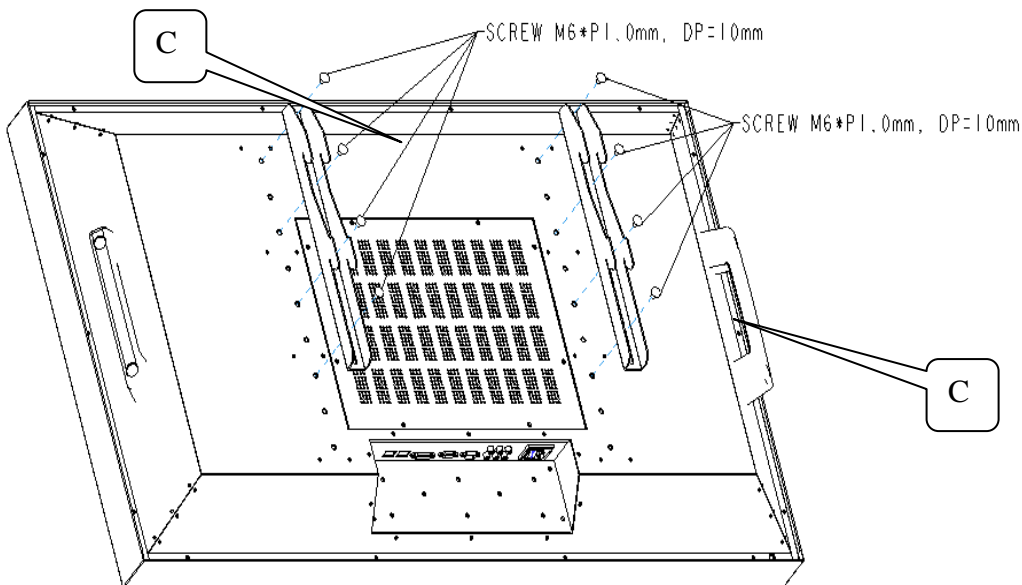
* Use the expansion bolts (B) to fix the hanging bracket (A) on the wall.



Step 2 : Mounting the hanging plate (C) on the display.

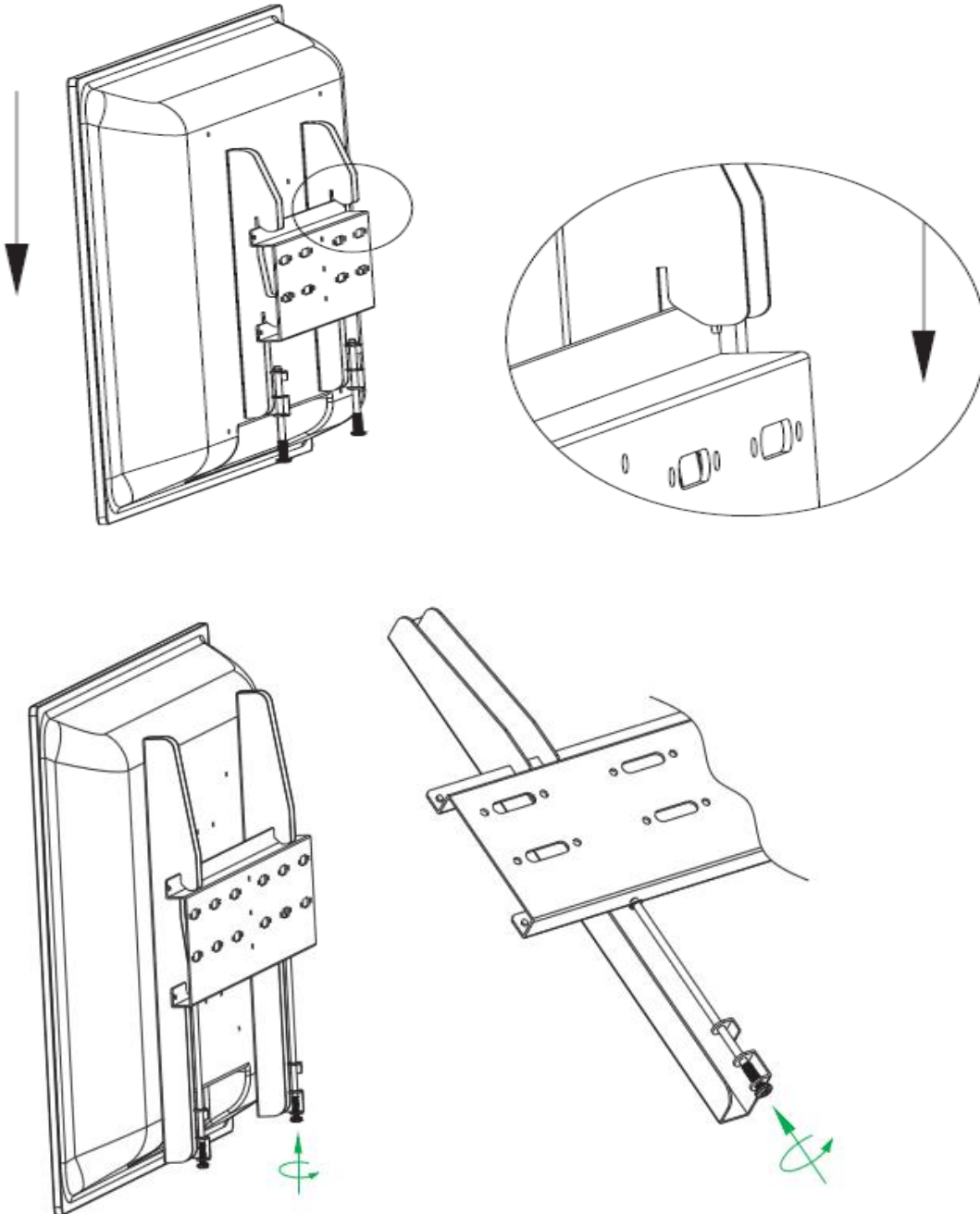
* Please power off the display between mounting.

* Use screw to fix the hanging plate (C) on the display.



Step 3 : Suspend the display on the hanging bracket.

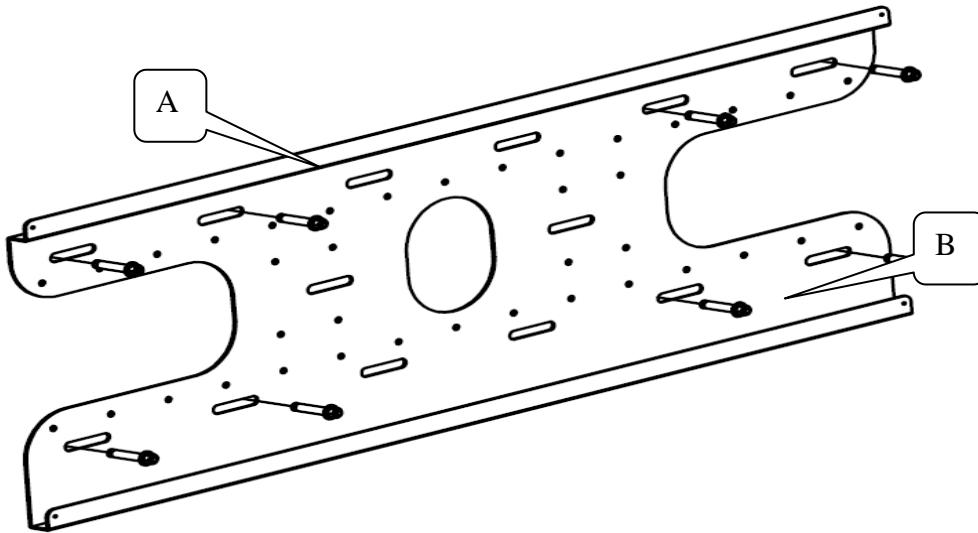
- * Two adult prop up the display.
- * Put down the display slow on the hanging bracket.
- * Please confirm the hook with hanging plate to be joined on the hanging bracket.



III、65”~ 84” Wall mount Installation guide

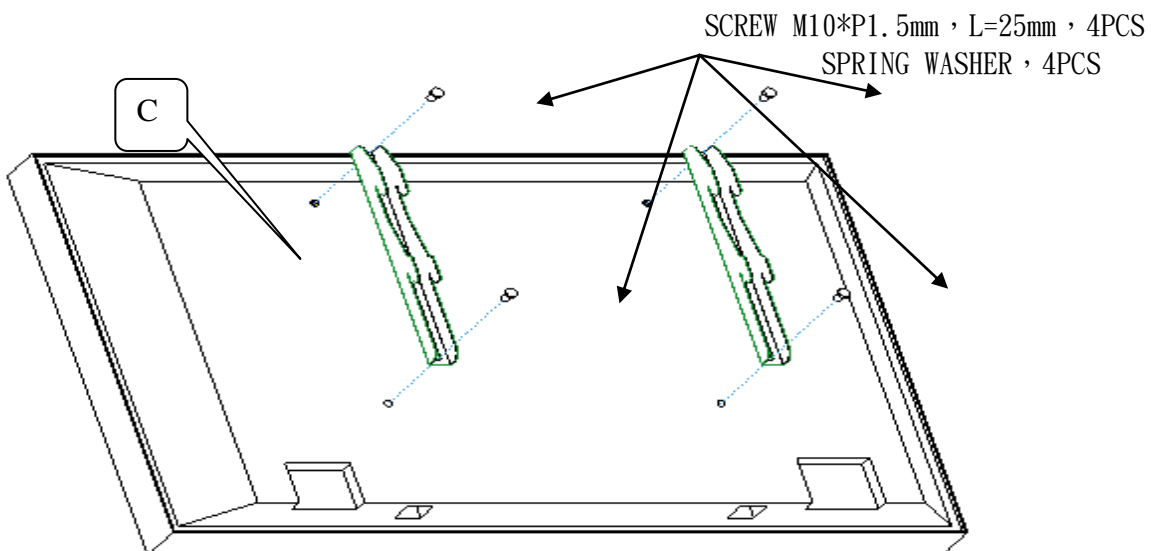
Step 1 : Choose the siding appropriate for mounting.

- *The thickness of siding is 5 cm at least or above.
- *Please confirm the material and strength of the wall is appropriate to mounting.
- * Use the expansion bolts (B) to fix the hanging bracket (A) on the wall.



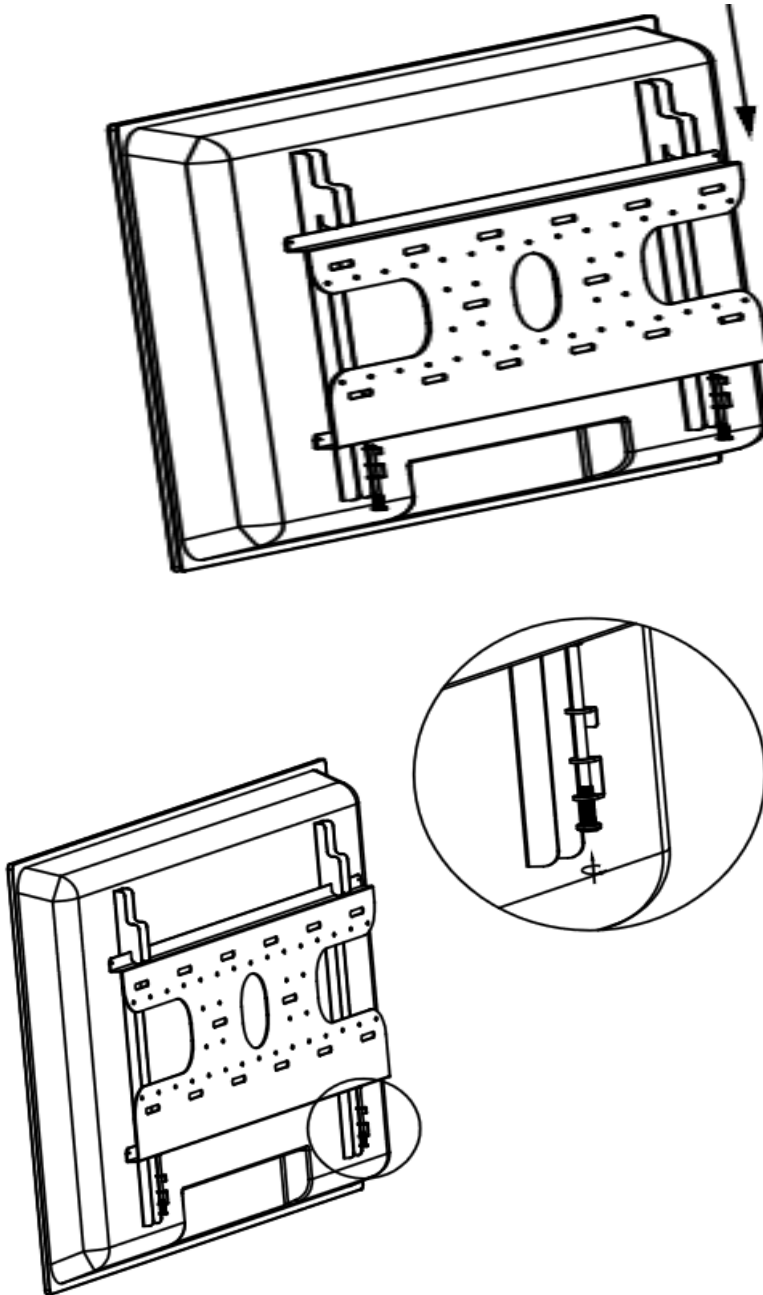
Step 2 : Mounting the hanging plate (C) on the display.

- * Please power off the display between mounting.
- * Use screw to fix the hanging plate (C) on the display.



Step 3 : Suspend the display on the hanging bracket.

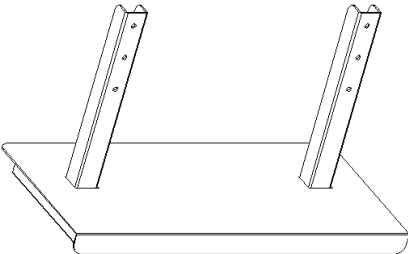

- * Two adult prop up the display.
- * Put down the display slow on the hanging bracket.
- * Please confirm the hook with hanging plate to be joined on the hanging bracket.



IV 、 32” Stand Installation guide

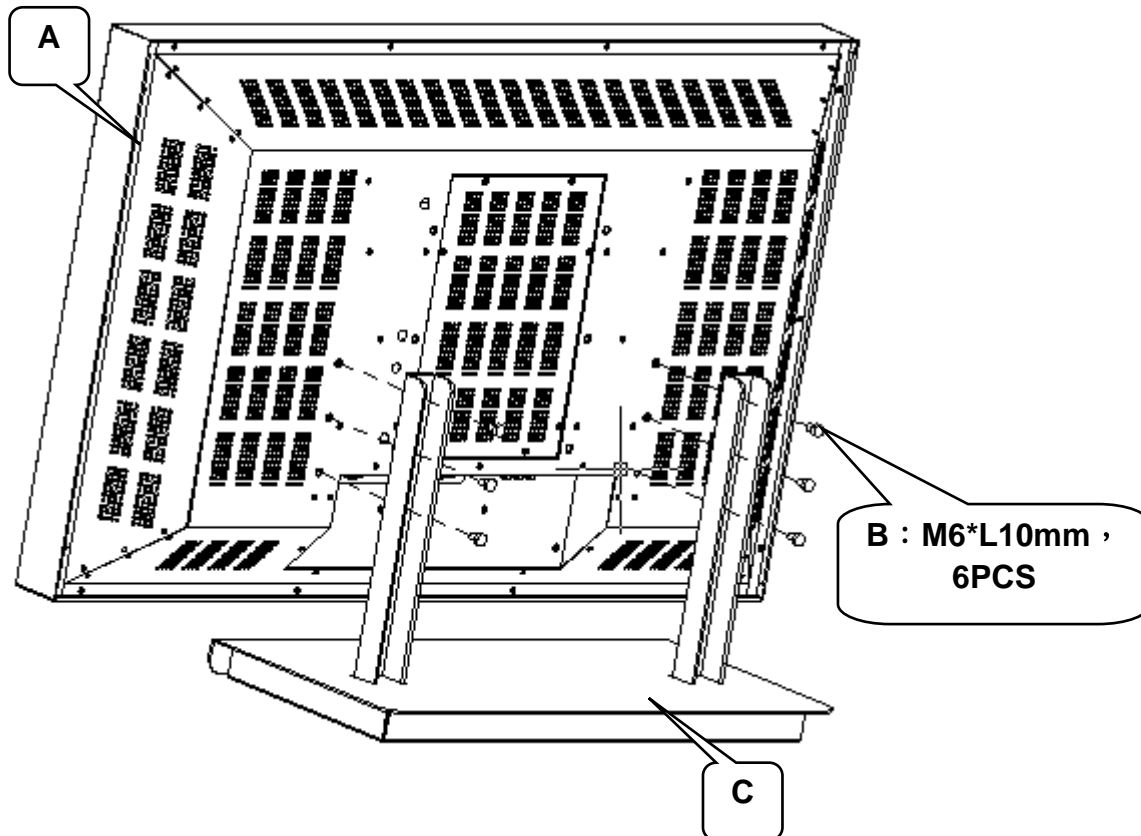
Step 1 : Open the package and to take out the stand.

*Check the parts and that amount, please see the bellow picture.

	
<p>1 、 32” Stand ， 1PCS</p>	<p>2 、 Screw M6*L10mm ， 6PCS</p>

Step 2 : Mounting the display (A) on the stand.

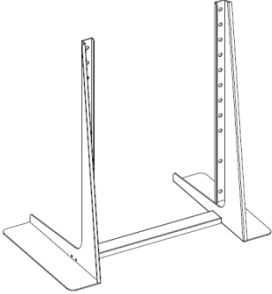

*Use screw (B) to fix the display on the stand (C) .



V、42”~ 55” Stand Installation guide

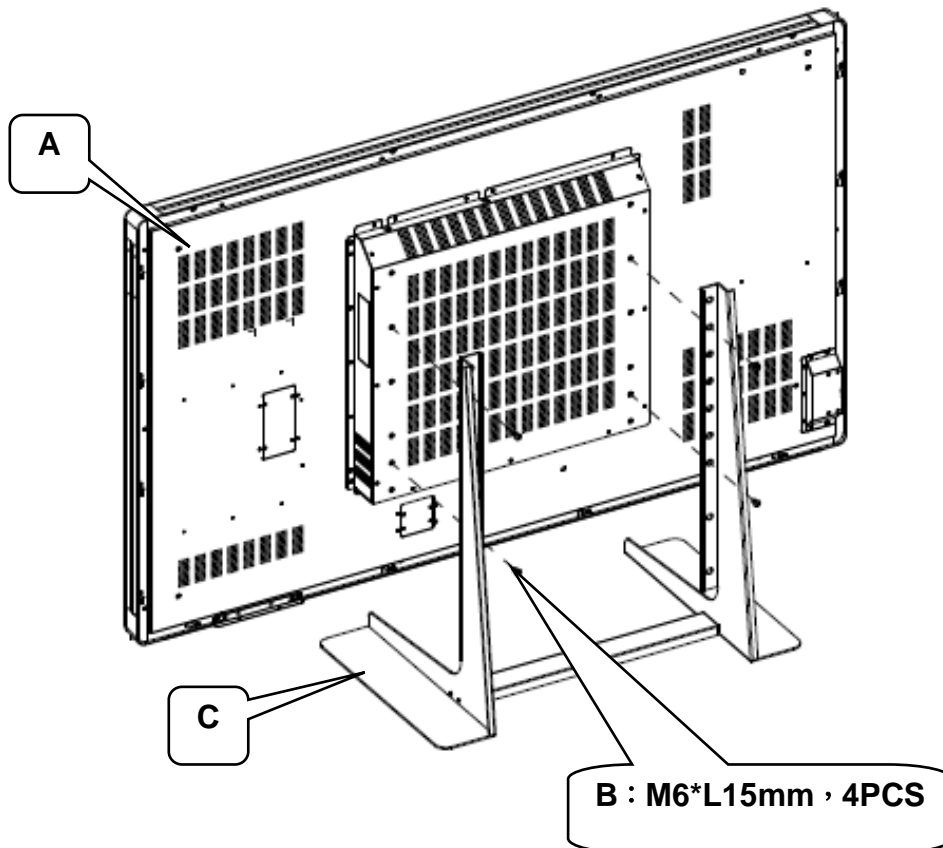
Step 1 : Open the package and to take out the stand.

*Check the parts and that amount, please see the bellow picture.

	
<p>1、Stand、1PCS</p>	<p>2、Screw M6*L15mm、4PCS</p>

Step 2 : Mounting the display (A) on the stand.

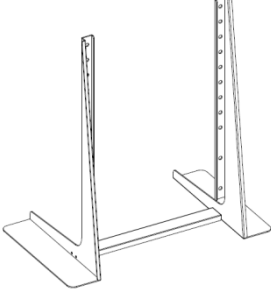
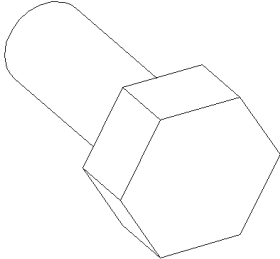
*Use screw (B) to fix the display on the stand (C) .



VI、65”~ 70”Stand Installation guide

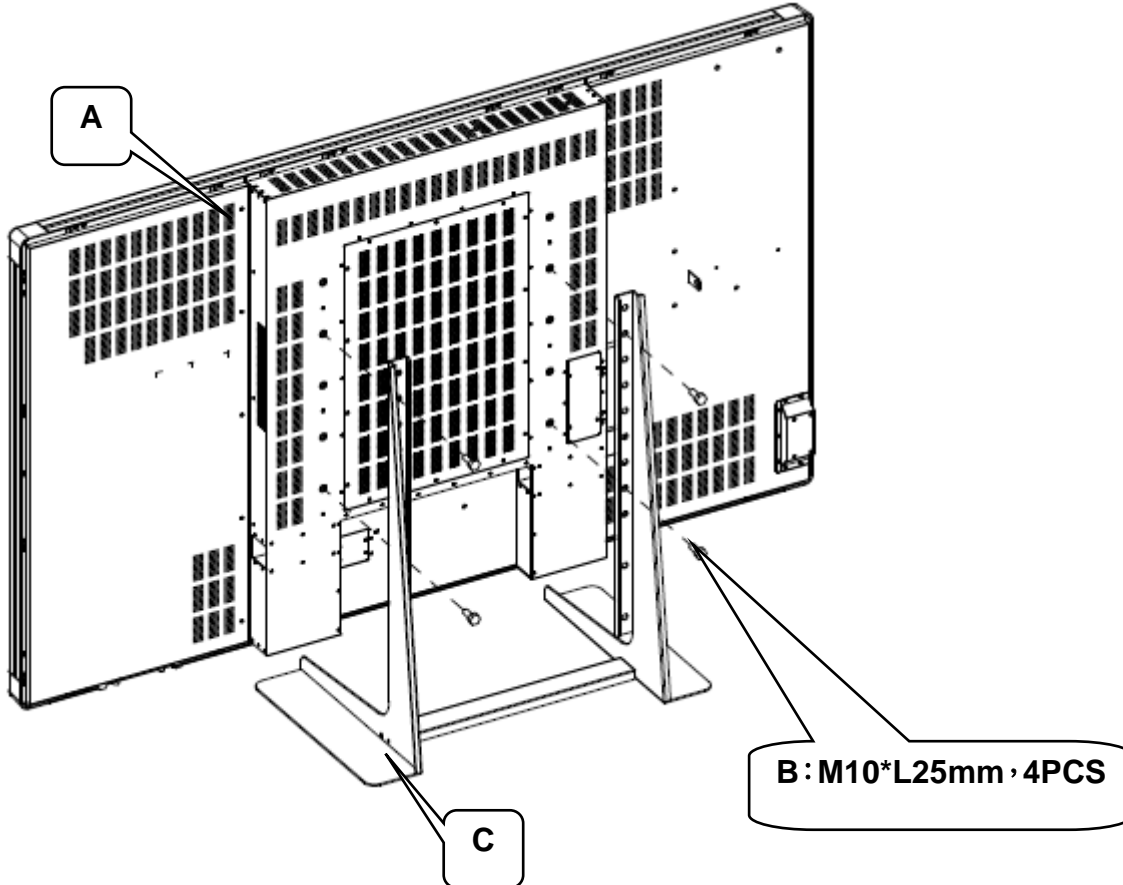
Step 1 : Open the package and to take out the stand.

*Check the parts and that amount, please see the bellow picture.

	
<p>1、Stand、1PCS</p>	<p>2、Screw M10*L25mm、4PCS</p>

Step 2 : Mounting the display (A) on the stand.

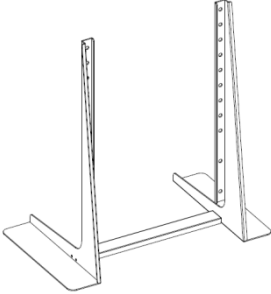
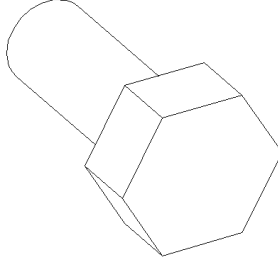
*Use screw (B) to fix the display on the stand (C) .



VII · 84" Stand Installation guide

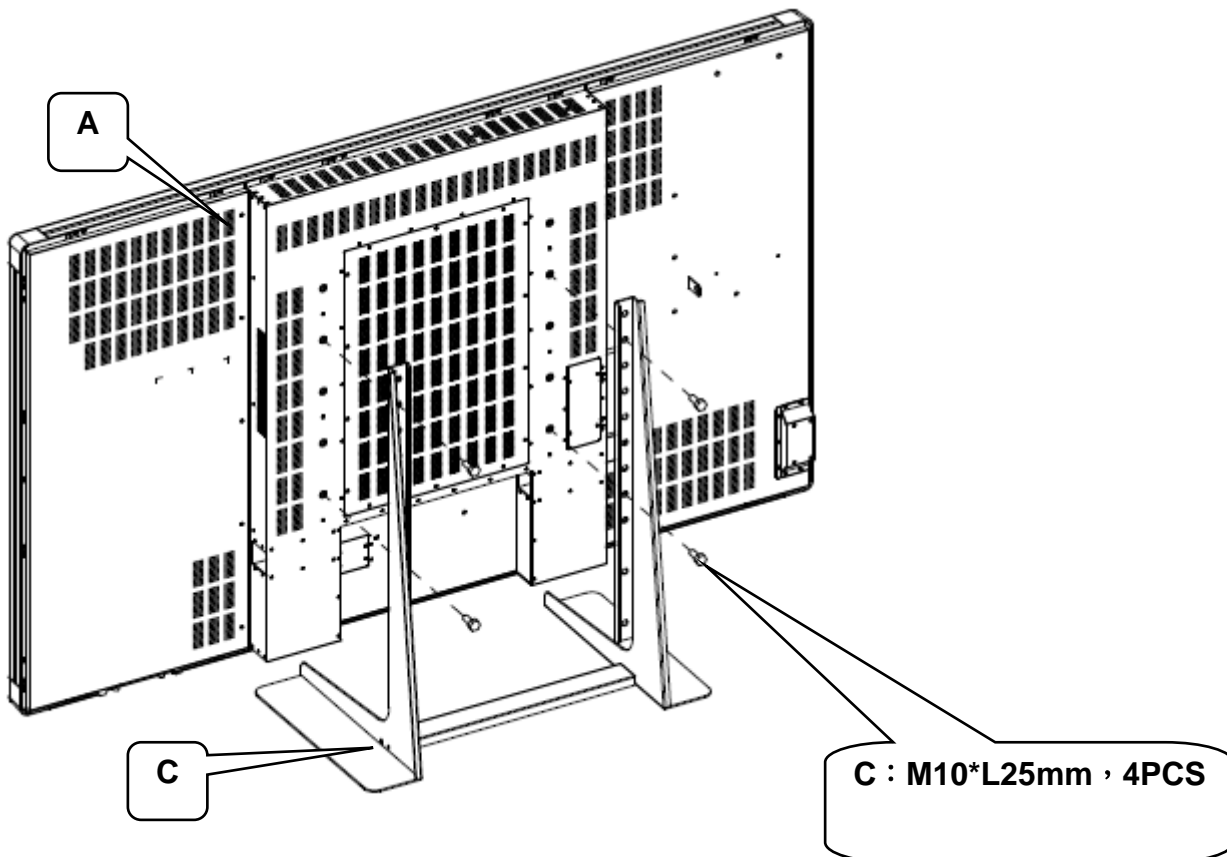
Step 1 : Open the package and to take out the stand.

*Check the parts and that amount, please see the bellow picture.

	
<p>1 · 80" Stand · 1PCS</p>	<p>2 · Screw M10*L25mm · 4PCS</p>

Step 2 : Mounting the display (A) on the stand.

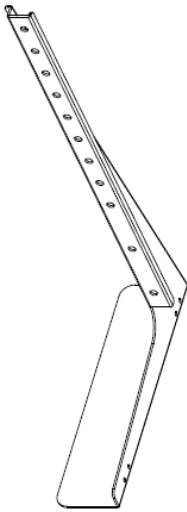
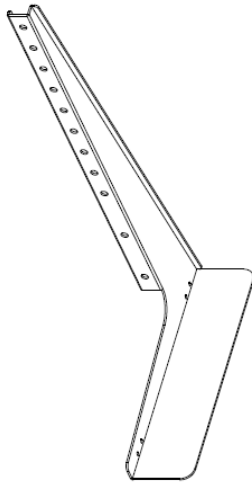
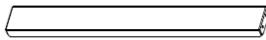

*Use screw (B) to fix the display on the stand (C) .



VIII 、 42"~84" Stand Assembly guide

Step 1 : Open the package and to take out the stand.

*Check the parts and that amount, please see the bellow picture.

			
1 、 Stand R case ， 1pcs .	2 、 Stand L case ， 1pcs .	3 、 Stand B case ， 1pcs .	4 、 Screw M4*L8mm ， 4pcs .

Step 2 : Use screw (A) to fix the stand B case between (B) and (C) .

