



Pair 24w Active Loudspeakers

SP-800P EU SAP: 3645601 US SAP: 12928307

visionaudiovisual.com/sp-800p

Built-in 2 x 12 watt (RMS) amplifier
Two inputs (1 x Minijack / 1 x 2-Phono)
Adjustable-tilt wall brackets included

The SP-800P are Vision's most cost-effective audio solution. They are purpose-built for small meeting rooms and classrooms. Incredible value for money; they offer great sound quality and Vision's trademark ease of installation.

VISION



3-Way

A 4" woofer is complemented by a tweeter and squawker. Splitting the frequency spectrum across three drivers reduces distortion.

Volume Control

The volume dial is positioned on the rear of the 'master' loudspeaker – the one containing the amplifier. Turning anti-clockwise turns power off.

Horizontal C bracket

The adjustable brackets allow the installer to easily angle up 30° or down 30°. Or leave the brackets off and use as shelf speakers.

Flexible Connectivity

The rear panel of the master loudspeaker offers minijack and 2-phono (RCA) inputs.

ABS Chassis

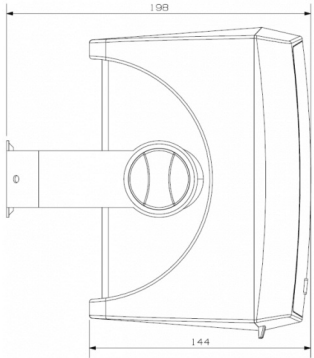
Heavy-weight plastic material is used for the chassis, allowing a beautiful curved chassis and a rigid acoustic chamber for distortion-free sound.

Bass Reflex

A bass reflex port allows greater excursion of the woofer, allowing the woofer to produce lower frequencies, and the phase-delayed movement of air from behind the woofer to the front reinforces the bass even more.

Two Summed Line-level Inputs

The input panel offers minijack and 2-phono (RCA) line-level inputs which are combined at the input stage meaning there is no input selection switch. When both inputs are used it is especially important that all source and display devices in the system are powered from the same mains power source, otherwise earth hums will occur.



MANUAL

Manual

EN PDF 2.54 MB

files.visionaudiovisual.com/products/SP-800P/manuals/SP-800P_manual_en.pdf

CAD

CAD

ZIP 194.19 KB

<files.visionaudiovisual.com/products/SP-800P/cad/SP-800P.zip>

SP 1800 1800PBT

ZIP 10.03 KB

files.visionaudiovisual.com/products/SP-800P/cad/SP-800P_SP-1800_1800PBT.zip

CAD

VND.DWG 231.45 KB

<files.visionaudiovisual.com/products/SP-800P/manuals/SP-800P.dwg>

IMAGE

Product Images

ZIP 9.34 MB

<files.visionaudiovisual.com/products/SP-800P/images/SP-800P.zip>

SPECIFICATIONS

PRODUCT DIMENSIONS

202 x 149 x 144 mm / 7.95" x 5.87" x 5.67" (tall x wide x deep for each speaker)

PACKAGED DIMENSIONS

370 x 170 x 215 mm / 14.6" x 6.7" x 8.7"

PRODUCT WEIGHT

3.4 kg / 7.5 lb (per pair)

PACKAGED WEIGHT

3.5 kg / 7.7 lb (per pair)

CONSTRUCTION MATERIAL

ABS Plastic

COLOUR

White

AMPLIFIER OUTPUT

2 x 12w watts (RMS)

WOOFER

4"

TWEETER

1"

SQUAWKER

2"

INPUT 1

Minijack (3.5mm)

INPUT 2

2-Phono (RCA)

SPEAKER OUTPUT

Removable Phoenix type

SPEAKER INPUT (ON SLAVE)

Removable Phoenix type

OUTPUT IMPEDANCE

4 ohms

SENSITIVITY

85dB (1w/1m)

FREQUENCY RESPONSE

100Hz-16kHz

ACCESSORIES INCLUDED

2 x Wall brackets 1 x Speaker Cable 5m (16.4 ft) Note: no input cables are included

POWER SUPPLY

100-240v 50/60Hz AC External Power Supply – 18 volt / 1 amp

TRANSFORMER INTEGRATED INTO PLUG

INCLUDES INTERCHANGEABLE PLUGS

UK/EU/US/AU

DC TAIL LENGTH

1.5m (5ft)

TRANSFORMER DIMENSIONS

75 x 38 x 50mm / 3" x 1.5" x 2" (tall x wide x deep) including prongs

WARRANTY

Lifetime return-to-base

COMPLIANCE

RoHS, WEEE, CE/EMC, FCC, RCM-POC, RCM-SDOC, REACH

SPARE POWER SUPPLY UNIT (PSU)

TC2 P18V1A [EU SAP: 3675051/ US SAP: 13445526]

VISION