



# SWITCHED INTERLOCKED SOCKETS

16A - 125A

# Switched interlocked sockets

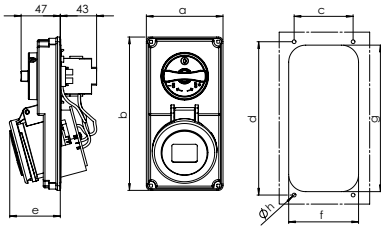
<b>Switched interlocked sockets - Compact series</b>	Page	<b>86</b>
<b>Switched interlocked sockets</b>	Page	<b>88</b>
<b>Switched interlocked sockets - with DIN-rail</b>	Page	<b>92</b>
<b>Switched interlocked sockets - with fuse</b>	Page	<b>94</b>
<b>Wall sockets - with protection</b>	Page	<b>96</b>



# Switched interlocked sockets - Compact series

mechanical interlock, lockable by padlock

## Switched interlocked socket - panel mounting

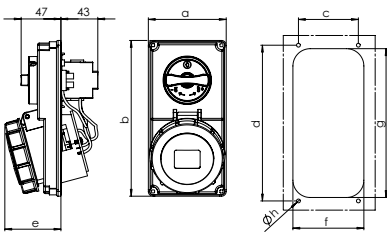


	16 Amp			32 Amp		
	3	4	5	3	4	5
Poles	3	4	5	3	4	5
a	90	90	90	90	90	90
b	180	180	180	180	180	180
c	79	79	79	79	79	79
d	172	172	172	172	172	172
e	57	59	60	66	66	67
f	82	82	82	82	82	82
g	169	169	169	169	169	169
h	4,4	4,4	4,4	4,4	4,4	4,4
Kind of connection:	Screw terminal					
Wire flexible [mm <sup>2</sup> ]	1-2,5			2,5-6		
solid [mm <sup>2</sup> ]	1-4			2,5-10		
Weight [g]	448	507	542	496	555	597

- with screw terminals
- housing material: PA6
- contacts: nickel-plated contacts
- mechanical interlock

**IP44** splashproof

## Switched interlocked socket - panel mounting

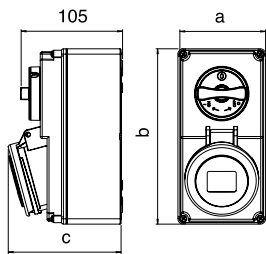


	16 Amp			32 Amp		
	3	4	5	3	4	5
Poles	3	4	5	3	4	5
a	90	90	90	90	90	90
b	180	180	180	180	180	180
c	79	79	79	79	79	79
d	172	172	172	172	172	172
e	57	59	60	66	66	67
f	82	82	82	82	82	82
g	169	169	169	169	169	169
h	4,4	4,4	4,4	4,4	4,4	4,4
Kind of connection:	Screw terminal					
Wire flexible [mm <sup>2</sup> ]	1-2,5			2,5-6		
solid [mm <sup>2</sup> ]	1-4			2,5-10		
Weight [g]	463	524	562	521	579	621

- with screw terminals
- housing material: PA6
- contacts: nickel-plated contacts
- mechanical interlock

**IP67** watertight

## Switched interlocked socket - wall mounting

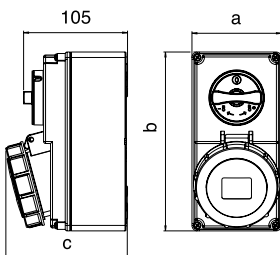


	16 Amp			32 Amp		
	3	4	5	3	4	5
Poles	3	4	5	3	4	5
a	90	90	90	90	90	90
b	180	180	180	180	180	180
c	115	116	117	123	123	124
Kind of connection:	Screw terminal					
Wire flexible [mm <sup>2</sup> ]	1-2,5			2,5-6		
solid [mm <sup>2</sup> ]	1-4			2,5-10		
Weight [g]	581	640	675	629	688	730

- with screw terminals
- housing material: PA6
- contacts: nickel-plated contacts
- mechanical interlock

**IP44** splashproof

## Switched interlocked socket - wall mounting



	16 Amp			32 Amp		
	3	4	5	3	4	5
Poles	3	4	5	3	4	5
a	90	90	90	90	90	90
b	180	180	180	180	180	180
c	119	120	122	125	125	128
Kind of connection:	Screw terminal					
Wire flexible [mm <sup>2</sup> ]	1-2,5			2,5-6		
solid [mm <sup>2</sup> ]	1-4			2,5-10		
Weight [g]	596	657	695	654	712	754

- with screw terminals
- housing material: PA6
- contacts: nickel-plated contacts
- mechanical interlock

**IP67** watertight

### Advantages:

- compact design
- small dimensions - space saving storage
- all components are mounted on top
- as flanged version suitable for distribution boxes and boards
- ready wired for connection
- at switch-off position: lockable by padlock
- mechanical interlock: after plugging and switching-on **plug is locked** after switching-off and unplugging **switch is locked**

Amp.	Poles	pack. unit	110V~	230V~	400V~	500V~
			50/60Hz 4h	50/60Hz 3p=6h 4p+5p=9h	50/60Hz 3p=9h 4p+5p=6h	50/60Hz 7h
			Cat.No.	Cat.No.	Cat.No.	Cat.No.
16	3	1	6013-4	<b>6013-6</b>	6013-9	6013-7
16	4	1	6014-4	6014-9	<b>6014-6</b>	6014-7
16	5	1	6015-4	6015-9	<b>6015-6</b>	6015-7
32	3	1	6023-4	<b>6023-6</b>	6023-9	6023-7
32	4	1	6024-4	6024-9	<b>6024-6</b>	6024-7
32	5	1	6025-4	6025-9	<b>6025-6</b>	6025-7



6015-6

16	3	1	60132-4	<b>60132-6</b>	60132-9	60132-7
16	4	1	60142-4	60142-9	<b>60142-6</b>	60142-7
16	5	1	60152-4	60152-9	<b>60152-6</b>	60152-7
32	3	1	60232-4	<b>60232-6</b>	60232-9	60232-7
32	4	1	60242-4	60242-9	<b>60242-6</b>	60242-7
32	5	1	60252-4	60252-9	<b>60252-6</b>	60252-7



60152-6

16	3	1	6113-4	<b>6113-6</b>	6113-9	6113-7
16	4	1	6114-4	6114-9	<b>6114-6</b>	6114-7
16	5	1	6115-4	6115-9	<b>6115-6</b>	6115-7
32	3	1	6123-4	<b>6123-6</b>	6123-9	6123-7
32	4	1	6124-4	6124-9	<b>6124-6</b>	6124-7
32	5	1	6125-4	6125-9	<b>6125-6</b>	6125-7



6115-6

16	3	1	61132-4	<b>61132-6</b>	61132-9	61132-7
16	4	1	61142-4	61142-9	<b>61142-6</b>	61142-7
16	5	1	61152-4	61152-9	<b>61152-6</b>	61152-7
32	3	1	61232-4	<b>61232-6</b>	61232-9	61232-7
32	4	1	61242-4	61242-9	<b>61242-6</b>	61242-7
32	5	1	61252-4	61252-9	<b>61252-6</b>	61252-7



61152-6

### Technical data:

- switched interlocked socket for panel/wall mounting
- 16A and 32A; 3-, 4- and 5 poles
- IP44 and IP67
- ON/OFF switch PCE-Merz ML0; EN 60947-3: AC22A; 10 kA
- large connecting area
- enclosure made of shock-resistant thermoplastic material
- approved acc. to EN 60309, ÖVE



# Switched interlocked sockets - for wall mounting

mechanical interlock, lockable by padlock

## Switched interlocked socket - wall mounting

	16 Amp			32 Amp		
	3	4	5	3	4	5
Poles	3	4	5	3	4	5
a	248	249	250	253	253	254
b	146	146	146	150	150	157
M	3x25	3x25	3x25	3x25	3x25	3x25
Kind of connection:	Screw terminal					
Wire flexible [mm <sup>2</sup> ]	1-2,5			2,5-6		
solid [mm <sup>2</sup> ]	1-4			2,5-10		
Weight [g]	1123	1143	1183	1203	1213	1263

- with screw terminals
- housing material: PC/ABS
- contacts: nickel-plated contacts
- mechanical interlock
- top, bottom or rear entry

**IP44** splashproof

## Switched interlocked socket - wall mounting

	16 Amp			32 Amp		
	3	4	5	3	4	5
Poles	3	4	5	3	4	5
a	248	249	250	253	253	254
b	146	146	146	150	150	157
M	3x25	3x25	3x25	3x25	3x25	3x25
Kind of connection:	Screw terminal					
Wire flexible [mm <sup>2</sup> ]	1-2,5			2,5-6		
solid [mm <sup>2</sup> ]	1-4			2,5-10		
Weight [g]	1130	1150	1190	1210	1220	1270

- with screw terminals
- housing material: PC/ABS
- contacts: nickel-plated contacts
- mechanical interlock
- top, bottom or rear entry

**IP67** watertight

### Advantages:

- stable design for wall mounting
- mechanical interlock:
  - after plugging and switching-on plug is locked
  - after switching-off and unplugging switch is locked
- all components are mounted on bottom
- large connecting area
- ready wired for connection
- for 16A and 32A wiring-through
- at switch-off position: lockable by padlock (40mm)

Amp.	Poles	pack. unit	110V~	230V~	400V~	500V~
			Cat.No.	Cat.No.	Cat.No.	Cat.No.
			50/60Hz 4h	50/60Hz 3p=6h 4p+5p=9h	50/60Hz 3p=9h 4p+5p=6h	50/60Hz 7h
16	3	1	7513-4	<b>7513-6</b>	7513-9	7513-7
16	4	1	7514-4	7514-9	<b>7514-6</b>	7514-7
16	5	1	7515-4	7515-9	<b>7515-6</b>	7515-7
32	3	1	7523-4	<b>7523-6</b>	7523-9	7523-7
32	4	1	7524-4	7524-9	<b>7524-6</b>	7524-7
32	5	1	7525-4	7525-9	<b>7525-6</b>	7525-7



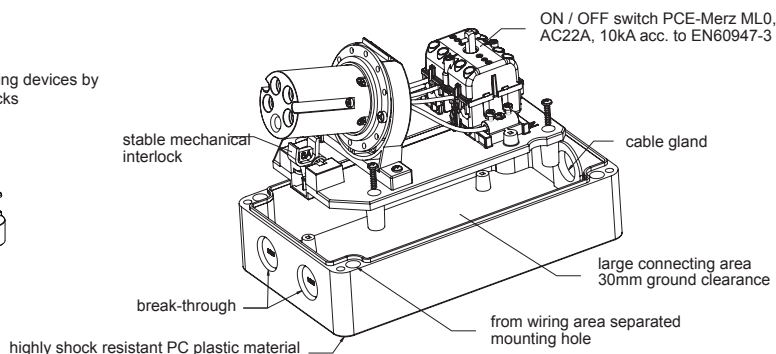
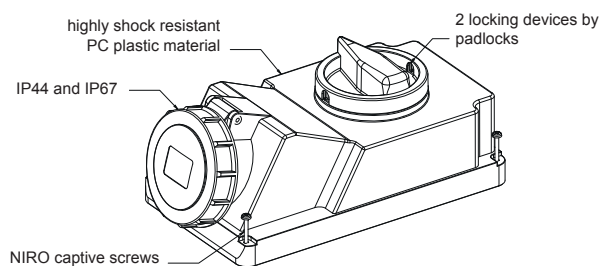
7515-6

16	3	1	75132-4	<b>75132-6</b>	75132-9	75132-7
16	4	1	75142-4	75142-9	<b>75142-6</b>	75142-7
16	5	1	75152-4	75152-9	<b>75152-6</b>	75152-7
32	3	1	75232-4	<b>75232-6</b>	75232-9	75232-7
32	4	1	75242-4	75242-9	<b>75242-6</b>	75242-7
32	5	1	75252-4	75252-9	<b>75252-6</b>	75252-7



75152-6

## 16A and 32A version



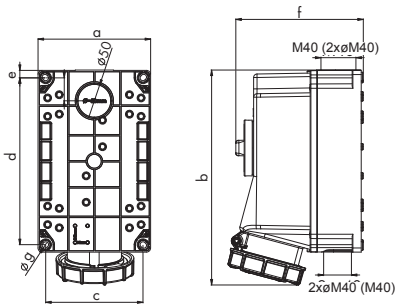
### Technical data:

- switched interlocked socket
- 16A and 32A 3-, 4- and 5 poles
- IP44 and IP67
- **ON/OFF switch PCE-Merz ML0; EN 60947-3; AC22A, 10kA**
- large connection area
- enclosure made of shock-resistant thermoplastic material
- approved acc. to EN60309, ÖVE



# Switched interlocked sockets - for wall mounting

mechanical interlock, lockable by padlock



## Switched interlocked socket - wall mounting

	63 Amp		
Pole	3	4	5
a	162	162	162
b	310	310	310
c	140	140	140
d	240	240	240
e	11	11	11
f	184	184	184
g	9	9	9
Anschlussart:	Contact frame with screws		
Leitung flexibel [mm <sup>2</sup> ]	6-16		
eindrähtig [mm <sup>2</sup> ]	6-25		
Gewicht [g]	1810	1944	2083

- Contact frame with screws
- housing material: PC/ABS
- contacts: brass with lamellar contact CuBe
- mechanical interlock
- top, bottom or rear entry
- housing can be rotated by 180°

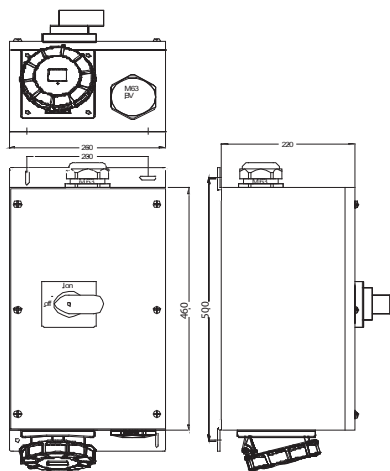
**IP66/67** watertight

### Advantages:

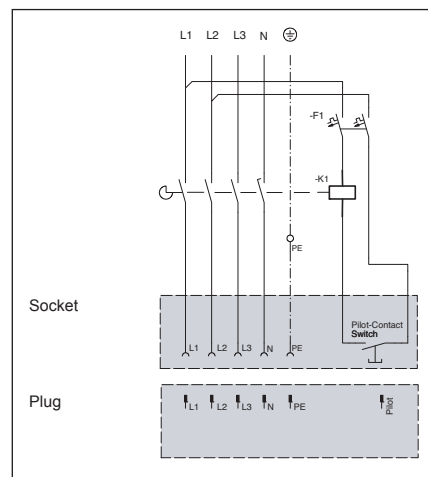
- stable design for wall mounting
- mechanical interlock:  
after plugging and switching-on plug is locked  
after switching-off and unplugging switch is locked
- large connecting area
- ready wired for connection
- at switch-off position: lockable by padlock

### Technical data:

- switched interlocked socket
- 16A and 32A 3-, 4- and 5 poles
- IP67 (IP44 on request)
- **ON/OFF switch PCE-Merz ML0; EN 60947-3; AC22A, 10kA**
- large connection area
- enclosure made of shock-resistant thermoplastic material
- approved acc. to EN60309, ÖVE



## Switched interlocked socket with Power Twist socket outlet



Circuit diagram

• (WxHxD = 460x260x220mm)

- metal housing (RAL 7035), protection degree IP66
- controlled by circuit breaker 125A 4p with integrated low voltage circuit breaker 400V by PCS-system (see page 8)
- wall mounting devices outside
- top or bottom entry (M63)
- control circuit protected with circuit breaker 10A 2p
- thermal release adjustable from 0,7 to 1 In
- manual resetting after voltage breakdown of the entry (trip position)

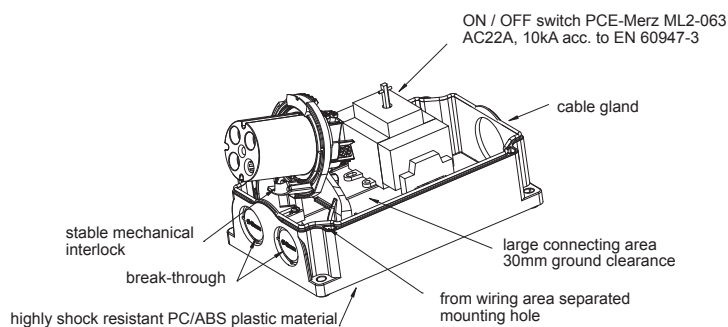
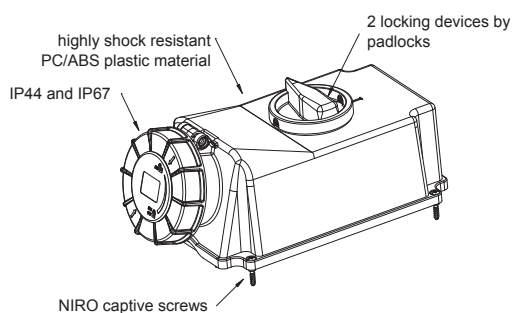
**IP66** watertight

Amp.	Poles	pack. unit	110V~	230V~	400V~	500V~
			50/60Hz 4h	50/60Hz 3p=6h 4p+5p=9h	50/60Hz 3p=9h 4p+5p=6h	50/60Hz 7h
			Cat.No.	Cat.No.	Cat.No.	Cat.No.
63	3	1	75332-4	<b>75332-6</b>	75332-9	75332-7
63	4	1	75342-4	75342-9	<b>75342-6</b>	75342-7
63	5	1	75352-4	75352-9	<b>75352-6</b>	75352-7

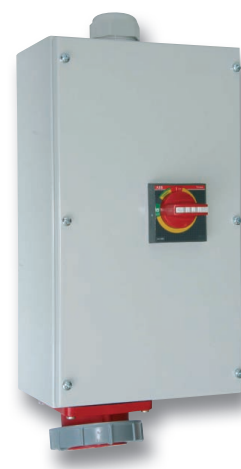


75352-6

## 63A version



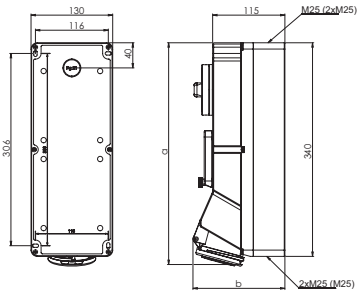
125	5	1	9754100
-----	---	---	---------





# Switched interlocked sockets - with DIN-rail

mechanical interlock, lockable by padlock

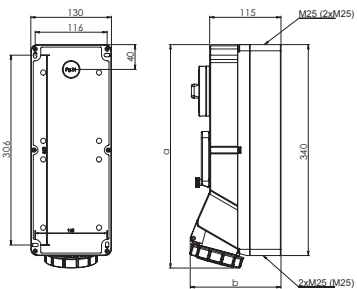


## Switched interlocked socket - wall mounting

Poles	16 Amp			32 Amp		
	3	4	5	3	4	5
a	358	359	360	363	363	364
b	146	146	146	150	150	157
M	3x25	3x25	3x25	3x25	3x25	3x25
Kind of connection: Screw terminal						
Wire flexible [mm <sup>2</sup> ]	1-2,5			2,5-6		
solid [mm <sup>2</sup> ]	1-4			2,5-10		
Weight [g]	1483	1603	1643	1663	1673	1723

- with screw terminals
- housing material: PC/ABS
- contacts: nickel-plated contacts
- mechanical interlock
- top, bottom or rear entry
- with DIN-rail and hinged window for 5 modules

**IP44** splashproof

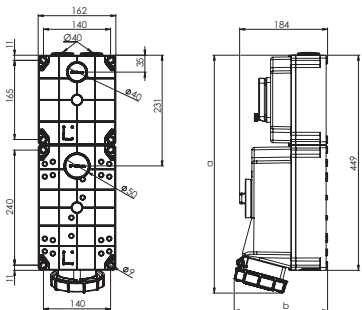


## Switched interlocked socket - wall mounting

Poles	16 Amp			32 Amp		
	3	4	5	3	4	5
a	358	359	360	363	363	364
b	146	146	146	150	150	157
M	3x25	3x25	3x25	3x25	3x25	3x25
Kind of connection: Screw terminal						
Wire flexible [mm <sup>2</sup> ]	1-2,5			2,5-6		
solid [mm <sup>2</sup> ]	1-4			2,5-10		
Weight [g]	1590	1610	1650	1670	1680	1730

- with screw terminals
- housing material: PC/ABS
- contacts: nickel-plated contacts
- mechanical interlock
- top, bottom or rear entry
- with DIN-rail and hinged window for 5 modules

**IP67** watertight



## „Power Twist“ Switched interlocked socket - wall mounting

Poles	63 Amp		
	3	4	5
a	496	496	496
b	195	195	195
Kind of connection: Contact frame with screws			
Wire flexible [mm <sup>2</sup> ]	6-16		
solid [mm <sup>2</sup> ]	6-25		
Weight [g]	2900	2975	3050

- contact frame with screws
- housing material: PC/ABS
- contacts: brass with lamellar contact CuBe
- mechanical interlock
- top, bottom or rear entry
- with DIN-rail and hinged window for 6 modules

**IP66/67** watertight

### Technical data to 16A and 32A version:

- like Series 75 . . . but:
- large version with sprung-loaded window for 5 or 6 modules
- integrated DIN-rail EN 50022 for standard fuses, e.g. MCBs, RCDs, etc. with cap-dimensions: 45 mm
- ready wired for connection up to DIN-rail
- special designs (switch on bottom, window on top) available on request!

110V~	230V~	400V~	500V~
50/60Hz 4h	50/60Hz 3p=6h 4p+5p=9h	50/60Hz 3p=9h 4p+5p=6h	50/60Hz 7h

Amp.	Poles	pack. unit	Cat.No.	Cat.No.	Cat.No.	Cat.No.
16	3	1	7613-4	<b>7613-6</b>	7613-9	7613-7
16	4	1	7614-4	7614-9	<b>7614-6</b>	7614-7
16	5	1	7615-4	7615-9	<b>7615-6</b>	7615-7
32	3	1	7623-4	<b>7623-6</b>	7623-9	7623-7
32	4	1	7624-4	7624-9	<b>7624-6</b>	7624-7
32	5	1	7625-4	7625-9	<b>7625-6</b>	7625-7



7615-6



16	3	1	76132-4	<b>76132-6</b>	76132-9	76132-7
16	4	1	76142-4	76142-9	<b>76142-6</b>	76142-7
16	5	1	76152-4	76152-9	<b>76152-6</b>	76152-7
32	3	1	76232-4	<b>76232-6</b>	76232-9	76232-7
32	4	1	76242-4	76242-9	<b>76242-6</b>	76242-7
32	5	1	76252-4	76252-9	<b>76252-6</b>	76252-7



76152-6



63	3	1	76332-4	<b>76332-6</b>	76332-9	76332-7
63	4	1	76342-4	76342-9	<b>76342-6</b>	76342-7
63	5	1	76352-4	76352-9	<b>76352-6</b>	76352-7



76352-6

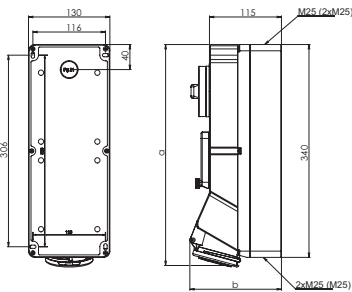


### Technical data to 63A version:

- like Series 75 . . . but:
- window with 6 modules
- integrated DIN-rail EN 50022 for standard fuses, e.g. MCBs, RCDs, etc. with cap-diameters: 45mm
- ready wired for connection up to DIN-rail

# Switched interlocked sockets - with fuse

mechanical interlock, lockable by padlock

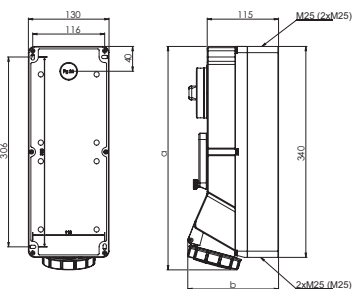


## Switched interlocked socket - wall mounting

	16 Amp			32 Amp		
	3	4	5	3	4	5
Pole	3	4	5	3	4	5
a	358	359	360	363	363	364
b	146	146	146	150	150	157
M	3x25	3x25	3x25	3x25	3x25	3x25
Kind of connection:	Screw terminal					
Wire flexible [mm <sup>2</sup> ]	1-2,5			2,5-6		
solid [mm <sup>2</sup> ]	1-4			2,5-10		
Weight [g]	1793	1813	1853	1873	1883	1933

- with screw terminals
- housing material: PC/ABS
- contacts: nickel-plated contacts
- mechanical interlock
- top, bottom or rear entry
- fuse - Neozed (> 400V cylindrical fuse 14x51)

**IP44** splashproof

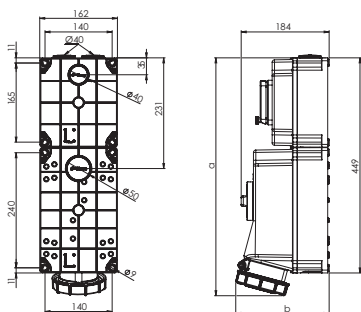


## Switched interlocked socket - wall mounting

	16 Amp			32 Amp		
	3	4	5	3	4	5
Pole	3	4	5	3	4	5
a	358	359	360	363	363	364
b	146	146	146	150	150	157
M	3x25	3x25	3x25	3x25	3x25	3x25
Kind of connection:	Screw terminal					
Wire flexible [mm <sup>2</sup> ]	1-2,5			2,5-6		
solid [mm <sup>2</sup> ]	1-4			2,5-10		
Weight [g]	1800	1820	1860	1880	1890	1940

- with screw terminals
- housing material: PC/ABS
- contacts: nickel-plated contacts
- mechanical interlock
- top, bottom or rear entry
- fuse - Neozed (> 400V cylindrical fuse 14x51)

**IP67** watertight

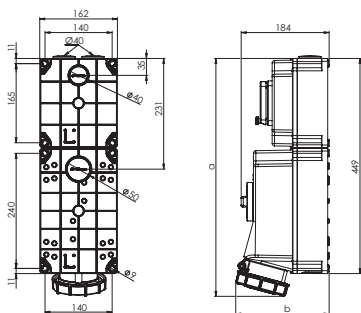


## Switched interlocked socket - wall mounting

	63 Amp		
	3	4	5
Pole	3	4	5
a	496	496	496
b	195	195	195
Kind of connection:	Contact frame with screws		
Wire flexible [mm <sup>2</sup> ]	6-16		
solid [mm <sup>2</sup> ]	6-25		
Weight [g]	3300	3375	3400

- contact frame with screws
- housing material: PC/ABS
- contacts: brass with lamellar contact CuBe
- mechanical interlock
- top, bottom or rear entry
- fuse up to 400V with Neozed D02

**IP66/67** watertight



## Switched interlocked socket - wall mounting

	63 Amp		
	3	4	5
Pole	3	4	5
a	496	496	496
b	195	195	195
Kind of connection:	Contact frame with screws		
Wire flexible [mm <sup>2</sup> ]	6-16		
solid [mm <sup>2</sup> ]	6-25		
Weight [g]	2900	3000	3400

- contact frame with screws
- housing material: PC/ABS
- contacts: brass with lamellar contact CuBe
- mechanical interlock
- top, bottom or rear entry
- fuse MCB

**IP66/67** watertight

### Technical data to 16A and 32A version:

- like Series 76 . . . but:
- with fuse:  
for 16A and 32A: Neozed D01, D02; > 400V: cylindr. fuse 14x51
- ready wired
- special designs (switch on bottom, window on top) available on request!

Amp.	Poles	pack. unit	110V~	230V~	400V~	500V~
			50/60Hz 4h	50/60Hz 3p=6h 4p+5p=9h	50/60Hz 3p=9h 4p+5p=6h	50/60Hz 7h
			Cat.No.	Cat.No.	Cat.No.	Cat.No.
16	3	1	7813-4	<b>7813-6</b>	7813-9	7813-7
16	4	1	7814-4	7814-9	<b>7814-6</b>	7814-7
16	5	1	7815-4	7815-9	<b>7815-6</b>	7815-7
32	3	1	7823-4	<b>7823-6</b>	7823-9	7823-7
32	4	1	7824-4	7824-9	<b>7824-6</b>	7824-7
32	5	1	7825-4	7825-9	<b>7825-6</b>	7825-7



7825-6



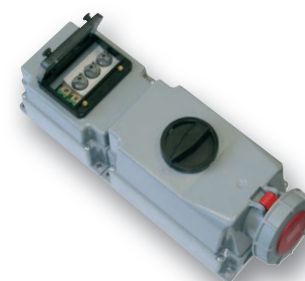
16	3	1	78132-4	<b>78132-6</b>	78132-9	78132-7
16	4	1	78142-4	78142-9	<b>78142-6</b>	78142-7
16	5	1	78152-4	78152-9	<b>78152-6</b>	78152-7
32	3	1	78232-4	<b>78232-6</b>	78232-9	78232-7
32	4	1	78242-4	78242-9	<b>78242-6</b>	78242-7
32	5	1	78252-4	78252-9	<b>78252-6</b>	78252-7



78252-6



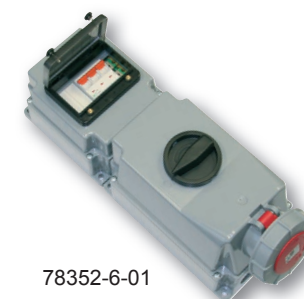
63	3	1	78332-4	<b>78332-6</b>	78332-9
63	4	1	78342-4	78342-9	<b>78342-6</b>
63	5	1	78352-4	78352-9	<b>78352-6</b>



78352-6



63	3	1	78332-4-01	<b>78332-6-01</b>	78332-9-01
63	4	1	78342-4-01	78342-9-01	<b>78342-6-01</b>
63	5	1	78352-4-01	78352-9-01	<b>78352-6-01</b>



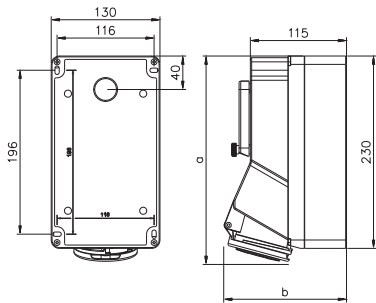
78352-6-01



### Technical data to 63A version:

- like Series 76... (page 93) but:
- fuse up to 400V with Neozed D02
- ready wired

# Wall sockets - with protection

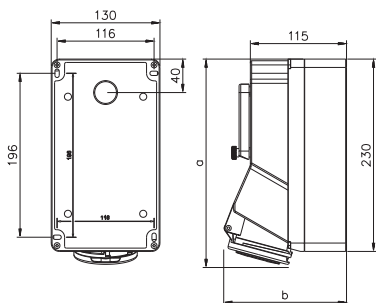


## Wall socket - with protection

Poles	16 Amp			32 Amp		
	3	4	5	3	4	5
a	248	249	250	253	253	254
b	146	146	146	150	150	157
M	3x25	3x25	3x25	3x25	3x25	3x25
Kind of connection: Screw terminal						
Wire flexible [mm <sup>2</sup> ]	1-2,5			2,5-6		
solid [mm <sup>2</sup> ]	1-4			2,5-10		
Weight [g]	1048	1057	1087	1125	1135	1162

- with screw terminals
- housing material: PC/ABS
- contacts: nickel-plated contacts
- mechanical interlock
- top, bottom or rear entry
- with DIN-rail for 5 modules

**IP44** splashproof  
**IP67** on request

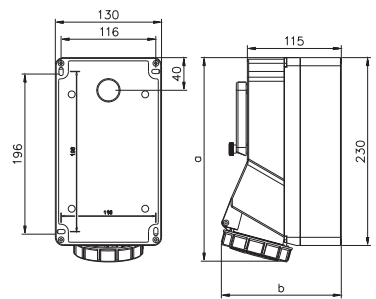


## Wall socket - with protection

Poles	16 Amp			32 Amp		
	3	4	5	3	4	5
a	248	249	250	253	253	254
b	146	146	146	150	150	157
M	3x25	3x25	3x25	3x25	3x25	3x25
Kind of connection: Screw terminal						
Wire flexible [mm <sup>2</sup> ]	1-2,5			2,5-6		
solid [mm <sup>2</sup> ]	1-4			2,5-10		
Weight [g]	1158	1267	1297	1334	1344	1372

- with screw terminals
- housing material: PC/ABS
- contacts: nickel-plated contacts
- mechanical interlock
- top, bottom or rear entry
- fuse - Neozed (> 400V cylindrical fuse 14x51)

**IP44** splashproof

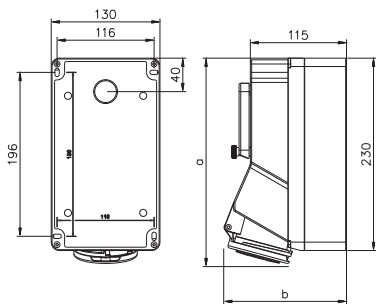


## Wall socket - with protection

Poles	16 Amp			32 Amp		
	3	4	5	3	4	5
a	248	249	250	253	253	254
b	146	146	146	150	150	157
M	3x25	3x25	3x25	3x25	3x25	3x25
Kind of connection: Screw terminal						
Wire flexible [mm <sup>2</sup> ]	1-2,5			2,5-6		
solid [mm <sup>2</sup> ]	1-4			2,5-10		
Weight [g]	1265	1274	1304	1341	1351	1379

- with screw terminals
- housing material: PC/ABS
- contacts: nickel-plated contacts
- mechanical interlock
- top, bottom or rear entry
- fuse - Neozed (> 400V cylindrical fuse 14x51)

**IP67** watertight

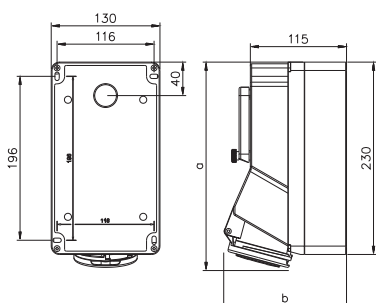


## Wall socket - with protection

Poles	16 Amp			32 Amp		
	3	4	5	3	4	5
a	248	249	250	253	253	254
b	146	146	146	150	150	157
M	3x25	3x25	3x25	3x25	3x25	3x25
Kind of connection: Screw terminal						
Wire flexible [mm <sup>2</sup> ]	1-2,5			2,5-6		
solid [mm <sup>2</sup> ]	1-4			2,5-10		
Weight [g]	1265	1274	1340	1341	1351	1379

- with screw terminals
- housing material: PC/ABS
- contacts: nickel-plated contacts
- mechanical interlock
- top, bottom or rear entry
- with MCB „C“ I<sub>N</sub>

**IP44** splashproof  
**IP67** on request



## Wall socket - with protection

Poles	16 Amp			32 Amp		
	3	4	5	3	4	5
a	248	249	250	253	253	254
b	146	146	146	150	150	157
M	3x25	3x25	3x25	3x25	3x25	3x25
Kind of connection: Screw terminal						
Wire flexible [mm <sup>2</sup> ]	1-2,5			2,5-6		
solid [mm <sup>2</sup> ]	1-4			2,5-10		
Weight [g]	1265	1274	1340	1341	1351	1379

- with screw terminals
- housing material: PC/ABS
- contacts: nickel-plated contacts
- mechanical interlock
- top, bottom or rear entry
- with RCD I<sub>ΔN</sub> 30 mA

**IP44** splashproof  
**IP67** on request

110V~	230V~	400V~	500V~
50/60Hz 4h	50/60Hz 3p=6h 4p+5p=9h	50/60Hz 3p=9h 4p+5p=6h	50/60Hz 7h

Amp.	Poles	pack. unit	Cat.No.	Cat.No.	Cat.No.	Cat.No.
16	3	1	75133-4	<b>75133-6</b>	75133-9	75133-7
16	4	1	75143-4	75143-9	<b>75143-6</b>	75143-7
16	5	1	75153-4	75153-9	<b>75153-6</b>	75153-7
32	3	1	75233-4	<b>75233-6</b>	75233-9	75233-7
32	4	1	75243-4	75243-9	<b>75243-6</b>	75243-7
32	5	1	75253-4	75253-9	<b>75253-6</b>	75253-7



75253-6



16	3	1	75130-4	<b>75130-6</b>	75130-9	75130-7
16	4	1	75140-4	75140-9	<b>75140-6</b>	75140-7
16	5	1	75150-4	75150-9	<b>75150-6</b>	75150-7
32	3	1	75230-4	<b>75230-6</b>	75230-9	75230-7
32	4	1	75240-4	75240-9	<b>75240-6</b>	75240-7
32	5	1	75250-4	75250-9	<b>75250-6</b>	75250-7



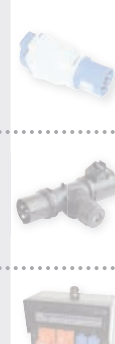
75150-6



16	3	1	751320-4	<b>751320-6</b>	751320-9	751320-7
16	4	1	751420-4	751420-9	<b>751420-6</b>	751420-7
16	5	1	751520-4	751520-9	<b>751520-6</b>	751520-7
32	3	1	752320-4	<b>752320-6</b>	752320-9	752320-7
32	4	1	752420-4	752420-9	<b>752420-6</b>	752420-7
32	5	1	752520-4	752520-9	<b>752520-6</b>	752520-7



751520-6



16	3	1	75135-4	<b>75135-6</b>	75135-9	
16	4	1	75145-4	75145-9	<b>75145-6</b>	
16	5	1	75155-4	75155-9	<b>75155-6</b>	
32	3	1	75235-4	<b>75235-6</b>	75235-9	
32	4	1	75245-4	75245-9	<b>75245-6</b>	
32	5	1	75255-4	75255-9	<b>75255-6</b>	



75155-6



16	3	1	75131-4	<b>75131-6</b>	75131-9	
16	4	1	75141-4	75141-9	<b>75141-6</b>	
16	5	1	75151-4	75151-9	<b>75151-6</b>	
32	3	1	75231-4	<b>75231-6</b>	75231-9	
32	4	1	75241-4	75241-9	<b>75241-6</b>	
32	5	1	75251-4	75251-9	<b>75251-6</b>	



75151-6

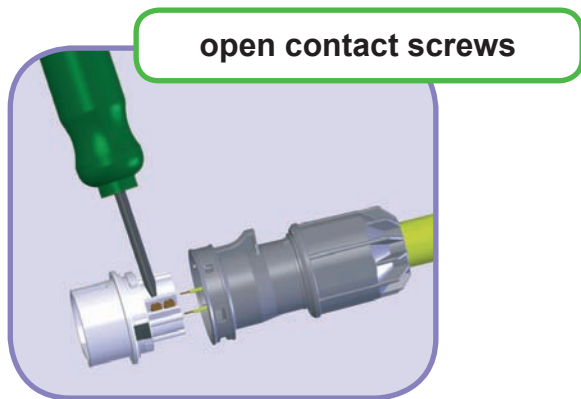


## TWIST Extra-low voltage

Protective extra-low-voltage is a preventive measure **for use under extreme conditions**. The **rated voltage** (AC) is limited by **max. 50V**.

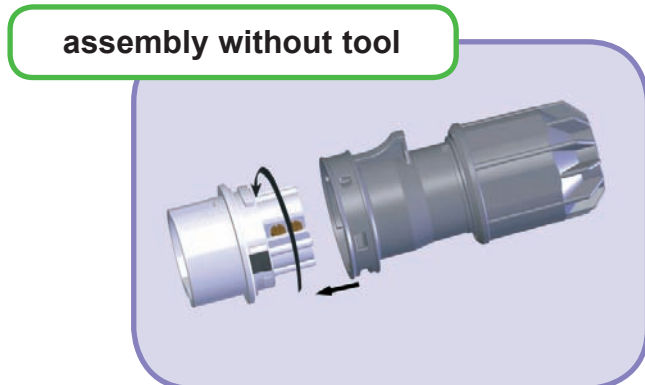
Special working conditions like conductive environment in or on boilers, pipelines, containers, metal frames or limited freedom of motion require the use of extra-low-voltage plugs and sockets.

The new “Twist” **extra-low-voltage** series provides a **complete range of plugs, connectors and flanged sockets** which meet all installation requirements, specially developed for use on building sites, shipyards and in factories. Connecting the cable is fast and reliable! No tools are needed for assembly!



- **ASSEMBLY WITHOUT TOOL**
  - multi-ramp quick lock system
  - easy fitting by twist-lock action

- **DISMANTLING**
  - simply unlock and twist to open



## IP67

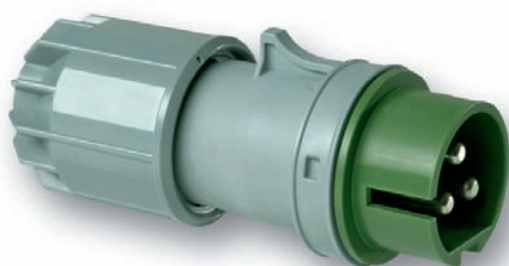
watertight

## IP44

splashproof

### VERSIONS:

- 16A and 32A
- IP44 and IP67
- Plug, connector and flanged socket
- 2p and 3p
- 24V and 42V
- DC, 50/60Hz, 100 to 500 Hz



### IP44



### IP67

### ADVANTAGES:

- TWIST cable gland for quick and easy assembly
- fast cable installation
- strain relief and sealing of the cable by tightening
- the cable-lock gland
- maximum cable security
- ample connection space
- easy to handle cable gland by multi-ramp quick-lock system

**for cable diameters from  $\varnothing$  8 to  $\varnothing$  24mm**



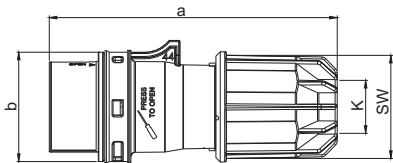


# Extra-low voltage - plugs and sockets

## Protective extra-low voltage

is a preventive measure for use under extreme conditions, the rated voltage (AC) is limited by max. 50V.

Special working conditions (conductive environment e.g. in or on boilers, pipelines, containers, metal frames or limited freedom of motion) require the use of extra-low voltage plugs and sockets.

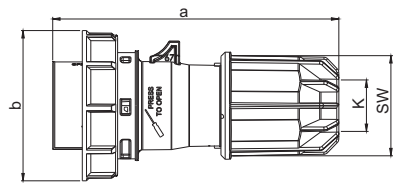


### „Twist“ Plug

	16 Amp		32 Amp	
	2	3	2	3
Poles	2	3	2	3
a	135	135	135	135
b	51	51	51	51
c	51	51	51	51
K_cable Ø [mm]	8-24	8-24	8-24	8-24
Kind of connection:	Screw terminal			
Wire flexible [mm <sup>2</sup> ]	1-10			
Contact screws [Ncm]	160 Ncm			
SW	48	48	48	48
Weight [g]	142	154	142	154

- with screw terminals
- housing material: PA6
- contacts: nickel-plated contacts

**IP44** splashproof

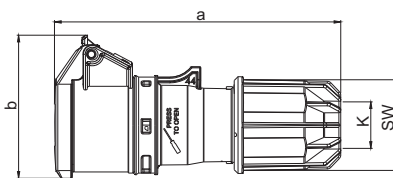


### „Twist“ Plug

	16 Amp		32 Amp	
	2	3	2	3
Poles	2	3	2	3
a	124	131	146	152
b	79	87	93	100
K_cable Ø [mm]	6-15	8-16	10-20	12-22
Kind of connection:	Screw terminal			
Wire flexible [mm <sup>2</sup> ]	1-10			
Contact screws [Ncm]	160 Ncm			
SW	48	48	48	48
Weight [g]	157	169	157	169

- with screw terminals
- housing material: PA6
- contacts: nickel-plated contacts

**IP67** watertight

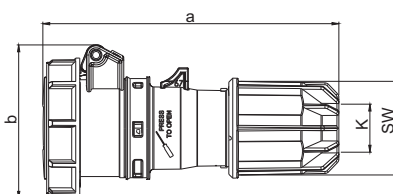


### „Twist“ Connector

	16 Amp		32 Amp	
	2	3	2	3
Poles	2	3	2	3
a	150	150	150	150
b	75	75	75	75
c	51	51	51	51
K_cable Ø [mm]	8-24	8-24	8-24	8-24
Kind of connection:	Screw terminal			
Wire flexible [mm <sup>2</sup> ]	1-10			
Contact screws [Ncm]	160 Ncm			
SW	48	48	48	48
Weight [g]	177	196	177	196

- with screw terminals
- housing material: PA6
- contacts: nickel-plated contacts

**IP44** splashproof



### „Twist“ Connector

	16 Amp		32 Amp	
	2	3	2	3
Poles	2	3	2	3
a	150	150	150	150
b	78	78	78	78
c	51	51	51	51
K_cable Ø [mm]	8-24	8-24	8-24	8-24
Kind of connection:	Screw terminal			
Wire flexible [mm <sup>2</sup> ]	1-10			
Contact screws [Ncm]	160 Ncm			
SW	48	48	48	48
Weight [g]	195	214	195	214

- with screw terminals
- housing material: PA6
- contacts: nickel-plated contacts

**IP67** watertight

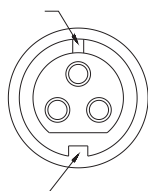
Amp.	Poles	pack. unit	24V~ 50/60Hz without Minor key	42V~ 50/60Hz 12h	24/42V~ 100-200Hz 4h	24/42V~ 300Hz 2h	24/42V~ 400Hz 3h	24/42V~ 401-500Hz 11h	24/42V= DC 10h
			Cat.No.	Cat.No.	Cat.No.	Cat.No.	Cat.No.	Cat.No.	Cat.No.

For extra-low voltage a minor key is used to distinguish voltage and frequency - see table.

### Examples:

View: socket (front)

Minor key  
3 pol.



Mayor key  
3 pol.

Rated Voltage - V	Frequency - Hz	Clockwise position		Colour acc. to EN 60309
		2P	3P	
20 - 25	50 / 60	without Minor key	without Minor key	Violet
40 - 50	50 / 60	12	12	White
20 - 25 and 40 - 50	100 - 200	4	4	Green
	300	2	2	Green
	400	3	3	Green
	> 400 - 500	11	11	Green
	DC	10	-	White

16	2	10	<b>062v</b>	<b>082-12v</b>	082-4v	082-2v	082-3v	082-11v	082-10v
16	3	10	<b>063v</b>	<b>083-12v</b>	083-4v	083-2v	083-3v	083-11v	083-10v
32	2	10	<b>072v</b>	<b>092-12v</b>	092-4v	092-2v	092-3v	092-11v	092-10v
32	3	10	<b>073v</b>	<b>093-12v</b>	093-4v	093-2v	093-3v	093-11v	093-10v



083-3v

16	2	10	<b>0622v</b>	<b>0822-12v</b>	0822-4v	0822-2v	0822-3v	0822-11v	0822-10v
16	3	10	<b>0632v</b>	<b>0832-12v</b>	0832-4v	0832-2v	0832-3v	0832-11v	0832-10v
32	2	10	<b>0722v</b>	<b>0922-12v</b>	0922-4v	0922-2v	0922-3v	0922-11v	0922-10v
32	3	10	<b>0732v</b>	<b>0932-12v</b>	0932-4v	0932-2v	0932-3v	0932-11v	0932-10v



0622v

16	2	10	<b>262v</b>	<b>282-12v</b>	282-4v	282-2v	282-3v	282-11v	282-10v
16	3	10	<b>263v</b>	<b>283-12v</b>	283-4v	283-2v	283-3v	283-11v	283-10v
32	2	10	<b>272v</b>	<b>292-12v</b>	292-4v	292-2v	292-3v	292-11v	292-10v
32	3	10	<b>273v</b>	<b>293-12v</b>	293-4v	293-2v	293-3v	293-11v	293-10v



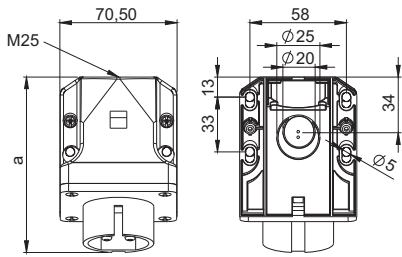
282-4v

16	2	10	<b>2622v</b>	<b>2822-12v</b>	2822-4v	2822-2v	2822-3v	2822-11v	2822-10v
16	3	10	<b>2632v</b>	<b>2832-12v</b>	2832-4v	2832-2v	2832-3v	2832-11v	2832-10v
32	2	10	<b>2722v</b>	<b>2922-12v</b>	2922-4v	2922-2v	2922-3v	2922-11v	2922-10v
32	3	10	<b>2732v</b>	<b>2932-12v</b>	2932-4v	2932-2v	2932-3v	2932-11v	2932-10v



2622v

# Extra-low voltage - plugs and sockets



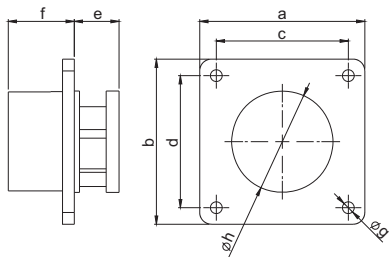
b=height  
angle=15°

## Wall mounted plug

	16 Amp		32 Amp	
	2	3	2	3
Poles	2	3	2	3
a	106	106	106	106
b	77	77	77	77
M	25	25	25	25
Kind of connection:	Screw terminal			
Wire flexible [mm <sup>2</sup> ]	4-10			
solid [mm <sup>2</sup> ]	4-10			
Contact screws [Ncm]	110 Ncm			
Weight [g]	158	174	158	174

- with screw terminals
- housing material: PA6
- contacts: brass
  - to order nickel-plated contacts please add a "v" e.g. 582-12v
- top and rear entry

**IP44** splashproof

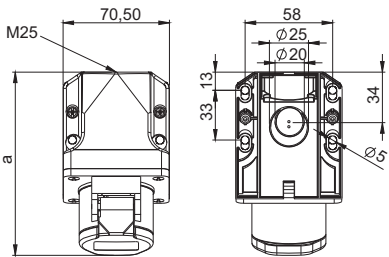


## Flanged plug straight

	16 Amp		32 Amp	
	2	3	2	3
Poles	2	3	2	3
Flange				
a x b	70	70	70	70
Fixing center				
c x d	56	56	56	56
e	19	19	19	19
f	28	28	28	28
g	5	5	5	5
h	43	43	43	43
Kind of connection:	Screw terminal			
Wire flexible [mm <sup>2</sup> ]	4-10			
solid [mm <sup>2</sup> ]	4-10			
Contact screws [Ncm]	110 Ncm			
Weight [g]	74	86	74	86

- with screw terminals
- housing material: PA6
- contacts: brass
  - to order nickel-plated contacts please add a "v" e.g. 682-12v
- According to EN 60309: For correct use a locking device has to be provided (see page 32)

**IP44** splashproof



b=height  
angle=15°

## Wall socket

	16 Amp		32 Amp	
	2	3	2	3
Pole	2	3	2	3
a	119	119	119	119
b	85	85	85	85
M	25	25	25	25
Kind of connection:	Screw terminal			
Wire flexible [mm <sup>2</sup> ]	4-10			
solid [mm <sup>2</sup> ]	4-10			
Contact screws [Ncm]	110 Ncm			
Weight [g]	194	214	194	214

- with screw terminals
- housing material: PA6
- contacts: brass
  - to order nickel-plated contacts please add a "v" e.g. 162v
- top and rear entry

**IP44** splashproof

Amp.	Poles	pack. unit	24V~	42V~	24/42V~	24/42V~	24/42V~	24/42V~	24/42V~	24/42V=
			50/60Hz without Minor key	50/60Hz 12h	100-200Hz 4h	300Hz 2h	400Hz 3h	401-500Hz 11h	DC 10h	
			Cat.No.	Cat.No.	Cat.No.	Cat.No.	Cat.No.	Cat.No.	Cat.No.	Cat.No.
16	2	10	562	582-12	582-4	582-2	582-3	582-11	582-10	
16	3	10	563	583-12	583-4	583-2	583-3	583-11	583-10	
32	2	10	572	592-12	592-4	592-2	592-3	592-11	592-10	
32	3	10	573	593-12	593-4	593-2	593-3	593-11	593-10	



582-12



			with flange 70 x 70							
Amp.	Poles	pack. unit	Cat.No.	Cat.No.	Cat.No.	Cat.No.	Cat.No.	Cat.No.	Cat.No.	Cat.No.
16	2	10	662	682-12	682-4	682-2	682-3	682-11	682-10	
16	3	10	663	683-12	683-4	683-2	683-3	683-11	683-10	
32	2	10	672	692-12	692-4	692-2	692-3	692-11	692-10	
32	3	10	673	693-12	693-4	693-2	693-3	693-11	693-10	



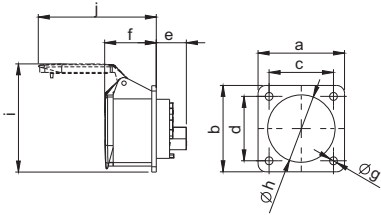
682-12

16	2	10	162	182-12	182-4	182-2	182-3	182-11	182-10	
16	3	10	163	183-12	183-4	183-2	183-3	183-11	183-10	
32	2	10	172	192-12	192-4	192-2	192-3	192-11	192-10	
32	3	10	173	193-12	193-4	193-2	193-3	193-11	193-10	



162

# Extra-low voltage - plugs and sockets

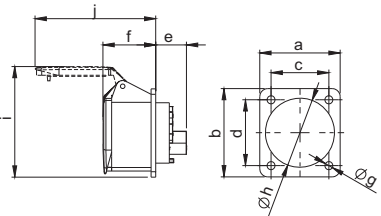


## Flanged socket straight

	16 Amp		32 Amp	
	2	3	2	3
Poles	2	3	2	3
Flange				
a x b	70	70	70	70
Fixing center				
c x d	56	56	56	56
e	19	19	19	19
f	40	40	40	40
g	5,5	5,5	5,5	5,5
h	43	43	43	43
i	79	79	79	79
j	84	84	84	84
Kind of connection:	Screw terminal			
Wire flexible [mm <sup>2</sup> ]	4-10			
solid [mm <sup>2</sup> ]	4-10			
Contact screws [Ncm]	110 Ncm			
Weight [g]	112	132	112	132

- with screw terminals
- housing material: PA6
- contacts: brass
  - to order nickel-plated contacts please add a "v" e.g. 362v

**IP44** splashproof

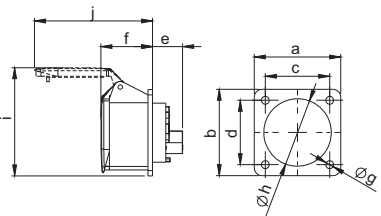


## Flanged socket straight

	16 Amp		32 Amp	
	2	3	2	3
Poles	2	3	2	3
a	60	60	60	60
b	70	70	70	70
c	47	47	47	47
d	53	53	53	53
e	19	19	19	19
f	40	40	40	40
g	5	5	5	5
h	43	43	43	43
i	79	79	79	79
j	84	84	84	84
Kind of connection:	Screw terminal			
Wire flexible [mm <sup>2</sup> ]	4-10			
solid [mm <sup>2</sup> ]	4-10			
Contact screws [Ncm]	110 Ncm			
Weight [g]	112	112	112	112

- with screw terminals
- housing material: PA6
- contacts: brass
  - to order nickel-plated contacts please add a "v" e.g. 362f8v

**IP44** splashproof

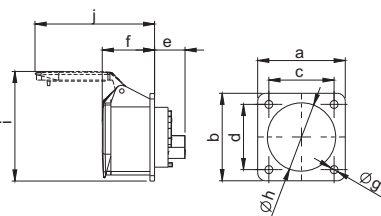


## Flanged socket straight

	16 Amp		32 Amp	
	3	3	3	3
Poles	3	3	3	3
Flange				
a x b	55	55	55	55
Fixing center				
c x d	41	41	41	41
e	19	19	19	19
f	41	41	41	41
g	5	5	5	5
h	43	43	43	43
i	79	79	79	79
j	84	84	84	84
Kind of connection:	Screw terminal			
Wire flexible [mm <sup>2</sup> ]	4-10			
solid [mm <sup>2</sup> ]	4-10			
Contact screws [Ncm]	110 Ncm			
Weight [g]	132	132	132	132

- with screw terminals
- housing material: PA6
- contacts: brass
  - to order nickel-plated contacts please add a "v" e.g. 363f4v

**IP44** splashproof



## Flanged socket straight

	16 Amp		32 Amp	
	2	3	2	3
Poles	2	3	2	3
Flange				
a x b	55	55	55	55
Fixing center				
c x d	45	45	45	45
e	19	19	19	19
f	41	41	41	41
g	5	5	5	5
h	43	43	43	43
i	79	79	79	79
j	84	84	84	84
Kind of connection:	Screw terminal			
Wire flexible [mm <sup>2</sup> ]	4-10			
solid [mm <sup>2</sup> ]	4-10			
Contact screws [Ncm]	110 Ncm			
Weight [g]	112	132	112	132

- with screw terminals
- housing material: PA6
- contacts: brass
  - to order nickel-plated contacts please add a "v" e.g. 362f5v

**IP44** splashproof

Amp.	Poles	pack. unit	24V~	42V~	24/42V~	24/42V~	24/42V~	24/42V~	24/42V~	24/42V=
			50/60Hz without Minor key	50/60Hz 12h	100-200Hz 4h	300Hz 2h	400Hz 3h	401-500Hz 11h	DC 10h	
			Cat.No.	Cat.No.	Cat.No.	Cat.No.	Cat.No.	Cat.No.	Cat.No.	Cat.No.

with flange 70 x 70										
16	2	10	362	382-12	382-4	382-2	382-3	382-11	382-10	
16	3	10	363	383-12	383-4	383-2	383-3	383-11	383-10	
32	2	10	372	392-12	392-4	392-2	392-3	392-11	392-10	
32	3	10	373	393-12	393-4	393-2	393-3	393-11	393-10	



362

with flange 60 x 70										
16	2	10	362f8	382-12f8	382-4f8	382-2f8	382-3f8	382-11f8	382-10f8	
32	2	10	372f8	392-12f8	392-4f8	392-2f8	392-3f8	392-11f8	392-10f8	



382-12f8

with flange 55 x 55										
16	3	10	363f4	383-12f4	383-4f4	383-2f4	383-3f4	383-11f4	383-10f4	
32	3	10	373f4	393-12f4	393-4f4	393-2f4	393-3f4	393-11f4	393-10f4	



383-12f4

with flange 55 x 55										
16	2	10	362f5	382-12f5	382-4f5	382-2f5	382-3f5	382-11f5	382-10f5	
16	3	10	363f5	383-12f5	383-4f5	383-2f5	383-3f5	383-11f5	383-10f5	
32	2	10	372f5	392-12f5	392-4f5	392-2f5	392-3f5	392-11f5	392-10f5	
32	3	10	373f5	393-12f5	393-4f5	393-2f5	393-3f5	393-11f5	393-10f5	



362f5



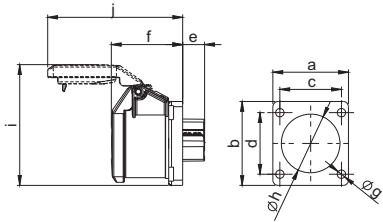
# Extra-low voltage - plugs and sockets

## „Twist“ Flanged socket straight

	16 Amp		32 Amp	
	2	3	2	3
Poles	2	3	2	3
a	54	54	54	54
b	60	60	60	60
c	44	44	44	44
d	44	44	44	44
e	16	16	16	16
f	51	51	51	51
g	6	6	6	6
h	42	42	42	42
i	87	87	87	87
j	97	97	97	97
Kind of connection:	Screw terminal			
Wire flexible [mm <sup>2</sup> ]	1-10			
solid [mm <sup>2</sup> ]	1,5-10			
Contact screws [Ncm]	160 Ncm			
Weight [g]	119	138	119	138

- with screw terminals
- housing material: PA6
- contacts: nickel-plated contacts

**IP44** splashproof

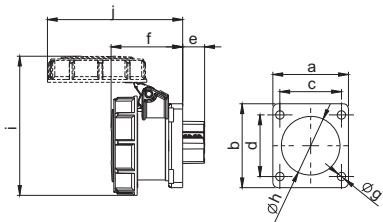


## „Twist“ Flanged socket straight

	16 Amp		32 Amp	
	2	3	2	3
Poles	2	3	2	3
a	54	54	54	54
b	60	60	60	60
c	44	44	44	44
d	44	44	44	44
e	16	16	16	16
f	52	52	52	52
g	6	6	6	6
h	42	42	42	42
i	100	100	100	100
j	97	97	97	97
Kind of connection:	Screw terminal			
Wire flexible [mm <sup>2</sup> ]	1-10			
solid [mm <sup>2</sup> ]	1,5-10			
Contact screws [Ncm]	160 Ncm			
Weight [g]	137	156	137	156

- with screw terminals
- housing material: PA6
- contacts: nickel-plated contacts

**IP67** watertight

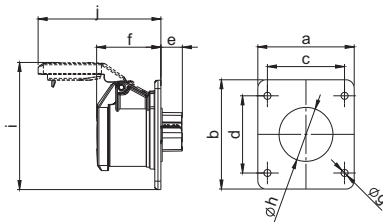


## „Twist“ Flanged socket straight

	16 Amp		32 Amp	
	2	3	2	3
Poles	2	3	2	3
a	75	75	75	75
b	85	85	85	85
c	60	60	60	60
d	60	60	60	60
e	17	17	17	17
f	50	50	50	50
g	5,5	5,5	5,5	5,5
h	42	42	42	42
i	79	79	79	79
j	84	84	84	84
Kind of connection:	Screw terminal			
Wire flexible [mm <sup>2</sup> ]	1-10			
solid [mm <sup>2</sup> ]	1,5-10			
Contact screws [Ncm]	160 Ncm			
Weight [g]	124	145	124	145

- with screw terminals
- housing material: PA6
- contacts: nickel-plated contacts

**IP44** splashproof

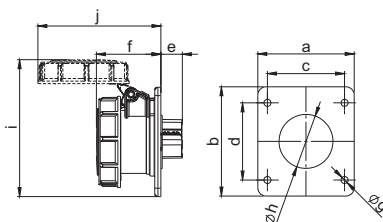


## „Twist“ Flanged socket straight

	16 Amp		32 Amp	
	2	3	2	3
Poles	2	3	2	3
Flange	75	75	75	75
a x b	85	85	85	85
Fixing center	60	60	60	60
c x d	60	60	60	60
e	17	17	17	17
f	50	50	50	50
g	5,5	5,5	5,5	5,5
h	42	42	42	42
i	79	79	79	79
j	84	84	84	84
Kind of connection:	Screw terminal			
Wire flexible [mm <sup>2</sup> ]	1-10			
solid [mm <sup>2</sup> ]	1,5-10			
Contact screws [Ncm]	160 Ncm			
Weight [g]	142	163	142	163

- with screw terminals
- housing material: PA6
- contacts: nickel-plated contacts

**IP67** watertight



Amp.	Poles	pack. unit	24V~	42V~	24/42V~	24/42V~	24/42V~	24/42V~	24/42V~
			50/60Hz without Minor key	50/60Hz 12h	100-200Hz 4h	300Hz 2h	400Hz 3h	401-500Hz 11h	DC 10h
			Cat.No.	Cat.No.	Cat.No.	Cat.No.	Cat.No.	Cat.No.	Cat.No.

			with flange 54 x 60						
16	2	10	362ft9v	382-12ft9v	382-4ft9v	382-2ft9v	382-3ft9v	382-11ft9v	382-10ft9v
16	3	10	363ft9v	383-12ft9v	383-4ft9v	383-2ft9v	383-3ft9v	383-11ft9v	383-10ft9v
32	2	10	372ft9v	392-12ft9v	392-4ft9v	392-2ft9v	392-3ft9v	392-11ft9v	392-10ft9v
32	3	10	373ft9v	393-12ft9v	393-4ft9v	393-2ft9v	393-3ft9v	393-11ft9v	393-10ft9v



382-4ft9v

			with flange 54 x 60						
16	2	10	3622ft9v	3822-12ft9v	3822-4ft9v	3822-2ft9v	3822-3ft9v	3822-11ft9v	3822-10ft9v
16	3	10	3632ft9v	3832-12ft9v	3832-4ft9v	3832-2ft9v	3832-3ft9v	3832-11ft9v	3832-10ft9v
32	2	10	3722ft9v	3922-12ft9v	3922-4ft9v	3922-2ft9v	3922-3ft9v	3922-11ft9v	3922-10ft9v
32	3	10	3732ft9v	3932-12ft9v	3932-4ft9v	3932-2ft9v	3932-3ft9v	3932-11ft9v	3932-10ft9v



3622ft9v

			with flange 75 x 85						
16	2	10	362ft87v	382-12ft87v	382-4ft87v	382-2ft87v	382-3ft87v	382-11ft87v	382-10ft87v
16	3	10	363ft87v	383-12ft87v	383-4ft87v	383-2ft87v	383-3ft87v	383-11ft87v	383-10ft87v
32	2	10	372ft87v	392-12ft87v	392-4ft87v	392-2ft87v	392-3ft87v	392-11ft87v	392-10ft87v
32	3	10	373ft87v	393-12ft87v	393-4ft87v	393-2ft87v	393-3ft87v	393-11ft87v	393-10ft87v



362ft87v

			with flange 75 x 85						
16	2	10	3622ft87v	3822-12ft87v	3822-4ft87v	3822-2ft87v	3822-3ft87v	3822-11ft87v	3822-10ft87v
16	3	10	3632ft87v	3832-12ft87v	3832-4ft87v	3832-2ft87v	3832-3ft87v	3832-11ft87v	3832-10ft87v
32	2	10	3722ft87v	3922-12ft87v	3922-4ft87v	3922-2ft87v	3922-3ft87v	3922-11ft87v	3922-10ft87v
32	3	10	3732ft87v	3932-12ft87v	3932-4ft87v	3932-2ft87v	3932-3ft87v	3932-11ft87v	3932-10ft87v



3622ft87v

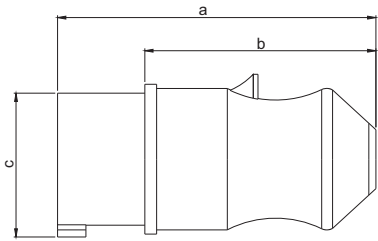
new!

new!





# Plugs and sockets - 7poles

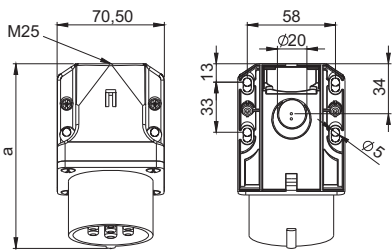


## Plug

	16 Amp
Poles	7
a	135
b	98
c	54
Kind of connection:	Screw terminal
Wire flexible [mm <sup>2</sup> ]	1-2,5
Contact screws [Ncm]	100 Ncm
Weight [g]	214

- with screw terminals
- housing material: PA6
- contacts: brass
  - to order nickel-plated contacts please add a "v" e.g. 017-6v
- with short cable entry

**IP44** splashproof



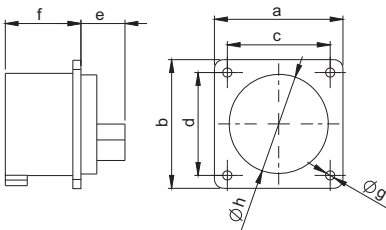
## Wall mounted plug

	16 Amp
Pole	7
a	123
b	79
M	25
Kind of connection:	Screw terminal
Wire flexible [mm <sup>2</sup> ]	1-2,5
solid [mm <sup>2</sup> ]	1-4
Contact screws [Ncm]	100 Ncm
Weight 517 [g]	236
Weight 9517 [g]	345

- with screw terminals
- housing material: PA6
- contacts: brass
  - to order nickel-plated contacts please add a "v" e.g. 517-6v
- top and rear entry
- incl. cable gland
- 9517\* large housing, for wiring through

**IP44** splashproof

b=height  
angle=15°

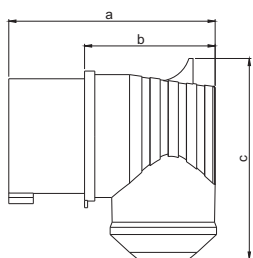


## Flanged plug straight

	16 Amp	16 Amp
Poles	7	7
Flange		
a x b	70	75
Fixing center		
c x d	56	60
e	25	25
f	42	42
g	5	5
h	54	54
Kind of connection:	Screw terminal	
Wire flexible [mm <sup>2</sup> ]	1-2,5	
solid [mm <sup>2</sup> ]	1-4	
Contact screws [Ncm]	100 Ncm	
Weight [g]	145	182

- with screw terminals
- housing material: PA6
- contacts: brass
  - to order nickel-plated contacts please add a "v" e.g. 617-6v
- According to EN 60309: For correct use a locking device has to be provided (see page 32)

**IP44** splashproof



## Angled plug

	16 Amp
Poles	7
a	101
b	65
c	98
Kind of connection:	Screw terminal
Wire flexible [mm <sup>2</sup> ]	1-2,5
Contact screws [Ncm]	100 Ncm
Weight [g]	146

- with screw terminals
- housing material: PA6
- contacts: brass
  - to order nickel-plated contacts please add a "v" e.g. 8017-6v
- with cable entry - lateral

**IP44** splashproof

**110V~**  
50/60Hz  
4h

**230V~**  
50/60Hz  
3p=6h  
4p+5p=9h

**400V~**  
50/60Hz  
3p=9h  
4p+5p=6h

Amp.	Poles	pack. unit	Cat.No.	Cat.No.	Cat.No.	Cat.No.
16	7	10		017-9	017-6	IP44
16	7	10		517-9	517-6	IP44
16	7	5		9517-9	9517-6	IP44
with flange 70 x 70	16	7	10	617-9	617-6	IP44
with flange 75 x 75	16	7	10	617-9f7	617-6f7	IP44
16	7	10	8017-4	8017-6	IP44	short cable entry



017-6



517-6



617-6

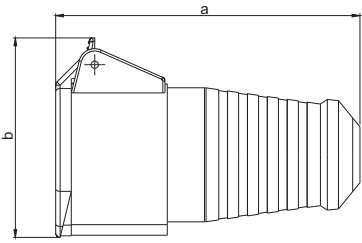


8017-4



# Plugs and sockets - 7poles

## Connector

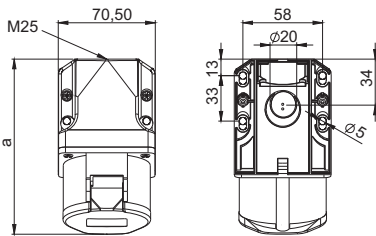


	16 Amp
Poles	7
a	145
b	90
Kind of connection:	Screw terminal
Wire flexible [mm <sup>2</sup> ]	1-2,5
Contact screws [Ncm]	100 Ncm
Weight [g]	236

- with screw terminals
- housing material: PA6
- contacts: brass
  - to order nickel-plated contacts please add a "v" e.g. 217-6v

**IP44** splashproof

## Wall socket



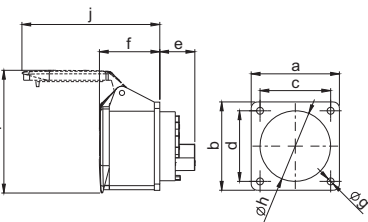
	16 Amp
Poles	7
a	129
b	96
M	25
Kind of connection:	Screw terminal
Wire flexible [mm <sup>2</sup> ]	1-2,5
solid [mm <sup>2</sup> ]	1-4
Contact screws [Ncm]	100 Ncm
Weight 117 [g]	213
Weight 917 [g]	268

- with screw terminals
- housing material: PA6
- contacts: brass
  - to order nickel-plated contacts please add a "v" e.g. 117-6v
- top and rear entry
- incl. cable gland
- 917\* large housing, for wiring through

**IP44** splashproof

b=height  
angle=15°

## Flanged socket straight



	16 Amp	16 Amp
Poles	7	7
Flange		
a x b	70	75
Fixing center		
c x d	56	60
e	28	28
f	45	45
g	5,5	5,5
h	56	56
i	98	98
j	110	110
Kind of connection:	Screw terminal	
Wire flexible [mm <sup>2</sup> ]	1-2,5	
solid [mm <sup>2</sup> ]	1-4	
Contact screws [Ncm]	100 Ncm	
Weight [g]	175	180

- with screw terminals
- housing material: PA6
- contacts: brass
  - to order nickel-plated contacts please add a "v" e.g. 317-6v


**IP44** splashproof

7-pole plugs and sockets (6P+E) cover a broad range of use.

The possibility of producing inductive resp. pre-mating contacts by shortened pins, enlarges the range of application:

- star-delta connection
- Dahlander-switching (pole changing control)
- control
- indicate

<b>230V~</b> 50/60Hz 3p=6h 4p+5p=9h	<b>400V~</b> 50/60Hz 3p=9h 4p+5p=6h
--	--

Amp.	Poles	pack. unit	Cat.No.	Cat.No.	Cat.No.				
16	7	10	217-9	217-6	IP44	short cable entry		217-6	
16 16	7 7	10 5	117-9 917-9	117-6 917-6	IP44 IP44	large housing, for wiring through		117-6	
with flange 70 x 70 16	7	10	317-9	317-6	IP44			317-6	
with flange 75 x 75 16	7	5		317-6f7	IP44				

# Container - plugs and sockets



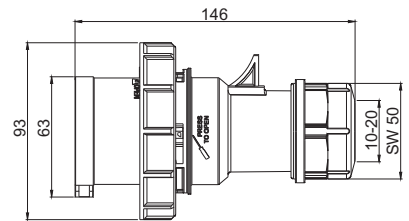
## „Twist“ Container-Plug

- with cable gland
- 32A 4p 3h 440V
- nickel-plated contacts

IP67 watertight

**0242-3v**

pack.unit: 10



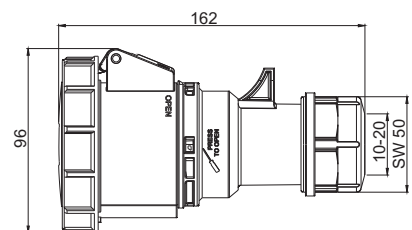
## „Twist“ Container-Connector

- with cable gland
- 32A 4p 3h 440V
- nickel-plated contacts

IP67 watertight

**2242-3v**

pack.unit: 10



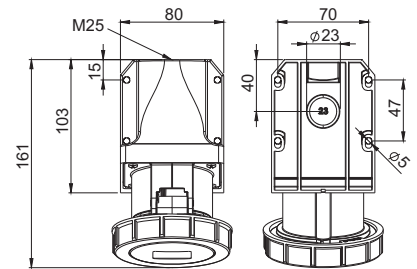
## „Twist“ Container-Wall socket

- 32A 4p 3h 440V
- nickel-plated contacts

IP67 watertight

**1242-3v**

pack.unit: 5



height=108mm  
angle=15°



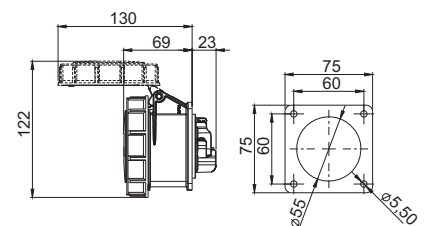
## „Twist“ Container-Flanged socket straight

- 32A 4p 3h 440V
- nickel-plated contacts

IP67 watertight

**3242-3v**

pack.unit: 10



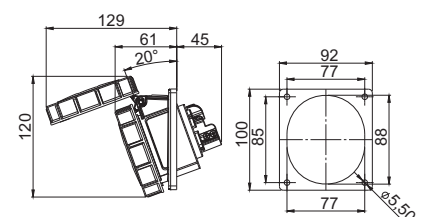
## „Twist“ Container-Flanged socket sloping

- 32A 4p 3h 440V
- flange = 100 x 92 mm
- hole = 77 x 85 mm

IP67 watertight

**4242-3v**

pack.unit: 10



Cat.No.

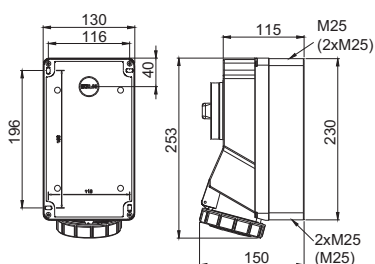
## Container - Switched interlocked socket

- 32A 4p 3h 440V
- nickel-plated contacts
- up to 3 x M25 cable entries
- mechanical interlock, lockable by padlock

IP67 watertight

**75242-3**

pack.unit: 1



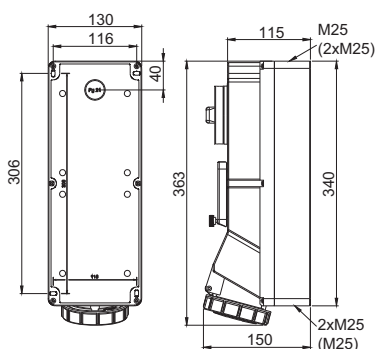
## Container - Switched interlocked safety socket

- 32A 4p 3h 440V
- nickel-plated contacts
- cylindrical fuse D02-3p 440V
- up to 3 x M25 cable entries
- mechanical interlock, lockable by padlock

IP67 watertight

**78242-3**

pack.unit: 1



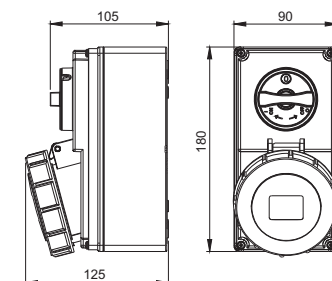
## Container - Switched interlocked safety socket

- 32A 4p 3h 440V
- mechanical interlock, lockable by padlock

IP67 watertight

**61242-3**

pack.unit: 1



- compact design for wall mounting
- nickel-plated contacts
- Series 78... with window for 5 units, cap dimensions: 45mm
- mechanical interlock:
  - after plugging and switching-on **plug is locked**
  - after switching-off and unplugging **switch is locked**
- all components are mounted on bottom
- **large connecting area - easy of installation**
- ready wired for connection
- special designs (switch on bottom, window on top) on request
- at switch-off position: lockable by padlock (40 mm)

Detailed information see from page 86 ... „Switched interlocked sockets“.



# Caravan - plugs and sockets for camping areas



## Caravan - Angled connector

- 16A 3p 230V
- contacts: brass

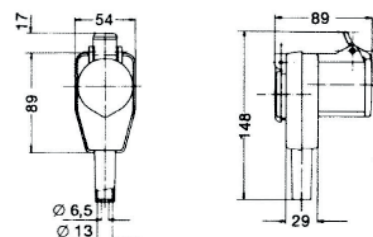
IP44 splashproof

without socket outlet acc. to DIN 49440  
with socket outlet acc. to DIN 49440

**8213-6**

**8213-Do**

pack.unit: 10



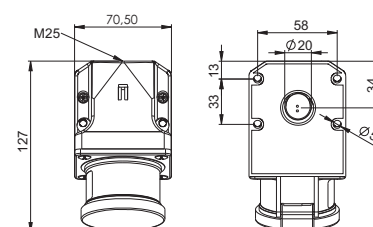
## Caravan - Wall mounted plug

- 16A 3p 230V
- contacts: brass
- to order nickel-plated contacts please add a "v" e.g. 513-6dv
- with hinged lid and gasket
- technical data see Wall mounted plugs page 24

IP44 splashproof

**513-6d**

pack.unit: 10



height= 92mm  
angle= 15°



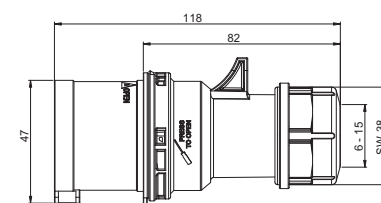
## „Twist“ Caravan - Plug

- 16A 3p 230V
- contacts: brass
- to order nickel-plated contacts please add a "v" e.g. 013-6v
- technical data see Plugs page 18

IP44 splashproof

**013-6**

pack.unit: 10



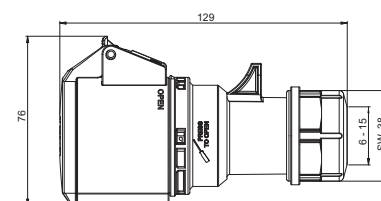
## „Twist“ Caravan - Connector

- 16A 3p 230V
- contacts: brass
- to order nickel-plated contacts please add a "v" e.g. 213-6v
- technical data see connectors page 44

IP44 splashproof

**213-6**

pack.unit: 10



## Caravan - Combination Series St. Anton

IP44 splashproof

**Entry:**  
1,5m H07RN-F3G1,5 with CEE-plug  
16A 3p 230V

**Outlet:**  
1 socket (DIN 49440) 16A 2p+E 250V

**Protection:**  
1 RCD 25A 0,03A

**9437125**

pack.unit: 1

Cat.No.

## Caravan - Adapter

- with socket (DIN 49440)
- also available with Belg./French and British socket outlet
- nickel-plated contacts

**IP44** splashproof

**Entry:**  
CEE-plug16A 3p 230V

**Outlet:**  
1 socket (DIN 49440) 16A 2p+E 250V

**9433100\***

pack.unit: 10



## Caravan - Adapter

- plug for domestic use with two earthing systems / CEE-socket outlet
- nickel-plated contacts

**IP20**

**Entry:**  
CEE-plug16A 2p+E 250V

**Outlet:**  
1 CEE-socket (DIN 49440) 16A 3p 230V

**9434100**

pack.unit: 10



## Caravan - Adapter with cable

- 16A 3p 230V

**IP44** splashproof

80cm H07RN-F 3G1,5 with CEE-plug 16A 3p 230V and solid rubber connector (DIN 49440) 16A 2p+E 250V

**9007**

pack.unit: 10



80cm H07RN-F 3G1,5 with solid rubber connector (DIN 49440) 16A 2p+E 250V solid rubber connector (DIN 49440) and CEE-connector 16A 3p 230V

**9009**

pack.unit: 10



## Plugs and sockets

polyamide

### Plug acc. to DIN 49440

- polyamide

**IP20**

**Colour**

**Entry**  
central

**Entry**  
side

white  
brown  
black  
grey

**02958**  
**02961**  
**02974**  
**02980**

**05018**  
**05021**  
**05034**  
**05040**



### Connector acc. to DIN 49440

- polyamide

**IP20**

white  
brown  
black  
grey

**05148**  
**05164**  
**05177**  
**05180**



\* Export version (in Austria and Germany not allowed)







**PLUGS AND SOCKET OUTLETS  
SERIES P-NOVA AND TAURUS**

# Plugs and socket outlets - Series P-Nova and Taurus

**P-Nova**  
**The socket outlet with earthing contact** Page **118**



**Top Taurus**  
**Plug and connector systems** Page **126**




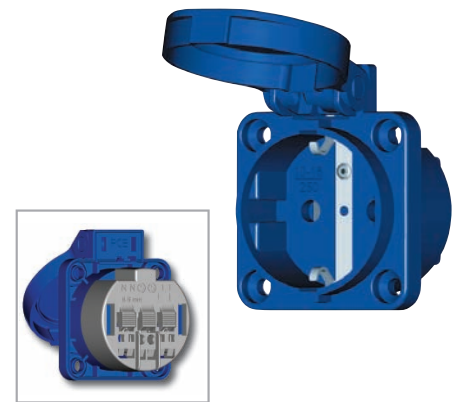
**Taurus**  
**Plug and connector systems** Page **128**



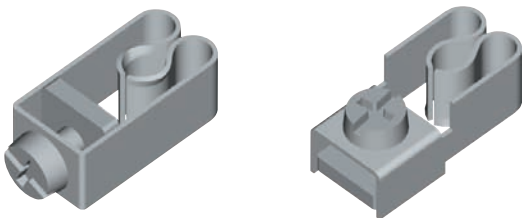
## The socket outlet with earthing contact

The „P-Nova“ socket outlet with earthing contact is characterized in particular by its:

- robust construction based on high-grade polyamide, 
- screwless connection technology or screw contact system (connection from the rear or the side)
- various flange sizes
- four-point mounting

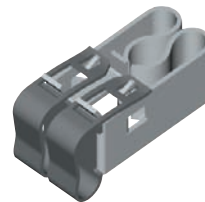


### Screw contact system




Connection from the rear    Connection from the side

### Screwless connection technology



With spring-clamp (screwless)  
Connection from the rear

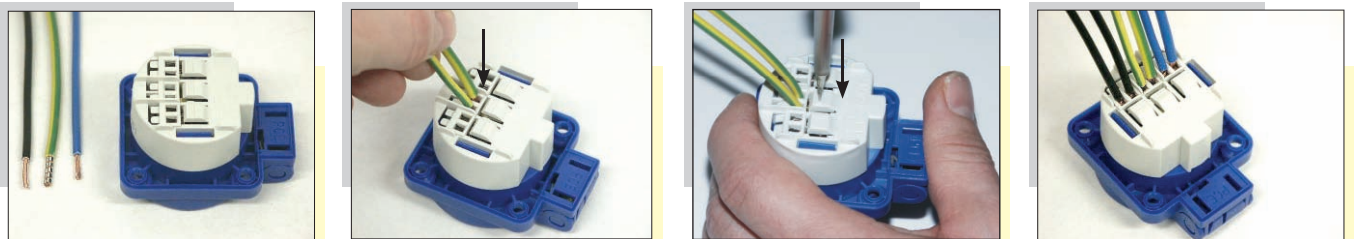
### Technical data

-  IP54
- flange dimensions: 50x50 as standard (70x70 and 75x75 as special designs also available)
- hinged lid with wide opening angle
- high closing pressure on hinged lid
- child protection (optional)

### Spring-clamp connection technology

- spring-clamp with connection from the rear
- pre-tensioned release mechanism - no tool needed for initial connection
- connection without an end sleeve possible
- double connection through independent spring-clamps for wiring through

### Connection



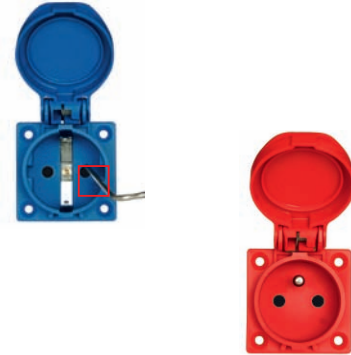
### Re-connection



## P-Nova plus – Product features

- + **minimized contact carrier**  
for mounting in narrow surroundings (cable rollers)
- + **optimum screw contacts**
- + **open contact screws**
- + **hinged lid with wide opening angle, high closing pressure**
- + **flange size 50x50mm**  
(thinner flange, no separate gasket necessary)
- + **fixing center 38x38mm (fourpoint-mounting with countersunk screw)**
- + **IP54 splashproof,**
- + **high stability by single-part housing**  
(also in case of shutter!)
- + **robust construction based on highgrade polyamide 6**
- + optional: **approved child protection for all types**
- + **Austrian/German versions according to DIN VDE 0620-1st of February 2010**
- + Minimum quantity for ordering special versions: 1.000 pieces

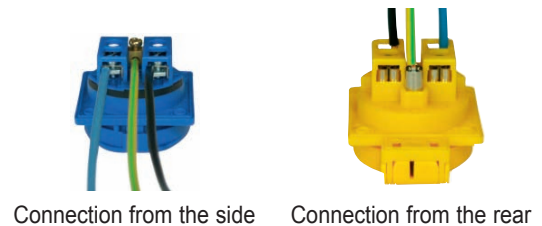
### Child protection (shutter)



### Belgian/French standard

Earth pin with single part terminal (also available in version with shutter)

### Screw contact systems



All plugs and sockets (acc. to DIN 49440) are available in grey, red, yellow, black and white (blue = standard)

**P-Nova:** Special versions are available on request, e.g.:

- with side connection and child protection
- with glass fiber reinforced contact holes (GF)\*
- with side connection and (GF)\*
- with child protection and (GF)\*
- with side connection, child protection and (GF)\*

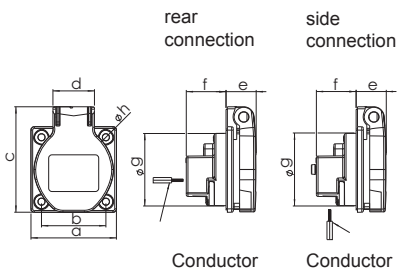
Minimum quantity for ordering special versions: 1.000 pieces

\* (gf) = glass fiber reinforced contact holes



## Plugs and socket outlets (DIN 49440)

### Flanged sockets conforming to Austrian/German standards

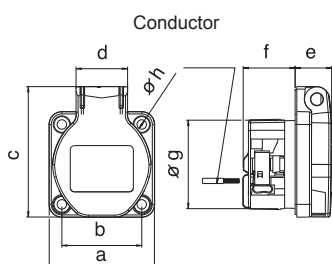


#### Socket outlet (DIN 49440) Austrian/German version

• STANDARD •	
	16 Amp
Poles	2P + E
a	50
b	38
c	62
d	25
e	18
f	24
g	43
h	4,2
Kind of connection:	Screwed contact
Wire flexible [mm <sup>2</sup> ]	1 - 2x2,5
solid [mm <sup>2</sup> ]	1 - 2x2,5
Contact screws [Ncm]	80
Weight [g]	45

- with screw terminals
- housing material: PA6
- contacts: nickel-plated contacts

**IP54** splashproof

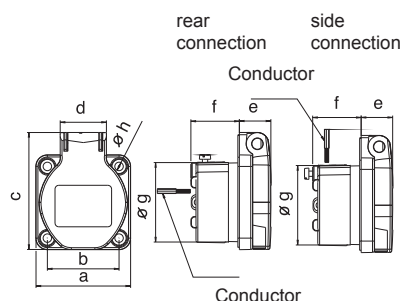


#### Socket outlet (DIN 49440) Austrian/German version

	• STANDARD •		• SPECIAL •	
	16 Amp		16 Amp	
Poles	2P + E		2P + E	2P + E
a	50		70	75
b	38		56	60
c	62		72	75
d	25		25	25
e	17		17	17
f	26		26	26
g	43		43	43
h	4,2		5,5	5,5
Kind of connection:	Screwless			
Wire flexible [mm <sup>2</sup> ]	1 - 2x2,5			
solid [mm <sup>2</sup> ]	1 - 2x2,5			
Weight [g]	43		48	49

- screwless connection technology
- housing material: PA6
- contacts: nickel-plated contacts
- rear connection

**IP54** splashproof



#### Socket outlet (DIN 49440) Austrian/German version

	• STANDARD •		• SPECIAL •	
	16 Amp		16 Amp	
Poles	2P + E		2P + E	2P + E
a	50		70	75
b	38		56	60
c	62		72	75
d	25		25	25
e	17		17	17
f	26		26	26
g	43		43	43
h	4,2		5,5	5,5
Kind of connection:	Screwed contact			
Wire flexible [mm <sup>2</sup> ]	1 - 2x2,5			
solid [mm <sup>2</sup> ]	1 - 2x2,5			
Contact screws [Ncm]	80			
Weight [g]	45		50	51

- with screw terminals
- housing material: PA6
- contacts: nickel-plated contacts

**IP54** splashproof

#### Mounting box

a	66
b	54
c	38
d	39
e	21
f	17
g	39
h	3
i	78
Weight [g]	43

- for sockets acc. to DIN 49440 with flange 50 x 50 mm
- suitable also for Swiss socket T23 1023-0bs and for Danish socket 1030-0b

**IP44** splashproof

#### Advantages:

- easy mounting - long holes for screws
- hole distance dimensions - on the rear
- space between wall and box by nipples
- 2 entries for PG 13,5
- holes for dehydration available



STANDARD

SPECIAL

SPECIAL

**250V~**  
50/60Hz  
Flange  
**50x50**

**250V~**  
50/60Hz  
Flange  
**70x70**

**250V~**  
50/60Hz  
Flange  
**75x75**

**PCE**

Amp.  
Poles  
pack.  
unit

Abbreviations/Types

Cat.No.

Cat.No.

Cat.No.



16	3	100	rear connection (standard)
16	3	100	„s“ side connection
16	3	100	„c“ with child-protection (shutter)
16	3	100	„sc“ side connection, with child-protection (shutter)

1050-0b
1050-0bs
1050-0bc
1050-0bsc



1050-0b



16	3	100	rear connection (standard)
16	3	100	„c“ with child-protection (shutter)

109-0b	109-7b	109-8b
109-0bc	109-7bc	109-8bc



109-0b  
Flange = 50x50



109-8b  
Flange = 75x75



16	3	100	rear connection (standard)
16	3	100	„s“ side connection
16	3	100	„c“ with child-protection (shutter)

105-0b	105-7b	105-8b
105-0bs	105-7bs	105-8bs
105-0bc	105-7bc	105-8bc



105-0b  
Flange = 50x50

Special versions are available on request. For more information about our ordering system, please have a look on page 119.  
Minimum quantity for ordering special versions: 1.000 pieces

16	3	24	blue
16	3	24	grey

106-0
106-0g

**Fields of application:**

designed for use in workshop halls, garages, industrial plants, outside walls, ...

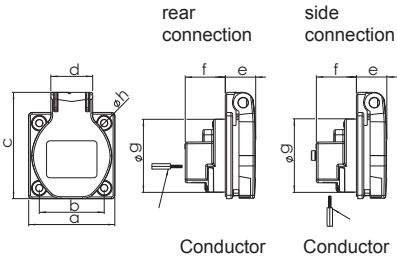
Mounting box is supplied complete.



106-0

**Plugs and socket outlets (DIN 49440)**

**Flanged sockets conforming to Belgian/French standards**



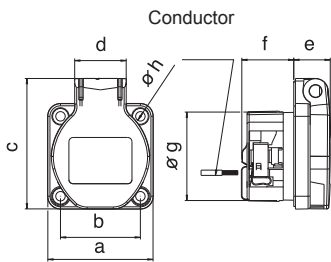
**Socket outlet Belgian/French version**

• STANDARD •	
	16 Amp
Poles	2P + E
a	50
b	38
c	62
d	25
e	18
f	24
g	43
h	4,2
Kind of connection:	Screwed contact
Wire flexible [mm <sup>2</sup> ]	1 - 2x2,5
solid [mm <sup>2</sup> ]	1 - 2x2,5
Contact screws [Ncm]	80
Weight [g]	45

- with screw terminals
- housing material: PA6
- contacts: nickel-plated contacts

**IP54** splashproof

**Socket outlet Belgian/French version**

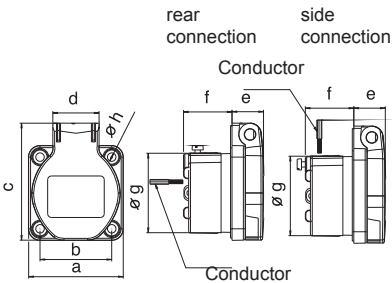


	•STANDARD•	• SPECIAL •	
	16 Amp	16 Amp	
Poles	2P + E	2P + E	2P + E
a	50	70	75
b	38	56	60
c	62	72	75
d	25	25	25
e	17	17	17
f	26	26	26
g	43	43	43
h	4,2	5,5	5,5
Kind of connection:		Screwless	
Wire flexible [mm <sup>2</sup> ]		1 - 2x2,5	
solid [mm <sup>2</sup> ]		1 - 2x2,5	
Weight [g]	43	48	49

- screwless connection technology
- housing material: PA6
- contacts: nickel-plated contacts
- rear connection

**IP54** splashproof


**Socket outlet Belgian/French version**



	•STANDARD•	• SPECIAL •	
	16 Amp	16 Amp	
Poles	2P + E	2P + E	2P + E
a	50	70	75
b	38	56	60
c	62	72	75
d	25	25	25
e	17	17	17
f	26	26	26
g	43	43	43
h	4,2	5,5	5,5
Kind of connection:		Screwed contact	
Wire flexible [mm <sup>2</sup> ]		1 - 2x2,5	
solid [mm <sup>2</sup> ]		1 - 2x2,5	
Contact screws [Ncm]		80	
Weight [g]	45	50	51

- with screw terminals
- housing material: PA6
- contacts: nickel-plated contacts


**IP54** splashproof

Amp.	Poles	pack. unit	Abbreviations/Types	Cat.No.	Cat.No.	Cat.No.
						
16	3	100	rear connection (standard)	1040-0b		
16	3	100	„S“ side connection	1040-0bs		
16	3	100	„C“ with child-protection (shutter)	1040-0bc		
16	3	100	„SC“ side connection, with child-protection (shutter)	1040-0bsc		




1040-0b



						
16	3	100	rear connection (standard)	108-0b	108-7b	108-8b
16	3	100	„C“ with child-protection (shutter)	108-0bc	108-7bc	108-8bc



108-0b  
Flange = 50x50

						
16	3	100	rear connection (standard)	104-0b	104-7b	104-8b
16	3	100	„S“ side connection	104-0bs	104-7bs	104-8bs
16	3	100	„C“ with child-protection (shutter)	104-0bc	104-7bc	104-8bc
16	3	100	„SC“ side connection, with child-protection	104-0bsc	104-7bsc	104-8bsc



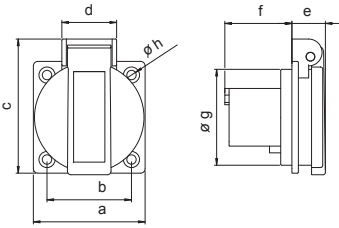
104-0b  
Flange = 50x50

Special versions are available on request. For more information about our ordering system, please have a look on page 119.  
Minimum quantity for ordering special versions: 1.000 pieces



# Plugs and socket outlets (DIN 49440)

## Flanged sockets conforming to Danish, English and Swiss standards

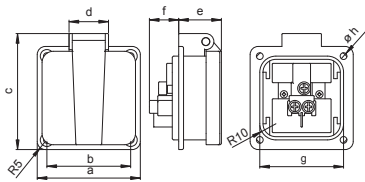


### Socket outlet Danish version

	13 Amp
Poles	2P + E
a	50
b	38
c	60
d	24,5
e	15
f	30
g	43
h	4,2
Kind of connection:	Screwed contact
Weight [g]	42

- with screw terminals
- housing material: PA6
- contacts: nickel-plated contacts

IP44 splashproof

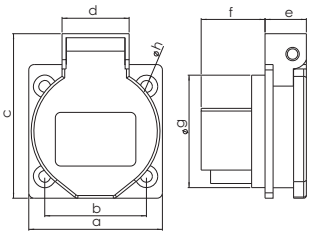


### Socket outlet English version

	13 Amp	13 Amp
Poles	2P + E	2P + E
a	64	50
b	52	38
c	72	54
d	25	25
e	26,5	18
f	18	22
g	52	35
h	4,2	4,5
Kind of connection:	Screwed contact	
Weight [g]	67	50

- with screw terminals
- housing material: PA6

IP54 splashproof

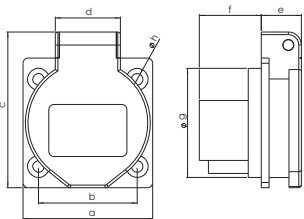


### Socket outlet Swiss version T13

	10 Amp
Poles	2P + E
a	50
b	38
c	62
d	29
e	15
f	23
g	42
h	4,2
Kind of connection:	Screwed contact
Weight [g]	42

- with screw terminals
- housing material: PA6
- contacts: nickel-plated contacts

IP54 splashproof

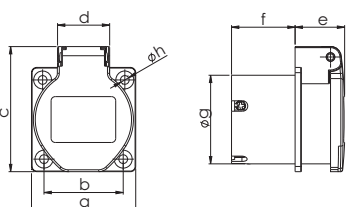


### Socket outlet Swiss version T23

	16 Amp
Poles	2P + E
a	50
b	38
c	60
d	25
e	15
f	24
g	42
h	4,2
Kind of connection:	Screwed contact
Weight [g]	42

- with screw terminals
- housing material: PA6
- contacts: nickel-plated contacts

IP54 splashproof



### Socket outlet Swiss version T25

	16 Amp
Poles	2P + E
a	50
b	38
c	60
d	25
e	24
f	31
g	43
h	4,2
Kind of connection:	Screwed contact
Weight [g]	64

- with screw terminals
- housing material: PA6
- contacts: nickel-plated contacts

IP54 splashproof



**250V~**  
50/60Hz

**400V~**  
50/60Hz

**Amp.**  
**Poles**  
**pack.**  
**unit**

**Abbreviations/Types**

**Cat.No.**

**Cat.No.**

**13 3 100 rear connection Flange: 50 x 50**  
**13 3 100 rear connection Flange: 50 x 50**

1030-0b blue  
1030-0s black



1030-0b

**13 3 100 side connection Flange: 64 x 64**  
**13 3 100 side connection Flange: 50 x 50**

1020-0s black  
1020-5s black



1020-5s

**10 3 100 rear connection Flange: 50 x 50**

1013-0b blue



1013-0b

**16 3 100 side connection Flange: 50 x 50**

1023-0bs blue



1023-0bs

**16 5 100 rear connection Flange: 50 x 50**

1025-0r red




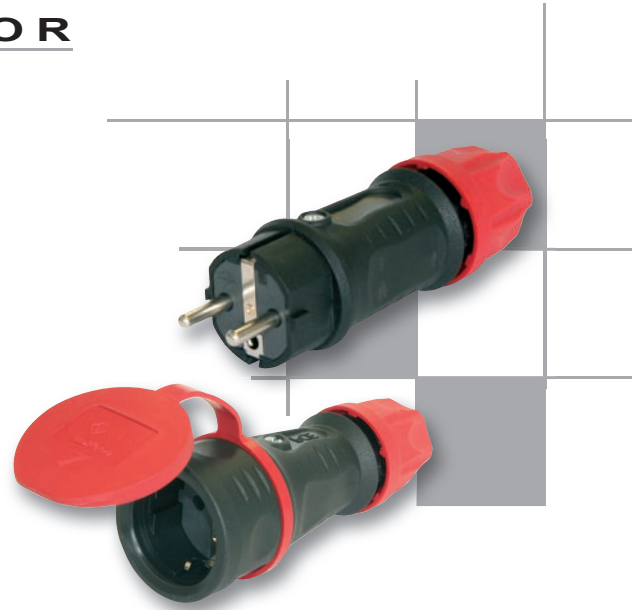
1025-0r





### PLUG & CONNECTOR

- IP44
-  for severe conditions
- 16A 250V~
- only solid rubber
- screwless cable gland
- perfect grip
- plug: dual-point earthing system
- connector: two earthing systems (Austrian/German standards, Belg./French standards)



easy assembly and disassembly of the contact carriers

time saving (shorter connection time) due to the external cable clamp

large connection area

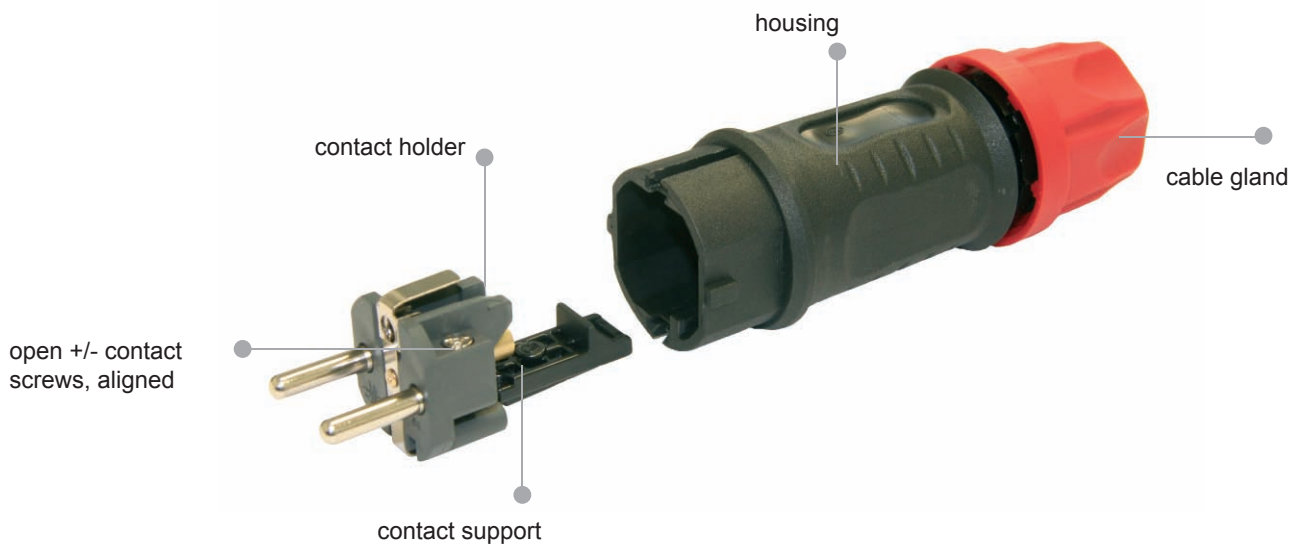
simple handling

robust design

up to 3G 2,5mm<sup>2</sup>

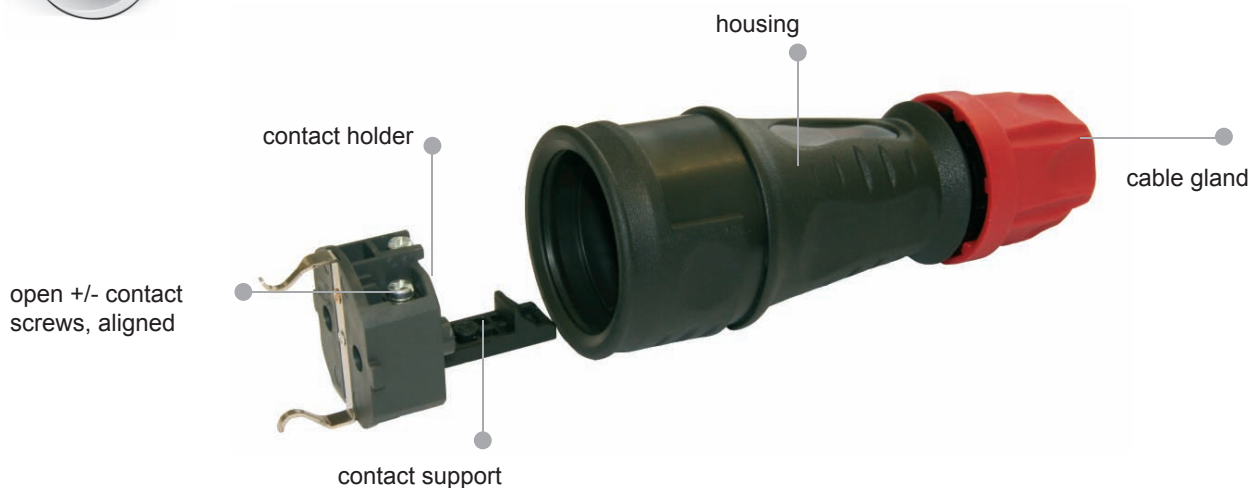


### PLUG MODULES



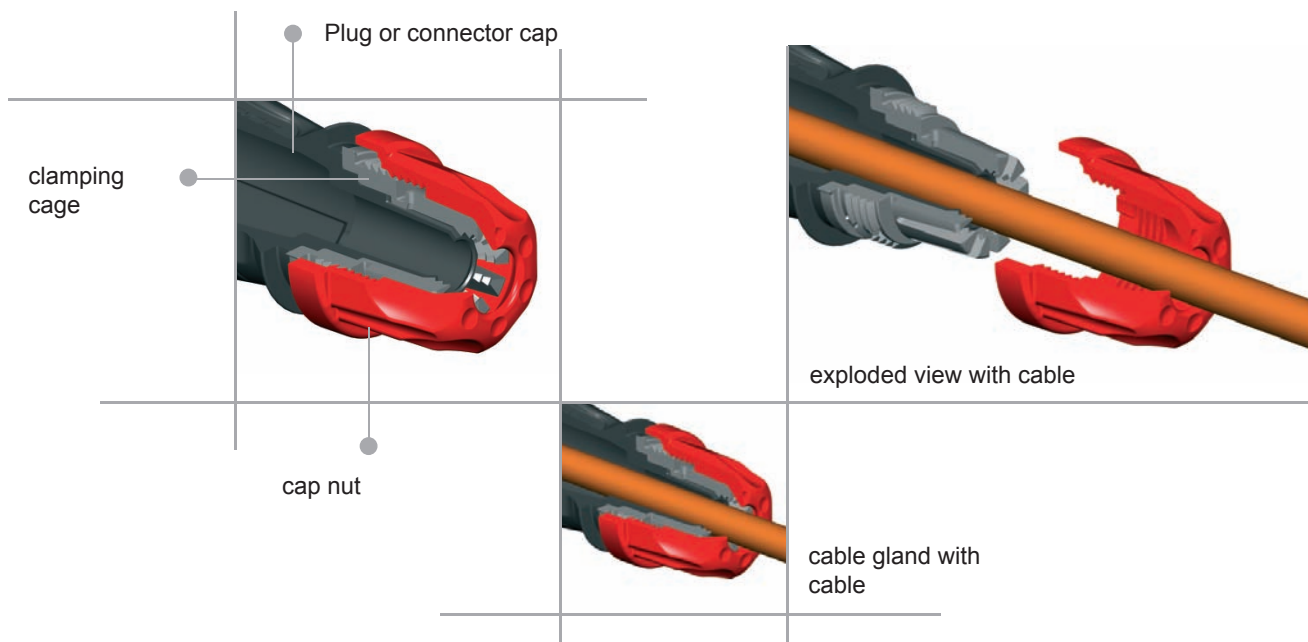


### CONNECTOR MODULES




### CABLE CLAMP

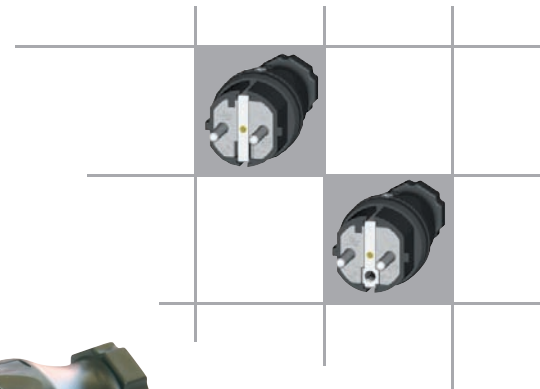
- externally placed
- easy handling
- simple assembly
- for cable diameters from Ø 6mm to Ø 13mm





**PLUGS**

- IP44
-  for severe conditions
- 16A 250V~
- rubber and solid rubber
- single and dual-point earthing system



Rubber



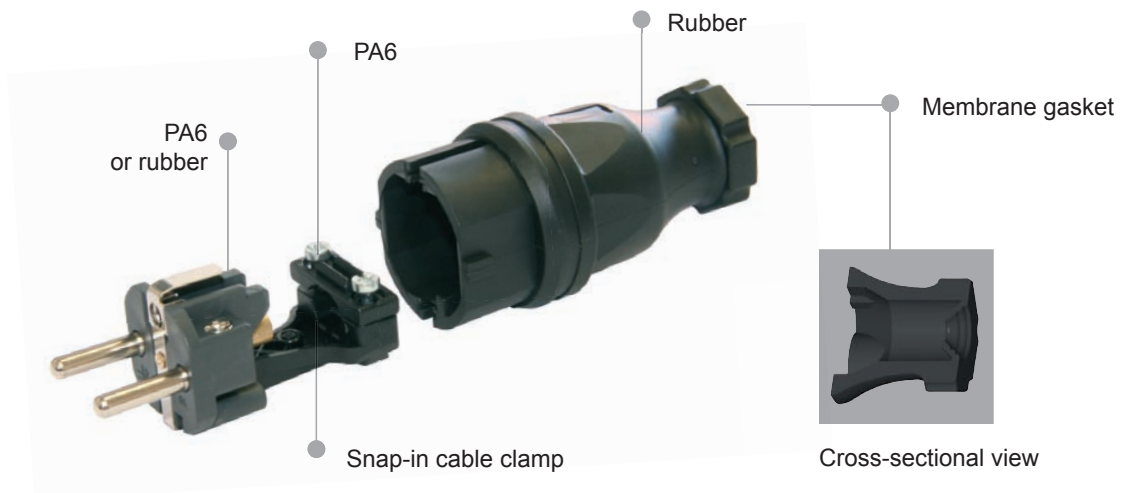
Solid rubber

easy assembly and disassembly  
of the contact carriers  
large connection area  
time saving installation

simple handling  
robust design  
easy disassembly of shroud  
slim design



**PLUG SYSTEMS**

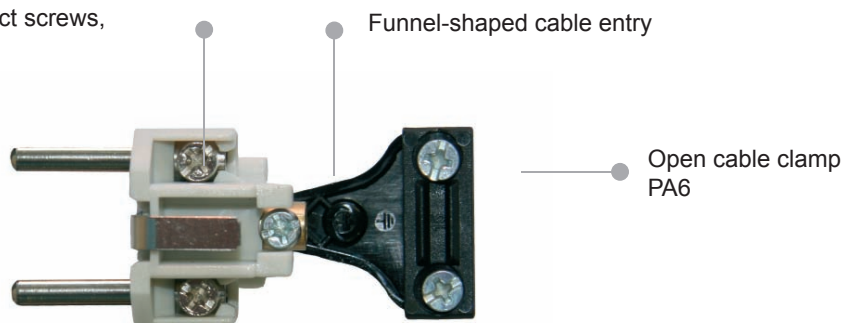


Max. 3G2,5 mm<sup>2</sup> rubber-sheathed flexible cable



### PLUG MODULES

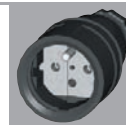
Open +/- contact screws, aligned



### CONNECTOR SYSTEMS

- IP44
- for severe conditions
- 16A 250V~
- rubber and solid rubber
- dual-point earthing system

Rubber connector Belgian/French earth



Rubber connector



Solid rubber connector



Rubber



Connector with hinged lid



Connector with interlocked ring

**Cable clamp:**

internal

easy to use cable clamp elements  
(open screws)

large connection area

simple initial assembly via  
notched contact carriers

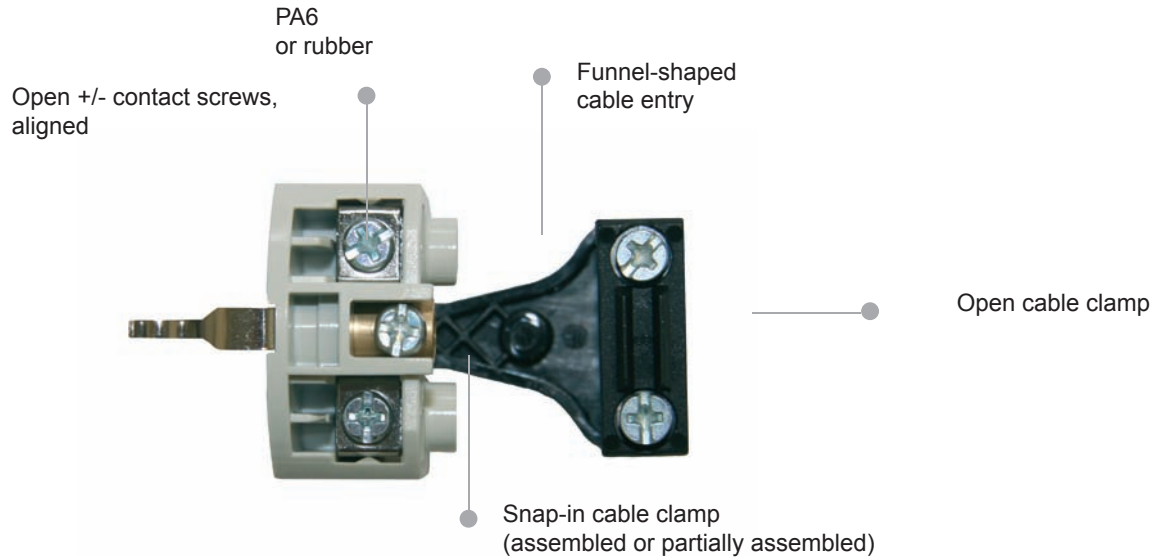
**Contact and connection system:**

all contact screws can be adjusted from a single direction (parallel alignment).






### CONNECTOR MODULES



Max. 3G2,5 mm<sup>2</sup> rubber-sheathed flexible cable



### 3-WAY CONNECTORS

- IP44
-  for severe conditions
- 16A 250V
- rubber and solid rubber

contact carriers integrated in housing

own contact elements

open cable clamp

Separate assembly area  
Connection at terminals



Cap with band

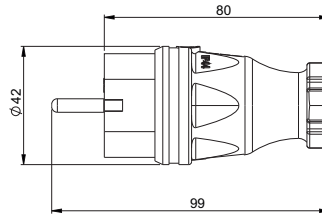
# Rubber / solid rubber plugs and connectors conforming to Austrian/German standards



## Rubber plug

• insert: polyamide

IP44 splashproof



**0511-s**

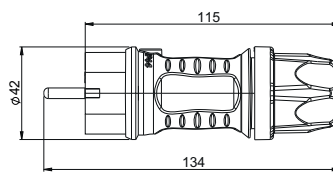
pack.unit: 30



## Solid rubber plug

• dual-point earthing system  
• insert: rubber

IP44 splashproof



**05622-s**

pack.unit: 20

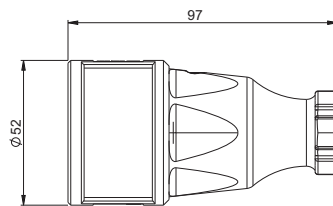
**TAURUS**



## Rubber connector

• insert: polyamide

IP20



**2510-s**

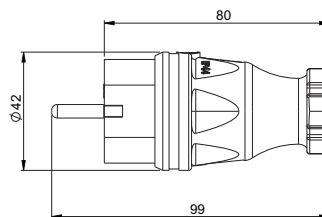
pack.unit: 20



## Rubber plug

• two earthing systems  
• insert: polyamide

IP44 splashproof



**0521-s**

pack.unit: 30



All rubber plugs and sockets are available in the following colours: black (standard), yellow, red and orange:

to order <b>black</b> , just choose the above mentioned numbers	e.g. 0511-s
to order <b>yellow</b> , replace „s“ by „e“	e.g. 0511-e
to order <b>red</b> , replace „s“ by „r“	e.g. 0511-r
to order <b>orange</b> , replace „s“ by „o“	e.g. 0511-o

Minimum quantity for ordering: 1.000 pieces

Cat.No.







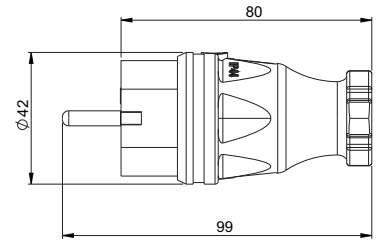
### Solid rubber plug

• insert: rubber

IP44 splashproof 

**0512-s**

pack.unit: 30



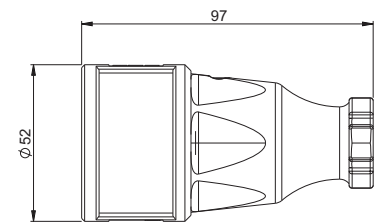
### Solid rubber connector

• insert: rubber

IP20

**2520-s**

pack.unit: 20



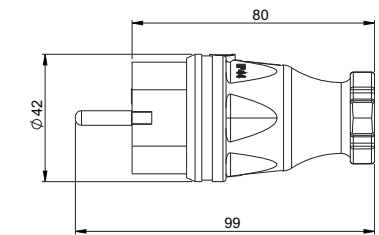
### Solid rubber plug

• two earthing systems  
• insert: rubber


IP44 splashproof 

**0522-s**

pack.unit: 30



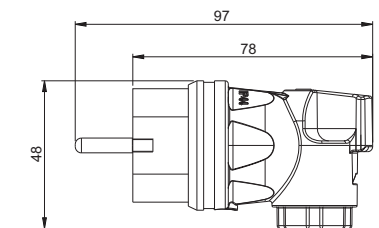
### Angled plug

IP44 splashproof 

rubber **05811-s**


solid rubber **05812-s**

pack.unit: 20



### Angled plug

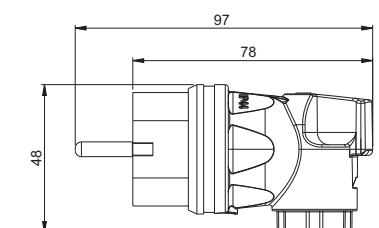
• two earthing system

IP44 splashproof 

rubber **05821-s**

solid rubber **05822-s**

pack.unit: 20



## Rubber connector

- with cap
- insert: polyamide

IP44 splashproof

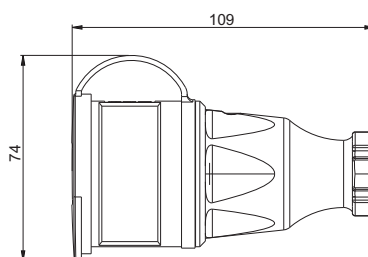


with child protection (shutter)

**2511-s**

**2511-sc**

pack.unit: 20



## Solid rubber connector

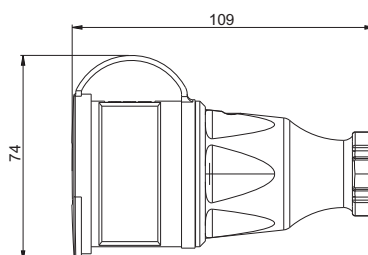
- with cap
- insert: rubber

IP44 splashproof



**2521-s**

pack.unit: 20



## Solid rubber connector

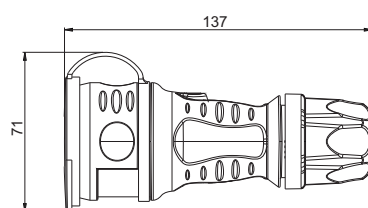
- national
- with cap
- insert: rubber

IP44 splashproof



**25621-s**

pack.unit: 10



## Solid rubber connector

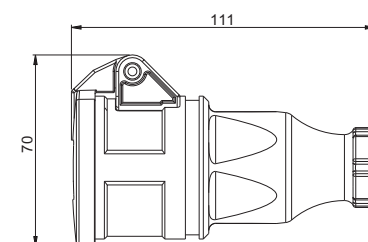
- with hinged lid
- insert: rubber

IP44 splashproof



**2522-s**

pack.unit: 20



## Solid rubber connector

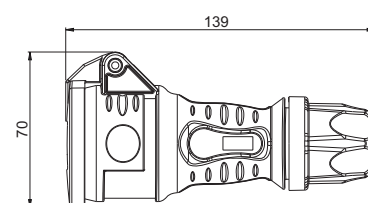
- national
- with hinged lid
- insert: rubber

IP44 splashproof



**25622-s**

pack.unit: 10



Cat.No.





## Rubber connector

- with cap and interlocking ring
- insert: polyamide

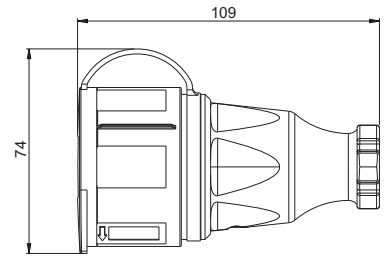
IP44 splashproof 

with child protection (shutter)

2511-sl

2511-scl

pack.unit: 20



## 3-way connector rubber

- with cap
- insert: polyamide

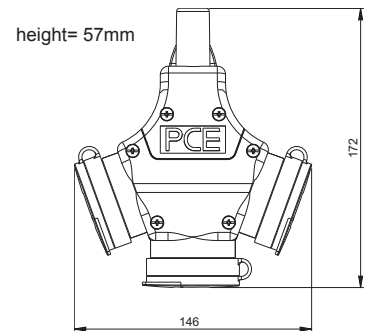
IP44 splashproof 

with child protection (shutter)

25311-s

25311-sc

pack.unit: 5



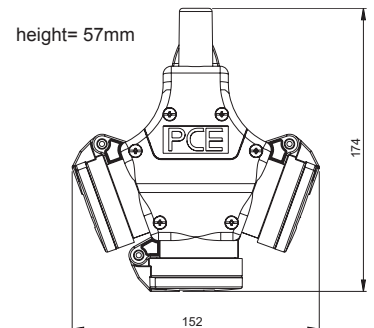
## 3-way connector solid rubber

- with hinged lid
- insert: rubber

IP44 splashproof

25322-s

pack.unit: 5



## 3-way connector rubber

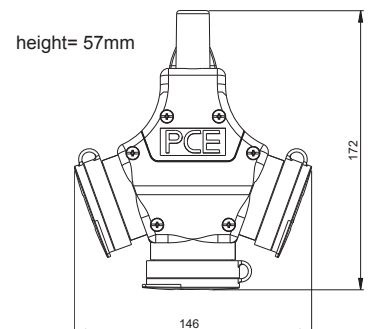
- with hinged lid and 5-pole connector terminal
- insert: polyamide

IP44 splashproof 



25311-s5

pack.unit: 5



## 3-way connector solid rubber

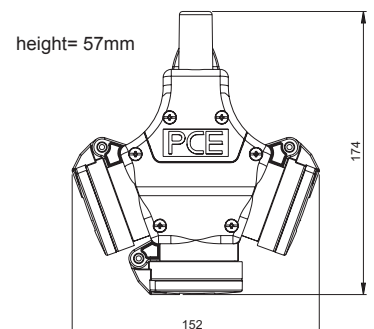
- with hinged lid and 5-pole connector terminal
- insert: rubber

IP44 splashproof 



25322-s5

pack.unit: 5



# Rubber / solid rubber plugs and connectors conforming to Belgian/French standards

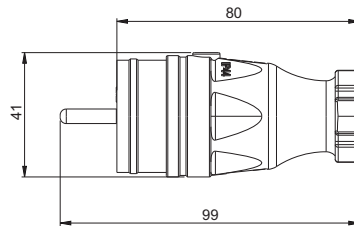


**PCE**

## Plug Belgian/French version

- one earthing system

IP44 splashproof

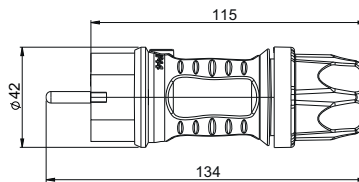


rubber **0531-s**  
solid rubber **0532-s**  
pack.unit: 30

## Plug Belgian/French version

- dual-point earthing system
- insert: rubber

IP44 splashproof

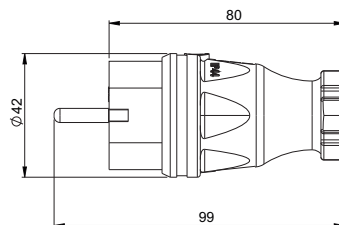


solid rubber **05622-s**  
pack.unit: 20

## Plug Belgian/French version

- two earthing system

IP44 splashproof

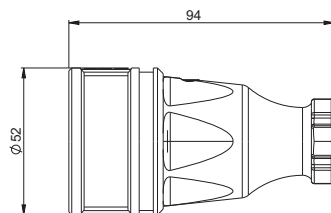


rubber **0521-s**  
solid rubber **0522-s**  
pack.unit: 30

## Rubber Connector Belgian/French version

- insert: polyamide

IP20



with child protection (shutter) **2410-sc**  
pack.unit: 20



Cat.No.

# Rubber / solid rubber plugs and connectors conforming to Belgian/French standards



## Rubber connector Belgian/French version

- with cap
- insert: polyamide

IP44 splashproof

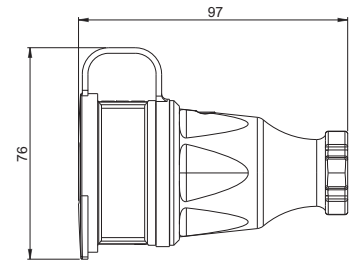


with child protection (shutter)

**2411-s**

**2411-sc**

pack.unit: 20



## Rubber connector Belgian/French version

- with cap
- insert: polyamide

IP44 splashproof



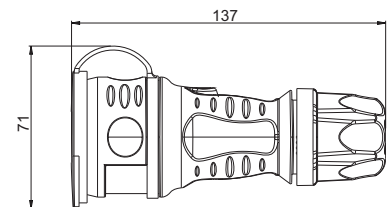
integrated gasket inside

integrated gasket inside and child protection

**24611-s**

**24611-sc**

pack.unit: 10



## Rubber connector Belgian/French version

- with cap and interlocking ring
- insert: polyamide

IP44 splashproof



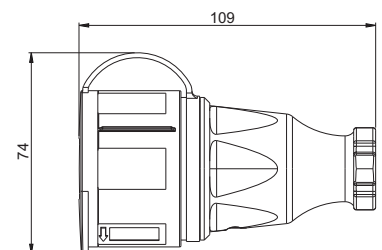
integrated gasket inside

integrated gasket inside and child protection

**2411-sl**

**2411-scl**

pack.unit: 20



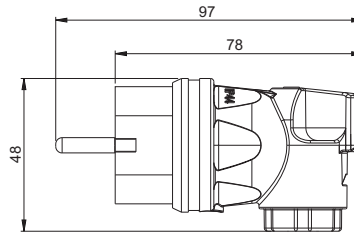
**Angled plug**  
Belgian/French version

• one earthing system

IP44 splashproof



rubber **05831-s**  
solid rubber **05832-s**  
VPE: 20



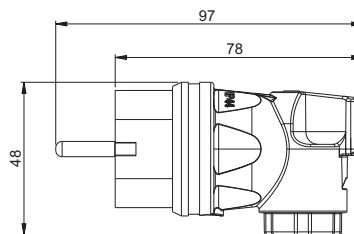
**Angled plug**  
Belgian/French version

• two earthing system

IP44 splashproof



rubber **05821-s**  
solid rubber **05822-s**  
VPE: 20



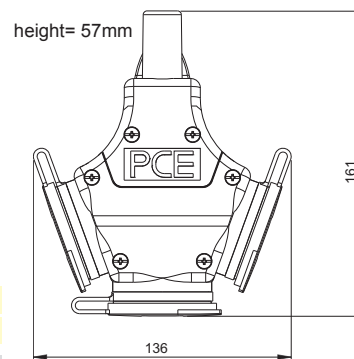
**3-way connector rubber**  
Belgian/French version

• with cap  
• insert: polyamide

IP44 splashproof



with child protection (shutter) **24311-s**  
**24311-sc**  
VPE: 5



Cat.No.



# Adaptors

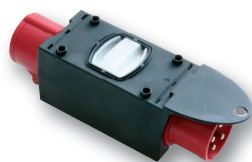


## Adaptor - thermoplastic

IP44 splashproof

**Entry:** 1 CEE-plug 16A 5p 400V  
**Outlet:** 1 CEE-socket 32A 5p 400V

9437420



## Reducing adaptor - thermoplastic

IP44 splashproof

**Entry:** 1 CEE-phase inverter 16A 5p 400V  
**Outlet:** 1 CEE-socket 32A 5p 400V

9437430

**Entry:** 1 CEE-plug 32A 5p 400V  
**Outlet:** 1 CEE-socket 16A 5p 400V  
1 MCB 16A 3p-C

9436422

**Entry:** 1 CEE-phase inverter 32A 5p 400V  
**Outlet:** 1 CEE-socket 16A 5p 400V  
1 MCB 16A 3p-C

9436432



## Adaptor - solid rubber Series Freistadt

IP44 splashproof

**Entry:** 2m cable 3G4 with CEE-plug 32A 5p 400V  
**Outlet:** 1 socket (DIN 49440) 16A 250V  
1 x fine-wire fuse 16A slow

9848071

## Adaptor - solid rubber Series FREISTADT with carrying handle

IP44 splashproof

**Entry:** 2m cable 3G4 with CEE-plug 32A 5p 400V  
**Outlet:** 1 socket (DIN 49440) 16A 250V  
1 x MCB 16A 1p-C

9848715



## Adaptor - solid rubber Series TraunSEE with carrying handle

IP44 splashproof

**Entry:** 2m cable 5G4 with CEE-plug 32A 5p 400V  
**Outlet:** 1 CEE-socket 16A 5p 400V  
1 x MCB 16A 3p-C

9216635

## Adaptor - solid rubber Series TRAUNSEE with carrying handle

IP44 splashproof

**Entry:** 2m cable 5G10 with CEE-plug 63A 5p 400V  
**Outlet:** 1 CEE-socket 16A 5p 400V  
1 x MCB 16A 3p-C  
1 x RCD 40/4/0,03A

9216631



## Adaptor - solid rubber Series TRAUNSEE with carrying handle

IP44 splashproof

**Entry:** 2m cable 5G10 with CEE-plug 63A 5p 400V  
**Outlet:** 1 CEE-socket 32A 5p 400V  
1 x MCB 32A 3p-C  
1 x RCD 40/4/0,03A

9216645

## Adaptor - solid rubber Series Zell with carrying handle

IP44 splashproof

**Entry:** 2m cable 5G35 with CEE-plug 125A 5p 400V  
**Outlet:** 1 CEE-socket 63A 5p 400V  
1 x MCB 63A 3p-C

9226961

Special designs - available on request!

new!

## Multiple-sockets outlet

### 2-way connector

- national
- with hinged lid
- insert: polyamide

IP44 splashproof

25212-r

with child protection (shutter)

25212-rc

pack.unit: 10



### 2-way connector Belgian/French version

- with hinged lid
- insert: polyamide

IP44 splashproof

24212-r

with child protection (shutter)

24212-rc

pack.unit: 10



### T-Connect 2-way connector with cable entry

#### Fittings:

- 1 cable entry  
(terminal block max. 3x2,5mm<sup>2</sup>)
- 2 CEE-sockets 16A 3p 6h outlet



IP44 splashproof 94325102

IP67 watertight 94326102

pack.unit: 10



Special designs - available on request!

### T-Connect 2-way connector with CEE-plug

#### Fittings:

- 1 CEE-plug 16A 3p 6h
- 2 CEE-sockets 16A 3p 6h outlet

IP44 splashproof 94325103

IP67 watertight 94326103

pack.unit: 10



Special designs - available on request!

Cat.No.



# Multiple-sockets outlet



## Multiple-socket outlet

- nickel-plated contacts
- also available in 110V

**IP44** splashproof

### Entry:

1 CEE-plug 16A 3p 230V

### Outlet:

3 CEE-sockets 16A 3p 230V

**9432000\***



## Multiple-socket outlet

- nickel-plated contacts
- also available in 110V

**IP67** watertight

### Entry:

1 CEE-plug 16A 3p 230V

### Outlet:

3 CEE-sockets 16A 3p 230V

**9432001\***



## Multiple-socket outlet

- available also with Belg./French, Danish and British sockets
- nickel-plated contacts

**IP44** splashproof

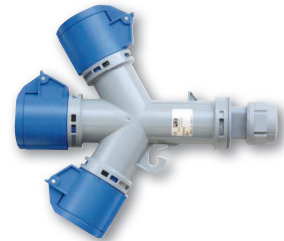
### Entry:

1 CEE-plug 16A 3p 230V

### Outlet:

2 CEE-sockets 16A 3p 230V  
1 socket (DIN 49440) 16A 250V

**9432004\***



## Multiple-socket outlet

- nickel-plated contacts
- also available in 110V

**IP44** splashproof

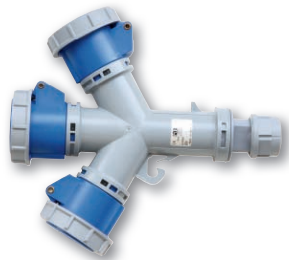
### Entry:

1 Twist-cable gland  
prewired of terminals

### Outlet:

3 CEE-sockets 16A 3p 230V

**9432006**



## Multiple-socket outlet

- nickel-plated contacts
- also available in 110V

**IP67** watertight

### Entry:

1 Twist-cable gland

### Outlet:

3 CEE-sockets 16A 3p 230V

**9432007**



## Multiple-socket outlet

- nickel-plated contacts
- also available in 110V

**IP44** splashproof

**IP67** watertight

### Entry:

1,5m cable with plug  
16A 3p 230V

### Outlet:

3 CEE-sockets 16A 3p 230V

**IP44 9432002**

**IP67 9432003**

\* Export version (in Austria and Germany not allowed!)

## Multiple-sockets outlet and adaptors

### Adaptor

#### CEE-plug 16A 3p / Socket (DIN 49440)

- available also with Belg./French, Danish and British sockets
- nickel-plated contacts

IP44 splashproof

**Entry:**  
1 CEE-plug  
16A 3p 230V

**Outlet:**  
1 socket  
(DIN 49440) 16A 250V

German **9433100\***  
Belg./French **9433101\***  
Danish **9433102\***  
English **9433103\***



### Adaptor

#### CEE-plug 16A 5p / Socket (DIN 49440)

- available also with Belg./French, Danish and British sockets
- nickel-plated contacts

IP44 splashproof

**Entry:**  
1 CEE-plug 16A 5p 400V

**Outlet:**  
1 socket (DIN 49440) 16A 250V

**9433020\***



### Adaptor

#### Plug for domestic use / CEE-socket outlet

- nickel-plated contacts

IP20

**Entry:**  
1 plug 16A 2p+E 250V  
(two earthing systems)

**Outlet:**  
1 CEE-socket 16A 3p 230V

**9434100\***



### Adaptor

#### Plug for domestic use / CEE-socket outlet

- nickel-plated contacts

IP20

**Entry:**  
1 italian plug P17

**Outlet:**  
1 CEE-socket 16A 3p 230V

**9434200\***



### Adaptor

#### CEE-plug 16A 3p / socket outlet for domestic use

- CEE-plug with nickel-plated contacts

IP20

**Entry:**  
1 CEE-plug 16A 3p 230V

**Outlet:**  
2 italian socket outlets P17/11



**9433180\***

**Outlet:**  
1 italian socket outlet P30/17



**9433160\***



### Adaptor

#### CEE-plug 16A 3p / socket outlet for domestic use

IP20

**Entry:**  
1 CEE-plug 16A 3p 230V

**Outlet:**  
2 italian socket outlets P17/11  
1 italian socket outlet P30/17

**9433170\***



**new!**

Cat.No.


\* Export version (in Austria and Germany not allowed!)



**CEE-PLUGS WITH SWITCH  
MOTOR PROTECTION PLUGS**

## CEE-plugs with switch

### CEE-ON/OFF-Switch ML0 - Plug 16A 5p 400V

- EIN/AUS Schalter: AC22A, 10kA 

IP44 splashproof

cable gland: M25 13-18mm

without operating display  
with operating display


53015530  
530155301

with holder

53xxxxxx



### CEE-ON/OFF-Switch ML0 - Plug 32A 5p 400V

- EIN/AUS Schalter: AC22A, 10kA 

IP44 splashproof

cable gland: M32 18-25mm

without operating display  
with operating display


53025530  
530255301

with holder

53xxxxxx



### CEE-ON/OFF-Switch ML0 - Plug 16A 5p 400V with phase inverter

- EIN/AUS Schalter: AC22A, 10kA 

IP44 splashproof

cable gland: M25 13-18mm

without display  
with operating display  
with rotating field check


53715530  
537155301  
537155303

with holder

53xxxxxx



### CEE-ON/OFF-Switch ML0 - Plug 32A 5p 400V with phase inverter

- EIN/AUS Schalter: AC22A, 10kA 

IP44 splashproof

cable gland: M32 18-25mm

without display  
with operating display  
with rotating field check

53725530  
537255301  
537255303

with holder

53xxxxxx



### CEE-plug 16A 5p 400V with reversing switch CA10

- AC22A 

IP44 splashproof

cable gland: M25 13-18mm

without operating display  
with operating display

53015610  
530156101

with holder

53xxxxxx



### CEE-plug 32A 5p 400V with reversing switch CA25

- AC22A 

IP44 splashproof

cable gland: M32 18-25mm

without operating display  
with operating display

53025625  
530256251

with holder

53xxxxxx



Cat.No.



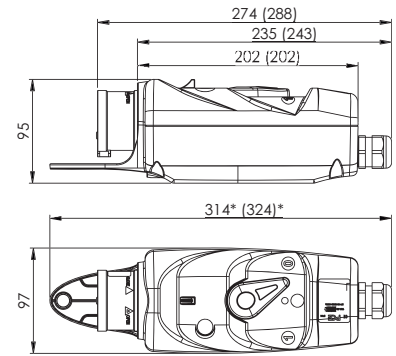
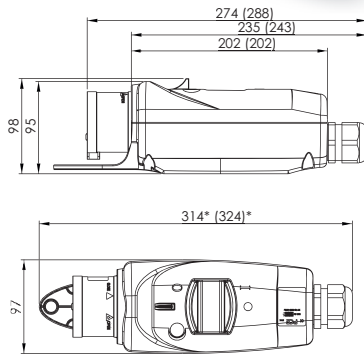
# CEE-Motor protection plugs



## CEE plug with motor protection switch Z-MS and PKZM0:

### Technical data:

- housing material: PC/ABS
- protection degree IP44
- all designs available with or without holder
- large connection area



- dimensions: 16A (32A)
- \* dimensions only valid for design with holder

### Details of Z-MS and PKZM0:

- reliable means of protection against thermal overloading and short circuiting
- all protection switches feature thermal overload and magnetic short circuit triggering
- short circuit capacity of Z-MS 10kA and PKZM0: 50kA and 150kA respectively

### Rotating field check:

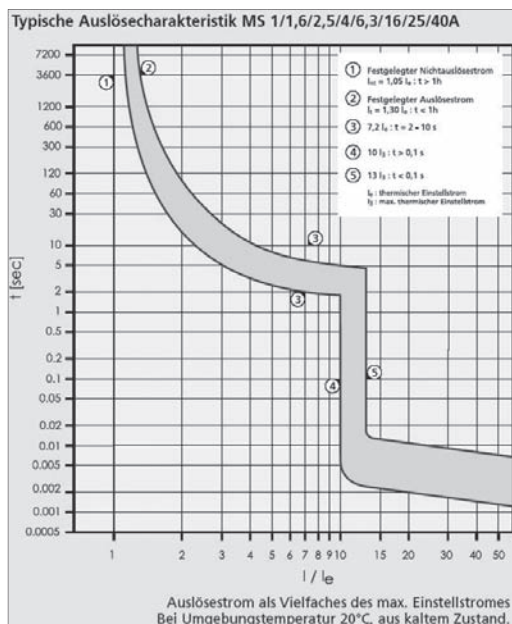
Displays a field rotating in anti-clockwise direction.

### Operating display:

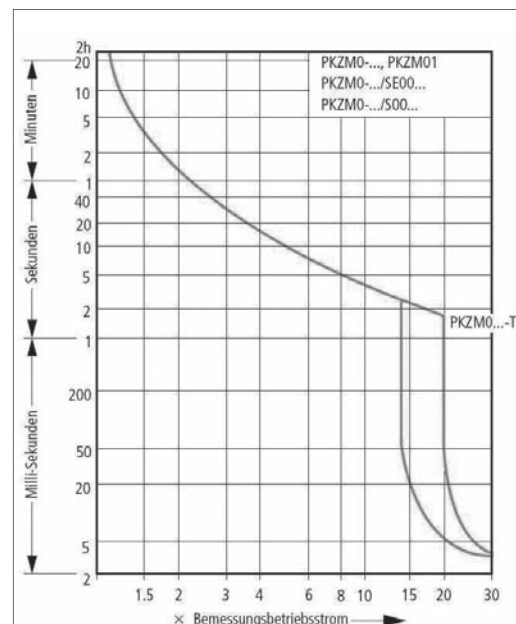
Indicates the voltage supply of two phases of the connector.

### Main field of application: Switching and protection of AC 3-phase motors with outputs of up to 15kW such as industrial motors and those fitted to pumps and circular cold saws etc.

### Z-MS Characteristic:



### PKZM0 Characteristic:



# CEE-Motor protection plugs Z-MS with toggle switch

## CEE-Motor protection plug Z-MS 16A 5p 400V

IP44 splashproof

**Setting range**  
 1,0 - 1,6A  
 1,6 - 2,5A  
 2,5 - 4,0A  
 4,0 - 6,3A  
 6,3 - 10A  
 10 - 16A  
 with holder

**cable gland**  
 M25 13-18mm  
 M25 13-18mm  
 M25 13-18mm  
 M25 13-18mm  
 M25 13-18mm  
 M25 13-18mm

**16A**  
 51015016  
 51015025  
 51015040  
 51015063  
 51015100  
 51015160  
 50xxxxxx



## CEE-Motor protection plug Z-MS 32A 5p 400V

IP44 splashproof

1,0 - 1,6A  
 1,6 - 2,5A  
 2,5 - 4,0A  
 4,0 - 6,3A  
 6,3 - 10A  
 10 - 16A  
 16 - 25A  
 25 - 40A  
 with holder

M32 12-21mm  
 M32 12-21mm  
 M32 12-21mm  
 M32 12-21mm  
 M32 12-21mm  
 M32 12-21mm  
 M32 18-25mm  
 M32 18-25mm

**32A**  
 51025016  
 51025025  
 51025040  
 51025063  
 51025100  
 51025160  
 51025250  
 51025400  
 50xxxxxx



## CEE-Motor protection plug Z-MS 16A 5p 400V

• with operating display

IP44 splashproof

1,0 - 1,6A  
 1,6 - 2,5A  
 2,5 - 4,0A  
 4,0 - 6,3A  
 6,3 - 10A  
 10 - 16A  
 with holder

M25 13-18mm  
 M25 13-18mm  
 M25 13-18mm  
 M25 13-18mm  
 M25 13-18mm  
 M25 13-18mm

**16A**  
 510150161  
 510150251  
 510150401  
 510150631  
 510151001  
 510151601  
 50xxxxxx



## CEE-Motor protection plug Z-MS 32A 5p 400V

• with operating display

IP44 splashproof

1,0 - 1,6A  
 1,6 - 2,5A  
 2,5 - 4,0A  
 4,0 - 6,3A  
 6,3 - 10A  
 10 - 16A  
 16 - 25A  
 25 - 40A  
 with holder

M32 12-21mm  
 M32 12-21mm  
 M32 12-21mm  
 M32 12-21mm  
 M32 12-21mm  
 M32 12-21mm  
 M32 18-25mm  
 M32 18-25mm

**32A**  
 510250161  
 510250251  
 510250401  
 510250631  
 510251001  
 510251601  
 510252501  
 510254001  
 50xxxxxx



## CEE-Motor protection plug Z-MS 16A 5p 400V

• with phase inverter  
 • with rotation field check

IP44 splashproof

1,0 - 1,6A  
 1,6 - 2,5A  
 2,5 - 4,0A  
 4,0 - 6,3A  
 6,3 - 10A  
 10 - 16A  
 with holder

M25 13-18mm  
 M25 13-18mm  
 M25 13-18mm  
 M25 13-18mm  
 M25 13-18mm  
 M25 13-18mm

**16A**  
 517150163  
 517150253  
 517150403  
 517150633  
 517151003  
 517151603  
 50xxxxxx



## CEE-Motor protection plug Z-MS 32A 5p 400V

• with phase inverter  
 • with rotation field check

IP44 splashproof

1,0 - 1,6A  
 1,6 - 2,5A  
 2,5 - 4,0A  
 4,0 - 6,3A  
 6,3 - 10A  
 10 - 16A  
 16 - 25A  
 25 - 40A  
 with holder

M32 12-21mm  
 M32 12-21mm  
 M32 12-21mm  
 M32 12-21mm  
 M32 12-21mm  
 M32 12-21mm  
 M32 18-25mm  
 M32 18-25mm

**32A**  
 517250163  
 517250253  
 517250403  
 517250633  
 517251003  
 517251603  
 517252503  
 517254003  
 50xxxxxx



Cat.No.

# CEE-Motor protection plugs PKZM0 with rotary lever



## CEE-Motor protection plug PKZM0 16A 5p 400V

IP44 splashproof

Setting range	cable gland	16A
1,0 - 1,6A	M25 13-18mm	54015016
1,6 - 2,5A	M25 13-18mm	54015025
2,5 - 4,0A	M25 13-18mm	54015040
4,0 - 6,3A	M25 13-18mm	54015063
6,3 - 10A	M25 13-18mm	54015100
10 - 16A	M25 13-18mm	54015160
with holder		53xxxxxx



## CEE-Motor protection plug PKZM0 32A 5p 400V

IP44 splashproof

Setting range	cable gland	32A
1,0 - 1,6A	M32 12-21mm	54025016
1,6 - 2,5A	M32 12-21mm	54025025
2,5 - 4,0A	M32 12-21mm	54025040
4,0 - 6,3A	M32 12-21mm	54025063
6,3 - 10A	M32 12-21mm	54025100
10 - 16A	M32 12-21mm	54025160
16 - 20A	M32 18-25mm	54025200
20 - 25A	M32 18-25mm	54025250
25 - 32A	M32 18-25mm	54025320
with holder		53xxxxxx



## CEE-Motor protection plug PKZM0 16A 5p 400V

• with operating display

IP44 splashproof

Setting range	cable gland	16A
1,0 - 1,6A	M25 13-18mm	540150161
1,6 - 2,5A	M25 13-18mm	540150251
2,5 - 4,0A	M25 13-18mm	540150401
4,0 - 6,3A	M25 13-18mm	540150631
6,3 - 10A	M25 13-18mm	540151001
10 - 16A	M25 13-18mm	540151601
with holder		53xxxxxxx



## CEE-Motor protection plug PKZM0 32A 5p 400V

• with operating display

IP44 splashproof

Setting range	cable gland	32A
1,0 - 1,6A	M32 12-21mm	540250161
1,6 - 2,5A	M32 12-21mm	540250251
2,5 - 4,0A	M32 12-21mm	540250401
4,0 - 6,3A	M32 12-21mm	540250631
6,3 - 10A	M32 12-21mm	540251001
10 - 16A	M32 12-21mm	540251601
16 - 20A	M32 18-25mm	540252001
20 - 25A	M32 18-25mm	540252501
25 - 32A	M32 18-25mm	540253201
with holder		53xxxxxxx



## CEE-Motor protection plug PKZM0 16A 5p 400V

• with phase inverter  
• with rotation field check

IP44 splashproof

Setting range	cable gland	16A
1,0 - 1,6A	M25 13-18mm	547150163
1,6 - 2,5A	M25 13-18mm	547150253
2,5 - 4,0A	M25 13-18mm	547150403
4,0 - 6,3A	M25 13-18mm	547150633
6,3 - 10A	M25 13-18mm	547151003
10 - 16A	M25 13-18mm	547151603
with holder		53xxxxxxx



## CEE-Motor protection plug PKZM0 32A 5p 400V

• with phase inverter  
• with rotation field check

IP44 splashproof

Setting range	cable gland	32A
1,0 - 1,6A	M32 12-21mm	547250163
1,6 - 2,5A	M32 12-21mm	547250253
2,5 - 4,0A	M32 12-21mm	547250403
4,0 - 6,3A	M32 12-21mm	547250633
6,3 - 10A	M32 12-21mm	547251003
10 - 16A	M32 12-21mm	547251603
16 - 20A	M32 18-25mm	547252003
20 - 25A	M32 18-25mm	547252503
25 - 32A	M32 18-25mm	547253203
with holder		53xxxxxxx

## Motorprotection plugs 16A 230V

### Motorprotection with schuko plug 16A 230V for all one-phase motors

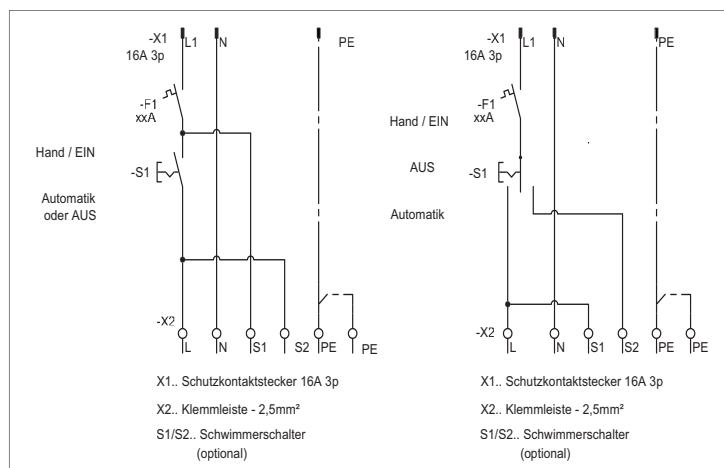
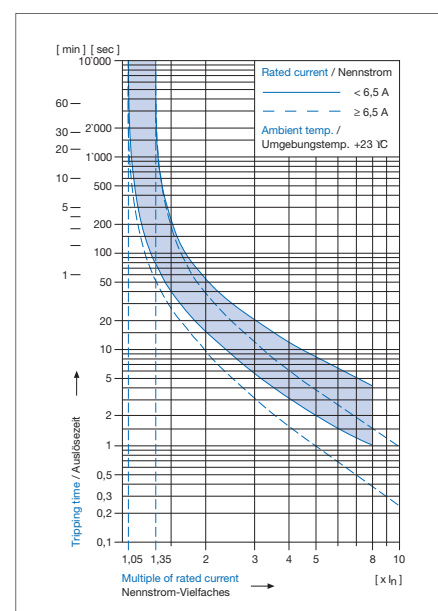
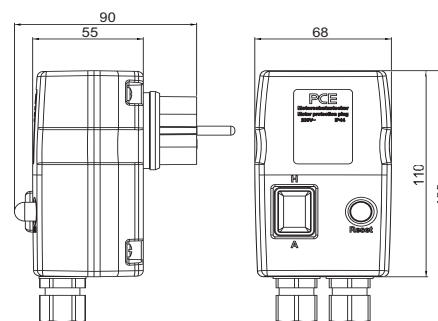
#### Technical datas:

- Enclosure material: PC/ABS
- Protection degree: IP44
- IK standard acc. EN50102: IK09
- Temperature range: -5°C to +40°C
- large connection area

#### Designs:

- with rocker switch **ON/OFF (I-0)** or **HAND OPERATION/AUTOMATIC (H-A)** for the use of a float switch\*
- with rocker switch **HAND OPERATION/OFF/AUTOMATIC (I - 0 - II)**
- change between continuous duty, Off and Auto mode for the use of a float switch\*
- circuit breaker with external reset switch
- currents: 3A, 4A, 5A, 6,5A (more on request)
- cable entry: 2xM16 cable glands (ø 5-10mm) 1x marking for break through enlargement up to ø 20mm

- ■ **The motor protection plug 16A 230V provides reliable protection for overload. It is used mainly for switching and the protection of one-phase AC motors on pumps, circular saws and industrial motors.**



### Motor protection plug 16A 230V

- Hand operation - Automatic or On - Off

IP44 splashproof

#### setting range

3,0A  
4,0A  
5,0A  
6,5A

#### cable gland

2xM16 5-10mm **56103000**  
2xM16 5-10mm **56104000**  
2xM16 5-10mm **56105000**  
2xM16 5-10mm **56106000**

### Motor protection plug 16A 230V

- Hand - Aus - Automatik

IP44 splashproof

#### setting range

3,0A  
4,0A

#### cable gland

2xM16 5-10mm **56103001**  
2xM16 5-10mm **56104001**

\* Float switch see page 149

Cat.No.



# CEE-Motor protection plugs contactor up to 7,5kW



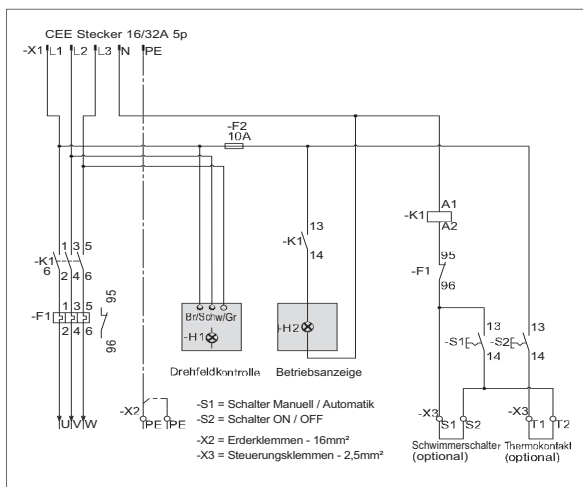
## CEE-Motor protection plug contactor up to 5,5kW (16A) and 7,5kW (32A)

### ■ ■ Technical datas:

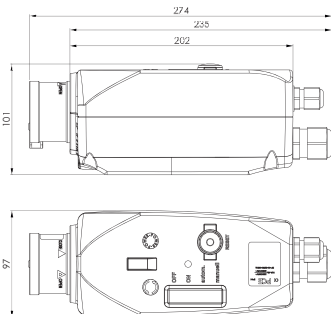
- enclosure material: PC/ABS
- protection degree: IP44
- IK standard acc. to EN50102: IK09
- temperature range: -25° C bis +40°C
- large connection area

### ■ ■ Designs:

- with rocker switch ON/OFF and MANUELL/AUTOMATIC for the use of a float switch\*
- with phase inverter plug
- rotation field check - anticlockwise phase sequence
- operating display - shows the voltage supply of the contactor and therefore of the consumer load
- external reset switch for the motor protection relay
- cable entry:  
bottom part: 1x cable gland M25 (ø 13-18mm) at 16A and M32 (ø 12-21mm) at 32A  
top part: 1x cable gland M16 (ø 5-10mm) for float switch (separate drill hole marking for a further M16 cable gland)
- for CEE-plugs 32A with setting range < 6A a pre-fuse max. 25A is necessary



■ ■ The CEE motor protection plug up to 7,5 kW provides reliable protection for thermal overloads and short circuits. It is used mainly for switching and the protection of three-phase AC motors up to 7,5 kW (400V) on pumps, circular saws and industrial motors etc...

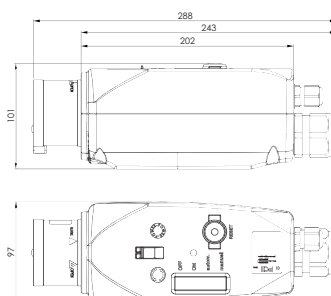


### CEE-Motor protection plug with contactor 16A 5p 400V

- with phase inverter plug
- with operation display
- with rotation field check

**IP44** splashproof

Setting range	contactor (AC3)	cable gland	16A
1,0 - 1,6A	4,0 kW	M25 (13-18mm)	<b>5571501000</b>
1,6 - 2,4A	4,0 kW	M25 (13-18mm)	<b>5571501600</b>
2,4 - 4,0A	4,0 kW	M25 (13-18mm)	<b>5571502400</b>
4,0 - 6,0A	4,0 kW	M25 (13-18mm)	<b>5571506000</b>
6,0 - 10A	5,5 kW	M25 (13-18mm)	<b>5571510000</b>
9,0 - 12A	5,5 kW	M25 (13-18mm)	<b>5571512000</b>
12 - 16A	7,5 kW	M25 (13-18mm)	<b>5571516000</b>



### CEE-Motor protection plug with contactor 32A 5p 400V

- with phase inverter plug
- with operation display
- with rotation field check

**IP44** splashproof

Setting range	contactor (AC3)	cable gland	16A
1,0 - 1,6A	7,5 kW	M32 (12-21mm)	<b>5572501000</b>
1,6 - 2,4A	7,5 kW	M32 (12-21mm)	<b>5572501600</b>
2,4 - 4,0A	7,5 kW	M32 (12-21mm)	<b>5572502400</b>
4,0 - 6,0A	7,5 kW	M32 (12-21mm)	<b>5572506000</b>
6,0 - 10A	7,5 kW	M32 (12-21mm)	<b>5572510000</b>
9,0 - 12A	7,5 kW	M32 (12-21mm)	<b>5572512000</b>
12 - 16A	7,5 kW	M32 (12-21mm)	<b>5572516000</b>

\* Float switch see page 149

# CEE-Motor protection plugs contactor up to 15 kW

## CEE-Motor protection plug contactor up to 15 kW (32A)

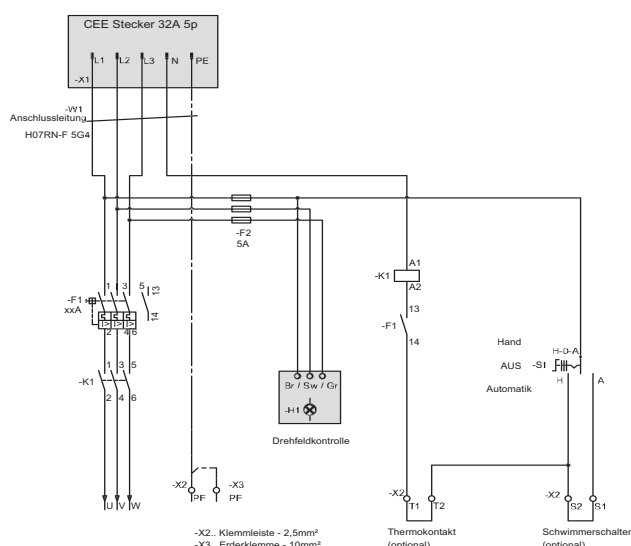
### Technical datas:

- enclosure material: solid rubber
- protection degree: IP44 (IP66 on request)
- dimensions: HxWxD = 260x165x90mm
- temperature range: -25°C to +40°C
- large connection area

### Designs:

- with rotary switch I = hand operation, 0 = Off, II = automatic operation
- 2m cable H07RN-F 5G4 with phase inverter plug 32A 5p 400V
- rotation field check - anticlockwise phase sequence
- reset switch behind transparent window
- float switch on request
- level control system and dipped electrodes on request
- cable entry: 1x cable gland M32 (Ø 12-21mm)  
2x cable glands M16 (Ø 5-10mm) for float switch and thermo switch
- operation display contactor

- ■ **The CEE motor protection plug up to 15kW provides reliable protection for thermal overloads and short circuits. It is used mainly for switching and the protection of three-phase AC motors on pumps, circular saws and industrial motors...**



## CEE-Motor protection plug gland with contactor up to 15 kW (32A)

- with rotary switch I-0-II
- with phase inverter plug
- with rotation field check

IP44 splashproof

### Setting range

- 16 - 20A
- 20 - 25A
- 25 - 32A

### contactor

- 12,5 kW
- 12,5 kW
- 15,0 kW

### cable gland

- M32 (12-20mm)  
2xM16 (5-10mm)
- M32 (12-20mm)  
2xM16 (5-10mm)
- M32 (12-20mm)  
2xM16 (5-10mm)

9216211

9216210

9216212

## Float switch

### Technical data:

- protection degree: IP68
- temperature range: -5°C to +60°C
- switching capacity: max. 400VAC 10(4)A min. 250VAC 10(8)A
- durability: > 50.000 cycles
- beam angle
- hysteresis: min. 140mm to max. 400mm

### Designs:

- changer (top: brown-grey, bottom: brown-black)
- hot plate welded housing
- elastomer – sealed cable entry
- cable: Nexans 05RN8-F 4G1mm<sup>2</sup> black (10m or 20m)



with 10m cable

1023011

with 20m cable

1023012

Cat.No.



**EVENT TECHNOLOGY**

Event technology

**Plugs** Page **152**



**Flanged plugs** Page **152**



**Connectors** Page **154**



**Flanged sockets** Page **154**



**Socket outlet (DIN 49440)** Page **158**



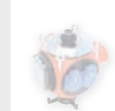
**T-Connect** Page **161**



**Distribution boxes** Page **162**

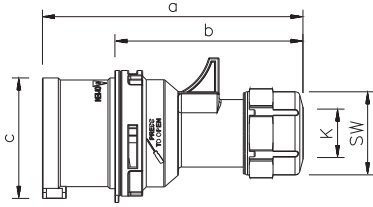


**Hinged windows** Page **163**



# Event technology MIDNIGHT-SERIES

## „Twist“ Plug

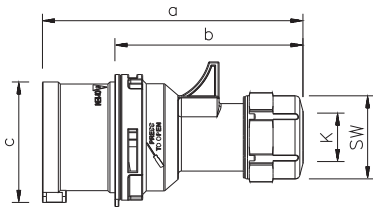


Poles	16 Amp			32 Amp		
	3	4	5	3	4	5
a	118	124	131	146	146	152
b	82	88	95	100	100	106
c	47	53	61	63	63	70
K_cable Ø [mm]	6-15	6-15	8-16	10-20	10-20	12-22
Kind of connection:	Screw terminal					
Wire flexible [mm <sup>2</sup> ]	1-2,5			2,5-6		
Contact screws [Ncm]	100 Ncm			110 Ncm		
SW	38	38	42	50	50	50
Weight [g]	104	127	150	181	200	230

- with screw terminals
- housing material: PA6
- contacts: brass
  - to order nickel-plated contacts please add a "v" e.g. 015-6xv

**IP44** splashproof

## „Turbo Twist“ Plug

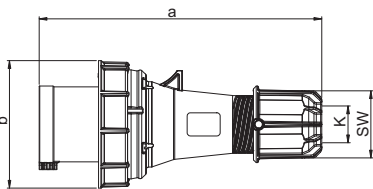


Poles	16 Amp			32 Amp		
	3	4	5	3	4	5
a	118	124	131	146	146	152
b	82	88	95	100	100	106
c	47	53	61	63	63	70
K_cable Ø [mm]	6-15	6-15	8-16	10-20	10-20	12-22
Kind of connection:	Screwless terminal					
Wire flexible [mm <sup>2</sup> ]	1-2,5			2,5-6		
SW	38	38	42	50	50	50
Weight [g]	110	135	158	187	208	242

- screwless connection technology
- housing material: PA6
- contacts: brass
  - to order nickel-plated contacts please add a "v" e.g. 015-6TTxv

**IP44** splashproof

## „Power Twist“ Plug

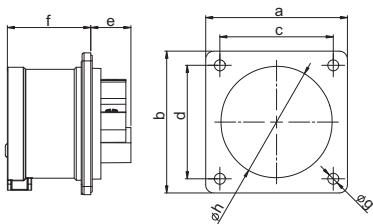


Poles	63 Amp			125 Amp		
	3	4	5	3	4	5
a	257	257	257	270	270	270
b	114	114	114	131	131	131
K_cable Ø [mm]	14,5-36	14,5-36	14,5-36	20,5-50	22,5-50	22,5-50
Kind of connection:	Contact frame with screws					
Wire flexible [mm <sup>2</sup> ]	6-16			16-50		
Contact screws [Ncm]	200 Ncm			450 Ncm		
SW	61	61	61	80	80	80
Weight [g]	547	596	650	1318	1433	1545

- Contact frame with screws
- housing material: PA6
- contacts: nickel-plated contacts, with pilot contact (see page 7)

**IP66/67** watertight

## Flanged plug straight

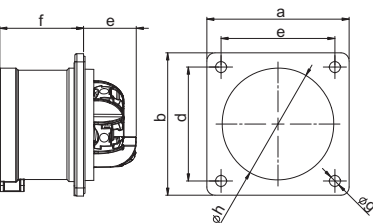


Poles	16 Amp			32 Amp		
	3	4	5	3	4	5
Flange						
a x b	70	70	70	70	70	70
Fixing center						
c x d	56	56	56	56	56	56
e	21	21	20	21	21	21
f	42	42	42	51	51	51
g	5,5	5,5	5,5	5,5	5,5	5,5
h	43	43	55	55	55	55
Kind of connection:	Screw terminal					
Wire flexible [mm <sup>2</sup> ]	1-2,5			2,5-6		
solid [mm <sup>2</sup> ]	1-4			2,5-10		
Contact screws [Ncm]	100 Ncm			110 Ncm		
Weight [g]	82	96	112	120	140	160

- with screw terminals
- housing material: PA6
- contacts: brass
  - to order nickel-plated contacts please add a "v" e.g. 615-6xv
- According to EN 60309: For correct use a locking device has to be provided (see page 32)

**IP44** splashproof

## „Turbo Twist“ Flanged plug straight



Poles	16 Amp		32 Amp	
	3	5	4	5
Flange				
a x b	70	70	70	70
Fixing center				
c x d	56	56	56	56
e	26	26	29	29
f	42	42	51	51
g	5,5	5,5	5,5	5,5
h	43	55	55	55
Kind of connection:	Screwless terminal			
Wire flexible [mm <sup>2</sup> ]	1-2,5		2,5-6	
solid [mm <sup>2</sup> ]	1-4		2,5-10	
Weight [g]	84	116	146	169

- screwless connection technology
- housing material: PA6
- contacts: brass
  - to order nickel-plated contacts please add a "v" e.g. 615-6TTxv
- According to EN 60309: For correct use a locking device has to be provided (see page 32)

**IP44** splashproof

<b>230V~</b> 50/60Hz 3p=6h 4p+5p=9h	<b>400V~</b> 50/60Hz 3p=9h 4p+5p=6h
<b>Cat.No.</b>	<b>Cat.No.</b>

Amp.	Poles	pack. unit
16	3	10
16	4	10
16	5	10
32	3	10
32	4	10
32	5	10

<b>013-6x</b>	<b>014-6x</b> <b>015-6x</b>
<b>023-6x</b>	<b>024-6x</b> <b>025-6x</b>



013-6x



16	3	10
16	4	10
16	5	10
32	3	10
32	4	10
32	5	10

<b>013-6TTx</b>	<b>014-6TTx</b> <b>015-6TTx</b>
<b>023-6TTx</b>	<b>024-6TTx</b> <b>025-6TTx</b>



013-6TTx



63	3	2
63	4	2
63	5	2
125	3	2
125	4	2
125	5	2

<b>033-6xs</b>	<b>034-6xs</b> <b>035-6xs</b>
<b>043-6xs</b>	<b>044-6xs</b> <b>045-6xs</b>



035-6xs



with flange 70 x 70		
16	3	10
16	4	10
16	5	10
32	3	10
32	4	10
32	5	10

<b>613-6x</b>	<b>614-6x</b> <b>615-6x</b>
<b>623-6x</b>	<b>624-6x</b> <b>625-6x</b>



615-6x

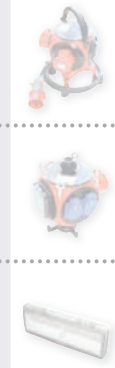


with flange 70 x 70		
16	3	10
16	4	10
16	5	10
32	3	10
32	4	10
32	5	10

<b>613-6TTx</b>	<b>614-6TTx</b> <b>615-6TTx</b>
<b>623-6TTx</b>	<b>624-6TTx</b> <b>625-6TTx</b>



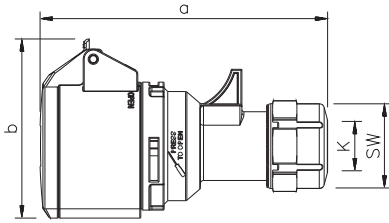
615-6TTx



Minimum order quantity: 100 pcs

# Event technology MIDNIGHT-SERIES

## „Twist“ Connector

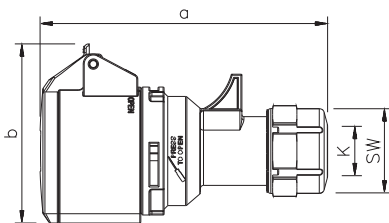


	16 Amp			32 Amp		
Poles	3	4	5	3	4	5
a	129	135	142	159	159	165
b	76	80	89	92	92	98
K_cable Ø [mm]	6-15	6-15	8-16	10-20	10-20	12-22
Kind of connection:	Screw terminal					
Wire flexible [mm <sup>2</sup> ]	1-2,5			2,5-6		
Kontaktschrauben [Ncm]	100 Ncm			110 Ncm		
SW	38	38	42	50	50	50
Weight [g]	137	161	183	225	244	278

- with screw terminals
- housing material: PA6
- contacts: brass
  - to order nickel-plated contacts please add a "v" e.g. 215-6xv

**IP44** splashproof

## „Turbo Twist“ Connector

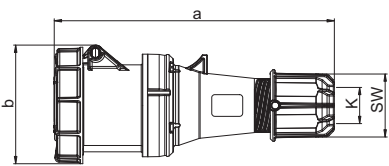


	16 Amp			32 Amp		
Poles	3	4	5	3	4	5
a	129	135	142	159	159	165
b	76	80	89	92	92	98
K_cable Ø [mm]	6-15	6-15	8-16	10-20	10-20	12-22
Kind of connection:	Screwless terminal					
Wire flexible [mm <sup>2</sup> ]	1-2,5			2,5-6		
SW	38	38	42	50	50	50
Weight [g]	142	168	195	232	251	285

- screwless connection technology
- housing material: PA6
- contacts: brass
  - to order nickel-plated contacts please add a "v" e.g. 215-6TTxv

**IP44** splashproof

## „Power Twist“ Connector

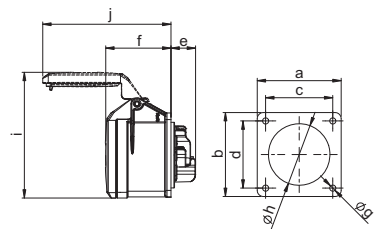


	63 Amp			125 Amp		
Poles	3	4	5	3	4	5
a	269	269	269	287	287	287
b	114	114	114	124	124	124
K_cable Ø [mm]	14,5-36	14,5-36	14,5-36	14,5-36	14,5-36	14,5-36
Kind of connection:	Contact frame with screws					
Wire flexible [mm <sup>2</sup> ]	6-16			16-50		
Contact screws [Ncm]	200 Ncm			450 Ncm		
SW	61	61	61	81	81	81
Weight [g]	669	720	770	1054	1158	1250

- Contact frame with screws
- housing material: PC/ABS
- contacts: brass with lamellar contact CuBe
  - to order with pilot contact please add a „5“ e.g. 2335-6xs (see page 7)
  - to order with pilot contact system (PCS) please add a „6“ e.g. 2336-6xs (see page 8)

**IP66/67** watertight

## Flanged socket straight



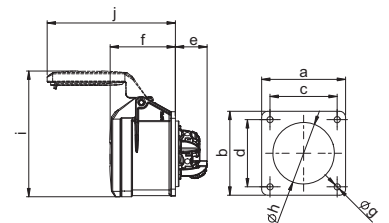
	16 Amp			32 Amp		
Poles	3	4	5	3	4	5
Flange a x b	70	70	70	70	70	70
Fixing center c x d	56	56	56	56	56	56
e	21	21	21	23	23	23
f	55	55	55	67	67	67
g	5,5	5,5	5,5	5,5	5,5	5,5
h	43	45	55	55	55	58
i	99	101	105	112	112	117
j	94	101	107	122	122	127
Kind of connection:	Screw terminal					
Wire flexible [mm <sup>2</sup> ]	1-2,5			2,5-6		
solid [mm <sup>2</sup> ]	1-4			2,5-10		
Kontaktschrauben [Ncm]	100 Ncm			110 Ncm		
Weight [g]	113	120	137	164	181	213

- with screw terminals
- housing material: PA6
- contacts: brass
  - to order nickel-plated contacts please add a "v" e.g. 315-6xv

**IP44** splashproof

**IP44/54** 16/3; 16/5 and 32/5 are splash- and dustproof

## „Turbo Twist“ Flanged socket straight



	16 Amp			32 Amp		
Poles	3	4	5	3	4	5
Flange a x b	70	70	70	70	70	70
Fixing center c x d	56	56	56	56	56	56
e	27	27	27	27	27	27
f	55	55	55	67	67	67
g	5,5	5,5	5,5	5,5	5,5	5,5
h	43	45	55	55	55	58
i	99	101	105	112	112	117
j	94	101	107	122	122	127
Kind of connection:	Screwless terminal					
Wire flexible [mm <sup>2</sup> ]	1-2,5			2,5-6		
solid [mm <sup>2</sup> ]	1-4			2,5-10		
Weight [g]	112	127	136	152	169	196

- screwless connection technology
- housing material: PA6
- contacts: brass
  - to order nickel-plated contacts please add a "v" e.g. 315-6TTxv

**IP44** splashproof

**IP44/54** 16/3; 16/5 and 32/5 are splash- and dustproof

<b>230V~</b> 50/60Hz 3p=6h 4p+5p=9h	<b>400V~</b> 50/60Hz 3p=9h 4p+5p=6h
<b>Cat.No.</b>	<b>Cat.No.</b>

Amp.	Poles	pack. unit
16	3	10
16	4	10
16	5	10
32	3	10
32	4	10
32	5	10

<b>213-6x</b>	<b>214-6x</b> <b>215-6x</b>
<b>223-6x</b>	<b>224-6x</b> <b>225-6x</b>



213-6x



16	3	10
16	4	10
16	5	10
32	3	10
32	4	10
32	5	10

<b>213-6TTx</b>	<b>214-6TTx</b> <b>215-6TTx</b>
<b>223-6TTx</b>	<b>224-6TTx</b> <b>225-6TTx</b>



213-6TTx



63	3	2
63	4	2
63	5	2
125	3	2
125	4	2
125	5	2

<b>233-6xs</b>	<b>234-6xs</b> <b>235-6xs</b>
<b>243-6xs</b>	<b>244-6xs</b> <b>245-6xs</b>



235-6xs



with flange 70 x 70		
16	3	10
16	4	10
16	5	10
32	3	10
32	4	10
32	5	10

<b>313-6x</b>	<b>314-6x</b> <b>315-6x</b>
<b>323-6x</b>	<b>324-6x</b> <b>325-6x</b>



313-6x



with flange 70 x 70		
16	3	10
16	4	10
16	5	10
32	3	10
32	4	10
32	5	10

<b>313-6TTx</b>	<b>314-6TTx</b> <b>315-6TTx</b>
<b>323-6TTx</b>	<b>324-6TTx</b> <b>325-6TTx</b>



313-6TTx



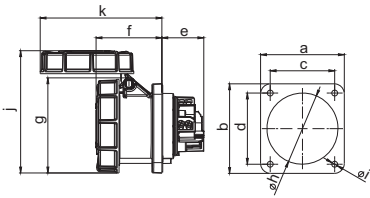
Minimum order quantity: 100 pcs



# Event technology MIDNIGHT-SERIES

## „Power Twist“ Flanged socket straight

• STANDARD •						
Poles	63 Amp			125 Amp		
	3	4	5	3	4	5
a	100	100	100	120	120	120
b	100	100	100	120	120	120
c	80	80	80	100	100	100
d	80	80	80	100	100	100
e	50	50	50	48	48	48
f	80	80	80	101	101	101
g	114	114	114	126	126	126
h	85	85	85	90	90	90
i	7	7	7	8	8	8
j	147	147	147	159	159	159
k	146	146	146	179	179	179
Kind of connection: Contact frame with screws						
Wire flexible [mm <sup>2</sup> ]: 6-16 16-50						
solid [mm <sup>2</sup> ]: 6-25 16-70						
Contact screws [Ncm]: 200 Ncm 450 Ncm						
Weight [g]: 490 522 668 743 879 974						

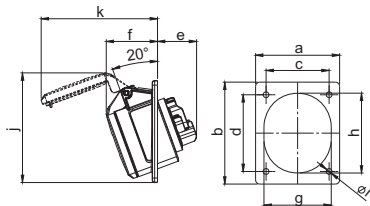


- Contact frame with screws
- housing material: PA6
- contacts: brass with lamellar contact CuBe
  - to order with pilot contact please add a „5“ e.g. 3335-6xs (see page 7)
  - to order with pilot contact system (PCS) please add a „6“ e.g. 3336-6xs (see page 8)

**IP67** watertight

## Flanged socket sloping

• STANDARD •						
Poles	16 Amp			32 Amp		
	3	4	5	3	4	5
a	70	70	80	80	80	80
b	85	85	97	97	97	97
c	50	50	60	60	60	60
d	65	65	73	73	73	73
e	38	38	38	48	48	48
f	47	47	49	54	54	55
g	51	56	65	65	65	70
h	61	67	76	75	75	80
i	5,5	5,5	5,5	5,5	5,5	5,5
j	93	96	105	105	105	110
k	97	104	111	119	119	125
Kind of connection: Screw terminal						
Wire flexible [mm <sup>2</sup> ]: 1-2,5 2,5-6						
solid [mm <sup>2</sup> ]: 1-4 2,5-10						
Contact screws [Ncm]: 100 Ncm 110 Ncm						
Weight [g]: 112 117 144 198 222 250						



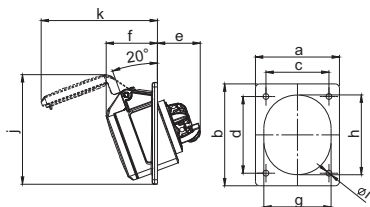
- with screw terminals
- housing material: PA6
- contacts: brass
  - to order nickel-plated contacts please add a "v" e.g. 415-6xv

**IP44** splashproof

**IP44/54** 16/3; 16/5 and 32/5 are splash- and dustproof

## „Turbo Twist“ Flanged socket sloping

• STANDARD TURBO TWIST •						
Poles	16 Amp			32 Amp		
	3	4	5	3	4	5
a	70	70	80	80	80	80
b	85	85	97	97	97	97
c	50	50	60	60	60	60
d	65	65	73	73	73	73
e	41	41	41	48	48	48
f	47	47	49	54	54	55
g	51	56	65	65	65	70
h	61	67	76	75	75	80
i	5,5	5,5	5,5	5,5	5,5	5,5
j	93	96	105	105	105	110
k	97	104	111	119	119	125
Kind of connection: Screwless terminal						
Wire flexible [mm <sup>2</sup> ]: 1-2,5 2,5-6						
solid [mm <sup>2</sup> ]: 1-4 2,5-10						
Weight [g]: 111 116 138 186 210 233						



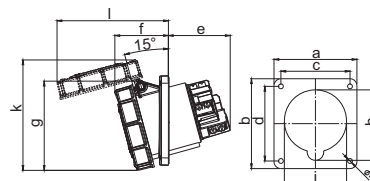
- screwless connection technology
- housing material: PA6
- contacts: brass
  - to order nickel-plated contacts please add a "v" e.g. 415-6TTxv

**IP44** splashproof

**IP44/54** 16/3; 16/5 and 32/5 are splash- and dustproof

## „Power Twist“ Flanged socket sloping

• STANDARD •						
Poles	63 Amp			125 Amp		
	3	4	5	3	4	5
a	100	100	100	120	120	120
b	112	112	112	130	130	130
c	80	80	80	100	100	100
d	88	88	88	108	108	108
e	64	64	64	92	92	92
f	80	80	80	77	77	77
g	119	119	119	130	130	130
h	92	92	92	102	102	102
i	7	7	7	7	7	7
j	82	82	82	90	90	90
k	148	148	148	160	160	160
l	154	154	154	162	162	162
Kind of connection: Contact frame with screws						
Wire flexible [mm <sup>2</sup> ]: 6-16 16-50						
solid [mm <sup>2</sup> ]: 6-25 16-70						
Contact screws [Ncm]: 200 Ncm 450 Ncm						
Weight [g]: 498 529 675 804 892 999						



- Contact frame with screws
- housing material: PA6
- contacts: brass with lamellar contact CuBe
  - to order with pilot contact please add a „5“ e.g. 4335-6xs (see page 7)
  - to order with pilot contact system (PCS) please add a „6“ e.g. 4336-6xs (see page 8)

**IP67** watertight

<b>230V~</b> 50/60Hz 3p=6h 4p+5p=9h	<b>400V~</b> 50/60Hz 3p=9h 4p+5p=6h
<b>Cat.No.</b>	<b>Cat.No.</b>

Amp.	Poles	pack. unit
<b>with flange 100 x 100</b>		
63	3	2
63	4	2
63	5	2
<b>with flange 120 x 120</b>		
125	3	2
125	4	2
125	5	2

<b>333-6xs</b>	<b>334-6xs</b> <b>335-6xs</b>
<b>343-6xs</b>	<b>344-6xs</b> <b>345-6xs</b>



335-6xs

<b>with flange 70 x 85</b>		
16	3	10
16	4	10
<b>with flange 80 x 97</b>		
16	5	10
32	3	10
32	4	10
32	5	10

<b>413-6x</b>	<b>414-6x</b> <b>415-6x</b>
<b>423-6x</b>	<b>424-6x</b> <b>425-6x</b>



415-6x

<b>with flange 70 x 85</b>		
16	3	10
16	4	10
<b>with flange 80 x 97</b>		
16	5	10
32	3	10
32	4	10
32	5	10

<b>413-6TTx</b>	<b>414-6TTx</b> <b>415-6TTx</b>
<b>423-6TTx</b>	<b>424-6TTx</b> <b>425-6TTx</b>



415-6TTx

<b>with flange 100 x 112</b>		
63	3	2
63	4	2
63	5	2
<b>with flange 120 x 130</b>		
125	3	2
125	4	2
125	5	2

<b>433-6xs</b>	<b>434-6xs</b> <b>435-6xs</b>
<b>443-6xs</b>	<b>444-6xs</b> <b>445-6xs</b>

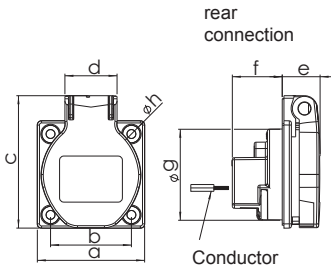


435-6xs



# Event technology MIDNIGHT-SERIES

## Socket outlet (DIN 49440) Austrian/German version

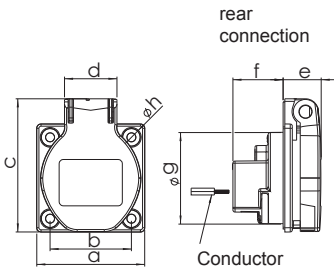


	• STANDARD •
	16 Amp
Poles	2P + E
a	50
b	38
c	62
d	25
e	18
f	24
g	43
h	4,2
Kind of connection:	Screwed contact
Wire flexible [mm <sup>2</sup> ]	1 - 2x2,5
solid [mm <sup>2</sup> ]	1 - 2x2,5
Contact screws [Ncm]	80
Weight [g]	45

- with screwed contact
- housing material: PA6
- contacts: nickel-plated contacts

**IP54** splashproof

## Socket outlet (DIN 49440) Belgian/French version

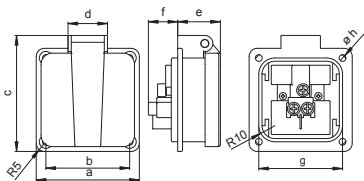


	• STANDARD •
	16 Amp
Poles	2P + E
a	50
b	38
c	62
d	25
e	18
f	24
g	43
h	4,2
Kind of connection:	Screwed contact
Wire flexible [mm <sup>2</sup> ]	1 - 2x2,5
solid [mm <sup>2</sup> ]	1 - 2x2,5
Contact screws [Ncm]	80
Weight [g]	45

- with screwed contact
- housing material: PA6
- contacts: nickel-plated contacts
- with child protection (shutter)

**IP54** splashproof

## Socket outlet (DIN 49440) English version



	13 Amp	13 Amp
Poles	2P + E	2P + E
a	64	50
b	52	38
c	72	54
d	25	25
e	26,5	18
f	18	22
g	52	35
h	4,2	4,5
Kind of connection:	Screwed contact	
Weight [g]	67	50

- with screwed contact
- housing material: PA6
- side connection

**IP54** splashproof

**250V~**  
50/60Hz

Amp.	Poles	pack. unit	Abbreviations/Types	Cat.No.
16	3	100	Flange: 50x50mm, Fixing center: 38x38mm	1050-0s
16	3	100	Flange: 50x50mm, Fixing center: 38x38mm	1040-0sc
13	3	100	Flange: 64x64mm, Fixing center: 52x52mm	1020-0s
13	3	100	Flange: 50x50mm, Fixing center: 38x38mm	1020-5s



# Event technology MIDNIGHT-SERIES

**TATUROP**



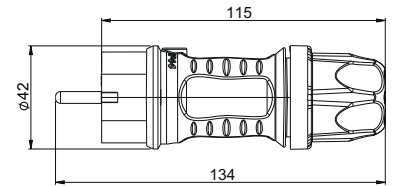
## Solid rubber plug

- with screwless cable gland
- dual-point earthing system
- insert: rubber

IP44 splashproof

**05622-ss**

pack.unit: 20



**TATUROP**



## Solid rubber connector

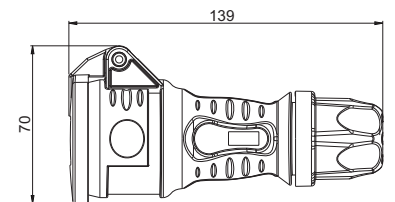
- with screwless cable gland
- national
- with cap
- insert: rubber

IP44 splashproof

with cap **25621-ss**

with hinged lid **25622-ss**

pack.unit: 10



**TATUROP**



## Solid rubber connector Belg./French Version

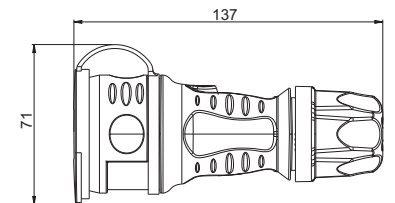
- with screwless cable gland
- with cap
- insert: polyamide

IP44 splashproof

integrated gasket inside **24611-ss**

integrated gasket inside and child protection **24611-ssc**

pack.unit: 10



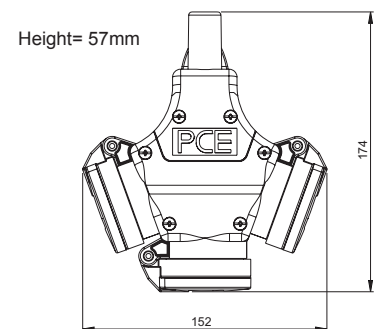
## 3-way connector solid rubber

- with hinged lid
- insert: rubber

IP44 splashproof

**25322-sxs**

pack.unit: 5



## 3-way connector rubber Belgian/French version

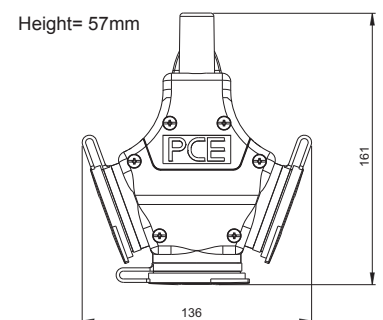
- with lid
- insert: polyamide

IP44 splashproof

**24311-sxs**

with child protection (shutter) **24311-sxsc**

pack.unit: 5



## T-Connect

### Equipment:

- 1 CEE-plug 16A 3p 6h
- 1 CEE-socket 16A 3p 6h
- 1 cable entry  
(terminal block max. 3x2,5mm<sup>2</sup>)

IP44 splashproof

**94325000**

pack.unit: 10



Example



## T-Connect

### Equipment:

- 1 CEE-plug 16A 3p 6h
- 1 CEE-socket 16A 3p 6h
- 1 cable entry  
(terminal block max. 3x2,5mm<sup>2</sup>)

IP67 watertight

**94326000**

pack.unit: 10



## T-Connect with cable

### Equipment:

- 1,5m cable H07RN-F 3G1,5  
with CEE-plug 16A 3p 6h
- 1 cable entry  
(terminal block max. 3x2,5mm<sup>2</sup>)
- 1 CEE-socket 16A 3p 6h

IP44 splashproof

IP44 **94325001**

IP67 watertight

IP67 **94326001**

pack.unit: 10



## T-Connect

### 2-way connector with cable entry

### Equipment:

- 1 cable entry  
(terminal block max. 3x2,5mm<sup>2</sup>)
- 2 CEE-sockets 16A 3p 6h outlet

IP44 splashproof

IP44 **94325002**

IP67 watertight

IP67 **94326002**

pack.unit: 10



## T-Connect

### 2-way connector with CEE-plug

### Equipment:

- 1 CEE-plug 16A 3p 6h
- 2 CEE-sockets 16A 3p 6h outlet

IP44 splashproof

IP44 **94325003**

IP67 watertight

IP67 **94326003**

pack.unit: 10



# Event technology MIDNIGHT-SERIES

## Compact distribution boxes Series St. Anton



- Plugs and sockets are black

**Entry:**  
1 CEE-plug 16A 5p 400V

**Outlet:**  
3 CEE-sockets 16A 5p 400V

**9430052**

1 CEE-socket 16A 5p 400V  
2 sockets (DIN 49440) 16A 250V

**9430053**

3 CEE-sockets 16A 3p 230V

**9430054**

## Wall distribution boxes series Salzburg

Dimensions: HxW = 370x298mm



- for wall-fastening
- solid rubber enclosure, with protective roof
- window up to max. 14 modules
- bottom of box and cover connected with joint
- ready wired for connection

**IP54** splashproof

**Equipment:**  
1 CEE-socket 32A 5p 400V sw  
1 CEE-socket 16A 5p 400V sw  
2 sockets (DIN 49440) 16A 250V sw

1xM32 on top, 1xM32 from bottom

**Protection:**  
1 MCB 32A 3p-C  
1 MCB 16A 3p-C  
2 MCBs 16A 1p-B  
1 RCD 40/4/0,03A over all outlets

**92271649**

## Wall distribution boxes series Bruck

Dimensions: HxW = 370x370mm



- for wall-fastening
- solid rubber enclosure, with protective roof
- window up to max. 18 modules
- bottom of box and cover connected with joint
- ready wired for connection

**IP54** splashproof

**Equipment:**  
1 CEE-socket 32A 5p 400V sw  
2 CEE-sockets 16A 5p 400V sw  
4 sockets (DIN 49440) 16A 250V sw

1xM32 on top, 1xM32 from bottom

**Protection:**  
1 MCB 32A 3p-C  
2 MCBs 16A 3p-C  
4 MCBs 16A 1p-B  
1 RCD 63/4/0,03A over all outlets

**92401543**

## Mobile distribution boxes series Spitz

Dimensions: HxWxD = 320x320x320mm



- portable, handy solid-rubber mobile box - stackable
- lifting hinged cover with 2 quick acting closures
- maximum safety – closed casing bottom with high ground clearance
- ready wired for connection

**IP44** splashproof

**Equipment:**  
2 CEE-sockets 32A 5p 400V sw  
2 CEE-sockets 16A 5p 400V sw  
4 sockets (DIN 49440) 16A 250V sw

2m cable 5G6 with  
CEE-plug 32A 5p 400V sw

**Protection:**  
2 MCBs 16A 3p-C  
4 MCBs 16A 1p-B  
1 RCD 63/4/0,03A over all outlets

**94741367**

## Mobile distribution boxes series Steyr

Dimensions: HxWxD = 72x430x115mm



- portable, handy solid-rubber mobile box
- housing with carrying handle
- ready wired for connection

**IP44** splashproof

**Equipment:**  
2 CEE-sockets 16A 5p 400V sw  
2 sockets (DIN 49440) 16A 250V sw

2m cable 5G4 with  
CEE-plug 32A 5p 400V sw

**Protection:**  
1 MCB 16A 3p-C  
1 MCB 16A 1p-C

**9440361**

## Series M-SVE3 63/11-12/V2/2M/A/MS

Dimensions: HxWxD = 340x400x350mm

- shock-resistant, robust and mobile insulated thermoplastic box
- very lightweight and handy
- stackable
- resistant to weather and ageing

**IP44** splashproof

### Equipment:

- 1 CEE-socket 16A 5p 400V black
- 1 CEE-socket 32A 5p 400V black
- 12 sockets (DIN 49440) 16A 250V black

Connection cable 44 kVA

2m cable 5G10 with CEE-plug 63A 5p 400V

### Protection:

- 1 MCB 16A 3p-C
- 1 MCB 32A 3p-C
- 12 MCBs 16A 1p-C
- 2 RCDs 63/0,03A

**MZ853009286**



## Series M-SVE4 63/1-16/V17/G/E/A/MS

Dimensions: HxWxD = 340x560x350mm

- shock-resistant, robust and mobile insulated thermoplastic box
- very lightweight and handy
- stackable
- resistant to weather and ageing

**IP44** splashproof

### Equipment:

- 1 CEE-socket 16A 5p 400V black
- 16 sockets (DIN 49440) 16A 250V black

Connection cable 44 kVA

CEE-plug 63A 5p 400V with cable loop in the entry

### Protection:

- 1 MCB 16A 3p-C
- 16 RCD/MCB 16A 1p-C/0,03A
- 1 RCD 40/0,03A

**MZ854009285**



## Solid rubber - feed-through box with handle for 6 circuits

Dimensions: HxWxD = 165x260x90mm

- portable, handy solid-rubber distribution boxes
- ready wired for connection

**IP44** splashproof

### Entry:

1 expansion box with pin insert 16A 16p 230V

### Equipment:

6 sockets (DIN 49440) 16A 250V sw without fuse

### Protection:

1 expansion box with socket insert 16A 16p 230V

**9216833**



## Hinged windows IP67

- especially compact (robust) design, made of shock-resistant polycarbonate
- for distributor's construction, O.E.M's, panel builders etc.
- sprung-loaded window with integrated knurled screws
- size of hinged window suitable for 2, 4, 5, 6, 8, 10, 13, 18 modules
- with integrated gasket for flange mounting
- all metal parts corrosion-resistant

**IP67** watertight

Mod.	Size	p.unit	Cat.No.
2	49x93mm	40	<b>900602s</b>
4	85x93mm	20	<b>900604s</b>
5	103x93mm	20	<b>900605s</b>
6	121x93mm	15	<b>900606s</b>
8	157x93mm	15	<b>900608s</b>
10	193x93mm	15	<b>900610s</b>
13	247x93mm	10	<b>900613s</b>
18	337x93mm	12	<b>900618s</b>

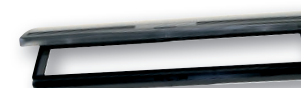


## Hinged windows IP54

- especially compact (robust) design, made of shock-resistant polycarbonate
- for distributor's construction, O.E.M's, panel builders etc.
- self-closing window
- size of hinged window suitable for 4, 6, 8, 9, 10, 11, 12, 13, 14 and 18 modules
- angle of vee > 180°
- with integrated gasket for flange mounting
- integrated free position for lead seal

**IP54** splashproof

Mod.	Size	p.unit	Cat.No.
4	92x97mm	-	<b>9006504s*</b>
6	128x97mm	-	<b>9006506s*</b>
8	164x97mm	-	<b>9006508s*</b>
9	182x97mm	10	<b>9006509s</b>
10	200x97mm	10	<b>9006510s</b>
11	218x97mm	10	<b>9006511s</b>
12	236x97mm	10	<b>9006512s</b>
13	253x97mm	10	<b>9006513s</b>
14	272x97mm	10	<b>9006514s</b>
18	344x97mm	10	<b>9006518s</b>



\* available second semester 2010