

Intel[®] Server Chassis H2000G Product Family

Technical Product Specification

Intel reference number H35971-001



Revision 1.51

November 2015

Revision History

Date	Revision Number	Modifications
August 2014	1.2	1 st external release.
November 2014	1.3	<ul style="list-style-type: none">▪ Added S2600TP and HNS2600TP▪ Updated the package dimensions in the Chassis Feature Set table.
December 2014	1.4	Added Appendix C System Configuration Table for Thermal Compatibility.
February 2015	1.41	Updated the System Environmental Limits Summary table and the Specification Data for AC Power Supply Unit table.
August 2015	1.5	Added Intel® Server Chassis H2224XXKR2.
November 2015	1.51	Fixed some mistakes

Disclaimers

Information in this document is provided in connection with Intel® products. No license, express or implied, by estoppel or otherwise, to any intellectual property rights is granted by this document. Except as provided in Intel's Terms and Conditions of Sale for such products, Intel assumes no liability whatsoever, and Intel disclaims any express or implied warranty, relating to sale and/or use of Intel products including liability or warranties relating to fitness for a particular purpose, merchantability, or infringement of any patent, copyright or other intellectual property right. Intel products are not intended for use in medical, lifesaving, or life sustaining applications. Intel may make changes to specifications and product descriptions at any time, without notice.

A "Mission Critical Application" is any application in which failure of the Intel Product could result, directly or indirectly, in personal injury or death. SHOULD YOU PURCHASE OR USE INTEL'S PRODUCTS FOR ANY SUCH MISSION CRITICAL APPLICATION, YOU SHALL INDEMNIFY AND HOLD INTEL AND ITS SUBSIDIARIES, SUBCONTRACTORS AND AFFILIATES, AND THE DIRECTORS, OFFICERS, AND EMPLOYEES OF EACH, HARMLESS AGAINST ALL CLAIMS COSTS, DAMAGES, AND EXPENSES AND REASONABLE ATTORNEYS' FEES ARISING OUT OF, DIRECTLY OR INDIRECTLY, ANY CLAIM OF PRODUCT LIABILITY, PERSONAL INJURY, OR DEATH ARISING IN ANY WAY OUT OF SUCH MISSION CRITICAL APPLICATION, WHETHER OR NOT INTEL OR ITS SUBCONTRACTOR WAS NEGLIGENT IN THE DESIGN, MANUFACTURE, OR WARNING OF THE INTEL PRODUCT OR ANY OF ITS PARTS.

Designers must not rely on the absence or characteristics of any features or instructions marked "reserved" or "undefined." Intel reserves these for future definition and shall have no responsibility whatsoever for conflicts or incompatibilities arising from future changes to them.

The Intel® Server Chassis H2000G Product Family may contain design defects or errors known as errata which may cause the product to deviate from published specifications. Current characterized errata are available on request.

This document and the software described in it are furnished under license and may only be used or copied in accordance with the terms of the license. The information in this manual is furnished for informational use only, is subject to change without notice, and should not be construed as a commitment by Intel Corporation. Intel Corporation assumes no responsibility or liability for any errors or inaccuracies that may appear in this document or any software that may be provided in association with this document.

Except as permitted by such license, no part of this document may be reproduced, stored in a retrieval system, or transmitted in any form or by any means without the express written consent of Intel Corporation.

Copies of documents which have an order number and are referenced in this document, or other Intel literature, may be obtained by calling 1-800-548-4725, or go to: <http://www.intel.com/design/literature.htm>.

Intel and Xeon are trademarks or registered trademarks of Intel Corporation.

*Other brands and names may be claimed as the property of others.

Copyright © 2015 Intel Corporation. All rights reserved.

Table of Contents

1. Introduction	1
1.1 Chapter Outline	1
1.2 Server Board Use Disclaimer	1
2. Product Overview	3
2.1 Chassis Views	5
2.2 Environmental Limits	7
2.3 Chassis Parts	8
2.4 Drive and Peripheral Bays	10
2.5 Front Bezel Support	11
2.6 Rack and Cabinet Mounting Options	11
3. Power Subsystem	12
3.1 Power Supply Overview	12
3.1.1 Power Supply Dimension	12
3.1.2 AC Power Supply Unit General Data	13
3.1.3 AC Input Connector	13
3.1.4 AC Power Cord Specification Requirements	13
3.1.5 Power Supply Unit DC Output Connector	14
3.1.6 Handle Retention	14
3.1.7 LED Marking and Identification	15
3.1.8 Power Distribution Module	15
3.1.9 Power Interposer Board	16
3.1.10 Power Cage Output Pin Assignment	17
3.2 AC Input Specification	18
3.2.1 Input Voltage and Frequency	18
3.2.2 AC input Power Factor	18
3.2.3 Efficiency	18
3.2.4 AC Line Fuse	18
3.2.5 AC Line Inrush	19
3.2.6 AC Line Dropout/Holdup	19
3.2.7 AC Line Fast Transient (EFT) Specification	19
3.2.8 Hot Plug	19
3.2.9 Susceptibility Requirements	20
3.2.10 Electrostatic Discharge Susceptibility	20
3.2.11 Fast Transient/Burst	20
3.2.12 Radiated Immunity	20

3.2.13	Surge Immunity.....	20
3.2.14	AC Line Transient Specification	21
3.2.15	Power Recovery	21
3.2.16	Voltage Interruptions	21
3.2.17	AC Line Isolation.....	21
3.2.18	AC Power Inlet	22
3.3	DC Output Specification.....	23
3.3.1	Output Power/Currents.....	23
3.3.2	Standby Output	23
3.3.3	Voltage Regulation	23
3.3.4	Dynamic Loading.....	24
3.3.5	Capacitive Loading	24
3.3.6	Ripple/Noise.....	24
3.3.7	Grounding.....	24
3.3.8	Closed Loop Stability.....	25
3.3.9	Residual Voltage Immunity in Standby Mode.....	25
3.3.10	Common Mode Noise.....	25
3.3.11	Soft Starting	25
3.3.12	Zero Load Stability Requirement.....	25
3.3.13	Hot Swap Requirement.....	26
3.3.14	Forced Load Sharing.....	26
3.3.15	Timing Requirement	26
3.4	Power Supply Cold Redundancy Support	28
3.4.1	1600W CRPS Cold Redundancy	28
3.5	Control and Indicator Functions	29
3.5.1	PSON# Input Signal.....	29
3.5.2	PWOK (power good) Output Signal.....	29
3.5.3	SMBAlert# Signal.....	30
3.6	Protection Circuits	31
3.6.1	Current Limit (OCP)	31
3.6.2	Over Voltage Protection (OVP).....	31
3.6.3	Over Thermal Protection	31
3.7	PMBus*	32
3.7.1	PSU Address Lines A0.....	32
3.7.2	Accuracy.....	33
3.8	Power Management Policy.....	34
4.	Cooling Subsystem	35

4.1	Power Supply Fan	35
4.2	Drive Bay Population Requirement	36
5.	Drive Support	37
5.1	Drive Bays Scheme	37
5.2	Drive Carrier.....	39
5.3	Hot-Swap Drive Support.....	41
5.3.1	Backplane Feature Set	41
5.3.2	3.5" Hot Swap Backplane Connector Scheme	42
5.3.3	2.5" Hot Swap Backplane Connector Scheme	44
5.3.4	SAS/PCIe* SFF Combo 24 x 2.5" Hot Swap Backplane	46
5.3.5	Backplane Interposer Board.....	47
5.3.6	Backplane LED Support.....	48
5.3.7	Backplane Connector Definition.....	49
5.3.8	Backplane Interposer Board Connectors.....	53
6.	Front Panel Control and Indicators	56
6.1	Control Panel Button	56
6.2	Control Panel LED Indicators	57
6.2.1	Power LED	57
6.2.2	Status LED	58
6.2.3	ID LED.....	60
Appendix A: Integration and Usage Tips		62
Appendix B: Statement of Volatility		63
Appendix C: System Configuration Table for Thermal Compatibility		66
Glossary		75
Reference Documents.....		76

List of Figures

Figure 1. Server Chassis Overview (12 x 3.5" drive bay)	5
Figure 2. Server Chassis Overview (24 x 2.5" drive bay)	5
Figure 3. Server Chassis Rear View	6
Figure 4. Dummy Tray Cover	6
Figure 5. Major Server Chassis Parts (12 x 3.5" drive bay)	8
Figure 6. Major Server Chassis Parts (24 x 2.5" drive bay)	9
Figure 7. 12 x 3.5" Drive Chassis Front View.....	10
Figure 8. 16 x 2.5" Drive Chassis Front View.....	10
Figure 9. 24 x 2.5" Drive Chassis Front View.....	10
Figure 10. Front Bezel	11
Figure 11. 1600W AC Power Supply Module Overview.....	12
Figure 12. AC Power Supply Unit Dimension Overview.....	13
Figure 13. Power Cage Overview	15
Figure 14. Power Interposer Board Top View	16
Figure 15. Power Distribution Board.....	17
Figure 16. AC Power Cord Specification.....	22
Figure 17. Turn On/Off Timing (Power Supply Signals).....	27
Figure 18. Power Supply Device Address	32
Figure 19. PMBus Monitoring Accuracy	33
Figure 20. 12 x 3.5" Drive Configuration	37
Figure 21. 16 x 2.5" Drive Configuration	38
Figure 22. 24 x 2.5" Drive Configuration	38
Figure 23. 3.5" Drive Carrier Overview	39
Figure 24. 2.5" Drive Carrier Overview	39
Figure 25. 2.5" Drive/PCIe* SFF Device Carrier Overview.....	40
Figure 26. Combo Backplane Kit Device Carrier Identification	40
Figure 27. 3.5" Drive Carrier Support 2.5" SSD.....	40
Figure 28. 3.5" Backplane Component and Connectors (Front View).....	42
Figure 29. 3.5" Backplane Component and Connectors (Back View).....	43
Figure 30. 2.5" Backplane Component and Connectors (Front View).....	44
Figure 31. 2.5" Backplane Component and Connectors (Back View).....	45
Figure 32. 24 x 2.5" Backplane Component and Connectors (Front View).....	46
Figure 33. 24 x 2.5" Backplane Component and Connectors (Back View)	47
Figure 34. Backplane Interposer Board Front View	48

Figure 35. Backplane Interposer Board Back View	48
Figure 36. Drive Tray LED Identification	49
Figure 37. Front Control Panel	56

List of Tables

Table 1. Chassis Feature Set.....	3
Table 2. System Environmental Limits Summary.....	7
Table 3. Specification Data for AC Power Supply Unit.....	13
Table 4. AC Power Cord Specification.....	13
Table 5. DC Output Power Connector.....	14
Table 6. Power Supply Status LED.....	15
Table 7. Pin Assignment of Power Output Connector	17
Table 8. Pin Assignment of Control Signal Connector	17
Table 9. AC Input Rating.....	18
Table 10. Typical Power Factor	18
Table 11. Platinum Efficiency Requirement.....	18
Table 12. AC Power Holdup Requirement.....	19
Table 13. Performance Criteria	20
Table 14. AC Line Sag Transient Performance	21
Table 15. AC Line Surge Transient Performance.....	21
Table 16. Load Ratings for Single 1600W Power Supply Unit.....	23
Table 17. Voltage Regulation Limits	23
Table 18. Transient Load Requirements	24
Table 19. Capacitive Loading Conditions.....	24
Table 20. Ripple and Noise	24
Table 21. Timing Requirement.....	26
Table 22. 1600W CRPS Cold Redundancy Threshold.....	28
Table 23. PSON# Signal Characteristics.....	29
Table 24. PWOK Signal Characteristics	29
Table 25. SMBAlert# Signal Characteristics.....	30
Table 26. Over Current Protection.....	31
Table 27. Over Voltage Protection (OVP) Limits.....	31
Table 28. PSU Addressing.....	32
Table 29. PMBus Accuracy	33
Table 30. Power Management Policy	34
Table 31. Air Flow	35
Table 32. Drive Status LED States.....	49
Table 33. Drive Activity LED States.....	49
Table 34. Backplane Input Power Connector Pin-out	50

Table 35. 2-Blade Compute Module Power Connector Pin-out	50
Table 36. 2x40 Pin Connector Pin-out for Compute Module Bridge Board.....	51
Table 37. Front Panel Connector Pin-out.....	52
Table 38. Power Supply Control Connector Pin-out	52
Table 39. 80 pin Misc. Signal Connector.....	53
Table 40. 40 pin Misc. Signal Connector.....	54
Table 41. BIB Power Edge Connector.....	55
Table 42. Front Panel Connector	55
Table 43. Front Control Button Function.....	56
Table 44. Front LED Indicator Functions.....	57
Table 45. Power LED Operation.....	57
Table 46. Status LED State Definitions	58
Table 47. ID LED	60
Table 48. Non-volatile Components List	63
Table 49. Thermal Configuration Table – S2600KP Product Family, Normal Mode	67
Table 50. Thermal Configuration Table – S2600KP Product Family, Fan Fail Mode	68
Table 51. Thermal Configuration Table – S2600TP Product Family, Normal Mode	70
Table 52. Thermal Configuration Table – S2600TP Product Family, Fan Fail Mode.....	72

< This page intentionally left blank. >

1. Introduction

This Technical Product Specification (TPS) provides chassis specific information detailing the features, functionality, and high-level architecture of the Intel® Server Chassis H2000G product family. You should also reference the *Intel® Server Board S2600KPR Product Family and Intel® Compute Module HNS2600KPR Product Family Technical Product Specification* and *Intel® Server Board S2600TPR Product Family and Intel® Compute Module HNS2600TPR Product Family Technical Product Specification* to obtain greater details of functionality and architecture of the compute module to be integrated into this server chassis.

In addition, you can obtain design-level information for specific subsystems by ordering the External Product Specifications (EPS) or External Design Specifications (EDS) for a given subsystem. EPS and EDS documents are not publicly available. They are only made available under NDA with Intel and must be ordered through your local Intel representative. For a complete list of available documents, refer to the Reference Documents section at the end of this document.

The Intel® Server Chassis H2000G product family may contain design defects or errors known as errata which may cause the product to deviate from published specifications. Refer to the *Intel® Server Board S2600KP Product Family Specification Update* and *Intel® Server Board S2600TP Product Family Specification Update* for published errata.

1.1 Chapter Outline

This document is divided into the following chapters:

- Chapter 1 – Introduction
- Chapter 2 – Product Overview
- Chapter 3 – Power Subsystem
- Chapter 4 – Cooling Subsystem
- Chapter 5 – Drive Support
- Chapter 6 – Front Panel Control and Indicators
- Appendix A – Integration and Usage Tips
- Appendix B – Statement of Volatility
- Appendix C – System Configuration Table for Thermal Compatibility
- Glossary
- Reference Documents

1.2 Server Board Use Disclaimer

Intel Corporation server boards support add-in peripherals and contain a number of high-density VLSI and power delivery components that need adequate airflow to cool. Intel ensures through its own chassis development and testing that when Intel server building

blocks are used together, the fully integrated system will meet the intended thermal requirements of these components. It is the responsibility of the system integrator who chooses not to use Intel developed server building blocks to consult vendor datasheets and operating parameters to determine the amount of air flow required for their specific application and environmental conditions. Intel Corporation cannot be held responsible if components fail or the server board does not operate correctly when used outside any of their published operating or non-operating limits.

2. Product Overview

The Intel® Server Chassis H2000G product family is rack mount 2U server chassis which can support up to four compute modules, purpose-built for high-density and lowest total cost of ownership in dense computing applications, such as HPC and IPDC. The chassis can be used to integrate with four compute modules, supporting up to twelve 3.5" or sixteen 2.5" hot-swap SAS or SATA drives, with 1600 Watts Common Redundant Power Supply (CRPS) capability.

This chapter provides a high-level overview of the chassis features. The following chapters provide greater detail for each major chassis component or feature.

Table 1. Chassis Feature Set

Feature		Description						
Dimensions	H2312XXKR2	3.42 inches (86.9 mm) high 17.24 inches (438 mm) wide 30.35 inches (771 mm) deep						
	H2216XXKR2 H2224XXKR2	3.42 inches (86.9 mm) high 17.24 inches (438 mm) wide 28.86 inches (733 mm) deep						
Package Dimensions*		983X577X260 mm						
Weight	H2312XXKR2	Net weight 21.5kg, package weight 29.5kg						
	H2216XXKR2	Net weight 20.5kg, package weight 28.4kg						
	H2224XXKR2	Net weight 20.64 kg, package weight 28.86 kg						
Compute Module Support		<table border="1"> <tr> <td>H2312XXKR2</td> <td>Intel® Compute Module HNS2600KPR Product Family</td> </tr> <tr> <td>H2216XXKR2</td> <td>Intel® Compute Module HNS2600TPR Product Family</td> </tr> <tr> <td>H2224XXKR2</td> <td>Intel® Compute Module HNS2600TP24R Product Family</td> </tr> </table>	H2312XXKR2	Intel® Compute Module HNS2600KPR Product Family	H2216XXKR2	Intel® Compute Module HNS2600TPR Product Family	H2224XXKR2	Intel® Compute Module HNS2600TP24R Product Family
H2312XXKR2	Intel® Compute Module HNS2600KPR Product Family							
H2216XXKR2	Intel® Compute Module HNS2600TPR Product Family							
H2224XXKR2	Intel® Compute Module HNS2600TP24R Product Family							
Fan		One internal power supply fan for each installed power supply unit						
Power Supply Options		1600W AC Common Redundant Power Supply (CRPS), 80 plus Platinum, supporting CRPS configuration						
Storage Bay Options		12x 3.5-inch SATA/SAS drive bays – H2312XXKR2 16x 2.5-inch SATA/SAS drive bays – H2216XXKR2 24x 2.5-inch SAS drive bays (8 x PCIe* SFF) – H2224XXKR2						

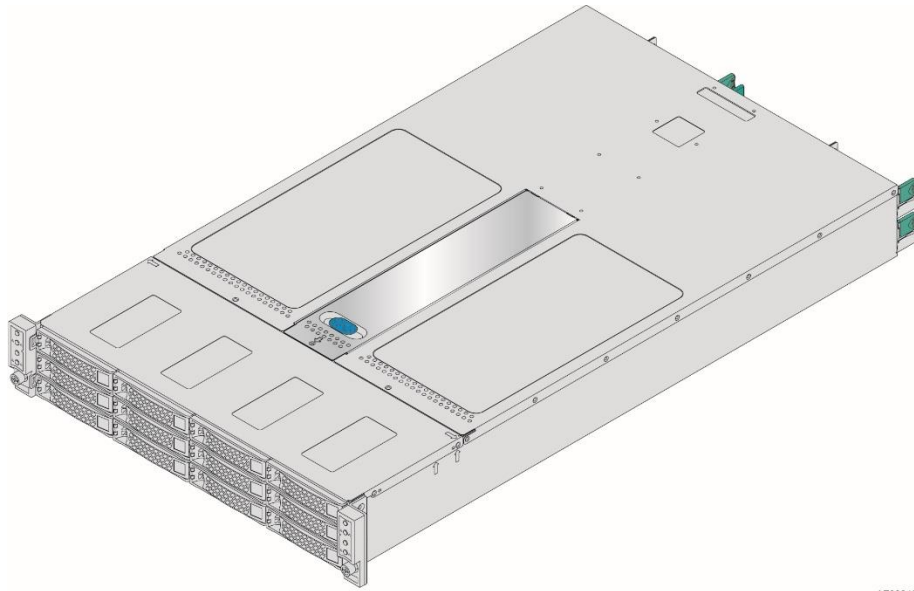
Note: The package dimensions are the outer dimensions of the package box out of the server chassis.

The Intel® Server Chassis H2000G product family also supports different compute module quantity in the same chassis. The compute module quantity can be at least 1, and up to 4 in one chassis.

WARNING! *Be protected before accessing the system from rear side since the temperature of an operating system exit air could be over 70°C (158°F).*

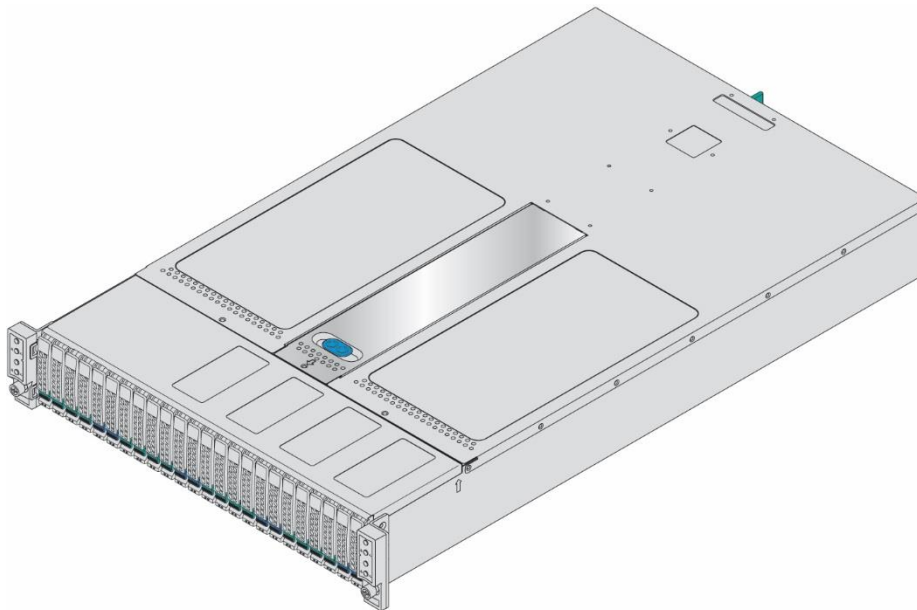
Caution: *The chassis has limited support on mixed compute module configuration, for example, compute modules based on different server board can be installed in the same chassis for power-on only.*

2.1 Chassis Views



AF006406

Figure 1. Server Chassis Overview (12 x 3.5" drive bay)



AF006920

Figure 2. Server Chassis Overview (24 x 2.5" drive bay)

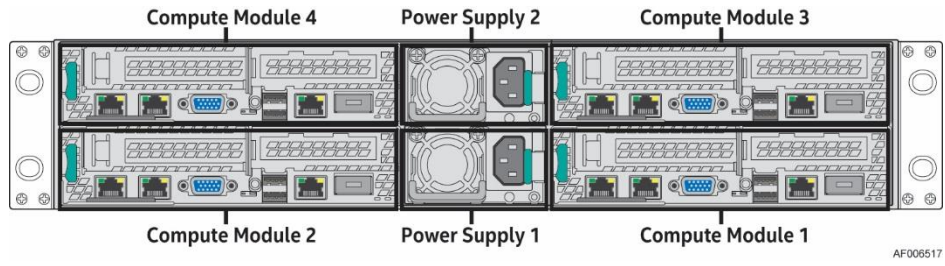


Figure 3. Server Chassis Rear View

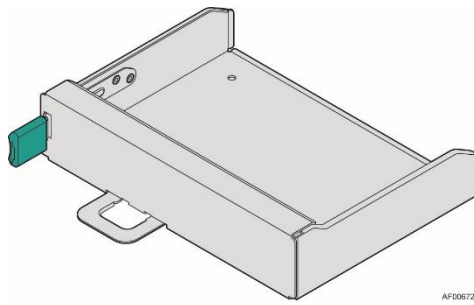


Figure 4. Dummy Tray Cover

2.2 Environmental Limits

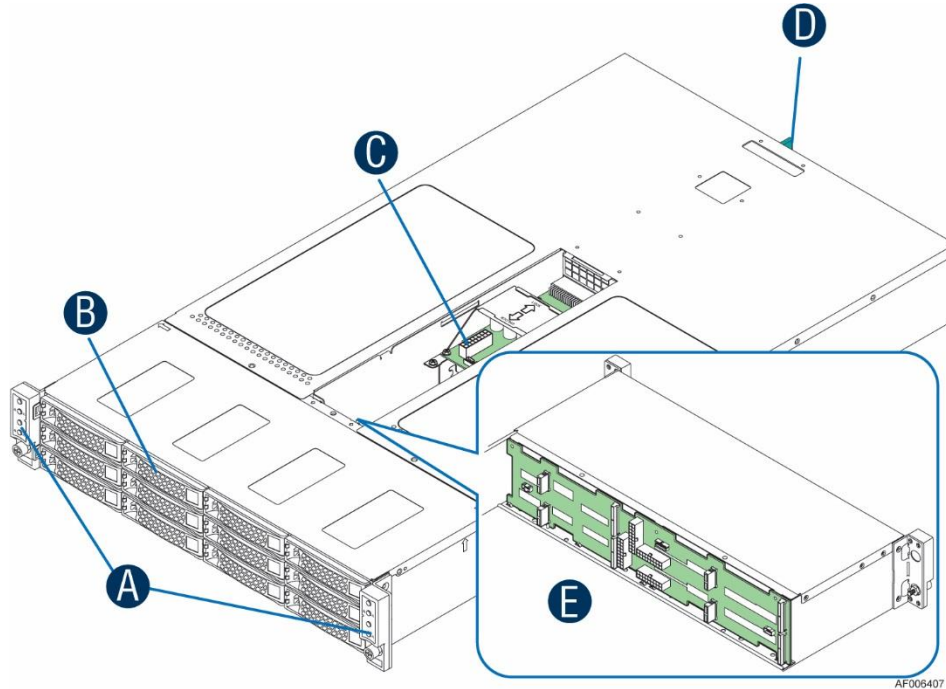
The following table defines the system level operating and non-operating environmental limits.

Table 2. System Environmental Limits Summary

Parameter		Limits
Temperature		
	Operating	ASHRAE Class A2 – Continuous Operation. 10°C to 35°C (50°F to 95°F) with the maximum rate of change not to exceed 10°C per hour
		ASHRAE Class A3 – Includes operation up to 40°C for up to 900 hours per
		ASHRAE Class A4 – Includes operation up to 45° for up to 90 hours per year
	Non-Operating	-40°C to 70°C (-40°F to 158°F)
Altitude		
	Operating	Support operation up to 3050m with ASHRAE class deratings.
Humidity		
	Non-Operating	50% to 90%, non-condensing with a maximum wet bulb of 28° C (at temperatures from 25°C to 35°C)
Shock		
	Operating	Half sine, 2g, 11 mSec
	Unpackaged	Trapezoidal, 25g, velocity change 175 inches/second
	Packaged	ISTA (International Safe Transit Association) Test Procedure 3A
Vibration		
	Unpackaged	5 Hz to 500 Hz 2.20 g RMS random
	Packaged	ISTA (International Safe Transit Association) Test Procedure 3A
AC-DC		
	Voltage	90 V to 132 V and 180 V to 264 V
	Frequency	47 Hz to 63 Hz
	Source Interrupt	No loss of data for power line drop-out of 12 mSec
	Surge Non-operating and operating	Unidirectional
	Line to earth Only	AC Leads 2.0 kV I/O Leads 1.0 kV
ESD		
	Air Discharged	12.0 kV
	Contact Discharge	8.0 kV

Disclaimer Note: Intel ensures the unpackaged server board and chassis meet the shock requirement mentioned above through its own chassis development and configuration. It is the responsibility of the system integrator to determine the proper shock level of the board and chassis if the system integrator chooses different configuration or different chassis. Intel Corporation cannot be held responsible, if components fail or the server board does not operate correctly when used outside any of its published operating or non-operating limits.

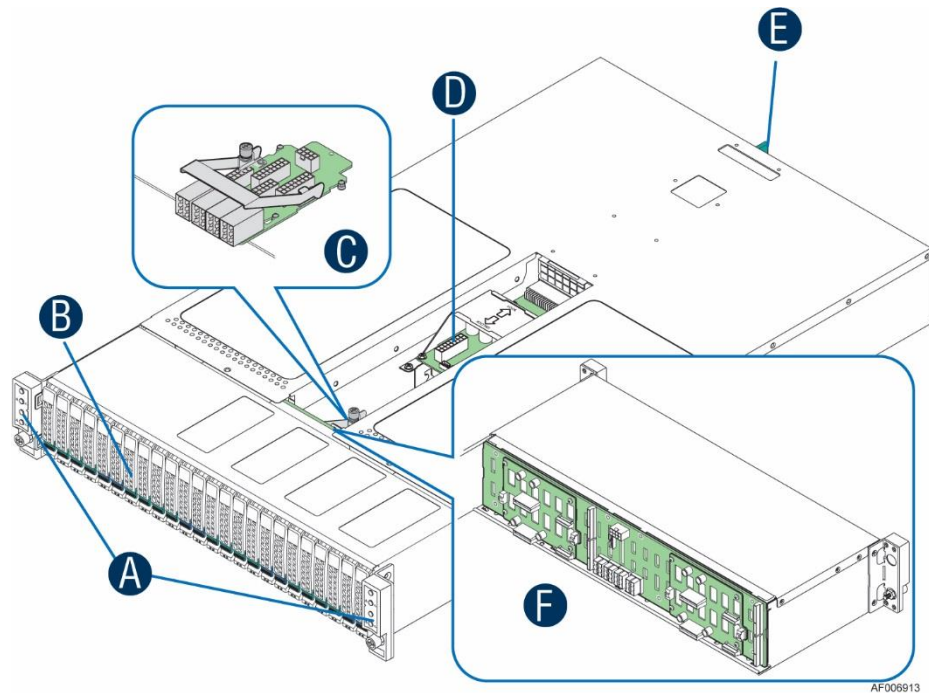
2.3 Chassis Parts



A	Front Control Panels
B	Drive bays
C	Power Distribution Module
D	Power Supply Modules
E	Hot Swap Back Plane (attached to the drive cage)

Note: Not shown – Rack slide rail and power distribution module cover

Figure 5. Major Server Chassis Parts (12 x 3.5" drive bay)



A	Front Control Panels
B	Drive bays
C	Power Interposer Board (24 x 2.5" drive chassis only)
D	Power Distribution Module
E	Power Supply Modules
F	Hot Swap Backplane (attached to the drive cage)

Note: Not shown – Rack slide rail and power distribution module cover

Figure 6. Major Server Chassis Parts (24 x 2.5" drive bay)

Notes:

1. The blank compute module bay must be covered by a dummy tray cover. When removed, keep the dummy tray cover properly for future use.
2. The compute module bay in the chassis requires either a compute module being installed and powered up or a dummy tray cover installed to maintain proper thermal environment for the other running compute modules in the same chassis. In case of a compute module failure, remove the failed compute module, and replace with a dummy tray cover until the new compute module is installed.

2.4 Drive and Peripheral Bays

	Intel® Server Chassis H2312XXKR2	Intel® Server Chassis H2216XXKR2	Intel® Server Chassis H2224XXKR2
SATA/SAS Drives (3.5-inch)	Up to 12	Not Supported	Not Supported
SATA/SAS Drives (2.5-inch)	Up to 12	Up to 16	Up to 24 (SAS drive and selected Intel SATA SSD only) ⁽¹⁾
PCIe* SFF Devices	Not Supported	Not Supported	Up to 8 ⁽²⁾

Note (1): Intel only verified the SAS drive and selected Intel SATA SSD on the H2224XXKR2 chassis, refer the Intel SCT (http://serverconfigurator.intel.com/sct_app.aspx) for tested SAS drive and Intel SATA SSD list.

Note (2): As the PCIe* SFF device (NVMe SSD) shares the drive slots with SAS drive, so when support 8 NVMe SSD, SAS drive number will decrease from 24 to 16.

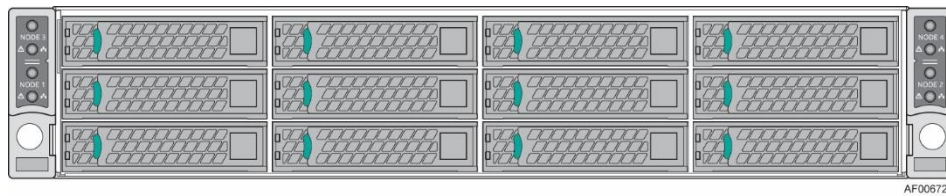


Figure 7. 12 x 3.5" Drive Chassis Front View

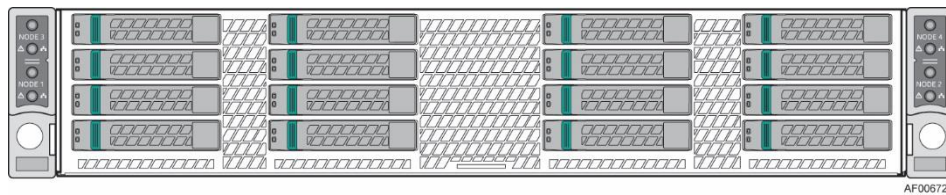


Figure 8. 16 x 2.5" Drive Chassis Front View

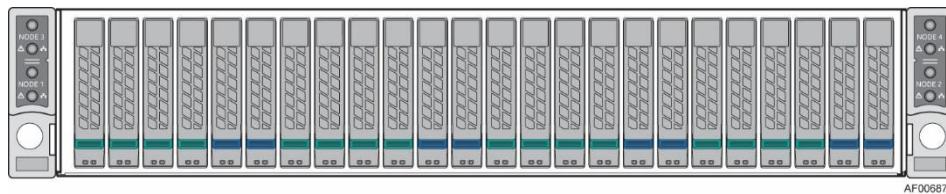


Figure 9. 24 x 2.5" Drive Chassis Front View

2.5 Front Bezel Support

The Intel® Server Chassis H2000G product family provides front panel bezel. The bezel provides protection to chassis drive bays with a lock to the chassis. The front view of the bezel is as below.

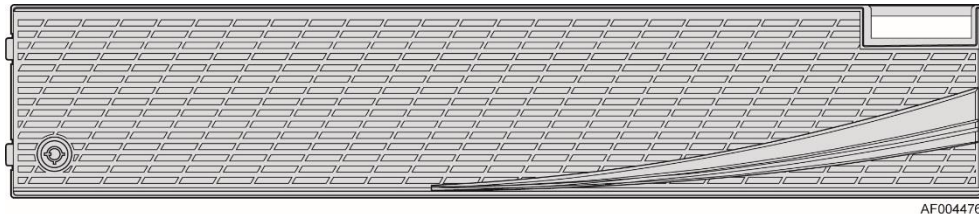


Figure 10. Front Bezel

2.6 Rack and Cabinet Mounting Options

The server chassis is designed to support 19 inches wide by up to 30 inches deep server cabinets. The server chassis bundles with the following Intel® rack mount option:

- The basic slide rail kit (Product order code – **AXXELVRAIL**) is designed to mount the chassis into a standard (19 inches wide by up to 30 inches deep) EIA-310D compatible server cabinet.
- The premium quality rails (Product order code – **AXXFULLRAIL**) can support the travel distance 780mm, full extension from rack.

Caution: THE MAXIMUM RECOMMENDED SERVER WEIGHT FOR THE RACK RAILS CAN BE FOUND at <http://www.intel.com/support/motherboards/server/sb/CS-033655.htm>. EXCEEDING THE MAXIMUM RECOMMENDED WEIGHT OR MISALIGNMENT OF THE SERVER MAY RESULT IN FAILURE OF THE RACK RAILS HOLDING THE SERVER. Use of a mechanical assist to install and align server into the rack rails is recommended.

Advisory Note: To support shipment of the server chassis while installed in a rack with the rack mount rail kit, user should ensure the server cabinet and its package can support the shipment under the actual transport conditions.

3. Power Subsystem

The server chassis supports 1600W AC 1+1 hot-swap power supply module and two power distribution boards which can support 2U rack high density server.

3.1 Power Supply Overview

The power supply module has a simple retention mechanism to retain the module self once it is inserted. This mechanism withstands the specified mechanical shock and vibration requirements. The power distribution board is fixed in the chassis with screws. Using existing power supply module provided by vendor with updated PMBus* and custom-made power connector board the server chassis supports four compute modules. The power supply has two outputs: 12V and 12V standby. The input is auto ranging and power factor corrected. The PMBus* features are requirements for AC silver rated box power supply for use in server systems based on the Intel® Server Chassis H2000G product family. This specification is based on the *PMBus* Specifications* part I and II, revision 1.1.

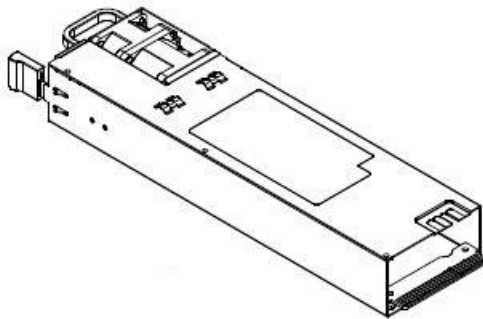


Figure 11. 1600W AC Power Supply Module Overview

3.1.1 Power Supply Dimension

The physical size of the power supply enclosure is 39/40mm x 73.5mm x 265mm. The power supply contains a single 40mm fan. The power supply has a card edge output that interfaces with a 2x25 card edge connector in the chassis. The AC plugs directly into the external face of the power supply.

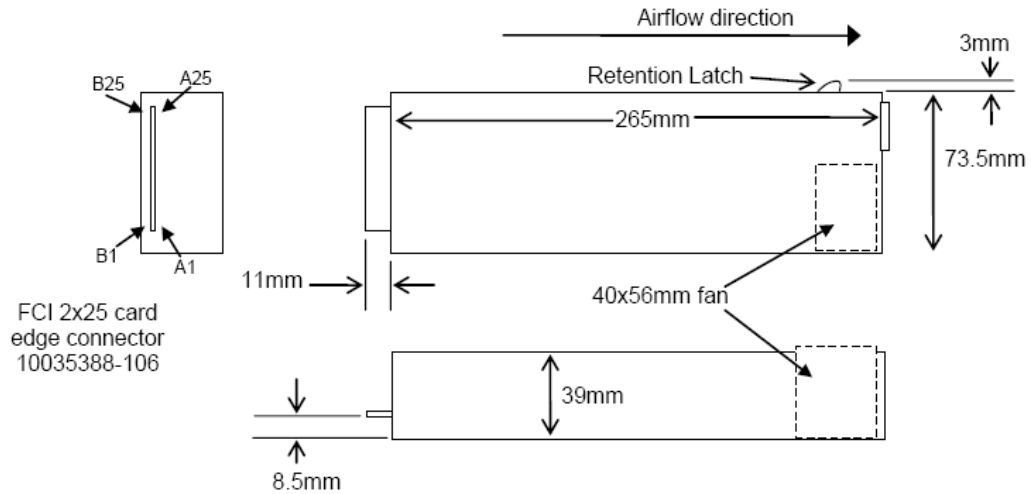


Figure 12. AC Power Supply Unit Dimension Overview

3.1.2 AC Power Supply Unit General Data

Below is general specification data for AC power supply unit.

Table 3. Specification Data for AC Power Supply Unit

	1600W Power Supply
Wattage	1600W (Energy Smart)
Voltage	90-264 VAC, auto-ranging, 47 Hz-63 Hz
Heat Dissipation	5459 BTU/hr
Maximum Inrush Current	Under typical line conditions and over the entire chassis ambient operating range, the inrush current may reach 65 A per power supply for 5 ms
80 Plus rating	Platinum

3.1.3 AC Input Connector

The power supply has an internal IEC320 C14 power inlet. The inlet is rated for a minimum of 10A at 250VAC.

3.1.4 AC Power Cord Specification Requirements

The AC power cord used meets the following specification requirements.

Table 4. AC Power Cord Specification

Cable Type	SJT
Wire Size	16 AWG
Temperature Rating	105° C
Amperage Rating	13A

Cable Type	SJT
------------	-----

3.1.5 Power Supply Unit DC Output Connector

The DC output connector pin-out is defined as follows.

Table 5. DC Output Power Connector

PSU Output Connector			
A1	GND	B1	GND
A2	GND	B2	GND
A3	GND	B3	GND
A4	GND	B4	GND
A5	GND	B5	GND
A6	GND	B6	GND
A7	GND	B7	GND
A8	GND	B8	GND
A9	GND	B9	GND
A10	+12V	B10	+12V
A11	+12V	B11	+12V
A12	+12V	B12	+12V
A13	+12V	B13	+12V
A14	+12V	B14	+12V
A15	+12V	B15	+12V
A16	+12V	B16	+12V
A17	+12V	B17	+12V
A18	+12V	B18	+12V
A19	PMBus SDA*	B19	A0* (SMBus address)
A20	PMBus SCL*	B20	A1* (SMBus address)
A21	PSON	B21	12V STBY
A22	SMBAlert#	B22	Cold Redundancy Bus*
A23	Return Sense	B23	12V load share bus
A24	+12V Remote Sense	B24	No Connect
A25	PWOK	B25	CRPS Compatibility Check pin*

* Refer to the spec of CRPS Common Requirements Specification.

3.1.6 Handle Retention

The power supply has a handle to assist extraction. The module is able to be inserted and extracted without the assistance of tools. The power supply also has a latch which retains the power supply into the chassis and prevents the power supply from being inserted or extracted from the chassis when the AC power cord is pulled into the power supply.

The handle protects the operator from any burn hazard through the use of industrial designed plastic handle or equivalent material.

3.1.7 LED Marking and Identification

The power supply is using a bi-color LED: Amber and Green for status indication. The following table shows the LED states for each power supply operating state.

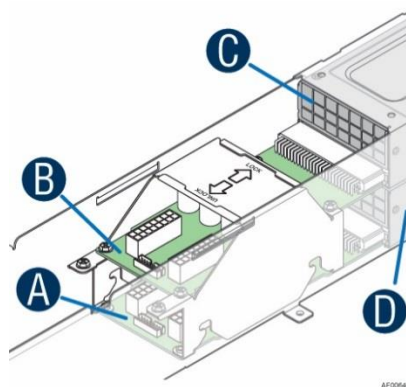
Table 6. Power Supply Status LED

Power Supply Condition	LED State
Output ON and OK	Solid GREEN
No AC power to all power supplies	OFF
AC present/Only 12VSB on (PS off) or PS in Cold redundant state	1Hz Blink GREEN
AC cord unplugged or AC power lost; with a second power supply in parallel still with AC input power.	Solid AMBER
Power supply warning events where the power supply continues to operate; high temp, high power, high current, slow fan.	1Hz Blink Amber
Power supply critical event causing a shutdown; failure, OCP, OVP, Fan Fail	Solid AMBER
Power supply FW updating	2Hz Blink GREEN

3.1.8 Power Distribution Module

The power distribution module is at the middle of the chassis and consists of two Power Distribution Boards (PDBs) to support Common Redundant Power Supplies (CRPS).

Following is the Power Distribution Module overview.

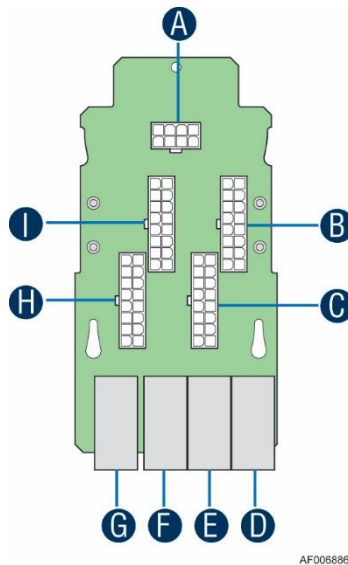


A	Power Distribution Board 1
B	Power Distribution Board 2
C	Power Supply Unit #2 (upper) and #1 (lower)
D	PSU cage

Figure 13. Power Cage Overview

3.1.9 Power Interposer Board

The power interposer board is only used in 24 x 2.5" drive chassis as the interposer between power distribution board and the backplane.

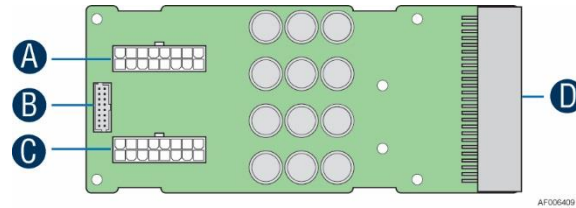


A	2x4 pin 5V Power Connector
B	2x8 pin 12V Power Connector (to PDB)
C	2x8 pin 12V Power Connector (to PDB)
D	12V Power Connector (to backplane)
E	12V Power Connector (to backplane)
F	12V Power Connector (to backplane)
G	12V Power Connector (to backplane)
H	2x8 pin 12V Power Connector (to PDB)
I	2x8 pin 12V Power Connector (to PDB)

Figure 14. Power Interposer Board Top View

3.1.10 Power Cage Output Pin Assignment

The power cage provides +12V and +12V_{STB} output to the server chassis. Each PDB has two 2x9 power output cable to chassis backplane, together with one 2x8 signal control cable for power management. Refer to the following table for PDB pin assignment.



A	Main Power Output Connector
B	Control Signal Connector
C	Main Power Output Connector
D	Power Supply Unit Connector

Figure 15. Power Distribution Board

Table 7. Pin Assignment of Power Output Connector

Pin	Description	Pin	Description
1	GND	9	+12V
2	GND	10	+12V
3	GND	11	+12V
4	GND	12	+12V
5	GND	13	+12V
6	GND	14	+12V
7	GND	15	+12V
8	GND	16	+12V

Table 8. Pin Assignment of Control Signal Connector

Pin	Description	Pin	Description
1	PMBus SDA	2	For A0 addressing
3	PMBus SCL	4	PSON#
5	OCP_SHTDN#	6	12V Load Share Bus
7	SMBAlert#	8	Cold Redundancy Bus
9	Reserved	10	PWOK
11	Reserved	12	Compatibility Bus
13	Reserved	14	+12VSB
15	+12VSB	16	Key Pin (removed)

3.2 AC Input Specification

3.2.1 Input Voltage and Frequency

The power supply operates within all specified limits over the following input voltage range.

Table 9. AC Input Rating

Parameter	Min	Rated	Max	Start-up VAC	Power-off VAC
110V _{AC}	90 V _{rms}	100-127 V _{rms}	140 V _{rms}	85 V _{AC} ± 4V _{AC}	70V _{AC} ± 5V _{AC}
220V _{AC}	180 V _{rms}	200-240 V _{rms}	264 V _{rms}		
Frequency	47 Hz	50/60 Hz	63 Hz		

Notes:

1. Maximum input current at low input voltage range is measured at 90VAC, at max load.
2. Maximum input current at high input voltage range is measured at 180VAC, at max load.
3. This requirement is not to be used for determining agency input current markings.

3.2.2 AC input Power Factor

The power supply meets the power factor requirements stated in the Energy Star* Program Requirements for Computer Servers. These requirements are stated below.

Table 10. Typical Power Factor

Output Power	10% Load	20% Load	50% Load	100% Load
Power factor	> 0.80	> 0.90	> 0.90	> 0.95

3.2.3 Efficiency

The following table provides the required minimum efficiency level at various loading conditions. These are provided at different load levels; 100%, 50%, 20%, and 10%. Output is loaded according to the proportional loading method defined by 80 Plus in *Generalized Internal Power Supply Efficiency Testing Protocol*, Rev 6.4.3.

Table 11. Platinum Efficiency Requirement

Loading	100% of Maximum	50% of Maximum	20% of Maximum	10% of Maximum
Minimum Efficiency	91%	94%	90%	82%

3.2.4 AC Line Fuse

The power supply has one line fused in the **single line fuse** on the line (Hot) wire of the AC input. The line fusing is acceptable for all safety agency requirements. The input fuse is a slow blow type. AC inrush current does not cause the AC line fuse to blow under any conditions. All protection circuits in the power supply do not cause the AC fuse to blow unless a component in the power supply has failed. This includes DC output load short conditions.

3.2.5 AC Line Inrush

AC line inrush current shall not exceed **65A peak**, for up to one-quarter of the AC cycle, after which, the input current should be no more than the specified maximum input current. The peak inrush current shall be less than the ratings of its critical components (including input fuse, bulk rectifiers, and surge limiting device).

The power supply meets the inrush requirements for any rated AC voltage, during turn on at any phase of AC voltage, during a single cycle AC dropout condition as well as upon recovery after AC dropout of any duration, and over the specified temperature range (T_{op}).

3.2.6 AC Line Dropout/Holdup

An AC line dropout is defined to be when the AC input drops to 0VAC at any phase of the AC line for any length of time. During an AC dropout the power supply meets dynamic voltage regulation requirements. An AC line dropout of any duration shall not cause tripping of control signals or protection circuits. If the AC dropout lasts longer than the holdup time, the power supply should recover and meet all turn on requirements. The power supply shall meet the AC dropout requirement over rated AC voltages and frequencies. A dropout of the AC line for any duration shall not cause damage to the power supply.

Table 12. AC Power Holdup Requirement

Loading	Holdup Time
70%	10.6msec

The $12V_{STB}$ output voltage should stay in regulation under its full load (static or dynamic) during an AC dropout of **70ms min** (=12VSB holdup time) whether the power supply is in ON or OFF state (PSON asserted or de-asserted).

3.2.7 AC Line Fast Transient (EFT) Specification

The power supply meets the *EN61000-4-5* directive and any additional requirements in *IEC1000-4-5: 1995* and the Level 3 requirements for surge-withstand capability, with the following conditions and exceptions:

- These input transients do not cause any out-of-regulation conditions, such as overshoot and undershoot, nor do they cause any nuisance trips of any of the power supply protection circuits.
- The surge-withstand test does not produce damage to the power supply.

The supply meets surge-withstand test conditions under maximum and minimum DC-output load conditions.

3.2.8 Hot Plug

The power supply is designed to allow connection into and removal from the chassis without removing power to the chassis. During any phase of insertion, start-up, shutdown, or removal,

the power supply does not cause any other like modules in the chassis to deviate outside of their specifications. When AC power is applied, the auxiliary supply shall turn on providing bias power internal to the supply and the 5VSB standby output.

3.2.9 Susceptibility Requirements

The power supply meets the following electrical immunity requirements when connected to a cage with an external EMI filter, which meets the criteria, defined in the SSI document EPS Power Supply Specification. For further information on customer standards, request a copy of the customer Environmental Standards Handbook.

Table 13. Performance Criteria

Level	Description
A	The apparatus shall continue to operate as intended. No degradation of performance.
B	The apparatus shall continue to operate as intended. No degradation of performance beyond spec limits.
C	Temporary loss of function is allowed provided the function is self-recoverable or can be restored by the operation of the controls.

3.2.10 Electrostatic Discharge Susceptibility

The power supply complies with the limits defined in EN 55024: 1998 using the IEC 61000-4-2:1995 test standard and performance criteria B defined in Annex B of CISPR 24.

3.2.11 Fast Transient/Burst

The power supply complies with the limits defined in EN 55024: 1998 using the IEC 61000-4-4:1995 test standard and performance criteria B defined in Annex B of CISPR 24.

3.2.12 Radiated Immunity

The power supply complies with the limits defined in EN 55024: 1998 using the IEC 61000-4-3:1995 test standard and performance criteria A defined in Annex B of CISPR 24.

3.2.13 Surge Immunity

The power supply is tested with the chassis for immunity to AC Ring wave and AC Unidirectional wave, both up to 2kV, per EN 55024:1998, EN 61000-4-5:1995 and ANSI C62.45: 1992.

The pass criteria include the following:

- No unsafe operation is allowed under any condition
- All power supply output voltage levels to stay within proper spec levels
- No change in operating state or loss of data during and after the test profile
- No component damage under any condition

The power supply complies with the limits defined in EN 55024: 1998 using the IEC 61000-4-5:1995 test standard and performance criteria B defined in Annex B of CISPR 24.

3.2.14 AC Line Transient Specification

AC line transient conditions are defined as “sag” and “surge” conditions. “Sag” conditions are also commonly referred to as “brownout”; these conditions are defined as the AC line voltage dropping below nominal voltage conditions. “Surge” is defined to refer to conditions when the AC line voltage rises above nominal voltage.

The power supply meets the requirements under the following AC line sag and surge conditions.

Table 14. AC Line Sag Transient Performance

AC Line Sag (10 sec interval between each sagging)				
Duration	Sag	Operating AC Voltage	Line Frequency	Performance Criteria.
0 to ½ AC cycle	95%	Nominal AC Voltage ranges	50/60Hz	No loss of function or performance.
> 1 AC cycle	>30%	Nominal AC Voltage ranges	50/60Hz	Loss of function acceptable, self-recoverable.

Table 15. AC Line Surge Transient Performance

AC Line Surge				
Duration	Surge	Operating AC Voltage	Line Frequency	Performance Criteria
Continuous	10%	Nominal AC Voltages	50/60Hz	No loss of function or performance
0 to ½ AC cycle	30%	Mid-point of nominal AC Voltages	50/60Hz	No loss of function or performance

3.2.15 Power Recovery

The power supply recovers automatically after an AC power failure. AC power failure is defined to be any loss of AC power that exceeds the dropout criteria.

3.2.16 Voltage Interruptions

The power supply complies with the limits defined in EN 55024: 1998/A1: 2001/A2: 2003 using the IEC 61000-4-11: Second Edition: 2004-03 test standard and performance criteria C defined in Annex B of CISPR 24.

3.2.17 AC Line Isolation

The power supply meets all safety agency requirements for dielectric strength. Transformers' isolation between primary and secondary windings complies with the 3000Vac (4242Vdc) dielectric strength criteria. If the working voltage between primary and secondary dictates a

higher dielectric strength test voltage, the highest test voltage will be used. In addition the insulation chassis complies with reinforced insulation per safety standard IEC 950. Separation between the primary and secondary circuits, and primary to ground circuits, complies with the IEC 950 spacing requirements.

3.2.18 AC Power Inlet

The AC input connector is an *IEC 320 C-14* power inlet. This inlet is rated for 10A/250 VAC.

The AC power cord meets the following specification requirements.

Cable Type	SJT
Wire Size	16 AWG
Temperature Rating	105°C
Amperage Rating	13 A
Voltage Rating	125 V

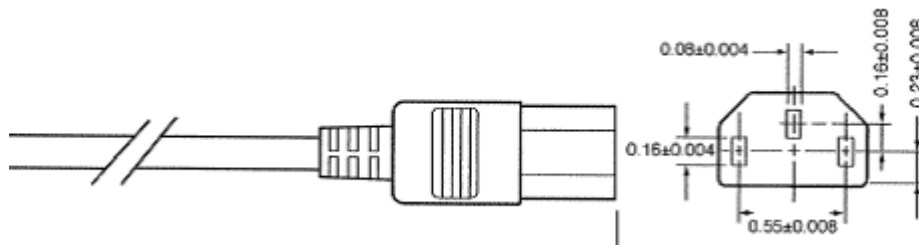


Figure 16. AC Power Cord Specification

3.3 DC Output Specification

3.3.1 Output Power/Currents

The following table defines the minimum power and current ratings. The power supply meets both static and dynamic voltage regulation requirements for all conditions.

Table 16. Load Ratings for Single 1600W Power Supply Unit

Parameter	Min	Max	Peak 2	Unit
+12V main (200-240VAC)	0.0	133	175	A
+12VSTB ¹	0.0	3.5	2.4	A

Power rating for AC low line

V _{in}	≥100VAC	≥110VAC	≥120VAC
P _{o,max}	1130W	1250W	1320W

Notes:

1. 12V_{STB} provides 4.0A peak load with single power supply. The power supply fan is allowed to run in standby mode for loads > 1.5A.
2. Length of time peak power can be supported based on thermal sensor and assertion of the SMBAlert# signal. Minimum peak power duration shall be 20 seconds without asserting the SMBAlert# signal.
3. The setting of I_{Peak} < I_{OCW} < I_{OCP} needs to be followed to make the CLST work reasonably.
4. The power supply must protect itself in case the system doesn't take any action based on SMBAlert/OCW event.

3.3.2 Standby Output

The 12VSB output will be present when an AC input greater than the power supply turn on voltage is applied.

3.3.3 Voltage Regulation

The power supply output voltages stay within the following voltage limits when operating at steady state and dynamic loading conditions. These limits include the peak-peak ripple/noise. These shall be measured at the output connectors.

Table 17. Voltage Regulation Limits

Parameter	Min	Nom	Max	Unit	Tolerance
+12V _{STB}	+11.40V	+12.000V	+12.60V	Vrms	±5%
+12V	+11.40V	+12.000V	+12.60V	Vrms	±5%

The combined output continuous power of all outputs does not exceed 3200W (1600W from each 1600W power supply unit). Each output has a maximum and minimum current rating. The power supply meets both static and dynamic voltage regulation requirements for the

minimum dynamic loading conditions. The power supply meets only the static load voltage regulation requirements for the minimum static load conditions.

3.3.4 Dynamic Loading

The output voltages remain within limits specified for the step loading and capacitive loading specified in the table below. The load transient repetition rate is tested between 50Hz and 5kHz at duty cycles ranging from 10%-90%. The load transient repetition rate is only a test specification. The Δ step load may occur anywhere within the MIN load to the MAX load conditions.

Table 18. Transient Load Requirements

Output	Δ Step Load Size	Load Slew Rate	Test Capacitive Load
+12V _{STB}	1.0A	0.25 A/ μ sec	20 μ F
+12V	60% of max load	0.25 A/ μ sec	2000 μ F

Note: For dynamic condition +12V min loading is 1A.

3.3.5 Capacitive Loading

The power supply is stable and meets all requirements, with the following capacitive loading conditions.

Table 19. Capacitive Loading Conditions

Output	Min	Max	Units
+12V	500	25,000	μ F
+12V _{STB}	20	3100	μ F

3.3.6 Ripple/Noise

The maximum allowed ripple/noise output of the power supply is defined in the table below. This is measured over a bandwidth of 10Hz to 20MHz at the power supply output connectors. A 10 μ F tantalum capacitor in parallel with a 0.1 μ F ceramic capacitor is placed at the point of measurement.

Table 20. Ripple and Noise

+12V	+12V _{STB}
120mVp-p	120mVp-p

3.3.7 Grounding

The output ground of the pins of the power supply provides the output power return path. The output connector ground pins are connected to the safety ground (power supply enclosure). This grounding is well designed to ensure passing the max allowed Common Mode Noise levels.

The power supply is provided with a reliable protective earth ground. All secondary circuits are connected to protective earth ground. Resistance of the ground returns to chassis does not exceed 1.0 mΩ. This path may be used to carry DC current.

3.3.8 Closed Loop Stability

The power supply is unconditionally stable under all line/load/transient load conditions including capacitive load ranges specified in Section 3.3.5. A minimum of **45 degrees phase margin** and **-10dB-gain margin** is required. The power supply manufacturer shall provide proof of the unit's closed-loop stability with local sensing through the submission of Bode plots. Closed-loop stability must be ensured at the maximum and minimum loads as applicable.

3.3.9 Residual Voltage Immunity in Standby Mode

The power supply is immune to any residual voltage placed on its outputs (typically a leakage voltage through the chassis from standby output) up to **500mV**. There is no additional heat generated, nor stressing of any internal components with this voltage applied to any individual or all outputs simultaneously. It also does not trip the protection circuits during turn on.

The residual voltage at the power supply outputs for no load condition will not exceed **100mV** when AC voltage is applied and the PSON# signal is de-asserted.

3.3.10 Common Mode Noise

The Common Mode noise on any output does not exceed **350mVp-p** over the frequency band of 10Hz to 20MHz.

- The measurement is made across a 100Ω resistor between each of DC outputs, including ground at the DC power connector and chassis ground (power subsystem enclosure).
- The test setup uses a FET probe such as Tektronix model P6046 or equivalent.

3.3.11 Soft Starting

The power supply contains control circuit which provides monotonic soft start for its outputs without overstress of the AC line or any power supply components at any specified AC line or load conditions.

3.3.12 Zero Load Stability Requirement

When the power subsystem operates in a no load condition, it does not need to meet the output regulation specification, but it must operate without any tripping of over-voltage or other fault circuitry. When the power subsystem is subsequently loaded, it must begin to regulate and source current without fault.

3.3.13 Hot Swap Requirement

Hot swapping a power supply is the process of inserting and extracting a power supply from an operating power system. During this process the output voltages remain within the limits with the capacitive load specified. The hot swap test must be conducted when the system is operating under static, dynamic, and zero loading conditions. The power supply will use a latching mechanism to prevent insertion and extraction of the power supply when the AC power cord is inserted into the power supply.

3.3.14 Forced Load Sharing

The +12V output has active load sharing. The output will share within 10% at full load. The failure of a power supply will not affect the load sharing or output voltages of the other supplies still operating. The supplies are able to load share in parallel and operate in a hot-swap/redundant **1+1** configurations. The 12VSBoutput is not required to actively share current between power supplies (passive sharing). The 12VSBoutput of the power supplies is connected together in the system so that a failure or hot swap of a redundant power supply does not cause these outputs to go out of regulation in the system.

3.3.15 Timing Requirement

These are the timing requirements for the power supply operation. The output voltages must rise from 10% to within regulation limits (T_{vout_rise}) within 5 to 70ms. For 12VSB, it is allowed to rise from 1.0 to 25ms. **All outputs must rise monotonically.** The table below shows the timing requirements for the power supply being turned on and off through the AC input, with PSON held low and the PSON signal, with the AC input applied.

Table 21. Timing Requirement

Item	Description	Min.	Max.	Units
T_{vout_rise}	Output voltage rise time	5.0 *	70 *	ms
$T_{sb_on_delay}$	Delay from AC being applied to 12VSBbeing within regulation.		1500	ms
$T_{ac_on_delay}$	Delay from AC being applied to all output voltages being within regulation.		3000	ms
T_{vout_holdup}	Time 12Vl output voltage stay within regulation after loss of AC.	13		ms
T_{pwok_holdup}	Delay from loss of AC to de-assertion of PWOK	10.6		ms
$T_{pson_on_delay}$	Delay from PSON# active to output voltages within regulation limits.	5	400	ms
T_{pson_pwok}	Delay from PSON# deactivate to PWOK being de-asserted.		5	ms
T_{pwok_on}	Delay from output voltages within regulation limits to PWOK asserted at turn on.	100	500	ms
T_{pwok_off}	Delay from PWOK de-asserted to output voltages dropping out of regulation limits.	1		ms
T_{pwok_low}	Duration of PWOK being in the de-asserted state during an off/on cycle using AC or the PSON signal.	100		ms
T_{sb_vout}	Delay from 12VSBbeing in regulation to O/Ps being in regulation at AC turn on.	50	1000	ms

T_{12VSB_holdup}	Time the 12VSB output voltage stays within regulation after loss of AC.	70		ms
---------------------	---	----	--	----

* The 12VSTB output voltage rise time shall be from 1.0ms to 25ms.

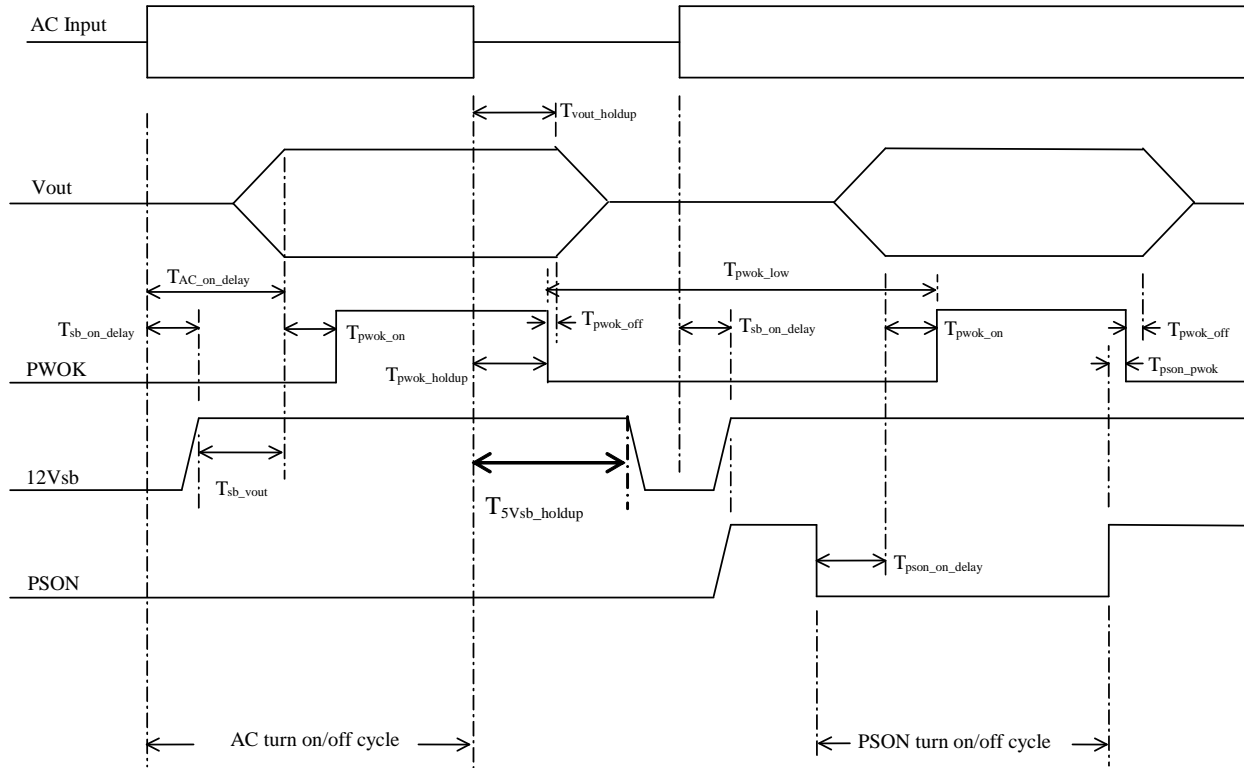


Figure 17. Turn On/Off Timing (Power Supply Signals)

3.4 Power Supply Cold Redundancy Support

Power supplies that support cold redundancy can be enabled to go into a low-power state (that is, cold redundant state) in order to provide increased power usage efficiency when system loads are such that both power supplies are not needed. When the power subsystem is in Cold Redundant mode, only the needed power supply to support the best power delivery efficiency is ON. Any additional power supply including the redundant power supply, is in Cold Standby state.

Each power supply has an additional signal that is dedicated to supporting Cold Redundancy; CR_BUS. This signal is a common bus between all power supplies in the system. CR_BUS is asserted when there is a fault in any power supply OR the power supplies output voltage falls below the V_{fault} threshold. Asserting the CR_BUS signal causes all power supplies in Cold Standby state to power ON.

Enabling power supplies to maintain best efficiency is achieved by looking at the Load Share bus voltage and comparing it to a programmed voltage level through a PMBus command.

Whenever there is no active power supply on the Cold Redundancy bus driving a HIGH level on the bus all power supplies are ON no matter their defined Cold Redundant roll (active or Cold Standby). This guarantees that incorrect programming of the Cold Redundancy states of the power supply will never cause the power subsystem to shut down or become over loaded. The default state of the power subsystem is all power supplies ON. There needs to be at least one power supply in Cold Redundant Active state or Standard Redundant state to allow the Cold Standby state power supplies to go into Cold Standby state.

Caution: *Installing two Power Supply Units with different wattage ratings on a system is not supported. This will not provide Power Supply Redundancy and causes the system to log multiple errors.*

3.4.1 1600W CRPS Cold Redundancy

If the output power is less than 640W (40%), the cold redundant function will be enable. Thus you will see one PSU working normally. The second PSU will be in CR mode. The Power Supply LED is green blinking.

Table 22. 1600W CRPS Cold Redundancy Threshold

	Enable (V)	Percent	Power (W)	Disable (V)	Percent	Power (W)
Cold Standby 1 (02h)	3.2	40.00%	640(±5%)	1.44	18.00%	576(±5%)

3.5 Control and Indicator Functions

The following sections define the input and output signals from the power supply.

Signals that can be defined as low true use the following convention: **Signal# = low true**.

3.5.1 PSON# Input Signal

The PSON# signal is required to remotely turn on/off the power supply. PSON# is an active low signal that turns on the +12V power rail. When this signal is not pulled low by the system, or left open, the outputs (except the +12VSB) turn off. This signal is pulled to a standby voltage by a pull-up resistor internal to the power supply. Refer to the table below for the timing diagram.

Table 23. PSON# Signal Characteristics

Signal Type	Accepts an open collector/drain input from the system. Pull-up to VSB located in power supply.	
PSON# = Low	ON	
PSON# = High or Open	OFF	
	MIN	MAX
Logic level low (power supply ON)	0V	1.0V
Logic level high (power supply OFF)	2.0V	3.46V
Source current, Vpson = low		4mA
Power up delay: T _{pson_on_delay}	5msec	400msec
PWOK delay: T _{pson_pwok}		50msec

3.5.2 PWOK (power good) Output Signal

PWOK is a power OK signal and will be pulled HIGH by the power supply to indicate that all the outputs are within the regulation limits of the power supply. When any output voltage falls below regulation limits or when AC power has been removed for a time sufficiently long so that power supply operation is no longer guaranteed, PWOK will be de-asserted to a LOW state. See the table below for a representation of the timing characteristics of PWOK. The start of the PWOK delay time will be inhibited as long as any power supply output is in current limit.

Table 24. PWOK Signal Characteristics

Signal Type		
PWOK = High	Power OK	
PWOK = Low	Power Not OK	
	MIN	MAX
Logic level low voltage, Isink=400uA	0V	0.4V
Logic level high voltage, Isource=200μA	2.4V	3.46V
Sink current, PWOK = low		400uA

Signal Type		
Source current, PWOK = high		2mA
PWOK delay: Tpwok_on	100ms	1000ms
PWOK rise and fall time		100µsec
Power down delay: T pwok_off	1ms	200msec

3.5.3 SMBAlert# Signal

This signal indicates that the power supply is experiencing a problem that the user should investigate. This is asserted due to Critical events or Warning events. The signal will activate in the case of critical component temperature reached a warning threshold, general failure, over-current, over-voltage, under-voltage, failed fan. This signal may also indicate the power supply is reaching its end of life or is operating in an environment exceeding the specified limits.

This signal is to be asserted in parallel with LED turning solid Amber or blink Amber.

Table 25. SMBAlert# Signal Characteristics

Signal Type (Active Low)	Open collector/drain output from power supply. Pull-up to VSB located in system.	
Alert# = High	OK	
Alert# = Low	Power Alert to system	
	MIN	MAX
Logic level low voltage, Isink=4 mA	0 V	0.4 V
Logic level high voltage, Isink=50 µA		3.46 V
Sink current, Alert# = low		4 mA
Sink current, Alert# = high		50 µA
Alert# rise and fall time		100 µs

3.6 Protection Circuits

Protection circuits inside the power supply cause only the power supply's main outputs to shut down. If the power supply latches off due to a protection circuit tripping, an AC cycle OFF for 15sec and a PSON# cycle HIGH for 1sec will be able to reset the power supply.

3.6.1 Current Limit (OCP)

The power supply has current limit to prevent the outputs from exceeding the values shown in table below. If the current limits are exceeded, the power supply will shut down and latch off. The latch will be cleared by toggling the PSON# signal or by an AC power interruption. The power supply will not be damaged from repeated power cycling in this condition. 12VSB will be auto-recovered after removing OCP limit.

Table 26. Over Current Protection

Output Voltage	Input Voltage Range	1600W Over Current Limits
+12V	90 – 264VAC	180A min; 200A max
+12V _{STB}	90 – 264VAC	2.5A min; 3A max

3.6.2 Over Voltage Protection (OVP)

The power supply over voltage protection is locally sensed. The power supply will shut down and latch off after an over voltage condition occurs. This latch will be cleared by toggling the PSON# signal or by an AC power interruption. The values are measured at the output of the power supply's connectors. The voltage will never exceed the maximum levels when measured at the power connectors of the power supply connector during any single point of fail. The voltage will never trip any lower than the minimum levels when measured at the power connector. 12VSB will be auto-recovered after removing OVP limit.

Table 27. Over Voltage Protection (OVP) Limits

Output Voltage	MIN (V)	MAX (V)
+12V	13.3	14.5
+12VSB	13.3	14.5

3.6.3 Over Thermal Protection

The power supply will be protected against over temperature conditions caused by loss of fan cooling or excessive ambient temperature. In an OTP condition the PSU will shut down. When the power supply temperature drops to within specified limits, the power supply will restore power automatically, while the 12VSB remains always on. The OTP circuit has built in margin so that the power supply will not oscillate on and off due to temperature recovering condition. The OTP trip level has a minimum of 4°C of ambient temperature margin.

3.7 PMBus*

The PMBus* features are requirements for power supply unit for use in server systems. This specification is based on the *PMBus* specifications part I and II, revision 1.1*. The power supply device address locations are shown below.

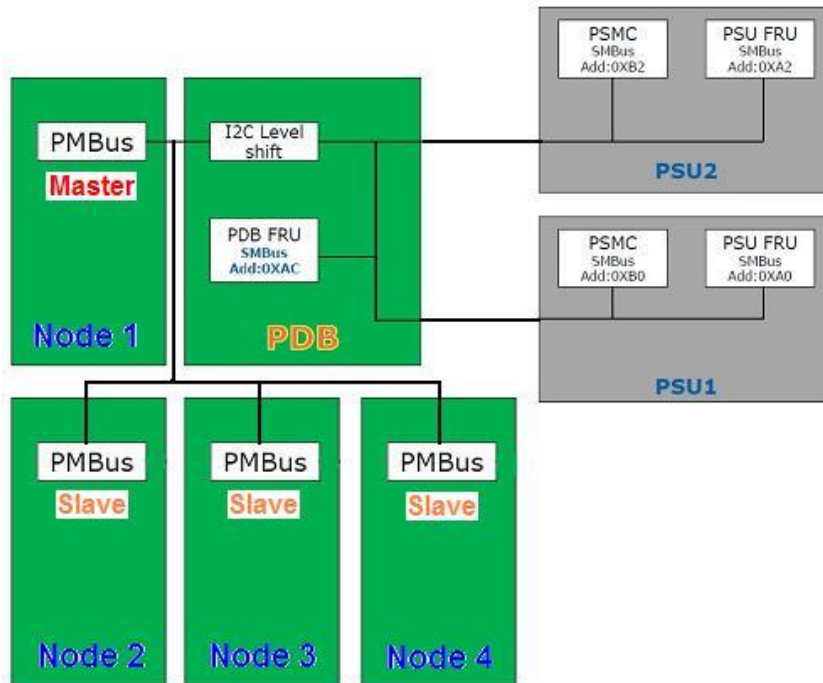


Figure 18. Power Supply Device Address

The PMBus* from PDB is connected to the BMC of all four compute modules. Only one board BMC is assigned to be the master BMC and communicate with PSU as single point. Other board BMCs receive PSU data from the master BMC. In case the master BMC is down, one of the slave board BMC will be promoted automatically as master BMC and maintain the communication.

3.7.1 PSU Address Lines A0

Address pins A0 is used by end use system to allocate unit address to a power supply in particular slot position.

For redundant systems there are two signals to set the address location of the power supply once it is installed in the system; Address0 and Address1. For non-redundant systems the power supply device address locations align with the Address0/Address1 location of 0/0.

Table 28. PSU Addressing

PDB addressing Address0	0	1
-------------------------	---	---

Power supply PMBus* device	B0h	B2h
----------------------------	-----	-----

3.7.2 Accuracy

The sensor commands meet the following accuracy requirements. The accuracies are met over the specified ambient temperature and the full range of rated input voltage.

Table 29. PMBus Accuracy

Output Loading	10% - 20%	> 20% - 50%	> 50% - 100%
READ_PIN and READ_EIN	See graphs below		
READ_FAN	+/-500 RPM		
READ_IOUT	+/-5%	+/-2%	+/-2%
READ_TEMPERATURE	+/- 3°C		

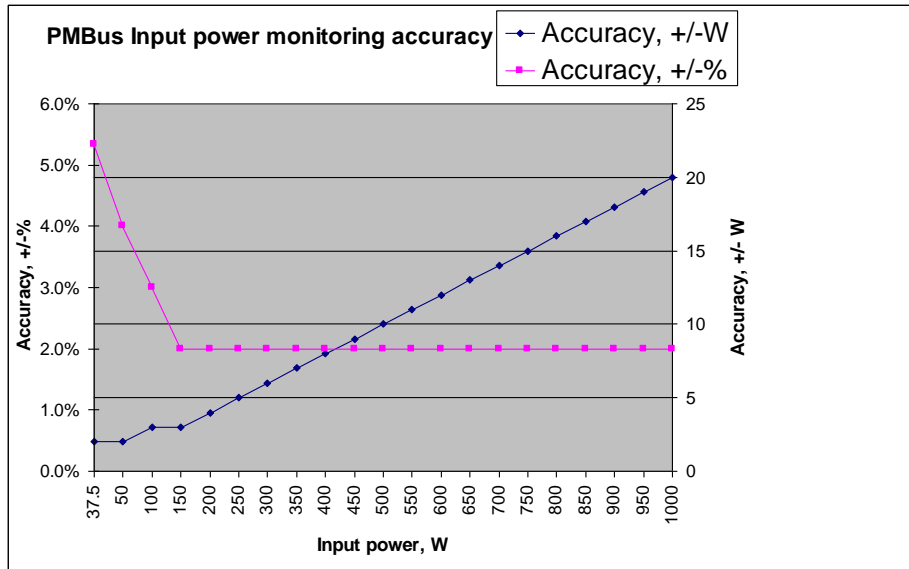


Figure 19. PMBus Monitoring Accuracy

3.8 Power Management Policy

When working with the Intel® Server Board S2600KP/S2600TP, the BMC on each compute module will monitor its fans and temperature for critical failures. When there is a fan failure and a critical temperature event at the same time, the compute module will be powered down. When this occurs, the compute module will need to be manually powered back on.

Additionally on the Intel® Server Board S2600KP product family and Intel® Server Board S2600TP product family, the BMC on compute module 3 and compute module 4 will monitor for a power supply over current condition or power supply over temperature condition. If either of these occurs and the Shutdown Policy has been enabled, the compute module will be powered down. When this occurs, the compute module will need to be manually powered back on but if the over current or over temperature event is detected again the compute module will be powered back off.

The following table shows the scheme of system power redundancy mode with compute module behavior.

Table 30. Power Management Policy

Server Chassis Load with 2x 1600W supplies	System Power Redundancy Mode	System behavior with one PSU AC lost or failed
System Power Load		
<1600W	Unconstrained Redundant Mode	No system throttling. All 4 compute modules work normally.
1600W < current load < 2160W	Optimal Redundant Mode	With BIOS setting "server management - shutdown policy" set to "disable" all compute modules in the chassis may be throttled to maintain power. This may cause lower performance. With BIOS "server management-- shutdown policy" set to "enable", compute module 3 and 4 will shut down while compute module 1 and 2 keep running without throttling. Compute module 1 and compute module 2 will have no performance loss.
>2160W	Non Redundant Mode	All compute modules in the chassis may shut down.

The Shutdown Policy setting is only shown on compute module 3 and compute module 4, and is disabled by default but can be enabled or disabled in the BIOS setup Server Management page or by using the Set Shutdown Policy command.

4. Cooling Subsystem

The cooling subsystem refers to the chassis installed with compute modules. The cooling subsystem contains the fans of each compute module and fans in the power supply units. Both compute module fans and PSU fans work together as a thermal solution to the system.

For each compute module, several components and configuration requirements make up the cooling subsystem. These include processors, chipsets, VR heatsinks, fans, CPU air-duct, and drive bay population. All are necessary to provide and regulate the airflow and air pressure needed to maintain the system thermals when operating at or below the maximum specified thermal limits.

In order to maintain the necessary airflow within the system, you must properly install the air duct, drive carrier, PSU dummy filler and the power distribution module cover.

Each compute module uses a variable fan speed control algorithm to provide adequate cooling for the compute module and whole system at various ambient temperature conditions, under various server workloads, and with the least amount of acoustic noise possible. The fans operate at the lowest speed for any given condition to minimize acoustics.

The following table provides air flow data associated with the different product models within this product family, and is provided for reference purposes only. The data was derived from actual wind tunnel test and measurements using fully configured system. Lesser system configurations may result in totally different results. As such, the CFM data that users get from software may vary from the data listed in the table.

Table 31. Air Flow

Chassis	With Compute Module	Air Flow
H2312XXKR2	HNS2600KP	45-175CFM
H2216XXKR2	HNS2600KP	40-217CFM
H2312XXKR2	HNS2600TP	45-167CFM
H2216XXKR2	HNS2600TP	40-209CFM

4.1 Power Supply Fan

Each power supply module has one non-redundant dual rotor 40x56 mm fan. The fans control the cooling of the power supply and some drive bays. These fans are not replaceable. Therefore, if a power supply fan fails, you must replace the power supply module.

4.2 Drive Bay Population Requirement

In order to maintain chassis thermal requirements, you must fully populate all drive bays. Drive carriers used for hot-swap drives must either have a drive installed or not have a drive installed.

If only one power supply unit is used, a PSU dummy filler must be used to prevent recirculation.

IMPORTANT: *If the drive bay is missing or not fully populated, the system will not meet the thermal cooling requirements, which will most likely result in degraded performance as a result of throttling or thermal shutdown of the compute module. It is recommended to keep/apply the dummy plastic blocker (as shipped with drive carrier) on any blank drive carrier.*

5. Drive Support

The server chassis product family provides three SKUs to support different types of drives:

- H2312XXKR2: Supports 12x 3.5" drives
- H2216XXKR2: Supports 16x 2.5" drives
- H2224XXKR2: Supports 24x 2.5" drives

5.1 Drive Bays Scheme

The Intel® Server Chassis H2000G product family can support up to 12 carrier-mounted SATA/SAS 3.5" drives, or 16 carrier-mounted SATA/SAS 2.5" drives or 24 carrier-mounted SAS 2.5" drives. The drives may be "electrically" hot-swapped while the chassis power is applied, but you must take caution before hot-swapping while the compute module is functioning under operating system/application control or data may be lost.

Below are drive configurations of different SKUs of the product family.

Note: Drives routed to the same compute module through the backplane are grouped and numbered ONLY in the figure, not showing on the hardware.

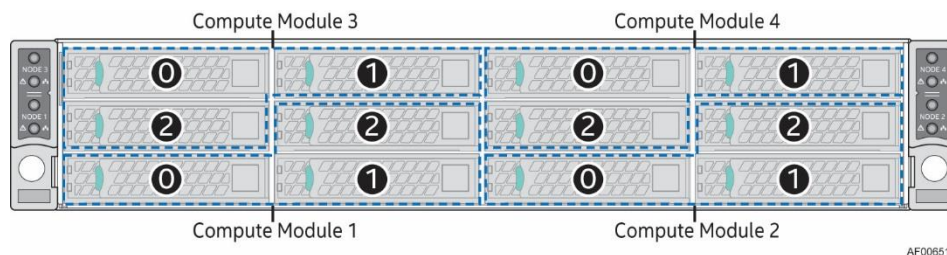


Figure 20. 12 x 3.5" Drive Configuration

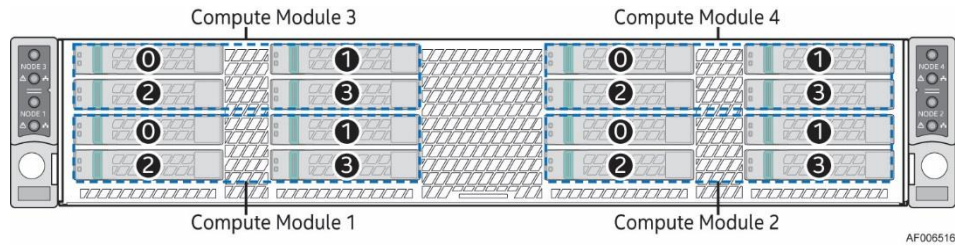


Figure 21. 16 x 2.5" Drive Configuration

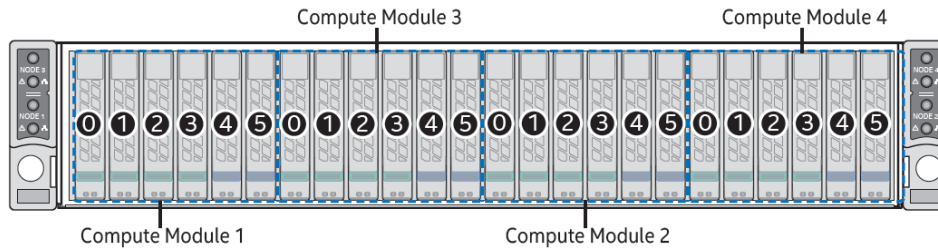


Figure 22. 24 x 2.5" Drive Configuration

Note: Replace the faulty drive only with one from the same manufacturer with the same model and capacity.

- For 24 x 2.5" drive configuration, the drive bay is capable of supporting 12 Gb SAS or 6 Gb SAS drives. The SAS drives are hot-swappable. The front side of the backplane includes 24 drive interface connectors. All the 24 connectors can support SAS drives, but only the connector #4 and #5 of each compute module are capable of supporting PCIe* SFF devices.
- PCIe* SFF (NVME) SSDs are hot swap / hot plug capable. Support and usage models are OS dependent.
- For a given compute module, any combination of PCIe* SFF devices and SAS devices can be supported, as long as the number of PCIe* SFF devices does not exceed two and they are installed into any of the last two drive connectors on the backplane and the remaining drives are SAS drive.

Note: Mixing of PCIe* SFF and SAS devices in an alternating manner is not a recommended configuration.

5.2 Drive Carrier

Each SATA/SAS hard drive or SSD installed into a backplane is mounted to a hot-swap drive carrier. Drive carriers include a latching mechanism used to assist with drive extraction and drive insertion. There are drive trays to support 2.5" devices and 3.5" devices.

There are three types of drive carrier:

- 3.5" drive carrier (shipped in H2312XXKR2)
- 2.5" drive carrier (shipped in H2216XXKR2 and H2224XXKR2)
- 2.5" drive/PCIe* SFF device carrier (shipped in H2224XXKR2)

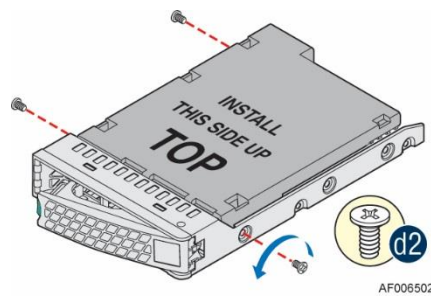


Figure 23. 3.5" Drive Carrier Overview

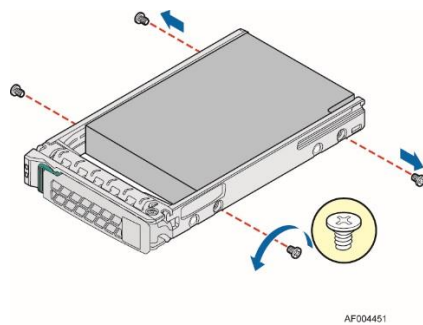


Figure 24. 2.5" Drive Carrier Overview

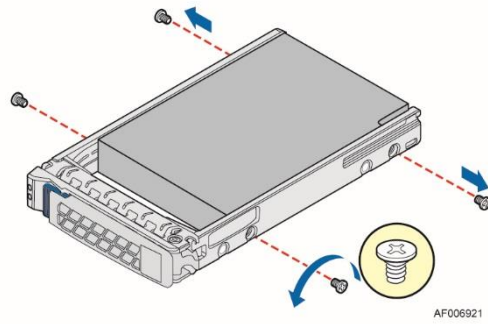


Figure 25. 2.5" Drive/PCIe* SFF Device Carrier Overview

For H2224XXKR2, two different drive carriers are included in the drive bay. Drive carriers with a Blue latch are used to identify support of PCIe* SFF devices or SAS drives. Drives carriers with a Green latch are used to identify support of SAS drives only.

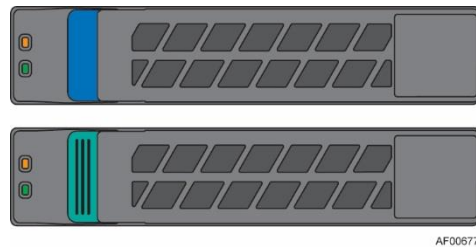


Figure 26. Combo Backplane Kit Device Carrier Identification

To maintain system thermals, all drive bays must be populated with a drive carrier mounted with a hard disk drive, SSD, or supplied drive blank. Drive blanks used with the 3.5" drive tray can also be used to mount a 2.5" SSD into it as shown below.

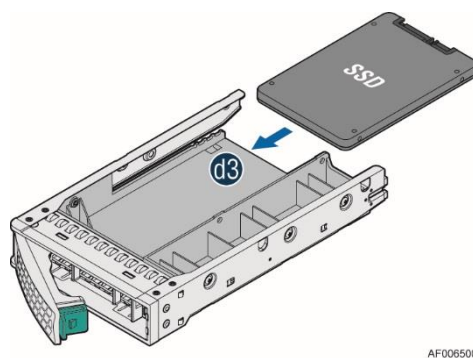


Figure 27. 3.5" Drive Carrier Support 2.5" SSD

Note: Due to degraded performance and reliability concerns, the use of the 3.5" drive blank as a 2.5" device bracket is intended to support SSD type storage devices only. Installing a 2.5" hard disk drive into the 3.5" drive blank is not supported.

5.3 Hot-Swap Drive Support

The Intel® Server Chassis H2000G product family supports hot-swap SATA/SAS drives. Drives interface with the passive backplane through a blind mate connection when drives are installed into a drive bay using hot-swap drive carriers.

Each compute module has dedicated Hot Swap Controller (HSC) to manage three or four drives. There are totally four sets of independent Programmable System On Chip (PSOC) on the backplane, to function as HSC respectively to four compute modules.

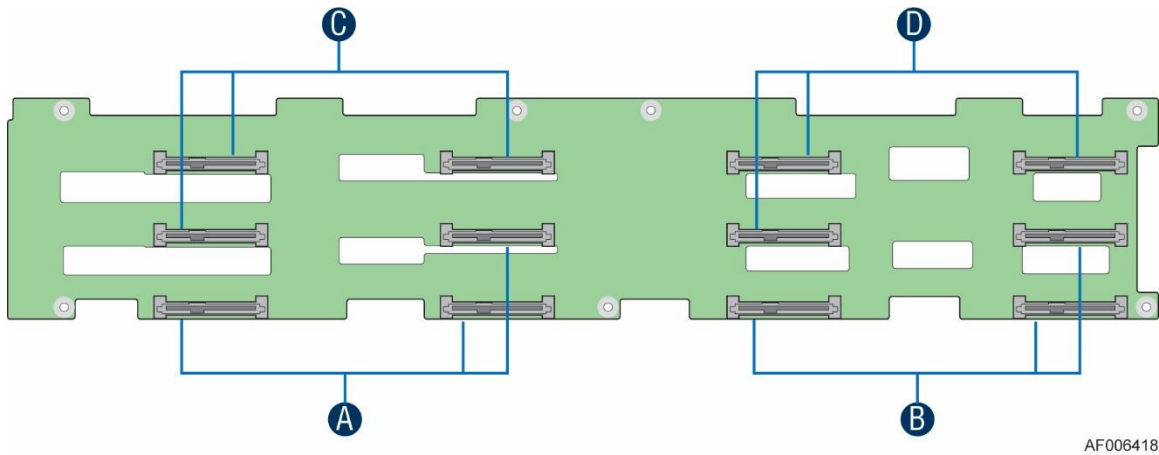
The following sections describe the feature and connections between the backplane and server board.

5.3.1 Backplane Feature Set

- **H2312XXKR2:** 12x SAS/SATA 3.5" drives at 12Gb SAS and 6Gb SATA or slower speeds, divided into four groups of three hot-swap drives. Each drive group is associated with one of the four compute modules respectively in the 2U chassis.
- **H2216XXKR2:** 16x SAS/SATA 2.5" drives at 12Gb SAS and 6Gb SATA or slower speeds, divided into four groups of four hot-swap drives. Each DRIVE group is associated with one of the four compute modules respectively in the 2U chassis.
- **H2224XXKR2:** 24 x SAS 2.5" drives at 12Gb SAS or slower speeds, divided into four groups of six hot-swap drives. Each drive group is associated with one of the four compute modules respectively in the 2U chassis.
- One SGPIO SFF-8485 interface per each of the compute module total of four SGPIO on the backplane.
- Three SMBus interfaces supported on this HSBP:
 - SMBus R1: For chassis Temp Sensor and Chassis FRU EEPROM device
 - SMBus R5: Connectivity up to two HSBP controllers
 - SMBus R7: Connectivity up to two common redundant power supply (CRPS) module PMBus
- Two front panel connectors; each FP connector provides signals for two compute modules.
- FRU EEPROM support through external device.
- In-application Microcontroller FW updateable over I2C interface. No special hardware needed for field FW upgrade when used with EPD Baseboard with BMC support.
- Drive Status LED and Activity LED; four of each per compute module.
- Drive Presence detect inputs to the Microcontroller; four of each per compute module.
- 5V_MAIN VR (switcher regulator) from P12V_MAIN and 5V_AUX VR (switcher regulator) from P12V_STBY for drive power and for the compute modules. This HSBP is intended to be used with 12V only main power subsystems.

5.3.2 3.5" Hot Swap Backplane Connector Scheme

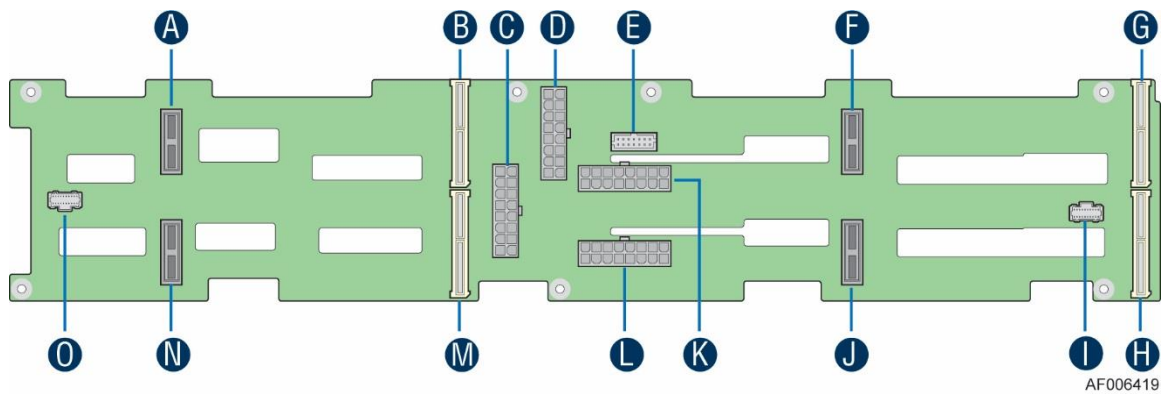
The following diagrams show the layout of major components and connectors for 3.5" Hot Swap backplane.



AF006418

A	SATA/SAS connectors for Compute Module 1
B	SATA/SAS connectors for Compute Module 2
C	SATA/SAS connectors for Compute Module 3
D	SATA/SAS connectors for Compute Module 4

Figure 28. 3.5" Backplane Component and Connectors (Front View)

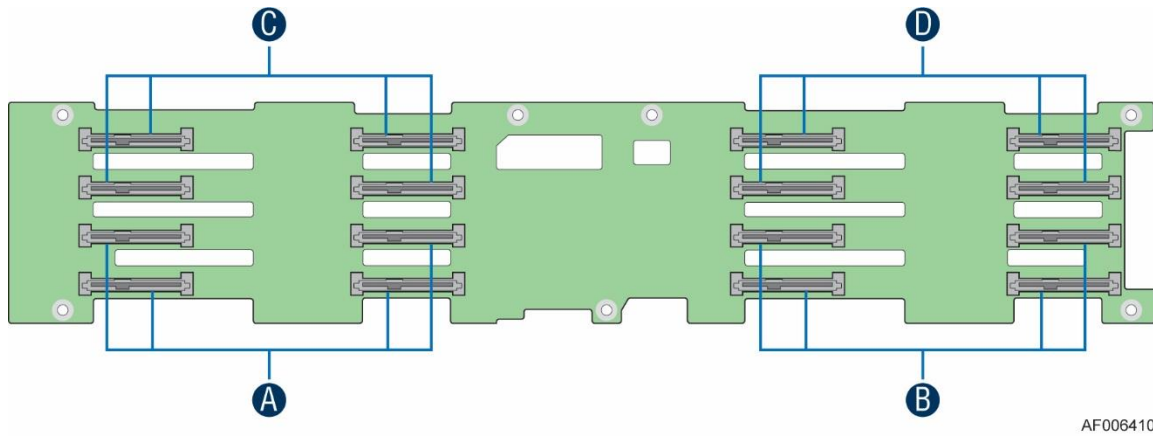


A	2-blade compute module power connector for compute module 4
B	2x40 pin bridge board connector for compute module 4
C	2x8 pin power supply input connector
D	2x8 pin power supply input connector
E	2x7 pin power control cable connector
F	2-blade compute module power connector for compute module 3
G	2x40 pin bridge board connector for compute module 3
H	2x40 pin bridge board connector for compute module 1
I	20-pin front panel cable connector for compute module 1, 3
J	2-blade compute module power connector for compute module 1
K	2x8 pin power supply input connector
L	2x8 pin power supply input connector
M	2x40 pin bridge board connector for compute module 2
N	2-blade compute module power connector for compute module 2
O	20-pin front panel cable connector for compute module 2, 4

Figure 29. 3.5" Backplane Component and Connectors (Back View)

5.3.3 2.5" Hot Swap Backplane Connector Scheme

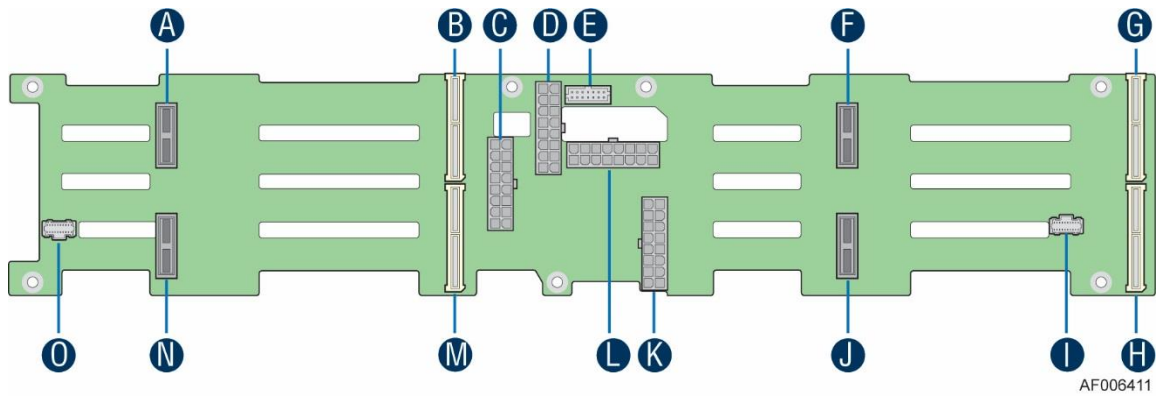
The following diagrams show the layout of major components and connectors for 2.5" Hot Swap backplane.



AF006410

A	SATA/SAS connectors for Compute Module 1
B	SATA/SAS connectors for Compute Module 2
C	SATA/SAS connectors for Compute Module 3
D	SATA/SAS connectors for Compute Module 4

Figure 30. 2.5" Backplane Component and Connectors (Front View)

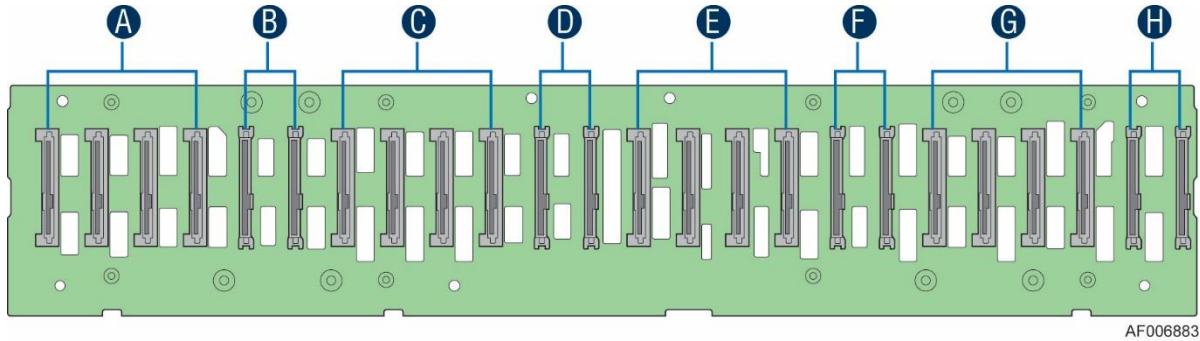


A	2-Blade Compute Module Power connector for Compute Module 4
B	2x40 pin Bridge Board connector for Compute Module 4
C	2x8 pin Power supply input connector
D	2x7 pin Power Control cable connector
E	2x8 pin Power supply input connector
F	2-Blade Compute Module Power connector for Compute Module 3
G	2x40 pin Bridge Board connector for Compute Module 3
H	2x40 pin Bridge Board connector for Compute Module 1
I	20-pin Front Panel cable connector for Compute Module 1, 3
J	2-Blade Compute Module Power connector for Compute Module 1
K	2x8 pin Power supply input connector
L	2x8 pin Power supply input connector
M	2x40 pin Bridge Board connector for Compute Module 2
N	2-Blade Compute Module Power connector for Compute Module 2
O	20-pin Front Panel cable connector for Compute Module 2, 4

Figure 31. 2.5" Backplane Component and Connectors (Back View)

5.3.4 SAS/PCIe* SFF Combo 24 x 2.5" Hot Swap Backplane

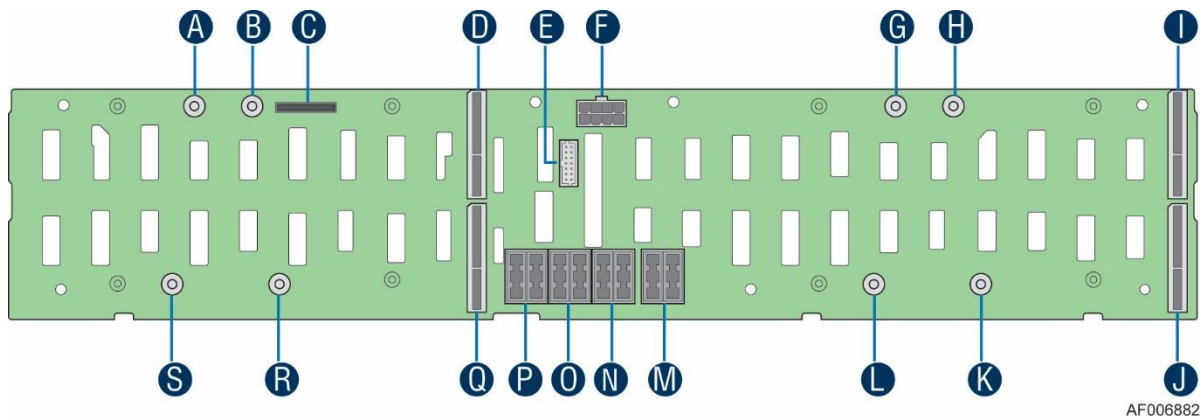
The SAS/PCIe* SFF combo 24 x 2.5" hot swap backplane is capable of supporting a combination of both SAS hard drives, SAS SSDs, and up to eight PCIe* SFF (Small Form Factor) (NVMe) devices. The following diagrams show the layout of major components and connectors for 2.5" Hot Swap backplane.



AF006883

A	SAS 0-3 SFF-8680 connectors (Compute Module 1)
B	SAS 4-5 / PCIe* SFF 0-1 SFF-8639 connectors (Compute Module 1)
C	SAS 6-9 SFF-8680 connectors (Compute Module 3)
D	SAS 10-11 / PCIe* SFF 2-3 SFF-8639 connectors (Compute Module 3)
E	SAS 12-15 SFF-8680 connectors (Compute Module 2)
F	SAS 16-17 / PCIe* SFF 4-5 SFF-8639 connectors (Compute Module 2)
G	SAS 18-21 SFF-8680 connectors (Compute Module 4)
H	SAS 22-23 / PCIe* SFF 6-7 SFF-8639 connectors (Compute Module 4)

Figure 32. 24 x 2.5" Backplane Component and Connectors (Front View)



A	Power Mate Pin (to BIB)
B	Power Mate Pin (to BIB)
C	80 pin Misc Signal Connector (to BIB)
D	100 pin bridge board connector
E	2x7 pin power control cable connector (to PDB)
F	2x4 pin P5V power cable connector (to PIB)
G	Power Mate Pin (to BIB)
H	Power Mate Pin (to BIB)
I	100 pin bridge board connector
J	100 pin bridge board connector
K	Power Mate Pin (to BIB)
L	Power Mate Pin (to BIB)
M	12V power connector (to PIB)
N	12V power connector (to PIB)
O	12V power connector (to PIB)
P	12V power connector (to PIB)
Q	100 pin bridge board connector
R	Power Mate Pin (to BIB)
S	Power Mate Pin (to BIB)

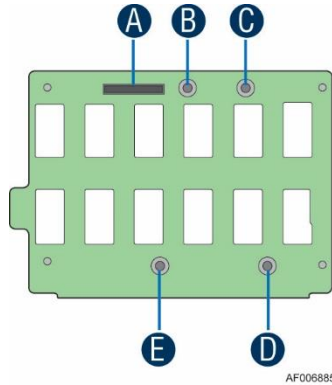
Figure 33. 24 x 2.5" Backplane Component and Connectors (Back View)

5.3.5 Backplane Interposer Board

The backplane interposer board (BIB) is only used in 24 x 2.5" drive chassis as the interposer between the backplane and the power docking board to connect the power and miscellaneous (misc.) signals from the backplane to the compute modules. Two backplane interposer boards are pre-assembled with the 24 x 2.5" drive backplane in the server chassis to support four compute modules.

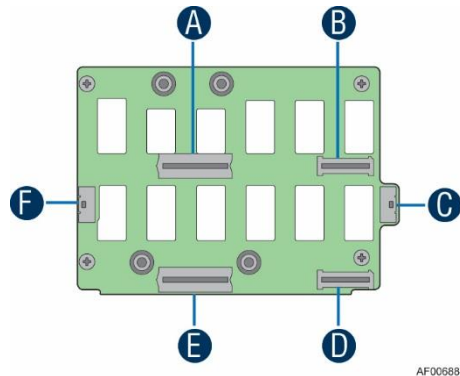
The BIB is a completely passive board, which contains connectors on both sides of the board to connect to the backplane on the front side and the power docking board on the back side.

Two front panel connectors with the same signals routed are placed on the BIB for easy of cabling to the front panel on each side of the chassis.



A	80 pin Misc Signal Connector (to backplane)
B	Power Mate Pin Hole (to backplane)
C	Power Mate Pin Hole (to backplane)
D	Power Mate Pin Hole (to backplane)
E	Power Mate Pin Hole (to backplane)

Figure 34. Backplane Interposer Board Front View



A	Power Edge Connector (to top compute module power docking board)
B	40 pin Misc. Signal Connector (to top compute module power docking board)
C	Front Panel Connector
D	40 pin Misc. Signal Connector (to bottom compute module power docking board)
E	Power Edge Connector (to bottom compute module power docking board)
F	Front Panel Connector

Figure 35. Backplane Interposer Board Back View

5.3.6 Backplane LED Support

Each drive tray includes separate LED indicators for drive Activity and drive Status. Light pipes integrated into the drive tray assembly direct light emitted from LEDs mounted next to each

drive connector on the backplane to the drive tray faceplate, making them visible from the front of the system.

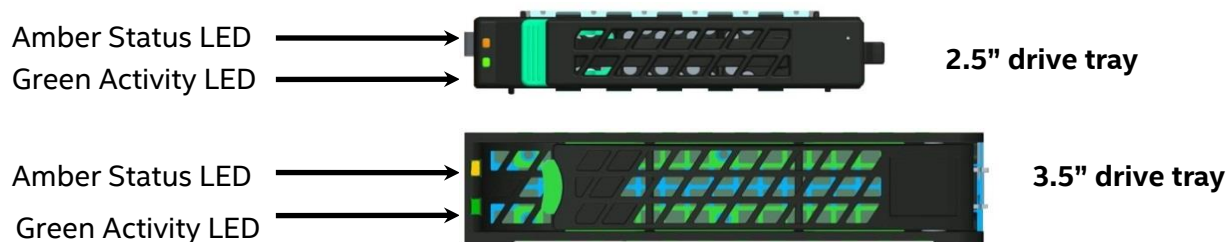


Figure 36. Drive Tray LED Identification

Table 32. Drive Status LED States

Amber	Off	No access and no fault
	Solid On	Hard Drive Fault has occurred
	Blink	RAID rebuild in progress (1 Hz), Identify (2 Hz)

Note: With Intel® Compute Module HNS2600TP Product Family, the drive status LED only supports SAS/SATA hard drives or SSDs. It stays off for PCIe* SFF devices.

Table 33. Drive Activity LED States

	Condition	Drive Type	Behavior
Green	Power on with no drive activity	SAS/PCIe SFF	LED stays on
		SATA	LED stays off
	Power on with drive activity	SAS/PCIe SFF	LED blinks off when processing a command
		SATA	LED blinks on when processing a command
	Power on and drive spun down	SAS/PCIe SFF	LED stays off
		SATA	LED stays off
	Power on and drive spinning up	SAS	LED blinks
		SATA/PCIe SFF	LED stays off

Note: The drive activity LED is driven by signals coming from the drive itself. Drive vendors may choose to operate the activity LED differently from what is described in the table above. Should the activity LED on a given drive type behave differently than what is described, customers should reference the drive vendor specifications for the specific drive model to determine what the expected drive activity LED operation should be.

5.3.7 Backplane Connector Definition

The backplanes include several different connectors. This section defines the purpose and pin-out associated with each connector.

5.3.7.1 2x8 Pin Power Input Connector

The backplane is powered by +12V and +12V_{STB} from PDB of CRPS. The input power is distributed by backplane to all four compute modules.

Table 34. Backplane Input Power Connector Pin-out

Pin	Signal Description	Pin	Signal Description
2	P12V_NODEx	1	GND
4	P12V_NODEx	3	GND
6	P12V_NODEx	5	GND
8	P12V_NODEx	7	GND
10	P12V_NODEx	9	GND
12	P12V_NODEx	11	GND
14	P12V_NODEx	13	GND
16	P12V_NODEx	15	GND

Note: Each compute module has a separate power plane on backplane (P12V_NODEx).

5.3.7.2 2-Blade Compute Module Power Connector

The backplane provides main power to compute module through 2-Blade power connector.

Table 35. 2-Blade Compute Module Power Connector Pin-out

Pin	Signal Description	Pin	Signal Description
Lower Blade (Circuit 1)			
1	GND	2	GND
3	GND	4	GND
5	GND	6	GND
7	GND	8	GND
Upper Blade (Circuit 2)			
9	P12V	10	P12V
11	P12V	12	P12V
13	P12V	14	P12V
15	P12V	16	P12V

5.3.7.3 2x40 Pin Bridge Board Connector

The compute module provides four SATA/SAS ports to backplane, together with front panel control signals and SMBus.

Table 36. 2x40 Pin Connector Pin-out for Compute Module Bridge Board

Pin	Signal Description	Pin	Signal Description
1	5V_AUX	2	5V_AUX
3	SATA0_TXN	4	USB2_OC
5	SATA0_TXP	6	GND
7	GND	8	SATA0_RXN
9	NODE_Present_N (GND)	10	SATA0_RXP
11	ALL_NODE_OFF	12	GND
13	spare	14	USB2_POP
15	GND	16	USB2_P0N
17	IPMB-Data	18	GND
19	IPMB-Clk	20	FP HDD_ACT_LED_N
21	GND	22	FP Activity LED_N
23	SMBUS_R1 DATA	24	FP Health LEDA_N
25	SMBUS_R1 CLK	26	FP Health LEDG_N
27	GND	28	FP PWR LED_N
29	SMBUS_R5 DATA	30	FP ID LED_N
31	SMBUS_R5 CLK	32	FP ID BTN_N
33	GND	34	FP RST BTN_N
35	SMBUS_R7 DATA	36	FP PWR BTN_N
37	SMBUS_R7 CLK	38	FP NMI BTN_N
39	GND	40	SPA_SOUT_N
41	PMBUS Alert_N	42	SPA_SIN_N
43	NODEx_ON_N	44	ID3
45	SGPIO DATA IN	46	ID2
47	SGPIO Data Out	48	ID1
49	SGPIO LD	50	ID0
51	SPKR	52	SGPIO CLK
53	GND	54	GND
55	SAS3_RX	56	SAS3_TX
57	SAS3_RX	58	SAS3_TX
59	GND	60	GND
61	SAS2_TX	62	SAS2_RX
63	SAS2_TX	64	SAS2_RX
65	GND	66	GND
67	SAS1_RX	68	SAS1_TX
69	SAS1_RX	70	SAS1_TX

Pin	Signal Description	Pin	Signal Description
71	GND	72	GND
73	SAS0_TX	74	SAS0_RX
75	SAS0_TX	76	SAS0_RX
77	GND	78	GND
79	3.3V	80	3.3V

5.3.7.4 20-Pin Front Panel Connector

The backplanes provide connectors for front panel control signals. Each connector integrates the control signals of two compute modules.

Table 37. Front Panel Connector Pin-out

Pin	Signal Description
1	GND
2	FP1_PWR_BTN_N
3	FP1_RST_BTN_N
4	FP1_ID_BTN_N
5	P5VSB
6	FP1_PWR_LED_N
7	FP1_HEALTH_LEDG_N
8	FP1_HEALTH_LEDA_N
9	FP1_ACTIVITY_LED_N
10	FP1_ID_LED_N
11	GND
12	FP2_PWR_BTN_N
13	FP2_RST_BTN_N
14	FP2_ID_BTN_N
15	P3V3SB
16	FP2_PWR_LED_N
17	FP2_HEALTH_LEDG_N
18	FP2_HEALTH_LEDA_N
19	FP2_ACTIVITY_LED_N
20	FP2_ID_LED_N

5.3.7.5 2x7 Pin Power Supply Control Signal Connector

The backplanes provide power supply control signals, together with PMBus functionality integrated.

Table 38. Power Supply Control Connector Pin-out

Pin	Signal Description	Pin	Signal Description
-----	--------------------	-----	--------------------

Pin	Signal Description	Pin	Signal Description
1	SMBUS_R7_DATA	2	A0
3	SMBUS_R7_CLK	4	PSON_N
5	PMBUS_ALERT_N	6	12V RS_RTN
7	PWROK	8	12V RS
9	Reserved	10	PDU1-12VSB
11	PDU1-12VSB	12	PDU2-12VSB
13	PDU2-12VSB	14	Reserved

5.3.8 Backplane Interposer Board Connectors

Table 39. 80 pin Misc. Signal Connector

Pin	Signal Description	Pin	Signal Description
1	N1_PE_SMB_CLK	2	N1_PE_SMB_DATA
3	GND	4	N1_FM_ALL_NODE_OFF
5	P5V_STBY	6	GND
7	GND	8	N1_SMB_IPMB_5VSTBY_BP_DATA
9	P3V3_STBY	10	N1_SMB_IPMB_5VSTBY_BP_CLK
11	Reserve	12	GND
13	Reserve	14	N1_SMB_SENSOR_3V3STBY_BP_DATA
15	Reserve	16	N1_SMB_SENSOR_3V3STBY_BP_CLK
17	Reserve	18	GND
19	Reserve	20	N1_SMB_HSBP_3V3_BP_DATA
21	Reserve	22	N1_SMB_HSBP_3V3_BP_CLK
23	N1_FM_IBMC_NODEID_1	24	GND
25	N1_FM_IBMC_NODEID_0	26	N1_SMB_PMBUS_BP_DATA
27	GND	28	N1_SMB_PMBUS_BP_CLK
29	N1_SGPIO_SAS12G_1_CLOCK_R1	30	GND
31	GND	32	N1_IRQ_SML1_PMBUS_ALERT_N
33	N1_SGPIO_SAS12G_0_CLK	34	N1_FM_NODE_ON_N
35	N1_SGPIO_SAS12G_0_LD	36	N1_SGPIO_SAS12G_1_DATAIN1_R1
37	N1_SGPIO_SAS12G_0_Data_Out	38	N1_SGPIO_SAS12G_1_DATAOUT0_R1
39	N1_PWROK	40	N1_SGPIO_SAS12G_1_LOAD_R1
41	PE_SMB_CLK	42	PE_SMB_DATA
43	GND	44	FM_ALL_NODE_OFF
45	Reserve	46	GND
47	Reserve	48	SMB_IPMB_5VSTBY_BP_DATA
49	Reserve	50	SMB_IPMB_5VSTBY_BP_CLK
51	Reserve	52	GND
53	Reserve	54	SMB_SENSOR_3V3STBY_BP_DATA
55	Reserve	56	SMB_SENSOR_3V3STBY_BP_CLK

Pin	Signal Description	Pin	Signal Description
57	Reserve	58	GND
59	Reserve	60	SMB_HSBP_3V3_BP_DATA
61	Reserve	62	SMB_HSBP_3V3_BP_CLK
63	FM_IBMC_NODEID_1	64	GND
65	FM_IBMC_NODEID_0	66	SMB_PMBUS_BP_DATA
67	GND	68	SMB_PMBUS_BP_CLK
69	SGPIO_SAS12G_1_CLOCK_R1	70	GND
71	GND	72	IRQ_SML1_PMBUS_ALERT_N
73	SGPIO_SAS12G_0_CLK	74	FM_NODE_ON_N
75	SGPIO_SAS12G_0_LD	76	SGPIO_SAS12G_1_DATAIN1_R1
77	SGPIO_SAS12G_0_Data_Out	78	SGPIO_SAS12G_1_DATAOUT0_R1
79	PWROK	80	SGPIO_SAS12G_1_LOAD_R1

Table 40. 40 pin Misc. Signal Connector

Pin	Signal Description	Pin	Signal Description
1	PE_SMB_CLK	2	PE_SMB_DATA
3	GND	4	FM_ALL_NODE_OFF
5	FP HDD_ACT_LED_N	6	GND
7	FP Activity LED_N	8	SMB_IPMB_5VSTBY_BP_DATA
9	FP Health LEDA_N	10	SMB_IPMB_5VSTBY_BP_CLK
11	FP Health LEDG_N	12	GND
13	FP_PWR_LED_BUF_R_N	14	SMB_SENSOR_3V3STBY_BP_DATA
15	FP_ID_LED_BUF_R_N	16	SMB_SENSOR_3V3STBY_BP_CLK
17	FP_ID_BTN_R_N	18	GND
19	FP_RST_BTN_R_N	20	SMB_HSBP_3V3_BP_DATA
21	FP_PWR_BTN_R_N	22	SMB_HSBP_3V3_BP_CLK
23	FM_IBMC_NODEID_1	24	GND
25	FM_IBMC_NODEID_0	26	SMB_PMBUS_BP_DATA
27	GND	28	SMB_PMBUS_BP_CLK
29	SGPIO_SAS12G_1_CLOCK_R1	30	GND
31	GND	32	IRQ_SML1_PMBUS_ALERT_N
33	SGPIO_SAS12G_0_CLK	34	FM_NODE_ON_N
35	SGPIO_SAS12G_0_LD	36	SGPIO_SAS12G_1_DATAIN1_R1
37	SGPIO_SAS12G_0_Data_Out	38	SGPIO_SAS12G_1_DATAOUT0_R1
39	PWROK	40	SGPIO_SAS12G_1_LOAD_R1

Table 41. BIB Power Edge Connector

Pin	Signal Description	Pin	Signal Description
1	P12V	2	P12V
3	P12V	4	P12V
5	P12V	6	P12V
7	P12V	8	P12V
9	P12V	10	P12V
11	GND	12	GND
13	GND	14	GND
15	GND	16	GND
17	GND	18	GND
19	GND	20	GND

Table 42. Front Panel Connector

Pin	Signal Description	Pin	Signal Description
1	GND	2	FP_PORTx_PWR_BTN_N
3	FP_PORTx_RST_BTN_N	4	FP_PORTx_ID_BTN_N
5	P5V_AUX	6	FP_PORTx_PWR_LED_N
7	FP_PORTx_HEALTH_LEDG_N	8	FP_PORTx_HEALTH_LEDA_N
9	FP_PORTx_ACT_LED_N	10	FP_PORTx_ID_LED_N
11	GND	12	FP_PORTy_PWR_BTN_N
13	FP_PORTy_RST_BTN_N	14	FP_PORTy_ID_BTN_N
15	P3V3_AUX	16	FP_PORTy_PWR_LED_N
17	FP_PORTy_HEALTH_LEDG_N	18	FP_PORTy_HEALTH_LEDA_N
19	FP_PORTy_ACT_LED_N	20	FP_PORTy_ID_LED_N

6. Front Panel Control and Indicators

The Intel® Server Chassis H2000G product family Front Control Panel is integrated with rack handles at the both sides of the chassis. Each control panel contains two sets of compute module control buttons and status LEDs. The control panel assembly is pre-assembled and fixed with the rack handles.

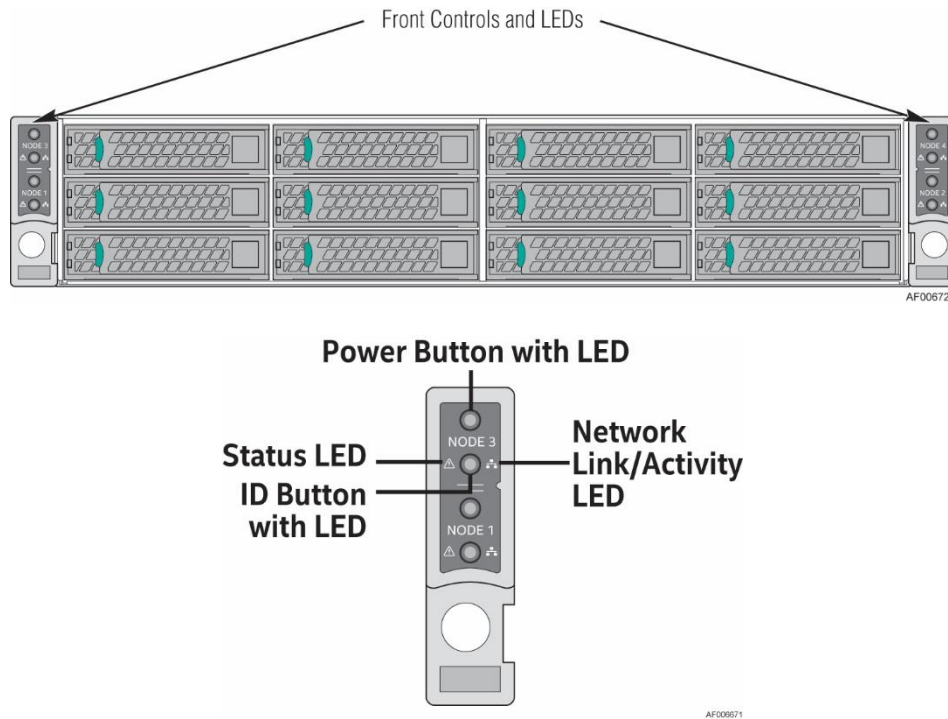


Figure 37. Front Control Panel

6.1 Control Panel Button

The following table lists the control panel features and functions. The control panel features a compute module power button.

Table 43. Front Control Button Function

Feature	Function
Power Button with Power LED	Toggles the compute module power on/off. This button also integrates the power LED.
Compute Module ID Button with ID LED	Toggles between ID LED on and off.

6.2 Control Panel LED Indicators

The control panel houses independent two LEDs and two button integrated LEDs for each compute module, which are viewable to display the compute module's operating status. The following table identifies each LED and describes their functionality.

Table 44. Front LED Indicator Functions

LED Indicator	Color	Condition	What it describes
Power	Green	On	Power On/ACPI S0 state
	Green	Blink	Sleep/ACPI S1 state
	-	Off	Power Off /ACPI S5 state
LAN (i350 Dual NIC)	Green	On	LAN Link no Access
	Green	Blink	LAN Activity
	-	Off	No Link
Compute Module Status	Green	On	Compute Module Ready/No Alarm
	Green	Blink	Compute Module ready, but degraded: redundancy lost such as the power supply or fan failure; non-critical temp/voltage threshold; battery failure; or predictive power supply failure.
	Amber	On	Critical Alarm: Critical power modules failure, critical fans failure, voltage (power supply), critical temperature and voltage
	Amber	Blink	Non-Critical Alarm: Redundant fan failure, redundant power module failure, non-critical temperature and voltage
	-	Off	Power off: Compute Module unplugged Power on: Compute Module powered off and in standby, no prior degraded\non-critical\critical state

Notes:

1. Blink rate is ~1 Hz at 50% duty cycle.
2. It is also off when the compute module is powered off (S5) or in a sleep state (S1).
3. The power LED sleep indication is maintained on standby by the chipset. If the compute module is powered down without going through the BIOS, the LED state in effect at the time of power off is restored when the compute module is powered on until the BIOS clear it.
4. If the compute module is not powered down normally, it is possible the Power LED will blink at the same time the compute module status LED is off due to a failure or configuration change that prevents the BIOS from running.

6.2.1 Power LED

Table 45. Power LED Operation

State	Power Mode	LED	Description
Power Off	Non-ACPI	Off	Compute module power is off and the BIOS has not initialized the chipset.

State	Power Mode	LED	Description
Power On	Non-ACPI	Solid On	Compute module power is on but the BIOS has not yet initialized the chipset.
S5	ACPI	Off	Mechanical is off and the operating system has not saved any context to the drive.
S1 Sleep	ACPI	Blink	DC power is still on. The operating system has saved context and gone into a level of low-power state.
S0	ACPI	Solid On	Compute module and the operating system are up and running.

Note: Blink rate is ~ 1Hz at 50% duty cycle.

6.2.2 Status LED

The control panel includes a bi-color Status LED. The Status LED on the control panel is tied directly to the Status LED on the server board (if present). This LED indicates the current health of the compute module. Possible LED states include solid green, blinking green, blinking amber, and solid amber.

When the compute module is powered down (transitions to the DC-off state or S5), the BMC is still on standby power and retains the sensor and front panel Status LED state established before the power-down event.

When AC power is first applied to the compute module, the Status LED turns solid amber and then immediately changes to blinking green to indicate that the BMC is booting. If the BMC boot process completes with no errors, the Status LED will change to solid green.

When power is first applied to the compute module and 5V-STBY is present, the BMC controller on the server board requires 15-20 seconds to initialize. During this time, the compute module status LED will be solid on, both amber and green. Once BMC initialization has completed, the status LED will stay green solid on. If power button is pressed before BMC initialization completes, the compute module will not boot to POST.

Table 46. Status LED State Definitions

Color	State	Criticality	Description
Off	System is not operating	Not ready	<ul style="list-style-type: none"> ▪ System is powered off (AC and/or DC). ▪ System is in EuP Lot6 Off Mode. ▪ System is in S5 Soft-Off State.
Green	Solid on	Ok	<p>Indicates that the System is running (in S0 State) and its status is 'Healthy'. The system is not exhibiting any errors. AC power is present and BMC has booted and manageability functionality is up and running.</p> <p>After a BMC reset, and in conjunction with the Chassis ID solid ON, the BMC is booting Linux*. Control has been passed from BMC uBoot to BMC Linux* itself. It will be in this state for ~10-~20 seconds.</p>

Color	State	Criticality	Description
Green	~1 Hz blink	Degraded - system is operating in a degraded state although still functional, or system is operating in a redundant state but with an impending failure warning	<p>System degraded:</p> <ul style="list-style-type: none"> ▪ Redundancy loss such as power-supply or fan. Applies only if the associated platform sub-system has redundancy capabilities. ▪ Fan warning or failure when the number of fully operational fans is less than minimum number needed to cool the system. ▪ Non-critical threshold crossed – Temperature (including HSBP temp), voltage, input power to power supply, output current for main power rail from power supply and Processor Thermal Control (Therm Ctrl) sensors. ▪ Power supply predictive failure occurred while redundant power supply configuration was present. ▪ Unable to use all of the installed memory (more than 1 DIMM installed). ▪ Correctable Errors over a threshold and migrating to a spare DIMM (memory sparing). This indicates that the system no longer has spared DIMMs (a redundancy lost condition). Corresponding DIMM LED lit. ▪ In mirrored configuration, when memory mirroring takes place and system loses memory redundancy. ▪ Battery failure. ▪ BMC executing in uBoot. (Indicated by Chassis ID blinking at 3Hz). System in degraded state (no manageability). BMC uBoot is running but has not transferred control to BMC Linux*. Server will be in this state 6-8 seconds after BMC reset while it pulls the Linux* image into flash. ▪ BMC Watchdog has reset the BMC. ▪ Power Unit sensor offset for configuration error is asserted. ▪ HDD HSC is off-line or degraded.
Amber	~1 Hz blink	Non-critical - System is operating in a degraded state with an impending failure warning, although still functioning	<p>Non-fatal alarm – system is likely to fail:</p> <ul style="list-style-type: none"> ▪ Critical threshold crossed – Voltage, temperature (including HSBP temp), input power to power supply, output current for main power rail from power supply and PROCHOT (Therm Ctrl) sensors. ▪ VRD Hot asserted. ▪ Minimum number of fans to cool the system not present or failed ▪ Hard drive fault ▪ Power Unit Redundancy sensor – Insufficient resources offset (indicates not enough power supplies present) ▪ In non-sparing and non-mirroring mode if the threshold of correctable errors is crossed within the window

Color	State	Criticality	Description
Amber	Solid on	Critical, non-recoverable – System is halted	Fatal alarm – system has failed or shut down: <ul style="list-style-type: none"> ▪ CPU CATERR signal asserted ▪ MSID mismatch detected (CATERR also asserts for this case). ▪ CPU 1 is missing ▪ CPU Thermal Trip ▪ No power good – power fault ▪ DIMM failure when there is only 1 DIMM present and hence no good memory present. ▪ Runtime memory uncorrectable error in non-redundant mode. ▪ DIMM Thermal Trip or equivalent ▪ SSB Thermal Trip or equivalent ▪ CPU ERR2 signal asserted ▪ BMC/Video memory test failed. (Chassis ID shows blue/solid-on for this condition) ▪ Both uBoot BMC FW images are bad. (Chassis ID shows blue/solid-on for this condition) ▪ 240VA fault ▪ Fatal Error in processor initialization: <ul style="list-style-type: none"> - Processor family not identical - Processor model not identical - Processor core/thread counts not identical - Processor cache size not identical - Unable to synchronize processor frequency - Unable to synchronize QPI link frequency ▪ Uncorrectable memory error in a non-redundant mode

6.2.3 ID LED

The ID LED provides a visual indication of the server board or compute module being serviced. The state of the ID LED is affected by the following:

- Toggled by the ID button
- Controlled by the *Chassis Identify* command (IPMI)

Table 47. ID LED

State	LED State
Identify active through button	Solid on
Identify active through command	~1 Hz blink
Off	Off

There is no precedence or lock-out mechanism for the control sources. When a new request arrives, all previous requests are terminated. For example, if the ID LED is blinking and the chassis ID button is pressed, then the ID LED changes to solid on. If the button is pressed again with no intervening commands, the ID LED turns off.

Appendix A: Integration and Usage Tips

Before attempting to integrate and configure your chassis, you should reference this section, which provides a list of useful information.

- Remove the dummy tray cover before installing the compute module.
- Install the dummy tray cover when respective compute module is plugged out.
- Fans in the compute modules are not hot-swappable.
- You must use the air duct to maintain compute module thermals.
- To maintain system thermals, you must populate all drive bays with either a drive or drive blank.
- You must remove AC power from the compute module before service.

You can download the latest documentation, drivers, and software from the Intel Support website at <http://www.intel.com/support>.

Appendix B: Statement of Volatility

This section describes the volatile and non-volatile components on the HSBP and Power Supply Unit of the server chassis. It is not the intention of this document to include any components not directly included in the server chassis, such as the server board, processors, memory, drives, or add-in cards.

Chassis Board Components

The server chassis contains several components that can be used to store data. A list of components for the HSBP and Power Supply Unit of the server chassis is included in the table below. The sections below the table provide additional information about the fields in this table.

Table 48. Non-volatile Components List

Component Type	Size	Board Location	User Data	Name
Non-Volatile	256 Bytes	UM801	No	PSU Firmware
Non-Volatile	512 Bytes	U6N2	No	12 x 3.5" HSBP FRU
Non-Volatile	512 Bytes	U504	No	16 x 2.5" HSBP FRU
Non-Volatile	512 Bytes	U1A2	No	24 x 2.5" HSBP FRU

Component Type

Non-volatile: Non-volatile memory is persistent, and is not cleared when power is removed from the chassis. Non-Volatile memory must be erased to clear data. The exact method of clearing these areas varies by the specific component. Some areas are required for normal operation of the server, and clearing these areas may render the server board inoperable.

Size

The size of each component includes sizes in bits, Kbits, bytes, kilobytes (KB) or megabytes (MB).

Board Location

The physical location of each component is specified in the Board Location column. The board location information corresponds to information on the board silkscreen.

User Data

The flash components on the server boards do not store user data from the operating system. No operating system level data is retained in any listed components after AC power is removed. The persistence of information written to each component is determined by its type

as described in the table.

Appendix C: System Configuration Table for Thermal Compatibility

This section provides system configuration compatibility data based on various supported system operating thermal limits. Two tables are provided for each of the server board. The first table identifies supported system configurations while the system is in “normal” operating mode; all systems fans are present, on-line, and operational. The second table identifies supported system configurations while the system is in a “fan fail” mode; one system fan is no longer on-line or operational, fan redundancy is lost.

The following notes communicate support criteria associated with specific configurations identified in the following tables. Each relevant note to a configuration is identified by reference number in the table.

"●" = Full Support without limitation

" " (Blank Cell) = Configuration Not supported

Thermal Configuration Tables – Intel® Server Board S2600KP Product Family

Notes:

1. 27°C is limited to elevations of 900m or less.
2. Quad Port IO Modules cannot be installed simultaneously with PCI Cards.
3. Processor - 135W - 4/6/8/16C, 120W-14C and 145W - 14/18C may have some performance impact.
4. Processors - There may be some performance impact during fan failures.
5. For A3/A4 individual PS selection:
 - 1) For dual power supply configuration, power budget must fit within single power supply rated load and be installed in dual configuration, or
 - 2) For single power supply configuration, power budget must be sized with 30% margin to single power supply rated load.
6. When identifying memory in the table, only Rank and Width are required. Capacity is not required.
7. Processor limited to 120W to support 1.5W AOC cable. Processor limited to 120W and memory limited to DRx4 to support 2W AOC cable.
8. Supported with one HDD per node configuration.
9. Fan fail is not supported at A3/A4.

Table 49. Thermal Configuration Table – S2600KP Product Family, Normal Mode

		Intel® Server Chassis H2216XXKR2			Intel® Server Chassis H2312XXKR2					
ASHRAE (See note 1)	Classifications	A2	A3	A4	27C	A2	A2	A3	A4	
	Max Ambient	35C	40C	45C	27C	35C	35C	40C	45C	<-- See note 1
PS (See note 5)	Power Supplies	See Note 5			See Note 5					
EP Processors (See notes 3 and 4)	EP, 135w, 12C (Intel® Xeon® processor E5-2690 V3)	•	•		•		•			<-- see note 4
	EP, 120w, 12C (Intel® Xeon® processor E5-2680 V3, E5-2670 V3)	•	•		•		•			<-- see note 4
	EP, 105w, 10C (Intel® Xeon® processor E5-2660 V3, E5-2650 V3)	•	•	•	•		•	•		<-- see note 4
	EP, 90w, 8C (Intel® Xeon® processor E5-2640 V3)	•	•	•	•	•	•	•		<-- see note 4
	EP, 85w,8C,6C (Intel® Xeon® processor E5-2630 V3, E5-2620 V3, E5-2609 V3, E5-2603 V3)	•	•	•	•	•	•	•	•	<-- see note 4
	EP, 135w, 8C,6C,4C (Intel® Xeon® processor E5-2667 V3, E5-2643 V3, E5-2637 V3)	•			•					<-- see note 4
	EP, 105w, 4C (Intel® Xeon® processor E5-2623 V3)	•	•	•	•		•	•		<-- see note 4
	EP, 65w, 12C (Intel® Xeon® processor E5-2650L V3)	•	•	•	•	•	•	•	•	<-- See notes 3 and 4
	EP, 55w, 8C (Intel® Xeon® processor E5-2630L V3)	•	•	•	•	•	•	•	•	<-- See notes 3 and 4
	EP, 145w, 14C,18C (Intel® Xeon® processor E5-2697 V3, E5-2699 V3)	•			•					<-- See notes 3 and 4
EP, 135w, 16C (Intel® Xeon® processor E5-2698 V3)	•			•					<-- See notes 3 and 4	
EP, 120w, 14C (Intel® Xeon® processor E5-2695 V3, E5-2683 V3)	•			•					<-- See notes 3 and 4	
Memory Type (See note 6)	RDIMM-2Rx8,1Rx4	•	•	•	•	•	•	•	•	
	RDIMM-DRx4	•	•	•	•	•	•	•	•	
	LRDIMM-QRx4 DDP	•	•	•	•	•	•	•		
Add-in Cards (See note 2)	PCI Cards with 100LFM/55C spec	•	•	•	•	•	•	•	•	
	PCI Cards With 200LFM/55C spec	•			•	•	•			<-- See note 2
	PCI Cards With 300LFM/55C spec	•			•	•	8			<-- See note 2

		Intel® Server Chassis H2216XXKR2			Intel® Server Chassis H2312XXKR2					
ASHRAE (See note 1)	Classifications	A2	A3	A4	27C	A2	A2	A3	A4	
	Max Ambient	35C	40C	45C	27C	35C	35C	40C	45C	<-- See note 1
Module (See note 2)	AXX10GBTWLIOM - Dual 10GBASE-T IO Module	•	•	•	•	•	•	•	•	
	AXX10GBNIAIOM - Dual SFP+ port 10GbE IO Module	•	•	•	•	•	•	•	•	
	AXX1FDRIBIOM - Single Port FDR Infiniband IO Module	•	•	•	•	•	•	•	•	
	AXX2FDRIBIOM - Dual Port FDR Infiniband IO Module	•	•	•	•	•	•	•	•	
	AXX4P1GBPWLIOIM - Quad Port 1GbE IO Module	•	•	•	•	•	•	•	•	<-- See note 2
QSFP Cables (See note 7)	Passive Cable	•	•	•	•	•	•	•	•	
	Active Optical Cable (1.5W)	•			•	•	7			
	Active Optical Cable (2W)	•			•	•	7			<-- See note 7

Table 50. Thermal Configuration Table – S2600KP Product Family, Fan Fail Mode

		Intel® Server Chassis H2216XXKR2	Intel® Server Chassis H2312XXKR2		
ASHRAE (See note 1)	Classifications	A2	27C	A2	
	Max Ambient	35C	27C	35C	<-- See note 1
PS (See note 5)	Power Supplies	See Note 5	See Note 5		
EP Processors (See notes 3 and 4)	EP, 135w, 12C (Intel® Xeon® processor E5-2690 V3)	•	•	•	<-- see note 4
	EP, 120w, 12C (Intel® Xeon® processor E5-2680 V3, E5-2670 V3)	•	•	•	<-- see note 4
	EP, 105w, 10C (Intel® Xeon® processor E5-2660 V3, E5-2650 V3)	•	•	•	<-- see note 4
	EP, 90w, 8C (Intel® Xeon® processor E5-2640 V3)	•	•	•	<-- see note 4
	EP, 85w, 8C, 6C (Intel® Xeon® processor E5-2630 V3, E5-2620 V3, E5-2609 V3, E5-2603 V3)	•	•	•	<-- see note 4
	EP, 135w, 8C, 6C, 4C (Intel® Xeon® processor E5-2667 V3, E5-2643 V3, E5-2637 V3)	•	•		<-- see note 4
	EP, 105w, 4C (Intel® Xeon® processor E5-2623 V3)	•	•	•	<-- see note 4

		Intel® Server Chassis H2216XXKR2	Intel® Server Chassis H2312XXKR2		
ASHRAE (See note 1)	Classifications	A2	27C	A2	
	Max Ambient	35C	27C	35C	<-- See note 1
	EP, 65w, 12C (Intel® Xeon® processor E5-2650L V3)	•	•	•	<-- See notes 3 and 4
	EP, 55w, 8C (Intel® Xeon® processor E5-2630L V3)	•	•	•	<-- See notes 3 and 4
	EP, 145w, 14C,18C (Intel® Xeon® processor E5-2697 V3, E5-2699 V3)	•	•		<-- See notes 3 and 4
	EP, 135w, 16C (Intel® Xeon® processor E5-2698 V3)	•	•		<-- See notes 3 and 4
	EP, 120w, 14C (Intel® Xeon® processor E5-2695 V3, E5-2683 V3)	•	•		<-- See notes 3 and 4
Memory Type (See note 6)	RDIMM-2Rx8,1Rx4	•	•	•	
	RDIMM-DRx4	•	•	•	
	LRDIMM-QRx4 DDP	•	•	•	
Add-in Cards (See note 2)	PCI Cards with 100LFM/55C spec	•			
	PCI Cards with 200LFM/55C spec				
	PCI Cards with 300LFM/55C spec				<-- See note 2
Module (See note 2)	AXX10GBTWLIOM - Dual 10GBASE-T IO Module	•	•	•	
	AXX10GBNIAIOM - Dual SFP+ port 10GbE IO Module	•	•	•	
	AXX1FDRIBIOM - Single Port FDR Infiniband IO Module	•	•	•	
	AXX2FDRIBIOM - Dual Port FDR Infiniband IO Module	•	•	•	
	AXX4P1GBPWLIOIM - Quad Port 1GbE IO Module	•	•	•	<-- See note 2
QSFP Cables (See note 7)	Passive Cable	•	•	•	
	Active Optical Cable (1.5W)	•	•	7	
	Active Optical Cable (2W)	•	•	7	<-- See note 7

Thermal Configuration Tables – Intel® Server Board S2600TP Product Family

Notes:

1. 27°C is limited to elevations of 900m or less.
2. Quad Port IO Modules cannot be installed simultaneously with PCI Cards.
3. Processor - 135W - 4/6/8/16C, 120W-14C and 145W - 14/18C may have some performance impact.
4. Processors - There may be some performance impact during fan failures.
5. For A3/A4 individual PS selection:
 - 1) For dual power supply configuration, power budget must fit within single power supply rated load and be installed in dual configuration, or
 - 2) For single power supply configuration, power budget must be sized with 30% margin to single power supply rated load.
6. When identifying memory in the table, only Rank and Width are required. Capacity is not required.
7. Processor limited to 90W to support 1.5W AOC cable. Processor limited to 90W and memory limited to DRx4 to support 2W AOC cable.
8. Supported with one HDD per node configuration.
9. Fan fail is not supported at A3/A4.

Table 51. Thermal Configuration Table – S2600TP Product Family, Normal Mode

		Intel® Server Chassis H2216XXKR2				Intel® Server Chassis H2312XXKR2					Intel® Server Chassis H2224XXKR2					
ASHRAE (See note 1)	Classifications	A2	27C	A3	A4	27C	A2	A2	A3	A4	27C	A2	A2	A3	A4	
	Max Ambient	35C	27C	40C	45C	27C	35C	35C	40C	45C	27C	35C	35C	40C	45C	<-- See note 1
PS (See note 5)	Power Supplies	See Note 5				See Note 5					See Note 5					
EP Processors (See notes 3 and 4)	EP, 135w, 12C (Intel® Xeon® processor E5-2690 V3)	•	•	•		•		•			•		•			
	EP, 120w, 12C (Intel® Xeon® processor E5-2680 V3, E5- 2670 V3)	•	•	•		•		•			•		•			

		Intel® Server Chassis H2216XXKR2				Intel® Server Chassis H2312XXKR2					Intel® Server Chassis H2224XXKR2					
ASHRAE (See note 1)	Classifications	A2	27C	A3	A4	27C	A2	A2	A3	A4	27C	A2	A2	A3	A4	
	Max Ambient	35C	27C	40C	45C	27C	35C	35C	40C	45C	27C	35C	35C	40C	45C	<-- See note 1
	EP, 105w, 10C (Intel® Xeon® processor E5-2660 V3, E5-2650 V3)	•	•	•		•		•			•		•			
	EP, 90w, 8C (Intel® Xeon® processor E5-2640 V3)	•	•	•	•	•	•	•	3,4		•	•	•	3,4		
	EP, 85w,8C,6C (Intel® Xeon® processor E5-2630 V3, E5-2620 V3, E5-2609 V3, E5-2603 V3)	•	•	•	•	•	•	•	3,4	3	•	•	•	3,4	3	
	EP, 135w, 8C,6C,4C (Intel® Xeon® processor E5-2667 V3, E5-2643 V3, E5-2637 V3)	3,4	•			3,4					3,4					
	EP, 105w, 4C (Intel® Xeon® processor E5-2623 V3)	•	•	•		•		•			•		•			
	EP, 65w, 12C (Intel® Xeon® processor E5-2650L V3)	•	•	•	•	•	•	•	3,4	3	•	•	•	3,4	3	
	EP, 55w, 8C (Intel® Xeon® processor E5-2630L V3)	•	•	•	•	•	•	•	3,4	3	•	•	•	3,4	3	
	EP, 145w, 14C,18C (Intel® Xeon® processor E5-2697 V3, E5-2699 V3)	3,4	•			3,4					3,4					
	EP, 135w, 16C (Intel® Xeon® processor E5-2698 V3)	3,4	•			3,4					3,4					
	EP, 120w, 14C (Intel® Xeon® processor E5-2695 V3, E5-2683 V3)	3,4	•			3,4					3,4					
Memory Type (See note 6)	RDIMM-2Rx8,1Rx4	•	•	•	•	•	•	•	•	•	•	•	•	•	•	
	RDIMM-DRx4	•	•	•	•	•	•	•	•	•	•	•	•	•	•	
	LRDIMM-QRx4 DDP	•	•	•	•	•	•	•	•		•	•	•	•		

		Intel® Server Chassis H2216XXKR2				Intel® Server Chassis H2312XXKR2					Intel® Server Chassis H2224XXKR2					
ASHRAE (See note 1)	Classifications	A2	27C	A3	A4	27C	A2	A2	A3	A4	27C	A2	A2	A3	A4	
	Max Ambient	35C	27C	40C	45C	27C	35C	35C	40C	45C	27C	35C	35C	40C	45C	<-- See note 1
Add-in Cards (See note 2)	PCI Cards with 100LFM/55C spec	•	•	•	•	•	•	•	•	•	•	•	•	•	•	
	PCI Cards With 200LFM/55C spec	•	•			8	•	8			8	•	8			<-- See note 2
	PCI Cards With 300LFM/55C spec		•				8					8				<-- See note 2
Module (See note 2)	AXX10GBTWLIOM - Dual 10GBASE-T IO Module	•	•	•	•	•	•	•	•	•	•	•	•	•	•	
	AXX10GBNIAIOM - Dual SFP+ port 10GbE IO Module	•	•	•	•	•	•	•	•	•	•	•	•	•	•	
	AXX1FDRIBIOM - Single Port FDR Infiniband IO Module	•	•	•	•	•	•	•	•	•	•	•	•	•	•	
	AXX2FDRIBIOM - Dual Port FDR Infiniband IO Module	•	•	•	•	•	•	•	•	•	•	•	•	•	•	
	AXX4P1GBPWLIOIM - Quad Port 1GbE IO Module	•	•	•	•	•	•	•	•	•	•	•	•	•	•	<-- See note 2
QSFP Cables (See note 7)	Passive Cable	•	•	•	•	•	•	•	•	•	•	•	•	•	•	
	Active Optical Cable (1.5W)	•	•			•	•	7			•	•	7			
	Active Optical Cable (2W)		•				•	7				•	7			<-- See note 7

Table 52. Thermal Configuration Table – S2600TP Product Family, Fan Fail Mode

		Intel® Server Chassis H2216XXKR2	Intel® Server Chassis H2312XXKR2	Intel® Server Chassis H2224XXKR2			
ASHRAE (See note 1)	Classifications	A2	27C	A2	27C	A2	
	Max Ambient	35C	27C	35C	27C	35C	<-- See note 1
PS (See note 5)	Power Supplies	See Note 5	See Note 5	See Note 5			

		Intel® Server Chassis H2216XXKR2	Intel® Server Chassis H2312XXKR2	Intel® Server Chassis H2224XXKR2			
ASHRAE (See note 1)	Classifications	A2	27C	A2	27C	A2	
	Max Ambient	35C	27C	35C	27C	35C	<-- See note 1
EP Processors (See notes 3 and 4)	EP, 135w, 12C (Intel® Xeon® processor E5-2690 V3)	3,4	3,4	3,4	3,4	3,4	
	EP, 120w, 12C (Intel® Xeon® processor E5-2680 V3, E5-2670 V3)	3,4	3,4	3,4	3,4	3,4	
	EP, 105w, 10C (Intel® Xeon® processor E5-2660 V3, E5-2650 V3)	3,4	3,4	3,4	3,4	3,4	
	EP, 90w, 8C (Intel® Xeon® processor E5-2640 V3)	3,4	3,4	3,4	3,4	3,4	
	EP, 85w,8C,6C (Intel® Xeon® processor E5-2630 V3, E5-2620 V3, E5-2609 V3, E5-2603 V3)	3,4	3,4	3,4	3,4	3,4	
	EP, 135w, 8C,6C,4C (Intel® Xeon® processor E5-2667 V3, E5-2643 V3, E5-2637 V3)	3,4	3,4		3,4		
	EP, 105w, 4C (Intel® Xeon® processor E5-2623 V3)	3,4	3,4	3,4	3,4	3,4	
	EP, 65w, 12C (Intel® Xeon® processor E5-2650L V3)	3,4	3,4	3,4	3,4	3,4	
	EP, 55w, 8C (Intel® Xeon® processor E5-2630L V3)	3,4	3,4	3,4	3,4	3,4	
	EP, 145w, 14C,18C (Intel® Xeon® processor E5-2697 V3, E5-2699 V3)	3,4	3,4		3,4		
	EP, 135w, 16C (Intel® Xeon® processor E5-2698 V3)	3,4	3,4		3,4		
EP, 120w, 14C (Intel® Xeon® processor E5-2695 V3, E5-2683 V3)	3,4	3,4		3,4			
Memory Type (See note 6)	RDIMM-2Rx8,1Rx4	•	•	•	•	•	
	RDIMM-DRx4	•	•	•	•	•	
	LRDIMM-QRx4 DDP	•	•	•	•	•	
Add-in Cards (See note 2)	PCI Cards with 100LFM/55C spec	•					
	PCI Cards with 200LFM/55C spec						
	PCI Cards with 300LFM/55C spec						<-- See note 2
Module (See note 2)	AXX10GBTWLIOM - Dual 10GBASE-T IO Module	•	•	•	•	•	
	AXX10GBNIAIOM - Dual SFP+ port 10GbE IO Module	•	•	•	•	•	
	AXX1FDRIBIOM - Single Port FDR Infiniband IO Module	•	•	•	•	•	
	AXX2FDRIBIOM - Dual Port FDR Infiniband IO Module	•	•	•	•	•	
	AXX4P1GBPWLIOIM - Quad Port 1GbE IO Module	•	•	•	•	•	<-- See note 2
QSFP Cables (See note 2)	Passive Cable	•	•	•	•	•	
	Active Optical Cable (1.5W)	•	•	7	•	7	

		Intel® Server Chassis H2216XXKR2	Intel® Server Chassis H2312XXKR2		Intel® Server Chassis H2224XXKR2		
ASHRAE (See note 1) note 7)	Classifications	A2	27C	A2	27C	A2	
	Max Ambient	35C	27C	35C	27C	35C	<-- See note 1
	Active Optical Cable (2W)	•	•	7	•	7	<-- See note 7

Glossary

Term	Definition
ACPI	Advanced Configuration and Power Interface
BIOS	Basic Input/Output System
BMC	Baseboard Management Controller
Bridge	Circuitry connecting one computer bus to another, allowing an agent on one to access the other
Byte	8-bit quantity
EEPROM	Electrically Erasable Programmable Read-Only Memory
EPS	External Product Specification
FRU	Field Replaceable Unit
GB	1024MB
GPIO	General Purpose I/O
HSC	Hot-Swap Controller
Hz	Hertz (1 cycle/second)
I ² C	Inter-Integrated Circuit Bus
ICH	I/O Controller Hub
IP	Internet Protocol
IPMB	Intelligent Platform Management Bus
IR	Infrared
KB	1024 bytes
LAN	Local Area Network
LED	Light Emitting Diode
MB	1024KB
ms	milliseconds
NIC	Network Interface Controller
NMI	Non-maskable Interrupt
POST	Power-On Self Test
SSI	Server System Infrastructure
VRD	Voltage Regulator Down

Reference Documents

Refer to the following documents for additional information:

- *Intel® Server Chassis H2000G Product Family Service Guide*
- *Intel® Server Board S2600KP Product Family and Intel® Compute Module HNS2600KP Product Family Technical Product Specification*
- *Intel® Server Board S2600KP Product Family and Intel® Compute Module HNS2600KP Product Family Service Guide*
- *Intel® Server Board S2600KP Product Family and Intel® Server Chassis H2000G Product Family Specification Update*
- *Intel® Server Board S2600TP Product Family and Intel® Compute Module HNS2600TP Product Family Technical Product Specification*
- *Intel® Server Board S2600TP Product Family and Intel® Compute Module HNS2600TP Product Family Service Guide*
- *Intel® Server Board S2600TP Product Family and Intel® Server Chassis H2000G Product Family Specification Update*