

507F Series

Fiber Interface Device/Slack Storage Unit

CPE/Premise Wiring

DOT

FTTx

MDU

PON



507F Fiber Interface Device/Slack Storage is a compact unit featuring connectivity between the OSP fiber drop and customer fiber drop, as well as slack storage for up to 50ft. of customer drop fiber. This unit allows for termination through conduit at the top and bottom of the unit and is configurable for 1 to 12 fiber adapters.

KEY PRODUCT BENEFITS

- ▶ Provides SC demarcation point between outdoor fiber drop and customer premise fiber
- ▶ Allows for termination through conduit at the top and bottom of the unit
- ▶ Constructed of superior materials capable of withstanding harsh outdoor environments, including UV degradation, chemical exposure, and extreme temperatures
- ▶ Designed for bend sensitive fiber installations with up to 3 inch bend radius
- ▶ Corner slack retention features retain "springy" OSP and bend sensitive fiber
- ▶ Entry grommets accept up to 1 inch conduit with provision for tie wrap retention
- ▶ 2X internal tie down features for proper strain relief of fiber cables
- ▶ Grommets on back provide rear fiber entry or exit
- ▶ Hinged cover fits securely on the base to provide maximum protection against environmental conditions and intrusion of foreign matter, protecting sensitive fiber connectivity
- ▶ Cover closes securely with 3/8" hex head bolt and has a provision for a tie-wrap

INDUSTRY STANDARDS

- ▶ Meets GR-771 Requirements

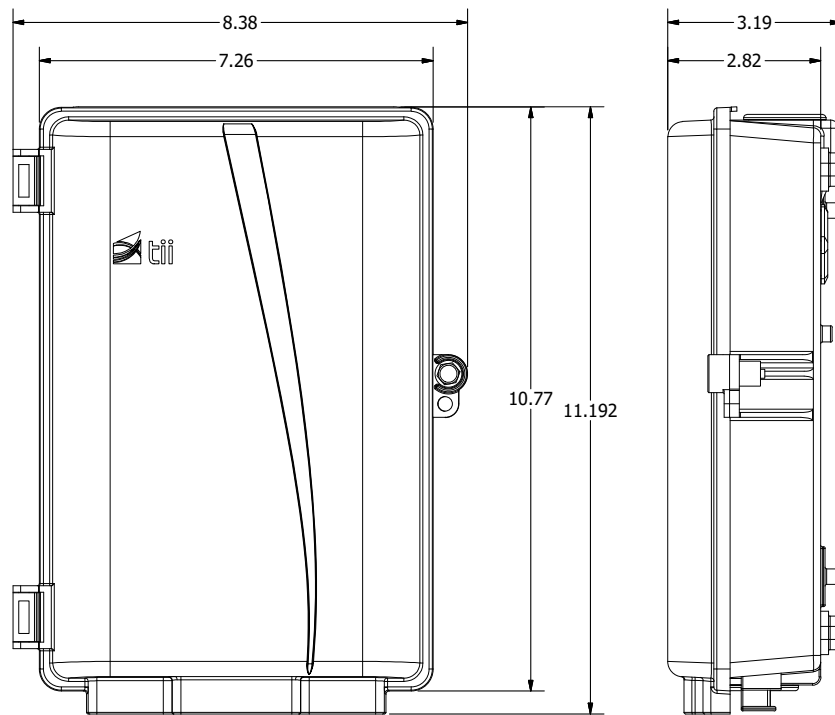


Tii Technologies Inc.

Corporate Headquarters:

141 Rodeo Drive
Edgewood, NY 11717
Phone: 631.789.5000
Fax: 631.789.5063
Toll Free: 888.844.4720
sales@tiitech.com

507F Series



Dimensions are in Inches

ORDERING INFORMATION

507F	—XX	—XX	—XX
	Adapter Plate	Adapter Type	# of Adapters
	01 = Fiber Plate (1, 2, or 4 adapters only)	01 = SC-APC	01 = 1
	02 = Fiber Plate (6 Adapters)	02 = SC-UPC	02 = 2
	03 = 1.5" Fiber Storage Tray		03 = 3
	04 = Fiber Plate (12 Adapters)		04 = 4
			06 = 6
			12 = 12