

## 169F Series

### Fiber Interface Device/Slack Storage Unit

CPE/Premise Wiring

DOT

FTTx

MDU

PON



169F-01-01

The 169F Fiber Interface Device/Slack Storage Unit is a compact enclosure which is designed to provide a demarcation and transition point between fiber drop cable and the customer premise fiber cable. Designed as an adapter plate for Tii's 169 Sealed Wire Terminal Enclosure, the unit can be factory installed with industry standard single, dual or quad fiber adapters. The internal fiber routing system allows for proper bend radius and slack storage of bend insensitive fiber.

#### KEY PRODUCT BENEFITS

- ▶ Modular adapter plate snaps easily into existing Tii 169F enclosure
- ▶ Compact unit can terminate and store up to two single fiber cable drops
- ▶ Up to four SC fiber ports for OSP to customer fiber transition
- ▶ Unique design allows for proper bend radius and strain relief of fiber cable
- ▶ The 169F features patented scalloped sides designed to provide easy internal access to the enclosure
- ▶ Constructed of superior materials capable of withstanding harsh outdoor environments, including UV degradation, chemical exposure, and extreme temperatures
- ▶ Compact, low profile design for applications where space is limited

#### INDUSTRY STANDARDS

- ▶ cUL Listed to 1863



**Tii Technologies Inc.**

**Corporate Headquarters:**

141 Rodeo Drive  
Edgewood, NY 11717

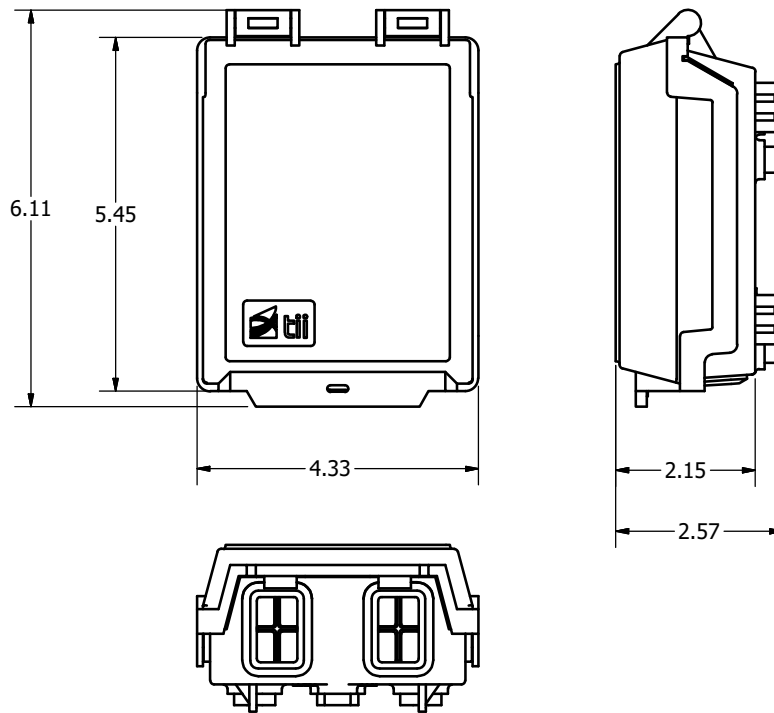
Phone: 631.789.5000

Fax: 631.789.5063

Toll Free: 888.844.4720

sales@tiitech.com

# 169F Series



*Dimensions are in Inches*

## ORDERING INFORMATION

<b>169F</b>	<b>-XX</b>	<b>-XX</b>
	<b>Adapter Type</b>	<b>No. of Fiber Ports</b>
	01 = SC-APC 02 = SC-UPC	01 = 1 02 = 2 03 = 4