

TEKNO



Leading the Industry with Modular Solutions

Table Of Contents

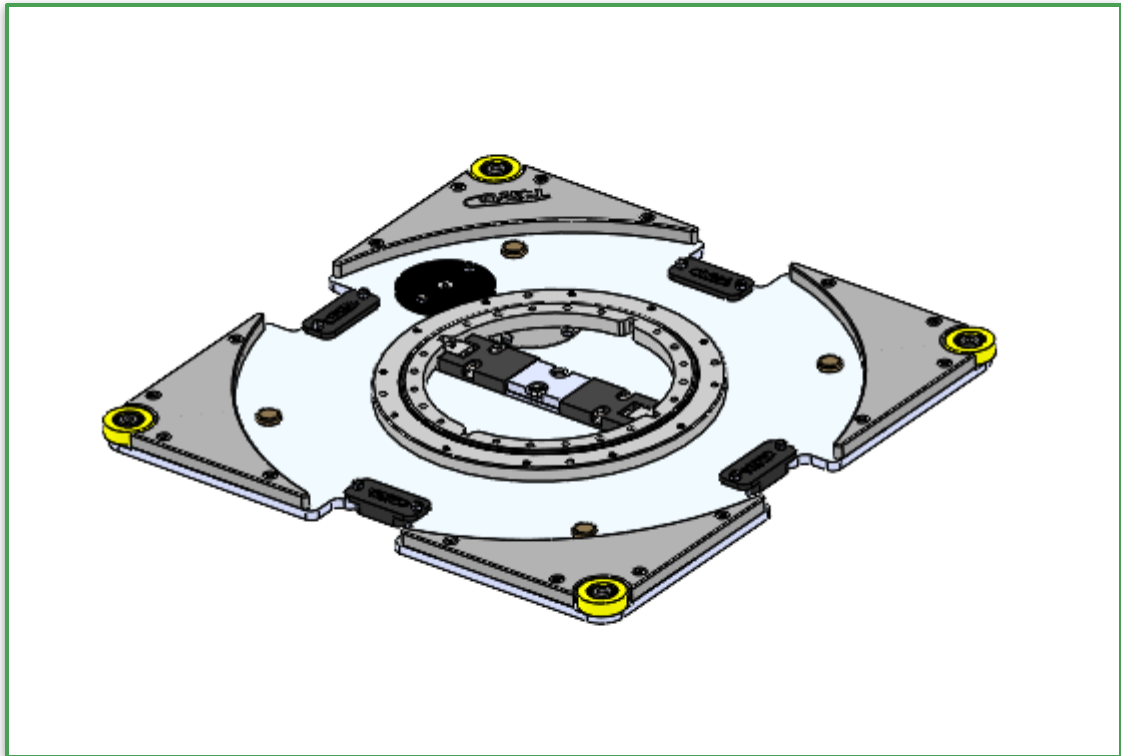
Title Page.....	1
Table Of Contents.....	3
Aluminum vs Steel.....	4
Section 1 Conveyors.....	5
Conveyor Configuration	6-8
Chain Beam	9
Snap on Guide Rail	10,11
Heavy Duty Guide Rail	12,13
Outboard Guide Rail	14-16
Drive Assembly	17
Idler Assembly	18
Inboard Motor Mount	19
Outboard Motor Mount	20
Support Information	21
T Slotted Extrusion Information	22
Part Table of Contents	23-24
Part Information	26-60
Section 2 Additional Products and Services.....	
Systems Integration	62
Stair Tread and Walkover	63
Custom Product Pallets	64
Special Machinery	65

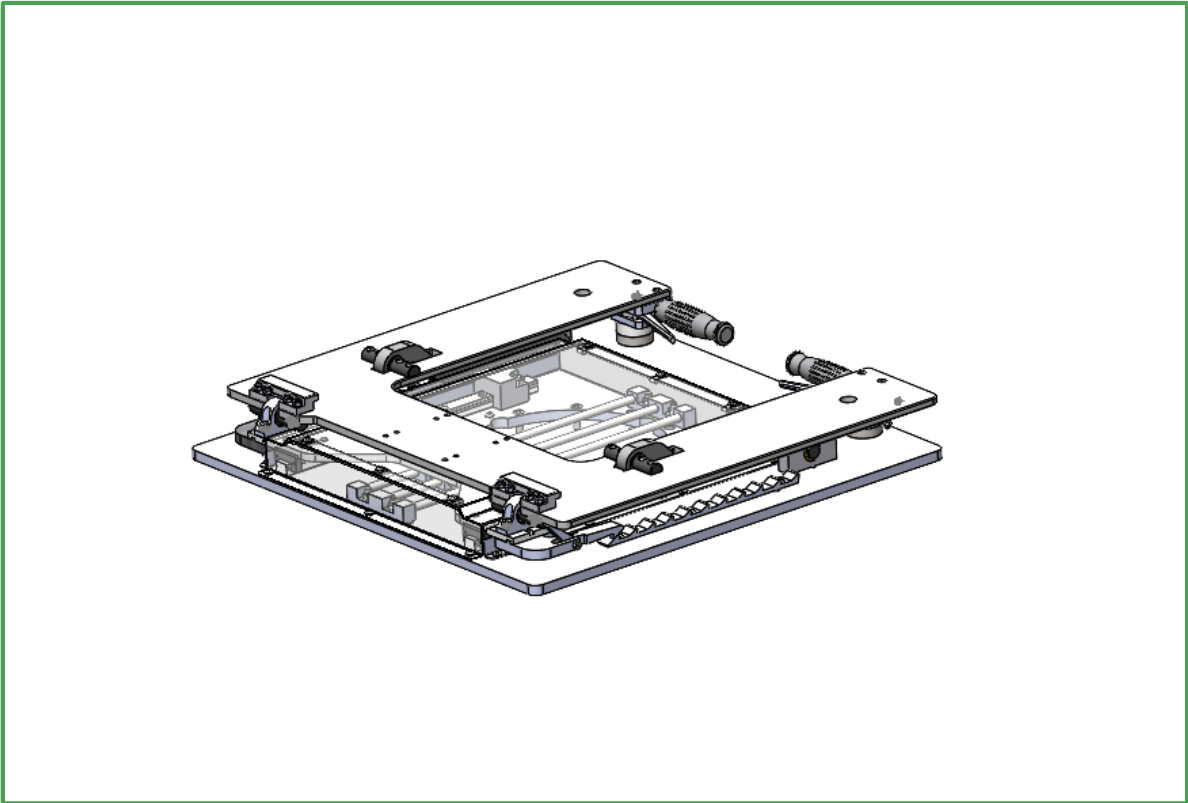
Aluminum Vs Steel

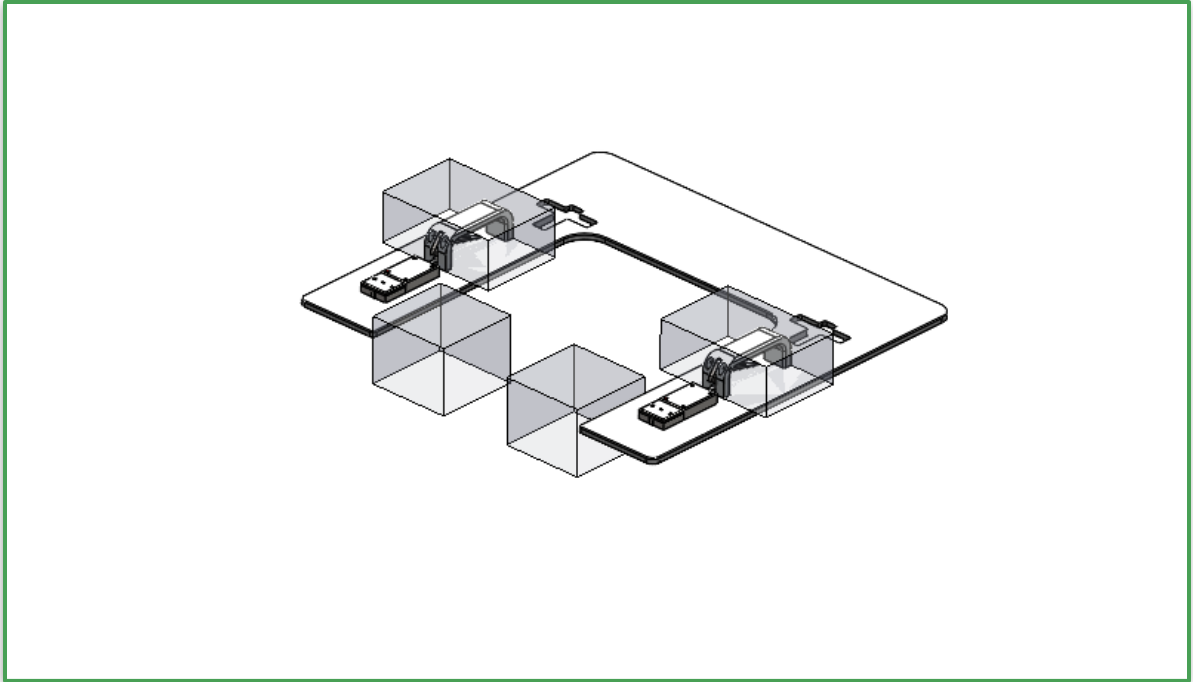
- There is no welding required!
- Our hard anodized extruded aluminum does not rust or corrode, so no painting is necessary, EVER!
- Extruded aluminum beam profiles are designed to be lightweight while maintaining exceptional high strength characteristics.
- Modu-Tek aluminum beam profiles are T-slotted for ease and speed of assembly.
- Only three simple hand tools (1/2" wrench, 5/32" Allen Wrench, and a Standard Tape Measure) are required to build structural systems.
- Structures built from Modu-Tek aluminum beam can be quickly reconfigured to incorporate design changes.
- Extruded aluminum beams are easily expanded or altered to meet the requirements of any on-going project.
- Additional components and accessories are simple to add at any time.

WHY TEKNO?

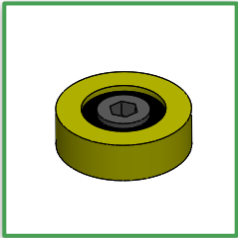
- Tekno has the most competitive pricing in the industry. When the overall cost of completing a project from start to finish are evaluated, Tekno is the true leader in the price war.
- Tekno's components do not require drilling, tapping, or counter boring; saving time, expense, and labor.
- Tekno offers a wide variety of hardware to meet every design requirement.
- Tekno's extruded aluminum profiles are T-6 grade...the strongest in the industry!
- Because our Modu-Tek components were designed with the assembly process in mind, absolutely no other product is faster or easier to assemble. ...but we don't want you to simply take our word for it... We want you to let us prove it.







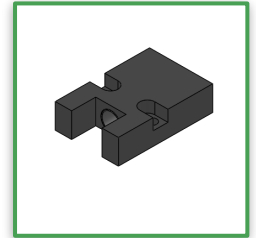
Corner Roller
H031202101
pg.25



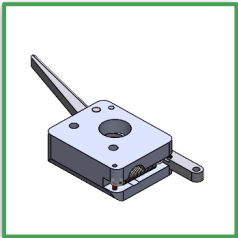
Stop Block
H100072104
pg.25



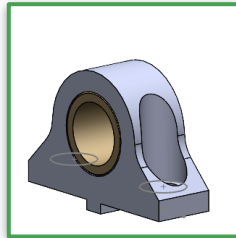
Detent Housing
F015061201
pg.25



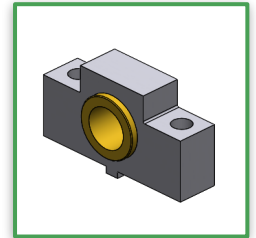
Release Handle Assembly Right
F015071200
pg.25



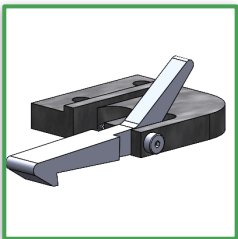
Rear Tilt Bearing Assembly
F015071500
pg.25



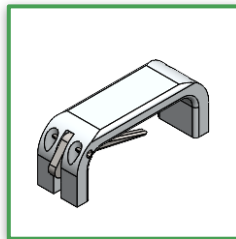
Tilt Trunnion Bearing Assembly
F015071600
pg.25



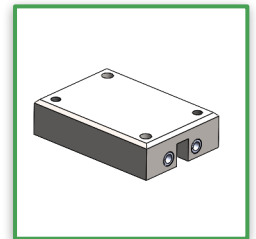
Tilt Latch Lock Assembly Right
F015071700
pg.25



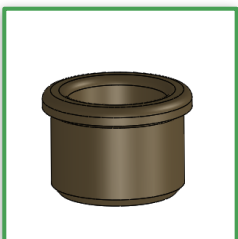
Quick Change Handle Assembly
F015081100
pg.25



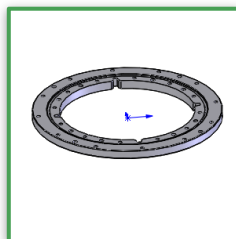
Quick Change Spring Housing
F0150813R00
pg.25



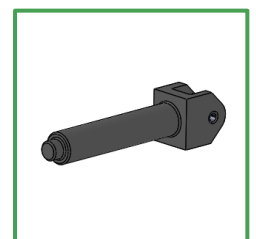
Locating Bushing
F0170521R00
pg.25



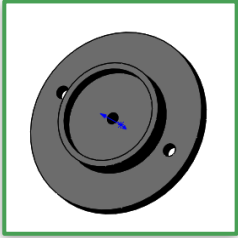
Slewing Ring
F017062104
pg.25



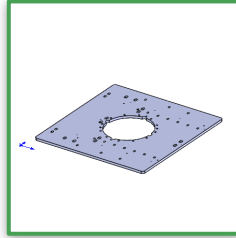
Detent Plunger
F017072101
pg.25



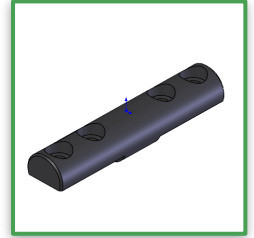
RFID Puck Holder
F0171121R03
pg.25



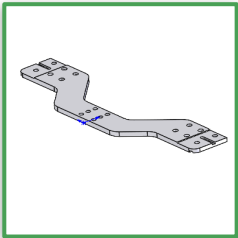
Mid Plate
F017122109
pg.25



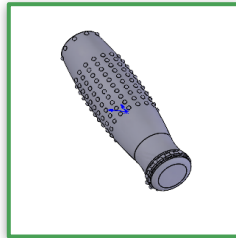
Rear Tilt Shaft
F017202102
pg.25



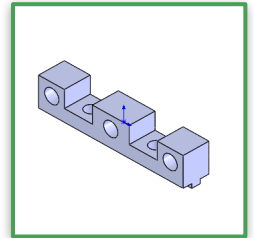
Tilt Assembly Rail Saddle
F017232103
pg.25



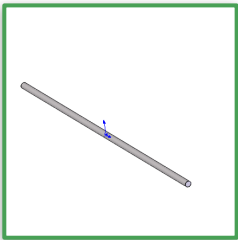
Tilt Handle Grip
F0172721R00
pg.25



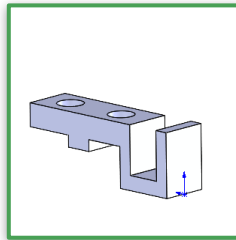
Triple Spring End Cap
F017292100
pg.25



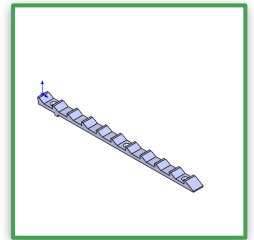
Tilt Shaft
F017342100
pg.25



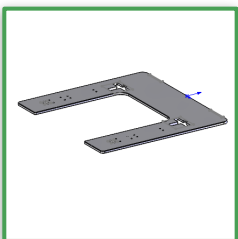
Tilt Latch Actuator Guide
F017382101
pg.25



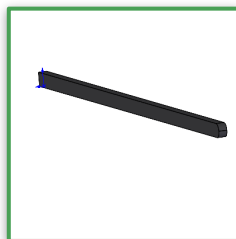
Tilt Latch Rack
F017422101
pg.25



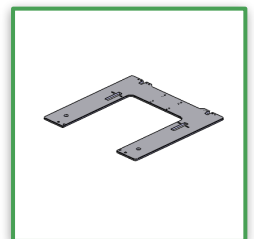
Aluminum U Plate
F0174252103
pg.25



Tilt Latch Actuator Rod
F017432102
pg.25



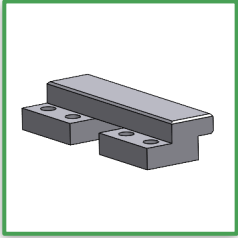
Steel U Plate
F017442101
pg.25



Quick Change Rear Plate Retainer

F017502100

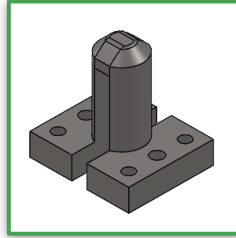
pg.25



Quick Change Locating Pin

F017622100

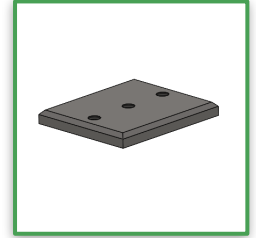
pg.25



Quick Change Actuator Cover

F0176321

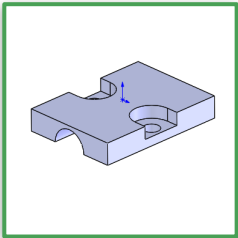
pg.25



Spring Cap

F027182101

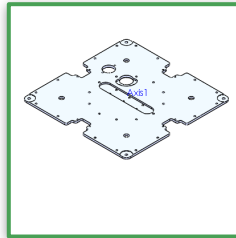
pg.25



26"X 26" Pallet Base

F0370121

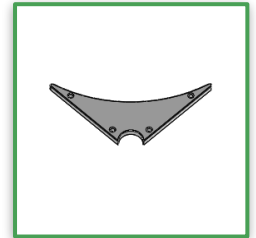
pg.25



Corner Filler Plate

F0372921

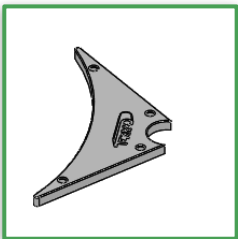
pg.28



Corner Filler Plate With Logo

F0373021

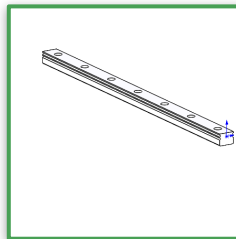
pg.28



Bearing Rail

LW20R400S2

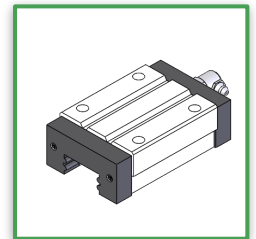
pg.25



Linear Bearing

LWES20C1S2

pg.25



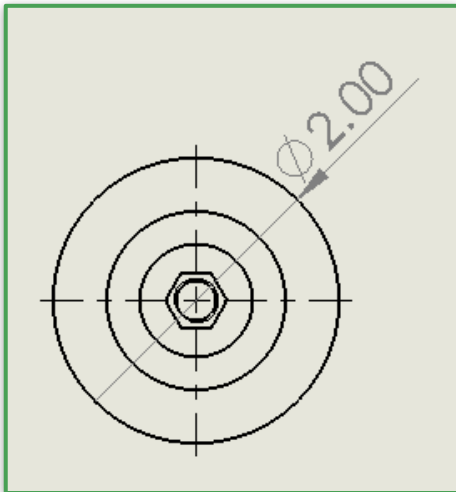
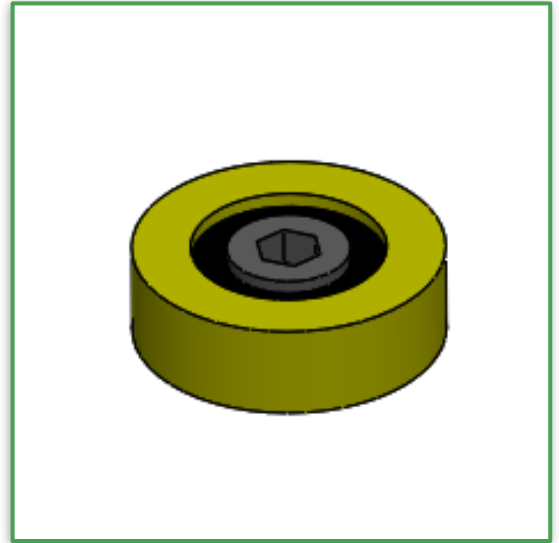
H030202101 Corner Roller

Typical Uses:

- Bumper for pallets
- Low frictions roller for transition points

Features:

- Sealed and lubricated precision bearing
- Polyurethane outer cover
- 2" diameter



H100072104

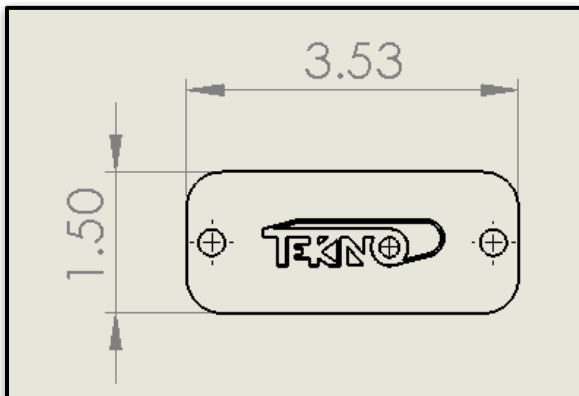
Stop block

Typical Uses:

- Hardened surface for pallet and stoppers to impact

Features:

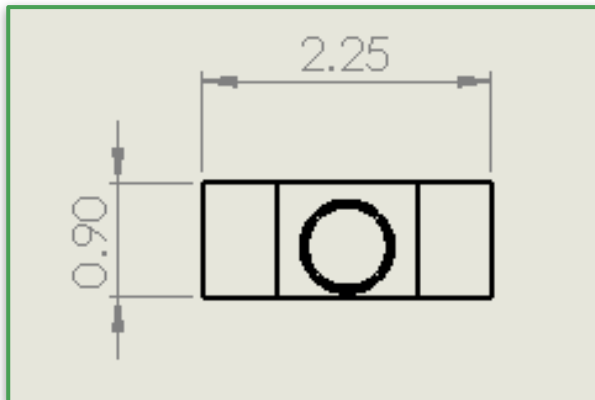
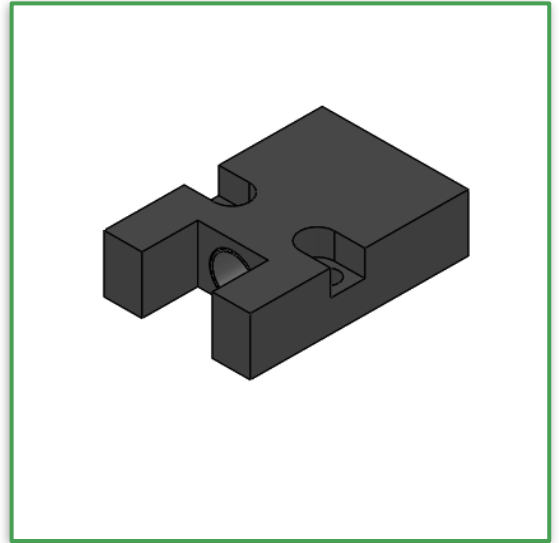
- 55 Rockwell hardness
- Anti backup pocket to engage with Tekno stops



F015061201 Detent Housing

Typical Uses:

- Housing for detent

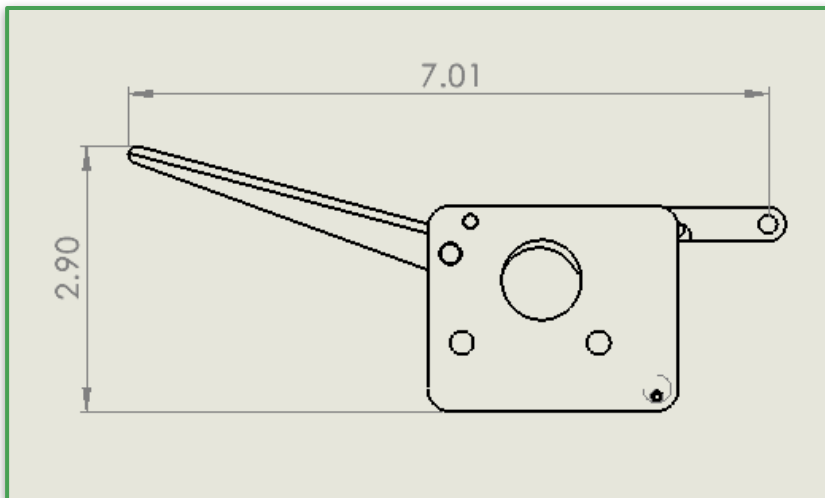
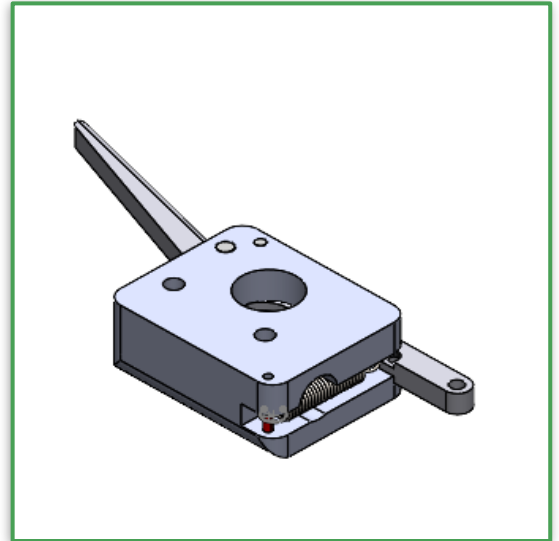


F015071200

Release Handle Assembly Right Hand

Typical Uses:

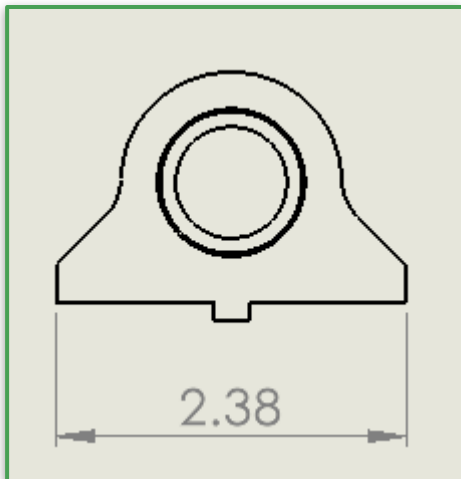
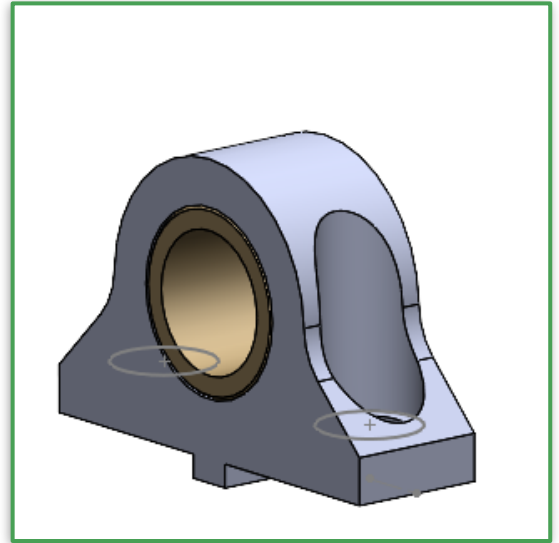
- Release mechanism for tilt assembly



F015071500 Rear Tilt Bearing Assembly

Typical Uses:

- Bearing for the rear tilt assembly

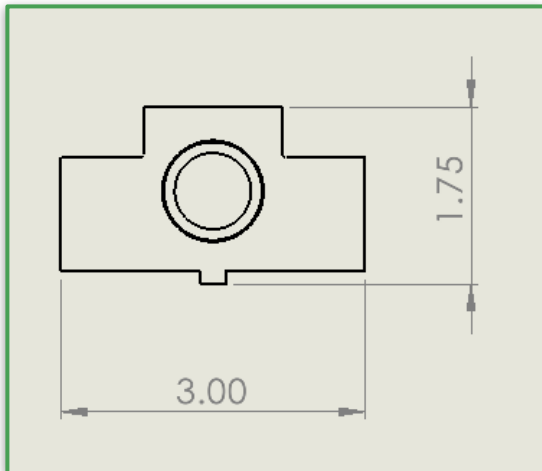
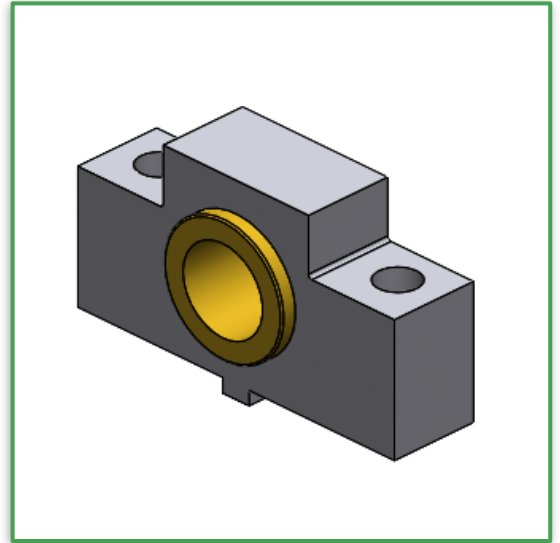


F015071600

Tilt Trunnion Bearing Assembly

Typical Uses:

- Bearing for Tilt Assembly

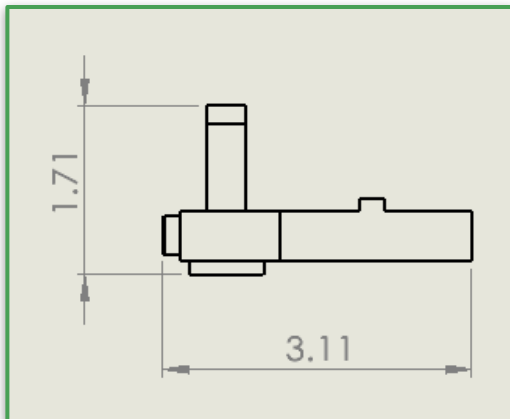
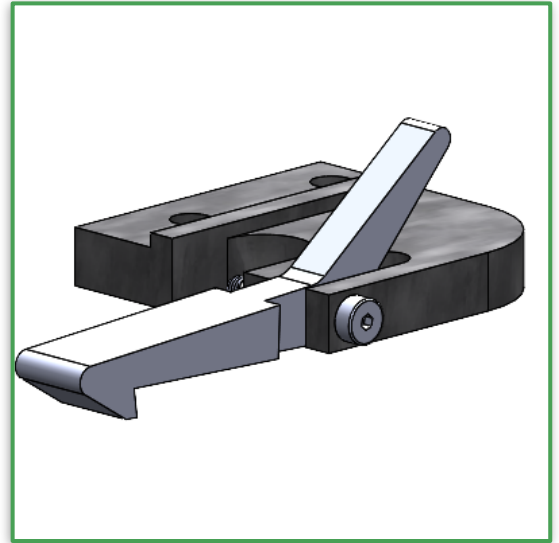


F015071700

Tilt Latch Lock Assembly Right Hand

Typical Uses:

- Lock for the tilt latch assembly

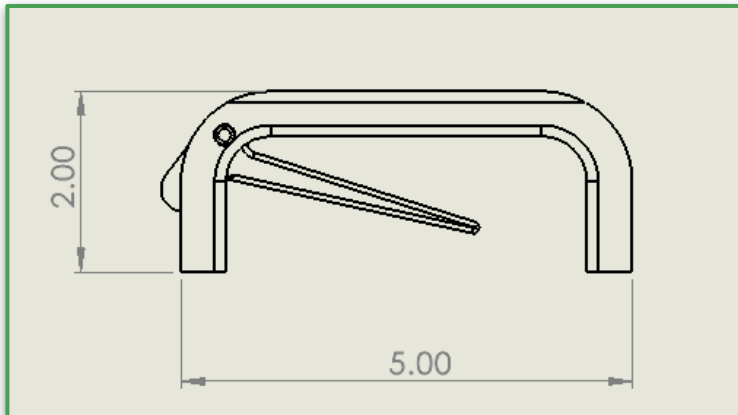
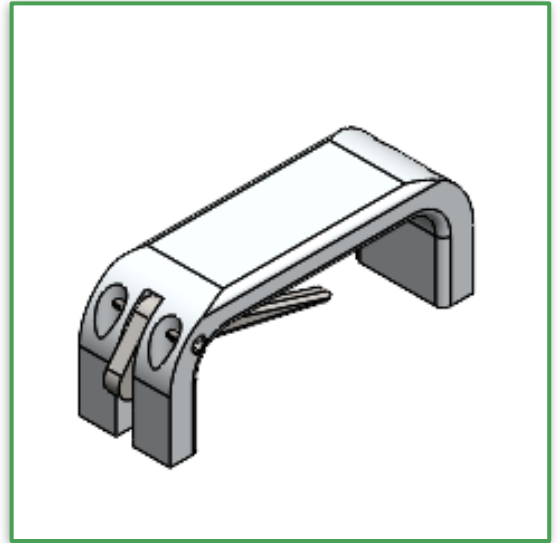


F015081100

Quick Change Handle Assembly

Typical Uses:

- Handle for quick change assembly

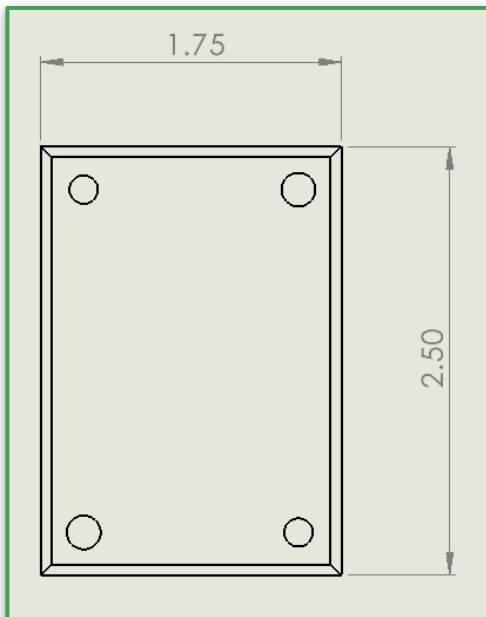
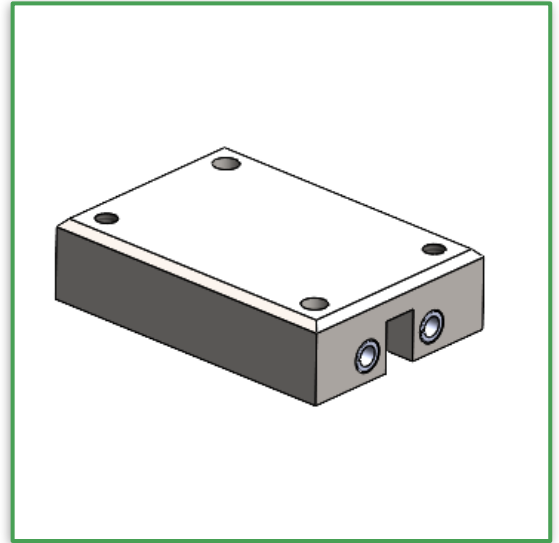


F0150813R00

Quick Change Spring Housing

Typical Uses:

- Housing for springs



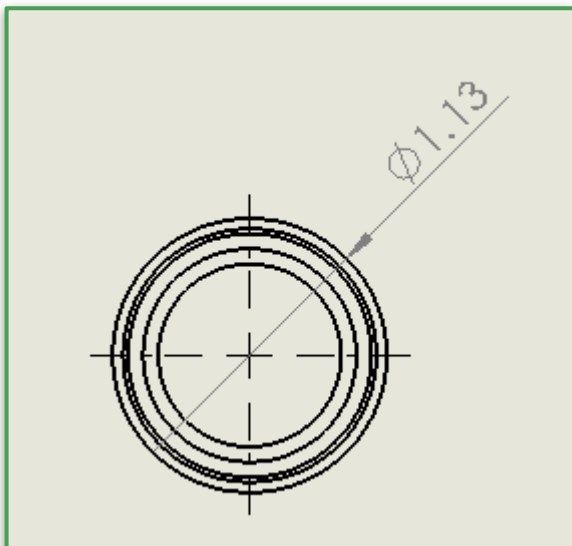
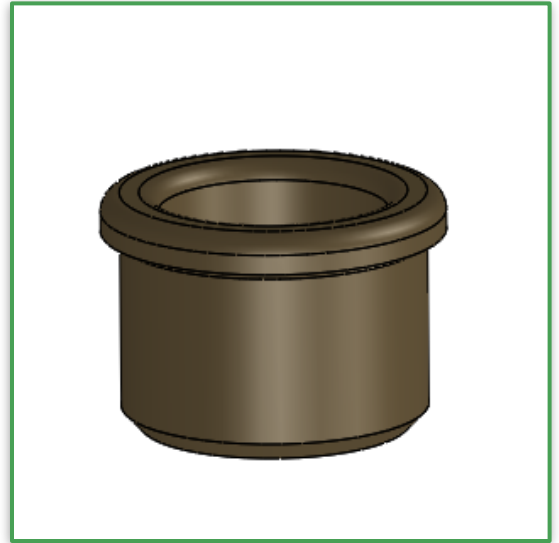
F0170521R00 Locating Bushing

Typical Uses:

- Precision locator for pallets

Features:

- 3.25" id



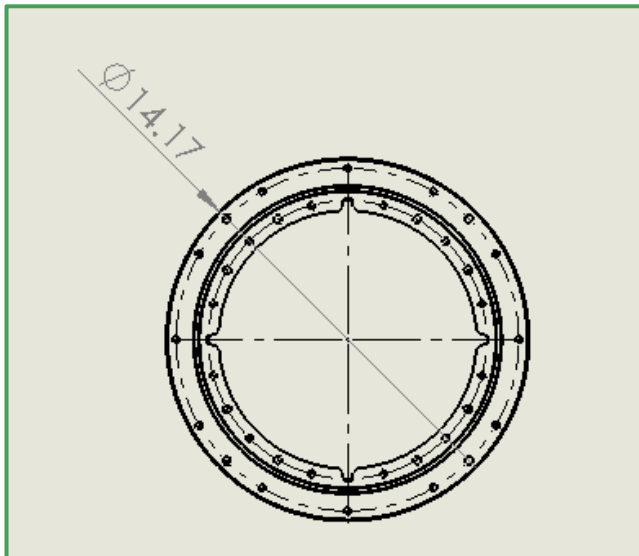
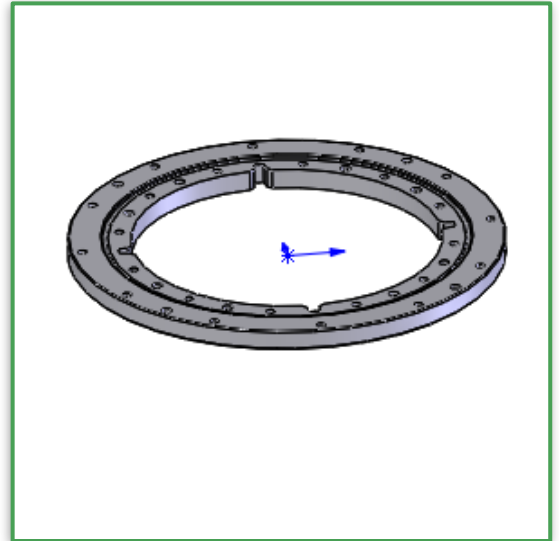
F017062104 Slewing Ring

Typical Uses:

- Rotating bearing for turntables

Features:

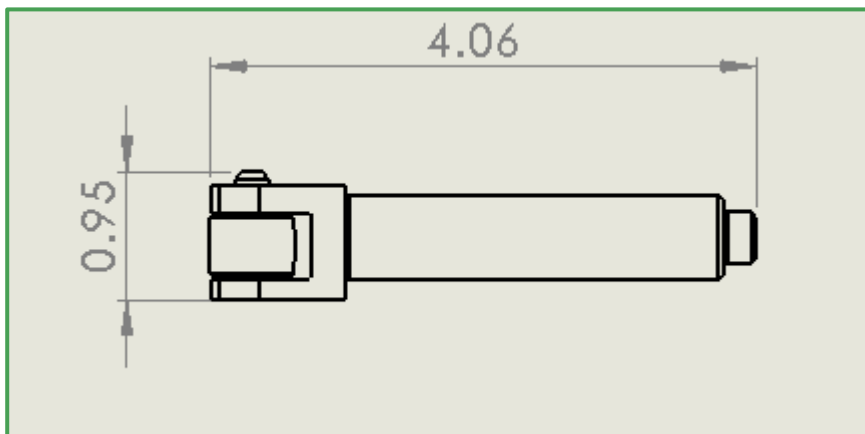
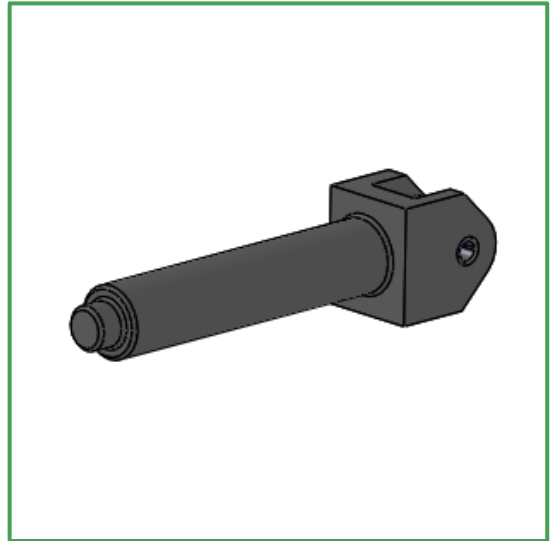
- Notches for detent assembly
- Sealed bearing
- Tapped holes for mounting



X0170321 Detent Plunger

Typical Uses:

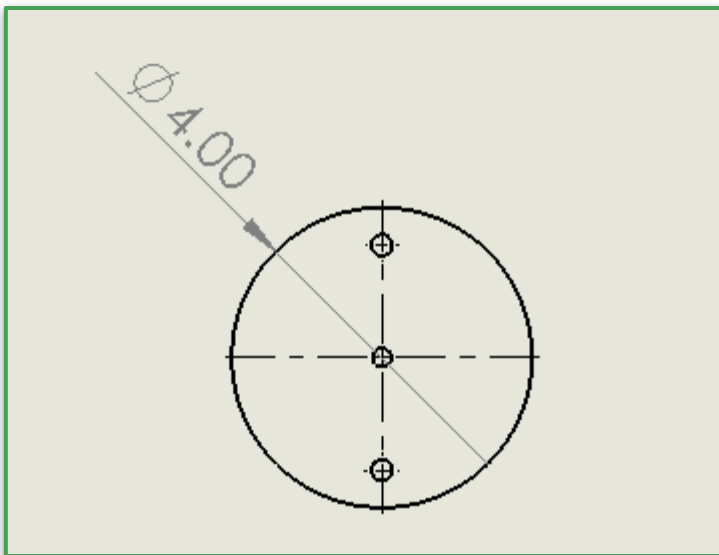
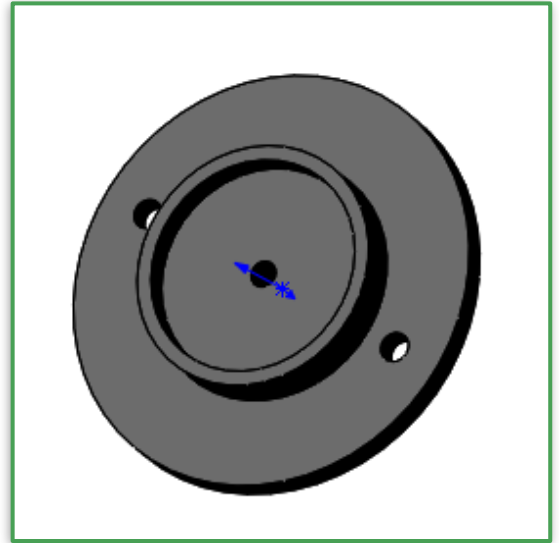
- Actuator for detent assembly



F0171121R03 RFID Puck Holder

Typical Uses:

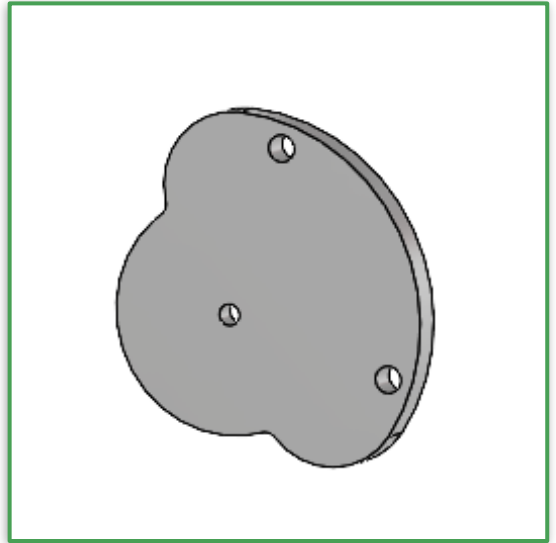
- Isolation puck for RFID tag



F017112103 RFID Puck Holder

Typical Uses:

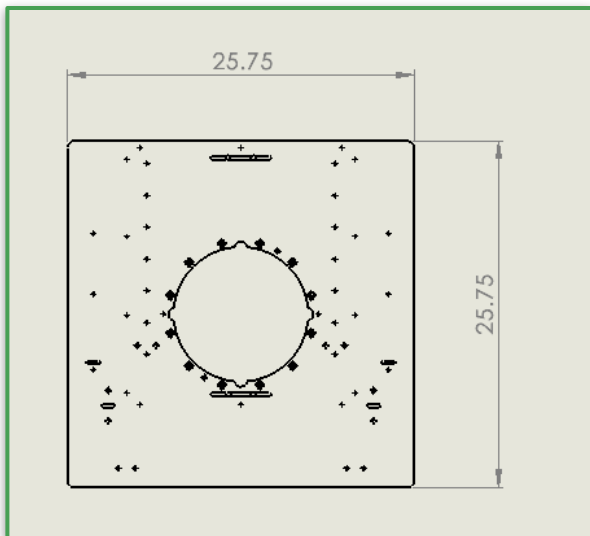
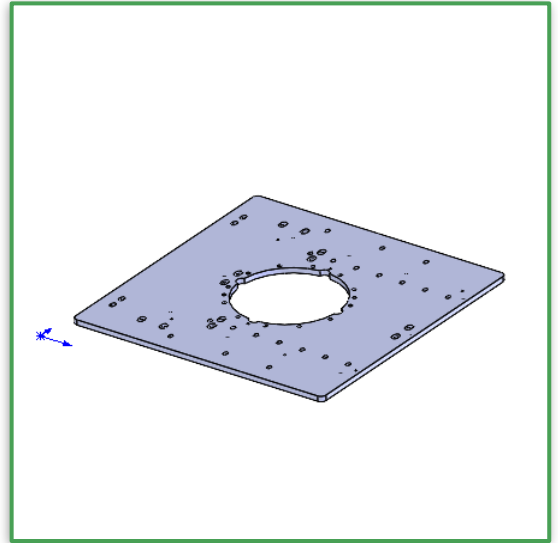
- Isolation mount for RFID puck



F017122109 Mid Plate

Typical Uses:

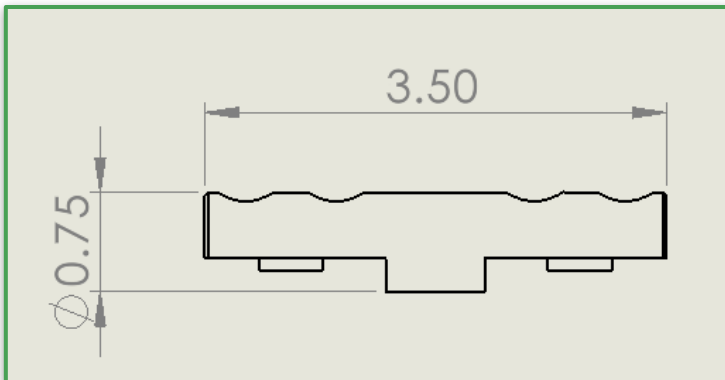
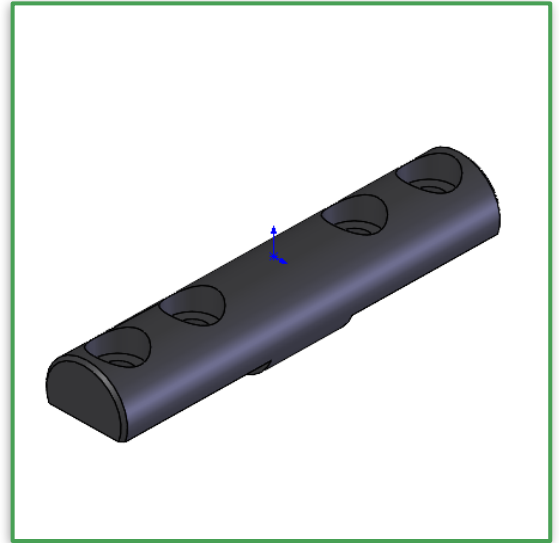
- Rotating plate for pallets



F017202102 Rear Tilt Shaft

Typical Uses:

- Shaft for the rear tilt

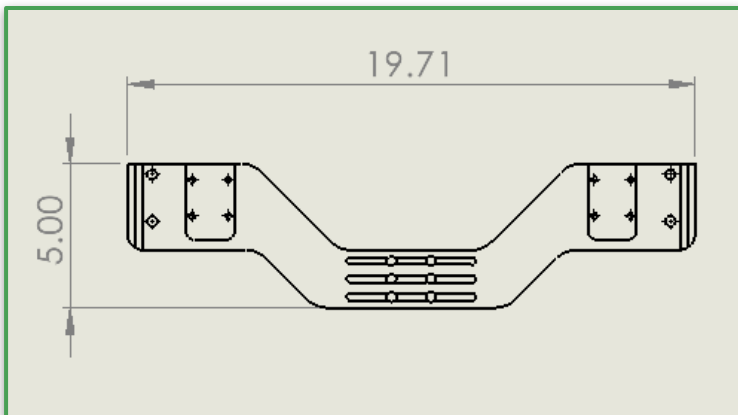
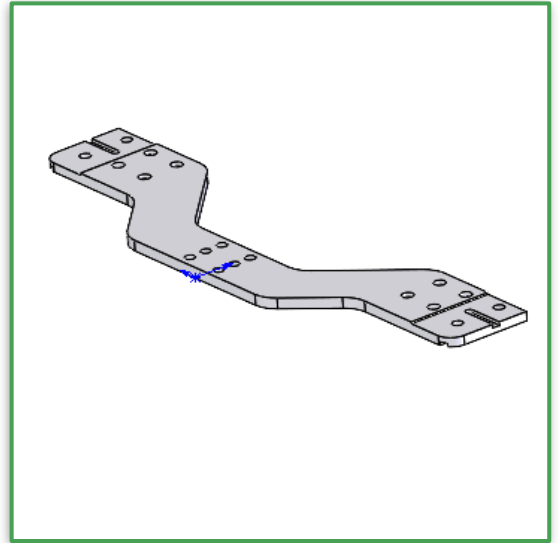


F017232103

Tilt Assembly Rail Saddle

Typical Uses:

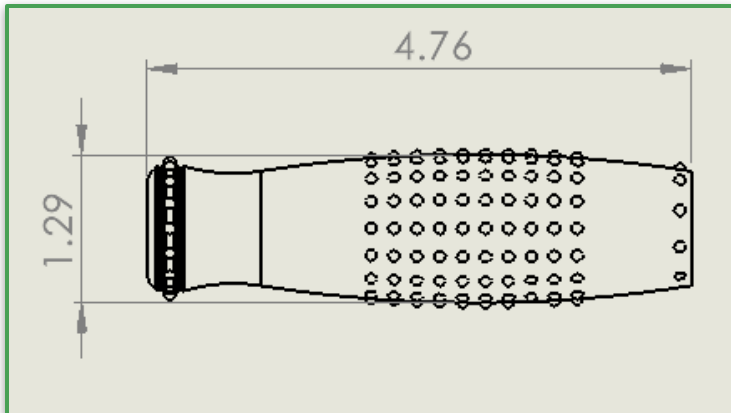
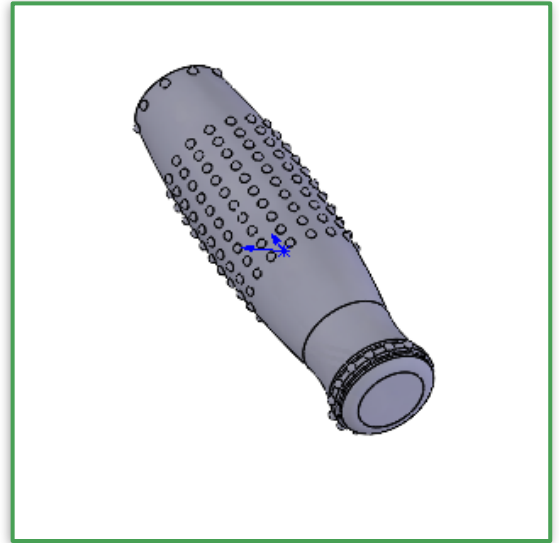
- Rail Saddle for the tilt assembly



F0172721R00 Tilt Handle Grip

Typical Uses:

- Grip for the tilt handles

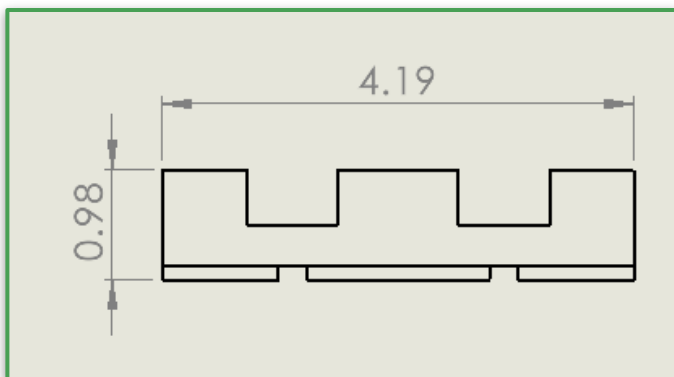
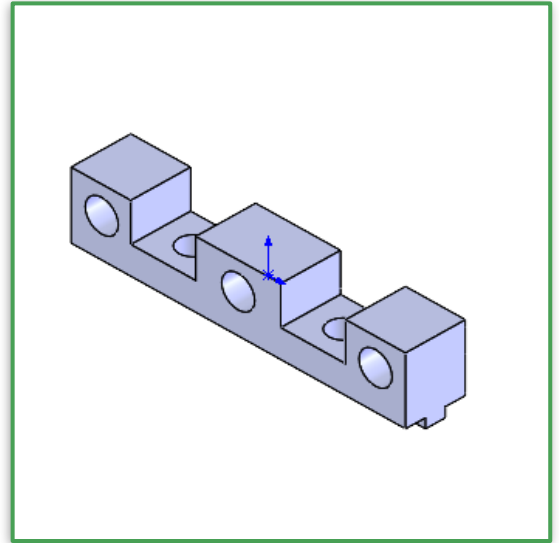


F017292100

Triple Spring End Cap

Typical Uses:

- End cap for the triple spring

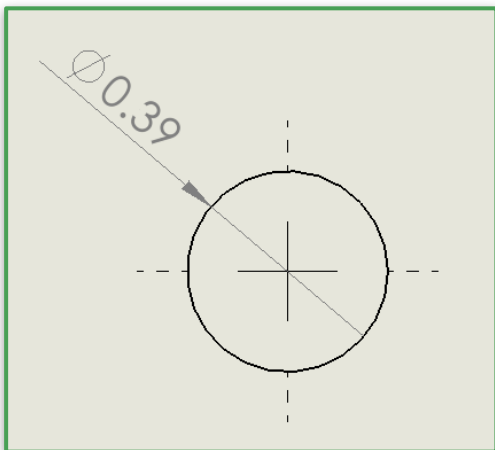
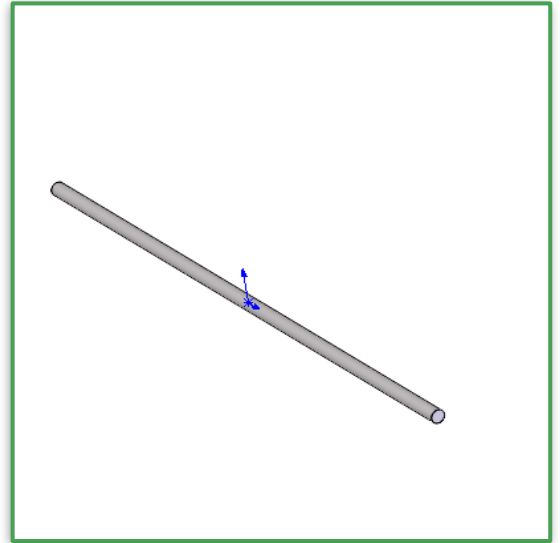


F017342100

Tilt Shaft

Typical Uses:

- Shaft for the tilt mechanism

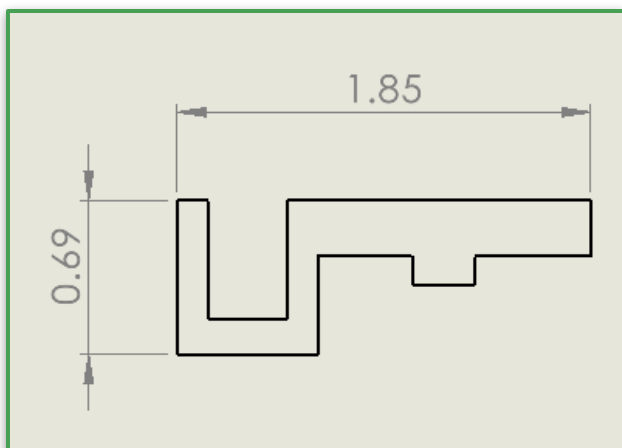
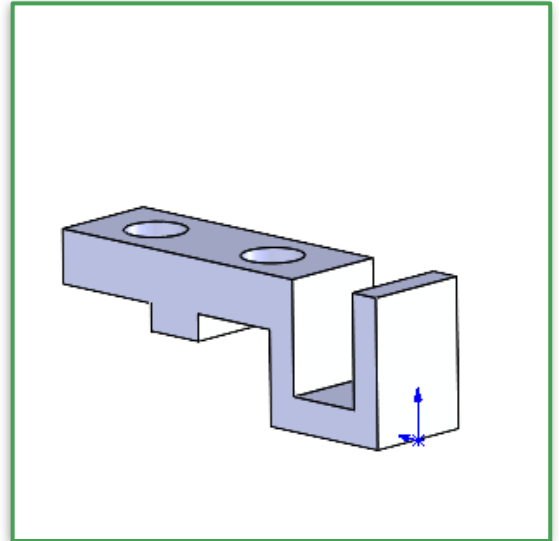


F017382101

Tilt Latch Actuator Guide

Typical Uses:

- Guide for the tilt latch actuator

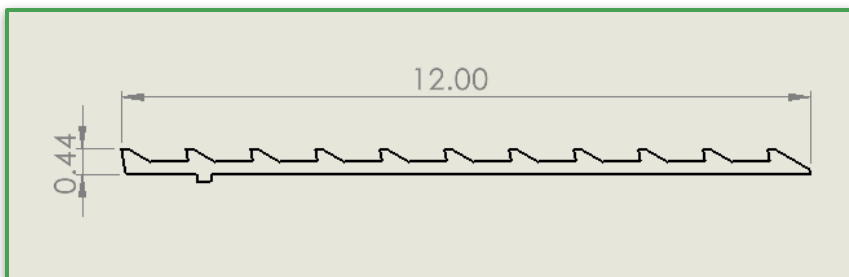
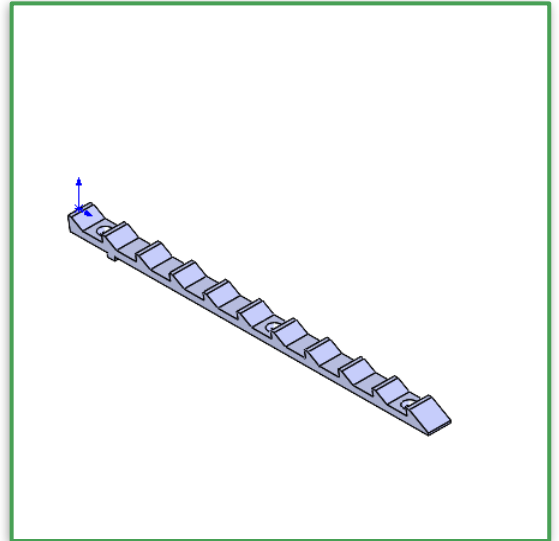


F017422101

Tilt Latch Rack

Typical Uses:

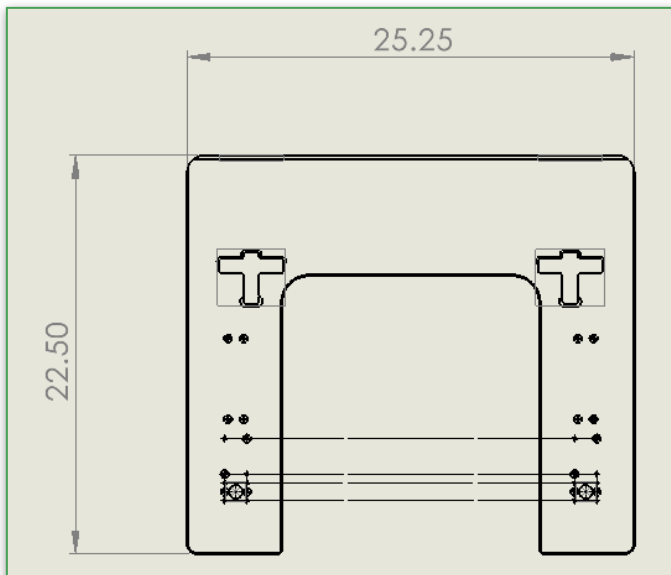
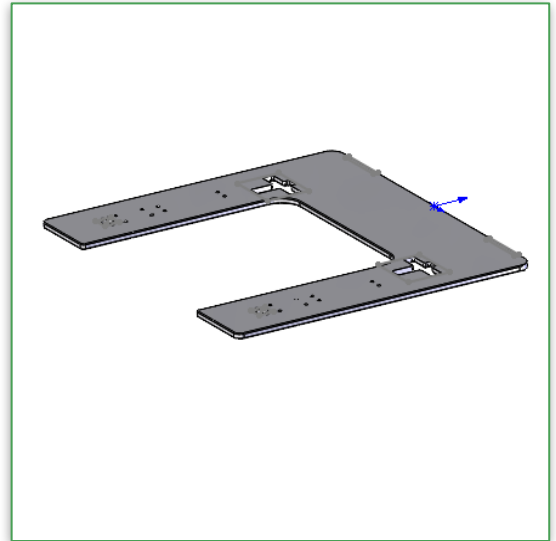
- Rack for the tilt latch assembly



F0174252103 Aluminum U Plate

Typical Uses:

- Top tilting plate

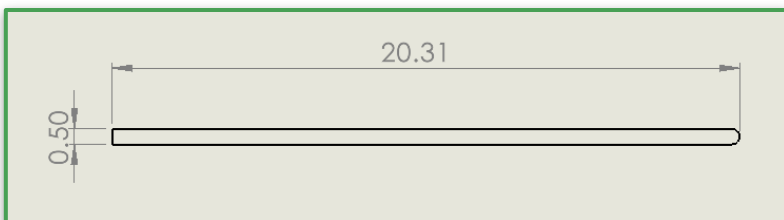
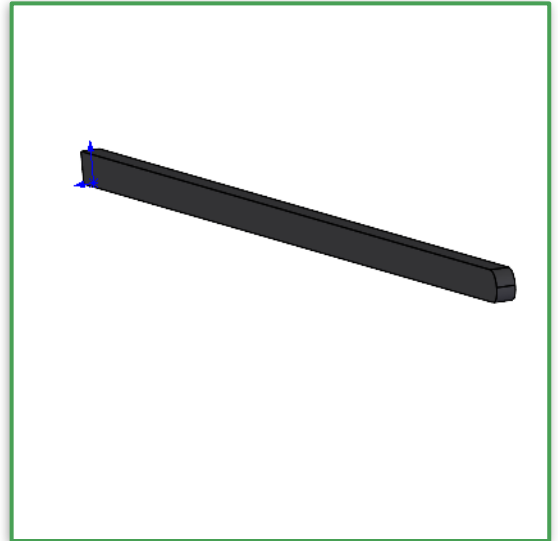


F017432102

Tilt Latch Actuator Rod

Typical Uses:

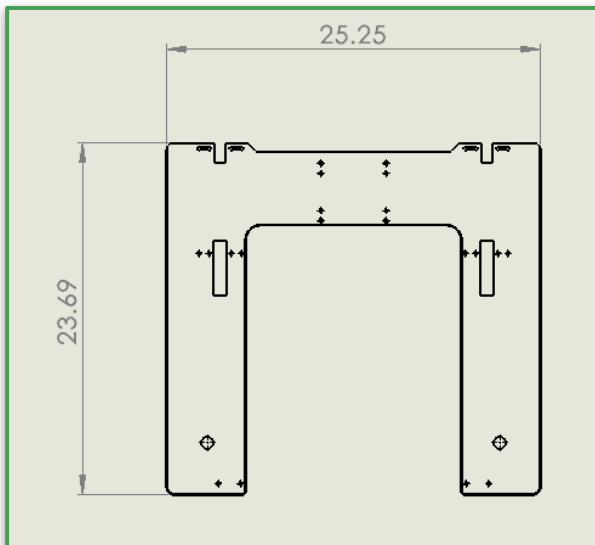
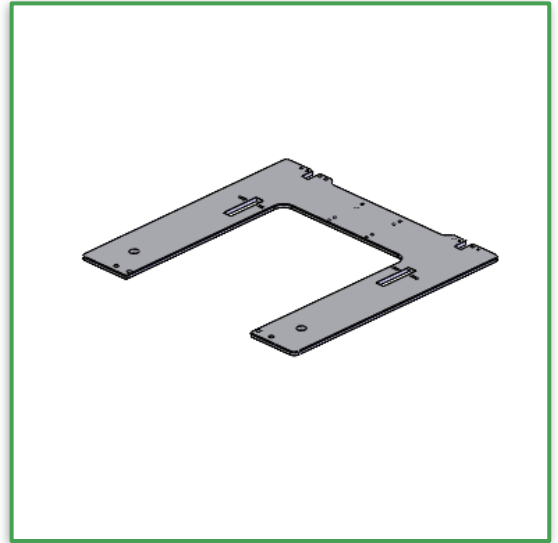
- Actuator for the tilt latch



F017442101 Steel U Plate

Typical Uses:

- Bottom Tilting Plate

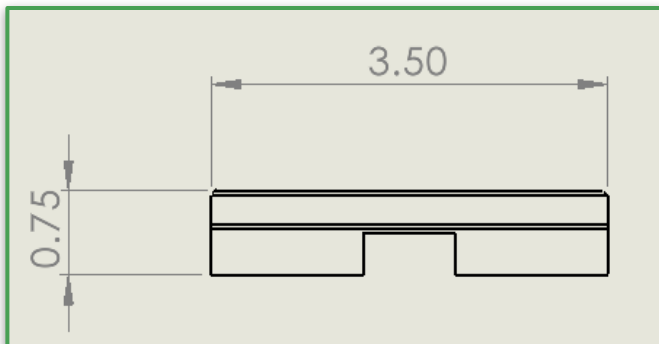
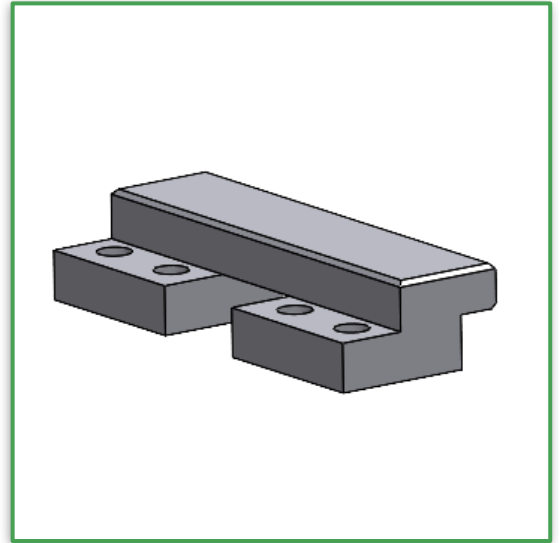


F017502100

Quick Change Rear Plate Retainer

Typical Uses:

- Retainer for the quick change plate

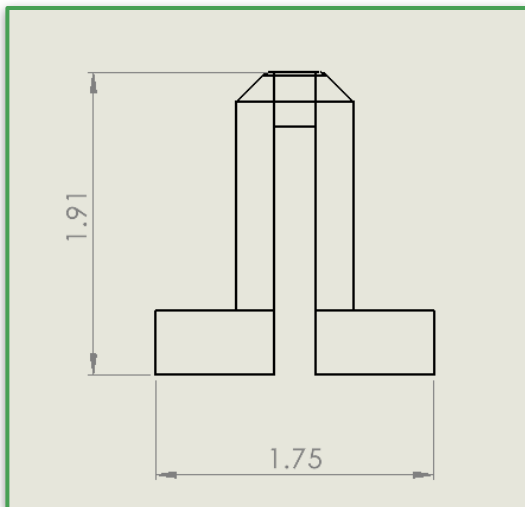
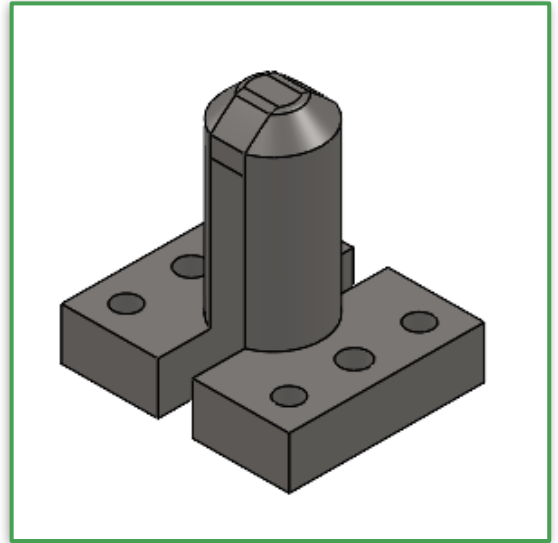


F017622100

Quick Change Locating Pin

Typical Uses:

- Locator for quick-change assembly

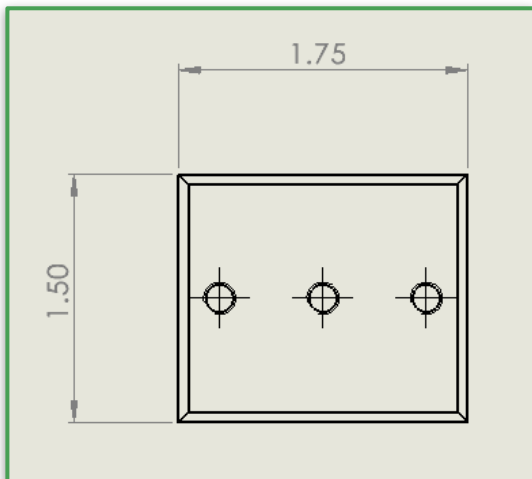
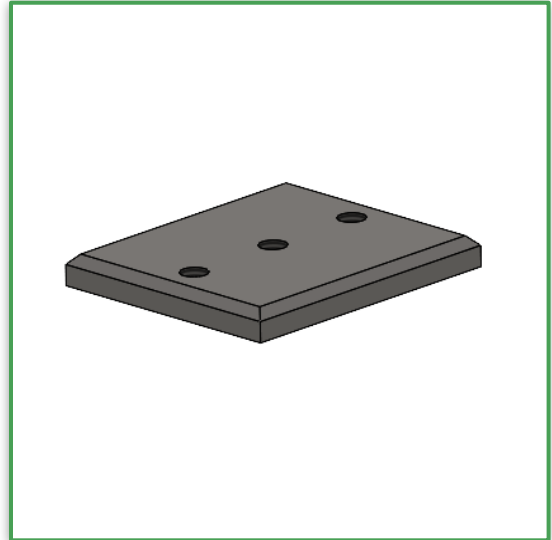


F0176321

Quick Change Actuator Cover

Typical Uses:

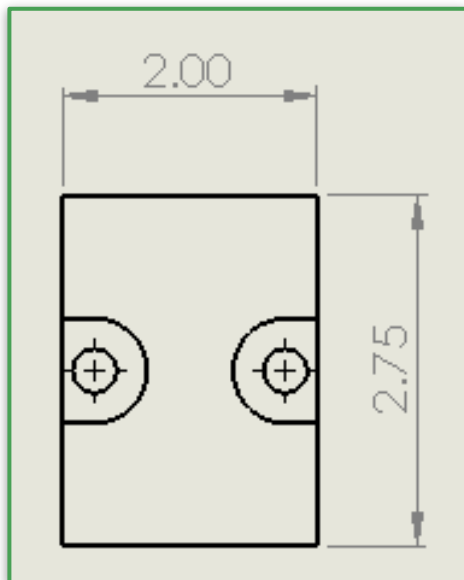
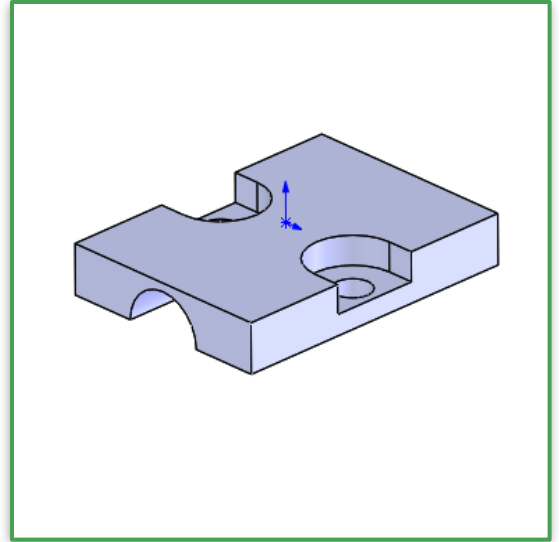
- Cap for quick change actuator



F027182101 Spring Cap

Typical Uses:

- Cap for spring in detent assembly



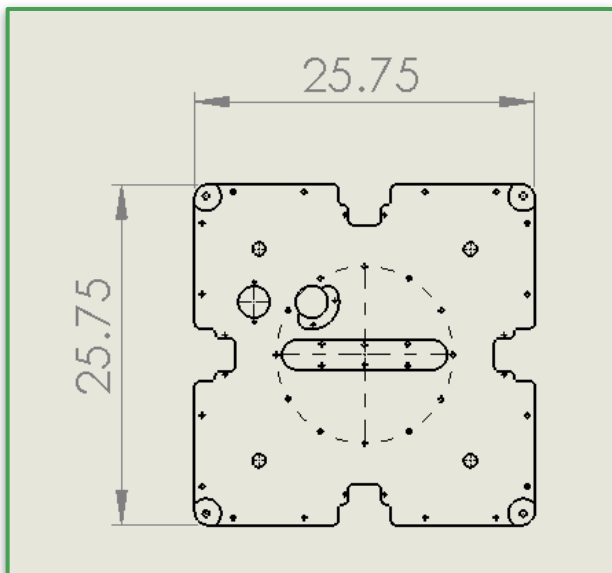
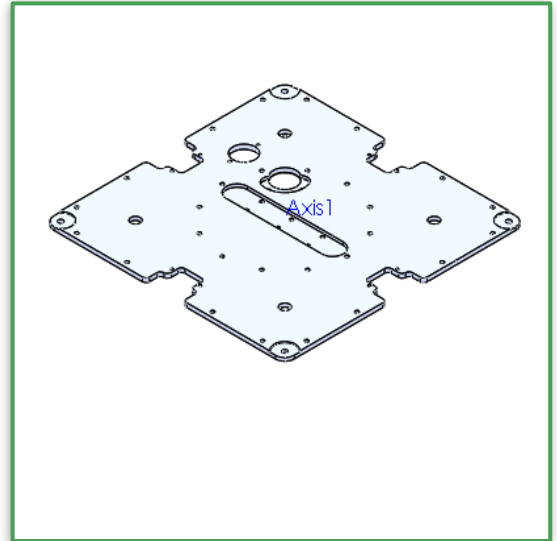
F0370121 26"X 26" Pallet Base

Typical Uses:

- Base for pallet

Features:

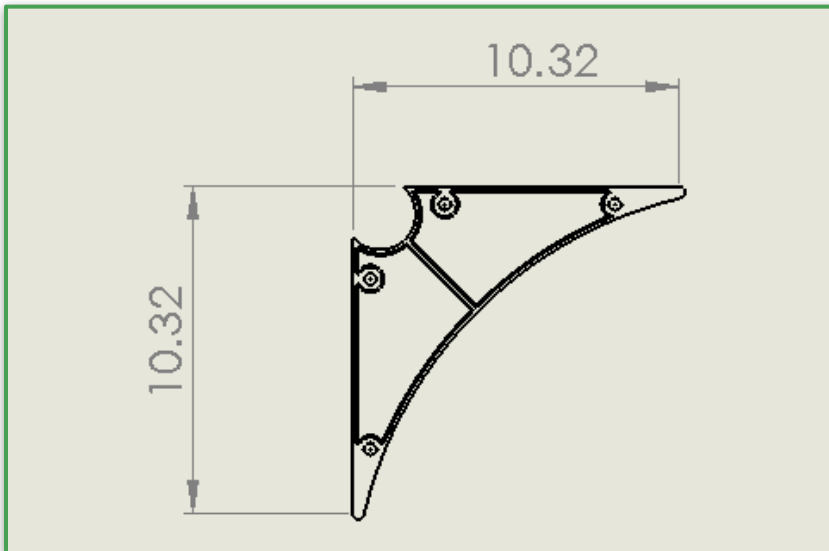
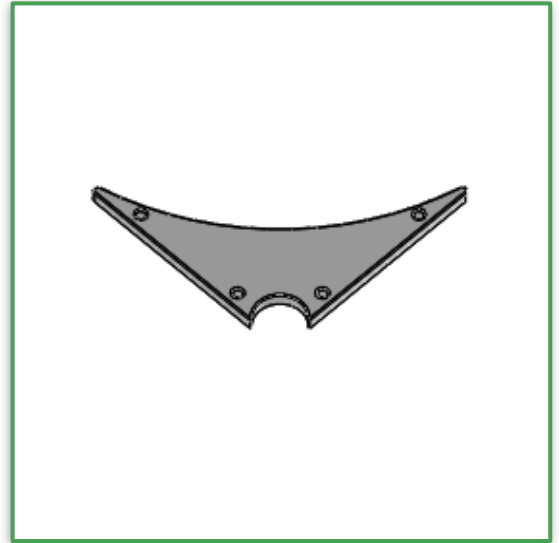
- Hard anodized surface treatment to reduce wear from chains
- Features for RFID tags
- Features for locating bushings
- Features for slewing ring
- Features for b tent



F0372921 Corner Filler Plate

Typical Uses:

- Corner fillers for 26"x26" pallet

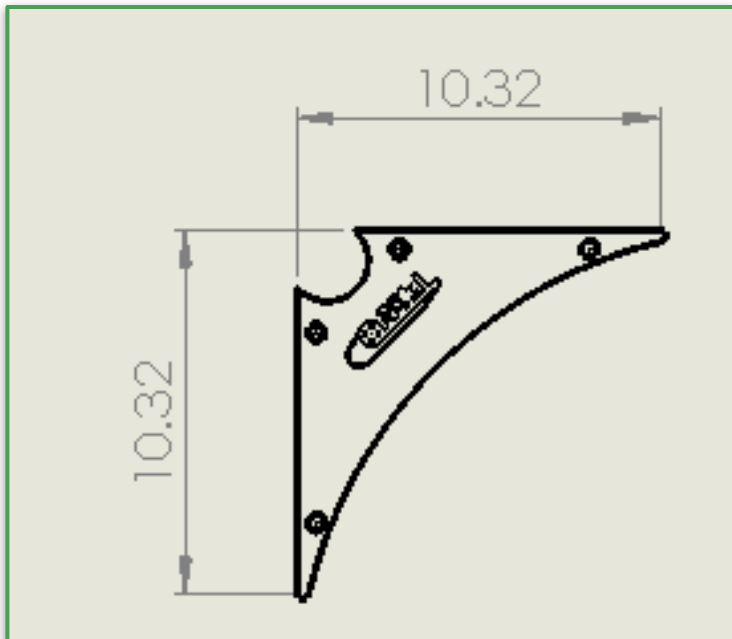
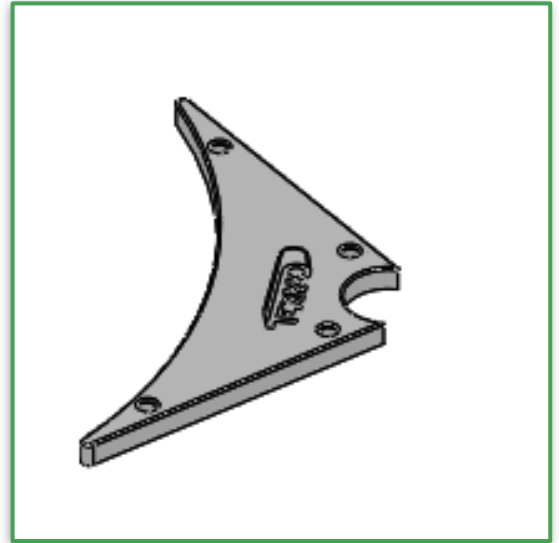


F0373021

Corner Filler With Logo

Typical Uses:

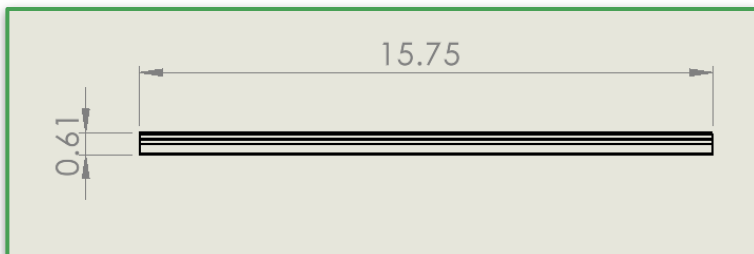
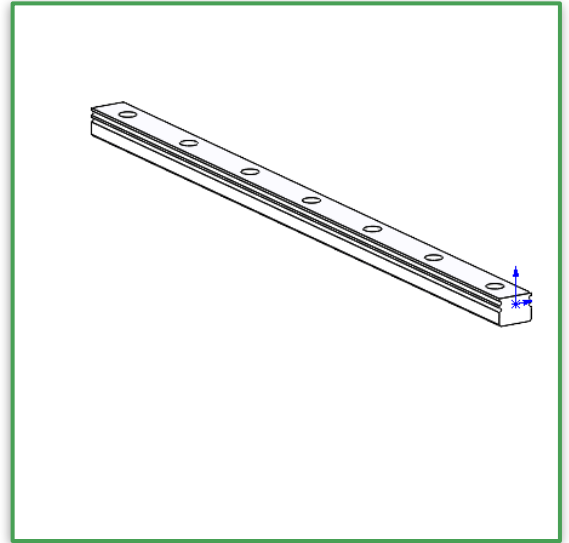
- Corner filler for 26"x26" pallet
- Logo identifies corner with RFID tag



LW20R400S2 Bearing Rail

Typical Uses:

- Rail for the bearings



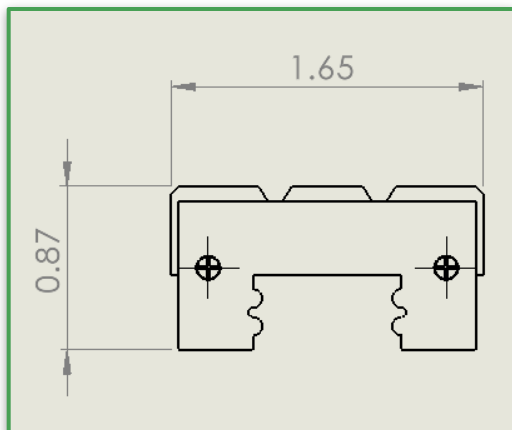
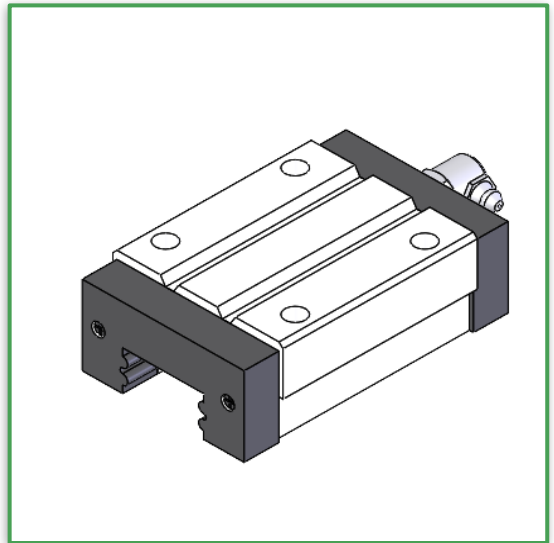
LWES20C1S2 Linear Bearing

Typical Uses:

- Linear Bearing

Features:

- Type F thread cutting



Systems Integration

Tekno provides systems integration services to clients for projects large and small. With over 25 years of experience in mainstream industry, both domestically and internationally, we have the proven know-how, expertise, and product familiarity to make your automated production systems a success. With internal design, assembly, machining, control panel configuration, and programming capabilities, Tekno offers a breadth and depth of services worthy of the world's finest manufacturing facilities.



Use Tekno's own Non-synchronous Conveyor System for Palletized Product Assembly & Conveyance:

Tekno Conveyor Systems

Tekno is an Original Equipment Designer and Manufacturer of a world class line of modular conveyor components. Tekno conveyors can handle a wide variety of product and carrier types, loads, sizes, and conveyance speeds. Tekno conveyors are extremely flexible in application, and they're re-configurable when production requirements change. Thousands of automated conveyance, assembly, and processing systems built from the well-established product lines have been fielded across North America and beyond.



Tekno Offers Turn-Key Manufacturing & Material Handling Systems Integration Services.



Stair Tread and Walkovers

Tekno's product line also allows you to design and build completely modular stair treads and walkovers for your application. Built of the highest quality extruded anodized aluminum, these structures provide lightweight, yet ultra sturdy platforms and staircases. Our tread plate material is designed with a premium on safety; our tread plates provide raised traction features. We also offer vented tread plate that allows dirt and other debris which accumulates to fall freely through the plate, virtually eliminating the risk of slippage. As is the case with any Tekno product, these structures possess incredible versatility and are easily configured/reconfigured for any Application. Call us today for further information on our Walkovers and Stair Treads!

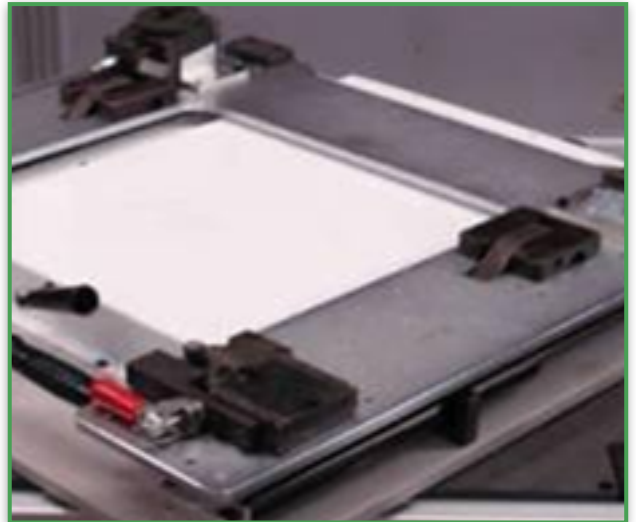
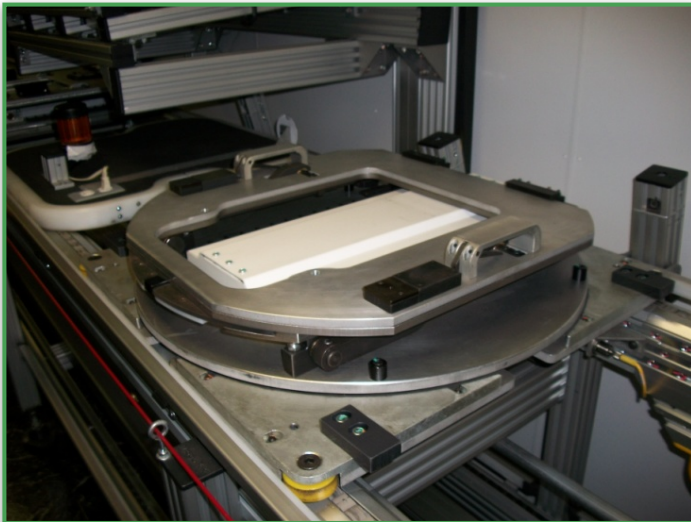


Custom Product Pallets

Tekno can design and build product carriers of almost any size, shape, and composition, to very close tolerances.

Tekno's in-house fabrication, machining and assembly capability can provide special fixtures, pallet electrification equipment, multiple-model corner and product support blocks, pallet-to-station locking methods, status flag, in-line product burn-in and testing features, corner rollers, UHMW-PE glide edging, stopper cutouts, and raised aluminum pedestals, Send your custom applications our way.

Check Out Tekno's Own Internal Custom Pallet Design, Fabrication, and Build Capabilities:



Special Machinery:

- Tekno's engineering, machining, fabrication, assembly, and documentation departments provide a wealth of capabilities in the creation and application of custom machinery.

- With specialists in conveyance, part fixturing, material flow, heat treatment, furnaces and ovens, vertical product lifts, brazing technology, manufacturing processes, in-line gauging, product inspection and testing, automation programming and robotic Applications.

- Tekno can handle many types of special equipment projects.

- Special machinery is pre-built in our facility, then tested, de-bugged, and run off for the customer prior to shipment and installation of the equipment. To help your operators and maintenance technicians better understand and care for your new machinery.

- Tekno also offers various levels of custom documentation and training packages.



Tekno's Skilled Engineers & Technicians Can Design, Fabricate, Build, and Install Equipment to Meet Your Needs: