

## PFT 8520 Trolley frame black

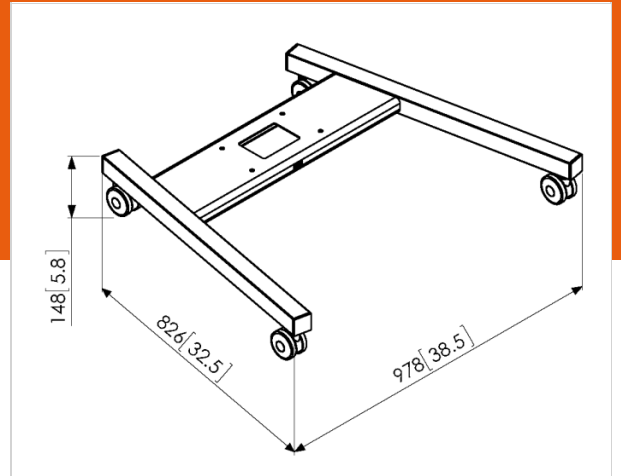
Article number (SKU) 7328520  
Colour Black

### Key benefits

- TÜV certified
- TÜV certified

The PFT8520 trolley frame is a part of the modular Connect-it system with which you can create a mobile solution for medium- to large-sized displays.

Vogel's Connect-it floor solutions (floor stands and trolleys) is an uniquely flexible system. With only a few standard components, you can create a solution for almost any requirement. From a single display floor stand in a shop window, a back-to-back display set-up in an airport, to a movable video conferencing set-up for corporate use, the flexible Connect-it floor solutions line fits every situation. Connect-it floor solutions can accommodate displays from small to extra large, weighing up to 160 kg. Connect-it floor modules are available in black and silver to fit any interior décor.





## PFT 8520 Trolley frame black

VOGEL'S HOLDING BV 2017 (c) All rights reserved  
Subject to printing errors, technical and price  
amendments  
Date: 13-11-2017

[www.vogels.com](http://www.vogels.com)

## Specifications

### Product specifications

Product type number	PFT 8520
Article number (SKU)	7328520
Colour	Black
EAN single box	8712285323904
TÜV certified	Yes
Guarantee	5 years

### Features

Professional features    Wheels

### Technical specifications and dimensions

Height of floor plate/trolley frame (mm)	148
Length of floor plate/trolley frame (mm)	826
Width of floor plate/trolley frame (mm)	978

