

stryker®

Maintenance Manual

Medical

Birthing Bed
Model LD304

Important
Information

File in your
maintenance
records

For parts or technical
assistance call
800 327 0770 (option 2)



Table of Contents

| | |
|--|--------|
| Introduction | |
| Specifications | 5 |
| Warning / Caution / Note Definition | 6 |
| Symbols | 7 |
| Cleaning | 8 |
| Preventative Maintenance Checklist | 9 |
| Service Information | |
| Static Discharge Precautions | 10 |
| CPU Board Replacement | 11 |
| Power Supply Replacement | 11 |
| Power Board Replacement | 12 |
| Brake Adjustment | 12 |
| Bed Lift Motor Replacement | 13 |
| Trendelenburg Motor Replacement | 14, 15 |
| Fowler Motor Replacement | 16 |
| Fowler Ball Screw Replacement | 17 |
| Skoocher™ Motor Replacement | 18 |
| Foot Motor Replacement | 19 |
| Optional Air Mattress Compressor Replacement | 20 |
| Night Light Replacement | 21 |
| Nurse Call 9V Battery Replacement | 21 |
| Diagnostics Mode | 21 |
| Foot Potentiometer Replacement | 22 |
| Foot Potentiometer Burn-In Procedure | 23 |
| Fowler Potentiometer Replacement | 24 |
| Fowler Potentiometer Burn-In Procedure | 24 |
| Lift Potentiometer Replacement | 25 |
| Lift Potentiometer Burn-In Procedure | 25 |
| Smart TV Interface Burn-In Procedure | 26 |
| Troubleshooting Guide | 27–32 |
| Bed Circuit Boards | 33–37 |
| Bed Communications Tester | 38 |
| Headwall Output Configuration | 39 |
| Quick Reference Replacement Parts List | 40, 41 |

Table of Contents

Assembly Drawings and Parts Lists

| | |
|--|----------|
| Caster / Base Assembly | 43, 44 |
| 6" Caster Assembly | 45–47 |
| 8" Caster Assembly | 48–50 |
| Base Assembly | 51–55 |
| Head End Brake Assembly | 56, 57 |
| Foot End Brake Assembly | 58, 59 |
| Litter / Lift / Trend Assembly | 60–64 |
| Litter / Lift / Trend Standard Components | 65–68 |
| Domestic Trend Motor Assembly | 69, 70 |
| International Trend Motor Assembly | 71, 72 |
| Bed Lift Motor Assembly | 73 |
| Bed Lift Standard Components | 74–77 |
| Foot Lift Assembly | 78 |
| Foot Lift Assembly Standard Components | 79–81 |
| Litter Assembly | 82–93 |
| Seat Assembly | 94 |
| Hand Grip Assembly | 95, 96 |
| Bellows Cover Assembly | 97 |
| Fluid Basin | 98 |
| Night Light Assembly | 99 |
| Foot Positioning Assembly | 101, 102 |
| Foot Positioning Subassembly | 103–107 |
| Foot Lift Casting Subassembly | 108 |
| Skoocher™ Option Assembly | 109–113 |
| Non–Skoocher™ Option | 114, 115 |
| Fowler Guide / Skoocher™ Common Components | 116–123 |
| Fowler / Skoocher™ Motor | 124, 125 |
| Foot Section Assembly | 126 |
| Foot Section Standard Components | 127–132 |
| Sliding Block Assembly | 133–135 |
| Foot Mattress | 136 |
| Enhanced Comfort Mattress Option | 137 |
| Enhanced Comfort Mattress | 138 |

Table of Contents

Assembly Drawings and Parts Lists (Continued)

| | |
|---|----------|
| Enhanced Comfort Mattress Standard Components | 139 |
| Air Mattress Option | 140 |
| Air Mattress | 141 |
| Air Mattress Standard Components | 142, 143 |
| Air Mattress Compressor / Manifold Assembly | 144, 145 |
| Left Upright Assembly | 146–148 |
| Right Upright Assembly | 149–151 |
| Foot Assembly, Left and Right | 152 |
| Upright Housing Assembly | 153–155 |
| Upright Housing | 156 |
| Foot Abduction Extrusion Assembly | 157 |
| Upright Slide Assembly | 158, 159 |
| Abduction Assembly | 160, 161 |
| Abduction Assembly Standard Components | 162, 163 |
| No Calf Support Option | 164 |
| Attached Calf Support Option | 165 |
| Attached Calf Support Assembly | 166, 167 |
| Removable Calf Support Option | 168 |
| Removable Calf Support Assembly | 169 |
| No Optional Headwall Interface | 170 |
| Headwall Interface with Pendant Port | 171, 172 |
| Headwall Interface with Nurse Call | 173, 174 |
| Headwall Interface with Nurse Call and Pendant Port | 175, 176 |
| Electrical Box Standard Components | 177–179 |
| Full Bed Electrical Assembly | 180–183 |
| Left Siderail Assembly | 184 |
| Standard Siderail Components, Left | 185–188 |
| Right Siderail Assembly | 189 |
| Standard Siderail Components, Right | 190–193 |
| Siderail Latch Assembly | 194, 195 |
| Siderail Bypass Detent Clip Assembly | 196 |
| Siderail Timing Link Assembly | 197, 198 |
| Siderail Release Lever Assembly | 199, 200 |
| Standard Siderail Assembly | 201–203 |

Table of Contents

Assembly Drawings and Parts Lists (Continued)

| | |
|---|----------|
| Siderail Assembly with Nurse Call | 204–206 |
| Siderail Assembly with Lumbar | 207–209 |
| Siderail Assembly with Skoocher™ | 210–212 |
| Siderail Assembly with Skoocher™ and Nurse Call | 213–215 |
| Siderail Assembly with Lumbar and Nurse Call | 216–218 |
| Siderail Assembly with Skoocher™ and Lumbar | 219–221 |
| Siderail Assembly with Skoocher™, Nurse Call and Lumbar | 222–224 |
| Siderail Assembly with Nurse Call, TV/Radio and Lights | 225–227 |
| Siderail Assembly with Nurse Call, Smart TV and Lights | 228–230 |
| Siderail Assembly with Nurse Call, TV/Radio, Lights and Lumbar | 231–233 |
| Siderail Assembly with Nurse Call, Smart TV, Lights and Lumbar | 234–236 |
| Siderail Assembly with Skoocher™, Nurse Call, TV/Radio and Lights | 237–239 |
| Siderail Assembly with Skoocher™, Nurse Call, Smart TV and Lights | 240–242 |
| Siderail Assembly with Skoocher™, Nurse Call, TV/Radio, Lights and Lumbar | 243–245 |
| Siderail Assembly with Skoocher™, Nurse Call, Smart TV, Lights and Lumbar | 246–248 |
| Siderail Panel Assembly | 249, 250 |
| Siderail Lumbar Module Assembly | 251, 252 |
| Siderail Smart TV Module Assembly | 253, 254 |
| Siderail Smart TV/Lumbar Module Assembly | 255, 256 |
| Head Board Mounting Hardware | 257 |
| Crank Handle | 258 |
| Labor Bar Assembly | 259 |
| IV Pole Assembly | 260–263 |
| Optional Mattress Overlay | 264 |

Limited Warranty

| | |
|--------------------------------------|-----|
| Obtaining Parts and Service | 265 |
| Supplemental Warranty Coverage | 265 |
| Return Authorization | 266 |
| Freight Damage Claims | 266 |

Introduction


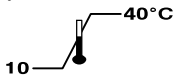
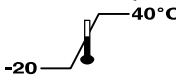
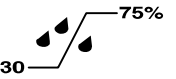

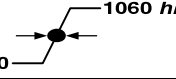
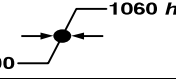
INTRODUCTION

This manual is designed to assist you with the maintenance of the LD304 Birthing Bed. Read it thoroughly before using the equipment or beginning any maintenance on it.

PRODUCT DESCRIPTION

This product is an electrically operated maternity bed designed for general patient care use. Major functions include: raising and lowering of the litter, raising and lowering of the head and foot end portions and Trendelenburg-like function.

SPECIFICATIONS

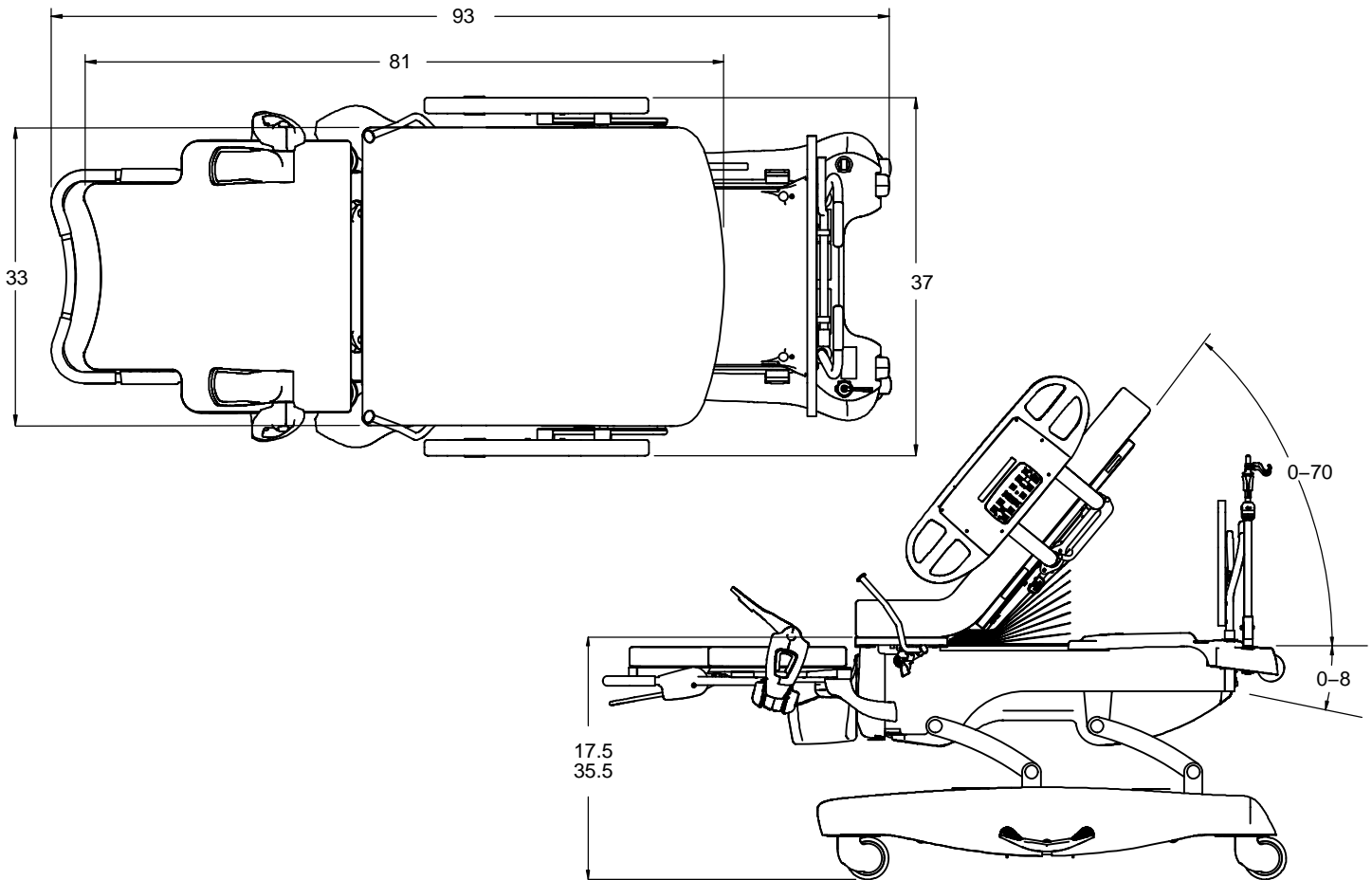
| | | |
|-----------------------------|--|---|
| Safe Working Load | 500 pounds (227 kilograms) |  |
| Weight of Product | 475 pounds (215 kilograms) ; standard configuration 525 pounds (238 kilograms) ; all options/accessories | |
| Bed Length/Width | 93" x 41" (with siderails up) – 37" (with siderails down) 236 cm x 104 cm (with siderails up) – 94 cm (with siderails down) | |
| Bed Height (to top of seat) | Low – 17.5" (44 cm), High – 35.5" (90 cm) (w/6" Casters) | |
| Mattress Size | Head – 49.5" (126 cm) x 33" (84 cm) x 5" (13 cm), Foot – 30" (76 cm) x 30" (76 cm) x 3" (8 cm), Patient Sleep Surface – 81" (206 cm) | |
| Caster Size | 6" Standard; 8" Optional | |
| Critical Angles | Maximum Elevation – Head 70°, Trendelenburg 8°, | |
| Foot Section Height | Foot Section Travel – 0" (0 cm) Up / 7" (17.8 cm) Down | |
| Break-Away Point from Wall | 60" (152 cm) | |
| Electrical | Standard 4 motor function: Head–Bed–Foot–Trendelenburg 120 VAC, 60 Hz, 10 Amp Optional: 230 VAC~, 50/60 Hz, 10Amp Current leakage less than 300 microamperes (per UL 60601–1). Hospital grade plug and 3–wire heavy duty cord. Compatible with non–flammable anesthetic agents and oxygen by nasal catheter or mask type. | |
| Rated Duty Cycle | 5% / hr (Continuous Operation with Short–Time Loading) | |
| Environmental Conditions | Operation | Storage and Transportation |
| Temperature |  |  |
| Relative Humidity |  |  |
| Atmospheric Pressure |  |  |

Stryker reserves the right to change specifications without notice.

Specifications listed are approximate and may vary slightly from unit to unit or by power supply fluctuations

Introduction

SPECIFICATIONS (CONTINUED)



WARNING / CAUTION / DANGER / NOTE DEFINITION

The words WARNING, CAUTION and NOTE carry special meanings and should be carefully reviewed.

WARNING or DANGER

Alerts the reader about a situation, which if not avoided, could result in death or serious injury. It may also describe potential serious adverse reactions and safety hazards.

CAUTION

Alerts the reader of a potentially hazardous situation, which if not avoided, may result in minor or moderate injury to the user or patient or damage to the equipment or other property. This includes special care necessary for the safe and effective use of the device and the care necessary to avoid damage to a device that may occur as a result of use or misuse.

NOTE

This provides special information to make maintenance easier or important instructions clearer.

Symbols



Warning, Refer to Operations or Service/Maintenance Manual



Alternating Current



Type B Equipment: equipment providing a particular degree of protection against electric shock, particularly regarding allowable leakage current and reliability of the protective earth connection.

Class 1 Equipment: equipment in which protection against electric shock does not rely on BASIC INSULATION only, but which includes an additional safety precaution in that means are provided for the connection of the EQUIPMENT to the protective earth conductor in the fixed wiring of the installation in such a way that ACCESSIBLE METAL PARTS cannot become live in the event of a failure of the BASIC INSULATION.

Duty Cycle – 5% / hr (Continuous Operation with Short–Time Loading)

IPX4: Protection from liquid splash



Dangerous Voltage Symbol



Protective Earth Terminal



Potential Equalization Symbol



Medical Equipment Classified by Underwriters Laboratories Inc. with Respect to Electric Shock, Fire, Mechanical and Other Specified Hazards Only in Accordance with UL 60601–1, First Edition (2003) and CAN/CSA C22.2 No. 601.1–M90 with updates 1 and 2



Safe Working Load Symbol



Caution: Electrostatic Sensitive



Warning: Non–Protectively Earthed, Potential for Risk of Electric Shock



In accordance with European Directive 2002/96/EC on Waste Electrical and Electronic Equipment, this symbol indicates that the product must not be disposed of as unsorted municipal waste, but should be collected separately. Refer to your local distributor for return and/or collection systems available in your country.

Cleaning

Hand wash all surfaces of the bed with warm water and mild detergent. DRY THOROUGHLY. Do not steam clean or hose off the LD304 Birthing Bed. Do not immerse any part of the bed. Some of the internal parts of the bed are electric and may be damaged by exposure to water.

Suggested cleaners for bed surfaces:

Quaternary Cleaners (active ingredient – ammonium chloride)

Phenolic Cleaners (active ingredient – o-phenyl phenyl)

Chlorinated Bleach Solution (5.25% – less than 1 part bleach to 100 parts water)

Avoid over-saturation and ensure the product does not stay wet longer than the chemical manufacturer's guidelines for proper disinfecting.

 **CAUTION**

SOME CLEANING PRODUCTS ARE CORROSIVE IN NATURE AND MAY CAUSE DAMAGE TO THE PRODUCT IF USED IMPROPERLY. If the products described above are used to clean Stryker patient care equipment, measures must be taken to insure the beds are wiped with clean water and thoroughly dried following cleaning. Failure to properly rinse and dry the beds will leave a corrosive residue on the surface of the bed, possibly causing premature corrosion of critical components. Failure to follow the above directions when using these types of cleaners may void this product's warranty.

For mattress cleaning and disinfecting, use warm water and a neutral detergent. A sodium hypochlorite solution can also be used for cleaning. If using a chlorinated bleach solution (5.25%) dilute to less than 2 parts bleach to 100 parts water.

 **CAUTION**

Mattresses must be completely dried after cleaning. Failure to thoroughly rinse and dry mattress surfaces after cleaning may cause damage to the mattress and may void this product's warranty.

Preventative Maintenance Checklist

- _____ All fasteners secure
- _____ All welds intact, not cracked or broken
- _____ No bent or broken tubing or sheet metal
- _____ No debris in casters
- _____ All casters secure and swivel properly
- _____ Engage brake pedal and push on the bed to ensure all casters lock securely
- _____ Steer caster latches properly
- _____ Siderails move and latch properly
- _____ Fowler operates properly
- _____ Fowler (back rest) Slide operates properly
- _____ Bed Up/Down operates properly
- _____ Foot section operates properly
- _____ Foot uprights operate properly
- _____ Trendelenburg operates properly
- _____ IV pole intact and operating properly
- _____ No rips or cracks in mattress cover
- _____ Lubricate where required
- _____ Replace Nurse Call 9V battery (annually)
- _____ Power cord not frayed
- _____ No cables worn or pinched
- _____ All electrical connections tight
- _____ All grounds secure to the frame
- _____ Ground impedance not more than 100 milliohms
- _____ Current leakage not more than 300 microamps

Serial No. _____

NOTE

Preventative maintenance should be performed at a minimum of annually. A preventative maintenance program should be established for all Stryker Medical equipment. Preventative maintenance may need to be performed more frequently based on the usage level of the product.

Service Information

STATIC DISCHARGE PRECAUTIONS

The electronic circuits in the bed are completely protected from static electricity damage only while the bed is assembled. It is extremely important that all service personnel always use adequate static protection when servicing the electronic systems of the bed. *Whenever you are touching wires, you should be using static protection.*

Static Protection Equipment

The necessary equipment for proper static protection is:

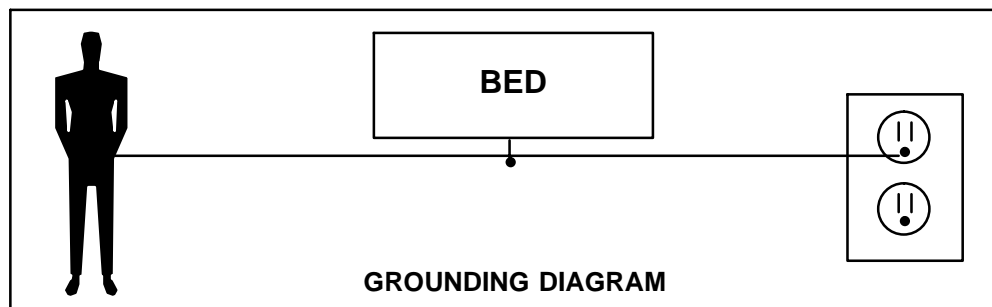
- 1 static wrist strap; 3M part number 2214 or equivalent,
- 1 grounding plug; 3M part number 61038 or equivalent,
- 1 test lead with a banana plug on one end and an alligator clip on the other; Smith part number N132B699 or equivalent.

 **CAUTION**

All electronic service parts will be shipped in static shielding bags. Do not open the bags until you have completed steps 2 and 3 of the following procedure. Do not place unprotected circuit boards on the floor. All circuit boards to be returned to Stryker Medical should be shipped in the static shielding bags the new boards were shipped in.

Static Protection Procedure

1. Unplug the power cord from the wall receptacle.
2. Insert the grounding plug into a properly grounded hospital grade wall receptacle. Plug the banana plug of the test lead into the receptacle on the grounding plug. Connect the alligator clip on the other end of the test lead to a ground point on the bed.
3. Place the static control wrist strap on your wrist. Connect the alligator clip at the other end of the wrist strap cord to a ground point on the bed.



Service Information

CPU BOARD REPLACEMENT (3002–407–950)

Required Tools:

Phillips Screwdriver

Needle Nose Pliers

1. Raise the litter and the Fowler to full up.
2. Unplug the bed power cord from the wall socket. Properly ground yourself (see [page 10](#))
3. Remove the three Phillips screws holding the plastic CPU board cover on the electrical pan and set the cover aside.
4. Unplug the electrical connectors from the CPU. Note the locations of the cables so they will be connected properly to the replacement CPU.
5. Lift up on the CPU board and use the needle nose pliers to unclip the five CPU board standoffs. Remove the CPU board from the standoffs.
6. Install the new CPU board on the standoffs and reattach all the electrical connectors. Verify proper connection by matching the letter on the cable to the letter on the CPU board.
7. Match the dip-switch settings on the new CPU board to the settings on the old CPU board. Reference the diagram on page 35 for switch settings. Transfer any shunts from the old CPU board to the new CPU board. Discard the old CPU board.
8. Replace the CPU board cover on the electrical pan.
9. Plug the power cord into the wall socket and test all the functions of the bed for proper operation before returning the bed to service.

POWER SUPPLY REPLACEMENT (0059–157–000)

Required Tools:

Phillips Screwdriver

Needle Nose Pliers

1. Raise the litter and the Fowler to full up.
2. Unplug the bed power cord from the wall socket. Properly ground yourself (see [page 10](#)).
3. Remove the three Phillips screws holding the CPU board cover on the electrical pan and set the cover aside.
4. Unplug the electrical connectors from the power supply. Note the locations of the cables so they will be connected properly to the replacement power supply.
5. Lift up on the power supply and use the needle nose pliers to unclip the four power supply standoffs. Remove the power supply from the standoffs and discard.
6. Install the new power supply on the standoffs and reattach all the electrical connectors.
7. Replace the CPU board cover on the electrical pan.
8. Plug the power cord into the wall socket and test all the functions of the bed for proper operation before returning the bed to service.

Service Information

FOOT POWER BOARD REPLACEMENT (4701-080-053)

Required Tools:

Phillips Screwdriver

5/8" Combination Wrench

Phillips Screwdriver

1. Raise the litter and the foot section to full up.
2. Unplug the bed power cord from the wall socket. Properly ground yourself (see [page 10](#)).
3. Remove the foot section (if attached) and set aside.
4. Pivot the foot pan assemblies to the side to allow access to the foot end of the bed.
5. Using a Phillips screwdriver, remove the two screws from the bottom of the foot end litter cover.
6. Using a 5/8" wrench, remove the two fluid basin retaining posts and remove the foot end litter cover.
7. Unplug the cables from the foot power board. Note the locations of the cables so they will be connected properly to the replacement power board. The letters on the cables match the lettered connections on the power board.
8. Using a Phillips screwdriver, remove the six screws holding the power board to the mounting bracket. Carefully remove the board from the litter.
9. Reverse to install the new power board.
10. Plug the power cord into the wall socket and test the functions of the bed for proper operation before returning the bed to service.

BRAKE ADJUSTMENT

Required Tools:

3/8" Drive Ratchet

3/8" Drive 7/16" Socket

Slip Joint Pliers

1. Put the brake pedal in the neutral position.
2. Remove the base cover on the side of the base with the brake pedal needing adjustment. Pull upward firmly to separate the Velcro® securing the base cover to the base frame and remove the cover.
3. Using a 7/16" socket, loosen the brake ring pivot bolt.
4. Using slip joint pliers, turn the brake adjuster until there is approximately a 3/8" gap between the top of the caster and the bottom of the brake ring. Holding the brake adjuster in that position, use a 7/16" socket to tighten the brake ring pivot bolt.
5. Verify the brakes are holding and releasing properly.
6. Reinstall the base hood.
7. Again, verify the brakes are holding and releasing properly before returning the bed to service.

Service Information

BED LIFT MOTOR REPLACEMENT (120V – 4701-032-047 / 230V – 4712-032-047)

Required Tools:

| | | |
|--------------------------|----------------------|----------------------|
| 3/8" Drive Ratchet | 3/8" Drive T27 Torx | Diagonal Pliers |
| Retaining Ring Pliers | Bungee Cord | Ball Peen Hammer |
| 7/16" Socket and Ratchet | 5/32" Roll Pin Punch | Phillips Screwdriver |

1. Raise the litter, the Fowler and the siderails to the full upright position.
2. Unplug the bed power cord from the wall socket.
3. Remove the three Phillips screws holding the plastic CPU board cover on the electrical pan and set the cover aside.
4. Unplug the bed lift motor electrical connector from the CPU board (N) and clip the cable ties.
5. Remove the three Phillips screws holding the front of the electrical pan to the litter.
6. Remove the two T27 Torx screws at the head end of the bed below the power cord holding the electrical panel to the litter.
7. Lift the electrical pan up toward the foot of the bed and, using a bungee cord, support it from the siderail timing links.

CAUTION

Before removing the last motor mounting bolt, hold the bed lift motor so that it will not fall and cause damage.

8. Remove the two 7/16" bolts holding the motor mounting bracket to the motor mount.
9. Move the motor toward the head of the bed and lift it up and out.
10. Using a 7/16" socket and ratchet, remove the four bolts holding the lift motor to the motor mounting bracket.
11. Unplug the motor electrical quick connect and cut the cable tie holding the capacitor and wires to the motor.
12. Using small retaining ring pliers, remove the motor coupling retaining ring and remove the coupler from the motor shaft.
13. Using a 5/32" roll pin punch and hammer, drive out the pin holding the manual override collar to the motor shaft.
14. Reverse the procedure to install the new motor. Verify proper function before returning the bed to service.

Service Information

TRENDELENBURG MOTOR REPLACEMENT (120V – 4701–032–048 / 230V – 4712–032–048)

Required Tools:

| | | |
|------------------------|-------------------------|----------------------|
| 3/8" Drive Ratchet | 3/8" Drive T27 Torx | Needle Nose Pliers |
| 7/16" Deep Well Socket | 3/8" Drive 7/16" Socket | 5/32" Roll Pin Punch |
| Ball Peen Hammer | Bungee Cord | Phillips Screwdriver |

1. Raise the litter, the Fowler and the siderails to the full upright position and use the manual override crank to bring the litter to as near level as possible.
2. Unplug the bed power cord from the wall socket.
3. Remove the three Phillips screws holding the plastic CPU board cover on the electrical pan and set the cover aside.
4. Unplug the Trendelenburg motor electrical connector from the CPU board and cut the cable tie.
5. Remove the ground lug nut and the trend motor ground wire.
6. Remove the three Phillips screws holding the front of the electrical pan to the litter.
7. Remove the two T27 Torx screws at the head end of the bed below the power cord holding the electrical panel to the litter.
8. Lift the electrical pan up toward the foot end of the bed and, using a bungee cord, support it from the side-rail timing links.
9. Unplug the two capacitor wires for the Trendelenburg motor.
10. Remove the two 5/16" screws from the limit switch bracket and lay the bracket over the side of the bed.



WARNING

Once the rue clip and clevis pin are removed from the motor drive tube, the bed will lean toward the food end. A hard stop will prevent excessive tipping. Use caution when removing the rue clip and clevis pin to avoid possible injury or damage to the bed.

11. Using needle nose pliers, remove the rue clip and the clevis pin from the trend motor drive tube.

NOTE

It may be necessary to apply upward or downward pressure on the litter top to remove the clevis pin.

12. Remove the four T27 screws holding the Trendelenburg motor mounting bracket to the litter.
13. Lift the motor up and out.
14. Using a 5/32" roll pin punch and hammer, drive out the pin holding the manual override collar to the motor shaft.
15. Using a 7/16" socket, remove the two pivot bolts from the mounting bracket and remove the four bolts from the back of the motor.

Service Information

TRENDELENBURG MOTOR REPLACEMENT (CONTINUED)

16. To reinstall the Trend motor:
 - a.) Complete steps 12–15 in reverse order to reattach the motor to the head end of the litter.
 - b.) Plug the motor cable into the proper connection on the CPU board and attach the motor capacitor.
 - c.) Plug the bed power cord into the wall socket.

 **CAUTION**

Keep your fingers clear of moving parts when activating the Trend motor to avoid possible injury.

- d.) Activate the “Trend Zero” microswitch located on the switch bracket described in step 10 by lightly squeezing the rocker arm towards the switch housing. While activating the microswitch, press the Reverse Trend/Level button for approximately 1 second to allow the motor drive tube to turn.
- e.) Release the “Trend Zero” microswitch and press and hold the “Trend” button until the motor drive tube stops turning.
- f.) When the motor drive tube stops spinning, rotate the tube on the motor shaft towards the motor housing until there is a 1/4” gap between the end of the drive tube and the motor housing.
- g.) Slide the clevis pin through the drive tube and the Trend weldment to attach the drive tube. (It may be necessary to press down on the head end of the bed to align the drive tube with the Trend weldment). Install the rue-clip to secure the assembly.
- h.) Activate the “Trend Zero” microswitch again and press and hold the Reverse Trend/Level button until the bed is approximately level.
- i.) Press the Bed Down button until the bed reaches low height.
- j.) Place an inclinometer directly on the seat surface and press the “Trend” button until approximately 1-degree of Trend is attained.
- k.) Re-install the Trend switch bracket. With the fasteners in place, slide the bracket until the “Trend Zero” switch is on the verge of activation against the end of the drive tube (you will hear a soft click). Temporarily tighten the bracket to hold it in place.
- l.) Press and hold the Trend button until the bed begins to move into a Trend position. (the bed will begin to raise at first to attain proper clearance).
- m.) Press the Bed Down button until the bed reaches low height. Verify that the seat section is in approximately 1 degree of Trend once low height is attained. Repeat steps k through m until approximately 1 degree of Trend is attained in low height.
- n.) Fully tighten the bracket fasteners. Secure all cabling and repeat steps 2 through 9 in reverse order to complete the installation.
- o.) Verify proper function before returning the bed to service.

Service Information

FOWLER MOTOR REPLACEMENT (120V – 3001–300–472 / 230V – 3221–300–472)

Required Tools:

| | | |
|-------------------------|----------------------|----------------------|
| 3/8" Ratchet | 3/8" Drive T27 Torx | Diagonal Pliers |
| 3/8" Drive 7/16" Socket | Standard Screwdriver | Phillips Screwdriver |
| Bungee Cord | | |

1. Raise the litter, the Fowler (using the manual CPR release handle) and the siderails to the full upright position.
2. Remove the three Phillips screws holding the plastic CPU board cover on the electrical pan and set the cover aside.
3. Lift the bellows cover up toward the Fowler and, using a bungee cord, support it from the siderail timing links.
4. Insert a #2 Phillips screwdriver in the side of the Fowler support bracket on either side of the bed. Pull the CPR handle to put pressure on the screwdriver and provide support for the Fowler.
5. If the bed has the Skoocher™ option, use the siderail button to move it all the way toward the foot end of the bed.
6. Unplug the bed power cord from the wall socket.
7. Carefully pull up the corners of the motor cover to remove the four plastic push rivets. (Use a standard screwdriver to remove the push rivets, if necessary.) Set aside the motor cover.
8. Unplug the electrical quick connector near the motor.
9. If the bed has the Skoocher™ option, use a 7/16" socket to remove the two bolts holding the motor mounting bracket to the litter frame. If the bed does not have the Skoocher™ option, use a 7/16" wrench. Hold the motor before removing the last bolt.
10. Using a standard screwdriver, compress the white CPR coupler components together and lift the motor out of the top of the assembly.
11. Using diagonal pliers, cut the cable tie holding the capacitor and wires to the motor.
12. Using a 7/16" socket, remove the four bolts holding the motor mounting bracket to the motor.
13. Reverse the procedure to install the new motor. Verify proper function before returning the bed to service.

Service Information

FOWLER BALL SCREW REPLACEMENT (4701-035-012)

Required Tools:

| | | |
|-----------------------------|----------------------|----------------------|
| 3/8" Ratchet | 3/8" Drive T27 Torx | Needle Nose Pliers |
| 3/8" Drive 7/16" Socket | Standard Screwdriver | Phillips Screwdriver |
| Large Retaining Ring Pliers | Bungee Cord | |

1. Raise the litter, the Fowler and the siderails to the full upright position.
2. Remove the three Phillips screws holding the plastic CPU board cover on the electrical pan and set the cover aside.
3. Remove the foot section assembly (if attached) and set it aside.
4. Remove the head end mattress.
5. Using a T27 Torx, remove the four screws holding the seat section to the litter frame and remove the seat section.
6. Lift the bellows cover up toward the Fowler and, using a bungee cord, support it from the siderail timing links.
7. Insert a #2 Phillips screwdriver in the side of the Fowler support bracket on either side of the bed. Pull the CPR handle to put pressure on the screwdriver and provide support for the Fowler.
8. Unplug the bed power cord from the wall socket.
9. Carefully pull up the corners of the motor cover to remove the four plastic push rivets. (Use a standard screwdriver to remove the push rivets, if necessary.) Set aside the motor cover.
10. Using a 7/16" socket, remove the bolt and bushings holding the steel potentiometer cable to the ball screw nut box.
11. Using a 7/16" socket, remove the bolt and bushing on the opposite side.
12. Using needle nose pliers, remove the cotter and clevis pins from the head end of the ball screw and slide the ball screw assembly out toward the foot end.
13. Using large retaining ring pliers, remove the retaining ring holding the ball screw nut to the nut box and remove the nut box.
14. Using a 7/16" socket, remove the bolt from the hard stop collar at the end of the ball screw.
15. Reverse the procedure to install the new ball screw. Verify proper function before returning the bed to service.

NOTE

When reinstalling the cotter pin, be sure to fully bend it around the clevis pin to prevent it from contacting Fowler components during operation.

Service Information

SKOOCHER™ MOTOR REPLACEMENT

Required Tools:

3/8" Ratchet

3/8" Drive T27 Torx

Diagonal Pliers

3/8" Drive 7/16" Socket

Standard Screwdriver

Phillips Screwdriver

Bungee Cord

1. Raise the litter, the Fowler (using the manual CPR release handle) and the siderails to the full upright position.
2. Remove the three Phillips screws holding the plastic CPU board cover on the electrical pan and set the cover aside.
3. Lift the bellows cover up toward the Fowler and, using a bungee cord, support it from the siderail timing links.
4. Insert a #2 Phillips screwdriver in the side of the Fowler support bracket on either side of the bed. Pull the CPR handle to put pressure on the screwdriver and provide support for the Fowler.
5. Use the siderail button to move the Skoocher™ all the way toward the foot end of the bed.
6. Unplug the bed power cord from the wall socket.
7. Carefully pull up the corners of the motor cover to remove the four plastic push rivets. (Use a standard screwdriver to remove the push rivets, if necessary.) Set aside the motor cover.
8. Unplug the electrical quick connector near the Skoocher™ motor.
9. Use a 7/16" socket to remove the two bolts holding the motor mounting bracket to the litter frame. Hold the motor before removing the last bolt.
10. Using a standard screwdriver, compress the white CPR coupler components together and lift the motor out of the top of the assembly.
11. Using diagonal pliers, cut the cable tie holding the capacitor and wires to the motor.
12. Using a 7/16" socket, remove the four bolts holding the motor mounting bracket to the motor.
13. Reverse the procedure to install the new motor. Verify proper function before returning the bed to service.

Service Information

FOOT MOTOR REPLACEMENT (120V – 4701-040-035 / 230V – 4712-040-035)

Required Tools:

| | | |
|-------------------------|-------------------------|----------------------|
| 3/8" Ratchet | 3/8" Drive T27 Torx | Diagonal Pliers |
| 3/8" Drive 7/16" Socket | 5/8" Combination Wrench | Phillips Screwdriver |
| Crescent Wrench | 5/32" Allen Wrench | 3/8" Allen Wrench |

1. Raise the litter to full up and lower the foot section to full down.

NOTE

If it's necessary to manually lower the foot motor, remove the plastic foot end litter cover (see below) and use a crescent wrench to manually turn the manual backup nut at the end of the motor shaft.

2. Remove the head section mattress.
3. Remove the foot section assembly (if attached) and set it aside.
4. Pivot the foot pan assemblies to the side to allow access to the foot end of the bed.
5. Using a Phillips screwdriver, remove the two screws from the bottom of the plastic foot end litter cover.
6. Using a 5/8" wrench, remove the two steel fluid basin retaining posts from the front of the cover and remove the plastic foot end litter cover.
7. Using a T27 Torx, remove the four screws holding the seat section to the litter frame and remove the seat section.
8. Cut the cable tie holding the capacitor to the litter frame and the two cable ties holding the motor power cable to the optional power board mounting bracket.
9. Unplug the foot lift motor from the foot power board (connector F).
10. Using a 7/16" socket, remove the four bolts holding the foot motor to the cross brace.
11. Using a crescent wrench, turn the bottom of the motor shaft and lower the foot motor almost completely.
12. Slide the motor toward the patient, left side of the bed. Lift and tip the the motor toward the foot end of the bed to remove it from the litter.
13. Using a 5/32" Allen wrench, remove the Allen screw holding the bottom hard stop collar on the motor shaft. Save the collar to use on the new motor.
14. Using a 3/8" Allen wrench, remove the two Allen screws holding the upper motor hard stop on the motor shaft. Save the hard stop to use on the new motor.
15. Reverse the procedure to install the new motor. Verify proper function before returning the bed to service.

Service Information

OPTIONAL AIR MATTRESS COMPRESSOR REPLACEMENT (120V – 4701-048-015 / 230V – 4712-048-015)

Required Tools:

| | | |
|--------------------------|-------------------------|----------------------|
| 3/8" Ratchet | 3/8" Drive T27 Torx | Diagonal Pliers |
| 3/8" Drive 7/16" Socket | 5/8" Combination Wrench | Phillips Screwdriver |
| Crescent Wrench | 5/32" Allen Wrench | 3/8" Allen Wrench |
| 5/16" Combination Wrench | 3/32" Allen Wrench | |

1. Raise the litter to full up and lower the foot section to full down.

NOTE

If it's necessary to manually lower the foot motor, remove the plastic foot end litter cover (see below) and use a crescent wrench to manually turn the manual backup nut at the end of the motor shaft.

2. Remove the head section mattress and set it aside.
3. Remove the foot section assembly (if attached) and set it aside.
4. Pivot the foot pan assemblies to the side to allow access to the foot end of the bed.
5. Using a Phillips screwdriver, remove the two screws from the bottom of the plastic foot end litter cover.
6. Using a 5/8" wrench, remove the two steel fluid basin retaining posts from the front of the cover and remove the plastic foot end litter cover.
7. Using a T27 Torx, remove the four screws holding the seat section to the litter frame and remove the seat section.
8. Cut the cable tie holding the capacitor to the litter frame and the two cable ties holding the motor power cable to the optional power board mounting bracket.
9. Unplug the foot lift motor from the foot power board (connector F).
10. Using a 7/16" socket, remove the four bolts holding the foot motor to the cross brace.
11. Using a crescent wrench, turn the bottom of the motor shaft and lower the foot motor almost completely.
12. Slide the motor toward the patient, left side of the bed. Lift and tip the motor toward the foot end of the bed to remove it from the litter.
13. Disconnect the air tubes from the quick-release connectors on the outside of the litter. Pull the hoses out of the channels on the foot end of the litter.
14. Using a Phillips screwdriver, remove the three screws holding the mounting bracket assembly to the litter and carefully remove the assembly.
15. Unplug the compressor cable from the foot power board (connector B).
16. Using a 3/32" Allen wrench, remove the four screws holding the pump to the mounting bracket.
17. Reverse the procedure to install the new compressor. Verify proper function before returning the bed to service.

Service Information

NIGHT LIGHT REPLACEMENT (4701-080-080)

Required Tools: Phillips Screwdriver

1. Raise the litter to full up.
2. Remove the foot section assembly (if attached) and set it aside.
3. Using a Phillips screwdriver, remove the screw holding the night light assembly to the litter.
4. Carefully unplug the two wire connections for the night light and discard the old night light.
5. Reverse the procedure to install the new night light. Verify proper function before returning the bed to service.

NURSE CALL 9V BATTERY REPLACEMENT

If the POWER LED (located on the outside of both siderails) is flashing, the 9V Nurse Call battery at the head end of the bed needs to be replaced. No tools are required to replace the battery. Unplug the bed power cord from the wall socket and replace the battery. After replacing the battery, verify the POWER LED is no longer flashing and operates normally when the different light settings are selected. Properly dispose of the old battery in accordance with local regulations.

DIAGNOSTICS MODE

1. To enter the diagnostics mode:
 - a. Press and hold the Trend and Reverse Trend/Level buttons.
 - b. While holding the Trend and Reverse Trend/Level buttons, plug the bed power cord back into the wall socket.
 - c. Release the buttons. The Bed Up LED and the Bed Motion Lock LED on the siderail will flash to indicate the bed is in diagnostic mode.
2. Unplug the bed power cord from the wall socket to exit the diagnostics mode.

Service Information

FOOT POTENTIOMETER REPLACEMENT

Required Tools:

| | | |
|-------------------------|-------------------------|------------------|
| 3/8" Ratchet | Phillips Screwdriver | 5/16" Nut Driver |
| 3/8" Drive 7/16" Socket | 5/8" Combination Wrench | Diagonal Pliers |

1. Raise the litter to full up and lower the foot section to full down.
2. Remove the foot section assembly (if attached) and set it aside.
3. Pivot the foot pan assemblies to the side to allow access to the foot end of the bed.
4. Using a Phillips screwdriver, remove the two screws from the bottom of the plastic foot end litter cover.
5. Using a 5/8" wrench, remove the two steel fluid basin retaining posts from the front of the cover and remove the plastic foot end litter cover.
6. Unplug the potentiometer electrical quick connect.
7. Cut the cable tie at the top of the seat section near the bolt securing the potentiometer.
8. Using a 7/16" socket, remove the bolt securing the potentiometer steel cable to the foot lift casting. Carefully remove the bolt and washer and slowly retract the potentiometer cable.
9. Using a 7/16" socket, while holding the potentiometer with one hand, remove the bolt holding the potentiometer to the seat section litter brace.
10. Reverse the procedure to install the new potentiometer. Perform the potentiometer burn-in procedure on [page 23](#). Verify proper function before returning the bed to service.

Service Information

FOOT POTENTIOMETER BURN-IN PROCEDURE

1. Unplug the bed power cord from the wall socket.
2. Enter the diagnostics mode:
 - a. Press and hold the Trend and Reverse Trend/Level buttons.
 - b. While holding the Trend and Reverse Trend/Level buttons, plug the bed power cord back into the wall socket.
 - c. Release the buttons. The Bed Up LED and the Bed Motion Lock LED on the siderail will flash to indicate the bed is in diagnostic mode.
3. Press the Bed Up button and raise the litter far enough to prevent damage when the foot is fully lowered (approximately 25 inches from the floor to the seat top surface).
4. Press and hold the Foot Down button until the bottom of the brown plastic nut on the foot lift motor shaft is approximately 3/8" from the white plastic washer at the bottom end of the foot lift motor shaft.

 **CAUTION**

Release the Foot Down button immediately if the foot support touches the litter frame or damage could occur.

5. Press and hold the Trend button and then press the Foot Down button, in that order. The Bed Motion Lock LED will light and then flash on and off to indicate calibration.
6. Press and hold the Foot Up button until the top of the brown plastic nut on the foot lift motor shaft is approximately 3/8" from the bottom of the metal hard stop collar at the top of the foot lift motor shaft.

 **CAUTION**

Release the Foot Up button immediately if the foot support touches the litter frame or damage could occur.

7. Press the Trend button and then press the Foot Up button, in that order. The Bed Motion Lock LED will light and then flash on and off to indicate calibration.
8. Unplug the bed power cord from the wall socket to exit the diagnostics mode.

Service Information

FOWLER POTENTIOMETER REPLACEMENT (4701-080-025)

Required Tools:

| | | |
|-------------------------|----------------------|---------------------|
| 3/8" Ratchet | Phillips Screwdriver | Bungee Cord |
| 3/8" Drive 7/16" Socket | Standard Screwdriver | 3/8" Drive T27 Torx |

1. Raise the litter, the Fowler and the siderails to the full upright position.
2. Remove the three Phillips screws holding the CPU board cover on the electrical pan and set the cover aside.
3. Remove the foot section assembly (if attached) and set it aside.
4. Remove the head end mattress.
5. Using a T27 Torx, remove the four screws holding the seat section to the litter frame and remove the seat section.
6. Lift the bellows cover up toward the Fowler and, using a bungee cord, support it from the siderail timing links.
7. Insert a #2 Phillips screwdriver in the side of the Fowler support bracket on either side of the bed. Pull the CPR handle to put pressure on the screwdriver and provide support for the Fowler.
8. Unplug the bed power cord from the wall socket.
9. Carefully pull up the corners of the motor cover to remove the four plastic push rivets. (Use a standard screwdriver to remove the push rivets, if necessary.) Set aside the motor cover.
10. Using a 7/16" socket, remove the bolt holding the steel potentiometer cable to the Fowler guide weldment. Do not drop the bushings.
11. Using a 7/16" socket, remove the bolt holding the potentiometer assembly to the frame.
12. Using a Phillips screwdriver, remove the two screws holding the head end of the large plastic underbody cover to the litter. (The head end of the cover is supported by the litter.) Remove the two screws at the foot end of the cover and carefully remove the cover.
13. Cut the cable tie holding the potentiometer cable.
14. Unplug the cable and remove the potentiometer.
15. Reverse the procedure to install the new potentiometer. Perform the potentiometer burn-in procedure on [page 24](#). Verify proper function before returning the bed to service.

FOWLER POTENTIOMETER BURN-IN PROCEDURE

1. Unplug the bed power cord from the wall socket.
2. Enter the diagnostics mode:
 - a. Press and hold the Trend and Reverse Trend/Level buttons.
 - b. While holding the Trend and Reverse Trend/Level buttons, plug the bed power cord back into the wall socket.
 - c. Release the buttons. The Bed Up LED and the Bed Motion Lock LED on the siderail will flash to indicate the bed is in diagnostic mode.
3. Use the Reverse Trend/Level button to level the litter surface.
4. Press the Fowler Down button until the top edge of the Fowler is approximately 1 inch from the plastic CPU board cover.
5. Press and hold the Trend button and then press the Fowler Down button, in that order. The Bed Up LED will light and then flash on and off to indicate calibration.
6. Unplug the bed power cord from the wall socket to exit the diagnostics mode.

Service Information

LIFT POTENTIOMETER REPLACEMENT (4701-080-025)

Required Tools:

3/8" Drive Ratchet
Diagonal Pliers

Phillips Screwdriver
3/8" Drive T27 Torx

Bungee Cord

1. Raise the litter, the Fowler and the siderails to the full upright position.
2. Remove the three Phillips screws holding the plastic CPU board cover on the electrical pan and set the cover aside.
3. Lift the bellows cover up toward the Fowler and, using a bungee cord, support it from the siderail timing links.
4. Unplug the bed power cord from the wall socket.
5. Carefully remove the potentiometer cable from the tab on the lift tube weldment and slowly retract the cable back to the potentiometer.
6. Using diagonal pliers, cut the cable tie holding the potentiometer cable to the electrical panel.
7. Unplug the potentiometer.
8. Using a T27 Torx, remove the screw holding the potentiometer to the litter frame and remove the potentiometer.
9. Reverse the procedure to install the new potentiometer. Perform the lift potentiometer burn-in procedure (see below). Verify proper function before returning the bed to service.

LIFT POTENTIOMETER BURN-IN PROCEDURE

1. Unplug the bed power cord from the wall socket.
2. Enter the diagnostics mode:
 - a. Press and hold the Trend and Reverse Trend/Level buttons.
 - b. While holding the Trend and Reverse Trend/Level buttons, plug the bed power cord back into the wall socket.
 - c. Release the buttons. The Bed Up LED and the Bed Motion Lock LED on the siderail will blink to indicate the bed is in diagnostic mode.
3. Press the Foot Up button and raise the foot section far enough to prevent damage when the litter is fully lowered.
4. Use the Reverse Trend/Level button to level the litter surface.
5. Press the Bed Down button and lower the litter until the distance from the floor to the seat section surface measures 17 1/2" (+/- 1/8") for a bed with 6" casters or 19 1/2" (+/- 1/8") for a bed with 8" casters.
6. Press the Trend button and then press the Bed Down button, in that order. The Bed Motion Lock LED will light and then flash on and off to indicate calibration.
7. Press the Bed Up button and raise the litter until the distance from the floor to the seat section surface measures 35 1/2" (+/- 1/8") for a bed with 6" casters or 37 1/2" (+/- 1/8") for a bed with 8" casters.
8. Press the Trend button and then press the Bed Up button, in that order. The Bed Up Lock LED will light and then flash on and off to indicate calibration.
9. Unplug the bed power cord from the wall socket to exit diagnostics.

Service Information

SMART TV INTERFACE BURN-IN PROCEDURE

NOTE

Your LD304 must have the hardware for this option installed prior to completing the burn-in procedure.

1. Unplug the bed power cord from the wall socket.
2. Enter the diagnostics mode:
 - a. Press and hold the Trend and Reverse Trend/Level buttons.
 - b. While holding the Trend and Reverse Trend/Level buttons, plug the bed power cord back into the wall socket.
 - c. Release the buttons. The Bed Up LED and the Bed Motion Lock LED on the siderail will blink to indicate the bed is in diagnostic mode.
3. Notice the Nurse Call LED (yellow) on the inside panel of each siderail is flashing. This represents one of the 10 TV selections shown in the table below. Notice the Nurse Answer LED (green) on the inside of each siderail is flashing on/off at a slow rate.
4. Press and release the "TV On/Off" button on the bed's siderail. Notice the Nurse Call LED (yellow) flashes once with each press. This flash code is defined in the table below. Notice the Nurse Answer LED (green) is flashing on/off at a slow rate. The Nurse Answer LED (green) will only illuminate when the Nurse Call LED (yellow) is flashing.
5. Press and release the "TV On/Off" button on the bed's siderail to increment to other TV modes. Notice the Nurse Call LED (yellow) flashes consecutively the number listed in the table below. This number represents the TV mode selected.
6. When the desired TV manufacturer has been selected, unplug the bed power cord from the wall socket and plug it back in to complete the Smart TV burn-in procedure.

| TV MANUFACTURER SELECTION FOR SMART TV BURN-IN PROCEDURE | | |
|--|-------------------------|---|
| Press and release TV ON/OFF switch: | Nurse Call LED (Yellow) | TV Manufacturer |
| One time | One flash | RCA 1 |
| Two times | Two flashes | RCA 2 |
| Three times | Three flashes | Zenith 1 |
| Four times | Four flashes | Zenith 2 |
| Five times | Five flashes | Phillips/Magnavox |
| Six times | Six flashes | Magnavox (models 9120, 9220, 9320) |
| Seven times | Seven flashes | Traditional Plus |
| Eight times | Eight flashes | Traditional TV |
| Nine times | Nine flashes | Auto Detect: Smart TV |
| Ten times | Ten flashes | Auto Detect w/ Digital Volume Smart TV |

Troubleshooting Guide

NOTE

See [pages 33–37](#) for an outline of bed PCB's and voltage test points.

| PROBLEM/FAILURE | RECOMMENDED ACTION |
|---------------------|--|
| No power to bed | <p>A. Verify the power cord connections at the wall and the bed.</p> <p>B. Check circuit breakers. If the circuit breaker is tripped, reset it by pushing in.</p> <p>C. Check for 120 VAC at J1 on the power supply, Pin 1 and 2.</p> <p>D. Check for DC voltages on J2 (Pins 1, 2, 3 & 6) on power supply. See page 36 for power supply voltage test points.</p> <p>a. If voltage is present, check connector W on the CPU board and check for the same DC voltages. If OK, go to step E.</p> <p>b. If voltage is not present, unplug connector W on the CPU board and recheck for DC voltages at J2 on the power supply.</p> <p>1. If voltages come back, re-connect cable W to the CPU board, and go to step c.</p> <p>2. If DC voltage does not come back, replace the power supply.</p> <p>c. Unplug all connectors except O and W from the CPU board and recheck voltages on connector W</p> <p>1. If DC voltages come back, plug the cable connections back in until problem comes back, isolate the problem to a component or assembly.</p> <p>2. If DC voltages do not come back, replace the CPU board</p> <p>E. Check for 120 VAC at connector O on the CPU board.</p> <p>a. If voltage is present, replace the CPU board.</p> <p>F. Verify bed function and return to service.</p> |
| No bed down motion. | <p>A. Enter diagnostics, (see page 21) and press bed down.</p> <p>a. If motion is not present, verify there is a two-pin shunt present on connector Z, pins 1 and 2, if not, install shunt.</p> <p>1. Test bed down motion, if motion is present, go to step D.</p> <p>b. If motion is not present, re-burn lift potentiometer limits, see page 25 for procedure.</p> <p>B. Check for 5 VDC on TP 10 (reference the ground test point)</p> <p>a. If 5 VDC is present, go to step C.</p> <p>b. If 5 VDC is not present, replace CPU board.</p> <p>C. Check for 120 VAC power on connector N, pin 1 white and pin 3, green of the CPU board, while pressing bed motion down.</p> <p>a. If voltage is not present, replace CPU board.</p> <p>b. If voltage is present at motor, check capacitor or motor.</p> <p>D. Verify bed function and return to service.</p> |
| No bed up motion. | <p>A. Enter diagnostics, (see page 21) and press bed up.</p> <p>a. If motion is not present, go to step B.</p> <p>b. If motion is present, re-burn lift potentiometer limits, see page 25 for procedure.</p> <p>B. Check for 5VDC on TP 9 on the CPU board (reference the ground test point).</p> <p>a. If 5 VDC is present, go to step C.</p> <p>b. If 5 VDC is not present, replace the CPU board.</p> <p>C. Check for 120 VAC power on connector N, pin 1 white and pin 6 black, of the CPU board while pressing bed motion up.</p> <p>a. If voltage is not present, replace the CPU board.</p> <p>b. If voltage is present at the motor, check capacitor or motor.</p> <p>D. Verify bed function and return to service.</p> |

Troubleshooting Guide

| PROBLEM/FAILURE | RECOMMENDED ACTION |
|------------------------|--|
| No Fowler down motion. | <p>A. Enter diagnostics, (see page 21)</p> <p>B. Check for 5VDC on TP 5 on the CPU board</p> <ul style="list-style-type: none">a. If 5 VDC is present, go to step B.b. If 5 VDC is not present, replace CPU board. <p>C. Check for 120 VAC power on connector CC, pin 2 (green) and pin 3 (white), of the CPU board while pressing Fowler down.</p> <ul style="list-style-type: none">a. If voltage is not present, replace the CPU boardb. If 120 VAC is present, check the capacitor and motor. <p>D. Verify bed function and return to service.</p> |
| No Fowler up motion. | <p>A. Enter diagnostics, (see page 21)</p> <p>B. Check for 5 VDC on TP 6 on the CPU board</p> <ul style="list-style-type: none">a. If 5 VDC is present, go to step B.b. If 5 VDC is not present, replace CPU board. <p>C. Check for 120 VAC on connector CC, pin 1 (black) and pin 3 (white), of the CPU board while pressing Fowler up.</p> <ul style="list-style-type: none">a. If voltage is not present, replace the CPU boardb. If 5 VDC is present, check the capacitor and motor. <p>D. Verify bed function and return to service.</p> |

Troubleshooting Guide

| PROBLEM/FAILURE | RECOMMENDED ACTION |
|----------------------|---|
| No foot up motion. | <p>A. Enter diagnostics, (see page 21) and press foot up.</p> <p>a. If motion is not present, go to step B.</p> <p>b. If motion is present, re–burn foot potentiometer limits, see page 23 for procedure.</p> <p>B. Check for 5VDC on J32 (Z) of the CPU board between pin 1 (black) and pin 4 (green) while pushing the foot up button.</p> <p>a. If voltage is present, go to step C.</p> <p>b. If voltage is not present, listen for the safety relay click on the CPU board when the foot up button is pressed.</p> <p>1. If no click, replace the CPU board</p> <p>2. If it does click, isolate the siderails and inspect the siderail boards and cabling.</p> <p>C. Check for 5 VDC power on J4 (G), on the foot power board between pin 1 black) and pin 4 (green) while pushing the foot up button.</p> <p>a. If voltage is present, go to step D.</p> <p>b. If voltage is not present, replace the foot power board.</p> <p>D. Check for 120 VAC on J6 (F) on the foot power board between pin 1 (black) and pin 3 (white) while pushing the foot up button.</p> <p>a. If voltage is present, check the capacitor and motor</p> <p>b. If voltage is not present, replace the foot power board.</p> <p>E. Verify bed function and return to service.</p> |
| No foot down motion. | <p>A. Enter diagnostics, (see page 21) and press the foot down button.</p> <p>a. If motion is not present, go to step B.</p> <p>b. If motion is present, re–burn foot potentiometer limits see page) for procedure.</p> <p>B. Check for 5 VDC on J32 (Z) of the CPU board between pin 1 (black) and pin 5 (orange) while pushing the foot down button.</p> <p>a. If voltage is present, go to step C.</p> <p>b. If voltage is not present, listen for the safety relay click on the CPU board when the foot up button is pushed.</p> <p>1. If no click, replace the CPU board.</p> <p>2. If it does click, isolate the siderails and inspect the siderail boards and cabling.</p> <p>C. Check for 5 VDC on J4 (G) on the foot power board between pin 1 (black) and pin 5 (orange) while pushing the foot down button.</p> <p>a. If voltage is present, go to step D.</p> <p>b. If voltage is not present, replace the cable between the CPU and the foot power board.</p> <p>D. Check for 120 VAC on J6 (F) on the foot power board between pin 2 (red) and pin 3 (white), while pushing the foot down button.</p> <p>a. If voltage is present, check the capacitor and motor.</p> <p>b. If voltage is not present, replace the foot power board.</p> <p>E. Verify bed function and return to service.</p> |

Troubleshooting Guide

| PROBLEM/FAILURE | RECOMMENDED ACTION |
|----------------------------------|---|
| No Trend motion. | <p>A. Check for 5 VDC on TP4, referencing any of the ground test points of the CPU board, while pushing the trend. button.</p> <p>a. If voltage is present, go to step B.</p> <p>b. If voltage is not present, listen for the safety relay click on the CPU board when the trend. button is pushed.</p> <p style="padding-left: 20px;">1. If no click, replace the CPU board.</p> <p style="padding-left: 20px;">2. If it does click, isolate the siderails and inspect the siderail boards and cabling.</p> <p>B. Check for 120 VAC on J50 (GG) of the CPU board between pin 1 (white) and pin 3 (black) while pushing the trend. button.</p> <p>a. If voltage is present, check the capacitor and motor.</p> <p>b. If voltage is not present, replace the CPU board.</p> <p>C. Verify bed function and return to service.</p> |
| No Reverse Trend / Level motion. | <p>A. Check for 5 VDC on TP3, referencing any of the ground test points of the CPU board, while pushing the trend. button.</p> <p>a. If voltage is present, go to step B.</p> <p>b. If voltage is not present, listen for the safety relay click on the CPU board when the trend. button is pushed.</p> <p style="padding-left: 20px;">1. If no click, replace the CPU board.</p> <p style="padding-left: 20px;">2. If it does click, isolate the siderails and inspect the siderail boards and cabling.</p> <p>B. Check for 120 VAC on J50 (GG) of the CPU board between pin 1 (white) and pin 2 (green) while pushing the trend. button.</p> <p>a. If voltage is present, check the capacitor and motor.</p> <p>b. If voltage is not present, replace the CPU board.</p> <p>C. Verify bed function and return to service.</p> |
| No Skoocher™ in motion. | <p>A. Check for 5 VDC on TP8, referencing any of the ground test points of the CPU board, while pushing the Skoocher In button.</p> <p>a. If voltage is present, go to step B.</p> <p>b. If voltage is not present, listen for the safety relay click on the CPU board when the trend. button is pushed.</p> <p style="padding-left: 20px;">1. If no click, replace the CPU board.</p> <p style="padding-left: 20px;">2. If it does click, isolate the siderails and inspect the siderail boards and cabling.</p> <p>B. Check for 120 VAC on J53 (G) of the CPU board between pin 1 (white) and pin 6 (black) while pushing the skoocher in button.</p> <p>a. If voltage is present, check the capacitor and motor.</p> <p>b. If voltage is not present, replace the CPU board.</p> <p>C. Verify bed function and return to service.</p> |
| No Skoocher™ out motion. | <p>A. Check for 5 VDC on TP7, referencing any of the ground test points of the CPU board, while pushing the Skoocher In button.</p> <p>a. If voltage is present, go to step B.</p> <p>b. If voltage is not present, listen for the safety relay click on the CPU board when the trend. button is pushed.</p> <p style="padding-left: 20px;">1. If no click, replace the CPU board.</p> <p style="padding-left: 20px;">2. If it does click, isolate the siderails and inspect the siderail boards and cabling.</p> <p>B. Check for 120 VAC on J53 (G) of the CPU board between pin 1 (white) and pin 3 (green) while pushing the skoocher in button.</p> <p>a. If voltage is present, check the capacitor and motor.</p> <p>b. If voltage is not present, replace the CPU board.</p> <p>C. Verify bed function and return to service.</p> |

Troubleshooting Guide

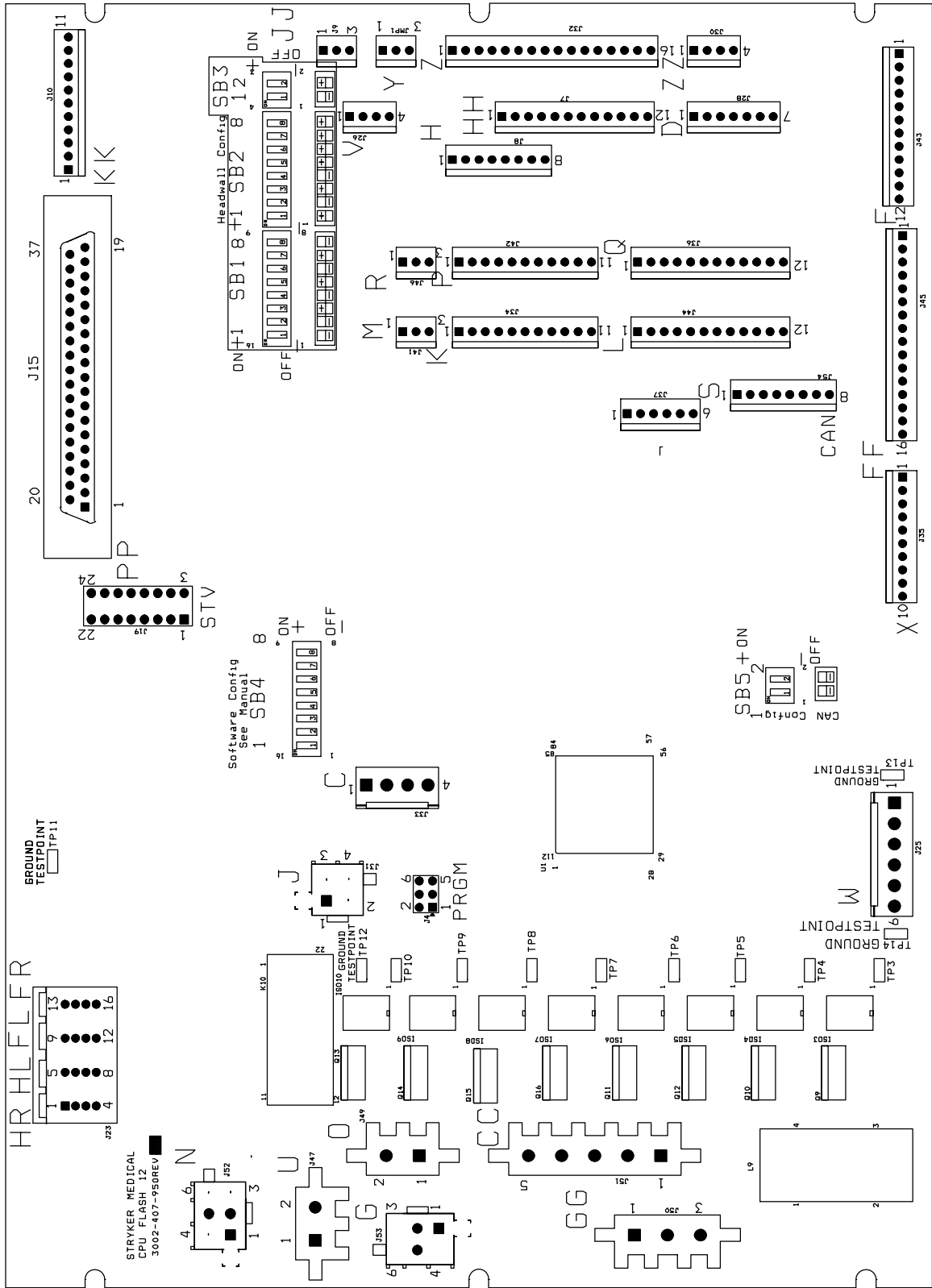
| PROBLEM/FAILURE | RECOMMENDED ACTION |
|-----------------|--|
| No Lumbar firm. | <p>A. Push the lumbar firm button and verify the compressor runs.</p> <p style="padding-left: 20px;">a. If the compressor runs, go to step D.</p> <p>B. Check for 5 VDC on J32 (Z) of the CPU board between pin 1 (black) and pin 8 (red / black) while pushing the lumbar firm button.</p> <p style="padding-left: 20px;">a. If voltage is present, go to step C.</p> <p style="padding-left: 20px;">b. If voltage is not present, listen for the safety relay click on the CPU board when the foot up button is pushed.</p> <p style="padding-left: 40px;">1. If no click, replace the CPU board.</p> <p style="padding-left: 40px;">2. If it does click, isolate the siderails and inspect the siderail boards and cabling.</p> <p>C. Check for 5 VDC on J4 (G) on the foot power board between pin 1 (black) and pin 8 (red / black) while pushing the lumbar firm button.</p> <p style="padding-left: 20px;">a. If voltage is present, go to step D.</p> <p style="padding-left: 20px;">b. If voltage is not present, replace the cable between the CPU and the foot power board.</p> <p>D. Check for 120 VAC on J2 (C) on the foot power board between pin 1 and pin 3 while pushing the lumbar firm button.</p> <p style="padding-left: 20px;">a. If voltage is present, replace the solenoid and / or check the hoses going to the mattress.</p> <p style="padding-left: 20px;">b. If voltage is not present, replace the foot power board.</p> <p>E. Verify bed function and return to service.</p> |
| No Lumbar soft. | <p>A. Check for 5 VDC on J32 (Z) of the CPU board between pin 1 (black) and pin 7 (white / black) while pushing the lumbar soft button.</p> <p style="padding-left: 20px;">a. If voltage is present, go to step B.</p> <p style="padding-left: 20px;">b. If voltage is not present, listen for the safety relay click on the CPU board when the foot up button is pushed.</p> <p style="padding-left: 40px;">1. If no click, replace the CPU board.</p> <p style="padding-left: 40px;">2. If it does click, isolate the siderails and inspect the siderail boards and cabling.</p> <p>B. Check for 5 VDC on J4 (G) on the foot power board between pin 1 (black) and pin 7 (white / black) while pushing the lumbar soft button.</p> <p style="padding-left: 20px;">a. If voltage is present, go to step C.</p> <p style="padding-left: 20px;">b. If voltage is not present, replace the cable between the CPU and the foot power board.</p> <p>C. Check for 120 VAC on J2 (C) on the foot power board between pin 1 and pin 2 while pushing the lumbar soft button.</p> <p style="padding-left: 20px;">a. If voltage is present, replace the solenoid and / or check the hoses going to the mattress.</p> <p style="padding-left: 20px;">b. If voltage is not present, replace the foot power board.</p> <p>D. Verify bed function and return to service.</p> |

Troubleshooting Guide

| PROBLEM/FAILURE | RECOMMENDED ACTION |
|-----------------|--|
| No seat firm. | <p>A. Push the seat firm button and verify the compressor runs.</p> <p style="padding-left: 20px;">a. If the compressor runs, go to step D.</p> <p>B. Check for 5 VDC on J32 (Z) of the CPU board between pin 1 (black) and pin 10 (orange / black) while pushing the seat firm button.</p> <p style="padding-left: 20px;">a. If voltage is present, go to step C.</p> <p style="padding-left: 20px;">b. If voltage is not present, listen for the safety relay click on the CPU board when the foot up button is pushed.</p> <p style="padding-left: 40px;">1. If no click, replace the CPU board.</p> <p style="padding-left: 40px;">2. If it does click, isolate the siderails and inspect the siderail boards or cabling.</p> <p>C. Check for 5 VDC on J4 (G) on the foot power board between pin 1 (black) and pin 10 (orange / black) while pushing the seat firm button.</p> <p style="padding-left: 20px;">a. If voltage is present, go to step D.</p> <p style="padding-left: 20px;">b. If voltage is not present, replace cable between the CPU and the foot power board.</p> <p>D. Check for 120 VAC on J3 (E) on the Foot Power board between pin 1 and pin 3, while pushing the seat firm button.</p> <p style="padding-left: 20px;">a. If voltage is present, replace the solenoid and / or check the hoses going to the mattress.</p> <p style="padding-left: 20px;">b. If voltage is not present, replace the foot power board.</p> <p>E. Verify bed function and return to service.</p> |
| No seat soft. | <p>A. Check for 5 VDC on J32 (Z) of the CPU board between pin 1 (black) and pin 9 (green / black) while pushing the seat firm button.</p> <p style="padding-left: 20px;">a. If voltage is present, go to step B.</p> <p style="padding-left: 20px;">b. If voltage is not present, listen for the safety relay click on the CPU board when the foot up button is pushed.</p> <p style="padding-left: 40px;">1. If no click, replace the CPU board.</p> <p style="padding-left: 40px;">2. If it does click, isolate the siderails and inspect the siderail boards or cabling.</p> <p>B. Check for 5 VDC on J4 (G) on the foot power board between pin 1 (black) and pin 9 (green / black) while pushing the seat firm button.</p> <p style="padding-left: 20px;">a. If voltage is present, go to step C.</p> <p style="padding-left: 20px;">b. If voltage is not present, replace cable between the CPU and the foot power board.</p> <p>C. Check for 120 VAC on J3 (E) on the foot power board between pin 1 and pin 2, while pushing the seat soft button.</p> <p style="padding-left: 20px;">a. If voltage is present, replace the solenoid and / or check the hoses going to the mattress.</p> <p style="padding-left: 20px;">b. If voltage is not present, replace the foot power board.</p> <p>D. Verify bed function and return to service.</p> |

Bed Circuit Boards

CPU BOARD – 3002-407-950



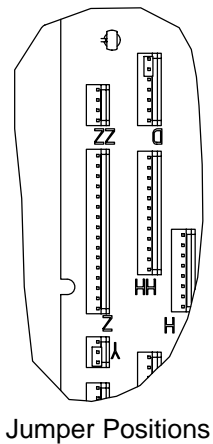
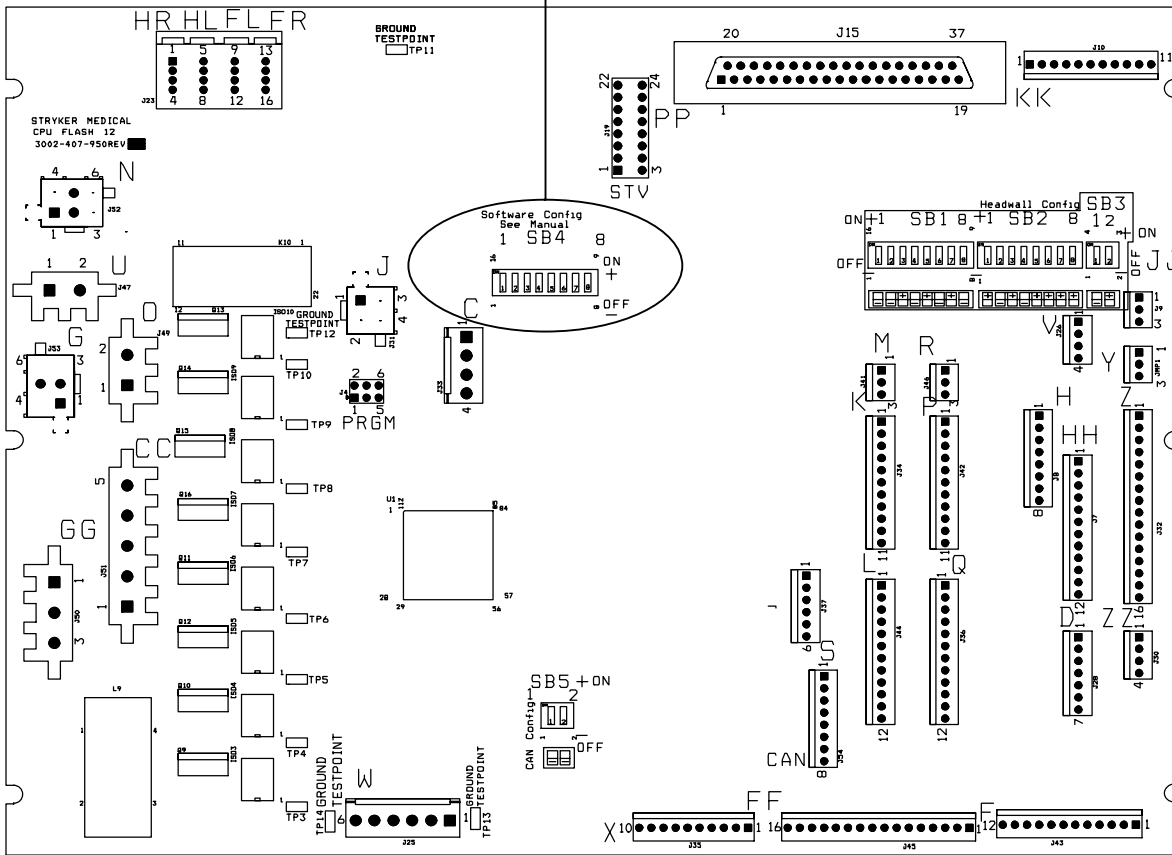
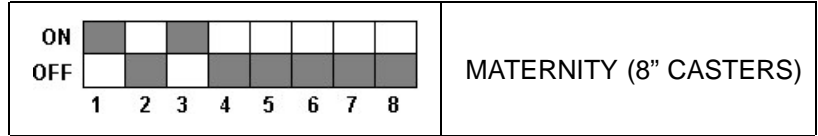
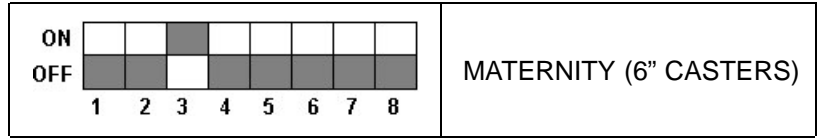
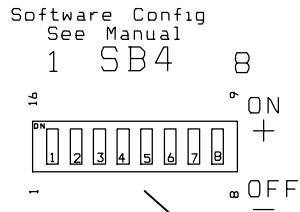
Bed Circuit Boards

CPU BOARD – 3002–407–950

| CONNECTOR LOCATION | CABLE LOCATION | VOLTAGE | POSITIVE LEAD | NEGATIVE LEAD | DESCRIPTION |
|--------------------|----------------|-----------------------------------|---------------|---------------|----------------------------------|
| J25 | W | +12 VDC | Pin 1 | Pin 4 or 5 | Relays & Siderails Light Voltage |
| J25 | W | +5 VDC | Pin 2 & 3 | Pin 4 or 5 | +5 VDC from Power Supply |
| J25 | W | -12 VDC | Pin 6 | Pin 4 or 5 | Relays & Siderails Light Voltage |
| J50 | GG | 0 VAC w/o Switch 120 VAC w/Switch | Pin 2 Green | Pin 1 White | Reverse Trend |
| J50 | GG | 0 VAC w/o Switch 120 VAC w/Switch | Pin 3 Black | Pin 1 White | Trend |
| J51 | CC | 0 VAC w/o Switch 120 VAC w/Switch | Pin 1 Black | Pin 3 White | Fowler Up |
| J51 | CC | 0 VAC w/o Switch 120 VAC w/Switch | Pin 2 Green | Pin 3 White | Fowler Down |
| J49 | O | 120 VAC | Pin 1 | Pin 2 | Line Voltage to Bed |
| J52 | N | 0 VAC w/o Switch 120 VAC w/Switch | Pin 6 Black | Pin 1 White | Bed Lift Up |
| J52 | N | 0 VAC w/o Switch 120 VAC w/Switch | Pin 3 Green | Pin 1 White | Bed Lift Down |
| J53 | G | 0 VAC w/o Switch 120 VAC w/Switch | Pin 3 Green | Pin 1 White | Skoocher Out |
| J53 | G | 0 VAC w/o Switch 120 VAC w/Switch | Pin 6 Black | Pin 1 White | Skoocher In |

Bed Circuit Boards

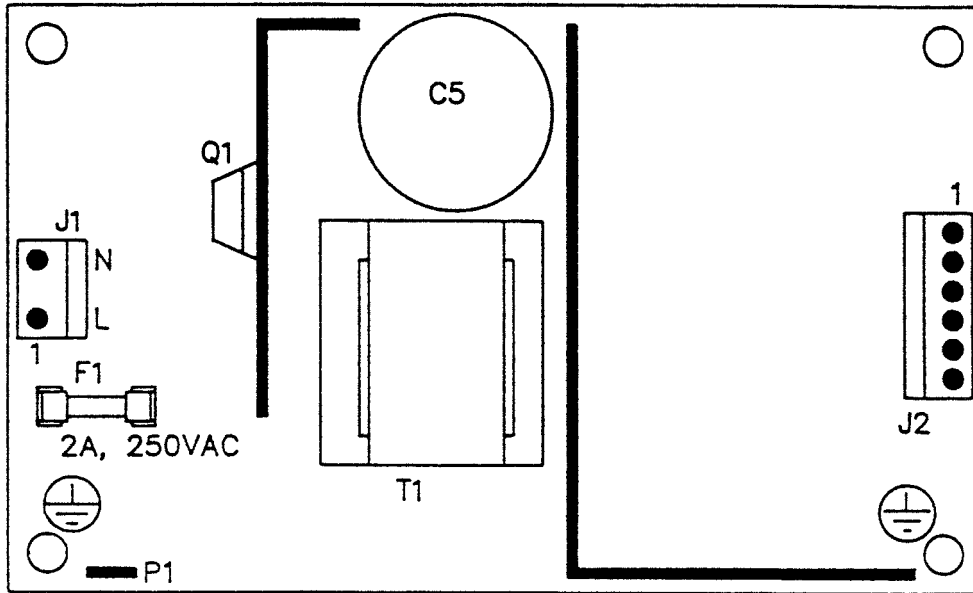
SOFTWARE CONFIGURATION



1. Locate switch bank 4, labeled SB4 on the CPU board (see above).
2. Move the switches to the appropriate positions as shown above.

Bed Circuit Boards

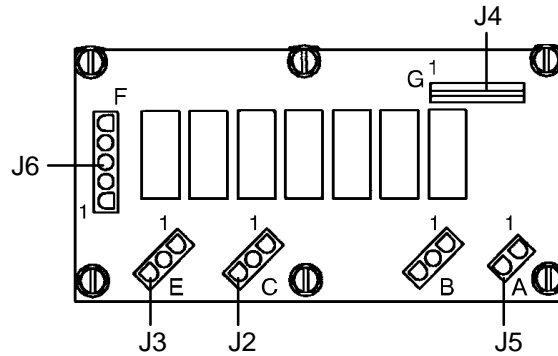
POWER SUPPLY – P/N 0059-157-000



| CONNECTOR LOCATION | VOLTAGE | POSITIVE LEAD | NEGATIVE LEAD |
|--------------------|---------|---------------|---------------|
| J1 | 110V | Pin 1 | Pin 2 |
| J2 | 12V | Pin 1 | Pin 4 or 5 |
| J2 | 5V | Pin 2 | Pin 4 or 5 |
| J2 | 5V | Pin 3 | Pin 4 or 5 |
| J2 | GND | Pin 4 | Pin 4 or 5 |
| J2 | GND | Pin 5 | Pin 4 or 5 |
| J2 | -12V | Pin 6 | Pin 4 or 5 |

Bed Circuit Boards

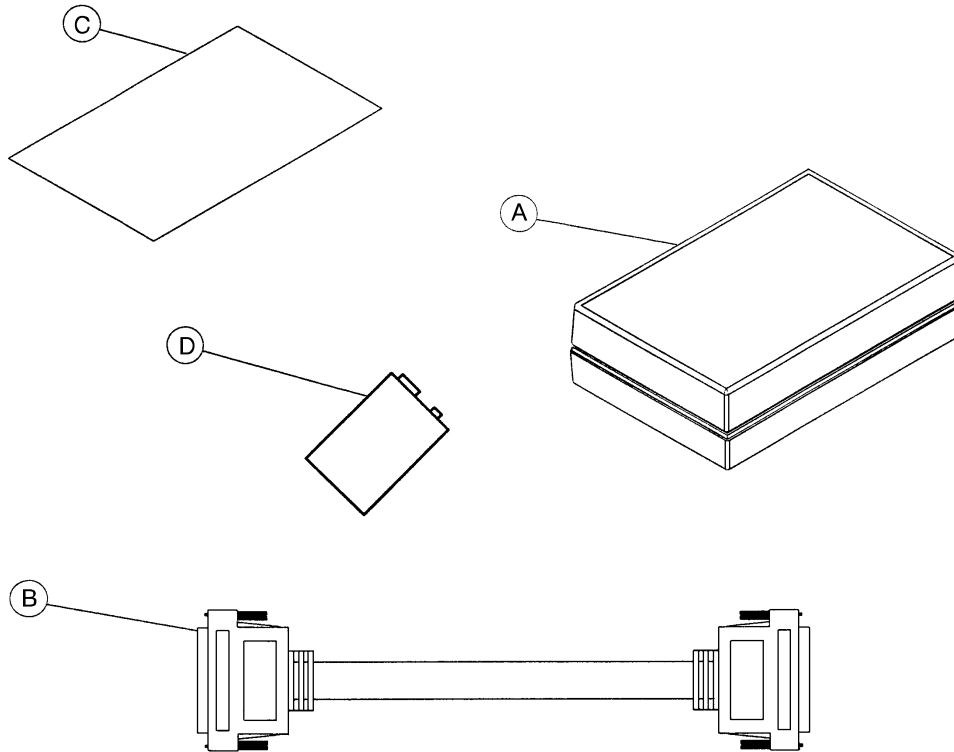
FOOT POWER BOARD – P/N 4701-080-053



| CONNECTOR LOCATION | CABLE LOCATION | VOLTAGE | POSITIVE LEAD | NEGATIVE LEAD | DESCRIPTION |
|--------------------|----------------|--------------------------------------|------------------------|---------------|--------------------------------|
| J 1 | A | 120 VAC* | Pin 1 | Pin 2 | AC Line Voltage from CPU Board |
| J 4 | G | +5 VDC | Pin 2 White | Pin 1 Black | +5 VDC from CPU |
| J 4 | G | 12 VDC | Pin 3 | Pin 1 Black | DC Voltage from CPU |
| J 4 | G | 0 VDC w/o Switch 5 VDC w/Switch | Pin 5 Orange | Pin 1 Black | Foot Down |
| J 4 | G | 0 VDC w/o Switch 5 VDC w/Switch | Pin 4 Green | Pin 1 Black | Foot Up |
| J 4 | G | 0 VDC w/o Switch 5 VDC w/Switch | Pin 6 Blue | Pin 1 Black | Compressor |
| J 4 | G | 0 VDC w/o Switch 5 VDC w/Switch | Pin 7 White/ Black | Pin 1 Black | Lumbar Soft |
| J 4 | G | 0 VDC w/o Switch 5 VDC w/Switch | Pin 8 Red/Black | Pin 1 Black | Lumbar Firm |
| J 4 | G | 0 VDC w/o Switch 5 VDC w/Switch | Pin 9 Green/Black | Pin 1 Black | Seat Soft |
| J 3 | E | 0 VAC w/o Switch 120 VAC w/Switch | Pin 2 | Pin 1 | Seat Soft |
| J 3 | E | 0 VAC w/o Switch 120 VAC w/Switch | Pin 3 | Pin 1 | Seat Firm |
| J 4 | E | 0 VDC w/o Switch 5 VDC w/Switch | Pin 10 Orange/Black | Pin 1 Black | Seat Firm |
| J 2 | C | 0 VAC w/o Switch 120 VAC w/Switch | Pin 2 | Pin 1 | Lumbar Soft |
| J 2 | C | 0 VAC w/o Switch 120 VAC w/Switch | Pin 3 | Pin 1 | Lumbar Firm |
| J 5 | B | 0 VAC w/o Switch 120 VAC w/Switch | Pin 3 Black | Pin 1 White | Compressor |
| J 6 | F | 0 VAC w/o Switch 120 VAC w/Switch | Pin 2 Red | Pin 3 White | Foot Down |
| J 6 | F | 0 VAC w/o Switch 120 VAC w/Switch | Pin 1 Black | Pin 3 White | Foot Up |

* 120 VAC present when Fowler slide, lumbar, or seat button is pressed.

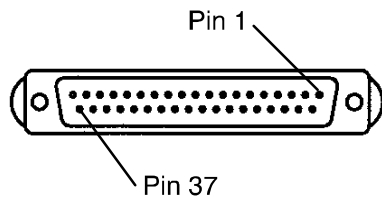
3002-45-700 Optional Bed Communications Tester



| Item | Part No. | Part Name | Qty. |
|------|--------------|--------------|------|
| A | 3002-45-805 | BCT Unit | 1 |
| B | 3001-303-825 | 37-Pin Cable | 1 |
| C | 3002-45-806 | Instructions | 1 |
| D | 3000-303-871 | 9V Battery | 1 |

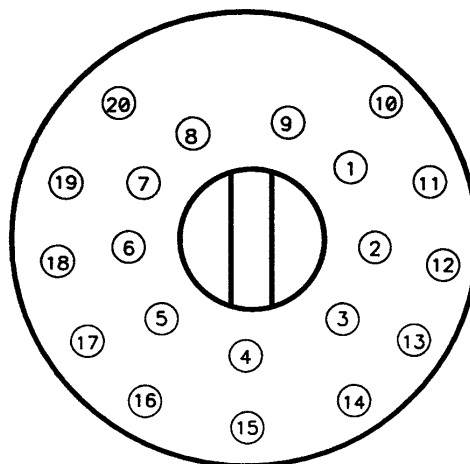
Head Wall Output Configuration

37-PIN CONNECTOR



| | |
|--------|------------------------------------|
| Pin 1 | Option 2 Common |
| Pin 2 | Read Light |
| Pin 3 | Room Light |
| Pin 4 | Speaker High |
| Pin 5 | Pot Wiper |
| Pin 6 | Radio Common |
| Pin 7 | Nurse Call Interlock |
| Pin 8 | Audio Transfer - |
| Pin 9 | Audio Transfer + |
| Pin 10 | Interlock + |
| Pin 11 | Interlock - |
| Pin 12 | Spare |
| Pin 13 | Options 3 Common |
| Pin 14 | Pot Low Common |
| Pin 15 | Pot High Common (Std.)/Audio (STV) |
| Pin 16 | Nurse Answer Light + |
| Pin 17 | Option 1 NO/NC |
| Pin 18 | Option 1 Common |
| Pin 19 | Nurse Call Light + |
| Pin 20 | Option 2 NO/NC |
| Pin 21 | Option 3 NO/NC |
| Pin 22 | Option 3A NO/NC |
| Pin 23 | Option 2A Common |
| Pin 24 | Option 2A NO/NC |
| Pin 25 | Nurse Call + |
| Pin 26 | Nurse Call NO/NC |
| Pin 27 | Room/Read Light Common |
| Pin 28 | Nurse Call Light - |
| Pin 29 | Nurse Answer Light - |
| Pin 30 | Priority NO/NC |
| Pin 31 | Priority Common |
| Pin 32 | Option 3A Common |
| Pin 33 | TV - (Std.)/Data (STV) |
| Pin 34 | TV + (Std.)/Common (STV) |
| Pin 35 | Speaker Low Common |
| Pin 36 | Audio Shield |
| Pin 37 | Radio NO/NC |

STRYKER PENDANT PORT



| | |
|----|---|
| 1 | Scan Line |
| 2 | Audio (-) |
| 3 | Nurse Call (+) |
| 4 | +5 VDC |
| 5 | Scan Line |
| 6 | Scan Line |
| 7 | Nurse Call (-) |
| 8 | TV Channel Up |
| 9 | Backlight |
| 10 | Audio (+) |
| 11 | Gatch Up/Fowler In/Foot Up/DMS Firm |
| 12 | Gatch Down/Fowler Out/Foot Out/DMS Soft |
| 13 | Fowler Up/Trend In |
| 14 | Fowler Down/Trend Out |
| 15 | Audio Shield |
| 16 | Not Used - Socket Filled |
| 17 | Bed Up |
| 18 | Ground |
| 19 | Read Light/Bed Down |
| 20 | Room Light |

Quick Reference Replacement Parts List

NOTE

The parts and accessories listed on this page are all currently available for purchase. Some of the parts identified on the assembly drawings pages in this manual may not be individually available for purchase. Please call Stryker Customer Service at 1-800-327-0770 for availability and pricing.

| <u>PART NAME</u> | <u>PART NUMBER</u> |
|---|---------------------------|
| Capacitor, Bed Motor/Foot | 0059-778-000 |
| Capacitor, Bed Motor/Foot, 230V | 0059-005-000 |
| Capacitor, Fowler Motor/Skoocher | 0059-780-000 |
| Capacitor, Fowler Motor/Skoocher, 230V | 3221-300-453 |
| Capacitor, Trendelenburg Motor | 0059-779-000 |
| Capacitor, Trendelenburg Motor, 230V | 0059-153-000 |
| Caster Assembly, 8" | 3001-200-090 |
| Caster Assembly, Steer, 8" | 3001-200-080 |
| Caster Molded Wheel, 8" | 0715-002-025 |
| Caster Assembly, 6" | 3001-200-060 |
| Caster Assembly, Steer, 6" | 3001-200-050 |
| Caster Molded Wheel, 6" | 5000-002-010 |
| Circuit Breaker, 10A | 0059-196-000 |
| Communications Tester | 3002-045-700 |
| CPU Board | 3002-407-950 |
| Crank Handle Assembly | 4701-036-020 |
| Fluid Basin, Plastic | 4701-036-001 |
| Fluid Basin Liners | 8813-320-000 |
| IV Pole Service Kit, 3-Stage | 4701-036-035 |
| Labor Bar | 4701-036-010 |
| Litter Roller Bumper Service Kit | 4701-036-040 |
| Mattress, Foot | 4701-045-005 |
| Mattress Assembly, Head w/Electric Lumbar | 4701-048-000 |
| Mattress Assembly, Standard, Enhanced Comfort | 4701-045-000 |
| Motor, Bed Lift | 4701-032-055 |
| Motor, Bed Lift, 230V | 4712-032-055 |

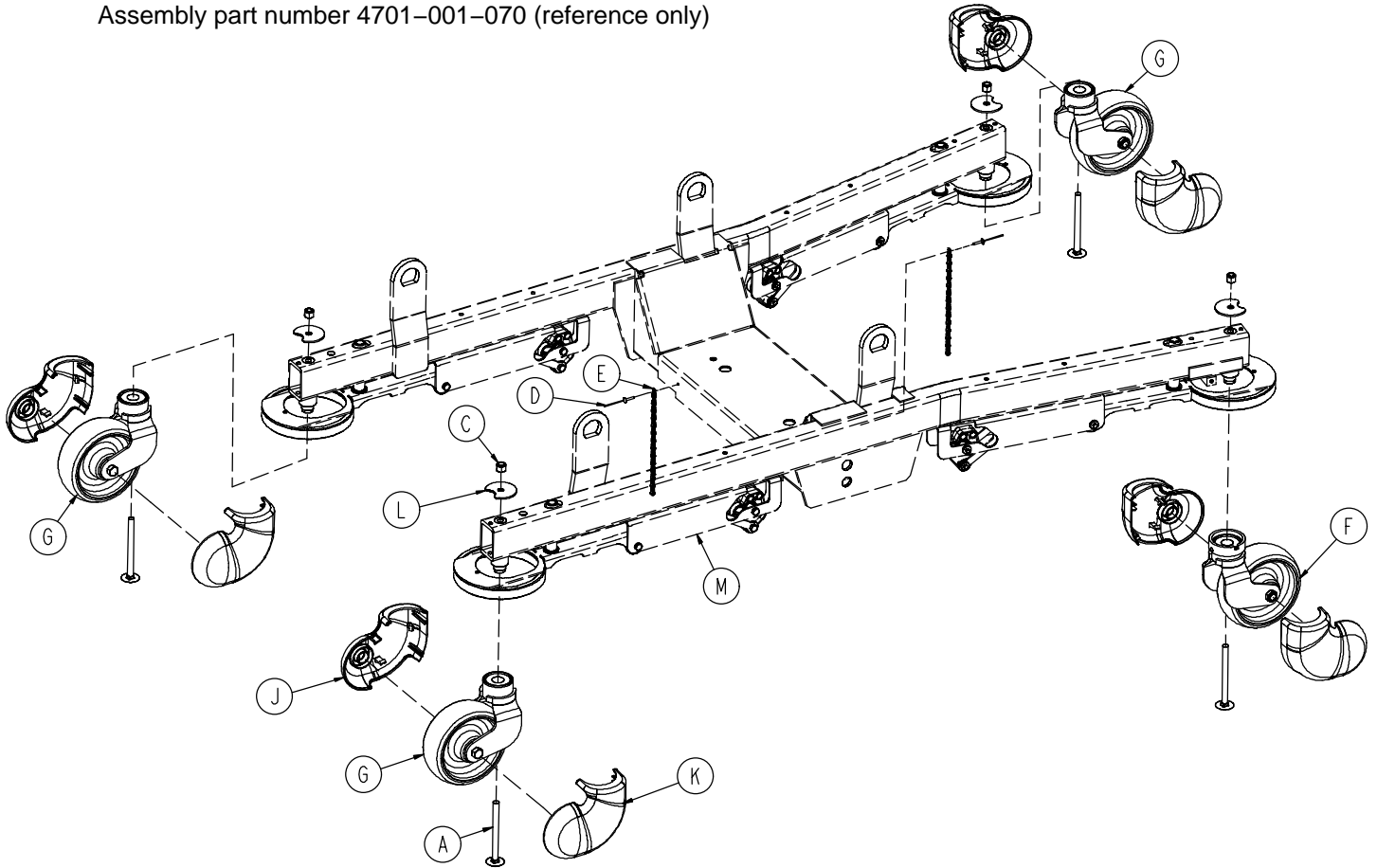
Quick Reference Replacement Parts List

| <u>PART NAME</u> | <u>PART NUMBER</u> |
|--|--------------------|
| Motor Kit, Foot Lift | 4701-040-250 |
| Motor Kit, Foot Lift, 230V | 4701-040-255 |
| Motor w/Clutch, Fowler and/or Skoocher | 4701-035-040 |
| Motor w/Clutch, Fowler and/or Skoocher, 230V | 4712-035-040 |
| Motor, Trendelenburg | 4701-032-095 |
| Motor, Trendelenburg, 230V | 4712-032-095 |
| Night Light | 4701-080-080 |
| 9V Battery | 3000-303-871 |
| Power Board, Foot | 4701-080-050 |
| Paint, Touch-Up, Opal, Bottle w/Brush | 7000-001-321 |
| Paint, Touch-Up, Opal, Spray Can | 7000-001-318 |
| Potentiometer Assembly, Foot/Fowler/Bed | 4701-080-025 |
| Power Cord Assembly, 120V | 0039-254-000 |
| Siderail Lumbar PCB Board, Left | 5000-400-930 |
| Siderail Lumbar PCB Board, Right | 5000-400-920 |
| Siderail Main PCB Board | 3001-400-930 |
| Siderail Outside PCB Board, Left | 4701-080-070 |
| Siderail Outside PCB Board, Right | 4701-080-060 |
| Siderail Smart TV PCB Board, Left | 5000-400-930 |
| Siderail Smart TV PCB Board, Right | 5000-400-920 |
| Siderail Timing Link Assembly, Right | 4700-220-004 |
| Siderail Timing Link Assembly, Left | 4700-220-005 |

Notes

6" Caster/Base Assembly

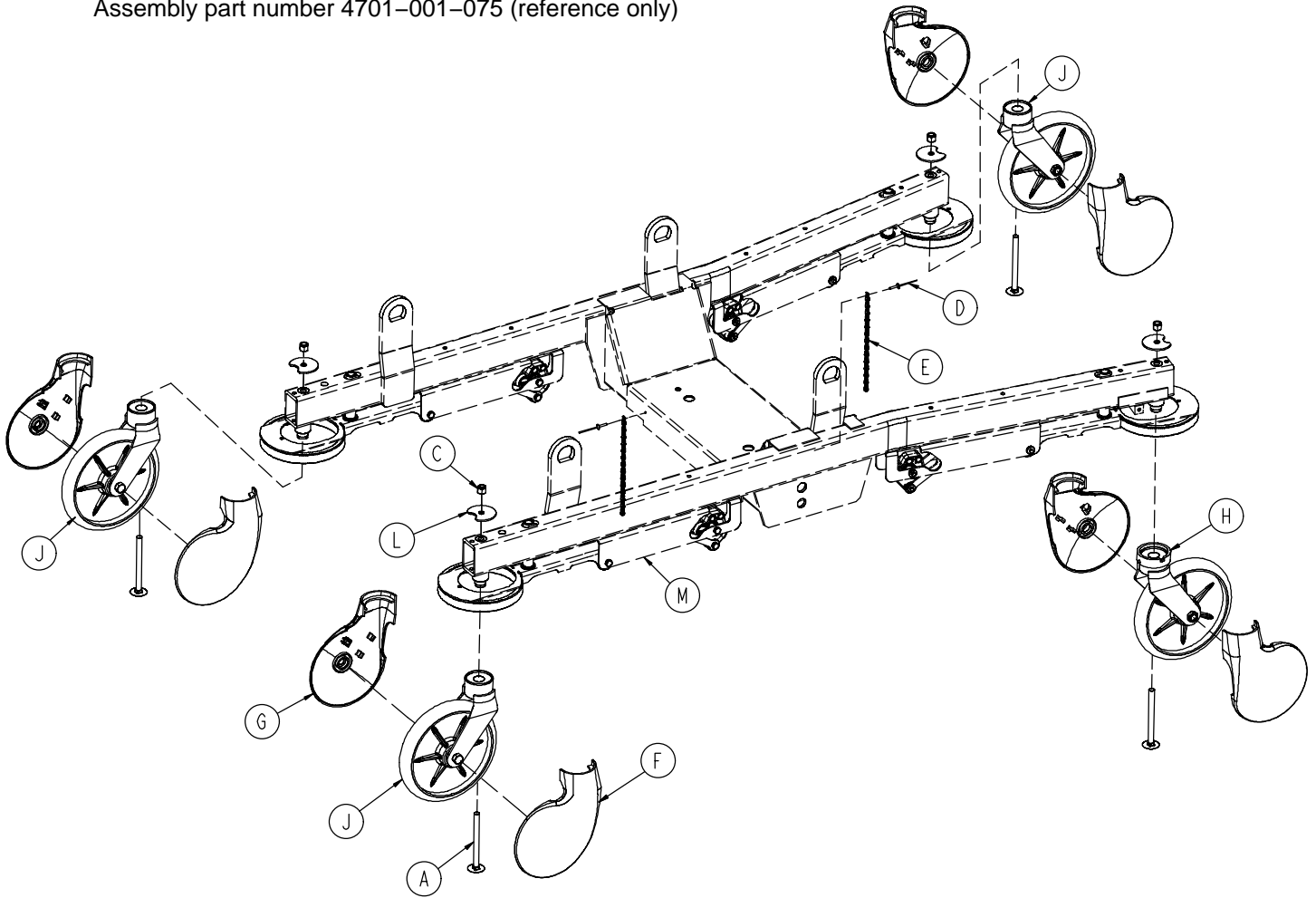
Assembly part number 4701-001-070 (reference only)



| Item | Part No. | Part Name | Qty. |
|------|--------------|--------------------------|------|
| A | 0005-042-000 | Step Bolt | 4 |
| C | 0016-035-000 | Nylock Hex Nut | 4 |
| D | 0025-103-000 | Pop Rivet | 2 |
| E | 0715-001-156 | Ground Chain | 2 |
| F | (page 46) | 6" Steer Caster Assembly | 1 |
| G | (page 45) | 6" Caster Assembly | 3 |
| J | 4701-001-095 | 6" Caster Cover, Right | 4 |
| K | 4701-001-096 | 6" Caster Cover, Left | 4 |
| L | 4701-001-094 | Tabbed Washer | 4 |
| M | (page 51) | Base Assembly | 1 |

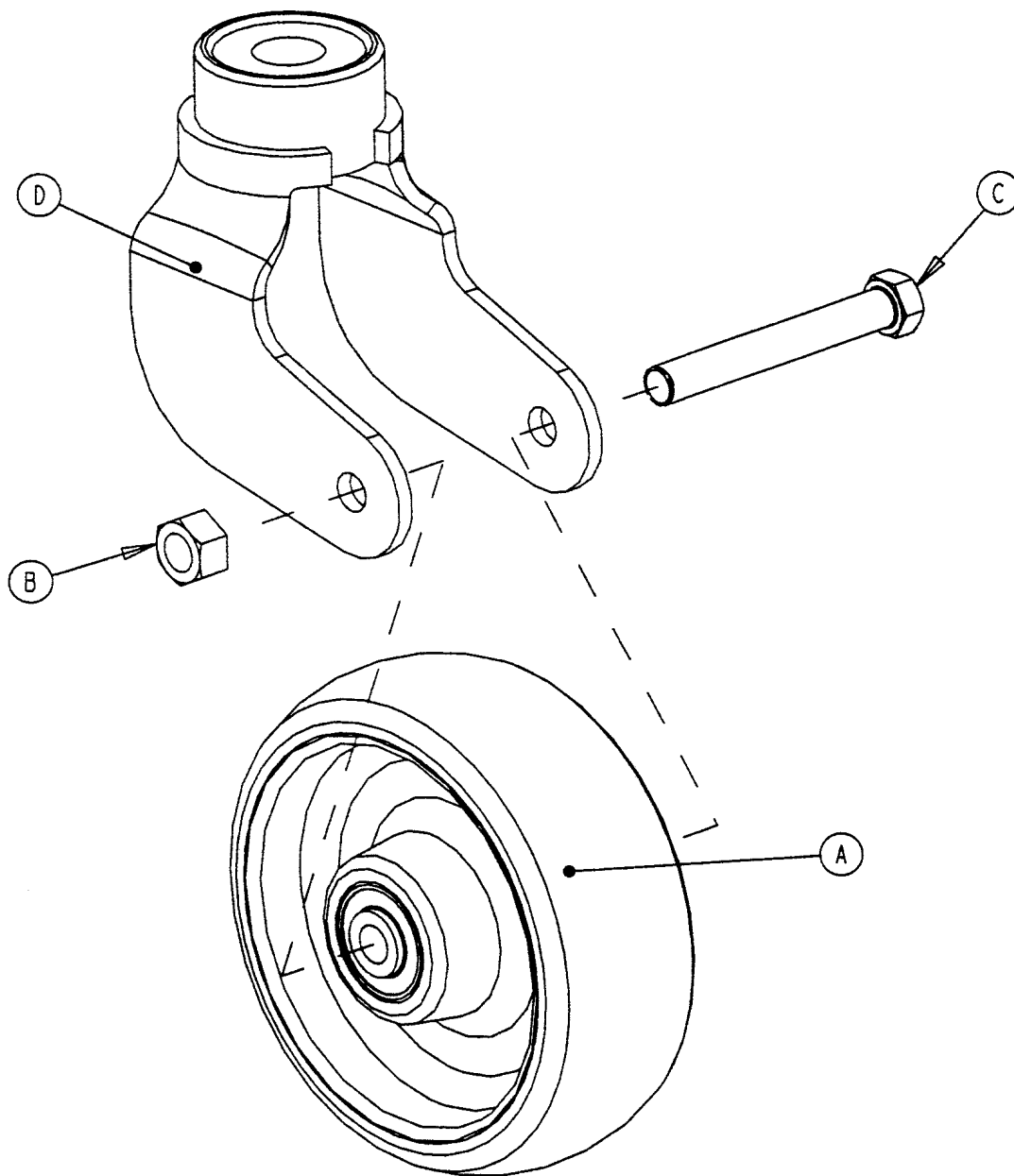
8" Caster/Base Assembly

Assembly part number 4701-001-075 (reference only)



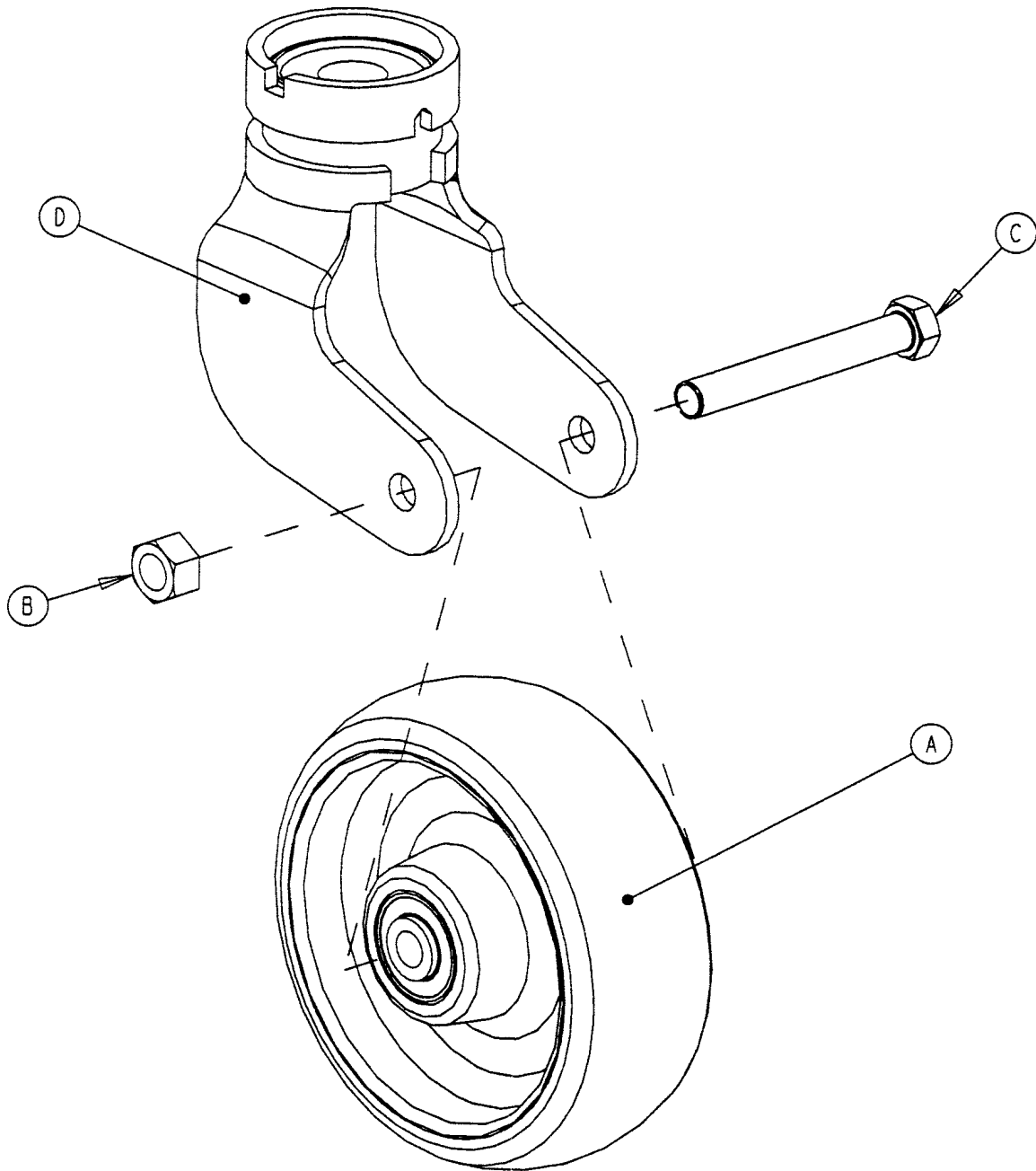
| Item | Part No. | Part Name | Qty. |
|------|--------------|--------------------------|------|
| A | 0005-042-000 | Step Bolt | 4 |
| C | 0016-035-000 | Nylock Hex Nut | 4 |
| D | 0025-103-000 | Pop Rivet | 2 |
| E | 0715-001-156 | Ground Chain | 2 |
| F | 0715-001-265 | 8" Caster Cover, Right | 4 |
| G | 0715-001-266 | 8" Caster Cover, Left | 4 |
| H | (page 49) | 8" Steer Caster Assembly | 1 |
| J | (page 48) | 8" Caster Assembly | 3 |
| L | 4701-001-094 | Tabbed Washer | 4 |
| M | (page 51) | Base Assembly | 1 |

3001-200-060 6" Caster Assembly



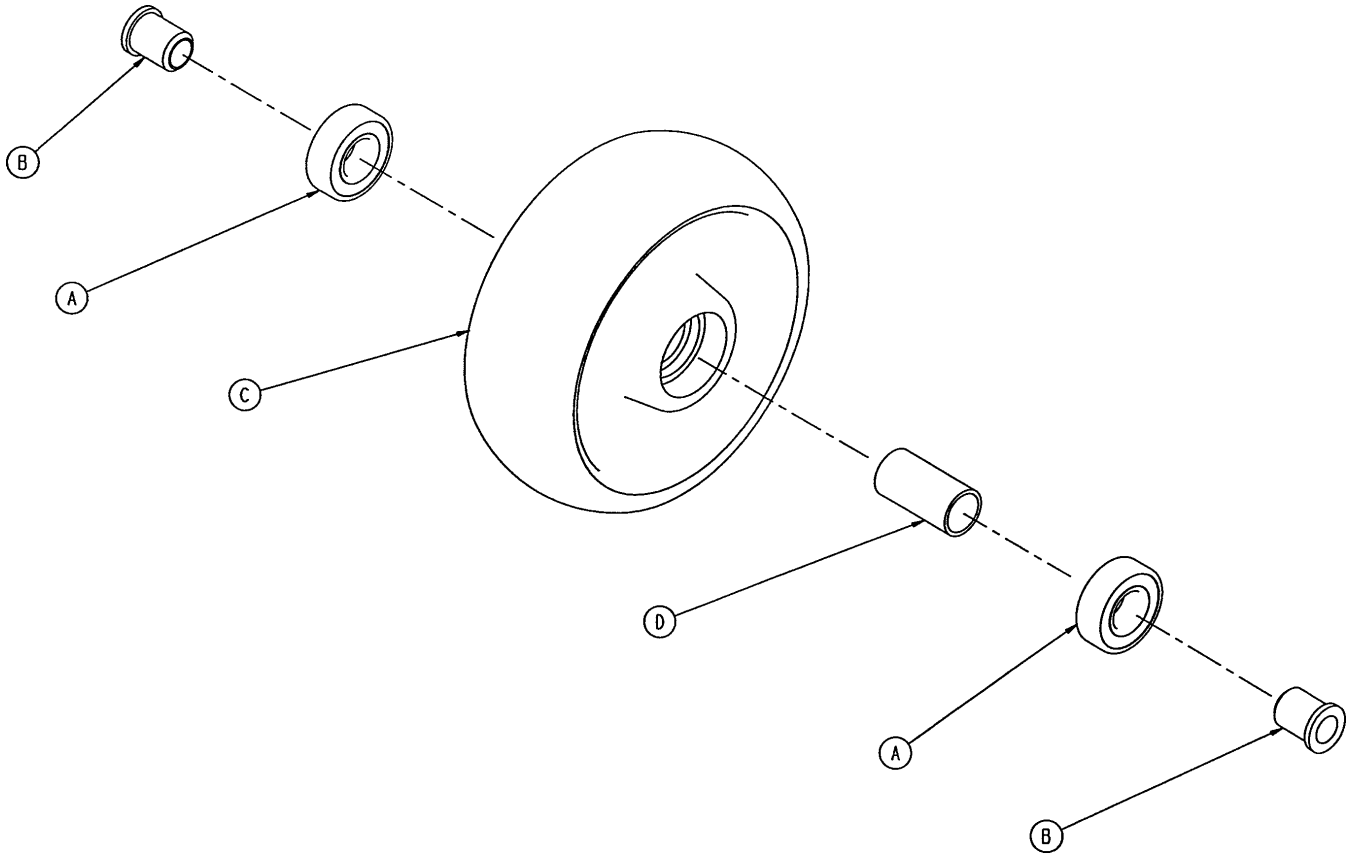
| Item | Part No. | Part Name | Qty. |
|------|--------------|-----------------------|------|
| A | (page 47) | Wheel Assembly | 1 |
| B | 0016-060-000 | Lock Nut | 1 |
| C | 0003-342-000 | Hex Hd. Cap Screw | 1 |
| D | 3001-200-061 | Caster Horn w/Bearing | 1 |

3001-200-050 6" Steer Caster Assembly



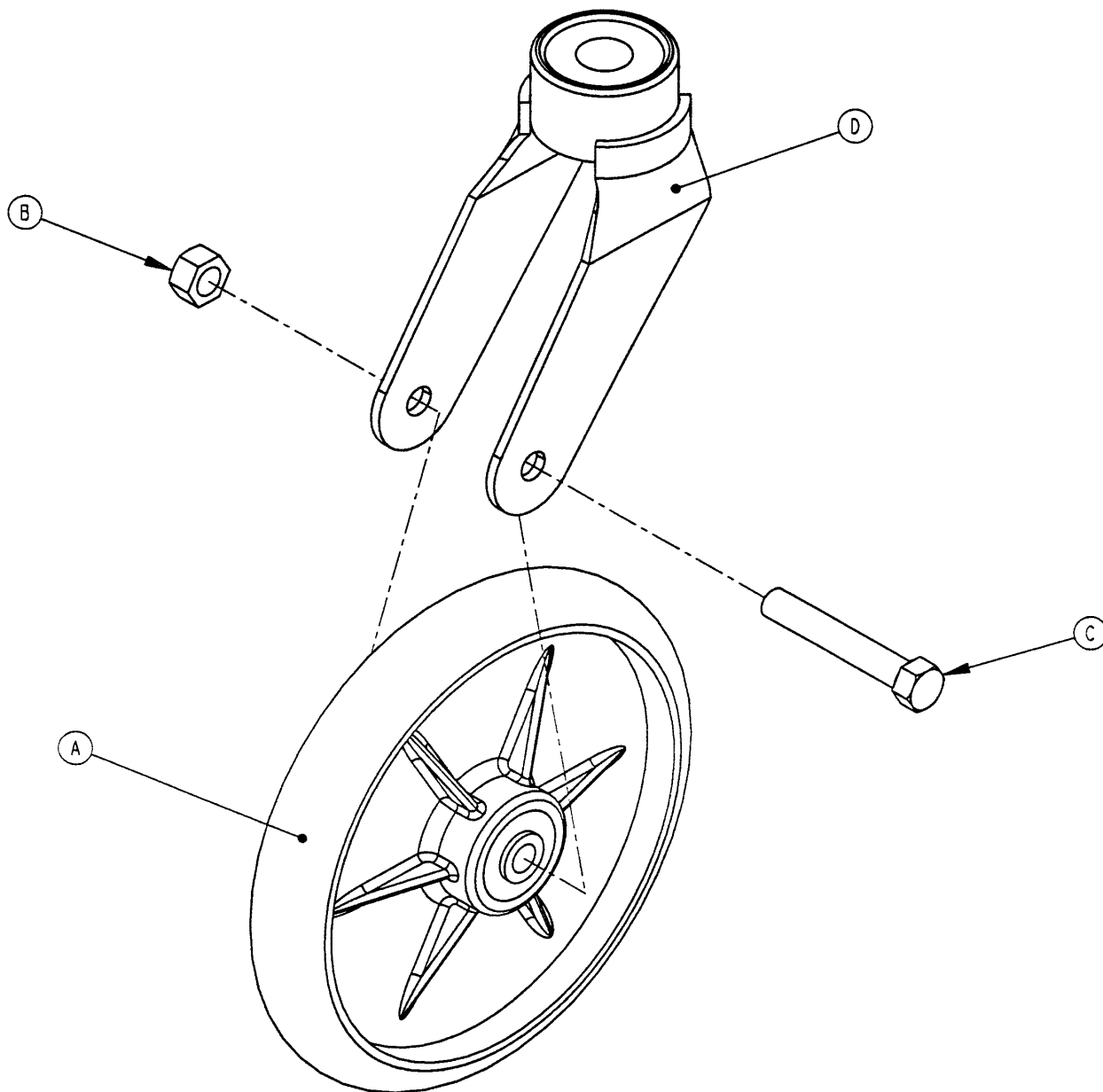
| Item | Part No. | Part Name | Qty. |
|------|--------------|-----------------------------|------|
| A | (page 47) | Wheel Assembly | 1 |
| B | 0016-060-000 | Lock Nut | 1 |
| C | 0003-342-000 | Hex Hd. Cap Screw | 1 |
| D | 3001-200-051 | Steer Caster Horn w/Bearing | 1 |

5000-002-010 6" Molded Wheel Assembly



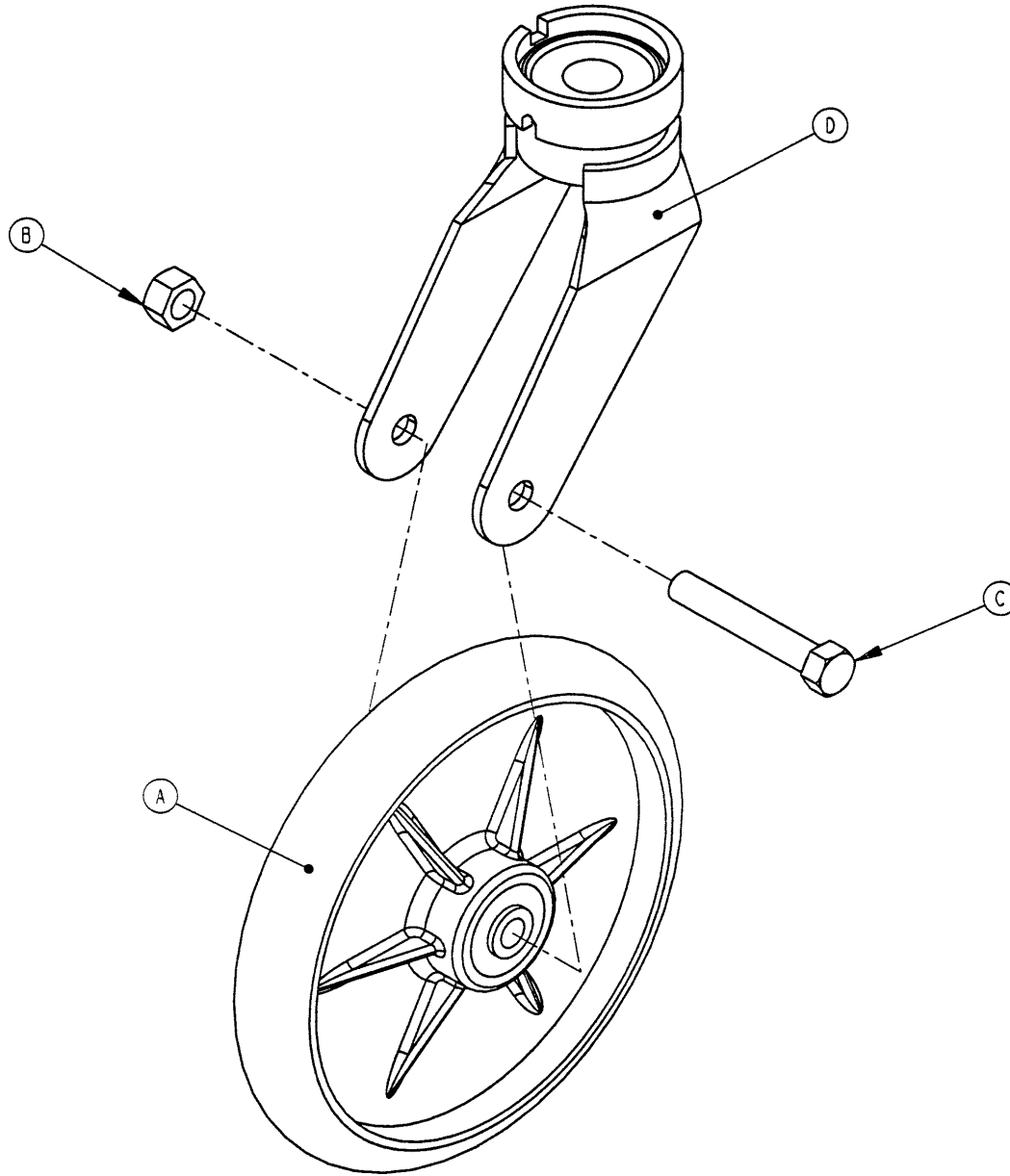
| Item | Part No. | Part Name | Qty. |
|------|--------------|----------------|------|
| A | 0081-226-000 | Bearing | 2 |
| B | 0715-001-255 | Wheel Bushing | 2 |
| C | 5000-002-020 | Molded Wheel | 1 |
| D | 6060-002-046 | Bearing Spacer | 1 |

3001-200-090 Optional 8" Caster Assembly



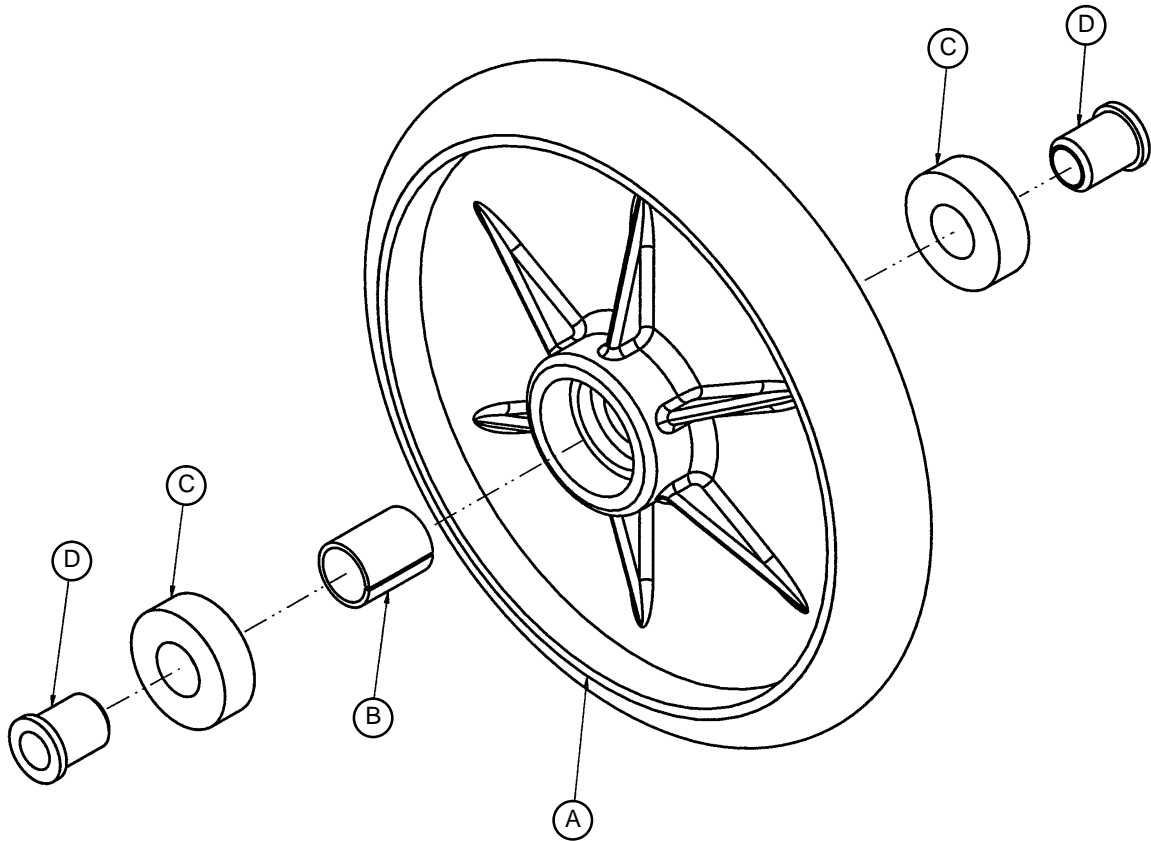
| Item | Part No. | Part Name | Qty. |
|------|--------------|-------------------|------|
| A | (page 50) | Wheel Assembly | 1 |
| B | 0016-060-000 | Hex Nut | 1 |
| C | 0003-099-000 | Hex Hd. Cap Screw | 1 |
| D | 3001-200-076 | Caster Horn | 1 |

3001-200-080 Optional 8" Steer Caster Assembly



| Item | Part No. | Part Name | Qty. |
|------|--------------|-------------------|------|
| A | (page 50) | Wheel Assembly | 1 |
| B | 0016-060-000 | Hex Nut | 1 |
| C | 0003-099-000 | Hex Hd. Cap Screw | 1 |
| D | 3001-200-081 | Caster Horn | 1 |

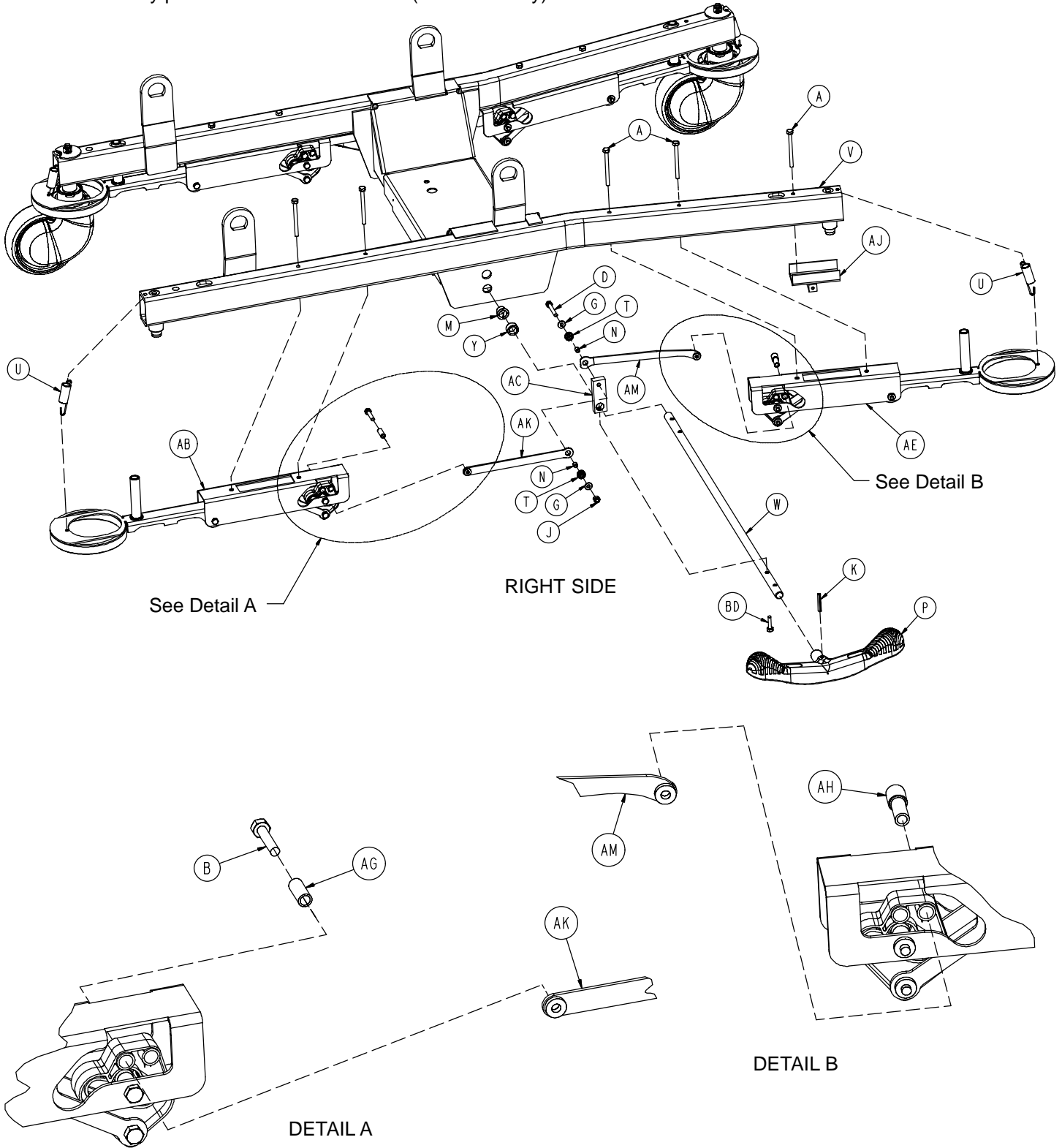
0715-002-025 Optional 8" Wheel Assembly



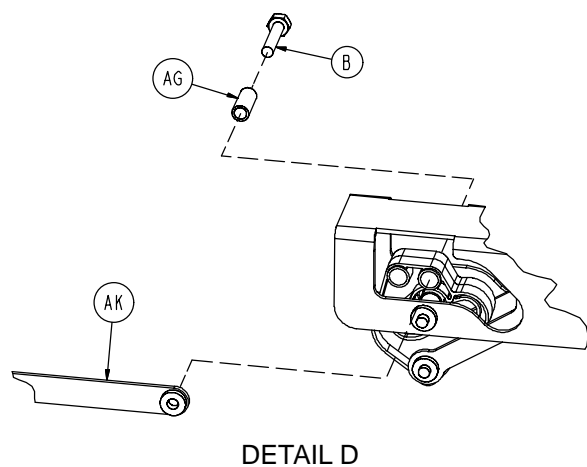
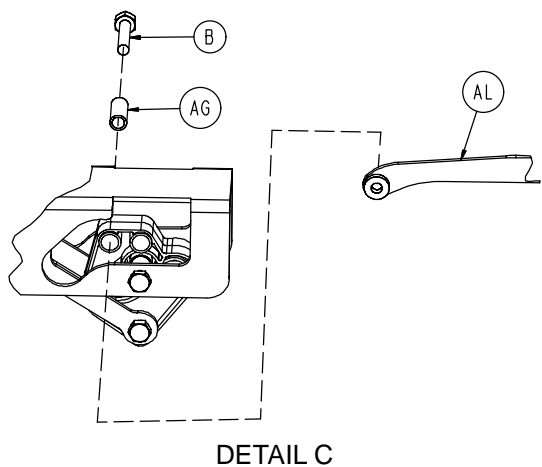
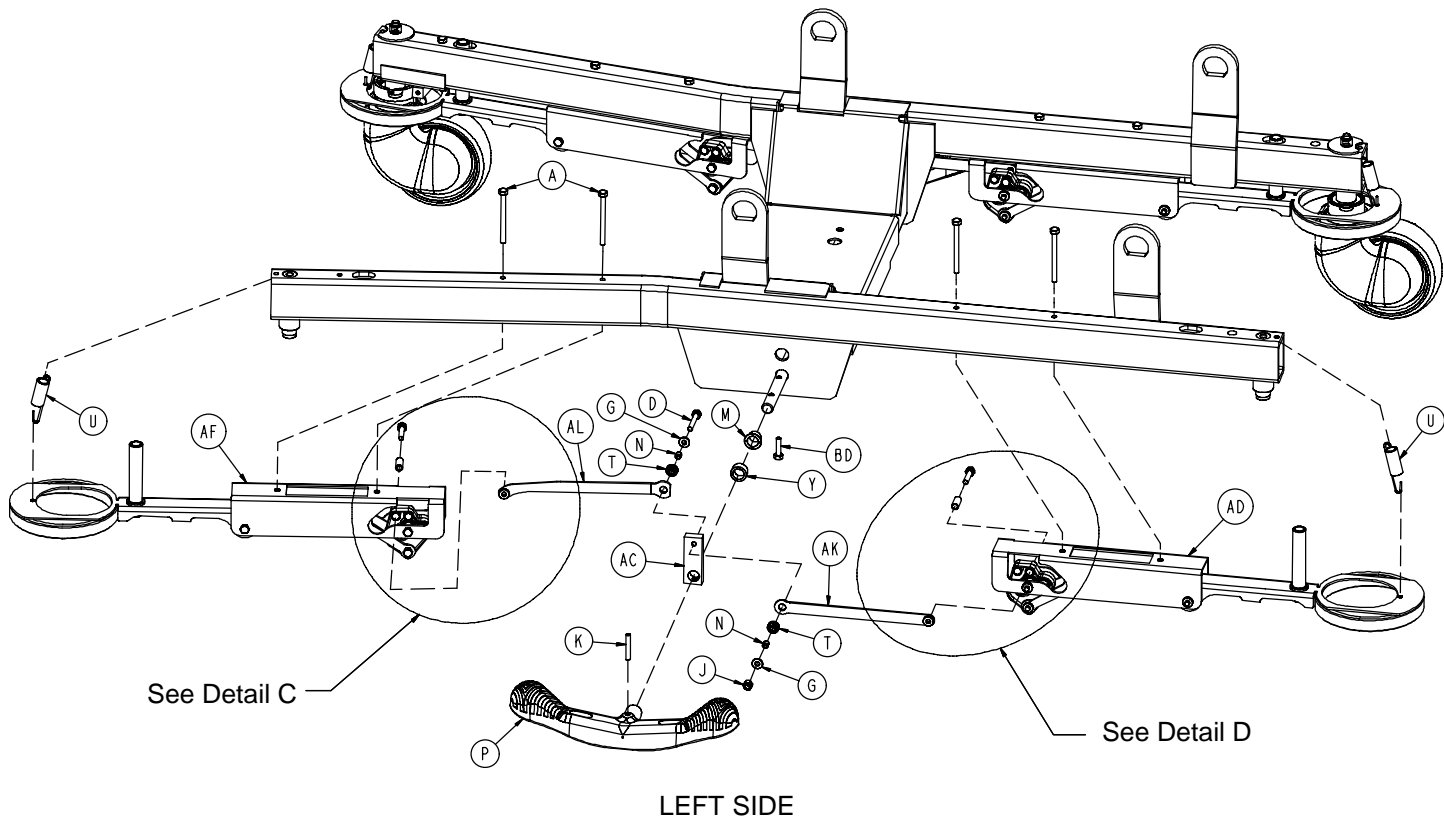
| Item | Part No. | Part Name | Qty. |
|------|--------------|----------------|------|
| A | 0715-002-124 | Wheel | 1 |
| B | 0052-503-000 | Bearing Spacer | 1 |
| C | 0081-226-000 | Bearing | 2 |
| D | 0715-001-255 | Wheel Bearing | 2 |

Base Assembly

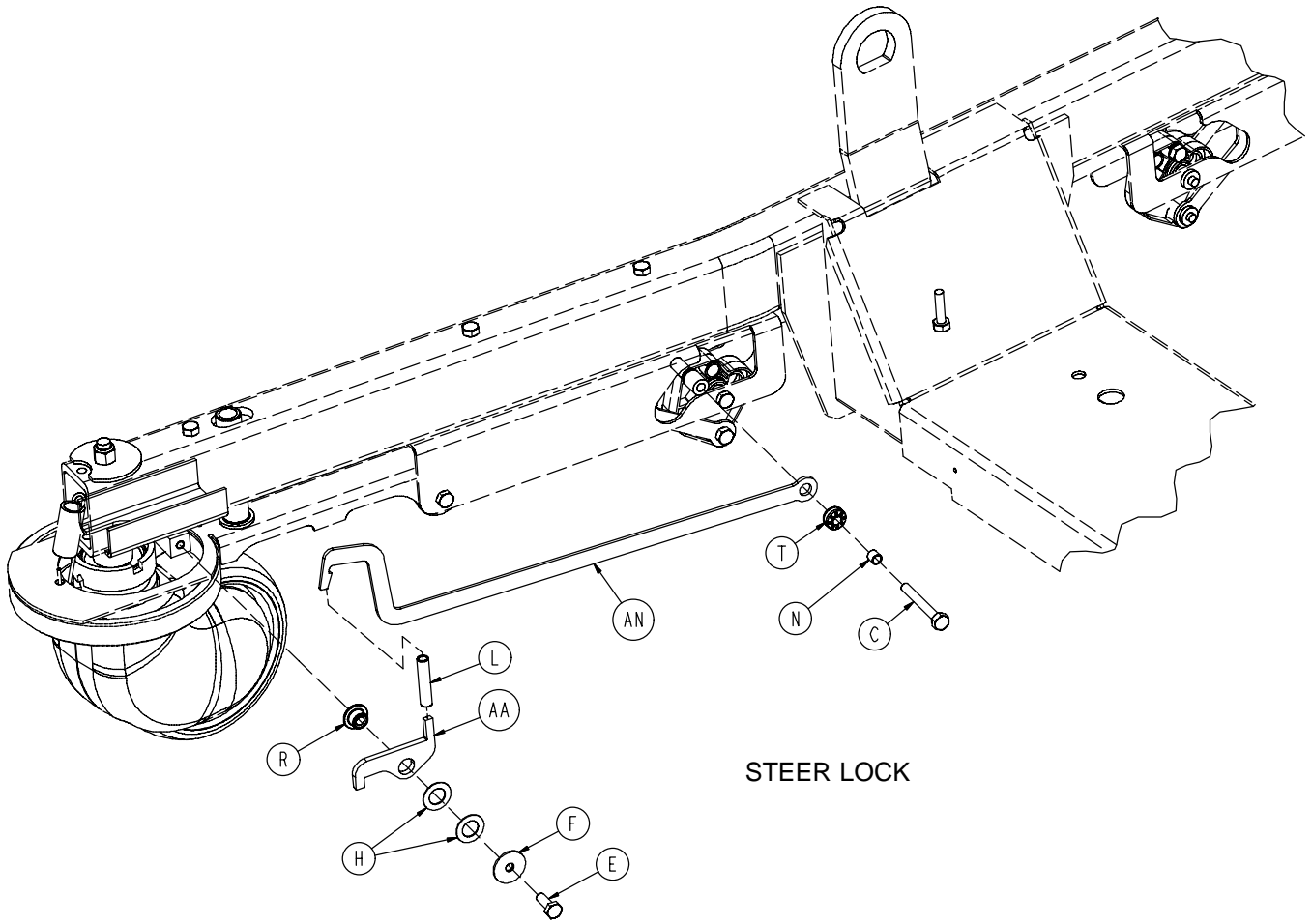
Assembly part number 4701-001-000 (reference only)



Base Assembly

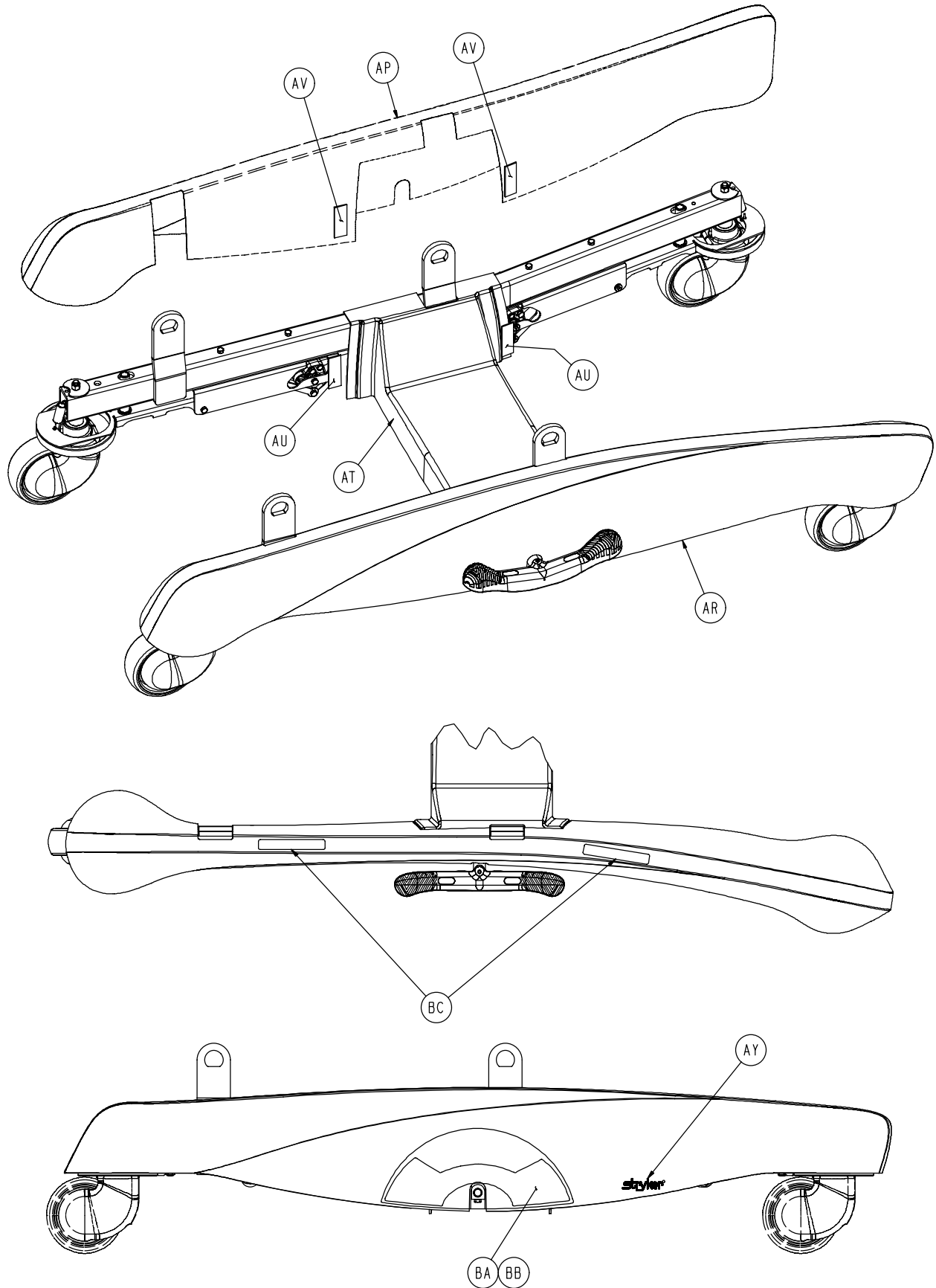


Base Assembly



STEER LOCK

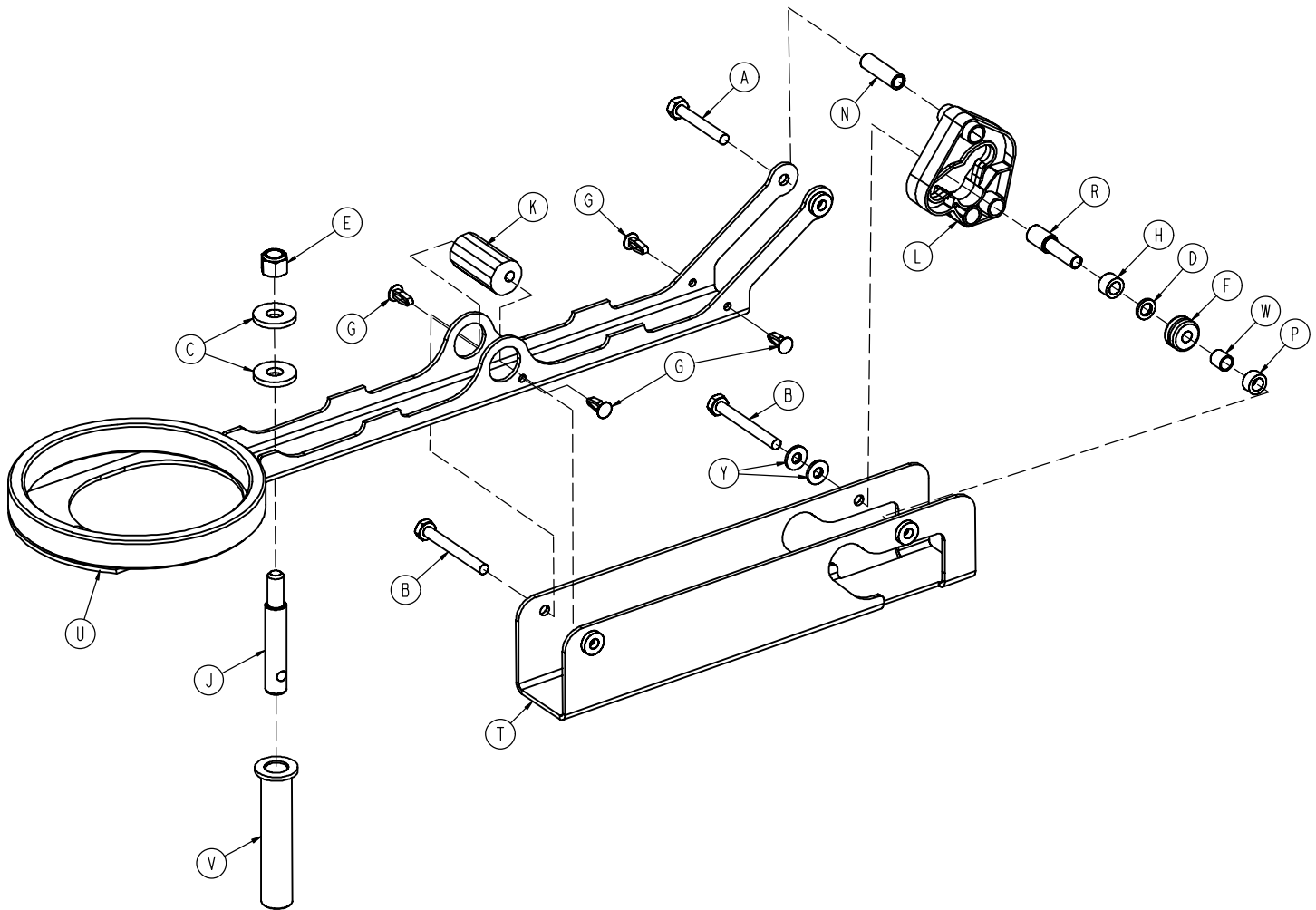
Base Assembly



Base Assembly

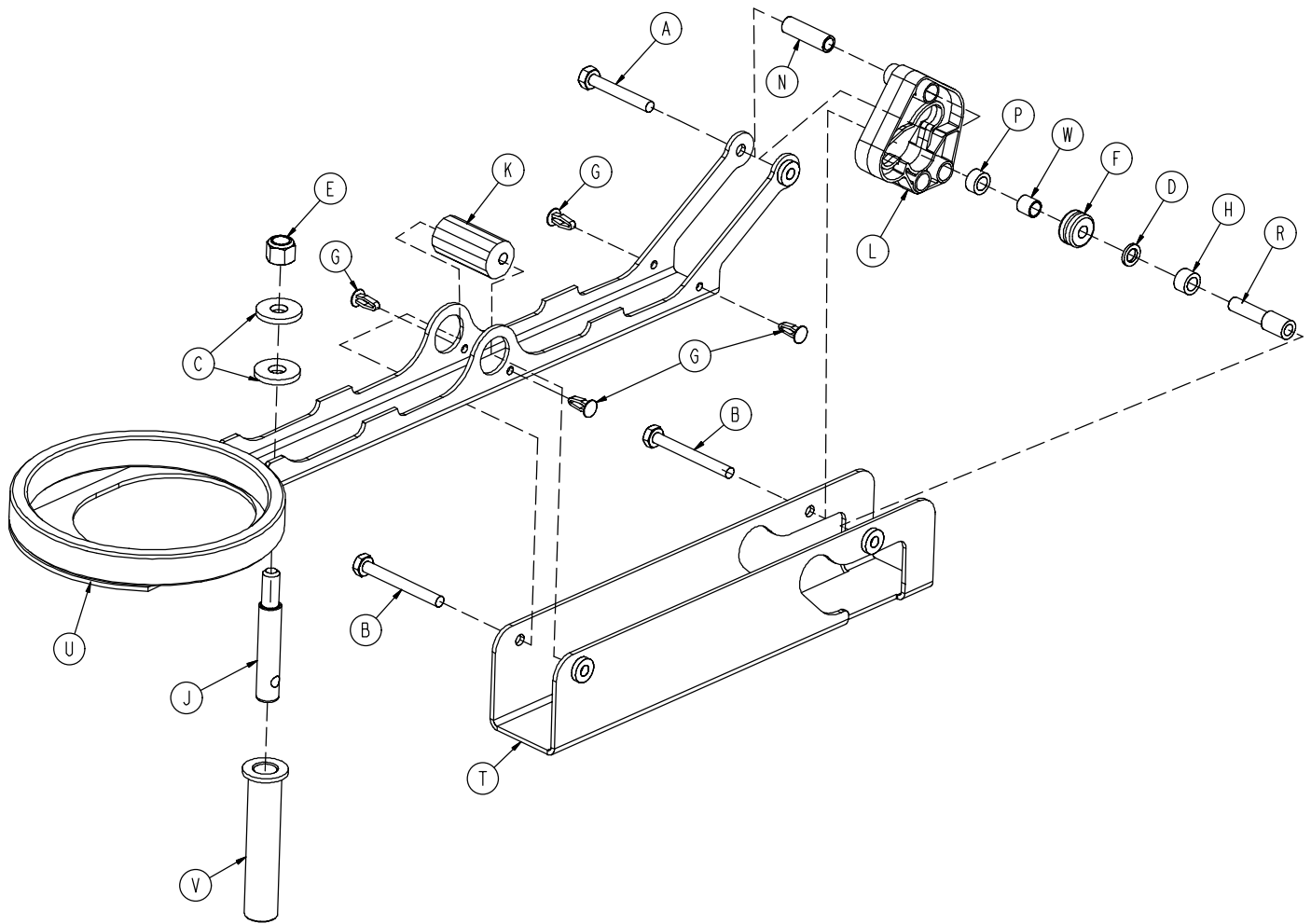
| Item | Part No. | Part Name | Qty. |
|------|---------------------------|------------------------------|------|
| A | 0003-056-000 | Hex Hd. Cap Screw | 9 |
| B | 0003-139-000 | Hex Hd. Cap Screw | 3 |
| C | 0003-076-000 | Hex Hd. Cap Screw | 1 |
| D | 0003-078-000 | Hex Hd. Cap Screw | 2 |
| E | 0003-214-000 | Hex Hd. Cap Screw | 3 |
| F | 0011-053-000 | Washer | 1 |
| G | 0011-063-000 | Washer | 2 |
| H | 0014-007-000 | Washer | 2 |
| J | 0016-028-000 | Hex Nut | 2 |
| K | 0026-067-000 | Slotted Spring Pin | 2 |
| L | 0038-524-000 | Extension Spring | 1 |
| M | 0052-509-000 | Clip Bearing | 2 |
| N | 0715-001-333 | Release Rod Stop Sleeve | 5 |
| P | 1033-001-233 | Butterfly "V" Pedal | 2 |
| R | 3000-300-099 | Modified Bushing | 1 |
| T | 3000-300-442 | Grommet | 5 |
| U | 3002-200-310 | Brake Bar Return Spring | 4 |
| V | 4701-001-010 | Base Frame | 1 |
| W | 4701-001-016 | Brake Pedal Rod | 1 |
| Y | 4701-001-018 | Spacer | 2 |
| AA | 4701-001-019 | Steer Lock Latch | 1 |
| AB | (page 56) | Head End Brake Assembly, Rt. | 1 |
| AC | 4701-001-021 | Brake Crank Link | 2 |
| AD | (page 57) | Head End Brake Assembly, Lt. | 1 |
| AE | (page 58) | Foot End Brake Assembly, Rt. | 1 |
| AF | (page 59) | Foot End Brake Assembly, Lt. | 1 |
| AG | 4701-001-053 | Spacer Sleeve | 3 |
| AH | 4701-001-057 | Brake Cam/Steerlock Spacer | 1 |
| AJ | 4701-001-065 | Steer Lock Bracket | 1 |
| AK | 4701-001-066 | Head End Cam Link | 2 |
| AL | 4701-001-067 | Foot End Link, Left | 1 |
| AM | 4701-001-069 | Foot End Link, Right | 1 |
| AN | 4701-001-074 | Steerlock Drive Link | 1 |
| AP | 4701-001-085 | Base Cover Assembly, Left | 1 |
| AR | 4701-001-090 | Base Cover Assembly, Right | 1 |
| AT | 4701-001-091 | Base Cover, Center | 1 |
| AU | 0029-007-000 | Dual Lock | 4 |
| AV | 0029-009-000 | Dual Lock | 4 |
| AY | 1040-010-017 | Stryker Logo Label | 2 |
| BA | 4701-090-051 | Brake/Steer Label, Right | 1 |
| BB | 4701-090-052 | Brake/Steer Label, Left | 1 |
| BC | 4701-090-053 | Keep Feet Clear Label | 4 |
| BD | 0003-382-000 | Hex Hd. Cap Screw | 2 |

4701-001-020 Head End Brake Assembly, Right



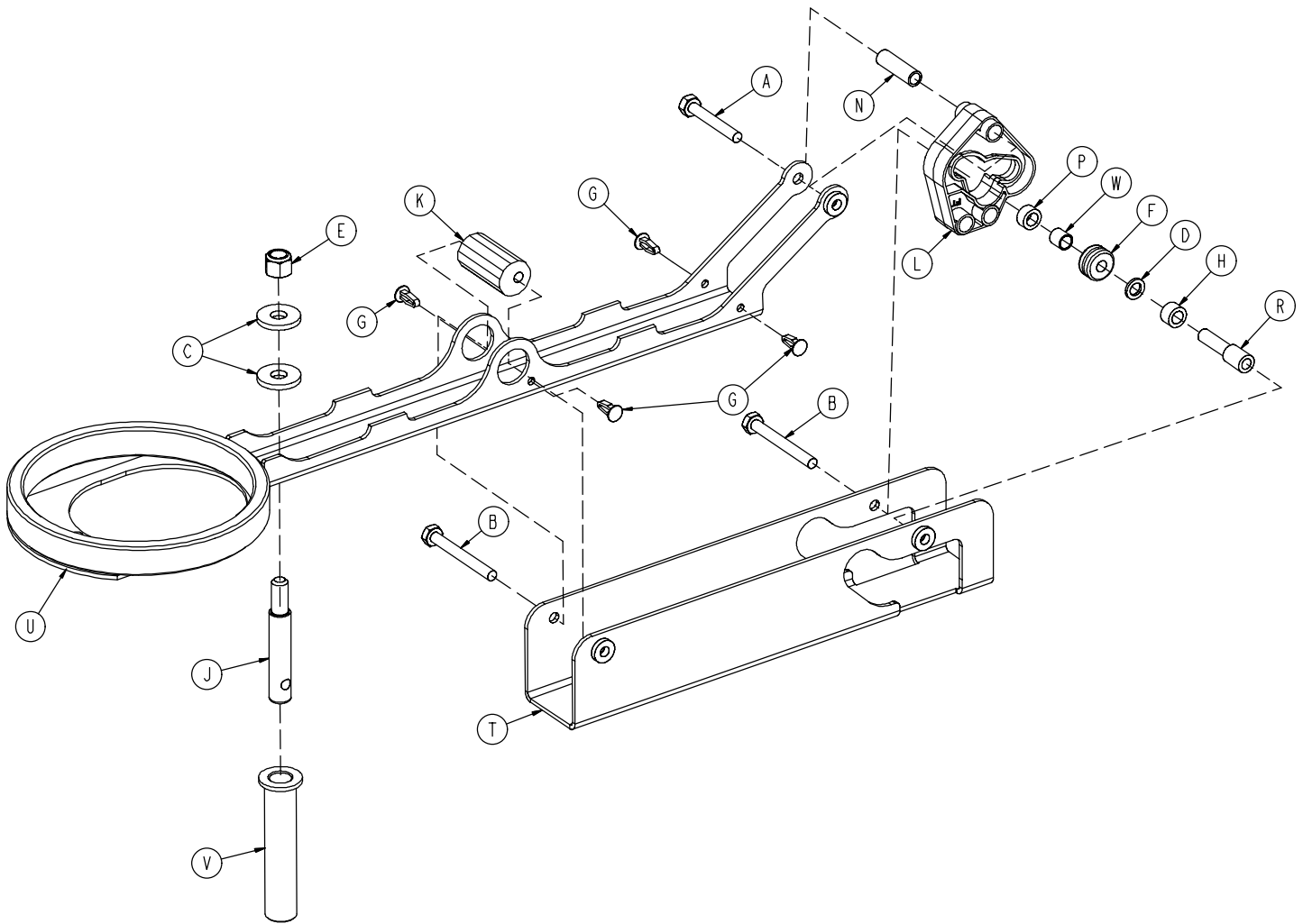
| Item | Part No. | Part Name | Qty. |
|------|--------------|----------------------------|------|
| A | 0003-078-000 | Hex Hd. Cap Screw | 1 |
| B | 0003-079-000 | Hex Hd. Cap Screw | 2 |
| C | 0011-262-000 | Washer | 2 |
| D | 0014-003-000 | Washer | 1 |
| E | 0016-035-000 | Nylock Hex Nut | 1 |
| F | 0030-053-000 | Isolator Grommet | 1 |
| G | 0049-005-000 | Drive Fastener | 4 |
| H | 0081-409-000 | Needle Bearing | 1 |
| J | 3000-200-318 | Guide Pin | 1 |
| K | 4701-001-023 | Adjustment Spacer | 1 |
| L | 4701-001-042 | Brake Cam | 1 |
| N | 4701-001-052 | Brake Cam Sleeve | 1 |
| P | 4701-001-056 | Bearing Containment Spacer | 1 |
| R | 4701-001-058 | Bearing Containment Spacer | 1 |
| T | 4701-001-072 | Brake Support | 1 |
| U | 4701-001-080 | Brake Bar | 1 |
| V | 4701-001-083 | Guide Pin Sleeve | 1 |
| W | 0081-259-000 | Sleeve Bearing | 1 |
| Y | 0011-063-000 | Washer | 2 |

4701-001-025 Head End Brake Assembly, Left



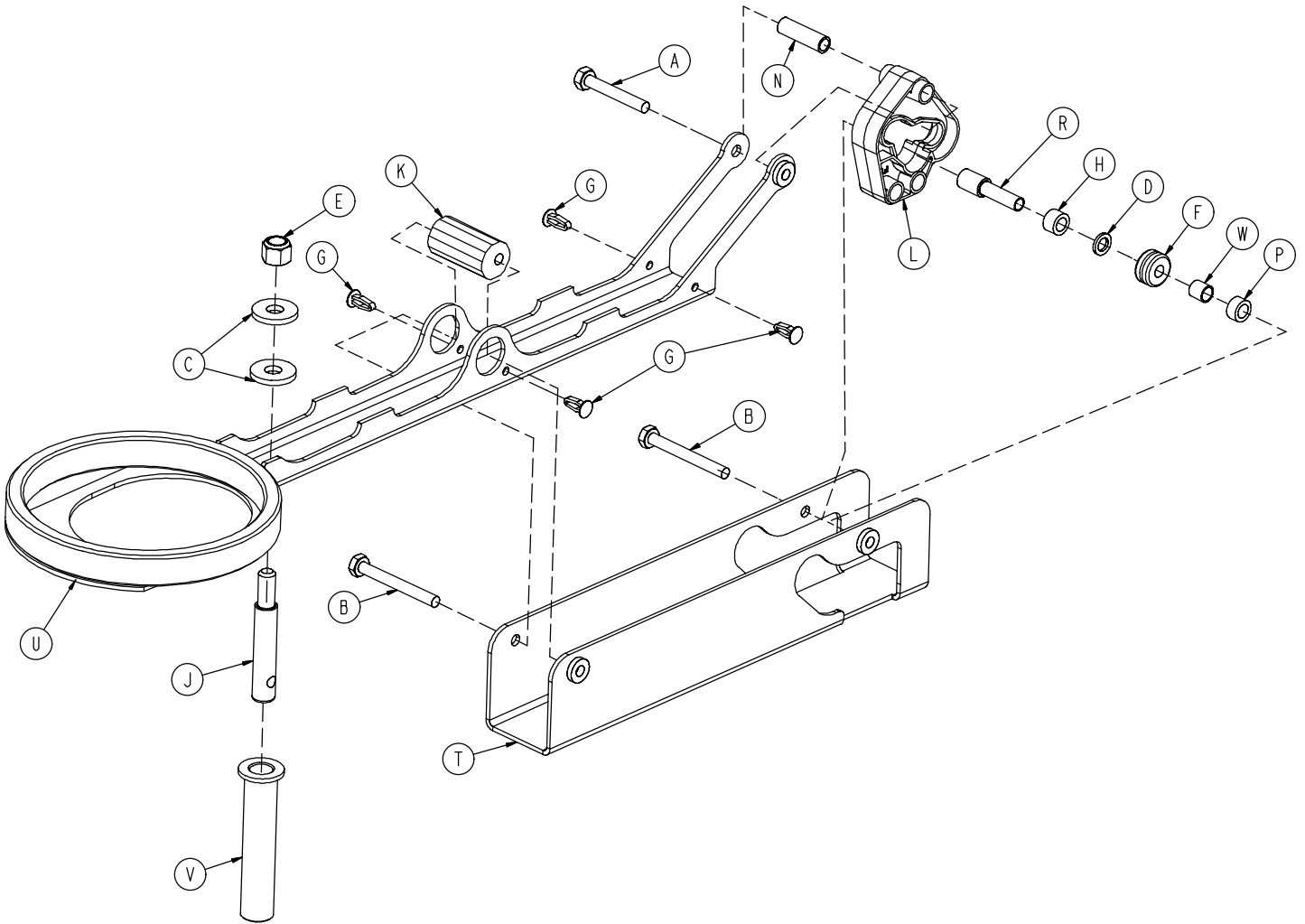
| Item | Part No. | Part Name | Qty. |
|------|--------------|----------------------------|------|
| A | 0003-078-000 | Hex Hd. Cap Screw | 1 |
| B | 0003-079-000 | Hex Hd. Cap Screw | 2 |
| C | 0011-262-000 | Washer | 2 |
| D | 0014-003-000 | Washer | 1 |
| E | 0016-035-000 | Nylock Hex Nut | 1 |
| F | 0030-053-000 | Isolator Grommet | 1 |
| G | 0049-005-000 | Drive Fastener | 4 |
| H | 0081-409-000 | Needle Bearing | 1 |
| J | 3000-200-318 | Guide Pin | 1 |
| K | 4701-001-023 | Adjustment Spacer | 1 |
| L | 4701-001-042 | Brake Cam | 1 |
| N | 4701-001-052 | Brake Cam Sleeve | 1 |
| P | 4701-001-056 | Bearing Containment Spacer | 1 |
| R | 4701-001-058 | Bearing Containment Spacer | 1 |
| T | 4701-001-072 | Brake Support | 1 |
| U | 4701-001-080 | Brake Bar | 1 |
| V | 4701-001-083 | Guide Pin Sleeve | 1 |
| W | 0081-259-000 | Sleeve Bearing | 1 |

4701-001-030 Foot End Brake Assembly, Right



| Item | Part No. | Part Name | Qty. |
|------|--------------|----------------------------|------|
| A | 0003-078-000 | Hex Hd. Cap Screw | 1 |
| B | 0003-079-000 | Hex Hd. Cap Screw | 2 |
| C | 0011-262-000 | Washer | 2 |
| D | 0014-003-000 | Washer | 1 |
| E | 0016-035-000 | Nylock Hex Nut | 1 |
| F | 0030-053-000 | Isolator Grommet | 1 |
| G | 0049-005-000 | Drive Fastener | 4 |
| H | 0081-409-000 | Needle Bearing | 1 |
| J | 3000-200-318 | Guide Pin | 1 |
| K | 4701-001-023 | Adjustment Spacer | 1 |
| L | 4701-001-042 | Brake Cam | 1 |
| N | 4701-001-052 | Brake Cam Sleeve | 1 |
| P | 4701-001-056 | Bearing Containment Spacer | 1 |
| R | 4701-001-058 | Bearing Containment Spacer | 1 |
| T | 4701-001-072 | Brake Support | 1 |
| U | 4701-001-080 | Brake Bar | 1 |
| V | 4701-001-083 | Guide Pin Sleeve | 1 |
| W | 0081-259-000 | Sleeve Bearing | 1 |

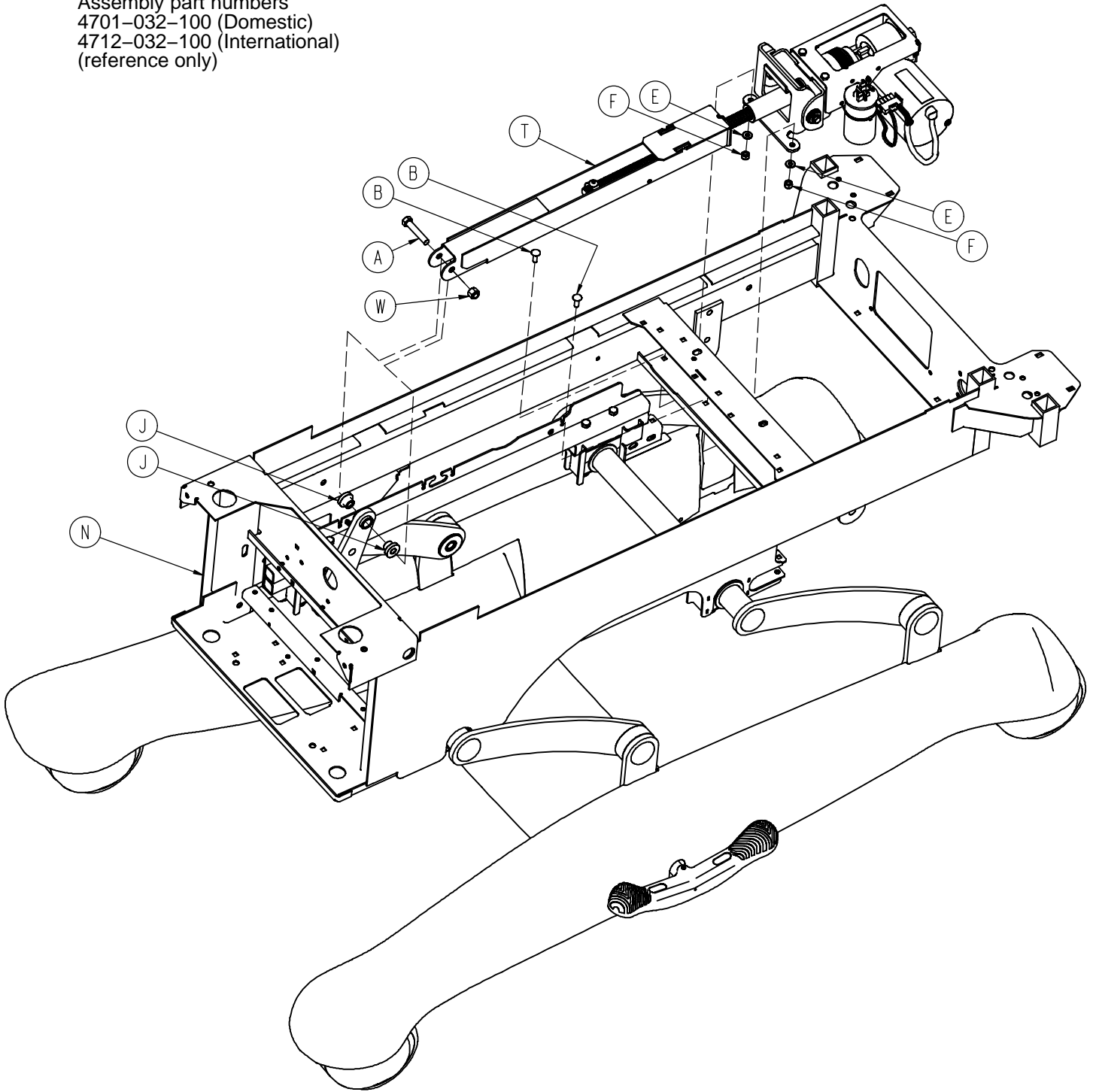
4701-001-035 Foot End Brake Assembly, Left



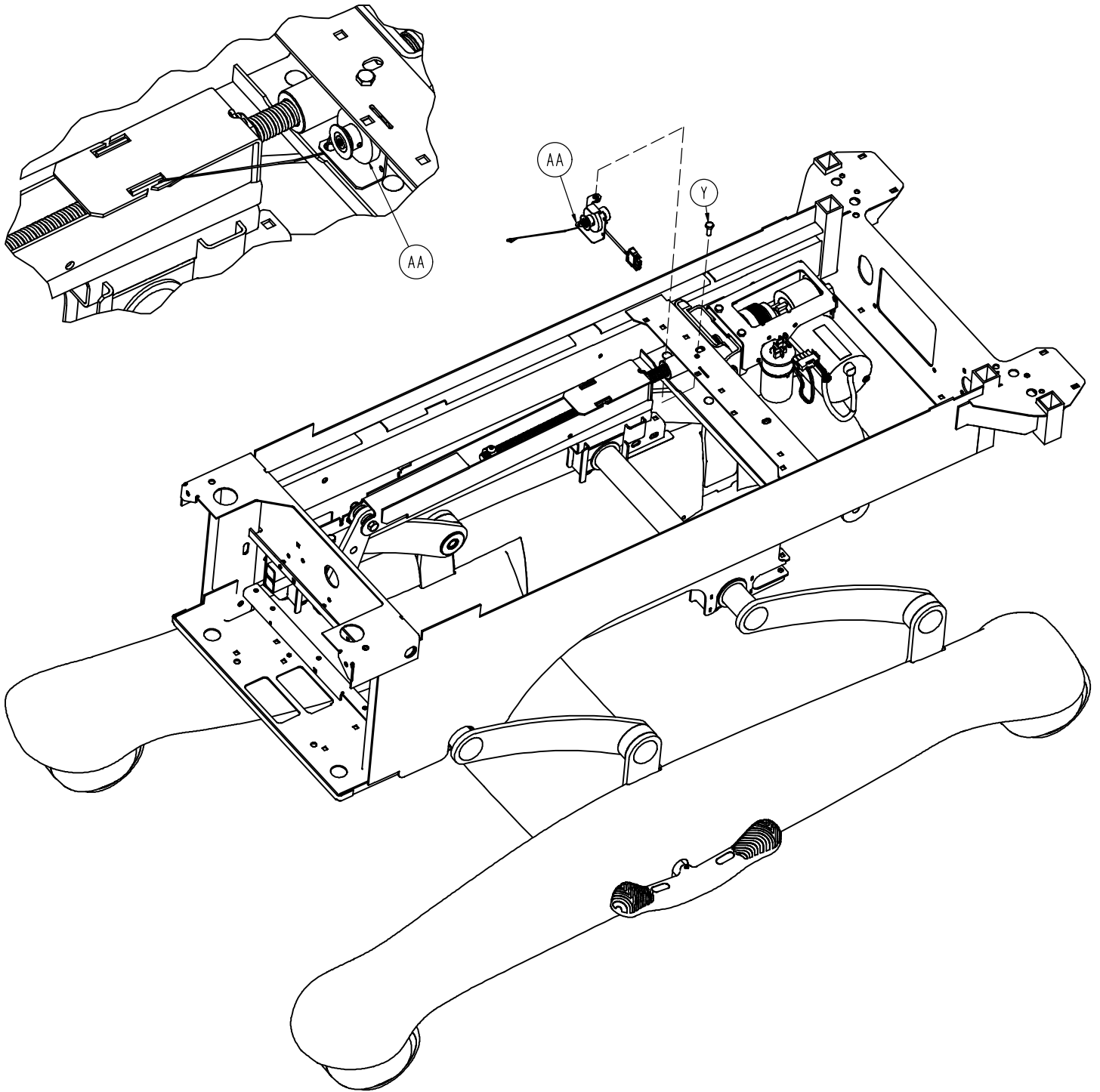
| Item | Part No. | Part Name | Qty. |
|------|--------------|----------------------------|------|
| A | 0003-078-000 | Hex Hd. Cap Screw | 1 |
| B | 0003-079-000 | Hex Hd. Cap Screw | 2 |
| C | 0011-262-000 | Washer | 2 |
| D | 0014-003-000 | Washer | 1 |
| E | 0016-035-000 | Nylock Hex Nut | 1 |
| F | 0030-053-000 | Isolator Grommet | 1 |
| G | 0049-005-000 | Drive Fastener | 4 |
| H | 0081-409-000 | Needle Bearing | 1 |
| J | 3000-200-318 | Guide Pin | 1 |
| K | 4701-001-023 | Adjustment Spacer | 1 |
| L | 4701-001-042 | Brake Cam | 1 |
| N | 4701-001-052 | Brake Cam Sleeve | 1 |
| P | 4701-001-056 | Bearing Containment Spacer | 1 |
| R | 4701-001-058 | Bearing Containment Spacer | 1 |
| T | 4701-001-072 | Brake Support | 1 |
| U | 4701-001-080 | Brake Bar | 1 |
| V | 4701-001-083 | Guide Pin Sleeve | 1 |
| W | 0081-259-000 | Sleeve Bearing | 1 |

Litter Lift/Trend Assembly

Assembly part numbers
4701-032-100 (Domestic)
4712-032-100 (International)
(reference only)

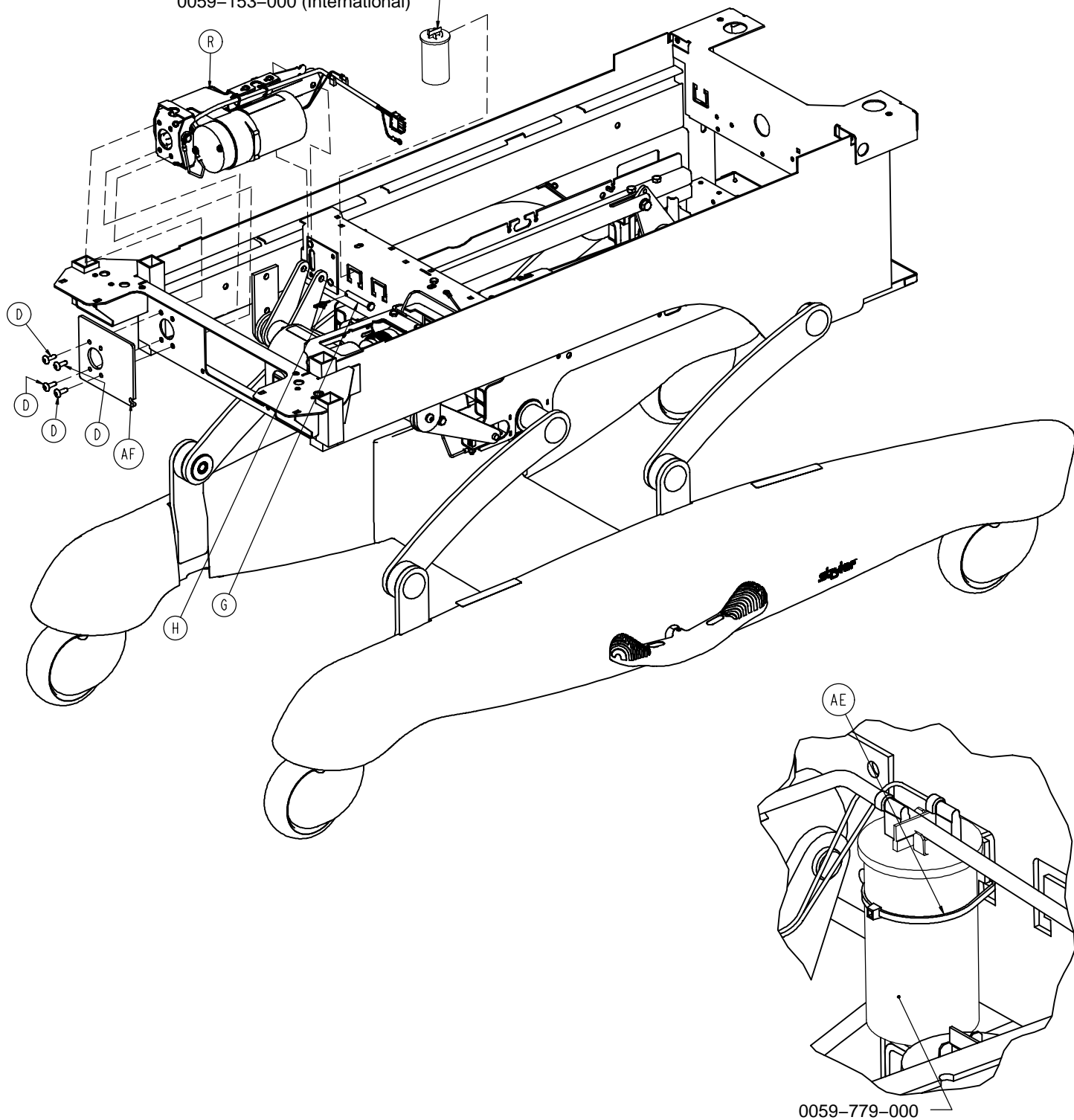


Litter Lift/Trend Assembly



Litter Lift/Trend Assembly

0059-779-000 (Domestic)
0059-153-000 (International)

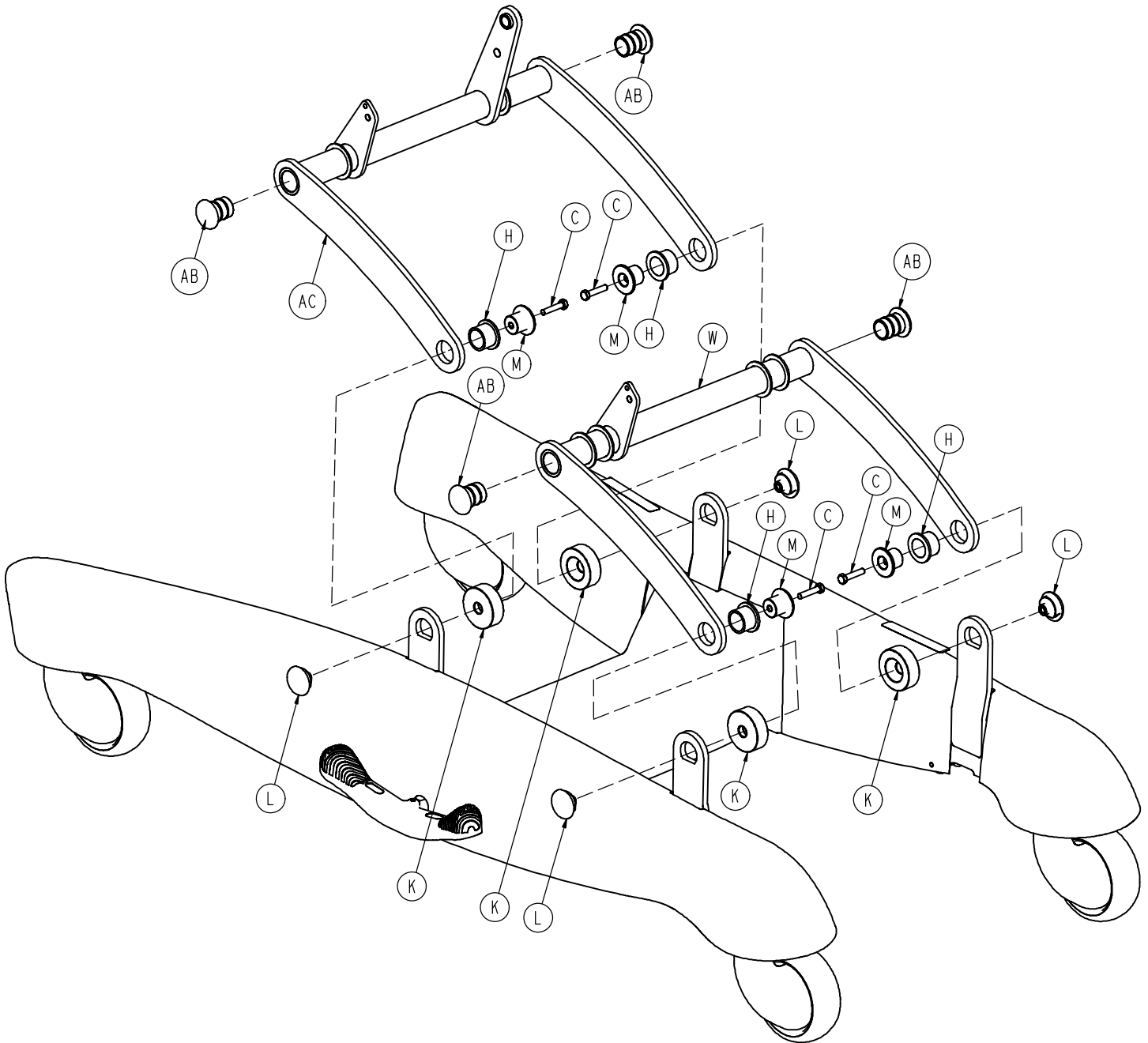


Litter Lift/Trend Assembly

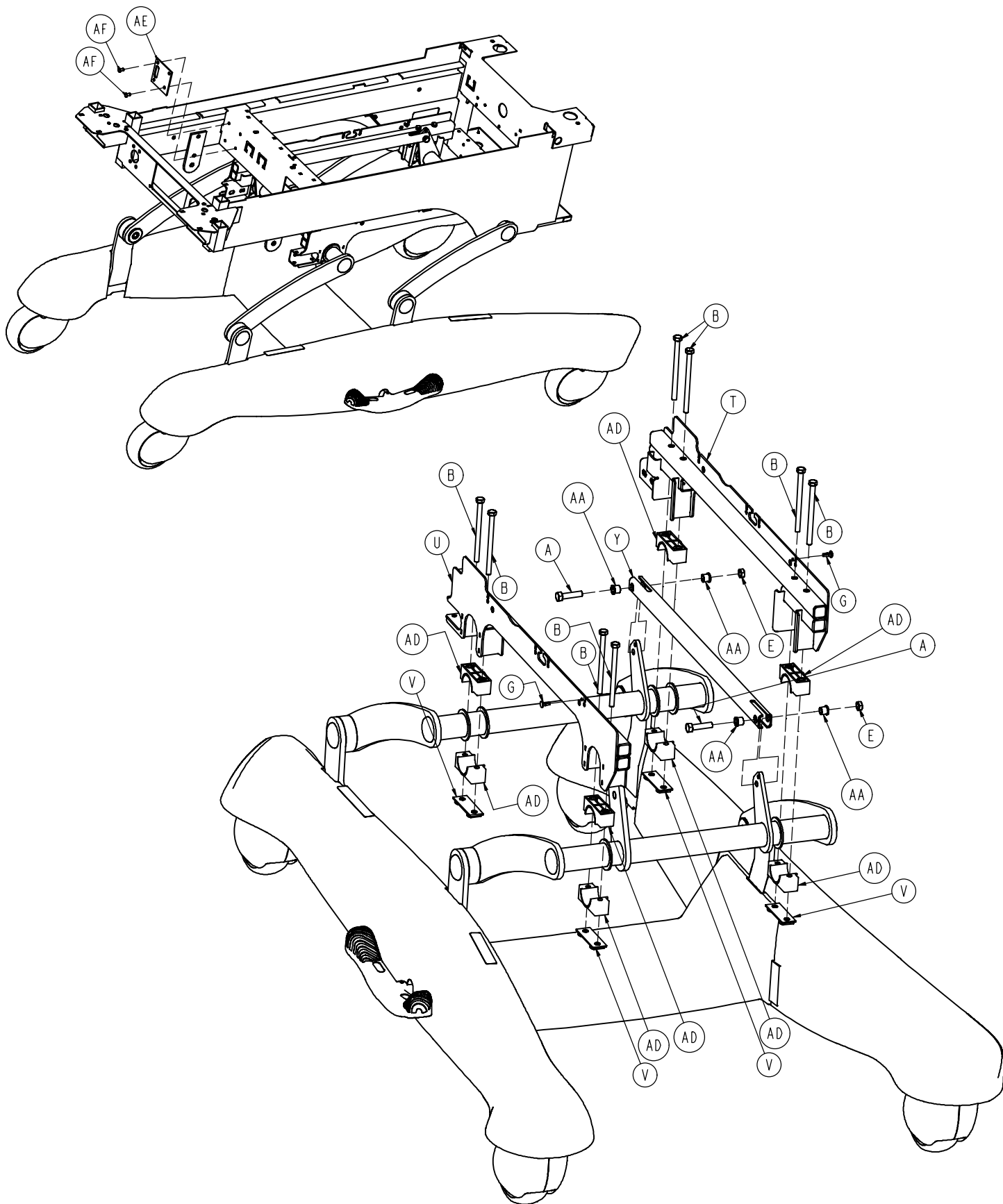
| Item | Part No. | Part Name | Qty. |
|------|-----------------------------|-----------------------------------|------|
| A | 0003-347-000 | Hex Hd. Cap Screw | 1 |
| B | 0005-017-000 | Carriage Bolt | 2 |
| C | 0005-024-000 | Carriage Bolt | 2 |
| D | 0007-065-000 | Truss Hd. Screw | 4 |
| E | 0011-063-000 | Washer | 4 |
| F | 0016-028-000 | Hex Nut | 6 |
| G | 0026-353-000 | Clevis Pin | 1 |
| H | 0027-022-000 | Rue Ring Cotter | 1 |
| J | 0081-408-000 | Bushing | 2 |
| K | 3000-300-001 | Flange Bushing | 2 |
| L | 3000-300-353 | Roller | 2 |
| M | 3001-300-004 | Stationary Frame Spacer | 2 |
| N | (page 65) | Litter Lift/Trend Std. Components | 1 |
| P | 4701-032-010 | Trend Weldment | 1 |
| R | (page 69) | Trend Motor | 1 |
| R | (page 71) | International Trend Motor | 1 |
| T | (page 73) | Bed Lift Motor Assembly | 1 |
| V | 0007-085-000 | Truss Hd. Torx Screw | 2 |
| W | 0016-035-000 | Nylock Hex Nut | 1 |
| Y | 0003-214-000 | Hex Hd. Cap Screw | 3 |
| AA | 4701-080-025 | Potentiometer | 1 |
| AB | 4701-080-018 | 10" Ground Cable | 1 |
| AC | 0013-010-000 | Ext. Tooth Lock Washer | 5 |
| AD | 3002-300-870 | 8" Ground Cable | 2 |
| AE | 0059-086-000 | Cable Tie | 2 |
| AF | 4701-032-087 | Trend/Litter Mounting Plate | 1 |

Litter/Lift/Trend Standard Components

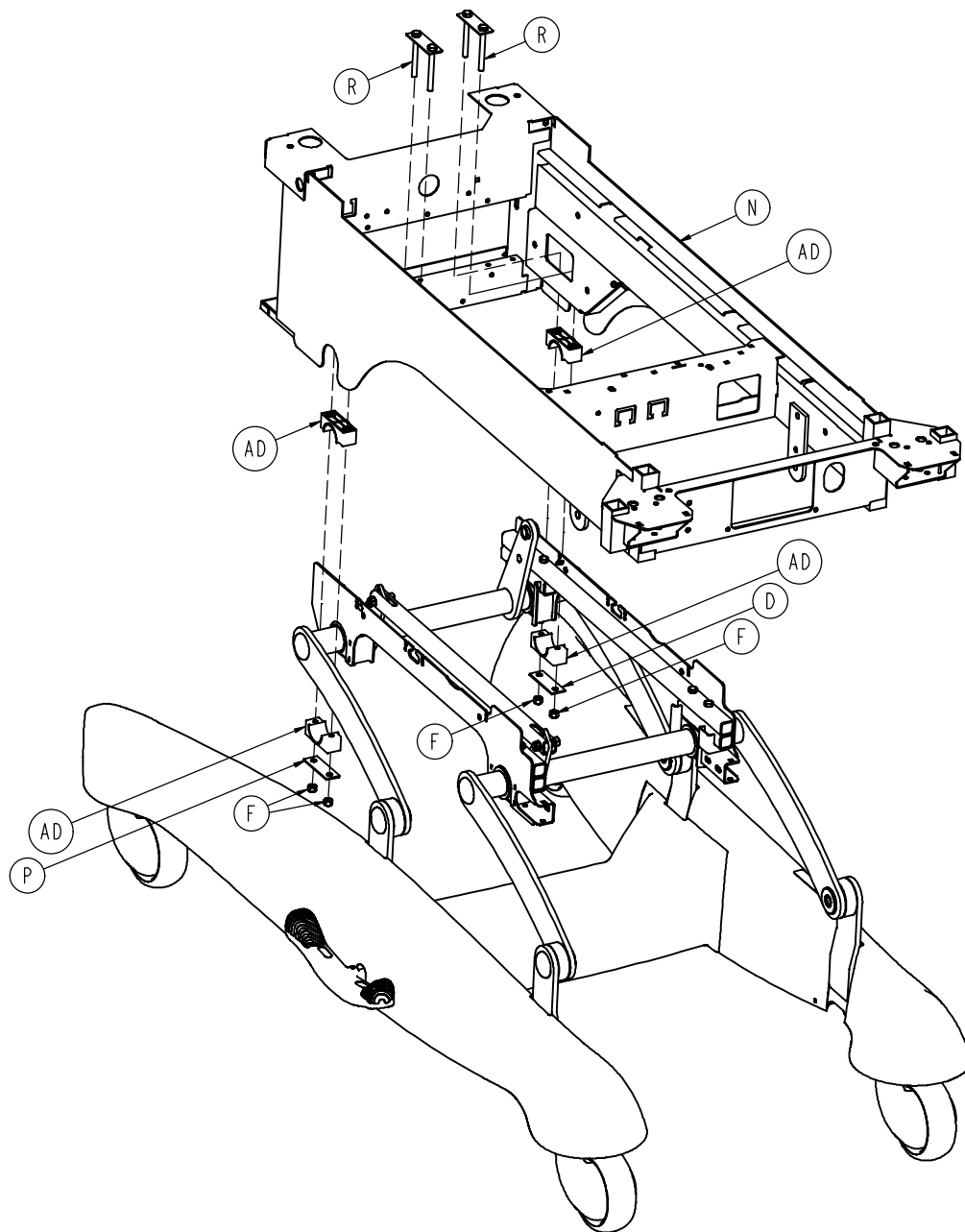
Assembly part number 4701-032-000 (reference only)



Litter/Lift/Trend Standard Components



Litter/Lift/Trend Standard Components

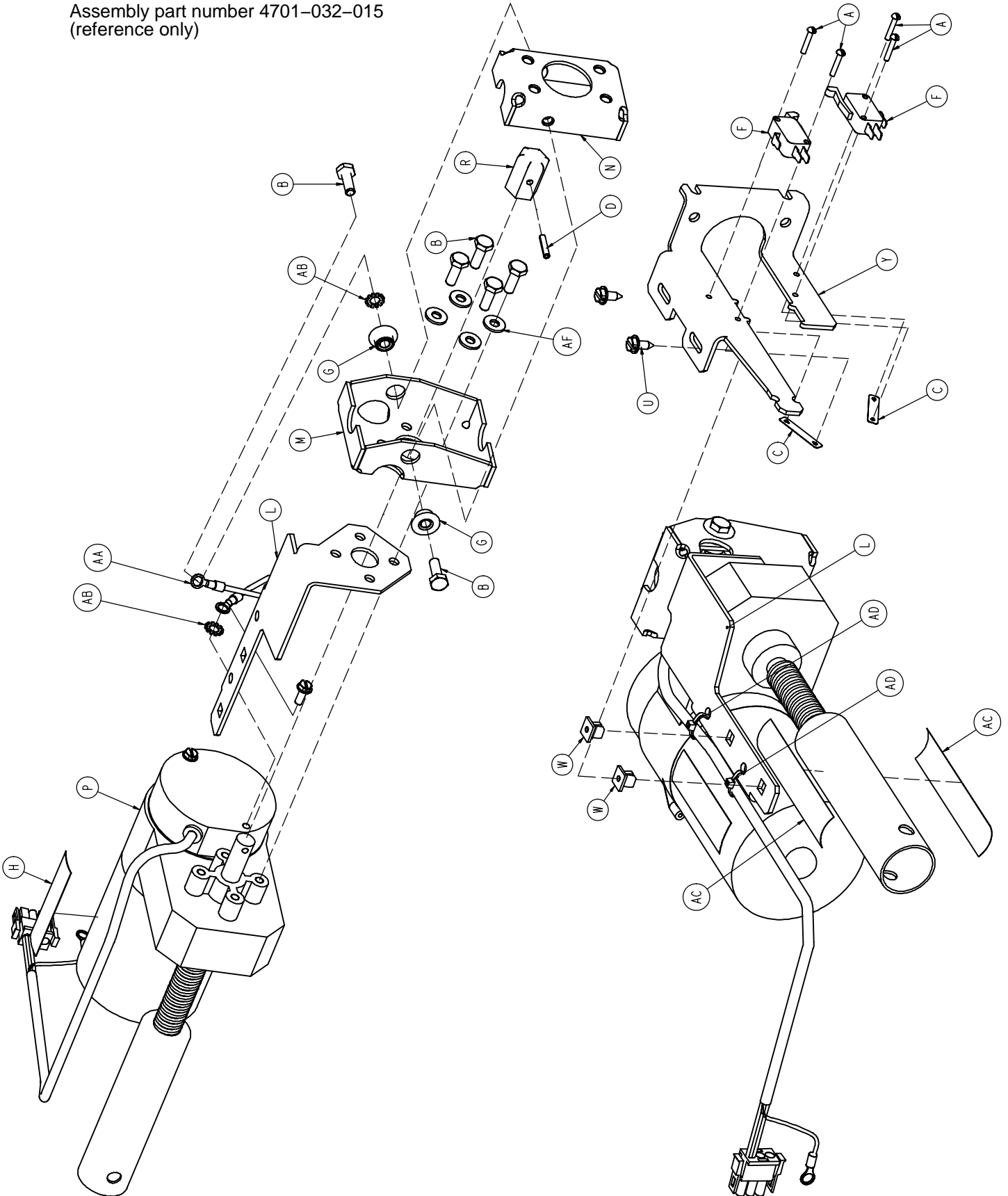


Litter/Lift/Trend Standard Components

| Item | Part No. | Part Name | Qty. |
|------|--------------|-------------------------|------|
| A | 0008-024-000 | Hex Hd. Cap Screw | 2 |
| B | 0003-371-000 | Hex Hd. Cap Screw | 8 |
| C | 0003-374-000 | Hex Hd. Cap Screw | 4 |
| U | 4701-232-009 | Right Rail Weldment | 1 |
| E | 0016-020-000 | Hex Jam Nut | 2 |
| F | 0016-036-000 | Nylock Hex Nut | 4 |
| G | 0052-904-000 | Drive Fastener | 2 |
| H | 0081-406-000 | Base Pivot Bearing | 4 |
| K | 4701-001-047 | Base Pivot Spacer | 4 |
| L | 4701-001-048 | Base Pivot Nut | 4 |
| M | 4701-001-049 | Base Pivot Bushing | 4 |
| N | 4701-030-010 | Litter Frame Weldment | 1 |
| P | 4701-030-179 | Litter Lower Mtg. Plate | 2 |
| R | 4701-030-180 | Litter Mounting Plate | 2 |
| T | 4701-232-008 | Left Rail Weldment | 1 |
| V | 4701-032-026 | Pillow Block Mtg. Plate | 4 |
| W | 4701-032-030 | Rear Crank Weldment | 1 |
| Y | 4701-232-031 | Timing Link Tube | 1 |
| AA | 4701-232-032 | Timing Link Bushing | 4 |
| AB | 4701-032-039 | Litter Pivot Plug | 4 |
| AC | 4701-032-040 | Front Crank Weldment | 1 |
| AD | 5000-030-237 | Crank Retainer Block | 12 |
| AE | 4701-030-087 | Trend Hard Stop Plate | 1 |
| AF | 0025-120-000 | Pop Rivet | 2 |

Domestic Trend Motor Assembly

Assembly part number 4701-032-015
(reference only)

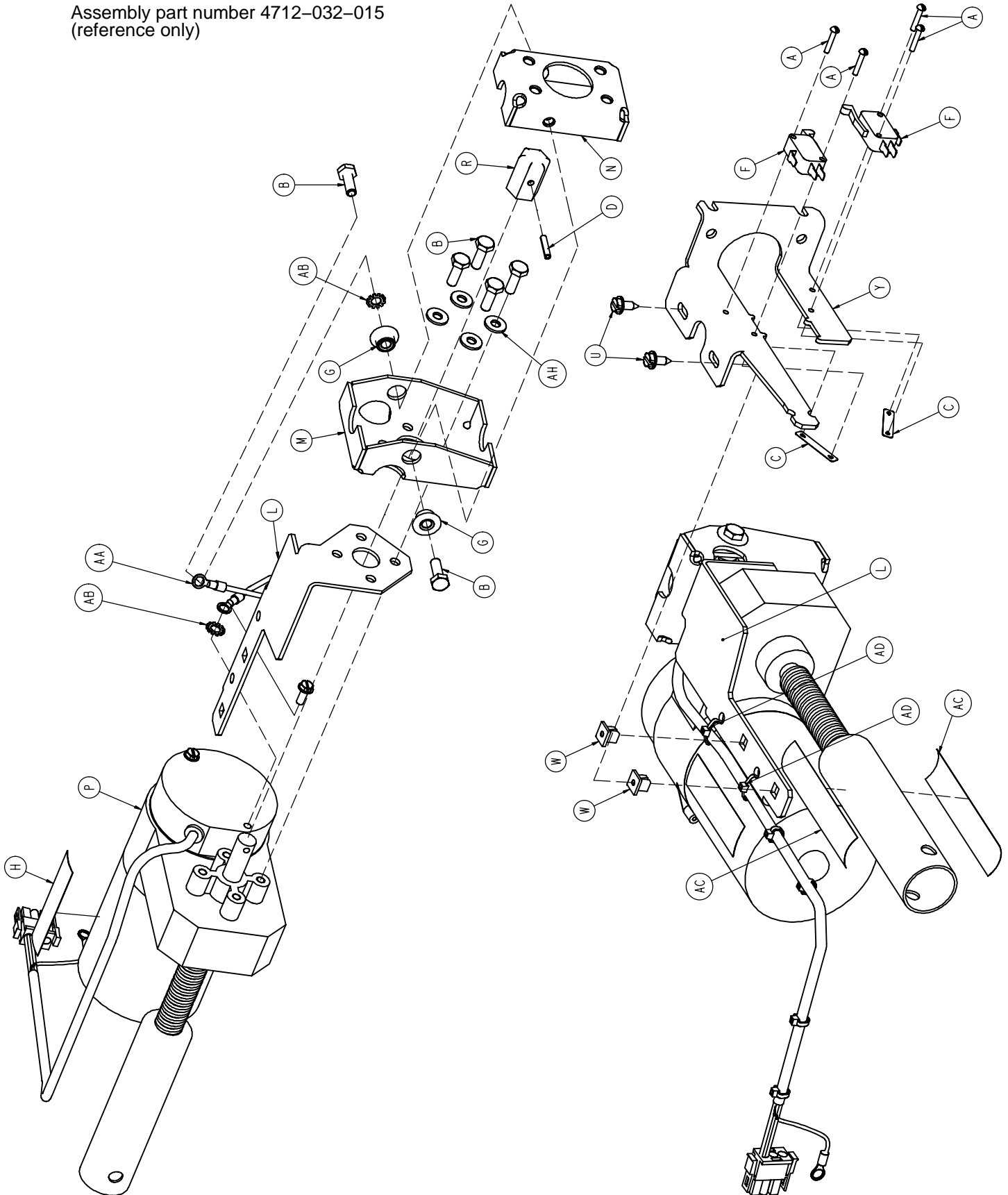


Domestic Trend Motor Assembly

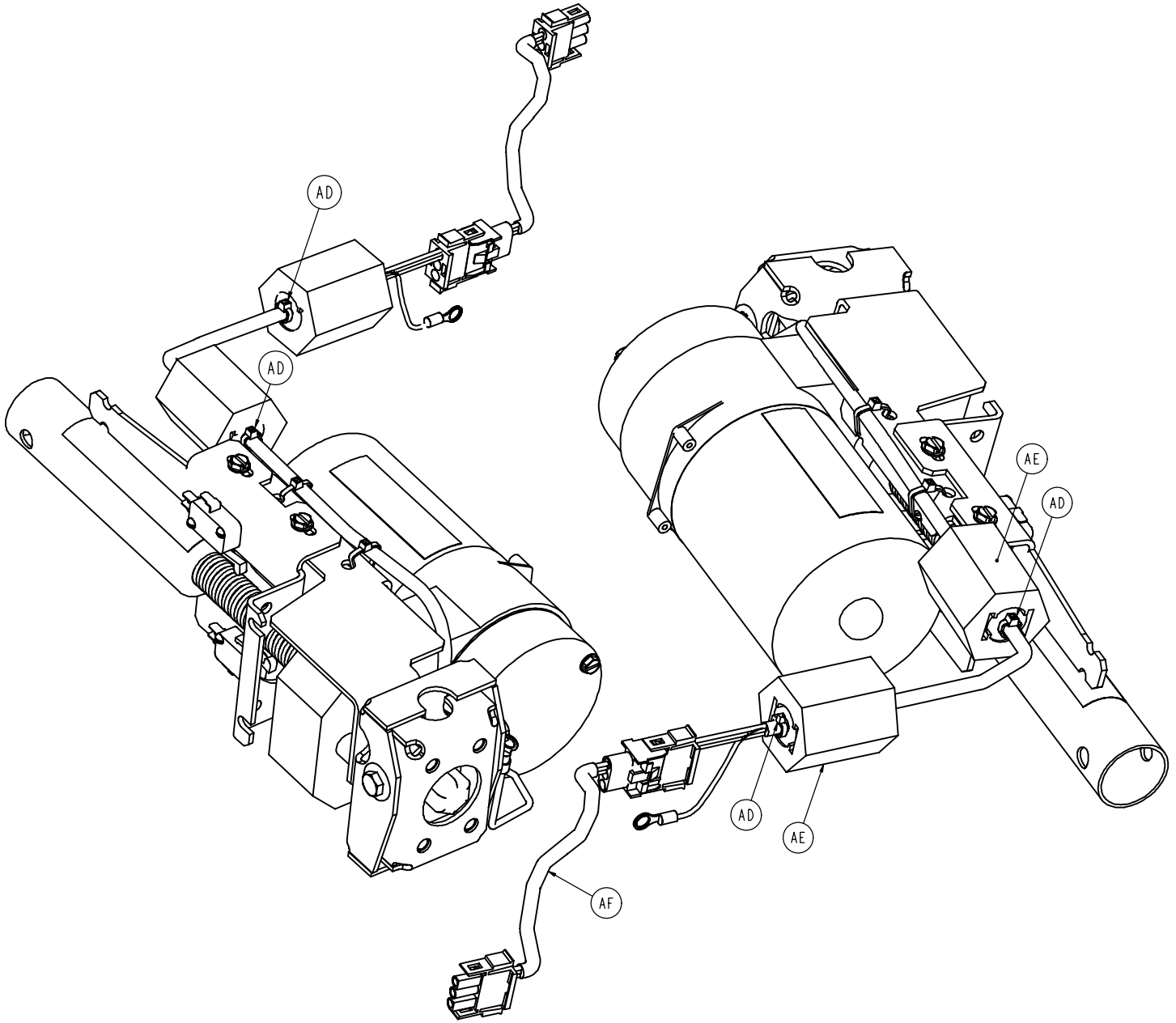
| Item | Part No. | Part Name | Qty. |
|-------------|-----------------|-------------------------------|-------------|
| A | 0002-051-000 | Round Hd. Machine Screw | 4 |
| B | 0003-214-000 | Hex Hd. Cap Screw | 6 |
| C | 0016-069-000 | Twin Speed Nut | 2 |
| D | 0026-085-000 | Slotted Spring Pin | 1 |
| F | 3000-300-041 | Micro Switch | 2 |
| G | 3000-300-099 | Modified Bushing | 2 |
| H | 4701-090-056 | Label | 1 |
| L | 4701-232-016 | Limit Switch Mounting Bracket | 1 |
| M | 4701-232-017 | Motor Mount Bracket | 1 |
| N | 4701-032-018 | Trend Motor Mounting Bracket | 1 |
| P | 4701-032-048 | Trend Motor | 1 |
| R | 4701-032-049 | Manual Override Collar | 1 |
| U | 0023-025-000 | Hex Washer Hd. Screw | 2 |
| W | 3000-300-002 | Plastic Clip Nut | 2 |
| Y | 4701-032-019 | Main Trend Switch Bracket | 1 |
| AA | 3002-300-870 | 8" Ground Cable | 1 |
| AB | 0013-010-000 | Ext. Tooth Lock Washer | 2 |
| AC | 0044-056-000 | 1" Wide Poly Tape | 8" |
| AD | 0059-086-000 | Cable Tie | 2 |
| AF | 0011-063-000 | Washer | 4 |

International Trend Motor Assembly

Assembly part number 4712-032-015
(reference only)



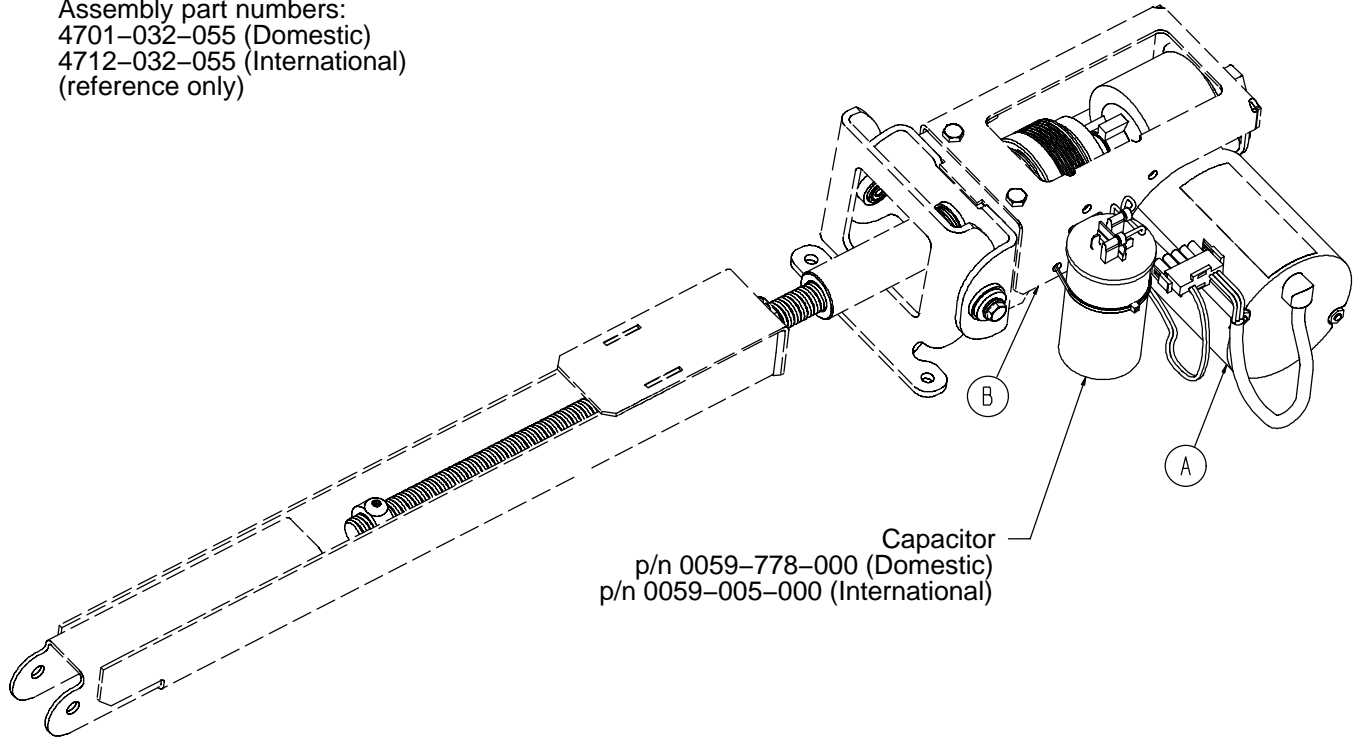
International Trend Motor Assembly



| Item | Part No. | Part Name | Qty. | Item | Part No. | Part Name | Qty. |
|------|--------------|---------------------------|------|------|--------------|---------------------------|------|
| A | 0002-051-000 | Round Hd. Machine Screw | 4 | R | 4701-032-049 | Manual Override Collar | 1 |
| B | 0003-214-000 | Hex Hd. Cap Screw | 6 | U | 0023-025-000 | Hex Washer Hd. Screw | 2 |
| C | 0016-069-000 | Twin Speed Nut | 2 | W | 3000-300-002 | Plastic Clip Nut | 2 |
| D | 0026-085-000 | Slotted Spring Pin | 1 | Y | 4701-032-019 | Main Trend Switch Bracket | 1 |
| F | 3000-300-041 | Micro Switch | 2 | AA | 3002-300-870 | 8" Ground Cable | 1 |
| G | 3000-300-099 | Modified Bushing | 2 | AB | 0013-010-000 | Ext. Tooth Lock Washer | 2 |
| H | 4701-090-056 | Label | 1 | AC | 0044-056-000 | 1" Wide Poly Tape | 8" |
| L | 4701-232-016 | Limit Switch Mtg. Bracket | 1 | AD | 0059-086-000 | Cable Tie | 6 |
| M | 4701-232-017 | Motor Mount Bracket | 1 | AE | 0059-192-000 | Split Ferrite Core | 2 |
| N | 4701-032-018 | Trend Motor Mtg. Bracket | 1 | AF | 4701-080-029 | EMI Reduction Cable | 1 |
| P | 4712-032-048 | Trend Motor | 1 | AH | 0011-063-000 | Washer | 4 |

Bed Lift Motor Assembly

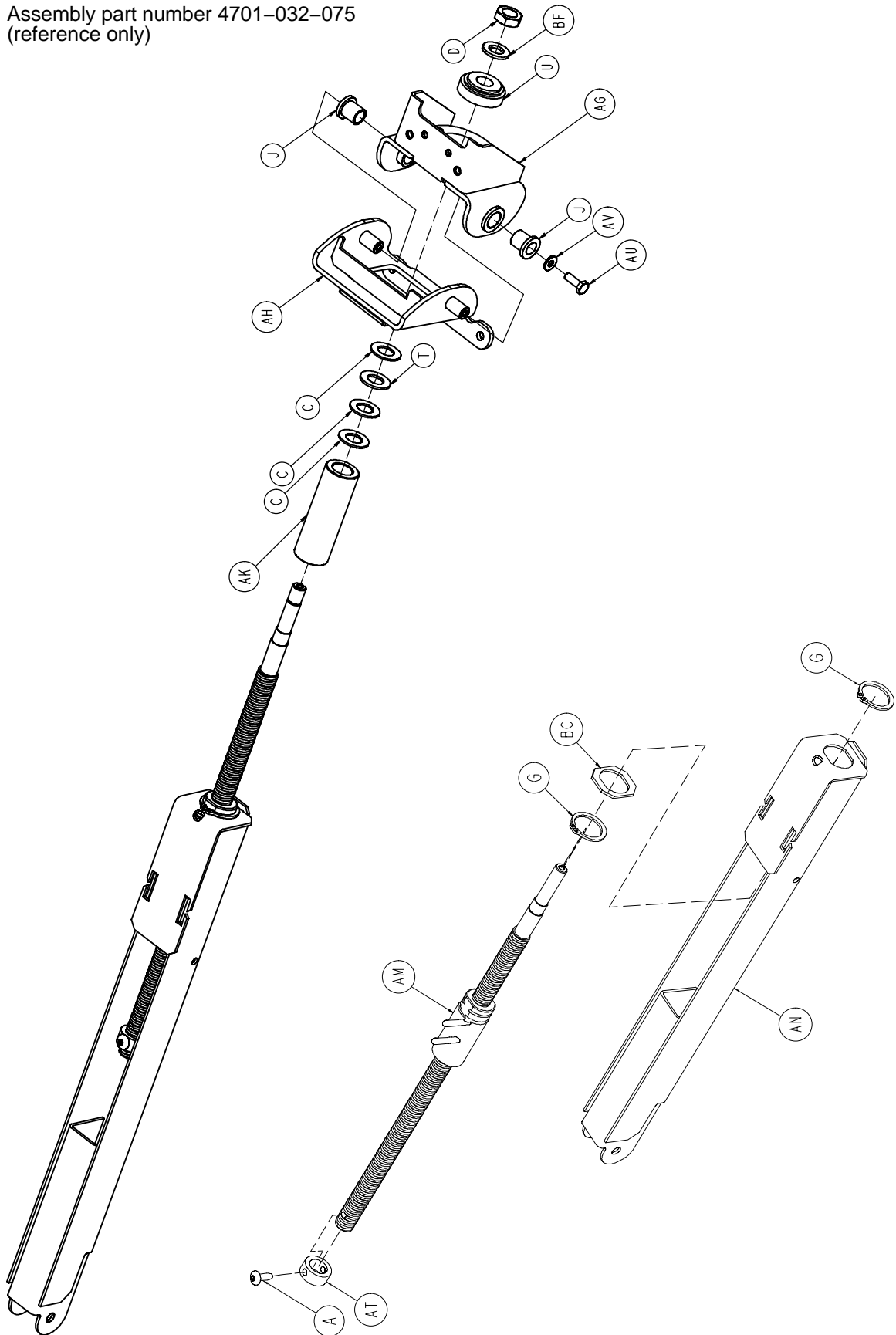
Assembly part numbers:
4701-032-055 (Domestic)
4712-032-055 (International)
(reference only)



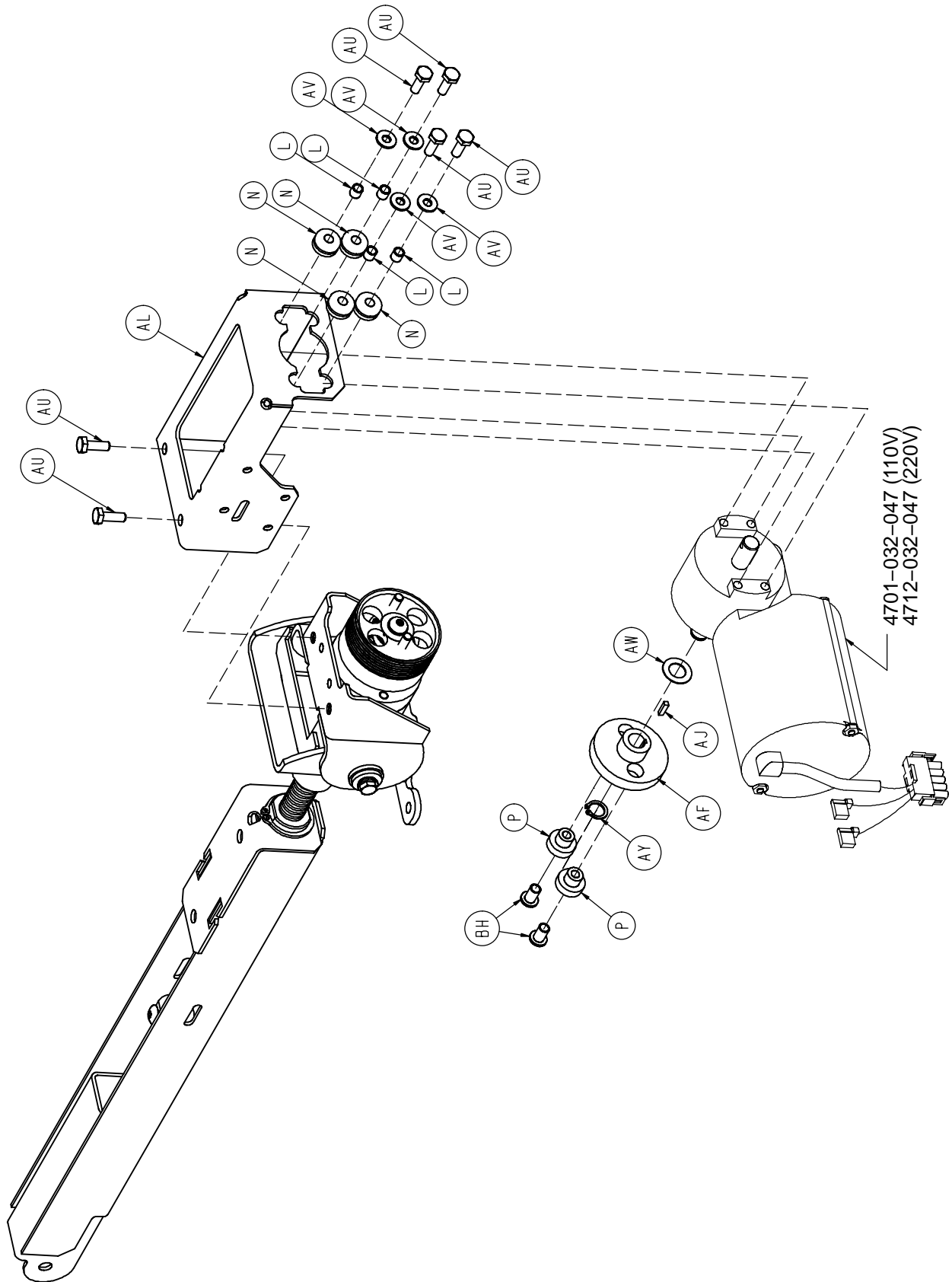
| Item | Part No. | Part Name | Qty. |
|------|-----------------------------|--------------------------------|------|
| A | 4701-032-047 | Bed Lift Motor | 1 |
| | 4712-032-047 | 220V Bed Lift Motor | 1 |
| B | (page 76) | Lift Motor Standard Components | 1 |

Bed Lift Standard Components

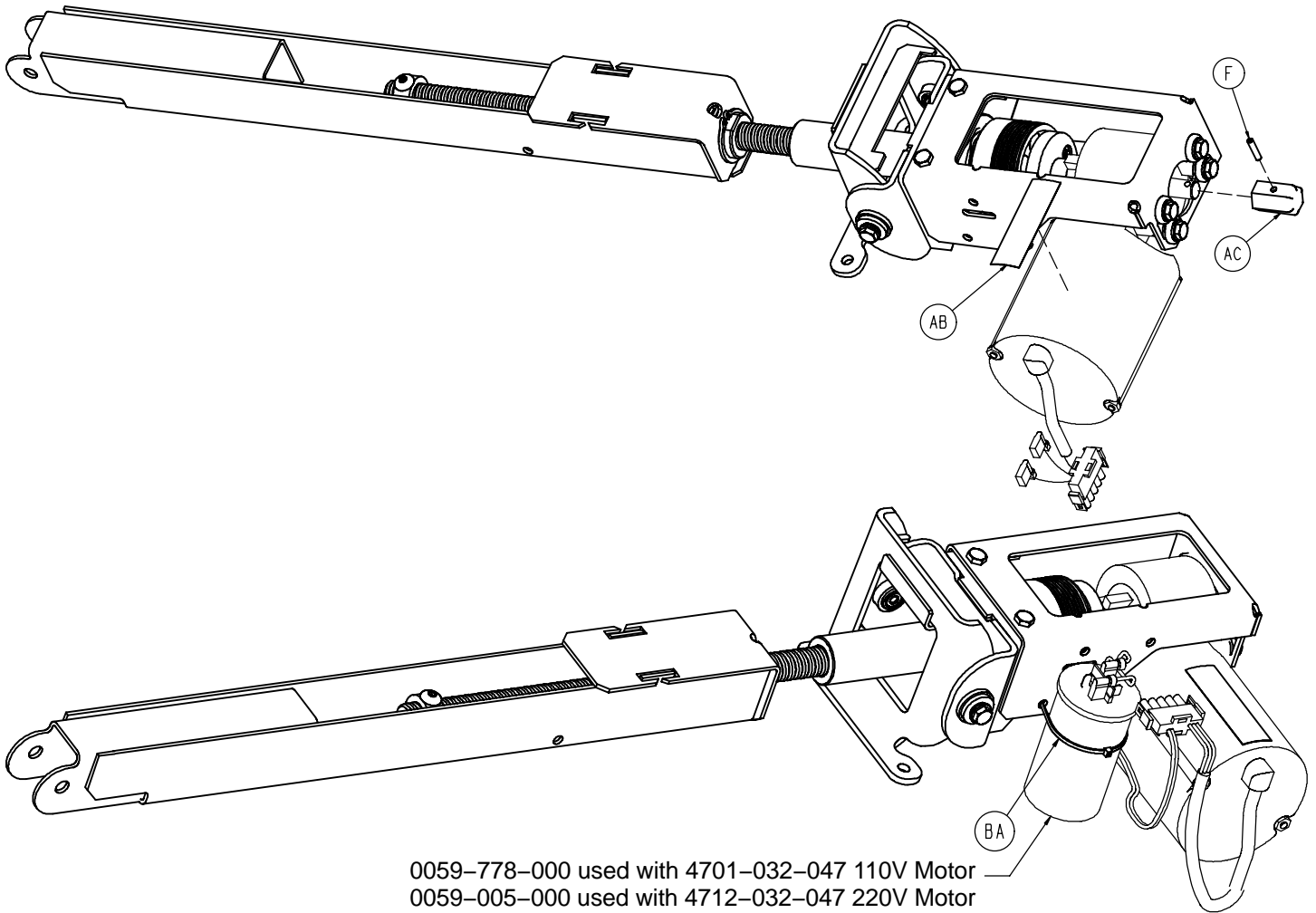
Assembly part number 4701-032-075
(reference only)



Bed Lift Standard Components



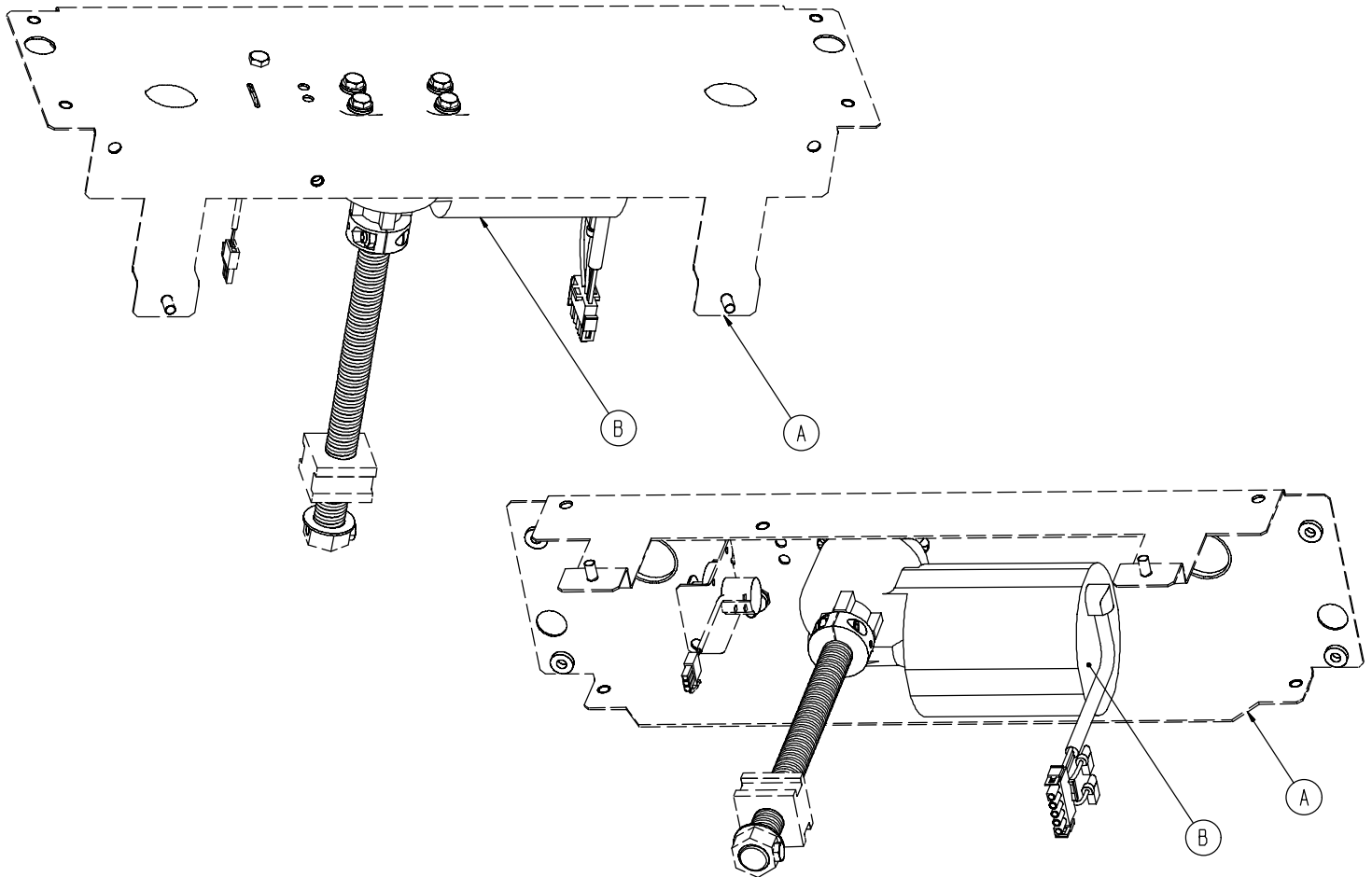
Bed Lift Standard Components



| Item | Part No. | Part Name | Qty. | Item | Part No. | Part Name | Qty. |
|------|--------------|---------------------------|------|------|--------------|--------------------------|------|
| A | 0007-065-000 | Truss Hd. Screw | 2 | AF | 4701-032-058 | Motor Coupling | 1 |
| C | 0014-083-000 | Thrust Washer | 3 | AG | 4701-032-060 | Motor Mount | 1 |
| D | 0015-075-000 | Hex Jam Nut | 1 | AH | 4701-032-067 | Motor Mount | 1 |
| F | 0026-085-000 | Slotted Spring Pin | 1 | AJ | 4701-032-071 | Motor Coupling Key | 1 |
| G | 0028-120-000 | Retaining Ring | 2 | AK | 4701-032-072 | Bed Lift Hard Stop | 1 |
| H | 0028-036-000 | Retaining Ring | 1 | AL | 4701-032-073 | Bed Lift Motor Bracket | 1 |
| J | 0081-008-000 | Flange Bearing | 2 | AM | 4701-032-078 | Lift Ball Screw | 1 |
| K | 0081-212-000 | Thrust Needle Roller Brg. | 1 | AN | 4701-032-080 | Lift Tube Screw | 1 |
| L | 0715-001-333 | Release Rod Stop Sleeve | 4 | AP | 3001-300-563 | Wave Spring | 1 |
| N | 0030-053-000 | Isolator Grommet | 4 | AT | 5000-030-255 | Thrust Collar | 1 |
| P | 3000-300-455 | CPR Isolation Bushing | 2 | AU | 0003-214-000 | Hex Hd. Cap Screw | 7 |
| R | 3000-300-465 | CPR Clutch Spring | 1 | AV | 0011-063-000 | Washer | 6 |
| T | 3000-300-466 | Thrust Bearing | 1 | AW | 0014-007-000 | Washer | 1 |
| U | 3000-300-471 | CPR Bearing | 1 | AY | 0028-131-000 | External Retaining Ring | 2 |
| V | 4701-032-090 | Lift Motor Coupler | 1 | BA | 0059-086-000 | Cable Tie | 1 |
| W | 3001-300-551 | Brake Stator | 4 | BC | 4701-032-086 | Ret. Reinforcement Plate | 1 |
| Y | 3001-300-552 | Brake Disc | 3 | BD | 0014-123-000 | Disc Spring | 2 |
| AA | 4701-032-076 | Brake Cup | 1 | BE | 0011-600-001 | Thrust Washer | 4 |
| AB | 4701-090-056 | Grounding Label | 1 | BF | 4701-032-088 | Lift Spacer | 1 |
| AC | 4701-032-049 | Manual Override Collar | 1 | BG | 4701-032-096 | Brake Disc Isolator | 4 |
| AD | 4701-232-091 | Spring Retainer | 1 | BH | 0052-229-000 | Nylon Isolator | 2 |
| AE | 4701-032-093 | Brake Support | 1 | | | | |

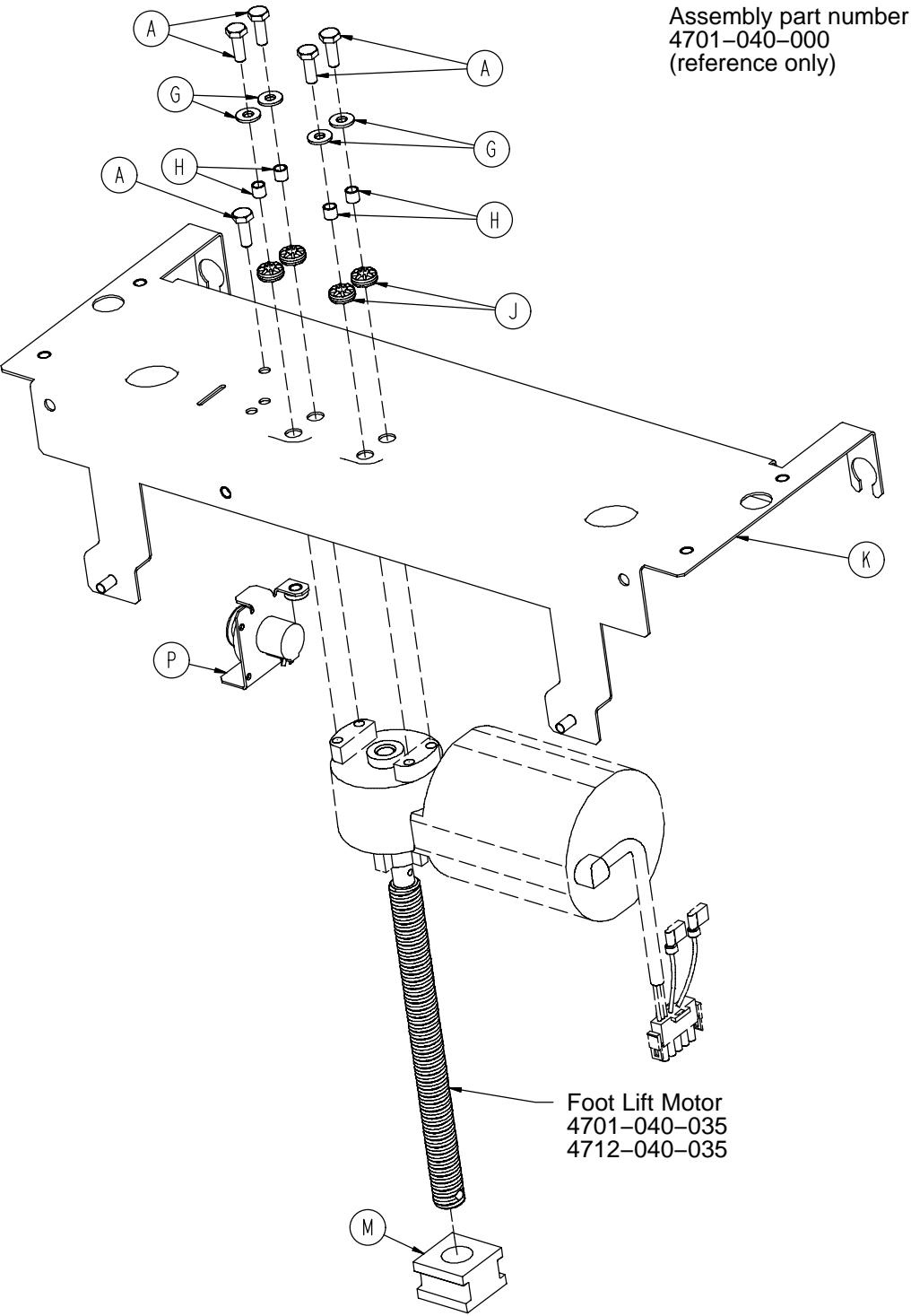
Foot Lift Assembly

Assembly part numbers 4701-040-200 (Domestic) & 4712-040-200 (International)

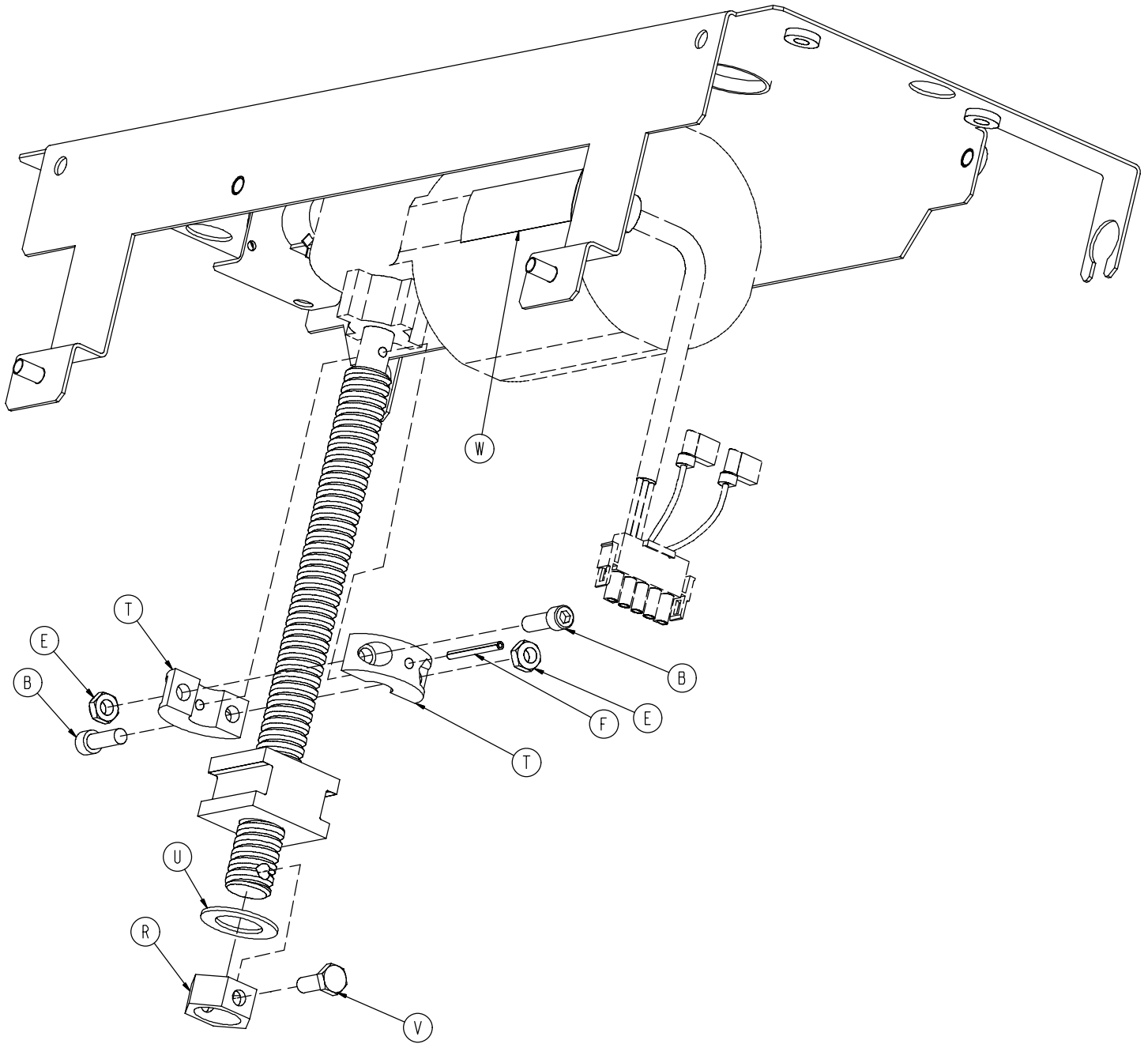


| Item | Part No. | Part Name | Qty. |
|------|--------------|-------------------------------|------|
| A | (page 79) | Foot Lift Standard Components | 1 |
| B | 4701-040-035 | Foot Lift Motor | 1 |

Foot Lift Assembly Standard Components



Foot Lift Assembly Standard Components

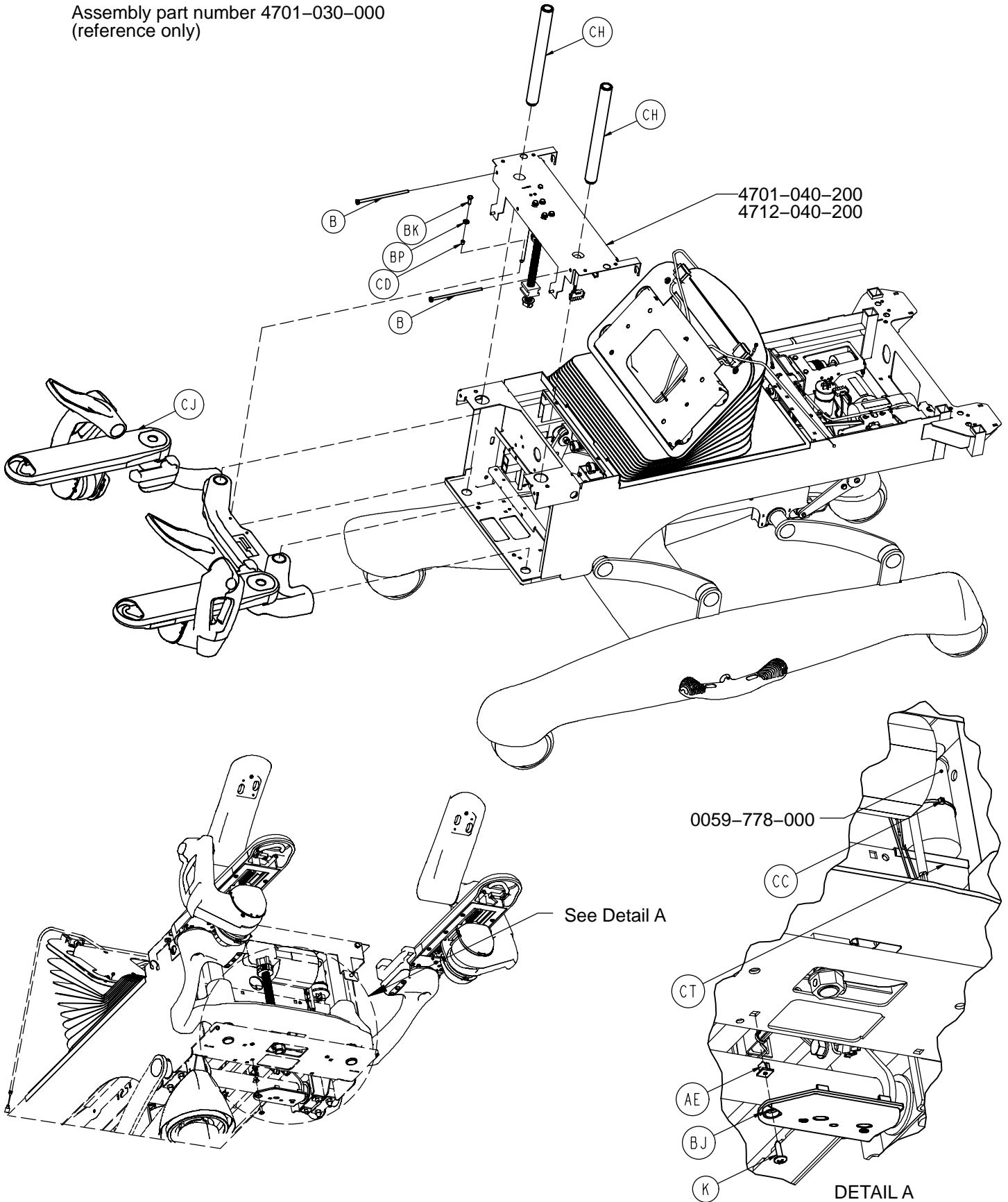


Foot Lift Assembly Standard Components

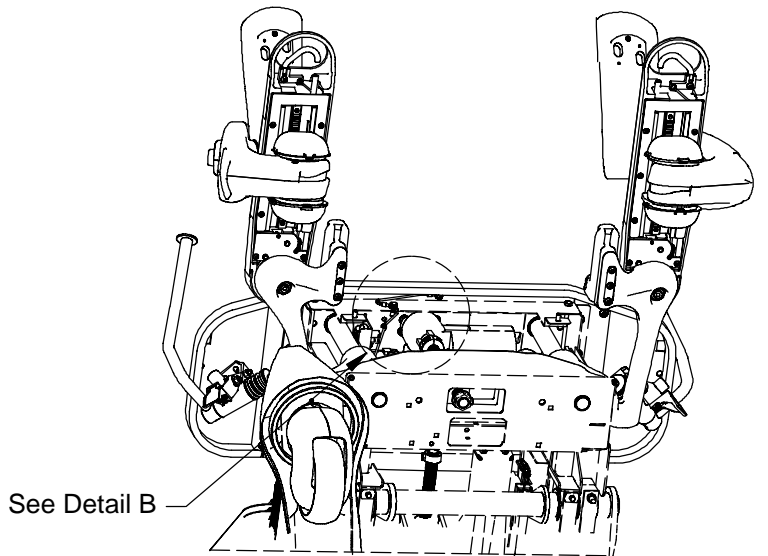
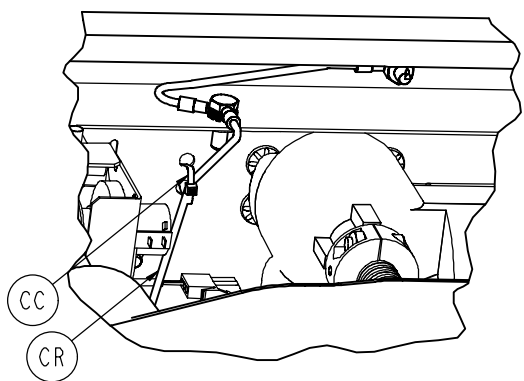
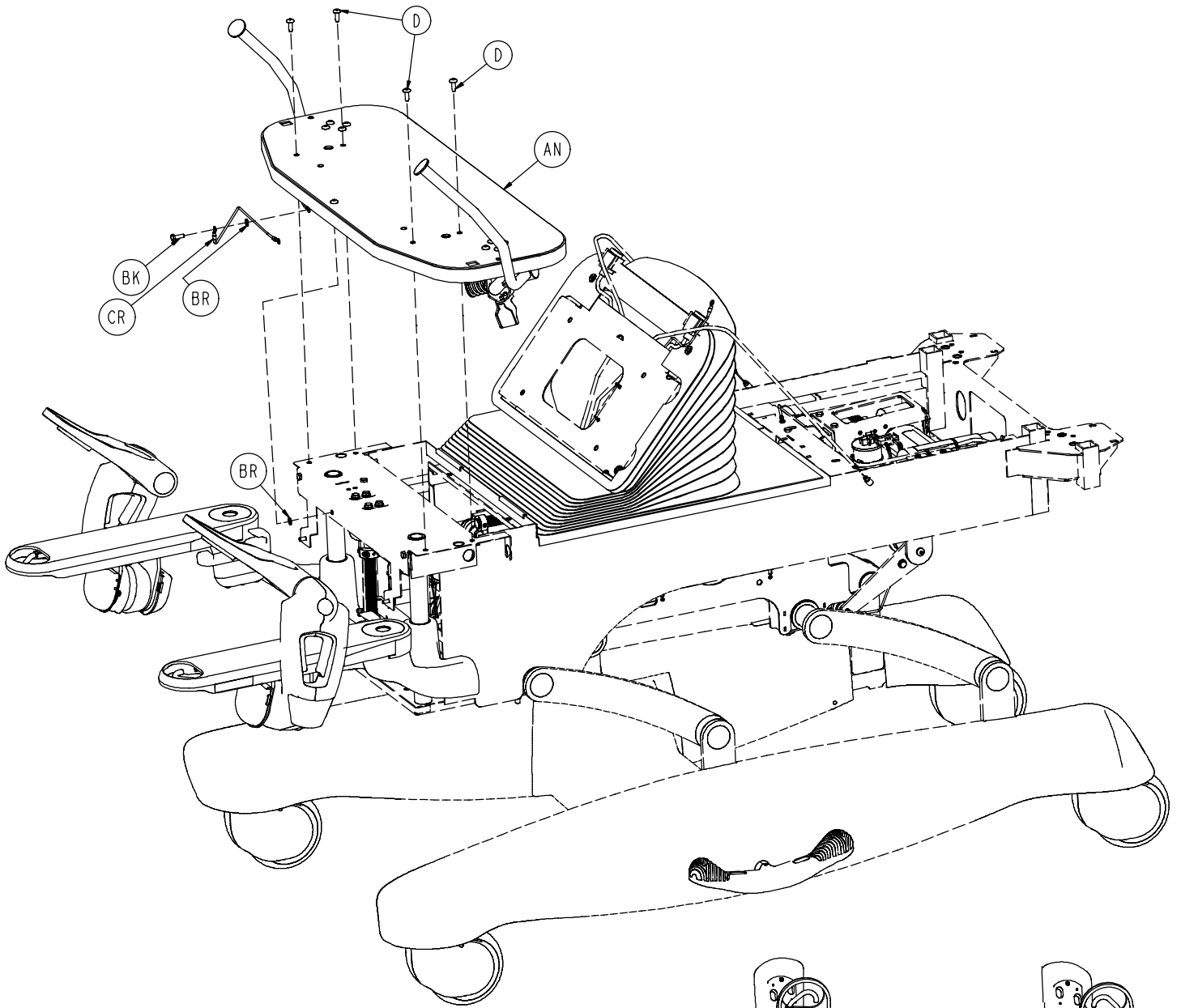
| Item | Part No. | Part Name | Qty. |
|-------------|-----------------|-------------------------|-------------|
| A | 0003-214-000 | Hex Hd. Cap Screw | 5 |
| B | 0004-090-000 | Socket Hd. Cap Screw | 2 |
| E | 0016-102-000 | Nylock Hex Nut | 2 |
| F | 0026-052-000 | Slotted Spring Pin | 1 |
| G | 0011-063-000 | Washer | 4 |
| H | 0715-001-333 | Release Rod Stop Sleeve | 4 |
| J | 3000-200-228 | Grommet | 4 |
| K | 4701-040-001 | Foot Lift Main Support | 1 |
| M | 4701-040-124 | Acme Nut | 1 |
| P | 4701-080-025 | Transducer Assembly | 1 |
| R | 4701-040-157 | Thrust Hex Collar | 1 |
| T | 5000-030-286 | Split Top Collar | 2 |
| U | 0011-148-000 | Flat Washer | 1 |
| V | 0004-334-000 | But. Hd. Cap Screw | 1 |
| W | 4701-090-056 | Grounding Danger Label | 1 |

Litter Assembly

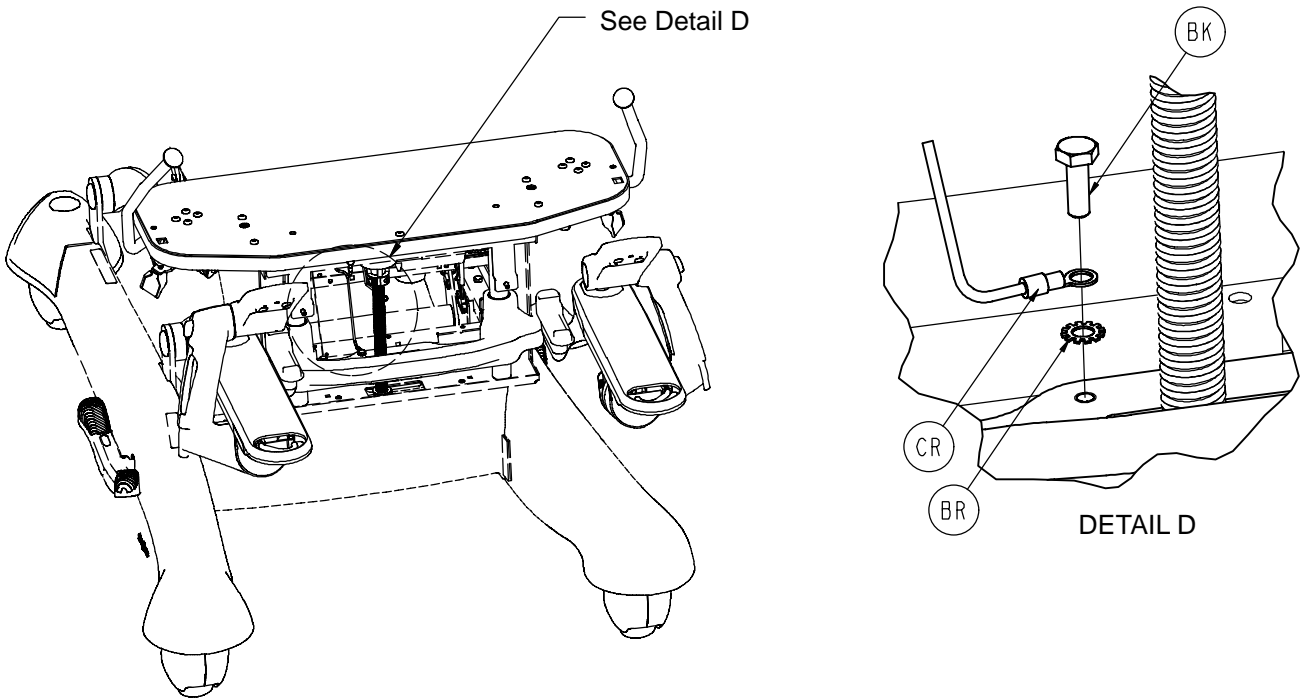
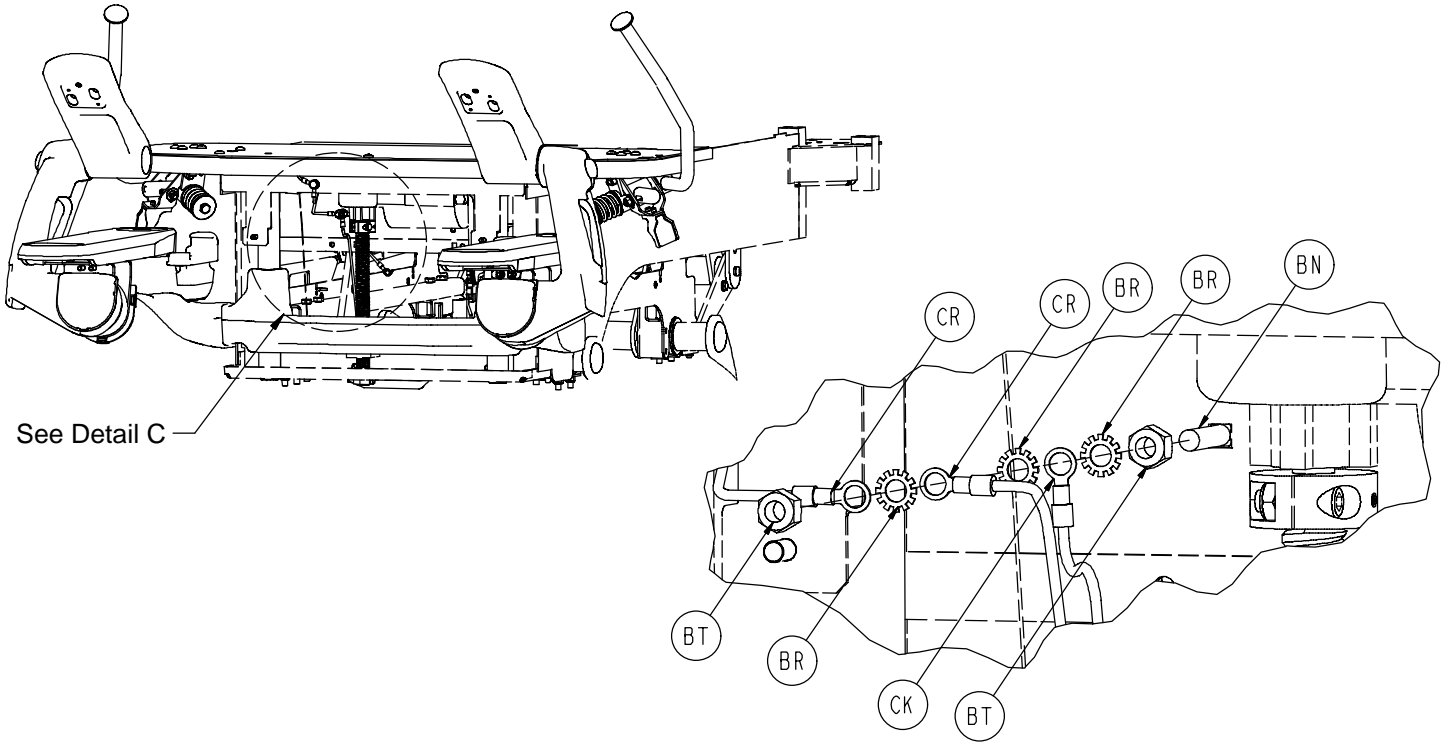
Assembly part number 4701-030-000
(reference only)



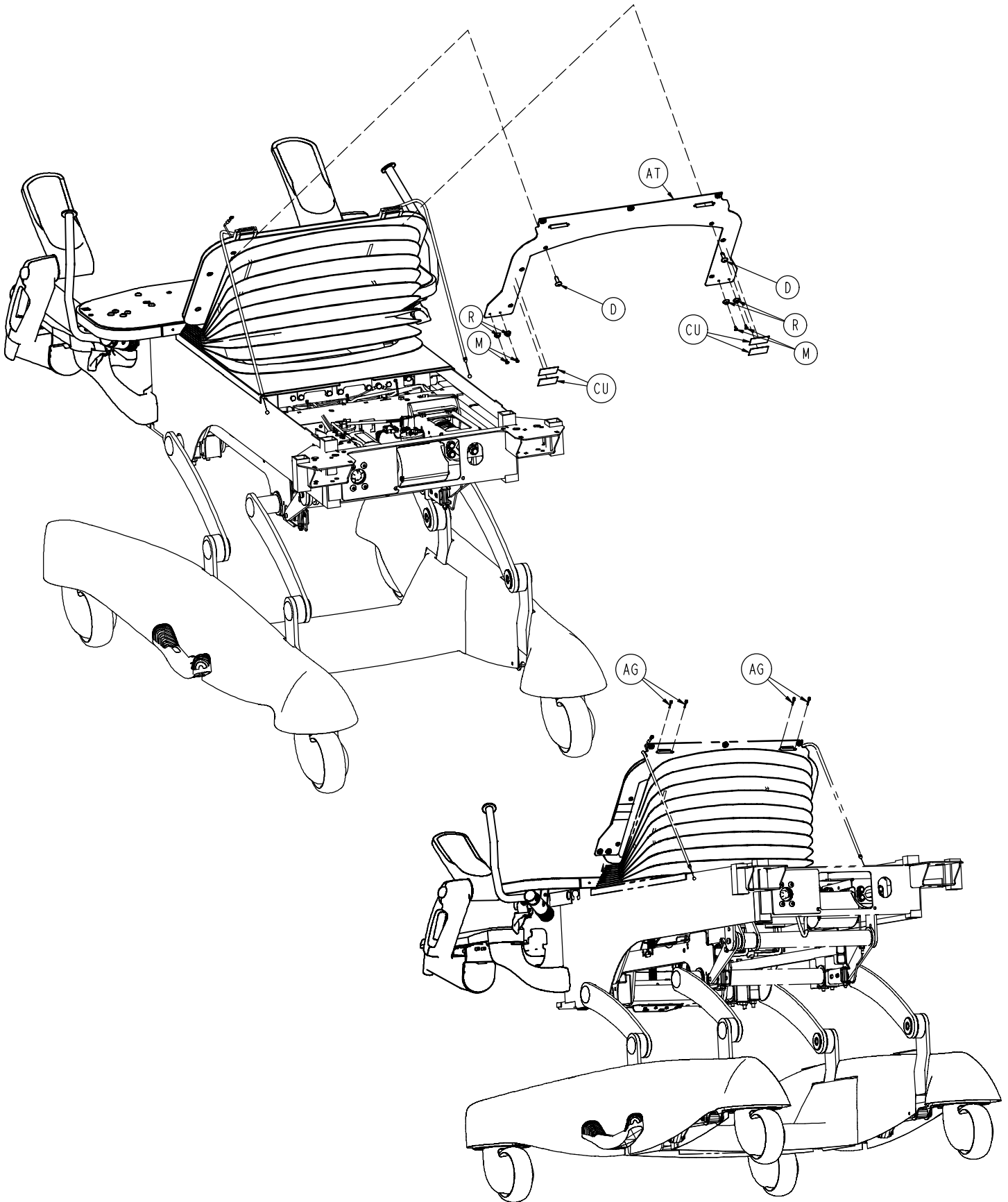
Litter Assembly



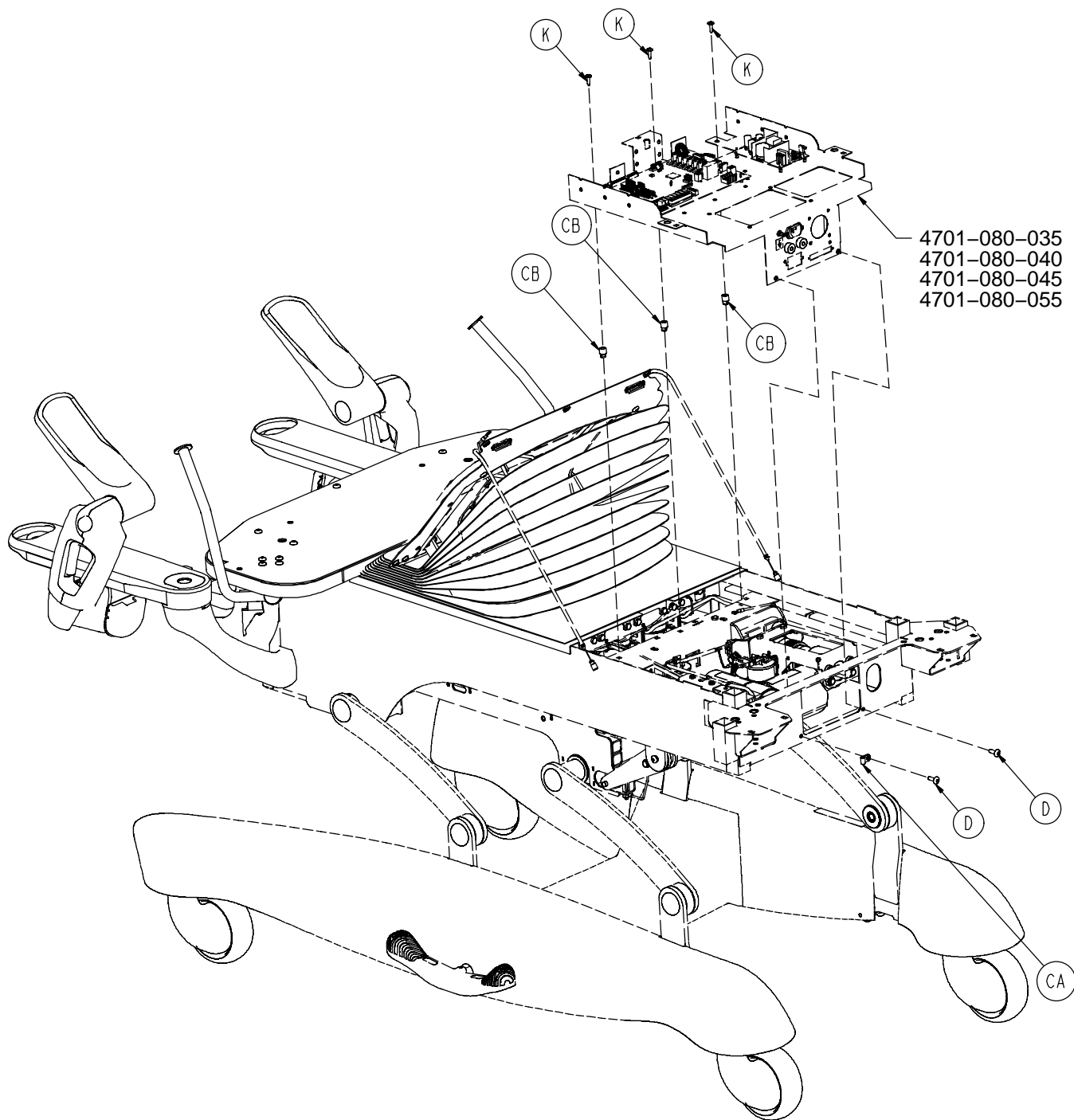
Litter Assembly



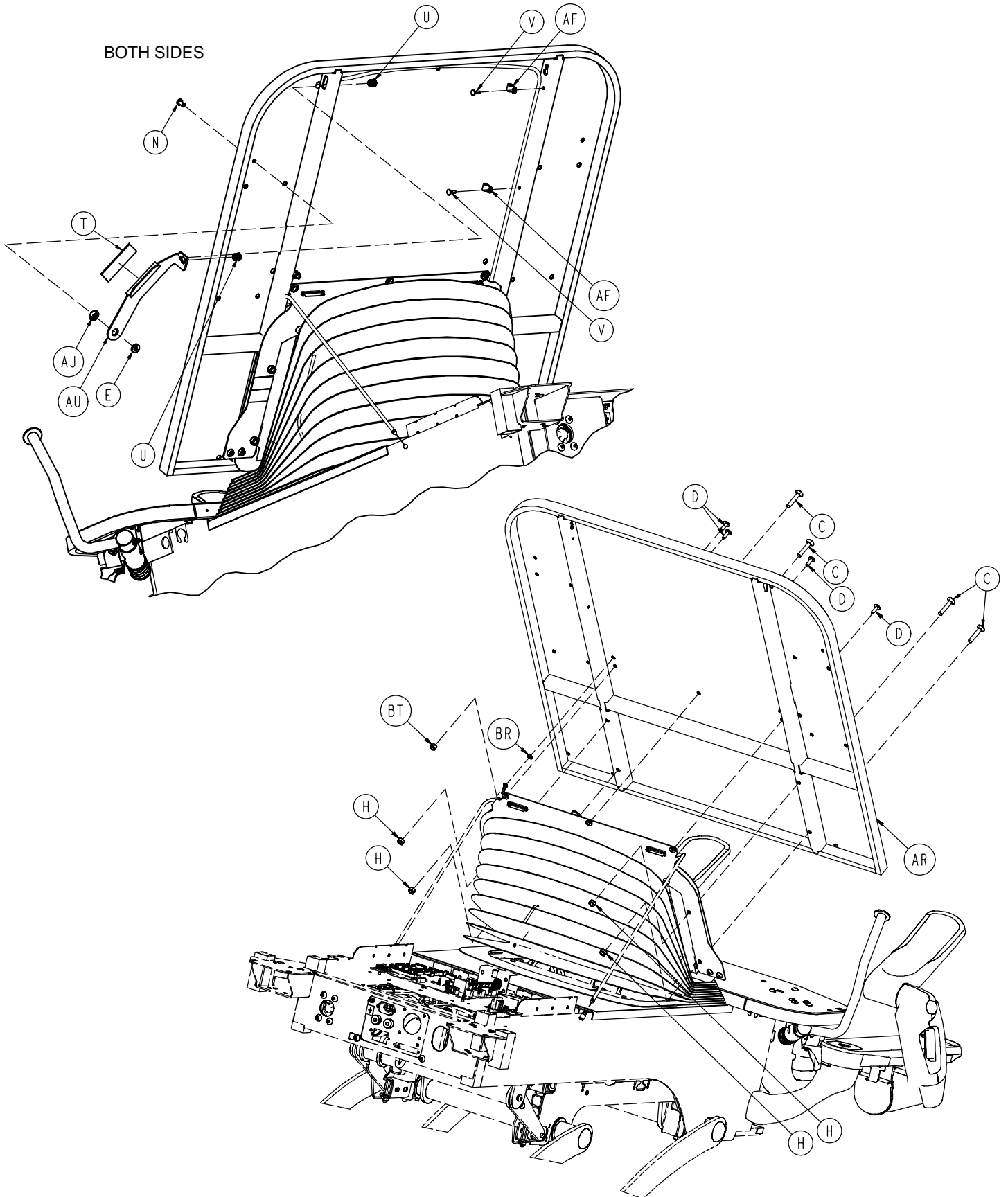
Litter Assembly



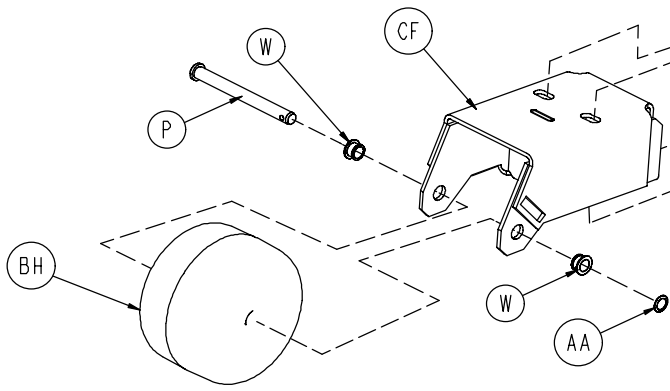
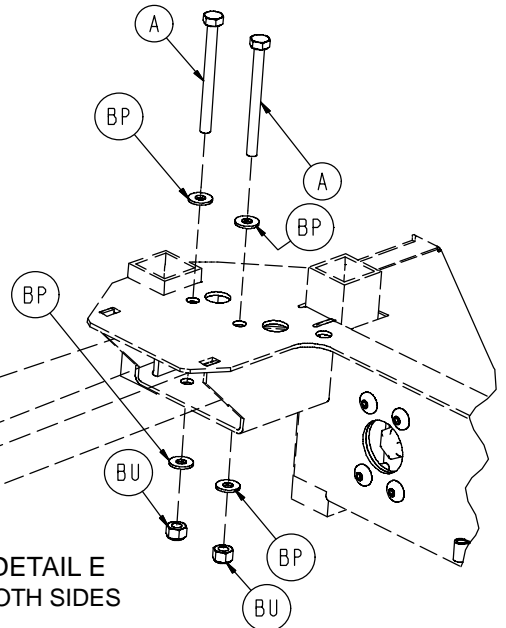
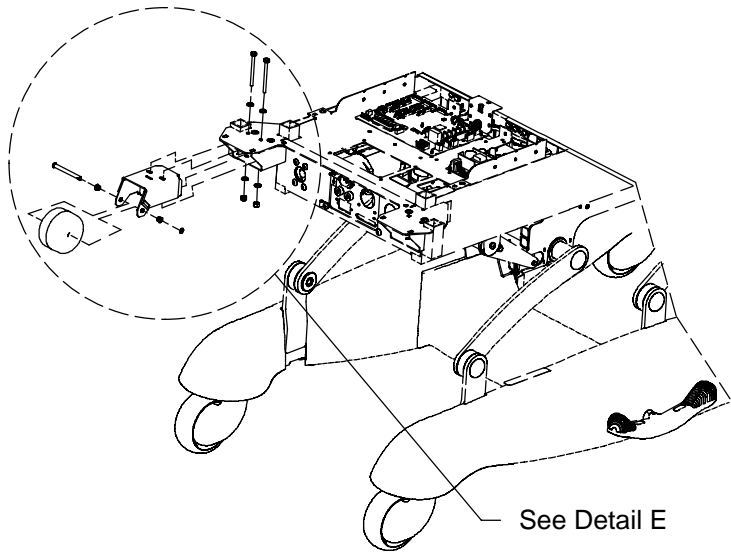
Litter Assembly



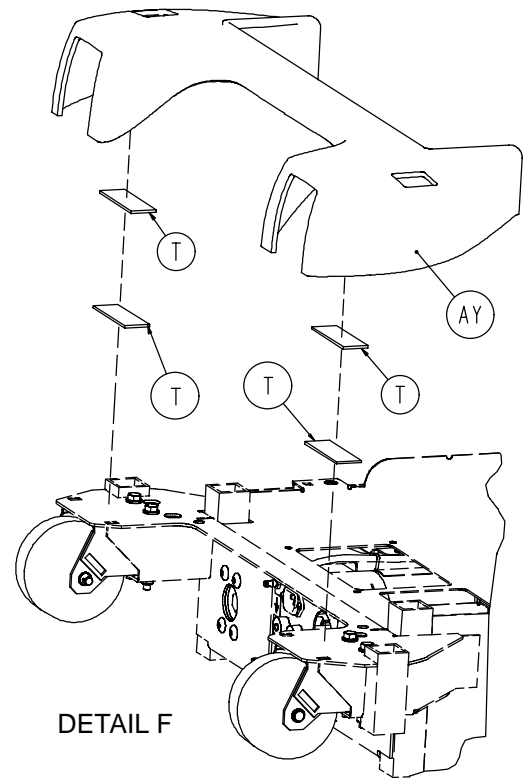
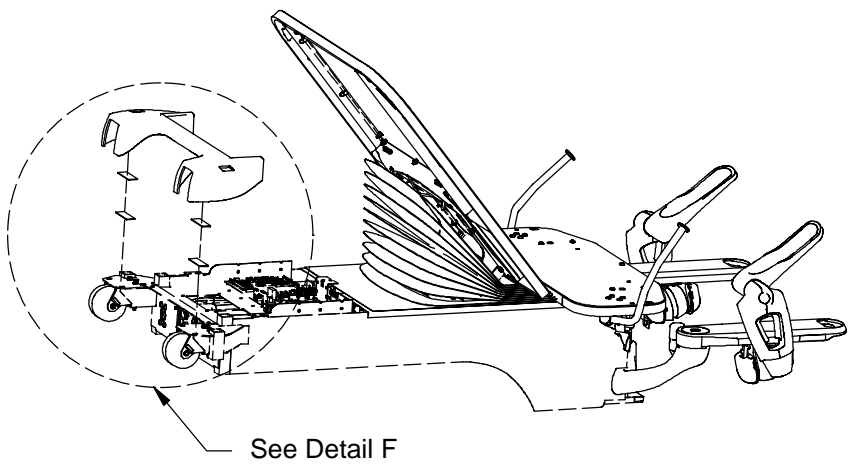
Litter Assembly



Litter Assembly

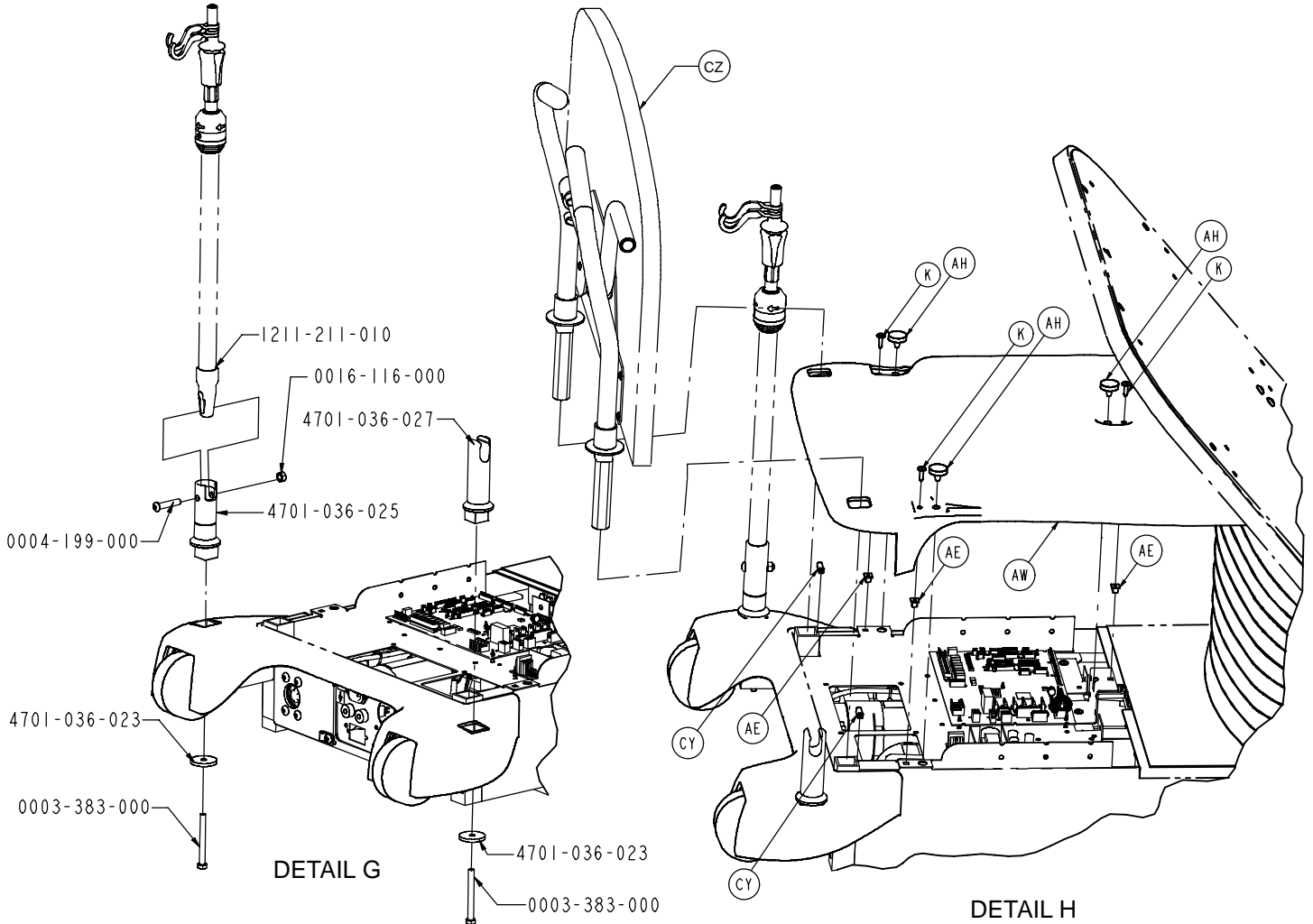
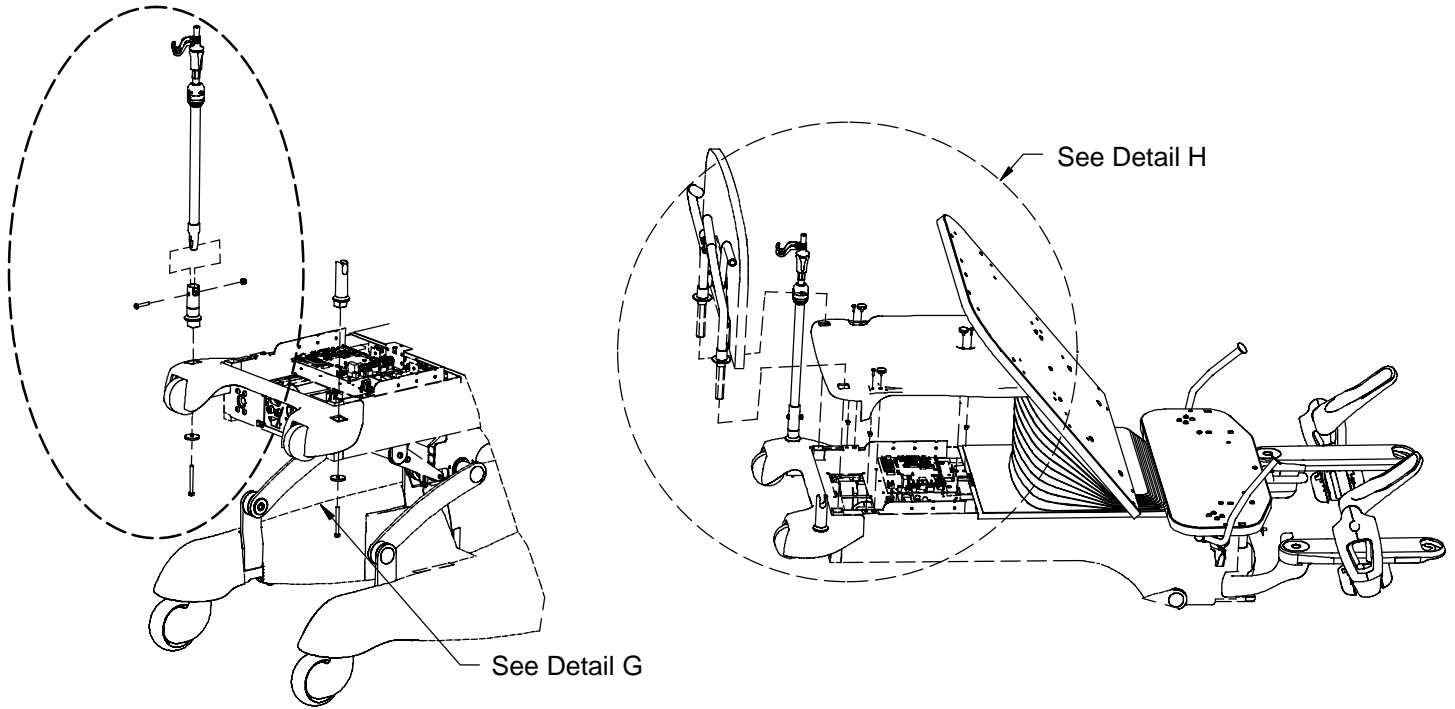


DETAIL E
BOTH SIDES

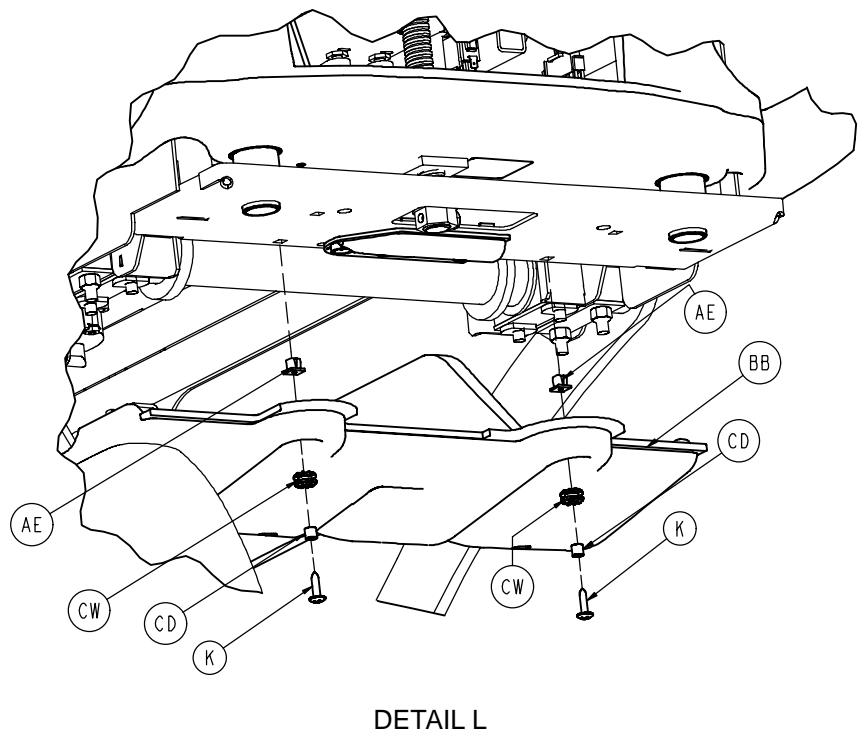
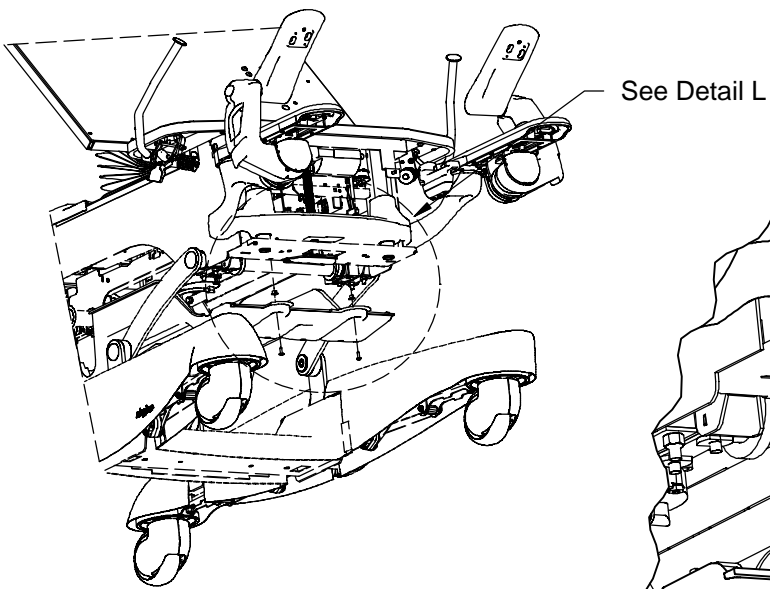
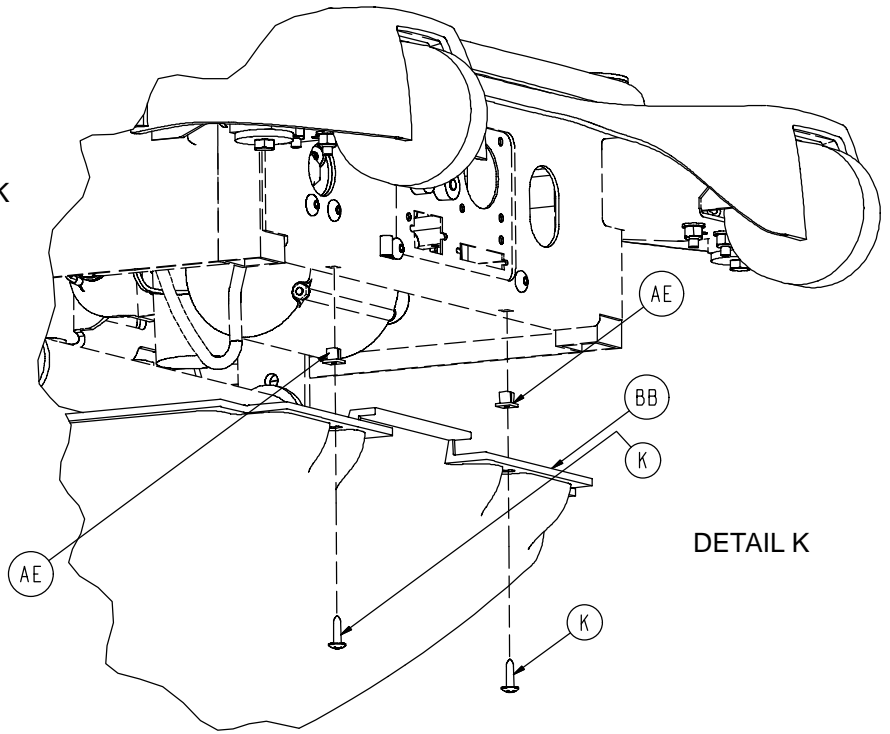
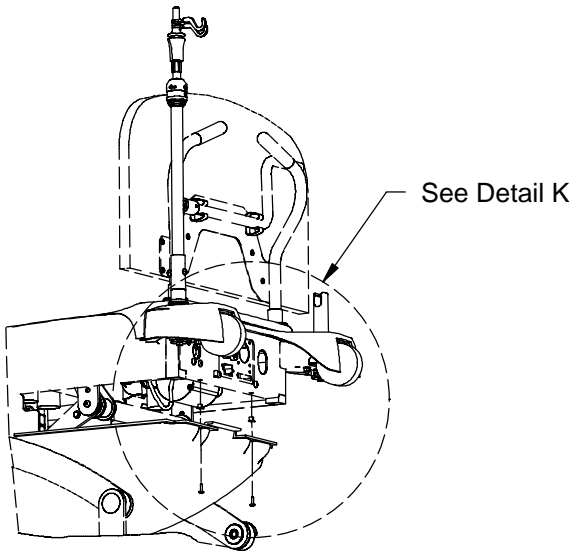


DETAIL F

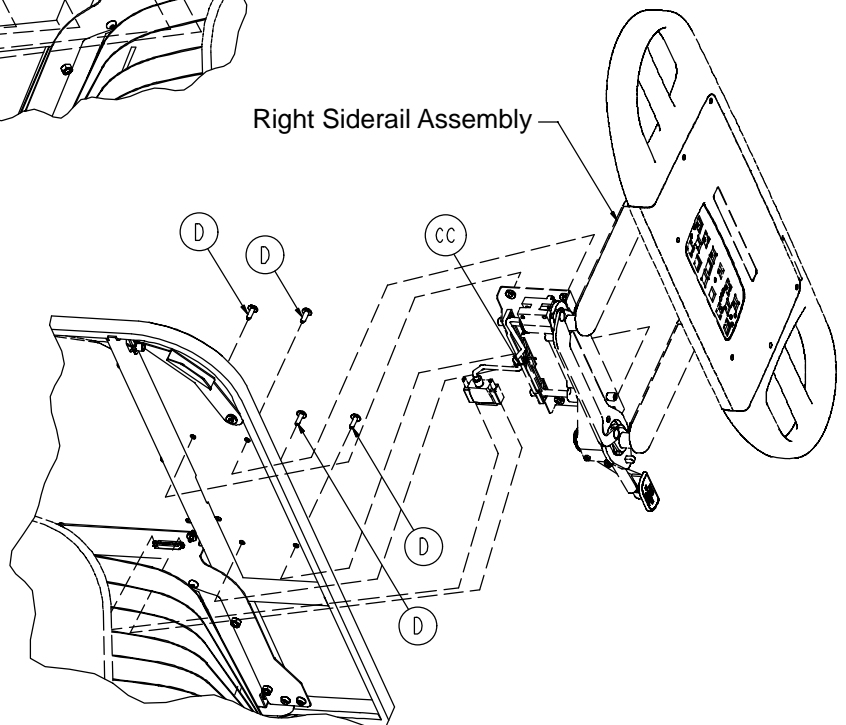
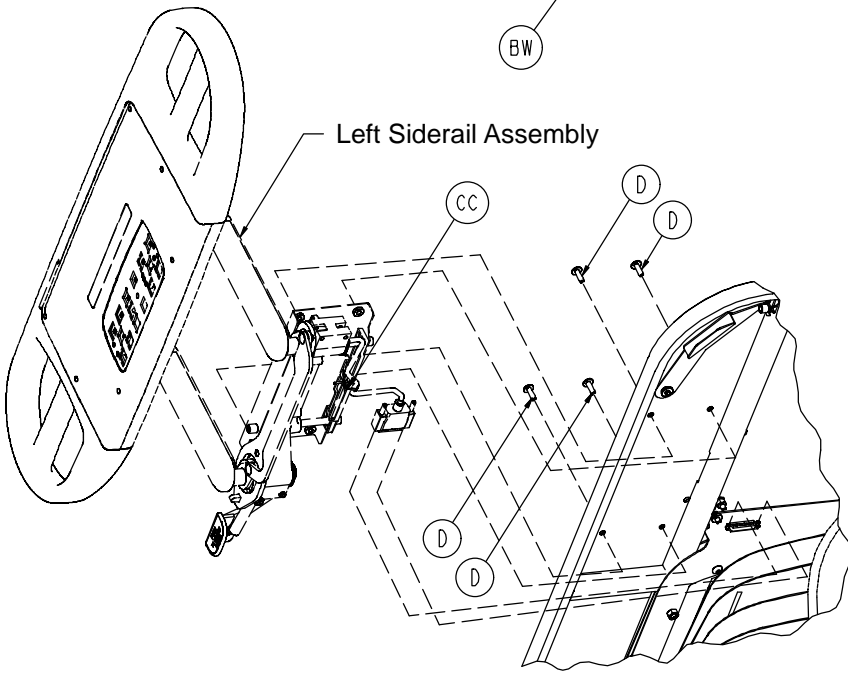
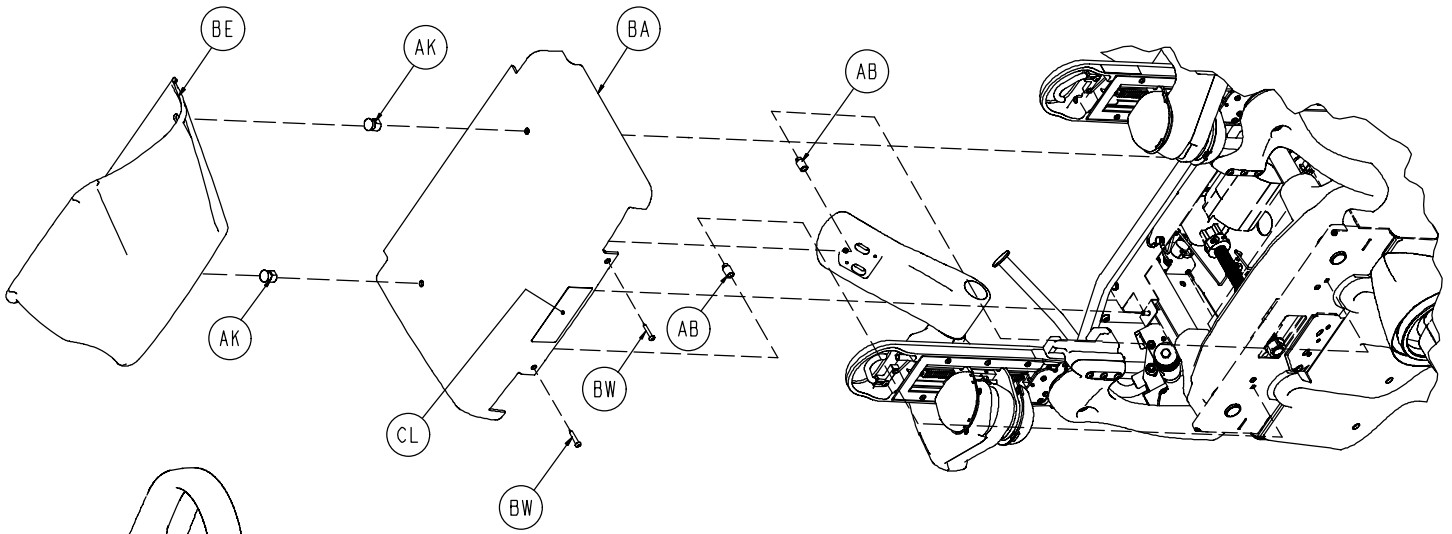
Litter Assembly



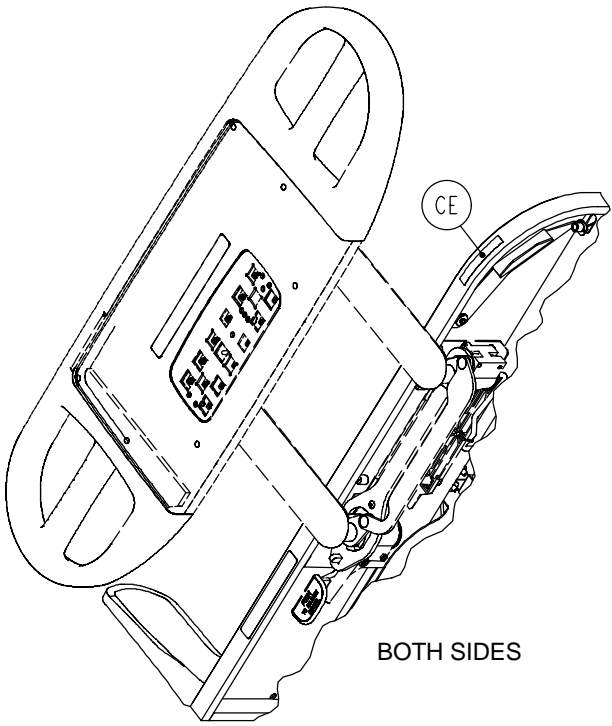
Litter Assembly



Litter Assembly

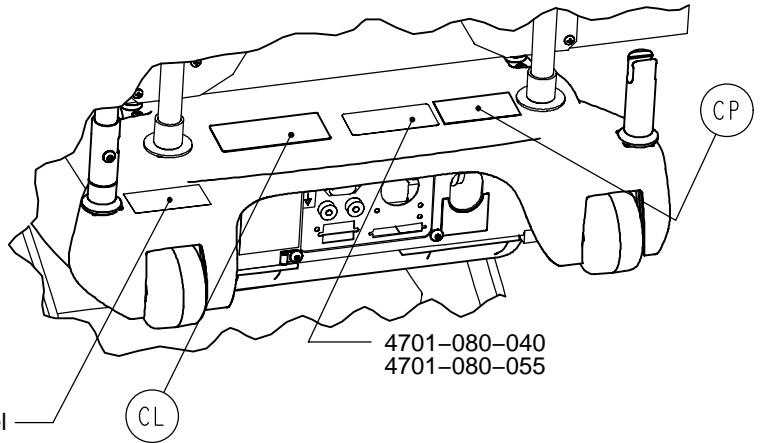
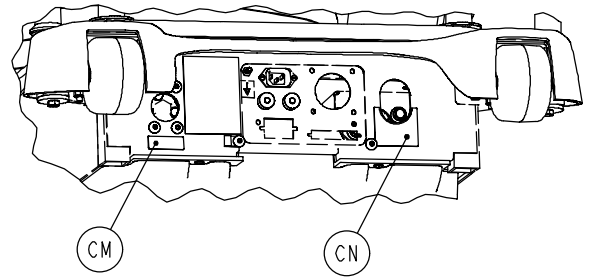


Litter Assembly

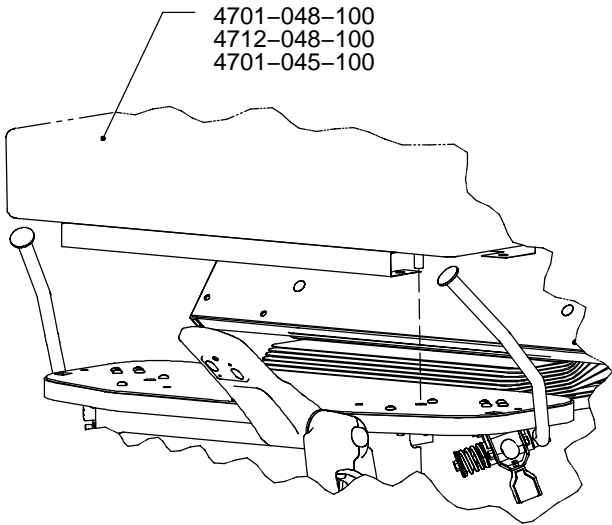


BOTH SIDES

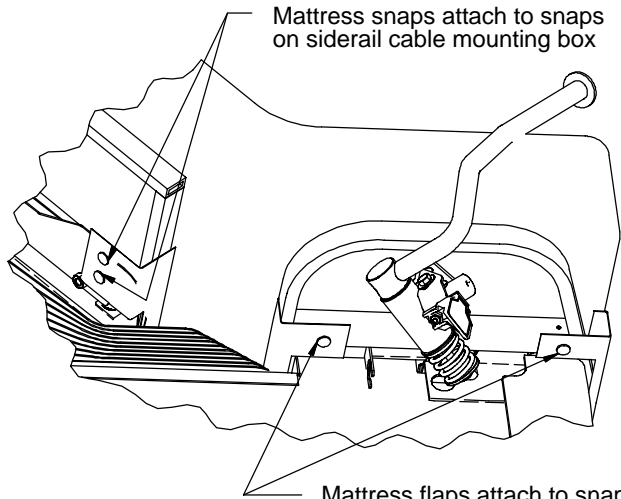
Explosion Danger Label



4701-080-040
4701-080-055

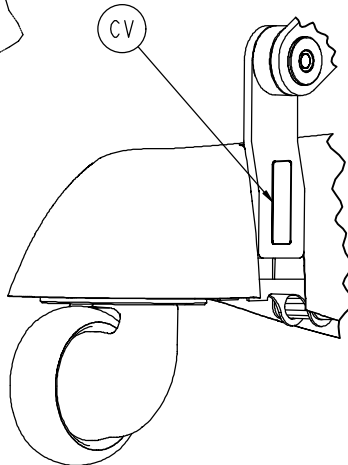


4701-048-100
4712-048-100
4701-045-100



Mattress snaps attach to snaps on siderail cable mounting box

Mattress flaps attach to snaps on seat assembly



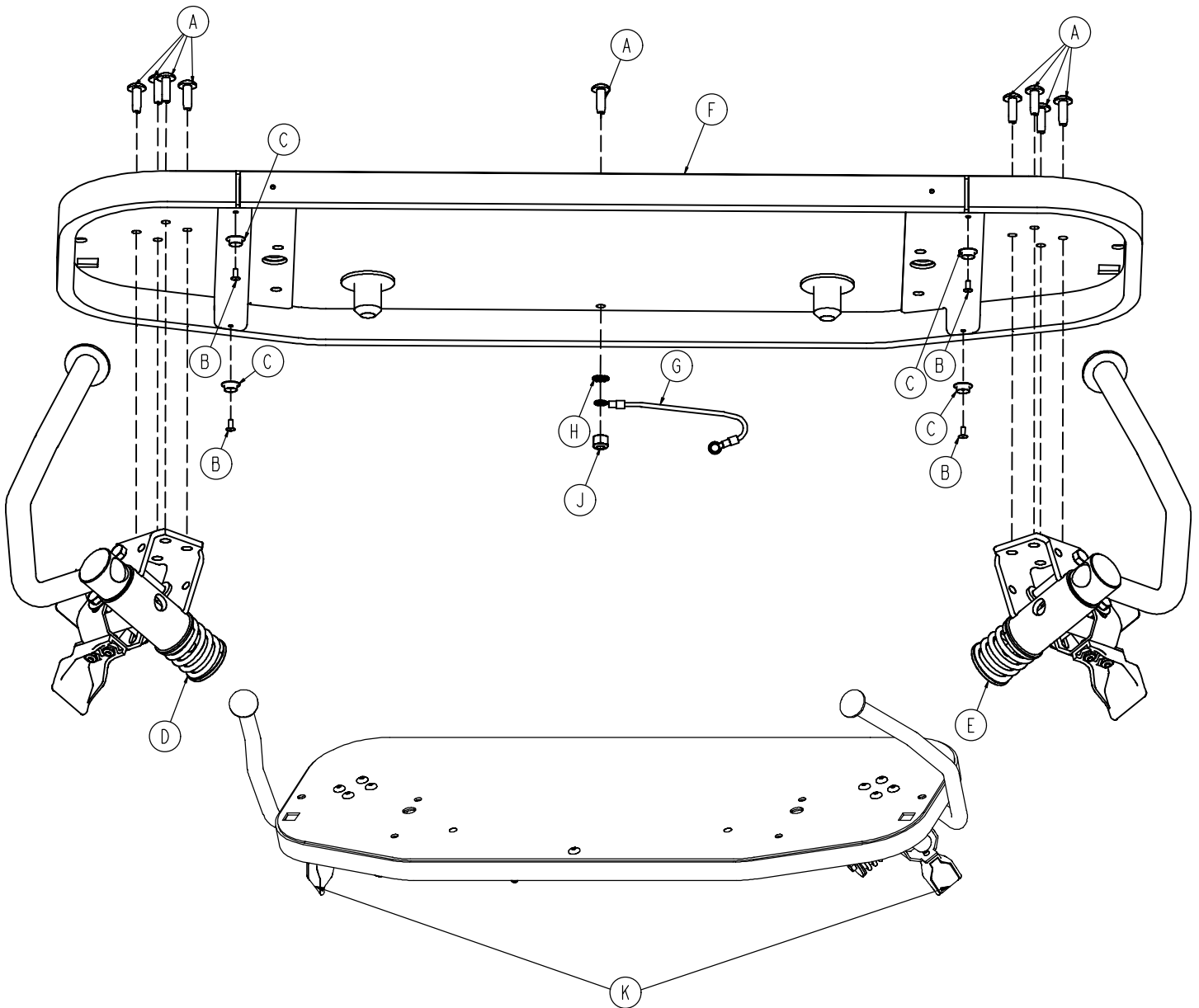
CV

Litter Assembly

| Item | Part No. | Part Name | Qty. | Item | Part No. | Part Name | Qty. |
|------|--------------|--------------------------|------|------|--------------|---------------------------|------|
| A | 0003-056-000 | Hex Hd. Cap Screw | 4 | BB | 4701-030-175 | Underbody Cover | 1 |
| B | 0003-373-000 | Hex Hd. Cap Screw | 2 | BE | (page 98) | Fluid Basin | 1 |
| C | 0005-040-000 | Carriage Bolt | 4 | BH | 3000-335-011 | Roller Bumper | 2 |
| D | 0007-065-000 | Truss Hd. Screw | 20 | BJ | (page 99) | Night Light Option | 1 |
| E | 0011-376-000 | Washer | 2 | BK | 0003-214-000 | Hex Hd. Cap Screw | 3 |
| H | 0016-116-000 | Stover Hex Lock Nut | 4 | BN | 0005-030-000 | Carriage Bolt | 1 |
| K | 0023-080-000 | Truss Hd. Screw | 11 | BP | 0011-063-000 | Washer | 9 |
| M | 0025-038-000 | Rivet | 4 | BR | 0013-010-000 | Ext. Tooth Lock Washer | 7 |
| N | 0025-120-000 | Rivet | 2 | BT | 0016-006-000 | Kep Hex Nut | 3 |
| P | 0026-278-000 | Clevis Pin | 2 | BU | 0016-028-000 | Hex Nut | 4 |
| R | 0029-003-000 | Brass Eyelet | 4 | BW | 0023-309-000 | Truss Hd. Phillips Screw | 2 |
| T | 0029-009-000 | Dual Lock | 6 | CA | 0034-020-000 | Cord Clamp | 1 |
| U | 0030-052-000 | Snap Bushing | 4 | CB | 0052-907-000 | Plastic Standoff | 3 |
| V | 0049-005-000 | Drive Fastener | 4 | CC | 0059-086-000 | Cable Tie | 4 |
| W | 0052-245-000 | Nyliner | 4 | CD | 0715-001-333 | Sleeve | 3 |
| AA | 0052-727-000 | Retaining Ring | 2 | CE | 4700-090-002 | CPR Release Label | 2 |
| AB | 0052-800-000 | Grommet | 2 | CF | 4701-030-210 | Roller Bumper Weldment | 2 |
| AE | 3000-300-002 | Plastic Clip Nut | 8 | CH | 4701-040-041 | Foot Lift Tube | 2 |
| AF | 3000-300-478 | CPR Conduit Clamp | 4 | CJ | (page 101) | Foot Positioning Assembly | 1 |
| AG | 3001-300-007 | Jack Screw | 4 | CK | 4701-080-018 | 10" Ground Cable | 1 |
| AH | 3001-300-008 | Thigh Bumper | 3 | CL | 4701-090-059 | Service Caution Label | 2 |
| AJ | 3001-300-099 | Modified Bushing | 2 | CM | 4701-090-046 | Trend Man. Override Label | 1 |
| AK | 4701-030-105 | Fluid Basin Mtg. Post | 2 | CN | 4701-090-047 | Lift Man. Override Label | 1 |
| AN | (page 94) | Seat Assembly | 1 | CP | 4701-090-061 | Hospital Grade Plug Label | 1 |
| AP | (page 97) | Bellows Cover Assembly | 1 | CR | 3002-300-870 | Litter Ground Jumper | 2 |
| AR | 4701-030-150 | Fowler Weldment | 1 | CT | 0058-056-000 | Edge Strip | 6" |
| AT | 4701-030-158 | Siderail Cable Mtg. Box | 1 | CU | 0044-032-000 | Pressure Sensitive Tape | 4 |
| AU | 4701-230-164 | Left CPR Release Handle | 1 | CV | 5010-090-028 | Patent Label | 1 |
| AV | 4701-230-165 | Right CPR Rel. Handle | 1 | CW | 3000-300-442 | Grommet | 2 |
| AW | 4701-030-172 | Litter Top Cover | 1 | CY | 4701-030-117 | 3/4" Edge Strip | 2 |
| AY | 4701-030-173 | Litter Hd. End Top Cover | 1 | CZ | 4701-030-125 | Headboard Assembly | 1 |
| BA | 4701-030-174 | Foot End Cover | 1 | | | | |

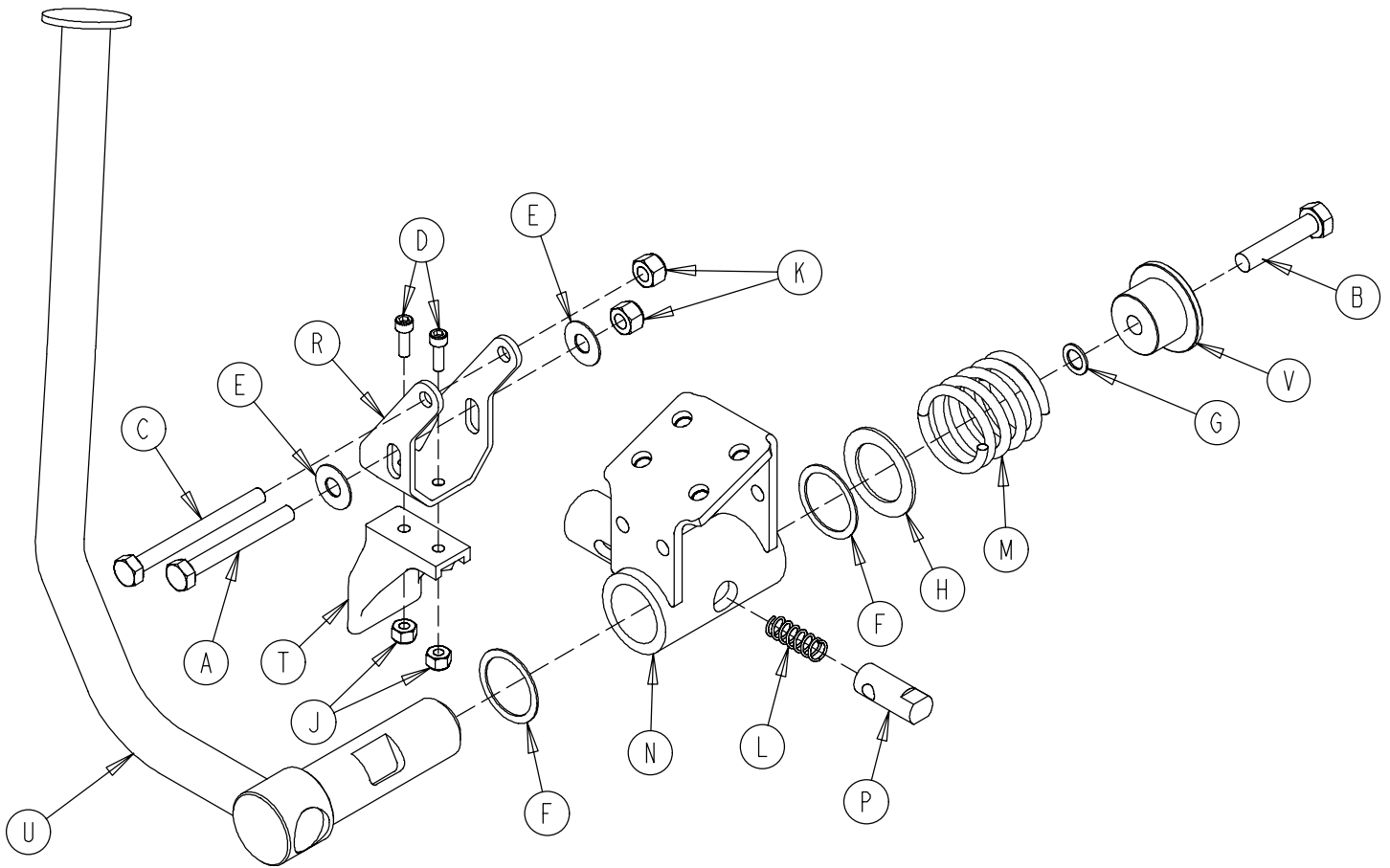
Seat Assembly

Assembly part number 4701-030-110 (reference only)



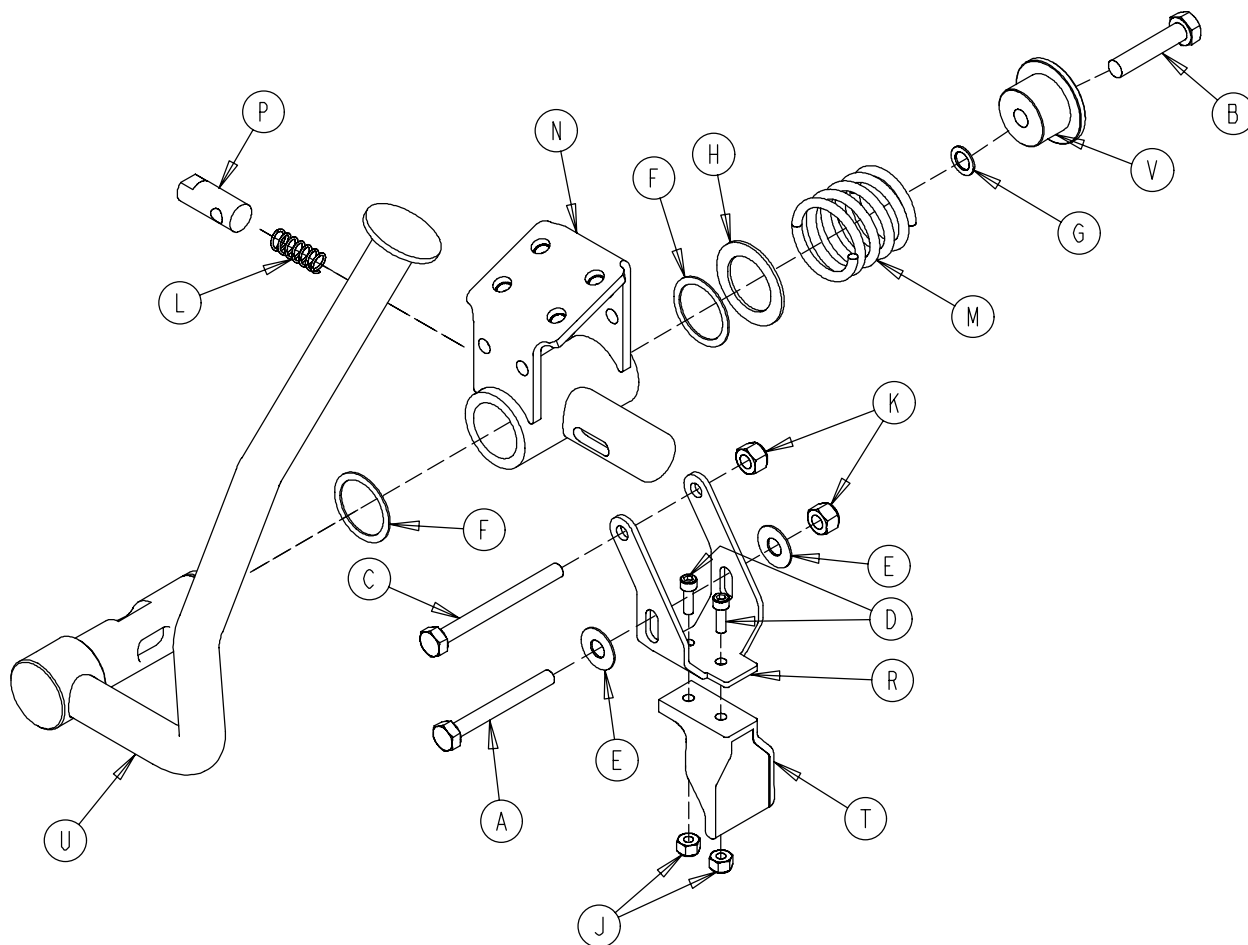
| Item | Part No. | Part Name | Qty. |
|------|--------------|----------------------------|------|
| A | 0007-065-000 | Truss Hd. Screw | 9 |
| B | 0025-038-000 | Rivet | 4 |
| C | 0029-003-000 | Brass Eyelet | 4 |
| D | (page 95) | Left Hand Grip Assembly | 1 |
| E | (page 96) | Right Hand Grip Assembly | 1 |
| F | 4701-030-100 | Seat Weldment | 1 |
| G | 3002-300-870 | Litter Ground Jumper | 1 |
| H | 0013-010-000 | External Tooth Lock Washer | 1 |
| J | 0016-006-000 | Kep Nut | 1 |
| K | 5000-090-018 | Pull Label | 2 |

5010-230-061 Left Hand Grip Assembly



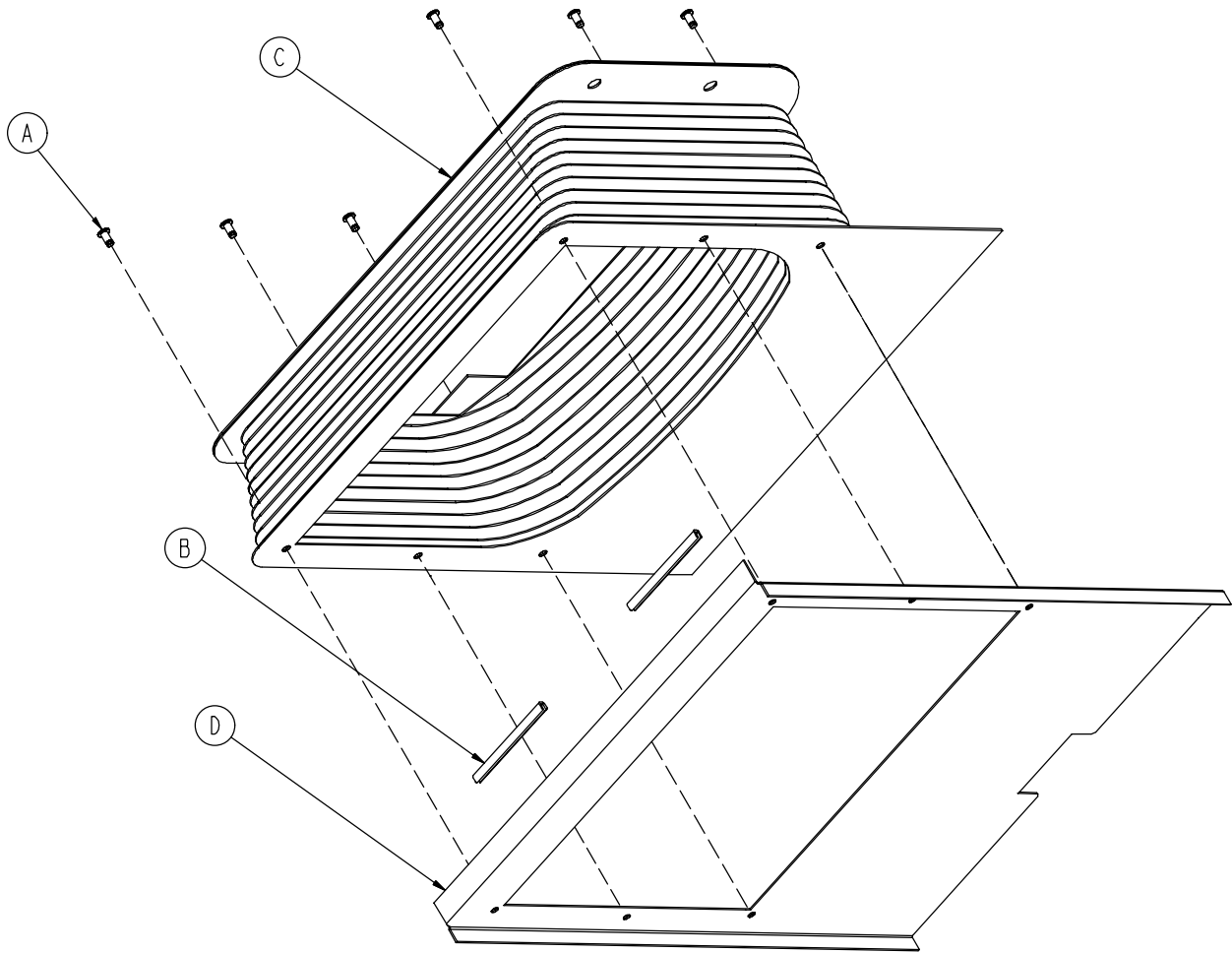
| Item | Part No. | Part Name | Qty. |
|------|--------------|----------------------------|------|
| A | 0003-032-000 | Hex Hd. Cap Screw | 1 |
| B | 0003-057-000 | Hex Hd. Cap Screw | 1 |
| C | 0003-073-000 | Hex Hd. Cap Screw | 1 |
| D | 0004-005-000 | Soc. Hd. Cap Screw | 2 |
| E | 0011-179-000 | Nylon Washer | 2 |
| F | 0011-392-000 | Nylon Washer | 2 |
| G | 0011-397-000 | Serrated Belleville Washer | 1 |
| H | 0011-406-000 | Flat Washer | 1 |
| J | 0016-014-000 | Nylock Nut | 2 |
| K | 0016-028-000 | Nylock Nut | 2 |
| L | 0038-344-000 | Compression Spring | 1 |
| M | 0038-391-000 | Compression Spring | 1 |
| N | 5000-030-125 | Pivot Block, Left | 1 |
| P | 5000-030-128 | Hand Grip Lock Pin | 1 |
| R | 5000-030-129 | Hand Grip Latch Bracket | 1 |
| T | 5000-040-118 | Pull Handle | 1 |
| U | 5010-230-063 | Hand Grip Weldment, Lt. | 1 |
| V | 5000-030-315 | Hand Grip Spring Spacer | 1 |

5010-230-060 Right Hand Grip Assembly



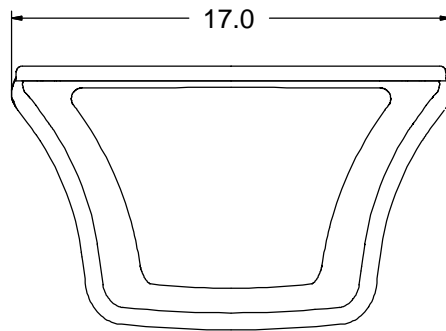
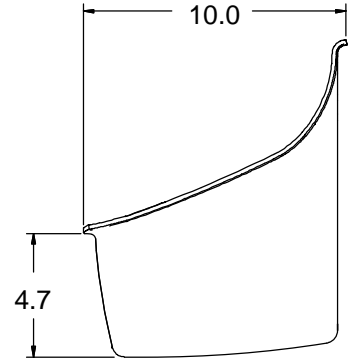
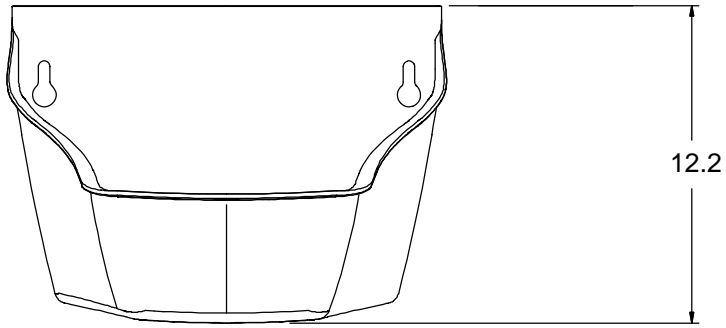
| Item | Part No. | Part Name | Qty. |
|------|--------------|----------------------------|------|
| A | 0003-079-000 | Hex Hd. Cap Screw | 1 |
| B | 0003-057-000 | Hex Hd. Cap Screw | 1 |
| C | 0003-073-000 | Hex Hd. Cap Screw | 1 |
| D | 0004-005-000 | Soc. Hd. Cap Screw | 2 |
| E | 0011-179-000 | Nylon Washer | 2 |
| F | 0011-392-000 | Nylon Washer | 2 |
| G | 0011-397-000 | Serrated Belleville Washer | 1 |
| H | 0011-406-000 | Flat Washer | 1 |
| J | 0016-014-000 | Nylock Nut | 2 |
| K | 0016-028-000 | Nylock Nut | 2 |
| L | 0038-344-000 | Compression Spring | 1 |
| M | 0038-391-000 | Compression Spring | 1 |
| N | 5000-030-124 | Pivot Block, Right | 1 |
| P | 5000-030-128 | Hand Grip Lock Pin | 1 |
| R | 5000-030-129 | Hand Grip Latch Bracket | 1 |
| T | 5000-040-118 | Pull Handle | 1 |
| U | 5010-230-062 | Hand Grip Weldment, Rt. | 1 |
| V | 5000-030-315 | Hand Grip Spring Spacer | 1 |

4701-030-130 Bellows Cover Assembly

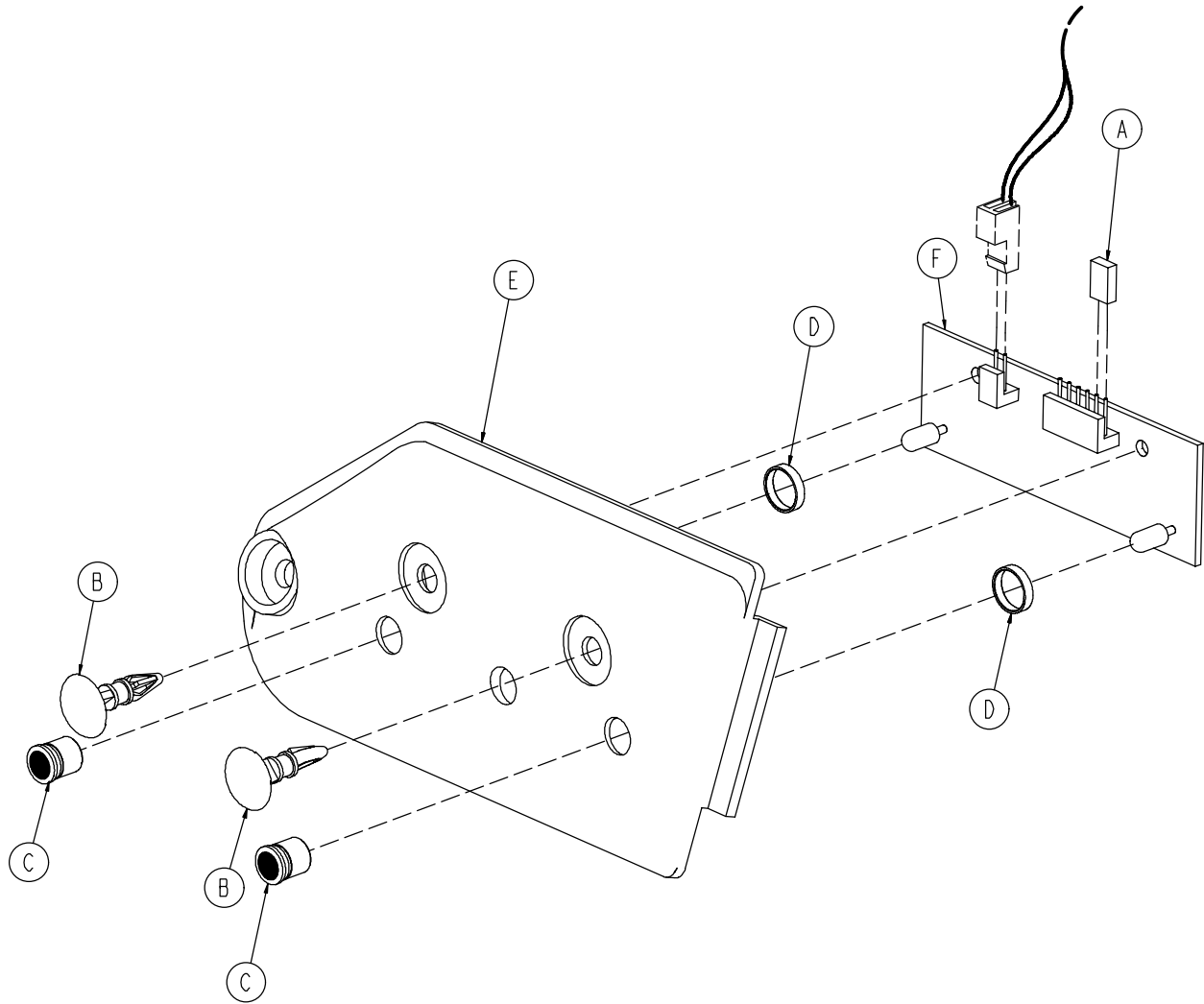


| Item | Part No. | Part Name | Qty. |
|------|--------------|------------------|------|
| A | 0025-120-000 | Pop Rivet | 6 |
| B | 4701-030-129 | Edge Strip | 2 |
| C | 4701-030-140 | Bellows | 1 |
| D | 4701-030-131 | Litter Top Cover | 1 |

4701-036-001 Plastic Fluid Basin



4701-080-080 Night Light Option Assembly

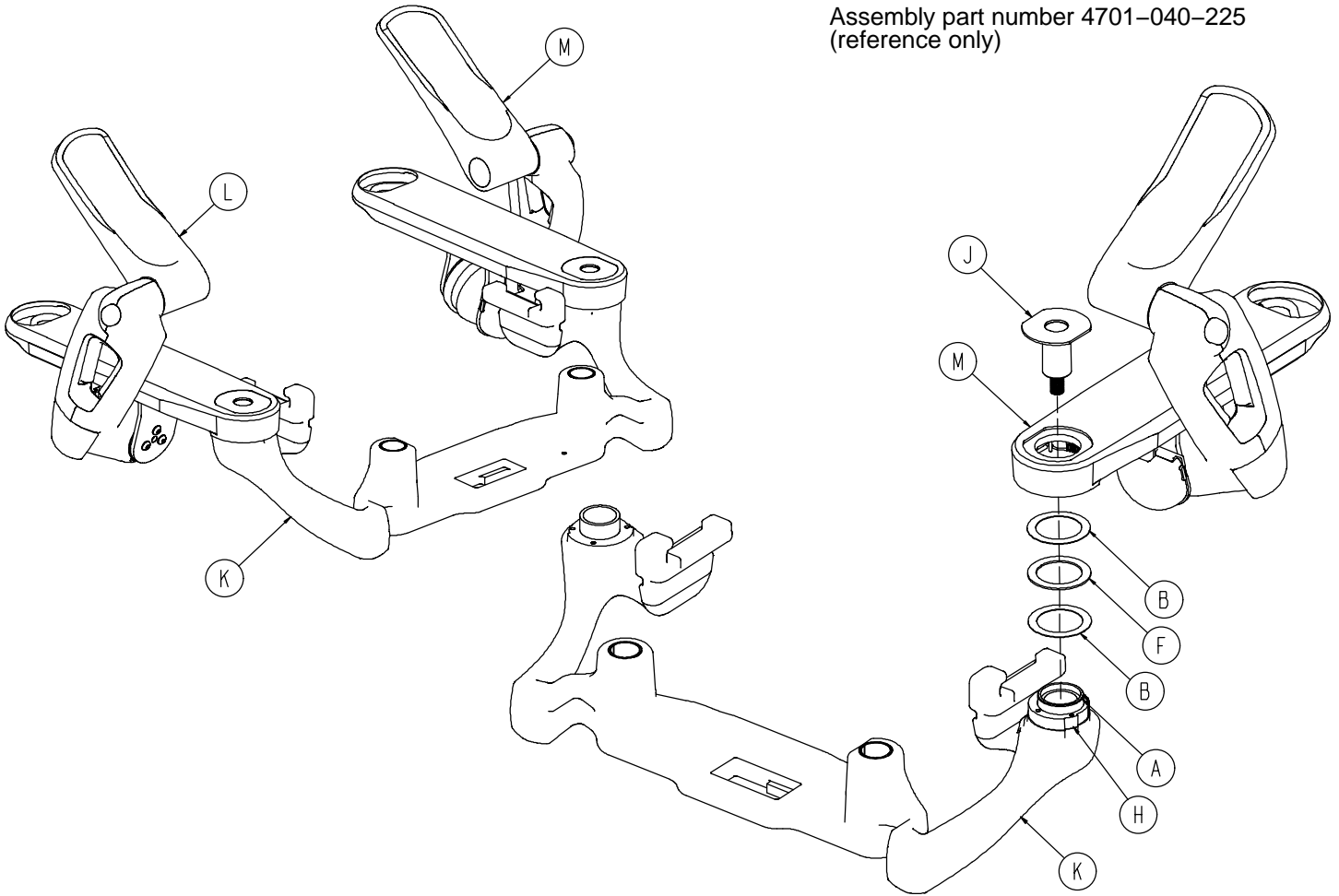


| Item | Part No. | Part Name | Qty. |
|------|--------------|-------------------|------|
| A | 0059-137-000 | Shunt/Jumper | 1 |
| B | 3000-300-115 | Standoff | 2 |
| C | 3002-310-010 | LED Lens | 2 |
| D | 3002-310-011 | Retaining Spacer | 2 |
| E | 3002-310-018 | Night Light Cover | 1 |
| F | 3002-310-900 | Night Light PCB | 1 |

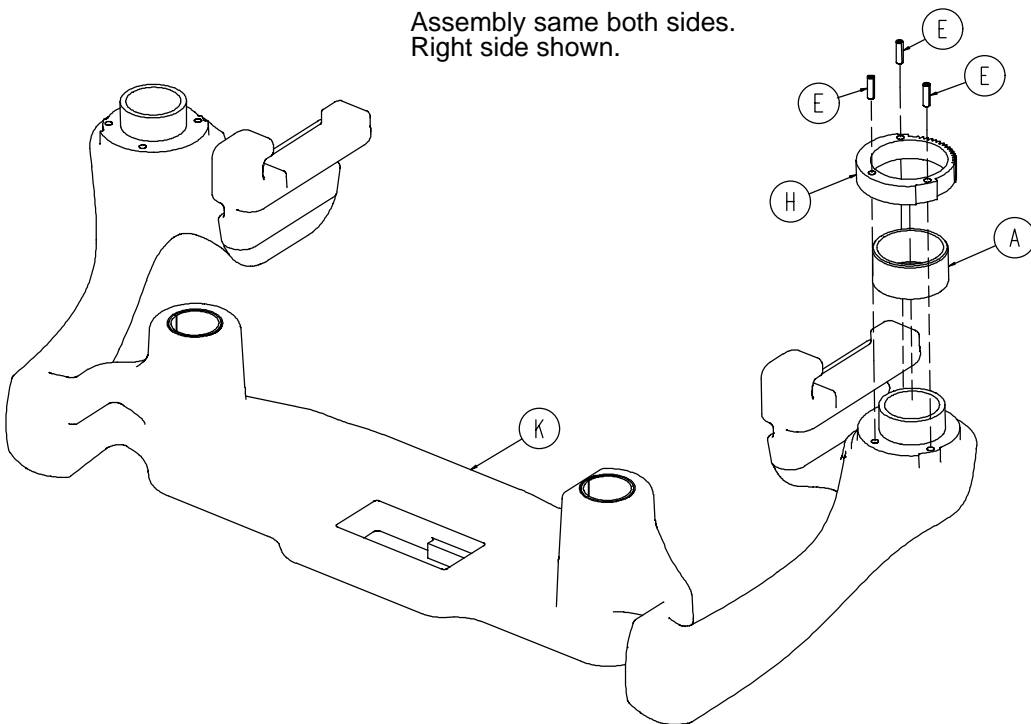
Notes

Foot Positioning Assembly

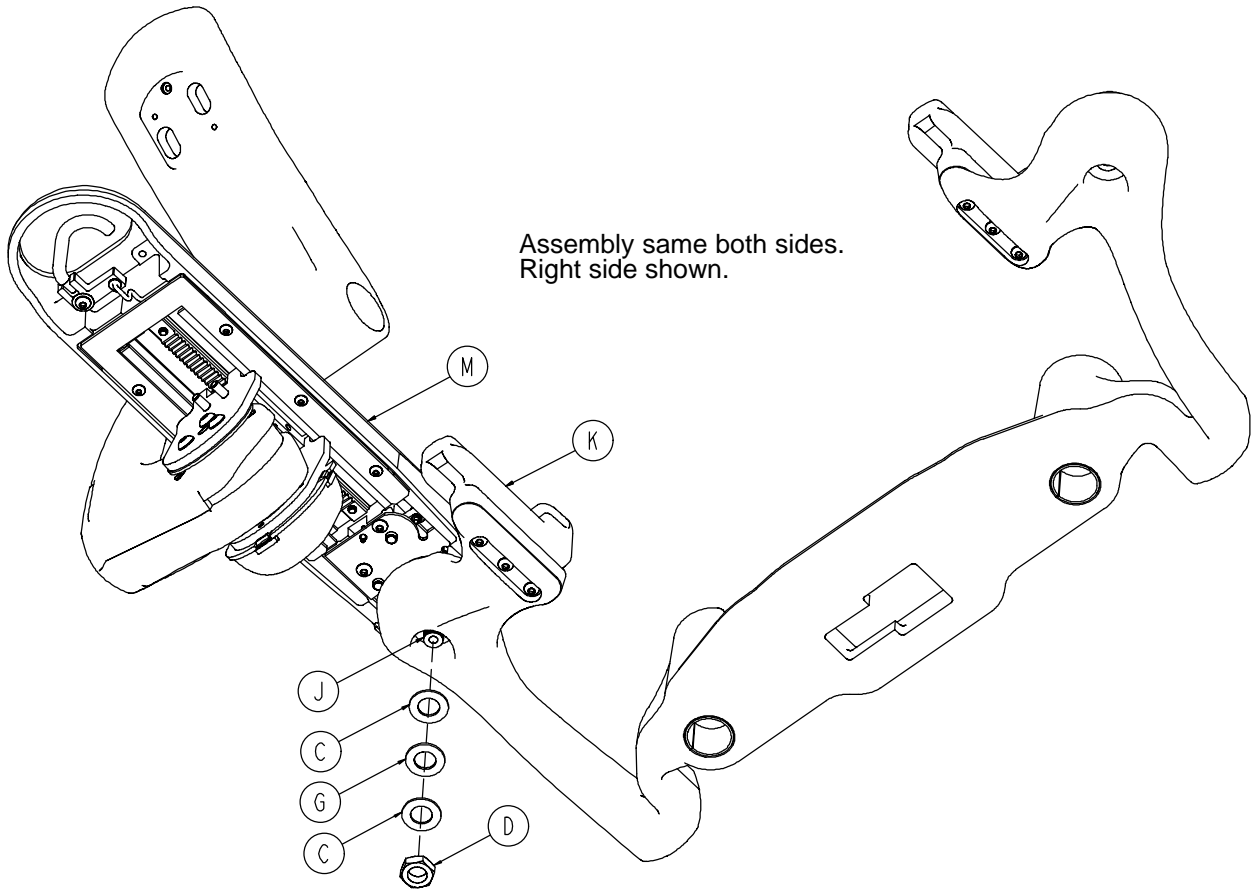
Assembly part number 4701-040-225
(reference only)



Assembly same both sides.
Right side shown.



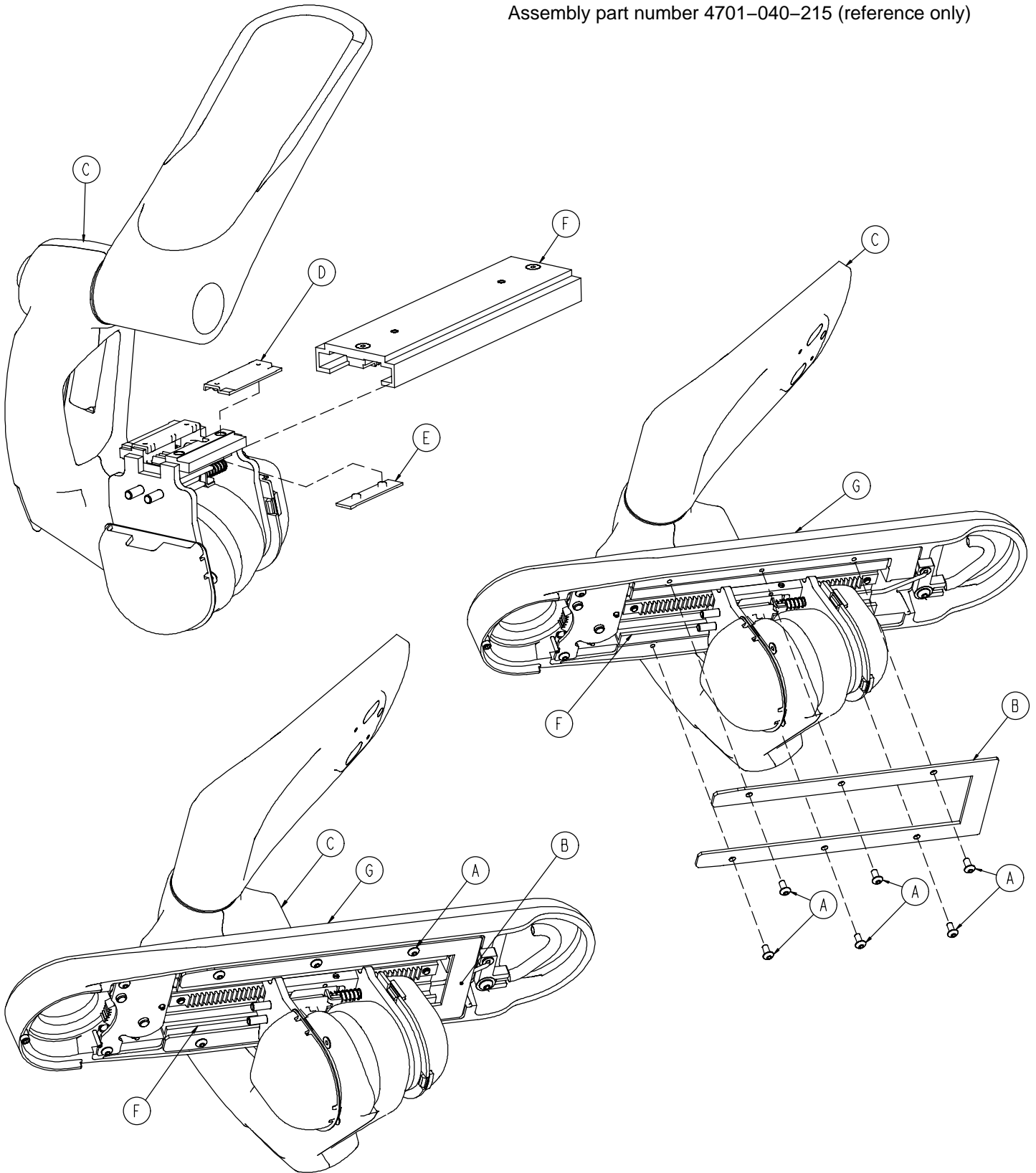
Foot Positioning Assembly



| Item | Part No. | Part Name | Qty. |
|------|--------------|--------------------------------|------|
| A | 0011-535-000 | Sleeve Bearing | 2 |
| B | 0011-537-000 | Washer | 4 |
| C | 0014-083-000 | Flat Thrust Washer | 4 |
| D | 0016-031-000 | Hex Jam Nut | 2 |
| E | 0026-172-000 | Slotted Spring Pin | 6 |
| F | 0081-635-000 | Needle Roller Bearing | 2 |
| G | 3000-300-466 | Thrust Bearing | 2 |
| H | 4701-040-037 | Abduction Ring Gear | 2 |
| J | 4701-040-052 | Foot Pan Locking Cap | 2 |
| K | (page 108) | Foot Lift Casting Subassembly | 1 |
| L | (page 104) | Positioning Subassembly, Left | 1 |
| M | (page 106) | Positioning Subassembly, Right | 1 |

Foot Positioning Subassembly, Left

Assembly part number 4701-040-215 (reference only)

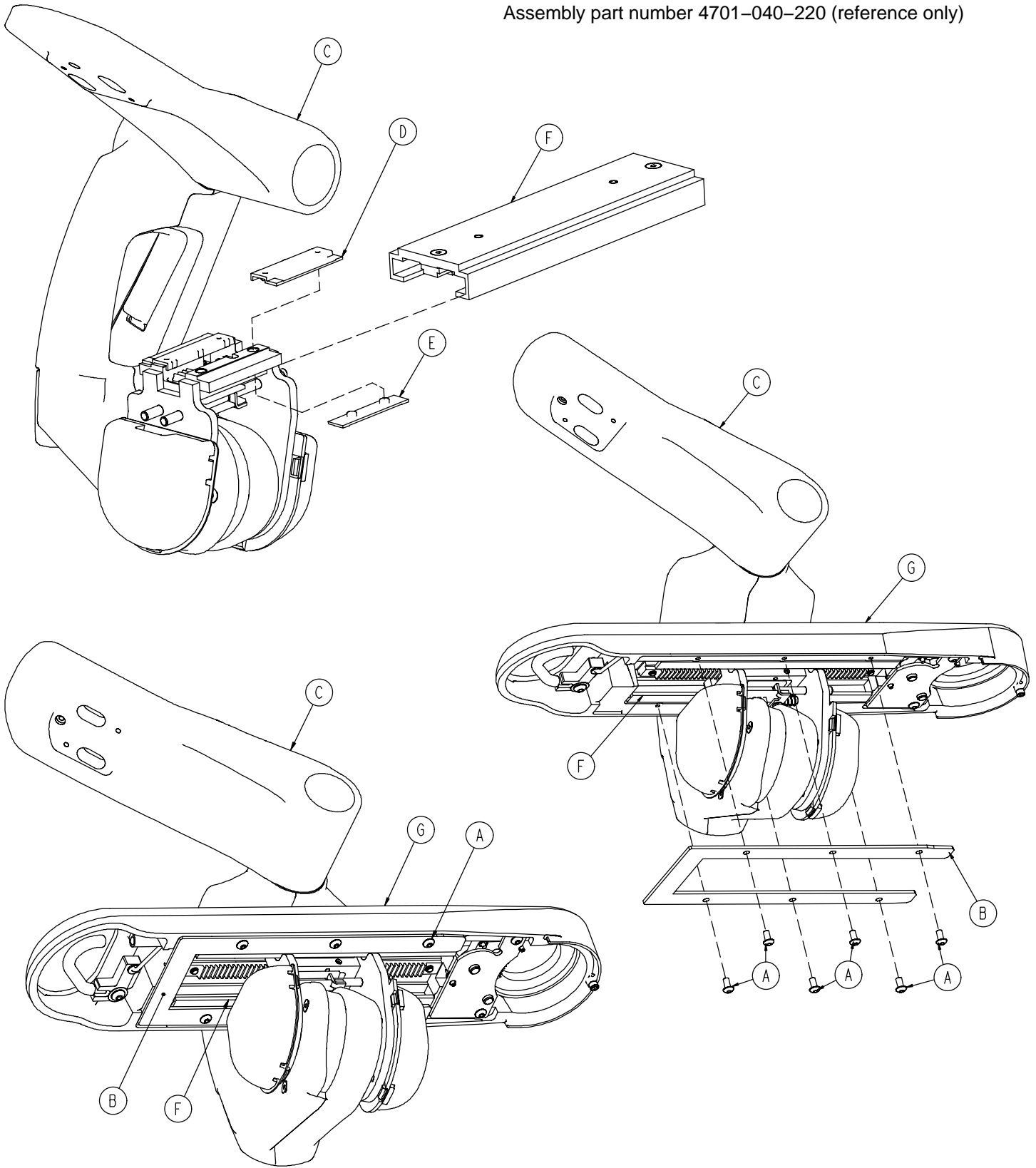


Foot Positioning Subassembly, Left

| Item | Part No. | Part Name | Qty. |
|------|----------------------------|------------------------------|------|
| A | 0004-375-000 | Button Hd. Cap Screw | 6 |
| B | 4701-040-051 | Bottom Abduction Cover | 1 |
| C | (page 146) | Left Upright Assembly | 1 |
| D | 4701-040-106 | Top Translation Plate | 2 |
| E | 4701-040-107 | Bottom Translation Plate | 2 |
| F | (page 157) | Abduction Extrusion Assembly | 1 |
| G | (page 160) | Left Abduction Assembly | 1 |

Foot Positioning Subassembly, Right

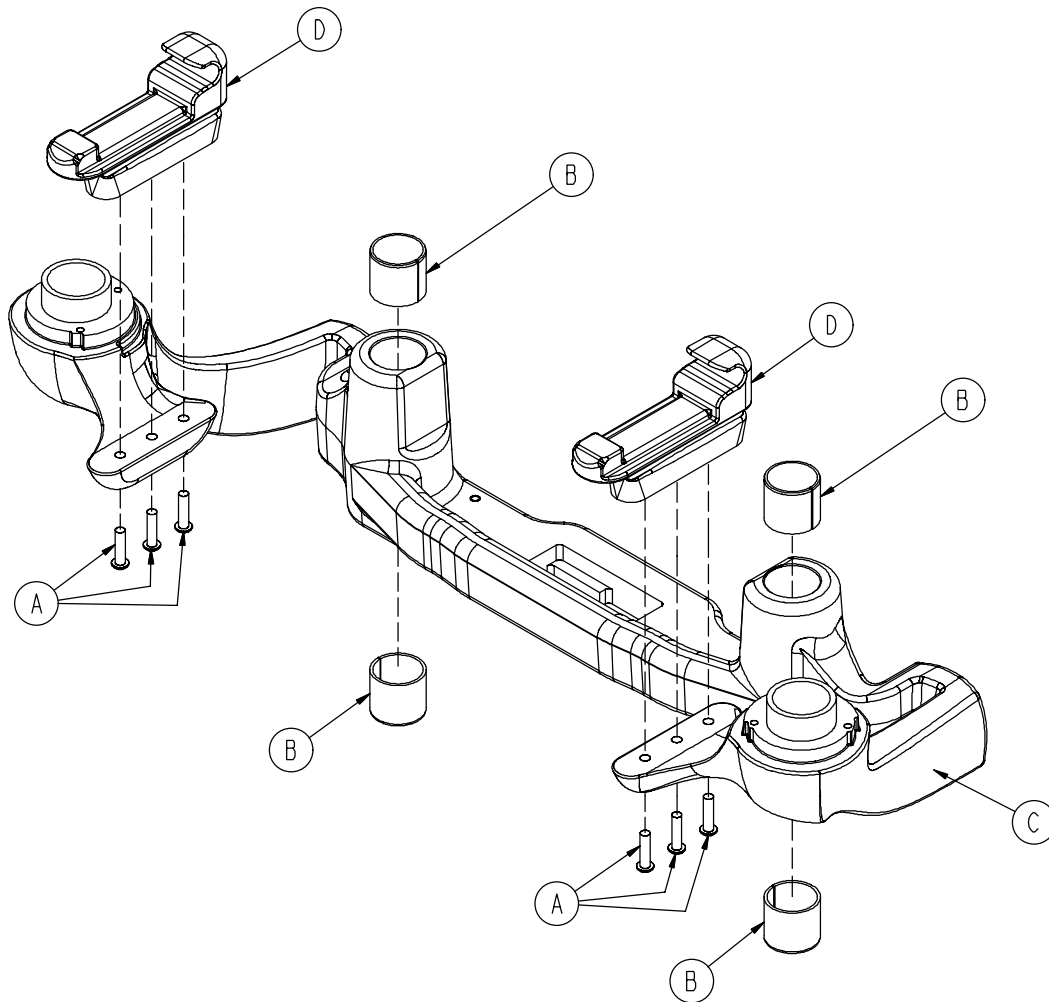
Assembly part number 4701-040-220 (reference only)



Foot Positioning Subassembly, Right

| Item | Part No. | Part Name | Qty. |
|------|----------------------------|------------------------------|------|
| A | 0004-375-000 | Button Hd. Cap Screw | 6 |
| B | 4701-040-051 | Bottom Abduction Cover | 1 |
| C | (page 149) | Right Upright Assembly | 1 |
| D | 4701-040-106 | Top Translation Plate | 2 |
| E | 4701-040-107 | Bottom Translation Plate | 2 |
| F | (page 157) | Abduction Extrusion Assembly | 1 |
| G | (page 161) | Right Abduction Assembly | 1 |

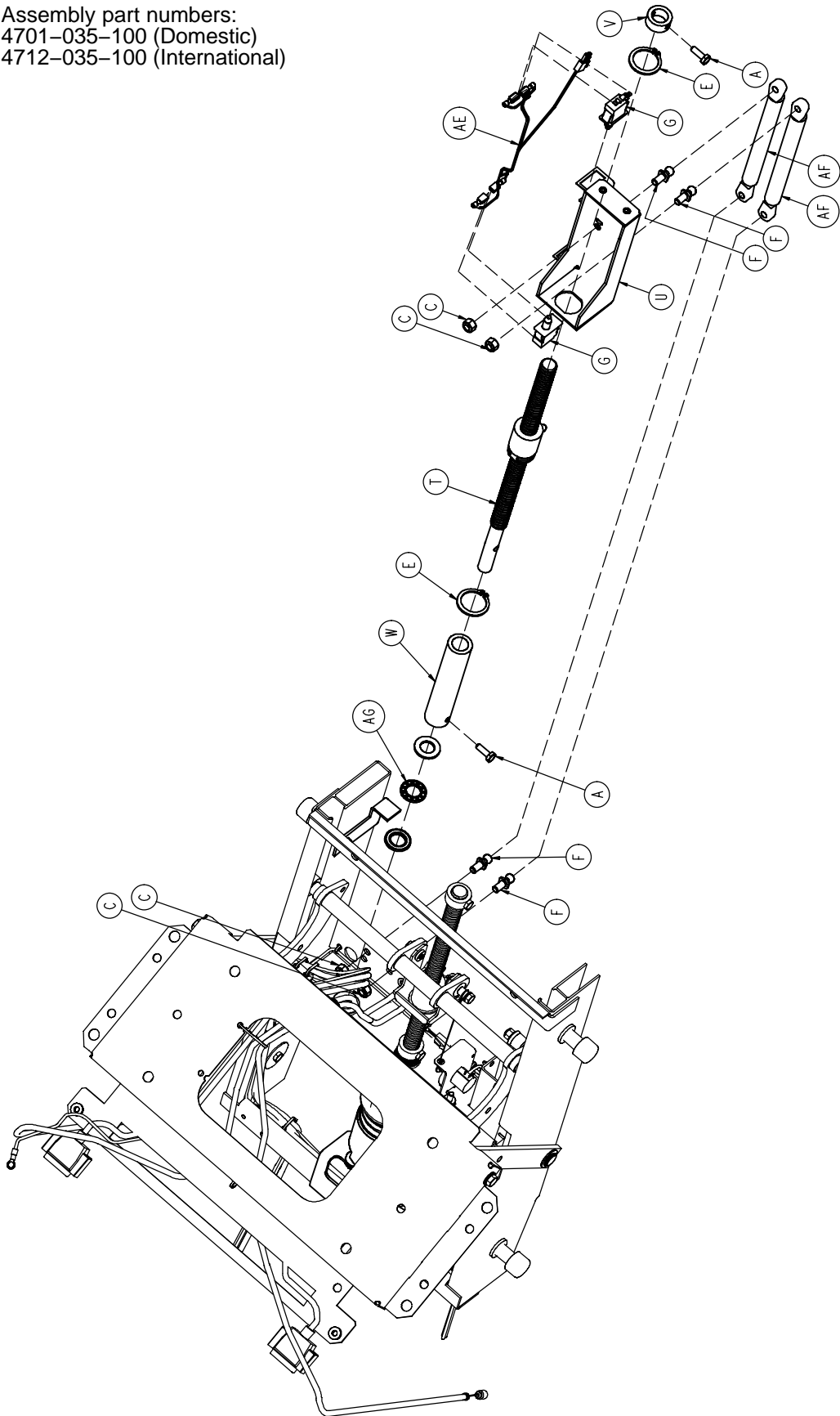
4701-040-205 Foot Lift Casting Subassembly



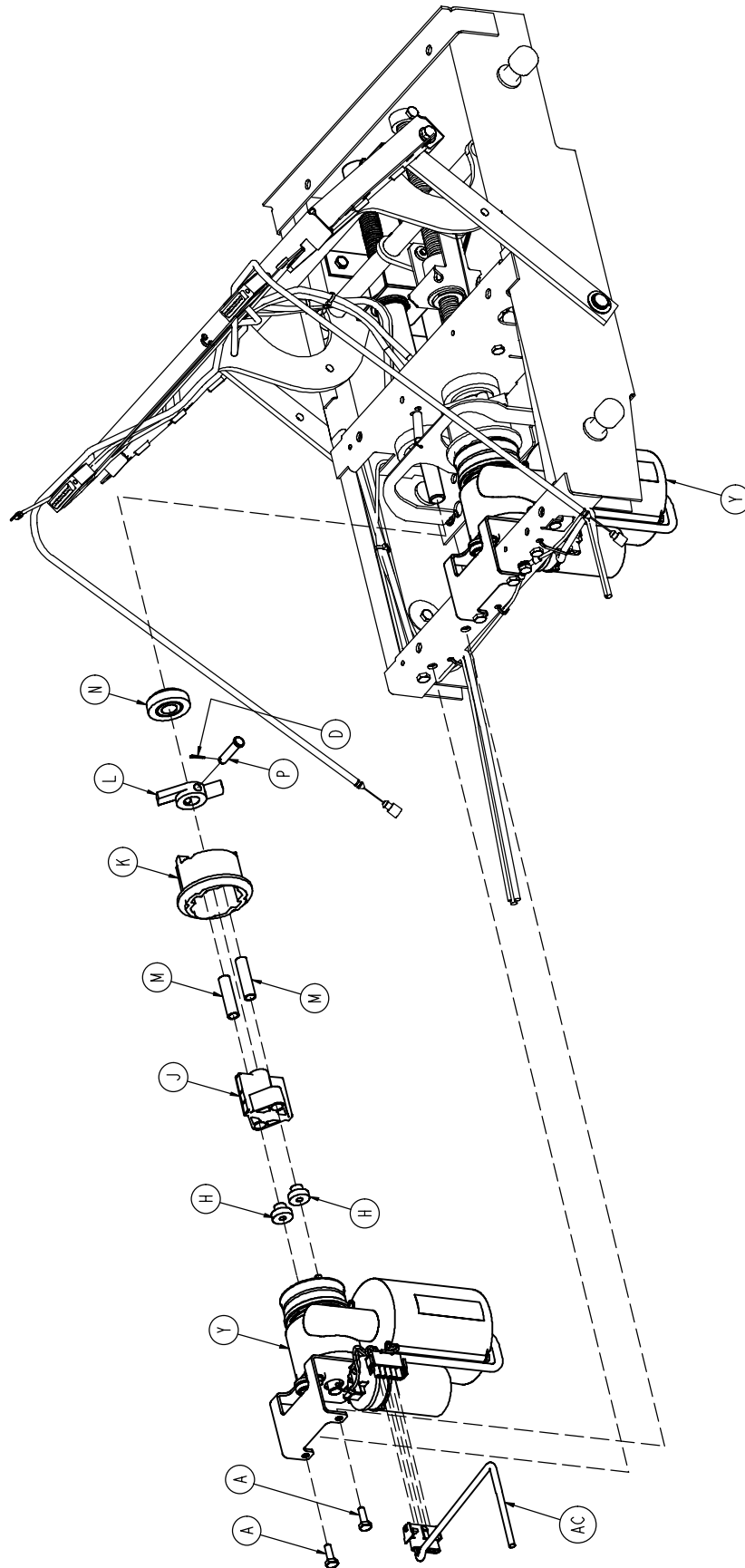
| Item | Part No. | Part Name | Qty. |
|------|--------------|----------------------------|------|
| A | 0004-440-000 | But. Hd. Cap Screw | 6 |
| B | 0011-538-000 | Split Tube Bushing | 4 |
| C | 4701-040-002 | Foot Lift Casting | 1 |
| D | 4701-040-108 | Foot Section Mount Casting | 2 |

Skoocher™ Option Assembly

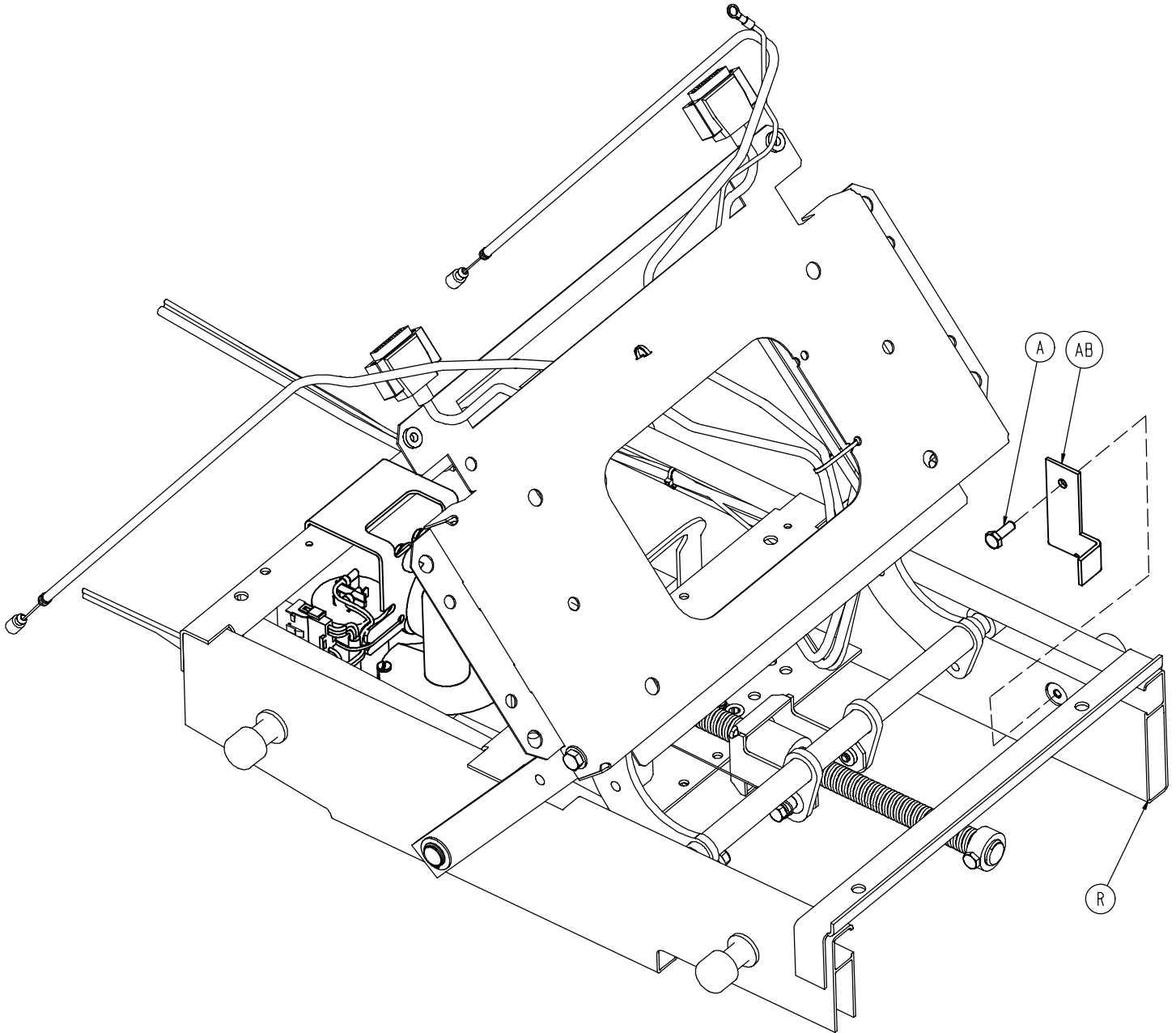
Assembly part numbers:
4701-035-100 (Domestic)
4712-035-100 (International)



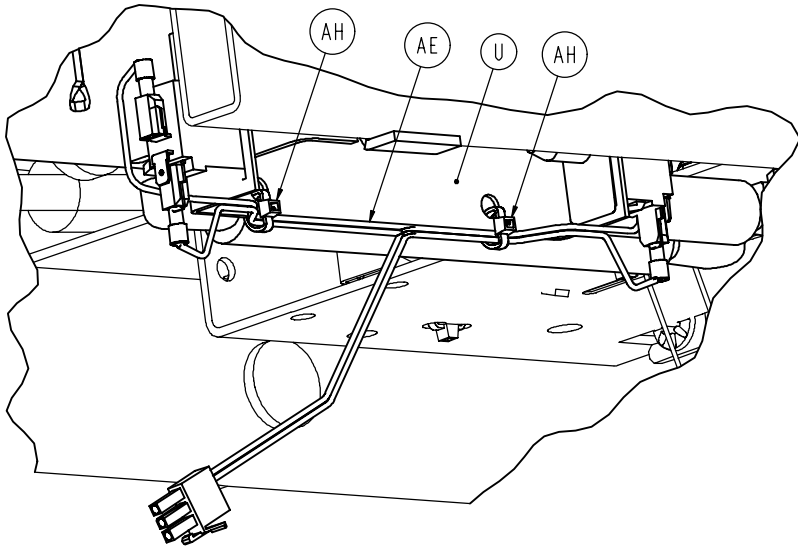
Skoocher™ Option Assembly



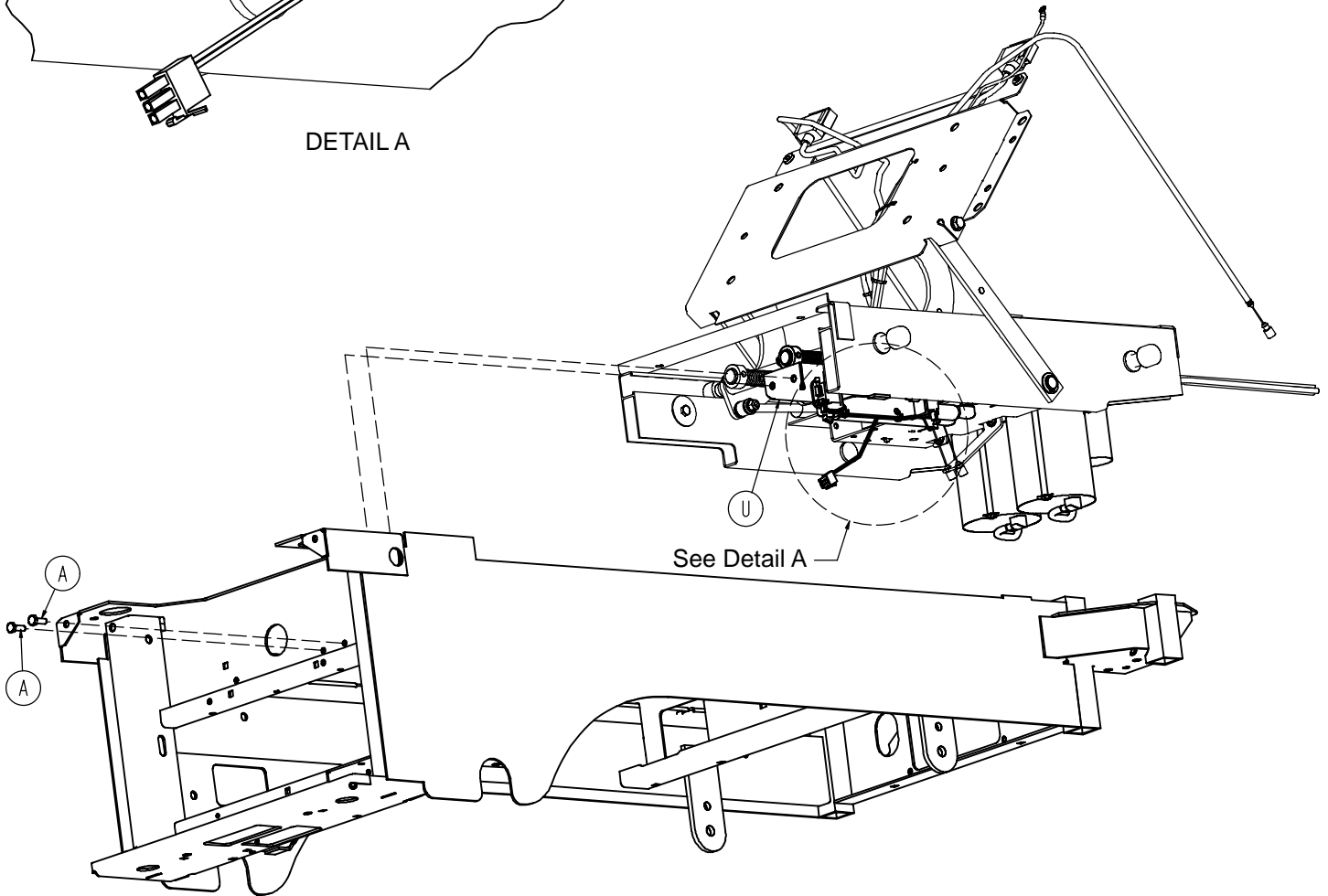
Skoocher™ Option Assembly



Skoocher™ Option Assembly



DETAIL A

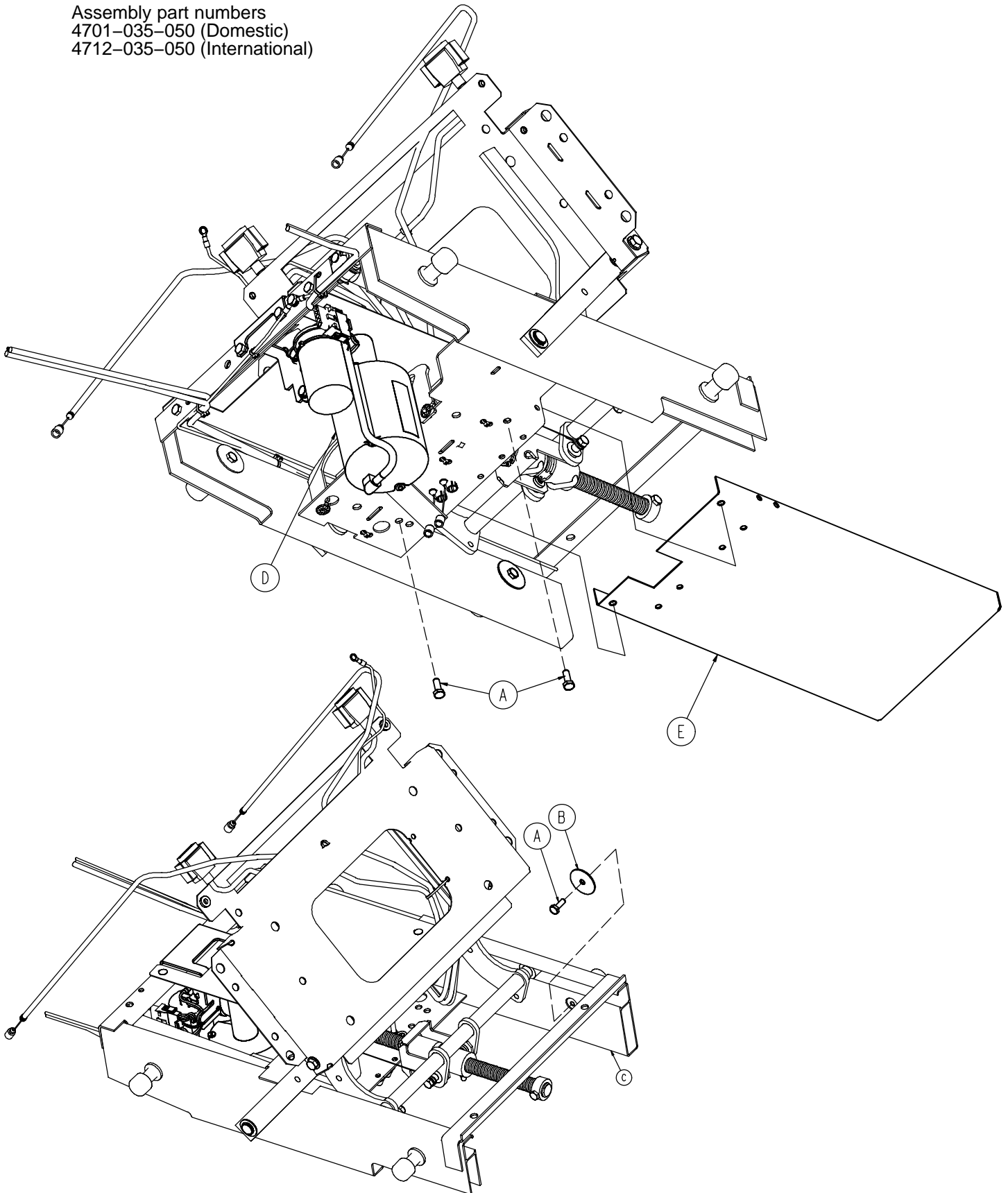


Skoocher™ Option Assembly

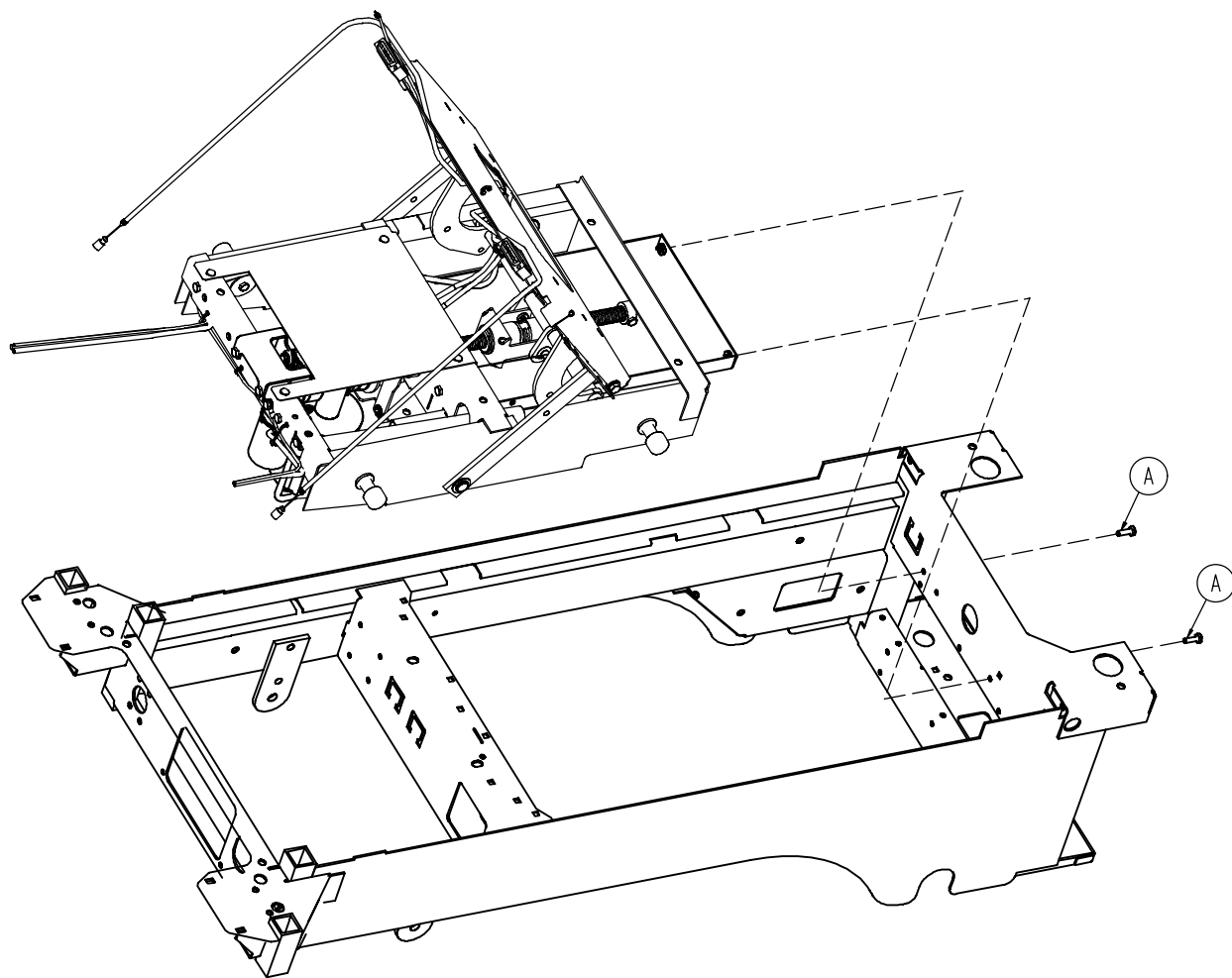
| Item | Part No. | Part Name | Qty. |
|------|----------------------------|---------------------------------|------|
| A | 0003-214-000 | Hex Hd. Cap Screw | 7 |
| C | 0016-036-000 | Nylock Hex Nut | 4 |
| D | 0027-017-000 | Cotter Pin | 1 |
| E | 0028-120-000 | Retaining Ring | 2 |
| F | 1550-031-002 | Thread End Fitting | 4 |
| G | 3000-300-058 | Cherry Switch | 2 |
| H | 3000-300-455 | CPR Isolation Bushing | 2 |
| J | 3000-300-456 | CPR Isolator | 1 |
| K | 3000-300-461 | CPR Decoupler | 1 |
| L | 3000-300-462 | CPR Wing | 1 |
| M | 3000-300-464 | Spring | 2 |
| N | 3000-300-471 | Thrust Bearing | 1 |
| P | 3000-300-473 | Clevis Pin | 1 |
| R | (page 116) | Fow. Guide/Skoocher™ Std. Comp. | 1 |
| T | 4701-035-012 | Fowler Screw | 1 |
| U | 4701-035-030 | Adapter Bracket | 1 |
| V | 5000-030-255 | Thrust Collar | 1 |
| W | 4701-035-023 | Skoocher™ Back Hard Stop | 1 |
| Y | (page 124) | Skoocher™ Motor | 2 |
| AB | 4701-035-042 | Limit Arm | 1 |
| AC | 4701-080-014 | Motor Extension Cable | 1 |
| AE | 4701-080-016 | Limits Cable | 1 |
| AF | 5000-030-213 | Gas Spring | 2 |
| AG | 5000-030-289 | Ball Thrust Bearing | 1 |
| AH | 0059-086-000 | Cable Tie | 2 |

Non-Skoocher™ Option

Assembly part numbers
4701-035-050 (Domestic)
4712-035-050 (International)



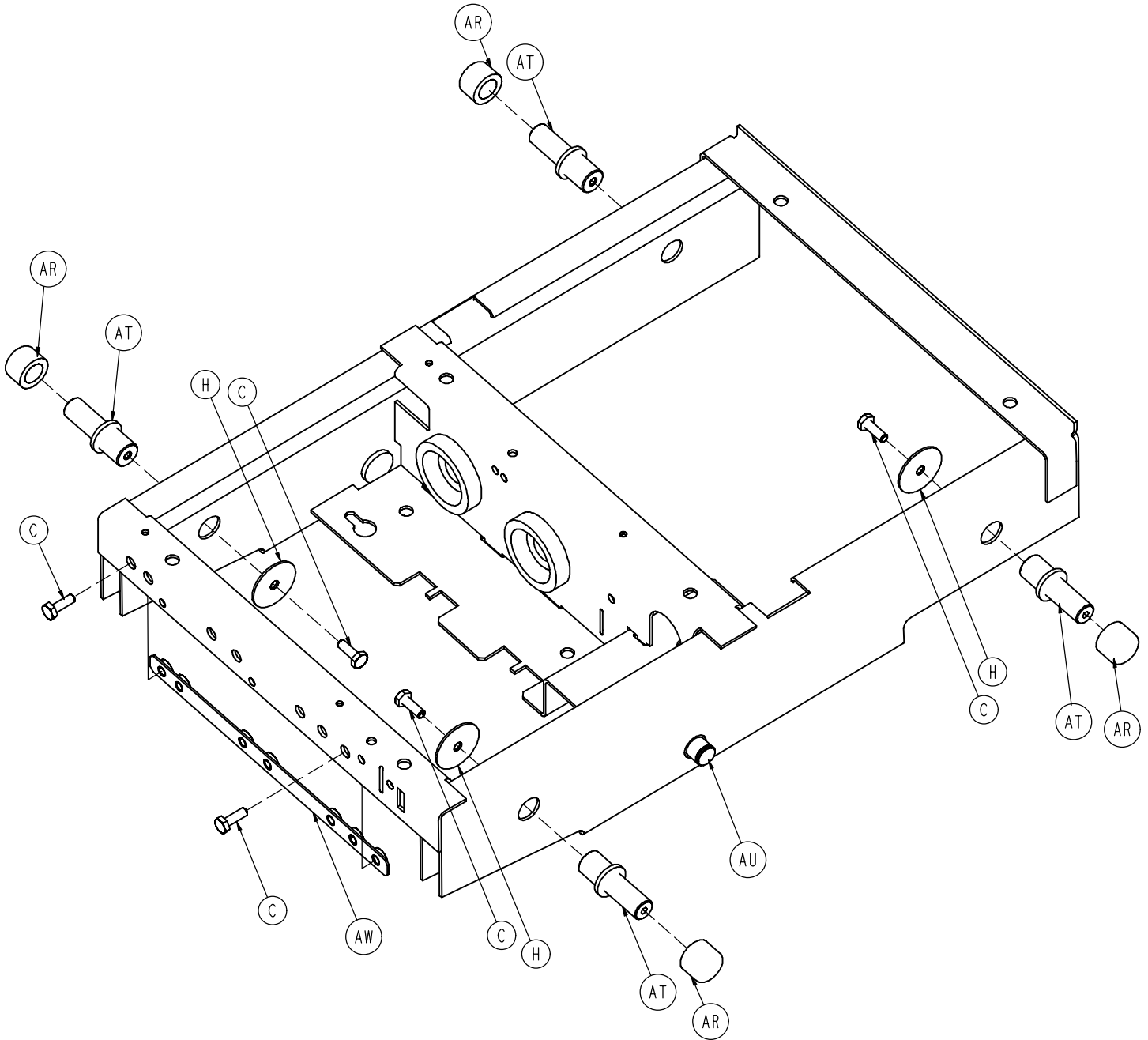
Non-Skoocher™ Option



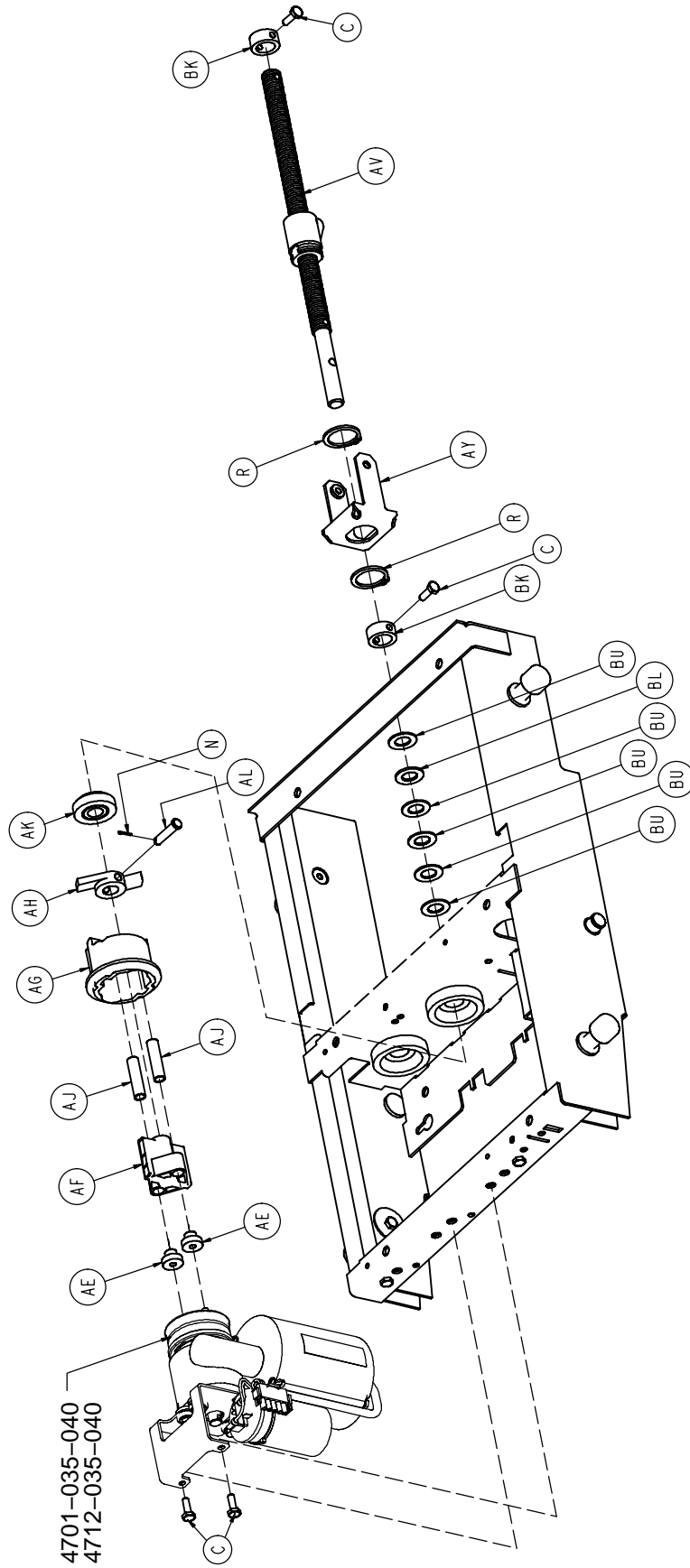
| Item | Part No. | Part Name | Qty. |
|------|--------------|-------------------------------|------|
| A | 0003-214-000 | Hex Hd. Cap Screw | 5 |
| B | 0011-445-000 | Washer | 1 |
| C | (page 116) | Skoocher™ Standard Components | 1 |
| D | (page 124) | Skoocher™ Motor Assembly | 1 |
| E | 4701-035-046 | Non-Skoocher™ Support | 1 |
| F | 4701-080-028 | Non-Skoocher™ Jumper Cable | 1 |

Fowler Guide/Skoocher™ Standard Components

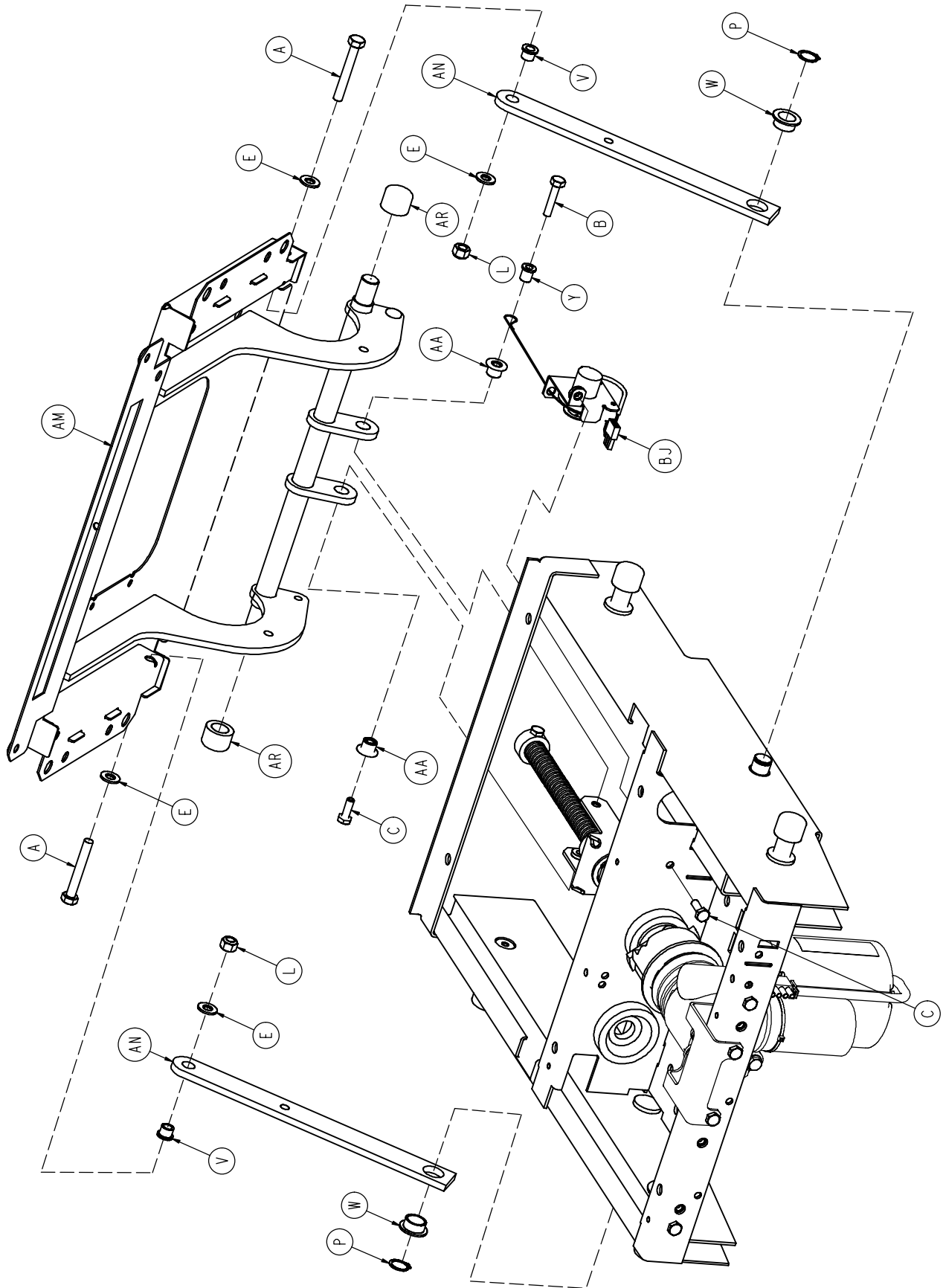
Assembly part number 4701-035-000 (reference only)



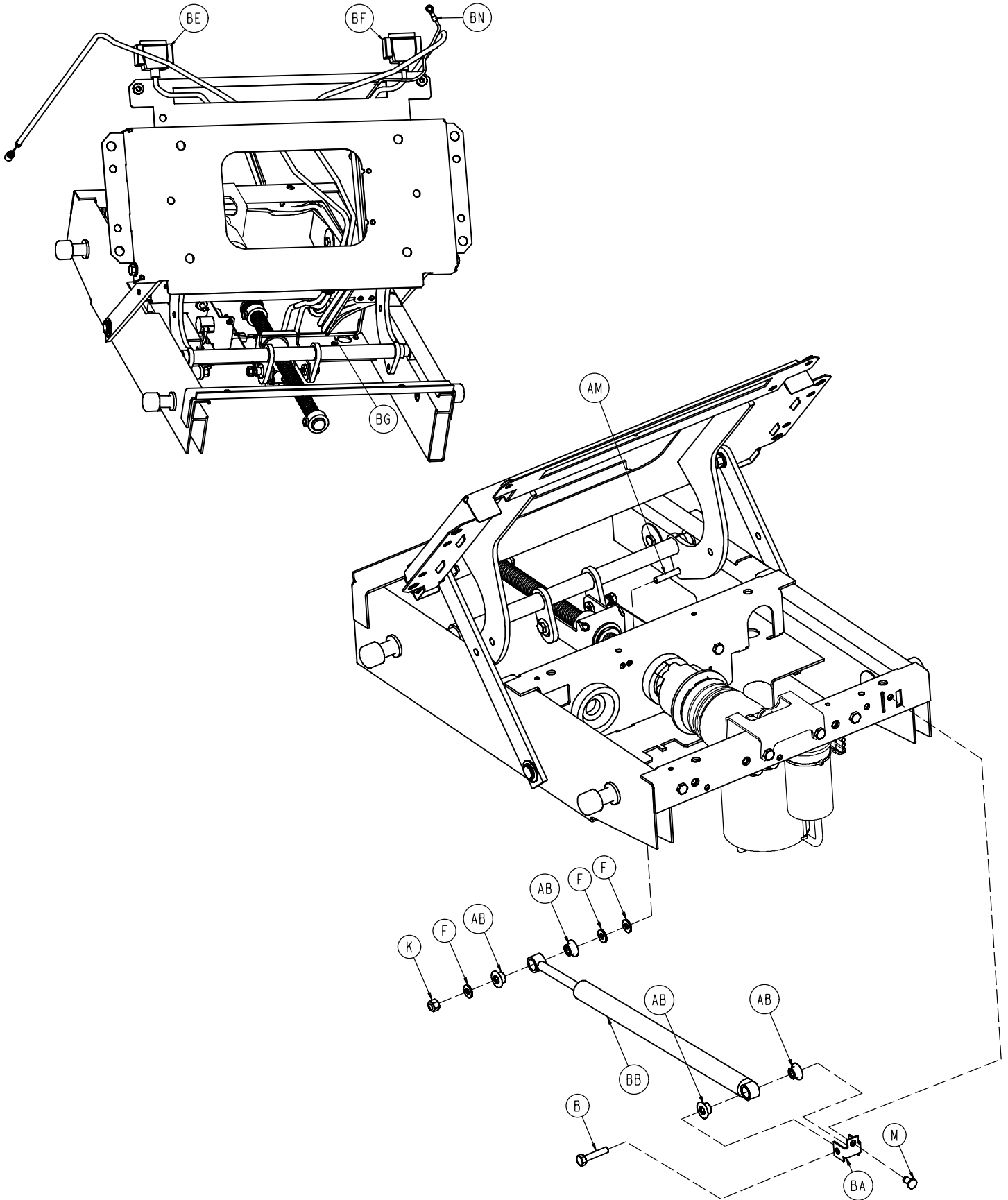
Fowler Guide/Skoocher™ Standard Components



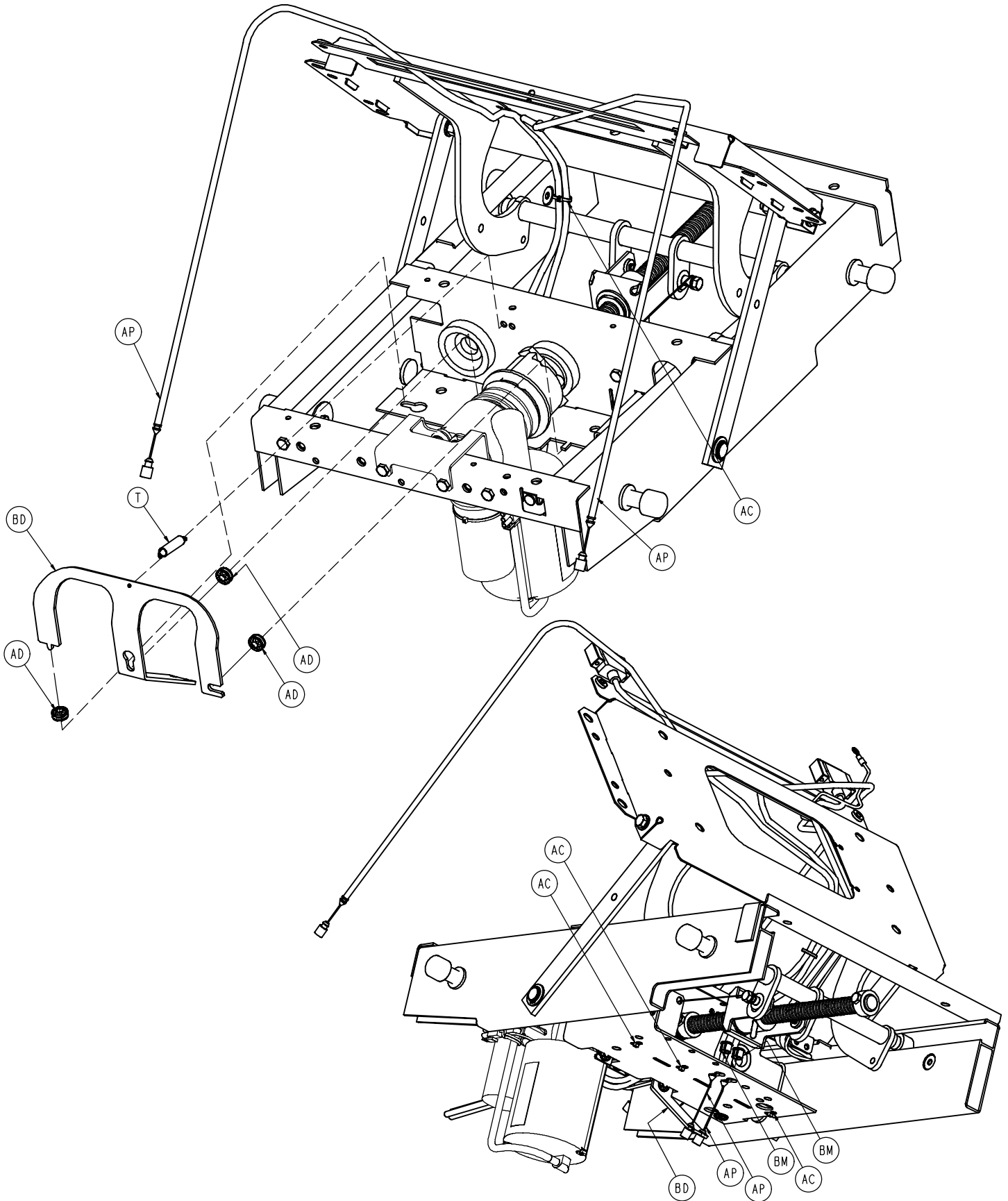
Fowler Guide/Skoocher™ Standard Components



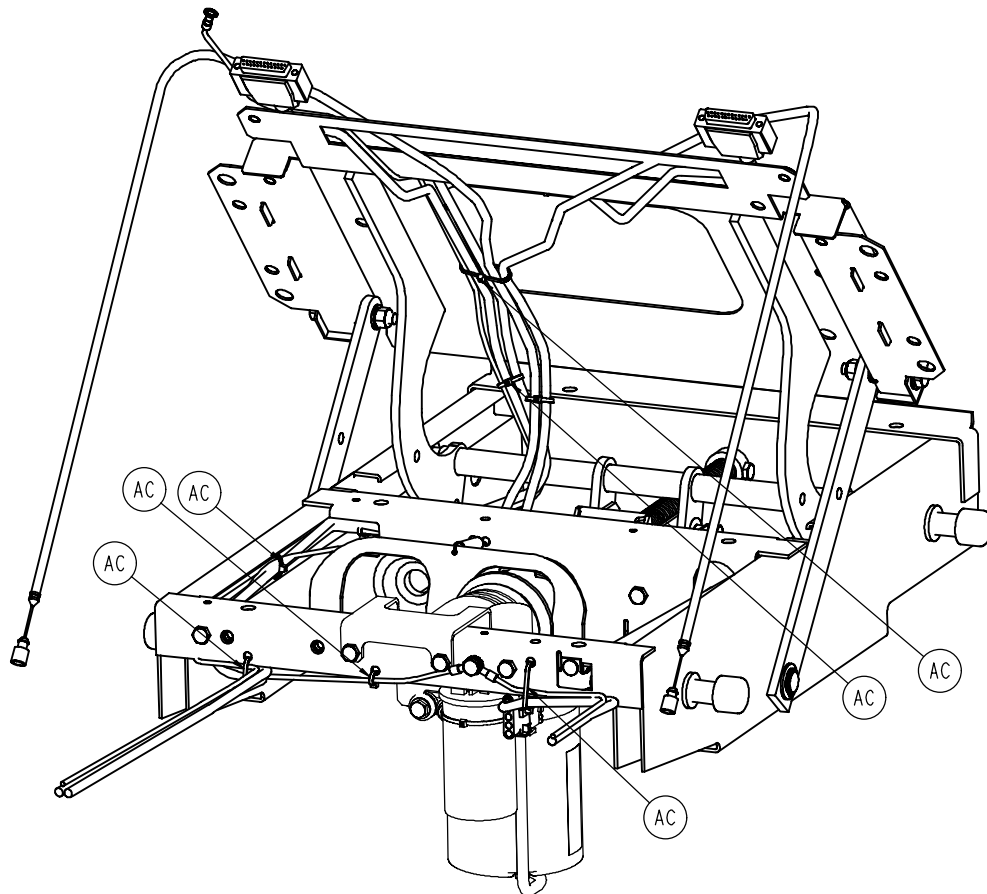
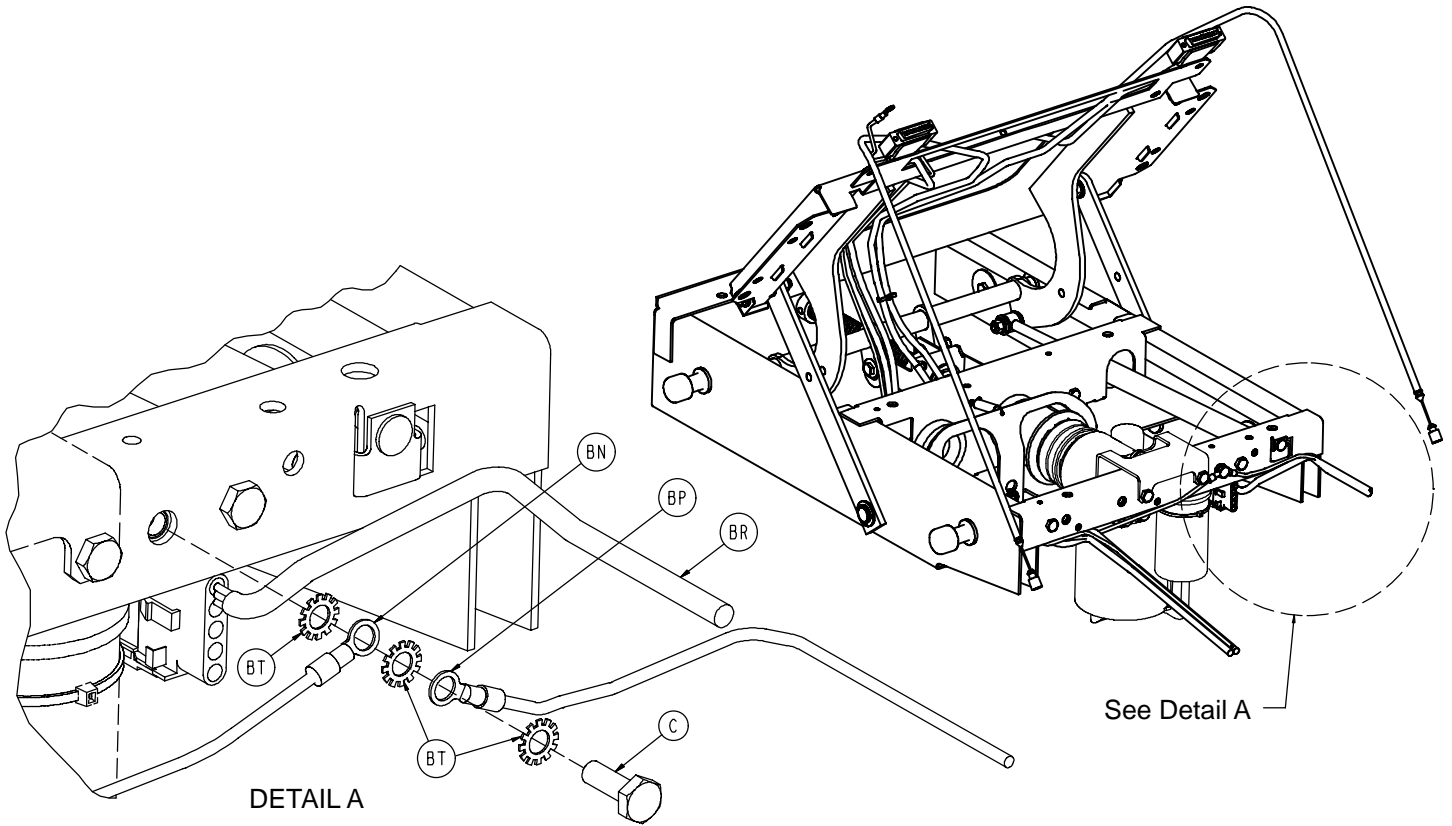
Fowler Guide/Skoocher™ Standard Components



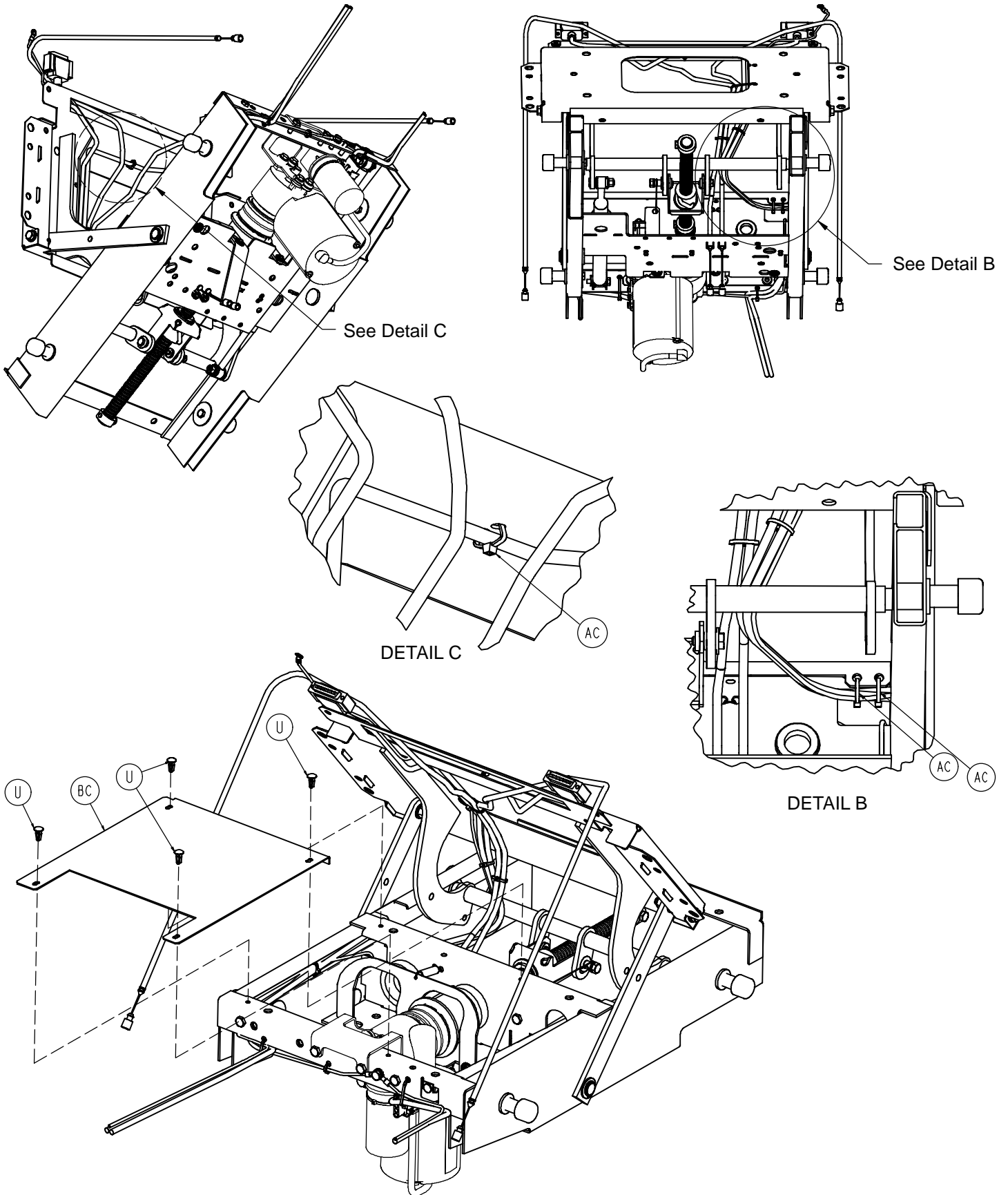
Fowler Guide/Skoocher™ Standard Components



Fowler Guide/Skoocher™ Standard Components



Fowler Guide/Skoocher™ Standard Components

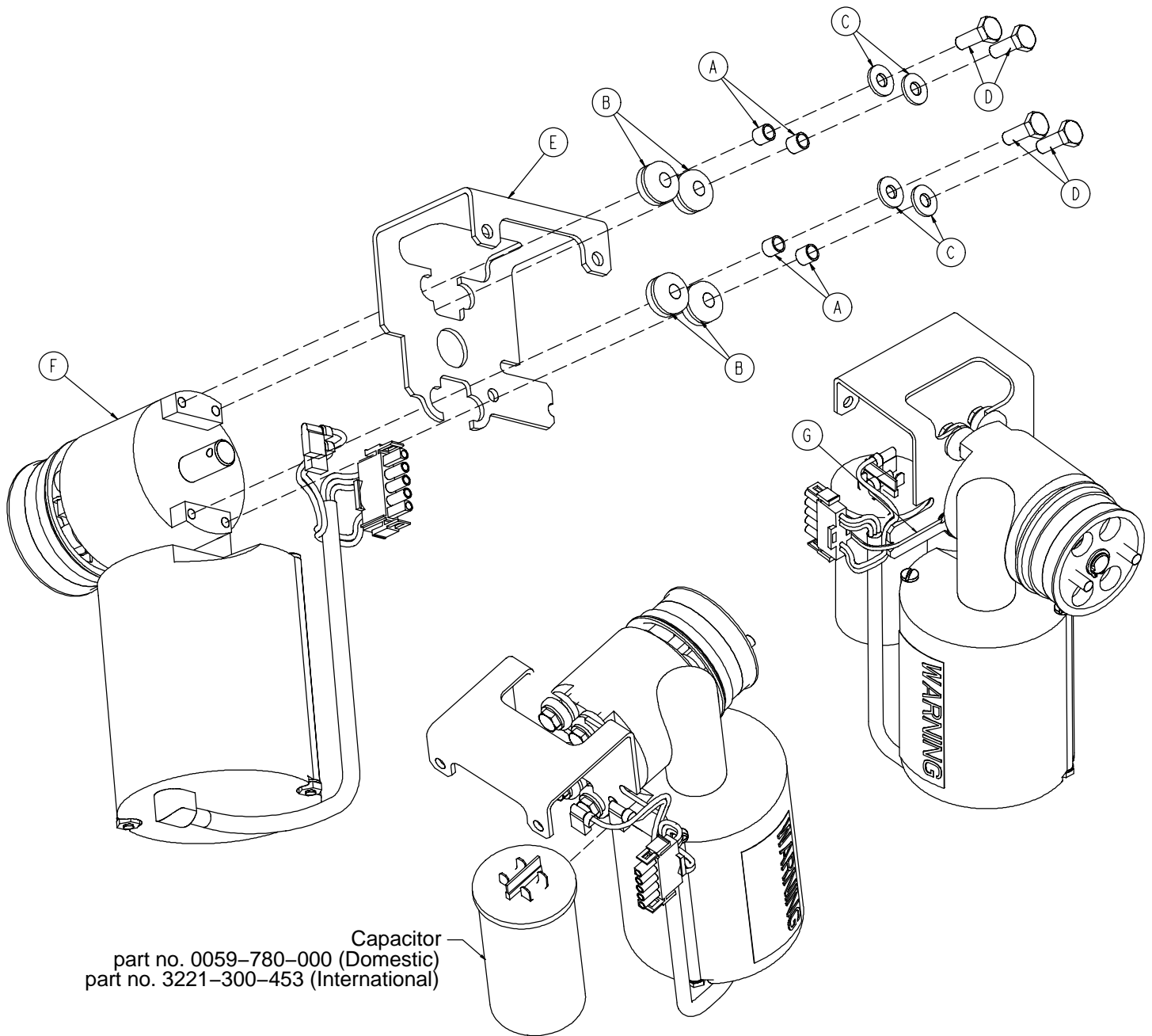


Fowler Guide/Skoocher™ Standard Components

| Item | Part No. | Part Name | Qty. |
|------|--------------|-------------------------------|------|
| A | 0003-062-000 | Hex Hd. Cap Screw | 2 |
| B | 0003-074-000 | Hex Hd. Cap Screw | 2 |
| C | 0003-214-000 | Hex Hd. Cap Screw | 12 |
| E | 0011-003-000 | Washer | 4 |
| F | 0011-063-000 | Washer | 3 |
| H | 0011-445-000 | Washer | 3 |
| K | 0016-028-000 | Hex Nut | 1 |
| L | 0016-036-000 | Nylock Hex Nut | 2 |
| M | 0025-120-000 | Rivet | 1 |
| N | 0027-017-000 | Cotter Pin | 1 |
| P | 0028-023-000 | External Retaining Ring | 2 |
| R | 0028-120-000 | Retaining Ring | 2 |
| T | 0038-404-000 | Extension Spring | 1 |
| U | 0052-904-000 | Drive Fastener | 4 |
| V | 0081-222-000 | Flange Bearing | 2 |
| W | 0081-404-000 | Flange Bearing | 2 |
| Y | 0052-818-000 | Flange Bearing | 1 |
| AA | 3000-300-001 | Litter Pivot Bushing | 2 |
| AB | 3000-300-099 | Flange Bushing | 4 |
| AC | 0059-086-000 | Cable Tie | 13 |
| AD | 3000-300-442 | Fowler Drive Grommet | 3 |
| AE | 3000-300-455 | CPR Isolation Bushing | 2 |
| AF | 3000-300-456 | CPR Isolator | 1 |
| AG | 3000-300-461 | CPR Decoupler | 1 |
| AH | 3000-300-462 | CPR Wing | 1 |
| AJ | 3000-300-464 | Spring | 2 |
| AK | 3000-300-471 | Thrust Bearing | 1 |
| AL | 3000-300-473 | Clevis Pin | 1 |
| AM | 4701-030-120 | Fowler Guide | 1 |
| AN | 4701-030-122 | Fowler Link | 2 |
| AP | 4701-030-163 | CPR Cable | 2 |
| AR | 4701-035-003 | Cap | 6 |
| AT | 4701-035-005 | Skoocher™ Slide Pin | 4 |
| AU | 4701-035-010 | Skoocher™ Weldment | 1 |
| AV | 4701-035-012 | Fowler Ball Screw | 1 |
| AW | 4701-035-016 | Motor Mount Nut Bracket | 1 |
| AY | 4701-035-017 | Fowler Nut Box | 1 |
| BA | 4701-035-020 | Dampener Mount | 1 |
| BB | 4701-035-027 | Fowler Dampener | 1 |
| BC | 4701-035-044 | Motor Denial Plate | 1 |
| BD | 4701-035-161 | Double Horseshoe Bracket | 1 |
| BE | 4701-080-001 | Siderail Extension Cable, Rt. | 1 |
| BF | 4701-080-002 | Siderail Extension Cable, Lt. | 1 |
| BG | 4701-080-013 | Fowler Pot. Extension Cable | 1 |
| BJ | 4701-080-025 | Transducer | 1 |
| BK | 5000-030-255 | Thrust Collar | 2 |
| BL | 3000-300-466 | Thrust Bearing | 1 |
| BM | 0030-052-000 | Snap Bushing | 2 |
| BN | 4701-080-027 | 44" Ground Cable | 1 |
| BP | 4701-080-018 | 10" Ground Cable | 1 |
| BR | 4701-080-015 | Fowler Motor Extension Cable | 1 |
| BT | 0013-010-000 | External Tooth Lock Washer | 3 |
| BU | 0014-083-000 | Flat Thrust Washer | 5 |

4701-035-040 Domestic Fowler/Skoocher Motor

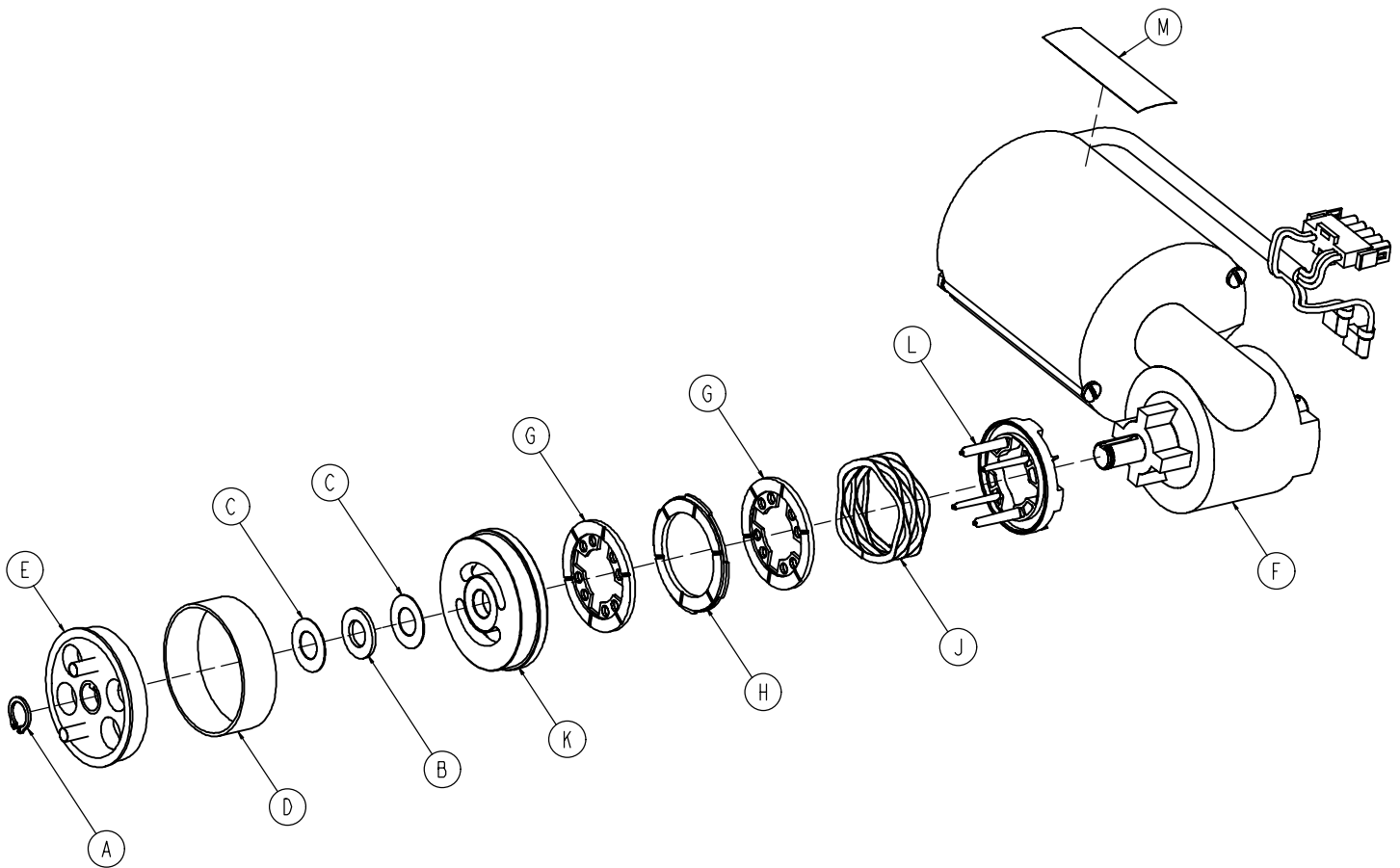
4712-035-040 International Fowler/Skoocher Motor



| Item | Part No. | Part Name | Qty. |
|------|--------------|----------------------|------|
| A | 0715-001-333 | Stop Sleeve | 4 |
| B | 0030-053-000 | Isolator Grommet | 4 |
| C | 0011-063-000 | Washer | 4 |
| D | 0003-214-000 | Hex Hd. Cap Screw | 4 |
| E | 4701-035-036 | Fowler Mount Bracket | 1 |
| F | (page 125) | Fowler Motor | 1 |
| | (page 125) | Fowler Motor (220V) | 1 |
| G | 0059-086-000 | Cable Tie | 1 |

4701-035-035 Domestic Fowler Motor w/Clutch

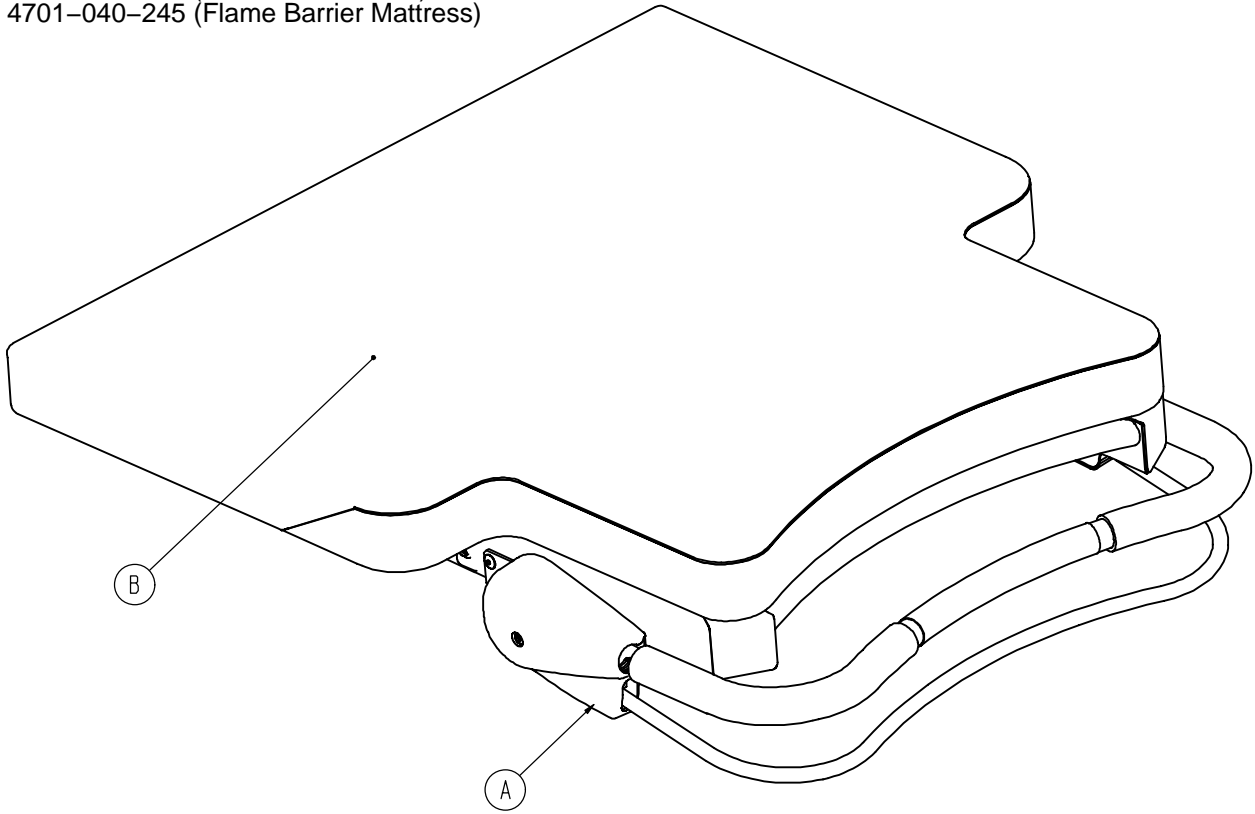
4712-035-035 International Fowler Motor w/Clutch



| Item | Part No. | Part Name | Qty. |
|------|--------------|------------------------------|------|
| A | 0028-131-000 | External Retaining Ring | 1 |
| B | 0081-212-000 | Thrust Needle Roller Bearing | 1 |
| C | 3000-200-224 | Idler Gear Thrust Washer | 2 |
| D | 3000-300-465 | CPR Clutch Spring | 1 |
| E | 3001-300-455 | CPR Coupler | 1 |
| F | 3001-300-472 | Fowler Motor | 1 |
| | 3221-300-453 | Fowler Motor (220V) | 1 |
| G | 3001-300-551 | Brake Stator | 2 |
| H | 3001-300-552 | CPR Disc Brake | 1 |
| J | 3001-300-563 | CPR Brake Spring | 1 |
| K | 3001-300-569 | Brake Cup | 1 |
| L | 3001-300-570 | CPR Spring Cup | 1 |
| M | 4701-090-056 | Label | 1 |
| N | 0059-780-000 | Capacitor | 1 |
| | 3221-300-453 | Capacitor (220V) | 1 |

Foot Section Assembly

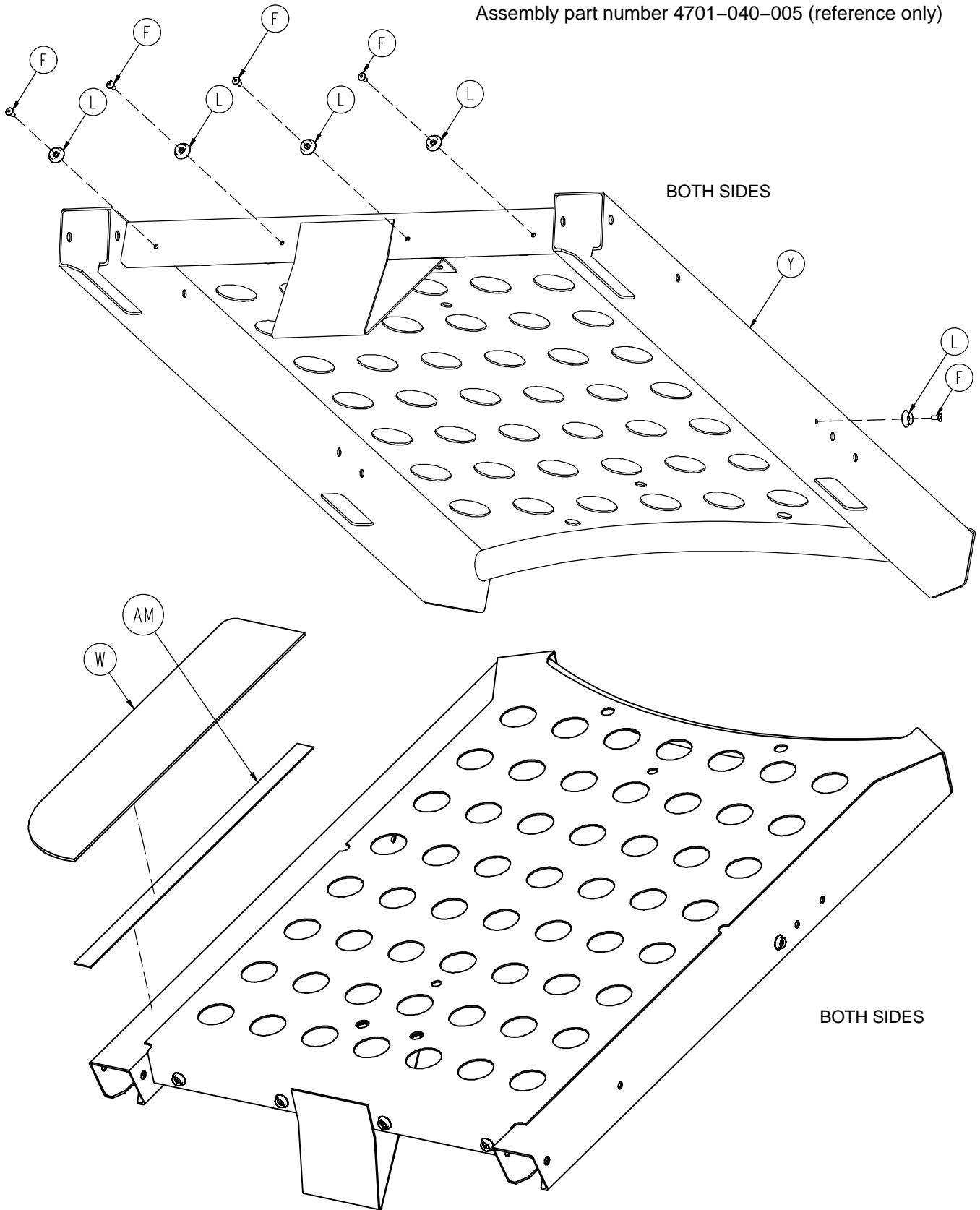
Assembly part numbers:
4701-040-240 (Standard Mattress)
4701-040-245 (Flame Barrier Mattress)



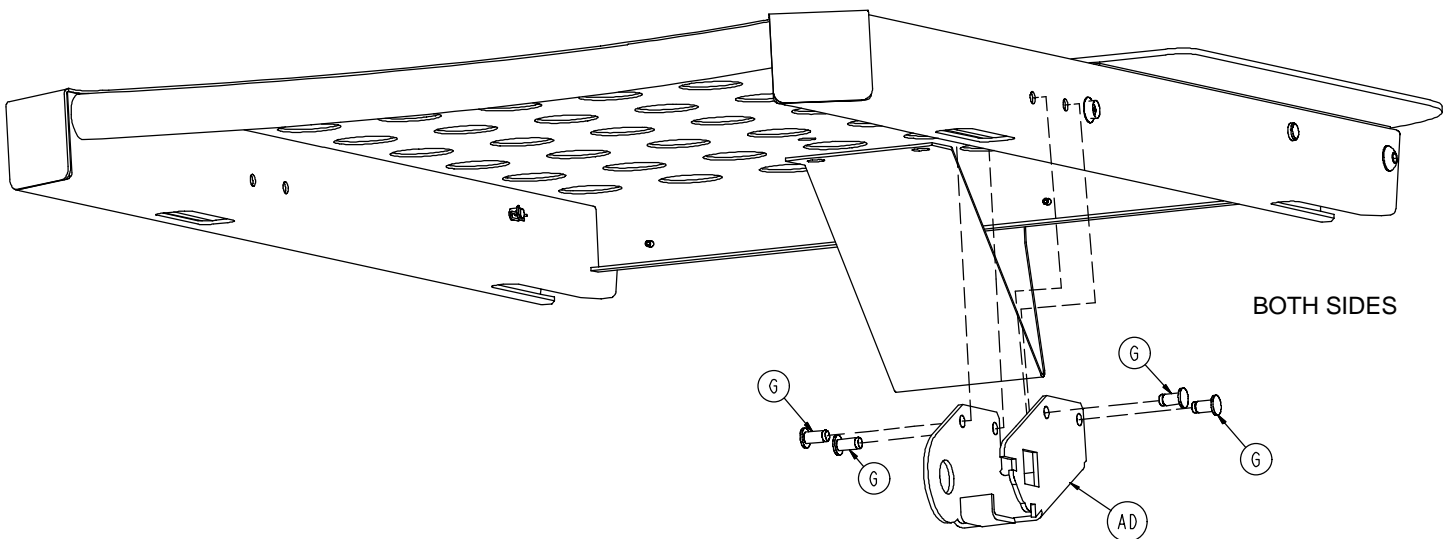
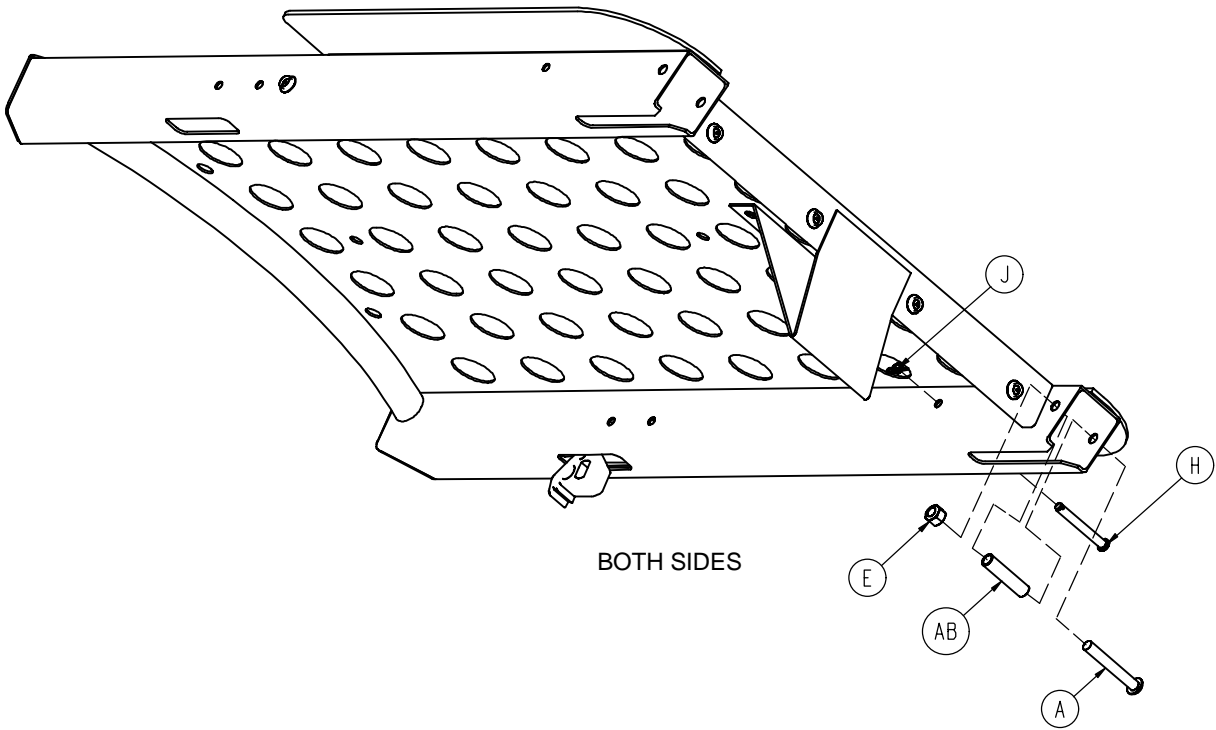
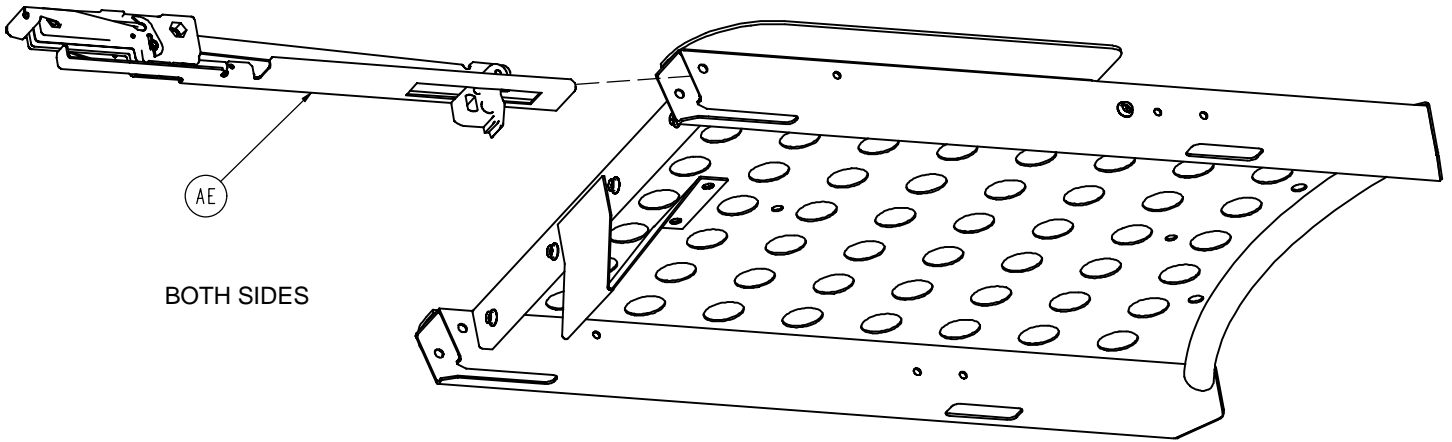
| Item | Part No. | Part Name | Qty. |
|------|----------------------------|-----------------------------|------|
| A | (page 127) | Foot Section Standard Comp. | 1 |
| B | (page 136) | Foot Mattress | 1 |

Foot Section Standard Components

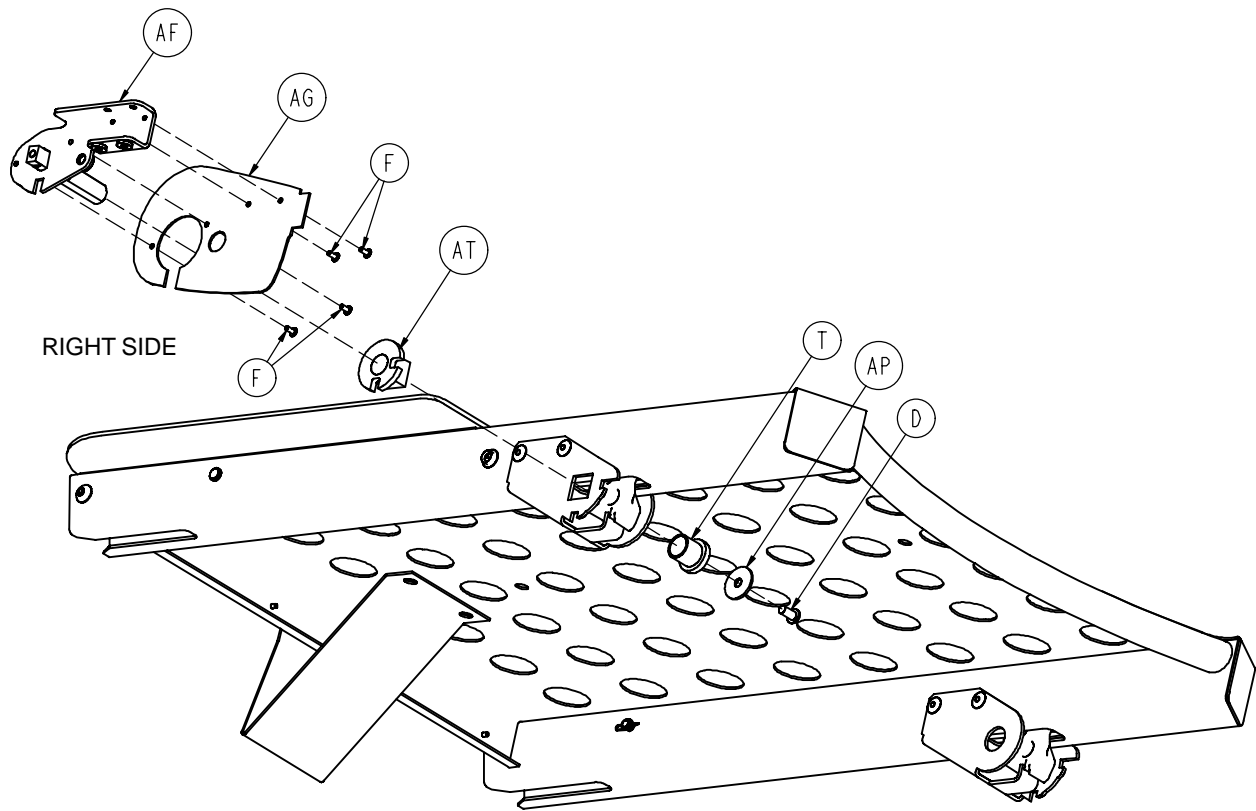
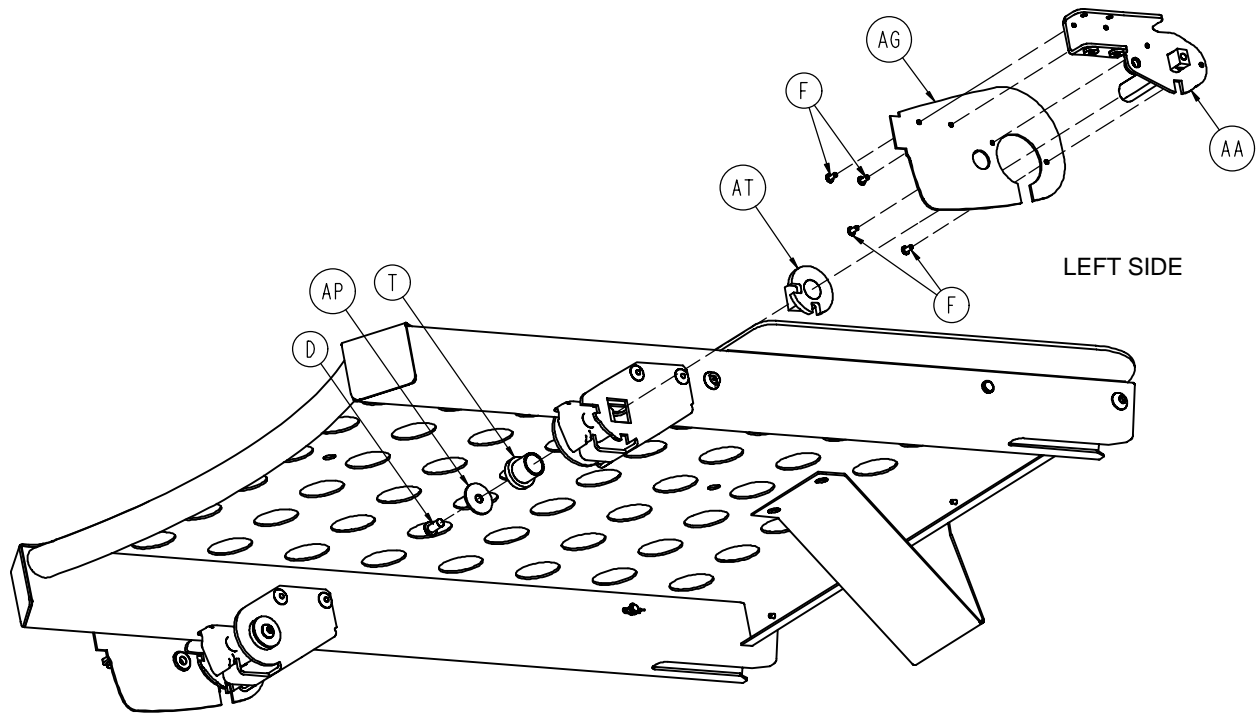
Assembly part number 4701-040-005 (reference only)



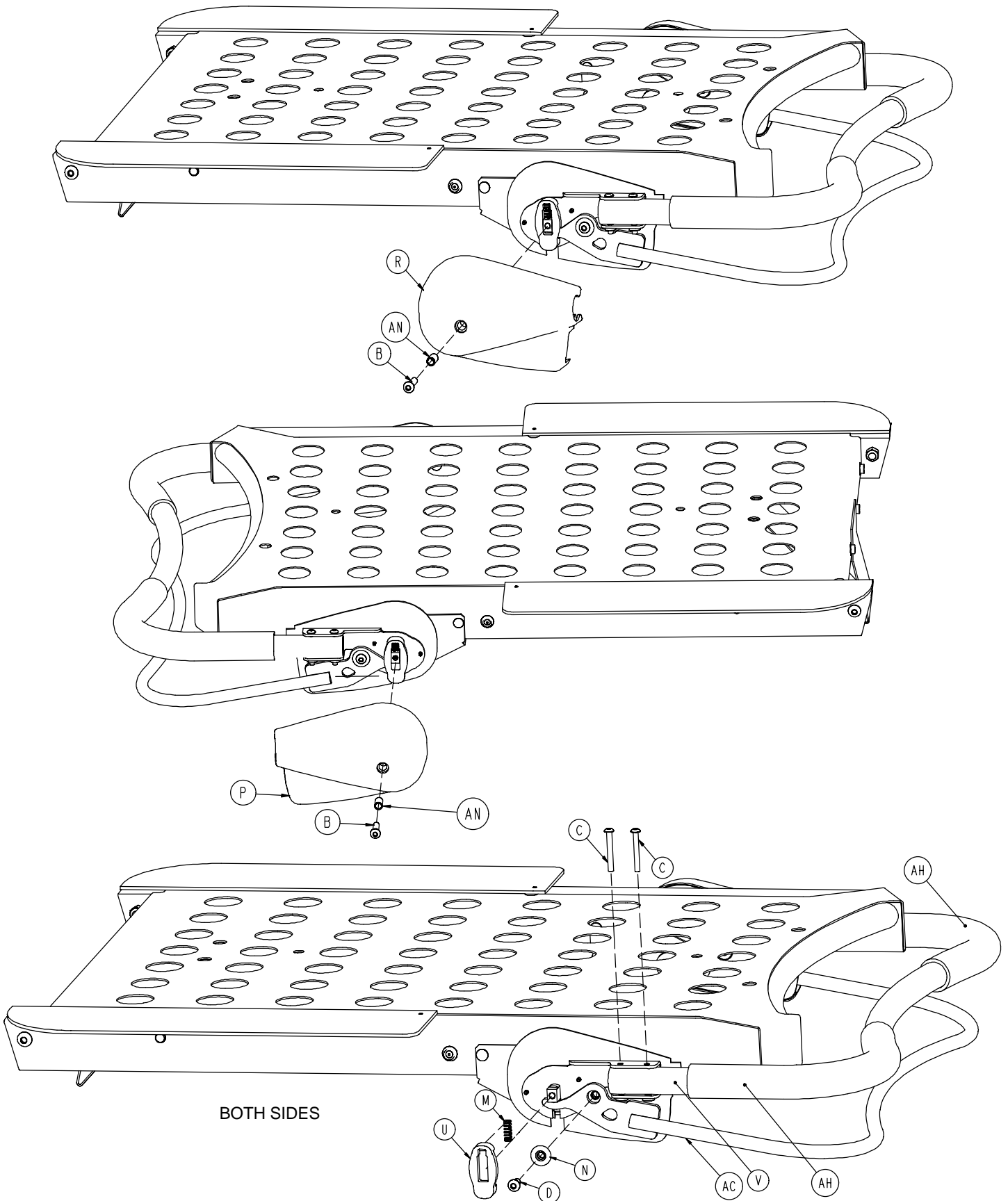
Foot Section Standard Components



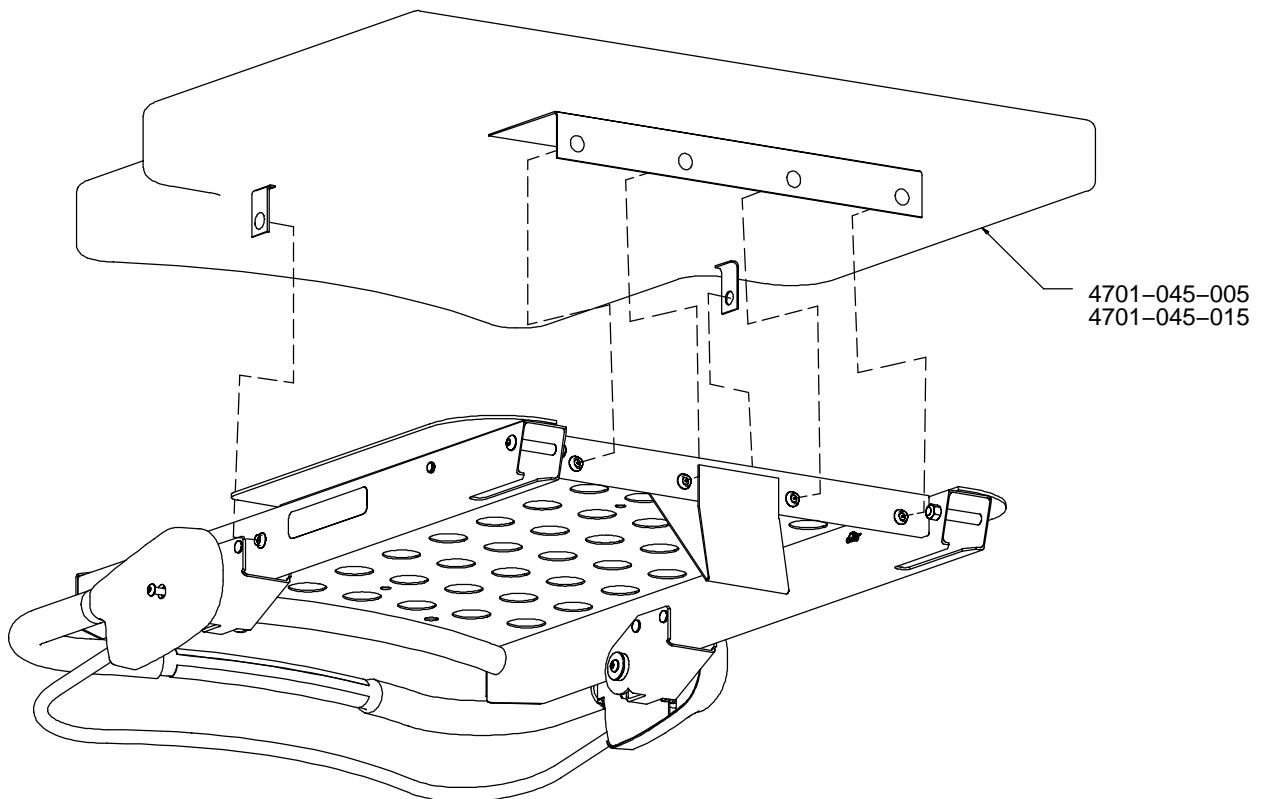
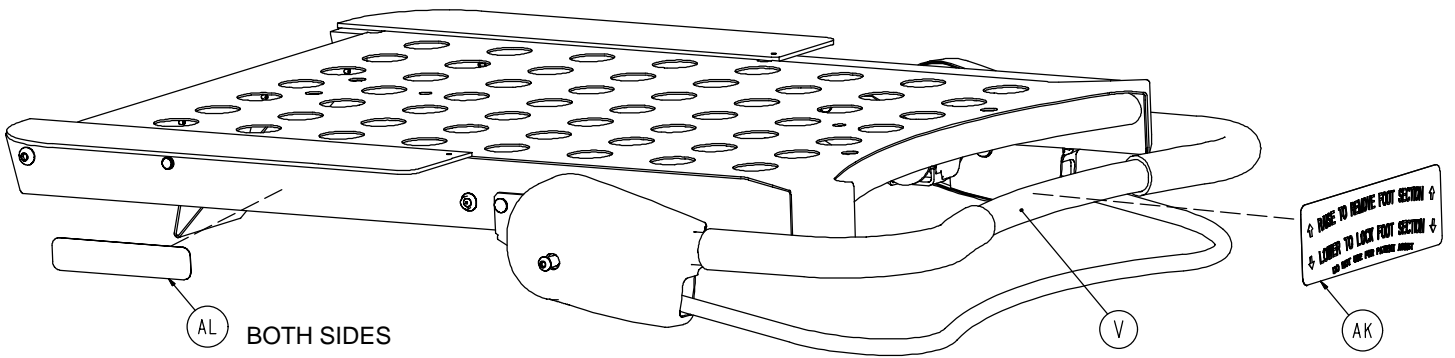
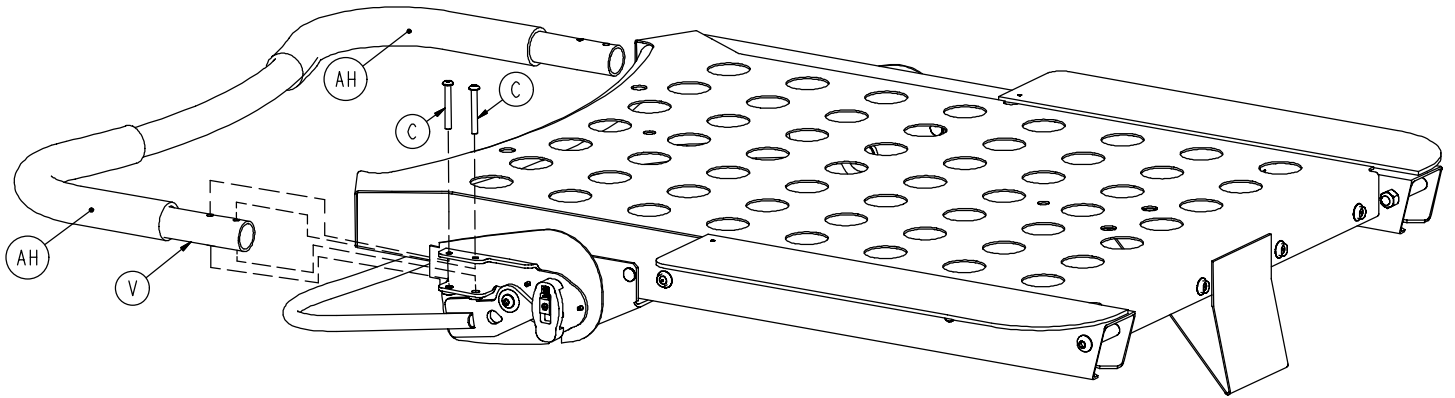
Foot Section Standard Components



Foot Section Standard Components



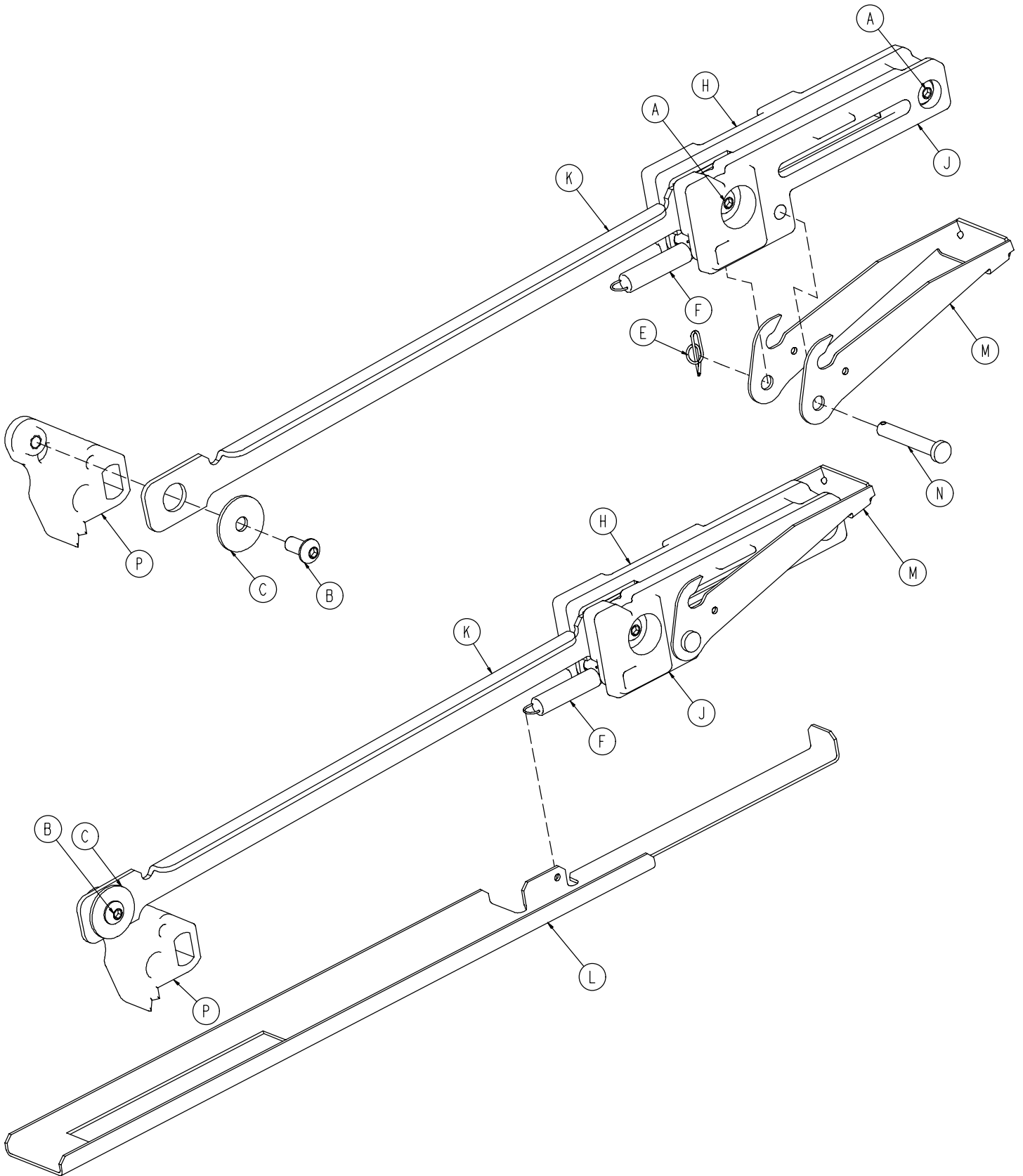
Foot Section Standard Components



Foot Section Standard Components

| Item | Part No. | Part Name | Qty. |
|------|----------------------------|------------------------|------|
| A | 0004-052-000 | But. Hd. Cap Screw | 2 |
| B | 0004-334-000 | But. Hd. Cap Screw | 2 |
| C | 0004-314-000 | But. Hd. Cap Screw | 4 |
| D | 0004-325-000 | But. Hd. Cap Screw | 2 |
| E | 0016-036-000 | Nylock Hex Nut | 2 |
| F | 0025-038-000 | Rivet | 14 |
| G | 0025-177-000 | Pop Rivet | 8 |
| H | 0026-334-000 | Clevis Pin | 2 |
| J | 0027-020-000 | Rue Ring Cotter | 2 |
| L | 0029-003-000 | Brass Eyelet | 6 |
| M | 0038-220-000 | Compression Spring | 2 |
| N | 0081-268-000 | Bronze Bushing | 2 |
| P | 4701-040-003 | Pivot Cover, Left | 1 |
| R | 4701-040-004 | Pivot Cover, Right | 1 |
| T | 4701-040-006 | Pivot Bushing | 2 |
| U | 4701-040-007 | Pivot Lock | 2 |
| V | 4701-040-008 | Handle Tube | 1 |
| W | 4701-040-009 | Guide Wing | 2 |
| Y | 4701-040-010 | Foot Section Weldment | 1 |
| AA | 4701-040-015 | Left Pivot | 1 |
| AB | 4701-040-019 | Front Pin Spacer | 2 |
| AC | 4701-040-020 | Release Handle | 1 |
| AD | 4701-040-023 | Pivot Mount, Right | 1 |
| AE | (page 133) | Sliding Block Assembly | 2 |
| AF | 4701-040-040 | Right Pivot | 1 |
| AG | 4701-040-109 | Inside Pivot Cover | 2 |
| AH | 4701-040-129 | Foam Grips | 2 |
| AK | 4701-090-042 | Instruction Label | 1 |
| AL | 4701-090-043 | "Lock-Rite" Logo Label | 2 |
| AM | 0044-054-000 | Two-Sided Tape | 2 |
| AN | 4701-040-162 | Pivot Cover Spacer | 2 |
| AP | 0011-053-000 | Washer | 2 |
| AR | 4701-040-164 | Pivot Mount, Left | 1 |
| AT | 4701-040-166 | Notched Pivot Bushing | 2 |

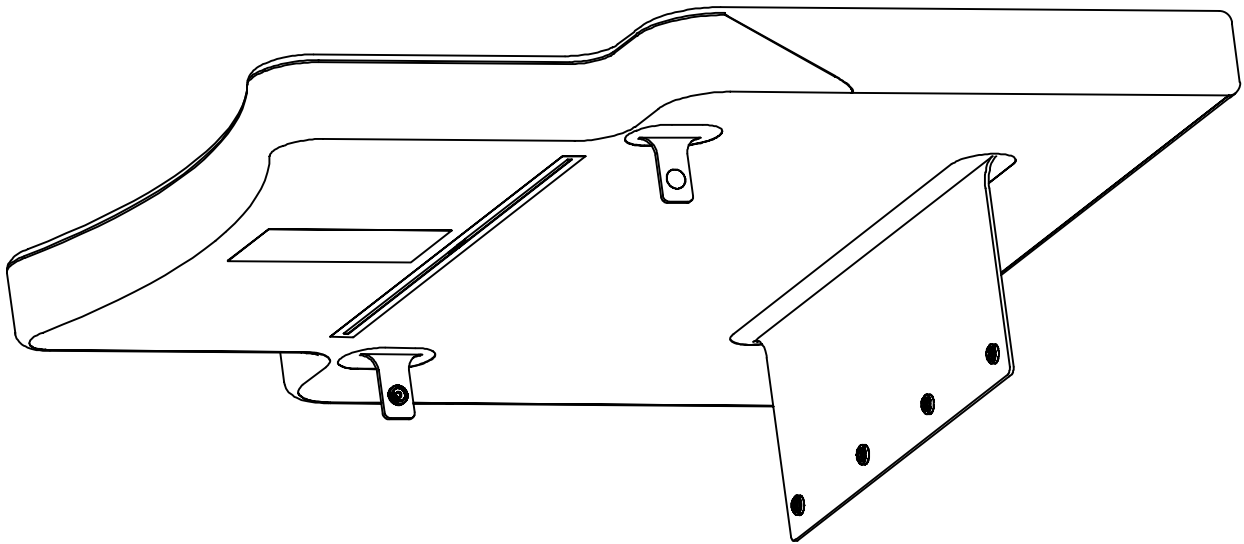
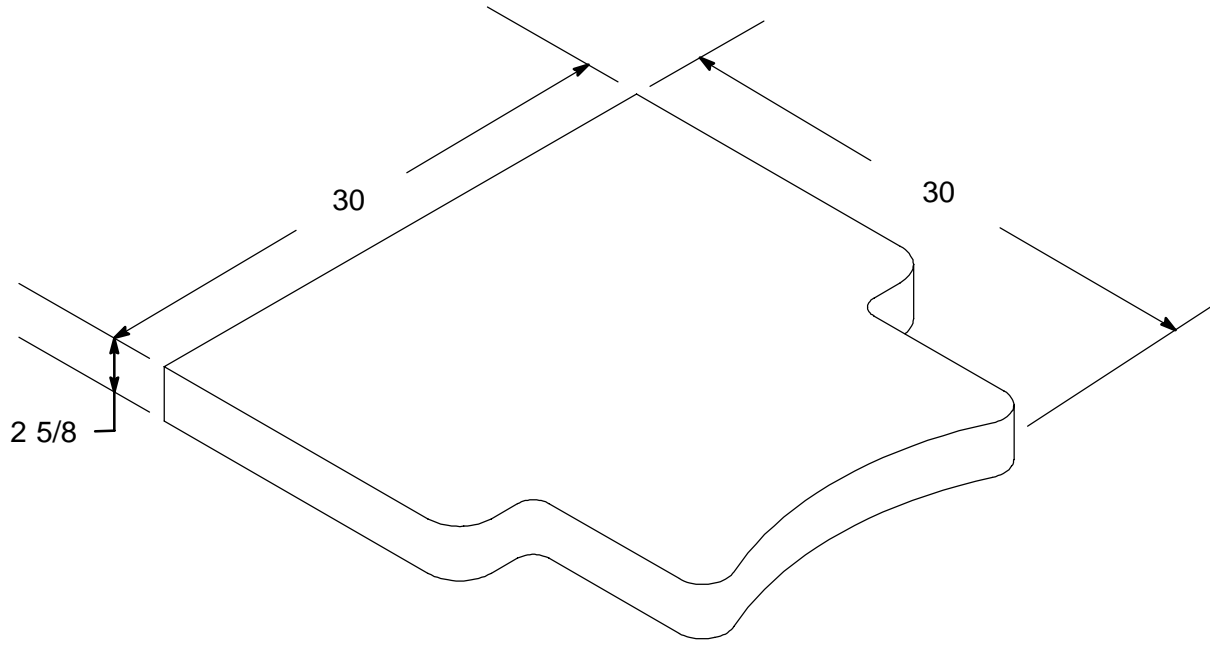
Sliding Block Assembly



Sliding Block Assembly

| Item | Part No. | Part Name | Qty. |
|-------------|-----------------|----------------------|-------------|
| A | 0004-334-000 | Button Hd. Cap Screw | 2 |
| B | 0004-325-000 | Button Hd. Cap Screw | 1 |
| C | 0011-053-000 | Washer | 1 |
| D | 0016-028-000 | Hex Nut | 2 |
| E | 0027-020-000 | Rue Ring Cotter | 1 |
| F | 0038-427-000 | Extension Spring | 1 |
| G | 0081-268-000 | Bronze Bushing | 1 |
| H | 4701-040-026 | Left Sliding Block | 1 |
| J | 4701-040-027 | Right Sliding Block | 1 |
| K | 4701-040-028 | Connecting Link | 1 |
| L | 4701-040-029 | Sensing Link | 1 |
| M | 4701-040-031 | Latching Link | 1 |
| N | 4701-040-032 | Latching Pin | 1 |
| P | 4701-040-033 | Driver Link | 1 |

Foot Mattress

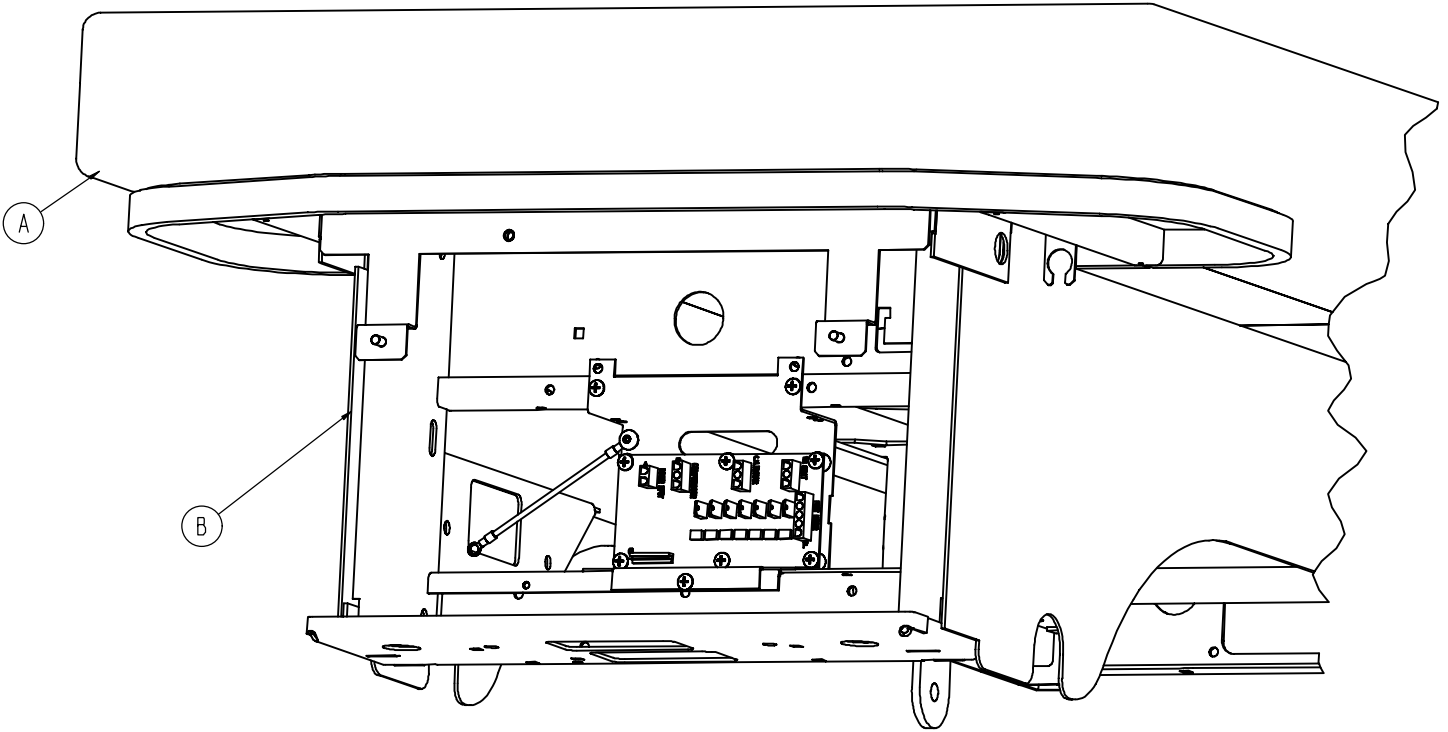


Mattress, Standard 4701-045-005

Mattress, Flame Barrier Option 4701-045-015

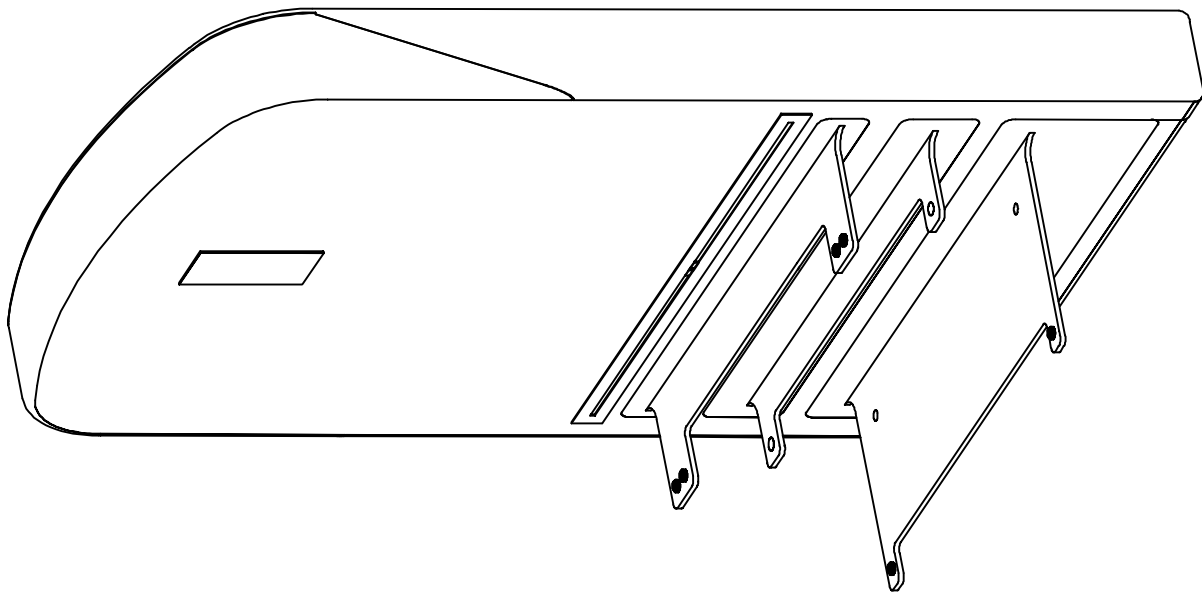
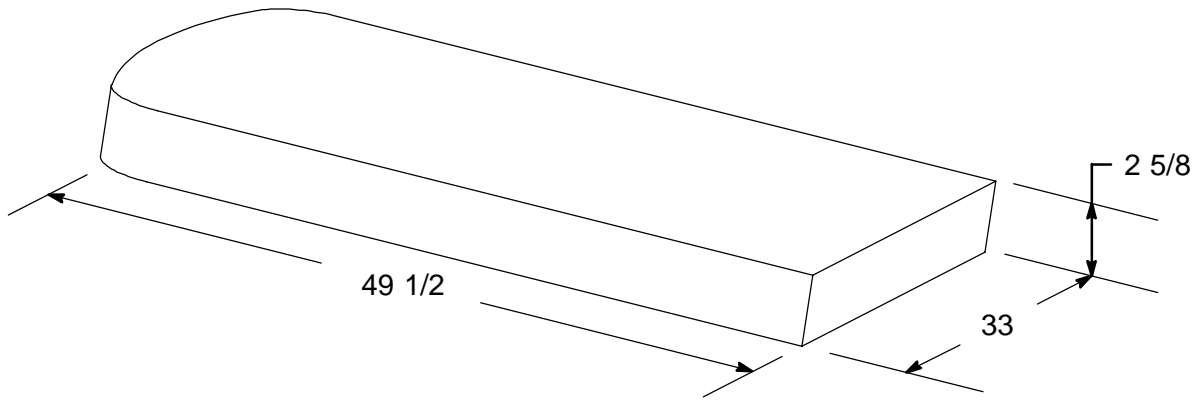
Enhanced Comfort Mattress Option

Assembly part numbers:
4701-045-105 (Enhanced Comfort Mattress)
4701-040-110 (Enhanced Comfort Mattress with Flame Barrier)



| Item | Part No. | Part Name | Qty. |
|------|------------|---------------------------------|------|
| A | (page 138) | Mattress | 1 |
| B | (page 139) | Enhanced Comfort Standard Comp. | 1 |

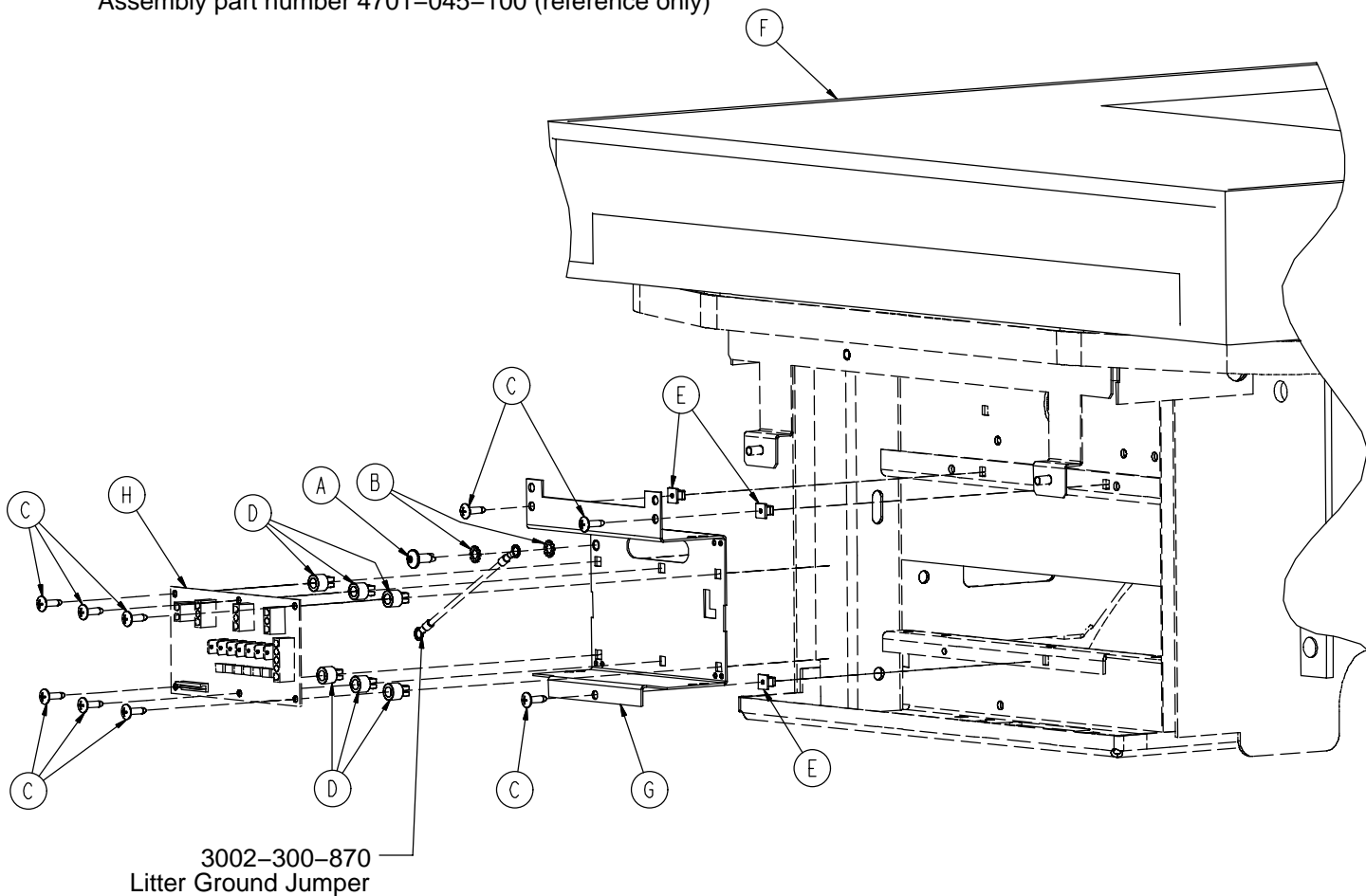
Enhanced Comfort Mattress



| | |
|--------------------------------------|--------------|
| Mattress, Standard | 4701-045-000 |
| Mattress, Flame Barrier Option | 4701-045-010 |

Enhanced Comfort Mattress Standard Components

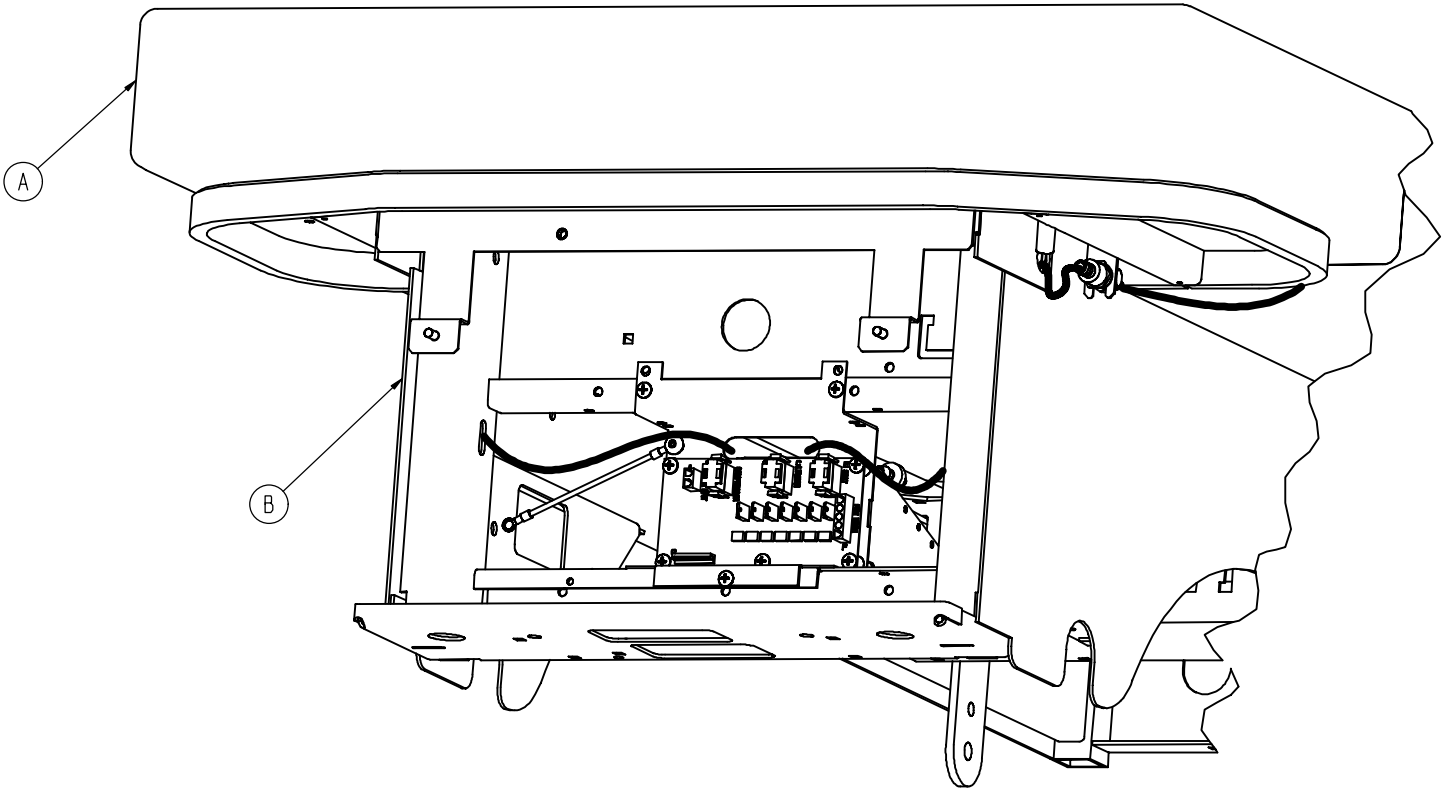
Assembly part number 4701-045-100 (reference only)



| Item | Part No. | Part Name | Qty. |
|------|--------------|----------------------------|------|
| A | 0007-065-000 | Truss Hd. Screw | 1 |
| B | 0013-010-000 | External Tooth Lock Washer | 2 |
| C | 0023-080-000 | Phillips Truss Hd. Screw | 9 |
| D | 0052-907-000 | Standoff | 6 |
| E | 3000-300-002 | Grommet | 3 |
| F | (page 138) | Head Mattress | 1 |
| G | 4701-048-009 | Foot Power Bracket | 1 |
| H | 4701-080-050 | Foot Power Board | 1 |

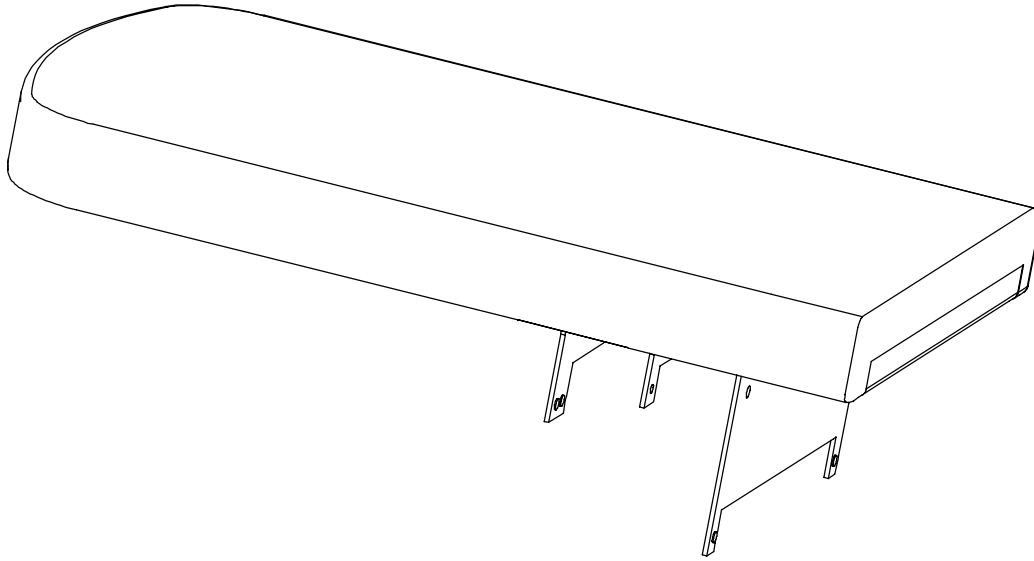
Air Mattress Option

Assembly part numbers:
4701-048-105 (Standard Mattress – Domestic)
4701-048-110 (Standard Mattress – International)
4712-048-105 (Flame Barrier Mattress – Domestic)
4712-048-110 (Flame Barrier Mattress – International)



| Item | Part No. | Part Name | Qty. |
|------|------------------------------|--------------|------|
| A | (page 141) | Air Mattress | 1 |
| B | (page 142) | Air Assembly | 1 |

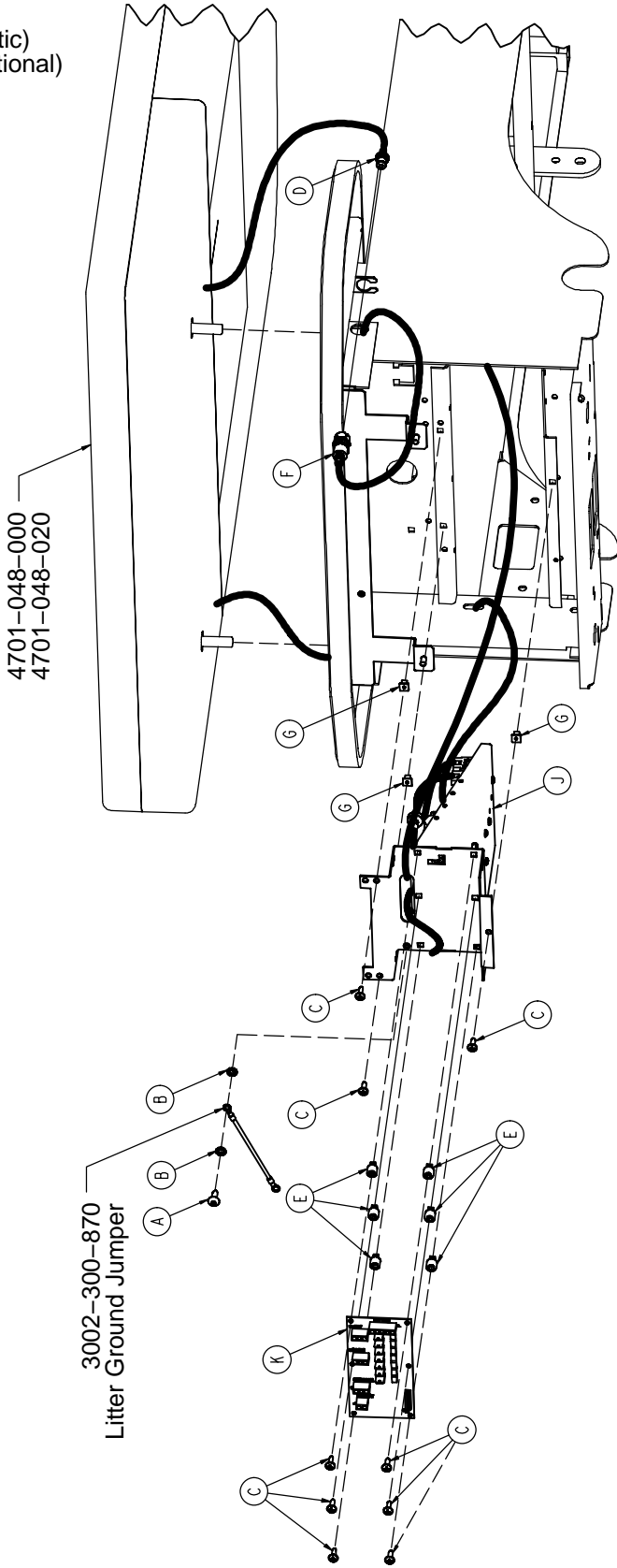
Air Mattress



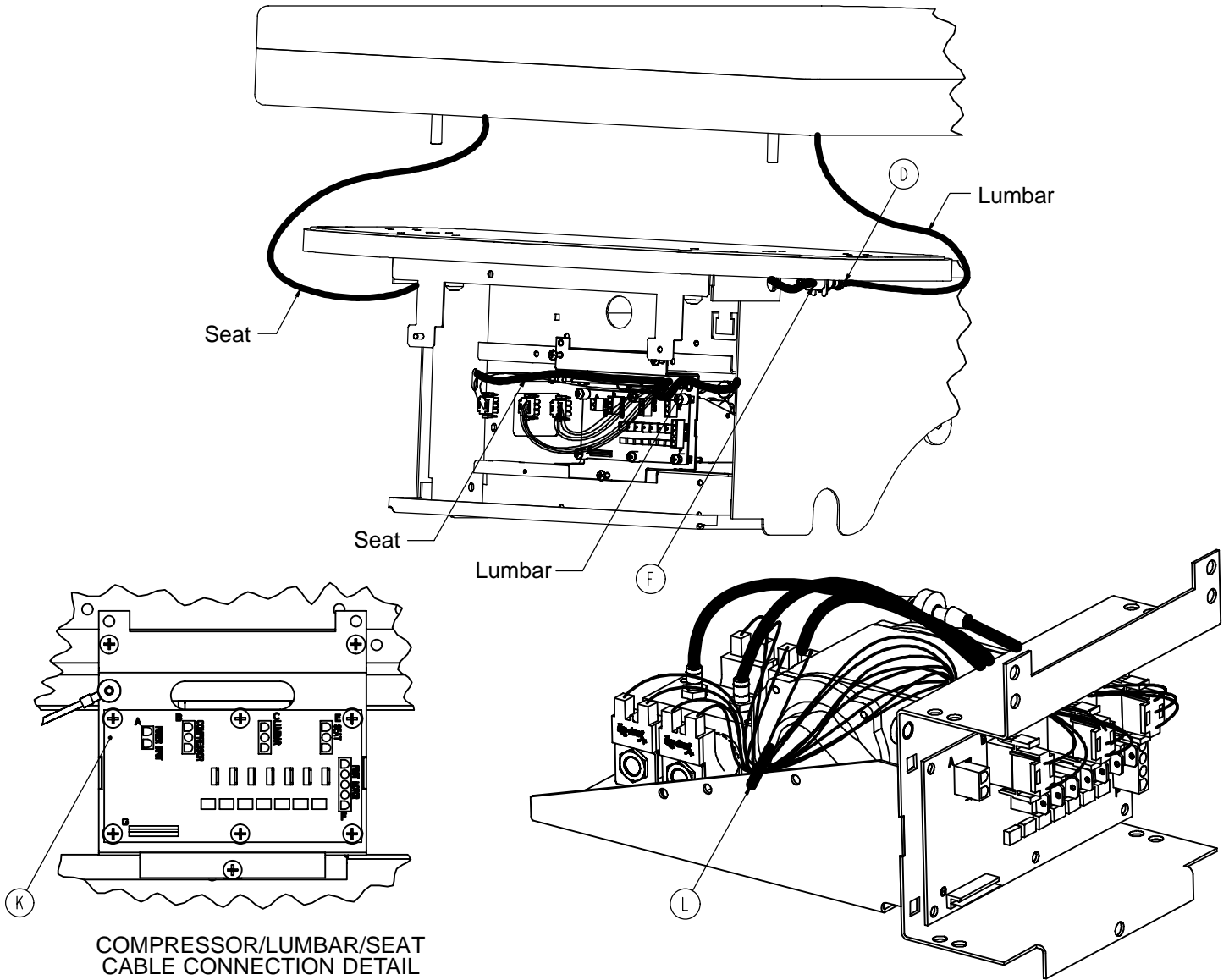
| | |
|--------------------------------------|--------------|
| Mattress, Standard | 4701-048-000 |
| Mattress, Flame Barrier Option | 4701-048-020 |

Optional Air Mattress Standard Components

Assembly part numbers
4701-048-100 (Domestic)
4712-048-100 (International)



Optional Air Mattress Standard Components

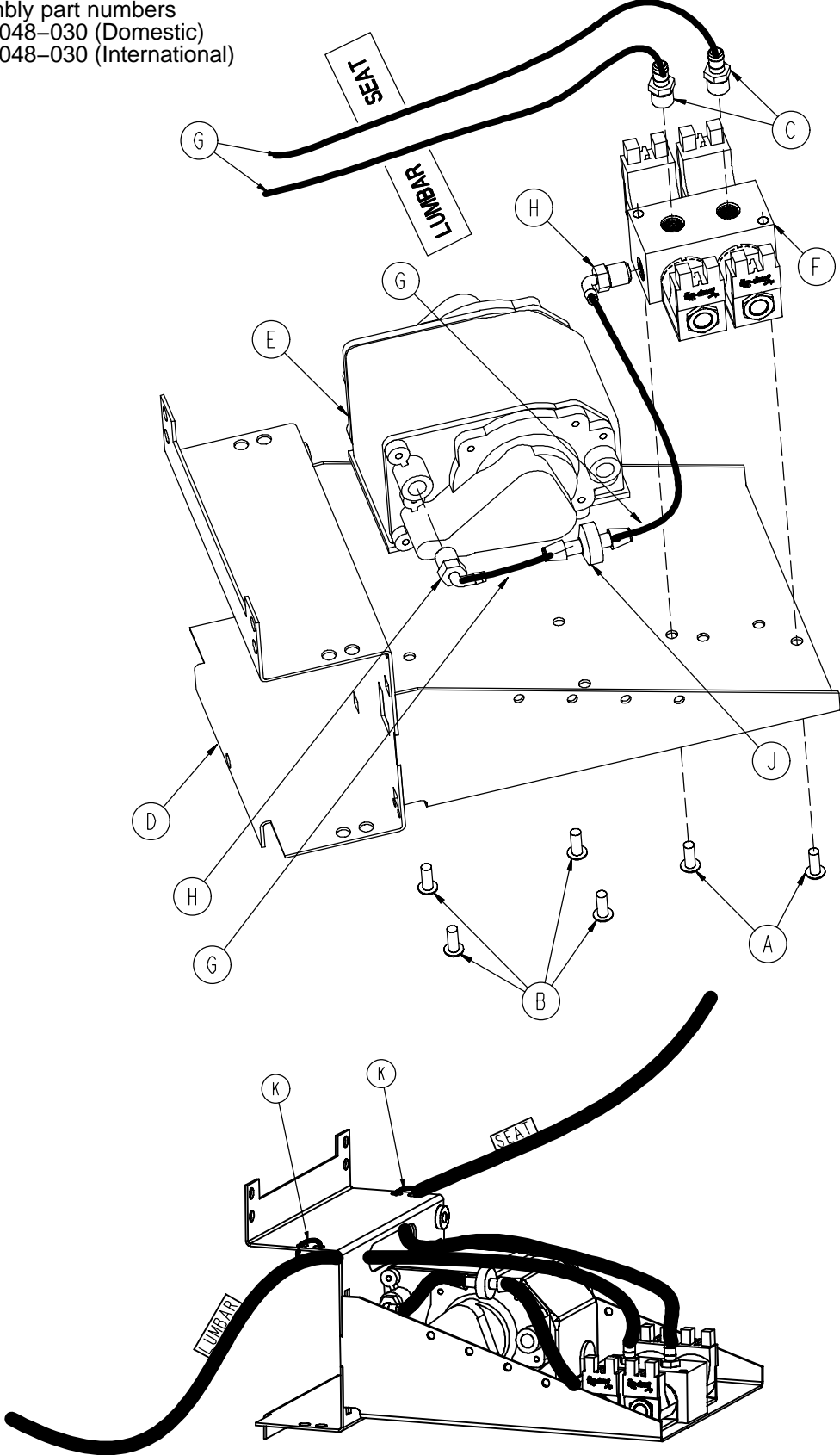


COMPRESSOR/LUMBAR/SEAT
CABLE CONNECTION DETAIL

| Item | Part No. | Part Name | Qty. |
|------|----------------------------|------------------------------|------|
| A | 0007-065-000 | Truss Hd. Screw | 1 |
| B | 0013-010-000 | External Tooth Lock Washer | 2 |
| C | 0023-080-000 | Phillips Truss Hd. Screw | 9 |
| D | 0048-228-000 | Inline Hose Barb | 2 |
| E | 0052-907-000 | Grommet | 6 |
| F | 2500-900-012 | Panel Mount Coupler | 2 |
| G | 3000-300-002 | Plastic Clip Nut | 3 |
| J | (page 144) | Compressor/Manifold Assembly | 1 |
| K | 4701-080-050 | Option Power Board | 1 |
| L | 0059-086-000 | Cable Tie | 1 |

Air Mattress Compressor/Manifold Assembly

Assembly part numbers
4701-048-030 (Domestic)
4712-048-030 (International)

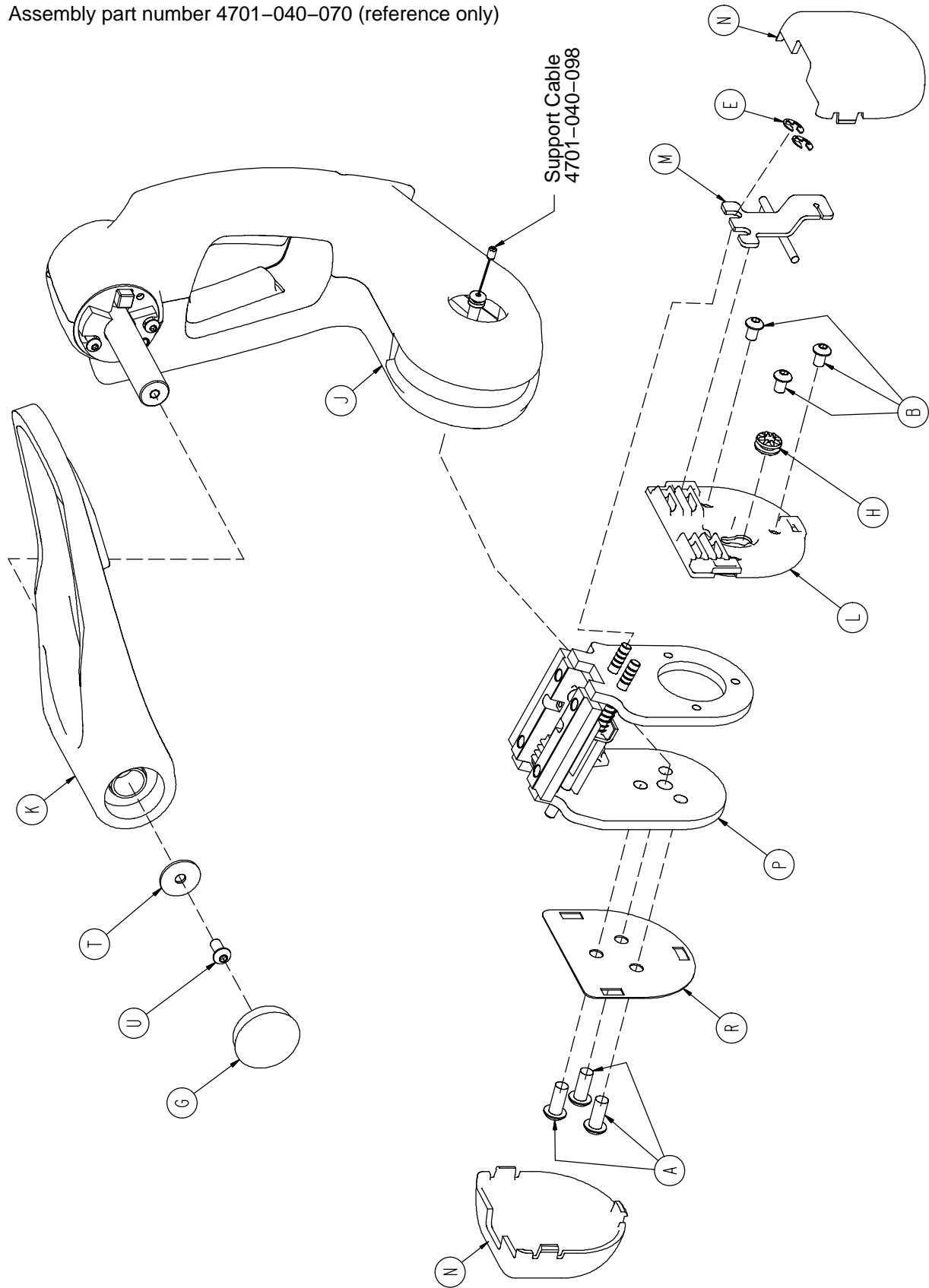


Air Mattress Compressor/Manifold Assembly

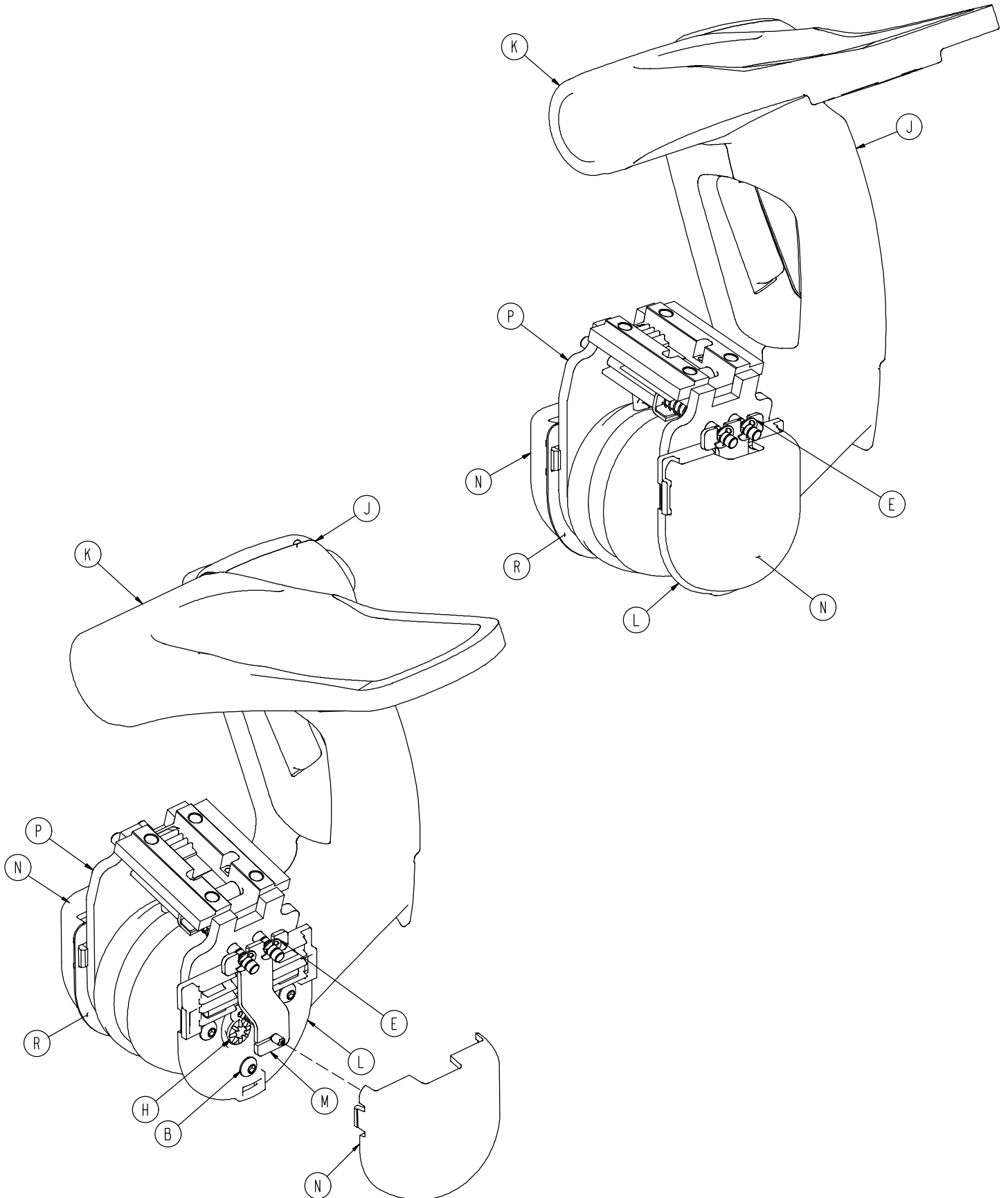
| Item | Part No. | Part Name | Qty. |
|-------------|-----------------|----------------------|-------------|
| A | 0004-304-000 | Button Hd. Cap Screw | 2 |
| B | 0004-305-000 | Button Hd. Cap Screw | 4 |
| C | 0048-159-000 | Male Connector | 2 |
| D | 4701-048-010 | Bracket | 1 |
| E | 4701-048-015 | Compressor | 1 |
| | 4712-048-015 | 220V Compressor | 1 |
| F | 4701-048-025 | Manifold | 1 |
| | 4712-048-025 | 220V Manifold | 1 |
| G | 5002-030-240 | Tubing | 3.92' |
| H | N/A | 90° Barbed Elbow | 2 |
| J | N/A | Check Valve | 1 |
| K | 0059-086-000 | Cable Tie | 2 |

Left Upright Assembly

Assembly part number 4701-040-070 (reference only)



Left Upright Assembly

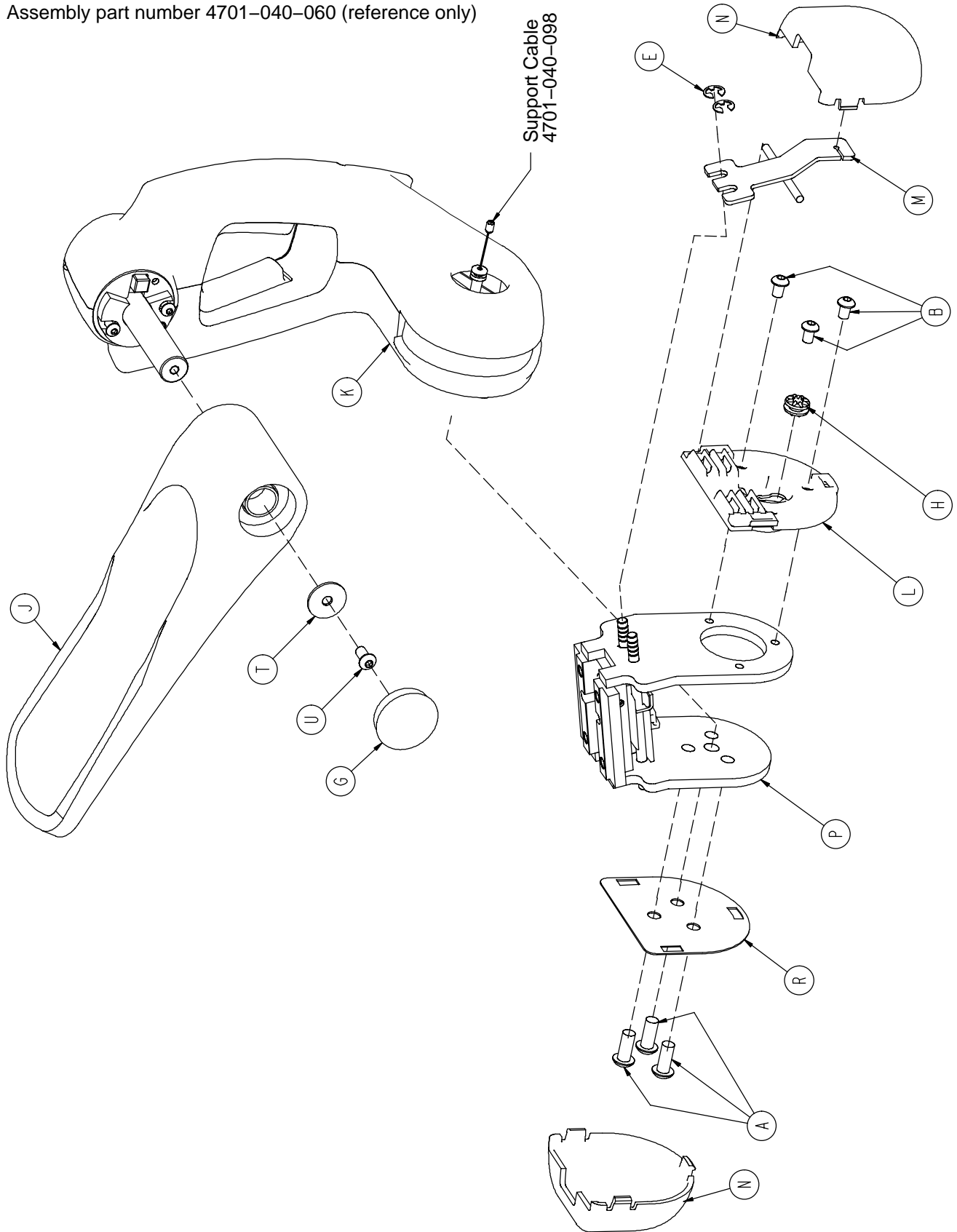


Left Upright Assembly

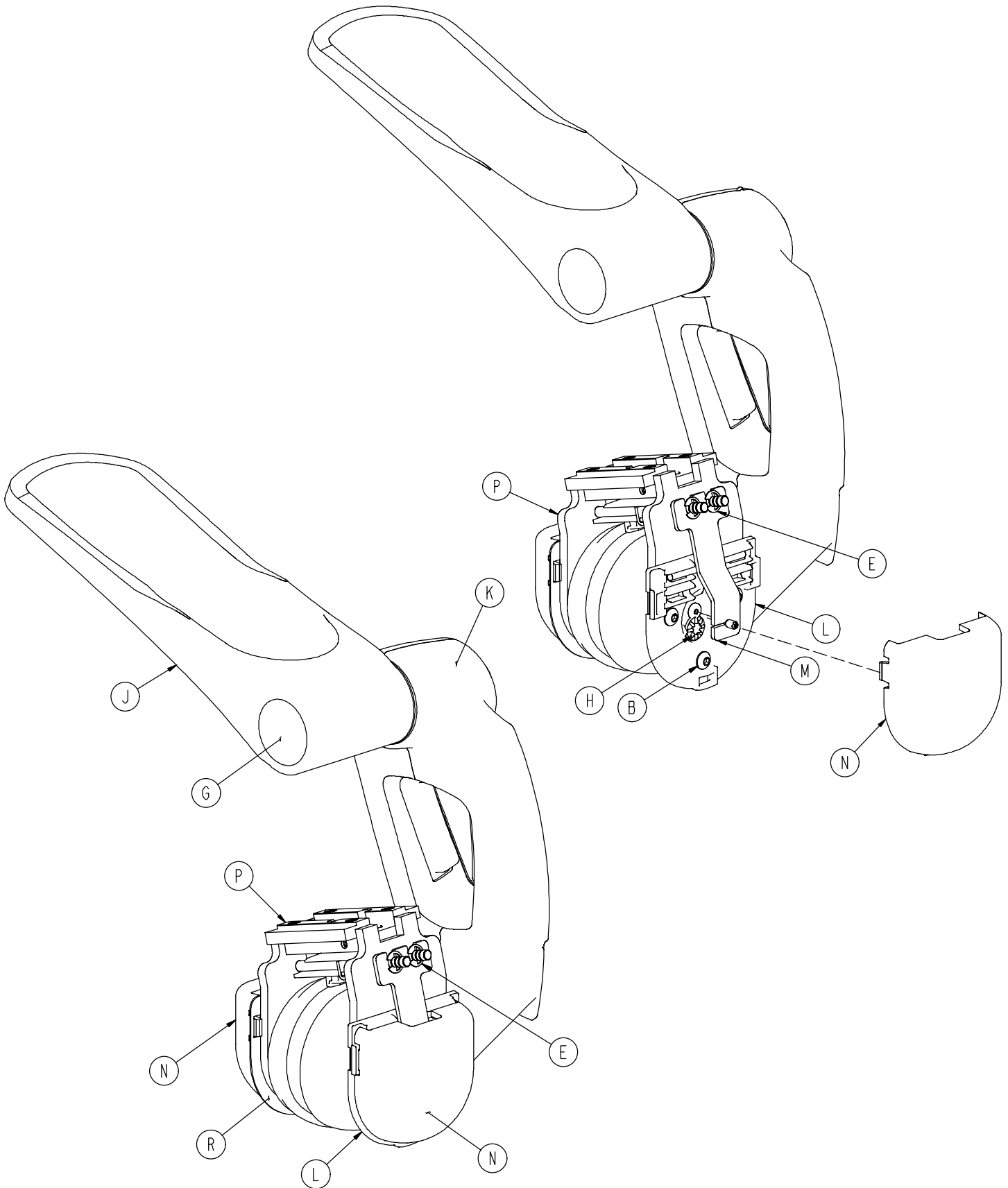
| Item | Part No. | Part Name | Qty. |
|------|----------------------------|--------------------------------|------|
| A | 0004-582-000 | Button Hd. Cap Screw | 3 |
| B | 0004-497-000 | Button Hd. Cap Screw | 3 |
| E | 0028-114-000 | E-Ring | 2 |
| G | 0037-220-000 | Hole Plug | 1 |
| H | 3000-300-442 | Grommet | 1 |
| J | (page 153) | Upright Housing Assembly | 1 |
| K | (page 152) | Foot Assembly, Left | 1 |
| L | 4701-040-078 | Combination Bearing Plate | 1 |
| M | 4701-040-097 | Pull Bar, Left | 1 |
| N | 4701-040-099 | Translation Cap | 2 |
| P | (page 158) | Upright Slide, Left | 1 |
| R | 4701-040-158 | Translation Cap Mounting Plate | 1 |
| T | 0011-053-000 | Flat Washer | 1 |
| U | 0004-325-000 | Button Hd. Cap Screw | 1 |

Right Upright Assembly

Assembly part number 4701-040-060 (reference only)



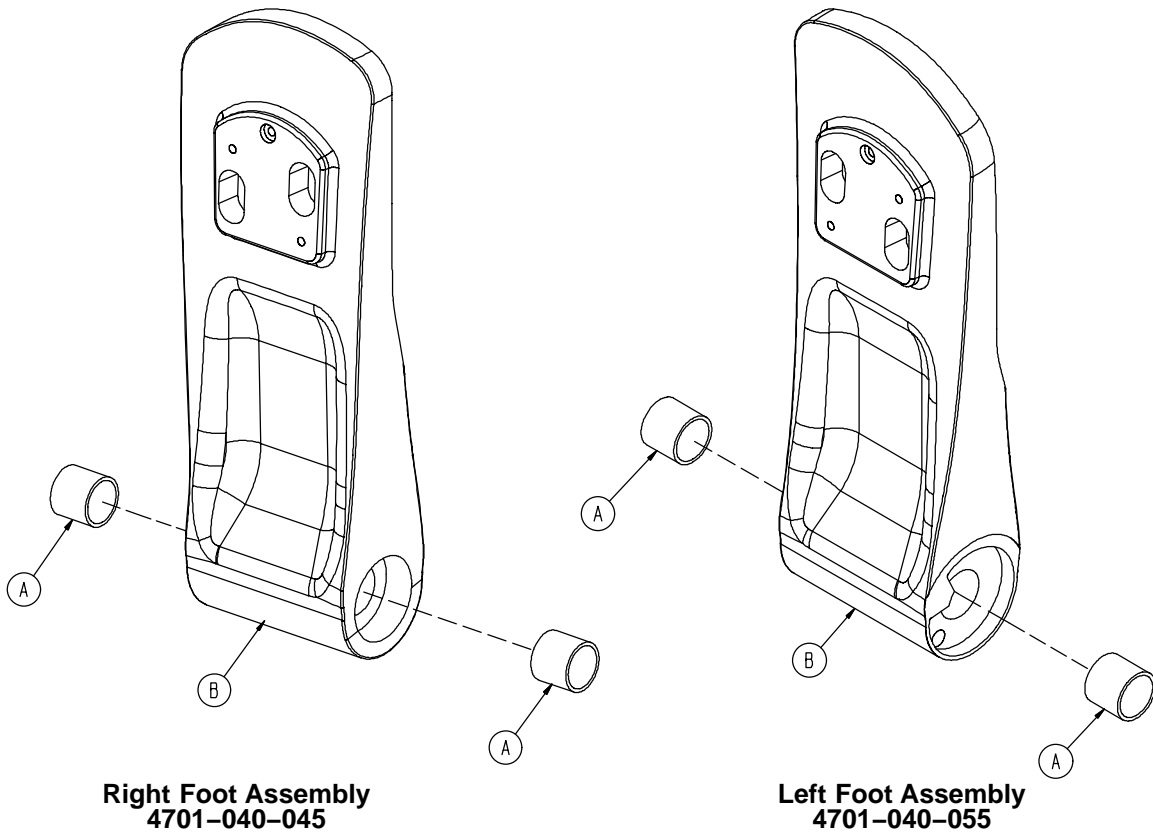
Right Upright Assembly



Right Upright Assembly

| Item | Part No. | Part Name | Qty. |
|-------------|------------------------------|--------------------------------|-------------|
| A | 0004-582-000 | Button Hd. Cap Screw | 3 |
| B | 0004-497-000 | Button Hd. Cap Screw | 3 |
| E | 0028-114-000 | E-Ring | 2 |
| G | 0037-220-000 | Hole Plug | 1 |
| H | 3000-300-442 | Grommet | 1 |
| J | (page 152) | Foot Assembly, Right | 1 |
| K | (page 153) | Upright Housing Assembly | 1 |
| L | 4701-040-078 | Combination Bearing Plate | 1 |
| M | 4701-040-096 | Pull Bar, Right | 1 |
| N | 4701-040-099 | Translation Cap | 2 |
| P | (page 159) | Upright Slide, Right | 1 |
| R | 4701-040-158 | Translation Cap Mounting Plate | 1 |
| T | 0011-053-000 | Flat Washer | 1 |
| U | 0004-325-000 | Button Hd. Cap Screw | 1 |

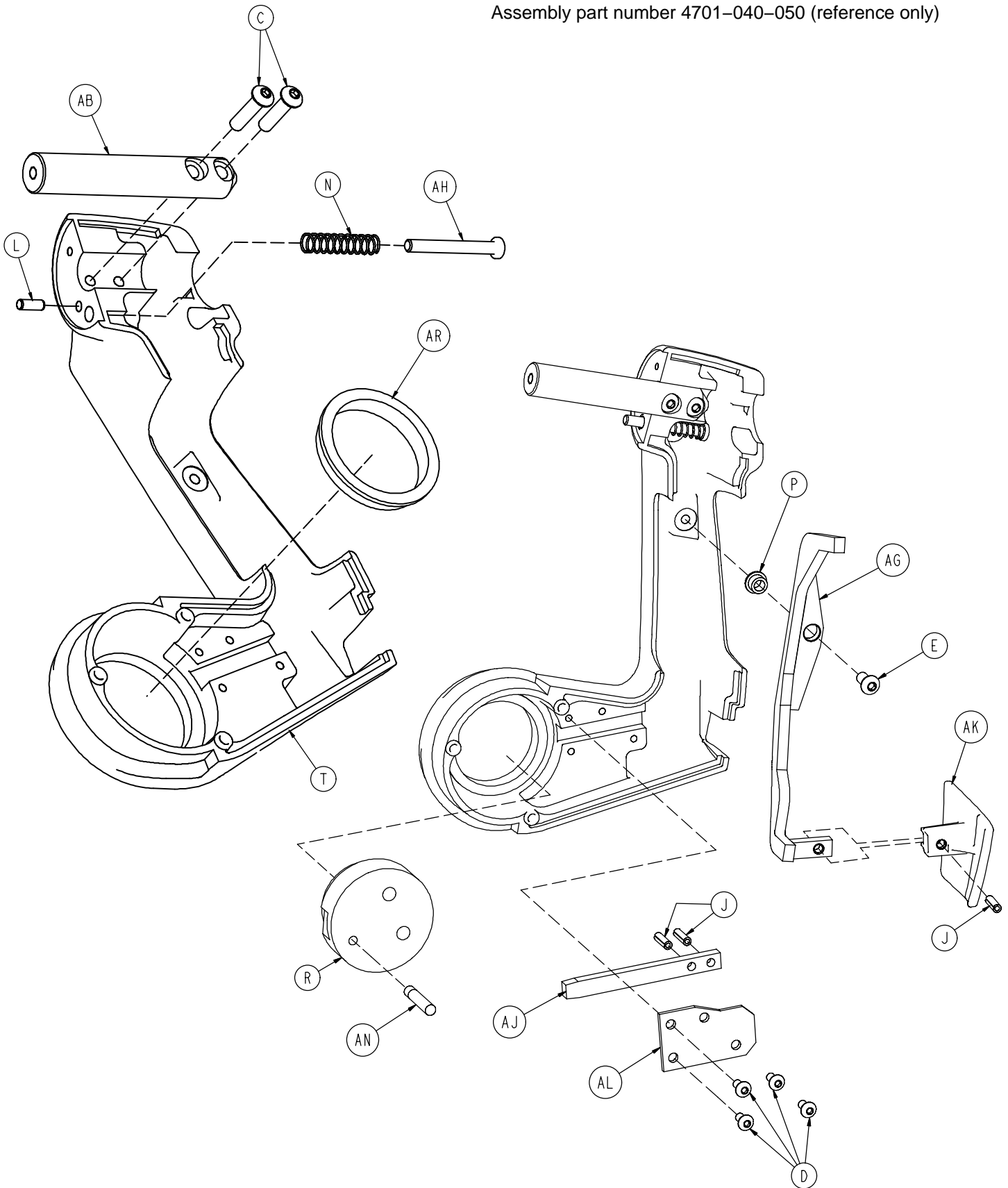
Foot Assembly, Left & Right



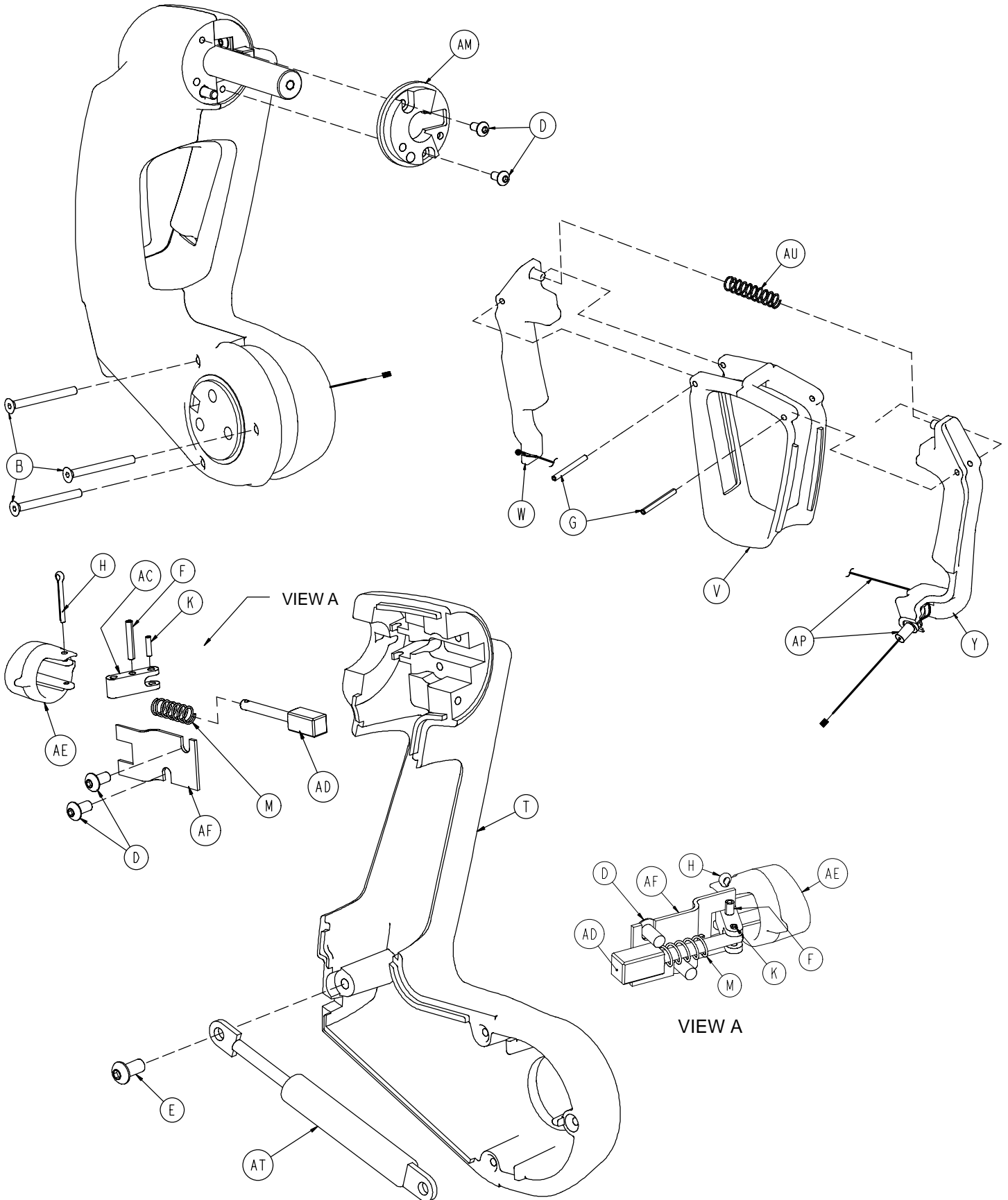
| Item | Part No. | Part Name | Qty. |
|------|--------------|------------|------|
| A | 0081-289-000 | Bearing | 2 |
| B | 4701-040-072 | Right Foot | 1 |
| | 4701-040-073 | Left Foot | 1 |

Upright Housing Assembly

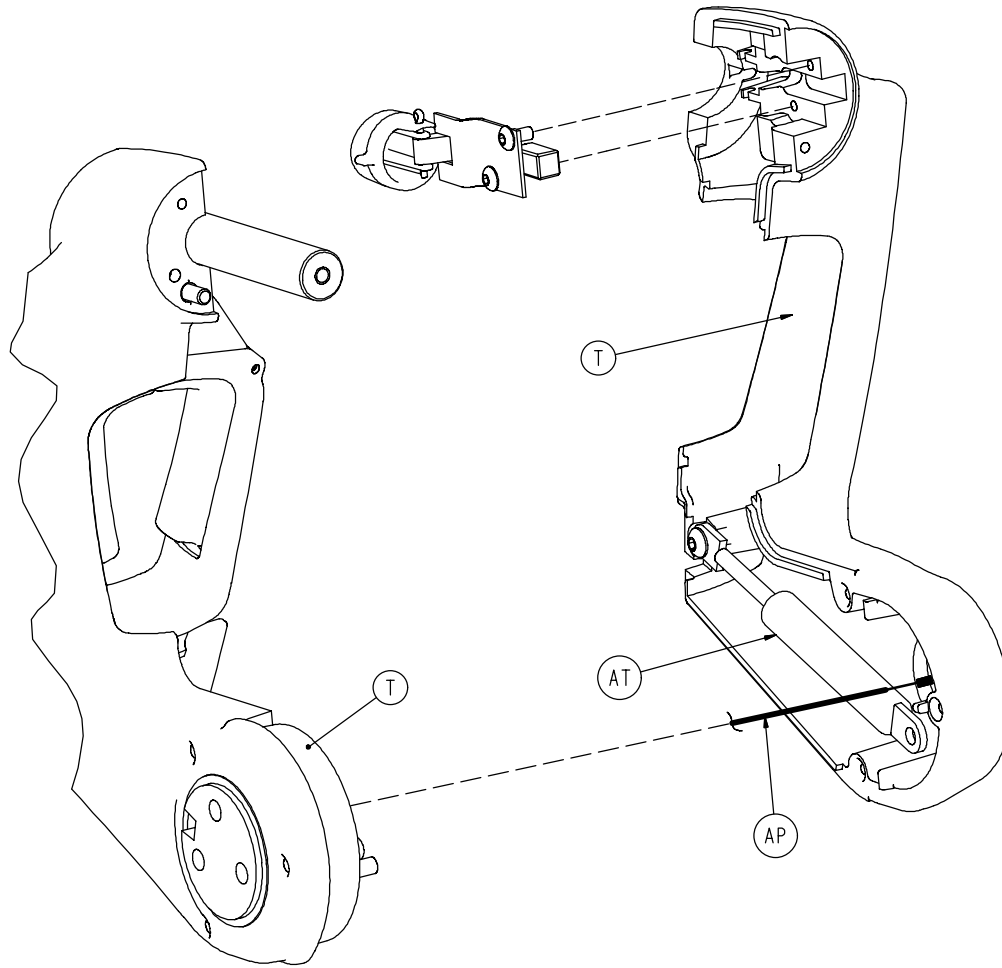
Assembly part number 4701-040-050 (reference only)



Upright Housing Assembly

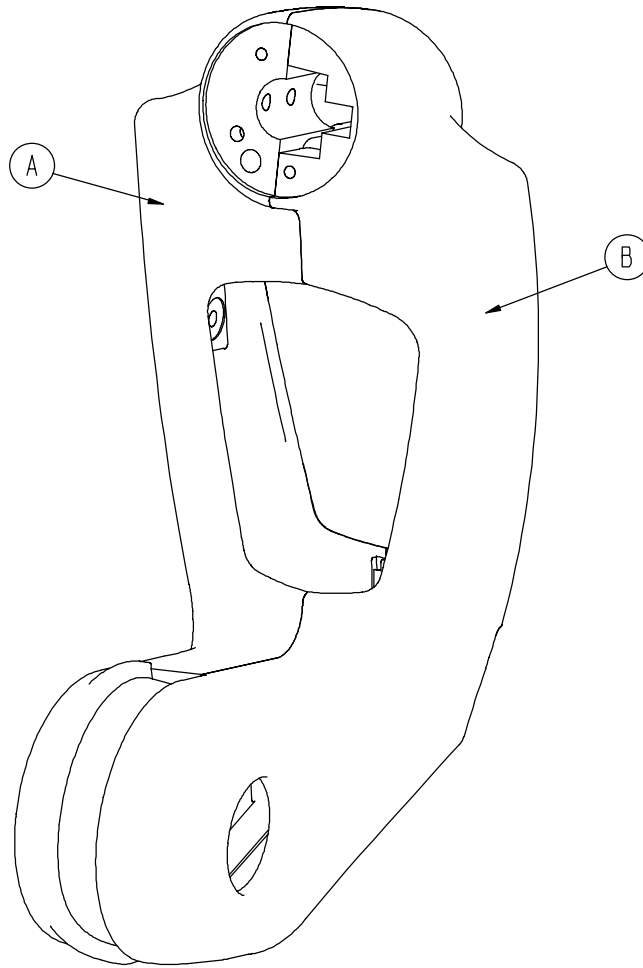


Upright Housing Assembly



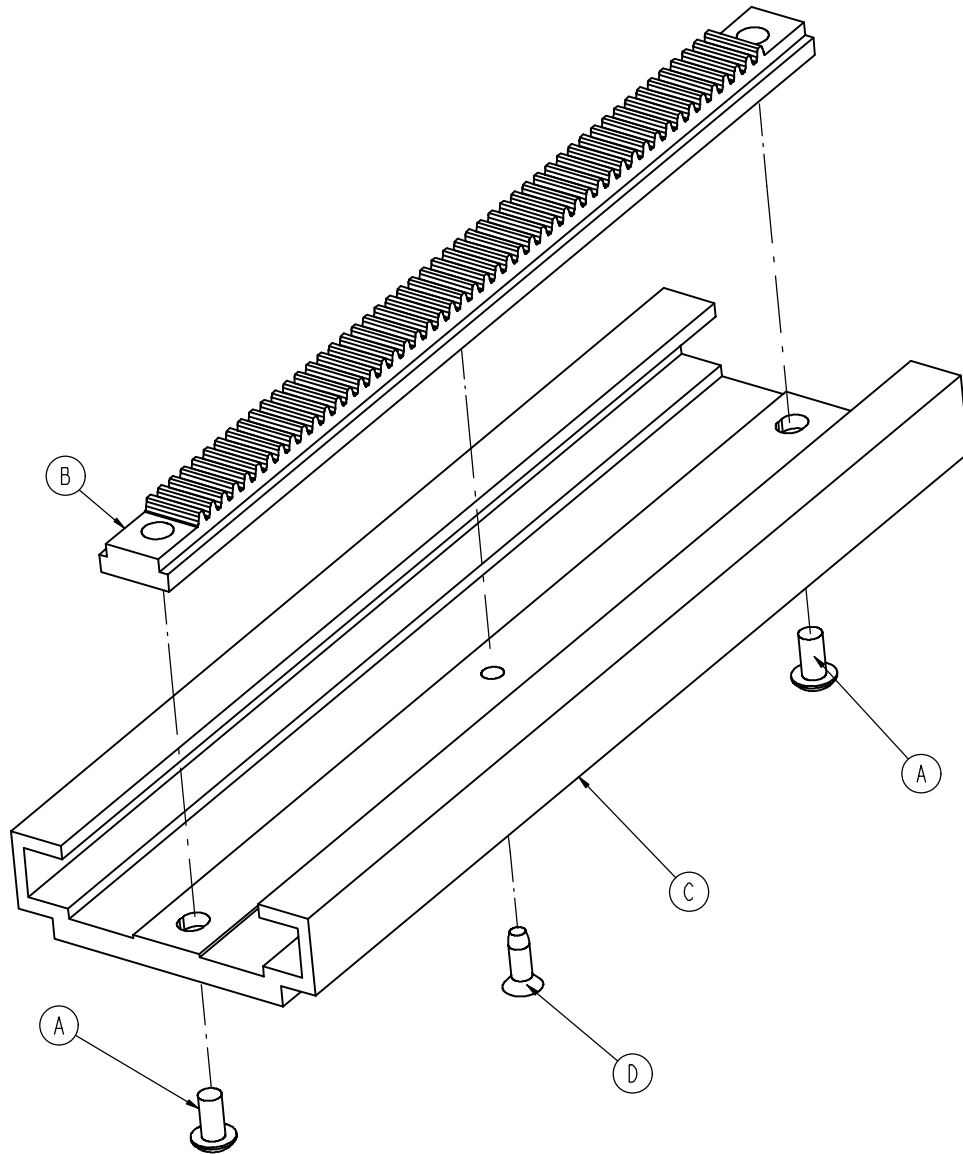
| Item | Part No. | Part Name | Qty. | Item | Part No. | Part Name | Qty. |
|------|--------------|-----------------------|------|------|--------------|----------------------|------|
| B | 0001-124-000 | Flat Hd. Socket Screw | 3 | Y | 4701-040-048 | Left Handle | 1 |
| C | 0004-334-000 | But. Hd. Cap Screw | 2 | AB | 4701-040-054 | Foot Pivot Spindle | 1 |
| D | 0004-375-000 | But. Hd. Cap Screw | 8 | AC | 4701-040-057 | Foot Linkage Pin | 1 |
| E | 0004-325-000 | But. Hd. Cap Screw | 2 | AD | 4701-040-058 | Foot Rotation Pin | 1 |
| F | 0026-006-000 | Slotted Spring Pin | 1 | AE | 4701-040-061 | Push Button | 1 |
| G | 0026-008-000 | Slotted Spring Pin | 2 | AF | 4701-040-062 | Foot Pin Cover Plate | 1 |
| H | 0027-015-000 | Cotter Pin | 1 | AG | 4701-040-063 | Stow Link Weldment | 1 |
| J | 0026-172-000 | Slotted Spring Pin | 3 | AH | 4701-040-064 | Top Lockout Pin | 1 |
| K | 0026-303-000 | Slotted Spring Pin | 1 | AJ | 4701-040-066 | Stow Pin | 1 |
| L | 0026-351-000 | Dowel Pin | 1 | AK | 4701-040-067 | Stow Lever | 1 |
| M | 0038-110-000 | Compression Spring | 1 | AL | 4701-040-068 | Stow Pin Cover Plate | 1 |
| N | 0038-337-000 | Compression Spring | 1 | AM | 4701-040-069 | Foot Collar | 1 |
| P | 0081-293-000 | Flange Bearing | 1 | AN | 4701-040-154 | Hub Standoff | 1 |
| R | 4701-040-042 | Hub | 1 | AP | 4701-040-098 | Support Cable | 1 |
| T | (page 156) | Upright Housing | 1 | AR | 5010-040-016 | Glideaway Bearing | 1 |
| V | 4701-040-046 | Support Trim | 1 | AT | 5010-040-010 | Glideaway Gas Spring | 1 |
| W | 4701-040-047 | Right Handle | 1 | AU | 0038-559-000 | Compression Spring | 1 |

4701-040-235 Upright Housing



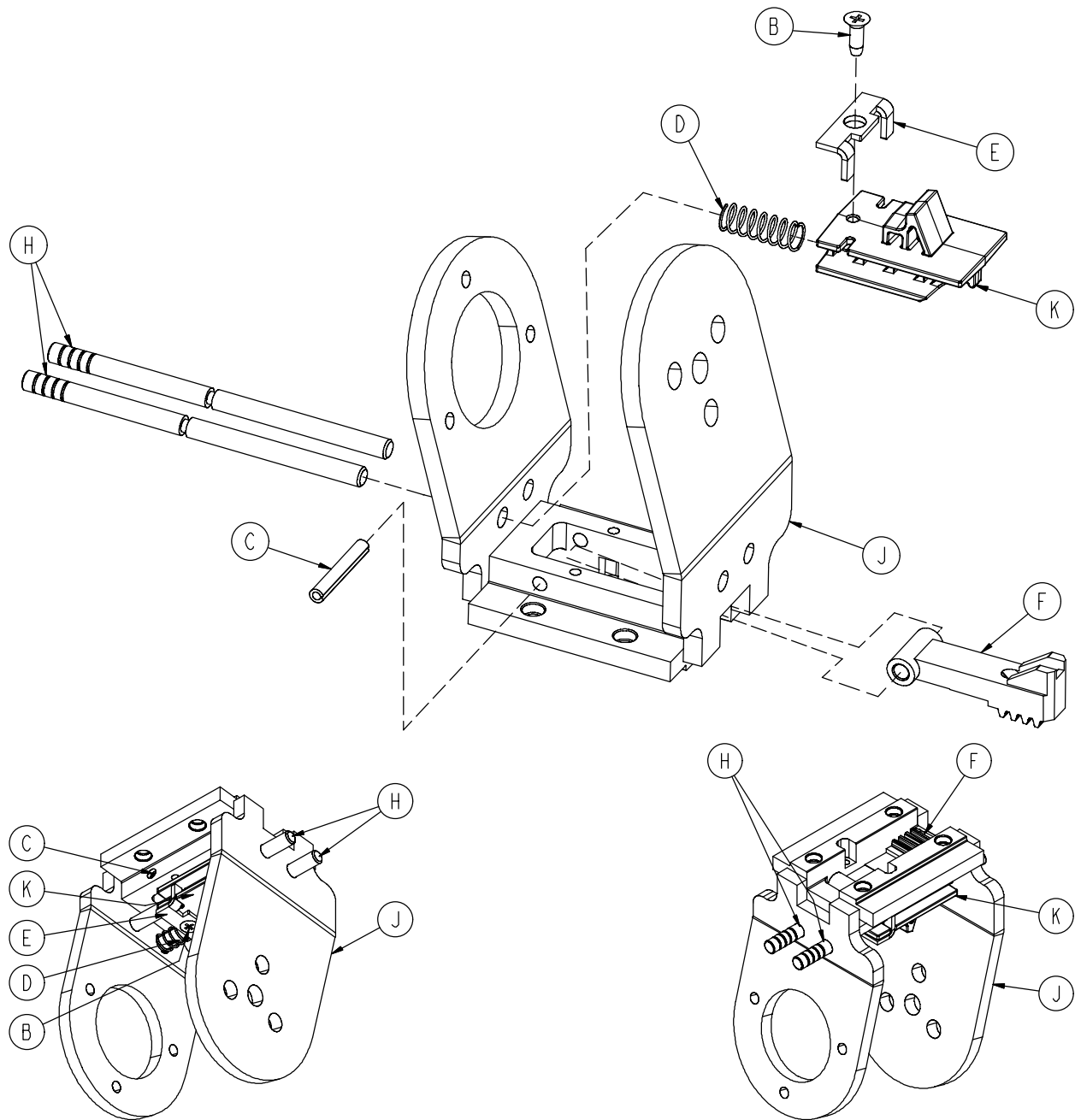
| Item | Part No. | Part Name | Qty. |
|------|--------------|------------------------|------|
| A | 4701-040-043 | Support Housing, Right | 1 |
| B | 4701-040-044 | Support Housing, Left | 1 |

4701-040-130 Foot Abduction Extrusion Assembly



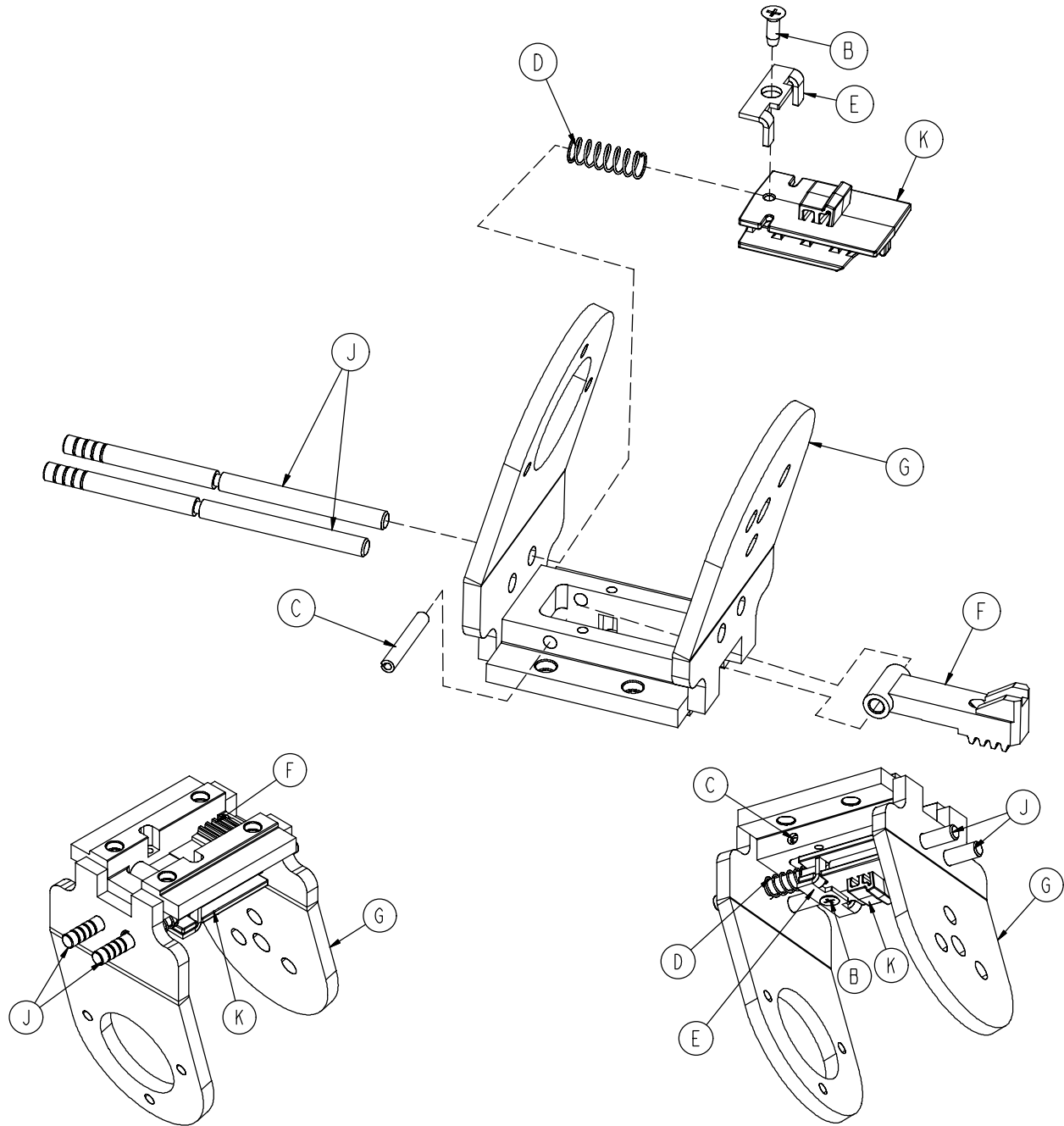
| Item | Part No. | Part Name | Qty. |
|------|--------------|------------------------|------|
| A | 0004-375-000 | Button Hd. Cap Screw | 2 |
| B | 4701-040-079 | Foot Pan Rack | 1 |
| C | 4701-040-131 | Extrusion | 1 |
| D | 0023-280-000 | Flat Hd. Tapping Screw | 1 |

4701-040-175 Left Upright Slide Assembly



| Item | Part No. | Part Name | Qty. |
|------|--------------|------------------------|------|
| B | 0023-280-000 | Flat Hd. Tapping Screw | 1 |
| C | 0026-012-000 | Slotted Spring Pin | 1 |
| D | 0038-558-000 | Compression Spring | 1 |
| E | 4701-040-071 | Locking Plate | 1 |
| F | 4701-040-077 | Rotation Rack Lock | 1 |
| H | 4701-040-089 | Cam Wedge Rod | 2 |
| J | 4701-040-090 | Left Sliding Bracket | 1 |
| K | 4701-040-093 | Left Cam Wedge | 1 |

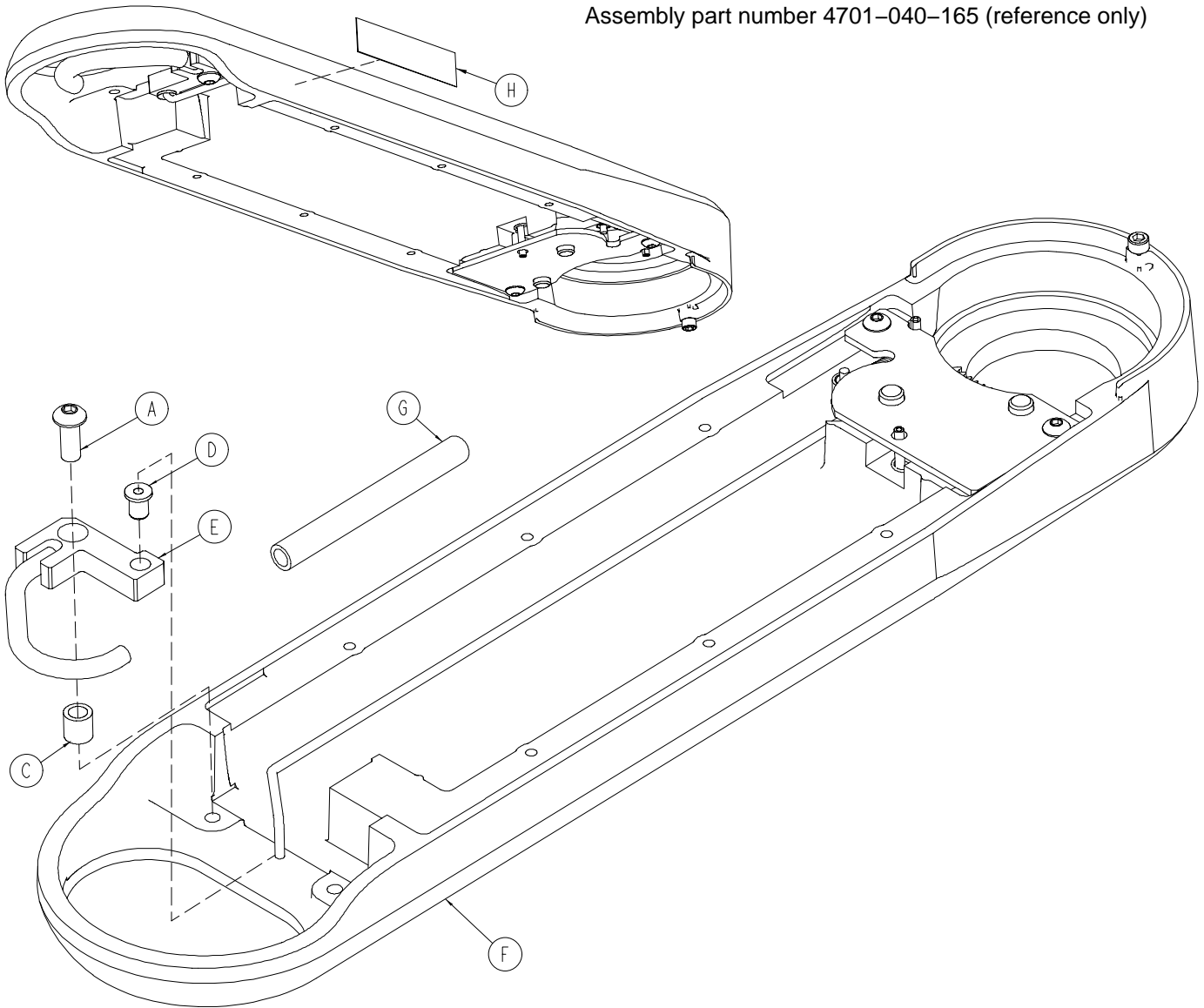
4701-040-180 Right Upright Slide Assembly



| Item | Part No. | Part Name | Qty. |
|------|--------------|------------------------|------|
| B | 0023-280-000 | Flat Hd. Tapping Screw | 1 |
| C | 0026-012-000 | Slotted Spring Pin | 1 |
| D | 0038-558-000 | Compression Spring | 1 |
| E | 4701-040-071 | Locking Plate | 1 |
| F | 4701-040-077 | Rotation Rack Lock | 1 |
| G | 4701-040-080 | Right Sliding Bracket | 1 |
| H | 4701-040-089 | Cam Wedge Rod | 2 |
| K | 4701-040-094 | Right Cam Wedge | 1 |

Left Abduction Assembly

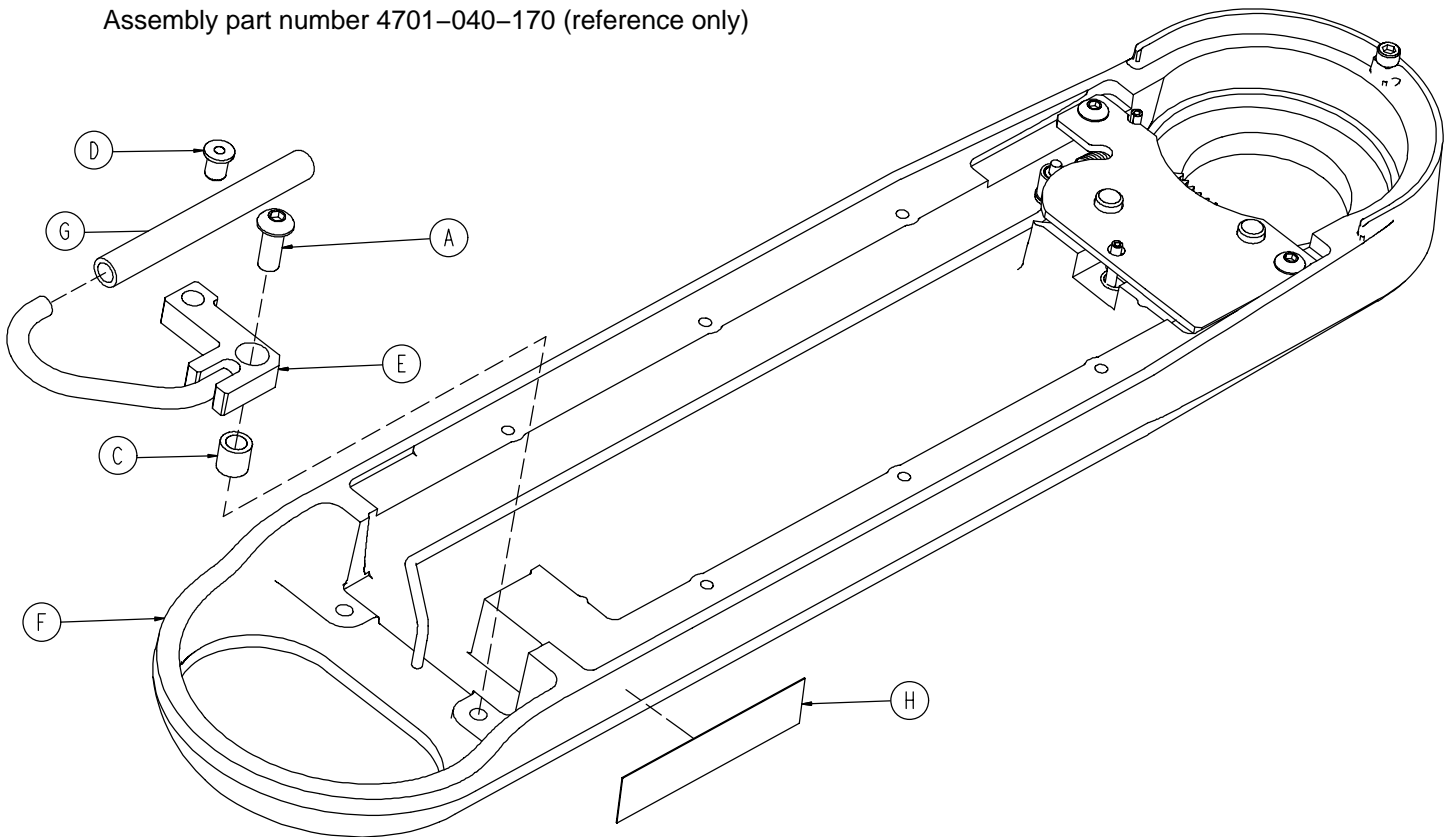
Assembly part number 4701-040-165 (reference only)



| Item | Part No. | Part Name | Qty. |
|------|--------------|----------------------------|------|
| A | 0004-509-000 | Button Hd. Cap Screw | 1 |
| C | 0081-022-000 | Plane Bearing | 1 |
| D | 0081-407-000 | Plastic Flange Bearing | 1 |
| E | 4701-040-145 | Abduction Handle | 1 |
| F | (page 162) | Abduction Ass'y Std. Comp. | 1 |
| G | 4701-040-153 | Vinyl Handle Cap | 1 |
| H | 4701-090-041 | Upright Stow Label, Left | 1 |

Right Abduction Assembly

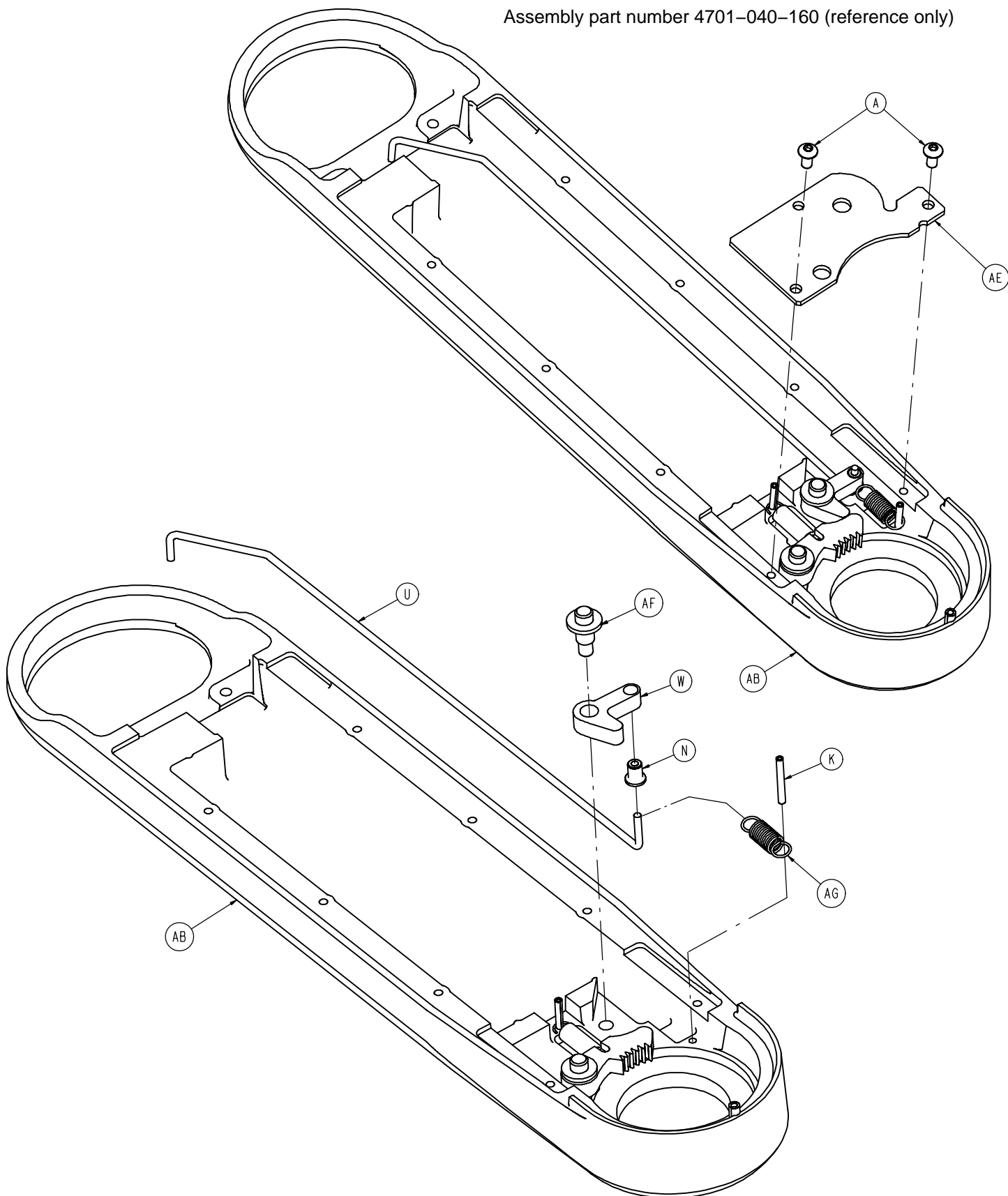
Assembly part number 4701-040-170 (reference only)



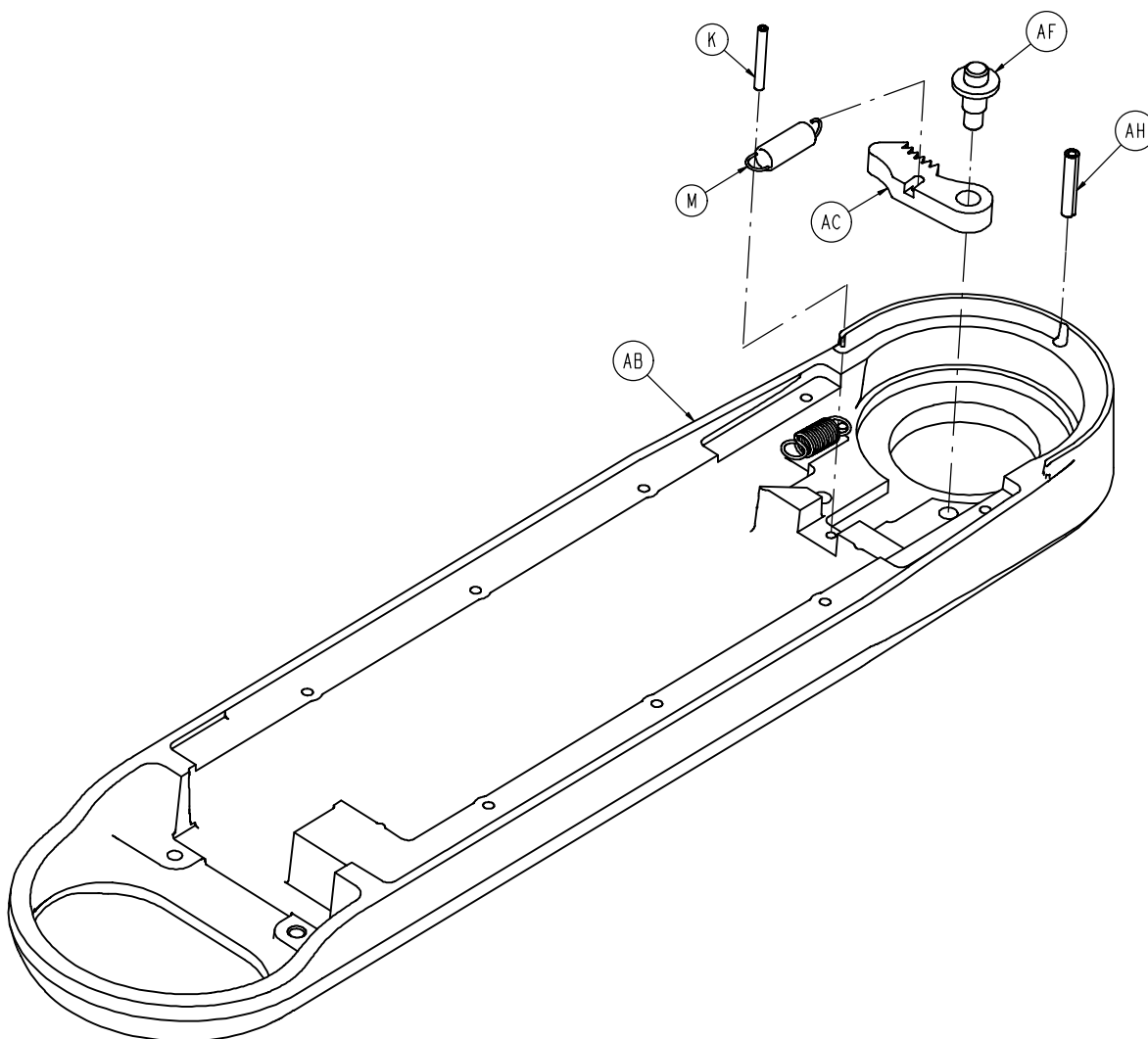
| Item | Part No. | Part Name | Qty. |
|------|----------------------------|----------------------------|------|
| A | 0004-509-000 | Button Hd. Cap Screw | 1 |
| C | 0081-022-000 | Plane Bearing | 1 |
| D | 0081-407-000 | Plastic Flange Bearing | 1 |
| E | 4701-040-145 | Abduction Handle | 1 |
| F | (page 162) | Abduction Ass'y Std. Comp. | 1 |
| G | 4701-040-153 | Vinyl Handle Cap | 1 |
| H | 4701-090-040 | Upright Stow Label, Right | 1 |

Abduction Assembly Standard Components

Assembly part number 4701-040-160 (reference only)

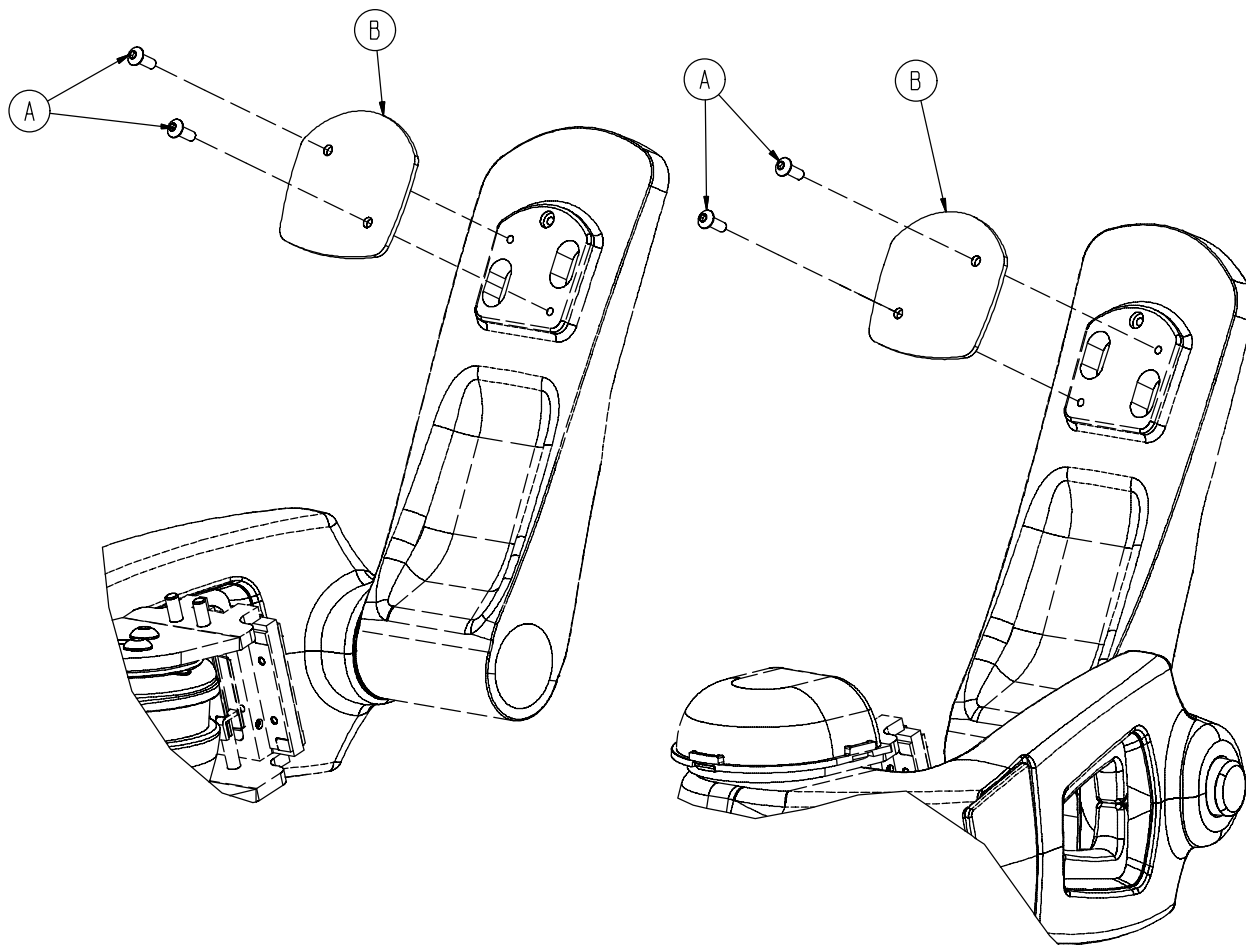


Abduction Assembly Standard Components



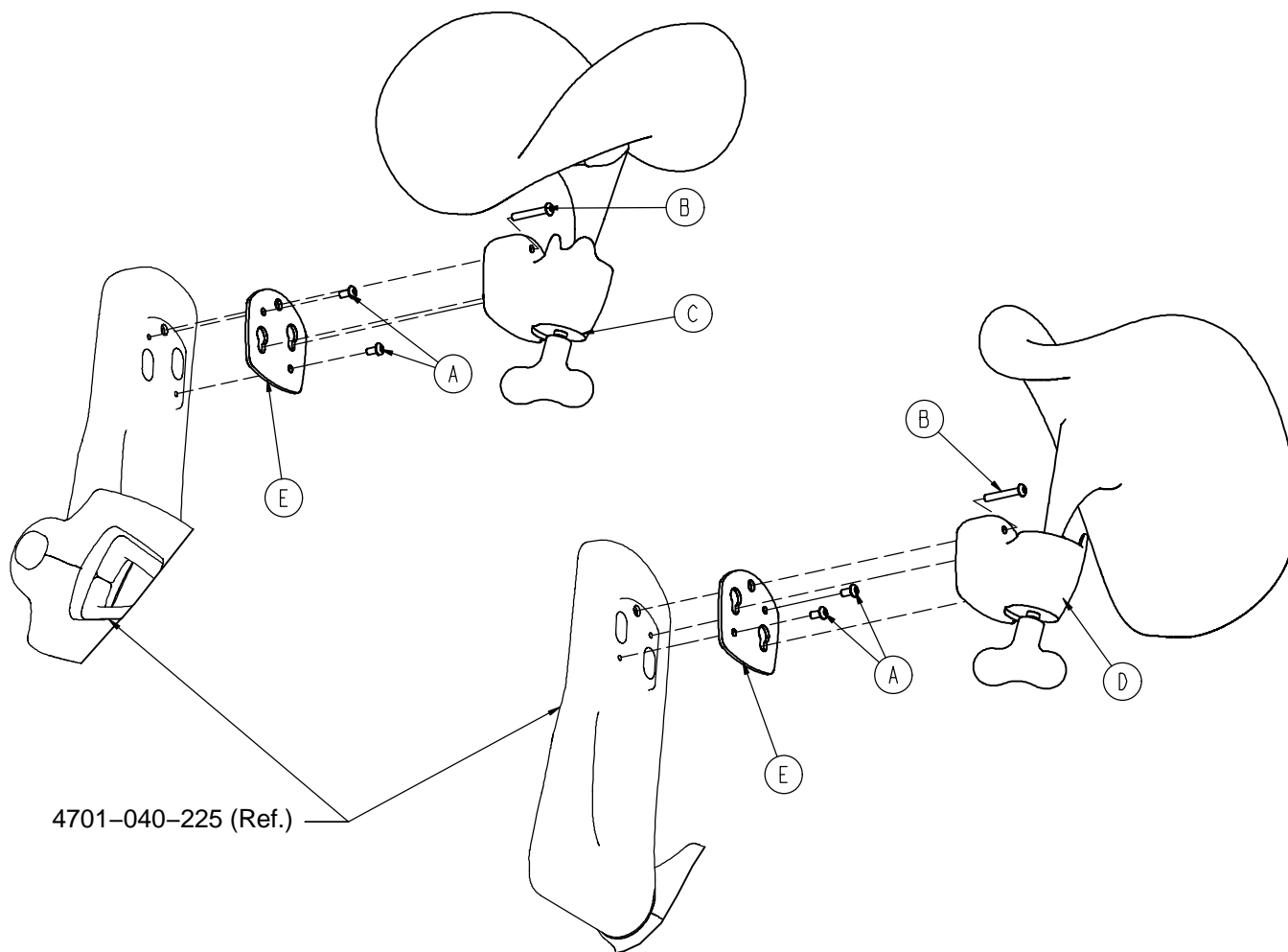
| Item | Part No. | Part Name | Qty. |
|------|--------------|------------------------|------|
| A | 0004-375-000 | Button Hd. Cap Screw | 2 |
| K | 0026-007-000 | Slotted Spring Pin | 2 |
| M | 0038-458-000 | Extension Spring | 2 |
| N | 0081-407-000 | Plastic Flange Bearing | 1 |
| U | 4701-040-036 | Foot Pan Pull Rod | 1 |
| W | 4701-040-039 | Foot Pan Lock | 1 |
| AB | 4701-040-056 | Foot Pan Casting | 1 |
| AC | 4701-040-114 | Abduction Latch | 1 |
| AE | 4701-040-134 | Mechanism Cover | 1 |
| AF | 4701-040-149 | Spacer Bushing | 2 |
| AG | 0038-562-000 | Extension Spring | 1 |
| AH | 0026-313-000 | Coiled Spring Pin | 1 |

4701-040-185 No Calf Support Option



| Item | Part No. | Part Name | Qty. |
|------|--------------|----------------------|------|
| A | 0004-375-000 | Button Hd. Cap Screw | 4 |
| B | 4701-040-128 | Plate | 2 |

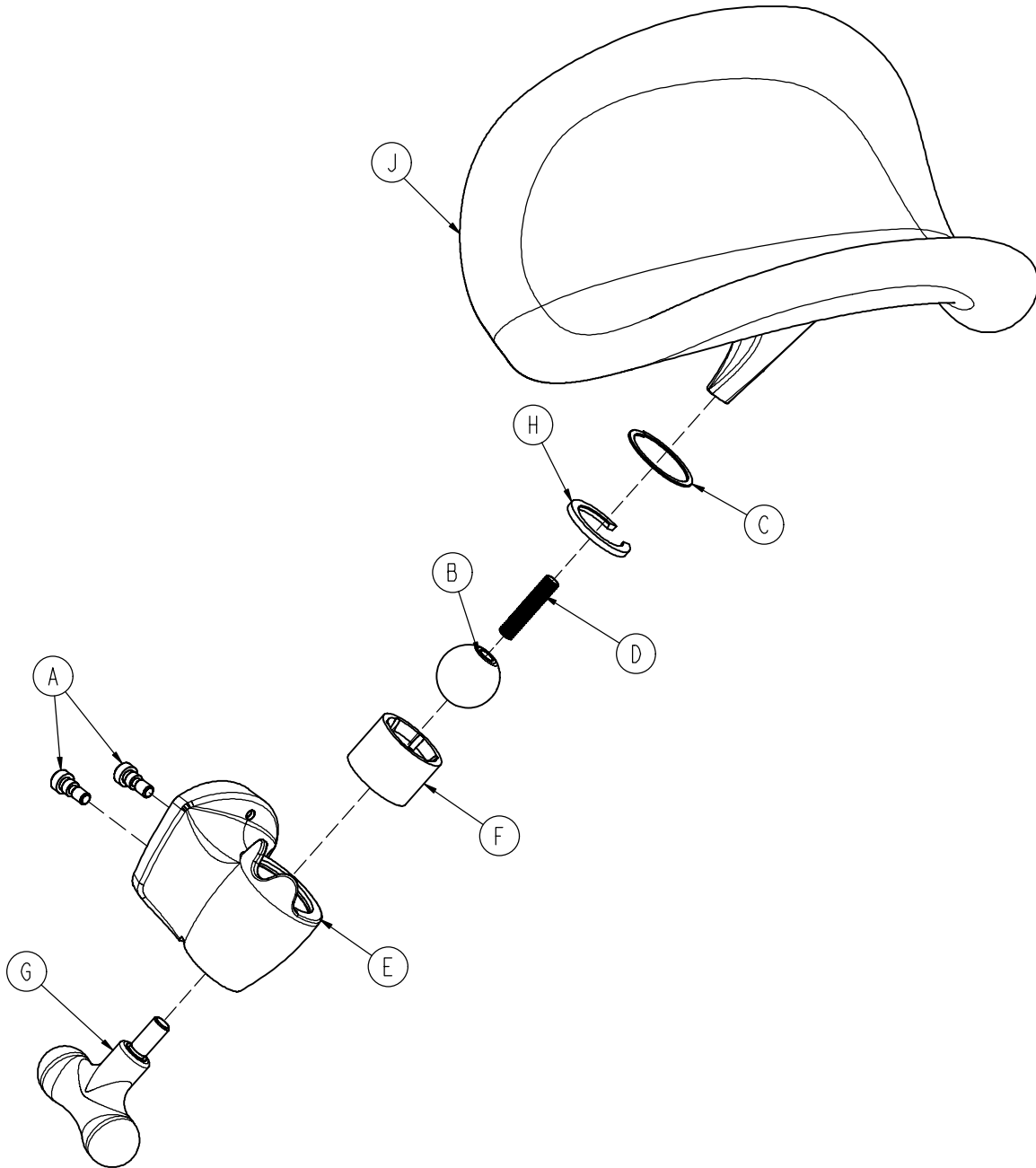
4701-040-190 Attached Calf Support Option



4701-040-225 (Ref.)

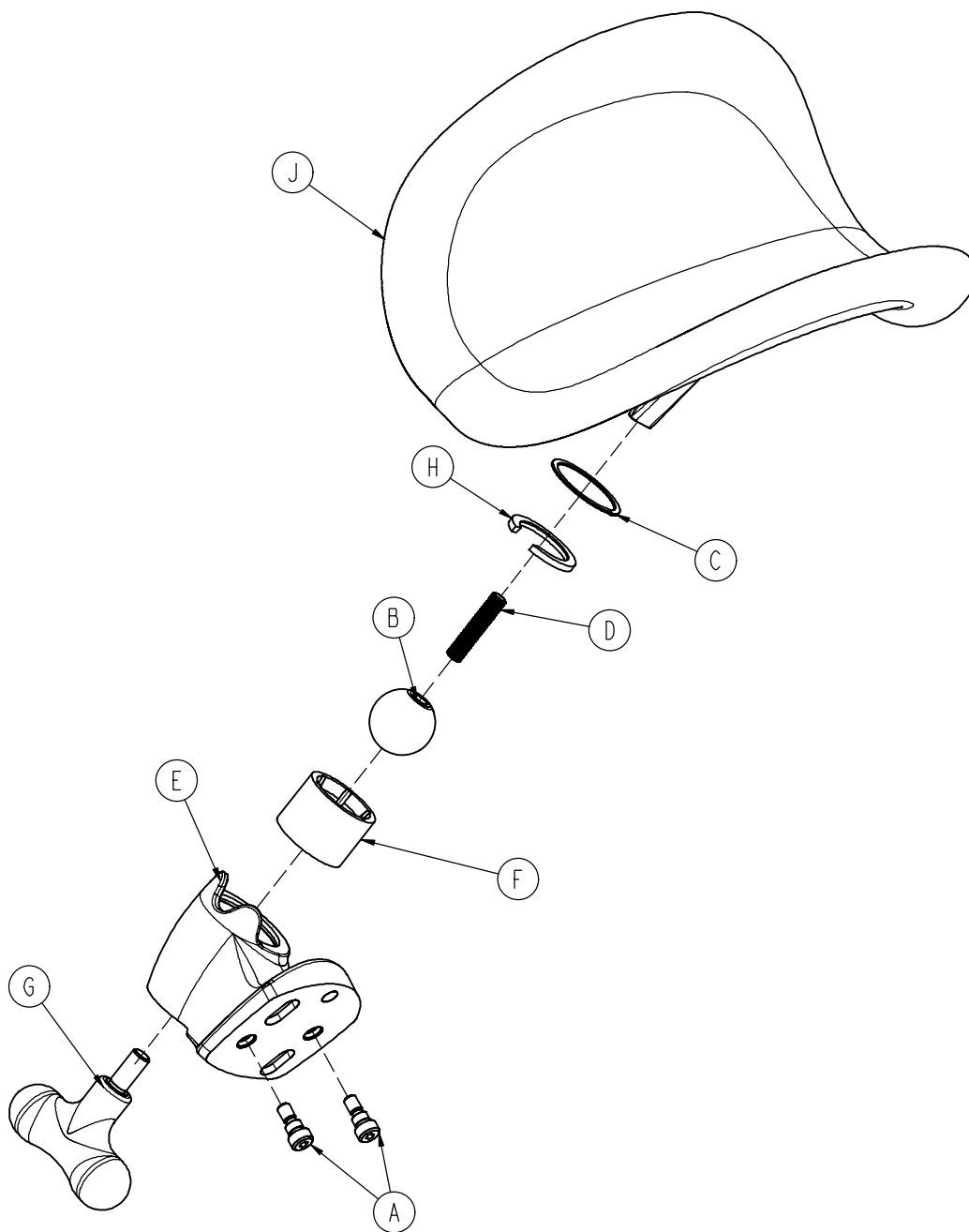
| Item | Part No. | Part Name | Qty. |
|------|----------------------------|----------------------|------|
| A | 0004-375-000 | Button Hd. Cap Screw | 4 |
| B | 0004-601-000 | Button Hd. Cap Screw | 2 |
| C | (page 166) | Right Calf Support | 1 |
| D | (page 167) | Left Calf Support | 1 |
| E | 4701-040-119 | Plate | 2 |

4701-040-065 Right Attached Calf Support Assembly



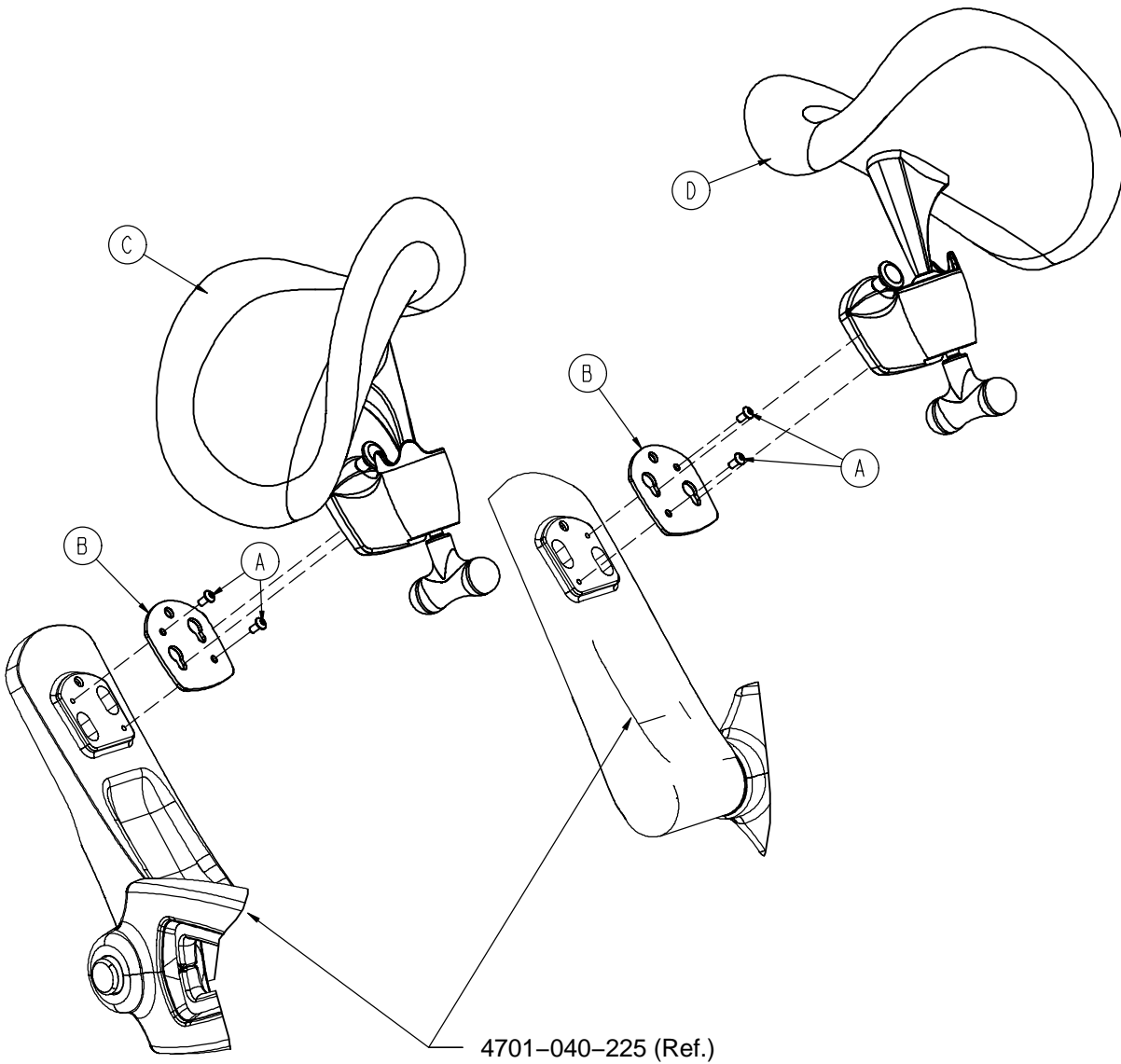
| Item | Part No. | Part Name | Qty. |
|------|--------------|---------------------------|------|
| A | 0008-062-000 | Soc. Hd. Cap Screw | 2 |
| B | 0024-074-000 | Ball Knob | 1 |
| C | 0028-341-000 | Spiral Retaining Ring | 1 |
| D | 0058-116-000 | Threaded Rod | 1 |
| E | 4701-040-101 | Ball Joint Housing, Right | 1 |
| F | 4701-040-159 | Calf Support Sleeve | 1 |
| G | 4701-040-161 | T-Handle | 1 |
| H | 4701-040-163 | Top Locking Ring | 1 |
| J | 4701-040-210 | Molded Calf Support | 1 |

4701-040-095 Left Attached Calf Support Assembly



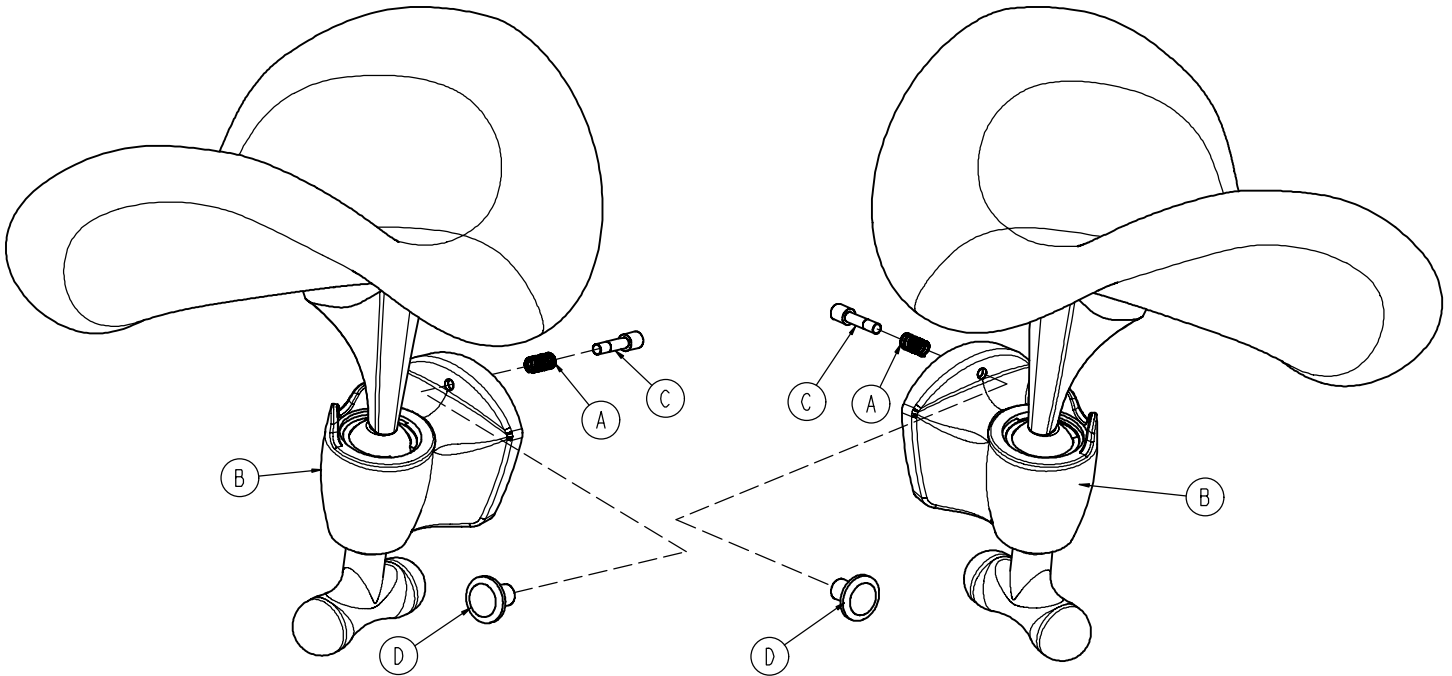
| Item | Part No. | Part Name | Qty. |
|------|--------------|--------------------------|------|
| A | 0008-062-000 | Soc. Hd. Cap Screw | 2 |
| B | 0024-074-000 | Ball Knob | 1 |
| C | 0028-341-000 | Spiral Retaining Ring | 1 |
| D | 0058-116-000 | Threaded Rod | 1 |
| E | 4701-040-102 | Ball Joint Housing, Left | 1 |
| F | 4701-040-159 | Calf Support Sleeve | 1 |
| G | 4701-040-161 | T-Handle | 1 |
| H | 4701-040-163 | Top Locking Ring | 1 |
| J | 4701-040-210 | Molded Calf Support | 1 |

4701-040-195 Removable Calf Support Option



| Item | Part No. | Part Name | Qty. |
|------|--------------|-----------------------------|------|
| A | 0004-375-000 | Button Hd. Cap Screw | 4 |
| B | 4701-040-119 | Plate | 2 |
| C | (page 169) | Removable Calf Supt., Right | 1 |
| D | (page 169) | Removable Calf Supt., Left | 1 |

Removable Calf Support Assembly, Right & Left



4701-040-150 Right Support Assembly

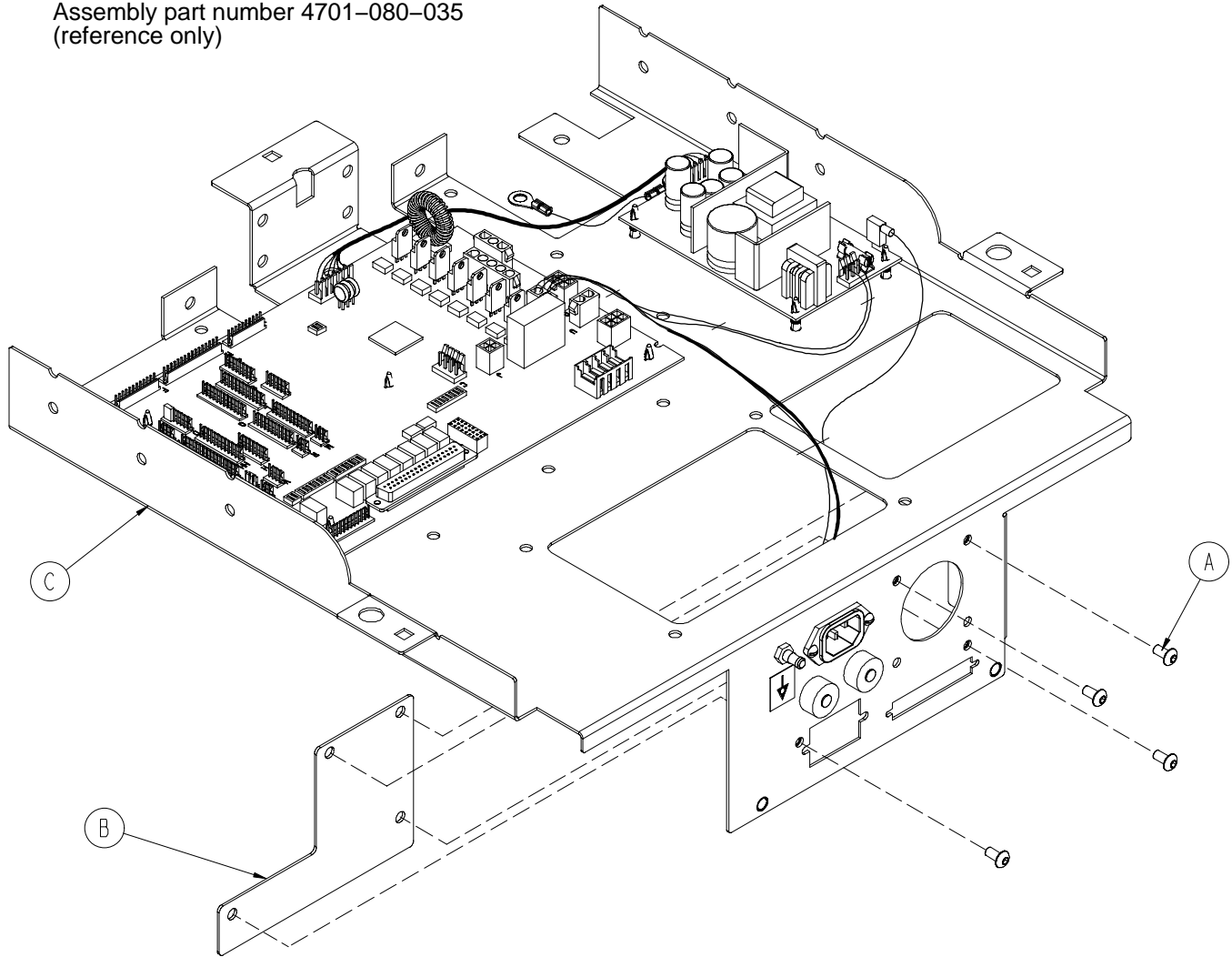
4701-040-155 Left Support Assembly

| Item | Part No. | Part Name | Qty. |
|------|--------------|--------------------|------|
| A | 0038-469-000 | Compression Spring | 1 |
| B | (page 166) | Right Calf Support | 1 |
| C | 4701-040-126 | Pin | 1 |
| D | 4701-040-127 | Pull Knob | 1 |

| Item | Part No. | Part Name | Qty. |
|------|--------------|--------------------|------|
| A | 0038-469-000 | Compression Spring | 1 |
| B | (page 167) | Left Calf Support | 1 |
| C | 4701-040-126 | Pin | 1 |
| D | 4701-040-127 | Pull Knob | 1 |

No Optional Headwall Interface

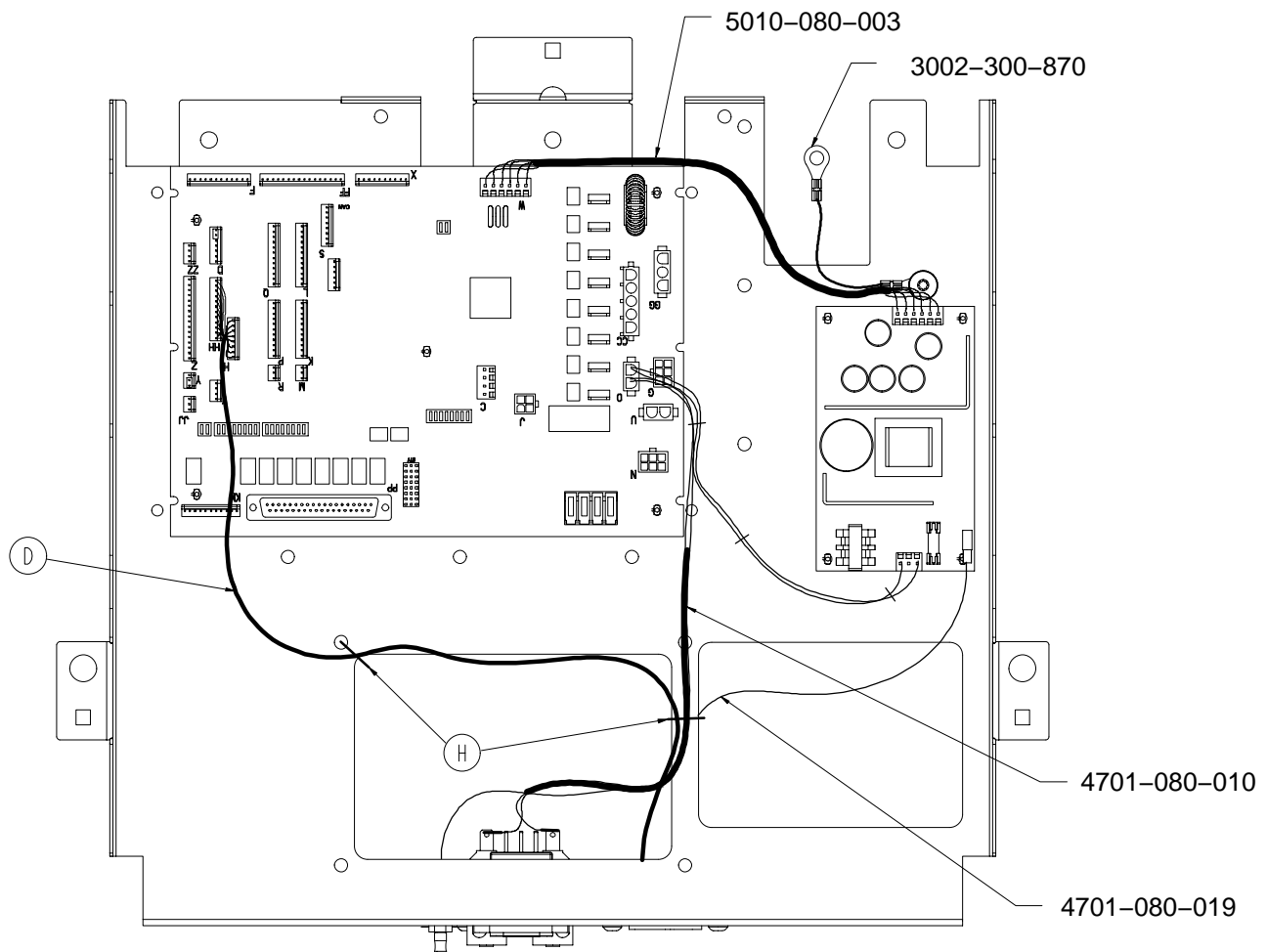
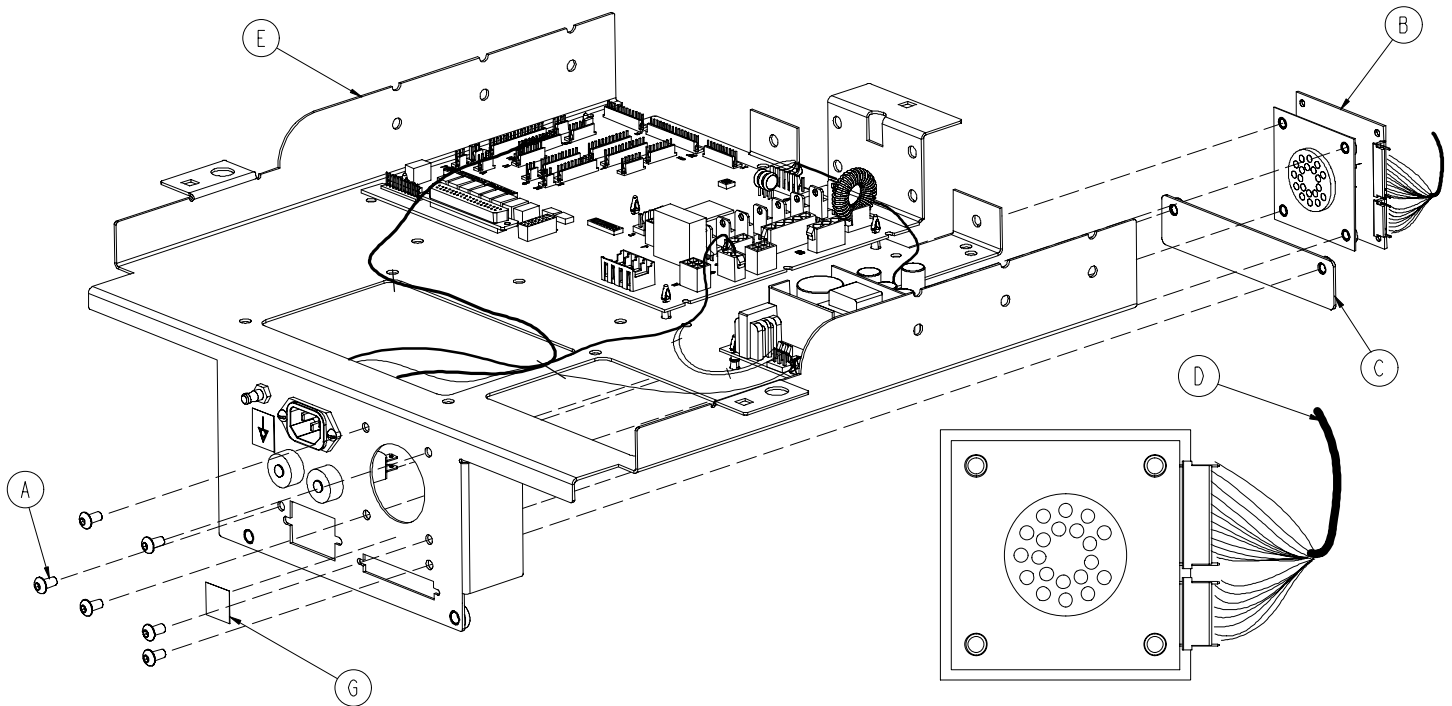
Assembly part number 4701-080-035
(reference only)



| Item | Part No. | Part Name | Qty. |
|------|----------------------------|--------------------------------|------|
| A | 0004-307-000 | Button Hd. Cap Screw | 4 |
| B | 4701-080-024 | Cover, No HWI | 1 |
| C | (page 177) | Standard Electrical Components | 1 |
| D | (page 180) | Full Bed Electrical Assembly | 1 |

Headwall Interface with Pendant Port/No Nurse Call

Assembly part number 4701-080-040 (reference only)

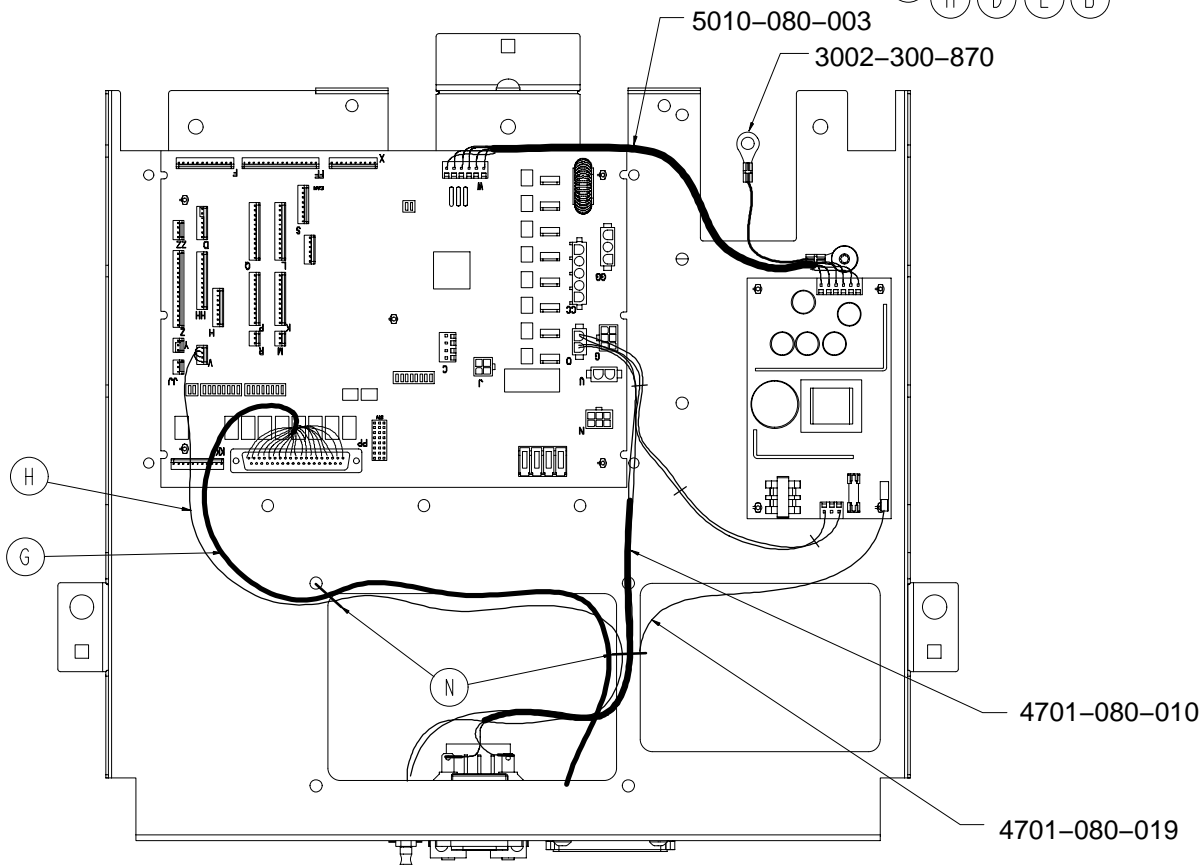
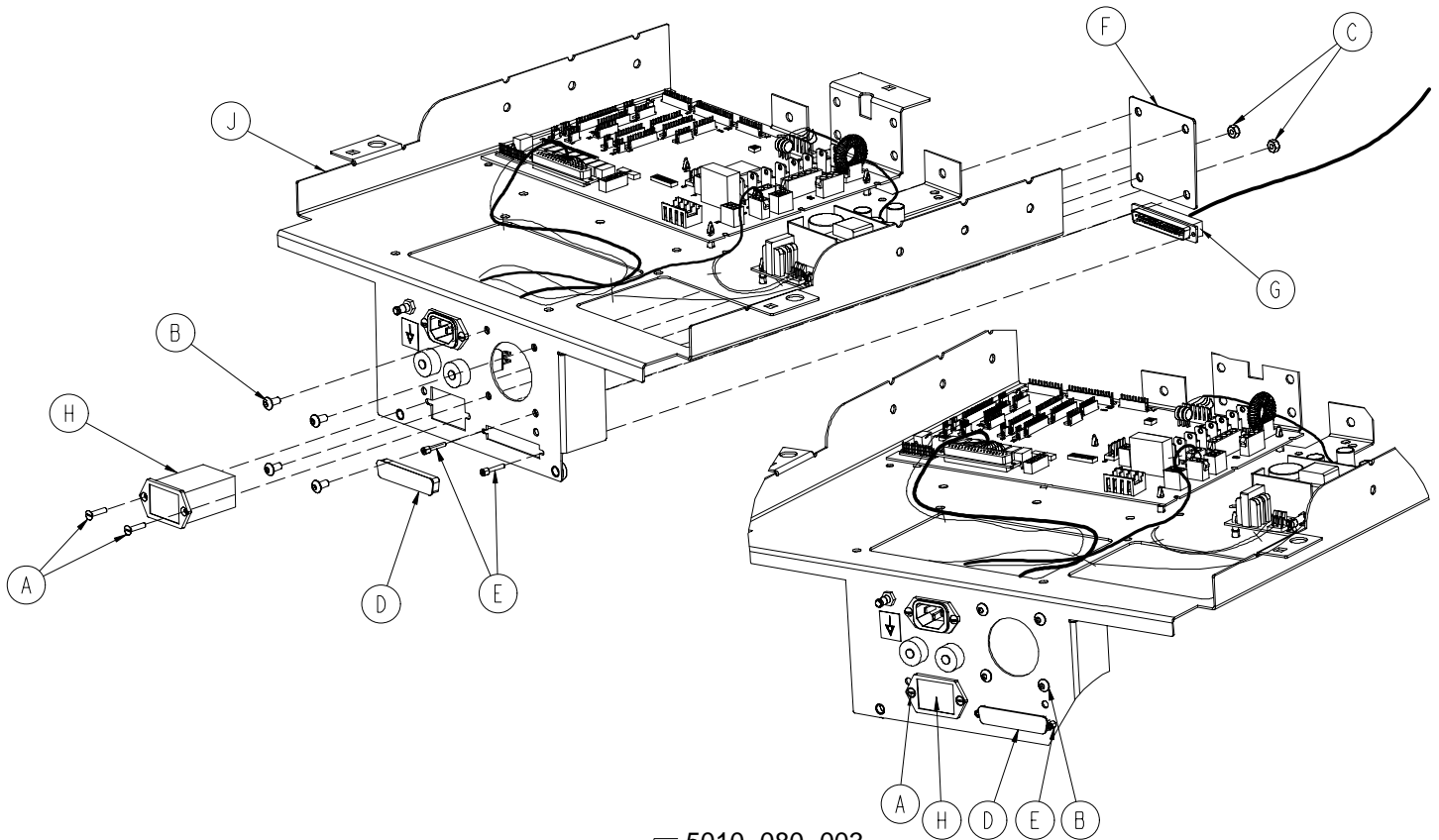


Headwall Interface with Pendant Port/No Nurse Call

| Item | Part No. | Part Name | Qty. |
|------|----------------------------|--------------------------------|------|
| A | 0004-307-000 | Button Hd. Cap Screw | 6 |
| B | 3001-314-920 | Pendant Port PCB | 1 |
| C | 4701-080-022 | 37-Pin Cover | 1 |
| D | 4701-080-006 | Pendant Port Cable | 1 |
| E | (page 177) | Standard Electrical Components | 1 |
| F | (page 180) | Full Bed Electrical Assembly | 1 |
| G | 4701-090-057 | Static Sensitive Label | 1 |
| H | 0059-086-000 | Cable Tie | 2 |

Headwall Interface with Nurse Call/No Pendant Port

Assembly part number 4701-080-045 (reference only)

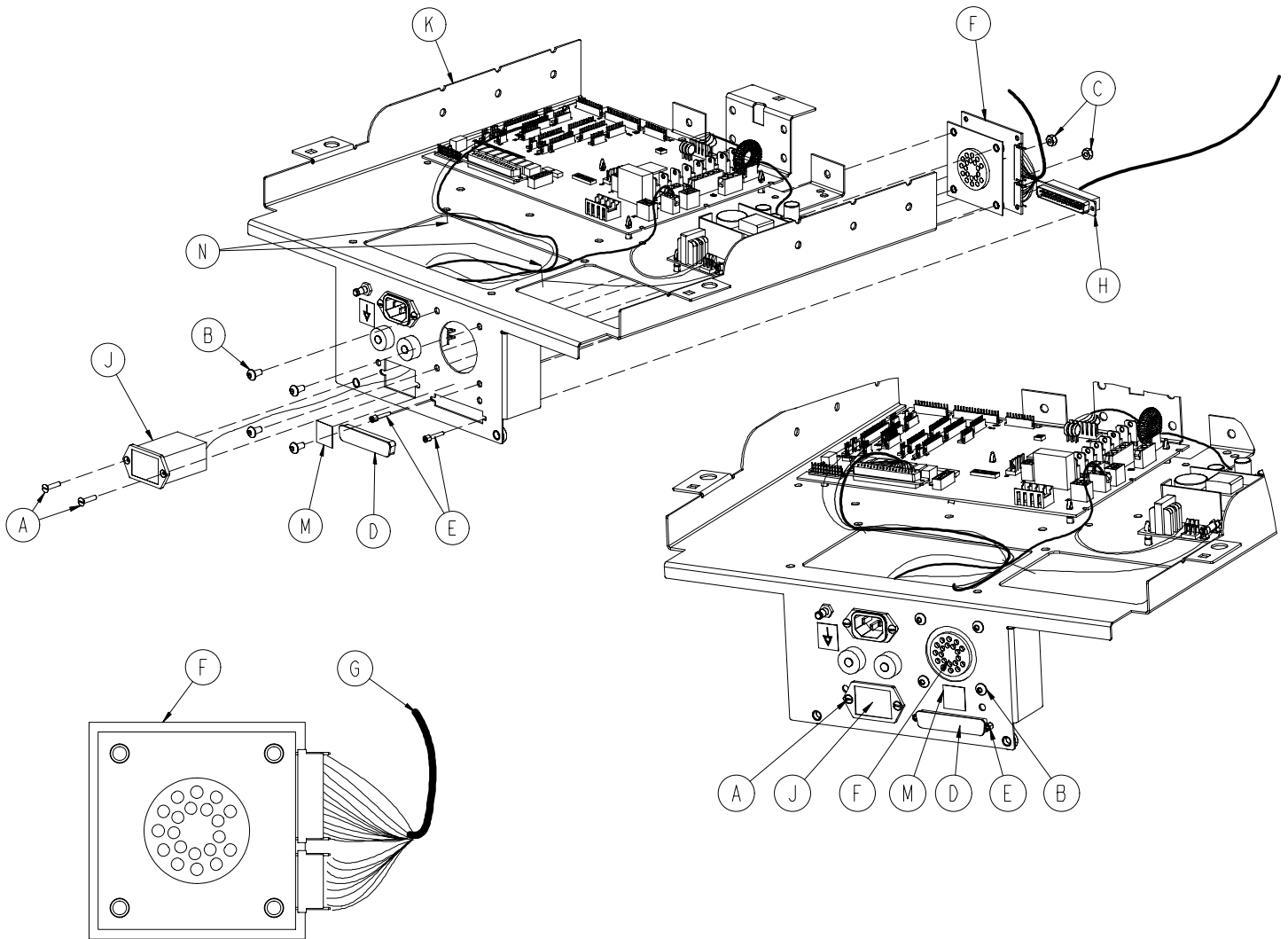


Headwall Interface with Nurse Call/No Pendant Port

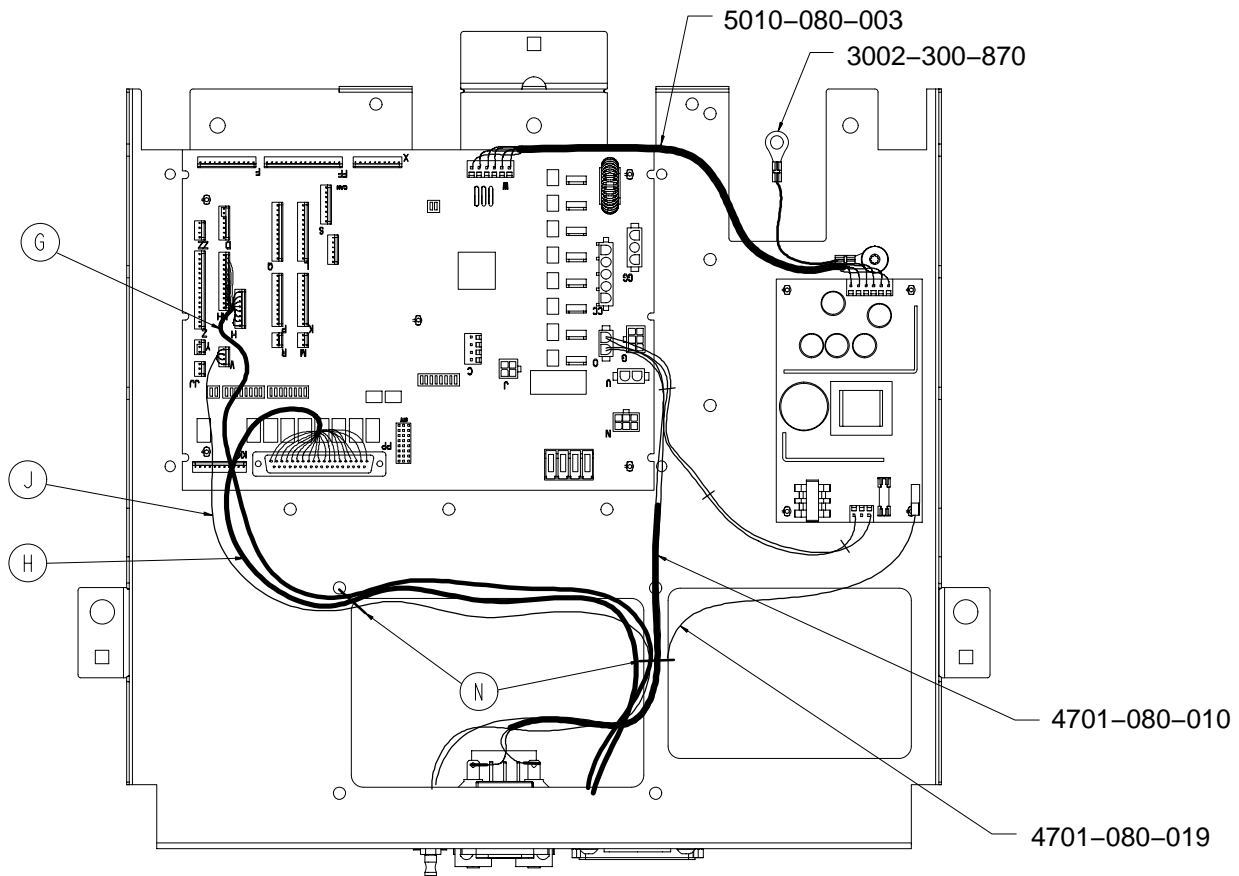
| Item | Part No. | Part Name | Qty. |
|------|----------------------------|--------------------------------|------|
| A | 0001-087-000 | Flat Hd. Slotted Screw | 2 |
| B | 0004-307-000 | Button Hd. Cap Screw | 4 |
| C | 0016-023-000 | Nylock Hex Nut | 2 |
| D | 0059-710-000 | Static Plug | 1 |
| E | 3001-300-007 | Jack Screw | 2 |
| F | 4701-080-023 | Port Cover | 1 |
| G | 4701-080-009 | Headwall Interface Cable | 1 |
| H | 5010-080-020 | 9V Battery Box Cable | 1 |
| J | (page 177) | Standard Electrical Components | 1 |
| K | (page 180) | Full Bed Electrical Assembly | 1 |

Headwall Interface with Nurse Call & Pendant Port

Assembly part number 4701-080-055 (reference only)

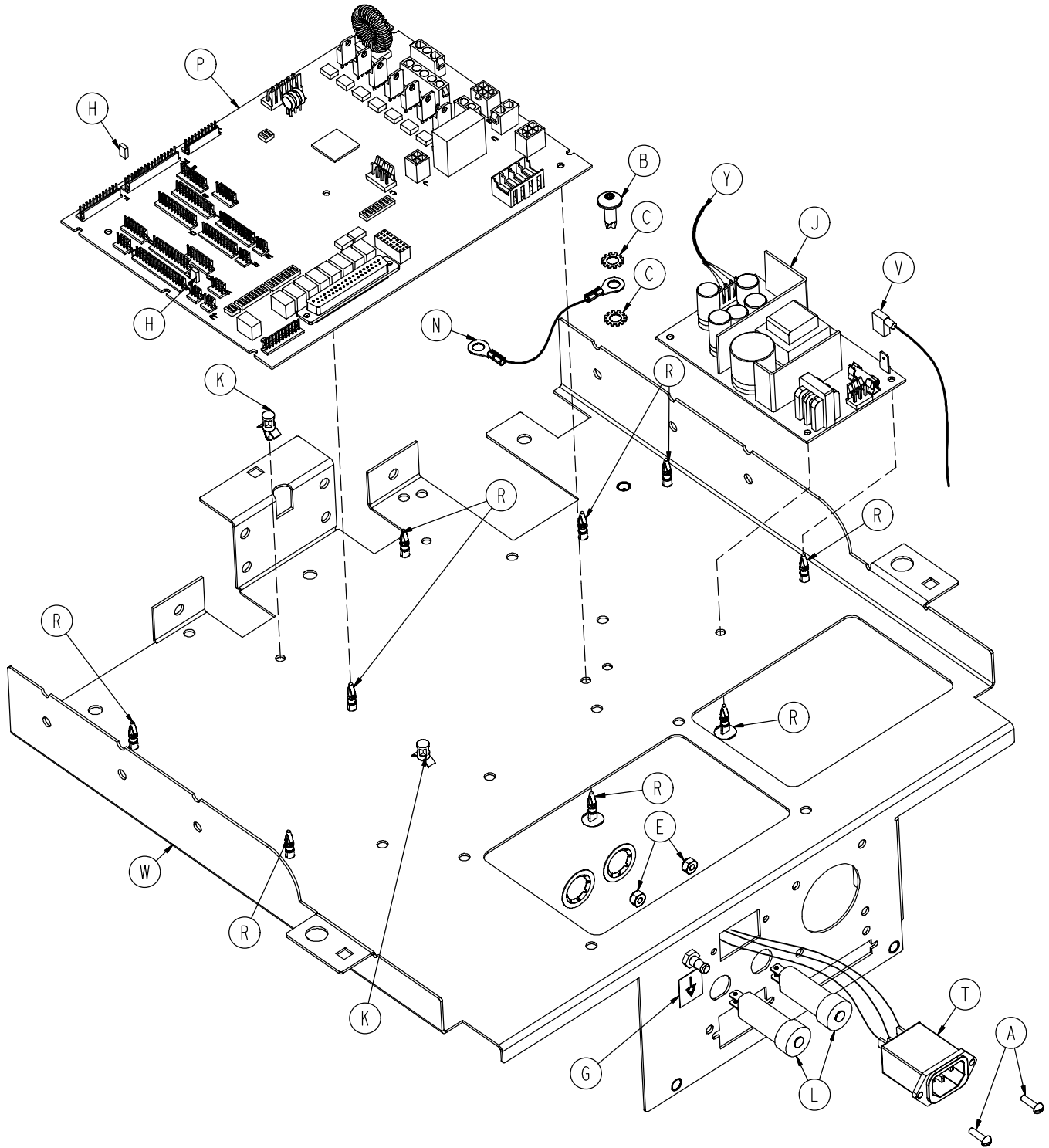


Headwall Interface with Nurse Call & Pendant Port

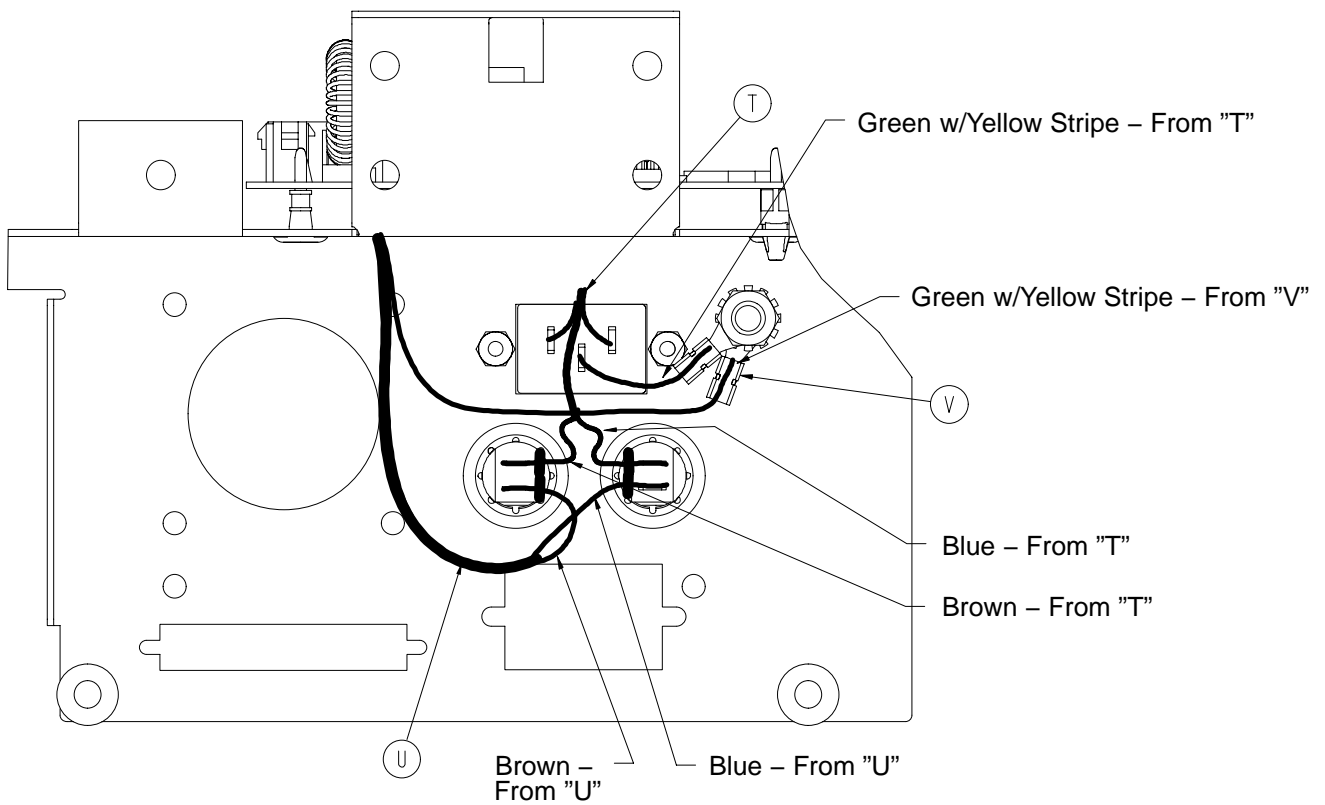
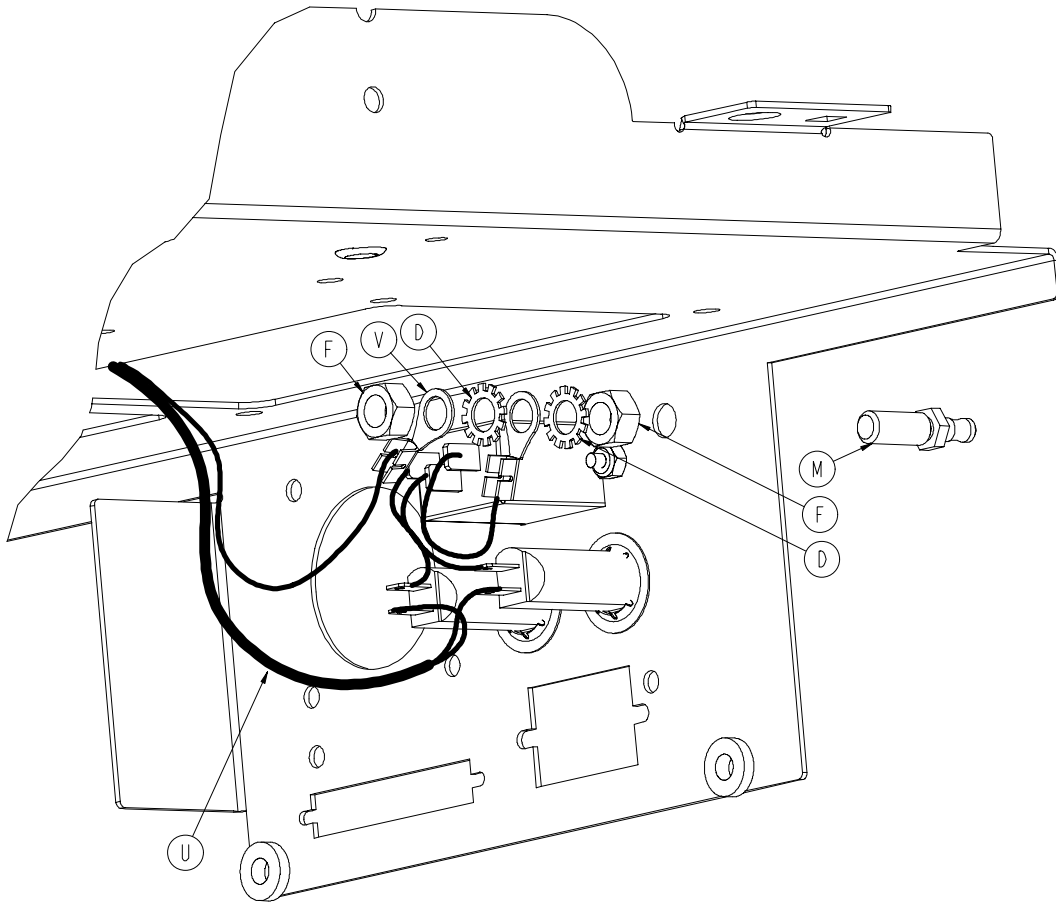


| Item | Part No. | Part Name | Qty. |
|------|--------------|--------------------------------|------|
| A | 0001-087-000 | Flat Hd. Slotted Screw | 2 |
| B | 0004-307-000 | Button Hd. Cap Screw | 4 |
| C | 0016-023-000 | Nylock Hex Nut | 2 |
| D | 0059-710-000 | Static Plug | 1 |
| E | 3001-300-007 | Jack Screw | 2 |
| F | 3001-314-920 | Pendant Port PCB | 1 |
| G | 4701-080-006 | Pendant Port Cable | 1 |
| H | 4701-080-009 | Headwall Interface Cable | 1 |
| J | 5010-080-020 | 9V Battery Box Cable | 1 |
| K | (page 177) | Standard Electrical Components | 1 |
| L | (page 180) | Full Bed Electrical Assembly | 1 |
| M | 4701-090-057 | Static Sensitive Label | 1 |
| N | 0059-086-000 | Cable Tie | 2 |

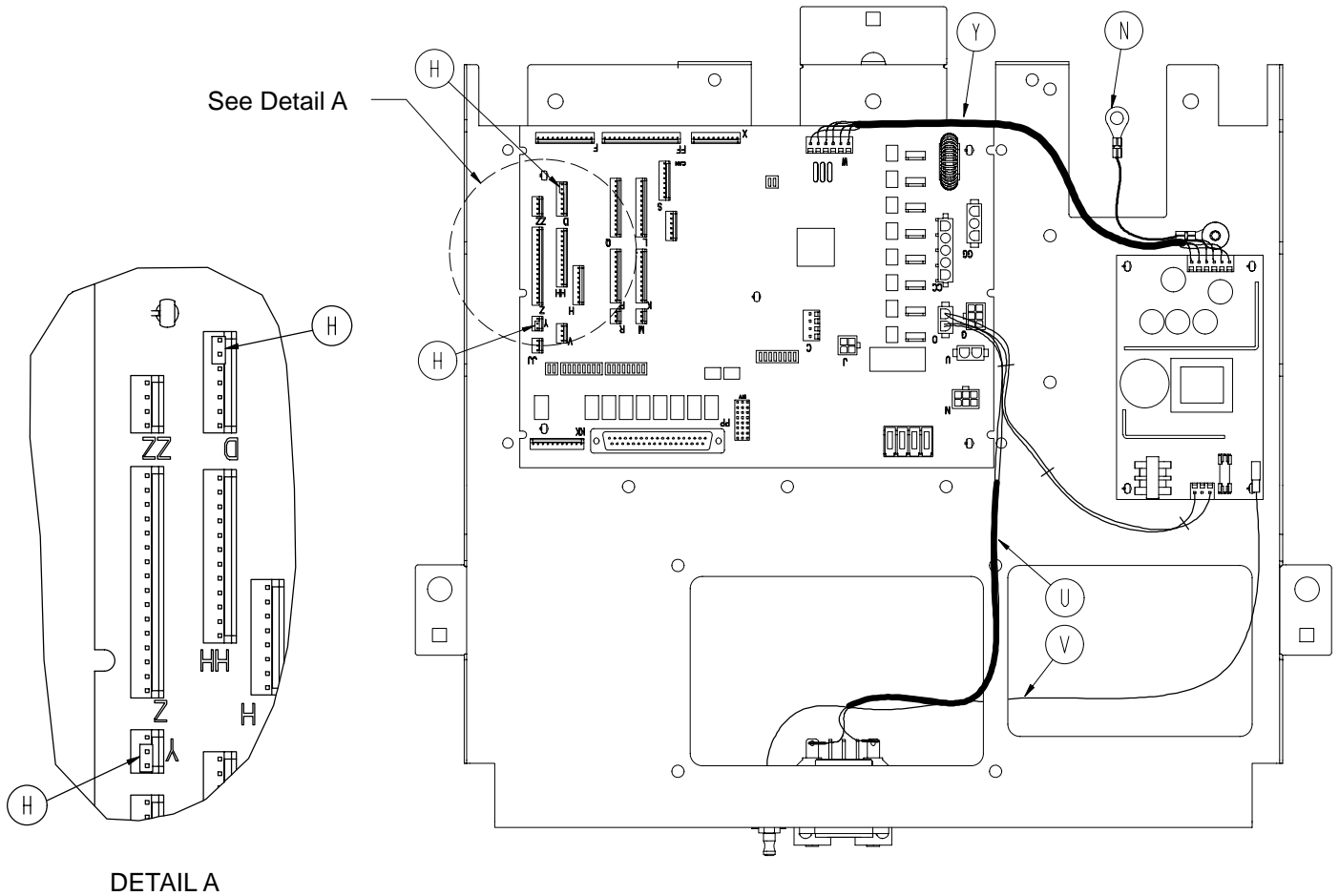
4701-080-030 Electrical Box Standard Components



4701-080-030 Electrical Box Standard Components



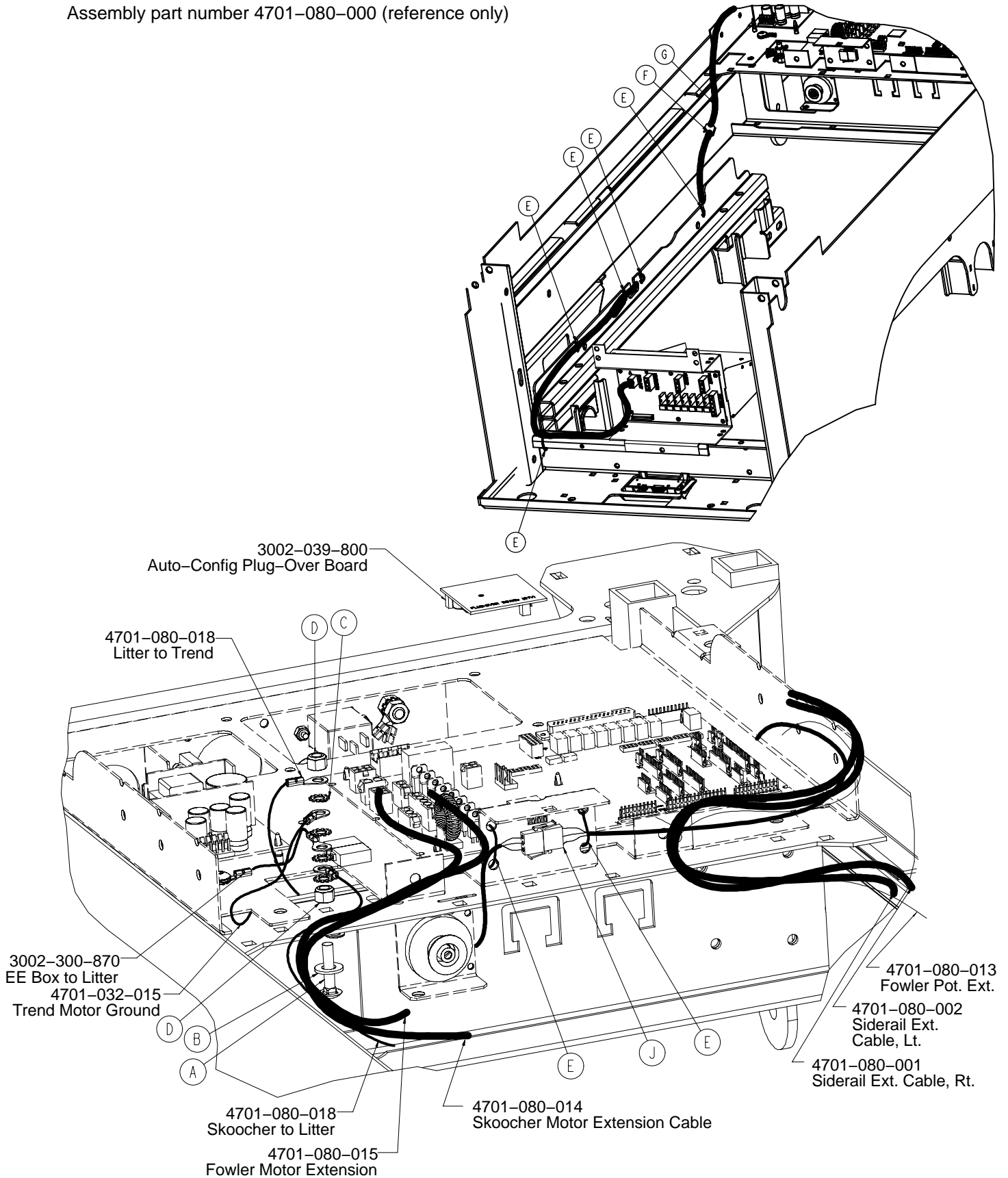
4701-080-030 Electrical Box Standard Components



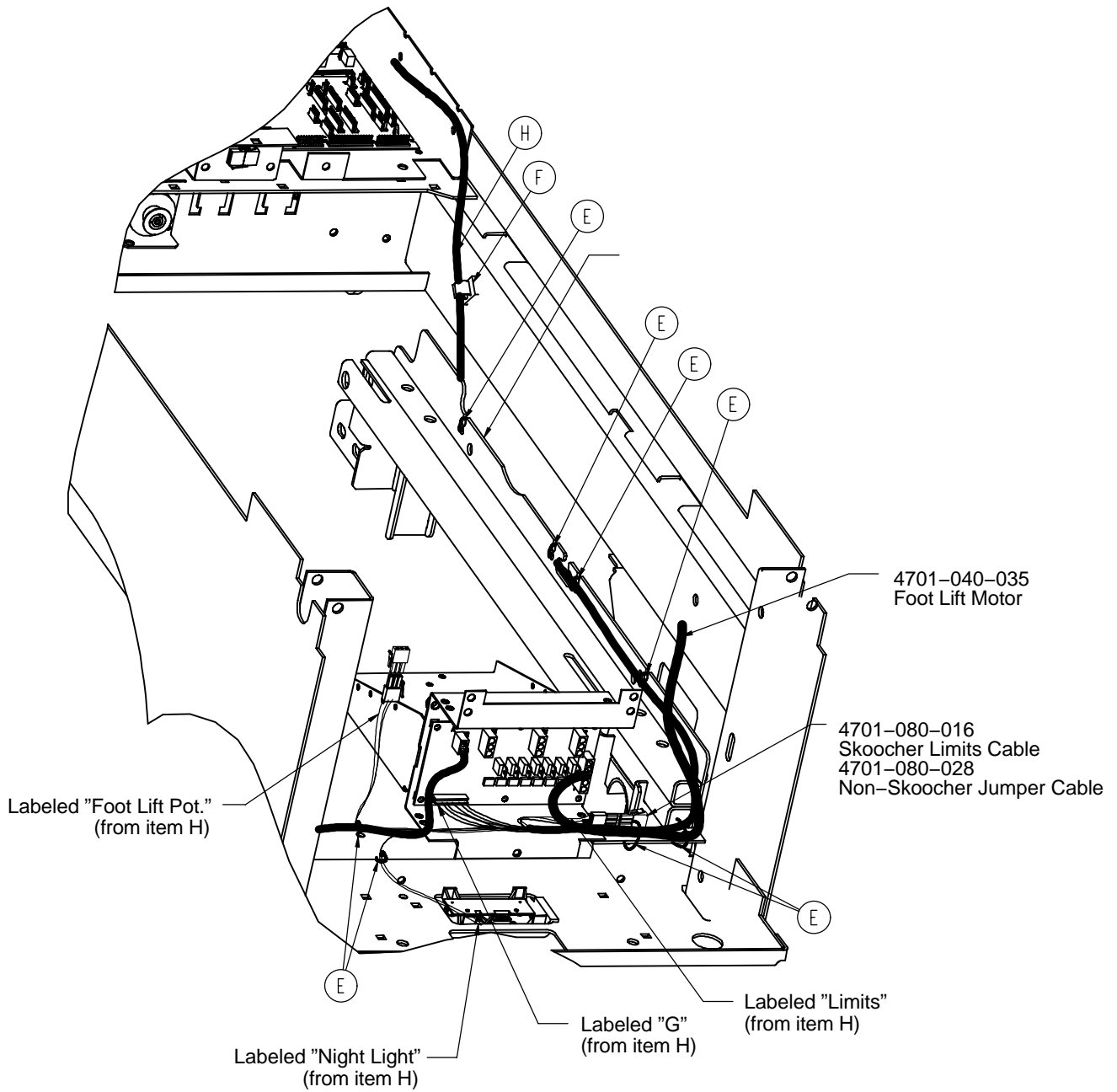
| Item | Part No. | Part Name | Qty. |
|------|--------------|-------------------------|------|
| A | 0002-041-000 | Round Hd. Machine Screw | 2 |
| B | 0007-065-000 | Truss Hd. Machine Screw | 1 |
| C | 0013-010-000 | Ext. Tooth Lock Washer | 2 |
| D | 0013-038-000 | Ext. Tooth Lock Washer | 2 |
| E | 0016-023-000 | Nylock Hex Nut | 2 |
| F | 0016-033-000 | Keyp Nut | 2 |
| G | 0036-115-000 | Ground Label | 1 |
| H | 0059-137-000 | Shunt | 2 |
| J | 0059-157-000 | Power Supply | 1 |
| K | 0059-171-000 | Push Spacer | 2 |
| L | 0059-196-000 | 10A Circuit Breaker | 2 |
| M | 2011-001-215 | Ground Lug | 1 |
| N | 3002-300-870 | 8" Ground Strap | 1 |
| P | 3002-407-950 | CPU Board | 1 |
| R | 3000-300-115 | Standoff | 9 |
| T | 4701-080-004 | Power Inlet Cable | 1 |
| U | 4701-080-010 | CPU/Power/Inlet Cable | 1 |
| V | 4701-080-019 | 15" Ground Strap | 1 |
| W | 4701-080-020 | Electrical Box | 1 |
| Y | 5010-080-003 | CPU/Power Supply Cable | 1 |

Full Bed Electrical Assembly

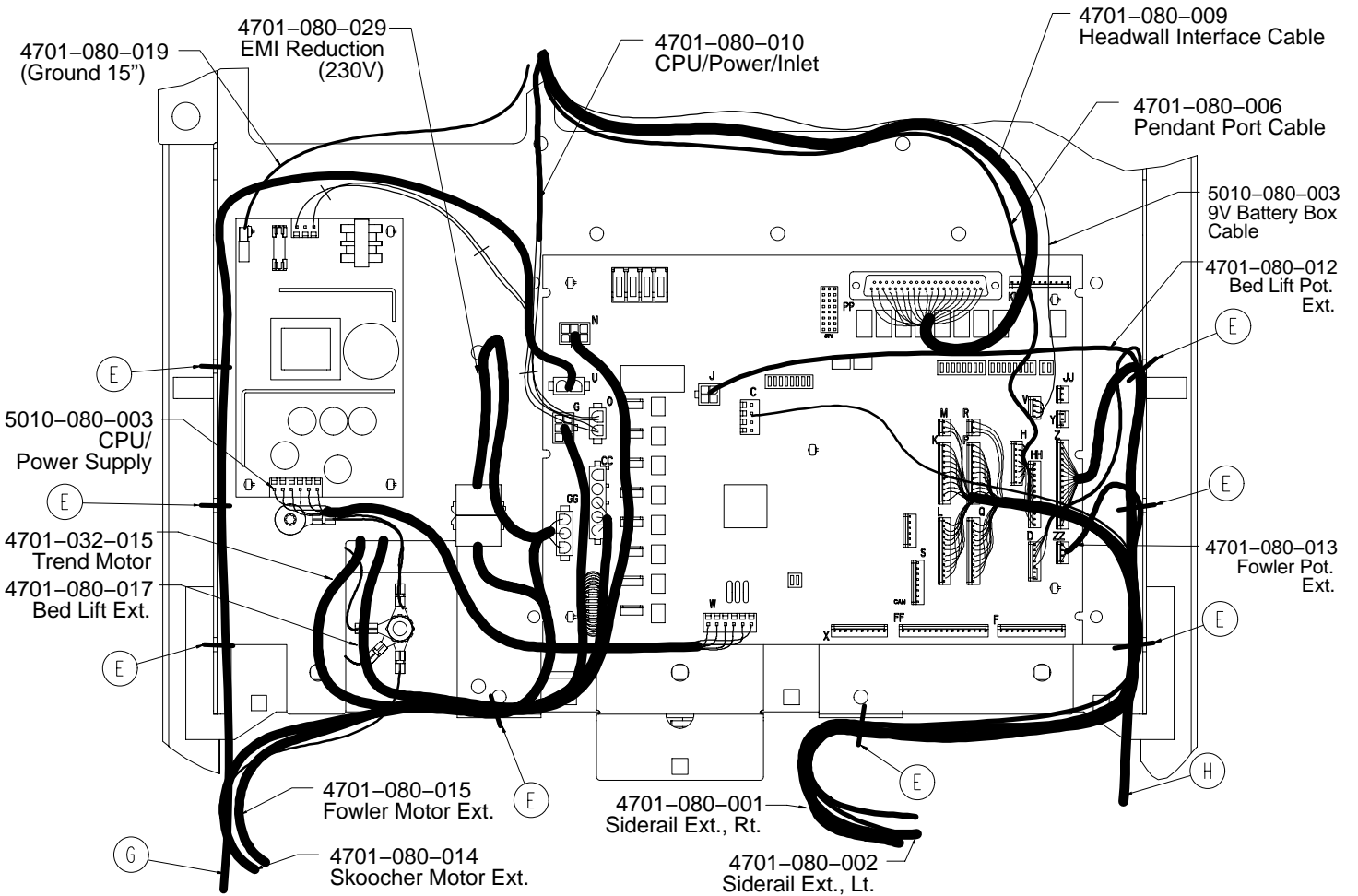
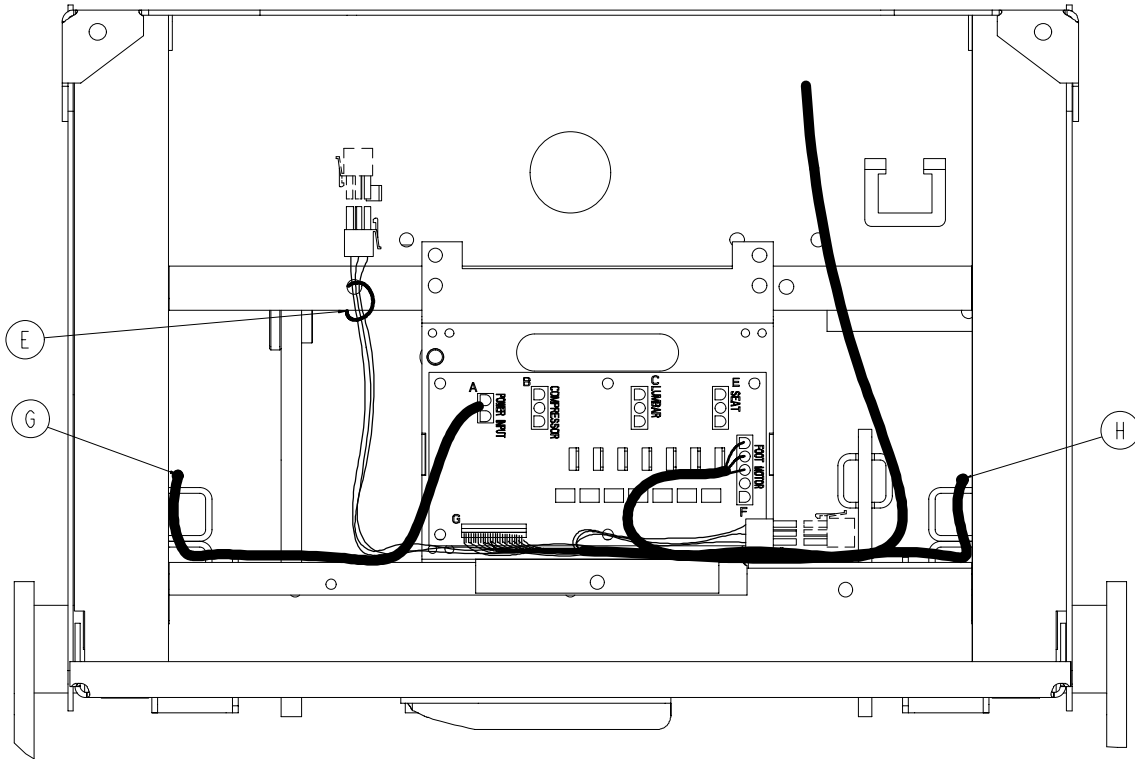
Assembly part number 4701-080-000 (reference only)



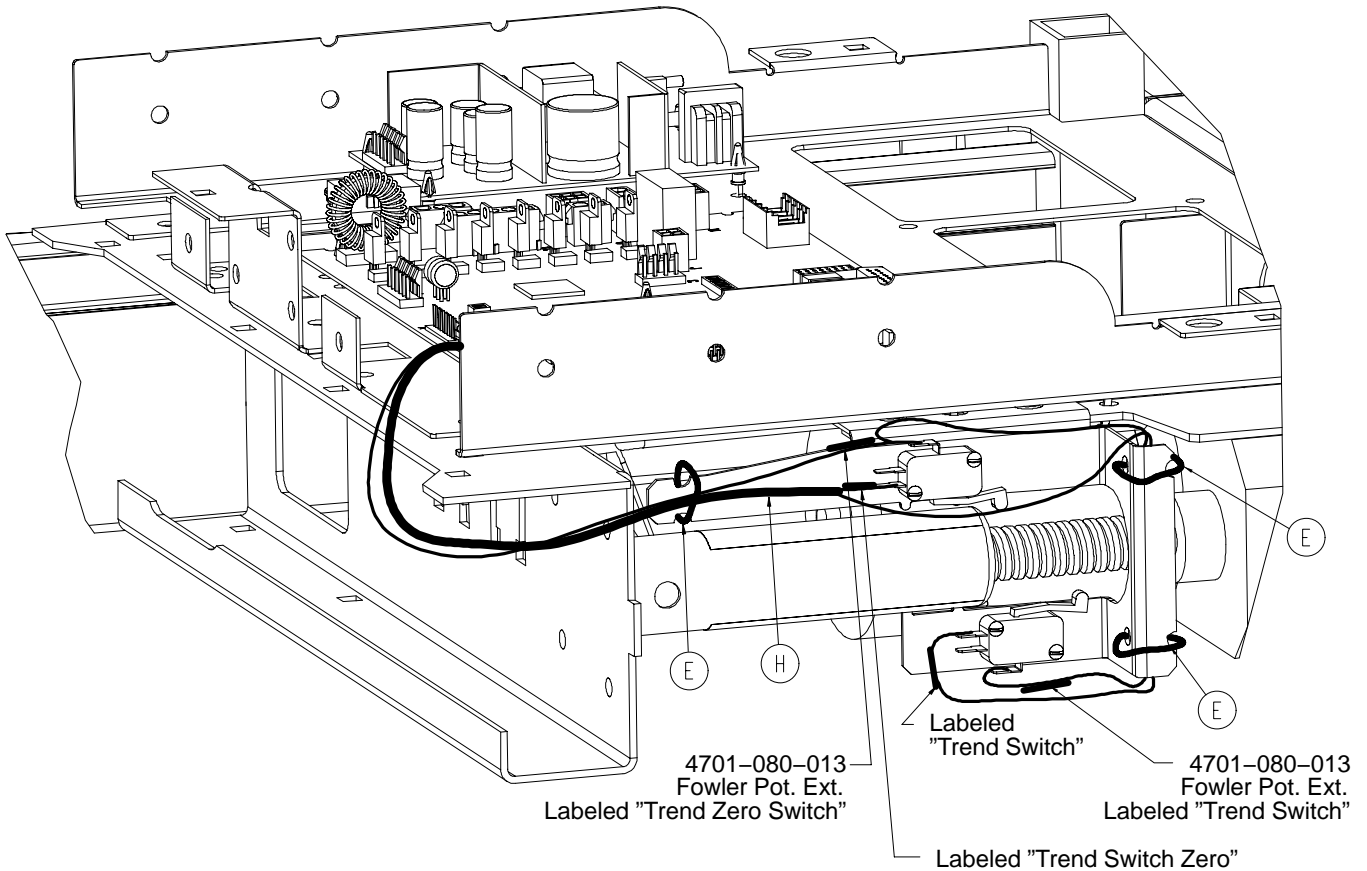
Full Bed Electrical Assembly



Full Bed Electrical Assembly



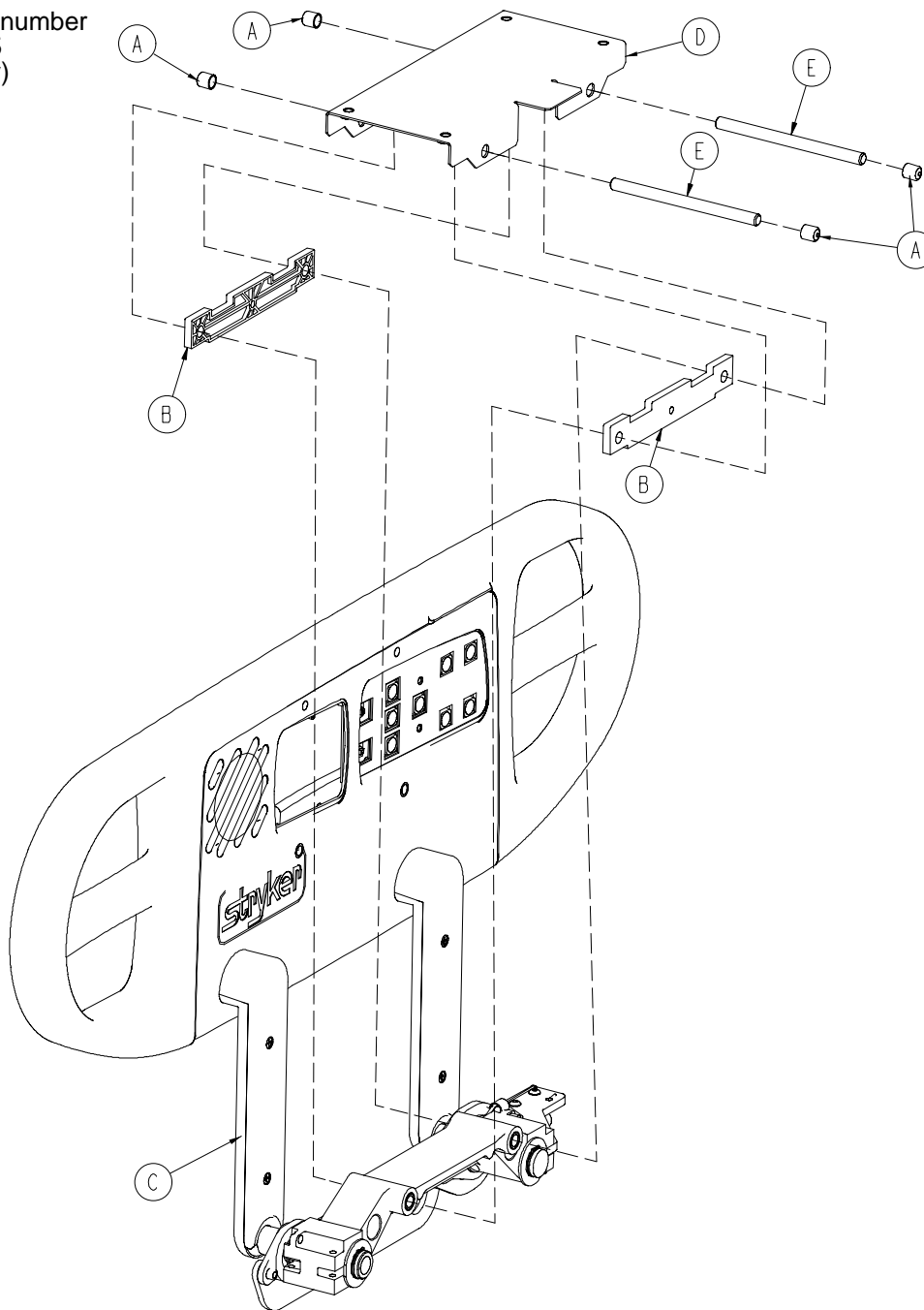
Full Bed Electrical Assembly



| Item | Part No. | Part Name | Qty. |
|------|--------------|--------------------------------|------|
| A | 0005-030-000 | Carriage Bolt | 1 |
| B | 0011-003-000 | Washer | 1 |
| C | 0013-010-000 | External Tooth Lock Washer | 4 |
| D | 0016-006-000 | Keq Hex Nut | 2 |
| E | 0059-086-000 | Cable Tie | 27 |
| F | 8815-001-100 | Push Mount Wire Clip | 2 |
| G | 4701-080-005 | Option Power Board Cable | 1 |
| H | 4701-080-008 | CPU Option Power Cable | 1 |
| J | 4701-080-012 | Bed Lift Pot. Extension Cable | 1 |
| K | 4701-080-017 | Bed Lift Motor Extension Cable | 1 |

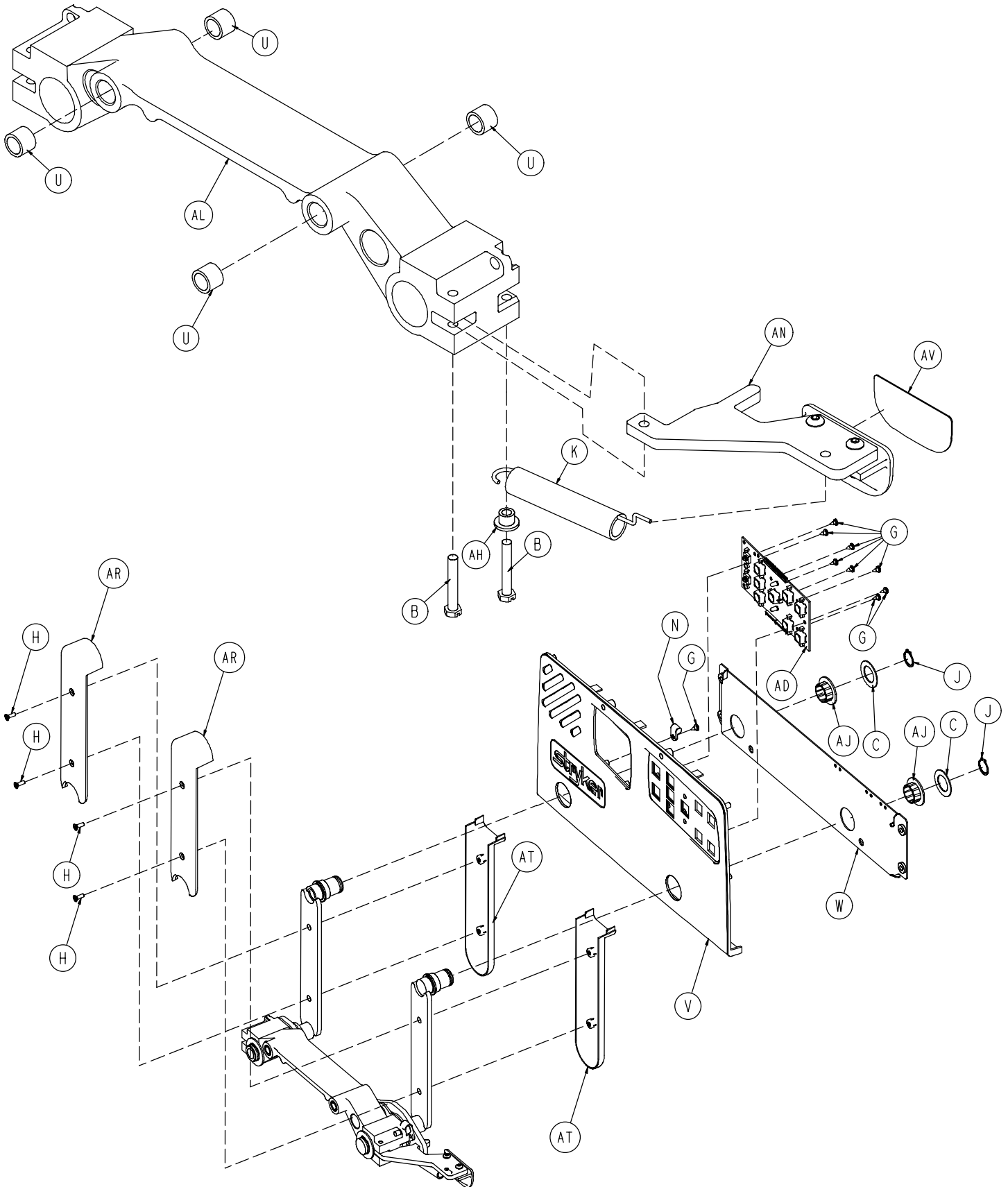
Left Siderail Assembly

Assembly part number
4701-020-095
(reference only)

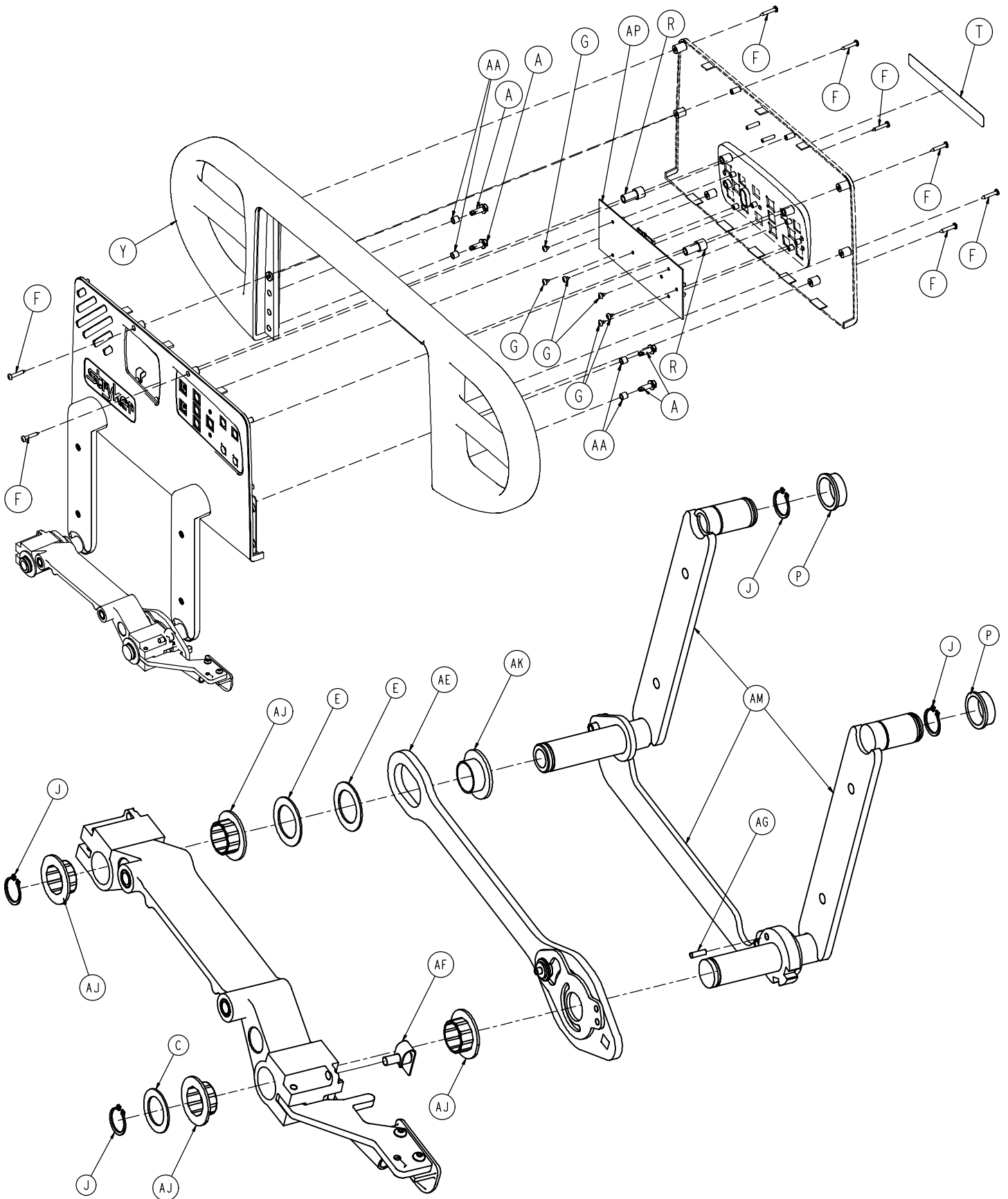


| Item | Part No. | Part Name | Qty. |
|------|----------------------------|------------------------------|------|
| A | 0056-021-000 | Vinyl Cap | 4 |
| B | 3002-400-511 | Glide Rod Bumper Pad | 2 |
| C | (page 185) | Standard Siderail Ass'y, Lt. | 1 |
| D | 4701-030-155 | Siderail Mounting Plate | 1 |
| E | 4701-030-156 | Siderail Glide Rod | 2 |

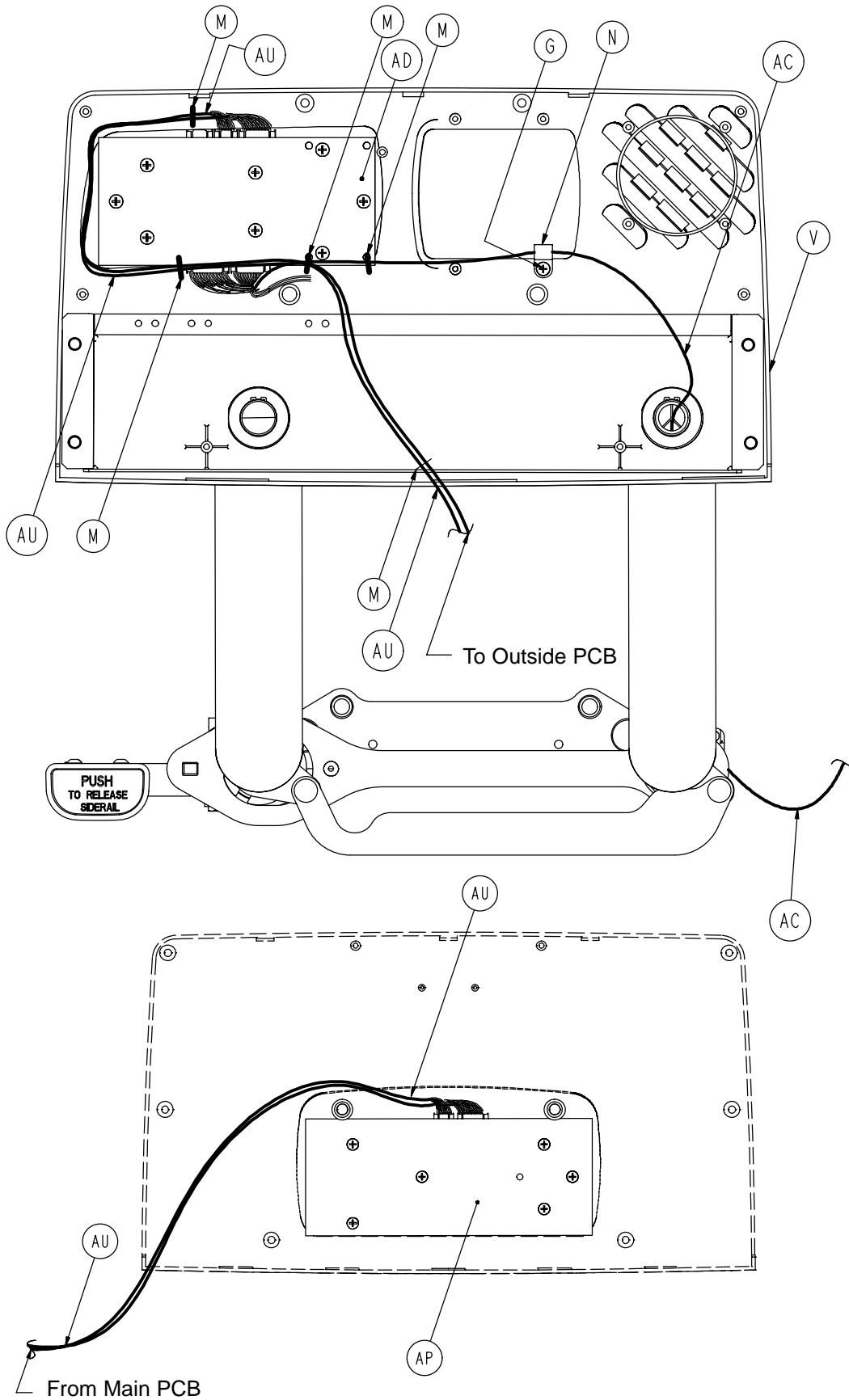
4701-020-085 Standard Siderail Components, Left



4701-020-085 Standard Siderail Components, Left



4701-020-085 Standard Siderail Components, Left

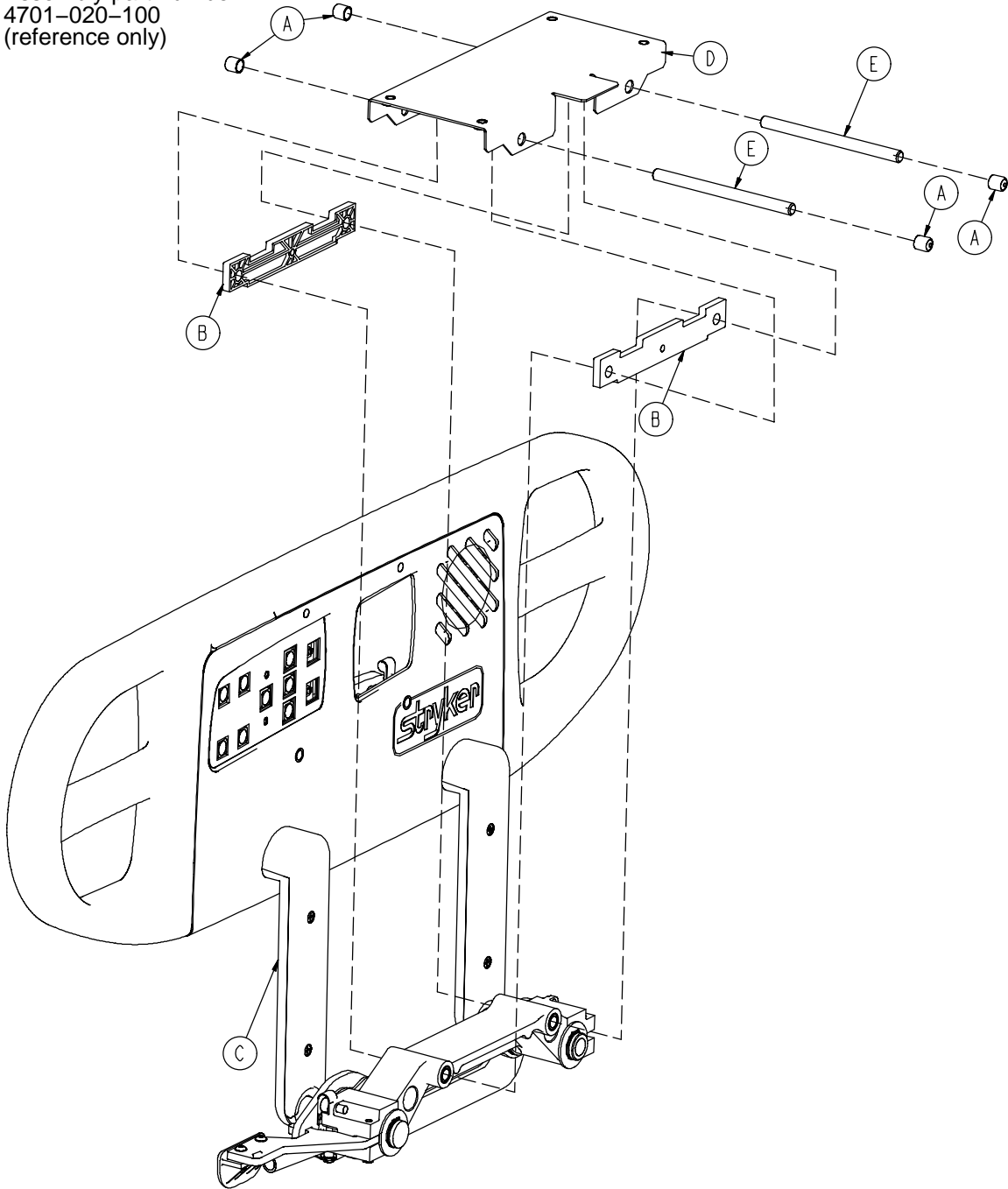


4701-020-085 Standard Siderail Components, Left

| Item | Part No. | Part Name | Qty. |
|------|----------------------------|---------------------------------|------|
| A | 0003-226-000 | Hex Washer Hd. Screw | 4 |
| B | 0003-344-000 | Hex Hd. Machine Screw | 2 |
| C | 0011-343-000 | Washer | 3 |
| E | 0014-093-000 | Washer | 2 |
| F | 0023-090-000 | Pan Hd. Tapping Screw | 8 |
| G | 0023-112-000 | Pan Hd. Tapping Screw | 15 |
| H | 0001-072-000 | Flat Hd. Machine Screw | 4 |
| J | 0028-128-000 | Retaining Ring | 6 |
| K | 3000-200-334 | Release Lever Spring | 1 |
| M | 3000-300-114 | Cable Tie | 5 |
| N | 3000-300-478 | CPR Conduit Clamp | 1 |
| P | 3000-400-513 | Wear Bushing | 2 |
| R | 3000-400-523 | Panel Spacer | 2 |
| T | 3000-400-556 | Warning Label | 1 |
| U | 3000-400-557 | Sleeve Bearing | 4 |
| V | 3001-400-101 | Inner Panel | 1 |
| W | 3001-400-130 | Hd. End, Lt. Support Weldment | 1 |
| Y | 3001-400-515 | Head Rail | 1 |
| AA | 3001-400-558 | Spacer | 4 |
| AB | 4700-020-008 | Outer Panel | 1 |
| AC | 4701-080-026 | Cable | 1 |
| AD | 3001-400-930 | Main Siderail PCB | 1 |
| AE | (page 194) | Latch Assembly, Head, Left | 1 |
| AF | (page 196) | Detent Clip Assembly | 1 |
| AG | 3002-400-505 | Bypass Pin | 1 |
| AH | 3002-400-509 | Bypass Bushing Spacer | 1 |
| AJ | 3002-400-513 | Pivot Bushing | 6 |
| AK | 3002-400-519 | Latch Bushing | 1 |
| AL | 3002-400-528 | Siderail Carrier | 1 |
| AM | (page 198) | Timing Link Assembly, Left, Hd. | 1 |
| AN | (page 200) | Release Lever Assembly | 1 |
| AP | 4701-080-070 | Outside Siderail PCB, Left | 1 |
| AR | 5000-020-005 | Inner Arm Cover | 2 |
| AT | 3001-400-619 | Outer Arm Cover | 2 |
| AU | 5000-080-012 | Main Outside Cable, Left | 1 |
| AV | 5000-090-016 | Siderail Release Label | 1 |

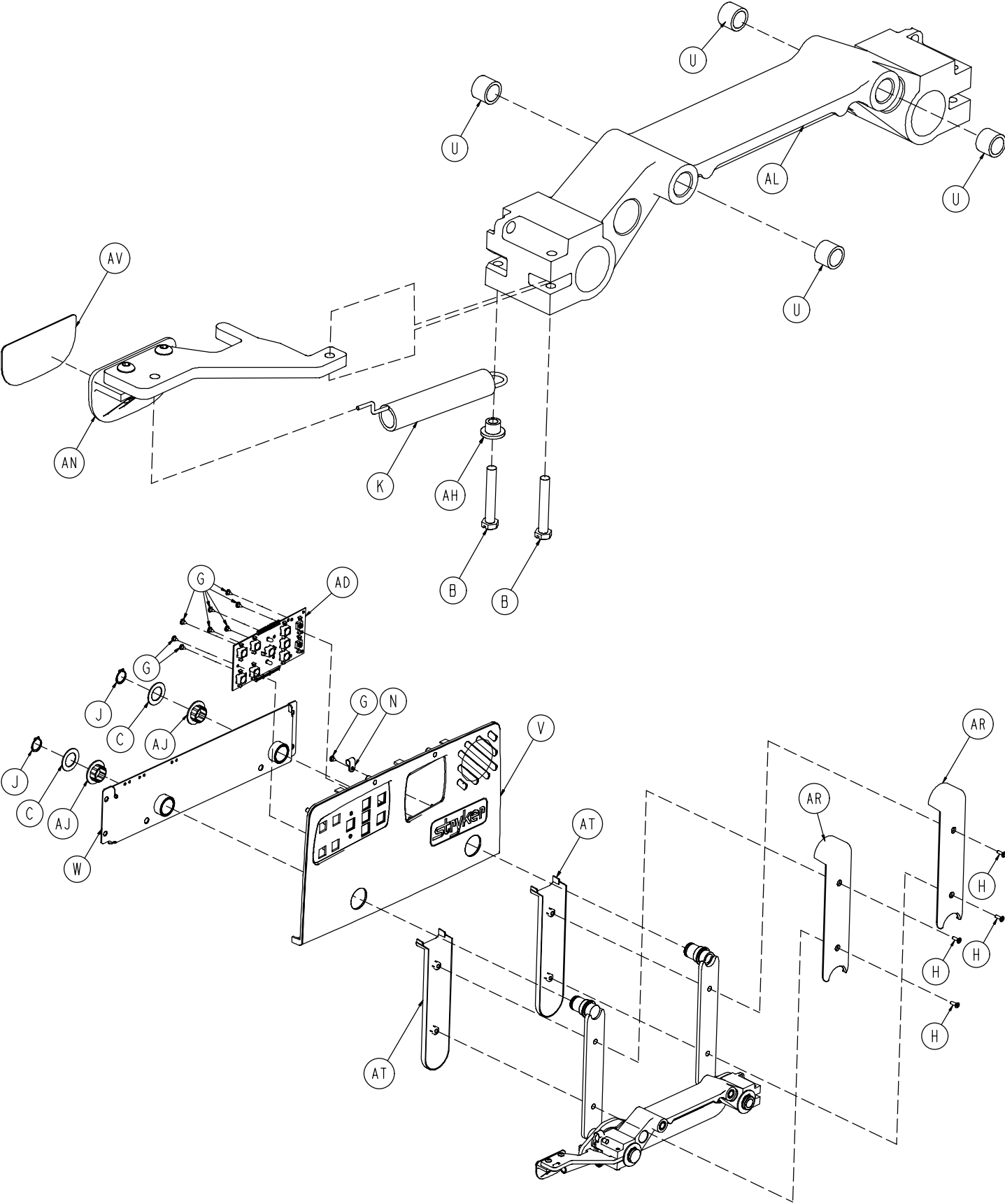
Right Siderail Assembly

Assembly part number
4701-020-100
(reference only)

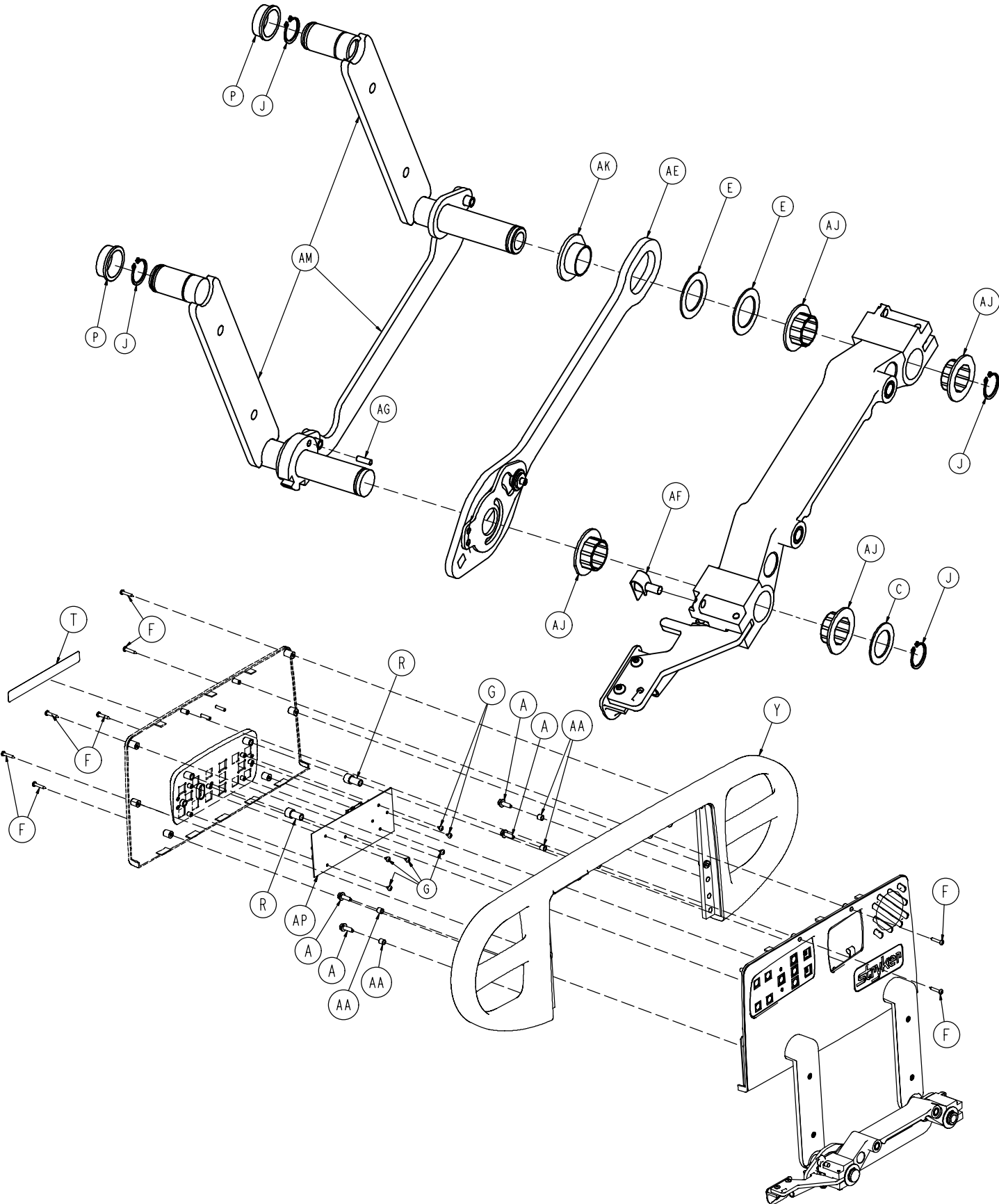


| Item | Part No. | Part Name | Qty. |
|------|--------------|------------------------------|------|
| A | 0056-021-000 | Vinyl Cap | 4 |
| B | 3002-400-511 | Glide Rod Bumper Pad | 2 |
| C | (page 190) | Standard Siderail Ass'y, Rt. | 1 |
| D | 4701-030-155 | Siderail Mounting Plate | 1 |
| E | 4701-030-156 | Siderail Glide Rod | 2 |

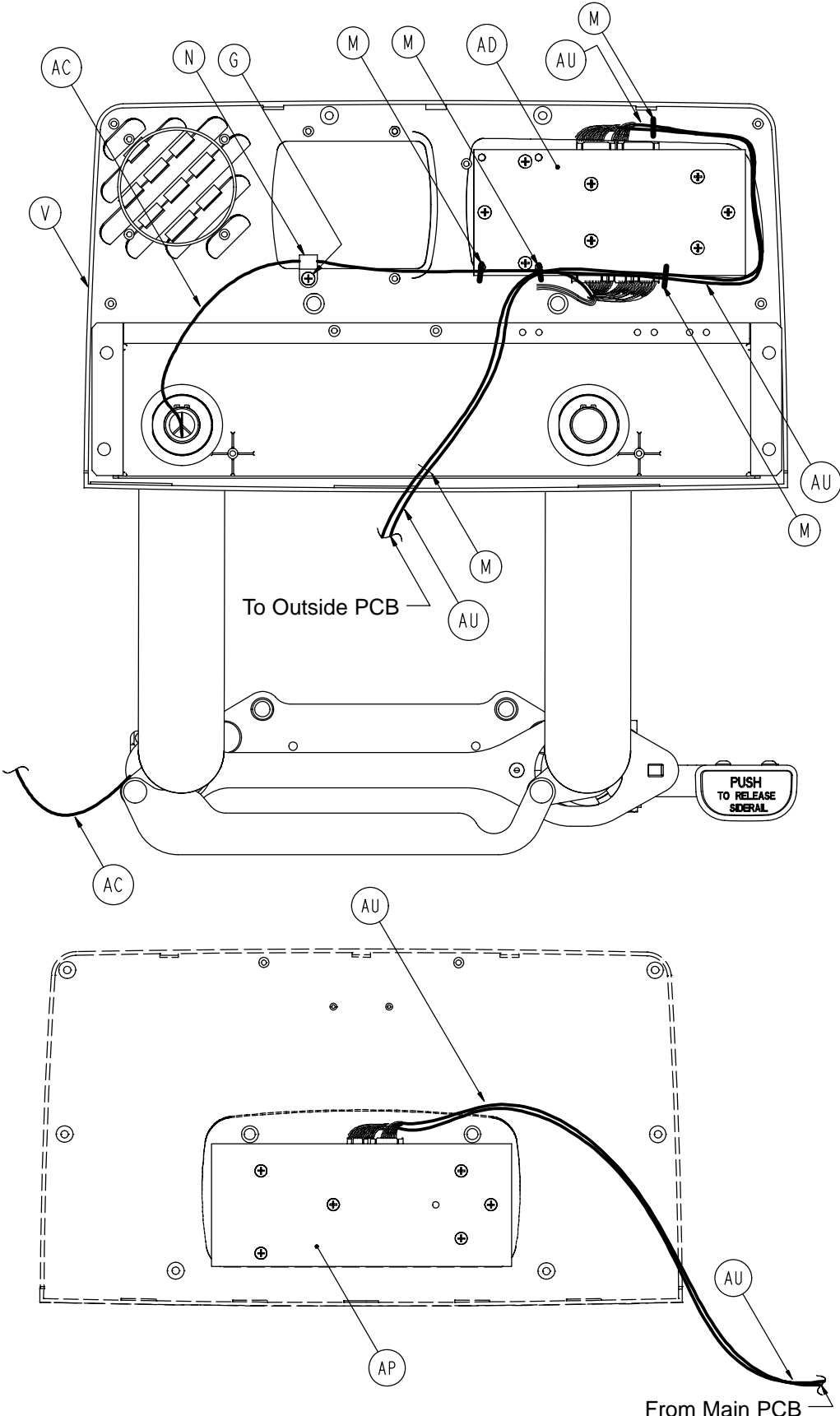
4701-020-090 Standard Siderail Components, Right



4701-020-090 Standard Siderail Components, Right



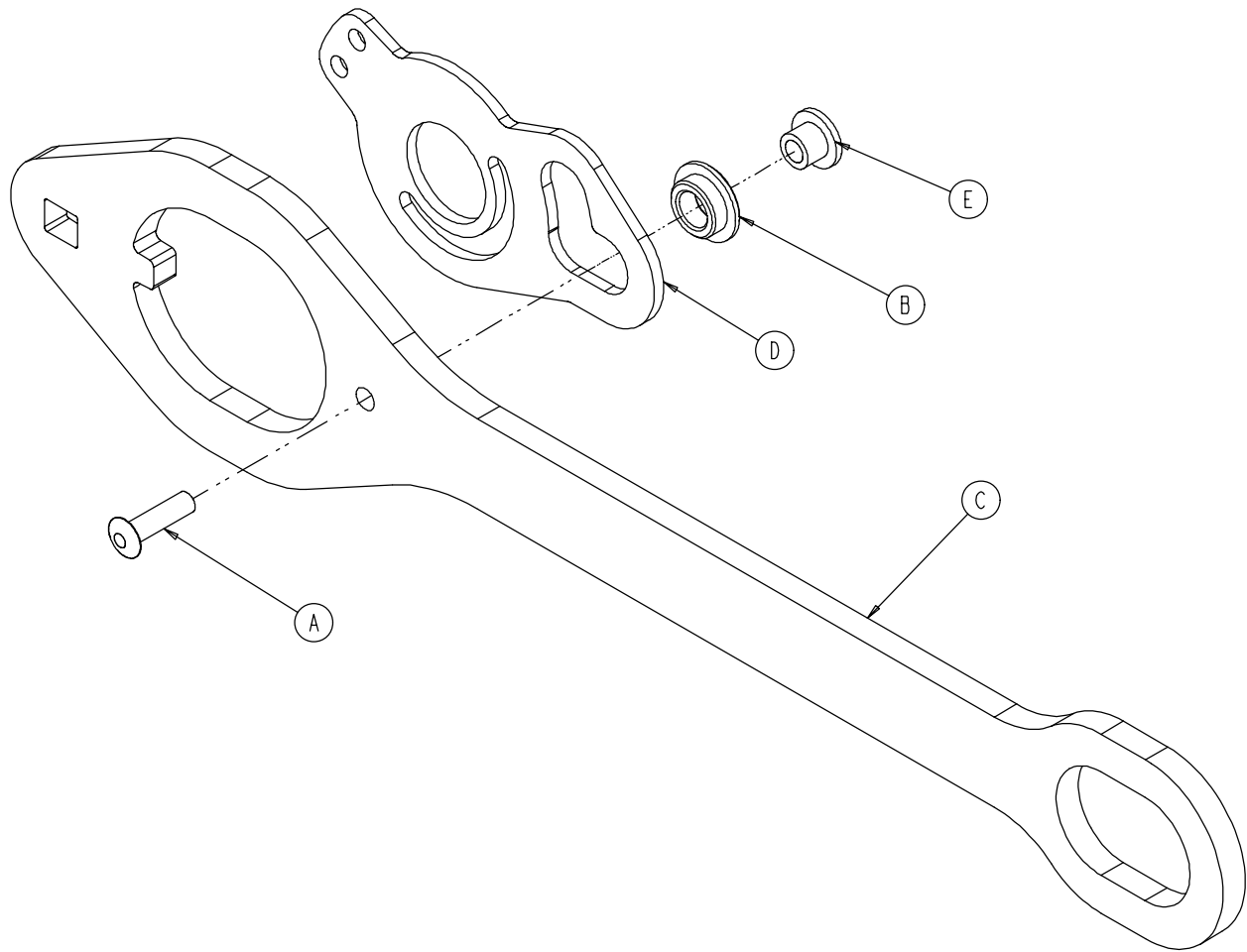
4701-020-090 Standard Siderail Components, Right



4701-020-090 Standard Siderail Components, Right

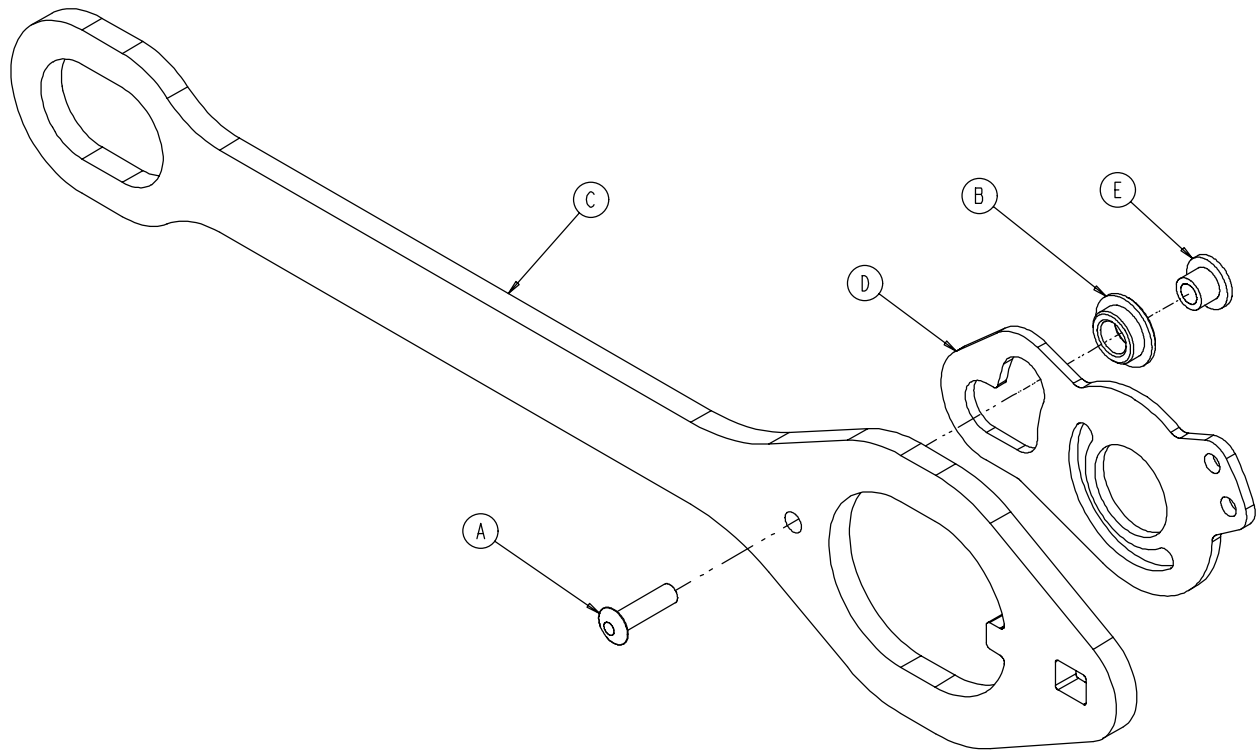
| Item | Part No. | Part Name | Qty. |
|------|----------------------------|--------------------------------|------|
| A | 0003-226-000 | Hex Washer Hd. Screw | 4 |
| B | 0003-344-000 | Hex Hd. Machine Screw | 2 |
| C | 0011-343-000 | Washer | 3 |
| E | 0014-093-000 | Washer | 2 |
| F | 0023-090-000 | Pan Hd. Tapping Screw | 8 |
| G | 0023-112-000 | Pan Hd. Tapping Screw | 15 |
| H | 0001-072-000 | Flat Hd. Machine Screw | 4 |
| J | 0028-128-000 | Retaining Ring | 6 |
| K | 3000-200-334 | Release Lever Spring | 1 |
| M | 3000-300-114 | Cable Tie | 5 |
| N | 3000-300-478 | CPR Conduit Clamp | 1 |
| P | 3000-400-513 | Wear Bushing | 2 |
| R | 3000-400-523 | Panel Spacer | 2 |
| T | 3000-400-556 | Warning Label | 1 |
| U | 3000-400-557 | Sleeve Bearing | 4 |
| V | 3001-400-201 | Inner Panel | 1 |
| W | 3001-400-230 | Hd. End, Rt. Support Weldment | 1 |
| Y | 3001-400-515 | Head Rail | 1 |
| AA | 3001-400-558 | Spacer | 4 |
| AB | 4700-020-008 | Outer Panel | 1 |
| AC | 4701-080-026 | Cable | 1 |
| AD | 3001-400-930 | Main Siderail PCB | 1 |
| AE | (page 195) | Latch Assembly, Head, Right | 1 |
| AF | (page 196) | Detent Clip Assembly | 1 |
| AG | 3002-400-505 | Bypass Pin | 1 |
| AH | 3002-400-509 | Bypass Bushing Spacer | 1 |
| AJ | 3002-400-513 | Pivot Bushing | 6 |
| AK | 3002-400-519 | Latch Bushing | 1 |
| AL | 3002-400-528 | Siderail Carrier | 1 |
| AM | (page 197) | Timing Link Assembly, Rt., Hd. | 1 |
| AN | (page 199) | Release Lever Assembly | 1 |
| AP | 4701-080-060 | Outside Siderail PCB, Right | 1 |
| AR | 5000-020-005 | Inner Arm Cover | 2 |
| AT | 3001-400-619 | Outer Arm Cover | 2 |
| AU | 5000-080-011 | Main Outside Cable, Right | 1 |
| AV | 5000-090-016 | Siderail Release Label | 1 |

3002-400-070 Siderail Latch Assembly, Left



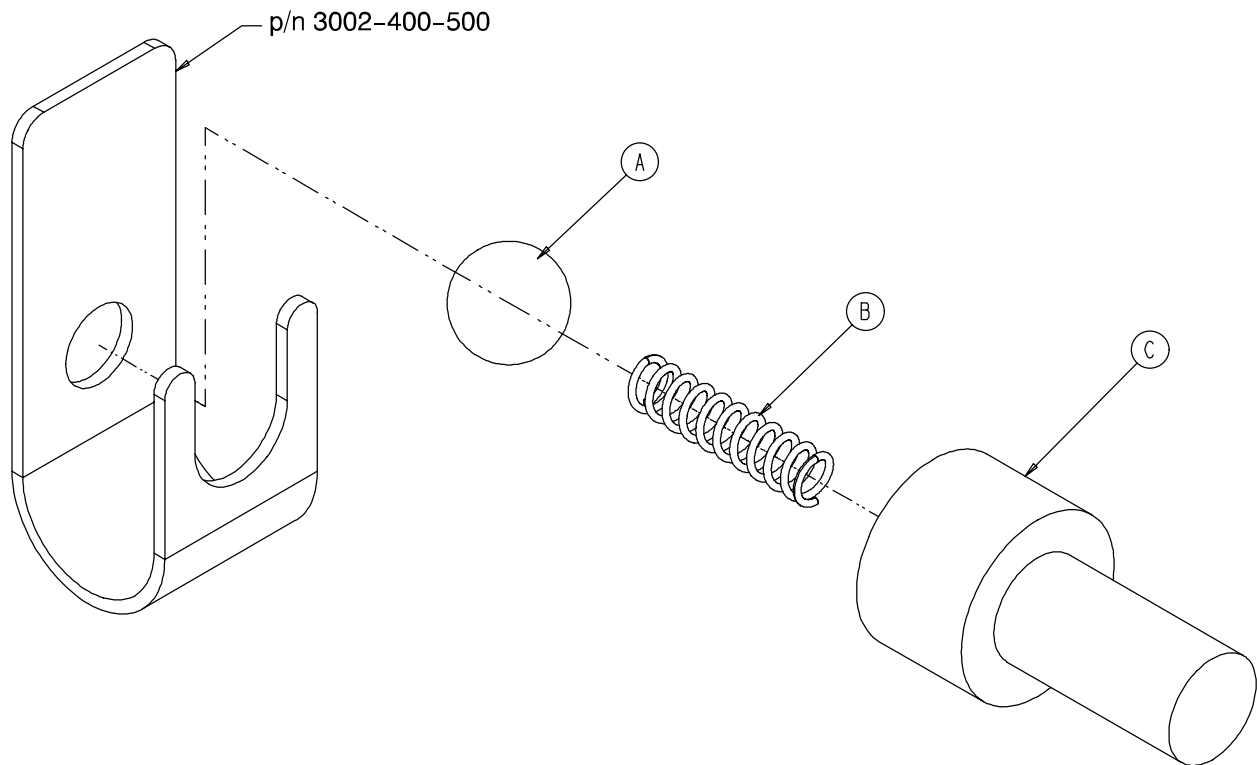
| Item | Part No. | Part Name | Qty. |
|------|--------------|-----------------------|------|
| A | 0025-086-000 | Blind Rivet | 1 |
| B | 0081-317-000 | Bronze Bushing | 1 |
| C | 3002-400-501 | Latch | 1 |
| D | 3002-400-503 | Head End Bypass Plate | 1 |
| E | 3002-400-509 | Bypass Bushing Spacer | 1 |

3002-400-075 Siderail Latch Assembly, Right



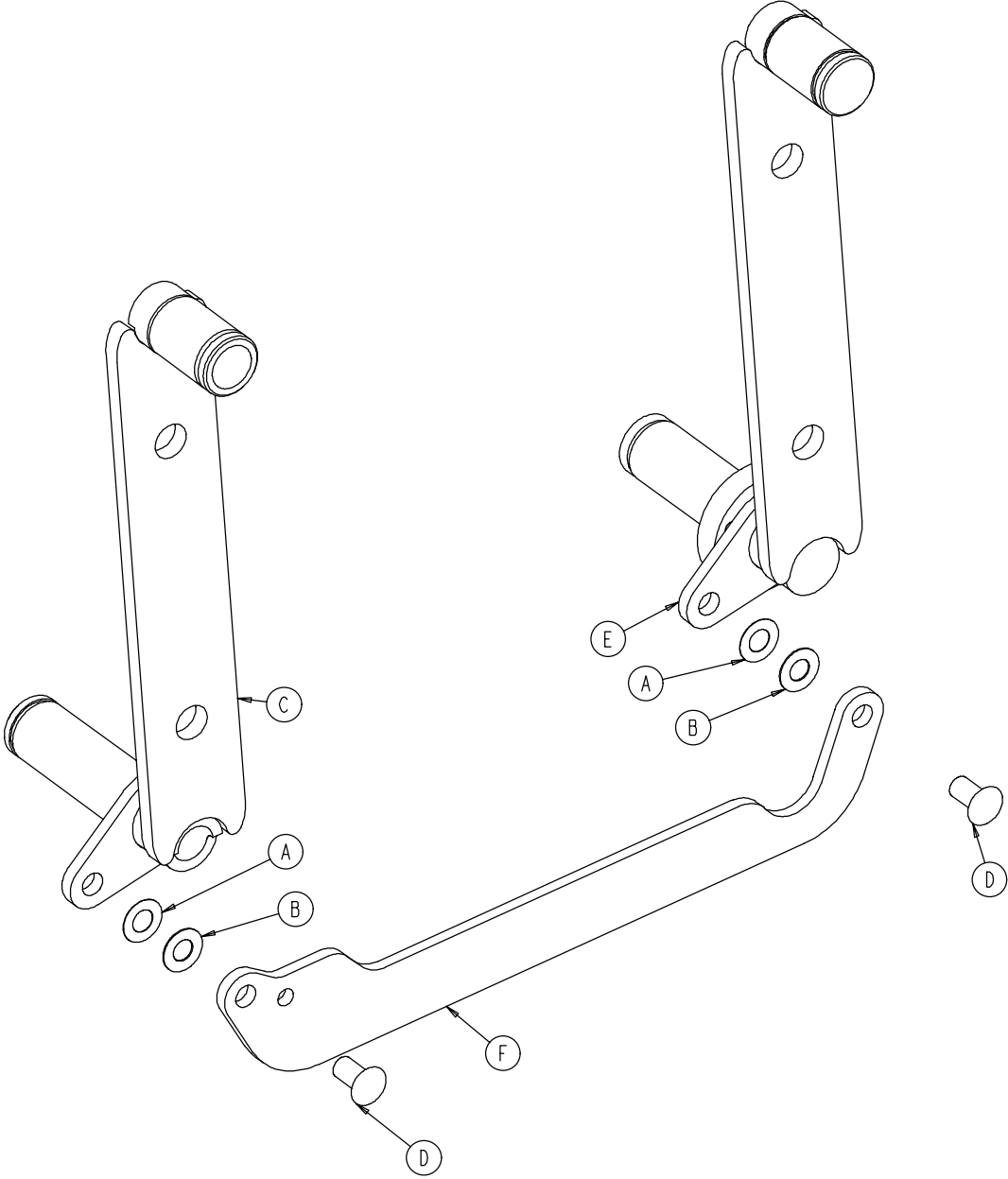
| Item | Part No. | Part Name | Qty. |
|------|--------------|-----------------------|------|
| A | 0025-086-000 | Blind Rivet | 1 |
| B | 0081-317-000 | Bronze Bushing | 1 |
| C | 3002-400-501 | Latch | 1 |
| D | 3002-400-503 | Head End Bypass Plate | 1 |
| E | 3002-400-509 | Bypass Bushing Spacer | 1 |

3002-400-090 Siderail Bypass Detent Clip Assembly



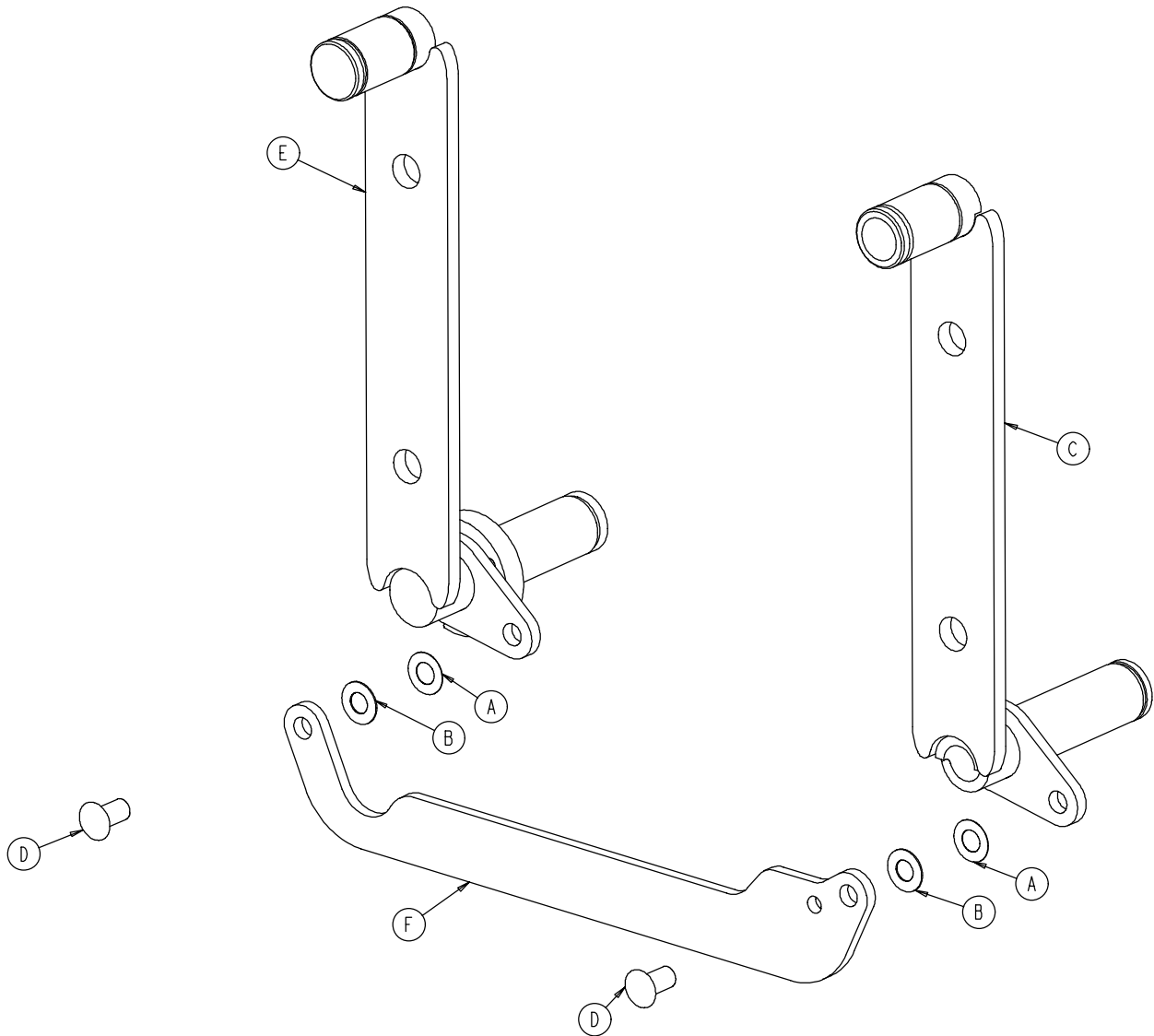
| Item | Part No. | Part Name | Qty. |
|------|--------------|-----------------------|------|
| A | 0031-137-000 | Steel Ball | 1 |
| B | 0038-464-000 | Compression Spring | 1 |
| C | 3002-400-524 | Bypass Detent Housing | 1 |

4700-320-004 Siderail Timing Link Ass'y, Head End, Right



| Item | Part No. | Part Name | Qty. |
|------|--------------|-----------------------------|------|
| A | 0011-377-000 | Nylon Washer | 2 |
| B | 0011-403-000 | Shim Washer | 2 |
| C | 3001-401-228 | Arm Weldment, Rt., Hd., Hd. | 1 |
| D | 3001-400-501 | Siderail Linkage Rivet | 2 |
| E | 3002-401-227 | Arm Weldment, Rt., Hd., Ft. | 1 |
| F | 3001-400-011 | Head End Timing Link | 1 |

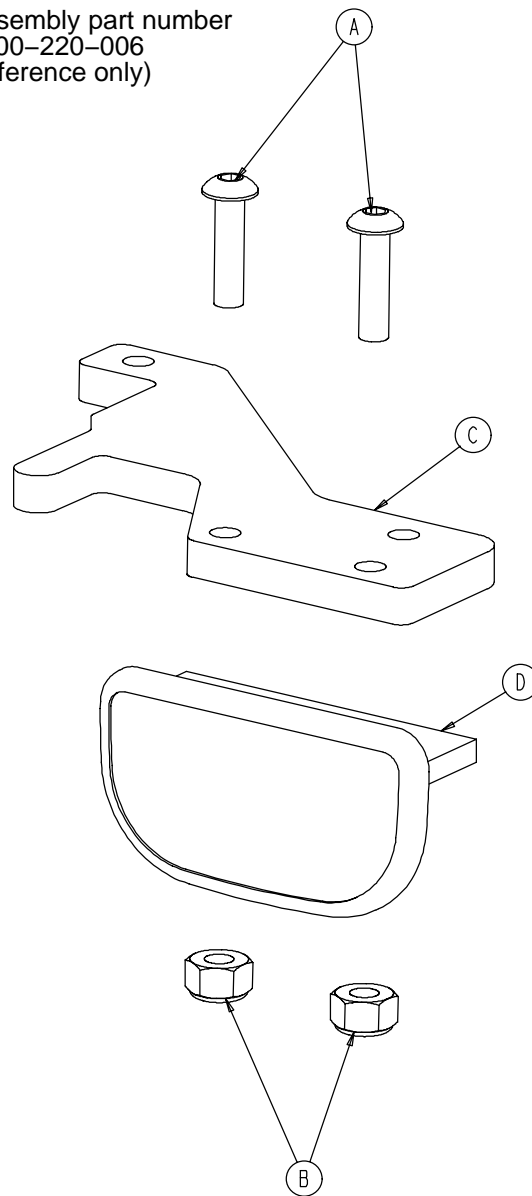
4700-320-005 Siderail Timing Link Ass'y, Head End, Left



| Item | Part No. | Part Name | Qty. |
|------|--------------|-----------------------------|------|
| A | 0011-377-000 | Nylon Washer | 2 |
| B | 0011-403-000 | Shim Washer | 2 |
| C | 3001-401-128 | Arm Weldment, Lt., Hd., Hd. | 1 |
| D | 3001-400-501 | Siderail Linkage Rivet | 2 |
| E | 3002-401-127 | Arm Weldment, Lt., Hd., Ft. | 1 |
| F | 3001-400-011 | Head End Timing Link | 1 |

Siderail Release Lever Assembly, Right

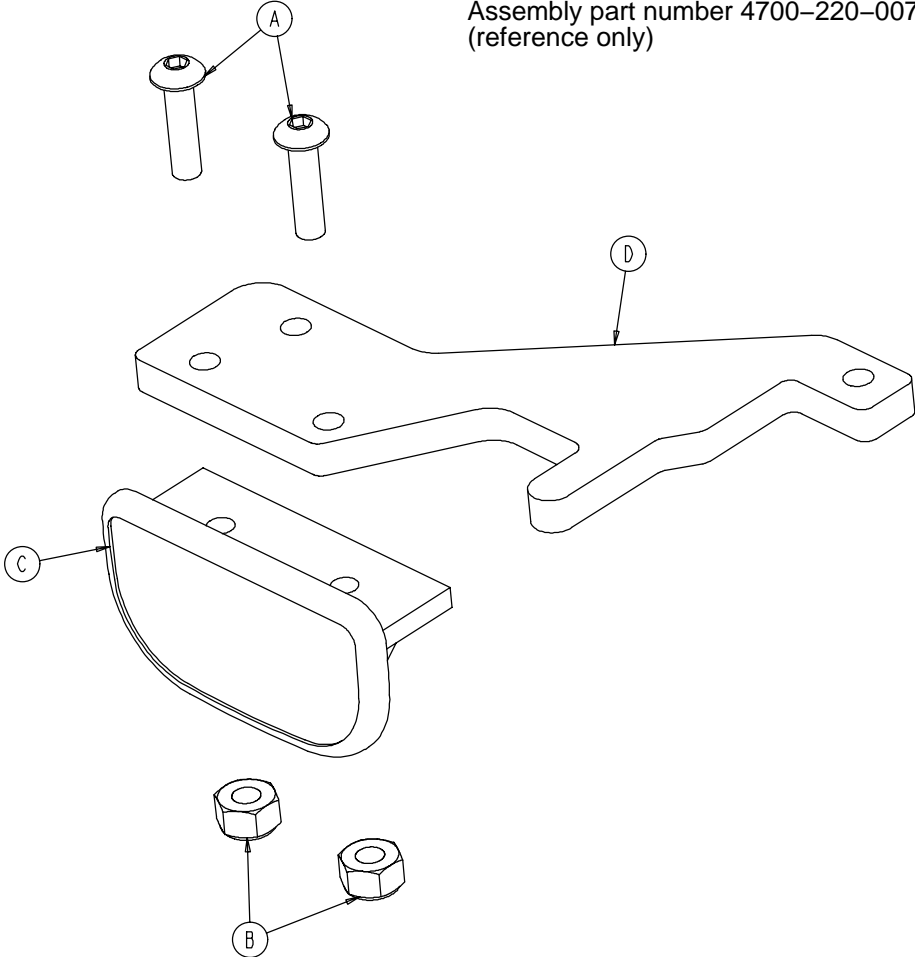
Assembly part number
4700-220-006
(reference only)



| Item | Part No. | Part Name | Qty. |
|------|--------------|--------------------|------|
| A | 0004-278-000 | But. Hd. Cap Screw | 2 |
| B | 0016-002-000 | Nylock Nut | 2 |
| C | 3001-400-514 | Release Lever Pad | 1 |
| D | 3002-400-510 | Release Lever | 1 |

Siderail Release Lever Assembly, Left

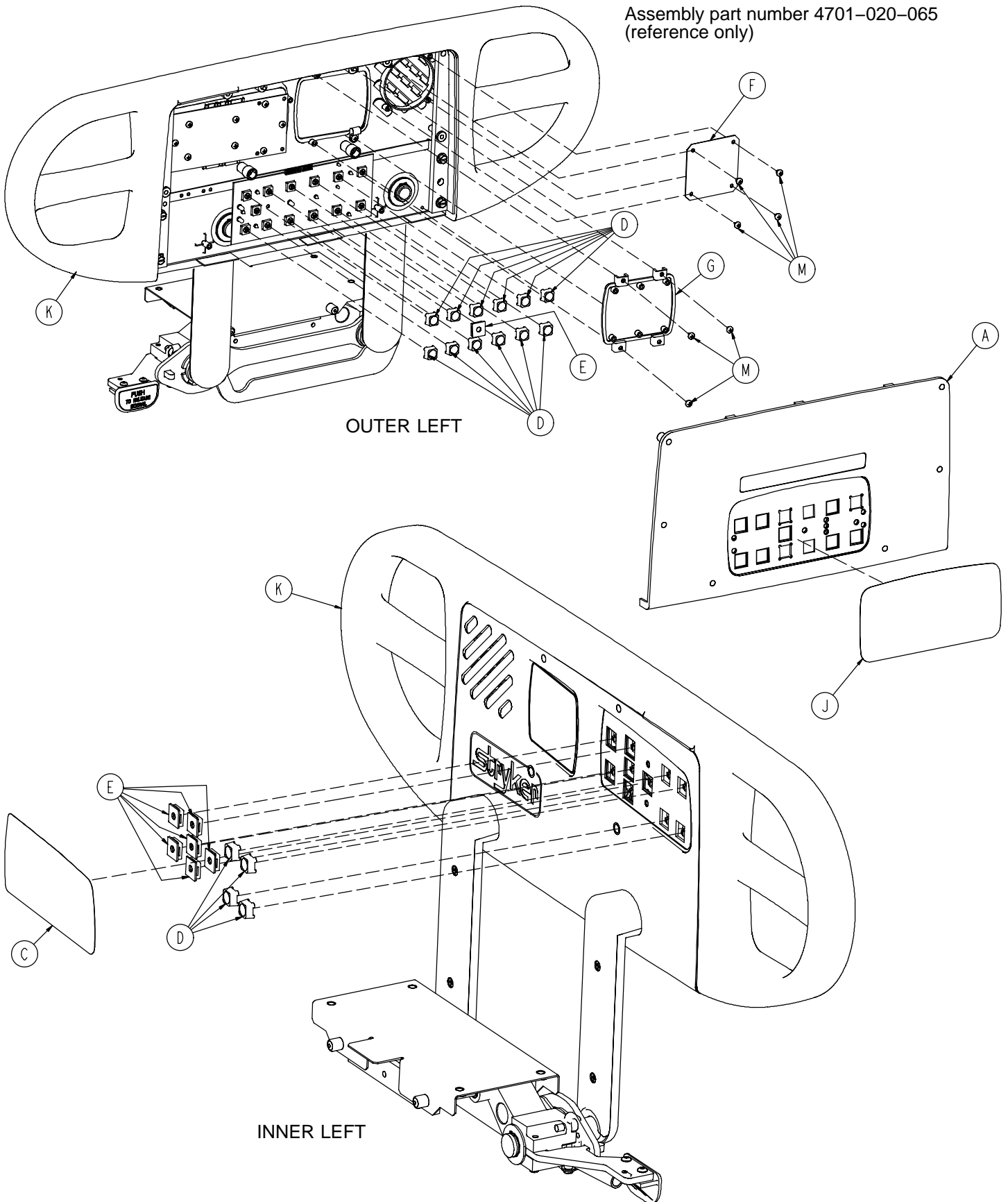
Assembly part number 4700-220-007
(reference only)



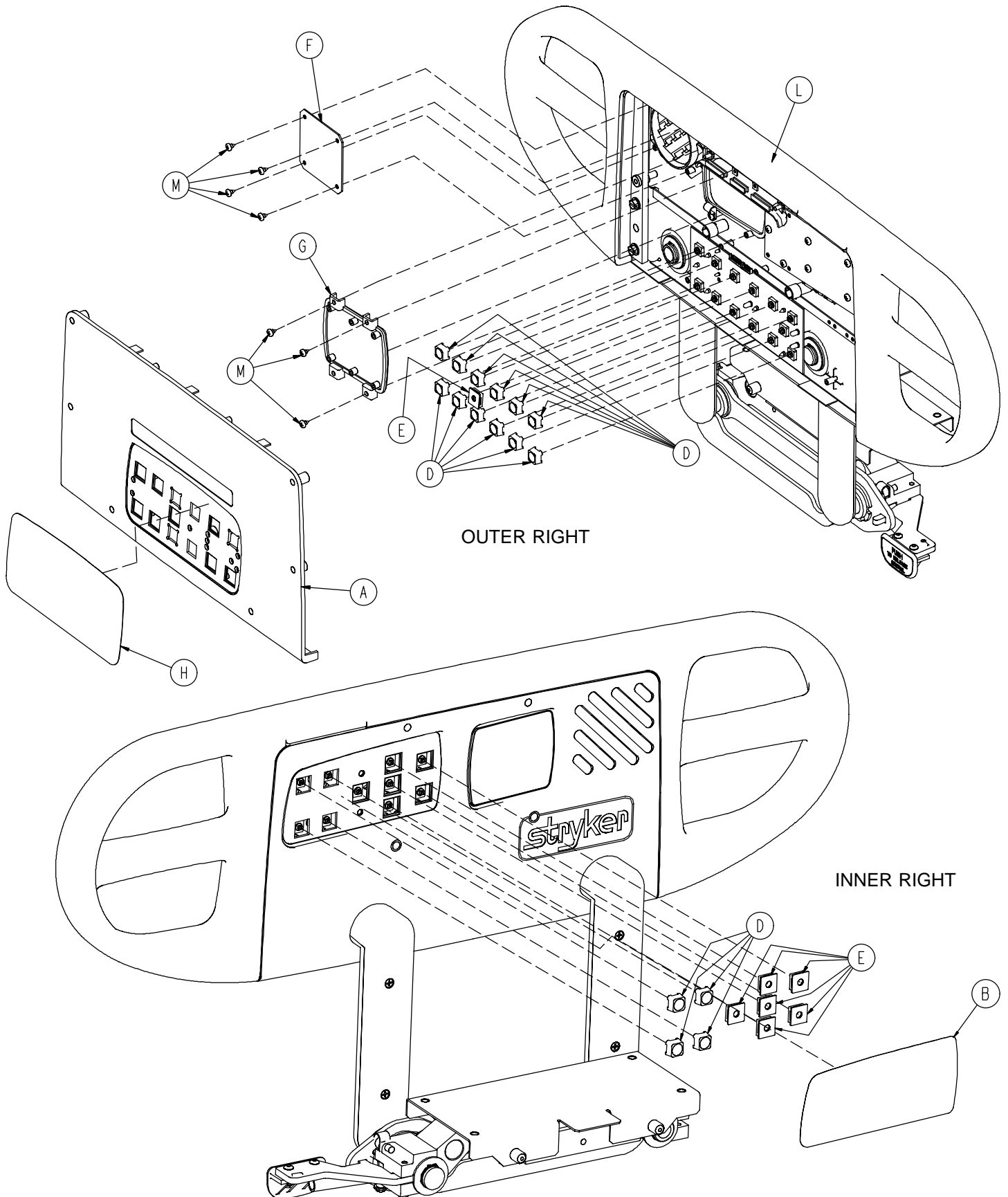
| Item | Part No. | Part Name | Qty. |
|------|--------------|--------------------|------|
| A | 0004-278-000 | But. Hd. Cap Screw | 2 |
| B | 0016-002-000 | Nylock Nut | 2 |
| C | 3001-400-514 | Release Lever Pad | 1 |
| D | 3002-400-510 | Release Lever | 1 |

Standard Siderail Assembly

Assembly part number 4701-020-065
(reference only)



Standard Siderail Assembly



OUTER RIGHT

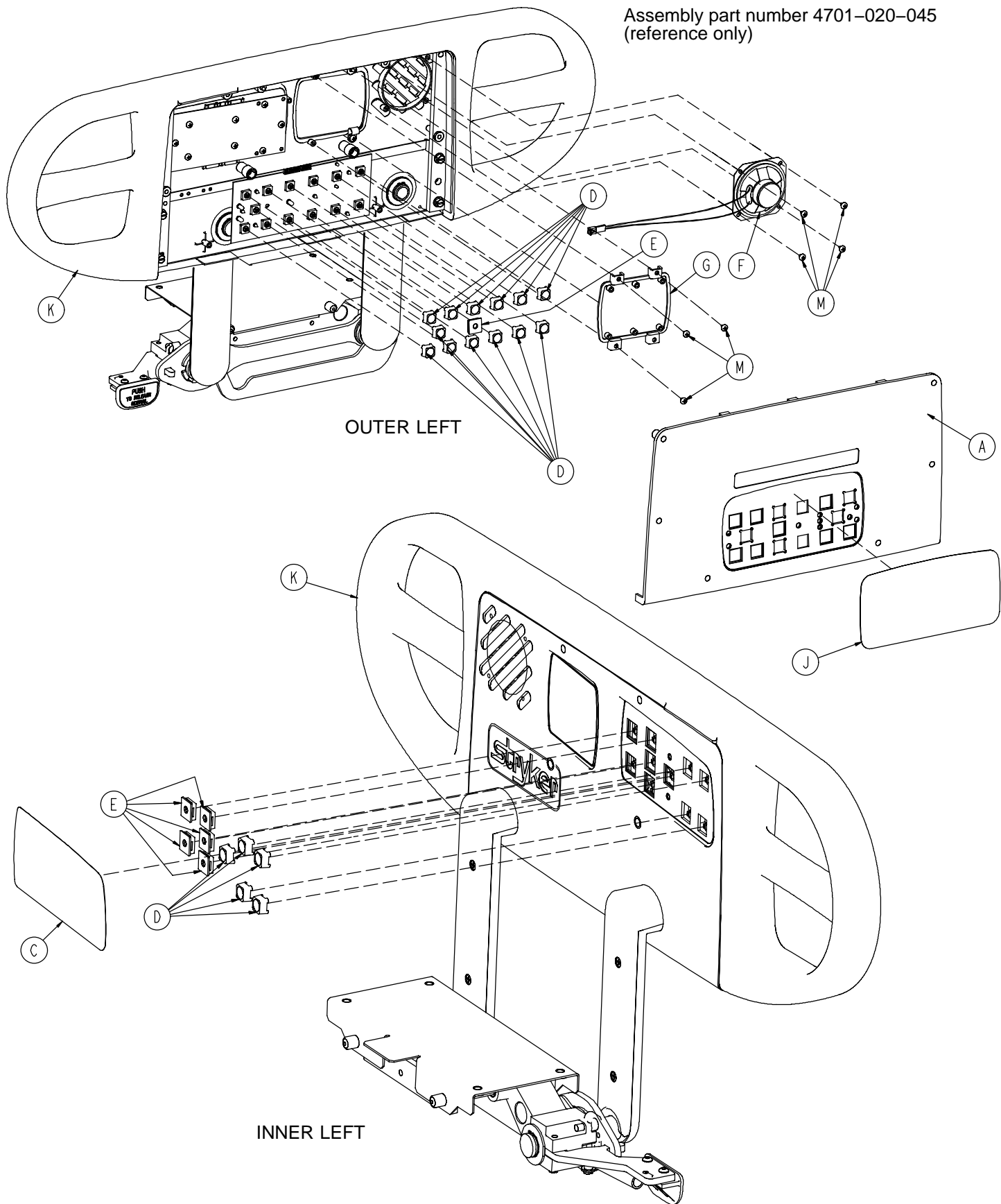
INNER RIGHT

Standard Siderail Assembly

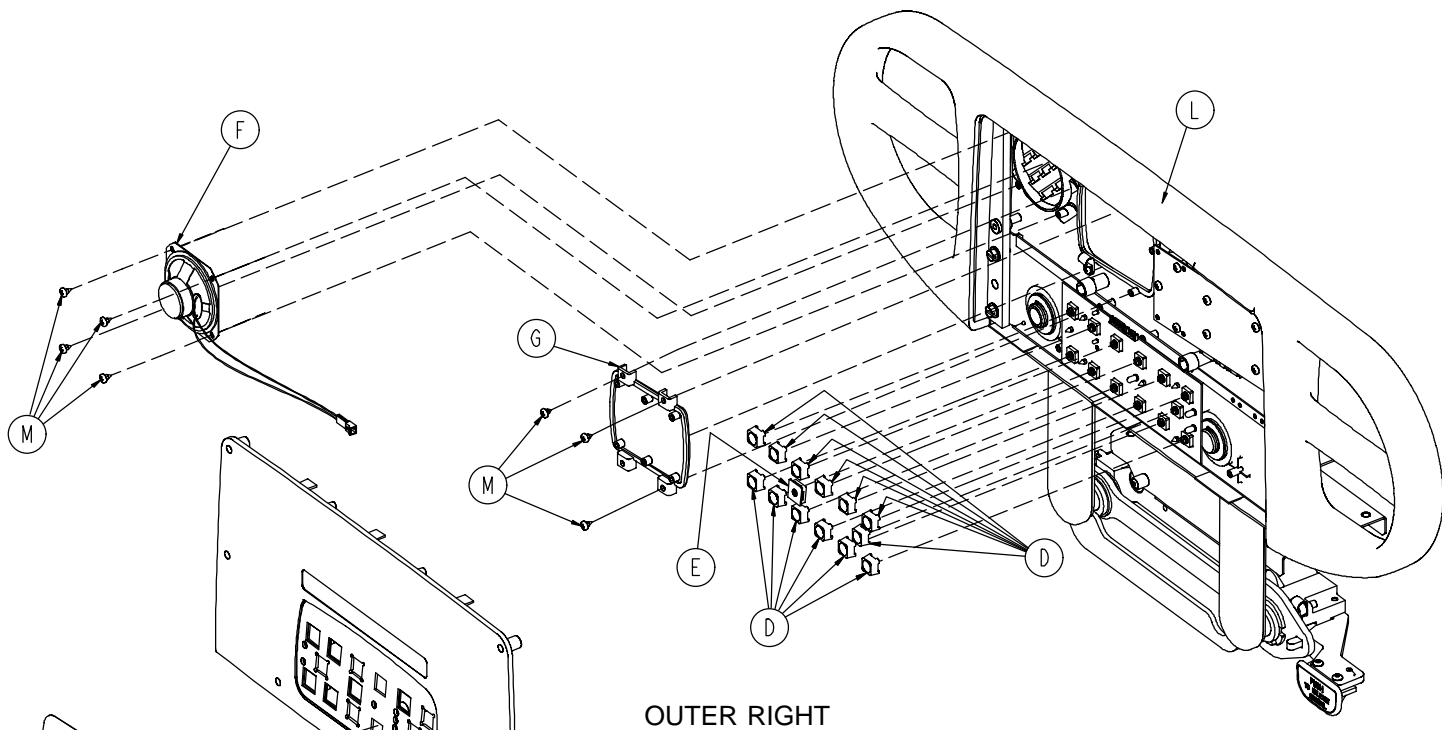
| Item | Part No. | Part Name | Qty. |
|-------------|------------------------------|--------------------------------|-------------|
| A | (page 249) | Outer Panel, w/o Nurse Call | 2 |
| B | 4701-090-027 | Inner, Right Label, No Options | 1 |
| C | 4701-090-028 | Inner, Left Label, No Options | 1 |
| D | 3001-400-953 | Switch Cap | 12 |
| E | 3001-400-522 | Filler Cap | 14 |
| F | 3001-400-517 | Speaker Seal | 2 |
| G | 3001-400-535 | Inner Panel Blank Module | 2 |
| H | 4701-090-017 | Outer, Right Label, No Options | 1 |
| J | 4701-090-018 | Outer, Left Label, No Options | 1 |
| K | (page 184) | Left Siderail Subassembly | 1 |
| L | (page 189) | Right Siderail Subassembly | 1 |
| M | 0023-112-000 | Pan Hd. Tapping Screw | 14 |

Siderail Assembly, with Nurse Call

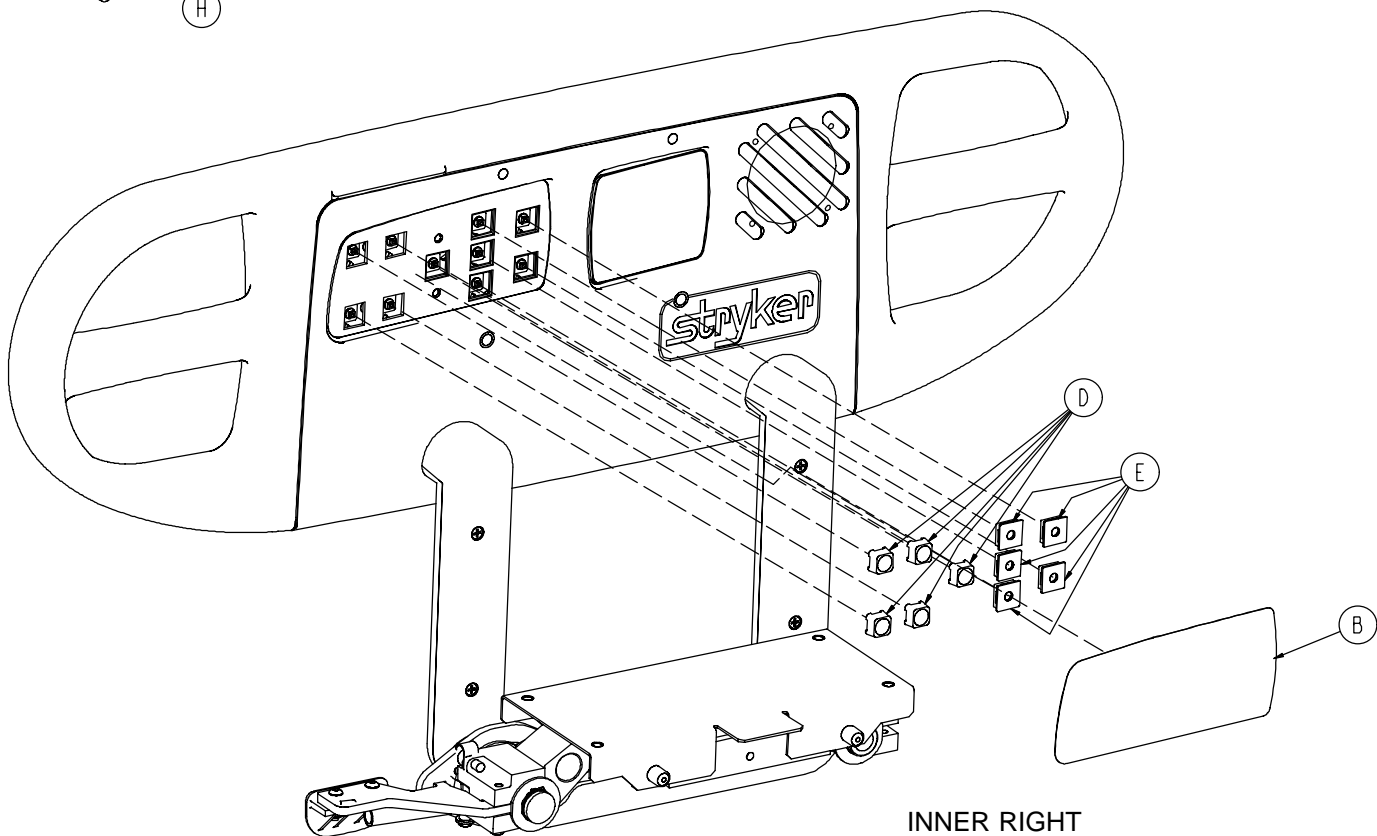
Assembly part number 4701-020-045
(reference only)



Siderail Assembly, with Nurse Call



OUTER RIGHT



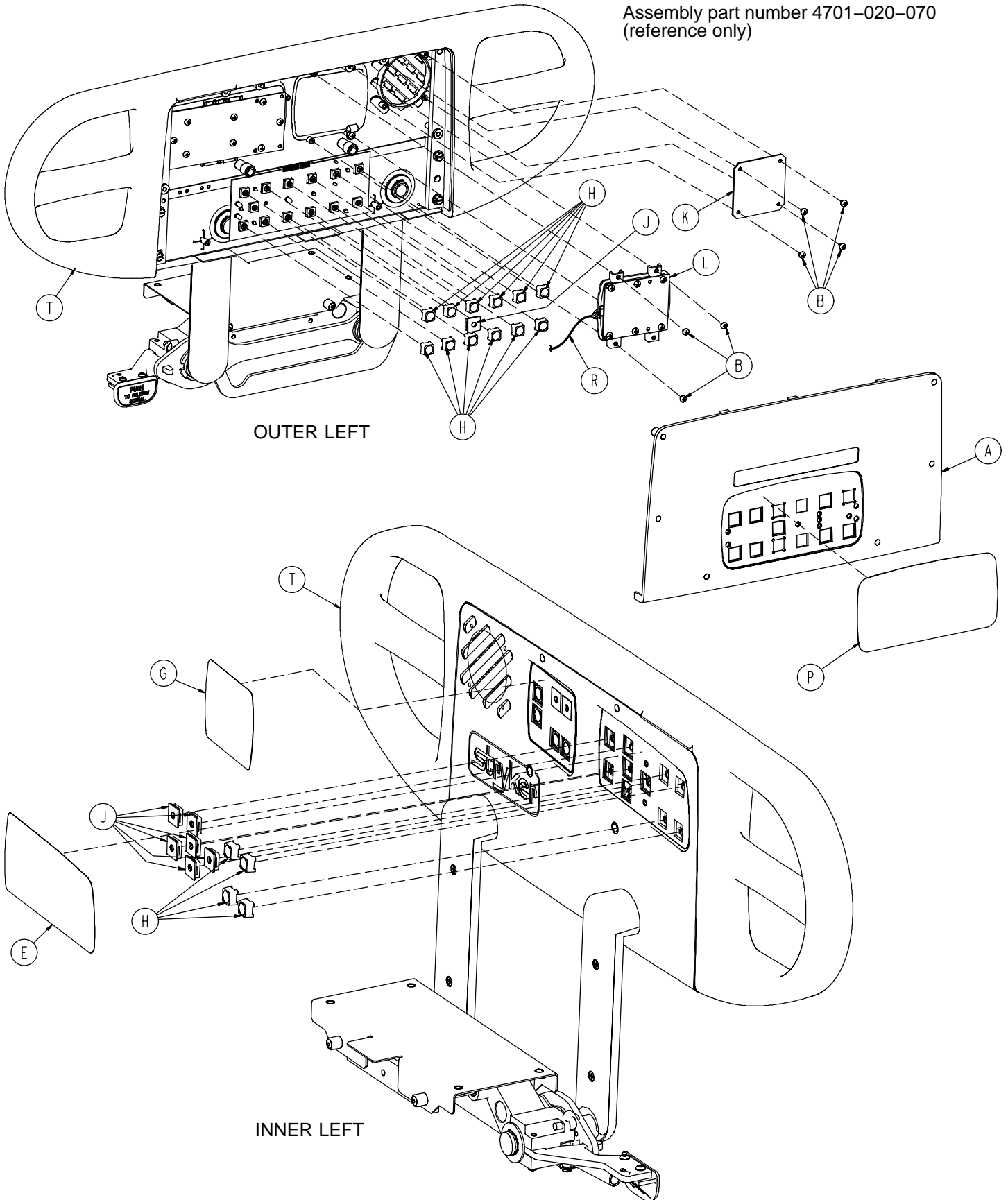
INNER RIGHT

Siderail Assembly, with Nurse Call

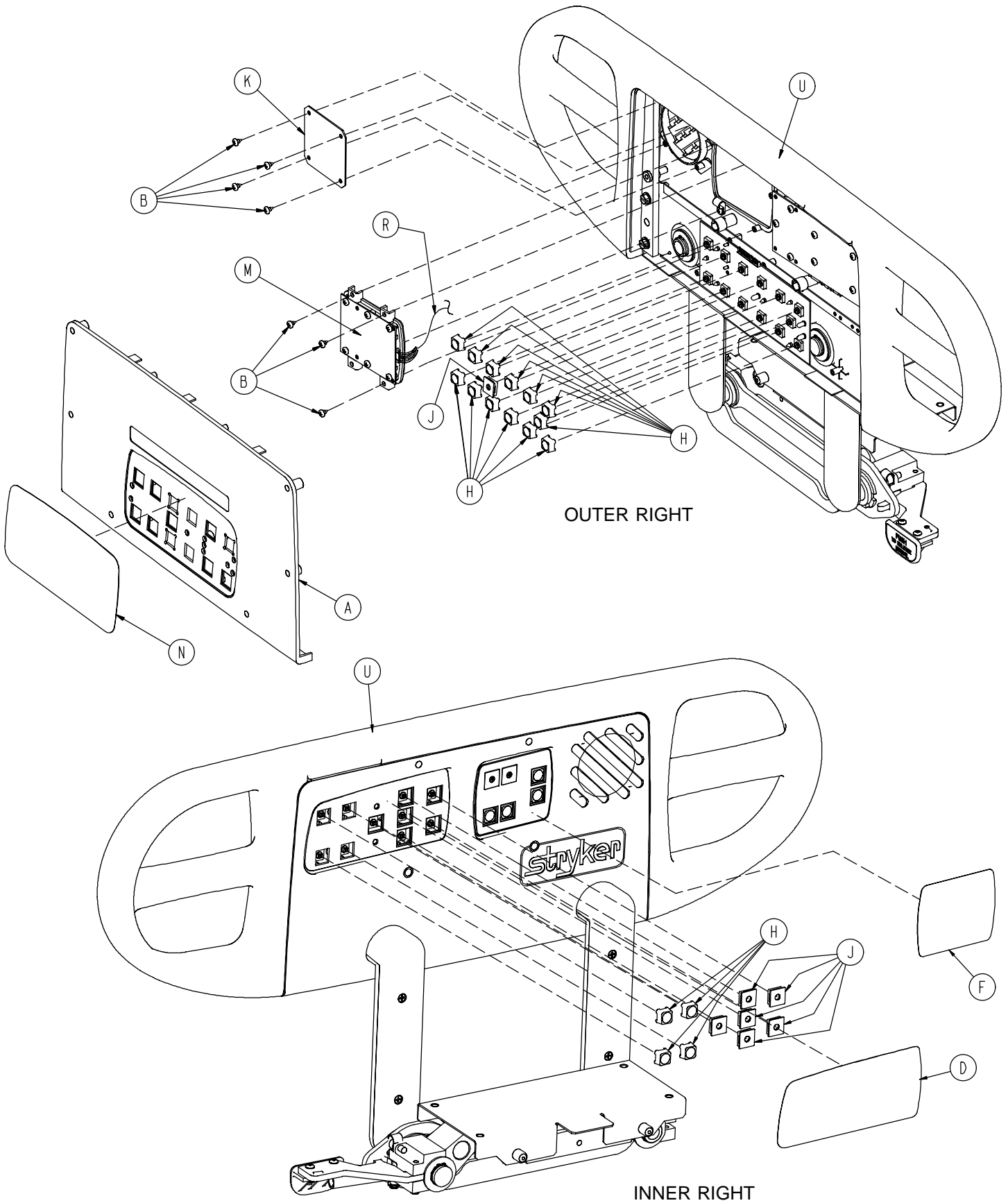
| Item | Part No. | Part Name | Qty. |
|-------------|------------------------------|----------------------------|-------------|
| A | (page 250) | Outer Panel w/Nurse Call | 2 |
| B | 4701-090-025 | Inner, Right Label, NC | 1 |
| C | 4701-090-026 | Inner, Left Label, NC | 1 |
| D | 3001-400-953 | Switch Cap | 16 |
| E | 3001-400-522 | Filler Cap | 12 |
| F | 3001-403-831 | Speaker w/Cable | 2 |
| G | 3001-400-535 | Inner Panel Blank Module | 2 |
| H | 4701-090-013 | Outer, Right Label, NC | 1 |
| J | 4701-090-014 | Outer, Left Label, NC | 1 |
| K | (page 184) | Left Siderail Subassembly | 1 |
| L | (page 189) | Right Siderail Subassembly | 1 |
| M | 0023-112-000 | Pan Hd. Tapping Screw | 14 |

Siderail Assembly, with Lumbar

Assembly part number 4701-020-070
(reference only)



Siderail Assembly, with Lumbar

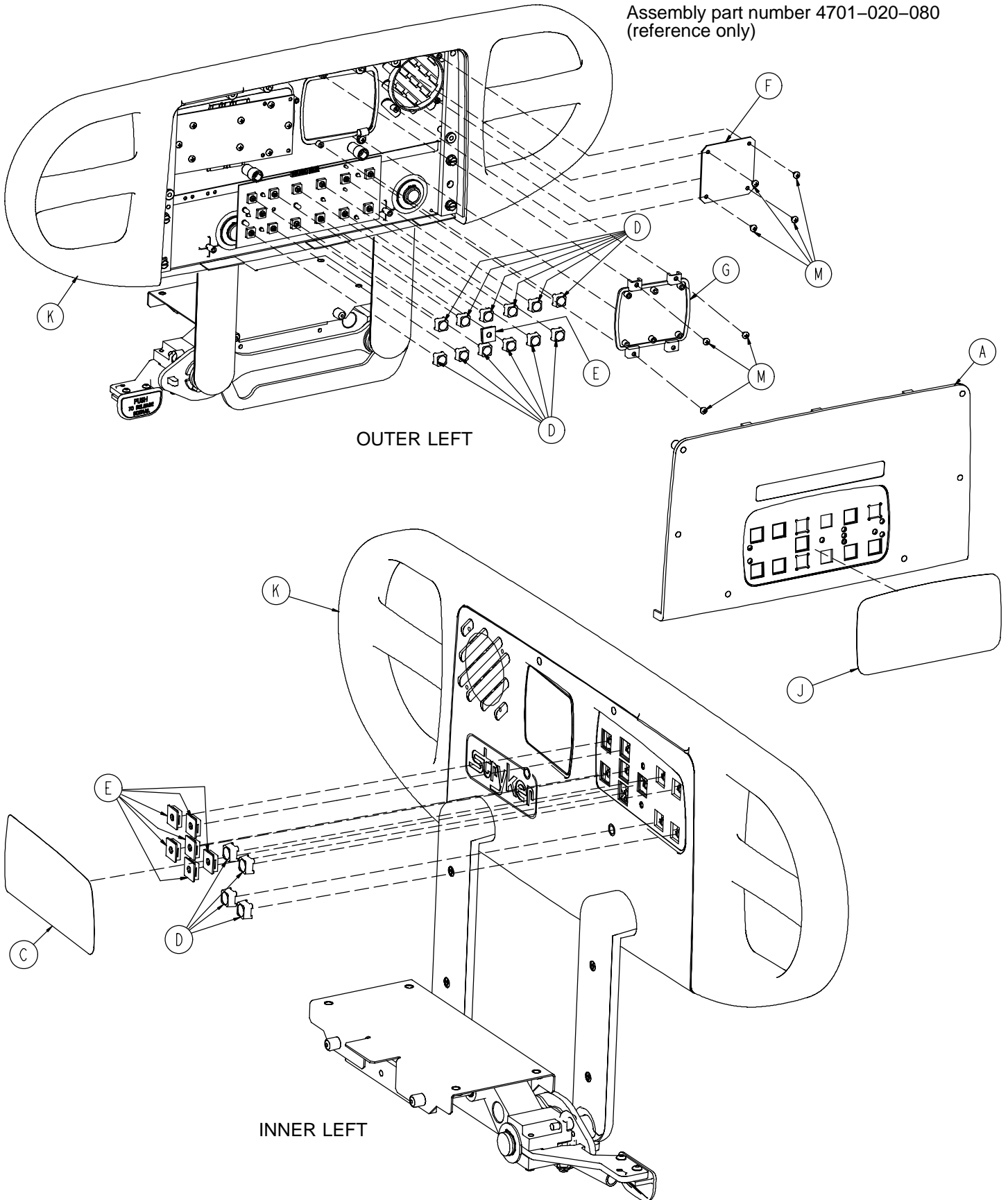


Siderail Assembly, with Lumbar

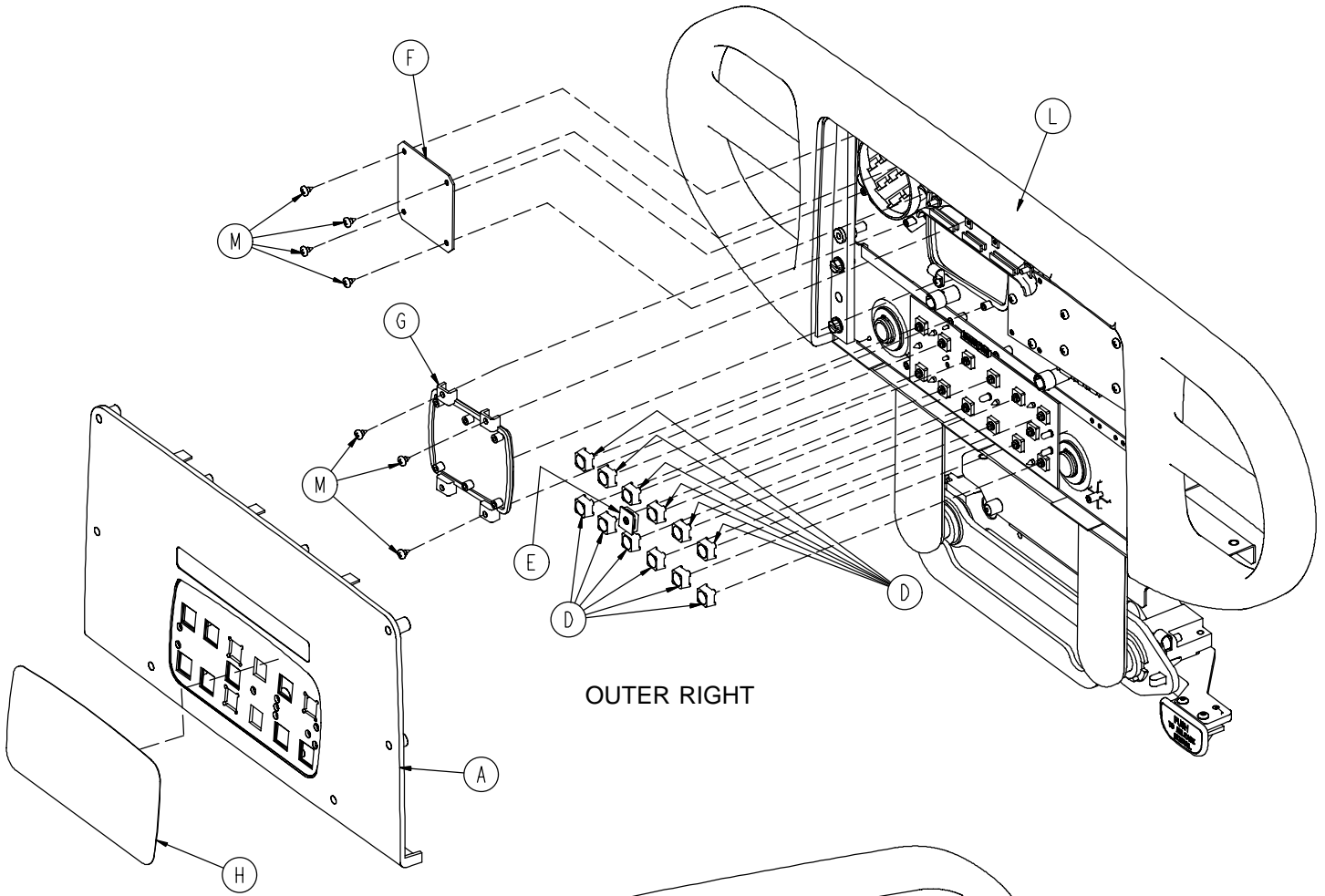
| Item | Part No. | Part Name | Qty. |
|-------------|------------------------------|--------------------------------|-------------|
| A | (page 249) | Outer Panel, w/o Nurse Call | 2 |
| B | 0023-112-000 | Pan Hd. Tapping Screw | 14 |
| D | 4701-090-027 | Inner, Right Label, No Options | 1 |
| E | 4701-090-028 | Inner, Left Label, No Options | 1 |
| F | 4701-090-033 | Right Lumbar Label | 1 |
| G | 4701-090-034 | Left Lumbar Label | 1 |
| H | 3001-400-953 | Switch Cap | 12 |
| J | 3001-400-522 | Filler Cap | 14 |
| K | 3001-400-517 | Speaker Seal | 2 |
| L | (page 251) | Left Lumbar Module | 1 |
| M | (page 252) | Right Lumbar Module | 1 |
| N | 4701-090-017 | Outer, Right Label, No Options | 1 |
| P | 4701-090-018 | Outer, Left Label, No Options | 1 |
| R | 5000-080-016 | Main to Option PCB | 1 |
| S | (page 184) | Left Siderail Subassembly | 1 |
| T | (page 189) | Right Siderail Subassembly | 1 |

Siderail Assembly, with Skoocher™

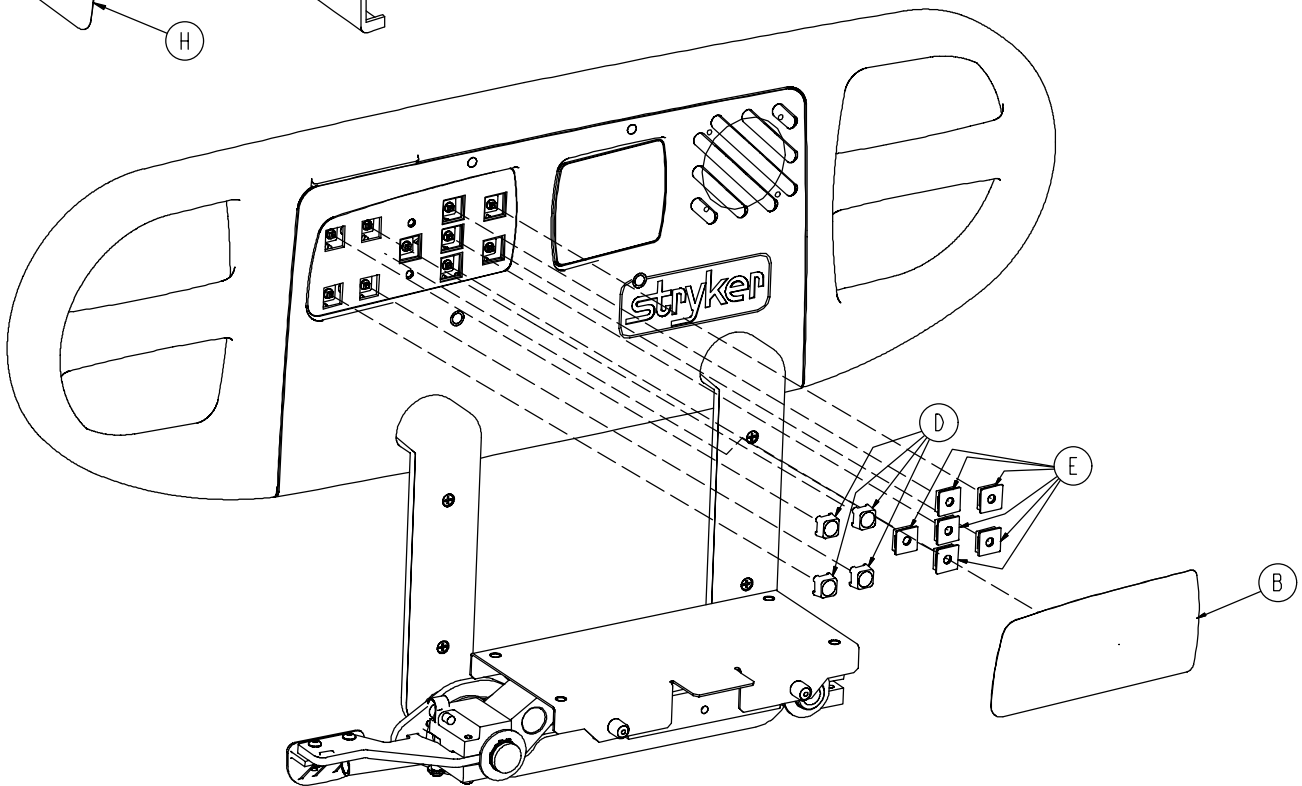
Assembly part number 4701-020-080
(reference only)



Siderail Assembly, with Skoocher™



OUTER RIGHT



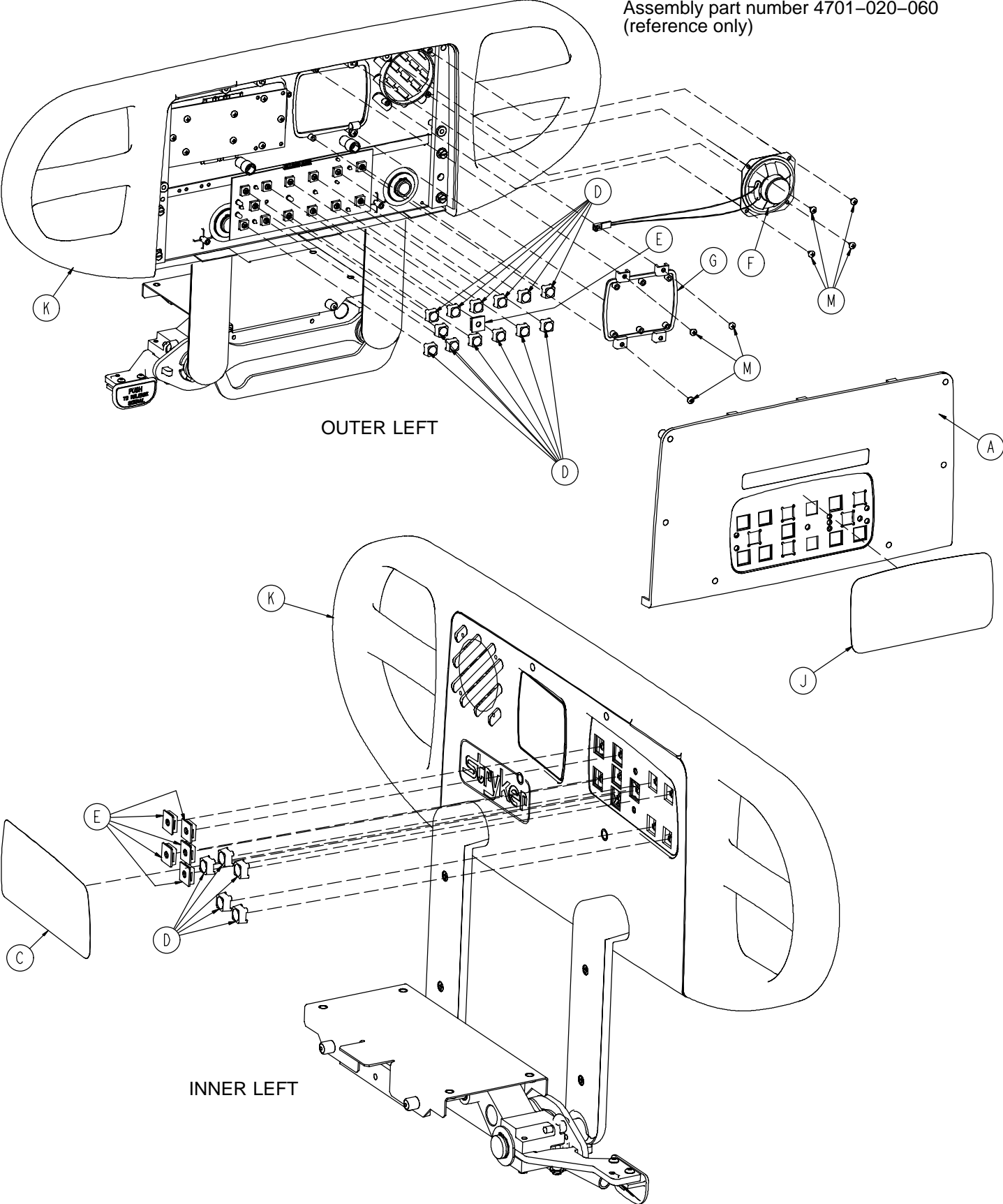
INNER RIGHT

Siderail Assembly, with Skoocher™

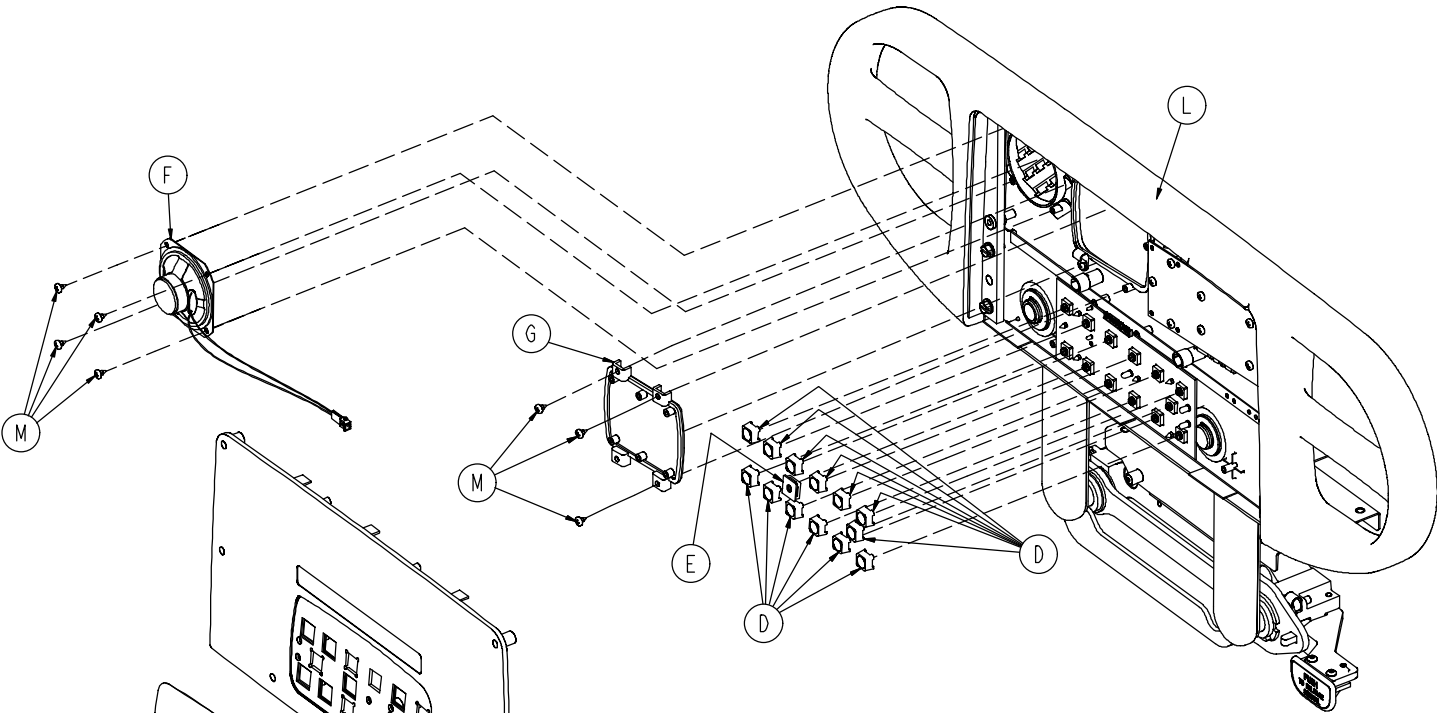
| Item | Part No. | Part Name | Qty. |
|-------------|------------------------------|--------------------------------|-------------|
| A | (page 249) | Outer Panel, w/o Nurse Call | 2 |
| B | 4701-090-027 | Inner, Right Label, No Options | 1 |
| C | 4701-090-028 | Inner, Left Label, No Options | 1 |
| D | 3001-400-953 | Switch Cap | 12 |
| E | 3001-400-522 | Filler Cap | 14 |
| F | 3001-400-517 | Speaker Seal | 2 |
| G | 3001-400-535 | Inner Panel Blank Module | 2 |
| H | 4701-090-015 | Outer Skoocher™ Label, Right | 1 |
| J | 4701-090-016 | Outer Skoocher™ Label, Left | 1 |
| K | (page 184) | Left Siderail Subassembly | 1 |
| L | (page 189) | Right Siderail Subassembly | 1 |
| M | 0023-112-000 | Pan Hd. Tapping Screw | 14 |

Siderail Assembly, with Skoocher™ and Nurse Call

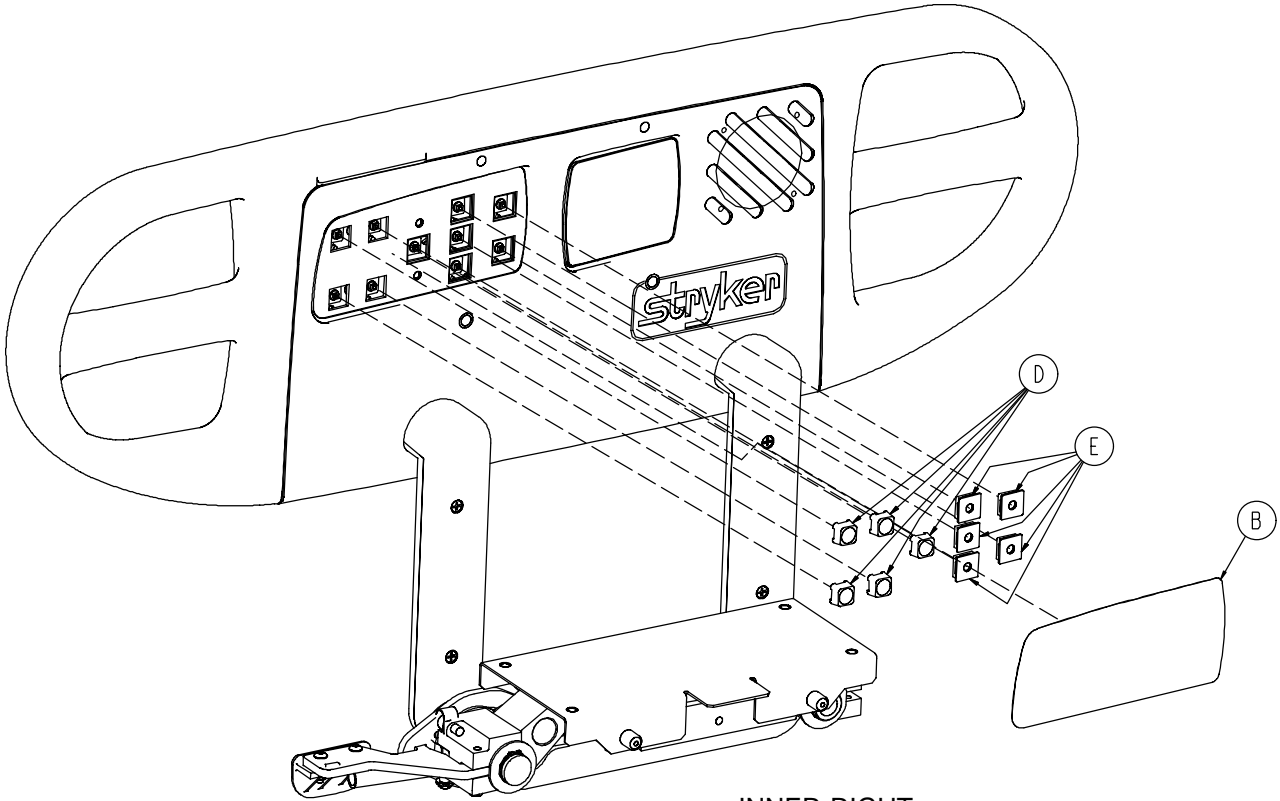
Assembly part number 4701-020-060
(reference only)



Siderail Assembly, with Skoocher™ and Nurse Call



OUTER RIGHT



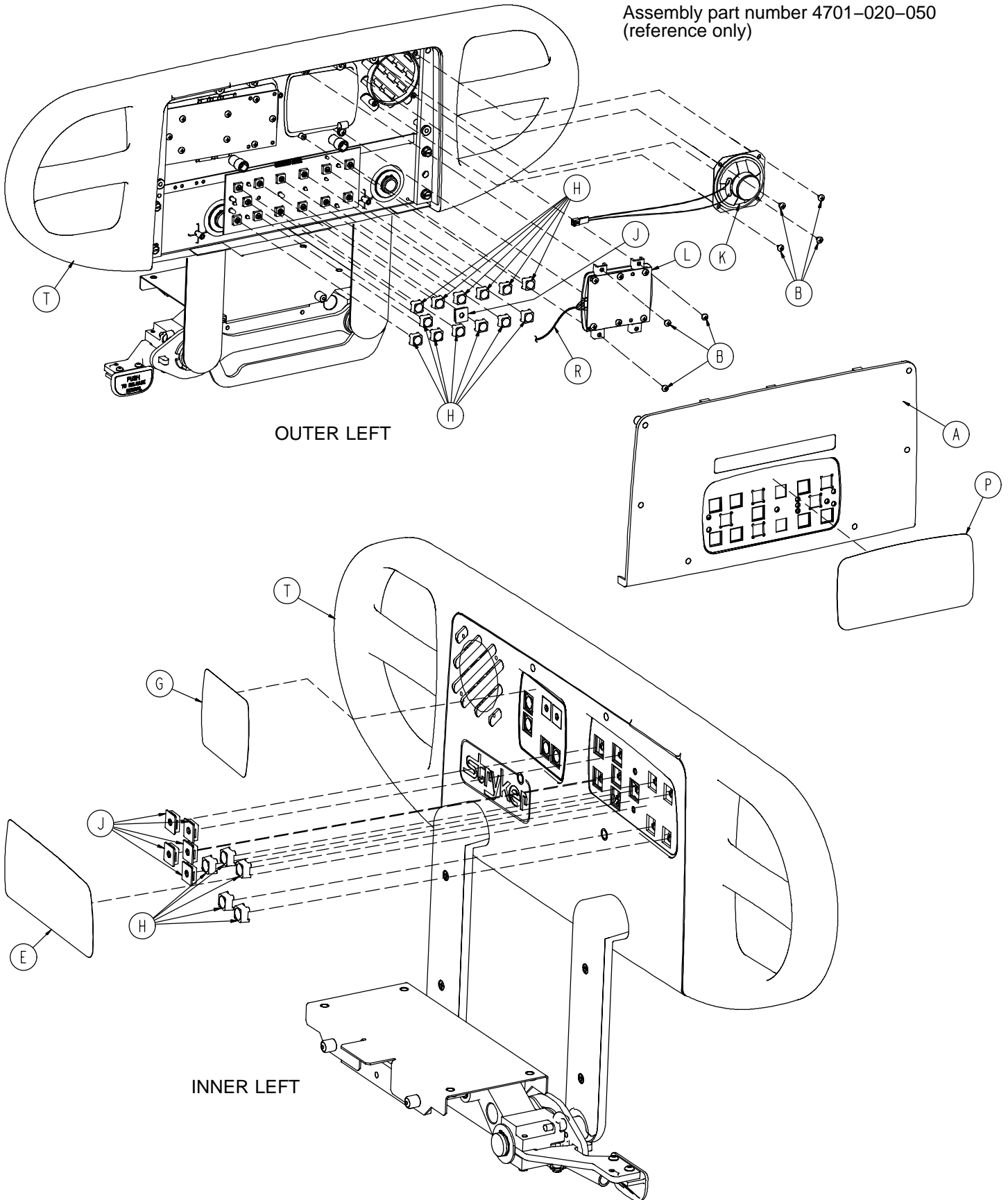
INNER RIGHT

Siderail Assembly, with Skoocher™ and Nurse Call

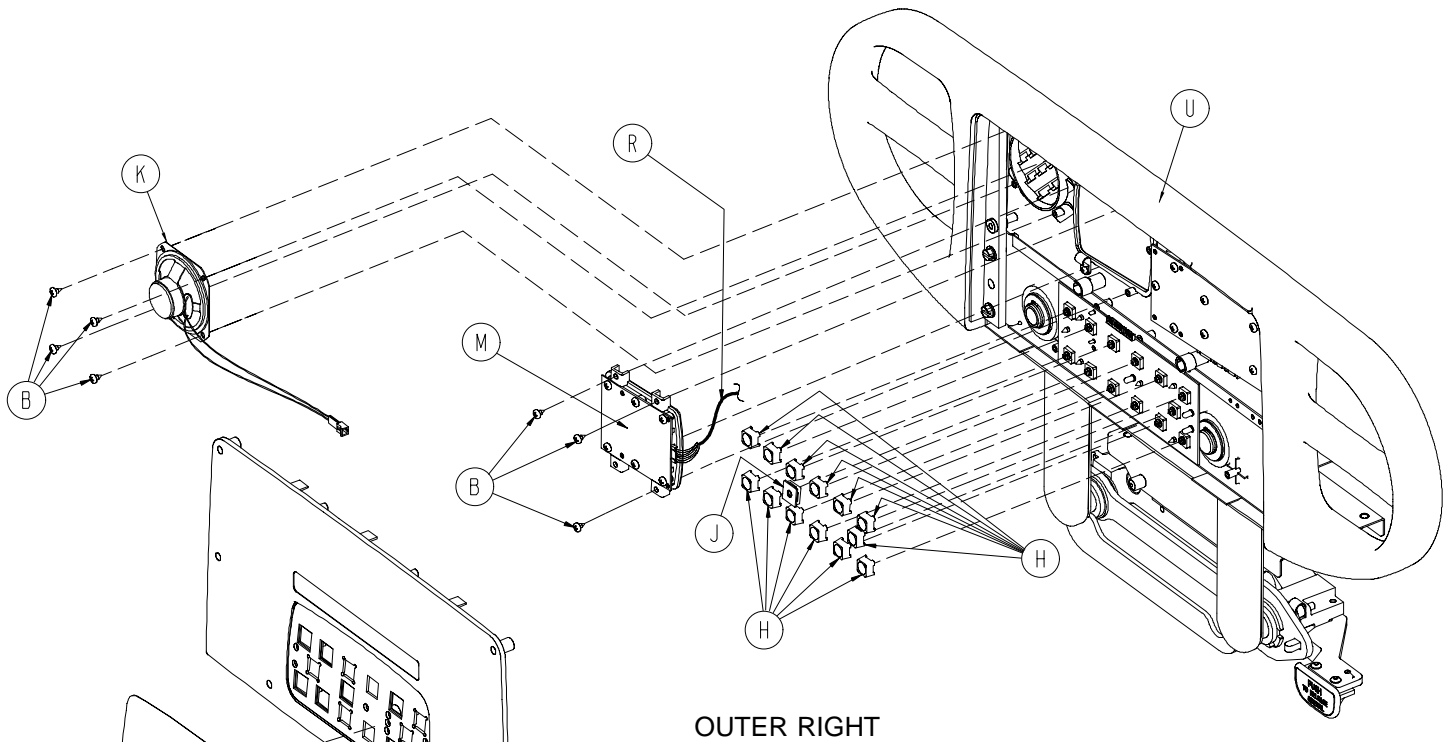
| Item | Part No. | Part Name | Qty. |
|-------------|------------------------------|-------------------------------|-------------|
| A | (page 250) | Outer Panel w/Nurse Call | 2 |
| B | 4701-090-025 | Inner, Right Label, NC | 1 |
| C | 4701-090-026 | Inner, Left Label, NC | 1 |
| D | 3001-400-953 | Switch Cap | 16 |
| E | 3001-400-522 | Filler Cap | 12 |
| F | 3001-403-831 | Speaker w/Cable | 2 |
| G | 3001-400-535 | Inner Panel Blank Module | 2 |
| H | 4701-090-011 | Outer, Right Label, Skooch/NC | 1 |
| J | 4701-090-012 | Outer, Left Label, Skooch/NC | 1 |
| K | (page 184) | Left Siderail Subassembly | 1 |
| L | (page 189) | Right Siderail Subassembly | 1 |
| M | 0023-112-000 | Pan Hd. Tapping Screw | 14 |

Siderail Assembly, with Lumbar and Nurse Call

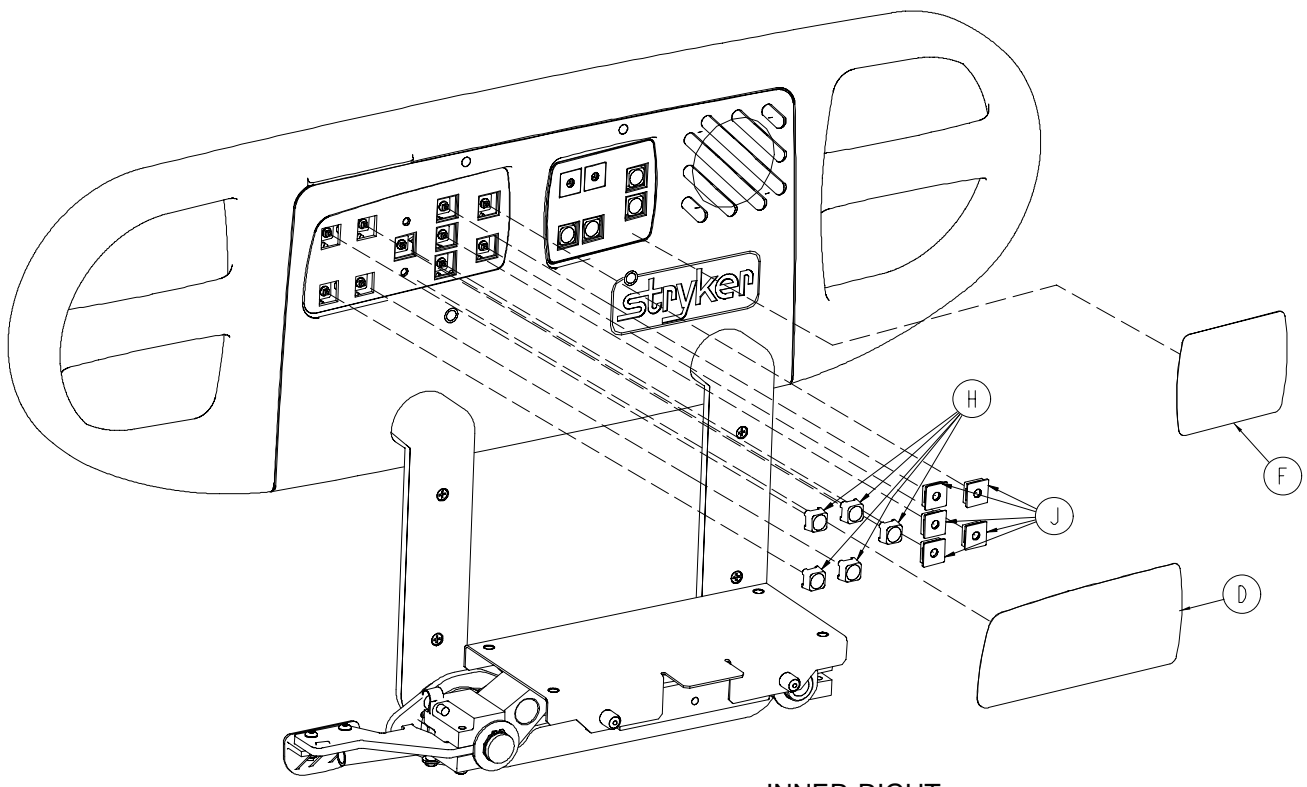
Assembly part number 4701-020-050
(reference only)



Siderail Assembly, with Lumbar and Nurse Call



OUTER RIGHT



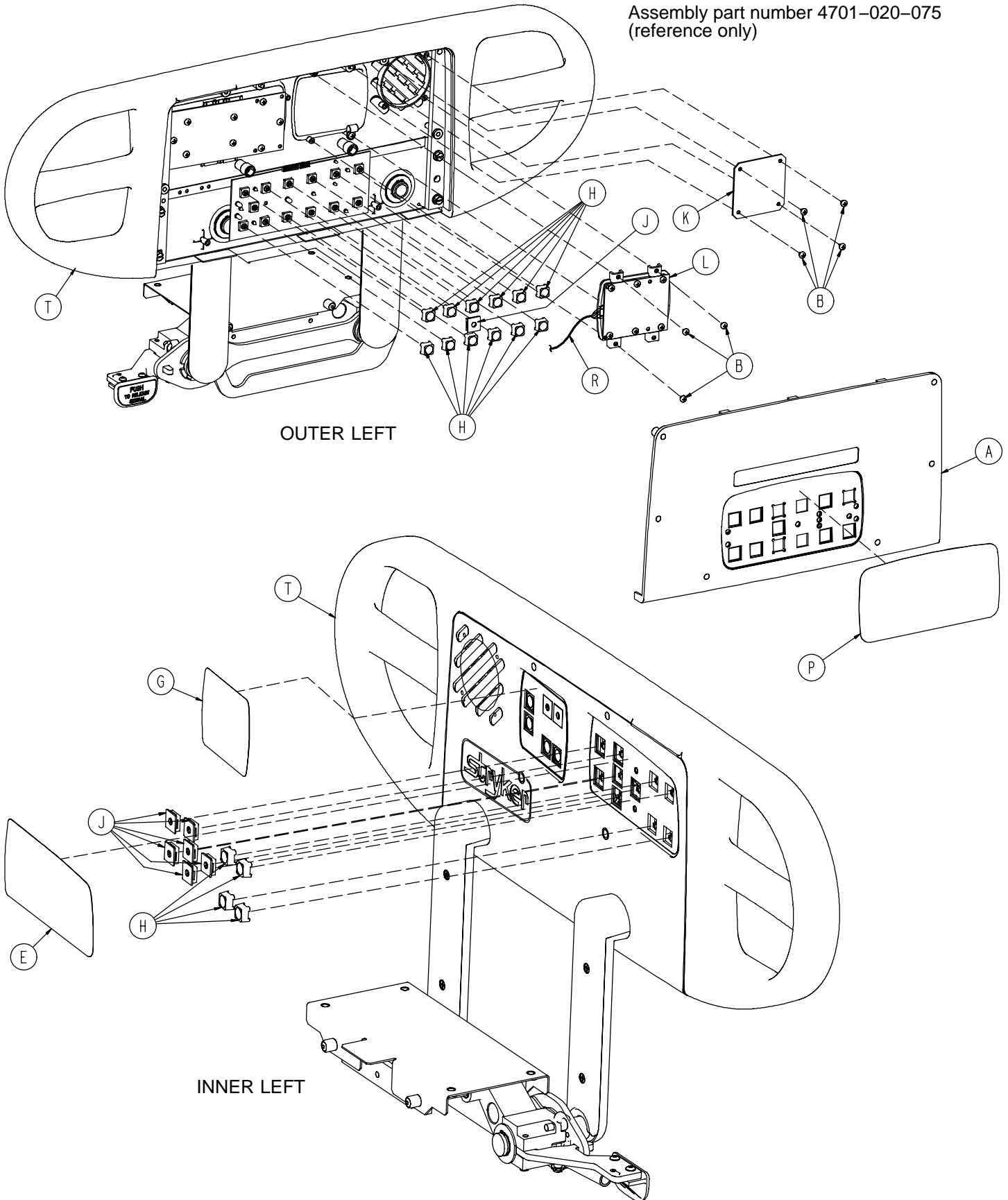
INNER RIGHT

Siderail Assembly, with Lumbar and Nurse Call

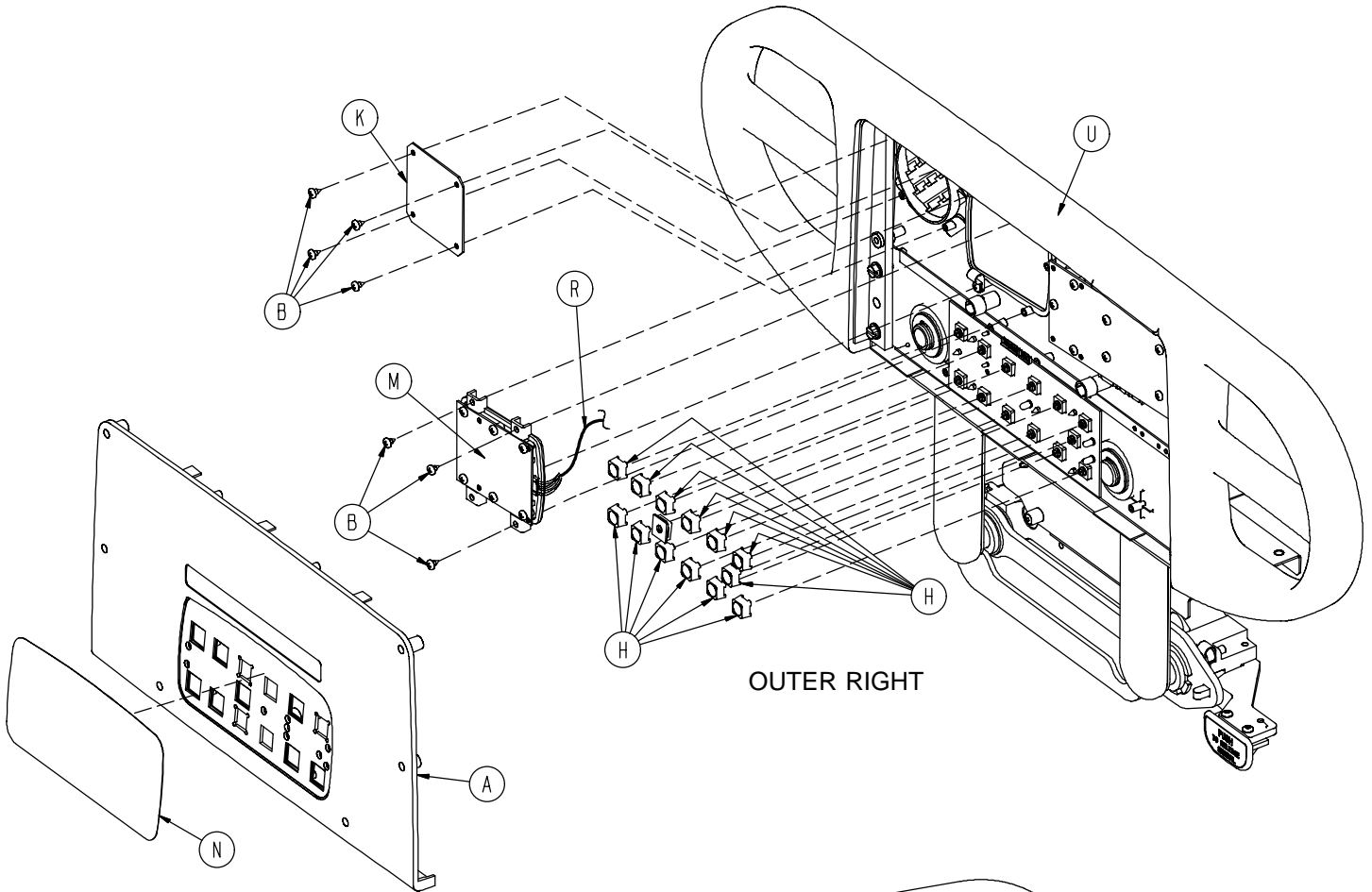
| Item | Part No. | Part Name | Qty. |
|------|------------------------------|----------------------------|------|
| A | (page 250) | Outer Panel w/Nurse Call | 2 |
| B | 0023-112-000 | Pan Hd. Tapping Screw | 14 |
| D | 4701-090-025 | Inner, Right Label, NC | 1 |
| E | 4701-090-026 | Inner, Left Label, NC | 1 |
| F | 4701-090-033 | Right Lumbar Label | 1 |
| G | 4701-090-034 | Left Lumbar Label | 1 |
| H | 3001-400-953 | Switch Cap | 16 |
| J | 3001-400-522 | Filler Cap | 12 |
| K | 3001-403-831 | Speaker w/Cable | 2 |
| L | (page 251) | Left Lumbar Module | 1 |
| M | (page 252) | Right Lumbar Module | 1 |
| N | 4701-090-013 | Outer, Right Label, NC | 1 |
| P | 4701-090-014 | Outer, Left Label, NC | 1 |
| R | 5000-080-016 | Main to Option PCB | 2 |
| S | (page 184) | Left Siderail Subassembly | 1 |
| T | (page 189) | Right Siderail Subassembly | 1 |

Siderail Assembly, with Skoocher™ and Lumbar

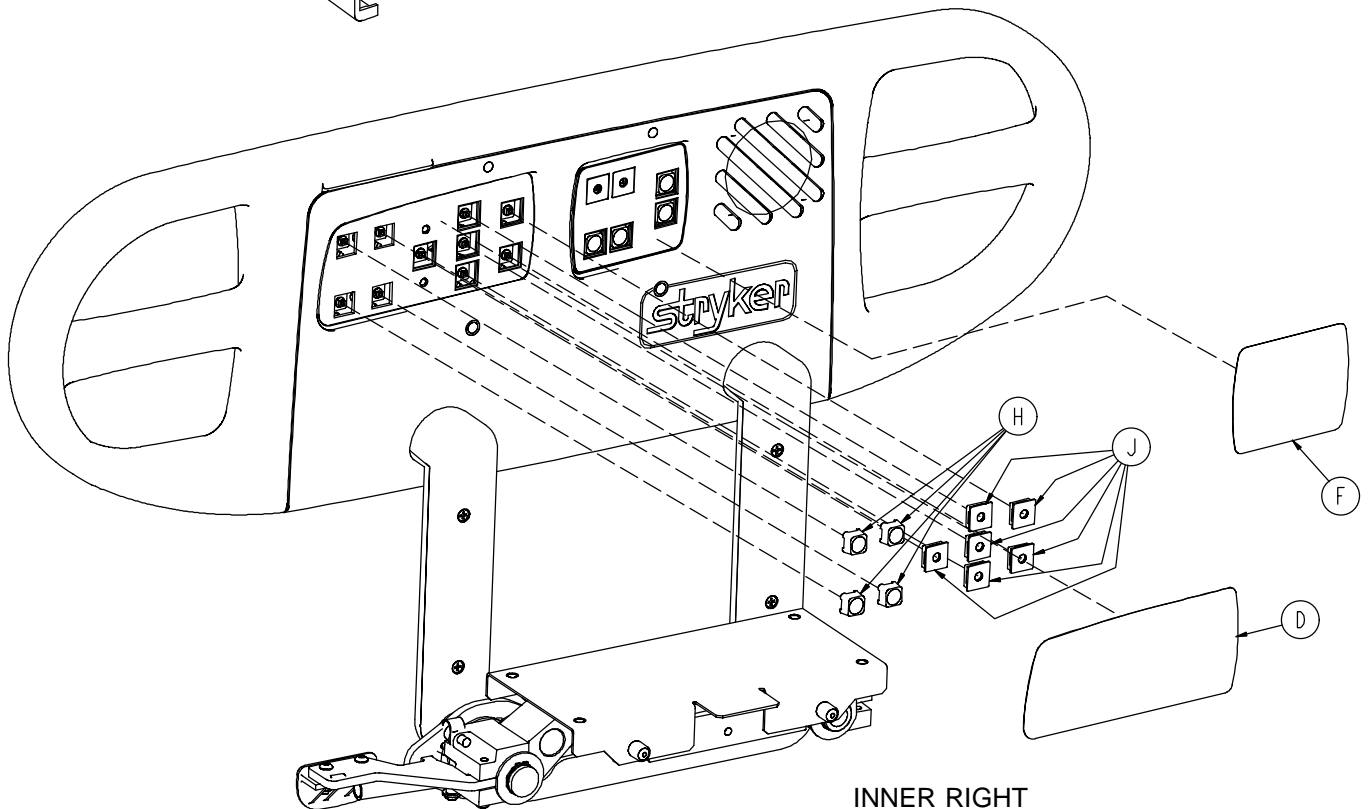
Assembly part number 4701-020-075
(reference only)



Siderail Assembly, with Skoocher™ and Lumbar



OUTER RIGHT



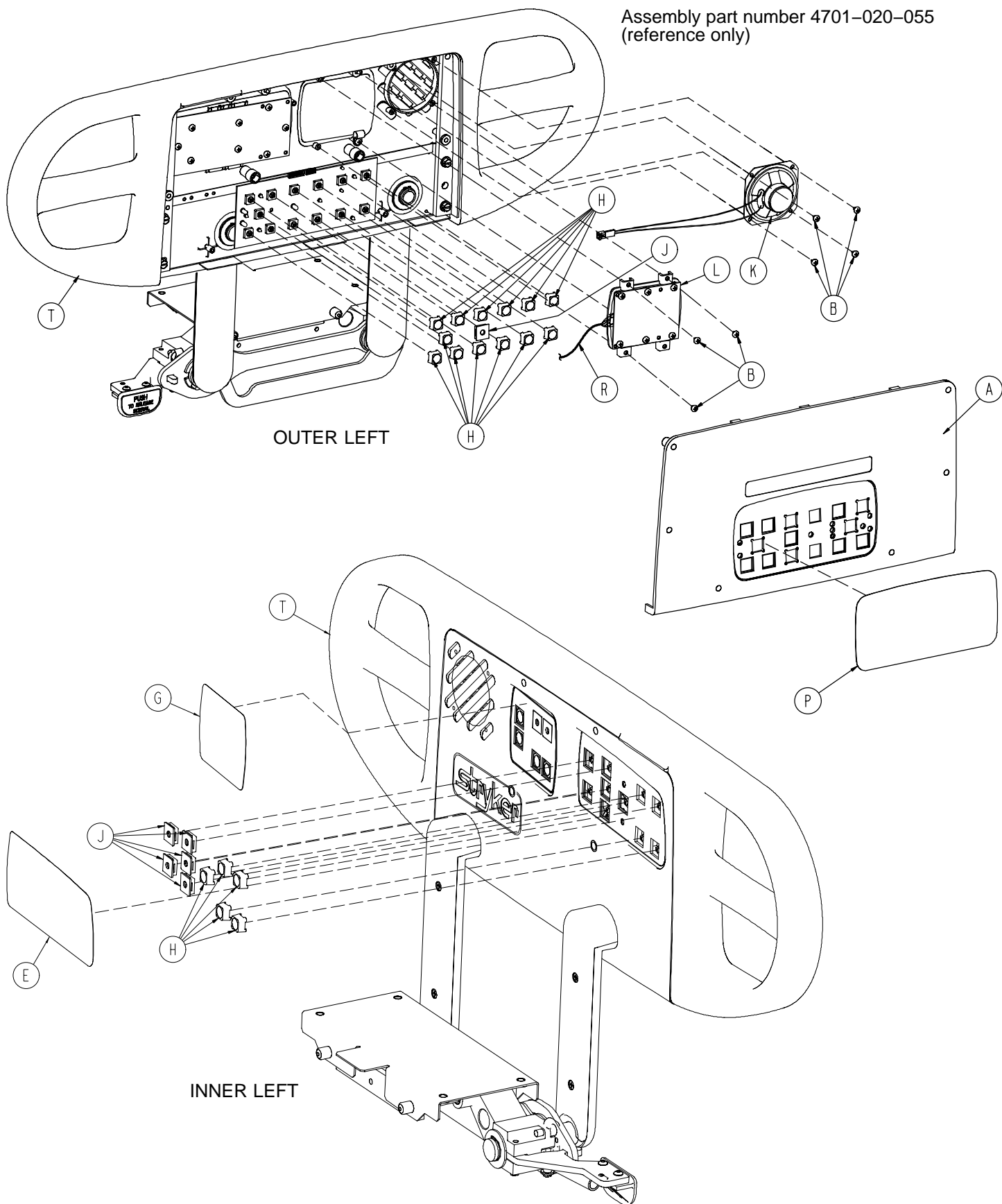
INNER RIGHT

Siderail Assembly, with Skoocher™ and Lumbar

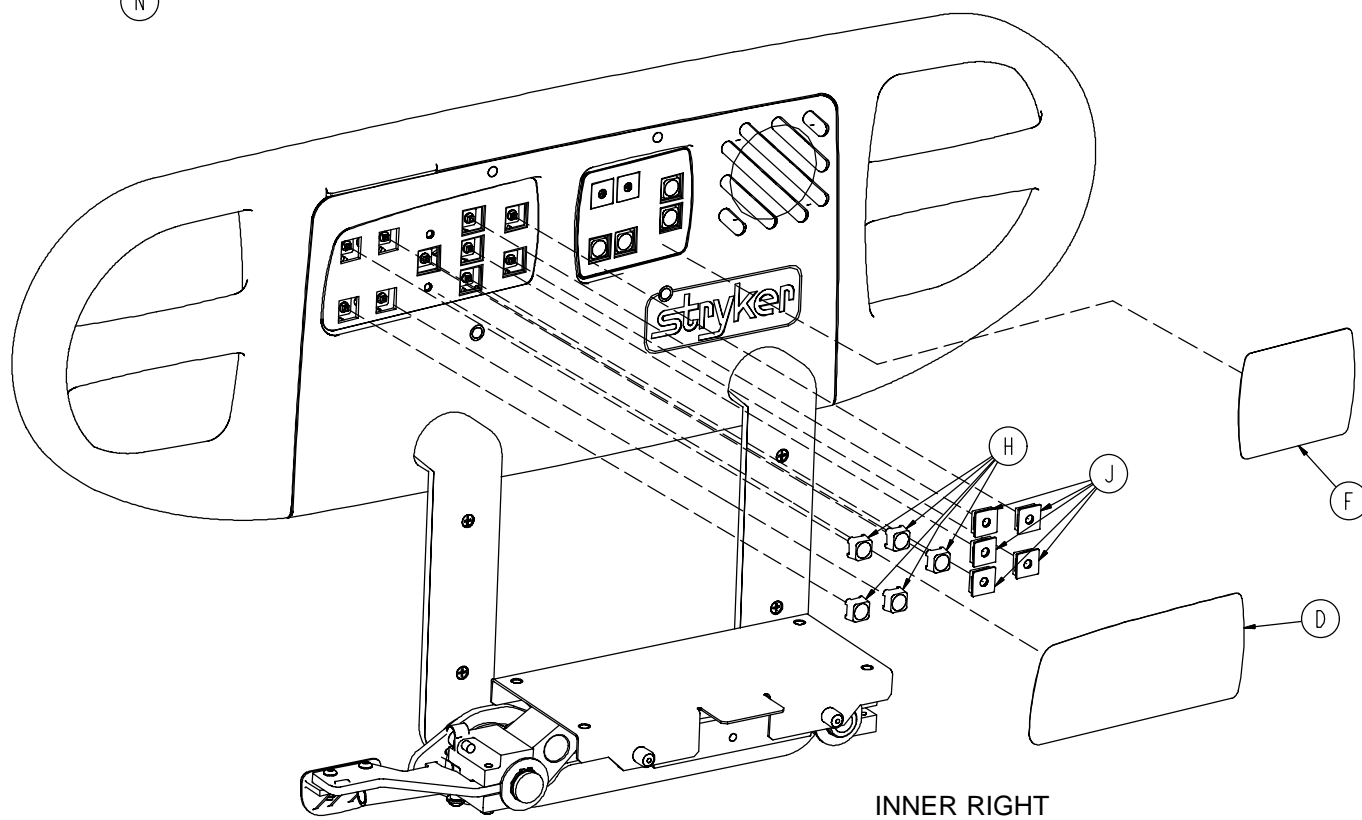
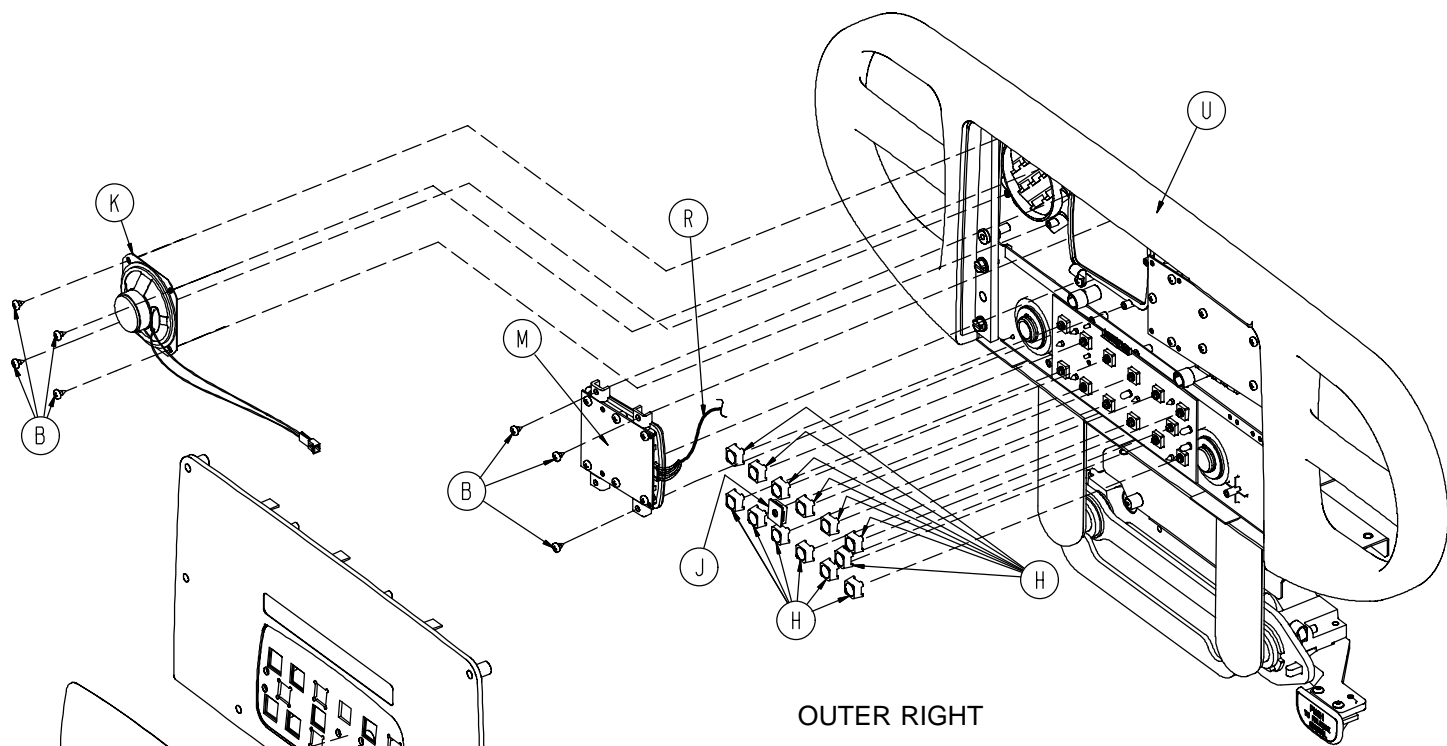
| Item | Part No. | Part Name | Qty. |
|-------------|------------------------------|--------------------------------|-------------|
| A | (page 249) | Outer Panel, w/o Nurse Call | 2 |
| B | 0023-112-000 | Pan Hd. Tapping Screw | 14 |
| D | 4701-090-027 | Inner, Right Label, No Options | 1 |
| E | 4701-090-028 | Inner, Left Label, No Options | 1 |
| F | 4701-090-033 | Right Lumbar Label | 1 |
| G | 4701-090-034 | Left Lumbar Label | 1 |
| H | 3001-400-953 | Switch Cap | 12 |
| J | 3001-400-522 | Filler Cap | 14 |
| K | 3001-400-517 | Speaker Seal | 2 |
| L | (page 251) | Left Lumbar Module | 1 |
| M | (page 252) | Right Lumbar Module | 1 |
| N | 4701-090-015 | Outer, Right Label, Skoocher | 1 |
| P | 4701-090-016 | Outer, Left Label, Skoocher | 1 |
| R | 5000-080-016 | Main to Option PCB | 2 |
| T | (page 184) | Left Siderail Subassembly | 1 |
| U | (page 189) | Right Siderail Subassembly | 1 |

Siderail Assembly with Skoocher™ /Nurse Call/Lumbar

Assembly part number 4701-020-055
(reference only)



Siderail Assembly with Skoocher™ /Nurse Call/Lumbar

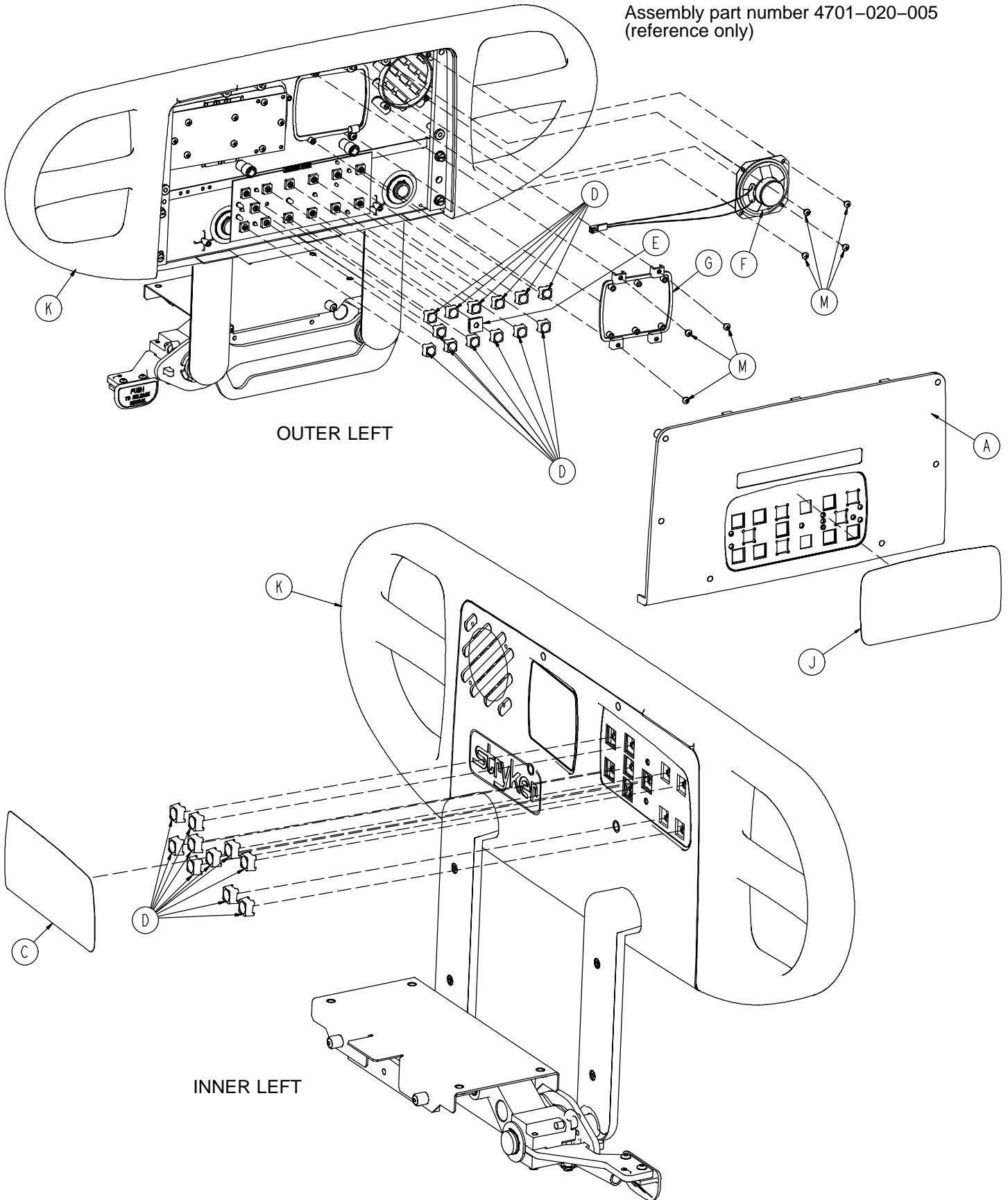


Siderail Assembly with Skoocher™ /Nurse Call/Lumbar

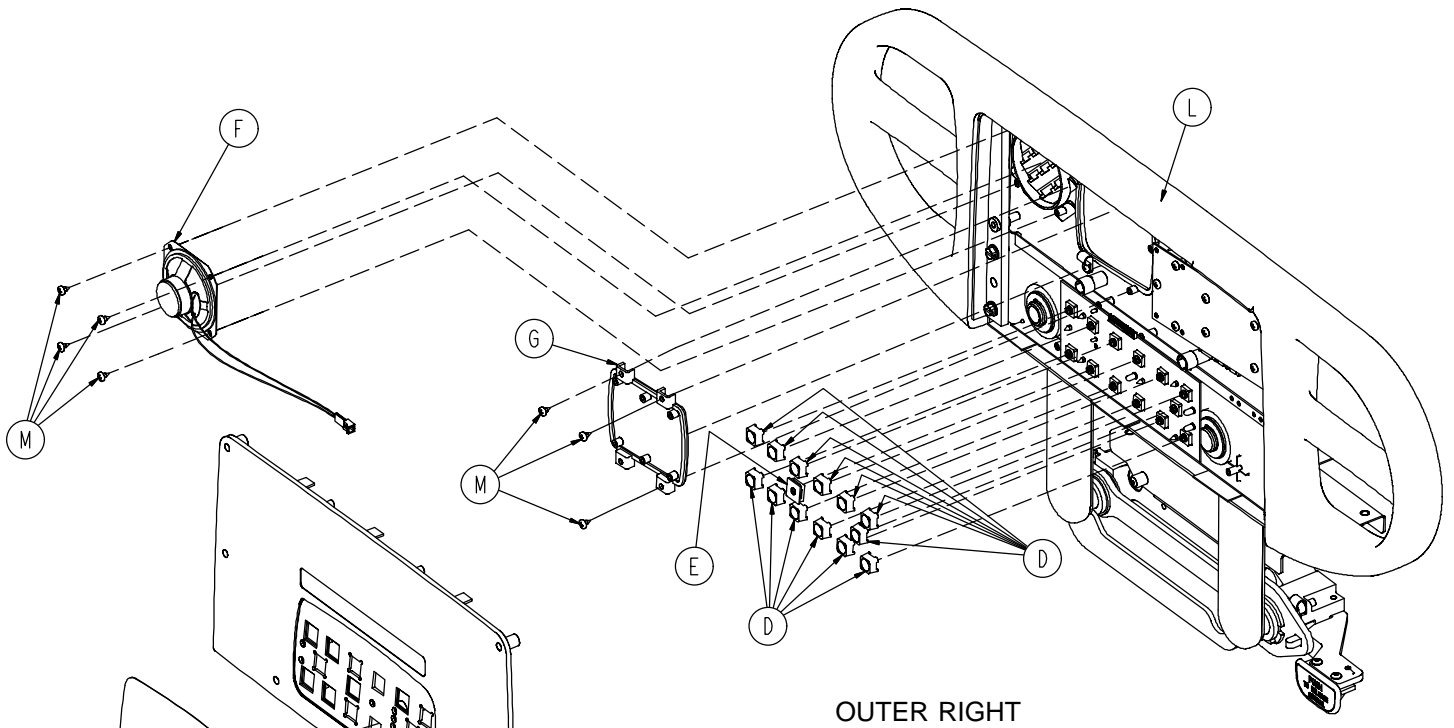
| Item | Part No. | Part Name | Qty. |
|-------------|------------------------------|-------------------------------|-------------|
| A | (page 250) | Outer Panel w/Nurse Call | 2 |
| B | 0023-112-000 | Pan Hd. Tapping Screw | 14 |
| D | 4701-090-025 | Inner, Right Label, NC | 1 |
| E | 4701-090-026 | Inner, Left Label, NC | 1 |
| F | 4701-090-033 | Right Lumbar Label | 1 |
| G | 4701-090-034 | Left Lumbar Label | 1 |
| H | 3001-400-953 | Switch Cap | 16 |
| J | 3001-400-522 | Filler Cap | 12 |
| K | 3001-403-831 | Speaker w/Cable | 2 |
| L | (page 251) | Left Lumbar Module | 1 |
| M | (page 252) | Right Lumbar Module | 1 |
| N | 4701-090-011 | Outer, Right Label, Skooch/NC | 1 |
| P | 4701-090-012 | Outer, Left Label, Skooch/NC | 1 |
| R | 5000-080-016 | Main to Option PCB | 2 |
| S | (page 184) | Left Siderail Subassembly | 1 |
| T | (page 189) | Right Siderail Subassembly | 1 |

Siderail Assembly with Nurse Call, TV/Radio & Lights

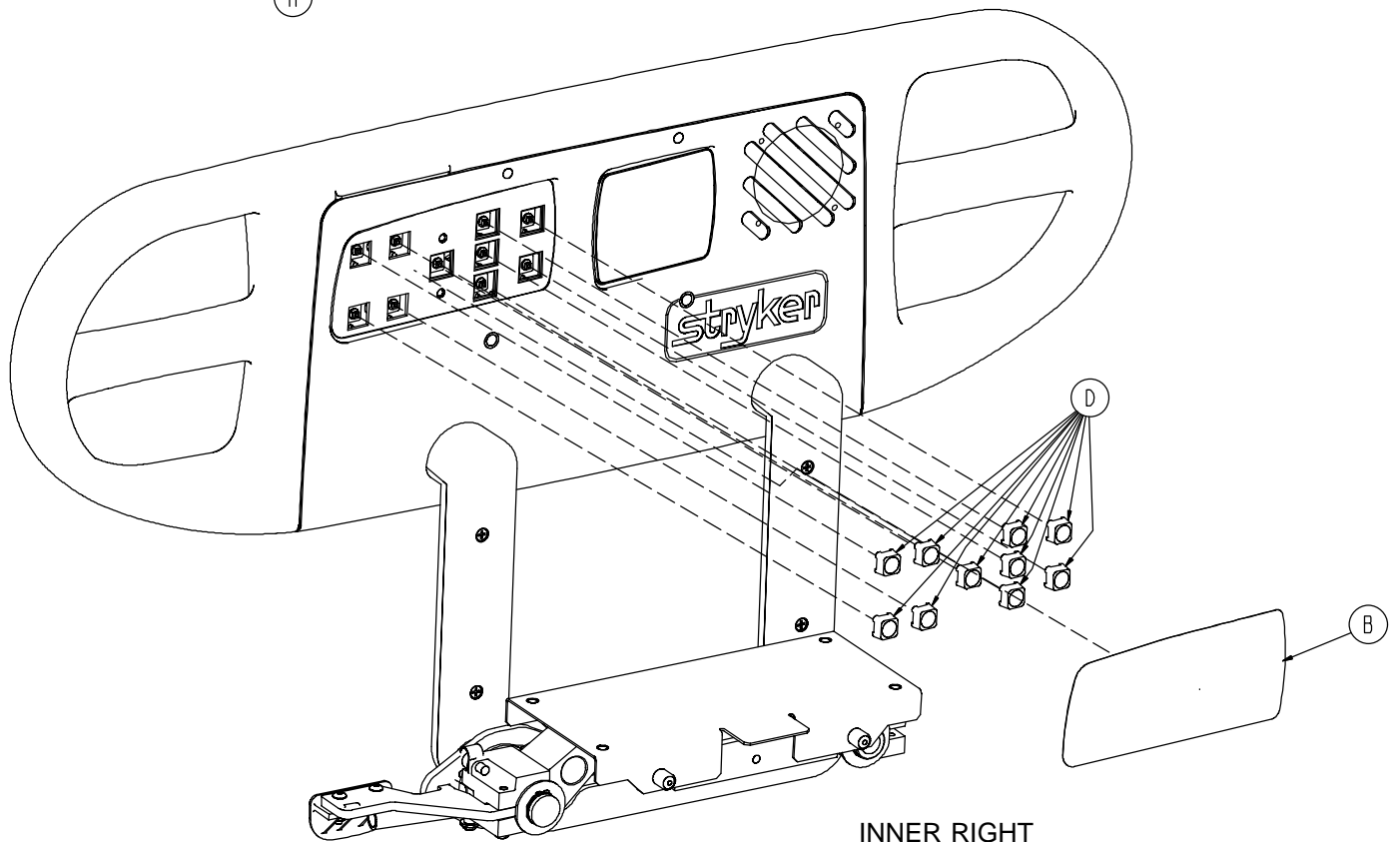
Assembly part number 4701-020-005
(reference only)



Siderail Assembly with Nurse Call, TV/Radio & Lights



OUTER RIGHT



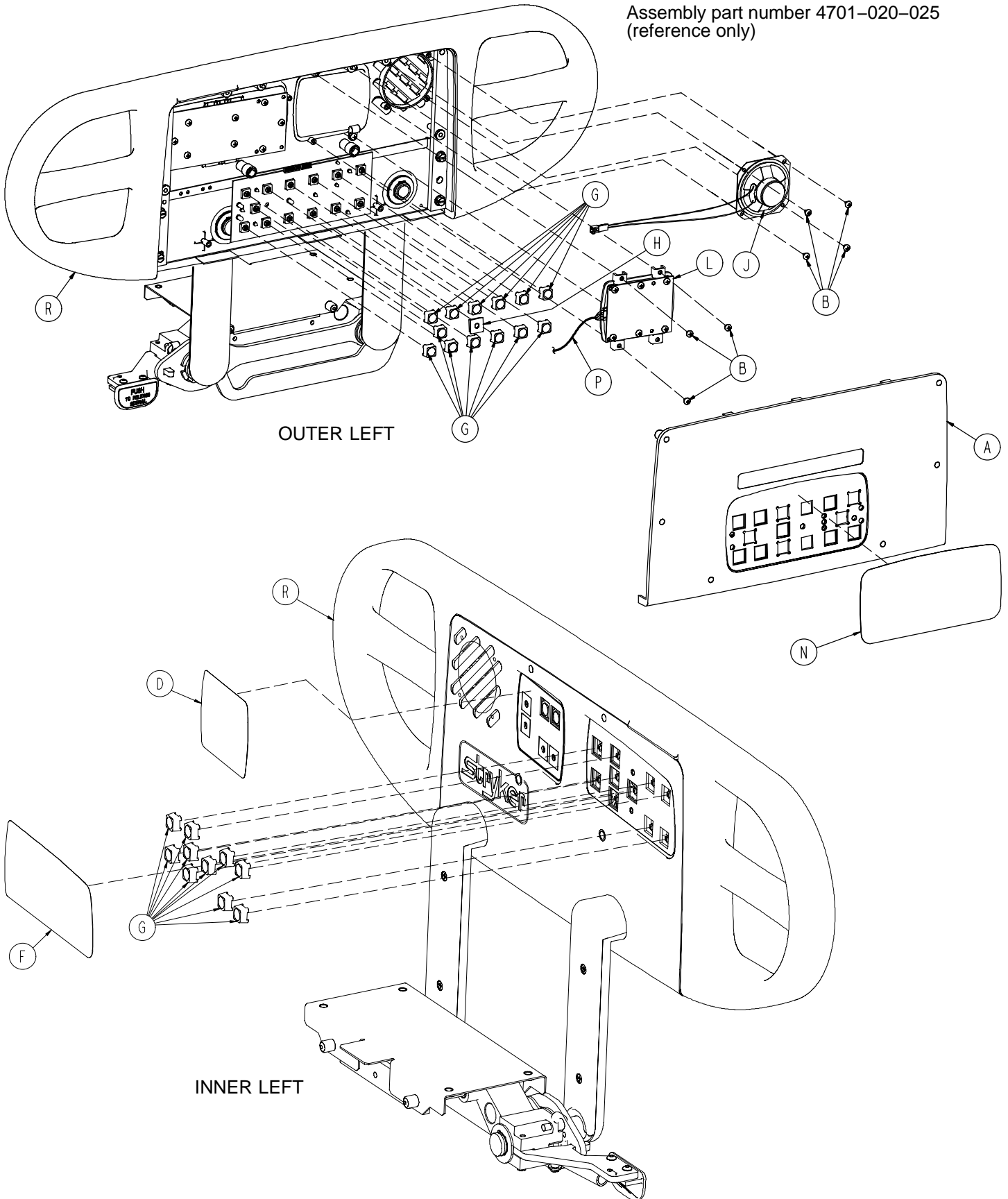
INNER RIGHT

Siderail Assembly with Nurse Call, TV/Radio & Lights

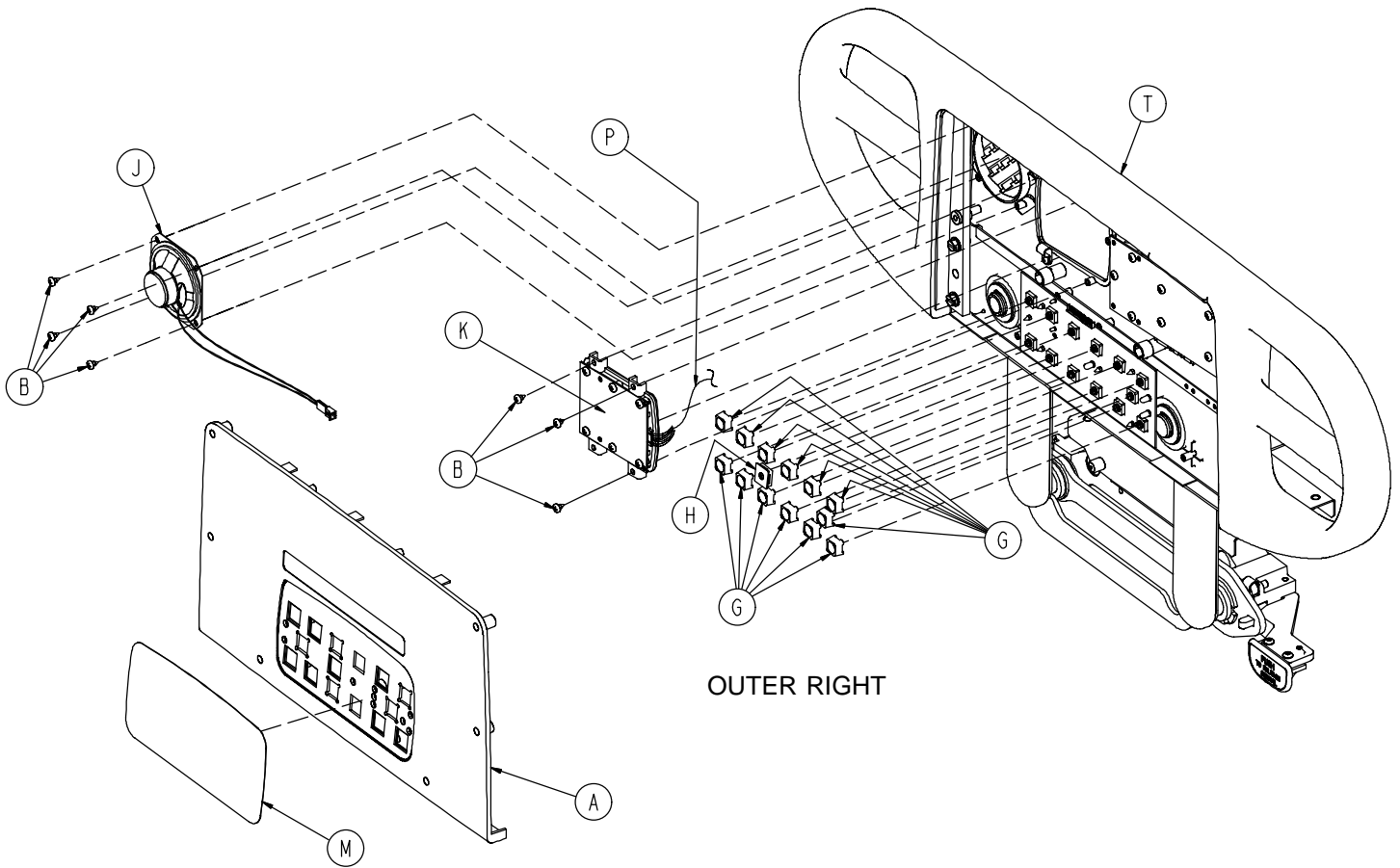
| Item | Part No. | Part Name | Qty. |
|-------------|------------------------------|----------------------------------|-------------|
| A | (page 250) | Outer Panel w/Nurse Call | 2 |
| B | 4701-090-023 | Inner, Right Label, NC, TV/Radio | 1 |
| C | 4701-090-024 | Inner, Left Label, NC, TV/Radio | 1 |
| D | 3001-400-953 | Switch Cap | 26 |
| E | 3001-400-522 | Filler Cap | 2 |
| F | 3001-403-831 | Speaker w/Cable | 2 |
| G | 3001-400-535 | Inner Panel Blank Module | 2 |
| H | 4701-090-013 | Outer, Right Label, Nurse Call | 1 |
| J | 4701-090-014 | Outer, Left Label, Nurse Call | 1 |
| K | (page 184) | Left Siderail Subassembly | 1 |
| L | (page 189) | Right Siderail Subassembly | 1 |
| M | 0023-112-000 | Pan Hd. Tapping Screw | 14 |

Siderail Assembly with Nurse Call/Smart TV/Lights

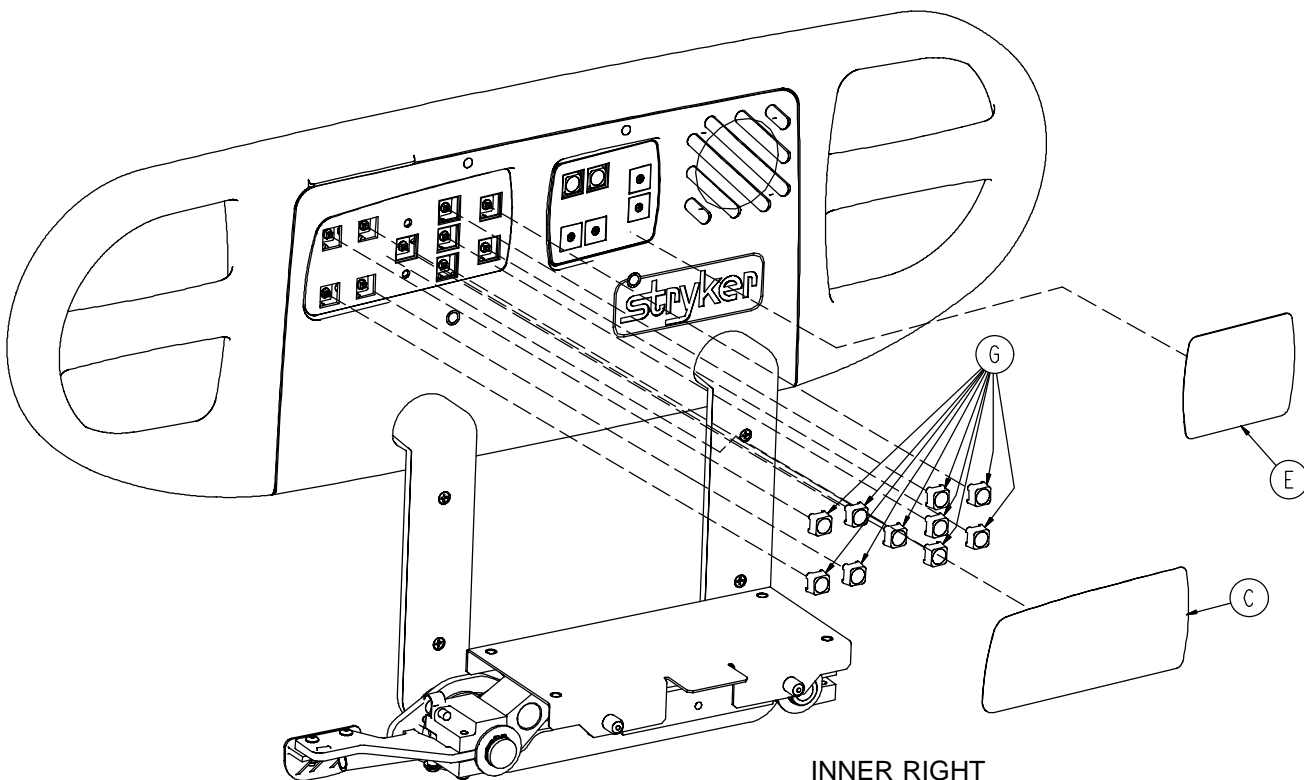
Assembly part number 4701-020-025
(reference only)



Siderail Assembly with Nurse Call/Smart TV/Lights



OUTER RIGHT



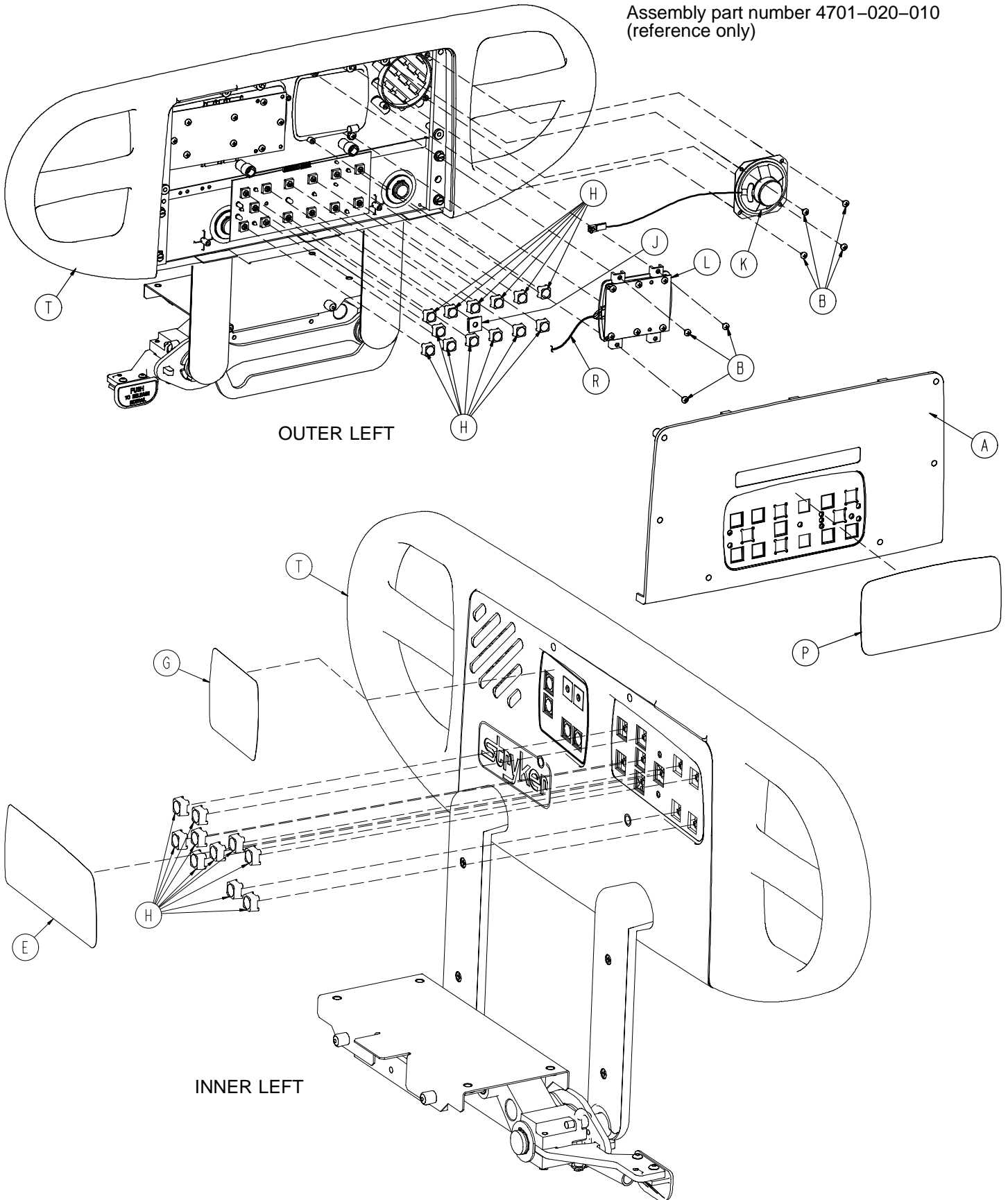
INNER RIGHT

Siderail Assembly with Nurse Call/Smart TV/Lights

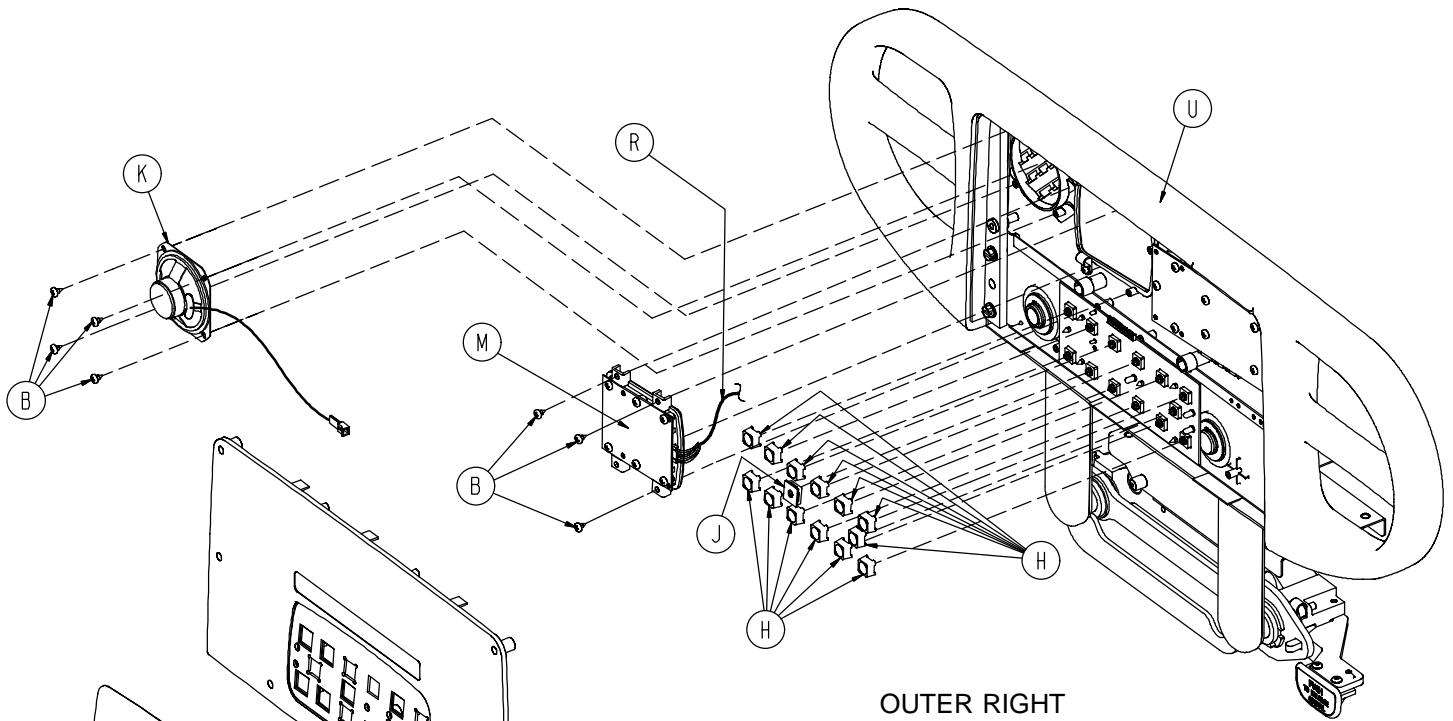
| Item | Part No. | Part Name | Qty. |
|------|------------------------------|---------------------------------|------|
| A | (page 250) | Outer Panel w/Nurse Call | 2 |
| B | 0023-112-000 | Pan Hd. Tapping Screw | 14 |
| C | 4701-090-021 | Inner, Right Label, NC/Smart TV | 1 |
| D | 4701-090-022 | Inner, Left Label, NC/Smart TV | 1 |
| E | 4701-090-035 | Right Label, Smart TV/Lights | 1 |
| F | 4701-090-036 | Left Label, Smart TV/Lights | 1 |
| G | 3001-400-953 | Switch Cap | 26 |
| H | 3001-400-522 | Filler Cap | 2 |
| J | 3001-403-831 | Speaker w/Cable | 2 |
| K | (page 253) | Left TV Module | 1 |
| L | (page 254) | Right TV Module | 1 |
| M | 4701-090-013 | Outer, Right Label, Nurse Call | 1 |
| N | 4701-090-014 | Outer, Left Label, Nurse Call | 1 |
| P | 5000-080-016 | Main to Option PCB | 2 |
| R | (page 184) | Left Siderail Subassembly | 1 |
| T | (page 189) | Right Siderail Subassembly | 1 |
| U | 3002-039-800 | Smart TV PCB (not shown) | 1 |

Siderail with Nurse Call, TV/Radio, Lights & Lumbar

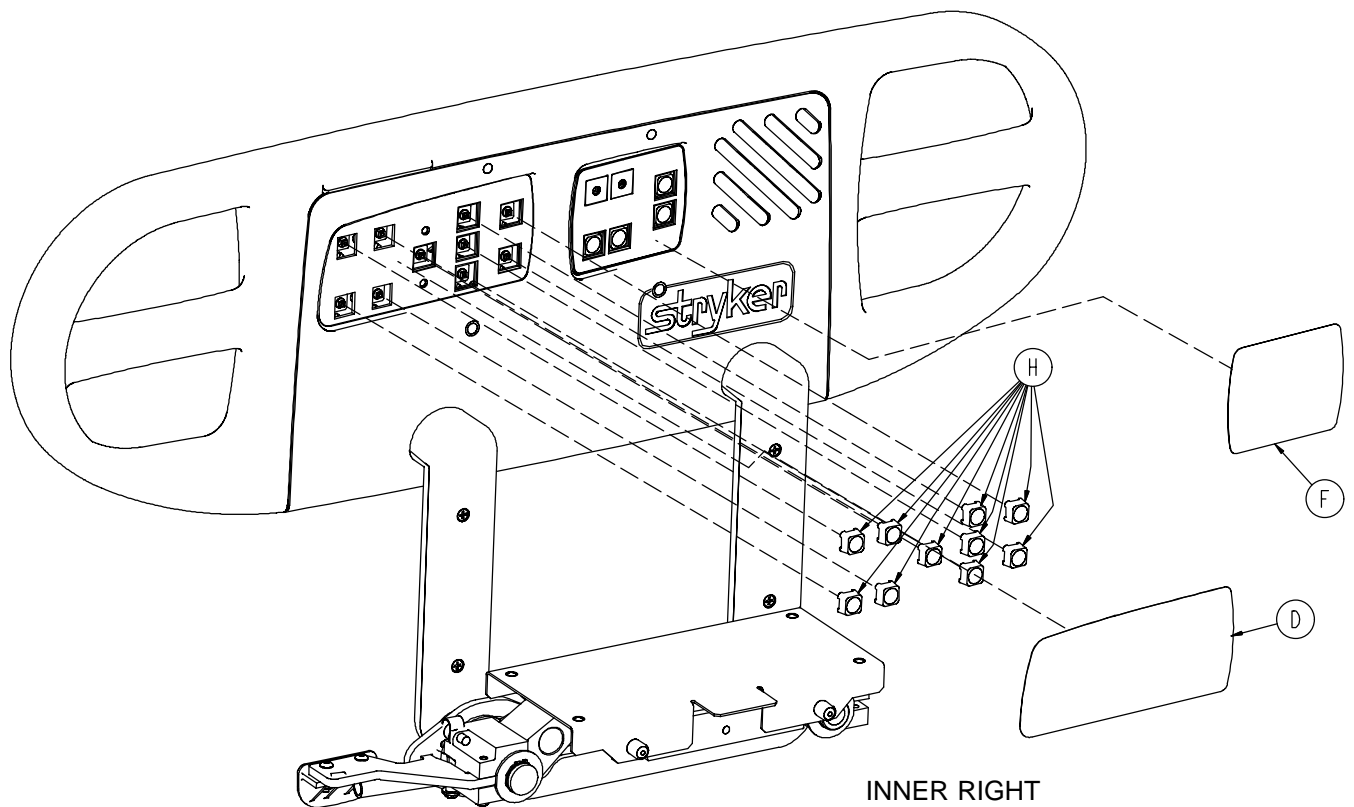
Assembly part number 4701-020-010
(reference only)



Siderail with Nurse Call, TV/Radio, Lights & Lumbar



OUTER RIGHT



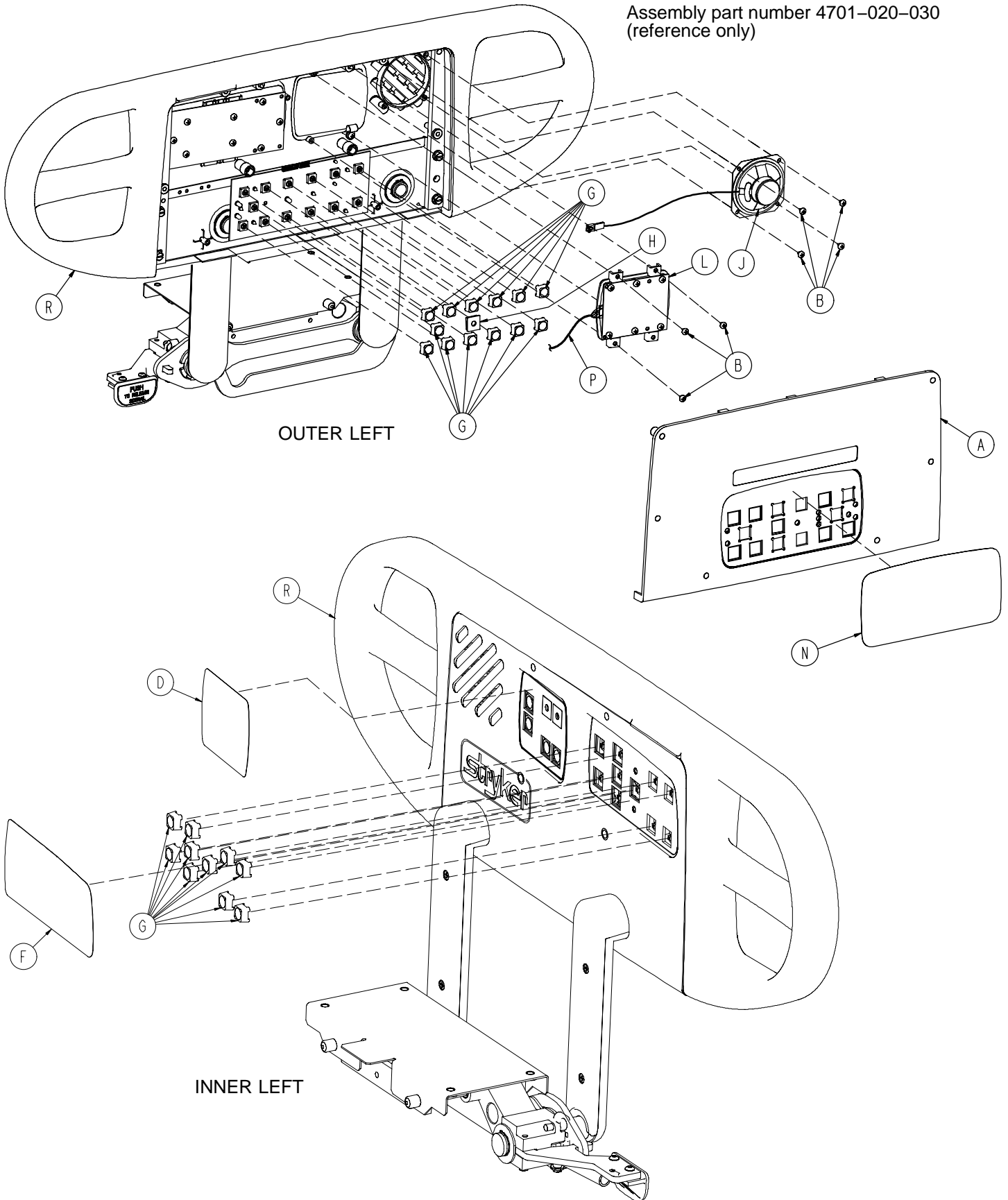
INNER RIGHT

Siderail with Nurse Call, TV/Radio, Lights & Lumbar

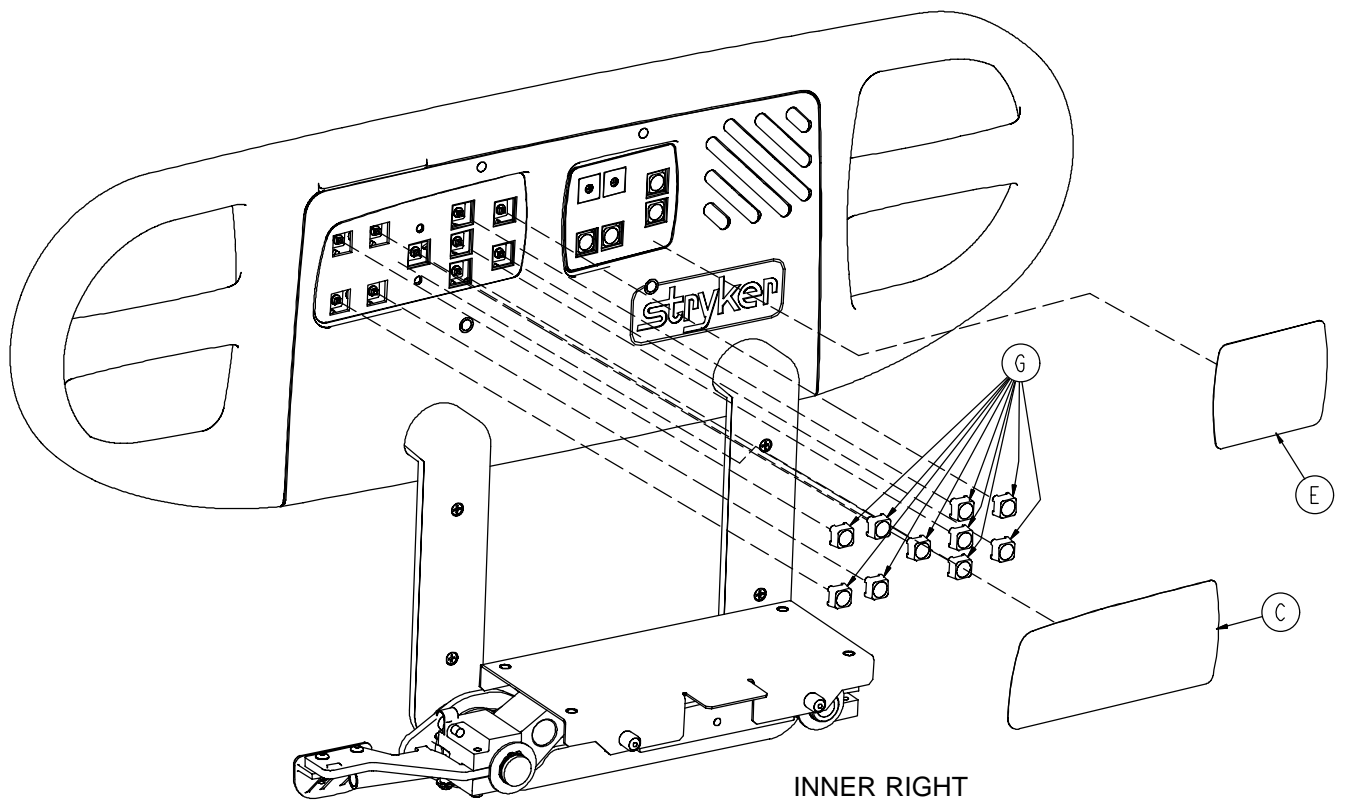
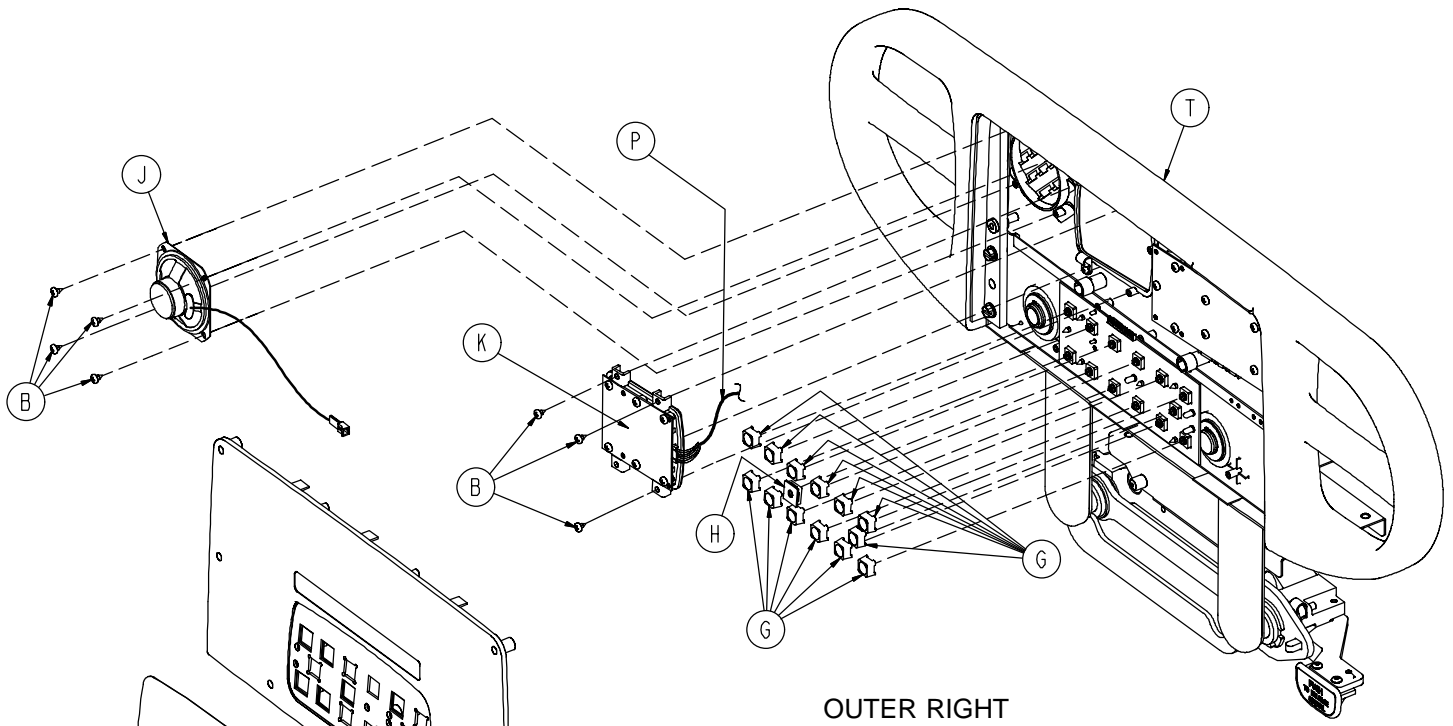
| Item | Part No. | Part Name | Qty. |
|------|------------------------------|----------------------------------|------|
| A | (page 250) | Outer Panel w/Nurse Call | 2 |
| B | 0023-112-000 | Pan Hd. Tapping Screw | 14 |
| D | 4701-090-023 | Inner, Right Label, NC, TV/Radio | 1 |
| E | 4701-090-024 | Inner, Left Label, NC, TV/Radio | 1 |
| F | 4701-090-033 | Right Lumbar Label | 1 |
| G | 4701-090-034 | Left Lumbar Label | 1 |
| H | 3001-400-953 | Switch Cap | 26 |
| J | 3001-400-522 | Filler Cap | 2 |
| K | 3001-403-831 | Speaker w/Cable | 2 |
| L | (page 251) | Left Lumbar Module | 1 |
| M | (page 252) | Right Lumbar Module | 1 |
| N | 4701-090-013 | Outer, Right Label, Nurse Call | 1 |
| P | 4701-090-014 | Outer, Left Label, Nurse Call | 1 |
| R | 5000-080-016 | Main to Option PCB | 2 |
| T | (page 184) | Left Siderail Subassembly | 1 |
| U | (page 189) | Right Siderail Subassembly | 1 |

Siderail with Nurse Call/Smart TV/Lights & Lumbar

Assembly part number 4701-020-030
(reference only)



Siderail with Nurse Call/Smart TV/Lights & Lumbar

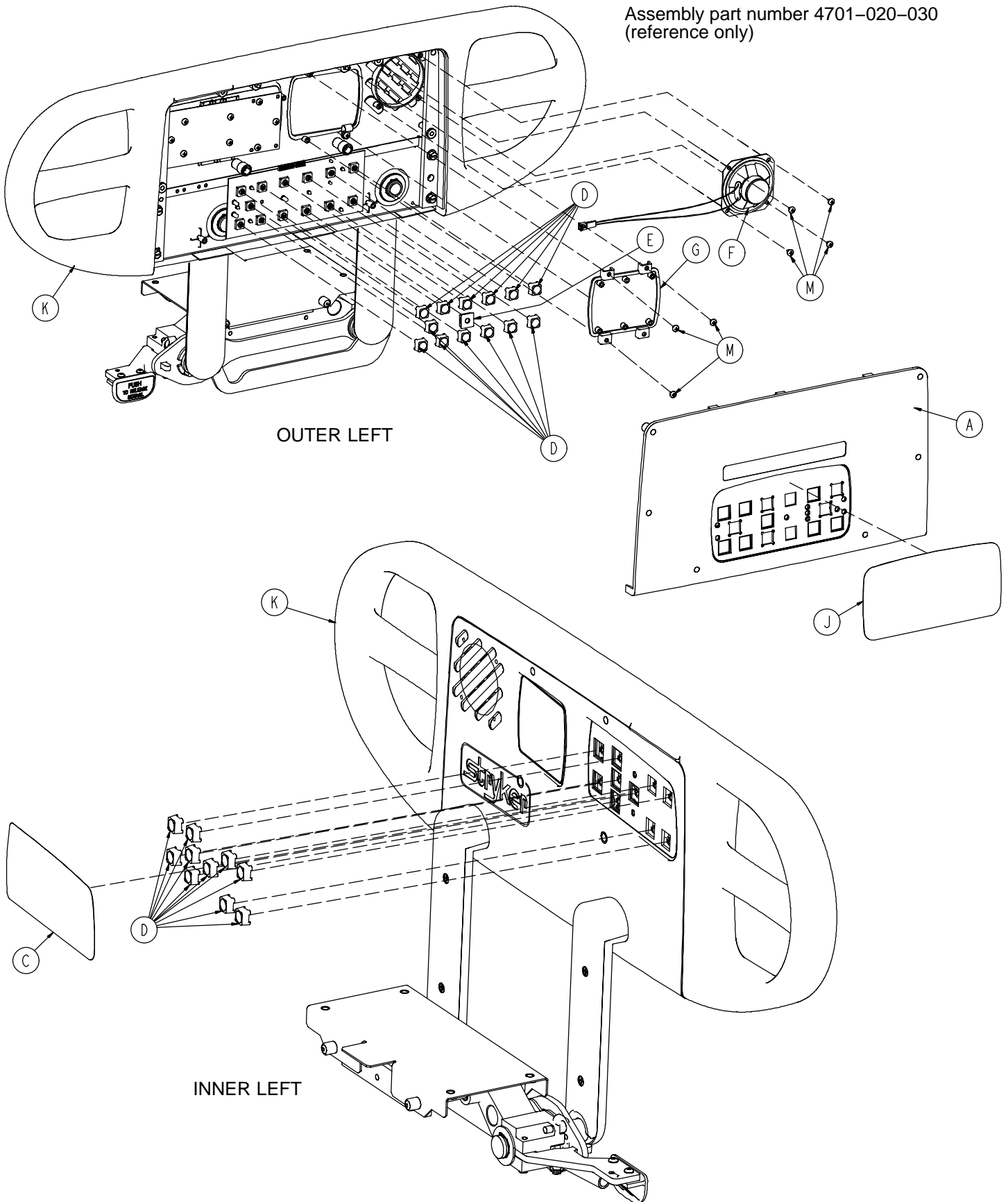


Siderail with Nurse Call/Smart TV/Lights & Lumbar

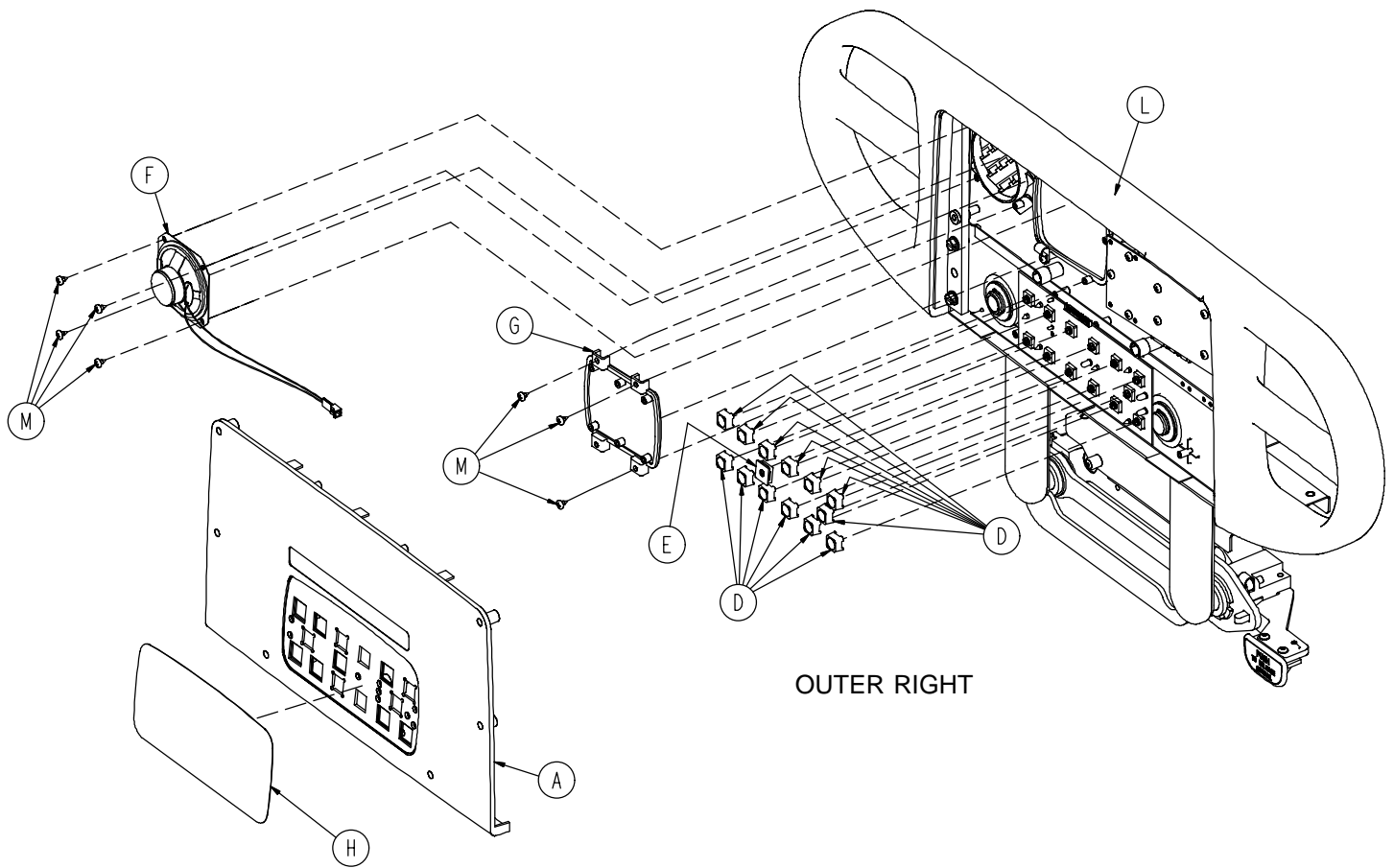
| Item | Part No. | Part Name | Qty. |
|------|------------------------------|---------------------------------|------|
| A | (page 250) | Outer Panel w/Nurse Call | 2 |
| B | 0023-112-000 | Pan Hd. Tapping Screw | 14 |
| C | 4701-090-021 | Inner, Right Label, NC/Smart TV | 1 |
| D | 4701-090-022 | Inner, Left Label, NC/Smart TV | 1 |
| E | 4701-090-031 | Right Label, STV/Lights/Lumbar | 1 |
| F | 4701-090-032 | Left Label, STV/Lights/Lumbar | 1 |
| G | 3001-400-953 | Switch Cap | 26 |
| H | 3001-400-522 | Filler Cap | 2 |
| J | 3001-403-831 | Speaker w/Cable | 2 |
| K | (page 255) | Left TV/Lumbar Module | 1 |
| L | (page 256) | Right TV/Lumbar Module | 1 |
| M | 4701-090-013 | Outer, Right Label, Nurse Call | 1 |
| N | 4701-090-014 | Outer, Left Label, Nurse Call | 1 |
| P | 5000-080-016 | Main to Option PCB | 2 |
| R | (page 184) | Left Siderail Subassembly | 1 |
| T | (page 189) | Right Siderail Subassembly | 1 |
| U | 3002-039-800 | Smart TV PCB (not shown) | 1 |

Siderail with Skoocher™, Nurse Call, TV/Radio & Lights

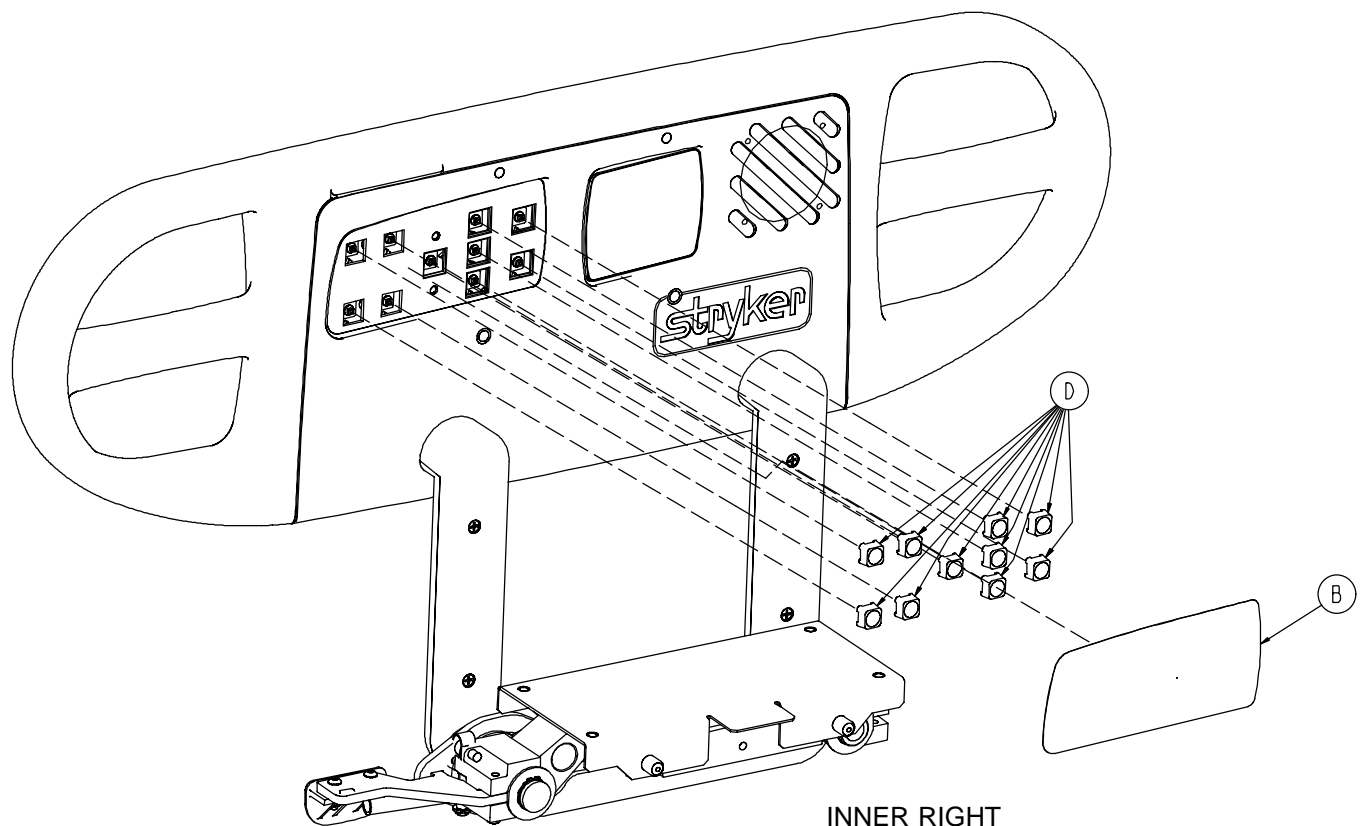
Assembly part number 4701-020-030
(reference only)



Siderail with Skoocher™, Nurse Call, TV/Radio & Lights



OUTER RIGHT



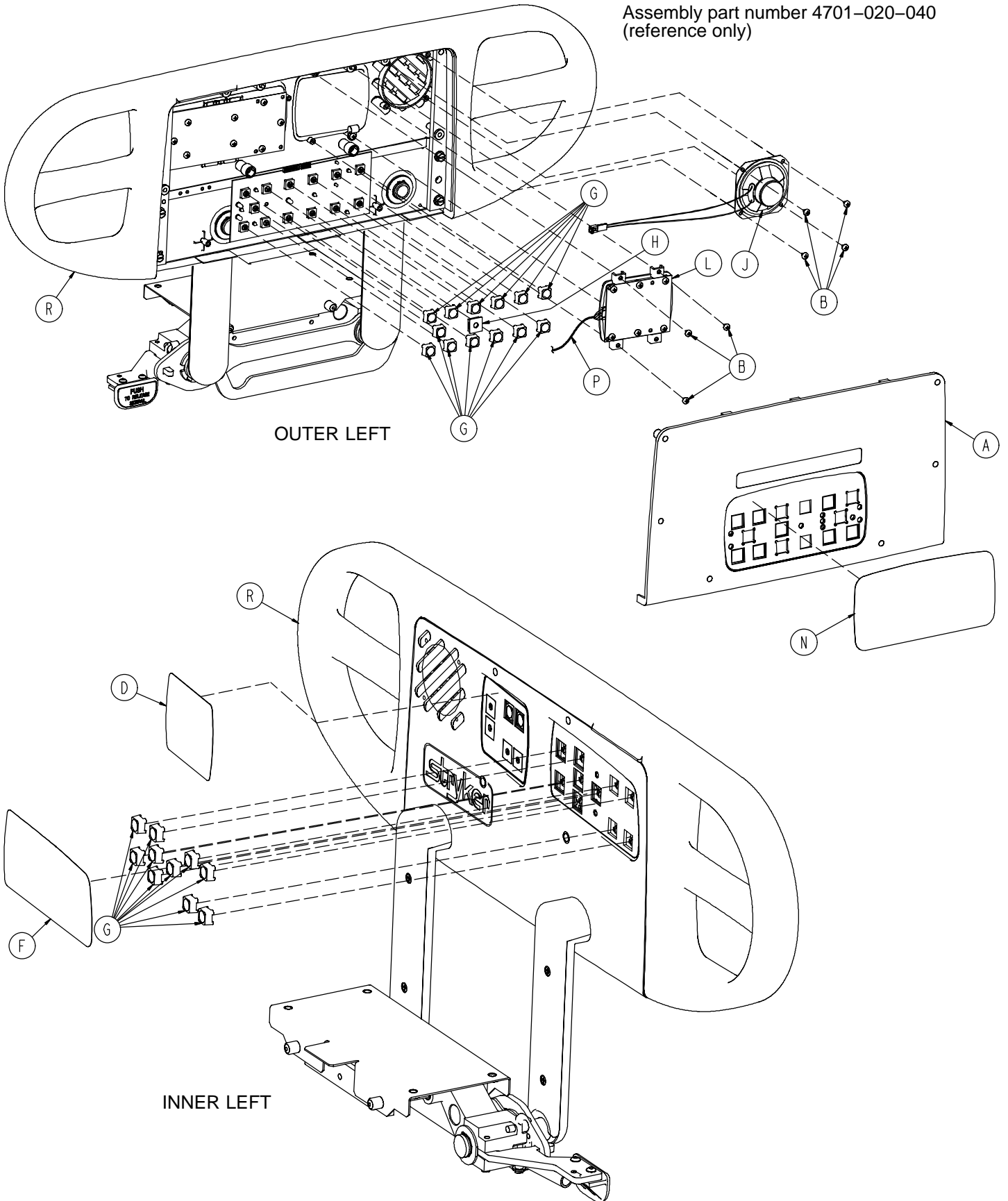
INNER RIGHT

Siderail with Skoocher™, Nurse Call, TV/Radio & Lights

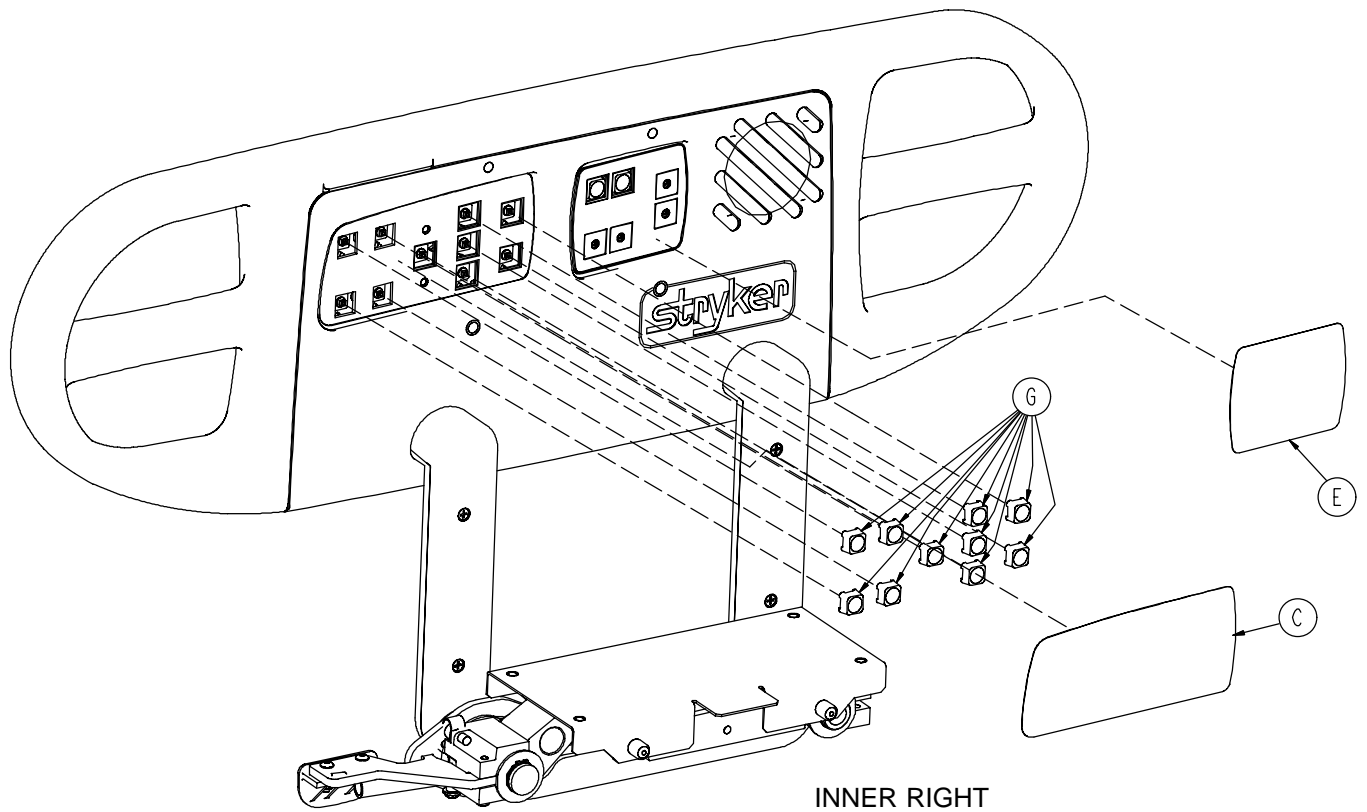
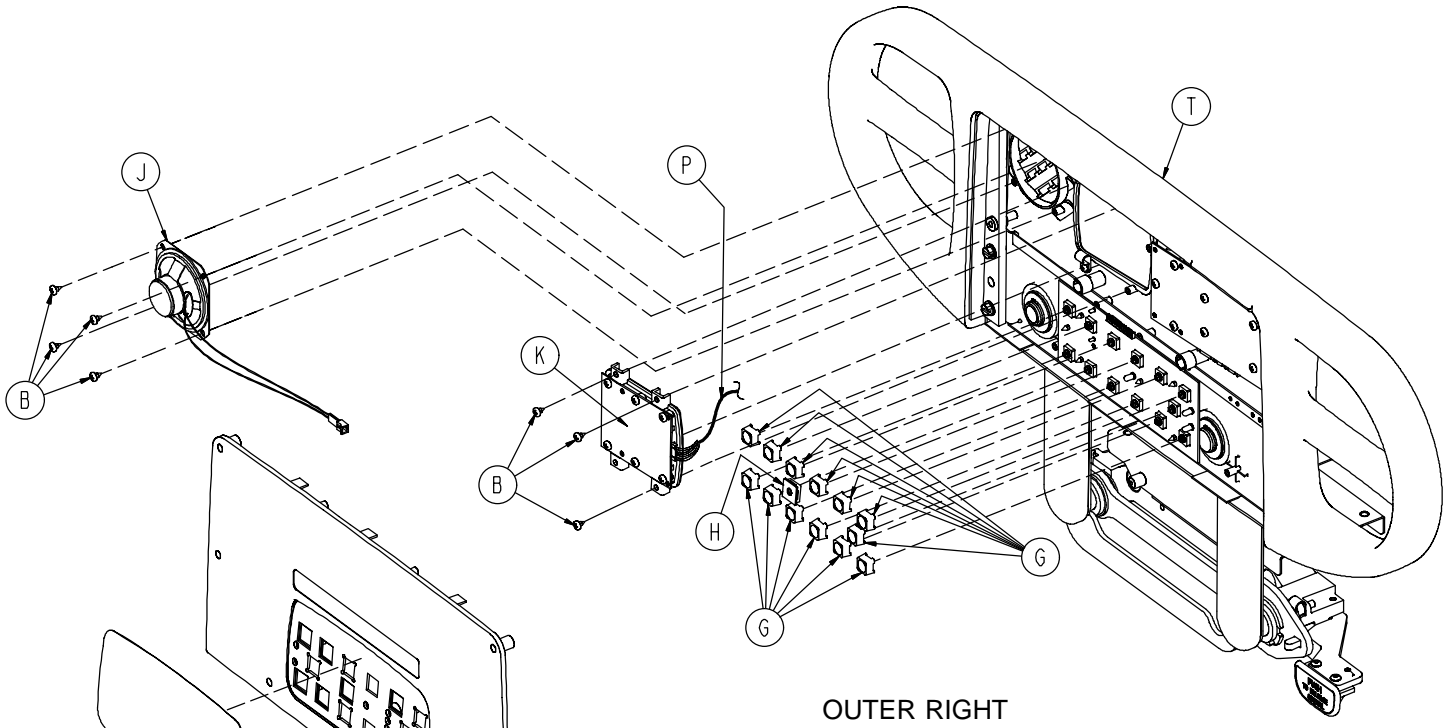
| Item | Part No. | Part Name | Qty. |
|------|------------------------------|----------------------------------|------|
| A | (page 250) | Outer Panel w/Nurse Call | 2 |
| B | 4701-090-023 | Inner, Right Label, NC, TV/Radio | 1 |
| C | 4701-090-024 | Inner, Left Label, NC, TV/Radio | 1 |
| D | 3001-400-953 | Switch Cap | 26 |
| E | 3001-400-522 | Filler Cap | 2 |
| F | 3001-403-831 | Speaker w/Cable | 2 |
| G | 3001-400-535 | Inner Panel Blank Module | 2 |
| H | 4701-090-011 | Outer, Right Label, Skooch/NC | 1 |
| J | 4701-090-012 | Outer, Left Label, Skooch/NC | 1 |
| K | (page 184) | Left Siderail Subassembly | 1 |
| L | (page 189) | Right Siderail Subassembly | 1 |
| M | 0023-112-000 | Pan Hd. Tapping Screw | 14 |

Siderail with Skoocher™ /Nurse Call/Smart TV/Lights

Assembly part number 4701-020-040
(reference only)



Siderail with Skoocher™ /Nurse Call/Smart TV/Lights

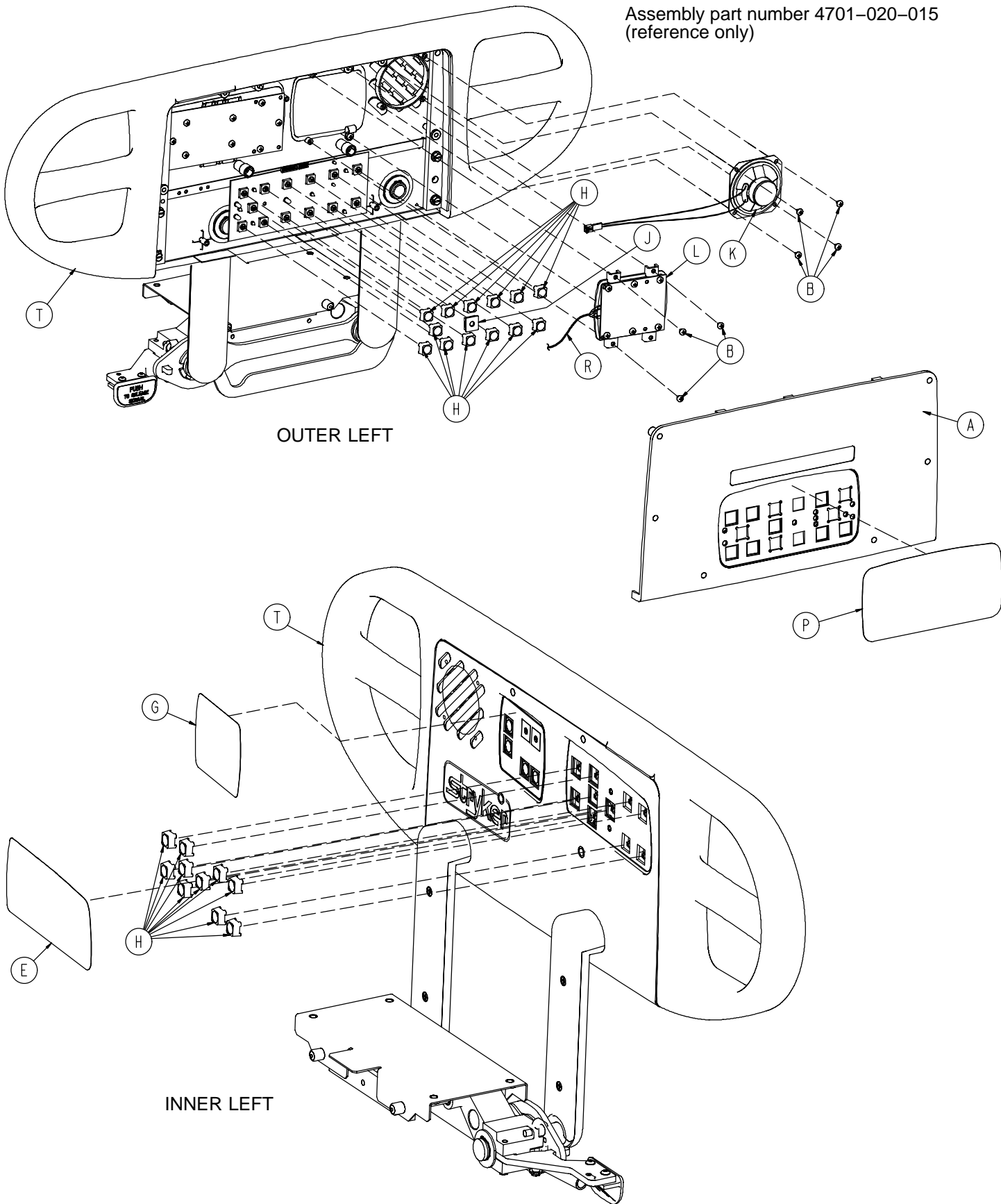


Siderail with Skoocher™ /Nurse Call/Smart TV/Lights

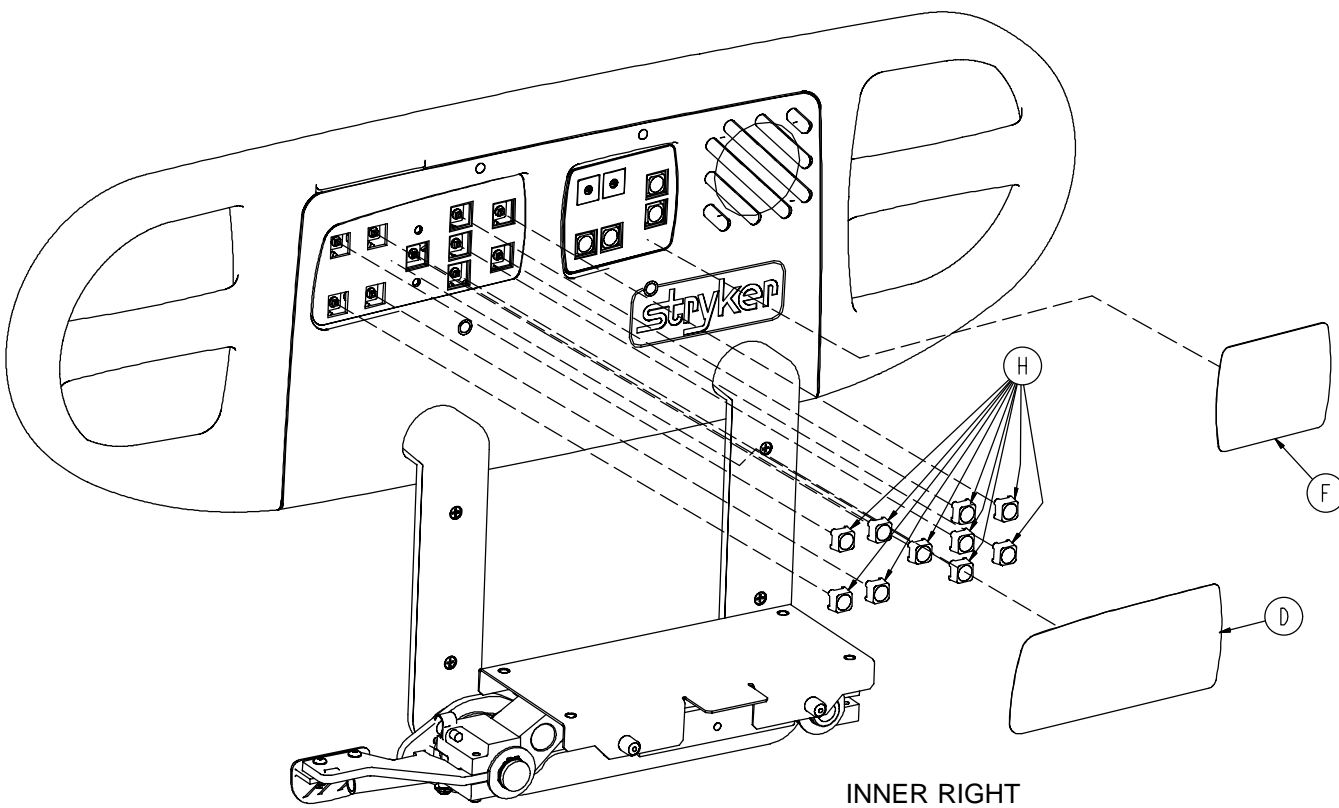
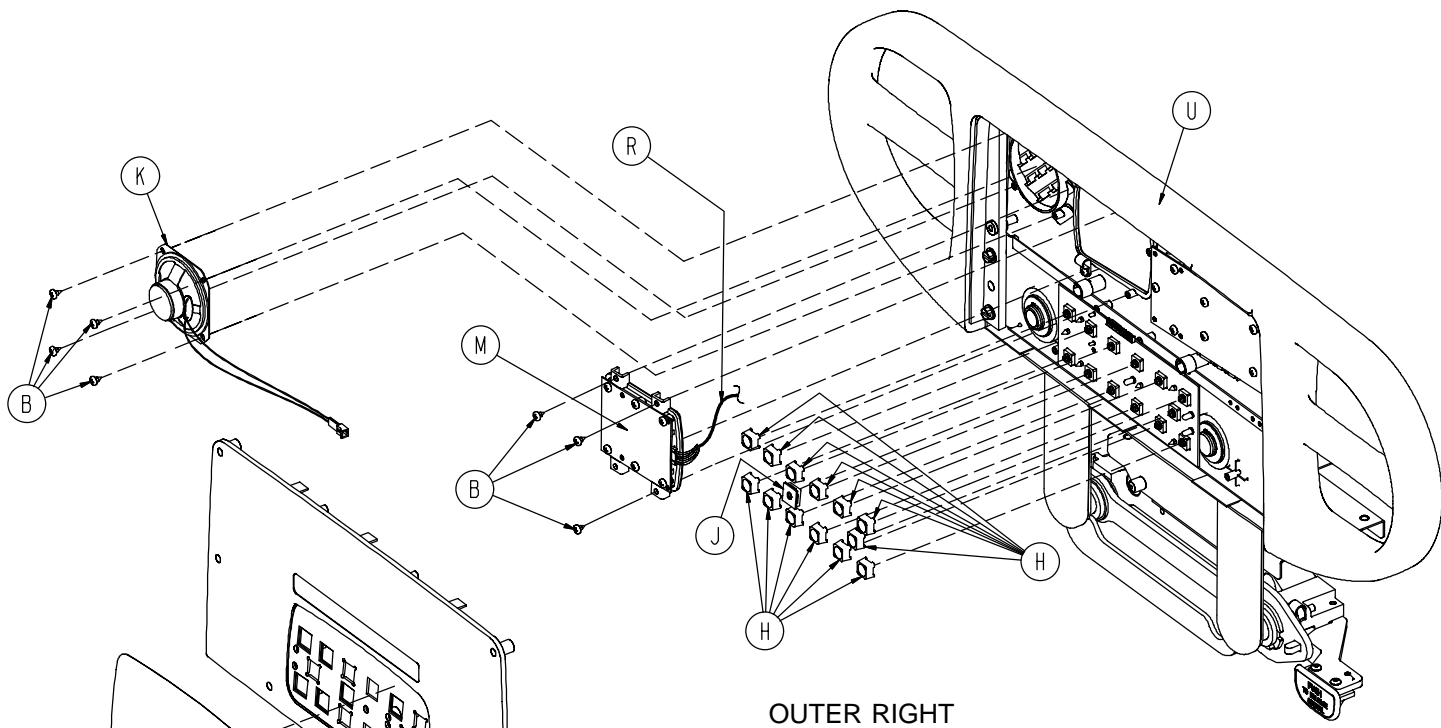
| Item | Part No. | Part Name | Qty. |
|------|------------------------------|---------------------------------|------|
| A | (page 250) | Outer Panel w/Nurse Call | 2 |
| B | 0023-112-000 | Pan Hd. Tapping Screw | 14 |
| C | 4701-090-022 | Inner, Right Label, NC/Smart TV | 1 |
| D | 4701-090-024 | Inner, Left Label, NC/Smart TV | 1 |
| E | 4701-090-035 | Right Label, Smart TV/Lights | 1 |
| F | 4701-090-036 | Left Label, Smart TV/Lights | 1 |
| G | 3001-400-953 | Switch Cap | 26 |
| H | 3001-400-522 | Filler Cap | 2 |
| J | 3001-403-831 | Speaker w/Cable | 2 |
| K | (page 253) | Left TV Module | 1 |
| L | (page 254) | Right TV Module | 1 |
| M | 4701-090-011 | Outer, Right Label, Skooch/NC | 1 |
| N | 4701-090-012 | Outer, Left Label, Skooch/NC | 1 |
| P | 5000-080-016 | Main to Option PCB | 2 |
| R | (page 184) | Left Siderail Subassembly | 1 |
| T | (page 189) | Right Siderail Subassembly | 1 |
| U | 3002-039-800 | Smart TV PCB (not shown) | 1 |

Siderail w/ Skoocher™, NC, TV/Radio, Lights & Lumbar

Assembly part number 4701-020-015
(reference only)



Siderail w/ Skoocher™, NC, TV/Radio, Lights & Lumbar

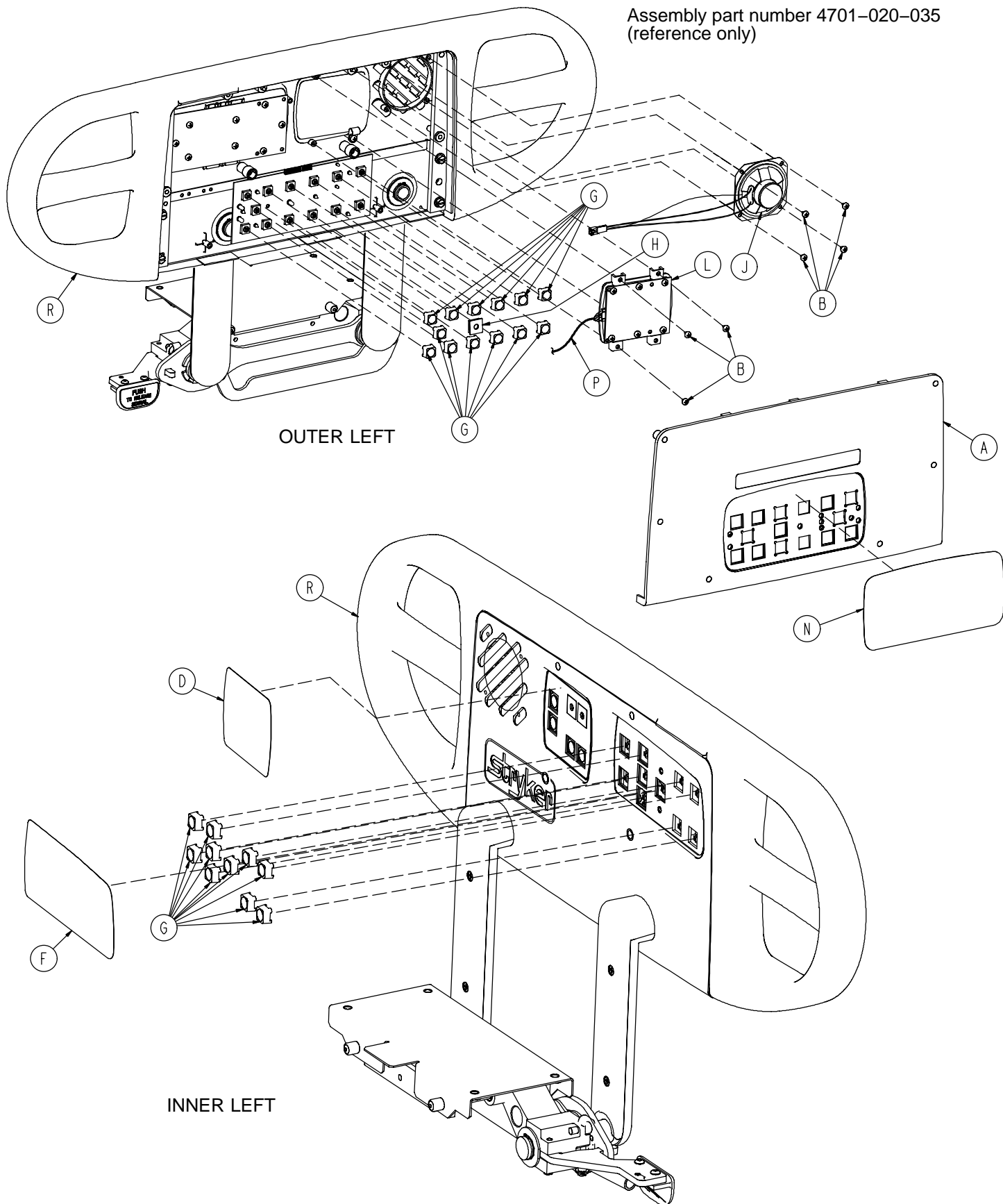


Siderail w/ Skoocher™, NC, TV/Radio, Lights & Lumbar

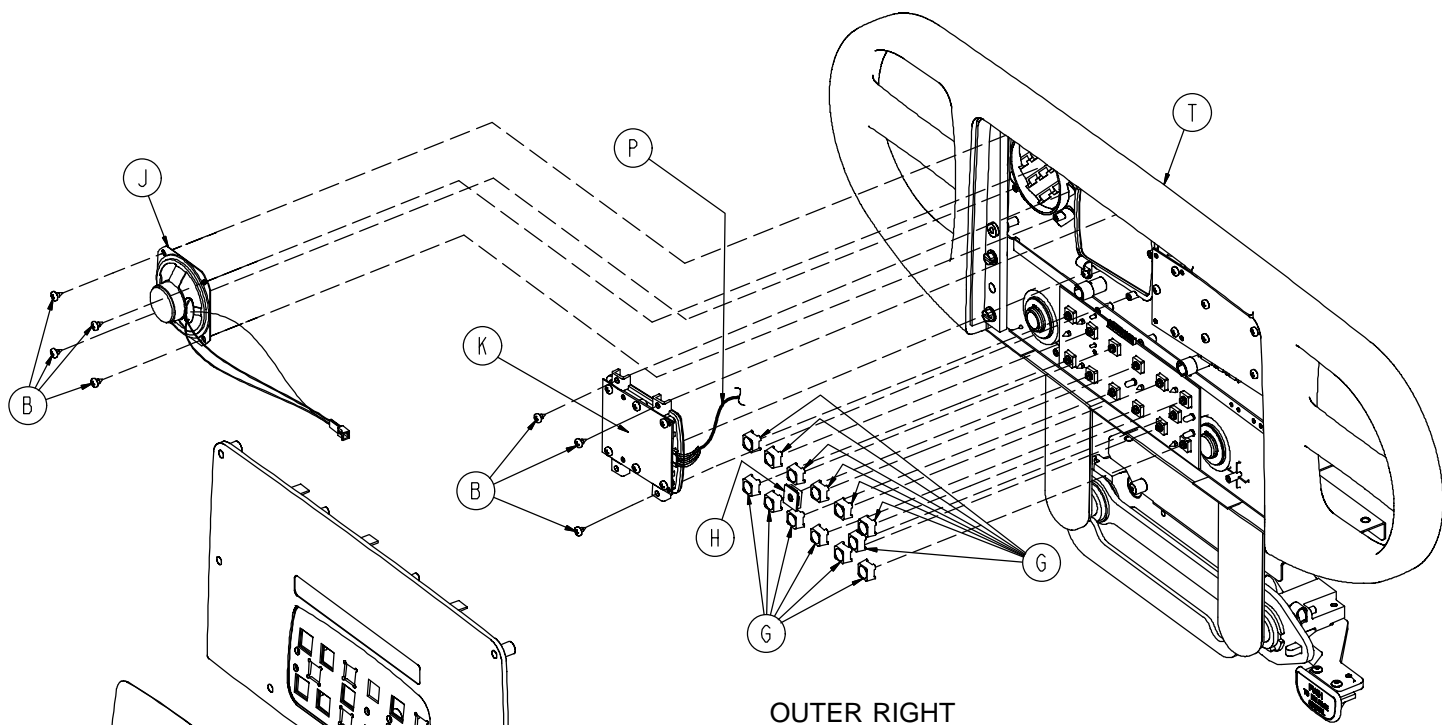
| Item | Part No. | Part Name | Qty. |
|------|------------------------------|----------------------------------|------|
| A | (page 250) | Outer Panel w/Nurse Call | 2 |
| B | 0023-112-000 | Pan Hd. Tapping Screw | 14 |
| D | 4701-090-023 | Inner, Right Label, NC, TV/Radio | 1 |
| E | 4701-090-024 | Inner, Left Label, NC, TV/Radio | 1 |
| F | 4701-090-033 | Right Label, Lumbar | 1 |
| G | 4701-090-034 | Left Label, Lumbar | 1 |
| H | 3001-400-953 | Switch Cap | 26 |
| J | 3001-400-522 | Filler Cap | 2 |
| K | 3001-403-831 | Speaker w/Cable | 2 |
| L | (page 251) | Left Lumbar Module | 1 |
| M | (page 252) | Right Lumbar Module | 1 |
| N | 4701-090-011 | Outer, Right Label, Skooch/NC | 1 |
| P | 4701-090-012 | Outer, Left Label, Skooch/NC | 1 |
| R | 5000-080-016 | Main to Option PCB | 2 |
| T | (page 184) | Left Siderail Subassembly | 1 |
| U | (page 189) | Right Siderail Subassembly | 1 |

Siderail w/ Skoocher™ / NC / Smart TV / Lights / Lumbar

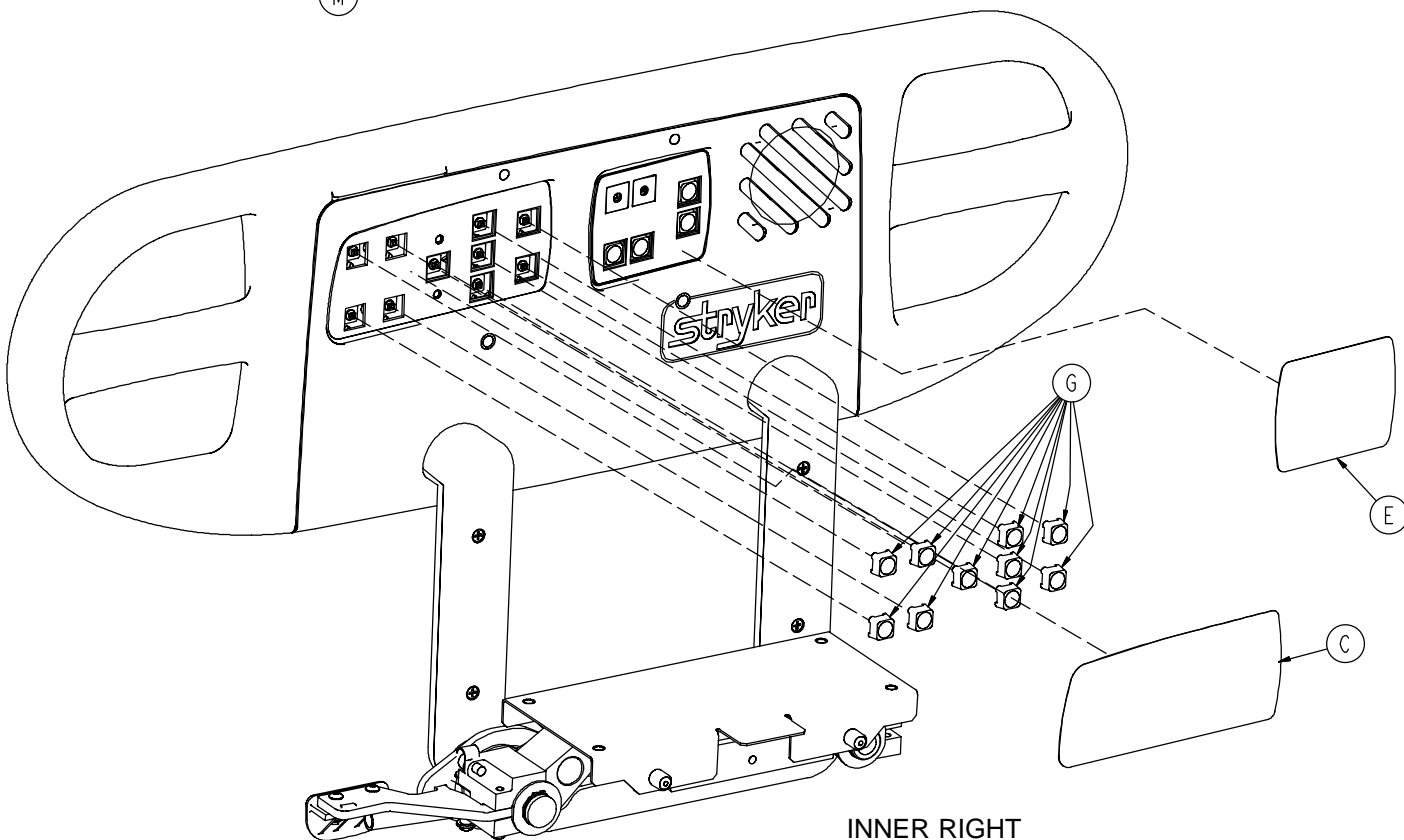
Assembly part number 4701-020-035
(reference only)



Siderail w/ Skoocher™ / NC / Smart TV / Lights / Lumbar



OUTER RIGHT

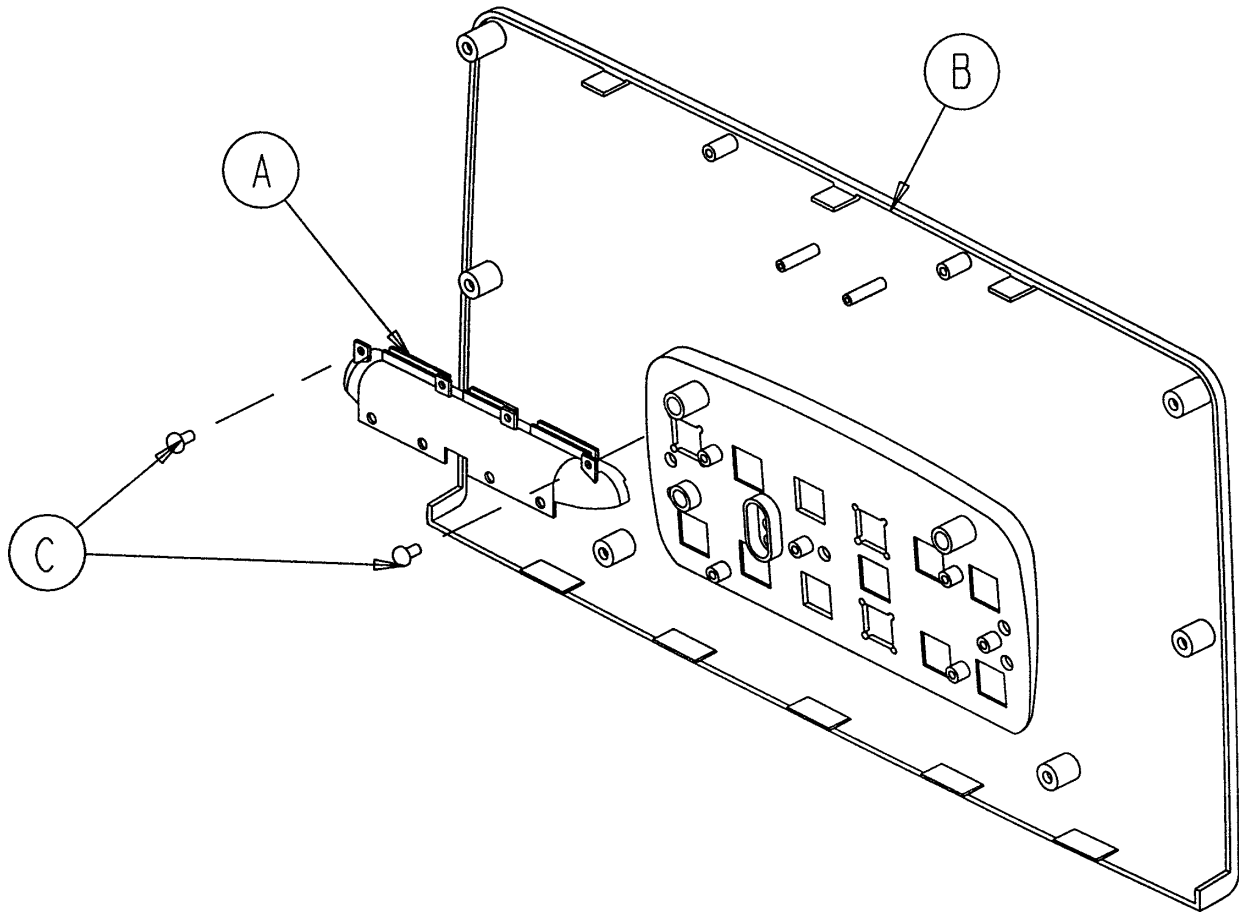


INNER RIGHT

Siderail w/ Skoocher™ / NC / Smart TV / Lights / Lumbar

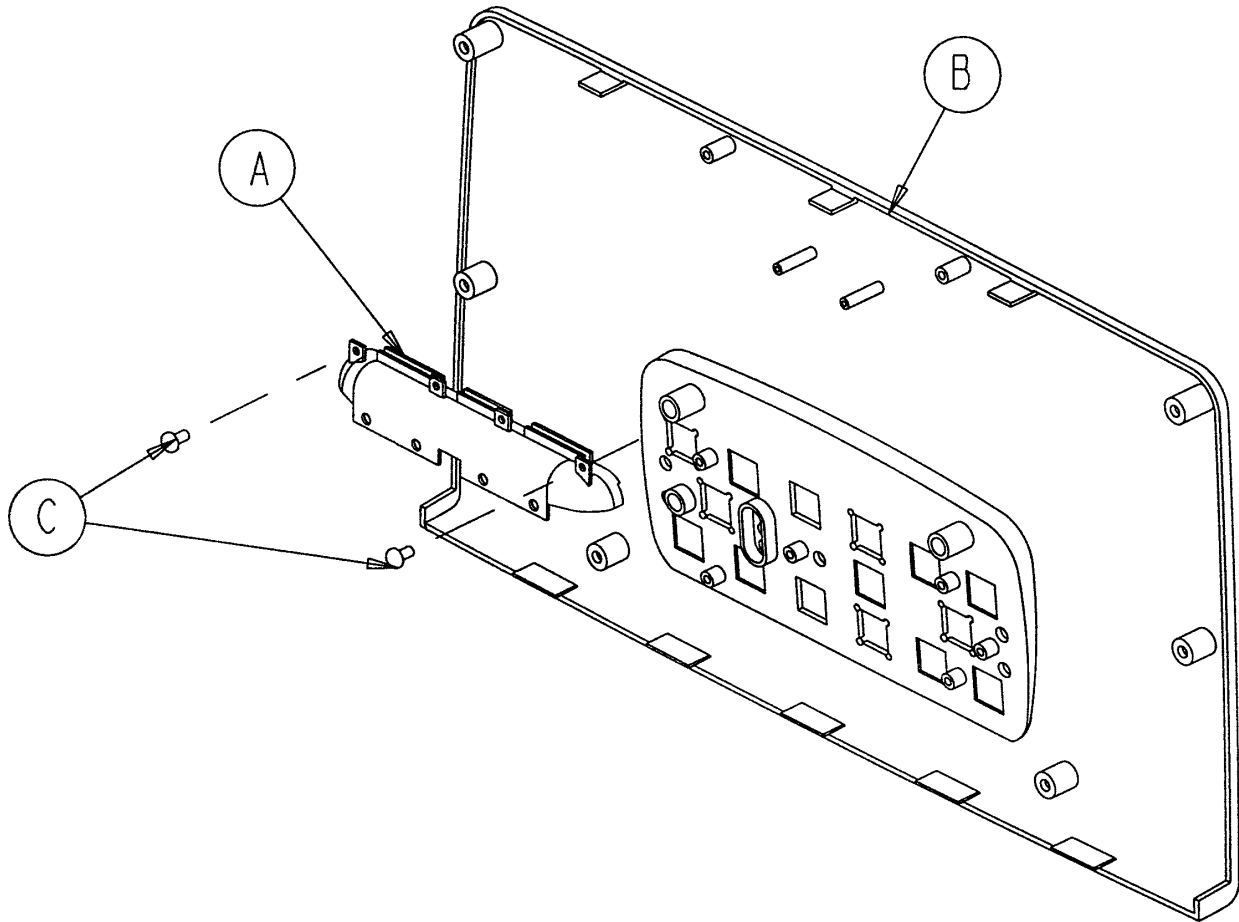
| Item | Part No. | Part Name | Qty. |
|------|------------------------------|---------------------------------|------|
| A | (page 250) | Outer Panel w/Nurse Call | 2 |
| B | 0023-112-000 | Pan Hd. Tapping Screw | 14 |
| C | 4701-090-021 | Inner, Right Label, NC/Smart TV | 1 |
| D | 4701-090-022 | Inner, Left Label, NC/Smart TV | 1 |
| E | 4701-090-031 | Right Label, Lumbar/STV/Lights | 1 |
| F | 4701-090-032 | Left Label, Lumbar/STV/Lights | 1 |
| G | 3001-400-953 | Switch Cap | 26 |
| H | 3001-400-522 | Filler Cap | 2 |
| J | 3001-403-831 | Speaker w/Cable | 2 |
| K | (page 255) | Left TV/Lumbar Module | 1 |
| L | (page 256) | Right TV/Lumbar Module | 1 |
| M | 4701-090-011 | Outer, Right Label, Skooch/NC | 1 |
| N | 4701-090-012 | Outer, Left Label, Skooch/NC | 1 |
| P | 5000-080-016 | Main to Option PCB | 2 |
| R | (page 184) | Left Siderail Subassembly | 1 |
| T | (page 189) | Right Siderail Subassembly | 1 |
| U | 3002-039-800 | Smart TV PCB (not shown) | 1 |

4700-020-011 Outer Siderail Panel, w/o Nurse Call



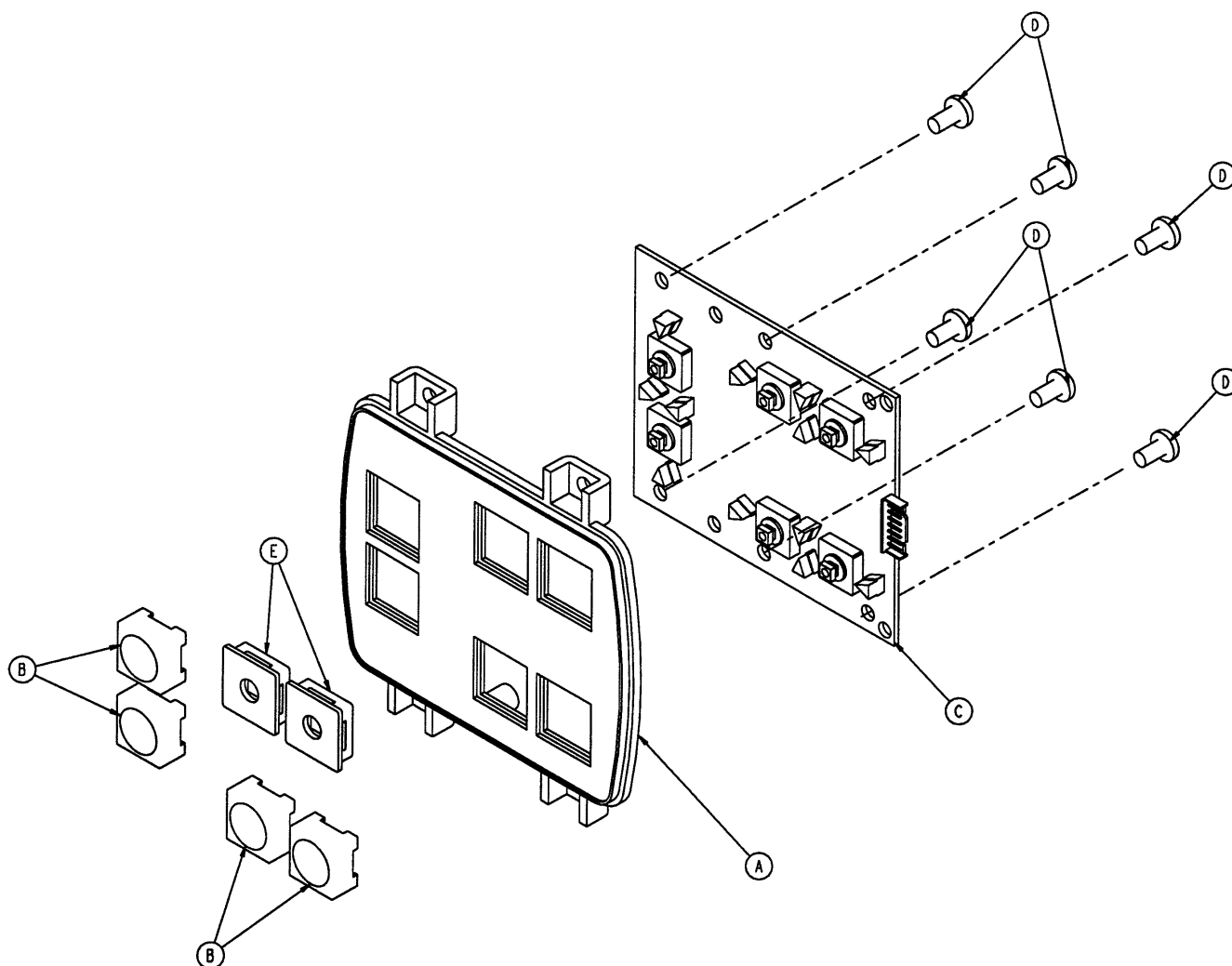
| Item | Part No. | Part Name | Qty. |
|------|--------------|-----------------------|------|
| A | 3001-400-599 | Handle Insert | 1 |
| B | 4700-020-010 | Outer Panel, w/o N.C. | 1 |
| C | 0023-112-000 | Tapping Screw | 2 |

4700-020-009 Outer Siderail Panel, with Nurse Call



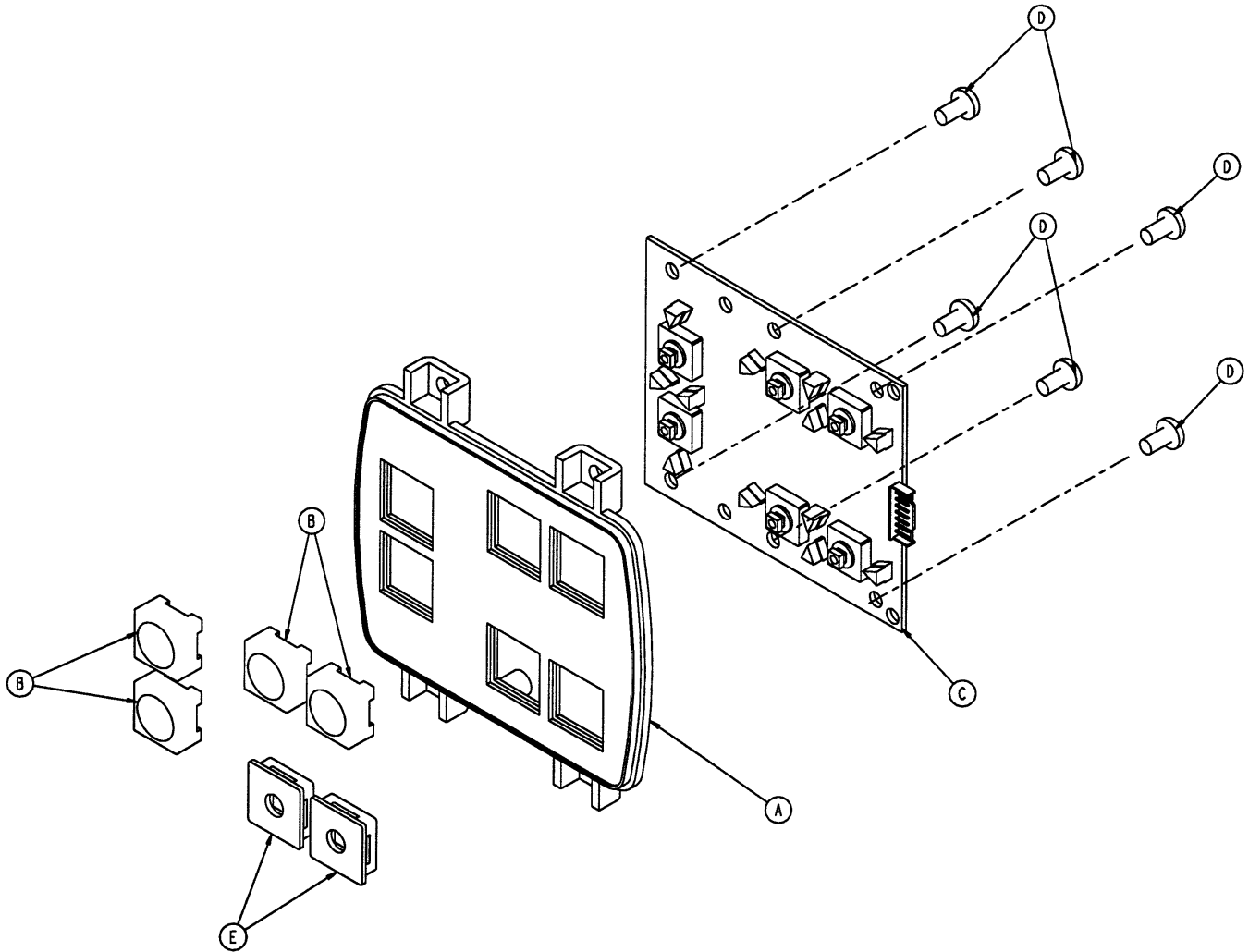
| Item | Part No. | Part Name | Qty. |
|------|--------------|--------------------|------|
| A | 3001-400-599 | Handle Insert | 1 |
| B | 4700-020-008 | Outer Panel w/N.C. | 1 |
| C | 0023-112-000 | Tapping Screw | 2 |

5000-220-008 Optional Siderail Lumbar Module, Left



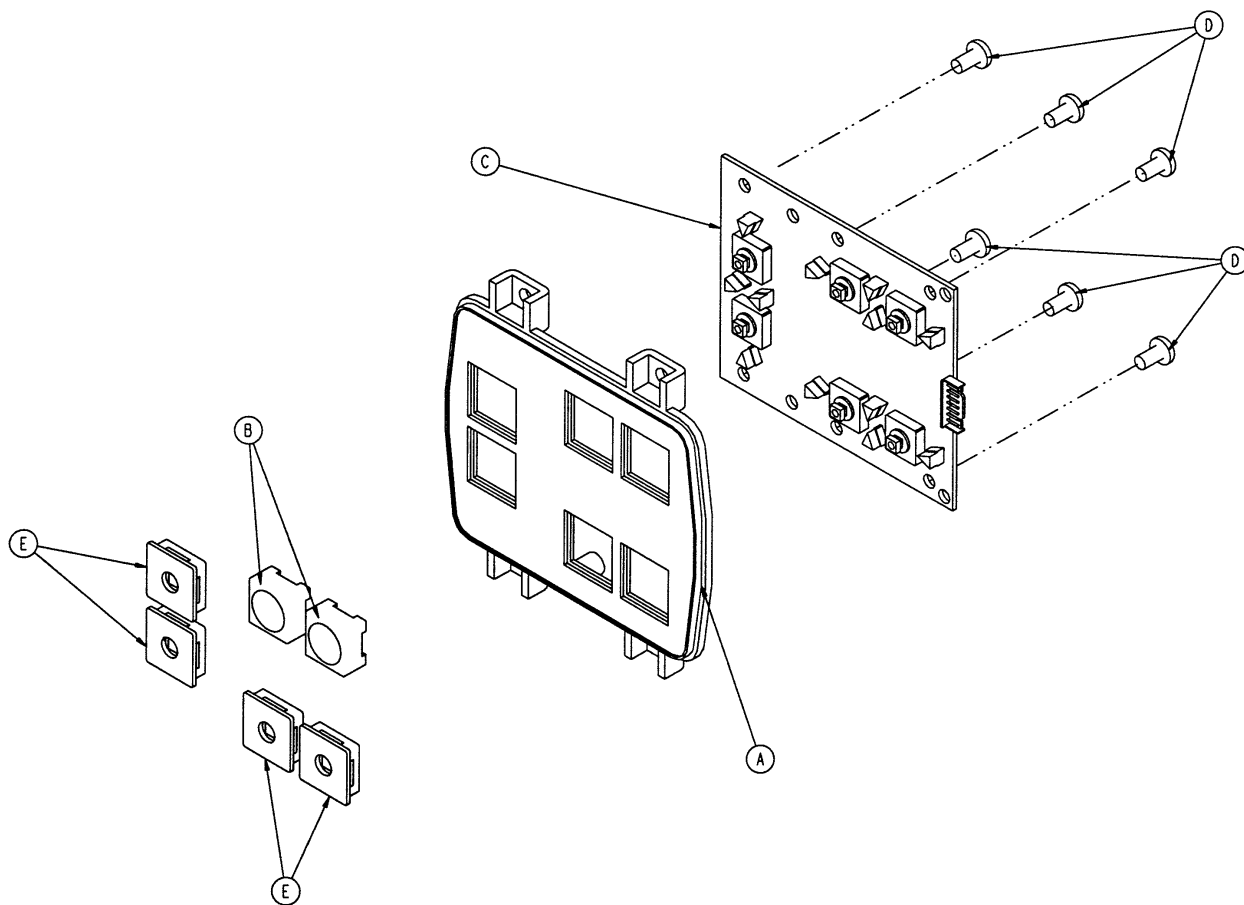
| Item | Part No. | Part Name | Qty. |
|------|--------------|-------------------------|------|
| A | 3001-400-524 | Lumbar Module | 1 |
| B | 3001-400-953 | Switch Cap | 4 |
| C | 5000-400-930 | Lumbar Keypad PCB, Left | 1 |
| D | 0023-112-000 | Tapping Screw | 6 |
| E | 3001-400-522 | Filler Cap | 2 |

5000-220-010 Optional Siderail Lumbar Module, Right



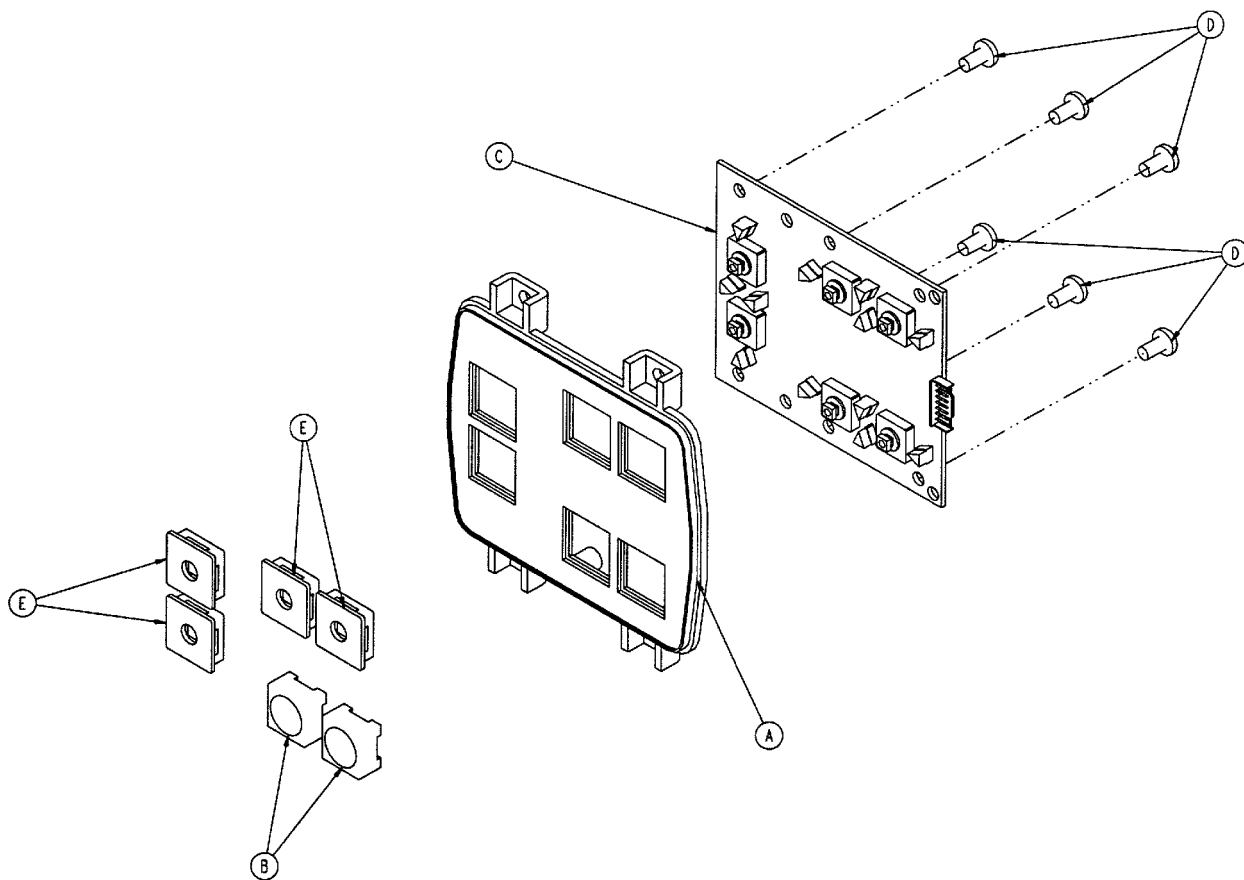
| Item | Part No. | Part Name | Qty. |
|------|--------------|--------------------------|------|
| A | 3001-400-524 | Lumbar Module | 1 |
| B | 3001-400-953 | Switch Cap | 4 |
| C | 5000-400-920 | Lumbar Keypad PCB, Right | 1 |
| D | 0023-112-000 | Tapping Screw | 6 |
| E | 3001-400-522 | Filler Cap | 2 |

5000-020-028 Siderail Smart TV Module, Left



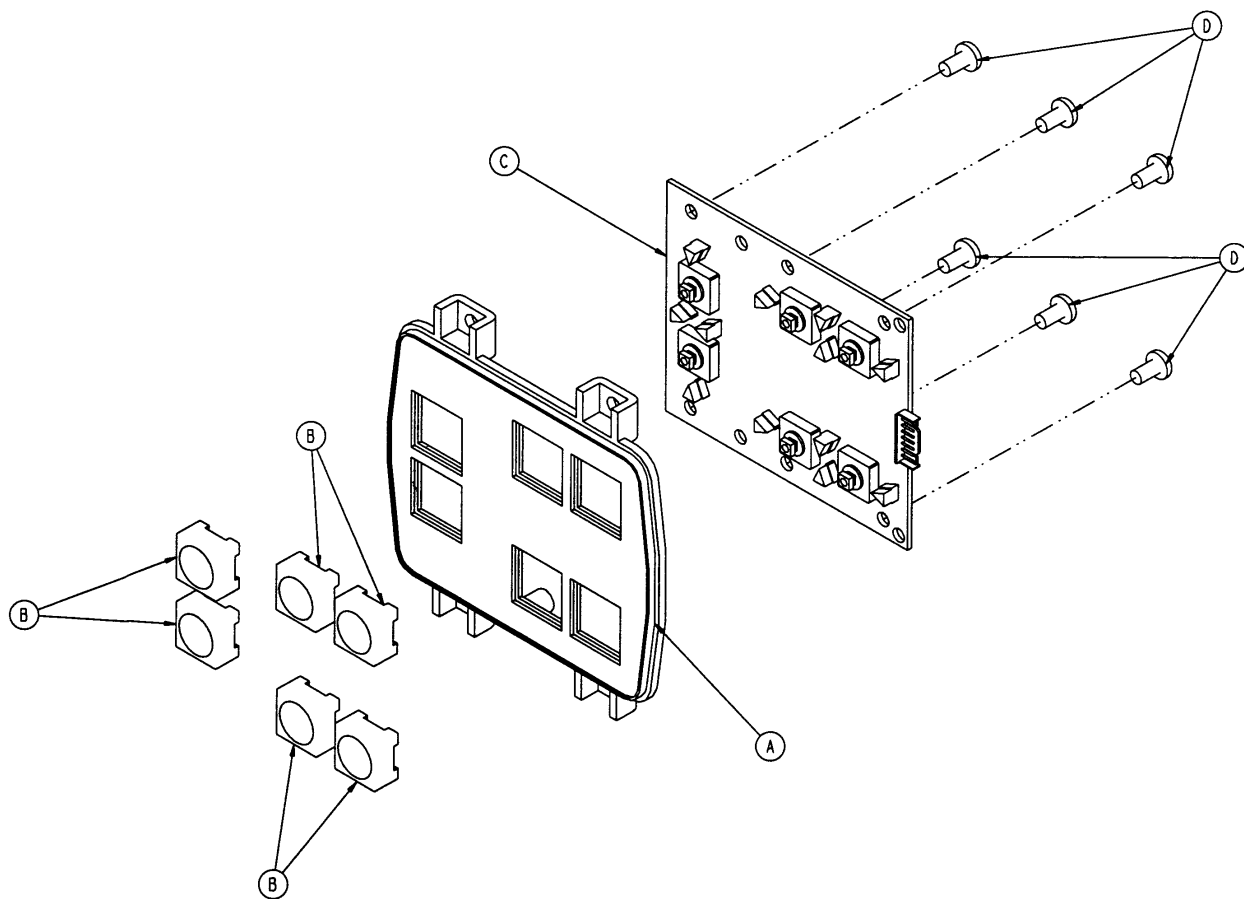
| Item | Part No. | Part Name | Qty. |
|------|--------------|------------------------|------|
| A | 3001-400-524 | Lumbar Module | 1 |
| B | 3001-400-953 | Switch Cap | 2 |
| C | 5000-400-930 | Lumbar Keypad PCB, Lt. | 1 |
| D | 0023-112-000 | Tapping Screw | 6 |
| E | 3001-400-522 | Filler Cap | 4 |

5000-020-029 Siderail Smart TV Module, Right



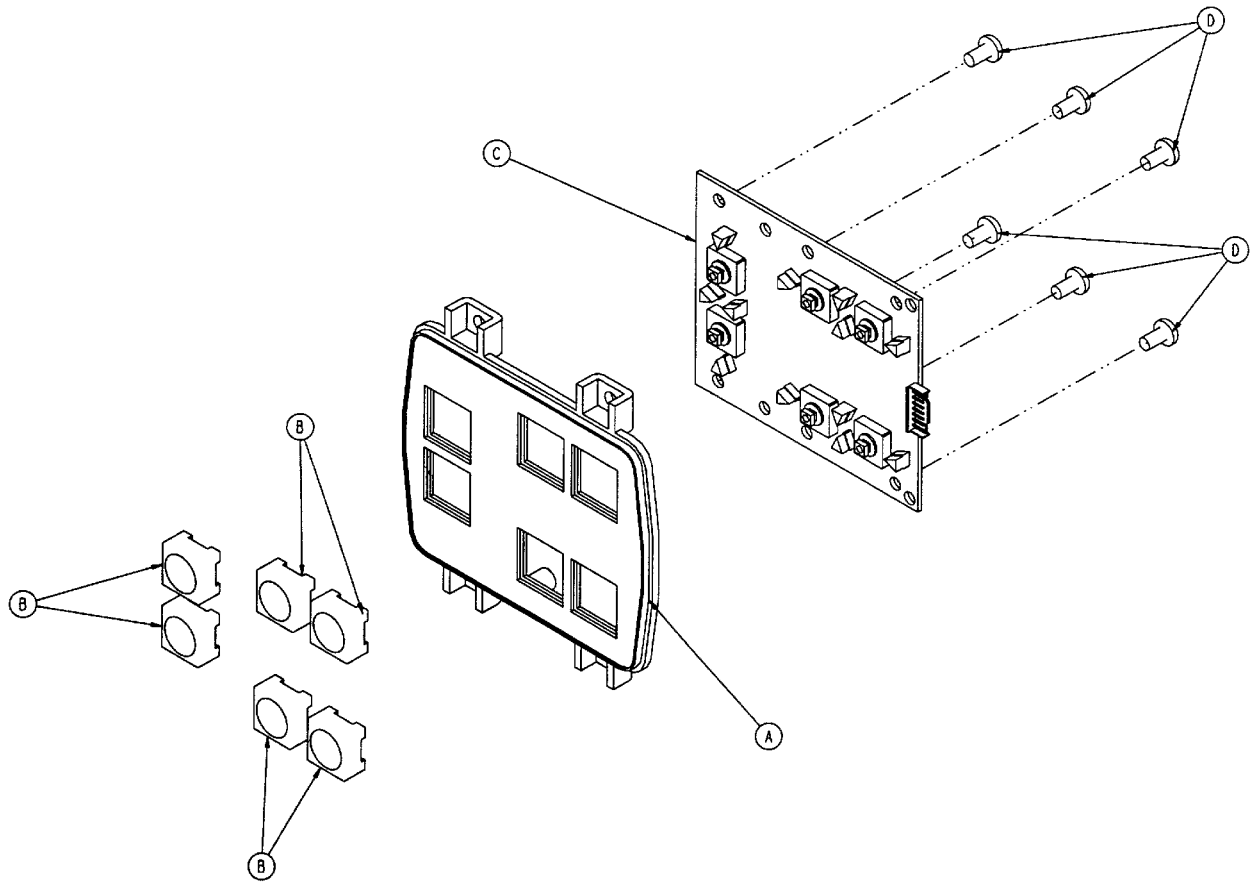
| Item | Part No. | Part Name | Qty. |
|------|--------------|------------------------|------|
| A | 3001-400-524 | Lumbar Module | 1 |
| B | 3001-400-953 | Switch Cap | 2 |
| C | 5000-400-920 | Lumbar Keypad PCB, Rt. | 1 |
| D | 0023-112-000 | Tapping Screw | 6 |
| E | 3001-400-522 | Filler Cap | 4 |

5000-020-026 Siderail TV/Lumbar Module, Left



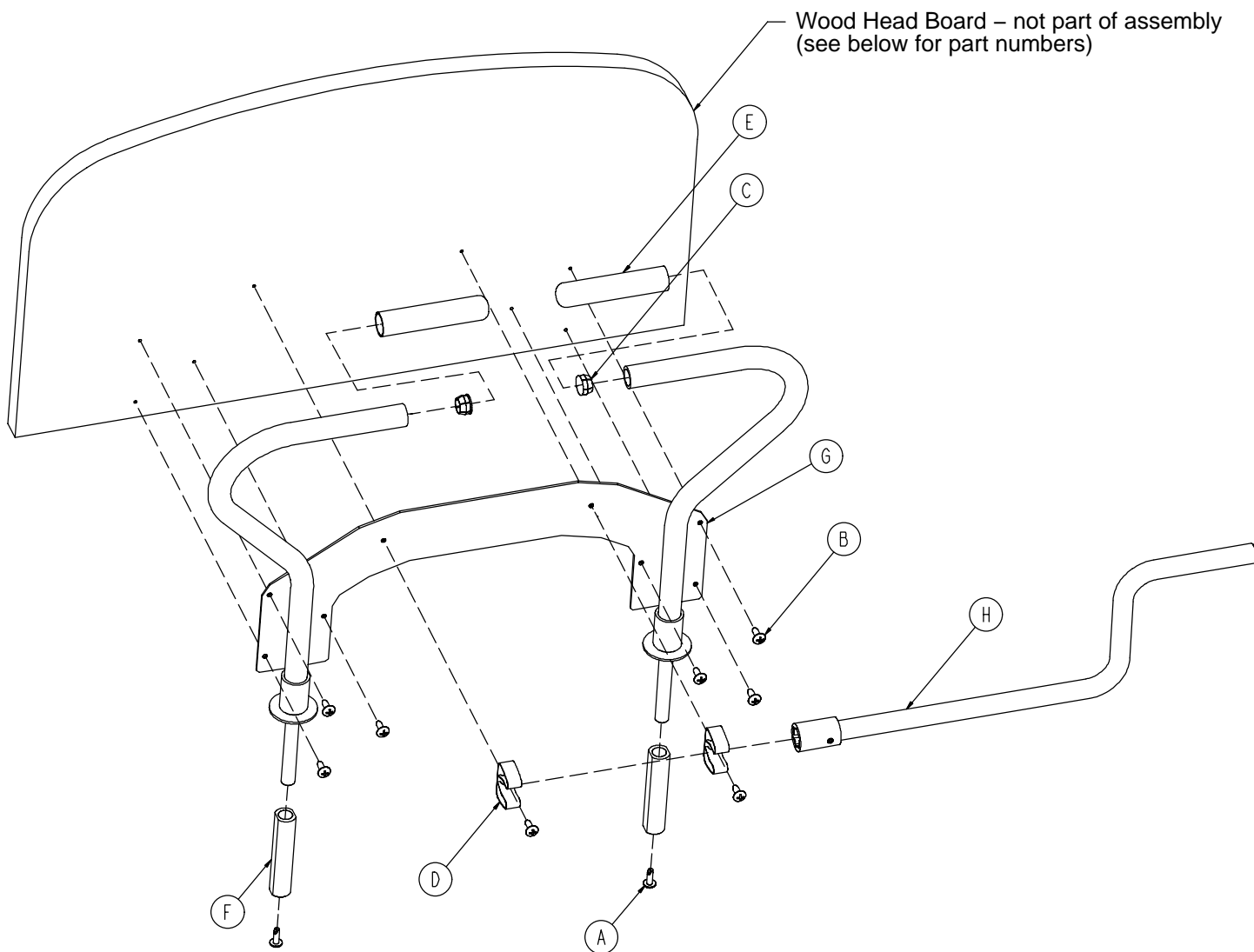
| Item | Part No. | Part Name | Qty. |
|------|--------------|-------------------------|------|
| A | 3001-400-524 | Lumbar Module | 1 |
| B | 3001-400-953 | Switch Cap | 6 |
| C | 5000-400-930 | Lumbar Keypad PCB, Left | 1 |
| D | 0023-112-000 | Tapping Screw | 6 |

5000-020-027 Siderail TV/Lumbar Module, Right



| Item | Part No. | Part Name | Qty. |
|------|--------------|--------------------------|------|
| A | 3001-400-524 | Lumbar Module | 1 |
| B | 3001-400-953 | Switch Cap | 6 |
| C | 5000-400-920 | Lumbar Keypad PCB, Right | 1 |
| D | 0023-112-000 | Tapping Screw | 6 |

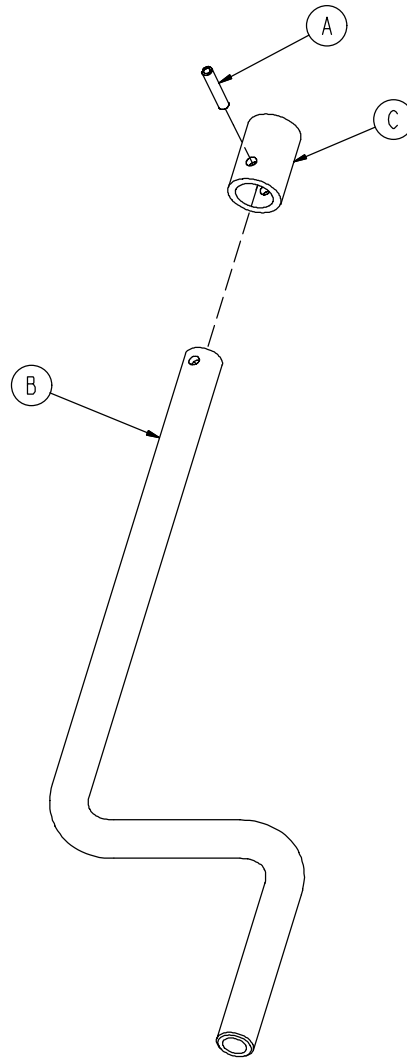
4701-030-125 Wood Head Board Mounting Hardware



| Item | Part No. | Part Name | Qty. |
|------|--------------|-----------------------|------|
| A | 0007-065-000 | Truss Hd. Screw | 2 |
| B | 0023-080-000 | Truss Hd. Screw | 8 |
| C | 0037-062-000 | Hole Plug | 2 |
| D | 0058-065-000 | Crank Handle Clip | 2 |
| E | 4700-030-057 | Push Handle End Cap | 2 |
| F | 4701-030-187 | Plastic Bushing | 2 |
| G | 4701-030-195 | Frame Weldment | 1 |
| H | (page 258) | Crank Handle Assembly | 1 |

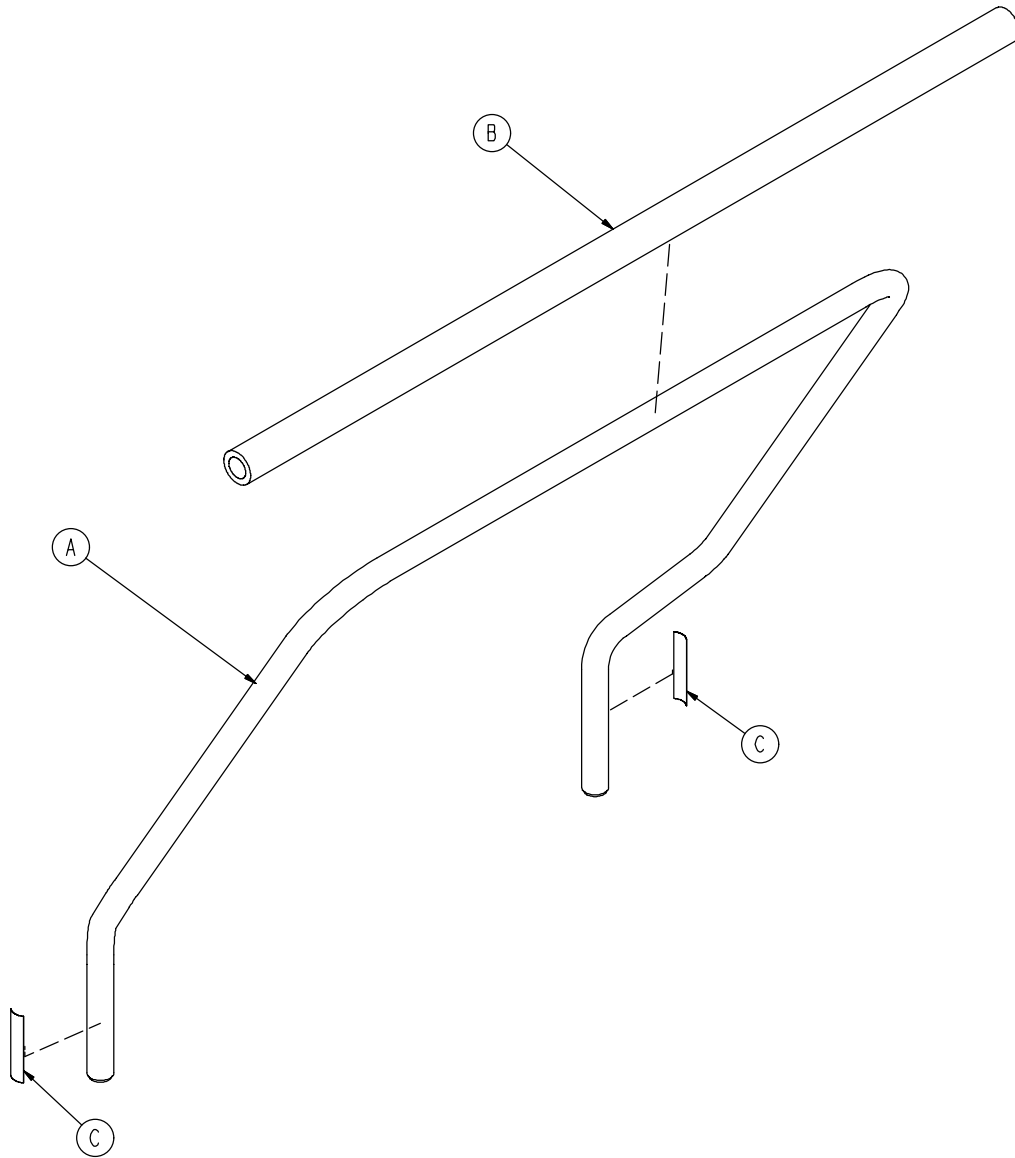
| Stain Color | Part Number | Stain Color | Part Number |
|----------------|--------------|--------------|---------------|
| Port Maple | 4701-030-191 | 4701-030-203 | Cayenne Maple |
| Hardrock Maple | 4701-030-193 | 4701-030-204 | Honey Maple |
| Fine Oak | 4701-030-194 | 4701-030-206 | Select Cherry |
| Wild Cherry | 4701-030-198 | | |

4701-036-020 Crank Handle Assembly

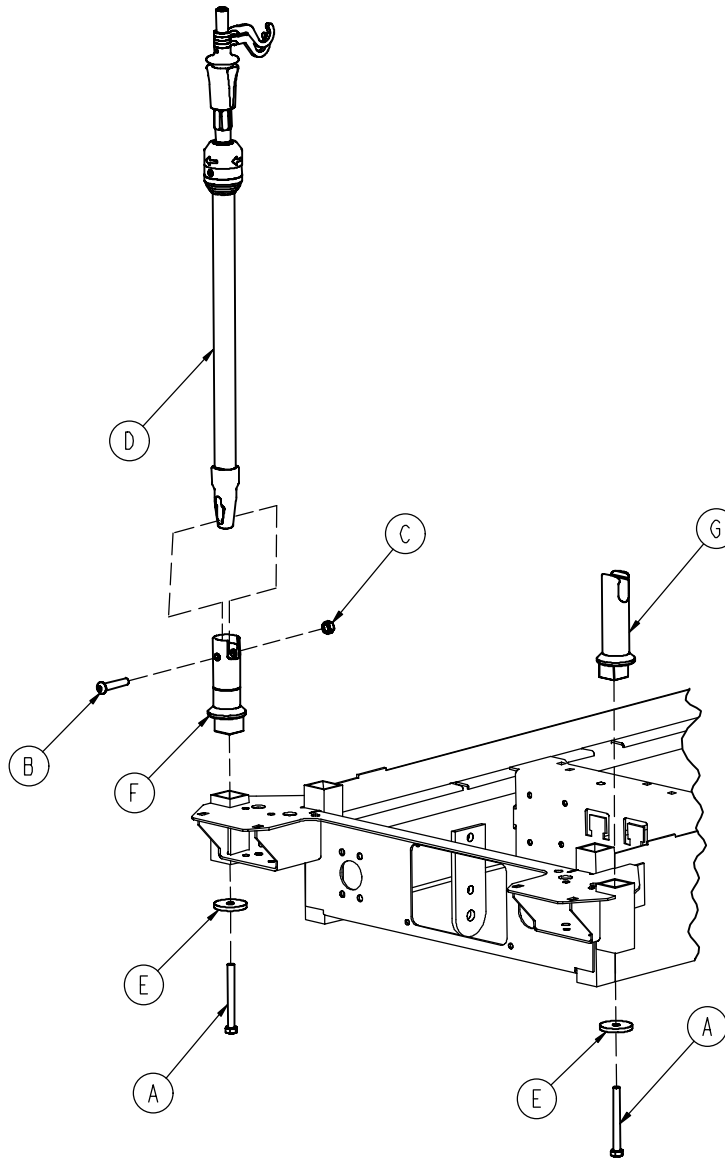


| Item | Part No. | Part Name | Qty. |
|------|--------------|--------------|------|
| A | 0026-267-000 | Spring Pin | 1 |
| B | 4701-036-018 | Crank Handle | 1 |
| C | 4701-036-019 | Collar | 1 |

4701-036-010 Optional Labor Bar Assembly

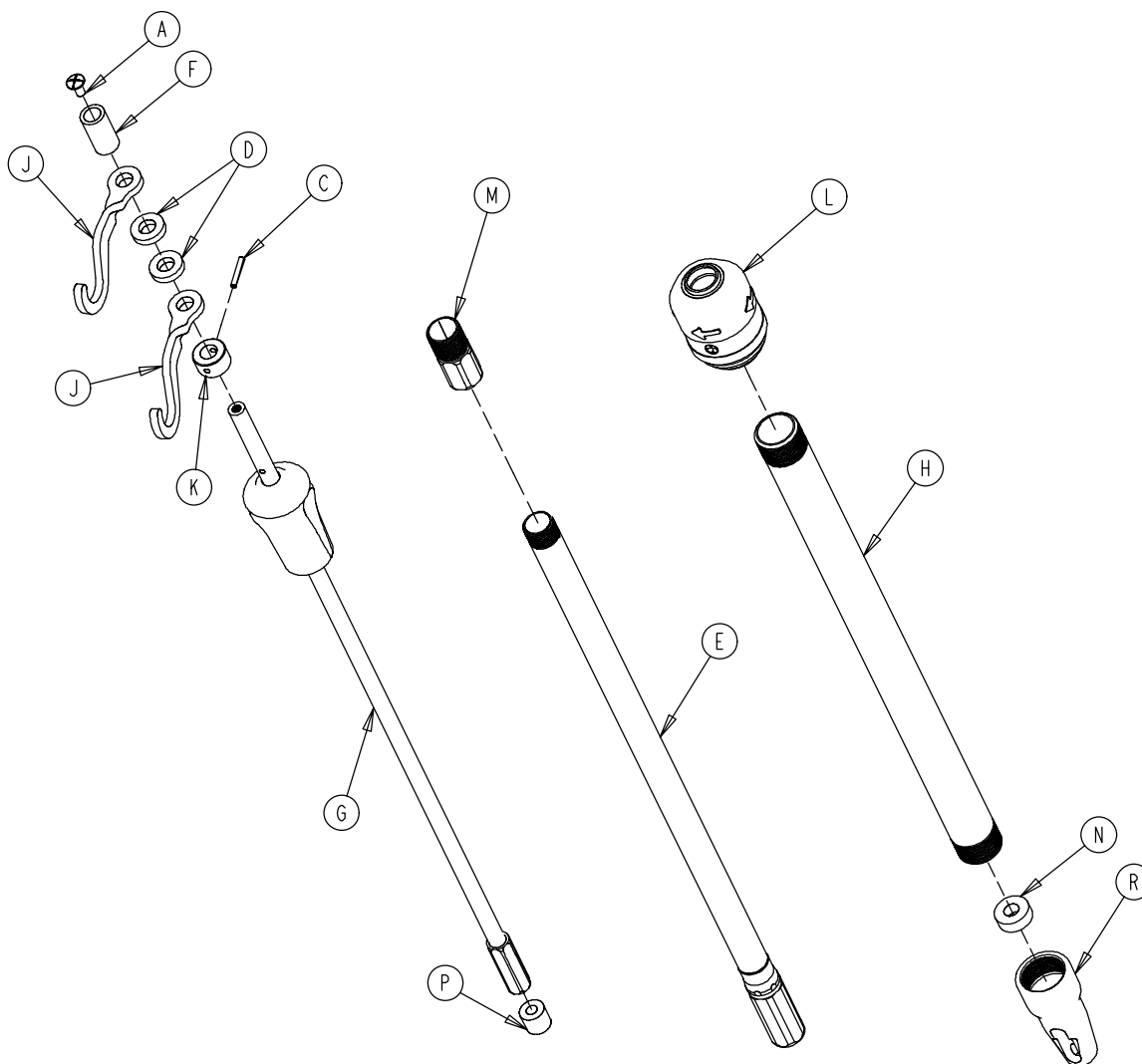


| Item | Part No. | Part Name | Qty. |
|------|--------------|-----------|------|
| A | 4701-036-011 | Labor Bar | 1 |
| B | 4701-036-012 | Pad | 1 |
| C | 4701-090-044 | Label | 2 |



| Item | Part No. | Part Name | Qty. |
|------|--------------|---------------------|------|
| A | 0003-383-000 | Hex Hd. Cap Screw | 2 |
| B | 0004-199-000 | But. Hd. Cap Screw | 1 |
| C | 0016-116-000 | Stover Hex Lock Nut | 1 |
| D | (page 261) | IV Pole Assembly | 1 |
| E | 4701-036-023 | IV Bottom Washer | 2 |
| F | 4701-036-025 | IV Socket Weldment | 1 |
| G | 4701-036-027 | IV Hook Catch | 1 |

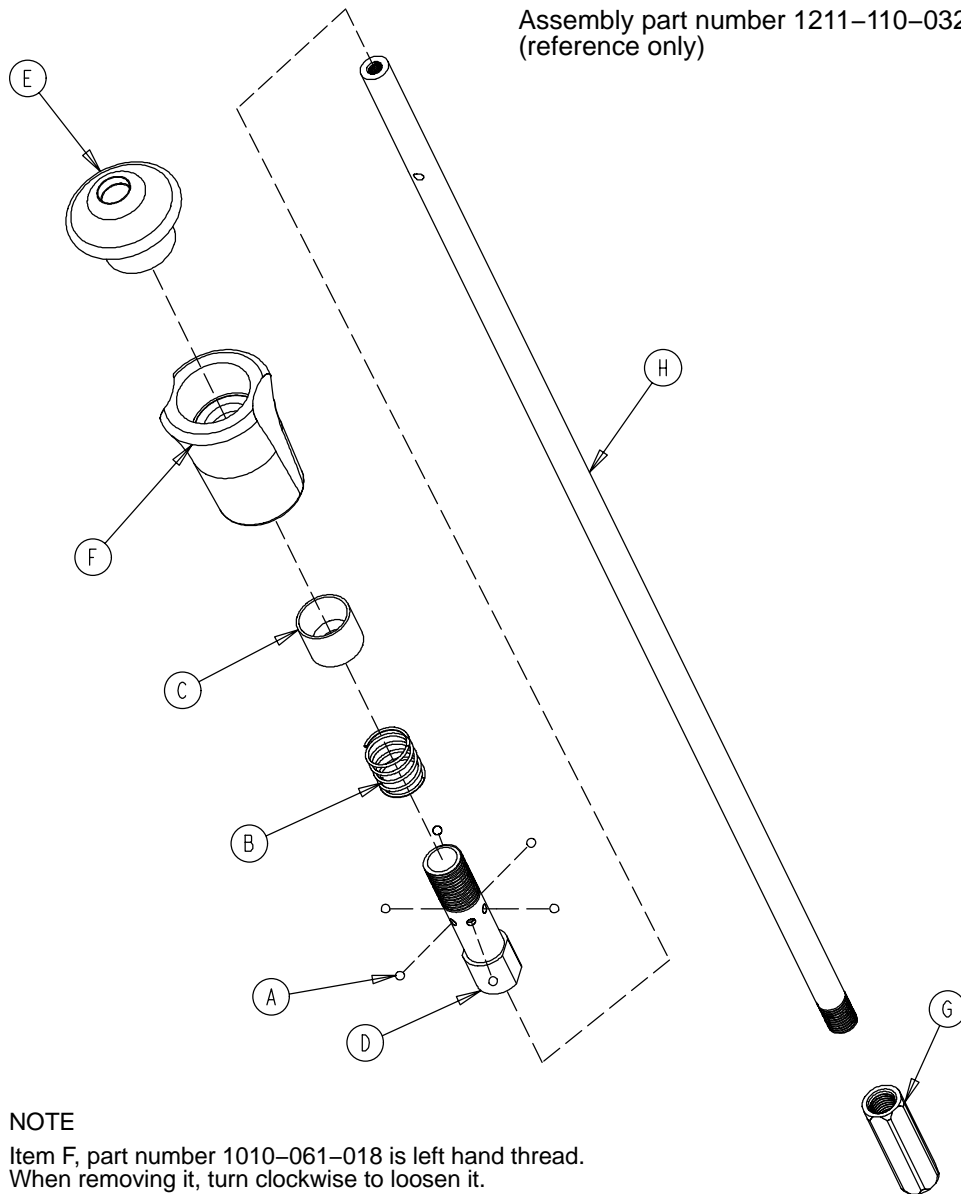
1211-211-010 3-Stage IV Pole Assembly



| Item | Part No. | Part Name | Qty. |
|------|----------------------------|-------------------------|------|
| A | 0007-004-000 | Truss Hd. Machine Screw | 1 |
| C | 0026-076-000 | Roll Pin | 1 |
| D | 0052-017-000 | Spacer | 2 |
| E | 1211-210-031 | 2nd Stage Assembly | 1 |
| F | 0926-400-162 | Spacer | 1 |
| G | (page 262) | 3rd Stage Assembly | 1 |
| H | 1001-161-023 | Base Tube | 1 |
| J | 1010-059-016 | IV Hook | 2 |
| K | 1010-061-014 | Collar | 1 |
| L | (page 263) | IV Pole Latch | 1 |
| M | 1211-110-016 | Threaded Adaptor | 1 |
| N | 1001-359-013 | Dampener | 1 |
| P | 1001-359-014 | Dampener | 1 |
| R | 1001-359-112 | Pivot | 1 |

3-Stage IV Pole 3rd Stage Assembly

Assembly part number 1211-110-032
(reference only)

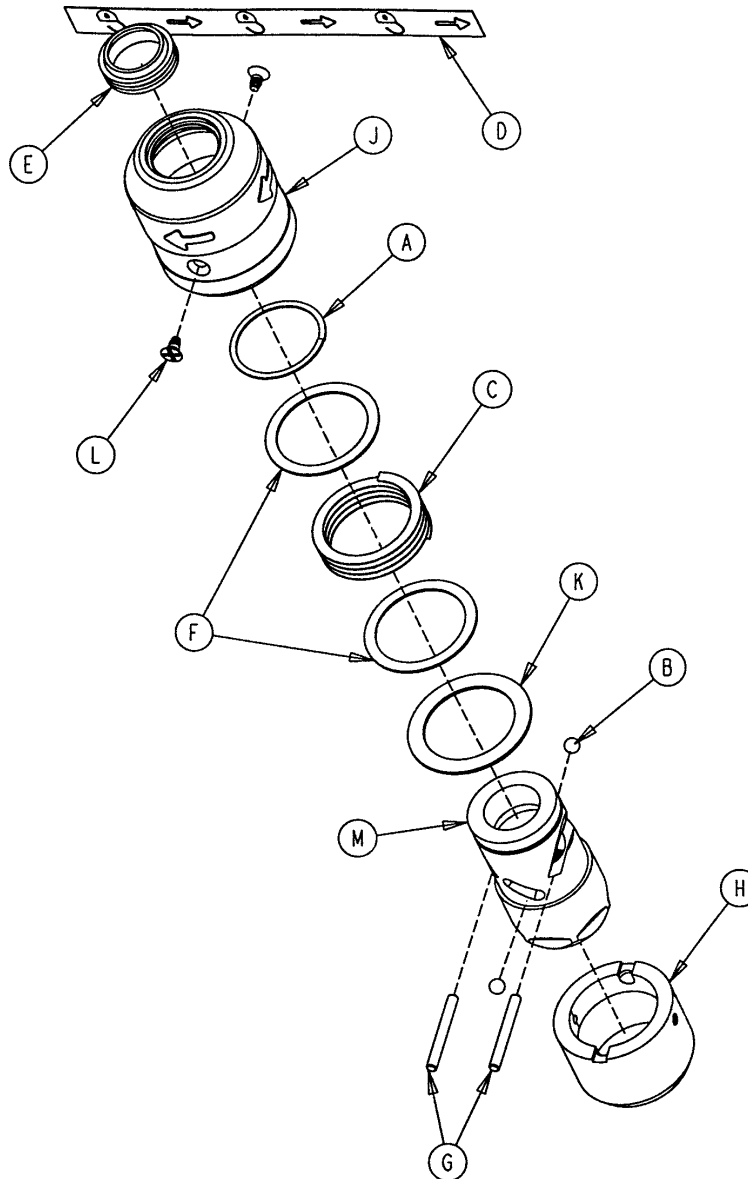


NOTE

Item F, part number 1010-061-018 is left hand thread.
When removing it, turn clockwise to loosen it.

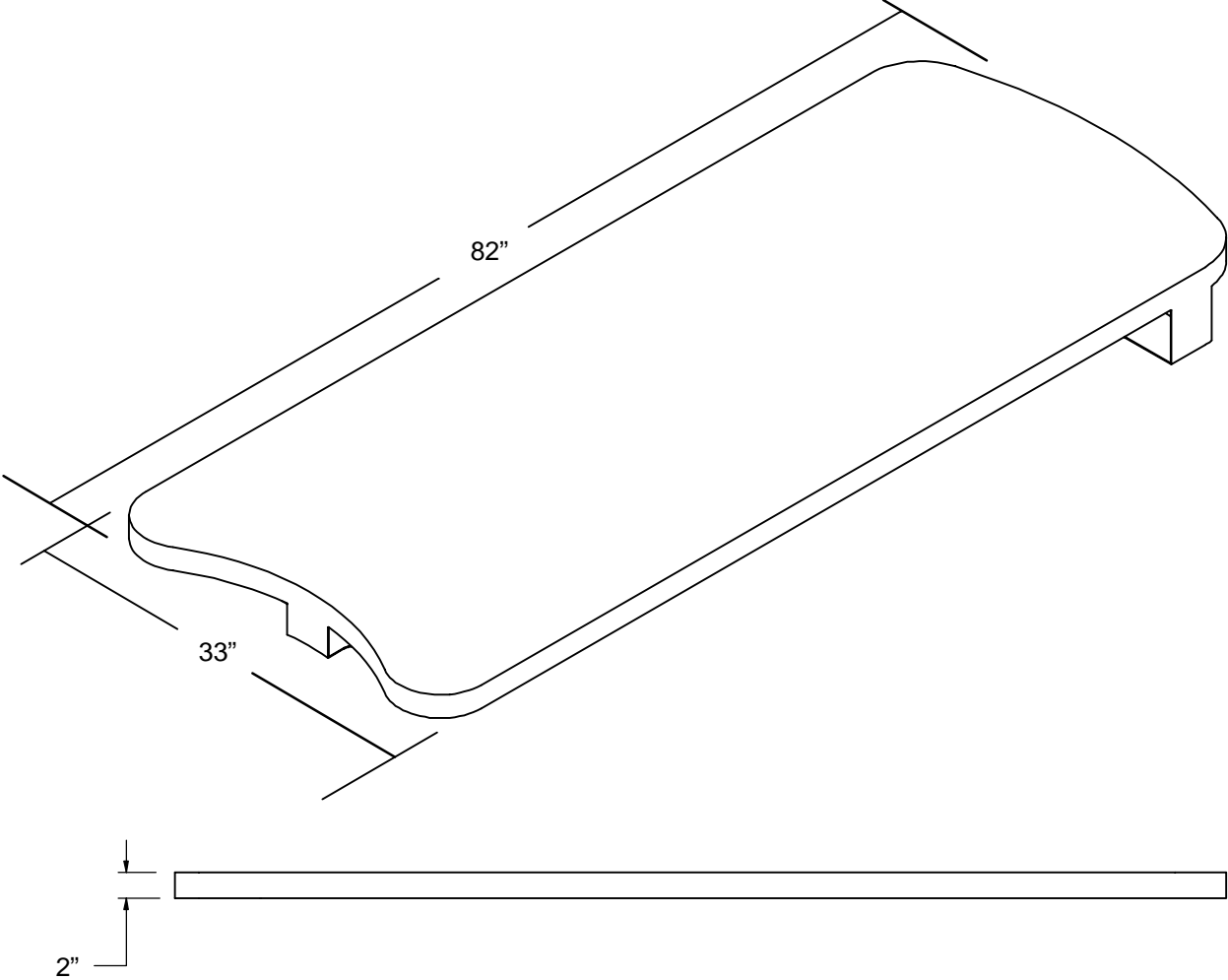
| Item | Part No. | Part Name | Qty. |
|------|--------------|--------------------|------|
| A | 0031-021-000 | Ball | 6 |
| B | 0038-303-000 | Compression Spring | 1 |
| C | 1010-061-013 | Ball Retainer | 1 |
| D | 1010-061-016 | Retaining Shaft | 1 |
| E | 1010-061-017 | Thumb Knob | 1 |
| F | 1010-061-018 | Hand Guard | 1 |
| G | 1211-110-117 | Nut | 1 |
| H | 1211-110-033 | 3rd Extension Rod | 1 |

1211-210-026 IV Pole Latch Assembly



| Item | Part No. | Part Name | Qty. |
|------|--------------|-----------------------|------|
| A | 0028-167-000 | Retaining Ring | 1 |
| B | 0031-004-000 | Steel Ball | 2 |
| C | 0038-392-000 | Crest-to-Crest Spring | 1 |
| D | 1211-091-034 | Release Label | 1 |
| E | 1211-110-018 | IV Latch Seal | 1 |
| F | 1211-110-020 | Washer | 2 |
| G | 1211-110-021 | IV Latch Locking Pin | 2 |
| H | 1211-110-022 | IV Latch Guide | 1 |
| J | 1211-110-024 | IV Latch O.D. Housing | 1 |
| K | 1211-110-035 | Washer | 1 |
| L | 1211-110-036 | Self-Tapping Screw | 2 |
| M | 1211-210-023 | IV Latch I.D. Housing | 1 |

4701-045-020 Optional Mattress Overlay



Warranty

Limited Warranty:

Stryker Medical Division, a division of Stryker Corporation, warrants to the original purchaser that its products should be free from defects in material and workmanship for a period of one (1) year after date of delivery. Stryker's obligation under this warranty is expressly limited to supplying replacement parts and labor for, or replacing, at its option, any product which is, in the sole discretion of Stryker, found to be defective. Stryker warrants to the original purchaser that the frame and welds on its beds will be free from structural defects for as long as the original purchaser owns the bed. If requested by Stryker, products or parts for which a warranty claim is made shall be returned prepaid to Stryker's factory. Any improper use or any alteration or repair by others in such manner as in Stryker's judgement affects the product materially and adversely shall void this warranty. Any repair of Stryker products using parts not provided or authorized by Stryker shall void this warranty. No employee or representative of Stryker is authorized to change this warranty in any way.

Stryker Medical beds are designed for a 15 year expected life under normal use conditions and appropriate periodic maintenance as described in the maintenance manual for each device.

This statement constitutes Stryker's entire warranty with respect to the aforesaid equipment. STRYKER MAKES NO OTHER WARRANTY OR REPRESENTATION, EITHER EXPRESSED OR IMPLIED, EXCEPT AS SET FORTH HEREIN. THERE IS NO WARRANTY OF MERCHANTABILITY AND THERE ARE NO WARRANTIES OF FITNESS FOR ANY PARTICULAR PURPOSE. IN NO EVENT SHALL STRYKER BE LIABLE HEREUNDER FOR INCIDENTAL OR CONSEQUENTIAL DAMAGES ARISING FROM OR IN ANY MANNER RELATED TO SALES OR USE OF ANY SUCH EQUIPMENT.

To Obtain Parts and Service:

Stryker products are supported by a nationwide network of dedicated Stryker Field Service Representatives. These representatives are factory trained, available locally, and carry a substantial spare parts inventory to minimize repair time. Simply call your local representative, or call Stryker Customer Service at (800) 327-0770.

Service Contract Coverage:

Stryker has developed a comprehensive program of service contract options designed to keep your equipment operating at peak performance at the same time it eliminates unexpected costs. We recommend that these programs be activated *before* the expiration of the new product warranty to eliminate the potential of additional equipment upgrade charges.

A SERVICE CONTRACT HELPS TO:

- Ensure equipment reliability
- Stabilize maintenance budgets
- Diminish downtime
- Establish documentation for JCAHO
- Increase product life
- Enhance trade-in value
- Address risk management and safety

Warranty

Stryker offers the following service contract programs:

| SPECIFICATIONS | GOLD | SILVER | PM* ONLY |
|--|-------------|---------------|-----------------|
| Annually scheduled preventative maintenance | X | | X |
| All parts,** labor, and travel | X | X | |
| Unlimited emergency service calls | X | X | |
| Priority one contact; two hour phone response | X | X | X |
| Most repairs will be completed within 3 business days | X | X | |
| JCAHO documentation | X | X | X |
| On-site log book w/ preventative maintenance & emergency service records | X | | |
| Factory-trained Stryker Service Technicians | X | X | X |
| Stryker authorized parts | X | X | X |
| End of year summary | X | | |
| Stryker will perform all service during regular business hours (9-5) | X | X | X |

* Replacement parts and labor for products under PM contract will be discounted.

** Does not include any disposable items, I.V. poles (except for Stryker HD permanent poles), mattresses, or damage resulting from abuse.

Stryker Medical also offers *personalized* service contracts.

Pricing is determined by age, location, model and condition of product.

For more information on our service contracts, please call your local representative or call (800) 327-0770 (option #2).

Return Authorization:

Merchandise cannot be returned without approval from the Stryker Customer Service Department. An authorization number will be provided which must be printed on the returned merchandise. Stryker reserves the right to charge shipping and restocking fees on returned items.

SPECIAL, MODIFIED, OR DISCONTINUED ITEMS NOT SUBJECT TO RETURN.

Damaged Merchandise:

ICC Regulations require that claims for damaged merchandise must be made with the carrier within fifteen (15) days of receipt of merchandise. **DO NOT ACCEPT DAMAGED SHIPMENTS UNLESS SUCH DAMAGE IS NOTED ON THE DELIVERY RECEIPT AT THE TIME OF RECEIPT.** Upon prompt notification, Stryker will file a freight claim with the appropriate carrier for damages incurred. Claim will be limited in amount to the actual replacement cost. In the event that this information is not received by Stryker within the fifteen (15) day period following the delivery of the merchandise, or the damage was not noted on the delivery receipt at the time of receipt, the customer will be responsible for payment of the original invoice in full.

Claims for any short shipment must be made within thirty (30) days of invoice.

International Warranty Clause:

This warranty reflects U.S. domestic policy. Warranty outside the U.S. may vary by country. Please contact your local Stryker Medical representative for additional information.

European Representative

Stryker EMEA RA/QA Director
Stryker France
ZAC Satolas Green Pusignan
Av. De Satolas Green
69881 MEYZIEU Cedex
France

stryker[®]

6300 S. Sprinkle Road, Kalamazoo, MI 49001-9799
(800) 327-0770
www.strykermedical.com



JH 10/05 4701-009-002 REV E