



Canis Major[®] Exam Lift Table

For Models:

CMWO (without scale)
CMWS (with scale)



ArtFull

User Guide

Style P 003-1729-00 Rev. AA6 (04/19/2023)
TP202 20-42-FO-00014 Rev A3 ECO088522

Product Information

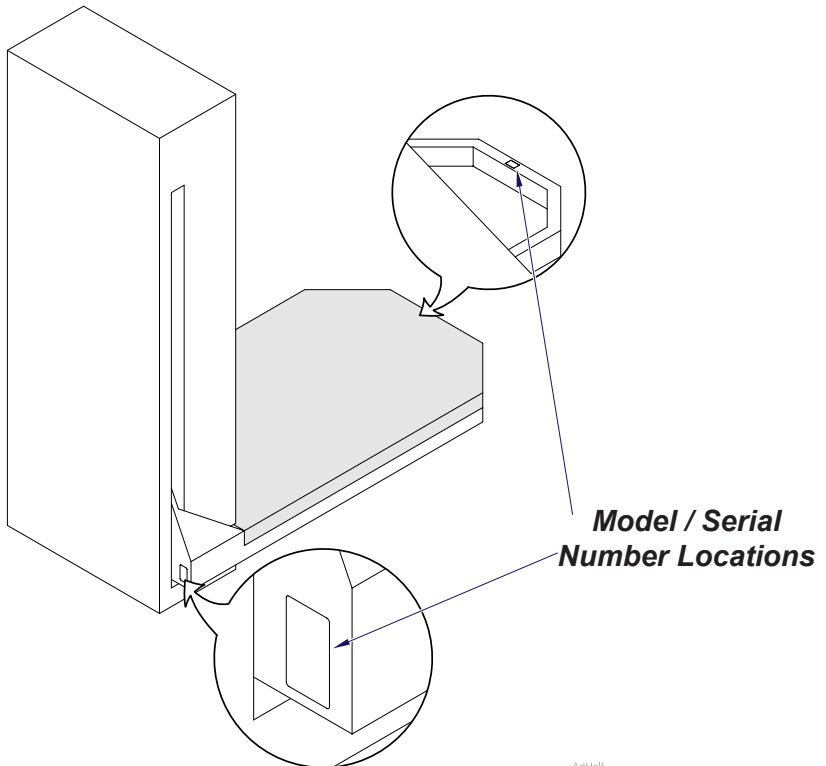
(The information below is required when calling for service)

Dealer:

Date of Purchase:

Model / Serial Number:

Midmark Authorized Service Company:



Art-Half

Table of Contents

Important Information

Safety Symbols	4
Transportation / Storage Conditions	4
Intended Use.....	4
Electrical Precautions	4

Operation

Table Up / Down (Hand Switches)	5
Table Up / Down (Foot Control)	5
Scale (Optional)	6

Maintenance

Cleaning.....	8
Periodic Maintenance	8
Troubleshooting	9
Calling For Service.....	9

Specifications

Weights, Dimensions, Electrical Specifications.....	10
Range of Motion.....	10

Warranty Information

Limited Warranty	11
------------------------	----

Important Information

Safety Symbols



WARNING

Indicates a hazardous situation which could result in serious injury if not avoided.



Caution

Indicates a potentially hazardous situation which could result in minor or moderate injury if not avoided. It may also be used to alert against unsafe practices.



Equipment Alert

Indicates a potentially hazardous situation which could result in equipment damage if not avoided.

Note

Amplifies a procedure, practice, or condition.



Dangerous voltage / shock hazard



Consult User Guide for important information.



Catalogue Number



Serial number



Manufacturer

Transportation / Storage Conditions

Ambient Temperature Range: 5°C to +38°C (+41°F to 100°F)

Relative Humidity 10% to 90% (non-condensing)

Atmospheric Pressure 500hPa to 1060hPa (0.49atm to 1.05atm)

Intended Use

This product is intended to be used as a table to provide positioning, support and cleaning of animals during examination or minor surgery procedures conducted by qualified professionals.



WARNING

This product can expose you to chemicals including Nickel (Metallic), which is known to the state of California to cause cancer.

For more information go to www.p65warnings.ca.gov

Electrical Precautions



WARNING

When using high frequency surgical devices or endocardial catheters:

- Use nonconductive material to insulate patient from metal portions of table.
- Consult operating instructions for the device before use.

Failure to comply may result in electric shock or burns to patient.

Operation



Caution

If the down function stops during operation, immediately release Down control and remove patient from table. Stand clear of tabletop and use the Up control to raise the table and remove obstruction. Ensure area around table is clear and use the Down control to lower table to the desired height. Failure to comply with these instructions may result in damage to equipment or injury to the patient and/or staff.

Table Up / Down (Hand Switches)

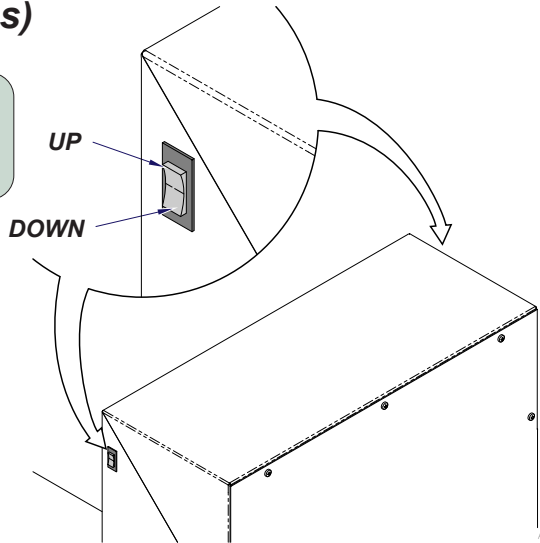
To move the table top UP or DOWN...

Press and hold either switch. Press the upper portion to raise table or lower portion to lower.



Caution

Movement automatically stops at the max. / min. height. This table is also equipped with a safety feature that disables the down function when something is encountered under the table.



ArtHalf

Table Up / Down (Foot Control)

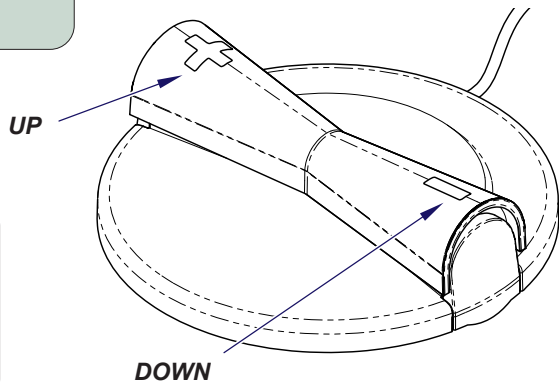
To move the table top UP or DOWN...

Press and hold the appropriate switch.



Caution

Movement automatically stops at the max. / min. height. This table is also equipped with a safety feature that disables the down function when something is encountered under the table.

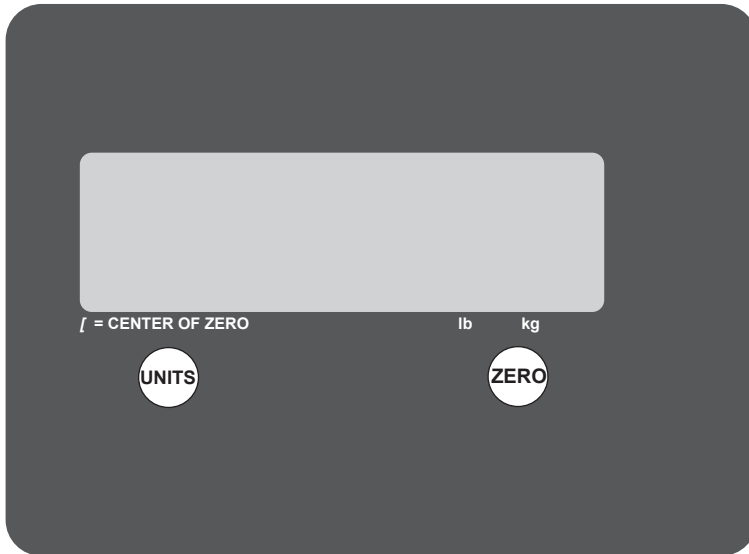


ArtHalf

Operation

Scale (optional)

The 300 pound capacity platform scale utilizes four (4) built in load sensors. These electronic sensors are accurate within 0.67%, and are protected against impacts, moisture and liquid spills. The scale has been calibrated and all parameters are preset so it should never need calibration.



Equipment Alert

- Prevent flammables and liquids from entering the scale head.
- Allow adequate clearance on all sides of scale platform to ensure accuracy.
- Do not drop large loads onto the scale platform.
- Never exceed the rated capacity of the scale.
- Do not operate in close proximity to RF transmitters

There are two (2) controls located on the display:

UNITS

Toggles the displayed weight between pounds (lbs) and kilograms (kg).

ZERO

Resets the display to indicate zero (0.0).

Note

The scale will not respond to the ZERO control under these conditions:

Motion on Scale

An under load condition (less than 0.1lbs or 50g)

An over load condition (more than 300lbs or 1kg).

Operation

Scale (continued)

Weighing an animal without a cage

The 300 pound capacity platform scale utilizes four (4) built in load sensors. These electronic sensors are accurate within 0.67%, and are protected against impacts, moisture and liquid spills. The scale has been calibrated and all parameters are preset so it should never need calibration.

Note

A blank scale while weighing means excess motion is detected and weight averaging is in process. Once completed, the scale will display and HOLD the recorded weight. Adding additional weight while in the HOLD condition will NOT change the display.

Weighing an animal with a cage

- Place empty cage on center of platform, then zero scale (0.0).
- Remove cage from platform; scale will read negative weight (-_._).
- Place cage with animal on center of platform and read/record weight.
- To continue to weigh animals in same sized cage, place next cage with animal on center of platform and read/record weight; do not zero scale.

Troubleshooting:

Symptom or Error	Possible Problem (and/or) Remedy
No Display	Power is OFF. / Table is unplugged from the power source.
Incorrect weight	Interference with scale platform. / Ensure there is nothing in contact with the sides of the scale platform. Ensure the correct UNIT (of measure) is selected.
Display segment (s) missing/illegible	Low or intermittent voltage. / Unplug for one (1) minute to reset system then reconnect to original power source. Disconnect power cord and use different power source.
ZERO key does not reset to [0.0]	Motion or activity on the scale. / Remove source of motion. Ensure platform is level and supported evenly at corners. Weight on scale may exceed the zero limit. Unplug for one (1) minute to reset system.
Display "locked & will not change	System Error. / Unplug the unit for one (1) minute to reset system. then reconnect to original power source.
Displays	"HiLoAd"Weight on scale exceeds capacity. / Remove excess load.
Displays "HiLdX"	The load placed on the scale is too heavy on a corner [shown as X]. / Move load to center of the scale platform.
Displays "LoLdX"	The scale is under loaded / Ensure that tabletop cover pins are properly seated on load cells.

If the problem cannot be resolved using the above corrective actions, please refer to Calling For Service at the end of the Maintenance section in this manual.

Maintenance

Cleaning

Tabletop Mat:

The tabletop mat should be cleaned between patients with a virucidal agent or mild disinfectant spray and towel or cloth dried. The mat can be moved to a tub or sink for a more thorough cleaning.



Equipment Alert

Silver nitrate and betadine can stain the mat. Certain pharmaceutical products such as “ADVANTAGE” will react and cause bubbles on the mat surface. Caution must be used when selecting a cleaning agent.

Painted Surfaces:

Clean the table weekly, wiping the painted metal and plastic surfaces with a clean, soft cloth, and mild cleaners.

Stainless Steel Surfaces:

For best results, stainless steel should be cleaned weekly or whenever films or deposits become apparent. Use a mild cleaning agent and whenever possible rinse thoroughly and towel dry. More stubborn deposits or tightly adhering debris may require vigorous rubbing, or brushing. If a commercial cleaner needs to be used, make sure it is approved for use on stainless steel surfaces.



Equipment Alert

Always use nylon or plastic bristle scrubbers. The use of steel wool or steel brushes may cause steel particles to become embedded in the surfaces and will cause rust.

Avoid prolonged surface exposure to chlorides, bromides, iodides and thiocyanates. Salty solutions allowed to evaporate on stainless steel surfaces may cause pitting, corrosion or metal discoloration.

Periodic Maintenance

Periodically inspect the following areas:

- Power cord should be free of cuts or other visible damage.
- All fasteners should be present and tightened securely.
- All mechanical functions should operate properly.

Have an authorized service technician inspect your table on a regular basis.

Maintenance (continued...)

Troubleshooting

If the table will not go up, check the following:

- Unit is plugged into a wall outlet
- Power to the outlet
- No visible damage to wiring
- The table is at its maximum height
- Foot control is fully inserted and making proper connections (try either hand toggle switches)
- Toggle switch is bad (try using switch on other side or foot control)

If the table will not go down, check the following:

- Unit is plugged into a wall outlet
- Power to the outlet
- No visible damage to wiring
- The table is at its minimum height
- The safety pan switch is activated by an obstacle beneath the table
- The safety pan switch is out of adjustment
- Foot control is fully inserted and making proper connections (try either hand toggle switches)
- Toggle switch is bad (try using switch on other side or foot control)

If the table won't stop when encountering an obstacle beneath the table, check:

- The safety pan bound or switch is out of adjustment

If the scale does not operate, check the following:

- Refer to scale section elsewhere in this manual

Calling For Service

Note

Model / Serial Number information is required when calling for service.

If service is required, contact Midmark® directly:

US 844.856.1232 / Canada 937.526.8585
Monday-Thursday 8:00 AM until 6:00 PM
Friday 8:00 AM until 5:00 PM (ET)
[excluding standard U.S. holidays]

Specifications

Weights, Dimensions, Electrical Specifications

Maximum Patient Weight: 300 lbs (136 kg)

Weight of Table:

45" tabletop (w/o scale) [unpacked] 315 lbs (142 kg)

45" tabletop (w/ scale) [unpacked] 320 lbs (145 kg)

45" tabletop (w/o scale) [with packaging & skid] 372 lbs (169 kg)

45" tabletop (w/ scale) [with packaging & skid] 377 lbs (171 kg)

Range of Motion & Dimensions: (see illustration below)

Electrical Requirements: Dedicated Circuit, 115 VAC, 60Hz, 10A

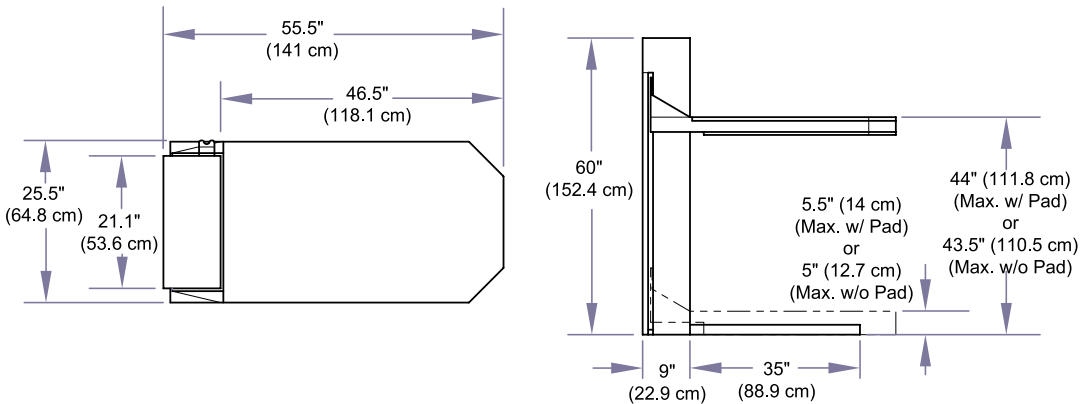
Power Cord: 4 ft. (121 cm) long

Duty Cycle

(actuator run time): Intermittent Operation

[1 minute ON / 9 minutes OFF]

Range of Motion & Dimensions



Warranty Information

<https://www.midmark.com/service-support/terms-conditions>



Warranty Registration

<https://www.midmark.com/service-support/terms-conditions/warranty-registration>



Midmark Corporation

60 Vista Drive

Versailles, OH 45380 USA

1.800.643.6275

1.937.526.3662

midmark.com

