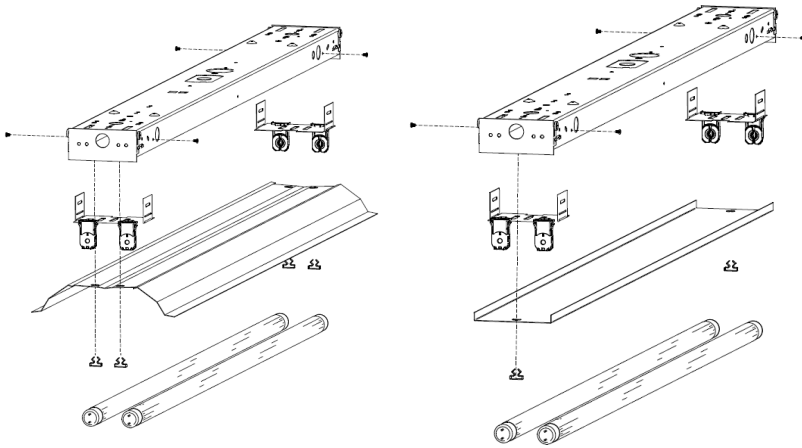


PROJECT NAME:
NOTES:
PART NUMBER:
DATE:

## RETRO STRIP—LED TUBES

### PRODUCT DESCRIPTION:

TechBrite's most popular industrial retrofit kit, the LED Tube Retro Strip, is a simple installation process. It includes all the items needed to convert an existing strip fixture to a CSA-approved LED tube fixture. Replace your existing T12 or T8 fixtures with the LED Tube Retro Strip from TechBrite. The LED Tube Retro Strip is designed specifically for 4 foot LED tubes up to 22w and is available for 4 or 8 foot fixtures. The 4 foot retro features 1, 2 or 3 lamp options. The 8 foot retro features 2, 4 or 6 lamp options. This kit is sold with or without LED tubes and available with ballast cover or reflector. The TechBrite LED Tube Retro Strip is a fast, easy, and economical solution to upgrading existing fixtures.



### FEATURES:

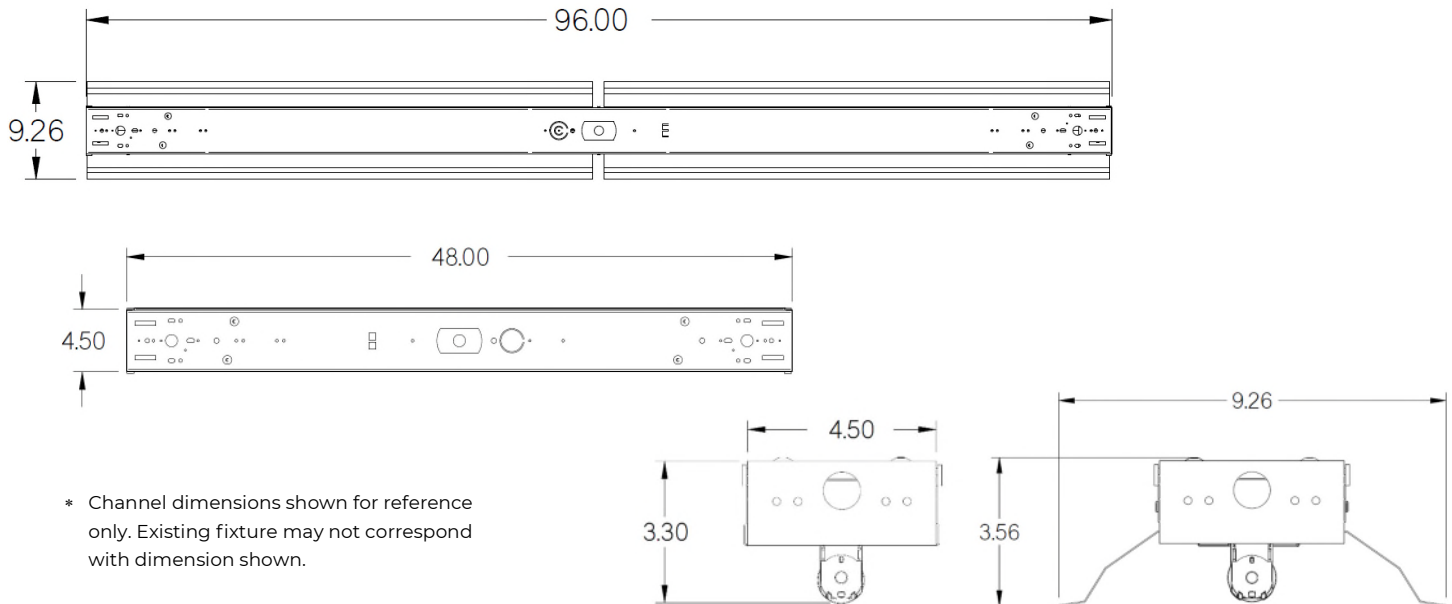
- Retro kit includes : sockets, socket bracket, channel cover, screws, quarterturns
- Quick & simple installation
- Tool-less channel cover for easy installation
- Energy & operational savings
- Available in 4' and 8' options
- Save install time with optional prewiring
- Limited warranty: 5 years on luminaire

### PERFORMANCE SPECIFICATION:

Lumens	3 Lamp Max (4') / 6 Lamp Max (8')
Watts	4' = 66w Max / 8' = 132w Max
LPW	See TLED Specification
Color	See TLED Specification
CRI	See TLED Specification
L70	See TLED Specification
L85	See TLED Specification
Max Ambient Temp	See TLED Specification
Min Ambient Temp	See TLED Specification
Dimming	See TLED Specification
Driver Voltage	See TLED Specification
Chip	See TLED Specification
Driver	See TLED Specification



## DIMENSIONS:



## ORDERING CHART:

Series	Length	Width	# of Tubes	Type	Socket Type	Reflector	Wiring*					
R	Retro	4   4 Foot	4	4.25" Ballast Cvr	Four Foot	SS	LED Tubes	X   Shunted	BCXX	Ballast Cvr	00P0	Pre
		8   8 Foot	5	5" Ballast Cvr	1   1 lamp			U   Unshunted	WRXX	White	0000	None
			9	9" Reflector	2   2 lamp				MRXX	Miro 4		
					3   3 lamp				XXXX	None		
					Eight Foot							
					2   2 lamp							
					4   4 lamp							
					6   6 lamp							

## ADDERS:

Lamp Type	
BLANK	Wired single end with unshunted sockets
WOE	Wired opposing ends with shunted sockets

- \* Prewired includes: wire & disconnect
- \* No wiring includes: disconnect & no wires

## FREQUENTLY ORDERED PART NUMBERS:

Part Number	Description	Dimensions	Weight
R442SSUBCXX00P0	4' Retro Strip - LED Tubes 2 Lamp - Ballast Cover	48.00 x 4.50 x 3.56	2.91 lbs
R492SSUWRXX00P0	4' Retro Strip - LED Tubes 2 Lamp - White Reflector	48.00 x 9.26 x 3.56	1.64 lbs
R842SSUBCXX00P0	8' Retro Strip - LED Tubes 2 Lamp - Ballast Cover	48.00 x 4.50 x 3.56	5.82 lbs
R892SSUWRX00P0	8' Retro Strip - LED Tubes 2 Lamp - White Reflector	48.00 x 9.26 x 3.56	3.28 lbs
R844SSUBCXX00P0	8' Retro Strip - LED Tubes 4 Lamp - Ballast Cover	48.00 x 4.50 x 3.56	5.88 lbs
R894SSUWRXX00P0	8' Retro Strip - LED Tubes 4 Lamp - White Reflector	48.00 x 9.26 x 3.56	3.35 lbs

- \* 8ft 2L fixtures and kits are CSA/UL certified for (2) 4ft tubes in tandem