

FULL HYDRAULIC COMPACT EXCAVATOR

TB230

Machine Weight : 2,856kg

TB240

Machine Weight : 4,014kg



TAKEUCHI

TAKEUCHI

FULL HYDRAULIC COMPACT EXCAVATOR

TB230 TB240

Operating Range

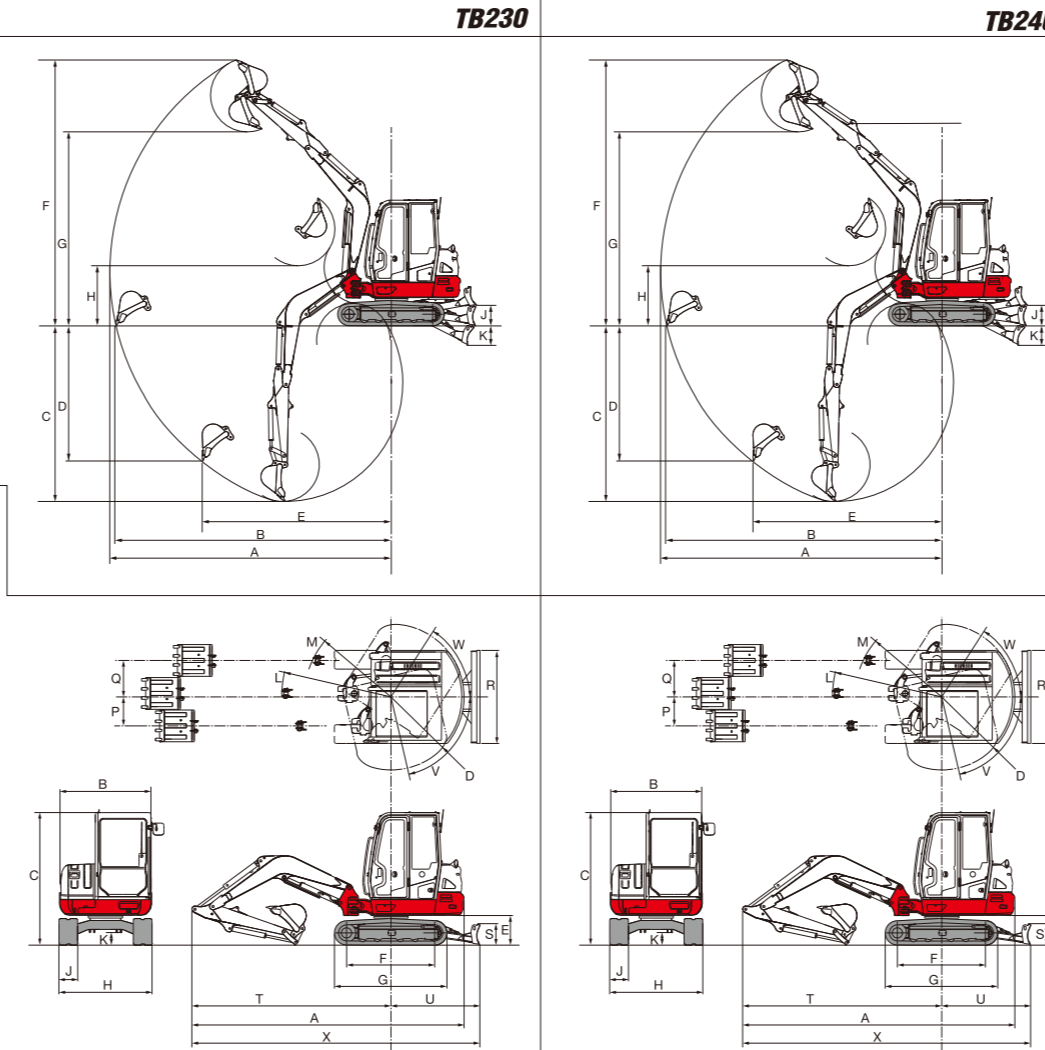
	TB230	TB240
A	4,850	5,545
B	4,710	5,425
C	2,835	3,465
D	2,165	2,665
E	3,310	3,725
F	4,490	5,245
G	3,230	3,825
H	1,020	1,185
J	380 / 370*	405 / 410*
K	310 / 325*	385

*: With an angle dozer blade

Dimensions

	TB230	TB240
A	4,595	5,085
B	1,460	1,720
C	2,540 (Canopy) 2,525 (Cab)	2,505 (Canopy) 2,490 (Cab)
D	1,330	1,365
E	590	570
F	1,440	1,645
G	1,900	2,105
H	1,450	1,740
J	300	350
K	305	295
L	1,895	2,040
M	1,505	1,620
P	490	540
Q	610	680
R	1,450	1,740
S	355	395 / 400*
T	3,265	3,720
U	1,455 / 1,480*	1,650 / 1,655*
V	79°	77°
W	58°	57°
X	4,730 / 4,755*	5,380 / 5,390*

*: With an angle dozer blade



SPECIFICATIONS	TB230	TB240	TB230	TB240
Basic Specifications / Dimensions				
Operating Mass	kg 2,810 (Canopy)/2,875 (Cab)	3,825 (Canopy)/4,015 (Cab) 3,880 (Canopy)/4,070 (Cab) [DPF edition]	79/58	77/57
Bucket Capacity (Heaped)	m ³ 0.068	0.12	Dozer Blade Maximum Lifting/Lowering	mm 380/310
Engine Manufacturer	YANMAR	YANMAR	Bucket Digging Force	20.9
Engine Model	3TNV88F-EPTB	4TNV88C-ZSTB 4TNV88C-STB[DPF edition]	Arm Digging Force	12.9
Engine Compliance	—	EU Stage IIIA Tier 4 (US)[DPF edition]	Arm Length (Middle/Long)	1,290 / 1,445
Rated Output (ISO 9249) kW/min-1	17.6/2,400	26.0/2,200	Hydraulic Performance	
Fuel Tank Capacity	L 46	70	Pump type	Variable x 2 + Gear x 2
Overall Length	mm 4,595	5,085	Main Relief Valve Pressure Setting	Mpa 2x21.0+1x20.0+1x3.4
Upperstructure Overall Width	mm 1,460	1,720	Hydraulic Pump Delivery	L/min 2x32.4+1x21.6+1x10.8
Overall Height	mm 2,540 (Canopy)/2,525 (Cab)	2,490	Hydraulic Oil System	L 56
Crawler Overall Length	mm 1,900	2,105	Service Port 1	L/min/Mpa 54.0/21.0
Crawler Overall Width	mm 1,450	1,740	Service Port 2	L/min/Mpa 21.6/20.0
Dozer Blade Width x Height	mm 1,450x355	1,740x395	Service Port 3	L/min/Mpa 10.8/13.2/3.4/20.0
Slew Radius	mm 1,330	1,365	Service Port 4	L/min/Mpa 21.6/20.6
Crawler Shoe Width	mm 300	350	Slew Speed	min-1 10.3
Ground Clearance of Undercarriage	mm 305	295	Travel Speed (1st/2nd)	km/h 2.9/5.2
Operating Ranges / Digging force			Maximum Tractive Force	kN 28.2
Maximum Digging Depth	mm 2,680 / 2,835	3,315 / 3,465	Equipment	
Maximum Reach	mm 4,705 / 4,850	5,504 / 5,545	Monitoring Display	LCD Monitor
			ROPS/TOPS/FOPS/OPG	○/○/○/○
			Auto Deceleration System	Standard

TAKEUCHI

WORLD CREATOR OF COMPACT EXCAVATOR
TAKEUCHI MFG.CO.,LTD.
 205, Uwadaira,Sakaki-machi, Hanisina-gun.
 Nagano 389-0605,Japan
 Phone (81)268-81-1112
 Telefax (81)268-81-1121
 URL <http://www.takeuchi-mfg.co.jp>
 E-mail:marketing@takeuchi-mfg.com

In accordance with our established policy of constant improvement, we reserve the right to amend this specification at any time without notice. Printed in Japan. TB150320

FULL HYDRAULIC COMPACT EXCAVATOR

TB230

Machine Weight : 2,856kg

TB240

Machine Weight : 4,014kg



TAKEUCHI

TAKEUCHI TB230 TB240 NEW GENERATION HYDRAULIC COMPACT EXCAVATOR



STANDARD EQUIPMENTS

- Computer-controlled engine: diagnostic system immediately informs operator of any error
- Auto deceleration system
- Sealed battery: maintenance free & vibration resistant
- Flow rate setting for auxiliary service ports: easily adjustable on the LCD display
- Hydraulic detent mode (Service port 1): for attachments requiring continuous hydraulic flow
- Proportional control (Service port 1)
- High pressure circuit for service port 3: easily engage and disengage quick coupler
- Hydraulic selector valve (1way⇔2way)
- Air breather
- Heater (CAB)
- Beacon lamp socket / switch
- ROPS/TOPS/OPG level 1

OPTIONS

[COMFORT AND RELIABILITY]

- Air conditioner (TB240)
- Operator's headrest
- Cab rain guard
- Air cleaner (Double element type)

[OPTIONAL SAFETY DEVICES]

- Cab guard (Roof / Front; OPG level 2)
- Travel alarm
- Boom Swing Stopper - For wide buckets
- Holding valves (Boom / Arm)
- Accumulator
- Additional front lights (CAB)

[ADDITIONAL OPERATING DEVICES]

- Steel crawlers
- Long arm (TB230: 1,445mm/TB240: 1,600mm)
- Pattern change valve (ISO⇔G): 2way lever
- Service ports 2, 3 & 4 - For greater attachment versatility
- Auto pressure release - For operations requiring frequent change of attachments
- Auto tank (Auxiliary one-way circuit switch; For hydraulic brakes)
- Angle dozer blade
- Dozer blade float
- Automatic fuel transfer pump

BRAND NEW CABS

[STANDARD]

- Ergonomically designed seats (fabric/vinyl): absorbs vibration minimizing operator fatigue
- Most switches directly accessible from the armrest
- Interactive LCD displays: check & monitor all the settings at once
- Sun shade (CAB: brand new standard)

CANOPY



CABIN



TAKEUCHI ADVANTAGES

- COMPACT BODIES
- HIGH-POWER ENGINES
- Total displacement: 1,642ml (TB230) · 2,190ml (TB240)
- Engines compliant to: Tier 4 Final (US) – TB230 · TB240 (DPF edition)
- Stage IIIA (EU) – TB240 (Non-DPF Edition)
- FAST TRAVEL SPEEDS
- AUTOMATIC SHIFT DOWN
- Travel speed TB230: 2.9km/h (1st) · 5.2km/h (2nd)
- TB240: 2.9km/h (1st) · 5.3km/h (2nd)



LARGE WIDE-OPENING COVERS

- Accessible to all the vital components - Without any tool



TB228: 1,580mm → TB230: 1,655mm + 4.7% ↑
 TB235: 1,600mm → TB240: 1,760mm + 10% ↑
 (Above ground level)

