

Old fashion service and honesty since 1919



Southwest Wheel Co.

343 Gembler Road
San Antonio, Texas 78219
210-226-0301

1917 NPID
Corpus Christi, Texas 78408
361-289-0301

www.swcompanies.net

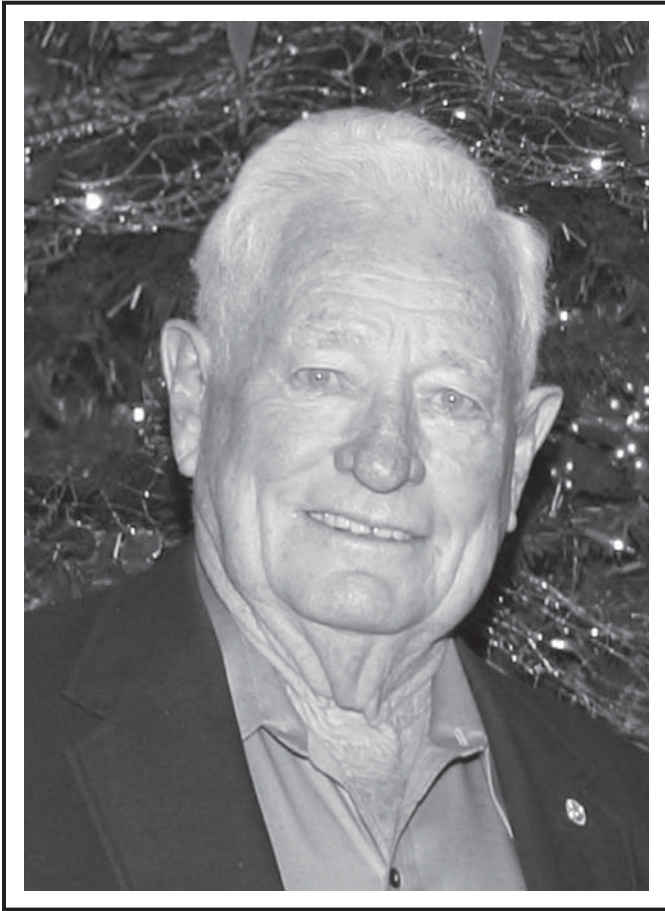
Old fashion service and honesty since 1919



210-226-0301

www.swcompanies.net

Southwest Wheel dedicates this 2007 catalog to:



Earl Eyhorn
50+ Years of Service



Jesse Barela
50+ Years of Service

In a time when many of the traditional values that our great country was built on have become a thing of the past, we say thank you for the years of dedicated service to our company. It is employees like these and the many other great employees that we are fortunate to have that make Southwest Wheel the great company it is today.

Thanks again to Earl and Jesse for the many years of service.



SHOP SERVICES

INSTALLATION and REPAIR

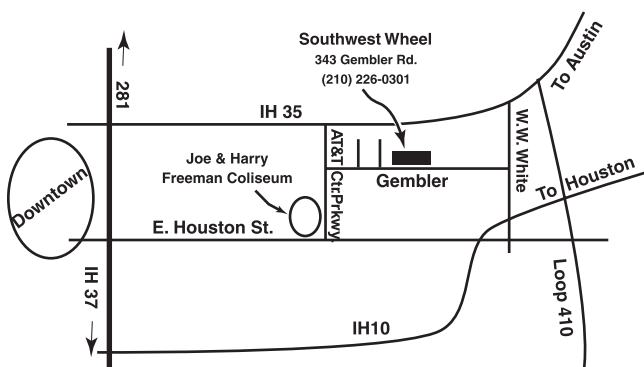
Electric Brakes
Electric Brake Controls
Hydraulic Surge Brakes
Hydraulic Disc Brakes 3.5K to 12K
New Electric/Hydraulic Trailer Brake Systems
Gooseneck Hitches and Rail Kits
Gooseneck Couplers
Jacks and Landing Gear
Lights and Electrical Trouble Shooting
Strobe and Flashing Lights
Receiver Hitches for Cars, SUVs and Trucks

RV Fifth Wheels
Trailer Sway Controls
Weight Distributing Systems
Trailer Axles
Trailer Suspensions
Truck Accessories - Tool Boxes, Grill Guards
Vacuum/Hydraulic Brake Systems
Welding, including Aluminum
Wheel Bearing Repack

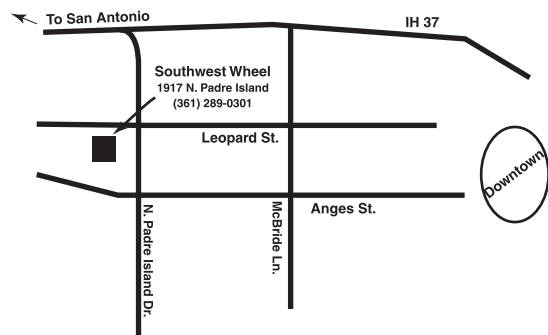
Schedule your trailer PMs with our full service shop in San Antonio.

Southwest Wheel Locator Maps

San Antonio Branch



Corpus Christi Branch



INDEX

Agricultural Wheels.....	55
Air/Hydraulic Trailer Kit & Component Parts.....	59 - 60
Air Trailer Kits, for ABS Brakes.....	58
Axle Beams 2,000 thru 8,000 lbs. Capacity.....	6 - 8
Axle Assemblies 10,000 thru 15,000 lbs. Capacity.....	9 - 12
Axle Components 600 thru 8,000 lbs. Capacity.....	17 - 30
Axle Ordering Instructions.....	5
Balls, Hitch.....	66, 69 - 70
Boat Trailer Parts.....	107 - 111
Brake Actuators, Hydraulic 6,000 - 10,000 lbs. Capacity.....	56
Brake Assemblies & Parts 600 thru 8,000 lbs. Capacity.....	19 - 30
Brake Assemblies & Parts 10,000 thru 15,000 lbs. Capacity.....	31 - 41
Brake Controls, Break-A-Way Systems & Accessories.....	104 - 106
Caps, Grease, Wheel, Bearing Buddy.....	50
Coupler Locks.....	119
Couplers, A-Frame & Straight Tongue.....	66 - 68
Couplers, Fifth Wheel.....	74, 77 - 80, 83
Couplers, Gooseneck.....	71 - 72
ELECTRICAL:	
Trailer Connectors, Lighting Cable, 4, 6 & 7 Way Cable, Wishbone Trailer Wiring, Single Conductor Wire, 2-3-4 Parallel, Split Loom, Marker Lights, Stop/Tail/Turn Lights, Bar Lights, Dome Lamps, Tail Light Converters, License Lights & Brackets, Light Kits, “Lite Mate” Connectors, Flashers, Circuit Breakers, Cable Ties, Strobe Lights, Back-up Alarms.....	84 - 103
Fenders.....	61
Hayes Axle Hubs, Drums, Brakes, 10,000 lbs. through 12,000 lbs.....	38 - 41
Hide-A-Way Ball.....	74 - 75
Hubs, Hub/Drums & Component & Parts 600 thru 8,000 lbs.....	17 - 30
Hub/Drums & Component Parts & Rotors 10,000 thru 12,000 lbs.....	31, 32, 36 - 39
Hydraulic Brake Line Kit.....	57
Jacks, A-Frame, Swivel & Accessories.....	63, 65
Jacks, Gooseneck.....	62 - 64
King Pins.....	74
Lashing Rings, Rope Rings, Stake Pockets.....	115
Load Control – Ratchets, Straps, Etc.....	117
Pintle Hooks, Draw Bars, Tow Hooks.....	72 - 73
Receiver Hitches and Component Accessories.....	81
Safety Chains.....	116
Spindles.....	16
Spring Hanger Kits & Components.....	42 - 44, 46
Spring Hanger Location Chart.....	45
Springs, Double Eye and Slipper.....	47
Tool Boxes – Pick-Up Truck and Underbody & Latches/Locks.....	118
Torflex Axles 1,000 through 10,000 lbs. capacity.....	13 - 15
U-Bolt Kits & Components.....	48 - 49
Vacuum/Hydraulic Trailer Kits, Vacuum/Hydraulic Truck Kits & Components.....	59 - 60
Vacuum Pump Kits.....	60
Warranty.....	120
Wheels, Trailer.....	51 - 54
Winches & Accessories.....	112

List of Products - Back Cover



NOTICE TO CUSTOMERS

RETURN POLICY

- There will be no refunds or returns allowed after 30 days from the original purchase date.
 - All **RETURNED MERCHANDISE** must be in its **ORIGINAL PACKAGE** in saleable condition and must be accompanied by a sales receipt.
 - All returned merchandise will be subject to a *minimum* 10% restocking charge.
 - Special order merchandise is *non returnable*.
 - A **TEN DAY WAITING PERIOD**, from the date of purchase will be necessary on all return merchandise paid for by check.
 - All **CORES** must be in **ORIGINAL BOX** to receive full credit.
 - Must be returned **Freight Prepaid**. No **C.O.D.** shipments accepted.
 - All alleged defective merchandise subject to manufacturer's inspection and acceptance.
-

SHIPPING CUT-OFF TIME

Call by 2:30 p.m. for overnight shipments.

Psalm 119: 105

“Your Word is a Lamp to my feet and a light for my path.”

Ordering Axles

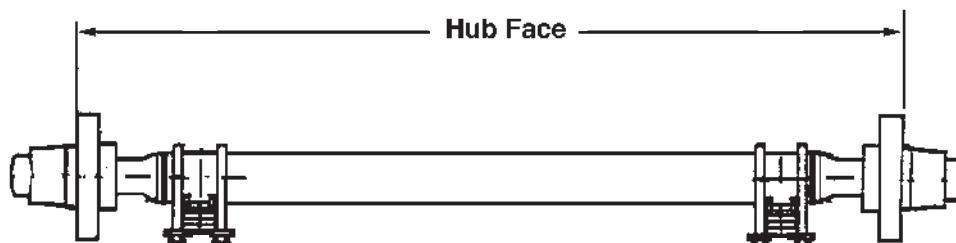
We have provided this information to make your job of selecting the correct running gear easier. If you have any questions or need further assistance call one of our trained sales people: 1-800-594-3600 or FAX (210) 247-2154

When selecting an axle you will need to know the following information:

GROSS VEHICLE WEIGHT	Gross vehicle weight (GVW) is the weight of an empty trailer plus the weight of the cargo. <i>Example: GVW of 7,000 lbs. is 2,000 lbs. empty trailer weight plus 5,000 lbs. of cargo.</i>	Spindle Types	
NUMBER OF AXLES	Based on the GVW determine whether you want single, tandem, or a triple axle setup.	STRAIGHT SPINDLES	Used mostly when the trailer bed is over the trailer and low ground clearance is not required. Flatbeds and utility trailers are examples of this type trailer.
AXLE HUB FACE	The industry standard method for measuring an axle is hub face. See drawing below	DROP SPINDLES	Used when the lowest possible ground clearance is required. Horse and stock, enclosed cargo, and car haulers are examples of this type of trailer.
TRACK	The measurement from the center of the tire to the center of the opposite tire. This measurement depends on the type of wheel you will be using taking into consideration negative and positive offset. This measurement should not be used when ordering axles. You must determine hub face.	BOLT PATTERN	The bolt pattern depends on the capacity of the axle. If you have a specific wheel you wish to use let our professionals assist you in determining the right bolt pattern. Bolt pattern does not identify the axle capacity.
Spring Types			
SLIPPER SPRINGS	Used on slipper-type suspensions.		
DOUBLE EYE SPRINGS	Used on shackle-type suspensions.		
		BRAKES	Next, determine if you want brakes and on how many axles. If you have questions regarding braking requirements contact the Department of Transportation. There are many options in brakes: electirc, hydraulic, hydraulic free-backing, hydraulic disc, or air.
		HANGER KITS	If you use a single, tandem or triple axle setup, we can provide you with all the necessary parts to complete your setup.

Measuring Axle Hub Face

Hub Face is the dimension from the outer hub surface where the wheel mates against the hub on one side to the same outer hub surface on the opposite end of the axle.



Tubular Axle Assembly Coding

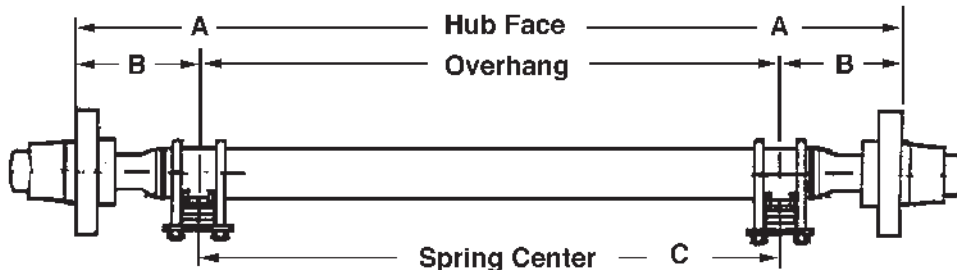
Ordering 2-8K Axles

S 35 89 545 LB1

Type of Axle Beam	Capacity (lbs.)	Hub Face Length	Hub Face Pattern	Hub Type
S = Tubular Straight D = Tubular Drop T = Torflex	20 = 2,000 35 = 3,500 52 = 5,200 60 = 6,000 70 = 7,000 72 = 7,200 80 = 8,000	61 = 61" Hub Face 73 = 73" Hub Face 75 = 75" Hub Face 87 = 87" Hub Face 89 = 89" Hub Face 95 = 95" Hub Face	440 = 4 on 4" Bolt Pattern 545 = 5 on 4 1/2" Bolt Pattern 5475 = 5 on 4 3/4" Bolt Pattern 550 = 5 on 5" Bolt Pattern 555 = 5 on 5 1/2" Bolt Pattern 655 = 6 on 5 1/2" Bolt Pattern 660 = 6 on 6" Bolt Pattern 865 = 8 on 6 1/2" Bolt Pattern	LB1 = Idler hub with brake flange (2K axles standard without brake flange). LB3 = Electric brake hub and drum LB3HYD = Hydraulic brake hub & drum

Measuring Axles

Measure from hub face to hub face



Spring Center = A - B = C

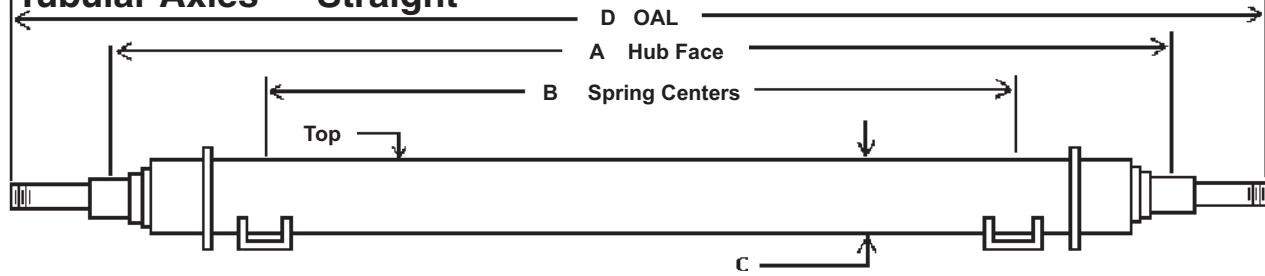
DIFFERENCE BETWEEN HUB FACE AND SPRING CENTER

Axle Beam Diameter	Axle Type	Capacity (lbs.)	Overhang Dimension - B		
			Minimum	Recommended	Maximum
S20 = 1.750 x .180	Straight	2,000	11.75"	14.75"	15.25"
D20 = 2.375 x .156	Drop	2,000	15.25"	16.00"	18.00"
S35 = 2.375 x .180	Straight	3,500	15.00"	16.00"	18.00"
D35 = 2.375 x .180	4" Drop	3,500	15.00"	16.50"	18.00"
S52 = 3.000 x .191	Straight	5,200	15.00"	16.25"	19.00"
D52 = 3.000 x .191	Drop	5,200	15.50"	18.00"	19.00"
S60 = 3.000 x .250	Straight	6,000	15.00"	16.25"	20.00"
D60 = 3.000 x .250	Drop	6,000	15.50"	18.00"	20.00"
S70 = 3.000 x .250	Straight	7,000	15.00"	16.25"	18.00"
D70 = 3.000 x .250	Drop	7,000	15.50"	17.75"	18.00"
S80 = 3.500 x .250	Straight	8,000	16.00"	19.00"	19.00"
D80 = 3.500 x .250	Drop	8,000	19.00"	19.00"	19.00"

Note: Minimums are based on manufacturing tolerances only. Some tire and wheel combinations may create interference.

Actual capacity may vary depending on springs, brakes, wheels, tires, etc.

Tubular Axles — Straight



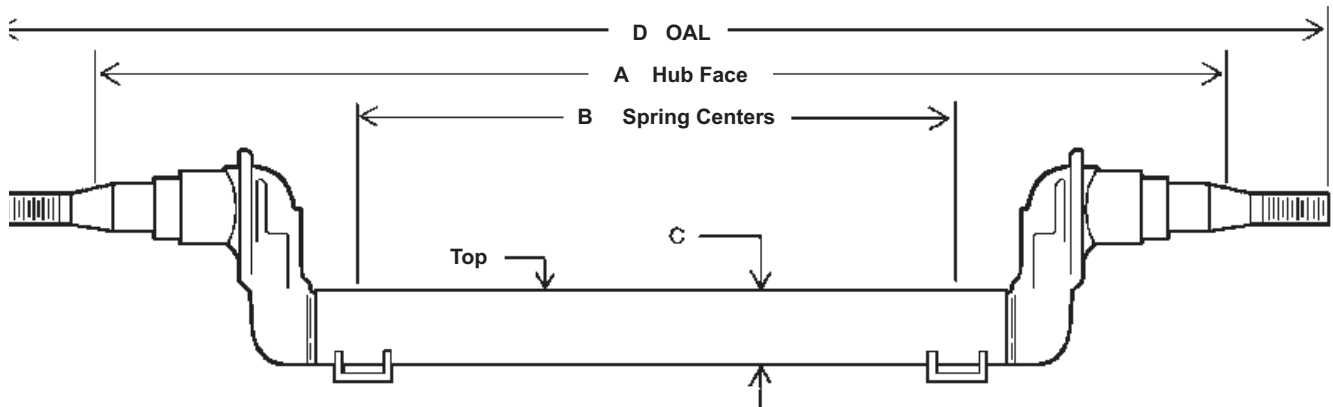
Part #	Capacity	Hub Face (A)	Spindle Type	Spring Center (B)	OAL (D)	Tube Size (C)
2,000 lb.						
DXS 2061	2,000 lb.	61"	BT9	46" To 49"	66"	1 ³ / ₄ " x .180
DXS 2073	2,000 lb.	73"	BT9	58" To 61"	78"	1 ³ / ₄ " x .180
3,500 lb.						
DXS 3561	3,500 lb.	61"	84	43" To 46"	66"	2 ³ / ₈ " x .180
DXS 3573	3,500 lb.	73"	84	55" To 58"	78"	2 ³ / ₈ " x .180
DXS 3575	3,500 lb.	75"	84	57" To 60"	80"	2 ³ / ₈ " x .180
DXS 3584	3,500 lb.	84"	84	66" To 73"	89"	1 ³ / ₄ " x .180
DXS 3587	3,500 lb.	87"	84	69" To 72"	92"	2 ³ / ₈ " x .180
DXS 3589	3,500 lb.	89"	84	71" To 74"	94"	2 ³ / ₈ " x .180
DXS 3595	3,500 lb.	95"	84	77" To 80"	100"	2 ³ / ₈ " x .180
5,200 lb.						
DXS 5275	5,200 lb.	75"	42	56" To 60"	80 ¹ / ₂ "	3" x .191
DXS 5287	5,200 lb.	87"	42	68" To 72"	92 ¹ / ₂ "	3" x .191
DXS 5289	5,200 lb.	89"	42	70" To 74"	94 ¹ / ₂ "	3" x .191
DXS 5295	5,200 lb.	95"	42	76" To 80"	100 ¹ / ₂ "	3" x .191
6,000 lb.						
DXS 6089	6,000 lb.	89"	42	70" To 74"	94 ¹ / ₂ "	3" x .250
DXS 6095	6,000 lb.	95"	42	76" To 80"	100 ¹ / ₂ "	3" x .250
7,000 lb.						
DXS 7075	7,000 lb.	75"	42	57" To 60"	80 ¹ / ₂ "	3" x .250
DXS 7087	7,000 lb.	87"	42	69" To 72"	92 ¹ / ₂ "	3" x .250
DXS 7089	7,000 lb.	89"	42	71" To 74"	94 ¹ / ₂ "	3" x .250
DXS 7095	7,000 lb.	95"	42	77" To 80"	100 ¹ / ₂ "	3" x .250
8,000 lb.						
DXS 8075	8,000 lb.	75"		56" To 59"	80 ¹ / ₂ "	3 ¹ / ₂ " x .250
DXS 8089	8,000 lb.	89"		70" To 73"	94 ¹ / ₂ "	3 ¹ / ₂ " x .250

Special Hub Face Lengths Available Upon Request

Spindle Type	Axle Size	Flange Part No.	Axle Pad Part No.	Spindle Nut Part No.	Spindle Washer Part No.
BT9	1 ³ / ₄ " Rd.	DE 004-034-00	DE 003-049-00	TP A1N	TP A1W
84	2 ³ / ₈ " Rd.	DE 004-035-00	DE 003-043-00	TP A1N	TP A1W
42	3" Rd.	DE 004-044-00	DE 003-042-00	TP A1N	TP A1W
42	3 ¹ / ₂ " Rd.	DE 004-050-00	DE 003-048-01	TP A1N	DE 005-057-00

To select properly matched components for your axle, obtain the spindle type from above chart and refer to the following corresponding pages. BT 9-Page 18, 84-Page 20, 42-Page 22 .

Spindle Type	Capacity Matched Components	Page No.
BT9	U-Bolt , Springs, Hanger Kits, Hubs	18 - 19
84	U-Bolt Kits, Springs, Hanger Kits, Hubs, Hub & Drum Assemblies, Brakes	20 - 21
42	U-Bolt Kits, Springs, Hanger Kits, Hubs, Hub & Drum Assemblies, Brakes	22 - 23



Tubular Axles — Drop

Part #	Capacity	Hub Face (A)	Spindle Type	Spring Center (B)	OAL (D)	Tube Size (C)
3,500 lb.						
DXD 3561	3,500 lb.	61"	84	43" To 46"	66"	2 ³ / ₈ " x .180
DXD 3575	3,500 lb.	75"	84	57" To 60"	80"	2 ³ / ₈ " x .180
DXD 3587	3,500 lb.	87"	84	69" To 72"	92"	2 ³ / ₈ " x .180
DXD 3589	3,500 lb.	89"	84	71" To 74"	94"	2 ³ / ₈ " x .180
DXD 3595	3,500 lb.	95"	84	77" To 80"	100"	2 ³ / ₈ " x .180
5,200 lb.						
DXD 5275	5,200 lb.	75"	42	56" To 59 ¹ / ₂ "	80 ¹ / ₂ "	3" x .191
DXD 5287	5,200 lb.	87"	42	68" To 71 ¹ / ₂ "	92 ¹ / ₂ "	3" x .191
DXD 5289	5,200 lb.	89"	42	70" To 73 ¹ / ₂ "	94 ¹ / ₂ "	3" x .191
DXD 5295	5,200 lb.	95"	42	76" To 79 ¹ / ₂ "	100 ¹ / ₂ "	3" x .191
6,000 lb.						
DXD 6089	6,000 lb.	89"	42	70" To 74"	94 ¹ / ₂ "	3" x .250
DXD 6095	6,000 lb.	95"	42	76" To 80"	100 ¹ / ₂ "	3" x .250
7,000 lb.						
DXD 7075	7,000 lb.	75"	42	57" To 59 ¹ / ₂ "	80 ¹ / ₂ "	3" x .250
DXD 7087	7,000 lb.	87"	42	69" To 71 ¹ / ₂ "	92 ¹ / ₂ "	3" x .250
DXD 7089	7,000 lb.	89"	42	71" To 73 ¹ / ₂ "	94 ¹ / ₂ "	3" x .250
DXD 7095	7,000 lb.	95"	42	77" To 79 ¹ / ₂ "	100 ¹ / ₂ "	3" x .250
8,000 lb.						
DXD 8075	8,000 lb.	75"		56"	80 ¹ / ₂ "	3 ¹ / ₂ " x .250
DXD 8089	8,000 lb.	89"		70"	94 ¹ / ₂ "	3 ¹ / ₂ " x .250

Special Hub Face Lengths Available Upon Request

Spindle Type	Axle Size	Flange Part No.	Axle Pad Part No.	Spindle Nut Part No.	Spindle Washer Part No.
84	2 ³ / ₈ " Rd.	DE 004-035-00	DE 003-043-00	TP A1N	TP A1W
42	3" Rd.	DE 004-044-00	DE 003-042-00	TP A1N	TP A1W
42	3 ¹ / ₂ " Rd.	DE 004-050-00	DE 003-048-01	TP A1N	DE 005-057-00

To select properly matched components for your axle, obtain the spindle type from above chart and refer to the following corresponding pages. 84—Page 18 , 42—Page 18 .

Spindle Type	Capacity Matched Components	Page No.
BT9	U-Bolt , Springs, hanger Kits, Hubs	18 - 19
84	U-Bolt Kits, Springs, Hanger Kits, Hubs, Hub & Drum Assemblies, Brakes	20 - 21
42	U-Bolt Kits, Springs, Hanger Kits, Hubs, Hub & Drum Assemblies, Brakes	22 - 23



**10,000 Lbs. General Duty Axle Assembly –
10,000 lb. Capacity**



Spindles:	Hubs:	Brakes:	Springs:
Our precision machined, forged steel spindles feature a 2 ¹ / ₄ " inner bearing journal and a 1 ³ / ₄ " outer bearing journal. Two 1 ¹ / ₂ " spindle nuts and tab locking washer provide precision bearing adjustment for maximum life. These high quality spindles are friction welded to the axle tube for increased reliability. Tube size: 5" x .250.	The Dexter 10,000 GD is equipped with two piece cast iron hubs and drums with an 8 on 6.5" bolt circle. These hubs provide center hole wheel piloting for use with flat mounting surface wheels which result in superior wheel attachment compared to in-out coined types. Superior oil bath lubrication and press-in ⁵ / ₈ " studs are standard features of this high quality hub equipment.	Whether you prefer electric or hydraulic actuation, Dexter's high quality 12 ¹ / ₄ x 3 ³ / ₈ " brakes are proven by over 17 years of successful application in many different applications. Engineered and manufactured specifically for the Dexter 10,000 GD, these brakes provide a self-adjusting feature as standard equipment.	Engineered for a smooth ride as well as rugged durability, Dexter's wide multi-leaf slipper springs will provide the service and dependability to compliment the superior performance of the Dexter 10,000 GD. The available suspension systems feature grease lubricated "wet bolts" at all pivot points, ³ / ₄ " diameter spring eye bolts, and 1" diameter equalizer bolts for added strength and durability.

General Specifications

- Spindle: Cold forged, fully machined and joined to axle tube by friction welding process.
- Bearings: -Inner Cup 382A, Cone 387A
Outer Cup 25520, Cone 25580

Axle Assy. Part No.	Description: Type brake, track, spring centers	Spring Capacity	Spring Width	Axle Spacing
DE 10KEL3ME	Electric, 74" Track, 46" SC	5,000 lb.	3	42.25"
DE 10KHYD3ME	Hydraulic, 74" Track, 46" SC	5,000 lb.	3	42.25"
DE 10K25LE	Electric, 74" Track, 46" SC	5,000 lb.	2 ¹ / ₂ "	48.50"
DE 10KHYD25LE	Hydraulic, 74" Track, 46" SC	5,000 lb.	2 ¹ / ₂ "	48.50"

Above Assemblies Contain the Following Parts:

Two Axles w/Springs & Hanger Kits

Hub & Drums, Brakes Assembled on Axle

Springs for 10K Axles

Part No.	Description	Capacity
DE 072-021-00	Spring, Slipper 2.5"	5000 lbs. (before January 2004)
DE 072-077-00	Spring, Slipper 2.5"	5000 lbs. (after January 2004)
DE 072-043-01	3' Slipper Spring	5000 lbs.

See page 31-36 for Hub/Drums and Brakes components.

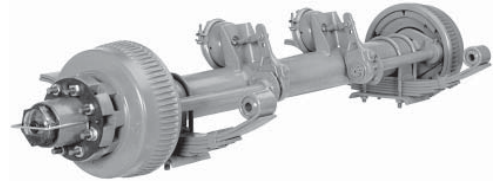


DEXTER AXLE 10,000 Lbs.

Heavy-Duty Axle Assembly



Tapered Roller Bearings
Computer Matched To
DEXTER Axle System.
Outer: 382A Cup, 387A Cone
Inner: 394A Cup, 395S Cone



Unitized Oil Seal DE 010-056-00

Spindle	Hub & Drum
Tube Size 5" O.D. x 1/4" Wall Thickness	8 on 6 1/2 B.C.

Brakes	Spring
12 1/4 x 4" Self-Adjusting Electric, Hydraulic Drum, Hydraulic Disc or 12 1/4 x 4" Air Brake	5,000 lb. Cap Slipper Spring, 3" Wide Part No. 072-043-01

Axle, Assembly Part No.	Description: Type brake, track, spring center	Spring Capacity	Spring Width	Axle Spacing
DE 10KAIR	Air, 74" Track, 46" SC	5000	3"	42.25
DE 10KDISC	Disc, 74" Track, 46" SC	5000	3"	42.25
DE 10KHD	Electric, 74" Track, 46" SC	5000	3"	42.25
DE 10KHDHYD	Hydraulic, 74" Track, 46" SC	5000	3"	42.25

HUBS					WHEELS				
Bolt Circle	Hubs w/Cups & Studs RH	Brake Drum (Rotor)	Stud RH	Nut RH	Part No.	Rim Size	Type	Offset	Capacity & PSI
8-6.50	008-214-05	009-027-01 Drum	007-115-00	BA W230	129384	16 x 6	Dual	+5.35	3000@ 80 psi
8-6.50	008-214-06	(070-006-01) Rotor	007-115-00	BA W230	017-157-25	16.5 x 6.75	Dual	5.50 Out	3000@ 80 psi
8-6.50					017-176-25	17.5 x 8.25HC	Single	.31 Out	5000@ 120 psi
8-6.50					017-298-00	17.5 x 6.75HC			

Clamp Ring for 8-650 P/N DE033-052-01

DEXTER "S" CAM AIR BRAKE 12 1/4 X 4"/10,000 LB.

Forward Self-Adjusting Electric Brake

Size	Capacity	Part No. LH	Part No. RH
12 1/4 x 4"	10K	023-438-00	023-439-00

Forward Self-Adjusting Hydraulic Brake

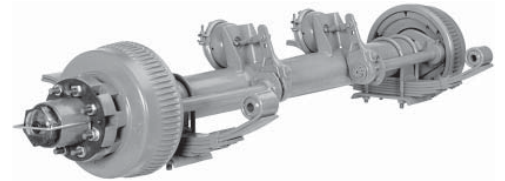
Size	Capacity	Part No. LH	Part No. RH
12 1/4 x 4"	10K	023-404-00	023-405-00

DEXTER AXLE 12,000 Lbs.

Heavy-Duty Axle Assembly



Tapered Roller Bearings
Computer Matched To
DEXTER Axle System.
Outer: 28622 Cup, 28682 Cone
Inner: 3920 Cup, 3984 Cone



Unitized Oil Seal 010-056-00

Spindle	Hub & Drum
Tube Size 5" O.D. x 1/4" Wall Thickness	8 on 6 1/2" B.C.

Brakes	Spring
12 1/4 x 4" Self-Adjusting Electric, Hydraulic Drum, Hydraulic Disc or 12 1/4 x 5" Air Brake	6,000 lb. Cap Slipper Spring, 3" Wide Part No. 072-044-01

Axle, Assembly Part No.	Description: Type brake, track, spring center	Spring Capacity	Spring Width	Axle Spacing
DE 12K	Electric, 74" Track, 46" SC	6000	3"	42.25
DE 12KHVD	Hydraulic, 74" Track, 46" SC	6000	3"	42.25
DE 12KDISC	Disc, 74" Track, 46" SC	6000	3"	42.25
DE 12KAIR	Air, 74" Track, 46" SC	6000	3"	42.25

HUBS					WHEELS						
Bolt Circle	Hubs w/Cups & Studs	Brake Drum (Rotor)	Stud RH	Nut RH	Part No.	Rim Size	Type	Bolt Circle	Pilot Dia.	Offset	Capacity & PSI
8-6.50	008-216-08	009-028-01	007-115-00	BA W230	017-186-52	14.5 x 7MH	Dual	8-6.50	4.75	5.65 Out	3000@ 100 psi
8-6.50	008-214-08	009-028-01	007-115-00	BA W230	KH129384	16 x 6K	Dual	8-6.50	4.75	5.35 Out	3000@ 80 psi
8-6.50	008-214-10	(070-006-01)	007-115-00	BA W230	017-157-25	16.5 x 6.75	Dual	8-6.50	4.75	5.50 Out	3000@ 80 psi
8-6.50					017-176-49	17.5 x 8.25HC	Single	8-6.50	4.75	.31 Out	5000@ 120 psi

Clamp Ring for 8-650 P/N DE 033-052-01

DEXTER "S" CAM AIR BRAKE 12 1/4 X 5"/12,000 LB.

Forward Self-Adjusting Electric Brake

Size	Capacity	Part No. LH	Part No. RH
12 1/4 x 5"	12K	023-442-00	023-443-00

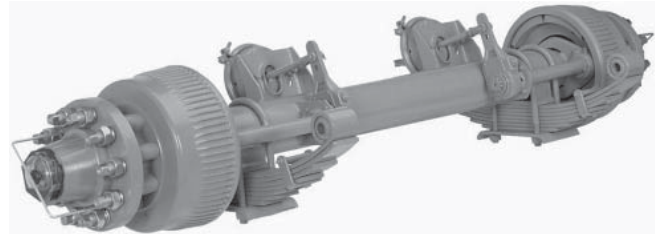
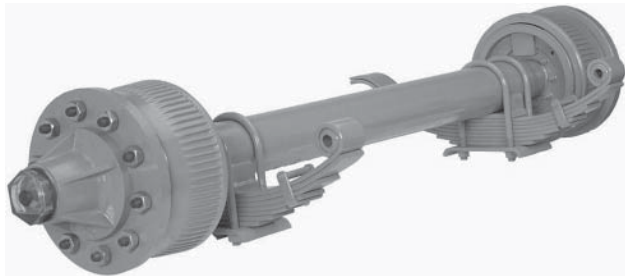
Forward Self-Adjusting Hydraulic Brake

Size	Capacity	Part No. LH	Part No. RH
12 1/4 x 5"	12K	023-408-00	023-409-00



**DEXTER AXLE
15,000 Lbs.**

Heavy-Duty Axle Assembly



Tapered Roller Bearings Computer Matched
To DEXTER Axle System.

Outer: 28622 Cup, 28682 Cone

Inner: 3920 Cup, 3984 Cone

Unitized Oil Seal DE 010-056-00
Oil Cap DE K71-148-00

Brakes	Spring
12 ¹ / ₄ x 5" Self-Adjusting Electric Hydraulic Drum, 12 ¹ / ₄ x 5" Air Brake	7500 lb. Slipper Spring, 3" Wide Part No. DE 072-045-01

Spindle	Hub & Drum
Tube Size 5" O.D. x 1/4" Wall Thickness	6 on 8.75 10 on 11.25 8 on 275 mm

Axle, Assembly Part No.	Description: Type brake, track, spring center	Spring Capacity	Spring Width	Axle Spacing
DE 15K	Electric, 75" Track, 46" SC	7500	3"	42.25
DE 15KAIR	Air, 75" Track, 46" SC	7500	3"	42.25
DE 15KHYD	Hydraulic, 75" Track, 46" SC	7500	3"	42.25

Hubs, Drum, Rotors					Wheels					
Bolt Circle	Hubs w/Cups & Studs RH Hubs w/Cups & Studs LH	Wheel Mtg. Stud LH Wheel Mtg. Stud RH	Inner Nut LH Inner Nut RH	Outer Nut LH Outer Nut RH	Part No.	Rim Size	Type	Pilot Dia.	Offset	Capacity & PSI
6 on 8.75	008-217-09 008-217-29	025-013-01 025-013-02	BA X1829 BA X1828	BA X1832 BA X1831	28145	17.5x6.75HC	Dual	6.50	6.19 Out	4805@ 125 psi
10 on 11.25	008-263-11 008-263-31	007-102-01 007-102-02		BA W16 BA W15						
8 on 2.75mm	008-401-05	007-194-00		BA W490	AC 28656	17.5x6.75HC	Dual	220mm	5.60	5355@ 125 psi

DEXTER "S" CAM AIR BRAKE 12¹/₄ X 5"/15,000 LB.

Forward Self-Adjusting

Electric Brake

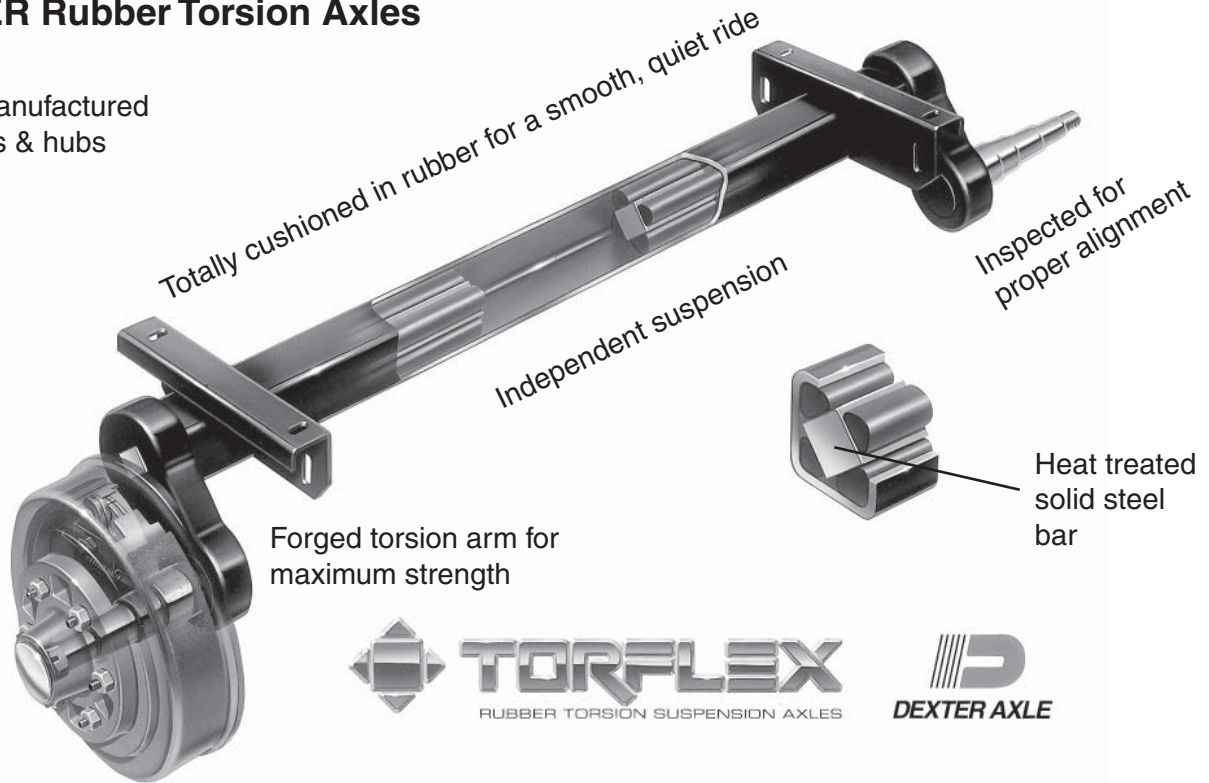
Hydraulic Brake

Size	Capacity	Part No. LH	Part No. RH
12 ¹ / ₄ x 5"	15K	DE 023-446-00	DE 023-447-00

Size	Capacity	Part No. LH	Part No. RH
12 ¹ / ₄ x 5"	15K	DE 023-406-00	DE 023-407-00

DEXTER Rubber Torsion Axles

Dexter manufactured
brakes & hubs



Axle Types

- 
TORFLEX® 1000-2200 lbs. capacity
- 
TORFLEX® 2300-3500 lbs. capacity
- 
TORFLEX® 4000-5200 lbs. capacity
- 
TORFLEX® 5500-7000 lbs. capacity
- 
TORFLEX® 7200 lbs. capacity
- 
TORFLEX® 8000lbs. capacity

Torflex Axle

#13G - General Duty 9,000 - 10,000 lbs. capacity
 #13D - Heavy Duty 10,000 lbs. capacity

DEXTER AXLE

TORFLEX

**WARRANTY
5 YEARS**

The Torflex suspension system by Dexter Axle features the progressive torque action and independent wheel movement to provide the maximum in shock absorption and handling characteristics. If You Care About Your Cargo Ask for Torlfex by **DEXTER Axle**



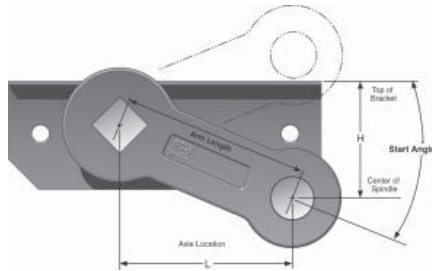
Because of the numerous variations available for each TORFLEX Axle, Southwest Wheel can not stock every combination of each axle capacity.

To order a TORFLEX Axle, please specify the following information:

1. Axle capacity
2. Hub face dimension
3. Frame dimension - outside to outside
4. Start angle
5. Hub, Hub/Drum, Brakes

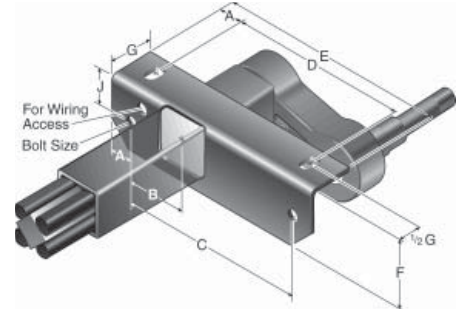
Articulation Dimensions

Dimensions are for low profile, top mount only. High profile brackets are .75" higher. Side mount is .31" higher. Allow 3" bump clearance from full load.



Torflex Application Information

Bracket Dimensions



10

Start Angle	Bracket Type	No Load		Full Load		Shock Load	
		X	Y	X	Y	X	Y
45° down	Standard	5.80	4.20	3.60	5.60	2.30	5.90
22.5° down	Standard	3.90	5.50	1.30	6.00	0.00	5.80
10° down	Standard	2.60	5.90	0.00	5.80	-1.20	5.30
0°	Standard	1.60	6.00	-1.10	5.40	-2.20	4.60
10° up	Standard	0.60	5.90	-2.00	4.80	-3.00	3.90
22.5° up	Standard	-0.70	5.50	-3.20	3.60	-3.90	2.50

Bracket Dimensions	
A	1.00
B	2.50
C	8.00
D	8.00
E	10.00
F	3.43
G	2.50
J	1.62

Spindle	Overhang Per Side	
	Min.	Max.
Standard	6.30"	11.80"

2300-3500 lbs. capacity

Tube size 2.62

11

Start Angle	Bracket Type	No Load		Full Load		Shock Load	
		X	Y	X	Y	X	Y
45° down	Standard	6.00	4.30	4.10	5.50	2.50	6.00
22.5° down	Standard	4.10	5.50	1.80	6.00	0.20	5.80
10° down	Standard	2.94	5.90	0.50	5.80	-1.10	5.30
0°	Standard	1.83	6.00	-0.50	5.60	-1.90	4.70
10° up	Standard	0.82	5.90	-1.40	5.10	-2.70	4.00
22.5° up	Standard	-0.50	5.50	-2.40	4.30	-3.50	3.00

Bracket Dimensions	
A	1.25
B	3.50
C	9.50
D	9.00
E	12.00
F	3.91
G	2.50
J	1.83

Spindle	Overhang Per Side	
	Min.	Max.
Standard	7.47"	11.80"
Short	7.00"	11.80"

4000-6000 lbs. capacity

Tube size 3.03

12

Start Angle	Bracket Type	No Load		Full Load		Shock Load	
		X	Y	X	Y	X	Y
45° down	Standard	6.20	4.30	4.50	5.40	3.30	5.80
22.5° down	Standard	4.30	5.50	2.50	6.00	1.00	5.90
10° down	Standard	3.10	5.90	1.00	5.90	-0.20	5.60
0°	Standard	2.00	6.00	-0.10	5.70	-1.10	5.10
10° up	Standard	0.90	5.90	-0.90	5.20	-2.00	4.50
22.5° up	Standard	-0.30	5.50	-2.10	4.40	-2.90	3.50

Bracket Dimensions	
A	1.25
B	3.50
C	9.50
D	9.00
E	12.00
F	4.37
G	2.50
J	2.06

Spindle	Overhang Per Side	
	Min.	Max.
Standard	7.47"	15.20"
Short	7.00"	15.20"

5500-7000 lbs. capacity

Tube size 3.50

13

Start Angle	Bracket Type	No Load		Full Load		Shock Load	
		X	Y	X	Y	X	Y
45° down	Standard	6.50	4.20	4.50	5.60	2.80	6.00
22.5° down	Standard	4.50	5.50	2.30	6.00	0.40	5.70
10° down	Standard	3.30	5.90	1.00	5.90	-0.60	5.30
0°	Standard	2.20	6.00	-0.20	5.60	-1.50	4.60
10° up	Standard	1.20	5.90	-0.90	5.10	-2.20	4.00
22.5° up	Standard	-0.10	5.50	-2.00	4.20	-3.00	2.90

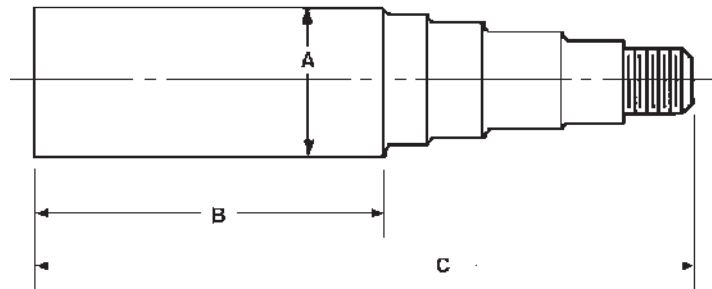
Bracket Dimensions	
A	1.22
B	3.63
C	10.56
D	10.56
E	13.00
F	4.81
G	2.50
J	2.25
L	7.26

Spindle	Overhang Per Side	
	Min.	Max.
Standard	9.00"	21.50"

8000 lbs. capacity

Tube size 3.88

Round Bar Stock Spindles



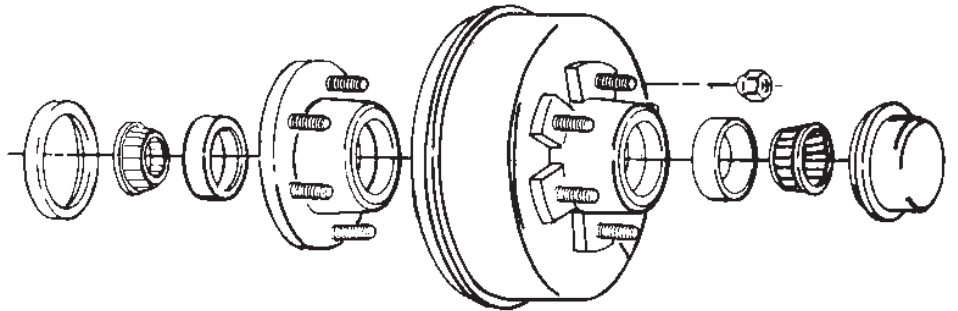
Round Bar Spindles (Not replacement spindles for factory made axles)

Part #	Spindle #	A	B	C	Nut	Washer
		Stub Dia.	Stub Length			
HMR 104BT8	BT8	1 ¹ / ₄ "	4"	8 ¹ / ₄ "	A1N	A1W
HMR 104BT9	BT9	1 ¹ / ₄ "	4"	8 ¹ / ₄ "	A1N	A1W
HMR 204BT8	BT8	1 ¹ / ₂ "	4"	8 ¹ / ₄ "	A1N	A1W
HMR 204BT9	BT9	1 ¹ / ₂ "	4"	8 ¹ / ₄ "	A1N	A1W
HMR 20484	84	1 ¹ / ₂ "	4"	8 ⁷ / ₈ "	A1N	A1W
HMR 206584	84	1 ¹ / ₂ "	6 ¹ / ₂ "	10 ¹ / ₂ "	A1N	A1W
HMR 30484	84	1 ³ / ₄ "	4"	8 ⁷ / ₈ "	A1N	A1W
HMR 30684	84	1 ³ / ₄ "	6"	10"	A1N	A1W
HMR 40684	84	2"	6"	11"	A1N	A1W
HMR 40642	42	2"	6"	11"	A1N	A1W
HMR 50642	42	2 ¹ / ₄ "	6"	11"	A1N	A1W

NOTE: Flanged spindles available by special order.

**DEXTER AXLE
Hub, Hub/Drum—
Component
Parts**

600 lbs. thru 8,000 lbs.



Hub Hub/Drum Group No.	Hub Hub/Drum	Grease Cap	Inner Cone	Inner Cup	Outer Cone	Outer Cup	Seal	Stud	Nut
No. BT 8 1" Spindle									
DE BT121	DE 008-091-05	WR 1505	OE L44643	OE L44610	OE L44643	OE L44610	TP 34823DL	DE 025-053-00	TP X1023R
DE BT122	DE 008-259-05								
No. BT 9 1¹/₁₆" Spindle									
DE BT94	DE 008-09-05	WR 1505	OE L44649	OE L44610	OE L44649	OE L44610	TP 34824	DE 025-053-00	TP X1023R
DE BT95	DE 008-259-05								
No. 84 Spindle 1¹/₁₆" x 1³/₈"									
DE 545LB1	DE 008-248-05	WR 1505	OE L68149	OE L68111	OE L44649	OE L44610	TP 58846DL	DE 007-122-00	TP X1023R
DE 545LB3	DE 008-247-05								
DE 5475LB1	DE 008-248-10								
DE 5475LB3	DE 008-247-12								
DE 550LB1	DE 008-256-07								
DE 550LB3	DE 008-249-07								
DE 555LB1	DE 008-256-05								
DE 555LB3	DE 008-249-05								
DE 655LB1	DE 008-251-05								
DE 655LB3	DE 008-250-05								
No. 42 Spindle 1¹/₄" x 1³/₄"									
DE 13HLB1	DE 008-213-09	WR 1520	OE 25580	OE 25520	OE 15123	OE 15245	TP 42385DL	DE 007-122-00	TP X1023R
DE 13HLB3	DE 008-201-09								
DE 42-UTG-3	DE 008-174-05	WR 1520	OE 25580	OE 25520	OE 15123	OE 15245	TP 42385DL	DE 025-011-00 9/16"-18 Stud	DE 015-002-00 DE 006-005-00
DE 42865LB1	DE 008-231-09								
DE 42865LB3	DE 008-219-04								

2,000 Lb. Axle Parts

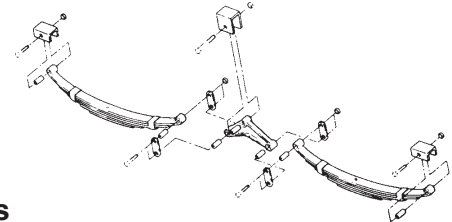
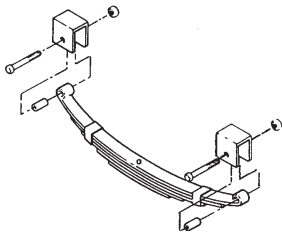


CAPACITY MATCHED COMPONENTS FOR TYPE BT8 & BT9 SPINDLES

Spindle Diameter	Bolt Circle	Idler Hubs		Brake Hub & Drums 7 x 1 1/4" Cupped w/ Studs	
		Complete Asm. (pair)*	Cupped w/ Studs (each)	Electric	Hydraulic
1"	4 on 4.0"	DE BT121	DE 008-091-05	DE 008-173-16	DE 008-276-05
1"	5 on 4.5"	DE BT122	DE 008-259-05	DE 008-257-05	DE 008-271-07
1 1/16"	4 on 4.0"	DE BT94	DE 008-091-05	DE 008-173-16	DE 008-276-05
1 1/16"	5 on 4.5"	DE BT95	DE 008-259-05	DE 008-257-05	DE 008-271-07

* Pair P/N includes bearings, seals, grease caps and wheel nuts. Add E to end of P/N for 1 each.

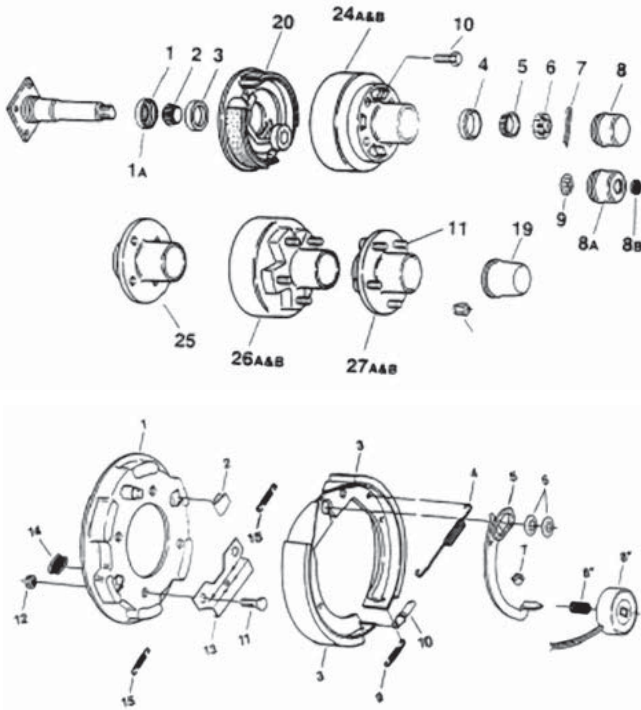
Note: Both 1" and 1 1/16" Hubs and Hubs & Drums are cupped with L44610 races. For 1" spindles use L44643 bearings w/ seal TP 34823DL. For 1 1/16" spindles use L44649 bearings w/ seal TP 34824DL.



Springs, U-Bolts & Hanger Kits

Recommended Springs		U-Bolt Kits		Spring Hanger Kits		
				Single	Tandem	Triple
Double Eye	SP SW2	Straight Axle	HA APUBR134BX	HA APS1BX	HA APT3BX	HA APTT3BX
Slipper	SP WE2, WE3, WD2, WC3	Drop Axle	HA APUBR238BX	HA APSLBX	N/A	N/A

**2,000 Lbs. Capacity
1 1/16" Dia. Spindle**



7 x 1 1/4" Electric Brake

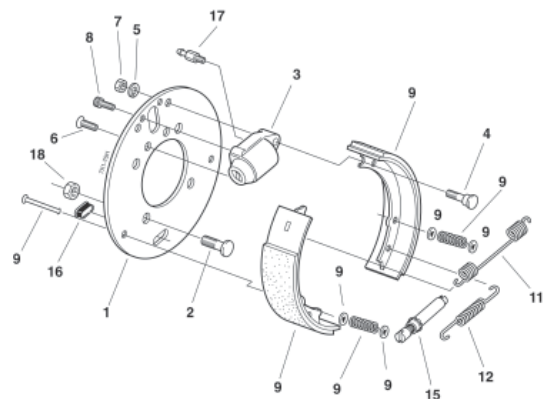
2200lbs. Capacity

Item	Part No.	Qty./Brk	Description
0	DE 023-047-00	1	LH Complete Brake Assembly
0	DE 023-048-00	1	RH Complete Brake Assembly
1	DE 036-036-04	1	Backing Plate Assembly
2	DE 046-023-00	2	Shoe Hold Down Spring
3	DE K71-045-00	1	Shoe & Lining containing: 1 #040-125-00 Primary S&L 1 #040-049-00 Secondary S&L
4	DE 046-024-00	1	Retractor Spring
5	DE 047-114-01	1	LH Actuating Lever Arm
	DE 047-115-01	1	RH Actuating Lever Arm
6	DE 046-030-00	2	Anchor Post Clip
7	DE 027-005-00	1	Wire Clip
For brakes manufactured after 4/1/90			
8	DE K71-057-00	1	Magnet Kit containing: 1 #042-134-00 Magnet 1 #046-121-00 Magnet Clip 1 #046-025-00 Magnet Spring
For brakes manufactured prior to 4/1/90 (yellow wires)			
8	DE K71-056-00	1	Magnet Kit containing: 1 #042-114-00 Magnet 1 #046-039-00 Magnet Clip 1 #046-025-00 Magnet Spring
9	DE 046-022-00	1	Adjusting Screw Spring
10	DE 043-021-00	1	Adjusting Screw
11	DE 007-041-00	4	Brake Mounting Bolt
12	DE 006-017-00	4	Brake Mount Nut
13	DE 064-001-00	1	Stabilizer Bracket
14	DE 046-007-00	1	Plug
For brakes manufacturing after 8-1-91			
15	DE 046-114-00	2	Shoe Centering Spring

BT9 Hub Group

Standard Grease Lube Parts

Item	Part No.	Description
1	TP34824	Grease Seal
1A	DE 010-060-00	Grease Seal for E-Z Lube
2	OE L44649	Inner Bearing Cone
3	OE L44610	Inner Bearing Cup
4	OE L44610	Outer Bearing Cup
5	OE L44649	Outer Bearing Cone
6	DE 006-001-00	Spindle Nut - E-Z Lube only
6	TP AIN	Spindle Nut
7	TP 18X112CP	Cotter Pin (not used with E-Z Lube)
8	WR 1505	Grease Cap
8A	DE 021-041-01	Grease Cap for E-Z Lube
8B	DE 085-001-00	Rubber Plug for E-Z Lube
9	DE 005-101-00	Tang Washer for E-Z Lube
10	DE 007-040-00	Wheel Bolt - for Tapped Hubs
11	DE 025-053-00	1/2 20 Stud
12	TP X1023R	1/2-20 Wheel Nut



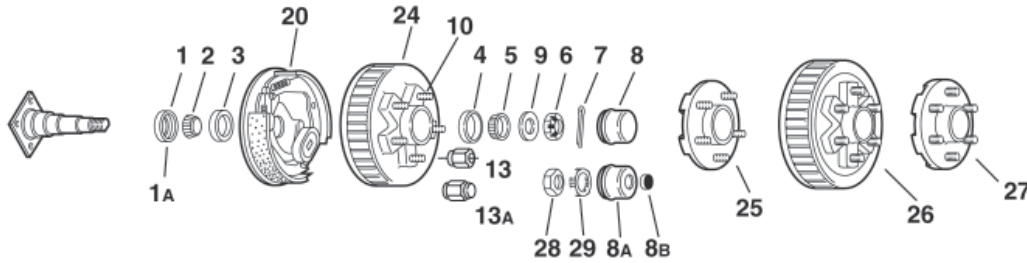
7 x 1 3/4" Hydraulic Brake

2500lbs. Capacity

Item	Part No.	Qty./Brk	Description
0	DE 023-398-00	1	LH Complete Brake Assembly CSA approv.
0	DE 023-399-00	1	RH Complete Brake Assembly (CSA approv.)
1	DE 036-038-00	1	Backing Plate
2	DE 007-041-00	4	Mounting Stud - Press-in
3A	DE 054-080-03	1	Wheel Cylinder Assembly - LH
3B	DE 054-080-04	1	Wheel Cylinder Assembly - RH
4	DE 038-072-00	1	Anchor Post
5	DE 005-004-00	1	Lock Washer
6	DE 007-235-00	2	Counter Sunk Cap Screw
7	DE 006-010-00	1	Hex Nut
8	DE 007-234-00	1	Socket Head Cap Screw
9	DE 040-327-01	1	Primary Shoe & Lining
10	DE 040-328-01	4	Secondary Shoe & Lining
11	DE 046-126-00	4	Retractor Spring
12	DE 046-127-00	1	Adjusting Screw Spring
13	DE 049-014-00	2	Shoe Hold Down Pin
14	DE 046-077-00	2	Shoe Hold Down Cup & Spring
15	DE 043-029-00	1	Adjuster Screw Assembly
16	DE 046-007-00	1	Adjuster Slot Plug
17	DE 054-084-00	1	Bleeder Screw (brakes before 11/96)
17	DE 054-088-00	1	Bleeder Screw (brakes after 11/96)



3,500 Lbs. Axle Parts



CAPACITY MATCHED COMPONENTS FOR TYPE 84 SPINDLES

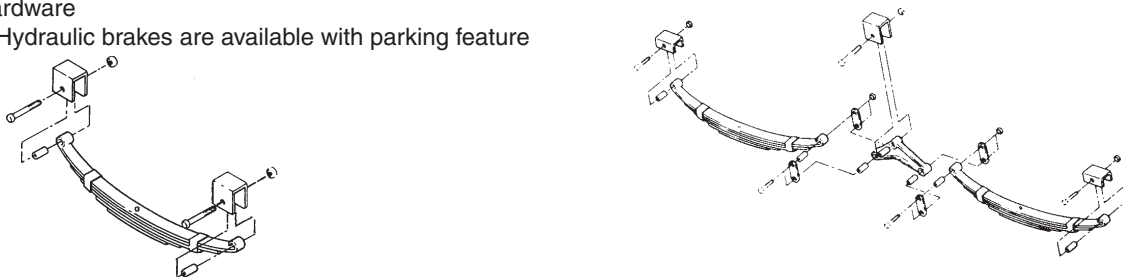
Bolt Circle	Idler Hubs		Brake Hub & Drums 10" x 2 1/4"	
	Complete Asm. (pair)*	Cupped w/Studs (each)	Complete Ams. (pair)*	Cupped w/Studs (each)
5 on 4.50"	DE 545LB1	DE 008-248-05	DE 545LB3	DE 008-247-05
5 on 4.75"	DE 5475LB1	DE 008-248-10	DE 5475LB3	DE 008-247-12
5 on 5.00"	DE 550LB1	DE 008-256-07	DE 550LB3	DE 008-249-07
5 on 5.50"	DE 555LB1	DE 008-256-05	DE 555LB3	DE 008-249-05
6 on 5.50"	DE 555LB1	DE 008-251-05	DE 655LB3	DE 008-250-05

*Pair P/N includes bearings, seals, grease caps and wheel nuts. Add E to end of assembly P/N for 1 each.

Brake Assemblies			
Electric 10" x 2 1/4" 3500 Lbs. Capacity		Hydraulic 10" x 2 1/4" 3500 Lbs. Capacity	
Part Number	Description	Part Number	Description
DE 23158	Pair, Left & Right	DE 23158HYD	Pair, Left & Right
DE 23158LH	Left Hand	DE 023-312-00*	Left Hand
DE 23158RH	Right Hand	DE 023-313-00*	Right Hand
DE 023-026-00*	Left Hand		
DE 023-027-00*	Right Hand		

*Less Mounting Hardware

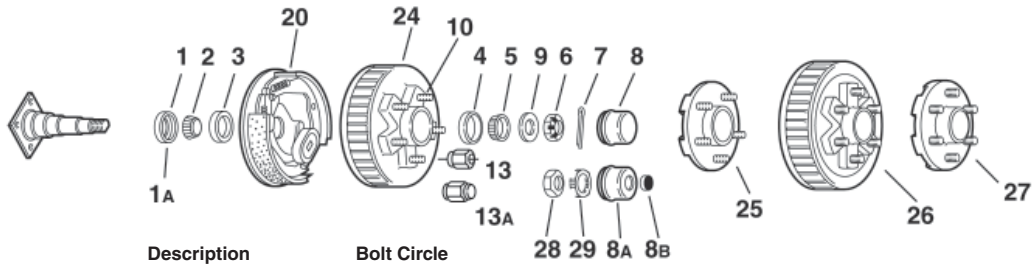
Note: Electric and Hydraulic brakes are available with parking feature



Springs, U-Bolt Kits & Hanger Kits					
Spring Type	Recommended Springs	U-Bolt Kits	Hanger Kits		
			Single	Tandem	Triple
Double Eye	SP SW3, SP SW4B, SP SW4	HA APUBR238BX	HA APS1BX	HA APT3BX	HA APTT3BX
Slipper	SP WE3, SP WF3, SP WG4	HA APUBR238BX	HA APSLBX		

84 Spindle

3,500 Lbs. Capacity



HUBS

Item	Part No.	Description	Bolt Circle
<i>Hubs and Drums</i>			
24	DE 008-247-05	10 x 2 1/4 Studded, 1/2-20	5 on 4.50
24	DE 008-249-07	10 x 2 1/4 Studded, 1/2-20	5 on 5.00
24	DE 008-249-05	10 x 2 1/4 Studded, 1/2-20	5 on 5.50
26	DE 008-250-05	10 x 2 1/4 Studded, 1/2-20	6 on 5.50
24	DE 008-247-12	10 x 2 1/4 Studded, 1/2-20	5 on 4.75
<i>Plain Hubs</i>			
25	DE 008-248-05	Idler Hub Studded	5 on 4.50
25	DE 008-248-10	Idler Hub Studded	5 on 4.75
25	DE 008-256-07	Idler Hub Studded	5 on 5.00
25	DE 008-256-05	Idler Hub Studded	5 on 5.50
27	DE 008-251-05	Idler Hub Studded	6 on 5.50

Item	Part No.	Studs & Wheel Nuts Description	Bolt Circle
10	DE 007-122-00	Pressed Wheel Stud	
12	TP X1023R	1/2-20 Wheel Nut	
12	TT ACN	1/2-20 Chrome Acron Nut	

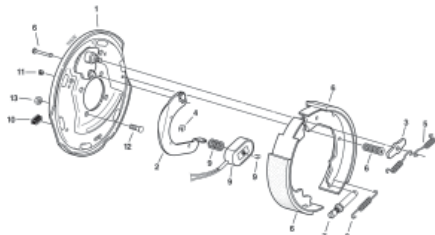
Standard Grease Lube Parts

Item	Part No.	Description
1	TP 58846DL	Grease Seal
1A	DE 010-019-00	Grease Seal for E-Z Lube
2	OE L68149	Inner Bearing Cone
3	OE L68111	Inner Bearing Cup
4	OE L44610	Outer Bearing Cup
5	OE L44649	Outer Bearing Cone
6	DE 006-001-00	Spindle Nut - E-Z Lube only
6	TP AIN	Spindle Nut
7	TP 18X112CP	Cotter Pin
8	WR 1505	Grease Cap
8A	DE 021-041-01	Grease Cap for E-Z Lube
8B	DE 085-001-00	Rubber Plug for E-Z Lube
9	DE 005-023-00	Spindle Washer
11	DE 005-101-00	Tang Washer

10 x 2 1/4" Electric Brakes

3500 lbs. Capacity

Assembly Part No. DE 23158 (pair)

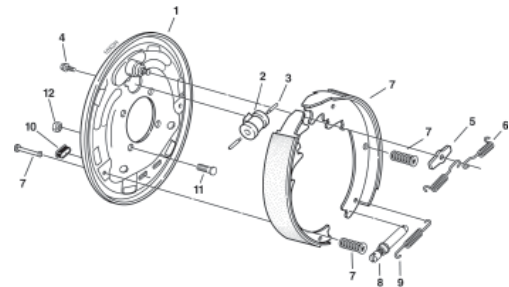


Item	Part No.	Qty./Brk	Description
0	DE 023-026-00	1	LH Complete Brake Assembly
0	DE 023-027-00	1	RH Complete Brake Assembly
1	DE 036-019-10	1	Backing Plate Assembly
2	DE 047-019-00	1	LH Actuating Lever Arm
2	DE 047-020-00	1	RH Actuating Lever Arm
3	DE 005-067-00	1	Washer
4	DE 027-005-00	3	Wire Clip
5	DE 046-009-00	2	Retractor Spring
6	DE K71-047-00	1	Shoe & Lining Kit containing: 1 #040-017-00 Primary S&L 1 #027-009-00 Secondary S&L 2 #049-002-00 Shoe Hold Down Pin #8 2 #046-077-00 Shoe Hold Down Spring
7	DE 043-004-00	1	Adjuster Assembly
8	DE 046-018-00	1	Adjusting Screw Spring
9	DE K71-125-00	1	Magnet Kit containing: 1 #042-097-01 Magnet (green wire) 1 #027-00900 Magnet Clip 1 #046-080-00 Magnet Spring
10	DE 046-007-00	1	Plug
11	DE 046-016-00	1	Wire Grommet
12	DE 007-041-00	4	Brake Mounting Bolt
13	DE 006-017-00	4	Brake Mountin Nut

10 x 2 1/4" Hydraulic Brake

3500 lbs. Capacity

Assembly Part No. DE 23158 Hyd (pair)



Item	Part No.	Qty./Brk	Description
0	DE 023-312-00	1	LH Brake Assembly Complete-US
0	DE 023-313-00	1	RH Brake Assembly Complete-US
1	DE 036-094-03	1	Backing Plate Assembly
2	DE 054-064-00	1	LH Brake Cylinder Uni-Servo
2	DE 054-065-00	1	RH Brake Cylinder Uni-Servo
3	DE 054-060-00	1	Push Rod
4	DE 087-001-00	2	Sems (Screw & Washer Assembly)
5	DE 005-113-00	1	Anchor Post Washer
6	DE 046-009-00	2	Retractor Spring
7	DE K71-267-00	1	Shoe & Lining Kit containing: 1 #040-210-00 Primary Shoe & Lining 1 #040-211-00 Secondary Shoe & Lining 2 #046-077-00 Shoe Hold Down Spring 2 #049-002-00 Shoe Hold Down Pin #8
8	DE 043-004-00	1	Adjuster Assembly
9	DE 046-018-00	1	Adjusting Screw Spring
10	DE 046-007-00	1	Plug
11	DE 007-041-00	4	Brake Mounting Bolt
12	DE 006-017-00	4	Brake Mounting Nut

5,200 - 7,000 Lbs. Axle Parts



CAPACITY MATCHED COMPONENTS FOR TYPE 42 SPINDLES

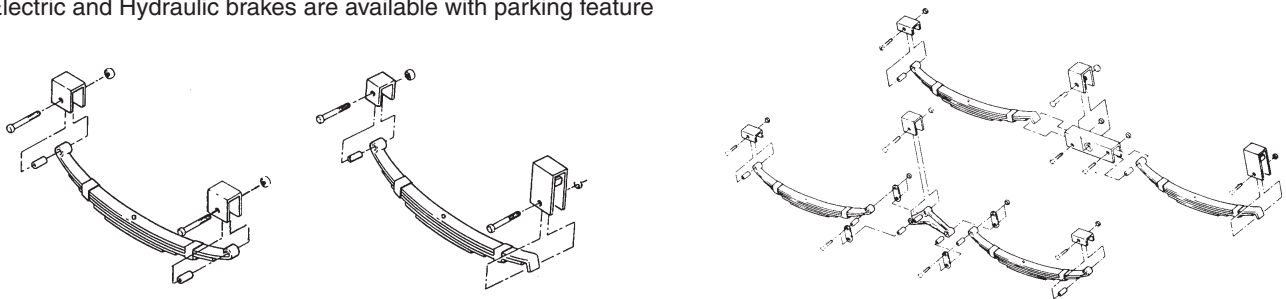
Bolt Circle	Idler Hubs		Brake Hub & Drums 12 x 2"	
	Complete Asm. (pair)*	Cupped w/Studs (each)	Complete Ams. (pair)*	Cupped w/Studs (each)
6 on 5.50"	DE 13HLB1	DE 008-213-09	DE 13HLB3	DE 008-201-09
8 on 6.50"	DE 42865LB1	DE 008-231-09	DE 42865LB3	DE 008-219-04
6 on 6.00"	DE 660LB1	DE 008-213-08	N/A	N/A

*Pair P/N includes bearings, seals, grease caps and wheel nuts. Add E to end of assembly P/N for 1 each.

Brake Assemblies			
Electric 12" x 2" 7,000 Lbs. Capacity		Hydraulic 12" x 2" 7,000 Lbs. Capacity	
Part Number	Description	Part Number	Description
DE 23134	Pair, Left & Right	DE 23134HYD	Pair, Left & Right
DE 23134LH	Left Hand		
DE 23134RH	Right Hand		
DE 023-180-00*	Left Hand	DE 023-338-00*	Left Hand
DE 023-181-00*	Right Hand	DE 023-339-00*	Right Hand

*Less Mounting Hardware

Note: Electric and Hydraulic brakes are available with parking feature

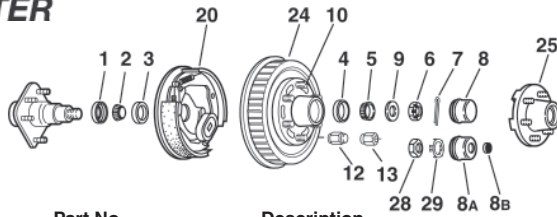


Springs, U-Bolt Kits & Hanger Kits					
Spring Type	Recommended Springs	U-Bolt Kits	Hanger Kits		
			Single	Tandem	Triple
Double Eye	SP SW5, SP SW6	HA APUBR3BX	HA APS1BX	HA APT5BX	HA APTT5BX
Slipper	SP E5115, SP E5226	HA APUBR3BX	HA APS188BX	HA APT288SEBX	HA APT388SEBX

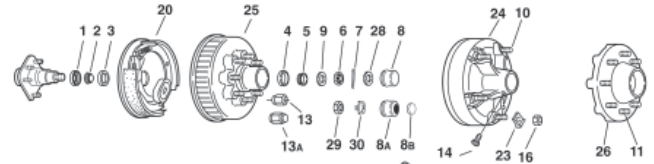


5,200 - 7,000 Lbs. Capacity 42 Spindle

Standard Grease Lube Parts



Item	Part No.	Description
1	TP 42385DL	Grease Seal
1A	DE 010-010-00	Grease Seal for E-Z Lube
2	OE 25580	Inner Bearing Cone
3	OE 25520	Inner Bearing Cup
4	OE 14276	Outer Bearing Cup - 865 Hub
4	OE 15245	Outer Bearing Cup - 655 Hub
5	OE 15123	Outer Bearing Cone
5	OE 14125A	Outer Bearing Cone
6	DE 006-001-00	Spindle Nut - E-Z Lube only
6	TP AIN	Spindle Nut
7	TP 18X112CP	Cotter Pin (not used on E-Z Lube)
8	WR 1520	Grease Cap - UTG Hub & 655 Hub
8	WR 1526	Grease Cap - 865 Hub
8A	DE 021-042-01	Grease Cap E-Z Lube 655
8A	DE 021-043-01	Grease Cap E-Z Lube 865
8B	DE 085-001-00	E-Z Lube Rubber Plug
9	TP AIDW	Spindle Washer
15	DE 005-101-00	Tang Washer (E-Z Lube)
16	DE 006-005-00	9/16"-18 Nut for Rim Clamp UTG Hub
23	DE 015-002-00	Rim Clamp

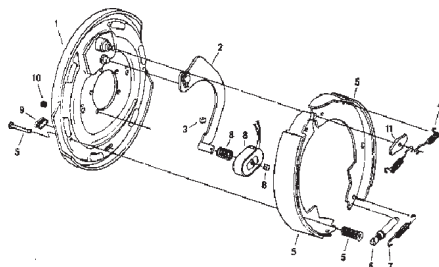


Hubs

Item	Part No.	Description	Bolt Circle
<i>Hubs and Drums</i>			
24	DE 008-201-09	Grease Hub & Drum, w/cups & studs for 15123 bearing	6 on 5.50
25	DE 008-213-09	Grease Plain Hub, w/cups & studs for 15123 bearing	6 on 5.50
26	DE 008-231-09	Grease Plain Hub, w/cups & studs	8 on 6.50
27	DE 008-219-04	Grease Hub & Drum w/cups & studs	8 on 6.50
27	DE 008-219-13	Hub & Drum w/ 9/16" stud	8 on 6.50
27	DE 008-219-18	Hub & Drum w/ 5/8" stud	8 on 6.50
28	DE 008-174-05	Grease Hub & Drum, w/cups & studs for 15123 bearing	Demountable

Studs & Wheel Nuts

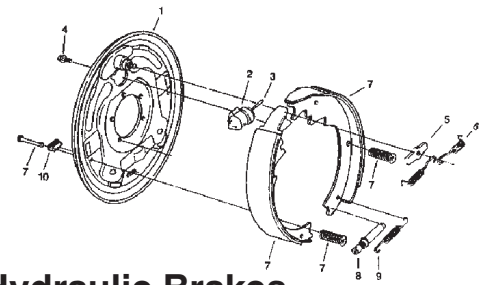
Item	Part No.	Description
10	DE 025-011-00	9/16"-18 Stud - UTG
11A	DE 007-122-00	1/2-20 Pressed Stud
11B	DE 007-262-00	1/2-20 Pressed Stud (after December 2003)
12	TP X1023R	1/2-20 60° Cone Nut
12	DE 006-053-00	9/16"-18 60° Cone Nut
12	DE 006-109-00	5/8"-18 90° Cone Nut



12 x 2" Electric

Capacity 7000 lbs. - Assembly P/N DE 23134 (Pair)

Item	Part No.	Qty./Brk	Description
0	DE 023-180-00	1	LH Complete Brake Assembly
0	DE 023-181-00	1	RH Complete Brake Assembly
1	DE 036-089-10	1	Backing Plate Assembly
2	DE 047-107-00	1	LH Actuating Lever Arm
2	DE 047-108-00	1	RH Actuating Lever Arm
3	DE 027-005-00	2	Wire Clip
4	DE 046-009-00	2	Retractor Spring
5	DE K71-048-00	1	Shoe & Lining Kit containing: 1 #040-215-00 Primary S&L 1 #027-216-00 Secondary S&L 2 #049-011-00 Shoe Hold Down Pin #8 2 #046-077-00 Shoe Hold Down Spring
6	DE 043-004-00	1	Adjuster Assembly
7	DE 046-018-00	1	Adjusting Screw Spring
8	DE K71-125-00	1	Magnet Kit containing: 1 #042-101-01 Magnet (Black wire) 1 #027-009-00 Magnet Clip 1 #046-080-00 Magnet Spring
9	DE 046-007-00	1	Plug
10	DE 046-016-00	1	Wire Grommet



Hydraulic Brakes

Capacity 7000 lbs. - Assembly P/N DE 23134HYD (Pair)

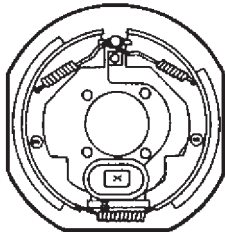
Item	Part No.	Qty./Brk	Description
0	DE 023-338-00	1	LH Brake Assembly Complete-US
0	DE 023-339-00	1	RH Brake Assembly Complete-US
1	DE 036-093-08	1	Backing Plate Assembly
2	DE 054-064-00	1	LH Brake Cylinder Uni-Servo
2	DE 054-065-00	1	RH Brake Cylinder Uni-Servo
3	DE 054-060-00	1	Push Rod
4	DE 087-001-00	2	Sems (Screw & Washer Assembly)
5	DE 005-113-00	1	Anchor Post Washer
6	DE 046-101-00	2	Retractor Spring
7	DE K71-269-00	1	Shoe & Lining Kit containing: 1 #040-219-00 RH Prim. Shoe & Lining 1 #040-218-01 RH Sec. Shoe & Lining 2 #046-077-00 Shoe Hold Down Spring 2 #049-012-00 Shoe Hold Down Pin #4
7	DE K71-270-00	1	Shoe & Lining Kit containing: 1 #040-219-00 LH Prim. Shoe & Lining 1 #040-218-02 LH Sec. Shoe & Lining 2 #046-077-00 Shoe Hold Down Spring 2 #049-012-00 Shoe Hold Down Pin #4
8	DE 043-029-00	1	Adjuster Assembly
9	DE 046-102-00	1	Adjusting Screw Spring
10	DE 046-007-00	1	Plug

BRAKE SYSTEMS

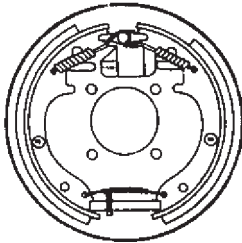
2,000 LB. Brake Systems

Dexter 7 x 1 1/4" Electric Brake		
Part #	Description	Capacity
DE 023-047-00	1 LH Complete Brake Assembly	2,000 lbs.
DE 023-048-00	1 RH Complete Brake Assembly	
DE K71-045-00	1 Shoe & Lining Kit	
DE K71-057-00	1 Magnet Kit	
For brakes manufactured after 4/1/90		
DE K71-056-00	1 Magnet Kit	
For brakes manufactured prior 4/1/90 (yellow wires)		

3,500 LB. Brake Systems

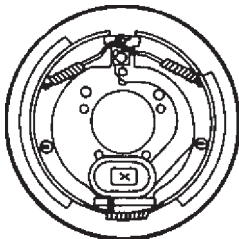


Dexter Electric Brake 10 x 2 1/4		
Part #	Size	Capacity
DE 23158	10 x 2 1/4 Assy Pair	3,500 lbs.
DE 023-026-00	1 LH Complete Brake Assembly	
DE 023-027-00	1 RH Complete Brake Assembly	
DE K71-125-00	1 Magnet Kit	
DE K71-047-00	1 Shoe & Lining Kit	
DE K71-324-00	1 Adjuster Kit w/Spring	

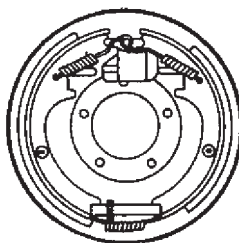


Dexter Hydraulic Brake 10 x 2 1/4		
Part #	Size	Capacity
DE 23158HYD	10 x 2 1/4 Assy Pair Hydraulic	3,500 lbs.
DE 023-312-00	1 LH Brake Assembly Complete-US	
DE 023-313-00	1 RH Brake Assembly Complete-US	
DE 054-064-00	1 LH Brake Cylinder Uni-Servo	
DE 054-065-00	1 RH Brake Cylinder Uni-Servo	
DE K71-267-00	1 Shoe and Lining Kit	

**5,200 LB. -7,000 LB.
Brake Systems**



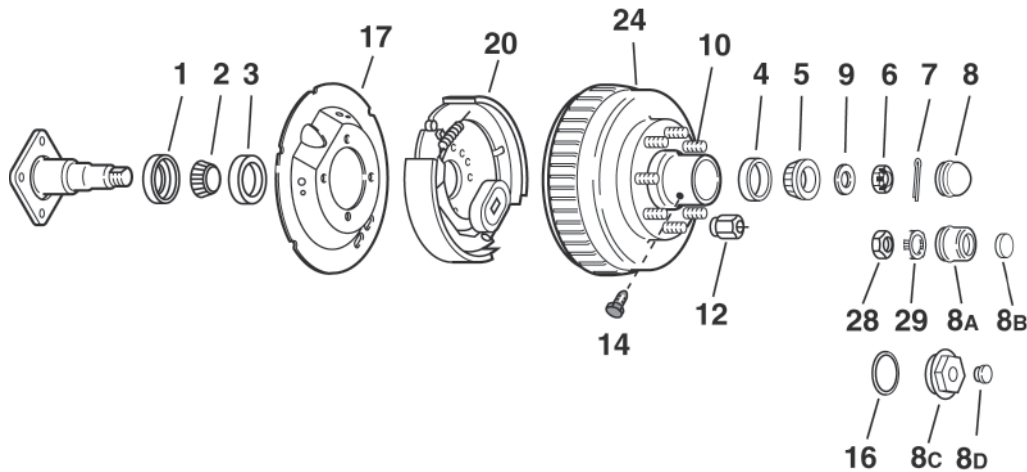
Dexter Electric Brake 12 x 2		
Part #	Size	Capacity
DE 23134	7K 5H 12 x 2 Std Elect Brk Assy	7,000 lbs.
DE 023-180-00	LH 12 x 2 Elect. Brake Assy	
DE 023-181-00	RH 12 x 2 Elect. Brake Assy.	
DE K71-125-00	Magnet Kit	
DE K71-048-00	Shoe and Lining Kit	
DE K71-324-00	Adjuster Kit w/Spring	



Dexter Hydraulic Brake 12 x 2		
Part #	Size	Capacity
DE 23134HYD	1 Pair 12 x 2 Hyd. Brk. Assy.	7,000 lbs.
DE 023-338-00	LH 12 x 2 Hyd. Brake Assy.	
DE 023-339-00	RH 12 x 2 Hyd. Brake Assy.	
DE 054-064-00	LH Brake Cylinder Uni-Servo	
DE 054-065-00	RH Brake Cylinder Uni-Servo	
DE K71-269-00	LH Shoe and Lining Kit	
DE K71-270-00	RH Shoe and Lining Kit	
DE K71-268-00	Shoe and Lining Kit	5,200 lbs.



7,200 Lbs. Capacity 865 Hub Group



Grease Lube Parts

Item	Part No.	Description
1	DE 010-063-00	Seal
2	TB 25580	Inner Bearing Cone
3	TB 25520	Inner Bearing Cup
4	TB 02420	Outer Bearing Cup
5	TB 02475	Outer Bearing Cone
6	DE 006-176-00	Spindle Nut
7	DE 019-002-00	Cotter Pin (not used on E-Z Lube™)
8	DE 021-039-00	Grease Cap
8A	DE 021-043-01	Grease Cap E-Z Lube™
8B	DE 085-001-00	E-Z Lube™ Plug
9	DE 005-057-00	Spindle Washer
14	DE 046-052-00	Oil Filler Plug
28	DE 006-191-00	Special Jam Nut (after 2002)
29	DE 006-190-00	Spindle Nut Retainer (after 2002)

Oil Lube Parts

Item	Part No.	Description
1	DE 010-063-00	Seal
2	TB 25580	Inner Bearing Cone
3	TB 25520	Inner Bearing Cup
4	TB 02420	Outer Bearing Cup
5	TB 02475	Outer Bearing Cone
6	DE 006-176-00	Spindle Nut
7	DE 019-002-00	Cotter Pin
9	DE 005-057-00	Spindle Washer
8C	DE 021-035-00	Oil Cap
8D	DE 046-032-00	Oil Cap Plug
14	DE 046-052-00	Oil Filler Plug
16	DE 010-045-00	'O' Ring for Oil Lube

Studs & Wheel Nuts

Item	Part No.	Description
10	DE 007-224-00	5/8"-18 Press-in Stud
10	DE 007-223-00	9/16"-18 Press-in Stud
12	DE 006-053-00	9/16"-18 60° Cone
12	DE 006-109-00	5/8"-18 90° Cone
ns	DE 006-058-00	5/8"-18 Flange Nut

ns - not shown

Hubs

(after May 2000 for Cast Backing Plate Brakes)

Item	Part No.	Description	Bolt Circle
24	DE 008-393-04	Grease 9/16" studs	8 on 6.50
24	DE 008-393-06	Grease 5/8" studs	8 on 6.50
24	DE 008-393-03	Oil 9/16" studs	8 on 6.50
24	DE 008-393-05	Oil 5/8" studs	8 on 6.50

Brakes

(after May 2000 with Cast Backing Plate Brakes)

Item	Part No.	Description
20	DE 023-429-00	RH 12 1/4 x 2 1/2" Electric Brakes
20	DE 023-428-00	LH 12 1/4 x 2 1/2" Electric Brakes
17	DE 036-118-00	Dust Shield not included with brake assembly

Service Parts-Not Interchangeable With Cast Parts

Hubs

(before May 2000 for Stamped Backing Plate Brakes)

Item	Part No.	Description	Bolt Circle
24	DE 008-355-13	Grease 9/16" studs	8 on 6.50
24	DE 008-355-15	Grease 5/8" studs	8 on 6.50
24	DE 008-355-12	Oil 9/16" studs	8 on 6.50
24	DE 008-355-14	Oil 5/8" studs	8 on 6.50

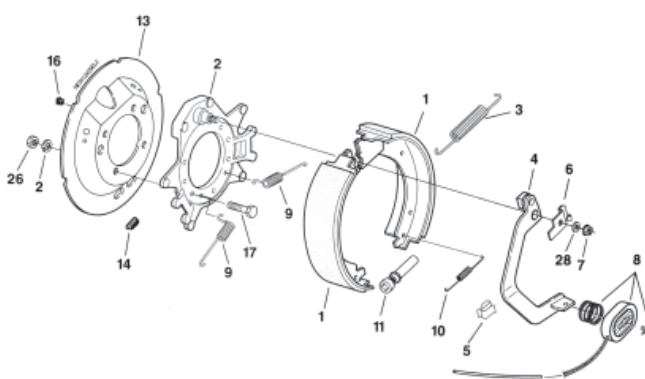
Brakes

(before May 2000 with Stamped Backing Plate Brakes)

Item	Part No.	Description
20	DE 023-369-00	RH 12 1/4 x 2 1/2" Electric Brakes
20	DE 023-370-00	LH 12 1/4 x 2 1/2" Electric Brakes
17	DE 036-110-00	Dust Shield (top) included with Brake Assembly
17	DE 036-110-01	Dust Shield (bottom) included with Brake Assembly

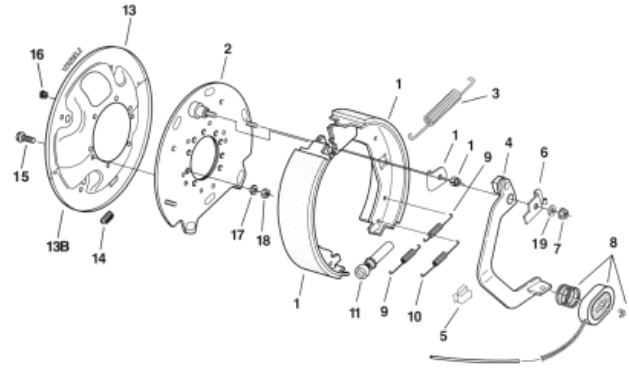


7,200 Lbs. Capacity



12¹/₄ x 2¹/₂" Electric Brake
Cast Backing Plate
 (brakes manufactured after May 2000
 use the cast backing plate)

Electric Brakes



12¹/₄ x 2¹/₂" Electric Brake FSA
Stamped Backing Plate
 (brakes manufactured prior to May 2000
 use the stamped backing plate)

Electric Brakes

Item	Part No.	Qty./Brk	Description
0	DE 023-428-00	1	LH Complete Brake Assembly
0	DE 023-429-00	1	RH Complete Brake Assembly
1	DE K71-497-00	1	LH Shoe & Lining Kit containing: 1 #040-348-01 LH Prim. Shoe & Lining 1 #040-349-02 LH Sec. Shoe & Lining
1	DE K71-496-00	1	RH Shoe & Lining Kit containing: 1 #040-349-01 RH Prim. Shoe & Lining 1 #040-348-02 RH Sec. Shoe & Lining
2	DE 036-119-02	1	Backing Plate
3	DE 046-119-00	1	Shoe Return Spring (grey)
4	DE 047-124-01	1	LH Actuating Arm Assembly
4	DE 047-125-01	1	RH Actuating Arm Assembly
5	DE 027-039-00	3	Wire Clip
6	DE 071-455-01	1	LH Lever Arm Retainer
6	DE 071-455-02	1	RH Lever Arm Retainer
7	DE 006-092-01	1	Flange Nut
8	DE K71-441-00	1	Magnet Kit containing: 1 #042-136-00 Magnet 1 #027-050-00 Magnet Retainer 1 #046-117-00 Magnet Spring
9	DE 046-136-00	2	Centering Spring
10	DE 046-018-00	1	Adjuster Spring (red)
11	DE 048-017-00	1	Adjuster Assembly
*13	DE 036-118-20	1	Dust Shield (sold separately)
*14	DE 046-007-00	2	Adjuster Slot Plug
*16	DE 046-016-00	1	Magnet Wire Grommet
*17	DE 007-251-00	4	Brake Mounting Bolt
*26	DE 006-129-00	4	Hex Nut
*27	DE 005-058-00	4	Lockwasher
28	DE 005-142-00	1	Washer

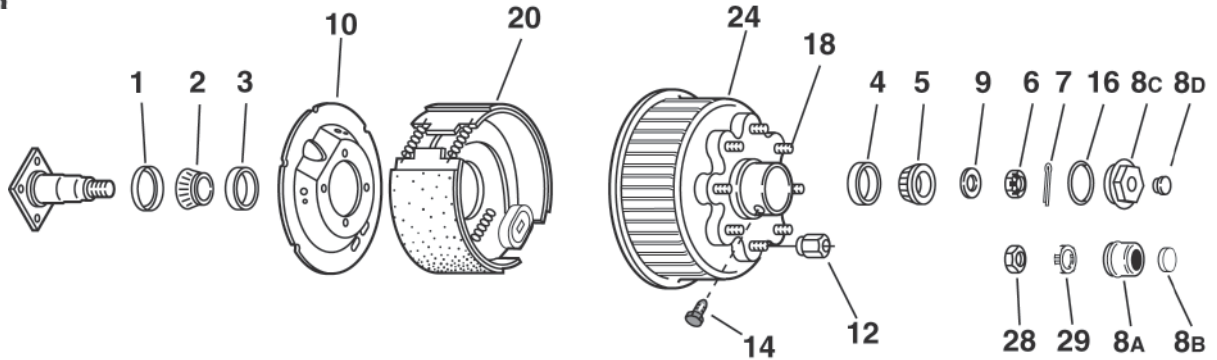
* Not included with complete brake assembly, Items sold separately.

Item	Part No.	Qty./Brk	Description
0	DE 023-370-00	1	LH Complete Brake Assembly
0	DE 023-369-00	1	RH Complete Brake Assembly
1	DE K71-410-00	1	Shoe & Lining Kit containing: 1 #040-310-01 RH Primary S&L or LH Secondary S&L 1 #040-309-01 LH Primary S&L or RH Secondary S&L 2 #005-107-00 Shoe Hold Down Washer 2 #006-127-00 Locknut
2	DE 036-111-03	1	Backing Plate
3	DE 046-119-00	1	Shoe Return Spring (grey)
4	DE 047-124-01	1	LH Actuating Arm Assembly
4	DE 047-125-01	1	RH Actuating Arm Assembly
5	DE 027-039-00	3	Wire Clip
6	DE 071-445-01	1	LH Lever Arm Retainer
6	DE 071-445-02	1	RH Lever Arm Retainer
7	DE 006-092-01	1	Flange Nut
8	DE K71-441-00	1	Magnet Kit containing: 1 #042-136-00 Magnet 1 #027-050-00 Magnet Retainer 1 #046-117-00 Magnet Spring
9	DE 046-120-00	2	Centering Spring
10	DE 046-018-00	1	Adjuster Spring (blue)
11	DE 048-017-00	1	Adjuster Assembly
13B	DE 036-110-00	1	Dust Shield - Bottom
13	DE 036-110-01	1	Dust Shield - Top
14	DE 046-007-00	1	Adjuster Slot Plug
15	DE 007-222-00	8	Dust Shield Mounting Screw
16	DE 046-016-00	1	Magnet Wire Grommet
*17	DE 005-004-00	9	Lockwasher
*18	DE 006-010-00	9	Hex Nut
19	DE 005-142-00	1	Washer

* Not included with complete brake assembly. Items sold separately.



8,000 Lbs. Capacity



865 Hub Group

Item	Part No.	Hubs Description	Bolt Circle
<i>Hubs</i>			
24	DE 008-285-10	Hub & Drum Assembly 5/8" studs - Oil	8-6.50
24	DE 008-285-09	Hub & Drum Assembly 9/16" studs - Oil	8-6.50
24	DE 008-285-08	Hub & Drum Assembly 5/8" studs - Grease	8-6.50
24	DE 008-285-11	Hub & Drum Assembly 9/16" studs - Grease	8-6.50
25	DE 008-287-17	Oil Plain Hub w/cups & 5/8" studs	8-6.50
25	DE 008-287-14	Oil Plain Hub w/cups & 9/16" studs	8-6.50
25	DE 008-287-07	Grease Plain Hub w/cups & 5/8" studs	8-6.50
25	DE 008-287-11	Grease Plain Hub w/cups & 9/16" studs	8-6.50

Studs & Wheel Nuts

Item	Part No.	Description
12	006-053-00	9/16"-18 60° Cone - Fits 017-153, 017-154, 017-162, 017-163, 017-280, 017-281 wheels
12	006-109-00	5/8"-18 90° Cone - Fits 017-107 wheel
12	006-058-00	5/8"-18 Flange Nut - Fits 017-239, 017-240, wheels
18	007-132-00	9/16"-18 UNF for 017-153, 017-154, 017-162, 017-163, 017-280, 017-281 Wheels
18	007-232-00	5/8"-18 UNF for 017-107, 017-239, 017-240 wheels

Standard Oil Lube Parts

Item	Part No.	Description
1	DE 010-063-00	Oil Seal (Unitized)
2	OE 25580	Inner Bearing Cone
3	OE 25520	Inner Bearing Cup
4	OE 02420	Outer Bearing Cup
5	OE 02475	Outer Bearing Cone
6	006-001-00	Spindle Nut - E-Z Lube only
6	TP AIN	Spindle Nut
7	TP 18X112CP	Cotter Pin
8C	DE K71-038-00	Oil Cap
8D	DE 046-032-00	Oil Cap Plug
9	TP AIDW	Spindle Washer
14	DE 046-052-00	Oil Filler Plug
16	DE 010-045-00	'O' Ring
30	DE 006-046-00	Brake Mounting Nut
31	DE 007-097-00	Brake Mounting Bolt

Optional Grease Lube Parts

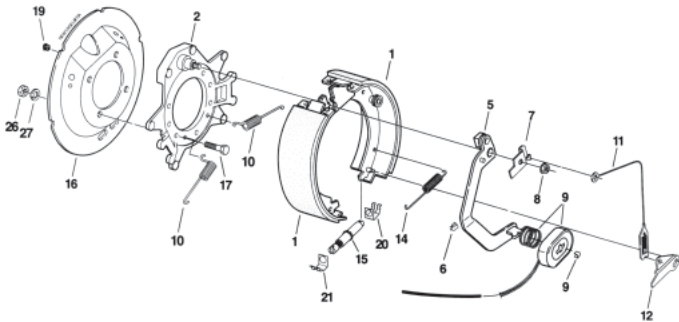
Item	Part No.	Description
8A	DE 021-043-01	Grease Cap E-Z Lube
8B	DE 085-001-00	E-Z Lube Plug
15	DE 005-101-00	Tang Washer for E-Z Lube only
1	DE 010-036-00	Grease Seal
8A	WR 1526	Grease Cap

Wheels

Part No.	Rim Size	Bolt Circle	Pilot Dia.	Offset	Capacity & psi	Type
017-302-xx	16 x 6K	8 on 6.50	4.89	.50 in	3750@110	Conventional
017-162-xx	16 x 6K	8 on 6.50	4.90	0	3750@110	Eight-Spoke
017-309-xx	16 x 6K	8 on 6.50	4.90	.50 in	3750@110	Mini-Mod
017-310-xx	16 x 6K	8 on 6.50	4.90	0	3750@110	Mini-Mod
017-107-xx	16.5 x 9.75	8 on 6.50	4.78	.80 in	4000@75	Special



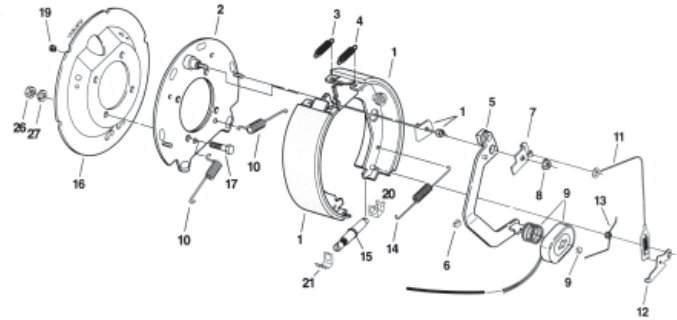
8,000 Lbs. Capacity



12 1/4 x 3 3/8" 8K Electric Brake FSA
Cast Backing Plate
 (brakes manufactured after April 2000
 use the cast backing plate)

Electric

Item	Part No.	Qty./Brk	Description
0	DE 023-434-00	1	LH Complete Brake Assembly
0	DE 023-435-00	1	RH Complete Brake Assembly
1	DE K71-499-00	1	LH Shoe & Lining Kit containing: 1 #040-350-01 LH Prim. Shoe & Lining 1 #040-351-02 LH Sec. Shoe & Lining
1	DE K71-498-00	1	RH Shoe & Lining Kit containing: 1 #040-351-01 RH Prim. Shoe & Lining 1 #040-350-02 RH Sec. Shoe & Lining
2	DE 036-119-02	1	Backing Plate Assembly
5	DE 047-123-38	1	LH Actuating Arm Assembly
5	DE 047-123-37	1	RH Actuating Arm Assembly
6	DE 027-039-00	3	Wire Clips
7	DE 071-455-01	1	LH Arm/Shoe Retainer
7	DE 071-455-02	1	RH Arm/Shoe Retainer
8	DE 006-062-00	1	Flange Nut
9	DE K71-375-00	1	Magnet Kit containing: 1 #042-127-00 Magnet 1 #027-050-00 Magnet Retainer Clip 1 #046-117-00 Magnet Spring
10	DE 046-136-00	2	Centering Spring
11	DE 071-462-00	1	Adjuster Cable
12	DE 071-464-00	1	LH Adjuster Lever
12	DE 071-463-00	1	RH Adjuster Lever
14	DE 046-137-00	1	Adjuster Spring
15	DE 048-019-00	1	LH Adjuster Assembly (silver)
15	DE 048-020-00	1	RH Adjuster Assembly (gold)
16	DE 036-115-20	1	Dust Shield
17	DE 007-097-00	4	Brake Mounting Bolt
19	DE 046-016-00	1	Wire Grommet
20	DE 046-133-00	1	Adjuster Clip (barrel end)
21	DE 046-132-00	1	Adjuster Clip (thread end)
26	DE 006-129-00	4	Brake Mounting Nut
27	DE 005-058-00	4	Lockwasher



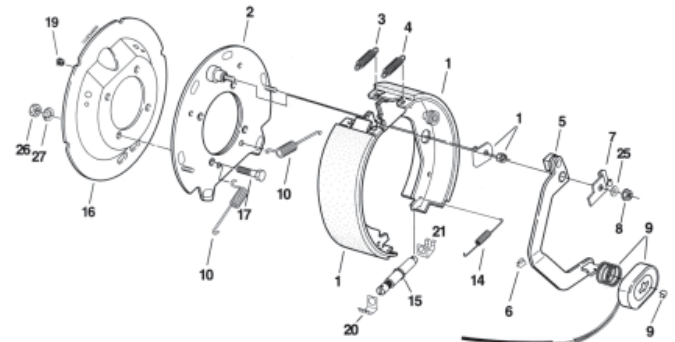
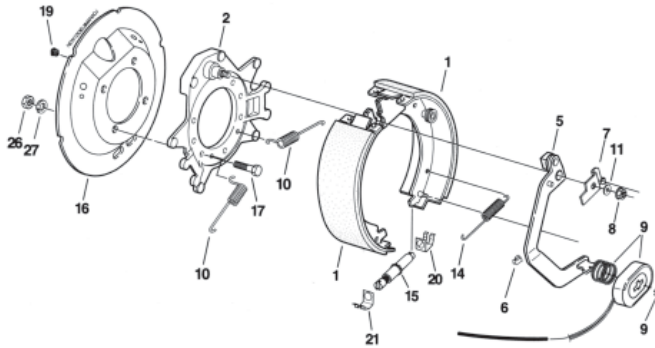
12 1/4 x 3 3/8" 8K Electric Brake FSA
Stamped Backing Plate
 (brakes manufactured prior to April 2000
 use the stamped backing plate)

Electric

Item	Part No.	Qty./Brk	Description
0	DE 023-097-00	1	LH Complete Brake Assembly
0	DE 023-098-00	1	RH Complete Brake Assembly
1	DE K71-049-00	1	LH Shoe & Lining Kit containing: 1 #040-110-01 LH Prim. Shoe & Lining 1 #040-111-02 LH Sec. Shoe & Lining 2 #005-107-00 Shoe Hold Down Washer 2 #006-127-00 Locknut
1	DE K71-050-00	1	RH Shoe & Lining Kit containing: 1 #040-111-01 RH Prim. Shoe & Lining 1 #040-110-02 RH Sec. Shoe & Lining 2 #005-107-00 Shoe Hold Down Washer 2 #006-127-00 Locknut
2	DE 036-050-03	1	Backing Plate Assembly
3	DE 046-071-00	1	Shoe Return Spring-Rear (black)
4	DE 046-083-00	1	Shoe Return Spring-Front (green)
5	DE 047-123-38	1	LH Actuating Arm Assembly
5	DE 047-123-37	1	RH Actuating Arm Assembly
6	DE 027-039-00	3	Wire Clips
7	DE 071-455-01	1	LH Arm/Shoe Retainer
7	DE 071-455-02	1	RH Arm/Shoe Retainer
8	DE 006-062-00	1	Flange Nut
9	DE K71-375-00	1	Magnet Kit containing: 1 #042-127-00 Magnet 1 #027-050-00 Magnet Retainer Clip 1 #046-117-00 Magnet Spring
10	DE 046-136-00	2	Centering Spring
11	DE 071-020-00	1	Adjuster Cable
12	DE 071-019-01	1	LH Adjuster Lever
12	DE 071-019-02	1	RH Adjuster Lever
13	DE 046-073-00	1	LH Adjuster Lever Spring (blue)
13	DE 46-074-00	1	RH Adjuster Lever Spring (white)
14	DE 046-072-00	1	Adjuster Spring
15	DE 048-009-00	1	LH Adjuster Assembly
15	DE 048-010-00	1	RH Adjuster Assembly
16	DE 036-115-20	1	Dust Shield
17	DE 007-097-00	4	Brake Mounting Bolt
19	DE 046-016-00	1	Wire Grommet
20	DE 046-133-00	1	Adjuster Clip (barrel end)
21	DE 046-132-00	1	Adjuster Clip (thread end)
26	DE 006-129-00	4	Brake Mounting Nut
27	DE 005-058-00	4	Lockwasher



8,000 Lbs. Capacity



**12¹/₄ x 3³/₈" 8K Electric Brake Manual Adjust
Cast Backing Plate
(brakes manufactured after April 2000
use the cast backing plate)**

**12¹/₄ x 3³/₈" 8K Electric Brake Manual Adjust
Stamped Backing Plate
(brakes manufactured prior to April 2000
use the stamped backing plate)**

Electric

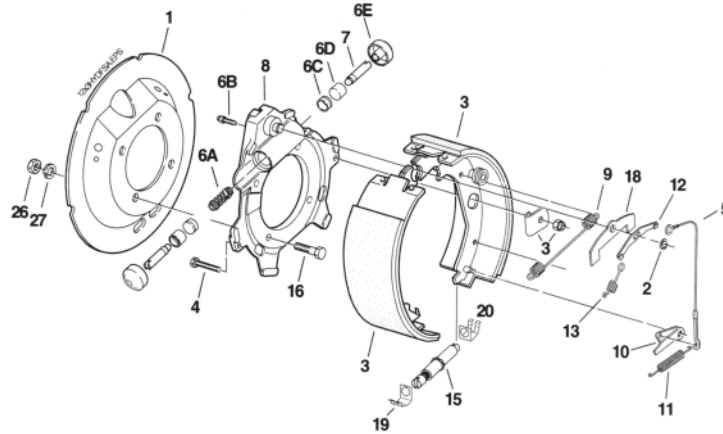
Item	Part No.	Qty./Brk	Description
0	DE 023-432-00	1	LH Complete Brake Assembly
0	DE 023-433-00	1	RH Complete Brake Assembly
1	DE K71-499-00	1	LH Shoe & Lining Kit containing: 1 #040-350-01 LH Prim. Shoe & Lining 1 #040-351-03 LH Sec. Shoe & Lining
1	DE K71-498-00	1	RH Shoe & Lining Kit containing: 1 #040-351-01 RH Prim. Shoe & Lining 1 #040-350-03 RH Sec. Shoe & Lining
2	DE 036-119-02	1	Backing Plate Assembly
5	DE 047-123-18	1	LH Actuating Arm Assembly
5	DE 047-123-17	1	RH Actuating Arm Assembly
6	DE 027-039-00	3	Wire Clips
7	DE 071-455-01	1	LH Arm/Shoe Retainer
7	DE 071-455-02	1	RH Arm/Shoe Retainer
8	DE 006-062-00	1	Flange Nut
9	DE K71-375-00	1	Magnet Kit containing: 1 #042-127-00 Magnet 1 #027-050-00 Magnet Retainer Clip 1 #046-117-00 Magnet Spring
10	DE 046-136-00	2	Centering Spring
11	DE 005-142-00	1	Washer
14	DE 046-018-00	1	Adjuster Spring
15	DE 048-017-00	1	Adjuster Assembly
16	DE 036-115-20	1	Dust Shield
17	DE 007-097-00	4	Brake Mounting Bolt
19	DE 046-016-00	1	Wire Grommet
20	DE 046-132-00	1	Adjuster Clip (thread end)
21	DE 046-133-00	1	Adjuster Clip (barrel end)
26	DE 006-129-00	4	Brake Mounting Nut
27	DE 005-058-00	4	Lockwasher

Electric

Item	Part No.	Qty./Brk	Description
0	DE 023-192-00	1	LH Complete Brake Assembly
0	DE 023-193-00	1	RH Complete Brake Assembly
1	DE K71-049-00	1	LH Shoe & Lining Kit containing: 1 #040-110-01 LH Prim. Shoe & Lining 1 #040-111-02 LH Sec. Shoe & Lining 2 #005-107-00 Shoe Hold Down Washer 2 #006-127-00 Locknut
1	DE K71-050-00	1	RH Shoe & Lining Kit containing: 1 #040-111-01 RH Prim. Shoe & Lining 1 #040-110-02 RH Sec. Shoe & Lining 2 #005-107-00 Shoe Hold Down Washer 2 #006-127-00 Locknut
2	DE 036-050-03	1	Backing Plate Assembly
3	DE 046-071-00	1	Shoe Return Spring-Rear (black)
4	DE 046-083-00	1	Shoe Return Spring-Front (green)
5	DE 047-123-18	1	LH Actuating Arm Assembly
5	DE 047-123-17	1	RH Actuating Arm Assembly
6	DE 027-039-00	3	Wire Clips
7	DE 071-455-01	1	LH Arm/Shoe Retainer
7	DE 071-455-02	1	RH Arm/Shoe Retainer
8	DE 006-062-00	1	Flange Nut
9	DE K71-375-00	1	Magnet Kit containing: 1 #042-127-00 Magnet 1 #027-050-00 Magnet Retainer Clip 1 #046-117-00 Magnet Spring
10	DE 046-136-00	2	Centering Spring
14	DE 046-018-00	1	Adjuster Spring
15	DE 048-017-00	1	Adjuster Assembly
16	DE 036-115-20	1	Dust Shield
17	DE 007-097-00	4	Brake Mounting Bolt
19	DE 046-016-00	1	Wire Grommet
20	DE 046-132-00	1	Adjuster Clip (thread end)
21	DE 046-133-00	1	Adjuster Clip (barrel end)
25	DE 005-142-00	1	Washer
26	DE 006-129-00	4	Brake Mounting Nut
27	DE 005-058-00	4	Lockwasher



8,000 Lbs. Capacity
12¹/₄ x 3³/₈" 8K Hydraulic Brake FSA
ABS Parts Available



Hydraulic

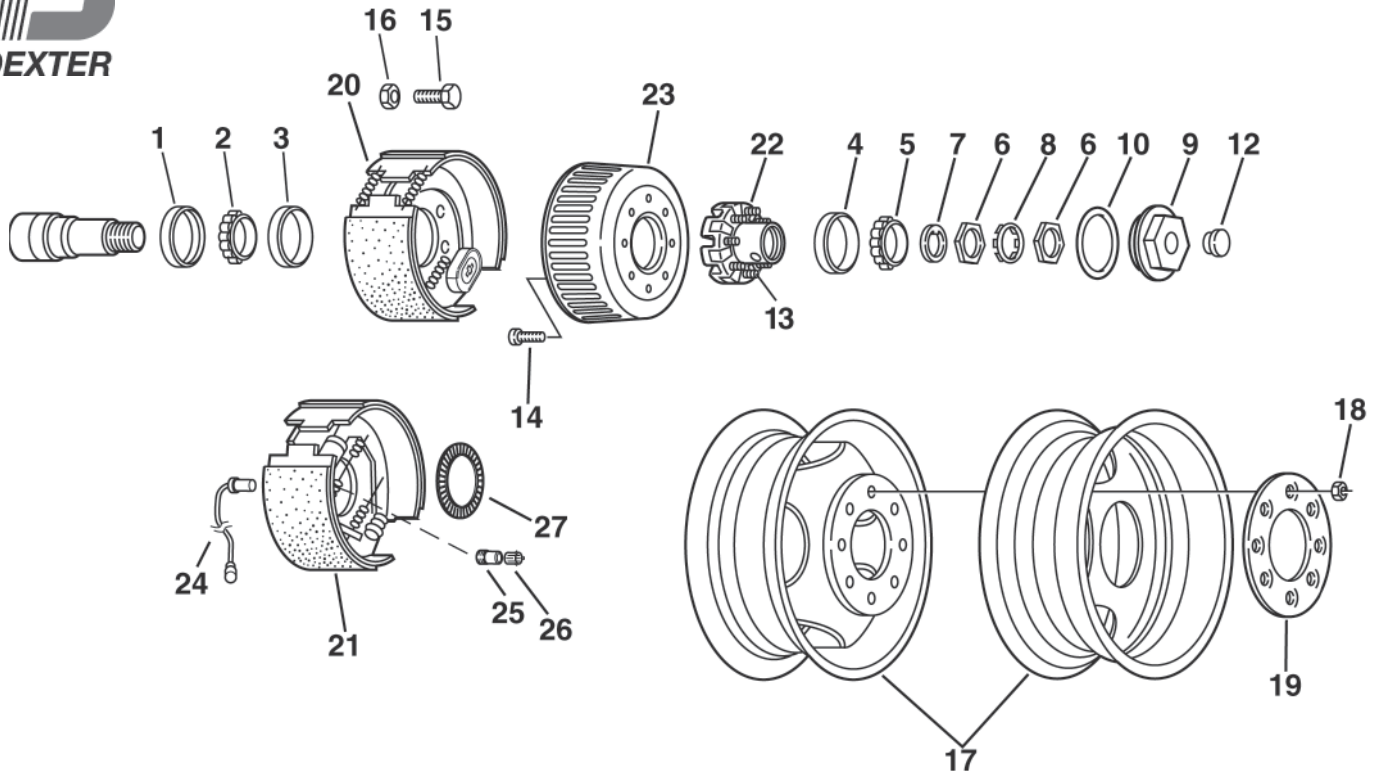
Item	Part No.	Qty./Brk	Description
0	DE 023-418-00	1	LH Complete Brake Assembly FSA US
0	DE 023-419-00	1	RH Complete Brake Assembly FSA US
0	DE 023-402-00	1	LH Complete Brake Assembly FSA DS
0	DE 023-403-00	1	RH Complete Brake Assembly FSA DS
1	DE 036-115-20	1	Dust Shield
2	DE 069-053-00	1	Retainer
3	DE K71-165-00	1	LH Shoe & Lining Kit containing: 1 #040-199-01 LH Prim. Shoe & Lining 1 #040-199-02 LH Sec. Shoe & Lining 2 #005-107-00 Shoe Hold Down Washer 2 #006-086-00 Locknut
3	DE K71-166-00	1	RH Shoe & Lining Kit containing: 1 #040-200-01 RH Prim. Shoe & Lining 1 #040-200-02 RH Sec. Shoe & Lining 2 #005-107-00 Shoe Hold Down Washer 2 #006-086-00 Locknut
4	DE 007-113-00	2	Shoe Hold Down Screw
5	DE 071-462-00	1	Adjuster Cable
6	DE K71-080-00	1	Wheel Cylinder Kit (1.00" Bore) containing: 1 #046-130-00 Spring (6A) 2 #054-032-00 Boot (6E) 2 #054-041-00 Piston (6D) 2 #054-085-00 Cup (6C) 21 #054-035-00 Bleeder Screw (6B)
7	DE 054-033-00	1 or 2	Cylinder Push Rod US (1) DS (2)
8	DE 036-064-04	1	LH Spider Assembly US
8	DE 036-064-05	1	RH Spider Assembly US
8	DE 036-064-03	1	Spider Assembly (contains #4, 6, & 7) DS
9	DE 036-115-20	1	Dust Shield
17	DE 046-087-00	1	Retractor Spring
10	DE 071-464-00	1	LH Adjuster Lever
10	DE 071-463-00	1	RH Adjuster Lever
11	DE 046-135-00	1	LH Adjuster Spring
11	DE 046-134-00	1	RH Adjuster Spring
12	DE 071-456-00	1	Cable Attachment Bracket
13	DE 046-131-01	1	Extension Spring
15	DE 048-019-00	1	LH Adjuster Assembly
15	DE 048-020-00	1	RH Adjuster Assembly
16	DE 007-097-00	4	Brake Mounting Bolt
18	DE 034-062-00	1	Piston Stop
19	DE 046-132-00	1	Adjuster clip (thread end)
20	DE 046-133-00	1	Adjuster clip (barrel end)
26	DE 006-129-00	4	Brake Mounting Nut
27	DE 005-058-00	4	Lockwasher
ns	DE 054-034-00	1	Insert Seat

**Hydraulic - Corrosion Resistant
 Duo-Servo Only**

Item	Part No.	Qty./Brk	Description
0	DE 023-421-00	1	RH Complete Brake Assembly FSA
0	DE 023-420-00	1	LH Complete Brake Assembly FSA
1	DE 036-115-20	1	Dust Shield
2	DE 069-053-00	1	Retainer
3	DE K71-437-00	1	LH Shoe & Lining Kit containing: 1 #040-199-05 LH Prim. Shoe & Lining 1 #040-199-06 LH Sec. Shoe & Lining 2 #005-107-02 Shoe Hold Down Washer 2 #006-086-00 Locknut
3	DE K71-438-00	1	RH Shoe & Lining Kit containing: 1 #040-200-05 RH Prim. Shoe & Lining 1 #040-200-06 RH Sec. Shoe & Lining 2 #005-107-02 Shoe Hold Down Washer 2 #006-086-00 Locknut
4	DE 007-113-01	2	Shoe Hold Down Screw
5	DE 071-462-00	1	Adjuster Cable
6A	DE 046-130-00	1	Spring
6B	DE 054-035-00	1	Bleeder Screw
6C	DE 054-085-00	2	Cup
6D	DE 054-083-00	2	Piston
6E	DE 054-032-00	2	Boot
7	DE 054-033-00	2	Cylinder Push Rod
8	DE 036-064-13	1	Spider Assembly (contains #4,6&7) DS
9	DE 046-087-01	1	Retractor Spring
10	DE 071-464-00	1	LH Adjuster Lever
10	DE 071-463-00	1	RH Adjuster Lever
11	DE 046-135-01	1	LH Adjuster Spring
11	DE 046-134-01	1	RH Adjuster Spring
12	DE 071-456-00	1	Cable Attachment Bracket
13	DE 046-131-02	1	Extension Spring
15	DE 048-019-00	1	LH Adjuster Assembly
15	DE 048-020-00	1	RH Adjuster Assembly
16	DE 007-097-02	1	Piston Stop
19	DE 046-132-00	1	Adjuster Clip (thread end)
20	DE 046-133-00	1	Adjuster Clip (barrel end)
26	DE 006-129-00	4	Brake Mounting Nut
27	DE 005-058-00	4	Lockwasher
ns	DE 054-034-00	1	Insert Seat

ns-not shown

9K and 10K General Duty Hub Groups



STANDARD OIL LUBE PARTS

Item	Part No.	Description
1	DE 010-051-00	Oil Seal
2	TB 387A	Inner Bearing Cone
3	TB 382A	Inner Bearing Cup
4	TB 25520	Outer Bearing Cup
5	TB 25580	Outer Bearing Cone
6	DE 006-096-00	Spindle Nut (2)
7	DE 005-070-00	Spindle Washer
8	DE 005-071-00	Tang Washer
9	DE 021-036-00	Oil Cap
10	DE 010-050-00	'O' Ring
12	DE 046-032-00	Oil Cap Plug
13	DE 007-115-00	5/8" - 18 Wheel Stud
14	DE 007-245-00	Drum Mounting Screw
15	DE 007-116-00	Brake Mounting Bolt
16	DE 006-017-00	Brake Mounting Nut
ns	DE 005-008-00	Lockwasher

12 1/4 x 3 8/16 BRAKES

Item	Part No.	Description
20	DE 023-450-00/023-451-00	LH/RH Electric, FSA
21	DE 023-410-00/023-411-00	LH/RH Hydraulic, FSA, Duo-Servo
21	DE 023-210-00/023-211-00	LH/RH Hydraulic, RSA, Duo-Servo w/park
ns	DE 023-412-00/023-413-00	LH/RH Hydraulic, FSA, Single-Servo
ns	DE 023-234-00/023-235-00	LH/RH Hydraulic, Manual Adjust Single-Servo w/park

ABS COMPONENTS

Item	Part No.	Description
24	DE 097-004-00	Sensor, straight
25	DE 024-204-00	Sensor Block
26	DE 097-002-00	Sensor Clip
27	DE 024-203-00	Tone Ring

HUB & DRUM

Item	Part No.	Description
22	DE 008-288-03	Oil Hub w/cups and studs
23	DE 009-044-01	Drum - machined
ns	DE 009-044-03	Drum - for ABS
ns	DE 008-288-05	Oil Hub and Drum w/cups and studs

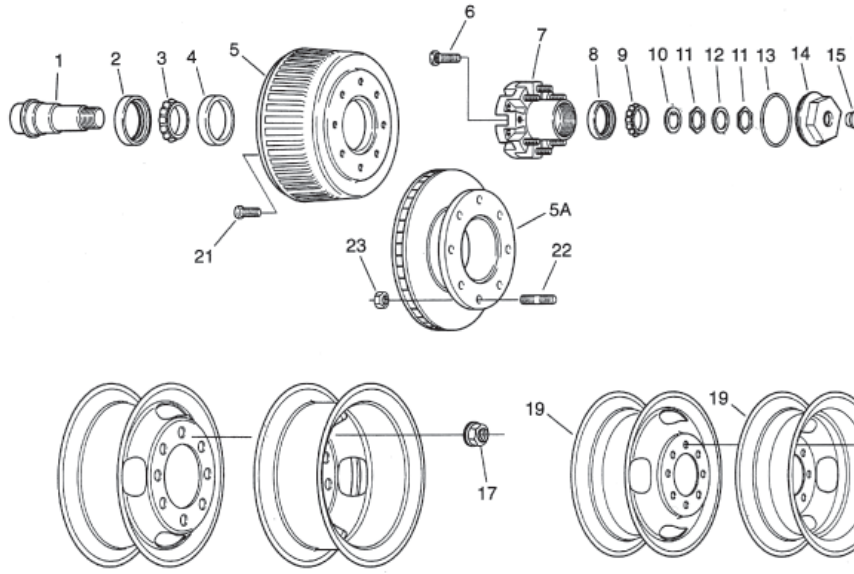
ns - not shown

STUDS AND WHEEL NUTS

Item	Part No.	Description	Nut Torque
18*	DE 006-109-00	5/8"-18 90° Cone Nut	200 lbs.-ft
19*	DE 033-052-01	Clamp Ring	
ns	DE 006-058-00	5/8"-18 90° Flange Nut	300 lbs.-ft
13	DE 007-115-00	5/8"-18 Press-in Stud	

* Must use the 90° cone nut with the clamp ring. Alternate fastener is just the flange nut.

Heavy Duty 10K, 12K, and 15K Hub Groups



Note: Wheels with 8 on 275 mm bolt pattern are not available from Dexter Axle.

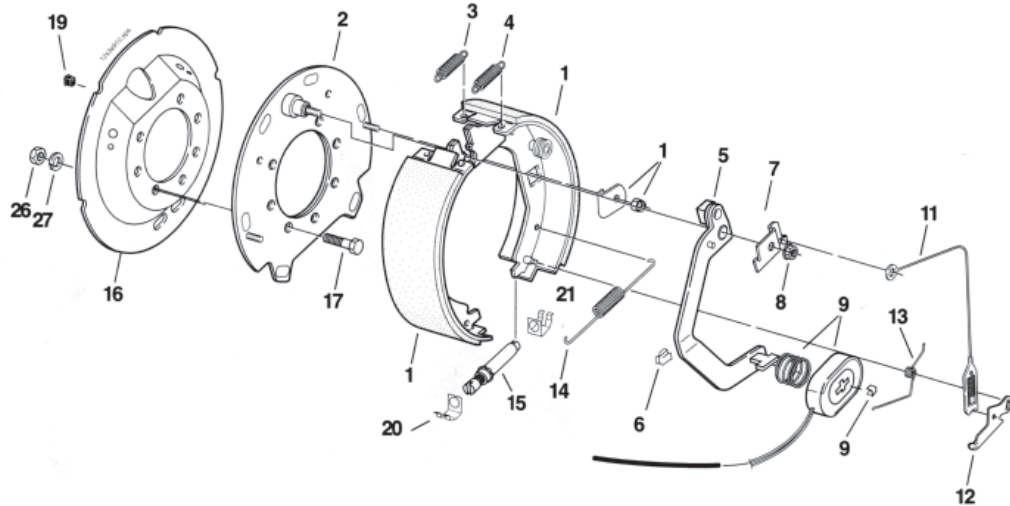
Item	Description	10K	10K	12K	12K	12K	15K
		8 on 6.50	Disk 8 on 6.50	Low-Profile 8 on 6.50	Hi-Profile 8 on 6.50	Disk 8 on 6.50	8 on 275 mm
2	Unitized Oil Seal	010-056-00	010-056-00	010-056-00	010-056-00	010-056-00	010-056-00
3	Inner Bearing Cone	031-022-02 (395S)	031-022-02 (395S)	031-020-02 (3984)	031-020-02 (3984)	031-020-02 (3984)	031-020-02 (3984)
4	Inner Bearing Cone	031-022-01 (394A)	031-022-01 (394A)	031-020-01 (3920)	031-020-01 (3920)	031-020-01 (3920)	031-020-01 (3920)
5	Brake Drum	009-027-01	-	009-028-01	009-028-01	-	009-028-01
5	Brake Drum-ABS	009-027-03	-	009-028-05	009-028-05	-	009-028-05
5A	Brake Drum Rotor	-	070-006-01	-	-	007-006-01	-
5A	Brake Drum Rotor-ABS	-	070-006-02	-	-	070-006-02	-
6	Wheel Mtg. Stud	007-115-00	007-115-00	007-115-00	007-115-00	007-115-00	007-194-00 (std) 007-195-00 (long)
7	Hubs w/Cups & Studs	008-214-05	008-214-06	008-216-08	008-214-08	008-214-10	008-401-05 (standard stud) 008-401-06 (long stud)
8	Outer Bearing Cup	031-019-01 (382A)	031-019-01 (382A)	031-021-01 (28622)	031-021-01 (28622)	031-021-01 (28622)	031-021-01 (28662)
9	Outer Bearing Cone	031-019-02 (387A)	031-019-02 (387A)	031-021-02 (28682)	031-021-02 (28682)	031-021-02 (28682)	031-021-02 (28682)
10	Spindle Washer	005-060-00	005-060-00	005-060-00	005-060-00	005-060-00	005-060-00
11	Spindle Nut	006-084-00	006-084-00	006-084-00	006-084-00	006-084-00	006-084-00
12	Tang Washer	005-059-00	005-059-00	005-059-00	005-059-00	005-059-00	005-059-00
13	Oil Cap "O" Ring	010-056-00	010-056-00	010-056-00	010-056-00	010-056-00	010-050-00
14	Oil Cap	021-036-00	021-036-00	021-036-00	021-036-00	021-036-00	021-036-00
15	Oil Cap Plug	046-032-00	046-032-00	046-032-00	046-032-00	046-032-00	046-032-00
16	Wheel Clamp Ring	033-052-01	033-052-01	033-052-01	033-052-01	033-052-01	-
	Wheel Nut	006-109-00	006-109-00	006-109-00	006-109-00	006-109-00	-
17	Flange Nut (swivel)	-	-	-	-	-	006-118-00
19	14.5 x 7.00 MH Dual	-	-	017-186-00	-	-	-
19	16 x 6K Dual	017-279-00	017-279-00	-	017-279-00	017-279-00	-
19	16.5 x 6.75 Dual	017-157-00	017-157-00	017-157-00	017-157-00	-	-
ns	17.5 x 8.25 HC Single	017-176-00	017-176-00	017-176-00	017-176-00	-	-
ns	17.5 x 6.75 HC Single	017-298-00	017-298-00	-	017-298-00	-	-
21	Drum Mounting Screw	007-244-00	-	007-244-00	007-244-00	-	007-244-00
22	Rotor Mounting Stud	-	025-014-00	-	-	025-014-00	-
23	Rotor Mounting Nut	-	006-046-00	-	-	006-046-00	-

DEXTER AXLE

9K GD, 10K GD, 10KHD, 12K and 15K Electric Brake Parts

Stamped Backing Plate

(brakes manufactured prior to April 2000 use the stamped backing plate)



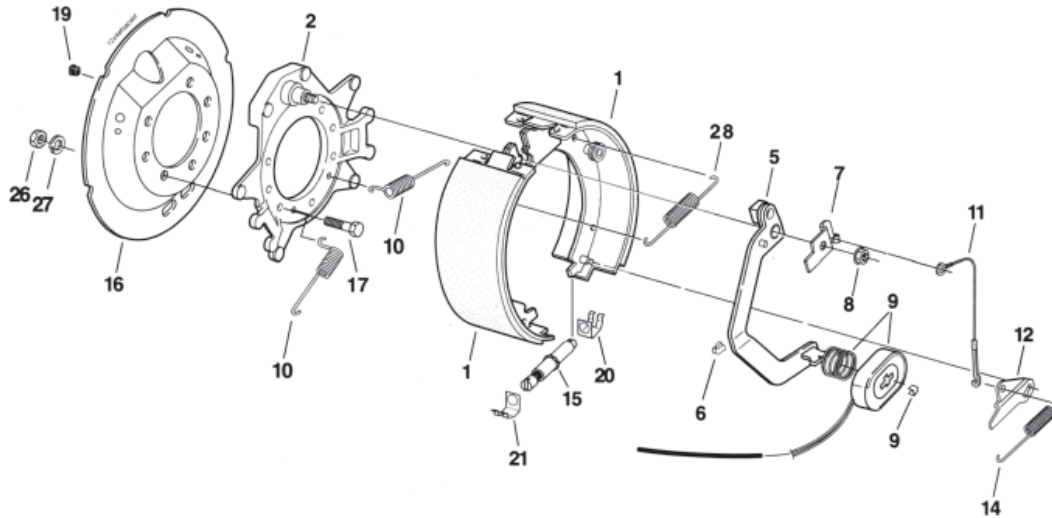
Item	Description	Quantity Per Brake	12 ¹ / ₄ X 3 ³ / ₈ 9K & 10K GD Part No.	12 ¹ / ₄ X 4 10K Part No.	12 ¹ / ₄ X 5 12K Part No.	12 ¹ / ₄ X 5 15K Part No.
1	LH Shoe & Lining Kit containing:	1	DE K71-049-00	DE K71-051-00	DE K71-053-00	DE K71-053-00
	LH Primary	1	DE040-110-01	040-108-01	040-102-01	040-102-01
	LH Secondary	1	DE040-111-02	040-109-02	040-103-02	040-103-02
	Shoe Hold Down Washer	2	DE005-107-00	005-107-00	005-107-00	005-107-00
	Locknut	2	DE006-127-00	006-127-00	006-127-00	006-127-00
1	RH Shoe & Lining Kit containing:	1	DE K71-050-00	DE K71-052-00	DE K71-054-00	DE K71-054-00
	RH Primary	1	040-111-01	040-109-01	040-103-01	040-103-01
	RH Secondary	1	040-110-02	040-108-02	040-102-02	040-102-02
	Shoe Hold Down Washer	2	005-107-00	005-107-00	005-107-00	005-107-00
	Locknut	2	006-127-00	006-127-00	006-127-00	006-127-00
2	Backing Plate Assembly	1	DE 036-072-05	DE 036-072-05	DE 036-072-06	DE 036-072-06
3	Shoe Return Spring (Rear-Black)	1	DE 046-071-00	DE 046-071-00	DE 046-071-00	DE 046-071-00
4	Shoe Return Spring (Front-Green)	1	DE 046-083-00	DE 046-083-00	DE 046-083-00	DE 046-083-00
5	LH Actuating Arm Assembly	1	DE 047-123-38	DE 047-123-38	DE 047-123-36	DE 047-123-36
	RH Actuating Arm Assembly	1	DE 047-123-37	DE 047-123-37	DE 047-123-35	DE 047-123-35
6	Wire Clip	3	DE 027-039-00	DE 027-039-00	DE 027-039-00	DE 027-039-00
7	LH Arm/Shoe Retainer	1	DE 071-455-01	DE 071-455-01	DE 071-455-01	DE 071-455-01
	RH Arm/Shoe Retainer	1	DE 071-455-02	DE 071-455-02	DE 071-455-02	DE 071-455-02
8	Flange Nut	1	DE 006-062-00	DE 006-062-00	DE 006-062-00	DE 006-062-00
9	Magnet Kit containing:	1	DE K71-376-00	DE K71-376-00	DE K71-377-00	DE K71-378-00
	Magnet Retainer Clip	1	027-050-00	027-050-00	027-050-00	027-050-00
	Magnet Assembly	1	042-129-00	042-129-00	042-130-00	042-131-00
	Magnet Mtg. Spring	1	046-117-00	046-117-00	046-117-00	046-117-00
11	Adjuster Cable	1	DE 071-020-00	DE 071-020-00	DE 071-020-00	DE 071-020-00
12	LH Adjuster Lever	1	DE 071-019-01	DE 071-019-01	DE 071-019-01	DE 071-019-01
	RH Adjuster Lever	1	DE 071-019-02	DE 071-019-02	DE 071-019-02	DE 071-019-02
13	LH Adjuster Lever Spring	1	DE 046-073-00	DE 046-073-00	DE 046-073-00	DE 046-073-00
	RH Adjuster Lever Spring	1	DE 046-074-00	DE 046-074-00	DE 046-074-00	DE 046-074-00
14	Adjuster Spring	1	DE 046-072-00	DE 046-072-00	DE 046-072-00	DE 046-072-00
15	LH Adjuster Assembly	1	DE 048-009-00	DE 048-009-00	DE 048-009-00	DE 048-009-00
	RH Adjuster Assembly	1	DE 048-010-00	DE 048-010-00	DE 048-010-00	DE 048-010-00
16	Dust Shield Kit	1	DE 036-115-21	DE 036-115-22	DE 036-115-23	DE 036-115-23
17	Brake Mounting Screw	7	DE 007-116-00	DE 007-116-00	DE 007-116-00	DE 007-116-00
19	Wire Grommet	1	DE 046-016-00	DE 046-016-00	DE 046-016-00	DE 046-016-00
20	Adjuster Clip (Thread End)	1	DE 046-132-00	DE 046-132-00	DE 046-132-00	DE 046-132-00
21	Adjuster Clip (Barrel End)	1	DE 046-133-00	DE 046-133-00	DE 046-133-00	DE 046-133-00
26	Brake Mounting Nut	7	DE 006-017-00	DE 006-017-00	DE 006-017-00	DE 006-017-00
27	Brake Mounting Lockwasher	7	DE 005-008-00	DE 005-008-00	DE 005-008-00	DE 005-008-00

DEXTER AXLE

9K GD, 10K GD, 10KHD, 12K and 15K Electric Brake Parts

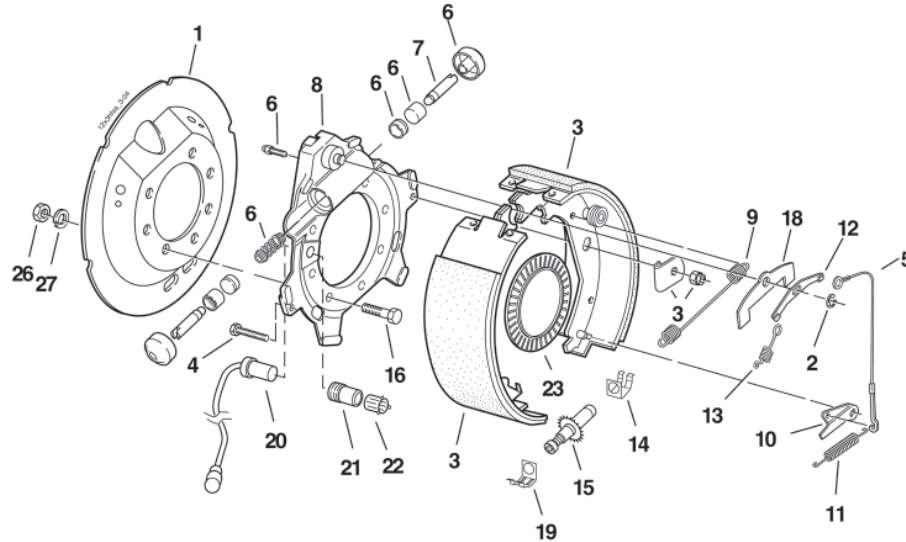
Cast Backing Plate

(brakes manufactured after April 2000 use the cast backing plate)



Item	Description	Quantity Per Brake	12 ¹ / ₄ X 3 ³ / ₈	12 ¹ / ₄ X 4	12 ¹ / ₄ X 5	12 ¹ / ₄ X 5
			9K & 10K GD Part No.	10K Part No.	12K Part No.	15K Part No.
1	LH Shoe & Lining Kit containing: LH Primary LH Secondary	1 1 1	DE K71-499-00 040-351-01 040-350-02	DE K71-501-00 040-352-01 040-353-02	DE K71-503-00 040-354-01 040-355-02	DE K71-503-00 040-354-01 040-355-02
1	RH Shoe & Lining Kit containing: RH Primary RH Secondary	1 1 1	DE K71-498-00 040-350-01 040-351-02	DE K71-500-00 040-353-01 040-352-02	DE K71-502-00 040-355-01 040-354-02	DE K71-502-00 040-355-01 040-354-02
2	Backing Plate Assembly	1	DE 036-120-02	DE 036-120-02	DE 036-120-02	DE 036-120-02
5	LH Actuator Arm Assembly RH Actuator Arm Assembly	1 1	DE 047-123-38 DE 047-123-37	DE 047-123-38 DE 047-123-37	DE 047-123-36 DE 047-123-35	DE 047-123-36 DE 047-123-35
6	Wire Clip	3	DE 027-039-00	DE 027-039-00	DE 027-039-00	DE 027-039-00
7	LH Arm/Shoe Retainer RH Arm/Shoe Retainer	1 1	DE 071-455-01 DE 071-455-02	DE 071-455-01 DE 071-455-02	DE 071-455-01 DE 071-455-02	DE 071-455-01 DE 071-455-02
8	Flange Nut	1	DE 006-182-00	DE 006-182-00	DE 006-182-00	DE 006-182-00
9	Magnet Kit containing: Magnet Retainer Clip Magnet Assembly Magnet Mtg. Spring	1 1 1 1	DE K71-376-00 027-050-00 042-129-00 046-117-00	DE K71-376-00 027-050-00 042-129-00 046-117-00	DE K71-377-00 027-050-00 042-130-00 046-117-00	DE K71-378-00 027-050-00 042-131-00 046-117-00
10	Centering Spring	2	DE 046-136-00	DE 046-136-00	DE 046-136-00	DE 046-136-00
11	Adjuster Cable	1	DE 071-462-00	DE 071-462-00	DE 071-462-00	DE 071-462-00
12	LH Adjuster Lever RH Adjuster Lever	1 1	DE 071-464-00 DE 071-462-00	DE 071-464-00 DE 071-463-00	DE 071-464-00 DE 071-463-00	DE 071-464-00 DE 071-463-00
14	Return Spring	1	DE 046-119-00	DE 046-119-00	DE 046-119-00	DE 046-119-00
15	LH Adjuster Assembly RH Adjuster Assembly	1 1	DE 048-019-00 DE 048-020-00	DE 048-019-00 DE 048-020-00	DE 048-019-00 DE 048-020-00	DE 048-019-00 DE 048-020-00
16	Dust Shield	1	DE 036-115-21	DE 036-115-22	DE 036-115-23	DE 036-115-23
17	Brake Mounting Screw	7	DE 007-116-00	DE 007-116-00	DE 007-116-00	DE 007-116-00
19	Wire Grommet	1	DE 046-016-00	DE 046-016-00	DE 046-016-00	DE 046-016-00
20	Adjuster Clip (Thread End)	1	DE 046-132-00	DE 046-132-00	DE 046-132-00	DE 046-132-00
21	Adjuster Clip (Barrel End)	1	DE 046-133-00	DE 046-133-00	DE 046-133-00	DE 046-133-00
26	Brake Mounting Nut	7	DE 006-017-00	DE 006-017-00	DE 006-017-11	DE 006-017-00
27	Brake Mounting Lockwasher	7	DE 005-008-00	DE 005-008-00	DE 005-008-00	DE 005-008-00

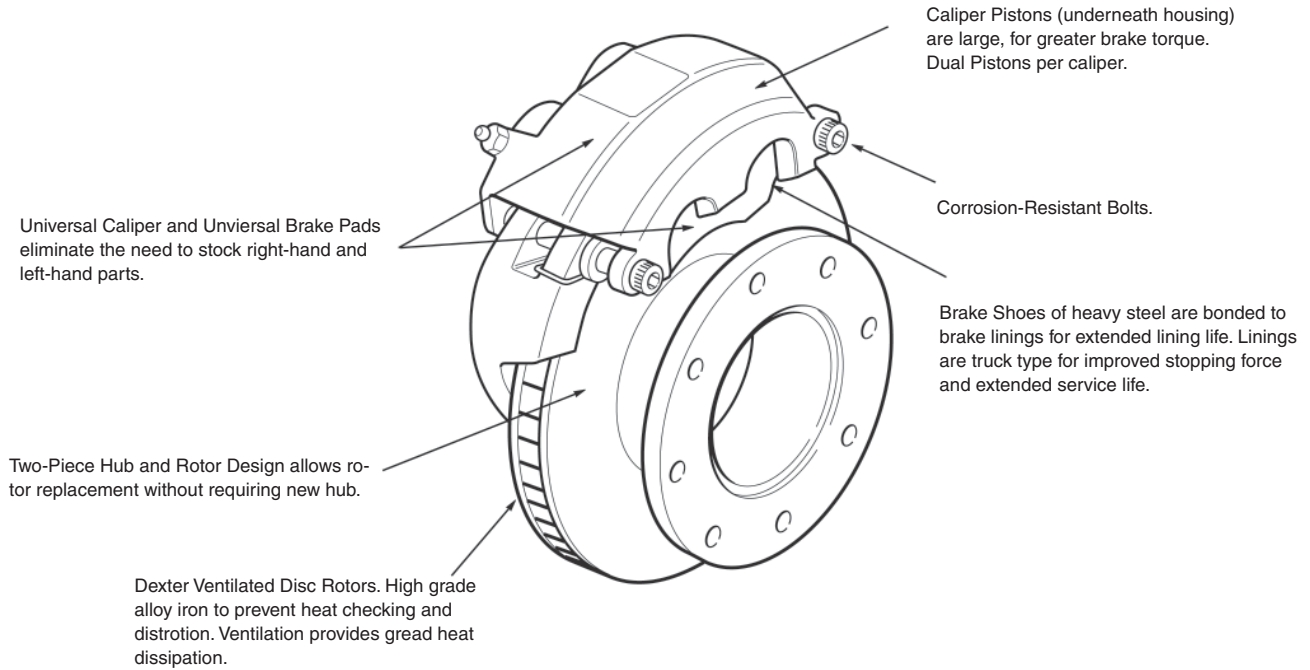
DEXTER AXLE 9K, 10K, 10KHD, 12K and 15K Hydraulic Brake Parts



Item	Description	Quantity Per Brake	12 ¹ / ₄ X 3 ³ / ₈ 9K & 10K GD Part No.	12 ¹ / ₄ X 4 10K Part No.	12 ¹ / ₄ X 5 12K Part No.	12 ¹ / ₄ X 5 15K Part No.
1	Dust Cover	1	DE 036-115-21	DE 036-115-22	DE 036-115-23	DE 036-115-23
2	Retainer	1	DE 069-053-00	DE 069-053-00	DE 069-053-00	DE 069-053-00
3	LH Shoe & Lining Kit containing:	1	DE K71-165-00	DE K71-167-00	DE K71-169-00	DE K71-169-00
	LH Primary S&L	1	040-199-01	040-197-01	040-195-01	040-195-01
	LH Secondary S&L	1	040-199-02	040-197-02	040-195-02	040-195-02
	Holddown Washer	2	005-107-00	005-107-00	005-107-00	005-107-00
	Holddown Locknut	2	006-086-00	006-086-00	006-086-00	006-086-00
3	RH Shoe & Lining Kit containing:	1	DE K71-166-00	DE K71-168-00	DE K71-170-00	DE K71-170-00
	RH Primary S&L	1	040-200-01	040-198-01	040-196-01	040-196-01
	RH Secondary S&L	1	040-200-02	040-198-02	040-196-02	040-196-02
	Holddown Washer	2	005-107-00	005-107-00	005-107-00	005-107-00
	Holddown Locknut	2	006-086-00	006-086-00	006-086-00	006-086-00
4	Shoe Holddown Screw	2	DE 007-113-00	DE 007-113-00	DE 007-113-00	DE 007-113-00
5	Adjuster Cable	1	DE 071-462-00	DE 071-462-00	DE 071-462-00	DE 071-462-00
6	Wheel Cylinder Kit containing:	1	DE K71-081-00	DE K71-081-00	DE K71-081-00	DE K71-082-00
	Cylinder Spring	1	046-128-00	046-128-00	046-128-00	046-129-00
	Cylinder Boot	2	054-032-00	054-032-00	054-032-00	054-032-00
	Cylinder Piston	2	054-038-00	054-038-00	054-038-00	054-030-00
	Cylinder Cup	2	054-086-00	054-086-00	054-086-00	054-087-00
	Bleeder Screw	1	054-035-00	054-035-00	054-035-00	054-035-00
7	Cylinder Push Rod	2	DE 054-033-00	DE 054-033-00	DE 054-033-00	DE 054-033-00
8	Spider Assembly	1	DE 036-063-06	DE 036-063-06	DE 036-063-06	DE 036-063-04
9	Retractor Spring	1	DE 046-087-00	DE 046-087-00	DE 046-087-00	DE 046-087-00
10	LH Adjuster Lever	1	DE 071-464-00	DE 071-464-00	DE 071-464-00	DE 071-464-00
	RH Adjuster Lever	1	DE 071-463-00	DE 071-463-00	DE 071-463-00	DE 071-463-00
11	LH Adjuster Lever Spring	1	DE 046-135-00	DE 046-135-00	DE 046-135-00	DE 046-135-00
	RH Adjuster Lever Spring	1	DE 046-134-00	DE 046-134-00	DE 046-134-00	DE 046-134-00
12	Cable Attachment Bracket FSA	1	DE 071-456-00	DE 071-456-00	DE 071-456-00	DE 071-456-00
13	Extension Spring	1	DE 046-131-01	DE 046-131-01	DE 046-131-01	DE 046-131-01
14	Adjuster Clip (Barrel End)	1	DE 046-133-00	DE 046-133-00	DE 046-133-00	DE 046-133-00
15	LH Adjuster Assembly	1	DE 048-019-00	DE 048-019-00	DE 048-019-00	DE 048-019-00
	RH Adjuster Assembly	1	DE 048-020-00	DE 048-020-00	DE 048-020-00	DE 048-020-00
16	Brake Mounting Bolt	7	DE 007-116-00	DE 007-116-00	DE 007-116-00	DE 007-116-00
18	Piston Stop	1	DE 034-062-00	DE 034-062-00	DE 034-062-00	DE 034-062-00
19	Adjuster Clip (Thread End)	1	DE 046-132-00	DE 046-132-00	DE 046-132-00	DE 046-132-00
26	Brake Mounting Nut	7	DE 006-017-00	DE 006-017-00	DE 006-017-00	DE 006-017-00
27	Lockwasher	7	DE 005-008-00	DE 005-008-00	DE 005-008-00	DE 005-008-00
<i>Optional ABS parts</i>						
20	ABS Sensor (straight)	1	DE 097-004-00	DE 097-004-00	DE 097-004-00	DE 097-004-00
21	ABS Sensor Mounting Block	1	DE 024-204-00	DE 024-204-00	DE 024-204-00	DE 024-204-00
22	ABS Sensor Retaining Clip	1	DE 097-002-00	DE 097-002-00	DE 097-002-00	DE 097-002-00
23	ABS Tone Ring in Drum	1	DE 024-203-00	DE 024-203-00	DE 024-203-00	DE 024-203-00

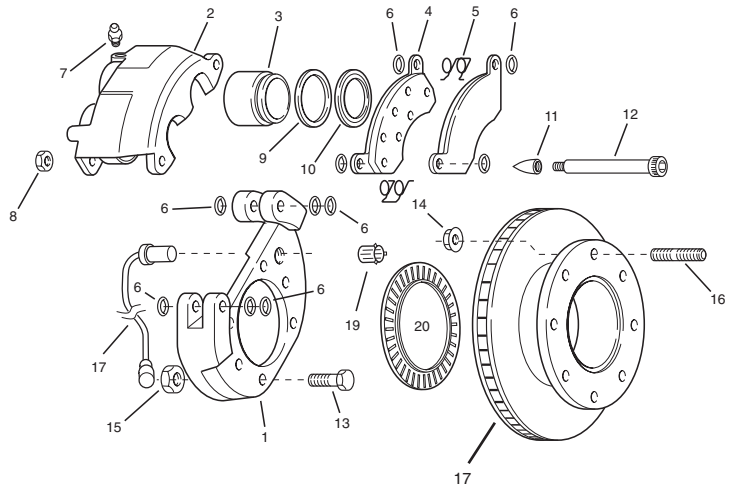
DEXTER AXLE

10,000 and 12,000 lb. Hydraulic Disc Brake



Hydraulic Disc Brake Parts

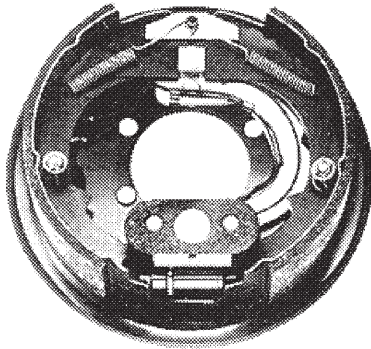
Item	Description	Qty/Brake	10K, 12K
1	Anchor Yoke Assembly (includes item #6)	1	DE 090-002-02
2	Caliper Assembly (includes items #6, 3, 9, 10)	1	DE 089-002-02
3	Caliper Piston	2	DE 054-066-00
12	Shoulder Screw 5/8 x 5	2	DE 007-186-00
13	Hex Screw 7/8-20 x1.75	7	DE 007-116-00
14	Flange Nut	8	DE 006-046-00
15	Hex Nut 7/16-20	7	DE 006-017-00
16	Rotor Mounting Stud	8	DE 025-014-00
17	ABS Sensor (straight)	1	DE 097-004-00
19	ABS Sensor Retaining Clip	1	DE 097-002-00
20	ABS Tone Ring	1	DE 024-203-00
Caliper Repair Kit contains:		1	DE K71-181-00
6	"O" Ring	4	010-062-00
7	Bleeder Screw	1	054-069-00
9	Caliper Seal	2	054-067-00
10	Dust Boot	2	054-068-00
Disc Brake Replacement Pad Kit contains:		1	DE K71-180-00
4	Brake Pad	4	091-003-00
5	Anti-Rattle Spring	4	046-105-00
8	Hex Locknut	4	006-125-00
11	Installation Tool	1	071-182-00



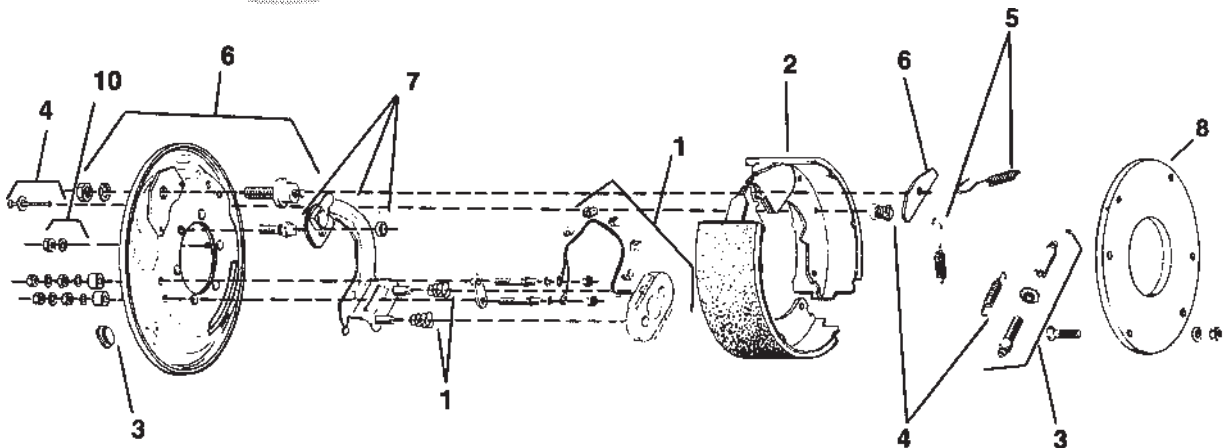
Recommend hose with banjo fitting
7/16-20 threaded hole for fitting

Warner

12¹/₄" x 3¹/₂" Electric Brake Service Parts



- WB 130110 RH & LH Brakes with armature plate and attaching parts.
- WB 130112 RH Brake Assembly
- WB 130113 LH Brake Assembly
- HA 92406 Armature plate



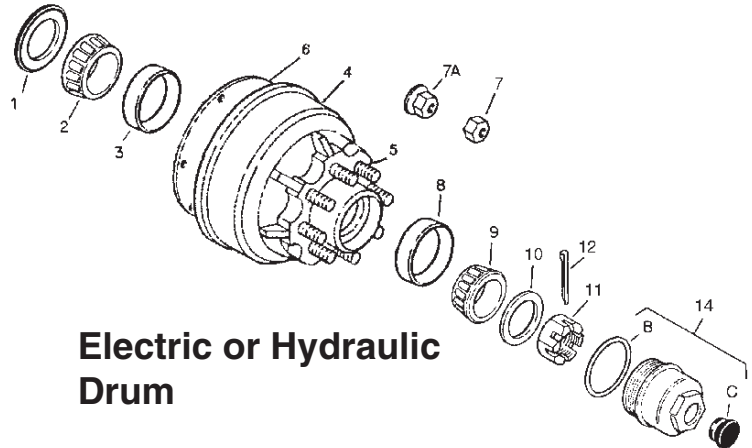
WARNER ELECTRIC

Item No.	Description	Warner Electric Part No.	Kit Consist of:	No. of Brakes Serviced
1	Magnet Kit Magnet Wire Retaining Clips Magnet Spring "X" Washer Retainer	1301-100-014	1-Magnet 5-Wire Retaining Clips 2-Springs 2-"X" Washer Retainers	1
2	Shoe and Lining/Shoe Hold Down Spring Kit Shoe Assembly Hold Down Springs Hold Down Pins Hold Down Spring Cup Spherical Washer	1301-100-005	2-Shoe Assemblies 2-Hold Down Springs 2-Hold Down Pins 4-Hold Down Spring Cups 2-Spherical Washers 2-"X" Washer Retainers	1
3	Adjuster/Adjuster Spring Kit Adjuster Sleeve Screw Nut Adjuster Plug Adjuster Spring "X" Washer Retainer	1301-100-006	1-Adjuster Assemblies 1-Adjuster Plug 1-Adjuster Spring 2-"X" Washer Retainers	1
4	Hold Down Kit Magnet	1301-100-007	2-Hold Down Springs 2-Hold Down Pins 2-Rubber Washers	1

Item No.	Description	Warner Electric Part No.	Kit Consist of:	No. of Brakes Serviced
5	Shoe Return Spring Kit Shoe Return Spring Anchor Pin Plate "X" Washer Retainer	1301-100-008	2-Shoe Return Springs 1-Anchor Pin Plate 2-"X" Washer Retainers	1
6	Lever Arm R.H. or Lever Arm, L.H. Kit Lever Arm Pivot Screw "X" Washer Retainer	1301-100-015 1301-100-016	1-Lever Arm 1-Pivot Screws 1-Pivot Bearing 2-"X" Washer Retainers	1
7	Terminal Assembly Kit Internal Nut Internal Washer Terminal Post Terminal External Washers External Nut Flat Washer Hole Plug "X" Washer Retainer	1301-100-017	2-Internal Nuts 2-Internal Washers 2-Terminal Posts 1-Terminal 4-External Washers 4-External Nuts 2-Flat Washers 2-Hole Plugs 2-"X" Washer Retainers	1
8	Armature Plate	HA 568261	2-Armature Plates	2

**Hayes-Alko Axle 12¹/₄" x 3¹/₂" Hub & Drum Service Parts
10,000 "General Duty" 99 Spindle**

Ref. #	Part No.	Description
1	CR 27438	Seal
2	TB 28580	Inner Bearing Cone
3	TB 28521	Inner Cup
*4	HA 568270	Hub/Drum Ass'y., Flat Face
**4	HA 568704	Hub/Drum Ass'y., Coin In-Out
5	HA 9251513	Stud, 5/8 x 3 ¹ / ₄ "
6	HA 568261	Armature Plate
**7	BA W590	Dual Wheel Nut - Flanged
*7A	HA 568216	Dual Wheel Nut - Swiveling Flange
8	TB 25520	Outer Cup
9	TB 25580	Bearing, Outer Cone
10	HA 568136	Spindle Washer
11	HA 568135	Spindle Nut
12	HA 568137	Cotter Pin
14	HA K568220	Oil Cap Ass'y.
14B	HA 568222	O-Ring
14C	HA 568223	Plug

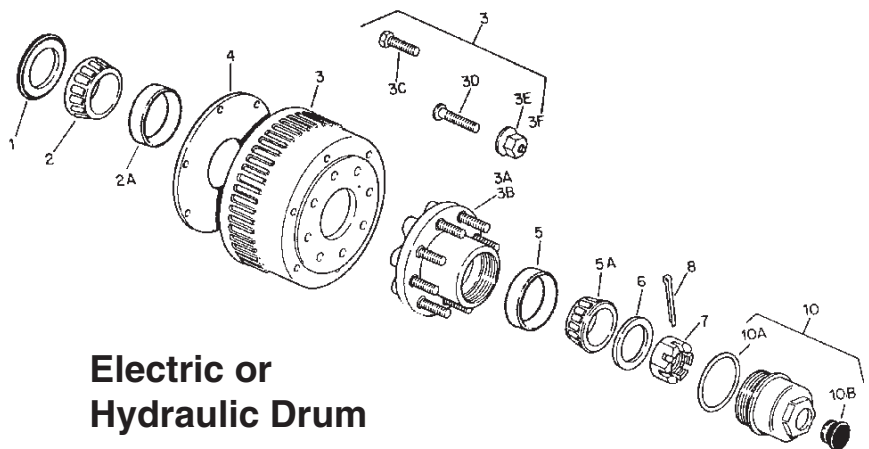


Electric or Hydraulic Drum

* Used with Flat Face Wheels
** Used with Coin In-Out Wheel (Replacements Only)

**Hayes-Alko Axle 12¹/₄" x 3¹/₂" Hub & Drum Service Parts
10,000 "Heavy Duty" 120 Spindle**

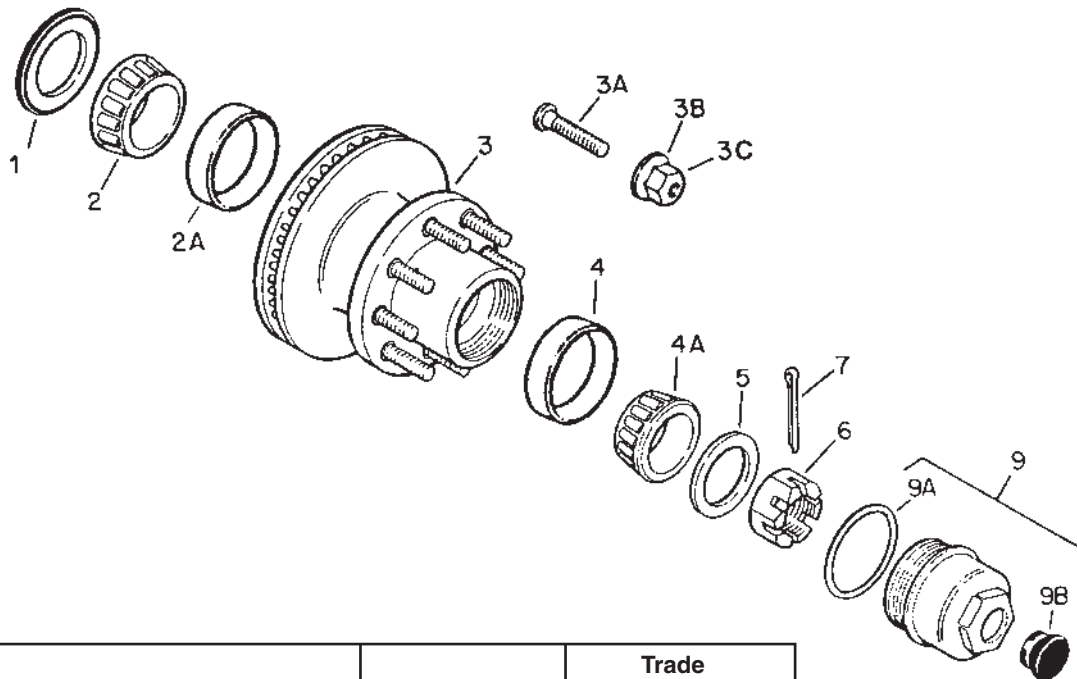
Description	Part No.	
1	Oil-Unitized Seal	DE 010-056-00
2	Inner Bearing	TB JM511946
2a	Inner Cup	TB JM511910
3	Drum	HA 90904
3a	Hub, Coin In-out	HA 90884
3b	Hub, Flat Face	HA 568215
3c	Cap Screw 1/2"	HA 568262
3d	Stud 5/8"	HA 363910
3e	Flanged Nut	BA W590
3f	Swiveling Flange Nut	HA 568216
4	Armature	HA 568261
5	Outer Cup	TB JM205110
5a	Outer Cone	TB JM205149
6	Spindle Washer	HA 568136
7	Spindle Nut	HA 568135
8	Cotter Pin	HA 568137
10	Oil Cap Ass'y.	HA K568220
10a	O-Ring	HA-568222
10b	Plug	HA-568223



Electric or Hydraulic Drum

*ITEM 3e - Flanged nut used with dual wheels @ 300 + 25 ft. lbs. torque
- 90° cone nut used with single wheel @ 200 + 15 ft. lbs. torque

Hayes-Alko Axle Hydraulic Disc Brake Hub & Rotor Service Parts



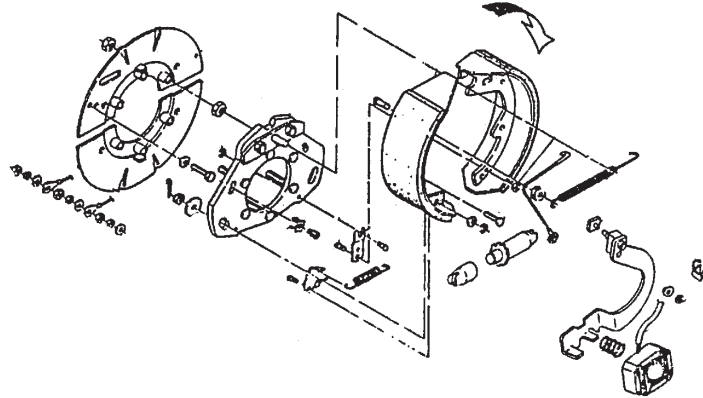
Description	Part No.	Trade Part No.
1 Oil-Unionized Seal	DE 010-056-00	B-370014-BGR
2 Inner Bearing	TB JM-511946	
2a Inner Cup	TB JM511910	
3 Hub & Rotor Flat Face	HA 9089421	
3 Hub & Rotor Coin In-Out	HA 90814	
3a Stud 5/8"	HA 363910	
*3b Flanged Nut	BA W590	For Coin In/Out
3c Swiveling Nut	HA 568216	For Flat Face
4 Outer Cup	TB JM205110	
4a Outer Cone	TB JM205149	
5 Spindle Washer	HA 568136	
6 Spindle Nut	HA 568135	
7 Cotter Pin	HA 568137	
9 Oil Cap Ass'y.	HA K568220	
9a O-Ring	HA 568222	
9b Plug	HA 568223	

*ITEM 3b - Flanged nut used with dual wheels @ 300 + 25 ft. lbs. torque

Hayes-Alko 10K Electric Brake Assembly

Brake Size: 12¹/₄" x 3¹/₂"

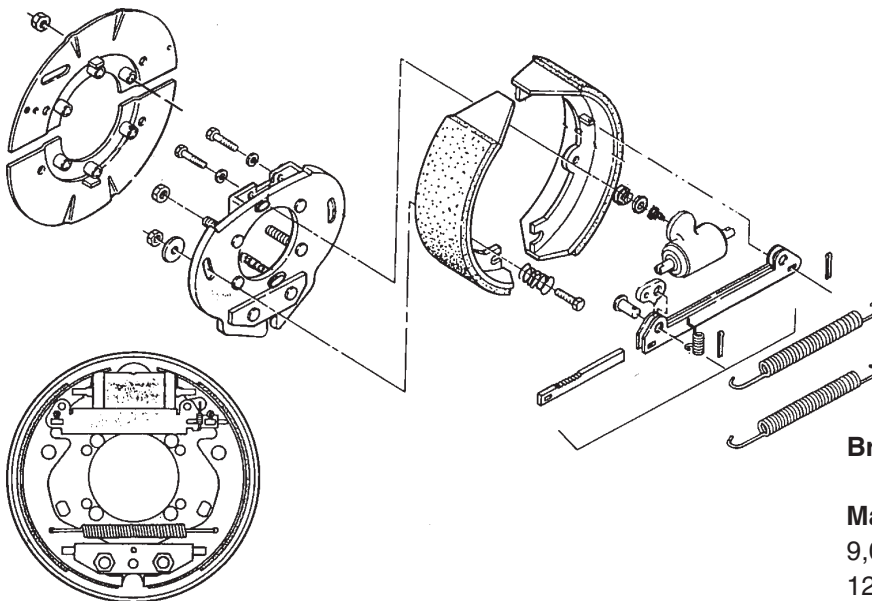
Maximum Capacity:
10,000 lbs. per axle



LH Brake Assy. Part #	Size	RH Brake Assy. Part #
HA K5682552	12 ¹ / ₄ x 3 ¹ / ₂	HA K5682551

Hayes TRAILER Kits	
HA K568252	Magnet Kit 1987 and up
HA K568251	Shoe & Linings (for 1 brake)

Hayes-Alko Axle 9K, 10K and 12K Hydraulic Brake Assembly



Brake Size: 12¹/₄" x 3¹/₂"

Maximum Capacity:
9,000, 10,000 and
12,000 lbs. per axle

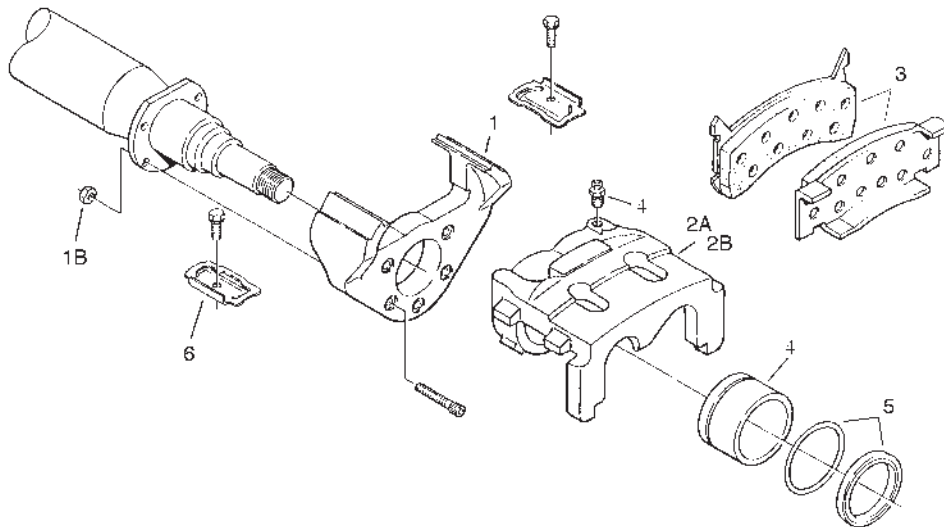
L.H. OR R.H. Brake Assy. Part No.
HA K568213

Hayes TRAILERX Kits	
HA K568234	Shoe & Linings (for 1 brake)

Hayes-Alko Axle 10K & 12K Hydraulic Disc Brake

Capacity:

10,000 lbs. and 12,000 lbs. per axle

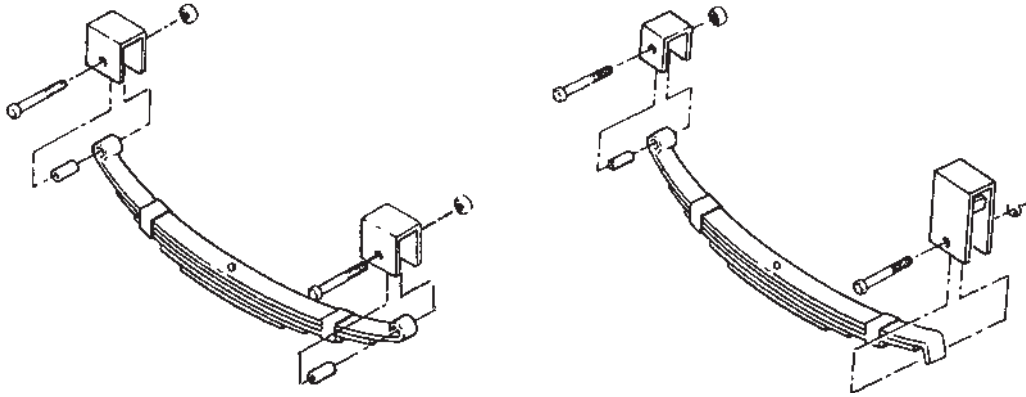


Replacement Parts List

Ref. #	Part No.	Qty. per Brake	Description
1	HA 9045901	1	Torque Plate 5 hole
2A	HA 9231512	1	*Caliper Assembly LH
2B	HA 9231511	1	*Caliper Assembly RH
3	HA KS116	1	Disc Brake Pad
4	HA 96930	1	Piston
5	HA 80862	2	Caliper Repair Kit
6	HA 9633700	2	Retainer Plate

*Includes Pistons

Hanger Kits — Component Parts

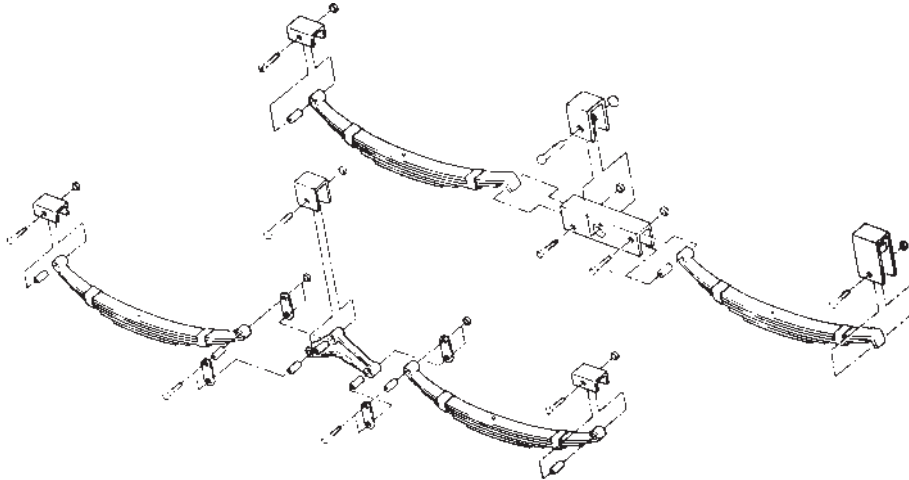


Single Axle

Kit	Part No.	Description	*	Quantity
HA APS1BX 1 ³ / ₄ " Double Eye Spring	TP 930033X	Rear Hanger	1 ¹ / ₁₆	2
	TP 286	Front Hanger	1 ³ / ₈	2
	TP 18318	Shackle Strap		4
	TP 916X3NFBLN	Front Hanger		6
	TP 916SLNE	Lock Nut		6
	HA APSLNBX 1 ³ / ₄ " Slipper Spring	TP 2013203	Rear Hanger	1 ¹ / ₈
TP M115706		Front Hanger	2	
TP 916X3NFBLN		Shackle Bolt	4	
TP 913SLNE		Lock Nut	4	
HX APS188SEBX 2" Slipper Spring	TP 7215853G	Rear Hanger	4	2
	TP 7215843	Front Hanger	3 ³ / ₄	2
	TP 916X312LN	Retainer Bolt		4
	TP 916SLNE	Shackle/Retainer Nut		4

* Height of hanger top to \varnothing of hole
See Page 50 for Parts Dimensions

Hanger Kits — Component Parts



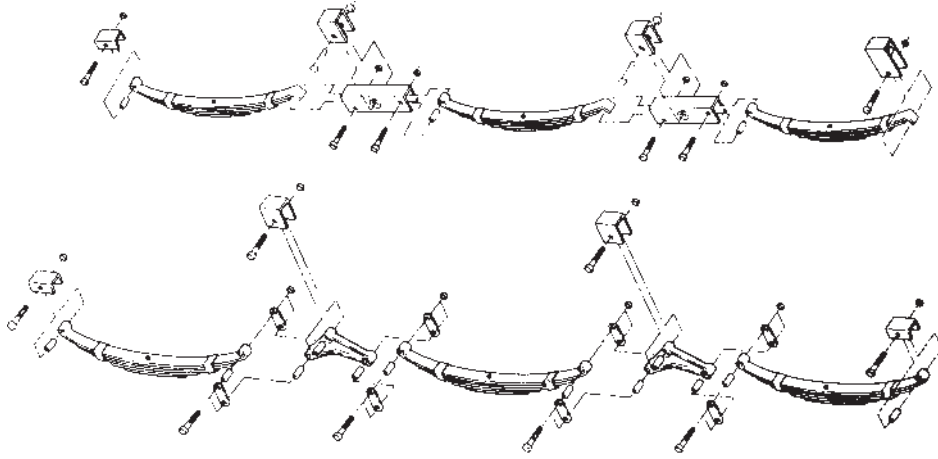
Tandem Axle

Kit	Part No.	Description	*	Quantity
HA APT3BX for Double Eye Springs	TP TEB916	Equalizer Bar		2
	TP 286	Front & Rear Hanger	1 ³ / ₈	4
	TP 283	Center Hanger	2 ¹ / ₂	2
	TP 182916	Shackle Strap		8
	TP 916X3NFBLN	Shackle/Retainer Bolt		14
	TP 916SLNE	Shackle/Retainer Nut		14
HA APT5BX for Double Eye Springs	TP TEB916	Equalizer Bar		2
	TP 283	Front & Rear Hanger	2 ¹ / ₂	4
	TP 284	Center Hanger	4 ¹ / ₄	2
	TP 182916	Shackle Strap		8
	TP 916X3NFLBN	Shackle/Retainer Bolt		14
	TP 916SLNE	Shackle/Retainer Nut		14
HA APT288SEBX for 2" Slipper Springs	TP 721587	Equalizer Bar		2
	TP 7215863	Center Hanger	3 ¹ / ₂	2
	TP 7215843	Front Hanger	3 ³ / ₄	2
	TP 7215853G	Rear Hanger	4	2
	TP 78434CBLN	Equalizer Bolt		2
	DE 006-111-00	Equalizer Bolt Nut		2
	TP 916X312NFBLN	Shackle/Retainer Bolt		8
	TP 916SLNE	Shackle/Retainer Nut		8

* Height of hanger top to \varnothing of hole

See Page 50 for Parts Dimensions

Hanger Kits — Component Parts



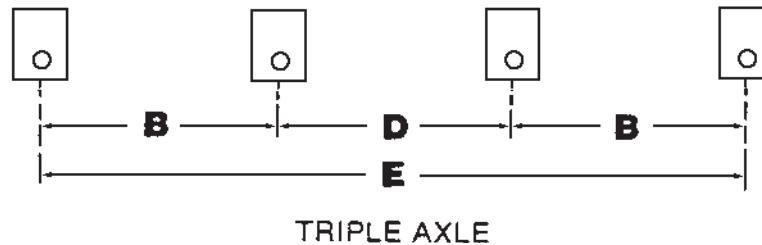
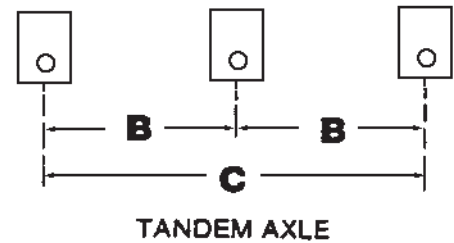
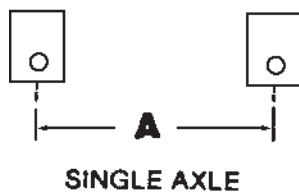
Triple Axle

Kit	Part No.	Description	*	Quantity
HA APTT3BX for Double Eye Springs	TP TEB916	Equalizer Bar		4
	TP 286	Front & Rear Hanger	1 ³ / ₈	4
	TP 283	Center Hanger	2 ¹ / ₂	4
	TP 182916	Shackle Strap		16
	TP 916X3NFBLN	Shackle/Retainer Bolt		24
	TP 916SLNE	Shackle/Retainer Nut		24
HA APTT5BX for Double Eye Springs	TP TEB916	Equalizer Bar		4
	TP 283	Front & Rear Hanger	2 ¹ / ₂	4
	TP 284	Center Hanger	4 ¹ / ₄	4
	TP 182916	Shackle Strap		16
	TP 916X3NFLBN	Shackle/Retainer Bolt		24
	TP 916SLNE	Shackle/Retainer Nut		24
HA APT388SEBX for 2" Slipper Springs	TP 721587	Equalizer Bar		4
	TP 7215863	Center Hanger	3 ¹ / ₂	4
	TP 7215843	Front Hanger	3 ³ / ₄	2
	TP 7215853G	Rear Hanger	4	2
	TP 78434CBLN	Equalizer Bolt		4
	DE 006-111-00	Equalizer Bolt Nut		4
	TP 916X312NFBLN	Shackle/Retainer Bolt		12
	TP 916SLNE	Shackle/Retainer Nut		12

* Height of hanger top to ϕ of hole-

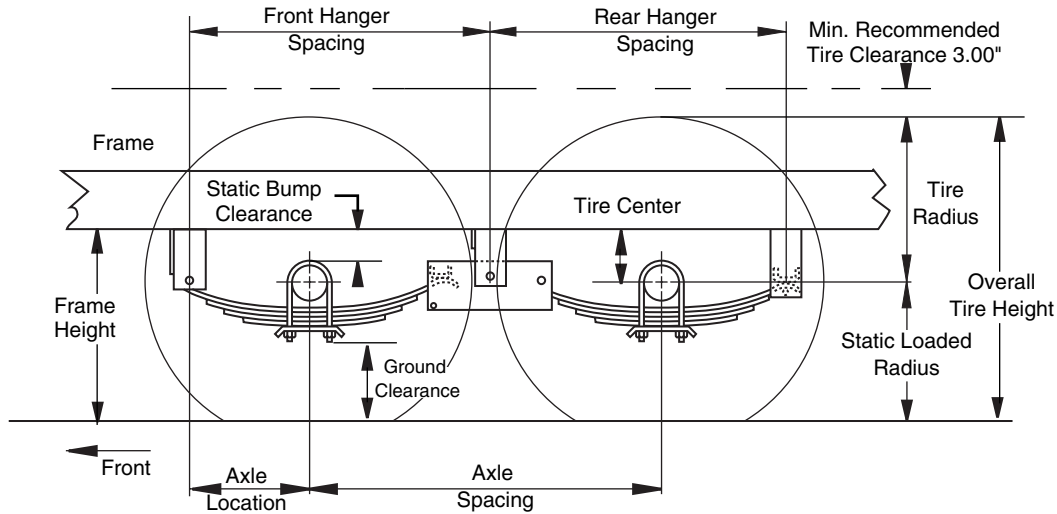
See Page 50 for Parts Dimensions

Hanger Locations



Spring No.	Axle	Hanger Kit	A	B	C	D	E
SP SW2, SP SW3	Single	HA APS1BX	24 ³ / ₄	–	–	–	–
SP SW4, SP SW4B	Tandem	HA APT3BX,APT5BX	–	29 ³ / ₈	58 ³ / ₄	–	–
SP SW5, SP SW6	Triple	HA APTT3BX,APTT5BX	–	29 ³ / ₈	–	33 ³ / ₄	92 ¹ / ₂
SP WE2, SP WE3 SP WH4, SP WI5	Single	HA APSLBX	22 ¹ / ₂	–	–	–	–
SP WD2, SP WF3 SP WG4	Single	HA APSLBX	27 ¹ / ₂	–	–	–	–
SP E5226	Single	HA APS188SEBX	24 ¹ / ₂	–	–	–	–
	Tandem	HA APT288SEBX	–	30 ¹ / ₄	60 ¹ / ₂	–	–
	Triple	HA APT388SEBX	–	30 ¹ / ₄	–	34 ³ / ₄	95 ¹ / ₄
SP E5115 SP E8536	Single	HA APS188SEBX	27 ¹ / ₂	–	–	–	–
	Tandem	HA APT288SEBX	–	32 ³ / ₄	65 ¹ / ₂	–	–
	Triple	HA APT388SEBX	–	32 ³ / ₄	–	37 ¹ / ₂	103

DEXTER 10-15K Hanger Locations & Kits



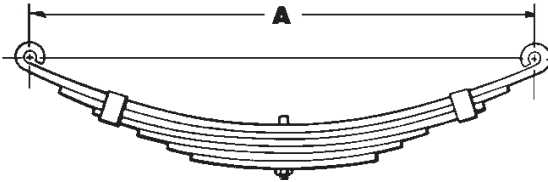
For 2½" Wide Springs 10 K General Duty

	Single Axle	Tandem 38" Axle Spacing	Tandem 42.25" Axle Spacing	Tandem 48.5" Axle Spacing
Kit Number	DE HAP-156-K	DE HAP-156-K + DE HAP-256-01K	DE HAP-156-K + DE HAP-256-02K	DE HAP-156-K + DE HAP-256-03K
Front Hanger Spacing	27.4"	33.0"	35.1"	38.3"
Rear Hanger Spacing	—	32.4"	34.6"	37.7"
Static Bump	1.9"	1.9"	1.9"	1.9"
Tire Center	5.0"	5.0"	5.0"	5.0"
Axle Location	14.0"	14.0"	14.0"	14.0"

For 3" Wide Springs 10-15K

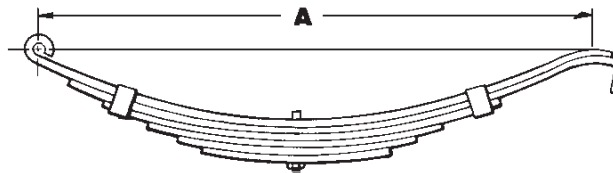
	Single Axle	Tandem 38" Axle Spacing	Tandem 42.25" Axle Spacing	Tandem 48.5" Axle Spacing
Kit Number	DE HAP-103-00	DE HAP-103-00 + DE HAP-203-01	DE HAP-103-00 + DE HAP-203-02	DE HAP-103-00 + DE HAP-203-03
Front Hanger Spacing	27.4"	33.0"	35.1"	38.3"
Rear Hanger Spacing	—	32.4"	34.6"	37.7"
Static Bump	2.9"	2.4"	2.4"	2.4"
Tire Center	6.0"	5.5"	5.5"	5.5"
Axle Location	14.0"	14.0"	14.0"	14.0"

Leaf Spring Specifications



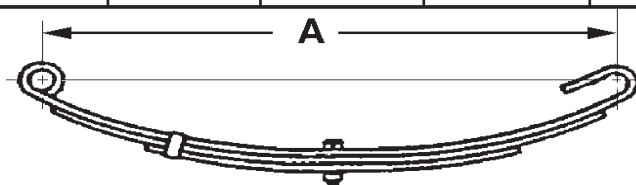
Double Eye

Part Number	Capacity	Leaves	A	Width	Eye Dia.	Bushing
SP SW2	1,250 lbs.	2	25 ¹ / ₄ "	1 ³ / ₄ "	⁹ / ₁₆ "	TP 916NB
SP SW320	1,500 lbs.	3	20"	1 ³ / ₄ "	⁹ / ₁₆ "	TP 916NB
SP SW323	1,750 lbs.	3	23"	1 ³ / ₄ "	⁹ / ₁₆ "	TP 916NB
SP SW3	1,800 lbs.	3	25 ¹ / ₄ "	1 ³ / ₄ "	⁹ / ₁₆ "	TP 916NB
SP SW4B	1,750 lbs.	4	25 ¹ / ₄ "	1 ³ / ₄ "	⁹ / ₁₆ "	TP 916NB
SP SW426	1,500 lbs.	4	26"	1 ³ / ₄ "	⁹ / ₁₆ "	TP 916NB
SP SW427	2,100 lbs.	4	27"	1 ³ / ₄ "	⁹ / ₁₆ "	TP 916NB
SP SW4	2,500 lbs.	4	25 ¹ / ₄ "	1 ³ / ₄ "	⁹ / ₁₆ "	TP 916NB
SP SW5	2,950 lbs.	5	25 ¹ / ₄ "	1 ³ / ₄ "	⁹ / ₁₆ "	TP 916NB
SP SW626	3,000 lbs.	6	26"	1 ³ / ₄ "	⁹ / ₁₆ "	TP 916NB
SP SW6	3,300 lbs.	6	25 ¹ / ₄ "	1 ³ / ₄ "	⁹ / ₁₆ "	TP 916NB



Slipper

Part Number	Capacity	Leaves	A	Width	Eye Dia.	Bushing
SP WE2	600 lbs.	2	24"	1 ³ / ₄ "	⁹ / ₁₆ "	TB 916NB
SP WD2	950 lbs.	2	29"	1 ³ / ₄ "	⁹ / ₁₆ "	TB 916NB
SP WE3	750 lbs.	3	24"	1 ³ / ₄ "	⁹ / ₁₆ "	TB 916NB
SP WF3	1,500 lbs.	3	29"	1 ³ / ₄ "	⁹ / ₁₆ "	TB 916NB
SP WG4	2,000 lbs.	4	29"	1 ³ / ₄ "	⁹ / ₁₆ "	TB 916NB
SP WH4	1,000 lbs.	4	24"	1 ³ / ₄ "	⁹ / ₁₆ "	TB 916NB
SP W15	1,200 lbs.	5	24"	1 ³ / ₄ "	⁹ / ₁₆ "	TB 916NB
SP E5226	3,400 lbs.	5	26"	2"	⁹ / ₁₆ "	TB 916X2NB
SP E5115	4,300 lbs.	6	29 ¹ / ₂ "	2"	⁹ / ₁₆ "	TB 916X2NB
SP E8536	5,000 lbs.	8	29 ¹ / ₂ "	2"	⁹ / ₁₆ "	TB 916X2NB
SP 93161	5,000 lbs.	5	32 ¹ / ₄ "	2 ¹ / ₂ "	³ / ₄ "	HA 91413
DE 072-077-00	5,000 lbs.	5	30 ¹ / ₂ "	2 ¹ / ₂ "	⁷ / ₈ "	DE 014-111-00
DE 072-021-00	5,000 lbs.	5	30 ¹ / ₂ "	2 ¹ / ₂ "	³ / ₄ "	DE 014-067-00
DE 072-043-00	5,000 lbs.	5	30 ¹ / ₂ "	3"	1"	DE 014-051-00
DE 072-044-01	6,000 lbs.	6	30 ¹ / ₂ "	3"	1"	DE 014-051-00



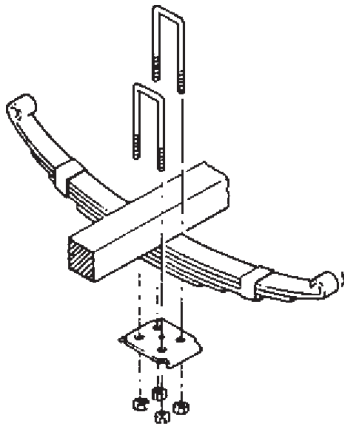
Curl

Part Number	Capacity	Leaves	A	Width	Eye Dia.	Bushing
SP WC3	1,500 lbs.	3	26 ¹ / ₄ "	1 ³ / ₄ "	⁹ / ₁₆ "	TB 916NB
SP WC4	1,850 lbs.	4	26 ¹ / ₄ "	1 ³ / ₄ "	⁹ / ₁₆ "	TB 916NB
SP WC5	2,350 lbs.	5	26 ¹ / ₄ "	1 ³ / ₄ "	⁹ / ₁₆ "	TB 916NB

U-Bolt Kits — Component Parts

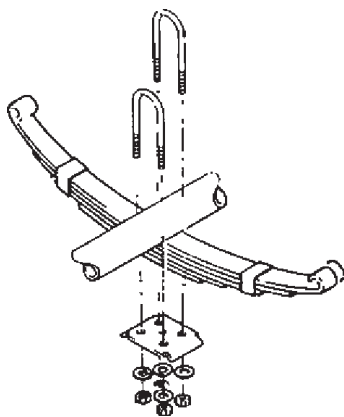
Square Axle

Kit	Part No.	Description	Quantity
HA APUB1BX 1 1/2" Square	TP 12112	U-Bolt	4
	TP M115983	Plate	2
	TP 12HN	1/2" High Nut	8
	TP 12LW	1/2" Lock Washer	8
HA APUB3BX 1 3/4" Square	TP 12134	U-Bolt	4
	TP M116308	Plate	2
	TP 12HN	1/2" High Nut	8
	TP 12LW	1/2" Lock Washer	8
HA APUB6BX 2" Square for 1 3/4" Spring	TP 9162	U-Bolt	4
	TP M115585	Plate	2
	TP 916HN	9/16" High Nut	8
	TP 916LW	9/16" Lock Washer	8
HA APUB9BX 2" Square for 2" Spring	TP 9162	U-Bolt	4
	TP P2	Plate	2
	TP 916HN	9/16" High Nut	8
	TP 916LW	9/16" Lock Washer	8



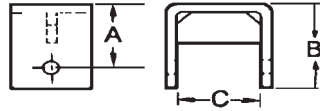
Round Axle

Kit	Part No.	Description	Quantity
HA APUBR134BX 1 3/4" Round	TP 38134	U-Bolt	4
	TP 117537	Plate	2
	TP 38SLNE	3/8" Nut	8
HA APUBR238BX 2 3/8" Round	TP 12238	U-Bolt	4
	TP 123	Plate	2
	TP 12HN	1/2" High Nut	8
	TP 12LW	1/2" Lock Washer	8
HA APUBR3BX 3" Round	TP 9163	U-Bolt	4
	TP P4	Plate	2
	TP 916HN	9/16" High Nut	8
	TP 916LW	9/16" Lock Washer	8
HA APUBR35BX 3 1/2" Round 2" Spr.	TP 58312	U-Bolt	4
	TP 117541	Plate	2
	TP 58HN	5/8" High Nut	8
	TP 58LW	5/8" Lock Washer	8
HA APUBR5-25BX 5" Round 2 1/2" Wide Spring	DE 011-077-00	U-Bolt	4
	DE 012-049-00	Plate	2
	DE 006-038-00	5/8" Nut	8
	TP 58LW	5/8" Lock Washer	8
APUBR5-3BX 5" Round 3" Wide Spring	DE 011-077-00	U-Bolt	4
	DE 012-053-00	Plate	2
	DE 006-038-00	5/8" Nut	8
	TP 58LW	5/8" Lock Washer	8



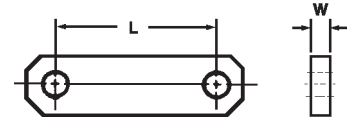
Miscellaneous Suspension Parts

Hangers



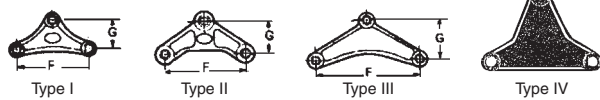
Part No.	Description	A	B
TP 283	Center/Front & Rear	2 1/2"	1 7/8"
TP 284	Center	4 1/4"	1 7/8"
TP 286	Front & Rear	1 3/8"	1 7/8"
TP 7215843	Front	3 3/4"	2 1/4"
TP 7215853 G	Rear	4"	2 1/4"
TP 7215863	Center	3 1/2"	2 7/8"
TP 930033X	Rear, Single	1 1/4"	1 1/4"
TP 2013203	Slipper Rear		1 7/8"

Shackle Links

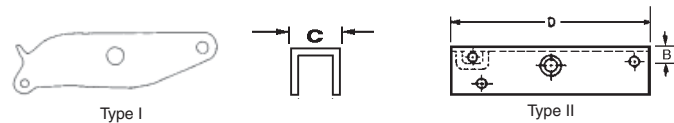


Part No.	Length	Width
TP 182916	2 9/16"	1/4"
TP18318	3 1/8"	1/4"

Equalizers



Part No.	Type	Center Hole	F	G
HA 8304	I	9/16"	6 1/8"	2 1/2"
HA 8301	II	3/4"	6 1/8"	2"
TP TEB916	II	9/16"	7 3/4"	3"
TP TEB91634	III	3/4"	7 3/4"	3"
DE 013-010-00	IV	9/16"	6"	4 3/4"
DE 013-084-01	IV	9/16"	5 3/4"	

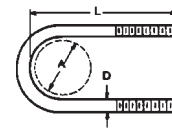


Part No.	Type	B	C	D	Spring Width
DE 013-004-00	I	5 3/16"	2 1/8"	4 1/2"	2"
DE 013-108-03	II	L.H.	3 3/16"	18 1/2"	3"
DE 013-108-04	II	R.H.	3 3/16"	18 1/2"	3"
TP 721587	II		2"	12 1/4"	2"

Shackle Bolts & Equalizer Bolts

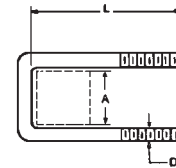
TP 916X3NFBLN	9/16" X 3
TP 916X312NFBLN	9/16" X 3 1/2
TP 78434CBLN	7/8" X 4 3/4 Ctr. Equal. Bolt

"U" Bolts & Nuts



Round

Part No.	A in.	L in.	D in.
TP 38134	1 3/4"	4 1/2"	3/8"
TP 12238	2 3/8"	5 1/2"	1/2"
TP 9163	3"	7 1/4"	9/16"
TP 58312	3 1/2"	8 3/4"	5/8"



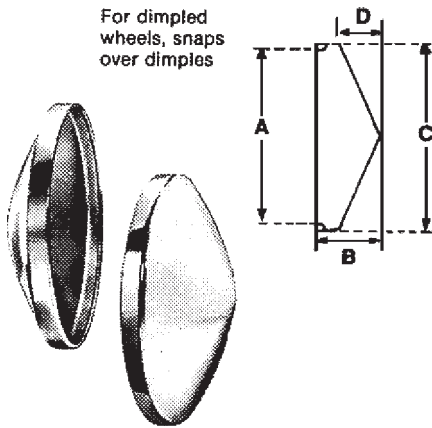
Square

Part No.	A in.	L in.	D in.
TP 3825Z	2"	5"	3/8"
TP 12112	1 1/2"	4 3/4"	1/2"
TP 12134	1 3/4"	4 3/4"	1/2"
TP 9162	2"	5 3/4"	9/16"

Nuts

Part No.	Threads	Type Nut
DE 006-038-00	5/8"-11	Self Locking
TP 38NFN	3/8"-24	Plain SAE
TP 12HN	1/2"-20	High Nut
TP 12SLNE	1/2"-20	Self Locking
TP 916HN	9/16"-18	High Nut
TP 916SLNE	9/16"-18	Self Locking
TP916CN	9/16"-18	Slotted
TP 34SN	3/4"-16	Slotted
DE 006-111-00	7/8"	Self Locking

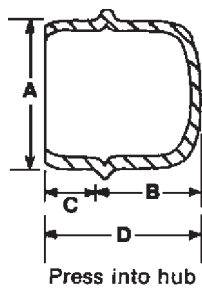
For dimpled wheels, snaps over dimples



Hub Caps

Part No.	Flange Diameter A	Overall Height B	Overall Width C	Crown Height D	Wheel Sizes (Inches)
WR 1307	ID 10.20	3.06	10.62	2.37	14-15
WR 1308	ID 9.23	2.62	9.62	1.87	13
WR 1309	ID 11.67	2.81	12.22	1.81	16

Grease Caps



Part No.	Flange Diameter A	Crown Height B	Flange Length C	Overall Height D	Hub Group
WR 1505	OD 1.986	.78	.375	1.16	BT8 and 84 Hubs
WR 1520	OD 2.448	1.03	.312	1.34	13HLB and FH 25-5
WR 1526	OD 2.720	1.13	.312	1.44	42865
WR 1528	OD 3.355	1.06	.560	1.62	99865
WR 1609	OD 3.125	1.03	.281	1.31	FC 60-8
WR 1503	OD 1.785	1.16	.375	1.53	DC 17214
WR 1523	OD 1.943	.69	.312	1.00	FH 12-4 AND 20-5
WR 1524	OD 1.943	1.04	.340	1.38	

Bearing Buddy

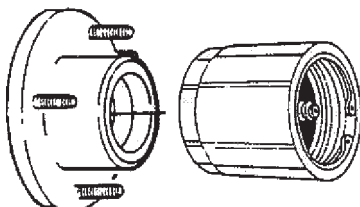
Insist on Bearing Buddy

In bearing protection you get what you pay for. Nothing outperforms or outlasts Bearing Buddy.

There are less costly, inferior copies that are not worth the trouble they could cause you. Experience shows you can count on Bearing Buddy, the world's leading bearing protector. Look for the name on the label. Be sure the protection you buy is the real thing: the genuine Bearing Buddy.

Part No.	Bearing Buddy Model No.*	Outer Bearing Cone	Outer Bearing Cup (Race)
UQ 42101	1980	L44643, L44649, L44640	L44610
UQ 41201	1781	LM11949	LM11910
UQ 42301	1938	09067	09194, 95, 96
UQ 42441	2441	LM67048, hub counterbored 15123 and others	LM67010 15245
UQ 42717	2717	14124 14125A	14276

* To convert a model number to the hub bore in inches (or dust cap diameter), simply place a decimal point after the first digit in the model number (1.980 for example).





8"-12" High Speed Wheels & Tire Assemblies

4 Hole x 4" Bolt Circle

Part Number	Wheel Size	Tire Size	Tire Capacity Lbs. @ PSI
TT 40800	8 X 3.75	—	—
TT 40844	8 X 3.75	4.80-8	590 @ 60
TT 40854	8 X 3.75	5.70-8	715 @ 50
TT 41000	10 X 6	—	—
TT 4102084	10 X 6	20.5 X 8.0-10	905 @ 35
TT 41200WSK	12 X 4	—	—
TT 41244WSK	12 X 4	480-12	785 @ 60

5 Hole x 4.5" Bolt Circle

Part Number	Wheel Size	Tire Size	Tire Capacity Lbs. @ PSI
TT 50800	8 X 3.75	—	—
TT 50844	8 X 3.75	480-8	590 @ 60
TT 50854	8 X 3.75	570-8	715 @ 50
TT 50856	8 X 3.75	570-8	910 @ 75
TT 51000	10 X 6	—	—
TT 5102084	10 X 6	20.5 X 8.0-10	905 @ 35
TT 51200M	12 X 4	—	—
TT 51200WSK	12 X 4	—	—
TT 51244WSK	12 X 4	480-12	785 @ 60

TRAILER WHEELS

Eight Spoke



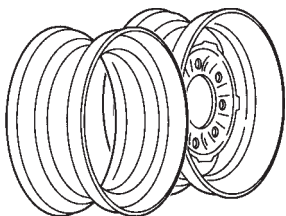
Part Number	Size	Bolt Circle	Capacity Lbs. @ PSI	Pilot Diameter	Offset
TT 41200WSK	12 x 4	4 on 4"	780 lbs.	2.80"	NA
TT 51200WSK	12 x 4	5 on 4.5"	1,045 lbs.	2.80"	NA
TT 41300WSK	13 x 4.5	4 on 4"	1,100 lbs.	2.80"	NA
TT 41300WSK	13 x 4.5	5 on 4.5"	1,360 lbs.	3.30"	NA
KH 128689	13 x 4.5	5 on 4.5"	1,360 @ 65	3.195"	.0"
KH 128691	14 x 6	5 on 4.5"	1,870 @ 50	3.195"	.0"
KH 128693	15 x 5	5 on 4.5"	1,820 @ 50	3.195"	.0"
TT 1526160564	15 x 5	5 on 4.75"	1,870 lbs.	3.30"	NA
KH 128695	15 x 6	5 on 4.5"	2,050 @ 75	3.195"	.0"
TT 156550	15 x 6	5 on 5.0"	2,150 lbs.	3.30"	NA
TT 156555	15 x 6	5 on 5.5"	2,150 lbs.	4.28"	NA
TT 156655	15 x 6	6 on 5.5"	2,540 lbs.	4.28"	NA
KH 128699	16 x 6	6 on 5.5"	3,045 @ 80	4.245"	.0"
TT 166655	16 x 6	6 on 5.5"	2,440 lbs.	4.28"	.0"
KH 128701	16 x 6	8 on 6.5"	3,315 @ 80	4.885"	.0"

Modular



Part Number	Size	Bolt Circle	Capacity Lbs. @ PSI	Pilot Diameter	Color
KH 128692	14 x 6	5 on 4.5"	1,870 @ 50	3.195"	White
KH 128696	15 x 6	5 on 4.5"	2,050 @ 75	3.195"	White
TT 156550M	15 x 6	5 on 5.0"	2,150 lbs.	3.30"	White
TT 156550SM	15 x 6	5 on 5.0"	2,150 lbs.	3.30"	Silver
KH 128698	15 x 6	6 on 5.5"	2,600 @ 75	4.245"	White
KH 128698GCC	15 x 6	6 on 5.5"	2,600 @ 75	4.245"	Silver
KH 128700	16 x 6	6 on 5.5"	3,045 @ 80	4.245"	White
TT 1666550SM	16 x 6	6 on 5.5"	3,000 lbs.	4.28"	Silver
KH 128702	16 x 6	8 on 6.5"	3,315 @ 80	4.885"	White
KH 129396GCC	16 x 6	8 on 6.5"	3,315 @ 80	4.885"	Silver

Specials



Part Number	Size	Bolt Circle	Capacity Lbs. @ PSI	Pilot Diameter	Offset
DE X017-032-20	14.5 x 6.0 MH	Demountable	2,540 @ 85	—	—
DE X017-053-20	14.5 x 6.0 MH	Demountable	2,790 @ 100	—	—
DE X017-154-25	16.5 x 6.75	8 on 6.5"	3,530 @ 90	4.89"	.50"
DE X017-241-65*	17.5 x 6.75	8 on 6.5"	4,805 @ 125	4.75"	.19"

*Stud size 5/8" with flange nuts or clamp ring and 90° cone nuts.

TRAILER WHEELS



Galvanized

Part Number	Bolt Size	Circle	Style
TT 41200GSK	12 x 3.5	4 on 4"	Spoke
TT 51200GM	12 x 3.5	5 on 4.5"	Modular
TT 51200GSK	12 x 3.5	5 on 4.5"	Spoke
TT 41300GSK	13 x 4.5	4 on 4"	Spoke
TT 51300GM	13 x 4.5	5 on 4.5"	Modular
TT 51300GSK	13 x 4.5	5 on 4.5"	Spoke
TT 51400GM	14 x 5.5	5 on 4.5"	Modular
TT 51400GSK	14 x 5.5	5 on 4.5"	Spoke
TT 51500GM	15 x 5.5	5 on 4.5"	Modular
TT 51500GSK	15 x 5.5	5 on 4.5"	Spoke
TT 61500GSK	15 x 6	6 on 5.5"	Spoke

TRAILER TIRES

Part Number	Size	Load Range	Capacity Lbs. @ PSI	Type
TT 844	4.80-8	B	590 @ 60	Bias
TT 854	5.70-8	B	715 @ 50	Bias
TT 856	5.70-8	C	910 @ 75	Bias
TT 2084	20.5 x 8.0-10	B	905 @ 35	Bias
TT 1244	4.80-12	B	785 @ 60	Bias
TT 1254	5.30-12	B	855 @ 55	Bias
MT ST175/80R13C	ST175/80R13	C	1,360 @ 50	Radial
MT ST205/75D14C	ST205/75D14	C	1,760 @ 50	Bias
MT ST205/75R14C	ST205/75R14	C	1,760 @ 50	Radial
MT ST205/75D15C	ST205/75D15	C	1,820 @ 50	Bias
MT ST205/75R15C	ST205/75D15	C	1,820 @ 50	Radial
MT T079D	700-15	D	2,040 @ 60	Bias
MT ST225/75R15C	ST225/75R15	C	2,150 @ 50	Radial
MT ST225/75D15D	ST225/75D15	D	2,540 @ 65	Bias
MT T-107E	750-16	E	2,780 @ 75 ¹	Bias
MT ST235/85R16D	ST235/85R16	D	3,200 @ 65 ²	Radial

1. Capacity, when used in a dual position is 2,440 lbs. @ 75 PSI

2. Capacity, when used in a dual position is 2,780 lbs. @ 65 PSI



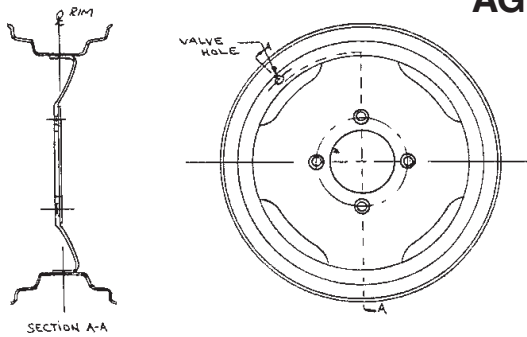
12"-16" Wheel & Tire Assemblies

Part Number	Wheel Size	Bolt Circle	Tire Size	Tire Capacity Lbs. @ PSI	Type Wheel
TT 41244WSK	12 x 3.5	4 on 4.0"	480-12	785 @ 60	White Spoke
TT 51244WSK	12 x 3.5	5 on 4.5"	480-12	785 @ 60	White Spoke
WT 14X6545WM1	14 x 6	5 on 4.5"	ST205/75D14	1,760 @ 50	White Modular
WT 15X5545WM2	15 x 5	5 on 4.5"	ST205/75D15	1,820 @ 50	White Modular
WT 15X5545WS2	15 x 5	5 on 4.5"	ST205/75D15	1,820 @ 50	White Spoke
WT 15X5550WM2	15 x 5	5 on 5.0"	ST205/75D15	1,820 @ 50	White Modular
WT 15X5550WS2	15 x 5	5 on 5.0"	ST205/75D15	1,820 @ 50	White Spoke
WT 15X5550SM2	15 x 5	5 on 5.0"	ST205/75D15	1,820 @ 50	Silver Modular
WT 15X6545WM3	15 x 6	5 on 4.5"	700-15	2,040 @ 60	White Modular
WT 15X6545WM4	15 x 6	5 on 4.5"	ST225/75D15	2,150 @ 50	White Modular
WT 15X6550SM3	15 x 6	5 on 5.0"	700-15	2,040 @ 60	Silver Modular
WT 15X6550WM4	15 x 6	5 on 5.0"	ST225/75D15	2,150 @ 50	White Modular
WT 15X6550SM4	15 x 6	5 on 5.0"	ST225/75D15	2,150 @ 50	Silver Modular
WT 15X6655WM3	15 x 6	6 on 5.5"	700-15	2,040 @ 60	White Modular
WT 15X6655WS3	15 x 6	6 on 5.5"	700-15	2,040 @ 60	White Spoke
WT 15X6655SM3	15 x 6	6 on 5.5"	700-15	2,040 @ 60	Silver Modular
WT 15X6655WM4	15 x 6	6 on 5.5"	ST225/75D15	2,150 @ 50	White Modular
WT 15X6655SM4	15 x 6	6 on 5.5"	ST225/75D15	2,150 @ 50	Silver Modular
WT 15X6655WM5	15 x 6	6 on 5.5"	ST225/75D15	2,540 @ 65	White Modular
WT 15X6655SM5	15 x 6	6 on 5.5"	ST225/75D15	2,540 @ 65	Silver Modular
WT 16X6655SM6	16 x 6	6 on 5.5"	750-16	2,780 @ 75	Silver Modular
WT 16X6655WM6	16 x 6	6 on 5.5"	750-16	2,780 @ 75	White Modular
WT 16X6865WM6	16 x 6	8 on 6.5"	750-16	2,780 @ 75	White Modular
WT 16X6865SM6	16 x 6	8 on 6.5"	750-16	2,780 @ 75	Silver Modular
WT 16X6865WM7	16 x 6	8 on 6.5"	ST235/85R16	3,200 @ 65	White Modular
WT 16X6865SM7	16 x 6	8 on 6.5"	ST235/85R16	3,200 @ 65	Silver Modular
WT 16X6865D6	16 x 6	8 on 6.5"	750-16	2,440 @ 75	Dual
WT 16X6865D7	16 x 6	8 on 6.5"	ST235/85R16	2,780 @ 65	Dual

Galvanized Wheels & Tire Assemblies

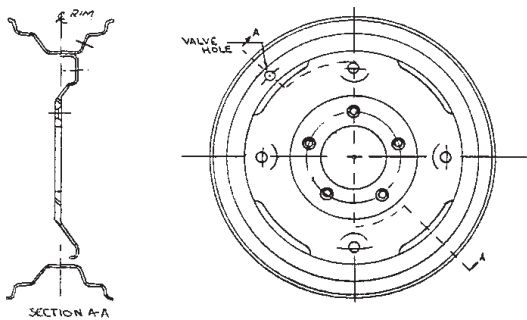
Part Number	Wheel Size	Bolt Circle	Tire Size	Tire Capacity Lbs. @ PSI	Type Wheel
TT 40800G	8 x 3.75	4 on 4.0"	--	--	Std.
TT 40844G	8 x 3.75	4 on 4.0"	4.80-8	590 @ 60	Std.
TT 40854G	8 x 3.75	4 on 4.0"	5.70-8	715 @ 50	Std.
TT 50800G	8 x 3.75	5 on 4.5"	--	--	Std.
TT 50854G	8 x 3.75	5 on 4.5"	5.70-8	715 @ 50	Std.
TT 51000G	10 x 6	5 on 4.5"	--	--	Std.
TT 5102084G	10 x 6	5 on 4.5"	20.5X8.0-10	905 @ 35	Std.
TT 41200GSK	12 x 3.5	4 on 4.0"	--	--	
TT 41244GSK	12 x 3.5	4 on 4.0"	4.80-12	785 @ 60	Spoke
TT 51200GM	12 x 3.5	5 on 4.5"	--	--	Mod
TT 51200GSK	12 x 3.5	5 on 4.5"	--	--	Spoke
TT 51244GSK	12 x 3.5	5 on 4.5"	4.80-12	785 @ 60	Spoke
TT 51254GSK	12 x 3.5	5 on 4.5"	5.30-12	855 @ 55	Spoke
TT 41300GSK	13 x 4.5	4 on 4.0"	--	--	Spoke
TT 41354GSK	13 x 4.5	4 on 4.0"	ST175/80D13	1,360 @ 50	Spoke
TT 51300GM	13 x 4.5	5 on 4.5"	--	--	Mod
TT 51300GSK	13 x 4.5	5 on 4.5"	--	--	Spoke
TT 51354GSK	13 x 4.5	5 on 4.5"	ST175/80D13	1,360 @ 50	Spoke
TT 51400GM	14 x 5.5	5 on 4.5"	--	--	Mod
TT 51400GSK	14 x 5.5	5 on 4.5"	--	--	Spoke
TT 51454GSK	14 x 5.5	5 on 4.5"	ST205/75D14	1,760 @ 50	Spoke
TT 51500GM	15 x 5.5	5 on 4.5"	--	--	Mod
TT 51500GSK	15 x 5.5	5 on 4.5"	--	--	Spoke
TT 61500GSK	15 x 6.0	6 on 5.5"	--	--	Spoke

AGRICULTURAL WHEELS



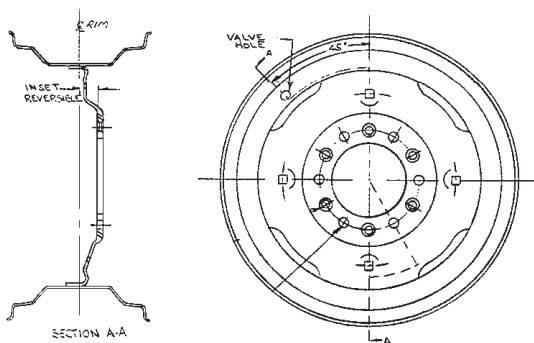
Rim Size	Part No.	Inset (+) Outset (-)	Rated* Capacity
14 x 5	FH W40012	3/8 -	1250 lbs.
15 x 6	FH W52112	3/8 -	1250 lbs.

* Rated Capacities based on 20 MPH maximum speeds



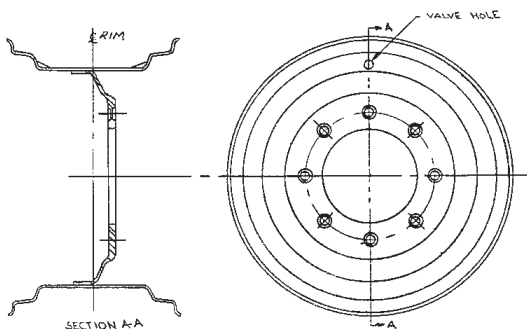
Rim Size	Part No.	Inset (+) Outset (-)	Rated* Capacity
15 x 6	FH W52220	1/4 -	2200 lbs.
15 x 8	FH W52420	1/4 -	2800 lbs.

* Rated Capacities based on 20 MPH maximum speeds



Rim Size	Part No.	Inset (+) Outset (-)	Rated* Capacity
14 x 6	FH W40918	1.125 +	1800 lbs.
14 x 6	FH W41028	1.125 +	2800 lbs.
15 x 6	FH W50133	1.125 +	3200 lbs.
15 x 8	FH W50334	1.125 +	3800 lbs.
15 x 8	FH W50634R	0.500 -	3500 lbs.
15 x 10	FH W50428	1.125 +	2850 lbs.
16 x 6	FH W62435	1.125 +	3500 lbs.
16 x W8L	FH W625730	1.125 +	3000 lbs.
16 x W10L	FH W67835	1.125 +	3500 lbs.

* Rated Capacities based on 20 MPH maximum speeds



Rim Size	Part No.	Inset (+) Outset (-)	Rated* Capacity
16 x W8L	FH W60355	1.125 +	5500 lbs.
16 x 10	FH W60555	1.125 +	5500 lbs.
16.5 x 9.75	FH W63760	0.375 +	6000 lbs.
15 x 8	FW 524360	1.125 +	6000 lbs.
15 x 10	FW 523560	1.125 +	6000 lbs.

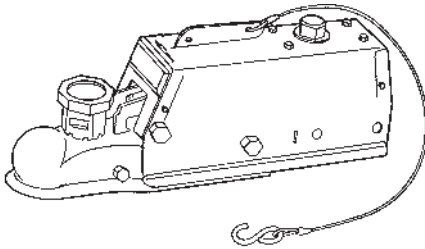
* Rated Capacities based on 20 MPH maximum speeds

NOTE: Other rim sizes, inset/outset, capacity available special order.

Hydraulic Brake Actuators

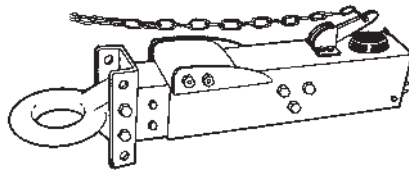
Hydraulic surge brake actuators provide smooth, automatic trailer braking, simple operation, breakaway protection and easy installation. When the tow vehicle's Brakes are applied, the trailer brakes are actuated automatically with a force proportional to those of the towing vehicle. There are no separate controls or wiring connections necessary for the towing vehicle, the entire brake control system is built into the coupler. **Replacement parts are available for actuators.**

DICO



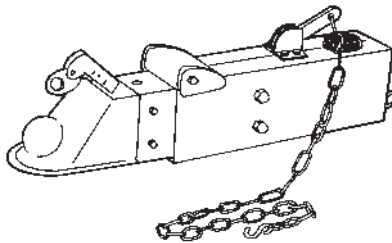
Part #	Description	Capacity
DC 43329	Model L60 Fits 1 7/8", 50mm & 2" balls	6000 lbs.

Designed to be used with 3" wide trailer tongue. Fits standard coupler mounting holes. Zinc plated for longer life in marine applications.



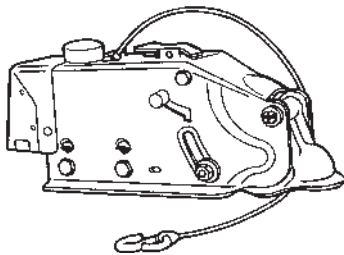
DC 15210	2 ⁵ / ₁₆ " Ball Coupler, Model 20 Actuator	20,000 lbs.
DC 12974	3" Lunette Eye Model 20 Actuator	20,000 lbs.
DC 17778	Adjustable 3" Lunette Eye Model 20 Actuator	12,000 lbs.

20,000 lbs. Gross Trailer Weight, 2,000 lbs. Tongue Weight



DC 15210	Model 20 Actuator Assembly	20,000 lbs.
DC 16084	Model 10 Inner Slide Assembly only w/2 ⁵ / ₁₆ " Ball Coupler	
DC 16075	2 ⁵ / ₁₆ " Model 10 Actuator Assembly	10,000 lbs.
DC 16087	Model 10 Inner Slide Assembly only with Channel	

10,000 lbs. Gross Trailer Weight, 800 lbs. Tongue Weight
20,000 lbs. Gross Trailer Weight, 2,000 lbs. Tongue Weight

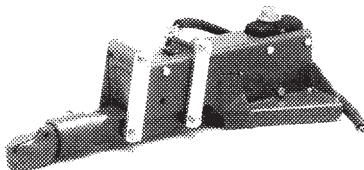


Part #	Description	Capacity	Ball Size
AT 82543	Straight Tongue Brake	6000 lbs. *	2"
AT 84132	Straight Tongue Brake Actuator, Zinc Plated	6000 lbs.	2"

* Gross Vehicle Weight

HYDRO-ACT

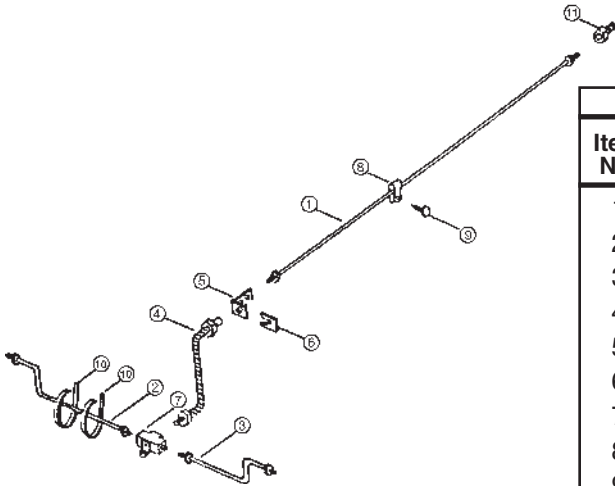
HYDRAULIC BRAKE ACTUATORS



BC 16006W2BC	A-Frame W/2" BD coupler	5,000 lbs GVW*
BC 16015W2BC	Straight Tongue Act W/2" BD coupler	5,000 lbs GVW*
BC 16039	2 ⁵ / ₁₆ " A Frame Actuator	7,000 lbs GVW*
BC 16062	2 ⁵ / ₁₆ " Straight Tongue Actuator	7,000 lbs GVW*

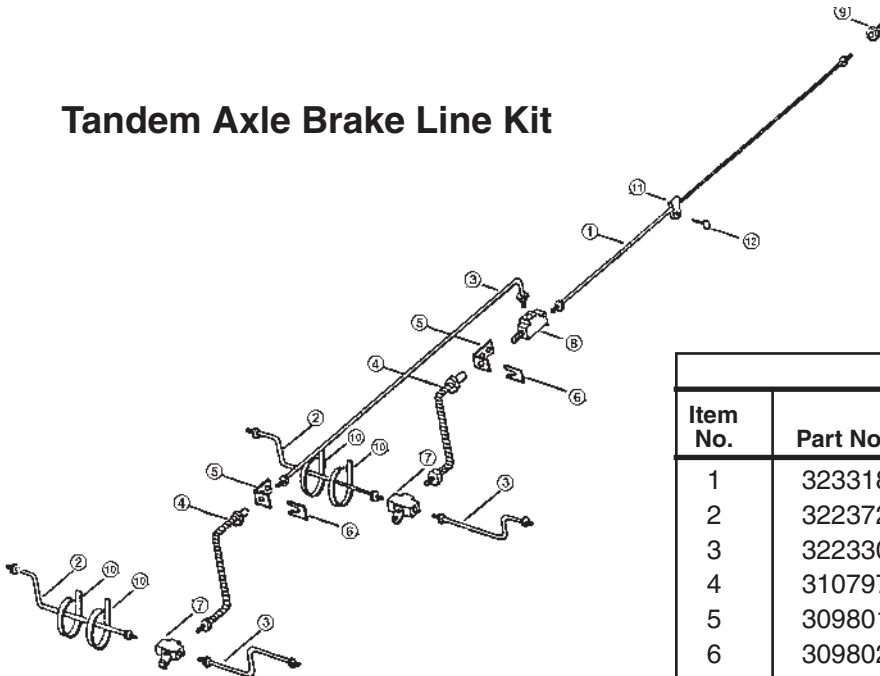
* Gross Vehicle Weight

Single Axle Brake Line Kit



BLUAG - 100 - SA			
Item No.	Part No.	Qty.	Description
1	323318	1	3/16" X 180" Brake Line
2	322372	1	3/16" x 72" Brake Line
3	322330	1	3/16" X 30" Brake Line
4	310797	1	Flex Brake Hose
5	309801	1	Hose Bracket
6	309802	1	Hose Clip
7	3087812	1	3/16" Axle Tee
8	324-3	3	3/16" Line Clip
9	0051008	3	#10 Metal Screws
10	3149631	3	Retaining Strap
11	303-3-2	1	Ward Adapter

Tandem Axle Brake Line Kit



BLUAG - 200 - TA			
Item No.	Part No.	Qty.	Description
1	323318	1	3/16" x 180" Brake Line
2	322372	2	3/16" x 72" Brake Line
3	322330	3	3/16" x 30" Brake Line
4	310797	2	Brake Hose
5	309801	2	Hose Bracket
6	309802	2	Hose Clip
7	3087812	2	3/16" Axle Tee
8	3087900	1	Service Tee
9	303-3-2	1	Ward Adapter
10	3149631	4	Retaining Strap
11	324-3	4	3/16" Line Clip
12	0051008	4	#10 Metal Screw



8200 Series Air Trailer Kits

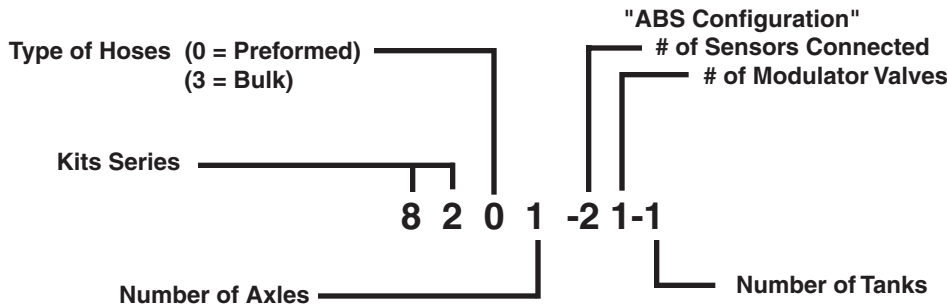
Kits for ABS Equipped Air Brake Axles

Overview:

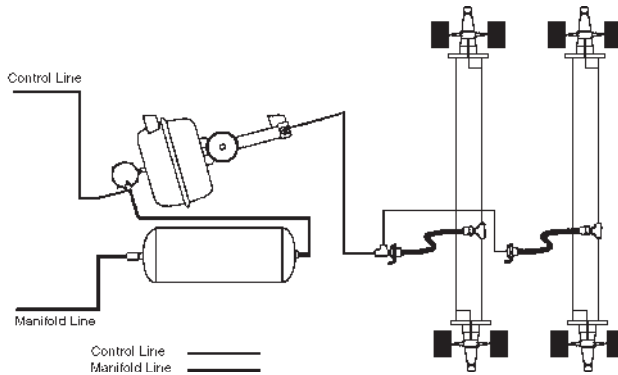
The 8200 Series air trailer kits are designed to provide trailer builders with a complete actuation control system for axles that are "ABS equipped" and have spring brakes. These kits have been designed to conform to all FMVSS 571.121 requirements for brake systems, including antilock brake systems, mandated for all trailers manufactured after March 1, 1998.

Selection:

The 8200 Series air trailer kits cover the spectrum of axle capacity. The proper kit is determined by the number of axles, the ABS configuration, and the number of tanks. The selection chart below lists the different combinations available. The chart is composed of rows and columns. Kit numbers are printed in bold type within the rows and columns. Selection of the proper kit is easily accomplished by first selecting the row containing ABS configuration used on the axles and then finding the column as to the number of axles used.



ABS Config.	Number of Axles				
	Single Axle	Tandem Axle		Triple Axle	
2S / 1M	8201-21-1	8202-21-1	8202-21-2	8203-21-2	8203-21-3
	8231-21-1	8232-21-1	8232-21-2	8233-21-2	8233-21-3
2S / 2M	8201-22-1	8202-22-1	8202-22-2	8203-22-2	8203-22-3
	8231-22-1	8232-22-1	8232-22-2	8233-22-2	8233-22-3
4S / 2M	N/A	8202-42-1	8202-42-2	8203-42-2	8203-42-3
	N/A	8232-42-1	8232-42-2	8233-42-2	8233-42-3



Kit No.	Hydraulic Pressure	Fluid Displacement
8508/9208	750 PSIG	4.40 Cu. In.
8510/9210	1000 PSIG	3.45 Cu. In.
8512/9212	1200 PSIG	2.45 Cu. In.
8515/9215	1600 PSIG	2.20 Cu. In.
8516/9216	1600 PSIG	2.20 Cu. In.

All @ 20 In. Hg.

9200 Series Hydraulic Trailer Kits

Axle Manufacturer	Axle Capacity	Number of Axles		
		Single	Tandem	Triple
Dexter	5K- 7K Drum	MB 9208-1	MB 9208-2	MB 9208-3
	8K Drum	MB 9210-1	MB 9210-2	MB 9210-3
	9K Drum			
	10K Drum			
	12K Drum	MB 9216-1	MB 9216-2	MB 9216-3
	15K Drum			
	10K Disc			MB 9210-3-2*
Hayes	12K Disc			
	5K - 7K Drum	MB 9208-1	MB 9208-2	MB 9208-3
	8K Drum	MB 9212-1	MB 9212-2	MB 9212-3
	9K Drum	MB 9215-1	MB 9215-2	MB 9215-3
	10K Drum Gen. Duty			
	10K Drum Hvy. Duty			
	12K Drum			
	10K Disc	MB 9216-1	MB 9216-2	MB 9216-3
12K Disc				

9200 Series Vacuum/ Hydraulic Trailer Kits

The 9200 Series vacuum/hydraulic trailer kits are designed to provide hydraulic brake actuation for trailers pulled by trucks equipped with vacuum hydraulic trailer brake control systems.

8500 Series Hydraulic Trailer Kits

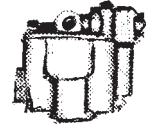
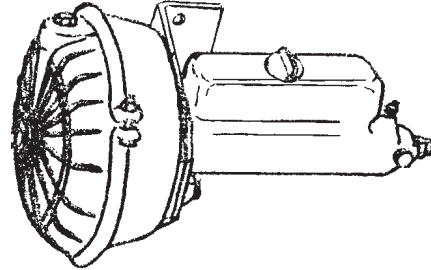
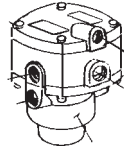
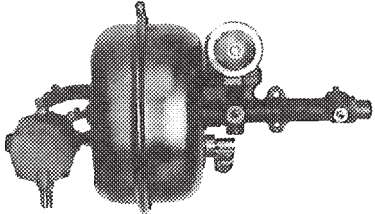
Axle Manufacturer	Axle Capacity	Number of Axles		
		Single	Tandem	Triple
Dexter	5K- 7K Drum	MB 8508-1	MB 8508-2	MB 8508-3
	8K Drum	MB 8510-1	MB 8510-2	MB 8510-3
	9K Drum			
	10K Drum			
	12K Drum	MB 8516-1	MB 8516-2	MB 8516-3
	15K Drum			
	10K Disc			MB 8510-3-2*
Hayes	12K Disc			
	5K - 7K Drum	MB 8508-1	MB 8508-2	MB 8508-3
	8K Drum	MB 8510-1	MB 8510-2	MB 8510-3
	9K Drum	MB 8512-1	MB 8512-2	MB 8512-3
	10K Drum Lgt. Duty			
	10K Drum Hvy. Duty			
	12K Drum Hvy. Duty	MB 8515-1	MB 8515-2	MB 8515-3-2*
	10K Disc	MB 8516-1	MB 8516-2	MB 8516-3
12K Disc				

8500 Series Air/ Hydraulic Trailer Kits

The 8500 Series air/hydraulic trailer kits are designed to provide brake actuation for trailers pulled by trucks equipped with air brakes.

* Two boosters included in kit.

**VAC/HYD - AIR/HYD
Replacement Parts**



VAC/Hyd

VAC/Hyd Kit No.	VAC Booster	VAC Relay Valve	VAC Breakaway Valve
MB 9208	MB 7208	MB 7300	MB 7564
MB 9210	MB 7210	MB 7300	MB 7564
MB 9212	MB 7212	MB 7300	MB 7564
MB 9215	MB 7216	MB 7300	MB 7564
MB 9216	MB 7216	MB 7300	MB 7564

AIR/HYD

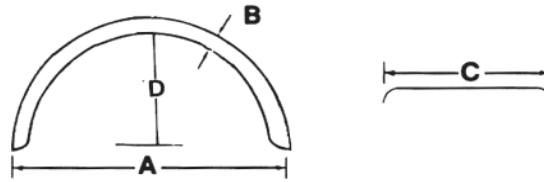
AIR/HYD Kit No.	Power Cluster	Relay Valve
MB 8508	MB 6508	MB 6102
MB 8510	MB 6510	MB 6102
MB 8512	MB 6512	MB 6102
MB 8515	MB 6515	MB 6102
MB 8516	MB 6515	MB 6102

9100 Series Vacuum/Hydraulic Truck Kits

The 9100 Series vacuum/hydraulic truck kits are designed to provide hydraulic brake actuation for trailers. All kits in the 9100 Series conform to applicable requirements of the Department of Transportation concerning vacuum/hydraulic brake systems. All 9100 kits are compatible with truck anti-lock brake systems. These kits will allow trucks with adequate vacuum supply to be fully equipped to pull trailers. **Trucks with inadequate vacuum supply must also be equipped with the appropriate 9600 Series vacuum pump kit.**

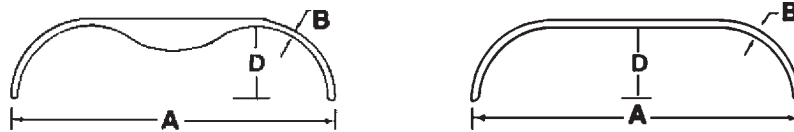
Type of Truck	Type of Truck Brake System	Length of Truck	
		Under 25 Feet	Over 25 Feet
1/2 Thru 1 Ton & Super Duty	Vacuum/Hydraulic Hydraboost	9107	N/A
		9107	N/A
Over 1 Ton	Trucks 1986 & Older	9111	9111-50
	Trucks 1987 & Newer	9107	9107-50

Trailer Fenders



Single Axle

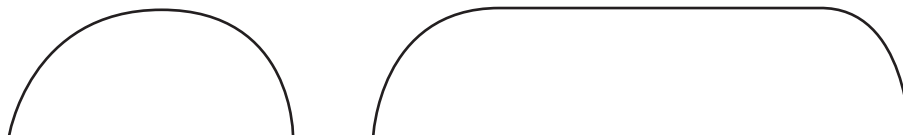
Part Number	Size	Style	Material
TF 828WB	8" x 28"	Std. w/back	16 ga. Smooth
TF 2403G	9" x 29"	Std.	16 ga. Galvanized
TF 932	9" x 32"	Std.	16 ga. Smooth
TF 932WB	9" x 32"	Std. w/back	16 ga. Smooth
TF 932-T	9" x 32"	Std.	14 ga. Tread Plate
TF 932A-T	9" x 32"	Std.	14 ga. Aluminum Tread Plate
TF 2105G	9" x 32"	Std.	16 ga. Galvanized
TF 1036	10" x 36"	Std.	16 ga. Smooth



Tandem Axle

Part Number	Size	Style	Material
TF 972	9" x 72"	Straight	16 ga. Smooth
TF 972WB	9" x 72"	Straight w/back	16 ga. Smooth
TF 972-T	9" x 72"	Straight	14 ga. Tread Plate
TF 972SB	9" x 72"	Straight	³ / ₁₆ " Square Back
TF 972D	9" x 72"	Drop	16 ga. Smooth
TF 972DWB	9" x 72"	Drop w/back	16 ga. Smooth
TF 972D-T	9" x 72"	Drop	14 ga. Tread Plate
TF 972D-A-T	9" x 72"	Drop	14 ga. Aluminum Tread Plate
TF 972SB-D-T	9" x 72"	Drop	14 ga. Square Broke Tread Plate
TF 1072	10" x 72"	Straight	16 ga. Smooth
TF 1072D	10" x 72"	Drop	16 ga. Smooth
TF 1072D-T	10" x 72"	Drop	14 ga. Tread Plate

Fender Backs



Part Number	Description	Style
TF BACK32	Single Wheel 32" Fender	Smooth
TF BACK32-T	Single Wheel 32" Fender	Tread Plate
TF BACK72	Tandem 72" Fender	Smooth
TF BACK72-T	Tandem 72" Fender	Tread Plate
TF BACK-SQB	Tandem 72" Square Broke	Smooth

Gooseneck Jacks

For Trailers and Applications Requiring A Single Jack

A Rugged Full Crank Jack with "Twin Pin" Drop Leg Specifications:

Static load capacity - 18,000 lbs.
 Lift capacity - 4200 lbs with 50 ft./lbs. Torque Input
 Lift capacity - 7000 lbs with 100 ft./lbs. Torque Input
 6 Turns per Inch of Travel - Screw 1 1/2" Diameter.
 4 Threads Per Inch
 Retracted Length - 25"
 Extended Length - 50"
 Crank Travel 13"
 Drop Leg Travel - 12". Holes on 2" Centers.
 Leg Tube Dimensions - Upper 4.5", Middle 4.25"
 Drop 4".
 Foot Pad - 8" x 10" with Handle.
 Weight - Approximately 66 lbs.



HHLGD700-212

Optional At Extra Cost

Crank Holder
 Bolt-On Mounting Brackets Per Customer Specifications.
 Crank Shaft Extensions - Per Customer Specifications.

A Rugged Full Crank Jack Specifications:

Static load capacity - 20,000 lbs.
 Lift capacity - 4200 lbs with 50 ft./lbs. Torque Input
 Lift capacity - 7000 lbs with 100 ft./lbs. Torque Input
 6 Turns per Inch of Travel - Screw 1 1/2" Diameter.
 4 Threads Per Inch
 Retracted Length - 28.5"
 Extended Length - 45.5"
 Crank Travel 17"
 Leg Tube Dimensions - Upper 4.5", Lower 4.25".
 Foot Pad - 8" x 10" with Handle.
 Weight - Approximately 60 lbs.

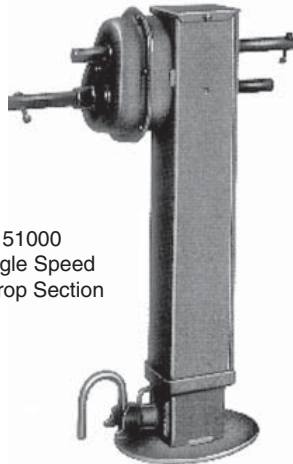


HHLG9700-71

Optional At Extra Cost

Self Leveling Sand Shoe - 12" Diameter
 Crank Holder
 Bolt-On Mounting Brackets Per Customer Specifications.
 Crank Shaft Extensions - Per Customer Specifications.

51000
 Single Speed
 w/Drop Section



51000
 Two Speed
 w/Drop Section



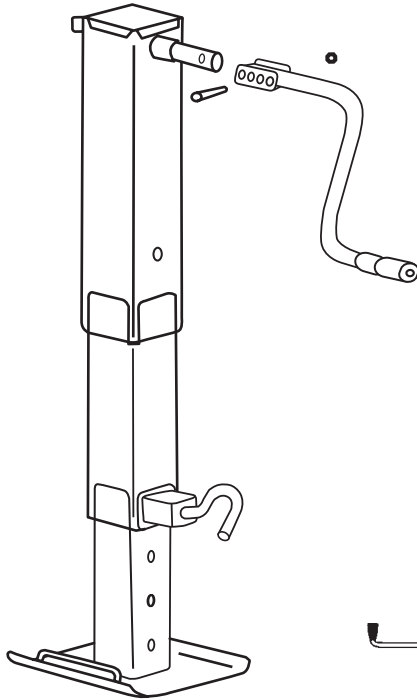
51000 Single Speed w/Drop Section	LG 4700-31	Large G/N Trailer requires greater travel	6.500	25,000	13 1/2" Travel 12" Drop* 25 1/2" Total Travel	26 3/4"	52 1/4"
51000 Two Speed w/Drop Section	LG 4700-32	Large G/N Trailer requires greater lift capacity & additional travel	25,000	25,000	13 1/2" Travel 12" Drop* 25 1/2" Total Travel	26 3/4"	52 1/4"



Drop-Leg Square Jacks • 180 Series

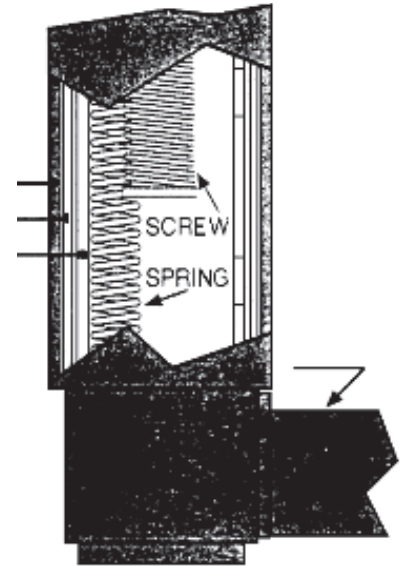
12,000 lb. Static Load Capacity • 10,000 lb. Lift Capacity

Spring Loaded

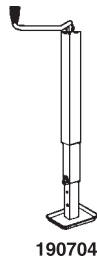


HJ182815

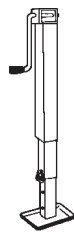
Part #	Description
HJ 182401	12K drop foot jack w/handle
HJ 182801	12,000 lb. spring return foot w/handle
HJ 015181	Replacement crank handle



**Drop Leg 190 Series
Jack Square Tube**



190704



HJ190754

Part #	Description
HJ 190704	5000 lb. Topwind drop leg 190 series jack - SWL190DL Square 15" Travel, 13 1/2" add'l dropleg adjustment. No bracket (square tubing)
HJ 190754	8000 lb. Sidewind drop leg 190 series jack - TWL190DL Square 15" Travel, 13 1/2" add'l dropleg adjustment. No bracket (square tubing)

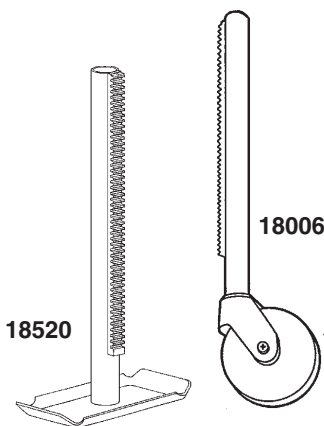
Hammerblow offers other models of jacks and couplers, including customer designed jacks for many applications. Contact our Sales Department.

- Ample 2 1/2" square outer tubing ensures easy mounting anywhere.

700510 Drop Leg
500148 Handle TW
500171 Handle SW

RACK & GEAR TYPE 750 LB. CAPACITY

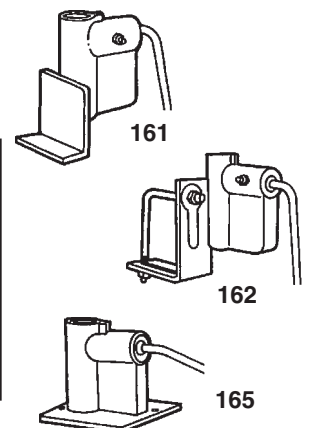
Gear Boxes & Stems



18520

18006

Part #	Description
HJ 18006	018006 Stem w/Steel Wheel 750 lbs.
HJ 18007	018004 Stem w/Poly Wheel 750 lb. Capacity
HJ 18162	162 Gear Box SM Bolt-On
HJ 18161	161 Gear Box SM Weld-On
HJ 18155	165 Gear Box TM Weld-On
HJ 18520	018520 Rack Post w/Disc Foot



161

162

165

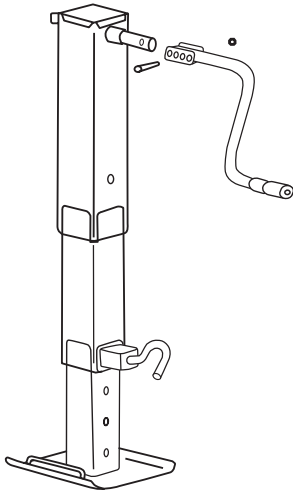
JACKS



Drop Leg Jacks - Direct Weld

Part Number	Capacity Static/Lift	Handle Type	Travel	Tube Size
195352	5,000 lbs. / 3,000 lbs.	Side	15"	2.5" sq.
190704	7,000 lbs. / 5,000 lbs.	Top	15"	2.5" sq.
190754	7,000 lbs. / 5,000 lbs.	Side	15"	2.5" sq.
190704	8,000 lbs. / 7,000 lbs.	Top	15"	2.5" sq.
190754	8,000 lbs. / 7,000 lbs.	Side	15"	2.5" sq.
180354	10,000 lbs. / 7,200 lbs.	Top	15"	3.0" sq.
180455	10,000 lbs. / 7,200 lbs.	Side	15"	3.0" sq.

**Heavy Duty Drop Leg 4" Sq.
12,000 lbs. Static Load - 10,000 lbs. Lift Capacity**



Part Number	Spring Return	Pin Location	Handle Type	Handle Included	Travel
182300	No	Street	Top	No	12.5"
182301	No	Street	Top	Yes	12.5"
182400	No	Street	Side	No	12.5"
182401	No	Street	Side	Yes	12.5"
182411	No	Curb	Side	No	12.5"
182415	No	Front	Side	No	12.5"
182416	No	Front	Side	Yes	12.5"
182805	Yes	Curb	Side	No	12.5"
182806	Yes	Curb	Side	Yes	12.5"
182815	Yes	Front	Side	No	12.5"
182816	Yes	Front	Side	Yes	12.5"

Note: Above jacks have 13.5" of additional drop leg extension.



**Two Speed Drop Leg
12,000 lbs. Static Load - 10,000 lbs. Lift Capacity**

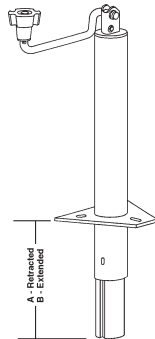
Part Number	Spring Return	Pin Location	Handle Included	Travel	Companion Jack
183901	No	Front	No	12.5"	182415
183901-1	No	Front	Yes	12.5"	182415
183902	Yes	Side	No	12.5"	182805
183902-1	Yes	Side	Yes	12.5"	182805
183903	Yes	Front	No	12.5"	182815
183903-1	Yes	Front	Yes	12.5"	182815

Note: Above jacks have 13.5" of additional drop leg extension.

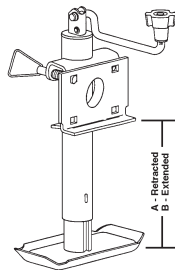
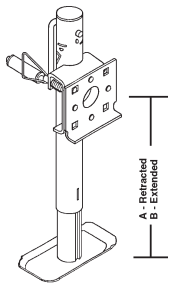
JACKS



A-Frame & Plain Mount



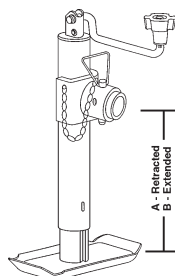
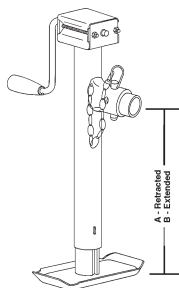
Part Number	Capacity	Handle Type	Travel	Bracket Height
155031	2,000 lbs.	Top	13"	5.4"
155022	2,000 lbs.	Top	13"	8.2"
155157	2,000 lbs.	Side	13"	8.6"
1750290317	5,000 lbs.	Top	15"	10.75"
175000	5,000 lbs.	Top	15"	12.25"
170148037	5,000 lbs.	Top	15"	None



Swivel Jacks - Snap Ring Mount

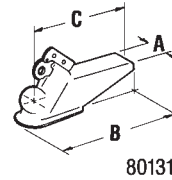
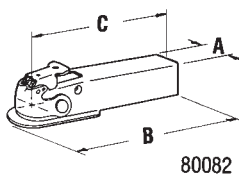
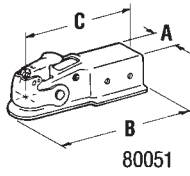
Part Number	Capacity	Handle Type	Travel	Retracted	Extended	C
151401	2,000 lbs.	Top	10"	11.0"	21.0"	4"
151421	2,000 lbs.	Top	15"	14.5"	29.5"	10"
151101	2,000 lbs.	Side	10"	11.0"	21.0"	6"
171401	5,000 lbs.	top	10"	11.25"	21.25"	4"

Swivel Jacks - Pipe Mount



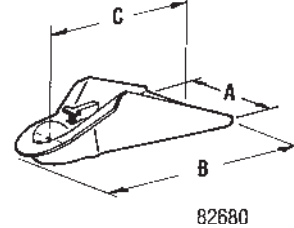
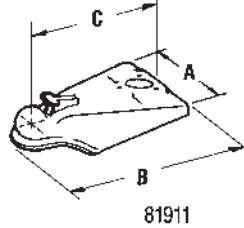
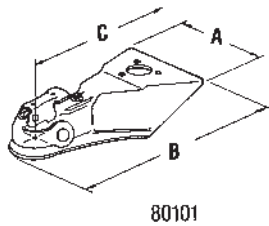
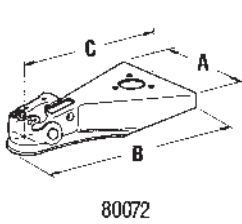
Part Number	Capacity	Handle Type	Travel	Retracted	Extended	C
158451	2,000 lbs.	Top	10"	11.0"	21.0"	4"
158452	2,000 lbs.	Top	15"	16"	31"	10"
158486	2,000 lbs.	Top	15"	16"	31"	4"
178101	5,000 lbs.	Top	10"	11.25"	21.25"	4"
178151	5,000 lbs.	Top	15"	14.7"	29.7"	10"
178112	5,000 lbs.	Top	15"	15.4"	30.4"	4"
158109	2,000 lbs.	Side	10"	10.8"	20.8"	6"
158151	2,000 lbs.	Side	15"	14.5"	29.5"	12"
178201	5,000 lbs.	Side	10"	10.4"	20.4"	6"
178203	5,000 lbs.	Side	15"	15.4"	30.4"	4"

Straight Tongue Couplers Atwood Mobile Products



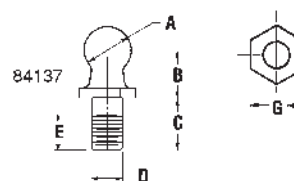
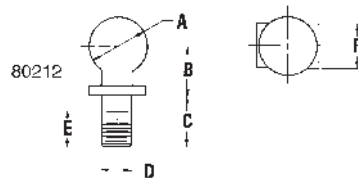
Part #	Description	Rated Capacity (Lbs.)	A	B	C	D	E	F	Hole Size
AT 80051	2" ball, 3" channel, painted	3,500 S.A.E. 2	3"	11 ¹ / ₈ "	9 ³ / ₈ "	3"	³ / ₄ "	1"	¹⁷ / ₃₂ "
AT 80082	2" ball, 2" channel, painted	5,000 S.A.E. 3	2"	11 ³ / ₁₆ "	9 ¹ / ₂ "	-	-	-	-
AT 80131	2 ⁵ / ₁₆ " ball, 3" channel, painted	8,500 S.A.E. 4	3"	13 ³ / ₄ "	12"	-	-	-	-

50° A-Frame Couplers



Part #	Description	Rated Capacity (Lbs.)	A	B	C
AT 80072	2" ball, painted	5,000 S.A.E. 3	9 ¹ / ₄ "	14"	12 ⁵ / ₁₆ "
AT 80101	2 ⁵ / ₁₆ " ball, painted	8,500 S.A.E. 4	9 ⁷ / ₈ "	14"	12"
AT 81911	2 ⁵ / ₁₆ " ball, painted	25,000 Mobile Home Use 10,000 S.A.E. 4	10 ⁵ / ₈ "	12 ¹³ / ₁₆ "	11 ¹ / ₁₆ "
AT 82680	2 ⁵ / ₁₆ " ball, undermount, painted	25,000 Mobile Home Use 10,000 S.A.E. 4	10 ⁵ / ₈ "	13 ¹ / ₈ "	11 ⁵ / ₁₆ "

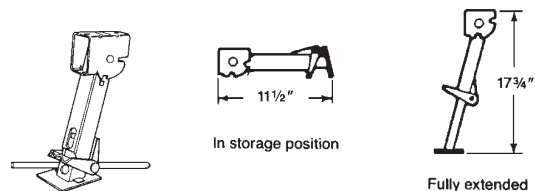
Balls



Part #	Description	Rated Capacity (Lbs.)	A	B	C	D	E	F	G
AT 80212	2 ⁵ / ₁₆ " forged hitch ball	13,000	2 ⁵ / ₁₆ "	2 ¹ / ₄ "	2 ¹ / ₂ "	1 ³ / ₈ "**	1 ¹ / ₈ "	2"	2"
AT 84137	2 ⁵ / ₁₆ " machined hitch ball	40,000	2 ⁵ / ₁₆ "	2 ¹ / ₄ "	2 ¹ / ₂ "	1 ³ / ₈ "**	1 ¹ / ₈ "	-	2"

** 12 UNF-2 thread

AT 82301	Atwood stabilizer jack	650 lbs. cap.
AT 80480	Handle - stabilizer jack	



BULLDOG COUPLERS



A-Frame Mount



Part Number	Ball Size	Capacity	Latch Style
HB 28288	2"	5,000 lbs.	Low Profile w/Pin
HB 28384	2"	5,000 lbs.	High Profile
HB 28287	2"	7,000 lbs.	High Profile
HB 28499	2 ⁵ / ₁₆ "	12,500 lbs.	Low Profile w/Pin
HB 28463	2 ⁵ / ₁₆ "	12,500 lbs.	High Profile

Straight Tongue Mount



Part Number	Ball Size	Capacity	Tongue Mounting Size	Latch Style
HB 28244	2"	5,000 lbs.	3" Channel	Pin Only
HB 28382	2"	5,000 lbs.	3" Channel	High Profile
HB 28381	2"	5,000 lbs.	Tubular 2 ¹ / ₄ " OD x 1 ³ / ₄ " ID	High Profile
HB 28390	2"	7,000 lbs.	3" Channel	High Profile
HB 28461	2 ⁵ / ₁₆ "	12,500 lbs.	Tubular 2 ¹ / ₄ " OD x 1 ³ / ₄ " ID	High Profile
HB 28462	2 ⁵ / ₁₆ "	12,500 lbs.	3" Channel	High Profile

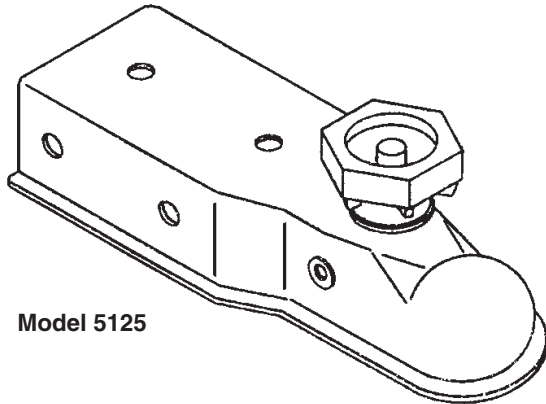
Adjustable Couples



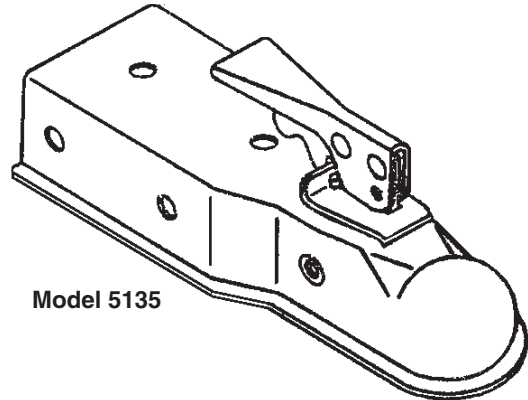
Part Number	Ball Size	Capacity	Tongue Mounting Size	Latch Style
HB 28390	2"	7,000 lbs.	2 ⁷ / ₈ " Channel	Pin Only
HB 28630	2 ⁵ / ₁₆ "	12,500 lbs.	2 ⁷ / ₈ " Channel	Pin Only



Trailer Couplers



Model 5125



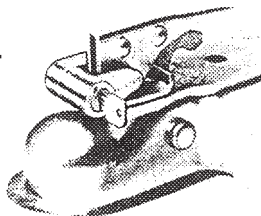
Model 5135

Trailer Coupler Specifications

Model No.	Type	Channel Size	Ball Size	Tongue Load (lbs.)	Gross Load (lbs.)	SAE Class
SH 512224	Screw Handle	2"	1 ⁷ / ₈ "	200	2000	I
			2"	300	3500	II
SH 512324	Screw Handle	2 ¹ / ₂ "	1 ⁷ / ₈ "	200	2000	I
			2"	300	3500	II
SH 512524	Screw Handle	3"	1 ⁷ / ₈ "	200	2000	I
			2"	300	3500	II
SH 512824	Posi-Lock	2"	1 ⁷ / ₈ "	200	2000	I
SH 510524	Posi-Lock	2 ¹ / ₂ "	1 ⁷ / ₈ "	200	2000	I
SH 513124	Posi-Lock	3"	1 ⁷ / ₈ "	200	2000	I
SH 513324	Posi-Lock	2"	2"	300	3500	II
SH 511124	Posi-Lock	2 ¹ / ₂ "	2"	300	3500	II
SH 513524	Posi-Lock	3"	2"	300	3500	II

FULTON
Performance Products

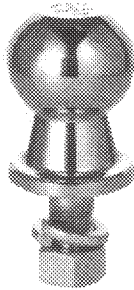
Trailer Hitch Lock



Coupler Repair Kits

Kit No.	Description	Ball Dia.
FU 54 0801*	Kit for 306, B-6, 308, B-8 Couplers	2 ¹ / ₂ "
FU 55 0801*	Kit for 1-500, H-Series Couplers	1 ⁷ / ₈ "
FU 56 0801	Kit for 107, 108, 07 & 08 Couplers	1 ⁷ / ₈ "
FU 57 0801*	Kit for 34-308 Couplers	2"
FU 58 0801	Kit for 11 and 1 Series Fas-Lok Couplers	1 ⁷ / ₈ "
FU 59 0801*	Kit for 22 and 2 Series Fas-Lok Couplers	2"
FU 60 0801*	Kit for 34-300, 33-305 Couplers	2"

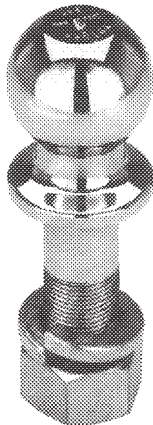
* Special Order Item



Regular Hitchballs

Part Numbers			Dimensions				Capacity
Raw	Zinc	Chrome	Ball Dia.	Shank Dia.	Shank Length	Thread Type	Max. Load
99001	99002	99003	1 ⁷ / ₈ "	³ / ₄ "	1 ³ / ₄ "	SAE	2000
99004	99005	99006	1 ⁷ / ₈ "	1"	2"	SAE	2000
99007	99008	99009	2"	³ / ₄ "	1 ³ / ₄ "	SAE	3500
99010	99011	99012	2"	1"	2"	SAE	5000
99013	99014	99015	2"	1 ¹ / ₄ "	2 ¹ / ₄ "	SAE	7500
99016	99017	99018	2"	1 ³ / ₈ "	2 ¹ / ₄ "	SAE	8500
99019	99020	99021	2 ⁵ / ₁₆ "	1"	2"	SAE	6000
99022	99023	99024	2 ⁵ / ₁₆ "	1 ¹ / ₄ "	2 ¹ / ₄ "	SAE	10000
99025	99026	99027	2 ⁵ / ₁₆ "	1 ³ / ₈ "	2 ¹ / ₄ "	SAE	10000

Long Shank Hitchballs



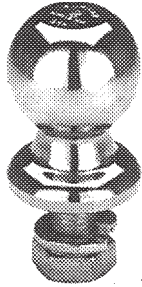
Part Numbers			Dimensions				Capacity
Raw	Zinc	Chrome	Ball Dia.	Shank Dia.	Shank Length	Thread Type	Max. Load
98001	98002	98003	1 ⁷ / ₈ "	³ / ₄ "	2 ¹ / ₈ "	Coarse	2000
98004	98005	98006	1 ⁷ / ₈ "	³ / ₄ "	3"	Coarse	2000
98007	98008	98009	1 ⁷ / ₈ "	1"	2 ¹ / ₄ "	SAE	2000
98010	98011	98012	1 ⁷ / ₈ "	1"	3"	SAE	2000
98013	98014	98015	2"	³ / ₄ "	2 ¹ / ₈ "	Coarse	3500
98016	98017	98018	2"	³ / ₄ "	3"	Coarse	3500
98019	98020	98021	2"	1"	2 ¹ / ₄ "	SAE	5000
98022	98023	98024	2"	1"	3"	SAE	5000
98025	98026	98027	2 ⁵ / ₁₆ "	1"	2 ¹ / ₄ "	SAE	6000
98028	98029	98036	2 ⁵ / ₁₆ "	1"	3 ¹ / ₂ "	SAE	6000
98031	98032	98030	2 ⁵ / ₁₆ "	1 ¹ / ₄ "	2 ¹ / ₂ "	SAE	10000
98033	98034	N/A	2 ⁵ / ₁₆ "	1 ¹ / ₄ "	3 ¹ / ₄ "	SAE	10000
98035	98040	N/A	2 ⁵ / ₁₆ "	1 ¹ / ₂ "	2 ¹ / ₂ "	Coarse	10000
98037	98038	N/A	2 ⁵ / ₁₆ "	1 ¹ / ₂ "	3 ¹ / ₂ "	Coarse	10000
98039	98041	N/A	2 ⁵ / ₁₆ "	2"	3 ¹ / ₂ "	Coarse	10000



Hi-Rise Hitchballs

Part Numbers			Dimensions				Capacity
Raw	Zinc	Chrome	Ball Dia.	Shank Dia.	Rise	Shank Length	Max. Load
96001	96002	96003	2"	1"	1"	2"	5000
96004	96005	96006	2"	1"	2"	2"	3500
96007	96008	96009	2"	1 ¹ / ₄ "	1"	2 ¹ / ₄ "	6000
96010	96011	96012	2 ⁵ / ₁₆ "	1 ¹ / ₄ "	1"	2 ¹ / ₄ "	7000
96013	96014	96015	2 ⁵ / ₁₆ "	1 ¹ / ₄ "	1"	3 ¹ / ₄ "	7000
96016	96017	96018	2 ⁵ / ₁₆ "	1 ¹ / ₄ "	2"	2 ¹ / ₄ "	5000
96019	96020	96021	2 ⁵ / ₁₆ "	1 ³ / ₈ "	1"	3 ¹ / ₄ "	8000

NOTE: All Hi-Rise Hitch Balls are SAE Threads

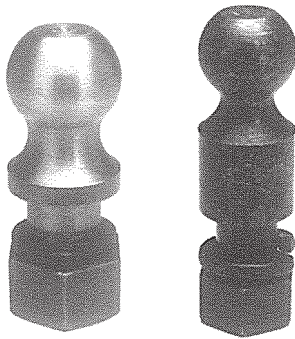


Specialty Hitchballs

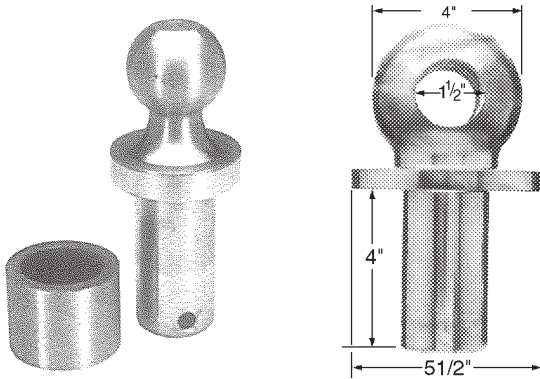
24000#-30000# Load Rating for 5th Wheel Gooseneck V-19 Rating

Part Numbers		Dimensions					Max. Load
NEW Part No.	Old Part No.	Ball Dia.	Shank Dia.	Rise	Shank Length	Finish	
94001	SB 31	2 ⁵ / ₁₆ "	1"		2 ¹ / ₄ "	RAW	12000
94002	SB 31SP	2 ⁵ / ₁₆ "	1 ¹ / ₄ "	1"	2 ¹ / ₂ "	RAW	24000
94003	SB 31213	2 ⁵ / ₁₆ "	1 ¹ / ₄ "	1"	3 ¹ / ₄ "	RAW	24000
94004	SB 312	2 ⁵ / ₁₆ "	1 ¹ / ₄ "		2 ¹ / ₄ "	RAW	30000
94005	SB 3121	2 ⁵ / ₁₆ "	1 ¹ / ₂ "	1"	2 ³ / ₄ "	RAW	30000
94006	SB 3122	2 ⁵ / ₁₆ "	1 ¹ / ₂ "	2"	2 ³ / ₄ "	RAW	30000
94007	SB 2313	2 ⁵ / ₁₆ "	1 ³ / ₈ "	1"	2 ³ / ₄ "	RAW	30000
94008	SB 32	3"	2"		3 ¹ / ₄ "	RAW	30000
94009*	SB 3124	2 ⁵ / ₁₆ "	2"		3 ¹ / ₂ "	RAW	30000

* Coarse Thread



H & R Machine Gooseneck Balls



Part No.	Description	Max Load
SR 419	2 ⁵ / ₁₆ " x 2" SM Shk Ball W/BT Nut	10000
SR 420	2 ⁵ / ₁₆ " x 2" Ball Cors/Thd Shank	10000
SR 421	2 ⁵ / ₁₆ " x 2 ³ / ₁₆ " SM/Shnk/W/BTL/Nut	30000
SR 423	3" x 2" Coarse Thread Ball	20000
SR 424	3" Ball x 2" Smooth Shank	20000
SR 425	3" x 2 ³ / ₁₆ " SM/Shk/W/Bolt & Nut	20000
SR 501	4" Gooseneck W/2" SH W/BTL & Nut	30000
SR 502	4" Eye W/2" Cos/Thd L/Nut	30000
SR 504	4" Pipe Eye W/2 ³ / ₁₆ " Sm/Shk	30000
SR 704	2" Sleeve for SR 419	
SR 703	2 ³ / ₁₆ " Sleeve for 2 ⁵ / ₁₆ ", 3" & 4" Balls	
SR 802	4" Gooseneck Weld-on Socket	
SR 805	2" x 4 ¹ / ₂ " Hex Hut	
SR KP-1	2" King Pin W/2 ³ / ₁₆ " Smooth Shank	
SR KP-2	2" King Pin, W/2" Coarse Threads	

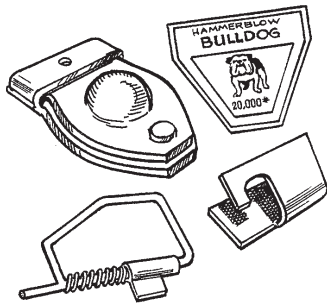
Add "A" To P/N for Ball Assy. to include sleeve, bolt and lock nut

Bulldog Coupler Products



Gooseneck Style (PATENT APPLIED FOR) 20,000 Lb. Gross Trailer Weight for 2⁵/₁₆" Ball

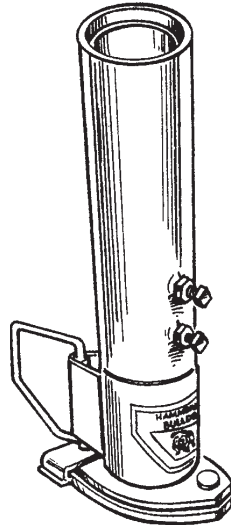
Coupler Kit
Part No. HB 0287740300



Coupler Assy
Locking Pin Assy
Locking Pin Cover
Bulldog Label
Warning Label

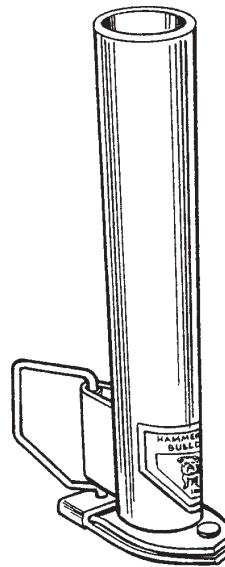
Adjustable
Part No. HB 0287620300

Inner Pipe
Part No. HB 023171
Outer Pipe
Part No. HB 28853



Overall Height – 29¹/₂"
Adjustment – 11"
3/4" Set Screws
4¹/₂" O.D. x 1/4" Wall
Outer Tube
4" O.D. x 1/4" Wall Inner Tube

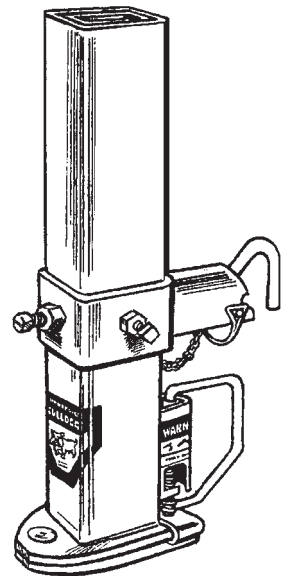
Fixed
Part No. HB 0287690300



Overall Height – 34"
4¹/₂" O.D. x 1/4" Wall
Fixed Tube

Adjustable Square Coupler
Part No. HB 028960300

Inner Pipe
Part No. HB 28865



Square Goosneck Couplers
Feature
High Strength Components
Patented, Extruded Locking
Plate, Easy Grip Handle,
Cam Lock Height Adjustment,
Five Height Adjusting Holes

30K Adjustable Coupler



Part No. HB 28950

BULLDOG®

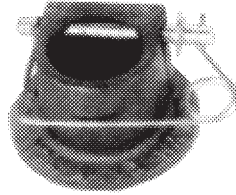


The Premium Brand

WARNING

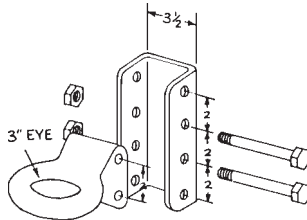
Failure to close coupler securely before towing or failure to use with specified ball size may result in serious injury or death.

KAYLN

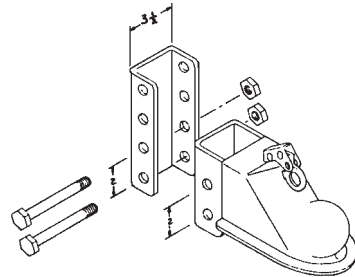


Kayln Couplers

Part #	Description
BH ILX126	Pin for 2 ⁵ / ₁₆ " Kayln coupler
KI 34 SL	Pin for 3" Kayln coupler
KI K1	2 ⁵ / ₁₆ " Kayln coupler W/O pin
KI K1WP	2 ⁵ / ₁₆ " Kayln coupler W/Pin



DICO

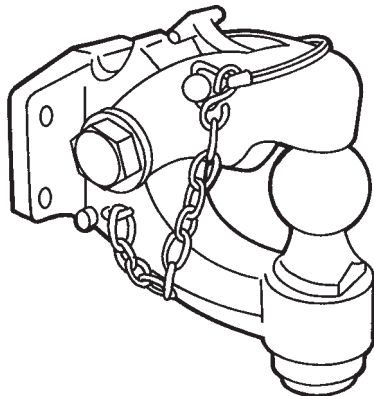


Part #	Description
BU B18128	Adjustable 3" Lunette eye assembly, Capacity – 12,000 lbs., G.V.W.R. Wt. – 14 ¹ / ₂ lbs.
BU B16137	Adjustable Lunette Eye 3"

Part #	Description
DC 23309	2 ⁵ / ₁₆ " Adjustable ball coupler assembly, Capacity – 12,000 lbs., G.V.W.R. Wt. – 15 lbs.
DC 18820	Adjustable Coupler 2 ⁵ / ₁₆ "



Combination Ball Hitch Pintle Hook



Features

- Chrome-moly ball with hard chrome surface
- Interchangeable hitch balls
- Large 1¹/₈" ball shank with indexing flats to compensate for wear
- 100% drop forged construction
- 1/4" dia. locking pin
- Standard mounting pattern

8 Ton Capacity

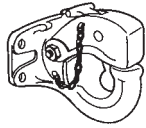
16,000 lb. maximum gross trailer weight
3,000 lb. maximum vertical load

Part #	Description	Ball Size
RH 63011	Combination ball hitch	2"
RH 63012	Combination ball hitch	2 ⁵ / ₁₆ "

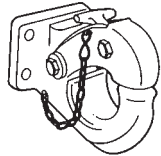
Replacement Balls

Part #	Description
RH 63018	2" Chrome
RH 74222	2 ⁵ / ₁₆ " Chrome

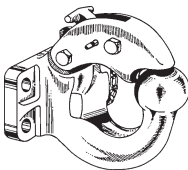
Pintle Hooks



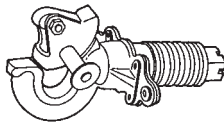
Part #	Description
HH PHT60AL	Pintle hook with 2" to 3" oval eye (GVWR 10,000 lbs.) Holland



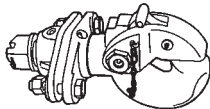
Part #	Description
HH PHT60AOL8	Pintle hook with 2" to 3" oval eye (GVWR 30,000 lbs.) Holland



Part #	Description
HH PH16B	Pintle hook with 2" to 3" oval eye and with duplex type 2" ball "cast-into" the hook (GVWR 16,000 lbs.) Holland

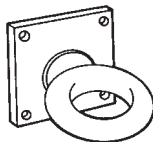


Part #	Description
HH PHT90A	Pintle hook with 2 ³ / ₈ " to 3" oval eye, swivel base, and spring cushion (GVWR 20,000 lbs.) Holland

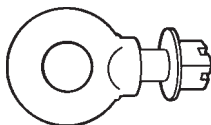


Part #	Description
HH PH760	Pintle hook with 3" eye, swivel base (GVWR 49,000 lbs.) Holland

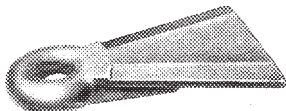
Drawbars



Part #	Description
HH DB-1250-15 HH DB-040DQ1	Pintle ring with 2 ¹ / ₂ " eye & 4 bolt (optional weld on) mounting base (GVWR 15,000 lbs.) Holland

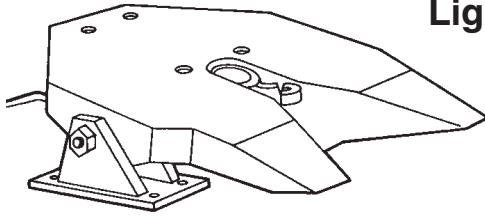


Part #	Description
HH DB-1250-3	Pintle ring with 2 ¹ / ₂ " eye bolt-on with 1 ¹ / ₂ " shank (GVWR 15,000 lbs.) Holland



Part #	Description
HH DB-1228-1	Bolt-on drawbar with 2.5" I.D. eye with 1.25" x 1.5" diameter section.
HH DB-1224	"A" frame type drawbar with 2.38" I.D. eye with 1.62" diameter section.
HH DB-1385 HH DB-060FQ1	Pintle ring with 3" eye 4 bolt mounting base (GVWR 60,000 lbs.)





Light Commercial Fifth Wheels

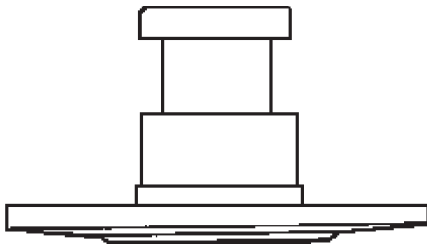
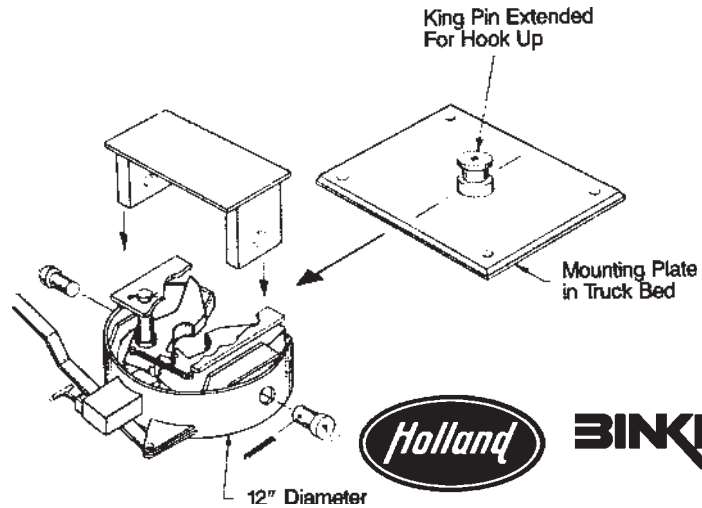


Part #	Description	Vertical Load
HH FW6200	G.T.W.*26,000 lbs.	9,000 lbs.
HH FW6000	32,000	12,000 lbs.

* Gross Trailer Weight

Part No.	2" S.A.E. Kingpin
BK FW0001	Mini 5th Wheel
BK FW0030	Retractable kingpin

- For use with gooseneck recreational vehicles, stock trailers, horse trailers and grain trailers towed by pickup trucks.
- 10° side-to-side movement optional
- 24,000 lb. G.V.W.



2" S.A.E. Kingpin

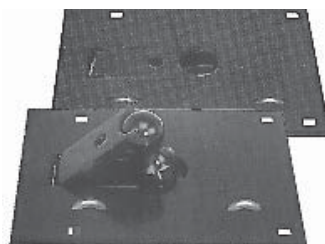
Part No.	Description
BU KP20038	For 3/8" Plate Thickness
HH KPT-809-BF	For 1/2" Plate Thickness 8630 Steel Forging

Part #	Description
AT 75064	Retractable 2-5/16" Ball Mount Assembly



Gooseneck Retractable Ball Mount

- Folding, flush-mount design
- 25,000 lbs. GVW capacity



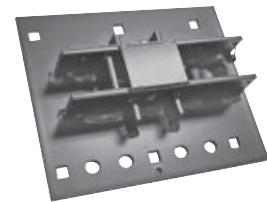
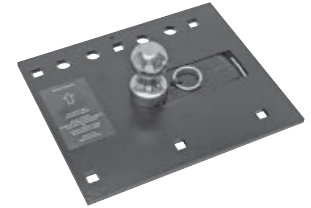


Professional Series 2003

Fold-Down Gooseneck Hitch

Part #	Description
# 8339	Fold-down gooseneck hitch platform (2 ⁵ / ₁₆ " ball)

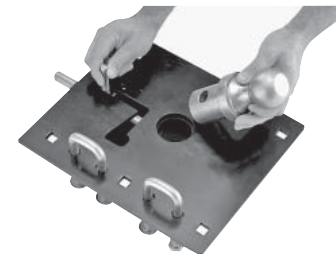
- Fold-down design allows full use of the truck bed when the hitch is not in use
- Rated for 25K gross trailer weight, 6,250 lbs. vertical load
- Integrated drop-down, spring-loaded safety chain loops
- Heat-treated 2-5/16" chrome ball
- Top plate and substructure are made with 3/8" thick steel
- Wider top plate footprint projects greater strength and stability
- Large pull ring allows user to pull up access plate while wearing gloves
- Zerk fitting is visible and easily accessible
- Choose the correct vehicle rail kit to complete the installation



REMOV-A-BALL™ Gooseneck Hitch

Part #	Description
# 6300	Remov-A-Ball gooseneck hitch platform (2 ⁵ / ₁₆ " ball)

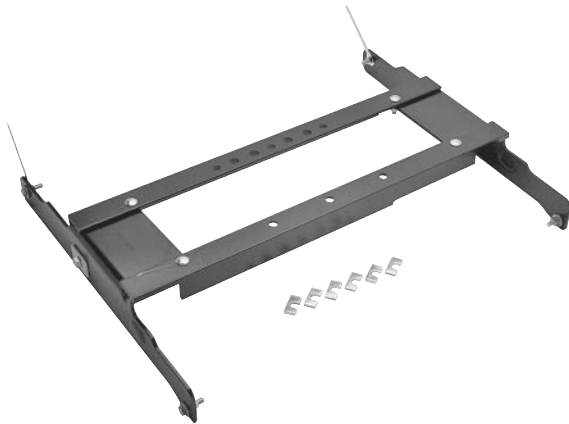
- Allows unrestricted use of pickup bed area hauling cargo
- 2-5/16" forged, heat-treated zinc ball standard
- Spring-loaded chrome sliding pin ensures positive lock
- Spring-loaded safety chain loops included
- Magnetic cover protects ball hole and activating lever slot when not in use
- In-truck platform may be used with rail kits or installed on any vehicle, providing adequate structure to secure the platform
- In-truck platform is rated for 30,000 lbs gross trailer weight and 7,500 lbs. vertical load



Professional Series 2003

Gooseneck Installation Rail Kits

For use with 6300 / 8311 / 8315 / 8339



- Rated to match manufacturer's vehicle weight ratings
- Use existing holes in vehicle frame
- No need to raise truck bed on most models; no need to remove exhaust to install
- Allows quick, easy installation of remov-a-ball towing system
- Spacer shims included to protect truck bed corrugation
- Simple bolt-on application, no welding required
- For use with Remov-A-Ball, under-bed and economy gooseneck trailer hitch systems **only**. Not for use on The Goose.

Installation Rail Kits

Make	Year	Model	Part #	Footnote
Chevrolet/GMC	88-00	Old Body Style, 6' Bed	6320	1
	88-00	Old Body Style, 8' Bed	6350	1
	99-06	1500/2500, 6' Bed	6380	3
	2007	1500/2500, Classic 6' Bed	6380	3
	99-06	1500/2500, 6' & 8' Beds	6385	3, 4
	2007	1500/2500, Classic 6' & 8' Beds	6385	3, 4
	01-06	3500, 8' Bed	6385	3
	2007	3500 Classic, 8' Bed	6385	3
Dodge	94-01	1500/2500/3500, 6' & 8' Beds	6330	
	2002	2500, 6' & 8' Beds	6330	
	2002	3500, 8' Bed	6330	
	02-07	1500, 6' & 8' Beds Except Mega Cab	6390*	
	03-07	2500HD, 6' & 8' Beds Except Mega Cab	6390*	
	03-07	3500HD, 8' Bed Except Mega Cab	6390*	
	02-07	1500 only, 6' & 8' Beds Includes Mega Cab	6396	5
	03-07	2500HD, 6' & 8' Beds Includes Mega Cabs	6396	5
	03-07	3500HD, 6' & 8' Beds Includes Mega Cabs & Dually	6396	5
	Ford	80-96	F-100/F-150/F-250/F-350, 6' & 8' Beds	6310
1997		F-250/F-350 HD, 6' & 8' Beds	6310	
97-03		F-150, 6' & 8' Beds	6340	2
2004		F-150 Heritage (Old Body Style) 6' & 8' Beds	6340	2
04-07		F-150, 6' & 8' Beds	6327	
97-99		F-250 LD, 6' & 8' Beds	6340	2
99-04		F-250/F-350 Super Duty (Except Cab & Chasis, Diesel)	6360*	
99-04		F-250/F-350 Super Duty Diesel, V10	6395	
	05-07	F-250/F-350 Super Duty (Except Cab & Chasis)	6395	

- 1 Will Not Fit 1988-91 4 Dr. Crew Cab Models
 2 Will Not Fit Ford F-150 4 Dr. Supercrew Models
 3 Requires Temporary Loosening of Truck Bed

- 4 Requires additional 1/2 hour installation time for 6' Bed models
 5 No Drill Accessory Kit for #58308 #6396
 * Available while supplies last

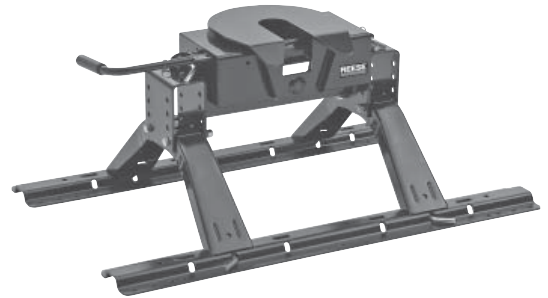


Pro Series

Introducing the newest Fifth Wheel from Reese. The innovative Pro Series Fifth Wheel is engineered and designed by Reese to provide the features you expect in a fifth wheel at an economical price.

Pro Series

- 4-way pivoting head
- Full 5 degrees of side-to-side pivot for easy hook-up on uneven ground along with easier towing
- New rounded slide bar jaw mechanism; designed for automatic self-latching
- Adjustment heights from 13" to 17"
- New one-piece formed legs; provides a wider footprint for superior stability
- Universal mounting kit included (#30035)
- 15,000 lbs. capacity; 3,750 lb. pin weight capacity



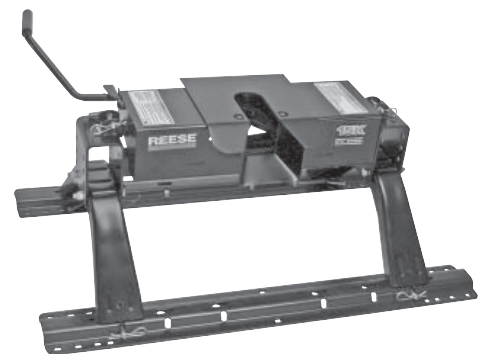
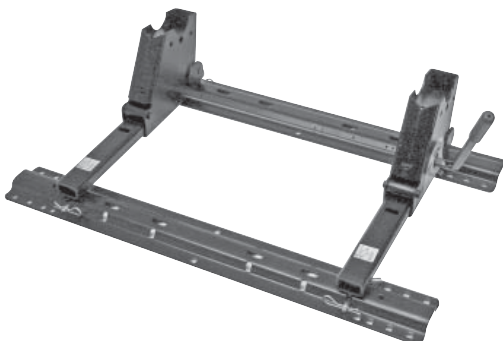
#30056

Pro Series Fifth Wheel

Part #	Description
30056	Pro Series complete (#30035 rail & installation kit included)

15K

- Quick installation
- Easy removal in seconds allow full access to truck bed
- Adjustment heights from 13" to 17"
- 15,000 lbs. capacity; 3,750 lb. pin weight capacity
- Head movement is front to back only



#30046 (#30035 rail & installation kit sold separately)

15K™ Fifth Wheel Hitch

Part #	Description
30046	15K fifth wheel complete (#30035 rail & installation kit sold separately)
30049	15K with Kwik-Slide (#30035 rail & installation kit sold separately)

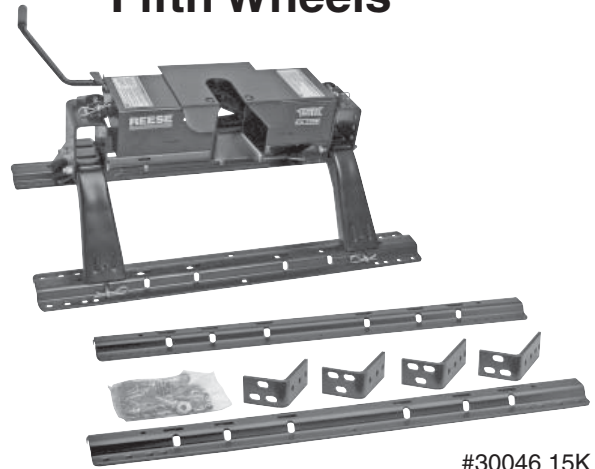


About Fifth Wheels

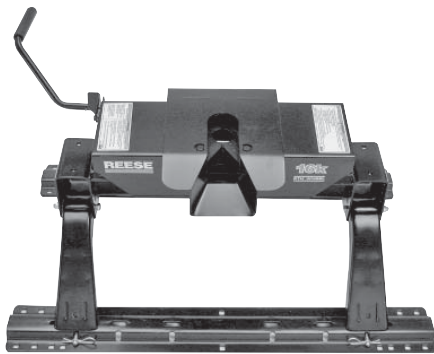
All Fifth Wheels Are Not Created Equal

When you are looking for a new fifth wheel, there are several items to keep in mind while you're shopping. Just like our receivers, not all fifth wheels are created equal.

Reese, the industry's leader in fifth wheels, devotes a substantial investment in design and testing our fifth wheel hitches. Each new fifth wheel is designed for durability and is thoroughly tested on our servo-hydraulic test stand. It is because of our extensive testing procedures that we can offer a five year limited warranty on all Reese fifth wheels, assuring our customers not only the best product, but the peace of mind knowing we stand behind that product.



#30046 15K
(#30035 rail & installation kit sold separately)

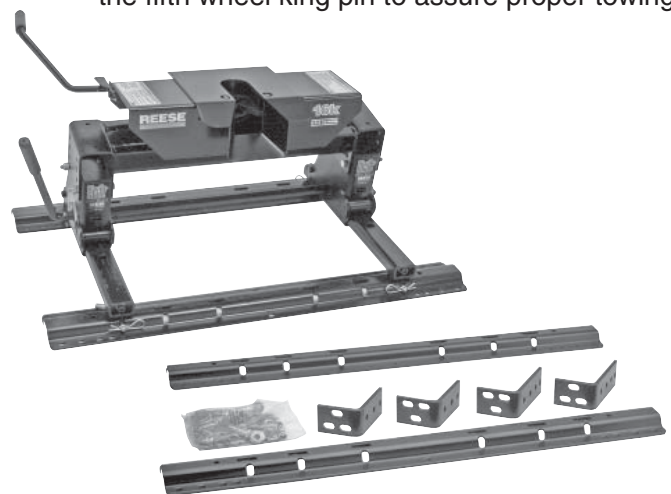


#30047 16K
(#30035 rail & installation kit sold separately)

Our engineers are constantly looking for new features that will enhance your towing experience. Our rail kits are designed for use on all Reese fifth wheels and the Reese rail mounted Gooseneck hitch. The rail design allows the fifth wheel to be removed from the truck by simply removing four pull pins. The two base rails remain, leaving the entire truck bed available for maximum hauling. Our rail design allows you the flexibility to upgrade your towing system if your needs may ever change. In addition, all Reese branded fifth wheels feature a patented casted dual jaw locking mechanism. This jaw locking mechanism surrounds the fifth wheel king pin to assure proper towing.

Not All Towing Needs Are the Same

Reese offers the most complete line of fifth wheel hitches in the industry. Our newly rated 15K model is a time tested, proven design. Our popular newly rated 16K fifth wheel is designed for both front to back and side to side tilt. The 20K has similar features to the 15K but is designed to carry loads up to 20,000 pounds. For extra heavy duty towing, the Reese 22K will handle loads up to 22,000 pounds. Got a short bed or extended cab truck? You may need the Reese Kwik-Slide. This fifth wheel slides a full 10 inches with the fifth wheel attached to allow for a greater turning radius during low speed maneuvering.



#30051 16K with Kwik-Slide
(#30035 rail & installation kit sold separately)

The Reese Kwik-Slide now includes six rollers for easy operation. The new position indicator assures the Kwik-Slide is locked into place and is ready for use.



Fifth Wheels

20K

- Features 6" side-to-side pivot to better accommodate hook-ups on uneven ground and easier towing
- Quick installation
- Quick, easy removal to allow full truck bed access
- Adjustment heights from 14" to 18"
- 20,000 lbs. capacity; 5,000 lbs. pin weight capacity



#30033

20K™ Fifth Wheel Hitch

Part #	Description
30033	20K fifth wheel complete (#30035 rail & installation kit sold separately)

22K

- A capacity to haul the heaviest of loads
- Head movement is front-to-back
- Quick, easy removal to allow full truck bed access
- Adjustment heights from 13" to 17"
- 22,000 lbs. capacity; 5,500 lbs. pin weight capacity



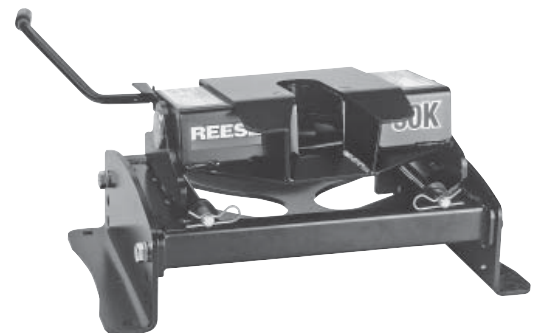
#30034

22K™ Fifth Wheel Hitch

Part #	Description
30034	22K fifth wheel complete (#30035 rail & installation kit sold separately)

30K

- Low profile design can be vertically adjusted 3" to permit level trailering (9-1/2" to 12-1/2") above vehicle deck
- Innovative new side-tilt design reduces vehicle frame stress, creating a smoother, more comfortable ride and making hook-up and un-hook much easier
- Specially designed and engineered for the serious tower, primarily on medium-duty conversion trucks
- Actuating handle is more easily accessible than most fifth wheels, making hook-up quicker and more convenient
- Clearances are engineered to enable use in conjunction with Reese folding Gooseneck hitches
- 30,000 lbs. capacity; 7,500 lb. pin weight capacity



#30054

30K™ Fifth Wheel Hitch

Part #	Description
30054	30K fifth wheel complete. Face rails not used with this model. Mounts directly to medium-duty truck frame.

Fifth Wheels Accessories

Fifth Wheel Rails & Installation Kits

Part #	Description
30035	Rails with universal installation kit
30439	Installation kit only (hardware and brackets)
58186	Dodge 2003 2500/3500 with overload springs for use with #30035



#30035

The Goose[™] Gooseneck Hitch

For a gooseneck hitch that works in conjunction with your Reese fifth wheel, you need The Goose. This design eliminates the need to cut the truck bed, utilizes the same base rails as our standard fifth wheel hitches and is easily removable by simply removing the four locking pins. The 2-5/16" heat-treated ball and attractive E-Coat finish are included.

- 6,250 lbs. pin weight capacity
- 25,000 lbs. gross trailer weight
- #30035 rails and installation kit sold separately



#58079

The Goose[™] Gooseneck Hitch

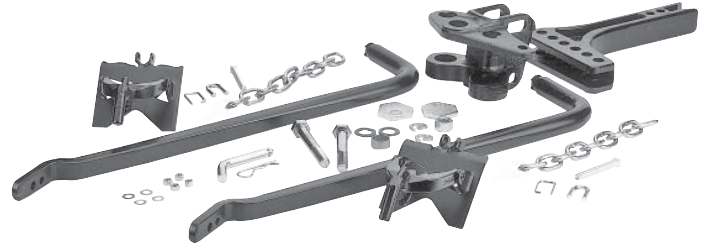
Part #	Description
58079	Goose fifth wheel hitch

U.S. Patent No. 362,224



Heavy-Duty Round Bar Style

The Reese Round Bar Weight-Distributing Hitch features easy-to-use adjusting blocks for easier and faster ball mount angle adjustment. It includes a one-piece cast head, snap-up brackets and chains; spring bars include an integrated cam for use with optional dual cam sway control.



Heavy-Duty Round Bar Style

Hitch Bar #54970 Included

Part #	Description	Max Hitch Weight	Max GTW
61009	Weight-distributing hitch	550 lbs.	10,000 lbs.

Heavy-Duty Round Bar Style

Adjustable Hitch Bar Sold Separately

Part #	Description	Max Hitch Weight	Max GTW
66065	Weight-distributing hitch	550 lbs.	10,000 lbs.
66066	Weight-distributing hitch	750 lbs.	10,000 lbs.
66067	Weight-distributing hitch	1,000 lbs.	10,000 lbs.

Standard Friction Sway Control

- Installs and removes easily
- Removes with two spring locking pins
- Heavy construction for added reliability
- Friction brake keeps trailer and tow vehicle stable
- Quick attachment to trailer frame and ball mount



#26660

Standard Friction Sway Control

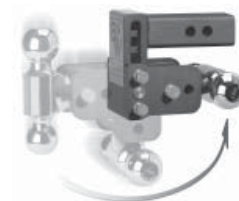
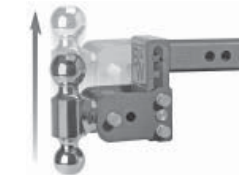


Part #	Description
26002	Dual cam sway control
26660	Standard friction sway control
58060	Replacement ball nut/washer for 26660

Weight-distributing hitch not included; use of sway controls with surge brakes not recommended



Tow & Stow Model Chart



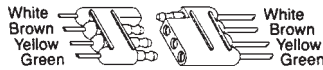
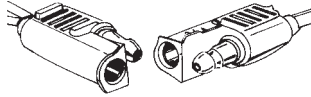
Part Number	Ball Size	Ball Configuration	Rating
6" Model			
TS10033B	2 ⁵ / ₁₆ " x 2"	Double Ball	Class IV
TS10035B	2 ⁷ / ₈ " x 2"	Double Ball	Class IV
TS10047B	2" x 1 ⁷ / ₈ " x 2 ⁵ / ₁₆ "	Tri-Ball	Class IV
8" Model			
TS10037B	2 ⁵ / ₁₆ " x 2"	Double Ball	Class IV
TS10048B	2" x 1 ⁷ / ₈ " x 2 ⁵ / ₁₆ "	Tri-Ball	Class IV
10" Model			
TS10040B	2 ⁵ / ₁₆ " x 2"	Double Ball	Class IV
TS10049B	2" x 1 ⁷ / ₈ " x 2 ⁵ / ₁₆ "	Tri-Ball	Class IV
Browning Hitches			
6" Model			
TS10033BB	2 ⁵ / ₁₆ " x 2"	Double Ball	Class IV
TS10047BB	2" x 1 ⁷ / ₈ " x 2 ⁵ / ₁₆ "	Tri-Ball	Class IV
8" Model			
TS10037BB	2 x 2 ⁵ / ₁₆ "	Double Ball	Class IV
TS10048BB	2" x 1 ⁷ / ₈ " x 2 ⁵ / ₁₆ "	Tri-Ball	Class IV
Mossy Oak			
6" Model			
TS10033MN	2 ⁵ / ₁₆ " x 2"	Double Ball	Class IV
TS10047MN	2" x 1 ⁷ / ₈ " x 2 ⁵ / ₁₆ "	Tri-Ball	Class IV
8" Model			
TS10037MN	2 ⁵ / ₁₆ " x 2"	Double Ball	Class IV
TS10048MN	2" x 1 ⁷ / ₈ " x 2 ⁵ / ₁₆ "	Tri-Ball	Class IV
Pintle Hitch			
TS10055	Pintle Hitch 2" Ball		
TS10056	Pintle Hitch 2 ⁵ / ₁₆ " Ball		
TS10051	2" Pintle Ball Chrome		
TS10052	2 ⁵ / ₁₆ " Pintle Ball Chrome		
Tow & Stow Accessory Chart			
TS51234	Tri-Max Stainless Steel Hitch Lock		
TS50796	Loch-Pro Hitch Lock		
TS35010	Stainless Steel Pins (Long)		
TS35020	Silencer Pad (Black)		
TS35012	6" Stainless Cover Plate		
TS35013	8" Stainless Cover Plate		
TS35014	10" Stainless Cover Plate		
TS35016	6" Browning Cover Plate		
TS35017	8" Browning Cover Plate		
TS35012MN	6" Mossy Oak Cover Plate		
TS35013MN	8" Mossy Oak Cover Plate		



Turnover Ball Model Chart

KIT NUMBER	MOUNTING BOX	CENTER BOX	
GNRK	GMRM	GMRM	Pickup Truck Year, Make and Model
CHEVY/GMC			CHEVY/GMC
1000	1000r	800R	1988-1998 <i>Chevrolet & GMC</i> 1/2, 3/4, & 1 Ton Long Bed Trucks 1999-2000 <i>Chevrolet & GMC</i> 3/4 & 1 Ton Heavy Duty Long Bed Trucks (Classic Body Style)
1050	1050R	950R	1988-1998 <i>Chevrolet & GMC</i> 1/2, 3/4, & 1 Ton Short Bed Trucks 1999-2000 <i>Chevrolet & GMC</i> 3/4 & 1 Ton Short Bed Trucks (Classic Body Style)
1059	1059R	959R	1999-2007 <i>Chevrolet & GMC</i> 1/2 & 3/4 Ton Light Duty Short & Long Bed Trucks (Old Frame & Body Style)
1061	1061R	959R	2001-2007 <i>Chevrolet & GMC</i> 3/4 Ton Heavy Duty Short & Long Bed Trucks (Old Frame & Body Style)
1062	1062R	962R	2001-2007 <i>Chevrolet & GMC</i> 1 Ton Heavy Duty Truck (Old Frame, Body and Bed Style)
1057	1057R	959R	2007 <i>Chevrolet & GMC</i> 1/2 Ton (New Boxed Frame)
1067	1067R	959R	2001-2007 <i>Chevrolet & GMC</i> 3/4 Ton Heavy Duty (New Frame & Body) Short & Long Bed Trucks 2007 <i>Chevrolet & GMC</i> 1 Ton New Frame & Body (1 Ton Requires New Bed with only 2 crossmembers)
1400	1400R	N/A	1973-1987 <i>Chevrolet & GMC</i> 1/2, 3/4, & 1 Ton (Requires Drilling)
FORD			FORD
1100	1100R	800R	1980-1996 <i>Ford</i> 3/4 & 1 Ton WITHOUT Overload Springs 1997-1998 <i>Ford</i> 3/4 & 1 Ton Trucks with the Old Body Style WITHOUT Overload Springs
1110	1110R	800R	1980-1996 <i>Ford</i> 3/4 & 1 Ton Trucks WITH Overload Springs (Requires Drilling 2 Holes) 1997-1998 <i>Ford</i> 3/4 & 1 Ton Trucks W/Overload Springs - Old Body Style (Req. Drilling 2 Holes)
1150	1150R	800R	1980-1996 <i>Ford</i> 1/2 Ton Trucks
1197	1197R	800R	1997-2003 <i>Ford</i> 1/2 & Light Duty 3/4 Ton Trucks, & 2004 Heritage Edition
1104	1104R	959R	2004-2007 <i>Ford</i> 1/2 Trucks
1105	1105R	800R	1999-2007 <i>Ford</i> 3/4 & 1 Ton Super Duty with or without Aftermarket Air Bag Overloads
1108	1108R	800R	1999-2008 <i>Ford</i> 3/4 & 1 Ton Super Duty Long & Short Bed Trucks
DODGE			DODGE
1394	1394R	900R	1994-2001 <i>Dodge</i> 1/2 Ton Trucks and fits 1994-2002 <i>Dodge</i> 3/4 Ton & 1 Ton
1316	1316R	900R	2002-2007 <i>Dodge</i> 1/2 Ton Long and Short Bed (Except Mega-Cab)
1306	1306R	906R	2003-2007 <i>Dodge</i> 1/2 Ton Long and Short Bed (Also fits 1/2, 3/4 & 1 Ton Mega-Cab Short Bed)
1300	1300R	N/A	1973-1997 <i>Dodge</i> 1/2, 3/4, & 1 Ton (Requires Drilling)
NISSAN			
1204			2004-2007 <i>Nissan</i> Titan
TOYOTA			TOYOTA
1251			2000-2006 <i>Toyota</i> Tundra
ACCESSORIES			ACCESSORIES
1500	1500R	N/A	Flatbed Kit (requires welding)
3000	RVB3006	RVC3006	Companion 5th Wheel RV Hitch Kit
3050	RVB3055	RVC3006	Companion 5th Wheel RV Hitch Kit for Flatbeds
1900-2-1600			Safety Chain Kit
1700			Plug
1900			Latch Pin Handle
2000			Replacement Ball
2025			3' Ball
2050			Hi-Rise Ball (Rated at 20,000 lbs.)
4000			King Pin
4025			Inverted Ball
4075			Eyelet
4085			Gooseneck Extender
GMRM			Gooseneck Center Section
GMRM			Gooseneck Mounting Kit

Trailer Connectors

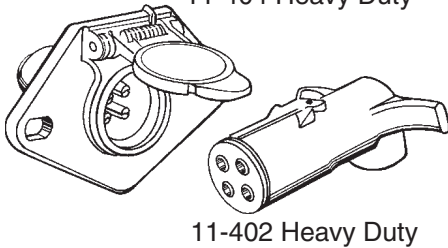


Flat Type

Part No.	Description
PO 12-200	Complete Assembly 2-Pole, 18 gauge wire
WR 2301	4 Way car or truck connector
WR 2501	4 Way trailer connector

4-Way Connectors

Interchangeable with competitive brands
11-404 Heavy Duty

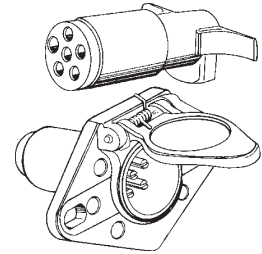


Heavy Duty, Rec Vehicle and Truck Connector

Pollak	Phillips	Description
P0 11402		4 Way plug - Round
P0 11404		4 Way socket - Round
P0 11604		6 Way plug
P0 11609		6 Way socket
P0 11702	PH15-730	7 Way plug with cable guard
P0 11720	PH15-720	7 Way solid pin socket
	CH 11041	Single pole socket
	CH 11042	Single pole plugs

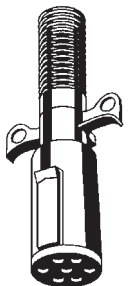
6-Way Connectors

11-604 Plug Only

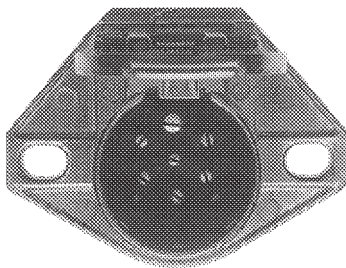


11-609 Concealed Terminals

Heavy Duty 7-Way Connectors

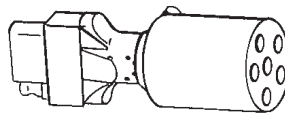


PH 15-730



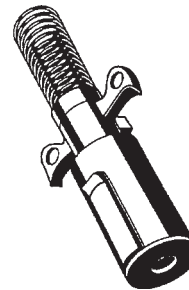
PH 15-720

6 Way Round to 4 Way Flat Adapter

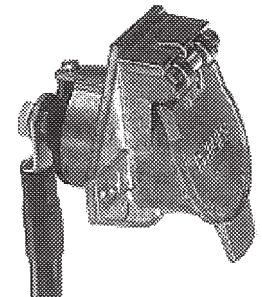


PH63-0064

Single Pole Plugs and Sockets

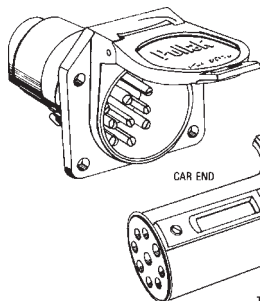


CH 11042



CH 11041

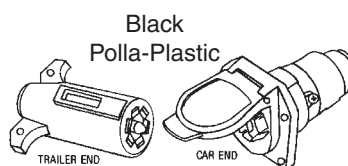
9-Way



P0 12-907
Car Side

P0 12-906
Trailer Side

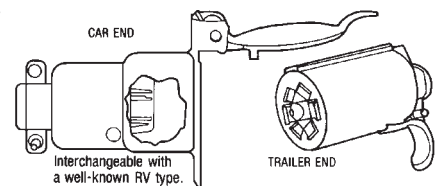
9-Way & 7-Way RV Connectors



P0 12-706
P0 12-707

Trailer-End Only
Car End Only

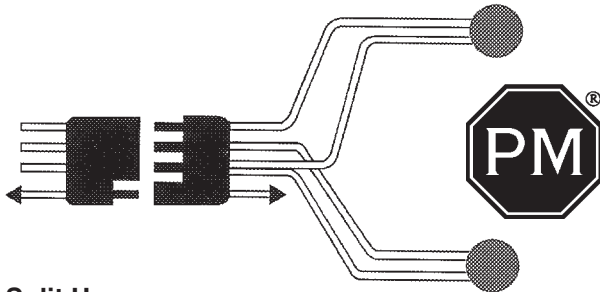
7-Way



P0 12-700 Complete
P0 12-702 Trailer End Only
P0 12-703 Car End Only

Trailer Lighting Cable

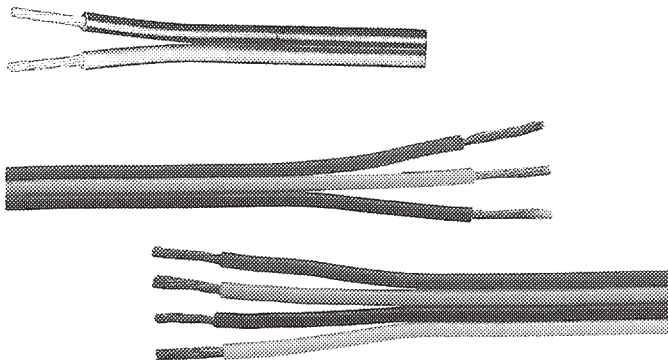
Trailer Wiring



Split Harness

Split or "wishbone" type four conductor harness designed to split at trailer tongue and run down each side of trailer. Provides for easier installation of side marker lights as well as eliminating need for cross-over wire at rear lights. 48" trunk connector included. Polarized flat plugs with color-coded wires.

PM B5425Y 25 Ft.



2, 3, and 4-Conductor Bonded Parallel

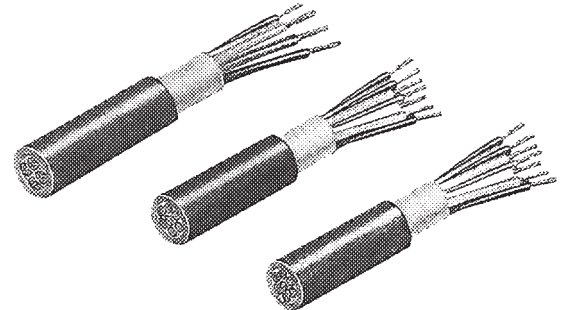
Part No.		Gauge/
100 ft.	1000 ft.	Conductors
EP BP142	EP BP142M	14/2
EP BP143	EP BP143M	14/3
EP BP144	EP BP144M	14/4
EP BP162	EP BP162M	16/2
EP BP163	EP BP163M	16/3
EP BP164	EP BP164M	16/4

Colors:

2 Conductor—Red, Black

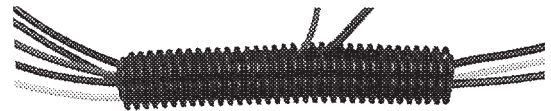
3 Conductor—Brown, Yellow, Green

4 Conductor—Brown, Yellow, Green, White



Bulk Trailer Cable

4-Conductor 14 Ga. .440 O.D. (Black, Yellow, Red, White)			
Part No.	Pkg/Length	Stranding	
EPC558H	500' spool	41 x 30	
6-Conductor 14 Ga. .610 O.D. (Black, Brown, Green, Red, White, Yellow)			
EPC559H	500' spool	41 x 30	
7-Conductor 6/12, 1/10 Ga., .690 O.D. (Black, Blue, Brown, Green, Red, White, Yellow)			
Part No.	Pkg/Length	12 Ga.	10 Ga.
EPC563H	500' spool	65 x 30	105 x 30



Nylon Split Loom

Part No.	Color	I.D.
EPLCP250	black	1/4" Split Loom
EPLCP350	black	3/8" Split Loom
EPLCP500	black	1/2" Split Loom
EPLCP625	black	5/8" Split Loom
VV020112-7	black	3/4" Split Loom
VV020116-7	black	1" Split Loom

sold in 100' pkg. only



2-Conductor Jacketed Parallel

Part No.		
100 ft.	1000 ft.	Gauge
EP123	EP123M	12/2
EP125	EP125M	14/2
EP127	EP127M	16/2



Plastic Primary Wire – Single Conductor

100' Spool	Part No. 500' Spool	1000' Spool	Gauge	Color	100' Spool	Part No. 500' Spool	1000' Spool	Gauge	Color
EP116BK		EP116MBK	16 GA.	Black	EP112BK	EP 112HBK		12 GA.	Black
EP116BL		EP116MBL	16 GA.	Blue	EP112BL	EP112HBL		12 GA.	Blue
EP116BR		EP116MBR	16 GA.	Brown	EP112GR	EP112HGR		12 GA.	Green
EP116GR		EP116MGR	16 GA.	Green	EP112RD	EP112HRD		12 GA.	Red
EP116RD		EP116MRD	16 GA.	Red	EP112WH	EP112HWH		12 GA.	White
EP116WH		EP116MWH	16 GA.	White	EP112YL	EP112HYL		12 GA.	Yellow
EP116YL		EP116MYL	16 GA.	Yellow	EP110BK			10 GA.	Black
EP114BK		EP114MBK	14 GA.	Black	EP110BL			10 GA.	Blue
EP114BL		EP114MBL	14 GA.	Blue	EP110GR			10 GA.	Green
EP114BR		EP114MBR	14 GA.	Brown	EP110RD			10 GA.	Red
EP114GR		EP114MGR	14 GA.	Green	EP110WH			10 GA.	White
EP114RD		EP114MRD	14 GA.	Red	EP110YL			10 GA.	Yellow
EP114WH		EP114MWH	14 GA.	White					
EP114YL		EP114MYL	14 GA.	Yellow					

WIRING COLOR CODES

Rec. Vehicle 7 Pole Connectors

No.	Color	Circuits	Recommended Wire Gauge
1	White	Ground Return	10 Ga.
2	Blue	Electric Brake	12 Ga.
3	Green	Tail, License and Running Lights	14 Ga.
4	Black	Battery Charge	10 Ga.
5	Red	Stop & Left Hand Turn Signal	14 Ga.
6	Brown	Stop & Right Hand Turn Signal	14 Ga.
7	Yellow	Auxillary Circuit	14 Ga.

6 Universal Pole Connectors

No.	Color	Circuits
1	White	Ground Return
2	Brown	Tail Lights
3	Yellow	Left Turn
4	Red	Stop
5	Green	Right Turn
6	Blue	Auxiliary Circuit

Heavy Duty 7 Pole Connectors

No.	Color	Circuits	Recommended Wire Gauge	FMVSS-121 Anti-Lock
1	White	Ground Return	12 Ga.	8 Ga.
2	Black	Clearance, Side Marker, and Identification Lamps	12 Ga.	12 Ga.
3	Yellow	Left Turn & Hazard Signal	12 Ga.	12 Ga.
4	Red	Stop Lamps & Anti-Lock Devices	12 Ga.	10 Ga.
5	Green	Right Turn Signal & Hazard Signal	12 Ga.	12 Ga.
6	Brown	Tail, Rear Clearance Marker and License Plate Lamps	12 Ga.	12 Ga.
7	Blue	Auxiliary Circuit	12 Ga.	12 Ga.

4 Universal Pole Connectors

No.	Color	Circuits
1	White	Ground Return
2	Green	Right Turn & Brake Lights
3	Yellow or Red	Left Turn & Brake Lights
4	Brown	Tail Lights

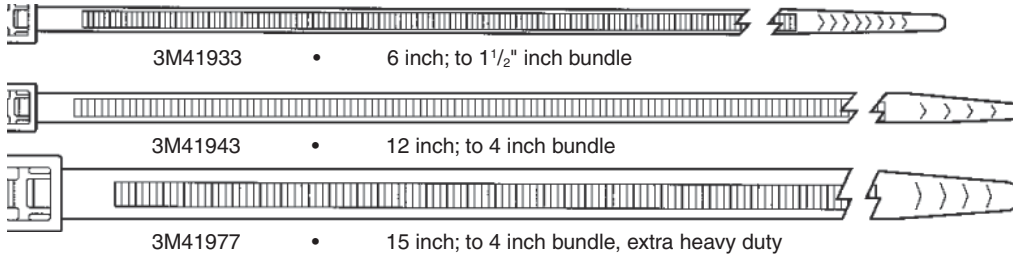
Accessories

Nylon Cable Ties

Black

Part No.

Std. Pkg. 100



Heavy Duty

Flared All-Copper Lugs

- Flared opening for ease of entry
- Crimp or solder flexibility
- One-piece seamless construction for greater strength



PHILIPS

Rubber Cushion Clamps

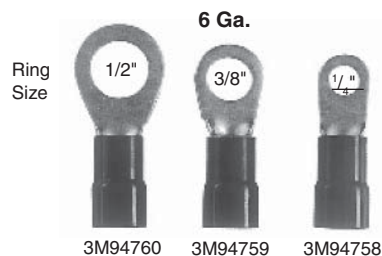
Part No.	Gauge	Stud Size
7-101	6	1/4"
7-102	4	1/4"
7-103	4	5/16"
7-104	2	3/8"
7-105	1	5/16"
7-106	1	3/8"
7-107	1/0	3/8"
7-108	1/0	1/2"
7-109	2/0	3/8"
7-110	2/0	1/2"
7-111	3/0	5/16"
7-112	3/0	3/8"
7-113	3/0	1/2"
7-114	4/0	3/8"
7-115	4/0	1/2"

Mounting Hole Size	Part No.	Tube Size
1/4"	5-4503	3/16"
1/4"	5-4504	1/4"
1/4"	5-4505	5/16"
1/4"	5-4506	3/8"
1/4"	5-4507	7/16"
1/4"	5-4508	1/2"
1/4"	5-4509	9/16"
1/4"	5-4510	5/8"
1/4"	5-4512	3/4"
1/4"	5-4514	7/8"
1/4"	5-4516	1"
3/8"	5-4622	1-1/8"
1/4"	5-4524	1-1/4"
1/4"	5-4526	1-3/8"
1/4"	5-4527	2-7/16"

Neoprene Grommets



Part No.	Groove Width	Drill Dia.	Center Hole
5-710	1/16"	5/16"	3/16"
5-711	1/16"	7/16"	5/16"
5-712	1/16"	11/16"	7/16"
5-713	1/16"	7/8"	5/8"
5-714	1/4"	25/32"	9/16"
5-715	1/4"	1"	5/8"
5-716	1/4"	1"	3/4"

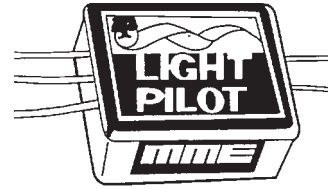
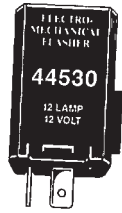
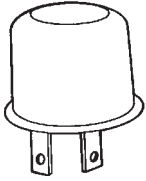


Insulated Ring Terminals

3M



Electrical Connectors, HD Flashers, Etc.



Replaces original flasher to eliminate rapid flashing of turn signals due to increased amperage draw from trailer lights.

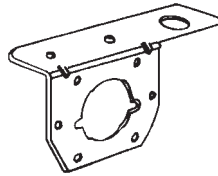
Used to convert autos (foreign and domestic) with separate brake light circuit to conventional trailer hookup. Instructions included.

Part No.	Description
LF FLR 536/552	Flasher, 2 Prong
LF FLR550	Flasher, 3 Prong
GR 44530-3	2-Terimal, Bulk Pack • Heavy Duty
GR 44540-3	3-Terminal, Bulk Pack • Heavy Duty

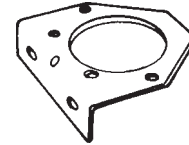
Part No.	Description
RH 74209	Tail Light Converter

• Fits standard round socket

Connector Brackets



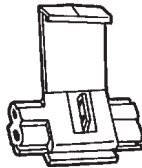
PO11-617



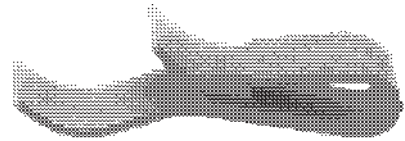
PO 12-711

Quick Splices

Two piece quick splice makes insulated tap-in, parallel or pigtail splices in seconds without cutting, stripping, taping or soldering. Insert wires into case and press metal grip down with pliers, then close case cover.



Part No.	Description
3M 06127	Blue 16-14 ga.



PH5-5003

Holds two to three 14-gauge wires

Butt Connectors



Part No.	Description
3M 94788	Blue 16-14 ga.

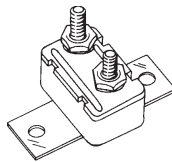
Wire Clip Frame Clips



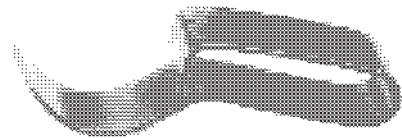
PH5-5004

Holds three to four 14-gauge wires

Circuit Breakers



Part No.	Description
LF 813020ST	20 ampere rating, w/mounting bracket
LF 813030ST	30 ampere rating, w/mounting bracket



PH5-5006

Holds five to six 14-gauge wires

12 Volt Bulbs



53



57
1895



194



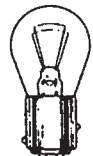
67



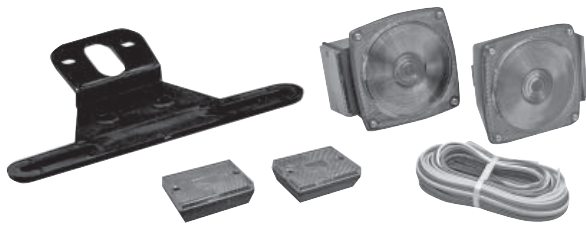
90
1003
1004



1141
1156



1034
1157



Trailer Light Kits

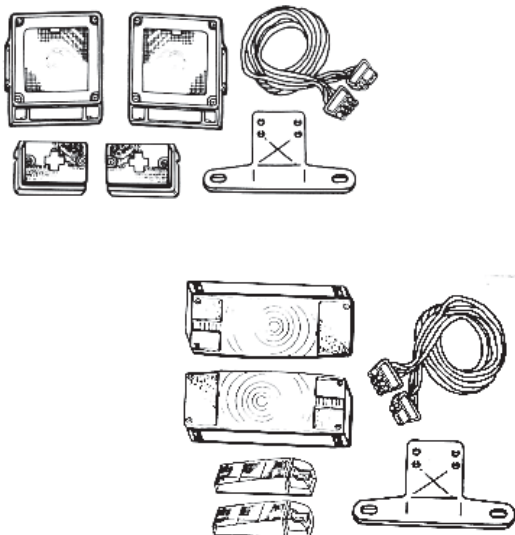
Part No.	Description
OPTL-27BK	<p>Trailer Light Kit. Kit provides all legal lighting and flective equipment for any trailer less than 80" wide. Includes: 2-440 stop and tail lights, 2-114A side marker lights, 20' or 25' wire harness, 48" trunk connector, license bracket, all mounting hardware and installation instructions. With 20 ft. harness.</p> <p>Replacement Parts</p> <p>PM440-15 Red rear lens PM55-15A Amber front marker lens PM55-15R Red rear marker lens PM440-15R Red snap-in marker lens PM1157 Repl. bulb (stop & Tail) 1895 Repl. bulb (rear marker) 194 Repl. bulb (Front marker)</p>



Towing Light Kit

Part No.	Description
GL65402-4	<p>Towing Light Kit. Strong magnetic base allows placement of lights on any auxiliary towing application. 25' four wire harness plugs into standard flat 4 wire vehicle trailer connector. Kit includes 2 lights, wire harness and complete instructions.</p>

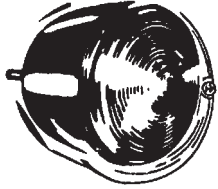
Lighting Kits



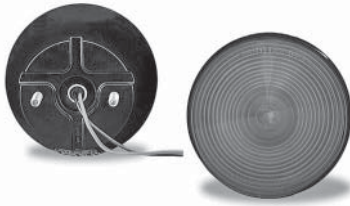
Part No.	Description
PMM544	<p>Submersible Tail Light Kit. Features two multi-function submersible tail lights (RH & LH), two "stud mount" amber side marker lights, license plate bracket, 25" Wishbone trailer harness, 4' trunk connector, 8 metal wire clips, 2 wire taps and 4 wire nuts. Includes installation instructions.</p>
PMV547	<p>Waterproof Low Profile Tail Light Kit. Features tail lights with a sealed lamp capsule that protects the bulb and electrical contacts from damage by water and corrosion. No matter how frequently the new tail light assembly is submerged during launch and load operations, water and other corrosion-causing factors cannot penetrate the sealed capsule. Also included are a pair of waterproof tail lights (RH & LH), the kit includes a license plate bracket, two amber side marker lights, a 25-foot "Wishbone" wiring harness, a 4-foot trunk connector, frame clips, wire taps, wire nuts, mounting bolts and easy-to-follow instructions.</p>

Combination Stop and Tail Lights

Grote



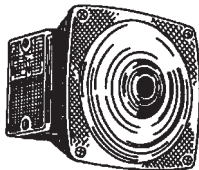
4" Diameter Duramold, snap-on lens. Dusttight, watertight construction. Highly efficient illuminator lens. Mounting hardware furnished. Various models are described below.



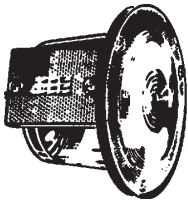
Part No.	Description
GL 50862-3	STUD MOUNT. Mounts with two 1/4" studs on 2" centers. No license illuminator.
GL 50852-3	STUD MOUNT. Mounts with two 1/4" studs on 2" centers. License illuminator.
GL 90232	Lens, Bulb: 1157

Part No.	Description
	4" Diameter Steel Housing, Two 1/4" studs on 2" Centers.
GL 50882	with License illumination Lens.
GL 50892	without License illumination Lens.
GL90252	Lens, Bulb 1157

COMBINATION LIGHT. Molded housings will never corrode. Internal electrical connection parts are Grade A copper alloy. Combination lights perform seven different functions; stop, tail, turn signal, rear reflector, side marker light, side marker reflector and license illuminator. After-market lights supplied with conventional lead wires. Bulk OEM lights supplied with no splice push-in contacts at back of light.



Part No.	Description
PM-440	440. Without license illuminator Bulb 1157
PM-440L	440L. With license illuminator Bulb 1157
PM-440-15	Rear Lens
PM-55-15R	Side Lens, Bulb 1895



Part No.	Description
GL-50532	Grote w/o License Window
GL-50542	Grote w/License Window
GL-90342	Rear Lens Bulb 1157
GL-91152	Side Lens Bulb 1895



Part No.	Description
GL50352	Pedestal Mount. Hollow mounting bolt; plated pedestal; installs in 7/16" hole. Heavy gauge 4 1/2" bonderized steel housing with baked black enamel finish, standard 4 1/4" lens retained by wire snap ring.
GL90012	Lens; Lens Retainer: GL99595-3 Bulb: 1157

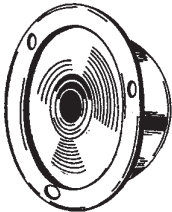


Part No.	Description
GL50232-3 and/or PMM413	Flush Mount. Double wire stop, tail and turn signal steel housing with baked black enamel finish. Standard 4 1/4" diameter lens retained by wire snap ring. Mounting holes on standard 4 7/8" bolt hole circle diameter. Overall mounting depth 1 5/8".
GL90012	Lens; Lens Retainer: GL99595-3 Bulb: 1157 (12V)

Stop Turn and Tail Lights

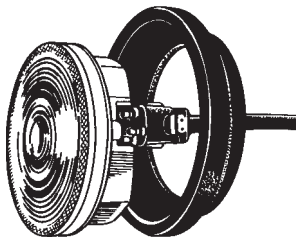


Part No.	Description
PM417KR	PIRANHA® LED Stop, Turn & Tail. 1000,000 hour rated life. Operates from 8 to 16 volts. Does not require "TOP" positioning to meet FMVSS photometric requirements. LED's and circuitry protected against voltage surges and spikes.
	The 417KR kit includes 417R light 426-18 grommet and 417-491 plug.



Electro-polished stainless steel

Part No.	Description
GL52612	Flush Mount. Double wire stop, tail and turn signal steel housing. Field resealable stainless steel lamp. Torsion-Mount bulb cradle mounting holes on standard 4 ⁷ / ₈ " bolt hole circle diameter. Overall mounting depth 1 ⁵ / ₈ ".
GL90762 GL99593-3	LEXAN Lens Bulb: 1157 (12V) Snap Ring (SS)



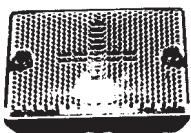
Part No.	Description
GL52782-3 PMM426KR	Complete Sealed Lamp Kit. Includes double filament sealed unit, 91790 mounting grommet and 67000 plug. Replaces Truck-Lite 40002.
GL52672 PMM426KR*	Sealed Lamp. Features double contact sealed unit with reflex reflector lens. 91740 mounting grommet and 67000 plug. Order separately.

* Complete Kit

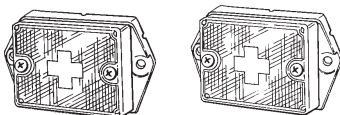


Part No.	Description
PMM421KR	Complete Sealed Light Kit. PMM421R sealed unit, PMB421-18 grommet and PMB 431-491 plug. Grommet and plug can be ordered separately. Measures 7 ⁵ / ₈ " x 3 ⁵ / ₁₆ " x 2 ⁵ / ₈ ".

Clearance Marker Lights

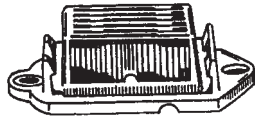


Part No.	Description
PMM114A Amber PMM114R Red	114 Combination Light. Combination side marker light/Class A reflector. Mounts with single 1/4" diameter stud. Tough, molded housing measures 2 ³ / ₄ " x 2 ¹ / ₈ " with a total height of less than one inch. Features PM's patented VIBAR socket.
PM55-15A PM55-15R	amber screw-on repl. lens red screw-on repl. lens Bulb: 194 (12V)



Part No.	Description
GL46392-5 GL46393-5	115 Combination Light. Combination side marker light/Class A reflector. Mounts without disassembly. Recessed lens protected from rocks and gravel. Molded housing will not corrode. All metal parts are stainless steel. Overall size 4" x 2 ³ / ₈ " x 1".
GL91152 GL91153	Lens: red Lens: Amber Bulb: 1895 (12V)

Clearance Marker Lights



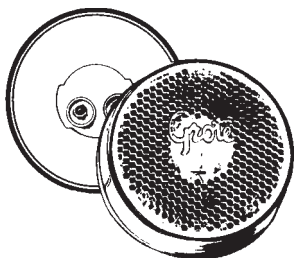
Part No.	Description
PMM107WA PMM107WR	Mini-Lite. A gem of miniaturization; unbelievably compact yet packed with quality features. Base has external mounting holes with 2 ³ / ₄ " centers. Acrylic lens locks into base, cannot be knocked out by tree limbs, etc. Overall size 3 ¹ / ₄ " L x 1" W x 1 ¹ / ₈ " H.
PM107-15A PM107-15R	Amber Lens Red Lens Bulb: 194 (12V)



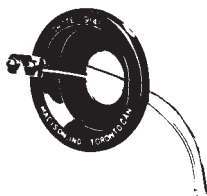
Part No.	Description
PM123A PM123R	Cast Aluminum. Extra strength alloy housing. Flat back design eliminates the need for socket hole. Has PM's patented VIBAR [®] socket for extended bulb life.
PM124-15A PM124-15R	Amber Repl. Lens Red Repl. Lens Bulb:194 (12V)



Part No.	Description
PMM154A PMM154R	Sealed Clearance and Marker Light. Lexan [®] lens and housing sonically welding into a single unit for maximum service. Mounting tabs allow for easy installation into mounting kits. Unit measures 2 ¹ / ₂ " L x 1 ¹ / ₄ " W x 3 ³ / ₄ " H.
PM154-09K	Mounting Bracket. Brilliant chrome plated version of the 150-09. Includes mounting gasket. Replacement for Truck-Lite 00791.



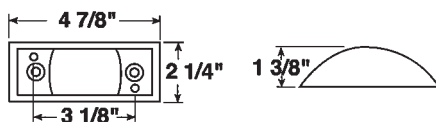
Part No.	Description
PMM143A Amber	Sealed Combination Lamp. All of the features of the 142 plus a built-in Class A reflector in the lens. Will meet all requirements for a combination clearance and marker lamp and Class A reflector. An exact replacement for the Truck-Lite 10205 and other similar competitive brands. 2 ¹ / ₂ " Sealed Light.
PMM143R Red	



Part No.	Description
PM142-18K	Grommet Mounting Kit. Complete kit for recessed mounting 2 ¹ / ₂ " diameter sealed units. Requires a 3" diameter mounting hole. Kit contains a 91410 grommet, 67050 plug, and grounding screw. Replacement for Truck-Lite 10404.



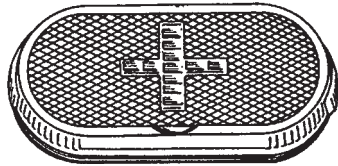
Part No.	Description
PMM122XA PMM122XR	VANGUARD II CHROME. Deluxe version of 122. Brilliant, durable copper-nickel, chrome-plated finish for a custom appearance.
PM124-15A PM124-15R	Replacement Lens Amber Replacement Lens Red Bulb: 194 (12V)



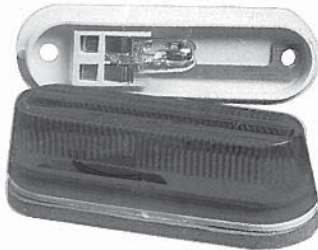
Clearance Marker Lights



Part No.	Description
PMM124A PMM124R	VANGUARD. Diecast housing. Pass-through mounting holes permit installation without disassembly and the flat back eliminates the need for a socket hole.
PM124-15A PM124-15R	Amber replacement lens Bulb:194 (12V) Red replacement lens



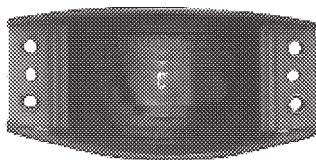
Part No.	Description
PMM108WA PMM108WR	Combination Light. Acrylic lens features built-in Class A reflector and exclusive "cross-optics" for brilliant patented VIBAR socket to prolong bulb life. 4 1/8" L x 2" W x 1 1/32" H. Mounts with two screws on 3" centers.
PM108-15A PM108-15R	Amber lens Bulb: 194 (12V) Red lens



Part No.	Description
GL 45252 Red GL 45253 Amber	Thin-Line, Single Bulb Clearance/Marker Lamp. Narrow rail and channel mounting. Attached pigtail and closed-cell sponge mounting pad.
GL90152 GL90153	Lens Red Bulb: 194 (12V) Lens Yellow



Part No.	Description
	Duramold 2-Bulb Oval, Pigtail Type.
	<ul style="list-style-type: none"> • Less than 1" profile • Exclusive internal armor • Two stainless steel grounds • Corrosion-resistant contacts • Lubricated fleet service bulbs
WITH LEXAN OPTIC LENS:	
GL45262-3 GL45263-3 GL91572-3 GL91573-3	Red Yellow Lexan Lens Red Bulb: 1893 Lexan Lens Yellow
With Built-In Class "A" Reflector:	
	Side marker, clearance lamp, and class "A" reflector combined
GL45932-3 GL45933-3 GL90202-3 GL90203-3	Red Yellow Red Lens Bulb: 1893 Amber Lens



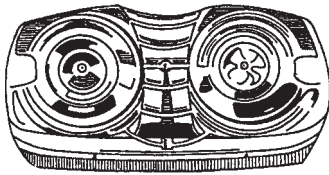
Part No.	Description
GL45172 GL45173	Steel Armored. Acrylic fresnel lens guarded by 14 gauge bright plated steel housing. Mount without disassembly. 4 1/2" L x 2 1/8" W x 1 1/2" H. Flat back.
GL90052 GL90053	Lens Red Bulb: 194 (12V) Lens Amber



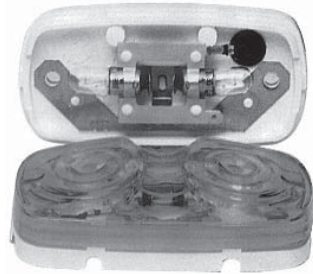
Clearance Marker Lights



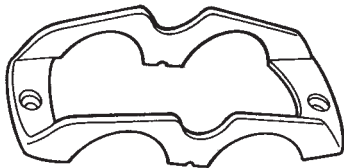
Part No.	Description
GL 46282 Red GL46283 Amber	Die-Cast Aluminum Clearance/Marker. Flat back, no socket hole required: Mounts without disassembly, holes interchange with competitive lamps. Lens replaces comparable competitor models.
GL90922	Lens Red Bulb: 194 (12V)
GL90923	Lens Yellow



Part No.	Description
GL 46782-3 Red GL46783-3 Amber GL91962-3 Lens Red GL91963-3 Lens Amber GL94110	Die-Cast 2-Bulb, Square Corner Clearance/Marker Lamp. <ul style="list-style-type: none"> Die Cast body “Scalloped dip” lens Torsion-Mount bulb cradle Lubricated fleet service bulbs Bulb: 1893 (12V)



GL46792-3 Red GL46793-3 Amber	Duramold 2-Bulb, Square Corner. <ul style="list-style-type: none"> Attached pigtail “Scalloped dip” lens Two stainless steel grounds Corrosion-resistant contacts Lubricated fleet service bulbs Corrosion-proof body
GL 91962	Red Lens
GL 91963	Yellow Lens



Part No.	Description
GL 43673-3	106-09 Chrome Guard. Heavy diecast chrome plated guard for extra protection. For use with PM's 106, 108W, 135, 136 and 138 clearance lights. For use with GROTE clearance lights 45262, 45932, 46712, 46792 can be used with almost all competitive oblong lamps. 5 ⁷ / ₁₆ " L x 2 ³ / ₈ " W x 1 ¹ / ₈ " H. Mounts with two screws on 4 ³ / ₄ " centers.

Identification Light Bar



Part No.	Description
GL 49042	Red Low Profile Bar Lamp • 1 ¹ / ₄ " high, 14 ¹ / ₂ " Aluminum Bar <ul style="list-style-type: none"> Three 45412 clearance lamps Lens: GL90162
GL 49043	Yellow • Same as above W/45413 Lamps Lens: GL90163 Bulb: 194 (12V)



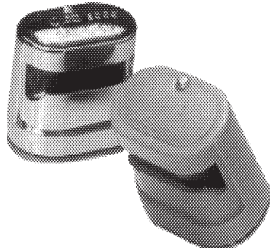
Part No.	Description
PM 107-3A Amber PMM107-3R Red	107-3 Identification. Three 107W Mini-Lites on an enameled steel bar. Only 1" wide for mounting in narrow rails; overall length 16 ¹ / ₂ ". Red or Amber.
PM 107-15	Lens: 107-15 red or amber Bulb: 194 (12V)



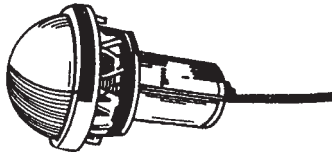
Part No.	Description
WR3301	Light Bar with Amber Lens WR3339 Red Lens
WR3312	Light Bar with Red Lens WR3340 Amber Lens

Grote

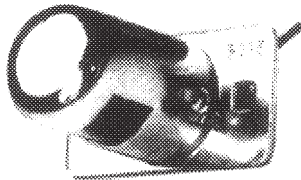
License Lights



Part No.	Description
	Duramold License Lamp. Compact license lamp that protrudes less than 2". Non-breakable lens, 4 c.p. bulb. Overall 2 ⁵ / ₈ " L x 1 ⁵ / ₈ " W x 2" D.
GL 60001-3	Gray, Bulk Pack
GL 60011	Triple-Chrome
GL 60121	Gray with UBS .180 Bullet Plug-in Pigtail
	Bulb: 67 (12V)



Part No.	Description
GL 60101 KD263-3301-B	Snap-In. Chrome plated brass license light snaps in 1 ¹ / ₄ " diameter hole, overall diameter 1 ¹ / ₂ ". Ideal for courtesy lights, instrument lights and license lights (2 required).
	Bulb: 67 (12V)




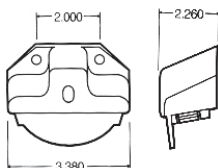
Part No.	Description
GL 60151 PMM435	License Lamp. Economy courtesy lamp. For illumination of instrument panel, and compartments. Clear plastic lens. Bright-plated steel body.
	Bulb: 67 (12V) PM Bulb: 97 (12V)



Part No.	Description
GL60251-5	License/Courtesy Lamp. Features triple, chrome plated steel housing and single contact electrical plug in a molded terminal. Similar in styling to lights on some GM vehicles. Two unit required for legal license illumination.
	Bulb: 67

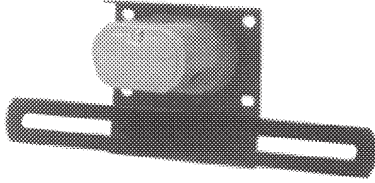


Part No.	Description
PMM439	Sealed License Light. Lexan® lens and housing sonice welded to create a permanent, weather and water tight seal. Surface mounts on 2 ³ / ₄ " centers. Requires a 142-49 plug to complete installation. Separate ground wire on 142-49 plug allows for mounting on non-metallic surfaces.
	

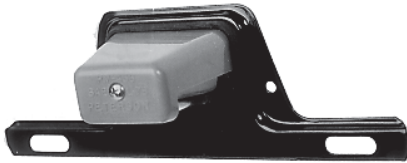


Part No.	Description
TL15011	Model 15 License Lamp Kit. High impact plastic bracket features snap-fit mount for the 15208 and 15209 license lamps, Bracket may be surface mounted or used with bracket 43022-3 shown on page.

License Lights

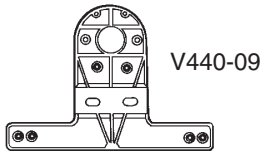


Part No.	Description
GL 60081-3	License Lamp With Metal Bracket. Compact license lamp protrudes less than 2". Housing snaps firmly into molded-in O-ring. Size 3 ³ / ₄ " x 2" x 2 ¹ / ₄ " Bulb: 67 (12V)



Part No.	Description
PM M436B	Lexan®. Housing and lens provide protection against damage while all internal parts are stainless steel or tinned-brass. VIBAR® socket protects bulb filament from road shock and vibration, riveted to a black, steel bracket. Surface mount without disassembly on 3 ¹ / ₂ " centers License plate hardware included. Bulb: 168

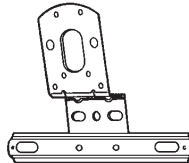
License Plate Brackets



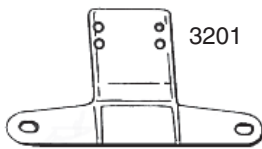
V440-09

Part No.	Description
PMV440-09	Universal License Bracket. Tough molded bracket will never rust or corrode. Flexible, plastic material allows bracket and license plate to swing away on impact – returns to original position, saving both the bracket and the license plate. Designed for use with all of our rear lights.

43022-3

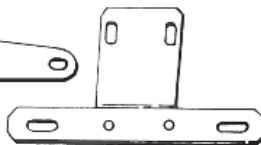


Part No.	Description
GL 43022-3	Universal License Bracket. Heavy gauge plated steel bracket slotted for universal mounting. Designed for use with most tail lights.



3201

Part No.	Description
WR3201	Moded of high impact, non-corrosive polypropylene, or crafted of zinc-plated steel, these cost effective brackets are easily mounted to tail lights in minutes. 1/4" mounting holes on 2" centers. Plastic License Plate Bracket, Black
WR3203	Metal License Plate Bracket, Plated



3203

CONSPICUITY TAPE



- Exceeds DOT requirements
- Impact resistant
- Solvent resistant
- Easy Installation

Alternating 6" Silver/6" Red:

GL41050 2" x 150' Roll in Window Dispenser

GL40650FT Same as above. Sold by foot.

Conspicuity Reflective Tape. Effective 12-1-93, all new trailers 10,000 GVWR, and over 80" wide must have reflective tape. For side application, 2" or 2-1" red/silver tape must cover a minimum of 50% of the trailer length. For rear application, 2" red/silver is to span the rear of the trailer, 2" red/silver tape on the horizontal bar of the I.C.C. bumper and 2", 12" long silver strips in the upper corners.

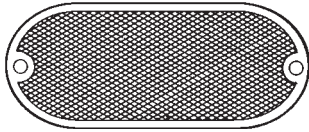
Part No.	Description
GL41050	Reflective Tape 2" x 150' Red/Silver
GL41050FT	Silver Reflective Tape
GL40641	2" x 150' Roll
GL40641FT	2": Silver Consp. Tape/Foot

Reflectors



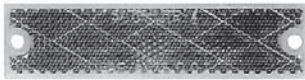
Grote

Oval Reflector



Part No.	Color	Description
PMB480A	Yellow	4 ³ / ₈ " x 1 ⁷ / ₈ " acrylic lens. Adhesive backing permanently mounts reflector to any clean, flat surface.
PMB480R	Red	
PMB479A	Yellow	SCREW MOUNTABLE: 3 ¹⁵ / ₁₆ " centers.
PMB479R	Red	

Mini Stick-On Rectangular Reflector



Part No.	Color	Description
GL40132-3	Red	4 ⁷ / ₁₆ " x 1 ¹ / ₈ " reflector features both an adhesive back and mounting holes for many applications. <ul style="list-style-type: none"> • Superior photometrics
GL40133-3	Yellow	

Sealed Center Mount Reflector

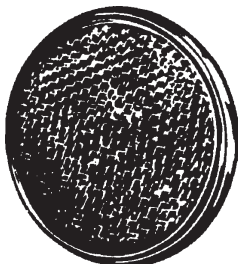


Part No.	Color	Size	Description
GL40092-3	Red	2 ¹ / ₂ " Round:	<ul style="list-style-type: none"> • Hermetically sealed • Simple installation with single #10 screw
GL40093-3	Yellow		
GL40152-3	Red	3 ¹ / ₄ " Round:	
GL40153-3	Yellow		

Sealed 3" Round Stick-On Reflector

Part No.	Color	Description
GL 40062-3	Red	<ul style="list-style-type: none"> • Hermetically sealed • Firm-stick backing for instant bond and lasting adhesion
GL 40063-3	Yellow	

3" Round Stick-On Reflector



Part No.	Color	Description
GL 40052-3	Red	<ul style="list-style-type: none"> • Adhesive backing protects prism against dirt • Firm-stick backing for instant bond and lasting adhesion
GL 40053-3	Yellow	

2¹/₂" Round Stick-On Reflector

Part No.	Color	Description
GL 40072-5	Red	<ul style="list-style-type: none"> • Adhesive backing protects prism against dirt • Fits small areas • Firm-stick backing for instant bond and lasting adhesion
GL 40073-5	Yellow	

Reflectors



Aluminum 3" Lens, 2-Hole Mounting Reflector



Part No.	Color	Description
GL 40232-3	Red	<ul style="list-style-type: none"> • Lens gasket cushions lens and protects prisms against dirt • Low profile • Lightweight housing
GL 40233-3	Yellow	
PMB472A	Yellow	ALUMINUM OVAL 3" diameter acrylic lens in low-profile aluminum housing. Completely rustproof.
PMB472R	Red	

Steel 3" Lens, 2-Hole Mounting Reflector



Part No.	Color	Description
GL40192-3	Red	<ul style="list-style-type: none"> • Extra deep lens recessed for protection • Lens gasket cushions lens and protects prisms against dirt
GL40193-3	Yellow	
PMB460A	Yellow	3" diameter acrylic lens inside bright plated, heavy gauge steel housing. Two-piece construction features double strength lens guard.
PMB460R	Red	

Peterson Wide Angle Reflectors



Part No.	Color	Size	Description
B489A	Amber	Rectangular 2 ³ / ₄ " x 1 ³ / ₄ "	<ul style="list-style-type: none"> • Three sizes available in amber and red • Hermetically sealed and unbreakable • Mounts on flat or curved surfaces • Industrial-strength adhesive • Easy to install and stays in place • 50% wider angle of reflectivity compared to conventional reflectors • 47,000 microprisms per square inch provides superior candlepower • Molded reflector - not tape or plastic reflector • Ultra-thin design, only .012" thick • Exceeds D.O.T. specifications
B489R	Red		
B490A	Amber	Round 2 ⁷ / ₈ " Diameter	
B490R	Red		
B491A	Amber	Rectangular 4 ⁵ / ₁₆ " x 1 ¹¹ / ₁₆ "	
B491R	Red		

Dome and Interior Lights



Economy Dome Lamp

Part No.	Description
GL61081	<ul style="list-style-type: none"> • Surface mount, snap-on lens • Shock-resistant, non-corrosive • Mounts with only two screws • Low profile, less than 1" high
GL90121	Lens Bulb: 1893 (12v)



Round Dome Lamp with Switch

Part No.	Description
GL61161	<ul style="list-style-type: none"> • Surface mount • Corrosion-shatter-heat-proof dome lamp • Low profile to protect against knock-off by load or driver • Snap-on lens for easy bulb replacement • Three flange mounting holes • White Base
GL91101	Clear Lens Bulb: 93 (12v)



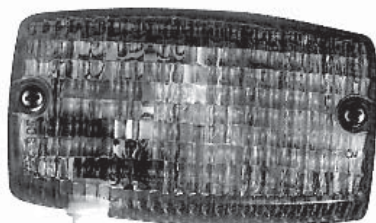
Square Dome Lamp with Switch

Part No.	Description
GL61221	<ul style="list-style-type: none"> • 3 position switch enable variable intensity: low - 6 c.p., high - 21 c.p., or off • Surface mount, large enough to cover most existing holes
GL90481	• Clear LEXAN lens Bulb: 1016 (12v)



Eurostyle Map & Dome

Part No.	Description
GL61301	<ul style="list-style-type: none"> • Sculptured black lamp • 3-way switch: map only, dome and map light, or off • Two options for wiring: either for dome to light or not to light, when door is open • Dome lens, nylon; map lens, polycarbonate; both flame retardant
	Bulbs: 561 & 1816 (12v)

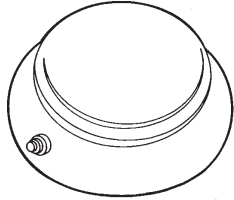


Interior Dome Light

Part No.	Description
PMV391C Viz Pack PMM391C Mfg. Pack	Surface mount interior light features a durable Lexan lens and nylon on/off switch for long life. Unit mounts on 3 1/2" centers and a separate ground wire is supplied for mounting on non-metallic surfaces.
391-25	Clear repl. lens Bulbs: 1141 (12v)

Dome & Interior Lights

Grote



Part No.	Description
PMV390S	Interior Dome Light. Corrosion resistant, high impact plastic light with built-in push on/off switch. Translucent white lens provides diffused light, ideal for general illumination. Grounds through mounting screws.
	Bulb: 1141 (12V) Repl. lens: 390-15

Back-Up Lights



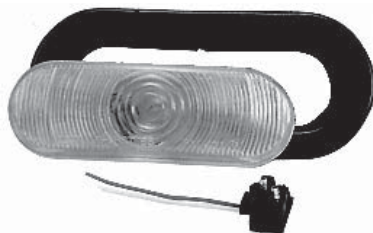
Part No.	Description
GL62021	OE-Style Back-Up Lamp. <ul style="list-style-type: none"> • Requires small 1 1/4" hole for installation • Socket design permits easy access and wiring • Mounting pad included • Chrome-Plated DURAMOLD Bezel
GL90221	Lens Bulb: 1156 (12v)



Part No.	Description
GL62151	Stainless Steel Recessed Back-up Lamp. <ul style="list-style-type: none"> • Frosted lens held by stainless steel snap-ring for easy bulb replacement.
GL99595-3	Stainless Steel Snap Ring
GL91311	Lens: Bulb: 1156 (12V)



Part No.	Description
	Back-Up Light
PMM411C	4 1/4" lens recessed below the flange for maximum protection. 411C series features a black steel housing.
PM414-15C	Lens: Bulb: 1156 (12V)



Part No.	Description
PM416K kit	Sealed Back-Up Light. Oval Lexan® lens and housing are sonic welded to provide a permanent seal. Legal in either the vertical or horizontal mounting position. Kit includes light, grommet and plug.
PMM416	Oval Back-Up light
PMB421-49	Plug F/M416 Oval Light



Back-Up Lights



Part No.	Description
PM415K	Seal Back-Up Light. Lexan® lens and housing are sonic welded to provide a permanent seal. VIBAR® socket protects the bulb from road shock and vibration. Kit includes light, grommet and plug.
PM431-49	Plug
PM426-18	Grommet Round
PMM415	Clear Lamp

Tractor and Implement Lights



Part No.	Description
GL64101	Tractor & Auxiliary Lamp. Sealed beam, pedestal mount lamp for versatile up-and-down rotating adjustment to focus high intensity light.
LB4411	Sealed Bulb: (12v)



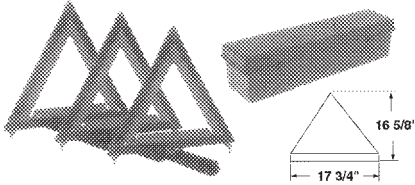
Part No.	Description
GL64411	Duramold Halogen Work Lamp. Unbreakable DURAMOLD swivel cup assures positive locked adjustment. Molded-in tabs for fast snap-in, snap-out bulb change.
LBH7606	Bulb: (12v)



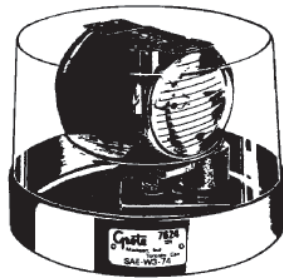
Part No.	Description
GL64931	Par 36 Rubber Tractor & Utility Lamp. Swivel mount. Shock-absorbing weather-proof body. For versatile application as utility, fifth wheel, back-up, tractor, or off-road vehicle lamp.
LB4411	Sealed Beam: (12v)

Emergency and Warning Devices

Grote



Part No.	Description
KD1005	Warning Triangle. Three triangles packed in a sturdy, corrosion proof plastic box. One piece triangles feature "living hinges", fold-out tabs lock together. Heavy base and "non-skid" tabs withstand 40 mph wind. Bright, fluorescent orange for daytime visibility. Box measures 20" x 5" x 5".



Part No.	Description
GL76223	2-SEALED BEAMS ROTO-BEACON®. Amber <ul style="list-style-type: none"> • Clutched gear box design 76222 Red • Sealed gear box 76225 Blue • Permanently lubricated 76333 Amber w/Lexan Lens • Revolves 360° 76010 Replacement Motor Only • 60-120 flashes per minute 12 VOLT: <i>Above are special order</i>
LB7400	Bulbs

Federal Signal/Target Tech



PULSATOR® 551

The Pulsator 551 strobe is a high profile version of the 451. This beacon meets the SAE J1318 requirements for Class 3. The Pulsator 551 is a 5-joule strobe, and all models come with an enclosed base and all necessary mounting hardware. Dimensions: 6.0" H x 6.5" Dia.

Heavy duty versions feature the helical strobe tube and gel-protected power supply described in the Pulsator 451.

TA211820-02 Pulsator 551, double flash, **heavy duty**.

- 02 Amber
- 04 Red



MODEL 651 PLUS

Our improved Model 651 strobes are multi-volt (12-48 VDC) and now feature more powerful 12-joule power supplies available in single, double, triple, quad, and quint flash. Features include a helical strobe tube and a polycarbonate dome for maximum light emission. This beacon meets SAE J1318 requirements for Class 2. All DC models come with corrosion resistant anodized aluminum open bases. A flexible rubber gasket is also included for vehicle protection. Dimensions: 5.7" H x 6.6" Dia.

TA420201-02 Model 651, 12-48 VDC single flash



MODEL 851 PLUS

The improved Model 851 strobe offers a more powerful 12-joule multi-volt (12-48 VDC) power supply available in single, double, triple, quad, and quint flash versions. This high intensity strobe features a helical strobe bulb and a polycarbonate dome. Ideal for utility vehicles, this beacon meets the MIL-S9-10C shock test and SAE J1318 requirements. All DC models come with a corrosion resistant anodized aluminum metal base and a flexible rubber gasket for vehicle protection. Dimensions: 7.5" H x 6.6" Dia.

TA420401-02 Model 851, 12-48 VDC single flash

A Unit of Federal Signal Corporation



A Unit Of Federal Signal Corporation

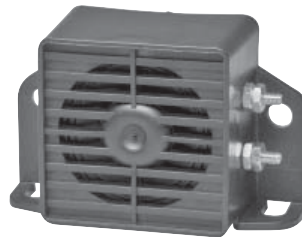
EVACUATOR®



EVACUATOR® PLUS BACK-UP ALARMS

Evacuator alarms feature piezo-electric circuit design and solid-state technology to minimize vibration and provide exceptional service. The unique nickel-plated terminal inserts are hermetically sealed and the housing is environmentally sealed for superior resistance to the elements and long life. The Evacuator Plus is designed for multi-volt (12-48 VDC) operation and extremely low current draw. A wide range of decibel outputs are available to meet any application. Models come with a universal mounting and a heavy gauge steel mounting bracket. Evacuator Plus alarms meet SAE J994 and OSHA requirements for motor vehicles and construction and material handling equipment. Dimensions: 2.9" Dia. x 2.4" D.

REACTOR®



REACTOR® BACK-UP ALARMS

Reactor alarms automatically adjust to changing noise environments, eliminating the confusion regarding alarm selection. State-of-the-art solid-state electronics self-adjust to a minimum of 5dB above the surrounding noise levels, reducing irritation and complaints. These alarms are environmentally sealed in epoxy to guard against moisture, dirt, and vibration. They also offer an intergral universal mounting bracket. Reactor alarms meet SAE J994 and OSHA regulations.

TURBO BEAM®



TURBO BEAM® MINI-LIGHTBARS

Turbo Beam and Turbo Beam Plus mini-light-bars offer all the attributes of longer lightbars but in 15" and 22" lengths. All models feature powerful halogen bulbs, precision parabolic reflectors, and R.F.I. suppression drive motors for optimum performance and reliability. Turbo Beam models have a low-profile, flush aluminum base. Turbo Beam Plus models have a raised base to ease mounting and maintenance.

415010 Turbo beam, 15", 55 W bulbs, 12 VDC

210504 Reactor, 12-24 VDC, 87-112dB, steel housing (4.0" H. x 5.7" W. x 3.1" D.)

210505 Reactor, 12-48 VDC, 82-107dB, steel housing (2.9" H. x 5.0" W. x 2.7" D.)

- 210330** Evacuator Plus, 12-48 VDC, 87dB
- 210331** Evacuator Plus, 12-48 VDC, 97dB
- 210332** Evacuator Plus, 115 VAC (includes separate transformer), 97dB
- 210333** Evacuator Plus, 12-48 VDC, 107dB
- 210335** Evacuator Plus, 12-48 VDC, 112dB

Brake Controllers



**THE BRAKE CONTROL BUILT FOR SIMPLICITY
TEKONSHA PRIMUS™**

Primus™



PRIMUS™ FEATURES:

1. Applies power to trailer brakes in proportion to the tow vehicle's deceleration.
2. Has same motion sensor technology as the Prodigy Control and has a one step set-up.
3. Digital display depicts voltage delivery to trailer brakes during braking.
4. Pre-assembled wire harness for simple hookup.
5. Pocket mount allows for flexible mounting options.
6. Quick and easy disconnect allows user to remove and store the control when not in use.
7. Controls up to three axles with brakes.
8. Control can be positioned from 0 degrees to 70 degrees up.
9. 15 year warranty.

Model No.	Description	Axle
90155	Primus Electronic Brake Control	2 to 6 Brake Systems (1 to 3 Axle)

Voyager™

TK 9030



VOYAGER™ FEATURES:

1. Proportional Control utilizes a pendulum for smoother braking and less brake wear.
2. Recessed controls protect gain and level settings against accidental readjustment.
3. Broad control range makes setting quick and easy. Set level and adjust gain to just before wheel lockup.
4. Green LED lets user know the unit is powered on and there is a complete circuit with the brakes.
5. LED changes color gradually from green to red to indicate braking power.
6. Electronics minimizes false braking to give user smoother ride, even on rough roads.
7. Positions from 20 degrees down to 70 degrees up.
8. 5 year warranty.

Prodigy™

TK 90185



PRODIGY™ FEATURES:

1. State of the art electronic accelerometer applies power to the trailer brakes in proportion to the tow vehicle's deceleration. (Stops trailer and vehicle at same time.)
2. Self levels and adjust to the terrain as you drive.
3. No internal moving parts.
4. Digital display shows voltage delivery to trailer during braking.
5. Works proportionally in reverse. Great for backing into tough spots.
6. Built in diagnostics checks for proper connection, shorted magnet condition and much more.
7. Boost features gives user the ability to apply more initial trailer braking power when towing heavier trailers.
8. Control can be positioned from 0 degrees to 70 degrees up.
9. Power saving mode reduces drain on battery when vehicle is not in use.
10. Pre-assembled wire harness for simple hook-up.
11. Pocket mount allows for flexible mounting options.
12. Quick disconnect allows user to remove and store the control when not in use.
13. Controls up to four axles with brakes.
14. Limited lifetime warranty.

Part No.	Description	Application
TK 9030	Voyager™ Electronic Brake Control	2 & 4 Brake Systems (1 & 2 Axle)
TK 90185	Prodigy	Up to 8 Brakes



the most **ADVANCED**
Tekonsha
Trailer Brake
Control... EVER

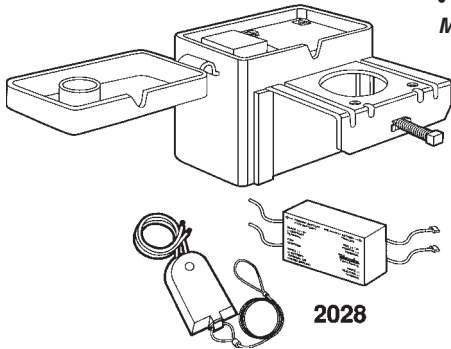
One look at the new P3™ and it's easy to see why it's the best trailer brake control available. For starters, it's easier to see. An easy-to-read LCD display highlights a number of functions with multiple color and contrast options. P3™ is a true proportional braking system that is ideal for use with recreational vehicles, utility, equestrian and agricultural trailers. Designed for ease of use, the P3™ maximizes functionality while promoting the utmost safety. In short, it offers the features you'd expect from a Tekonsha®, the leader in innovative braking systems.

- Distinct, easy to see LCD display with multiple color and contrast options
- User can customize to choose English, French or Spanish display
- Allows the user to switch between Electric and Electric Over Hydraulic trailer brakes
- Highly advanced, easy-to-understand, roadside diagnostics
- Easy access, "Up-Front" controls
- Our original "Boost" feature allows for different levels of customized braking
- Compact, dash-hugging design
- Unique, easy-to-use, clip-mounting system
- Quick disconnect for easy storage; convenient storage pouch included

There has never been a more advanced, yet userfriendly, proportional system offered for trailerbraking than the Tekonsha® P3™. In addition to multiple language, color and contrast options, the LCD display features highly advanced, easy-to-understand roadside diagnostics.

Part No.	Description	Application
TK 90195	P3 Brake Controller	Up to 8 brakes LCD Display

Breakaway Systems & Accessories



Shur-Set III™ Breakaway System

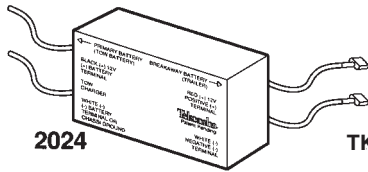
Intended for use on single, tandem and tri-axle trailers equipped with electric brakes.

- **Mounts on jackpost or A-frame.** Quick, easy one bolt installation, no need for cutting or drilling.
- **Weather/Corrosion Resistant.** Rust-proof heavy duty polyethylene plastic case protects battery and charger from elements and corrosion.
- **Meets or exceeds** D.O.T. specifications regarding Breakaway/Holding requirements.

Most states require breakaway switch with separate power supply when towing a trailer.

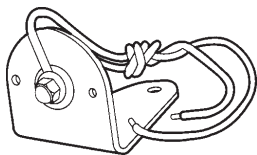
- TK2028 Breakaway Kit (Complete)**
Complete kit includes #2018 Battery Case with Mounting Bracket, #2023 12 v sealed, rechargeable Battery, #2010 nylon Breakaway Switch, and #2024 battery charger.
- TK2026 Breakaway Kit**
Same as #2028 less #2024 battery Charger.
- TK2029 Breakaway Kit (Complete)**
Same as #2028 except includes Breakaway Switch #2009 (metal).
- TK2027 Breakaway Kit**
Same as #2029 less #2024 battery Charger.
- TK2018 Battery Case**
- TK2023 12v Sealed, Rechargeable Battery.**

Battery Chargers



- TK2024** • **DC to DC Trickle Charger** designed to fit securely into the Shur-Set III Breakaway battery case.
- **Patented design** provides continuous recharge for all 12-volt battery systems with a 4 amp-Hour (minimum) output.
- **Provides maintenance-free assurance** that breakaway batteries are always fully charged.
- **Automatic shut-off** feature will not permit battery to overcharge.

- TK2025*** • **AC (110 volt) to DC (12 volt) Trickle/Maintenance Charger** for all 12-volt battery systems with a 4 Amp-Hour (minimum) output.
- **Automatic shut-off** feature will not permit battery to overcharge.
- **Ideal for seasonal storage and maintenance** of Recreational Vehicle, Motorcycle, Snowmobile, Lawn Tractor batteries and more. ***Special order item.**



Pulse Preventor

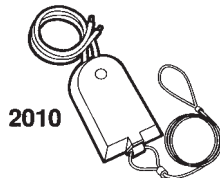
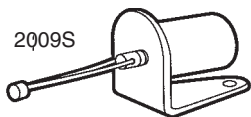
Prevents actuation of electronic brake control by 4-way flasher circuit.

TK2180-S

Use with 2030 Mark 12™ Brake Control. Can be used with all other electronic braking systems devices but not necessary for models 9030, 9035 Voyager® or 9010, 9020 Commander®.

Breakaway Switch

Sets trailer brakes in case of accidental trailer breakaway. Trailer brakes are applied automatically.



- TK2009S** • **All metal parts.** For long life.
- **Silver contact points.** Remain corrosion free for positive contact.
- **Brass pull pin.** For trouble-free, long life.

- TK2010** • **Reinforced nylon case.**
- **Rust and corrosion free.** Assures long life.
- **Silver contact points.** Remain corrosion free for positive contact.
- **Nylon pull pin.** Can't freeze up – assures positive actuation.

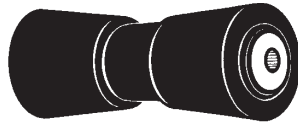
Cable and Pin Assembly (Replacement)



TK2009A* * Use on switch 2009 S

TK2010A* * Use on switch 2010

BOAT TRAILER PARTS



Black Rubber V-Keel Rollers

Made of high grade black rubber and are used to guide and support the center of the boat on your trailer.

Part Number	Description	Use the following shaft assembly*
GP 29-8000	8" roller with 5/8" sleeve	GP 8SHAFT
GP 29-10000	10" roller with 5/8" sleeve	GP 10SHAFT
GP 29-12000	12" roller with 5/8" sleeve	GP 12SHAFT

*See shaft assembly section for more details.



Poly V-Keel Rollers

Made of non-marring polyurethane for longer lasting quality.

Part Number	Description	Use the following shaft assembly*
GP 29-PR8	8" roller with 5/8" sleeve	GP 8STAINLESS
GP 29-PR10	10" roller with 5/8" sleeve	GP 10STAINLESS
GP 29-PR12	12" roller with 5/8" sleeve	GP 12STAINLESS

*See shaft assembly section for more details.

Plated Roller Shafts

5/8" plated roller shafts accept 5/8" Pal nuts.
Use with black rubber keel rollers.

Part Number	Description
GP 8SHAFT	8" roller shaft with 2-5/8" Pal nuts
GP 10SHAFT	10" roller shaft with 2-5/8" Pal nuts
GP 12SHAFT	12" roller shaft with 2-5/8" Pal nuts

Stainless Steel Roller Shafts

5/8" stainless steel roller shafts for longer lasting quality. These shafts are drilled to accept a 1/8" stainless steel cotter pin. Use with poly keel rollers.

Part Number	Description
GP 8STAINLESS	8" roller shaft with 2-1/8" cotter pins
GP 10STAINLESS	10" roller shaft with 2-1/8" cotter pins
GP 12STAINLESS	12" roller shaft with 2-1/8" cotter pins



BOAT TRAILER PARTS

Galvanized U-bolt Kits

All components of these kits are hot dipped galvanized. Kits contain 4 U-bolts, 8 nuts and lock washers, and 2 tie plates.

Part Number	Description
GP 22-31560-7	1/2" x 2 ³ / ₈ " x 5 ¹ / ₂ " Round U-bolt Kit
GP 22-31520-6	1/2" x 2" x 5" Square U-bolt Kit
GP 22-31521-8	1/2" x 2" x 6" Square U-bolt Kit

Galvanized U-bolt Assemblies

All U-bolts are hot dipped galvanized and each assembly consists of 1 U-bolt and 2 nuts and lock washers.

Part Number	Description
GP SUB25	1/2" x 2" x 5" Square U-bolt with nuts and lock washers*
GP SUB26	1/2" x 2" x 6" Square U-bolt with nuts and lock washers*
GP SUB33	1/2" x 3" x 3" Square U-bolt with nuts and lock washers*
GP SUB36	1/2" x 3" x 6" Square U-bolt with nuts and lock washers*
GP SUB43	1/2" x 4" x 3" Square U-bolt with nuts and lock washers*

* Add (A) to end of part number to add strap to assembly

Stainless Steel U-bolt Assemblies

All U-bolts, nuts and lock washers are stainless steel. Assemblies consist of 1 U-bolt and 2 nuts and lock washers.

Part Number	Description
GP SUB25SS	1/2" x 2" x 5" Square U-bolt with nuts and lock washers
GP SUB26SS	1/2" x 2" x 6" Square U-bolt with nuts and lock washers
GP SUB33SS	1/2" x 3" x 3" Square U-bolt with nuts and lock washers

BOAT TRAILER PARTS

Galvanized Bunk Brackets

Bunk brackets are made of 11 guage hot dipped galvanized steel to mount 2 x 4's vertically for boat hull height adjustments. They are designed with a long single slot, for maximum vertical adjustment, and can be mounted using ½" diameter U-bolts. 2 x 4's can be secured to bracket with either ½" lag bolts or carriage bolts.

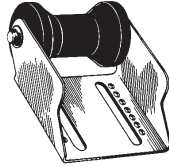
Part Number	Description
GP 28-01275-5	8" bracket with 5" center vertical adjustment slot
GP 28-01277-9	10" bracket with 7" center vertical adjustment slot
GP 28-01279-2	12" bracket with 9" center vertical adjustment slot

Galvanized Bolster Bracket Assembly

Bolster bracket assemblies are made of 11 guage hot dipped galvanized steel to mount 2 x 6's horizontally. They are designed with center slot, for maximum vertical adjustments, and can be mounted using ½" diameter U-bolts. 2 x 6"s can be secured to bracket assembly with ½" lag bolts. Assemblies consist of 1-bolster bracket, 1-angle bracket, and 1³/₈" nut and bolt to secure brackets together.

Part Number	Description
GP 8BOLSTER ASSEMBLY	8" bracket with 6" center vertical slot
GP 10BOLSTER ASSEMBLY	10" bracket with 7" center vertical slot
GP 12BOLSTER ASSEMBLY	12" bracket with 2-2.5" center vertical slots

BOAT TRAILER PARTS



Galvanized One Piece Keel Roller Brackets

Made with 11 gauge hot dipped galvanized steel and will accept 5/8" roller shafts. All brackets come with two 5" vertical slots and can be mounted with 1/2" U-bolts.

Part Number	Description
GP 28-01310-3	8" bracket for 8" rollers
GP 28-01312-7	10" bracket for 10" rollers
GP 28-01314-0	12" bracket for 12" rollers

We also stock split brackets (GP 28-11980-0) to accommodate any roller length.

Galvanized Trailer Fenders

We stock tandem and single wheel galvanized fenders. Fenders are made from 16 gauge hot dipped galvanized steel.

Part Number	Size	Description
TF 2105G	9" x 32"	Round double radius single axle fender
TF 2401G	7" x 11"	Round stamped single axle fender
TF 2402G	7.5" x 23.5"	Round stamped single axle fender
TF 2403G	9" x 29"	Round stamped single axle fender
GP 2728041-8	10" x 29.5"	Jeep style fender
TF 2866GH	9.5" x 67"	Round tandem with drop in center

Other fenders available by Special Order

PVC Boat Bow Guides Kits

Bow guides allow easy placement of boats on submersed trailers. They also provide a high and dry mounting location for trailer lights. Guides contain two 56" tall guides and plated mounted hardware. Light mounting kits are galvanized and made to mount a standard two-stud light. One light bracket kit needed for one bow guide kit.

Part Number	Description
GP 28-02900-7	PVC Bow guide kit with mounting hardware
GP 28-02901-9	Light mounting brackets

BOAT TRAILER PARTS

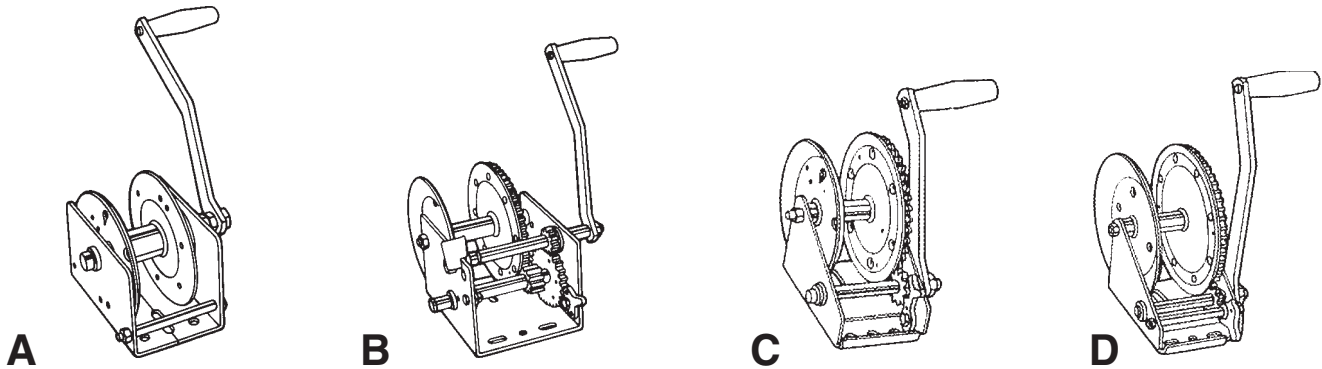
Galvanized Bolt-on Spring Sliders

Spring sliders are made of 2" x 3" galvanized steel angle with hangers welded to accommodate single slipper or tandem double eye springs. Sliders allow adjusting the trailer tongue weight according to the trailer load.

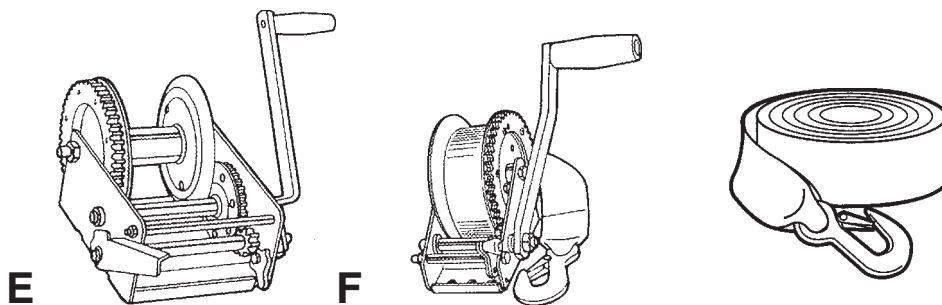
Part Number	Description	Spring Application
GP 24-03041-2	Right hand 24" slider	WE2, WE3, WH4, WI5
GP 24-03043-6	Left hand 24" slider	WE2, WE3, WH4, WI5
GP 24-03045-0	Right hand 30" slider	WD2, WF3, WG4
GP 24-03046-1	Left hand 30" slider	WD2, WF3, WG4
GP 24-03061-8	Tandem slider	SW2, SW3, SW4, SW4B, SW5*, SW6*

*Axle must be mounted under the spring.

Winches for Marine, Industrial and Agricultural Use



Part No.	Photo	Capacity	Gear Ratio	Hub Dia. Inches	Reel Capacity - Rope				Reel Cap		Ratchet Type	Handle No.
					1/4"	5/16"	7/16"	1/2"	1/8"	7/32"		
FU K650	A	600 lbs	1:1	1 1/4"	drum hub for use with steel cable				85'		Direct Drive	N/A
FU T900	C	900 lbs.	3.1:1	5/8"	36'						"Grabber" one-way	6312
FU T1000A	C	1000 lbs.	4.1:1	3/4"		30'					"Grabber" one-way	6312
FU T1200	C	1200 lbs.	4.1:1	3/4"		30'					"Grabber" one-way	6302
FU T1401	C	1400 lbs.	4.1:1	3/4"		20'					Two-way ratchet	6302
FU T1602	D	1600 lbs.	5.1:1	7/8"			20'				Two-way ratchet	6822
FU T1801	D	1800 lbs.	5.1:1	7/8"			20'				Two-way ratchet	6817
FU T2625	E	2600 lbs.	5.1:1 & 12.2:1	1 3/4"	drum hub for use with steel cable				175'		Two-way w/Neutral	6817
SH-547124	E	2800 lbs.	4.3:1 & 12.3:1	1"	170'		50"	37"			Two speed w/Hand Brake	2400
SH-548124	E	3200 lbs.	4.3:1 & 12.3:1	2"	158'		46"	34"			Two speed w/Hand Brake	2400
FU T1401Z	F	1400 lbs.	4.1:1	2"	20' strap and hook						Two-way ratchet	6302
FU T2025	B	2000 lbs.	4.1:1 & 9.8:1	1 3/4"	Drum hub for use with steel cable				50'		Two way w/Neutral	6817

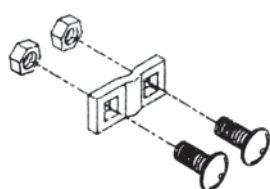


Winch Strap and Hook

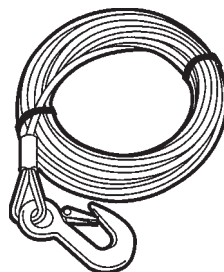
FU WS200700

- Nylon web winch strap
- 2" x 20 ft.

Can be used with all winches that are designed for rope



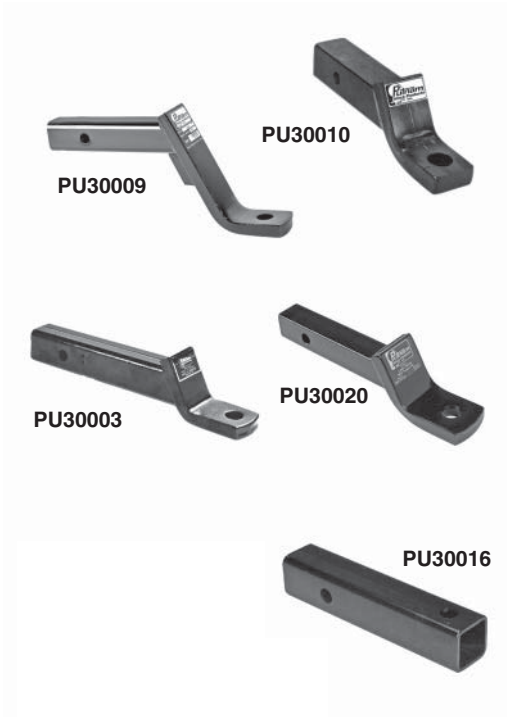
Cable Keeper Kit
SH 5451-81



Winch Cable with Hook

- FU WC3250100 Cable 3/16" x 25' W/Hook
- FU WC7500100 Cable 7/32" x 50' W/Hook

**Ball Mounts
All Types (Bulk)**



Putnam Hitch Products

NEW Part No.	Description	Max. Load
PU30001	2" Drop w/2" sq x 6 1/2" Ig Shank	6000#
PU30002	2" Drop w/2" sq x 8" Ig Shank	6000#
PU30003	2" Drop w/2" sq x 10" Ig Shank	6000#
PU30004	4" Drop w/2" sq x 6 1/2" Ig Shank	6000#
PU30005	4" Drop w/2" sq x 8" Ig Shank	6000#
PU30007	4" Drop w/2" sq x 10" Ig Shank	6000#
PU30008	6" Drop/4 3/4" Lift w/2" sq Shank	5000#
PU30009	8" Drop/6 3/4" Lift w/2" sq Shank	5000#
PU30010	2" Drop-2" sq x 6 1/2" Ig Solid Steel	8000#
PU30012	4" Drop-2" sq x 6 1/2" Ig Solid Steel	8000#
PU30014	6" Drop-2" sq x 6" Ig Solid Steel	8000#
PU30015	2" sq x 8" Ig Tube w/3/4" Ball Hole	****
PU30016	2" sq x 10" Ig Tube w/3/4" Ball Hole-	****
PU30017	2" sq x 12" Ig Tube w/3/4" Ball Hole	****
PU30019	3 1/2" Drop-1 5/8" sq x 6" Ig Shank "Mini"	4000#
PU30020	1 1/4" Drop-1 1/4" sq x 6" Ig Shank "Micro-Mini"	2000#
PU30021	3 1/2" Drop-1 1/4" sq x 6" Ig Shank "Micro-Mini"	2000#
PU30030	2" Drop - 2" sq x 6 1/2" Solid Steel 3/4" hole	10,000#
PU30031	2" Drop - 2" sq x 8" Solid Steel 3/4" hole	10,000#
PU30032	4" Drop - 2" sq x 6 1/2" Solid Steel 3/4" hole	10,000#
PU30033	4" Drop - 2" sq x 8" Solid Steel 3/4" hole	10,000#

*** NOTE: MGTW will be the same rating as hitch ball used

Bushings



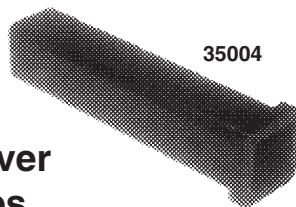
NEW Part No.	Description
PU16004	Converts 1" hole to 3/4" Hole

**Receiver Tube
Covers**



NEW Part No.	Description
PU36002	2" ID Receiver Tube Cover (for "CJ" receiver-chrome)

**Receiver
Tubes
All Sizes**



New Part No.	I.D.	Shank Length	Pin Hole
PU 35001	2"	6"	5/8"
PU 35002	2"	8"	5/8"
PU 35003	2"	10"	5/8"
PU 35004	2"	12"	5/8"
PU 35005	2"	18"	5/8"
PU 35006	2"	24"	5/8"

**Solid Steel
Hitch Bars
(2" Square)**



NEW Part No.	Shank Size	Shank Length	Pin Hole
PU33001	2" sq	10"	5/8"
PU33002	2" sq	12"	5/8"
PU33008	2" sq	24"	5/8"

Hitchpins/Keepers/Ball Covers (Bulk)



NEW Part No.	Description
PU17001	5/8" Straight Pull Ring Pin
PU17002	5/8" Bent Pin With Hole
PU17003	5/8" Bent Pin With Groove
PU17004	1/2" Bent Pin With Groove
PU17006	Hairpin For 5/8" Pin
PU17007	Linch Pin Keeper
PU17008	Hairpin For 1/2 Pin
PU17009	1 7/8" & 2" Ball Cover - Black
PU17010	1 7/8" & 2" Ball Cover - Red
PU17019	3/4" Bent Pin with Hole



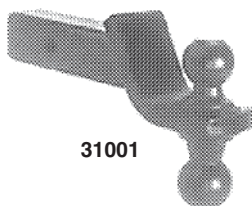
17012

Hitchpins & Keepers (Packaged)

NEW Part No.	Description
PU17011	Bent Pin w/Groove & Hairpin
PU17012	Bent Pin w/Hole & Hairpin
PU17013	Bent Pin w/Hole & Linchpin
PU17014	Straight Pin w/Hole & Hairpin
PU17015	Straight Pin w/Hole & Linchpin
PU17016	5/8" Bent Pin with Padlock
PU17018	Replacement Padlock (for above)

Pintle Hook Mounting Plates

New Part No.	Plate	Shank Length	Shank Size	Pin Hole	Max. Load
PU14001	5"	8"	2" sq	5/8"	10000#
PU14002	7"	8"	2" sq	5/8"	10000#
PU14003	7"	10"	2" sq	5/8"	10000#
PU14018	5"	8"	2" sq	3/4"	10000#
PU14019	7"	8"	2" sq	3/4"	10000#
PU14020	7"	10"	2" sq	3/4"	10000#



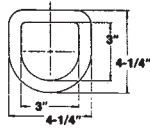
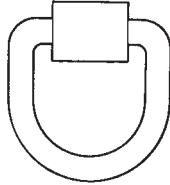
31001

Double Tow Ball Mounts

New Part No.	Ball Size	Shank Size	Shank Length	Maximum Load
PU31001	1 7/8"-2"	2" Sq	6 1/2"	2000 & 3500#
PU31002	1 7/8"-2 5/16"	2" Sq	6 1/2"	2000 & 6000#
PU31003	2-2 5/16"	2" Sq	6 1/2"	3500 & 6000#



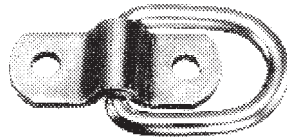
Lashing Ring B40



Part No.	Description
BU B40	Lashing ring assembly with mounting bracket

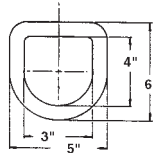
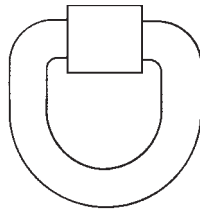
Forged from C-1045 steel $\frac{5}{8}$ " diameter ring is supplied with mounting bracket. Bracket is $1\frac{7}{8}$ " wide and $\frac{3}{8}$ " thick.

Lashing Ring B20



BU B20	Rope Ring, 1,200 lb. capacity
--------	-------------------------------

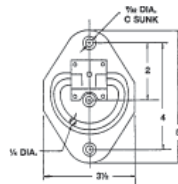
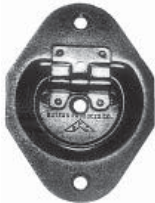
Lashing Ring B50



BU B50	Lashing ring assembly with mounting bracket
--------	---

Drop forged from C-1045 steel 1" diameter ring is supplied with mounting bracket. Bracket is 2" wide and $\frac{3}{8}$ " thick.

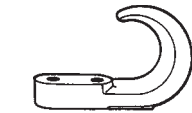
Recessed Rope Ring



BU B601	Designed for use inside van bodies, these rope rings have no projections to catch or damage the load.
---------	---

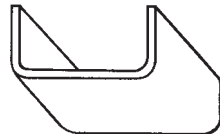
Requires 3" diameter mounting hole in $\frac{3}{8}$ " or thicker material. Rated 500 lbs.

Light Duty Tow Hook



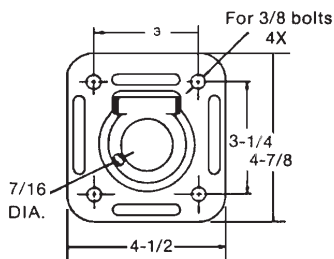
BU B2799C	Light duty tow hook (pair) chrome, 10,000 lb. capacity
-----------	--

Stake Pockets



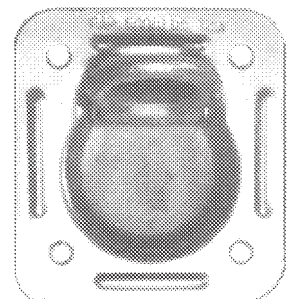
TPTT 3040	2" x 4" x $\frac{1}{4}$ " straight stake pocket
-----------	---

HD Recessed Ring



Formed $\frac{1}{8}$ " steel pan encloses a forged ring.

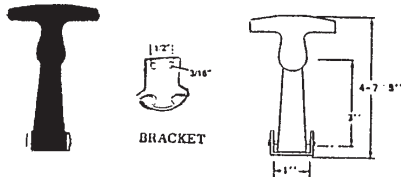
Part #	Rated Capacity	Finish	Weight Each
BUB801	5000 lbs.	Zinc Plated	1.25 lbs.



4⁷/₈" Rubber Hood Catch with Bracket

Part No.	Description	Weight
BUWJ201U	Uses bracket "U"	.32 lbs.

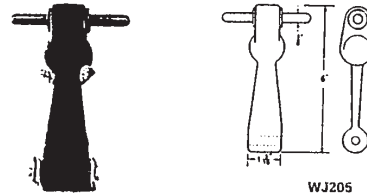
All dimensions shown are nominal.



6" Heavy Duty Rubber Hood Catch

Part No.	Description	Weight
BUWJ205	Includes brackets and pin, no bumper	.43 lbs.

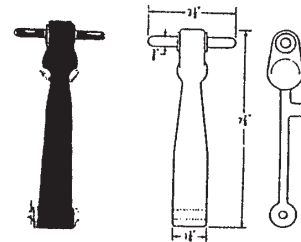
All dimensions shown are nominal.



7⁷/₈" Heavy Duty Rubber Hood Catch

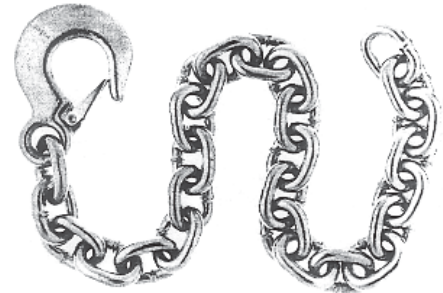
Part No.	Description	Weight
BUWJ208	Includes brackets and pin	.45 lbs.

All dimensions shown are nominal.



Class III 35" Safety Chain with Latch Hook

Heavy duty 5/16" x 42" safety chain (end to end, including hook) with a forged slip hook at one end is ideal for heavy duty hitch applications. Grade 43 proof coil. Ultimate Load: 10,000 lbs. Zinc plated.



TC8606866 5/16" x 35" Safety Chain 10K



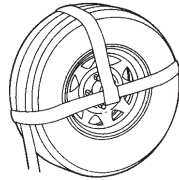
Safety Chains

Part No.	Descriptions - Safety Chain
TC8666230	1/4" x 48" Class II W/"S"-Hooks
TC8666250	1/4" x 72" Class II W/"S"-Hooks



BUJ1511 Safety Pin & Horse/Shoe Clip

Tire Bonnet



Part No.	Description
SY WTD170Y1215	Wheel tie down for 13", 14" & 15"
	For use on car dollies, adjustable

4" Webbing with #FH-4 Flat Hook



Part No.	Width	Capacity
SY WS430FHY	4" x 30' w/Flat Hook	15,000 lb.
SY WS427FHY	4" x 27' w/Flat Hook	15,000 lb.
SY WS435FHY	4" x 35' w/Flat Hook	15,000 lb.



Rubber Tarp Straps

Part No.	Size	Stretch Range	Pkg.
SYRTS09	10"	15" — 20"	50
SYRTS15	15"	20" — 30"	50
SYRTS21	21"	30" — 40"	50
SYR831-D	31"	40" — 55"	50



Binder Chain

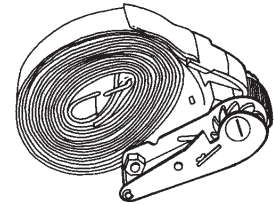
Part No.	Size	Grade	Description
TC DR5231462	3/8" x 20'	43	Chain w/Hooks

Load Binder



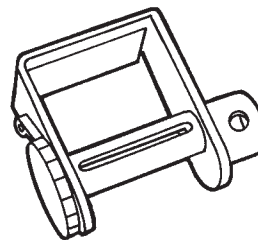
Part No.	Description
TC 5200455	Load Binder fits 3/8" or 5/16" chain

Web Winches



Part No.	Description	Capacity
SY 10R27FHY	2" x 27" Ratchet Strap	10,000 lb.
SY 10R30FHY	2" x 30" Ratchet Strap	10,000 lb.
SY 10R35FHY	2" x 35" Ratchet Strap	10,000 lb.

Winches



#9530-2S*

Part No.	Description
SY8110	Bottom Mount Std. Weld on
SY8120-2S	Std. Portable Winch W/2 set screws installed

WARNING: Set screws on portable winches should be snug tightened only!

Winch Bars

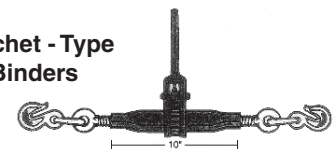


SY6351 Chrome Standard Winch Bar



SY6361 Chrome Combination Winch Bar

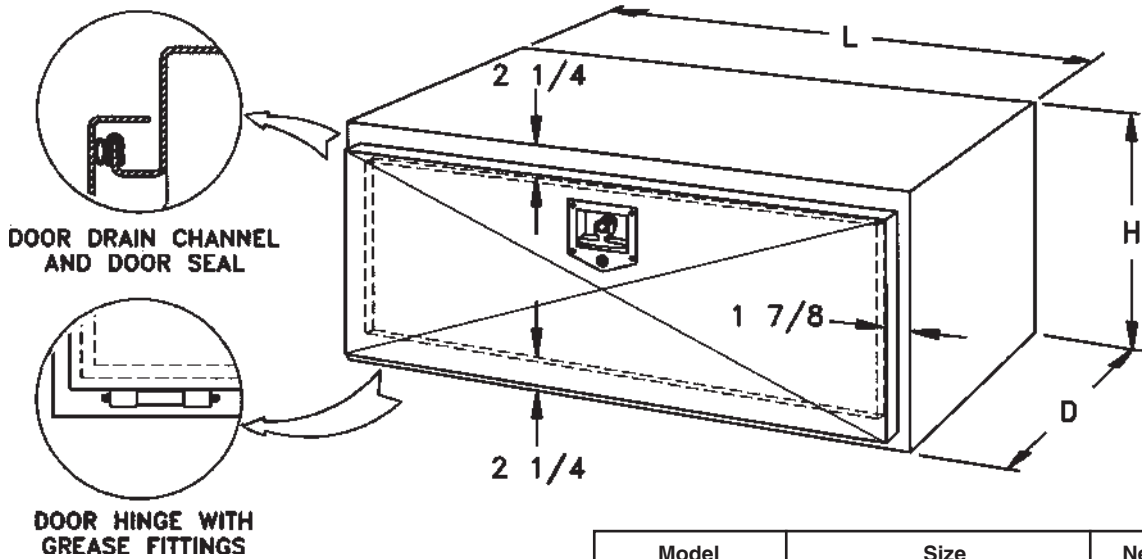
Ratchet - Type Binders



Part No.	Max. Chain Size		Max. Take Up In.	Working Load Limit Lbs.
	G40 Hook Size	G70		
TC 5200355	3/8"	5/16" - 3/8"	10"	6600
TC 5200655	1/2"	1/2" - 3/8"	8"	9200



DuTec Heavy Duty Underbody Tool Box



Standard Features

- All H.R.P.O. 12 gauge construction
- Heavy-duty machined door hinges with $\frac{5}{16}$ " stainless steel pivot pin and grease fittings
- Rugged locking T-handle for security and durability
- X-break in door for rigidity
- Industry's most water and dust resistant door design further enhanced with an automotive type bulb rubber seal
- Heavy duty $\frac{3}{16}$ " door chains
- Phosphate cleaning and treating process to insure adhesion of primer and resist corrosion
- * Stock Items, other sizes special order

Model	Size	Net Weight
DT DUB18	18" L x 18" H x 18" D	64
*DT DUB 24	24" L x 18" H x 18" D	78
*DT DUB 30	30" L x 18" H x 18" D	92
*DT DUB 36	36" L x 18" H x 18" D	105
DT DUB 40	40" L x 18" H x 18" D	115
*DT DUB 48	48" L x 18" H x 18" D	134
*DT DUB 60**	60" L x 18" H x 18" D	161
DT DUB 72**	72" L x 18" H x 18" D	189
DT DUB 90**	90" L x 18" H x 18" D	231
DT DUBH 24	24" L x 14" H x 18" D	67
DT DUBH 30	30" L x 14" H x 18" D	80
DT DUBH 36	36" L x 14" H x 18" D	93
DT DUBH 48	48" L x 14" H x 18" D	117
DT DUBH 60**	60" L x 14" H x 18" D	142
DT DUBC 24	24" L x 22" H x 22" D	101
DT DUBC 36	36" L x 22" H x 22" D	131
DT DUBC 48	48" L x 22" H x 22" D	168
DT DUBS 24	24" L x 18" H x 11" D	61
DT DUBS 36	36" L x 18" H x 11" D	83
DT DUBHS 24	24" L x 14" H x 11" D	51
DT DUBHS 36	36" L x 14" H x 11" D	71
DT DUBHT 24	24" L x 14" H x 14" D	62
DT DUBHT 36	36" L x 14" H x 14" D	81

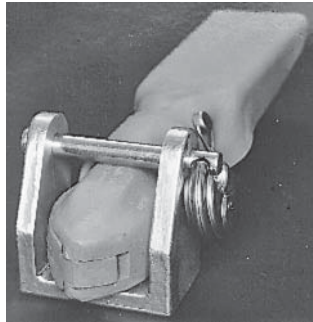
* Stock Item ** 2 Door Model



Blaylock Industries, Inc.

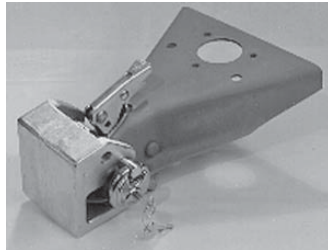
**EZ LOCK
Model TL-20**

Model TL-20 fits all Hammerblow Bulldog style 1⁷/₈", 2", and 2⁵/₁₆" trailer couplers and similar styles. Place slanted side toward front of coupler (marked front on lock). Insert pin. Attach your padlock.



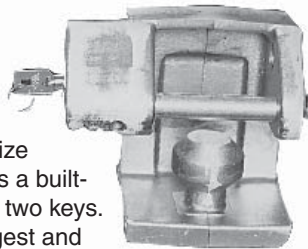
**EZ LOCK
Model TL-30**

Model TL-30 is a two pin lock made to fit most Atwood, Shelby, Fulton and similar couplers. It locks most Class I, II, and III couplers. Place coupler lock over coupler as shown. Insert pin in proper hole and attach your padlock.



**EZ LOCK
Model TL-35**

Model TL-35 fits the same size couplers as the TL-30, but features a built-in locking tumbler and comes with two keys. No padlock is required. The strongest and finest-made trailer coupler lock available. Protect your trailer and equipment with the BEST.



Model TL-40

Model TL-40 (small) padlock fits TL-20, TL-30 and TL-301 coupler locks.

Model TL-45

Model TL-45 (large) padlock fits TL-45 gooseneck coupler locks.



**EZ LOCK
Model TL-50**

Model TL-50 is precision-made of aircraft aluminum and will not rust. It features a 3/4" heavy-duty steel locking pin. Fits Hammerblow, Stallion, Superior and T.E.M. Gooseneck style couplers.



To use, simply install the narrow end (looks like a goose's neck) over the coupler bracket near the handle. Bring the wide opening of the TL-50 into position over the wide part of the coupler. Insert the pin into the hole that offers the tighter connection, then install your padlock.

**EZ JACK
Model EZ-100**



EZ JACK was designed as an easy-to-use, safe and reliable device for changing tires on tandem axle trailers. Its unique rocker shape allows operators to simply drive the trailer onto the EZ JACK to elevate the tire to change. No more hassling with awkward jacks or wooden blocks.

In most cases you simply place the EZ JACK, rocker side, under the good tire and drive up the rocker until the tire to be serviced has cleared the ground. For trailers with low fenders, EZ JACK can be used in the reversed position, with the rocker

side down for 2" additional height. In either position, once the tire has been changed, simply drive carefully off the low end of the EZ JACK.

EZ JACK is made of heavy-duty, cast aluminum. It is designed for rugged use, extreme weight and weather variations. Its one-piece construction and light weight (less than 9 lbs.) allows for ease in handling and storage. It is guaranteed against breakage when used under normal conditions.





WARRANTY

CUSTOMER ACKNOWLEDGES THAT SELLER HAS MADE NO WARRANTIES RESPECTING THE MERCHANDISE SOLD HEREUNDER, WHETHER EXPRESS OR IMPLIED, INCLUDING THE IMPLIED WARRANTIES OF MERCHANTABILITY AND FITNESS FOR A PARTICULAR PURPOSE, AND, AS BETWEEN SELLER AND CUSTOMER, CUSTOMER PURCHASES THE MERCHANDISE "AS IS" AND "WITH ALL FAULTS." Some of the merchandise purchased by customer from Seller has been, or will be, manufactured by a third party. SELLER HEREBY AUTHORIZES CUSTOMER TO ENFORCE AGAINST A MANUFACTURING THIRD PARTY OF THE MERCHANDISE ANY CLAIMS WHICH SELLER, AS PURCHASER OF THE MERCHANDISE MAY HAVE IN RESPECT TO THE MERCHANDISE OR SUCH CLAIM SELLER HERE-BY ASSIGNS TO THE CUSTOMER ALL RIGHTS WHICH SELLER, AS PURCHASER, HAS AGAINST SUCH SUPPLIERS FOR BREACH OF WARRANTY OR OTHER REPRESENTATION RESPECTING THE MERCHANDISE, AND, TO A REASONABLE EXTENT, SELLER WILL ASSIST CUSTOMER IN THE ENFORCEMENT OF SAID RIGHTS. To the extent allowed by law, Seller shall not be liable to customer for incidental and consequential damages by customer from any reason whatsoever.

TRAILER MAINTENANCE SCHEDULE

Item	Function Required	Weekly	3 Months OR 3000 Miles	6 Months OR 6000 Miles	12 Months OR 12000 Miles
Brakes	Test that they are operational	<i>At Every Use</i>			
Brake Adjustment	Adjust to proper operating clearance		●		
Brake Magnets	Inspect for wear and current draw			●	
Brake Linings	Inspect for wear or contamination				●
Brake Controller	Check for correct amperage & modulation			●	
Brake Cylinders	Check for leaks, sticking				●
Brake Lines	Inspect for cracks, leaks, kinks				●
Trailer Brake Wiring	Inspect wiring for bare spots, fray, etc.				●
? System	Check battery charge & switch operation	<i>At Every Use</i>			
Hub/Drum	Inspect for abnormal wear or scoring				●
Wheel Bearings & Cups	Inspect for corrosion or wear. Clean & repack.				●
Seals	Inspect for leakage. Replace if removed.				●
Springs	Inspect for wear, loss of arch.				●
Suspension Parts	Inspect for bedding, loose fasteners, wear.			●	
Hangers	Inspect Welds				●
Wheel Nuts & Bolts	Tighten to specified torque values.		●		
Wheels	Inspect for cracks, dents or distortion.			●	
Tire Inflation Pressure	Inflate tires to manufacturer's specifications.	●			
Tire Condition	Inspect for cuts, wear, bulging, etc.		●		

WHEELS AND TIRES

Wheels

Wheel Selection

Wheels are very important and critical component of your running gear system. When specifying or replacing your trailer wheels it is important that the wheels, tires, and axle are properly matched. The following characteristics are extremely important and should be thoroughly checked when replacement wheels are considered.

1. **Bolt Circle.** Many bolt circle dimensions are available and some vary by so little that it might be possible to attach an improper wheel that does not match the axle hub. Be sure to match your wheel to the axle hub.
2. **Capacity.** Make sure that the wheels have enough load carrying capacity and pressure rating to match the maximum load of the tire and trailer.
3. **Offset.** This refers to the relationship of the center line of the tire to the hub face of the axle. Care should be taken to match any replacement wheel with the same offset wheel as originally equipped. Failure to match offset can result in reducing the load carrying capacity of your axle.
4. **Rim Contour.**



DANGER:

Use only the approved rim contours as shown in the Tire and Rim Yearbook or the tire manufacturers catalog. The use of other rim contours is dangerous. Failure to use the proper rim contour can result in explosive separation of the tire and wheel and could cause a serious accident.



WARNING:

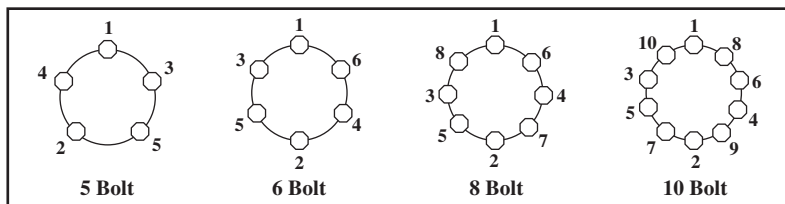
Do not attempt to repair or modify a wheel. Even minor modifications can have a great effect. Do not install a tube to correct a leak through the rim. If the rim is cracked, the air pressure in the tube may cause the pieces of the rim to explode with great force and can cause serious injury or death.

Torque Requirements

It is extremely important to apply and maintain proper wheel mounting torque on your trailer axle. Torque is a measure of the amount of tightening applied to a fastener (nut or bolt) and is expressed as length times force. For example, a force of 90 pounds applied at the end of wrench one foot long will yield 90 lbs.-ft. of torque. Torque wrenches are the best method to assure the proper amount of torque levels to prevent loose wheels, broken studs, and possible dangerous separation of wheels from your axle.

Be sure to use only the fasteners matched to the cone angle of your wheel (usually 60° or 90°.) The proper procedure for attaching your wheels is as follows:

1. Start all bolts or nuts by hand to prevent cross threading.
2. Tighten bolts or nuts in the following sequence.
3. The tightening of the fasteners should be done in stages.



Follow the recommended sequence, tighten fasteners per wheel torque chart below.

4. Wheel nuts/bolts should be torqued before first road use and after each wheel removal. Check and retorque after the first 10 miles, 25 miles, and again at 50 miles. Check periodically thereafter.

Wheel Torque Requirements

Wheel Size	Torque Sequence		
	1st Stage	2nd Stage	3rd Stage
12"	20-25	35-40	50-75
13"	20-25	35-40	50-75
14"	20-25	50-60	90-120
15"	20-25	50-60	90-120
16"	20-25	50-60	90-120

Tires

Before mounting tires onto wheels make certain that the rim size and contour is approved for the tire as shown in the Tire and Rim Association Yearbook or the tire manufacturers catalog. Also make sure the tire will carry the rated load. If the load is not equal on all tires due to trailer weight distribution, use the tire rated for the heaviest wheel position.

Note: *The capacity rating molded into the sidewall of the tire is not always the proper rating for the tire if used in a trailer application. Use the following guideline:*




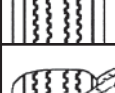

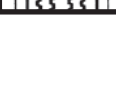
1. LT and ST Tires. Use the capacity rating molded into the tire.
2. Passenger Car Tires. Use the capacity rating molded into the tire sidewall **divided by 1.10**.

Use the tire mounting procedures as outlined by the Rubber Manufacturers Association or the tire manufacturers.

Tire inflation pressure is the most important factor in tire life. Inflation pressure should be as recommended by the manufacturer for the load. Pressure should be checked cold before operation. Do not bleed air from tires when they are hot. Check inflation pressure weekly during use to insure the maximum tire life and tread wear. The following tire wear diagnostic chart will help you pinpoint the causes and solutions of tire wear problems.

Note: *Tire wear should be checked frequently because once a wear pattern becomes firmly established in a tire it is difficult to stop, even if the underlying cause is corrected.*

Tire Wear Diagnostic Chart

	Wear Pattern	Cause	Action
	Center Wear	Over Inflation	Adjust pressure to particular load per tire catalog.
	Edge Wear	Under Inflation	Adjust pressure to particular load per tire catalog.
	Side Wear	Loss of camber or overloading	Make sure load doesn't exceed axle rating. Align at alignment shop.
	Toe Wear	Incorrect toe-in	Align at alignment shop.
	Cupping	Out-of-balance	Check bearing adjustment and balance tires.
	Flat Spots	Wheel lockup and tire skidding	Avoid sudden stops when possible and adjust brakes.

Operation

Storage Preparation

If your trailer is to be stored for an extended period of time or over the winter, it is important that the trailer be prepared properly.


1. Remove the emergency breakaway battery and store inside, out of the weather. Charge the battery at least every 90 days.
2. Jack up the trailer and place jack stands under the trailer frame so that the weight will be off the tires. Follow trailer manufacturers guidelines to lift and support the unit. Never jack up or place jack stands on the axle tube or on the equalizers.




NOTES

SOUTHWEST WHEEL & MANUFACTURING CO.

DALLAS HOUSTON SAN ANTONIO OKLAHOMA CITY LUBBOCK EL PASO





GENERAL CATALOG NO.
163-A



SOUTHWEST WHEEL, INC.

AXLES & RUNNING GEAR COMPONENTS



 *"The Wheel Horse."*

SOUTHWEST WHEEL, INC. 1987-1990

TRAILER AXLE CATALOG


AXLE ASSEMBLIES, SPINDLES, LANDING GEAR, COUPLERS,
LIGHTS AND ALL ACCESSORIES FOR LIGHT TO MEDIUM WEIGHT
TRAILERS OF ALL TYPES



SOUTHWEST WHEEL, INC.

WITH SALES OFFICES IN THE FOLLOWING:

<p>DALLAS 75257 2425 BRIND BLVD. 214-431-0200 Texas Works 1-800-462-7428</p>	<p>HOUSTON 77063 2777 TAMM STREET (713) 224-7751</p>	<p>LUBBOCK 79403 1502 E. BROADWAY (940) 765-9421 Texas Works 1-800-462-4288</p>
<p>SAN ANTONIO 78218 343 GEMBLER ROAD (512) 226-0301 Texas Works 1-800-222-7887</p>	<p>SAN ANTONIO 78218 343 GEMBLER ROAD (512) 226-0301 Texas Works 1-800-222-7887</p>	<p>SAN ANTONIO 78218 343 GEMBLER ROAD (512) 226-0301 Texas Works 1-800-222-7887</p>




DALLAS • HOUSTON • SAN ANTONIO • OKLAHOMA CITY • LUBBOCK • EL PASO • BEAUMONT

SOUTHWEST WHEEL & MANUFACTURING CO.

GENERAL CATALOG NO. 168

20th FARMER



SERVING THE AUTOMOTIVE AND
TRUCKING INDUSTRIES 1920-1970

**SOUTHWEST WHEEL &
MANUFACTURING CO.**

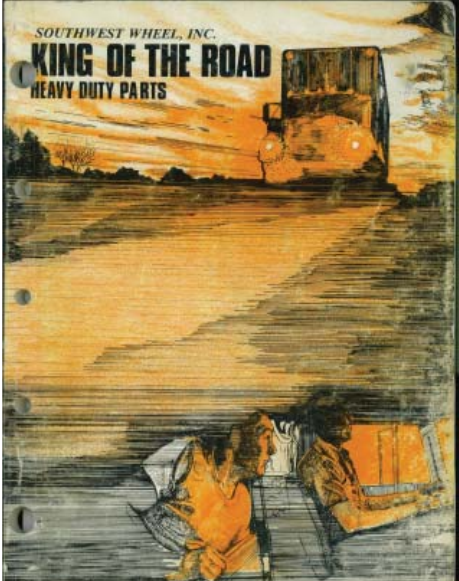
DALLAS • HOUSTON • SAN ANTONIO • OKLAHOMA CITY • LUBBOCK • EL PASO • BEAUMONT

GENERAL CATALOG 170


SOUTHWEST WHEEL, INC.

KING OF THE ROAD


HEAVY DUTY PARTS



SOUTHWEST WHEEL, INC.



**Complete Running Gear
Assemblies and Parts**

<p>DALLAS 75257 2425 Brind Blvd. 214-431-0200 Texas Works 1-800-462-7428</p>	<p>HOUSTON 77063 2777 Tamm St. (713) 224-7751</p>	<p>ST. LOUIS, MO 63106 P.O. Box 8106 3668 Forest Park Blvd. 616-842-7608</p>	<p>PORT WORTH 76105 2432 Blue Skunk Court Dr. 817-336-6875 Texas 828-8819</p>
<p>BEAUMONT 77701 899 N. 4th St. (713) 836-6874</p>	<p>NEW ORLEANS, LA 70121 211 River Road (504) 831-7222</p>	<p>LUBBOCK 79403 1502 E. Broadway 940-765-9421 Texas Works 1-800-652-4288</p>	<p>OKLAHOMA CITY, OK 73108 814 W. Broadway Ave. 902-246-8874 Okla. Works 1-800-522-4883</p>
<p>LAFFAYETTE, LA 70507 1301 E. Main Laundry Road (504) 252-9708</p>	<p>MCALLEN 78501 1302 E. River (512) 245-3751</p>		

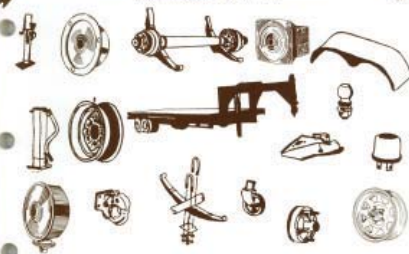
\$3.50

SOUTHWEST WHEEL, CO.


SAN ANTONIO
CORPUS CHRISTI

TRAILER AXLE CATALOG

AXLE ASSEMBLIES, SPINDLES, LANDING GEAR, COUPLERS,
LIGHTS AND ALL ACCESSORIES FOR LIGHT TO MEDIUM
WEIGHT TRAILERS OF ALL TYPES



SOUTHWEST WHEEL, CO., SAN ANTONIO
"THE WHEEL HORSE"

<p>343 Gembler Road San Antonio, Texas 78218 (512) 226-0301 1-800-222-7887 Tex (512) 226-0304</p>	<p>1917 N. Padre Island Dr. Corpus Christi, Texas 78408 (512) 289-0301 (512) 289-0301 Tex (512) 289-0301</p>	
---	--	--

Price \$5.00

Southwest Wheel

SINCE 1919

Small Trailer and Truck Parts Catalog

Call Our Hot Line
1-800-594-3600

"A Family Owned Business"

**343 Gembler Road
San Antonio, TX 78219
(210) 226-0301**

**1917 N. Padre Island
Corpus Christi, TX 78408
(512) 289-0301**

SWS72106

Southwest Companies

Southwest  Wheel Co.

Southwest  Gooseneck

Southwest  Trailers

