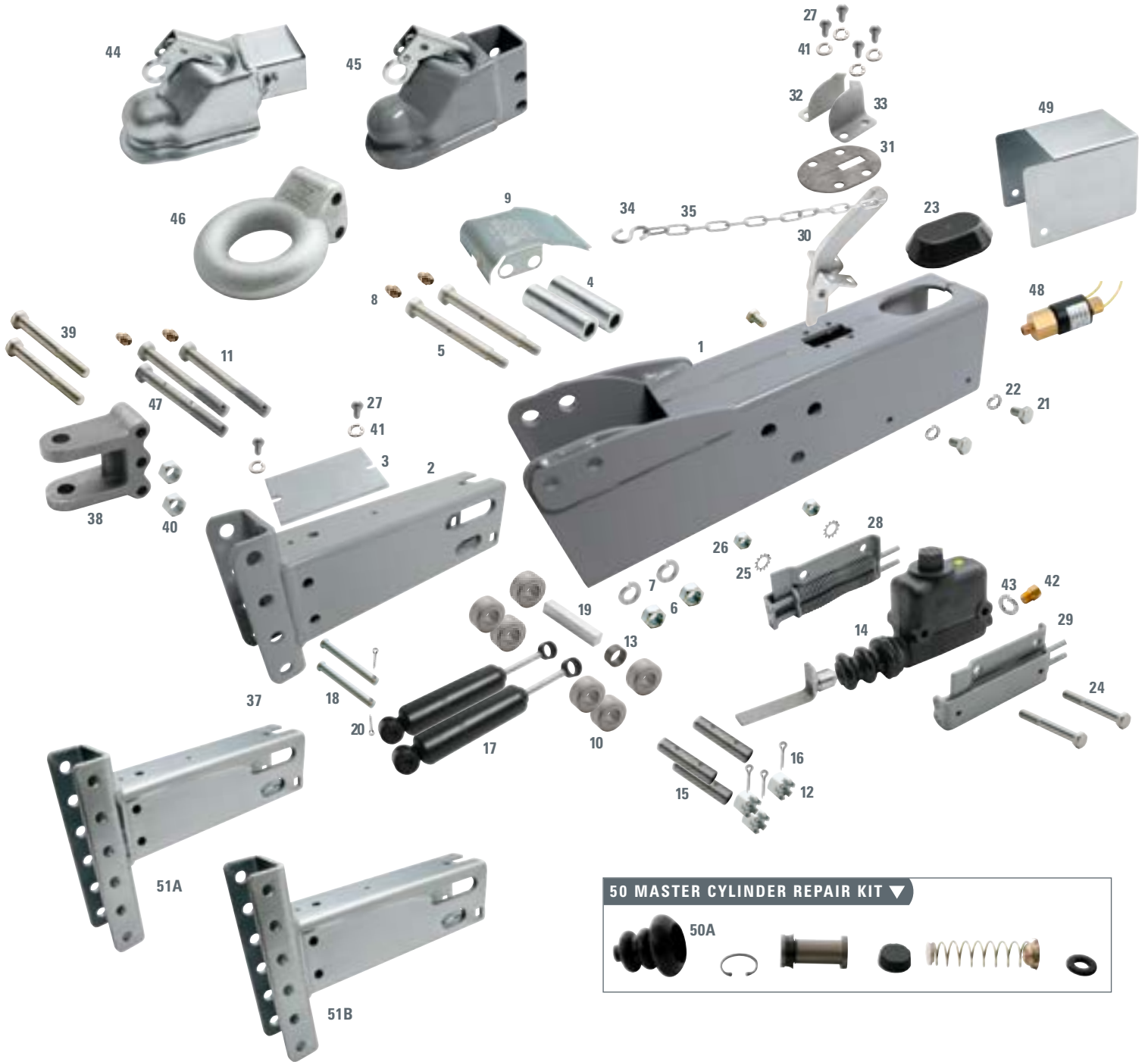


# MODEL 20

## MODEL 20 ACTUATOR DIAGRAM ▼



■ Shaded part #'s ending in "10" have solenoid covers only. Shaded part #'s ending in "20" have solenoids with covers. Unshaded part numbers do not have solenoids or covers.

# MODEL 20

## MODEL 20 ACTUATOR PRODUCT LIST

Part No. Drum	Part No. Disc	Description	Inner	Outer
1055100	4749700	No Hitch, Painted, Weld-On	1556300317	1055300317
	4749710	No Hitch, Painted, with Cover, Weld-On	1556300317	1055300317
	4749720	No Hitch, Painted, with Valve, Cover, Weld-On	1556300317	1055300317
1521000	4750500	2-5/16" Coupler, Painted, Weld-On	1278800	1055300317
	4750510	2-5/16" Coupler, Painted, with Solenoid Cover, Weld-On	1278800	1055300317
	4750520	2-5/16" Coupler, Painted, with Solenoid Cover, Weld-On	1278800	1055300317
1734700	4830200	2-5/16" Drop Coupler with Mounting Channel, Painted	4490400317	1734900
1735100	4830400	2-5/16" Drop Coupler, Painted, Weld-On	4490400317	1055300317
	4830410	2-5/16" Drop Coupler, Painted, with Cover, Weld-On	4490400317	1055300317
	4830420	2-5/16" Drop Coupler, Painted with Valve and Cover, Weld-On	4490400317	1055300317
1899100	4749800	4-Hole Leveler Channel, Painted, Weld-On	1058200317	1055300317
	4749810	4-Hole Leveler Channel, Painted with Cover, Weld-On	1058200317	1055300317
	4749820	4-Hole Leveler Channel, Painted with Cover and Valve, Weld-On	1058200317	1055300317
4831700	4821200	4-Hole Leveler Channel with Mounting Channel, Plated	1058200183	4488300
4836600	4822800	4-Hole Leveler Channel with Mounting Channel 18820 and Bolts, Plated	1058200183	4488300
	4822820	4-Hole Leveler Channel and Mounting Channel, 2-5/16" Coupler, Valve and Cover, Plated	1058200183	4488300
1811700	4749900	4-Hole Leveler Channel and 2-5/16" Coupler, Painted	1058200317	1055300317
	4749910	4-Hole Leveler Channel and 2-5/16" Coupler with Cover, Painted	1058200317	1055300317
	4749920	4-Hole Leveler Channel with 2-5/16" Coupler, Valve and Cover, Painted	1058200317	1055300317
1889800	4750000	4-Hole Leveler Channel with 2-5/16" Coupler and Mounting Bolts, Painted	1058200317	1055300317
	4750510	Leveler Channel with 2-5/16" Coupler and Cover, Painted	1058200317	1055300317
	4750520	Leveler Channel with 2-5/16" Coupler, Valve and Cover, Painted	1058200317	1055300317
4042700	4750700	2-5/16" Drop Coupler with Mounting Channel, Plated	4490400183	4488300
	4750710	2-5/16" Drop Coupler with Mounting Channel and Cover, Plated	4490400183	4488300
4042720	4750720	2-5/16" Drop Coupler with Mounting Channel, Cover, Valve, Plated	4490400183	4488300
4854000	4854100	4" Mounting Channel and 2-5/16" Drop Coupler, Plated	4490400183	4853900
4854010	4854110	4" Mounting Channel, 2-5/16" Drop Coupler, and Cover, Plated	4490400183	4853900
4854020	4854120	4" Mounting Channel, 2-5/16" Drop Coupler, Valve and Cover, Plated	4490400183	4853900
4053400	4847300	2-5/16" Straight Coupler, Mounting Channel, Plated	4488400	4488300
	4847320	2-5/16" Straight, Mounting Channel, with Valve and Cover, Plated	4488400	4488300
1297400		3" Lunette Eye, Weld-On, Painted	1297600	1055300317
4831800		Lunette Eye with Mounting Channel, Painted	1297600	1734900
4837700	4841600	Lunette Eye with Mounting Channel, Plated	1297600183	4488300
1777800	4750100	4-Hole Leveler Channel with Lunette Eye and Mounting Bolts, Painted	1058200317	1055300317
	4750110	4-Hole Leveler Channel with Lunette Eye and Mounting Bolts, Cover Painted	1058200317	1055300317
	4720120	4-Hole Leveler Channel with Lunette Eye, Valve and Cover, Painted	1058200317	1055300317
	4848500	6-Hole Offset with Lunette Eye and Mounting Bolts, Painted	4848400317	1055300317
	4853220	6-Hole Offset with Lunette Eye, Mounting Bolts, Valve and Cover, Painted	4848400317	1055300317
4848600		6-Hole Offset, Welded, with Lunette Eye, Mounting Bolts, Painted	4848400317	1055300317
4856900		6-Hole Offset Leveler Channel, with Valve and Cover, Painted	4848400317	1055300317
4856920		6-Hole Offset Leveler Channel, with Valve and Cover, Painted	4848400317	1055300317
4856700		6-Hole Offset Leveler Channel with Mounting Channel Outer, Painted	4848400317	1734900
4856720	4856520	6-Hole Offset Leveler Channel with Mounting Channel, Painted	4848400317	1734900
4852700		6-Hole Offset Leveler Channel, Mounting Channel, Plated, with Lunette and Bolts	4848400183	4488300
4856600		6-Hole Offset Leveler Channel with Mounting Channel, Plated	4848400183	4488300
4856620	4856420	6-Hole Offset Leveler Channel, with Mounting Channel, Plated, Valve and Cover	4848400183	4488300
4850800		6-Hole Offset, Flat Plate Welded, Painted	4848400317	4850700317
	4856820	6-Hole Offset, Painted, Valve and Cover	4848400317	1055300317
	4869800	6-Hole Offset, Plated, Mounting Channel, Lunette Eye	4848400183	4488300
	4869810	6-Hole Offset, Plated, Mounting Channel, Lunette Eye, Valve	4848400183	4488300
	4869820	6-Hole Offset, Plated, Mounting Channel, Lunette Eye, Valve and Cover	4848400183	4488300
4867700	4863500	6-Hole Centered Leveler Channel, Mounting Channel, Painted	4863400317	1734900
4867710	4863510	6-Hole Centered Leveler Channel, Mounting Channel, Cover, Painted	4863400317	1734900
4867720	4863520	6-Hole Centered Leveler Channel, Mounting Channel, Painted, Valve and Cover	4863400317	1734900
4867600	4864100	6-Hole Centered Leveler Channel, Plated, Mounting Channel	4863400183	4488300
4867610	4864110	6-Hole Centered Leveler Channel, Plated, Mounting Channel, Valve	4863400183	4488300
4867620	4864120	6-Hole Centered Channel, Plated, Valve and Cover	4863400183	4488300
	4869800	6-Hole Centered Leveler Channel with Lunette Eye	4863400183	4488300
	4869810	6-Hole Centered Leveler Channel with Lunette Eye, Cover	4863400183	4488300
4866600	4868920	6-Hole Centered Leveler Channel, 3" Eye, Valve and Cover, Painted	4863400317	1055300317

# MODEL 20

## MODEL 20 ACTUATOR PARTS LIST

Ref No.	Part No.	Description	Quantity
1	1055300317	Outer Case, Painted, Weld-On	1
*	1734900	Outer Case with Mounting Channel, Painted	1
*	4488300	Outer Case with Mounting Channel, Plated	1
2	1556300317	Inner Slide - No Coupler, Painted	1
*	4490400317	Inner Slide with 2-5/16" Drop Coupler, Painted	1
*	4490400183	Inner Slide with 2-5/16" Drop Coupler, Plated	1
3	0828400	Centering Rail	1
4	1601900	Front Roller, Plated	2
5	0828800	Front Roller Bolt, Plated	2
6	0798500	Hex Nut, 1/2" NC	2
7	0793700	Lockwasher, 1/2" Standard	2
8	0144901	Grease Zerk	4
9A	0828900317	Front Roller Cover, Painted	1
9B	0828900183	Front Roller Cover, Plated	1
10	0829100	Rear Roller	6
11	0829400	Upper Rear Roller Bolt, 5" x 5/8" NF, Grade 5	2
12	0797100	Slotted Hex Nut, 5/8" NF	3
13	0332800	Spacer	1
	4830601	Filler Cap, Replacement for 2374400 Master Cylinder	1
14A	2374400	Master Cylinder, Drum Brake, 1-1/4" Bore	1
	4831600	Master Cylinder, Drum Brake, with 1209800 Orifice Connector	
14B	4747100	Master Cylinder, Disc Brake, 1-1/4" Bore	1
15	0829700	Spacer Sleeve	3
16	0799400	Cotter Pin 1/8" x 1-1/4"	3
17	0778400	Damper	2
18	0829800	Damper Pin	2
19	0830100	Push Rod Block	1
20	0799700	Cotter Pin 1/8" x 1"	2
21	0794800	Bolt, 5/16" x 1/2" NC, Grade 5	4
22	1248900	Star Lockwasher 5/16"	4
23	1507000	Master Cylinder Cover	1
24	0827100	Bolt, 3" x 3/8" NC, Grade 5	2
25	1255200	Star Lockwasher 3/8"	2
26	0797600	Hex Nut, 3/8" NC	2
27	0794900	Bolt, 5/16" x 5/8" NC, Grade 5	6
28	0838800	Right Hand Cylinder Spring Bracket	1
29	0838900	Left Hand Cylinder Spring Bracket	1
30	1054100	Breakaway Lever Assembly	1
31	1055200	Weather Seal	1
32	1052700	Right Hand Breakaway Lock	1
33	1052600	Left Hand Breakaway Lock	1
34	1055500	S-Hook	2
35	0776800	Safety Chain	1
36*	1297600	Inner Slide, 3" Lunette Eye	1
37A	1058200317	Inner Slide, 4-Hole Leveler Channel, Painted	1
37B	1058200183	Inner Slide, 4-Hole Leveler Channel, Plated	1
38	1807800	3 Bolt Clevis Hitch	1
39	0909300	Bolt, 4-1/4" x 5/8" NC, Grade 5	1
40	1040500	Locknut, 5/8" NC	1
41	0793800	Lockwasher, 5/16" Standard	6
42	1209800	Orifice Connector, Drum Brake, 1/8" NPT	1
*	1209900	Orifice, Drum Brake, Earlier 1/2" NF Thread Master Cylinder	1
*	0774500	Copper Gasket Used with 1209900 Orifice	1
44A	1278800	Inner Slide, 2-5/16" Coupler, Painted	1
44B	4488400	Inner Slide, 2-5/16" Coupler, Plated	1
45A	1882000	Adjustable 2-5/16" Coupler, Painted	1
45B	4721500	Adjustable 2-5/16" Coupler, Plated	1
46A	1613700	Lunette Eye, 3" Adjustable, Uncoated	1
46B	1613700183	Lunette Eye, 3" Adjustable, Plated	1
47	0829500	Lower Rear Roller Bolt, 5/8" x 5" NF, Grade 5	1
48	4748800	Solenoid Valve for Disc Brakes, with Male 1/8" NPT and Female 3/8" x 24 NF with Inverted Seat for Flared Fittings	1
*	4750200	Adapter, 1/2" NF to 1/8" NPT for Solenoid Valve On Early Master Cylinder	1
49A	4836100183	Cover for Solenoid Valve, Plated	1
49B	4836100	Cover for Solenoid Valve, Painted	1
50	1018700	2374400 Master Cylinder Repair Kit	1
50A	4359100	Master Cylinder Boot	1
51A	4848400183	Inner Slide, 6-Hole Leveler Channel, Offset	1
51B	4863400183	Inner Slide, 6-Hole Leveler Channel, Centered	1
*	1848700	2-5/16" Coupler Repair Kit	1
*	2374600	Drum Brake Master Cylinder Assembly with Brackets	1
*	4749501042	Disc Brake Master Cylinder Assembly with Brackets	1

Note: \* = not shown in diagram

■ Shaded part #'s ending in "10" have solenoid covers only. Shaded part #'s ending in "20" have solenoids with covers. Unshaded part numbers do not have solenoids or covers.