



ej

Hinged Hatch Product Line





8210 Heavy Duty Hinged Hatch Access Assembly

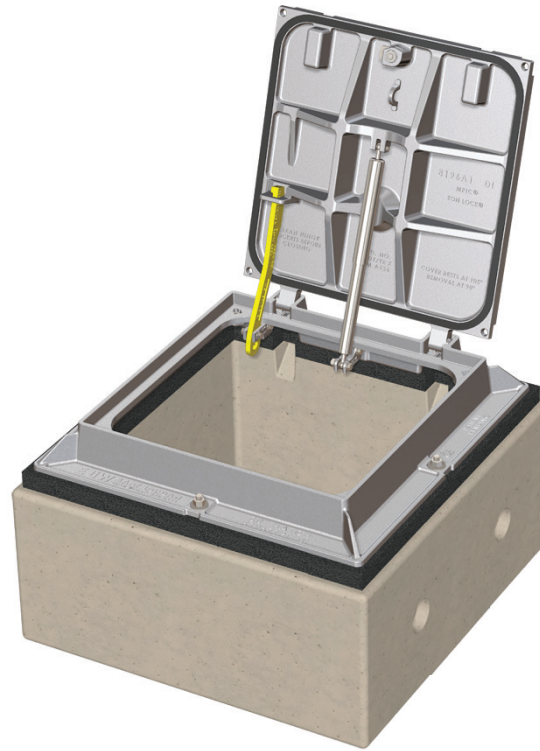
The 8210 heavy duty hinged hatch access assembly series is designed to be installed in high traffic areas. The pre-assembled unit saves time and money on the job site; just "drop and pour." The lightweight cover opens to 105 degrees and removes at 90 degrees, and features a self-engaging safety bar. The optional mechanical strut reduces the lifting force of the cover to less than 50 pounds.

Standard Features

- Ductile iron frame and cover
- MPIC® multi-tool pick bar
- EON LOCK®
- Cover opens to 105°, safety catch and removal of cover at 90°
- Bolting

Options

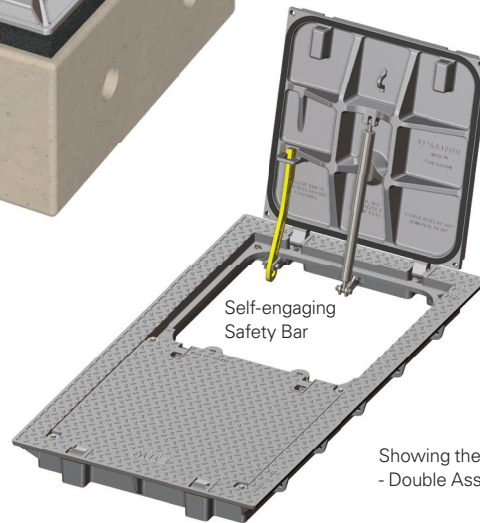
- Special lettered covers
- Mechanical strut lift assist
- Top or bottom flange frame
- Security bolting
- Safety grate
- Water resistant



Bottom flange frame design with INFRA-RISER® rubber adjustment riser.



Optional lift assist is a corrosion-resistant stainless steel mechanical spring strut. Reduces the lifting force of the cover to less than 50 pounds.



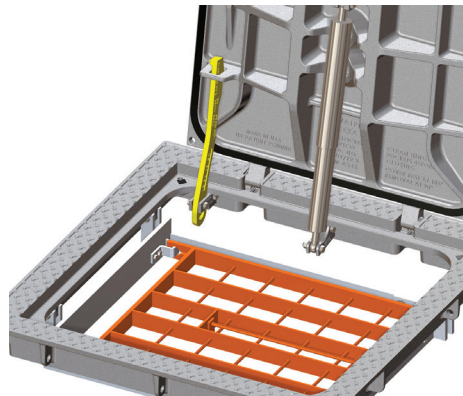
Self-engaging Safety Bar

Showing the top flange 8216 - Double Assembly 30 x 62.

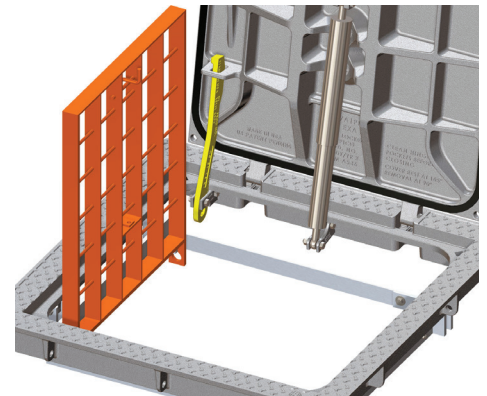
Heavy Duty Sizes

| Clear Opening | Catalog No. |
|---------------|---------------|
| 24 x 24 | 8215 |
| 24 x 36 | 8212 |
| 30 x 30 | 8216 |
| 30 x 62 | 8216 - Double |
| 36 x 36 | 8217 |
| 36 x 74 | 8217 - Double |
| 48 x 48 | 8218 |
| 48 x 48 | 8218 - Double |

Note: All dimensions are in inches.



Optional aluminum safety grate in the closed position.



Optional aluminum safety grate in the open position.



8190 EXA Hinged Hatch Access Assembly

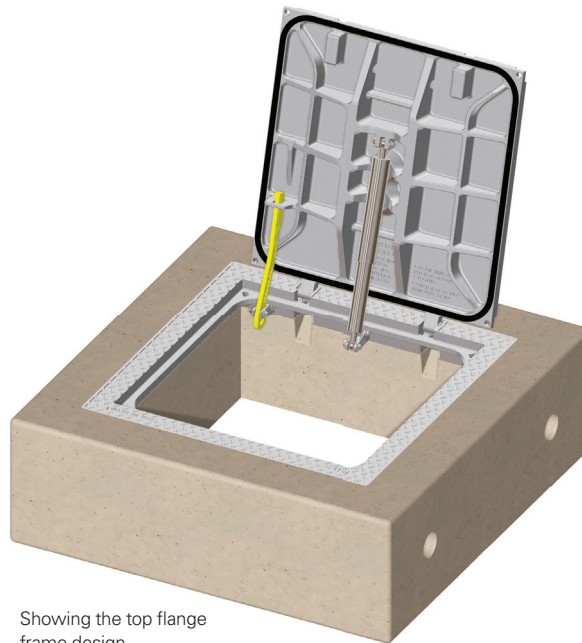
The 8190 extra heavy duty hinged hatch access assembly is typically installed in high traffic areas, airports, and ports. Our airport rated hinged hatch provides a secure and easy access point to underground utility structures. The standard mechanical strut reduces the lifting force of the cover to less than 50 pounds.

Standard Features

- Ductile iron frame and cover
- Lift assist
- MPIC® multi-tool pick bar
- EON LOCK®
- Cover opens to 105°, safety catch and removal of cover at 90°
- Bolting

Options

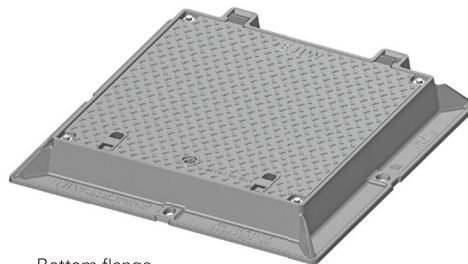
- Ductile iron grate (8197M - instead of cover)
- Special lettered covers
- Top or bottom flange frame
- Security bolting
- Safety grate
- Water resistant



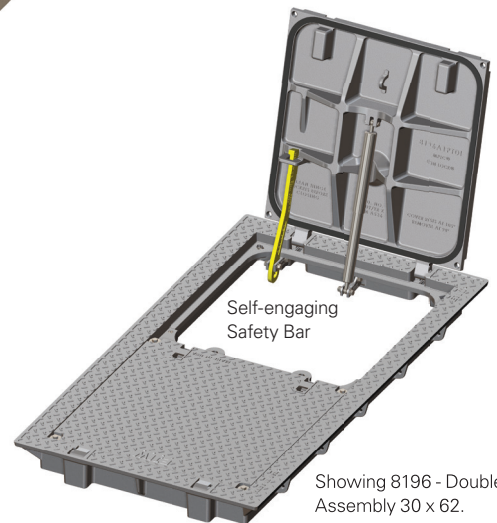
Showing the top flange frame design.



Optional lift assist is a corrosion-resistant stainless steel mechanical spring strut. Reduces the lifting force of the cover to less than 50 pounds.



Bottom flange

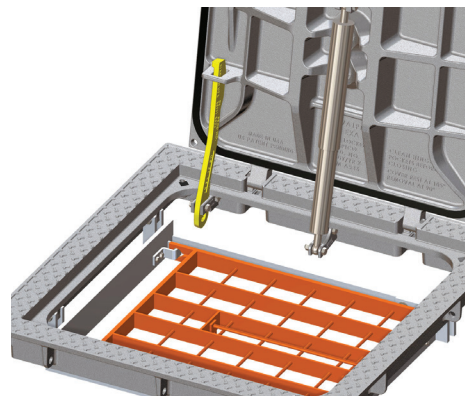


Showing 8196 - Double Assembly 30 x 62.

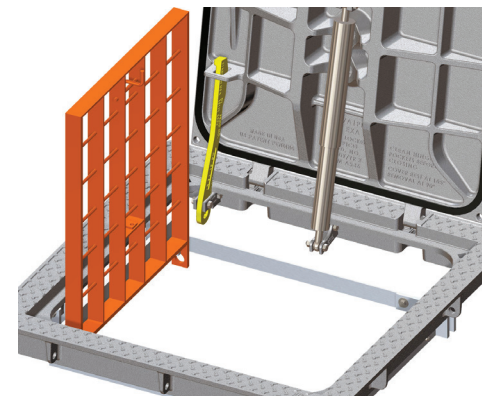
Heavy Duty Sizes

| Clear Opening | Catalog No. |
|---------------|---------------|
| 24 x 24 | 8195 |
| 24 x 36 | 8192 |
| 30 x 30 | 8196 |
| 30 x 62 | 8196 - Double |
| 36 x 36 | 8197 |
| 36 x 74 | 8197 - Double |
| 48 x 48 | 8198 |

Note: All dimensions are in inches.



Optional aluminum safety grate in the closed position.



Optional aluminum safety grate in the open position.



Mechanical Strut

The 8190 and 8210 hinged hatch series features an optional lift assist. The lift assist is a mechanical spring strut, which reduces the effort required to open the cover. For example, a 550 pound cover can be lifted using less than 50 pounds of force at the handle. Unlike a traditional spring assist, the strut takes up less space in the clear opening. The rugged design is clean, maintenance free and is fully contained, avoiding exposure of the high stress spring.

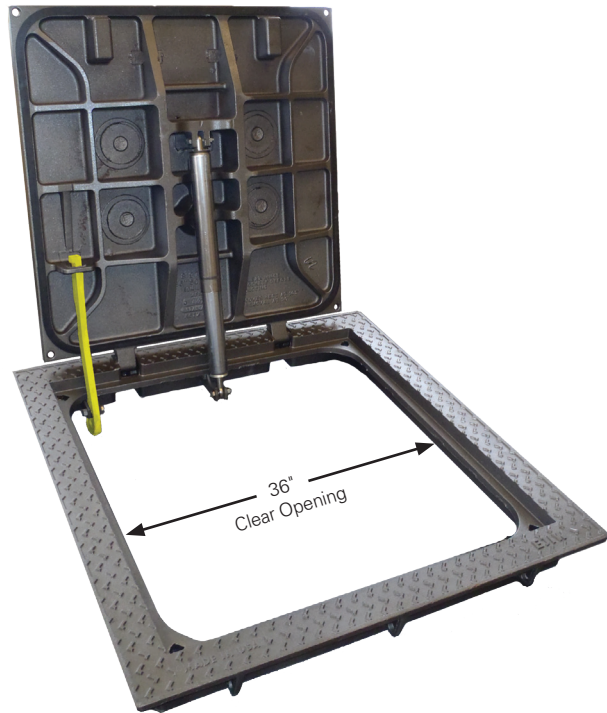
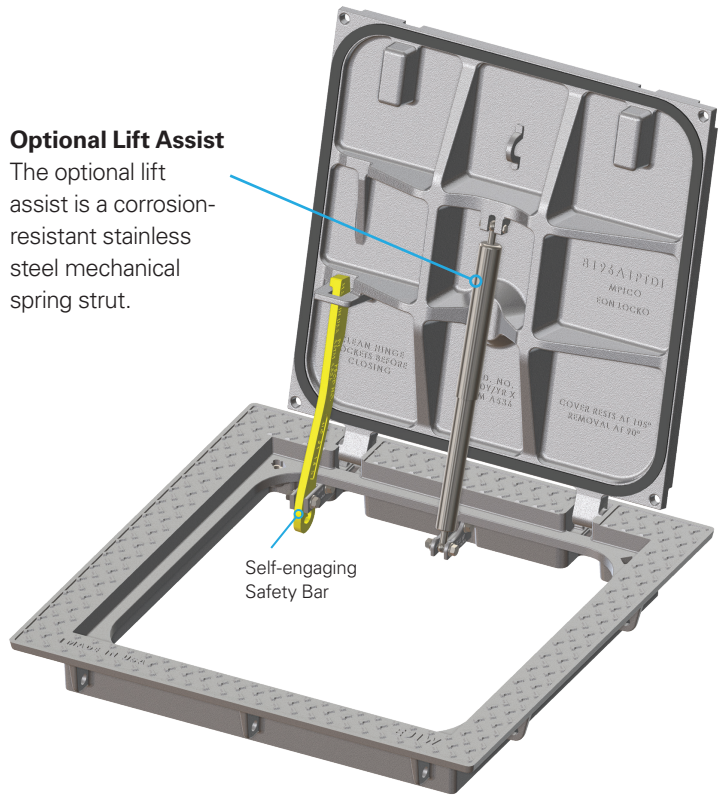
The mechanical struts are made of corrosion-resistant stainless steel, and have no internal gases or seals. The struts have an effective operating temperature range of -30° F to 400° F and their durability has been tested at over 150,000 cycles.

[Contact your Sales Representative for complete test results.](#)



Optional Lift Assist

The optional lift assist is a corrosion-resistant stainless steel mechanical spring strut.



Rugged Construction

- Permanently enclosed body for clean, maintenance free operation – no exposed springs
- Durable end bearings
- Hard chrome over stainless tube to prevent galling

Ergonomics

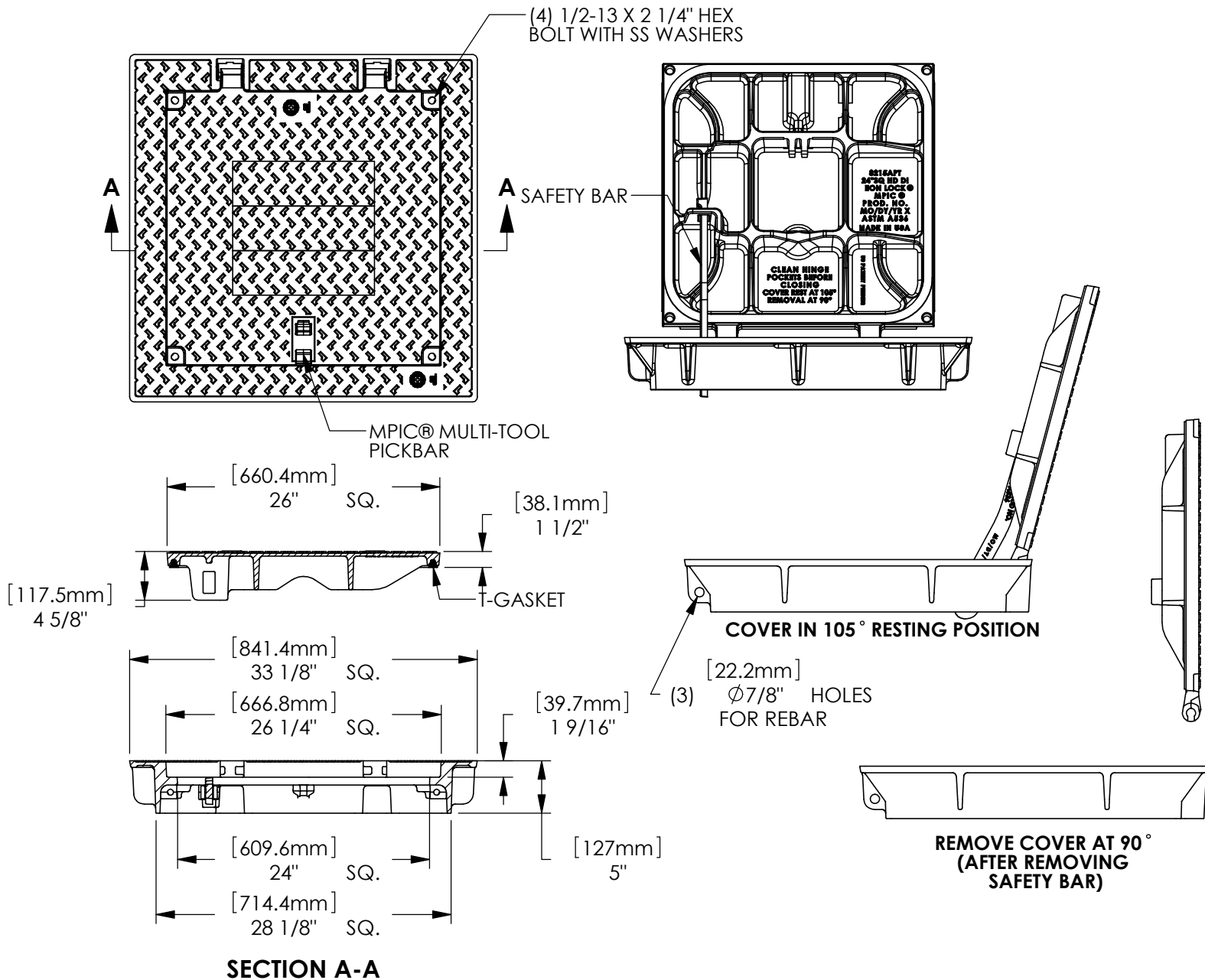
Lifting force to open the unit is less than 50 pounds using a typical industry removal tool (hook, pry bar, pick-axe). This is in accordance with National Institute for Occupational Safety and Health Administration (NIOSH) standard for reduced physical stress due to lifting.

Available on the following units

| Clear Opening | Heavy Duty | Extra Heavy Duty |
|---------------|---------------|------------------|
| 24 x 24 | 8215 | 8195 |
| 30 x 30 | 8216 | 8196 |
| 30 x 63 | 8216 - Double | 8196 - Double |
| 36 x 36 | 8217 | 8197 |
| 36 x 74 | 8217 - Double | 8197 - Double |
| 48 x 48 | 8218 | 8198 |
| 48 x 48 | 8218 - Double | |

Note: All dimensions are in inches.

8195ZPT 8215APT Assembly



Product Number

00821541B01

Design Features

- Materials
 - Frame Ductile Iron (70-50-05)
 - Cover Ductile Iron (70-50-05)

- Design Load Heavy Duty
- Open Area n/a
- Coating Undipped
- √ Designates Machined Surface
- Slip Resistant Surface with the LLLL® registered trademark

Certification

- ASTM A536
-
- Country of Origin: USA

Major Components

- 00819515
- 00821541

Drawing Revision

- 10/25/2010 Designer: DEF
- 7/26/2012 Revised By: DEF

Disclaimer

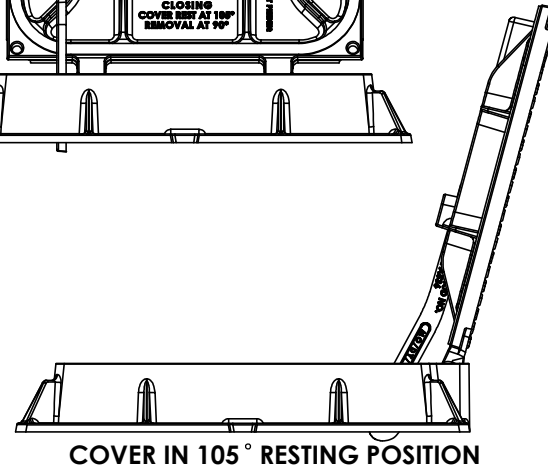
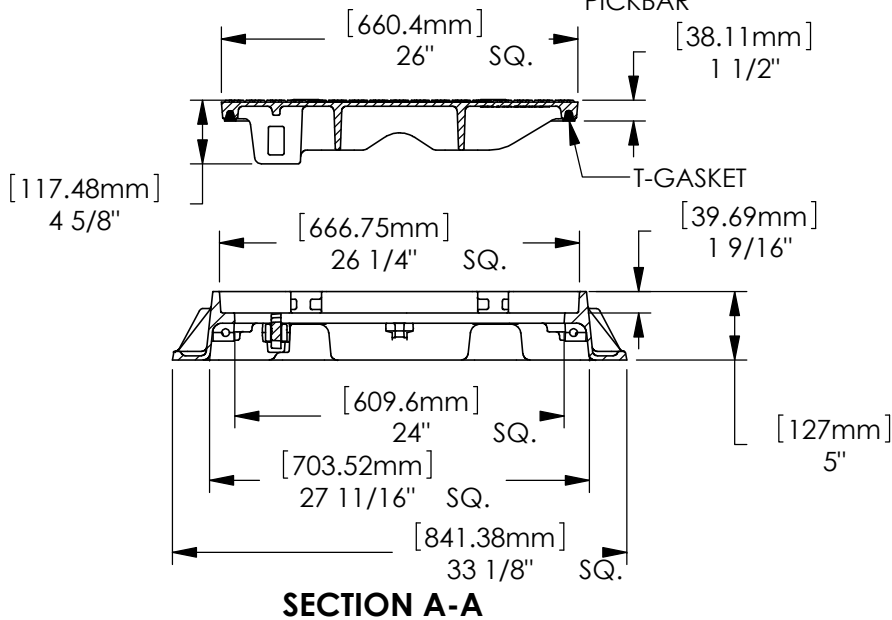
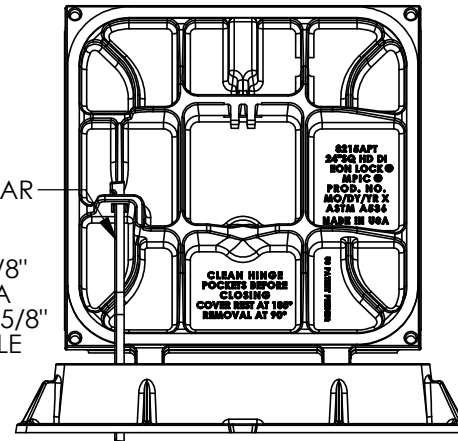
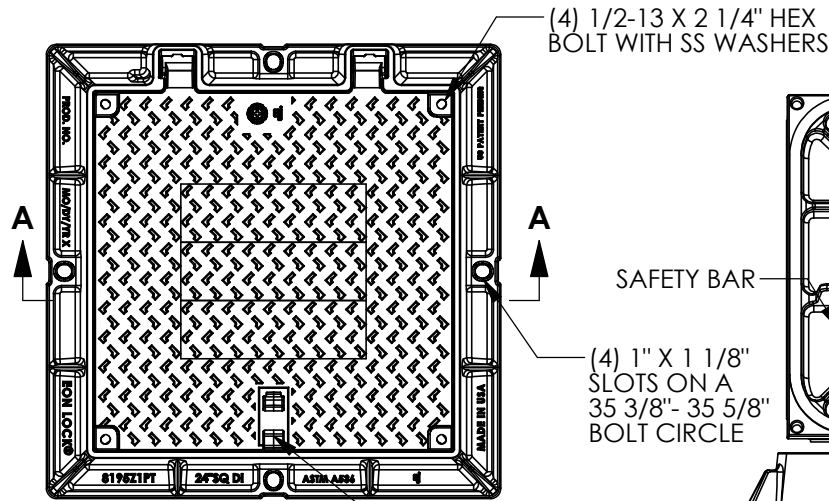
Weights (lbs/kg), dimensions (inches/mm) and drawings provided for your guidance. We reserve the right to modify specifications without prior notice.

CONFIDENTIAL: This drawing is the property of EJ Group, Inc. and embodies confidential information, registered marks, patents, trade secret information, and/or know-how that is the property of EJ Group, Inc. Copyright © 2011 EJ Group, Inc. All rights reserved.

Contact

800.626.4653
ejco.com

8195Z1PT 8215APT Assembly



Product Number

00821541B02

Design Features

- Materials
 - Frame
Ductile Iron (70-50-05)
 - Cover
Ductile Iron (70-50-05)

- Design Load
Heavy Duty
- Open Area
n/a
- Coating
Undipped
- √ Designates Machined Surface
- Slip Resistant Surface
with the LLLL® registered trademark

Certification

- ASTM A536
-
- Country of Origin: USA

Major Components

- 00819515
- 00821541

Drawing Revision

- 10/25/2010 Designer: DEF
- 7/26/2012 Revised By: DEF

Disclaimer

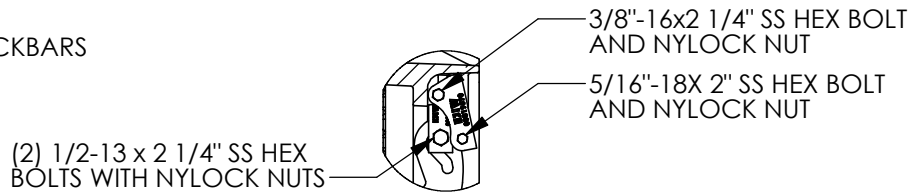
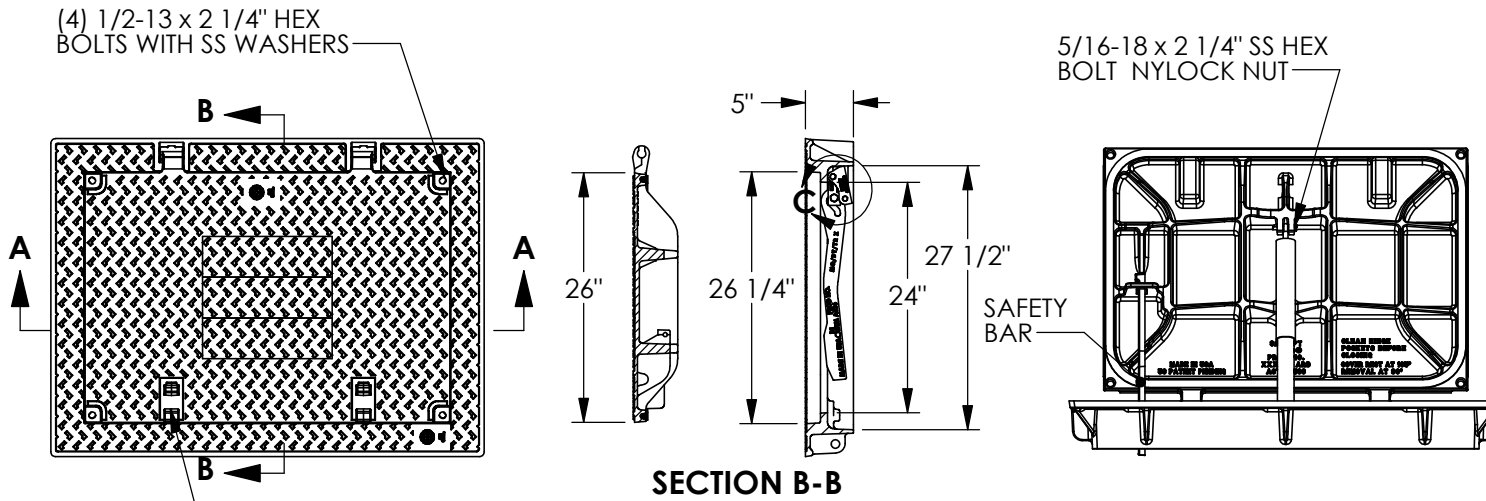
Weights (lbs/kg), dimensions (inches/mm) and drawings provided for your guidance. We reserve the right to modify specifications without prior notice.

CONFIDENTIAL: This drawing is the property of EJ Group, Inc. and embodies confidential information, registered marks, patents, trade secret information, and/or know-how that is the property of EJ Group, Inc. Copyright © 2012 EJ Group, Inc. All rights reserved.

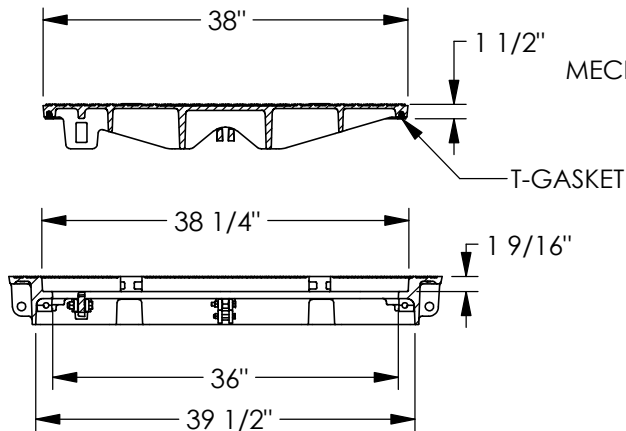
Contact

800 626 4653
ejco.com

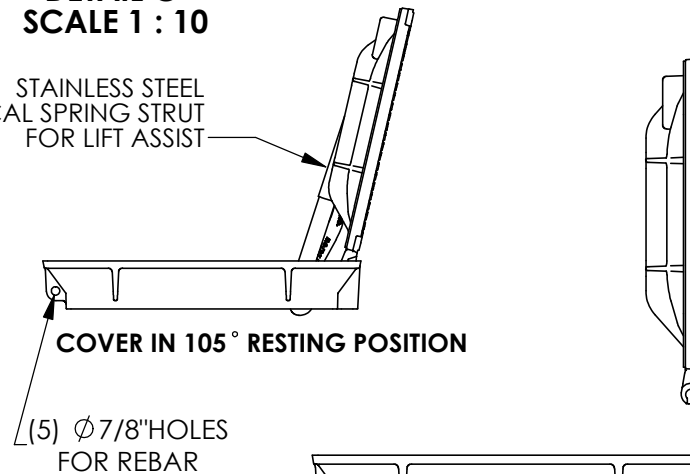
8192ZPT 8212APT Assembly



DETAIL C
SCALE 1 : 10



SECTION A-A



REMOVE COVER AT 90°
(AFTER REMOVING SAFETY BAR
AND MECHANICAL STRUT)

Product Number

00821221B01

Design Features

- Materials
 - Hatch Frame
Ductile Iron (80-55-06)
 - Hatch Cover
Ductile Iron (80-55-06)

- Design Load
Heavy Duty
- Open Area
n/a
- Coating
Undipped
- √ Designates Machined Surface
- Slip Resistant Surface
with the LLLL® registered trademark

Certification

- ASTM A536
-
- Country of Origin: USA

Major Components

00819211
00821221

Drawing Revision

11/9/2012 Designer: DEF
Revised By:

Disclaimer

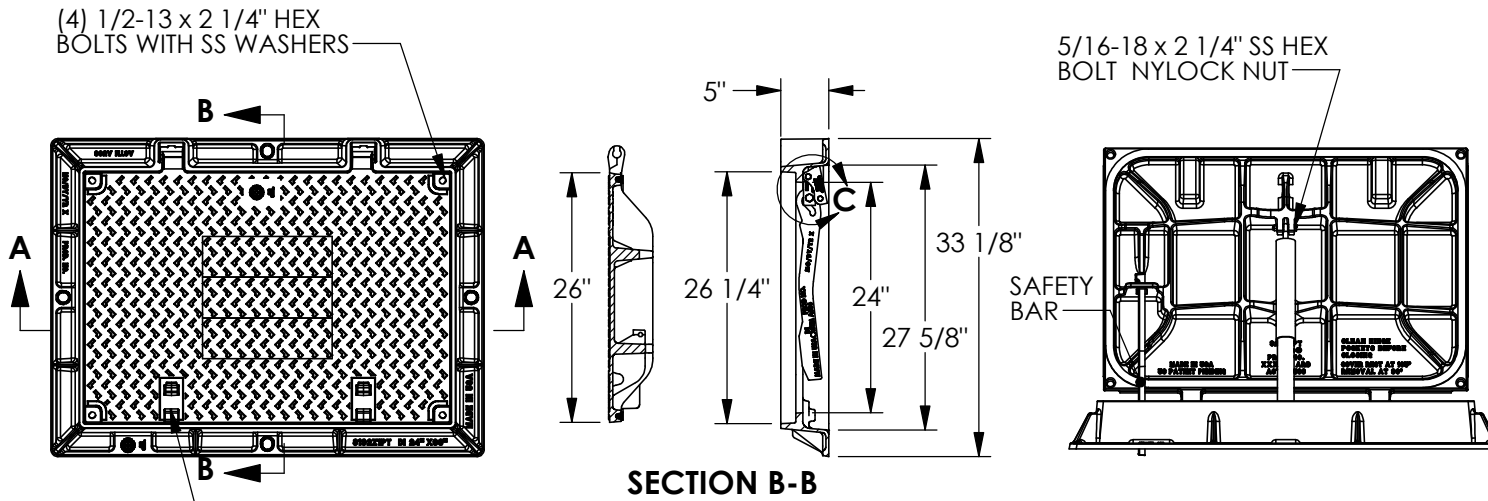
Weights (lbs/kg), dimensions (inches/mm) and drawings provided for your guidance. We reserve the right to modify specifications without prior notice.

CONFIDENTIAL: This drawing is the property of EJ Group, Inc. and embodies confidential information, registered marks, patents, trade secret information, and/or know-how that is the property of EJ Group, Inc. Copyright © 2012 EJ Group, Inc. All rights reserved.

Contact

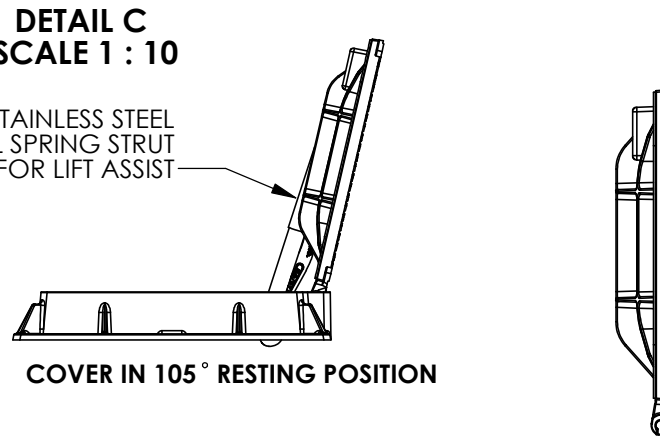
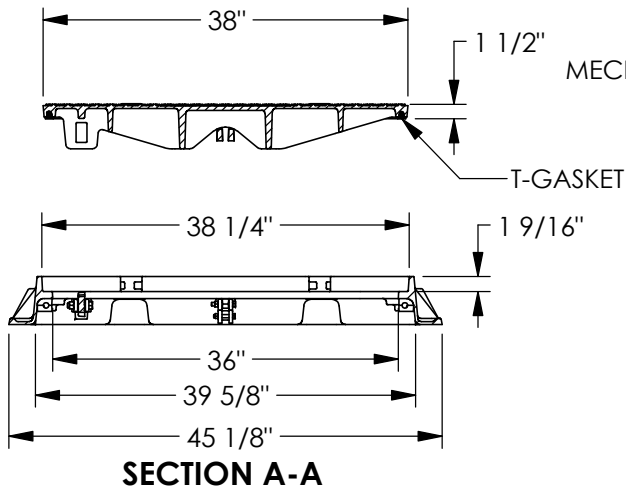
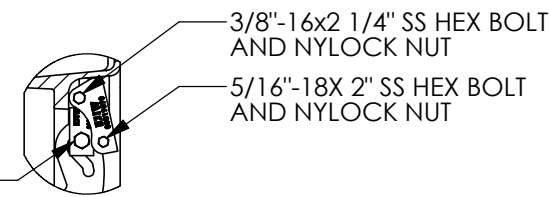
800 626 4653
ejco.com

8192Z1PT 8212APT Assembly



(2) MPIC® PICKBARS

(2) 1/2-13 x 2 1/4" SS HEX BOLTS WITH NYLOCK NUTS



Product Number

00821221B02

Design Features

- Materials
 - Hatch Frame
Ductile Iron (80-55-06)
 - Hatch Cover
Ductile Iron (80-55-06)

- Design Load
Heavy Duty
- Open Area
n/a
- Coating
Undipped
- √ Designates Machined Surface
- Slip Resistant Surface
with the LLLL® registered trademark

Certification

- ASTM A536
-
- Country of Origin: USA

Major Components

00819215
00821221

Drawing Revision

11/9/2012 Designer: DEF
Revised By:

Disclaimer

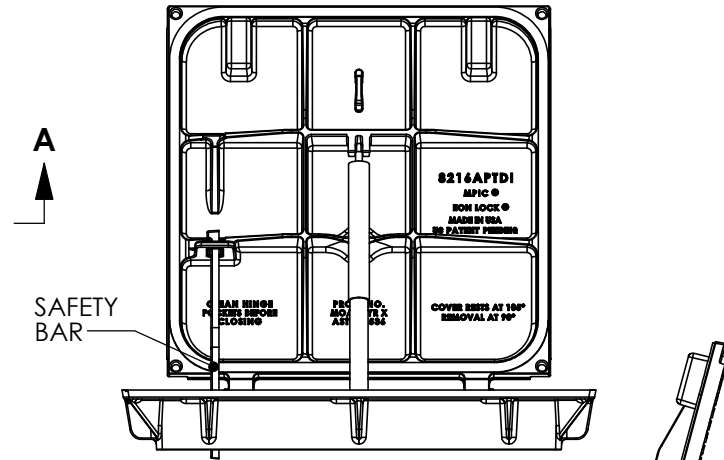
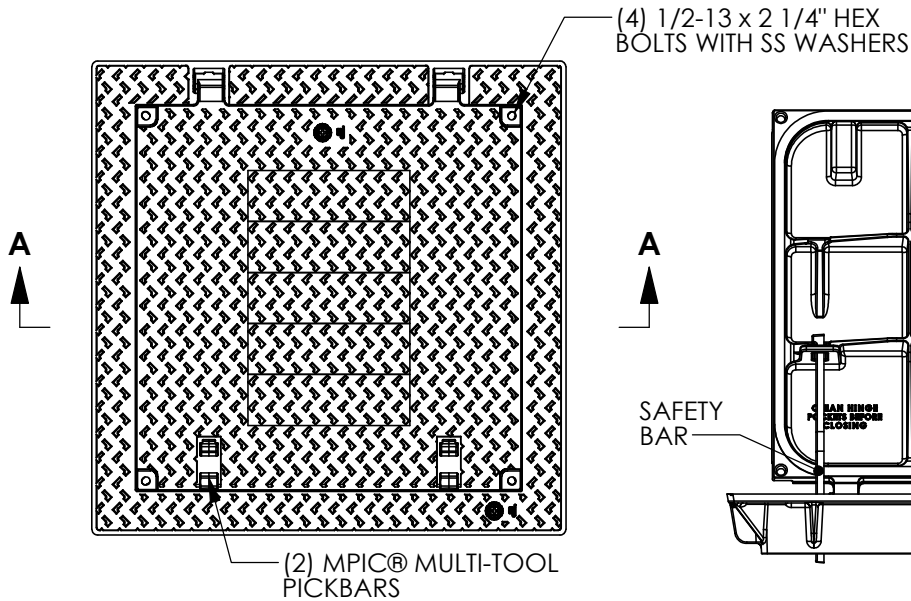
Weights (lbs/kg), dimensions (inches/mm) and drawings provided for your guidance. We reserve the right to modify specifications without prior notice.

CONFIDENTIAL: This drawing is the property of EJ Group, Inc. and embodies confidential information, registered marks, patents, trade secret information, and/or know-how that is the property of EJ Group, Inc. Copyright © 2012 EJ Group, Inc. All rights reserved.

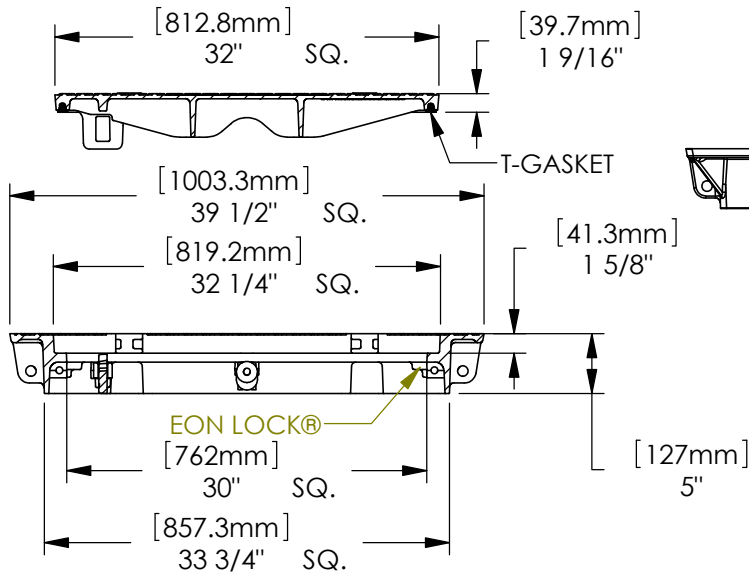
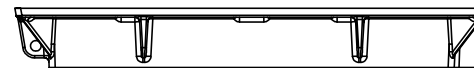
Contact

800 626 4653
ejco.com

8196ZPT 8216APT Assembly



STAINLESS STEEL MECHANICAL SPRING STRUT FOR LIFT ASSIST



SECTION A-A

Product Number

00821641B01

Design Features

- Materials
 - Hatch Frame
Ductile Iron (70-50-05)
 - Hatch Cover
Ductile Iron (80-55-06)

- Design Load
Heavy Duty
- Open Area
n/a
- Coating
Undipped
- √ Designates Machined Surface
- Slip Resistant Surface
with the LLLL® registered trademark

Certification

- ASTM A536
-
- Country of Origin: USA

Major Components

00819611
00821641

Drawing Revision

6/30/2009 Designer: JIJ
7/26/2012 Revised By: DEF

Disclaimer

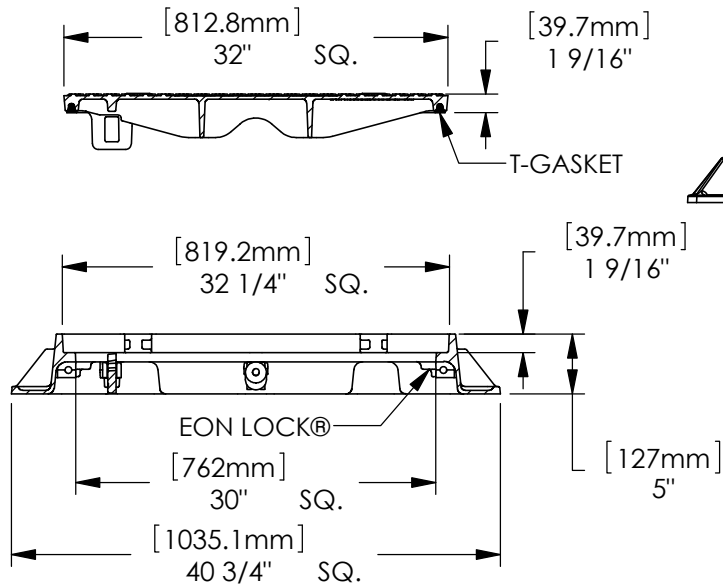
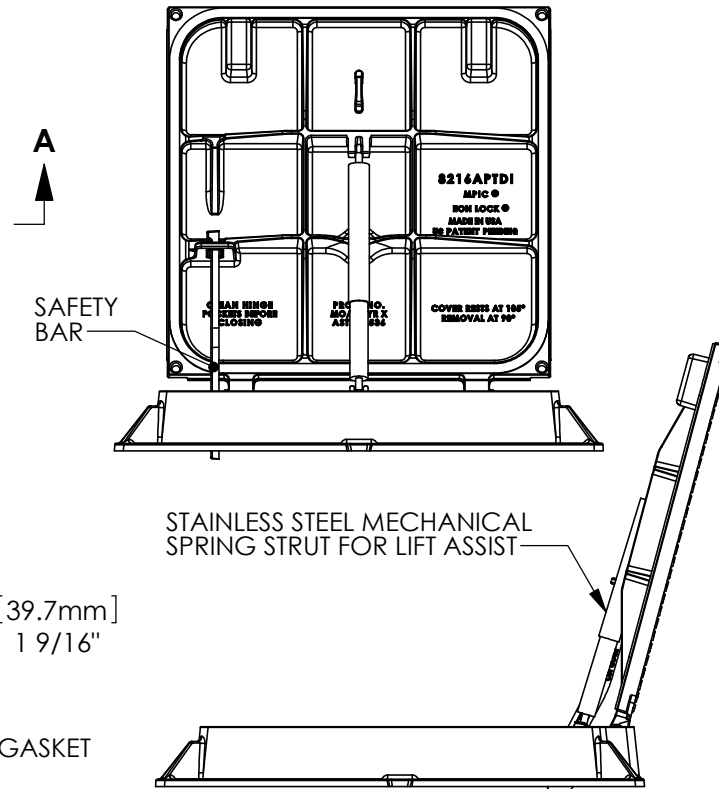
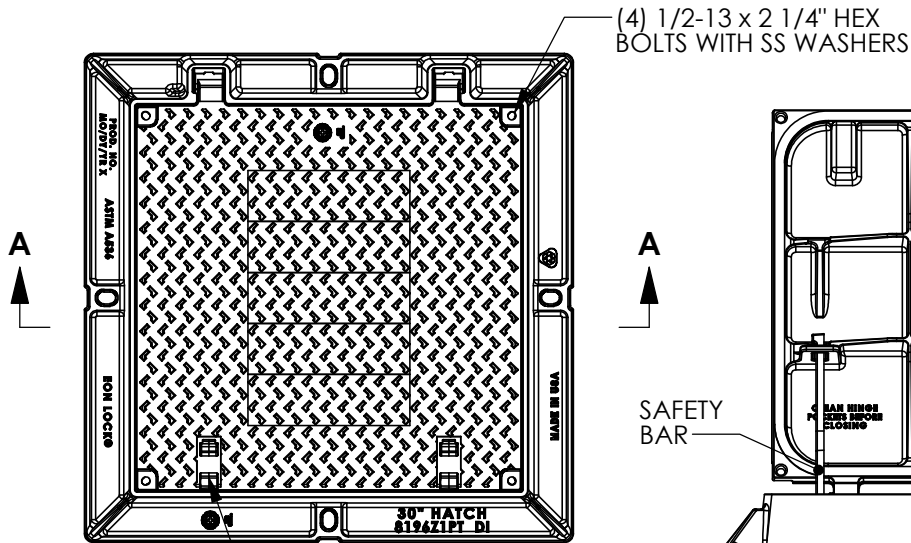
Weights (lbs/kg), dimensions (inches/mm) and drawings provided for your guidance. We reserve the right to modify specifications without prior notice.

CONFIDENTIAL: This drawing is the property of EJ Group, Inc. and embodies confidential information, registered marks, patents, trade secret information, and/or know-how that is the property of EJ Group, Inc. Copyright © 2012 EJ Group, Inc. All rights reserved.

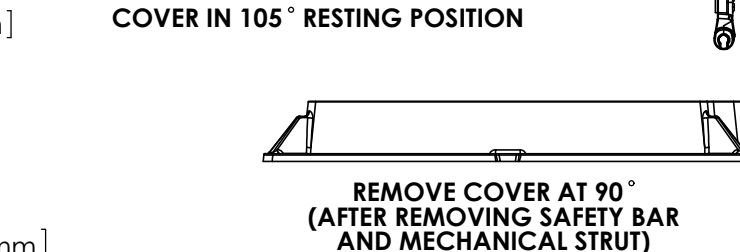
Contact

800 626 4653
ejco.com

8196Z1PT 8216APT Assembly



SECTION A-A



Product Number

00821641B02

Design Features

- Materials
 - Hatch Frame
Ductile Iron (70-50-05)
 - Hatch Cover
Ductile Iron (70-50-05)

- Design Load
Heavy Duty
- Open Area
n/a
- Coating
Undipped
- √ Designates Machined Surface
- Slip Resistant Surface
with the LLLL® registered trademark

Certification

- ASTM A536
-
- Country of Origin: USA

Major Components

00819615
00821641

Drawing Revision

6/30/2009 Designer: JIJ
7/26/2012 Revised By: DEF

Disclaimer

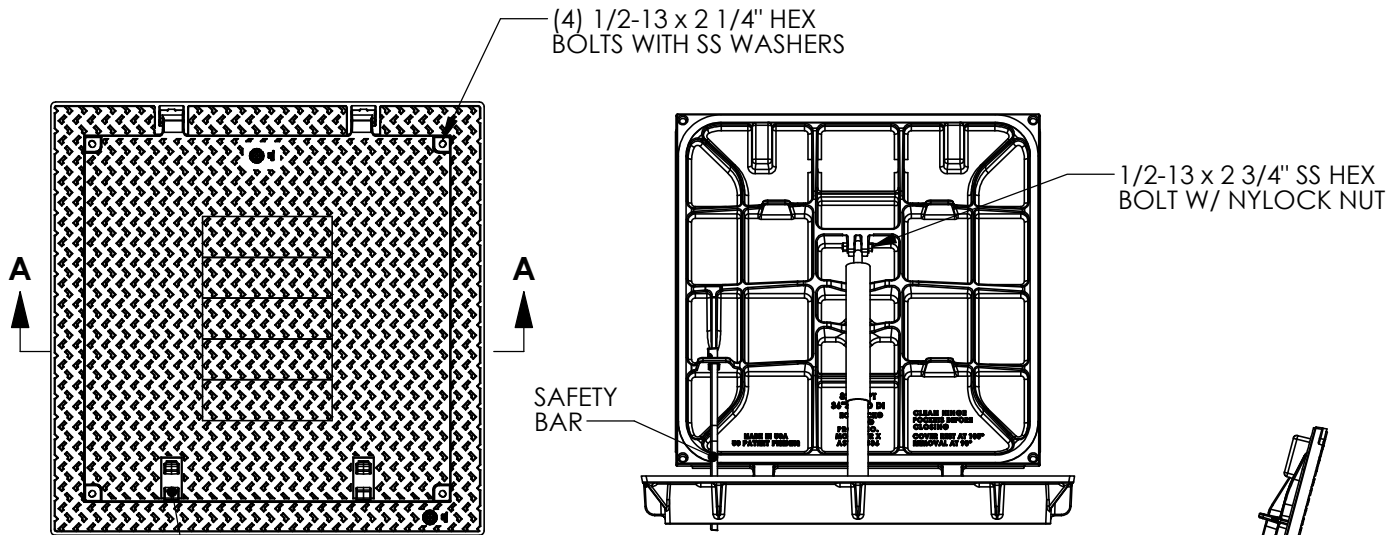
Weights (lbs/kg), dimensions (inches/mm) and drawings provided for your guidance. We reserve the right to modify specifications without prior notice.

CONFIDENTIAL: This drawing is the property of EJ Group, Inc. and embodies confidential information, registered marks, patents, trade secret information, and/or know-how that is the property of EJ Group, Inc. Copyright © 2012 EJ Group, Inc. All rights reserved.

Contact

800 626 4653
ejco.com

8197ZPT 8217APT Assembly



Product Number

00821721B01

Design Features

- Materials
 - Hatch Frame
Ductile Iron (70-50-05)
 - Hatch Cover
Ductile Iron (70-50-05)

- Design Load
Heavy Duty
- Open Area
n/a
- Coating
Undipped
- √ Designates Machined Surface
- Slip Resistant Surface
with the LLLL® registered trademark

Certification

- ASTM A536
-
- Country of Origin: USA

Major Components

00819711
00821721

Drawing Revision

6/8/2010 Designer: DEF
7/26/2012 Revised By: DEF

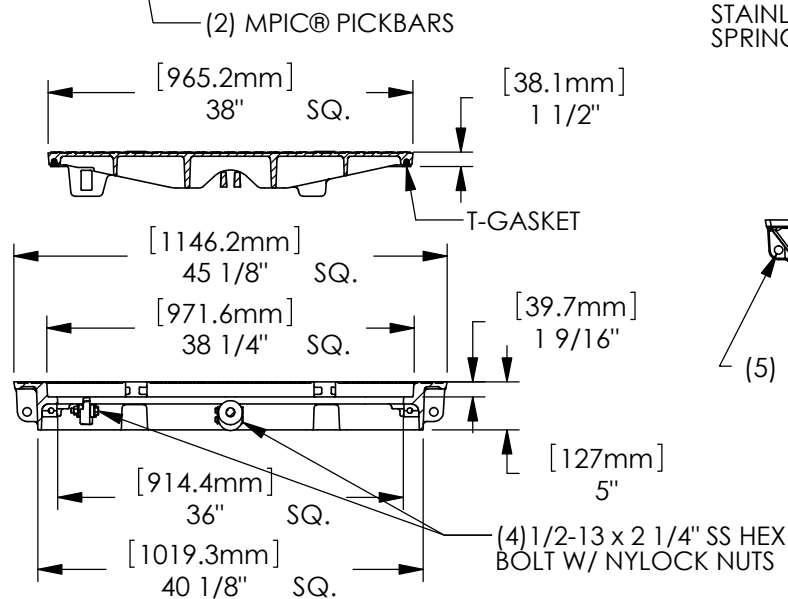
Disclaimer

Weights (lbs/kg), dimensions (inches/mm) and drawings provided for your guidance. We reserve the right to modify specifications without prior notice.

CONFIDENTIAL: This drawing is the property of EJ Group, Inc. and embodies confidential information, registered marks, patents, trade secret information, and/or know-how that is the property of EJ Group, Inc. Copyright © 2012 EJ Group, Inc. All rights reserved.

Contact

800 626 4653
ejco.com



SECTION A-A

STAINLESS STEEL MECHANICAL SPRING STRUT FOR LIFT ASSIST

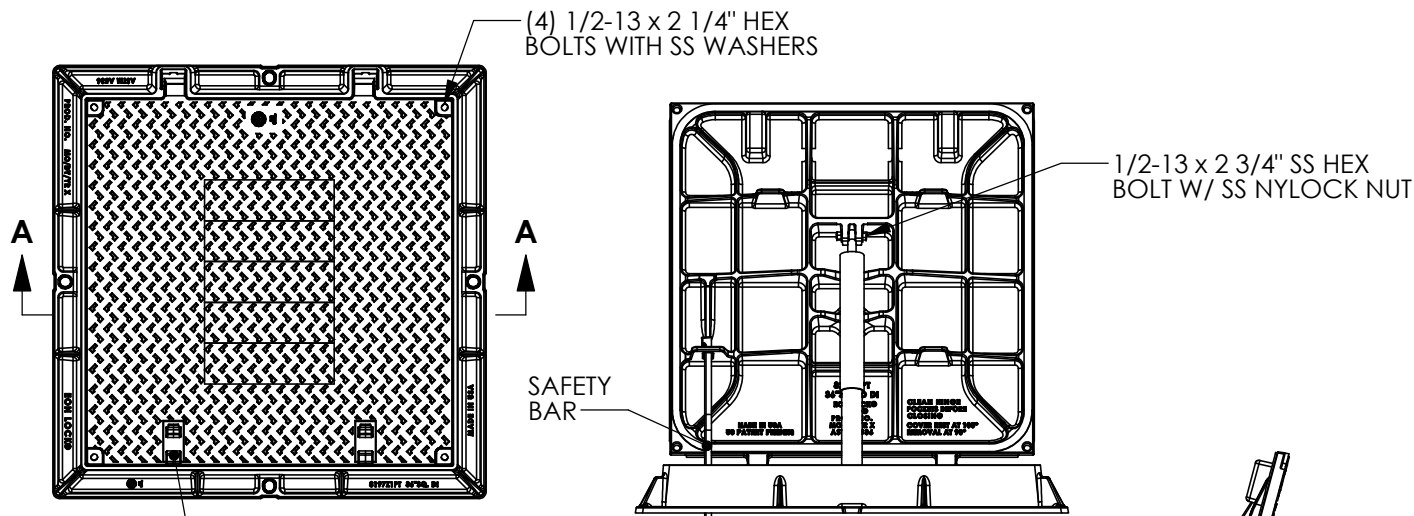
COVER IN 105° RESTING POSITION

(5) [22.2mm] ϕ 7/8" HOLES FOR REBAR



REMOVE COVER AT 90°
(AFTER REMOVING SAFETY BAR
AND MECHANICAL STRUT)

8197Z1PT 8217APT Assembly

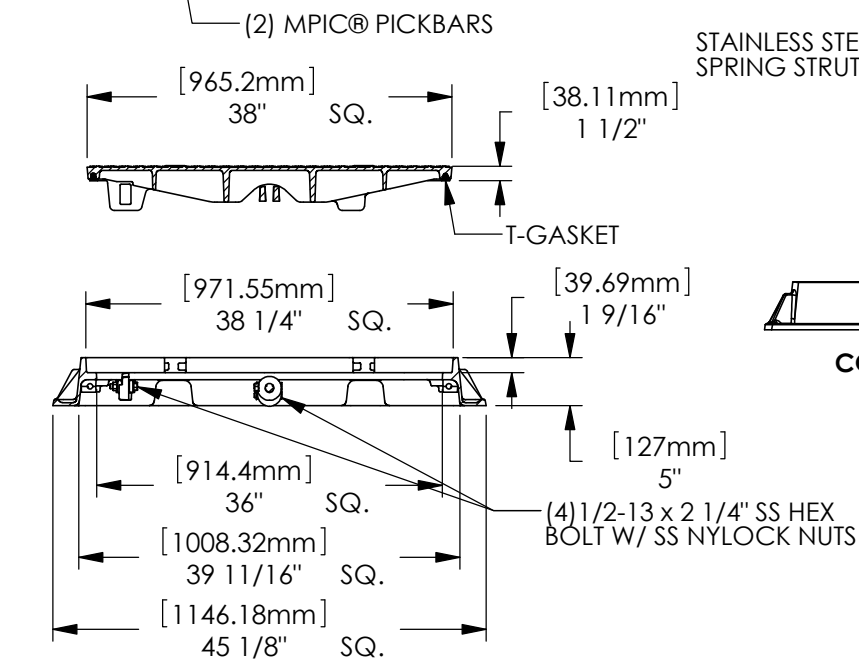


Product Number

00821721B02

Design Features

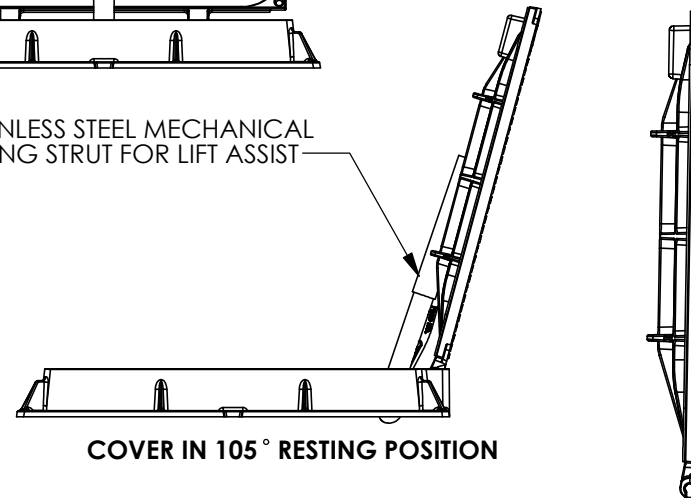
- Materials
 - Hatch Frame
Ductile Iron (70-50-05)
 - Meter Box Cover
Ductile Iron (70-50-05)



SECTION A-A

SAFETY BAR

1/2-13 x 2 3/4\"/>



COVER IN 105° RESTING POSITION



**REMOVE COVER AT 90°
(AFTER REMOVING SAFETY BAR
AND MECHANICAL STRUT)**

- Design Load
Heavy Duty
- Open Area
n/a
- Coating
Undipped
- √ Designates Machined Surface
- Slip Resistant Surface
with the LLLL® registered trademark

Certification

- ASTM A536
-
- Country of Origin: USA

Major Components

00819715
00821721

Drawing Revision

6/8/2010 Designer: DEF
7/26/2012 Revised By: DEF

Disclaimer

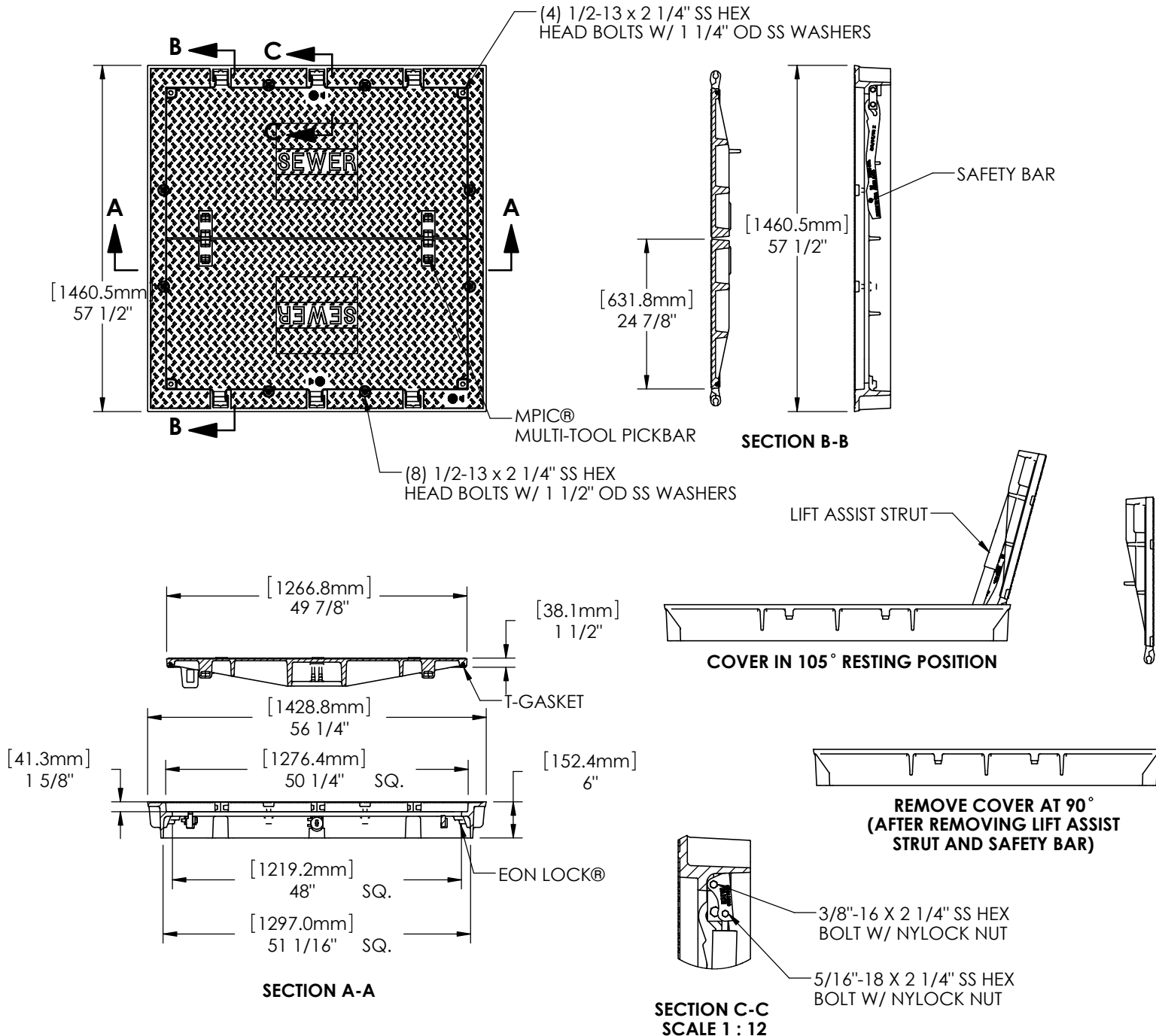
Weights (lbs/kg), dimensions (inches/mm) and drawings provided for your guidance. We reserve the right to modify specifications without prior notice.

CONFIDENTIAL: This drawing is the property of EJ Group, Inc. and embodies confidential information, registered marks, patents, trade secret information, and/or know-how that is the property of EJ Group, Inc. Copyright © 2012 EJ Group, Inc. All rights reserved.

Contact

800 626 4653
ejco.com

8218APT 8198Z2PT Assembly



Product Number

00821821B01

Design Features

- Materials
 - Hatch Cover
Ductile Iron (70-50-05)
 - Hatch Frame
Ductile Iron (70-50-05)
- Design Load
Heavy Duty (H-20)
- Open Area
n/a
- Coating
Undipped
- √ Designates Machined Surface
- Slip Resistant Surface
with the LLLL® registered trademark

Certification

- AASHTO M306
- Country of Origin: USA

Major Components

00821821
00819813

Drawing Revision

1/18/2011 Designer: DEF
10/26/2012 Revised By: DEF

Disclaimer

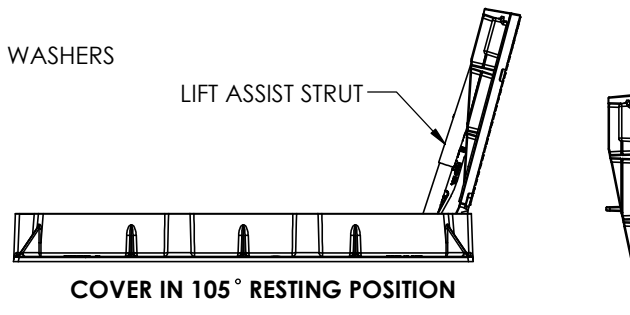
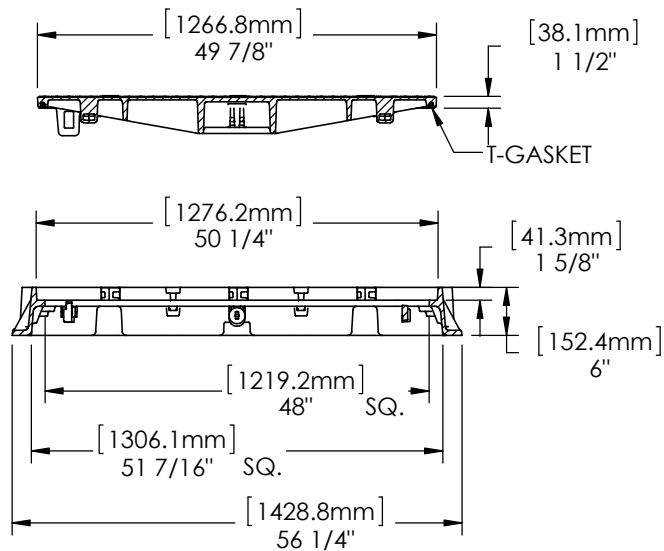
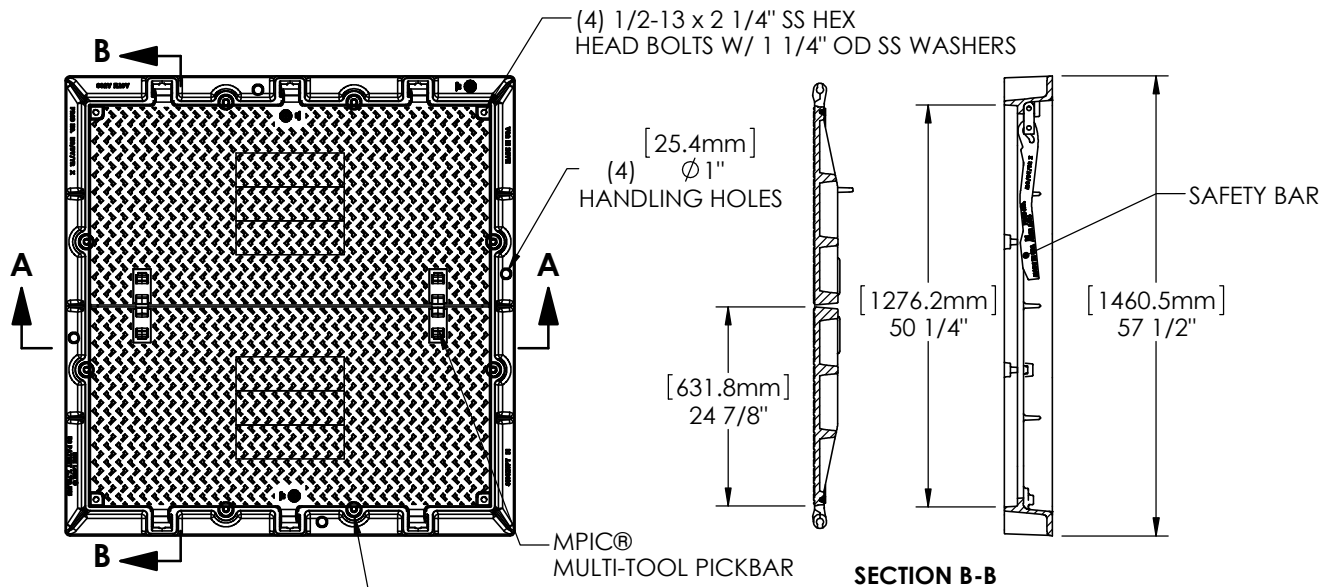
Weights (lbs/kg), dimensions (inches/mm) and drawings provided for your guidance. We reserve the right to modify specifications without prior notice.

CONFIDENTIAL: This drawing is the property of EJ Group, Inc. and embodies confidential information, registered marks, patents, trade secret information, and/or know-how that is the property of EJ Group, Inc. Copyright © 2012 EJ Group, Inc. All rights reserved.

Contact

800 626 4653
ejco.com

8218APT 8198Z3PT Assembly



Product Number

00821821B03

Design Features

- Materials
 - Hatch Cover Ductile Iron (70-50-05)
 - Hatch Frame Ductile Iron (70-50-05)
- Design Load Heavy Duty
- Open Area n/a
- Coating Undipped
- √ Designates Machined Surface
- Slip Resistant Surface with the LLLL® registered trademark

Certification

- ASTM A536
-
- Country of Origin: USA

Major Components

00821821
00819817

Drawing Revision

4/9/2012 Designer: DEF
07/27/2012 Revised By: DEF

Disclaimer

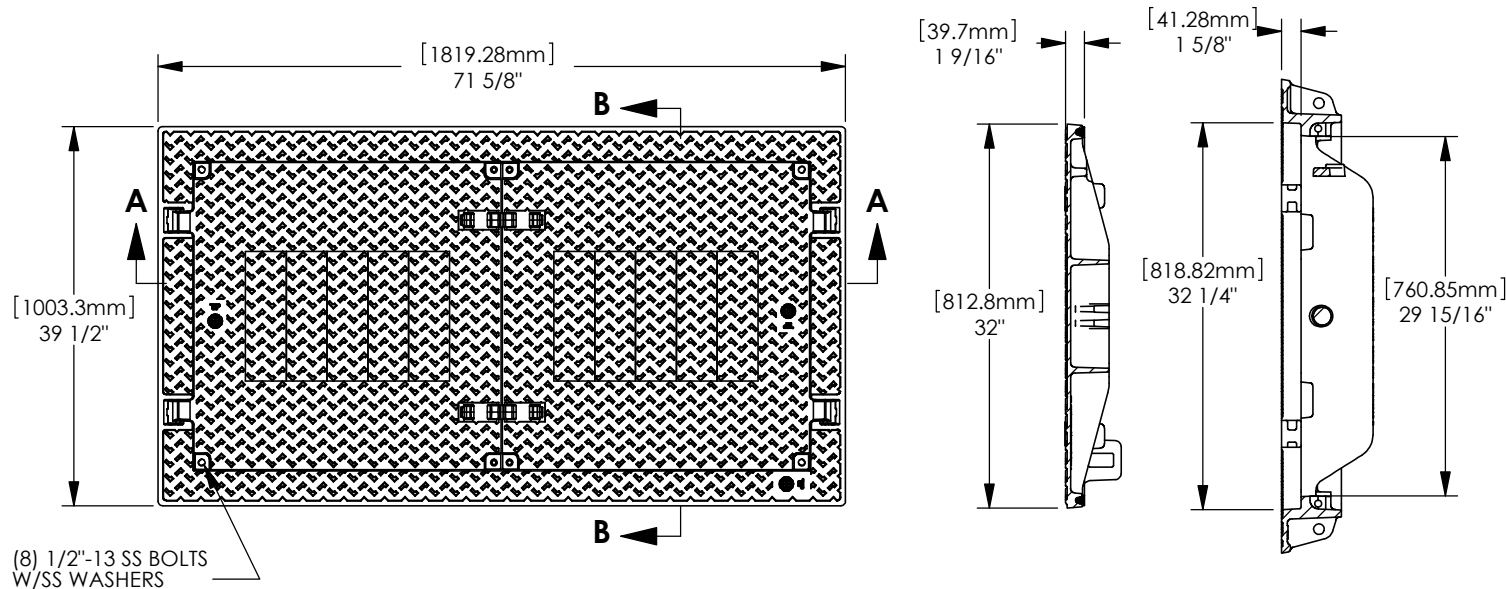
Weights (lbs/kg), dimensions (inches/mm) and drawings provided for your guidance. We reserve the right to modify specifications without prior notice.

CONFIDENTIAL: This drawing is the property of EJ Group, Inc. and embodies confidential information, registered marks, patents, trade secret information, and/or know-how that is the property of EJ Group, Inc. Copyright © 2012 EJ Group, Inc. All rights reserved.

Contact

800 626 4653
ejco.com

8196Z2PT 8216APT Assembly



SECTION B-B

Product Number
00821641B03

Design Features

- Materials
 - Hatch Frame
Ductile Iron (70-50-05)
 - Hatch Cover
Ductile Iron (70-50-05)
 - Accessory
Ductile Iron (80-55-06)

- Design Load
Heavy Duty
- Open Area
n/a
- Coating
Undipped
- √ Designates Machined Surface
- Slip Resistant Surface
with the LLLL® registered trademark

Certification

- ASTM A536
-
- Country of Origin: USA

Major Components

- 00819613
- 00821641
- 00819696

Drawing Revision

- 1/18/2011 Designer: PP
- 7/26/2012 Revised By: DEF

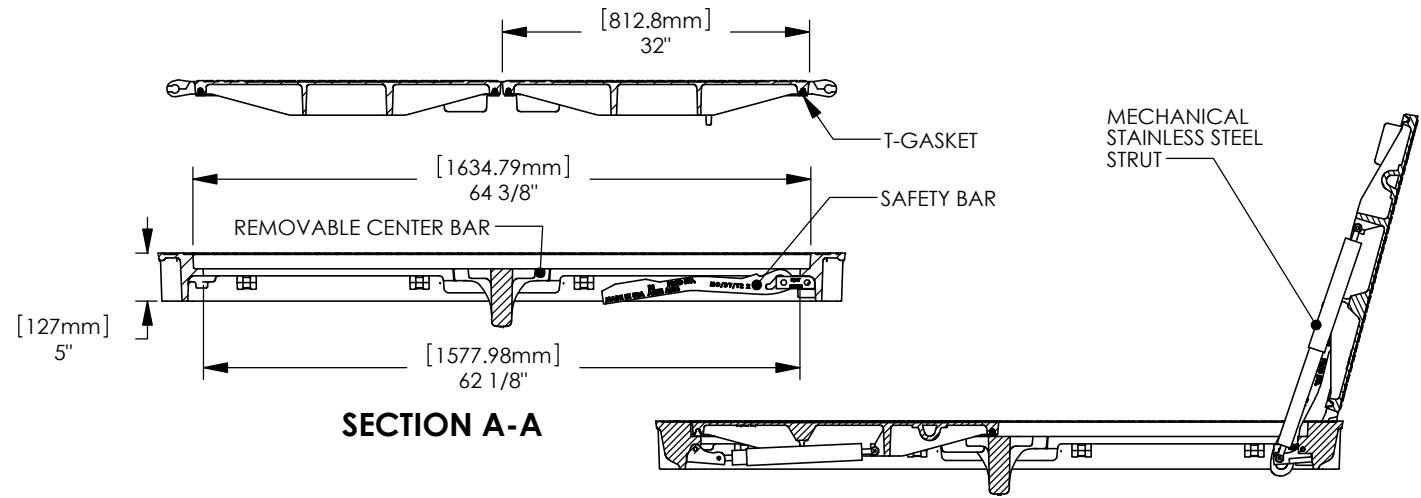
Disclaimer

Weights (lbs/kg), dimensions (inches/mm) and drawings provided for your guidance. We reserve the right to modify specifications without prior notice.

CONFIDENTIAL: This drawing is the property of EJ Group, Inc. and embodies confidential information, registered marks, patents, trade secret information, and/or know-how that is the property of EJ Group, Inc. Copyright © 2012 EJ Group, Inc. All rights reserved.

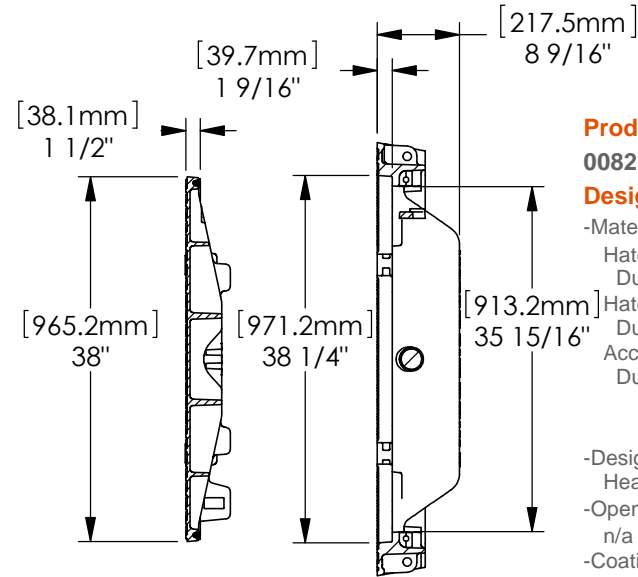
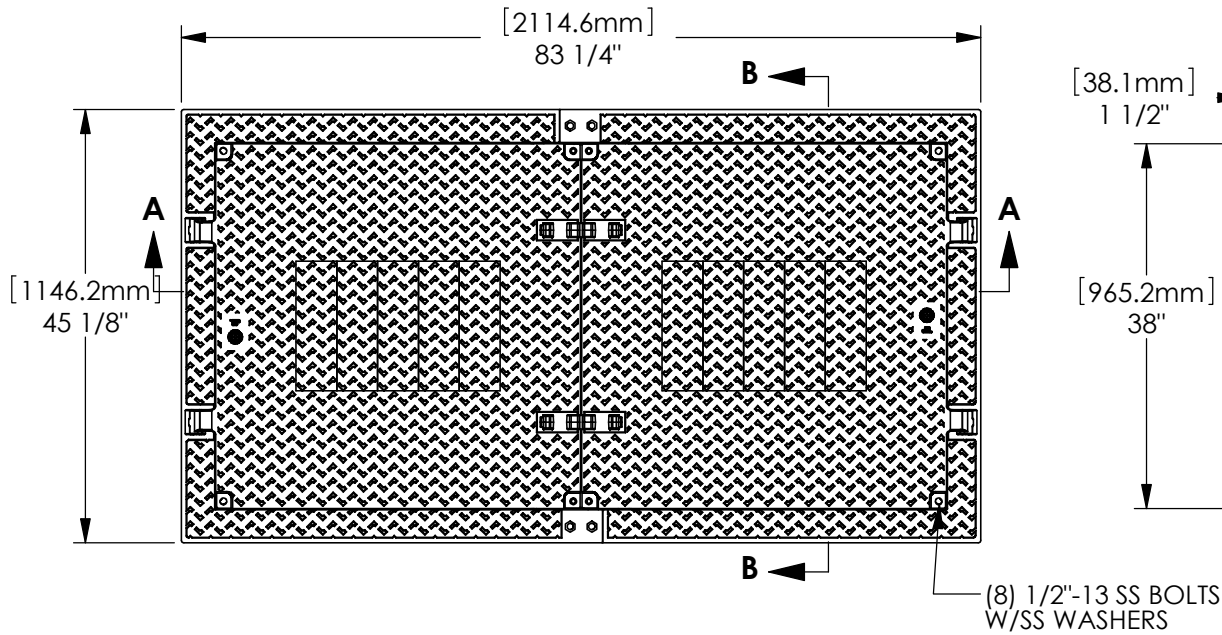
Contact

800 626 4653
ejco.com



SECTION A-A

8197Z2PT 8217APT Assembly



SECTION B-B

Product Number

00821721B03

Design Features

- Materials
 - Hatch Frame Ductile Iron (70-50-05)
 - Hatch Cover Ductile Iron (80-55-06)
 - Accessory Ductile Iron (80-55-06)

- Design Load Heavy Duty (HS20-44 Rated)

- Open Area n/a

- Coating Undipped

- √ Designates Machined Surface

- Slip Resistant Surface with the LLLL® registered trademark

Certification

- ASTM A536

- Country of Origin: USA

Major Components

- 00819713
- 00821721
- 00819796

Drawing Revision

- 11/11/2010 Designer: DEF
- 7/26/2012 Revised By: DEF

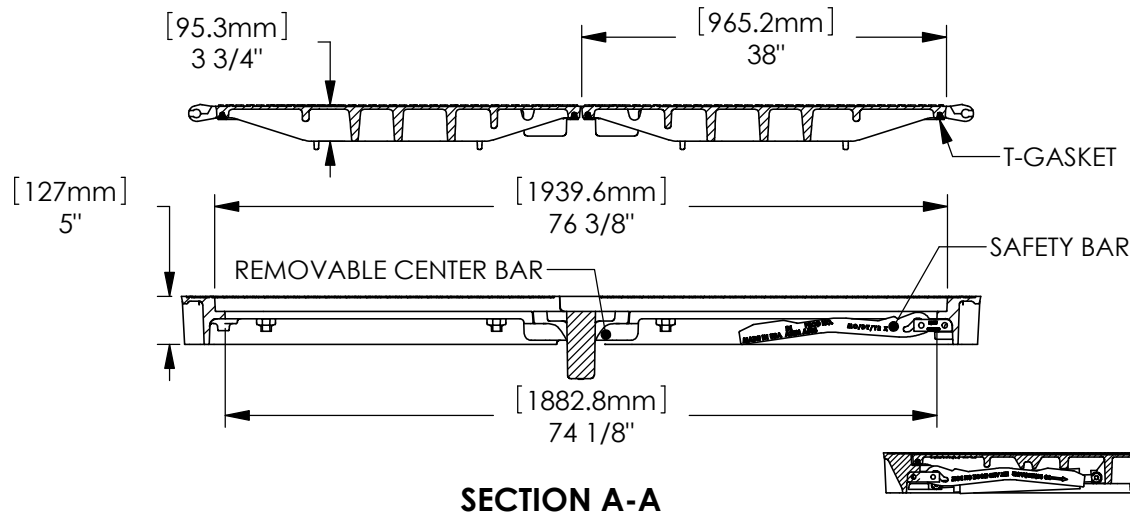
Disclaimer

Weights (lbs/kg), dimensions (inches/mm) and drawings provided for your guidance. We reserve the right to modify specifications without prior notice.

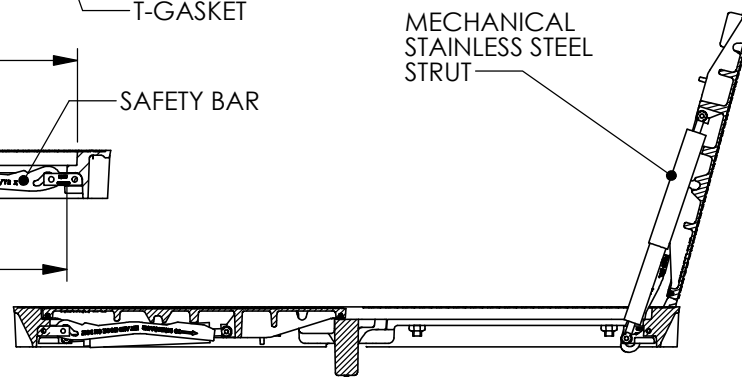
CONFIDENTIAL: This drawing is the property of EJ Group, Inc. and embodies confidential information, registered marks, patents, trade secret information, and/or know-how that is the property of EJ Group, Inc. Copyright © 2011 EJ Group, Inc. All rights reserved.

Contact

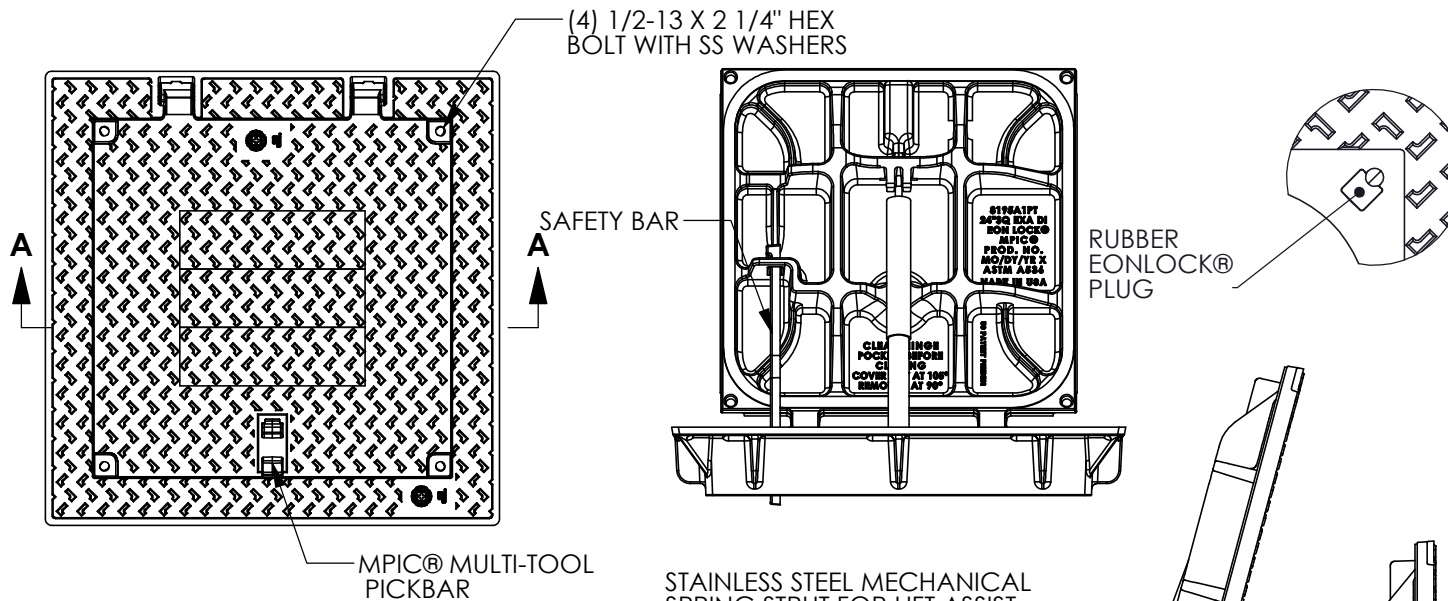
800.626.4653
ejco.com



MECHANICAL STAINLESS STEEL STRUT



8195A1PT 8195ZPT Assembly



Product Number

00819581B01

Design Features

- Materials
 - Hatch Cover
Ductile Iron (70-50-05)
 - Hatch Frame
Ductile Iron (70-50-05)
- Design Load
Airport Extra Heavy Duty
(Proof Load Tested to 200,000lbs.)
- Open Area
n/a
- Coating
Undipped
- √ Designates Machined Surface
- Slip Resistant Surface with the LLLL® registered trademark

Certification

- ASTM A536
-
- Country of Origin: USA

Major Components

00819581
00819511

Drawing Revision

6/15/2010 Designer: DEF
7/26/2012 Revised By: DEF

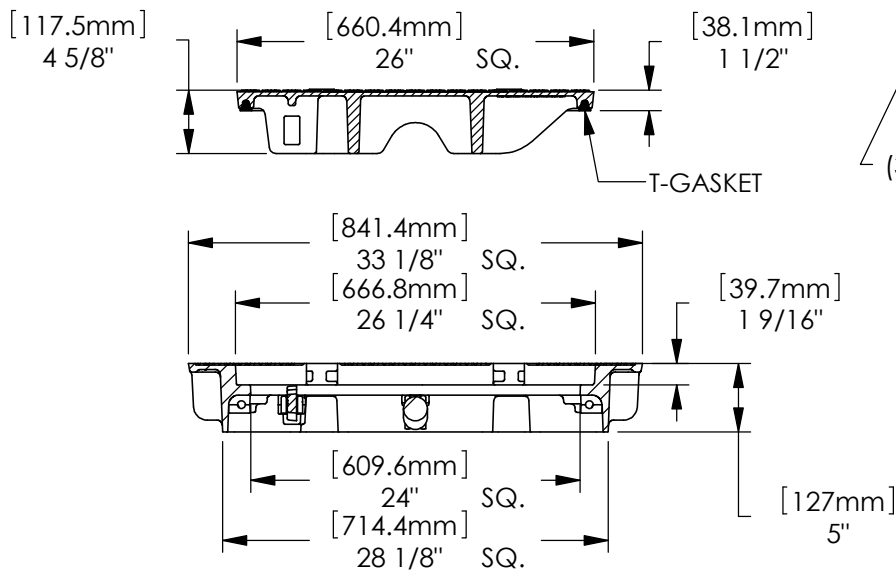
Disclaimer

Weights (lbs/kg), dimensions (inches/mm) and drawings provided for your guidance. We reserve the right to modify specifications without prior notice.

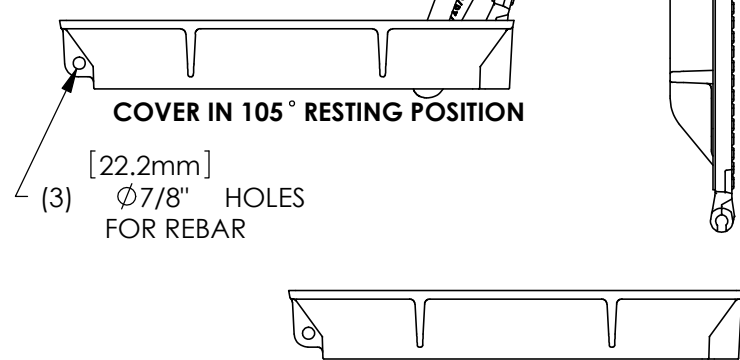
CONFIDENTIAL: This drawing is the property of EJ Group, Inc. and embodies confidential information, registered marks, patents, trade secret information, and/or know-how that is the property of EJ Group, Inc. Copyright © 2012 EJ Group, Inc. All rights reserved.

Contact

800 626 4653
ejco.com



SECTION A-A



8195Z1PT 8195A1PT Assembly



Product Number

00819581B02

Design Features

- Materials
 - Hatch Cover
Ductile Iron (70-50-05)
 - Hatch Frame
Ductile Iron (70-50-05)

- Design Load
Airport Extra Heavy Duty
(Proof Load Tested
to 200,000lbs.)

- Open Area
n/a

- Coating
Undipped

- √ Designates Machined Surface

- Slip Resistant Surface
with the LLLL® registered trademark

Certification

-ASTM A536

-

-Country of Origin: USA

Major Components

00819581

00819515

Drawing Revision

2/3/2012 Designer: SDC

07/26/2012 Revised By: DEF

Disclaimer

Weights (lbs/kg), dimensions (inches/mm) and drawings provided for your guidance. We reserve the right to modify specifications without prior notice.

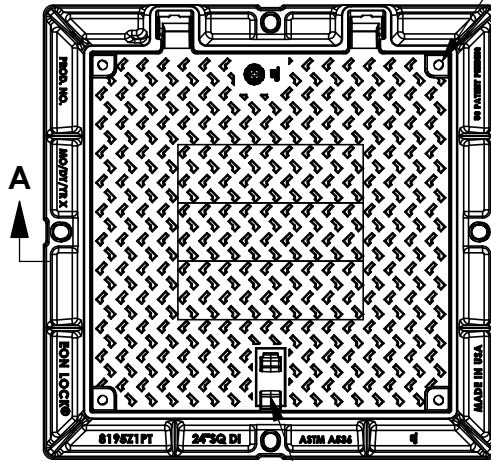
CONFIDENTIAL: This drawing is the property of EJ Group, Inc. and embodies confidential information, registered marks, patents, trade secret information, and/or know-how that is the property of EJ Group, Inc. Copyright © 2012 EJ Group, Inc. All rights reserved.

Contact

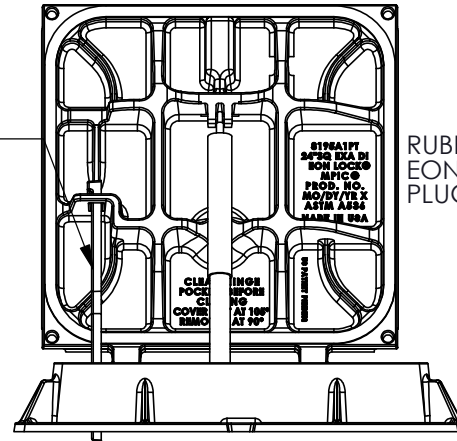
800 626 4653

ejco.com

(4) 1/2-13 X 2 1/4" HEX BOLT WITH SS WASHERS



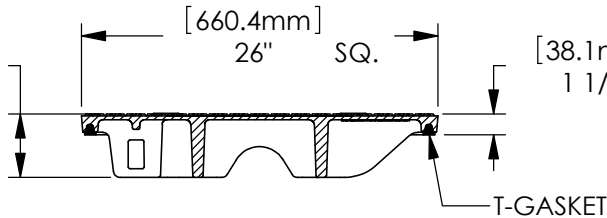
SAFETY BAR



RUBBER EONLOCK® PLUG

MPIC® MULTI-TOOL PICKBAR

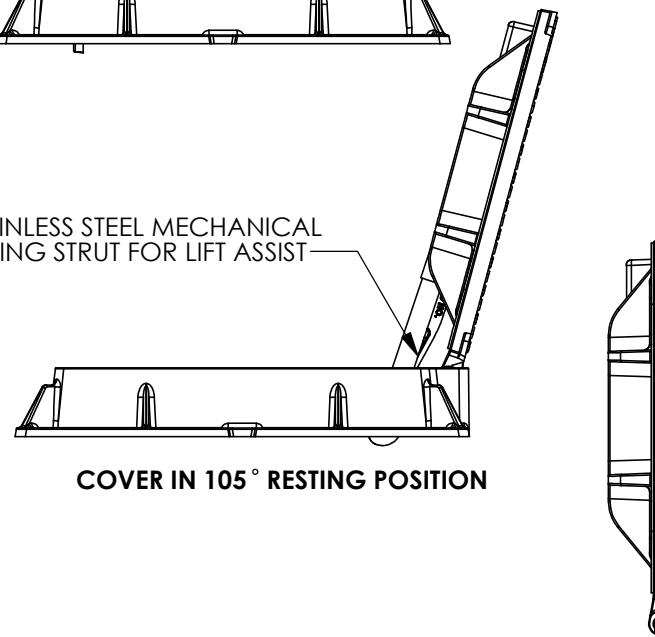
[117.5mm]
4 5/8"



[38.1mm]
1 1/2"

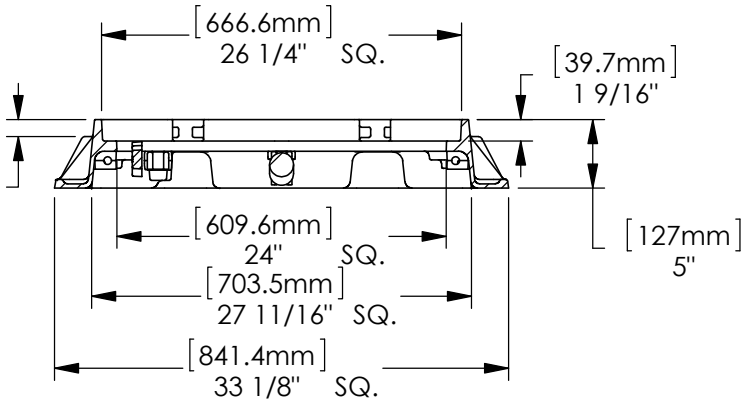
STAINLESS STEEL MECHANICAL SPRING STRUT FOR LIFT ASSIST

T-GASKET



COVER IN 105° RESTING POSITION

[31.8mm]
1 1/4"

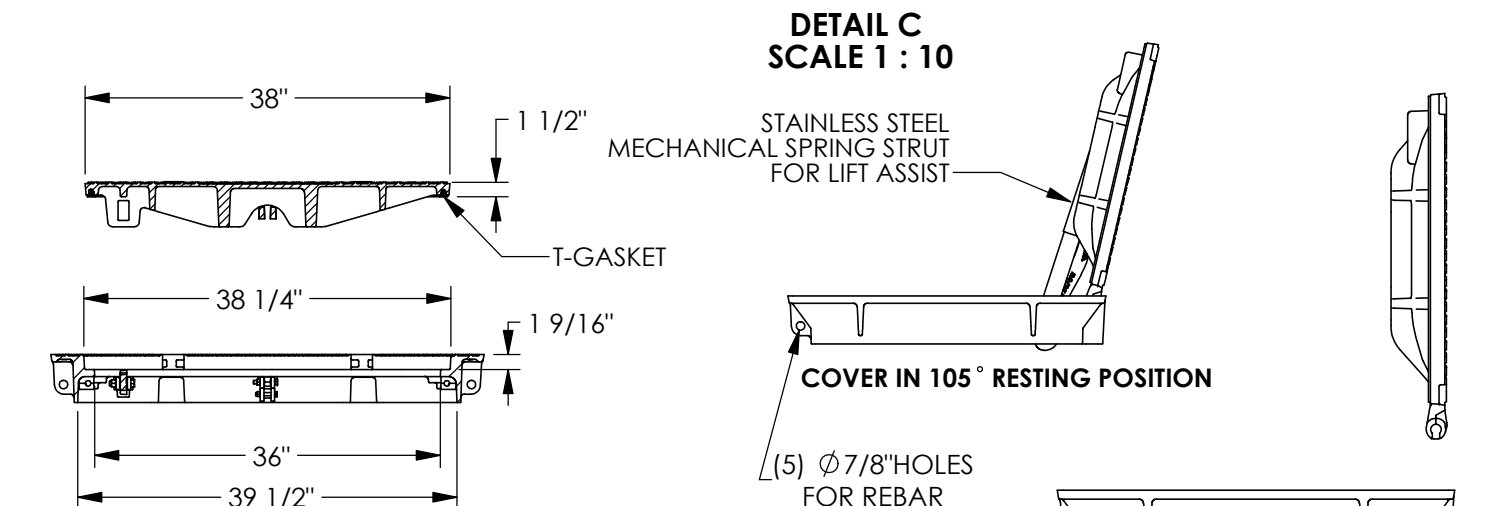
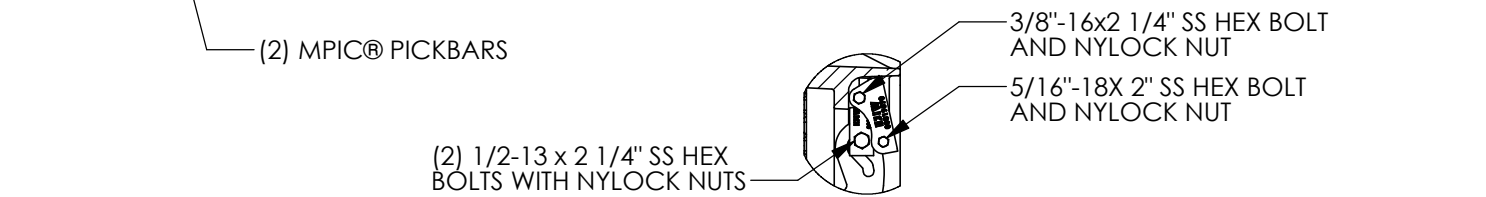
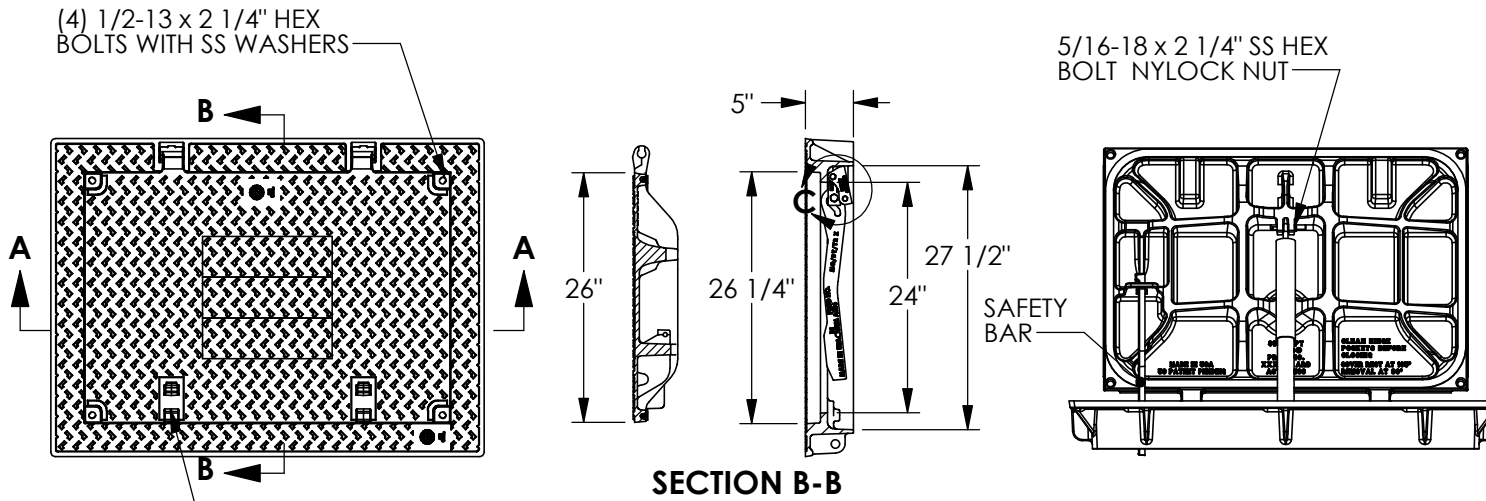


SECTION A-A



REMOVE COVER AT 90°
(AFTER REMOVING MECHANICAL STRUT AND SAFETY BAR)

8192ZPT 8192A1PT Assembly



Product Number

00819221B01

Design Features

- Materials
 - Hatch Frame
Ductile Iron (80-55-06)
 - Hatch Cover
Ductile Iron (80-55-06)
- Design Load
Airport Extra Heavy Duty
(Proof Load Tested to 200,000lbs.)
- Open Area
n/a
- Coating
Undipped
- √ Designates Machined Surface
- Slip Resistant Surface
with the LLLL® registered trademark

Certification

- ASTM A536
-
- Country of Origin: USA

Major Components

00819211
00819221

Drawing Revision

6/17/2011 Designer: DEF
11/8/2012 Revised By: DEF

Disclaimer

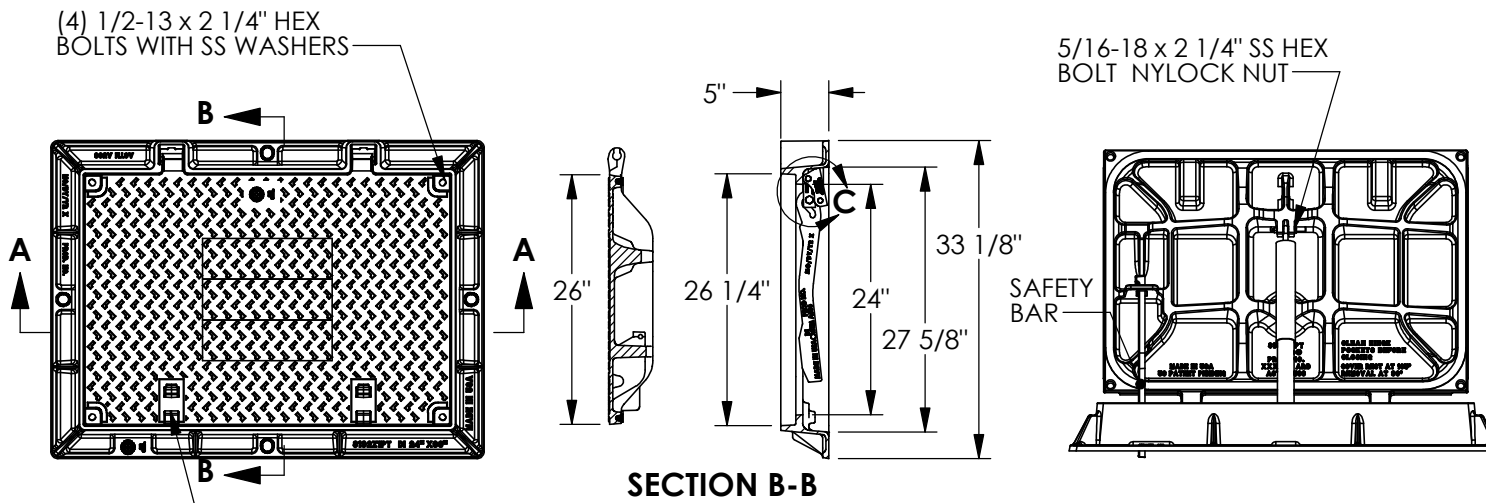
Weights (lbs/kg), dimensions (inches/mm) and drawings provided for your guidance. We reserve the right to modify specifications without prior notice.

CONFIDENTIAL: This drawing is the property of EJ Group, Inc. and embodies confidential information, registered marks, patents, trade secret information, and/or know-how that is the property of EJ Group, Inc. Copyright © 2011 EJ Group, Inc. All rights reserved.

Contact

800.626.4653
ejco.com

8192Z1PT 8192A1PT Assembly



Product Number

00819221B02

Design Features

- Materials
 - Hatch Frame
Ductile Iron (80-55-06)
 - Hatch Cover
Ductile Iron (80-55-06)
- Design Load
Airport Extra Heavy Duty (Proof Load Tested to 200,000lbs.)
- Open Area
n/a
- Coating
Undipped
- √ Designates Machined Surface
- Slip Resistant Surface with the LLLL® registered trademark

(2) MPIC® PICKBARS

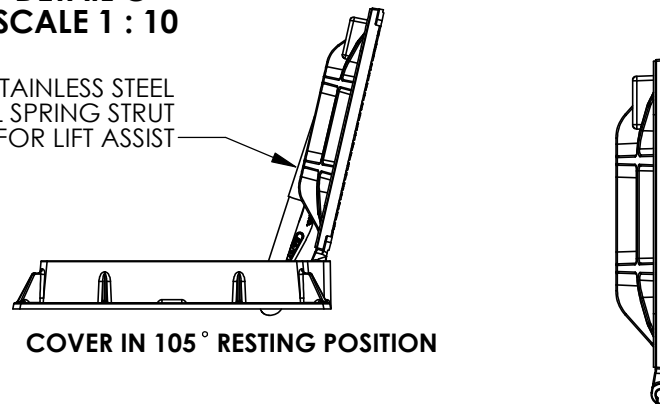
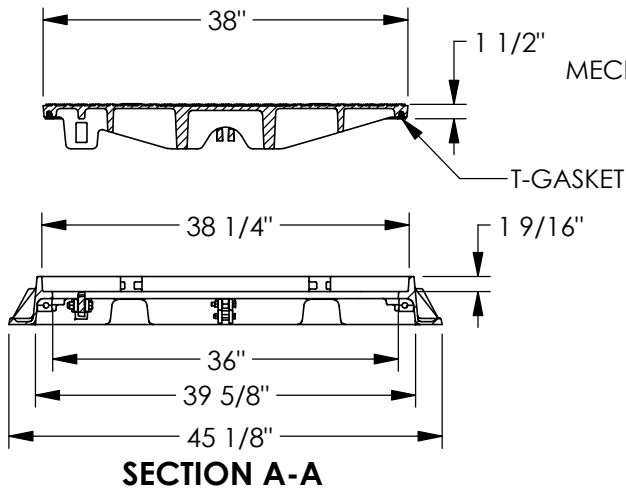
(2) 1/2-13 x 2 1/4" SS HEX BOLTS WITH NYLOCK NUTS

3/8"-16x2 1/4" SS HEX BOLT AND NYLOCK NUT

5/16"-18X 2" SS HEX BOLT AND NYLOCK NUT

DETAIL C SCALE 1 : 10

STAINLESS STEEL MECHANICAL SPRING STRUT FOR LIFT ASSIST



REMOVE COVER AT 90° (AFTER REMOVING SAFETY BAR AND MECHANICAL STRUT)

Certification

- ASTM A536
-
- Country of Origin: USA

Major Components

00819215
00819221

Drawing Revision

6/17/2011 Designer: DEF
11/9/2012 Revised By: DEF

Disclaimer

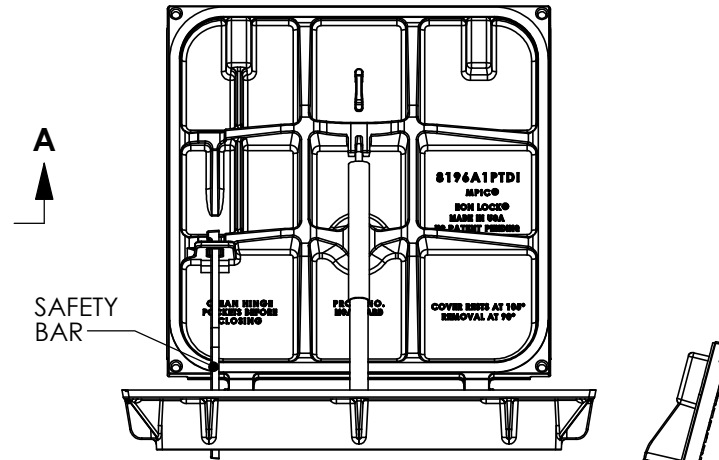
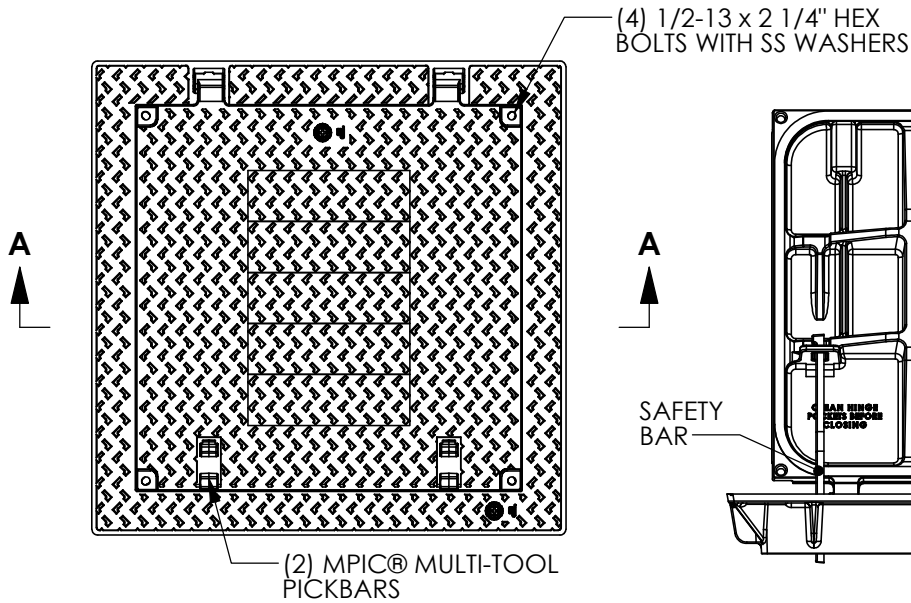
Weights (lbs/kg), dimensions (inches/mm) and drawings provided for your guidance. We reserve the right to modify specifications without prior notice.

CONFIDENTIAL: This drawing is the property of EJ Group, Inc. and embodies confidential information, registered marks, patents, trade secret information, and/or know-how that is the property of EJ Group, Inc. Copyright © 2011 EJ Group, Inc. All rights reserved.

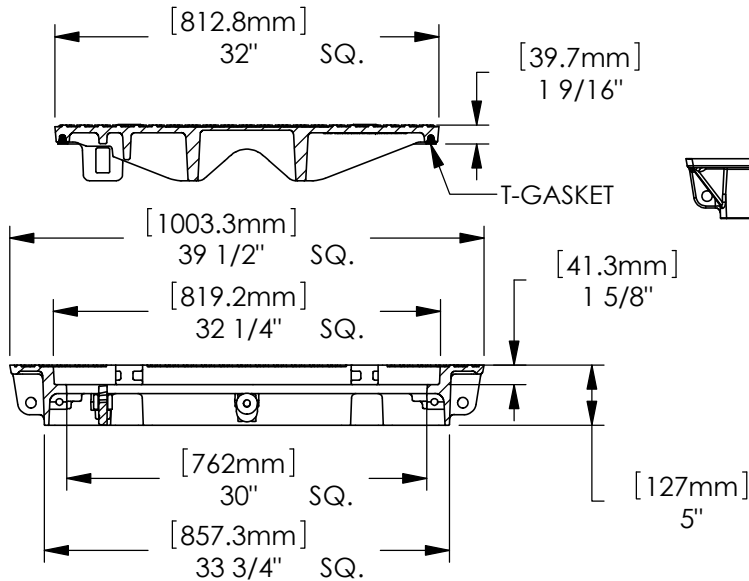
Contact

800.626.4653
ejco.com

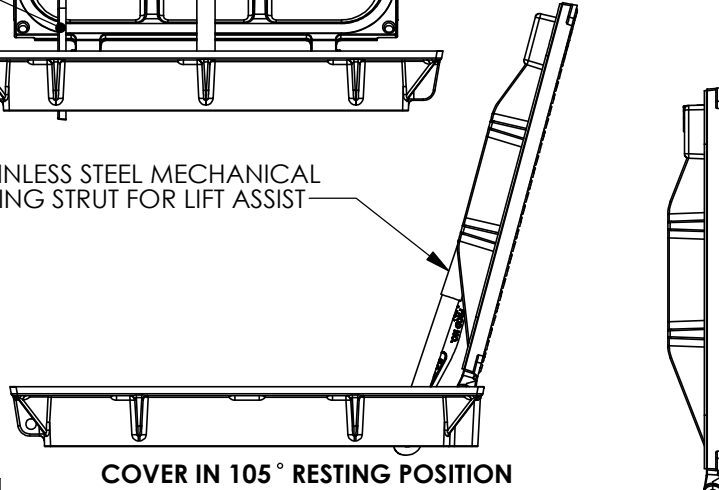
8196ZPT 8196A1PT Assembly



STAINLESS STEEL MECHANICAL SPRING STRUT FOR LIFT ASSIST



SECTION A-A



Product Number

00819681B01

Design Features

- Materials
 - Hatch Frame
Ductile Iron (70-50-05)
 - Hatch Cover
Ductile Iron (80-55-06)
- Design Load
Airport Extra Heavy Duty
(Proof Load Tested to 200,000lbs.)
- Open Area
n/a
- Coating
Undipped
- √ Designates Machined Surface
- Slip Resistant Surface
with the LLLL® registered trademark

Certification

- ASTM A536
-
- Country of Origin: USA

Major Components

00819611
00819681

Drawing Revision

6/30/2009 Designer: JIJ
7/26/2012 Revised By: DEF

Disclaimer

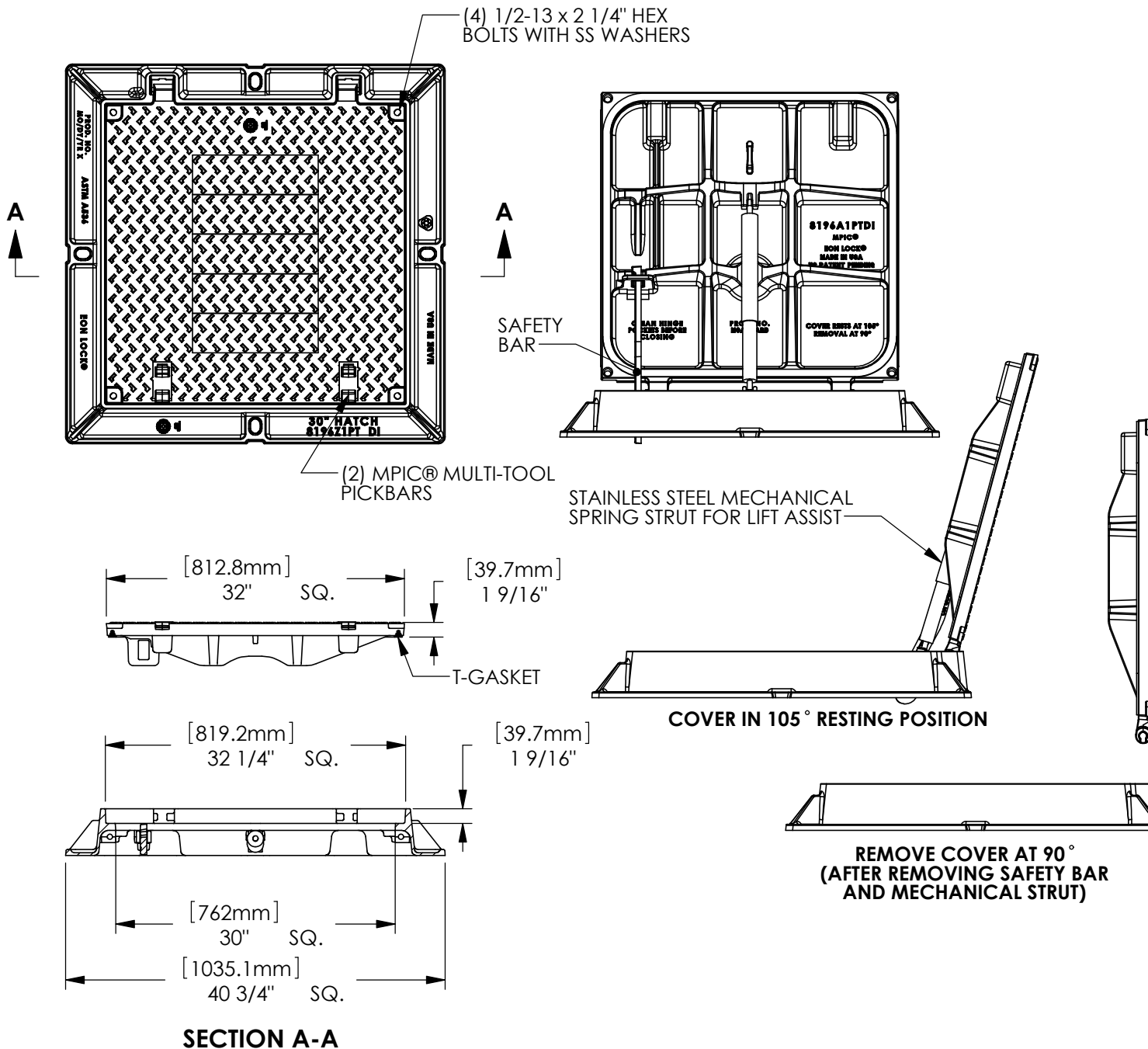
Weights (lbs/kg), dimensions (inches/mm) and drawings provided for your guidance. We reserve the right to modify specifications without prior notice.

CONFIDENTIAL: This drawing is the property of EJ Group, Inc. and embodies confidential information, registered marks, patents, trade secret information, and/or know-how that is the property of EJ Group, Inc. Copyright © 2012 EJ Group, Inc. All rights reserved.

Contact

800 626 4653
ejco.com

8196Z1PT 8196A1PT Assembly



Product Number

00819681B02

Design Features

- Materials
 - Hatch Frame
Ductile Iron (70-50-05)
 - Hatch Cover
Ductile Iron (80-55-06)
- Design Load
Airport Extra Heavy Duty (Proof Load Tested to 200,000lbs.)
- Open Area
n/a
- Coating
Undipped
- √ Designates Machined Surface
- Slip Resistant Surface with the LLLL® registered trademark

Certification

- ASTM A536
-
- Country of Origin: USA

Major Components

00819615
00819681

Drawing Revision

12/23/2008 Designer: DEF
7/26/2012 Revised By: DEF

Disclaimer

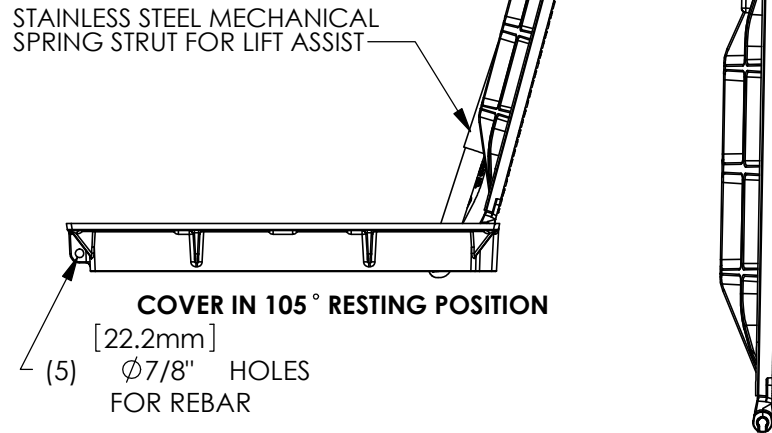
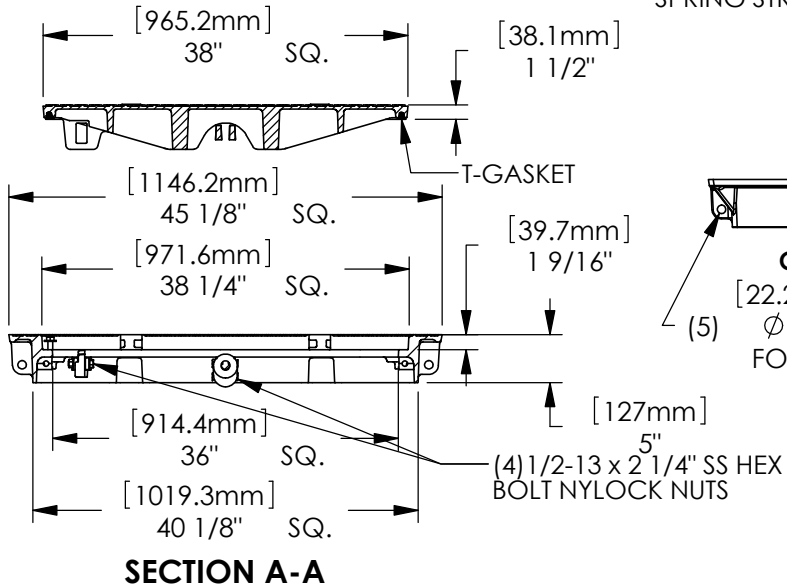
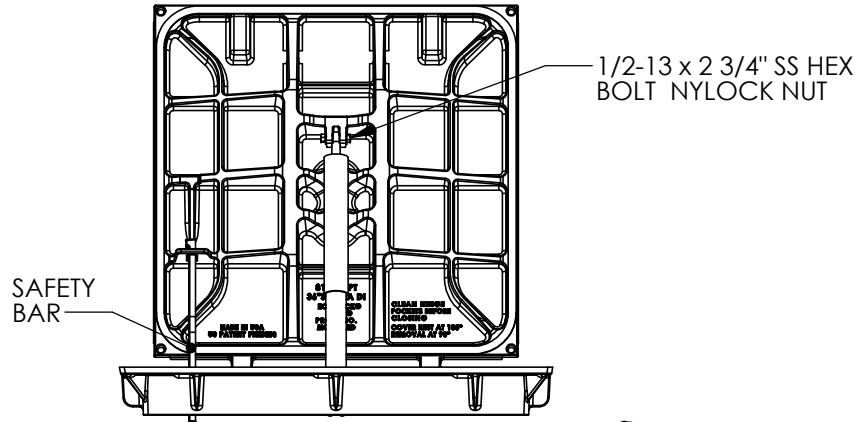
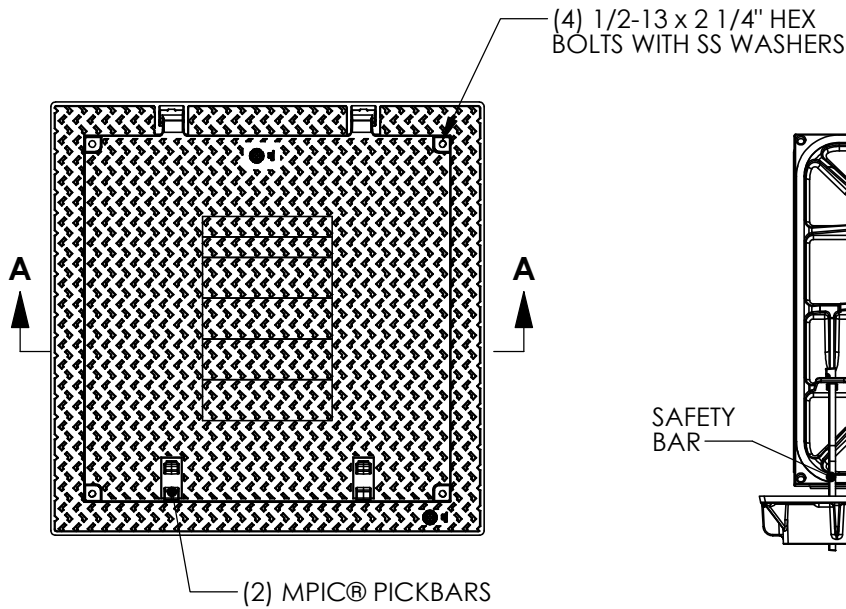
Weights (lbs/kg), dimensions (inches/mm) and drawings provided for your guidance. We reserve the right to modify specifications without prior notice.

CONFIDENTIAL: This drawing is the property of EJ Group, Inc. and embodies confidential information, registered marks, patents, trade secret information, and/or know-how that is the property of EJ Group, Inc. Copyright © 2012 EJ Group, Inc. All rights reserved.

Contact

800 626 4653
ejco.com

8197ZPT 8197A1PT Assembly



Product Number

00819761B01

Design Features

- Materials
 - Hatch Frame Ductile Iron (70-50-05)
 - Hatch Cover Ductile Iron (80-55-06)
- Design Load Airport Extra Heavy Duty (Proof Load Tested to 200,000lbs.)
- Open Area n/a
- Coating Undipped
- √ Designates Machined Surface
- Slip Resistant Surface with the LLLL® registered trademark

Certification

- ASTM A536
-
- Country of Origin: USA

Major Components

00819711
00819761

Drawing Revision

4/24/2010 Designer: DEF
7/26/2012 Revised By: DEF

Disclaimer

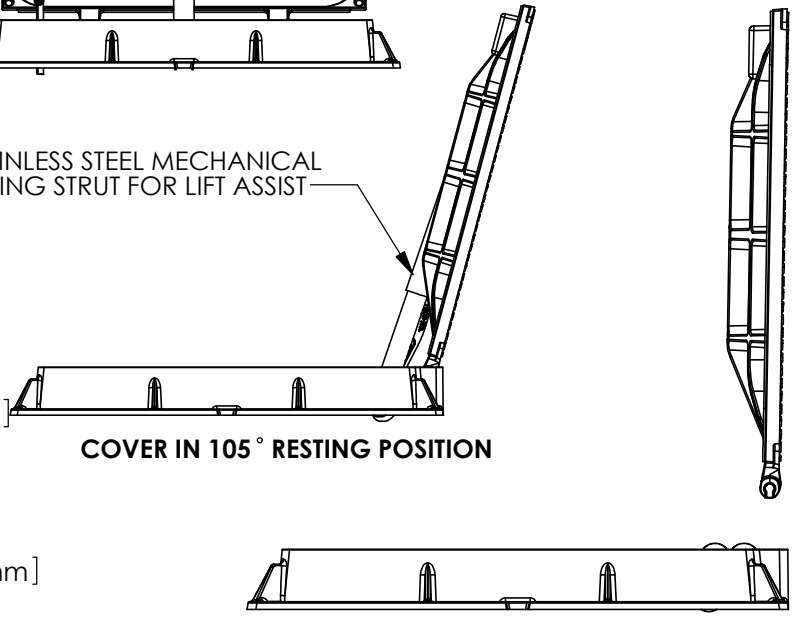
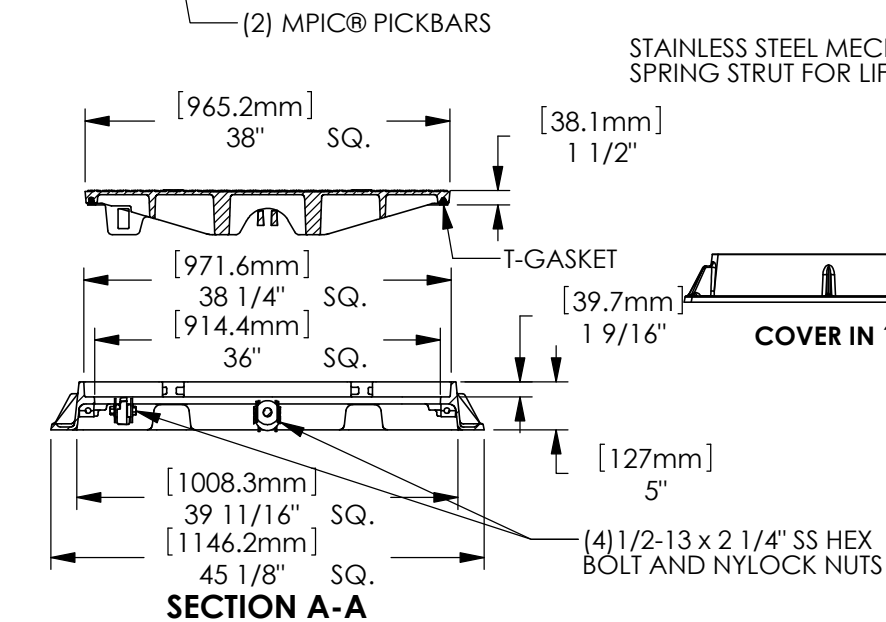
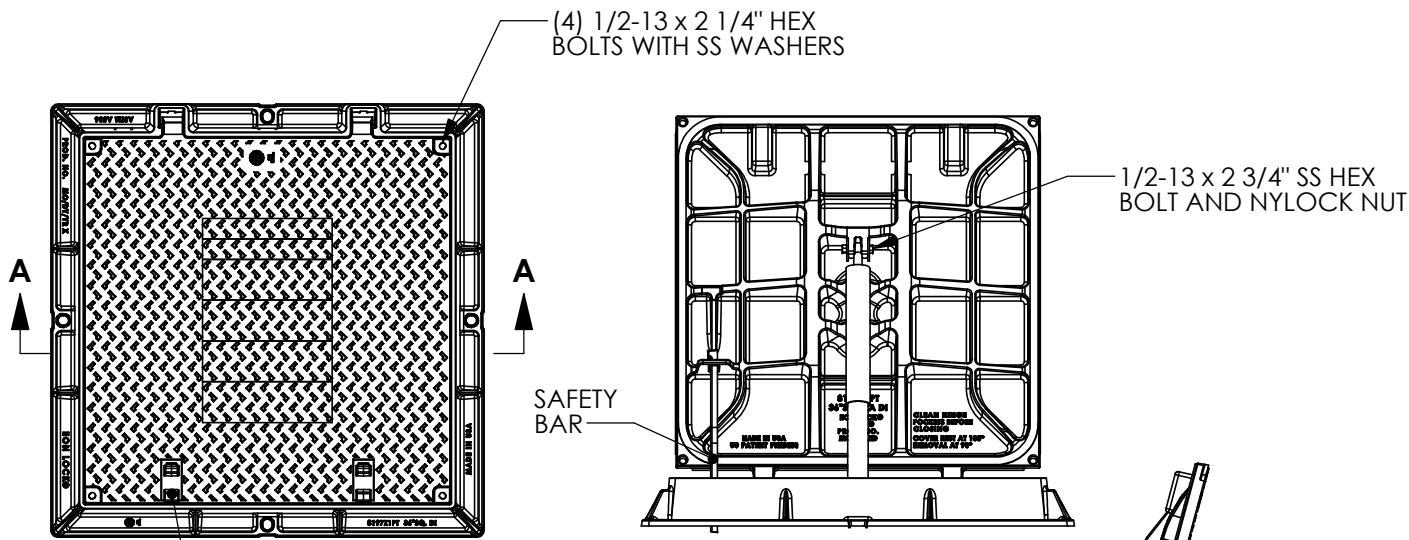
Weights (lbs/kg), dimensions (inches/mm) and drawings provided for your guidance. We reserve the right to modify specifications without prior notice.

CONFIDENTIAL: This drawing is the property of EJ Group, Inc. and embodies confidential information, registered marks, patents, trade secret information, and/or know-how that is the property of EJ Group, Inc. Copyright © 2012 EJ Group, Inc. All rights reserved.

Contact

800 626 4653
ejco.com

8197Z1PT 8197A1PT Assembly



Product Number

00819761B02

Design Features

- Materials
 - Hatch Frame
Ductile Iron (70-50-05)
 - Hatch Cover
Ductile Iron (80-55-06)
- Design Load
Airport Extra Heavy Duty
(Proof Load Tested to 200,000lbs.)
- Open Area
n/a
- Coating
Undipped
- √ Designates Machined Surface
- Slip Resistant Surface with the LLLL® registered trademark

Certification

- ASTM A536
-
- Country of Origin: USA

Major Components

00819715
00819761

Drawing Revision

6/8/2010 Designer: DEF
7/27/2012 Revised By: DEF

Disclaimer

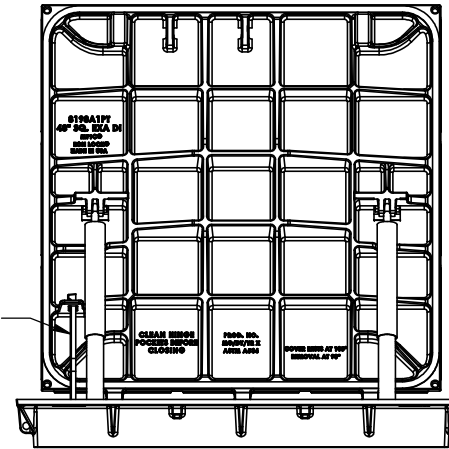
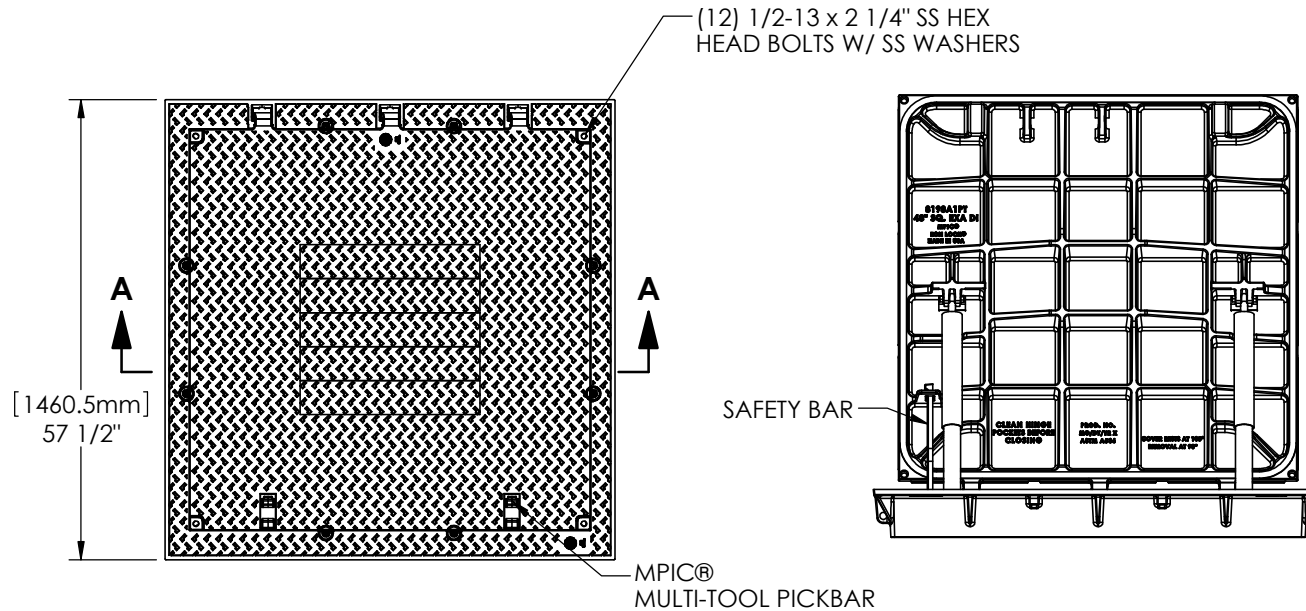
Weights (lbs/kg), dimensions (inches/mm) and drawings provided for your guidance. We reserve the right to modify specifications without prior notice.

CONFIDENTIAL: This drawing is the property of EJ Group, Inc. and embodies confidential information, registered marks, patents, trade secret information, and/or know-how that is the property of EJ Group, Inc. Copyright © 2012 EJ Group, Inc. All rights reserved.

Contact

800 626 4653
ejco.com

8198ZPT 8198A1PT Assembly



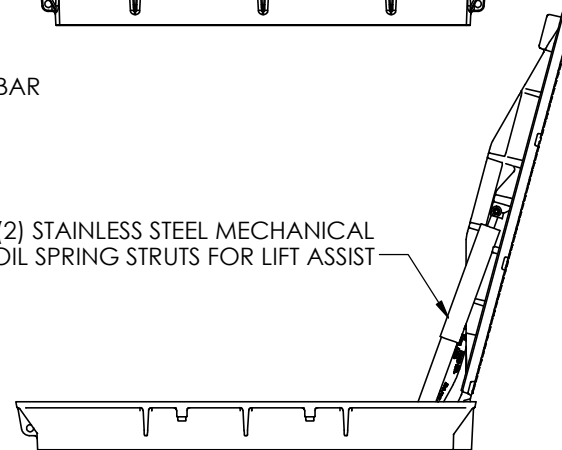
Product Number

00819861B01

Design Features

- Materials
 - Hatch Cover
 - Ductile Iron (70-50-05)
 - Hatch Frame
 - Ductile Iron (70-50-05)
- Design Load
 - Airport Extra Heavy Duty (Proof Load Tested to 200,000lbs.)
- Open Area
 - n/a
- Coating
 - Undipped
- √ Designates Machined Surface
- Slip Resistant Surface with the LLLL® registered trademark

(2) STAINLESS STEEL MECHANICAL COIL SPRING STRUTS FOR LIFT ASSIST



Certification

- ASTM A536
-
- Country of Origin: USA

Major Components

00819861
00819811

Drawing Revision

6/8/2010 Designer: DEF
7/27/2012 Revised By: DEF

Disclaimer

Weights (lbs/kg), dimensions (inches/mm) and drawings provided for your guidance. We reserve the right to modify specifications without prior notice.

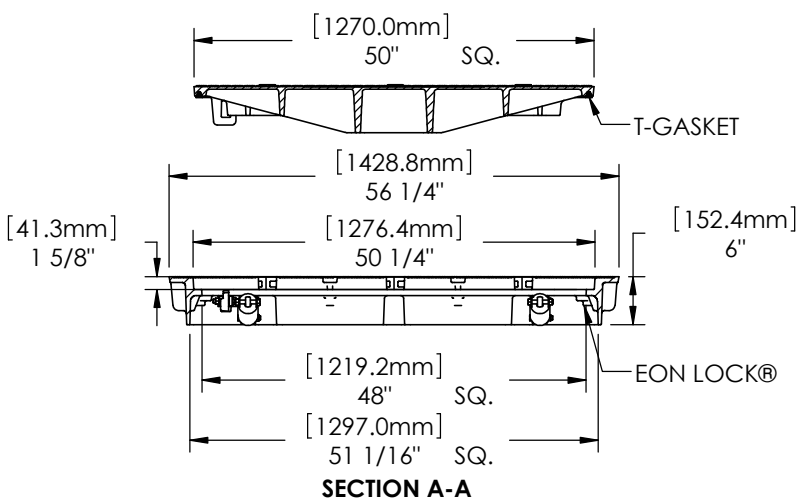
CONFIDENTIAL: This drawing is the property of EJ Group, Inc. and embodies confidential information, registered marks, patents, trade secret information, and/or know-how that is the property of EJ Group, Inc. Copyright © 2012 EJ Group, Inc. All rights reserved.

Contact

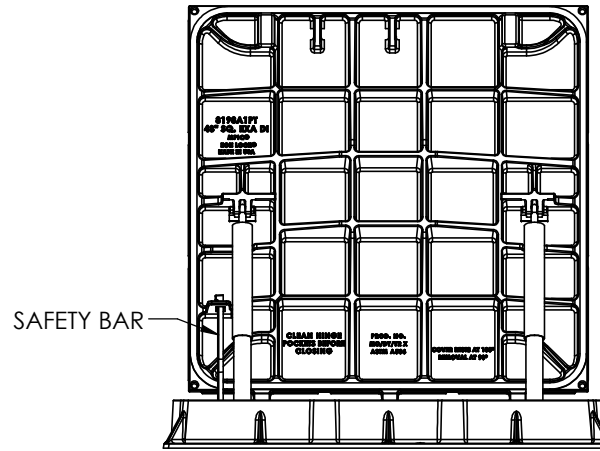
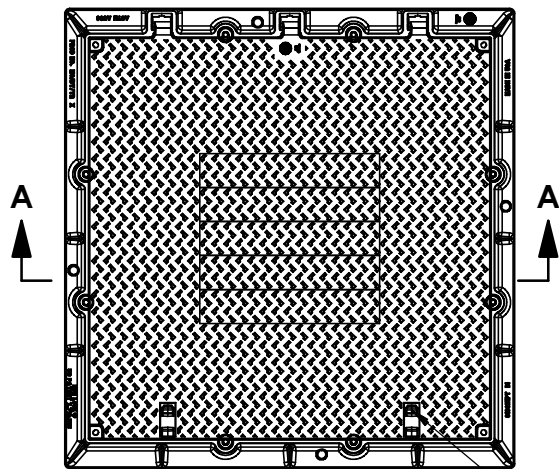
800 626 4653
ejco.com



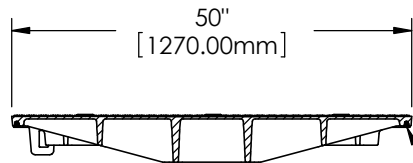
REMOVE COVER AT 90°
(AFTER REMOVING SAFETY BAR
AND MECHANICAL STRUTS)



8198Z1PT 8198A1PT Assembly

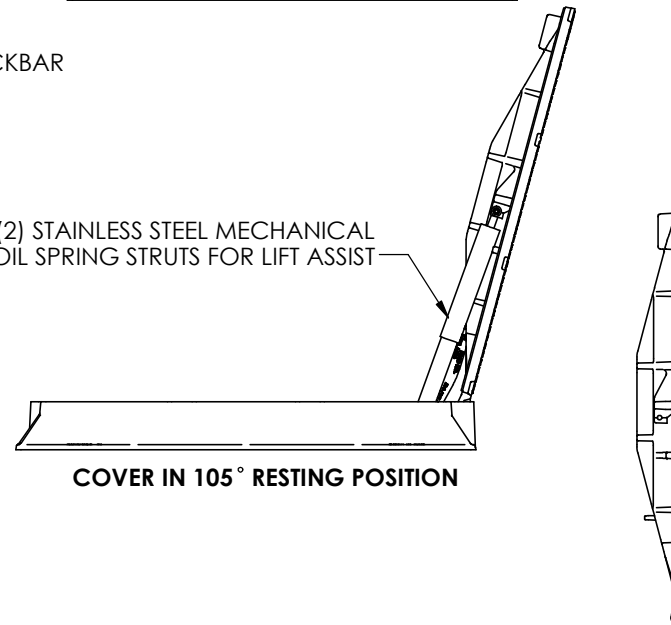


MPIC®
MULTI-TOOL PICKBAR

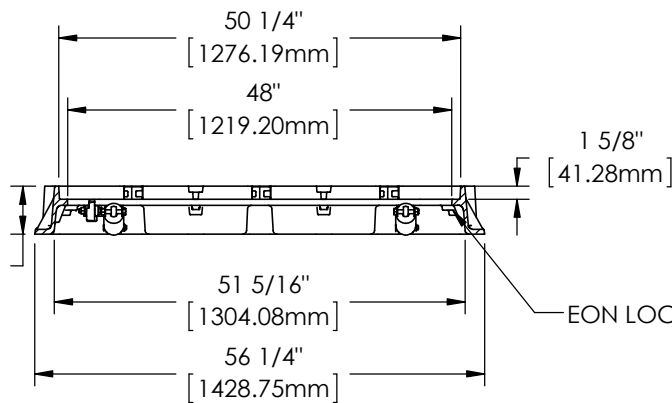


T-GASKET

(2) STAINLESS STEEL MECHANICAL
COIL SPRING STRUTS FOR LIFT ASSIST

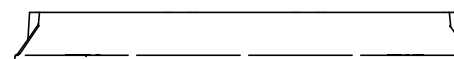


COVER IN 105° RESTING POSITION



SECTION A-A

EON LOCK®



REMOVE COVER AT 90°
(AFTER REMOVING SAFETY BAR
AND MECHANICAL STRUTS)

Product Number

00819861B02

Design Features

- Materials
 - Hatch Cover
 - Ductile Iron (70-50-05)
 - Hatch Frame
 - Ductile Iron (70-50-05)
- Design Load
 - Airport Extra Heavy Duty
 - (Proof Load Tested to 200,000lbs.)
- Open Area
 - n/a
- Coating
 - Undipped
- √ Designates Machined Surface
- Slip Resistant Surface with the LLLL® registered trademark

Certification

- ASTM A536
-
- Country of Origin: USA

Major Components

00819861
00819815

Drawing Revision

5/22/2012 Designer: DJH
7/27/2012 Revised By: DEF

Disclaimer

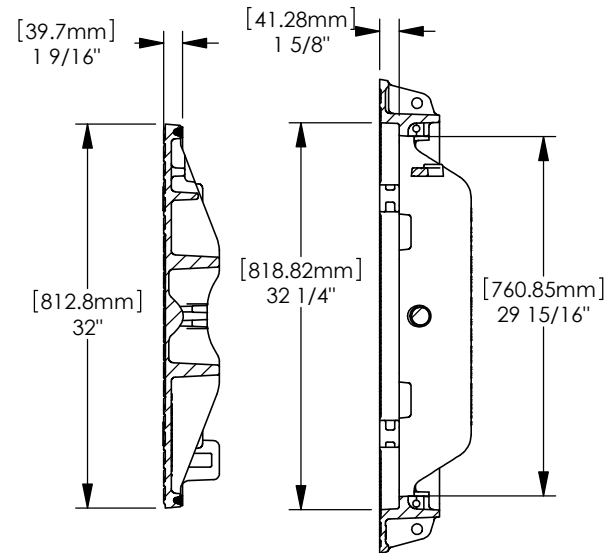
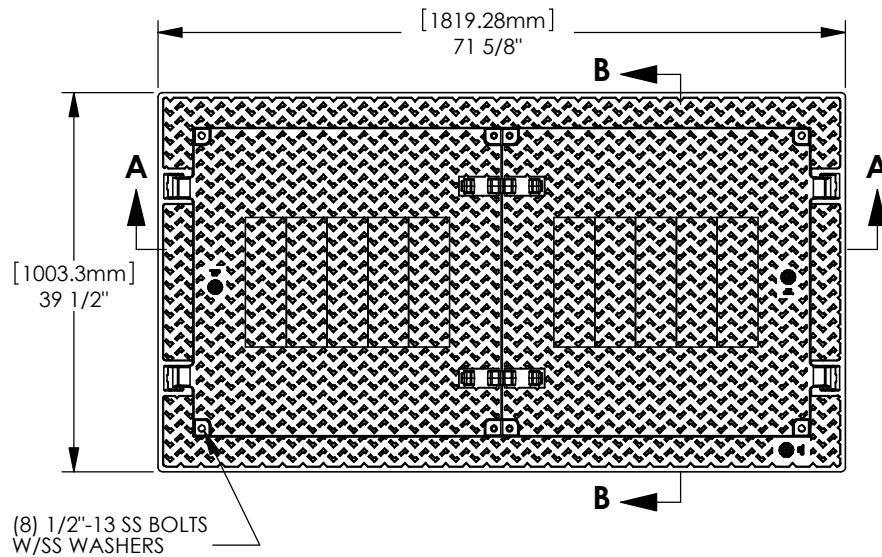
Weights (lbs/kg), dimensions (inches/mm) and drawings provided for your guidance. We reserve the right to modify specifications without prior notice.

CONFIDENTIAL: This drawing is the property of EJ Group, Inc. and embodies confidential information, registered marks, patents, trade secret information, and/or know-how that is the property of EJ Group, Inc. Copyright © 2012 EJ Group, Inc. All rights reserved.

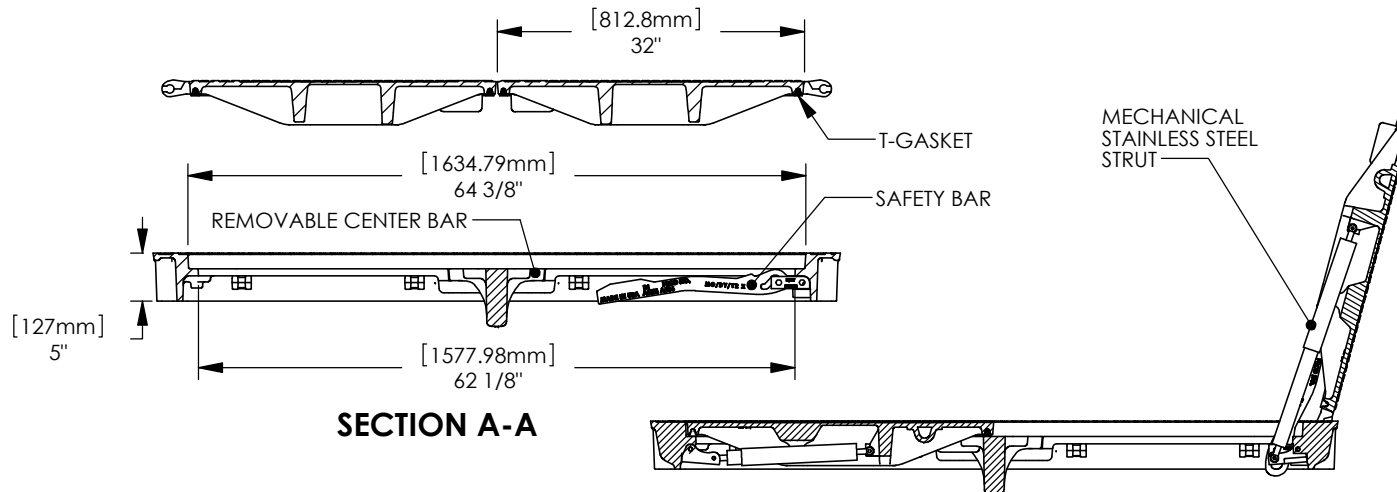
Contact

800 626 4653
ejco.com

8196Z2PT 8196A1PT Assembly



SECTION B-B



SECTION A-A

Product Number

00819681B03

Design Features

- Materials
 - Hatch Frame
Ductile Iron (70-50-05)
 - Hatch Cover
Ductile Iron (80-55-06)
 - Accessory
Ductile Iron (80-55-06)
- Design Load
Airport Extra Heavy Duty
(Proof Load Tested to 200,000lbs.)
- Open Area
n/a
- Coating
Undipped
- √ Designates Machined Surface
- Slip Resistant Surface
with the LLLL® registered trademark

Certification

- ASTM A536
-
- Country of Origin: USA

Major Components

00819613
00819681
00819696

Drawing Revision

09/29/2010 Designer: DEF
7/27/2012 Revised By: DEF

Disclaimer

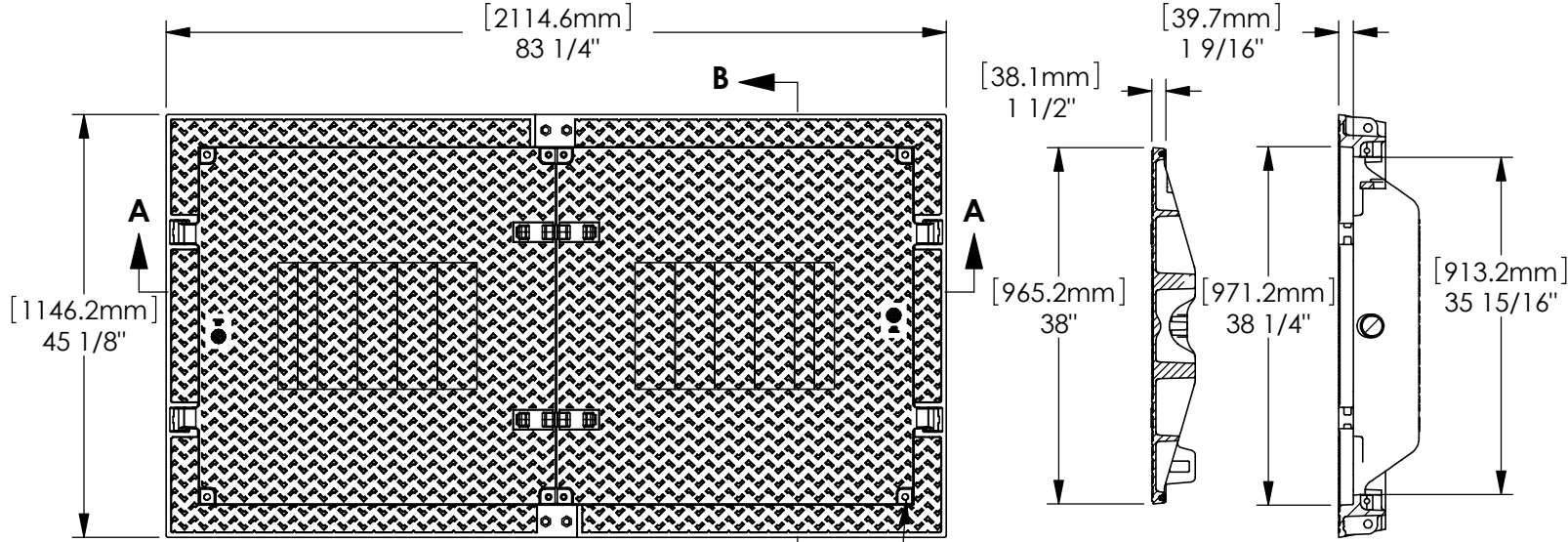
Weights (lbs/kg), dimensions (inches/mm) and drawings provided for your guidance. We reserve the right to modify specifications without prior notice.

CONFIDENTIAL: This drawing is the property of EJ Group, Inc. and embodies confidential information, registered marks, patents, trade secret information, and/or know-how that is the property of EJ Group, Inc. Copyright © 2012 EJ Group, Inc. All rights reserved.

Contact

800 626 4653
ejco.com

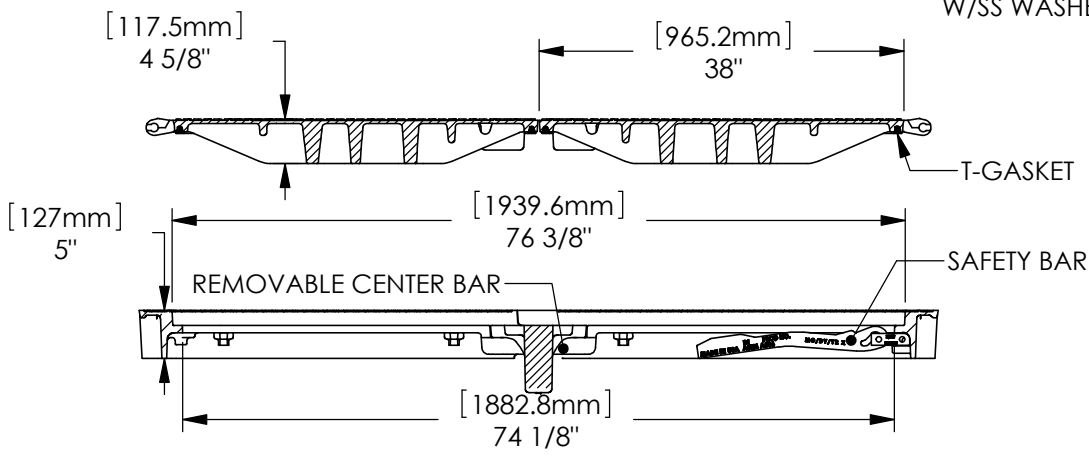
8197Z2PT 8197A1PT Assembly



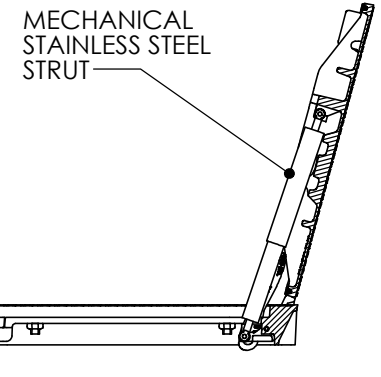
- Product Number**
00819761B03
- Design Features**
- Materials
 - Hatch Frame
Ductile Iron (70-50-05)
 - Hatch Cover
Ductile Iron (80-55-06)
 - Accessory
Ductile Iron (80-55-06)
 - Design Load
Airport Extra Heavy Duty
(Proof Load Tested to 200,000lbs.)
 - Open Area
n/a
 - Coating
Undipped
 - √ Designates Machined Surface
 - Slip Resistant Surface with the LLLL® registered trademark

(8) 1/2"-13 SS BOLTS W/SS WASHERS

SECTION B-B



SECTION A-A



- Certification**
- ASTM A536
 -
 - Country of Origin: USA

- Major Components**
- 00819713
 - 00819761
 - 00819796

- Drawing Revision**
- 11/2/2010 Designer: DEF
 - 2/6/2012 Revised by: DEF

Disclaimer
Weights (lbs/kg), dimensions (inches/mm) and drawings provided for your guidance. We reserve the right to modify specifications without prior notice.

CONFIDENTIAL: This drawing is the property of EJ Group, Inc. and embodies confidential information, registered marks, patents, trade secret information, and/or know-how that is the property of EJ Group, Inc. Copyright © 2012 EJ Group, Inc. All rights reserved.

Contact
800 626 4653
ejco.com



Americas
800 626 4653
231 536 2261

EMEA
Europe, Middle East
and Africa
+33 (0)344 08 28 00

Asia-Pacific
+61 (0)7 3216 5000

East Jordan Iron Works, Inc., East Jordan, Michigan, USA, and its affiliated companies including Norinco in France, Cavanagh in Ireland, McCoy Construction Castings in Canada, and HaveStock in Australia, are pleased to announce that since January 2012, all are conducting business under one brand, EJ.

As EJ, we will continue to provide the same quality products and excellent service that our customers have come to expect. One global name and brand will unify the company and support our vision to be the global leader in infrastructure access solutions.

EJ
301 Spring Street
PO Box 439
East Jordan, MI 49727
800 626 4653
231 536 2261
us.sales@ejco.com

Registered Mark(s)

