



SUZUKI

PARTS CATALOGUE

EN125

(LC6PCJK6)

EN125-2AK3/K7/K8

EN125HUK4/K7/K8

EN125HUZK6

PRODUCED BY DACHANGJIANG MOTORCYCLE CO. LTD.

2007-11

6TH EDITION



This part catalogue supersedes all the following part catalogue with immediate effect.

Model of catalogue	Part catalogue No.
EN125-2A(HU/HUZ X3/K4/K6/K7	9900B-20086-020

INFORMATION
ILLUSTRATION INDEX

1

ENGINE
TRANSMISSION

2

ELECTRICAL

3

BODY

4

PARTS NUMBER INDEX

5

EN125-2AK3
EN125-2AK7
EN125-2AK8



PHOTO : EN125-2AK3

EN125HUK4
EN125HUK7
EN125HUK8
EN125HUZK6



PHOTO : EN125HUK4

PREFACE

When it becomes necessary to replace parts on SUZUKI MOTORCYCLES, always use SUZUKI GENUINE PARTS which have passed a strict inspection which guarantees quality and performance.

This parts catalogue covers the list of all service parts for SUZUKI EN125-2AK3, EN125HUK4, EN125HUZK6, EN125-2AK7, EN125HUK7, EN125-2AK8, EN125HUK8.

INSTRUCTIONS FOR QUOTING THE CATALOGUE

1. DIMENSIONS

Dimensions of the parts in this catalogue are indicated in unit millimeters.

2. ABBREVIATIONS

Abbreviations used in this catalogue are as follows:

AR	: As required	NT	: Number of teeth
ASSY	: Assembly	OPT	: Optional
E.No.	: Engine number	OS	: Over size
F.No.	: Frame number	STD	: Standard
D	: Diameter of material	T	: Thickness
ID	: Inside diameter	US	: Under size
OD	: Outside diameter	W	: Width
L	: Length		
LH	: Left hand side		
RH	: Right hand side		
-100045	: Up to F.No.100045		
100046-	: From F.No.100046		

12 x 34 x 5.6 Figures in the description column
show the dimensions of parts.

ID OD T(or W, L)

12345-56781 (Parts No.) : indicates that the parts number was changed to 12345-56781 and the new parts are interchangeable with the former ones but the former ones are not interchangeable with new ones.

12345-56781 (Parts No.) : indicates that the former and new parts are interchangeable with each other and both are usable.

3. INNER PARTS OF ASSEMBLY

Part name with a dot (.) in front as shown in the description column indicates the component of the assembly also available individually.

4. MODIFICATION NOTICE

A parts bulletin will be sent to you on all occasions when changes in parts occur, including interchangeable modifications between new parts and old ones.

5. NOTE

- 5-1. There are some different parts from those of production models among spare parts for the administrative reasons and common use of them with other models.
- 5-2. In respect of rubber hoses and vinyl tubes, please be sure to use them by cutting off according to the length mentioned on parts catalogue or what is actually required on the vehicle.
- 5-3. Note that the drawings on the illustration page are for ready reference of spare parts number, not to be used as an assembly manual.
When assembling, use "SUZUKI SERVICE MANUAL".

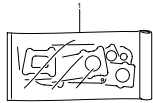
6. SPECIFICATION CODE

This catalogue contains the parts for the model designed for the following spec.;
spec. code: P71.

7. SERIAL FRAME NUMBER

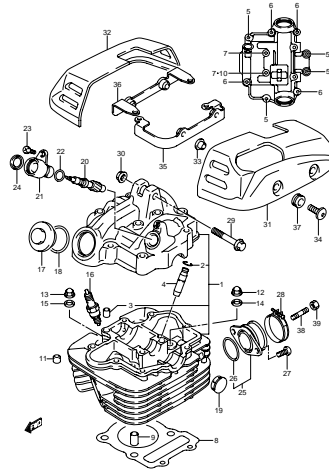
EN125-2AK3 : LC6PCJK6 30100001 ~
EN125HUK4 : LC6PCJK6 40100001 ~
EN125HUZK6 : LC6PCJK6 40100001 ~
EN125-2AK7 : LC6PCJK6 70802760 ~
EN125HUK7 : LC6PCJK6 70803699 ~
EN125-2AK8 : LC6PCJK6 80800001 ~
EN125HUK8 : LC6PCJK6 80800001 ~

FIG.1 GASKET SET (B-2)



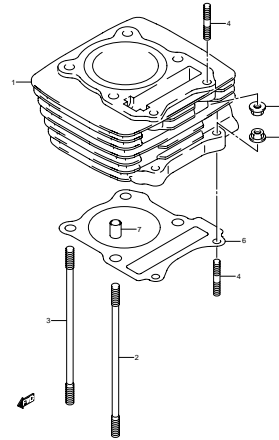
EN125-2AK3 P71_001
GASKET SET-C

FIG.2 CYLINDER HEAD (B-3)



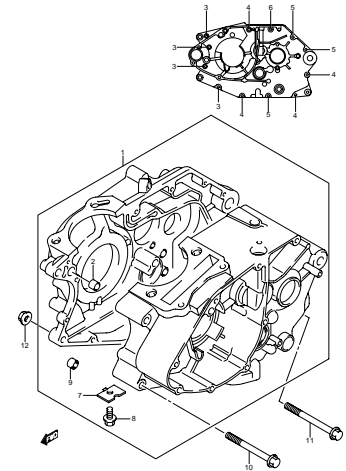
EN125-2AK3 P71_002
CYLINDER HEAD-C

FIG.3 CYLINDER (B-5)



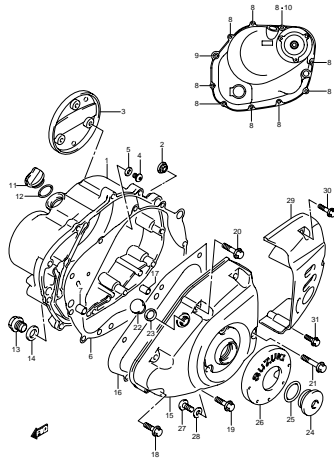
EN125-2AK3 P71_003
CYLINDER-C

FIG.4 CRANKCASE (B-6)



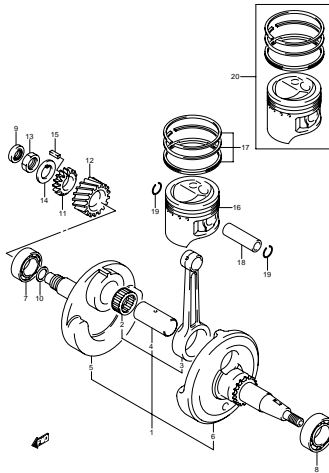
EN125-2AK3 P71_004
CRANKCASE-C

FIG.5 CRANKCASE COVER (B-7)



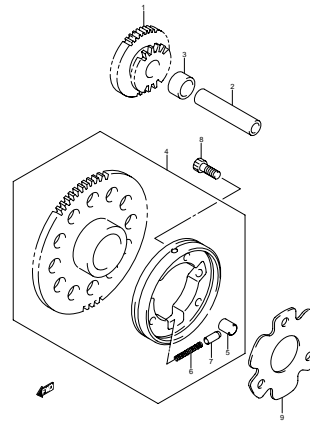
EN125-2AK3 P71_005
CRANKCASE COVER-C

FIG.6 CRANKSHAFT (B-9)



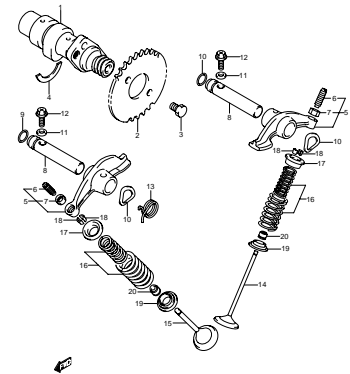
EN125-2AK3 P71_006
CRANKSHAFT-C

FIG.7 STARTER CLUTCH (B-11)



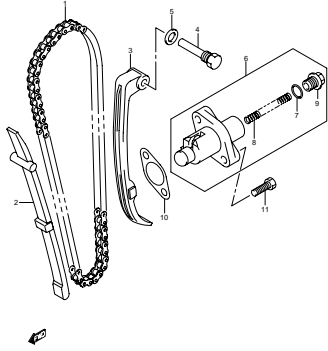
EN125-2AK3 P71_007
STARTER CLUTCH-C

FIG.8 CAM SHAFT - VALVE (C-2)



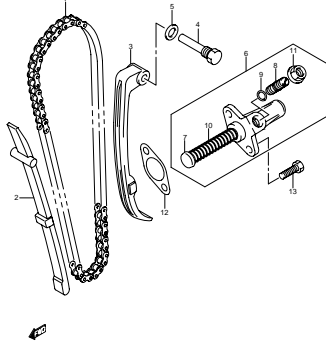
EN125-2AK3 P71_008
CAM SHAFT / VALVE-C

FIG. 9 CAM CHAIN (EN125-2AK3/K7/K8) (C-3)



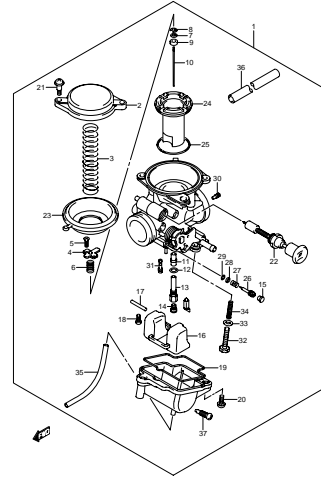
EN125-2AK3 P71_009
CAM CHAIN-C

FIG. 9A CAM CHAIN (EN125HUK4/HUK6/HUK7/HUK8) (C-4)



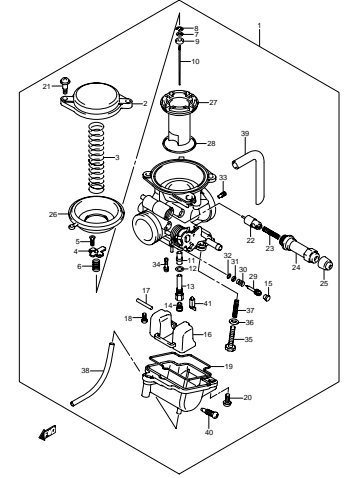
EN125-2AK3 P71_009A
CAM CHAIN-C

FIG. 10 CARBURETOR (EN125-2AK3) (C-5)



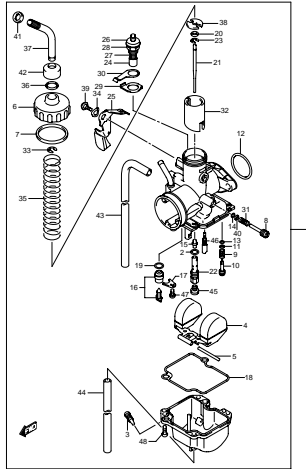
EN125-2AK3 P71_010
CARBURETOR-C

FIG. 10A CARBURETOR (EN125-2AK7/K8) (C-7)



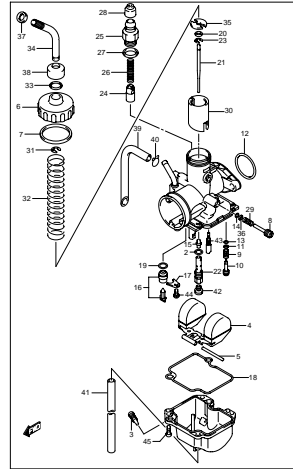
EN125-2AK3 P71_010A
CARBURETOR-C

FIG. 10B CARBURETOR (EN125HUK4/HUK6) (C-9)



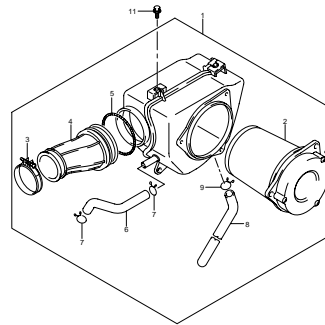
EN125-2AK3 P71_010B
CARBURETOR-C

FIG. 10C CARBURETOR (EN125HUK7/HUK8) (C-11)



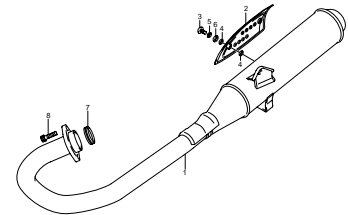
EN125-2AK3 P71_010C
CARBURETOR-C

FIG. 11 AIR CLEANER (C-13)



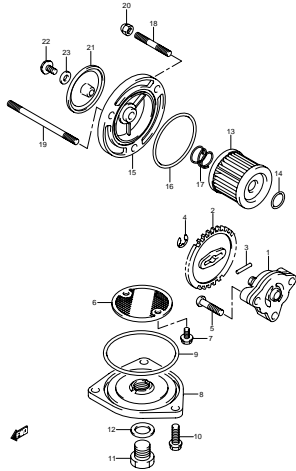
EN125-2AK3 P71_011
AIR CLEANER-C

FIG. 12 MUFFLER (C-14)



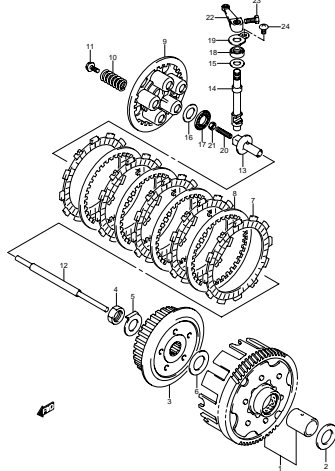
EN125-2AK3 P71_012
MUFFLER-C

FIG.13 OIL PUMP (C-15)



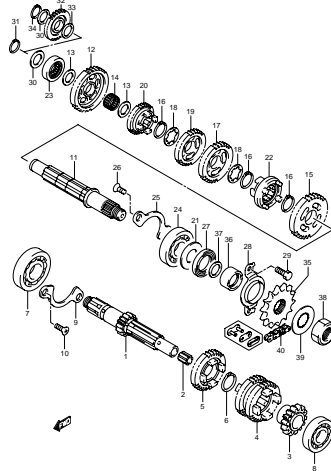
EN125-2AK3 P71_013
OIL PUMP-C

FIG.14 CLUTCH (D-2)



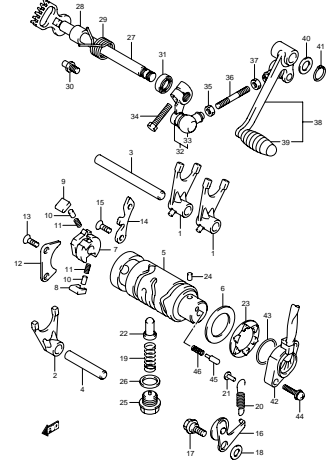
EN125-2AK3 P71_014
CLUTCH-C

FIG.15 TRANSMISSION (D-3)



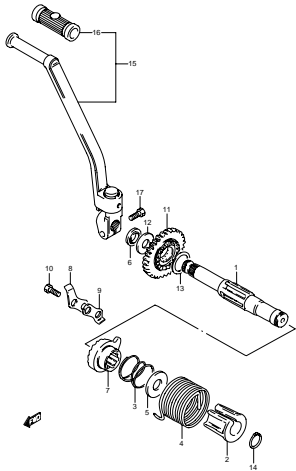
EN125-2AK3 P71_015
TRANSMISSION-C

FIG.16 GEAR SHIFTING (D-5)



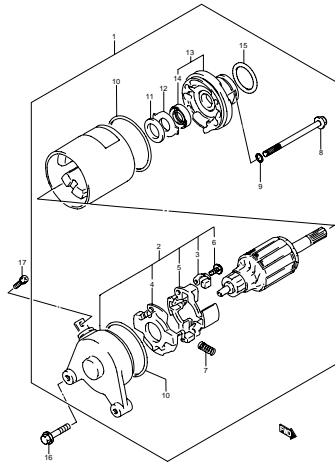
EN125-2AK3 P71_016
GEAR SHIFTING-C

FIG.16A KICK STARTER (EN125HUK4/HUK7/
HUK8/HUZK6) (D-7)



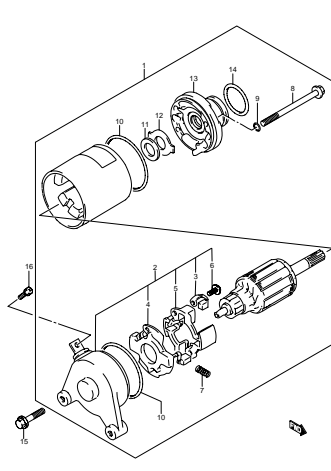
EN125-2AK3 P71_016A
GEAR SHIFTING-C

FIG.17 STARTING MOTOR (DAICHOKOU) (D-8)



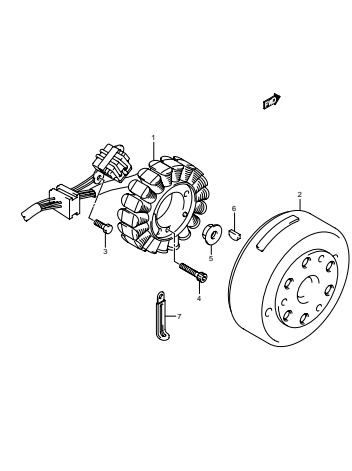
EN125-2AK3 P71_017
STARTING MOTOR-C

FIG.17A STARTING MOTOR (DENSO) (D-9)



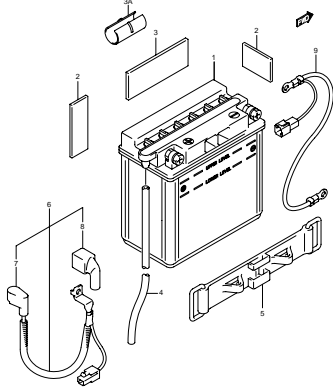
EN125-2AK3 P71_017A
STARTING MOTOR-C

FIG.18 MAGNETO (D-10)



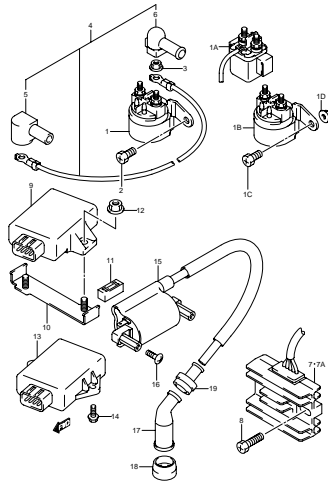
EN125-2AK3 P71_018
MAGNETO-C

FIG.19 BATTERY (D-11)



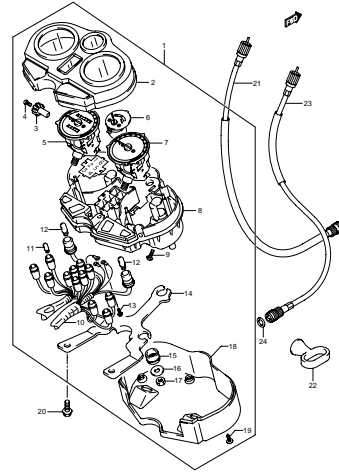
EN125-2AK3 P71_019
BATTERY-C

FIG.20 ELECTRICAL (D-12)



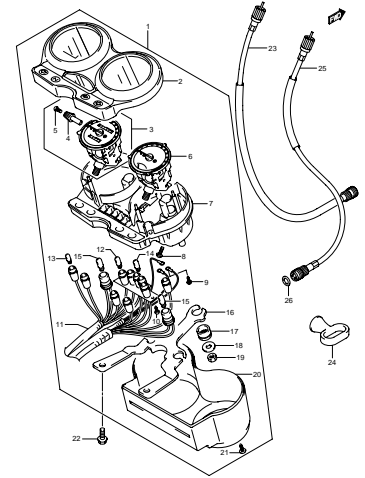
EN125-2AK3 P71_020
ELECTRICAL-C

FIG.21 SPEEDOMETER (EN125-2AK3/
EN125HUK4/HUK6) (D-13)



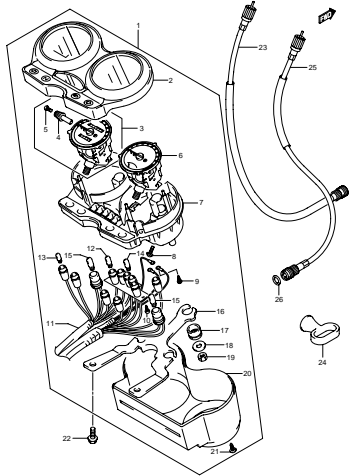
EN125-2AK3 P71_021
SPEEDOMETER-C

FIG.21A SPEEDOMETER (EN125-2AK7/
EN125HUK7) (D-14)



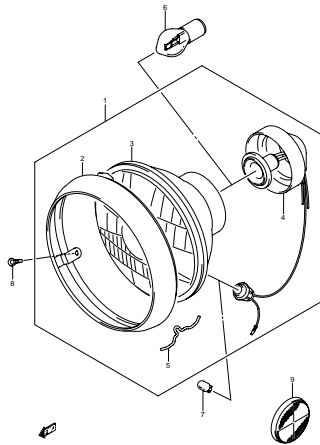
EN125-2AK3 P71_021A
SPEEDOMETER-C

FIG.21B SPEEDOMETER (EN125-2AK8/
EN125HUK8) (D-15)



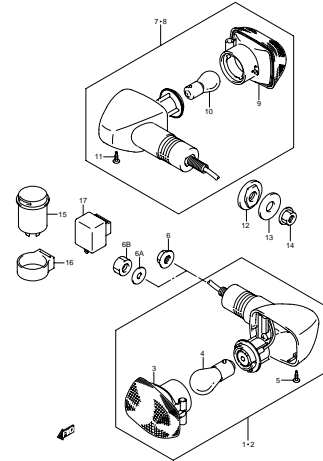
EN125-2AK3 P71_021B
SPEEDOMETER-C

FIG.22 HEADLAMP (E-2)



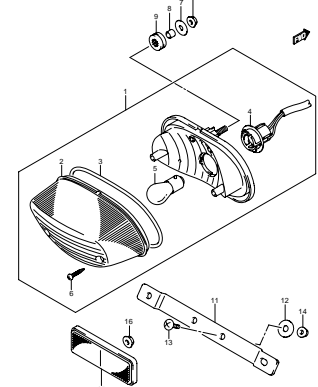
EN125-2AK3 P71_022
HEADLAMP-C

FIG.23 TURN SIGNAL LAMP (E-3)



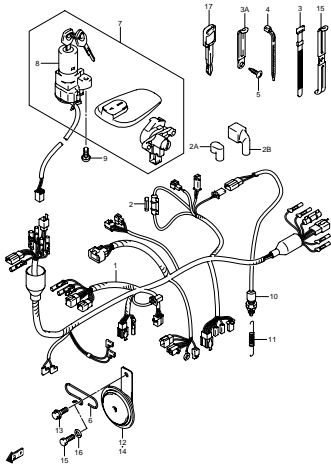
EN125-2AK3 P71_023
TURN SIGNAL LAMP-C

FIG.24 REAR COMBINATION LAMP (E-4)



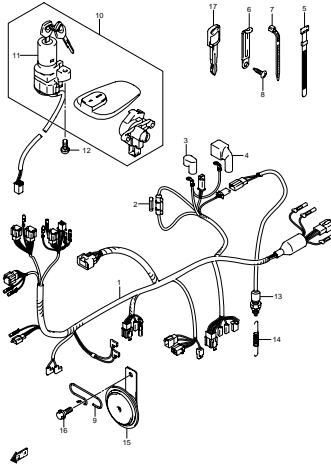
EN125-2AK3 P71_024
REAR COMBINATION LAMP-C

FIG. 25 WIRING HARNESS (EN125-2AK3/
EN125HUK4/EN125HUZK6) (E-5)



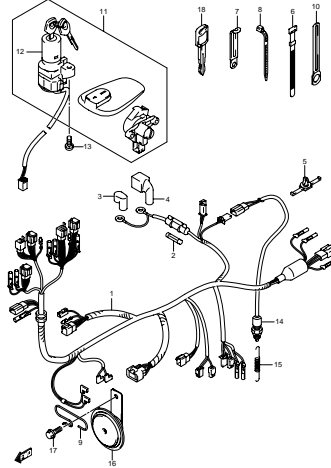
EN125-2AK3 P71_025
WIRING HARNESS-C

FIG. 25A WIRING HARNESS (EN125-2AK7/
EN125HUK7) (E-6)



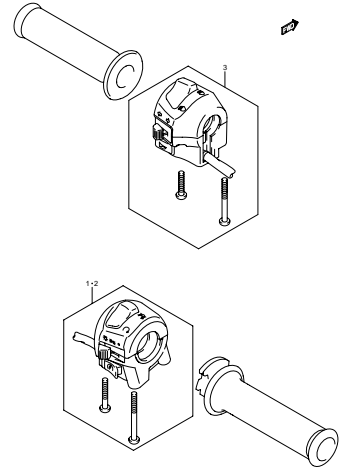
EN125-2AK3 P71_025A
WIRING HARNESS-C

FIG. 25B WIRING HARNESS (EN125-2AK8/
EN125HUK8) (E-7)



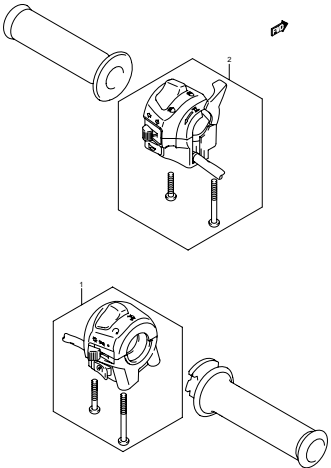
EN125-2AK3 P71_025B
WIRING HARNESS-C

FIG. 25C HANDLE SWITCH (EN125HUK4/
UZK6) (E-8)



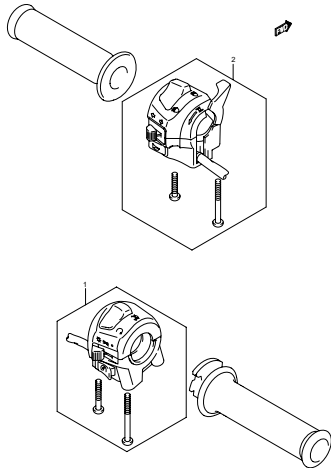
EN125-2AK3 P71_025C
HANDLE SWITCH-C

FIG. 25D HANDLE SWITCH (EN125-2AK7/
EN125HUK7) (E-9)



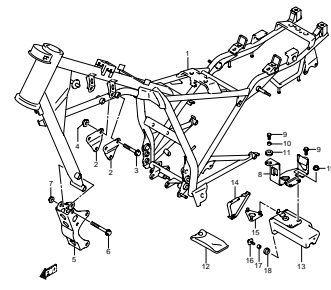
EN125-2AK3 P71_025D
HANDLE SWITCH-C

FIG. 25E HANDLE SWITCH (EN125-2AK8/
EN125HUK8) (E-10)



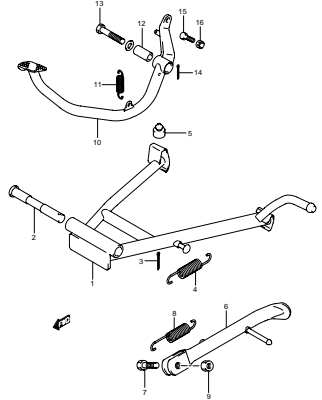
EN125-2AK3 P71_025E
HANDLE SWITCH-C

FIG. 26 FRAME (F-2)



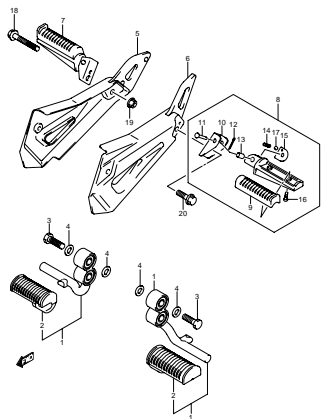
EN125-2AK3 P71_026
FRAME-C

FIG. 27 STAND (F-3)



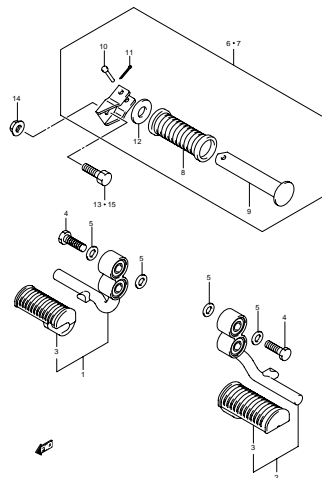
EN125-2AK3 P71_027
STAND-C

FIG.28 FOOTREST (EN125-2AK3/AK7/AK8) (F-4)



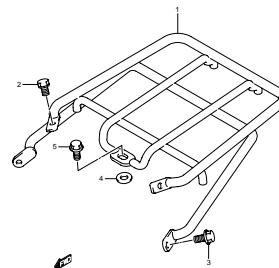
EN125-2AK3 P71_028
FOOTREST-C

FIG.28A FOOTREST (EN125HUK4/HUZK6/HUK7/HUK8) (F-5)



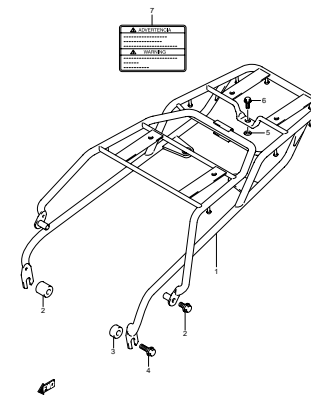
EN125-2AK3 P71_028A
FOOTREST-C

FIG.29 CARRIER (EN125-2AK3/AK7/AK8) (F-6)



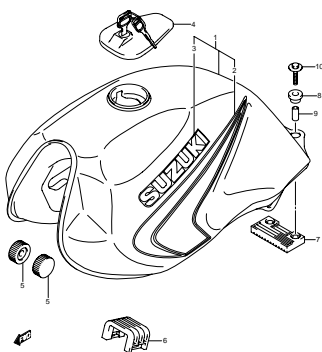
EN125-2AK3 P71_029
CARRIER-C

FIG.29A CARRIER (EN125HUK4/HUZK6/HUK7/HUK8) (F-7)



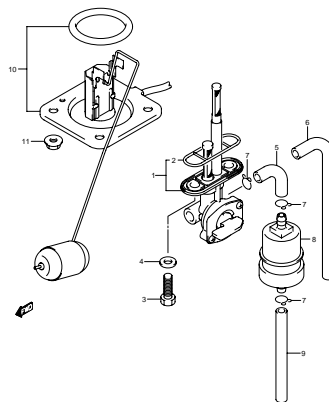
EN125-2AK3 P71_029A
CARRIER-C

FIG.30 FUEL TANK (F-8)



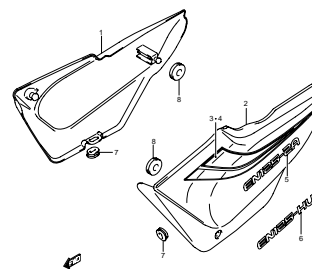
EN125-2AK3 P71_030
FUEL TANK-C

FIG.31 FUEL COCK (F-9)



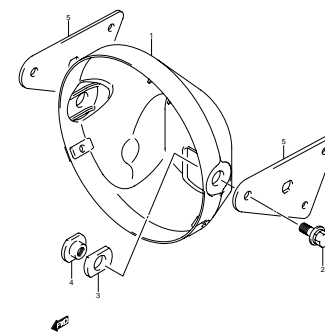
EN125-2AK3 P71_031
FUEL COCK-C

FIG.32 FRAME COVER (F-10)



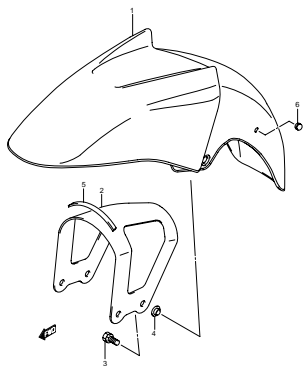
EN125-2AK3 P71_032
FRAME COVER-C

FIG.33 HEADLAMP HOUSING (F-11)



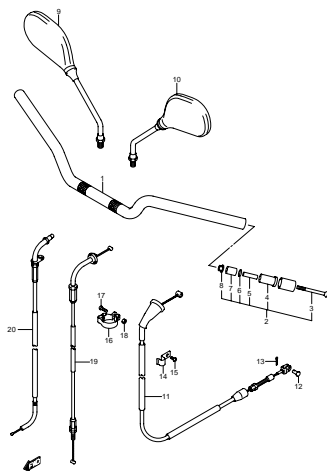
EN125-2AK3 P71_033
HEADLAMP HOUSING-C

FIG.34 FRONT FENDER (F-12)



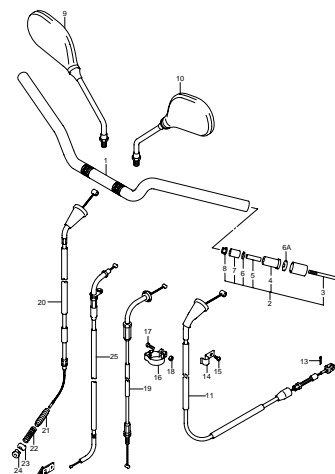
EN125-2AK3 P71_034
FRONT FENDER-C

FIG.35 HANDLEBAR (EN125-2AK3/AK7/AK8) (F-13)



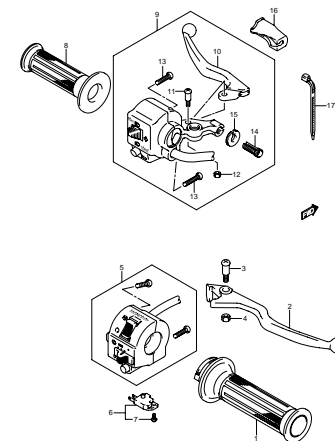
EN125-2AK3 P71_035
HANDLEBAR-C

FIG.35A HANDLEBAR (EN125HUK4/HUZK6/HUK7/HUK8) (F-14)



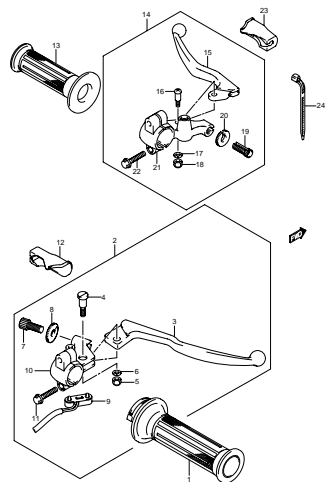
EN125-2AK3 P71_035A
HANDLEBAR-C

FIG.36 HANDLE LEVER (EN125-2AK3/AK7/AK8) (G-2)



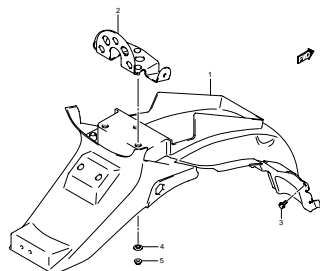
EN125-2AK3 P71_036
HANDLE LEVER-C

FIG.36A HANDLE LEVER (EN125HUK4/HUZK6/HUK7/HUK8) (G-3)



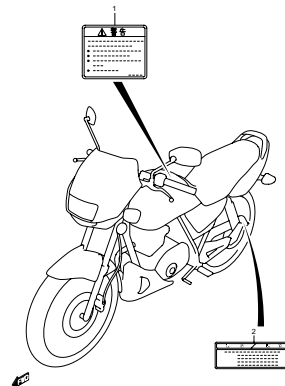
EN125-2AK3 P71_036A
HANDLE LEVER-C

FIG.37 REAR FENDER (G-4)



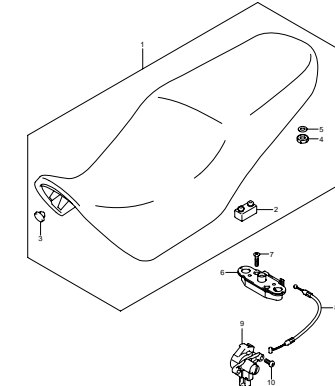
EN125-2AK3 P71_037
REAR FENDER-C

FIG.38 LABEL (G-5)



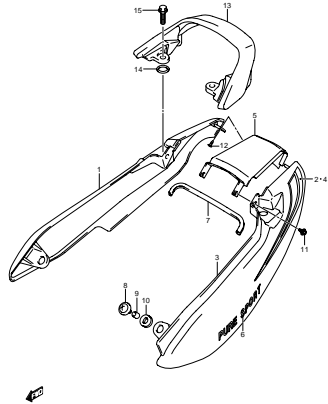
EN125-2AK3 P71_038
LABEL-C

FIG.39 SEAT (H-2)



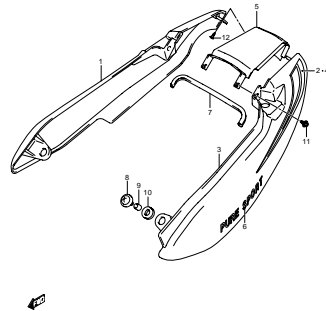
EN125-2AK3 P71_039
SEAT-C

FIG.40 SEAT TAIL COVER (EN125-2AK3) (H-3)



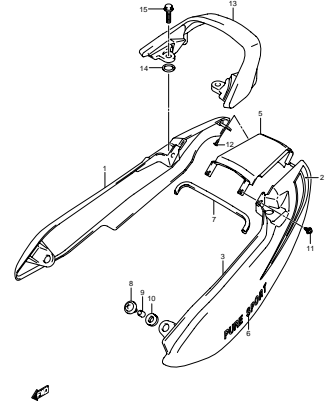
EN125-2AK3 P71_040
SEAT TAIL COVER-C

FIG.40A SEAT TAIL COVER (EN125HUK4/HUK6) (H-4)



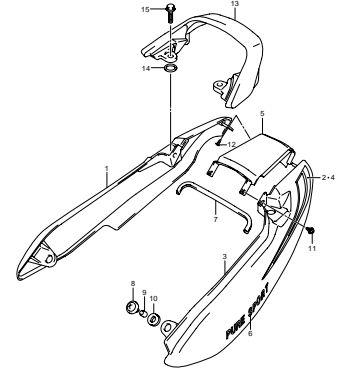
EN125-2AK3 P71_040A
SEAT TAIL COVER-C

FIG.40B SEAT TAIL COVER (EN125-2AK7/HUK7) (H-5)



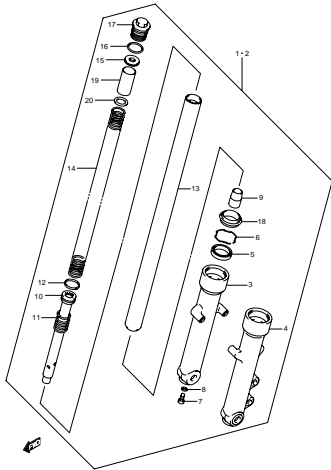
EN125-2AK3 P71_040B
SEAT TAIL COVER-C

FIG.40C SEAT TAIL COVER (EN125-2AK8/HUK8) (H-6)



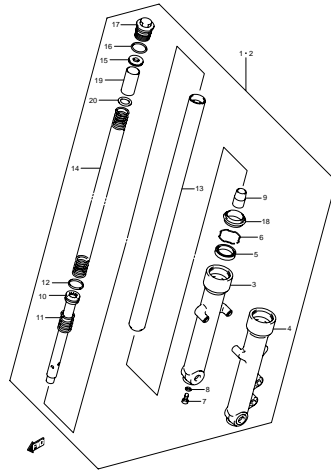
EN125-2AK3 P71_040C
SEAT TAIL COVER-C

FIG.41 FRONT DAMPER EN125-2AK3 : ORDER FROM SMC (JAPAN) (H-7)



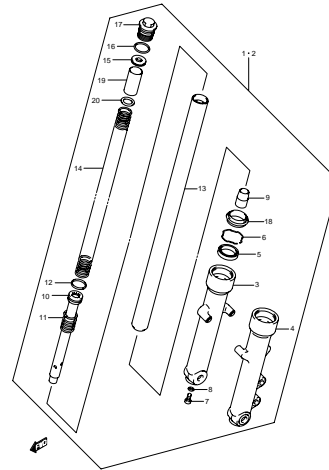
EN125-2AK3 P71_041
FRONT DAMPER-C

FIG.41A FRONT DAMPER (EN125-2AK3) : ORDER FROM SMC (JAPAN) (H-8)



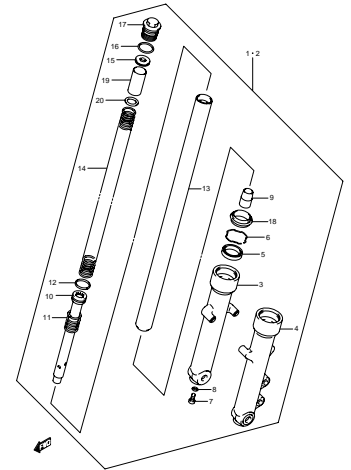
EN125-2AK3 P71_041A
FRONT DAMPER-C

FIG.41B FRONT DAMPER (EN125-2AK3) : ORDER FROM DACHANGJIANG (CHINA) (H-9)



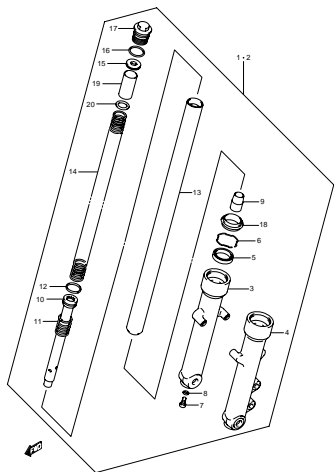
EN125-2AK3 P71_041B
FRONT DAMPER-C

FIG.41C FRONT DAMPER (EN125-2AK3) : ORDER FROM SMC (JAPAN) (H-10)



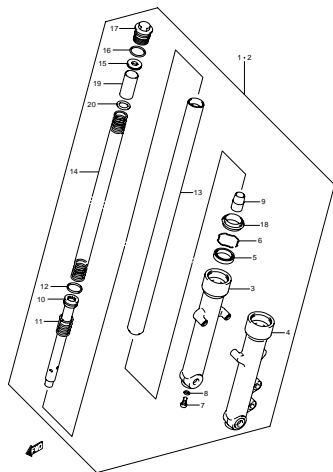
EN125-2AK3 P71_041C
FRONT DAMPER-C

FIG.41D FRONT DAMPER (EN125HUK4) : ORDER FROM DACHANGJIANG (CHINA) (H-11)



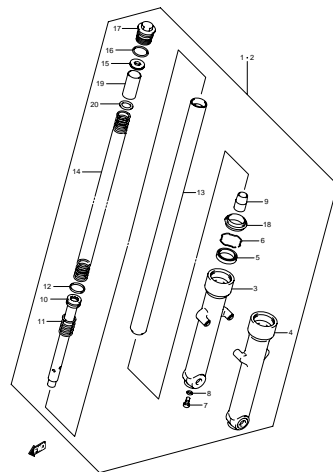
EN125-2AK3 P71_041D
FRONT DAMPER-C

FIG.41E FRONT DAMPER (EN125HUK4/HUK6/-2AK7/-2AK8) : ORDER FROM SMC (JAPAN) (H-12)



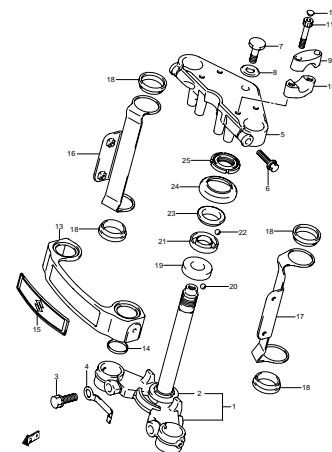
EN125-2AK3 P71_041E
FRONT DAMPER-C

FIG.41F FRONT DAMPER (EN125HUK7/HUK8) : ORDER FROM SMC (JAPAN) (H-13)



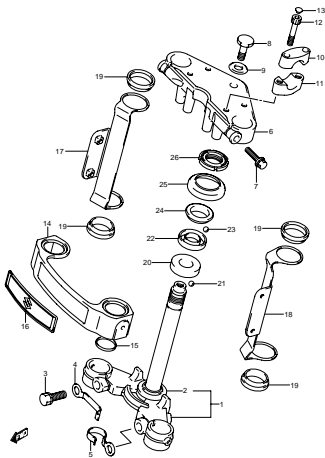
EN125-2AK3 P71_041F
FRONT DAMPER-C

FIG.42 STEERING STEM (EN125-2AK3/-2AK7/-2AK8) (H-14)



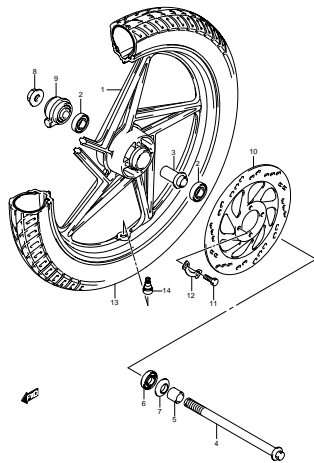
EN125-2AK3 P71_042
STEERING STEM-C

FIG.42A STEERING STEM (EN125HUK4/HUK6/HUK7/HUK8) (H-15)



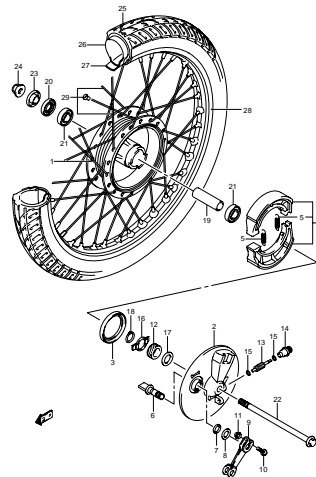
EN125-2AK3 P71_042A
STEERING STEM-C

FIG.43 FRONT WHEEL (EN125-2AK3/-2AK7/-2AK8) (I-2)



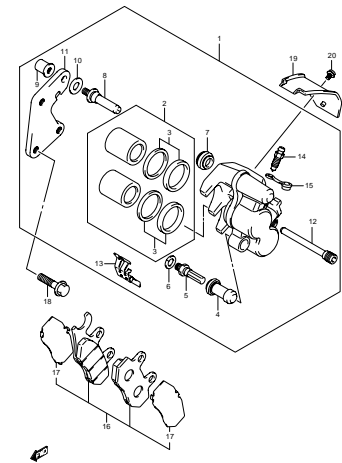
EN125-2AK3 P71_043
FRONT WHEEL-C

FIG.43A FRONT WHEEL (EN125HUK4/HUK6/HUK7) (I-3)



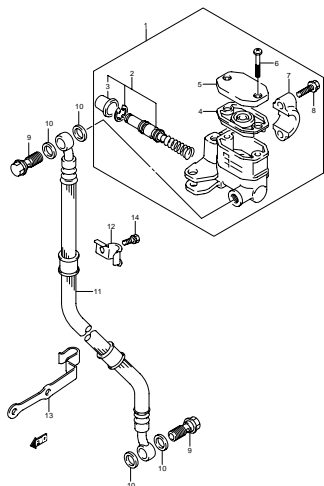
EN125-2AK3 P71_043A
FRONT WHEEL-C

FIG.44 FRONT CALIPER (EN125-2AK3/-2AK7/-2AK8) (I-4)



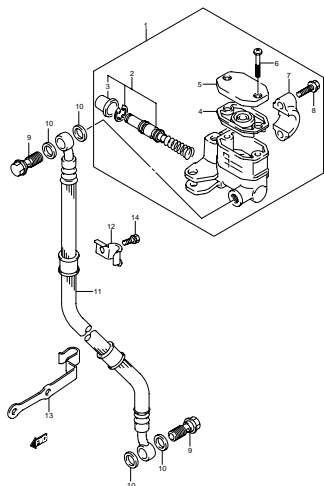
EN125-2AK3 P71_044
FRONT CALIPER-C

FIG. 45 FRONT MASTER CYLINDER (EN125-2AK3) (I-5)



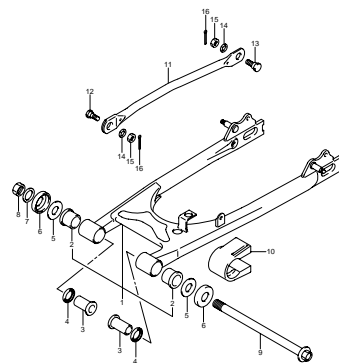
EN125-2AK3 P71_045
FRONT MASTER CYLINDER-C

FIG. 45A FRONT MASTER CYLINDER (EN125-2AK7/-2AK8) (I-6)



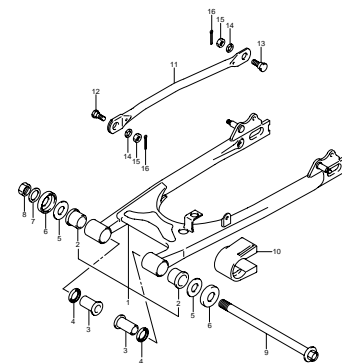
EN125-2AK3 P71_045A
FRONT MASTER CYLINDER-C

FIG. 46 REAR SWINGING ARM (EN125-2AK3/HUK4/HUK6) (I-7)



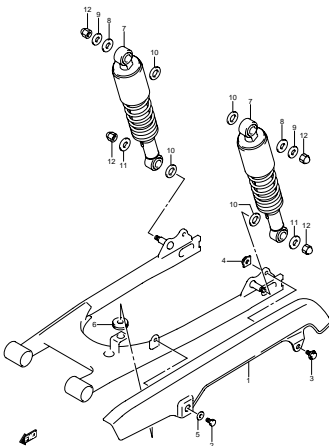
EN125-2AK3 P71_046
REAR SWINGING ARM-C

FIG. 46A REAR SWINGING ARM (EN125-2AK7/HUK7/-2AK8/HUK8) (I-8)



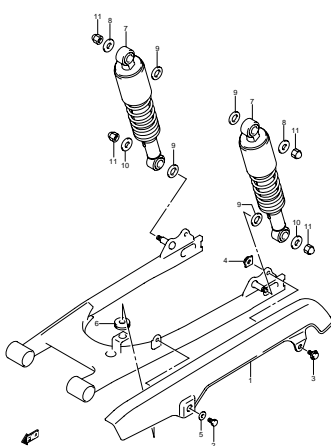
EN125-2AK3 P71_046A
REAR SWINGING ARM-C

FIG. 47 CHAIN CASE (EN125-2AK3/-2AK7/-2AK8) (I-9)



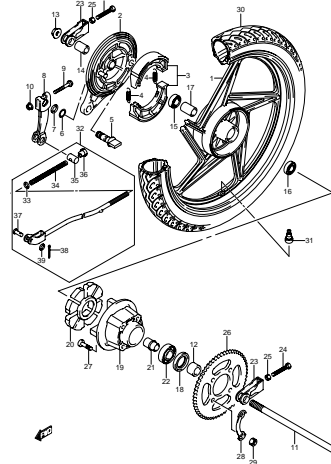
EN125-2AK3 P71_047
CHAIN CASE-C

FIG. 47A CHAIN CASE (EN125HUK4/HUK6/HUK7/HUK8) (I-10)



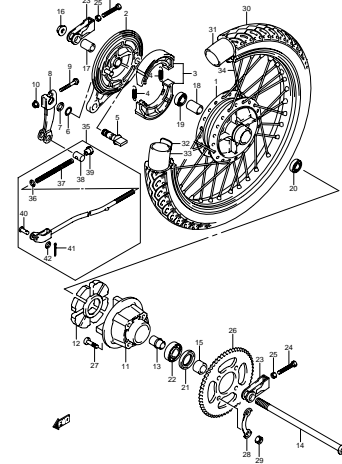
EN125-2AK3 P71_047A
CHAIN CASE-C

FIG. 48 REAR WHEEL (EN125-2AK3) (I-11)



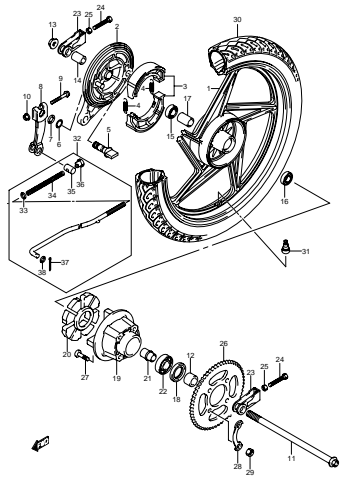
EN125-2AK3 P71_048
REAR WHEEL-C

FIG. 48A REAR WHEEL (EN125HUK4/HUK6) (I-13)



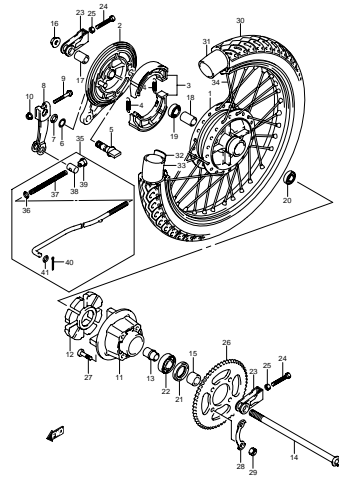
EN125-2AK3 P71_048A
REAR WHEEL-C

FIG.48B REAR WHEEL (EN125-2AK7/-2AK8)
(J-2)



EN125-2AK3 P71_048B
REAR WHEEL-C

FIG.48C REAR WHEEL (EN125HUK7/HUK8)
(J-4)



EN125-2AK3 P71_048C
REAR WHEEL-C

FIG.1

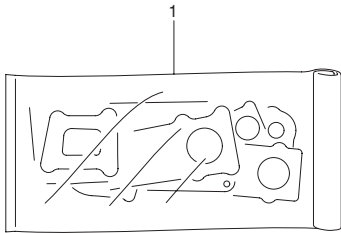


FIG.1 (B-2) GASKET SET

REF NO.	PART NO.	DESCRIPTION	Q'TY	REMARKS
1-1	11402-12851	GASKET SET	1	OPT EN125 - 2AK3/K7/K8
1-2	11402-05831	GASKET SET	1	OPT EN125HUK4/HUZK6/HUK7/HUK8
2-1	11141-12F50	-GASKET CYLINDER HEAD	1	EN125 - 2AK3 NOT SHOWN
2-2	11141-05202	-GASKET CYLINDER HEAD	1	EN125HUK4/HUZK6/HUK7/HUK8 NOT SHOWN
3	11241-05311	-GASKET ,CYLINDER(NA)	1	NOT SHOWN
4-1	11482-05311	-GASKET ,CLUTCH COVER	1	EN125 - 2AK3/K7/K8 NOT SHOWN
4-2	11482-05211	-GASKET CLUTCH COVER	1	EN125HUK4/HUZK6/HUK7/HUK8 NOT SHOWN
5	11483-05312	-GASKET ,MAGNETO COVER	1	NOT SHOWN
6	12837-32410	-GASKET ,TENSIONER ADJUSTER	1	NOT SHOWN
7	14181-14D00	-GASKET ,EXHAUST PIPE	1	NOT SHOWN
8	09280-13004	-O RING (D:1.9 ,ID:13)	1	NOT SHOWN
9	09280-30001	-O RING (D:3 ,ID:29.5)	2	NOT SHOWN
10	09280-32006	-O RING (D:2.4 ,ID:31.7)	1	NOT SHOWN
11	09280-54001	-O RING (D:2.4 ,ID:52.6)	1	NOT SHOWN
12	09280-60005	-O RING	1	NOT SHOWN

FIG.2

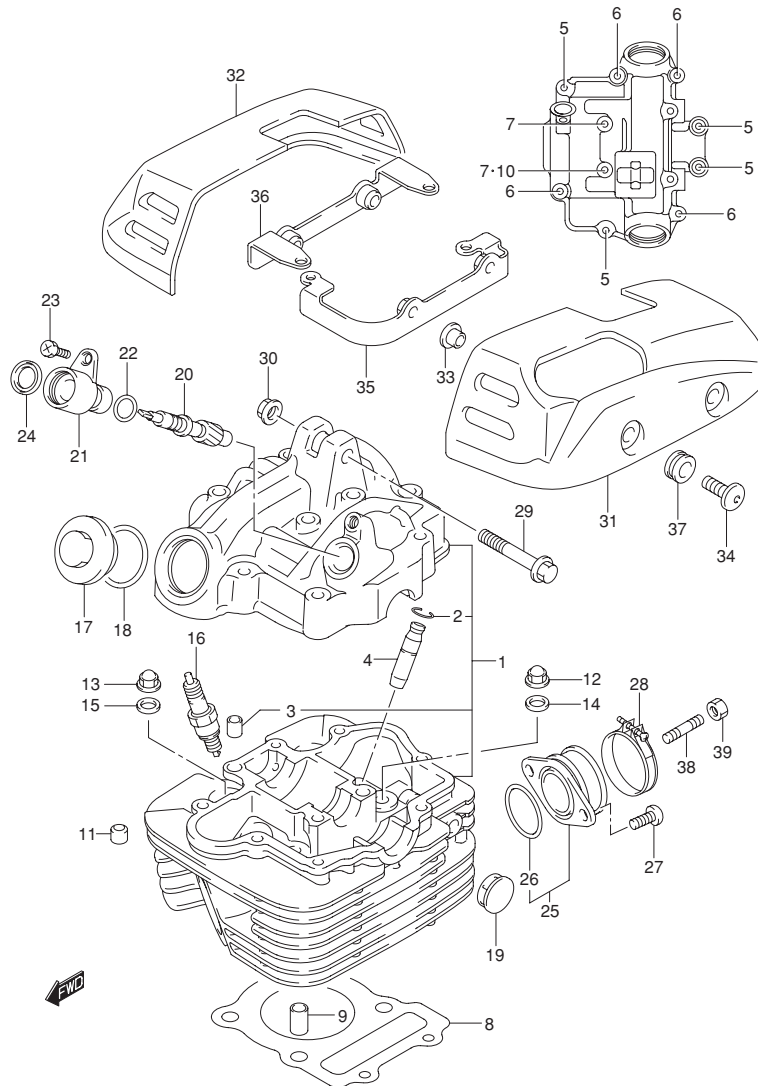


FIG.2 (B-3) CYLINDER HEAD

REF NO.	PART NO.	DESCRIPTION	Q'TY	REMARKS
1-1	11100-12F50	HEAD ASSY ,CYLINDER	1	EN125 - 2AK3/K7/K8
1-2	11100-12F70	HEAD ASSY ,CYLINDER	1	EN125HUK4/HUZK6/HUK7/HUK8
2	09381-10004	·RING , VALVE GUIDE	2	
3	09206-08001	·PIN	2	
4	11115-12F70	GUIDE , VALVE (OS:0.3)	2	OPT
5	01550-06357	BOLT (6X35)	4	
6-1	01550-06407	BOLT (6X40)	4	EN125 - 2AK3/K7/K8
6-2	01550-06357	BOLT (6X35)	4	EN125HUK4/HUZK6/HUK7/HUK8
7	01550-06607	BOLT (6X60)	2	
8-1	11141-12F50	GASKET ,CYLINDER HEAD	1	EN125 - 2AK3/K7/K8
8-2	11141-05202	GASKET ,CYLINDER HEAD	1	EN125HUK4/HUZK6/HUK7/HUK8
9	04211-11169	PIN , CYLINDER HEAD	2	
10	09168-06023	WASHER	1	
11-1	11151-45000	PAD ,RUBBER	16	EN125 - 2AK3/K7/K8
11-2	11151-45000	PAD ,RUBBER	6	EN125HUK4/HUZK6/HUK7/HUK8
12	09159-08049	NUT	2	
13	09159-08049	NUT	2	
14	09168-08032	GASKET (8.5X17X2.3)	2	
15	09168-08032	GASKET (8.5X17X2.3)	2	
16-1	09482-00456	SPARK PLUG (NGK ,CR8E)	1	
16-2	09482-00578	SPARK PLUG (B8RC)	1	
16-3	09482-00516	SPARK PLUG (NGK ,CR7E)	1	OPT
16-4	09482-00458	SPARK PLUG (NGK ,CR9E)	1	OPT
16-5	09482-00515	SPARK PLUG (ND J22ESR - N)	1	OPT
16-6	09482-00459	SPARK PLUG (ND J27ESR - N)	1	OPT
16-7	09482-00577	SPARK PLUG (B7RC)	1	OPT
17	11175-18910	CAP , INSPECTION	2	
18	09280-30001	O RING (D:3.0 ,ID:29.5)	2	
19	09241-22002	PLUG , HEAD	1	
20	26431-05220	GEAR , TACHOMETER DRIVEN	1	
21	26441-49000	SLEEVE	1	
22	26451-45000	SEAL BAND	1	
23	09128-05101	SCREW	1	
24	09289-05002	OIL SEAL	1	

FIG.2

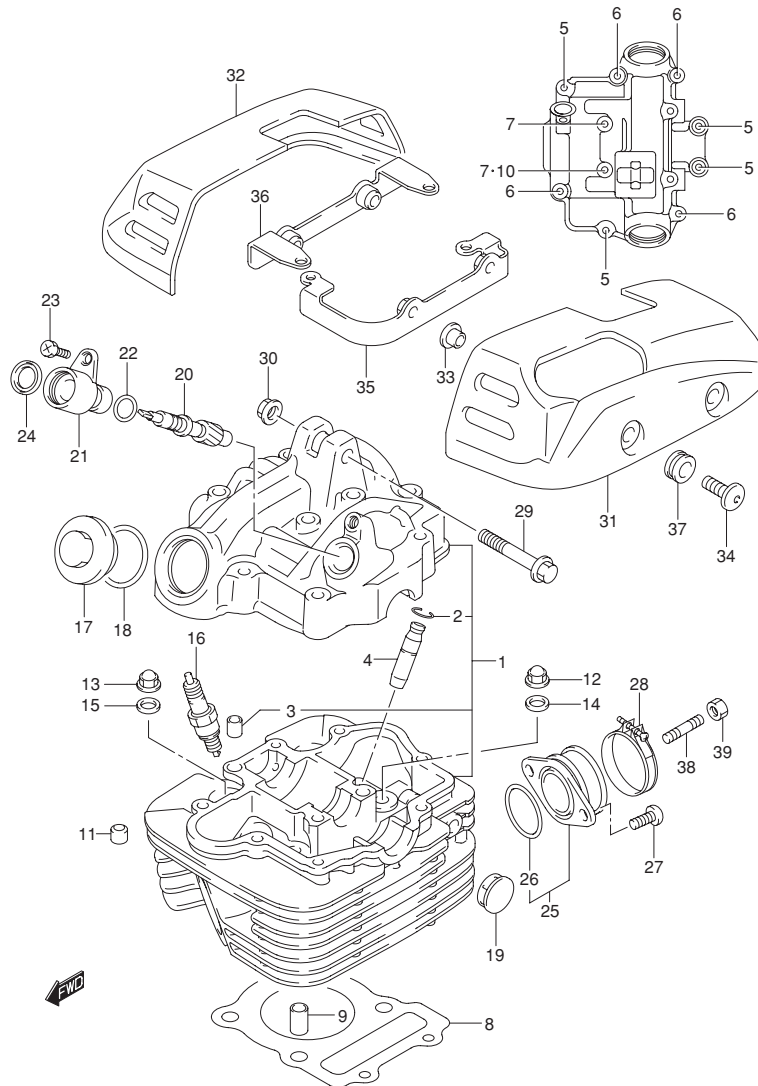


FIG.2 (B-4) CYLINDER HEAD

REF NO.	PART NO.	DESCRIPTION	Q'TY	REMARKS
25-1	13101-053A0	PIPE ASSY ,INTAKE	1	EN125 - 2AK3/K7/K8
25-2	13101-053B0	PIPE ASSY ,INTAKE	1	EN125HUK4/HUZK6/HUK7/HUK8
26	09280-32006	-O RING (D:2.4 ,ID:31.7)	1	
27-1	02122-0616B	SCREW	2	EN125 - 2AK3/K7/K8
27-2	01547-0616B	BOLT	2	EN125HUK4/HUZK6/HUK7/HUK8
28	13170-12F50	CLAMP	1	EN125 - 2AK3/K7/K8
29	09103-08081	BOLT (8X50)	1	
30	08319-3108A	NUT	1	
31	11171-12F50	CAP ,CYLINDER HEAD COVER , LH	1	EN125 - 2AK3/K7/K8
32	11172-12F50	CAP ,CYLINDER HEAD COVER , RH	1	EN125 - 2AK3/K7/K8
33	11177-12F50	SPACER ,HEAD COVER CAP	4	EN125 - 2AK3/K7/K8
34	11178-12F50	BOLT	4	EN125 - 2AK3/K7/K8
35	11179-12F50	BRACKET ,CYLINDER HEAD CAP , LH	1	EN125 - 2AK3/K7/K8
36	11179-12F60	BRACKET ,CYLINDER HEAD CAP , RH	1	EN125 - 2AK3/K7/K8
37	11181-12F50	CUSHION ,HEAD COVER CAP	4	EN125 - 2AK3/K7/K8
38	01421-0616B	BOLT ,INTAKE PIPE STUD	2	EN125HUK4/HUZK6/HUK7/HUK8
39	08310-0006A	NUT	2	EN125HUK4/HUZK6/HUK7/HUK8

FIG.3

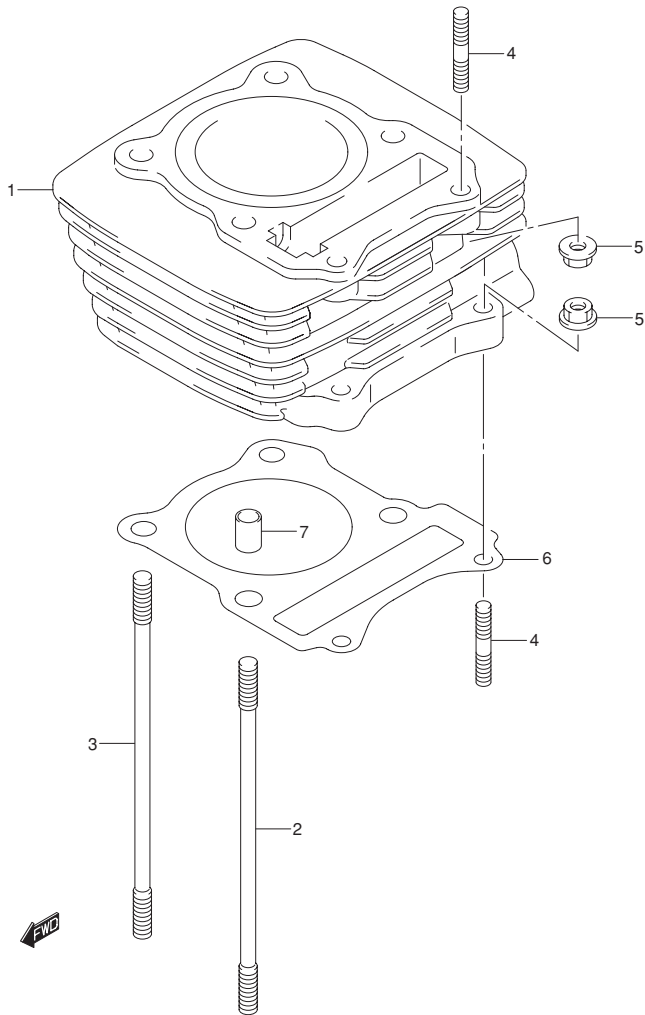


FIG.3 (B-5) CYLINDER

REF NO.	PART NO.	DESCRIPTION	Q'TY	REMARKS
1-1	11210-12F50-0F0	CYLINDER	1	EN125 - 2AK3/K7/K8
1-2	11210-05203-0F0	CYLINDER	1	EN125HUK4/HUZK6/HUK7/HUK8
2	09108-08062	STUD BOLT (L:150)	2	
3	09108-08089	STUD BOLT (L:155)	2	
4	01421-0625A	STUD BOLT (L:25)	4	
5	08316-10067	NUT	4	
6	11241-05311	GASKET ,CYLINDER (NA)	1	
7	04211-11169	PIN (L:16)	2	

FIG.4

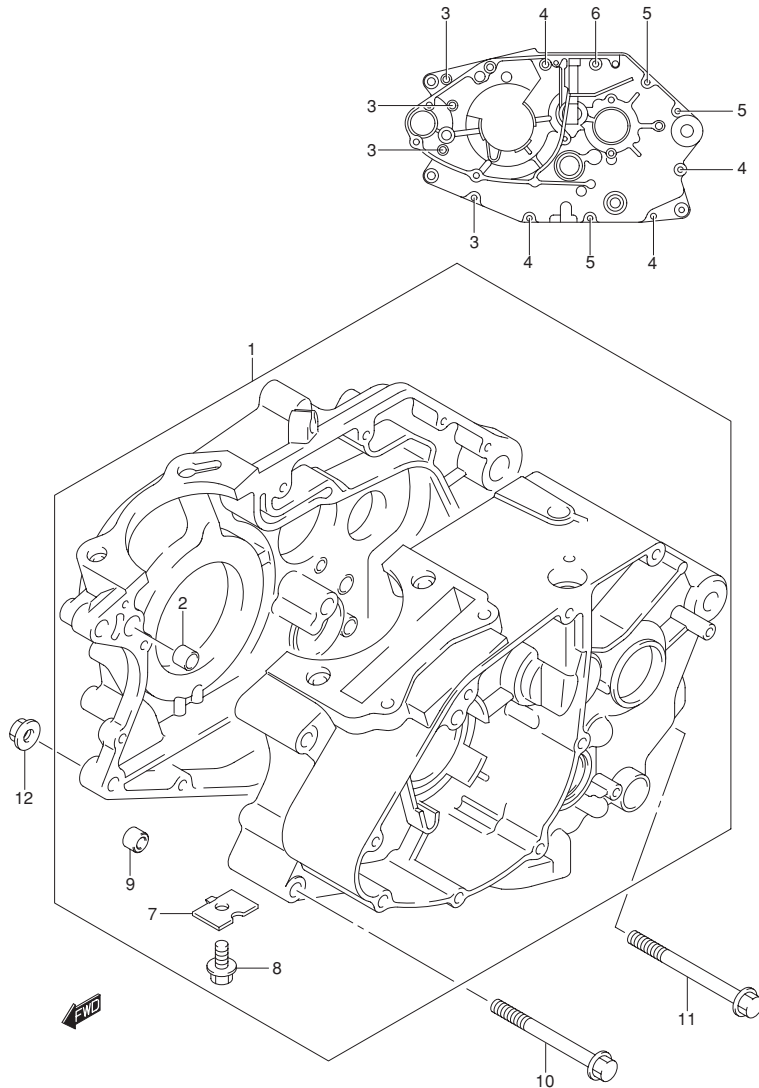


FIG.4 (B-6) CRANKCASE

REF NO.	PART NO.	DESCRIPTION	Q'TY	REMARKS
1-1	11300-05380	CRANKCASE ASSY	1	EN125 - 2AK3/K7/K8
1-2	11300-01G10	CRANKCASE ASSY	1	EN125HUK4/HUZK6
1-3	11300-053B0	CRANKCASE ASSY	1	EN125HUK7/HUK8
2	04211-13189	·PIN	2	
3	01547-06557	·BOLT (6X55)	4	
4	01547-06607	·BOLT (6X60)	4	
5	01547-06757	·BOLT , CRANKCASE	3	
6-1	01547-06857	·BOLT , CRANKCASE	1	EN125 - 2AK3/K7/K8
6-2	01547-06757	·BOLT , CRANKCASE	1	EN125HUK4/HUZK6/HUK7/HUK8
7	11319-05220	·PLATE	1	
8	01500-0610B	·BOLT (6X10)	1	
9	11325-12F50	·SPACER , CRANKCASE BOLT	1	EN125 - 2AK3/K7/K8
10	09103-08016	BOLT (8X80)	2	
11	09103-08010	BOLT (8X88)	1	
12	08319-3108A	NUT	3	

FIG.5

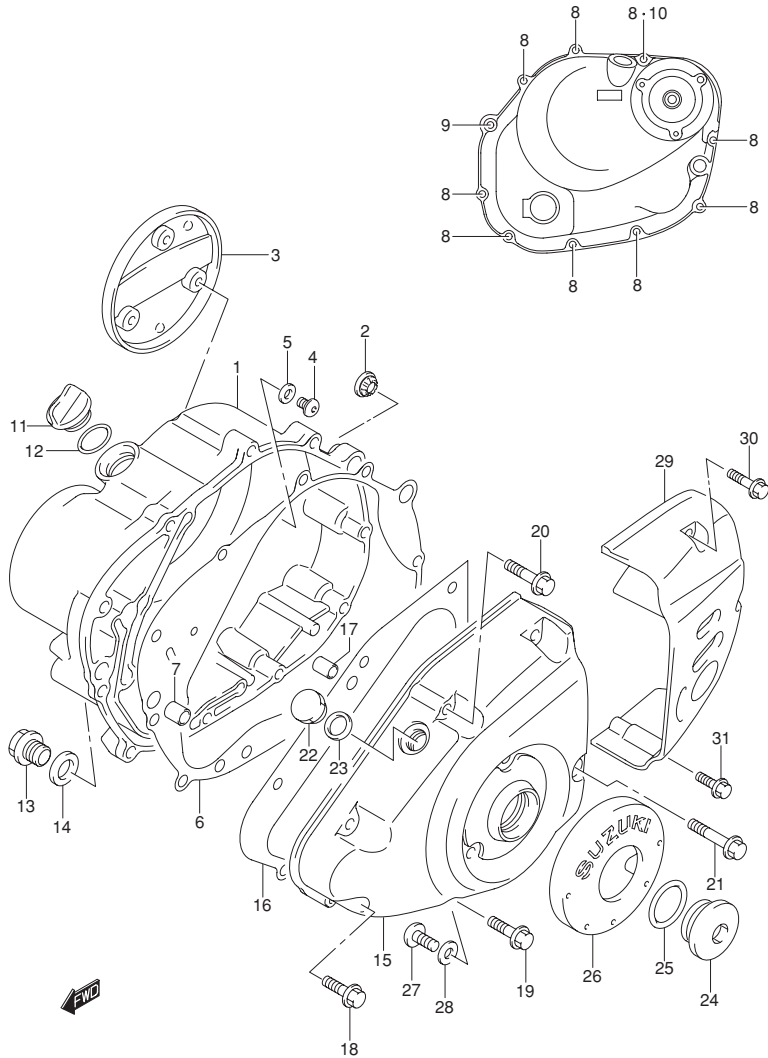
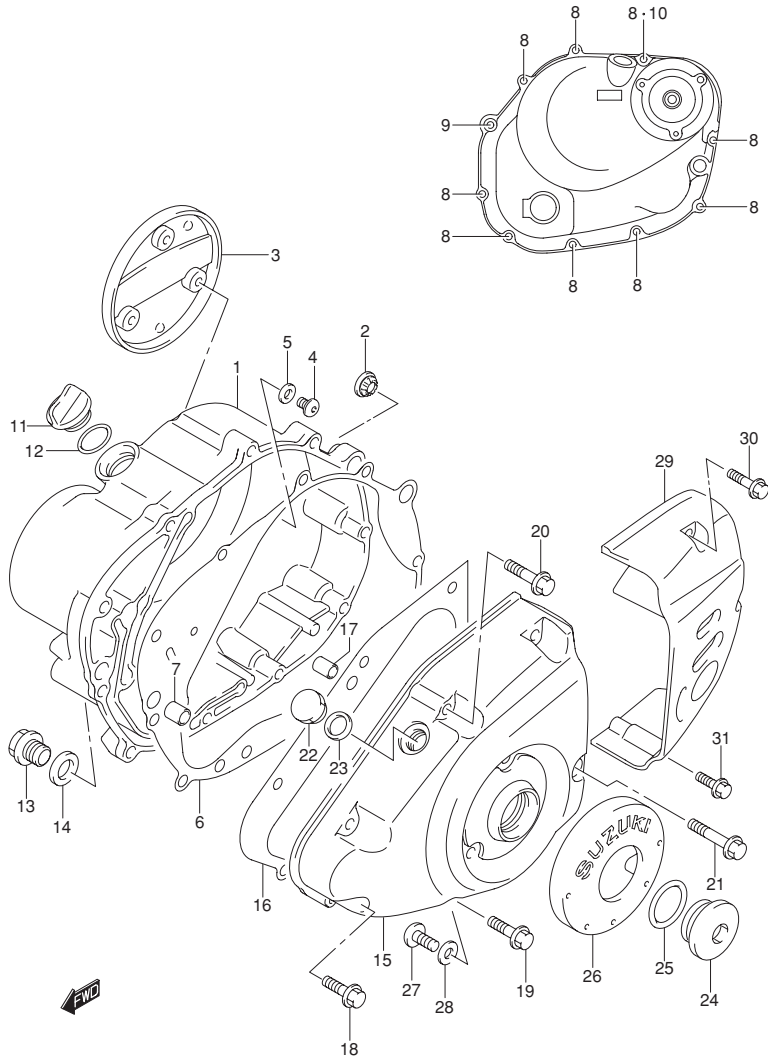


FIG.5 (B-7) CRANKCASE COVER

REF NO.	PART NO.	DESCRIPTION	Q'TY	REMARKS
1-1	11340-12F50	COVER , CLUTCH	1	EN125 - 2AK3/K7/K8
1-2	11340-01G00	COVER , CLUTCH	1	EN125HUK4/HUK6
1-3	11340-05320	COVER , CLUTCH	1	EN125HUK7/HUK8
2	11971-45010	·LENS , OIL LEVEL	1	
3	11383-12F70	CAP , CLUTCH COVER	1	EN125 - 2AK3/K7/K8
4	02142-0612B	BOLT ,CLUTCH COVER CAP	3	EN125 - 2AK3/K7/K8
5	09168-06023	GASKET	3	EN125 - 2AK3/K7/K8
6-1	11482-05311	GASKET ,CLUTCH COVER	1	EN125 - 2AK3/K7/K8
6-2	11482-05211	GASKET ,CLUTCH COVER	1	EN125HUK4/HUK6/HUK7/HUK8
7	04211-13189	PIN	2	
8	01547-06307	BOLT (6X30)	9	
9	01547-06457	BOLT (6X45)	1	
10	09168-06023	GASKET	1	
11	09259-20007	PLUG , OIL FILLER	1	
12	09280-17003	O RING(D:3.1 ,JD:16.8)	1	
13	09247-14026	PLUG , OIL CHECK	1	
14	09168-14002	GASKET	1	
15-1	11351-12F50	COVER , MAGNETO	1	EN125 - 2AK3/K7/K8
15-2	11351-05302	COVER , MAGNETO	1	EN125HUK4/HUK6/HUK7/HUK8
16	11483-05312	GASKET , MAGNETO COVER	1	
17	04211-09129	PIN	1	
18	01547-06307	BOLT (6X30)	2	
19	01547-06357	BOLT (6X35)	2	
20	01547-06407	BOLT (6X40)	2	
21	01547-06507	BOLT (6X50)	1	
22	09247-12104	PLUG , T.D.C	1	
23	09168-12002	GASKET	1	
24	09259-26016	PLUG	1	
25	09280-22008	O RING(D:3.1 ,JD:22.7)	1	

FIG.5



EN125-2AK3 P71_005
CRANKCASE COVER-C

FIG.5 (B-8) CRANKCASE COVER

REF NO.	PART NO.	DESCRIPTION	Q'TY	REMARKS
26	11384-12F70	CAP , MAGNETO COVER	1	EN125 - 2AK3/K7/K8
27	11358-12F50	BOLT , MAGNETO COVER CAP	3	EN125 - 2AK3/K7/K8
28	09168-06023	GASKET	3	EN125 - 2AK3/K7/K8
29-1	11361-12F70	COVER , ENGINE SPROCKET	1	EN125 - 2AK3/K7/K8
29-2	11361-05301	COVER , ENGINE SPROCKET	1	EN125HUK4/HUZK6/HUK7/HUK8
30	01547-05357	BOLT	2	
31	01547-05257	BOLT	1	

EN125-2AK3 P71

FIG.6

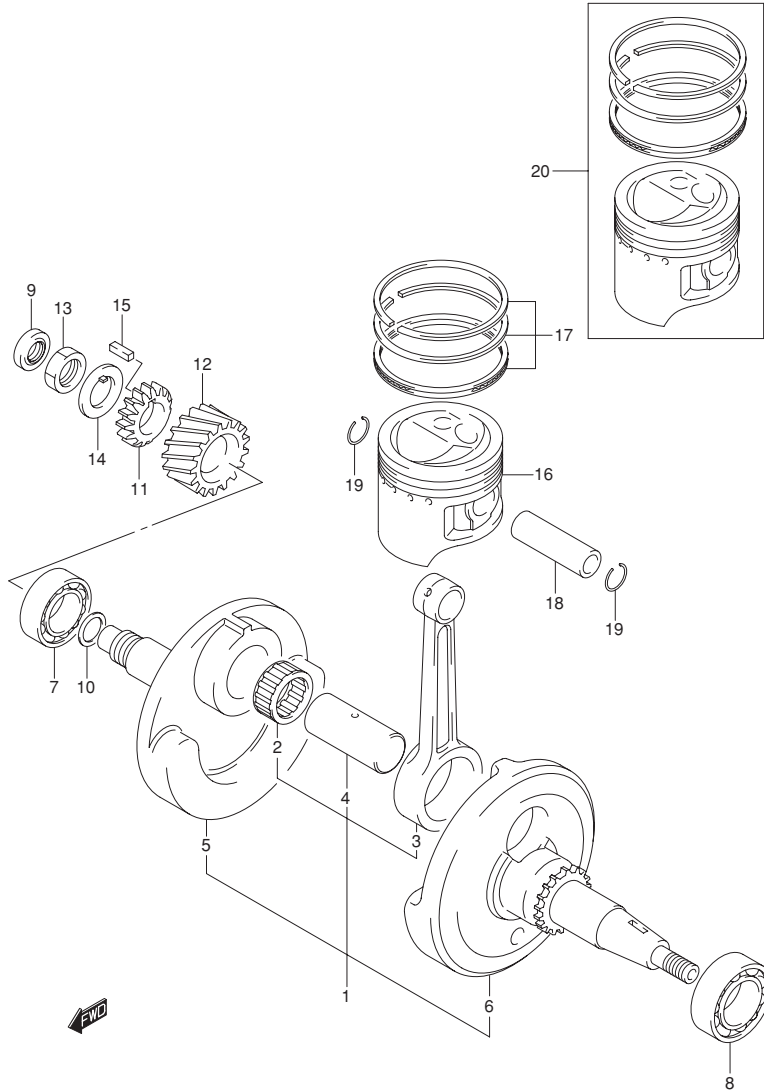


FIG.6 (B-9) CRANKSHAFT

REF NO.	PART NO.	DESCRIPTION	Q'TY	REMARKS
1-1	12200-12FD1	CRANKSHAFT ASSY	1	EN125 - 2AK3/K7/K8
1-2	12200-12FC1	CRANKSHAFT ASSY	1	EN125HUK4/HUZK6/HUK7/HUK8
2	09263-28027-0B0	·BEARING (28X36X15.8)	1	
3-1	12161-12F80-0B0	·ROD ,CONNECTING	1	EN125 - 2AK3/K7/K8
3-2	12161-12F60-0B0	·ROD ,CONNECTING	1	EN125HUK4/HUZK6/HUK7/HUK8
4	12211-05241	·PIN ,CRANK	1	
5	12221-05220	·CRANKSHAFT ,RH	1	
6-1	12261-12F50	·CRANKSHAFT ,LH	1	EN125 - 2AK3/K7/K8
6-2	12261-05320	·CRANKSHAFT ,LH	1	EN125HUK4/HUZK6/HUK7/HUK8
7	09262-28035	BEARING ,RH (28X68X18)	1	
8	09262-35038	BEARING ,LH (35X72X17)	1	
9	09282-12009	OIL SEAL ,RH (12X21X7)	1	
10-1	09181-28192	SHIM ,CRANKSHAFT ,RH(0.90)	1	
10-2	09181-28193	SHIM ,CRANKSHAFT ,RH(0.95)	1	
10-3	09181-28194	SHIM ,CRANKSHAFT ,RH(1.00)	1	
10-4	09181-28197	SHIM ,CRANKSHAFT ,RH(1.05)	1	
10-5	09181-28200	SHIM ,CRANKSHAFT ,RH(1.10)	1	
10-6	09181-28202	SHIM ,CRANKSHAFT ,RH(1.15)	1	
10-7	09181-28204	SHIM ,CRANKSHAFT ,RH(1.20)	1	
10-8	09181-28207	SHIM ,CRANKSHAFT ,RH(1.25)	1	
10-9	09181-28209	SHIM ,CRANKSHAFT ,RH(1.30)	1	
10-10	09181-28022	SHIM ,CRANKSHAFT ,RH(1.35)	1	
10-11	09181-28210	SHIM ,CRANKSHAFT ,RH(1.40)	1	
10-12	09181-28023	SHIM ,CRANKSHAFT ,RH(1.45)	1	
10-13	09181-28211	SHIM ,CRANKSHAFT ,RH(1.50)	1	
10-14	09181-28024	SHIM ,CRANKSHAFT ,RH(1.55)	1	
10-15	09181-28025	SHIM ,CRANKSHAFT ,RH(1.60)	1	
10-16	09181-28026	SHIM ,CRANKSHAFT ,RH(1.65)	1	
10-17	09181-28027	SHIM ,CRANKSHAFT ,RH(1.70)	1	
10-18	09181-28028	SHIM ,CRANKSHAFT ,RH(1.75)	1	
10-19	09181-28029	SHIM ,CRANKSHAFT ,RH(1.80)	1	

FIG.6

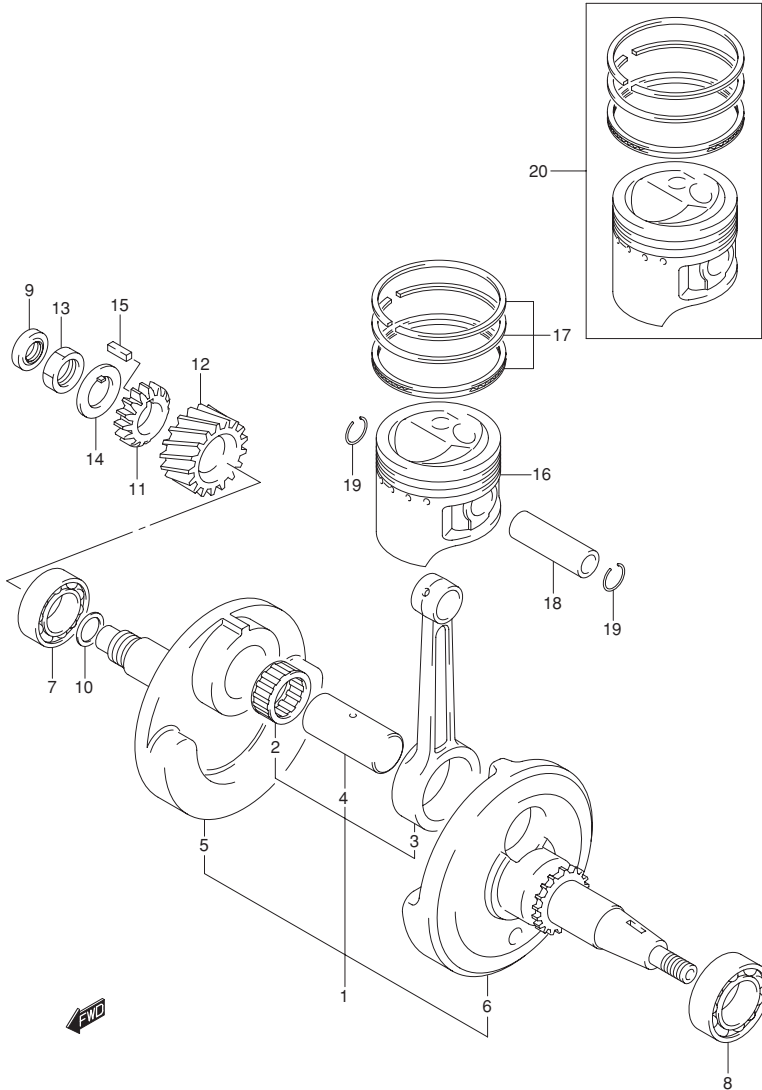


FIG.6 (B-10) CRANKSHAFT

REF NO.	PART NO.	DESCRIPTION	Q'TY	REMARKS
11	16321-05220	GEAR ,OIL PUMP DRIVE	1	
12	21111-05200-0C0	GEAR ,PRIMARY DRIVE (NT:17)	1	
13	09140-16019	NUT	1	
14	09166-16012	LOCK WASHER	1	
15	09421-04004	KEY ,GEAR	1	
16	12111-12F50-0F0	PISTON	1	
17	12140-16E00	RING SET ,PISTON	1	
18	12151-12F00	PIN ,PISTON	1	
19	09381-14001	CIRCLIP	2	
20	12100-12F50-050	PISTON SET (OS:0.5)	1	OPT

FIG.7

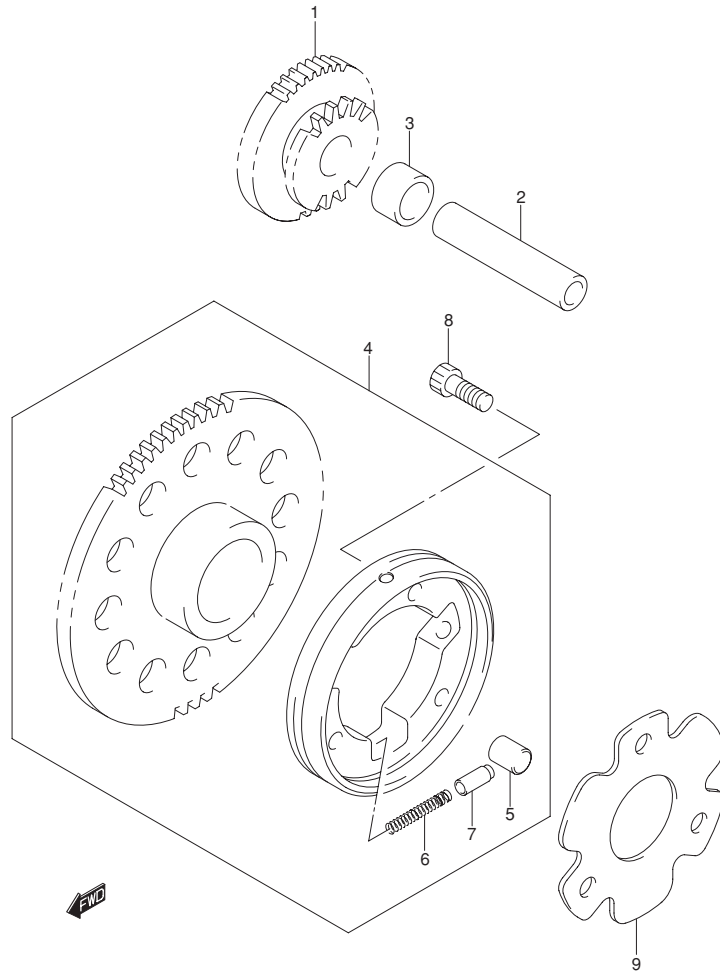


FIG.7 (B-11) STARTER CLUTCH

REF NO.	PART NO.	DESCRIPTION	Q'TY	REMARKS
1	12611-05300	GEAR ,STARTER IDLE	1	
2	09206-13003	PIN	1	
3	09180-13006	SPACER	1	
4	12600-12861	CLUTCH SET ,STARTER	1	
5	09261-10003	·ROLLER	3	
6	09440-03013	·SPRING	3	
7	12633-05310	·PIECE	3	
8	07130-0616B	BOLT	3	
9	12649-05300	SHIM	1	

FIG.8

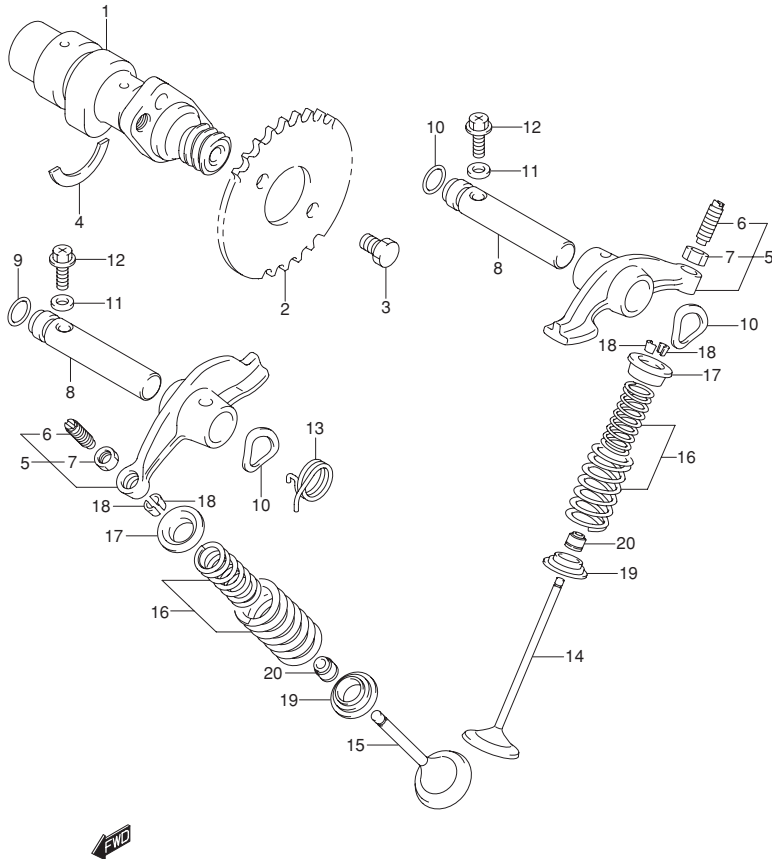


FIG.8 (C-2) CAM SHAFT - VALVE

REF NO.	PART NO.	DESCRIPTION	Q'TY	REMARKS
1	12711-12F50	CAM SHAFT	1	
2-1	12741-12F70	SPROCKET	1	EN125 - 2AK3/K7/K8
2-2	12741-05210	SPROCKET	1	EN125HUK4/HUZK6/HUK7/HUK8
3	09111-06032	BOLT(6X10.5)	2	
4	09390-22002	C RING	1	
5	12850-25C00	ARM , VALVE ROCKER	2	
6	12842-32411	·SCREW	2	
7	12843-32400	·NUT	2	
8	12861-05201	SHAFT ,ROCKER ARM	2	
9	09280-09005	O RING(D:1.9 ,ID:8.6)	2	
10	09164-12025	WAVE WASHER	2	
11	09168-06023	GASKET	2	
12	02162-06257	BOLT	2	
13	09448-23002	SPRING ,VALVE ROCKER ARM EXH	1	
14	12911-12F60	VALVE ,INTAKE	1	
15	12912-12F60	VALVE ,EXHAUST	1	
16	12920-12F50	SPRING SET , VALVE	2	
17	12931-09420	RETAINER ,SPRING	2	
18	12932-27A10	COTTER ,VALVE	4	
19	12933-39E00	SEAT ,SPRING	2	
20	09289-05011	OIL SEAL	2	

FIG.9

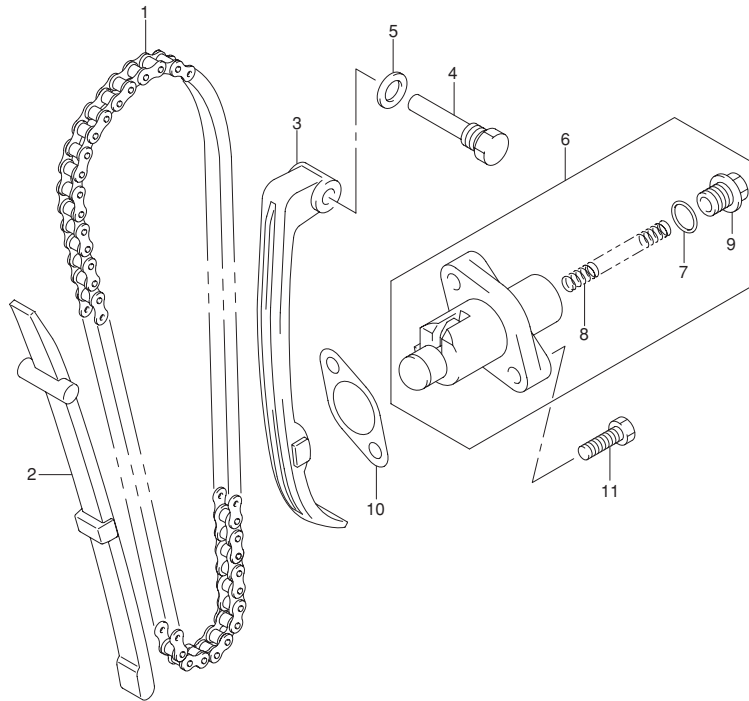


FIG.9 (C-3) CAM CHAIN(EN125-2AK3/K7/K8)

REF NO.	PART NO.	DESCRIPTION	Q'TY	REMARKS
1	12760-12F60	CHAIN ,CAM SHAFT DRIVE	1	100LE
2	12771-12F60	GUIDE ,CAM CHAIN	1	
3	12811-12F60	TENSIONER ,CAM CHAIN	1	
4	12812-32400	BOLT	1	
5	09168-08016	WASHER	1	
6	12830-12F50	ADJUSTER ASSY , TENSIONER	1	
7	12832-12F50	·O RING	1	
8	12833-12F50	·SPRING	1	
9	12834-12F50	·PLUG	1	
10	12837-32410	GASKET , TENSIONER ADJUSTER	1	
11	01500-0620B	BOLT	2	

FIG.9A

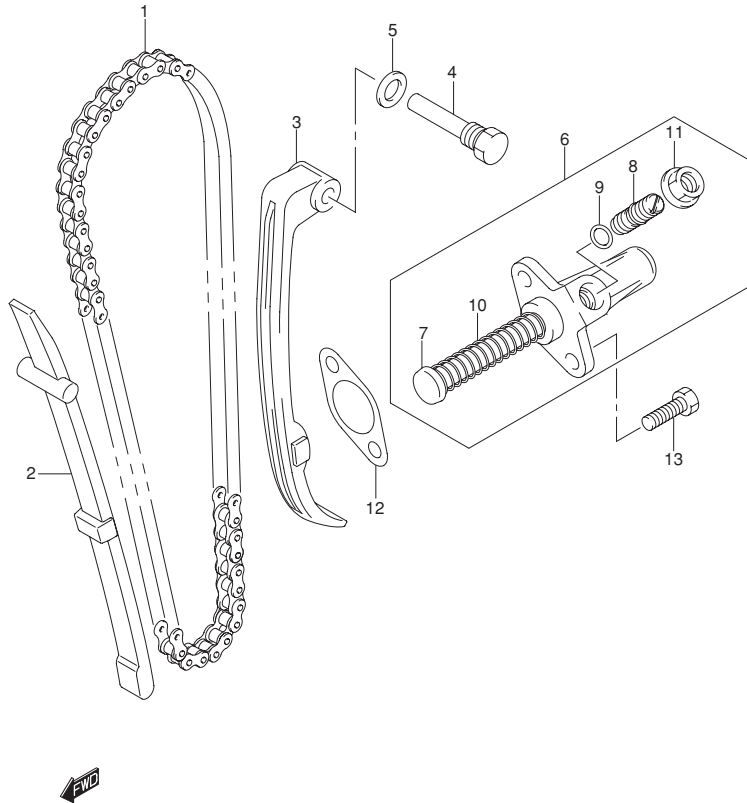


FIG.9A (C-4) CAM CHAIN(EN125HUK4/HUK6/HUK7/HUK8)

REF NO.	PART NO.	DESCRIPTION	Q'TY	REMARKS
1-1	12760-44A00	CHAIN ,CAM SHAFT DRIVE	1	EN125HUK4/HUK6
1-2	12760-05220	CHAIN ,CAM SHAFT DRIVE	1	EN125HUK7/HUK8
2	12771-05200	GUIDE ,CAM CHAIN	1	
3	12811-05220	TENSIONER ,CAM CHAIN	1	
4	12812-32400	BOLT	1	
5	09168-08016	WASHER	1	
6	12830-32452	ADJUSTER ASSY , TENSIONER	1	
7	12832-32401	·ROD , PUSH	1	
8	12838-45001	·SCREW , ADJUST	1	
9	09280-06005	·O RING	1	
10	09440-11018	·SPRING	1	
11	08316-1008B	·NUT	1	
12	12837-32410	GASKET , TENSIONER ADJUSTER	1	
13	01500-0620B	BOLT	2	

FIG.10

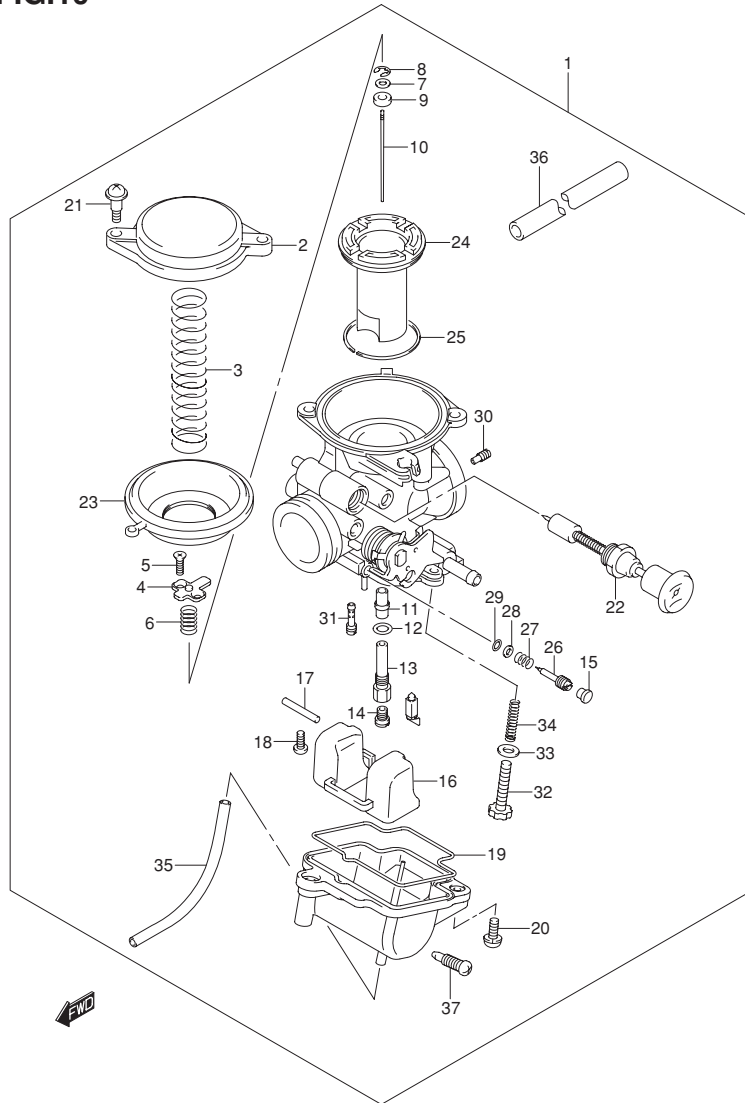


FIG.10 (C-5) CARBURETOR(EN125-2AK3)

REF NO.	PART NO.	DESCRIPTION	Q'TY	REMARKS
1	13200-054G1	CARBURETOR ASSY	1	
2	13502-12F00	·DIAPHRAGM COVER ASSY	1	
3	13417-47E00	·SPRING	1	
4	13581-05F00	·PLATE	1	
5	13603-05F00	·SCREW	2	
6	13388-20E20	·SPRING	1	
7	13382-46E00	·WASHER	1	
8	13394-17E60	·E RING	1	
9	13574-05F00	·RING	1	
10	13383-054G0	·NEEDLE ,JET (4DH41 - 2)	1	
11	09494-00907	·JET ,NEEDLE (P - 0)	1	
12	13246-43010	·O RING	1	
13	13385-05F00	·HOLDER ,JET	1	
14	09491-22013	·JET ,MAIN(110)	1	
15	13282-05G00	·CAP	1	
16	13240-12FG0	·FLOAT ASSY	1	
17	13254-20010	·PIN ,FLOAT	1	
18	02112-04083	·SCREW	1	
19	13251-47E00	·GASKET ,FLOAT BODY	1	
20	13601-05148	·SCREW	2	
21	13247-33E00	·SCREW	2	
22	13411-054A0	·PLUNGER ASSY	1	
23	13507-054G0	·DIAPHRAGM	1	
24	13500-48F00	·VALVE ,PISTON	1	
25	13504-16E00	·RING	1	
26	13279-12F20	·ADJUSTER (2 5/8)	1	
27	13268-47070	·SPRING	1	
28	13291-29900	·WASHER	1	
29	13295-29900	·O RING	1	

FIG.10

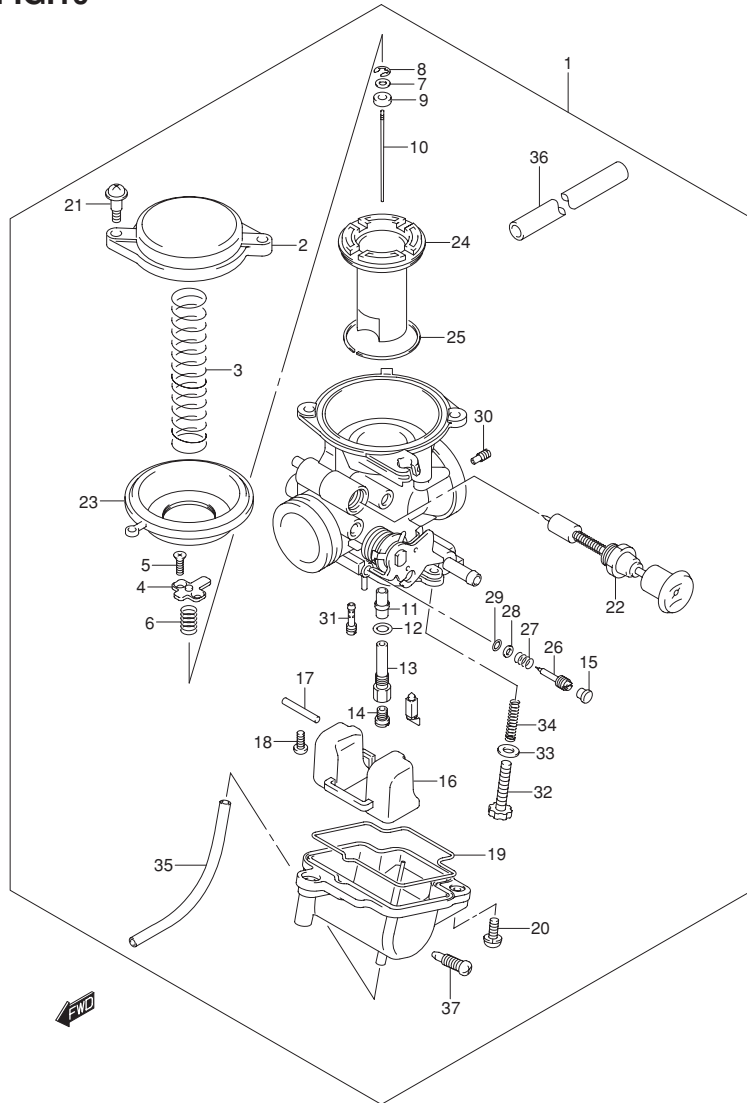


FIG.10 (C-6) CARBURETOR(EN125-2AK3)

REF NO.	PART NO.	DESCRIPTION	Q'TY	REMARKS
30	09493-25003	·JET ,AIR (1.25)	1	
31	09492-12007	·JET ,PILOT(12.5)	1	
32	13267-20E20	·SCREW ,ADJUSTER	1	
33	13386-09410	·PACKING	1	
34	13268-054A0	·SPRING	1	
35	09351-30503-600	·HOSE (3X5X600)	1	L:600 375
36	09352-40703-600	·HOSE (4X7X600)	1	L:600 350
37	13247-02340	·SCREW	1	

FIG.10A

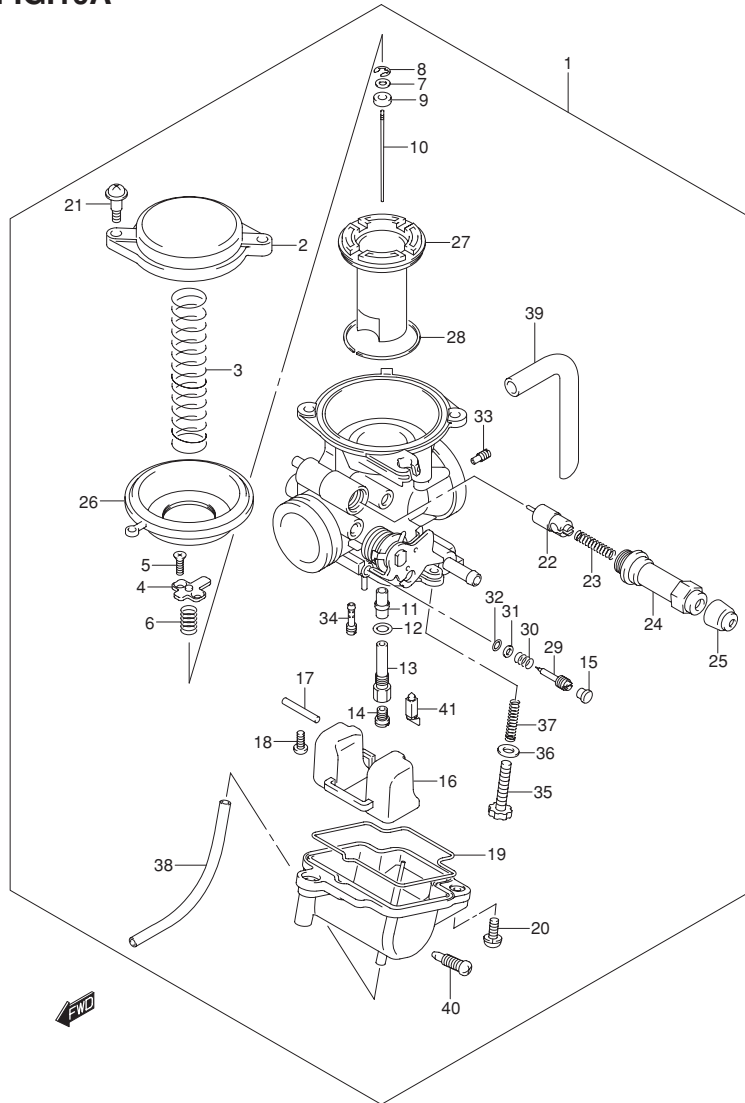


FIG.10A (C-7) CARBURETOR(EN125-2AK7/K8)

REF NO.	PART NO.	DESCRIPTION	Q'TY	REMARKS
1	13200-45F00	CARBURETOR ASSY	1	
2	13502-12F00	·DIAPHRAGM COVER ASSY	1	
3	13417-47E00	·SPRING	1	
4	13581-05F00	·PLATE	1	
5	13603-05F00	·SCREW	2	
6	13388-20E20	·SPRING	1	
7	13382-46E00	·WASHER	1	
8	13394-17E60	·E RING	1	
9	13574-05F00	·RING	1	
10	13383-054G0	·NEEDLE ,JET (4DH41 - 2)	1	
11	09494-00907	·JET ,NEEDLE (P - 0)	1	
12	13246-43010	·O RING	1	
13	13385-05F00	·HOLDER ,JET	1	
14	09491-22013	·JET ,MAIN(110)	1	
15	13282-05G00	·CAP	1	
16	13240-12FG0	·FLOAT ASSY	1	
17	13254-20010	·PIN ,FLOAT	1	
18	02112-04083	·SCREW	1	
19	13251-47E00	·GASKET ,FLOAT BODY	1	
20	13601-05148	·SCREW	2	
21	13247-33E00	·SCREW	2	
22	13411-12F00	·PLUNGER ASSY	1	
23	13417-01010	·SPRING	1	
24	13418-053S0	·HOLDER ,GUIDE	1	
25	13681-04010	·CAP	1	
26	13507-054G0	·DIAPHRAGM	1	
27	13500-48F00	·VALVE ,PISTON	1	
28	13504-16E00	·RING	1	
29	13279-12F20	·ADJUSTER (2 ,5/8)	1	
30	13268-47070	·SPRING	1	
31	13291-29900	·WASHER	1	
32	13295-29900	·O RING	1	

FIG.10A

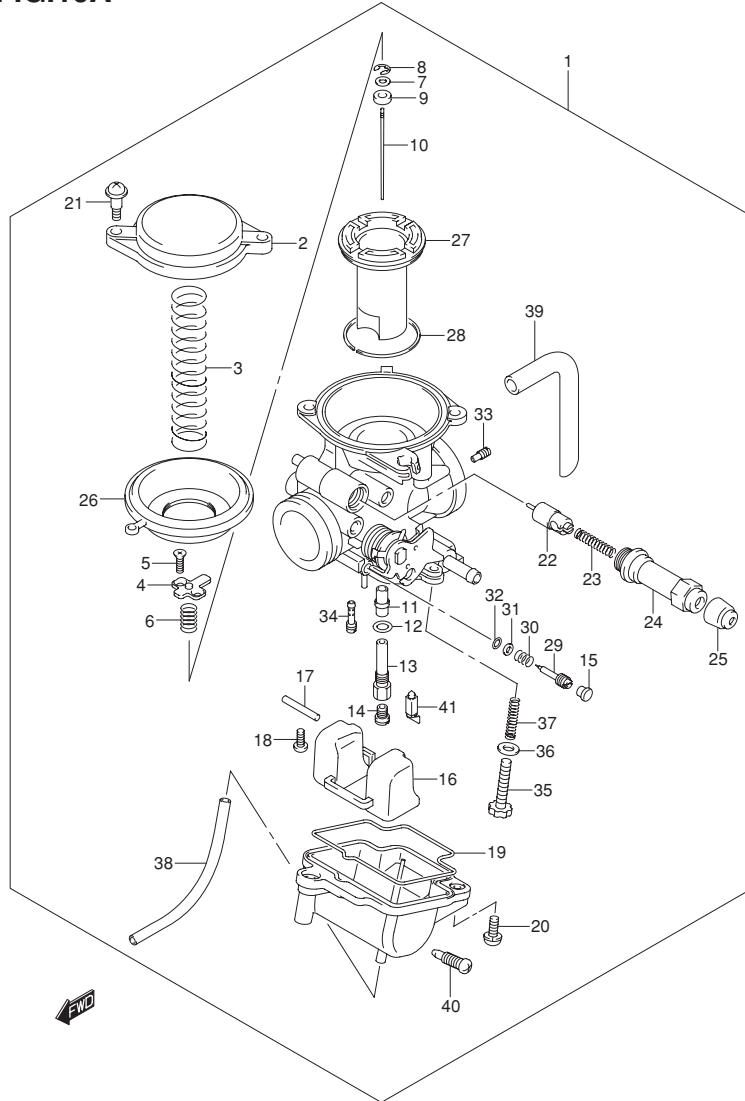


FIG.10A (C-8) CARBURETOR(EN125-2AK7/K8)

REF NO.	PART NO.	DESCRIPTION	Q'TY	REMARKS
33	09493-25003	·JET ,AIR (1.25)	1	
34	09492-12007	·JET ,PILOT (12.5)	1	
35	13267-20E20	·SCREW ,ADJUSTER	1	
36	13386-09410	·PACKING	1	
37	13268-054A0	·SPRING	1	
38	13683-28B10	·HOSE	1	
39	13684-053R0	·HOSE	1	
40	13247-13A00	·SCREW	1	
41	13370-054L0	·NEEDLE VALVE ASSY	1	

FIG.10B

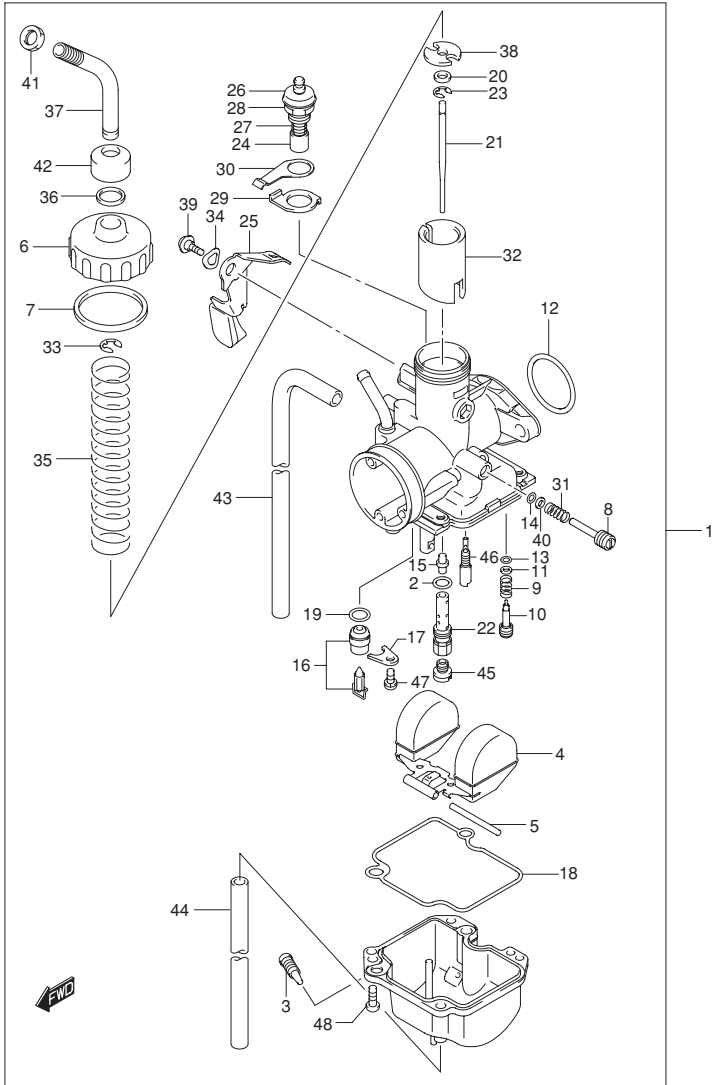


FIG.10B (C-9) CARBURETOR(EN125HUK4/HUZK6)

REF NO.	PART NO.	DESCRIPTION	Q'TY	REMARKS
1	13200-054M0	CARBURETOR ASSY	1	
2	13246-43010	·O RING	1	
3	13247-13A00	·SCREW , DRAIN	1	
4	13252-22A00	·FLOAT	1	
5	13254-01010	·PIN ,FLOAT	1	
6	13261-054N0	·CAP , MIXING	1	
7	13266-054N0	·PACKING	1	
8	13267-054N0	·ADJUSTER	1	
9	13268-47070	·SPRING	1	
10	13279-054N0	·ADJUSTER	1	
11	13291-29900	·WASHER	1	
12	13295-28010	·O RING	1	
13	13295-29900	·O RING	1	
14	13295-33010	·O RING	1	
15	09494-00490	·JET , NEEDLE	1	
16	13370-08G00	·VALVE ASSY , NEEDLE	1	
17	13373-054N0	·PLATE	1	
18	13374-054N0	·O RING	1	
19	13374-46710	·O RING	1	
20	13382-47010	·WASHER	1	
21	13383-054M0	·NEEDLE , JET	1	
22	13385-054N0	·HOLDER	1	
23	13394-40D20	·E RING	1	
24	13411-054N0	·PLUNGER ASSY	1	
25	13413-054N0	·LEVER ASSY	1	
26	13416-46710	·CAP	1	
27	13417-09110	·SPRING	1	
28	13418-09110	·HOLDER	1	
29	13421-054N0	·PLATE	1	
30	13426-20010	·PLATE	1	
31	13494-09410	·SPRING	1	
32	13551-054N0	·VALVE , PISTON	1	
33	13558-054N0	·E RING	1	
34	13571-19A00	·WASHER	1	
35	13573-29B00	·SPRING	1	
36	13575-054N0	·PACKING	1	

FIG.10B

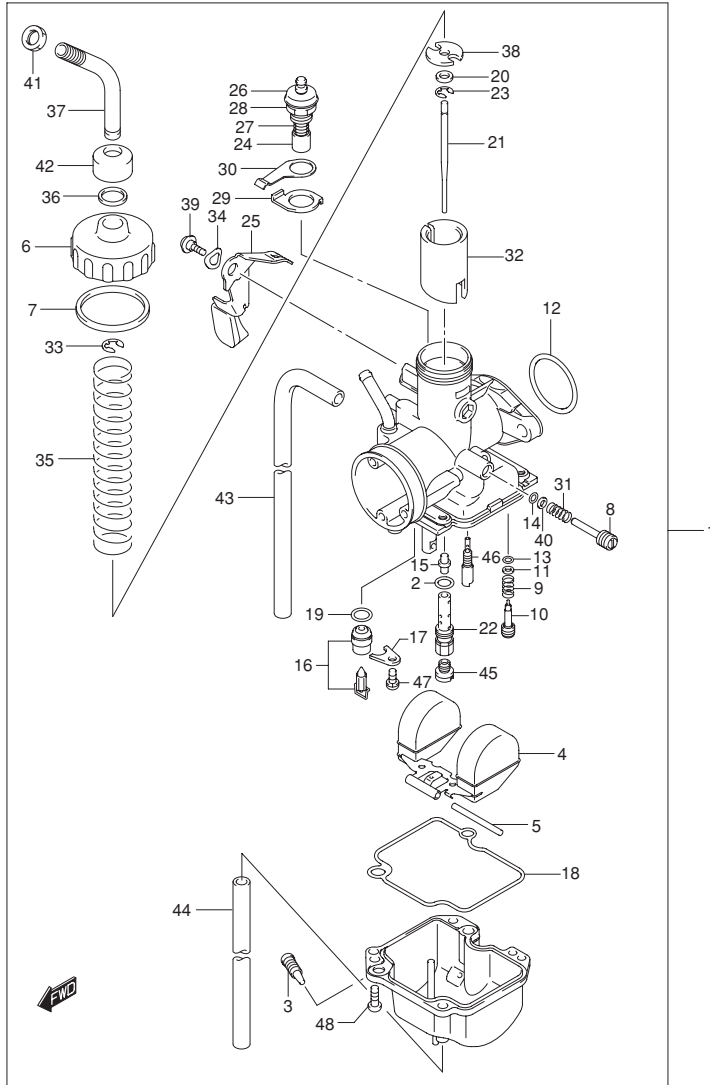


FIG.10B (C-10) CARBURETOR(EN125HUK4/HUZK6)

REF NO.	PART NO.	DESCRIPTION	Q'TY	REMARKS
37	13579-054N0	·GUIDE , CABLE	1	
38	13581-36212	·STOPPER , NEEDLE CLIP	1	
39	13602-05A30	·SCREW	1	
40	13606-47A00	·WASHER	1	
41	13661-03010	·NUT	1	
42	13681-054N0	·CAP , TOP	1	
43	09352-40703-600	·HOSE (4X7X600)	1	L:600 350
44	09355-30705-600	·HOSE (3X7X600)	1	L:600 400
45	09491-92004	·JET , MAIN	1	
46	09492-15005	·JET , PILOT(15)	1	
47	02112-03063	·SCREW	1	
48	02112-04107	·SCREW	4	

FIG.10C

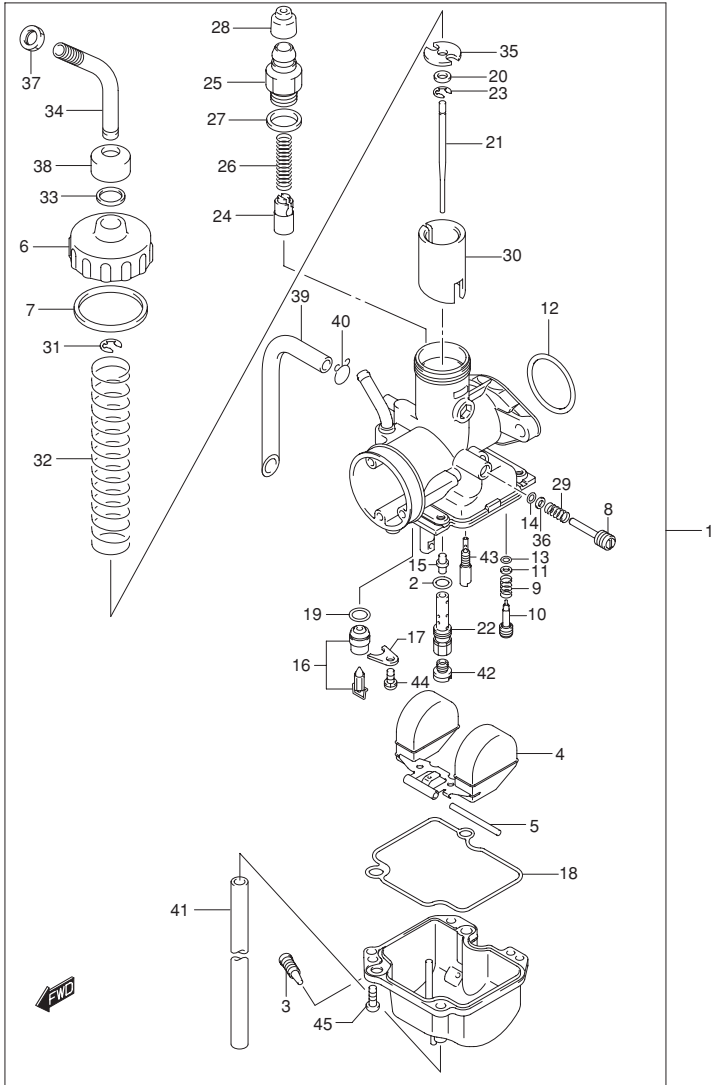


FIG.10C (C-11) CARBURETOR(EN125HUK7/HUK8)

REF NO.	PART NO.	DESCRIPTION	Q'TY	REMARKS
1	13200-45FA0	CARBURETOR ASSY	1	
2	13246-43010	·O RING	1	
3	13247-13A00	·SCREW , DRAIN	1	
4	13252-22A00	·FLOAT	1	
5	13254-01010	·PIN , FLOAT	1	
6	13261-054N0	·CAP , MIXING	1	
7	13266-054N0	·PACKING	1	
8	13267-054N0	·ADJUSTER	1	
9	13268-47070	·SPRING	1	
10	13279-054N0	·ADJUSTER	1	
11	13291-29900	·WASHER	1	
12	13295-28010	·O RING	1	
13	13295-29900	·O RING	1	
14	13295-33010	·O RING	1	
15	09494-00490	·JET , NEEDLE	1	
16	13370-08G00	·VALVE ASSY , NEEDLE	1	
17	13373-054N0	·PLATE	1	
18	13374-054N0	·O RING	1	
19	13374-46710	·O RING	1	
20	13382-47010	·WASHER	1	
21	13383-054M0	·NEEDLE , JET	1	
22	13385-054N0	·HOLDER	1	
23	13394-40D20	·E RING	1	
24	13411-05450	·PLUNGER , STARTER	1	
25	13418-05450	·HOLDER , GUIDE	1	
26	13417-05450	·SPRING	1	
27	13427-05450	·WASHER	1	
28	13681-04010	·CAP	1	
29	13494-09410	·SPRING	1	
30	13551-054N0	·VALVE , PISTON	1	
31	13558-054N0	·E RING	1	
32	13573-29B00	·SPRING	1	
33	13575-054N0	·PACKING	1	

FIG.10C

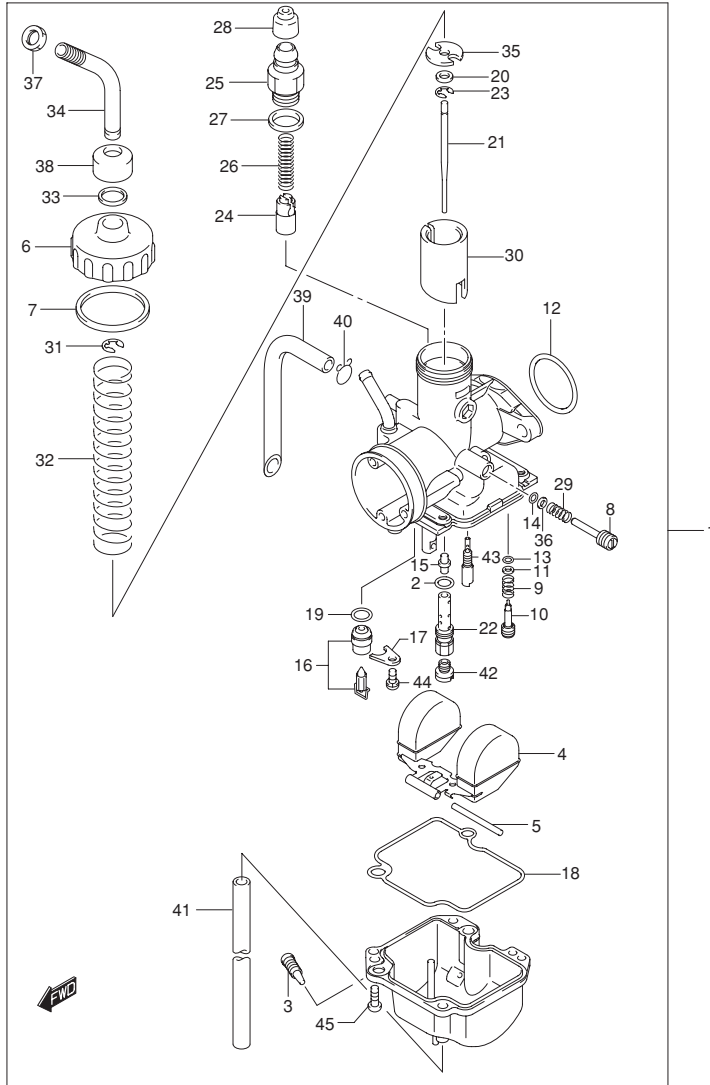


FIG.10C (C-12) CARBURETOR(EN125HUK7/HUK8)

REF NO.	PART NO.	DESCRIPTION	Q'TY	REMARKS
34	13579-054N0	·GUIDE , CABLE	1	
35	13581-36212	·STOPPER , NEEDLE CLIP	1	
36	13606-47A00	·WASHER	1	
37	13661-03010	·NUT	1	
38	13681-054N0	·CAP , TOP	1	
39	13683-05450	·HOSE	1	
40	09401-06101	·CLIP	1	
41	09355-30705-600	·HOSE (3X7X600)	1	L:600 400
42	09491-92004	·JET , MAIN	1	
43	09492-15005	·JET , PILOT(15)	1	
44	02112-03063	·SCREW	1	
45	02112-04107	·SCREW	4	

FIG.11

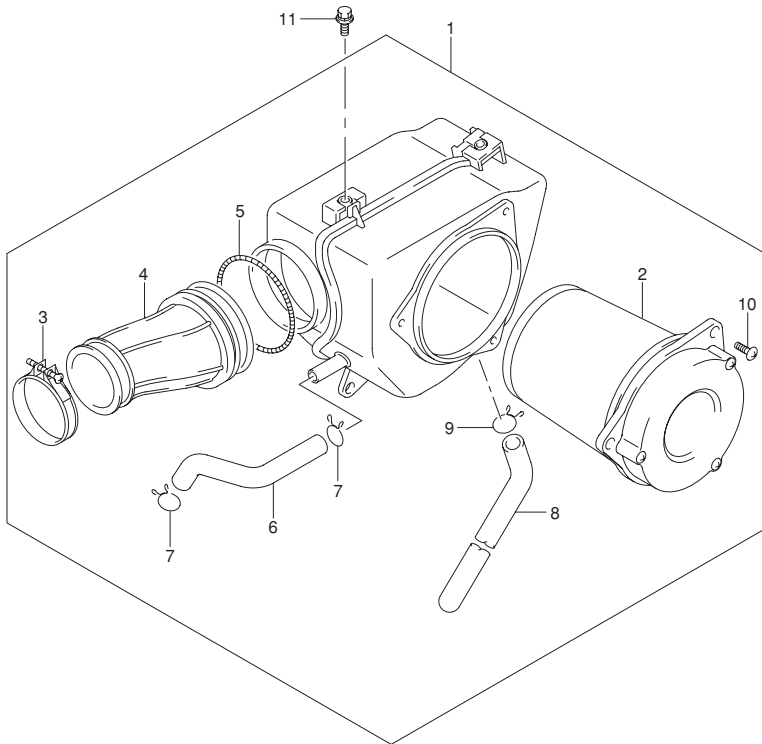


FIG.11 (C-13) AIR CLEANER

REF NO.	PART NO.	DESCRIPTION	Q'TY	REMARKS
1-1	13700-45F00	CLEANER ASSY ,AIR	1	EN125 - 2AK3/K7/K8
1-2	13700-053B0	CLEANER ASSY ,AIR	1	EN125HUK4/HUZK6/HUK7/HUK8
2-1	13780-45F00	·FILTER	1	EN125 - 2AK3/K7/K8
2-2	13780-38301	·FILTER	1	EN125HUK4/HUZK6/HUK7/HUK8
3	09402-52208	·CLAMP	1	
4-1	13881-05390	·TUBE ,OUTLET	1	EN125 - 2AK3/K7/K8
4-2	13881-053B0	·TUBE ,OUTLET	1	EN125HUK4/HUZK6/HUK7/HUK8
5-1	13826-45F00	·CLAMP	1	EN125 - 2AK3/K7/K8
5-2	13826-38300	·CLAMP	1	EN125HUK4/HUZK6/HUK7/HUK8
6	13853-05300	·TUBE ,BREATHER	1	
7	09401-14401	·CLIP	2	
8	13870-45F00	·TUBE ,DRAIN	1	
9	09401-13409	·CIRCLIP	1	
10	02142-05127	·SCREW	3	
11	01580-0616B	BOLT	3	



FIG.12

FIG.12 (C-14) MUFFLER

REF NO.	PART NO.	DESCRIPTION	Q'TY	REMARKS
1	14305-45F11	MUFFLER	1	
2	14790-45F10	COVER ,MUFFLER BODY	1	
3	09139-06078	SCREW	2	
4	09168-06001	WASHER	4	
5	08321-0106A	WASHER	2	
6	08322-0106A	WASHER	4	
7	14181-14D00	GASKET , EXHAUST(NA)	1	
8	07130-0825B	BOLT ,EXHAUST PIPE	2	

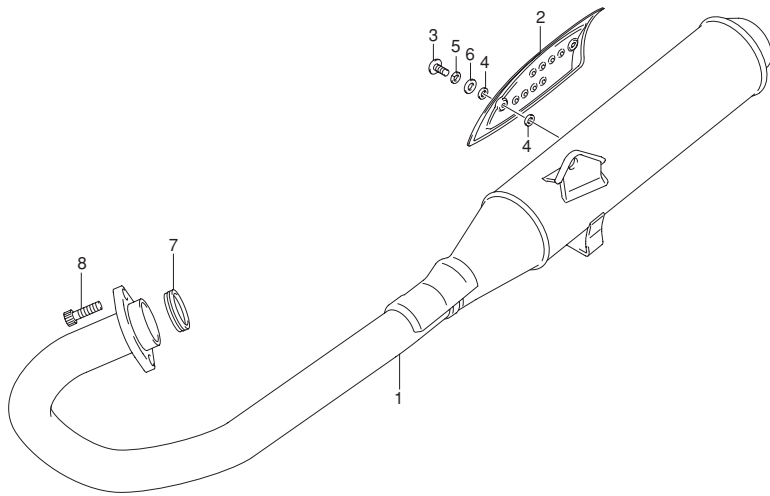


FIG.13

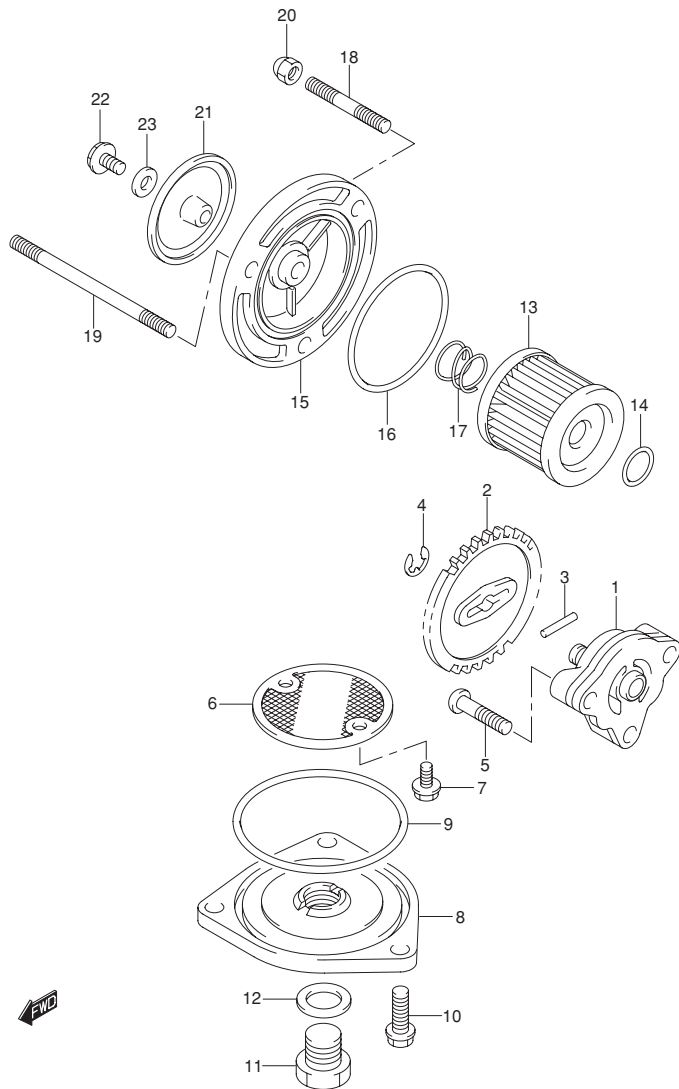


FIG.13 (C-15) OIL PUMP

REF NO.	PART NO.	DESCRIPTION	Q'TY	REMARKS
1	16400-05201	PUMP ASSY ,ENGINE OIL	1	
2	16331-12F00	GEAR ,DRIVEN(NT:30)	1	
3	09261-02001	PIN	1	
4	08332-1106B	CIRCLIP	1	
5	02112-0625A	SCREW	3	
6	16520-05202	STRAINER ,ENGINE OIL	1	
7	02112-7512A	SCREW	2	
8	16523-05200	CAP , OIL STRAINER	1	
9	09280-60005	O RING(D:2.4 ,JD:60.5)	1	
10	01547-0620B	BOLT	3	
11	09247-14043	PLUG , DRAIN	1	
12	09168-14002	GASKET	1	
13	16510-05240	FILTER , ENGINE OIL	1	
14	09280-13004	O RING(D:1.9 ,JD:13)	1	
15-1	16512-12F50	CAP , OIL FILTER	1	EN125 - 2AK3/K7/K8
15-2	16512-05212	CAP , OIL FILTER	1	EN125HUK4/HUZK6/HUK7/HUK8
16	09280-54001	O RING(D:2.4 ,JD:52.6)	1	
17	09440-18002	SPRING	1	
18	09108-06128	STUD BOLT	2	
19	09108-06133	STUD BOLT	1	
20	08313-10067	NUT	3	
21	16584-12F70	CAP , ENGINE OIL FILLER OUTER	1	EN125 - 2AK3/K7/K8
22	02142-0612B	BOLT ,ENGINE OIL FILLER CAP OUTER	1	EN125 - 2AK3/K7/K8
23	09168-06023	GASKET , OIL FILLER OUTER BOLT	1	EN125 - 2AK3/K7/K8

FIG.14

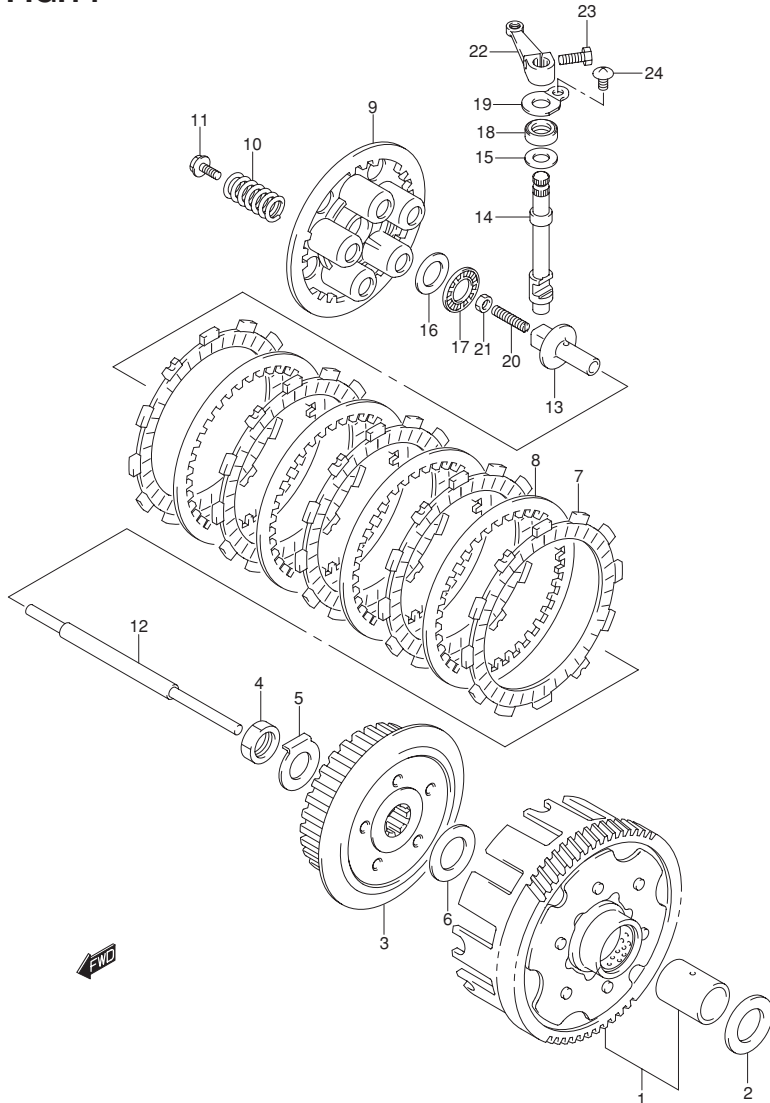


FIG.14 (D-2) CLUTCH

REF NO.	PART NO.	DESCRIPTION	Q'TY	REMARKS
1-1	21200-05880	GEAR ASSY ,PRIMARY DRIVEN	1	EN125 - 2AK3/K7/K8 NT:59
1-2	21200-05853	GEAR ASSY ,PRIMARY DRIVEN	1	~ '04/10 EN125HUK4 NT:59
1-3	21200-05890	GEAR ASSY ,PRIMARY DRIVEN	1	'04/11 ~ EN125HUK4/K7/K8 NMT:58
1-4	21200-05890	GEAR ASSY ,PRIMARY DRIVEN	1	EN125HUZK6
2	08211-20353	WASHER	1	
3	21411-05210	HUB ,SLEEVE	1	
4	09140-16034	NUT	1	
5	09169-16003	LOCK WASHER	1	
6	08211-20352	WASHER ,SLEEVE HUB THR	1	
7	21441-13A20	PLATE ,DRIVE	5	
8	21451-19A00	PLATE ,DRIVEN	4	
9	21462-14103	DISK ,PRESSURE	1	
10	09440-15014	SPRING	5	
11	09116-05020	BOLT (5X16)	5	
12-1	23110-05203	ROD ,PUSH	1	EN125 - 2AK3 EN125HUK4
12-2	23110-05220	ROD ,PUSH	1	EN125 - 2AK7/K8 EN125HUK7/HUK8
12-3	23110-05220	ROD ,PUSH	1	EN125HUZK6
13	23121-38201	PIECE	1	
14	23122-05200	CAM SHAFT	1	
15	09181-10195	WASHER (10X20X1.0)	1	
16	09160-15045	WASHER (15.5X28X1)	1	
17	09263-15003	THRUST BEARING (15X28X2)	1	
18	09282-10012	OIL SEAL (10X20X6)	1	
19	23117-05210	RETAINER ,CLUTCH RELEASE	1	
20	09134-06010	SCREW	1	
21	09140-06023	NUT	1	
22	23271-46010	ARM ,RELEASE	1	
23	01500-06167	BOLT	1	
24	02142-0610B	STOPPER ,CLUTCH RELEASE	1	

2

FIG.15

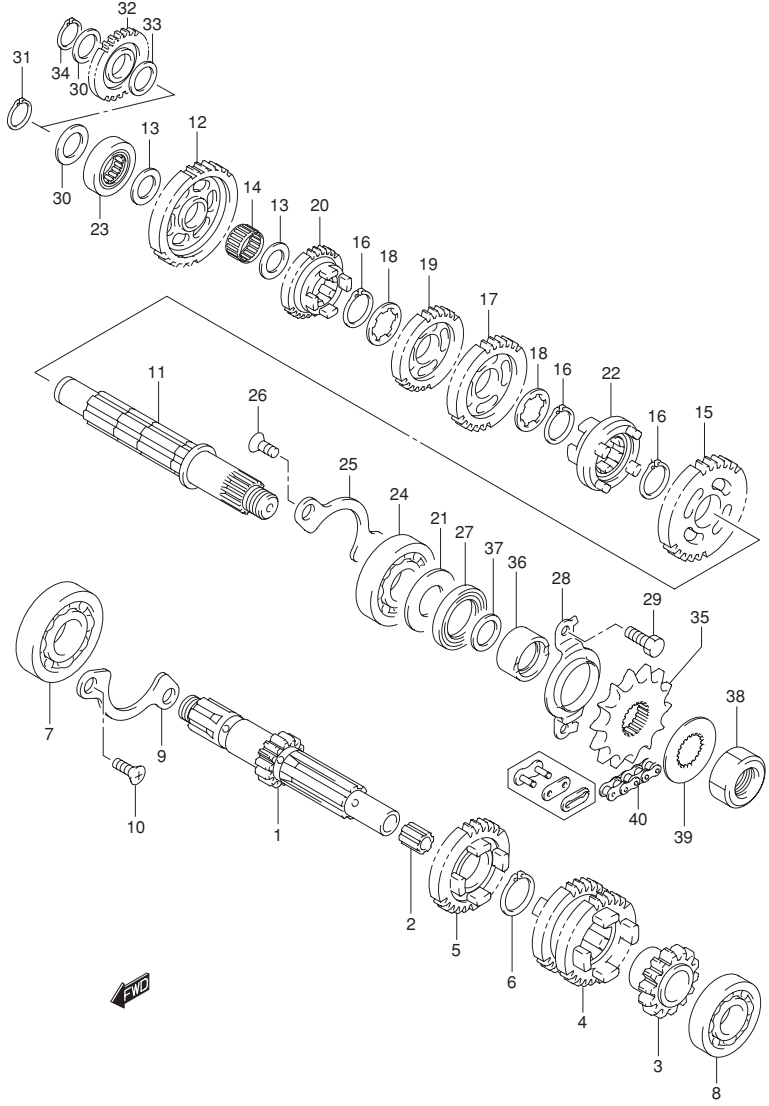


FIG.15 (D-3) TRANSMISSION

REF NO.	PART NO.	DESCRIPTION	Q'TY	REMARKS
1	24121-05260	COUNTERSHAFT(NT:11)	1	
2	24125-38201	BUSH	1	
3	24221-05310	GEAR ,2ND DRIVE(NT:14)	1	
4	24231-05220	GEAR ,3/4 DRIVE(NT:19/21)	1	
5	24251-45F00	GEAR ,5TH DRIVE(NT:23)	1	
6	09380-20009	CIRCLIP	1	
7	09262-20069	BEARING ,RH (20X47X14)	1	
8	08123-60027	BEARING ,LH	1	
9	24741-05200	HOLDER ,BEARING	1	
10	02122-0612A	SCREW	2	
11-1	24130-05370	DRIVE SHAFT	1	EN125 - 2AK3/K7/K8
11-2	24130-05220	DRIVE SHAFT	1	EN125HUK4/K7/K8 EN125HUZK6
12-1	24311-05202	GEAR ,1ST DRIVEN(NT:33)	1	~ '04/10
12-2	24310-05230	GEAR ,1ST DRIVEN(NT:33)	1	'04/11
13	08211-15251	WASHER	2	
14	09263-15023	BEARING(15X19X7.8)	1	~ '04/10
15	24320-05240	GEAR ,2ND DRIVEN(NT:26)	1	
16	09380-20009	CIRCLIP	3	
17	24331-05203	GEAR ,3RD DRIVEN(NT:26)	1	
18	09167-20011	WASHER(20.5X25X0.5)	2	
19	24341-45F00	GEAR ,4TH DRIVEN(NT:23)	1	
20	24351-45F00	GEAR ,5TH DRIVEN(NT:22)	1	
21	24359-05200	WASHER	1	
22	24421-05320	WHEEL	1	
23-1	09263-15024	BEARING ,RH (15X33X12)	1	~ '04/10
23-2	09262-15031	BEARING ,RH (15X35X11)	1	'04/11 ~
24	09262-20069	BEARING ,LH (20X47X14)	1	
25	24741-05200	HOLDER ,BEARING	1	
26	02122-0612A	SCREW	2	
27-1	09283-27010	OIL SEAL ,LH (27X40X6)	1	MODEL K3/K4/K6/K7
27-2	09283-27017	OIL SEAL ,LH (27X40X6)	1	MODEL K8

FIG.15

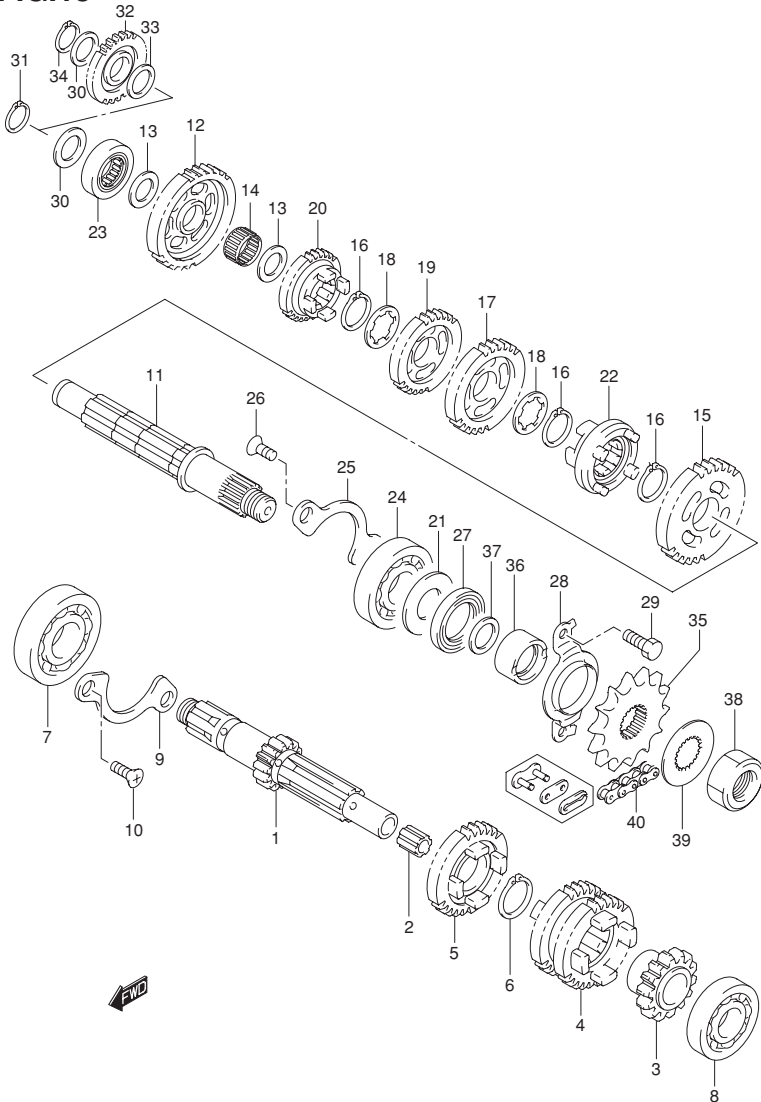


FIG.15 (D-4) TRANSMISSION

REF NO.	PART NO.	DESCRIPTION	Q'TY	REMARKS
28	24751-05220	HOLDER ,OIL SEAL	1	
29	01500-0610B	BOLT	2	
30	09181-15111	WASHER (15X20X1.0)	1	~ '04/10 EN125 - 2AK3
31	08331-31156	CIRCLIP	1	~ '04/10 EN125 - 2AK3
32-1	26260-05201	GEAR , KICK IDLE (NT:26)	1	EN125HUK4
32-2	26260-05210	GEAR , KICK IDLE (NT:26)	1	EN125HUZK6 EN125HUK7/HUK8
33	08211-15201	WASHER	2	EN125HUK4/K7/K8 EN125HUZK6
34	08331-3115A	CIRCLIP	1	EN125HUK4/K7/K8 EN125HUZK6
35	27511-41320	SPROCKET(NT:14)	1	
36	27531-05220	SPACER	1	
37	09280-19005	O RING(D:2.40 ,ID:19)	1	
38	09140-16017	NUT	1	
39	09167-20012	WASHER (18X38X0.8)	1	
40	27600-29B40-118	CHAIN(KMC 428H ,118LE)	1	

FIG.16

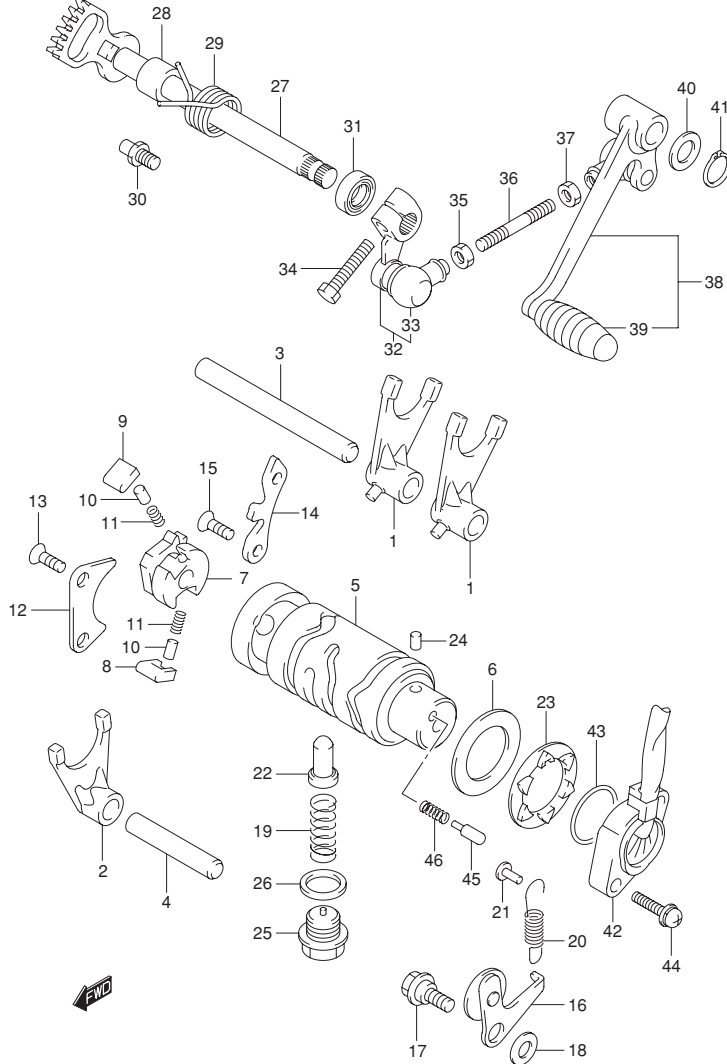


FIG.16 (D-5) GEAR SHIFTING

REF NO.	PART NO.	DESCRIPTION	Q'TY	REMARKS
1	25221-08300	FORK , GEAR SHIFTING NO.1	2	
2	25231-05201	FORK , GEAR SHIFTING NO.3	1	
3	25411-16701	SHAFT ,FORK NO.1	1	
4	25421-35410	SHAFT ,FORK NO.2	1	
5	25310-05340	CAM ,GEAR SHIFTING	1	
6	09181-25251	WASHER (25X40X1.0)	1	
7-1	25322-31310	GEAR ,CAM DRIVEN	1	~ '04/10
7-2	25322-31320	GEAR ,CAM DRIVEN	1	'04/11 ~
8	25323-34201	PAWL ,NO.1	1	
9	25324-34201	PAWL ,NO.2	1	
10-1	09261-05003	PIN	2	MODEL K4/K6/K7
10-2	09261-05013	PIN	2	MODEL K8
11	09440-04003	SPRING	2	
12	25331-30001	LIFTER , PAWL	1	
13	02122-0612A	SCREW	2	
14	25341-05200	GUIDE ,CAM	1	
15	02122-0612A	SCREW	2	
16	25350-44A00	STOPPER ,CAM	1	
17	09111-06054	BOLT (6X14.6)	1	
18	08211-06141	WASHER	1	
19	09440-11016	SPRING	1	L:27
20	09443-08044	SPRING	1	
21	09223-04001	HOOK	1	
22	25351-30020	STOPPER ,NEUTRAL	1	
23	25381-45400	PLATE ,STOPPER	1	
24	04221-04069	PIN	1	
25-1	09247-14013	PLUG ,CAM STOPPER	1	MODEL K4/K6/K7
25-2	09248-14013	PLUG ,CAM STOPPER	1	MODEL K8
26	09168-14002	WASHER (13.8X18.8X0.4)	1	
27	25510-05220	SHAFT ,GEAR SHIFTING	1	
28	09180-12068	SPACER (12X20X15.3)	1	
29	09444-26013	SPRING	1	
30	25671-01020	STOPPER ,ARM	1	

FIG.16

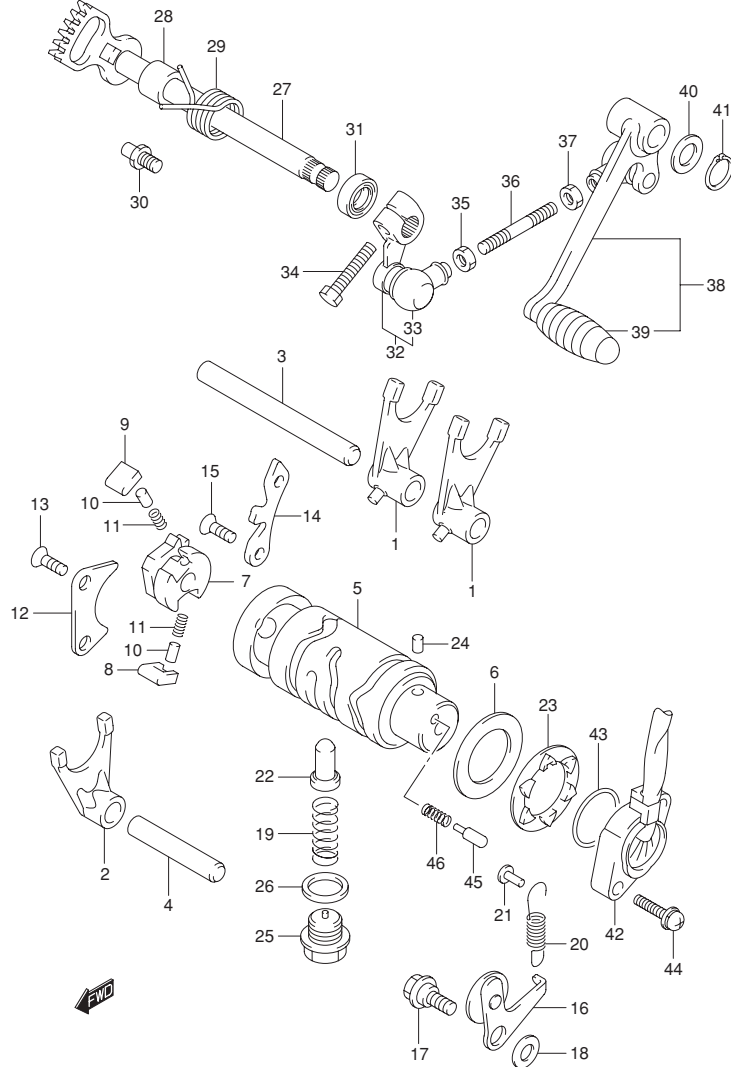


FIG.16 (D-6) GEAR SHIFTING

REF NO.	PART NO.	DESCRIPTION	Q'TY	REMARKS
31	09285-12002	OIL SEAL (12X22X9)	1	
32	25520-47030	ARM , GEAR SHIFT SHAFT	1	
33	25526-47000	-COVER , DUST	1	
34	01500-06207	BOLT	1	
35	08310-00067	NUT , RH	1	
36	25525-12C10	ROD , GEAR SHIFT LINK	1	
37	09140-06025	NUT , LH	1	
38	25600-45F00	LEVER ASSY , GEAR SHIFTING	1	
39	25652-16500	-RUBBER	1	
40	09160-12011	WASHER (12.5X20X1.0)	1	
41	08331-3112A	CIRCLIP	1	
42-1	37720-44700	BASE ASSY , GEAR TERM	1	~ '04/10
42-2	37720-45F00	BASE ASSY , GEAR TERM	1	'04/11 ~
43	09280-26005	O RING(D:2.4 ,ID:26.2)	1	
44	02112-7520B	SCREW	2	
45	09209-05011	CONTACT	1	
46	09440-04024	SPRING	1	

FIG.17

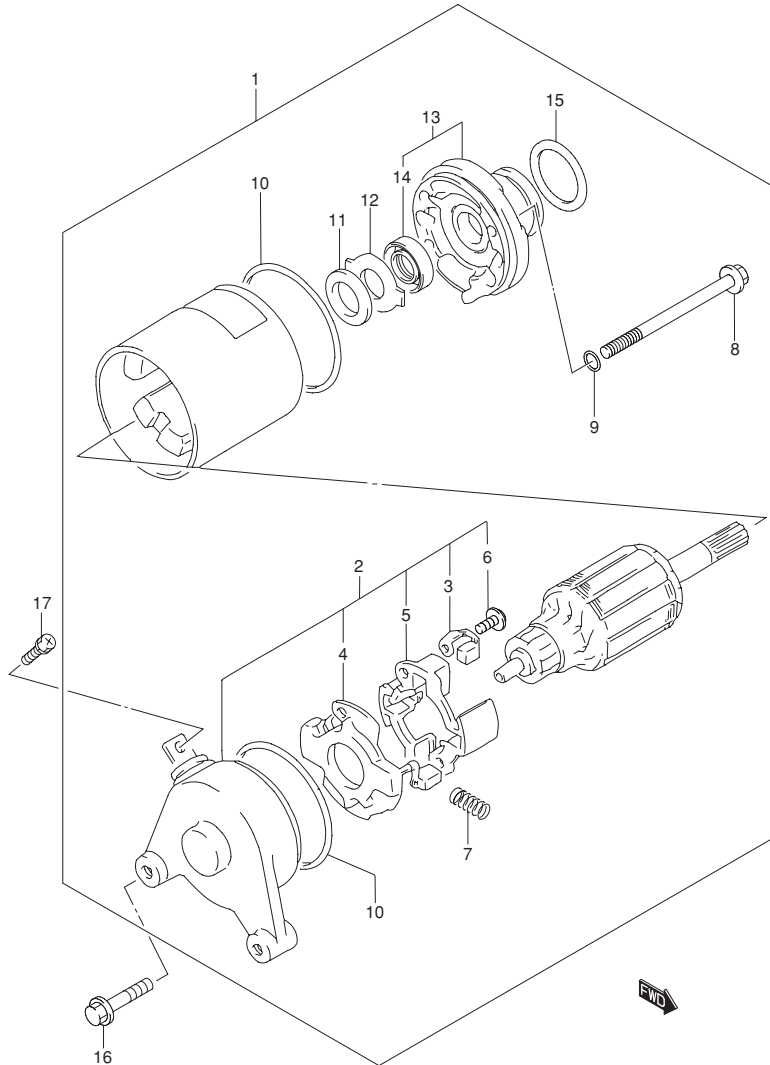


FIG.17 (D-8) STARTING MOTOR(DAICHOKOU)

REF NO.	PART NO.	DESCRIPTION	Q'TY	REMARKS
1	31100-05530	MOTOR ASSY ,STARTING	1	
2	31175-05530	·FRAME ASSY ,COMMUTATOR ,END	1	
3	31132-05530	··BRUSH	2	
4	31130-05530	··BRUSH SUB ASSY	2	
5	31133-05530	··HOLDER BRUSH	1	
6	31134-05530	··SCREW	2	
7	31135-05530	·SPRING	4	
8	31281-05530	·BOLT	2	
9	31156-05530	·O RING	2	
10	31264-05530	·O RING	2	
11	31361-055A0	·SHIM	1	
12	31361-055B0	·PLATE ,LOCK	1	
13	31150-05530	·HOUSING ASSY	1	
14	31153-05530	··SEAL OIL	1	
15	09280-24003	·O RING (D:3.0 ,ID:24.5)	1	
16	01547-06307	BOLT	2	
17	09137-05004	SCREW (5X8)	1	

REFER TO FIG.17A (D-9) FOR DENSO

FIG.17A

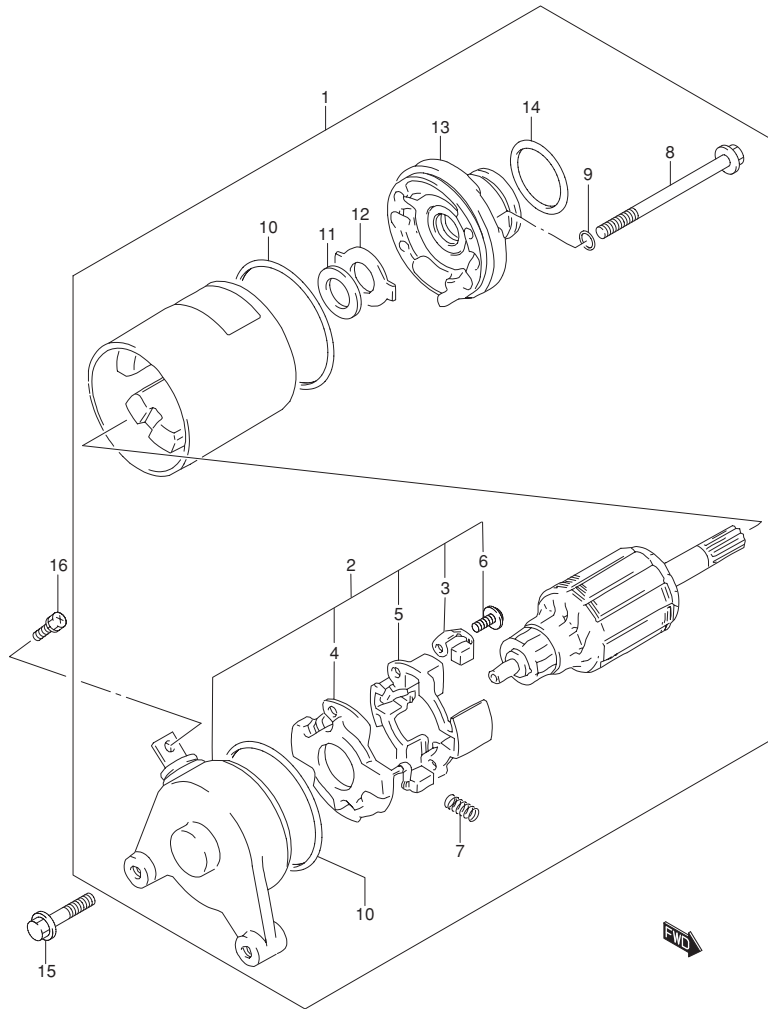


FIG.17A (D-9) STARTING MOTOR(DENSO)

REF NO.	PART NO.	DESCRIPTION	Q'TY	REMARKS
1	31100-05501	MOTOR ASSY ,STARTING	1	
2	31175-42A01	·FRAME ASSY ,END	1	
3	31132-32C10	··BRUSH	2	
4	31130-32C20	··BRUSH SUB ASSY	1	
5	31133-32C10	··HOLDER ,BRUSH	1	
6	02112-34123	··SCREW	2	
7	31135-32C10	·SPRING	4	
8	31281-32C10	·BOLT	2	
9	31156-38300	·O RING	2	
10	31264-32C10	·O RING	2	
11	31361-38300	·SHIM	1	
12	31361-32C10	·PLATE LOCK	1	
13	31150-06C00	·BRACKET	1	
14	09280-24003	·O RING (D:3 ,D:24.5)	1	
15	01547-06307	BOLT	2	
16	09137-05004	SCREW	1	

FIG.18

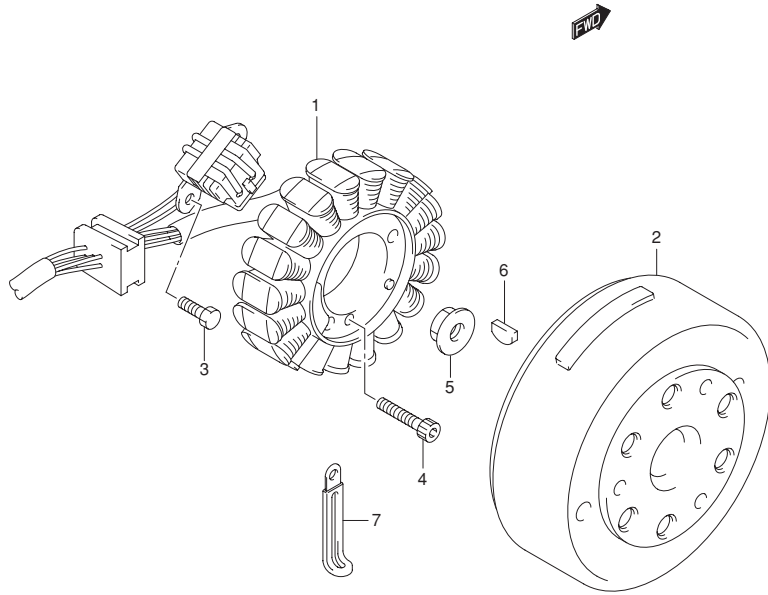


FIG.18 (D-10) MAGNETO

REF NO.	PART NO.	DESCRIPTION	Q'TY	REMARKS
1-1	32101-12F30	STATOR ASSY	1	~ F.NO.50802002 L:585
1-2	32101-12F40	STATOR ASSY	1	F.NO.50802003 ~ L:425
2-1	32102-12F30	ROTOR , FLYWHEEL	1	~ F.NO.50802002
2-2	32102-12F40	ROTOR , FLYWHEEL	1	F.NO.50802003 ~
3	02112-0525B	SCREW , STATOR	3	
4	02142-0412B	SCREW , SENSOR	2	
5	08316-1010B	NUT	1	
6	08341-31039	KEY	1	
7	09404-06429	CLAMP (L:45)	1	

FIG.19

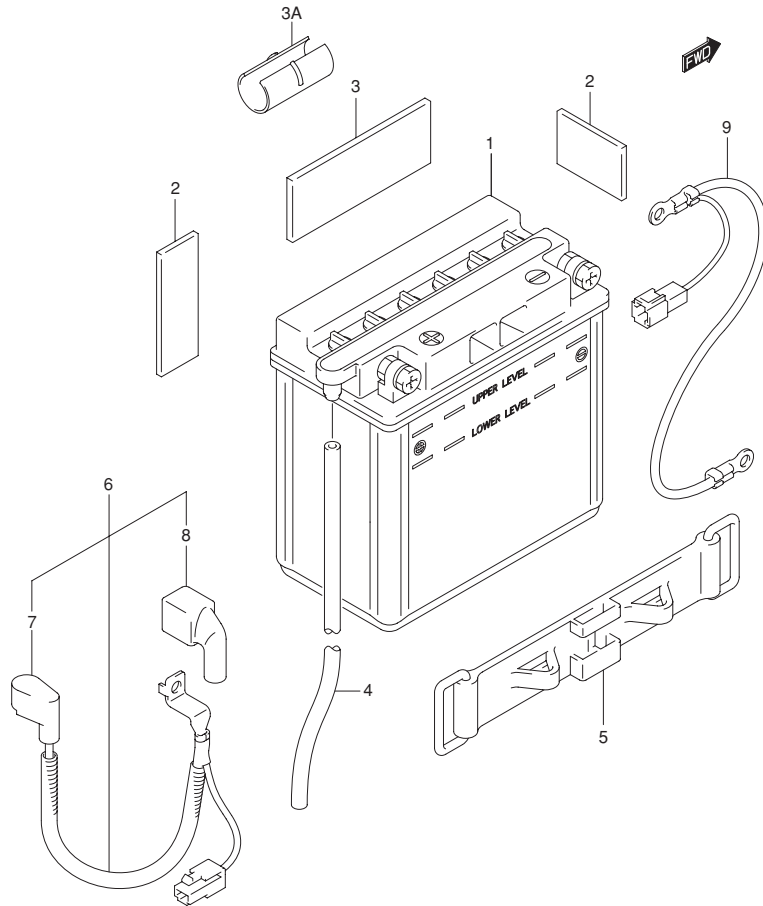


FIG.19 (D-11) BATTERY

REF NO.	PART NO.	DESCRIPTION	Q'TY	REMARKS
1	33610-10320	BATTERY(CB7 - A ,12V ,8AH)	1	
2	33652-38000	PROTECTOR(30X40X3)	4	
3	33652-28010	CUSHION(20X45X6)	1	~ '05/1
3A	33652-05310	PROTECTOR ,BATTERY	1	'05/2 ~
4	33680-16A10	HOSE ,BATTERY EXHAUST	1	L:780 450
5	33651-45F10	BAND	1	
6-1	33820-053A0	WIRE ,BATTERY (+)	1	~ '04/1
6-2	33820-053B0	WIRE ,BATTERY (+)	1	'04/2 ~ '05/1
7-1	31861-10D00	-CAP , STARTER RELAY	1	~ '04/1
7-2	31861-31500	-CAP , STARTER RELAY	1	'04/2 ~ '05/1
8	33624-43500	-CAP , BATTERY PLUS	1	~ '05/2 ~
9	33860-05550	LEAD WIRE , BATTERY (-)	1	

FIG.20

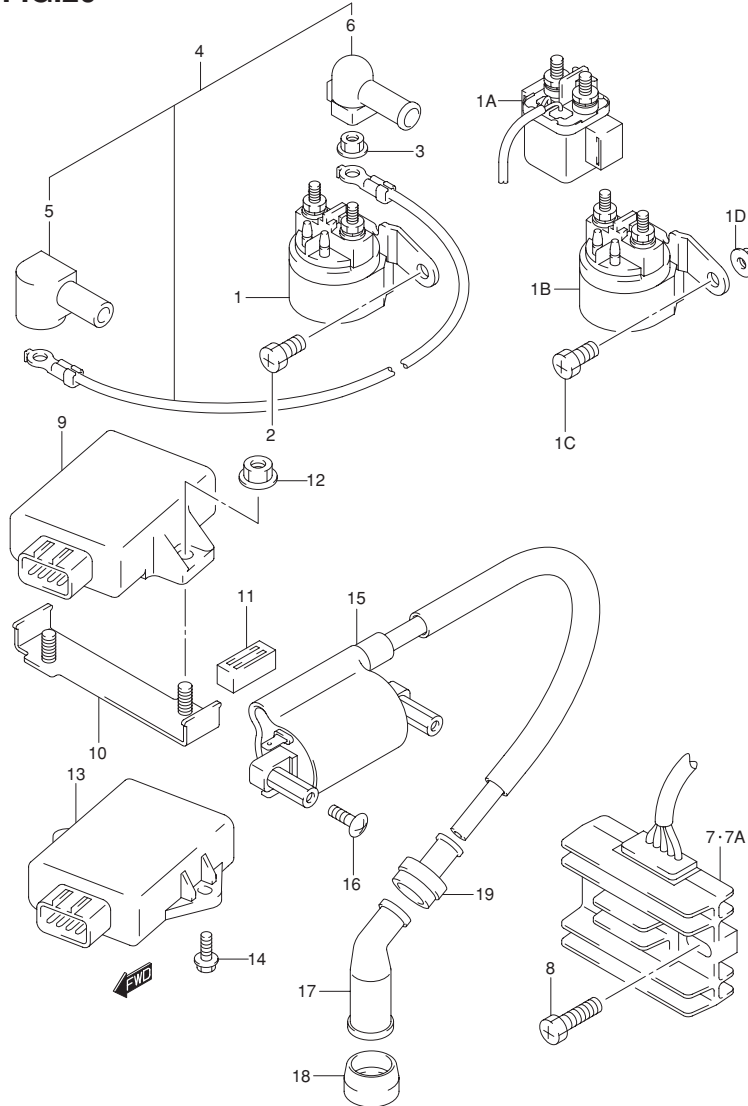


FIG.20 (D-12) ELECTRICAL

REF NO.	PART NO.	DESCRIPTION	Q'TY	REMARKS
1	31800-49100	RELAY ,STARTING MOTOR	1	~ '04/1
1A	31800-45F00	RELAY ,STARTING MOTOR	1	'04/2 ~ '05/2
1B	31800-49110	RELAY ASSY ,STARTING MOTOR	1	'05/3 ~
1C	09128-06004	SCREW	2	'05/3 ~
1D	08361-3506A	NUT	2	'05/3 ~
2	09128-06044	SCREW(6X10)	2	~ '05/2
3	08361-3506A	NUT	2	~ '05/2
4-1	33810-05300	LEAD WIRE ,STARTING MOTOR	1	~ '04/9
4-2	33810-05310	LEAD WIRE ,STARTING MOTOR	1	'04/10 ~
5	31861-31500	-CAP ,STARTER RELAY TERMINAL	1	
6	31861-06C00	-CAP ,STARTER MOTOR	1	
7	32800-29B00	RECTIFIER ,REGULATOR	1	~ '05/1
7A	32800-22D20	RECTIFIER ,ASSY	1	'05/2 ~
8	09128-06006	BOLT(5X20)	2	
9	32900-053K0	IGNITER ASSY	1	EN125 - 2AK3 EN125HUK4 EN125SHUZK6
10	32931-053B0	BRACKET ,IGNITER	1	EN125 - 2AK3 EN125HUK4 EN125SHUZK6
11	32980-05300	CUSHION	2	EN125 - 2AK3 EN125HUK4 EN125SHUZK6
12	08316-1006B	NUT	2	EN125 - 2AK3 EN125HUK4 EN125SHUZK6
13	32900-053A0	IGNITER ASSY	1	EN125 - 2AK7/2AK8 EN125HUK7/HUK8
14	01550-0616B	SCREW ,IGNITER	2	EN125 - 2AK7/2AK8 EN125HUK7/HUK8
15	33410-05360	COIL ASSY ,IGNITION	1	
16	02142-0510B	SCREW	2	
17	33510-43010	CAP ,SPARK PLUG	1	
18	33541-38210	SEAL ,SPARK PLUG	1	
19	33542-38B00	SEAL ,HIGH TENSION CORD	1	

FIG.21

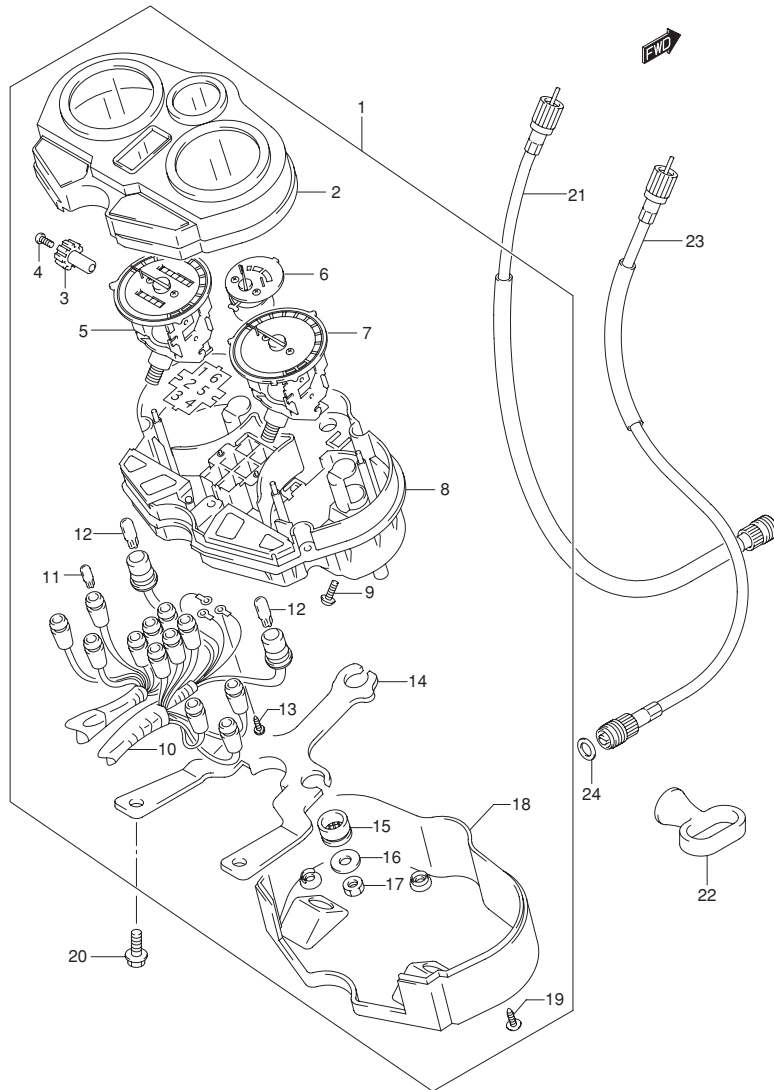


FIG.21 (D-13) SPEEDOMETER (EN125-2AK3/EN125HUK4/HUZK6)

REF NO.	PART NO.	DESCRIPTION	Q'TY	REMARKS
1	34100-45F10	SPEEDOMETER	1	
2	34150-45F10	·VISOR ASSY	1	
3	34980-45F10	·KNOB	1	
4	34125-14A10	·SCREW (M2X6)	1	
5	34120-45F10	·SPEEDOMETER	1	
6	34320-45F10	·FUEL METER	1	
7	34220-45F10	·TACHOMETER	1	
8	34111-45F10	·CASE ,METER	1	
9	02152-04086	·SCREW	4	
10	34173-45F10	·CORD ASSY	1	
11	09471-12077	·BULB (12V2W ,T6.5)	11	
12	09471-12028	·BULB (12V3W ,T10)	2	
13	34383-09400	·SCREW (3X22)	3	
14	34950-45F10	·BRACKET	1	
15	34955-45F10	·DAMPER	3	
16	34181-45F10	·WASHER	3	
17	08310-00067	·NUT	3	
18	34152-45F10	·COVER	1	
19	03512-04149	·SCREW	8	
20	01550-0812B	BOLT	2	
21-1	34910-26440	CABLE ASSY , SPEEDOMETER	1	EN125 - 2AK3
21-2	34910-01G10	CABLE ASSY , SPEEDOMETER	1	EN125HUK4/HUZK6
22-1	58621-21210	GUIDE , CABLE	1	~ '04/4 EN125 - 2AK3/EN125HUK4
22-2	58621-45F00	GUIDE , CABLE	1	'04/5 - EN125 - 2AK3
22-3	58621-45F10	GUIDE , CABLE	1	'04/5 - EN125HUK4/HUZK6
23-1	34940-05340	CABLE ASSY , TACHOMETER	1	EN125 - 2AK3
23-2	34940-05330	CABLE ASSY , TACHOMETER	1	EN125HUK4/HUZK6
24	34943-05500	SEAL , TACHOMETER CABLE	1	

REFER TO FIG.21A (D-14) FOR EN125-2AK7/EN125HUK7
 REFER TO FIG.21B (D-15) FOR EN125-2AK8/EN125HUK8

FIG.21A

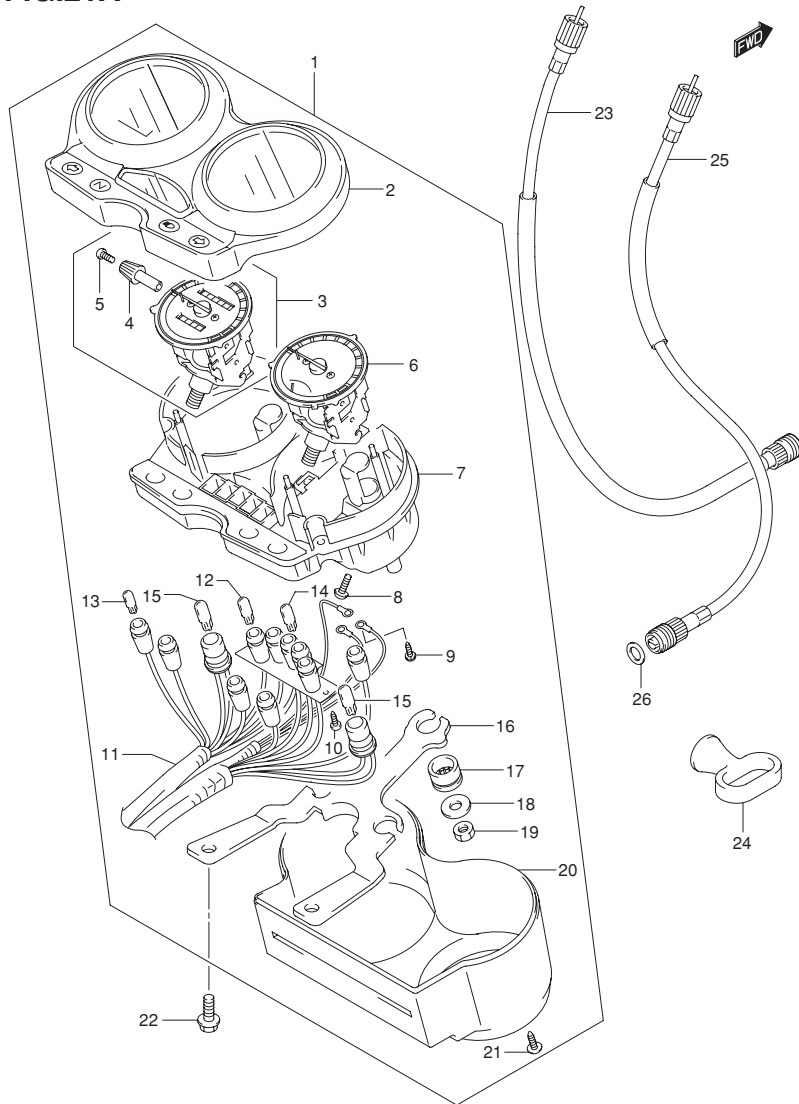


FIG.21A (D-14) SPEEDOMETER (EN125-2AK7/EN125HUK7)

REF NO.	PART NO.	DESCRIPTION	Q'TY	REMARKS
1	34100-34G30	SPEEDOMETER	1	
2	34150-34G10	·CASE ,UPPER	1	
3	34110-34G30	·SPEEDO METER	1	
4	34124-34G10	··NOB	1	
5	02112-03063	··SCREW	2	
6	34210-34G10	·TACHOMETER	1	
7	34111-34G10	·CASE ,LOWER	1	
8	02112-04083	·SCREW	6	
9	34383-09400	·SCREW	2	
10	09132-03017	·SCREW (3X14)	2	
11	34173-34G10	·CORD ASSY	1	
12	09471-12071	·BULB (14V 12W ,T4)	4	FOR GEAR POSITION
13	09471-12077	·BULB (12V 1.7W ,T6.5)	4	FOR INDICATOR
14	09471-12077	·BULB (12V 1.7W ,T6.5)	2	FOR METER
15	09471-12082	·BULB (12V 3.4W ,T10)	2	FOR METER
16	34950-34G10	·BRACKET	1	
17	34191-34G10	·CUSHION	2	
18	08322-01063	·LOCK WASHER	2	
19	08310-00063	·NUT	2	
20	34152-34G10	·COVER	1	
21	03541-05103	·SCREW	2	
22	01550-0812B	BOLT	2	
23-1	34910-45F00	CABLE ASSY , SPEEDOMETER	1	EN125 - 2AK7
23-2	34910-01G11	CABLE ASSY , SPEEDOMETER	1	EN125HUK7
24-1	58621-45F00	GUIDE , SPEED CABLE	1	EN125 - 2AK7
24-2	58621-45F10	GUIDE , SPEED CABLE	1	EN125HUK7
25-1	34940-05380	CABLE ASSY , TACHOMETER	1	EN125 - 2AK7
25-2	34940-05331	CABLE ASSY , TACHOMETER	1	EN125HUK7
26	34943-05500	SEAL , TACHOMETER CABLE OIL	1	

REFER TO FIG.21B (D-15) FOR EN125-2AK8/EN125HUK8

FIG.21B

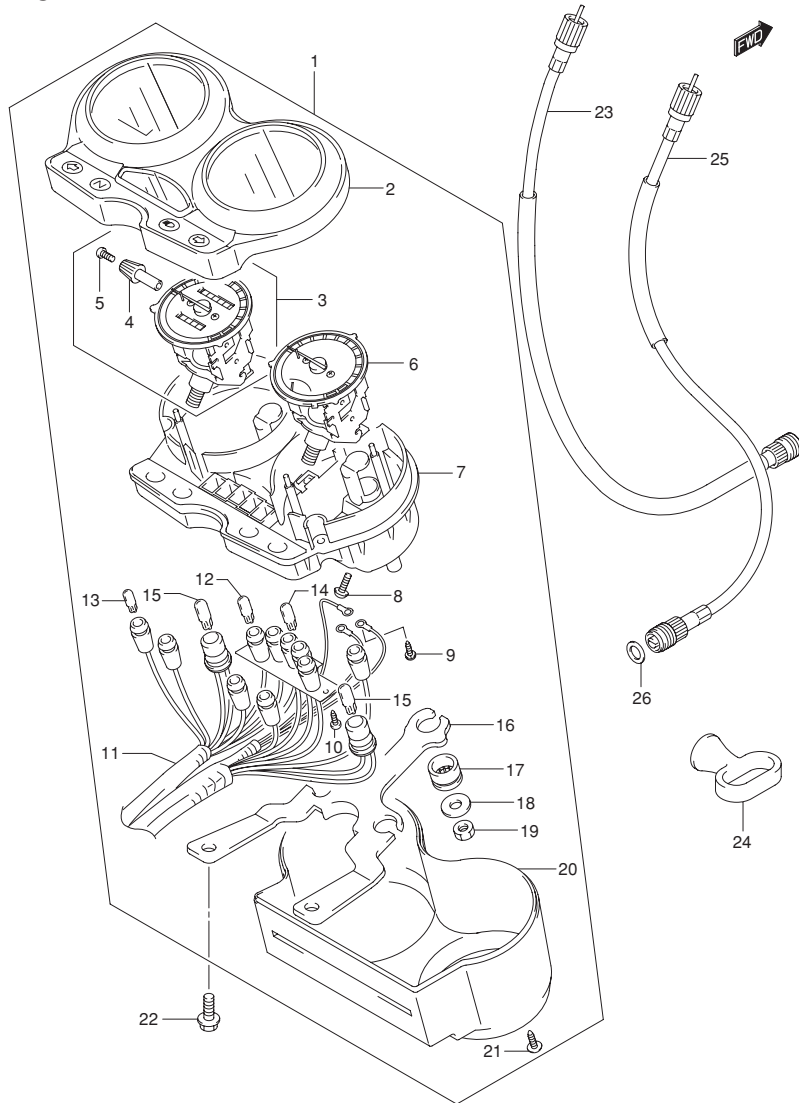


FIG.21B (D-15) SPEEDOMETER (EN125-2AK8/EN125HUK8)

REF NO.	PART NO.	DESCRIPTION	Q'TY	REMARKS
1	34100-45F60	SPEEDOMETER	1	
2	34150-45F60	·CASE ,UPPER	1	
3	34110-45F60	·SPEEDO METER	1	
4	34124-34G10	··NOB	1	
5	02112-03063	··SCREW	2	
6	34210-45F60	·TACHOMETER	1	
7	34111-45F60	·CASE ,LOWER	1	
8	02112-04083	·SCREW	6	
9	34383-09400	·SCREW	2	
10	09132-03017	·SCREW (3X14)	2	
11	34173-34G10	·CORD ASSY	1	
12	09471-12071	·BULB (14V 12W ,T4)	4	FOR GEAR POSITION
13	09471-12077	·BULB (12V 1.7W ,T6.5)	4	FOR INDICATOR
14	09471-12077	·BULB (12V 1.7W ,T6.5)	2	FOR METER
15	09471-12082	·BULB (12V 3.4W ,T10)	2	FOR METER
16	34950-34G10	·BRACKET	1	
17	34191-34G10	·CUSHION	2	
18	08322-01063	·LOCK WASHER	2	
19	08310-00063	·NUT	2	
20	34152-34G10	·COVER	1	
21	03541-05103	·SCREW	2	
22	01550-0812B	BOLT	2	
23-1	34910-45F00	CABLE ASSY , SPEEDOMETER	1	EN125 - 2AK8
23-2	34910-01G11	CABLE ASSY , SPEEDOMETER	1	EN125HUK8
24-1	58621-45F00	GUIDE , SPEED CABLE	1	EN125 - 2AK8
24-2	58621-45F10	GUIDE , SPEED CABLE	1	EN125HUK8
25-1	34940-05380	CABLE ASSY , TACHOMETER	1	EN125 - 2AK8
25-2	34940-05331	CABLE ASSY , TACHOMETER	1	EN125HUK8
26	34943-05500	SEAL , TACHOMETER CABLE OIL	1	

FIG.22

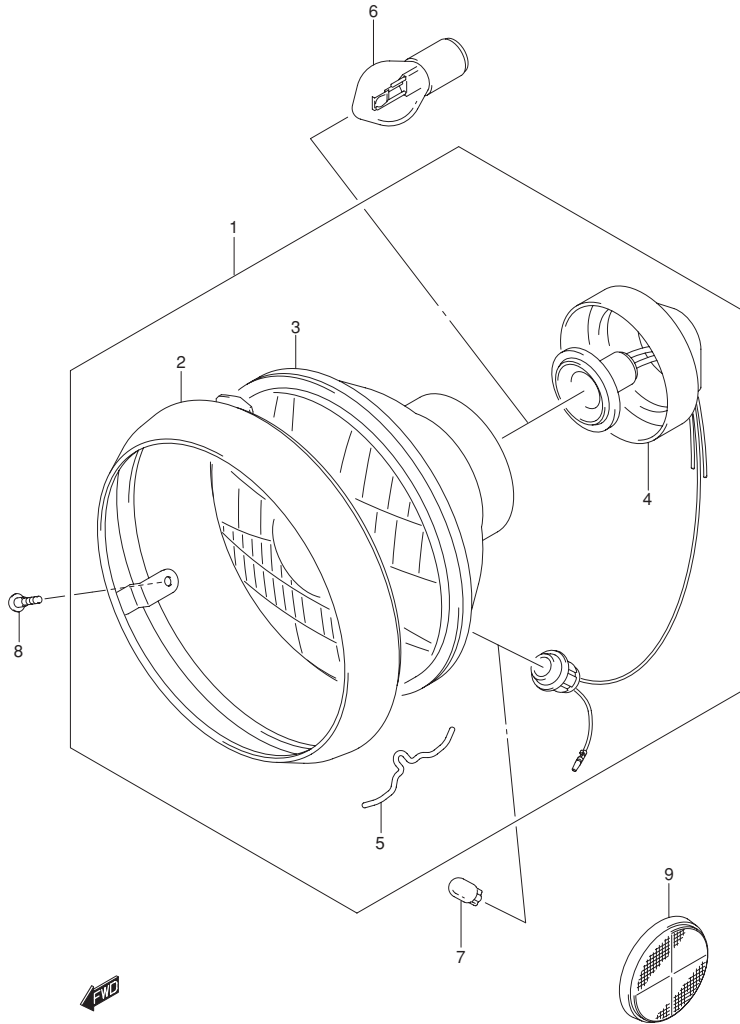


FIG.22 (E-2) HEADLAMP

REF NO.	PART NO.	DESCRIPTION	Q'TY	REMARKS
1	35100-29B60-999	HEADLAMP ASSY	1	
2	35111-29B60	·RIM	1	
3	35121-29B60	·UNIT	1	
4	35171-29B60	·CORD ASSY	1	
5	35172-29B60	·SPRING	3	
6	09471-12020	BULB(12V35/35W)	1	
7	09471-12081	BULB(12V5W)	1	
8	35181-45F10	SCREW , HEADLAMP	2	
9-1	35950-04H10	REFLECTOR ASSY , FRONT SIDE	2	EN125 - 2AK3/K7
9-2	35950-04H11	REFLECTOR ASSY , FRONT SIDE	2	EN125 - 2AK8

FIG.23

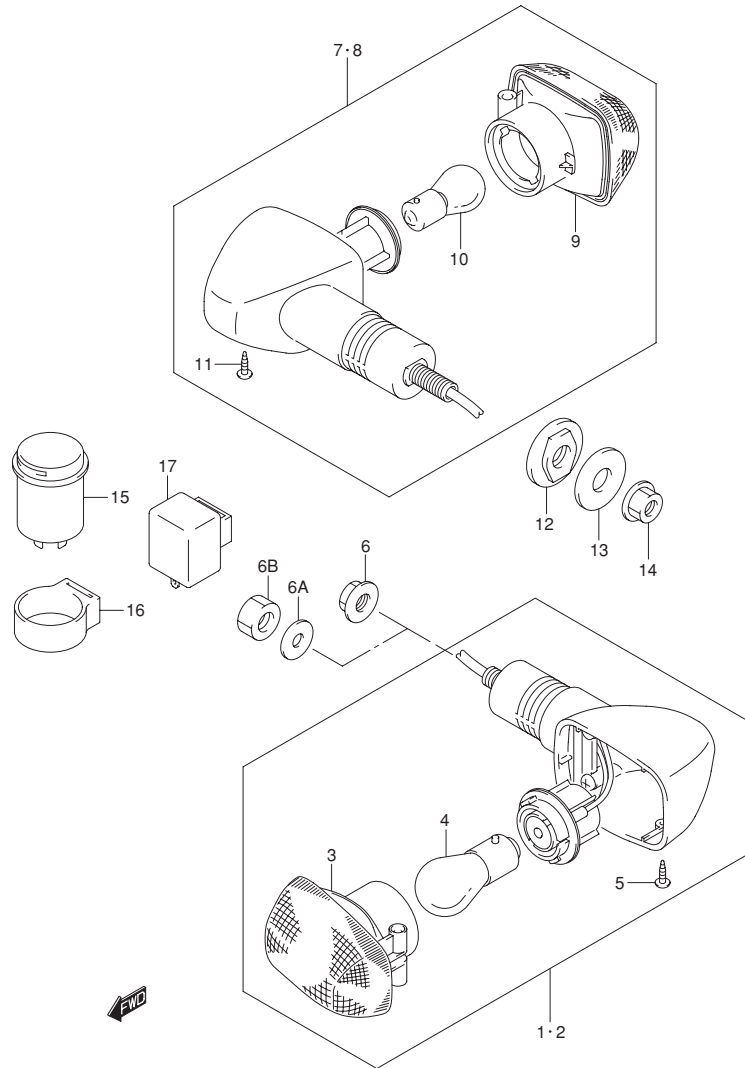


FIG.23 (E-3) TURN SIGNAL LAMP

REF NO.	PART NO.	DESCRIPTION	Q'TY	REMARKS
1	35601-45F00	LAMP ASSY ,FRONT ,RH	1	
2	35602-45F00	LAMP ASSY ,FRONT ,LH	1	
3	35652-45F00	·LENS	2	
4	09471-12045	·BULB (12V ,21W)	2	
5	03211-0416A	·SCREW	2	
6	08316-1010B	NUT	2	~'04/8
6A	09160-10501	WASHER (10.5X30X2.3)	2	'04/9 -
6B	08310-0010B	NUT	2	'04/9 -
7	35603-28D10	LAMP ASSY ,REAR ,RH	1	
8	35604-28D10	LAMP ASSY ,REAR ,LH	1	
9	35652-45F00	·LENS	2	
10	09471-12045	·BULB (12V ,21W)	2	
11	03211-0416A	·SCREW	2	
12	35695-17C00	SPACER ,REAR	2	
13	09160-10501	WASHER (10.5X30X2.3)	2	
14	08316-1010B	NUT	2	
15	38610-45F00	RELAY ASSY , TURNSIGNAL	1	EN125 - 2AK3 , ~'03/12
16	38616-45F00	CUSHION , TURNSIGNAL	1	EN125 - 2AK3 , ~'03/12
17	38610-31320	RELAY ASSY , TURNSIGNAL	1	EN125 - 2AK3 , '04/1 ~ EN125HUK4/K7/K8 EN125HUZK6

FIG.24

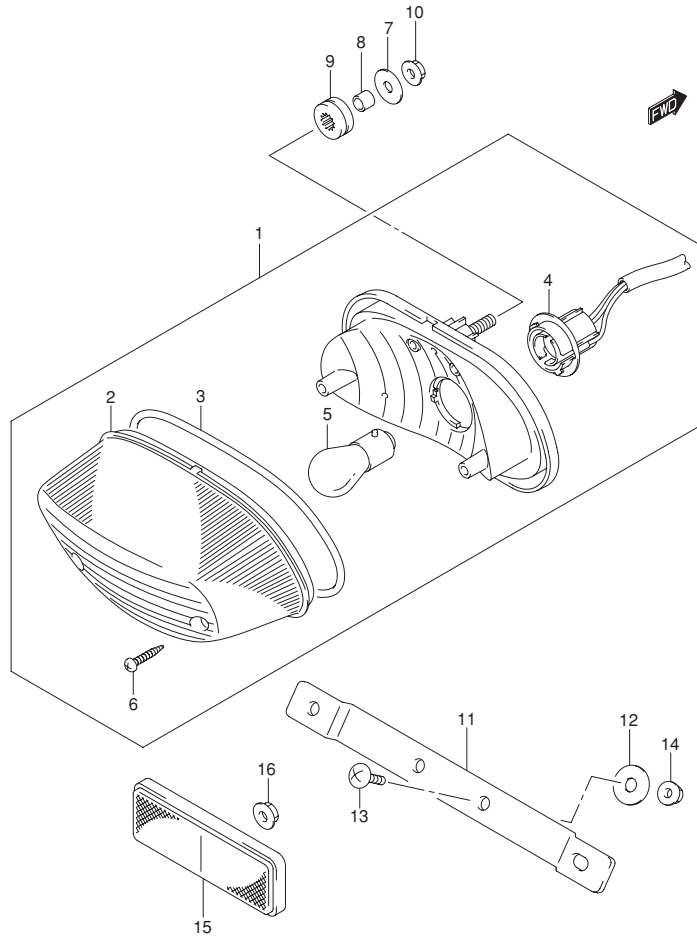


FIG.24 (E-4) REAR COMBINATION LAMP

REF NO.	PART NO.	DESCRIPTION	Q'TY	REMARKS
1	35710-45F00	LAMP ASSY ,REAR COMB	1	
2	35712-45F00	·LENS	1	
3	35713-28D00	·GASKET	1	
4	35718-45F00	·SOCKET & CORD	1	
5	09471-12128	·BULB (12V21/5W)	1	
6	03211-04203	·SCREW	2	
7	09160-06088	WASHER (6.5X20X1.6)	3	
8	09180-06285	SPACER (6.5X10X9)	3	
9	09320-09009	CUSHION	3	
10	08316-1006B	NIT	3	
11	35927-05320	BRACKET ,LICENSE PLATE	1	
12	09160-06088	WASHER (6.5X20X1.6)	2	
13	02142-0616A	SCREW	2	
14	08310-0006A	NUT	2	
15-1	35970-07F00	REFLEX REFLECTOR ASSY , REAR	1	MODEL K3/K4
15-2	35970-04H01	REFLEX REFLECTOR ASSY , REAR	1	MODEL K6/K7/K8
16	08316-1005B	NUT	1	

FIG.25

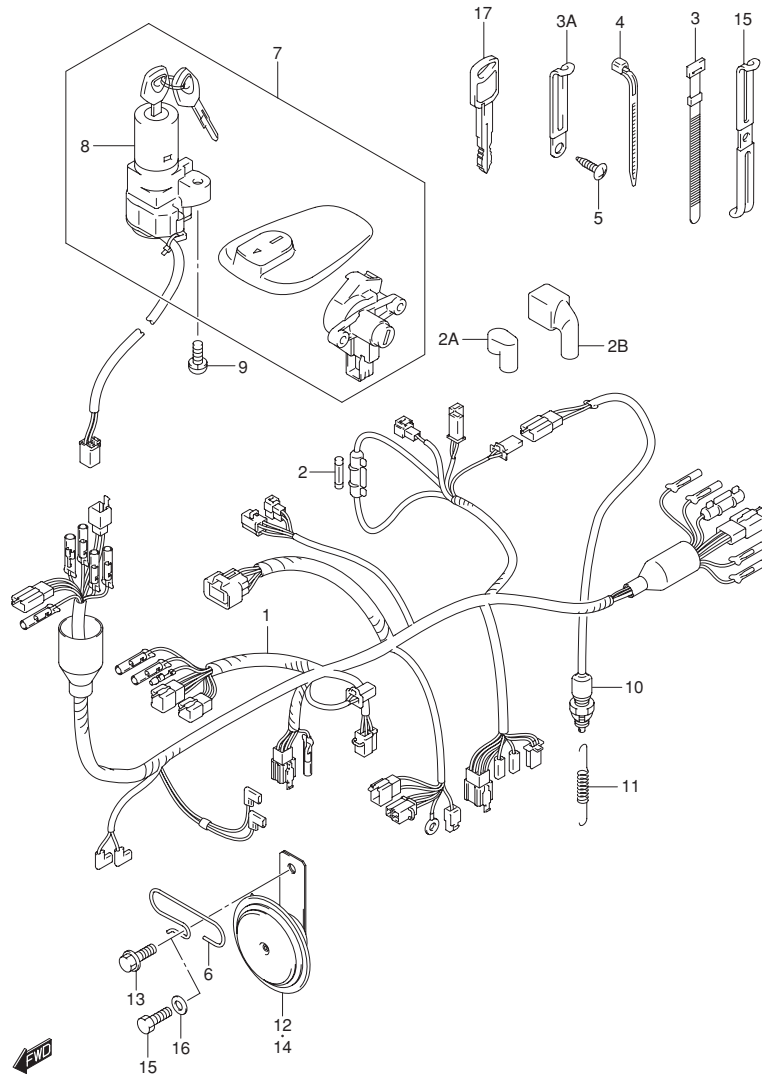


FIG.25 (E-5) WIRING HARNESS(EN125-2AK3/EN125HUK4/EN125HUZK6)

REF NO.	PART NO.	DESCRIPTION	Q'TY	REMARKS
1-1	36610-055C0	WIRING HARNESS	1	~ '05/1
1-2	36610-055H0	WIRING HARNESS	1	'05/2 ~
2	09481-15001	·FUSE (15A)	1	
2A	31861-10D00	·CAP , STARTER RELAY	1	'05/2 ~
2B	33624-43500	·CAP , BATTERY PLUS	1	'05/2 ~
3	09407-12402	CLAMP (L:120)	2	
3A	09404-06431	CLAMP (L:80)	3	'05/2 ~
4-1	09407-14403	CLAMP (L:125)	8	
4-2	09407-18402	CLAMP (L:165)	4	
4-3	09407-25401	CLAMP (L:235)	1	
5	03541-0410B	SCREW	1	
6	36619-37300	CLAMP	1	
7-1	37101-01870	LOCK SET	1	~ '05/1
7-2	37101-01871	LOCK SET	1	'05/2 ~
8-1	37100-01D80	·LOCK ASSY ,STEERING	1	~ '05/1
8-2	37100-01D81	·LOCK ASSY ,STEERING	1	'05/2 ~
9	02112-3620B	BOLT	2	
10	37740-12F00	SWITCH ,ASSY ,STOP LAMP	1	
11	09443-06012	SPRING	1	
12	38500-055B0	HORN ASSY	1	~ '03/12
13	01550-08163	BOLT	2	~ '03/12
14	38500-055D1	HORN ASSY	1	'04/1 ~
15	01500-0816B	BOLT	1	'04/1 ~
16	08322-0108A	LOCK WASHER	1	'04/1 ~
17	37146-45F00	KEY ,BLANK	1	OPT

REFER TO FIG.25A (E-6) FOR EN125-2AK7/EN125HUK7
 REFER TO FIG.25B (E-7) FOR EN125-2AK8/EN125HUK8

FIG.25A

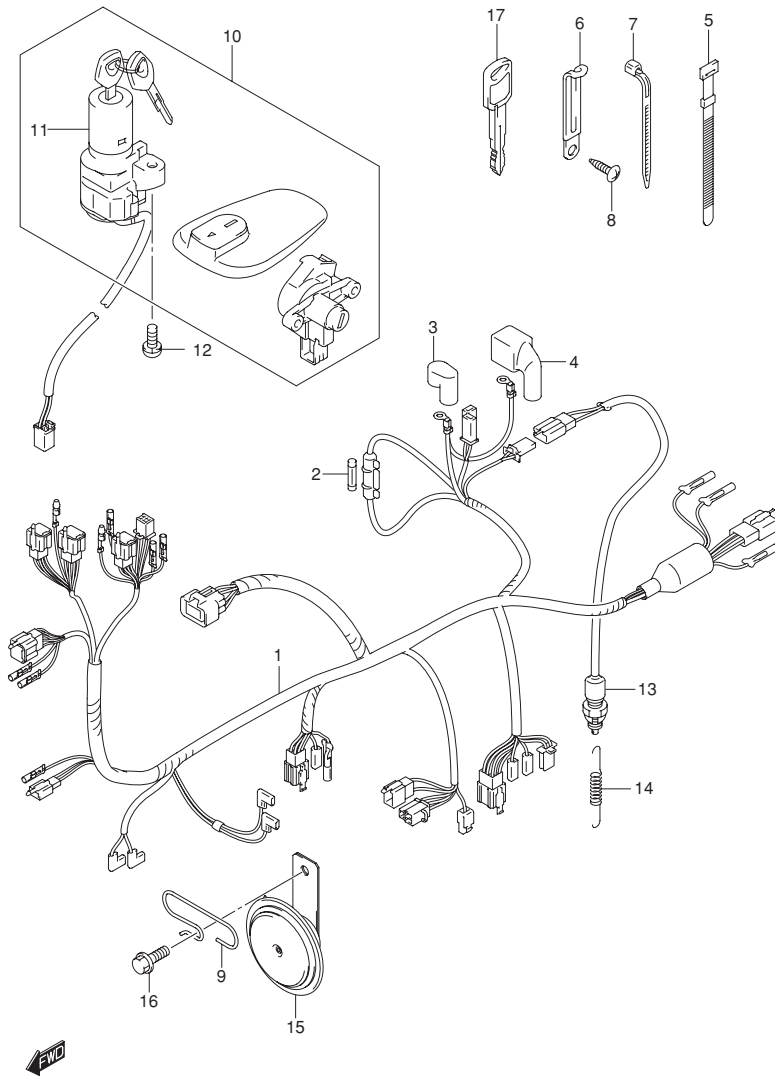


FIG.25A (E-6) WIRING HARNESS(EN125-2AK7/EN125HUK7)

REF NO.	PART NO.	DESCRIPTION	Q'TY	REMARKS
1	36610-45F00	WIRING HARNESS	1	
2	09481-15001	·FUSE (15A)	1	
3	31861-10D00	·CAP , STARTER RELAY	1	
4	33624-43500	·CAP , BATTERY PLUS	1	
5	09407-12402	CLAMP (L:120)	2	
6	09404-06431	CLAMP (L:80)	3	
7-1	09407-14403	CLAMP (L:125)	8	
7-2	09407-18402	CLAMP (L:165)	4	
7-3	09407-25401	CLAMP (L:235)	1	
8	03541-0410B	SCREW	1	
9	36619-37300	CLAMP	1	
10	37101-01880	LOCK SET	1	
11	37100-01D81	·LOCK ASSY ,STEERING	1	
12	02112-3620B	BOLT	2	
13	37740-12F00	SWITCH , ASSY ,STOP LAMP	1	
14	09443-06012	SPRING	1	
15	38500-055D1	HORN ASSY	1	
16	01550-0816B	BOLT	2	
17	37146-45F00	KEY ,BLANK	1	OPT

REFER TO FIG.25B (E- 7) FOR EN125-2AK8/EN125HUK8

FIG.25C

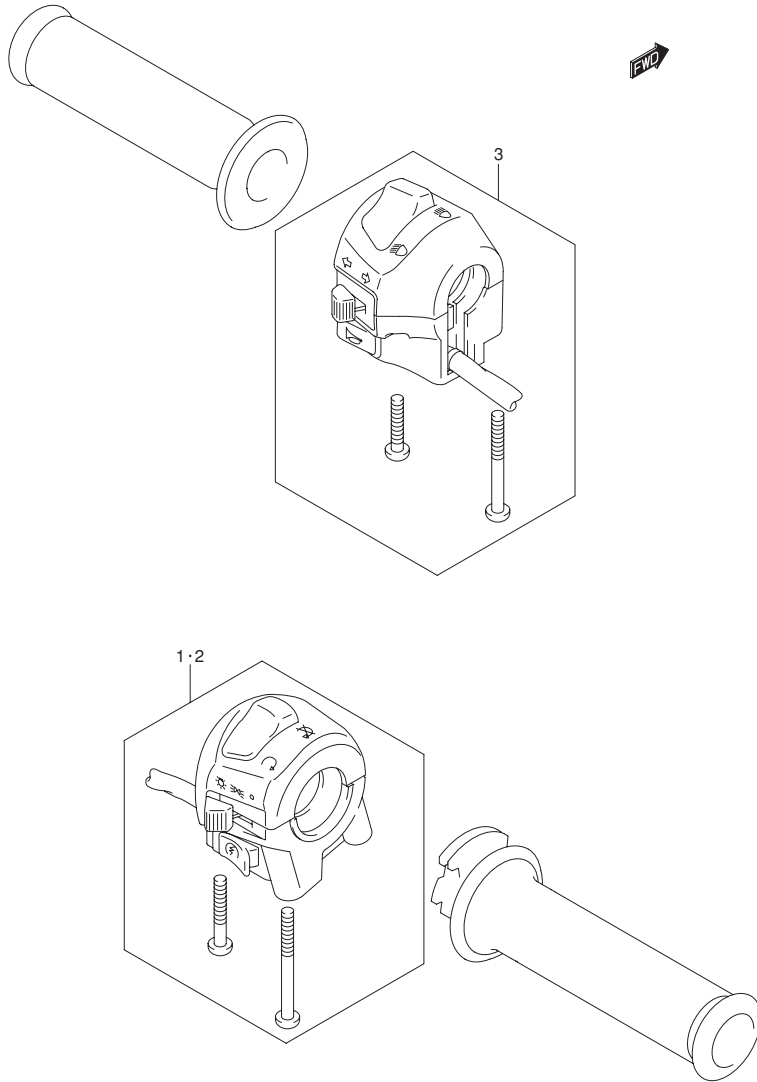


FIG.25C (E-8) HANDLE SWITCH(EN125HUK4/UZK6)

REF NO.	PART NO.	DESCRIPTION	Q'TY	REMARKS
1	37200-05360	SWITCH ASSY , HANDLE ,RH	1	~ '05/1
2	37200-45F20	SWITCH ASSY , HANDLE ,RH	1	'05/2~
3	37400-06B60	SWITCH ASSY , HANDLE ,LH	1	

REFER TO FIG.25D (E-9) FOR EN125-2AK7/EN125HUK7
 REFER TO FIG.25E (E-10) FOR EN125-2AK8/EN125HUK8

FIG.25D

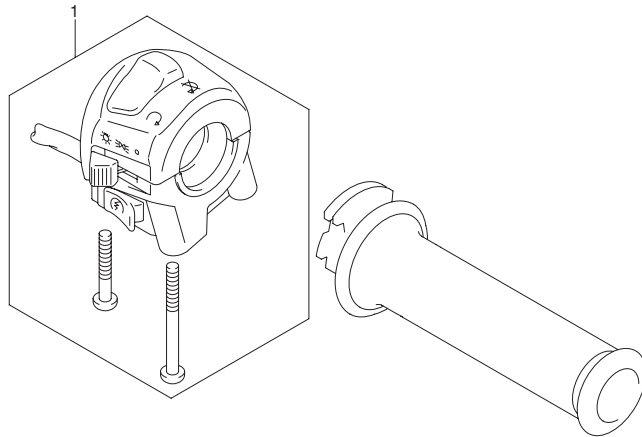
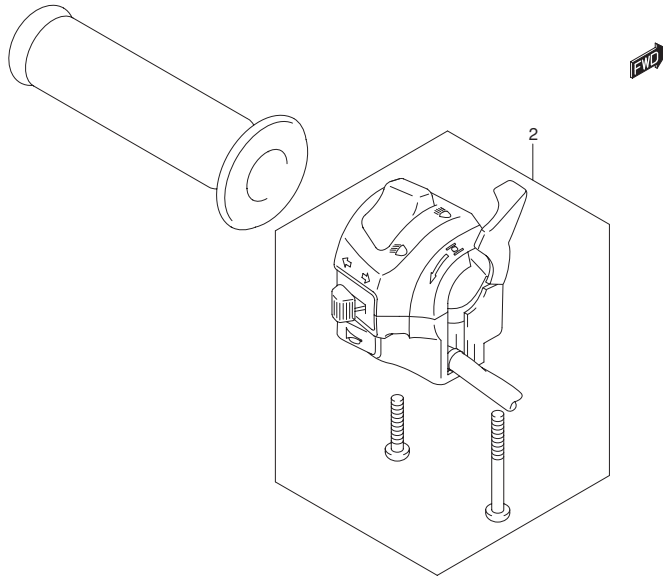


FIG.25D (E-9) HANDLE SWITCH(EN125-2AK7/EN125HUK7)

REF NO.	PART NO.	DESCRIPTION	Q'TY	REMARKS
1	37200-28G20	SWITCH ASSY , HANDLE ,R	1	
2	37400-05300	SWITCH ASSY , HANDLE ,L	1	

REFER TO FIG.25E (E-10) FOR EN125-2AK8/EN125HUK8

3

FIG.25E

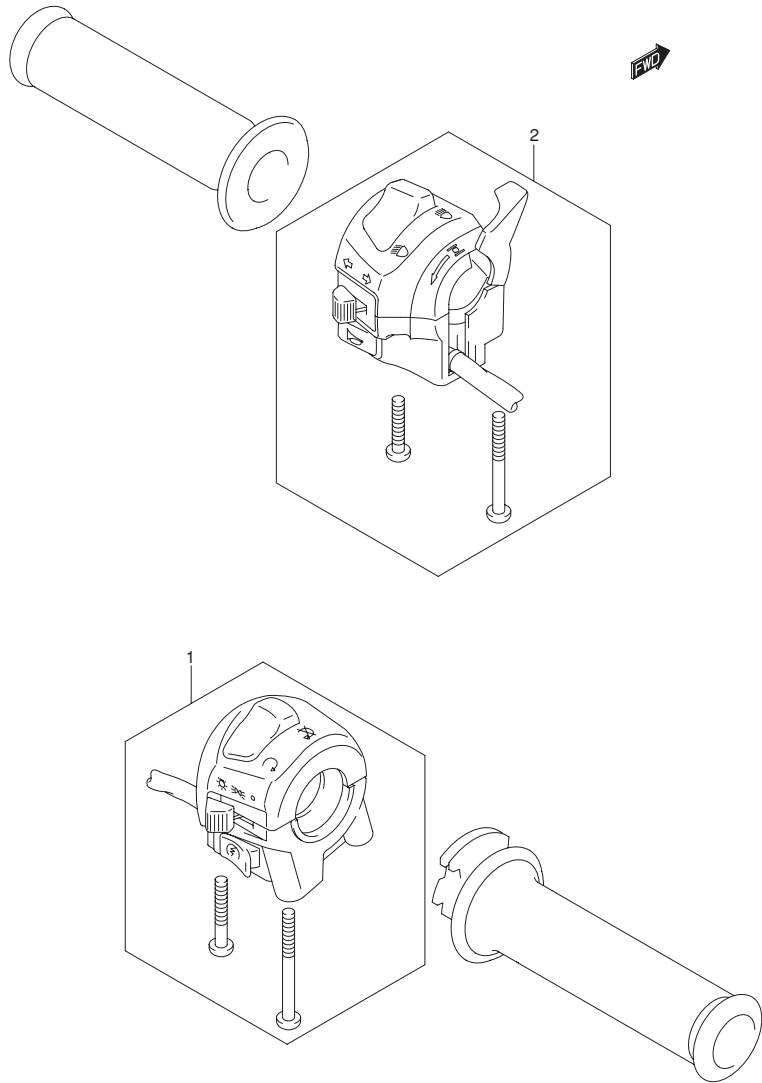


FIG.25E (E-10) HANDLE SWITCH(EN125-2AK8/EN125HUK8)

REF NO.	PART NO.	DESCRIPTION	Q'TY	REMARKS
1	37200-45F60	SWITCH ASSY , HANDLE ,R	1	
2	37400-45F60	SWITCH ASSY , HANDLE ,L	1	

FIG.26

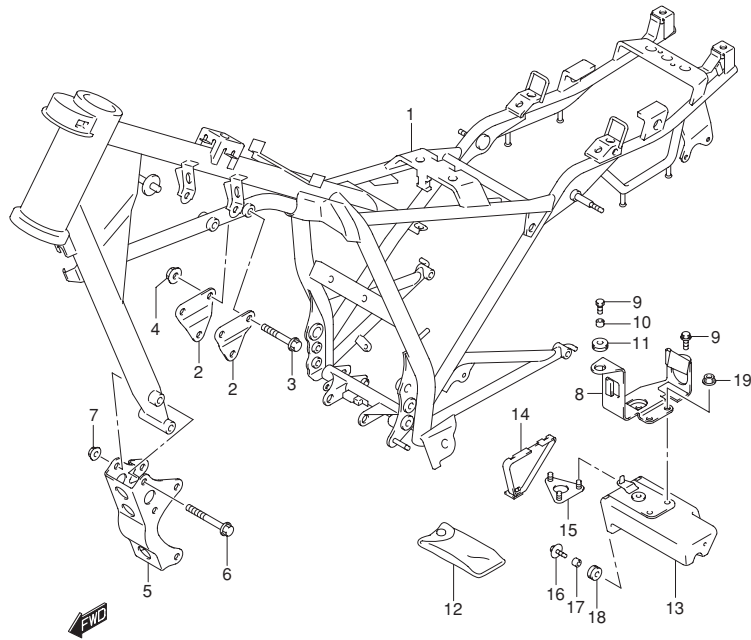


FIG.26 (F-2) FRAME

REF NO.	PART NO.	DESCRIPTION	Q'TY	REMARKS
1-1	41100-45F13	FRAME	1	EN125 - 2AK3
1-2	41100-45FE0	FRAME	1	EN125 - 2AK7/AK8
1-3	41100-45F26	FRAME	1	EN125HUK4/HUZK6
1-4	41100-45FD0	FRAME	1	EN125HUK7/HUK8
2	41991-05300	PLATE ,UPPER	2	
3	09103-08081	BOLT	2	
4	08319-3108A	NUT	2	
5	41992-05300	PLATE ,LOWER	1	
6	01550-0865B	BOLT ,LOWER	2	
7	08319-3108A	NUT	2	
8-1	41540-38301	HOLDER ,BATTERY	1	MODEL K3/K4/K5
8-2	41540-05300	HOLDER ,BATTERY	1	MODEL K7/K8
9	09116-06168	BOLT ,REAR	2	
10	09180-06038	SPACER	2	
11	09320-08021	CUSHION	2	
12	96510-45F10	TOOL ASSY	1	
13	47431-05300	BOX ,TOOL	1	
14	47432-05300	CAP	1	
15	47440-05301	PLATE	1	
16	09116-06168	BOLT	1	
17	09180-06038	SPACER	1	
18	09320-08021	CUSHION	1	
19	08316-1006B	NUT	3	

FIG.27

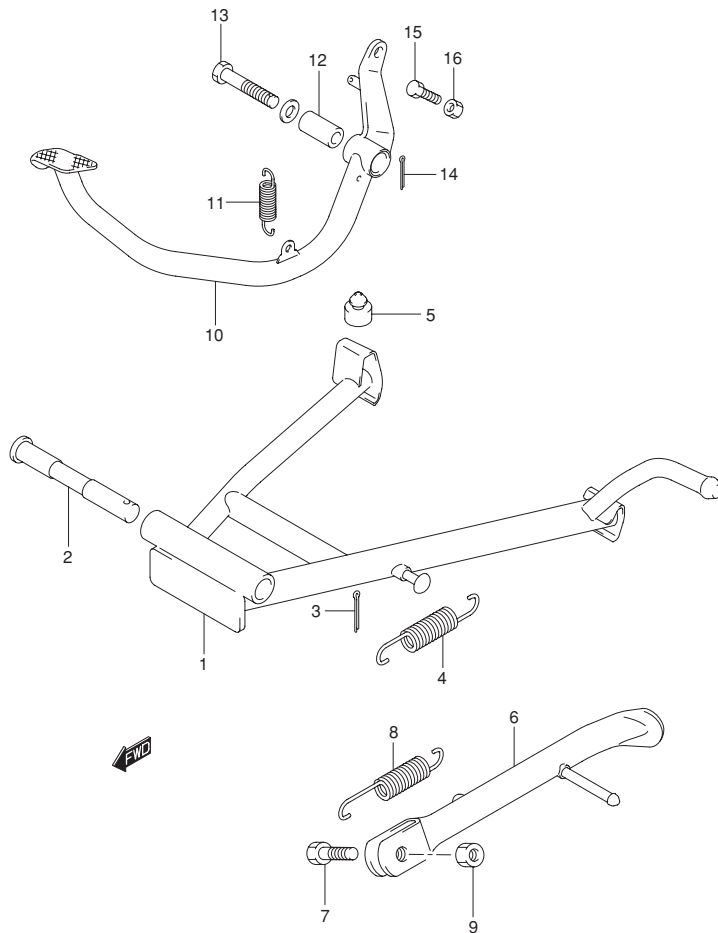


FIG.27 (F-3) STAND

REF NO.	PART NO.	DESCRIPTION	Q'TY	REMARKS
1	42100-45F00	STAND ,CENTER	1	
2	42211-36504	SHAFT	1	
3	04111-25248	COTTER PIN	1	
4	09443-18006	SPRING	1	
5-1	09321-10001	CUSHION	1	MODEL K3/K4/K6
5-2	42278-45F00	CUSHION	1	MODEL K7/K8
6	42310-45F00	STAND ,PROP	1	
7	09100-10501	BOLT	1	
8	09443-17007	SPRING	1	
9	09140-10043	NUT	1	
10	43110-45F00	PEDAL ,BRAKE	1	
11	09443-14015	SPRING	1	
12	43231-05302	SPACER	1	
13-1	09116-10121	BOLT	1	MODEL K3/K4/K6
13-2	43213-45F00	BOLT	1	MODEL K7/K8
14	04111-2020A	COTTER PIN	1	
15	43159-45F00	BOLT	1	
16	08310-0006B	NUT	1	

FIG.28

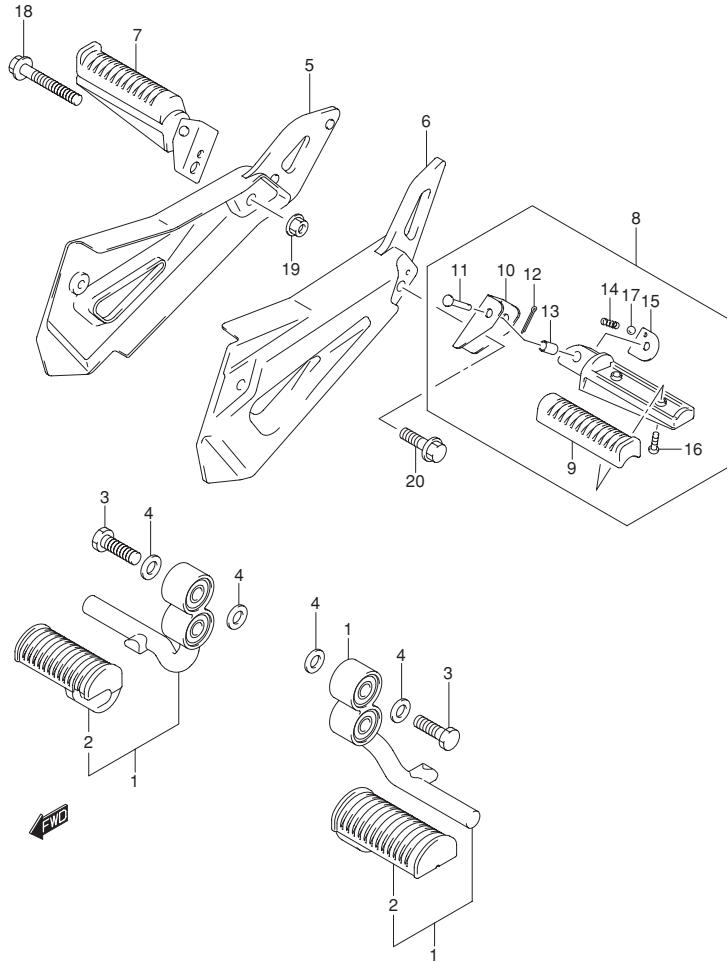


FIG.28 (F-4) FOOTREST(EN125-2AK3/AK7/AK8)

REF NO.	PART NO.	DESCRIPTION	Q'TY	REMARKS
1	43501-45F00	FOOTREST ASSY ,FRONT	2	
2	43551-36500	·RUBBER	2	
3-1	09104-10010	BOLT	4	MODEL K3
3-2	43539-45F00	BOLT	4	MODEL K7/K8
4	09160-10124	WASHER	8	
5	43811-45F00	COVER ,RH	1	
6	43821-45F01	COVER ,LH	1	
7	43600-45F00	FOOTREST ,PILLION RH	1	
8	43700-45F00	FOOTREST ,PILLION LH	1	
9	43550-45F00	·RUBBER	2	
10	43621-45F00	·HOLDER	2	
11	09200-06040	·PIN	2	
12	04111-16146	·COTTER PIN	2	
13	43611-45F00	·SPACER	2	
14	43613-45F00	·SPRING	2	
15	43614-45F00	·PLATE	2	
16	02112-05143	·SCREW	4	
17	06111-08003	·STOPPER	2	
18	01550-1050B	BOLT ,RH	1	
19	08316-1010B	NUT ,RH	1	
20	01550-1030B	BOLT ,LH	1	

REFER TO FIG.28A (F-5) FOR EN125HUK4/HUZK6/HUK7/HUK8

FIG.28A

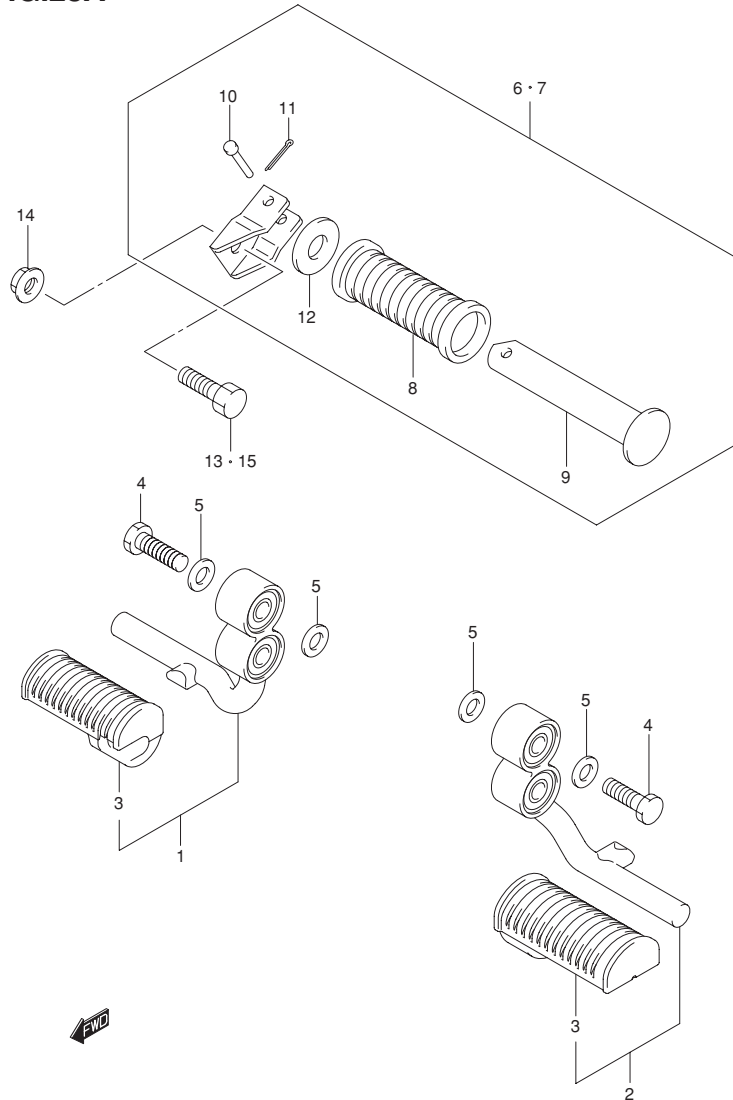


FIG.28A (F-5) FOOTREST(EN125HUK4/HUZK6/HUK7/HUK8)

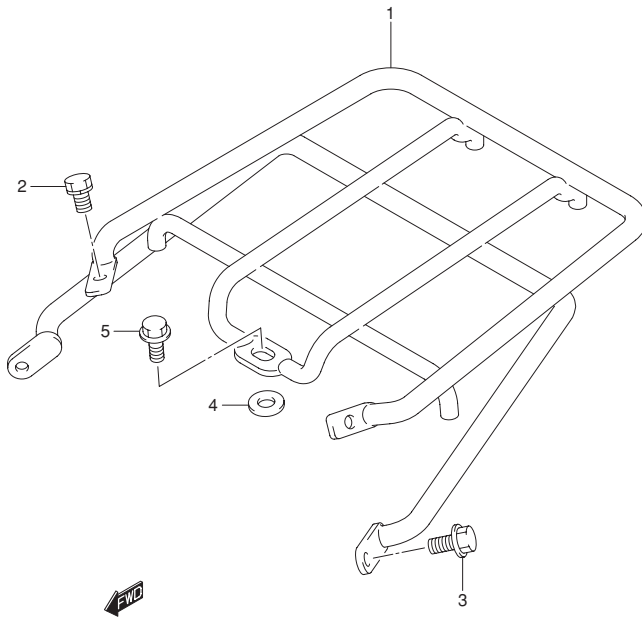
REF NO.	PART NO.	DESCRIPTION	Q'TY	REMARKS
1	43501-45F00	FOOTREST ASSY ,FRONT RH	1	
2	43501-45F20	FOOTREST ASSY ,FRONT LH	1	
3	43551-36500	·RUBBER	2	
4-1	09104-10010	BOLT	4	MODEL K4/K6
4-2	43539-45F00	BOLT	4	MODEL K7/K8
5	09160-10124	WASHER	8	
6	43600-05301	FOOTREST ,PILLION RH	1	
7	43700-05301	FOOTREST ,PILLION LH	1	
8	43612-33200	·RUBBER	2	
9	43610-03001	·BAR	2	
10	09200-06033	·PIN	2	
11	04111-2015A	·COTTER PIN	2	
12	09160-19024	·WASHER	2	
13	01550-1050B	BOLT ,RH	1	
14	08316-1010B	NUT ,RH	1	
15	01550-1030B	BOLT ,LH	1	

FIG.29

FIG.29 (F-6) CARRIER (EN125-2AK3/AK7/AK8)

REF NO.	PART NO.	DESCRIPTION	Q'TY	REMARKS
1	46310-45F01	CARRIER ,REAR	1	
2	01570-0612B	BOLT ,UPPER	2	
3	01550-0616B	BOLT ,LOWER	2	
4	46149-45F00	WASHER ,REAR	1	
5	01550-0616B	BOLT ,REAR	1	

REFER TO FIG.29A (F- 7) FOR EN125HUK4/HUZK6/HUK7/HUK8



4

FIG.29A

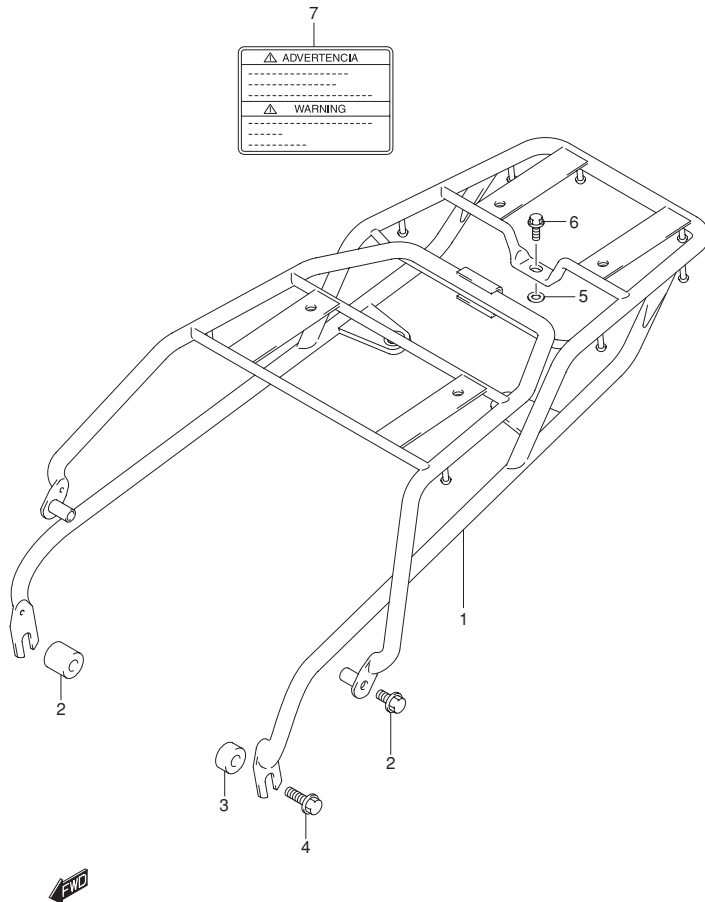


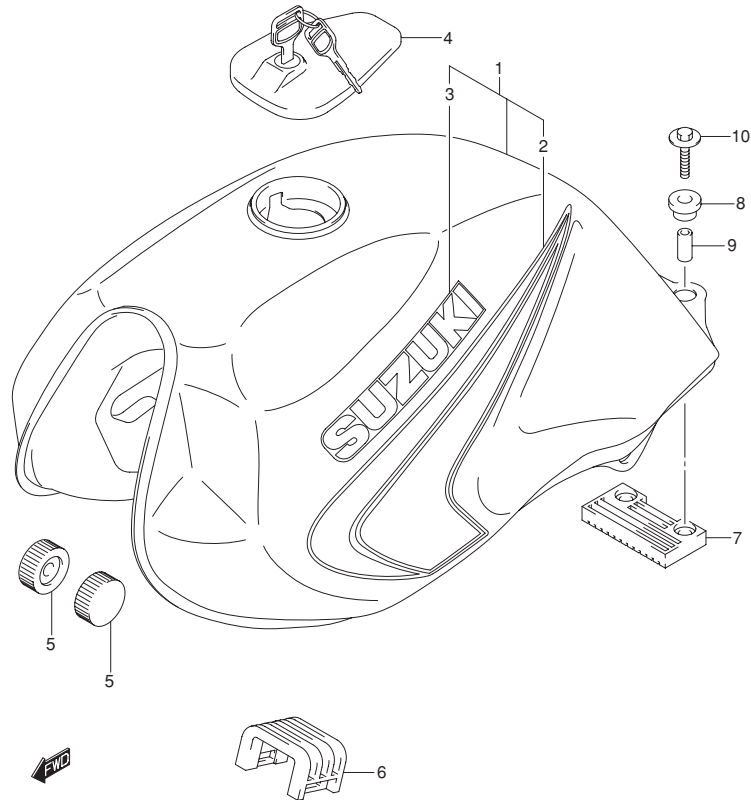
FIG.29A (F-7) CARRIER(EN125HUK4/HUZK6/HUK7/HUK8)

REF NO.	PART NO.	DESCRIPTION	Q'TY	REMARKS
1	46310-45F10	CARRIER ,REAR	1	
2	46141-45F10	SPACER ,BODY RH	1	
3	46142-45F10	SPACER ,BODY LH	1	
4	01550-0825B	BOLT	2	
5	46212-45F00	CUSHION ,REAR	2	
6	01550-0616B	BOLT ,REAR	1	
7	68391-45F30	LABEL ,CARRIER	1	

FIG.30

FIG.30 (F-8) FUEL TANK

4



REF NO.	PART NO.	DESCRIPTION	Q'TY	REMARKS
1-1	44100-45F10-YFZ	TANK ASSY ,FUEL(RED)	1	MODEL K3/K4/K7/K8
1-2	44100-45F10-YGB	TANK ASSY ,FUEL(BLUE)	1	MODEL K3/K4/K7/K8
1-3	44100-45F10-YGE	TANK ASSY ,FUEL(GRAY)	1	MODEL K3/K4/K7/K8
1-4	44100-45F10-YHP	TANK ASSY ,FUEL(BLACK)	1	MODEL K8
1-4	44100-45F50-YNM	TANK ASSY ,FUEL(WHITE)	1	MODEL K6
2-1	68110-45F10-YFZ	·TAPE SET (RED)	1	MODEL K3/K4/K7/K8
2-2	68110-45F10-YGB	·TAPE SET (BLUE)	1	MODEL K3/K4/K7/K8
2-3	68110-45F10-YGE	·TAPE SET (GRAY)	1	MODEL K3/K4/K7/K8
3-1	68111-45F10-YGB	·EMBLEM (BLUE)	1	FOR YFZ ,YGB ,YHP
3-2	68111-45F10-YGE	·EMBLEM (GRAY)	1	FOR YGE
3-3	68111-45F10-YNM	·EMBLEM (WHITE)	1	FOR YNM
4-1	44200-45F10	CAP SET ,FUEL	1	MODEL K3/K4/K6
4-2	44200-45FB0	CAP SET ,FUEL	1	MODEL K7/K8
5	09329-10016	CUSHION , FRONT	2	
6	44541-38200	CUSHION , UPPER FRONT	1	
7	44542-38300	CUSHION , UPPER REAR	1	
8	09320-10022	CUSHION REAR ,NO.2	2	
9	09180-06067	SPACER	2	
10	09116-06084	BOLT	2	

FIG.31

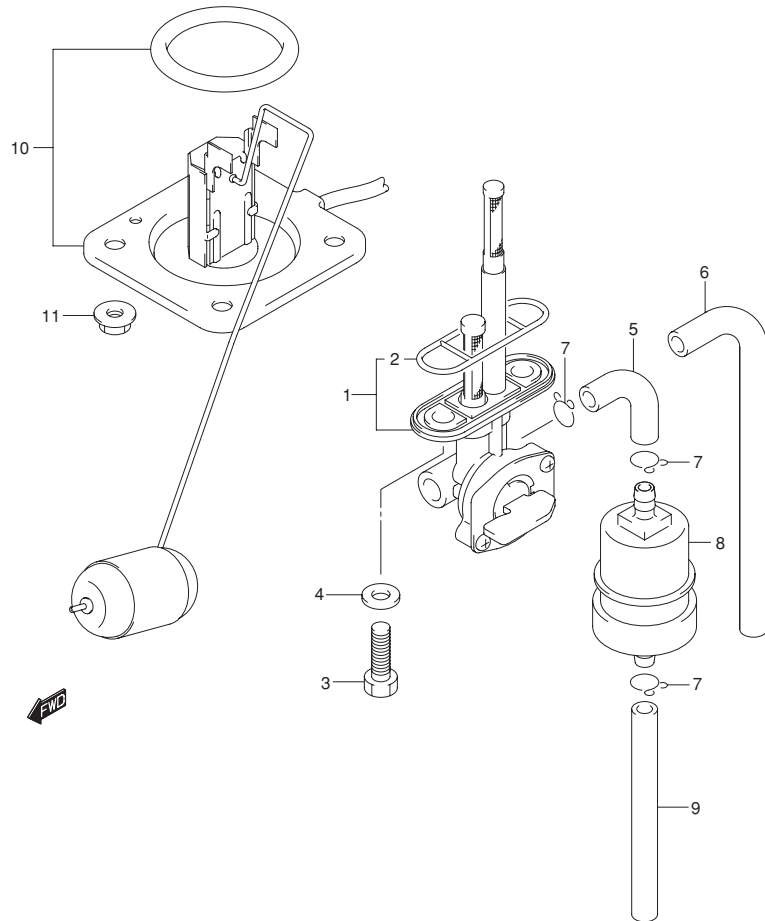


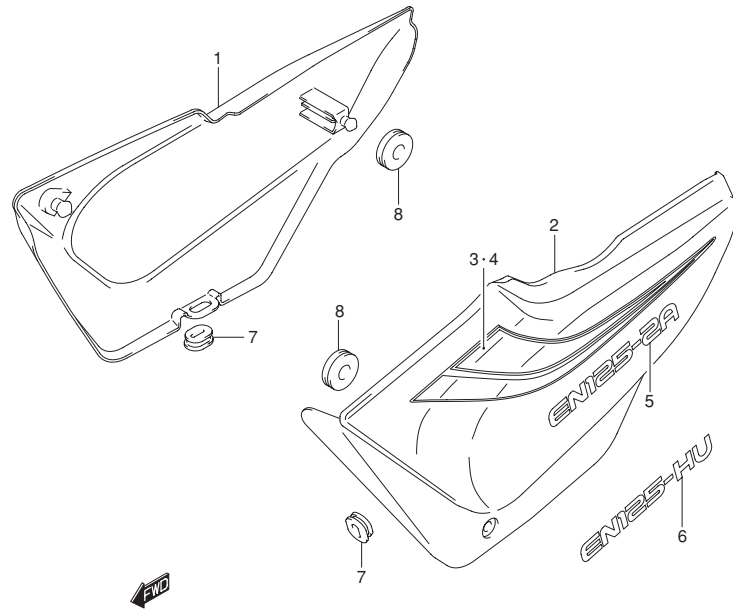
FIG.31 (F-9) FUEL COCK

REF NO.	PART NO.	DESCRIPTION	Q'TY	REMARKS
1	44300-45F10	COCK ASSY ,FUEL	1	
2	44348-87420	-O RING ,JOINT	1	
3	09128-06006	BOLT	2	
4	09168-06026	GASKET	2	
5	44421-45F10	HOSE ,FUEL(UPPER)	1	EN125 - 2AK3/K7/K8
6	44421-45F30	HOSE ,FUEL	1	EN125HUK4/HUZK6/HUK7/HUK8
7	09401-08401	CLIP	4	EN125 - 2AK3
8	44330-45F10	FILTER ,FUEL	1	EN125 - 2AK3/K7/K8
9	44422-45F10	HOSE ,FUEL LOWER	1	EN125 - 2AK3/K7/K8
10	34810-45F00	GAUGE ASSY ,FUEL LEVEL	1	
11	08316-10068	NUT	4	

FIG.32

FIG.32 (F-10) FRAME COVER

4



REF NO.	PART NO.	DESCRIPTION	Q'TY	REMARKS
1-1	47111-45F00-YFZ	COVER , FRAME RH(RED)	1	MODEL K3/K4/K7/K8
1-2	47111-45F00-YGB	COVER , FRAME RH(BLUE)	1	MODEL K3/K4/K7/K8
1-3	47111-45F00-YGE	COVER , FRAME RH(GRAY)	1	MODEL K3/K4/K7/K8
1-4	47111-45F00-YNM	COVER , FRAME RH(WHITE)	1	MODEL K6
1-5	47111-45F00-YHP	COVER , FRAME RH(BLACK)	1	MODEL K8
2-1	47211-45F00-YFZ	COVER , FRAME LH(RED)	1	MODEL K3/K4/K7/K8
2-2	47211-45F00-YGB	COVER , FRAME LH(BLUE)	1	MODEL K3/K4/K7/K8
2-3	47211-45F00-YGE	COVER , FRAME LH(GRAY)	1	MODEL K3/K4/K7/K8
2-4	47211-45F00-YNM	COVER , FRAME LH(WHITE)	1	MODEL K6
2-5	47211-45F00-YHP	COVER , FRAME LH(BLACK)	1	MODEL K8
3-1	68130-45F10-YFZ	TAPE SET , RH(RED)	1	
3-2	68130-45F10-YGB	TAPE SET , RH(BLUE)	1	
3-3	68130-45F10-YGE	TAPE SET , RH(GRAY)	1	
4-1	68140-45F10-YFZ	TAPE SET , LH(RED)	1	
4-2	68140-45F10-YGB	TAPE SET , LH(BLUE)	1	
4-3	68140-45F10-YGE	TAPE SET , LH(GRAY)	1	
5-1	68131-45F10-YFZ	EMBLEM(RED)	2	EN125 - 2AK3/K7/K8
5-2	68131-45F10-YGB	EMBLEM(BLUE)	2	EN125 - 2AK3/K7/K8
5-3	68131-45F10-YGE	EMBLEM(GRAY)	2	EN125 - 2AK3/K7/K8
6-1	68131-45F20-YFZ	EMBLEM(RED)	2	EN125HUK4/HUK7/HUK8
6-2	68131-45F20-YGB	EMBLEM(BLUE)	2	EN125HUK4/HUK7/HUK8
6-3	68131-45F20-YGE	EMBLEM(GRAY)	2	EN125HUK4/HUK7/HUK8
6-4	68131-45F20-YNM	EMBLEM(WHITE)	2	EN125HUZK6
7	09320-03004	CUSHION , LOWER RH	2	
8	09320-08018	CUSHION	4	

FIG.33

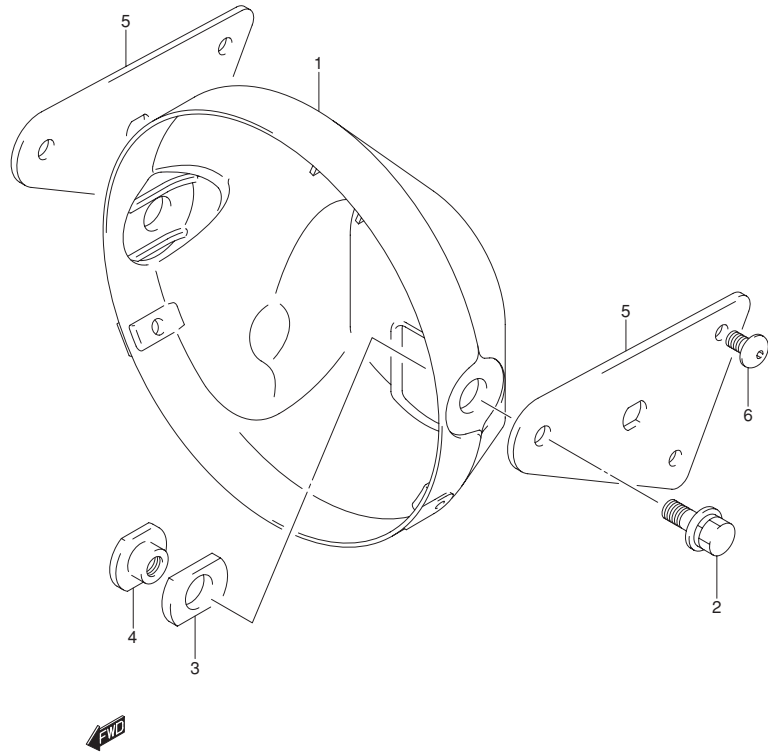


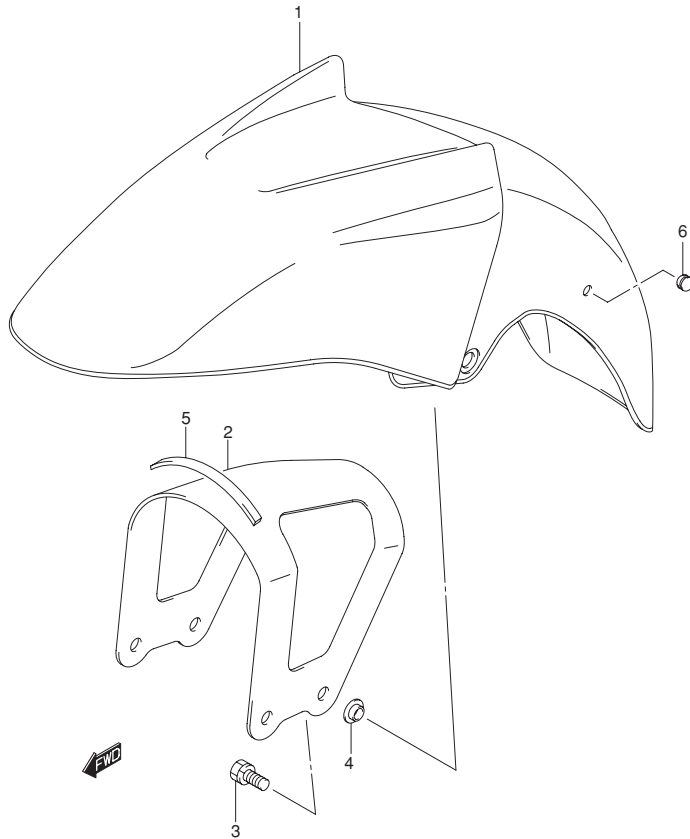
FIG.33 (F-11) HEADLAMP HOUSING

REF NO.	PART NO.	DESCRIPTION	Q'TY	REMARKS
1-1	51811-45F10	HOUSING ,HEADLAMP	1	MODEL K6
1-2	51811-45F20	HOUSING ,HEADLAMP	1	MODEL K7/K8
2	01264-08207	BOLT	2	
3	51827-45F10	CUSHION	2	
4	51825-45F10	NUT	2	
5	51851-45F10	PLATE	2	
6	51859-45F10	BOLT	4	

FIG.34

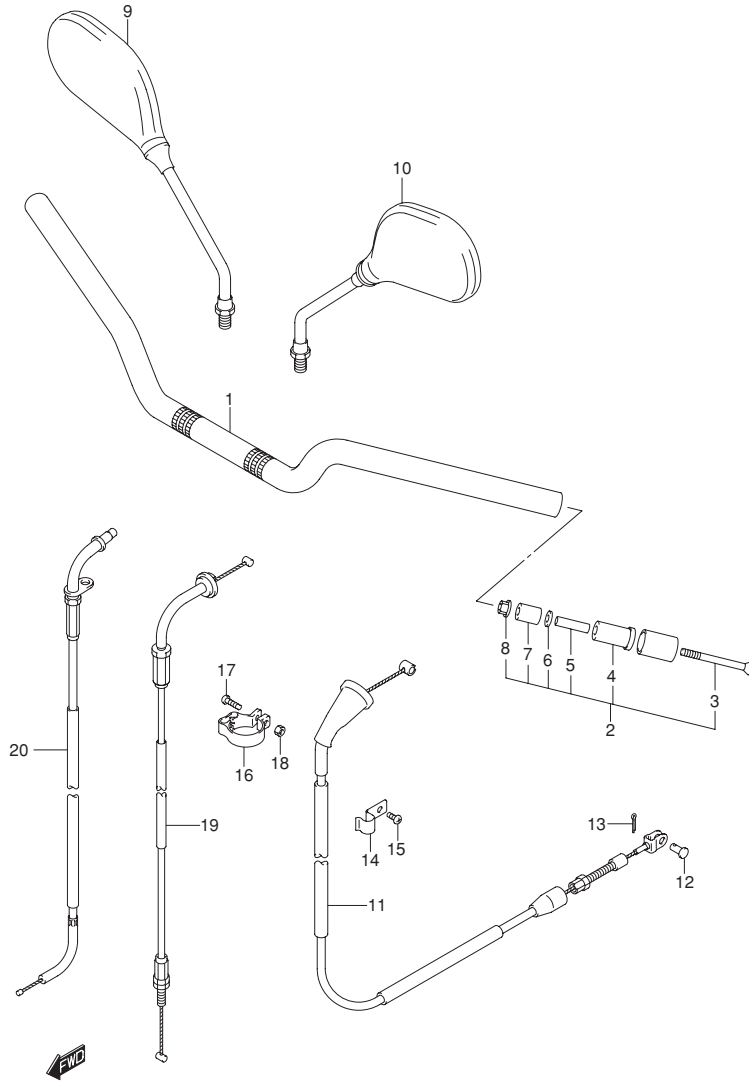
FIG.34 (F-12) FRONT FENDER

REF NO.	PART NO.	DESCRIPTION	Q'TY	REMARKS
1-1	53111-45F01-YFZ	FENDER ,FRONT (RED)	1	EN125 - 2AK3/K7/K8
1-2	53111-45F01-YGB	FENDER ,FRONT (BLUE)	1	EN125 - 2AK3/K7/K8
1-3	53111-45F01-YGE	FENDER ,FRONT(GRAY)	1	EN125 - 2AK3/K7/K8
1-4	53111-45F01-YHP	FENDER ,FRONT (BLACK)	1	EN125 - 2AK8
1-5	53111-45F11-YFZ	FENDER ,FRONT (RED)	1	EN125HUK4/HUK7/HUK8
1-6	53111-45F11-YGB	FENDER ,FRONT (BLUE)	1	EN125HUK4/HUK7/HUK8
1-7	53111-45F11-YGE	FENDER ,FRONT(GRAY)	1	EN125HUK4/HUK7/HUK8
1-8	53111-45F11-YNM	FENDER ,FRONT (WHITE)	1	EN125SHUZK6
2	53112-45F01	BRACE	1	
3	01570-0816B	BOLT	4	
4	09169-08034	WASHER	4	
5	53145-45F10	CUSHION	1	
6	53149-45F00	CAP	1	EN125HUK4/HUK7/HUK8



4

FIG.35



EN125-2AK3 P71_035
HANDLEBAR-C

FIG.35 (F-13) HANDLEBAR(EN125-2AK3/AK7/AK8)

REF NO.	PART NO.	DESCRIPTION	Q'TY	REMARKS
1-1	56111-45F20	HANDLEBAR	1	MODEL K3
1-2	56111-45F51	HANDLEBAR	1	MODEL K7/K8
2	56200-28840	BALANCER SET	2	
3	09127-06018	·SCREW	2	
4	56272-12FH0	·EXPANDER	2	
5	56276-17D00	·SPACER	2	
6	09160-06126	·WASHER	2	
7	56272-44500	·EXPANDER	2	
8	09159-06024	·NUT	2	
9	56500-45F10	MIRROR ASSY , REAR VIEW RH	1	
10	56600-45F10	MIRROR ASSY , REAR VIEW LH	1	
11-1	58200-45F00	CABLE ASSY , CLUTCH	1	MODEL K3
11-2	58200-45F40	CABLE ASSY , CLUTCH	1	MODEL K7/K8
12	09200-06004	PIN	1	
13	04111-2015A	COTTER PIN	1	
14	58626-37400	CLAMP , NO.1	1	
15	02112-1610B	SCREW	1	
16	36651-45F00	CLAMP , NO.2	1	
17	02112-0516B	SCREW	1	
18	08310-0005B	NUT	1	
19-1	58300-45F10	CABLE ASSY , THROTTLE	1	MODEL K3
19-2	58300-45F40	CABLE ASSY , THROTTLE	1	MODEL K7/K8
20	58410-45F00	CABLE , STARTER	1	

REFER TO FIG.35A (F-14) FOR EN125HUK4/HUZK6/HUK7/HUK8

EN125-2AK3 P71

FIG.35A

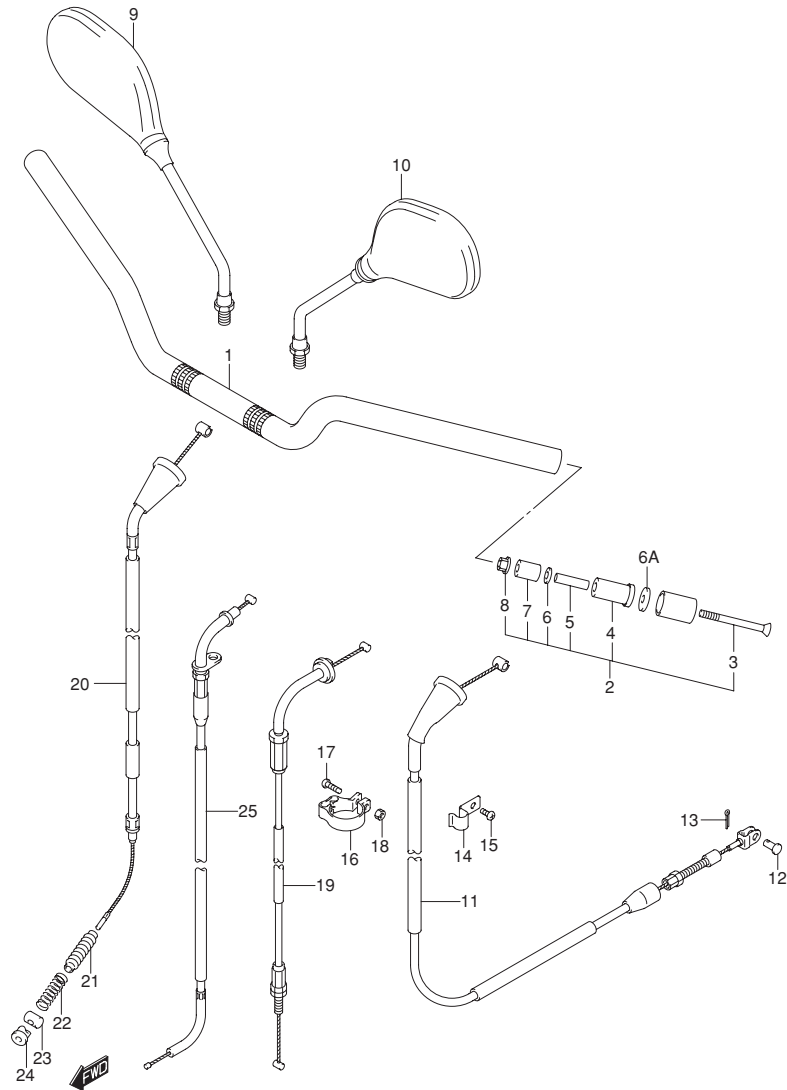


FIG.35A (F-14) HANDLEBAR(EN125HUK4/HUZK6/HUK7/HUK8)

REF NO.	PART NO.	DESCRIPTION	Q'TY	REMARKS
1-1	56111-45F30	HANDLEBAR	1	MODEL K4/K6
1-2	56111-45F30	HANDLEBAR	1	MODEL K7
1-3	56111-45F80	HANDLEBAR	1	MODEL K8
2	56200-45850	BALANCER SET	2	
3	09127-06023	·SCREW	2	
4	56272-12FH0	·EXPANDER	2	
5	56276-17D00	·SPACER	2	
6	09160-06126	·WASHER	2	
6A-1	09160-06088	·WASHER	4	MODEL K4/K6
6A-2	09160-06154	·WASHER	4	MODEL K7/K8
7	56272-44500	·EXPANDER	2	
8	09159-06024	·NUT	2	
9	56500-45F10	MIRROR ASSY ,REAR VIEW RH	1	
10	56600-45F10	MIRROR ASSY ,REAR VIEW LH	1	
11-1	58200-45F10	CABLE ASSY ,CLUTCH	1	MODEL K4/K6
11-2	58200-45F60	CABLE ASSY ,CLUTCH	1	MODEL K7/K8
12	09200-06004	PIN	1	
13	04111-2015A	COTTER PIN	1	
14	58626-37400	CLAMP ,NO.1	1	
15	02112-1610B	SCREW	1	
16	36651-45F00	CLAMP ,NO.2	1	
17	02112-0516B	SCREW	1	
18	08310-0005B	NUT	1	
19-1	58300-45F20	CABLE ASSY ,THROTTLE	1	MODEL K4/K6
19-2	58300-45F60	CABLE ASSY ,THROTTLE	1	MODEL K7/K8
20	58110-45F00	CABLE ,FRONT BRAKE	1	
21	09287-07001	SEAL ,DUST	1	
22	09440-06003	SPRING	1	
23	09209-10001	PIN	1	
24	09150-05101	NUT	1	
25	58410-45F10	CABLE ,STARTER	1	

FIG.36

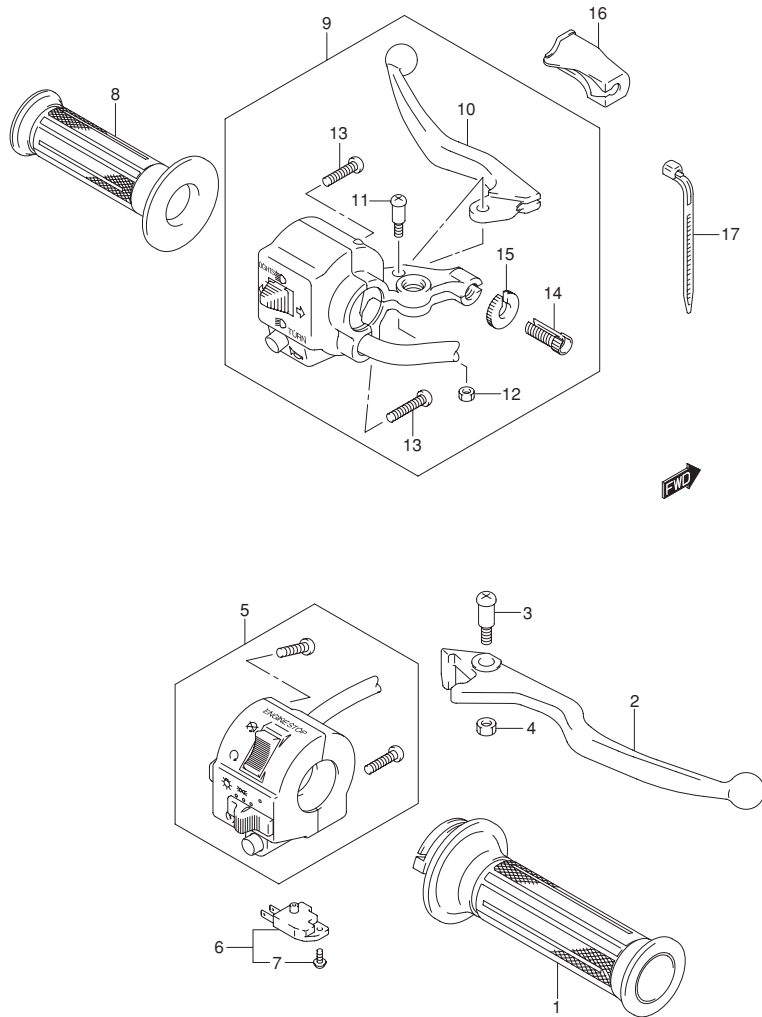


FIG.36 (G-2) HANDLE LEVER(EN125-2AK3/AK7/AK8)

REF NO.	PART NO.	DESCRIPTION	Q'TY	REMARKS
1-1	57110-45F00	GRIP ,THROTTLE	1	MODEL K3
1-2	57110-28G10	GRIP ,THROTTLE	1	MODEL K7/K8
2	57421-13001	LEVER ,BRAKE (BLACK)	1	
3	09111-06075	SCREW	1	
4	08319-21063	NUT	1	
5	37200-45F10	SWITCH ASSY ,HANDLE RH	1	
6	57460-17C01	SWITCH ASSY , STOP	1	
7	57465-17C00	·SCREW	1	
8-1	57211-45F00	GRIP , LH	1	MODEL K3
8-2	57211-22D01	GRIP , LH	1	MODEL K7/K8
9-1	57500-45F10	LEVER ASSY , CLUTCH	1	MODEL K3
9-2	57500-45FA0	LEVER ASSY , CLUTCH	1	MODEL K7/K8
10-1	57621-45F10	·LEVER ,CLUTCH	1	MODEL K3
10-2	57621-45FA0	·LEVER ,CLUTCH	1	MODEL K7/K8
11-1	57431-45F10	·BOLT	1	MODEL K3
11-2	57431-45F00	·BOLT	1	MODEL K7/K8
12	08319-21057	·NUT	1	
13	02112-0520B	·SCREW	1	
14	57441-45F10	·ADJUSTER	1	
15	57442-45F10	·NUT	1	
16	57661-31000	COVER , CLUTCH LEVER	1	
17	09407-12402	CLAMP (L:120)	2	

REFER TO FIG.36A (G-3) FOR EN125HUK4/HUZK6/HUK7/HUK8

FIG.36A

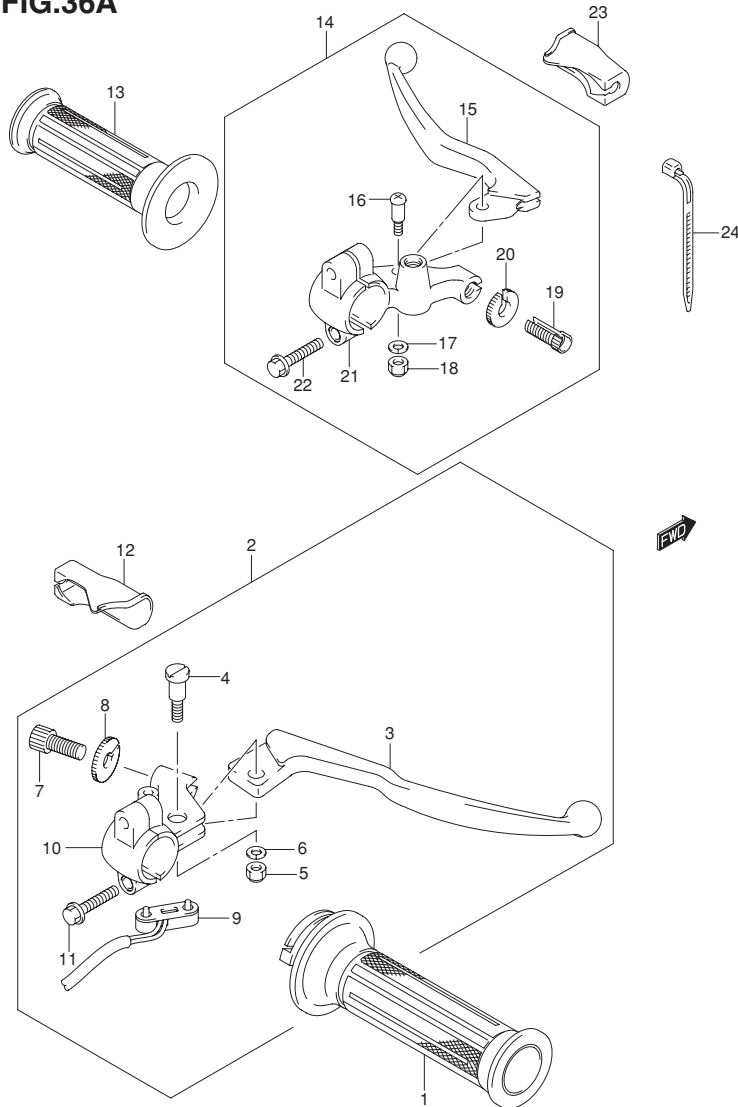


FIG.36A (G-3) HANDLE LEVER (EN125HUK4/HUZK6/HUK7/HUK8)

REF NO.	PART NO.	DESCRIPTION	Q'TY	REMARKS
1-1	57110-46E01	GRIP ,THROTTLE	1	MODEL K4/K6
1-2	57110-28G10	GRIP ,THROTTLE	1	MODEL K7/K8
2	57300-45F00	LEVER ASSY ,BRAKE	1	
3	57421-45F00	·LEVER ,BRAKE	1	
4	57431-45F00	·BOLT ,LEVER	1	
5	08310-0006B	·NUT	1	
6	08321-0106B	·WASHER	1	
7	57441-45F00	·ADJUSTER , WIRE	1	
8	57442-45F00	·NUT , LOCK	1	
9	57460-45F00	·SWITCH ,STOP	1	
10	57512-45F00	·BRACKET ,HOLDER	1	
11	01547-0620B	·BOLT ,BRACKET	1	
12	57341-45F00	COVER ,BRAKE LEVER	1	
13	57211-22D01	GRIP , LH	1	
14-1	57500-45F00	LEVER ASSY ,CLUTCH	1	MODEL K4/K6
14-2	57500-45FA0	LEVER ASSY ,CLUTCH	1	MODEL K7/K8
15-1	57621-45F00	·LEVER ,CLUTCH	1	MODEL K4/K6
15-2	57621-45FA0	·LEVER ,CLUTCH	1	MODEL K7/K8
16	57431-45F00	·BOLT	1	
17	08321-0106B	·LOCK WASHER	1	
18	08310-0006B	·NUT	1	
19	57441-45F00	·ADJUSTER	1	
20	57442-45F00	·NUT	1	
21	57512-45F00	·BRACKET ,HOLDER	1	
22	01547-0620B	·BOLT	2	
23	57661-31000	COVER ,CLUTCH LEVER	1	
24	09407-12402	CLAMP (L:120)	2	

FIG.37

FIG.37 (G-4) REAR FENDER

REF NO.	PART NO.	DESCRIPTION	Q'TY	REMARKS
1	63111-45F00	FENDER ,REAR	1	
2	63120-45F10	BRACKET , REAR LAMP	1	
3	09118-06067	BOLT ,REAR FENDER	4	
4-1	09169-06010	WASHER	3	MODEL K3/K4/K6
4-2	61315-45F00	WASHER	3	MODEL K7/K8
5	08316-1006B	NUT	3	

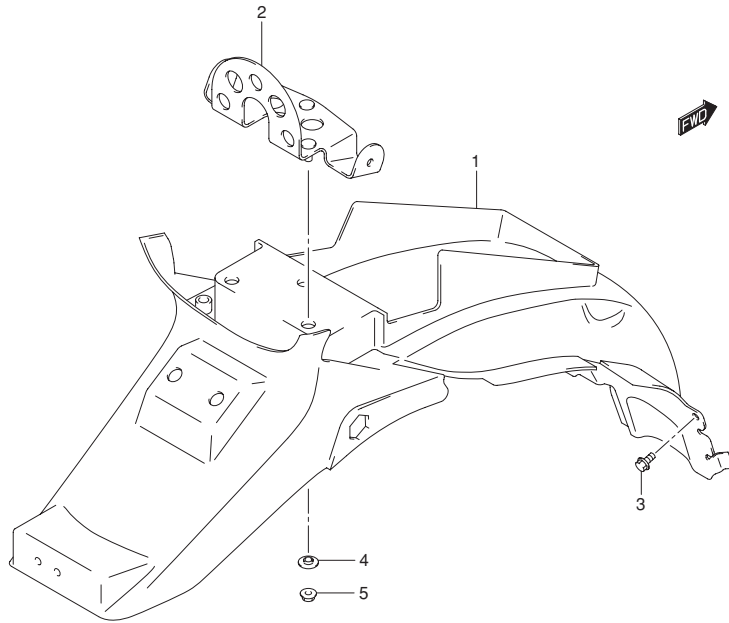


FIG.38

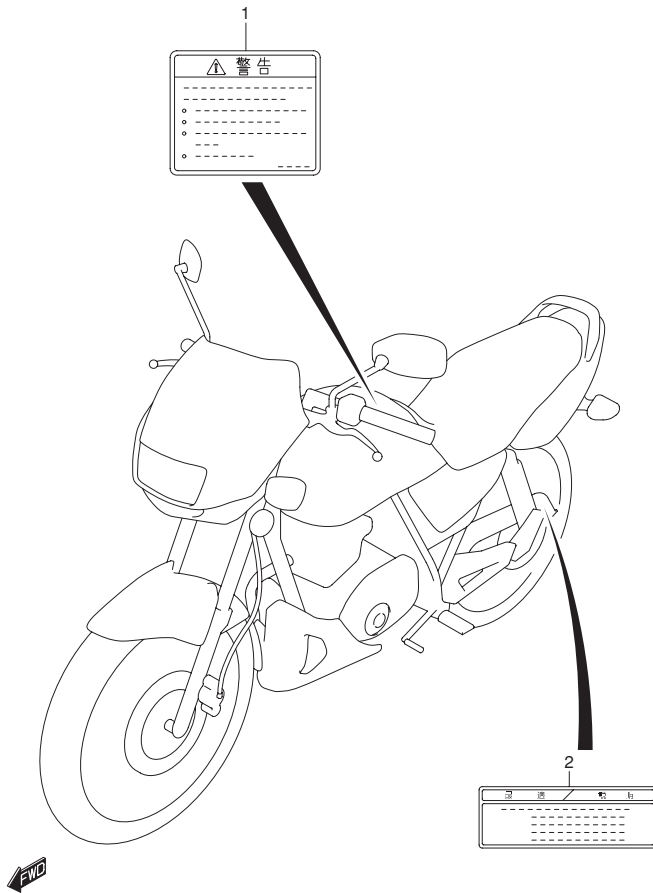


FIG.38 (G-5) LABEL

REF NO.	PART NO.	DESCRIPTION	Q'TY	REMARKS
1	68319-45F10	LABEL ,GENERAL WARNING	1	
2-1	68332-45F40	LABEL ,TIRE INFORMATION	1	EN125 - 2AK3/HUK4/HUZK6
2-2	68332-45F00	LABEL ,TIRE INFORMATION	1	EN125 - 2AK7/AK8
2-3	68332-45F50	LABEL ,TIRE INFORMATION	1	EN125HUK7/HUK8

4

FIG.39

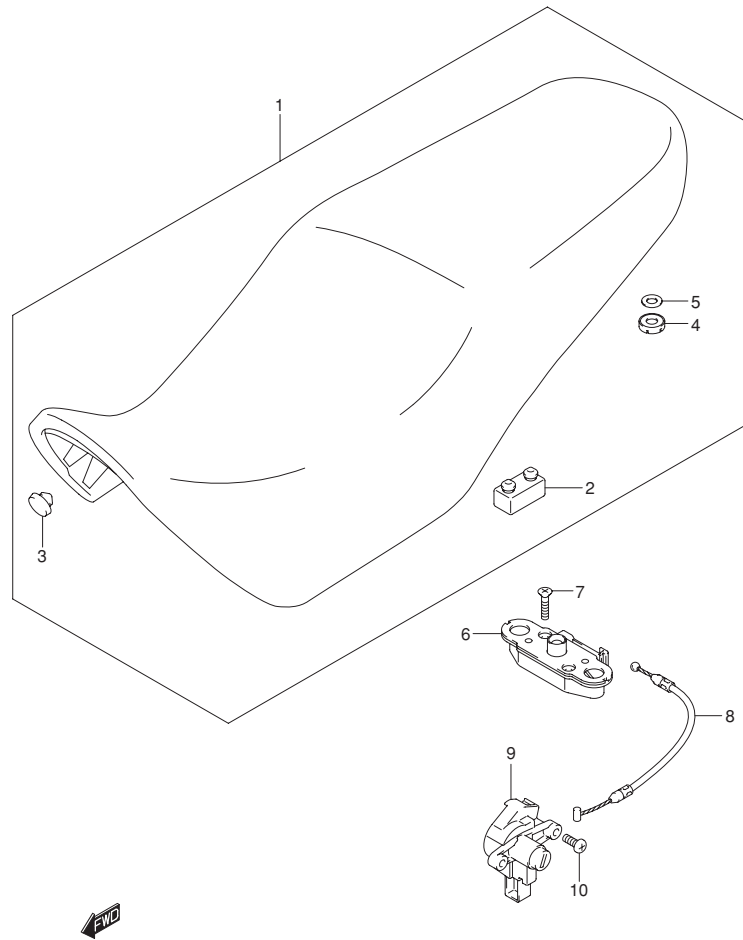


FIG.39 (H-2) SEAT

REF NO.	PART NO.	DESCRIPTION	Q'TY	REMARKS
1	45100-45F00	SEAT ASSY	1	
2	45149-45F00	-CUSHION	4	
3	09329-10001	-CUSHION	1	
4	45213-13601	-CUSHION	2	
5	08322-01103	-WASHER	2	
6	45220-45F00	BRACKET , SEAT SUPPORT	1	
7	02122-0630B	SCREW	2	
8	45280-45F00	CABLE SEAT LOCK	1	
9	95700-28D00	LOCK ASSY , SEAT	1	
10	09139-06164	SCREW(6X14)	2	

FIG.40

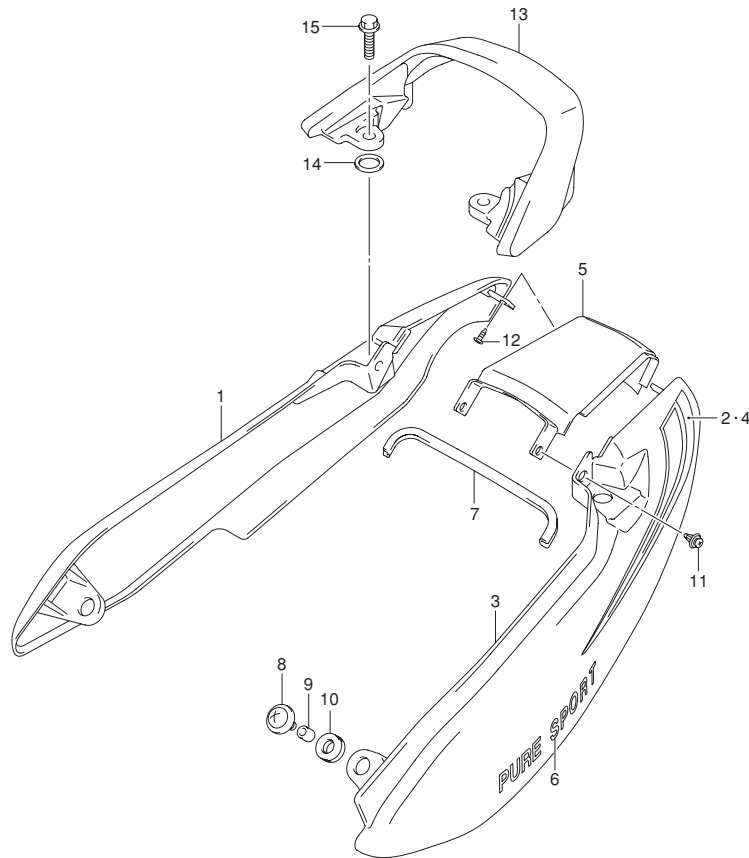


FIG.40 (H-3) SEAT TAIL COVER(EN125-2AK3)

REF NO.	PART NO.	DESCRIPTION	Q'TY	REMARKS
1-1	45511-45F00-YFZ	COVER , SEAT TAIL RH (RED)	1	
1-2	45511-45F00-YGB	COVER , SEAT TAIL RH (BLUE)	1	
1-3	45511-45F00-YGE	COVER , SEAT TAIL RH (GRAY)	1	
2-1	68160-45F00-YFZ	TAPE SET , TAIL COVER ,R (RED)	1	
2-2	68160-45F00-YGB	TAPE SET , TAIL COVER ,R (BLUE)	1	
2-3	68160-45F00-YGE	TAPE SET , TAIL COVER ,R (GRAY)	1	
3-1	45512-45F00-YFZ	COVER , SEAT TAIL LH (RED)	1	
3-2	45512-45F00-YGB	COVER , SEAT TAIL LH (BLUE)	1	
3-3	45512-45F00-YGE	COVER , SEAT TAIL LH (GRAY)	1	
4-1	68170-45F00-YFZ	TAPE SET , TAIL COVER ,L (RED)	1	
4-2	68170-45F00-YGB	TAPE SET , TAIL COVER ,L (BLUE)	1	
4-3	68170-45F00-YGE	TAPE SET , TAIL COVER ,L (GRAY)	1	
5-1	45513-45F10-YFZ	COVER , SEAT TAIL CENTER (RED)	1	
5-2	45513-45F10-YGB	COVER , SEAT TAIL CENTER (BLUE)	1	
5-3	45513-45F10-YGE	COVER , SEAT TAIL CENTER (GRAY)	1	
6-1	68166-45F00-YFZ	EMBLEM , SEAT TAIL COVER (RED)	2	
6-2	68166-45F00-YGB	EMBLEM , SEAT TAIL COVER (BLUE)	2	
6-3	68166-45F00-YGE	EMBLEM , SEAT TAIL COVER (GRAY)	2	
7	45515-45F00	CUSHION , SEAT TAIL COVER	1	
8	45521-45F00	SCREW , SEAT TAIL COVER FRONT	2	
9	09180-06263	SPACER , SEAT TAIL COVER FRONT	2	
10	09320-08047	CUSHION , SEAT TAIL COVER FRONT	2	
11	09409-06322-5PK	CLIP , SEAT TAIL COVER REAR	2	
12	03541-04123	SCREW , SEAT TAIL COVER REAR	2	
13	46211-45F10-YGC	HANDLE , PILLION RIDER	1	
14	46212-45F00	CUSHION , PILLION HANDLE	2	
15	01580-08353	BOLT	2	

REFER TO FIG.40A (H- 4) FOR EN125HUK4/HUZK6

REFER TO FIG.40B (H- 5) FOR EN125-2AK7/HUK7

REFER TO FIG.40C (H- 6) FOR EN125-2AK8/HUK8

FIG.40A

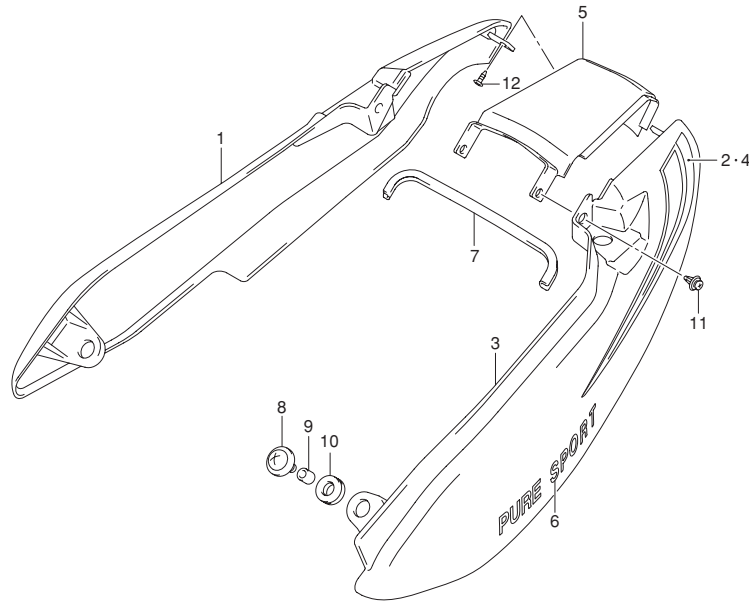


FIG.40A (H-4) SEAT TAIL COVER(EN125HUK4/HUZK6)

REF NO.	PART NO.	DESCRIPTION	Q'TY	REMARKS
1-1	45511-45F00-YFZ	COVER , SEAT TAIL RH (RED)	1	EN125HUK4
1-2	45511-45F00-YGB	COVER , SEAT TAIL RH (BLUE)	1	EN125HUK4
1-3	45511-45F00-YGE	COVER , SEAT TAIL RH (GRAY)	1	EN125HUK4
1-4	45511-45F00-YNM	COVER , SEAT TAIL RH (WHITE)	1	EN125HUZK6
2-1	68160-45F00-YFZ	TAPE SET , TAIL COVER ,R (RED)	1	
2-2	68160-45F00-YGB	TAPE SET , TAIL COVER ,R (BLUE)	1	
2-3	68160-45F00-YGE	TAPE SET , TAIL COVER ,R (GRAY)	1	
3-1	45512-45F00-YFZ	COVER , SEAT TAIL LH (RED)	1	EN125HUK4
3-2	45512-45F00-YGB	COVER , SEAT TAIL LH (BLUE)	1	EN125HUK4
3-3	45512-45F00-YGE	COVER , SEAT TAIL LH (GRAY)	1	EN125HUK4
3-4	45512-45F00-YNM	COVER , SEAT TAIL LH (WHITE)	1	EN125HUZK6
4-1	68170-45F00-YFZ	TAPE SET , TAIL COVER ,L (RED)	1	
4-2	68170-45F00-YGB	TAPE SET , TAIL COVER ,L (BLUE)	1	
4-3	68170-45F00-YGE	TAPE SET , TAIL COVER ,L (GRAY)	1	
5-1	45513-45F00-YFZ	COVER , SEAT TAIL CENTER (RED)	1	EN125HUK4
5-2	45513-45F00-YGB	COVER , SEAT TAIL CENTER (BLUE)	1	EN125HUK4
5-3	45513-45F00-YGE	COVER , SEAT TAIL CENTER (GRAY)	1	EN125HUK4
5-4	45513-45F00-YNM	COVER , SEAT TAIL CENTER (WHITE)	1	EN125HUZK6
6-1	68166-45F00-YFZ	EMBLEM , SEAT TAIL COVER (RED)	2	
6-2	68166-45F00-YGB	EMBLEM , SEAT TAIL COVER (BLUE)	2	
6-3	68166-45F00-YGE	EMBLEM , SEAT TAIL COVER (GRAY)	2	
6-4	68166-45F10-YNM	EMBLEM , SEAT TAIL COVER (WHITE)	2	
7	45515-45F00	CUSHION , SEAT TAIL COVER	1	
8	45521-45F00	SCREW , SEAT TAIL COVER FRONT	2	
9	09180-06263	SPACER , SEAT TAIL COVER FRONT	2	
10	09320-08047	CUSHION , SEAT TAIL COVER FRONT	2	
11	09409-06322-5PK	CLIP , SEAT TAIL COVER REAR	2	
12	03541-04123	SCREW , SEAT TAIL COVER REAR	2	

REFER TO FIG.40B (H- 5) FOR EN125-2AK7/HUK7
 REFER TO FIG.40C (H- 6) FOR EN125-2AK8/HUK8

FIG.40B

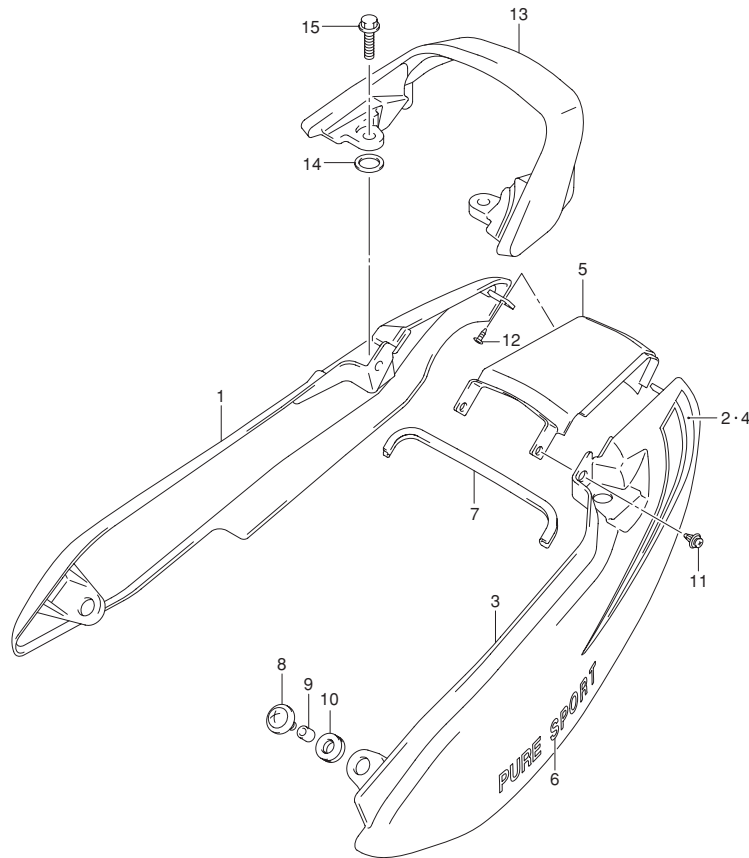


FIG.40B (H-5) SEAT TAIL COVER (EN125-2AK7/HUK7)

REF NO.	PART NO.	DESCRIPTION	Q'TY	REMARKS
1-1	45511-45F00-YFZ	COVER , SEAT TAIL RH (RED)	1	
1-2	45511-45F00-YGB	COVER , SEAT TAIL RH (BLUE)	1	
1-3	45511-45F00-YGE	COVER , SEAT TAIL RH (GRAY)	1	
2-1	68160-45F00-YFZ	TAPE SET , TAIL COVER , R (RED)	1	FOR YFZ
2-2	68160-45F00-YGB	TAPE SET , TAIL COVER , R (BLUE)	1	FOR YGB ,YGE
3-1	45512-45F00-YFZ	COVER , SEAT TAIL LH (RED)	1	
3-2	45512-45F00-YGB	COVER , SEAT TAIL LH (BLUE)	1	
3-3	45512-45F00-YGE	COVER , SEAT TAIL LH (GRAY)	1	
4-1	68170-45F00-YFZ	TAPE SET , TAIL COVER , L (RED)	1	FOR YFZ
4-2	68170-45F00-YGB	TAPE SET , TAIL COVER , L (BLUE)	1	FOR YGB ,YGE
5-1	45513-45F00-YFZ	COVER , SEAT TAIL CENTER (RED)	1	EN125HUK7
5-2	45513-45F00-YGB	COVER , SEAT TAIL CENTER (BLUE)	1	EN125HUK7
5-3	45513-45F00-YGE	COVER , SEAT TAIL CENTER (GRAY)	1	EN125HUK7
5-4	45513-45F10-YFZ	COVER , SEAT TAIL CENTER (RED)	1	EN125 - 2AK7
5-5	45513-45F10-YGB	COVER , SEAT TAIL CENTER (BLUE)	1	EN125 - 2AK7
5-6	45513-45F10-YGE	COVER , SEAT TAIL CENTER (GRAY)	1	EN125 - 2AK7
6-1	68166-45F00-YFZ	EMBLEM , SEAT TAIL COVER (RED)	2	FOR YFZ
6-2	68166-45F00-YGB	EMBLEM , SEAT TAIL COVER (BLUE)	2	FOR YGB ,YGE
7	45515-45F00	CUSHION , SEAT TAIL COVER	1	
8	45521-45F00	SCREW , SEAT TAIL COVER FRONT	2	
9	09180-06263	SPACER , SEAT TAIL COVER FRONT	2	
10	09320-08047	CUSHION , SEAT TAIL COVER FRONT	2	
11	09409-06322	CLIP , SEAT TAIL COVER REAR	2	
12	03541-0412B	SCREW , SEAT TAIL COVER REAR	2	
13	46211-45F10-YGC	HANDLE , PILLION RIDER	1	EN125 - 2AK7
14	46212-45F00	CUSHION , PILLION HANDLE	2	EN125 - 2AK7
15	01580-0835B	BOLT	2	EN125 - 2AK7

REFER TO FIG.40C (H- 6) FOR EN125-2AK8/HUK8

FIG.40C

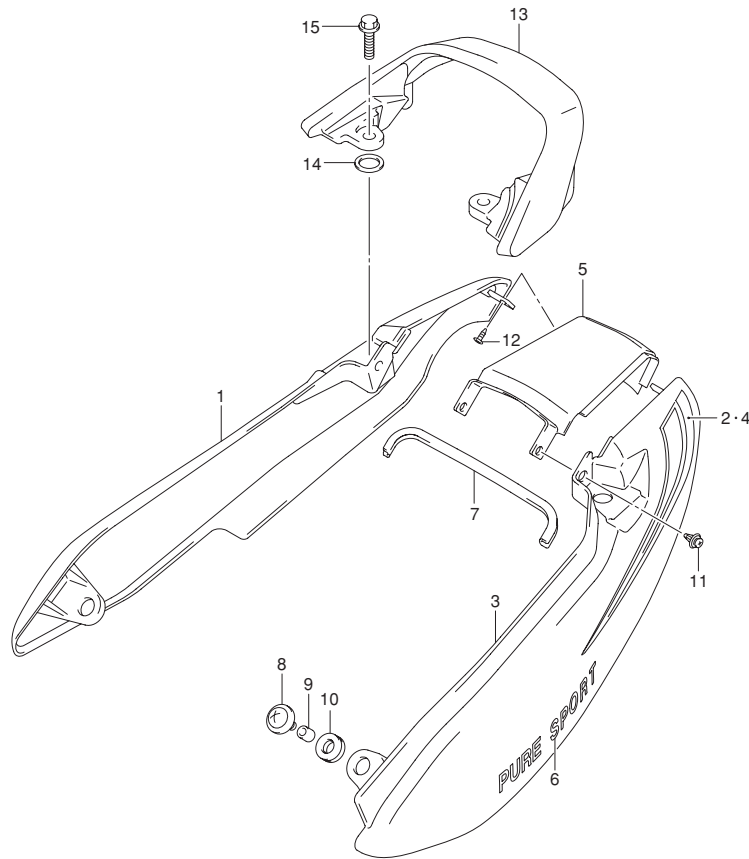


FIG.40C (H-6) SEAT TAIL COVER(EN125-2AK8/HUK8)

REF NO.	PART NO.	DESCRIPTION	Q'TY	REMARKS
1-1	45511-45F00-YFZ	COVER , SEAT TAIL RH (RED)	1	EN125HUK8/ - 2AK8
1-2	45511-45F00-YGB	COVER , SEAT TAIL RH (BLUE)	1	EN125HUK8/ - 2AK8
1-3	45511-45F00-YGE	COVER , SEAT TAIL RH (GRAY)	1	EN125HUK8/ - 2AK8
1-4	45511-45F00-YHP	COVER , SEAT TAIL RH (BLACK)	1	EN125 - 2AK8
2-1	68160-45F00-YFZ	TAPE SET , TAIL COVER ,R (RED)	1	FOR YFZ
2-2	68160-45F00-YGB	TAPE SET , TAIL COVER ,R (BLUE)	1	FOR YGB ,YGE
2-3	68160-45F00-YGE	TAPE SET , TAIL COVER ,R (GRAY)	1	FOR YHP
3-1	45512-45F00-YFZ	COVER , SEAT TAIL LH (RED)	1	EN125HUK8/ - 2AK8
3-2	45512-45F00-YGB	COVER , SEAT TAIL LH (BLUE)	1	EN125HUK8/ - 2AK8
3-3	45512-45F00-YGE	COVER , SEAT TAIL LH (GRAY)	1	EN125HUK8/ - 2AK8
3-4	45512-45F00-YHP	COVER , SEAT TAIL LH (BLACK)	1	EN125 - 2AK8
4-1	68170-45F00-YFZ	TAPE SET , TAIL COVER ,L (RED)	1	FOR YFZ
4-2	68170-45F00-YGB	TAPE SET , TAIL COVER ,L (BLUE)	1	FOR YGB ,YGE
4-3	68170-45F00-YGE	TAPE SET , TAIL COVER ,L (GRAY)	1	FOR YHP
5-1	45513-45F00-YFZ	COVER , SEAT TAIL CENTER (RED)	1	EN125HUK8
5-2	45513-45F00-YGB	COVER , SEAT TAIL CENTER (BLUE)	1	EN125HUK8
5-3	45513-45F00-YGE	COVER , SEAT TAIL CENTER (GRAY)	1	EN125HUK8
5-4	45513-45F10-YFZ	COVER , SEAT TAIL CENTER (RED)	1	EN125 - 2AK8
5-5	45513-45F10-YGB	COVER , SEAT TAIL CENTER (BLUE)	1	EN125 - 2AK8
5-6	45513-45F10-YGE	COVER , SEAT TAIL CENTER (GRAY)	1	EN125 - 2AK8
5-7	45513-45F10-YHP	COVER , SEAT TAIL CENTER (BLACK)	1	EN125 - 2AK8
6-1	68166-45F00-YFZ	EMBLEM , SEAT TAIL COVER (RED)	2	FOR YFZ
6-2	68166-45F00-YGB	EMBLEM , SEAT TAIL COVER (BLUE)	2	FOR YGB ,YGE
6-3	68166-45F00-YGE	EMBLEM , SEAT TAIL COVER (GRAY)	2	FOR YHP
7	45515-45F00	CUSHION , SEAT TAIL COVER	1	
8	45521-45F00	SCREW , SEAT TAIL COVER FRONT	2	
9	09180-06263	SPACER , SEAT TAIL COVER FRONT	2	
10	09320-08047	CUSHION , SEAT TAIL COVER FRONT	2	
11	09409-06322	CLIP , SEAT TAIL COVER REAR	2	
12	03541-0412B	SCREW , SEAT TAIL COVER REAR	2	
13	46211-45F10-YGC	HANDLE , PILLION RIDER	1	EN125 - 2AK8
14	46212-45F00	CUSHION , PILLION HANDLE	2	EN125 - 2AK8
15	01580-0835B	BOLT	2	EN125 - 2AK8

FIG.41

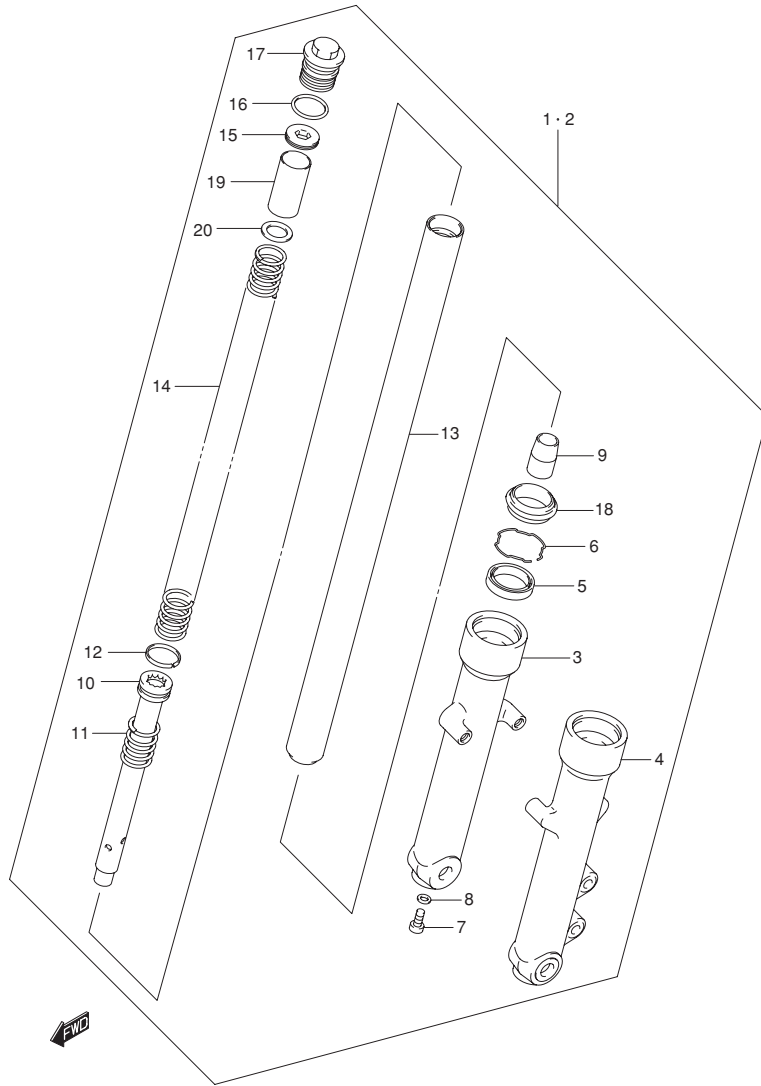


FIG.41 (H-7) FRONT DAMPER EN125-2AK3 : ORDER FROM SMC(JAPAN)

REF NO.	PART NO.	DESCRIPTION	Q'TY	REMARKS
1	51103-45F10	DAMPER ASSY ,FRONT FORK RH	1	
2	51104-45F10	DAMPER ASSY ,FRONT FORK LH	1	
3	51130-45F00	·TUBE , OUTER RH	1	
4	51140-45F00	·TUBE , OUTER LH	1	
5	51153-45F00	·OIL SEAL	2	
6	51156-45F00	·RING , OIL SEAL STOPPER	2	
7	51147-45F00	·BOLT	2	
8	51148-45F00	·GASKET	2	
9	51195-45F00	·PIECE , OIL LOCK	2	
10	51146-45F00	·CYLINDER	2	
11	51177-45F00	·SPRING , REBOUND	2	
12	51182-45F00	·RING	2	
13	51110-45F11	·TUBE , INNER	2	
14	51171-45F00	·SPRING , MAIN	2	
15	51178-45F00	·PLUG	2	
16	51181-45F00	·O RING	2	
17	51351-45F00	·CAP	2	
18	51173-45F00	·SEAL , DUST	2	
19	51176-45F10	·SPACER	2	
20	51172-45F00	·WASHER	2	

NOTE : LC6PCJK6 40-800002 ~ 800769 , LC6PCJK6 40-800777 ~ 800951

FIG.41A

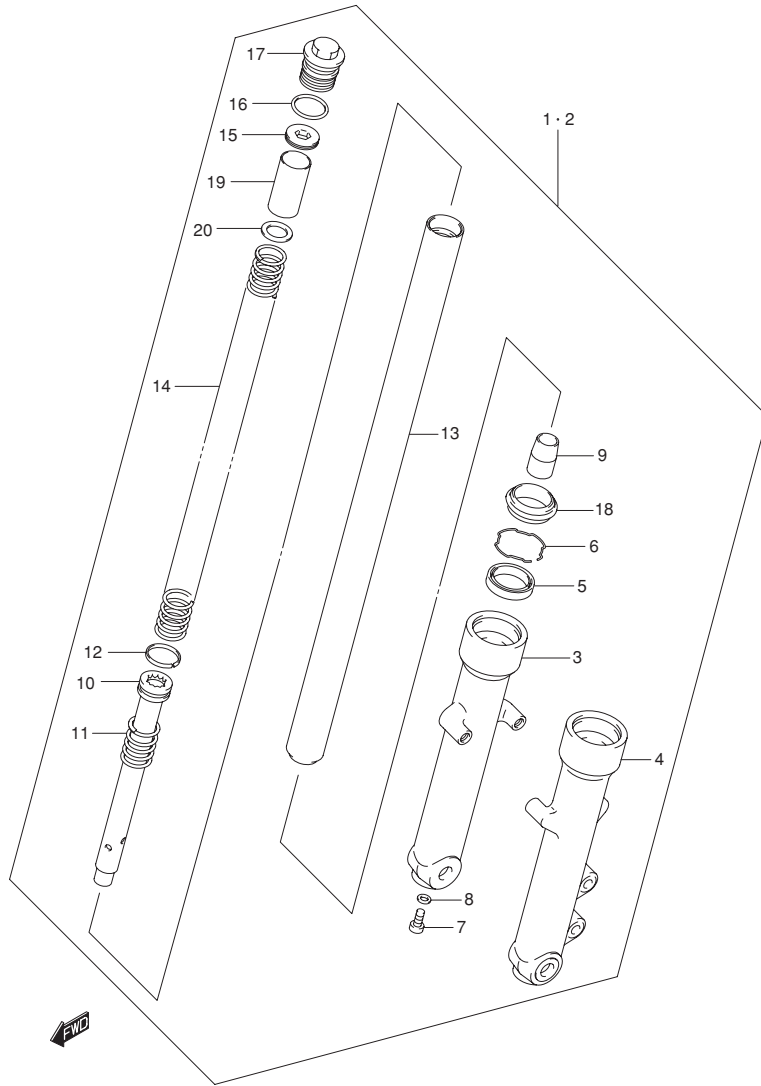


FIG.41A (H-8) FRONT DAMPER(EN125-2AK3): ORDER FROM SMC(JAPAN)

REF NO.	PART NO.	DESCRIPTION	Q'TY	REMARKS
1	51103-45F11	DAMPER ASSY ,FRONT FORK RH	1	
2	51104-45F11	DAMPER ASSY ,FRONT FORK LH	1	
3	51130-45F00	·TUBE , OUTER RH	1	
4	51140-45F00	·TUBE , OUTER LH	1	
5	51153-45F00	·OIL SEAL	2	
6	51156-45F00	·RING , OIL SEAL STOPPER	2	
7	51147-45F00	·BOLT	2	
8	51148-45F00	·GASKET	2	
9	51195-45F00	·PIECE , OIL LOCK	2	
10	51146-45F01	·CYLINDER	2	
11	51177-45F00	·SPRING , REBOUND	2	
12	51182-45F00	·RING	2	
13	51110-45F10	·TUBE , INNER	2	
14	51171-45F00	·SPRING , MAIN	2	
15	51178-45F00	·PLUG	2	
16	51181-45F00	·O RING	2	
17	51351-45F00	·CAP	2	
18	51173-45F00	·SEAL , DUST	2	
19	51176H45F40	·SPACER	2	
20	51172-45F00	·WASHER	2	

NOTE : LC6PCJK6 40-800952 ~ 802066

FIG.41B

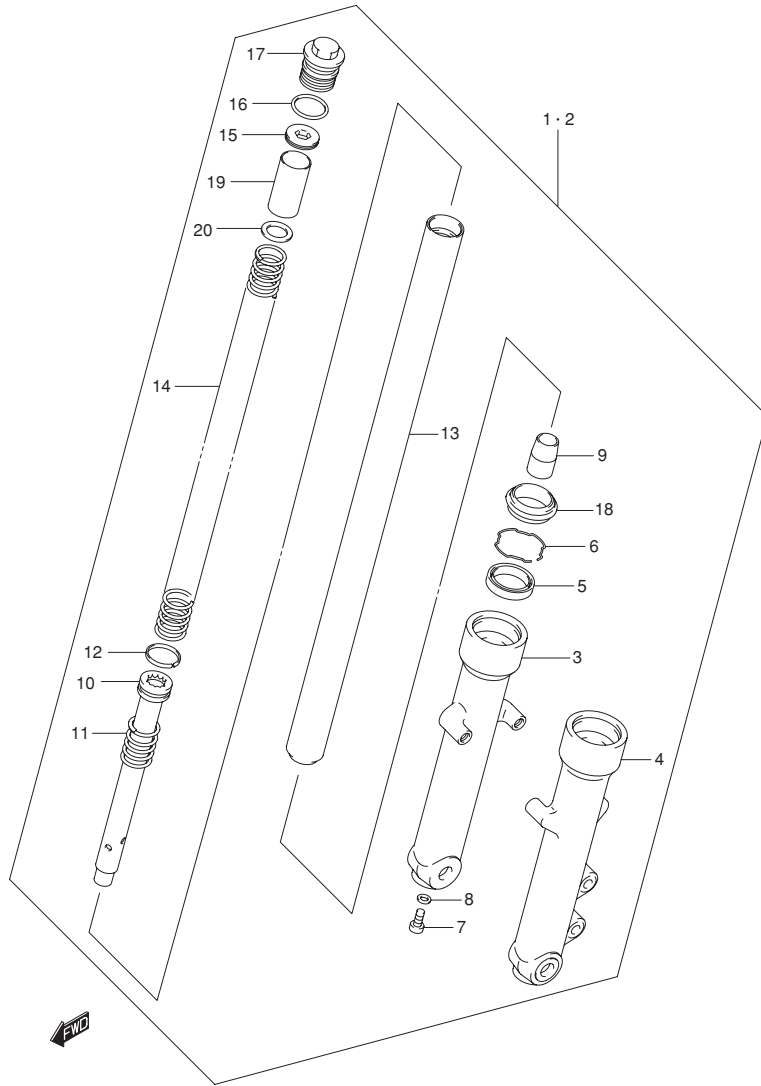


FIG.41B (H-9) FRONT DAMPER(EN125-2AK3): ORDER FROM DACHANGJIANG(CHINA)

REF NO.	PART NO.	DESCRIPTION	Q'TY	REMARKS
1	51103H45F11	DAMPER ASSY ,FRONT FORK RH	1	
2	51104H45F11	DAMPER ASSY ,FRONT FORK LH	1	
3	51130H45F00	·TUBE , OUTER RH	1	51130 - 45F40
4	51140H45F00	·TUBE , OUTER LH	1	51140 - 45F40
5	51153H45F00	·OIL SEAL	2	51153 - 45F40
6	51156H45F00	·RING , OIL SEAL STOPPER	2	51156 - 45F40
7	51147H45F00	·BOLT	2	51147 - 45F40
8	51148H45F00	·GASKET	2	51148 - 45F40
9	51195H45F00	·PIECE , OIL LOCK	2	
10	51146H45F01	·CYLINDER	2	
11	51177H45F00	·SPRING , REBOUND	2	51177 - 45F40
12	51182H45F00	·RING	2	51182 - 45F40
13	51110H45F11	·TUBE , INNER	2	51110 - 45F40
14	51171H45F00	·SPRING , MAIN	2	
15	51178H45F00	·PLUG	2	51178 - 45F40
16	51181H45F00	·O RING	2	51117 - 45F40
17	51351H45F00	·CAP	2	51189 - 45F40
18	51173H45F00	·SEAL , DUST	2	51173 - 45F40
19	51176H45F30	·SPACER	2	
20	51172H45F00	·WASHER	2	51192 - 45F40

NOTE : LC6PCJK6 40-802171 ~ 802456 , LC6PCJK6 40-802689 ~ 803032 ,
 LC6PCJK6 40-803085 ~ 803089 , LC6PCJK6 50-800001 ~ 800374 ,
 LC6PCJK6 50-800497 ~ 800761 , LC6PCJK6 50-80889 ~ 800894

FIG.41C

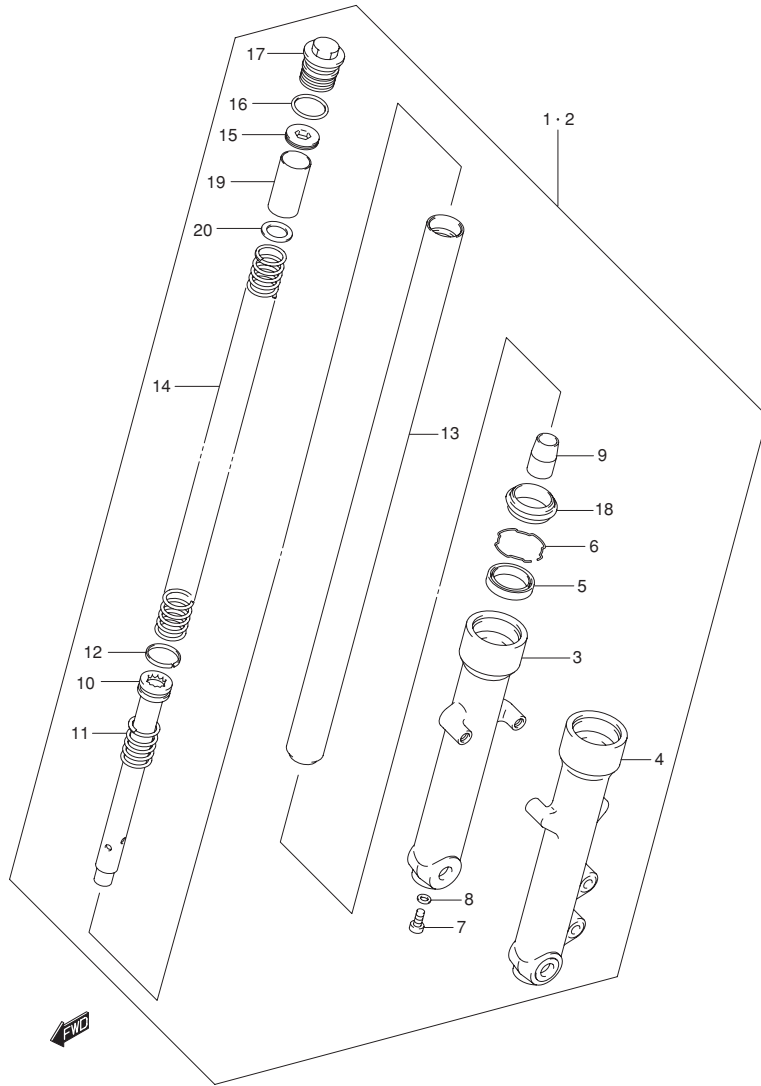


FIG.41C (H-10) FRONT DAMPER(EN125-2AK3): ORDER FROM SMC(JAPAN)

REF NO.	PART NO.	DESCRIPTION	Q'TY	REMARKS
1	51103-45F40	DAMPER ASSY ,FRONT FORK RH	1	
2	51104-45F40	DAMPER ASSY ,FRONT FORK LH	1	
3	51130-45F40	·TUBE , OUTER RH	1	
4	51140-45F40	·TUBE , OUTER LH	1	
5	51153-45F40	·OIL SEAL	2	
6	51156-45F40	·RING , OIL SEAL STOPPER	2	
7	51147-45F40	·BOLT	2	
8	51148-45F40	·GASKET	2	
9	51195-45F40	·PIECE , OIL LOCK	2	
10	51146-45F40	·CYLINDER	2	
11	51177-45F40	·SPRING , REBOUND	2	
12	51182-45F40	·RING	2	
13	51110-45F40	·TUBE , INNER	2	
14	51171-45F40	·SPRING , MAIN	2	
15	51178-45F40	·PLUG	2	
16	51117-45F40	·O RING	2	
17	51189-45F40	·CAP	2	
18	51173-45F40	·SEAL , DUST	2	
19	51176-45F40	·SPACER	2	
20	51192-45F40	·WASHER	2	

NOTE : LC6PCJK6 50-800895 - CURRENT

FIG.41D

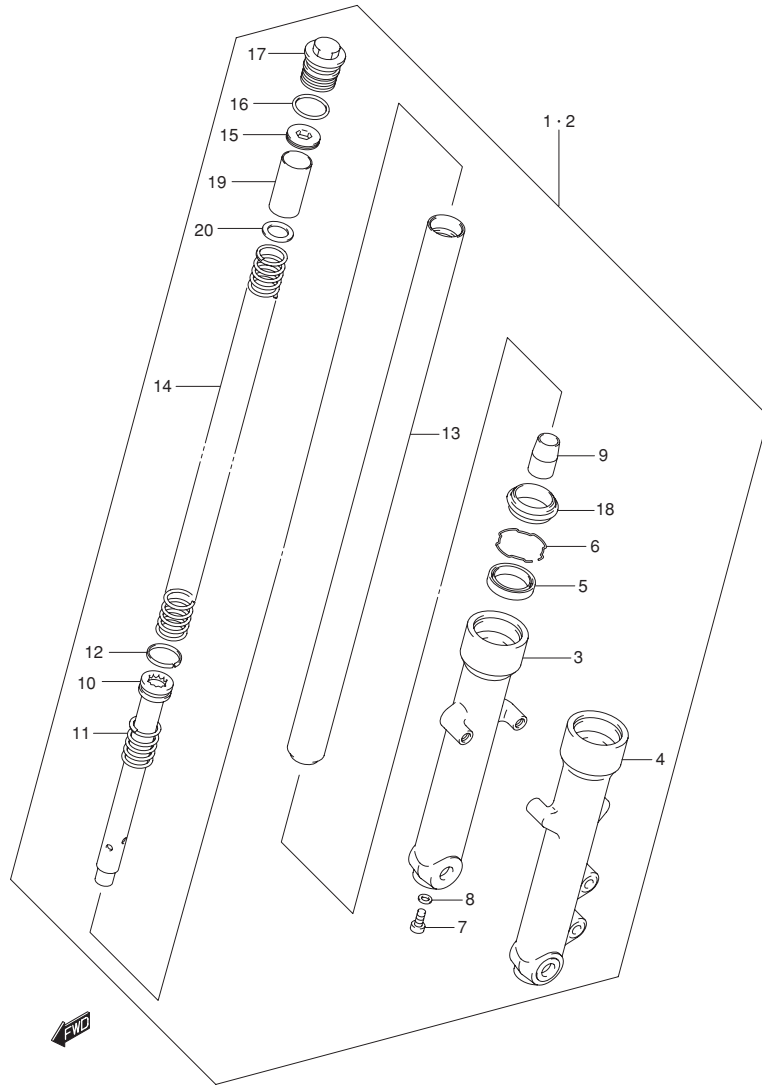


FIG.41D (H-11) FRONT DAMPER(EN125HUK4): ORDER FROM DACHANGJIANG(CHINA)

REF NO.	PART NO.	DESCRIPTION	Q'TY	REMARKS
1	51103H45F11	DAMPER ASSY ,FRONT FORK RH	1	
2	51104H45F21	DAMPER ASSY ,FRONT FORK LH	1	
3	51130H45F00	·TUBE , OUTER RH	1	
4	51140H45F50	·TUBE , OUTER LH	1	51140 - 45F50
5	51153H45F00	·OIL SEAL	2	
6	51156H45F00	·RING , OIL SEAL STOPPER	2	
7	51147H45F00	·BOLT	2	
8	51148H45F00	·GASKET	2	
9	51195H45F00	·PIECE , OIL LOCK	2	
10	51146H45F01	·CYLINDER	2	
11	51177H45F00	·SPRING , REBOUND	2	
12	51182H45F00	·RING	2	
13	51110H45F11	·TUBE , INNER	2	
14	51171H45F00	·SPRING , MAIN	2	
15	51178H45F00	·PLUG	2	
16	51181H45F00	·O RING	2	
17	51351H45F00	·CAP	2	
18	51173H45F00	·SEAL , DUST	2	
19	51176H45F30	·SPACER	2	
20	51172H45F00	·WASHER	2	

NOTE : LC6PCJK6 40-802067 ~ 802170 , LC6PCJK6 40-802457 ~ 802612 ,
 LC6PCJK6 40-803033 ~ 803084 , LC6PCJK6 50-800375 ~ 800478 ,
 LC6PCJK6 50-800762 ~ 800888

FIG.41E

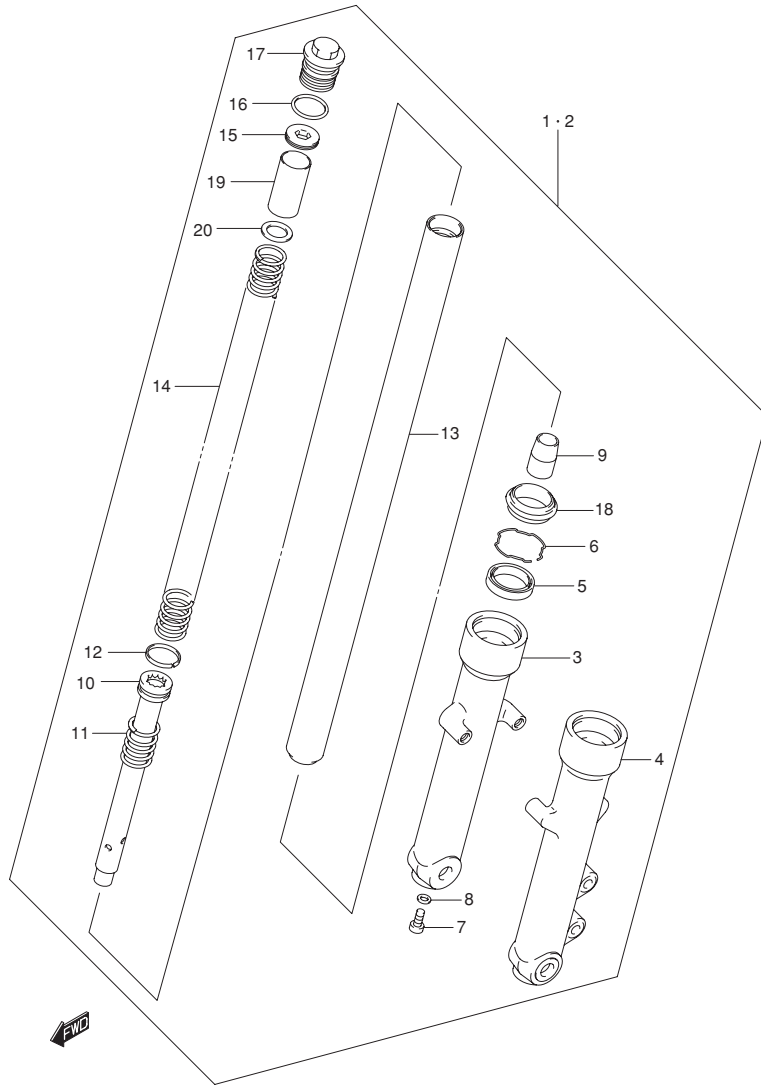


FIG.41E (H-12) FRONT DAMPER(EN125HUK4/HUZK6/-2AK7/-2AK8): ORDER FROM SMC(JAPAN)

REF NO.	PART NO.	DESCRIPTION	Q'TY	REMARKS
1	51103-45F40	DAMPER ASSY ,FRONT FORK RH	1	
2	51104-45F40	DAMPER ASSY ,FRONT FORK LH	1	
3	51130-45F40	·TUBE , OUTER RH	1	
4	51140-45F40	·TUBE , OUTER LH	1	
5	51153-45F40	·OIL SEAL	2	
6	51156-45F40	·RING , OIL SEAL STOPPER	2	
7	51147-45F40	·BOLT	2	
8	51148-45F40	·GASKET	2	
9	51195-45F40	·PIECE , OIL LOCK	2	
10	51146-45F40	·CYLINDER	2	
11	51177-45F40	·SPRING , REBOUND	2	
12	51182-45F40	·RING	2	
13	51110-45F40	·TUBE , INNER	2	
14	51171-45F40	·SPRING , MAIN	2	
15	51178-45F40	·PLUG	2	
16	51117-45F40	·O RING	2	
17	51189-45F40	·CAP	2	
18	51173-45F40	·SEAL , DUST	2	
19	51176-45F40	·SPACER	2	
20	51192-45F40	·WASHER	2	

NOTE : LC6PCJK6 50-801207 ~ 801386 , LC6PCJK6 50-801489 ~ 801512

FIG.41F

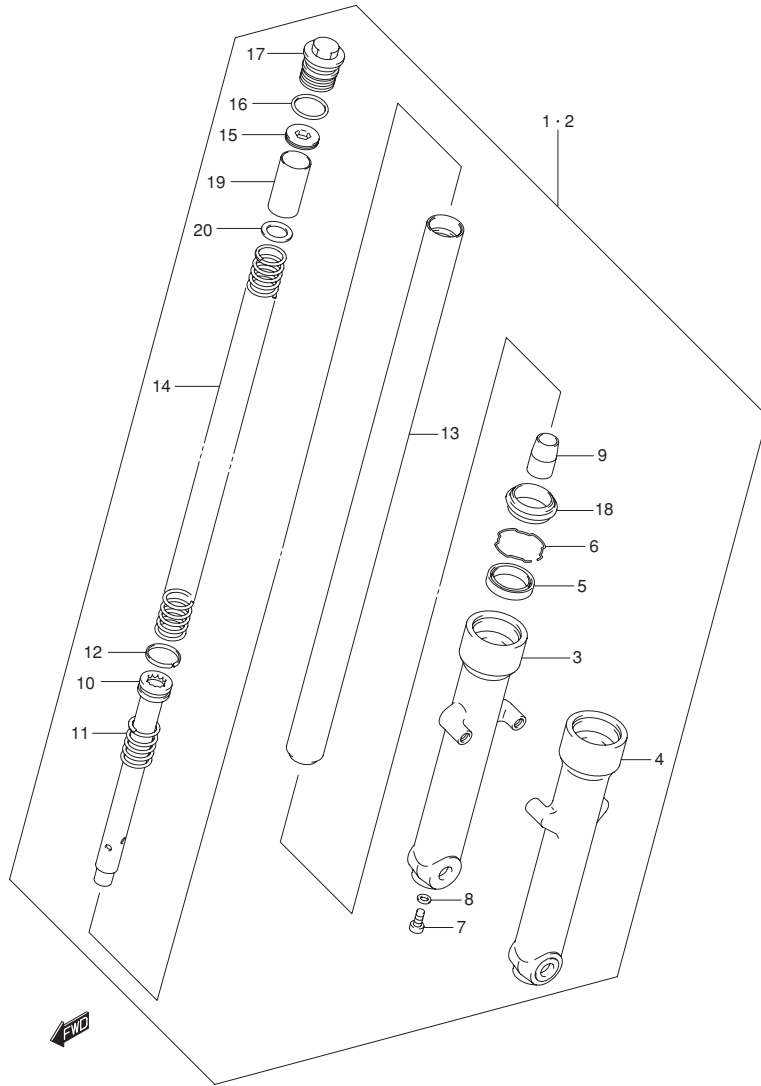


FIG.41F (H-13) FRONT DAMPER (EN125HUK7/HUK8): ORDER FROM SMC (JAPAN)

REF NO.	PART NO.	DESCRIPTION	Q'TY	REMARKS
1	51103-45F40	DAMPER ASSY ,FRONT FORK RH	1	
2	51104-45F50	DAMPER ASSY ,FRONT FORK LH	1	
3	51130-45F40	·TUBE , OUTER RH	1	
4	51140-45F50	·TUBE , OUTER LH	1	
5	51153-45F40	·OIL SEAL	2	
6	51156-45F40	·RING , OIL SEAL STOPPER	2	
7	51147-45F40	·BOLT	2	
8	51148-45F40	·GASKET	2	
9	51195-45F40	·PIECE , OIL LOCK	2	
10	51146-45F40	·CYLINDER	2	
11	51177-45F40	·SPRING , REBOUND	2	
12	51182-45F40	·RING	2	
13	51110-45F40	·TUBE , INNER	2	
14	51171-45F40	·SPRING , MAIN	2	
15	51178-45F40	·PLUG	2	
16	51117-45F40	·O RING	2	
17	51189-45F40	·CAP	2	
18	51173-45F40	·SEAL , DUST	2	
19	51176-45F40	·SPACER	2	
20	51192-45F40	·WASHER	2	

FIG.42

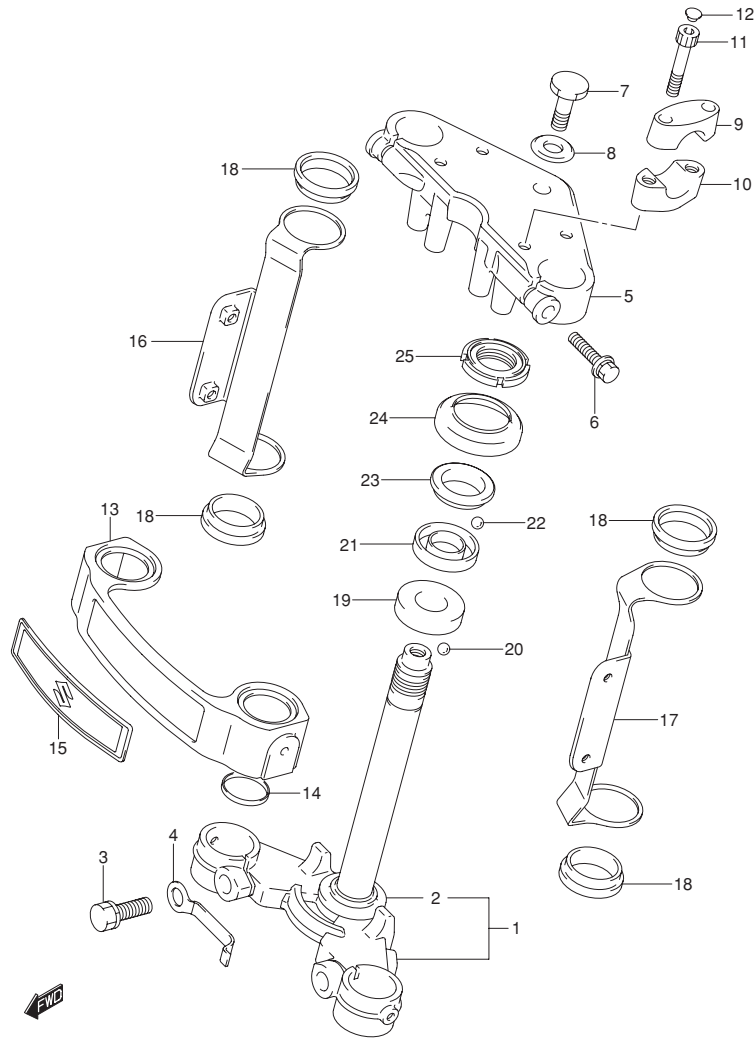


FIG.42 (H-14) STEERING STEM(EN125-2AK3/-2AK7/-2AK8)

REF NO.	PART NO.	DESCRIPTION	Q'TY	REMARKS
1	51410-45F00	STEM , STEERING	1	
2	51621-33001	RACE , OUTER LOWER	1	
3	01570-1235B	BOLT , STEM	2	
4	51455-45F10	CLAMP	1	
5	51311-45F10	HEAD , STEERING STEM	1	
6	01580-0840B	BOLT , HEAD	2	
7	51351-05300	BOLT , STEM HEAD	1	
8	51356-05300	WASHER , STEM HEAD	1	
9	56211-45F10	HOLDER , HANDLE UPPER	2	
10	56221-45F10	HOLDER , HANDLE LOWER	2	
11	07130-0845B	BOLT	4	
12	09250-06011	CAP	4	
13	51871-05301	COVER , FRONT FORK	1	
14	51872-45F10	SPACER , COVER	2	
15	68211-38300	EMBLEM , FRONT FORK COVER	1	
16	51530-45F10	BRACKET , HEADLAMP RH	1	
17	51540-45F10	BRACKET , HEADLAMP LH	1	
18	51553-29311	DAMPER , HEADLAMP BRACKET	4	
19	51611-33002	RACE , INNER LOWER	1	
20	06111-08003	STEEL BALL , LOWER	18	
21	51611-20002	RACE , INNER UPPER	1	
22	06111-06003	STEEL BALL , UPPER	22	
23	51621-28000	RACE , OUTER UPPER	1	
24	51643-25001	DUST SEAL	1	
25	51631-28000	NUT , STEERING STEM	1	

REFER TO FIG.42A (H-15) FOR EN125HUK4/HUZK6/HUK7/HUK8

FIG.42A

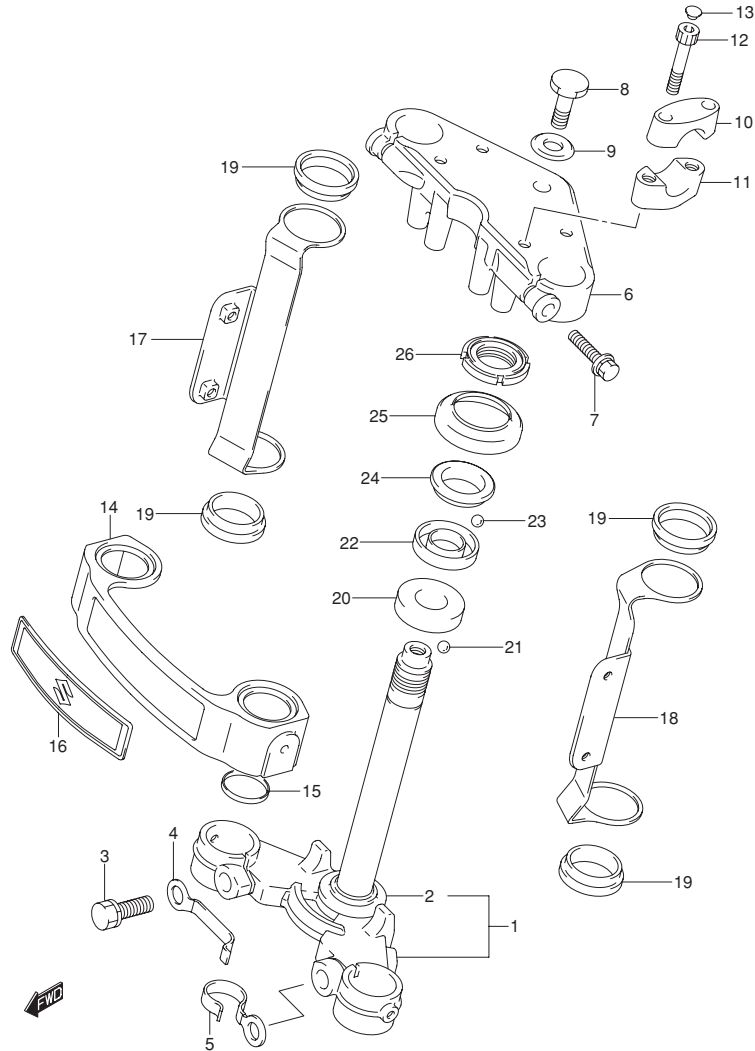


FIG.42A (H-15) STEERING STEM(EN125HUK4/HUZK6/HUK7/HUK8)

REF NO.	PART NO.	DESCRIPTION	Q'TY	REMARKS
1	51410-45F00	STEM , STEERING	1	
2	51621-33001	RACE , OUTER LOWER	1	
3	01570-1235B	BOLT , STEM	2	
4	51455-45F10	CLAMP	1	
5	51455-45FA0	GUIDE , FR BRAKE CABLE	1	
6	51311-45F10	HEAD , STEERING STEM	1	
7	01580-0840B	BOLT , HEAD	2	
8	51351-05300	BOLT , STEM HEAD	1	
9	51356-05300	WASHER , STEM HEAD	1	
10	56211-45F10	HOLDER , HANDLE UPPER	2	
11	56221-45F10	HOLDER , HANDLE LOWER	2	
12	07130-0845B	BOLT	4	
13	09250-06011	CAP	4	
14	51871-05310	COVER , FRONT FORK	1	
15	51872-45F10	SPACER , COVER	2	
16	68211-38300	EMBLEM , FRONT FORK COVER	1	
17	51530-45F10	BRACKET , HEADLAMP RH	1	
18	51540-45F10	BRACKET , HEADLAMP LH	1	
19	51553-29311	DAMPER , HEADLAMP BRACKET	4	
20	51611-33002	RACE , INNER LOWER	1	
21	06111-08003	STEEL BALL , LOWER	18	
22	51611-20002	RACE , INNER UPPER	1	
23	06111-06003	STEEL BALL , UPPER	22	
24	51621-28000	RACE , OUTER UPPER	1	
25	51643-25001	DUST SEAL	1	
26	51631-28000	NUT , STEERING STEM	1	

FIG.43

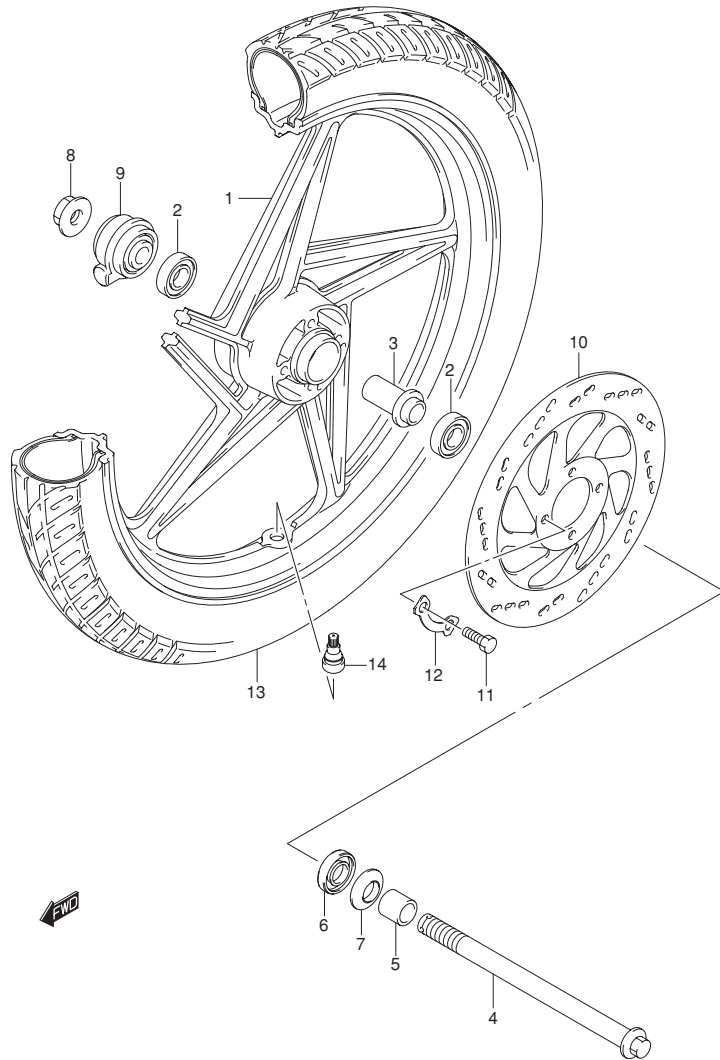


FIG.43 (I-2) FRONT WHEEL(EN125-2AK3/-2AK7/-2AK8)

REF NO.	PART NO.	DESCRIPTION	Q'TY	REMARKS
1	54111-45F10-YGD	WHEEL , FRONT (18X1.60)	1	
2	08133-63017	BEARING	2	
3	54731-45F00	SPACER	1	
4	54711-05310	AXLE , FRONT	1	
5	54741-45F00	SPACER , LH	1	
6	54742-45F00	SEAL , FRONT HUB	1	
7	54892-45F00	COVER , FRONT HUB DUST SEAL	1	
8	08319-3112A	NUT	1	
9	54600-36410	BOX ASSY , SPEEDOMETER GEAR	1	
10	59211-05500	DISC , FRONT BRAKE	1	
11	09100-08140	BOLT (8X28)	4	
12	09169-08019	WASHER	2	
13	55100-45F00	TIRE , FRONT (2.75 - 18 4PR)	1	
14	43130-45F00	VALVE ASSY , WHEEL RIM	1	

REFER TO FIG.43A (I-3) FOR EN125HUK4/HUZK6/HUK7/HUK8

FIG.43A

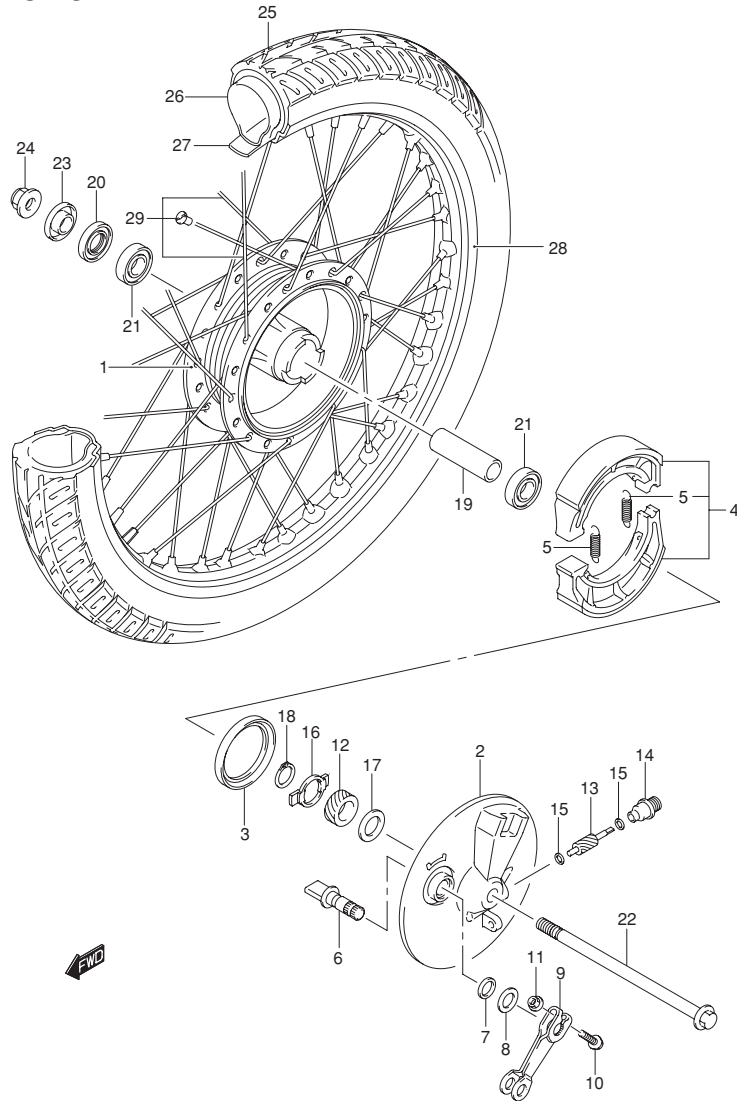


FIG.43A (1-3) FRONT WHEEL(EN125HUK4/HUZK6/HUK7)

REF NO.	PART NO.	DESCRIPTION	Q'TY	REMARKS
1	54110-07003	HUB ,FRONT WHEEL	1	
2	54210-05310	PANEL ,FRONT BRAKE ANCHOR	1	
3	09285-48001	OIL SEAL (48X62X7)	1	
4	54400-45810	SHOE SET ,BRAKE	1	
5	55421-45F00	SPRING	2	
6	54441-45FA0	CAM ,BRAKE	1	
7	09280-14011	DUST SEAL(ID:13.8 ,D:2.5)	1	
8	09160-14055	THRUST WASHER(14.5X22X1.6)	1	
9	54451-46110	LEVER ,BRAKE	1	
10	01550-0635B	BOLT(6X35)	1	
11	08316-1006B	NUT	1	
12	54611-07002	GEAR , SPEEDOMETER (NT:24)	1	
13	54621-39202	PINION , SPEEDOMETER (NT:9)	1	
14	54632-02201	BUSH ,PINION OUTER	1	
15	09160-05001	THRUST WASHER(5.5X18X1.6)	2	
16	54661-07000	DRIVER , METER GEAR	1	
17	09160-18002	THRUST WASHER(18.5X24X1)	1	
18	08331-31186	CIRCLIP	1	
19	09180-12032	SPACER , BEARING(12.6X19X47)	1	
20	09284-18001	OIL SEAL (17X38X5)	1	
21	08133-63017	BEARING	2	
22	54711-05310	AXLE , FRONT	1	
23	54740-41301	SPACER ,RH	1	
24	08319-3112A	NUT	1	
25	55100-45F10	TIRE , FRONT (2.75 - 18)	1	
26	55200-26F00	TUBE ASSY , INNER	1	
27	55261-45F00	PROTECTOR , INNER TUBE	1	
28	55311-05300	RIM , WHEEL (1.60X18)	1	
29	55320-45F00	SPOKE ASSY , FRONT	1	

FIG.44

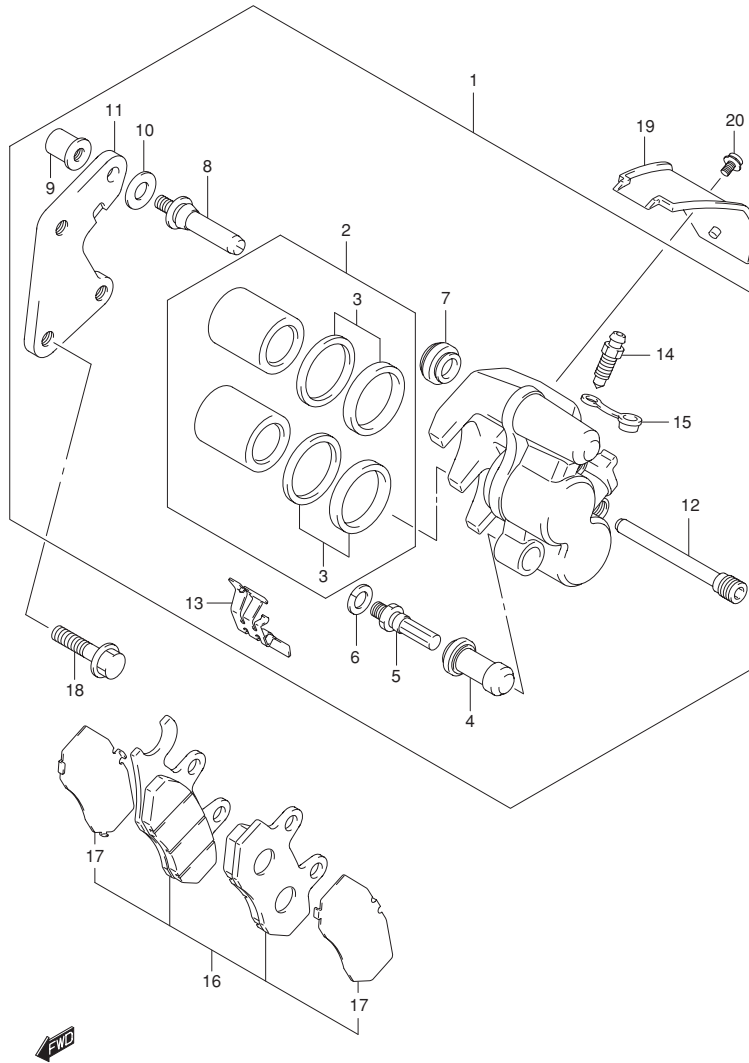


FIG.44 (I-4) FRONT CALIPER(EN125-2AK3/-2AK7/-2AK8)

REF NO.	PART NO.	DESCRIPTION	Q'TY	REMARKS
1	59300-05500	CALIPER ASSY ,FRONT LH	1	
2	59300-05860	·PISTON SET	1	
3	59100-05810	··SEAL SET ,PISTON	1	
4	59313-05700	·CAP ,BUSH DUST	1	
5	59306-05700	·PIN ,GUIDE NO.2	1	
6	59308-05700	·WASHER ,GUIDE PIN	1	
7	59312-05700	·BOOT ,GUIDE NO.1	1	
8	59305-05700	·PIN ,GUIDE NO.1	1	
9	59355-05700	·NUT	1	
10	59307-05700	·WASHER ,GUIDE PIN NO.1	1	
11	59351-05700	·CARRIER ,CALIPER L	1	
12	69141-05700	·PIN ,PAD	2	
13	59315-05700	·SPRING ,PAD	1	
14	59121-18410	·BLEEDER	1	
15	55156-66310	·CAP ,BLEEDER	1	
16	59300-05840	·PAD & SHIM SET	1	
17	59371-05700	··SHIM ,PAD	2	
18	01550-0830B	BOLT	2	
19	59313-13001	PROTECTOR ,CALIPER	1	
20	02112-7512B	SCREW	1	

FIG.45

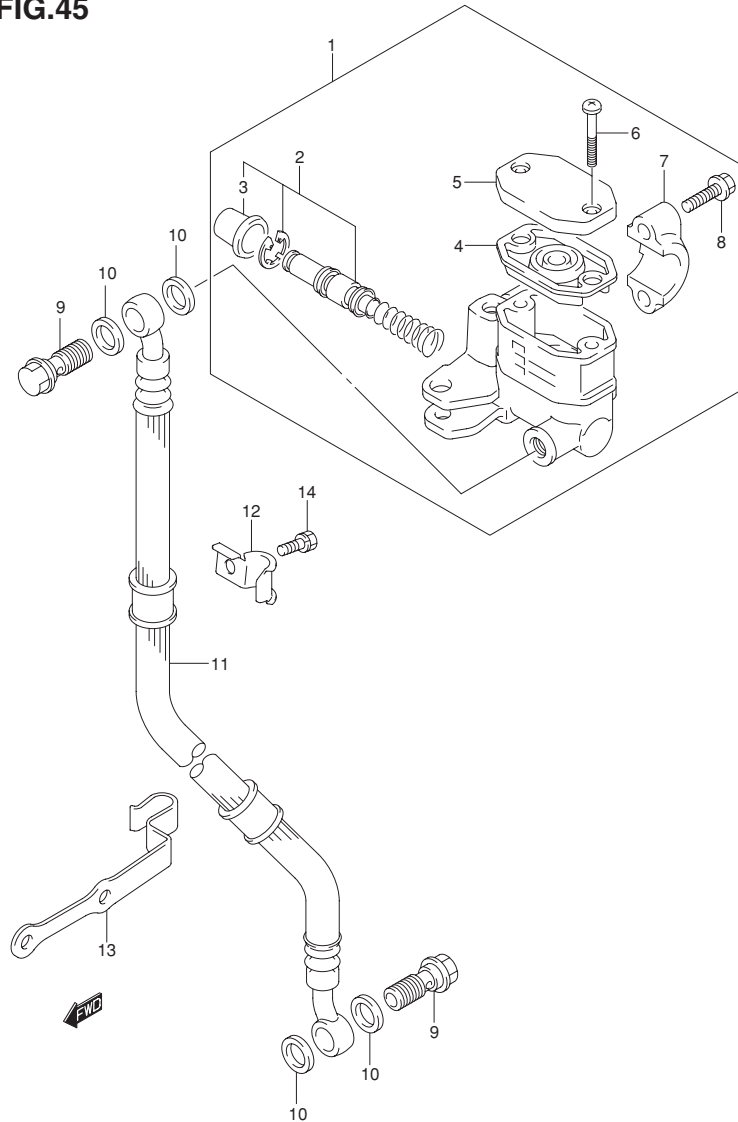


FIG.45 (I-5) FRONT MASTER CYLINDER(EN125-2AK3)

REF NO.	PART NO.	DESCRIPTION	Q'TY	REMARKS
1	59600-05380	CYLINDER ASSY ,FRONT MASTER	1	
2	59600-45880	·PISTON/CUP SET	1	
3	59666-44300	··BOOT	1	
4	59667-05380	·DIAPHRAGM	1	
5	59669-05380	·CAP ,RESERVOIR	1	
6	02112-04355	·SCREW ,RESERVOIR	2	
7	59671-36500	·HOLDER	1	
8	01547-06253	·BOLT	2	
9	09360-10039	BOLT(10X1.00X22)	2	
10	09161-10009	WASHER	4	
11	59480-45F20	HOSE ,BRAKE	1	
12	59246-45F00	CLAMP ,BRAKE HOSE	1	
13	59268-45F00	CLAMP ,BRAKE HOSE NO.2	1	
14	01570-06123	BOLT	1	

REFER TO FIG.45A (I-6) FOR EN125-2AK7/-2AK8

FIG.45A

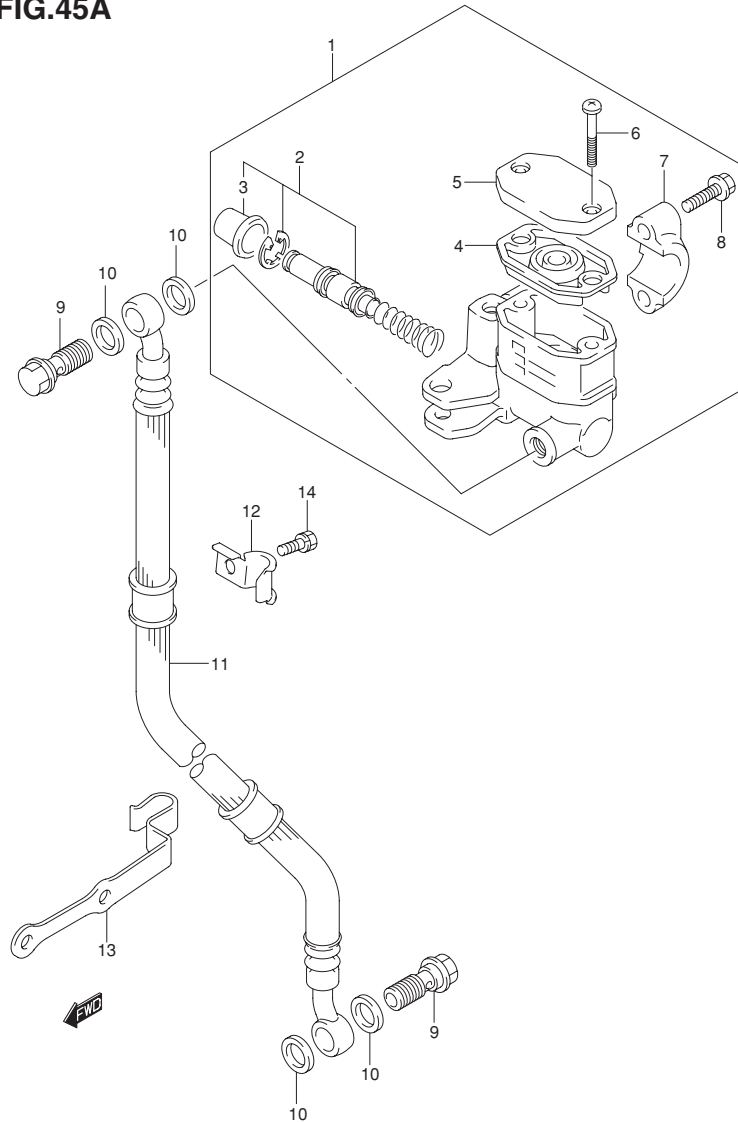


FIG.45A (I-6) FRONT MASTER CYLINDER(EN125-2AK7/-2AK8)

REF NO.	PART NO.	DESCRIPTION	Q'TY	REMARKS
1	59600-053B1	CYLINDER ASSY ,FRONT MASTER	1	
2	59600-45880	·PISTON/CUP SET	1	
3	59666-44300	··BOOT	1	
4	59667-053B0	·DIAPHRAGM	1	
5	59669-053B0	·CAP ,RESERVOIR	1	
6	02112-04355	·SCREW ,RESERVOIR	2	
7	59671-053A1	·HOLDER	1	
8	01547-0625B	·BOLT	2	
9	09360-10039	BOLT(10X1.00X22)	2	
10	09161-10009	WASHER	4	
11	59480-45F31	HOSE ,BRAKE	1	
12	59246-45F01	CLAMP ,BRAKE HOSE	1	
13	59268-45F00	CLAMP ,BRAKE HOSE NO.2	1	
14	01570-0612B	BOLT	1	

FIG.46

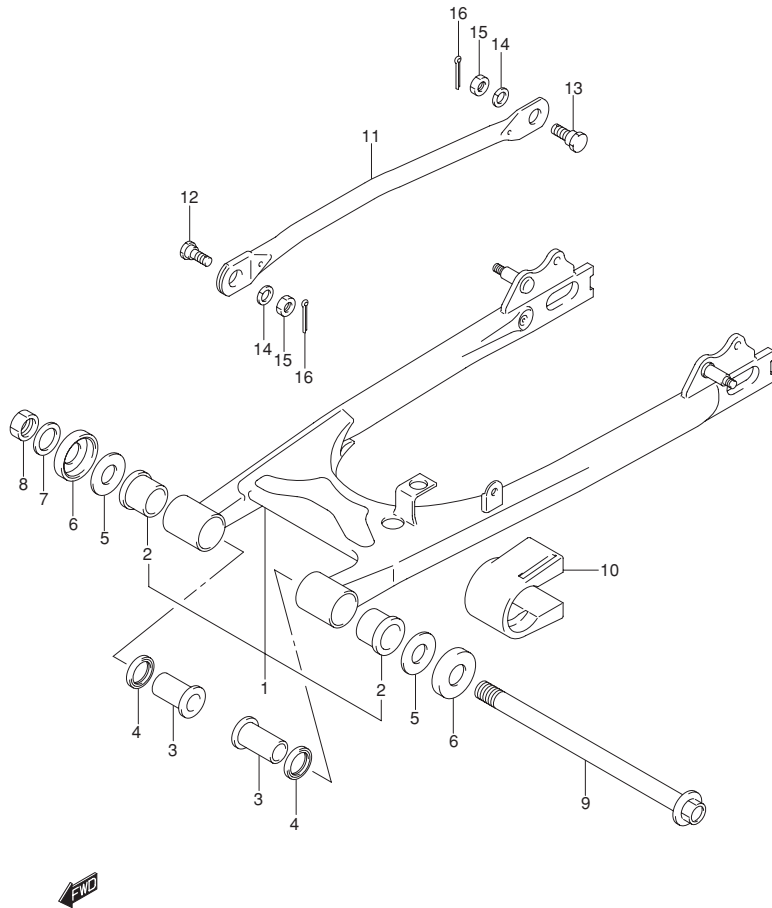


FIG.46 (I-7) REAR SWINGING ARM(EN125-2AK3/HUK4/HUZK6)

REF NO.	PART NO.	DESCRIPTION	Q'TY	REMARKS
1	61000-45F00-YGA	SWINGING ARM ASSY ,REAR	1	
2	61261-45F00	·BUSH	2	
3	61251-05300	SPACER ,ARM PIVOT	2	
4	09286-20001	OIL SEAL (20X27X5)	2	
5	08211-14341	WASHER	2	
6	61262-45002	COVER ,ARM PIVOT	2	
7	08322-01143	WASHER	1	
8	08319-21148	NUT	1	
9	61211-05302	SHAFT ,PIVOT	1	
10	61273-05300	BUFFER ,CHAIN TOUCH DEFENSE	1	
11-1	64310-05311-YGA	TORQUE LINK ,REAR (BLACK)	1	
11-2	64310-45FA0	TORQUE LINK ,REAR	1	
12	09111-08012	BOLT ,FRONT (8X22.5)	1	
13	09111-08013	BOLT ,REAR (8X26.5)	1	
14	09162-08008	LOCK WASHER	2	
15	09140-08008	NUT	2	
16	04111-20208	COTTER PIN	2	

REFER TO FIG.46A (I-8) FOR EN125-2AK7/HUK7/-2AK8/HUK8

FIG.46A

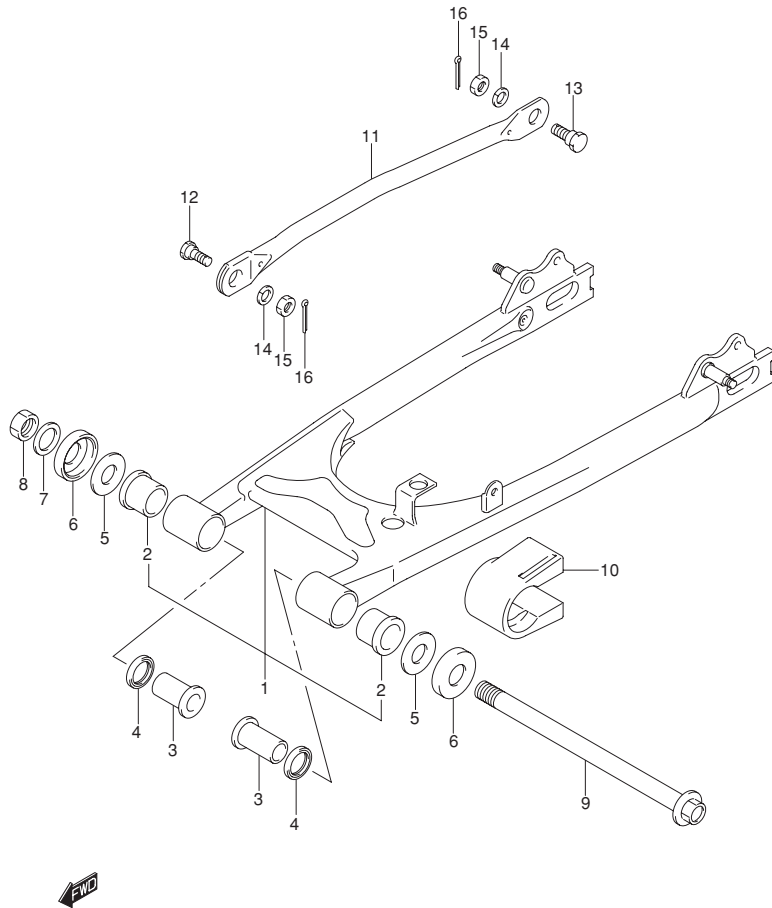


FIG.46A (1-8) REAR SWINGING ARM(EN125-2AK7/HUK7/-2AK8/HUK8)

REF NO.	PART NO.	DESCRIPTION	Q'TY	REMARKS
1	61000-45F21-YGA	SWINGING ARM ASSY ,REAR	1	
2	61261-05340	·BUSH	2	
3	61251-05300	SPACER ,ARM PIVOT	2	
4	09283-20031	OIL SEAL (20X27X5)	4	
5	08211-14321	WASHER	2	
6	61262-05300	COVER ,ARM PIVOT	2	
7	08322-0114B	WASHER	1	
8	08319-2114A	NUT	1	
9	61211-45F10	SHAFT ,PIVOT	1	
10	61273-05300	BUFFER ,CHAIN TOUCH DEFENSE	1	
11	64310-45FA0	TORQUE LINK ,REAR	1	
12	09111-08012	BOLT ,FRONT (8X22.5)	1	
13	09111-08013	BOLT ,REAR (8X26.5)	1	
14	09162-08008	LOCK WASHER	2	
15	09140-08008	NUT	2	
16	04111-2020A	COTTER PIN	2	

FIG.47

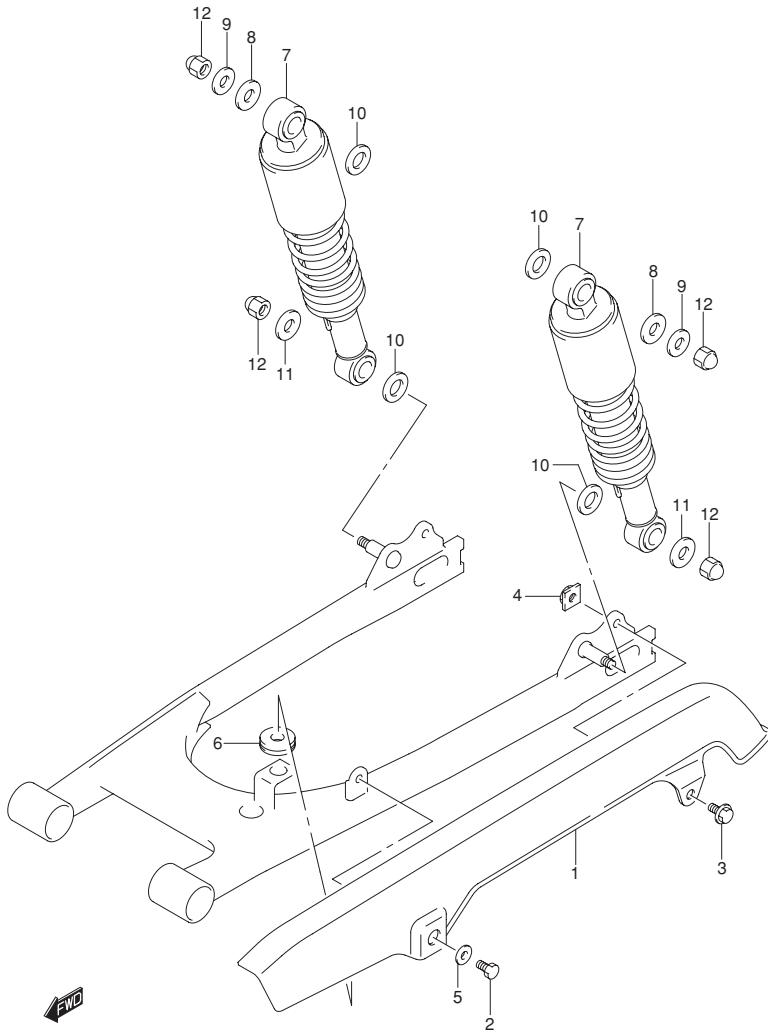


FIG.47 (I-9) CHAIN CASE(EN125-2AK3/-2AK7/-2AK8)

REF NO.	PART NO.	DESCRIPTION	Q'TY	REMARKS
1	61311-13001	CASE ,CHAIN	1	
2	01500-0610B	BOLT ,FRONT	1	
3	01570-0612B	BOLT ,REAR	1	
4	61316-45FA0	NUT ,REAR	1	
5	61315-45F00	WASHER	1	
6	09320-08018	CUSHION ,INNER	1	
7	62100-45F20	ABSORBER ASSY ,REAR SHOCK	2	
8	09160-10093	WASHER ,UPPER	2	
9	09160-10033	WASHER ,UPPER NO.2	2	
10	62145-45F00	WASHER ,INNER	4	
11	09160-10093	WASHER ,LOWER	2	
12	08313-10107	NUT	4	

REFER TO FIG.47A (I-10) FOR EN125HUK4/HUZK6/HUK7/HUK8

4

FIG.47A

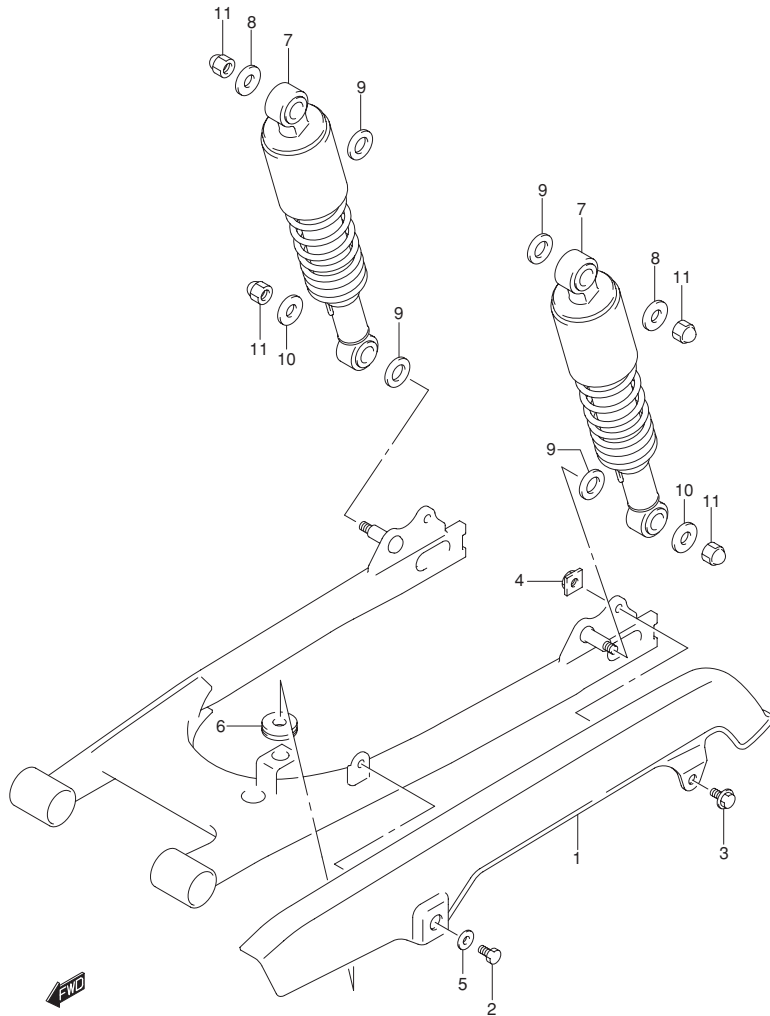


FIG.47A (I-10) CHAIN CASE(EN125HUK4/HUZK6/HUK7/HUK8)

REF NO.	PART NO.	DESCRIPTION	Q'TY	REMARKS
1	61311-13001	CASE ,CHAIN	1	
2	01500-0610B	BOLT ,FRONT	1	
3	01570-0612B	BOLT ,REAR	1	
4	61316-45FA0	NUT ,REAR	1	
5	61315-45F00	WASHER	1	
6	09320-08018	CUSHION ,INNER	1	
7	62100-45F30	ABSORBER ASSY ,REAR SHOCK	2	
8	09160-10033	WASHER ,UPPER	2	
9	62145-45F00	WASHER ,INNER	4	
10	09160-10093	WASHER ,LOWER	2	
11	08313-10107	NUT	4	

FIG.48

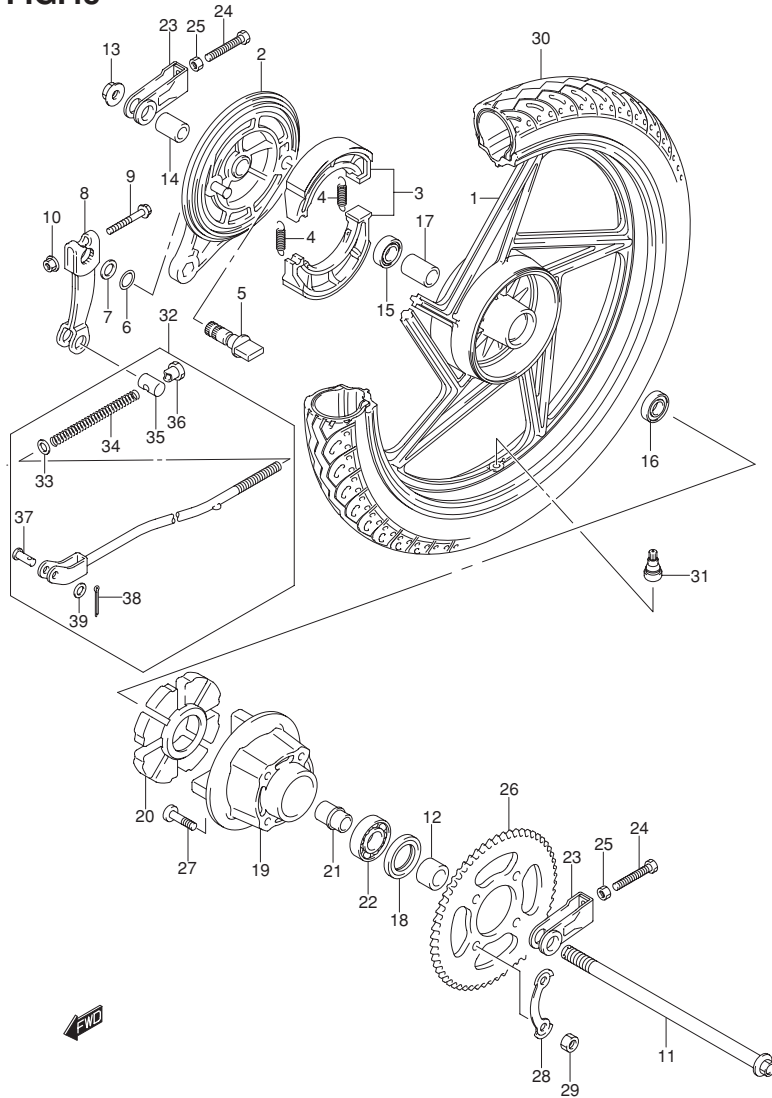


FIG.48 (I-11) REAR WHEEL(EN125-2AK3)

REF NO.	PART NO.	DESCRIPTION	Q'TY	REMARKS
1	64150-45F10-YGD	WHEEL , REAR (MT1.85X18)	1	
2-1	64210-39104	PANEL , REAR BRAKE ANCHOR	1	
2-2	64210-45FA0	PANEL , REAR BRAKE ANCHOR	1	
3	54400-45810	SHOE SET ,BRAKE	1	
4	55421-45F00	SPRING	2	
5-1	54441-29305	CAM ,BRAKE	1	
5-2	54441-45FA0	CAM ,BRAKE	1	
6	09280-14011	O RING(ID:13.8 ,D:2.50)	1	
7	09160-14055	WASHER	1	
8-1	64451-13200	LEVER ,BRAKE CAM	1	
8-2	64451-45FA0	LEVER ,BRAKE CAM	1	
9	01550-06353	BOLT	1	
10	08316-10068	NUT	1	
11-1	64711-48001	AXLE , REAR	1	
11-2	64711-05320	AXLE , REAR	1	
12	09180-15042	SPACER ,LH(15X28X19)	1	
13	08319-31148	NUT	1	
14	09180-15002	SPACER ,RH(15X22X33)	1	
15	08144-63027	BEARING ,RH	1	
16	08143-62027	BEARING ,LH	1	
17	09180-15011	SPACER ,HUB(15.3X21.7X63)	1	
18	09285-28001	OIL SEAL (28X47X7)	1	
19	64610-05301	DRUM , SPROCKET MOUNTING	1	
20	64651-38300	SHOCK ABSORBER , WHEEL	1	
21	64733-05301	RETAINER ,DRUM	1	
22	09262-20069	BEARING(20X47X14)	1	

REFER TO FIG.48A (I-13) FOR EN125HUK4/HUZK6
 REFER TO FIG.48B (J- 2) FOR EN125-2AK7/-2AK8
 REFER TO FIG.48C (J- 4) FOR EN125HUK7/HUK8

FIG.48

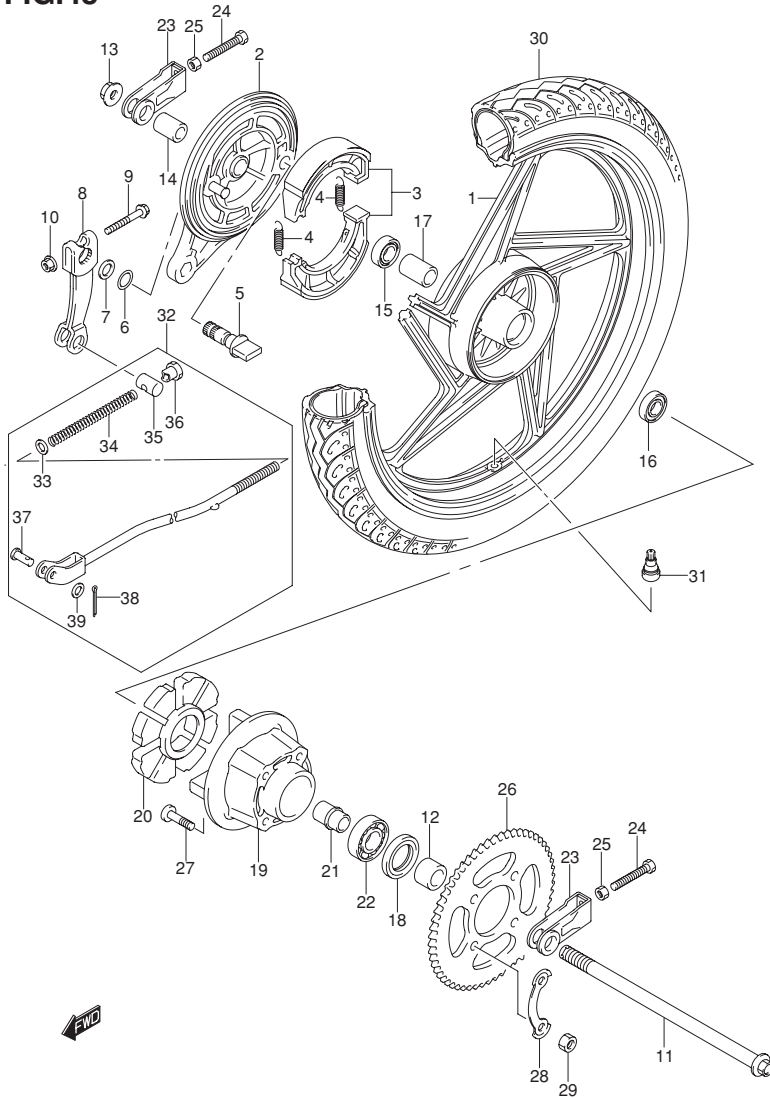


FIG.48 (I-12) REAR WHEEL(EN125-2AK3)

REF NO.	PART NO.	DESCRIPTION	Q'TY	REMARKS
23	61410-36002	ADJUSTER ,CHAIN	2	
24	09104-08034	BOLT(8X50)	2	
25	08310-00087	NUT	2	
26	64511-45F00	SPROCKET ,REAR (NT:45)	1	
27	09119-08043	BOLT(8X33)	4	
28	09169-08012	WASHER	2	
29	08310-00083	NUT	4	
30	65100-45F00	TIRE ,REAR , 90/90 - 18 4P.R.	1	
31	43130-45F00	VALVE ASSY ,WHEEL RIM	1	
32	43300-45F00	ROD ASSY ,REAR BRAKE	1	
33	08322-01063	·WASHER	1	
34	09440-09004	·SPRING	1	
35	09209-11002	·PIN	1	
36	09150-06014	·NUT	1	
37	09200-06013	·PIN	1	
38	04111-20158	·COTTER PIN	1	
39	08322-01063	·WASHER	1	

REFER TO FIG.48A (I-13) FOR EN125HUK4/HUZK6
 REFER TO FIG.48B (J-2) FOR EN125-2AK7/-2AK8
 REFER TO FIG.48C (J-4) FOR EN125HUK7/HUK8

FIG.48A

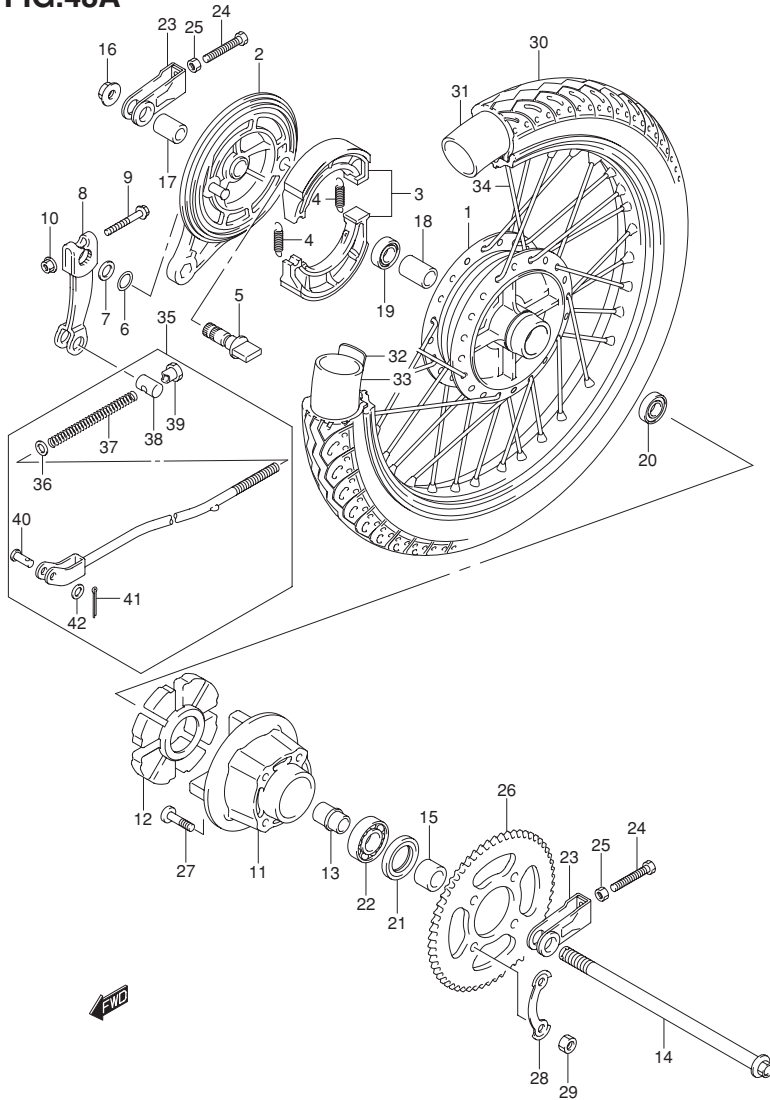


FIG.48A (I-13) REAR WHEEL(EN125HUK4/HUZK6)

REF NO.	PART NO.	DESCRIPTION	Q'TY	REMARKS
1-1	64110-07005	HUB ,REAR WHEEL	1	FOR 3.2 PAI SPOKE
1-2	64110-12FH1	HUB ,REAR WHEEL	1	FOR 4.0 PAI SPOKE
2	64210-39115	PANEL ,REAR BRAKE ANCHOR	1	
3	54400-45810	SHOE SET ,BRAKE	1	
4	55421-45F00	SPRING	2	
5-1	54441-29305	CAM ,BRAKE	1	
5-2	54441-45FA0	CAM ,BRAKE	1	
6	09280-14011	O RING(ID:13.8 ,D:2.50)	1	
7	09160-14055	WASHER(14.5X22X1.6)	1	
8-1	64451-13200	LEVER ,BRAKE CAM	1	
8-2	64451-45FA0	LEVER ,BRAKE CAM	1	
9	01550-06353	BOLT	1	
10	08316-10068	NUT	1	
11	64610-05301	DRUM ,SPROCKET MOUNTING	1	
12	64651-07001	SHOCK ABSORBER ,HUB	1	
13	64733-05301	RETAINER ,MOUNTING	1	
14-1	64711-48001	AXLE ,REAR	1	
14-2	64711-05320	AXLE ,REAR	1	
15	09180-15042	SPACER ,LH(15X28X19)	1	
16	08319-31148	NUT	1	
17	09180-15002	SPACER ,RH(15X22X33)	1	
18	09180-15011	SPACER ,HUB(15.3X21.7X63)	1	
19	08144-63027	BEARING ,RH	1	
20	08143-62027	BEARING ,LH	1	
21	09285-28001	OIL SEAL(28X47X7)	1	
22	09262-20069	BEARING(20X47X14)	1	

REFER TO FIG.48B (J- 2) FOR EN125-2AK7/-2AK8
 REFER TO FIG.48C (J- 4) FOR EN125HUK7/HUK8

FIG.48A

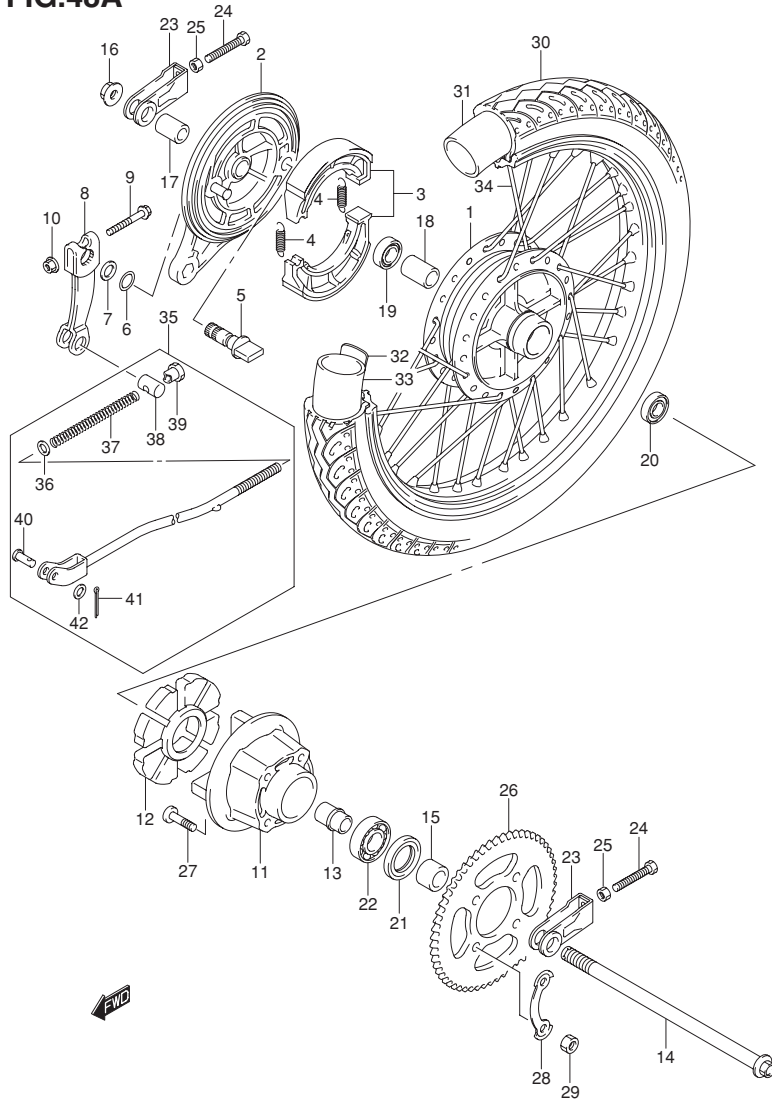


FIG.48A (I-14) REAR WHEEL(EN125HUK4/HUK6)

REF NO.	PART NO.	DESCRIPTION	Q'TY	REMARKS
23	61410-36002	ADJUSTER ,CHAIN	2	
24	09104-08034	BOLT(8X50)	2	
25	08310-00087	NUT	2	
26	64511-45F00	SPROCKET ,REAR (NT:45)	1	
27	09119-08043	BOLT(8X33)	2	
28	09169-08012	WASHER	4	
29	08310-00083	NUT	4	
30	65100-45F30	TIRE ,REAR (3.00 - 18 4PR)	1	
31	65200-45F00	TUBE ASSY ,INNER	1	
32	55261-45F00	PROTECTOR ,INNER TUBE	1	
33	55311-05300	RIM ,WHEEL (1.60 - 18)	1	
34-1	65320-45F00	SPOKE SET , WHEEL RIM	1	3.2 PAI FOR 64110 - 07005
34-2	65320-45F01	SPOKE SET , WHEEL RIM	1	4 PAI FOR 64100 - 12FH1
35	43300-45F00	ROD ASSY ,REAR BRAKE	1	
36	08322-01063	·WASHER	1	
37	09440-09004	·SPRING	1	
38	09209-11002	·PIN	1	
39	09150-06014	·NUT	1	
40	09200-06013	·PIN	1	
41	04111-20158	·COTTER PIN	1	
42	08322-01063	·WASHER	1	

REFER TO FIG.48B (J- 2) FOR EN125-2AK7/-2AK8
REFER TO FIG.48C (J- 4) FOR EN125HUK7/HUK8

FIG.48B

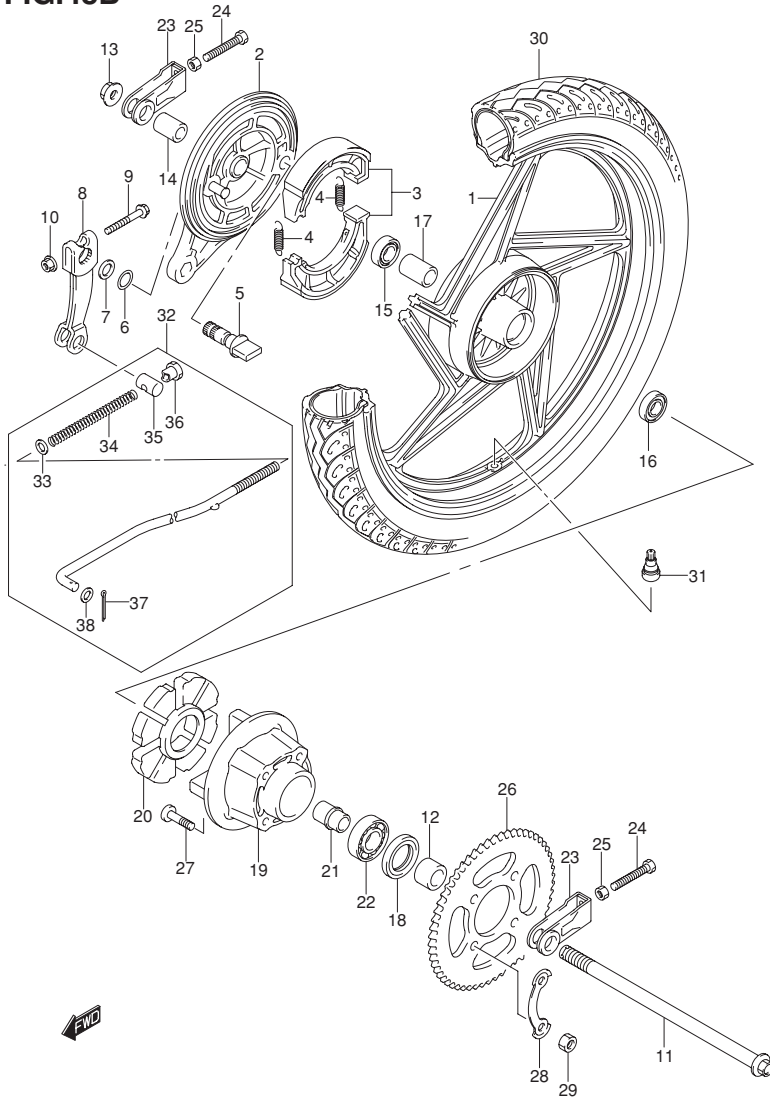


FIG.48B (J-2) REAR WHEEL(EN125-2AK7/-2AK8)

REF NO.	PART NO.	DESCRIPTION	Q'TY	REMARKS
1	64150-45F10-YGD	WHEEL , REAR (MT1.85X18)	1	
2	64210-45FA0	PANEL , REAR BRAKE ANCHOR	1	
3	54400-45810	SHOE SET ,BRAKE	1	
4	55421-45F00	SPRING	2	
5	54441-45FA0	CAM ,BRAKE	1	
6	09280-14011	O RING(ID:13.8 ,D:2.50)	1	
7	09160-14055	WASHER	1	
8	64451-45FA0	LEVER ,BRAKE CAM	1	
9	01550-0635B	BOLT	1	
10	08316-1006A	NUT	1	
11	64711-05330	AXLE , REAR	1	
12	09180-15042	SPACER , LH(15X28X19)	1	
13	08319-3114A	NUT	1	
14	09180-15002	SPACER , RH(15X22X33)	1	
15	08144-63027	BEARING , RH	1	
16	08143-62027	BEARING , LH	1	
17	09180-15011	SPACER , HUB(15.3X21.7X63)	1	
18	09285-28001	OIL SEAL (28X47X7)	1	
19	64610-05301	DRUM , SPROCKET MOUNTING	1	
20	64651-38300	SHOCK ABSORBER , WHEEL	1	
21	64733-05301	RETAINER , DRUM	1	
22	09262-20069	BEARING(20X47X14)	1	

REFER TO FIG.48C (J- 4) FOR EN125HUK7/HUK8

FIG.48B

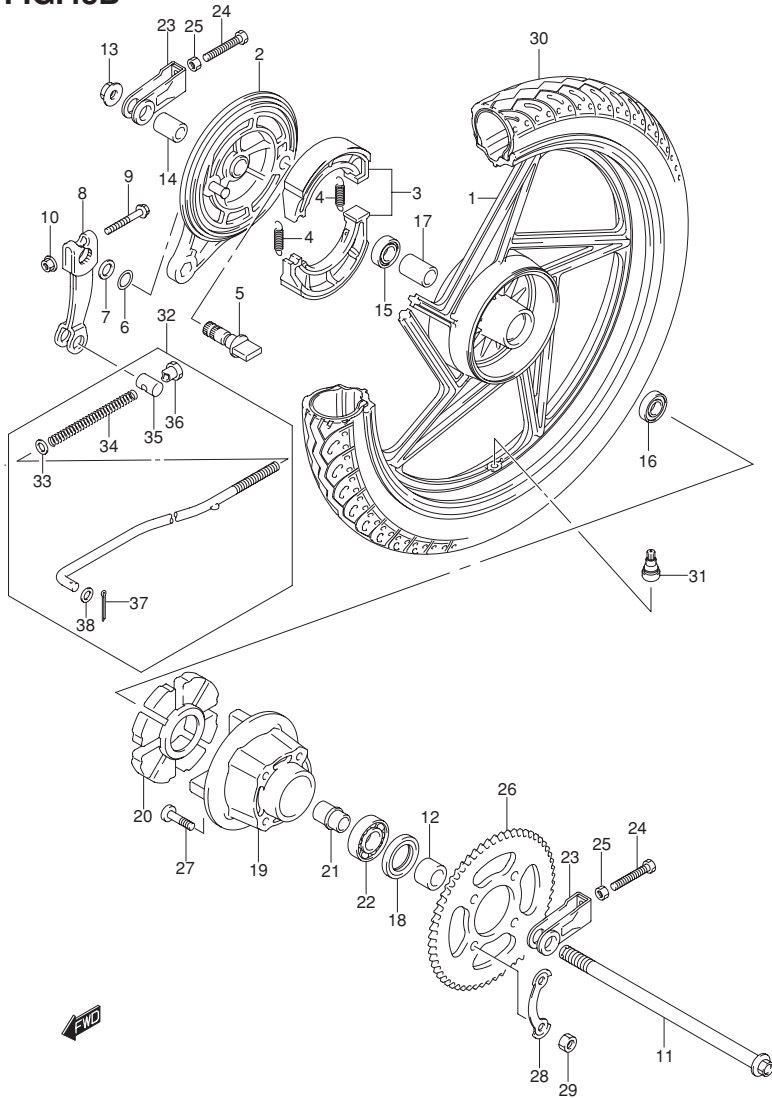


FIG.48B (J-3) REAR WHEEL(EN125-2AK7/-2AK8)

REF NO.	PART NO.	DESCRIPTION	Q'TY	REMARKS
23	61410-36002	ADJUSTER ,CHAIN	2	
24	09104-08034	BOLT(8X50)	2	
25	08310-00087	NUT	2	
26	64511-45F00	SPROCKET ,REAR (NT:45)	1	
27	09119-08043	BOLT(8X33)	4	
28	09169-08012	WASHER	2	
29	08310-0008B	NUT	4	
30	65100-45F00	TIRE ,REAR , 90/90 - 18 4P.R.	1	
31	43130-45F00	VALVE ASSY ,WHEEL RIM	1	
32	43300-45F10	ROD ASSY ,REAR BRAKE	1	
33	08322-0106B	·WASHER	1	
34	09440-09004	·SPRING	1	
35	09209-11002	·PIN	1	
36	09150-06014	·NUT	1	
37	04111-2015A	·COTTER PIN	1	
38	08322-0106B	·WASHER	1	

REFER TO FIG.48C (J- 4) FOR EN125HUK7/HUK8

FIG.48C

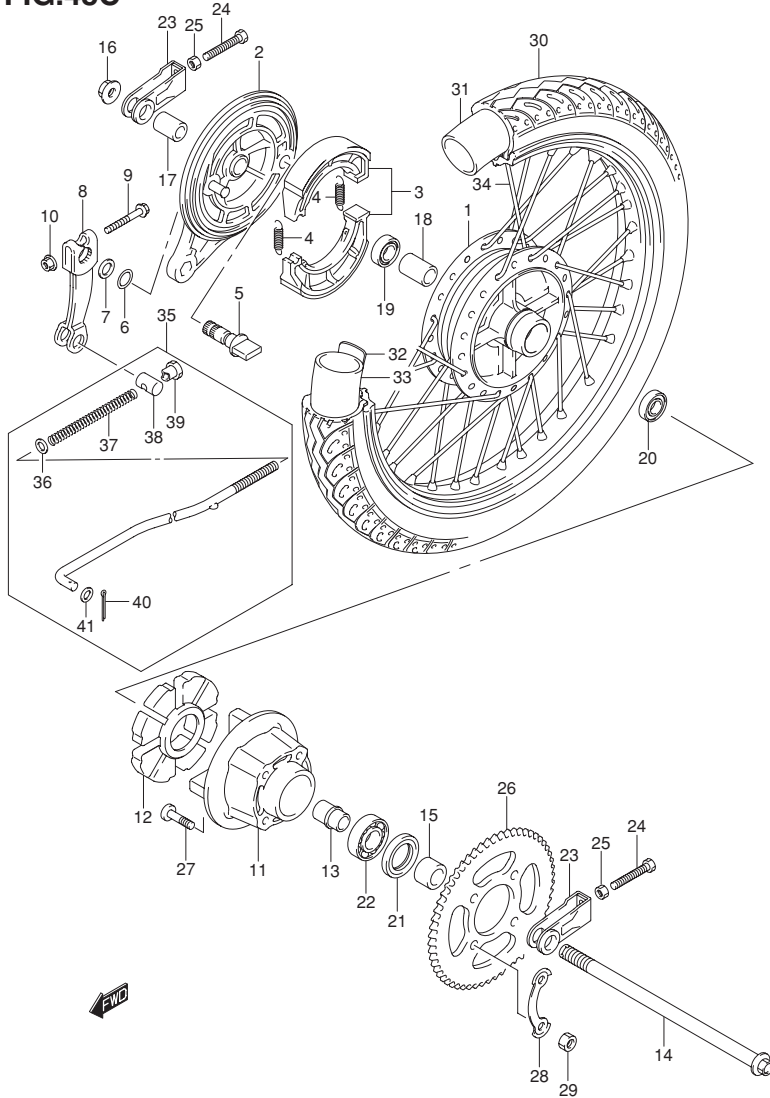


FIG.48C (J-4) REAR WHEEL(EN125HUK7/HUK8)

REF NO.	PART NO.	DESCRIPTION	Q'TY	REMARKS
1	64110-12FH1	HUB ,REAR WHEEL	1	
2	64210-39115	PANEL ,REAR BRAKE ANCHOR	1	
3	54400-45810	SHOE SET ,BRAKE	1	
4	55421-45F00	SPRING	2	
5	54441-45FA0	CAM ,BRAKE	1	
6	09280-14011	O RING(ID:13.8 ,D:2.50)	1	
7	09160-14055	WASHER(14.5X22X1.6)	1	
8	64451-45FA0	LEVER ,BRAKE CAM	1	
9	01550-0635B	BOLT	1	
10	08316-1006A	NUT	1	
11	64610-05301	DRUM ,SPROCKET MOUNTING	1	
12	64651-07001	SHOCK ABSORBER ,HUB	1	
13	64733-05301	RETAINER ,MOUNTING	1	
14	64711-05330	AXLE ,REAR	1	
15	09180-15042	SPACER ,LH(15X28X19)	1	
16	08319-3114A	NUT	1	
17	09180-15002	SPACER ,RH(15X22X33)	1	
18	09180-15011	SPACER ,HUB(15.3X21.7X63)	1	
19	08144-63027	BEARING ,RH	1	
20	08143-62027	BEARING ,LH	1	
21	09285-28001	OIL SEAL(28X47X7)	1	
22	09262-20069	BEARING(20X47X14)	1	

4

FIG.48C

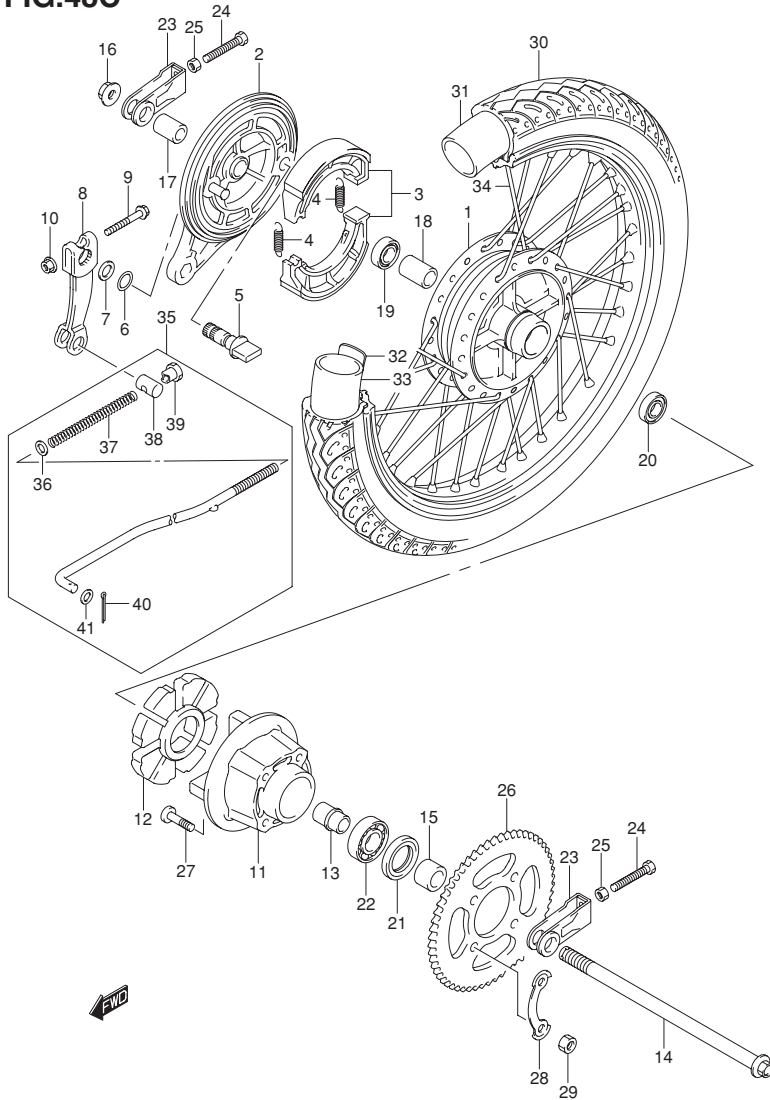


FIG.48C (J-5) REAR WHEEL(EN125HUK7/HUK8)

REF NO.	PART NO.	DESCRIPTION	Q'TY	REMARKS
23	61410-36002	ADJUSTER ,CHAIN	2	
24	09104-08034	BOLT(8X50)	2	
25	08310-00087	NUT	2	
26	64511-45F00	SPROCKET ,REAR (NT:45)	1	
27	09119-08043	BOLT(8X33)	4	
28	09169-08012	WASHER	2	
29	08310-0008B	NUT	4	
30	65100-45F30	TIRE ,REAR (3.00 - 18 4PR)	1	
31	65200-45F00	TUBE ASSY ,INNER	1	
32	55261-45F00	PROTECTOR ,INNER TUBE	1	
33	55311-05300	RIM ,WHEEL (1.60 - 18)	1	
34	65320-45F01	SPOKE SET ,WHEEL RIM	1	
35	43300-45F10	ROD ASSY ,REAR BRAKE	1	
36	08322-0106B	·WASHER	1	
37	09440-09004	·SPRING	1	
38	09209-11002	·PIN	1	
39	09150-06014	·NUT	1	
40	04111-2015A	·COTTER PIN	1	
41	08322-0106B	·WASHER	1	

PARTS NUMBER INDEX

PART NO.	FIG.NO.-REF.NO.	PART NO.	FIG.NO.-REF.NO.	PART NO.	FIG.NO.-REF.NO.
10000		12100-12F50-050	6-20	13170-12F50	2-28
		12111-12F50-0F0	6-16	13200-054G1	10-1
		12140-16E00	6-17	13200-054M0	10B-1
		12151-12F00	6-18	13200-45FA0	10C-1
		12161-12F60-0B0	6-3	13200-45F00	10A-1
11100-12F50	2-1	12161-12F80-0B0	6-3	13240-12FG0	10-16
11100-12F70	2-1	12200-12FC1	6-1		10A-16
11115-12F70	2-4	12200-12FD1	6-1	13246-43010	10-12
11141-05202	1-2	12211-05241	6-4		10A-12
	2-8	12221-05220	6-5		10B-2
11141-12F50	1-2	12261-05320	6-6		10C-2
	2-8	12261-12F50	6-6	13247-02340	10-37
11151-45000	2-11	12600-12861	7-4	13247-13A00	10A-40
	2-11	12611-05300	7-1		10B-3
11171-12F50	2-31	12633-05310	7-7		10C-3
11172-12F50	2-32	12649-05300	7-9	13247-33E00	10-21
11175-18910	2-17	12711-12F50	8-1		10A-21
11177-12F50	2-33	12741-05210	8-2	13251-47E00	10-19
11178-12F50	2-34	12741-12F70	8-2		10A-19
11179-12F50	2-35	12760-05220	9A-1	13252-22A00	10B-4
11179-12F60	2-36	12760-12F60	9-1		10C-4
11181-12F50	2-37	12760-44A00	9A-1	13254-01010	10B-5
11210-05203-0F0	3-1	12771-05200	9A-2		10C-5
11210-12F50-0F0	3-1	12771-12F60	9-2	13254-20010	10-17
11241-05311	1-3	12811-05220	9A-3		10A-17
11300-01G10	3-6	12811-12F60	9-3	13261-054N0	10B-6
11300-053B0	4-1	12812-32400	9-4		10C-6
11300-05380	4-1			13266-054N0	10B-7
11319-05220	4-7	12830-12F50	9-6		10C-7
		12830-32452	9A-6	13267-054N0	10B-8
11325-12F50	4-9	12832-12F50	9-7		10C-8
11340-01G00	5-1	12832-32401	9A-7	13267-20E20	10-32
11340-05320	5-1	12833-12F50	9-8		10A-35
11340-12F50	5-1	12834-12F50	9-9	13268-054A0	10-34
11351-05302	5-15	12837-32410	1-6		10A-37
11351-12F50	5-15		9-10	13268-47070	10-27
11358-12F50	5-27		9A-12		10A-30
11361-05301	5-29	12838-45001	9A-8		10B-9
11361-12F70	5-29	12842-32411	8-6		10C-9
11383-12F70	5-3	12843-32400	8-7	13279-054N0	10B-10
11384-12F70	5-26	12850-25C00	8-5		10C-10
11402-05831	1-1	12861-05201	8-8	13279-12F20	10-26
11402-12851	1-1	12911-12F60	8-14		10A-29
11482-05211	1-4	12912-12F60	8-15	13282-05G00	10-15
	5-6	12920-12F50	8-16		10A-15
11482-05311	1-4	12931-09420	8-17	13291-29900	10-28
	5-6	12932-27A10	8-18		10A-31
11483-05312	1-5	12933-39E00	8-19		10B-11
	5-16	13101-053A0	2-25		10C-11
11971-45010	5-2	13101-053B0	2-25	13295-28010	10B-12

PART NO.	FIG.NO.-REF.NO.	PART NO.	FIG.NO.-REF.NO.	PART NO.	FIG.NO.-REF.NO.	
13295-28010	10C-12	13421-054N0	10B-29	13826-38300	11-5	
13295-29900	10-29	13426-20010	10B-30	13826-45F00	11-5	
	10A-32	13427-05450	10C-27	13853-05300	11-6	
	10B-13	13494-09410	10B-31	13870-45F00	11-8	
	10C-13		10C-29	13881-053B0	11-4	
13295-33010	10B-14	13500-48F00	10-24	13881-05390	11-4	
	10C-14		10A-27	14181-14D00	1-7	
13370-054L0	10A-41	13502-12F00	10-2		12-7	
13370-08G00	10B-16		10A-2	14305-45F11	12-1	
	10C-16	13504-16E00	10-25	14790-45F10	12-2	
13373-054N0	10B-17		10A-28	16321-05220	6-11	
	10C-17	13507-054G0	10-23	16331-12F00	13-2	
13374-054N0	10B-18		10A-26	16400-05201	13-1	
	10C-18	13551-054N0	10B-32	16510-05240	13-13	
13374-46710	10B-19		10C-30	16512-05212	13-15	
	10C-19	13558-054N0	10B-33	16512-12F50	13-15	
13382-46E00	10-7		10C-31	16520-05202	13-6	
	10A-7	13571-19A00	10B-34	16523-05200	13-8	
13382-47010	10B-20	13573-29B00	10B-35	16584-12F70	13-21	
	10C-20		10C-32			
13383-054G0	10-10	13574-05F00	10-9	20000		
	10A-10		10A-9			
13383-054M0	10B-21	13575-054N0	10B-36			
	10C-21		10C-33			
13385-05F00	10-13	13579-054N0	10B-37			
	10A-13		10C-34	21111-05200-0C0	6-12	
13385-054N0	10B-22	13581-05F00	10-4	21200-05853	14-1	
	10C-22		10A-4	21200-05880	14-1	
13386-09410	10-33	13581-36212	10B-38	21200-05890	14-1	
	10A-36		10C-35		14-1	
13388-20E20	10-6	13601-05148	10-20	21411-05210	14-3	
	10A-6		10A-20	21441-13A20	14-7	
13394-17E60	10-8	13602-05A30	10B-39	21451-19A00	14-8	
	10A-8	13603-05F00	10-5	21462-14103	14-9	
13394-40D20	10B-23		10A-5	23110-05203	14-12	
	10C-23	13606-47A00	10B-40	23110-05220	14-12	
13411-054A0	10-22		10C-36		14-12	
13411-054N0	10B-24	13661-03010	10B-41	23117-05210	14-19	
13411-05450	10C-24		10C-37	23121-38201	14-13	
13411-12F00	10A-22	13681-04010	10A-25	23122-05200	14-14	
13413-054N0	10B-25		10C-28	23271-46010	14-22	
13416-46710	10B-26	13681-054N0	10B-42	24121-05260	15-1	
13417-01010	10A-23		10C-38	24125-38201	15-2	
13417-05450	10C-26	13683-05450	10C-39	24130-05220	15-11	
13417-09110	10B-27	13683-28B10	10A-38	24130-05370	15-11	
13417-47E00	10-3	13684-053R0	10A-39	24221-05310	15-3	
	10A-3	13700-053B0	11-1	24231-05220	15-4	
13418-053S0	10A-24	13700-45F00	11-1	24251-45F00	15-5	
13418-05450	10C-25	13780-38301	11-2	24310-05230	15-12	
13418-09110	10B-28	13780-45F00	11-2	24311-05202	15-12	

PART NO.	FIG.NO.-REF.NO.	PART NO.	FIG.NO.-REF.NO.	PART NO.	FIG.NO.-REF.NO.
24320-05240	15-15	30000		32980-05300	20-11
24331-05203	15-17		33410-45F00	20-15	
24341-45F00	15-19		33510-43010	20-17	
24351-45F00	15-20		33541-38210	20-18	
24359-05200	15-21		33542-38B00	20-19	
24421-05320	15-22	31100-05501	17A-1	33610-10320	19-1
24741-05200	15-9	31100-05530	17-1	33624-43500	19-8
	15-25	31130-05530	17-4		25-2B
24751-05220	15-28	31130-32C20	17A-4		25A-4
25221-08300	16-1	31132-05530	17-3		25B-4
25231-05201	16-2	31132-32C10	17A-3	33651-45F10	19-5
25310-05340	16-5	31133-05530	17-5	33652-05310	19-3A
25322-31310	16-7	31133-32C10	17A-5	33652-28010	19-3
25322-31320	16-7	31134-05530	17-6	33652-38000	19-2
25323-34201	16-8	31135-05530	17-7	33680-16A10	19-4
25324-34201	16-9	31135-32C10	17A-7	33810-05300	20-4
25331-30001	16-12	31150-05530	17-13	33810-05310	20-4
25341-05200	16-14	31150-06C00	17A-13	33820-053A0	19-6
25350-44A00	16-16	31153-05530	17-14	33820-053B0	19-6
25351-30020	16-22	31156-05530	17-9	33860-05550	19-9
25381-45400	16-23	31156-38300	17A-9	34100-34G30	21A-1
25411-16701	16-3	31175-05530	17-2	34100-45F10	21-1
25421-35410	16-4	31175-42A01	17A-2	34100-45F60	21B-1
25510-05220	16-27	31264-05530	17-10	34110-34G30	21A-3
25520-47030	16-32	31264-32C10	17A-10	34110-45F60	21B-3
25525-12C10	16-36	31281-05530	17-8	34111-34G10	21A-7
25526-47000	16-33	31281-32C10	17A-8	34111-45F10	21-8
25600-45F00	16-38	31361-055A0	17-11	34111-45F60	21B-7
25652-16500	16-39	31361-055B0	17-12	34120-45F10	21-5
25671-01020	16-30	31361-32C10	17A-12	34124-34G10	21A-4
26211-05210	16A-1	31361-38300	17A-11	34125-14A10	21B-4
26221-05200	16A-2	31800-45F00	20-1A	34150-34G10	21A-2
26231-38202	16A-7	31800-49100	20-1	34150-45F10	21-2
26232-38200	16A-8	31800-49110	20-1B	34150-45F60	21B-2
26233-32400	16A-9	31861-06C00	20-6		
26240-05202	16A-11	31861-10D00	19-7	34152-34G10	21A-20
26260-05201	15-32		25-2A		21B-20
26260-05210	15-32		25A-3	34152-45F10	21-18
26300-05310	16A-15		25B-3	34173-34G10	21A-11
26352-01000	16A-16	31861-31500	19-7		21B-11
26431-05220	2-20		20-5	34173-45F10	21-10
26441-49000	2-21	32101-12F30	18-1	34181-45F10	21-16
26451-45000	2-22	32101-12F40	18-1	34191-34G10	21A-17
27511-41320	15-35	32102-12F30	18-2		21B-17
27531-05220	15-36	32102-12F40	18-2	34210-34G10	21A-6
27600-29B40-118	15-40	32800-22D20	20-7A	34210-45F60	21B-6
		32800-29B00	20-7	34220-45F10	21-7
		32900-053A0	20-13	34320-45F10	21-6
		32900-053K0	20-9	34383-09400	21-13
		32931-053B0	20-10		21A-9

PART NO.	FIG.NO.-REF.NO.	PART NO.	FIG.NO.-REF.NO.	PART NO.	FIG.NO.-REF.NO.
34383-09400	21B-9	36619-37300	25B-9	41540-38301	26-8
34810-45F00	31-10	36651-05310	25B-10	41991-05300	26-2
34910-01G10	21-21	36651-055J0	25B-5	41992-05300	26-5
34910-01G11	21A-23	36651-45F00	35-16	42100-45F00	27-1
	21B-23		35A-16	42211-36504	27-2
34910-26440	21-21	37000-45830	25B-11	42278-45F00	27-5
34910-45F00	21A-23	37100-01D80	25-8	42310-45F00	27-6
	21B-23	37100-01D81	25-8	43110-45F00	27-10
34940-05330	21-23		25A-11	43130-45F00	43-14
34940-05331	21A-25	37100-45F00	25B-12		48-31
	21B-25	37101-01870	25-7		48B-31
34940-05340	21-23	37101-01871	25-7	43159-45F00	27-15
34940-05380	21A-25	37101-01880	25A-10	43213-45F00	27-13
	21B-25	37146-45F00	25-17	43231-05302	27-12
34943-05500	21-24		25A-17	43300-45F00	48-32
	21A-26		25B-18		48A-35
34950-34G10	21B-26	37200-05360	25C-1	43300-45F10	48B-32
	21A-16	37200-28G20	25D-1		48C-35
	21B-16	37200-45F10	36-5	43501-45F00	28-1
34950-45F10	21-14	37200-45F20	25C-2		28A-1
34955-45F10	21-15	37200-45F60	25E-1	43501-45F20	28A-2
34980-45F10	21-3	37400-05300	25D-2	43539-45F00	28-3
35100-29B60-999	22-1	37400-06B60	25C-3		28A-4
35111-29B60	22-2	37400-45F60	25E-2	43550-45F00	28-9
35121-29B60	22-3	37720-44700	16-42	43551-36500	28-2
35171-29B60	22-4	37720-45F00	16-42		28A-3
35172-29B60	22-5	37740-12F00	25-10	43600-05301	28A-6
35181-45F10	22-8		25A-13	43600-45F00	28-7
35601-45F00	23-1		25B-14	43610-03001	28A-9
35602-45F00	23-2	38500-055B0	25-12	43611-45F00	28-13
35603-28D10	23-7		25-14		28A-8
35604-28D10	23-8	38500-055D1	25A-15	43612-33200	28A-8
35652-45F00	23-3		25B-16	43613-45F00	28-14
	23-9	38610-31320	23-17	43614-45F00	28-15
35695-17C00	23-12	38610-45F00	23-15	43621-45F00	28A-10
			23-16	43700-05301	28A-7
35710-45F00	24-1	38616-45F00	23-16	43700-45F00	28-8
35712-45F00	24-2			43811-45F00	28-5
35713-28D00	24-3			43821-45F01	28-6
35718-45F00	24-4			44100-45F10-YFZ	30-1
35927-05320	24-11			44100-45F10-YGB	30-1
35950-04H10	22-9			44100-45F10-YGE	30-1
35950-04H11	22-9			44100-45F10-YHP	30-1
35970-04H01	24-15			44100-45F50-YNM	30-1
35970-07F00	24-15			44200-45F00	30-4
36610-055C0	25-1			44200-45F10	30-4
36610-055H0	25-1	41100-45FD0	26-1	44300-45F10	31-1
36610-45F00	25A-1	41100-45FE0	26-1	44330-45F10	31-8
36610-45F60	25B-1	41100-45F13	26-1	44348-87420	31-2
36619-37300	25-6	41100-45F26	26-1	44421-45F10	31-5
	25A-9	41540-05300	26-8	44421-45F30	31-6

PART NO.	FIG.NO.-REF.NO.	PART NO.	FIG.NO.-REF.NO.	PART NO.	FIG.NO.-REF.NO.	PART NO.	FIG.NO.-REF.NO.	PART NO.	FIG.NO.-REF.NO.	PART NO.	FIG.NO.-REF.NO.
44422-45F10	31-9	45513-45F10-YGB	40B-5	51103H45F11	41B-1	51148-45F40	41E-8	51178-45F00	41-15	51553-29311	42-18
44541-38200	30-6		40C-5		41D-1		41F-8		41A-15		42A-19
44542-38300	30-7	45513-45F10-YGE	40-5	51104-45F10	41-2	51148H45F00	41B-8	51178-45F40	41C-15	51611-20002	42-21
45100-45F00	39-1		40B-5	51104-45F11	41A-2		41D-8		41E-15		42A-22
45149-45F00	39-2		40C-5	51104-45F40	41C-2	51153-45F00	41-5		41F-15	51611-33002	42-19
45213-13601	39-4	45513-45F10-YHP	40C-5		41E-2		41A-5	51178H45F00	41B-15		42A-20
45220-45F00	39-6	45515-45F00	40-7	51104-45F50	41F-2	51153-45F40	41C-5		41D-15	51621-28000	42-23
45280-45F00	39-8		40A-7	51104H45F11	41B-2		41E-5	51181-45F00	41-16		42A-24
45511-45F00-YFZ	40-1		40B-7	51104H45F21	41D-2	51153H45F00	41F-5	51181H45F00	41A-16	51621-33001	42-2
	40A-1		40C-7	51110-45F10	41A-13		41B-5		41B-16		42A-2
	40B-1	45521-45F00	40-8	51110-45F11	41-13		41D-5		41D-16	51631-28000	42-25
45511-45F00-YGB	40C-1		40A-8	51110-45F40	41C-13	51156-45F00	41-6	51182-45F00	41-12		42A-26
	40-1		40B-8		41E-13	51156-45F40	41A-6		41A-12	51643-25001	42-24
	40A-1	46141-45F10	40C-8	51110H45F11	41F-13		41C-6	51182-45F40	41C-12		42A-25
	40B-1		29A-2		41B-13		41E-6		41E-12	51811-45F10	33-1
45511-45F00-YGE	40C-1	46142-45F10	29A-3		41D-13	51156H45F00	41F-6	51182H45F00	41F-12	51811-45F20	33-1
	40-1	46149-45F00	29-4	51117-45F40	41C-16		41B-6		41B-12	51825-45F10	33-4
	40A-1	46211-45F10-YGC	40-13		41E-16	51171-45F00	41D-6		41D-12	51827-45F10	33-3
	40B-1		40B-13	51130-45F00	41F-16		41-14	51189-45F40	41C-17	51851-45F10	33-5
	40C-1		40C-13		41-3		41A-14		41E-17	51859-45F10	33-6
45511-45F00-YHP	40C-1	46212-45F00	29A-5		41A-3	51171-45F40	41C-14		41F-17	51871-05301	42-13
45511-45F00-YNM	40A-1		40-14	51130-45F40	41C-3		41E-14	51192-45F40	41C-20	51871-05310	42A-14
45512-45F00-YFZ	40-3		40B-14		41E-3		41F-14		41E-20	51872-45F10	42-14
	40A-3		40C-14		41F-3	51171H45F00	41B-14		41F-20		42A-15
	40B-3	46310-45F01	29-1	51130H45F00	41B-3		41D-14	51195-45F00	41-9	53111-45F01-YFZ	34-1
	40C-3					51172-45F00	41-20		41A-9	53111-45F01-YGB	34-1
45512-45F00-YGB	40-3	46310-45F10	29A-1	51140-45F00	41D-3		41A-20	51195-45F40	41C-9	53111-45F01-YGE	34-1
	40-3	47111-45F00-YFZ	32-1		41-4	51172H45F00	41B-20		41E-9	53111-45F01-YHP	34-1
	40A-3	47111-45F00-YGB	32-1	51140-45F40	41A-4		41D-20		41F-9	53111-45F11-YFZ	34-1
	40B-3	47111-45F00-YGE	32-1		41C-4	51173-45F00	41-18	51195H45F00	41B-9	53111-45F11-YGB	34-1
	40C-3	47111-45F00-YHP	32-1		41E-4						
45512-45F00-YGE	40-3	47111-45F00-YNM	32-1	51140-45F50	41F-4	51173-45F40	41A-18		41D-9	53111-45F11-YGE	34-1
	40A-3	47211-45F00-YFZ	32-2	51140H45F00	41B-4		41C-18	51311-45F10	42-5	53111-45F11-YNM	34-1
	40B-3	47211-45F00-YGB	32-2	51140H45F50	41D-4		41E-18		42A-6	53112-45F01	34-2
	40C-3	47211-45F00-YGE	32-2	51146-45F00	41-10	51173H45F00	41F-18	51351-05300	42-7	53145-45F10	34-5
45512-45F00-YHP	40C-3	47211-45F00-YHP	32-2	51146-45F01	41A-10		41B-18		42A-8	53149-45F00	34-6
45512-45F00-YNM	40A-3	47211-45F00-YNM	32-2	51146-45F40	41C-10		41D-18	51351-45F00	41-17	54110-07003	43A-1
45513-45F00-YFZ	40A-5	47431-05300	26-13		41E-10	51176-45F10	41-19		41A-17	54111-45F10-YGD	43-1
	40B-5	47432-05300	26-14	51146H45F01	41F-10	51176-45F40	41C-19	51351H45F00	41B-17	54210-05310	43A-2
	40C-5	47440-05301	26-15		41B-10		41E-19		41D-17	54400-45810	43A-4
45513-45F00-YGB	40A-5				41D-10		41F-19	51356-05300	42-8		48-3
	40B-5			51147-45F00	41-7	51176H45F30	41B-19		42A-9		48A-3
	40C-5				41A-7		41D-19	51410-45F00	42-1		48B-3
45513-45F00-YGE	40A-5	50000		51147-45F40	41C-7	51176H45F40	41A-19		42A-1		48C-3
	40B-5				41E-7	51177-45F00	41-11	51455-45FA0	42A-5	54441-29305	48-5
	40C-5				41F-7		41A-11	51455-45F10	42-4		48A-5
45513-45F00-YNM	40A-5	51103-45F10	41-1	51147H45F00	41B-7		41C-11		42A-4	54441-45FA0	43A-6
45513-45F10-YFZ	40-5	51103-45F11	41A-1		41D-7		41E-11	51530-45F10	42-16		48-5
	40B-5	51103-45F40	41C-1	51148-45F00	41-8		41F-11		42A-17		48A-5
	40C-5		41E-1		41A-8	51177H45F00	41B-11	51540-45F10	42-17		48B-5
45513-45F10-YGB	40-5		41F-1	51148-45F40	41C-8		41D-11		42A-18		48C-5

PART NO.	FIG.NO.-REF.NO.	PART NO.	FIG.NO.-REF.NO.	PART NO.	FIG.NO.-REF.NO.
54451-46110	43A-9	57110-28G10	36-1	58621-45F00	21B-24
54600-36410	43-9		36A-1	58621-45F10	21-22
54611-07002	43A-12	57110-45F00	36-1		21A-24
54621-39202	43A-13	57110-46E01	36A-1		21B-24
54632-02201	43A-14	57211-22D01	36-8	58626-37400	35-14
54661-07000	43A-16		36A-13		35A-14
54711-05310	43-4	57211-45F00	36-8	59100-05810	44-3
	43A-22	57300-45F00	36A-2	59121-18410	44-14
54731-45F00	43-3	57341-45F00	36A-12	59211-05500	43-10
54740-41301	43A-23	57421-13001	36-2	59246-45F00	45-12
54741-45F00	43-5	57421-45F00	36A-3	59246-45F01	45A-12
54742-45F00	43-6	57431-45F00	36-11	59268-45F00	45-13
54892-45F00	43-7		36A-4		45A-13
55100-45F00	43-13		36A-16	59300-05500	44-1
55100-45F10	43A-25	57431-45F10	36-11	59300-05840	44-16
55156-66310	44-15	57441-45F00	36A-7	59300-05860	44-2
55200-26F00	43A-26		36A-19	59305-05700	44-8
55261-45F00	43A-27	57441-45F10	36-14	59306-05700	44-5
	48A-32	57442-45F00	36A-8	59307-05700	44-10
	48C-32		36A-20	59308-05700	44-6
55311-05300	43A-28	57442-45F10	36-15	59312-05700	44-7
	48A-33	57460-17C01	36-6	59313-05700	44-4
	48C-33	57460-45F00	36A-9	59313-13001	44-19
55320-45F00	43A-29	57465-17C00	36-7	59315-05700	44-13
55421-45F00	43A-5	57500-45FA0	36-9	59351-05700	44-11
	48-4		36A-14	59355-05700	44-9
	48A-4	57500-45F00	36A-14	59371-05700	44-17
	48B-4	57500-45F10	36-9	59480-45F20	45-11
	48C-4	57512-45F00	36A-10	59480-45F31	45A-11
56111-45F20	35-1		36A-21	59600-053B1	45A-1
56111-45F30	35A-1	57621-45FA0	36-10	59600-05380	45-1
	35A-1		36A-15	59600-45880	45-2
56111-45F51	35-1	57621-45F00	36A-15		45A-2
56111-45F80	35A-1	57621-45F10	36-10	59666-44300	45-3
56200-28840	35-2	57661-31000	36-16		45A-3
56200-45850	35A-2		36A-23	59667-053B0	45A-4
56211-45F10	42-9	58110-45F00	35A-20	59667-05380	45-4
	42A-10	58200-45F00	35-11	59669-053B0	45A-5
	42-10	58200-45F10	35A-11	59669-05380	45-5
56221-45F10	42A-11	58200-45F40	35-11	59671-053A1	45A-7
56272-12FH0	35-4	58200-45F60	35A-11	59671-36500	45-7
	35A-4	58300-45F10	35-19		
56272-44500	35-7	58300-45F20	35A-19		
	35A-7	58300-45F40	35-19		
56276-17D00	35-5	58300-45F60	35A-19		
56500-45F10	35A-5	58410-45F00	35-20		
	35-9	58410-45F10	35A-25		
	35A-9	58621-21210	21-22		
56600-45F10	35-10	58621-45F00	21-22		
	35A-10		21A-24		

60000

PART NO.	FIG.NO.-REF.NO.	PART NO.	FIG.NO.-REF.NO.	PART NO.	FIG.NO.-REF.NO.
61000-45F00-YGA	46-1	64511-45F00	48B-26	68160-45F00-YFZ	40B-2
61000-45F21-YGA	46A-1		48C-26		40C-2
61211-05302	46-9	64610-05301	48-19	68160-45F00-YGB	40-2
61211-45F10	46A-9		48A-11		40A-2
61251-05300	46-3		48B-19		40B-2
	46A-3		48C-11		40C-2
61261-05340	46A-2	64651-07001	48A-12	68160-45F00-YGE	40-2
61261-45F00	46-2		48C-12		40A-2
61262-05300	46A-6	64651-38300	48-20		40C-2
61262-45002	46-6		48B-20	68166-45F00-YFZ	40-6
61273-05300	46-10	64711-05320	48-11		40A-6
	45-13		48A-14		40B-6
61311-13001	47-1	64711-05330	48B-11	68166-45F00-YGB	40C-6
	47A-1		48C-14		40-6
61315-45F00	37-4	64711-48001	48-11		40A-6
	47-5		48A-14		40B-6
61316-45FA0	47A-5	64733-05301	48-21	68166-45F00-YGE	40C-6
	47A-4		48A-13		40-6
61410-36002	47A-4		48B-21		40A-6
	48-23		48C-13		40C-6
	48A-23	65100-45F00	48-30	68166-45F10-YNM	40A-6
	48B-23		48B-30	68170-45F00-YFZ	40-4
	48C-23	65100-45F30	48A-30		40A-4
62100-45F20	47-7		48C-30		40B-4
62100-45F30	47A-7	65200-45F00	48A-31		40C-4
62145-45F00	47-10		48C-31	68170-45F00-YGB	40-4
	47A-9	65320-45F00	48A-34		40A-4
63111-45F00	37-1	65320-45F01	48A-34		40B-4
63120-45F10	37-2		48C-34		40C-4
64110-07005	48A-1	68110-45F10-YFZ	30-2	68170-45F00-YGE	40-4
64110-12FH1	48A-1		30-2		40A-4
	48C-1	68110-45F10-YGB	30-2		40C-4
64150-45F10-YGD	48-1	68111-45F10-YGB	30-3	68211-38300	42-15
	48B-1	68111-45F10-YGE	30-3		38-1
64210-39104	48-2	68111-45F10-YNM	30-3	68319-45F10	38-1
	48A-2		32-3		
64210-39115	48C-2	68130-45F10-YFZ	32-3	68332-45F00	38-2
	48C-2	68130-45F10-YGB	32-3	68332-45F40	38-2
64210-45FA0	48-2	68130-45F10-YGE	32-3	68332-45F50	38-2
	48B-2	68131-45F10-YFZ	32-5	68391-45F30	29A-7
64310-05311-YGA	46-11	68131-45F10-YGB	32-5	69141-05700	44-12
64310-45FA0	46-11		32-5		
	46A-11	68131-45F10-YGE	32-5		
64451-13200	48-8	68131-45F20-YFZ	32-6		
	48A-8	68131-45F20-YGB	32-6		
64451-45FA0	48-8	68131-45F20-YGE	32-6		
	48A-8	68131-45F20-YNM	32-6		
	48A-8	68140-45F10-YFZ	32-4		
	48B-8	68140-45F10-YGB	32-4		
	48C-8	68140-45F10-YGE	32-4		
64511-45F00	48-26	68160-45F00-YFZ	40-2		
	48A-26		40A-2		
	48A-8				
	48B-8				
	48C-8				
	48-26				
	48A-26				

90000

PART NO.	FIG.NO.-REF.NO.	PART NO.	FIG.NO.-REF.NO.	PART NO.	FIG.NO.-REF.NO.	PART NO.	FIG.NO.-REF.NO.	PART NO.	FIG.NO.-REF.NO.	PART NO.	FIG.NO.-REF.NO.
00000		01550-06357	2-6	02112-34123	17A-6	04211-13189	5-7	08313-10067	13-20	08322-01103	39-5
		01550-06407	2-6	02112-3620B	25-9	04221-04069	16-24	08313-10107	47-12	08322-0114B	46A-7
		01550-06607	2-7		25A-12	06111-06003	42-22		47A-11	08322-01143	46-7
		01550-0812B	21-20	02112-7512A	25B-13		42A-23	08316-1005B	24-16	08331-3112A	16-41
			21A-22		13-7	06111-08003	28-17	08316-1006A	48B-10	08331-3115A	15-34
01264-08207	33-2		21B-22	02112-7512B	44-20		42-20		48C-10	08331-31156	15-31
01421-0616B	2-38	01550-0816B	25A-16	02112-7520B	16-44		42A-21	08316-1006B	20-12	08331-31186	43A-18
01421-0625A	3-4		25B-17	02122-0612A	15-10	07130-0616B	7-8		24-10	08332-1106B	13-4
01500-0610B	4-8	01550-08163	25-13		15-26	07130-0825B	12-8		26-19	08341-31039	18-6
	15-29	01550-0825B	29A-4		16-13	07130-0845B	42-11		37-5	08361-3506A	20-1D
01500-06167	47-2	01550-0830B	44-18		16-15		42A-12		43A-11		20-3
01500-0620B	47A-2	01550-0865B	26-6	02122-0616B	2-27	08123-60027	15-8	08316-10067	3-5	09100-08140	43-11
	14-23	01550-1030B	28-20	02122-0630B	39-7	08133-63017	43-2	08316-10068	31-11	09100-10501	27-7
	9-11		28A-15	02142-0412B	18-4		43A-21		48-10	09103-08010	4-11
	9A-13	01550-1050B	28-18	02142-0510B	20-16	08143-62027	48-16		48A-10	09103-08016	4-10
01500-06207	16-34		28A-13	02142-05127	11-10		48A-20	08316-1008B	9A-11	09103-08081	2-29
01500-0816B	25-15	01570-0612B	29-2	02142-0610B	14-24		48B-16	08316-1010B	18-5		26-3
01500-0820B	16A-10		45A-14	02142-0612B	5-4	08144-63027	48C-20		23-6	09104-08034	48-24
01500-08257	16A-17		47-3		13-22		48-15		23-14		48A-24
01547-05257	5-31		47A-3	02142-0616A	24-13		48A-19		28-19		48B-24
01547-05357	5-30	01570-06123	45-14	02152-04086	21-9		48B-15		28A-14		48C-24
01547-0616B	2-27	01570-0816B	34-3	02162-06257	8-12	08211-06141	16-18	08319-21057	36-12	09104-10010	28-3
01547-0620B	13-10	01570-1235B	42-3	03211-0416A	23-5	08211-14321	46A-5	08319-21063	36-4		28A-4
	36A-11		42A-3		23-11	08211-14341	46-5	08319-2114A	46A-8	09108-06128	13-18
	36A-22	01580-0616B	11-11	03211-04203	24-6			08319-21148	46-8	09108-06133	13-19
01547-0625B	45A-8	01580-0835B	40B-15	03512-04149	21-19	08211-15201	15-33	08319-3108A	2-30	09108-08062	3-2
01547-06253	45-8		40C-15	03541-0410B	25-5	08211-15251	15-13		4-12	09108-08089	3-3
01547-06307	5-8	01580-08353	40-15		25A-8	08211-17341	16A-5		26-4	09111-06032	8-3
	5-18	01580-0840B	42-6	03541-0412B	40B-12	08211-20352	14-6		26-7	09111-06054	16-17
	17-16		42A-7		40C-12	08211-20353	14-2	08319-3112A	43-8	09111-06075	36-3
01547-06357	17A-15	02112-03063	10B-47	03541-04123	40-12	08310-0005B	35-18		43A-24	09111-08012	46-12
01547-06407	5-19		10C-44		40A-12	08310-0006A	35A-18	08319-3114A	48B-13		46A-12
01547-06457	5-20		21A-5	03541-05103	21A-21		2-39		48C-16	09111-08013	46-13
01547-06507	5-9	02112-04083	21B-5		21B-21	08310-0006B	24-14	08319-31148	48-13		46A-13
	5-21		10-18	04111-16146	28-12		27-16		48A-16	09116-05020	14-11
01547-06557	4-3		10A-18	04111-2015A	28A-11		36A-5	08321-0106A	12-5	09116-06084	30-10
01547-06607	4-4		21A-8		35-13		36A-18	08321-0106B	36A-6	09116-06168	26-9
01547-06757	4-5	02112-04107	21B-8		35A-13	08310-00063	21A-19		36A-17		26-16
	4-6		10B-48		48B-37		21B-19	08322-0106A	12-6	09116-10121	27-13
01547-06857	4-6		10C-45		48C-40	08310-00067	16-35	08322-0106B	48B-33	09118-06067	37-3
01550-0616B	20-14	02112-04355	45-6	04111-20158	48-38		21-17		48B-38	09119-08043	48-27
	29-3		45A-6		48A-41	08310-0008B	48B-29		48C-36		48A-27
	29-5	02112-05143	28-16	04111-2020A	27-14		48C-29		48C-41		48B-27
	29A-6	02112-0516B	35-17		46A-16	08310-00083	48-29	08322-01063	21A-18		48C-27
01550-0635B	43A-10		35A-17	04111-20208	46-16		48A-29		21B-18	09127-06018	35-3
01550-06353	48B-9	02112-0520B	36-13	04111-25248	27-3	08310-00087	48-25		48-33	09127-06023	35A-3
	48C-9	02112-0525B	18-3	04211-09129	5-17		48A-25		48-39	09128-05101	2-23
	48-9	02112-0625A	13-5	04211-11169	2-9		48B-25		48A-36	09128-06004	20-1C
	48A-9	02112-1610B	35-15		3-7		48C-25		48A-42	09128-06006	20-8
01550-06357	2-5		35A-15	04211-13189	4-2	08310-0010B	23-6B	08322-0108A	25-16		31-3

PART NO.	FIG.NO.-REF.NO.	PART NO.	FIG.NO.-REF.NO.	PART NO.	FIG.NO.-REF.NO.
09128-06044	20-2	09160-19024	28A-12	09180-15011	48B-17
09132-03017	21A-10 21B-10	09161-10009	45-10 45A-10	09180-15042	48C-18 48-12
09134-06010	14-20	09162-08008	46-14		48A-15 48B-12
09137-05004	17-17		46A-14		
09139-06078	17A-16 12-3	09164-12025	8-10	09181-10195	48C-15 14-15
09139-06164	39-10	09166-16012	6-14	09181-15111	15-30
09140-06023	14-21	09167-20011	15-18	09181-20139	16A-13
09140-06025	16-37	09167-20012	15-39	09181-25251	16-6
		09168-06001	12-4		
09140-08008	46-15 46A-15	09168-06023	2-10 5-5	09181-28022	6-10 6-10
09140-10043	27-9		5-10	09181-28023	6-10
09140-16017	15-38		5-28	09181-28024	6-10
09140-16019	6-13		8-11	09181-28025	6-10
				09181-28026	6-10
09140-16034	14-4		13-23	09181-28027	6-10
09150-05101	35A-24	09168-06026	31-4	09181-28028	6-10
09150-06014	48-36 48A-39 48B-36	09168-08016	9-5 9A-5	09181-28029	6-10
		09168-08032	2-14	09181-28192	6-10
				09181-28193	6-10
09159-06024	48C-39 35-8 35A-8	09168-12002	2-15 5-23	09181-28194	6-10
09159-08049	2-12 2-13	09168-14002	5-14 13-12 16-26	09181-28197	6-10
				09181-28200	6-10
				09181-28202	6-10
				09181-28204	6-10
09160-05001	43A-15	09169-06010	37-4	09181-28207	6-10
09160-06088	24-7 24-12	09169-08012	48-28 48A-28	09181-28209	6-10
	35A-6A 35-6		48B-28 48C-28	09181-28210	6-10
09160-06126				09181-28211	6-10
				09200-06004	35-12
09160-06154	35A-6	09169-08019	43-12		35A-12
09160-10033	35A-6A 47-9	09169-08034	34-4	09200-06013	48-37
	47A-8 47-8	09169-16003	14-5		48A-40
09160-10093		09180-06038	26-10 26-17	09200-06033	28A-10
				09200-06040	28-11
09160-10124	47-11 47A-10	09180-06067	30-9	09206-08001	2-3
	28-4 28A-5	09180-06263	40-9 40A-9 40B-9	09206-13003	7-2
09160-10501	23-6A		40C-9	09209-05011	16-45
				09209-10001	35A-23
				09209-11002	48-35
09160-12011	23-13 16-40	09180-06285	24-8		48A-38
09160-14055	43A-8 48-7 48A-7	09180-12032	43A-19		48B-35
		09180-12068	16-28		48C-38
		09180-13006	7-3	09223-04001	16-21
		09180-15002	48-14	09241-22002	2-19
09160-15045	48B-7 48C-7		48A-17 48B-14	09247-12104	5-22
09160-16003	14-16		48C-17	09247-14013	16-25
09160-18002	16A-12 43A-17	09180-15011	48-17 48A-18	09247-14026	5-13
				09247-14043	13-11
				09248-14013	16-25

PART NO.	FIG.NO.-REF.NO.	PART NO.	FIG.NO.-REF.NO.	PART NO.	FIG.NO.-REF.NO.
09250-06011	42-12 42A-13	09285-12002	16-31	09407-12402	25A-5
09259-20007	5-11	09285-16003	16A-6		25B-6
09259-26016	5-24	09285-16004	16A-6		36-17
09261-02001	13-3	09285-28001	48-18 48A-21	09407-14403	36A-24 25-4
09261-05003	16-10				25A-7
09261-05013	16-10		48B-18 48C-21	09407-18402	25B-8
09261-10003	7-5	09285-48001	43A-3		25-4
09262-15031	15-23	09286-20001	46-4		25A-7
09262-20069	15-7	09287-07001	35A-21		25B-8
	15-24 48-22	09289-05002	2-24	09407-25401	25-4
	48A-22	09289-05011	8-20		25A-7
	48B-22	09320-03004	32-7	09409-06322	25B-8
	48C-22	09320-08018	32-8 47-6		40B-11 40C-11
09262-28035	6-7				
09262-35038	6-8	09320-08021	47A-6 26-11	09409-06322-5PK	40-11 40A-11
09263-15003	14-17		26-18	09421-04004	6-15
09263-15023	15-14	09320-08047	40-10	09440-03013	7-6
09263-15024	15-23		40A-10	09440-04003	16-11
09263-28027-0B0	6-2				
09280-06005	9A-9		40B-10 40C-10	09440-04024	16-46
09280-09005	8-9	09320-09009	24-9	09440-06003	35A-22
09280-13004	1-8 13-14	09320-10022	30-8	09440-09004	48-34 48A-37 48B-34
		09321-10001	27-5		
09280-14011	43A-7 48-6 48A-6	09329-10001	39-3		48C-37
	48B-6 48C-6	09329-10016	30-5	09440-11016	16-19
		09351-30503-600	10-35	09440-11018	9A-10
		09352-40703-600	48B-6 10B-43	09440-15014	14-10
				09440-18002	13-17
09280-17003	5-12	09355-30705-600	10B-44 10C-41	09440-32006	16A-3
09280-19005	15-37		45-9	09443-06012	25-11
09280-22008	5-25	09360-10039	45A-9 16A-14		25-14 25B-15 16-20
09280-24003	17-15 17A-14	09380-17001	15-6		27-11
09280-26005	16-43	09380-20009	15-16	09443-14015	27-8
09280-30001	1-9		2-2	09443-17007	27-4
	2-18	09381-10004	6-19	09443-18006	16-29
09280-32006	1-10 2-26	09381-14001	8-4	09444-26013	8-13
		09390-22002		09448-23002	
09280-54001	1-11 13-16	09401-06101	10C-40		
09280-60005	1-12 13-9	09401-08401	31-7	09448-45003	16A-4
	14-18	09401-13409	11-9	09471-12020	22-6
09282-10012		09401-14401	11-7	09471-12028	21-12
		09402-52208	11-3	09471-12045	23-4 23-10
09282-12009	6-9	09404-06429	18-7		
09283-20031	46A-4	09404-06431	25-3A	09471-12071	21A-12 21B-12
09283-27010	15-27		25A-6	09471-12077	21-11
09283-27017	15-27		25B-7		21A-13
09284-18001	43A-20	09407-12402	25-3		21A-14

5

PART NO.	FIG.NO.-REF.NO.	PART NO.	FIG.NO.-REF.NO.	PART NO.	FIG.NO.-REF.NO.
09471-12077	21B-13				
09471-12081	21B-14				
09471-12082	22-7				
	21A-15				
	21B-15				
09471-12128	24-5				
09481-15001	25-2				
	25A-2				
	25B-2				
09482-00456	2-16				
09482-00458	2-16				
09482-00459	2-16				
09482-00515	2-16				
09482-00516	2-16				
09482-00577	2-16				
09482-00578	2-16				
09491-22013	10-14				
	10A-14				
09491-92004	10B-45				
	10C-42				
09492-12007	10-31				
	10A-34				
09492-15005	10B-46				
	10C-43				
09493-25003	10-30				
	10A-33				
09494-00490	10B-15				
	10C-15				
09494-00907	10-11				
	10A-11				

PART NO.	FIG.NO.-REF.NO.	PART NO.	FIG.NO.-REF.NO.	PART NO.	FIG.NO.-REF.NO.

SUZUKI EN125-2A(HU/HUZ)K3/K4/K6/K7/K8 PARTS CATALOGUE

6th Edition

Published in Nov., 2007

© 2007 **SUZUKI MOTOR CORPORATION** All rights reserved.

No part of this document may be reproduced or transmitted in any form or by any means, electronic or mechanical, for any purpose, without the express written permission of Suzuki Motor Corporation.

SUZUKI MOTOR CORPORATION

Service & Parts Readiness Group, Field Service Department
300 Takatsuka, Minami, Hamamatsu, Japan

Reprint Prohibited (S)

1

INFORMATION
ILLUSTRATION INDEX

2

ENGINE
TRANSMISSION

3

ELECTRICAL

4

BODY

5

PARTS NUMBER INDEX

SUZUKI MOTOR CORPORATION



* 9 9 0 0 B - 2 0 0 8 6 - 0 3 0 *

9900B-20086-030

