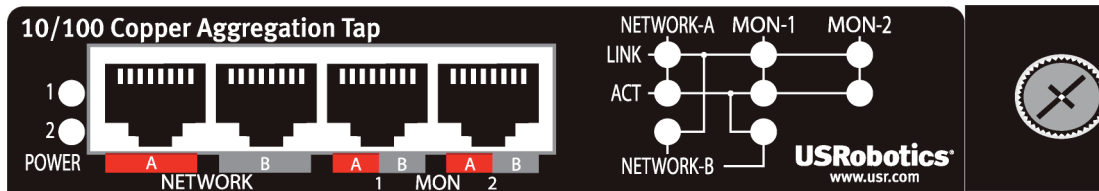


10/100 Copper Aggregation Tap Installation Guide



USR4505 10/100 Copper Aggregation Tap

Package Contents:

- USR4505 10/100 Copper Aggregation Tap
- 2 Power Supplies
- Information Card

Introduction — The 10/100 Copper Aggregation Tap combines two data streams so monitoring devices can receive a full-duplex stream of data with one Network Interface Card.

Specifications:

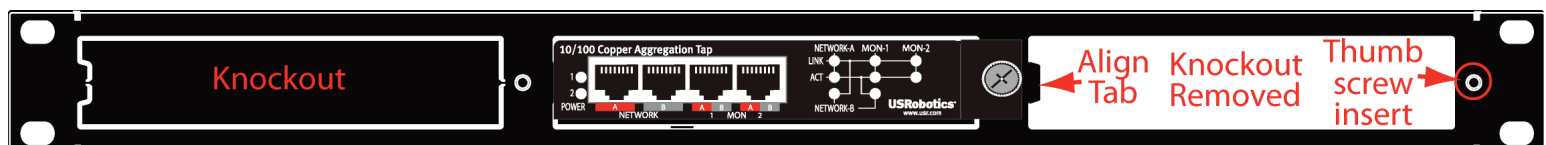
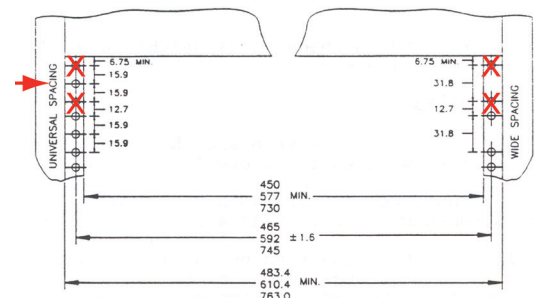
- Occupies 1U of rackspace
- Port Connectivity: RJ45
- Cable Type: CAT 5E
- Distance Limit: 90 meter maximum length between any network to network or network end-points to monitor end-points.
- Power Requirement: External power supply 5 VDC, 1 A
- Dimensions H x W x D: 1.10" x 5.75" x 5.75"; 28 mm x 146 mm x 146 mm
- Weight: Product - 0.75 pounds (0.34 kg) Package - 3.8 pounds (1.72 kg)
- Operating Temperature: 0° to 40° C (32° to 104° F)
- Storage Temperature: -30° to 65° C (-22° to 149° F)
- Humidity: Less than 95% non-condensing operating or non-operating

Equipment Rack Installation:

- Select a location and align the 10/100 Copper Aggregation Tap thumb screw with the corresponding universal flange middle hole.

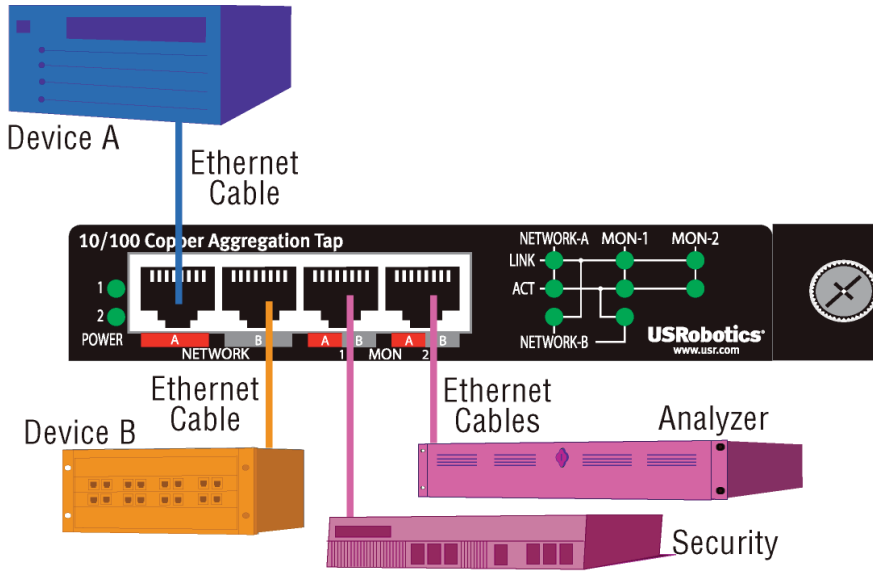
WARNING: Installing on a wide flange hole will result in the tap invading an adjoining standard 1U rackspace, unless a rackmount kit is used. The 19" 1U USR4500-RMK Rackmount Installation Kit is available for up to three units.

- Tighten the thumb screw until the tap is secure in the rack.

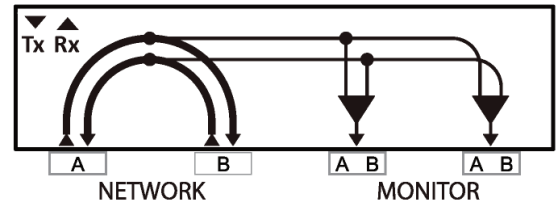


19" 1U USR4500-RMK Rackmount

Network Connection:



Simple Tap Connection Diagram



Tap Functional Diagram

IMPORTANT: Do not exceed 90 meter maximum length between any network to network end-points or network to monitor end-points.

- Connect both power supplies into the rear POWER ports*. Connect the first power supply to an external power source circuit. To assure uninterrupted monitoring connect the second power supply to a different external power source circuit. The POWER LEDs to the left of the RJ45 ports illuminate indicating power is on.
- * Only 1 power supply is required to power the tap but plugging the second power supply into a different power source is required for uninterrupted monitoring.
- Connect the Ethernet cable of device A to the **NETWORK A** RJ45 port.
- Connect the Ethernet cable of device B to the **NETWORK B** RJ45 port.

NOTE: If a crossover cable was required before for Rx/Tx link, then connect a crossover cable to the port indicated in the table.

Device-Device Connection	Crossover Cable Connection
PC-PC	NETWORK B port
Switch - Switch	NETWORK A port

NOTE: The NETWORK is bi-directional and link is indicated by simultaneous illuminated LINK LEDs. If LINK LEDs are NOT illuminated, the network connection is backwards. Reverse the NETWORK connections and link will be established. The ACT LEDs illuminate as data is passed.

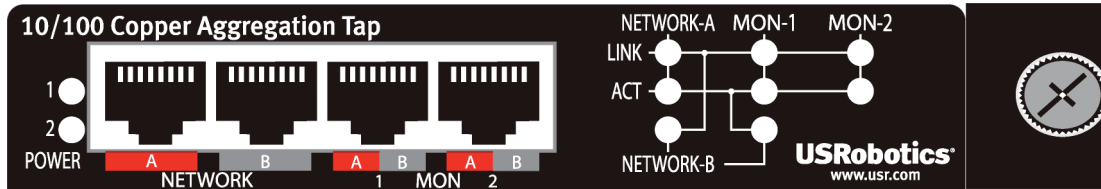
- Connect Ethernet cables from the Monitor devices to the **MON 1** and **MON 2** RJ45 ports.

Warranty and Support Information:

This product is subject to the U.S. Robotics Corporation Limited Warranty. To view a copy of the Limited Warranty, please see: www.usr.com/support/4505

For information on how to contact USRobotics Technical Support, please see the USRobotics corporate web site at: www.usr.com/support

10/100 Copper Aggregation Tap Installation Guide



Regulatory Information:



CE Compliance Declaration of Conformity

Hereby, USRobotics, declares that this tap, USRobotics 10/100/1000 Copper Tap, is in compliance with the essential requirements and other relevant provisions of EMC Directive 89/366/EEC and Low Voltage Directive 98/68/EEC. An electronic copy of the original CE Declaration of Conformity is available at the USRobotics website: www.usr.com



This product is subject to Directive 2012/19/EU of the European Parliament and the Council of the European Union on waste electrical and electronic equipment (WEEE) and, in jurisdictions adopting that Directive, is marked as being put on the market after August 13, 2005, and should not be disposed of as unsorted municipal waste. Please utilize your local WEEE collection facilities in the disposition of this product and otherwise observe all applicable requirements. For further information on the requirements regarding the disposition of this product and collection facilities that may be available to you, please visit: www.usr.com/weee



This product is subject to Directive 2011/65/EU of the European Parliament and the Council of the European Union on restriction of the use of certain hazardous substances in electrical and electronic equipment (RoHS) and, in jurisdictions adopting that Directive. For further information regarding this product, please visit: www.usr.com/rohs