

The image features a large, white, stylized 'S' shape on a dark blue grid background. Inside the 'S', the word 'SEALPROOF' is written in a bold, blue, sans-serif font with a registered trademark symbol. Surrounding the text are several white plastic components: a rectangular box with a lid, a circular cap, a rectangular panel with a circular opening, and a corrugated pipe. The components are arranged to showcase the variety of products offered by SEALPROOF.

**SEALPROOF®**

# Electrical Nonmetallic Conduit (ENT)



- Available 1/2" through 1-1/2"
- cULus file number E530821
- All sizes FT4 rated
- Compatible with any UL approved ENT fittings
- Standard color - Gray with blue stripe
- Durable, nonconducting rigid PVC construction
- Suitable for encasement in concrete, direct burial or in walls and ceiling (per NEC code)



Trade Size	Coil Part No.	Coil Length	Reel Part No.	Reel Dims.	Reel Length	PART # 10' Sticks	Sticks/Pallet
1/2"	ENT050	200'	ENT050R-1500	36" X 24"	1500'	ENT050-10	5000'/Pallet
3/4"	ENT075	100'	ENT075-1000	36" X 24"	1000'	ENT075-10	4000'/Pallet
1"	ENT100	100'	ENT100R-750	36" X 24"	750'	ENT100-10	3000'/Pallet
1-1/4"	N/A	N/A	ENT125R-1000	48" X 32"	1000'	N/A	N/A
1-1/2"			ENT150R-750	48" X 32"	750'		

# 1 GANG EXTRA DUTY PLASTIC IN-USE COVERS



- UL Extra Duty Listed
- Patented Multi-Configuration Design
- 1 Gang can be used Horizontally or Vertically
- Durable Polycarbonate Construction
- Lockable
- Easy to Install
- Includes Gasket and Mounting Hardware
- cULus Listed File No. E362580
- NEC Compliant



**18in1**

**Mounts  
Horizontally or  
Vertically**



Fits Full  
Size Padlock

**1GWIUXD**  
3-1/4" Deep



**1GWIUXDB**  
4" Deep  
Extra Deep Base  
For Siding



**1GWIUXDP**  
5-1/4" Deep  
Extra Deep Cover



GFCI Duplex Switch

6 Rounds:

1-1/4" 1-3/8" 1-9/16" 1-5/8" 1-11/16" 2-1/8"

Superflex Item No.	Description	Color	Pkg Qty
1GWIUXD	1-Gang Extra Duty In-Use Cover 18 in 1	Clear/Gray	10
1GWIUXDBZ	1-Gang Extra Duty In-Use Cover 18 in 1	Bronze	10
1GWIUXDGY	1-Gang Extra Duty In-Use Cover 18 in 1	Gray	10
1GWIUXDWH	1-Gang Extra Duty In-Use Cover 18 in 1	White	10
1GWIUXDB	Deep Base 1-Gang Extra Duty In-Use Cover For Siding 18 in 1	Clear/Gray	8
1GWIUXDP	Extra Deep 1-Gang Extra Duty In-Use Cover 18 in 1	Clear/Gray	6

## NATIONAL ELECTRICAL CODE 2014 EDITION

### 406.9 Receptacles in Damp or Wet Locations

#### (B) Wet Locations.

##### (1) Receptacles of 15 and 20 Amperes in a Wet Location.

15- and 20-ampere, 125- and 250-volt receptacles installed in a wet location shall have an enclosure that is weatherproof whether or not the attachment plug cap is inserted.

**An outlet box hood installed for this purpose shall be listed and shall be identified as "extra-duty."** All 15- and 20- ampere, 125- and 250-volt nonlocking-type receptacles shall be listed weather resistant type.

**All While In Use Covers installed in a Wet Location using a 15 or 20 amp receptacle must be marked "Extra-Duty"**

# 2 GANG EXTRA DUTY PLASTIC IN-USE COVERS



- UL Extra Duty Listed
- Patented 45 in 1 Multi-Configuration Design
- Durable Polycarbonate Construction
- Lockable
- Easy to Install
- Includes Gasket and Mounting Hardware
- cULus Listed File No. E362580
- NEC Compliant



**2GWIUXD**  
2-3/4" Deep

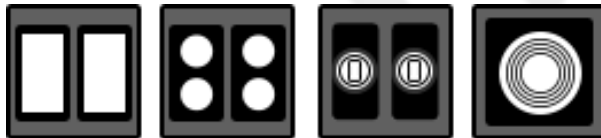
**45in1**



Fits Full  
Size Padlock



**2GWIUXDB**  
5-1/4" Deep  
Extra Deep Base



**Various Configurations of:**

GFCI Duplex Switch Rounds:  
1-1/4" 1-3/8" 1-9/16" 1-5/8" 1-11/16"  
2-1/8" 2-1/4" 2-7/16"

Superflex Item No.	Description	Color	Pkg Qty
2GWIUXD	2-Gang Extra Duty In-Use Cover 45 in 1	Clear/Gray	6
2GWIUXDB	Extra Deep Base 2-Gang Extra Duty In-Use Cover 45 in 1	Clear/Gray	4

# 1 GANG PLASTIC COVERS



- Patented Multi-Configuration Design
- 1 Gang can be used Horizontally or Vertically
- Durable Polycarbonate Construction
- Lockable
- Easy to Install
- Includes Gasket and Mounting Hardware
- cULus Listed File No. E362580
- NEC Compliant
- Not intended for use with cover closed



**18in1**

**Mounts  
Horizontally  
Vertically**



Fits Full  
Size Padlock

**1GWIUXDSL**  
1-3/4" Deep



**45in1**



Fits Full  
Size Padlock

**2GWIUXDSL**  
1-5/8" Deep

GFCI Duplex Switch  
6 Rounds:  
1-1/4" 1-3/8" 1-9/16" 1-5/8" 1-11/16" 2-1/8"

**Various Configurations of:**  
GFCI Duplex Switch Rounds:  
1-1/4" 1-3/8" 1-9/16" 1-5/8" 1-11/16"  
2-1/8" 2-1/4" 2-7/16"

Superflex Item No.	Description	Color	Pkg Qty
1GWIUXDSL	1-Gang Plastic Cover 18 in 1	Clear/Gray	16
2GWIUXDSL	2-Gang Plastic Cover 45 in 1	Clear/Gray	10

# EXTRA DUTY PLASTIC SLIM WHILE IN USE COVERS



- Can be used with GFCI or duplex outlets
- Lockable
- Easy to Install
- 15 Amp Rated
- Includes Gasket and Mounting Hardware
- cCSAus Listed File No. 174008
- NEC Compliant



1GXDLPV



1GXDLPH



Fits Full  
Size Padlock

Superflex Item No.	Description	Color	Pkg Qty
1GXDLPV	1 Gang Extra Duty Slim While In Use Cover Vertical	Gray	6
1GXDLPVWH	1 Gang Extra Duty Slim While In Use Cover Vertical	White	6
1GXDLPVBZ	1 Gang Extra Duty Slim While In Use Cover Vertical	Bronze	6
1GXDLPH	1 Gang Extra Duty Slim While In Use Cover Horizontal	Gray	5
1GXDLPHWH	1 Gang Extra Duty Slim While In Use Cover Horizontal	White	5
1GXDLPHBZ	1 Gang Extra Duty Slim While In Use Cover Horizontal	Bronze	5

# EXTRA DUTY METAL IN USE COVERS



7in1



32in1

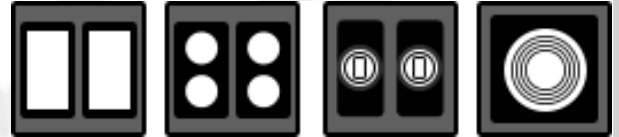


GFCI Duplex Switch  
5 Rounds:

1-3/8" 1-9/16"/1-5/8" 1-11/16" 2-1/8"



Fits Full  
Size Padlock



**Various Configurations of:**

GFCI Duplex Switch Rounds:

1-3/8" 1-9/16"/1-5/8" 1-11/16" 2-1/8" 2-5/8"

Superflex Item No.	Description	Color	Pkg Qty
1GWIUMV	1-Gang Vertical Extra Duty Metal In-Use Cover 7 in 1	Gray	10
1GWIUMH	1-Gang Horizontal Extra Duty Metal In-Use Cover 7 in 1	Gray	10
2GWIUM	2-Gang Extra Duty Metal In-Use Cover 32 in 1	Gray	10



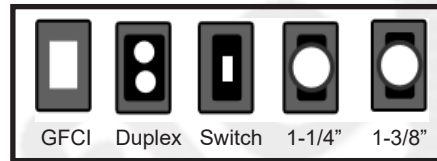
# METAL FLAT COVERS



- Patented Multi-Configuration Design
- Die Cast Metal Construction
- Includes Gasket and Mounting Hardware
- Powdercoat Finish
- Easy to Install
- Listed and NEC Compliant



## Multi-Configuration



Lockable



Superflex Item No.	Description	Color	Pkg Qty
1GCV	1-Gang Weatherproof Box Cover 10 in 1 Vertical	Gray	20
1GCVBZ	1-Gang Weatherproof Box Cover 10 in 1 Vertical	Bronze	20
1GCVWH	1-Gang Weatherproof Box Cover 10 in 1 Vertical	White	20
1GCVTL	1-Gang WP Box Cover For Rounds and Switch 7 in 1 Vertical	Gray	20
1GCH	1-Gang Weatherproof Box Cover 10 in 1 Horizontal	Gray	20
1GCHBZ	1-Gang Weatherproof Box Cover 10 in 1 Horizontal	Bronze	20
1GCHWH	1-Gang Weatherproof Box Cover 10 in 1 Horizontal	White	20
2GC	2-Gang Weatherproof Box Cover 25 in 1	Gray	6
2GCBZ	2-Gang Weatherproof Box Cover 25 in 1	Bronze	6
2GCWH	2-Gang Weatherproof Box Cover 25 in 1	White	6
2GCTL	2-Gang Weatherproof Box Cover for 2-1/8" Dia. 40-50A Receptacle	Gray	6

# METAL FLAT COVERS



3GC



1GCHD



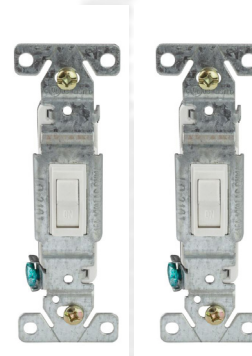
1GTC



1GTCK



2GTC



2GTCK

Superflex Item No.	Description	Color	Pkg Qty
3GC	3-Gang Weatherproof Box Cover 125 in 1	Gray	6
1GCHD	Horizontal Duplex Weatherproof Box Cover	Gray	20
1GCHDBZ	Horizontal Duplex Weatherproof Box Cover	Bronze	20
1GCHDWH	Horizontal Duplex Weatherproof Box Cover	White	20
Toggle Covers			
1GTC	1-Gang Weatherproof Toggle Cover	Gray	10
1GTCBZ	1-Gang Weatherproof Toggle Cover	Bronze	10
1GTCK	1-Gang Weatherproof Toggle Cover Kit With 15A Toggle Switch	Gray	6
2GTC	2-Gang Weatherproof Toggle Cover	Gray	5
2GTCK	2-Gang WP Toggle Cover With 15A Switches	Gray	4

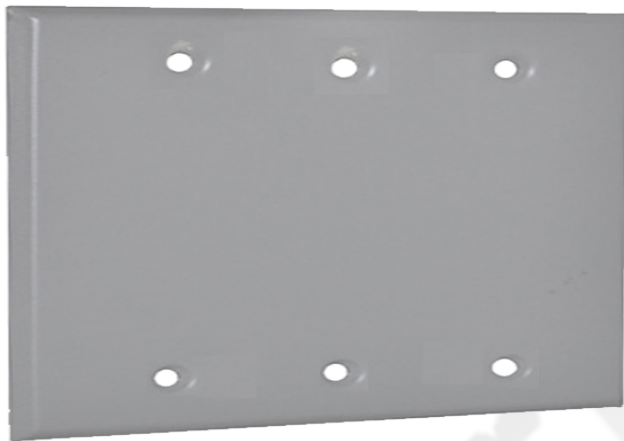
# BLANK COVERS



1GBC



2GBC



3GBC



RBC



Superflex Item No.	Description	Color	Pkg Qty
1GBC	1-Gang Blank Cover	Gray	20
1GBCBZ	1-Gang Blank Cover	Bronze	20
1GBCWH	1-Gang Blank Cover	White	20
2GBC	2-Gang Blank Cover	Gray	20
2GBCBZ	2-Gang Blank Cover	Bronze	20
2GBCWH	2-Gang Blank Cover	White	20
3GBC	3-Gang Blank Cover	Gray	5
RBC	Round Blank Cover	Gray	20
RBCBZ	Round Blank Cover	Bronze	20
RBCWH	Round Blank Cover	White	20

# 1 GANG RECTANGULAR OUTLET BOXES



1GB350



1GB375



1GB3100



1GB450



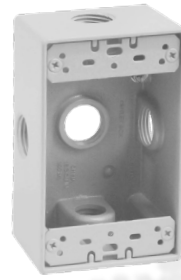
1GB475



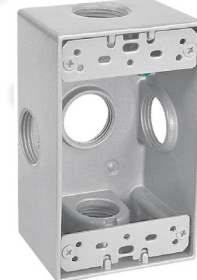
1GB550



1GB575



1GB550X



1GB575X

Superflex Item No.	Description	Color	Pkg Qty
<b>1-Gang Three Hole Outlet Boxes</b>			
1GB350	1-Gang Rectangular Box 3 1/2" Holes	Gray	16
1GB350BZ	1-Gang Rectangular Box 3 1/2" Holes	Bronze	16
1GB350WH	1-Gang Rectangular Box 3 1/2" Holes	White	16
1GB375	1-Gang Rectangular Box 3 3/4" Holes	Gray	16
1GB375BZ	1-Gang Rectangular Box 3 3/4" Holes	Bronze	16
1GB375WH	1-Gang Rectangular Box 3 3/4" Holes	White	16
1GB3100	1-Gang Rectangular Box 3 1" Holes	Gray	16
<b>1-Gang Four Hole Outlet Boxes</b>			
1GB450	1-Gang Rectangular Box 4 1/2" Holes	Gray	16
1GB450BZ	1-Gang Rectangular Box 4 1/2" Holes	Bronze	16
1GB475	1-Gang Rectangular Box 4 3/4" Holes	Gray	16
<b>1-Gang Five Hole Outlet Boxes</b>			
1GB550	1-Gang Rectangular Box 5 1/2" Holes	Gray	16
1GB575	1-Gang Rectangular Box 5 3/4" Holes	Gray	16
1GB550X	1-Gang Rectangular Box 5 1/2" Holes Side Lug	Gray	16
1GB575X	1-Gang Rectangular Box 5 3/4" Holes Side Lug	Gray	16

# 1 GANG RECTANGULAR DEEP OUTLET BOXES



1GDB350



1GDB375



1GDB3100



1GDB450



1GDB475

Superflex Item No.	Description	Color	Pkg Qty
<b>1-Gang Deep Three Hole Outlet Boxes</b>			
1GDB350	1-Gang Rectangular Deep Box 3 1/2" Holes	Gray	10
1GDB375	1-Gang Rectangular Deep Box 3 3/4" Holes	Gray	10
1GDB375WH	1-Gang Rectangular Deep Box 3 3/4" Holes	White	10
1GDB3100	1-Gang Rectangular Deep Box 3 1" Holes	Gray	10
<b>1-Gang Deep Four Hole Outlet Boxes</b>			
1GDB450	1-Gang Deep Box 4 1/2" Holes	Gray	10
1GDB475	1-Gang Deep Box 4 3/4" Holes	Gray	10

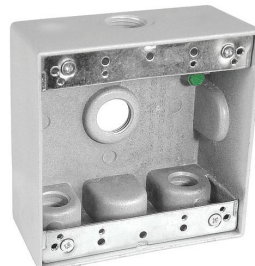
# 2 GANG RECTANGULAR OUTLET BOXES



2GB350



2GB375



2GB450



2GB475



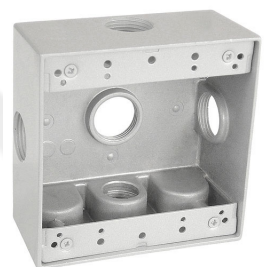
2GB550



2GB575



2GB550X



2GB575X

Superflex Item No.	Description	Color	Pkg Qty
<b>2-Gang Three Hole Outlet Boxes</b>			
2GB350	2-Gang Box 3 1/2" Holes	Gray	9
2GB350BZ	2-Gang Box 3 1/2" Holes	Bronze	9
2GB375	2-Gang Box 3 3/4" Holes	Gray	9
2GB3100	2-Gang Box 3 1" Holes	Gray	9
<b>2-Gang Four Hole Outlet Boxes</b>			
2GB450	2-Gang Box 4 1/2" Holes	Gray	9
2GB475	2-Gang Box 4 3/4" Holes	Gray	9
<b>2-Gang Five Hole Outlet Boxes</b>			
2GB550	2-Gang Box 5 1/2" Holes	Gray	9
2GB575	2-Gang Box 5 3/4" Holes	Gray	9
2GB550X	2-Gang Box 5 1/2" Holes Side Lug	Gray	9
2GB575X	2-Gang Box 5 3/4" Holes Side Lug	Gray	9
2GB5100X	2-Gang Box 5 1" Holes	Gray	9

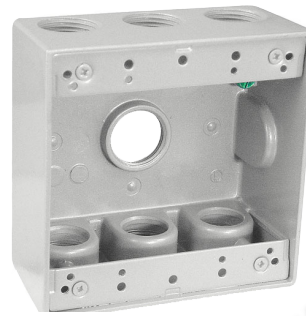
## 2 GANG RECTANGULAR OUTLET BOXES



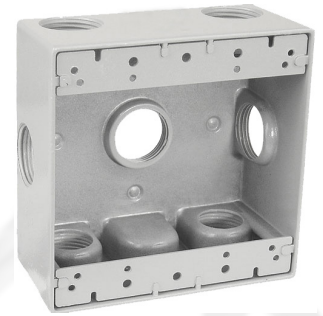
2GB750



2GB750X



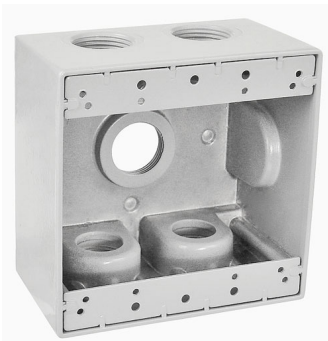
2GB775



2GB775X

Superflex Item No.	Description	Color	Pkg Qty
<b>2-Gang Seven Hole Outlet Boxes</b>			
2GB750	2-Gang Box 7 1/2" Holes	Gray	9
2GB750X	2-Gang Box 7 1/2" Holes Side Lug	Gray	9
2GB775	2-Gang Box 7 3/4" Holes	Gray	9
2GB775X	2-Gang Box 7 3/4" Holes Side Lug	Gray	9

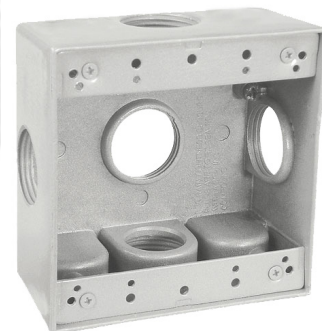
## 2 GANG DEEP RECTANGULAR OUTLET BOXES



2GDB575



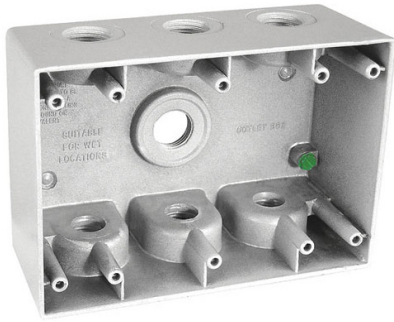
2GDB775X



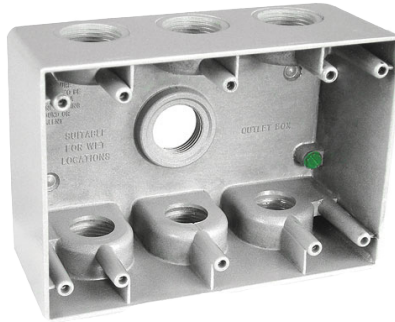
2GDB5100

<b>2-Gang Five Hole Deep Outlet Boxes</b>			
2GDB575	2-Gang Deep Box 5 3/4" Holes	Gray	6
2GDB775X	2-Gang Deep Box 7 3/4" Holes with Side Lugs	Gray	6
2GDB5100	2-Gang Deep Box 5 1" Holes with Side Lugs	Gray	6

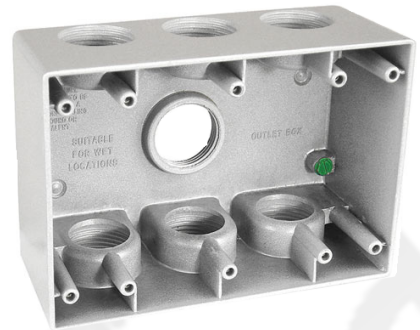
# 3 GANG RECTANGULAR OUTLET BOXES



3GB750



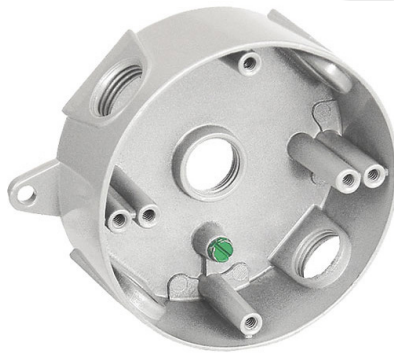
3GB775



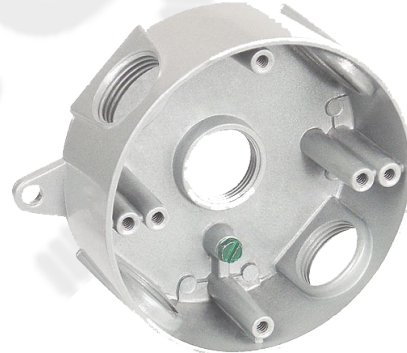
3GB7100

Superflex Item No.	Description	Color	Pkg Qty
<b>3-Gang Seven Hole Deep Outlet Boxes</b>			
3GB750	3-Gang Box 7 1/2" Holes	Gray	5
3GB775	3-Gang Box 7 3/4" Holes	Gray	5
3GB7100	3-Gang Box 7 1" Holes	Gray	5

# ROUND OUTLET BOXES



RB550



RB575

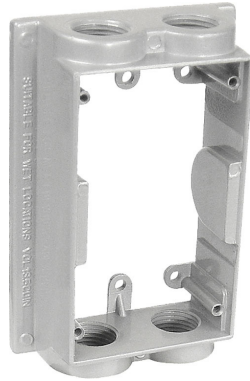
<b>Five Hole Round Outlet Boxes</b>			
RB550	Round Box 5 1/2" Holes	Gray	13
RB550BZ	Round Box 5 1/2" Holes	Bronze	13
RB550WH	Round Box 5 1/2" Holes	White	13
RB575	Round Box 5 3/4" Holes	Gray	13



# OUTLET BOX EXTENSIONS



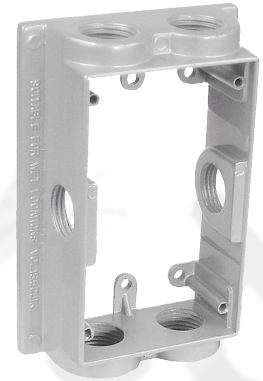
1GER



1GER450



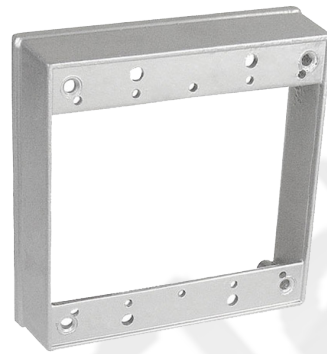
1GER475



1GER650



1GER675



2GER

Also available with 6 1/2" or 6 3/4" Hubs



RER450

Superflex Item No.	Description	Color	Pkg Qty
<b>1-Gang Extension Rings</b>			
1GER	Rectangular Extension Ring No Holes	Gray	8
1GER450	Rectangular Extension Ring 4 1/2" Holes	Gray	6
1GER475	Rectangular Extension Ring 4 3/4" Holes	Gray	6
1GER650	Rectangular Extension Ring 6 1/2" Holes	Gray	6
1GER675	Rectangular Extension Ring 6 3/4" Holes	Gray	6
<b>2-Gang Extension Ring</b>			
2GER	2-Gang Extension Ring	Gray	6
2GER650	2-Gang Extension Ring 6 1/2" Holes	Gray	6
2GER675	2-Gang Extension Ring 6 3/4" Holes	Gray	6
<b>Round Extension Ring</b>			
RER450	Round Extension Ring	Gray	8

# LAMPHOLDER COVERS



LHC1H



LHC3H



LHCR1H



LHCR3H

Superflex Item No.	Description	Color	Pkg Qty
<b>Rectangle One Hole Lampholder Cover</b>			
LHC1H	One 1/2" Hole Rectangular Cover	Gray	15
LHC1HBZ	One 1/2" Hole Rectangular Cover	Bronze	15
LHC1HWH	One 1/2" Hole Rectangular Cover	White	15
<b>Rectangle Three Hole Lampholder Cover</b>			
LHC3H	Three 1/2" Hole Rectangular Cover	Gray	15
LHC3HBZ	Three 1/2" Hole Rectangular Cover	Bronze	15
LHC3HWH	Three 1/2" Hole Rectangular Cover	White	15
<b>Round One Hole Lampholder Cover</b>			
LHCR1H	One 1/2" Hole Round Cover	Gray	15
LHCR1HBZ	One 1/2" Hole Round Cover	Bronze	15
LHCR1HWH	One 1/2" Hole Round Cover	White	15
<b>Round Three Hole Lampholder Cover</b>			
LHCR3H	Three 1/2" Hole Round Cover	Gray	15
LHCR3HBZ	Three 1/2" Hole Round Cover	Bronze	15
LHCR3HWH	Three 1/2" Hole Round Cover	White	15

# LAMP HOLDERS



LH100



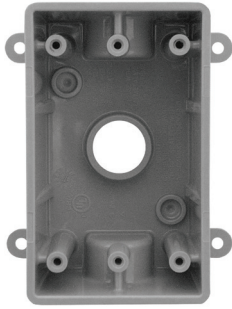
Superflex Item No.	Description	Color	Pkg Qty
<b>Lampholder</b>			
LH100	Standard Lampholder	Gray	20
LH100BZ	Standard Lampholder	Bronze	20
LH100WH	Standard Lampholder	White	20

# Closure Plugs

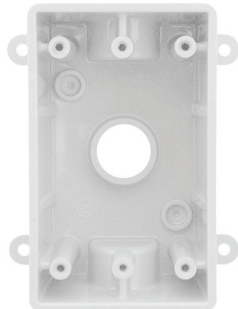


Superflex Item No.	Description	Color	Pkg Qty (Pcs)
CP50	1/2" Closure Plug 4/Bag	Gray	120
CP50BZ	1/2" Closure Plug 4/Bag	Bronze	120
CP75	3/4" Closure Plug 4/Bag	Gray	120
CP75BZ	3/4" Closure Plug 4/Bag	Bronze	120
CP100	1" Closure Plug 4/Bag	Gray	120

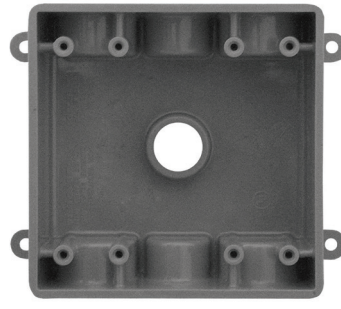
# Plastic Weatherproof



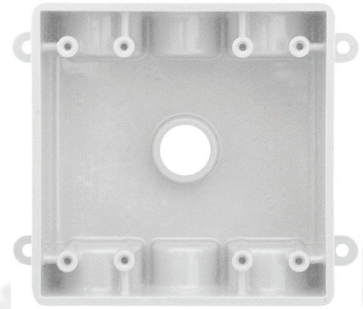
P1GB3HUB



P1GB3HUBWH



P2GB7HUB



P2GB7HUBWH



PRB5HUB



PRB5HUBWH



PCP50



PCP50WH

Superflex Item No.	Description	Color	Pkg Qty
<b>1-Gang Plastic Three Hole Outlet Boxes</b>			
P1GB3HUB	1G Plastic Box 3 3/4" Hubs, 1/2" Reducers	Gray	16
P1GB3HUBWH	1G Plastic Box 3 3/4" Hubs, 1/2" Reducers	White	16
<b>2-Gang Plastic 7 Hole Outlet Boxes</b>			
P2GB7HUB	2G Plastic Box 7 1/2" Hubs	Gray	9
P2GB7HUBWH	2G Plastic Box 7 1/2" Hubs	White	9
<b>Round Plastic Five Hole Outlet Boxes</b>			
PRB5HUB	Round Plastic Box 5 3/4" Hubs, 1/2" Reducers	Gray	13
PRB5HUBWH	Round Plastic Box 5 3/4" Hubs, 1/2" Reducers	White	13
<b>Plastic Closure Plugs</b>			
PCP50	1/2" Closure Plug Grey	Gray	100
PCP50WH	1/2" Closure Plug White	White	100

# Plastic Weatherproof



P1GBC



P1GBCWH



P2GBC



P2GBCWH



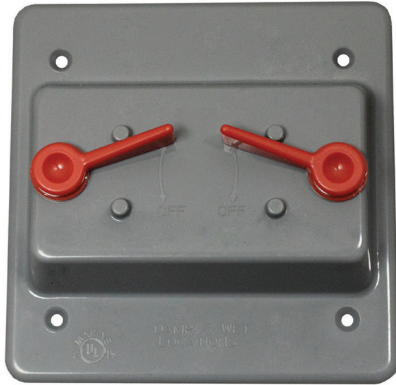
PRBC



PRBCWH

Superflex Item No.	Description	Color	Pkg Qty
<b>1-Gang Plastic Blank Covers</b>			
P1GBC	1G Plastic Blank Cover	Gray	20
P1GBCWH	1G Plastic Blank Cover	White	20
<b>Round Plastic Blank Covers</b>			
PRBC	Round Plastic Blank Cover	Gray	20
PRBCWH	Round Plastic Blank Cover	White	20
<b>2-Gang Plastic Blank Covers</b>			
P2GBC	2G Plastic Blank Cover	Gray	10
P2GBCWH	2G Plastic Blank Cover	White	10
<b>Plastic Closure Plugs</b>			
PCP50	1/2" Closure Plug Grey	Gray	100
PCP50WH	1/2" Closure Plug White	White	100

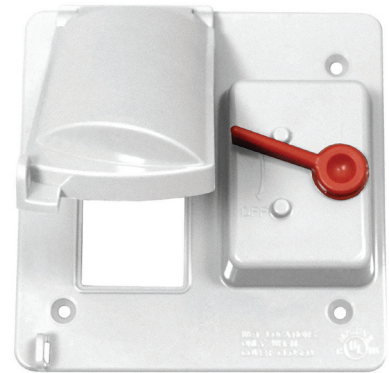
# Plastic Weatherproof



P2GTC



P2GCTG



P2GCTGWH

Superflex Item No.	Description	Color	Pkg Qty
<b>Plastic Universal Covers</b>			
P1GC	1G Plastic Universal Cover	Gray	10
P1GCWH	1G Plastic Universal Cover	White	10
P2GC	2G Plastic Universal Cover	Gray	8
P2GCWH	2G Plastic Universal Cover	White	8
<b>1-Gang Plastic Horizontal Lockable Duplex Covers</b>			
P1GCHD	1G Plastic Hor. Lockable Duplex Cover	Gray	20
P1GCHDWH	1G Plastic Hor. Lockable Duplex Cover	White	20
<b>Plastic Toggle Covers</b>			
P1GTC	1G Plastic Toggle Cover	Gray	12
P1GTCWH	1G Plastic Toggle Cover	White	12
P2GTC	2G Plastic Toggle Cover	Gray	8
P2GTCWH	2G Plastic Toggle Cover	White	8
<b>2 Gang Plastic Toggle Cover Combos</b>			
P2GCTG	2G Plastic GFCI/Toggle Combo	Gray	8
P2GCTGWH	2G Plastic GFCI/Toggle Combo	White	8
P2GCTD	2G Plastic Duplex/Toggle Combo	Gray	8
P2GCTDWH	2G Plastic Duplex/Toggle Combo	White	8



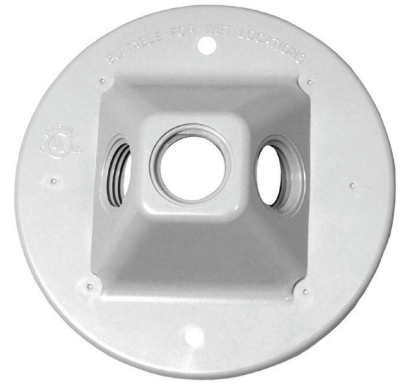
PLH



PLHWH



PLHCR



PLHCRWH

Superflex Item No.	Description	Color	Pkg Qty
<b>Plastic Lampholders</b>			
PLH	Plastic Lampholder	Gray	20
PLHWH	Plastic Lampholder	White	20
<b>Plastic Round Lampholder Covers</b>			
PLHCR	1/2" Plastic 3HL Round Lampholder Cover	Gray	15
PLHCRWH	1/2" Plastic 3HL Round Lampholder Cover	White	15
<b>Plastic Rectangular Lampholder Covers</b>			
PLHC	1/2" Plastic 3HL Rec. Lampholder Cover	Gray	15
PLHCWH	1/2" Plastic 3HL Rec. Lampholder Cover	White	15

# Electrical Nonmetallic Conduit (ENT)



- Available 1/2" through 1-1/2"
- cUL<sup>us</sup> file number E530821
- All sizes FT4 rated
- Compatible with any UL approved ENT fittings
- Standard color - Gray with blue stripe
- Durable, nonconducting rigid PVC construction
- Suitable for encasement in concrete, direct burial or in walls and ceiling (per NEC code)



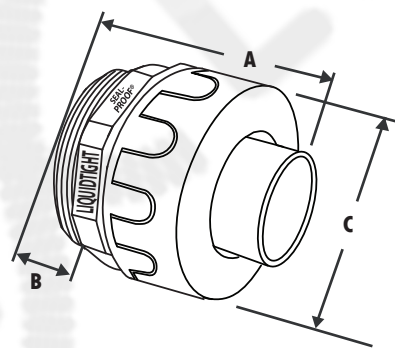
Trade Size	Coil Part No.	Coil Length	Reel Part No.	Reel Dims.	Reel Length	PART # 10' Sticks	Sticks/Pallet
1/2"	ENT050	200'	ENT050R-1500	36" X 24"	1500'	ENT050-10	5000'/Pallet
3/4"	ENT075	100'	ENT075-1000	36" X 24"	1000'	ENT075-10	4000'/Pallet
1"	ENT100	100'	ENT100R-750	36" X 24"	750'	ENT100-10	3000'/Pallet
1-1/4"	N/A	N/A	ENT125R-1000	48" X 32"	1000'	N/A	N/A
1-1/2"			ENT150R-750	48" X 32"	750'		



# Nonmetallic Liquid Tight Straight Conduit Connectors




- Available 3/8" through 2"
- All nylon construction resists salt water, weak acids, gasoline, alcohol, oil, grease, & common solents
- No disassembly required. Instead, the installer simply pushes the conduit or tubing onto the ferrule, tightening the domed sealing nut. The completed assembly can then be secured in the chassis by the locknut (or first secure the connector into an NPT threaded hole)
- No threading of the conduit or tubing required to install, eliminating the possibility of cutting the conduit & creating leak paths
- Standard color - Black or Gray

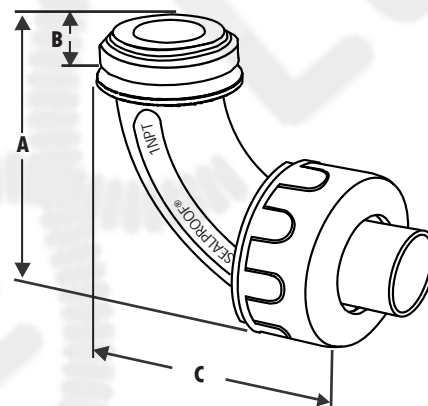


Part No.		Trade Size	K.O. Size	Std. Pkg.	Weight Per Pkg.	Part Dimensions (inches)		
Gray	Black					A	B	C
-	8398AB	1/4"	PG7	100	4	1.750	0.440	1.062
88401	88400	1/2"	1/2"	25/100	5	2.000	0.540	1.400
88403	88402	1/2"	1/2"	25/100	5	2.000	0.540	1.400
88405	88404	3/4"	3/4"	10/100	7	2.200	0.635	1.700
88407	88406	1"	1"	5/50	7	2.280	0.740	2.000
88409	88408	1-1/4"	1-1/4"	5/25	5	2.440	0.760	2.400
88411	88410	1-1/2"	1-1/2"	2/10	3	2.700	0.800	2.670
88413	88412	2"	2"	2/10	4	2.990	0.850	3.280

# Nonmetallic Liquid Tight 90° Conduit Connectors



- Complete conduit/connector system is reusable. Conduit will not wind tight onto the connector during assembly & can be easily removed by pulling while turning in a clockwise direction
- Suitable for indoor/outdoor use; for original equipment manufacturers or field installers
- Lower installed cost
- Molded of type nylon 6. Flammability classification 94V-2; temperature index 125° C
-  Listed File No. E197675

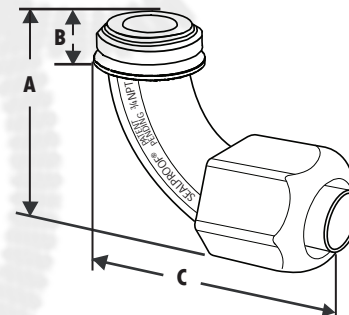
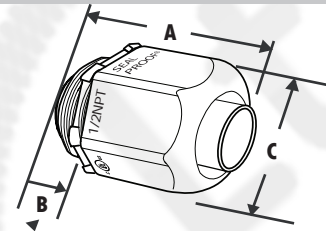
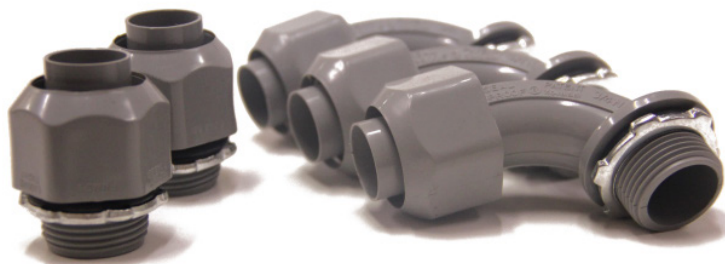


Part No.		Trade Size	K.O. Size	Std. Pkg.	Weight Per Pkg.	Part Dimensions (inches)		
Gray	Black					A	B	C
88416	88415	3/8"	1/2"	10/100	5	2.120	0.500	3.120
88418	88417	1/2"	1/2"	10/100	5	2.120	0.500	3.120
88420	88419	3/4"	3/4"	10/100	10	2.500	0.520	3.600
88422	88421	1"	1"	5/50	8	3.125	0.700	4.125
88424	88423	1-1/4"	1-1/4"	5/25	7	4.450	0.760	5.200
88426	88425	1-1/2"	1-1/2"	2/10	4	4.750	0.800	5.200
88428	88427	2"	2"	2/10	5	5.420	0.860	5.800

# Nonmetallic Liquid Tight Screw-On Conduit Connectors



- Available in 1/2" & 3/4" trade size
- UL & CUL listed
- PVC construction produced from UV rated material for long outdoor life
- Attractive one-piece design
- No disassembly required; simply screw the connector onto the conduit
- Time & cost saving benefits over other brands
- Design allows superior liquid-tight seal & optimum pull strength without compression nut
- U.S. Patent 7.048.561

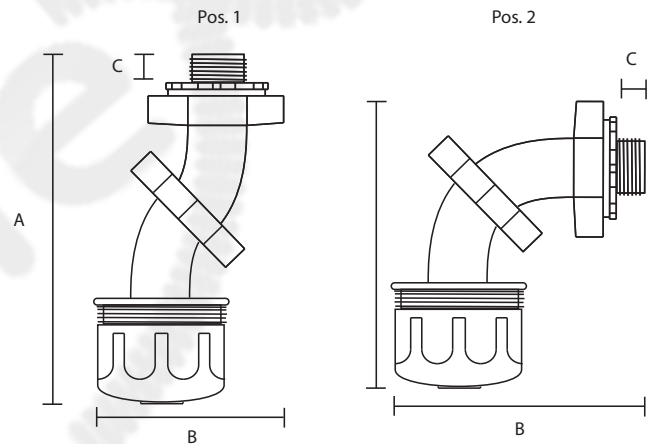


Part No.	Description	Trade Size	K.O. Size	Std. Pkg.	Weight Per Pkg.	Part Dimensions (inches)		
						A	B	C
88503	Straight Screw On	1/2"	1/2"	25/100	5	1.750	0.500	1.250
88505	Straight Screw On	3/4"	3/4"	25/100	7	1.800	0.625	1.500
88518	90° Sweep Screw On	1/2"	1/2"	10/100	7	1.875	0.500	3.125
88520	90° Sweep Screw On	3/4"	3/4"	10/100	9	2.375	0.625	3.500

# Nonmetallic LT Multi-Angle Conduit Connectors



- Listed under the Underwriter's Laboratories fil E197675
- Available in 1/2 inch and 3/4 inch sizes
- All nylon construction resists salt water, weak acids, gasoline, alcohol, oil, grease, and common solvents
- No disassembly required. Instead, the installer simply pushes the conduit or tubing onto the ferrule, tightening the domed sealing nut. The completed assembly can then be secured in the chassis by the locknut (or first secure the connector into an NPT threaded hole)
- Standard color - Black or Gray
- Eliminate inventory, as the swivel design can be substituted for a Straight or 90° connector
- Molded of type nylon 6. Flammability classification 94V-2: temperature index 125°C
- Suitable for indoor/outdoor use
- "O" Ring and steel locknut included
- U.S. Patent 7.658.418

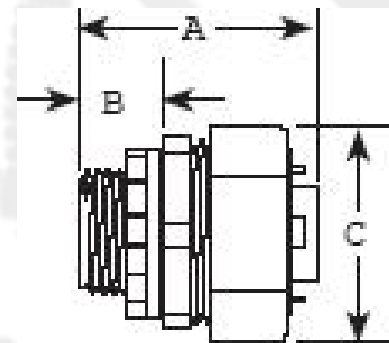


Part No.	Color	Trade Size	K.O. Size	Std. Pkg.	Weight Per Pkg.	Part Dimensions (inches)					
						1A	1B	1C	2A	2B	2C
88618	Gray	1/2"	1/2"	100	7	3.350"	2.15"	0.500"	3.025"	2.395"	0.500"
88620	Gray	3/4"	3/4"	100	7	4.30"	2.65"	0.520"	3.850"	3.350"	0.520"
88617	Black	1/2"	1/2"	100	7	3.350"	2.15"	0.500"	3.025"	2.395"	0.500"
88619	Black	3/4"	3/4"	100	7	4.30"	2.65"	0.520"	3.850"	3.350"	0.520"

# Nonmetallic Liquid Tight Straight Conduit Connectors

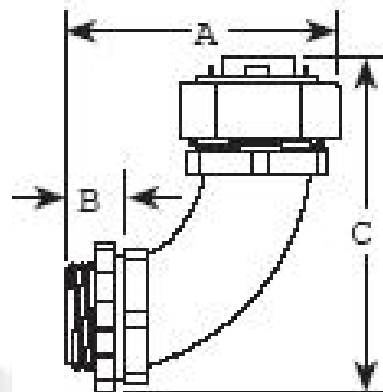


- Available 3/8" through 4"
- For use with both Metallic Liquid Tight Conduit and Nonmetallic Liquid Tight Type B
- Zinc die cast construction resists salt water, weak acids, gasoline, alcohol, oil, grease, & common solvents
- Resistant to outdoor weather conditions
- No disassembly required. Instead, the installer simply twists the conduit or tubing onto the ferrule, tightening the domed sealing nut.
- Suitable for indoor/outdoor use; for original equipment manufacturers or field installers
- "O" Ring & zinc locknut included



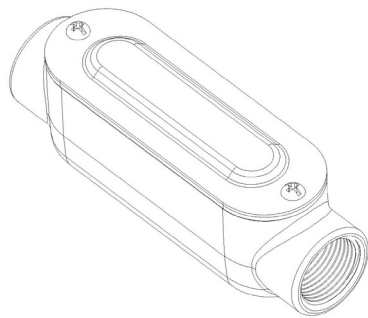
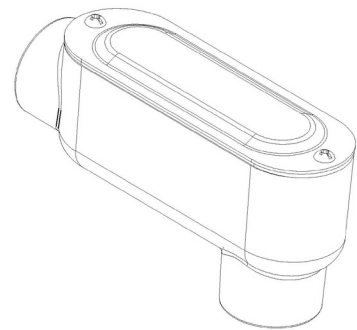
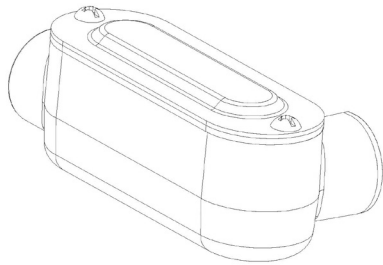
Part No.	Trade Size	K.O. Size	Std. Pkg.	Weight Per Pkg.	Part Dimensions (inches)		
					A	B	C
88701	3/8"	1/2"	100	18	1.58"	1.18"	0.53"
88703	1/2"	1/2"	100	18	1.58"	1.18"	0.53"
88705	3/4"	3/4"	100	23	1.69"	1.57"	0.58"
88707	1"	1"	25	10	2.06"	1.81"	0.58"
88709	1-1/4"	1-1/4"	25	15	2.06"	2.18"	0.61"
88711	1-1/2"	1-1/2"	10	7.5	2.09"	2.51"	0.63"
88713	2"	2"	10	12	2.15"	3.03"	0.63"
88729	2-1/2"	2-1/2"	5	7.5	3.54"	3.68"	1.02"
88731	3"	3"	1	2	4.04"	4.38"	1.07"
88735	4"	4"	1	4	4.99"	5.54"	1.15"

# Nonmetallic Liquid Tight 90° Conduit Connectors



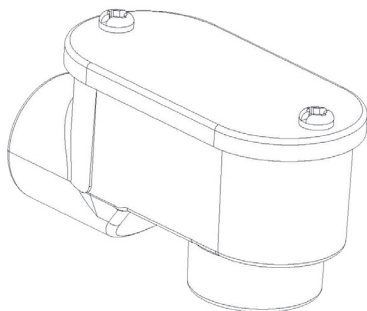
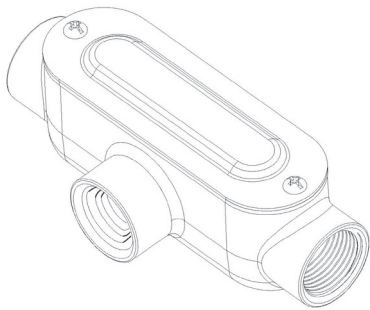
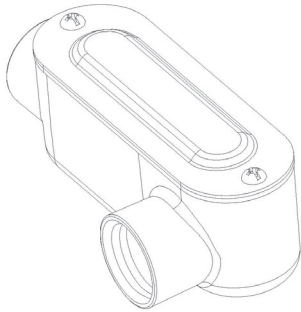
Part No.	Trade Size	K.O. Size	Std. Pkg.	Weight Per Pkg.	Part Dimensions (inches)		
					A	B	C
88716	3/8"	1/2"	100	27	2.11"	2.53"	0.53"
88718	1/2"	1/2"	100	28	2.24"	2.46"	0.53"
88720	3/4"	3/4"	100	38	2.47"	2.79"	0.55"
88722	1"	1"	25	16	3.46"	3.86"	0.58"
88724	1-1/4"	1-1/4"	25	25	3.37"	3.99"	0.67"
88726	1-1/2"	1-1/2"	10	13	4.28"	5.04"	0.61"
88728	2"	2"	10	19	4.21"	5.06"	0.71"
88730	2-1/2"	2-1/2"	1	4	5.75"	7.00"	1.03"
88732	3"	3"	1	5	6.00"	7.25"	0.99"
88736	4"	4"	1	7	8.75"	10.00"	1.17"

# Conduit Bodies



Item No.	Trade Size	Color	Inner Pkg Qty	Outer Pkg Qty
<b>LR Series Threaded Conduit Bodies with Steel Cover &amp; Gasket</b>				
LR050	1/2"	Gray	10	100
LR075	3/4"	Gray	10	50
LR100	1"	Gray	5	25
LR125	1-1/4"	Gray	2	10
LR150	1-1/2"	Gray	2	10
LR200	2"	Gray	N/A	5
LR250	2-1/2"	Gray	N/A	1
LR300	3"	Gray	N/A	1
LR350	3-1/2"	Gray	N/A	1
LR400	4"	Gray	N/A	1
<b>LB Series Threaded Conduit Bodies with Steel Cover &amp; Gasket</b>				
LB050	1/2"	Gray	10	100
LB075	3/4"	Gray	10	50
LB100	1"	Gray	5	25
LB125	1-1/4"	Gray	2	10
LB150	1-1/2"	Gray	2	10
LB200	2"	Gray	N/A	5
LB250	2-1/2"	Gray	N/A	1
LB300	3"	Gray	N/A	1
LB350	3-1/2"	Gray	N/A	1
LB400	4"	Gray	N/A	1
<b>LC Series Threaded Conduit Bodies with Steel Cover &amp; Gasket</b>				
LC050	1/2"	Gray	10	100
LC075	3/4"	Gray	10	50
LC100	1"	Gray	5	25
LC125	1-1/4"	Gray	2	10
LC150	1-1/2"	Gray	2	10
LC200	2"	Gray	N/A	5
LC250	2-1/2"	Gray	N/A	1
LC300	3"	Gray	N/A	1
LC350	3-1/2"	Gray	N/A	1
LC400	4"	Gray	N/A	1

# Conduit Bodies



Item No.	Trade Size	Color	Inner Pkg Qty	Outer Pkg Qty
<b>LL Series Threaded Conduit Bodies with Steel Cover &amp; Gasket</b>				
LL050	1/2"	Gray	10	100
LL075	3/4"	Gray	10	50
LL100	1"	Gray	5	25
LL125	1-1/4"	Gray	2	10
LL150	1-1/2"	Gray	2	10
LL200	2"	Gray	N/A	5
LL250	2-1/2"	Gray	N/A	1
LL300	3"	Gray	N/A	1
LL350	3-1/2"	Gray	N/A	1
LL400	4"	Gray	N/A	1
<b>LT Series Threaded Conduit Bodies with Steel Cover &amp; Gasket</b>				
LT050	1/2"	Gray	10	100
LT075	3/4"	Gray	10	50
LT100	1"	Gray	5	25
LT125	1-1/4"	Gray	2	10
LT150	1-1/2"	Gray	2	10
LT200	2"	Gray	N/A	5
LT250	2-1/2"	Gray	N/A	1
LT300	3"	Gray	N/A	1
LT350	3-1/2"	Gray	N/A	1
LT400	4"	Gray	N/A	1
<b>SLB Series Threaded Conduit Bodies with Steel Cover &amp; Gasket</b>				
SLB050	1/2"	Gray	N/A	10
SLB075	3/4"	Gray	N/A	5
SLB100	1"	Gray	N/A	3
SLB125	1-1/4"	Gray	N/A	2
SLB150	1-1/2"	Gray	N/A	2
SLB200	2"	Gray	N/A	2



Item No.	Inner Pack Qty	Outer Pack Qty	Weight/Ctn (lbs)	Weight/Pc (lbs)	UPC
LR050	10	100	30.4	0.3	65874635781
LR075	10	50	20.8	0.4	65874635782
LR100	5	25	14.7	0.5	65874635783
LR125	2	10	13.3	1.2	65874635784
LR150	2	10	13.2	1.2	65874635785
LR200	N/A	5	12.0	2.2	65874635786
LR250	N/A	1	4.5	3.4	65874635787
LR300	N/A	1	4.7	3.6	65874635788
LR350	N/A	1	8.6	7.5	65874635789
LR400	N/A	1	8.2	7.1	65874635790
LB050	10	100	28.9	0.3	65874635791
LB075	10	50	20.5	0.4	65874635792
LB100	5	25	14.4	0.5	65874635793
LB125	2	10	13.7	1.3	65874635794
LB150	2	10	13.5	1.2	65874635795
LB200	N/A	5	9.6	1.7	65874635796
LB250	N/A	1	4.4	3.3	65874635797
LB300	N/A	1	4.7	3.6	65874635798
LB350	N/A	1	8.8	7.7	65874635799
LB400	N/A	1	8.0	6.9	65874635800
LC050	10	100	27.4	0.3	65874635801
LC075	10	50	19.5	0.4	65874635802
LC100	5	25	11.8	0.4	65874635803
LC125	2	10	12.0	1.1	65874635804
LC150	2	10	11.9	1.1	65874635805
LC200	N/A	5	10.4	1.9	65874635806
LC250	N/A	1	4.3	3.2	65874635807
LC300	N/A	1	4.4	3.3	65874635808
LC350	N/A	1	8.5	7.4	65874635809
LC400	N/A	1	8.0	6.9	65874635810
LL050	10	100	30.1	0.3	65874635811
LL075	10	50	17.6	0.3	65874635812
LL100	5	25	14.7	0.5	65874635813
LL125	2	10	13.1	1.2	65874635814
LL150	2	10	12.2	1.1	65874635815
LL200	N/A	5	11.8	2.1	65874635816
LL250	N/A	1	4.5	3.4	65874635817
LL300	N/A	1	4.8	3.7	65874635818
LL350	N/A	1	8.7	7.6	65874635819
LL400	N/A	1	8.2	7.1	65874635820

Item No.	Inner Pack Qty	Outer Pack Qty	Weight/Ctn (lbs)	Weight/Pc (lbs)	UPC
LT050	10	100	31.3	0.3	65874635821
LT075	10	50	21.5	0.4	65874635822
LT100	5	25	15.7	0.6	65874635823
LT125	2	10	13.0	1.2	65874635824
LT150	2	10	13.2	1.2	65874635825
LT200	N/A	5	11.6	2.1	65874635826
LT250	N/A	1	4.7	3.6	65874635827
LT300	N/A	1	5.1	4.0	65874635828
LT350	N/A	1	9.4	8.3	65874635829
LT400	N/A	1	8.8	7.7	65874635830
SLB050	N/A	10	1.9	0.1	65874635831
SLB075	N/A	5	1.3	0.2	65874635832
SLB100	N/A	3	1.5	0.4	65874635833
SLB125	N/A	2	1.7	0.7	65874635834
SLB150	N/A	2	2.1	0.8	65874635835
SLB200	N/A	2	2.8	1.2	65874635836

Item No.	Inner Pack Qty	Outer Pack Qty	Weight/Ctn (lbs)	Weight/Pc (lbs)	UPC
1GB3100	/	16	9.9	0.5	658746110820
1GB350	/	16	7.8	0.4	658746110837
1GB350BZ	/	16	7.8	0.4	658746110844
1GB350WH	/	16	7.8	0.4	658746112114
1GB375	/	16	8.1	0.4	658746110868
1GB375BZ	/	16	8.1	0.4	658746112688
1GB375WH	/	16	8.1	0.4	658746112695
1GB450	/	16	8.2	0.4	658746110875
1GB450BZ	/	16	8.2	0.4	658746112701
1GB475	/	16	8.4	0.5	658746110882
1GB550	/	16	8.7	0.5	658746110899
1GB550X	/	16	8.4	0.5	658746110905
1GB575	/	16	8.9	0.5	658746110912
1GB575X	/	16	8.6	0.5	658746112312
1GBC	/	20	3.3	0.1	658746110011
1GBCBZ	/	20	3.4	0.1	658746110028
1GBCWH	/	20	3.4	0.1	658746110035
1GCH	/	20	9.3	0.4	658746110684
1GCHBZ	/	20	9.3	0.4	658746110691
1GCHWH	/	20	9.3	0.4	658746110677
1GCHD	/	20	3.8	0.2	658746111193
1GCHDBZ	/	20	3.8	0.2	658746111209
1GCHDWH	/	20	3.8	0.2	658746111216
1GCV	/	20	9.3	0.4	658746110653
1GCVBZ	/	20	9.3	0.4	658746110660
1GCVWH	/	20	9.3	0.4	658746110646
1GDB350	/	10	6.6	0.6	658746110929
1GDB375	/	10	7.5	0.6	658746110936
1GDB3100	/	10	8.6	0.8	658746231143
1GDB375WH	/	10	7.3	0.7	658746110974
1GDB450	/	10	7.6	0.7	658746112862
1GDB475	/	10	6.4	0.5	658746112879
1GER	/	8	1.8	0.2	658746111827
1GER450	/	6	3.7	0.4	658746110943
1GER475	/	6	3.5	0.4	658746112305
1GER650	/	6	3.6	0.5	658746110950
1GER675	/	6	3.4	0.5	658746110967
1GTC	/	10	2.2	0.2	658746112077
1GTCBZ	/	10	2.2	0.2	658746114187
1GTCK	/	6	2.2	0.3	658746114194
1GWIUMH	/	10	11.1	1.1	658746042473

Item No.	Inner Pack Qty	Outer Pack Qty	Weight/Ctn (lbs)	Weight/Pc (lbs)	UPC
1GWIUMV	/	10	11.1	1.1	658746042480
1GWIUXD	/	10	5.5	0.5	658746042459
1GWIUXDBZ	/	10	5.5	0.5	658746042664
1GWIUXDGY	/	10	5.5	0.5	658746042756
1GWIUXDP	/	6	3.6	0.6	658746042503
1GWIUXDSL	/	16	10.8	0.6	658746042510
1GWIUXDWH	/	10	5.5	0.5	658746042657
2GB350	/	9	6.5	0.7	658746110110
2GB350BZ	/	9	6.5	0.7	658746114200
2GB375	/	9	6.9	0.7	658746110127
2GB3100	/	9	9.3	0.9	658746231150
2GB450	/	9	6.9	0.7	658746112244
2GB475	/	9	7.0	0.7	658746112251
2GB5100X	/	9	8.6	0.9	658746231167
2GB550	/	9	7.0	0.7	658746110141
2GB550X	/	9	7.7	0.8	658746112275
2GB575	/	9	7.7	0.7	658746110158
2GB575X	/	9	8.1	0.8	658746112282
2GB750	/	9	5.5	0.8	658746110165
2GB750X	/	9	7.6	0.7	658746112299
2GB775	/	9	8.6	0.9	658746110172
2GB775X	/	9	8.2	0.8	658746110189
2GBC	/	20	5.6	0.3	658746110042
2GBCBZ	/	20	5.8	0.3	658746110240
2GBCWH	/	20	5.8	0.3	658746110349
2GC	/	6	9.7	0.8	658746110714
2GCBZ	/	6	9.7	0.8	658746110721
2GCWH	/	6	9.7	0.8	658746110738
2GCTL	/	6	4.0	0.6	658746114224
2GDB5100	/	6	6.6	1.0	658746231181
2GDB575	/	6	6.3	0.9	658746100333
2GDB775X	/	6	7.3	1.1	658746231174
2GER	/	6	2.1	0.2	658746112091
2GER650	/	6	4.9	0.6	658746111087
2GER675	/	6	4.9	0.6	658746111094
2GTC	/	5	1.9	0.3	658746112084
2GTCK	/	4	1.9	0.6	658746114231
2GWIUM	/	10	17.2	2.8	658746042497
2GWIUXD	/	6	5.3	0.8	658746042466
3GB7100	/	5	7.9	1.5	658746112626
3GB750	/	5	7.5	1.2	658746112640

Item No.	Inner Pack Qty	Outer Pack Qty	Weight/Ctn (lbs)	Weight/Pc (lbs)	UPC
3GB775	/	5	7.4	1.3	658746112633
3GBC	/	5	7.7	1.4	658746112602
3GC	/	6	3.3	0.4	658746112619
RBC	/	20	3.6	0.1	658746110059
CP100	/	120	2.3	0.0	658746112237
CP50	/	120	1.1	0.0	658746110073
CP50BZ	/	120	1.1	0.0	658746114248
CP75	/	120	1.4	0.0	658746110103
CP75BZ	/	120	1.4	0.0	658746114255
LH100	/	20	6.3	0.3	658746110301
LH100BZ	/	20	6.3	0.3	658746110318
LH100WH	/	20	6.3	0.3	658746112138
LHC1H	/	15	2.5	0.1	658746111438
LHC1HBZ	/	15	2.6	0.1	658746111445
LHC1HWH	/	15	2.6	0.1	658746110448
LHC3H	/	15	2.8	0.2	658746110455
LHC3HBZ	/	15	2.7	0.2	658746110462
LHC3HWH	/	15	2.8	0.2	658746112176
LHCR1H	/	15	2.8	0.2	658746111490
LHCR1HBZ	/	15	2.8	0.2	658746111506
LHCR1HWH	/	15	2.8	0.2	658746111537
LHCR3H	/	15	2.8	0.1	658746110516
LHCR3HBZ	/	15	2.8	0.1	658746110523
LHCR3HWH	/	15	2.8	0.1	658746112183
RB550	/	13	5.8	0.4	658746110776
RB550BZ	/	13	5.8	0.4	658746110783
RB550WH	/	13	5.8	0.4	658746112206
RB575	/	13	7.1	0.5	658746110806
RER450	/	8	3.8	0.4	658746110813
1GXDLPV	/	6	3.1	0.4	658746235493
1GXDLPVWH	/	6	3.1	0.4	658746235509
1GXDLPVBZ	/	6	3.1	0.4	658746235516
1GXDLPH	/	5	2.7	0.4	658746235554
1GXDLPHWH	/	5	2.7	0.4	658746235561
1GXDLPHBZ	/	5	2.7	0.4	658746235578
P1GB3HUB	/	16	6.6	0.37	658746082721
P1GB3HUBWH	/	16	6.4	0.36	658746082738
P1GBC	/	20	2.1	0.09	658746082745
P1GBCWH	/	20	2.1	0.09	658746082752
P1GCHD	/	20	2.8	0.11	658746082769

Item No.	Inner Pack Qty	Outer Pack Qty	Weight/Ctn (lbs)	Weight/Pc (lbs)	UPC
P1GCHDWH	/	20	2.8	0.11	658746082776
P1GC	/	10	1.9	0.17	658746082783
P1GCWH	/	10	1.9	0.17	658746082790
P1GTC	/	12	2.6	0.17	658746082806
P1GTCWH	/	12	2.6	0.17	658746082813
P2GB7HUB	/	9	5.2	0.48	658746082820
P2GB7HUBWH	/	9	5.2	0.48	658746082837
P2GBC	/	10	1.9	0.17	658746082844
P2GBCWH	/	10	1.9	0.17	658746082851
P2GCTD	/	8	3.0	0.31	658746082868
P2GCTDWH	/	8	3.0	0.31	658746082875
P2GCTG	/	8	3.0	0.31	658746082882
P2GCTGWH	/	8	3.0	0.31	658746082899
P2GC	/	8	2.2	0.22	658746082905
P2GCWH	/	8	2.2	0.22	658746082912
P2GTC	/	8	2.5	0.25	658746082929
P2GTCWH	/	8	2.5	0.25	658746082936
PCP50	/	100	0.3	0.00	658746082943
PCP50WH	/	100	0.3	0.00	658746082950
PLH	/	20	4.6	0.21	658746082967
PLHWH	/	20	4.6	0.21	658746082974
PLHC	/	15	1.9	0.09	658746082981
PLHCWH	/	15	1.9	0.09	658746082998
PLHCR	/	15	2.1	0.11	658746083001
PLHCRWH	/	15	2.1	0.11	658746083018
PRB5HUB	/	13	5.7	0.40	658746083025
PRB5HUBWH	/	13	5.7	0.40	658746083032
PRBC	/	20	2.3	0.10	658746083049
PRBCWH	/	20	2.3	0.10	658746083056



Superflex Ltd., a New Jersey based company engaged in the manufacturing of flexible spiral reinforced hoses & electrical conduit.

Since its foundation in 1981, Superflex has expanded to become a leading force in the electrical and hose industries. Our products have multiple applications used by, but not limited to the electrical, marine craft, aquatic, pond, spa, agricultural, recreational vehicle, & industrial sectors.

We take great pride & care in every aspect of our company. This is reflected in our rigorous quality control measures, our expanded research & development of new applications, & our ever increasing markets & distribution. Superflex produces its Rollerflex™ Spiral reinforced hoses & SEALPROOF® Electrical Conduit & Tubing in its state of the art manufacturing facilities located in Elizabeth, NJ.

The quality of Superflex goods is world renowned. This is reflected in many of Superflex's products approved or recognized by Underwriter Laboratories, Canadian Standard Association, International Association of Plumbing & Mechanical Officials, U.S.D.A. for meat & poultry industries, 3A for the dairy industry, & FDA compliance for the food & beverage industry.

The SEALPROOF® Weatherproof product line maintains the same high quality standards that Superflex Ltd. has upheld since 1981. We have continued to innovate beyond the fields of electrical conduit and spiral reinforced hoses to introduce our new Weatherproof products.

**EMAIL ORDERS TO: [orders@superflex.com](mailto:orders@superflex.com)  
OR FAX TO : 718-768-5065**



400 S Second St.  
Elizabeth NJ 07206

Tel: (800) 394-3665

Fax: (718) 768-5065

[www.superflex.com](http://www.superflex.com)  
[sales@superflex.com](mailto:sales@superflex.com)