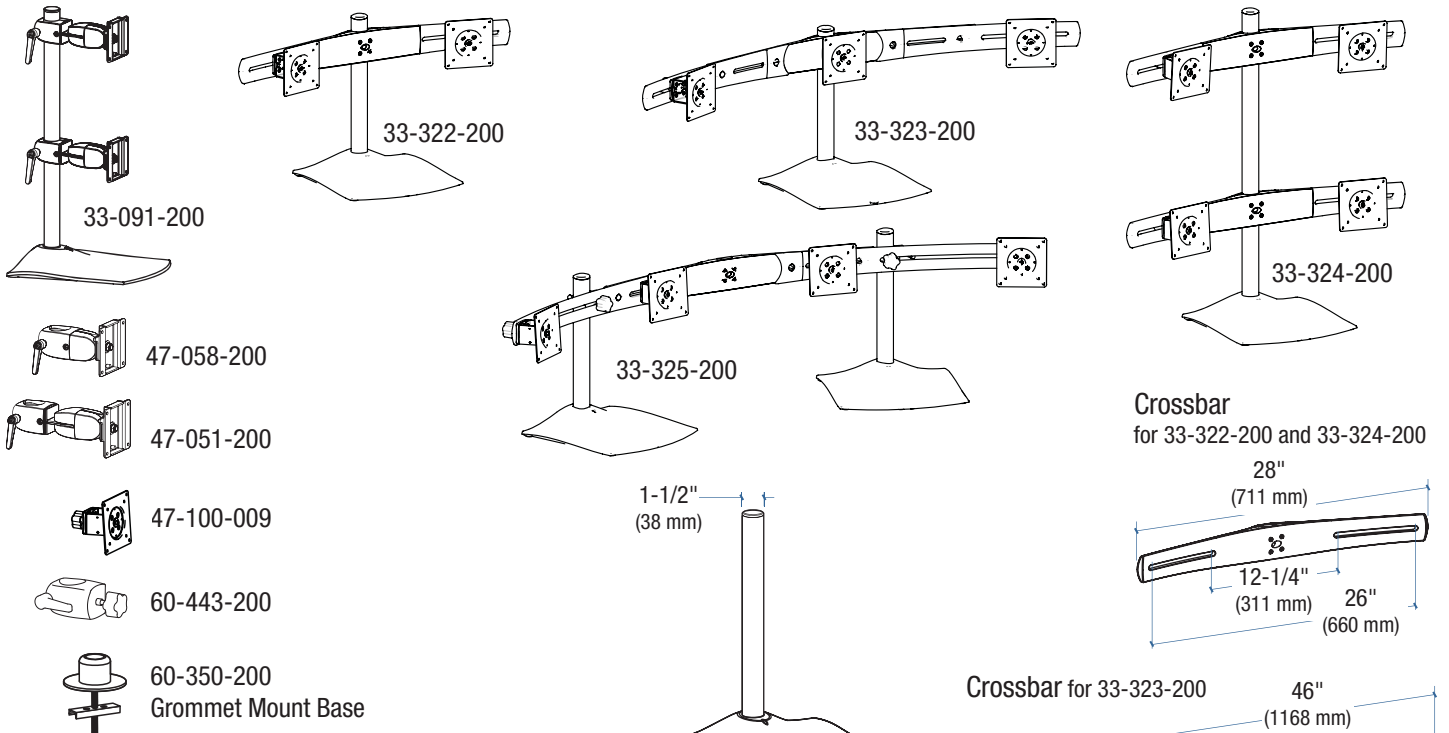


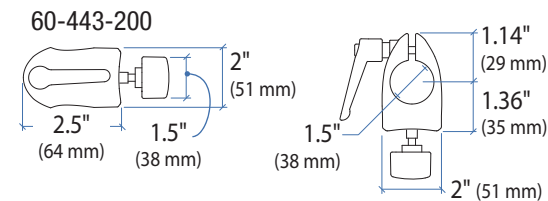
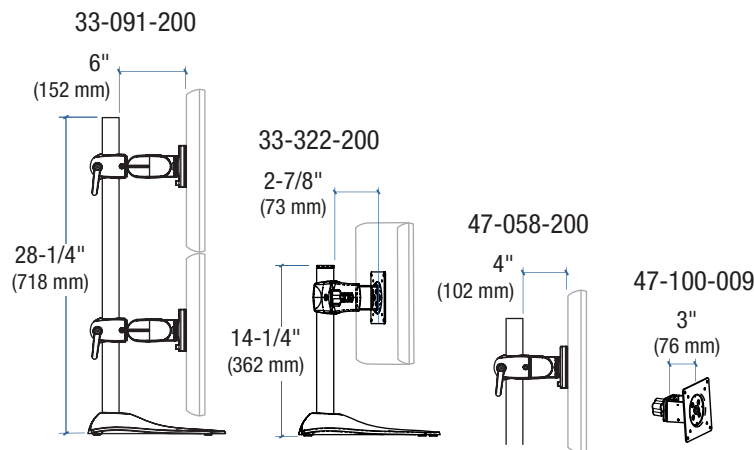
# Ergotron® DS100 Series

## Dimensional Illustrations

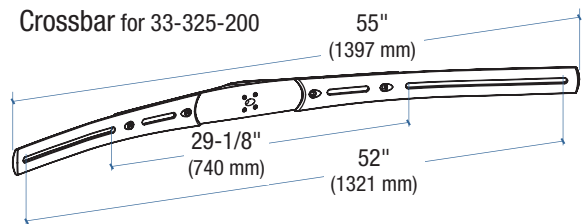
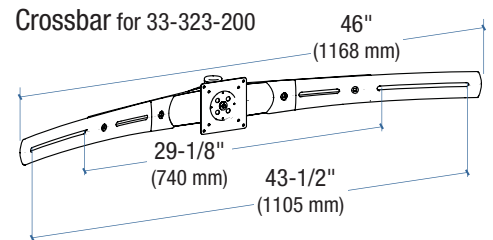
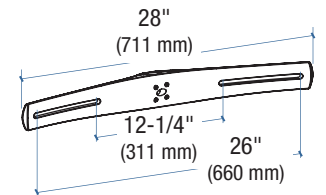
### Dual, Triple, and Quad Desk Stands



Attaches to openings in worksurface from 3/8–3" in diameter (10 to 76 mm) and up to 3-1/4" (83 mm) thick.



**Crossbar**  
for 33-322-200 and 33-324-200



**Attention:** Listed allowable widths assume monitor thickness is 4" (102 mm). If monitor thickness is less, allowable width may be more. Contact Ergotron for details.

#### Available Monitor Widths Using Crossbars

Number of Monitors (Horizontal Crossbar)	Allowable Monitor Width*
Dual-Monitor (28" Crossbar)	23-1/4" (590 mm)
Triple-Monitor (46" Crossbar)	20" (508 mm)
Triple-Monitor (55" Crossbar)	24.5" (622 mm)
Quad-Monitor (55" Crossbar)	16" (406 mm)

© 2010 Ergotron, Inc. rev. 05/20/2010 DIM-030 Content is subject to change without notification

#### Americas Sales and Corporate Headquarters

St. Paul, MN USA  
(800) 888-8458  
+1-651-681-7600  
www.ergotron.com  
sales@ergotron.com

#### EMEA Sales

Amersfoort, The Netherlands  
+31 33 45 45 600  
www.ergotron.com  
info.eu@ergotron.com

#### APAC Sale

Tokyo, Japan  
www.ergotron.com  
apaccustomerservice@ergotron.com

#### Worldwide OEM Sales

www.ergotron.com  
info.oem@ergotron.com

