

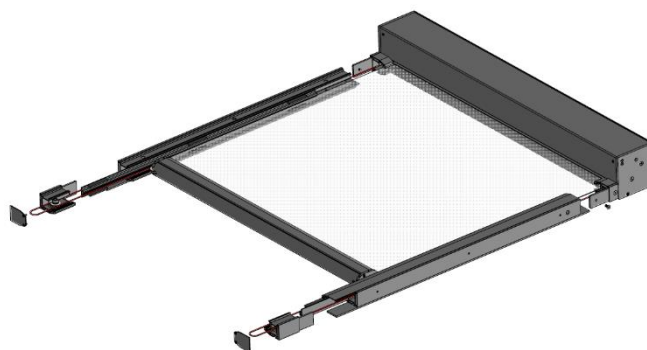
System information

Rectangular zip systems with tensioning system for glass surfaces as for example on; atriums, terraces, conservatories, verandas and roof- or skylights.

The systems are designed for internal applications but with some restrictions* these can also be used exterior. Further the systems can be installed under each angle or bottom-up, which gives this system a wide range of applications. With the use of the zipper and the side channels you will close the light gap between the guide and the fabric and it holds the fabric perfectly in position (also during strong winds).

*limitations in case of exterior installation;

- Exterior fabric needs to be applied
 - The cassette needs to be at the highest side, or;
 - The cassette is installed in such way that water cannot intrude the cassette, or;
 - The situation/installation allows the water to flow out freely, or;
 - The systems are not being used during precipitation (hem-bar must be in retracted position).
- We do not give warranty in case the motor has any water damages.



SZ-MSW Systems can also be produced in a curved shaped form for rounded shaped windows or (roof) structures, for more information of this we refer to our SZ-MSW Curved infosheets.

Unique selling points (USP's):

- ✓ **Internal and external*** use possible!
- ✓ Completely retractable fabric, with **no visible cords or cables** when retracted
- ✓ **Single cassette**; no opposite cassette such as with an FTS or conston tension box system
- ✓ **Large sizes** possible without any interference (cables or rollers etc.)
- ✓ **Solid cassette**, concealing all the hardware (tube, spring system, etc.)
- ✓ Hardware coated in any matching (RAL) colour to the to have **minimal obstruction**, powder coating is performed with materials made to measure so we ensure a high quality product with coated edges.
- ✓ Very good solar, heat, glare control and darkening properties with the **high quality fabrics** from the GJ collection.
- ✓ **High-quality** thoroughly tested product:
 - Life cycles: Class 3 (tested till 10.000 cycles)
 - Wind resistant: Class 6 (in deployed condition, limitations applicable - see also CE declaration)

Applications:

- Shading or darkening (opaque)
- UV Protection
- Light, heat & energy control
- Glare control (*important to see digital devices – such as; TV, computer and mobile phone*)
- Acoustic / Isolation
- Insect (Fly) screen (only in combination with ZIP and end-profile with brushes)
- Privacy

Dimensions:

Cassette:	125	125 Big	Notes:
Minimum width:	650 mm	650 mm	Depending the motor type Smaller possible on request
Maximum width:	3000 mm	4200 mm	Wider only on request
Maximum height/draw:	5000 mm	5000 mm	Limitations can be applicable Higher on request

System information

Installation:

- ✓ Top-down or bottom-up
- ✓ Angled or horizontal

System details:

Cassette:	125 mm	Square
	➤ Larger possible with our SZ-MSW 1000 Series (separate infosheet available)	
Hem-bar:	70*45 mm	MSW
	113*48 mm	MSW Big
Side channels:	63*45 mm	
Inserts:	PVC in black, white or grey	
Installation:	Direct (face or recess), with bracket, profile or distance feet	
Finish:	RAL colour	most colours available in matt and semi-gloss
	RAL structured	various colours available
	Anodized	
Fixings:	All fixings used in the systems are made of stainless steel	
Operation:	Electric 230v	other on request
Motor supplier options:	Somfy or equivalent	
	SMI (various suppliers possible)	



Fabric options:

Other fabrics (such as interior, insect or printed fabric options) are possible on request, this is the standard collection for GJ – Project SZ Series. For official values, deviations and testing standards please see the brochures fabric manufacturer(s).

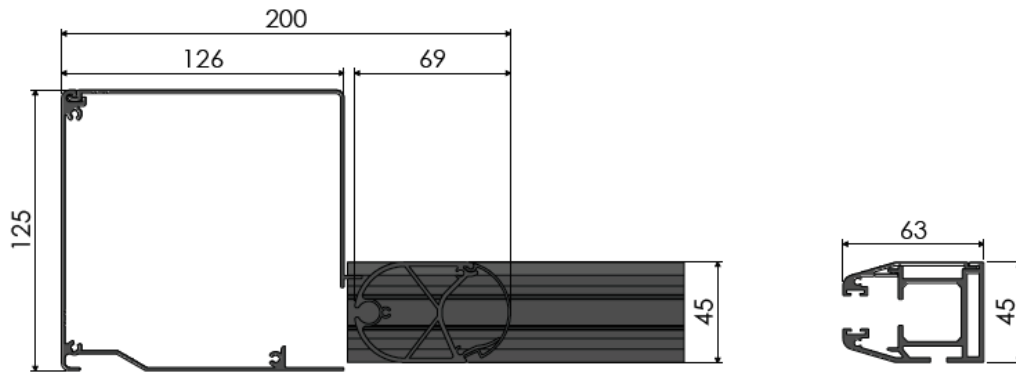
Supplier:	Translucent:		Opaque:	
Various suppliers <i>(Mermet, Helioscreen, Copaco)</i>	Serge (ca. 3-5% OF)	320 cm 350 cm*	Serge Opaque	210 cm
	Serge 1%	320 cm*		
	Serge 10%	270 cm*		
	Soltis Horizon 86 (ca. 14% OF) <i>(max. 15m²)</i>	267 cm*	Soltis B92 Opaque <i>(100.000 Lux)</i>	170 cm
	Soltis Perform 92 (ca. 4% OF)	267 cm*	Soltis 6002 Opaque <i>(30.000 Lux)</i>	260 cm

Colour ZIP seal:	Grey	Black
-------------------------	------	-------

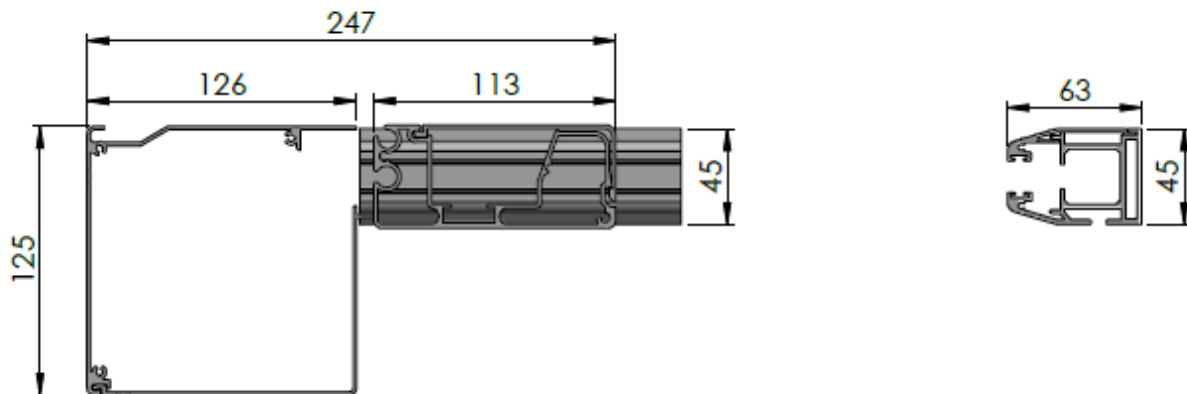
*maximum size, depending the colours.

Drawings

SZ-MSW 125:

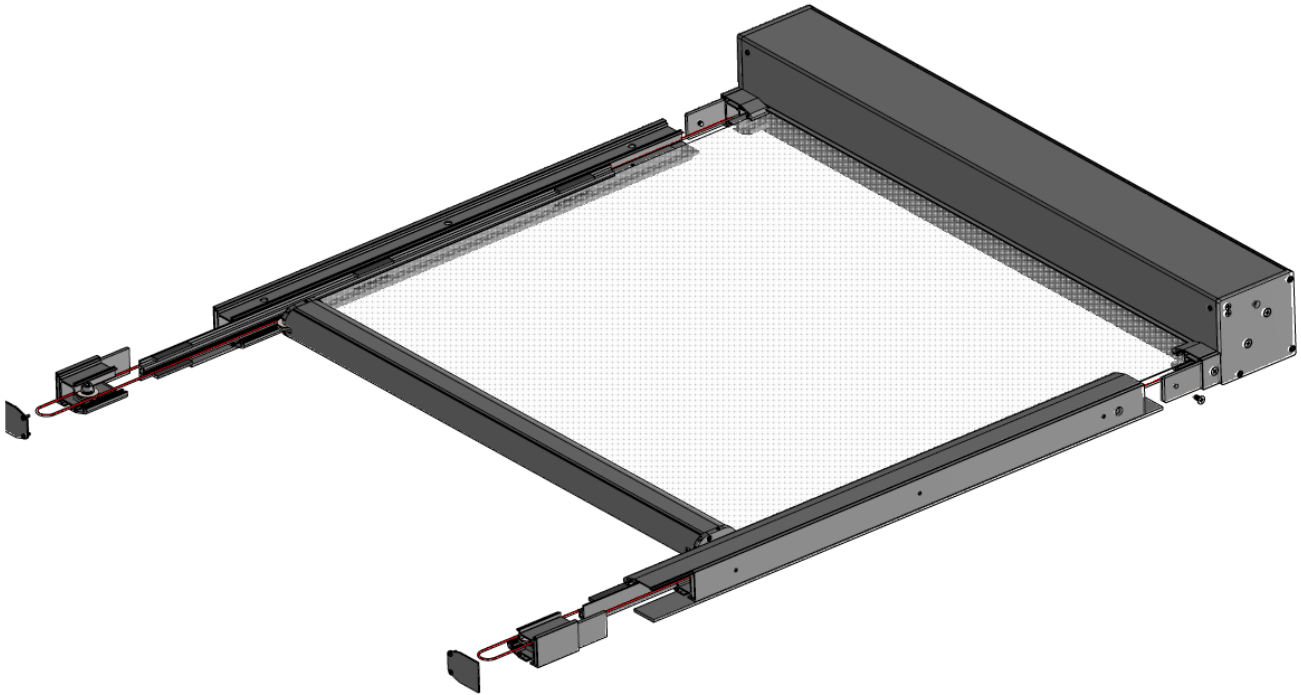


SZ-MSW 125 Big:



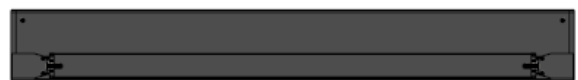
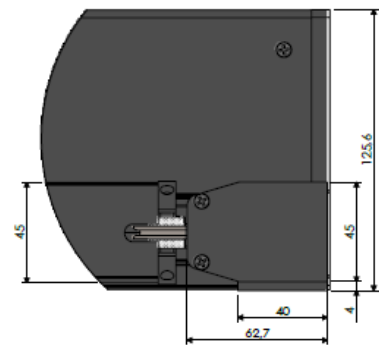
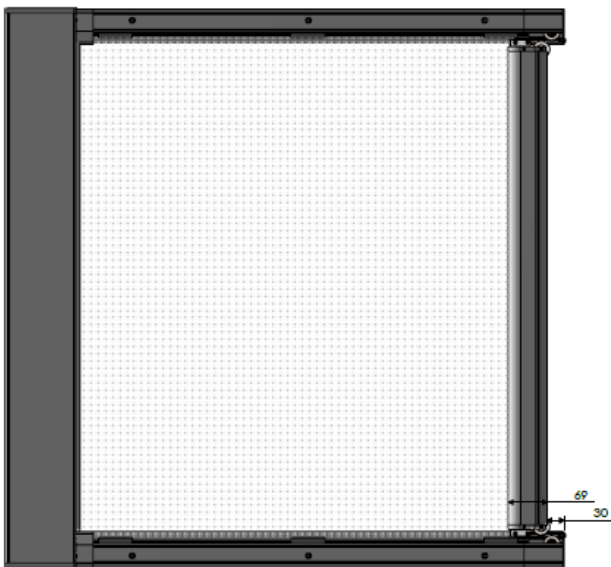
- *The Big version has a larger hem-bar so it is able to go up to wider widths.*

Exploded view SZ-MSW 125:



Sizes SZ-MSW 125:

Important note: the hem-bar profile goes up to maximum 30 mm from the end of the track. This means that there is an opening on the end where light can come in. If required we can supply an additional U-profile or the hem-bar runs further in a recess.



Other info

Tolerances:

- Standard cutting and production tolerances are 2 mm in all possible ways, please take this into account for regards to the measurements.
- For recess fitted systems we advise standard a margin of 4 mm (depending the accuracy of the measurements), this will give a bit of “play” at installation.

“Blackout” or “complete darkening”:

The word “blackout” is not the right name as it is simply not possible to have a completely “blackout” situation with any type of system. We use the word “darkening” (this may possibly be changed in the future), it is important to set the right expectation level with the client and inform that a full 100% “blackout” or “complete darkening” is not likely to be achieved.

Fabric characteristics:

- Fabrics can always show some waviness or wrinkles, 100% flat fabrics – especially with larger systems – are not likely to be achieved.
 - Horizontally systems can show a “sag” of the fabric, the amount of this depends on the size, fabric type, etc.
 - Larger size systems can have a horizontal weld, this depends the fabric type and colour.
 - For official values and properties of the fabric(s) we refer to the information provides by the fabric manufacturers;
- See also our infosheet with regards to fabric characteristics and the ITRS guideline for assessment of manufactured awning cloth.

Noise:

- The motor produces noise during operation, this can be amplified by the cassettes.
- The cord-spring mechanism MSW tensioned systems will produce snapping sounds during operation as well, this is when a cord rolls onto another cord and then being pulled off due to the (high) tension. This is normal and unavoidable.

External operation:

- Automatically operated systems needs be equipped with wind-, rain and temperature sensor.
 - If the fabric gets wet before the system is retracted the system/fabric can be rolled-up, however do not allow the fabric to stay rolled up longer than 2 days – stains and moisture marks can appear if the fabric remains rolled-up longer.
 - The systems are not allowed to be operated during freezing temperatures due to possible freezing of wet fabrics.
 - The minimum temperature setting for the sensors is 3 degrees Celsius, unless stated otherwise.
 - The systems should never be deployed during rain when the cassette is at the lowest point of the system and needs to be retracted as soon as rain is detected.
 - With the cassette on the highest side it is possible to extend the systems during rain if the system is under an angle of at least 14° (equivalent to a gradient of 25%).
 - See also the European Guidelines item 2.4.
 - The maximum wind force allowed depends the size and usage (see also CE Declaration).
- We do not give warranty in case the motor has any water damages, the report of the motor supplier (e.g. Somfy) is always leading.

Safety and user instructions:

- Make sure the systems is not obstructed by any obstacle or person when in use.
- Children should not allowed to operate or touch the system.
- The systems are not approved to use outside of the published conditions.
- If there are any damage(s) to the system, inform the manufacturer immediately.
- Do not remove bolts, screws or any other parts unless instructed.
- If cleaning and maintenance are not performed the safety and warranty of the product cannot be guaranteed.

Cleaning:

- Remove dust, dirt, leaves or other unwanted items with vacuum cleaner or compressed air.
 - Do not scrub or use solvents or any abrasive substance that might damage the coating or the fabric.
 - Clean with a sponge or soft brush dipped in water.
 - Leave the system (fabric) out until completely dry.
 - Profiles and fabric can be considered to be treated with wax to extend the lifetime.
- For cleaning of the fabrics we refer to the instructions and specifications of the fabric supplier(s).

Service & Maintenance:

All moving systems are required to be annually checked by the certified installer. This way it can be ensured that the systems are running freely (e.g. no extra wear) and for example loose screws caused by vibrations can be tightened up. Also the track profiles and cassette can be cleaned during maintenance for a smooth running.

Tensioned MSW systems have a very strict maintenance schedule due to the stretch in the cords (ca. 1.5%). As the initial stretch being the most it is required to have after a period of time and cycles the systems checked and reset and/or tensioned. The following schedule is applicable for all MSW tensioned systems:

System draw/height:	First check:	Standard interval:
< 6000 mm	Within 2-3 months or ca. 50-75 cycles*	Hereafter every 12 months
> 6000 mm	<i>Special conditions and instructions applicable</i>	

* whichever comes first.

The systems are required to be annually checked by the certified installer. This way it can be ensured that the systems are running freely (e.g. no extra wear) and for example loose screws caused by vibrations can be tightened up. Also the track profiles and cassette can be cleaned during maintenance for a smooth running.

- A more frequent cleaning or maintenance check might be required in certain situations as; heavy usage, installation close to the sea, high wind loads, sandy or dusty environments, wooded area, etc.
- This is at discretion of the installing company.

Warranty:

When the systems receive their annually maintenance (see above), all our systems have a standard warranty period of 3 years, if;

- The product has been installed and serviced by an approved and appointed company.
 - A maintenance and service report including dated photos is required.
- The product has been used according the user instructions provided by Guillaume Janssen.
- For any warranty claims we require a signed handover document, see also infosheet Handover Document & Service logbook.

Manufacturer:


Guillaume Janssen Nederland B.V.
Guillaume Janssen Global B.V.

All our systems are assembled and individually tested in the Netherlands, according by the latest CE declaration;

NEN-EN 13561



Signed for and on behalf of the manufacturer by:


André Janssen, President

Notes:

This document has been compiled with the greatest possible care, but no rights may be derived from its contents.

Our general terms and conditions are applicable on all products and services.

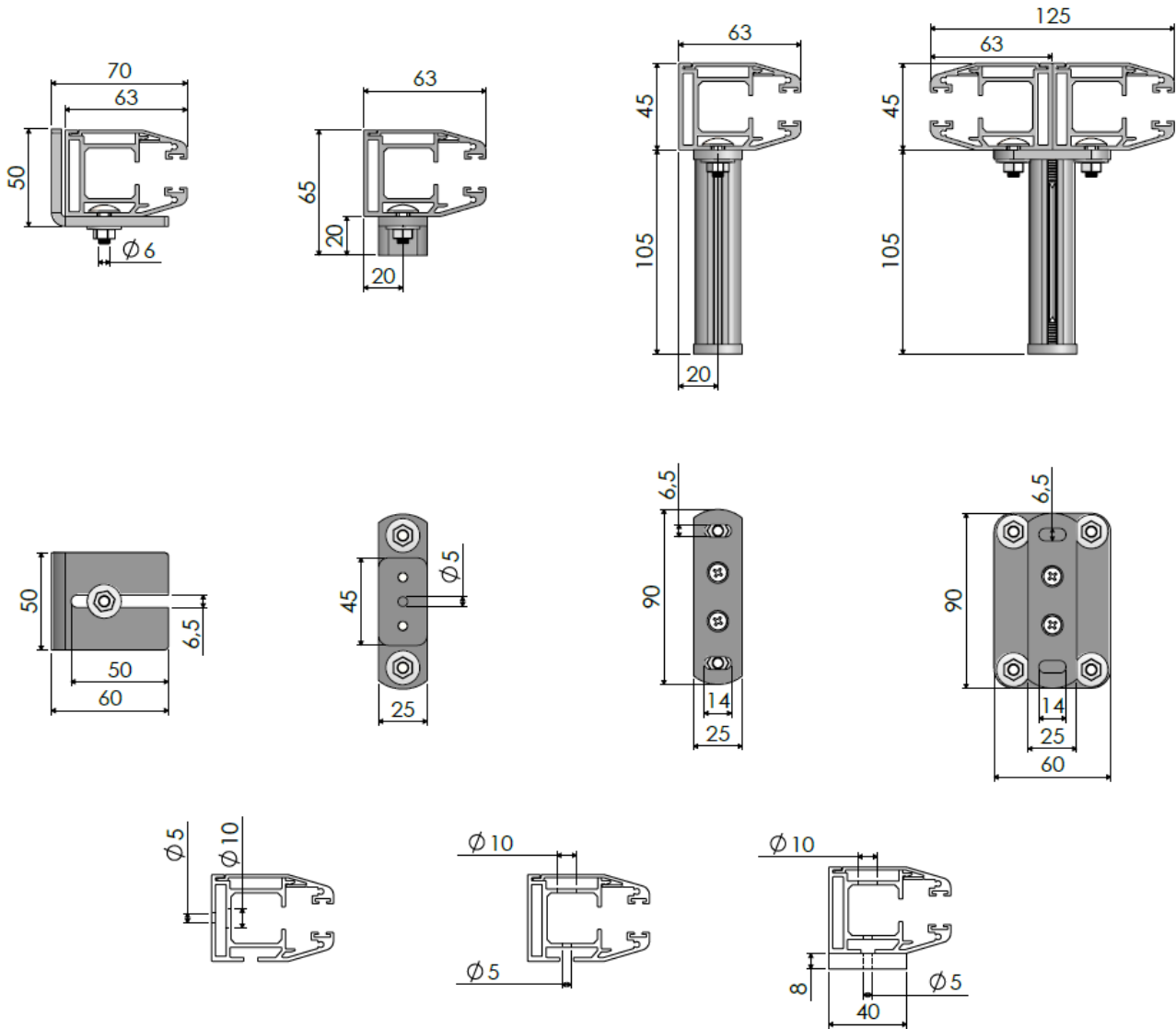
See also:

- GJ – Instructions SZ-MSW 125 Series (EN)
- GJ – Infosheet SZ-MSW 1000 Series (EN)
- GJ - CE Declaration SZ-MSW 125 Series (EN)
- ITRS: Guideline of the evaluation of product Characteristics of awnings
- ITRS: Guideline for assessment of manufactured awning cloth
- GJ – Infosheet fabric characteristics (EN)
- GJ – Handover Document & Service Logbook (EN)

Appendix

Standard installation options:

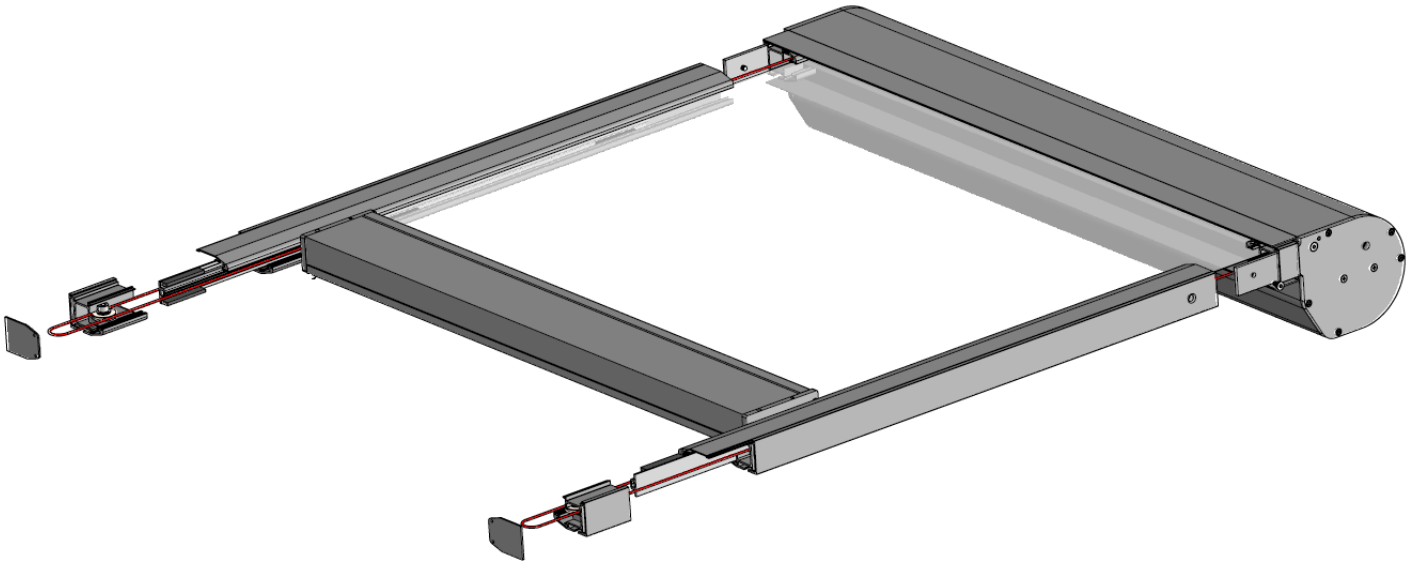
Other installation options (such as custom brackets) possible on request:



Appendix

Other system options from the SZ-MSW series:

Larger SZ-MSW 1000 Series with larger (rounded) MSW cassette (separate infosheet available):



Larger SZ-MSW 1000 NC Series with larger (square) MSW NC cassette (separate infosheet available):

