

# KITTIES ON DINOSAURS



MICHAEL  
SLACK



## Super Awesome Activities!

### Kit Includes

**Put the kitty on the dinosaur game.**

**Make a plan - writing activity.**

**Super-Duper Paratrooper craft.**

**How to draw a kitty on a dinosaur.**



Dial Books for Young Readers

ISBN 978-0-593-10838-3





## Put the kitty on the dinosaur game.

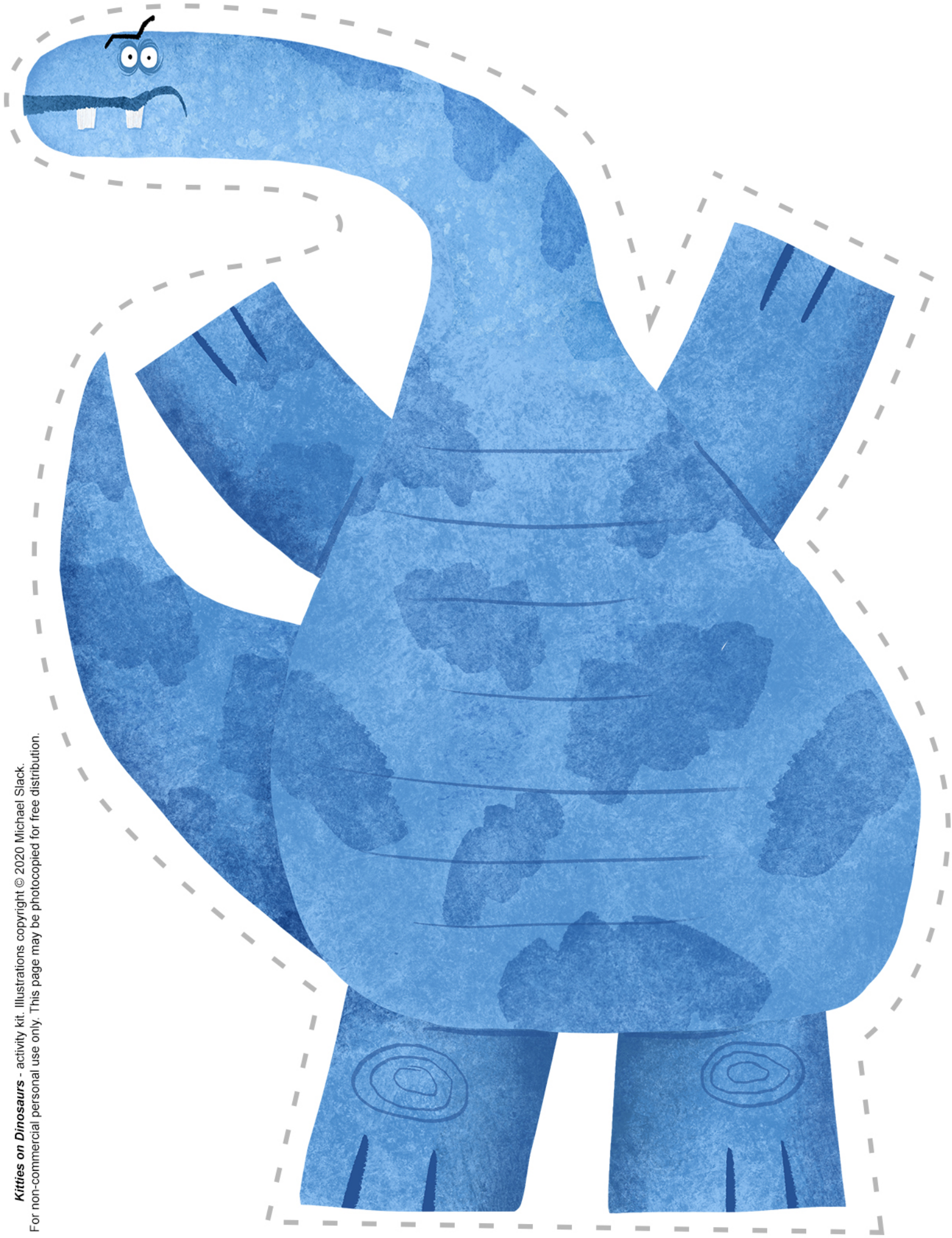
Like pin the tail on the donkey but with kitties and dinosaurs.

### Instructions

1. Print the next four pages on 8.5 x 11 paper with a color printer.
2. Cut out kitties and dinosaurs on dotted line.
3. Tape dinosaurs to the wall.
4. Put putty or tape on the back of each kitty.
5. Player spins around 3 times and is given a kitty.
6. Player closes eyes and meows while trying to place a kitty on a dinosaur.
7. Player who gets their kitty closest to the top of a dinosaur wins.

**Fun Fact:** Pin the tail on the donkey was originally called Donkey Party and is believed to have originated in the the late 1800s.



















# KITTIES ON DINOSAURS



## A clever plan activity.

**Oh No!** The kitties' first plan to climb the dinosaurs on Dinosaur Island didn't work. They need your help. Devise a clever plan for these adorable furballs by selecting three things from around your house and describe how you would use them to help the kitties achieve their ultimate climbing goal. Then draw a diagram of how your plan would work.

**If you need inspiration, check out the work of cartoonist Rube Goldberg.**

**Plan name:** \_\_\_\_\_

**Objects used:** \_\_\_\_\_

**Plan description:**

---

---

---

---

---

---

---

---

---

---

**Fun Fact:** RUBE GOLDBERG (1883 -1970) was a cartoonist, an inventor, and the only person ever to be listed in *Merriam-Webster's Dictionary* as an adjective. He drew nearly, 50,000 cartoons in his lifetime.



Plan name:

Diagram

Approved by



# KITTIES ON DINOSAURS



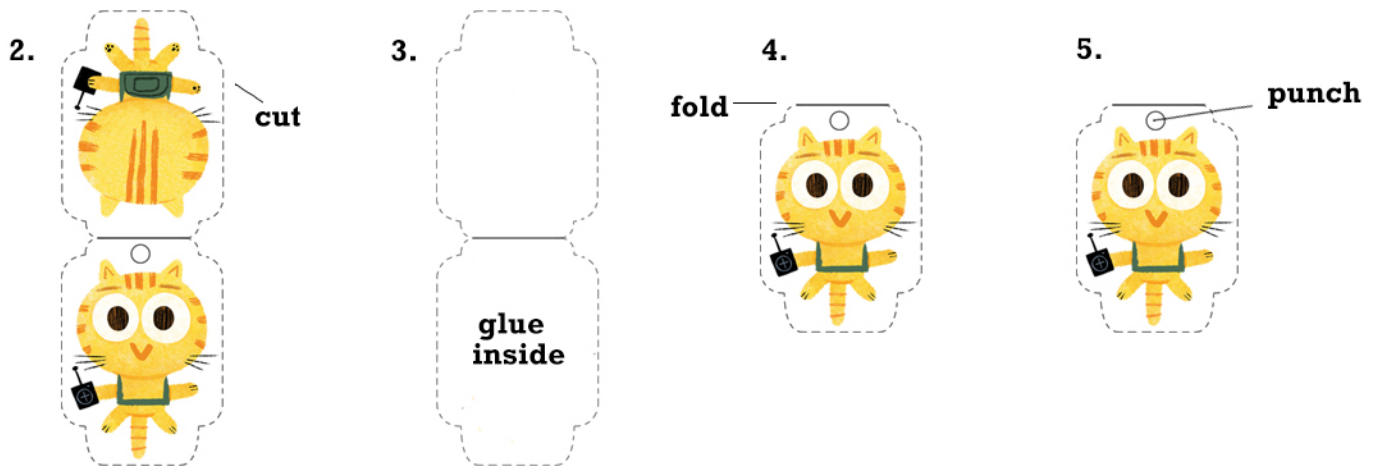
## Materials

Color printer  
Card stock  
Scissors  
Hole punch  
Glue  
Thread  
Recycled plastic bag or sandwich/freezer bag  
Ruler

## SUPER-DUPER PARATROOPER

## Instructions

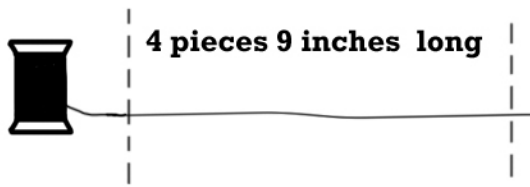
1. Print the paratrooper kitties page on card stock with color printer.
2. Cut out paratrooper kitties on dotted line.
3. Put glue on half of blank side of the paratrooper kitty.
4. Fold on fold line.
5. Punch hole on hole guideline with hole punch.
6. Cut 4 pieces of thread approximately 9 inches long.
7. Cut plastic into a square approximately 6 inches on all sides. This is your parachute.
8. Tie one piece of thread to each corner of the parachute. Knot thread 2 - 3 times on each corner.
9. Fold the plastic in half, then in half again so that all corners are aligned.
10. Loop all the threads through the hole and tie in a knot. Knot thread 2 - 3 times.
11. Trim excess thread.



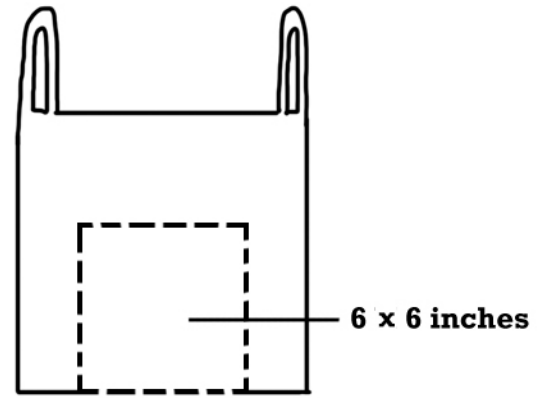
**Fun Fact:** The oldest parachute design appears in an anonymous manuscript from 1470s Renaissance Italy, showing a free-hanging man clutching a crossbar frame attached to a conical canopy



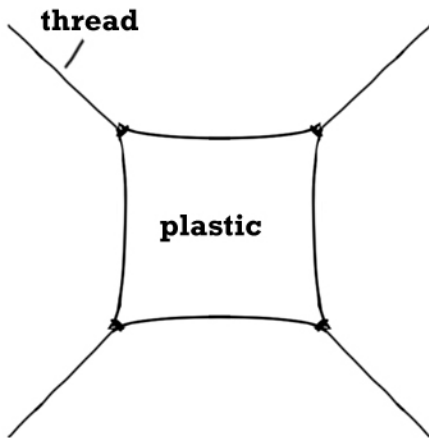
6.



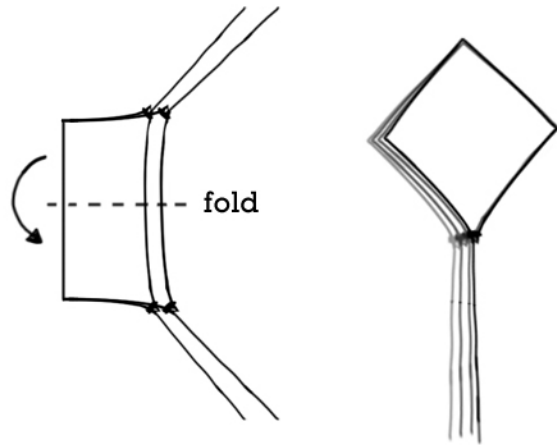
7.



8.



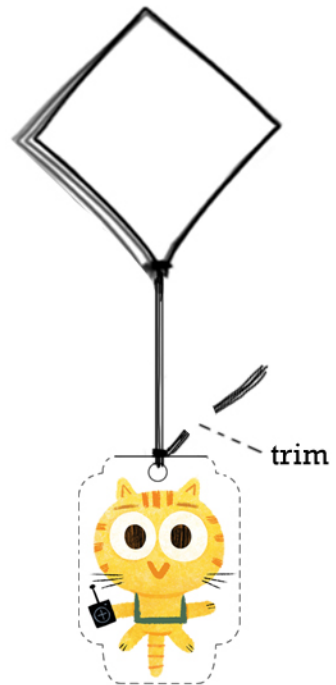
9.



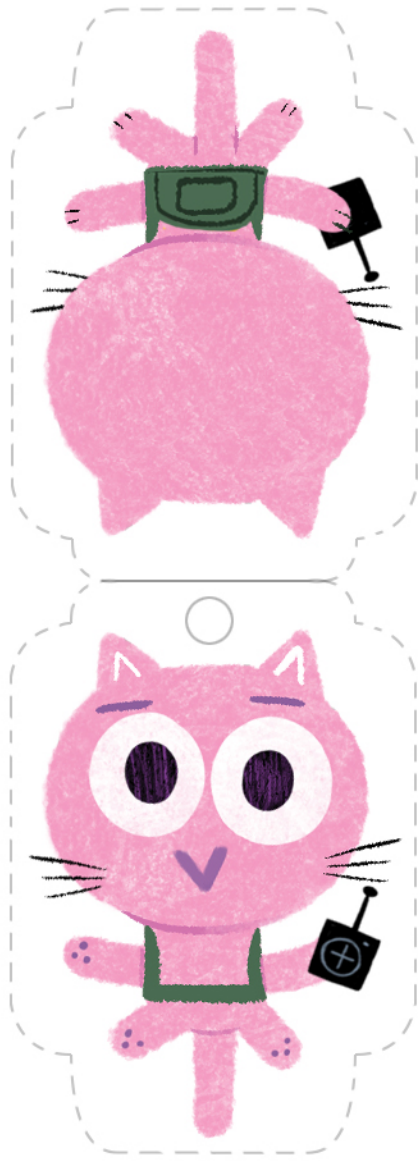
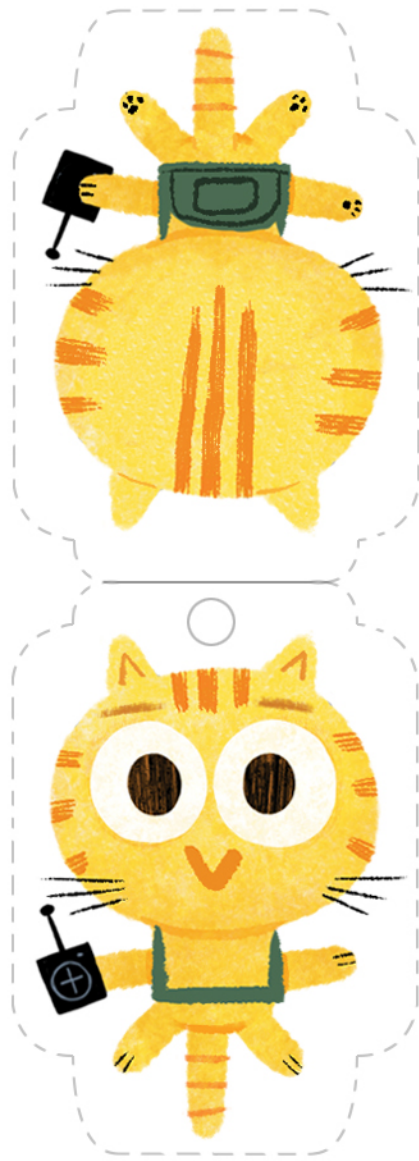
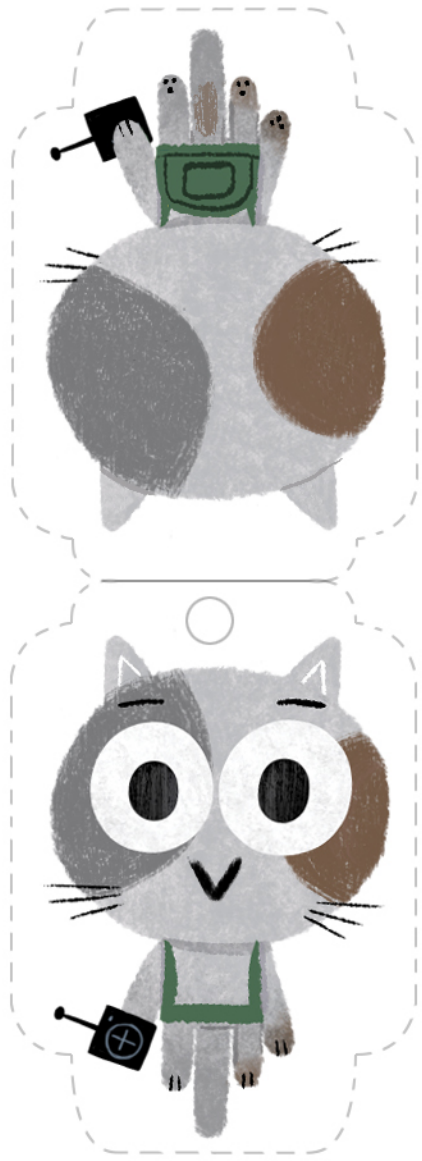
10.



11.



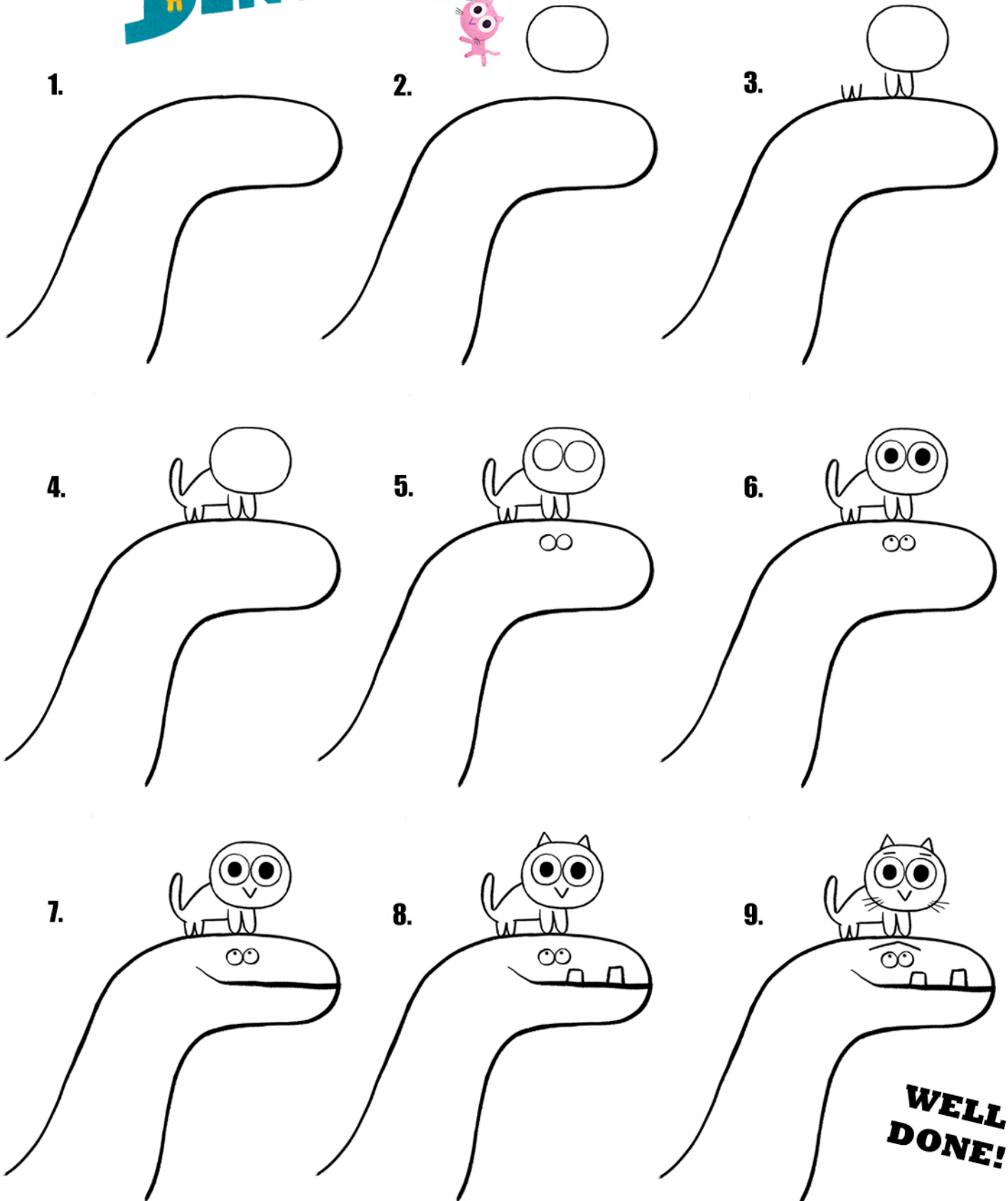
# Paratrooper Kitties





# KITTIES ON DINOSAURS

Hey friends! Let's draw a kitty on a dinosaur.



**WELL  
DONE!**