

Installation Guide

JetStream Gigabit L2 Managed Switch

T2600G-28TS (TL-SG3424)

T2600G-52TS (TL-SG3452)

T2600G-28MPS (TL-SG3424P)

COPYRIGHT & TRADEMARKS

Specifications are subject to change without notice. **TP-LINK®** is a registered trademark of TP-LINK TECHNOLOGIES CO., LTD. Other brands and product names are trademarks of their respective holders.

No part of the specifications may be reproduced in any form or by any means or used to make any derivative such as translation, transformation, or adaptation without permission from TP-LINK TECHNOLOGIES CO., LTD. Copyright © 2016 TP-LINK TECHNOLOGIES CO., LTD. All rights reserved.

<http://www.tp-link.com>

FCC STATEMENT

This equipment has been tested and found to comply with the limits for a Class A digital device, pursuant to part 15 of the FCC Rules. These limits are designed to provide reasonable protection against harmful interference when the equipment is operated in a commercial environment. This equipment generates, uses, and can radiate radio frequency energy and, if not installed and used in accordance with the instruction manual, may cause harmful interference to radio communications. Operation of this equipment in a residential area is likely to cause harmful interference in which case the user will be required to correct the interference at his own expense.

This device complies with part 15 of the FCC Rules. Operation is subject to the following two conditions:

- 1) This device may not cause harmful interference.
- 2) This device must accept any interference received, including interference that may cause undesired operation.

Any changes or modifications not expressly approved by the party responsible for compliance could void the user's authority to operate the equipment.

CE Mark Warning



This is a class A product. In a domestic environment, this product may cause radio interference, in which case the user may be required to take adequate measures.



Related Document

The User Guide and CLI Reference Guide of the product are provided on the resource CD.

To obtain the latest product information, please visit the official website:

<http://www.tp-link.com>

About this Installation Guide

This Installation Guide describes the hardware characteristics, installation methods and the points that should be attended to during installation.

This Installation Guide is structured as follows:

Chapter 1 Introduction. This chapter describes the external components of the switch.

Chapter 2 Installation. This chapter illustrates how to install the switch.

Chapter 3 Lightning Protection. This chapter illustrates how to prevent lightning damage.

Chapter 4 Connection. This chapter illustrates how to do the physical connection of the switch.

Chapter 5 Configuration. This chapter instructs you to configure the switch via Web Interface and CLI commands.

Appendix A Troubleshooting.

Appendix B Hardware Specifications.

Audience

This Installation Guide is for:



Network Engineer

Network Administrator

Conventions

Due to the similarity in the structure of the L2 Managed Switch series, in this Installation Guide we take T2600G-28TS as an example to illustrate Chapter 2 Installation, Chapter 3 Lightning Protection and Chapter 4 Connection.

This guide uses the specific formats to highlight special messages. The following table lists the notice icons that are used throughout this guide.

	Remind to be careful. A caution indicates a potential which may result in device damage.
	Remind to take notice. The note contains the helpful information for a better use of the product.

Contents

Chapter 1 Introduction	01
1.1 Product Overview	01
1.2 Appearance	01
Chapter 2 Installation	07
2.1 Package Contents	07
2.2 Safety Precautions	07
2.3 Installation Tools	09
2.4 Product Installation	09
Chapter 3 Lightning Protection	11
3.1 Cabling Reasonably	11
3.2 Connect to Ground	13
3.3 Equipotential Bonding	14
3.4 Use Lightning Arrester	15
Chapter 4 Connection	16
4.1 Ethernet Port	16
4.2 SFP Port	16
4.3 Console Port	17
4.4 Verify Installation	18
4.5 Power On	19
4.6 Initialization	19
Chapter 5 Configuration	20
5.1 Configure the Switch via GUI	20
5.2 Configure the Switch Using CLI	21
Appendix A Troubleshooting	23
Appendix B Hardware Specifications	25

Chapter 1 Introduction

1.1 Product Overview

T2600G-28TS, T2600G-52TS and T2600G-28MPS are Gigabit Ethernet switching products recently developed by TP-LINK. T2600G-28TS/T2600G-28MPS possesses 24 RJ45 ports and 4 SFP slots, while T2600G-52TS characterizes with 48 RJ45 ports and 4 SFP slots. The SFP slot enables remote connection with SFP slots on other devices through SFP module and fiber. T2600G-28TS/T2600G-52TS/T2600G-28MPS is compatible with all kinds of gigabit SFP modules. Here you are recommended to choose gigabit SFP module produced by TP-LINK, which can perfectly extend your network and enlarge the bandwidth. T2600G-28TS/T2600G-52TS/T2600G-28MPS is your first choice to extend the originally large and medium-sized network.

Designed for workgroups and departments, T2600G-28TS/T2600G-52TS/T2600G-28MPS from TP-LINK provides wire-speed performance and full set of L2 management features. It provides a variety of service features and multiple powerful functions with high security.

The EIA-standardized framework and smart configuration capacity can provide flexible solutions for a variable scale of networks. Static routing allows devices in different VLANs/subnets to communicate with each other in an IPv4/IPv6 network. OAM, L2PT and sFlow can meet the requirement of large ISP customers. ACL, 802.1x and Dynamic ARP Inspection provide robust security strategies. QoS and IGMP snooping/filtering optimize voice and video application. Link aggregation (LACP) increases aggregated bandwidth, optimizing the transport of business critical data. SNMP, RMON, WEB and CLI Log-in bring abundant management policies. TP-LINK JetStream L2 Managed Switch integrates multiple functions with excellent performance, and is friendly to manage, which can fully meet the need of the users demanding higher networking performance.

1.2 Appearance

■ Front Panel

The front panel of T2600G-28TS is shown as the following figure.

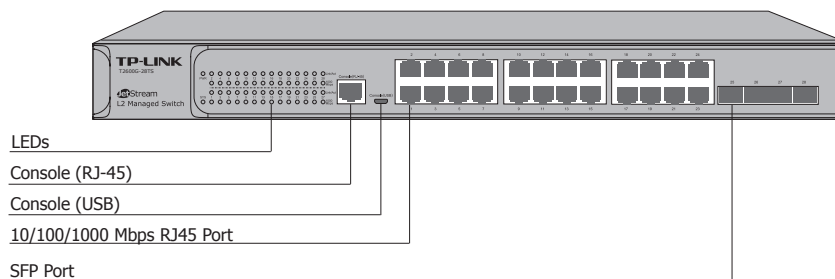


Figure 1-1 Front Panel of T2600G-28TS

LEDs

LED	Status	Indication
PWR	On	The switch is powered on.
	Off	The switch is powered off or power supply is abnormal.
	Flashing	Power supply is abnormal.
SYS	Flashing	The switch works properly.
	On/Off	The switch works improperly.
1000Mbps	On	A device is linked to the corresponding port and running at 1000Mbps.
	Off	A 10/100Mbps device or no device is linked to the corresponding port.
Link/Act	On	A device is linked to the corresponding port and running properly.
	Flashing	Data is being transmitted or received.
	Off	No device is linked to the corresponding port.

Console (RJ-45) Port

Designed to connect with the serial port of a computer or terminal for monitoring and configuring the switch.

Console (USB) Port

Designed to connect with the USB port of a computer for monitoring and configuring the switch. The switch has an RJ-45 console port and a micro-USB console port available. Console input is active on only one console port at a time. By default, the micro-USB connector takes precedence over the RJ-45 connector.

10/100/1000Mbps RJ45 Port

Designed to connect to the device with a bandwidth of 10Mbps, 100Mbps or 1000Mbps. Each 10/100/1000Mbps RJ45 port has a corresponding 1000Mbps LED and Link/Act LED.

SFP Port

Designed to install the SFP module. T2600G-28TS features 4 individual SFP ports and supports 1000M SFP module connection only.

The front panel of T2600G-52TS is shown as the following figure.

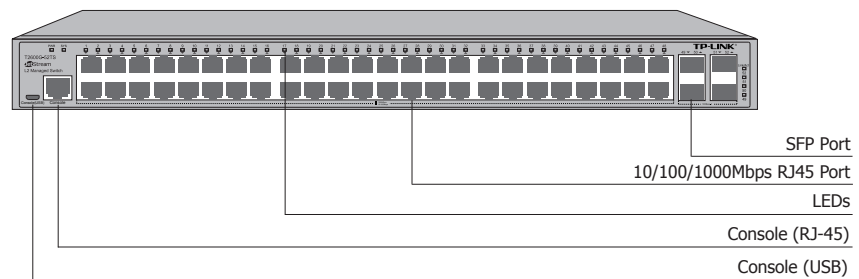


Figure 1-2 Front Panel of T2600G-52TS

Console (USB) Port

Designed to connect with the USB port of a computer for monitoring and configuring

the switch. The switch has an RJ-45 console port and a micro-USB console port available. Console input is active on only one console port at a time. By default, the micro-USB connector takes precedence over the RJ-45 connector.

Console (RJ-45) Port

Designed to connect with the serial port of a computer or terminal for monitoring and configuring the switch.

LEDs

LED	Status	Indication	
PWR	On	The switch is powered on.	
	Off	The switch is powered off or power supply is abnormal.	
	Flashing	Power supply is abnormal.	
SYS	Flashing	The switch works properly.	
	On/Off	The switch works improperly.	
10/100/ 1000Mbps (Port 1-48)	Green	On	A 1000Mbps device is linked to the corresponding port, but no activity.
		Flashing	A 1000Mbps device is linked to the corresponding port and data is being transmitted or received.
	Yellow	On	A 10/100Mbps device is linked to the corresponding port, but no activity.
		Flashing	A 10/100Mbps device is linked to the corresponding port and data is being transmitted or received.
	Off	No device is linked to the corresponding SFP port but no activity.	
Link/Act (Port 49-52)	On	There is a device linked to the corresponding port.	
	Flashing	The corresponding SFP port is transmitting or receiving data.	
	Off	There is no device linked to the corresponding SFP port.	

10/100/1000Mbps RJ45 Port

Designed to connect to the device with a bandwidth of 10Mbps, 100Mbps or 1000Mbps. Each 10/100/1000Mbps RJ45 port has a corresponding 1000Mbps LED.

SFP Port

Designed to install the SFP module. T2600G-52TS features 4 individual SFP ports and supports 1000M SFP module connection only.

The front panel of T2600G-28MPS is shown as the following figure.

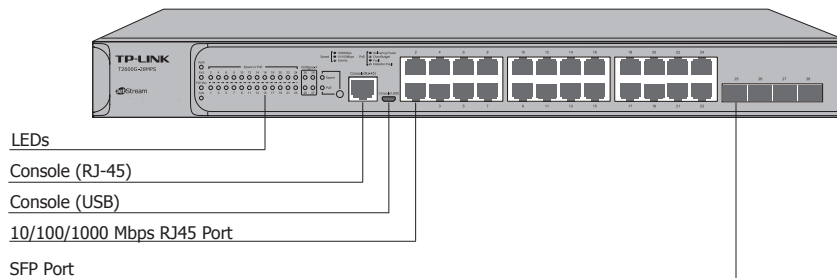


Figure 1-3 Front Panel of T2600G-28MPS

T2600G-28MPS has an LED mode switch button which is for switching the LED status indication. When the Speed LED is on, the port LED is indicating the data transmission rate. When the PoE LED is on, the port LED is indicating the power supply status. By default the Speed LED is on. Pressing the mode switch button, the Speed LED will turn off and the PoE LED will light up. Then the PoE LED will turn off after being on for 60 seconds and the Speed LED will light up again.

When the Speed LED is on, the port LED is indicating the data transmission status.

LEDs

LED	Status	Indication	
PWR	On	The switch is powered on.	
	Off	The switch is powered off or power supply is abnormal.	
	Flashing	Power supply is abnormal.	
SYS	Flashing	The switch works properly.	
	On/Off	The switch works improperly.	
FAN	Green	All the fans work properly.	
	Yellow	Not all the fans work properly.	
	Off	The switch works improperly.	
Speed or PoE (Port 1-24)	Green	On	A 1000Mbps device is linked to the corresponding port, but no activity.
		Flashing	A 1000Mbps device is linked to the corresponding port and data is being transmitted or received.
	Yellow	On	A 10/100Mbps device is linked to the corresponding port, but no activity.
		Flashing	A 10/100Mbps device is linked to the corresponding port and data is being transmitted or received.
	Off	No device is linked to the corresponding SFP port but no activity.	
1000Base-X (Port 25-28)	On	There is a device linked to the corresponding port.	
	Flashing	The corresponding SFP port is transmitting or receiving data.	
	Off	There is no device linked to the corresponding SFP port.	

When the PoE LED is on, the port LED is indicating the power supply status.

LEDs

LED	Status	Indication	
PWR	On	The switch is powered on.	
	Off	The switch is powered off or power supply is abnormal.	
	Flashing	Power supply is abnormal.	
SYS	Flashing	The switch works properly.	
	On/Off	The switch works improperly.	
PoE Max	On	The remaining PoE power $\leq 7W$.	
	Flashing	The remaining PoE power keeps $\leq 7W$ after this LED is on for 2 minutes.	
	Off	The remaining PoE power $> 7W$.	
FAN	Green	All the fans work properly.	
	Yellow	Not all the fans work properly.	
	Off	The switch works improperly.	
Speed or PoE (Port 1-24)	Green	On	The port is supplying power normally.
		Flashing	The supply power exceeds the corresponding port's maximum power.
	Yellow	On	Overload or short circuit is detected.
		Flashing	Power-on self-test has failed.
	Off	Not providing PoE power on the port.	
1000Base-X (Port 25-28)	On	There is a device linked to the corresponding port.	
	Flashing	The corresponding SFP port is transmitting or receiving data.	
	Off	There is no device linked to the corresponding SFP port.	

Console (RJ-45) Port

Designed to connect with the serial port of a computer or terminal for monitoring and configuring the switch.

Console (USB) Port

Designed to connect with the USB port of a computer for monitoring and configuring the switch. The switch has an RJ-45 console port and a micro-USB console port available. Console input is active on only one console port at a time. By default, the micro-USB connector takes precedence over the RJ-45 connector.

10/100/1000Mbps RJ45 Port

Designed to connect to the device with a bandwidth of 10Mbps, 100Mbps or 1000Mbps. Each 10/100/1000Mbps RJ45 port has a corresponding 1000Mbps LED.

SFP Port

Designed to install the SFP module. T2600G-28MPS features 4 individual SFP ports and supports 1000M SFP module connection only.

Port Feature

Model	10/100/1000Mbps RJ45 Port	SFP Port	Console Port
T2600G-28TS	24	4	2
T2600G-52TS	48	4	2
T2600G-28MPS	24	4	2

■ Rear Panel

Due to the similarity of T2600G-28TS, T2600G-52TS and T2600G-28MPS in the rear panel, here T2600G-28TS is used as an example.

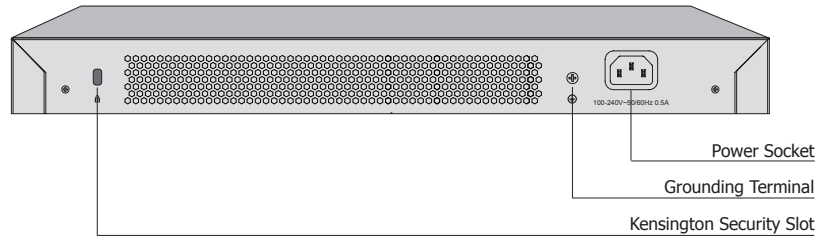


Figure 1-4 Rear Panel of T2600G-28TS

Kensington Security Slot

Secure the lock (not provided) into the security slot to prevent the device from being stolen.

Grounding Terminal

The switch already comes with lightning protection mechanism. You can also ground the switch through the PE (Protecting Earth) cable of AC cord or with Ground Cable. For detailed information, please refer to **Chapter 3 Lightning Protection**.

Power Socket

Connect the female connector of the power cord here, and the male connector to the AC power outlet. Please make sure the voltage of the power supply meets the requirement of the input voltage (100-240V~ 50/60Hz).

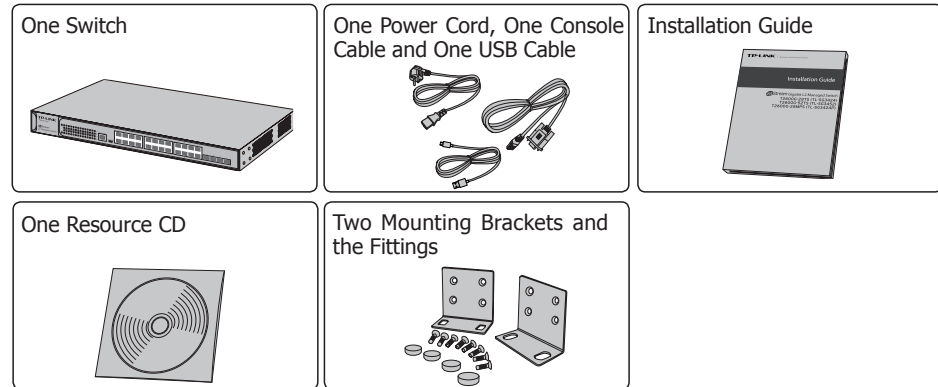


Caution: Please use the provided power cord.

Chapter 2 Installation

2.1 Package Contents

Make sure that the package contains the following items. If any of the listed items is damaged or missing, please contact your distributor.



2.2 Safety Precautions

To avoid any device damage and bodily injury caused by improper use, please observe the following rules.

■ Safety Precautions

- Keep the power off during the installation.
- Wear an ESD-preventive wrist strap, and make sure that the wrist strap has a good skin contact and is well grounded.
- Use only the power cord provided with the switch.
- Make sure that the supply voltage matches the specifications indicated on the rear panel of the switch.
- Ensure the vent hole is well ventilated and unblocked.
- Do not open or remove the cover of the switch.
- Before cleaning the device, cut off the power supply. Do not clean it by the waterish cloth, and never use any other liquid cleaning method.

■ Site Requirements

To ensure normal operation and long service life of the device, please install it in an environment that meets the requirements described in the following subsection.

Temperature/Humidity



Please keep a proper temperature and humidity in the equipment room. Too high/low humidity may lead to bad insulation, electricity leakage, mechanical property changes and corrosions. Too high temperature may accelerate aging of the insulation materials and can thus significantly shorten the service life of the device. For normal temperature and humidity of the device, please check the following table.

Environment	Temperature	Humidity
Operating	0°C ~ 40°C	10% ~ 90%RH Non-condensing
Storage	-40°C ~ 70°C	5% ~ 90%RH Non-condensing

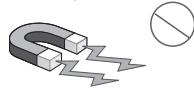
Cleanness



The dust accumulated on the Switch can be absorbed by static electricity and result in poor contact of metal contact points. Some measures have been taken for the device to prevent static electricity, but too strong static electricity can cause deadly damage to the electronic elements on the internal circuit board. To avoid the effect of static electricity on the operation of the Switch, please attach much importance to the following items:

- Dust the device regularly, and keep the indoor air clean.
- Keep the device well grounded and ensure static electricity has been transferred.

Electromagnetic Interference



Electronic elements including capacitance and inductance on the device can be affected by external interferences, such as conducted emission by capacitance coupling, inductance coupling, and impedance coupling. To decrease the interferences, please make sure to take the following measures:

- Use the power supply that can effectively filter interference from the power grid.
- Keep the device far from high-frequency, strong-current devices, such as radio transmitting station.
- Use electromagnetic shielding when necessary.

Lightning Protection



Extremely high voltage currents can be produced instantly when lightning occurs and the air in the electric discharge path can be instantly heated up to 20,000°C. As this

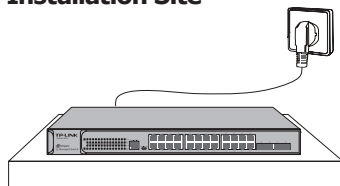
instant current is strong enough to damage electronic devices, more effective lightning protection measures should be taken.

- Ensure the rack and device are well earthed.
- Make sure the power socket has a good contact with the ground.
- Keep a reasonable cabling system and avoid induced lightning.
- Use the signal SPD (Surge Protective Device) when wiring outdoor.



Note: For detailed lightning protection measures, please refer to **Chapter 3 Lightning Protection**.

Installation Site



When installing the device on a rack or a flat workbench, please note the following items:

- The rack or workbench is flat and stable, and sturdy enough to support the weight of 5.5kg at least.
- The rack or workbench has a good ventilation system. The equipment room is well ventilated.
- The rack is well grounded. Keep the power socket less than 1.5 meters away from the device.

2.3 Installation Tools

- Phillips screwdriver
- ESD-preventive wrist wrap
- Cables



Note: These tools are not provided with our product. If needed, please self purchase them.

2.4 Product Installation

■ Desktop Installation

To install the device on the desktop, please follow the steps below:

1. Set the device on a flat surface strong enough to support the entire weight of the device with all fittings.
2. Remove the adhesive backing papers from the rubber feet.

- Turnover the device and attach the supplied rubber feet to the recessed areas on the bottom at each corner of the device.

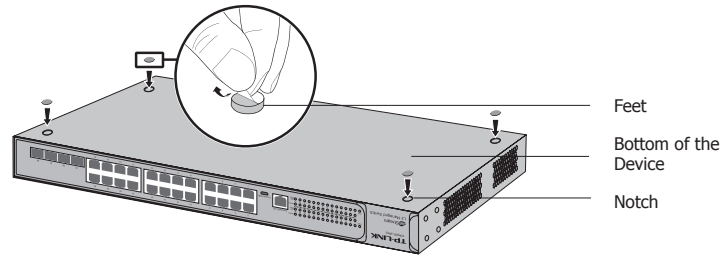


Figure 2-1 Desktop Installation

■ Rack Installation

To install the device in an EIA standard-sized, 19-inch rack, follow the instructions described below:

- Check the grounding and stability of the rack.
- Secure the supplied rack-mounting brackets to each side of the device with supplied screws, as illustrated in the following figure.

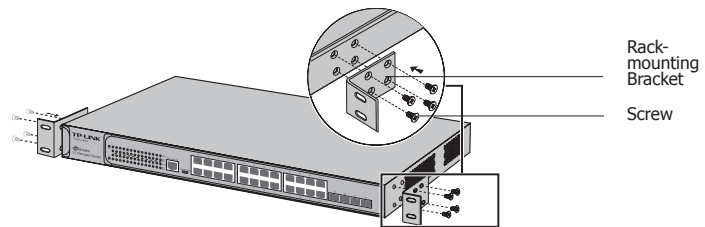


Figure 2-2 Bracket Installation

- After the brackets are attached to the device, use suitable screws (not provided) to secure the brackets to the rack, as illustrated in the following figure.

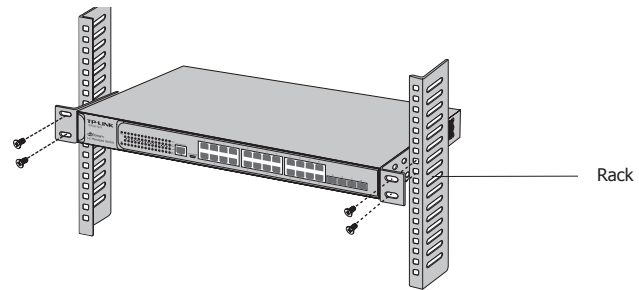


Figure 2-3 Rack Installation



Caution:

- Please set 5~10cm gaps around the device for air circulation.
- Please avoid any heavy thing placed on the device.
- Please mount devices in sequence from the bottom to top of the rack and ensure a certain clearance between devices for the purpose of heat dissipation.

Chapter 3 Lightning Protection

3.1 Cabling Reasonably

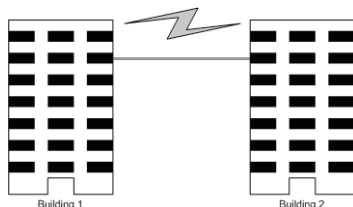
In the actual network environment, you may need cable outdoors and indoors, and the requirements for cabling outdoors and indoors are different. A reasonable cabling system can decrease the damage of induced lightning to devices.



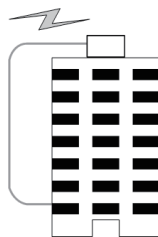
Note: It's not recommended using Ethernet cables outdoors. When cabling outdoors, please use a signal lightning arrester.

■ Requirements for Cabling Outdoors

- Aerial cabling without safeguard is not allowed.



- It's not allowed cabling down the building to connect network devices in different floors.



- Outdoor cables should be buried and paved to the indoor through basement. A piece of steel wire should be paved underground along the pipe and connected to the lightning protection terminal of the building for shielding. Before connecting the cable to the device, install a signal lightning arrester on the corresponding port.
- When an aerial cable is set up, the cable should be through a metal pipe (15m long at least) before coming into the building. The two ends of this metal pipe should be grounded. Before connecting the cable to the device, install a signal lightning arrester on the corresponding port.
- It's not necessary to pave STP cables through pipes. The shielded layer of STP cable should be well grounded. Before connecting the cable to the device, install a signal lightning arrester on the corresponding port.

■ Requirements for Cabling Indoors

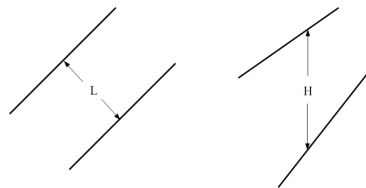
When cabling indoors, keep a certain distance away from the devices that may cause high-frequency interferences, such as down-conductor cable, powerline, power transformer and electromotor.

- The main cable should be paved in the metal raceway of the access shaft. When cabling, keep the loop area formed by the cable itself as small as possible.

- Requirements for the distance between Ethernet cable and other pipelines are shown in the table.

Other Pipelines	Ethernet Cable	
	Min Parallel Net Length L (mm)	Min Parallel-overlapping Net Height H (mm)
Down-conductor	1000	300
PE	50	20
Service pipe	150	20
Compressed air pipe	150	20
Thermal pipe (not wrapped)	500	500
Thermal pipe (wrapped)	300	300
Gas pipe	300	20

The two diagrams below demonstrate parallel net length and parallel-overlapping net height.



Note: The above minimum net length/height is required when metal raceway is not used. If any requirements cannot be met, you can add a steel tube or metal raceway for shielding.

- Requirements for the distance between Ethernet cable and high-power electric devices are in following tables.

Cable	Pave Way	Min Parallel Length (mm)
<2kVA powerline	Parallel cabling	130
	One is in the grounded metal raceway or metal pipe	70
	The both are in the grounded metal raceway or metal pipe	10
2~5kVA powerline	Parallel cabling	300
	One is in the grounded metal raceway or metal pipe	150
	The both are in the grounded metal raceway or metal pipe	80
>5kVA powerline	Parallel cabling	600
	One is in the grounded metal raceway or metal pipe	300
	The both are in the grounded metal raceway or metal pipe	150

Device	Min Distance (m)
Switch case	1.00
Transformer room	2.00
Elevator tower	2.00
Air-conditioner room	2.00

3.2 Connect to Ground

Connecting the device to ground is to quickly release the lightning over-voltage and over-current of the device, which is also a necessary measure to protect the body from electric shock.

In different environments, the device may be grounded differently. The following will instruct you to connect the device to the ground in two ways, connecting to the grounding bar or connecting to the ground via the power cord. Please connect the device to ground in the optimum way according to your specific operation environment.

■ Connecting to the Grounding Bar

If the device is installed in the Equipment Room, where a grounding bar is available, you are recommended to connect the device to the Grounding Bar as shown in the following figure.

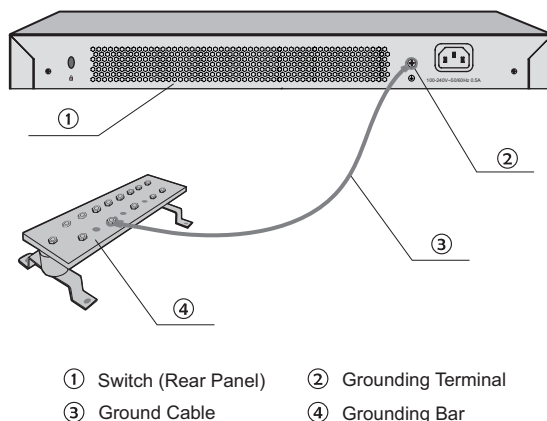


Figure 3-1 Connecting to the Grounding Bar



Note: The grounding bar and grounding terminal are not provided with our product. If needed, please self purchase them.

■ Connecting to the Ground via the Power Supply

If the device is installed in the normal environment, the device can be grounded via the PE (Protecting Earth) cable of the AC power supply as shown in the following figure.

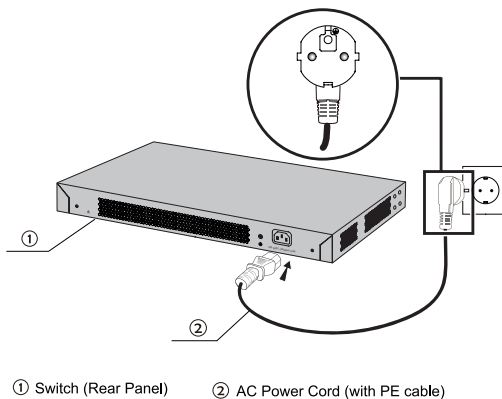


Figure 3-2 Connecting to the Ground



Note:

- The figure is to illustrate the application and principle. The power cord you get from the package and the socket in your situation will comply with the regulation in your country, so they may differ from the figure above.
- If you intend to connect the device to the ground via the PE (Protecting Earth) cable of AC power cord, please make sure the PE (Protecting Earth) cable in the electrical outlet is well grounded in advance.

3.3 Equipotential Bonding

Equipotential Bonding is the practice of intentionally electrically connecting all earthed systems to the same grounding grid or connecting the grounding grids of all the earthed systems together through the ground or overground metal so as to create an earthed equipotential zone. When lightning occurs, the high voltage produced by lightning current in all systems will meanwhile exist in their ground cables, and thus all ground cables have the same electrical potential and basically eliminate the electric strikes between the systems.

The figure below illustrates how to practice equipotential bonding in a network.

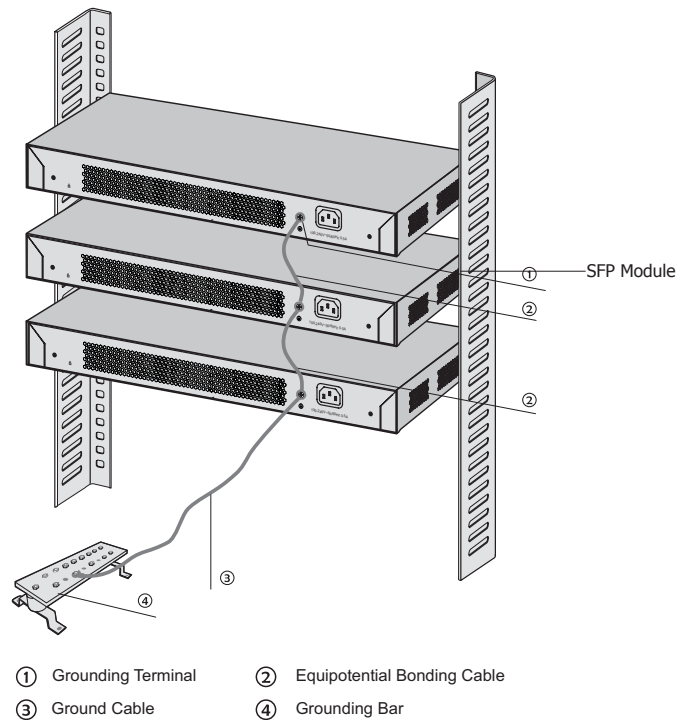


Figure 3-3 Equipotential Bonding

When equipotential bonding, please note that the cable should be copper conductor with a sectional area of 6mm² at least, wrapped green with yellow stripe. The shorter cable the better, and use a grounding bar to establish an equipotential bonding point.



Note: The equipotential bonding cable is not provided with our product. If needed, please self purchase it.

3.4 Use Lightning Arrester

Power lightning arrester and signal lightning arrester are used for lightning protection.

Power lightning arrester is used for limiting the voltage surge due to a lightning. If an outdoor AC power cord should be directly connected to the device, please use a power lightning arrester.

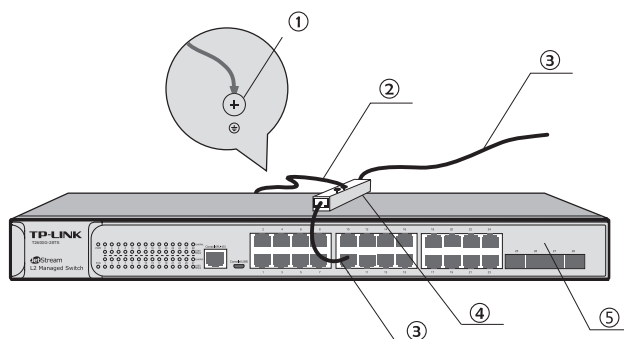


Note: Power lightning arrester is not provided with our product. If needed, please self purchase it.

Signal lightning arrester is used to protect RJ45 ports of the device from lightning. When cabling outdoors, please install a signal lightning arrester before connecting the cable to the device.

When purchasing or using a signal lightning arrester, please observe the following rules:

- The port rate of the signal lightning arrester should match the rate of the desired port on the device. If it is not matched, this signal lightning arrester will not work. Purchase a standard lightning arrester.
- Install signal lightning arrester near the protected device and connect it to the ground via a shorter ground cable.



- ① Grounding Terminal ② Equipotential Bonding Cable ③ Ethernet Cable
- ④ Signal Lightning Arrester ⑤ Device

Figure 3-4 Lightning Arrester Connection



- Note:**
- Signal lightning arrester is not provided with our product. If needed, please self purchase it.
 - The SFP ports perform transmission by optical fiber which is immune to electric conduction. Therefore, **3.4 Use Lightning Arrester** is not appropriate for SFP ports but only applies to RJ45 ports.

Chapter 4 Connection

4.1 Ethernet Port

Connect the Ethernet ports of the switch to the network devices by RJ45 cable as the following figure shows.

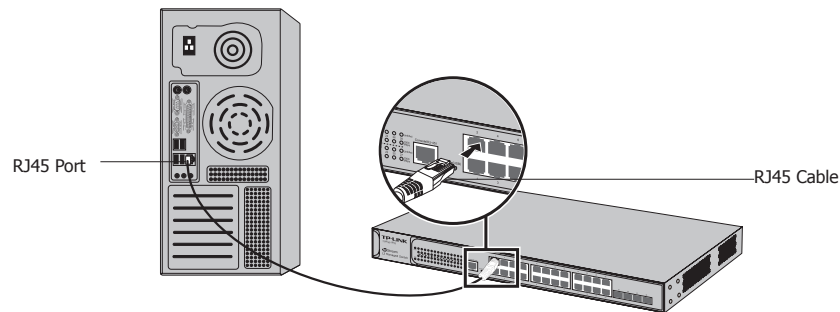


Figure 4-1 Connecting the RJ45 Port

4.2 SFP Port

Figure 4-2 demonstrates the connection of SFP port to an SFP module.

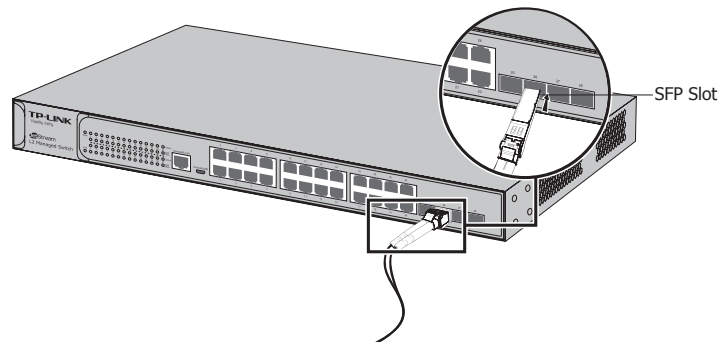


Figure 4-2 Inserting the SFP Module

Optical fiber

Optical fiber can be used as a medium for telecommunication and computer networking. It is especially advantageous for long-distance communications, because light propagates through the fiber with much less attenuation compared to electrical cables. For short distance applications, such as a network in an office building, optical fiber permits transmission over longer distances and at higher bandwidths (data rates) than other forms of communication. Fibers are used instead of metal wires because signals travel along them with less attenuation and are also immune to electromagnetic interference. There is no crosstalk between signals in different cables, and no pickup of environmental noise.

SFP Module

SFP module are input/output (I/O) devices that plug into a Gigabit Ethernet port, linking the port with a 1000BASE-X fiber-optic network. An SFP module possesses a receiver port (RX) and a transmitter port (TX) that make up one optical interface. To enjoy the required optical reach, users can freely select the

appropriate SFP module over the available optical fiber type such as multi-mode fiber or single-mode fiber. Multi-mode fibers generally have a larger core diameter, and are used for short-distance communication links and for applications where high power must be transmitted. Single-mode fibers are used for most communication links longer than 1,050 meters that is 3,440 feet.

T2600G-28TS, T2600G-52TS and T2600G-28MPS are compatible with all kinds of gigabit SFP modules including single-mode and multi-mode. The transmission distance and the type of optical fiber are determined by the SFP module you choose. Here you are recommended to choose the SFP modules produced by TP-LINK, which can perfectly enlarge the bandwidth and extend your network.

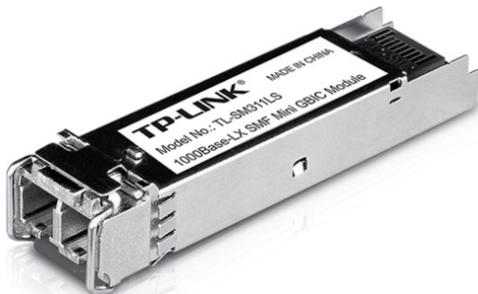


Figure 4-3 SFP module

The following table shows the detailed information of two SFP modules (TL-SM311LS and TL-SM311LM) produced by TP-LINK, which makes you have a round idea about it so as to give you a reference for choosing the suitable SFP module.

Model	TL-SM311LS	TL-SM311LM
Standards	IEEE 802.3z CSMA/CD TCP/IP	IEEE 802.3z CSMA/CD TCP/IP
Transmission Media	Single-mode fiber (9/125um)	Multi-mode fiber (50/125um or 62.5/125um)
Transmission Speed	1.25Gbps	1.25Gbps
Transmission Distance	10km	550m
Output Center Wavelength	1310nm	850nm



Note: For security, please wear an ESD-preventive wrist strap when installing or removing the SFP module. For detailed information, please refer to **Chapter 3 Lightning Protection**.

4.3 Console Port

CLI (Command Line Interface) enables you to manage the switch, thus you can load the CLI after connecting the PCs or Terminals to the console port on the switch via the provided cable.

Connect the Console (RJ-45) port of the device with your computer by the console cable as the following figure shows.

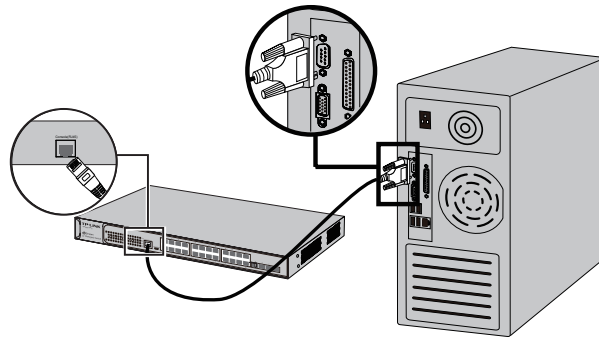


Figure 4-4 Connecting the Console (RJ-45) Port

Connect the Console (USB) port of the device with your computer by the USB cable as the following figure shows.

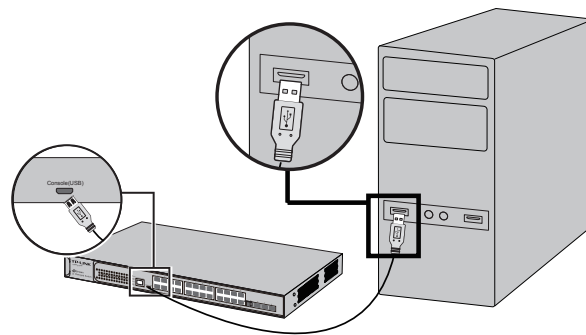


Figure 4-5 Connecting the Console (USB) Port

You can also manage the device through the console port, for details please refer to the CLI Reference Guide on the resource CD.



Note:

- Console (RJ-45) port and Console (USB) port cannot be used cocurrently. Console (USB) port takes priority over the Console (RJ-45) port.
- The Console (USB) port is hot-pluggable while the Console (RJ-45) port is not. Please keep the device power off when plugging the console cable into the Console (RJ-45) port.
- Do not connect the console port with other ports by RJ45 cable.

4.4 Verify Installation

After completing the installation, please verify the following items:

- There are 5~10cm of clearance around the sides of the device for ventilation and the air flow is adequate.
- The voltage of the power supply meets the requirement of the input voltage of the device.
- The power socket, device and rack are well grounded.
- The device is correctly connected to other network devices.

4.5 Power On

Plug the female connector of the provided power cord into the power socket of the device, and the male connector into a power outlet as the following figure shows.

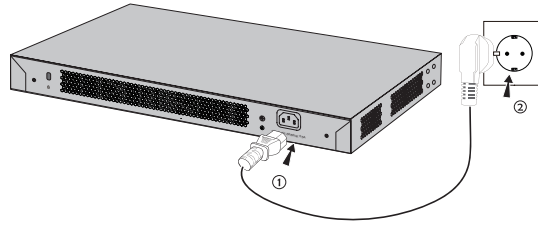


Figure 4-6 Connecting to Power Supply



Note: The figure is to illustrate the application and principle. The power cord you get from the package and the socket in your situation will comply with the regulation in your country, so they may differ from the figure above.

4.6 Initialization

After the device is powered on, it begins the Power-On Self-Test. A series of tests run automatically to ensure the device functions properly. During this time, its LED indicators will respond in the following order:

- The PWR LED indicator lights on all the time. The SYS LED and the LED indicators of all the ports keep off.
- After about one minute, the SYS LED and LED indicators of all the ports will flash momentarily and then turn off.
- Several seconds later, the SYS LED indicator will flash, which represents a successful initialization.

Chapter 5 Configuration

5.1 Configure the Switch via GUI

1. To access the GUI of the switch, open a web browser and type the default management address `http://192.168.0.1` in the address field of the browser, then press the Enter key.



Figure 5-1 Web Browser



Note: To log on to the GUI of the switch, the IP address of your PC should be set in the same subnet addresses of the switch. The IP address is 192.168.0.x ("x" is any number from 2 to 254), Subnet Mask is 255.255.255.0.

2. Enter admin for the default User Name and Password, both in lower case letters. Then click the Login button or press the Enter key.



Figure 5-2 Login

3. After a successful login, the main page will appear as the following figure, and you can configure the function by clicking the setup menu on the left side of the screen.

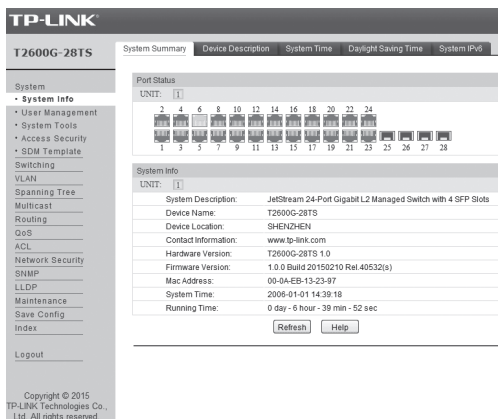


Figure 5-3 Main Page of the Switch

5.2 Configure the Switch Using CLI

You can log on to the switch and access the CLI by the following two methods:

- Log on to the switch by the Console (USB) port or Console (RJ-45) port on the switch.
- Log on to the switch remotely by a Telnet or SSH connection through an Ethernet port.

■ Logon by a Console Port

The switch has two console ports: an RJ-45 console port and a Micro-USB console port. Console output is active on devices connected to both console ports, but console input is only active on one console port at a time. The Micro-USB connector takes precedence over the RJ-45 connector.

Install the TP-LINK USB Console Driver if you are using the USB serial port for the first time on a Windows-based PC. The driver can be found on the attached CD and Download page of our official website. Refer to the User Guide to learn more about the installation.

To log on to the switch by the console port on the switch, please take the following steps:

1. Connect the PC or terminal to the console port on the switch by the provided cable. Refer to **4.3 Console Port** to learn how to connect.
2. If you attach a PC, start the terminal emulation program (such as the Hyperterminal) on the PC.
3. Specify the connection COM port in the terminal emulation program. If the Micro-USB console port is used, you can view which COM port number is assigned to the USB serial port in the following path: Control Panel -> Hardware and Sound -> Device Manager -> Ports -> USB Serial Port.
4. Configure the terminal emulation program or the terminal. You can use the default settings as follows:
 - Baud rate: 38400 bps
 - Data bits: 8
 - Parity: none
 - Stop bits: 1
 - Flow control: none
5. The DOS prompt "T2600G-28TS>" will appear after pressing the Enter button as Figure 5-4 shows. It indicates that you can use the CLI now.

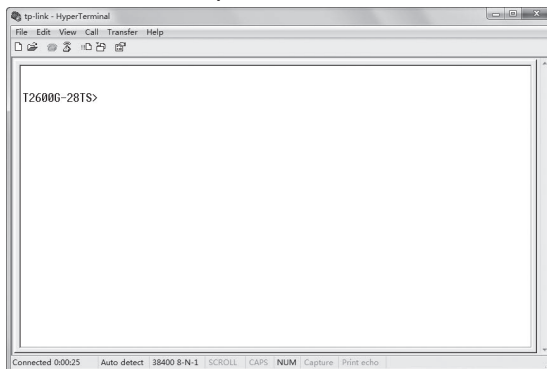


Figure 5-4 Log in the Switch

■ Logon by Telnet

To log on to the switch by a Telnet connection, please take the following steps:

1. Firstly CLI commands about configuring Telnet login mode and login authentication information should be configured through Console connection. For more details please refer to the CLI Reference Guide on the resource CD. Here we take login local mode as an example.
2. Make sure the switch and the PC are in the same LAN.
3. Click Start and type in **cmd** in the Search programs and files window and press the Enter button.

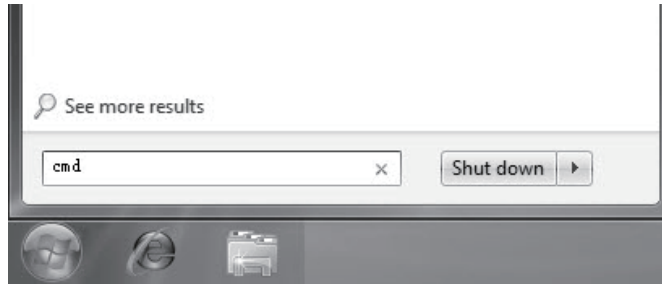


Figure 5-5 Open the RUN window

4. Type telnet **192.168.0.1** in the command prompt shown as Figure 5-6, and press the **Enter** button.

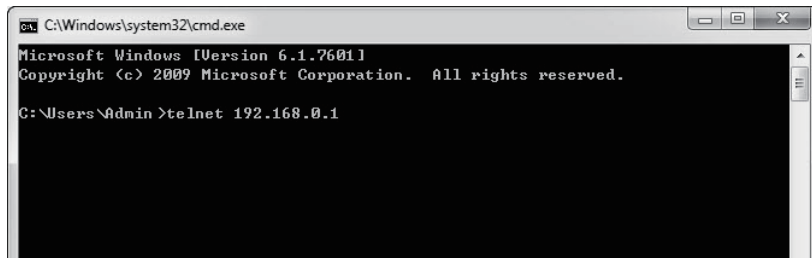


Figure 5-6 Connecting the Switch

5. Type the default user name and password (both of them are **admin**), then press the **Enter** button so as to enter User EXEC Mode.

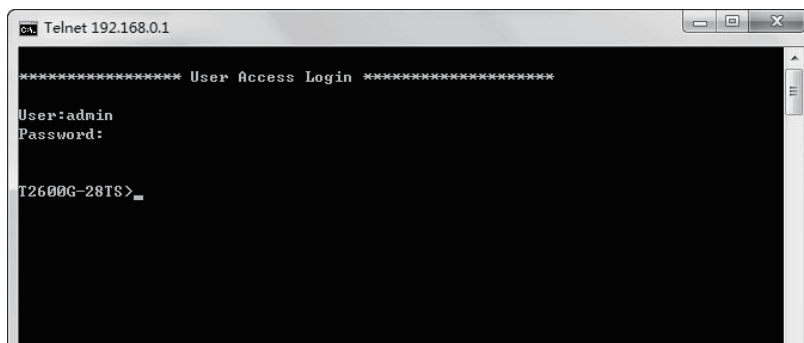


Figure 5-7 Enter into the User EXEC Mode

For detailed CLI configuration instructions, please refer to the CLI Reference Guide on the resource CD.

Appendix A Troubleshooting

Q1. What could I do if I forgot the username and password of the switch?

1. Connect the console port of the PC to the console port of the switch and open a terminal emulation program.
2. Power off and restart the switch. When you are prompted that "Hit any key to stop autoboot" in the terminal emulation program, please press any key to enter into bootUtil menu shown as the following figure.

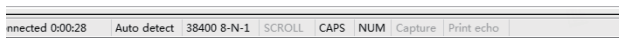
```
Hit any key to stop autoboot: 0
*****
* TP-LINK BOOTUTIL(v1.0.0) *
*****
Copyright (c) 2015 TP-LINK Tech. Co., Ltd
Create Date: Dec 12 2015 - 14:43:55

Boot Menu
0 - Print this boot menu
1 - Reboot
2 - Reset
3 - Start
4 - Activate Backup Image
5 - Display image(s) info
6 - Password recovery

Enter your choice(0-6)
```

3. Enter the number 6 to select the "Password recovery" option and enter Y to delete all the users and passwords. The default login username and password are both admin. The other configurations in the switch will not be changed.

```
Enter your choice(0-6)
tpLink> 6
This will delete all the previously created accounts. Continue?[Y/N]:Y
Operation OK!
tpLink> _
```



Q2. Why does the PWR LED work abnormally?

The PWR LED should be lit up when the power system works normally. If the PWR LED worked abnormally, please take the following steps:

1. Make sure that the power cable is connected properly, and the power contact is normal.
2. Make sure the voltage of the power supply meets the requirement of the input voltage of the switch.

Q3. What could I do if I could not access the web-based configuration page?

You are recommended to check the following items:

1. Check every port LED on the switch and make sure the cable is installed properly.
2. Try another port on the switch and make sure the cable meets the requirement and works normally.
3. Turn off the power. After a while, turn on the power again.
4. Make sure the IP address of your PC is set within the subnet of the switch.
5. If you still cannot access the configuration page, please restore the switch to its factory defaults. Then the IP address should be set as 192.168.0.x ("x" is any number from 2 to 254) and Subnet Mask as 255.255.255.0.

Q4. Why does the terminal emulation program display abnormally?

Please check as follows:

1. Make sure the power supply is normal and the console cable is properly connected.
2. Check if the console cable is the right type.
3. Ensure the parameters of the terminal emulation program are same as you have configured: configure Bits per second as 38400, Data bits as 8, Parity as None, Stop bits as 1, and Flow control as None.

Appendix B Hardware Specifications

Item	Content
Standards	IEEE 802.3, IEEE 802.3i, IEEE 802.3u, IEEE 802.3ab, IEEE 802.3ad, IEEE 802.3z, IEEE 802.3x, IEEE 802.1p, IEEE 802.1q, IEEE 802.1x, IEEE 802.1d, IEEE 802.1s, IEEE 802.1w IEEE 802.3af/at (For T2600G-28MPS only)
Transmission Medium	10Base-T: UTP/STP of Cat. 3 or above 100Base-TX: UTP/STP of Cat. 5 or above 1000Base-T: 4-pair UTP (≤100m) of Cat. 5e, and Cat. 6 or above 1000Base-X: MMF or SMF SFP Module (Optional)
LEDs	T2600G-28TS: PWR, SYS, 1000Mbps, Link/Act T2600G-52TS: PWR, SYS, 10/100/1000Mbps (Port 1-48), Link/Act (Port 49-52) T2600G-28MPS: PWR, SYS, PoE Max, FAN, Speed or PoE (Port 1-24), 1000Base-X (Port 25-28)
Operating Temperature	0°C~40°C
Storage Temperature	-40°C~70°C
Operating Humidity	10%~90%RH Non-condensing
Storage Humidity	5%~90%RH Non-condensing

TP-LINK®
The Reliable Choice

Website: <http://www.tp-link.com>

Tel: +86 755 26504400

E-mail: support@tp-link.com

7106506356 REV1.1.0