



# Preliminary Information

## PIT6088 Diagnostic Tip - Lack Of Power Steering Assist With DTC P25A2 C1597 and/or C1599

Product Investigation Review Required

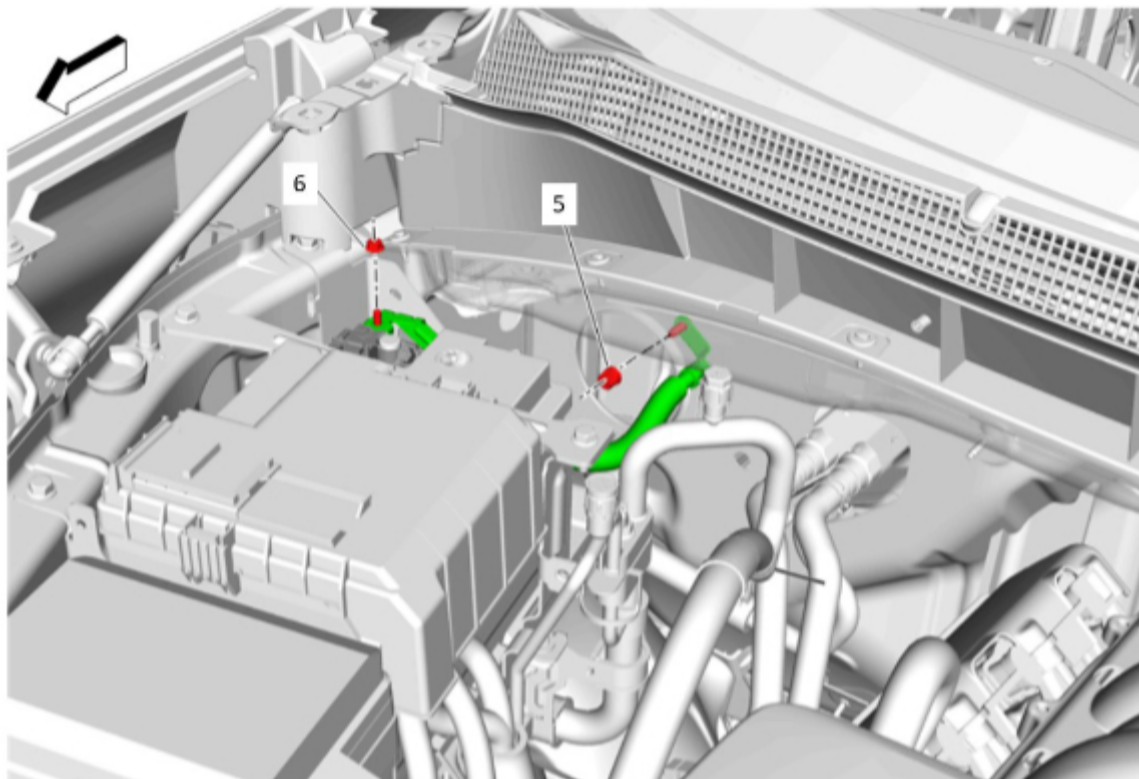
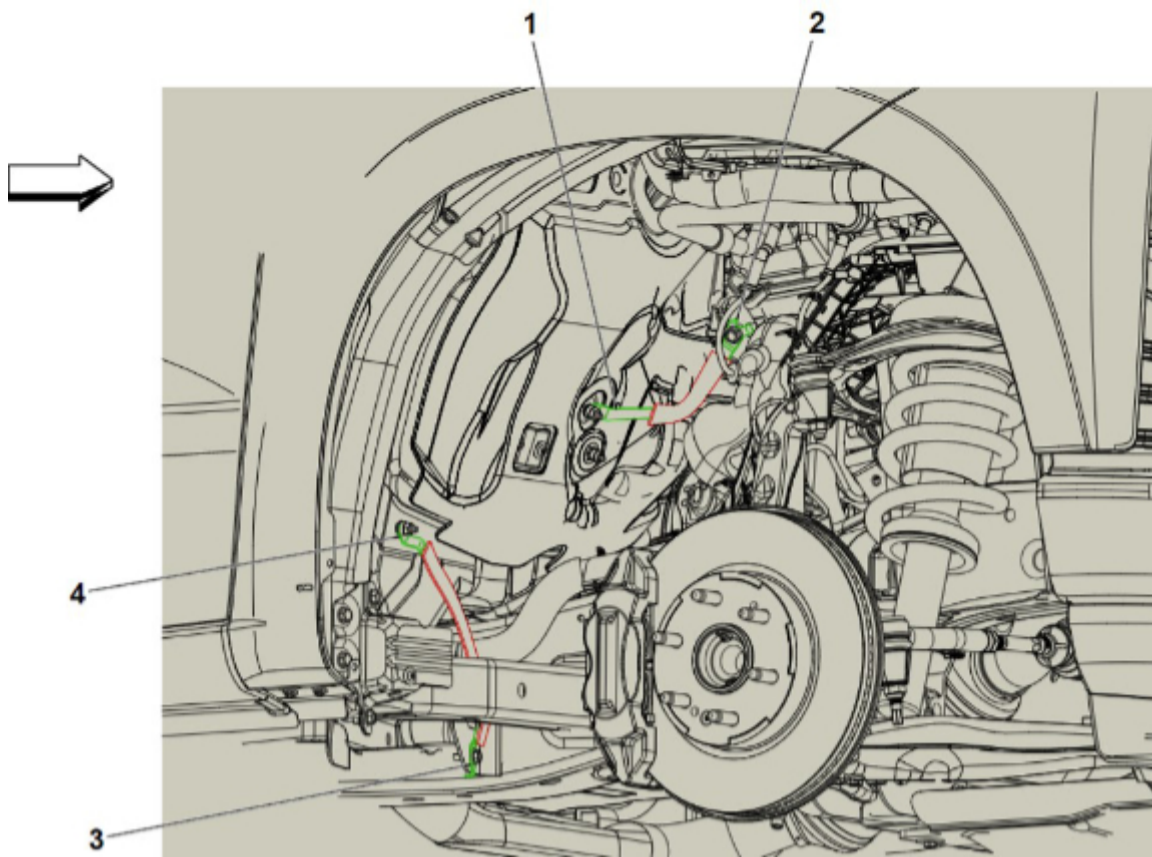
Models

Brand:	Model:	Model Years:	VIN:		Engine:	Transmissions:
			from	to		
Chevrolet	Silverado 1500 (New Model)	2019	All	All	All	All
Chevrolet	Silverado 1500	2020 - 2021	All	All	All	All
Chevrolet	Silverado 1500 LTD (RPO J21, VIN Digit 5 = W or Y)	2022	All	All	All	All
GMC	Sierra 1500 (New Model)	2019	All	All	All	All
GMC	Sierra 1500	2020 - 2021	All	All	All	All
GMC	Sierra 1500 Limited (RPO J21, VIN Digit 5 = 8 or 9)	2022	All	All	All	All

Involved Region or Country	North America
Condition	Some customers may comment on a lack of power steering assist. When checking for DTC's a C1597 and/or C1599 may be set in the power steering control module.
Cause	The cause of this concern could be a poor ground at one of the main ground cable/strap connections.

**Correction:**

Inspect the following main ground strap/cable connections, shown below, to make sure they are clean and tight. Also, inspect for any corrosion at the connection or a corroded braided strap/cable. Lightly pull on the ground straps to make sure they do not break in two and the eyelet connections do not move or break. Replace and/or repair any issues found.



- (1) G132 Engine Ground Strap
- (2) G134 Engine Ground Strap
- (3) G131 Frame Ground Strap
- (4) G133 Frame Ground Strap
- (5) G130 Battery Negative Cable at Body Ground
- (6) Battery Negative Cable

### Warranty Information

For wiring repairs covered under warranty, please refer to latest version of bulletin [10-00-89-005](#) for warranty information on wire/connector repairs.

### Additional SI Keywords

### Version History

Version	1
Modified	11/16/2023 - Created on.



GENERAL MOTORS

© 2023 General Motors. All Rights Reserved.