



## Preliminary Information

### PIP5810 Transfer Case Input Seal Installation

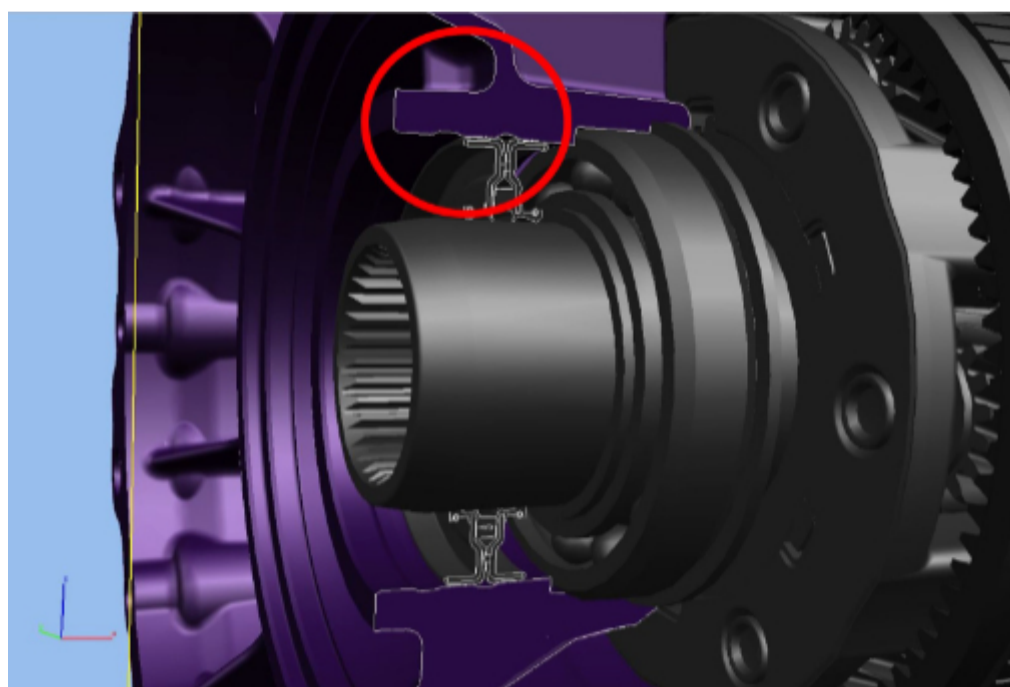
#### Models

Brand:	Model:	Model Years:	VIN:		Engine:	Transmissions:
			from	to		
Chevrolet	Silverado 2500 HD/3500 HD	2020 - 2021	All	All	All	MGM, MGU
GMC	Sierra 2500 HD/3500 HD	2020 - 2021	All	All	All	MGM, MGU

<b>Involved Region or Country</b>	<b>North America</b>
<b>Additional Options (RPO)</b>	<b>NGF, NQH</b>
<b>Condition</b>	<b>Transfer case input seal installation tool will not install seal to correct depth.</b>
<b>Cause</b>	<b>New tool being developed.</b>

#### Condition/Concern

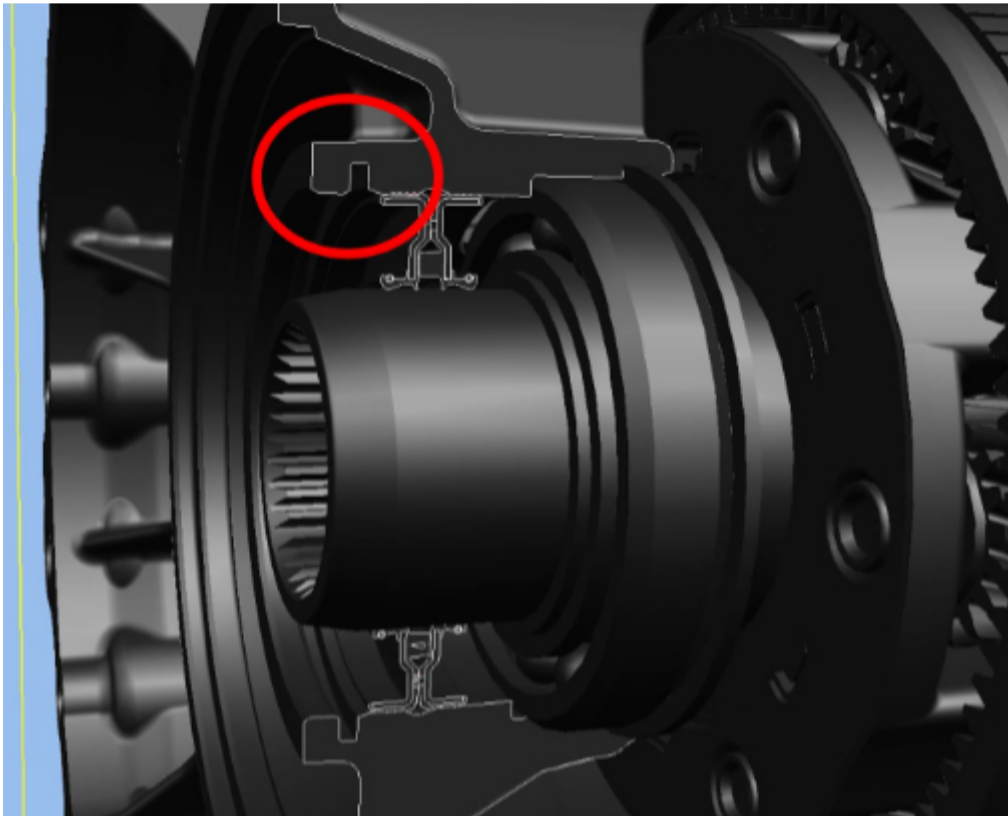
Seal installation depth is critical when replacing the transfer case input seal. There is a gap around the outer portion of the seal that needs to be centered over a weep hole in the case. Weep hole is drilled in the center of a groove machined into the case. Tool # DT-50648-A Seal Installer will not work for these applications.



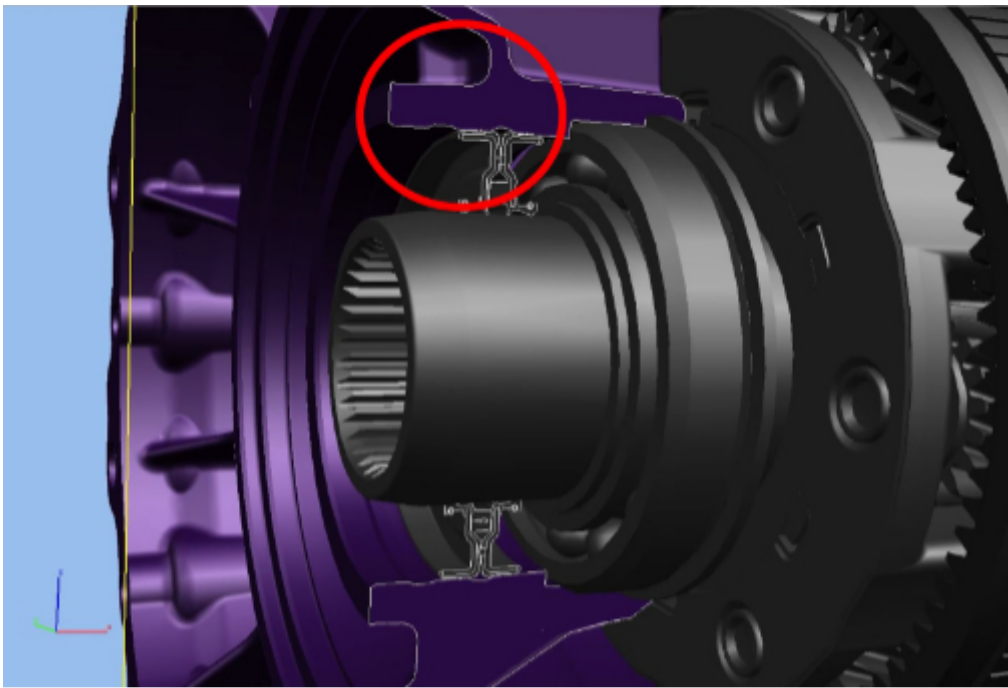


There are 2 design transfer case front case halves and the seals install at different depths between design 1 and 2. To identify design level look for a machined groove where the seal is installed (Red circles below). If there is a defined machined groove in the case then it is a first design case. If there is not a defined groove machined into the case then it is second design.

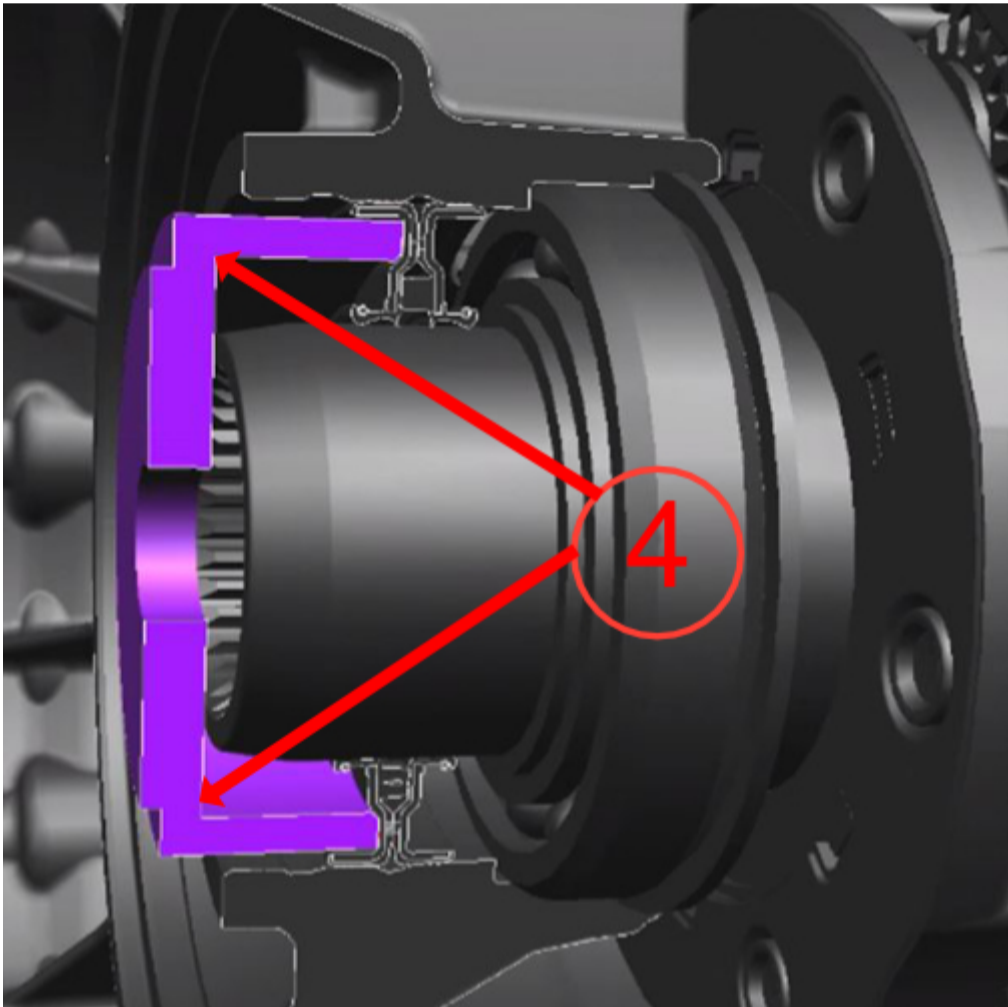
#### First Design



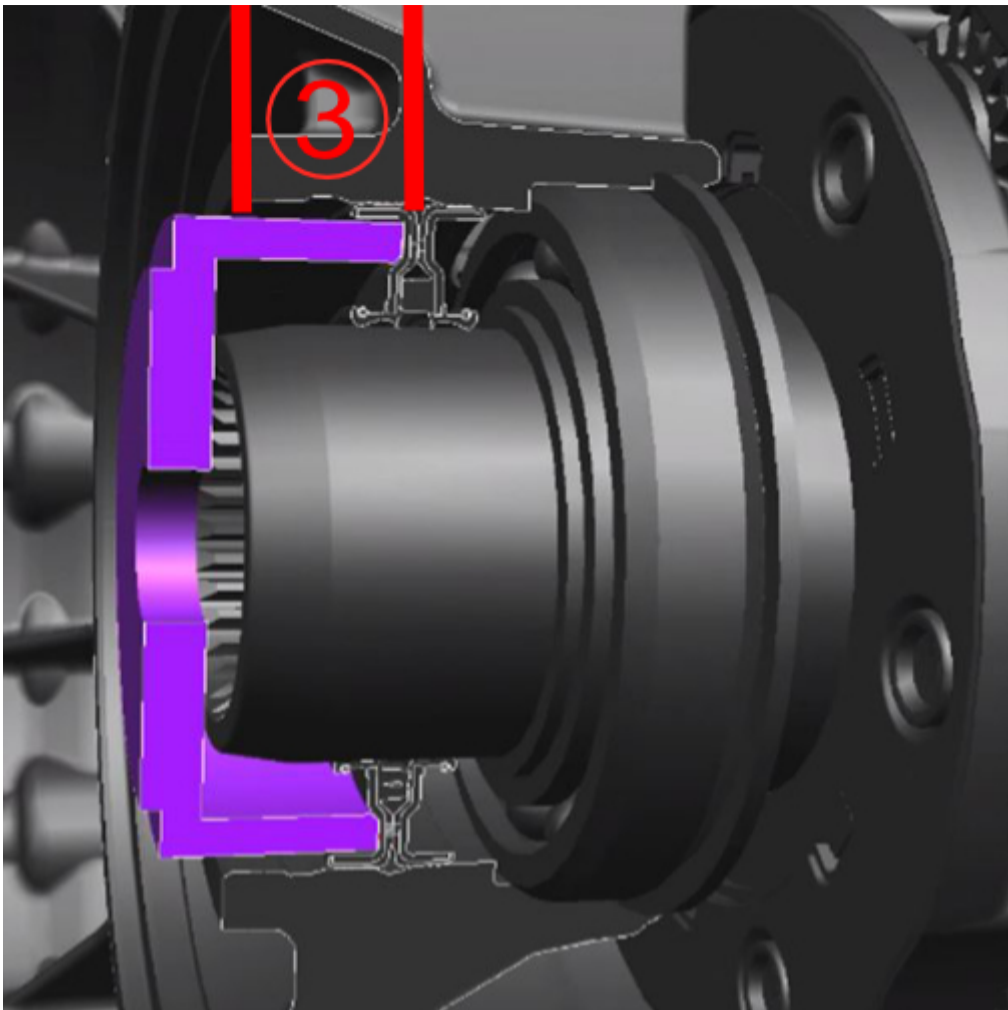
#### Second Design



**While GM works through the servicing tool strategies, J-45228 (4) can be used to drive the seal in HOWEVER there is no stop at the correct depth. The seal will have to be driven in slowly and seal installed depth checked. Be careful not to drive in too deep or you will need to replace the seal again.**

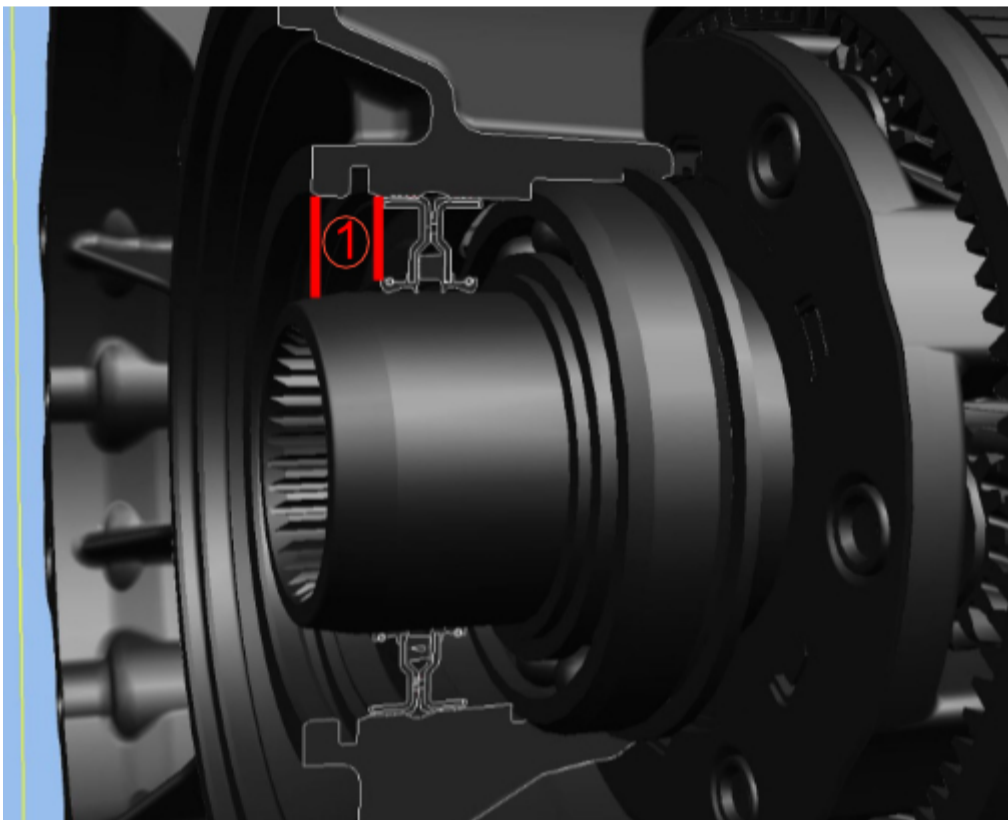


One tip for installation is to determine case design level, and put a mark on the outside of J-45228 at 17 mm for first design and 19.5 for second design (3) as a visual aid to stop when the mark is even with the case.

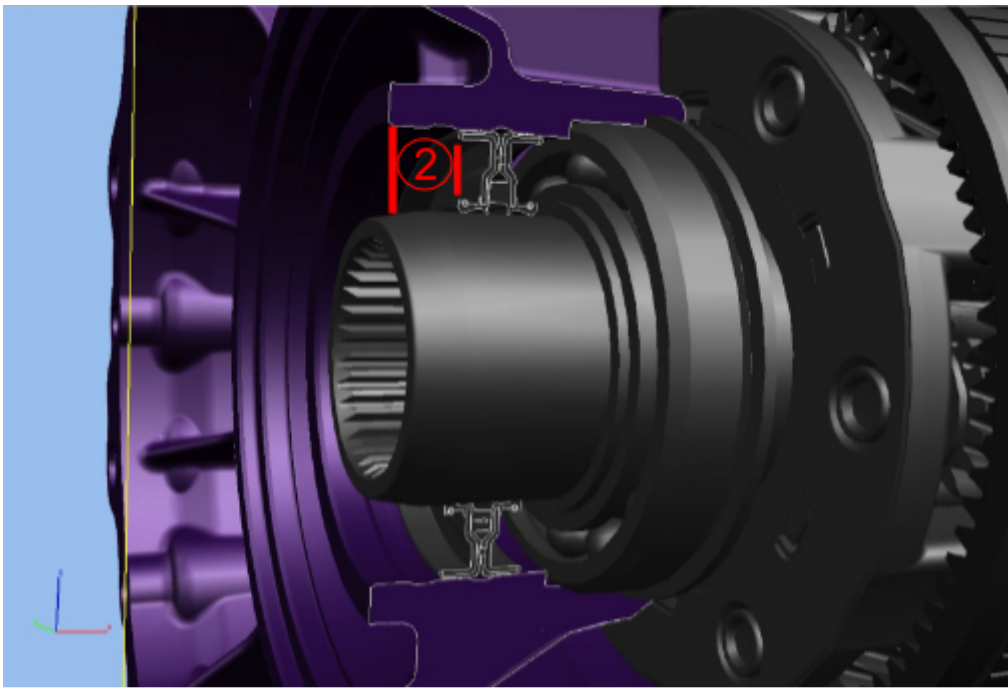


To verify correct installed depth using a vernier caliper check the distance between the case and the outer part of the seal.

First design dimension 1 is 10 mm.



Second design dimension 2 is 13 mm.



## Warranty Information

No associated or special labor operation, please use the labor op for the repair being performed, this document was created to ensure correct depth in case of a seal replacement.

## Version History

Version	1
Modified	06/16/2021 - Created on



GENERAL MOTORS

© 2021 General Motors. All Rights Reserved.