

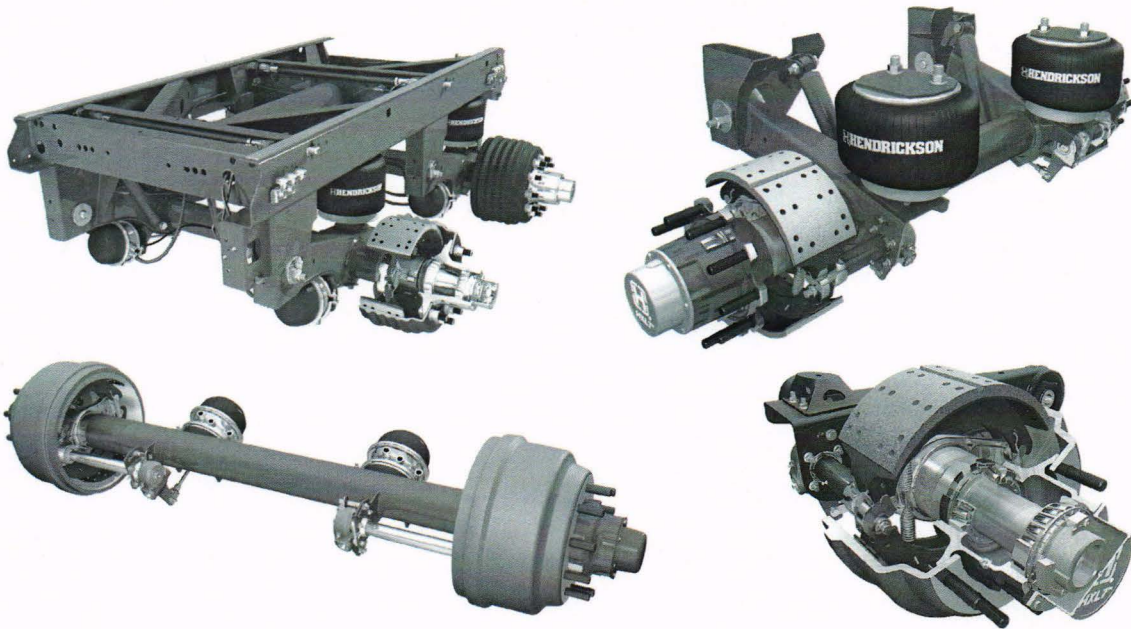
# H PARTS LIST

## RTR® READY-TO-ROLL®

LIT NO: L949

DATE: July 2014

REVISION: C



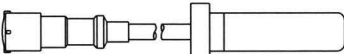
### TABLE OF CONTENTS

<b>DRUM BRAKE COMPONENTS</b> .....	3
Brake Adjusters — INTRAAX® and VANTRAAX® .....	3
Automatic Brake Adjusters — TRLAXLE® .....	3
Manual Brake Adjusters — TRLAXLE .....	3
Brake Chambers .....	4
Brake Chambers — TRLAXLE .....	5
Brake Drums .....	5
ABS Sensor Kit .....	6
<b>AXLE COMPONENTS</b> .....	6
Clamp-on Dust Shield Kit .....	6
Axle Nut Kit .....	6
<b>BEARINGS</b> .....	6
<b>SEALS</b> .....	6
<b>HUBS</b> .....	7
Hubs .....	7
Hub and Rotor Assemblies .....	8
Hubcap — Hendrickson Original Equipment Replacements .....	8
Hubcap — Dual Dynamics Original Equipment Replacements .....	9
Hubcap — Federal Mogul Original Equipment Replacements .....	9
Hubcap — Stemco Original Equipment Replacements .....	9
<b>INDIVIDUAL HUBCAP COMPONENTS</b> .....	10

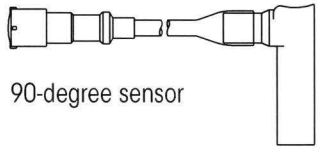


**BRAKE DRUM**

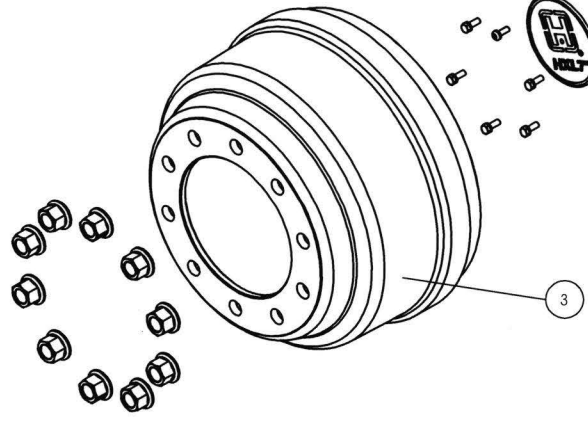
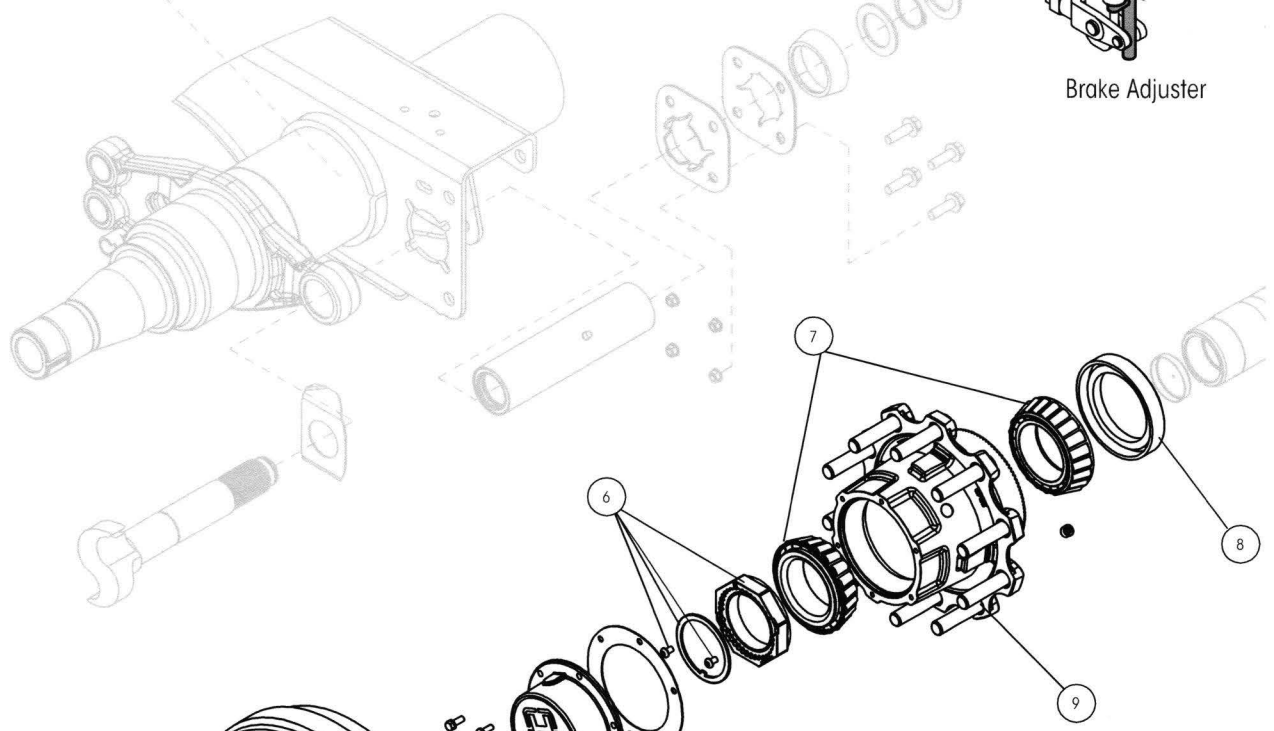
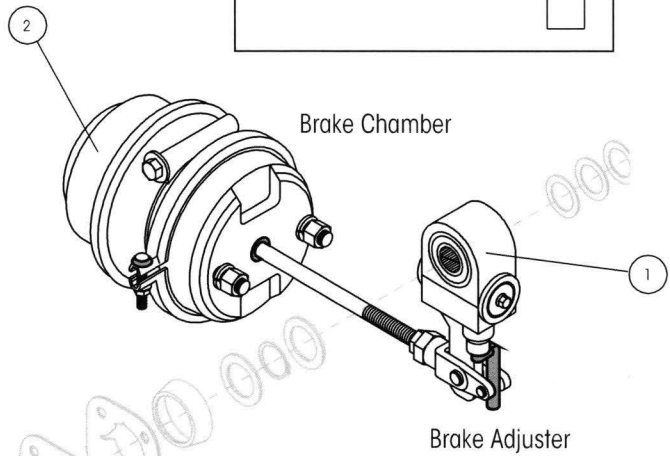
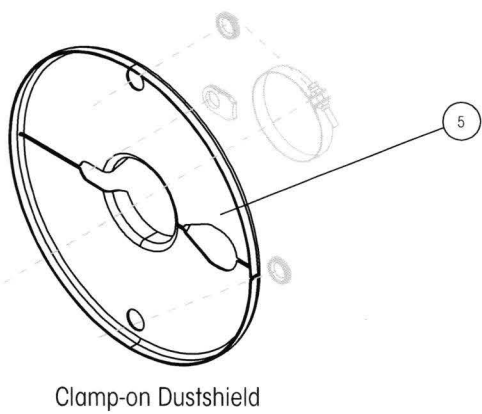
4 ABS Sensor



straight sensor



90-degree sensor





**DRUM BRAKE COMPONENTS**

1a BRAKE ADJUSTERS — INTRAAX® AND VANTRAAX® (DRUM BRAKES ONLY)					
BRAND	LENGTH	28 SPLINE	10 SPLINE	QTY. PER AXLE	NOTES
Bendix	5.5" Std.	C-29628	C-29673	2	Includes slack only
Bendix	6.0"	C-29629	C-29674	2	Includes slack only
Gunite	5.5" Std.	S-21398-1	S-15191-1	2	Includes unhanded slack, inner sleeve and outer nut
Gunite	6.0"	S-21398-2	S-15191-2	2	Includes unhanded slack, inner sleeve and outer nut
Haldex "SABA"	5.5" Std.	S-21399-3	S-15192-3	2	Includes anchor-stud, nut, Clevis assembly
Haldex "SABA"	6.0"	S-21399-4	S-15192-4	2	Includes anchor-stud, nut, Clevis assembly

1b AUTOMATIC BRAKE ADJUSTERS — TRLAXLE®										
BRAKE SIZE		12.25 × 5.50 or 12.25 × 7.50				15.00 × 8.63		16.50 × 5.00 or 16.50 × 7.00 or 16.50 × 8.63		Qty. Per Axle
BRAKE CHAMBER BRACKET		High Rise		Standard		Standard or High Rise		Standard		
Brand	Length	10 Spline	28 Spline	10 Spline	28 Spline	10 Spline	28 Spline	10 Spline	28 Spline	
Gunite	5.5			S-15191-1	S-21398-1	S-15191-1	S-21398-1			2
	6.0			S-15191-2	S-21398-2	S-15191-2	S-21398-2			2
Haldex	5.5 (.5")			S-15192-3	S-21399-3	S-15192-3	S-21399-3			2
	5.5 (14mm)							S-31362-1	S-31361-1	2
	6.0 (.5")			S-15192-4	S-21399-4	S-15192-4	S-21399-4			2
	6.0 (14mm)							S-31362-2	S-31361-2	2
	5.5 Curved	D-30198	S-30200	D-30198	S-30200					2
	6.0 Curved	S-30199	S-30201	S-30199	S-30201					2
Bendix	5.5			C-29673	S-29622-1	C-29673	S-29622-1			2
	6.0			C-29674	S-29622-2	C-29674	S-29622-2			2

1c MANUAL BRAKE ADJUSTERS — TRLAXLE®						
BRAKE SIZE		15.00 × 8.63		16.50 × 5.00 or 16.50 × 7.00 or 16.50 × 8.63		Qty. Per Axle
BRAKE CHAMBER BRACKET		Standard		Standard or High Rise		
Brand	Length	10 Spline	28 Spline	10 Spline	28 Spline	
Haldex***	6.0	S-32873-1	S-32873-2	S-32873-1	S-32873-2	2

\*\*\* Haldex 6.0 is a multi-holed slack adjuster with capacity for 5.0", 6.0" and 7.0" lengths.



**DRUM BRAKE COMPONENTS** (Continued)

2a BRAKE CHAMBERS (DRUM BRAKES ONLY)			AAT, AANT, HKANT, HKAT, AAZNT Models (9.75" Push Rod)	AAEDT, AAL, AAEDL, HKAL, AANL, HKARL, AAZL Models (5.63" Push Rod)	
BRAND	SIZE	STROKE			QTY. PER AXLE
Bendix	24/24	2.5"	S-26844-5	S-26845-5	2
	24/30	2.5"	S-22792-5	S-24163-5	2
	30/30	2.5"	S-20837-5	S-24164-5	2
	30/30	3.0"	S-24247-5	S-24769-5	2
	30/36	2.5"	S-24828-5	S-24829-5	2
Haldex	24/24	2.5"	S-26844-2	S-26845-2	2
	24/30	2.5"	S-22792-2	S-24163-2	2
	30	2.5"	S-32871-2	S-32872-2	2
	30/30	2.5"	S-20837-2	S-24164-2	2
	30/30	3.0"	S-24247-2	S-24769-2	2
	30/30 Ext. Life	2.5"	S-28517-2	S-28518-2	2
	30/30 Ext. Life	3.0"	S-24225-2	S-24165-2	2
	30/36	2.5"	S-24828-2	S-24829-2	2
36/36	3.0"	S-32796-2	S-32797-2	2	
TSE	24/30	2.5"	S-22792-3	S-24163-3	2
	30/30	2.5"	S-20837-3	S-24164-3	2
	30/30	3.0"	S-32197	S-32027	2
	30/30 Ext. Life	2.5"	S-28517-3	S-28518-3	2
	30/30 Ext. Life	3.0"	S-24225-3	S-24165-3	2



**DRUM BRAKE COMPONENTS** (Continued)

2b BRAKE CHAMBERS — TRLAXLE® (DRUM BRAKES ONLY)								
BRAKE SIZE			12.25 × 5.50 or 12.25 × 7.50	16.50 × 7.00 or 16.50 × 8.63	12.25 × 5.50 or 12.25 × 7.50	15.00 × 8.63	16.50 × 5.00 or 16.50 × 7.00 or 16.50 × 8.63	
BRAKE CHAMBER BRACKET			High Rise		Standard			Qty. Per Axle
Brand	Size	Stroke						
Haldex	24	2.5"	S-30681-5		S-30681-6		S-30681-2	2
	30	2.5"	S-30679-4		S-30679-2		S-30679-1	2
	30	3.0"	S-31975-2		S-31975-1			2
	24/24	2.5"			S-30680		S-30680-1	2
	24/30	2.5"	S-32466-2		S-32466-1			2
	20/30 (16mm)	3.0"					S-32013-3	2
	24/30 (16mm)	3.0"					S-32011-3	2
	30/30	2.5"		S-30678-5	S-30678-3	S-30678-7	S-30678-1	2
	30/31	2.5"		S-30684-5	S-30684-3		S-30684-1	2
	30/30 (16mm)	3.0"					S-32012-3	2
	30/30	3.0"	S-30683-4		S-30683-3		S-30683-1	2
	30/31	3.0"					S-30685-1	2
	30/24	2.5"					S-30682	2
36/36	3.0"					S-32798-1	2	
TSE	30	2.5"			S-31911-2		S-31911-1	2
	30	3.0"			S-32210-1	S-32210-2	S-32210-3	2
	30/30	2.5"			S-31912-2		S-31912-1	2
	30/31	2.5"					S-32492	2
	30/32	3.0"			S-32211			2
	30/33	3.0"			S-32493			2
Bendix	30	2.5"					M10WR300 674	2
	30/31	2.5"					M10WR303 674	2

3 BRAKE DRUMS										
BRAKE SIZE	STANDARD DUTY DRUMS									
	CAST DRUMS						FUSED DRUMS			
	8 Stud × 275mm BCD			10 Stud × 11.25" BCD			10 Stud × 335mm BCD	8 Stud × 275mm BCD	10 Stud × 11.25" BCD	
	WEBB	Motor Wheel	KIC	WEBB	Motor Wheel	KIC	KIC	Motor Wheel	Motor Wheel	
16.5" × 7"	B-22574	C-27853	N/A	C-25161	C-27855	D-30114	C-31699	B-22359	B-21620	
16.5" × 8.625"	N/A	N/A	N/A	C-23603	C-27854	N/A	C-30652	N/A	B-29099	
15" × 8.625"	N/A	N/A	N/A	C-26391	N/A	N/A	N/A	C-27826	C-26390	
12.25" × 7.5"	N/A	N/A	D-30113	N/A	N/A	N/A	N/A	N/A	N/A	
BRAKE SIZE	HEAVY DUTY DRUMS									
	CAST DRUMS									
		8 Stud × 275mm BCD			10 Stud × 11.25" BCD			10 Stud × 335mm BCD		
		WEBB			WEBB	Motor Wheel		WEBB		
	16.5" × 7"	N/A			B-21619	C-27857		C-26440		
16.5" × 8.625"	N/A			N/A	N/A		N/A			
15" × 8.625"	N/A			N/A	N/A		N/A			
12.25" × 7.5"	C-30106			N/A	N/A		N/A			



**DRUM BRAKE COMPONENTS** (Continued)

4 ABS SENSOR KIT (DRUM BRAKES ONLY)				
BRAND	SENSOR TYPE	WIRE LENGTH	RETAINING SLEEVE	PART NUMBER
Haldex	Straight (P90 Spindle)	19.7"	Meritor	S-22889-1
Haldex	Straight (P90 Spindle)	78.7"	Meritor	S-22889-2
Bendix	Straight (All)	78.7"	Meritor	S-22889-4
Meritor-WABCO	Straight (P90 Spindle)	39.4"	Meritor	S-22889-3
Haldex	90° Angle (Std)	19.7"	Haldex	S-22889-6
Bendix	90° Angle (Std)	14.84"	Bendix	S-22889-7
WABCO	90° Angle (Std)	15.7"	Meritor	S-22889-8
WABCO	90° Angle (Std)	36.0"	Haldex	S-22889-11

ABS Sensor Kits Contain: (1) sensor, (1) sleeve, (2) nylon ties 4.5" and (1) UV resistant nylon tie 21"

**AXLE COMPONENTS**

5 CLAMP-ON DUST SHIELD KIT			
AXLE DIAMETER	PART NUMBER	QTY. PER AXLE	NOTES
<b>16.5" DRUM BRAKES</b>			
5" Axle	S-28500-1650	2	Replaces S-23579/2 Includes (1) shield and hardware
5.75" LDA™ Axle	S-28500-1657	2	Includes (1) dust shield and hardware
<b>15" DRUM BRAKES</b>			
5" Axle	S-28500-1550	2	Includes (1) dust shield and hardware

6 AXLE NUT KIT				
SPINDLE NUT	SPINDLE	PART NUMBER	QTY. PER AXLE	NOTES
3-Piece Nut	HN®	S-20492/2	2	Includes (1) each inner axle nut, outer axle nut, axle lock washer and set screw
	HP	S-20475/2	2	Same as above
STEMCO PRO-TORQ	HN	A-23851	2	1-piece spindle nut
	HP	A-23852	2	1-piece spindle nut
HUS® Nut System	HUS®	S-26355/2	2	Includes (1) each inner axle nut, outer axle nut, axle washer and tab lock washer
PRECISION 320™, Machined	HP	S-29286/2	2	Includes (1) spindle nut, washer and (2) screws
PRECISION 320, Powdered Metal*	HP	S-32844/2	2	Includes (1) spindle nut, washer and (2) screws
PRECISION 240®, Powdered Metal**	HN	S-33332/2		Includes (1) spindle nut, washer and (2) screws

\* Please refer to T77001 for hubcap compatibility of PRECISION 320 Spindle Nut Systems

\*\* Please refer to T77002 for hubcap compatibility of PRECISION 240 Spindle Nut Systems.

**BEARINGS**

7 BEARINGS		
SPINDLE	INNER BEARINGS	OUTER BEARINGS
HN	A-2717-H	A-2718-H
HP	A-14897-H	A-14897-H

**SEALS**

8 SEALS		
SEAL BRAND	HN SPINDLE	HP SPINDLE
Stemco Guardian HP	A-11571	A-14895
Stemco Discover	A-25538	A-25539
Federal Mogul	S-27267-HN	S-27268-HP
Stemco Voyager	A-25540	A-25541



HUBS

9a HUBS (DRUM BRAKE)						
HN SPINDLE						
HUB MATERIAL / HUB BRAND	RTR® PACKAGE	WHEEL MATERIAL	10 Stud × 11.25" BC	8 Stud × 275 mm BC		10 Stud × 335 mm BC
			15 × 8-5/8 or 16.5 × 7 or 16.5 × 8-5/8	12.25 × 7.50	15 × 8-5/8 or 16.5 × 7	16.5 × 7 or 16.5 × 8-5/8
Aluminum / ConMet	Standard Service or HLS® or HVS® or Stemco Platinum	Steel	C-22549-11	N/A	C-22551-7	N/A
		Aluminum	C-22549-12	N/A	C-22551-8	N/A
	HXL3® or HXL5®	Steel	C-22549-11	N/A	N/A	N/A
		Aluminum	C-22549-12	N/A	N/A	N/A
	ConMet PreSet	Steel	C-24749-1	N/A	C-25548-1	N/A
		Aluminum	C-24749-2	N/A	C-25548-2	C-29984
Dura-Light (ADI) / Walther EMC	Standard Service or HLS or HVS or Stemco Platinum	Steel	C-31906-1	N/A	N/A	N/A
		Aluminum	C-301906-2	N/A	N/A	N/A
	HXL3 or HXL5	Steel	C-31906-1	N/A	N/A	N/A
		Aluminum	C-31906-2	N/A	N/A	N/A
Ductile Iron / Webb	Standard Service or HLS or HVS or Stemco Platinum	Steel	C-33796-1	D-30657-1	C-22551-5	N/A
		Aluminum	C-33796-2	D-30657-2	C-22551-6	N/A
	HXL3 or HXL5	Steel	C-33796-1	N/A	N/A	N/A
		Aluminum	C-33796-2	N/A	N/A	N/A
Ductile Iron / KIC	Standard Service	Steel	C-34419-1	D-30031-1	N/A	C-30656-1
		Aluminum	C-34419-2	D-30031-2	N/A	C-30656-2

9b HUBS (DRUM BRAKE)							
HP SPINDLE							
HUB MATERIAL / HUB BRAND	RTR PACKAGE	WHEEL MATERIAL	10 Stud × 11.25" BC	8 Stud × 275 mm BC		10 Stud × 335 mm	
			15 × 8-5/8 or 16.5 × 7 or 16.5 × 8-5/8	12.25 × 7.50	15 × 8-5/8 or 16.5 × 7	16.5 × 7 or 16.5 × 8-5/8	
Aluminum / ConMet	Standard Service or HLS or HVS or Stemco Platinum	Steel	C-22593-9	N/A	C-23373-3	N/A	
		Aluminum	C-23593-10	N/A	C-23373-4	N/A	
	HXL3 or HXL5	Steel	C-23593-9	N/A	N/A	N/A	
		Aluminum	C-23593-10	N/A	N/A	N/A	
	ConMet PreSet	Steel	C-25551-1	N/A	C-25550-1	N/A	
		Aluminum	C-25551-2	N/A	C-25550-2	N/A	
	HXL7®	Steel	C-23593-9	N/A	N/A	N/A	
		Aluminum	C-23593-10	N/A	N/A	N/A	
Dura-Light (ADI) / Walther EMC	Standard Service or HLS or HVS or Stemco Platinum	Steel	C-31905-1	N/A	N/A	N/A	
		Aluminum	C-31905-2	N/A	N/A	N/A	
	HXL3 or HXL5	Steel	C-31905-1	N/A	N/A	N/A	
		Aluminum	C-31905-2	N/A	N/A	N/A	
	HXL7	Steel	C-31905-1	N/A	N/A	N/A	
		Aluminum	C-31905-2	N/A	N/A	N/A	
Ductile Iron / Webb	Standard Service or HLS or HVS or Stemco Platinum	Steel	C-23593-5	D-30642-1	N/A	N/A	
		Aluminum	C-23593-6	D-30642-2	N/A	N/A	
	HXL3 or HXL5	Steel	C-23593-5	N/A	N/A	N/A	
		Aluminum	C-23593-6	N/A	N/A	N/A	
	HXL7	Steel	C-23593-5	N/A	N/A	N/A	
		Aluminum	C-23593-6	N/A	N/A	N/A	
	Ductile Iron / KIC	Standard Service	Steel	C-34420-1	D-30035-1	N/A	C-34758-1
			Aluminum	C-34420-2	D-30035-2	N/A	C-34758-2



**HUBS** (Continued)

9c HUB and ROTOR ASSEMBLIES (DISC BRAKE)							
RTR® PACKAGE / HUB BRAND	WHEEL MATERIAL	HN SPINDLE			HP SPINDLE		
		10 Stud x 11.25" BC			10 Stud x 11.25" BC		
		ConMet Rotor	Gunite Rotor	Knorr-Bendix	ConMet Rotor	Gunite Rotor	Knorr-Bendix
ConMet PreSet / Aluminum	Steel	D-28363-2	N/A	N/A	D-32014-2	N/A	N/A
	Aluminum	D-28363-1	N/A	N/A	D-32014-1	N/A	N/A
ConMet PreSet / Aluminum Splined	Steel	N/A	N/A	D-31179-2	N/A	N/A	D-31180-2
	Aluminum	N/A	N/A	D-31179-1	N/A	N/A	D-31180-1
ConMet PreSet / ConMet Ductile Iron	Steel	N/A	N/A	N/A	N/A	N/A	D-28596-12
	Aluminum	N/A	N/A	N/A	N/A	N/A	D-28596-11
Standard Service or HXL3® or HXL5® / ConMet Ductile Iron	Steel	N/A	N/A	D-28596-31	N/A	N/A	D-28596-30
	Aluminum	N/A	N/A	D-28596-32	N/A	N/A	D-28596-29
HXL7® / ConMet Ductile Iron	Steel	N/A	N/A	N/A	N/A	N/A	D-28596-30
	Aluminum	N/A	N/A	N/A	N/A	N/A	D-28596-29
Standard Service / Gunite Ductile Iron	Steel	N/A	D-28596-26	D-28596-2	N/A	D-28596-28	D-28596-6
	Aluminum	N/A	D-28596-25	D-28596-1	N/A	D-28596-27	D-28596-5
Standard Service or HXL3 or HXL5 / Hendrickson Ductile Iron	Steel	N/A	D-28596-17	N/A	N/A	D-28596-19	N/A
	Aluminum	N/A	D-28596-18	N/A	N/A	D-28596-20	N/A
HXL7 / Hendrickson Ductile Iron	Steel	N/A	N/A	N/A	N/A	D-28596-19	N/A
	Aluminum	N/A	N/A	N/A	N/A	D-28596-20	N/A

**HUBCAPS**

10a HUBCAP - HENDRICKSON ORIGINAL EQUIPMENT REPLACEMENTS							
Hubcap Type		Hendrickson					
RTR® Package		HXL7®					
Tires		Super-Single or Dual					
Lube Type		Semi-fluid Grease					
Tire Inflation System		TIREMAAX® CP		TIREMAAX PRO		None	
Spindle Type	HN	N/A		N/A		N/A	
	HP	VS-32070-3		VS-32056-3		N/A	
Hubcap Type		Hendrickson					
RTR Package		HXL5®			HXL3®		
Tires		Super-Single or Dual			Super-Single or Dual		
Lube Type		Semi-fluid Grease			Oil		
Tire Inflation System		TIREMAAX CP	TIREMAAX PRO	None	TIREMAAX CP	TIREMAAX PRO	None
Spindle Type	HN	VS-32068-3	VS-32055-3	S-33376	VS-32068-1	VS-32055-1	S-33374
	HP	VS-32070-3	VS-32056-3	S-33377	VS-32070-1	VS-32056-1	S-33375
Hubcap Type		Hendrickson					
RTR Package		HLS®			HVS®		
Tires		Super-Single or Dual			Super-Single or Dual		
Lube Type		Semi-fluid Grease			Oil		
Tire Inflation System		TIREMAAX CP	TIREMAAX PRO	None	TIREMAAX CP	TIREMAAX PRO	None
Spindle Type	HN	VS-32068-3	VS-32055-3	N/A	VS-32068-1	VS-32055-1	N/A
	HP	VS-32070-3	VS-32056-3	N/A	VS-32070-1	VS-32056-1	N/A
Hubcap Type		Hendrickson					
RTR Package		Gunite TruSet, ConMet PreSet or Standard Service					
Tires		Super-Single or Dual			Super-Single or Dual		
Lube Type		Semi-fluid Grease			Oil		
Tire Inflation System		TIREMAAX CP	TIREMAAX PRO	None	TIREMAAX CP	TIREMAAX PRO	None
Spindle Type	HN	VS-32068-3	VS-32055-3	N/A	VS-32068-1	VS-32055-1	N/A
	HP	VS-32070-3	VS-32056-3	N/A	VS-32070-1	VS-32056-1	N/A



**HUBCAPS (Continued)**

10b HUBCAP - DUAL DYNAMICS ORIGINAL EQUIPMENT REPLACEMENTS						
Hubcap Type		Dual Dynamics				
RTR® Package		HXL7®		HLS®		HVS®
Tires		Super-Single or Dual		Super-Single or Dual		Super-Single or Dual
Lube Type		Semi-fluid Grease		Semi-fluid Grease		Oil
Tire Inflation System		TIREMAAX®	None	TIREMAAX	None	TIREMAAX      None
Spindle Type	HN	N/A	N/A	VS-26491	N/A	VS-26492      C-28572
	HP	VS-31185	S-34434	VS-26493	N/A	VS-26494      C-28573
<b>Hubcap Type</b>						
Hubcap Type		Dual Dynamics				
RTR Package		Gunitite TruSet or Standard Service				
Tires		Super-Single or Dual				
Lube Type		Semi-fluid Grease			Oil	
Tire Inflation System		TIREMAAX	None	TIREMAAX	None	
Spindle Type	HN	VS-26491	C-29467	VS-26492	N/A	
	HP	VS-26493	C-29466	VS-26494	N/A	
<b>Hubcap Type</b>						
Hubcap Type		Dual Dynamics				
RTR Package		ConMet PreSet				
Tires		Super-Single or Dual			Super-Single or Dual	
Lube Type		Semi-fluid Grease			Oil	
Tire Inflation System		TIREMAAX	None	TIREMAAX	None	
Spindle Type	HN	VS-26491	C-25886	VS-26492	C-25885	
	HP	VS-26493	C-25888	VS-26494	C-25887	

10c HUBCAP - FEDERAL MOGUL ORIGINAL EQUIPMENT REPLACEMENTS		
Hubcap Type		Federal Mogul
RTR Package		HLS
Tires		Super-Single or Dual
Lube Type		Semi-fluid Grease
Tire Inflation System		None
Spindle Type	HN	S-27858
	HP	S-27859

10d HUBCAP - STEMCO ORIGINAL EQUIPMENT REPLACEMENTS				
Hubcap Type		Stemco Bolt-On		
RTR Package		Standard Service or Gunitite TruSet		
Tires		Super-Single or Dual		Super-Single or Dual
Lube Type		Semi-fluid Grease		Oil
Tire Inflation System		TIREMAAX	None	TIREMAAX      None
Spindle Type	HN	C-31290	N/A	C-31292      A-1974
	HP	C-31291	N/A	C-31293      A-23406
<b>Hubcap Type</b>				
Hubcap Type		Stemco Sentinel		
RTR Package		Standard Service or Gunitite TruSet or ConMet PreSet or Stemco Platinum		
Tires		Super-Single or Dual		
Lube Type		Semi-fluid Grease		Oil
Tire Inflation System		None		None
Spindle Type	HN	S-23987		S-23986
	HP	A-23989		A-23988





Call your trailer dealer or Hendrickson at **330.489.0045** or **866.RIDEAIR (743.3247)** for additional information.



[www.hendrickson-intl.com](http://www.hendrickson-intl.com)

**TRAILER COMMERCIAL VEHICLE SYSTEMS**

2070 Industrial Place SE  
Canton, OH 44707-2641 USA  
866.RIDEAIR (743.3247)  
330.489.0045 • Fax 800.696.4416

**Hendrickson Canada**

250 Chrysler Drive, Unit #3  
Brampton, ON Canada L6S 6B6  
800.668.5360  
905.789.1030 • Fax 905.789.1033

**Hendrickson Mexicana**

Circuito El Marqués Sur #29  
Parque Industrial El Marqués  
Pob. El Colorado, Municipio El Marqués,  
Querétaro, México C.P. 76246  
+52 (442) 296.3600 • Fax +52 (442) 296.3601