

H PARTS LIST

PRIMAAX® EX / PRIMAAX® Rear Air Suspension for Kenworth Vehicles

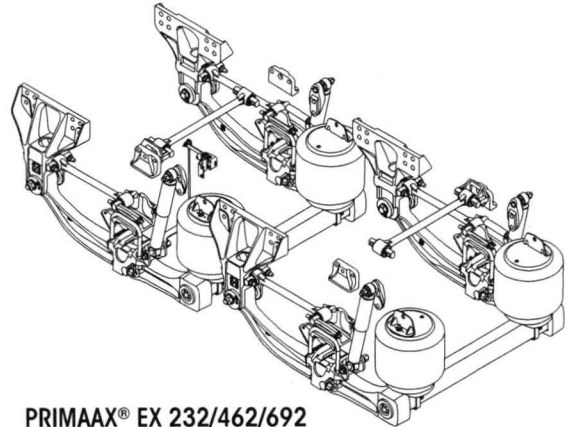
LIT NO: SP-225

DATE: July 2014

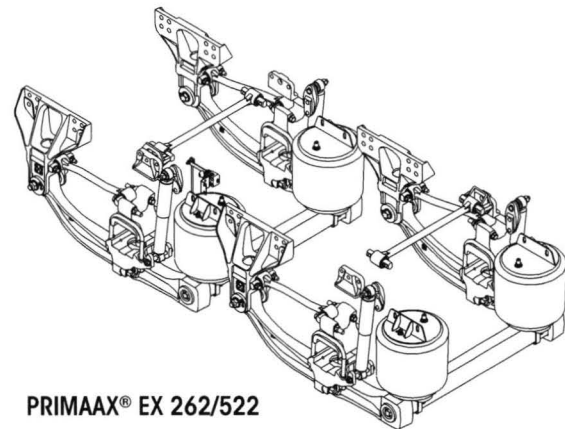
REVISION: D

CONTENTS

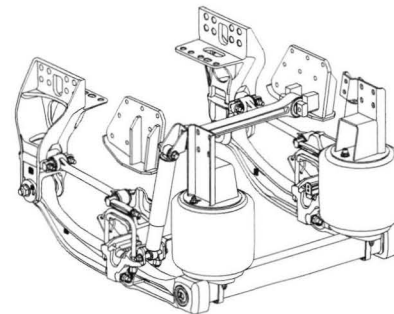
DESCRIPTION	PAGE
Technical Notes	2
Selection Guides	3-4
• Bottom Cap, Longitudinal Torque Rod Assembly, Torque Rod Spacer and Top Pad	
Severe Service Kits	5
U-beam Assembly Enhancement Aftermarket Service Kit	5
PARTS LISTS	
PRIMAAX EX	
• 232/462/692	6
• 262/522	8
• 262S/522S	10
• 232T/262T	12
PRIMAAX	
• 230/460/690	14
• 260/520	16
U-beam Assembly, Support Beam and Cross Tube Assembly Replacement Guide	18
Special Tools	19



PRIMAAX® EX 232/462/692



PRIMAAX® EX 262/522



PRIMAAX® EX 232T / 262T



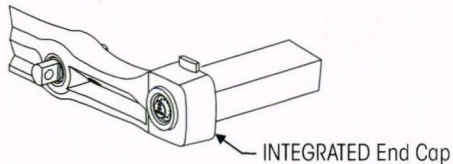
■ Technical Notes

The following information is intended to assist in determining which suspension is equipped on the vehicle. As an example, in Figure 1 and Figure 2, the end cap / frame hanger identify whether the suspension is a PRIMAAX EX or a PRIMAAX and the vehicle ride height.

FIGURE 1

PRIMAAX EX or PRIMAAX

- **PRIMAAX EX** Enhanced U-beam Assembly with Integrated End Cap



- **PRIMAAX** Support Beam with End Cap

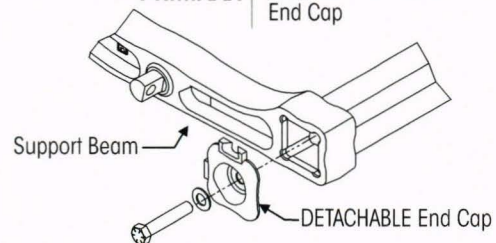


FIGURE 2

RIDE HEIGHT

- **Frame Hangers**

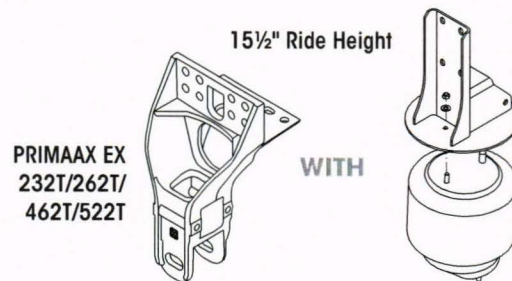
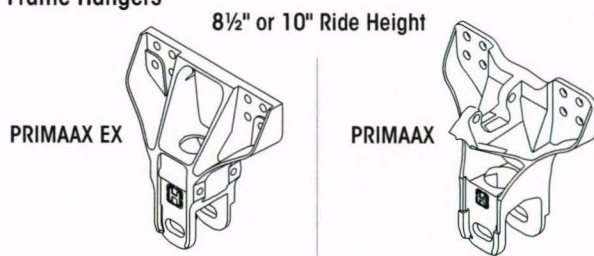
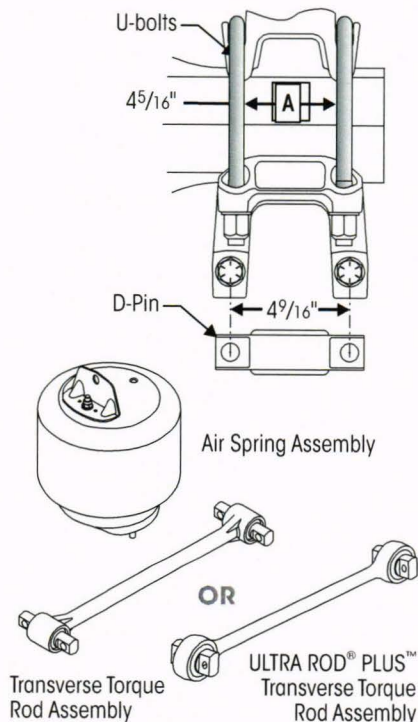


FIGURE 3

SUSPENSION RATING / CAPACITY

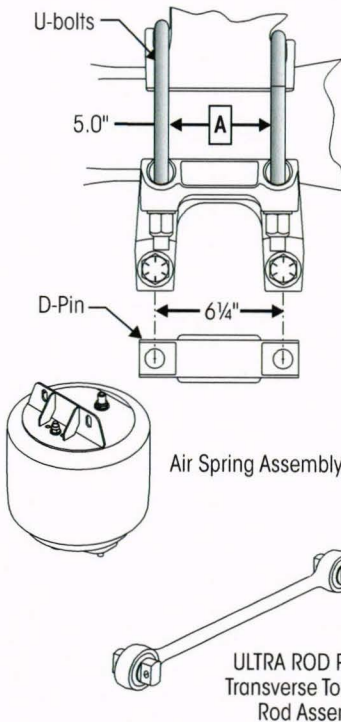
- PRIMAAX EX 232/462/692
- PRIMAAX 230/460/690

Distance Between U-bolts — 4⁵/₁₆"



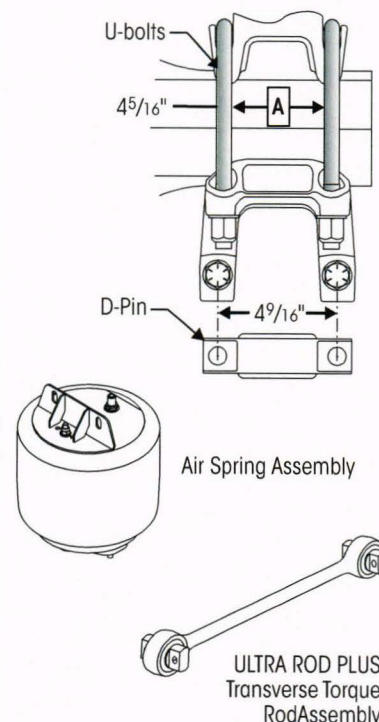
- PRIMAAX EX 262/522
- PRIMAAX 260/520

Distance Between U-bolts — 5"



- PRIMAAX EX 262S/522S

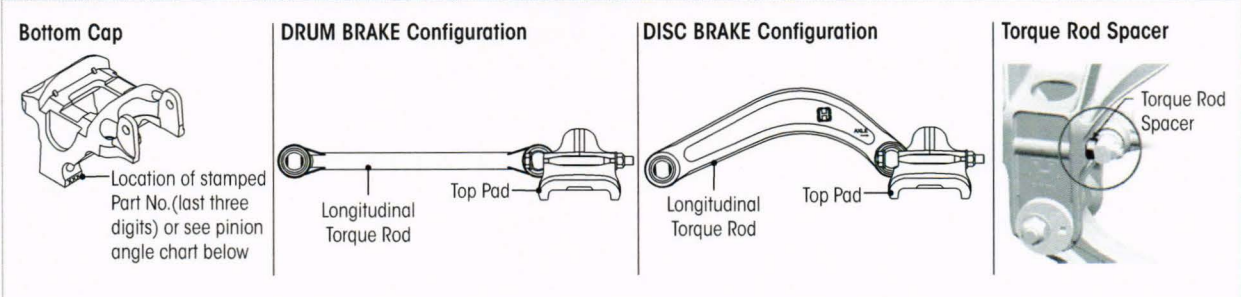
Distance Between U-bolts — 4⁵/₁₆"





■ Bottom Cap • Longitudinal Torque Rod Assembly • Top Pad • Torque Rod Spacer

PRIMAAX EX 232/462/692/262S/522S • PRIMAAX 230/460/690

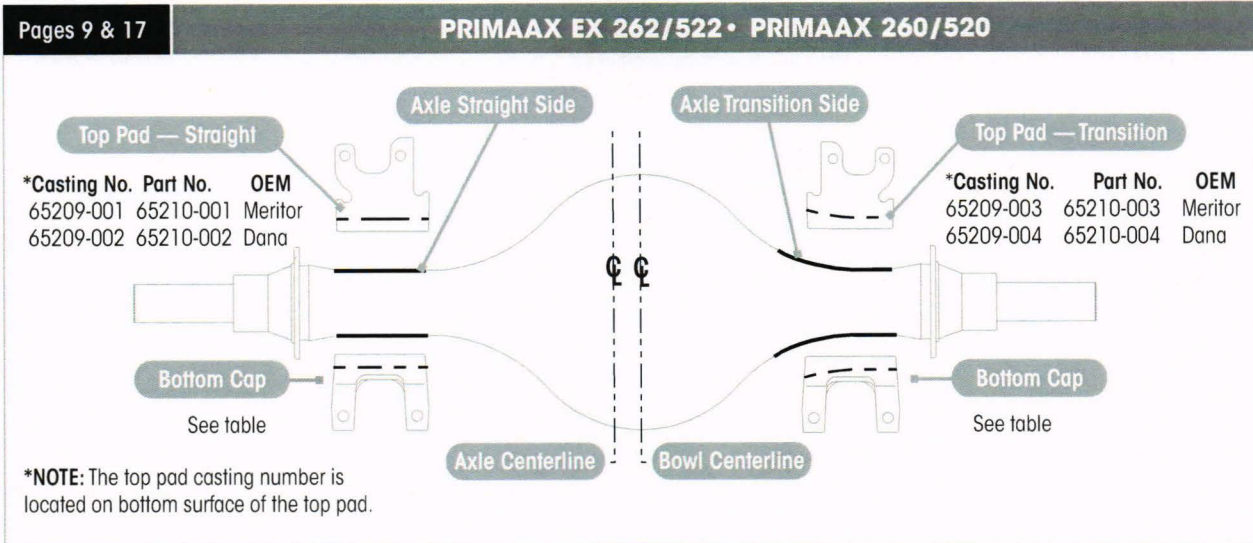


Pinion Angle	DRUM BRAKES				DISC BRAKES				
	PRIMAAX 230/460/690		PRIMAAX EX 232/462/692/262S/522S		PRIMAAX EX 232/462/692/262S/522S				
	Page 15		Pages 7 and 11		Pages 7 and 11				
	Bottom Cap	Longitudinal Torque Rod Assembly	Bottom Cap	Longitudinal Torque Rod Assembly	Bottom Cap	Longitudinal Torque Rod Assembly	Top Pad	**Torque Rod Spacer (in mm)	D-Pin Bolt Length
FORWARD REAR									
1.5°	—	—	60556-035	*67428-425	60556-035	*67219-435	65289-003 (LH)	—	4.75"
2.0°			60556-040		60556-040			65289-004 (RH)	
2.5°	60556-025	60827-605A (LH)	60556-025	*67428-435	60556-025	*67219-435	65289-004 (RH)	9.0	4.75"
3.0°	60556-030		60556-030		60556-030				
3.5°	60556-035		60556-035		60556-035				
4.0°	60556-040	60827-605B (RH)	60556-040	*67428-435	60556-040	*67219-435	65289-004 (RH)	9.0	4.75"
4.5°	60556-045		60556-045		60556-045				
5.0°	60556-050		60556-050		60556-050				
5.5°	60556-055		60556-055		60556-040				
REAR REAR									
6.0°	60556-060	60827-605A	60556-060	*67428-435	60556-025	*67219-435	65289-000	15.0	4.75"
6.5°	60556-065	60827-605B	60556-065		60556-035				
7.0°	60556-110	64717-620A (LH)	60556-040	*67428-450	60556-040	*67219-435	65289-000	25.0	4.75"
7.5°	60556-115		60556-045		60556-045				
8.0°	60556-120		60556-050		60556-050				
8.5°	60556-125	64717-620B (RH)	60556-110	*67428-460	60556-110	*67219-435	65289-000	25.0	4.75"
9.0°	60556-130		60556-115		60556-115				
9.5°	60556-135		60556-120		60556-120				
10.0°	60556-100	60827-645A (LH)	60556-100	*67428-475	60556-100	*67219-475	65289-000	—	4.75"
10.5°	60556-105		60556-105		60556-105				
11.0°	60556-110		60556-110		60556-110				
11.5°	60556-115	60827-645B (RH)	60556-115	*67428-475	60556-115	*67219-475	65289-000	—	4.75"
12.0°	60556-120		60556-120		60556-120				
12.5°	60556-125		60556-125		60556-125				
13.0°	60556-130		60556-130		60556-130				
13.5°	60556-135		60556-135		60556-135				
14.0°	60556-140		60556-140		60556-140				
14.5°	60556-145		60556-145		60556-145				

* Torque rod bushings are non-serviceable, replacement requires complete torque rod assembly with bushings.
 ** Not supplied by Hendrickson, used for reference only. Refer to the vehicle manufacturer for more information.



■ Bottom Cap and Top Pad



BOTTOM CAP PART NUMBER							
Beam Centers	Axle Manufacturer	TANDEM				SINGLE	
		Straight Side		Transition Side		Straight Side	Transition Side
		FRONT	REAR	FRONT	REAR		
40.0"	MERITOR	65208-101	65208-103	65208-106	65208-109	65208-101	65208-105
	DANA	65208-102	65208-104	65208-108	65208-111	Contact Hendrickson for Part Nos.	

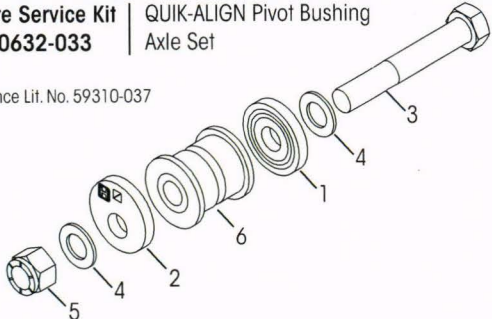
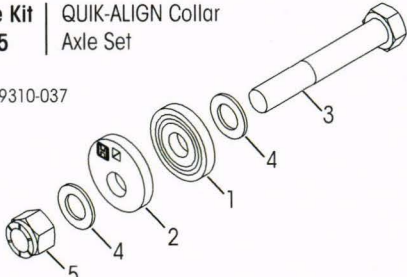
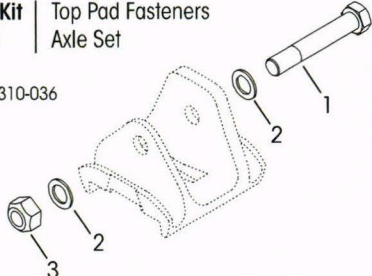
■ Longitudinal Torque Rod • Top Pad

Page 9	PRIMAAX EX 262/522				Page 17	PRIMAAX 260/520	
Pinion Angle	Axle Manufacturer	Longitudinal Torque Rod Assembly	Top Pad		Pinion Angle	Longitudinal Torque Rod Assembly	
			FORWARD REAR			LEFT	RIGHT
			LEFT	RIGHT			
1.5°	Dana Meritor	*65302-460	65210-001	65210-003	2.0° - 3.5°	66359-650A	66359-650B
2.0°			65210-002	65210-004	4.0° - 5.5°	66359-660A	66359-660B
2.5° - 3.0°	Dana Meritor	*65302-470	65210-002	65210-004	10.0° - 10.5°	66359-585A	66359-585B
3.5°			65210-001	65210-003	11.0° - 11.5°	66359-590A	66359-590B
4.0°	Dana Meritor	*65302-475	65210-002	65210-004	12.0° - 12.5°	66359-595A	66359-595B
			65210-001	65210-003			
			REAR REAR				
9.0° - 9.5°		*65302-510	65210-004	65210-002			
10°		*65302-520	65210-004	65210-002			
10.5°	Dana Meritor	*65302-515	65210-004	65210-002			
		*65302-520	65210-003	65210-001			
11.0°		*65302-520	65210-003	65210-001			
11.5°	Dana Meritor	*65302-525	65210-004	65210-002			
		*65302-520	65210-003	65210-001			
		*65302-525	65210-003	65210-001			
12.0°		*65302-525	65210-003	65210-001			
13.0°		*65302-530	65210-003	65210-001			

* Torque rod bushings are non-serviceable, replacement requires complete torque rod assembly with bushings.



■ Severe Service Kits

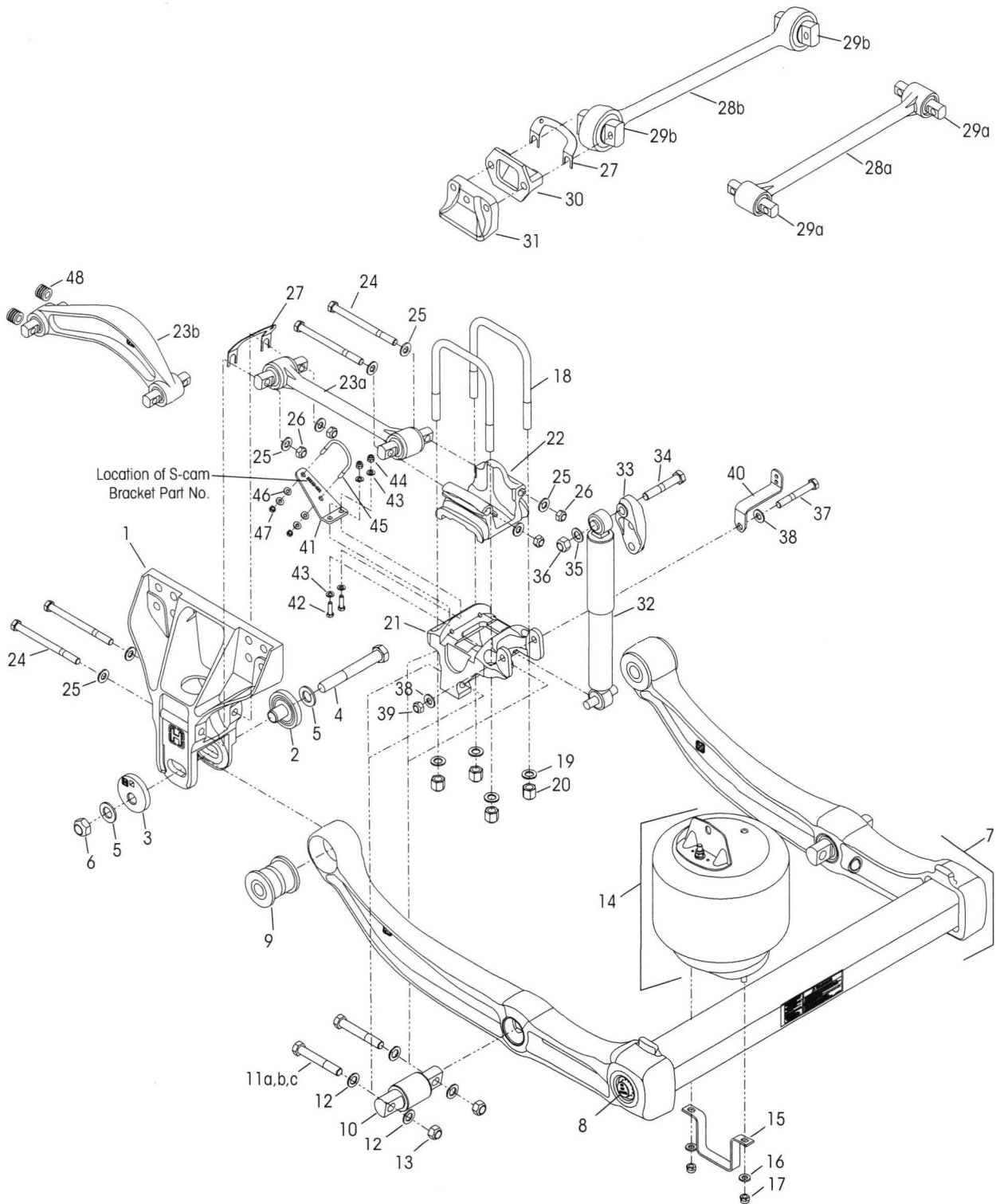
PRIMAAX EX • PRIMAAX SERIES																									
<p>Severe Service Kit No. 60632-033 QUIK-ALIGN Pivot Bushing Axle Set</p> <p>Reference Lit. No. 59310-037</p> 	<p>KIT NO. 60632-033 PRIMAAX EX, PRIMAAX • 8½"-10" Ride Height</p> <table border="1"> <thead> <tr> <th>KEY NO.</th> <th>CONTENTS</th> <th>QTY.</th> </tr> </thead> <tbody> <tr> <td>1</td> <td>QUIK-ALIGN Concentric Collar</td> <td>2</td> </tr> <tr> <td>2</td> <td>QUICK-ALIGN Eccentric Collar</td> <td>2</td> </tr> <tr> <td>3</td> <td>1¼"-12 UNF Bolt - 8.0"</td> <td>2</td> </tr> <tr> <td>4</td> <td>1¼" Hardened Washer</td> <td>4</td> </tr> <tr> <td>5</td> <td>1¼"-12 UNF Nylocknut</td> <td>2</td> </tr> <tr> <td>6</td> <td>QUIK-ALIGN Pivot Bushing</td> <td>2</td> </tr> <tr> <td>7</td> <td>P-80 Bushing Lubricant - 10 ml.</td> <td>per Bushing 1</td> </tr> </tbody> </table>	KEY NO.	CONTENTS	QTY.	1	QUIK-ALIGN Concentric Collar	2	2	QUICK-ALIGN Eccentric Collar	2	3	1¼"-12 UNF Bolt - 8.0"	2	4	1¼" Hardened Washer	4	5	1¼"-12 UNF Nylocknut	2	6	QUIK-ALIGN Pivot Bushing	2	7	P-80 Bushing Lubricant - 10 ml.	per Bushing 1
KEY NO.	CONTENTS	QTY.																							
1	QUIK-ALIGN Concentric Collar	2																							
2	QUICK-ALIGN Eccentric Collar	2																							
3	1¼"-12 UNF Bolt - 8.0"	2																							
4	1¼" Hardened Washer	4																							
5	1¼"-12 UNF Nylocknut	2																							
6	QUIK-ALIGN Pivot Bushing	2																							
7	P-80 Bushing Lubricant - 10 ml.	per Bushing 1																							
<p>Severe Service Kit No. 60632-015 QUIK-ALIGN Collar Axle Set</p> <p>Reference Lit. No. 59310-037</p> 	<p>KIT NO. 60632-015 PRIMAAX EX, PRIMAAX • 8½"-10" Ride Height</p> <table border="1"> <thead> <tr> <th>KEY NO.</th> <th>CONTENTS</th> <th>QTY.</th> </tr> </thead> <tbody> <tr> <td>1</td> <td>QUIK-ALIGN Concentric Collar</td> <td>2</td> </tr> <tr> <td>2</td> <td>QUICK-ALIGN Eccentric Collar</td> <td>2</td> </tr> <tr> <td>3</td> <td>1¼"-12 UNF Bolt - 8.0"</td> <td>2</td> </tr> <tr> <td>4</td> <td>1¼" Hardened Washer</td> <td>4</td> </tr> <tr> <td>5</td> <td>1¼"-12 UNF Nylocknut</td> <td>2</td> </tr> </tbody> </table>	KEY NO.	CONTENTS	QTY.	1	QUIK-ALIGN Concentric Collar	2	2	QUICK-ALIGN Eccentric Collar	2	3	1¼"-12 UNF Bolt - 8.0"	2	4	1¼" Hardened Washer	4	5	1¼"-12 UNF Nylocknut	2						
KEY NO.	CONTENTS	QTY.																							
1	QUIK-ALIGN Concentric Collar	2																							
2	QUICK-ALIGN Eccentric Collar	2																							
3	1¼"-12 UNF Bolt - 8.0"	2																							
4	1¼" Hardened Washer	4																							
5	1¼"-12 UNF Nylocknut	2																							
<p>Severe Service Kit No. 58821-026 Top Pad Fasteners Axle Set</p> <p>Reference Lit. No. 59310-036</p> 	<p>KIT NO. 58821-026 PRIMAAX 230/460/690 • 8½"-10"-12½"-14¾"-15½" Ride Height Does not include Top Pad</p> <table border="1"> <thead> <tr> <th>KEY NO.</th> <th>CONTENTS</th> <th>QTY.</th> </tr> </thead> <tbody> <tr> <td>1</td> <td>M24 x 3.0-6G H-coat Hex Bolt</td> <td>2</td> </tr> <tr> <td>2</td> <td>M24 Hardened Washer</td> <td>4</td> </tr> <tr> <td>3</td> <td>M24 x 3.0-6H Locknuts</td> <td>2</td> </tr> </tbody> </table>	KEY NO.	CONTENTS	QTY.	1	M24 x 3.0-6G H-coat Hex Bolt	2	2	M24 Hardened Washer	4	3	M24 x 3.0-6H Locknuts	2												
KEY NO.	CONTENTS	QTY.																							
1	M24 x 3.0-6G H-coat Hex Bolt	2																							
2	M24 Hardened Washer	4																							
3	M24 x 3.0-6H Locknuts	2																							

■ U-beam Assembly Enhancement Aftermarket Service Kit

PRIMAAX EX SERIES			
U-beam Assembly Enhancement Aftermarket Service Kit No. 69565-001, Axle Set			
PART NO.	DESCRIPTION	QTY.	COMMENTS
69351-000	Sikaflex 221 Polyurethane Sealant, 300 ml Tube	1	In the event any service to the suspension requiring disassembly of a U-beam assembly equipped with integrated end caps, the Loctite 277, tamper resistant caps and Sikaflex 221 polyurethane sealant must be properly installed to ensure components function to their highest efficiency. The enhancement components can be purchased individually or as an aftermarket service kit.
69570-000	Loctite® 277 - 10 ml Bottle	1	
*	Tamper Resistant Cap	2	
*	⅞"-9 UNC 4.0" Hex Bolt	2	
*	⅞" H-Coat Flat Washer	2	
* Item included in assembly / kit only, part not sold separately.			



■ 10" Ride Height





PRIMAAX® EX 232/462/692 for Kenworth Vehicles

KEY NO.	PART NO.	DESCRIPTION	*NO.REQ.	KEY NO.	PART NO.	DESCRIPTION	*NO.REQ.
1	67706-000	EX Frame Hanger	4	22		Top Pad	4
	60961-720	QUIK-ALIGN Pivot Bushing Service Kit, One Wheel End , Includes Key Nos. 2-6, 9, 49			65289-000	Drum Brakes	
	60632-020	QUIK-ALIGN Pivot Bushing Service Kit, Axle Set , Includes Key Nos. 2-6, 9, 49			65289-XXX	Disc Brakes, <i>See Selection Guide on Page 3</i>	
	60632-019	QUIK-ALIGN Collar Service Kit One Wheel End , Includes Key Nos. 2-6		23		Longitudinal Torque Rod Assembly	4
	60632-018	QUIK-ALIGN Fastener Service Kit One Wheel End , Includes Key Nos. 4-6		a	67428-XXX	Drum Brakes, <i>See Selection Guide on Page 3</i>	
2		**QUIK-ALIGN Concentric Collar	4	b	67219-XXX	Disc Brakes, <i>See Selection Guide on Page 3</i>	
3		**QUIK-ALIGN Eccentric Collar	4		49176-032	Longitudinal Torque Rod Fastener Service Kit, One Torque Rod , Includes Key Nos. 24-26	
4		**1.0"-1.4 UNF-2A H-Coat 7.5" Hex Bolt	4	24		**5/8"-1 1 UNC-2B 8.0" Bolt	16
5		**1.0" H-Coat Flat Washer,	8	25		**5/8" Flat Washer	32
6		**1.0"-1.4 UNF-2B H-Coat Locknut	4	26		**5/8"-1 1 UNC-2B Locknut	16
7		U-beam Assembly, Includes Key Nos. 9-10		27	49689-000	Shim (As Required)	
	67249-003	Rear	1	28		***Transverse Torque Rod Assembly	2
	67249-004	Front, Middle for Tridem	1	a	67428-565	ULTRA ROD®, Includes Key No. 29a	
8	69565-001	U-beam Assembly Enhancement Aftermarket Service Kit, Axle Set , <i>See page 5 for contents</i>		b	72000-560C	ULTRA ROD® PLUS™, Includes Key No. 29b MANDATORY on vehicles operated in Mexico, otherwise optional	
9		**QUIK-ALIGN Pivot Bushing	4	29		Bushing - Straddle Bar Pin	4
	34013-107	Single D-Pin Bushing Service Kit , Includes Key Nos. 10, 11a, 12-13		a		**ULTRA ROD Bushing	
	34013-116	Includes Key Nos. 10, 11b, 12-13		b	64400-002	ULTRA ROD PLUS Bushing	
	34013-117	Includes Key Nos. 10, 11c, 12-13		30	22186-000	Transverse Torque Rod Frame Bracket	2
10		**D-Pin Bushing	4	31	60593-000	Frame Mounted Axle Stop	4
	56659-009	D-Pin Fastener Service Kit, Axle Set Includes Key Nos. 11a, 12-13		32		Shock Absorber	4
	56659-013	Includes Key Nos. 11b, 12-13			60657-003	Standard, except Tridem	
	56659-012	Includes Key Nos. 11c, 12-13			70807-001	Heavy-duty, Optional, except Tridem	
11		**3/4"-1 6 UNF Bolt	8		60657-005	Tridem Only	
a		Length 5.0"		33	67463-002	Upper Shock Frame Bracket	4
b		Length 5.5"			50754-030	Single Shock Fastener Service Kit Includes Key Nos. 34-39	
c		Length 4.75"		34		**3/4"-10 UNC 4.25" Upper Shock Bolt	4
12		**3/4" Flat Washer	16	35		**3/4" Flat Washer	4
13		**3/4"-1 6 UNF Locknut	8	36		**3/4"-10 UNC Locknut	4
	60961-230	Single Air Spring Service Kit , Includes Key Nos. 14-17		37		**5/8"-1 1 UNC 6.0" Lower Shock Bolt	4
14	67043-002L	Air Spring Assembly, Includes Upper Frame Bracket	4	38		**5/8" Flat Washer	8
15	60911-002	Lower Air Spring Mounting Bracket	4	39		**5/8"-1 1 UNC-2B Locknut	4
	49177-006	Lower Air Spring Fastener Service Kit, Single , Includes Key Nos. 16-17		40	60921-000	Height Control Valve Linkage Bracket	1
16		**1/2" Flat Washer	8	41	64508-XXX	S-cam Support Bracket, <i>See part no. on component</i>	4
17		**1/2"-13 UNC Locknut	8		58821-017	S-cam Fastener Service Kit, Axle Set , Includes Key Nos. 42-47	
	48718-119	U-bolt Service Kit, One Wheel End Includes Key Nos. 18-20		42		**3/8"-1 6 UNC 1.25" Hex Bolt	8
18		**3/4" Square U-bolt	8	43		**3/8" Hardened Washer	16
19		**3/4" Flat Washer	16	44		**3/8"-1 6 UNC Locknut	8
20		**3/4"-1 6 UNF U-bolt Locknut	16	45		**5/16" S-Cam U-bolt	4
21	60556-XXX	Bottom Cap, <i>See Selection Guide on Page 3</i>	4	46		**5/16" Hardened Washer	16
				47		**5/16"-1 8 UNC Locknut	8
				48		****Torque Rod Spacer	4
						<i>See Selection Guide on Page 3</i>	
				49	70867-001	P-80 Bushing Lubricant - 10 ml. per Bushing 1 (not shown)	

NOTES * Quantities specified are shown for tandem suspension. Adjust quantities for single or tridem suspensions. Quantities of service kit components may vary from amount shown in lists.

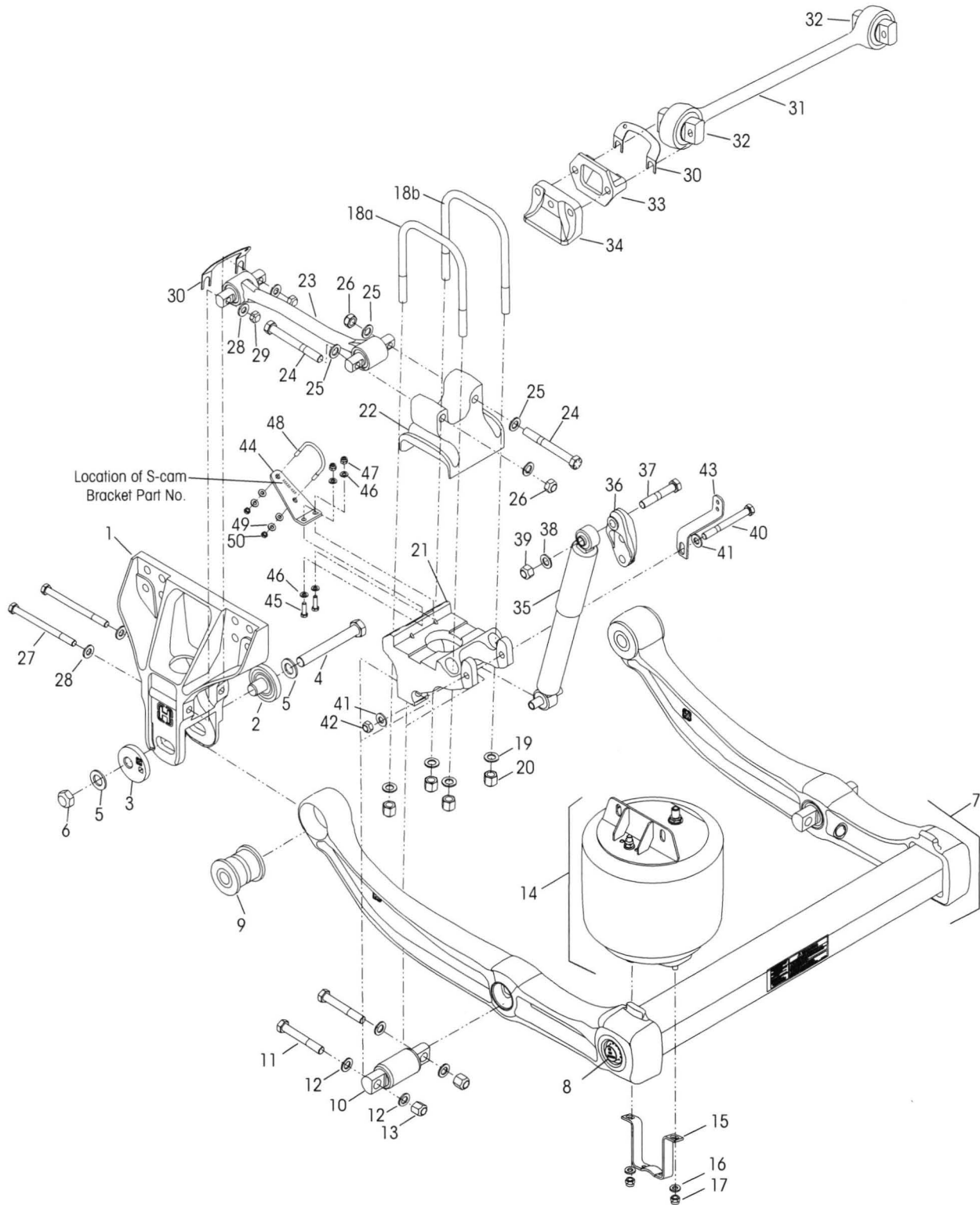
** Item included in assembly / kit only, part not sold separately.

*** Transverse torque rods are mandatory for the PRIMAAX EX•PRIMAAX suspensions regardless of axle spacing, see Lit. No. 59310-004 for more information.

**** Not supplied by Hendrickson, used for reference only. Refer to the vehicle manufacturer for more information.



■ 10" Ride Height





PRIMAAX® EX 262 / 522 for Kenworth Vehicles

KEY NO.	PART NO.	DESCRIPTION	*NO.REQ.	KEY NO.	PART NO.	DESCRIPTION	*NO.REQ.
1	67706-000	EX Frame Hanger	4	22	65210-XXX	Top Pad, <i>See illustration and Selection Guide on Page 4</i>	4
	60961-720	QUIK-ALIGN Pivot Bushing Service Kit, One Wheel End , Includes Key Nos. 2-6, 9, 51		23	65302-XXX	Longitudinal Torque Rod Assembly, <i>See Selection Guide on Page 4</i>	4
	60632-020	QUIK-ALIGN Pivot Bushing Service Kit, Axle Set , Includes Key Nos. 2-6, 9, 51			58821-033	Longitudinal Torque Rod Bolt Service Kit, One Torque Rod , Includes Key Nos. 24-29	
	60632-019	QUIK-ALIGN Collar Service Kit One Wheel End , Includes Key Nos. 2-6		24	**3/4"-1.6 UNF 6.0" Hex Bolt		8
	60632-018	QUIK-ALIGN Fastener Service Kit One Wheel End , Includes Key Nos. 4-6		25	**3/4" Flat Washer		16
2		**QUIK-ALIGN Concentric Collar	4	26	**3/4"-1.6 UNF Locknut		8
3		**QUIK-ALIGN Eccentric Collar	4	27	**5/8"-1.1 UNF 8.0" Hex Bolt		8
4		**1.0"-1.4 UNF-2A H-Coat 7.5" Hex Bolt	4	28	**5/8" Flat Washer		16
5		**1.0" H-Coat Flat Washer	8	29	**5/8"-1.1 UNC Locknut		8
6		**1.0"-1.4 UNF-2B H-Coat Locknut	4	30	49689-000 Shim (As Required)		
7		U-beam Assembly, Includes Key Nos. 9-10		31	72000-560C ***ULTRA ROD® PLUS™ Transverse Torque Rod Assembly, Includes Bushing		2
	67249-006	Front	1	32	64400-002 ULTRA ROD PLUS Bushing - Straddle Bar Pin		4
	67249-005	Rear	1	33	22186-000 Transverse Torque Rod Frame Bracket		2
8	69565-001	U-beam Assembly Enhancement Aftermarket Service Kit, Axle Set , <i>See page 5 for contents</i>		34	60593-000 Frame Mounted Axle Stop		4
9		**QUIK-ALIGN Pivot Bushing	4	35	60665-013 Shock Absorber		4
	34013-114	Single D-Pin Bushing Service Kit , Includes Key Nos. 10-13		36	67463-002 Upper Shock Frame Bracket,		4
10		**D-Pin Bushing	4		50754-029	Single Shock Fastener Service Kit , Includes Key Nos. 37-42	
	56659-010	D-Pin Fastener Service Kit, Axle Set Includes Key Nos. 11-13		37	**3/4"-1.0 UNC 4.25" Upper Shock Bolt		4
11		**7/8"-1.4 UNF 5" Bolt	8	38	**3/4" Flat Washer		4
12		**7/8" Flat Washer	16	39	**3/4"-1.0 UNC Locknut		4
13		**7/8"-1.4 UNF Locknut	8	40	**5/8"-1.1 UNC 7.0" Lower Shock Bolt		4
	60961-744	Single Air Spring Service Kit , Includes Key Nos. 14-17		41	**5/8" Flat Washer		8
14	67247-002	Air Spring Assembly, Includes Upper Frame Bracket	4	42	**5/8"-1.1 UNC Locknut		4
15	60911-002	Lower Air Spring Mounting Bracket	4	43	60921-000 Height Control Valve Linkage Bracket		2
	49177-006	Lower Air Spring Fastener Service Kit, Single , Includes Key Nos. 16-17			58821-034	S-cam Fastener Service Kit, Axle Set , Includes Key Nos. 44a, 45-50	
16		**1/2" Flat Washer	8		58821-031	Includes Key Nos. 44b, 45-50	
17		**1/2"-1.3 UNC Locknut	8	44	S-cam Support Bracket, <i>See part no. on component</i>		4
	48718-120	U-bolt Service Kit, One Wheel End , Includes Key Nos. 18a-b, 19-20		a	64508-005 For Dana Axle		
18		**3/4" Square U-bolt	8	b	64508-003 For Meritor Axle		
a		Outboard - Length 10.0"		45	**3/8"-1.6 UNC 1.5" Hex Bolt		8
b		Inboard - Length 10.5"		46	**3/8" Hardened Washer		16
19		**3/4" Flat Washer	16	47	**3/8"-1.6 UNC Locknut		8
20		**3/4"-1.6 UNF U-bolt Locknut	16	48	**5/16" S-Cam U-bolt		4
21	65208-XXX	Bottom Cap, <i>See Selection Guide on Page 4</i>	4	49	**5/16" Hardened Washer		16
				50	**5/16"-1.8 UNC Locknut		8
				51	70867-001 P-80 Bushing Lubricant - 10 ml. per Bushing 1 (not shown)		

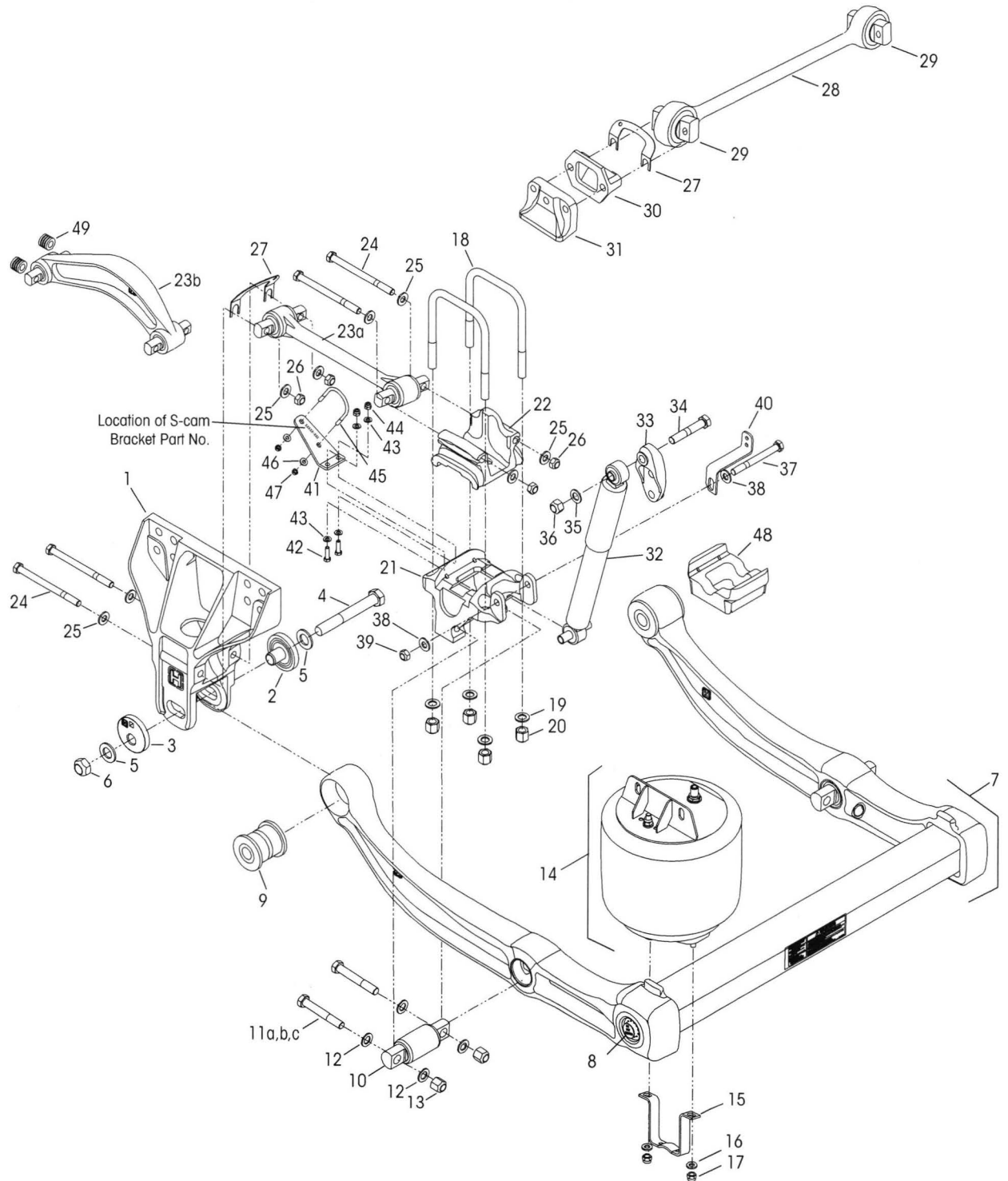
NOTES * Quantities specified are shown for tandem suspension. Adjust quantities for single or tridem suspensions. Quantities of service kit components may vary from amount shown in lists.

** Item included in assembly / kit only, part not sold separately.

*** Transverse torque rods are mandatory for the PRIMAAX EX•PRIMAAX suspensions regardless of axle spacing, see Lit. No. 59310-004 for more information.



■ 8½" and 10" Ride Height





PRIMAAX® EX 262S / 522S for Kenworth Vehicles

KEY NO.	PART NO.	DESCRIPTION	*NO.REQ.	KEY NO.	PART NO.	DESCRIPTION	*NO.REQ.
1	67706-000	EX Frame Hanger	4	19		**3/4" Flat Washer	16
	60961-720	QUIK-ALIGN Pivot Bushing Service Kit, One Wheel End , Includes Key Nos. 2-6, 9, 51		20		**3/4"-16 UNF U-bolt Locknut	16
	60632-020	QUIK-ALIGN Pivot Bushing Service Kit, Axle Set , Includes Key Nos. 2-6, 9, 51		21	60556-XXX	Bottom Cap, <i>See Selection Guide on Page 3</i>	4
	60632-019	QUIK-ALIGN Collar Service Kit One Wheel End , Includes Key Nos. 2-6		22		Top Pad	4
	60632-018	QUIK-ALIGN Fastener Service Kit One Wheel End , Includes Key Nos. 4-6			65289-000	Drum Brakes	
2		**QUIK-ALIGN Concentric Collar	4		65289-XXX	Disc Brakes, <i>See Selection Guide on Page 3</i>	
3		**QUIK-ALIGN Eccentric Collar	4	23		Longitudinal Torque Rod Assembly <i>See Selection Guide on Page 3</i>	4
4		**1.0"-14 UNF-2A H-Coat 7.5" Hex Bolt	4	a	67428-XXX	w/Drum Brakes	
5		**1.0" H-Coat Flat Washer,	4	b	67219-XXX	w/Disc Brakes	
6		**1.0"-14 UNF-2B H-Coat Locknut	8		49176-032	Longitudinal Torque Rod Bolt Service Kit, One Torque Rod , Includes Key Nos. 24-26	
7		U-beam Assembly, Includes Key Nos. 9-10		24		**5/8"-11 UNC-2B 8.0" Bolt	16
	67249-004	Front	1	25		**5/8" Flat Washer	32
	67249-003	Rear	1	26		**5/8"-11 UNC-2A Locknut	16
8	69565-001	U-beam Assembly Enhancement Aftermarket Service Kit, Axle Set , <i>See page 5 for contents</i>		27	49689-000	Shim (As Required)	
9		**QUIK-ALIGN Pivot Bushing	4	28	72000-560C	***ULTRA ROD® PLUS™ Transverse Torque Rod Assembly, Includes Bushing	2
	34013-107	Single D-Pin Bushing Service Kit , Includes Key Nos. 10, 11a, 12-13		29	64400-002	ULTRA ROD PLUS Bushing - Straddle Bar Pin	4
	34013-116	Includes Key Nos. 10, 11b, 12-13		30	22186-000	Transverse Torque Rod Frame Bracket	2
	34013-117	Includes Key Nos. 10, 11c, 12-13		31	60593-000	Frame Mounted Axle Stop	4
10		**D-Pin Bushing	4	32	60665-011	Shock Absorber	4
	56659-009	D-Pin Fastener Service Kit, Axle Set , Includes Key Nos. 11a, 12-13		33	67463-002	Upper Shock Frame Bracket	4
	56659-013	Includes Key Nos. 11b, 12-13			50754-029	Single Shock Fastener Service Kit , Includes Key Nos. 34-39	
	56659-012	Includes Key Nos. 11c, 12-13		34		**3/4"-10 UNC 4.25" Upper Shock Bolt	4
11		**3/4"-16 UNF Bolt	8	35		**3/4" Flat Washer	4
a		Length 5.0"		36		**3/4"-10 UNC Locknut	4
b		Length 5.5"		37		**5/8"-11 UNC 7.0" Lower Shock Bolt	4
c		Length 4.75"		38		**5/8" Flat Washer	8
12		**3/4" Flat Washer	16	39		**5/8"-11 UNC Locknut	4
13		**3/4"-16 UNF Locknut	8	40	60921-000	Height Control Valve Linkage Bracket	1
	60961-744	Single Air Spring Service Kit , Includes Key Nos. 14-17		41	64508-XXX	S-cam Support Bracket, <i>See part no. on component</i>	4
14	67247-002	Air Spring Assembly, Includes Upper Frame Bracket	4		58821-017	S-cam Fastener Service Kit, Axle Set , Includes Key Nos. 42-47	
15	60911-002	Lower Air Spring Mounting Bracket	4	42		**3/8"-16 UNC 1.25" Hex Bolt	8
	49177-006	Lower Air Spring Fastener Service Kit, Single , Includes Key Nos. 16-17		43		**3/8" Hardened Washer	16
16		**1/2" Flat Washer	8	44		**3/8"-16 UNC Locknut	8
17		**1/2"-13 UNC Locknut	8	45		**5/16" S-Cam U-bolt	4
	48718-129	U-bolt Service Kit, One Wheel End , Includes Key Nos. 18a, 19-20		46		**5/16" Hardened Washer	16
	48718-130	Includes Key Nos. 18b, 19-20		47		**5/16"-18 UNC Locknut	8
18		**3/4" Square U-bolt	8	48	65139-003	Axle Spacer - 8 1/2" Ride Height, PAX 262S only	4
a		10" Ride Height		49		****Torque Rod Spacer <i>See Selection Guide on Page 3</i>	4
b		8 1/2" Ride Height		50	70867-001	P-80 Bushing Lubricant - 10 ml. per Bushing (not shown)	1

NOTES * Quantities specified are shown for tandem suspension. Adjust quantities for single or tridem suspensions. Quantities of service kit components may vary from amount shown in lists.

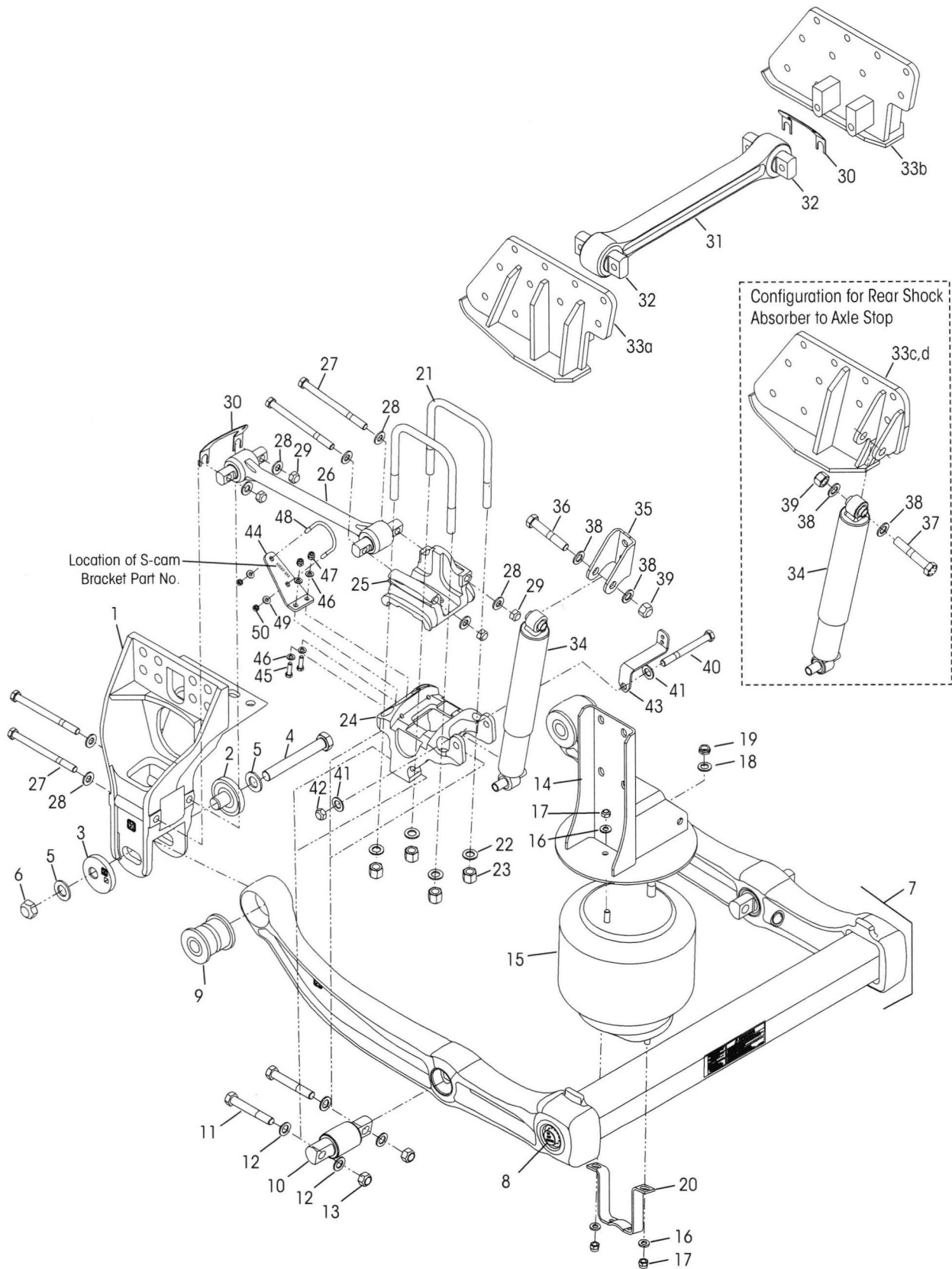
** Item included in assembly / kit only, part not sold separately.

*** Transverse torque rods are mandatory for the PRIMAAX EX•PRIMAAX suspensions regardless of axle spacing, see Lit. No. 59310-004 for more information.

**** Not supplied by Hendrickson, used for reference only. Refer to the vehicle manufacturer for more information.



■ 15½" Ride Height





PRIMAAX® EX 232T / 262T for Kenworth Vehicles

KEY NO.	PART NO.	DESCRIPTION	*NO.REQ.	KEY NO.	PART NO.	DESCRIPTION	*NO.REQ.
1		Frame Hanger		21		**3/4" Square U-bolt	4
	67299-001	Left Hand	1	22		**3/4" Flat Washer	8
	67299-002	Right Hand	1	23		**3/4"-1 6 UNF U-bolt Locknut	8
	60961-720	QUIK-ALIGN Pivot Bushing Service Kit, One Wheel End , Includes Key Nos. 2-6, 9, 51		24	60556-025	Bottom Cap	2
	60632-020	QUIK-ALIGN Pivot Bushing Service Kit, Axle Set , Includes Key Nos. 2-6, 9, 51		25	65289-000	Top Pad	2
	60632-019	QUIK-ALIGN Collar Service Kit One Wheel End , Includes Key Nos. 2-6		26	62011-415N	Longitudinal Torque Rod Assembly	2
	60632-018	QUIK-ALIGN Fastener Service Kit One Wheel End , Includes Key Nos. 4-6			49176-032	Longitudinal Torque Rod Bolt Service Kit One Torque Rod , Includes Key Nos. 27-29	
2		**Support Beam QUIK-ALIGN Concentric Collar	2	27		**5/8"-1 1 UNC 8.0" Bolt	8
3		**Support Beam QUIK-ALIGN Eccentric Collar	2	28		**5/8" Flat Washer	16
4		**1.0"-1 4 UNF-2A H-Coat 7.5" Hex Bolt	2	29		**5/8"-1 1 UNC Locknut	8
5		**1.0" H-Coat Flat Washer	4	30	49689-000	Shim (As Required)	
6		**1.0"-1 4 UNF-2B H-Coat Locknut	2	31	72000-560C	***ULTRA ROD® PLUS™ Transverse Torque Rod Assembly, Includes Bushing	1
7	67249-004	U-beam Assembly, Includes Key Nos. 9-10	1	32	64400-002L	ULTRA ROD PLUS Bushing - Straddle Bar Pin	2
8	69565-001	U-beam Assembly Enhancement Aftermarket Service Kit, Axle Set , See page 5 for contents		33		Axle Stop	
9		**QUIK-ALIGN Pivot Bushing	2	a	70171-000	Left Hand Front	1
	34013-117	Single D-Pin Bushing Service Kit 4.75" Bolt , Includes Key Nos. 10-13		b	70172-000	Right Hand Front	1
10		**D-Pin Bushing	2	c	70173-000	Left Hand Rear, Includes Upper Shock Bracket	1
	56659-012	D-Pin Fastener Service Kit, Axle Set Includes Key Nos. 11-13		d	70174-000	Right Hand Rear, Includes Upper Shock Bracket	1
11		**3/4"-1 6 UNF 4.75" Bolt	4	34	60665-011	Shock Absorber	2
12		**3/4" Flat Washer	8	35	59423-001	Upper Shock Frame Bracket, Front Axle	2
13		**3/4"-1 6 UNF Locknut	4		50754-012	Shock Fastener Service Kit for Two Shocks , Front, works w/Key No. 33a,33b Includes Key Nos. 36, 38-42	
14		Upper Air Spring Bracket Assembly	2		50754-007	Shock Fastener Service Kit for Two Shocks , Rear, works w/Key Nos. 33c, 33d Includes Key Nos. 37-42	
	69932-002	PRIMAAX 232T		36		**3/4"-1 0 UNC 3.75" Upper Shock Bolt	2
	69932-003	PRIMAAX 262T		37		**3/4"-1 0 UNC 4.25" Upper Shock Bolt	2
		Single Air Spring Assembly Service Kit , Includes Key Nos. 15-20		38		**3/4" Flat Washer	4
	69951-003	PRIMAAX EX 232T		39		**3/4"-1 0 UNC Locknut	2
	69882-003	PRIMAAX EX 262T		40		**5/8"-1 1 UNC 6.0" Lower Shock Bolt	2
15		Air Spring Assembly	2	41		**5/8" Flat Washer	4
	67391-002	PRIMAAX EX 232T		42		**5/8"-1 1 UNC Locknut	2
	67044-002	PRIMAAX EX 262T		43	60921-000	Height Control Valve Linkage Bracket	1
	49177-006	Lower Air Spring Fastener Service Kit, Single , Includes Key Nos. 16-17		44	64508-XXX	S-cam Support Bracket, See part no. on component	2
	49177-023	Upper/Lower Air Spring Fastener Service Kit, Single , Includes Key Nos. 16-19			58821-017	S-cam Fastener Service Kit, Axle Set , Includes Key Nos. 45-50	
16		**1/2" Flat Washer	6	45		**3/8"-1 6 UNC 1.25" Hex Bolt	8
17		**1/2"-1 3 UNC Locknut	6	46		**3/8" Hardened Washer	16
18		**3/4" Flat Washer	2	47		**3/8"-1 6 UNC Locknut	8
19		**3/4"-1 6 UNF Locknut	2	48		**5/16" S-Cam U-bolt	4
20	60911-002	Lower Air Spring Mounting Bracket	2	49		**5/16" Hardened Washer	16
	48718-129	U-bolt Service Kit, One Wheel End Includes Key Nos. 21-23		50		**5/16"-1 8 UNC Locknut	8
				51	70867-001	P-80 Bushing Lubricant - 10 ml. per Bushing 1 (not shown)	

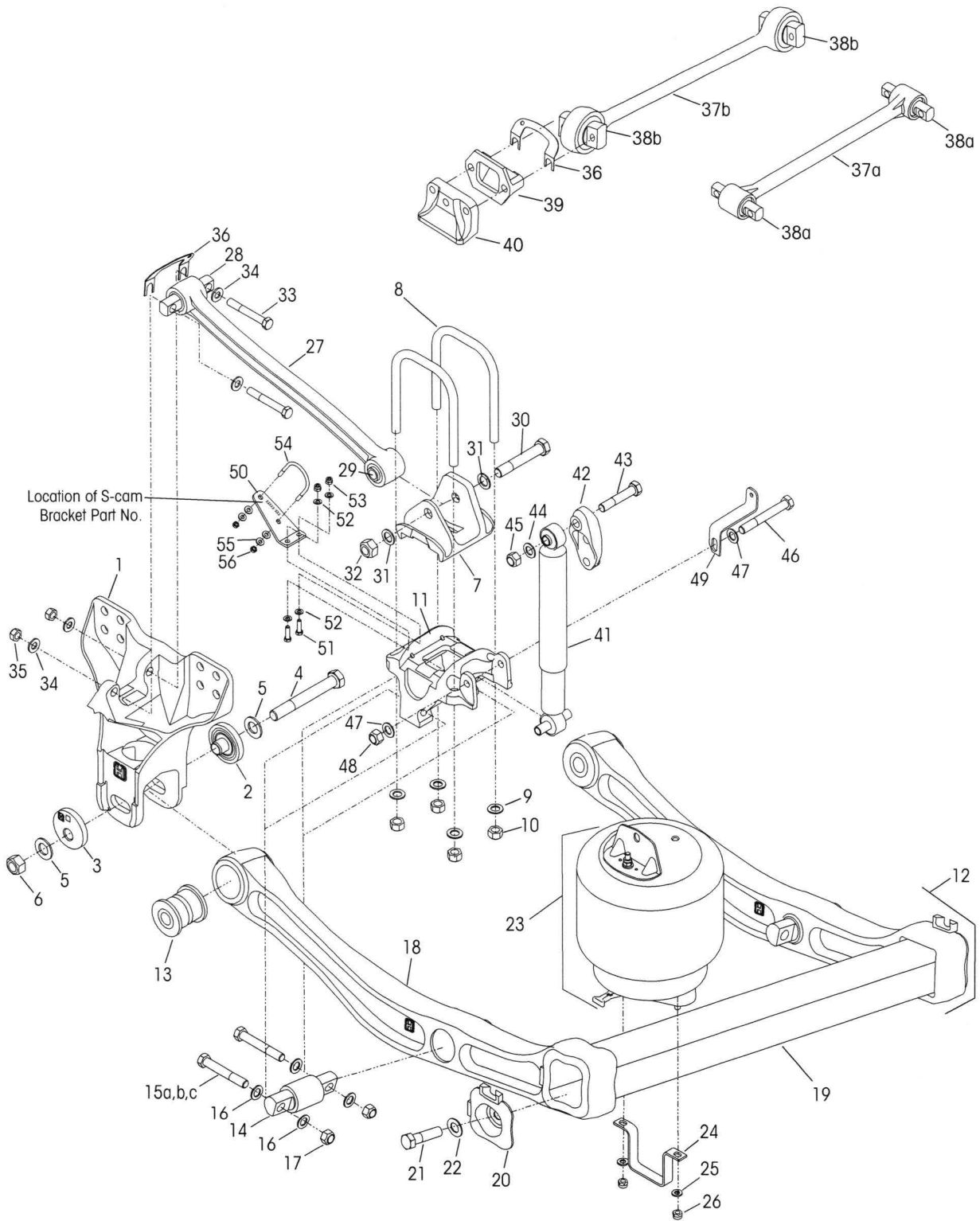
NOTES * Quantities specified are shown for single suspension. Adjust quantities for tandem or tridem suspensions. Quantities of service kit components may vary from amount shown in lists.

** Item included in assembly / kit only, part not sold separately.

*** Transverse torque rods are mandatory for the PRIMAAX EX•PRIMAAX suspensions regardless of axle spacing, see Lit. No. 59310-004 for more information.



■ 10" Ride Height





PRIMAAX® 230/460/690 for Kenworth Vehicles

KEY NO.	PART NO.	DESCRIPTION	*NO.REQ.	KEY NO.	PART NO.	DESCRIPTION	*NO.REQ.
1	60821-001	Frame Hanger	4	24	60911-000	Lower Air Spring Mounting Bracket	4
	60961-720	QUIK-ALIGN Pivot Bushing Service Kit, One Wheel End , Includes Key Nos. 2-6, 13, 57			49177-006	Lower Air Spring Fastener Service Kit, Single , Includes Key Nos. 25-26	
	60632-020	QUIK-ALIGN Pivot Bushing Service Kit, Axle Set , Includes Key Nos. 2-6, 13, 57		25		**1/2" Flat Washer	8
	60632-019	QUIK-ALIGN Collar Service Kit One Wheel End , Includes Key Nos. 2-6		26		**1/2"-13 UNC Locknut	8
	60632-018	QUIK-ALIGN Fastener Service Kit One Wheel End , Includes Key Nos. 4-6		27		Longitudinal Torque Rod Assembly, Includes Key Nos. 28-29, <i>See Selection Guide on Pg. 3</i>	4
2		**QUIK-ALIGN Concentric Collar	4	28	69210-000H	Bushing - Straddle Bar Pin - 3/4" Holes	4
3		**QUIK-ALIGN Eccentric Collar	4	29	47692-000L	Torque Rod Bushing - Thru Holes	4
4		**1.0"-14 UNF-2A H-Coat 7.5" Hex Bolt	4		49176-008	Longitudinal Torque Rod Fastener Service Kit, Axle Set , Includes Key Nos. 30-35	
5		**1.0" H-Coat Flat Washer	8		58821-012	Longitudinal Torque Rod Rear Bolt Service Kit, One Torque Rod , Includes Key Nos. 30-32	
6		**1.0"-14 UNF-2B H-Coat Locknut	4	30		**7/8"-14 UNF-2A 5.5" Hex Bolt	4
7	60877-001	Top Pad	4	31		**7/8" H-Coat Flat Washer	8
	48718-108	U-bolt Service Kit, One Wheel End , Includes Key Nos. 8-10		32		**7/8"-14 UNF-2B Locknut	4
8		**3/4" Square U-bolt	8	33		**3/4"-16 UNF-2A 3.75" Hex Bolt	8
9		**3/4" Flat Washer	16	34		**3/4" Flat Washer	16
10		**3/4"-16 UNF U-bolt Locknut	16	35		**3/4"-16 UNF-2B Locknut	8
11	60556-XXX	Bottom Cap, <i>See Selection Guide on Page 3</i>	4	36	49689-000	Shim (As Required)	
12		****U-beam Assembly, Includes Key Nos. 13-14, 18-19, <i>Replaces previous U-beam assembly, support beam and cross tube assembly, see Page 18</i>		37		***Transverse Torque Rod Assembly	
				a	67428-565	ULTRA ROD®, Includes Key No. 38a <i>Replaces 62000-565</i>	2
13		**QUIK-ALIGN Pivot Bushing	4	b	72000-560C	ULTRA ROD® PLUS™, Includes Key No. 38b MANDATORY on vehicles operated in Mexico, otherwise optional	2
		Single D-pin Bushing Service Kit		38		Bushing - Straddle Bar Pin	4
	34013-107	Includes Key Nos. 14, 15a, 16-17		a		**ULTRA ROD Bushing	
	34013-116	Includes Key Nos. 14, 15b, 16-17		b	64400-002	ULTRA ROD PLUS Bushing	
	34013-117	Includes Key Nos. 14, 15c, 16-17		39	22186-000	Transverse Torque Rod Frame Bracket	2
14		**D-Pin Bushing	4	40	60593-000	Frame Mounted Axle Stop	4
		D-Pin Fastener Service Kit, Axle Set		41	60657-003	Shock Absorber, <i>Replaces 60657-005</i>	4
	56659-009	Includes Key Nos. 15a, 16-17		42	67463-002	Upper Shock Frame Brkt, <i>Replaces 65000-002</i>	4
	56659-013	Includes Key Nos. 15b, 16-17			50754-030	Single Shock Fastener Service Kit Includes Key Nos. 43-48	
	56659-012	Includes Key Nos. 15c, 16-17		43		**3/4"-10 UNC 4.25" Upper Shock Bolt	4
15		**3/4"-16 UNF Bolt	8	44		**3/4" Flat Washer	4
a		Length 5.0"		45		**3/4"-10 UNC Locknut	4
b		Length 5.5"		46		**5/8"-11 UNC 6.0" Lower Shock Bolt	4
c		Length 4.75"		47		**5/8" Flat Washer	8
16		**3/4" Flat Washer	16	48		**5/8"-11 UNC-2B Locknut	4
17		**3/4"-16 UNF Locknut	8	49	60921-000	Height Control Valve Linkage Bracket	1
18		****Support Beam Assembly (66435-, <i>see replacement guide on Page 18</i>)		50	64508-000	S-cam Support Bracket, <i>See part no. on component</i>	4
19		****Cross Tube (60912-001, <i>see replacement guide on Page 18</i>)			58821-017	S-cam Fastener Service Kit, Axle Set , Includes Key Nos. 51-56	
	46772-001	End Cap and Fastener Kit, Axle Set Includes Key Nos. 20-22		51		**3/8"-16 UNC 1.25" Hex Bolt	8
20		**End Cap	4	52		**3/8" Hardened Washer	16
21		**7/8"-9 UNC 3.5" Hex Bolt	4	53		**3/8"-16 UNC Locknut	8
22		**7/8" H-Coat Flat Washer	4	54		**5/16" S-Cam U-bolt	4
	60961-062	Single Air Spring Service Kit , Includes Key Nos. 23-26		55		**5/16" Hardened Washer	16
23	60271-002L	Air Spring Assembly, Includes Upper Frame Bracket	4	56		**5/16"-18 UNC Locknut	8
				57	70867-001	P-80 Bushing Lubricant - 10 ml. per Bushing 1 (not shown)	1

NOTES * Quantities specified are shown for tandem suspension. Adjust quantities for single or tridem suspensions. Quantities of service kit components may vary from amount shown in lists.

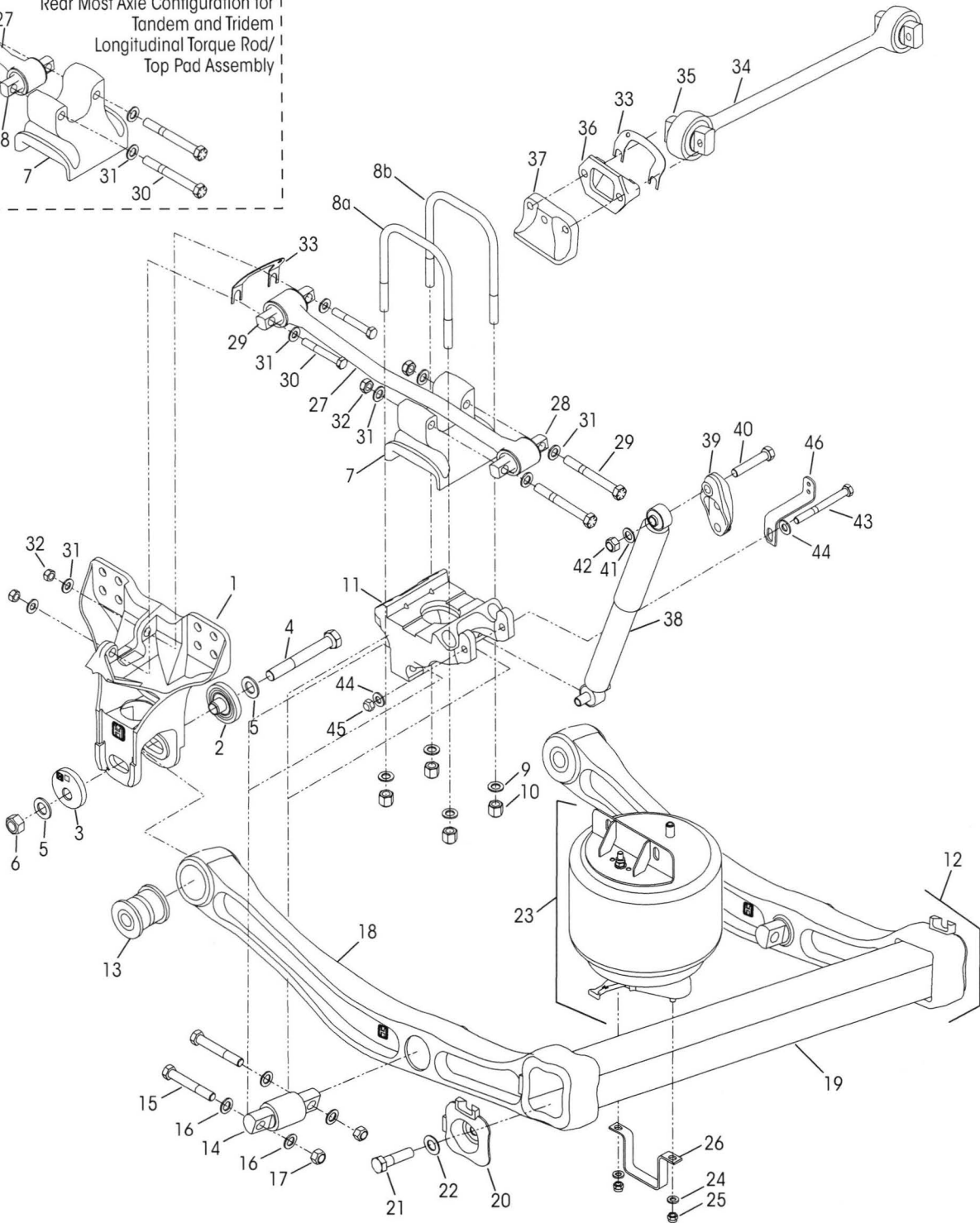
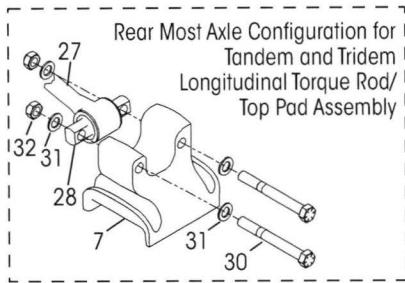
** Item included in assembly / kit only, part not sold separately.

*** Transverse torque rods are mandatory for the PRIMAAX EX•PRIMAAX suspensions regardless of axle spacing, see Lit. No. 59310-004 for more information.

**** No longer available for service, see replacement guide below. For more information, refer to Hendrickson Technical Bulletin, Lit. No. SEU-0229 or contact Hendrickson Tech Services.



■ 10" Ride Height





PRIMAAX® 260/520 for Kenworth Vehicles

KEY NO.	PART NO.	DESCRIPTION	*NO.REQ.	KEY NO.	PART NO.	DESCRIPTION	*NO.REQ.
1	60821-001	Frame Hanger	4	20		**End Cap	4
	60961-720	QUIK-ALIGN Pivot Bushing Service Kit, One Wheel End , Includes Key Nos. 2-6, 13, 47		21		**7/8"-9 UNC 3.5" Hex Bolt	4
	60632-020	QUIK-ALIGN Pivot Bushing Service Kit, Axle Set , Includes Key Nos. 2-6, 13, 47		22		**7/8" H-Coat Flat Washer	4
	60632-019	QUIK-ALIGN Collar Service Kit One Wheel End , Includes Key Nos. 2-6			60961-118	Single Air Spring Service Kit , Includes Key Nos. 23-26	
	60632-018	QUIK-ALIGN Fastener Service Kit One Wheel End , Includes Key Nos. 4-6		23	66255-002	Air Spring Assembly, Includes Upper Frame Bracket	4
2		**QUIK-ALIGN Concentric Collar	4		49177-006	Lower Air Spring Fastener Service Kit, Single , Includes Key Nos. 24-25	
3		**QUIK-ALIGN Eccentric Collar	4	24		**1/2" Flat Washer	12
4		**1.0"-14 UNF-2A H-Coat 7.5" Hex Bolt	4	25		**1/2"-13 UNC Locknut	12
5		**1.0" H-Coat Flat Washer	8	26	60911-000	Lower Air Spring Mounting Bracket	4
6		**1.0"-14 UNF-2B H-Coat Locknut	4	27	66359-XXX	Longitudinal Torque Rod Assembly, See Selection Guide on Page 4	4
7		Top Pad, See Illustration on Page 4	4	28	69210-000H	Bushing - Straddle Bar Pin (3/4" Holes)	8
	65210-001	Meritor Straight Side			49176-017	Torque Rod Fastener Service Kit, Axle Set , Includes Key No. 29-32	
	65210-002	Dana Straight Side		29		**3/4"-16 UNF 6.0" Hex Bolt	8
	65210-003	Meritor Transition Side		30		**3/4"-16 UNF 3.75" Hex Bolt	8
	65210-004	Dana Transition Side		31		**3/4" Flat Washer	32
	48718-120	U-bolt Service Kit, One Wheel End , Includes Key Nos. 8a-8b, 9-10		32		**3/4"-16 UNF Locknut	16
8		**3/4" Square U-bolt	8	33	49689-000	Shim (As Required)	
a		Outboard - Length 10.0"		34	72000-560C	***ULTRA ROD® PLUS™ Transverse Torque Rod Assembly, Includes Bushing	2
b		Inboard - Length 10.5"		35	64400-002L	Bushing - Straddle Bar Pin - 5/8" Holes	4
9		**3/4" Flat Washer	16	36	22186-000	Transverse Torque Rod Frame Bracket	2
10		**3/4"-16 UNF U-bolt Locknut	16	37	60593-000	Frame Mounted Axle Stop	4
11	65208-XXX	Bottom Cap, See Selection Guide on Page 4	4	38		Shock Absorber	4
12		****U-beam Assembly, Includes Key Nos. 13-14, 18-19 (Replaces previous U-beam assembly, support beam and cross tube assembly, see Page 18)			60665-013	For vehicles with Drum Brakes only	
13		**QUIK-ALIGN Pivot Bushing	4		60665-015	For vehicles with Disc Brakes only	
	34013-114	Single D-Pin Bushing Service Kit , Includes Key Nos. 14-17		39	67463-002	Upper Shock Frame Bracket, Replaces 65000-002	4
14		**D-Pin Bushing	4		50754-029	Single Shock Fastener Service Kit , Includes Key Nos. 40-45	
	56659-010	D-Pin Fastener Service Kit, Axle Set , Includes Key Nos. 15-17		40		**3/4"-10 UNC 4.25" Upper Shock Bolt	4
15		**7/8"-14 UNF 5" Bolt	8	41		**3/4" Flat Washer	4
16		**7/8" Flat Washer	16	42		**3/4"-10 UNC Locknut	4
17		**7/8"-14 UNF Locknut	8	43		**5/8"-11 UNC 7.0" Lower Shock Bolt	4
18		****Support Beam Assembly (66435-, see replacement guide on Page 18)		44		**5/8" Flat Washer	8
19		****Cross Tube (60912-001, see replacement guide on Page 18)		45		**5/8"-11 UNC Locknut	4
	46772-001	End Cap and Fastener Kit, Axle Set , Includes Key Nos. 20-22		46	60921-000	Height Control Valve Linkage Bracket	2
				47	70867-001	P-80 Bushing Lubricant - 10 ml. per Bushing 1 (not shown)	1

NOTES * Quantities specified are shown for tandem suspension. Adjust quantities for single or tridem suspensions. Quantities of service kit components may vary from amount shown in lists.

** Item included in assembly / kit only, part not sold separately.

*** Transverse torque rods are mandatory for the PRIMAAX EX•PRIMAAX suspensions regardless of axle spacing, see Lit. No. 59310-004 for more information.

**** No longer available for service, see replacement guide below. For more information, refer to Hendrickson Technical Bulletin, Lit. No. SEU-0229 or contact Hendrickson Tech Services.



■ U-Beam Assembly • Support Beam • Cross Tube Assembly Replacement Guide

Page 15		PRIMAAX 230/460/690		
Key No.	Description	Current Part No.	Replacement Kit No.	Comments
12	U-beam Assembly	66659-004 Front / Middle for Tridem	60961-235 (Forward) 60961-236 (Rear)	Requires the replacement of associated suspension parts on one axle. Replacement kit includes two new support beam assemblies, one cross tube, two air spring assemblies, air spring fasteners, QUIK-ALIGN fasteners and D-pin fasteners.
		66659-003 Rear		
18	Support Beam Assembly	66435-003 (LHF) / 66435-004 (RHF)		
		66435-001 (LHR) / 66435-002 (RHR)		
19	Cross Tube	60912-001		
Page 17		PRIMAAX 260/520		
12	U-beam Assembly	66659-006 Front	60961-233 (Forward) 60961-234 (Rear)	Requires the replacement of associated suspension parts on one axle. Replacement kit includes two new support beam assemblies, one cross tube, two air spring assemblies, air spring fasteners, QUIK-ALIGN fasteners and D-pin fasteners.
		66659-005 Rear		
18	Support Beam Assembly	66435-005 (LHF) / 66435-004 (RHF)		
		66435-006 (LHR) / 66435-002 (RHR)		
19	Cross Tube	60912-001	60961-253 (Forward) 60961-254 (Rear)	PRIMAAX 260 single axle only. Use with Dana S26-190 axle.
			60961-718	



■ Special Tools

PRIMAAX EX / PRIMAAX SERIES	
 <p>Service Tool No. 66086-203 Pivot Bushing Tool</p>	 <p>Service Tool No. 66086-000 Torque Rod Bushing Tool ULTRA ROD® PLUS™</p>
Reference Lit. No. 59310-061	
 <p>Service Tool No. 66086-200 1767 QUIK-ALIGN® Socket Tool Hendrickson OTC</p>	 <p>Service Tool No. 66086-201 1768 QUICK Wrench Tool Hendrickson OTC</p>

This is a general parts list to provide directional information. Components may vary by model. Questions in regards to parts, contact Hendrickson Truck Parts at 1.866.755.5968 (Toll-free U.S. and Canada), 1.630.910.2800 (Outside U.S. and Canada) or e-mail: truckparts@hendrickson-intl.com.

www.hendrickson-intl.com



Truck Commercial Vehicle Systems
800 South Frontage Road
Woodridge, IL 60517-4904 USA

1.866.755.5968 (Toll-free U.S. and Canada)
1.630.910.2800 (Outside U.S. and Canada)
Fax 1.630.910.2899