



## Off-Road

### 2009-2014 CRF250R/450R

## HRC Tuning Kit Sample Maps

The HRC Tuning Kit for CRF250R/450R, when combined with a laptop computer and a 12 V battery, allows the motorcycle to be fine tuned for different racing conditions and rider skill levels.



Assuming you already have the tuning kit, refer to the *Honda Genuine Accessories Dealer Catalog* to order the correct model year software for the motorcycle(s) you wish to tune.

Users can either modify the standard PGM-FI tuning map that came with the bike, or download "sample" maps for specific riding conditions as a good starting point. It is recommended that beginner tuners start with the "sample" maps first, and then progress to tweaking individual parameters once they're comfortable with using the tuning kit.

Sample maps are available from the American Honda Motorcycle brand web site:

<http://powersports.honda.com/technical-downloads.aspx>

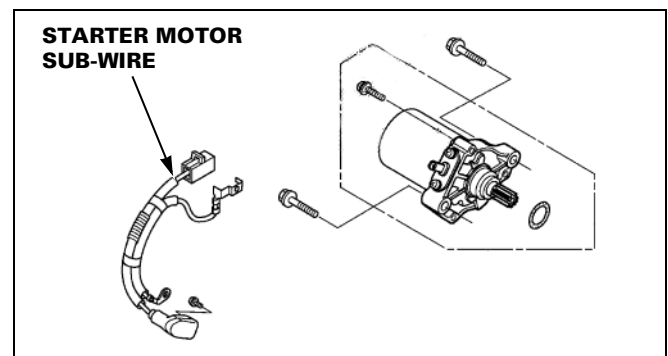
Once the sample maps have been saved to your computer, follow the instructions in the HRC Tun-

ing Kit manual for exporting the desired map to the motorcycle.

### CRF110F

## Inoperative Starter Motor

If you encounter a CRF110F that will not start or starts intermittently, the problem may be the starter motor sub-wire. The first clue that there is a problem with the sub-wire is the starter relay will still activate but the starter motor will not turn over. This sub-wire consists of two wires, one that goes from the negative battery terminal to the starter motor mounting bolt and the other that connects the starter relay to the starter motor positive terminal.



Check for high resistance (greater than 0.2 ohms) or an open circuit along each wire in this sub wire assembly. If a problem with either wire is found, replace the sub wire assembly.

## On-Road

### 2009 & Later GL1800/A

## TPMS Sensors Aren't Waterproof

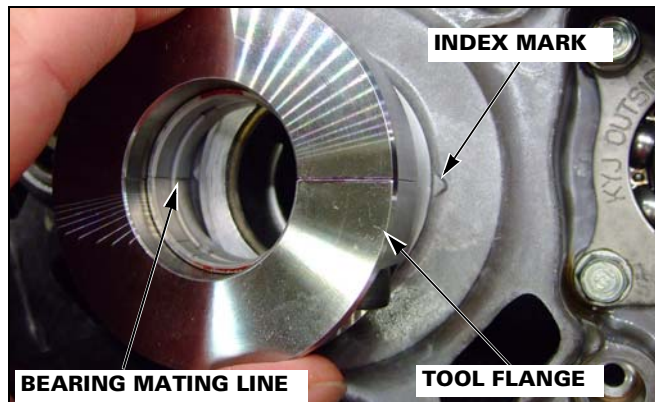
When servicing the tires on TPMS equipped Gold Wings, take precautions to ensure the TPMS sen-

sor will work as designed for years to come.

Do not to use any liquids such as soapy water when mounting the tire, as moisture in the tire can cause the TPMS battery to fail. A light application of bead wax when installing the tire can facilitate smooth installation and minimizes the chance of moisture inside the tire. Another precaution that your shop can take is to make sure to drain your air compressor tank and lines on a regular basis. Compressors will naturally condense water that can eventually make its way through the air lines into your air tools and customer's tires. This practice can help prevent issues with TPMS sensors as well as protect your shop equipment. Pass this information on to your customers as well so they can be aware of this when checking and adjusting the tire pressures on their Gold Wing.

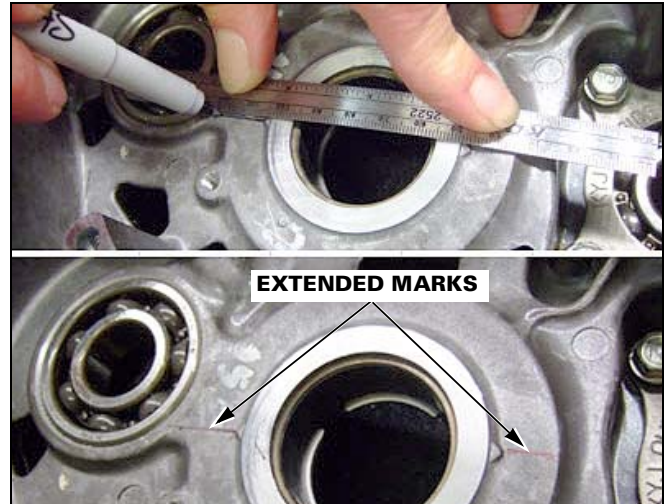
## **CBR250R/CRF250L** **Main Bearing Installation**

When installing new main bearings on these models it is critical that the bearing mating line is aligned with the index mark on the crankcase. However a flange on the bearing installer tool blocks the view of the index marks when it comes to pressing the bearings into the crankcase.



Alignment of the bearing mating line with the index marks ensures that the bearing oil hole aligns with the oil gallery in the crankcase. Any mis-alignment could lead to major engine damage. To ensure correct bearing installation, place the edge of a ruler across the crankcase index marks

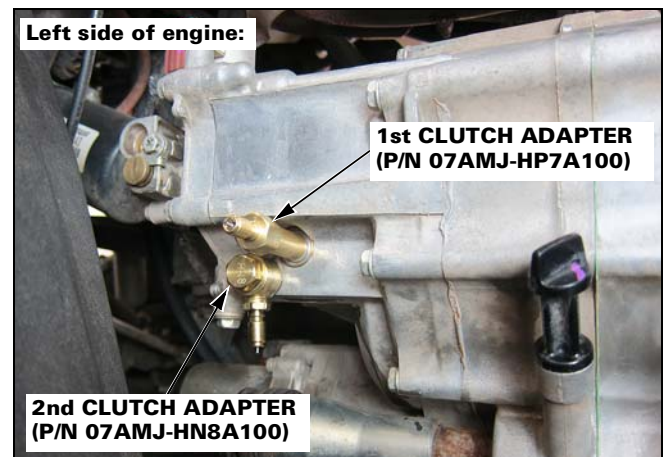
and extend the marks with a fine-tip Sharpie so that they are visible with the installer tool in place.



## **TRX**

## **2009-2014 TRX420FA/FGA/FPA** **Shift Clutch Oil Pressure**

When troubleshooting a shift control failure on the Dual Clutch Transmission, the Service Manual specifies oil pressure testing both the 1st and 2nd shift clutches with two oil pressure gauges and adapters. However, as the adapter specified in the Service Manual won't fit into the 1st clutch oil orifice, AHM Special Tools has developed a new adapter (P/N 07AMJ-HP7A100) for testing 1st clutch pressure. Use the set-up shown below. Note that you will need two oil pressure gauges (P/N 07ZMJ-HN2A100).



©2014 American Honda Motor Co., Inc. All Rights Reserved. Published by: AHM Motorcycle Service Communications, 1919 Torrance Blvd., Torrance, CA 90501. All suggestions become the property of American Honda Motor Co., Inc. Sending a suggestion gives American Honda permission to publish it without further consideration. \*The information in this article is for authorized Honda PWC or MUV dealers only (applicable only if a PWC or MUV article is included in the issue).

Editor: Robert Heilbron E-mail *The Wrench* at [EditorTheWrench@ahm.honda.com](mailto:EditorTheWrench@ahm.honda.com)

MSN 14838 (1401)