



No.: 14 TS-19
July 25, 2014

TO: Service Locations

FROM: Service Systems Development

SUBJECT: **DD Platform High Pressure Fuel Lines**

NOTE: This document supersedes 13 TS-21.

ISSUE

With the exception of the return lines P-clip bolt on the two-filter fuel system, the components in the images below from the high pressure fuel pump to the fuel rail are no longer reusable; they are ONE-time-use only.

REQUIRED ACTION

The high pressure fuel rail feed lines from the high pressure fuel pump to the fuel rail, mounting bracket, P-clips, vibration dampers, return lines p-clip (three-filter fuel system only), mounting bracket bolts, P-clip bolts, vibration damper bolts, and return lines P-clip bolt (three-filter fuel system only) **MUST** be replaced if one of these parts are removed from the engine during any repair.

Three-filter fuel system:

- Service kit P/N: A4710705935 contains all of the necessary parts to replace the high pressure fuel rail feed lines on the EPA07/10 DD13 engines.
- Service kit P/N: A4720707932 contains all of the necessary parts to replace the high pressure fuel rail feed lines on the EPA07/10 DD15/16 engines.

Two-filter fuel system:

- Service kit P/N: A4710706035 contains all of the necessary parts to replace the high pressure fuel rail feed lines on the EPA10 and GHG14 DD13 engines.
- Service kit P/N: A4720708032 contains all of the necessary parts to replace the high pressure fuel rail feed lines on the EPA10 and GHG14 DD15/16 engines.
- Service kit P/N: A4730704432 contains all of the necessary parts to replace the high pressure fuel rail feed lines on the GHG14 DD15AT engines.

Additionally:

Reference 13 TS-5 for additional information on the differences between the two and three fuel filter system.

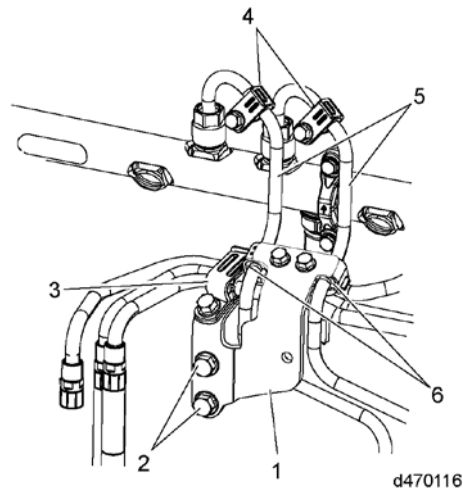
The return lines P-clip is not removed on the two-filter fuel system.

The return lines P-clip bolt is reused in the two-filter fuel system.

NOTICE:

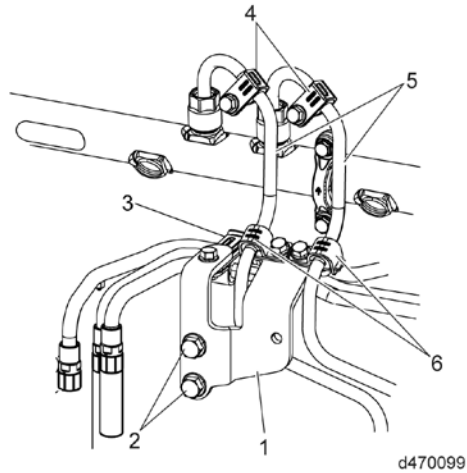
DO NOT install bolts and fittings using power tools. All bolts and fittings MUST be installed and tightened to specification using hand tools to prevent damage and possible fuel leakage.

- a) The graphic below illustrates the three-filter fuel system for DD15/16 engines with a serial number before 472901S0012796.



1. Mounting bracket
2. Mounting bracket bolts
3. Return lines P-clip and bolt
4. Vibration dampers and bolts
5. High pressure fuel feed lines
6. Vibration dampers and bolts

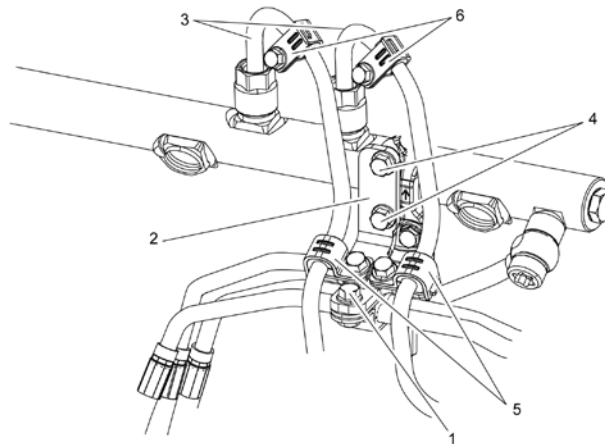
- b) The graphic below illustrates the three-filter fuel system for DD15/16 engines with a serial number after 472901S0012796 and three-filter fuel system for all the DD13 engines.



d470099

1. Mounting bracket
2. Mounting bracket bolts
3. Return lines P-clip and bolt
4. Vibration dampers and bolts
5. High pressure fuel rail feed lines
6. P-clips and bolts

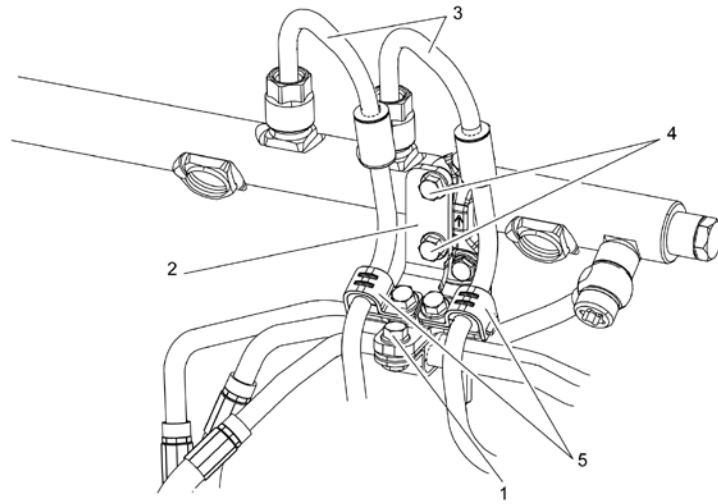
c) The graphic below illustrates the two-filter KM59 GEN1 fuel system for the DD13/15/16 engines.



d470160b

1. Return lines P-clip bolt (reused)
2. Mounting bracket
3. High pressure fuel rail feed lines
4. Mounting bracket bolts
5. P-clips and bolts
6. Vibration dampers and bolts

- d) The graphic below illustrates the two-filter KM63 GEN2 fuel system for the DD15AT engine.



d470251

1. Return lines P-clip bolt (reused)
2. Mounting bracket
3. High pressure fuel rail feed lines
4. Mounting bracket bolts
5. P-clips and bolts

Refer to the appropriate section of Power Service Literature for removal and installation information.

CONTACT INFORMATION

Please contact the Detroit™ Customer Support Center at 800-445-1980 or email csc@daimler.com if you have any questions.