



MODELS AFFECTED: ALL

HEATER RESISTOR SERVICE PART AND REPLACEMENT PROCEDURE UPDATE

This update is to inform service centers of new replacement part numbers and replacement procedures for the listed heater resistors. The new part number resistors should be used to service all applications requiring the old part number resistors. On certain heater assemblies a resistor kit may be required when replacing a failed resistor. When replacing a failed resistor on the heater assemblies listed please see the included resistor kit installation instruction and verify if items number one (1) and three (3) are already installed. If items (1) and (3) are not installed the kit is required when replacing the resistor. Please follow the included installation instructions.

PARTS AFFECTED

RESISTOR ONLY SERVICE PART NUMBERS:

NEW RESISTOR		OLD RESISTOR
10024863	Supersedes	04316295
10024862	Supersedes	00035868

RESISTOR SERVICE KIT PART NUMBERS:

- 10024644 – RESISTOR, KIT, BERGSTROM, 1000295072
- 10024852 – RESISTOR, KIT, BERGSTROM, 1000295073

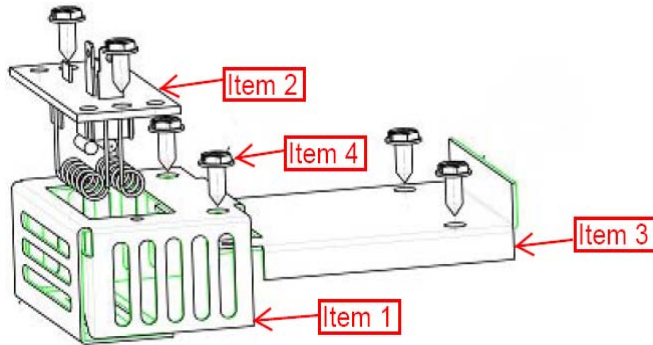
S U I 2 0 9
S E R V I C E U P D A T E

Bergstrom Heater Resistor

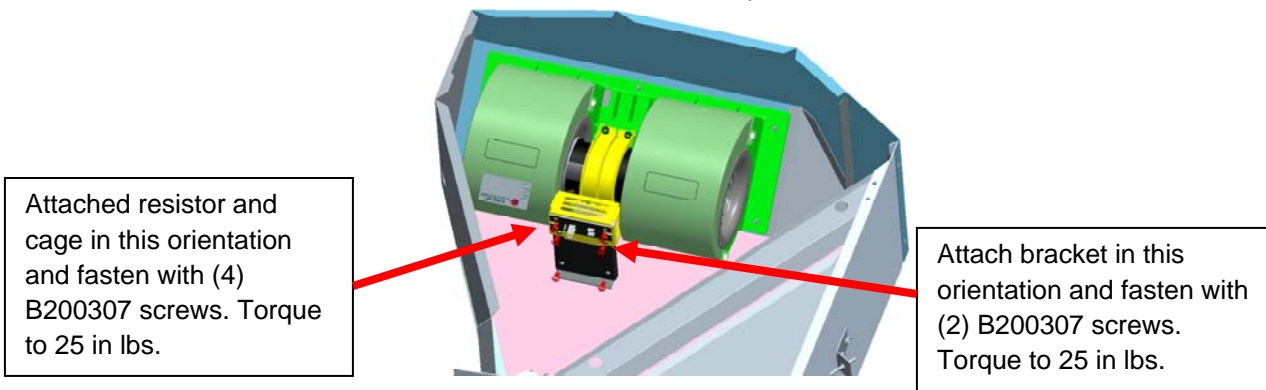
RESISTOR KIT: BLUE BIRD PART NUMBER 10024644

PARTS LIST

<u>ITEM NO.</u>	<u>BERGSTROM P/N.</u>	<u>QUANTITY</u>	<u>DESCRIPTION</u>
1	100055305	1	BRACKET, RESISTOR
2	1000264808	1	RESISTOR, 12V 184C 2 SPD (BB#10024862)
3	1000290716	1	BRACKET, RESISTOR
4	B200307	6	SCREW, #10 X 1/2



Bluebird Resistor in Weldment assy with blower



All components should be installed as shown in the heater assemblies listed below. If brackets items no. 1 and 3 are already installed, the kit is not required. Replace failed resistor as shown. Note: Blue Bird part number 10024862 is for resistor ONLY.

Affected Bergstrom Heater Assembly Part Numbers:

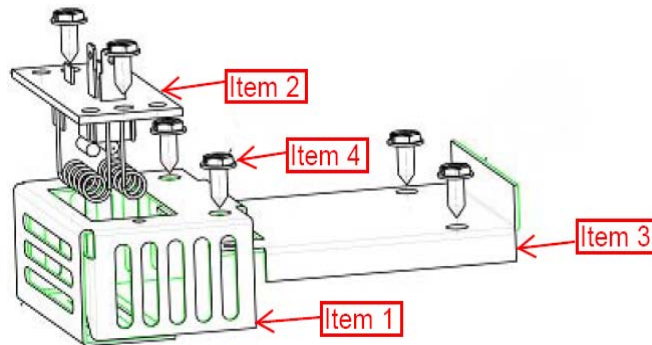
Bergstrom P/N	Description	Bluebird P/N
1000102424	ASSEMBLY, HEATER RE	00015281 or 10024643
1000102444	ASSEMBLY, HEATER FE	00015279 or 10024645
1000102764	ASSEMBLY, HEATER RHD RE	00015280
1000102846	ASSEMBLY, HEATER RHD FE	00086985

Bergstrom Heater Resistor

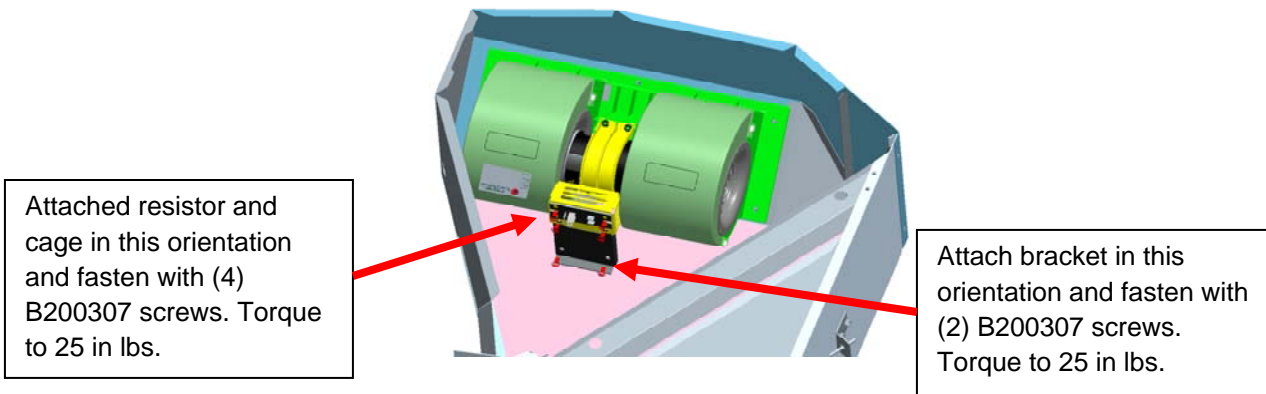
RESISTOR KIT: BLUE BIRD PART NUMBER 10024852

PARTS LIST

<u>ITEM NO.</u>	<u>BERGSTROM P/N.</u>	<u>QUANTITY</u>	<u>DESCRIPTION</u>
1	100055305	1	BRACKET, RESISTOR
2	1000283926	1	RESISTOR, 12V 184C 2 SPD (BB#10024863)
3	1000290716	1	BRACKET, RESISTOR
4	B200307	6	SCREW, #10 X 1/2



Bluebird Resistor in Weldment assy with blower



All components should be installed as shown in the heater assemblies listed below. If brackets items no. 1 and 3 are already installed, the kit is not required. Replace failed resistor as shown. Note: Blue Bird part number 10024863 is for resistor ONLY.

Affected Bergstrom Heater Assembly Part Numbers:

Bergstrom P/N	Description	Bluebird P/N
B936232	HEATER PKG, BLUEBIRD TC 1997	01913763
B936237	HEATER PKG, B-BIRD RH DR MI	01913771
B936253	HEATER PKG, BLUEBIRD TC A3FE	00003017
B936257	HEATER PKG, BLUEBIRD TC 1999	00015281
B936258	HEATER PKG, BLUEBIRD A3 TC 1999	00015279
B936259	HEATER PKG, B-BIRD RH DR	00015280
782233	HTR ASSY, A3FE RH DR	00086985