

**Assembly Instructions**
**Instrucciones de Ensamblaje**
**Directives d'assemblage**

 Customer Service  
 US: 1-800-645-2986

 Servicio de atención al Cliente  
 US: 1-800-645-2986

 Service à la clientèle  
 Canada: 888-645-2986

# PICNIC TABLE WITH BACKREST

Parent Model # 48" 277620BK/BL/GN/RD | 72" 277630BK/BL/GN/RD

 Table Top & Bench Top: 48" 249CP150 (BK), 249CP59 (BL), 249CP60 (GN), 249CP151 (RD)  
 72" 277CP05BK/BL/GN , 249CP61

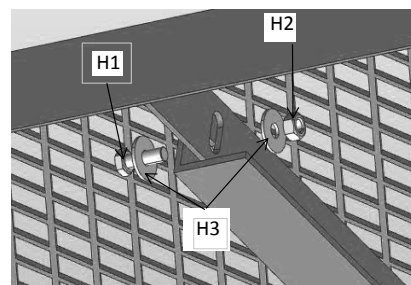
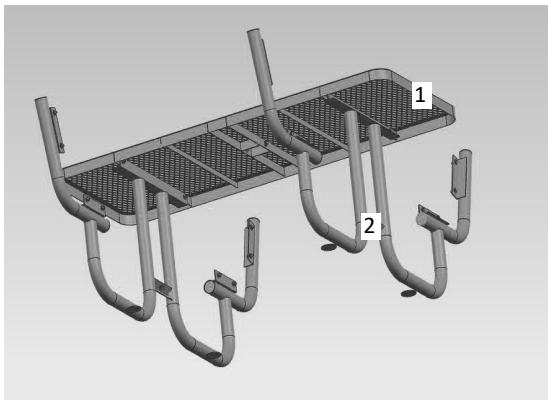
Backrest Kit: 48" 277CP62BK/BL/GN/RD | 277CP63BK/BL/GN/RD

Legs: 277CP64



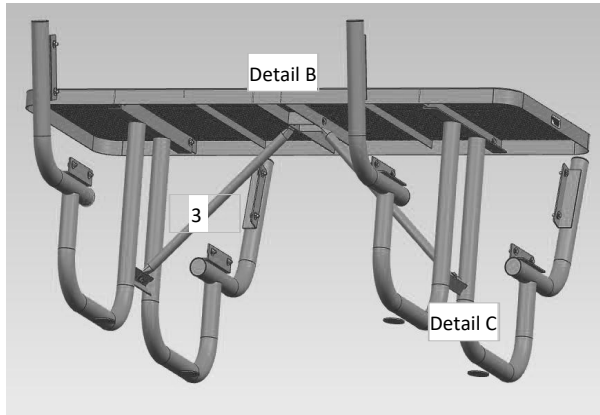
CONTENTS		
Ref.	Qty.	Description
1	1	Top
2	2	Leg
3	2	Leg Support
4	2	Seat
5	2	Back Rest
H1	24	M8*1.25*25mm Lg. Hex Bolt
H2	24	M8*1.25 Nylon Lock Nut
H3	48	Washer

- ① Hold both legs straight and attach legs to top.


 Per Set  
 H1 (x1)  
 H2 (x1)  
 H3 (x2)

# PICNIC TABLE WITH BACKREST

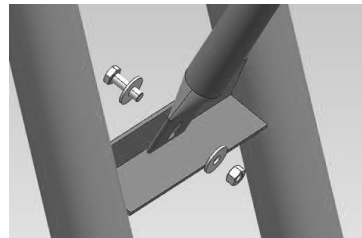
② Attach Leg Supports to the Table top and Legs. Refer to Details B & C.



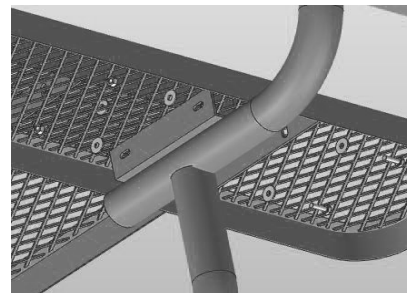
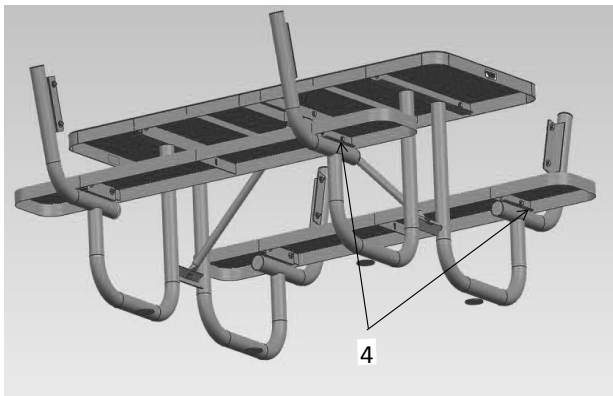
Detail B



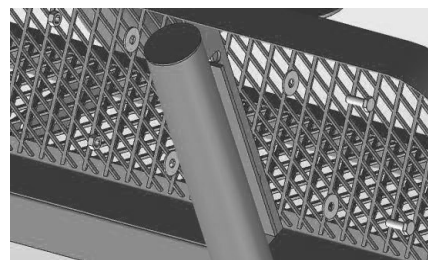
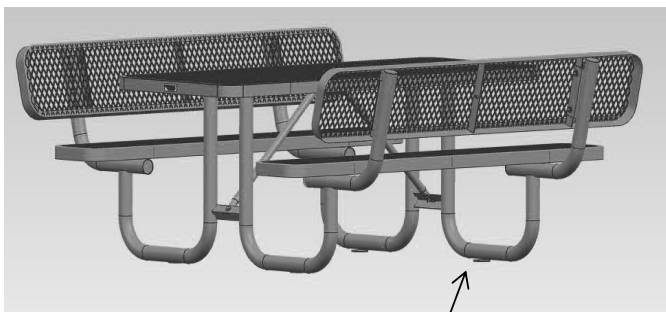
Detail C



③ Attach Seats to Legs.



④ Attach the back rest to the legs



Through holes on bench legs serve as anchoring locations.  
(Hardware not included)