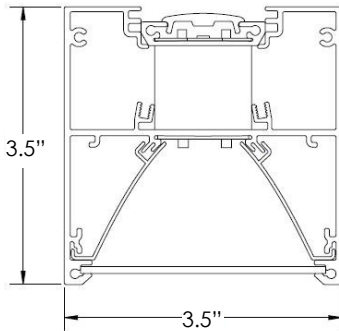


Beam Direct / Indirect

Type:	
Project:	
REP/Agent:	
Order #:	



DIMENSIONS



FEATURES

- **Continuous lensing standard- runs up to 200'**
- Extruded aluminum single piece housing
- 2', 4', 6' and 8' individual units, or continuous rows
- Linear runs with proprietary joiner design
- Direct & Indirect light levels can be set to any combination at the factory
- Efficacy up to 150 lm/W
- Soft diffuse direct lighting
- Textured powder coat finishes available in white, black and silver
- Premium finishes also available
- Approved for dry and damp locations
- 0-10v dimming is standard
- Dim to 1% of output current is standard
- 90 CRI (R9 50 min) available
- CA Title 24 / JA8 installation compatible



ORDERING LOGIC

BEAMDI	SERIES	LENGTH	DIRECT LUMENS PER FOOT	INDIRECT LUMENS PER FOOT	DIRECT DISTRIBUTION	INDIRECT DISTRIBUTION	CCT	CRI
BEAMDI	xx=Run Length Sxx=Symmetric Run Length _x_RECT=Rectangle _x_L=L-Shape _x_x_U=U-Shape	350=350 LPF 500=500 LPF 750=750 LPF 1000=1000 LPF XXX=Custom LPF <small>Dual Driver required if total fixture lumens exceed 11,500</small>	350=350 LPF 500=500 LPF 750=750 LPF 1000=1000 LPF XXX=Custom LPF	SD=SatinIce Diffuse WD=Wide Diffuse WW=Wall Wash	CL=Clear Lens BW=Batwing	30K=3000K 35K=3500K 40K=4000K 50K=5000K TW=Tunable White ¹ (2700-6500K)	80=80 90=90 (R9 50 min)	

FINISH	MOUNTING	VOLTAGE	ELECTRICAL	OPTIONS
STANDARD PW=Powder Coat White PB=Powder Coat Black PS=Powder Coat Silver PREMIUM RALxxxx= Powder Coat RAL xxxx (Gloss Finish) PSFx=Prem Stock Finish (See Pg. 6) CUSTOM PO=Powder Other	CABLES WITH CANOPY KITS ACW05=White Cord 5' ACW10=White Cord 10' ACB05=Black Cord 5' ACB10=Black Cord 10' CABLES WITH LOOPS ALW10=White Cord 10' ALB10=Black Cord 10' WALL MOUNTS AWM=Architectural Wall Mt WM=Wall Mount EWM=Extruded Wall Mount STEM WITH CANOPY KITS STEMWxx= Stem White, xx" STEMBxx= Stem Black, xx"	U= 120-277 C= 347	1C=Single Circuit DD=Single Circuit with Dual Drivers <small>(required if total lumens exceed 11,500)</small> 2C=Separate D/I Circuits <small>(separate control of direct and indirect)</small> MC=Multiple Circuits <small>(multiple switch legs across run length)</small> EC=Emergency Circuit <small>(separate power drops for EC fixtures)</small> GTD=Generator Transfer Device	SPECIALTY DRIVERS (Standard driver is 0-10V, dim to 1% output current) DT1=eldoLED EcoDrive Dim to 1% (0-10V) DTZ=eldoLED SoloDrive Dim to 0.1% (0-10V) PSRD=Philips Sensor Ready (DALI) Driver LDE1=Lutron Hi-Lume EcoSystem LED driver with Soft-on, Fade-to-Black TW-A=Tunable White, 0-10v ² TW-EL=eldoLED DUALdrive Tunable White (DALI) ² PSQ02U=Lutron T-Series 1% 2-Channel Tunable White driver ² BATTERIES #EMB6=6W EM Battery (# indicates quantity) #EMB10=10W EM Battery (# indicates quantity) SENSORS DMxx%=Daylight/Motion Sensor (xx%= % Min. Dimming) VDO=Lutron Vive Integral fixture control (RF w/ daylight and occupancy)

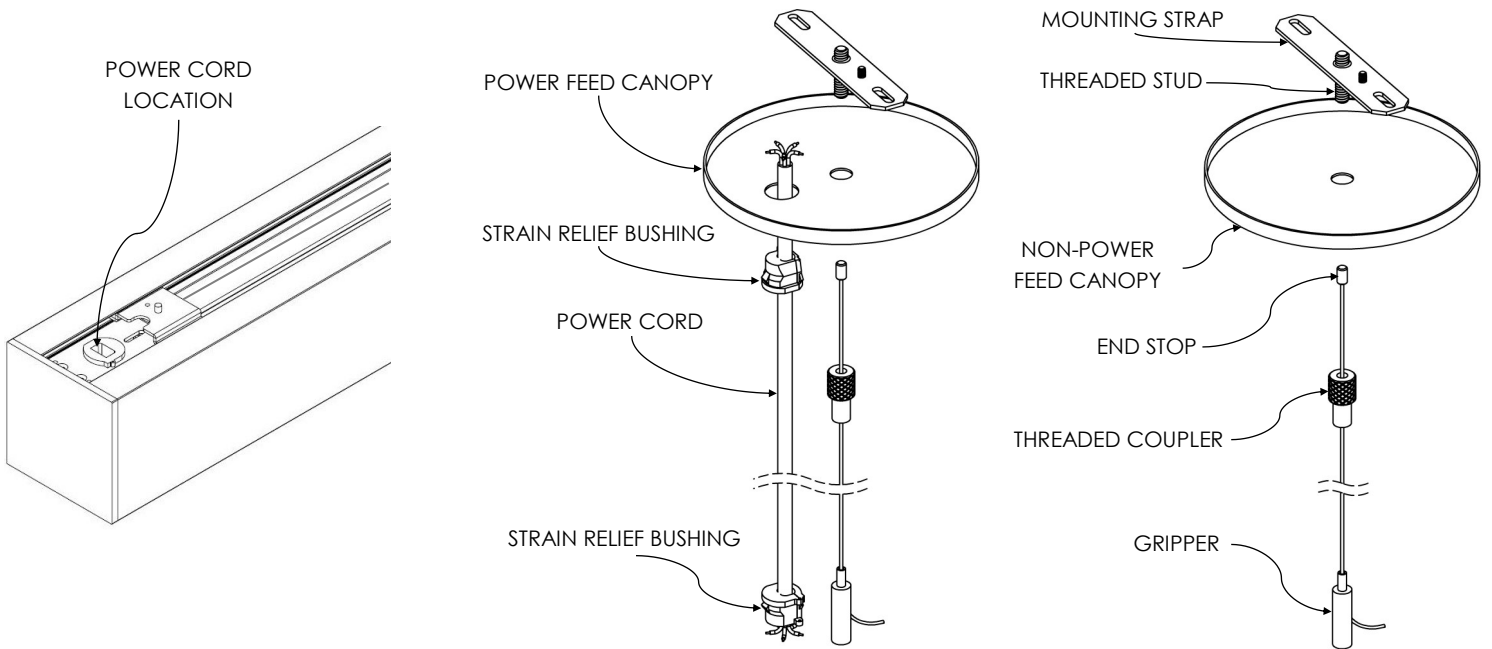
EXAMPLE: BEAMDI-40-500-750-WD-BW-35K-90-PW-ACW10-U-1C-1EMB10

¹ Tunable White Driver must be specified in options
² 50 Watt Max. Dual driver required for higher fixture wattage

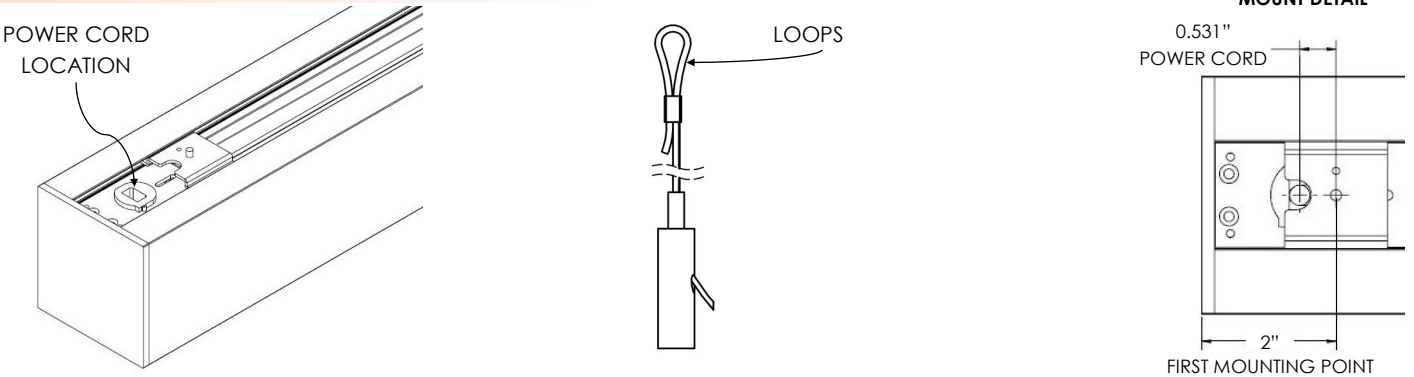
Type:	
Project:	
REP/Agent:	
Order #:	

MOUNTING OPTIONS

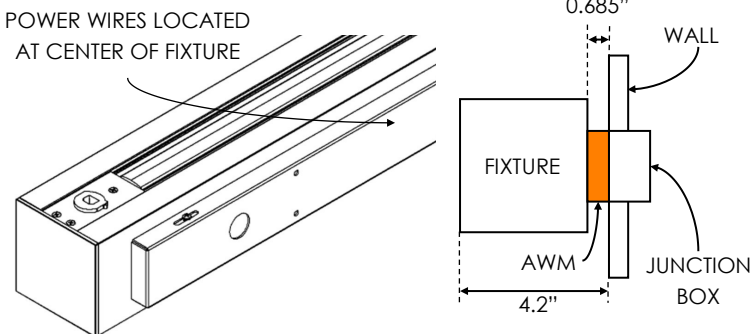
ACxxx (Aircraft Cable with Canopy) - Drywall, Solid, Tile (On-Grid), Tile (Off-Grid)



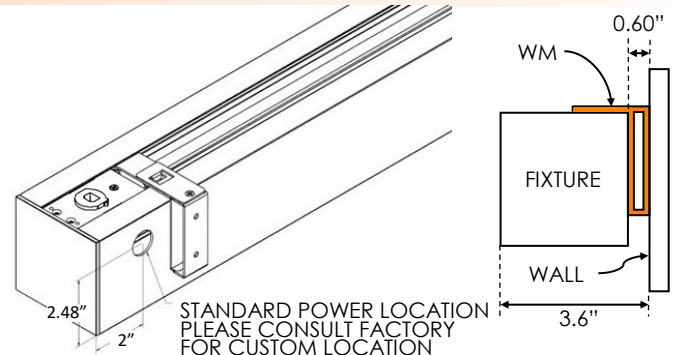
ALxxx (Aircraft Cable with Loops)



AWM (Architectural Wall Mount)



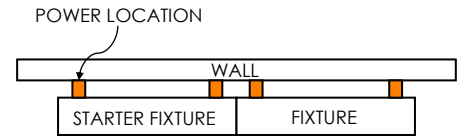
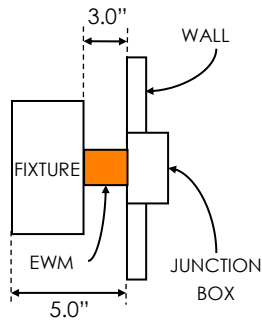
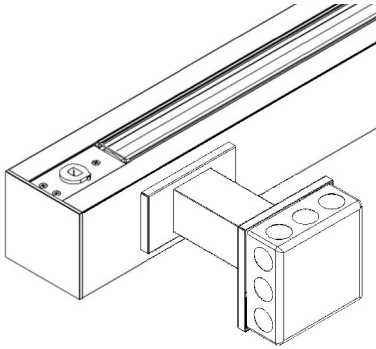
WM (Wall Mount)



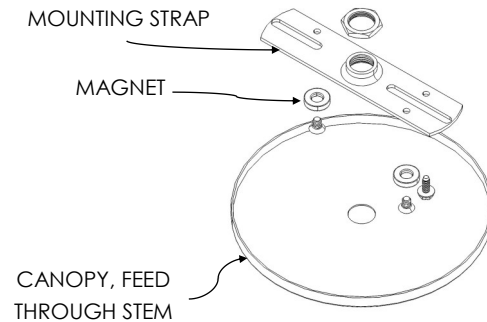
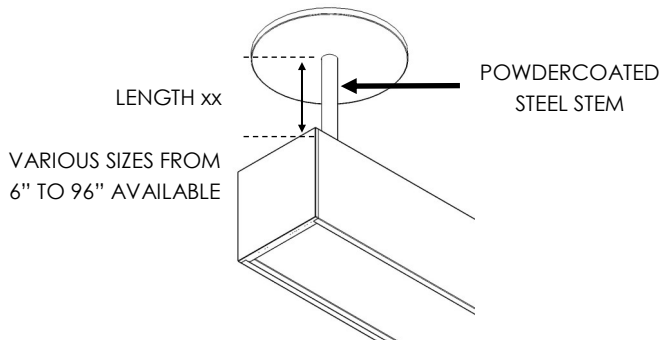
Type:	
Project:	
REP/Agent:	
Order #:	

MOUNTING OPTIONS, CONTINUED

EWM (Extruded Wall Mount)



STEMWxx, STEMBxx (Stem Mount)



Type:	
Project:	
REP/Agent:	
Order #:	

ROW CONFIGURATIONS

xx (Run Length)

The standard construction of run lengths is to build with as many 8' sections as possible and finish the run with a shorter length fixture if necessary.

Examples of the standard construction of runs over 8' are as follows:

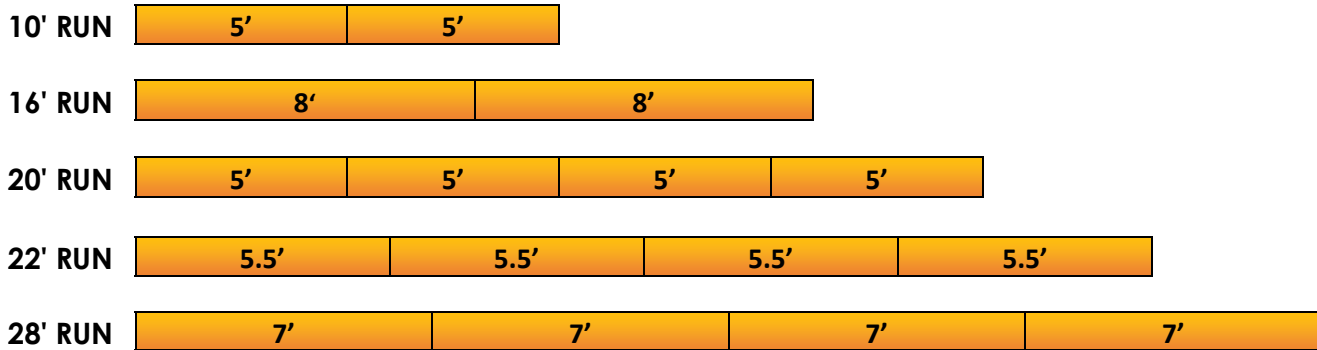


NOTE: Fixtures in continuous runs are available in 6" increments.

SRxx (Symmetric Run)

The construction of SRxx is to build with equal length fixtures. Please indicate this on your P.O. when placing your order.

Examples of symmetric construction of runs over 8' are as follows:

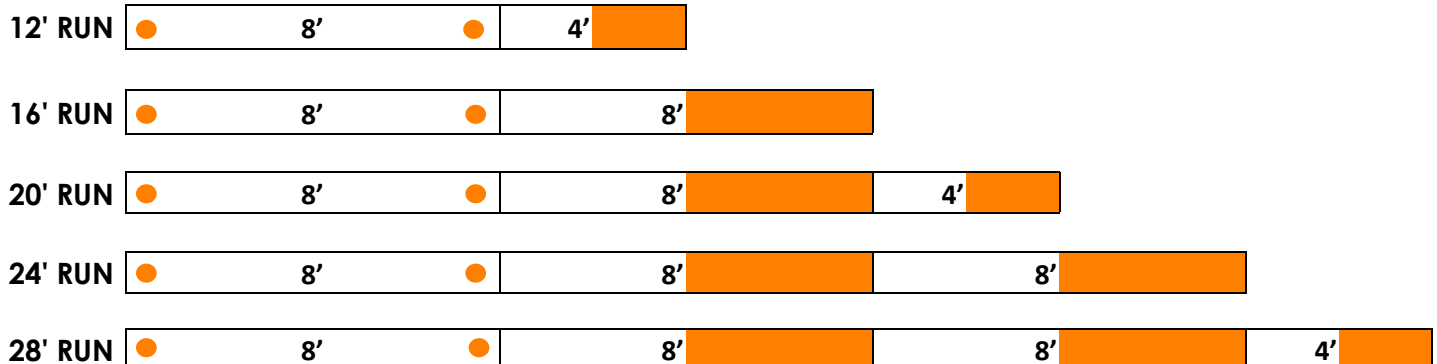


NOTE: Fixtures in continuous runs are available in 6" increments.

MOUNTING LOCATIONS

Each starter or individual fixture will be provided with (2) mounting supports (●). Each additional fixture will be provided with (1) support which can be located anywhere along the 2nd half of the fixture (highlighted below):

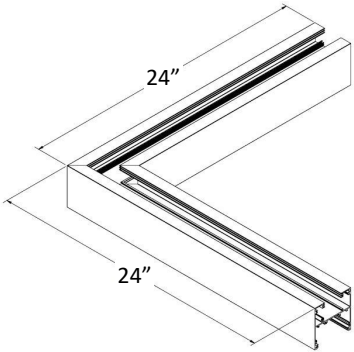
Examples of continuous run mounting locations are as follows:



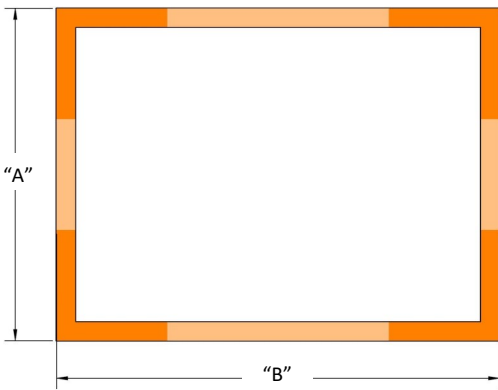
Type:	
Project:	
REP/Agent:	
Order #:	

JOINT SHAPE CONFIGURATION WITH MITER CUTS

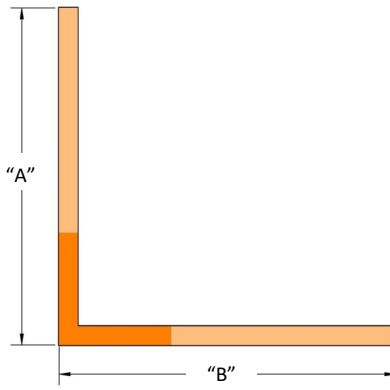
We provide joint configurations in the stock size of 24" X 24" as shown below.



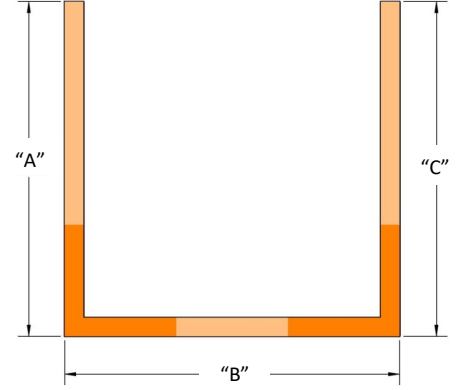
_x_RECT
Rectangle
Supply AxB dimensions



_x_L
L-Shape
Supply AxB dimensions



_x_x_U
U-Shape
Supply AxBxC dimensions

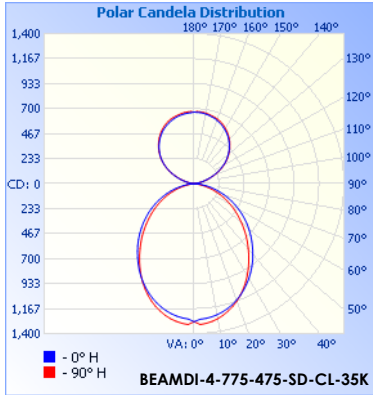


Type:	
Project:	
REP/Agent:	
Order #:	

PERFORMANCE

*Bold indicates DLC Premium 5.0 Listed

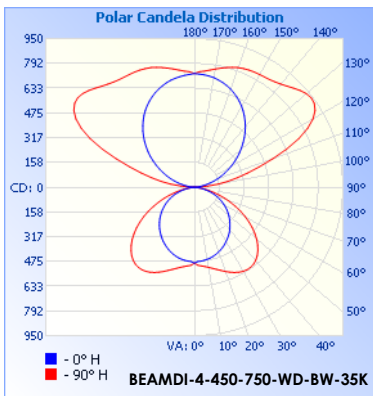
BEAMDI-X-775-475-SD-CL (80+ CRI)



Model	Lumens	Watts	LPW
BEAMDI-4-775-475-SD-CL-30K	4,687	35	133
BEAMDI-4-775-475-SD-CL-35K	4,821	35	136
BEAMDI-4-775-475-SD-CL-40K	4,955	36	140
BEAMDI-4-775-475-SD-CL-50K	5,222	36	147

Model	Lumens	Watts	LPW
BEAMDI-8-775-475-SD-CL-30K	9,627	70	139
BEAMDI-8-775-475-SD-CL-35K	9,851	69	142
BEAMDI-8-775-475-SD-CL-40K	10,076	69	145
BEAMDI-8-775-475-SD-CL-50K	10,524	69	152

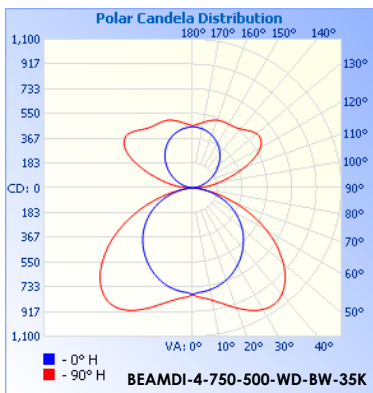
BEAMDI-X-450-750-WD-BW (80+ CRI)



Model	Lumens	Watts	LPW
BEAMDI-4-450-750-WD-BW-30K	4,800	38	125
BEAMDI-4-450-750-WD-BW-35K	4,800	38	128
BEAMDI-4-450-750-WD-BW-40K	4,800	36	132
BEAMDI-4-450-750-WD-BW-50K	4,800	35	139

Model	Lumens	Watts	LPW
BEAMDI-8-450-750-WD-BW-30K	9,600	74	130
BEAMDI-8-450-750-WD-BW-35K	9,600	72	133
BEAMDI-8-450-750-WD-BW-40K	9,600	71	136
BEAMDI-8-450-750-WD-BW-50K	9,600	67	143

BEAMDI-X-750-500-WD-BW (80+ CRI)



Model	Lumens	Watts	LPW
BEAMDI-4-750-500-WD-BW-30K	5,000	42	119
BEAMDI-4-750-500-WD-BW-35K	5,000	41	122
BEAMDI-4-750-500-WD-BW-40K	5,000	40	125
BEAMDI-4-750-500-WD-BW-50K	5,000	38	128

Model	Lumens	Watts	LPW
BEAMDI-8-750-500-WD-BW-30K	10,000	80	125
BEAMDI-8-750-500-WD-BW-35K	10,000	78	128
BEAMDI-8-750-500-WD-BW-40K	10,000	77	130
BEAMDI-8-750-500-WD-BW-50K	10,000	73	137

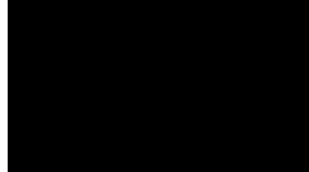
Type:	
Project:	
REP/Agent:	
Order #:	

FINISHES

STANDARD FINISHES



WHITE MINI TEXTURE



BLACK MINI TEXTURE

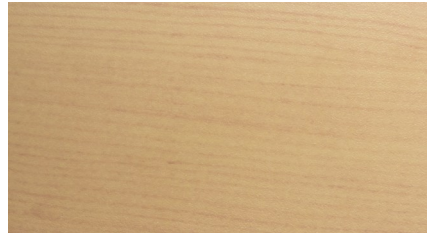


SILVER SPARKLE TEXTURE

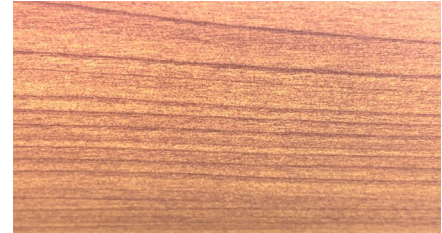
PREMIUM STOCK FINISHES



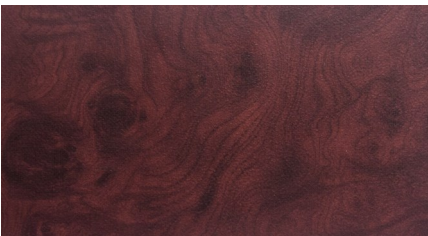
PSF001 (WOOD#1)



PSF002 (WOOD#2)



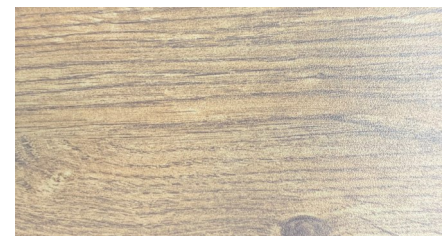
PSF003 (WOOD#3)



PSF004 (WOOD#4)



PSF005 (WOOD#5)



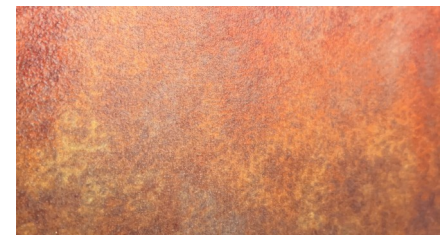
PSF006 (WOOD#6)



PSF007 (STONE #1)



PSF008 (STONE #2)



PSF009 (METAL #1)

NOTE: A minimal impact to lead times will apply to products specified with Premium Stock Finishes (PSF). It is not to be assumed that these finishes are stocked in our warehouse, but rather, are readily available to us for your project.

All other custom finishes (PO) will incur a set up fee and will add an extended lead time to your project.

Type:	
Project:	
REP/Agent:	
Order #:	

SPECIFICATIONS

Housing

Nominal 3.5" x 3.5" x .075" thick housing of continuous extruded 6063 T5 aluminum.

Color

Colors for the housing are available in a powder coated white, black, silver, and woodgrain with end cap to match. Consult factory for custom colors.

Luminaire Length

2', 4', 6' or 8' lengths are available for a single stand-alone section. Using internal joiners, these sections can be joined to form longer rows.

End Caps

Injection molded flat end caps are mechanically attached with no exposed fasteners to enhance architectural aesthetic and prevent light leak.

Source

Lumen packages are available in four color temperature options (3000K, 3500K, 4000K and 5000K) — all within 3 MacAdam ellipses.

Certification

Intertek cETLus Listed. DLC Premium listed options are available. RoHS (Restriction of Hazardous Substances) and Buy American Act compliant.

Battery

Philips Bodine lithium ion battery providing up to 780lm (6W) or up to 1300lm(10W) for 90 minutes. UL924 listed. Class 2 compliant. Meets Title 20 CEC (California Energy Commission) efficiency standards.

Lensing

0.080" thick impact resistant acrylic lensing.

Environment

Suitable for dry and damp locations.
Operating temp.: -40°C to +50°C
-40°F to +122°F

Dimming Driver (Integral Driver)

Universal Lighting Technologies (ULT) Everline series of LED drivers allows tunable output currents to achieve infinite configurations of output. UL Class 2 recognized. 0-10v interface can be wired as Class 1 or Class 2 circuit. Included 2.5Kw ring and wave overcurrent protection, isolation of each individual output and a fully potted driver to protect from heat and vibration. Power factor <.93

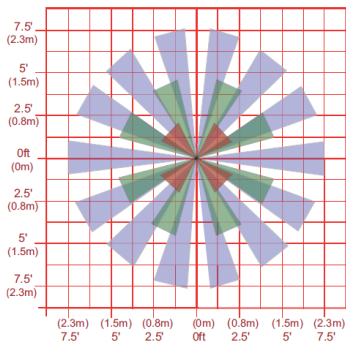
Packaging

Sustainably manufactured outside cardboard box and biodegradable, protective poly-foam luminaire inserts.

CONTROL

Sensor

Wattstopper FS-205 v2 Low Voltage PIR. Integrated photosensor for hold-off daylighting control. 24VDC operating voltage. Adjustable time delay (30 seconds to 30 minutes).



COMPANION PRODUCTS

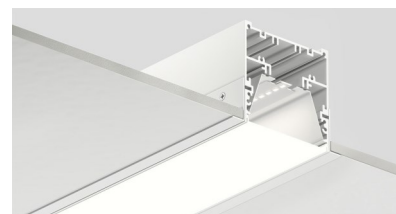
Beam Direct



Beam Surface Mount



Recessed Beam



WARRANTY

5-year limited warranty. Complete warranty terms can be located at:

http://www.starteklightingamerica.com/images/pdf/warranty/Beam_Series_Warranty.pdf

Note: Actual performance may differ as a result of installation environment and final application. All values are design or typical values, measured under laboratory conditions, at 25°C (77°F).