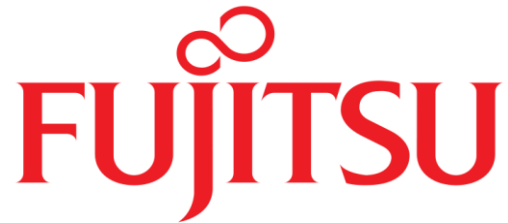


PRIMERGY TX2560 M2
 PRIMERGY RX2560 M2
 Tower or 4U Rack server



Chapter	Folder	Content
	Cover	List of content, Instructions for usage of this configurator, abbreviations
	Description	System Description for easier understanding
1	Base	describes base unit of TX2560 M2 and RX2560 M2
2		describes rack mount kits and services
3	CPU	Order code and Infos of E5-2600v4 series processors
4	RAM	DDR4 System memory (RAM) and memory modes
5	GFX	Graphics-, Grid-cards, GPU and Xeon Co processors
6	HD cage	HDD cage kits
7	RAID	SAS / RAID Controller and components
8	ODD	optical disk drives (DVD, DVD-rw, Blu ray)
9	Backup	LTO drives & RDX drive
10	HD SSD	Storage drives - PCIe SSD - SAS/SATA SSD & HDD
11	LAN	LAN Components
12	FC_IB	Fibre Channel Controller
13		Infiniband Controller
14	PSU	Power supply units, power cables, country specific opt
15	USB devices	Keyboards, Mice, USB devices
16	others	System Management, ATD, RS232 port, TPM module

Instructions

This document contains basic product and configuration information that supports you in more complicated configurations.

In any case we recommend to use the PC-/SystemArchitect to make sure, that you configure a valid system.

This System configurator is divided into several chapters. They are identical to the current price list and PC-/SystemArchitect.

Please follow this document step by step from the top to the bottom.

Chapter xx - description of chapter

Text fields with grey color offer extra information for related topics (e.g prerequisites, technical back ground, configuration rules, limitations, ...)

S26361-F4610-E2
S26361-F4610-L3
PLAN 2x1Gb Ethern. Controller
i350-T2 chip (based on Intel Powerville) offers 2x1Gb RJ45 connectors
PCIe Gen2 x4 full height card
max. 6x per system

<-- order code E-part (bold) --

<-- order code L-part (bold)

<-- "name" of this part

<--description of this part, in same cases as well description of content

<--requires a free PCIe slot --> means total amount of PCIe slots reduced

<--indicates how often this part can be configured in the related Server

For further information see:

Link to datasheet:

[http:// xxx](http://xxx)

http://ts.fujitsu.com/products/standard_servers/index.html

(internet)

https://partners.ts.fujitsu.com/com/order-supply/configurators/primergy_config/Pages/default.aspx

(extranet)

Fujitsu is providing the content of this document with very high accuracy. In case you identify a mistake, we would kindly encourage you to inform us. We kindly ask for understanding, that errors still may occur and that Fujitsu may change this document without notice

The PRIMERGY TX / RX2560 M2 Server offers 3 drive mounting areas:

Start

accessible drive area (purple color code) with

- standardwise 3x 1.6" bay for optical drives or LTO/RDX drives
- or optional up to 3rd 4x 3.5" SAS 3.0 LFF HDD (then only a 9.5mm ODD can be configured)
- or optional for up to 3rd 8x 2.5" SAS 3.0 SFF HDD or SSD or 4x 2.5" PCIe SSD (then 1x 1.6" ODD/backup drive can be configured)

mid drive area (yellow color code) - optional with

- space for up to 2nd 4x 3.5" SAS 3.0 LFF HDD
- or space for up to 2nd 8x 2.5" SAS 3.0 SFF HDD or SSD

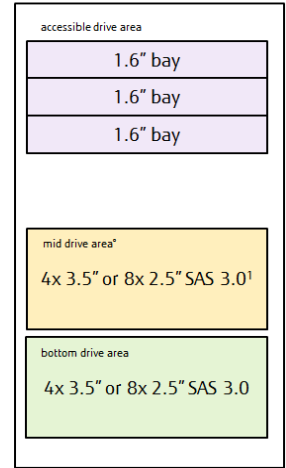
→ bottom drive area (green color code) – mandatory with

- space for up to 4x 3.5" SAS 3.0 LFF HDD
- or space for up to 8x 2.5" SAS 3.0 SFF HDD or SSD

2nd upgrade

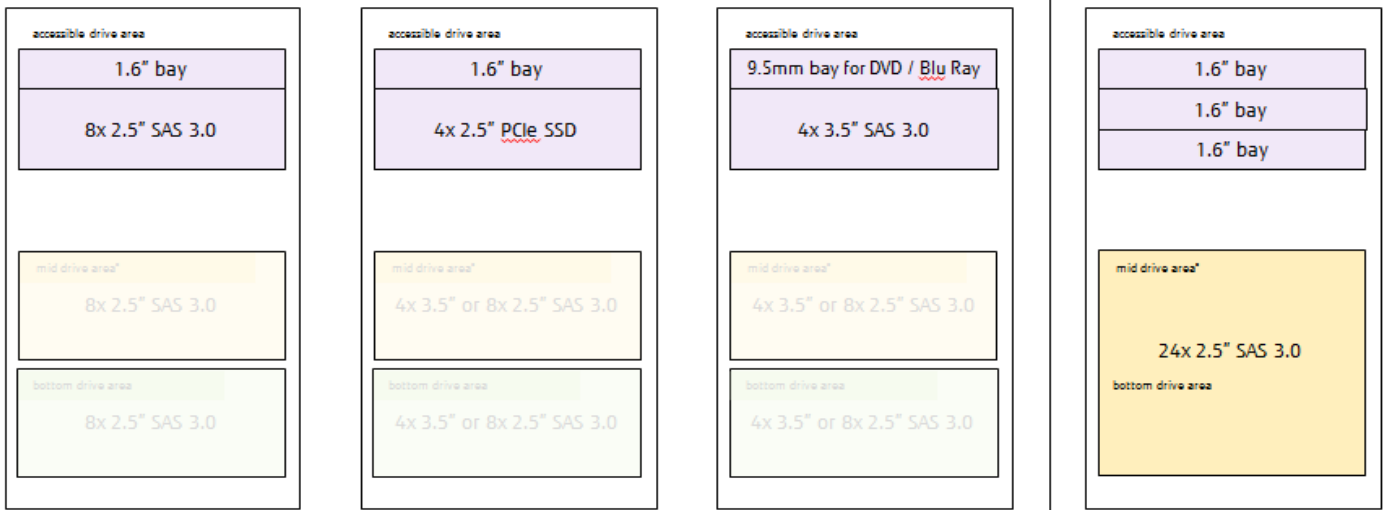
1st upgrade

Start



Please find all details, possible and released configurations in the chapter 6 - "HD_cage"

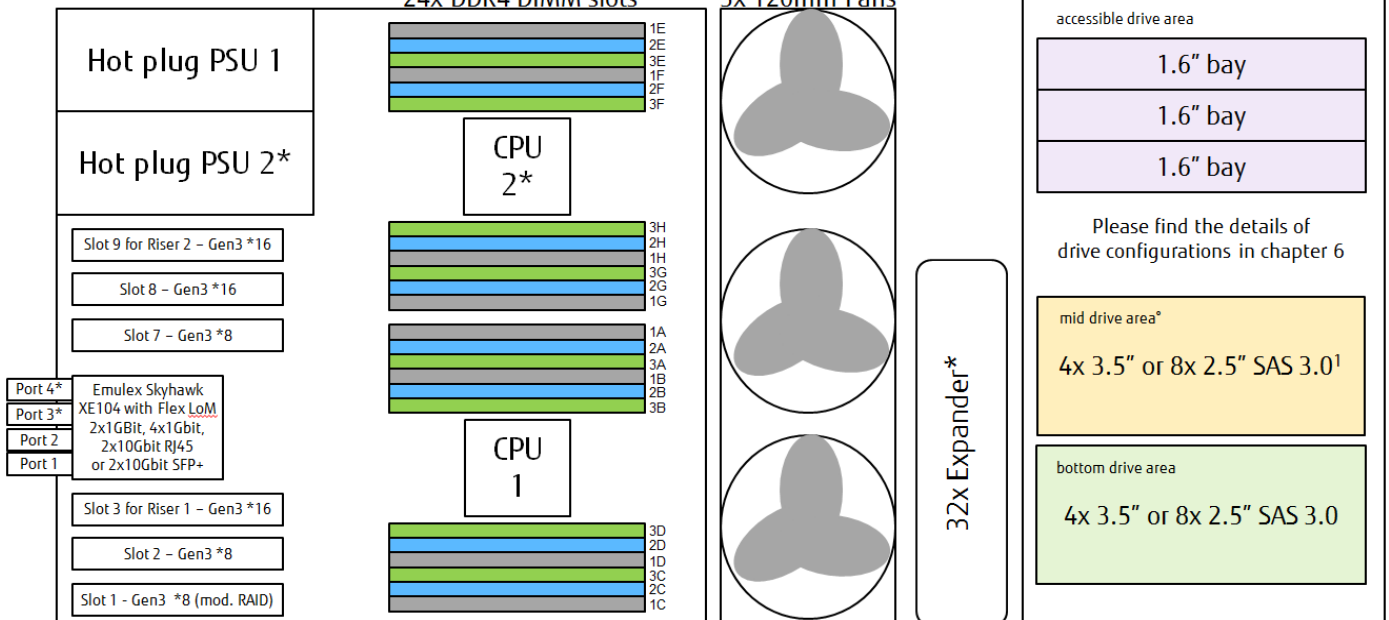
Options in the accessible area



"many HDD" option in the bottom and mid drive area

24x DDR4 DIMM slots

3x 120mm Fans

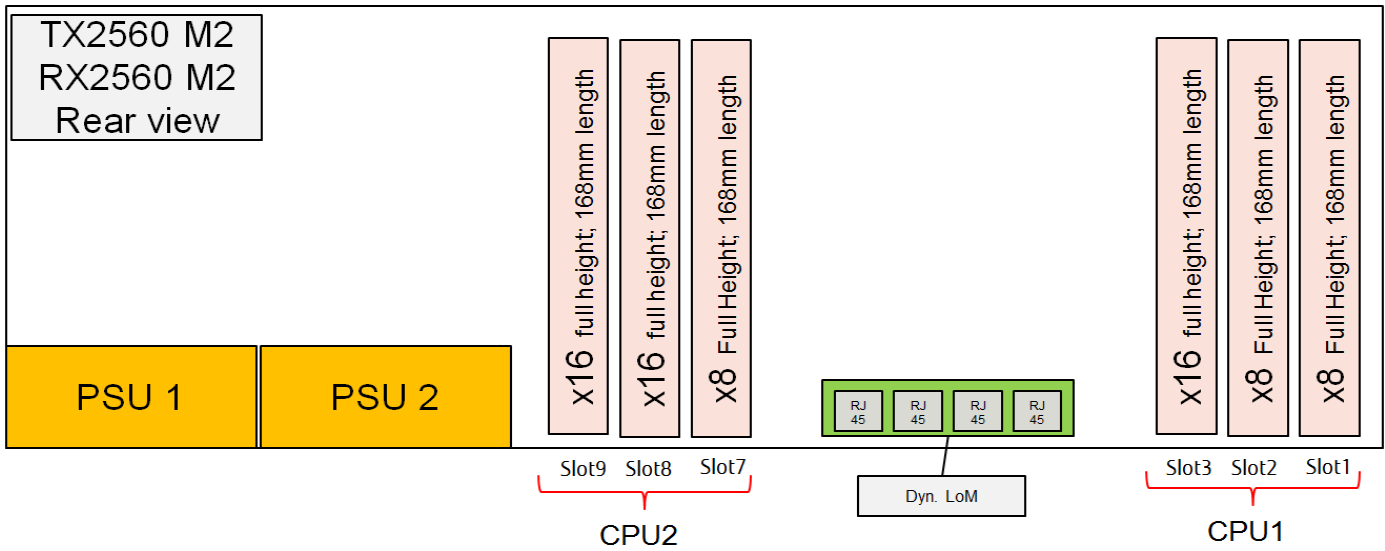


Please find the details of drive configurations in chapter 6

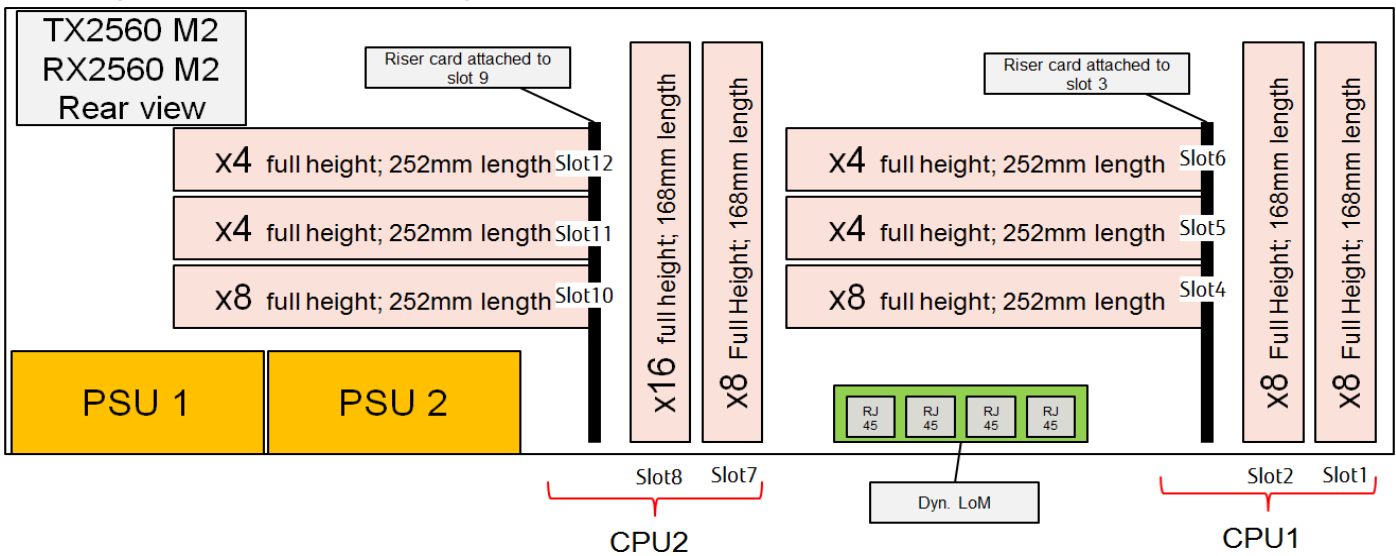
* = option

1 = in the bottom and mid drive area either 2.5" or 3.5" are allowed

Rear view with 6x Gen 3 PCIe slots on Board



Option: Rear view with up to 10x Gen 3 PCIe slots (4x on Board, 6x on riser card)



recommended components for TX/RX2560 M2	#
Independant Mode installation	1x
PLAN EM 4x1Gb T interface card	1x
Region kit APAC/EMEA/India	1x
iRMC S4 advanced pack	1x
Modular PSU 450W platinum hot plug	2x

Chapter 1 - base unit

Start

Power supply units & cooling

The PRIMERGY TXRX2560 M2 offer bays for 1x or 2x direct attached hot plug (opt. redundant) power supply units of 450W or 800W or 1.200W with up to 96% efficiency. The PRIMERGY TX/RX2560 M2 are equipped with high performance full height processor heat pipes and 3x 120mm high power fans (2+1 redundant) with optimized blades and with optimized fan control for both - silent and save operation.

Server Management

iRMC S4 (integrated Remote Management Controller) on-board with dedicated (or shared) 10/100/1000 Service LAN-port and integrated graphics controller. With the integrated onboard indicators and controls You can highlight easily failed components via LEDs. The LEDs can be displayed during service even without mains connection by simply pressing the "indicate CSS" button.

Platform

Fujitsu Systemboard D3289 made in Germany based on Chipset Intel® C612

> 2 serial QPI links (Quick Path Interconnect)

> Up to two Xeon EP2600 v4 series CPUs

Slots: As standard 6 PCIe slots are on Board, with riser cards up to max. 10 PCIe slots are possible - please see schematics in "description"

> 3 slots on Board Full height, 167mm lenth @ first CPU:

Slot 1 PCIe-Gen3 x8 - supports modular RAID functions

Slot 2 PCIe-Gen3 x8

Slot 3 PCIe-Gen3 x16 (occupied in case of risercard operation)

instead of slot3, there may be risercard1 installed with 1x *8 and 2x *4 slots (Full height, 252mm lenth)

Slot 4 PCIe-Gen3 x8

Slot 5 PCIe-Gen3 x4

Slot 6 PCIe-Gen3 x4

> 3 PCIe slots Full height, 167mm lenth@ second CPU:

Slot 7 PCIe-Gen3 x8

Slot 8 PCIe-Gen3 x16

Slot 9 PCIe-Gen3 x16 (occupied in case of risercard operation)

instead of slot9, there may be risercard2 installed with 1x *8 and 2x *4 slots (Full height, 252mm lenth)

Slot 10 PCIe-Gen3 x8

Slot 11 PCIe-Gen3 x4

Slot 12 PCIe-Gen3 x4

System RAM up to DDR4-2133 MHz

2x12 memory slots for max. 1.5TB* DDR4 RAM available (12 slots per CPU). Memory speed depends on CPU and configuration, please see folder "CPU" and "RAM" for further details.

* Chipset supports with future models up to 3TB - implementation in PRIMERGY TX/RX2560 M2 pending.

LAN

LAN on Motherboard based on the high performance Chip Emulex XE104 with flexible LAN connections.

Software

* ServerView Suite Software incl. ServerStart, ServerBooks, Management Software and Updates

Connectivity

Interfaces at rear side

- optional 1x RS-232-C (serial, 9 pin)

- 1 service LAN RJ45 (1 Gbit)

- 1x VGA (15 pins)

- 2x USB 3.0 & 2x USB 2.0 no USB wakeup

Flex LoM with 1 of these options:

RJ45: 2x1Gbit, 4x1Gbit or 2x10Gbit

SFP+: 2x10Gbit ... or Dummy module (i.e. no LAN o.B.)

Interfaces at front

- 2x USB 3.0 no USB wakeup

Interfaces internal

- 1x internal USB 3.0 connectors for backup devices

- 1x USB 2.0, 1x UFM

- 1x SATA DOM

- 2x 4* SATA 6G (only via customizing)

S26361-K1583-V101

TX2560 M2 Floorstand System

Tower base unit with D3289 systemboard & lockable frontbezel

A

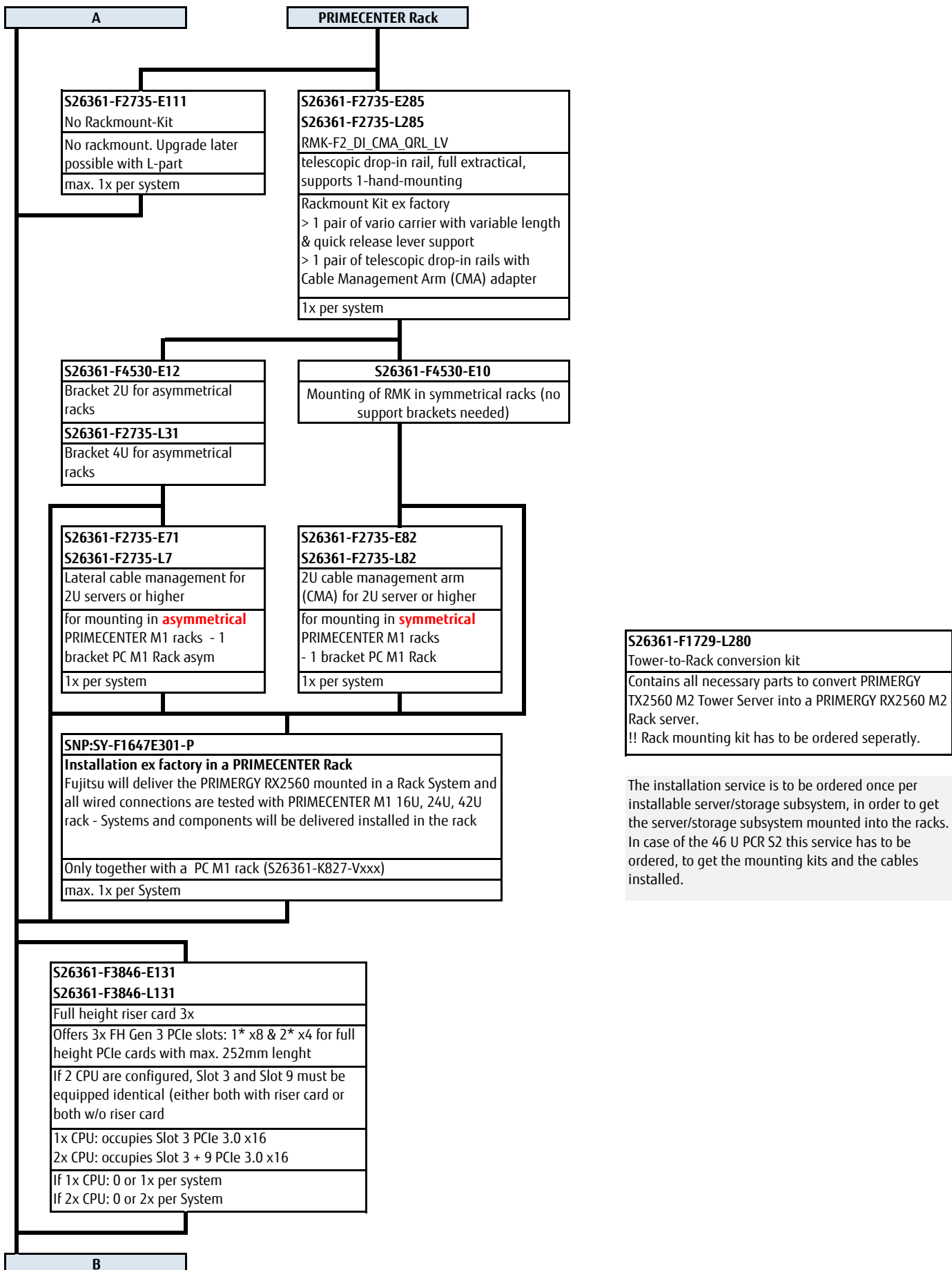
S26361-K1583-V301

RX2560 M2 Rack System

Tower base unit with D3289 systemboard & rack frontbezel

PRIMECENTER Rack

Chapter 2 - Rack architecture



S26361-F1729-L280
Tower-to-Rack conversion kit
Contains all necessary parts to convert PRIMERGY TX2560 M2 Tower Server into a PRIMERGY RX2560 M2 Rack server.
!! Rack mounting kit has to be ordered separately.

The installation service is to be ordered once per installable server/storage subsystem, in order to get the server/storage subsystem mounted into the racks. In case of the 46 U PCR S2 this service has to be ordered, to get the mounting kits and the cables installed.

Chapter 3 - CPU

B

There are 2 processor sockets available. Please configure minimum 1 Processor, maximum 2 processors.

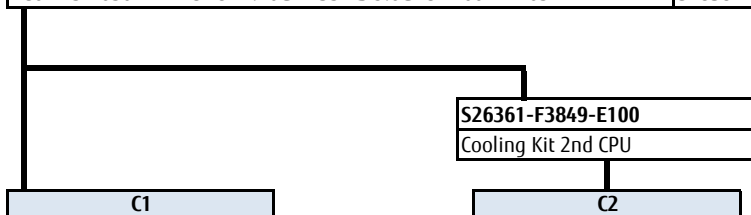
>> In case of Dual processor operation, processor 2 must be the same as processor 1.

>> for the processors on the left side (marked with blue headers) you may choose 1x or 2x CPUs

>> for the processors on the right side (marked with orange headers) you must choose 2x CPUs ("Dual processor only")

* HT = Hyper Threading

Xeon E5-26xx v4 series (R) Basic		
64-bit Intel Xeon processor supporting DDR4 @ 1.866MHz & QPI Bus @ 6.4 GT/s		
Xeon E5-2603v4 6C/6T 1.70GHz 15MB 6.4GT/s 1866MHz 85W	S26361-F3933-E103	S26361-F3933-L503
Xeon E5-2609v4 8C/8T 1.70GHz 20MB 6.4GT/s 1866MHz 85W	S26361-F3933-E109	S26361-F3933-L509
Xeon E5-26xx v4 series (R) Standard		
64-bit Intel Xeon processor supporting HT*, DDR4 @ 2133 MHz & QPI Bus 8.0 GT/s		
Xeon E5-2620v4 8C/16T 2.10GHz 20MB 8.0GT/s 2133MHz 85W	S26361-F3933-E120	S26361-F3933-L520
Xeon E5-2630v4 10C/20T 2.20GHz 25MB 8.0GT/s 2133MHz 85W	S26361-F3933-E130	S26361-F3933-L530
Xeon E5-2640v4 10C/20T 2.40GHz 20MB 8.0GT/s 2133MHz 90W	S26361-F3933-E140	S26361-F3933-L540
Xeon E5-26xx v4 series (R) Advanced		
64-bit Intel Xeon processor supporting HT*, DDR4 @ 2400 MHz & QPI Bus @ 9.6 GT/s		
Xeon E5-2650v4 12C/24T 2.20GHz 30MB 9.6GT/s 2400MHz 105W	S26361-F3933-E150	S26361-F3933-L550
Xeon E5-2660v4 14C/28T 2.00GHz 35MB 9.6GT/s 2400MHz 105W	S26361-F3933-E160	S26361-F3933-L560
Xeon E5-2680v4 14C/28T 2.40GHz 35MB 9.6GT/s 2400MHz 120W	S26361-F3933-E180	S26361-F3933-L580
Xeon E5-2690v4 14C/28T 2.60GHz 35MB 9.6GT/s 2400MHz 135W	S26361-F3933-E190	S26361-F3933-L590
Xeon E5-26xx v4 series (R) Frequency optimized		
64-bit Intel Xeon processor supporting HT*, DDR4 @ 2133 MHz & QPI Bus @ 8.0 GT/s		
Xeon E5-2623v4 4C/8T 2.60GHz 10MB 8.0GT/s 2133MHz 85W	S26361-F3933-E123	S26361-F3933-L523
Xeon E5-26xx v4 series (R) Frequency optimized		
64-bit Intel Xeon processor supporting HT*, DDR4 @ 2400 MHz & QPI Bus @ 9.6 GT/s		
Xeon E5-2637v4 4C/8T 3.50GHz 15MB 9.6GT/s 2400MHz 135W	S26361-F3933-E137	S26361-F3933-L537
Xeon E5-2643v4 6C/12T 3.40GHz 20MB 9.6GT/s 2400MHz 135W	S26361-F3933-E143	S26361-F3933-L543
Xeon E5-2667v4 8C/16T 3.20GHz 25MB 9.6GT/s 2400MHz 135W	S26361-F3933-E167	S26361-F3933-L567
Xeon E5-26xx v4 series (R) High Core Count		
64-bit Intel Xeon processor supporting HT*, DDR4 @ 2400 MHz & QPI Bus @ 8.0 GT/s		
Xeon E5-2683v4 16C/32T 2.10GHz 40MB 9.6GT/s 2400MHz 120W	S26361-F3933-E183	S26361-F3933-L583
Xeon E5-2695v4 18C/36T 2.10GHz 45MB 9.6GT/s 2400MHz 120W	S26361-F3933-E195	S26361-F3933-L595
Xeon E5-2697v4 18C/36T 2.30GHz 45MB 9.6GT/s 2400MHz 145W	S26361-F3933-E197	S26361-F3933-L597
Xeon E5-2697Av4 16C/32T 2.60GHz 40MB 9.6GT/s 2400MHz 145W	S26361-F3933-E191	S26361-F3933-L591
Xeon E5-2698v4 20C/40T 2.20GHz 50MB 9.6GT/s 2400MHz 135W	S26361-F3933-E198	S26361-F3933-L598
Xeon E5-2699v4 22C/44T 2.20GHz 55MB 9.6GT/s 2400MHz 145W	S26361-F3933-E199	S26361-F3933-L599
Xeon E5-2699Av4 22C/44T 2.40GHz 55MB 9.6GT/s 2400MHz 145W	S26361-F3933-E192	S26361-F3933-L592
Xeon E5-26xx v4 series (R) Low Power		
64-bit Intel Xeon processor supporting HT*, DDR4 @ 2133/2400 MHz & QPI Bus @ 8.0 GT/s		
Xeon E5-2630Lv4 10C/20T 1.80GHz 25MB 8.0GT/s 2133MHz 55W	S26361-F3933-E131	S26361-F3933-L531
Xeon E5-2650Lv4 14C/28T 1.70GHz 35MB 9.6GT/s 2400MHz 65W	S26361-F3933-E151	S26361-F3933-L551



For configuring a 2nd CPU please order the required heat pipe with this order code

C1	C2
Xeon E5-26xx v4 series (R) Basic	
64-bit Intel Xeon processor supporting DDR4 @ 1.866MHz & QPI Bus @ 6.4 GT/s	
Xeon E5-2603v4 6C/6T 1.70GHz 15MB 6.4GT/s 1866MHz 85W	S26361-F3933-E103
Xeon E5-2609v4 8C/8T 1.70GHz 20MB 6.4GT/s 1866MHz 85W	S26361-F3933-E109
Xeon E5-26xx v4 series (R) Standard	
64-bit Intel Xeon processor supporting HT*, DDR4 @ 2133 MHz & QPI Bus 8.0 GT/s	
Xeon E5-2620v4 8C/16T 2.10GHz 20MB 8.0GT/s 2133MHz 85W	S26361-F3933-E120
Xeon E5-2630v4 10C/20T 2.20GHz 25MB 8.0GT/s 2133MHz 85W	S26361-F3933-E130
Xeon E5-2640v4 10C/20T 2.40GHz 20MB 8.0GT/s 2133MHz 90W	S26361-F3933-E140
Xeon E5-26xx v4 series (R) Advanced	
64-bit Intel Xeon processor supporting HT*, DDR4 @ 2400 MHz & QPI Bus @ 9.6 GT/s	
Xeon E5-2650v4 12C/24T 2.20GHz 30MB 9.6GT/s 2400MHz 105W	S26361-F3933-E150
Xeon E5-2660v4 14C/28T 2.00GHz 35MB 9.6GT/s 2400MHz 105W	S26361-F3933-E160
Xeon E5-2680v4 14C/28T 2.40GHz 35MB 9.6GT/s 2400MHz 120W	S26361-F3933-E180
Xeon E5-2690v4 14C/28T 2.60GHz 35MB 9.6GT/s 2400MHz 135W	S26361-F3933-E190
Xeon E5-26xx v4 series (R) Frequency optimized	
64-bit Intel Xeon processor supporting HT*, DDR4 @ 2133 MHz & QPI Bus @ 8.0 GT/s	
Xeon E5-2623v4 4C/8T 2.60GHz 10MB 8.0GT/s 2133MHz 85W	S26361-F3933-E123
Xeon E5-26xx v4 series (R) Frequency optimized	
64-bit Intel Xeon processor supporting HT*, DDR4 @ 2400 MHz & QPI Bus @ 9.6 GT/s	
Xeon E5-2637v4 4C/8T 3.50GHz 15MB 9.6GT/s 2400MHz 135W	S26361-F3933-E137
Xeon E5-2643v4 6C/12T 3.40GHz 20MB 9.6GT/s 2400MHz 135W	S26361-F3933-E143
Xeon E5-2667v4 8C/16T 3.20GHz 25MB 9.6GT/s 2400MHz 135W	S26361-F3933-E167
Xeon E5-26xx v4 series (R) High Core Count	
64-bit Intel Xeon processor supporting HT*, DDR4 @ 1866 MHz & QPI Bus @ 8.0 GT/s	
Xeon E5-2683v4 16C/32T 2.10GHz 40MB 9.6GT/s 2400MHz 120W	S26361-F3933-E183
Xeon E5-2695v4 18C/36T 2.10GHz 45MB 9.6GT/s 2400MHz 120W	S26361-F3933-E195
Xeon E5-2697v4 18C/36T 2.30GHz 45MB 9.6GT/s 2400MHz 145W	S26361-F3933-E197
Xeon E5-2697Av4 16C/32T 2.60GHz 40MB 9.6GT/s 2400MHz 145W	S26361-F3933-E191
Xeon E5-2698v4 20C/40T 2.20GHz 50MB 9.6GT/s 2400MHz 135W	S26361-F3933-E198
Xeon E5-2699v4 22C/44T 2.20GHz 55MB 9.6GT/s 2400MHz 145W	S26361-F3933-E199
Xeon E5-2699Av4 22C/44T 2.40GHz 55MB 9.6GT/s 2400MHz 145W	S26361-F3933-E192
Xeon E5-26xx v4 series (R) Low Power	
64-bit Intel Xeon processor supporting HT*, DDR4 @ 1866 MHz & QPI Bus @ 8.0 GT/s	
Xeon E5-2630Lv4 10C/20T 1.80GHz 25MB 8.0GT/s 2133MHz 55W	S26361-F3933-E131
Xeon E5-2650Lv4 14C/28T 1.70GHz 35MB 9.6GT/s 2400MHz 65W	S26361-F3933-E151

Separate orderable CPU upgrade kits

S26361-F3933-L537	Xeon E5-2637v4 4C/8T 3.50GHz 15MB 9.6GT/s 2400MHz 135W
S26361-F3933-L567	Xeon E5-2667v4 8C/16T 3.20GHz 25MB 9.6GT/s 2400MHz 135W

special release only
special release only

D

Chapter 4 - DDR4 System memory

D

The Systemboard of TX/RX2560 M2, D3289, offers 24 DDR4 slots with up to 2.400MHz.
 768GB DDR4 LRDIMM (12x 64GB 4R per CPU)
 384GB DDR4 RDIMM (12x 32GB 2R per CPU)
 => max. 1.536GB for two CPUs (768GB per CPU), using LRDIMM
 => max. 3.072GB for two CPUs, using upcoming 8Rx4 LRDIMM technology with 128GB per module
 The memory area is divided into 4 channels per CPU with 3 slots each
 up to 2.400 MHz with 1DPC R-DIMM (depending on CPU*)
 up to 2.400 MHz with 2DPC LR-DIMM (depending on CPU*)
 1.866MHz with 3DPC
 DDR4 memory is operated at 1.2V
 Registered and load reduced DIMM cannot be operated together in one Server.
 * = means: some CPU types support less than 2.133MHz, please check the details in the chapter "CPU"

S26361-F3694-E10	Independent Memory Mode
Independent Channel Mode allows all channels to be populated in any order. All channels must run at the same interface frequency. But each channel may run at different DIMM timings (RAS latency, CAS latency, and so forth). The slowest memory module defines to bus speed.	
Configuration: minimum 1 memory module per CPU, maximum 12 memory modules per CPU	
S26361-F3694-E1	Rank sparing mode
BIOS preconfiguration for rank sparing. Spare of other ranks on the same channel. Spare Rank is not shown in System Memory.	
Configuration: minimum 2x 1R/2R or 1x 4R memory modul(es) per CPU, maximum 12 memory modules per CPU	
S26361-F3694-E2	Performance Memory Mode
BIOS preconfiguration for maximum Performance. Four identical memory modules will be equipped in each slot of each channel to achieve highest memory performance. Always a multiple of 4 identical modules must be configured per CPU. All four modules are active and full capacity can be used.	
Configuration: minimum 4 memory module or 8 memory module or 12 memory modules per CPU	
S26361-F3694-E3	Mirror Channel Mode
BIOS preconfiguration for Mirror mode. Four identical memory modules are always equipped in one memory bank to use the mirrored channel mode. Only two modules contain active data, the remain two modules contain mirrored data.	
Configuration: minimum 4 memory module or 8 memory module or 12 memory modules per CPU	



Resulting memory capacity / Rank Sparing Mode, 1 Channel populated												
	RDIMM						LRDIMM					
	8GB	1R	16GB	2R	32GB	2R	64GB	4R	64GB	4R	128GB	8R
1DPC							48GB		48GB		112GB	
2DPC	8GB		24GB		48GB		112GB		112GB		240GB	
3DPC	16GB		40GB		80GB		176GB		176GB		368GB	

Registered Memory (RDIMM) with SDDC (chipkill) support			
8GB (1x8GB) 1Rx4 DDR4-2400 R ECC	single rank	S26361-F3934-E511	S26361-F3934-L511
16GB (1x16GB) 2Rx4 DDR4-2400 R ECC	Dual rank	S26361-F3934-E512	S26361-F3934-L512
32GB (1x32GB) 2Rx4 DDR4-2400 R ECC	Dual rank	S26361-F3934-E515	S26361-F3934-L515
Registered Memory (RDIMM 3DS) with SDDC (chipkill) and ECC support			
64GB (1x64GB) 4Rx4 DDR4-2400 3DS ECC	Quad rank	S26361-F3934-E517**	S26361-F3934-L517**
Registered Memory (RDIMM) without SDDC support			
8GB (1x8GB) 2Rx8 DDR4-2400 R ECC	Dual rank	S26361-F3934-E514	S26361-F3934-L514
16GB (1x16GB) 2Rx8 DDR4-2400 R ECC	Dual rank	S26361-F3934-E513	S26361-F3934-L513
Load Reduced Memory (LRDIMM) with SDDC (chipkill) support			
32GB (1x32GB) 4Rx4 DDR4-2400 LR ECC	Quad rank	S26361-F3935-E515	S26361-F3935-L515
64GB (1x64GB) 4Rx4 DDR4-2400 LR ECC	Quad rank	S26361-F3935-E516	S26361-F3935-L516
128GB (1x128GB) 8Rx4 DDR4-2400 LR ECC	Quad rank	S26361-F3935-E517*	S26361-F3935-L517*

* late availability expected
 **available from Q4/2017
 special release only

E

Detailed information

Mode	Configuration	RDIMM	RDIMM		Use case, advantage
			LRDIMM		
			x8	x4	
SDDC (chipkill) support	any	no	yes		supports detecting multi-bit errors
Independant channel mode	1, 2 or 3 Modules per Bank	yes	yes		offers max. flexibility, upgradeability, capacity
Mirrored channel mode *)	4 identical Modules / Bank	no	yes		offers maximum security
Performance mode	4 identical Modules / Bank	yes	yes		offers maximum performance and capacity
Rank sparing mode *)	min. 2 Ranks / Channel	no	yes		balances performance and capacity

*) For the delivery ex factory the system will be prepared with dedicated BIOS setting.

Capacity	Configuration	RDIMM	LRDIMM	Notes
Min. Memory per CPU	1 Module / CPU	1x8GB	1x64GB	with one CPU
Max. Memory per CPU	12 Modules / CPU	12x64GB	12x128GB	with one CPU
Max. Memory per System	24 Modules / System	1.536GB	3.072GB	if second CPU is configured

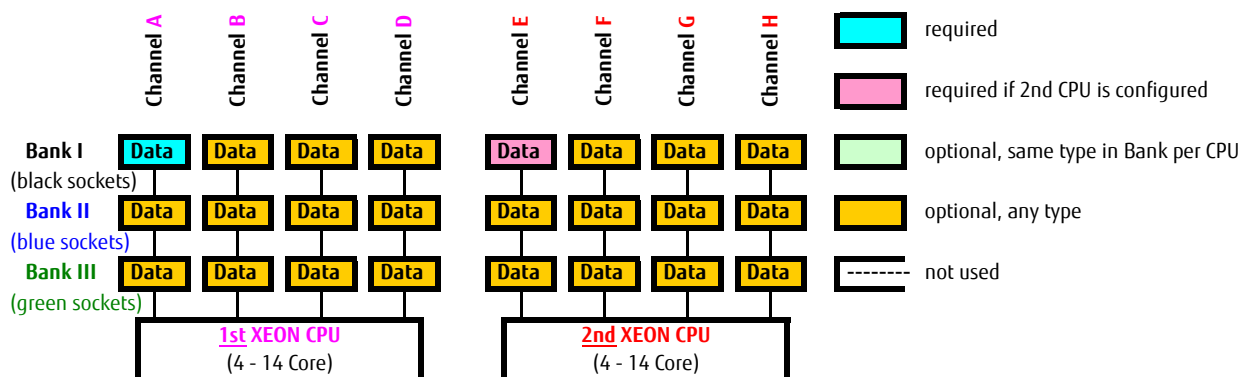
Max. DDR4 memory speed depends on the memory configuration (DIMM per channel) and the type of CPU. The memory channel with the lowest speed defines the speed of all CPU channels in the system

Mem. Speed provided by CPU	Maximum memory-bus speed [MHz]					
	RDIMM 2400MHz			LRDIMM 2400MHz		
Type of Memory						
Voltage setting (BIOS)	1.2V					
CPU type \ Dimm per channel	1 DPC*	2 DPC	3 DPC	1 DPC	2 DPC	3 DPC
CPU with 2400MHz DDR4 Bus	2 400	2 400	1 866	2 400	2 400	2 133
CPU with 2133MHz DDR4 Bus	2 133	2 133	1 866	2 133	2 133	2 133
CPU with 1866MHz DDR4 Bus	1 866	1 866	1 866	1 866	1 866	1 866

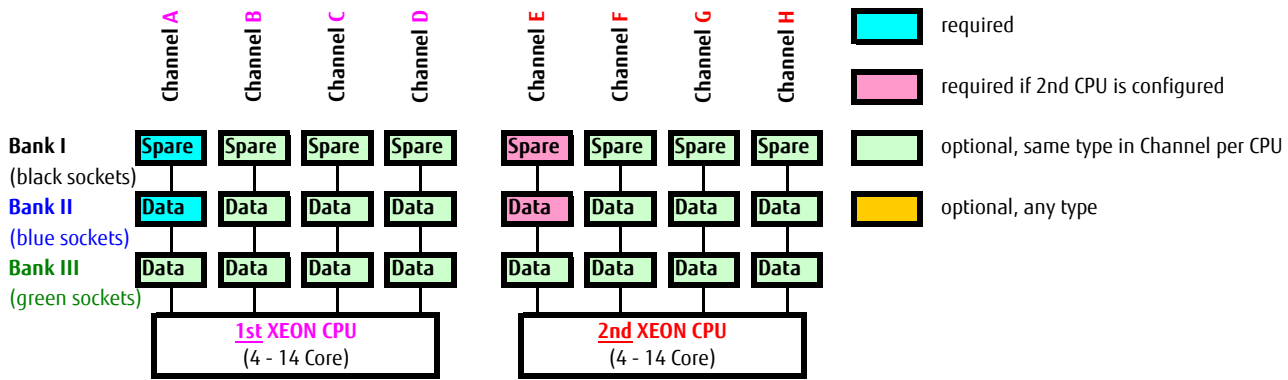
The memory sockets on the Systemboards are color coded

Bank I	black sockets	Bank II	blue sockets	Bank III	green sockets
---------------	---------------	----------------	--------------	-----------------	---------------

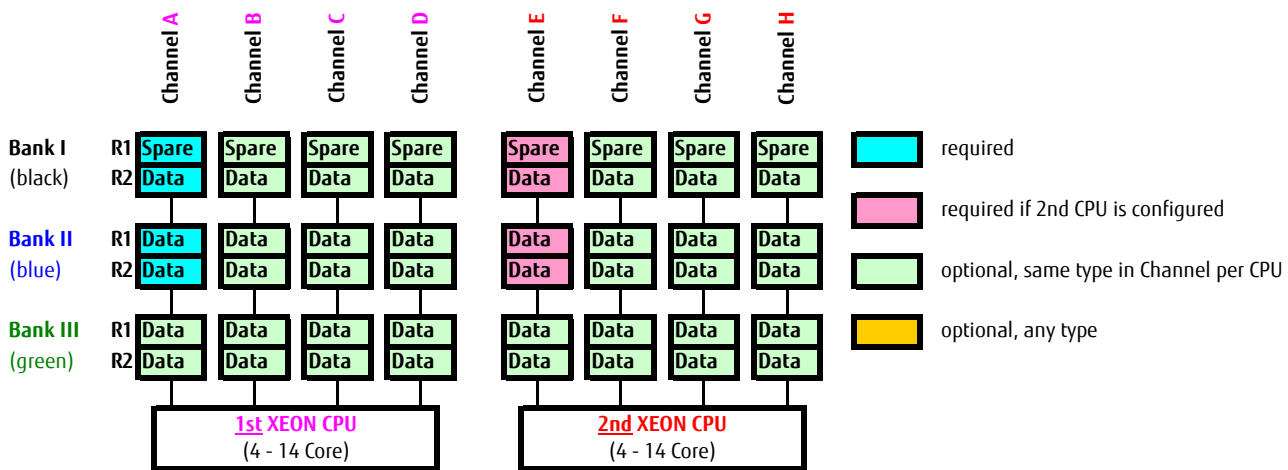
Independant channel mode



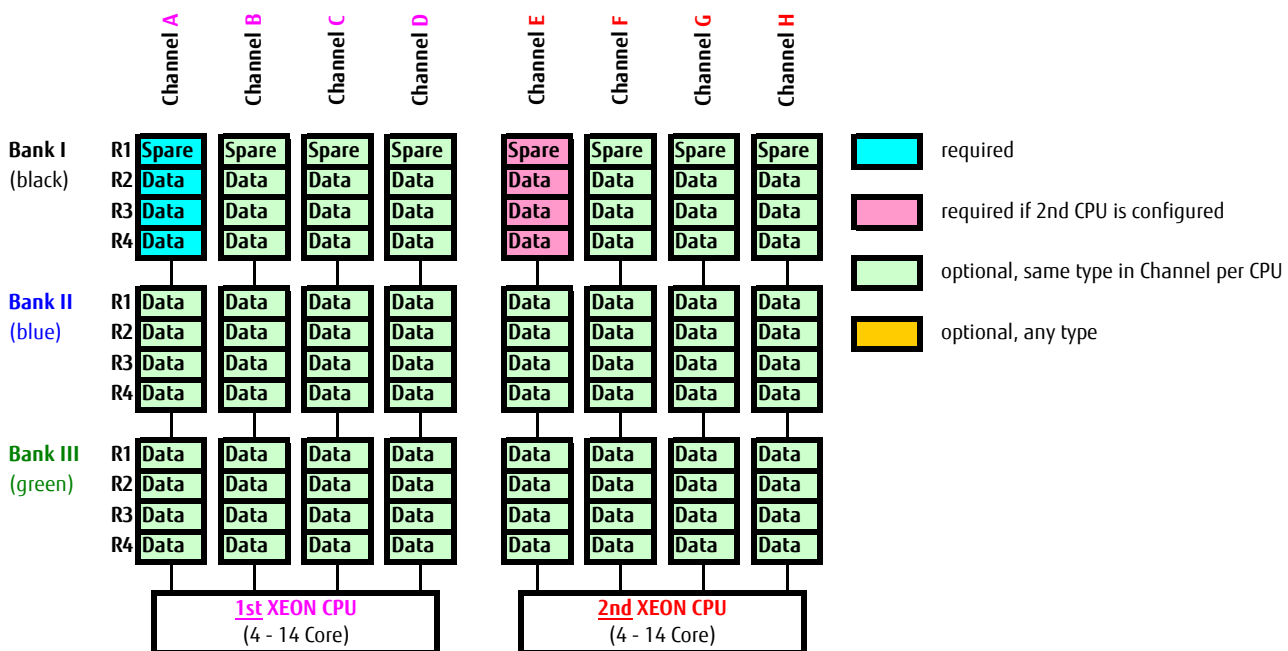
Rank sparing mode --- 1-Rank Memory modules (R-DIMM)



Rank sparing mode --- 2-Rank Memory modules (R-DIMM)

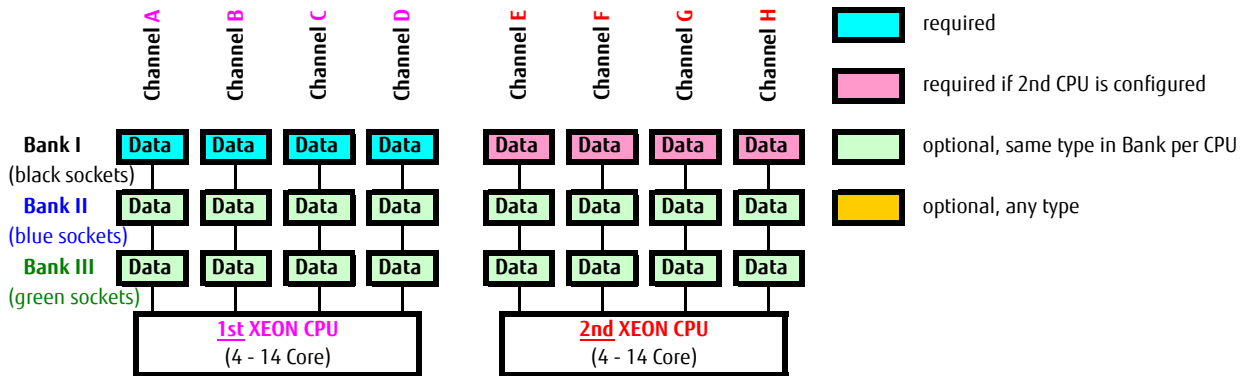


Rank sparing mode --- 4-Rank Memory modules (LR-DIMM)

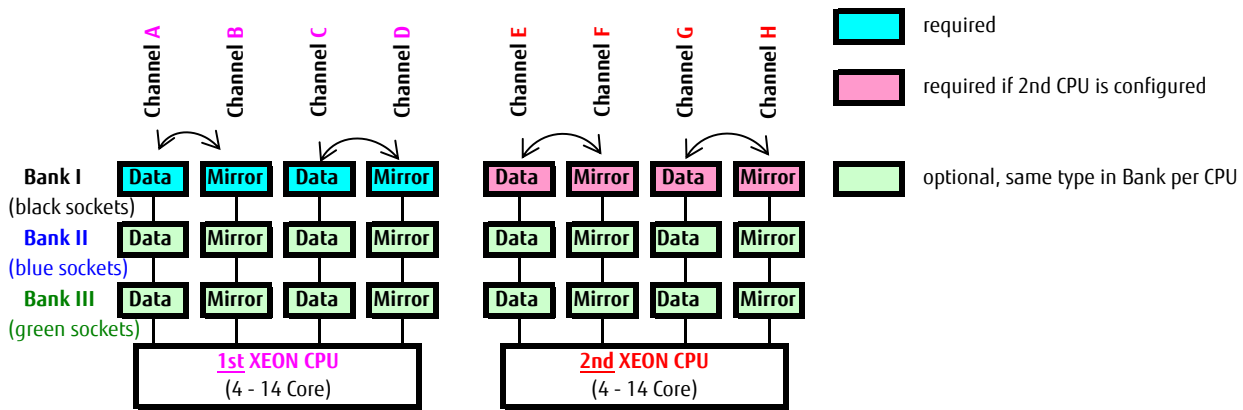


Rank Sparing Mode requires identical modules (same capacity and technology) within the same channel. The available memory for applications will vary depending on configuration. Please refer to the spreadsheet above "Effective Memory capacity with active Rank Sparing Mode". Population rule for Rank sparing mode is to achieve max. available memory, e.g. 6 DIMMs will be spread across two channels, each with 3DPC

Performance Channel Mode



Mirror Channel Mode



Mirrored Channel Mode requires identical modules on channel A,B, C, D (1st CPU) or channel E, F, G and H (2nd CPU) 50% of the capacity is used for the mirror => the available memory for applications is only half of the installed memory. If this mode is used, a multiple of 4 identical modules has to be ordered.

Chapter 5 - Graphics cards

E

S26361-F2748-E538

S26361-F2748-L538

PGRA CP NVS 1GB VGA PCIe x16

NVIDIA NVS315 1024 MB PCIe-x16

Connectors: 1x LFH 59, cable kit for 2x DVI or 2x VGA
cable kits included

Dual head + professional 2-D + 3-D supported for
Windows OS native driver support for Linux OS

occupies slot 3 (or 8)

max. 1x per system

The high end optional NVIDIA NVS315 graphic card offers dual head operation and full 3D video support.

The cables for either two times DVI-I or VGA connections are included.

Remote Video direction via iRMC must be disabled.

This PCIe-x16 card can also be installed in a PCIe-x4, x8 or standard x16 slot.

S26361-F1420-E130

S26361-F1420-L130

Front VGA connector (15-pin)

Front VGA connector (15-pin)

max. 1x per system

F

Chapter 6 - HD drive cage



F Definition:
HD drive cage = metal box providing 4 bays for 3.5" HDD or 8 bays for 2.5" HDD/SSD (see sample pictures left).

Please choose one of the drive cage kits of the following pages. Each kit contains all relevant parts (metal cage, SAS 3.0 backplanes, SAS 3.0 cables and mounting materials). Kits for more than 8x SAS 3.0 HDD contain a 24x or 32x SAS 3.0 Expander included as well in the kit. Kits for PCIe SSD cages contain the 4x *4 PCIe switch and relevant cables already. The red dotted line highlights the content of each drive cage kit.

- 1) indicates the order code of the complete kit, explanation & describes the content
- 2) lists the recommended or possible RAID controllers with the related order code
- 3) describes how many drive bays for ODD / backup drives are available
- 4) lists the available upgrade kit options after purchase.

! for upgrades in the accessible drive area the mid drive area must be completed first!

<div style="border: 1px solid black; padding: 2px; margin-bottom: 2px;">accessible drive area</div> <div style="border: 1px solid black; padding: 2px; margin-bottom: 2px;">1.6" bay</div> <div style="border: 1px solid black; padding: 2px; margin-bottom: 2px;">1.6" bay</div> <div style="border: 1px solid black; padding: 2px; margin-bottom: 2px;">1.6" bay</div> <div style="border: 1px dashed black; padding: 2px; margin-bottom: 2px;">mid drive area</div> <div style="border: 1px solid black; padding: 2px; margin-bottom: 2px;">4x 3.5"</div> <div style="border: 1px solid black; padding: 2px; margin-bottom: 2px;">bottom drive area</div> <div style="border: 1px solid black; padding: 2px; margin-bottom: 2px;">4x 3.5"</div>	1) S26361-F3900-E304 Basic 3.5" kit for 4x SAS 3.0 HDD mounted in the bottom drive area 1x 3.5" kit for up to 4x 3.5" HDD incl. SAS 3.0 Backplane & SAS 3.0 cable mounted in bottom drive area
2a) recommended RAID configuration	
1x S26361-F3842-E1	PRAID CP400i
2b) possible RAID controllers	
	S26361-F5243-E1 PRAID EP400i - 1GB Cache
	S26361-F5243-E2 PRAID EP420i - 2GB Cache
3) accessible drive area	
3x 1.6" bays for DVD, Blu Ray, LTO or RDX drives or additional HDD cages available	
4) S26361-F3900-L1	
4x 3.5" HDD kit for mid drive area (Possible alternative: S26361-F3900-E308)	
4) S26361-F3900-L2	
4x 3.5" HDD kit incl. Expander, SAS 3.0 BPL & cables for accessible drive area (Possible alternative: S26361-F3900-E312);	
4) S26361-F3900-L21	
4x 2.5" PCIe-SSD SFF kit incl. 4* x4 switch and cables for accessible drive area (Possible alternative: S26361-F3900-E408); Note: 2nd CPU required for this option!	

<div style="border: 1px solid black; padding: 2px; margin-bottom: 2px;">accessible drive area</div> <div style="border: 1px solid black; padding: 2px; margin-bottom: 2px;">1.6" bay</div> <div style="border: 1px solid black; padding: 2px; margin-bottom: 2px;">1.6" bay</div> <div style="border: 1px solid black; padding: 2px; margin-bottom: 2px;">1.6" bay</div> <div style="border: 1px dashed black; padding: 2px; margin-bottom: 2px;">mid drive area</div> <div style="border: 1px solid black; padding: 2px; margin-bottom: 2px;">4x 3.5"</div> <div style="border: 1px solid black; padding: 2px; margin-bottom: 2px;">bottom drive area</div> <div style="border: 1px solid black; padding: 2px; margin-bottom: 2px;">4x 3.5"</div>	1) S26361-F3900-E308 Medium 3.5" kit for 8x SAS 3.0 HDD mounted in the bottom and mid drive area 2x 3.5" HDD cages for up to 8x 3.5" HDD incl. SAS 3.0 Backplanes & SAS 3.0 cables mounted in the bottom and mid drive area
2a) recommended RAID configuration	
1x S26361-F3842-E1	PRAID CP400i
2b) possible RAID controllers	
	S26361-F5243-E1 PRAID EP400i - 1GB Cache
	S26361-F5243-E2 PRAID EP420i - 2GB Cache
3) accessible drive area	
3x 1.6" bays for DVD, Blu Ray, LTO or RDX drives or additional HDD cages available	
4) S26361-F3900-L2	
4x 3.5" HDD kit incl. Expander, SAS 3.0 BPL & cables for accessible drive area	
4) S26361-F3900-L21	
4x 2.5" PCIe-SSD SFF kit incl. 4* x4 switch and cables for accessible drive area; Note: 2nd CPU required for this option!	

<div style="border: 1px solid black; padding: 2px; margin-bottom: 2px;">accessible drive area</div> <div style="border: 1px solid black; padding: 2px; margin-bottom: 2px;">9.5mm bay</div> <div style="border: 1px solid black; padding: 2px; margin-bottom: 2px;">4x 3.5"</div> <div style="border: 1px dashed black; padding: 2px; margin-bottom: 2px;">mid drive area</div> <div style="border: 1px solid black; padding: 2px; margin-bottom: 2px;">4x 3.5"</div> <div style="border: 1px solid black; padding: 2px; margin-bottom: 2px;">bottom drive area</div> <div style="border: 1px solid black; padding: 2px; margin-bottom: 2px;">4x 3.5"</div>	1) S26361-F3900-E312 Maximum 3.5" kit for 12x HDD mounted in the bottom, mid & accessible drive area 3x 3.5" HDD cages for bottom, mid and accessible drive area for up to 12x 3.5" HDD incl. 24x SAS 3.0 Expander, SAS 3.0 Backplanes & SAS 3.0 cables. HDD cage (acc. Area) are mounted directly to the housing - higher noise levels may occur
2a) recommended RAID configuration	
1x S26361-F3842-E2	PSAS CP400i for MS spaces
2b) possible RAID controllers	
	S26361-F5243-E1 PRAID EP400i - 1GB Cache
	S26361-F5243-E2 PRAID EP420i - 2GB Cache
3) accessible drive area	
!! 1x 9.5mm" bay for ultra slim DVD or Blu Ray available	
4) S26361-F3900-E125	
2x NON hotplug 2.5" HDD mounted on metal bracket aside the 3.5" HD cages, con. at Expander	
4) S26361-F3900-L125	
2x NON hotplug 2.5" HDD to be mounted on metal bracket, connected at Expander	

<div style="border: 1px solid black; padding: 2px; margin-bottom: 2px;">accessible drive area</div> <div style="border: 1px solid black; padding: 2px; margin-bottom: 2px;">1.6" bay</div> <div style="border: 1px solid black; padding: 2px; margin-bottom: 2px;">4x 2.5" PCIe SSD</div> <div style="border: 1px dashed black; padding: 2px; margin-bottom: 2px;">mid drive area</div> <div style="border: 1px solid black; padding: 2px; margin-bottom: 2px;">4x 3.5"</div> <div style="border: 1px solid black; padding: 2px; margin-bottom: 2px;">bottom drive area</div> <div style="border: 1px solid black; padding: 2px; margin-bottom: 2px;">4x 3.5"</div>	1) S26361-F3900-E408 Performance 3.5" kit for 8x 3.5" HDD plus 4x 2.5" PCIe-SSD 2x 3.5" HDD cages for bottom & mid drive area plus 4x 2.5" PCIe-SSD SFF cage for accessible drive area for up to 8x 3.5" HDD & 4x 2.5" PCIe-SSD SFF incl. SAS 3.0 Backplanes, and 4x *4 PCIe switch and all required cables. Notice: This configuration requires 1x PCIe slot.
2a) recommended RAID configuration	
1x S26361-F3842-E1	PRAID CP400i
2b) possible RAID controllers	
	S26361-F5243-E1 PRAID EP400i - 1GB Cache
	S26361-F5243-E2 PRAID EP420i - 2GB Cache
3) accessible drive area	
!! 1x 1.6" bay for DVD, Blu Ray, LTO or RDX drives available	
4) S26361-F3900-L22	
4x 2.5" PCIe-SSD SFF kit incl. 4* x4 switch and cables for upgrade to 8x PCIe SSD	
5) Restrictions	
!2nd CPU is mandatory (PCIe switch is inserted in Slot9)	

accessible drive area 1.6" bay 1.6" bay 1.6" bay 8x 2.5" bottom drive area 8x 2.5"	1) S26361-F3900-E208 Basic 2.5" kit for 8x SAS 3.0 HDD or SSD mounted in the bottom drive area basic 2.5" HDD kit for up to 8x 2.5" SAS 3.0 HDD or SSD incl. SAS 3.0 Backplane & SAS 3.0 cable											
	<table border="1"> <tr> <th colspan="2">2a) recommended RAID configuration</th> <th colspan="2">2b) possible RAID controllers</th> </tr> <tr> <td>1x S26361-F3842-E1</td> <td>PRAID CP400i</td> <td>S26361-F5243-E1</td> <td>PRAID EP400i - 1GB Cache</td> </tr> <tr> <td></td> <td></td> <td>S26361-F5243-E2</td> <td>PRAID EP420i - 2GB Cache</td> </tr> </table>	2a) recommended RAID configuration		2b) possible RAID controllers		1x S26361-F3842-E1	PRAID CP400i	S26361-F5243-E1	PRAID EP400i - 1GB Cache			S26361-F5243-E2
2a) recommended RAID configuration		2b) possible RAID controllers										
1x S26361-F3842-E1	PRAID CP400i	S26361-F5243-E1	PRAID EP400i - 1GB Cache									
		S26361-F5243-E2	PRAID EP420i - 2GB Cache									
	3) accessible drive area 3x 1.6" bays for DVD, Blu Ray, LTO or RDX drives or additional HDD cages available											
	4) S26361-F3900-L11 8x 2.5" HDD kit for mid drive area incl. Expander, SAS 3.0 BPL & cables; (Possible alternative: S26361-F3900-E216)											
	4) S26361-F3900-L12 8x 2.5" HDD kit SAS 3.0 BPL & cables for accessible drive area*; (Possible alternative: S26361-F3900-E223)											
	4) S26361-F3900-L13 4x 3.5" HDD kit SAS 3.0 BPL & cables for accessible drive area*; (Possible alternative: S26361-F3900-E220)											
	4) S26361-F3900-L21 4x 2.5" PCIe-SSD SFF kit incl. 4* x4 switch and cables for accessible drive area; (Note: 2nd CPU required for this option!)											

*) S26361-F3900-L11 is mandatory

accessible drive area 1.6" bay 1.6" bay 1.6" bay mid drive area 8x 2.5" bottom drive area 8x 2.5"	1) S26361-F3900-E216 mid 2.5" kit for 16x SAS 3.0 HDD or SSD mounted in the bottom & mid drive area mid 2.5" HDD kit for up to 16x 2.5" SAS 3.0 HDD or SSD incl. 24x SAS 3.0 Expander, SAS 3.0 Backplanes & SAS 3.0 cable											
	<table border="1"> <tr> <th colspan="2">2a) recommended RAID configuration</th> <th colspan="2">2b) possible RAID controllers</th> </tr> <tr> <td>1x S26361-F3842-E2</td> <td>PSAS CP400i for MS spaces</td> <td>S26361-F5243-E1</td> <td>PRAID EP400i - 1GB Cache</td> </tr> <tr> <td></td> <td></td> <td>S26361-F5243-E2</td> <td>PRAID EP420i - 2GB Cache</td> </tr> </table>	2a) recommended RAID configuration		2b) possible RAID controllers		1x S26361-F3842-E2	PSAS CP400i for MS spaces	S26361-F5243-E1	PRAID EP400i - 1GB Cache			S26361-F5243-E2
2a) recommended RAID configuration		2b) possible RAID controllers										
1x S26361-F3842-E2	PSAS CP400i for MS spaces	S26361-F5243-E1	PRAID EP400i - 1GB Cache									
		S26361-F5243-E2	PRAID EP420i - 2GB Cache									
	3) accessible drive area 3x 1.6" bays for DVD, Blu Ray, LTO or RDX drives or additional HDD cages available											
	4) S26361-F3900-L12 8x 2.5" HDD kit SAS 3.0 BPL & cables for accessible drive area; (Possible alternative: S26361-F3900-E223)											
	4) S26361-F3900-L13 4x 3.5" HDD kit SAS 3.0 BPL & cables for accessible drive area; (Possible alternative: S26361-F3900-E220)											
	4) S26361-F3900-L21 4x 2.5" PCIe-SSD SFF kit incl. 4x *4 switch and cables for accessible drive area; (Possible alternative: S26361-F3900-E416); (Note: 2nd CPU required for this option!)											

accessible drive area 1.6" bay 8x 2.5" mid drive area 8x 2.5" bottom drive area 8x 2.5"	1) S26361-F3900-E223 Supreme 2.5" kit for 24x SAS 3.0 HDD or SSD mounted in the bottom, mid and accessible drive area Supreme 2.5" HDD kit for up to 24x 2.5" SAS 3.0 HDD or SSD incl. 24x SAS 3.0 Expander, SAS 3.0 Backplanes & SAS 3.0 cable. ! HDD cages are mounted directly to the housing - higher noise levels may occur											
	<table border="1"> <tr> <th colspan="2">2a) recommended RAID configuration</th> <th colspan="2">2b) possible RAID controllers</th> </tr> <tr> <td>1x S26361-F3842-E2</td> <td>PSAS CP400i for MS spaces</td> <td>S26361-F5243-E1</td> <td>PRAID EP400i - 1GB Cache</td> </tr> <tr> <td></td> <td></td> <td>S26361-F5243-E2</td> <td>PRAID EP420i - 2GB Cache</td> </tr> </table>	2a) recommended RAID configuration		2b) possible RAID controllers		1x S26361-F3842-E2	PSAS CP400i for MS spaces	S26361-F5243-E1	PRAID EP400i - 1GB Cache			S26361-F5243-E2
2a) recommended RAID configuration		2b) possible RAID controllers										
1x S26361-F3842-E2	PSAS CP400i for MS spaces	S26361-F5243-E1	PRAID EP400i - 1GB Cache									
		S26361-F5243-E2	PRAID EP420i - 2GB Cache									
	3) accessible drive area 1x 1.6" bays for DVD, Blu Ray, LTO or RDX drives or additional HDD cages available no upgrades possible											

accessible drive area 1.6" bay 1.6" bay 1.6" bay mid drive area 24x 2.5" bottom drive area	1) S26361-F3900-E224 Supreme 2.5" kit for 24x SAS 3.0 HDD or SSD mounted in the bottom & mid drive area Supreme 2.5" HDD kit for up to 24x 2.5" SAS 3.0 HDD or SSD incl. 32x SAS 3.0 Expander, SAS 3.0 Backplanes & SAS 3.0 cable. ! HDD cages are mounted directly to the housing - higher noise levels may occur											
	<table border="1"> <tr> <th colspan="2">2a) recommended RAID configuration</th> <th colspan="2">2b) possible RAID controllers</th> </tr> <tr> <td>1x S26361-F3842-E2</td> <td>PSAS CP400i for MS spaces</td> <td>S26361-F5243-E1</td> <td>PRAID EP400i - 1GB Cache</td> </tr> <tr> <td></td> <td></td> <td>S26361-F5243-E2</td> <td>PRAID EP420i - 2GB Cache</td> </tr> </table>	2a) recommended RAID configuration		2b) possible RAID controllers		1x S26361-F3842-E2	PSAS CP400i for MS spaces	S26361-F5243-E1	PRAID EP400i - 1GB Cache			S26361-F5243-E2
2a) recommended RAID configuration		2b) possible RAID controllers										
1x S26361-F3842-E2	PSAS CP400i for MS spaces	S26361-F5243-E1	PRAID EP400i - 1GB Cache									
		S26361-F5243-E2	PRAID EP420i - 2GB Cache									
	3) accessible drive area 3x 1.6" bays for DVD, Blu Ray, LTO or RDX drives or additional HDD cages available											
	4) S26361-F3900-L12 8x 2.5" HDD kit SAS 3.0 BPL & cables for accessible drive area; (Possible alternative: S26361-F3900-E232);											
	4) S26361-F3900-L13 4x 3.5" HDD kit SAS 3.0 BPL & cables for accessible drive area; (Possible alternative: S26361-F3900-E228);											
	4) S26361-F3900-L21 4x 2.5" PCIe-SSD SFF kit incl. 4* x4 switch and cables for accessible drive area; (Possible alternative: S26361-F3900-E424); (Note: 2nd CPU is required for this option!)											

accessible drive area 1.6" bay 8x 2.5" mid drive area 24x 2.5" bottom drive area	1) S26361-F3900-E232 Storage 2.5" kit for 32x SAS 3.0 HDD/SSD mounted in the bottom, mid & acc. drive area Storage 2.5" HDD kit for up to 32x 2.5" SAS 3.0 HDD or SSD incl. 32x SAS 3.0 Expander, SAS 3.0 Backplanes & SAS 3.0 cable. ! HDD cages are mounted directly to the housing - higher noise levels may occur											
	<table border="1"> <tr> <th colspan="2">2a) recommended RAID configuration</th> <th colspan="2">2b) possible RAID controllers</th> </tr> <tr> <td>1x S26361-F3842-E2</td> <td>PSAS CP400i for MS spaces</td> <td>S26361-F5243-E1</td> <td>PRAID EP400i - 1GB Cache</td> </tr> <tr> <td></td> <td></td> <td>S26361-F5243-E2</td> <td>PRAID EP420i - 2GB Cache</td> </tr> </table>	2a) recommended RAID configuration		2b) possible RAID controllers		1x S26361-F3842-E2	PSAS CP400i for MS spaces	S26361-F5243-E1	PRAID EP400i - 1GB Cache			S26361-F5243-E2
2a) recommended RAID configuration		2b) possible RAID controllers										
1x S26361-F3842-E2	PSAS CP400i for MS spaces	S26361-F5243-E1	PRAID EP400i - 1GB Cache									
		S26361-F5243-E2	PRAID EP420i - 2GB Cache									
	3) accessible drive area !! 1x 1.6" bay for DVD, Blu Ray, LTO or RDX drives available											
	4) no upgrades possible											

<table border="1"> <tr><td>accessible drive area</td></tr> <tr><td>9.5mm bay</td></tr> <tr><td>4x 3.5"</td></tr> <tr><td>mid drive area</td></tr> <tr><td>8x 2.5"</td></tr> <tr><td>bottom drive area</td></tr> <tr><td>8x 2.5"</td></tr> </table>	accessible drive area	9.5mm bay	4x 3.5"	mid drive area	8x 2.5"	bottom drive area	8x 2.5"	1) S26361-F3900-E220 Mixed 2.5"/3.5" kit for 16x 2.5" HDD/SSD (bottom/mid) plus 4x 3.5" HDD (acc. Drive area) 2x 2.5" HDD cages for bottom & mid drive area plus 4x 3.5" HDD cage for accessible drive area for up to 16x 2.5" HDD & 4x 3.5" HDD incl. 24x SAS 3.0 Expander, SAS 3.0 Backplanes and SAS 3.0 cables. ! HDD cages are mounted directly to the housing - higher noise levels may occur
	accessible drive area							
	9.5mm bay							
4x 3.5"								
mid drive area								
8x 2.5"								
bottom drive area								
8x 2.5"								
2a) recommended RAID configuration <table border="1"> <tr> <td>1x S26361-F3842-E2</td> <td>PSAS CP400i for MS spaces</td> <td>S26361-F5243-E1</td> <td>PRAID EP400i - 1GB Cache</td> </tr> <tr> <td></td> <td></td> <td>S26361-F5243-E2</td> <td>PRAID EP420i - 2GB Cache</td> </tr> </table>	1x S26361-F3842-E2	PSAS CP400i for MS spaces	S26361-F5243-E1	PRAID EP400i - 1GB Cache			S26361-F5243-E2	PRAID EP420i - 2GB Cache
1x S26361-F3842-E2	PSAS CP400i for MS spaces	S26361-F5243-E1	PRAID EP400i - 1GB Cache					
		S26361-F5243-E2	PRAID EP420i - 2GB Cache					
3) accessible drive area !! 1x 9.5mm" bay for ultra slim DVD or Blu Ray available 4) no upgrades possible								

<table border="1"> <tr><td>accessible drive area</td></tr> <tr><td>9.5mm bay</td></tr> <tr><td>4x 3.5"</td></tr> <tr><td>mid drive area</td></tr> <tr><td>24x 2.5"</td></tr> <tr><td>bottom drive area</td></tr> <tr><td></td></tr> </table>	accessible drive area	9.5mm bay	4x 3.5"	mid drive area	24x 2.5"	bottom drive area		1) S26361-F3900-E228 Mixed 2.5"/3.5" kit for 24x 2.5" HDD/SSD (bottom/mid) plus 4x 3.5" HDD (acc. Drive area) 2.5" HDD cage for bottom & mid drive area plus 3.5" HDD cage for accessible drive area for up to 24x 2.5" HDD & 4x 3.5" HDD incl. 32x SAS 3.0 Expander, SAS 3.0 Backplanes and SAS 3.0 cables. ! HDD cages are mounted directly to the housing - higher noise levels may occur
	accessible drive area							
	9.5mm bay							
4x 3.5"								
mid drive area								
24x 2.5"								
bottom drive area								
2a) recommended RAID configuration <table border="1"> <tr> <td>1x S26361-F3842-E2</td> <td>PSAS CP400i for MS spaces</td> <td>S26361-F5243-E1</td> <td>PRAID EP400i - 1GB Cache</td> </tr> <tr> <td></td> <td></td> <td>S26361-F5243-E2</td> <td>PRAID EP420i - 2GB Cache</td> </tr> </table>	1x S26361-F3842-E2	PSAS CP400i for MS spaces	S26361-F5243-E1	PRAID EP400i - 1GB Cache			S26361-F5243-E2	PRAID EP420i - 2GB Cache
1x S26361-F3842-E2	PSAS CP400i for MS spaces	S26361-F5243-E1	PRAID EP400i - 1GB Cache					
		S26361-F5243-E2	PRAID EP420i - 2GB Cache					
3) accessible drive area !! 1x 9.5mm" bay for ultra slim DVD or Blu Ray available 4) no upgrades possible								

<table border="1"> <tr><td>accessible drive area</td></tr> <tr><td>1.6" bay</td></tr> <tr><td>4x 2.5" PCIe SSD</td></tr> <tr><td>mid drive area</td></tr> <tr><td>8x 2.5"</td></tr> <tr><td>bottom drive area</td></tr> <tr><td>8x 2.5"</td></tr> </table>	accessible drive area	1.6" bay	4x 2.5" PCIe SSD	mid drive area	8x 2.5"	bottom drive area	8x 2.5"	1) S26361-F3900-E416 high performance 2.5" kit for 16x SAS 3.0 HDD/SSD (bottom/mid) + 4x 2.5" PCIe-SSD SFF 2x 2.5" HDD cage for bottom and mid drive area plus 2.5" PCIe-SSD SFF cage for up to 16x 2.5" SAS 3.0 HDD or SSD & 4x 2.5" PCIe-SSD SFF incl. 24x SAS 3.0 Expander, SAS 3.0 Backplanes, SAS 3.0 cable and 4x *4 PCIe switch & cables. Notice: This configuration requires 1x PCIe slot.
	accessible drive area							
	1.6" bay							
4x 2.5" PCIe SSD								
mid drive area								
8x 2.5"								
bottom drive area								
8x 2.5"								
2a) recommended RAID configuration <table border="1"> <tr> <td>1x S26361-F3842-E2</td> <td>PSAS CP400i for MS spaces</td> <td>S26361-F5243-E1</td> <td>PRAID EP400i - 1GB Cache</td> </tr> <tr> <td></td> <td></td> <td>S26361-F5243-E2</td> <td>PRAID EP420i - 2GB Cache</td> </tr> </table>	1x S26361-F3842-E2	PSAS CP400i for MS spaces	S26361-F5243-E1	PRAID EP400i - 1GB Cache			S26361-F5243-E2	PRAID EP420i - 2GB Cache
1x S26361-F3842-E2	PSAS CP400i for MS spaces	S26361-F5243-E1	PRAID EP400i - 1GB Cache					
		S26361-F5243-E2	PRAID EP420i - 2GB Cache					
2b) possible RAID controllers <table border="1"> <tr> <td>1x S26361-F3842-E2</td> <td>PSAS CP400i for MS spaces</td> <td>S26361-F5243-E1</td> <td>PRAID EP400i - 1GB Cache</td> </tr> <tr> <td></td> <td></td> <td>S26361-F5243-E2</td> <td>PRAID EP420i - 2GB Cache</td> </tr> </table>	1x S26361-F3842-E2	PSAS CP400i for MS spaces	S26361-F5243-E1	PRAID EP400i - 1GB Cache			S26361-F5243-E2	PRAID EP420i - 2GB Cache
1x S26361-F3842-E2	PSAS CP400i for MS spaces	S26361-F5243-E1	PRAID EP400i - 1GB Cache					
		S26361-F5243-E2	PRAID EP420i - 2GB Cache					
3) accessible drive area !! 1x 1.6" bay for DVD, Blu Ray, LTO or RDX drives available 4) S26361-F3900-L22 4x 2.5" PCIe-SSD SFF kit incl. 4* x4 switch and cables for upgrade to 8x PCIe SSD 5) Restrictions !2nd CPU is mandatory (PCIe switch is inserted in Slot9)								

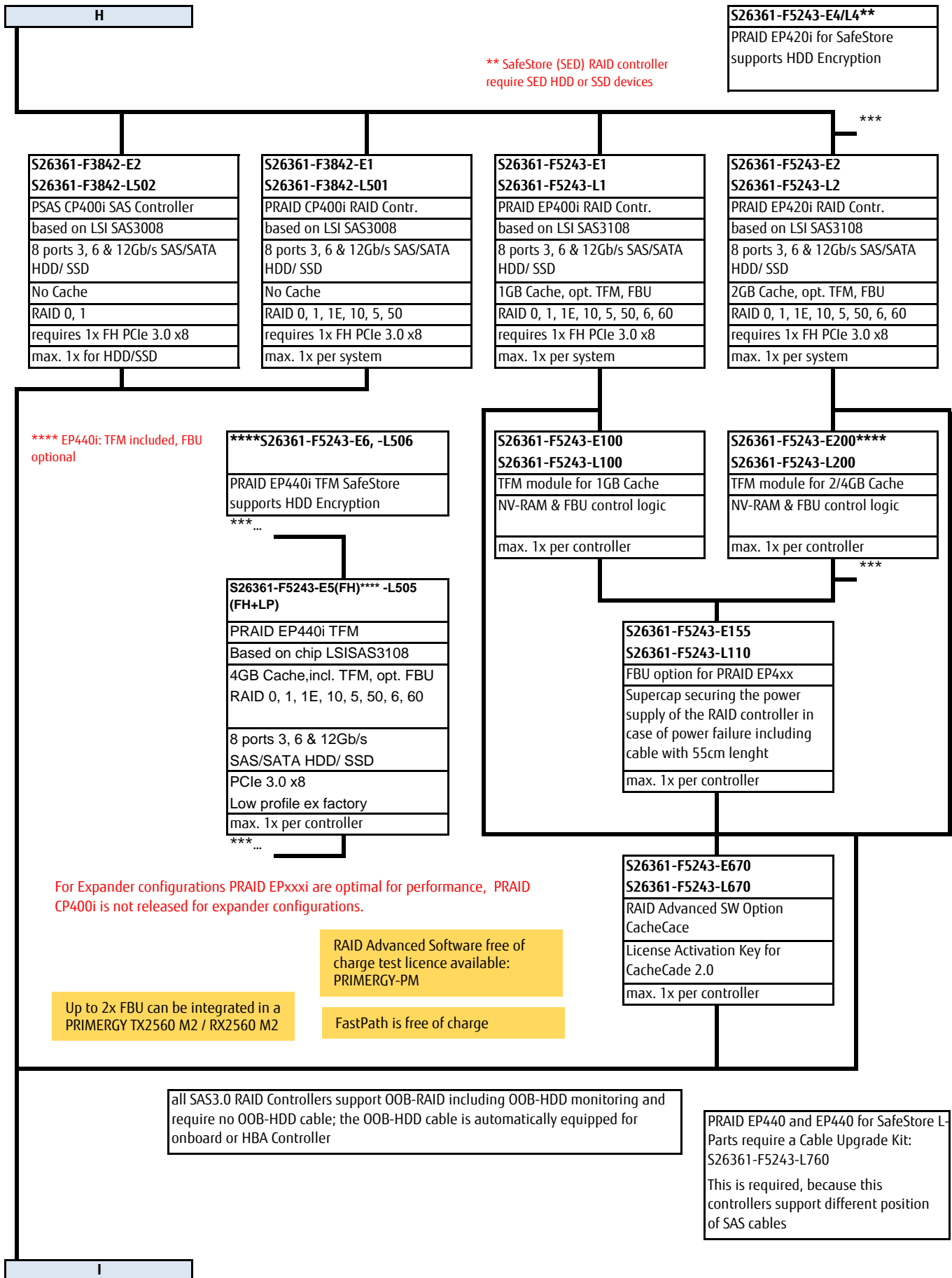
<table border="1"> <tr><td>accessible drive area</td></tr> <tr><td>1.6" bay</td></tr> <tr><td>4x 2.5" PCIe SSD</td></tr> <tr><td>mid drive area</td></tr> <tr><td>24x 2.5"</td></tr> <tr><td>bottom drive area</td></tr> <tr><td></td></tr> </table>	accessible drive area	1.6" bay	4x 2.5" PCIe SSD	mid drive area	24x 2.5"	bottom drive area		1) S26361-F3900-E424 Ultimate Performance 2.5" kit for 24x 2.5" HDD/SSD (bottom/mid) plus 4x 2.5" PCIe-SSD SFF (acc. Drive area) 2.5" HDD cage for bottom & mid drive area plus 2.5" PCIe-SSD SFF cage for accessible drive area for up to 24x 2.5" HDD & 4x 2.5" PCIe-SSD SFF incl. 32x SAS 3.0 Expander, SAS 3.0 Backplanes, SAS 3.0 cables and 4x *4 PCIe switch & cables. Notice: This configuration requires 1x PCIe slot. ! HDD cages are mounted directly to the housing - higher noise levels may occur
	accessible drive area							
	1.6" bay							
4x 2.5" PCIe SSD								
mid drive area								
24x 2.5"								
bottom drive area								
2a) recommended RAID configuration <table border="1"> <tr> <td>1x S26361-F3842-E2</td> <td>PSAS CP400i for MS spaces</td> <td>S26361-F5243-E1</td> <td>PRAID EP400i - 1GB Cache</td> </tr> <tr> <td></td> <td></td> <td>S26361-F5243-E2</td> <td>PRAID EP420i - 2GB Cache</td> </tr> </table>	1x S26361-F3842-E2	PSAS CP400i for MS spaces	S26361-F5243-E1	PRAID EP400i - 1GB Cache			S26361-F5243-E2	PRAID EP420i - 2GB Cache
1x S26361-F3842-E2	PSAS CP400i for MS spaces	S26361-F5243-E1	PRAID EP400i - 1GB Cache					
		S26361-F5243-E2	PRAID EP420i - 2GB Cache					
3) accessible drive area !! 1x 1.6" bay for DVD, Blu Ray, LTO or RDX drives available 4) S26361-F3900-L22 4x 2.5" PCIe-SSD SFF kit incl. 4* x4 switch and cables for upgrade to 8x PCIe SSD 5) Restrictions !2nd CPU is mandatory (PCIe switch is inserted in Slot9)								

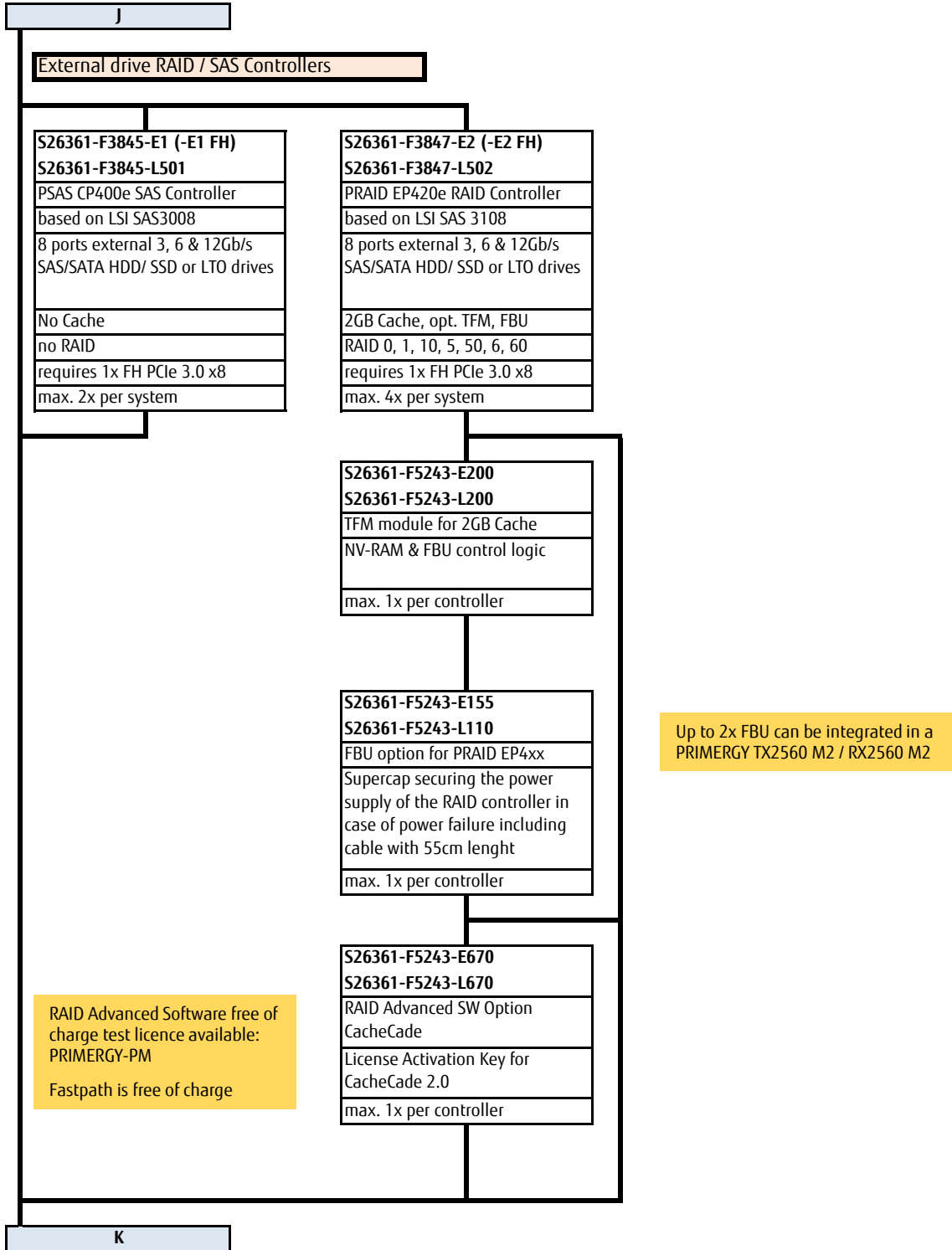
You did not find your preferred drive cage configuration in this comprehensive list of popular bundles?

--> Please contact our made4you team (mailto:customer.projects@ts.fujitsu.com) for more customer specific solutions or visit us:
<https://partners.ts.fujitsu.com/com/order-supply/General%20information/made4you>
 E.g. 2nd RAID Controller, boot from onboard SATA, 2x non-hot-plug HDD ex factory, ...

G

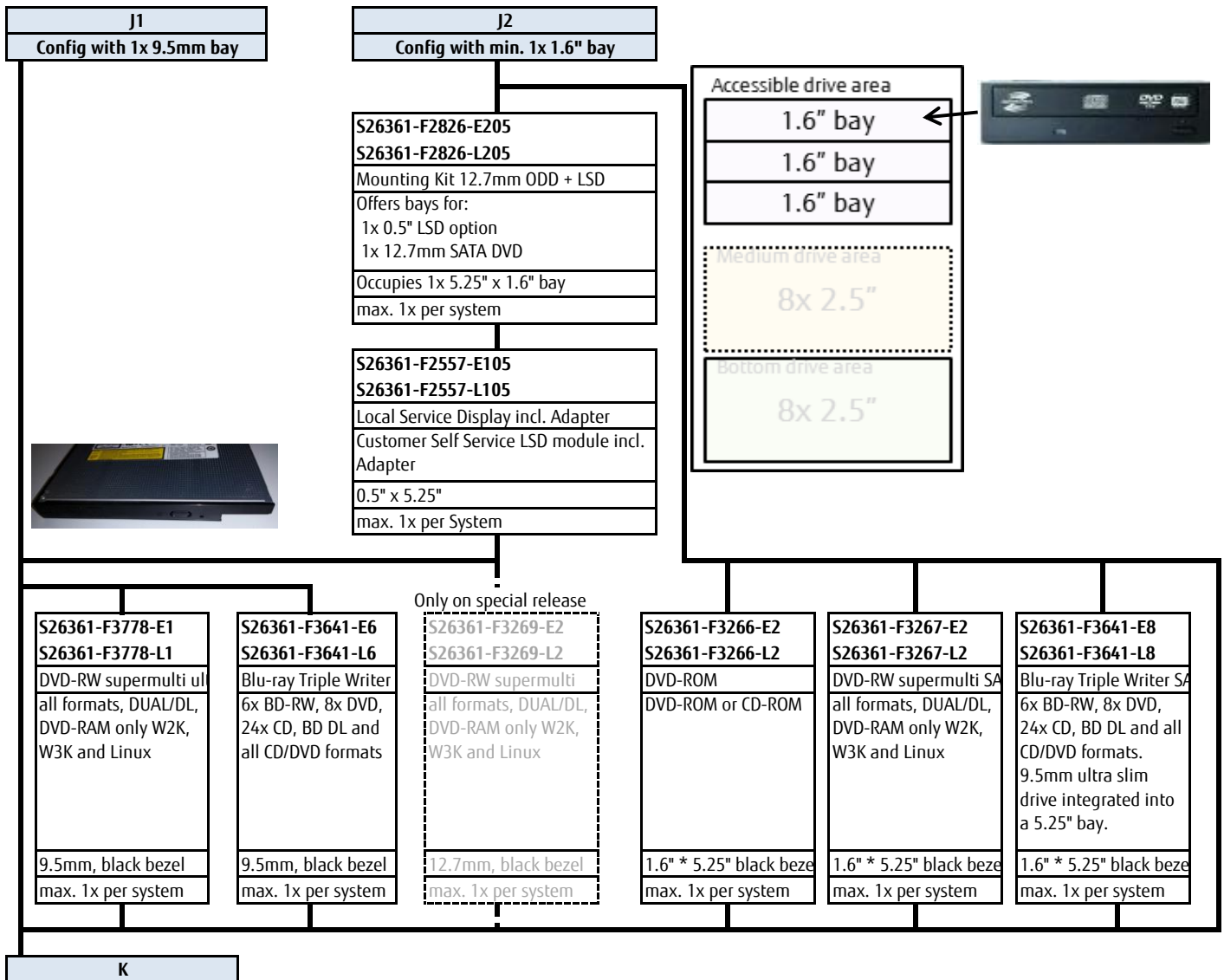
Chapter 7 - SAS / RAID Controller





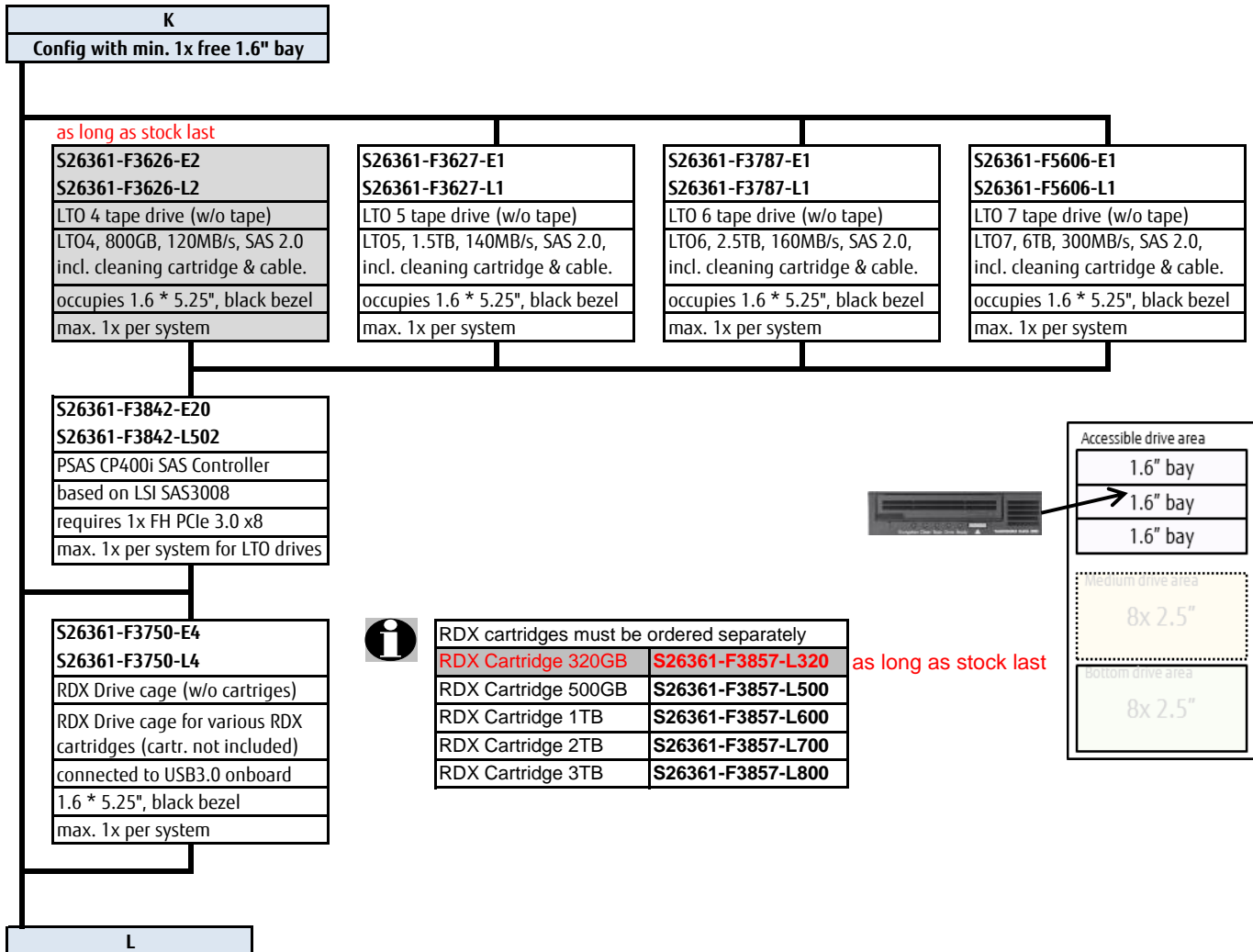
Chapter 8 - ODD optical disk drives

With most configurations the TX / RX2560 M2 offers 3 x 1.6" bay in the accessible drives area located at the top of the Tower Server (or at the right side of the Rack) for various ODD and or backup drives.
Depending on the HDD drive configuration there may be some or all of these 1.6" bays already occupied - please find the number of available bays and the size listed as point 3) at each of the drive bundles. All bundles with limitations are highlighted with 2 exclamation marks in the front (e.g. "!! 1x 9.5mm ...")



Chapter 9 - backup drives

With most configurations the TX / RX2560 M2 offers 3 x 1.6" bay in the accessible drives area located at the top of the Tower Server (or at the right side of the Rack) for various ODD and or backup drives.
Depending on the HDD drive configuration there may be some or all of these 1.6" bays already occupied - please find the number of available bays and the size listed as point 3) at each of the drive bundles. All bundles with limitations are highlighted with 2 exclamation marks in the front (e.g. "!! 1x 9.5mm ...")



Chapter 10 - storage drives

Hard Disk Sector Format

SAS drives require a dedicated SAS / RAID Controller
SAS drives and SATA drives can be mixed, but cannot be used in one logical RAID volume.
Hard Disk Sector Format Information:
512n HDD: 512 byte sectors on the drive media.
512e (=emulation) HDD: 4K physical sectors on the drive media with 512 byte logical configuration.
512e HDD Disk Drives: VMware 6.0 or earlier is not supported.
512n & 512e HDDs can be mixed, but cannot be used in one logical RAID volume.
When using SSDs with VMware ESXi, select the SSDs that meet the endurance requirement described in KB2145210 below.
<https://kb.vmware.com/kb/2145210>
dwpd (5y): drive writes per day over 5 years.
SED (=Self Encrypting Drives) require either a RAID controller with *SafeStore (SED) support or an HBA and in addition a software instance, supporting SED Key Management.
It is strongly recommended to order SafeStore (SED) RAID controller with SED HDD or SSD devices for SafeStore (SED) functionality.
HDD Classes:
Business-Critical (BC) -SATA=Nearline SATA Enterprise Drives / 7.2Krpm, SATA 6G.
Business-Critical (BC) -SAS=Nearline SATA Enterprise Drives / 7.2Krpm, SAS 6G or SAS 12G .
Mission-Critical (MC)=SAS 10K and SAS 15K Enterprise Drives with max. performance and reliability.
Warranty:
SSD and SATA DOM have a built-in Wear-Out indicator. In this case the warranty for such a component, as an exception to the system warranty, is restricted to the time period until the indicator reaches the exhaust level.

2.5" PCIe-SSD, SSD and SATA DOM

SSD SAS 2.5" (SFF) Enterprise performance with hot plug/hot replace tray

capacity	Formfactor	Interface	read	write	Endurance	dwpd (5y)	order code E-part	order code L-part
400GB	2.5" (SFF)	12Gbit/s			Write Intensive	10	S26361-F5608-E400	S26361-F5608-L400
800GB	2.5" (SFF)	12Gbit/s			Write Intensive	10	S26361-F5608-E800	S26361-F5608-L800
1.6TB	2.5" (SFF)	12Gbit/s			Write Intensive	10	S26361-F5608-E160	S26361-F5608-L160
400GB	2.5" (SFF)	12Gbit/s	SED		Write Intensive	10	S26361-F5611-E400	S26361-F5611-L400
800GB	2.5" (SFF)	12Gbit/s	SED		Write Intensive	10	S26361-F5611-E800	S26361-F5611-L800
1.6TB	2.5" (SFF)	12Gbit/s	SED		Write Intensive	10	S26361-F5611-E160	S26361-F5611-L160
480GB	2.5" (SFF)	12Gbit/s			Mixed Use	3	S26361-F5614-E480	S26361-F5614-L480
960GB	2.5" (SFF)	12Gbit/s			Mixed Use	3	S26361-F5614-E960	S26361-F5614-L960
1.92TB	2.5" (SFF)	12Gbit/s			Mixed Use	3	S26361-F5614-E192	S26361-F5614-L192
3.84TB	2.5" (SFF)	12Gbit/s			Mixed Use	3	S26361-F5614-E384	S26361-F5614-L384
400GB	2.5" (SFF)	12Gbit/s			Mixed Use	3	S26361-F5666-E400	S26361-F5666-L400
800GB	2.5" (SFF)	12Gbit/s			Mixed Use	3	S26361-F5666-E800	S26361-F5666-L800
1.6TB	2.5" (SFF)	12Gbit/s			Mixed Use	3	S26361-F5666-E160	S26361-F5666-L160
3.2TB	2.5" (SFF)	12Gbit/s			Mixed Use	2.3	S26361-F5666-E320	S26361-F5666-L320
480GB	2.5" (SFF)	12Gbit/s			Read Intensive	1	S26361-F5617-E480	S26361-F5617-L480
960GB	2.5" (SFF)	12Gbit/s			Read Intensive	1	S26361-F5617-E960	S26361-F5617-L960
1.92TB	2.5" (SFF)	12Gbit/s			Read Intensive	1	S26361-F5617-E192	S26361-F5617-L192
3.84TB	2.5" (SFF)	12Gbit/s			Read Intensive	1	S26361-F5617-E384	S26361-F5617-L384
480GB	2.5" (SFF)	12Gbit/s			Read Intensive	1	S26361-F5670-E480	S26361-F5670-L480
960GB	2.5" (SFF)	12Gbit/s			Read Intensive	1	S26361-F5670-E960	S26361-F5670-L960
1.92TB	2.5" (SFF)	12Gbit/s			Read Intensive	1	S26361-F5670-E192	S26361-F5670-L192
3.84TB	2.5" (SFF)	12Gbit/s			Read Intensive	1	S26361-F5670-E384	S26361-F5670-L384

max. 8x, 16x, 24x or 32x - depending on the HD cage kit chosen.

SSD SATA 2.5" (SFF) Enterprise performance with hot plug/hot replace tray

capacity	Formfactor	Interface	Category	dwpd (5y)	order code E-part	order code L-part
240GB	2.5" (SFF)	6Gbit/s	read / write	3	S26361-F5588-E240	S26361-F5588-L240
480GB	2.5" (SFF)	6Gbit/s	read / write	3	S26361-F5588-E480	S26361-F5588-L480
240GB	2.5" (SFF)	6Gbit/s	read / write	3.6	S26361-F5675-E240	S26361-F5675-L240
480GB	2.5" (SFF)	6Gbit/s	read / write	3.6	S26361-F5675-E480	S26361-F5675-L480
960GB	2.5" (SFF)	6Gbit/s	read / write	3	S26361-F5588-E960	S26361-F5588-L960
1.92TB	2.5" (SFF)	6Gbit/s	read / write	3	S26361-F5588-E192	S26361-F5588-L192
120GB	2.5" (SFF)	6Gbit/s	read intensive	0.3	S26361-F5525-E120	S26361-F5525-L120
800GB	2.5" (SFF)	6Gbit/s	read intensive	0.3	S26361-F5525-E800	S26361-F5525-L800
240GB	2.5" (SFF)	6Gbit/s	read intensive	1	S26361-F5632-E240	S26361-F5632-L240
480GB	2.5" (SFF)	6Gbit/s	read intensive	1	S26361-F5632-E480	S26361-F5632-L480
800GB	2.5" (SFF)	6Gbit/s	read intensive	1	S26361-F5632-E800	S26361-F5632-L800
960GB	2.5" (SFF)	6Gbit/s	read intensive	1	S26361-F5632-E960	S26361-F5632-L960
1.2TB	2.5" (SFF)	6Gbit/s	read intensive	1	S26361-F5632-E120	S26361-F5632-L120
1.6TB	2.5" (SFF)	6Gbit/s	read intensive	1	S26361-F5632-E160	S26361-F5632-L160

max. 8x, 16x, 24x or 32x - depending on the HD cage kit chosen.

F5675: as soon as available

SATA DOM Non volatile storage drive for booting only

capacity	FF	Interface	dwpd (5y)	order code E-part	order code L-part
64GB	DOM	6Gbit/s	0.14	S26361-F5618-E64	S26361-F5618-L64
128GB	DOM	6Gbit/s	0.13	S26361-F5618-E128	S26361-F5618-L128

SATA DOM is designed for use as a boot drive with the Endurance Spec. above.
max. 1x per Server; connector located on Motherboard (please see folder "description"). VMware is not supported.

HDD SATA 2.5" 7.2K (SFF) Business critical with hot plug/hot replace tray

capacity	RPM	Interface	Cache	sector	order code E-part	order code L-part
1.0TB	7 200	6Gbit/s	64MB	512n	S26361-F3926-E100	S26361-F3926-L100
2.0TB	7 200	6Gbit/s	128MB	512n	S26361-F3956-E200	S26361-F3956-L200
1.0TB	7 200	6Gbit/s	128MB	512e	S26361-F3907-E100	S26361-F3907-L100
2.0TB	7 200	6Gbit/s	128MB	512e	S26361-F3907-E200	S26361-F3907-L200

max. 8x, 16x, 24x or 32x - depending on the HD cage kit chosen.

M

2.5" (SFF) Hard drives

HDD SAS 2.5" 7.2K (SFF) Business critical with hot plug/hot replace tray

capacity	RPM	Interface	Cache	sector				order code E-part	order code L-part
1.0TB	7 200	12Gbit/s	128MB	512n				S26361-F5600-E100	S26361-F5600-L100
2.0TB	7 200	12Gbit/s	128MB	512n				S26361-F5600-E200	S26361-F5600-L200
1.0TB	7 200	12Gbit/s	128MB	512e				S26361-F5573-E100	S26361-F5573-L100
2.0TB	7 200	12Gbit/s	128MB	512e				S26361-F5573-E200	S26361-F5573-L200

max. 8x, 16x, 24x or 32x - depending on the HD cage kit chosen.



SAS 10K HDDs not released with PSAS CP400i (S26361-F3842-E2)

HDD SAS 2.5" 10K (SFF) Enterprise performance with hot plug/hot replace tray

capacity	RPM	Interface	Cache	sector				order code E-part	order code L-part
300GB	10 000	12Gbit/s	128MB	512n				S26361-F5550-E130	S26361-F5550-L130
600GB	10 000	12Gbit/s	128MB	512n				S26361-F5550-E160	S26361-F5550-L160
900GB	10 000	12Gbit/s	128MB	512n				S26361-F5550-E190	S26361-F5550-L190
1.2TB	10 000	12Gbit/s	128MB	512n				S26361-F5550-E112	S26361-F5550-L112
300GB	10 000	12Gbit/s	128MB	512n	SED			S26361-F5581-E130	S26361-F5581-L130
600GB	10 000	12Gbit/s	128MB	512n	SED			S26361-F5581-E160	S26361-F5581-L160
1.2TB	10 000	12Gbit/s	128MB	512n	SED			S26361-F5581-E112	S26361-F5581-L112
600GB	10 000	12Gbit/s	128MB	512e				S26361-F5543-E160	S26361-F5543-L160
900GB	10 000	12Gbit/s	128MB	512e				S26361-F5543-E190	S26361-F5543-L190
1.2TB	10 000	12Gbit/s	128MB	512e				S26361-F5543-E112	S26361-F5543-L112
1.8TB	10 000	12Gbit/s	128MB	512e				S26361-F5543-E118	S26361-F5543-L118
1.8TB	10 000	12Gbit/s	128MB	512e	SED			S26361-F5582-E118	S26361-F5582-L118

max. 8x, 16x, 24x or 32x - depending on the HD cage kit chosen.

HDD SAS 2.5" 15K (SFF) Enterprise performance with hot plug/hot replace tray

capacity	RPM	Interface	Cache	sector				order code E-part	order code L-part
300GB	15 000	12Gbit/s	128MB	512n				S26361-F5531-E530	S26361-F5531-L530
450GB	15 000	12Gbit/s	128MB	512n				S26361-F5531-E545	S26361-F5531-L545
600GB	15 000	12Gbit/s	128MB	512n				S26361-F5531-E560	S26361-F5531-L560

max. 8x, 16x, 24x or 32x - depending on the HD cage kit chosen.

3.5" (LFF) Hard drives

8/10TB HDDs not released with PSAS CP400i (S26361-F3842-E2)

HDD SAS 3.5" 7.2K (LFF) business critical with hot plug/hot replace tray

capacity	RPM	Interface	Cache	sector				order code E-part	order code L-part
1TB	7 200	6Gbit/s	32MB	512n				S26361-F3820-E100	S26361-F3820-L100
2TB	7 200	6Gbit/s	32MB	512n				S26361-F3820-E200	S26361-F3820-L200
4TB	7 200	6Gbit/s	32MB	512n				S26361-F3820-E400	S26361-F3820-L400
2TB	7 200	12Gbit/s	128MB	512e				S26361-F5571-E200	S26361-F5571-L200
4TB	7 200	12Gbit/s	128MB	512e				S26361-F5571-E400	S26361-F5571-L400
6TB	7 200	12Gbit/s	128MB	512e				S26361-F5571-E600	S26361-F5571-L600
8TB	7 200	12Gbit/s	256MB	512e				S26361-F5571-E800	S26361-F5571-L800
10TB	7 200	12Gbit/s	256MB	512e				S26361-F5571-E1000	S26361-F5571-L1000
6TB	7 200	12Gbit/s	128MB	512e	SED			S26361-F5584-E600	S26361-F5584-L600
10TB	7 200	12Gbit/s	256MB	512e	SED			S26361-F5624-E1000	S26361-F5624-L1000

max. 4x, 8x, or 12x - depending on the HD cage kit chosen.

512e drives are not supported with VMware 6.0 or earlier



SAS 10K HDDs not released with PSAS CP400i (S26361-F3842-E2)

HDD SAS 3.5" 10K/15K (LFF) 2.5" HDD Enterprise performance with 3.5" hot plug/hot replace tray

capacity	RPM	Interface	Cache	sector				order code E-part	order code L-part
300GB	10 000	12Gbit/s	128MB	512n				S26361-F5568-E130	S26361-F5568-L130
600GB	10 000	12Gbit/s	128MB	512n				S26361-F5568-E160	S26361-F5568-L160
1.2TB	10 000	12Gbit/s	128MB	512n				S26361-F5568-E112	S26361-F5568-L112
1.8TB	10 000	12Gbit/s	128MB	512e				S26361-F5569-E118	S26361-F5569-L118
300GB	15 000	12Gbit/s	128MB	512n				S26361-F5532-E530	S26361-F5532-L530
450GB	15 000	12Gbit/s	128MB	512n				S26361-F5532-E545	S26361-F5532-L545
600GB	15 000	12Gbit/s	128MB	512n				S26361-F5532-E560	S26361-F5532-L560

max. 4x, 8x, or 12x - depending on the HD cage kit chosen.

512e drives are not supported with VMware 6.0 or earlier

HDD SATA 3.5" 7.2K (LFF) business critical with hot plug/hot replace tray

capacity	RPM	Interface	Cache	sector				order code E-part	order code L-part
1TB	7 200	6Gbit/s	64MB	512n				S26361-F3950-E100	S26361-F3950-L100
2TB	7 200	6Gbit/s	64MB	512n				S26361-F3815-E200	S26361-F3815-L200
4TB	7 200	6Gbit/s	64MB	512n				S26361-F3815-E400	S26361-F3815-L400
4TB	7 200	6Gbit/s	128MB	512e			not released for Japan/APAC	S26361-F3904-E400	S26361-F3904-L400
6TB	7 200	6Gbit/s	128MB	512e				S26361-F3904-E600	S26361-F3904-L600
8TB	7 200	6Gbit/s	256MB	512e				S26361-F3904-E800	S26361-F3904-L800
10TB	7 200	6Gbit/s	256MB	512e				S26361-F3904-E1000	S26361-F3904-L1000

max. 4x, 8x, or 12x - depending on the HD cage kit chosen.

512e drives are not supported with VMware 6.0 or earlier

SSD SATA 3.5" (LFF) 2.5" SSD Enterprise with 3.5" hot plug/hot replace tray

capacity	Formfactor	Interface	Category	dwpd (5y)				order code E-part	order code L-part
240GB	3.5" (LFF)	6Gbit/s	read / write	3				S26361-F5589-E240	S26361-F5589-L240
480GB	3.5" (LFF)	6Gbit/s	read / write	3				S26361-F5589-E480	S26361-F5589-L480
240GB	3.5" (LFF)	6Gbit/s	read / write	3.6				S26361-F5673-E240	S26361-F5673-L240
480GB	3.5" (LFF)	6Gbit/s	read / write	3.6				S26361-F5673-E480	S26361-F5673-L480
960GB	3.5" (LFF)	6Gbit/s	read / write	3				S26361-F5589-E960	S26361-F5589-L960
1.92TB	3.5" (LFF)	6Gbit/s	read / write	3				S26361-F5589-E192	S26361-F5589-L192

max. 4x, 8x, or 12x - depending on the HD cage kit chosen.

F5673: as soon as available

M

M										
2.5" NON-hot-plug HDD for internal bays										
2.5" Drives for NON-hot-plug bays (internal)										
capacity	Type	RPM	Interface	Interface	Cache	sector	Endurance	order code E-part	order code L-part	
300GB	HDD	10 000	12GBit/s	SAS 12G	128MB	512n	-0-	S26361-F5642-E130	S26361-F5642-L130	
1.0TB	HDD	7 200	6GBit/s	SATA 6G	128MB	512n	-0-	S26361-F3957-E100	S26361-F3957-L100	
240GB	SSD	-0-	6GBit/s	SATA 6G	-0-	-0-	read / write	S26361-F5677-E240	S26361-F5677-L240	
120GB	SSD	-0-	6GBit/s	SATA 6G	-0-	-0-	read intensive	S26361-F5556-E120	S26361-F5556-L120	
240GB	SSD	-0-	6GBit/s	SATA 6G	-0-	-0-	read intensive	S26361-F5633-E240	S26361-F5633-L240	
1.0TB	HDD	7 200	6GBit/s	SAS 6G	64MB	512n	-0-	S26361-F5555-E100	S26361-F5555-L100	
only possible in TXRX2560 M2 base unit with 12x 3.5" HDD HD cage kit (S26361-F3900-E312) -- These HDD are intended to be Boot HDD and are mounted in a NON-hot-plug cage in the interior of the Server. Can be secured via the key lock.										
N										

Chapter 11 - LAN Components					
Dynamic LoM interface cards		one DynamicLoM order code is mandatory			
Interface card to provide the external connectors for on-board LAN					
PLAN EM blind panel	Blind panel if no DynamicLoM	S26361-F5302-E100	n/a		
PLAN EM 2x1Gb T interface card	2x RJ45 plug for 1000BASE-T	S26361-F5302-E201	S26361-F5302-L201		
PLAN EM 4x1Gb T interface card	4x RJ45 plug for 1000BASE-T	S26361-F5302-E401	S26361-F5302-L401		
PLAN EM 2x10Gb T interface card EMEA	2x RJ45 plug for 10GBASE-T	S26361-F5302-E210	S26361-F5302-L210		
PLAN EM 2x10Gb T interface card v2 APC, JP	2x RJ45 plug for 10GBASE-T	S26361-F5302-E220	S26361-F5302-L220		
PLAN EM 2x10Gb SFP interface card	2x SFP+ plugs for twinax or modules for SFP modules and cables see link	S26361-F5302-E211	S26361-F5302-L211		
required 1x per system					
1Gb Ethernet network components					
1Gb Ethernet controller with RJ45 interface (1000BASE-T)					
PLAN AP 1x1Gbit Cu Intel I210-T1	6x	1 port, Intel	S26361-F3852-E1	S26361-F3852-L501	
PLAN CP 2x1Gbit Cu Intel I350-T2	6x	2 port, Intel	S26361-F4610-E2	S26361-F4610-L502	
PLAN CP 4x1Gbit Cu Intel I350-T4	6x	4 port, Intel	S26361-F4610-E4	S26361-F4610-L504	
max. 6 Controller per system					
10Gb Ethernet network components					
as soon as available					
10Gb Ethernet controller with RJ45 interface (10GBASE-T)					
Eth Ctrl 2x10GBase-T PCIe x8 X540-T2	6x	2 port NIC, Intel	S26361-F3752-E2	S26361-F3752-L502	
PLAN EP X550-T2 2x10GBASE-T	6x	2 port NIC, Intel	S26361-F3948-E2	S26361-F3948-L502	
PLAN EP OCe14102 2x 10GBase-T	6x	2 port NIC with RDMA, Emulex	S26361-F5557-E1	S26361-F5557-L501	
10Gb Ethernet controller with SFP+ interface (for SFP+ modules or twinax cables, Fujitsu / Intel based)					
Eth Ctrl 2x10Gbit PCIe x8 D2755 SFP+	4x	2 port NIC, Intel 82599 based	S26361-F3629-E2	S26361-F3629-L502	
PLAN EP X710-DA2 2x10Gb SFP+	4x	2 port NIC, Intel	S26361-F3640-E2	S26361-F3640-L502	
optional 10Gb SFP+ module with LC connector for Fujitsu / Intel based controller					
SFP+ Module MMF 10GbE LC	2x	MMF / SR SFP+ module, up to 400m	S26361-F3986-E3	S26361-F3986-L3	
SFP+ Module SMF 10GbE LC	2x	SMF / LR SFP+ module, up to 10km	S26361-F3986-E4	S26361-F3986-L4	
Twinax Anschlussplatz Primergy	2x	virtual connector for twinax cables	V:TWX CONNECTOR-PY		
SFP+ active Twinax Cable Fujitsu	2x	customized cable length	S26361-F3989-E600	see table at the bottom of this page	
SFP+ active Twinax Cable Brocade	2x	(best fitting cable length is defined during rack installation at the factory)	S26361-F3873-E500		
SFP+ passive Twinax Cable Cisco	2x		S26361-F4571-E500		
max. 2x SFP+ or Twinax Cable per controller					
10Gb Ethernet controller with SFP+ interface (for SFP+ modules or twinax cables, Emulex)					
PLAN EP OCe14102 2x10Gb	6x	2 port NIC with RDMA, Emulex	S26361-F5536-E2	S26361-F5536-L502	
PCNA EP OCe14102 2x 10Gb	6x	2 port CNA with FCoE & RDMA, Emulex	S26361-F5250-E1	S26361-F5250-L501	
optional 10Gb SFP+ module with LC connector for Emulex controller					
PCNA SFP+ MMF Modul OCe14102	2x	MMF / SR SFP+ module, up to 400m	S26361-F5250-E110	S26361-F5250-E110	
Twinax Anschlussplatz Primergy	2x	virtual connector for twinax cables	V:TWX CONNECTOR-PY		
SFP+ active Twinax Cable Fujitsu	2x	customized cable length	S26361-F3989-E600	see table at the bottom of this page	
SFP+ active Twinax Cable Brocade	2x	(best fitting cable length is defined during rack installation at the factory)	S26361-F3873-E500		
SFP+ passive Twinax Cable Cisco	2x		S26361-F4571-E500		
max. 2x SFP+ or Twinax Cable per controller					
max. 6 Controller per system					
25/10Gb Ethernet network components					
25/10Gb Ethernet controller with 2x SFP28 cages (for twinax cables or optical transceiver SFP+ modules)					
Dual speed support, auto-sense - supports 25Gbps and 10Gbps line rate per-port					
PLAN EP QL45212 2x25Gb	2x	Dual Port NIC, RoCE RDMA, WS2016, Ologic	S26361-F5622-E2	S26361-F5622-L502	
PLAN EP QL45212 2x25Gb LP	2x	Dual Port NIC, RoCE RDMA, WS2016, Ologic	S26361-F5622-E202	S26361-F5622-L502	
optional 25Gb SFP28 module with LC connector for Fujitsu / Intel / Ologic based controller					
Twinax Anschlussplatz Primergy	2x	virtual connector for twinax cables	V:TWX CONNECTOR-PY		
SFP28 Twinaxial Cable Fujitsu	2x	customized cable length	future	future	
SFP28 Twinax Cable Brocade	2x	(best fitting cable length is defined during rack installation at the factory)	future		
max. 2x SFP28 Twinax Cable per controller					
optional 10Gb SFP+ module with LC connector for Fujitsu / Intel / Ologic based controller					
SFP+ Transceiver Module MMF 10GbE LC	2x	MMF / SR SFP+ module, up to 400m	S26361-F3986-E3	S26361-F3986-L3	
SFP+ Transceiver Module SMF 10GbE LC	2x	SMF / LR SFP+ module, up to 10km	S26361-F3986-E4	S26361-F3986-L4	
Twinax Anschlussplatz Primergy	2x	virtual connector for twinax cables	V:TWX CONNECTOR-PY		
SFP+ active Twinax Cable Fujitsu	2x	customized cable length	S26361-F3989-E600	see table at the bottom of this page	
SFP+ active Twinax Cable Brocade	2x	(best fitting cable length is defined during rack installation at the factory)	S26361-F3873-E500		
max. 2x SFP+ or Twinax Cable per controller					
max. 2 Controller per system					
40/10Gb Ethernet network components					
On special release only					
40Gb Ethernet controller with QSFP+ interface (for QSFP+ modules or twinax cables, Emulex)					
PCNA EP OCe14401 1x 40Gb	2x	1x QSFP+ plugs for twinax or modules	S26361-F5539-E1	S26361-F5539-L501	
optional 40Gb QSFP+ module with MTO connector for Emulex controller					
SFP+ Module MMF 10GbE LC	1x	MMF / SR SFP+ module, up to 400m	S26361-F5539-E140	S26361-F5539-L140	
Twinax Anschlussplatz Primergy	1x	virtual connector for twinax cables	V:TWX CONNECTOR-40		
QSFP+ active Twinax Cable	1x	customized cable length	S26361-F3986-E400	see table at the bottom of this page	
QSFP+ aktives Twinax Kabel Brocade	1x	(best fitting cable length is defined during rack installation at the factory)	S26361-F5317-E40		
max. 1x QSFP+ or Twinax Cable per controller					
max. 1 Controller per system					

Q	
Network cables for later upgrade	
Fujitsu active SFP+ Twinax 10Gb cable	
SFP+ active Twinax Cable Fujitsu 2m	S26361-F3989-L102
SFP+ active Twinax Cable Fujitsu 5m	S26361-F3989-L105
SFP+ active Twinax Cable Fujitsu 10m	S26361-F3989-L110
Brocade active SFP+ Twinax 10Gb cable	
SFP+ active Twinax Cable Brocade 1m	S26361-F3873-L501
SFP+ active Twinax Cable Brocade 3m	S26361-F3873-L503
SFP+ active Twinax Cable Brocade 5m	S26361-F3873-L505
Fujitsu QSFP+ / QSFP+ Twinax 40Gb cable	
QSFP+ passive Twinax Cable Fujitsu 2m	S26361-F3986-L402
QSFP+ passive Twinax Cable Fujitsu 5m	S26361-F3986-L405
QSFP+ active Twinax Cable Fujitsu 10m	S26361-F3986-L410
Brocade active QSFP+ / QSFP+ Twinax 40Gb cable	
QSFP+ active Twinax Cable Brocade 1m	S26361-F5317-L41
QSFP+ active Twinax Cable Brocade 3m	S26361-F5317-L43
QSFP+ active Twinax Cable Brocade 5m	S26361-F5317-L45
40GE Direct Attached QSFP-QSFP, 10m, 1pack	D:QSFP-QSFP-AOC10L
Brocade active QSFP+ / 4xSFP+ Twinax 40Gb cable	
QSFP+/4xSFP+ Breakout Cable Brocade 1m	S26361-F5317-L401
QSFP+/4xSFP+ Breakout Cable Brocade 3m	S26361-F5317-L403
QSFP+/4xSFP+ Breakout Cable Brocade 5m	S26361-F5317-L405
4x10GE Direct QSFP-4SFP Cable, 10m, 1-pack	D:QSFP-4SFP-AOC10L
R	

Chapter 12 - Fibre Channel Controller

R

8Gb Fibre Channel controller generation 4 with LC interface for 50µm optical cables (OM3 or OM4)				
FC Ctrl 8Gb/s 1 Kanal LPe1250 MMF LC	8x	1 port, full height, Emulex	S26361-F3961-E1	S26361-F3961-L1
FC Ctrl 8Gb/s 2 Kanal LPe12002 MMF LC	8x	2 port, full height, Emulex	S26361-F3961-E2	S26361-F3961-L2
FC Ctrl 8Gb/s 1 Kanal QLE2560 MMF LC	8x	1 port, full height, Qlogic	S26361-F3631-E1	S26361-F3631-L1
FC Ctrl 8Gb/s 2 Kanal QLE2562 MMF LC	8x	2 port, full height, Qlogic	S26361-F3631-E2	S26361-F3631-L2
16Gb Fibre Channel controller generation 5 with LC interface for 50µm optical cables (OM3 or OM4)				
PFC EP LPe16000 1x 16Gb	8x	1 port, full height, Emulex	S26361-F4994-E1	S26361-F4994-L501
PFC EP LPe16002 2x 16Gb	8x	2 port, full height, Emulex	S26361-F4994-E2	S26361-F4994-L502
PFC EP QLE2670 1x 16Gb	8x	1 port, full height, Qlogic	S26361-F5313-E1	S26361-F5313-L501
PFC EP QLE2672 2x 16Gb	8x	2 port, full height, Qlogic	S26361-F5313-E2	S26361-F5313-L502
16Gb Fibre Channel controller generation 6 with LC interface for 50µm optical cables (OM3 or OM4)				
PFC EP LPe31000 1x 16Gb Emulex	8x	1 port, full height, Emulex	S26361-F5596-E1	S26361-F5596-L501
PFC EP LPe31002 2x 16Gb Emulex	8x	2 port, full height, Emulex	S26361-F5596-E2	S26361-F5596-L502
PFC EP QLE2690 1x 16Gb	8x	1 port, full height, Qlogic	S26361-F5580-E1	S26361-F5580-L501
PFC EP QLE2692 2x 16Gb	8x	2 port, full height, Qlogic	S26361-F5580-E2	S26361-F5580-L502
max. 8 Controller per system (mixed configurations are supported)				
32Gb Fibre Channel controller generation 6 with LC interface for 50µm optical cables (OM3 or OM4)				
Triple speed support - supports 32Gb, 16Gb, and 8Gb				
PFC EP LPe32000 1x 32Gb	4x	1 port, full height, Broadcom/Emulex	S26361-F4044-E1	S26361-F4044-L501
PFC EP LPe32002 2x 32Gb	4x	2 port, full height, Broadcom/Emulex	S26361-F4044-E2	S26361-F4044-L502

Chapter 13 - Infiniband Controllers

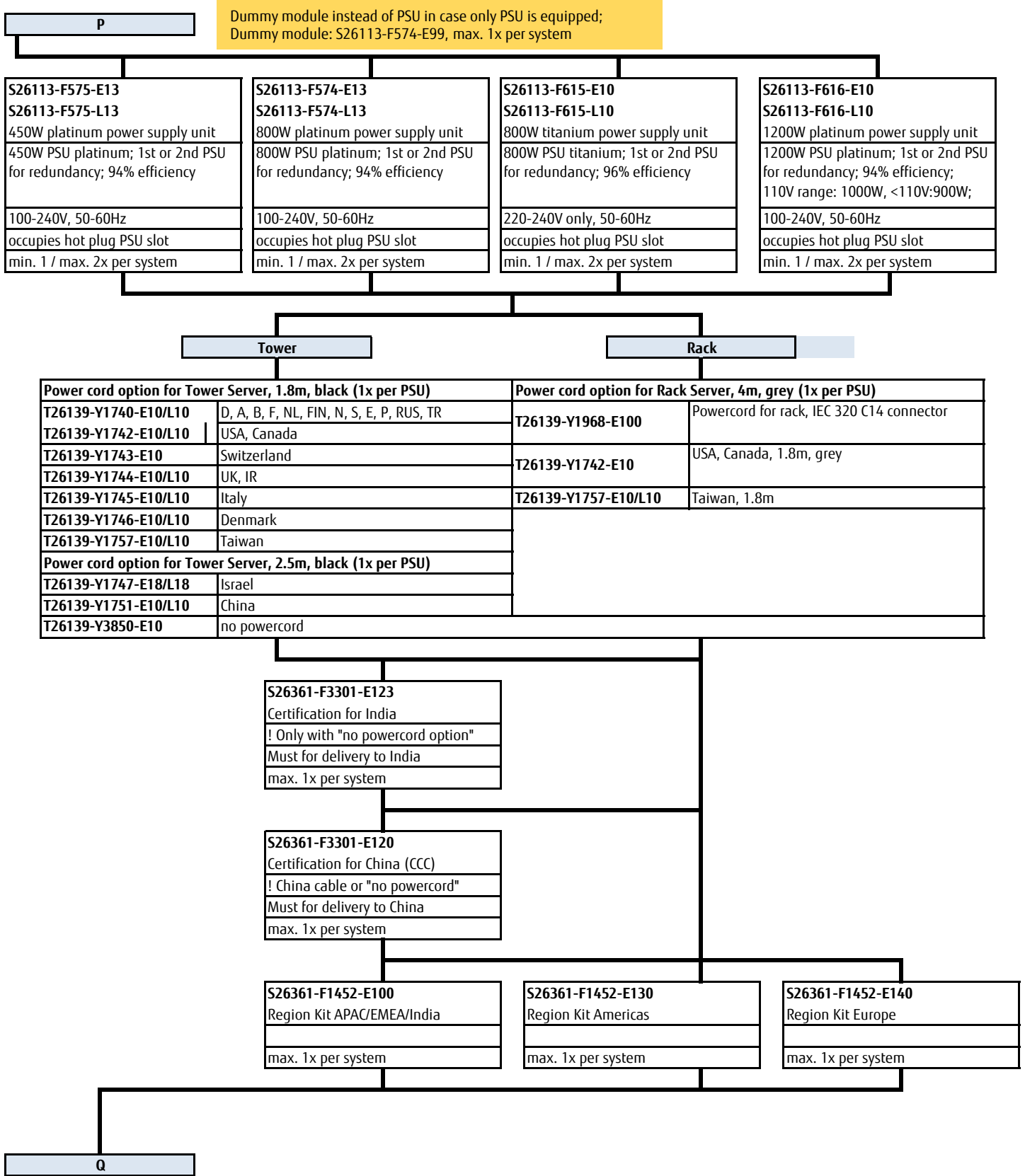
in total max. 2x Controller per System

S26361-F4533-E102
S26361-F4533-L102
IB HCA 56Gb 1channel FDR
56GBit 1channel Infiniband Controller with FDR technology (8.0GT/s)
Q-SFP+ connector
PCIe Gen3 x8 full height Card, 170mm
max. 2x per system

S26361-F4533-E202
S26361-F4533-L202
IB HCA 56Gb 2channel FDR
56GBit 2channel Infiniband Controller with FDR technology (8.0GT/s)
Q-SFP+ connector
PCIe Gen3 x8 full height Card, 170mm
max. 2x per system

P

Chapter 14 - Power supply unit, power cable, country specific options



Chapter 15 - Accessories

Q

<http://www.fujitsu.com/fts/products/computing/peripheral/accessories/index-facts.html>

USB Mouse:

Mouse M520 Black	S26381-K467-E100	S26381-K467-L100
Mouse M520 Grey	S26381-K467-E101	S26381-K467-L101
Mouse M530 Black	n/a	S26381-K468-L100
Mouse M530 Grey	n/a	S26381-K468-L101



USB sticks (FOR PROJECTS ONLY) - no standard release

ADATA USB 3.0 Flash Stick UE700 – 32GB		S26391-F6048-L332
ADATA USB 3.0 Flash Stick UE700 – 64GB		S26391-F6048-L364



USB Keyboards for Tower Servers for following countries:

USB professional Keyboard KBPC PX ECO	Country version	FUJITSU Keyboard KB521 USB (grey)
	US/ int 105 keys (UK keyboard + US int. Layout)	S26381-K521-E102
S26381-K341-E104	Czech/Slovak	S26381-K521-E104
S26381-K341-E110	US 104 keys (US keyboard + US layout)	S26381-K521-E110
S26381-K341-E120	Germany	S26381-K521-E120
S26381-K341-E122	Germany / Int	S26381-K521-E122
S26381-K341-E140	France	S26381-K521-E140
S26381-K341-E154	Sweden / Finland	S26381-K521-E154
S26381-K341-E165	United Kingdom	S26381-K521-E165
S26381-K341-E170	Switzerland	S26381-K521-E170
S26381-K341-E180	Spain	S26381-K521-E180
S26381-K341-E185	Italy	S26381-K521-E185



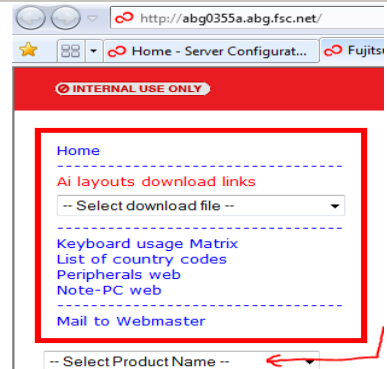
USB Optical Disc Drive

External Ultra Slim Portable DVD Writer (Hitachi-LG)	S26341-F103-L142
--	------------------



Please find the layout of all Fujitsu keyboards here:
<http://abg0355a.abg.fsc.net/>

R



"Desktop"

Chapter 16 - others

R

S26361-F1790-E243 S26361-F1790-L244
iRMC S4 advanced pack
integrated remote Management controller activation key for graphical console redirection and remote media redirection
max. 1x per system

The ATD feature cannot operate with LTO drives. They will be excluded from configurations with ATD

S26361-F3776-E240
Cool-safe [®] Advanced Thermal design 40°C
enables the PRIMERGY Server to cope with temperatures from 5-40° in operating mode due to extended Fan settings
this setting can be activated ex factory only
max. 1x per system

S26361-F3776-E245
Cool-safe [®] Advanced Thermal design 45°C
enables the PRIMERGY Server to cope with temperatures from 5-45° in operating mode due to extended Fan settings
this setting can be activated ex factory only
max. 1x per system

S26361-F3120-E3 S26361-F3120-L3
Serial port - RS232 (rear side)
Serial port - RS232 mounted at rear side, connected via cable
max. 1x per system

This option serial port is dedicated for several PRIMERGY Servers and will be delivered with full height and low profile brackets, which are not required for PRIMERGY TX2560 M2 / RX2560 M2.

S26361-F3552-E6 S26361-F3552-L6
TPM 1.2 Module
max. 1x per system

S26361-F3552-E10 S26361-F3552-L10
TPM 2.0 Module
max. 1x per system

S26361-F3552-L23
TPM 1.2 Module

You would like to add some customer specific solutions?

made4you

With our made4you service we fulfill any individual requirement and wish of our customers perfectly - e.g.

- > special hardware configurations,
- > staging services ex factory,
- > extended lifecycle management,
- > customer specific logos, component,
- > BIOS fixes and many more.

For further information please contact us



Fujitsu Portfolio

Build on industry standards, Fujitsu offers a full portfolio of IT hardware and software products, services, solutions and cloud offering, ranging from clients to datacenter solutions and includes the broad stack of Business Solutions, as well as the full stack of Cloud offering. This allows customers to leverage from alternative sourcing and delivery models to increase their business agility and to improve their IT operation's reliability

Your Server is ready

Date of change	Folder / order code / description	What has been changed / comment
25.10.2017	HD_SSD / exclusions for 8/10TB HDDs and PRAID E	removed
25.10.2017	RAID	note in Z7542 changed
19.10.2017	HD_SSD / S26361-F5298/F5592/F5593-*	removed (EOL)
05.09.2017	HD_SSD / F5534/F5546-*	removed (EOL)
24.07.2017	HD_SSD / F5673/F5675/F5677-*	added
13.06.2017	S26361-F5243-E155/L110	description changed
06.06.2017	HD_SSD / F5588/F5589/F5603-E120 /	F5525-E240/E480 / F5522-E64/E128 removed
06.06.2017	HD_SSD / Note / F5666/F5670-*	updated / added
06.06.2017	S26361-F5243-E6, -L506, -E5, -L505	description changed
18.05.2017	RAID	Info-Text added
03.05.2017	RAID	EP440i for SafeStore info changed
27.04.2017	PLAN EP QL45212	Updated
27.04.2017	USB devices	added new HLDS ODD
25.04.2017	HD_SSD / S26361-F5642-E130/L130	added
27.03.2017	HD_SSD / F5583-*/ F3908-E250 / F3926/F5555-E5	removed
27.03.2017	HD_SSD / Note / S26361-F5618-*	updated / Endurance updated
22.03.2017	S26361-F5243-E6, -L506	comment added
14.03.2017	S26361-F3934-E517/L517	comment added
14.03.2017	S26361-F3933-L5*	loose components added
14.02.2017	S26361-F5243-E5, E205, L505, E6, E206, L506 and S26361-F5243-L760	Included PRAID EP440i + EP440i for Safestore + Cable Set
08.02.2017	S26361-F5243-E4	comment added
07.02.2017	HD_SSD / S26361-F5618-*	added
01.02.2017	backup / S26361-F3626-E2, -L2	added comment (pre-removed) LTO4
01.02.2017	backup / RDX	added order code table of available cartridge
24.01.2017	RAM	Memory speed corrected
17.01.2017	HD_SSD / 8/10TB HDDs	Info-Text added
11.01.2017	S26361-F3933-L5*	loose components added
26.12.2016	HD_SSD / SED	added
22.12.2016	S26361-F5538-E514/S26361-F5554-E130	removed
22.12.2016	S26361-F5632/F5633-*	added
22.12.2016	S26361-F3904/F5571-E800/E100	added
14.12.2016	FC_IB	Low Profile 32Gb FC controller deleted, not applicable
13.12.2016	T26139-Y1747-E18/L18	added power cord for Israel
13.12.2016	S26361-F5243-E4/L4	V550 for EMEA only
23.11.2016	FC_IB	New Fibre Channel Controller added
09.11.2016	HD_SSD / S26361-F5555-E100/L100	added
08.11.2016	S26361-F5302-E220, -L220	New product: PLAN EM 2x10Gb T interface card APC, JP
02.11.2016	S26361-F5622-E2, -E202, -L502	Released: PLAN EP QL45212
28.10.2016	S26341-F103-L140	External ODD option updated
27.10.2016	S26361-F3933-E192	added
27.09.2016		Memory page updated
20.09.2016	S26361-F5622-E2, -E202, -L502	Added: PLAN EP QL45212
16.09.2016	S26361-F3900-E408/-E416/-E424	Notice added, that these config's require 1x PCIe slot
15.09.2016	S26361-F5606-E1/L1	LTO7 drive added
08.08.2016	S26361-F3956-E200/L200 / F3957-E100/L100	added
08.08.2016	S26361-F5600-*/ F5603-E120/L120	now available
02.08.2016	S26361-F3935-E515/L515	added
15.07.2016	S26361-F5614/F5617-*	added
14.07.2016	S26361-F5608-*	added
12.07.2016	S26361-F5600-*	added
11.07.2016	S26361-F5603-E120/L120	added
22.06.2016	S26361-F3934-E517	64GB 3DS RDIMM added
16.06.2016	S26361-F3552-L23	added TPM 1.2 Module
06.06.2016	S26361-F5539-E1 /-L501	PCNA EP OCe14401 1x 40Gb on special release only
03.06.2016	S26361-F3933-L537 / -L567	added
02.06.2016	S26361-F5243-E4/L4	added
19.05.2016	HDD	Restriction for SAS 10K HDDs with PSAS CP400i.
12.05.2016	DVD RW Supermulti: S26361-F3269-E2/-L2	Availability only on special release.
10.05.2016	FC-HBA / S26361-F5580-xxx	QLE269x finally released
06.05.2016	HD_SSD / S26361-F5531-*	now available
19.04.2016	S26361-F5559-*(HDD)	2.5" BC SATA 512n 500GB, 1TB removed
12.04.2016	PCIeSSD S26361-F5546-*	now available
05.04.2016	T26139-Y1757-E10	added power cord for Taiwan
18.03.2016	S26381-K468-L100	Added M530 mouse black

14.03.2016	T26139-Y1742-E10	changed color to black
01.03.2016	TX2560 M2 / RX2560 M2	FIRST RELEASE